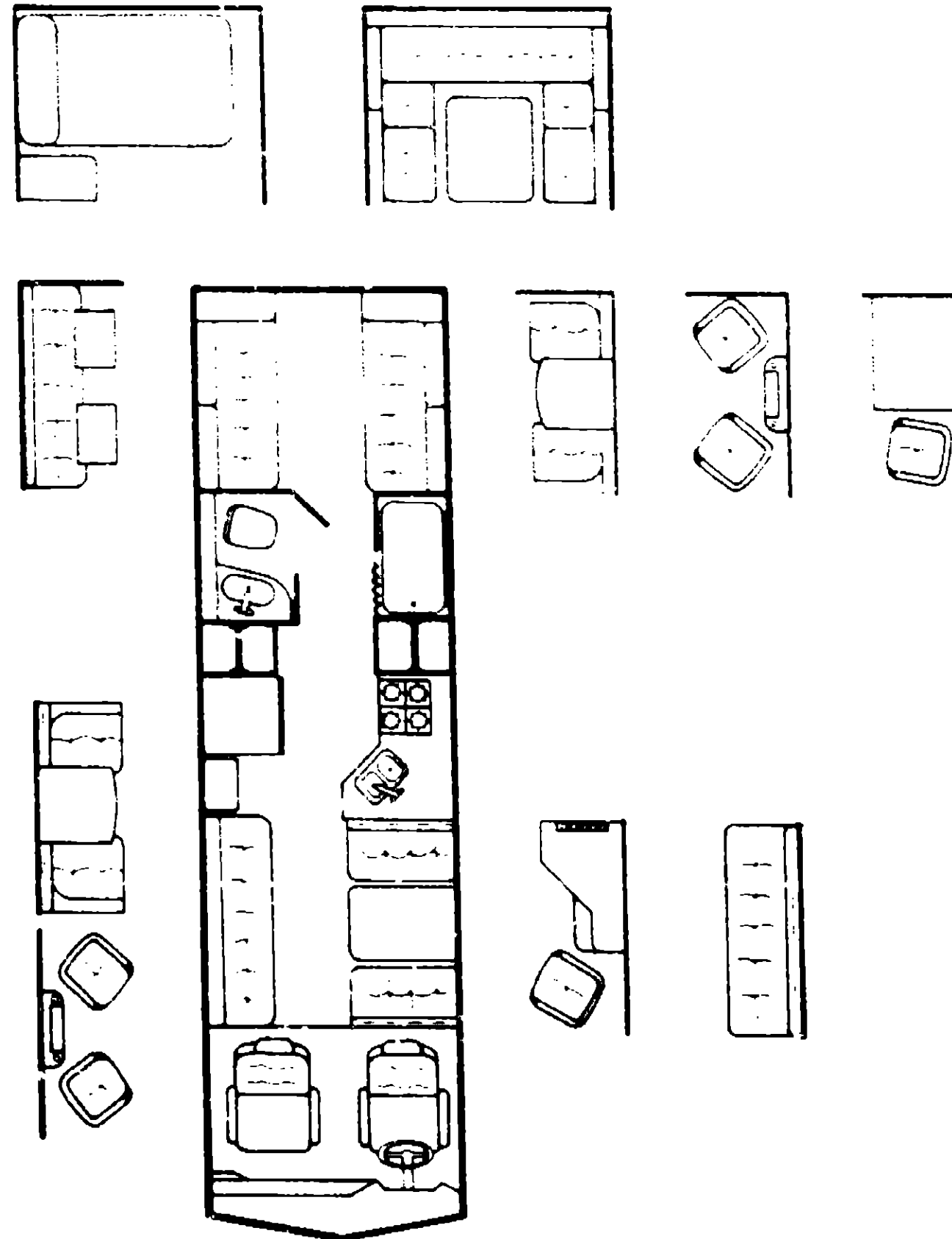


# 1979 ICN29RT



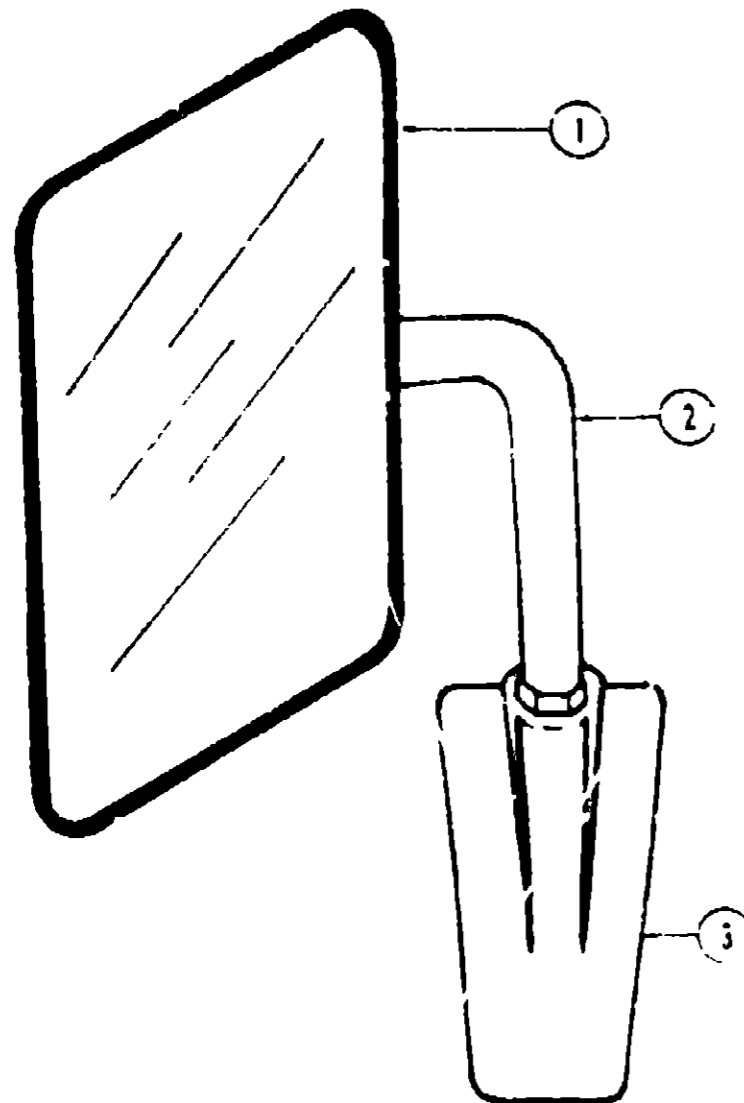
## 1979 ITASCA TABLE OF CONTENTS

CF23RG	A-1 - B-6
CF26RH	B-7 - D-8
ICN26RH	D-9 - E-22
CF26RT	E-23 - G-14
ICN29RT	G-15 - I-10

## 1979 ICN29RT INDEX

Floor Plan	G-15 - G-16
Accessories Group	G-17 - G-18
Bath Group	G-19 - G-20
Chassis Group	G-21
Curtain, Cushion & Pad Group	G-22 - H-3
Dinette Group	H-4
Driver's Compartment Group	H-5 - H-6
Electrical Group	H-7 - H-9
Exterior Body Group	H-10 - H-13
Galley Group	H-14
Heating & Air Conditioning Group	H-15 - H-16
Interior Finish Group	H-17 - H-19
LP Group	H-19
Lounge Group	H-20 - H-21
Water & Sewage Group	H-22
Window, Vent & Exterior Door Group	H-23 - I-10

## ACCESSORIES GROUP



Key	Part Number	U/M	Description
1	057481-01-000	EA	Mirror Head - 7 1/2" x 10 1/2" - w/Convex - Stainless Steel
2	048348-U1-000	EA	Arm - Low Mount Mirror - Bright Finish
3	048944-03-000	EA	Bracket - Mirror - Outside - Gray

### RADIO AND RELATED COMPONENTS

Key	Part Number	U/M	Description
	048730-01-000	EA	Radio - Claron - AM w/Fader Switch
	048731-01-000	EA	Radio - Claron - AM/FM/MPX - w/Fader Switch
	048732-01-000	EA	Radio - Claron - AM/FM/MPX - 8 Track - w/Fader Switch
	058014-02-000	EA	Radio - Motorola - AM/FM Stereo, Cassette
	058014-01-000	EA	Radio - Motorola - AM/FM Stereo, 8 Track
	053788-01-000	EA	Speaker - Recessed - 5 1/4" - 10 oz.
	031105-01-000	EA	Antenna - Radio - Side Mount
	031105-01-700	EA	Holder - Antenna - Radio - Upper
	048153-01-000	EA	Antenna - CR Camper Style
	058288-01-000	EA	Grille - Speaker - 5 1/4"
	058725-01-000	EA	Grille Arm - Speaker - Motorola
	058726-01-000	EA	Speaker Arm - Motorola

## ACCESSORIES GROUP (CONTINUED)

### FRONT BUNK AND HARDWARE

Key	Part Number	U/M	Description
	058300-01-K11	EA	Cabinet Asm. - Front Overhead
	058844-01-K11	EA	Bunk Board Asm. - Front Overhead w/Rails
	053773-01-000	EA	Support - Overhead Bunk - Brown - Right
	053773-02-000	EA	Support - Overhead Bunk - Brown - Left
	040071-02-000	EA	Support - Bunk - Fast Belt
	041322-01-000	EA	Washer - Flat - 15/32" I.D. x 2 3/8" O.D.
	009516-02-000	EA	Catch - Bunk - Brown
	023812-22-000	EA	Rail - Bunk - 80" - Brown
	053774-01-000	EA	Torsion Rod - Overhead Bunk - Brown

### GENERATORS AND COMPONENTS

Key	Part Number	U/M	Description
**	054429-01-000	EA	Generator - Onan - 4.0 kw - BFA
**	054431-01-000	EA	Generator - Onan - 5.0 kw - BGA
**	054433-01-000	EA	Generator - Onan - 6.5 kw
	701629-02-000	EA	Onan Installation Package
	024732-01-001	EA	Thermpipe - 1 1/2" O.D. x 23"
	054426-01-000	EA	Muffler - Generator - w/Spark Arrestor
	740313-56-000	EA	Tray - Generator - 4.0 - 5.0 kw Onan
	740313-57-000	EA	Tray - Generator - 6.5 kw - Onan

\*\*The illustrated parts breakdown for this item is provided on the Common Items Fiche.

### MISCELLANEOUS ACCESSORIES

Key	Part Number	U/M	Description
	054185-04-000	EA	Owner's Manual - Itasca
	008053-01-000	EA	Antenna - TV Braunl Delux
	008093-01-000	EA	Jack - TV - Brown (Antenna)
	008053-01-700	EA	Repair Parts Kits - Braunl TV Antenna
	084082-01-000	EA	Wheel Cover - Delmat - Bolt On
	084082-02-000	EA	Retaining Nut - Delmat Wheel Cover
	084082-05-700	EA	Retainer Bracket - Bolt on Wheel Cover - Chevrolet - Front
	084082-05-701	EA	Retainer Bracket - Bolt On Wheel Cover - Chevrolet - Rear
	008076-01-000	EA	Ladder - Front Bunk
	017516-01-000	EA	Mud Flap - Black - 14" x 18" w/Holes
	008113-01-000	EA	Jack Hydraulic - 5 Ton
	041944-01-700	EA	Fire Extinguisher - w/Bracket
	052771-02-000	EA	Oven - Microwave - Magic Chef MW207
	055285-01-000	EA	Vacuum Cleaner - Built In - Tevis Campbell
	055285-01-700	EA	Attachment Package - Vacuum - Tevis Campbell
	055285-01-701	EA	Disposable Bags - Vacuum - Tevis Campbell - Package (12)
	057488-01-000	EA	TV - Color - 12" - Trinitron - Sony
	058253-01-000	EA	Ladder Asm. - w/Luggage Rack
**	041088-02-000	EA	Ladder Asm.
	041848-01-000	EA	Luggage Carrier Assembly
	038861-01-000	EA	Catch and Strike - Luggage Carrier
**	031388-02-000	EA	Wheel Cover - 19.5" Chrome
	058778-01-000	EA	Speed Control Package - Electric - Chev. - Dana
	052241-05-000	EA	Cover - Spare Tire - Gray Plastic

\*\*The illustrated parts breakdown for this item is provided on the Common Items Fiche.

## 1979 ITASCA TABLE OF CONTENTS

ICF23RG	A-1 - B-16
ICF26RH	B-17 - D-8
ICN26RB	D-9 - E-22
ICF28RT	E-23 - G-14
ICN29RT	G-15 - I-10

## 1979 ICN29RT INDEX

Floor Plan	G-15 - G-18
Accessories Group	G-17 - G-18
Bath Group	G-19 - G-20
Chassis Group	G-21
Curtain, Cushion & Pad Group	G-22 - H-3
Dinette Group	H-4
Driver's Compartment Group	H-5 - H-6
Electrical Group	H-7 - H-9
Exterior Body Group	H-10 - H-13
Galley Group	H-14
Heating & Air Conditioning Group	H-15 - H-16
Interior Finish Group	H-17 - H-18
LP Group	H-19
Lounge Group	H-20 - H-21
Water & Sewage Group	H-22
Window, Vent & Exterior Door Group	H-23 - I-10

## BATH GROUP

### BATH CABINETS

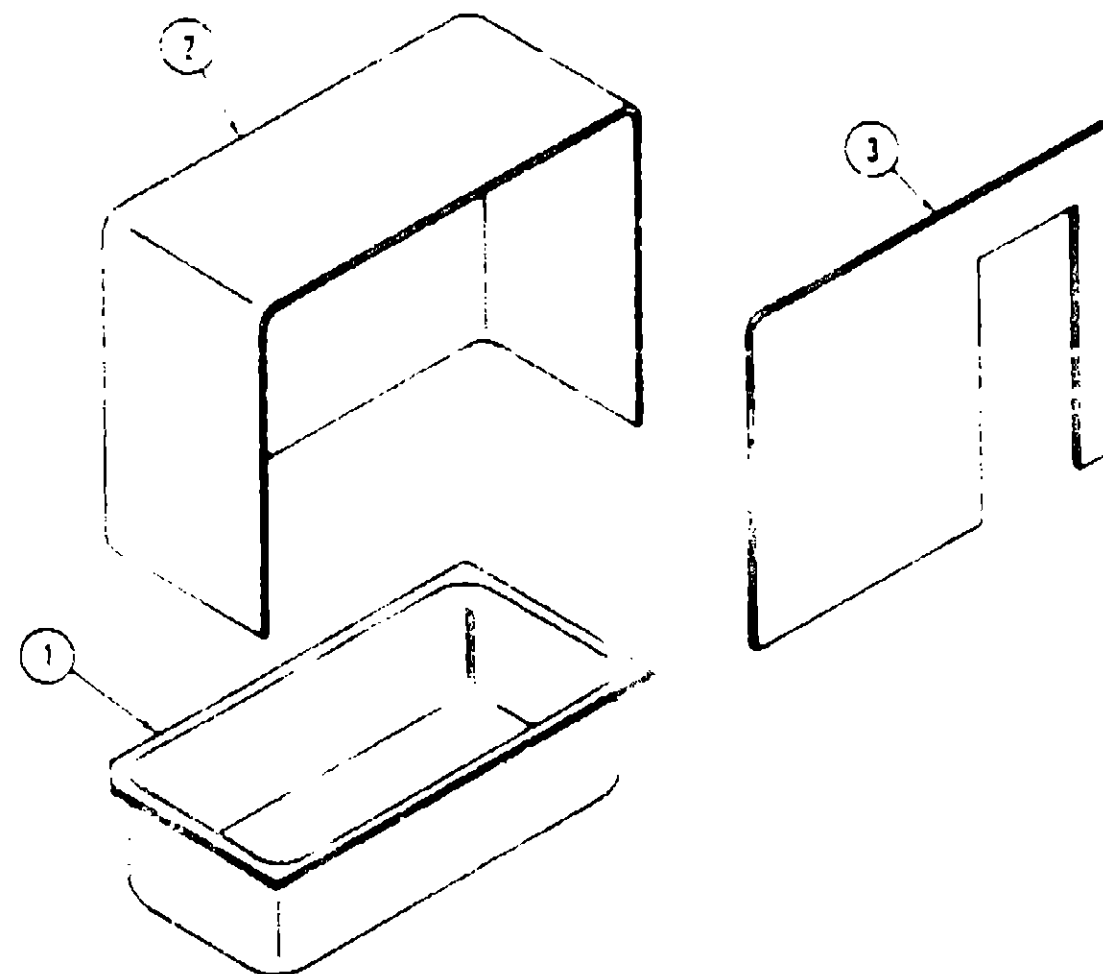
Key	Part Number	U/M	Description
	061941-01-K11	EA	Cabinet Asm - Lavatory - w/ 2 Counter Top Doors or Hardware
	061940-01-K11	EA	Countertop Asm - Lavatory Cabinet - Came
	059122-10-K11	EA	Door Asm - Rollo - Lavatory Cabinet - 28" x 26 8"
	061942-01-K11	EA	Cabinet Asm - Medicine - w/ 2 Doors or Hardware
	059842-10-K11	EA	Door Asm - Medicine Cabinet - w/ Mirror - 25 1/2" x 29 1/2" - w/ Hardware
	059092-46-K11	EA	Door Asm - Medicine Cabinet - 11 5/8" x 20 1/2" - w/ Hardware
	059A37-01-K11	EA	Door Asm - Bath - w/ Mirror - 22 1/2" x 29 1/2" - w/ Hardware
	058233-03-K11	EA	Door Asm - Bathroom - 24 2/3" x 23" - w/ Towel Rack or Hardware
	052563-01-000	EA	Rack Asm - Towel - Mounts on Bath Door
	059842-07-K11	EA	Door Asm - Wardrobe - 13 1/2" x 45 1/2" - w/ Mirror or Hardware
	049843-07-K11	EA	Door Asm - Furnace - 22 1/2" x 27 1/2" - w/ Hardware
	062906-01-000	EA	Door Asm - Shower - Enclosure - Complete w/ Frame
	061942-01-K11	EA	Door Asm - Sliding - 27 1/4" x 23 1/2" - w/ Hardware

### BATH HARDWARE

Key	Part Number	U/M	Description
**	011056-01-000	EA	Faucet - Lavatory - U.S.
**	011056-02-000	EA	Faucet - Lavatory - C.S.A.
	058640-01-000	EA	Sink - Oval - Ivory Plastic
	011083-01-000	EA	Plug - Sink - 1 1/4" w/ Chain
**	031558-01-000	EA	Faucet - Tub and Shower
**	011048-01-000	EA	Shower Head - w/ 60" Hose
**	010485-01-000	EA	Hose Clamp - 9/16"
**	011086-01-000	EA	Strainer - Shower Pan
**	011088-01-000	EA	Tailpiece - 1 1/4" x 1/4" - Brass
	009134-01-000	EA	Holder - Tissue
	058331-01-000	EA	Mirror - Safety Glass - 19" x 26"
	058331-03-000	EA	Mirror - Safety Glass - 12" x 42"
	058331-05-000	EA	Mirror - Safety Glass - 12" x 26"
	058335-01-000	EA	Switch - Bathroom Door
	009155-01-000	EA	Track - Sliding Door
	009156-01-000	EA	Hanger - Sliding Door
	059034-01-000	EA	Latch - Sliding Door
**	006112-01-000	EA	Frangs - 1" Cross Rod
**	039341-02-000	EA	Toilet - Theford Aqua-Mat - Model - SMI - Ivory

\*\*The illustrated breakdown for this item is provided on the Common Items Fiche.

## BATH GROUP (CONTINUED)



Key	Part Number	U/M	Description
1	063370-01-000	EA	Bathtub Bottom - Ivory Plastic
2	062249-01-000	EA	Bathtub Rear - Ivory Plastic
3	062247-01-000	EA	Bathtub Front - Ivory Plastic

## 1979 ITASCA TABLE OF CONTENTS

0520PG  
052071  
052085  
052087  
052097

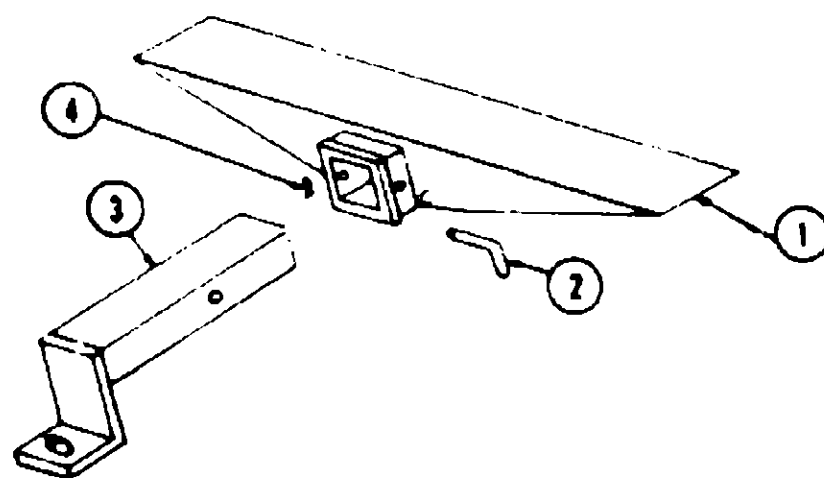
A-1 - B-16  
B-17 - C-6  
C-7 - E-20  
E-21 - G-14  
G-15 - I-10

## 1979 ICN29RT INDEX

Floor Plan	G-15 - G-16
Accessories Group	G-17 - G-18
Bath Group	G-19 - G-20
Chassis Group	G-21
Curtain, Cushion & Pad Group	G-22 - H-3
Dinette Group	H-4
Driver's Compartment Group	H-5 - H-6
Electrical Group	H-7 - H-9
Exterior Body Group	H-10 - H-13
Galley Group	H-14
Heating & Air Conditioning Group	H-15 - H-16
Interior Finish Group	H-17 - H-19
LP Group	H-19
Lounge Group	H-20 - H-21
Water & Sewage Group	H-22
Window, Vent. & Exterior Door Group	H-23 - I-10

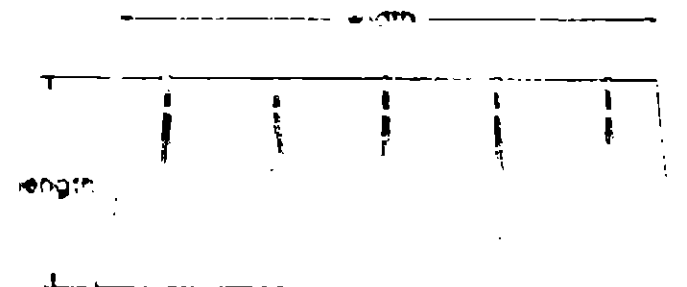
## CHASSIS GROUP

Key	Part Number	U/M	Description
	05A790-01-000	EA	Gas Fill - w/vent
	024611-01-000	EA	Cap - Gas - Pressure - 1.5" O.D.
	024138-01-000	FT	Hose - Fuel - 5/16" I.D. SAE 30R1
	024141-01-000	FT	Hose Rubber - 1.2" I.D.
	007134-01-000	EA	Clamp - Hose - Spring Type - 9/16"
	063383-01-000	EA	Tank - Fuel - 67.5 Gallon
	057038-02-000	EA	Sending Unit - Fuel - 26 Ohm
	063386-01-000	EA	Strap - Fuel Tank Mounting
	063386-02-000	EA	Hanger - Fuel Tank Mounting
	062401-02-000	EA	Clamp - Worm Gear - 15/16" to 1 5/16"
	062401-03-000	EA	Clamp - Worm Drive - 22" - 1" O.D.
	043477-01-000	EA	Valve Asm. - Fuel Selector - 2-Way - 1/2" Fuel
	046775-01-000	EA	Valve Asm. - Fuel Selector - 3-Way
	050227-01-000	EA	Canister Asm. - Vapor - 2 Stage - 3 Port
	007111-01-000	FT	Hose - Fuel - 2 1/4" I.D. SAE 30R1
	033499-01-000	EA	Power Cord Box - Plastic
	055374-01-000	EA	Wheel Well - Plastic
	740313-56-000	EA	Tray - Generator - Onan - 4.0 kw - 5.0 kw
	740313-57-000	EA	Tray - Generator - Onan - 6.5 kw
	062431-01-000	EA	Luggage Tray
	022855-02-000	EA	Tailpipe - 2 1/4" x 8" - 454 Engine
	007125-06-000	EA	Clamp Asm. - Mutter - 2 1/4"
	017516-01-000	EA	Mud Flap - Black - 14" x 18" w/ Holes
	051897-01-000	EA	Bracket - Battery Tie Down
	048594-01-000	EA	Battery Tray Asm.
	024652-01-700	EA	Step Asm. - Entry
	048474-01-000	EA	Bumper - Rear - Chrome
	040974-01-000	EA	Bracket - Spare Tire - Retaining Bar - 2" x CTS
	040634-01-000	EA	Carrier - Spare Tire
	048043-08-000	EA	Bracket Asm. - Rear Bumper Mounting
	058401-01-000	EA	Hood Board - Upper - Right - Steel
	058404-01-000	EA	Hood Board - Upper - Left - Steel
	058818-01-000	EA	Cover - Radiator - Rear
	058817-01-000	EA	Cover - Radiator - Rear Back - (Fan Shroud)
	058200-01-000	EA	Bumper - Front - Chrome
	058439-01-000	EA	Bracket - Front Bumper - Back
	058416-01-000	EA	Bar - Front Bumper - Back



Key	Part Number	U/M	Description
1	023885-01-000	EA	Hitch - w/o Drawbar
2	034512-01-000	EA	Pin - Locking - Drawbar
3	023880-01-000	EA	Drawbar Asm. - Trailer Hitch - Framed
4	034513-01-000	EA	Pin Hitch - 3/16" Wire Spring

## CURTAIN, CUSHION AND PAD GROUP



### NOTE:

Use this illustration when determining length and width measurements for curtains. You will note the width measurement is taken on the top of the curtain with the curtain fully extended. The length measurement is taken from the top to bottom.

### CURTAINS AND TIE BACKS

Key	Part Number	U/M	Description
	054051-02-K11	EA	Curtain w/Snap Top - 34" x 37" - White
	054051-02-K13	EA	Curtain w/Snap Top - 34" x 37" - Ivory
	054051-22-K11	EA	Curtain w/Snap Top - Bunk Privacy - 22" x 96" - White
	054051-22-K13	EA	Curtain w/Snap Top - Bunk Privacy - 22" x 96" - Ivory
	054292-02-K11	EA	Curtain w/Snaps - Left Wraparound - 27.5" x 81" - White
	054292-02-K13	EA	Curtain w/Snaps - Left Wraparound - 27.5" x 81" - Ivory
	054293-02-K11	EA	Curtain w/Snaps - Right Wraparound - 27.5" x 81" - White
	054293-02-K13	EA	Curtain w/Snaps - Right Wraparound - 27.5" x 81" - Ivory
	054048-05-K11	EA	Tie Back Asm. - Curtain - 2" x 18" - White
	054048-05-K13	EA	Tie Back Asm. - Curtain - 2" x 18" - Ivory
	054051-43-K11	EA	Curtain w/Snap Top - Wraparound - 27.5" x 125" - White (Optional Driver Door)
	054051-43-K13	EA	Curtain w/Snap Top - Wraparound - 27.5" x 125" - Ivory (Optional Driver Door)
	058900-05-K11	EA	Curtain w/Snap Top - Wraparound - 29" x 30" - White (Optional Driver Door)
	058900-05-K13	EA	Curtain w/Snap Top - Wraparound - 29" x 30" - Ivory (Optional Driver Door)

### FRONT BUNK CUSHIONS

Key	Part Number	U/M	Description
	055021-18-K11	EA	Cushion Asm. - Front Bunk - 47" x 79.25" x 5" - Blue/Green
	055021-18-K12	EA	Cushion Asm. - Front Bunk - 47" x 79.25" x 5" - Rust
	055021-18-K13	EA	Cushion Asm. - Front Bunk - 47" x 79.25" x 5" - Brown
	055022-20-K11	EA	Cover - Front Bunk Cushion - 47" x 79.25" x 5" - Blue/Green
	055022-20-K12	EA	Cover - Front Bunk Cushion - 47" x 79.25" x 5" - Rust
	055022-20-K13	EA	Cover - Front Bunk Cushion - 47" x 79.25" x 5" - Brown

### SHADES

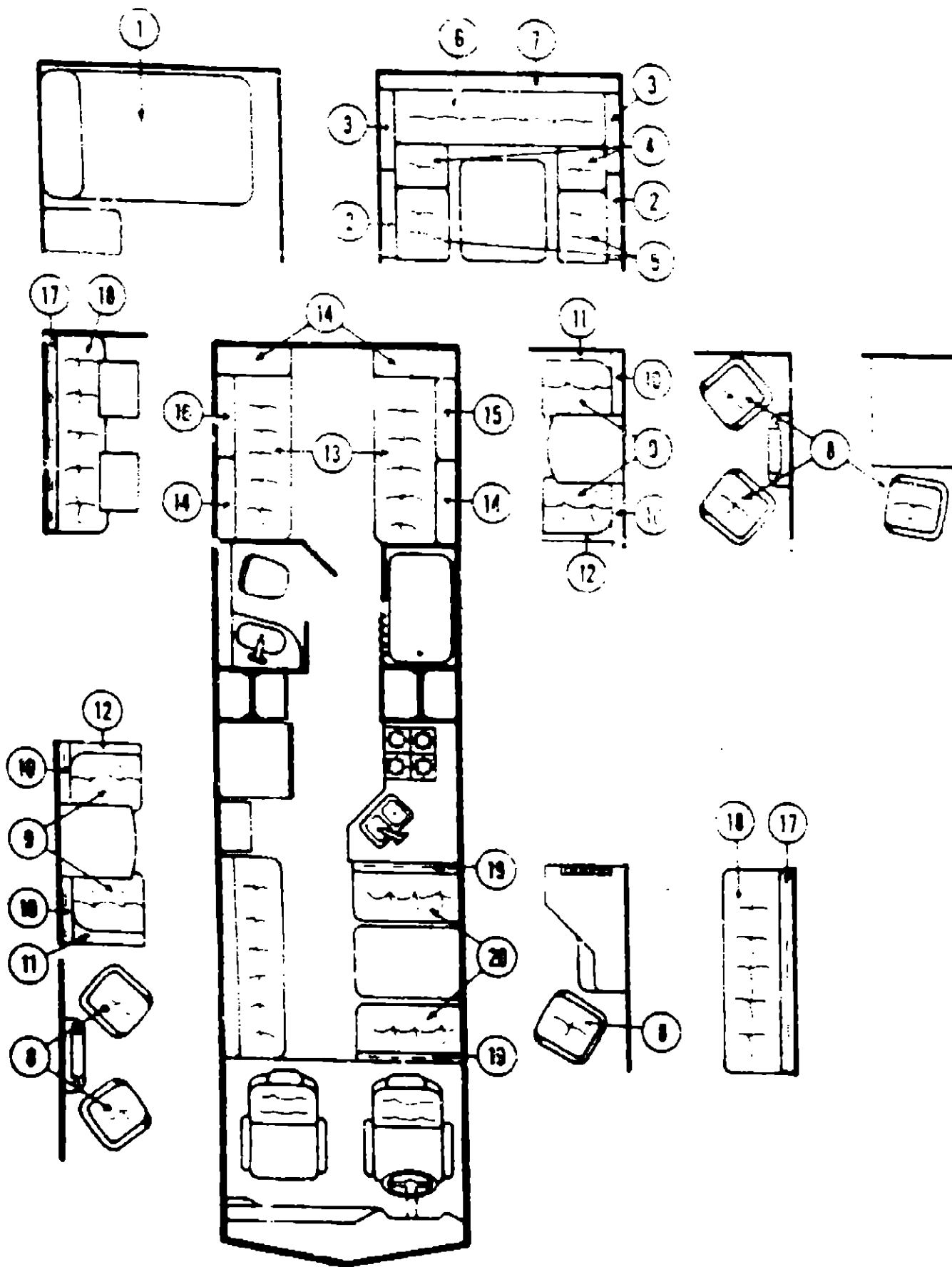
Key	Part Number	U/M	Description
	068547-01-000	EA	Shade - Woven Wood - 23" x 72" - Gray
	068547-07-000	EA	Shade - Woven Wood - 28" x 72" - Rust
	068547-13-000	EA	Shade - Woven Wood - 28" x 72" - Brown
	068547-02-000	EA	Shade - Woven Wood - 31" x 69" - Gray
	068547-08-000	EA	Shade - Woven Wood - 31" x 69" - Rust
	068547-14-000	EA	Shade - Woven Wood - 31" x 69" - Brown
	068547-03-000	EA	Shade - Woven Wood - 31" x 60" - Gray
	068547-09-000	EA	Shade - Woven Wood - 31" x 60" - Rust
	068547-15-000	EA	Shade - Woven Wood - 31" x 60" - Brown
	068547-05-000	EA	Shade - Woven Wood - 23" x 25" - Gray
	068547-11-000	EA	Shade - Woven Wood - 23" x 25" - Rust
	068547-17-000	EA	Shade - Woven Wood - 23" x 25" - Brown
	068547-06-000	EA	Shade - Woven Wood - 21" x 17" - Gray
	068547-12-000	EA	Shade - Woven Wood - 28" x 17" - Rust
	068547-18-000	EA	Shade - Woven Wood - 28" x 17" - Brown

## 1979 ITASCA TABLE OF CONTENTS

ICF23RG	A-1 - B-16
ICF26RH	B-17 - D-8
ICN26RE	D-9 - E-22
ICF26RT	E-23 - G-14
ICN29RT	G-15 - I-10

## 1979 ICN29RT INDEX

Floor Plan	G-15 - G-16
Accessories Group	G-17 - C-18
Bath Group	G-19 - G-20
Chassis Group	G-21
Curtain, Cushion & Pad Group	G-22 - H-3
Dinette Group	H-4
Driver's Compartment Group	H-5 - H-8
Electrical Group	H-7 - H-9
Exterior Body Group	H-10 - H-13
Galley Group	H-14
Heating & Air Conditioning Group	H-15 - H-18
Interior Finish Group	H-17 - H-18
LP Group	H-19
Louge Group	H-20 - H-21
Water & Sewage Group	H-22
Window, Vent & Exterior Door Group	H-23 - I-10



DOUBLE BED MATTRESS

Key	Part Number	U/M	Description
EA	055001-01-000	EA	Mattress - Inner Spring - Seafoam - 84" x 72"

HORSESHOE LOUNGE CUSHIONS

Key	Part Number	U/M	Description
EA	055002-23-K11	EA	Cushion - Lounge Back - 6' x 16' x 6" - Blue Green
EA	055002-23-K12	EA	Cushion - Lounge Back - 6' x 16' x 6" - Rust
EA	055002-23-K13	EA	Cushion - Lounge Back - 6' x 16' x 6" - Brown
EA	055022-25-K11	EA	Cover - Cushion - 6' x 16' x 6" - Blue Green
EA	055022-25-K12	EA	Cover - Cushion - 6' x 16' x 6" - Rust
EA	055022-25-K13	EA	Cover - Cushion - 6' x 16' x 6" - Brown
EA	055022-25-K14	EA	Cushion - Lounge Seat - 24" x 24" x 6" - Blue Green
EA	055022-25-K15	EA	Cushion - Lounge Seat - 24" x 24" x 6" - Rust
EA	055022-25-K16	EA	Cushion - Lounge Seat - 24" x 24" x 6" - Brown
EA	055022-25-K17	EA	Cushion - Lounge Seat - 24" x 24" x 6" - Blue Green
EA	055022-25-K18	EA	Cushion - Lounge Seat - 24" x 24" x 6" - Rust
EA	055022-25-K19	EA	Cushion - Lounge Seat - 24" x 24" x 6" - Brown
EA	055022-25-K20	EA	Cushion - Lounge Seat - 24" x 24" x 6" - Blue Green
EA	055022-25-K21	EA	Cushion - Lounge Seat - 24" x 24" x 6" - Rust
EA	055022-25-K22	EA	Cushion - Lounge Seat - 24" x 24" x 6" - Brown
EA	055022-25-K23	EA	Cushion - Lounge Seat - 24" x 24" x 6" - Blue Green
EA	055022-25-K24	EA	Cushion - Lounge Seat - 24" x 24" x 6" - Rust
EA	055022-25-K25	EA	Cushion - Lounge Seat - 24" x 24" x 6" - Brown
EA	055022-25-K26	EA	Cushion - Lounge Seat - 24" x 24" x 6" - Blue Green
EA	055022-25-K27	EA	Cushion - Lounge Seat - 24" x 24" x 6" - Rust
EA	055022-25-K28	EA	Cushion - Lounge Seat - 24" x 24" x 6" - Brown
EA	055022-25-K29	EA	Cushion - Lounge Seat - 24" x 24" x 6" - Blue Green
EA	055022-25-K30	EA	Cushion - Lounge Seat - 24" x 24" x 6" - Rust
EA	055022-25-K31	EA	Cushion - Lounge Seat - 24" x 24" x 6" - Brown
EA	055022-25-K32	EA	Cushion - Lounge Seat - 24" x 24" x 6" - Blue Green
EA	055022-25-K33	EA	Cushion - Lounge Seat - 24" x 24" x 6" - Rust
EA	055022-25-K34	EA	Cushion - Lounge Seat - 24" x 24" x 6" - Brown
EA	055022-25-K35	EA	Cushion - Lounge Seat - 24" x 24" x 6" - Blue Green
EA	055022-25-K36	EA	Cushion - Lounge Seat - 24" x 24" x 6" - Rust
EA	055022-25-K37	EA	Cushion - Lounge Seat - 24" x 24" x 6" - Brown
EA	055022-25-K38	EA	Cushion - Lounge Seat - 24" x 24" x 6" - Blue Green
EA	055022-25-K39	EA	Cushion - Lounge Seat - 24" x 24" x 6" - Rust
EA	055022-25-K40	EA	Cushion - Lounge Seat - 24" x 24" x 6" - Brown
EA	055022-25-K41	EA	Cushion - Lounge Seat - 24" x 24" x 6" - Blue Green
EA	055022-25-K42	EA	Cushion - Lounge Seat - 24" x 24" x 6" - Rust
EA	055022-25-K43	EA	Cushion - Lounge Seat - 24" x 24" x 6" - Brown
EA	055022-25-K44	EA	Cushion - Lounge Seat - 24" x 24" x 6" - Blue Green
EA	055022-25-K45	EA	Cushion - Lounge Seat - 24" x 24" x 6" - Rust
EA	055022-25-K46	EA	Cushion - Lounge Seat - 24" x 24" x 6" - Brown
EA	055022-25-K47	EA	Cushion - Lounge Seat - 24" x 24" x 6" - Blue Green
EA	055022-25-K48	EA	Cushion - Lounge Seat - 24" x 24" x 6" - Rust
EA	055022-25-K49	EA	Cushion - Lounge Seat - 24" x 24" x 6" - Brown
EA	055022-25-K50	EA	Cushion - Lounge Seat - 24" x 24" x 6" - Blue Green
EA	055022-25-K51	EA	Cushion - Lounge Seat - 24" x 24" x 6" - Rust
EA	055022-25-K52	EA	Cushion - Lounge Seat - 24" x 24" x 6" - Brown
EA	055022-25-K53	EA	Cushion - Lounge Seat - 24" x 24" x 6" - Blue Green
EA	055022-25-K54	EA	Cushion - Lounge Seat - 24" x 24" x 6" - Rust
EA	055022-25-K55	EA	Cushion - Lounge Seat - 24" x 24" x 6" - Brown
EA	055022-25-K56	EA	Cushion - Lounge Seat - 24" x 24" x 6" - Blue Green
EA	055022-25-K57	EA	Cushion - Lounge Seat - 24" x 24" x 6" - Rust
EA	055022-25-K58	EA	Cushion - Lounge Seat - 24" x 24" x 6" - Brown
EA	055022-25-K59	EA	Cushion - Lounge Seat - 24" x 24" x 6" - Blue Green
EA	055022-25-K60	EA	Cushion - Lounge Seat - 24" x 24" x 6" - Rust
EA	055022-25-K61	EA	Cushion - Lounge Seat - 24" x 24" x 6" - Brown
EA	055022-25-K62	EA	Cushion - Lounge Seat - 24" x 24" x 6" - Blue Green
EA	055022-25-K63	EA	Cushion - Lounge Seat - 24" x 24" x 6" - Rust
EA	055022-25-K64	EA	Cushion - Lounge Seat - 24" x 24" x 6" - Brown
EA	055022-25-K65	EA	Cushion - Lounge Seat - 24" x 24" x 6" - Blue Green
EA	055022-25-K66	EA	Cushion - Lounge Seat - 24" x 24" x 6" - Rust
EA	055022-25-K67	EA	Cushion - Lounge Seat - 24" x 24" x 6" - Brown
EA	055022-25-K68	EA	Cushion - Lounge Seat - 24" x 24" x 6" - Blue Green
EA	055022-25-K69	EA	Cushion - Lounge Seat - 24" x 24" x 6" - Rust
EA	055022-25-K70	EA	Cushion - Lounge Seat - 24" x 24" x 6" - Brown
EA	055022-25-K71	EA	Cushion - Lounge Seat - 24" x 24" x 6" - Blue Green
EA	055022-25-K72	EA	Cushion - Lounge Seat - 24" x 24" x 6" - Rust
EA	055022-25-K73	EA	Cushion - Lounge Seat - 24" x 24" x 6" - Brown
EA	055022-25-K74	EA	Cushion - Lounge Seat - 24" x 24" x 6" - Blue Green
EA	055022-25-K75	EA	Cushion - Lounge Seat - 24" x 24" x 6" - Rust
EA	055022-25-K76	EA	Cushion - Lounge Seat - 24" x 24" x 6" - Brown
EA	055022-25-K77	EA	Cushion - Lounge Seat - 24" x 24" x 6" - Blue Green
EA	055022-25-K78	EA	Cushion - Lounge Seat - 24" x 24" x 6" - Rust
EA	055022-25-K79	EA	Cushion - Lounge Seat - 24" x 24" x 6" - Brown
EA	055022-25-K80	EA	Cushion - Lounge Seat - 24" x 24" x 6" - Blue Green
EA	055022-25-K81	EA	Cushion - Lounge Seat - 24" x 24" x 6" - Rust
EA	055022-25-K82	EA	Cushion - Lounge Seat - 24" x 24" x 6" - Brown
EA	055022-25-K83	EA	Cushion - Lounge Seat - 24" x 24" x 6" - Blue Green
EA	055022-25-K84	EA	Cushion - Lounge Seat - 24" x 24" x 6" - Rust
EA	055022-25-K85	EA	Cushion - Lounge Seat - 24" x 24" x 6" - Brown
EA	055022-25-K86	EA	Cushion - Lounge Seat - 24" x 24" x 6" - Blue Green
EA	055022-25-K87	EA	Cushion - Lounge Seat - 24" x 24" x 6" - Rust
EA	055022-25-K88	EA	Cushion - Lounge Seat - 24" x 24" x 6" - Brown
EA	055022-25-K89	EA	Cushion - Lounge Seat - 24" x 24" x 6" - Blue Green
EA	055022-25-K90	EA	Cushion - Lounge Seat - 24" x 24" x 6" - Rust
EA	055022-25-K91	EA	Cushion - Lounge Seat - 24" x 24" x 6" - Brown
EA	055022-25-K92	EA	Cushion - Lounge Seat - 24" x 24" x 6" - Blue Green
EA	055022-25-K93	EA	Cushion - Lounge Seat - 24" x 24" x 6" - Rust
EA	055022-25-K94	EA	Cushion - Lounge Seat - 24" x 24" x 6" - Brown
EA	055022-25-K95	EA	Cushion - Lounge Seat - 24" x 24" x 6" - Blue Green
EA	055022-25-K96	EA	Cushion - Lounge Seat - 24" x 24" x 6" - Rust
EA	055022-25-K97	EA	Cushion - Lounge Seat - 24" x 24" x 6" - Brown
EA	055022-25-K98	EA	Cushion - Lounge Seat - 24" x 24" x 6" - Blue Green
EA	055022-25-K99	EA	Cushion - Lounge Seat - 24" x 24" x 6" - Rust
EA	055022-25-K100	EA	Cushion - Lounge Seat - 24" x 24" x 6" - Brown

SWIVEL CHAIRS

Key	Part Number	U/M	Description
EA	054674-07-K11	EA	Swivel Chair - Complete - Blue Green
EA	054674-07-K12	EA	Swivel Chair - Complete - Rust
EA	054674-07-K13	EA	Swivel Chair - Complete - Brown
EA	054700-07-K11	EA	Cushion - Swivel Chair - Blue Green
EA	054700-07-K12	EA	Cushion - Swivel Chair - Rust
EA	054700-07-K13	EA	Cushion - Swivel Chair - Brown
EA	035036-01-000	EA	Plate - Swivel Chair
EA	035036-02-000	EA	Base w Legs - Swivel Chair

1979 ITASCA TABLE OF CONTENTS

Accessories Group	G-15 - G-16
Bath Group	G-17 - G-18
Chassis Group	G-19 - G-20
Curtain, Cushion & Pad Group	G-21 - G-22
Dinettes Group	H-1
Driver's Compartment Group	H-5 - H-6
Electrical Group	H-7 - H-9
Exterior Body Group	H-10 - H-13
Galleys Group	H-14
Heating & Air Conditioning Group	H-15 - H-16
Interior Finish Group	H-17 - H-18
LP Group	H-19
Lounge Group	H-20 - H-21
Water & Sewage Group	H-22
Window, Vent & Exterior Door Group	H-23 - H-24

1979 ICN29RT INDEX

Floor Plan	G-15 - G-16
Accessories Group	G-17 - G-18
Bath Group	G-19 - G-20
Chassis Group	G-21
Curtain, Cushion & Pad Group	G-22 - H-3
Dinettes Group	H-4
Driver's Compartment Group	H-5 - H-6
Electrical Group	H-7 - H-9
Exterior Body Group	H-10 - H-13
Galleys Group	H-14
Heating & Air Conditioning Group	H-15 - H-16
Interior Finish Group	H-17 - H-18
LP Group	H-19
Lounge Group	H-20 - H-21
Water & Sewage Group	H-22
Window, Vent & Exterior Door Group	H-23 - H-24

**CURTAIN, CUSHION AND PAD GROUP (CONTINUED)**

**CORNER LOUNGE CHAIR CUSHIONS**

Key	Part Number	U/M	Description
9	059743-04-K11	EA	Cushion - Lounge Chair Bottom - Blue Green
9	059743-04-K12	EA	Cushion - Lounge Chair Bottom - Rust
9	059743-04-K13	EA	Cushion - Lounge Chair Bottom - Brown
	059746-04-K11	EA	Cover - Lounge Chair Bottom Cushion - Blue Green
	059746-04-K12	EA	Cover - Lounge Chair Bottom Cushion - Rust
	059746-04-K13	EA	Cover - Lounge Chair Bottom Cushion - Brown
10	059742-04-K11	EA	Cushion - Lounge Chair Back - Blue/Green
10	059742-04-K12	EA	Cushion - Lounge Chair Back - Rust
10	059742-04-K13	EA	Cushion - Lounge Chair Back - Brown
	059745-04-K11	EA	Cover - Lounge Chair Back Cushion - Blue Green
	059745-04-K12	EA	Cover - Lounge Chair Back Cushion - Rust
	059745-04-K13	EA	Cover - Lounge Chair Back Cushion - Brown
11	059744-07-K11	EA	Cushion - Chair Wedge - Left - Blue/Green
11	059744-07-K12	EA	Cushion - Chair Wedge - Left - Rust
11	059744-08-K13	EA	Cushion - Chair Wedge - Left - Brown
	059747-08-K11	EA	Cover - Chair Wedge Cushion - Left - Blue Green
	059747-08-K12	EA	Cover - Chair Wedge Cushion - Left - Rust
	059747-08-K13	EA	Cover - Chair Wedge Cushion - Left - Brown
12	059744-07-K11	EA	Cushion - Chair Wedge - Right - Blue Green
12	059744-07-K12	EA	Cushion - Chair Wedge - Right - Rust
12	059744-07-K13	EA	Cushion - Chair Wedge - Right - Brown
	059747-07-K11	EA	Cover - Chair Wedge Cushion - Right - Blue Green
	059747-07-K12	EA	Cover - Chair Wedge Cushion - Right - Rust
	059747-07-K13	EA	Cover - Chair Wedge Cushion - Right - Brown

**REAR TWIN BED CUSHIONS**

Key	Part Number	U/M	Description
13	058913-07-K11	EA	Cushion - Rear Twin - Bottom - 28" x 76" x 5" - Blue Green
13	058913-07-K12	EA	Cushion - Rear Twin - Bottom - 28" x 76" x 5" - Rust
13	058913-07-K13	EA	Cushion - Rear Twin - Bottom - 28" x 76" x 5" - Brown
	058914-07-K11	EA	Cover - Cushion - 28" x 76" x 5" - Blue Green
	058914-07-K12	EA	Cover - Cushion - 28" x 76" x 5" - Rust
	058914-07-K13	EA	Cover - Cushion - 28" x 76" x 5" - Brown
14	058917-01-K11	EA	Cushion - Bolster - 8" x 10" x 14" x 28" - Blue Green
14	058917-01-K12	EA	Cushion - Bolster - 8" x 10" x 14" x 28" - Rust
14	058917-01-K13	EA	Cushion - Bolster - 8" x 10" x 14" x 28" - Brown
	058918-01-K11	EA	Cover - Cushion - 8" x 10" x 14" x 28" - Blue Green
	058918-01-K12	EA	Cover - Cushion - 8" x 10" x 14" x 28" - Rust
	058918-01-K13	EA	Cover - Cushion - 8" x 10" x 14" x 28" - Brown
15	058919-01-K11	EA	Cushion - Bolster - 8" x 10" x 14" x 40" x 38" - Left - Blue Green
15	058919-01-K12	EA	Cushion - Bolster - 8" x 10" x 14" x 40" x 38" - Left - Rust
15	058919-01-K13	EA	Cushion - Bolster - 8" x 10" x 14" x 40" x 38" - Left - Brown
	058920-01-K11	EA	Cover - Cushion - 8" x 10" x 14" x 40" x 38" - Left - Blue Green
	058920-01-K12	EA	Cover - Cushion - 8" x 10" x 14" x 40" x 38" - Left - Rust
	058920-01-K13	EA	Cover - Cushion - 8" x 10" x 14" x 40" x 38" - Left - Brown
16	058919-02-K11	EA	Cushion - Bolster - 8" x 10" x 14" x 40" x 38" - Right - Blue Green
16	058919-02-K12	EA	Cushion - Bolster - 8" x 10" x 14" x 40" x 38" - Right - Rust
16	058919-02-K13	EA	Cushion - Bolster - 8" x 10" x 14" x 40" x 38" - Right - Brown
	058920-02-K11	EA	Cover - Cushion - 8" x 10" x 14" x 40" x 38" - Right - Blue Green
	058920-02-K12	EA	Cover - Cushion - 8" x 10" x 14" x 40" x 38" - Right - Rust
	058920-02-K13	EA	Cover - Cushion - 8" x 10" x 14" x 40" x 38" - Right - Brown

**CURTAIN, CUSHION AND PAD GROUP (CONTINUED)**

**PRESTO BED CUSHIONS**

Key	Part Number	U/M	Description
17	059063-02-K11	EA	Cushion Asm. - Presto Bed - Back - 76" - Blue Green
17	059063-02-K12	EA	Cushion Asm. - Presto Bed - Back - 76" - Rust
17	059063-02-K13	EA	Cushion Asm. - Presto Bed - Back - 76" - Brown
	062753-02-K11	EA	Cover - Presto Bed Back - 76" - Blue Green
	062753-02-K12	EA	Cover - Presto Bed Back - 76" - Rust
	062753-02-K13	EA	Cover - Presto Bed Back - 76" - Brown
18	059064-02-K11	EA	Cushion Asm. - Presto Bed - Bottom - 76" - Blue Green
18	059064-02-K12	EA	Cushion Asm. - Presto Bed - Bottom - 76" - Rust
18	059064-02-K13	EA	Cushion Asm. - Presto Bed - Bottom - 76" - Brown
	062753-04-K11	EA	Cover - Presto Bed Bottom - 76" - Blue Green
	062753-04-K12	EA	Cover - Presto Bed Bottom - 76" - Rust
	062753-04-K13	EA	Cover - Presto Bed Bottom - 76" - Brown

**DINETTE CUSHIONS**

Key	Part Number	U/M	Description
19	058913-02-K11	EA	Cushion - Dinette Back - 19.2" x 38" x 5" - Blue Green
19	058913-02-K12	EA	Cushion - Dinette Back - 19.2" x 38" x 5" - Rust
19	058913-02-K13	EA	Cushion - Dinette Back - 19.2" x 38" x 5" - Brown
	058914-02-K11	EA	Cover - Dinette Back Cushion - 19.2" x 38" x 5" - Blue Green
	058914-02-K12	EA	Cover - Dinette Back Cushion - 19.2" x 38" x 5" - Rust
	058914-02-K13	EA	Cover - Dinette Back Cushion - 19.2" x 38" x 5" - Brown
20	058913-01-K11	EA	Cushion - Dinette Bottom - 17.5" x 38" x 5" - Blue Green
20	058913-01-K12	EA	Cushion - Dinette Bottom - 17.5" x 38" x 5" - Rust
20	058913-01-K13	EA	Cushion - Dinette Bottom - 17.5" x 38" x 5" - Brown
	058914-01-K11	EA	Cover - Dinette Bottom Cushion - 17.5" x 38" x 5" - Blue Green
	058914-01-K12	EA	Cover - Dinette Bottom Cushion - 17.5" x 38" x 5" - Rust
	058914-01-K13	EA	Cover - Dinette Bottom Cushion - 17.5" x 38" x 5" - Brown

**PADC**

Key	Part Number	U/M	Description
	058565-01-K04	EA	Pad - Pullout Table Cabinet - Acorn Vinyl
	063345-01-K04	EA	Pad - End - Front Lounge - Acorn Vinyl - Right
	063345-02-K04	EA	Pad - End - Front Lounge - Acorn Vinyl - Left
	063338-01-K04	EA	Pad - End - Galey Overhead - Acorn Vinyl
	059333-01-K04	EA	Pad - Bunk Rail - Acorn Brown
	059414-01-000	EA	Pad - Sidewall Trim - Drivers - Acorn
	059467-03-K04	EA	Pad - Map Pocket - Drivers - Acorn
	059414-02-000	EA	Pad - Sidewall Trim - Passenger - Acorn
	059467-04-K04	EA	Pad - Map Pocket - Passenger - Acorn
	058948-01-K04	EA	Pad - Bunk Panel - Right - Acorn
	058948-02-K04	EA	Pad - Bunk Panel - Left - Acorn
	058444-01-K04	EA	Pad - Dinette Overhead Cabinet - Left - Acorn Brown
	058444-04-K04	EA	Pad - Dinette Overhead Cabinet - Right - Acorn Brown

**FABRICS AND TRIMS**

Key	Part Number	U/M	Description
	056333-02-000	YD	Fabric - Drapery - White
	056333-01-000	YD	Fabric - Drapery - Ivory
	062626-01-000	YD	Fabric - Upholstery - Blue
	062626-02-000	YD	Fabric - Upholstery - Sunset Rust
	062626-03-000	YD	Fabric - Upholstery - Brown
	054676-01-K11	EA	Button Asm. - Covered #30 - Blue Green
	054676-01-K12	EA	Button Asm. - Covered #30 - Rust
	054676-01-K13	EA	Button Asm. - Covered #30 - Brown
	052859-01-K11	FT	Trim Asm. - Accent - Acorn Brown Vinyl
	053327-01-000	YD	Vinyl - Non Expanded - 27 oz. - Acorn Brown
	053327-02-000	YD	Vinyl - Expanded - 28 oz. - Acorn Brown
	053327-03-000	YD	Vinyl - Non Support - 16 Gauge Film - Acorn Brown

**1979 ITASCA  
TABLE OF CONTENTS**

ICF23RG	A-1 - B-16
ICF26RH	B-17 - D-8
ICN26RB	D-9 - E-22
ICF29RT	E-23 - G-14
ICN29RT	G-15 - I-10

**1979 ICN29RT INDEX**

Floor Plan	G-15 - G-16
Accessories Group	G-17 - G-18
Bath Group	G-19 - G-20
Chassis Group	G-21
Curtain, Cushion & Pad Group	G-22 - H-3
Dinette Group	H-4
Drivers Compartment Group	H-5 - H-6
Electrical Group	H-7 - H-9
Exterior Body Group	H-10 - H-13
Galey Group	H-14
Heating & Air Conditioning Group	H-15 - H-16
Interior Finish Group	H-17 - H-18
LP Group	H-19
Lounge Group	H-20 - H-21
Water & Sewage Group	H-22
Window, Vent & Exterior Door Group	H-23 - I-10

**CURTAIN, CUSHION AND PAD GROUP (CONTINUED)**

**BUCKET SEATS**

Key	Part Number	U/M	Description
	061830-03-K11	EA	Seat Asm - Single Bucket - Highback w Armrests and Skirt - Blue/Green
	061830-03-K12	EA	Seat Asm - Single Bucket - Highback w Armrests and Skirt - Rust
	061830-03-K13	EA	Seat Asm - Single Bucket - Highback w Armrests and Skirt - Brown
	061838-04-K11	EA	Cover - Back - Single Bucket - Blue/Green
	061838-04-K12	EA	Cover - Back - Single Bucket - Rust
	061838-04-K13	EA	Cover - Back - Single Bucket - Brown
	061839-04-K11	EA	Cover - Bottom - Single Bucket - Blue/Green
	061839-04-K12	EA	Cover - Bottom - Single Bucket - Rust
	061839-04-K13	EA	Cover - Bottom - Single Bucket - Brown
	054650-07-K11	EA	Skirt - Single Bucket - Blue/Green
	054650-07-K12	EA	Skirt - Single Bucket - Rust
	054650-07-K13	EA	Skirt - Single Bucket - Brown
	061835-01-K11	EA	Seat Asm - Double Bucket - Highback w Armrests and Skirt - Blue/Green
	061835-01-K12	EA	Seat Asm - Double Bucket - Highback w Armrests and Skirt - Rust
	061835-01-K13	EA	Seat Asm - Double Bucket - Highback w Armrests and Skirt - Brown
	061840-04-K11	EA	Cover - Back - Double Bucket - Blue/Green
	061840-04-K12	EA	Cover - Back - Double Bucket - Rust
	061840-04-K13	EA	Cover - Back - Double Bucket - Brown
	061841-04-K11	EA	Cover - Bottom - Double Bucket - Blue/Green
	061841-04-K12	EA	Cover - Bottom - Double Bucket - Rust
	061841-04-K13	EA	Cover - Bottom - Double Bucket - Brown
	054650-08-K11	EA	Skirt - Double Bucket - Blue/Green
	054650-08-K12	EA	Skirt - Double Bucket - Rust
	054650-08-K13	EA	Skirt - Double Bucket - Brown
	050275-01-700	EA	Armrest Asm - Foam w o Cover - Right
	050276-01-700	EA	Armrest Asm - Foam w o Cover - Left
	053357-05-K11	EA	Cover - Armrest - Right or Left - Blue/Green
	053357-05-K12	EA	Cover - Armrest - Right or Left - Rust
	053357-05-K13	EA	Cover - Armrest - Right or Left - Brown

**CURTAIN HARDWARE**

Key	Part Number	U/M	Description
	053272-04-200	EA	Track - Curtain - Ceiling - 89" - Off White
	053285-02-001	EA	Track - Curtain - Door - 16" - Anod
	056430-01-000	EA	Track - Curtain - Front Wraparound (2 per unit)
	056001-01-000	EA	Bracket - Shade - Left
	056002-01-000	EA	Bracket - Shade - Right
	009107-01-000	EA	Guide - Nylon Snap - Curtain
	018031-42-000	EA	Track - Curtain - L Rod - Alum Extr - 90
	009701-01-000	EA	Carrier - L Rod - Curtain
	009702-01-000	EA	End Stop - L Rod - Curtain



Key	Part Number	U/M	Description
1	029130-01-000	EA	Socket - Snap Fastener
2	029155-01-000	EA	Cap - Snap - 156 Dia x 17 Barre
3	029156-01-000	EA	Socket - Snap Fastener
4	029082-01-000	EA	Stud - Nickel Finish
5	029083-01-000	EA	Eyelet - Nickel Finish

**DINETTE GROUP**

**CONVENTIONAL DINETTE AND OVERHEAD CABINETRY**

Key	Part Number	U/M	Description
	053192-01-K11	EA	Table Asm - Dinette - w o Hardware - Camel Impression
**	047842-01-000	EA	Kit - Dinette Table Leg - Brown
**	047809-03-000	EA	Kit - Hardware - Dinette Table Wall Mount
	062739-02-K11	EA	Cabinet Asm - Dinette Seat - Rear
	062739-01-K11	EA	Cabinet Asm - Dinette Seat - Front - w o Door or Hardware
	059092-04-K11	EA	Door Asm - Front Dinette Seat Cabinet - 10 4" x 25" - w o Hardware
	058825-05-K11	EA	Cabinet Asm - Right Front Overhead - w o Doors or Hardware
	058825-06-K11	EA	Cabinet Asm - Left Front Overhead - w o Doors or Hardware
	059092-01-K11	EA	Door Asm - Dinette Overhead Cabinets - 11 3" x 28" - w o Hardware

\*\*The illustrated parts breakdown for this item is provided on the Common Items Fiche

**SPRUNG COUCH AND PEDESTAL TABLE**

Key	Part Number	U/M	Description
	057622-01-K11	EA	Cabinet Face - Sprung Couch - w o Door or Hardware
	059092-03-K11	EA	Door Asm - Couch Cabinet - 11 5" x 37" - w o Hardware
	057468-02-000	EA	Frame Asm - Sprung Couch - Right
	057468-03-000	EA	Frame Asm - Sprung Couch - Left
	057468-04-000	EA	Frame Rails - Sprung Couch (2 per couch)
	057489-01-000	EA	Leg Asm - Sprung Couch (2 per couch)
	053203-07-K11	EA	Table Asm - Pedestal - w o Hardware - Camel Impression
	009040-02-000	EA	Leg - Pedestal Table - 27 5" x 2 25" O.D. - Chrome
	009040-03-000	EA	Base - Table Leg - Mounts on Table
	041194-01-000	EA	Base - Table Leg - Mounts on Floor

**CORNER LOUNGE CHAIRS**

Key	Part Number	U/M	Description
	061558-02-K11	EA	Cabinet Asm - Corner Lounge Chair - Right
	061560-01-K11	EA	Cabinet Asm - Corner Lounge Chair - Left
	059122-06-K11	EA	Door Asm - Rolled - 17 7" x 13"
	059092-44-K11	EA	Door Asm - Lounge Cabinet - 12" x 19 5" - w o Hardware
	061704-01-K11	EA	Table Asm - Lounge - Camel Impressions
	061882-01-000	EA	Leg Asm - Table - Pivot
	061879-01-000	EA	Leg Asm - Table - Fixed
	024275-04-000	EA	Rod - Table L"
	024281-05-000	EA	Bracket - Table Lift - Mounts on Table
	053200-02-000	EA	Support - Table - 14 5" - Mounts on Wall

**SWIVEL CHAIR AND TELEVISION CABINET**

Key	Part Number	U/M	Description
	062406-01-700	EA	Cabinet Asm - Entertainment Center - w o Countertops, Doors or Hardware
	059122-11-K11	EA	Door Asm - Rolled - 17" x 20 4"
	062485-01-K11	EA	Countertop Asm - Entertainment Center - Upper - Camel
	062652-01-K11	EA	Countertop Asm - Entertainment Center - Lower - Camel
	063125-01-K11	EA	Rack - Glass - 6 Hole - 4" x 24"
	063159-01-K11	EA	Rack - Bottle - 6 Hole - 14" x 14" Triangle - Camel
	063163-01-K11	EA	Rack - Bottle - 4 Square Hole - 27 6" x 6"
	059092-50-K11	EA	Door Asm - Cabinet - 11 2" x 12" - w o Hardware
	059092-51-K11	EA	Door Asm - Cabinet - 14 5" x 13" - w o Hardware
	062566-01-K11	EA	Door Asm - Cabinet - w Brass Insert
	047205-09-000	EA	Insert - Cabinet Door - Brass Mesh - 13 1/4" x 12 1/2"

**SWIVEL CHAIRS W PULLOUT TABLE**

Key	Part Number	U/M	Description
	054552-01-K11	EA	Table Asm - Pullout - Stonersng
	058548-01-K11	EA	Cabinet Asm - Pullout Table - w o Countertop or Table
	063547-01-K11	EA	Countertop Asm - Pullout Table Cabinet - Camel
	054540-01-000	EA	Slide Asm - Ball Bearing
	009146-01-000	EA	Finger Pin - 3/4" Dia - Brass
	045795-01-000	EA	Holder - Glass - Dark Brown Plastic
	035036-01-000	EA	Plate - Swivel Chair
	035036-02-000	EA	Base w Leg - Swivel Chair

**1979 ITASCA  
TABLE OF CONTENTS**

ICF23RG	A-1 - B-16
ICF26RH	B-17 - D-8
ICN26RB	D-9 - E-22
ICF26RT	E-23 - G-14
ICN29RT	G-15 - I-10

**1979 ICN29RT INDEX**

Floor Plan	G-15 - G-16
Accessories Group	G-17 - G-18
Bath Group	G-19 - G-20
Chassis Group	G-21
Curtain, Cushion & Pad Group	G-22 - H-3
Dinette Group	H-4
Driver's Compartment Group	H-5 - H-6
Electrical Group	H-7 - H-9
Exterior Body Group	H-10 - H-13
Galley Group	H-14
Heating & Air Conditioning Group	H-15 - H-16
Interior Finish Group	H-17 - H-18
LP Group	H-19
Lounge Group	H-20 - H-21
Water & Sewage Group	H-22
Window, Vent & Exterior Door Group	H-23 - I-10

## DRIVER'S COMPARTMENT GROUP

### DASH PANEL AND COMPONENTS

Key	Part Number	U/M	Description
	061803-01-K11	EA	Dash Asm. - Complete w/Gauges and Switches
	022548-04-000	EA	Pad - Dash - Right - Dark Brown
	023242-09-000	EA	Pad - Dash - Left - Dark Brown
	024418-01-000	EA	Lamp Asm. - Map/Gauge
	023020-01-000	EA	Lamp Asm. - Teletale
	007308-01-000	EA	Dash Clock
	052387-01-000	EA	Lighter Asm. - Cigarette - 12 Volt
	007041-01-000	EA	Bezel - Cigarette Lighter
	007071-01-000	EA	Louver - Chrome - w/Chrome Wheel
	024890-02-000	EA	Outlet - Defroster w/Servelet - 2" Dark Brown
	038044-01-000	EA	Louver Asm. - A/C Adjustable
	050344-01-000	EA	Bezel - Entertainment Center No. 2 - w/Cut Out for Radio and Clock
	050345-01-000	EA	Bezel - Entertainment Center No. 3 - w/Cut Out for Radio, Clock, Hourmeter and Generator Stop Switch
	057487-02-000	EA	Bezel - Control Panel
	023892-01-000	EA	Bar - Glove Compartment - Black Fiberboard
	022219-01-000	EA	Door - Glove Compartment
	009118-01-000	EA	Turn Lock - Glove Compartment
	024588-01-000	EA	Hinge - Glove Compartment - 1 1/16" x 19"
	034309-01-000	EA	Chain - Glove Box Door
	023834-01-000	EA	Panel - Knee Kick - Bottom of Dash

### DASH SWITCHES AND GAUGES

Key	Part Number	U/M	Description
	024461-01-000	EA	Switch - Battery
	024462-01-000	EA	Switch - Battery Condition
	024463-01-000	EA	Switch - Blinker
	024464-01-000	EA	Switch - Washer
	024465-01-000	EA	Switch - Fuel
	024467-01-000	EA	Switch - Wiper
	024876-01-000	EA	Switch - Generator w/o Circuit Board
	037387-01-000	EA	Switch - Generator w/Circuit Board
	024459-01-000	EA	Gauge - Voltmeter
	024480-01-000	EA	Gauge - Vacuum
	031035-01-000	EA	Gauge - Generator Hourmeter
	031376-01-000	EA	Control Asm. - Heater - 3 Speed
	055279-01-000	EA	Control Asm. - Heater A/C - 3 Speed

### FRONT BUNK AND HARDWARE

Key	Part Number	U/M	Description
	058300-01-K11	EA	Cabinet Asm. - Front Overhead
	058844-01-K11	EA	Bunk Board Asm. - Front Overhead w/Rails
	053773-01-000	EA	Support - Overhead Bunk - Brown - Right
	053773-02-000	EA	Support - Overhead Bunk - Brown - Left
	040071-02-000	EA	Support - Bunk - Seat Belt
	041322-01-000	EA	Washer - Flat - 1 1/2" I.D. x 2 3/8" O.D.
	038516-02-000	EA	Catch - Bunk - Brown
	023812-22-000	EA	Nail - Bl. - 80 - Brown
	053774-01-000	EA	Top - Rod - Overhead Bunk - Brown

## DRIVER'S COMPARTMENT GROUP (CONTINUED)

### BUCKET SEAT PEDESTAL AND SEAT BELTS

Key	Part Number	U/M	Description
	050447-01-000	EA	Pedestal Asm. - Tilt Seat - Left
	050447-02-000	EA	Pedestal Asm. - Tilt Seat - Right - Single Seat
	050447-04-000	EA	Pedestal Asm. - Tilt Seat - Right - Double Seat
	007019-01-000	EA	Belt Asm. - Seat - 2" x 84" - Black
	041322-01-000	EA	Washer - Flat 1 1/2" I.D. x 2 3/8" O.D. - Seat Belt
	049943-01-000	EA	Pedestal - Complete - Servel

### MISCELLANEOUS DRIVER'S COMPARTMENT COMPONENTS

Key	Part Number	U/M	Description
	061378-01-K11	EA	Beverage Tray Asm. - Matador Leather Laminate
	055000-01-000	EA	Tray - Utensil - Dark Brown Plastic
	045795-01-000	EA	Glass Holder - Dark Brown Plastic
	050798-01-000	EA	Pocket - Ash Tray - Plastic
	050797-01-000	EA	Ash Tray - Plastic
	038857-01-000	EA	Latch - Rubber - Draw Handle 5 3/4" w/Strike
	038856-01-000	EA	Latch - Rubber - Draw Handle 3" w/Strike
	042541-01-000	EA	Latch Asm. w/Strike - Chrome
	034800-01-000	EA	Cover - Motor - Plastic 454 C.I.D.
	038333-01-000	EA	Cover - Motor - Plastic - 350 C.I.D.
	035368-02-000	EA	Seal - Motor Cover - Alum.
	040519-01-000	EA	Boot - Rubber Step
	040520-01-000	EA	Boot - Retainer
	007278-01-000	EA	Mirror - Inside - 1 1/2" x 9"
	034489-01-000	EA	Support - Mirror
	040895-02-000	EA	Clip - Mirror
	058508-01-K11	EA	Mirror - Outside - Right - Acorn Brown - w/Mirror
	058508-02-K11	EA	Mirror - Outside - Left - Acorn Brown
	061350-01-000	EA	Panel - Interior - A Post - Brown Plastic - Left
	061350-02-000	EA	Panel - Interior - A Post - Brown Plastic - Right
	061350-03-000	EA	Mirror - 1 8" x 3 5" x 8" - Sunvisor
	061350-04-000	EA	Panel - Side - Left - Dark Brown
	061350-05-000	EA	Panel - Side - Right - Dark Brown

## 1979 ITASCA TABLE OF CONTENTS

ICF23RG	A-1 - B-18
ICF28RH	B-17 - D-8
ICN28RB	D-9 - E-22
ICF28RT	E-23 - G-14
ICN28RT	G-15 - I-10

## 1979 ICN28RT INDEX

Floor Plan	G-15 - G-16
Accessories Group	G-17 - G-18
Bath Group	G-19 - G-20
Chassis Group	G-21
Curtain - Vision & Pad Group	G-22 - H-3
Dinette Group	H-4
Driver's Compartment Group	H-5 - H-6
Electrical Group	H-7 - H-9
Exterior Body Group	H-10 - H-13
Galley Group	H-14
Heating & Air Conditioning Group	H-15 - H-16
Interior Finish Group	H-17 - H-18
LP Group	H-19
Lounge Group	H-20 - H-21
Water & Sewage Group	H-22
Window Vent & Exterior Cover Group	H-23 - H-24



## ELECTRICAL GROUP

### BULBS

Key	Part Number	U/M	Description
	037835-01-000	EA	Bulb - 1157
	063814-01-000	EA	Bulb - 1139 or 1143
	008103-01-000	EA	Bulb - 53
	008213-01-000	EA	Bulb - 57
	008214-01-000	EA	Bulb - 67
	008215-01-000	EA	Bulb - 1003
	008216-01-000	EA	Bulb - 1034
	008217-01-000	EA	Bulb - 1073
	008218-01-000	EA	Bulb - 1141
	008219-01-000	EA	Bulb - 616
	008220-01-000	EA	Bulb - 12V - 25W
	038128-01-000	EA	Bulb - 194
	700020-01-000	EA	Bulb - 12V - 20W - 1383

### WINDSHIELD WIPER AND WASHER

Key	Part Number	U/M	Description
	058000-02-000	EA	Washer Arm - Windshield
	057853-01-000	EA	Arm - Windshield Wiper - 18" - Black
	044313-02-000	EA	Motor Arm - Windshield Wiper - 100"
	044313-03-000	EA	Motor Arm - Windshield Wiper - 93"
**	037888-01-000	EA	Link Arm - Connecting - 22 40" Long
	057474-01-000	EA	Windshield Wiper Arm
	048484-02-000	EA	Blade - Windshield Wiper - 20" Black
**	055875-01-000	EA	Shaft and Pivot Arm

\*\*The illustrated parts breakdown for this item is provided on the Common Items Fiche

### FUSES AND CIRCUIT BREAKER

Key	Part Number	U/M	Description
	058473-01-000	EA	Fuse - Slow Blow - 6 1/4 Amp
	008233-01-000	EA	Fuse - 12 Volt - 6 Amp
	008234-01-000	EA	Fuse - 12 Volt - 10 Amp
	008235-01-000	EA	Fuse - 12 Volt - 15 Amp
	008236-01-000	EA	Fuse - 12 Volt - 20 Amp
	008248-01-000	EA	Fuse - 110 Volt - 30 Amp - AGU
	008252-01-000	EA	Fuse - 110 Volt - 50 Amp
	008208-01-000	EA	Circuit Breaker - 12 Volt - 40 Amp
	008211-01-000	EA	Circuit Breaker - 12 Volt - 6 Amp
	008288-01-000	EA	Circuit Breaker - 12 Volt - 30 Amp w Mount
	033573-02-000	EA	Circuit Breaker - 12 Volt - 15 Amp w Mount
	033573-01-000	EA	Circuit Breaker - 12 Volt - 20 Amp w Mount
	040051-01-000	EA	Circuit Breaker - 110 Volt - 20 Amp - TOL
	008273-03-000	EA	Circuit Breaker - 110 Volt - 15 20 Amp TOL

## ELECTRICAL GROUP (CONTINUED)

### WIRE, SWITCHES AND RECEPTACLES

Key	Part Number	U/M	Description
	008024-01-000	FT	Wire - 18 5 Bonded - Orange/White/Yellow/Blue/Brown
	008025-01-000	FT	Wire - 18 5 Bonded - Orange/White/Yellow/Blue/Green
	008026-01-000	FT	Wire - 18 5 Bonded - Blue/Red/Yellow/Orange/White
	008030-01-000	FT	Wire - 18 4 Bonded
	008251-01-000	EA	Holder - Fuse - Black - Screw Type
	008277-01-000	EA	Holder - Fuse - Black - Panel Mount
	008250-02-000	EA	Holder - Fuse - In Line - 15 Amp
	003195-01-000	EA	Switch - Push Button - 12 Volt
	006077-01-000	EA	Plaque - Compressor Switch
	008054-01-000	EA	Cord - Power - 10-3 30 Amp - 25' - UL
	008052-01-000	EA	Cord - Power - 10-3 30 Amp - 25' - CSA
	034818-04-000	EA	Holder - Receptacle - Plastic
	008342-01-000	EA	Receptacle - Duplex Brown - T Junction
	024571-04-000	EA	Cover Plate - Receptacle - Jumbo Plastic Ivory
	024571-01-000	EA	Cover Plate - Receptacle - Jumbo - Brown
	024471-01-000	EA	Cover Plate - Electrical Box - 5 1/4" x 3 1/2"
	024571-03-000	EA	Cover Plate - Receptacle - Jumbo Plastic - Brown
	008289-01-000	EA	Box - Electrical - Steel - 4" x 4"
	058049-01-000	EA	Box - Electrical - Steel - 2" x 3" x 2 25
	058028-01-000	EA	Connector - Pigtail - Clear - Nylon
	038343-01-000	EA	Cap - End - Receptacle
	008182-01-000	EA	Switch - Double Toggle - Spade Brown
	008183-01-000	EA	Switch - Toggle Brown
	008184-01-000	EA	Cover Plate - Switch - Brown
	024824-01-000	EA	Receptacle - Power Cord
	008058-01-000	EA	Adaptor - Power Cord
	047353-01-000	EA	Cover - Receptacle - Ground Fault
	053128-01-000	EA	Receptacle - Ground Fault Interrupter - 125 Volt Ivory
	053128-02-000	EA	Receptacle - Ground Fault Interrupter - 125 Volt - Brown
	058707-01-000	EA	Receptacle - Single - Brown - Thomas & Betts
	058708-01-000	EA	Receptacle - Duplex - Brown - Thomas & Betts
	008157-01-000	EA	Receptacle - Duplex - Brown - (Exit or Backwall)
	058048-01-000	EA	Cover - Electrical Box - 4 5/8" x 2 7/8" - Rain Tight (Exterior)
	008288-01-000	EA	Box - Electrical - Plastic - 3" x 3 5

### EXTERIOR LIGHTS

Key	Part Number	U/M	Description
	048817-01-000	EA	Handle Arm - Assist w Light
	007308-01-000	EA	Light - Step Well
	058030-01-000	EA	Tail Lamp Arm - 3 Bulb - Chrome - Right
	058030-02-000	EA	Tail Lamp Arm - 3 Bulb - Chrome - Left
	058030-01-700	EA	Lens - Tail Lamp - Red
	058030-01-701	EA	Lens - Tail Lamp - Back Up
	058038-01-000	EA	Bracket - Tail Lamp
	058540-01-000	EA	Bracket - License Plate
	082741-01-000	EA	Wedge - Tail Lamp - Left
	082741-03-000	EA	Wedge - Tail Lamp - Right
	042405-03-000	EA	Base - Rectangular Clearance Light
	042405-04-000	EA	Lens - Clearance Light - Red
	042405-05-000	EA	Lens - Clearance Light - Amber

## 1979 ITASCA TABLE OF CONTENTS

ICF23RG	A-1 - B-16
ICF26RH	B-17 - D-8
ICN28RB	D-9 - E-22
ICF28RT	E-23 - G-14
ICN28RT	G-15 - I-10

## 1979 ICN28RT INDEX

Floor Plan	G-15 - G-16
Accessories Group	G-17 - G-18
Bath Group	G-19 - G-20
Chassis Group	G-21
Curtain, Cushion & Pad Group	G-22 - H-3
Dinette Group	H-4
Driver's Compartment Group	H-5 - H-6
Electrical Group	H-7 - H-9
Exterior Body Group	H-10 - H-13
Gate - Group	H-14
Heating & Air Conditioning Group	H-15 - H-16
Interior Finish Group	H-17 - H-18
LP Group	H-19
Lounge Group	H-20 - H-21
Water & Sewage Group	H-22
Window Vent & Exterior Door Group	H-23 - I-10

## ELECTRICAL GROUP (CONTINUED)

### INTERIOR LIGHTS

Key	Part Number	U/M	Description
	033508-02-000	EA	Light - Dome - Ivory - 1 Bulb - US
	033508-03-000	EA	Light - Dome - Ivory - 1 Bulb - CSA
	033508-02-000	EA	Light - Dome - Ivory - 2 Bulb - US
	033508-03-000	EA	Light - Dome - Ivory - 2 Bulb - CSA
	024642-01-701	EA	Lens - Dometight - 1 Bulb
	024643-01-701	EA	Lens - Dometight - 2 Bulb
	024418-01-000	EA	Lamp Arm - Map/Gauge/Aisle
	053348-01-000	EA	Light - High Intensity - Brown
	008088-01-000	EA	Light - Porch - Recessed

### MISCELLANEOUS ELECTRICAL COMPONENTS

Key	Part Number	U/M	Description
	047338-01-000	EA	Isolator - Dual Battery
	047388-01-700	EA	Battery - 12 Volt - 105 Amp. Deep Cycle - Dry
	057888-01-000	EA	Battery - 12 Volt - Maintenance Free - Detco
	008188-01-000	EA	Solenoid - Dual Battery - Relay
	048775-01-000	EA	Valve - Gas - Change Over - 3 Way
	043477-01-000	EA	Valve - Gas - Change Over - 6 Way
	054545-01-000	EA	Control Center - 44 Amp. - UL
	038850-01-702	EA	Circuit Board - Control Center
	024468-01-000	EA	Gauge - Voltmeter
	024482-01-000	EA	Switch - Battery Condition
	031035-01-000	EA	Gauge - Hourmeter - Generator
	024878-01-000	EA	Switch - Generator w/o Circuit Board
	024480-01-000	EA	Gauge - Vacuum
	038817-01-000	EA	Relay - Converter - SPDT
	038881-01-000	EA	Sending Unit Kit - Wemac
	048812-01-000	EA	Control Panel - Water/Double Sewage - Wemac - w/Thermostat
	048812-02-000	EA	Control Panel - Water/Double Sewage - Wemac - w/o Thermostat
	048812-03-000	EA	Control Panel - Water/Double Sewage - Wemac - w/LP. Refrigerator and Clock
	031720-01-000	EA	Spacer - Receptacle - Brown Plastic - CSA

## EXTERIOR BODY GROUP

### EXTERIOR BODY PANELS AND SHEET ALUMINUM

Key	Part Number	U/M	Description
	081888-01-K11	EA	Roof Arm.
	082147-01-K11	EA	Sidewall Arm. - Left
	082148-01-K11	EA	Sidewall Arm. - Right
	081838-01-K11	EA	Backwall Arm.
	038155-32-001	EA	Alum. - Gray - Mass I - .024" x 48" x 380"
	038155-32-002	EA	Alum. - Gray - Mass I - .024" x 38" x 380"
	038155-32-003	EA	Alum. - Gray - Mass I - .024" x 48" x 300"
	038155-32-004	EA	Alum. - Gray - Mass I - .024" x 38" x 300"
	038155-32-005	EA	Alum. - Gray - Mass I - .024" x 12" x 380"
	038155-33-001	EA	Alum. - Gray - Greyhound Design - 48" x 98"
	001084-03-003	EA	Alum. - Gray - No Design - 48" x 98"
	044487-01-001	EA	Alum. - Mill Finish - No Design (Roof) 88" x 380"
	008888-01-100	BF	Styrofoam - 3/4" x 24" x 98"
	008870-01-000	BF	Styrofoam - 1 1/2" x 24" x 98"

### LABELS AND DECALS

Key	Part Number	U/M	Description
	008031-01-000	EA	Label - Potable Water Only
	008187-01-000	EA	Label - Sewage
	008188-01-000	EA	Label - Waste Water
	008189-01-000	EA	Label - Exit - Escape Window
	008028-01-000	EA	Label - Drain Cap - 2" x 3"
	008082-01-000	EA	Reflector - Stick On - Rectangular - Red
	008083-01-000	EA	Reflector - Stick On - Rectangular - Amber
	040844-01-000	EA	Label - Open - Entrance Door
	047731-01-000	EA	Label - Emergency Exit
	018040-01-000	EA	Tag - Gas - Refueling Warning
	008082-01-000	EA	Tag - Electrical - 110V Connection
	054531-01-000	EA	Label - LP Gas Only
	081417-01-000	EA	Label - Fuel
	050225-01-000	EA	Label - Warning - Stove Vent - US
	081800-01-000	EA	Decal - Itasca - .5" x 2.84"
	041273-17-000	FT	Decal Stripe - .63" Black
	053343-01-000	EA	Decal - Itasca I - 8" High
	058251-01-000	EA	Decal - Front Side Upper - U-Shaped - Right
	058251-02-000	EA	Decal - Front Side Upper - U-Shaped - Left
	058528-01-000	EA	Decal - "L" Black - 5.57" - Right Front Clearance Lite to Roof
	058528-02-000	EA	Decal - "L" Black - 5.57" - Left Front Clearance Lite to Roof
	058529-01-000	EA	Decal - "L" Black - 9.12" - Right Front Clearance Lite to Roof
	058529-02-000	EA	Decal - "L" Black - 9.12" - Left Front Clearance Lite to Roof
	058004-08-010	EA	Decal - Logo - Itasca - 5.25" High - Lucerne Blue/Gray
	058004-08-010	EA	Decal - Logo - Itasca - 5.25" High - Brown/Gray
	058004-10-010	EA	Decal - Logo - Itasca - 5.25" High - Bronze Metallic/Gray
	058718-01-010	EA	Decal - "Sunflyer" - 6" x 15.88"

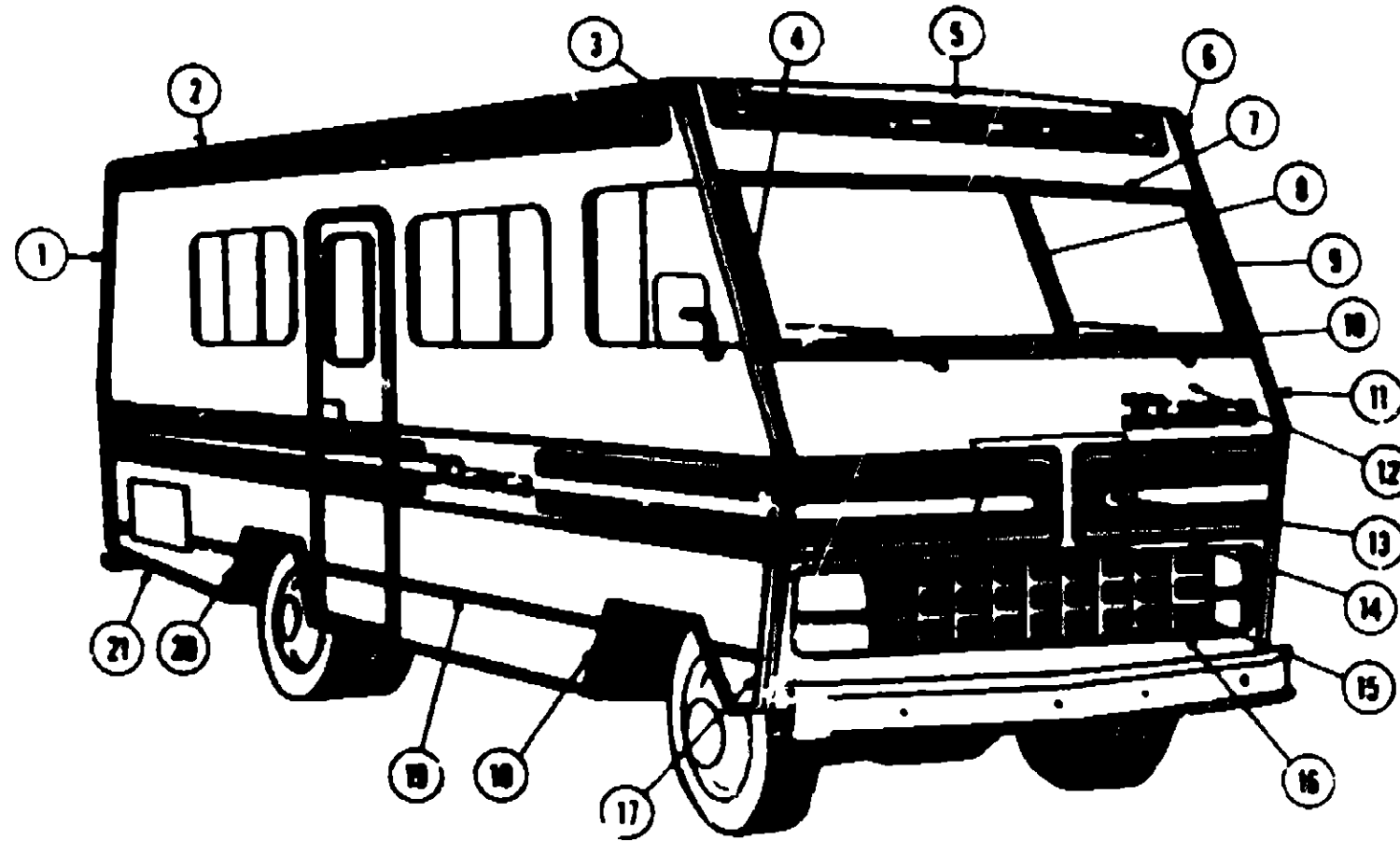
## 1979 ITASCA TABLE OF CONTENTS

ICF23RG	A-1 - B-16
ICF28RH	B-17 - D-8
ICN28RB	D-9 - E-22
ICF28RT	E-23 - G-14
ICN28RT	G-15 - I-10

## 1979 ICN28RT INDEX

Floor Plan	G-15 - G-18
Accessories Group	G-17 - G-18
Bath Group	G-19 - G-20
Chassis Group	G-21
Curtain, Cushion and Pad Group	G-22 - H-3
Dinette Group	H-4
Driver's Compartment Group	H-5 - H-6
Electrical Group	H-7 - H-8
Exterior Body Group	H-10 - H-13
Galley Group	H-14
Heating & Air Conditioning Group	H-15 - H-18
Interior Finish Group	H-17 - H-18
LP Group	H-19
Lounge Group	H-20 - H-21
Water & Sewage Group	H-22
Window, Vent & Exterior Door Group	H-23 - I-10

EXTERIOR BODY GROUP (CONTINUED)



1979 ITASCA  
TABLE OF CONTENTS

ICF23RG	A-1 - B-16
ICF28RH	B-17 - D-6
ICN28FB	D-6 - E-22
ICF28RT	E-23 - G-14
ICN28RT	G-15 - I-10

Key	Part Number	U/M	Description
1	05684-05-000	EA	Trim - Contour - Right Rear - Gray
2	05684-05-000	EA	Trim - Contour - Left Rear - Gray
3	054822-20-000	EA	Trim - Sidewall - Upper - Left or Right - Gray
4	056284-05-000	EA	Trim - Contour - Right Front Upper - Gray
5	054847-02-000	EA	Trim - Contour - Windshield - Right
6	052386-01-000	EA	Cap - Fiberglass - Over Windshield - Gray
7	056284-05-000	EA	Trim - Contour - Left Front Upper - Gray
8	056287-01-000	EA	Trim - Molding - Windshield - Upper
9	042743-02-000	EA	Trim - Corner Windshield - Upper
10	056288-01-000	EA	Trim Molding - Windshield - Center
11	056288-01-000	EA	Trim - Contour - Windshield - Left
12	056287-02-000	EA	Trim - Molding - Windshield - Lower
13	042743-01-000	EA	Trim - Corner Windshield - Lower

Key	Part Number	U/M	Description
14	056888-05-000	EA	Trim - Contour - Left Front Lower - Gray
15	056284-03-000	EA	Panel Arm - Front Shroud
16	056282-03-000	EA	Panel Arm - Front Lower - Gray
17	056878-03-000	EA	Access Panel - Gray
18	056722-01-000	EA	Pull Pin - Hood Release
19	056781-01-000	EA	Striker - Hood Latch
20	057473-01-000	EA	Base - Headlamp - Left
21	057473-02-000	EA	Base - Headlamp - Right
22	056123-01-000	EA	Grille Trim - Upper
23	056400-01-000	EA	Grille Arm
24	056124-01-000	EA	Grille Trim - Lower
25	056888-05-000	EA	Trim - Contour - Right Front Lower - Gray
26	056543-05-000	EA	Trim - Wheel Well - Front Right - Gray
27	056543-04-000	EA	Trim - Wheel Well - Front Left - Gray
28	002444-02-001	EA	Feature Strip - Extr. Anod. - 14' - w/o Insert
29	008731-01-000	EA	End Cap - Feature Strip
30	001030-11-100	EA	Insert - Feature Strip - Gray - 17'
31	056457-05-000	EA	Trim - Wheel Well - Rear - Right - Gray
32	056457-04-000	EA	Trim - Wheel Well - Rear - Left - Gray
33	002776-02-001	EA	Extr. - U-Channel - 1.75" x 1 1/2" Anod.
34	002385-01-001	EA	Extr. - U-Channel - 1" x 1 1/2"
35			Not Illustrated

1979 ICN28RT INDEX

Floor Plan	G-15 - G-16
Accessories Group	G-17 - G-18
Bath Group	G-19 - G-20
Chassis Group	G-21
Curtain, Cushion and Pad Group	G-22 - H-3
Dinette Group	H-4
Driver's Compartment Group	H-5 - H-6
Electrical Group	H-7 - H-8
Exterior Body Group	H-10 - H-13
Galley Group	H-14
Heating & Air Conditioning Group	H-15 - H-16
Interior Finish Group	H-17 - H-18
LP Group	H-19
Lounge Group	H-20 - H-21
Water & Sewage Group	H-22
Window, Vent & Exterior Door Group	H-23 - I-10

## EXTERIOR BODY GROUP (CONTINUED)

### EXTERIOR PAINT

Key	Part Number	U/M	Description
	045881-01-000	EA	Paint - Gloss Black - Acrylic Enamel - 1 Gallon
	045881-03-000	EA	Paint - Gloss Black - Acrylic Enamel - 16 oz Aerosol
	058008-01-000	EA	Paint - Lucerne Blue - Acrylic Enamel - 1 Gallon
	058008-03-000	EA	Paint - Lucerne Blue - Acrylic Enamel - 16 oz Aerosol
	058054-01-000	EA	Paint - Bronze Metallic - Acrylic Enamel - 1 Gallon
	058054-03-000	EA	Paint - Bronze Metallic - Acrylic Enamel - 16 oz Aerosol
	058058-01-000	EA	Paint - Gray Metallic - Acrylic Enamel - 1 Gallon (Trim)
	058058-03-000	EA	Paint - Gray Metallic - Acrylic Enamel - 16 oz Aerosol (Trim)
	058088-01-000	EA	Paint - Brown Metallic - Acrylic Enamel - 1 Gallon
	058088-03-000	EA	Paint - Brown Metallic - Acrylic Enamel - 16 oz Aerosol
	058837-01-000	EA	Paint - Gray - Acrylic Enamel - 1 Gallon - (Sidewall)
	058837-02-000	EA	Paint - Gray - Acrylic Enamel - 16 oz Aerosol - (Sidewall)

### SEALANTS, ADHESIVES AND FASTENERS

Key	Part Number	U/M	Description
	034552-05-000	EA	Sealant - Off White Silicone
	034552-04-000	EA	Sealant - Beige Silicone
	034552-02-000	EA	Sealant - Clear Silicone
	004342-01-000	EA	Sealant - Weatherban 202 Tube
	004348-02-000	EA	Sealant - White Silicone
	004347-01-000	EA	Sealant - Tuffco
	004357-01-000	FT	Tape - Sealer - 1/8" x 5/8" - Adhesive
	008200-01-000	EA	Tape - Furnace - 1 1/2"
	004353-01-000	FT	Tape - Gasket - 1/8" x 3/4" - White
	002225-01-000	FT	Weather Stripping - Roof Vent
	002307-01-000	EA	Adhesive - 3M - 1300 Tube
	004005-01-000	GL	Adhesive - Swifts - Green - Glue (Sidewall)
	004012-01-000	EA	Adhesive - 3M - 4475 Tube
	004020-01-000	QT	Adhesive - ABS Corner (Plastic Fittings)
	029051-01-000	EA	Adhesive - Spray Vinyl
	042401-02-000	EA	Screw - 5/16" x 3/4" SDPH - Off White
	042403-02-000	EA	Screw - SF/DR - 8 - 11/16" x 1" SDPH - Off White
	053788-01-000	EA	Bedding Compound - Tube Black - Schnee Morehead
	053788-02-000	EA	Bedding Compound - Tube White - Schnee Morehead
	053787-01-000	FT	Tape - 1/2" x 1/8" x 10' - Gray - Schnee Morehead
	053787-03-000	FT	Tape - 1/4" Bead x 27' - Gray - Schnee Morehead
	053787-04-000	FT	Tape - 3/4" x 1/8" x 30' - Gray - Schnee Morehead
	053787-05-000	FT	Tape - 2" x 3/32" x 15' - Gray - Schnee Morehead

### MISCELLANEOUS EXTERNALLY MOUNTED PARTS

Key	Part Number	U/M	Description
**	011124-01-000	EA	Plumbing Seal - Roof Vent - 1 1/4" - White
**	011128-01-000	EA	Plumbing Seal - Roof Vent - 1 1/2" - White
	048817-01-000	EA	Assist Handle - w Light
	008128-01-000	EA	Assist Handle
	010230-04-000	EA	Fill - City Water - Recessed - Gray
	058708-03-000	EA	Water Fill - Livable - Gray
	038579-03-000	EA	Fuel Fill - Recessed - Single - Off White
	055501-05-000	EA	Door Asm - Gas Fill - Gray

\*\*The illustrated parts breakdown for this item is provided on the Common Items Fiche

## GALLEY GROUP

### GALLEY CABINETRY

Key	Part Number	U/M	Description
	061725-01-K11	EA	Cabinet Asm - Galley - w/o Doors, Drawers, Countertop or Hardware
	061725-01-K11	EA	Countertop Asm - Galley Cabinet - Camel
	058082-47-K11	EA	Door Asm - Galley Cabinet - 12.8" x 31.7" - w/o Hardware
	058082-48-K11	EA	Door Asm - Galley Cabinet - 18.2" x 31.7" - w/o Hardware
	058082-49-K11	EA	Door Asm - Galley Cabinet - 12" x 21.6" - w/o Hardware
	058015-01-K11	EA	Drawer Asm - Galley Cabinet - 10.1" x 5" x 20" Deep
	058015-02-K11	EA	Door Asm - Galley Cabinet - 10.1" x 5" x 14" Deep
	061807-01-K11	EA	Cabinet Asm - Galley Overhead - w/o Doors or Hardware
	058092-33-K11	EA	Door Asm - Galley Overhead Cabinet - 15.75" x 23.20" - w/o Hardware
	058082-45-K11	EA	Door Asm - Wardrobe Cabinet - 17.6" x 47" - w/o Hardware
	050082-82-K11	EA	Door Asm - Wardrobe Cabinet - 13.5" x 24.9" - w/o Hardware
	058013-04-K11	EA	Drawer Asm - Wardrobe Cabinet - 12.4" x 10.2" x 20" Deep
	058843-01-K11	EA	Door Asm - Furnace - w/Mesh Insert - 17.6" x 13.2" - w/o Hardware
	047205-12-000	EA	Insert - Furnace Door - 14.5" x 10" - Brass Mesh
	038873-01-000	EA	Catch and Strike - Furnace Door
	042488-03-000	EA	Folding Door - Maple - 37" x 77 1/8"

### GALLEY HARDWARE AND APPLIANCES

Key	Part Number	U/M	Description
	011032-01-000	EA	Sink - Stainless Steel - Double w/Bolts
**	011053-01-000	EA	Faucet - 8" - Swing Spout - U.S.
**	011053-02-000	EA	Faucet - 8" - Swing Spout - C.S.A.
**	011053-01-700	EA	Aerator - Swing Spout Faucet
**	011065-01-000	EA	Strainer - Sink
	054028-01-K11	EA	Cover - Sink - Camel Laminate
	058334-01-000	EA	Wastebasket - 9.3.4" x 7" x 10" - White - Rubbermaid
	058841-01-K11	EA	Cover - Wastebasket - Camel Laminate
	058877-01-000	EA	Support - Wastebasket - White Plastic
**	048954-03-000	EA	Hood - Stove - w/Black Face - U.S.
**	048954-04-000	EA	Hood - Stove - w/Black Face - C.S.A.
**	048045-02-000	EA	Range - 4 Burner - Magic Chef
**	049174-02-000	EA	Refrigerator - AC/DC/Gas - Sibir ET230/2

\*\*The illustrated parts breakdown for this item is provided on the Common Items Fiche

## 1979 ITASCA TABLE OF CONTENTS

ICF23RG	A-1 - B-18
ICF28RH	B-17 - D-8
ICN28RB	D-8 - E-22
ICF28RT	E-23 - G-14
ICN28RT	G-15 - I-10

## 1979 ICN28RT INDEX

Floor Plan	G-15 - G-16
Accessories Group	G-17 - G-18
Bath Group	G-19 - G-20
Chassis Group	G-21
Curtain, Cushion and Pad Group	G-22 - H-3
Dinette Group	H-4
Driver's Compartment Group	H-5 - H-6
Electrical Group	H-7 - H-8
Exterior Body Group	H-10 - H-13
Galley Group	H-14
Heating & Air Conditioning Group	H-15 - H-16
Interior Finish Group	H-17 - H-18
LP Group	H-19
Lounge Group	H-20 - H-21
Water & Sewage Group	H-22
Window, Vent & Exterior Door Group	H-23 - I-10

## HEATING AND AIR CONDITIONING GROUP

### AUTOMOTIVE HEATER AND AIR CONDITIONER

Key	Part Number	U/M	Description
	038044-01-000	EA	Louver Asm - A/C Adjustable
	047046-01-000	EA	Motor - 12 Volt - 3 Speed - Heater - Air Conditioner
	031043-01-000	EA	Valve - Heater - Water Flow Control
	031189-01-000	EA	Cable - Control - Flexible - 53"
	031189-02-000	EA	Cable - Control - Flexible - 48"
	031170-01-000	EA	Clamp - Cable - 3-16" Dia
	024888-01-000	EA	Clutch - Magnetic - Compressor
	024888-01-000	EA	Compressor - Auto Air - 10.3 Cubic Inch
	048100-01-000	EA	Package - Compressor Mount 454 C.I.D.
	048801-01-000	EA	Condenser - Radiator Mount
	038287-01-000	EA	Switch - Air Conditioner
	024887-01-000	EA	Valve - Thermostatic Expansion
	024887-01-000	EA	Core - Heater
	024888-01-000	EA	Wheel - Blower - 4.72" O.D.
	031383-01-000	EA	Coil - Evaporator
	031601-01-000	EA	Blower Housing
	007076-01-000	FT	Hose - Flexible PVC - 2" I.D.
	007108-01-000	FT	Hose - Heater - 5/8" I.D. SAE 20R3
	007281-01-000	FT	Hose - Flexible PVC - 2 1/2" I.D.
	007138-01-000	EA	Clamp - Worm Drive - .89" - 1.25" I.D.
	007140-01-000	EA	Clamp - Hose - 2" - 3" Dia.
	033258-01-000	EA	Hose - Refrigerant - 50" I.D. x 34.50"
	034222-01-000	EA	Hose - Refrigerant - 31" I.D. x 26"
	034222-02-000	EA	Hose - Refrigerant - 31" I.D. x 32"
	031880-01-000	EA	Hose - Refrigerant - 34" I.D. x 30"
	031881-01-000	EA	Hose - Refrigerant - 31" I.D. x 14.75"
	031881-02-000	EA	Hose - Refrigerant - 31" I.D. x 18"
	048401-01-000	EA	Heater Asm - Rear - Auxiliary
	048401-01-700	EA	Valve - Water Control - (Aux. Heater)
	048401-01-701	EA	Control Cable - (Aux. Heater)
	048401-01-702	EA	Motor Asm - (Aux. Heater)
	048401-01-703	EA	Heater Core - (Aux. Heater)
	048401-01-704	EA	Switch - (Aux. Heater)
	038801-01-000	EA	Control Panel - Auxiliary Rear Heater)
	024888-01-000	EA	Receiver - Dehydrator
	031044-01-000	EA	Clamp - Receiver Dehydrator
	031882-01-000	EA	Bracket - Receiver Dehydrator
	048232-02-000	EA	Kit - Auto Air - 454 C.I.D. A-Body

## HEATING AND AIR CONDITIONING GROUP (CONTINUED)

### FURNACES AND ROOF AIR CONDITIONERS

Key	Part Number	U/M	Description
	058824-01-000	EA	Furnace - 34,000 BTU - w/Electric Ignition - 4334-748
	058830-01-000	EA	Furnace - 30,000 BTU - w/Electric Ignition - 4330-748
	008198-01-000	FT	Duct - Flexible - 4" I.D. x 25'
	008200-01-000	EA	Tape - Furnace - 1 1/2"
	023146-01-000	EA	Clamp - Screw Type - 4"
	024885-01-000	EA	Heat Register - w. Damper - 9 9/16" x 4 8/16"
	031804-01-000	EA	Bonnet - Heat Register
	058824-02-000	EA	Door - Furnace - Front - 4334
	048043-02-000	EA	Door - Furnace - Front - 4330
	050783-01-000	EA	Vent Package - Furnace - 1-3 Wall
	050784-01-000	EA	Vent Package - Furnace - 3 - 6" Wall
	038505-02-000	EA	Thermostat - Horizontal Wall Mount
**	048777-02-000	EA	Air Conditioner - 110 Volt - Roof Mount - 11,000 BTU - Ivory Coleman (w.o. inside shroud)
**	048778-02-000	EA	Shroud Asm. - Ceiling - Inside Roof Air - Cool Only - 11,000 BTU - Coleman
**	048774-02-000	EA	Air Conditioner - 110 Volt - Roof Mount - 13,500 BTU Ivory - Coleman (w.o. inside shroud)
**	048775-02-000	EA	Shroud Asm. - Ceiling - Inside - Roof Air Cool Only - 13,500 BTU - Coleman
**	048776-01-000	EA	Shroud Asm. - Ceiling - Inside - Roof Air Heat and Cool Only - 13,500 BTU - Coleman

\*\*The illustrated parts breakdown for this item is provided on the Common Items Fiche.

### 1979 ITASCA TABLE OF CONTENTS

ICF23RG	A-1 - B-16
ICF28RH	B-17 - D-8
ICN28RB	D-9 - E-22
ICF28RT	E-23 - G-14
ICN28RT	G-15 - I-10

### 1979 ICN28RT INDEX

Floor Plan	G-15 - G-16
Accessories Group	G-17 - G-18
Bath Group	G-19 - G-20
Chassis Group	G-21
Curtain, Cushion and Pad Group	G-22 - H-3
Linette Group	H-4
Driver's Compartment Group	H-5 - H-6
Electrical Group	H-7 - H-9
Exterior Body Group	H-10 - H-13
Galley Group	H-14
Heating & Air Conditioning Group	H-15 - H-18
Interior Finish Group	H-17 - H-18
LP Group	H-19
Lounge Group	H-20 - H-21
Water & Sewage Group	H-22
Window, Vent & Exterior Door Group	H-23 - I-10

## INTERIOR FINISH GROUP

### PANELING AND COUNTERTOP MATERIALS

Key	Part Number	U/M	Description
	057880-01-000	SF	Paneling - Pluswood - 725 Russel Oak - V Groove - 48" x 96" (32 SF)
	057877-01-000	SF	Paneling - Plain - 725 Russel Oak - 48" x 96" (32 SF)
	045883-01-000	SF	Paneling - 825 Buff - Ceiling - 48" x 94"
	058338-01-000	SF	Paneling - Backsplash - Diamond Luster
	058221-01-000	SF	Plastic Laminate - Camel Impression - 48" x 96" (32 SF)
	058340-01-000	SF	Plastic Laminate - Camel - 48" x 96" (32 SF)

### INTERIOR MOLDINGS AND TRIMS

Key	Part Number	U/M	Description
	024700-08-000	EA	Cover - Side Roll Bar - Ivory
	024700-14-000	EA	Cover - Side Roll Bar - Russel Oak
	038512-08-000	EA	Cover - Hat - Ivory
	038512-13-000	EA	Cover - Hat - Russel Oak
	047488-01-000	EA	Cover - Corner - Hat/Hat
	047488-01-000	EA	Cover - Corner - Tube/Tube
	042430-01-000	EA	Molding - Shelf - Wood
	008812-08-000	FT	Molding - Outside Corner - 50"
	008787-05-000	FT	Molding - Light Brown
	008815-03-000	FT	T-Molding - 75" - Light Brown
	022882-03-000	FT	Molding - Reverse Cove - Sandalwood
	008778-01-000	FT	U-Channel - 1" - Dark Brown
	008778-03-000	FT	U-Channel - 1 1/8" - Light Brown
	052858-01-J10	FT	Accent Trim - Acorn Brown Vinyl
	058352-01-000	FT	Insert - Vinyl - Style and Rail Door
	047354-01-000	EA	Beit Strip - Ceiling - 825 Buff - 8'
	057888-01-000	EA	Beit Strip - Russel Oak - 8'
	078787-01-000	EA	Beit Strip - Sandflower Cork - 8'

### FABRICS AND CARPET

Key	Part Number	U/M	Description
	058333-02-000	YD	Fabric - Drapery - White
	058333-01-000	YD	Fabric - Drapery - Ivory
	082828-01-000	YD	Fabric - Upholstery - Blue
	082828-02-000	YD	Fabric - Upholstery - Sunset - Rust
	082828-03-000	YD	Fabric - Upholstery - Brown
	053327-01-000	YD	Vinyl - Non Expanded - 27 oz - Acorn Brown
	053327-02-000	YD	Vinyl - Expanded - 28 oz - Acorn Brown
	053327-03-000	YD	Vinyl - Non Support - 16 Gauge Firm - Acorn Brown
	058788-04-000	SY	Carpet - Inner Beauty - Green
	058788-05-000	SY	Carpet - Inner Beauty - Topaz
	058788-06-000	SY	Carpet - Inner Beauty - Brown

## INTERIOR FINISH GROUP (CONTINUED)

### CABINETS AND TABLE HARDWARE

Key	Part Number	U/M	Description
..	052832-01-J30	EA	Hinge Kit - Cabinet Door - Antique Brass
	057898-01-000	EA	Latch - Hidden - Cabinet Door
..	009112-01-000	EA	Flange - 1" - Chrome - Closet Rod
..	047842-01-000	EA	Kit - Dinette Table Leg
..	047809-03-000	EA	Kit - Dinette Table - Wall Mount Hardware
	058335-01-000	EA	Latch - Bathroom Door
	009155-01-000	EA	Track - Sliding Door
	009156-01-000	EA	Hanger - Sliding Door
	058034-01-000	EA	Latch - Sliding Door
	058753-01-000	EA	Slide - Drawer - Left
	058753-02-000	EA	Slide - Drawer - Right
..	037888-01-000	FT	Rail - Drawer Glide
..	047744-01-000	EA	Kit - Drawer Glide

..The illustrated parts breakdown for this item is provided on the Common Items Fiche.

### CURTAIN HARDWARE

Key	Part Number	U/M	Description
	053272-04-200	EA	Track - Curtain - Ceiling - 80" - Off White
	053265-02-001	EA	Track - Curtain - Door - 18" - Ar.od
	058430-01-000	EA	Track - Curtain - Front Wraparound (2 per unit)
	056001-01-000	EA	Bracket - Shade - Left
	056002-01-000	EA	Bracket - Shade - Right
	009107-01-000	EA	Guide - Nylon Snap - Curtain
	018031-42-000	EA	Track - Curtain - "L" Rod - Alum. Extr. - 90"
	009701-01-000	EA	Carrier - "L" Rod - Curtain
	009702-01-000	EA	End Stop - "L" Rod - Curtain

### MISCELLANEOUS PARTS

Key	Part Number	U/M	Description
	053552-01-K11	EA	Handle Asm - Interior Assat - Acorn Brown Vinyl
	041944-01-700	EA	Fire Extinguisher w/Bracket - Dry Chemical
	006113-01-000	EA	Jack - Hydraulic - 5 Ton - w/Handle
	054185-04-000	EA	Owner's Manual - 1978 Itasca
	040068-01-000	EA	Mat - Door - Black Rubber - 10 1/2" x 26" - Itasca
	081613-01-000	EA	Clock - Battery - Round Gold Face

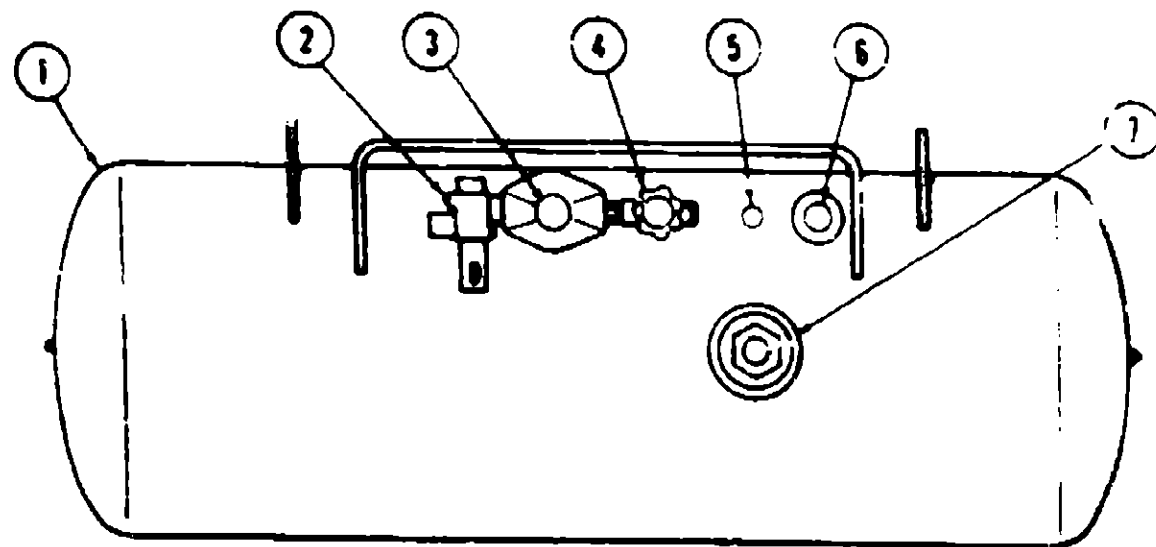
## 1978 ITASCA TABLE OF CONTENTS

ICF23RG	A-1 - B-16
ICF28RH	B-17 - D-8
ICN28RB	D-9 - E-22
ICF28RT	E-23 - G-14
ICN28RT	G-15 - I-10

## 1978 ICN28RT INDEX

Floor Plans	G-15 - G-16
Accessories Group	G-17 - G-18
Bath Group	G-19 - G-20
Chassis Group	G-21
Curtain, Cushion and Pad Group	G-22 - H-3
Dinette Group	H-4
Driver's Compartment Group	H-5 - H-6
Electrical Group	H-7 - H-9
Exterior Body Group	H-10 - H-13
Galley Group	H-14
Heating & Air Conditioning Group	H-15 - H-16
Interior Finish Group	H-17 - H-18
I.P. Group	H-19
Lounge Group	H-20 - H-21
Water & Sewage Group	H-22
Window, Vent & Exterior Door Group	H-23 - I-10

## LP GROUP



Key	Part Number	U/M	Description
1	052770-01-000	EA	Tank Asm - LP - Frame Mount - 85 Pound
2	047221-01-000	EA	Detector - LP Gas Leak
3	058708-01-000	EA	Cover - Regulator - 2 Stage
4	058708-01-000	EA	Regulator - Two Stage - LP Gas
4	040421-01-702	EA	Valve - Vapor Relief
5	040421-01-700	EA	Gauge - Liquid Level - 20% LP
6	040421-01-701	EA	Valve - Filler - LP
6	040421-01-702	EA	Cap - Plastic Fill Valve
7	040421-01-707	EA	Gauge - Float - w/Visible Dial - 85 Pound Tank
7	040421-01-708	EA	Dial - Visible Face - Float Gauge (Tank w/o Electric Transmitter)
7	040421-01-705	EA	Dial - Transmitter - 0 - 90 Ohm (Float Gauge)
7	045703-03-700	EA	Hose Asm - LP - 3/8" ID x 14'
7	047737-02-000	EA	Support - LP Tank - 89.25"
7	047737-03-000	EA	Support - LP Tank - 30.50"
			Not Illustrated

## LOUNGE GROUP

### LOUNGE OVERHEAD CABINERY

Key	Part Number	U/M	Description
	361958-01-K04	EA	Cabinet Asm - Rear Overhead - Backwall - w/o Doors or Hardware
	061949-01-K04	EA	Cabinet Asm - Rear Overhead - Right Sidewall - w/o Doors or Hardware
	061948-01-K04	EA	Cabinet Asm - Rear Overhead - Left Sidewall - w/o Doors or Hardware
	059092-01-K04	EA	Door Asm - Rear Overhead Cabinet - 11.3" x 28" - w/o Hardware

### TWIN BED CABINERY

Key	Part Number	U/M	Description
	063238-01-K04	EA	Cabinet Asm - Twin Bed - Left - w/o Door or Hardware
	063242-01-K04	EA	Cabinet Asm - Twin Bed - Right - w/o Door or Hardware
	059092-21-K04	EA	Door Asm - Twin Bed Cabinet - 10 10" x 27.05" - w/o Hardware
	054006-01-K04	EA	Cabinet Asm - Nightstand Base - w/o Countertop, Doors or Hardware
	053898-01-K11	EA	Countertop Asm - Nightstand Base - 24 1/2" x 23 3/8" - Camel
	053878-01-K04	EA	Cabinet Asm - Nightstand Top - w/Roll up Door - w/o Countertop
	053889-01-K11	EA	Countertop Asm - Nightstand - Top - 23 1/2" x 8 1/2" - Camel
	043255-01-000	FT	Track - Roll up Door - Brown Plastic
	043256-01-000	EA	Spiral - Roll up Door - Plastic - Right
	043256-02-000	EA	Spiral - Roll up Door - Plastic - Left
	058122-07-K04	EA	Door Asm - Rolled - 16" x 16"
	059092-63-K04	EA	Door Asm - Nightstand Cabinet - 20" x 18.2" - w/o Hardware

### HORSESHOE LOUNGE W/PEDESTAL TABLE

Key	Part Number	U/M	Description
	053203-08-K11	EA	Table Asm - Pedestal - Camel - w/o Hardware
	008040-03-000	EA	Base - Pedestal Table - Table Mount
	041184-01-000	EA	Base - Pedestal Table - Floor Mount
	008040-02-000	EA	Leg - Pedestal Table - 2.25" O.D. x 27.5" - Chrome
	063148-01-K04	EA	Cabinet Asm - Right Gaucho
	063168-01-K04	EA	Cabinet Asm - Center Gaucho
	063235-01-K04	EA	Cabinet Asm - Left Gaucho
	059092-21-K04	EA	Door Asm - Gaucho Cabinet - 10.1" x 27" - w/o Hardware
	063239-01-K04	EA	Cabinet Asm - Hamper - Right
	063239-02-K04	EA	Cabinet Asm - Hamper - Left

### DOUBLE BED W/NIGHT STAND

Key	Part Number	U/M	Description
	063432-01-K04	EA	Headboard Asm - Padded - Acorn
	063444-01-K04	EA	Cabinet Asm - Nightstand - w/o Countertop
	063445-01-K11	EA	Countertop Asm - Nightstand Cabinet - Camel
	063446-01-K04	EA	Cabinet Asm - Hamper Cabinet - w/o Countertop
	063447-01-K11	EA	Countertop Asm - Hamper Cabinet - Camel
	059092-53-K04	EA	Door Asm - Cabinet - 17.1" x 13.2" - w/o Hardware

## 1979 ITASCA TABLE OF CONTENTS

ICF23RG	A-1 - B-16
ICF28RH	B-17 - D-8
ICN28RB	D-9 - E-22
ICF28RT	E-23 - G-14
ICN29RT	G-15 - I-10

## 1979 ICN29RT INDEX

Floor Plan	G-15 - G-16
Accessories Group	G-17 - G-18
Bath Group	G-19 - G-20
Chassis Group	G-21
Curtain, Cushion and Pad Group	G-22 - H-3
Dinette Group	H-4
Driver's Compartment Group	H-5 - H-8
Electrical Group	H-7 - H-9
Exterior Body Group	H-10 - H-13
Galley Group	H-14
Heating & Air Conditioning Group	H-15 - H-16
Interior Finish Group	H-17 - H-18
LP Group	H-19
Lounge Group	H-20 - H-21
Water & Sewage Group	H-22
Window, Vent & Exterior Door Group	H-23 - I-10

## LOUNGE GROUP (CONTINUED)

### SPRUNG COUCH AND CORNER LOUNGE CHAIRS

Key	Part Number	U/M	Description
	063431-01-K04	EA	Panel - Couch Face - w/o Door or Hardware
	059082-04-K04	EA	Door Asm. - Sprung Couch - 10.4" x 25" - w/o Hardware
	057488-02-000	EA	Frame - Sprung Couch - Right
	057488-03-000	EA	Frame - Sprung Couch - Left
	057488-04-000	EA	Frame Rail - Sprung Couch (2 per couch)
	057488-01-000	EA	Leg Asm. - Sprung Couch (2 per couch)
	061558-01-K04	EA	Cabinet Asm. - Corner Lounge Chair - Right
	061558-01-K04	EA	Cabinet Asm. - Corner Lounge Chair - Left
	061704-01-K11	EA	Table Asm. - Lounge - Camel
	061882-01-000	EA	Leg Asm. - Table - Pivot
	061879-01-000	EA	Leg Asm. - Table - Fixed
	024275-04-000	EA	Rod - Table Lint
	024181-05-000	EA	Bracket - Table Lift - Mounts on Table
	053200-02-000	EA	Support - Table - 14.5" - Mounts on Wall

### SWIVEL CHAIRS AND PULLOUT TABLE

Key	Part Number	U/M	Description
	058548-01-K11	EA	Cabinet Asm. - Pullout Table - w/o Table, Countertop or Pad
	058547-01-K11	EA	Countertop Asm. - Pullout Table Cabinet - Camel
	054552-01-K11	EA	Table Asm. - Pullout - Camel
	058585-01-K11	EA	Pad - Pullout Table Cabinet - Acorn Vinyl
	045785-01-000	EA	Holder - Glass - Dark Brown Plastic
	054640-01-000	EA	Slide Asm. - Ball Bearing
	035036-01-000	EA	Plate - Swivel Chair
	035036-02-000	EA	Base w/Legs - Swivel Chair

### SWIVEL CHAIR w/VANITY

Key	Part Number	U/M	Description
	054177-01-K11	EA	Cabinet Asm. - Vanity - w/o Countertop, Doors, Drawers and Hardware
	054235-02-K11	EA	Countertop Asm. - Vanity Cabinet - 48 1/2" x 27 1/4" - Camel
	054182-01-K04	EA	End Panel - Side Drawer - Right
	054182-02-K04	EA	End Panel - Side Drawer - Left
	054242-03-K04	EA	Drawer Asm. - Desk - 3 1/4" x 20 1/4" x 10 5/8" Deep - w/o Hardware
	058082-02-K04	EA	Door Asm. - Vanity Cabinet - 13.5" x 24.9" - w/o Hardware
	058913-08-K04	EA	Drawer Asm. - Vanity Cabinet - 3.5" x 14.1" x 20" Deep - w/o Hardware
	035036-01-000	EA	Plate - TT Chair
	035036-02-000	EA	Base w/Legs - TT Chair

## WATER AND SEWAGE GROUP

### PLUMBING AND REPAIR PARTS

Key	Part Number	U/M	Description
**	041279-02-000	EA	Pump - Water Flow - 2.8 G.P.M. US
**	063846-01-000	EA	Pump - Water - 2.8 G.P.M. - Direct Drive - US
**	063846-02-000	EA	Pump - Water - 2.8 G.P.M. - Direct Drive - CA
**	038647-02-000	EA	Filter - Water Pump - 1/2 MPT
**	052952-01-000	EA	Nut - Plastic - 1/2 F
**	052953-01-000	EA	Nut Faucet - 1/2 Tube x 1/2 Ft.
**	052954-01-000	EA	Adapter - Nose Cone - 3/8" or 1/2"
**	052955-01-000	EA	Tee - Plastic - 1/2 F x 1/2 F x 1/2 MPT
**	052957-01-000	EA	Elbow - Plastic - 1/2 F x 3/8 MPT
**	052958-01-000	EA	Tee - Plastic - 1/2 F x 1/2 F x 1/2 F
**	052959-03-000	EA	Connector - 1/2 F x 3/8 MPT - Plastic
**	052960-01-000	EA	Drain Valve - 1/2 F x 1/2 F - Plastic
**	052981-01-000	EA	Header - 1/2 F x 1/2 F x 1/2 F x 1/2 F
**	048524-02-000	EA	Kit - Water Tank Fittings - Blank Tank
**	048524-01-000	EA	Kit - Holding Tank Fittings - Blank Tank
**	010079-01-000	EA	Tee - Plastic - 1 1/2 H x 1 1/2 H x 1 1/4 H
**	010091-01-000	EA	Wye - Plastic - 3 x 45 H x H x H
**	010212-01-000	EA	Bushing - Plastic - 1 1/2 S x 1 1/4 H
**	010008-01-000	EA	Elbow - Plastic - 1/8 BD
**	010133-01-000	EA	Trap Adaptor - Plastic - 1 1/2 H x MPT
**	010134-01-000	EA	Adapter - Plastic - 1 1/2 M x MPT
**	010201-01-000	EA	Sewer Hose - 3" x 8" w/Clamp
**	010205-01-000	EA	Valve - Sanitary - Thetford 3 x B
**	010208-08-000	EA	Handle - Extension - Sewer Valve
**	010234-01-000	EA	Adapter - Bayonet
**	010235-01-000	EA	Cap - Sewage - 3"
**	010238-01-000	EA	Adapter - Hose - 3"
**	010008-01-000	EA	Elbow - Plastic - 1/8 BD 1 1/2 x 45 H x H
**	053335-01-000	EA	P-Trap - Plastic - 1 1/4 H x H - w/Union
**	011088-01-000	EA	P-Trap - 1 1/4" - Plastic
**	011091-01-000	EA	Waste - Continuous - Double Sink - 11 7/8"
**	031128-01-000	EA	Elbow - 1/4 BD 3 x 90
**	050780-01-000	EA	Rubber Coupler - 3" x 3"
**	004020-01-000	QT	Adhesive - ABS Cement
**	037845-01-000	FT	Tape - Butyl - 3/16" - Bead - Black
**	040539-01-000	EA	Kit - Repair - 3/8" O.D. Plastic Tube
**	040540-01-000	EA	Kit - Repair - 1/2" O.D. Plastic Tube
**	040541-01-000	EA	Kit - Repair - 5/8" O.D. Plastic Tube
**	039818-01-000	EA	Riser Asm. - 3/8" O.D. x 24" Tube
**	039818-02-000	EA	Riser Asm. - 3/8" O.D. x 30" Tube
**	039818-04-000	EA	Riser Asm. - 3/8" O.D. x 72" Tube
**	039818-05-000	EA	Riser Asm. - 3/8" O.D. x 48" Tube

\*\*The illustrated parts breakdown for this item is provided on the Common Items Fiche

### HOLDING TANKS AND WATER HEATERS

Key	Part Number	U/M	Description
	061804-02-000	EA	Tank Asm. - Holding - w/Fittings - Auxiliary
	061804-01-000	EA	Tank - Asm. - Holding - w/o Fittings - Auxiliary
	061805-02-000	EA	Tank Asm. - Holding - w/Fittings - Main
	061805-01-000	EA	Tank Asm. - Holding - w/o Fittings - Main
	045196-12-000	EA	Tank Asm. - Water - Plastic - 26 Gallon - w/Fittings
	045196-01-000	EA	Tank Asm. - Water - Plastic - 26 Gallon - w/o Fittings
	048842-04-000	EA	Tank Asm. - Water - Plastic - 45 Gallon - w/Fittings
	048842-01-000	EA	Tank Asm. - Water - Plastic - 45 Gallon - w/o Fittings
**	061391-01-000	EA	Water Heater - w/o Motor Aid - G6A3

\*\*The illustrated parts breakdown for this item is provided on the Common Items Fiche

## 1979 ITASCA TABLE OF CONTENTS

ICF23RG	A-1 - B-16
ICF28PH	B-17 - D-8
ICN281.B	D-9 - E-22
ICF28RT	E-23 - G-14
ICN28RT	G-15 - I-10

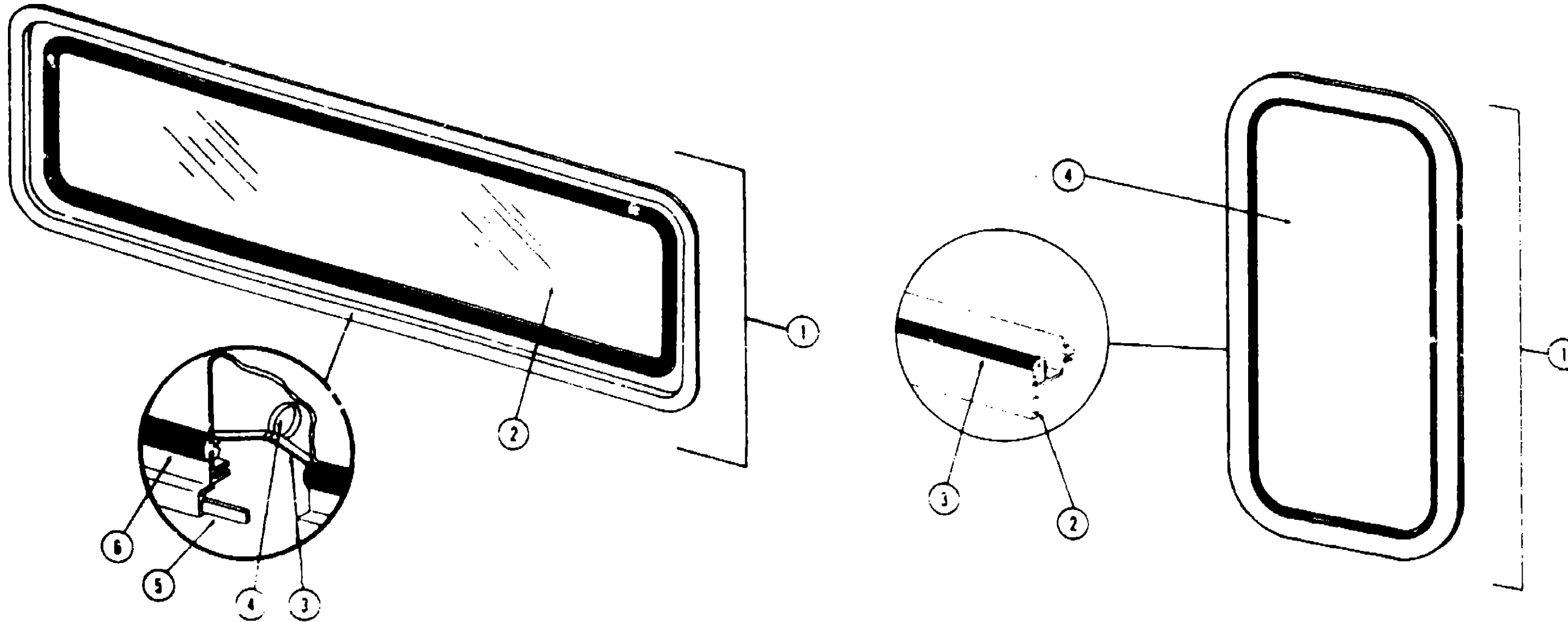
## 1979 ICN28RT INDEX

Floor Plan	G-15 - G-16
Accessories Group	G-17 - G-18
Bath Group	G-19 - G-20
Chassis Group	G-21
Curtain, Cushion and Pad Group	G-22 - H-3
Dinette Group	H-4
Driver's Compartment Group	H-5 - H-6
Electrical Group	H-7 - H-9
Exterior Body Group	H-10 - H-13
Galley Group	H-14
Heating & Air Conditioning Group	H-15 - H-16
Interior Finish Group	H-17 - H-18
LP Group	H-19
Lounge Group	H-20 - H-21
Water & Sewage Group	H-22
Window, Vent & Exterior Door Group	H-23 - I-10



**WINDOW, VENT AND EXTERIOR DOOR GROUP**

**WINDOW, VENT AND EXTERIOR DOOR GROUP (CONTINUED)**



Key	Part Number	U/M	Description
1	020754-03-000	EA	Window Asm - Escape - 23 x 68 Black (not included in assembly)
2	002178-01-000	EA	Glass - 1 8" x 19 6" x 64 90"
3	002285-01-000	FT	Weatherstrip - Fiber - Black
4	020385-01-000	EA	Slip Ring - Pull
5	004363-01-000	FT	Tape - Foam - 3 16" x 1 2" - Gray
6	002282-01-000	FT	Weatherstrip - Window - 125 - Black
.	020752-03-000	EA	Frame - Window - Inside - Escape 23 x 68 (not included in assembly)
.	008199-01-000	EA	Label - Ext - Escape Window
.			Not Illustrated

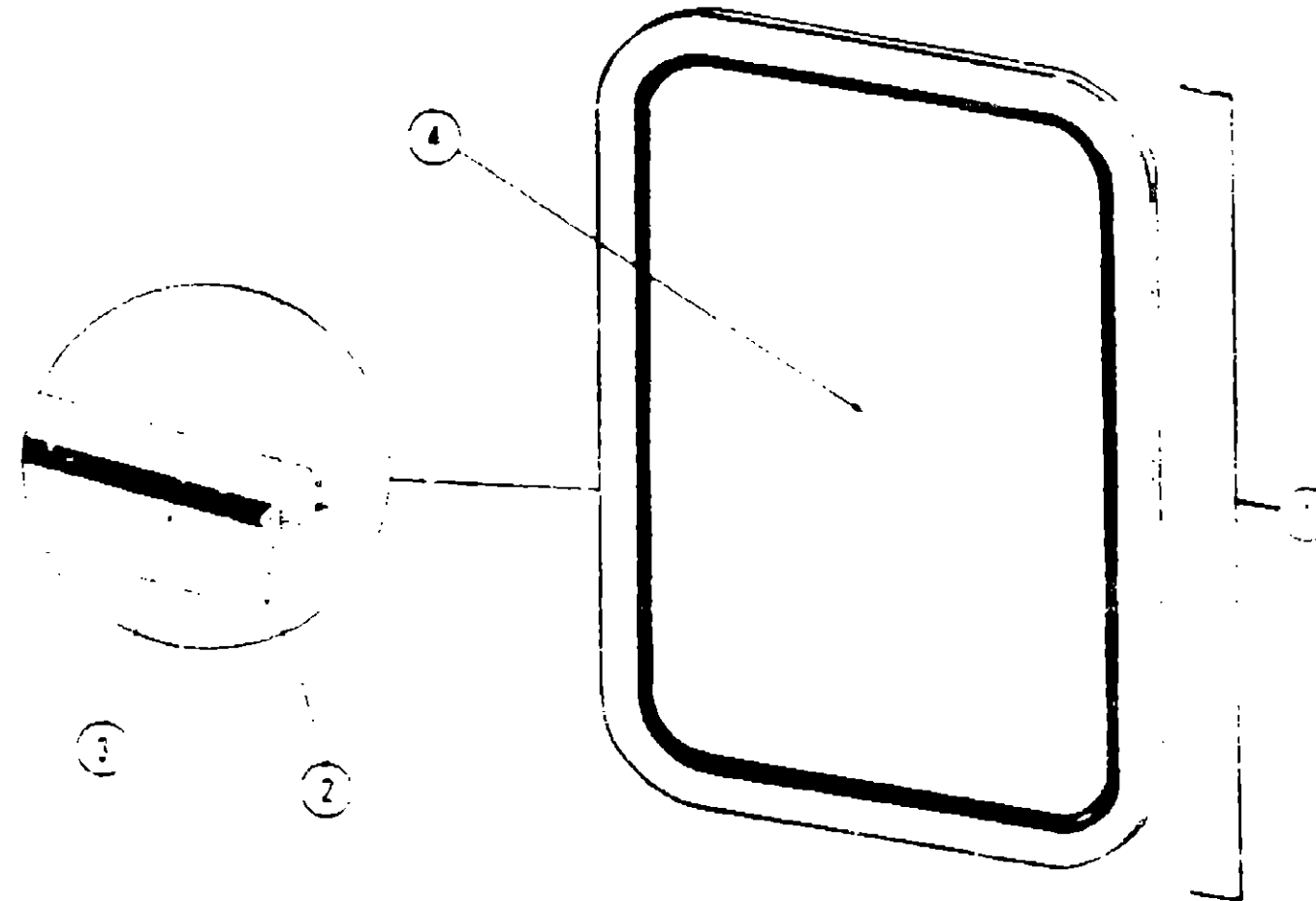
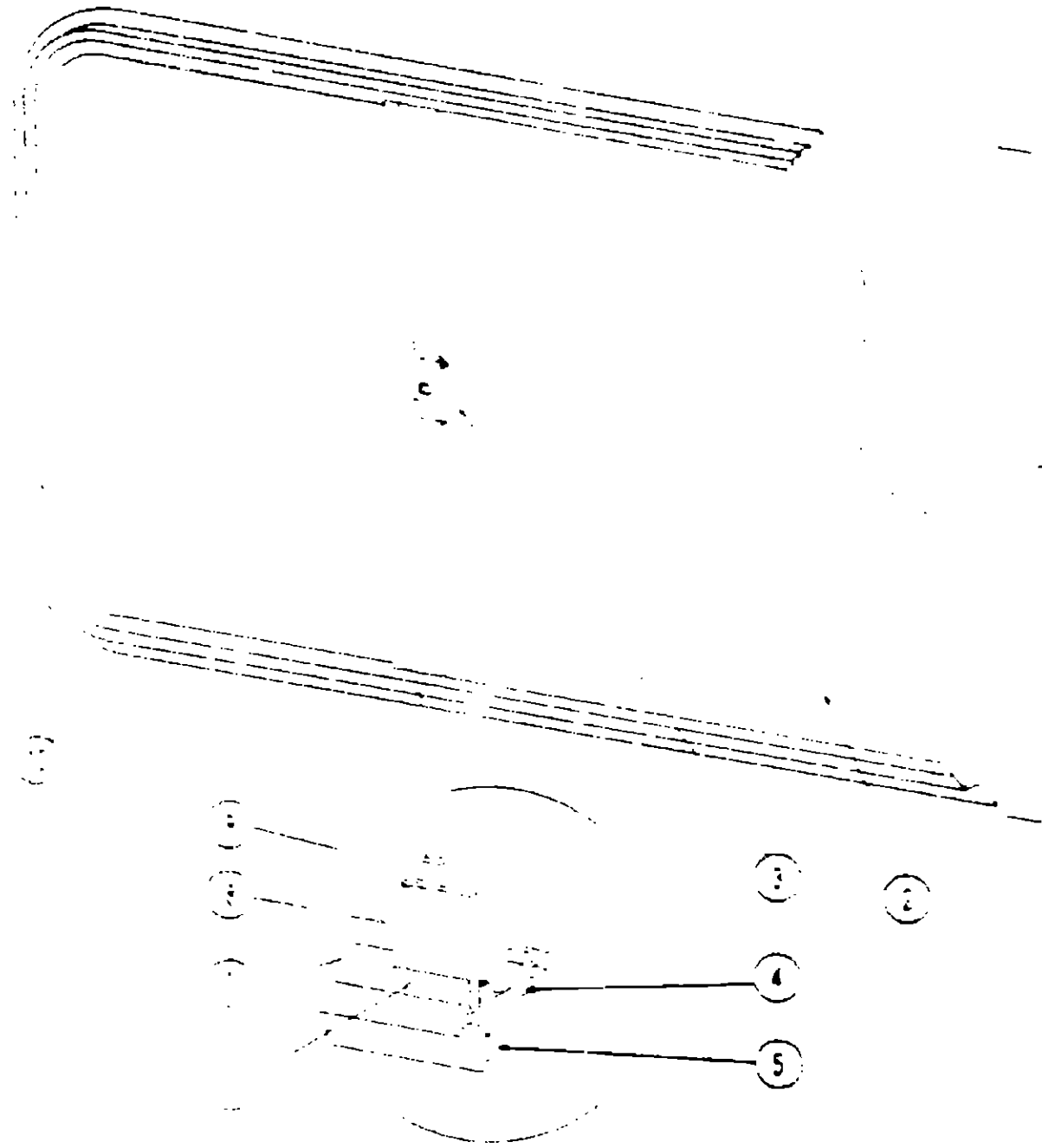
Key	Part Number	U/M	Description
1	041875-04-000	EA	Window Asm - Picture - 13 x 25 (not included in assembly)
2	004363-01-000	FT	Tape - Foam - 3 16" x 1 2" - Gray
3	002318-02-000	FT	Spline - Glass - 1 8" - Black
4	002181-02-000	EA	Glass - TP - 1 8" x 12" x 24"
.	041696-04-000	EA	Frame - Window - Inside - 13 x 25 (not included in assembly)
.			Not Illustrated

**1979 ITASCA  
TABLE OF CONTENTS**

ICF23RG	A-1 - B-16
ICF25RH	B-17 - D-8
ICN26RB	D-9 - E-22
ICF26RT	E-23 - G-14
ICN29RT	G-15 - I-10

**1979 ICN29RT INDEX**

Floor Plan	G-15 - G-16
Accessories Group	G-17 - G-18
Bath Group	G-19 - G-20
Chassis Group	G-21
Curta - Cushion and Pad Group	G-22 - H-3
Dinette Group	H-4
Driver's Compartment Group	H-5 - H-6
Electrical Group	H-7 - H-9
Exterior Body Group	H-10 - H-13
Galley Group	H-14
Heating & Air Conditioning Group	H-15 - H-16
Interior Finish Group	H-17 - H-18
LP Group	H-19
Lounge Group	H-20 - H-21
Water & Sewage Group	H-22
Window, Vent & Exterior Door Group	H-23 - I-10



1979 ITASCA  
TABLE OF CONTENTS

059042-01-000	A-1 - B-16
059042-02-000	B-17 - D-8
059042-03-000	D-9 - E-22
059042-04-000	E-23 - G-14
059042-05-000	G-15 - H-10

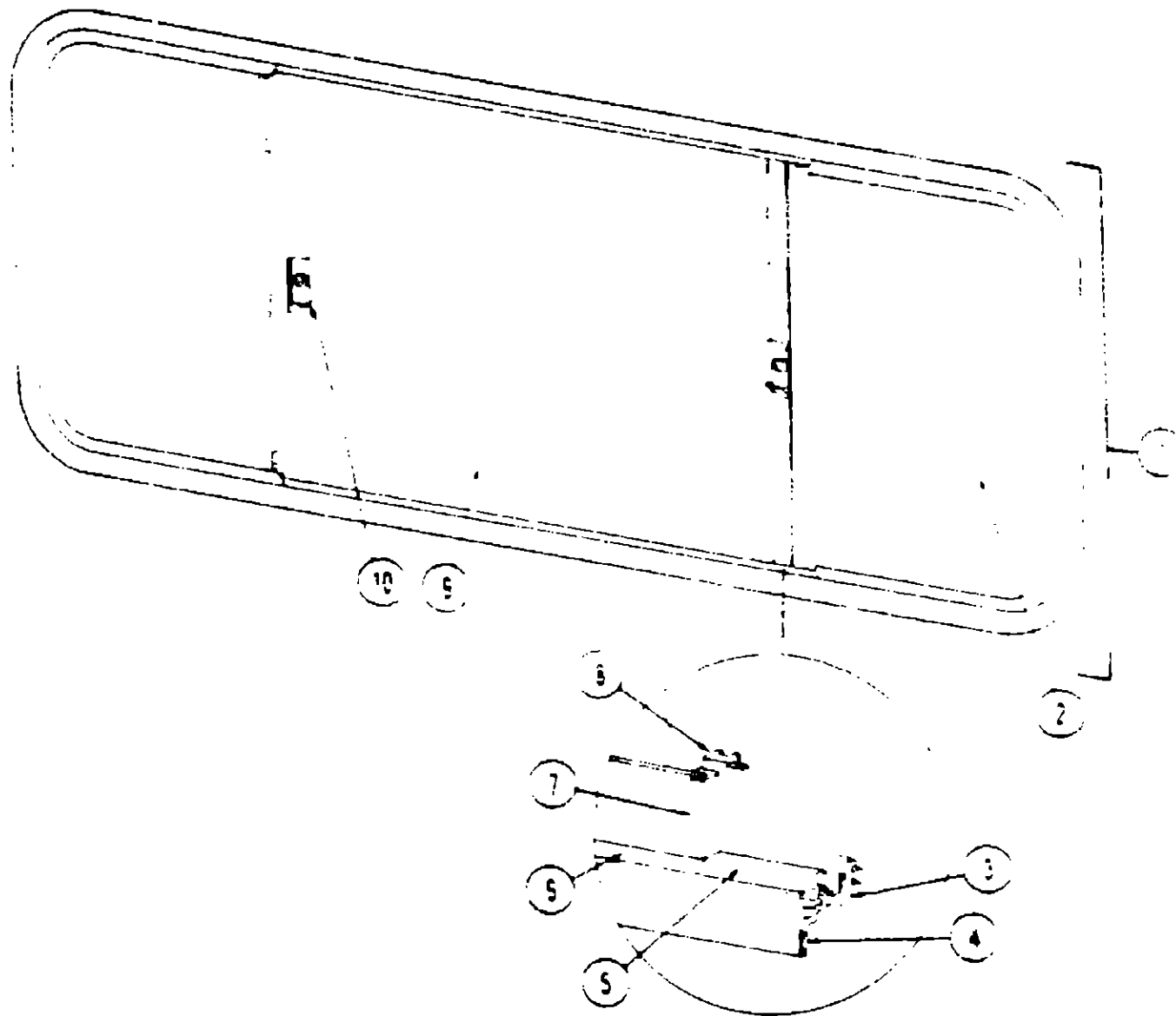
1979 ICN29RT INDEX

Floor Plan	G-15 - G-16
Accessories Group	G-17 - G-18
Bath Group	G-19 - G-21
Chassis Group	G-22
Curtain, Cushion and Pad Group	G-22 - H-1
Dinette Group	H-4
Driver's Compartment Group	H-5 - H-6
Electrical Group	H-7 - H-9
Exterior Body Group	H-10 - H-13
Galley Group	H-14
Heating & Air Conditioning Group	H-15 - H-16
Interior Finish Group	H-17 - H-18
LP Group	H-19
Lounge Group	H-20 - H-21
Water & Sewage Group	H-22
Window, Vent & Exterior Door Group	H-23 - H-24

Key	Part Number	U/M	Description
1	056651-01-000	EA	Window Asm. - Right Front Slant Slider - 23 x 39 - Black Anod w/inside frame
2	056651-02-000	EA	Window Asm. - Left Front Slant Slider - 23 x 39 - Black Anod w/inside frame
3	050216-01-000	EA	Glass - 3.16 x 24.88 x 25.30 - Stationary
4	053767-01-000	EA	Latch - Window - Plastic w/Fastener
5	042077-01-000	FT	Channel - Weatherstrip - Glass Run - 3.15 - Glass
6	053767-02-000	FT	Tape - 1.2 x 1.8 x 30 - Gray - Schnee Morehead
7	050216-02-000	FT	Spine - 3.16 - Glass
8	041928-02-000	FT	Seal - Window Channel - 3.16 - Glass - Black
9	002309-03-27e	EA	Holder - Glass Seal - Black Anod - 24.13
10	057644-04-000	EA	Mullion - Window - Slant Slider
11	057657-01-000	EA	Glass - 3.16 x 24.88 x 14.70 - Sliding
12	059042-01-000	EA	Inside Frame - Right Front Slant Slider (not included in assembly)
13	059042-02-000	EA	Inside Frame - Left Front Slant Slider (not included in assembly)
14	021713-02-000	EA	Cover - Weephole - Black Anod.
15	055164-05-000	EA	Slider Screen Asm. - Right or Left - Black
16	016310-05-000	EA	Handle - Slider Screen - Black
17	002292-01-000	SF	Screen - Window - 20 - Gray
18	002298-01-000	FT	Spline - Gray - 1307 Dia
19	Not Illustrated		

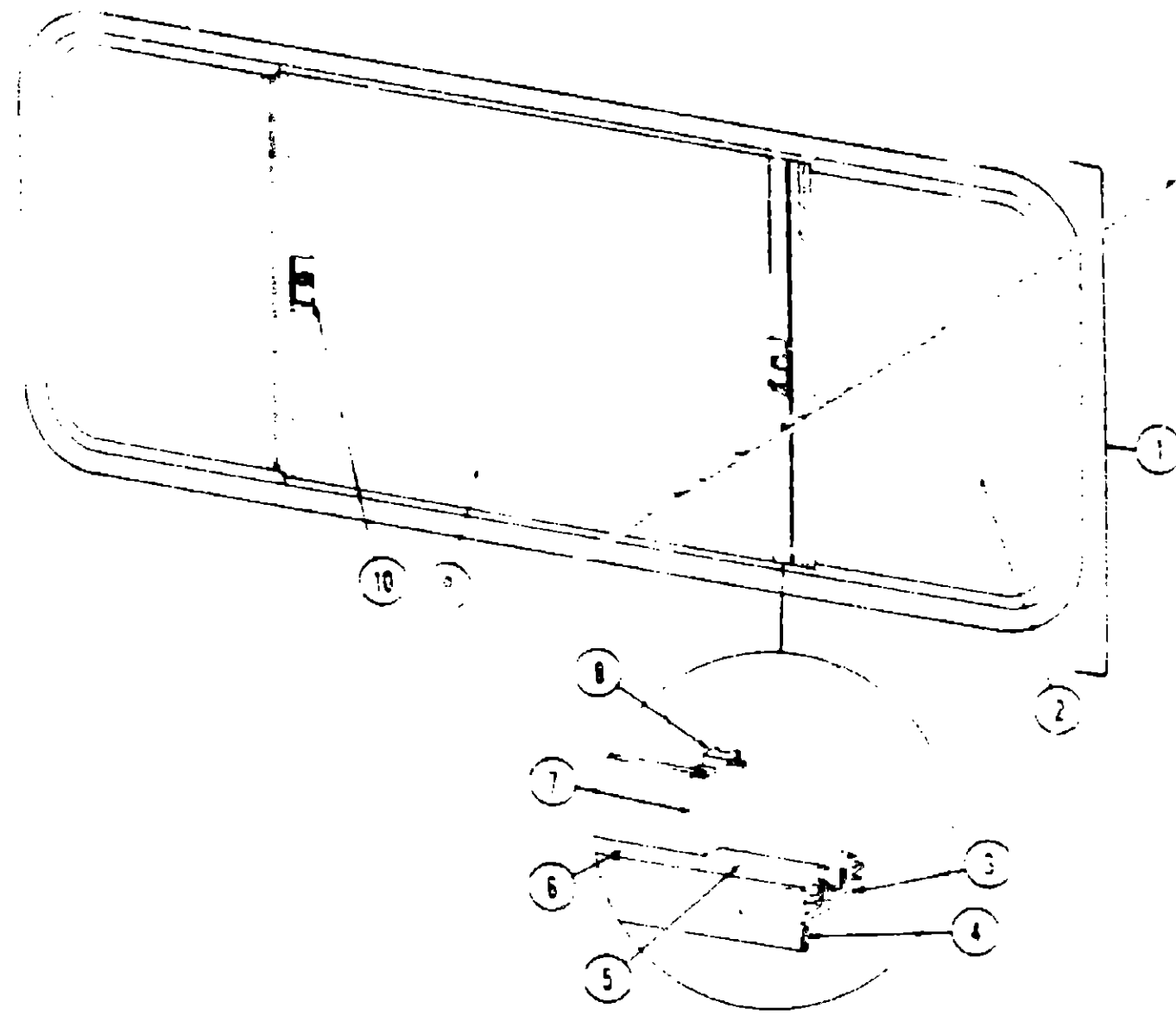
Key	Part Number	U/M	Description
1	056651-01-000	EA	Window Asm. - Picture - 20.3.4 x 20.3.4 - Black w/inside frame
2	053767-02-000	FT	Tape - 3.16 - Bead x 25 - Schnee Morehead
3	002309-02-000	FT	Spine - Glass - 1.5 - Black
4	002181-03-000	EA	Glass - 1.5 x 20.62 x 20.62 - Gray
5	056650-01-000	EA	Frame - Inside - Window - not included in assembly
6	Not Illustrated		

WINDOW, VENT AND EXTERIOR DOOR GROUP (CONTINUED)



Key	Part Number	U/M	Description
1	048630-06-000	EA	Window Asm. - Double Slider - 25" x 65" Black Anod. (w/o inside frame)
2	047822-03-000	EA	Glass - Sliding - 3.16" x 24" x 21.03"
3	042077-01-000	FT	Channel - Weatherstrip - Glass Run - 3.16" Glass
4	004363-01-000	FT	Tape - Foam - 3.16" x 1.2" - Gray
5	041928-02-000	FT	Seal - Window Channel - 3.16" Glass - Black
6	002309-02-000	FT	Spline - Glass - 1.8" - Black
7	002369-03-201	EA	Extr. - Holder - Glass Seal - 23.19" - Black
8	041894-04-000	EA	Mullion - Slider Window - 25" - Black
9	002188-02-000	EA	Glass - 3.16" x 24" x 25.5" - Stationary
10	047399-01-700	EA	Latch - Window - Plastic w Fastener
	042133-09-000	EA	Frame Asm. - Window - Inside (not included in assembly)
	023713-02-000	EA	Cover - Weephole - Plastic - Black
	002298-01-000	FT	Spline - Gray - .130" Dia (Screen)
	002293-01-000	SF	Screen - Window - 26" - Gray
			Not Illustrated

WINDOW, VENT AND EXTERIOR DOOR GROUP (CONTINUED)



Key	Part Number	U/M	Description
1	048630-06-000	EA	Window Asm. - Double Slider - 25" x 56" Black Anod. (w/o inside frame)
2	047822-03-000	EA	Glass - Sliding - 3.16" x 24" x 18.53"
3	042077-01-000	FT	Channel - Weatherstrip - Glass Run - 3.16" Glass
4	004363-01-000	FT	Tape - Foam - 3.16" x 1.2" - Gray
5	041928-02-000	FT	Seal - Window Channel - 3.16" Glass - Black
6	002309-02-000	FT	Spline - Glass - 1.8" - Black
7	002369-03-201	EA	Extr. - Holder - Glass Seal - 23.19" - Black
8	041894-04-000	EA	Mullion - Slider Window - 25" - Black
9	002188-02-000	EA	Glass - 3.16" x 24" x 25.5" - Stationary
10	047399-01-700	EA	Latch - Window - Plastic w Fastener
	042133-11-000	EA	Frame Asm. - Window - Inside (not included in assembly)
	023713-02-000	EA	Cover - Weephole - Plastic - Black
	002298-01-000	FT	Spline - Gray - .130" Dia (Screen)
	002293-01-000	SF	Screen - Window - 26" - Gray
			Not Illustrated

1979 ITASCA  
TABLE OF CONTENTS

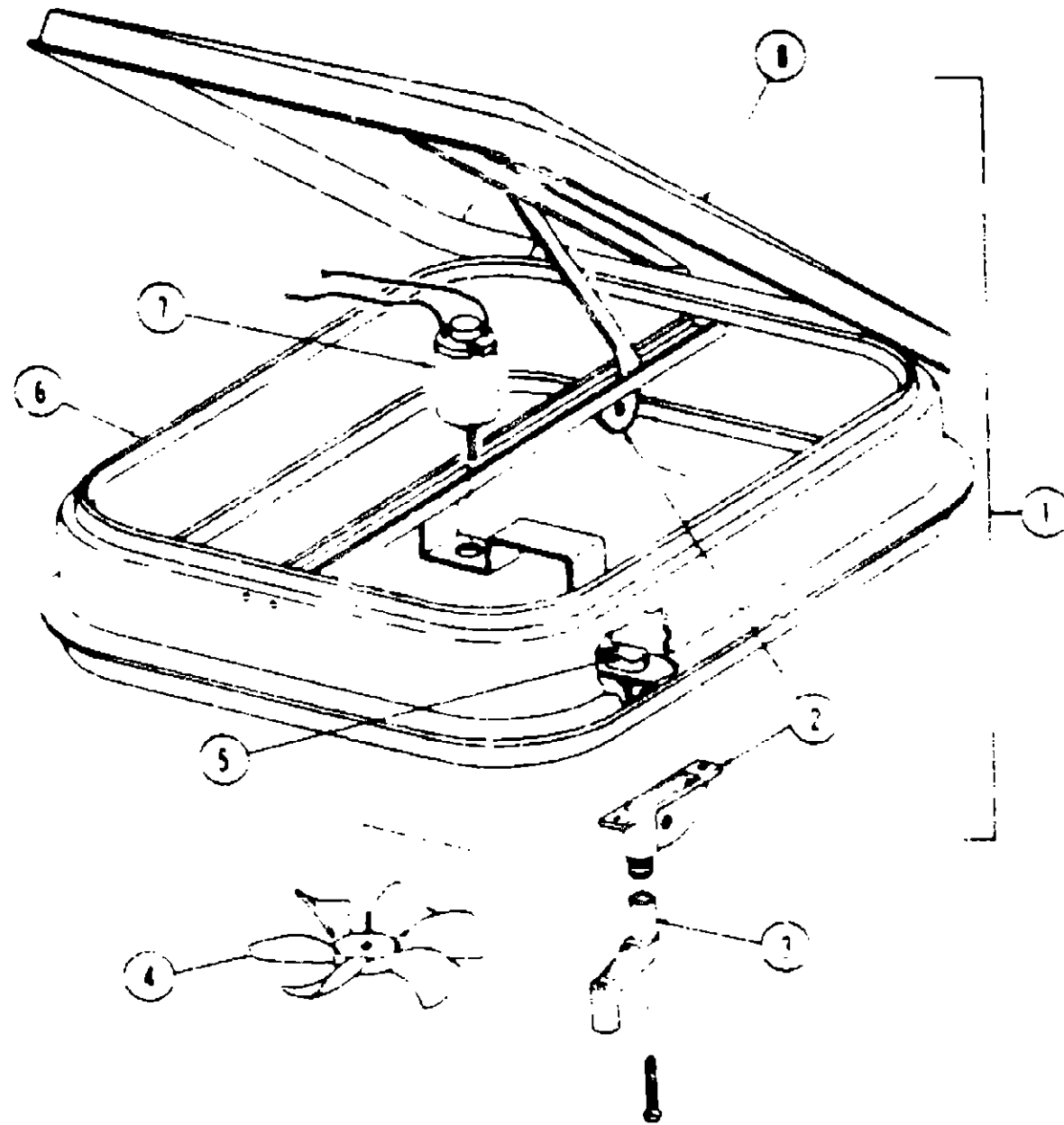
CF23RG  
CF26RH  
ICN26RB  
ICF26RT  
ICN29RT

A-1 - B-16  
B-17 - C-8  
D-9 - E-27  
E-28 - G-14  
G-15 - H-10

1979 ICN29RT INDEX

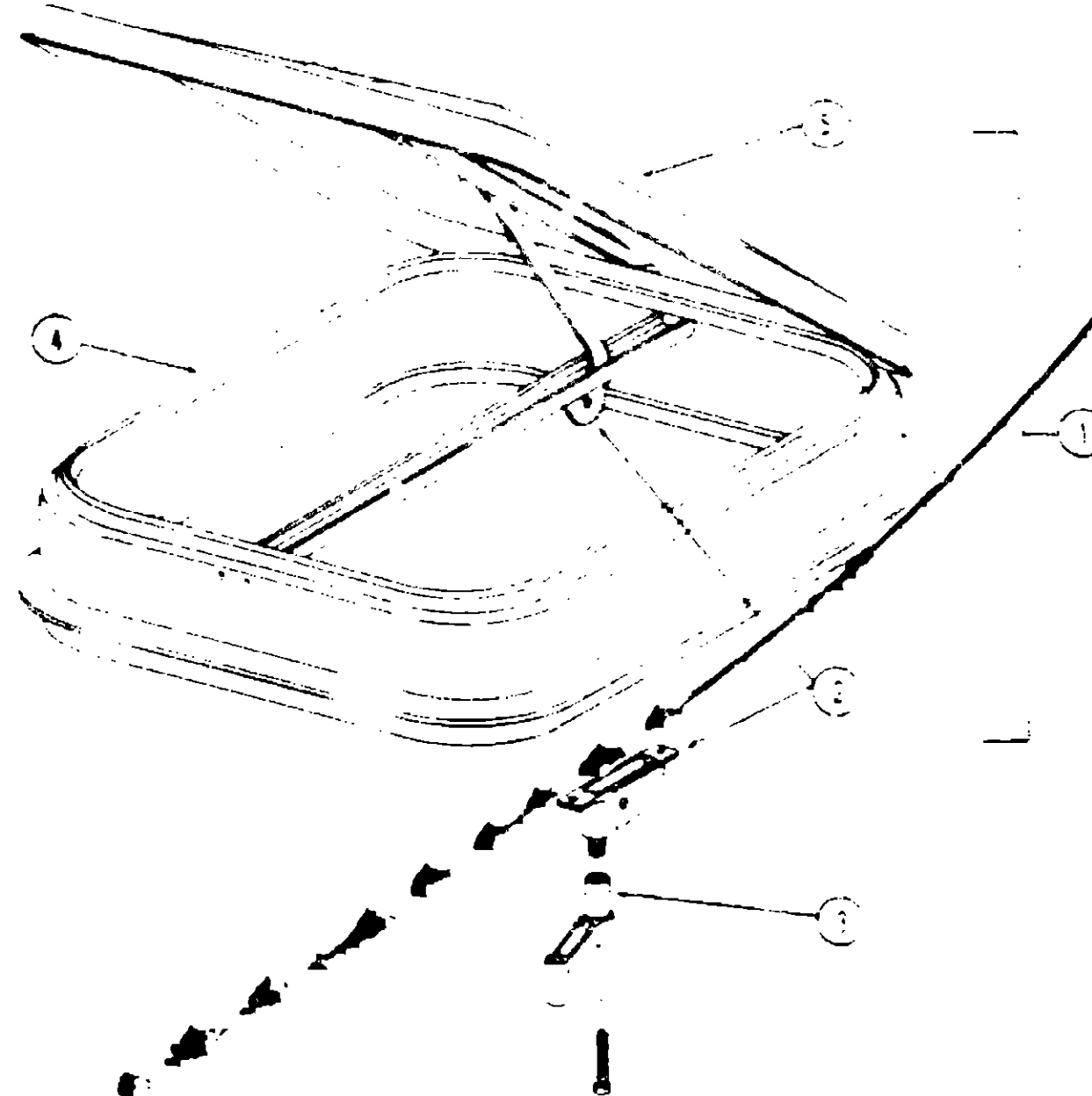
Floor Plan	G-15 - G-16
Accessories Group	G-17 - G-18
Bath Group	G-19 - G-20
Chassis Group	G-21
Curtain, Cushion & Pad Gro	G-22 - H-3
Dinette Group	H-4
Driver's Compartment Group	H-5 - H-6
Electrical Group	H-7 - H-9
Exterior Body Group	H-10 - H-13
Galley Group	H-14
Heating & Air Conditioning Group	H-15 - H-16
Interior Finish Group	H-17 - H-18
LP Group	H-19
Lounge Group	H-20 - H-21
Water & Sewage Group	H-22
Window, Vent & Exterior Door Group	H-23 - I-10

WINDOW, VENT AND EXTERIOR DOOR GROUP (CONTINUED)



Key	Part Number	U/I	Description
1	048799-01-000	EA	Vent Arm - Roof - Powered - w/o Screen
2	009440-01-000	EA	Gear - Arm - Roof Vent
3	009439-01-000	EA	Crank - Roof Vent
4	048849-01-000	EA	Fan - Blade - 6" Plastic
5	008195-01-000	EA	Switch - Push Button - 12 Volt
6	002825-01-000	FT	Weatherstrip - Roof Vent
7	048848-01-000	EA	Motor - 12 Volt
8	046825-01-000	EA	Cover - Plastic - Roof Vent
9	048895-01-000	EA	Screen Arm - Powered Roof Vent - Clear Anod (not included in assembly)
10	048895-03-000	EA	Screen Arm - Powered Roof Vent - Beige (not included in assembly)
11	Not Illustrated		

WINDOW, VENT AND EXTERIOR DOOR GROUP (CONTINUED)



Key	Part Number	U/I	Description
1	048835-01-000	EA	Vent Arm - Roof - Nonpowered - w/o Screen
2	009440-01-000	EA	Gear - Arm - Roof Vent
3	009439-01-000	EA	Crank - Roof Vent
4	002825-01-000	FT	Weatherstrip - Roof Vent
5	046825-01-000	EA	Cover - Plastic - Roof Vent
6	016335-01-000	EA	Screen Arm - Nonpowered Roof Vent - Clear Anod (not included in assembly)
7	016335-03-000	EA	Screen Arm - Nonpowered Roof Vent - Beige (not included in assembly)
8	Not Illustrated		

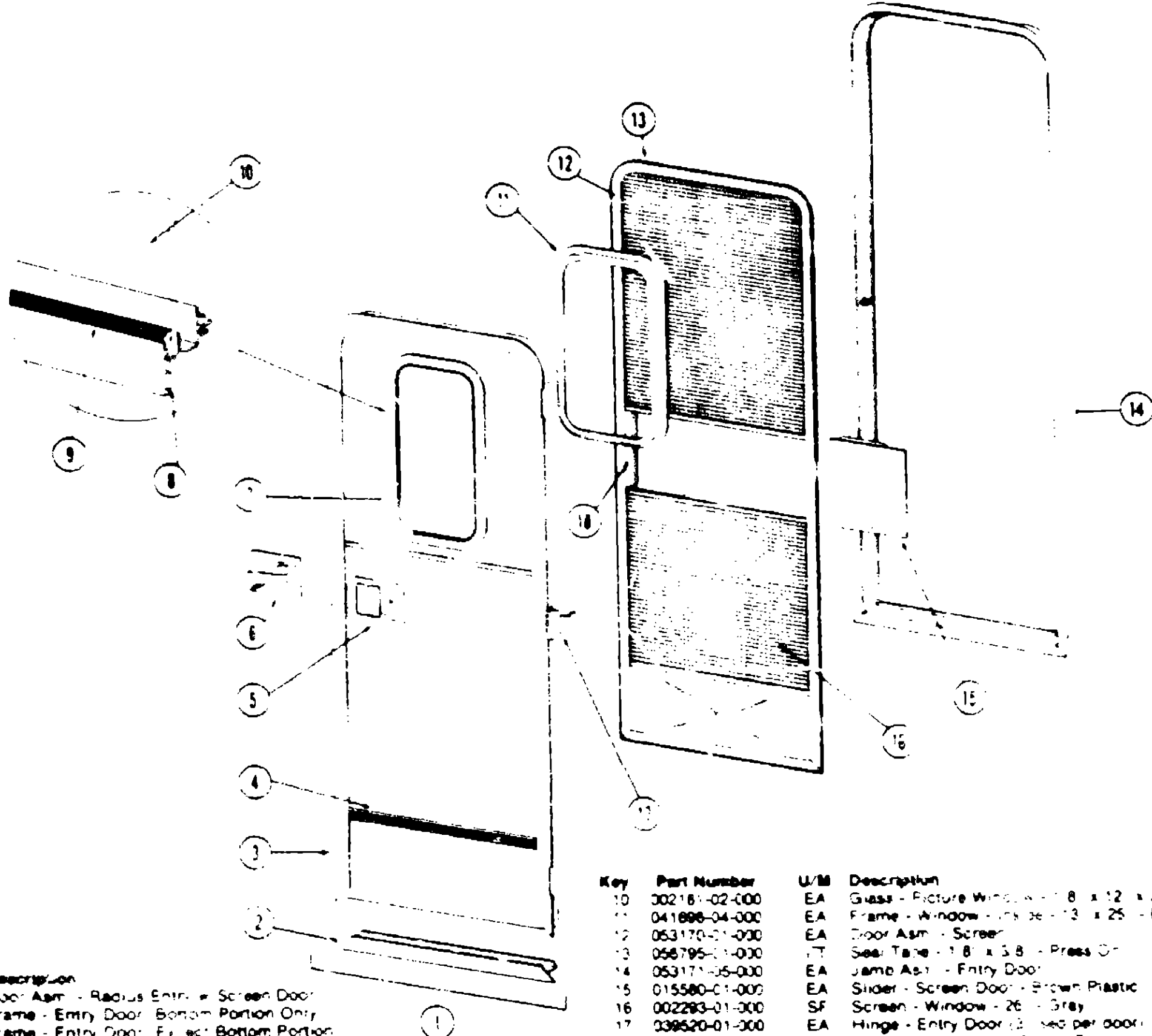
1979 ITASCA  
TABLE OF CONTENTS

CF239G	A-1 - B-16
CF268H	B-17 - D-8
CF269B	D-9 - E-22
CF269C	E-23 - G-14
CF269D	G-15 - H-10

1979 ICN29RT INDEX

Body Plan	G-15 - H-6
Accessories Group	G-17 - G-18
Bath Group	G-19 - G-20
Chassis Group	G-21
Curtain, Cushion and Pad Group	G-12 - H-3
Dinette Group	H-4
Driver's Compartment Group	H-5 - H-6
Electrical Group	H-7 - H-9
Exterior Body Group	H-10 - H-13
Galley Group	H-14
Heating & Air Conditioning Group	H-15 - H-16
Interior Finish Group	H-17 - H-18
LP Group	H-19
Lounge Group	H-20 - H-21
Water & Sewage Group	H-22
Window, Vent & Exterior Door Group	H-23 - H-10

WINDOW, VENT AND EXTERIOR DOOR GROUP (CONTINUED)



Key	Part Number	U/M	Description
1	053169-19-000	EA	Door Asm - Radius Entry w/ Screen Door
2	039737-06-000	EA	Frame - Entry Door - Bottom Portion Only
3	039736-05-000	EA	Frame - Entry Door - Exter. Bottom Portion
4	064530-01-000	EA	Holder - Entry Door - Mounts on Sidewall
5	045017-01-000	EA	Paddle Asm - Door Lock - Exterior
6	045017-01-000	EA	Lock Cylinder w/ Keys
7	039539-01-000	EA	Strike Bolt - Entry Door
8	039540-01-000	EA	Wich Glass - Entry Door
9	039979-01-000	EA	Plate - Lock - Interior - Including Inside Handle
10	052186-01-000	EA	Lock Asm - Complete - Lynor
11	041875-04-000	EA	Window Asm - Picture - 13" x 25" - Black Anod. (Inside frame not included in assembly)
12	004383-01-000	FT	Tape - Push - 3.16" x 1.2" - Gray
13	002318-C2-000	EA	Spine - Glass - 1.8" Black

Key	Part Number	U/M	Description
10	002187-02-000	EA	Glass - Picture Window - 1.8" x 12" x 24" - Gray
11	041896-04-000	EA	Frame - Window - Inside - 13" x 25" - Brown
12	053170-01-000	EA	Door Asm - Screen
13	056795-01-000	FT	Seal Tape - 1.8" x 3.8" - Press On
14	053171-05-000	EA	Jamb Asm - Entry Door
15	015580-01-000	EA	Slider - Screen Door - Brown Plastic
16	002283-01-000	SF	Screen - Window - 26" - Gray
17	039520-01-000	EA	Hinge - Entry Door (2 used per door)
18	015581-01-000	EA	Cap - Screen Door - Brown Plastic
	049176-01-000	EA	Hedlok II - 3.4" Diameter - Screw Mount (Retains screen door to entry door)
	049797-01-000	EA	Hedlok II - 1" Diameter - Screw Mount (Retains screen door to entry door)
	083638-01-000	EA	Striker - Screen Door
	039883-01-000	EA	Catch Asm - Single Roller w/ Strike - Screen Door
	051390-01-000	FT	Seal - Jamb - Entry Door - Butyl Seal
	039800-01-000	FT	Tubing - Polybut. - 1.2" O.D. - Jamb
			Not Illustrated

1979 ITASCA  
TABLE OF CONTENTS

ICF23RG	A-1 - B-16
ICF26AH	B-17 - D-8
ICN26AB	D-9 - E-22
ICF26AT	E-23 - G-14
ICN29AT	G-15 - I-10

1979 ICN29AT INDEX

Floor Plan	G-15 - G-16
Accessories Group	G-17 - G-18
Bath Group	G-19 - G-20
Chassis Group	G-21
Curain, Cushion and Pad Group	G-22 - H-3
Dinette Group	H-4
Driver's Compartment Group	H-5 - H-6
Electrical Group	H-7 - H-9
Exterior Body Group	H-10 - H-13
Garage Group	H-14
Heating & Air Conditioning Group	H-15 - H-16
Interior Finish Group	H-17 - H-18
LP Group	H-19
Lounge Group	H-20 - H-21
Water & Sewage Group	H-22
Window, Vent, Exterior Door Group	H-23 - H-30

**WINDOW, VENT AND EXTERIOR DOOR GROUP (CONTINUE I)**

**WINDSHIELD**

Key	Part Number	U/M	Description
	058272-01-000	EA	Frame Asm - Windshield w o Glass
	057458-01-000	EA	Glass - Windshield - Right or Left
	038886-01-000	EA	Tape - Butyl - 31 x 31 x 148

**VENTS**

Key	Part Number	U/M	Description
	032778-01-000	EA	Cover - Refrigerator Vent
	009407-01-000	EA	Frame Asm - Refrigerator Vent
	049352-03-000	EA	Vent - Stovehood - Outside - Gray
	056119-01-000	EA	Vent Asm - Roof - Powered Lighted - Jenson - White

**ACCESS DOORS**

Key	Part Number	U/M	Description
	033333-31-000	EA	Door Asm - Battery - 24.5 x 8.5 - Gray w Twist Type Lock
	033333-29-000	EA	Door Asm - Luggage - 47.25 x 8.5 - Gray w Key Lock
	047233-03-000	EA	Door Asm - Luggage - 35.5 x 13 - Gray w Key Type Lock
	054270-06-000	EA	Door Asm - Refrigerator Access - Gray w Twist Type Lock
	055500-05-000	EA	Door Asm - Gas Fill - Gray w Key Type Lock
	042441-01-000	EA	Lock Asm - Key Type - Gas F.
	047305-01-000	EA	Lock Asm - Key Type w Clip
	016945-02-000	EA	Holder Asm - Battery and Luggage Door
	052179-09-000	EA	Door Asm - Generator - Gray w Twist Type Lock
	052181-02-000	EA	Batthe - Generator Door
	055500-06-000	EA	Door Asm - Gas F. - Gray w Twist Type Lock
	057086-03-000	EA	Door Asm - Power Cord w Hatch - Gray
	042442-01-000	EA	Lock Asm - Twist Type
	052009-03-000	EA	Door Asm - Water Heater - Gray

**1979 ITASCA  
TABLE OF CONTENTS**

ICF23RG	A-1 - B-16
ICF26RH	B-17 - D-8
ICN26RB	D-9 - E-22
ICF26RT	E-23 - G-14
ICN29RT	G-15 - I-10

**1979 ICN29RT INDEX**

Floor Pan	G-15 - G-16
Accessories Group	G-17 - G-18
Bath Group	G-19 - G-20
Chassis Group	G-21
Cummins Cushion and Head Group	G-22 - H-3
Dinette Group	H-4
Driver's Compartment Group	H-5 - H-6
Electrical Group	H-7 - H-9
Exterior Body Group	H-10 - H-11
Galley Group	H-12 - H-13
Heating & Air Conditioning Group	H-14 - H-15
Interior Finish Group	H-16 - H-17
L.P. Group	H-18 - H-19
Lounge Group	H-20 - H-21
Water & Sewage Group	H-22 - H-23
Window, Vent & Exterior D.	H-23 - H-24