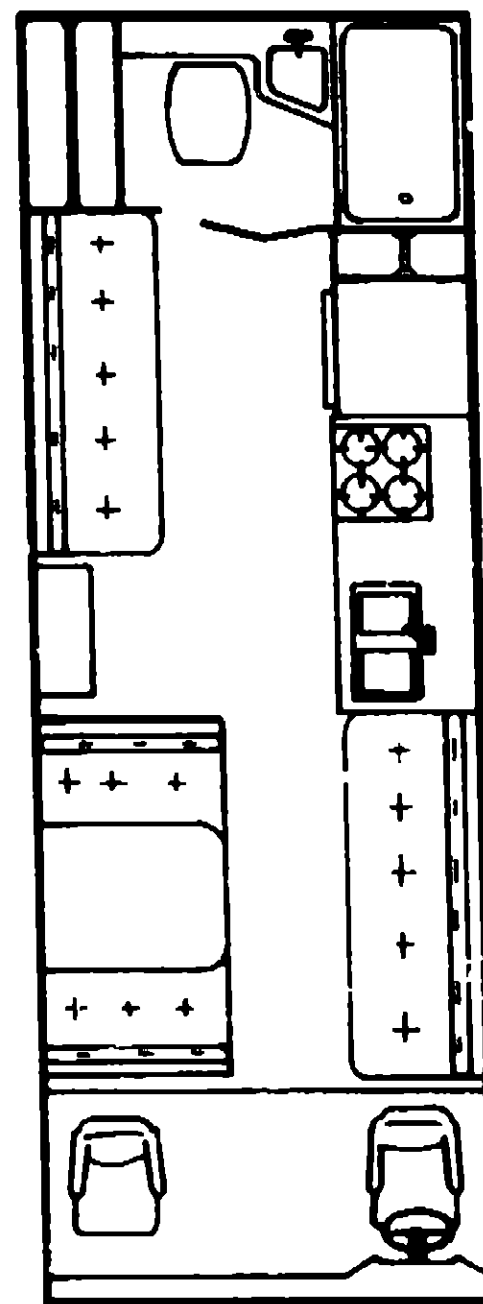
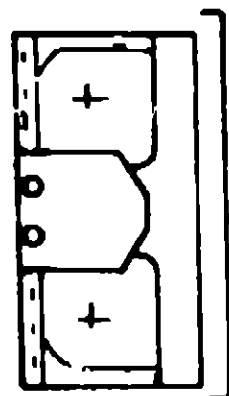


# 1979 ICN26RB



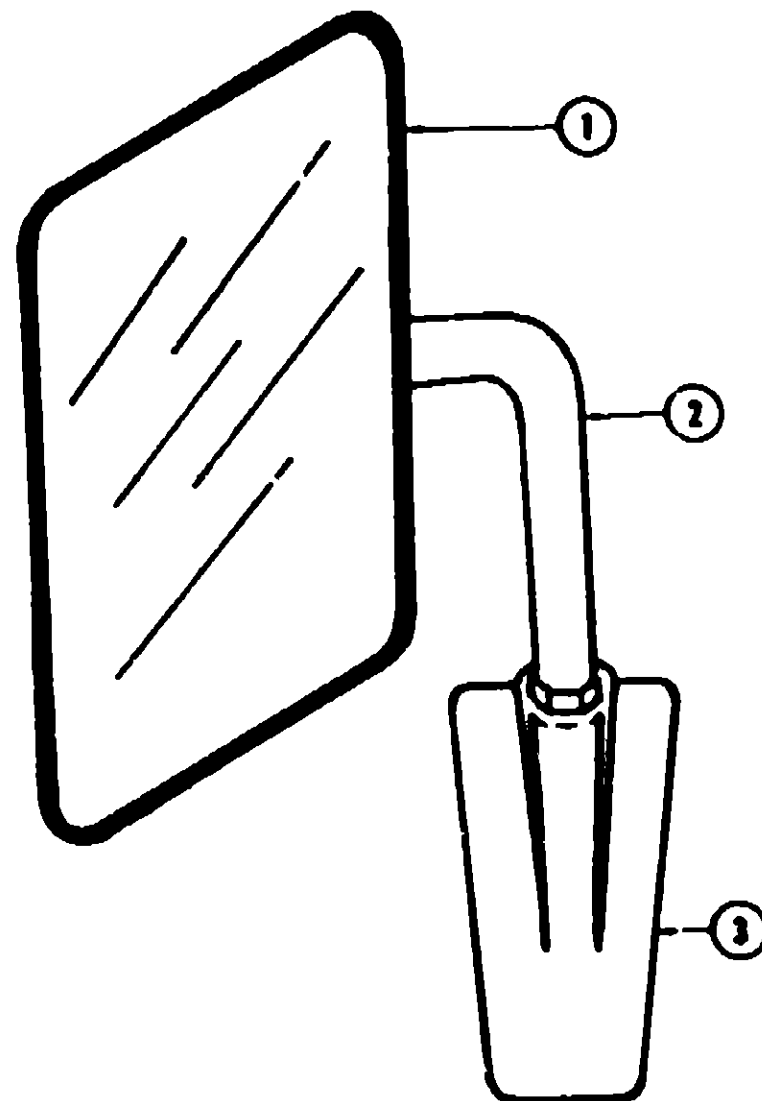
## 1979 ITARCA TABLE OF CONTENTS

ICF23RG	A-1 - B-16
ICF26RH	B-17 - D-6
ICN26RB	D-8 - E-22
ICF26RT	E-23 - G-14
ICN26RT	G-15 - I-10

## 1979 ICN26RB INDEX

Floor Plan	D-8 - D-10
Accessories Group	D-11 - D-12
Bath Group	D-13 - D-14
Chassis Group	D-15
Curtain, Cushion & Pad Group	D-16 - D-19
Dinette Group	D-20
Driver's Compartment Group	D-21 - D-22
Electrical Group	D-23 - D-24
Exterior Body Group	E-1 - E-4
Galley Group	E-5
Heating & Air Conditioning Group	E-6 - E-7
Interior Finish Group	E-8 - E-9
LP Group	E-10
Lounge Group	E-11
Water & Sewage Group	E-12
Window, Vent & Exterior Door Group	E-13 - E-22

## ACCESSORIES GROUP



Key	Part Number	U/M	Description
1	057481-01-000	EA	Mirror Head - 7 1/2" x 10 1/2" - w/Convex - Stainless Steel
1	057481-02-000	EA	Mirror Head - 7 1/2" x 10 1/2" - w/Convex - Off White
2	048348-01-000	EA	Arm - Low Mount Mirror - Bright Finish
2	048348-02-000	EA	Arm - Low Mount Mirror - Off White
3	048844-02-000	EA	Bracket - Mirror - Outside - Off White

### FRONT BUNK AND HARDWARE

Key	Part Number	U/M	Description
	088300-01-K11	EA	Cabinet Asm. - Front Overhead
	088844-01-K11	EA	Bunk Board Asm. - Front Overhead w/Rails
	083773-01-000	EA	Support - Overhead Bunk - Brown - Right
	083773-02-000	EA	Support - Overhead Bunk - Brown - Left
	040071-02-000	EA	Support - Bunk - Seat Belt
	041322-01-000	EA	Washer - Flat - 15/32" I.D. x 2 3/8" O.D.
	038518-02-000	EA	Catch - Bunk - Brown
	022812-22-000	EA	Rail - Bunk - 80" - Brown
	083774-01-000	EA	Torsion Rod - Overhead Bunk - Brown

## ACCESSORIES GROUP (CONTINUED)

### RADIOS AND RELATED COMPONENTS

Key	Part Number	U/M	Description
	048730-01-000	EA	Radio - Clarion - AM/w/Fader Switch
	048731-01-000	EA	Radio - Clarion - AM/FM/MPX - w/Fader Switch
	048732-01-000	EA	Radio - Clarion - AM/FM/MPX - 8 Track - w/Fader Switch
	058014-02-000	EA	Radio - Motorola - AM/FM Stereo, Cassette
	058014-01-000	EA	Radio - Motorola - AM/FM Stereo, 8 Track
	063788-01-000	EA	Speaker - Recessed - 5 1/4" - 10 oz.
	031105-01-000	EA	Antenna - Radio - Side Mount
	031105-01-700	EA	Holder - Antenna - Radio - Upper
	048153-01-000	EA	Antenna - CB Camper Style
	044328-01-000	EA	Switch - Fader - Speaker Balance
	060751-01-000	EA	Plaque - Fader/Mic Mounting
	056288-01-000	EA	Grille - Speaker - 5 1/4"

### GENERATORS AND COMPONENTS

Key	Part Number	U/M	Description
**	054428-01-000	EA	Generator - Onan - 4.0 kw - BFA
**	054431-01-000	EA	Generator - Onan - 5.0 kw - B3A
**	054433-01-000	EA	Generator - Onan - 6.5 kw
	701828-02-000	EA	Onan Installation Package
	024732-01-001	EA	Tailpipe - 1 1/2" O.D. x 23"
	054428-01-000	EA	Muffler - Generator - w/Spark Arrestor
	740313-68-000	EA	Tray - Generator - 4.0 - 5.0 kw Onan
	740313-67-000	EA	Tray - Generator - 6.5 kw - Onan

\*\*The illustrated parts breakdown for this item is provided on the Common Items Fiche.

### MISCELLANEOUS ACCESSORIES

Key	Part Number	U/M	Description
	054185-04-000	EA	Owners Manual - Itasca
	008053-01-000	EA	Antenna - TV Braund Delux
	008053-01-000	EA	Jack - TV - Brown (Antenna)
	008053-01-700	EA	Repair Parts Kits - Braund TV Antenna
	054082-01-000	EA	Wheel Cover - Delmat - Bolt On
	054082-02-000	EA	Retaining Nut - Delmat Wheel Cover
	054082-05-700	EA	Retainer Bracket - Bolt On Wheel Cover - Chevrolet - Front
	054082-05-701	EA	Retainer Bracket - Bolt On Wheel Cover - Chevrolet - Rear
	008078-01-000	EA	Ladder - Front Bunk
	017518-01-000	EA	Mud Flap - Black - 14" x 18" w/Holes
	008113-01-000	EA	Jack Hydraulic - 5 Ton
	041844-01-700	EA	Fire Extinguisher - w/Bracket
	052771-02-000	EA	Oven - Microwave - Magic Chef MW207
**	041088-01-000	EA	Ladder Asm. - w/Luggage Rack
	041088-02-000	EA	Ladder Asm.
	041048-01-000	EA	Luggage Carrier Assembly
	038881-01-000	EA	Catch and Strike - Luggage Carrier
**	031398-04-000	EA	Wheel Cover - 16" Chrome
	068778-01-000	EA	Spec. Control Package - Electric - Chev. - Dana
	052341-02-000	EA	Cover - Spare Tire - Gray Plastic

\*\*This illustrated parts breakdown for this item is provided on the Common Items Fiche.

## 1979 ITASCA TABLE OF CONTENTS

ICF23RG	A-1 - B-16
ICF28F-1	B-17 - D-8
ICN28RB	D-9 - E-22
ICF28RT	E-23 - G-14
ICN28RT	G-15 - I-10

## 1979 ICN28RB INDEX

Floor Plan	D-8 - D-10
Accessories Group	D-11 - D-12
Bath Group	D-13 - D-14
Chassis Group	D-15
Curtain, Cushion & Pad Group	D-16 - D-19
Dinette Group	D-20
Driver's Compartment Group	D-21 - D-22
Electrical Group	D-23 - D-24
Exterior Body Group	E-1 - E-4
Galley Group	E-5
Heating & Air Conditioning Group	E-6 - E-7
Interior Finish Group	E-8 - E-9
LP Group	E-10
Lounge Group	E-11
Water & Sewage Group	E-12
Window, Vent & Exterior Door Group	E-13 - E-22

## BATH GROUP

### BATH CABINETS

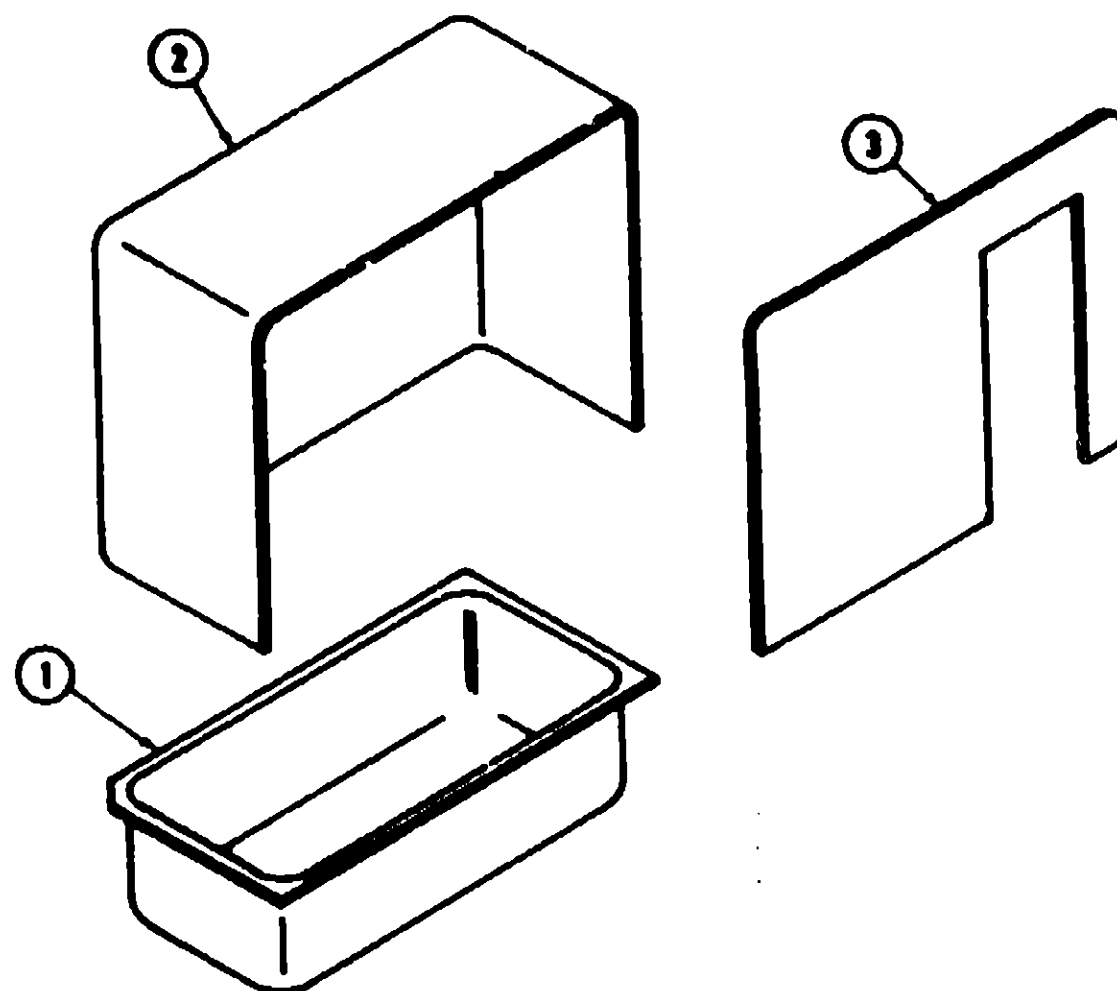
Key	Part Number	U/M	Description
	058538-01-K11	EA	Cabinet Asm. - Lavatory - w/o Countertop
	058880-01-K11	EA	Countertop Asm. - Lavatory - Camel
	059122-03-K11	EA	Door Asm. - Rolled - 18" x 17.5"
	059122-04-K11	EA	Door Asm. - Rolled - 18" x 13.2"
	059149-01-K11	EA	Door Asm. - Lavatory Countertop - 14" x 9.3" - Camel Laminate
	059942-01-K11	EA	Door Asm. - w/Mirror
	059458-01-K11	EA	Panel - Folding Door (2 per door)
	052583-01-000	EA	Rack Asm. - Towel
	053130-02-000	EA	Medicine Cabinet - Jensen - 43.5" Wide
	053130-02-700	EA	Mirror - Medicine Cabinet - 35 1/2 x 15"
	053130-02-701	EA	Frame - Mirror - Medicine Cabinet
	053130-02-702	EA	Catch - Door - Medicine Cabinet
	053130-02-703	EA	Switch - Medicine Cabinet
	038010-01-000	EA	Bulb - 1143

### BATH HARDWARE

Key	Part Number	U/M	Description
--	011088-01-000	EA	Faucet - Lavatory - U.S.
--	011088-02-000	EA	Faucet - Lavatory - C.S.A.
	058840-01-000	EA	Sink - Oval - Ivory Plastic
	C11083-01-000	EA	Plug - Sink - 1 1/4" w/Chain
--	011048-01-000	EA	Shower Head - w/80" Hose
	010485-01-000	EA	Hose Clamp - 9/16"
--	031888-01-000	EA	Faucet - Tub and Shower
--	011088-01-000	EA	Strainer - Shower Pan
--	011088-01-000	EA	Tailpiece - 1 1/4" x 4" - Brass
	009134-01-000	EA	Holder - Tissue
	054523-01-000	EA	Slide Bolt - Antique Brass
	088344-01-000	EA	Hardware Package - Folding Bath Door
	088344-02-000	EA	Track - Folding Bath Door
	053280-05-000	EA	Trim - Shower Door - Bottom
	053282-01-000	EA	Trim - Shower Door - Right
	047907-01-000	EA	Hinge - Brass - 14" w/Holes - Vanity Door
	053282-04-000	EA	Trim - Shower Door - Left
	009112-01-000	EA	Flange - 1" Closet Rod
--	038841-02-000	EA	Toilet - Thorford Aqua Magic Model SH - Ivory

--The illustrated parts breakdown for this item is provided on the Common Name Fiche.

## BATH GROUP (CONTINUED)



Key	Part Number	U/M	Description
1	041881-01-000	EA	Bathtub Bottom - Ivory Plastic
2	041883-01-000	EA	Bathtub Rear - Ivory Plastic
3	041882-01-000	EA	Bathtub Front - Ivory Plastic

## 1979 ITARCA TABLE OF CONTENTS

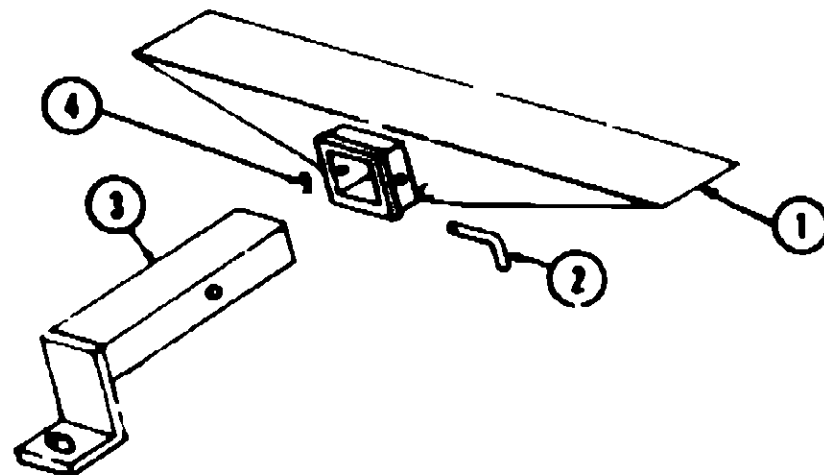
ICF23RG	A-1 - B-16
ICF28PH	B-17 - D-8
ICN28RB	D-9 - E-22
ICF28RT	E-23 - G-14
ICN28FT	G-15 - I-10

## 1979 ICN28RB INDEX

Floor Plan	D-9 - D-10
Accessories Group	D-11 - D-12
Bath Group	D-13 - D-14
Chassis Group	D-15
Curtain, Cushion & Pad Group	D-16 - D-19
Dinette Group	D-20
Driver's Compartment Group	D-21 - D-22
Electrical Group	D-23 - D-34
Exterior Body Group	E-1 - E-4
Galley Group	E-5
Heating & Air Conditioning Group	E-6 - E-7
Interior Finish Group	E-8 - E-9
LP Group	E-10
Lounge Group	E-11
Water & Sewage Group	E-12
Window, Vent & Exterior Door Group	E-13 - E-22

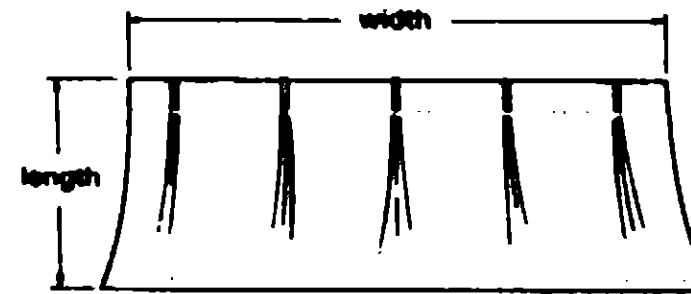
## CHASSIS GROUP

Key	Part Number	U/M	Description
	058029-01-000	EA	Tank - Fuel - Main
	061402-01-000	EA	Sending Unit - Main Fuel Tank - 90 Ohm.
	058780-01-000	EA	Gas Fill - w/Vent
	024811-04-000	EA	Cap - Gas - Pressure - 1.5" Chrome
	024138-01-000	FT	Hose - Fuel - 5/16" I.D. SAE 30R1
	024141-01-000	FT	Hose Rubber - 1/2" I.D.
	007134-01-000	FA	Clamp - Hose - Spring Type - 9/16"
	040078-01-000	EA	Tank - Fuel - 27.8 Gallon - Auxiliary
	040079-01-000	EA	Sending Unit - Fuel - 78 Ohm. - Aux.
	0-13886-01-000	EA	Strap - Fuel Tank Mounting - 13.5"
	024647-01-000	EA	Hose - Fuel - 2 1/4" I.D.
	007137-01-000	EA	Clamp - Worm Gear - 1 5/16" to 2 1/4"
	007138-01-000	EA	Clamp - Worm Drive - .22" - 1" I.D.
	043477-01-000	EA	Valve Asm. - Fuel Selector - 2 Way - 6 Port
	048775-01-000	EA	Valve Asm. - Fuel Selector - 3 Way
	060227-01-000	EA	Canister Asm. - Vapor - 2 Stage - 3 Port
	007111-01-000	FT	Hose - Fuel - 2 1/4" I.D. SAE 30R1
	033489-01-000	EA	Power Cord Box - Plastic
	055080-01-000	EA	Wheel Well - Plastic
	740313-56-000	EA	Tray - Generator - Onan - 4.0 kw - 5.0 kw
	740313-57-000	EA	Tray - Generator - Onan - 6.5 kw
	052431-01-000	EA	Luggage Tray
	022855-02-000	EA	Tailpipe - 2 1/4" x 8" - 454 Engine
	007125-18-000	EA	Clamp Asm. - Muffler - 2 1/4"
	017516-01-000	EA	Mud Flap - Black - 14" x 18" w/Holes
	051887-01-000	EA	Bracket - Battery Tie Down
	053248-01-000	EA	Battery Tray Asm.
	024852-01-700	EA	Step Asm. - Entry
	048474-01-000	EA	Bumper - Rear - Chrome
	040874-01-000	EA	Bracket - Spare Tire - Retaining Bar - 2" x 6.75"
	040834-03-000	EA	Corner - Spare Tire
	048043-08-000	EA	Bracket Asm. - Rear Bumper Mounting
	058401-01-000	EA	Hood Board - Upper - Right - Steel
	058404-01-000	EA	Hood Board - Upper - Left - Steel
	058818-01-000	EA	Cover - Radiator - Rear
	058817-01-000	EA	Cover - Radiator - Rear Back - (Fan Shroud)
	058200-01-000	EA	Bumper - Front - Chrome
	058438-01-000	EA	Bracket - Front Bumper - Black
	058118-01-000	EA	Bar - Front Bumper - Black



Key	Part Number	U/M	Description
1	02388C-01-000	EA	Hitch - w/o Drawer
2	034512-01-000	EA	Pin - Locking - Drawer
3	02388B-01-000	EA	Drawer Asm. - Trailer Hitch - Primed
4	084613-11-000	EA	Pin Hitch - 3/16" Wire Spring

## CURTAIN, CUSHION AND PAD GROUP



### NOTE:

Use this illustration when determining length and width measurements for curtains. You will note the width measurement is taken on the top of the curtain with the curtain fully extended. The length measurement is taken from the top to bottom.

### CURTAIN AND TIE BACKS

Key	Part Number	U/M	Description
	054051-24-K11	EA	Curtain w/Snap Top - 34" x 37" - White
	054051-24-K13	EA	Curtain w/Snap Top - 34" x 37" - Ivory
	054051-29-K11	EA	Curtain w/Snap Top - Bunk Privacy - 22" x 96" - White
	054051-29-K13	EA	Curtain w/Snap Top - Bunk Privacy - 22" x 96" - Ivory
	054051-30-K11	EA	Curtain w/Snap Top - Privacy - 75" x 96" - White
	054051-30-K13	EA	Curtain w/Snap Top - Privacy - 75" x 96" - Ivory
	054282-03-K11	EA	Curtain w/Snaps - Left Wraparound - 27.5" x 81" - White
	054282-03-K13	EA	Curtain w/Snaps - Left Wraparound - 27.5" x 81" - Ivory
	054283-03-K11	EA	Curtain w/Snaps - Right Wraparound - 27.5" x 81" - White
	054283-03-K13	EA	Curtain w/Snaps - Right Wraparound - 27.5" x 81" - Ivory
	054051-43-K11	EA	Curtain w/Snap Top - Wraparound - 27.5" x 125" - White (Optional Driver Door)
	054051-43-K13	EA	Curtain w/Snap Top - Wraparound - 27.5" x 125" - Ivory (Optional Driver Door)
	058800-05-K11	EA	Curtain w/Snap Top - Wraparound - 28" x 30" - White (Optional Driver Door)
	058800-05-K13	EA	Curtain w/Snap Top - Wraparound - 28" x 30" - Ivory (Optional Driver Door)
	054048-05-K11	EA	Tie Back Asm. - Curtain - 2" x 18" - White
	054048-05-K13	EA	Tie Back Asm. - Curtain - 2" x 18" - Ivory

### SHADES

Key	Part Number	U/M	Description
	058547-02-000	EA	Shade - Woven Wood - 31" x 88" - Gray
	058547-08-000	EA	Shade - Woven Wood - 31" x 88" - Rust
	058547-14-000	EA	Shade - Woven Wood - 31" x 88" - Brown
	058547-04-000	EA	Shade - Woven Wood - 27" x 40" - Gray
	058547-10-000	EA	Shade - Woven Wood - 27" x 40" - Rust
	058547-16-000	EA	Shade - Woven Wood - 27" x 40" - Brown
	058547-05-000	EA	Shade - Woven Wood - 23" x 25" - Gray
	058547-11-000	EA	Shade - Woven Wood - 23" x 25" - Rust
	058547-17-000	EA	Shade - Woven Wood - 23" x 25" - Brown

### FABRICS AND TRIMS

Key	Part Number	U/M	Description
	058333-02-000	YD	Fabric - Drapery - White
	058333-01-000	YD	Fabric - Drapery - Ivory
	058338-01-000	YD	Fabric - Upholstery - Blue/Green
	058338-02-000	YD	Fabric - Upholstery - Rust
	058338-03-000	YD	Fabric - Upholstery - Brown
	054878-01-K11	EA	Button Asm. - Covered #30 - Blue/Green
	054878-01-K12	EA	Button Asm. - Covered #30 - Rust
	054878-01-K13	EA	Button Asm. - Covered #30 - Brown
	052888-01-K11	FT	Trim Asm. - Accent - Acorn Brown Vinyl
	053327-01-000	YD	Vinyl - Non Expanded - 27 oz. - Acorn Brown
	053327-02-000	YD	Vinyl - Expanded - 28 oz. Acorn Brown
	053327-08-000	YD	Vinyl - Non Support - 16 Gauge Film - Acorn Brown

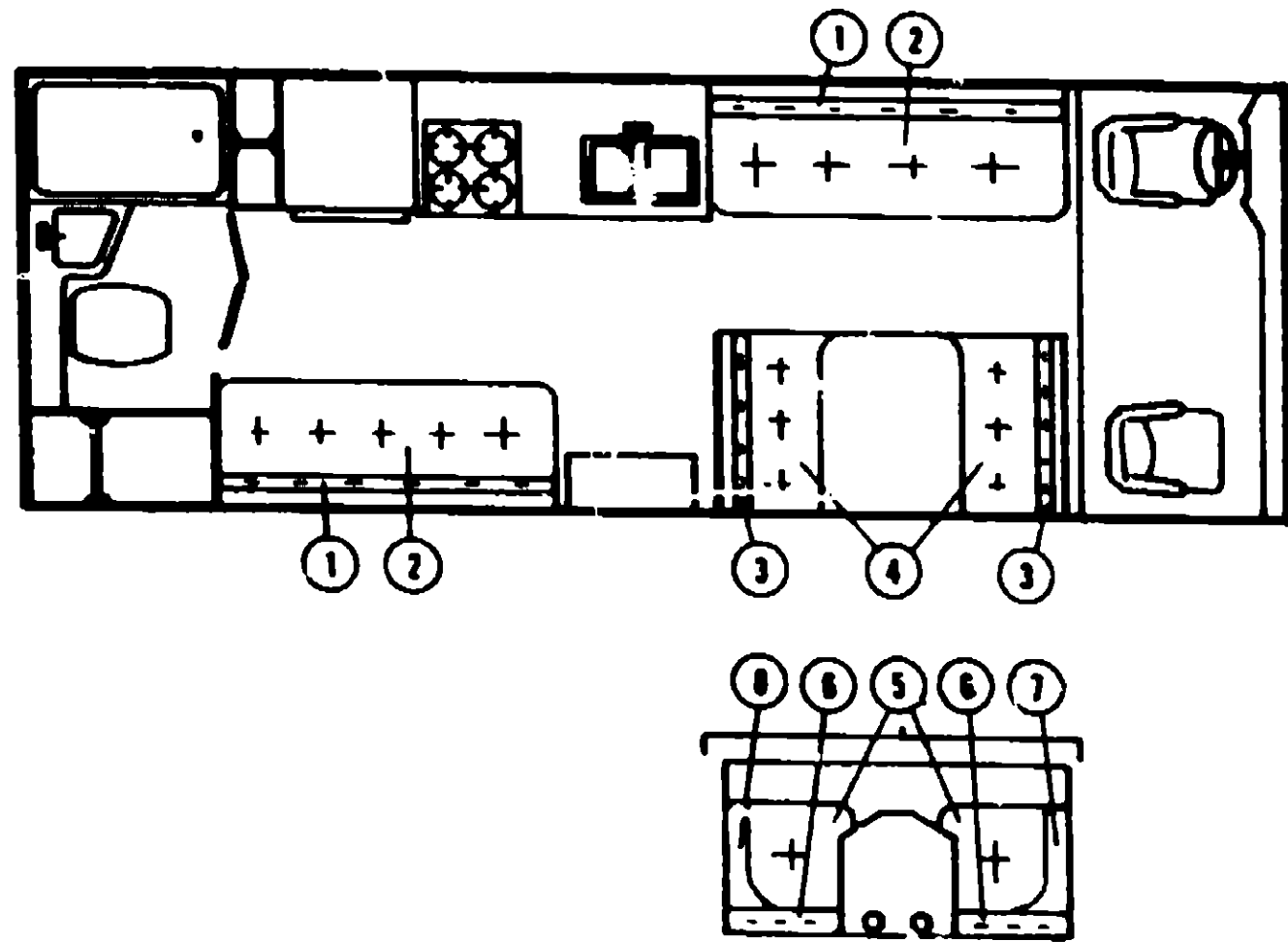
## 1979 ITASCA TABLE OF CONTENTS

ICF23RG	A-1 - B-16
ICF28HH	B-17 - D-8
ICN28RB	D-9 - E-22
ICF28RT	E-23 - G-14
ICN28RT	G-15 - I-10

## 1979 ICN28RB INDEX

Floor Plan	D-1 - D-10
Accessories Group	D-1 - D-12
Bath Group	D-13 - D-14
Chassis Group	D-15
Curtain, Cushion & Pad Group	D-16 - D-19
Dinette Group	D-20
Driver's Compartment Group	D-21 - D-22
Electrical Group	D-23 - D-24
Exterior Body Group	E-1 - E-4
Galley Group	E-5
Heating & Air Conditioning Group	E-6 - E-7
Interior Finish Group	E-8 - E-9
LP Group	E-10
Lounge Group	E-11
Water & Sewage Group	E-12
Window, Vent & Exterior Door Group	E-13 - E-22

**CURTAIN, CUSHION AND PAD GROUP (CONTINUED)**



**PRESTO BED CUSHIONS**

Key	Part Number	U/E	Description
1	058083-02-K11	EA	Cushion Arm. - Presto Bed - Back - 75" - Blue/Green
1	058083-02-K12	EA	Cushion Arm. - Presto Bed - Back - 75" - Rust
1	058083-02-K13	EA	Cushion Arm. - Presto Bed - Back - 75" - Brown
	052753-02-K11	EA	Cover - Presto Bed Back - 75" - Blue/Green
	052753-02-K12	EA	Cover - Presto Bed Back - 75" - Rust
	052753-02-K13	EA	Cover - Presto Bed Back - 75" - Brown
2	058084-02-K11	EA	Cushion Arm. - Presto Bed - Bottom - 75" - Blue/Green
2	058084-02-K12	EA	Cushion Arm. - Presto Bed - Bottom - 75" - Rust
2	058084-02-K13	EA	Cushion Arm. - Presto Bed - Bottom - 75" - Brown
	052753-04-K11	EA	Cover - Presto Bed Bottom - 75" - Blue/Green
	052753-04-K12	EA	Cover - Presto Bed Bottom - 75" - Rust
	052753-04-K13	EA	Cover - Presto Bed Bottom - 75" - Brown

**DINETTE CUSHIONS**

Key	Part Number	U/E	Description
3	058913-02-K11	EA	Cushion - Dinette Back - 19.2" x 38" x 5" - Blue/Green
3	058913-02-K12	EA	Cushion - Dinette Back - 19.2" x 38" x 5" - Rust
3	058913-02-K13	EA	Cushion - Dinette Back - 19.2" x 38" x 5" - Brown
	058914-02-K11	EA	Cover - Dinette Back Cushion - 19.2" x 38" x 5" - Blue/Green
	058914-02-K12	EA	Cover - Dinette Back Cushion - 19.2" x 38" x 5" - Rust
	058914-02-K13	EA	Cover - Dinette Back Cushion - 19.2" x 38" x 5" - Brown
4	058913-01-K11	EA	Cushion - Dinette Bottom - 17.5" x 38" x 5" - Blue/Green
4	058913-01-K12	EA	Cushion - Dinette Bottom - 17.5" x 38" x 5" - Rust
4	058913-01-K13	EA	Cushion - Dinette Bottom - 17.5" x 38" x 5" - Brown
	058914-01-K11	EA	Cover - Dinette Bottom Cushion - 17.5" x 38" x 5" - Blue/Green
	058914-01-K12	EA	Cover - Dinette Bottom Cushion - 17.5" x 38" x 5" - Rust
	058914-01-K13	EA	Cover - Dinette Bottom Cushion - 17.5" x 38" x 5" - Brown

**CURTAIN, CUSHION AND PAD GROUP (CONTINUED)**

**CORNER LOUNGE CHAIR CUSHIONS**

Key	Part Number	U/E	Description
5	058743-04-K11	EA	Cushion - Lounge Chair Bottom - Blue/Green
5	058743-04-K12	EA	Cushion - Lounge Chair Bottom - Rust
5	058743-04-K13	EA	Cushion - Lounge Chair Bottom - Brown
	058746-04-K11	EA	Cover - Lounge Chair Bottom Cushion - Blue/Green
	058746-04-K12	EA	Cover - Lounge Chair Bottom Cushion - Rust
	058746-04-K13	EA	Cover - Lounge Chair Bottom Cushion - Brown
6	058742-04-K11	EA	Cushion - Lounge Chair Back - Blue/Green
6	058742-04-K12	EA	Cushion - Lounge Chair Back - Rust
6	058742-04-K13	EA	Cushion - Lounge Chair Back - Brown
	058745-04-K11	EA	Cover - Lounge Chair Back Cushion - Blue/Green
	058745-04-K12	EA	Cover - Lounge Chair Back Cushion - Rust
	058745-04-K13	EA	Cover - Lounge Chair Back Cushion - Brown
7	058744-08-K11	EA	Cushion - Chair Wedge - Left - Blue/Green
7	058744-08-K12	EA	Cushion - Chair Wedge - Left - Rust
7	058744-08-K13	EA	Cushion - Chair Wedge - Left - Brown
	058747-08-K11	EA	Cover - Chair Wedge Cushion - Left - Blue/Green
	058747-08-K12	EA	Cover - Chair Wedge Cushion - Left - Rust
	058747-08-K13	EA	Cover - Chair Wedge Cushion - Left - Brown
8	058744-07-K11	EA	Cushion - Chair Wedge - Right - Blue/Green
8	058744-07-K12	EA	Cushion - Chair Wedge - Right - Rust
8	058744-07-K13	EA	Cushion - Chair Wedge - Right - Brown
	058747-07-K11	EA	Cover - Chair Wedge Cushion - Right - Blue/Green
	058747-07-K12	EA	Cover - Chair Wedge Cushion - Right - Rust
	058747-07-K13	EA	Cover - Chair Wedge Cushion - Right - Brown

**BUCKET SEATS**

Key	Part Number	U/E	Description
	051830-03-K11	EA	Seat Arm. - Single Bucket - Highback w/Armrests and Skirt - Blue/Green
	051830-03-K12	EA	Seat Arm. - Single Bucket - Highback w/Armrests and Skirt - Rust
	051830-03-K13	EA	Seat Arm. - Single Bucket - Highback w/Armrests and Skirt - Brown
	051838-04-K11	EA	Cover - Back - Single Bucket - Blue/Green
	051838-04-K12	EA	Cover - Back - Single Bucket - Rust
	051838-04-K13	EA	Cover - Back - Single Bucket - Brown
	051839-04-K11	EA	Cover - Bottom - Single Bucket - Blue/Green
	051839-04-K12	EA	Cover - Bottom - Single Bucket - Rust
	051839-04-K13	EA	Cover - Bottom - Single Bucket - Brown
	054850-07-K11	EA	Skirt - Single Bucket - Blue/Green
	054850-07-K12	EA	Skirt - Single Bucket - Rust
	054850-07-K13	EA	Skirt - Single Bucket - Brown
	051835-01-K11	EA	Seat Arm. - Double Bucket - Highback w/Armrests and Skirt - Blue/Green
	051835-01-K12	EA	Seat Arm. - Double Bucket - Highback w/Armrests and Skirt - Rust
	051835-01-K13	EA	Seat Arm. - Double Bucket - Highback w/Armrests and Skirt - Brown
	051840-04-K11	EA	Cover - Back - Double Bucket - Blue/Green
	051840-04-K12	EA	Cover - Back - Double Bucket - Rust
	051840-04-K13	EA	Cover - Back - Double Bucket - Brown
	051841-04-K11	EA	Cover - Bottom - Double Bucket - Blue/Green
	051841-04-K12	EA	Cover - Bottom - Double Bucket - Rust
	051841-04-K13	EA	Cover - Bottom - Double Bucket - Brown
	054850-08-K11	EA	Skirt - Double Bucket - Blue/Green
	054850-08-K12	EA	Skirt - Double Bucket - Rust
	054850-08-K13	EA	Skirt - Double Bucket - Brown
	050275-01-700	EA	Armrest Arm. - Foam w/o Cover - Right
	050276-01-700	EA	Armrest Arm. - Foam w/o Cover - Left
	053357-05-K11	EA	Cover - Armrest - Right or Left - Blue/Green
	053357-05-K12	EA	Cover - Armrest - Right or Left - Rust
	053357-05-K13	EA	Cover - Armrest - Right or Left - Brown

**1979 ITASCA  
TABLE OF CONTENTS**

ICF23RG	A-1 - B-16
ICF28RH	B-17 - D-8
ICN28RB	D-9 - E-22
ICF28RT	E-23 - G-14
ICN28RT	G-15 - I-10

**1979 ICN28RB INDEX**

Floor Plan	D-9 - D-10
Accessories Group	D-11 - D-12
Bath Group	D-13 - D-14
Chassis Group	D-15
Curtain, Cushion & Pad Group	D-16 - D-18
Dinette Group	D-20
Driver's Compartment Group	D-21 - D-22
Electrical Group	D-23 - D-24
Exterior Body Group	E-1 - E-4
Galley Group	E-5
Heating & Air Conditioning Group	E-6 - E-7
Interior Finish Group	E-8 - E-9
LP Group	E-10
Lounge Group	E-11
Water & Sewage Group	E-12
Window, Vent & Exterior Door Group	E-13 - E-22

## CURTAIN, CUSHION AND PAD GROUP (CONTINUED)

### FRONT BUNK CUSHIONS

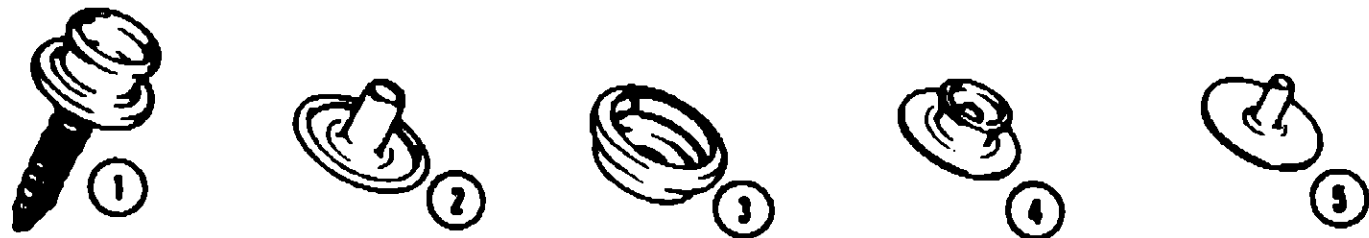
Key	Part Number	U/M	Description
	055021-18-K11	EA	Cushion Asm. - Front Bunk - 47" x 79.25" x 5" - Blue/Green
	055021-18-K12	EA	Cushion Asm. - Front Bunk - 47" x 79.25" x 5" - Rust
	055021-18-K13	EA	Cushion Asm. - Front Bunk - 47" x 79.25" x 5" - Brown
	055022-20-K11	EA	Cover - Front Bunk Cushion - 47" x 79.25" x 5" - Blue/Green
	055022-20-K12	EA	Cover - Front Bunk Cushion - 47" x 79.25" x 5" - Rust
	055022-20-K13	EA	Cover - Front Bunk Cushion - 47" x 79.25" x 5" - Brown

### PADS

Key	Part Number	U/M	Description
	058082-01-K04	EA	Pad - Door Cover Panel - Acorn Vinyl
	058444-01-K04	EA	Pad - End Cap - Rear Lounge Overhead Cabinet - Left - Acorn Vinyl
	058444-04-K04	EA	Pad - End Cap - Rear Lounge Overhead Cabinet - Right - Acorn Vinyl
	058333-01-K04	EA	Pad - Bunk Rail - Acorn Brown
	058414-01-000	EA	Pad - Sidewall Trim - Drivers
	058467-03-K08	EA	Pad - Map Pockets - Drivers - Acorn Vinyl
	058414-02-000	EA	Pad - Sidewall Trim - Passenger
	058467-04-K08	EA	Pad - Map Pocket - Passenger - Acorn Vinyl
	058448-01-K04	EA	Pad - Bunk Panel - Right - Acorn Vinyl
	058448-02-K04	EA	Pad - Bunk Panel - Left - Acorn Vinyl
	058444-03-K04	EA	Pad - Dinette Overhead Cabinets - Left - Acorn Brown
	058444-04-K04	EA	Pad - Dinette Overhead Cabinets - Right - Acorn Brown
	058880-01-K11	EA	Pad - Armrest - Rear Lounge - 31.4" x 6.2" x 3" - Blue/Green
	058880-01-K12	EA	Pad - Armrest - Rear Lounge - 31.4" x 6.2" x 3" - Rust
	058880-01-K13	EA	Pad - Armrest - Rear Lounge - 31.4" x 6.2" x 3" - Brown

### CURTAIN HARDWARE

Key	Part Number	U/M	Description
	053272-04-200	EA	Track - Curtain - Ceiling - 80" - Off White
	053285-02-001	EA	Track - Curtain - Door - 16" - Anod.
	058430-01-000	EA	Track - Curtain - Front Wraparound (2 per unit)
	058001-01-000	EA	Bracket - Shade - Left
	058002-01-000	EA	Bracket - Shade - Right
	009107-01-000	EA	Guide - Nylon Snap - Curtain
	018031-42-000	EA	Track - Curtain - "L" Rod - Alum. Extr. - 80"
	008701-01-000	EA	Carrier - "L" Rod - Curtain
	008702-01-000	EA	End Stop - "L" Rod - Curtain



Key	Part Number	U/M	Description
1	028130-01-000	EA	Socket - Snap Fastener
2	028155-01-000	EA	Cap - Snap - .156" Dia. x .17" Barrel
3	028156-01-000	EA	Socket - Snap Fastener
4	028082-01-000	EA	Stud - Nickel Finish
5	028083-01-000	EA	Eyelet - Nickel Finish

## DINETTE GROUP

### CONVENTIONAL DINETTE, OVERHEAD CABINETS AND DINETTE COUCH

Key	Part Number	U/M	Description
	053182-01-K11	EA	Table Asm. - Dinette - w/o Hardware - Camel
**	047842-01-000	EA	Kit - Dinette Table Leg - Brown
**	047809-03-00C	EA	Kit - Hardware - Dinette Table Wall Mount
	058758-01-K11	EA	Panel Asm. - Dinette Couch Front - w/o Doors or Hardware
	058082-08-K11	EA	Door Asm. - Dinette Couch Cabinet - w/o Hardware
	058843-01-K11	EA	Door Asm. - Furnace Access - w/Mesh Grille - w/o Hardware
	047205-12-000	EA	Mesh - Grille - 14.5" x 10" - Brass
	038673-01-000	EA	Catch and Strike - Nylon
	058825-01-K11	EA	Cabinet Asm. - Dinette Overhead - w/o Doors or Hardware
	058825-03-K11	EA	Cabinet Asm. - Front Lounge Overhead - w/o Doors or Hardware
	058082-01-K11	EA	Door Asm. - Dinette Overhead Cabinets - Right or Left - 27" x 10.3" - w/o Hardware
	058758-01-K11	EA	Cabinet Asm. - Rear Dinette Seat - w/o Door or Hardware
	058082-04-K11	EA	Door Asm. - Rear Dinette Seat Cabinet - 9 1/4" x 24" - w/o Hardware
	058758-02-K11	EA	Cabinet Asm. - Front Dinette Seat - w/o Door or Hardware
	058082-05-K11	EA	Door Asm. - Front Dinette Seat Cabinet - 11" x 18.8" w/o Hardware
	057488-02-000	EA	Frame - Sprung Couch - Right Side
	057488-03-000	EA	Frame - Sprung Couch - Left Side
	057488-04-000	EA	Frame Angle - Sprung Couch (2 per couch)
	057488-01-000	EA	Leg Asm. - Sprung Couch (2 per couch)

\*\*The illustrated parts breakdown for this item is provided on the Common Items Fiche.

### CORNER LOUNGE CHAIRS

Key	Part Number	U/M	Description
	081704-01-K11	EA	Table Asm. - Corner Lounge - w/o Hardware - Camel
	081882-01-000	EA	Leg Asm. - Table - Pivot
	081879-01-000	EA	Leg Asm. - Table - Fixed
	024275-04-000	EA	Rod - Table Lift
	024281-05-000	EA	Bracket - Table Lift - Mounts on Table
	053200-02-000	EA	Support - Table - 14.5" - Mounts on Wall
	081568-02-K11	EA	Cabinet Asm. - Lounge Chair - Right
	081580-01-K11	EA	Cabinet Asm. - Lounge Chair - Left
	058122-08-K11	EA	Door Asm. - Rollad - 17.7" x 13" - w/Handle
	053203-07-K11	EA	Table Asm. - Pedestal - w/o Hardware - Camel
	008040-02-000	EA	Leg - Pedestal Table - 27.5" x 2.25" O.D. - Chrome
	008040-03-000	EA	Base - Pedestal Table - Mounts on Table
	041194-01-000	EA	Base - Pedestal Table - Mounts in Floor

## 1979 ITASCA TABLE OF CONTENTS

ICF23RG	A-1 - B-18
ICF28RH	B-17 - D-8
ICN28RB	D-9 - E-22
ICF28RT	E-23 - G-14
ICN28RT	G-15 - I-10

## 1979 ICN28RB INDEX

Floor Plan	D-9 - D-10
Accessories Group	D-11 - D-12
Bath Group	D-13 - D-14
Chassis Group	D-15
Curtain, Cushion & Pad Group	D-16 - D-18
Dinette Group	D-20
Driver's Compartment Group	D-21 - D-22
Electrical Group	D-23 - D-24
Exterior Body Group	E-1 - E-4
Galley Group	E-5
Heating & Air Conditioning Group	E-6 - E-7
Interior Finish Group	E-8 - E-9
LP Group	E-10
Lounge Group	E-11
Water & Sewage Group	E-12
Window, Vent & Exterior Door Group	E-13 - E-22

## DRIVER'S COMPARTMENT GROUP

### DASH PANEL AND COMPONENTS

Key	Part Number	U/M	Description
	061803-01-K11	EA	Dash Asm. - Complete w/Gauges and Switches
	022548-04-000	EA	Pad - Dash - Right - Dark Brown
	023242-06-000	EA	Pad - Dash - Left - Dark Brown
	024418-01-000	EA	Lamp Asm. - Map/Gauge
	023020-01-000	EA	Lamp Asm. - Telltale
	007308-01-000	EA	Dash Clock
	052367-01-000	EA	Lighter Asm. - Cigarette - 12 Volt
	007041-01-000	EA	Bezel - Cigarette Lighter
	007071-01-000	EA	Louver - Chrome - w/Chrome Wheel
	024980-02-000	EA	Outlet - Defroster w/Swivel - 2" Dark Brown
	038044-01-000	EA	Louver Asm. - A/C Adjustable
	050344-01-000	EA	Bezel - Entertainment Center No. 2 - w/Cut Out for Radio and Clock
	050345-01-000	EA	Bezel - Entertainment Center No. 3 - w/Cut Out for Radio, Clock, Hourmeter and Generator Start Stop Switch
	057487-02-000	EA	Bezel - Control Panel
	023882-01-000	EA	Box - Glove Compartment - Black Fiberboard
	022219-01-000	EA	Door - Glove Compartment
	008118-01-000	EA	Twist Lock - Glove Compartment
	024588-01-000	EA	Hinge - Glove Compartment - 1 1/16" x 19"
	034308-01-000	EA	Chain - Glove Box Door
	023834-01-000	EA	Panel - Knee Kick - Bottom of Dash

### BUCKET SEAT PEDESTAL AND SEAT BELTS

Key	Part Number	U/M	Description
	050447-01-000	EA	Pedestal Asm. - Tilt Seat - Left
	050447-02-000	EA	Pedestal Asm. - Tilt Seat - Right - Single Seat
	050447-04-000	EA	Pedestal Asm. - Tilt Seat - Right - Double Seat
	007019-01-000	EA	Belt Asm. - Seat - 2" x 84" - Black
	041322-01-000	EA	Washer - Flat 15/32" I.D. x 2 3/8" O.D. - Seat Belt
	048843-01-000	EA	Pedestal - Complete - Swivel

### DASH SWITCHES AND GAUGES

Key	Part Number	U/M	Description
	024481-01-000	EA	Switch - Battery
	024482-01-000	EA	Switch - Battery Condition
	024483-01-000	EA	Switch - Blinker
	024484-01-000	EA	Switch - Washer
	024485-01-000	EA	Switch - Fuel
	024487-01-000	EA	Switch - Wiper
	024978-01-000	EA	Switch - Generator w/o Circuit Board
	037387-01-000	EA	Switch - Generator w/Circuit Board
	024459-01-000	EA	Gauge - Voltmeter
	024480-01-000	EA	Gauge - Vacuum
	031035-01-000	EA	Gauge - Generator Hourmeter
	031376-01-000	EA	Control Asm. - Heater - 3 Speed
	055279-01-000	EA	Control Asm. - Heater A/C - 3 Speed

## DRIVER'S COMPARTMENT GROUP (CONTINUED)

### FRONT BUNK AND HARDWARE

Key	Part Number	U/M	Description
	058300-01-K11	EA	Cabinet Asm. - Front Overhead
	058844-01-K11	EA	Bunk Board Asm. - Front Overhead w/Rails
	053773-01-000	EA	Support - Overhead Bunk - Brown - Right
	053773-02-000	EA	Support - Overhead Bunk - Brown - Left
	040071-02-000	EA	Support - Bunk - Seat Belt
	041322-01-000	EA	Washer - Flat - 15/32" I.D. x 2 3/8" O.D.
	039516-02-000	EA	Catch - Bunk - Brown
	023812-22-000	EA	Rail - Bunk - 80" - Brown
	053774-01-000	EA	Torsion Rod - Overhead Bunk - Brown

### MISCELLANEOUS DRIVER'S COMPARTMENT COMPONENTS

Key	Part Number	U/M	Description
	061378-01-K11	EA	Beverage Tray Asm. - Matador Leather Laminate
	055000-01-000	EA	Tray - Utensil - Dark Brown Plastic
	045795-01-000	EA	Glass Holder - Dark Brown Plastic
	050796-01-000	EA	Pocket - Ash Tray - Plastic
	050797-01-000	EA	Ash Tray - Plastic
	039857-01-000	EA	Latch - Rubber - Draw Handle 5 3/4" w/Strike
	039858-01-000	EA	Latch - Rubber - Draw Handle 3" w/Strike
	042541-01-000	EA	Latch Asm. w/Strike - Chrome
	034800-01-000	EA	Cover - Motor - Plastic 454 C.I.D.
	039333-01-000	EA	Cover - Motor - Plastic - 350 C.I.D.
	035388-02-000	EA	Seal - Motor Cover - Alum.
	040519-01-000	EA	Doot - Rubber Steering Column
	040520-01-000	EA	Boot - Retainer - Steering Column
	007278-01-000	EA	Mirror - Inside - Rear View 4 1/2" x 9"
	034499-01-000	EA	Support - Dimmer Switch
	040895-02-000	EA	Clip - Sunvisor
	058508-01-K11	EA	Sunvisor Asm. - Right - Acorn Brown - w/Mirror
	056508-02-K11	EA	Sunvisor Asm. - Left - Acorn Brown
	061350-01-000	EA	Trim - Interior - "A" Post - Brown Plastic - Left
	061350-02-000	EA	Trim - Interior - "A" Post - Brown Plastic - Right
	009143-01-000	EA	Mirror - 1/8" x 3.5" x 8" - Sunvisor
	059198-01-000	EA	Panel - Side - Left - Dark Brown
	059197-01-000	EA	Panel - Side - Right - Dark Brown

## 1979 ITASCA TABLE OF CONTENTS

ICF23RG	A-1 - B-16
ICF26RH	B-17 - D-8
ICN26RB	D-9 - E-22
ICF26RT	E-23 - G-14
ICN29RT	G-15 - I-10

## 1979 ICN26RB INDEX

Floor Plan	D-9 - D-10
Accessories Group	D-11 - D-12
Bath Group	D-13 - D-14
Chassis Group	D-15
Curtain, Cushion & Pad Group	D-16 - D-19
Dinette Group	D-20
Driver's Compartment Group	D-21 - D-22
Electrical Group	D-23 - D-24
Exterior Body Group	E-1 - E-4
Galley Group	E-5
Heating & Air Conditioning Group	E-6 - E-7
Interior Finish Group	E-8 - E-9
LP Group	E-10
Lounge Group	E-11
Water & Sewage Group	E-12
Window, Vent & Exterior Door Group	E-13 - E-22

## ELECTRICAL GROUP

### BULBS

Key	Part Number	U/M	Description
	037935-01-000	EA	Bulb - 1157
	038010-01-000	EA	Bulb - 1143
	008103-01-000	EA	Bulb - 53
	008213-01-000	EA	Bulb - 57
	008214-01-000	EA	Bulb - 67
	008215-01-000	EA	Bulb - 1003
	008216-01-000	EA	Bulb - 1034
	008217-01-000	EA	Bulb - 1073
	008218-01-000	EA	Bulb - 1141
	008219-01-000	EA	Bulb - 656
	008220-01-000	EA	Bulb - 12V - 25W
	036186-01-000	EA	Bulb - 194
	700020-01-000	EA	Bulb - 12V - 20W - 1383

### FUSES AND CIRCUIT BREAKER

Key	Part Number	U/M	Description
	058473-01-000	EA	Fuse - Slow Blow - 6 1/4 Amp.
	008233-01-000	EA	Fuse - 12 volt - 6 Amp.
	008234-01-000	EA	Fuse - 12 Volt - 10 Amp
	008235-01-000	EA	Fuse - 12 Volt - 15 Amp
	008236-01-000	EA	Fuse - 12 volt - 20 Amp
	008248-01-000	EA	Fuse - 110 Volt - 30 Amp - AGU
	008252-01-000	EA	Fuse - 110 volt - 50 Amp
	008208-01-000	EA	Circuit Breaker - 12 Volt - 40 Amp
	008211-01-000	EA	Circuit Breaker - 12 volt - 6 Amp
	008268-01-000	EA	Circuit Breaker - 12 volt - 30 Amp w. Mount
	033573-02-000	EA	Circuit Breaker - 12 volt - 15 Amp. w Mount
	040051-01-000	EA	Circuit Breaker - 110 Volt - 20 Amp - TQL

### INTERIOR LIGHTS

Key	Part Number	U/M	Description
	033508-02-000	EA	Light - Dome - Ivory - 1 Bulb - US
	033508-03-000	EA	Light - Dome - Ivory - 1 Bulb - CSA
	033509-02-000	EA	Light - Dome - Ivory - 2 Bulb - US
	033509-03-000	EA	Light - Dome - Ivory - 2 Bulb - CSA
	024642-01-701	EA	Lens - Dome Light - 1 Bulb
	024643-01-701	EA	Lens - Dome Light - 2 Bulb
	024418-01-000	EA	Lamp Asm. - Map/Gauge Aisle
	053346-01-000	EA	Light - High Intensity - Brown

### EXTERIOR LIGHTS

Key	Part Number	U/M	Description
	048817-01-000	EA	Handle Asm - Assist Light
	007309-01-000	EA	Light - Step Well
	058030-01-000	EA	Tail Lamp Asm - 3 Bulb - Chrome - Right
	058030-02-000	EA	Tail Lamp Asm - 3 Bulb - Chrome - Left
	058030-01-700	EA	Lens - Tail Lamp - Red
	058030-01-701	EA	Lens - Tail Lamp - Back Up
	058038-01-000	EA	Bracket - Tail Lamp
	058540-01-000	EA	Bracket - License Plate
	082741-01-000	EA	Wedge - Tail Lamp - Left
	082741-03-000	EA	Wedge - Tail Lamp - Right
	042405-03-000	EA	Base - Rectangular Clearance Light
	042405-04-000	EA	Lens - Clearance Light - Red
	042405-05-000	EA	Lens - Clearance Light - Amber

## ELECTRICAL GROUP (CONTINUED)

### WINDSHIELD WIPER AND WASHER

Key	Part Number	U/M	Description
	056000-02-000	EA	Washer Asm - Windshield
	057653-01-000	EA	Arm - Windshield Wiper - 18" - Black
	044313-02-000	EA	Motor Asm - Windshield Wiper - 100"
	044313-03-000	EA	Motor Asm - Windshield Wiper - 93"
**	037998-01-000	EA	Link Asm. - Connecting - 22 40" Long
	057474-01-000	EA	Windshield Wiper Asm
**	049464-02-000	EA	Blade - Windshield Wiper - 20" Black
**	055675-01-000	EA	Shaft and Pivot Asm.

\*\*The illustrated parts breakdown for this item is provided on the Common Items Fiche.

### WIRE, SWITCHES, AND RECEPTACLES

Key	Part Number	U/M	Description
	008024-01-000	FT	Wire - 18.5 Bonded - Orange White Yellow Blue Brown
	008025-01-000	FT	Wire - 18.5 Bonded - Orange White Yellow Blue Green
	008028-01-000	FT	Wire - 15.5 Bonded - Blue Red Yellow Orange White
	008030-01-000	FT	Wire - 18.4 Bonded
	008251-01-000	EA	Holder - Fuse - Black - Screw Type
	008277-01-000	EA	Holder - Fuse - Black - Panel Mount
	008195-01-000	EA	Switch - Push Button - 12 volt
	006077-01-000	EA	Plaque - Compressor Switch
	008054-01-000	EA	Cord - Power - 10-3 30 Amp. - 25' - UL
	008052-01-000	EA	Cord - Power - 10-3 30 Amp. - 25' - CSA
	034318-04-000	EA	Holder - Receptacle - Plastic
	039342-01-000	EA	Receptacle - Duplex Brown - T Junction
	024571-04-000	EA	Cover Plate - Receptacle - Jumbo Plastic Ivory
	024571-01-000	EA	Cover Plate - Receptacle - Jumbo - Brown
	024471-01-000	EA	Cover Plate - Electrical Box - 5 1/4" x 3 1/2"
	058028-01-000	EA	Connector - Pigtail - Clear - Nylon
	039343-01-000	EA	Cap - End - Receptacle
	008162-01-000	EA	Switch - Double Toggle - Spade Brown
	008163-01-000	EA	Switch - Toggle Brown
	008164-01-000	EA	Cover Plate - Switch - Brown
	024924-01-000	EA	Receptacle - Power Cord
	008058-01-000	EA	Adaptor - Power Cord
	047353-01-000	EA	Cover - Receptacle - Ground Fault
	053126-01-000	EA	Receptacle - Ground Fault Interrupter - 125 volt, Ivory
	053126-02-000	EA	Receptacle - Ground Fault Interrupter - 125 Volt - Brown
	058707-01-000	EA	Receptacle - Single - Brown - Thomas & Betts
	058708-01-000	EA	Receptacle - Duplex - Brown - Thomas & Betts
	008157-01-000	EA	Receptacle - Duplex - Brown - (Exterior Backwall)
	058048-01-000	EA	Cover - Electrical Box - 4 5/8" x 2 7/8" - Rain Tight (Exterior)
	068288-01-000	EA	Box - Electrical - Plastic - 3" x 3 5/8"

### MISCELLANEOUS ELECTRICAL COMPONENTS

Key	Part Number	U/M	Description
	047338-01-000	EA	Isolator - Dual Battery
	047389-01-700	EA	Battery - 12 Volt - 105 Amp. Deep Cycle - Dry
	057899-01-000	EA	Battery - 12 volt - Maintenance Free - Delco
	008188-01-000	EA	Solenoid - Dual Battery - Relay
	046775-01-000	EA	Valve - Gas - Change Over - 3 Way
	043477-01-000	EA	Valve - Gas - Change Over - 6 Way
	054544-01-000	EA	Control Center - 37 Amp - UL
	031720-01-000	EA	Spacer - Receptacle - Brown Plastic - CSA
	039950-01-702	EA	Circuit Board - Control Center
	024459-01-000	EA	Gauge - Voltmeter
	024462-01-000	EA	Switch - Battery Condition
	031035-01-000	EA	Gauge - Hourmeter - Generator
	024976-01-000	EA	Switch - Generator w/o Circuit Board
	024460-01-000	EA	Gauge - Vacuum
	039861-01-000	EA	Sending Unit Kit - Wemac
	048812-01-000	EA	Control Panel - Water/Double Sewage - Wemac - w Thermostat
	048812-02-000	EA	Control Panel - Water/Double Sewage - Wemac - w/o Thermostat
	048812-03-000	EA	Control Panel - Water/Double Sewage - Wemac - w/o Thermostat

## 1979 ITASCA TABLE OF CONTENTS

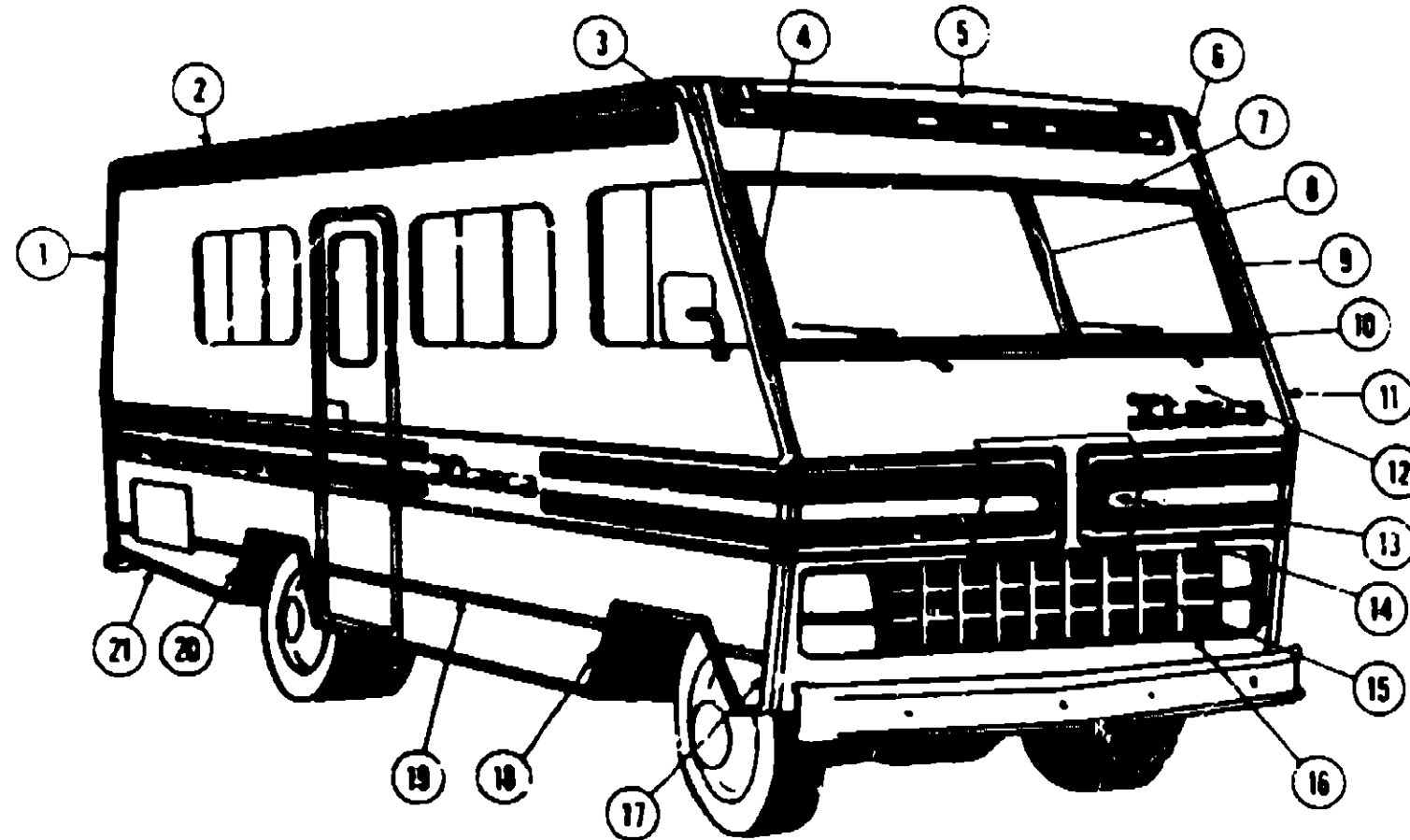
ICF23RG	A-1 - B-16
ICF26RH	B-17 - D-8
ICN26RB	D-9 - E-22
ICF26RT	E-23 - G-14
ICN29RT	G-15 - I-10

## 1979 ICN26RB INDEX

Floor Plan	D-9 - D-10
Accessories Group	D-11 - D-12
Bath Group	D-13 - D-14
Chassis Group	D-15
Curtain, Cushion & Pad Group	D-16 - D-19
Dinette Group	D-20
Driver's Compartment Group	D-21 - D-22
Electrical Group	D-23 - D-24
Exterior Body Group	E-1 - E-4
Galley Group	E-5
Heating & Air Conditioning Group	E-6 - E-7
Interior Finish Group	E-8 - E-9
LP Group	E-10
Lounge Group	E-11
Water & Sewage Group	E-12
Window, Vent & Exterior Door Group	E-13 - E-22



## EXTERIOR BODY GROUP



## 1979 ITASCA TABLE OF CONTENTS

ICF23RG  
ICF26RH  
ICN26RB  
ICF26RT  
ICN29RT

A-1 - B-16  
C-17 - D-8  
D-9 - E-22  
E-23 - G-14  
G-15 - I-10

## 1979 ICN26RB INDEX

Floor Plan	D-9 - D-10
Accessories Group	D-11 - D-12
Bath Group	D-13 - D-14
Chassis Group	D-15
Curtain, Cushion & Pad Group	D-16 - D-19
Cinette Group	D-20
Driver's Compartment Group	D-21 - D-22
Electrical Group	D-23 - D-24
Exterior Body Group	E-1 - E-4
Galley Group	E-5
Heating & A/r Conditioning Group	E-6 - E-7
Interior Finish Group	E-8 - E-9
LP Group	E-10
Lounge Group	E-11
Water & Sewage Group	E-12
Window, Vent & Exterior Door Group	E-13 - E-22

Key	Part Number	U/M	Description
1	039164-05-000	EA	Trim - Contour - Right Rear - Gray
2	039164-06-000	EA	Trim - Contour - Left Rear - Gray
3	034122-20-000	EA	Trim - Sidewall - Upper - Left or Right - Gray
4	058284-06-000	EA	Trim - Contour - Right Front Upper - Gray
5	058289-02-000	EA	Trim - Contour - Windshield - Right
6	054147-02-000	EA	Cap - Fiberglass - Over Windshield - Gray
7	062498-01-000	EA	Trim - Roof/Front Cap
8	058284-05-000	EA	Trim - Contour - Left Front Upper - Gray
9	058287-01-000	EA	Trim - Molding - Windshield - Upper
10	042743-02-000	EA	Trim - Corner Windshield - Upper
11	058288-01-000	EA	Trim Molding - Windshield - Center
12	058289-01-000	EA	Trim - Contour - Windshield - Left
13	058287-02-000	EA	Trim - Molding - Windshield - Lower
14	042743-01-000	EA	Trim - Corner Windshield - Lower

Key	Part Number	U/M	Description
11	058899-06-000	EA	Trim - Contour - Left Front Lower - Gray
12	058294-03-000	EA	Panel Asm. - Front Shroud - Gray
13	058392-03-000	EA	Panel Asm. - Front Lower Gray
14	058673-03-000	EA	Access Panel - Gray
15	058722-01-000	EA	Pull Pin - Hood Release
16	058761-01-000	EA	Striker - Hood Latch
17	057473-01-000	EA	Bezel - Headlamp - Left
18	057473-02-000	EA	Bezel - Headlamp - Right
19	059123-01-000	EA	Grille Trim - Upper
20	059400-01-000	EA	Grille Trim - Lower
21	059124-01-000	EA	Grille Trim - Lower
22	058899-05-000	EA	Trim - Contour - Right Front Lower - Gray
23	058543-05-000	EA	Trim - Wheel Well - Front Right - Gray
24	058543-04-000	EA	Trim - Wheel Well - Front Left - Gray
25	002444-02-001	EA	Feature Strip - Extr. Anod. - 14' - w/o Insert
26	009731-01-000	EA	End Cap - Feature Strip
27	001030-01-000	EA	Insert - Feature Strip - Gray - 17'
28	058487-01-000	EA	Trim - Wheel Well - Rear - Right - Gray
29	058487-04-000	EA	Trim - Wheel Well - Rear - Left - Gray
30	002776-02-000	EA	Extr. - U-Channel - 1.75" x 16' Anod.
31	002365-01-001	EA	Extr. - U-Channel - 1" x 18'
			Not Illustrated

## EXTERIOR BODY GROUP (CONTINUED)

### EXTERIOR BODY PANELS AND SHEET ALUMINUM

Key	Part Number	U/M	Description
	058191-01-K11	EA	Roof Asm.
	058080-01-K11	EA	Backwall Asm.
	058081-01-K11	EA	Sidewall Asm. - Right
	058745-01-K11	EA	Sidewall Asm. - Left
	039135-22-001	EA	Alum. - Gray - Mesa I - 024" x 48" x 360"
	039155-32-002	EA	Alum. - Gray - Mesa I - 024" x 36" x 360"
	039155-32-003	EA	Alum. - Gray - Mesa I - 024" x 48" x 300"
	039155-32-004	EA	Alum. - Gray - Mesa I - 024" x 36" x 300"
	039155-32-005	EA	Alum. - Gray - Mesa I - 024" x 12" x 360"
	039155-33-001	EA	Alum. - Gray - Grayhound Design - 48" x 96"
	001054-03-003	EA	Alum. - Gray - No Design - 48" x 96"
	044487-01-001	EA	Alum. - Mill Finish - No Design (Roof) 96" x 360"
	000888-01-000	BF	Styrofoam - 3/4" x 24" x 96"
	000873-01-000	BF	Styrofoam - 1 1/2" x 24" x 96"

### LABELS AND DECALS

Key	Part Number	U/M	Description
	008031-01-000	EA	Label - Potable Water Only
	006187-01-000	EA	Label - Sewage
	006188-01-000	EA	Label - Waste Water
	006199-01-000	EA	Label - Exit - Escape Window
	008023-01-000	EA	Label - Water Only
	008028-01-000	EA	Label - Drain Cap - 2" x 3"
	038082-01-000	EA	Reflector - Stick on - Rectangular - Red
	038083-01-000	EA	Reflector - Stick on - Rectangular - Amber
	040844-01-000	EA	Label - Open - Entrance Door
	047731-01-000	EA	Label - Emergency Exit
	006040-01-000	EA	Tag - Gas - Refueling Warning
	008082-01-000	EA	Tag - Electrical - 110V Connection
	054531-01-000	EA	Label - LP Gas Only
	081417-01-000	EA	Label - Fuel
	050225-01-000	EA	Label - Warning - Stove Vent - US
	081600-01-000	EA	Decal - Itasca - 5" x 2.64"
	041273-17-000	FT	Decal Stripe - .33" Black
	053343-01-000	EA	Decal - Itasca I - 9" High
	056251-01-000	EA	Decal - Front Side Upper - U-Shaped - Right
	056251-02-000	EA	Decal - Front Side Upper - U-Shaped - Left
	056528-01-000	EA	Decal - "L" Black - 5.57" - Right Front Clearance Lite to Roof
	056528-02-000	EA	Decal - "L" Black - 5.57" - Left Front Clearance Lite to Roof
	056529-01-000	EA	Decal - "L" Black - 9.12" - Right Front Clearance Lite to Roof
	056529-02-000	EA	Decal - "L" Black - 9.12" - Left Front Clearance Lite to Roof
	058004-08-000	EA	Decal - Logo - Itasca - 5.25" High - Lucerne Blue/Gray
	058004-09-000	EA	Decal - Logo - Itasca - 5.25" High - Brown/Gray
	058004-10-000	EA	Decal - Logo - Itasca - 5.25" High - Bronze Metallic/Gray
	058718-01-000	EA	Decal - "Sunflyer" - 6" x 15.88"

### MISCELLANEOUS EXTERNALLY MOUNTED PARTS

Key	Part Number	U/M	Description
**	011124-01-000	EA	Plumbing Seal - Roof Vent - 1 1/4" - White
**	011129-01-000	EA	Plumbing Seal - Roof Vent - 1 1/2" - White
	048817-01-000	EA	Asset Handle - w/Light
	010230-04-000	EA	Fill - City Water - Recessed - Gray
	058808-03-000	EA	Water Fill - Lockable - Gray
	038579-03-000	EA	Fuel Fill - Recessed - Single - Off White
	055500-05-000	EA	Door Asm. - Gas Fill - Gray

\*\*The illustrated parts breakdown for this item is provided on the Common Items Fiche.

## EXTERIOR BODY GROUP (CONTINUED)

### SEALANTS, ADHESIVES AND FASTENERS

Key	Part Number	U/M	Description
	035552-05-000	EA	Sealant - Off White Silicone
	034552-04-000	EA	Sealant - Beige Silicone
	034552-02-000	EA	Sealant - Clear Silicone
	004348-02-000	EA	Sealant - Aluminum Silicone
	004349-01-000	EA	Sealant - Black Silicone
	004342-01-000	EA	Sealant - Weatherban 202 Tube
	004348-02-000	EA	Sealant - White Silicone
	004347-01-000	EA	Sealant - Tuffax
	002316-01-000	FT	Tape - Sealer - 3/32" x 1/8"
	024545-01-000	FT	Tape - Sealer - 1/8" x 5/8" - Black
	004350-01-000	FT	Tape - Sealer - 1/8" x 1" - Formaseal
	004352-01-000	FT	Tape - Sealer - 1/8" x 3/4" - Formaseal
	004355-01-000	FT	Tape - Sealer - 1/8" x 5/8" - Black
	004357-01-000	FT	Tape - Sealer - 1/8" x 5/8" - Adhesive
	002707-02-000	FT	Tape - Sealer - 5/16" x 1/2" - Black Foam
	002707-01-000	FT	Tape - Sealer - 5/16" x 3/4" - Black Foam
	004383-01-000	FT	Tape - Sealer - 3/16" x 1/2" - Foam
	004382-01-000	FT	Tape - Sealer - 1/4" x 5/8" - Foam
	008200-01-000	EA	Tape - Furnace - 1 1/2"
	004353-01-000	FT	Tape - Gasket - 1/8" x 3/4" - White
	002825-01-000	FT	Weather Stripping - Roof Vent
	002337-01-000	EA	Adhesive - 3M - 1300 Tube
	004005-01-000	GL	Adhesive - Swifts - Green - Glue (Sidewalls)
	004012-01-000	EA	Adhesive - 3M - 4475 Tube
	004020-01-000	QT	Adhesive - ABS Cement (Plastic Fittings)
	029051-01-000	EA	Adhesive - Spray Vinyl
	042401-02-000	EA	Screw - 8 - 18 x 3/4" SDPH - Off White
	042403-02-000	EA	Screw - SF/DR - 8 - 18 x 1" SDPH - Off White
	053788-01-000	EA	Bedding Compound - Tube Black - Schnee Morehead
	053788-02-000	EA	Bedding Compound - Tube White - Schnee Morehead
	053787-01-000	FT	Tape - 1/2" x 1/8" x 30' - Gray - Schnee Morehead
	053787-02-000	FT	Tape - 3/16" Bead x 25' - Gray - Schnee Morehead
	053787-03-000	FT	Tape - 1/4" Bead x 20' - Gray - Schnee Morehead
	053787-04-000	FT	Tape - 3/4" x 1/8" x 30' - Gray - Schnee Morehead
	053787-05-000	FT	Tape - 2" x 3/32" x 45' - Gray - Schnee Morehead

### EXTERIOR PAINT

Key	Part Number	U/M	Description
	045881-01-000	EA	Paint - Gloss Black - Acrylic Enamel - 1 Gallon
	045881-03-000	EA	Paint - Gloss Black - Acrylic Enamel - 16 oz. Aerosol
	058006-01-000	EA	Paint - Lucerne Blue - Acrylic Enamel - 1 Gallon
	058006-03-000	EA	Paint - Lucerne Blue - Acrylic Enamel - 16 oz. Aerosol
	058354-01-000	EA	Paint - Bronze Metallic - Acrylic Enamel - 1 Gallon
	058354-03-000	EA	Paint - Bronze Metallic - Acrylic Enamel - 16 oz. Aerosol
	058358-01-000	EA	Paint - Gray Metallic - Acrylic Enamel - 1 Gallon (Trim)
	058358-03-000	EA	Paint - Gray Metallic - Acrylic Enamel - 16 oz. Aerosol (Trim)
	058359-01-000	EA	Paint - Brown Metallic - Acrylic Enamel - 1 Gallon
	058359-03-000	EA	Paint - Brown Metallic - Acrylic Enamel - 16 oz. Aerosol
	058637-01-000	EA	Paint - Gray - Acrylic Enamel - 1 Gallon - (Sidewall)
	058637-02-000	EA	Paint - Gray - Acrylic Enamel - 16 oz. Aerosol - (Sidewall)

## 1979 ITASCA TABLE OF CONTENTS

ICF23RG	A-1 - B-18
ICF28RH	B-17 - D-8
ICN29RB	D-9 - E-22
ICF28RT	E-23 - G-14
ICN28RT	G-15 - I-10

## 1979 ICN28RB INDEX

Floor Plan	D-9 - D-10
Accessories Group	D-11 - D-12
Bath Group	D-13 - D-14
Chassis Group	D-15
Curtain, Cushion & Pad Group	D-16 - D-19
Dinette Group	D-20
Driver's Compartment Group	D-21 - D-22
Electrical Group	D-23 - D-24
Exterior Body Group	E-1 - E-4
Galley Group	E-5
Heating & Air Conditioning Group	E-6 - E-7
Interior Finish Group	E-8 - E-9
LP Group	E-10
Lounge Group	E-11
Water & Sewage Group	E-12
Window, Vent & Exterior Door Group	E-13 - E-22

## GALLEY GROUP

### GALLEY CABINETRY

Key	Part Number	U/M	Description
	05885-01-K11	EA	Cabinet Asm - Galley - w/o Countertop, Doors, Drawer or Hardware
	05886-01-K11	EA	Countertop Asm - Galley Cabinet - Camel
	05882-07-K11	EA	Door Asm - Galley Cabinet - 11.5" x 30" - w/o Hardware
	05882-08-K11	EA	Door Asm - Galley Cabinet - 11.5" x 21.91" - w/o Hardware
	05885-01-K11	EA	Drawer Asm - Galley Cabinet - 10.10" x 5" x 20" Deep - w/o Hardware
	05885-02-K11	EA	Drawer Asm - Galley Cabinet - 10.10" x 5" x 10" Deep - w/o Hardware
	058774-01-K11	EA	Cabinet Asm - Galley Overhead - w/o End Pad, Doors or Hardware
	05882-33-F11	EA	Door Asm - Galley Overhead Cabinet - 15.75" x 23.2" - w/o Hardware
	05882-34-K11	EA	Door Asm - Galley Overhead Cabinet - 15.75" x 21.35" - w/o Hardware
	05882-02-K11	EA	Door Asm - Refrigerator Cabinet - 10.40" x 52.40" - w/o Hardware
	05882-08-K11	EA	Door Asm - Refrigerator Cabinet - 17.7" x 13.8" - w/o Hardware
	058813-01-K11	EA	Drawer Asm - Refrigerator Cabinet - 6" x 10.4" x 15.63" Deep - w/o Hardware

### GALLEY HARDWARE AND APPLIANCES

Key	Part Number	U/M	Description
	011032-01-000	EA	Sink - Stainless Steel - Double w/Bolts
**	011053-01-000	EA	Faucet - 8" - Swing Spout - U.S.
**	011053-02-000	EA	Faucet - 8" - Swing Spout - C.S.A.
**	011053-01-700	EA	Aerator - Swing Spout Faucet
**	011085-01-000	EA	Strainer - Sink
	054028-01-K11	EA	Cover - Sink - Camel Laminate
	058334-01-000	EA	Wastebasket - 9.3.4" x 7" x 10" - White - Rubbermaid
	058841-01-K11	EA	Cover - Wastebasket - Camel Laminate
	058877-01-000	EA	Support - Wastebasket - White Plastic
**	048854-03-000	EA	Hood - Stove - w/Black Face - U.S.
**	048854-04-000	EA	Hood - Stove - w/Black Face - C.S.A.
**	048045-02-000	EA	Range - 4 Burner - Magic Chef
**	049174-02-000	EA	Refrigerator - AC/DC Gas - Stir ET 230.2

\*\*The illustrated parts breakdown for this item is provided on the Common Items Fiche

## HEATING AND AIR CONDITIONING GROUP

### AUTOMOTIVE HEATER AND AIR CONDITIONER

Key	Part Number	U/M	Description
	038044-01-000	EA	Louver Asm - A.C. Adjustable
	047046-01-000	EA	Motor - 12 Volt - 3 Speed - Heater - A.C. Conditioner
	031043-01-000	EA	Valve - Heater - Water Flow Control
	031189-01-000	EA	Cable - Control - Flexible - 53
	031189-02-000	EA	Cable - Control - Flexible - 48
	031170-01-000	EA	Clamp - Cable - 3.16" Dia.
	024996-01-000	EA	Clutch - Magnetic - Compressor
	124999-01-000	EA	Compressor - Auto Air - 10.3" Cubic Inch
	147036-01-000	EA	Package Compressor Mount 350 C.I.D.
	148100-01-000	EA	Package - Compressor Mount 454 C.I.D.
	018801-01-700	EA	Condenser - Radiator Mount
	018267-01-000	EA	Switch - Air Conditioner
	021867-01-000	EA	Valve - Thermostatic Expansion
	021997-01-000	EA	Core - Heater
	021998-01-000	EA	Wheel - Blower - 4.72" O.D.
	031183-01-000	EA	Coil - Evaporator
	031101-01-000	EA	Blower Housing
	007076-01-000	FT	Hose - Flexible PVC - 2" I.D.
	007118-01-000	FT	Hose - Heater - 5/8" D. SAE 20R3
	007281-01-000	FT	Hose - Flexible PVC - 2 1/2" I.D.
	007133-01-000	EA	Clamp - Worm Drive - 69" - 1.25" I.D.
	007141-01-000	EA	Clamp - Hose - 2" - 3" Dia.
	033254-01-000	EA	Hose - Refrigerant - .50" I.D. x 34.50"
	034222-01-000	EA	Hose - Refrigerant - .31" I.D. x 26"
	034222-02-000	EA	Hose - Refrigerant - .31" I.D. x 32"
	031980-01-000	EA	Hose - Refrigerant - .34" I.D. x 30"
	031961-01-000	EA	Hose - Refrigerant - .31" I.D. x 14.75"
	031961-02-000	EA	Hose - Refrigerant - .31" I.D. x 18"
	049401-01-000	EA	Heater Asm - Rear - Auxiliary
	049401-01-700	EA	Valve - Water Control - (Aux. Heater)
	049401-01-701	EA	Control Cable - (Aux. Heater)
	049401-01-702	EA	Motor Asm - (Aux. Heater)
	049401-01-703	EA	Heater Core - (Aux. Heater)
	049401-01-704	EA	Switch - (Aux. Heater)
	059806-01-700	EA	Control Panel - Auxiliary Rear Heater
	024888-01-100	EA	Receiver - Dehydrator
	021044-01-100	EA	Clamp - Receiver Dehydrator
	031962-01-000	EA	Bracket - Receiver Dehydrator
	048230-02-000	EA	Kit - Auto Air - 350 C.I.D. A-Body
	048232-02-000	EA	Kit - Auto Air - 454 C.I.D. A-Body
	058484-01-000	EA	Register - 4" Dia. - Plastic w/Damper - Winterization Option
	082408-01-000	EA	Heat - Pusher - (Duct Fan) Winterization Option
	082411-01-000	EA	Switch - Temp. Control - 36° Close - 48° Open - Winterization Option
	082411-02-000	EA	Switch - Temp. Control - 28° Close - 30° Open - Winterization Option

## 1979 ITASCA TABLE OF CONTENTS

ICF23RG	A-1 - B-16
ICF26RH	B-17 - D-8
ICN26RB	D-9 - E-22
ICF26RT	E-23 - G-14
ICN29RT	G-15 - I-10

## 1979 ICN26RB INDEX

Floor Plan	D-9 - D-10
Accessories Group	D-11 - D-12
Bath Group	D-13 - D-14
Chassis Group	D-15
Curtain, Cushion and Pad Group	D-16 - D-19
Dinette Group	D-20
Driver's Compartment Group	D-21 - D-22
Electrical Group	D-23 - D-24
Exterior Body Group	E-1 - E-4
Galley Group	E-5
Heating & Air Conditioning Group	E-6 - E-7
Interior Finish Group	E-8 - E-9
LP Group	E-10
Lounge Group	E-11
Water & Sewage Group	E-12
Window, Vent & Exterior Door Group	E-13 - E-22

## HEATING AND AIR CONDITIONING GROUP (CONTINUED)

### FURNACES AND ROOF AIR CONDITIONERS

Key	Part Number	U/M	Description
**	052588-01-000	EA	Furnace - 19,000 BTU - Under Counter Mount - 4319-729
	058351-01-000	EA	Furnace - 24,000 BTU - w/ Electric Ignition - 4324-749
	058330-01-000	EA	Furnace - 30,000 BTU - w/ Electric Ignition - 4330 - 749
	009198-01-000	FT	Duct - Flexible - 4" I.D. x 25'
	008200-01-000	EA	Tape - Furnace - 1 1/2"
	023146-01-000	EA	Clamp - Screw Type - 4"
	024885-01-000	EA	Heat Register - w/ Damper - 9 9" x 4 8"
	031604-01-000	EA	Bonnet - Heat Register
	048043-02-000	EA	Door - Furnace - Front
	048042-02-000	EA	Door - Furnace - Front - 4324
	048043-02-000	EA	Door - Furnace - Front - 4330
	050783-01-000	EA	Vent Package - Furnace - 1-3 Wall
	050784-01-000	EA	Vent Package - Furnace - 3 - 6 wall
	038525-02-000	EA	Thermostat - Horizontal Wall Mount
**	048777-02-000	EA	Air Conditioner - 110 Volt - Roof Mount - 11,000 BTU - Ivory Coleman (w/ o Inside Shroud)
**	048778-02-000	EA	Shroud Asm - Ceiling - Inside Roof Air - Cool Only - 11,000 BTU - Coleman
**	046774-02-000	EA	Air Conditioner - 110 Volt - Roof Mount - 13,500 BTU Ivory - Coleman (w/ o Inside Shroud)
**	048775-02-000	EA	Shroud Asm - Ceiling - Inside - Roof Air Cool Only - 13,500 BTU - Coleman
**	048776-01-000	EA	Shroud Asm - Ceiling - Inside - Roof Air Heat and Cool Only - 13,500 BTU - Coleman

\*\*The illustrated parts breakdown for this item is provided on the Common Items Fiche

## INTERIOR FINISH GROUP

### PANELING AND COUNTERTOP MATERIALS

Key	Part Number	U/M	Description
	057880-01-000	SF	Paneling - Pluewood - 725 Russet Oak - V-Groove - 48" x 96" (32 SF)
	057877-01-000	SF	Paneling - Plain - 725 Russet Oak - 48" x 96" (32 SF)
	045883-01-000	SF	Paneling - 825 Buff - Ceiling - 48" x 94"
	058338-01-000	SF	Paneling - Backsplash - Diamond Luster
	058221-01-000	SF	Plastic Laminate - Camel Impression - 8" x 96" (32 SF)
	058340-01-000	SF	Plastic Laminate - Camel - 48" x 96" (32 SF)

### INTERIOR MOLDINGS AND TRIMS

Key	Part Number	U/M	Description
	024700-08-000	EA	Cover - Sidewall Roll Bar - Ivory
	024700-14-000	EA	Cover - Sidewall Roll Bar - Russet Oak
	038512-06-000	EA	Cover - Hat Section - Ivory
	038512-13-000	EA	Cover - Hat Section - Russet Oak
	047488-01-000	EA	Cover - Corner - Hat/Hat
	047489-01-000	EA	Cover - Corner - Tube/Tube
	042430-01-000	EA	Molding - Shelf - Wood
	008812-08-000	FT	Molding - Outside Corner - .50"
	008767-05-000	FT	Wetling - Light Brown
	008815-03-000	FT	T-Molding - 75" - Light Brown
	022882-03-000	FT	Molding - Reverse Cove - Sandalwood
	009778-01-000	FT	U-Channel - 1" - Dark Brown
	009779-01-000	FT	U-Channel - 1 1/2" - Light Brown
	052859-01-000	FT	Accent Trim - Acorn Brown Vinyl
	058351-01-000	FT	Insert - Vinyl - Style and Rail Door
	047734-01-000	EA	Batt Strip - Ceiling - 825 Buff - 8"
	057888-01-000	EA	Batt Strip - Russet Oak - 8"
	058797-01-000	EA	Batt Strip - Sandflower Cork - 8"

### FABRICS AND CARPET

Key	Part Number	U/M	Description
	058333-02-000	YD	Fabric - Drapery - White
	058333-01-000	YD	Fabric - Drapery - Ivory
	058338-01-000	YD	Fabric - Upholstery - Blue/Green
	058338-02-000	YD	Fabric - Upholstery - Rust
	058338-03-000	YD	Fabric - Upholstery - Brown
	053327-01-000	YD	Vinyl - Non Expanded - 27 oz. - Acorn Brown
	053327-02-000	YD	Vinyl - Expanded - 28 oz. - Acorn Brown
	053327-03-000	YD	Vinyl - Non Support - 16 Gauge Film - Acorn Brown
	058718-04-000	SY	Carpet - Inner Beauty - Green
	058718-05-000	SY	Carpet - Inner Beauty - Topaz
	058718-06-000	SY	Carpet - Inner Beauty - Brown

## 1979 ITASCA TABLE OF CONTENTS

ICF23RG	A-1 - B-16
ICF26RH	B-17 - D-8
ICN26RB	D-9 - E-22
ICF26RT	E-23 - G-14
ICN28RT	G-15 - I-10

## 1979 ICN26RB INDEX

Floor Plan	D-9 - D-10
Accessories Group	D-11 - D-12
Bath Group	D-13 - D-14
Chassis Group	D-15
Curtain, Cushion and Pad Group	D-16 - D-19
Dinette Group	D-20
Driver's Compartment Group	D-21 - D-22
Electrical Group	D-23 - D-24
Exterior Body Group	E-1 - E-4
Galley Group	E-5
Heating & Air Conditioning Group	E-6 - E-7
Interior Finish Group	E-8 - E-9
LP Group	E-10
Lounge Group	E-11
Water & Sewage Group	E-12
Window, Vent & Exterior Door Group	E-13 - E-22

**INTERIOR FINISH GROUP (CONTINUED)**

**CABINETS AND TABLE HARDWARE**

Key	Part Number	U/M	Description
	047907-01-000	EA	Hinge - Brass - 14" w/ Holes - Bath Vanity Door
..	054529-01-000	EA	Latch - Slide Bolt - Antique Brass - Bath Door
	052932-01-J30	EA	Hinge Kit - Cabinet Door - Antique Brass
	057998-01-000	FA	Latch - Hidden - Cabinet Door
..	008112-01-000	EA	Flange - 1 - Chrome - Closet Rod
..	047842-01-000	EA	Kit - Dinette Table Leg
..	047809-03-000	EA	Kit - Dinette Table - Wall Mount Hardware
	059753-01-000	EA	Slide - Drawer - Left
	059753-02-000	EA	Slide - Drawer - Right
..	037888-01-000	FT	Rail - Drawer Glide
..	047744-01-000	EA	Kit - Drawer Glide

\*\*The illustrated parts breakdown for this item is provided on the Common Items Fiche

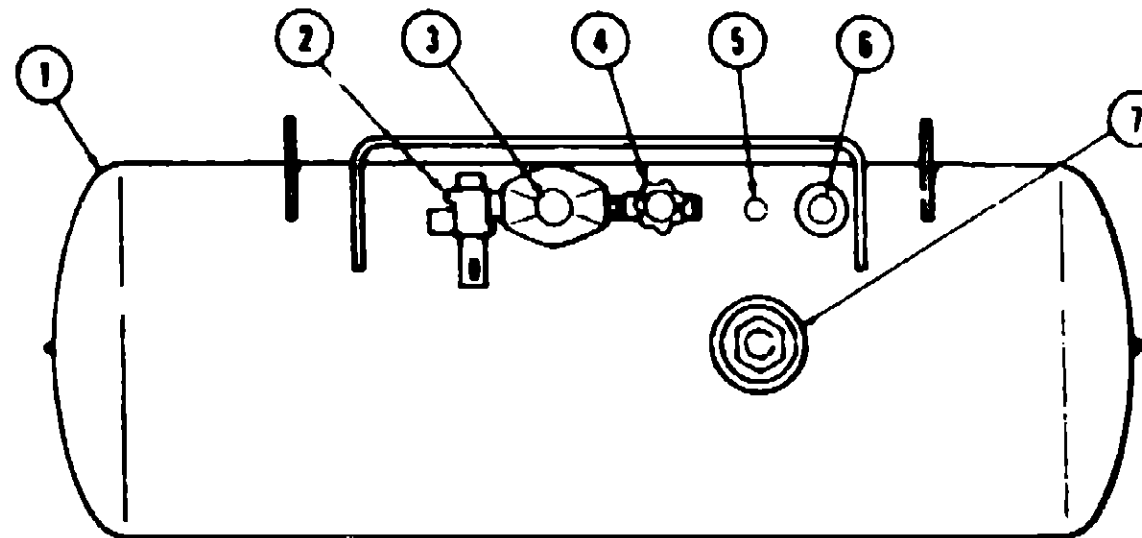
**CURTAIN HARDWARE**

Key	Part Number	U/M	Description
	053272-04-200	EA	Track - Curtain - Ceiling - 88" - Off White
	053285-02-001	EA	Track - Curtain - Door - 16 - Anod
	058430-01-000	EA	Track - Curtain - Front Wraparound (2 per unit)
	058001-01-000	EA	Bracket - Shade - Left
	058002-01-000	EA	Bracket - Shade - Right
	008107-01-000	EA	Guide - Nylon Snap - Curtain
	018031-42-000	EA	Track - Curtain - "L" Rod - Alum Extr - 90"
	008701-01-000	EA	Carrier - "L" Rod - Curtain
	008702-01-000	EA	End Stop - "L" Rod - Curtain

**MISCELLANEOUS PARTS**

Key	Part Number	U/M	Description
	053552-01-K04	EA	Handle Asm - Interior Assort - Acorn Brown Vinyl
	041944-01-700	EA	Fire Extinguisher w/Bracket - Dry Chemical
	008113-01-000	EA	Jack - Hydraulic - 5 Ton - w/Handle
	054185-04-000	EA	Owner's Manual - 1979 Itasca
	040088-01-000	EA	Mat - Door - Black Rubber - 10 1/2" x 26" - Itasca

**LP GROUP**



Key	Part Number	U/M	Description
1	052770-01-000	EA	Tank Asm - LP - Frame Mount - 85 Pound
2	047221-01-000	EA	Detector - LP Gas Leak
3	058706-01-000	EA	Cover - Regulator - 2 Stage
4	058705-01-000	EA	Regulator - Two Stage - LP Gas
4	040421-01-703	EA	Valve - Vapor Relief
5	040421-01-700	EA	Gauge - Liquid Level - 20% LP
6	040421-01-701	EA	Valve - Filter - LP
7	040421-01-702	EA	Cap - Plastic Fill Valve
7	040421-01-707	EA	Gauge - Float - w/Visible Dial - 85 Pound Tank
7	040421-01-706	EA	Dial - Visible Face - Float Gauge (Tank w/o Electric Transmitter)
7	040421-01-705	EA	Dial - Transmitter - 0 - 90 Ohm (Float Gauge)
7	045703-03-000	EA	Hose Asm - LP - 3/8" I.D. x 14"
7	047737-02-000	EA	Support - LP Tank - 89.25"
7	047737-03-000	EA	Support - LP Tank - 30.50"
			Not Illustrated

**1979 ITASCA  
TABLE OF CONTENTS**

ICF23RG	A-1 - B-16
ICF26RH	B-17 - D-8
ICN26RB	D-9 - E-22
ICF26RT	E-23 - G-14
ICN26RT	G-15 - I-10

**1979 ICN26RB INDEX**

Floor Plan	D-9 - D-10
Accessories Group	D-11 - D-12
Bath Group	D-13 - D-14
Chassis Group	D-15
Curtain, Cushion and Pad Group	D-16 - D-19
Dinette Group	D-20
Driver's Compartment Group	D-21 - D-22
Electrical Group	D-23 - D-24
Exterior Body Group	E-1 - E-4
Galley Group	E-5
Heating & Air Conditioning Group	E-6 - E-7
Interior Finish Group	E-8 - E-9
LP Group	E-10
Lounge Group	E-11
Water & Sewage Group	E-12
Window, Vent & Exterior Door Group	E-13 - E-22

## LOUNGE GROUP

Key	Part Number	U/M	Description
	057622-01-K11	EA	Panel Asm. - Rear Couch Face - w/o Door or Hardware
	058082-03-K11	EA	Door Asm. - Rear Couch Cabinet - 36" x 10.6" - w/o Hardware
	058856-01-K11	EA	Cabinet Asm. - Arm Rest
	058880-01-K11	EA	Pad - Armrest - Rear Lounge - 31.4" x 8.2" x 3"
	058825-02-K11	EA	Cabinet Asm. - Rear Lounge Overhead
	058082-01-K11	EA	Door Asm. - Rear Lounge Overhead Cabinet - 27" x 10.3" - w/o Hardware
	057488-02-000	EA	Frame - Sprung Couch - Right Side
	057488-03-000	EA	Frame - Sprung Couch - Left Side
	057488-04-000	EA	Frame Angle - Sprung Couch (2 per couch)
	057488-01-000	EA	Leg Asm. - Sprung Couch - (2 per couch)

## WATER AND SEWAGE GROUP

### PLUMBING AND REPAIR PARTS

Key	Part Number	U/M	Description
**	041279-02-000	EA	Pump - Water Flow - 2.8 G.P.M. US
**	063848-01-000	EA	Pump - Water - 2.8 G.P.M. - Direct Drive - US
**	063848-02-000	EA	Pump - Water - 2.8 G.P.M. - Direct Drive - CSA
	038747-02-000	EA	Filter - Water Pump - 1/2 MPT
	062853-01-000	EA	Nut Faucet - 1/2 Tube x 1/2 FPT
	062854-01-000	EA	Adapter - Nose Cone - 3/8" or 1/2"
	062858-01-000	EA	Tee - Plastic - 1/2 F x 1/2 F x 1/2 F
	062858-03-000	EA	Connector - 1/2 F x 3/8 MPT - Plastic
	062880-01-000	EA	Drain Valve - 1/2 F x 1/2 F - Plastic
	051731-01-000	EA	Header - 1/2 F x 1/2 F x 1/2 F x 1/2 F
**	046324-02-000	EA	Kit - Water Tank Fittings - Blank Tank
**	046324-01-000	EA	Kit - Holding Tank Fittings - Blank Tank
**	010079-01-000	EA	Tee - Plastic - 1 1/2 H x 1 1/2 H x 1 1/4 H
**	010091-01-000	EA	Wye - Plastic - 3 x 45 H x H x H
**	010121-01-000	EA	Bushing - Plastic - 1 1/2 S x 1 1/4 H
	010008-01-000	EA	Elbow - Plastic - 1/8 BD
**	010133-01-000	EA	Trap Adaptor - Plastic - 1 1/2 H x MPT
	010134-01-000	EA	Adapter - Plastic - 1 1/2 M x MPT
**	010201-01-000	EA	Sewer Hose - 3" x 10' w/Clamp
	062415-01-000	EA	Sewage Cap - 3"
	062416-01-000	EA	Hose Adapter - 3"
	062417-01-000	EA	Termination Adapter - 3"
	062418-01-000	EA	Valve - 3" - w/o Handle
	062419-01-000	EA	Handle - Extension w/Adapter - 35"
	062419-02-000	EA	Handle - Extension w/Adapter - 53"
	062421-01-000	EA	Valve - 1 1/2" - w/Handle
**	011088-01-000	EA	P-Trap - 1 1/4" - Plastic
**	011091-01-000	EA	Waste - Continuous - Double Sink - 11 7/8"
	031128-01-000	EA	Elbow - 1/4 BD 3 x 90
**	050780-01-000	EA	Rubber Coupler - 3" x 3"
	004220-01-000	QT	Adhesive - ABS Cement
	037845-01-000	FT	Tape - Butyl - 3/16" - Bead - Black
**	040538-01-000	EA	Kit - Repair - 3/8" O.D. Plastic Tube
**	040540-01-000	EA	Kit - Repair - 1/2" O.D. Plastic Tube
**	040541-01-000	EA	Kit - Repair - 5/8" O.D. Plastic Tube
**	038818-01-000	EA	Riser Asm. - 3/8" O.D. x 24" Tube
**	038818-02-000	EA	Riser Asm. - 3/8" O.D. x 36" Tube
**	038818-04-000	EA	Riser Asm. - 3/8" O.D. x 72" Tube
**	038818-05-000	EA	Riser Asm. - 3/8" O.D. x 48" Tube

\*\*The illustrated parts breakdown for this item is provided on the Common Name Fiche.

### HOLDING TANKS AND WATER HEATERS

Key	Part Number	U/M	Description
	058731-02-000	EA	Tank Asm. - Water - 52 Gallon - w/Fittings
	058731-01-000	EA	Tank Asm. - Water - 52 Gallon - w/o Fittings
	054032-08-000	EA	Tank Asm. - Holding - 25 Gallon - w/Fittings
**	054032-01-000	EA	Tank Asm. - Holding - 25 Gallon - w/o Fittings
	054033-04-000	EA	Tank Asm. - Holding - 32 Gallon - w/Fittings
**	054033-01-000	EA	Tank Asm. - Holding - 32 Gallon - w/o Fittings
**	051381-01-000	EA	Water Heater - w/o Motor Aid - G8A3

\*\*The illustrated parts breakdown for this item is provided on the Common Name Fiche.

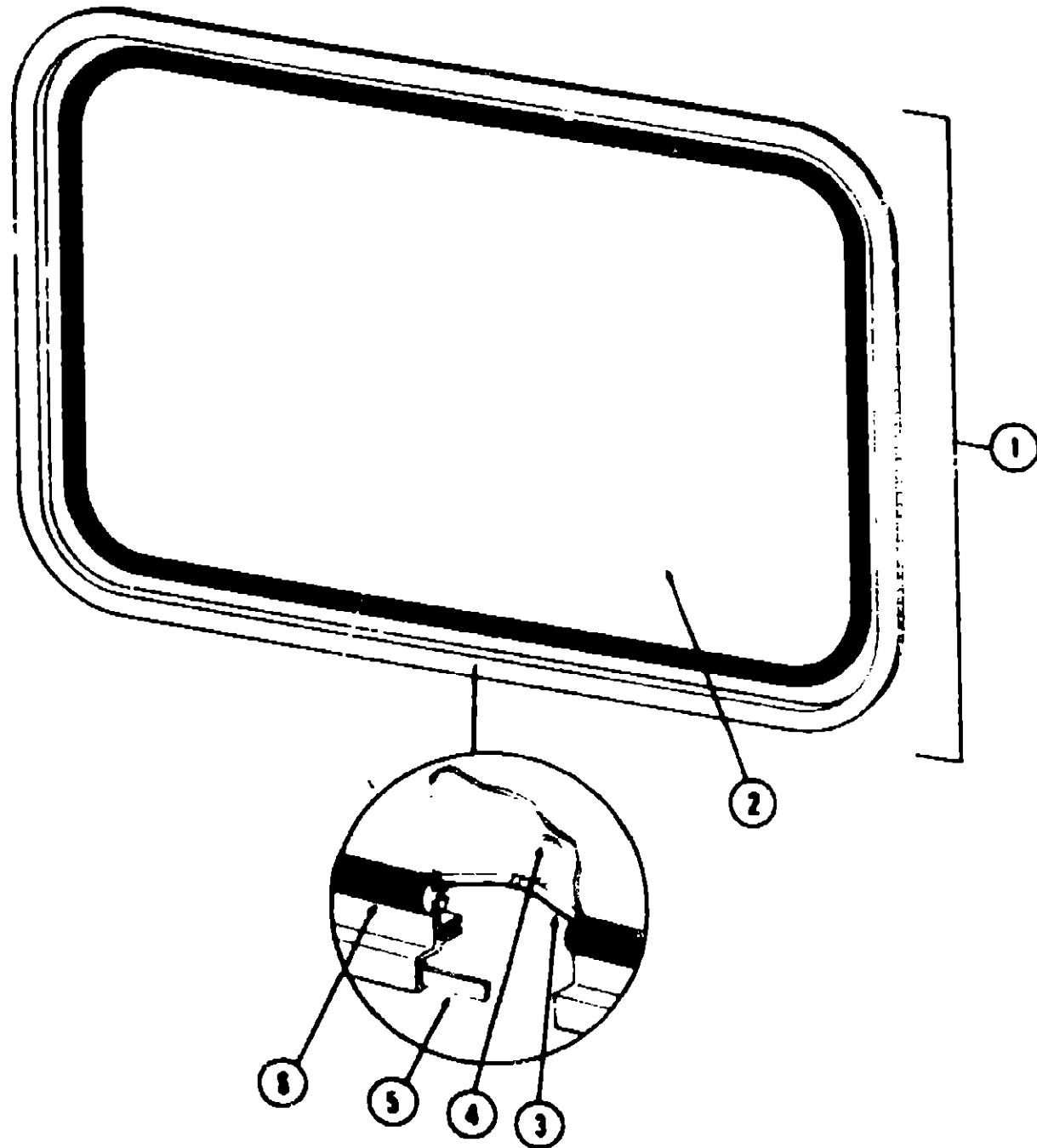
## 1979 ITASCA TABLE OF CONTENTS

ICF23RG	A-1 - B-16
ICF28RH	B-17 - D-8
ICN28RB	D-9 - E-22
ICF28RT	E-23 - G-14
ICN28RT	G-15 - I-10

## 1979 ICN28RB INDEX

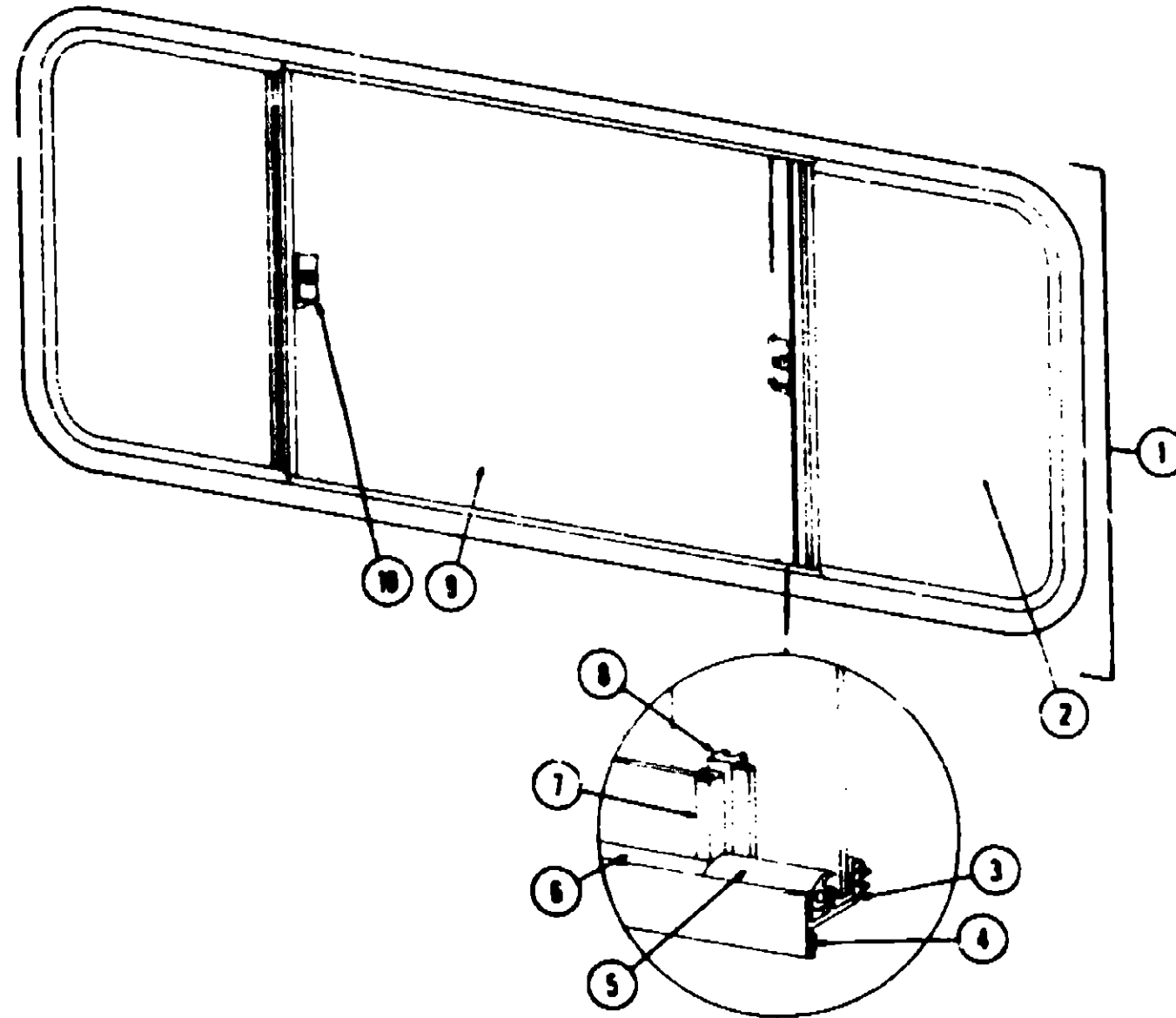
Floor Plan	D-9 - D-10
Accessories Group	D-11 - D-12
Bath Group	D-13 - D-14
Chassis Group	D-15
Curtain, Cushion and Pad Group	D-16 - D-18
Dinette Group	D-20
Driver's Compartment Group	D-21 - D-22
Electrical Group	D-23 - D-34
Exterior Body Group	E-1 - E-4
Galley Group	E-5
Heating & Air Conditioning Group	E-6 - E-7
Interior Finish Group	E-8 - E-9
LP Group	E-10
Lounge Group	E-11
Water & Sewage Group	E-12
Window, Vent & Exterior Door Group	E-13 - E-22

**WINDOW, VENT AND EXTERIOR DOOR GROUP**



Key	Part Number	U/M	Description
1	042858-01-700	EA	Window Arm. - Rear Escape - 23" x 38" - Black Anod. (w/o inside frame)
2	041382-01-000	EA	Glass - 1/8" x 19.61" x 33.25"
3	002285-01-000	FT	Filler - Weatherstrip - Black
4	020385-01-000	EA	Slip - Full Ring - Escape Window
5	004383-01-000	FT	Tape - Foam - 3/16" x 1/2" - Gray
6	002282-01-000	FT	Weatherstrip - .125" Black
	042027-01-000	EA	Frame - Inside - Escape Window - 23" x 38" (not included in assembly)
	008198-01-000	EA	Label - Ext - Escape Window
	Not Illustrated		

**WINDOW, VENT AND EXTERIOR DOOR GROUP (CONTINUED)**



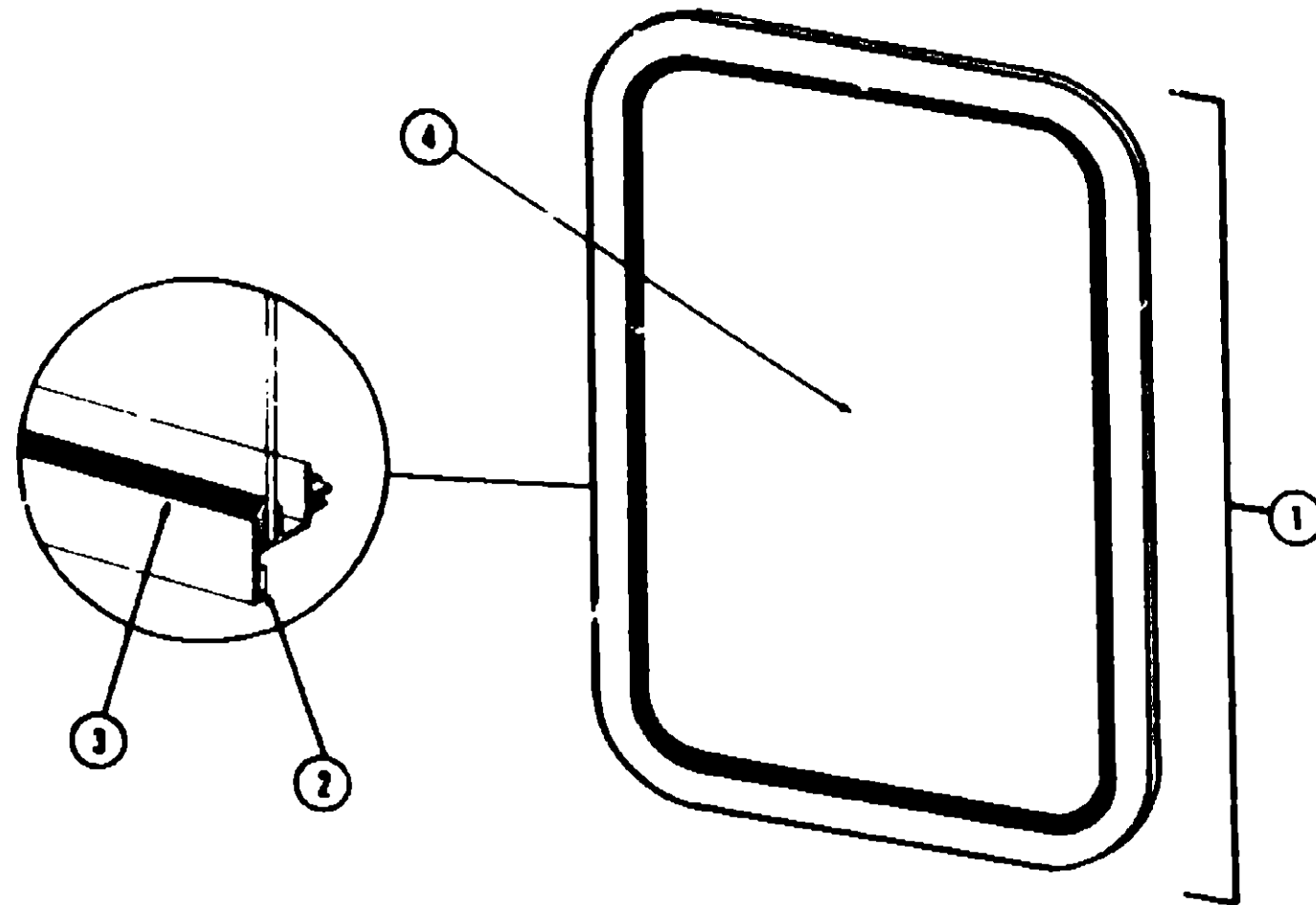
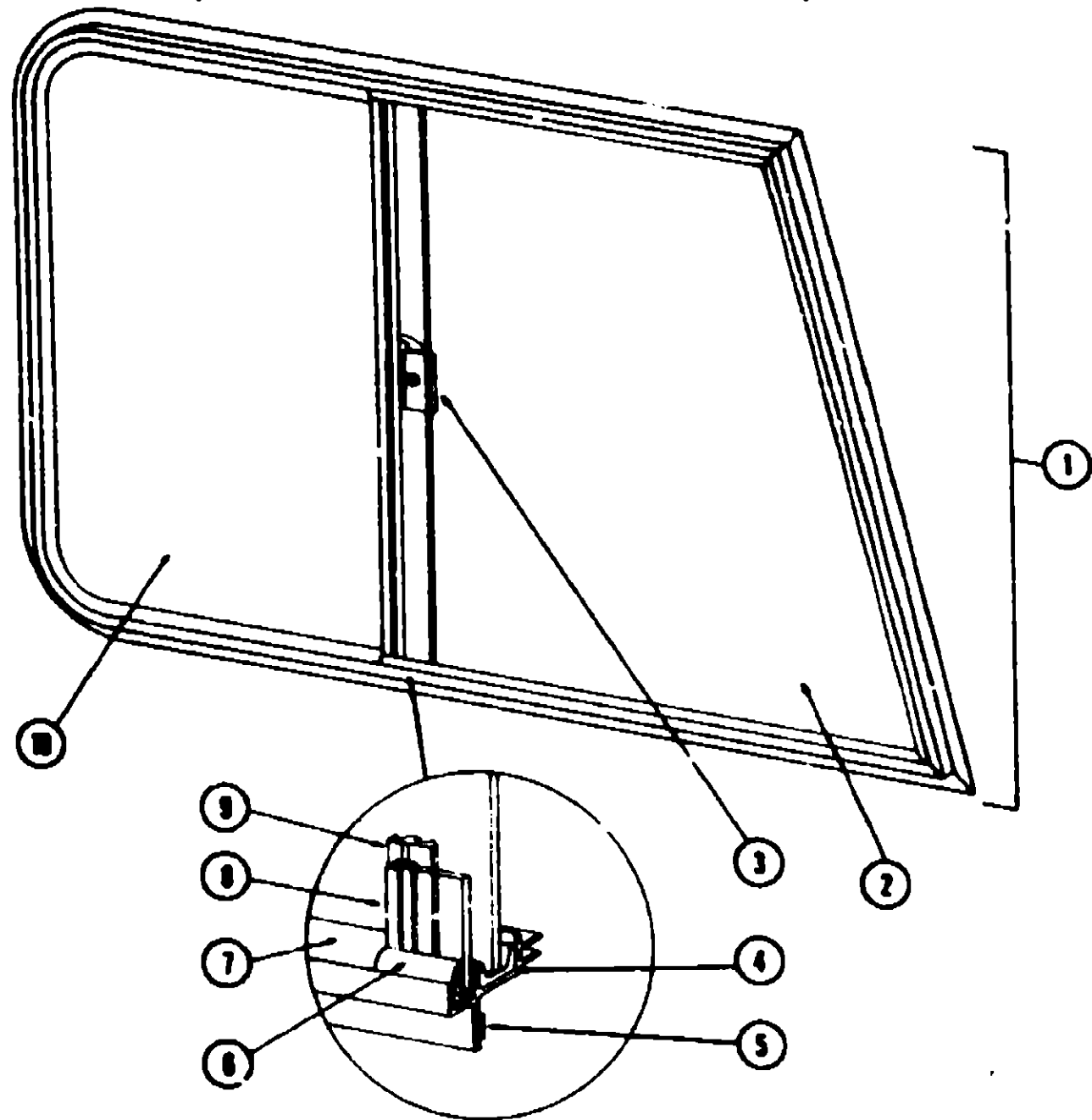
Key	Part Number	U/M	Description
1	048830-08-000	EA	Window Arm. - Double Slider - 25" x 65" Black Anod. (w/o inside frame)
2	047822-01-000	EA	Glass - Sliding - 3/16" x 24" x 21.00"
3	042677-01-000	FT	Channel - Weatherstrip - Glass Run - 3/16" Glass
4	004383-01-000	FT	Tape - Foam - 3/16" x 1/2" - Gray
5	041828-02-000	FT	Seal - Window Channel - 3/16" Glass - Black
6	002308-02-000	FT	Spline - Glass - 1/8" - Black
7	002388-03-201	EA	Extr. Holder - Glass Seal - 23.18" - Black
8	041884-04-000	EA	Multiion - Slider Window - 25" - Black
9	002188-02-000	EA	Glass - 3/16" x 24" x 25.5" - Stationary
10	047388-01-700	EA	Latch - Window - Plastic w/Fastener
	042133-08-000	EA	Frame Arm. - Window - Inside (not included in assembly)
	023713-02-000	EA	Cover - Weephole - Plastic - Black
	002288-01-000	FT	Spline - Gray - .130" Dia. (Screen)
	022283-01-000	SF	Screen - Window - 25" - Gray
	Not Illustrated		

**1979 ITASCA  
TABLE OF CONTENTS**

ICF23RG	A-1 - B-16
ICF28RH	B-17 - C-9
ICN28RB	D-8 - E-22
ICF28AT	E-23 - G-14
ICN28RT	G-15 - I-10

**1979 ICN28RB INDEX**

Floor Plan	D-9 - D-10
Accessories Group	D-11 - D-12
Bath Group	D-13 - U-14
Chassis Group	D-15
Curtain, Cushion and Pad Group	D-16 - D-19
Dinette Group	D-20
Driver's Compartment Group	D-21 - D-22
Electrical Group	D-23 - D-24
Exterior Body Group	E-1 - E-4
Galley Group	E-5
Heating & Air Conditioning Group	E-6 - E-7
Interior Finish Group	E-8 - E-9
LP Group	E-10
Lounge Group	E-11
Water & Sewage Group	E-12
Window, Vent & Exterior Door Group	E-13 - E-22



Key	Part Number	U/V	Description
1	001946-01-000	EA	Window Arm - Right Front Start Slider - 23" x 38" - Black Anod. (w/o inside frame)
	000046-02-000	EA	Window Arm - Left Front Start Slider - 23" x 38" - Black Anod. (w/o inside frame)
2	057000-01-000	EA	Glass - 3/16" x 24.89" x 25.30" - Stationary
3	047200-01-700	EA	Latch - Window - Plastic w/Fastener
4	042277-01-000	FT	Channel - Weatherstrip - Glass Run - 3/16" Glass
5	002707-01-000	FT	Tape - 1/2" x 1/8" x 38" - Gray - Schnee Morehead
6	000216-02-000	FT	Spine - 3/16" Glass
7	041020-02-000	FT	Seal - Window Channel - 3/16" Glass - Black
8	000000-00-000	EA	Holder - Glass Seal - Black Anod. - 24.13"
9	057044-04-000	EA	Mullion - Window - Start Slider
10	057007-01-000	EA	Glass - 3/16" x 24.89" x 14.70" - Sliding
	000040-01-000	EA	Inside Frame - Right Front Start Slider (not included in assembly)
	000042-02-000	EA	Inside Frame - Left Front Start Slider (not included in assembly)
	003713-00-000	EA	Cover - Weephole - Black Anod.
	000104-00-000	EA	Slider Screen Arm - Right or Left - Black
	010010-00-000	EA	Handle - Slider Screen - Black
	000000-01-000	SF	Screen - Window - 23" - Gray
	000200-01-000	FT	Spine - Gray - .120" Dia.
			Not Illustrated

Key	Part Number	U/V	Description
1	000051-01-000	EA	Window Arm - Picture - 20 3/4" x 20 3/4" - Black (w/o inside frame)
2	003707-02-000	FT	Tape - 3/16" Bead x 25" - Schnee Morehead
3	002300-02-000	FT	Spine - Glass - 1/8" - Black
4	002101-03-000	EA	Glass - .115" x 20.62" x 20.62" - Gray
	000050-01-000	EA	Frame - Inside - Window (not included in assembly)
			Not Illustrated

1979 ITARCA  
TABLE OF CONTENTS

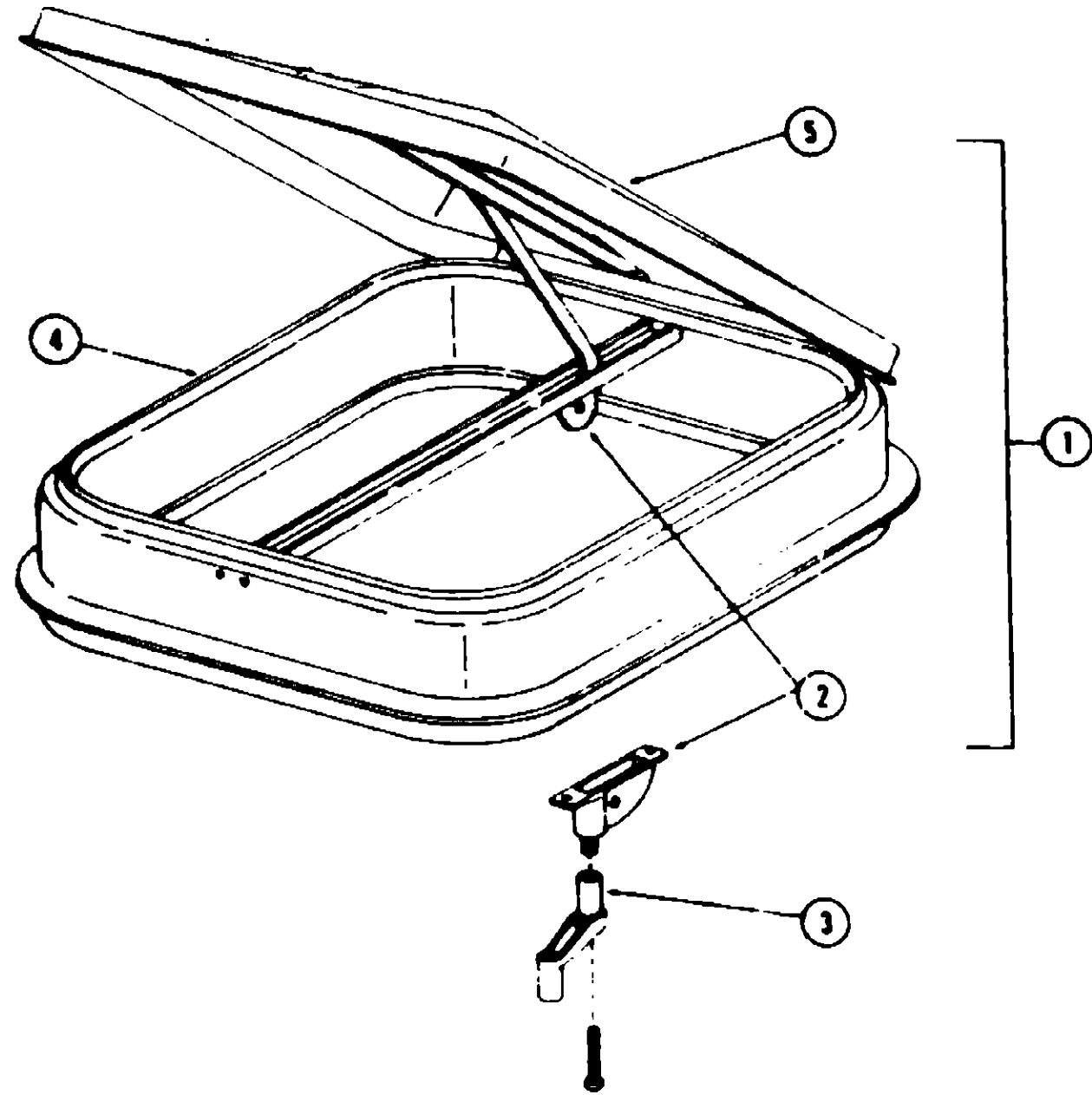
ICF23RS	A-1 - B-16
ICF28RH	B-17 - D-8
ICN28RS	D-9 - E-22
ICF28RT	E-23 - G-14
ICN28RT	G-15 - I-10

1979 ICN28RS INDEX

Floor Plan	D-9 - D-10
Accessories Group	D-11 - D-12
Bath Group	D-13 - D-14
Chassis Group	D-15
Curtain, Cushion and Pad Group	D-16 - D-19
Dinette Group	D-20
Driver's Compartment Group	D-21 - D-22
Electrical Group	D-23 - D-24
Exterior Body Group	E-1 - E-4
Galley Group	E-5
Heating & Air Conditioning Group	E-6 - E-7
Interior Finish Group	E-8 - E-9
LP Group	E-10
Lounge Group	E-11
Water & Sewage Group	E-12
Window, Vent & Exterior Door Group	E-13 - E-22

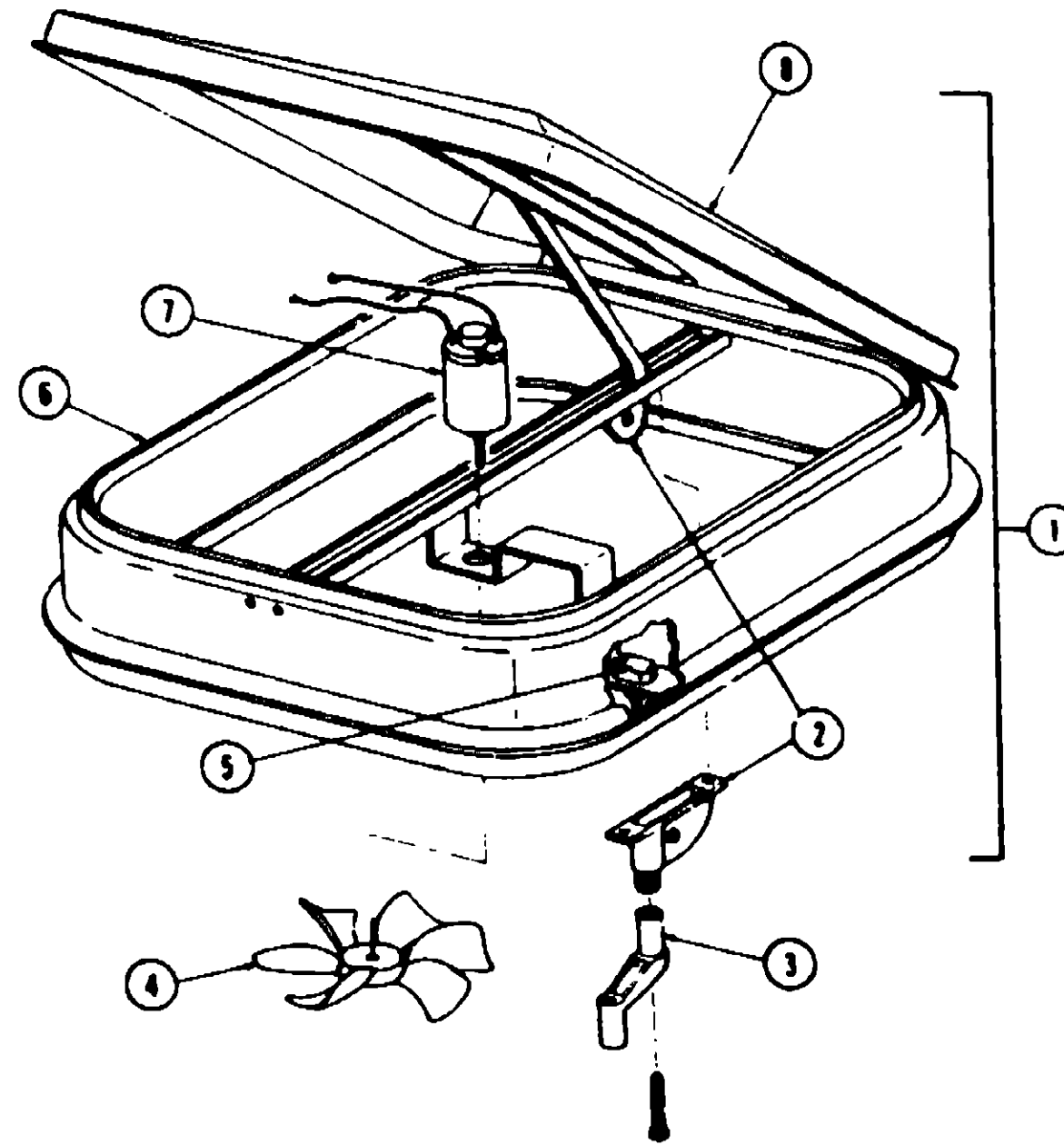


**WINDOW, VENT AND EXTERIOR DOOR GROUP (CONTINUED)**



Key	Part Number	U/M	Description
1	048835-01-000	EA	Vent Asm. - Roof - Nonpowered - w/o Screen
2	009440-01-000	EA	Gear - Arm - Roof Vent
3	009439-01-000	EA	Crank - Roof Vent
4	002825-01-000	FT	Weatherstrip - Roof Vent
5	048825-01-000	EA	Cover - Plastic - Roof Vent
.	016335-01-000	EA	Screen Asm. - Nonpowered Roof Vent - Clear Anod.
.	016335-03-000	EA	Screen Asm. - Nonpowered Roof Vent - Beige (not included in assembly)
.			Not Illustrated

**WINDOW, VENT AND EXTERIOR DOOR GROUP (CONTINUED)**



Key	Part Number	U/M	Description
1	048788-01-000	EA	Vent Asm. - Roof - Powered - w/o Screen
2	009440-01-000	EA	Gear - Arm - Roof Vent
3	009439-01-000	EA	Crank - Roof Vent
4	048849-01-000	EA	Fan - Blade - Plastic
5	008185-01-000	EA	Switch - Push Button - 12 Volt
6	002825-01-000	FT	Weather strip - Roof Vent
7	048848-01-000	EA	Motor - 12 Volt
8	048825-01-000	EA	Cover - Plastic - Roof Vent
.	048885-01-000	EA	Screen Asm. - Powered Roof Vent - Clear Anod. (not included in assembly)
.	048885-03-000	EA	Screen Asm. - Powered Roof Vent - Beige (not included in assembly)
.			Not Illustrated

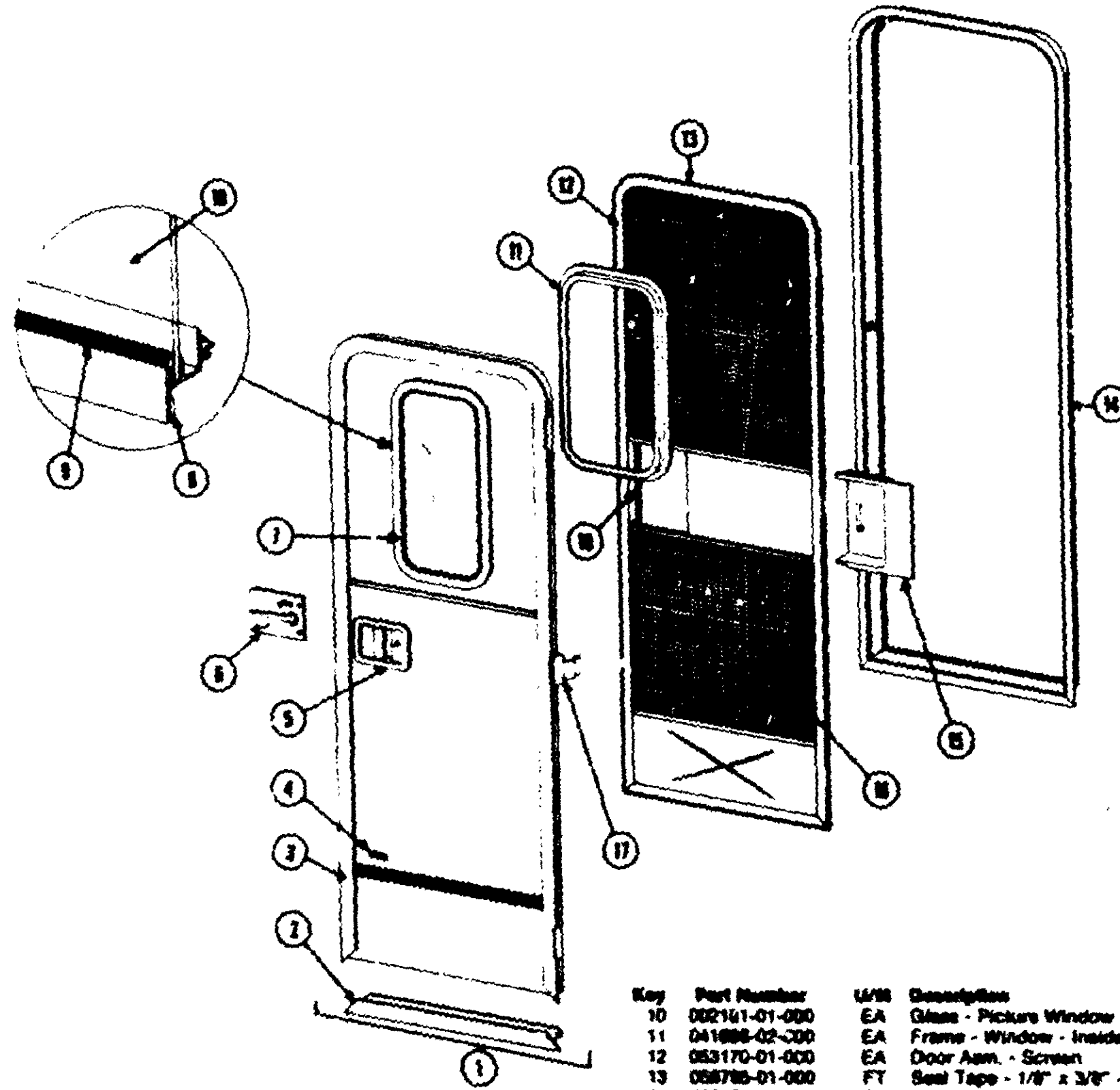
**1979 ITASCA  
TABLE OF CONTENTS**

ICF23RG	A-1 - B-16
ICF26RH	B-17 - D-8
ICN26RB	D-9 - E-22
ICF26RT	E-23 - G-14
ICN26RT	G-15 - I-10

**1979 ICN26RB INDEX**

Floor Plan	D-9 - D-10
Accessories Group	D-11 - D-12
Bath Group	D-13 - D-14
Chassis Group	D-15
Curtain, Cushion and Pad Group	D-16 - D-19
Dinette Group	D-20
Driver's Compartment Group	D-21 - D-22
Electrical Group	D-23 - D-24
Exterior Body Group	E-1 - E-4
Galley Group	E-5
Heating & Air Conditioning Group	E-6 - E-7
Interior Finish Group	E-8 - E-9
LP Group	E-10
Lounge Group	E-11
Water & Sewage Group	F-12
Window, Vent & Exterior Door Group	E-13 - E-22

WINDOW, VENT AND EXTERIOR DOOR GROUP (CONTINUED)



Key	Part Number	U/S	Description
1	003100-13-000	EA	Door Arm - Radius Entry w/Screen Door
2	000737-08-000	EA	Frame - Entry Door (Bottom Portion Only)
3	000736-08-000	EA	Frame - Entry Door (Except Bottom Portion)
4	014630-01-000	EA	Holder - Entry Door - Mounts on Sidewall
5	040017-01-000	EA	Paddle Arm - Door Lock - Exterior
6	040017-01-700	EA	Lock Cylinder w/Keys
7	000039-01-000	EA	Striker Bolt - Entry Door
8	000040-01-000	EA	Lock Claw - Entry Door
9	000070-01-000	EA	Plate - Lock - Interior - Including Inside Handle
10	002100-01-000	EA	Lock Arm - Complete - Lyncor
11	041075-02-000	EA	Window Arm - Picture - 13" x 23" - Black Anod. (Inside frame not included in assembly)
12	004303-01-000	FT	Tape - Foam - 3/16" x 1/2" - Gray
13	002100-02-000	FT	Spine - Glass - 1/8" Black

Key	Part Number	U/S	Description
10	002101-01-000	EA	Glass - Picture Window - 1/8" x 12" x 22" - Gray
11	041000-02-000	EA	Frame - Window - Inside - 13" x 23" - Brown
12	003170-01-000	EA	Door Arm - Screen
13	000700-01-000	FT	Seal Tape - 1/8" x 3/8" - Press On
14	003171-05-000	EA	Jamb Arm - Entry Door - Gray
15	015000-01-000	EA	Slider - Screen Door - Brown Plastic
16	002200-01-000	3F	Screen - Window - 20" - Gray
17	000020-01-000	EA	Hinge - Entry Door (3 used per door)
18	015001-01-000	EA	Cap - Screen Door - Brown Plastic
19	040170-01-000	EA	Headlok II - 3/4" Diameter - Screw Mount (Retains Screen Door to Entry Door)
20	040707-01-000	EA	Headlok II - 1" Diameter - Screw Mount (Retains Screen Door to Entry Door)
21	010010-01-000	EA	Striker - Screen Door
22	000000-01-000	EA	Catch Arm - Single Roller w/Drills - Screen Door
23	051300-01-000	FT	Seal - Jamb - Entry Door - Bulb Seal
24	000000-01-000	FT	Tubing - Polybutyl - 1/2" O.D. - Jamb
25	044000-00-000	EA	Drip Cap - Jamb Mounted - Gray
			Not Illustrated

1970 ITASCA  
TABLE OF CONTENTS

ICF23PG	A-1 - B-10
ICF20FH	B-17 - D-8
ICN20RB	D-9 - E-22
ICF20RT	E-23 - G-14
ICN20RT	G-15 - I-10

1970 ICN20RB INDEX

Floor Plan	D-8 - D-10
Accessories Group	D-11 - D-12
Bath Group	D-13 - D-14
Cheese Group	D-15
Curtain, Cushion and Pad Group	D-16 - D-18
Dinette Group	D-20
Driver's Compartment Group	D-21 - D-22
Electrical Group	D-23 - D-24
Exterior Body Group	E-1 - E-4
Galley Group	E-5
Heating & Air Conditioning Group	E-6 - E-7
Interior Finish Group	E-8 - E-9
LP Group	E-10
Lounge Group	E-11
Water & Sewage Group	E-12
Window, Vent & Exterior Door Group	E-13 - E-22

# WINDOW, VENT AND EXTERIOR DOOR GROUP (CONTINUED)

## ACCESS DOORS

Key	Part Number	U/M	Description
	033333-26-000	EA	Door Asm. - Battery - 10.25" x 24.75" - Gray w/Twist Lock (2 doors per coach)
	033333-27-000	EA	Door Asm. - Luggage - 10.25" x 24.75" - Gray w/Key Lock (2 doors per coach)
	047233-03-000	EA	Door Asm. - Luggage - 35.5" x 13" - Gray w/Key Lock
	058717-03-000	EA	Door Asm. - Storage - Insulated - 29.8" x 10.36" - Beige w/Key Lock
	054270-05-000	EA	Door Asm. - Refrigerator Access - Gray - w/Twist Lock
	055500-05-000	EA	Door Asm. - Gas Fill - Gray w/Key Lock
	042441-01-000	EA	Lock Asm. - Key Type - Gas Fill
	042442-01-000	EA	Lock Asm. - Twist Type - Gas Fill
	047305-01-000	EA	Lock Asm. - Key Type w/Clip
	052850-02-700	EA	Lock Asm. - Twist Type w/Clip - Beige Plastic
	018845-02-000	EA	Holder Asm. - Battery and Luggage Door
	052178-05-000	EA	Door Asm. - Generator - Gray w/Twist Type Lock
	052181-02-000	EA	Baffle - Generator Door
	008428-01-000	EA	Hatch - Power Cord - White

## WINDSHIELD

Key	Part Number	U/M	Description
	058272-01-000	EA	Frame Asm. - Windshield w/o Glass
	057458-01-000	EA	Glass - Windshield - Right or Left
	038898-01-000	EA	Tape - Butyl - .31" x .31" x 148"

## VENTS

Key	Part Number	U/M	Description
	038778-01-000	EA	Cover - Refrigerator Vent
	009407-01-000	EA	Frame - Asm. - Refrigerator Vent
	040352-03-000	EA	Vent - Stovehood - Outside - Gray

## 1979 ITASCA TABLE OF CONTENTS

ICF23RG	A-1 - B-16
ICF28RH	B-17 - D-8
ICN26RB	U-9 - E-22
ICF28RT	E-23 - G-14
ICN28RT	G-15 - I-10

## 1979 ICN26RB INDEX

Floor Plan	D-9 - D-10
Accessories Group	D-11 - D-12
Bath Group	D-13 - D-14
Chassis Group	D-15
Curtain, Cushion and Pad Group	D-16 - D-19
Dinette Group	D-20
Driver's Compartment Group	D-21 - D-22
Electrical Group	D-23 - D-24
Exterior Body Group	E-1 - E-4
Galley Group	E-5
Heating & Air Conditioning Group	E-6 - E-7
Interior Finish Group	E-8 - E-9
LP Group	E-10
Lounge Group	E-11
Water & Sewage Group	E-12
Window, Vent & Exterior Door Group	E-13 - E-22