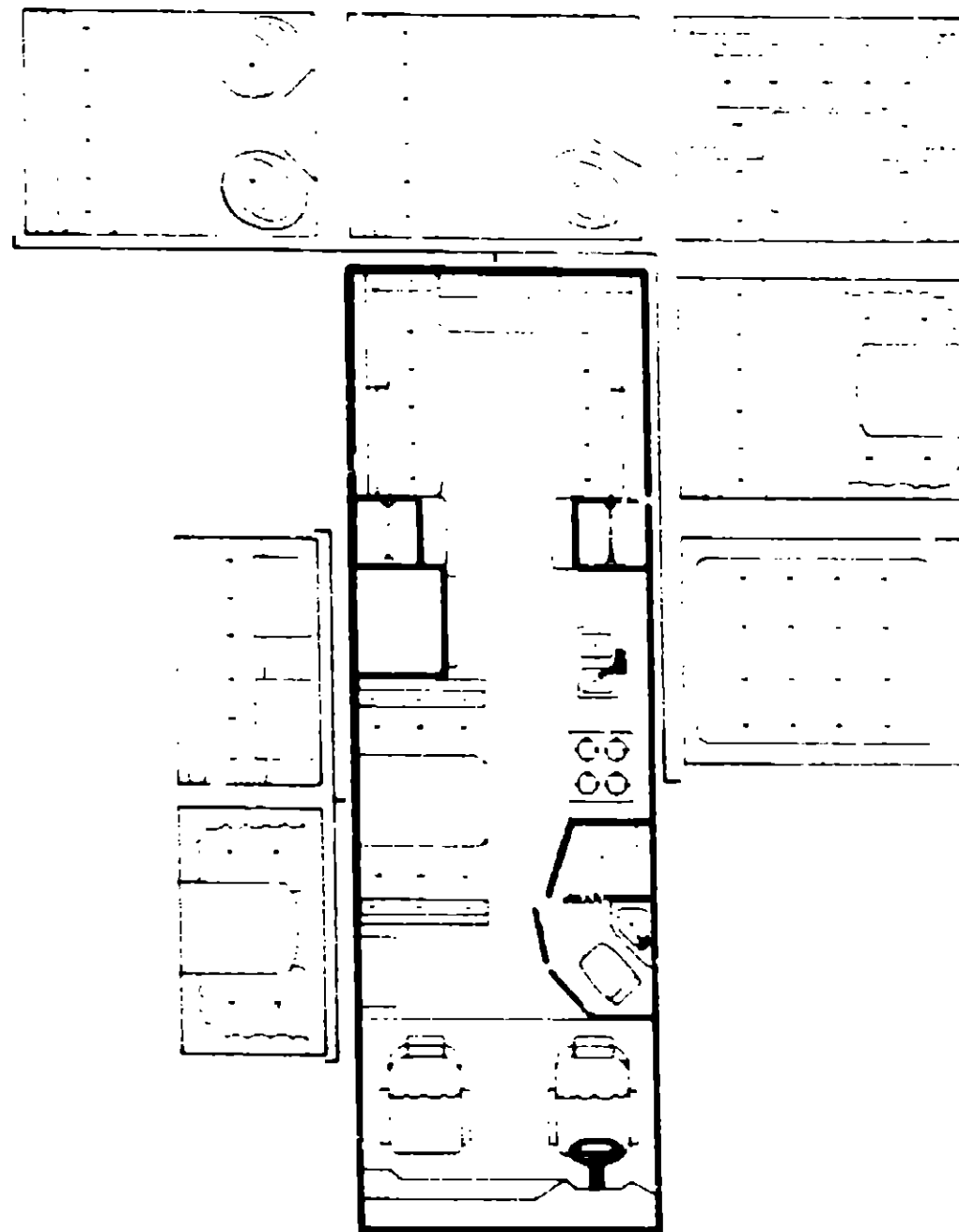


# 1979 ICF26RT



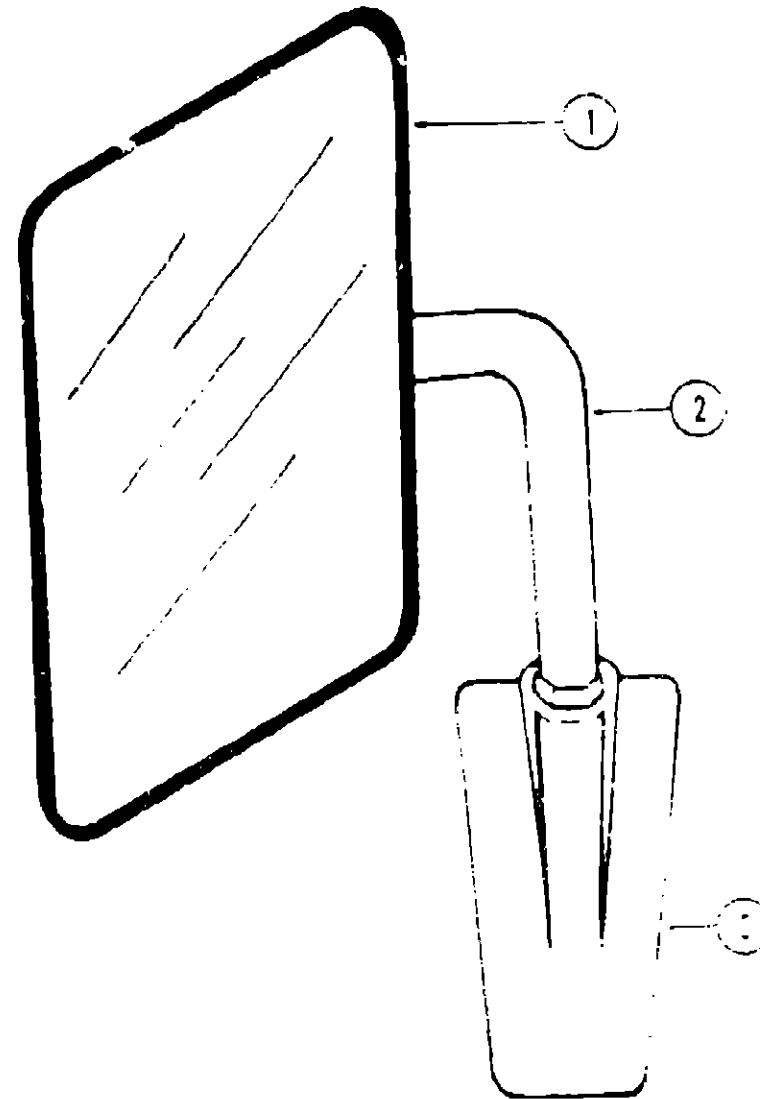
## 1979 ITASCA TABLE OF CONTENTS

ICF23RG	A-1 - B-16
ICF26RH	B-17 - D-8
ICN26RP	D-9 - E-22
ICF26RT	E-23 - G-14
ICN29RT	G-15 - I-10

## 1979 ICF26RT INDEX

Floor Plan	E-23 - E-24
Accessories Group	F-1 - F-2
Bath Group	F-3
Chassis Group	F-4
Curtain, Cushion & Pad Group	F-5 - F-12
Dinette Group	F-13
Driver's Compartment Group	F-13 - F-14
Electrical Group	F-15 - F-16
Exterior Body Group	F-17 - F-20
Galley Group	F-21
Heating & Air Conditioning Group	F-22
Interior Finish Group	F-23 - F-24
LP Group	G-1
Lounge Group	G-2 - G-3
Water & Sewage Group	G-4
Window, Vent & Exterior Door Group	G-5 - G-14

**ACCESSORIES GROUP**



Key	Part Number	U/M	Description
1	057461-02-000	EA	Mirror Head - Tri 2 - w/9 1/2" - w/Convex - Off White
2	049348-01-000	EA	Arm - Low Mount Mirror - Bright Finish
2	049348-02-000	EA	Arm - Low Mount Mirror - Off White
3	049444-03-000	EA	Bracket - Mirror - Outside - Black

**ACCESSORIES GROUP (CONTINUED)**

**RADIOS AND RELATED COMPONENTS**

Key	Part Number	U/M	Description
	049730-01-000	EA	Radio - Clarion - AM w Fader Switch
	049731-01-000	EA	Radio - Clarion - AM FM MPX - w Fader Switch
	049732-01-000	EA	Radio - Clarion - AM FM MPX - 8 Track - w Fader Switch
	052774-01-000	EA	Radio - CB - 40 Channel - Hy Gain 9
	053768-01-000	EA	Speaker - Recessed - 5 1/4" - 10 oz.
	051105-01-000	EA	Antenna - Radio - Side Mount
	048153-01-000	EA	Holder - Antenna - Radio - Upper
	044328-01-000	EA	Antenna - CB Camper Style
	056751-01-000	EA	Switch - Fader - Speaker Balance
	055299-01-000	EA	Plaque - Fader - Mid Mounting
		EA	Grille - Speaker - 5 1/4"

**GENERATORS AND COMPONENTS**

Key	Part Number	U/M	Description
**	054419-01-000	EA	Generator - Onan - 4.0 kw - BFA
**	054421-01-000	EA	Generator - Onan - 5.0 kw - BGA
	701629-02-000	EA	Onan Installation Package
	051730-01-000	EA	Tailpipe - 1 1/2" O.D. x 23"
	051116-01-000	EA	Muffler - Generator - w Spark Arrestor
	741313-86-000	EA	Tray - Generator - 4.0 - 5.0 kw Onan

\*\*The illustrated parts breakdown for this item is provided on the Common Items Fiche

**FRONT BUNK AND HARDWARE**

Key	Part Number	U/M	Description
	055000-01-000	EA	Cabinet Assy - Front Overhead
	055001-01-000	EA	Bunk Board Assy - Front Overhead
	055002-01-000	EA	Support - Overhead Bunk - Brown - Right
	055003-01-000	EA	Support - Overhead Bunk - Brown - Left
	049017-02-000	EA	Support - Bunk - Seat Belt
	041320-01-000	EA	Washer - Flat - 15/32" ID x 20.8" O.D.
	039518-02-000	EA	Catch - Bunk - Brown
	023612-04-000	EA	Roll - Bunk - 75" - Brown
	055774-01-000	EA	Roller - Roll - Overhead Bunk - Brown

**MISCELLANEOUS ACCESSORIES**

Key	Part Number	U/M	Description
	054185-04-000	EA	Owner's Manual - Itasca
	006753-01-000	EA	Antenna - TV Brand De Lux
	006033-01-000	EA	Jack - TV - Brown Antenna
	006050-01-000	EA	Feet - Parts Kit - Brown TV Antenna
	054062-01-000	EA	Wheel Cover - Delmet - Bolt On
	054061-01-000	EA	Retaining Nut - Delmet Wheel Cover
	054062-01-000	EA	Retainer Bracket - Bolt on Wheel Cover - Chevrolet - Front
	054061-01-000	EA	Retainer Bracket - Bolt on Wheel Cover - Chevrolet - Rear
	006076-01-000	EA	Lamp - Front Bunk
	011010-01-000	EA	Washer - 1/2" - 1/4" - 1/8" - 1/16"
	005113-01-000	EA	Jack Hydraulic - 5 Tons
	041944-01-000	EA	Fire Extinguisher - w Bracket
	041171-01-000	EA	Oven - Microwave - Magic Chef MW207
**	041068-01-000	EA	Ladder Assy - w Luggage Rack
	041066-02-000	EA	Ladder Assy
	041046-01-000	EA	Luggage Carrier Assembly
	039581-01-000	EA	Gate and Straps - Luggage Carrier
**	031398-04-000	EA	Wheel Cover - 16" - Chrome
	059779-01-000	EA	Speed Control Package - Electric - Chev - Dana
	034410-01-000	EA	Cover - Spare Tire - 32"

\*\*The illustrated parts breakdown for this item is provided on the Common Items Fiche

**1979 ITASCA  
TABLE OF CONTENTS**

ICF23RG	A-1 - B-16
ICF26RH	B-17 - D-8
ICN26RB	D-9 - E-22
ICF26RT	E-23 - G-14
ICN29RT	G-15 - I-10

**1979 ICF26RT INDEX**

Floor Plan	E-23 - E-24
Accessories Group	F-1 - F-2
Bath Group	F-3
Chassis Group	F-4
Curtain, Cushion & Pad Group	F-5 - F-12
Dinette Group	F-13
Driver's Compartment Group	F-13 - F-14
Electrical Group	F-15 - F-16
Exterior Body Group	F-17 - F-20
Garage Group	F-21
Heating & Air Conditioning Group	F-22
Interior Finish Group	F-23 - F-24
LP Group	G-1
Lounge Group	G-2 - G-3
Water & Sewage Group	G-4
Window, Vent & Exterior Door Group	G-5 - G-14

## BATH GROUP

Key	Part Number	U/M	Description
	052564-01-K01	EA	Cabinet Asm. - Lavatory - w/o Door, Sink or Hardware
	057992-26-K01	EA	Door Asm. - Lavatory Cabinet - 9.5" x 18" x 18" - w/o Hardware
	044067-01-000	EA	Eath Sink - Ivory Plastic
**	011056-01-000	EA	Faucet - Lavatory - U.S.
**	011056-02-000	EA	Faucet - Lavatory - C.S.A.
	011083-01-000	EA	Plug - Sink - 1 1/4" - w. Chain
**	011048-01-000	EA	Shower Head - w. 50' Hose
**	011059-01-000	EA	Faucet - Shower - U.S. - C.S.A.
**	011069-01-000	EA	Tailpiece - 1 1/4" x 4" - Brass
**	011086-01-000	EA	Strainer - Shower Pan
	046749-01-000	EA	Shower Pan - Ivory Plastic
	009134-01-000	EA	Holder - Tissue
	052563-01-000	EA	Rack Asm. - Towel - Bath Door
	058233-02-K01	EA	Door Asm. - Bath - w/o Hardware
	058335-01-000	EA	Latch - Bathroom Door
	035337-22-000	EA	Trim - Inside Corner - Alum. - 80/88
	034394-02-000	FT	Ext. Vinyl Insert - Beige
	053129-01-000	EA	Medicine Cabinet - Jensen - 17.52" x 29.38"
	053129-01-700	EA	Mirror - Medicine Cabinet - 26" x 18"
	053129-01-701	EA	Frame - Mirror - Medicine Cabinet
	053129-01-702	EA	Switch - Medicine Cabinet
	053130-02-702	EA	Catch - Door - Medicine Cabinet
	030719-01-000	EA	Bus - 1143
	059837-01-K01	EA	Door Asm. - w. Mirror
	058331-01-000	EA	Mirror - Tempered Glass - 19" x 26"
**	039341-02-000	EA	Toilet - Marine - Ivory - Aqua Magic

\*\*The illustrated parts breakdown for this item is provided on the "Common Items" page.

## CHASSIS GROUP

Key	Part Number	U/M	Description
	024652-01-700	EA	Step Asm. - Entry
	058401-01-000	EA	Hood Board - Upper - Right - Steel
	058404-01-000	EA	Hood Board - Upper - Left - Steel
	035103-01-000	EA	Cover - Radiator - Rear
	052758-01-000	EA	Tank - Fuel - 50 Gallon
	057038-01-000	EA	Sending Unit - Fuel - 90 OHM
	058790-01-000	EA	Gas Filter - w. Vent
	024611-04-000	EA	Cap - Gas - Pressure - 1/2" - 1/8" Dia.
	024135-01-000	EA	Hose - Fuel - 5/16" I.D. - SAE 30R
	024141-01-000	EA	Hose Rubber - 1/2" I.D.
	007134-01-000	EA	Clamp - Hose - Spring Type - 1/2"
	038882-01-000	EA	Tank - Fuel - 27.5 Gallon - Auxiliary
	038883-01-000	EA	Sending Unit - Fuel - 18 Ohm
	043986-01-000	EA	Trap - Fuel Tank Mounting - 1/2"
	024647-01-000	EA	Hose - Fuel - 2 1/4" I.D.
	001127-01-000	EA	Clamp - Worm Gear - 1/2" - 1/8" Dia.
	007134-01-000	EA	Clamp - Worm Drive - 22" - 1" I.D.
	043477-01-000	EA	Valve Asm. - Fuel Selector - 2 Way - 6 Port
	046775-01-000	EA	Valve Asm. - Fuel Selector - 3 Way
	050227-01-000	EA	Carburetor Asm. - 2 Stage - 1 Carb
	053249-01-000	EA	Battery Tray Asm.
	051597-01-000	EA	Bracket - Battery Tie Down
	058200-01-000	EA	Bumper - Front - Chrome
	058200-02-000	EA	Bumper - Front - Off White
	058439-01-000	EA	Bracket - Front Bumper - Bumper
	058416-01-000	EA	Bumper - Rear - Bumper
	021544-01-000	EA	Bumper Asm. - Rear
	039774-01-000	EA	Cap Rubber - Rear Bumper
	041214-01-000	EA	Bar - Retaining - Chassis - 1/2" x 3/8"
	010424-01-000	EA	Bracket - Tire Carrier - 1/2" x 1"
	040143-06-000	EA	Bracket Asm. - Rear Bumper Mounting
	030499-01-000	EA	Flower Core - Plastic
	055170-01-000	EA	Wheel - Tire - Plastic
	041214-01-000	EA	Bar - Retaining - Chassis - 1/2" x 3/8"
	020778-02-000	EA	Trailer - Generator - 400W - 115V AC

## 1979 ITASCA TABLE OF CONTENTS

ICF23RG	A-1 - B-16
ICF26RH	B-17 - D-8
ICN26RB	D-9 - E-22
ICF26RT	E-23 - G-14
ICN29RT	G-15 - I-1

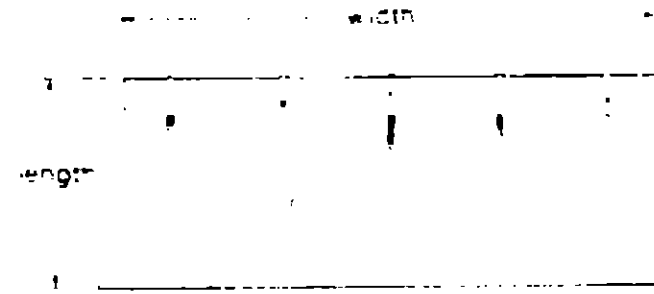
## 1979 ICF26RT INDEX

Floor Plan	F-13 - E-24
Accessories Group	F-1 - F-2
Bath Group	F-3
Chassis Group	F-4
Curtain, Cushion & Pad Group	F-5 - F-12
Dinette Group	F-13
Driver's Compartment Group	F-13 - F-14
Electrical Group	F-15 - F-16
Exterior Body Group	F-17 - F-20
Galley Group	F-21
Heating & Air Conditioning Group	F-22
Interior Finish Group	F-23 - F-24
UP Group	G-1
Lounge Group	G-2 - G-3
Water & Sewage Group	G-4
Window, Vent & Exterior Door Group	G-5 - G-7



Key	Part Number	U/M	Description
1	024652-01-700	EA	Step - w. Grabber
2	034111-01-000	EA	Front Locking - Drawer
3	020690-01-000	EA	Grabber Asm. - Trailer - w. Spring
4	034510-01-000	EA	Front Hitch - 3" - 6" Wire Spring

**CURTAIN, CUSHION AND PAD GROUP**



**NOTE**

Use this illustration when determining length and width measurements for curtains. Always note the width measurement is taken on the top of the curtain with the curtain fully extended. The length measurement is taken from top to bottom.

**CURTAINS**

Key	Part Number	U/M	Description
	054051-01-K08	EA	Curtain Kit - Green
	054051-01-K09	EA	Curtain Kit - Blue
	054051-01-K10	EA	Curtain Kit - Burgundy
	054051-01-K08	EA	Curtain w/ Shade Top - 64" x 22" - Green - Forest
	054051-01-K09	EA	Curtain w/ Shade Top - 64" x 22" - Blue
	054051-01-K10	EA	Curtain w/ Shade Top - 64" x 22" - Burgundy
	056484-19-K08	EA	Curtain w/ Taped Top - 64" x 42" - Green - Forest
	056484-19-K09	EA	Curtain w/ Taped Top - 64" x 42" - Blue
	056484-19-K10	EA	Curtain w/ Taped Top - 64" x 42" - Burgundy
	056484-20-K08	EA	Curtain w/ Taped Top - 64" x 42" - Green - Forest
	056484-20-K09	EA	Curtain w/ Taped Top - 64" x 42" - Blue
	056484-20-K10	EA	Curtain w/ Taped Top - 64" x 42" - Burgundy
	056484-21-K08	EA	Curtain w/ Taped Top - 64" x 42" - Green - Forest
	056484-21-K09	EA	Curtain w/ Taped Top - 64" x 42" - Blue
	056484-21-K10	EA	Curtain w/ Taped Top - 64" x 42" - Burgundy
	054292-01-K08	EA	Curtain w/ Shade Top - 64" x 22" - Green - Forest
	054292-01-K09	EA	Curtain w/ Shade Top - 64" x 22" - Blue
	054292-01-K10	EA	Curtain w/ Shade Top - 64" x 22" - Burgundy
	054293-03-K08	EA	Curtain w/ Shade Top - 64" x 22" - Green - Forest
	054293-03-K09	EA	Curtain w/ Shade Top - 64" x 22" - Blue
	054293-03-K10	EA	Curtain w/ Shade Top - 64" x 22" - Burgundy
	054051-29-K08	EA	Curtain w/ Shade Top - 64" x 22" - Green - Forest
	054051-29-K09	EA	Curtain w/ Shade Top - 64" x 22" - Blue
	054051-29-K10	EA	Curtain w/ Shade Top - 64" x 22" - Burgundy
	054051-36-K08	EA	Curtain w/ Shade Top - 64" x 22" - Green - Forest
	054051-36-K09	EA	Curtain w/ Shade Top - 64" x 22" - Blue
	054051-36-K10	EA	Curtain w/ Shade Top - 64" x 22" - Burgundy

**VALANCES**

Key	Part Number	U/M	Description
	056891-17-K08	EA	Valance Asm - 55" x 79" - Green - Forest
	056891-17-K09	EA	Valance Asm - 55" x 79" - Blue
	056891-17-K10	EA	Valance Asm - 55" x 79" - Burgundy
	056891-18-K08	EA	Valance Asm - 55" x 81" - Green - Forest
	056891-18-K09	EA	Valance Asm - 55" x 81" - Blue
	056891-18-K10	EA	Valance Asm - 55" x 81" - Burgundy
	056891-16-K08	EA	Valance Asm - 55" x 69" - Green - Forest
	056891-16-K09	EA	Valance Asm - 55" x 69" - Blue
	056891-16-K10	EA	Valance Asm - 55" x 69" - Burgundy
	057791-09-K08	EA	Valance Asm - 45" x 32" - Green - Forest
	057791-09-K09	EA	Valance Asm - 45" x 32" - Blue
	057791-09-K10	EA	Valance Asm - 45" x 32" - Burgundy

**CURTAIN, CUSHION AND PAD GROUP (CONTINUED)**

**SHADES**

Key	Part Number	U/M	Description
	059534-20-000	EA	Shade - Vinyl - 60 25" x 34" - Green
	059534-11-000	EA	Shade - Vinyl - 60 25" x 34" - Blue
	059534-20-000	EA	Shade - Vinyl - 60 25" x 34" - Burgundy
	059534-30-000	EA	Shade - Vinyl - 69 25" x 34" - Green
	059534-15-000	EA	Shade - Vinyl - 69 25" x 34" - Blue
	059534-21-000	EA	Shade - Vinyl - 69 25" x 34" - Burgundy
	059534-31-000	EA	Shade - Vinyl - 72 25" x 34" - Green
	059534-13-000	EA	Shade - Vinyl - 72 25" x 34" - Blue
	059534-22-000	EA	Shade - Vinyl - 72 25" x 34" - Burgundy
	057967-11-K08	EA	Blind - Covered - 72 25" x 25 5" - Camel

**TIE BACKS**

Key	Part Number	U/M	Description
	054048-05-K08	EA	Tie Back Asm - 2" x 18" - Green - Forest
	054048-05-K09	EA	Tie Back Asm - 2" x 18" - Navy
	054048-05-K10	EA	Tie Back Asm - 2" x 18" - Blue

**FRONT OVERHEAD BUNK CUSHIONS**

Key	Part Number	U/M	Description
	055021-01-K08	EA	Cushion - Front Bunk - 31" x 17" x 5" - Green
	055021-01-K09	EA	Cushion - Front Bunk - 31" x 17" x 5" - Blue
	055021-01-K10	EA	Cushion - Front Bunk - 31" x 17" x 5" - Burgundy
	055022-01-K08	EA	Cushion - Front Bunk - 31" x 17" x 5" - Green
	055022-01-K09	EA	Cushion - Front Bunk - 31" x 17" x 5" - Blue
	055022-01-K10	EA	Cushion - Front Bunk - 31" x 17" x 5" - Burgundy

**FABRICS AND TRIMS**

Key	Part Number	U/M	Description
	057041-01-K08	EA	Fabric - Shade - Green - Forest
	057041-01-K09	EA	Fabric - Shade - Blue
	057041-01-K10	EA	Fabric - Shade - Burgundy
	057042-01-K08	EA	Fabric - Upholstery - Emerald Green - Wide Stripe
	057042-01-K09	EA	Fabric - Upholstery - Royal Blue - Wide Stripe
	057042-01-K10	EA	Fabric - Upholstery - Oxford Burgundy - Wide Stripe
	057043-01-K08	EA	Fabric - Upholstery - Emerald Green - Narrow Stripe
	057043-01-K09	EA	Fabric - Upholstery - Royal Blue - Narrow Stripe
	057043-01-K10	EA	Fabric - Upholstery - Oxford Burgundy - Narrow Stripe
	057044-01-K08	EA	Fabric - Upholstery - Accent - Camel
	057044-01-K09	EA	Fabric - Upholstery - Accent - Green
	057044-01-K10	EA	Fabric - Upholstery - Accent - Burgundy
	054670-01-K08	EA	Trim - Asm - Covered - 1/4" - Green
	054670-01-K09	EA	Trim - Asm - Covered - 1/4" - Blue
	054670-01-K10	EA	Trim - Asm - Covered - 1/4" - Burgundy
	054671-01-K08	EA	Trim - Asm - Covered - 1/4" - Green
	054671-01-K09	EA	Trim - Asm - Covered - 1/4" - Blue
	054671-01-K10	EA	Trim - Asm - Covered - 1/4" - Burgundy
	057045-01-K08	EA	Trim - Asm - Expanded - 1/2" - Green
	057045-01-K09	EA	Trim - Asm - Expanded - 1/2" - Blue
	057045-01-K10	EA	Trim - Asm - Expanded - 1/2" - Burgundy

**1979 ITC/SCA TABLE OF CONTENTS**

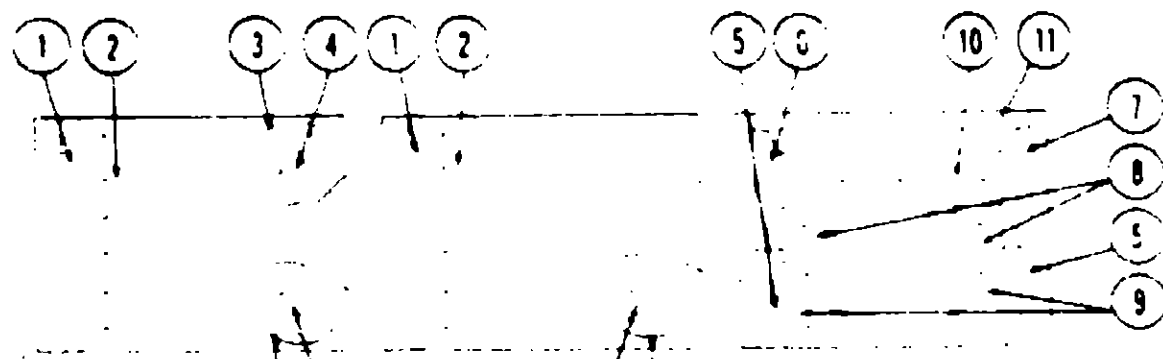
ICF 23RD	A-1 - B-16
ICF 26RT	B-17 - D-6
ICN 25FR	D-9 - E-22
ICF 26FR	E-23 - G-14
ICN 29FR	G-15 - I-1

**1979 ICF26RT INDEX**

Accessories	B-21 - B-24
Accessories - Trims	B-25 - B-27
Bath Group	B-28
Classic Group	B-29
Curtain Cushion Kit Asm.	B-30 - B-31
Chester Group	B-32
Drivers Combination	B-33 - B-34
Electrical Group	B-35 - B-36
Exterior Body Group	B-37 - B-39
Gate - Vinyl	B-40
Heating & Air Conditioning Group	B-41 - B-42
Interior Finish Group	B-43 - B-44
Light Group	B-45
Lounge Group	B-46 - B-47
Water & Sewage Group	B-48
Window - Vent & Exterior - Vinyl	B-49 - B-54

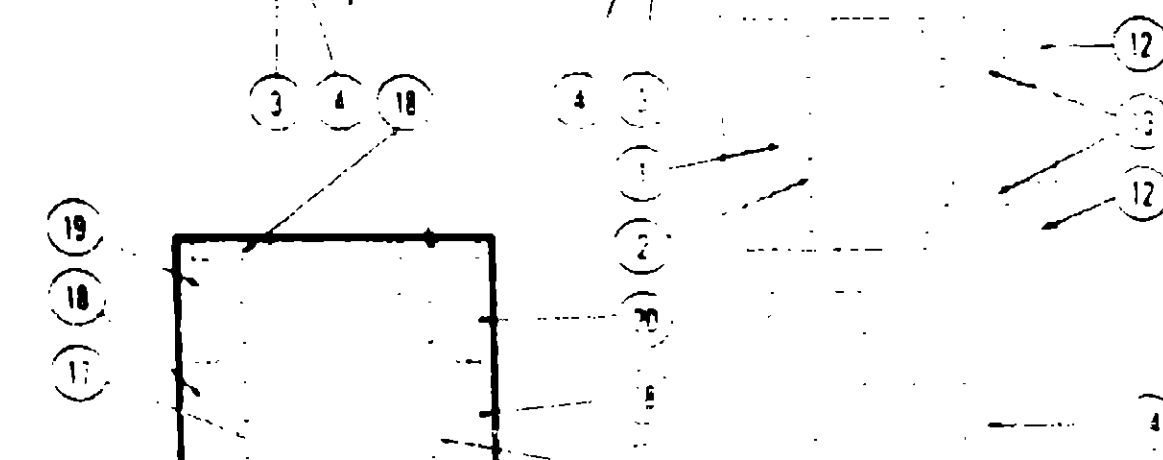
**CURTAIN, CUSHION AND PAD GROUP (CONTINUED)**

**CURTAIN, CUSHION AND PAD GROUP (CONTINUED)**



Key	Part Number
1	054674-06-K08
2	054674-06-K09
3	054674-06-K10
4	054700-06-K08
4	054700-06-K09
4	054700-06-K10
5	035036-01-000
6	035036-02-000

U/M	Description
EA	Swivel Chair - Complete - Green
EA	Swivel Chair - Complete - Blue
EA	Swivel Chair - Complete - Burgundy
EA	Cushion - Swivel Chair - Green
EA	Cushion - Swivel Chair - Blue
EA	Cushion - Swivel Chair - Burgundy
EA	Plate - Swivel Chair
EA	Base & Legs - Swivel Chair



Key	Part Number
1	058900-08-K08
2	058900-08-K09
3	058900-08-K10
4	058901-07-K08
5	058901-07-K09
6	058901-07-K10
7	058911-02-K08
8	058911-02-K09
9	058911-02-K10
10	058912-01-K08
11	058912-01-K09
12	058912-01-K10
13	058913-01-K08
14	058913-01-K09
15	058913-01-K10
16	058914-01-K08
17	058914-01-K09
18	058914-01-K10
19	058915-01-K08
20	058915-01-K09
21	058915-01-K10
22	058916-01-K08
23	058916-01-K09
24	058916-01-K10
25	058917-01-K08
26	058917-01-K09
27	058917-01-K10
28	058918-01-K08
29	058918-01-K09
30	058918-01-K10
31	058919-01-K08
32	058919-01-K09
33	058919-01-K10
34	058920-01-K08
35	058920-01-K09
36	058920-01-K10
37	058921-01-K08
38	058921-01-K09
39	058921-01-K10
40	058922-01-K08
41	058922-01-K09
42	058922-01-K10
43	058923-01-K08
44	058923-01-K09
45	058923-01-K10
46	058924-01-K08
47	058924-01-K09
48	058924-01-K10
49	058925-01-K08
50	058925-01-K09
51	058925-01-K10
52	058926-01-K08
53	058926-01-K09
54	058926-01-K10
55	058927-01-K08
56	058927-01-K09
57	058927-01-K10
58	058928-01-K08
59	058928-01-K09
60	058928-01-K10
61	058929-01-K08
62	058929-01-K09
63	058929-01-K10
64	058930-01-K08
65	058930-01-K09
66	058930-01-K10
67	058931-01-K08
68	058931-01-K09
69	058931-01-K10
70	058932-01-K08
71	058932-01-K09
72	058932-01-K10
73	058933-01-K08
74	058933-01-K09
75	058933-01-K10
76	058934-01-K08
77	058934-01-K09
78	058934-01-K10
79	058935-01-K08
80	058935-01-K09
81	058935-01-K10
82	058936-01-K08
83	058936-01-K09
84	058936-01-K10
85	058937-01-K08
86	058937-01-K09
87	058937-01-K10
88	058938-01-K08
89	058938-01-K09
90	058938-01-K10
91	058939-01-K08
92	058939-01-K09
93	058939-01-K10
94	058940-01-K08
95	058940-01-K09
96	058940-01-K10
97	058941-01-K08
98	058941-01-K09
99	058941-01-K10
100	058942-01-K08
101	058942-01-K09
102	058942-01-K10
103	058943-01-K08
104	058943-01-K09
105	058943-01-K10
106	058944-01-K08
107	058944-01-K09
108	058944-01-K10
109	058945-01-K08
110	058945-01-K09
111	058945-01-K10
112	058946-01-K08
113	058946-01-K09
114	058946-01-K10
115	058947-01-K08
116	058947-01-K09
117	058947-01-K10
118	058948-01-K08
119	058948-01-K09
120	058948-01-K10
121	058949-01-K08
122	058949-01-K09
123	058949-01-K10
124	058950-01-K08
125	058950-01-K09
126	058950-01-K10
127	058951-01-K08
128	058951-01-K09
129	058951-01-K10
130	058952-01-K08
131	058952-01-K09
132	058952-01-K10
133	058953-01-K08
134	058953-01-K09
135	058953-01-K10
136	058954-01-K08
137	058954-01-K09
138	058954-01-K10
139	058955-01-K08
140	058955-01-K09
141	058955-01-K10
142	058956-01-K08
143	058956-01-K09
144	058956-01-K10
145	058957-01-K08
146	058957-01-K09
147	058957-01-K10
148	058958-01-K08
149	058958-01-K09
150	058958-01-K10
151	058959-01-K08
152	058959-01-K09
153	058959-01-K10
154	058960-01-K08
155	058960-01-K09
156	058960-01-K10
157	058961-01-K08
158	058961-01-K09
159	058961-01-K10
160	058962-01-K08
161	058962-01-K09
162	058962-01-K10
163	058963-01-K08
164	058963-01-K09
165	058963-01-K10
166	058964-01-K08
167	058964-01-K09
168	058964-01-K10
169	058965-01-K08
170	058965-01-K09
171	058965-01-K10
172	058966-01-K08
173	058966-01-K09
174	058966-01-K10
175	058967-01-K08
176	058967-01-K09
177	058967-01-K10
178	058968-01-K08
179	058968-01-K09
180	058968-01-K10
181	058969-01-K08
182	058969-01-K09
183	058969-01-K10
184	058970-01-K08
185	058970-01-K09
186	058970-01-K10
187	058971-01-K08
188	058971-01-K09
189	058971-01-K10
190	058972-01-K08
191	058972-01-K09
192	058972-01-K10
193	058973-01-K08
194	058973-01-K09
195	058973-01-K10
196	058974-01-K08
197	058974-01-K09
198	058974-01-K10
199	058975-01-K08
200	058975-01-K09
201	058975-01-K10
202	058976-01-K08
203	058976-01-K09
204	058976-01-K10
205	058977-01-K08
206	058977-01-K09
207	058977-01-K10
208	058978-01-K08
209	058978-01-K09
210	058978-01-K10
211	058979-01-K08
212	058979-01-K09
213	058979-01-K10
214	058980-01-K08
215	058980-01-K09
216	058980-01-K10
217	058981-01-K08
218	058981-01-K09
219	058981-01-K10
220	058982-01-K08
221	058982-01-K09
222	058982-01-K10
223	058983-01-K08
224	058983-01-K09
225	058983-01-K10
226	058984-01-K08
227	058984-01-K09
228	058984-01-K10
229	058985-01-K08
230	058985-01-K09
231	058985-01-K10
232	058986-01-K08
233	058986-01-K09
234	058986-01-K10
235	058987-01-K08
236	058987-01-K09
237	058987-01-K10
238	058988-01-K08
239	058988-01-K09
240	058988-01-K10
241	058989-01-K08
242	058989-01-K09
243	058989-01-K10
244	058990-01-K08
245	058990-01-K09
246	058990-01-K10
247	058991-01-K08
248	058991-01-K09
249	058991-01-K10
250	058992-01-K08
251	058992-01-K09
252	058992-01-K10
253	058993-01-K08
254	058993-01-K09
255	058993-01-K10
256	058994-01-K08
257	058994-01-K09
258	058994-01-K10
259	058995-01-K08
260	058995-01-K09
261	058995-01-K10
262	058996-01-K08
263	058996-01-K09
264	058996-01-K10
265	058997-01-K08
266	058997-01-K09
267	058997-01-K10
268	058998-01-K08
269	058998-01-K09
270	058998-01-K10
271	058999-01-K08
272	058999-01-K09
273	058999-01-K10
274	059000-01-K08
275	059000-01-K09
276	059000-01-K10

U/M	Description
EA	Cushion - Lounge Back - 16" x 30.5" x 5" - Green
EA	Cushion - Lounge Back - 16" x 30.5" x 5" - Blue
EA	Cushion - Lounge Back - 16" x 30.5" x 5" - Burgundy
EA	Cover - Lounge Back Cushion - 16" x 30.5" x 5" - Green
EA	Cover - Lounge Back Cushion - 16" x 30.5" x 5" - Blue
EA	Cover - Lounge Back Cushion - 16" x 30.5" x 5" - Burgundy
EA	Cushion - Lounge Back - 16" x 40.5" x 36.5" x 5" - Right - Green
EA	Cushion - Lounge Back - 16" x 40.5" x 36.5" x 5" - Right - Blue
EA	Cushion - Lounge Back - 16" x 40.5" x 36.5" x 5" - Right - Burgundy
EA	Cover - Lounge Back Cushion - 16" x 40.5" x 36.5" x 5" - Right - Green
EA	Cover - Lounge Back Cushion - 16" x 40.5" x 36.5" x 5" - Right - Blue
EA	Cover - Lounge Back Cushion - 16" x 40.5" x 36.5" x 5" - Right - Burgundy
EA	Cushion - Lounge Back - 16" x 40.5" x 36.5" x 5" - Left - Green
EA	Cushion - Lounge Back - 16" x 40.5" x 36.5" x 5" - Left - Blue
EA	Cushion - Lounge Back - 16" x 40.5" x 36.5" x 5" - Left - Burgundy
EA	Cover - Lounge Back Cushion - 16" x 40.5" x 36.5" x 5" - Left - Green
EA	Cover - Lounge Back Cushion - 16" x 40.5" x 36.5" x 5" - Left - Blue
EA	Cover - Lounge Back Cushion - 16" x 40.5" x 36.5" x 5" - Left - Burgundy
EA	Cushion - Lounge Seat - 24" x 15" x 15" - Green
EA	Cushion - Lounge Seat - 24" x 15" x 15" - Blue
EA	Cushion - Lounge Seat - 24" x 15" x 15" - Burgundy
EA	Cover - Lounge Seat Cushion - 24" x 15" x 15" - Green
EA	Cover - Lounge Seat Cushion - 24" x 15" x 15" - Blue
EA	Cover - Lounge Seat Cushion - 24" x 15" x 15" - Burgundy
EA	Cushion - Lounge Seat - 24" x 32" x 15" - Green
EA	Cushion - Lounge Seat - 24" x 32" x 15" - Blue
EA	Cushion - Lounge Seat - 24" x 32" x 15" - Burgundy
EA	Cover - Lounge Seat Cushion - 24" x 32" x 15" - Green
EA	Cover - Lounge Seat Cushion - 24" x 32" x 15" - Blue
EA	Cover - Lounge Seat Cushion - 24" x 32" x 15" - Burgundy
EA	Cushion - Two Fold - Lester Lounge - 76" - Green
EA	Cushion - Two Fold - Lester Lounge - 76" - Blue
EA	Cushion - Two Fold - Lester Lounge - 76" - Burgundy
EA	Cover - Two Fold Cushion - Lester Lounge - 76" - Green
EA	Cover - Two Fold Cushion - Lester Lounge - 76" - Blue
EA	Cover - Two Fold Cushion - Lester Lounge - 76" - Burgundy
EA	Cushion - Lounge Back - 48" x 76" x 8" - Green
EA	Cushion - Lounge Back - 48" x 76" x 8" - Blue
EA	Cushion - Lounge Back - 48" x 76" x 8" - Burgundy
EA	Cover - Lounge Back Cushion - 48" x 76" x 8" - Green
EA	Cover - Lounge Back Cushion - 48" x 76" x 8" - Blue
EA	Cover - Lounge Back Cushion - 48" x 76" x 8" - Burgundy
EA	Cushion - Lounge Back - 48" x 76" x 8" - Green
EA	Cushion - Lounge Back - 48" x 76" x 8" - Blue
EA	Cushion - Lounge Back - 48" x 76" x 8" - Burgundy
EA	Cover - Lounge Back Cushion - 48" x 76" x 8" - Green
EA	Cover - Lounge Back Cushion - 48" x 76" x 8" - Blue
EA	Cover - Lounge Back Cushion - 48" x 76" x 8" - Burgundy
EA	Cushion - Lounge Back - 48" x 76" x 8" - Green
EA	Cushion - Lounge Back - 48" x 76" x 8" - Blue
EA	Cushion - Lounge Back - 48" x 76" x 8" - Burgundy
EA	Cover - Lounge Back Cushion - 48" x 76" x 8" - Green
EA	Cover - Lounge Back Cushion - 48" x 76" x 8" - Blue
EA	Cover - Lounge Back Cushion - 48" x 76" x 8" - Burgundy
EA	Cushion - Lounge Back - 48" x 76" x 8" - Green
EA	Cushion - Lounge Back - 48" x 76" x 8" - Blue
EA	Cushion - Lounge Back - 48" x 76" x 8" - Burgundy
EA	Cover - Lounge Back Cushion - 48" x 76" x 8" - Green
EA	Cover - Lounge Back Cushion - 48" x 76" x 8" - Blue
EA	Cover - Lounge Back Cushion - 48" x 76" x 8" - Burgundy
EA	Cushion - Lounge Back - 48" x 76" x 8" - Green
EA	Cushion - Lounge Back - 48" x 76" x 8" - Blue
EA	Cushion - Lounge Back - 48" x 76" x 8" - Burgundy
EA	Cover - Lounge Back Cushion - 48" x 76" x 8" - Green
EA	Cover - Lounge Back Cushion - 48" x 76" x 8" - Blue
EA	Cover - Lounge Back Cushion - 48" x 76" x 8" - Burgundy
EA	Cushion - Lounge Back - 48" x 76" x 8" - Green
EA	Cushion - Lounge Back - 48" x 76" x 8" - Blue
EA	Cushion - Lounge Back - 48" x 76" x 8" - Burgundy
EA	Cover - Lounge Back Cushion - 48" x 76" x 8" - Green
EA	Cover - Lounge Back Cushion - 48" x 76" x 8" - Blue
EA	Cover - Lounge Back Cushion - 48" x 76" x 8" - Burgundy
EA	Cushion - Lounge Back - 48" x 76" x 8" - Green
EA	Cushion - Lounge Back - 48" x 76" x 8" - Blue
EA	Cushion - Lounge Back - 48" x 76" x 8" - Burgundy
EA	Cover - Lounge Back Cushion - 48" x 76" x 8" - Green
EA	Cover - Lounge Back Cushion - 48" x 76" x 8" - Blue
EA	Cover - Lounge Back Cushion - 48" x 76" x 8" - Burgundy
EA	Cushion - Lounge Back - 48" x 76" x 8" - Green
EA	Cushion - Lounge Back - 48" x 76" x 8" - Blue
EA	Cushion - Lounge Back - 48" x 76" x 8" - Burgundy
EA	Cover - Lounge Back Cushion - 48" x 76" x 8" - Green
EA	Cover - Lounge Back Cushion - 48" x 76" x 8" - Blue
EA	Cover - Lounge Back Cushion - 48" x

**CURTAIN, CUSHION AND PAD GROUP (CONTINUED)**

**CORNER LOUNGE CHAIR CUSHIONS**

Key	Part Number	U/M	Description
12	059742-03-K08	EA	Cushion - Lounge Chair Back - Green
12	059742-03-K09	EA	Cushion - Lounge Chair Back - Blue
12	059742-03-K10	EA	Cushion - Lounge Chair Back - Burgundy
	059745-03-K08	EA	Cover - Chair Back Cushion - Green
	059745-03-K09	EA	Cover - Chair Back Cushion - Blue
	059745-03-K10	EA	Cover - Chair Back Cushion - Burgundy
13	059743-03-K08	EA	Cushion - Lounge Chair Seat - Green
13	059743-03-K09	EA	Cushion - Lounge Chair Seat - Blue
13	059743-03-K10	EA	Cushion - Lounge Chair Seat - Burgundy
	059746-03-K08	EA	Cover - Chair Seat Cushion - Green
	059746-03-K09	EA	Cover - Chair Seat Cushion - Blue
	059746-03-K10	EA	Cover - Chair Seat Cushion - Burgundy
	059744-05-K08	EA	Cushion - Chair Wedge - Right - Green
	059744-05-K09	EA	Cushion - Chair Wedge - Right - Blue
	059744-05-K10	EA	Cushion - Chair Wedge - Right - Burgundy
	059747-05-K08	EA	Cover - Wedge Cushion - Right - Green
	059747-05-K09	EA	Cover - Wedge Cushion - Right - Blue
	059747-05-K10	EA	Cover - Wedge Cushion - Right - Burgundy
	059744-06-K08	EA	Cushion - Chair Wedge - Left - Green
	059744-06-K09	EA	Cushion - Chair Wedge - Left - Blue
	059744-06-K10	EA	Cushion - Chair Wedge - Left - Burgundy
	059747-06-K08	EA	Cover - Wedge Cushion - Left - Green
	059747-06-K09	EA	Cover - Wedge Cushion - Left - Blue
	059747-06-K10	EA	Cover - Wedge Cushion - Left - Burgundy

**DOUBLE BED MATTRESS**

Key	Part Number	U/M	Description
14	055281-01-000	EA	Mattress - Inner Spring - Sealy - 54" x 75"

**CONVENTIONAL DINETTE CUSHIONS**

Key	Part Number	U/M	Description
15	058900-02-K08	EA	Cushion - Dinette Back - 19.2" x 38" x 5" - Green
15	058900-02-K09	EA	Cushion - Dinette Back - 19.2" x 38" x 5" - Blue
15	058900-02-K10	EA	Cushion - Dinette Back - 19.2" x 38" x 5" - Burgundy
	058901-02-K08	EA	Cover - Dinette Back Cushion - 19.2" x 38" x 5" - Green
	058901-02-K09	EA	Cover - Dinette Back Cushion - 19.2" x 38" x 5" - Blue
	058901-02-K10	EA	Cover - Dinette Back Cushion - 19.2" x 38" x 5" - Burgundy
16	058900-01-K08	EA	Cushion - Dinette Seat - 17.5" x 38" x 5" - Green
16	058900-01-K09	EA	Cushion - Dinette Seat - 17.5" x 38" x 5" - Blue
16	058900-01-K10	EA	Cushion - Dinette Seat - 17.5" x 38" x 5" - Burgundy
	058901-01-K08	EA	Cover - Dinette Seat Cushion - 17.5" x 38" x 5" - Green
	058901-01-K09	EA	Cover - Dinette Seat Cushion - 17.5" x 38" x 5" - Blue
	058901-01-K10	EA	Cover - Dinette Seat Cushion - 17.5" x 38" x 5" - Burgundy

**CURTAIN, CUSHION AND PAD GROUP (CONTINUED)**

**REAR TWIN BED CUSHIONS**

Key	Part Number	U/M	Description
17	058900-04-K08	EA	Cushion - Rear Twin - Bottom - 34" x 76" x 5" - Right - Green
17	058900-04-K09	EA	Cushion - Rear Twin - Bottom - 34" x 76" x 5" - Right - Blue
17	058900-04-K10	EA	Cushion - Rear Twin - Bottom - 34" x 76" x 5" - Right - Burgundy
	058901-04-K08	EA	Cover - Rear Twin Bottom Cushion - 34" x 76" x 5" - Right - Green
	058901-04-K09	EA	Cover - Rear Twin Bottom Cushion - 34" x 76" x 5" - Right - Blue
	058901-04-K10	EA	Cover - Rear Twin Bottom Cushion - 34" x 76" x 5" - Right - Burgundy
18	058907-01-K08	EA	Cushion - Bolster - 8" x 10" x 14" x 33" - Green
18	058907-01-K09	EA	Cushion - Bolster - 8" x 10" x 14" x 33" - Blue
18	058907-01-K10	EA	Cushion - Bolster - 8" x 10" x 14" x 33" - Burgundy
	058908-01-K08	EA	Cover - Bolster Cushion - 8" x 10" x 14" x 33" - Green
	058908-01-K09	EA	Cover - Bolster Cushion - 8" x 10" x 14" x 33" - Blue
	058908-01-K10	EA	Cover - Bolster Cushion - 8" x 10" x 14" x 33" - Burgundy
19	058909-01-K08	EA	Cushion - Angled Bolster - 8" x 10" x 14" x 35" x 33" - Right - Green
19	058909-01-K09	EA	Cushion - Angled Bolster - 8" x 10" x 14" x 35" x 33" - Right - Blue
19	058909-01-K10	EA	Cushion - Angled Bolster - 8" x 10" x 14" x 35" x 33" - Right - Burgundy
	058910-01-K08	EA	Cover - Angled Bolster Cushion - 8" x 10" x 14" x 35" x 33" - Right - Green
	058910-01-K09	EA	Cover - Angled Bolster Cushion - 8" x 10" x 14" x 35" x 33" - Right - Blue
	058910-01-K10	EA	Cover - Angled Bolster Cushion - 8" x 10" x 14" x 35" x 33" - Right - Burgundy
20	058909-02-K08	EA	Cushion - Angled Bolster - 8" x 10" x 14" x 35" x 33" - Left - Green
20	058909-02-K09	EA	Cushion - Angled Bolster - 8" x 10" x 14" x 35" x 33" - Left - Blue
20	058909-02-K10	EA	Cushion - Angled Bolster - 8" x 10" x 14" x 35" x 33" - Left - Burgundy
	058910-02-K08	EA	Cover - Angled Bolster Cushion - 8" x 10" x 14" x 35" x 33" - Left - Green
	058910-02-K09	EA	Cover - Angled Bolster Cushion - 8" x 10" x 14" x 35" x 33" - Left - Blue
	058910-02-K10	EA	Cover - Angled Bolster Cushion - 8" x 10" x 14" x 35" x 33" - Left - Burgundy
21	058900-05-K08	EA	Cushion - Rear Twin - Bottom - 34" x 76" x 5" - Left - Green
21	058900-05-K09	EA	Cushion - Rear Twin - Bottom - 34" x 76" x 5" - Left - Blue
21	058900-05-K10	EA	Cushion - Rear Twin - Bottom - 34" x 76" x 5" - Left - Burgundy
	058901-04-K08	EA	Cover - Rear Twin Bottom Cushion - 34" x 76" x 5" - Left - Green
	058901-04-K09	EA	Cover - Rear Twin Bottom Cushion - 34" x 76" x 5" - Left - Blue
	058901-04-K10	EA	Cover - Rear Twin Bottom Cushion - 34" x 76" x 5" - Left - Burgundy

**PADS**

Key	Part Number	U/M	Description
	058548-01-K08	EA	Pad - Pub. Out. Table - Adorn. Vinyl
	059607-01-K01	EA	Pad - Bunk Pane - Right - Adorn. Vinyl
	059608-01-K01	EA	Pad - Bunk Pane - Left - Adorn. Vinyl
	058444-01-K01	EA	Pad - End - Dinette Overhead - Adorn. Vinyl
	059414-01-000	EA	Pad - Sidewall Trim - Drivers
	059414-02-000	EA	Pad - Sidewall Trim - Passenger
	059467-03-K08	EA	Pad - Map Pocket - Left - Green
	059467-03-K09	EA	Pad - Map Pocket - Left - Blue
	059467-03-K10	EA	Pad - Map Pocket - Left - Burgundy
	059467-04-K08	EA	Pad - Map Pocket - Right - Green
	059467-04-K09	EA	Pad - Map Pocket - Right - Blue
	059467-04-K10	EA	Pad - Map Pocket - Right - Burgundy

**1979 ITASCA  
TABLE OF CONTENTS**

ICF23RG	A-1 - B-16
ICF26RH	B-17 - D-8
ICN26RB	D-9 - E-22
ICF26RT	E-23 - G-14
ICN29RT	G-15 - I-10

**1979 ICF26RT INDEX**

Floor Plan	E-23 - E-24
Accessories Group	F-1 - F-2
Bath Group	F-3
Chassis Group	F-4
Curtain, Cushion & Pad Group	F-5 - F-12
Dinette Group	F-13
Driver's Compartment Group	F-13 - F-14
Electrical Group	F-15 - F-16
Exterior Body Group	F-17 - F-20
Galley Group	F-21
Heating & Air Conditioning Group	F-22
Interior Finish Group	F-23 - F-24
LP Group	G-1
Lounge Group	G-2 - G-3
Water & Sewage Group	G-4
Window, Vent & Exterior Door Group	G-5 - G-14

**CURTAIN, CUSHION AND PAD GROUP (CONTINUED)**

**LOWBACK BUCKET SEATS**

Key	Part Number	U/M	Description
	061826-01-K08	EA	Seat Asm - Single Lowback - w/o Arm or Headrest - Green
	061826-01-K09	EA	Seat Asm - Single Lowback - w/o Arm or Headrest - Blue
	061826-01-K10	EA	Seat Asm - Single Lowback - w/o Arm or Headrest - Burgundy
	061836-02-K08	EA	Cover - Single Lowback Bucket - Back - Green
	061836-02-K09	EA	Cover - Single Lowback Bucket - Back - Blue
	061836-02-K10	EA	Cover - Single Lowback Bucket - Back - Burgundy
	061837-02-K08	EA	Cover - Single Lowback Bucket - Bottom - Green
	061837-02-K09	EA	Cover - Single Lowback Bucket - Bottom - Blue
	061837-02-K10	EA	Cover - Single Lowback Bucket - Bottom - Burgundy

**HIGHBACK FUCKET SEATS**

Key	Part Number	U/M	Description
	061828-03-K08	EA	Seat Asm - Single Highback - w Skirt and Armrests - Green
	061828-03-K09	EA	Seat Asm - Single Highback - w Skirt and Armrests - Blue
	061828-03-K10	EA	Seat Asm - Single Highback - w Skirt and Armrests - Burgundy
	061838-02-K08	EA	Cover - Single Highback Bucket - Back - Green
	061838-02-K09	EA	Cover - Single Highback Bucket - Back - Blue
	061838-02-K10	EA	Cover - Single Highback Bucket - Back - Burgundy
	061839-02-K08	EA	Cover - Single Highback Bucket - Bottom - Green
	061839-02-K09	EA	Cover - Single Highback Bucket - Bottom - Blue
	061839-02-K10	EA	Cover - Single Highback Bucket - Bottom - Burgundy
	054650-06-K08	EA	Skirt - Single Bucket - Green
	054650-06-K09	EA	Skirt - Single Bucket - Blue
	054650-06-K10	EA	Skirt - Single Bucket - Burgundy
	061833-01-K08	EA	Seat Asm - Double Highback - w Skirt and Armrests - Green
	061833-01-K09	EA	Seat Asm - Double Highback - w Skirt and Armrests - Blue
	061833-01-K10	EA	Seat Asm - Double Highback - w Skirt and Armrests - Burgundy
	061840-02-K08	EA	Cover - Double Highback Bucket - Back - Green
	061840-02-K09	EA	Cover - Double Highback Bucket - Back - Blue
	061840-02-K10	EA	Cover - Double Highback Bucket - Back - Burgundy
	061841-02-K08	EA	Cover - Double Highback Bucket - Bottom - Green
	061841-02-K09	EA	Cover - Double Highback Bucket - Bottom - Blue
	061841-02-K10	EA	Cover - Double Highback Bucket - Bottom - Burgundy
	054650-08-K08	EA	Skirt - Double Highback Bucket - Green
	054650-08-K09	EA	Skirt - Double Highback Bucket - Blue
	054650-08-K10	EA	Skirt - Double Highback Bucket - Burgundy

**ARMRESTS**

Key	Part Number	U/M	Description
	050275-01-700	EA	Armrest Asm - Foam w/o Cover - Right
	050276-01-700	EA	Armrest Asm - Foam w/o Cover - Left
	053357-04-K08	EA	Cover - Armrest - Right or Left - Green
	053357-04-K09	EA	Cover - Armrest - Right or Left - Blue
	053357-04-K10	EA	Cover - Armrest - Right or Left - Burgundy

**CURTAIN, CUSHION AND PAD GROUP (CONTINUED)**

**CURTAIN HARDWARE**

Key	Part Number	U/M	Description
	052327-04-236	EA	Track - Curtain - Brown Alum. - 89" w Holes
	056116-01-000	FT	Track - Curtain - Brown Plastic
	056001-01-000	EA	Bracket - Shade - Left
	056002-01-000	EA	Bracket - Shade - Right
	058003-01-000	EA	Bracket - Drapery Retainer - Right
	058003-02-000	EA	Bracket - Drapery Retainer - Left
	053272-04-200	EA	Track - Curtain - Off White - 89" w Holes
	056784-01-000	EA	Pull - Window Shade - Antique Brass
	009107-01-700	EA	Guide - Nylon Snap Curtain
	018031-42-000	EA	Track - Curtain - L Rod - Alum Extr - 90"
	009701-01-000	EA	Carrier - "L" Rod - Curtain
	009702-01-000	EA	End Stop - "L" Rod - Curtain
	059430-01-000	EA	Track - Curtain - Wraparound (2 required per unit)



Key	Part Number	U/M	Description
1	029130-01-000	EA	Socket - Snap Fastener
2	029155-01-000	EA	Cap - Snap - .156 Dia x .17" Barrel
3	029156-01-000	EA	Socket - Snap Fastener
4	029092-01-000	EA	Stud - Nickel Finish
5	029093-01-000	EA	Eyelet - Nickel Finish

**1979 ITASCA  
TABLE OF CONTENTS**

ICF23RG	A-1 - B-16
ICF26RH	B-17 - D-8
ICN26RB	D-9 - E-22
ICF26RT	E-23 - G-14
ICN29RT	G-15 - I-10

**1979 ICF26RT INDEX**

Floor Plan	E-23 - F-24
Accessories Group	F-1 - F-2
Bath Group	F-3
Chassis Group	F-4
Curtain, Cushion & Pad Group	F-5 - F-12
Dinette Group	F-13
Driver's Compartment Group	F-13 - F-14
Electrical Group	F-15 - F-16
Exterior Body Group	F-17 - F-20
Garage Group	F-21
Heating & Air Conditioning Group	F-22
Interior Finish Group	F-23 - F-24
LP Group	G-1
Lounge Group	G-2 - G-3
Water & Sewage Group	G-4
Window, Vent & Exterior Door Group	G-5 - G-14

## DINETTE GROUP

### STANDARD DINETTE W/OPOSING BENCHES AND FOLD DOWN TABLE

Key	Part Number	U/M	Description
	057715-01-K01	EA	Cabinet Asm. - Dinette Overhead - w/o Doors or Hardware
	057882-24-K01	EA	Door Asm. - Dinette Overhead Cabinet - 36.42" x 11.52" - w/o Hardware
	052488-01-K01	EA	Cabinet Asm. - Right Dinette Seat
	052488-02-K01	EA	Cabinet Asm. - Left Dinette Seat - w/o Door or Hardware
	057882-25-K01	EA	Door Asm. - Dinette Seat Cabinet - 19.22" x 11.34" - w/o Hardware
	053182-01-K08	EA	Table Asm. - Dinette w/o Hardware - Butcher Block
**	047642-01-000	EA	Kit - Dinette Table Leg - Brown
**	047809-03-000	EA	Kit - Hardware - Dinette Table Wall Mount

\*\*The illustrated parts breakdown for this item is provided on the Common Items Fiche

### CORNER LOUNGE CHAIRS W/FOLD DOWN TABLE

Key	Part Number	U/M	Description
	081558-01-K01	EA	Cabinet Asm. - Corner Lounge Chair - Right
	081580-02-K01	EA	Cabinet Asm. - Corner Lounge Chair - Left
	081704-01-K01	EA	Table Asm. - Lounge - Butcher Block
	081882-01-000	EA	Leg Asm. - Table - Pivot
	081679-01-000	EA	Leg Asm. - Table - Fixed
	024275-04-000	EA	Rod - Table Lift
	024281-05-000	EA	Bracket - Table Lift - Mounts on Table
	053200-02-000	EA	Support - Table - 14.5" - Mounts on Wall

### SPRUNG COUCH W/PEDESTAL TABLES

Key	Part Number	U/M	Description
	053203-07-K01	EA	Table Asm. - Pedestal - w/o Hardware - Butcher Block
	041194-01-000	EA	Base - Table Leg - Mounts in Floor
	009040-03-000	EA	Base - Table Leg - Mounts on Table
	009040-02-000	EA	Leg - Pedestal Table - 2.25" O.D. x 27.5" - Chrome
	057622-01-K01	EA	Panel Asm. - Couch Front - 75.4" x 14.6" - w/o Door or Hardware
	057882-27-K01	EA	Door Asm. - Couch Cabinet - 37.42" x 11.82" - w/o Hardware
	057488-02-000	EA	Frame Asm. - Sprung Couch - Right
	057488-03-000	EA	Frame Asm. - Sprung Couch - Left
	057488-04-000	EA	Frame Rails - Sprung Couch (2 per couch)
	057489-01-000	EA	Leg Asm. - Sprung Couch

## DRIVER'S COMPARTMENT GROUP

### DASH PANEL AND COMPONENTS

Key	Part Number	U/M	Description
	081803-01-K08	EA	Dash Asm. - Complete w Gauges and Switches
	022548-04-000	EA	Pad - Dash - Right - Dark Brown
	023242-08-000	EA	Pad - Dash - Left - Dark Brown
	024418-01-000	EA	Lamp Asm. - Map/Gauge
	023020-01-000	EA	Lamp Asm. - Teltale
	007306-01-000	EA	Dash Clock
	052367-01-000	EA	Lighter Asm. - Cigarette - 12 Volt
	007041-01-000	EA	Bezel - Cigarette Lighter
	007071-01-000	EA	Louver - Chrome - w Chrome Wheel
	024880-02-000	EA	Outlet - Defroster w/Sarvel - 2" Dark Brown
	038044-01-000	EA	Louver Asm. - A.C. Adjustable
	050344-01-000	EA	Bezel - Entertainment Center No. 2 - w Cut Out for Radio and Clock
	023882-01-000	EA	Box - Glove Compartment - Black Fiberboard
	022219-01-000	EA	Door - Glove Compartment
	009118-01-000	EA	Travel Lock - Glove Compartment
	024588-01-000	EA	Hinge - Glove Compartment - 1.1.16" x 19"
	034308-01-000	EA	Chain - Glove Sox Door
	023834-01-000	EA	Panel - Knee Kick - Bottom of Dash

F-13

## DRIVER'S COMPARTMENT GROUP (CONTINUED)

### DASH SWITCHES AND GAUGES

Key	Part Number	U/M	Description
	024481-01-000	EA	Switch - Battery
	024482-01-000	EA	Switch - Battery Condition
	024483-01-000	EA	Switch - Blinker
	024484-01-000	EA	Switch - Washer
	024485-01-000	EA	Switch - Fuel
	024487-01-000	EA	Switch - Wiper
	024976-01-000	EA	Switch - Generator w/o Circuit Board
	037387-01-000	EA	Switch - Generator w/Circuit Board
	024459-01-000	EA	Gauge - Voltmeter
	024480-01-000	EA	Gauge - Vacuum
	031035-01-000	EA	Gauge - Generator Hourmeter
	031378-01-000	EA	Control Asm. - Heater - 3 Speed
	055279-01-000	EA	Control Asm. - Heater A/C - 3 Speed

### BUCKET SEAT PEDESTAL AND SEAT BELTS

Key	Part Number	U/M	Description
	050447-01-000	EA	Pedestal Asm. - Tilt Seat - Left
	050447-02-000	EA	Pedestal Asm. - Tilt Seat - Right - Single Seat
	050447-04-000	EA	Pedestal Asm. - Tilt Seat - Right - Double Seat
	007019-01-000	EA	Belt Asm. - Seat - 2" x 84" - Black
	041322-01-000	EA	Washer - Flat 15/32" I.D. x 2 3/8" O.D. - Seat Belt
	049943-01-000	EA	Pedestal - Complete - Sarvel

### FRONT BUNK AND HARDWARE

Key	Part Number	U/M	Description
	058300-01-K01	EA	Cabinet Asm. - Front Overhead
	053320-01-K01	EA	Bunk Board Asm. - Front Overhead w Rails
	053773-01-000	EA	Support - Overhead Bunk - Brown - Right
	053773-02-000	EA	Support - Overhead Bunk - Brown - Left
	040071-02-000	EA	Support - Bunk - Seat Belt
	041322-01-000	EA	Washer - Flat - 15/32" I.D. x 2 3/8" O.D.
	039518-02-000	EA	Catch - Bunk - Brown
	023812-01-000	EA	Rail - Bunk - 75" - Brown
	053774-01-000	EA	Torsion Rod - Overhead Bunk - Brown

### MISCELLANEOUS DRIVER'S COMPARTMENT COMPONENTS

Key	Part Number	U/M	Description
	061378-01-K01	EA	Beverage Tray Asm. - Matedr Leather Laminate
	055000-01-000	EA	Tray - Utensil - Dark Brown Plastic
	045795-01-000	EA	Glass Holder - Dark Brown Plastic
	050796-01-000	EA	Pocket - Ash Tray - Plastic
	050797-01-000	EA	Ash Tray - Plastic
	038857-01-000	EA	Latch - Rubber - Draw Handle 5 3/4" w/Strike
	039956-01-000	EA	Latch - Rubber - Draw Handle 3" w/Strike
	042541-01-000	EA	Latch Asm. w/Strike - Chrome
	034800-01-000	EA	Cover - Motor - Plastic 454 C.I.D.
	034933-01-000	EA	Cover - Motor - Plastic - 350 C.I.D.
	035368-02-000	EA	Seal - Motor Cover - Alum
	040512-01-000	EA	Boot - Rubber Steering Column
	040520-01-000	EA	Boot - Retainer - Steering Column
	007278-01-000	EA	Mirror - Inside - Rear View 4 1/2" x 9"
	034489-01-000	EA	Support - Dimmer Switch
	046885-02-000	EA	Clip - Sunvisor
	058508-01-K01	EA	Sunvisor Asm. - Right - Acorn Brown - w/Mirror
	058508-02-K01	EA	Sunvisor Asm. - Left - Acorn Brown
	061350-01-000	EA	Trim - Interior - "A" Post - Brown Plastic - w/Notch - Left
	061350-02-000	EA	Trim - Interior - "A" Post - Brown Plastic - w/Notch - Right
	009143-01-000	EA	Mirror - 1/8" x 3 5/8" x 8" - Sunvisor
	059128-01-000	EA	Panel - Side - Left - Dark Brown
	059197-01-000	EA	Panel - Side - Right - Dark Brown

F-14

## 1979 ITA3CA TABLE OF CONTENTS

ICF23RG	A-1 - B-18
ICF28RH	B-17 - D-8
ICN28RB	D-9 - E-22
ICF28RT	E-23 - G-14
ICN28RT	G-15 - I-10

## 1979 ICF23RT INDEX

Floor Plan	E-23 - E-24
Accessories Group	F-1 - F-2
Bath Group	F-3
Chassis Group	F-4
Curtain, Cushion & Pad Group	F-5 - F-12
Dinette Group	F-13
Driver's Compartment Group	F-13 - F-14
Electrical Group	F-15 - F-18
Exterior Body Group	F-17 - F-20
Galley Group	F-21
Heating & Air Conditioning Group	F-22
Interior Finish Group	F-23 - F-24
LP Group	G-1
Lounge Group	G-2 - G-3
Water & Sewage Group	G-4
Window, Vent & Exterior Door Group	G-5 - G-14



## ELECTRICAL GROUP

### BULBS

Key	Part Number	U/M	Description
	037835-01-000	EA	Bulb - 1157
	038010-01-000	EA	Bulb - 1143
	008103-01-000	EA	Bulb - 53
	008213-01-000	EA	Bulb - 57
	008214-01-000	EA	Bulb - 67
	008215-01-000	EA	Bulb - 1003
	008216-01-000	EA	Bulb - 1034
	008217-01-000	EA	Bulb - 1073
	008218-01-000	EA	Bulb - 1141
	008219-01-000	EA	Bulb - 656
	008220-01-000	EA	Bulb - 12V - 25W
	038186-01-000	EA	Bulb - 194
	700020-01-000	EA	Bulb - 12V - 20W - 1383

### FUSES AND CIRCUIT BREAKER

Key	Part Number	U/M	Description
	056473-01-000	EA	Fuse - Slow Blow - 6 1/4 Amp
	008233-01-000	EA	Fuse - 12 Volt - 6 Amp
	008234-01-000	EA	Fuse - 12 Volt - 10 Amp
	008235-01-000	EA	Fuse - 12 Volt - 15 Amp.
	008236-01-000	EA	Fuse - 12 Volt - 20 Amp.
	008248-01-000	EA	Fuse - 110 Volt - 30 Amp. - AGU
	008252-01-000	EA	Fuse - 110 Volt - 50 Amp.
	008208-01-000	EA	Circuit Breaker - 12 Volt - 40 Amp
	008211-01-000	EA	Circuit Breaker - 12 Volt - 6 Amp
	008208-01-000	EA	Circuit Breaker - 12 Volt - 30 Amp. w/Mount
	033573-01-000	EA	Circuit Breaker - 12 Volt - 20 Amp. w/Mount
	040051-01-000	EA	Circuit Breaker - 110 Volt - 20 Amp. - TGL

### INTERIOR LIGHTS

Key	Part Number	U/M	Description
	033508-02-000	EA	Light - Dome - Ivory - 1 Bulb - US
	033508-03-000	EA	Light - Dome - Ivory - 1 Bulb - CSA
	033509-02-000	EA	Light - Dome - Ivory - 2 Bulb - US
	033509-03-000	EA	Light - Dome - Ivory - 2 Bulb - CSA
	024642-01-000	EA	Lens - Domelight - 1 Bulb
	024643-01-701	EA	Lens - Domelight - 2 Bulb
	024418-01-000	EA	Lamp Arm - Map Gauge Area
	053346-01-000	EA	Light - High Intensity - Brown

### EXTERIOR LIGHTS

Key	Part Number	U/M	Description
	042405-03-000	EA	Base - Rectangular Clearance Light
	042405-04-000	EA	Lens - Clearance Light - Red
	042405-05-000	EA	Lens - Clearance Light - Amber
	008082-01-000	EA	Reflector - Stiction - Rectangular - Red
	008083-01-000	EA	Reflector - Stiction - Rectangular - Amber
	007308-01-000	EA	Light - Step Wall
	058053-02-000	EA	Lamp Arm - Tail - 2 Bulb
	058030-01-700	EA	Lens - Tail Lamp - Red
	058030-01-701	EA	Lens - Tail Lamp - Backup
	058058-02-000	EA	Wedge Arm - Tail Lamp
	058036-01-000	EA	Bracket - Tail Lamp
	058040-01-000	EA	Bracket - License Plate
	048817-01-000	EA	Assist. Handle - w/Light

## ELECTRICAL GROUP (CONTINUED)

### WINDSHIELD WIPER AND WASHER

Key	Part Number	U/M	Description
	058000-02-000	EA	Washer Asm. - Windshield
	057853-01-000	EA	Arm - Windshield Wiper - 18" Black
	044313-02-700	EA	Motor Asm. - Windshield Wiper - 100"
	044313-03-700	EA	Motor Asm. - Windshield Wiper - 83"
**	037888-01-000	EA	Link Asm. - Connecting - 22.40" Long
	057474-01-000	EA	Windshield Wiper Asm.
	048484-02-000	EA	Blade - Windshield Wiper - 20" Black
**	055675-01-000	EA	Shaft and Pivot Asm.

\*\*The illustrated parts breakdown for this item is provided on the Common Items Fiche.

### WIRE, SWITCHES, AND RECEPTACLES

Key	Part Number	U/M	Description
	008024-01-000	FT	Wire - 18.5 Bonded - Orange/White/Yellow/Blue/Brown
	008025-01-000	FT	Wire - 18.5" Bonded - Orange/White/Yellow/Blue/Green
	008028-01-000	FT	Wire - 18.5 Bonded - Blue/Red/Yellow/Orange/White
	008030-01-000	FT	Wire - 18.4 Bonded
	008251-01-000	EA	Holder - Fuse - 2" Lock - Screw Type
	008277-01-000	EA	Holder - Fuse - 1" Lock - Panel Mount
	008195-01-000	EA	Switch - Push Button - 12 Volt
	008077-01-000	EA	Plaque - Compressor Switch
	008054-01-000	EA	Cord - Power - 10-3 30 Amp. - 25' - UL
	008052-01-000	EA	Cord - Power - 10-3 30 Amp. - 25' - CSA
	034818-04-000	EA	Holder - Receptacle - Plastic
	039342-01-000	EA	Receptacle - Duplex Brown - T Junction
	024571-04-000	EA	Cover Plate - Receptacle - Jumbo Plastic Ivory
	038343-01-000	EA	Cap - End - Receptacle
	008162-01-000	EA	Switch - Double Toggle - Spade Brown
	008163-01-000	EA	Switch - Toggle Brown
	008164-01-000	EA	Cover Plate - Switch - Brown
	024824-01-000	EA	Receptacle - Power Cord
	029058-01-000	EA	Adaptor - Power Cord
	047353-01-000	EA	Cover - Receptacle - Ground Fault
	053128-01-000	EA	Receptacle - Ground Fault Interrupter - 125 Volt, Ivory
	053126-02-000	EA	Receptacle - Ground Fault Interrupter - 125 Volt - Brown
	058707-01-000	EA	Receptacle - Single - Brown - Thomas & Betts
	058708-01-000	EA	Receptacle - Duplex - Brown - Thomas & Betts
	008157-01-000	EA	Receptacle - Duplex - Brown - (Exterior Backwall)
	058048-01-000	EA	Cover - Electrical Box - 4.5" x 2.75" - Rain Tight (Exterior)

### MISCELLANEOUS ELECTRICAL COMPONENTS

Key	Part Number	U/M	Description
	047336-01-000	EA	Isolator - Dual Battery
	047389-01-700	EA	Battery - 12 Volt - 105 Amp Deep Cycle - Dry
	057899-01-000	EA	Battery - 12 Volt - Maintenance Free - Delco
	008188-01-000	EA	Solenoid - Dual Battery - Relay
	046775-01-000	EA	Valve - Gas - Change Over - 3 Way
	043477-01-000	EA	Valve - Gas - Change Over - 6 Way
	054544-01-000	EA	Control Center - 37 Amp - UL
	031720-01-000	EA	Spacer - Receptacle - Brown Plastic - CSA
	038850-01-702	EA	Circuit Board - Control Center
	048812-01-000	EA	Panel - Control - Water/Double Sewage - w/Thermostat
	048812-02-000	EA	Panel - Control - Water/Double Sewage - w/o Thermostat
	048812-03-000	EA	Panel - Control - Water/Double Sewage Deluxe - w/LP Gauge, Refrigerator Alarm, and Clock
	038861-01-000	EA	Sending Unit Kit - Wemac
	024459-01-000	EA	Gauge - Voltmeter
	024462-01-000	EA	Switch - Battery Condition
	031035-01-000	EA	Gauge - Hour Meter - Generator
	024876-01-000	EA	Switch - Generator w/o Circuit Board
	024460-01-000	EA	Gauge - Vacuum

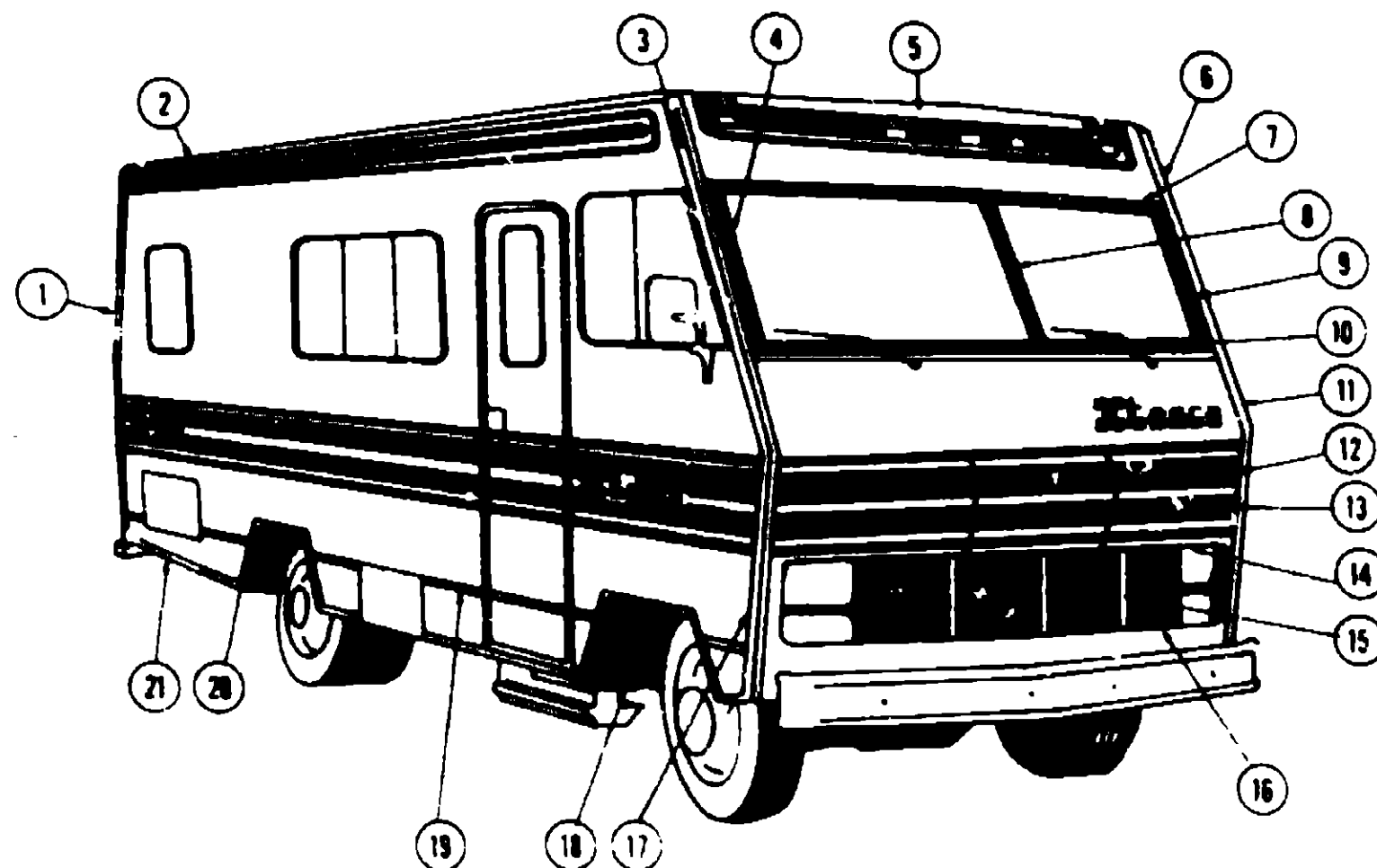
## 1979 ITASCA TABLE OF CONTENTS

ICF 23RG	A-1 - B-16
ICF 28RH	B-17 - D-8
ICN 28RB	D-9 - E-22
ICF 28RT	E-23 - G-14
ICN 28RT	G-15 - I-10

## 1979 ICF 28RT INDEX

Floor Plan	E-23 - E-24
Accessories Group	F-1 - F-2
Bath Group	F-3
Chassis Group	F-4
Curtain, Cushion & Pad Group	F-5 - F-12
Dinette Group	F-13
Driver's Compartment Group	F-13 - F-14
Electrical Group	F-15 - F-16
Exterior Body Group	F-17 - F-20
Galley Group	F-21
Heating & Air Conditioning Group	F-22
Interior Finish Group	F-23 - F-24
LP Group	G-1
Lounge Group	G-2 - G-3
Water & Sewage Group	G-4
Window, Vent & Exterior Door Group	G-5 - G-14

## EXTERIOR BODY GROUP



## 1979 ITASCA TABLE OF CONTENTS

ICF23RG	A-1 - B-16
ICF26RT	B-17 - D-8
ICN26RB	D-9 - E-22
CF26RT	E-23 - G-14
ICN26RT	G-15 - I-10

## 1979 ICF26RT INDEX

Floor Plan	E-23 - E-24
Accessories Group	F-1 - F-2
Bath Group	F-3
Chassis Group	F-4
Curtain, Cushion and Pad Group	F-5 - F-12
Dinette Group	F-13
Driver's Compartment Group	F-13 - F-14
Electrical Group	F-15 - F-16
Exterior Body Group	F-17 - F-20
Galley Group	F-21
Heating & Air Conditioning Group	F-22
Interior Finish Group	F-23 - F-24
LP Group	G-1
Lounge Group	G-2 - G-3
Water & Sewage Group	G-4
Window, Vent & Exterior Door Group	G-5 - G-14

Key	Part Number	U/M	Description
1	039964-01-000	EA	Trim - Contour - Right Rear - Off White
2	039964-02-000	EA	Trim - Contour - Left Rear - Off White
3	031922-04-000	EA	Trim - Sidewall - Upper - Left or Right - Off White
4	058284-02-000	EA	Trim - Contour - Right Front Upper - Off White
5	058289-02-000	EA	Trim - Contour - Windshield - Right
6	054957-01-000	EA	Cap Asm. - Fiberglass - Over Windshield - Off White
7	058284-01-000	EA	Trim - Contour - Left Front Upper - Off White
8	058287-01-000	EA	Trim - Molding - Windshield - Upper
9	042743-02-000	EA	Trim - Corner Windshield - Upper
10	058288-01-000	EA	Trim Molding - Windshield - Center
11	058289-01-000	EA	Trim - Contour - Windshield - Left
12	058289-02-000	EA	Trim - Molding - Windshield - Lower
13	042743-01-000	EA	Trim - Corner Windshield - Lower

Key	Part Number	U/M	Description
14	058999-04-000	EA	Trim - Contour - Left Front Lower - Off White
15	058294-04-000	EA	Panel Asm. - Front Shroud
16	058678-01-000	EA	Access Panel - Off White
17	058722-01-000	EA	Pull Pin - Hood Release
18	058761-01-000	EA	Striker - Hood Latch
19	057473-01-000	EA	Bezel - Headlamp - Left
20	057473-02-000	EA	Bezel - Headlamp - Right
21	059123-03-000	EA	Grille Trim - Upper
22	059339-01-000	EA	Grille Asm. - Right - Outer
23	059340-01-000	EA	Grille Asm. - Right - Inner
24	059341-01-000	EA	Grille Asm. - Left - Inner
25	059342-01-000	EA	Grille Asm. - Left - Outer
26	059124-03-000	EA	Grille Trim - Lower
27	058999-03-000	EA	Trim - Contour - Left Front Lower - Off White
28	052843-02-000	EA	Trim - Wheel Well - Front - Left or Right
29	002444-02-001	EA	Feature Strip - Extr. Anod. - 14' - w/o Insert
30	009731-01-000	EA	End Cap - Feature Strip Insert
31	001030-10-100	EA	Insert - Feature Strip - Gold - 17'
32	052842-01-000	EA	Trim - Wheel Well - Rear - Right or Left
33	002776-02-001	EA	Extr. - U-Channel - 1.75" x 18' - Anod

## EXTERIOR BODY GROUP (CONTINUED)

### EXTERIOR BODY PANELS AND SHEET ALUMINUM

Key	Part Number	U/M	Description
	058415-01-K08	EA	Backwall Asm
	058414-01-K08	EA	Sidewall Asm. - Right
	058413-01-K08	EA	Sidewall Asm. - Left
	058316-01-K08	EA	Roof Asm
	039155-03-008	EA	Alum. - Off White Mesa I - 024" x 36" x 60"
	039155-03-003	EA	Alum. - Off White Mesa I - 024" x 36" x 360
	039155-03-007	EA	Alum. - Off White Mesa I - 024" x 48" x 60
	039155-03-006	EA	Alum. - Off White Mesa I - 024" x 48" x 360
	039155-03-009	EA	Alum. - Off White Mesa I - 024" x 12" x 360
	039155-28-001	EA	Alum. - Off White Mesa II - 024" x 36" x 60"
	039155-28-003	EA	Alum. - Off White Mesa II - 024" x 36" x 360
	039155-28-004	EA	Alum. - Off White Mesa II - 024" x 48" x 60
	039155-28-006	EA	Alum. - Off White Mesa II - 024" x 48" x 360
	039155-28-007	EA	Alum. - Off White Mesa II - 024" x 12" x 360
	044487-01-001	EA	Plain Roof Metal - 96" x 360
	039155-07-010	EA	Off White Greyhound Alum. - 48" x 96"
	001054-01-011	EA	Off White Plain Alum. - 48" x 96"
	000668-01-000	BF	Styrofoam - 3/4" x 24" x 96"
	000970-01-000	BF	Styrofoam - 1 1/2" x 24" x 96"

NOTE: The raised portion of Mesa I aluminum is 1.657" wide  
The raised portion of Mesa II aluminum is .875" wide

### EXTERIOR PAINT

Key	Part Number	U/M	Description
	041561-01-000	EA	Paint - Off White - Acrylic Enamel - 1 Gal
	041561-03-000	EA	Paint - Off White - Acrylic Enamel - 16 oz. Aerosol
	041561-04-000	EA	Paint - Off White - Acrylic Lacquer - 1 Gal
	059355-01-000	EA	Paint - Dark Yellow - Acrylic Enamel - 1 Gallon
	059355-03-000	EA	Paint - Dark Yellow - Acrylic Enamel - 16 oz. Aerosol
	059356-01-000	EA	Paint - Green - Acrylic Enamel - 1 Gallon
	059356-03-000	EA	Paint - Green - Acrylic Enamel - 16 oz. Aerosol
	059357-01-000	EA	Paint - Blue - Acrylic Enamel - 1 Gallon
	059357-03-000	EA	Paint - Blue - Acrylic Enamel - 16 oz. Aerosol
	053760-01-000	EA	Paint - Crimson Red - Acrylic Enamel - 1 Gallon
	053760-03-000	EA	Paint - Crimson Red - Acrylic Enamel - 16 oz. Aerosol
	045681-01-000	EA	Paint - Gloss Black - Acrylic Enamel - 1 Gallon
	045681-03-000	EA	Paint - Gloss Black - Acrylic Enamel - 16 oz. Aerosol

### LABELS AND DECALS

Key	Part Number	U/M	Description
	006031-01-000	EA	Label - Potable Water Only
	006187-01-000	EA	Label - Sewage
	006188-01-000	EA	Label - Waste Water
	006199-01-000	EA	Label - Exit - Escape Window
	008023-01-000	EA	Label - Water Only
	006028-01-000	EA	Label - Drain Cap - 2" x 3"
	008092-01-000	EA	Reflector - Stick on - Rectangular - Red
	008093-01-000	EA	Reflector - Stick on - Rectangular - Amber
	040944-01-000	EA	Label - Open - Entrance Door
	047731-01-000	EA	Label - Emergency Exit
	008040-01-000	EA	Tag - Gas - Refueling Warning
	008062-01-000	EA	Tag - Electrical - 110V Connection
	054531-01-000	EA	Label - LP Gas Only
	061417-01-000	EA	Label - Fuel
	050225-01-000	EA	Label - Warning - Stove Vent - US
	081900-01-000	EA	Decal - Itasca - 5" x 2.64"
	041273-17-000	FT	Decal Stripe - 63" Black
	053343-01-000	EA	Decal - Itasca - 9" High
	055289-01-000	EA	Decal - Logo - SunCruiser
	056251-01-000	EA	Decal - Front Side Upper - U-Shaped - Right
	056251-02-000	EA	Decal - Front Side Upper - U-Shaped - Left
	058004-07-000	EA	Decal - Logo - Itasca 5.25" High

## EXTERIOR BODY GROUP (CONTINUED)

### SEALANTS, ADHESIVES AND FASTENERS

Key	Part Number	U/M	Description
	034552-05-000	EA	Sealant - Off White Silicone
	034552-04-000	EA	Sealant - Beige Silicone
	034552-02-000	EA	Sealant - Clear Silicone
	004348-02-000	EA	Sealant - Aluminum Silicone
	004349-01-000	EA	Sealant - Black Silicone
	004342-01-000	EA	Sealant - Weatherban 202 Tube
	004346-02-000	EA	Sealant - White Silicone
	014347-01-000	EA	Sealant - Tufflex
	002316-01-000	FT	Tape - Sealer - 3/32" x 1/8"
	024545-01-000	FT	Tape - Sealer - 1/8" x 5/8" - Black
	004350-01-000	FT	Tape - Sealer - 1/8" x 1" - Formaseal
	004352-01-000	FT	Tape - Sealer - 1/8" x 3/4" - Formaseal
	004355-01-000	FT	Tape - Sealer - 1/8" x 5/8" - Black
	004357-01-000	FT	Tape - Sealer - 1/8" x 5/8" - Adhesive
	002707-02-000	FT	Tape - Sealer - 5/16" x 1/2" - Black Foam
	002707-01-000	FT	Tape - Sealer - 5/16" x 3/4" - Black Foam
	004363-01-000	FT	Tape - Sealer - 3/16" x 1/2" - Foam
	004362-01-000	FT	Tape - Sealer - 1/4" x 5/8" - Foam
	009200-01-000	EA	Tape - Furnace - 1 1/2"
	004353-01-000	FT	Tape - Gasket - 1/8" x 3/4" - White
	002825-01-000	FT	Weather Stripping - Roof Vent
	002337-01-000	EA	Adhesive - 3M - 1500 Tube
	004005-01-000	GL	Adhesive - Swifts - Green - Glue - Sidewall
	004012-01-000	EA	Adhesive - 3M - 4475 Tube
	004020-01-000	QT	Adhesive - ABS Cement - Plastic Fixings
	029051-01-000	EA	Adhesive - Spray Vinyl
	042401-02-000	EA	Screw - 8 - 16 x 3/4" SDPH - Off White
	042403-02-000	EA	Screw - SF DR - 8 - 16 x 1" SDPH - Off White
	053766-01-000	EA	Bedding Compound - Tube Black - Schnee Morehead
	053766-02-000	EA	Bedding Compound - Tube White - Schnee Morehead
	053767-01-000	FT	Tape - 1/2" x 1/8" x 30' - Gray - Schnee Morehead
	053767-02-000	FT	Tape - 3/16" Bead x 25' - Gray - Schnee Morehead
	053767-03-000	FT	Tape - 1/4" Bead x 20' - Gray - Schnee Morehead
	053767-04-000	FT	Tape - 3/16" x 1/8" x 30' - Gray - Schnee Morehead
	053767-05-000	FT	Tape - 1/2" x 3/32" x 45' - Gray - Schnee Morehead

### MISCELLANEOUS EXTERNALLY MOUNTED PARTS

Key	Part Number	U/M	Description
	010257-02-000	EA	Fill - City Water - Recessed - Off White
	056836-01-000	EA	Fill - Water - Lockable
	011124-01-000	EA	Plumbing Seal - Roof Vent - 1 1/4" White
	011129-01-000	EA	Plumbing Seal - Roof Vent - 1 1/2" White
	057481-02-000	EA	Mirror Head - 7 1/2" x 10 1/2" - w/Convex - Off White
	049346-01-000	EA	Arm - Low Mount Mirror - Brite Finish
	049348-02-000	EA	Arm - Low Mount Mirror - Off White
	049944-03-000	EA	Bracket - Mirror - Outside - Black - Mounts to Coath
	045814-01-000	EA	Fill - Gas w/Vent - 5.44" Long
	048817-01-000	EA	Handle Asm. - Assist w/Light

\*The illustrated parts breakdown for this item is provided on the Common Items Fiche

## 1979 ITASCA TABLE OF CONTENTS

ICF23RG	A-1 - B-16
ICF26RH	B-17 - D-8
ICN26RB	D-9 - E-22
ICF26RT	E-23 - G-14
ICN29RT	G-15 - I-10

## 1979 ICF26RT INDEX

Floor Plan	E-23 - E-24
Accessories Group	F-1 - F-2
Bath Group	F-3
Chassis Group	F-4
Curtain, Cushion and Pad Group	F-5 - F-12
Dinette Group	F-13
Driver's Compartment Group	F-13 - F-14
Electrical Group	F-15 - F-16
Exterior Body Group	F-17 - F-20
Garage Group	F-21
Heating & Air Conditioning Group	F-22
Interior Finish Group	F-23 - F-24
LP Group	G-1
Lounge Group	G-2 - G-3
Water & Sewage Group	G-4
Window, Vent & Exterior Door Group	G-5 - G-14

## GALLEY GROUP

### GALLEY CABINETS

Key	Part Number	U/M	Description
	056304-01-K01	EA	Cabinet Asm. - Galley - w/o Countertop, Doors, Drawers or Hardware
	052566-01-K08	EA	Countertop Asm. - Galley Cabinet - Pot Pourri Tan
	058023-05-K01	EA	Drawer Asm. - Galley Cabinet - 14.1" x 5.3" x 20" - w/o Hardware
	057982-30-K01	EA	Door Asm. - Galley Cabinet - 13.62" x 30.62" - w/o Hardware
	057982-31-K01	EA	Door Asm. - Galley Cabinet - 14.68" x 6.02" - w/o Hardware
	057982-32-K01	EA	Door Asm. - Galley Cabinet - 14.62" x 9.72" - w/o Hardware
	057982-26-K01	EA	Door Asm. - Refrigerator Cabinet - 11.62" x 17.62" - w/o Hardware
	057677-01-K01	EA	Cabinet Asm. - Galley Overhead - w/o Doors or Hardware
	057982-10-K01	EA	Door Asm. - Microwave Cabinet - 11.62" x 16.02" - w/o Doors or Hardware
	057982-29-K01	EA	Door Asm. - Galley Overhead Cabinet - 82" x 15.92" - w/o Hardware

### GALLEY HARDWARE AND APPLIANCES

Key	Part Number	U/M	Description
	011032-01-000	EA	Sink - Stainless Steel - Double - Bolts
**	011053-01-000	EA	Faucet - Swing Spout - 8" - U.S.A.
**	011053-02-000	EA	Faucet - Swing Spout - 8" - C.S.A.
**	011053-01-700	EA	Aerator - Swing Spout Faucet
**	011085-01-000	EA	Strainer - Sink
	056334-01-000	FA	Waste Basket - 9 3/4" x 7" x 10" - White
	052771-02-000	EA	Oven - Microwave - Magic Chef MW207
	053333-01-000	EA	Hood - Range - Non Power - Black - Jenson - U.S.
	053333-02-000	EA	Hood - Range - Non Power - Black - Jenson - C.S.A.
	049930-03-000	EA	Hood - Range - Powered - Black - Jenson - U.S.
	049930-04-000	EA	Hood - Range - Powered - Black - Jenson - C.S.A.
	055282-03-000	EA	Range - 4 Burner - Black - Magic Chef
**	049175-02-000	EA	Refrigerator - AC/DC Gas - 1 Door - ET 150/2
**	049174-02-000	EA	Refrigerator - AC/DC Gas - 2 Door - ET 230/2

\*\*The illustrated parts breakdown for this item is provided on the Common Items Fiche.

## HEATING AND AIR CONDITIONING GROUP

Key	Part Number	U/M	Description
	031376-01-000	EA	Control Asm. - Heater - 3 Speed
	007076-01-000	FT	Hose - Flexible PVC - 2" I.D.
	007106-01-000	FT	Heater Hose - 5/8" I.D.
	007139-01-000	EA	Clamp - Worm Drive - .69" - 1.25"
	007140-01-000	EA	Clamp - Hose - 2" x 3" - Dia.
	007281-01-000	FT	Hose - Flexible PVC - 2 1/2" I.D.
	039044-01-000	EA	Louver Asm. - A/C Adjustable
	047046-01-000	EA	Motor - 12 Volt - 3 Speed - Heater - Air Conditioner
	024858-01-000	EA	Adapter - Motor Mount
	031043-01-000	EA	Valve - Heater - Water Flow Control
	033860-02-000	EA	Cable - Control - Flexible - 46"
	031169-02-000	EA	Cable - Control - Flexible - 46"
	024996-01-000	EA	Clutch - Magnetic - Compressor
	024999-01-000	EA	Compressor - Auto Air - 10.3 Cubic Inch
	048801-01-000	EA	Condenser - 350 C.I.D., 454 C.I.D.
	047036-01-000	FA	Compressor Mount Package - 350 C.I.D.
	048100-01-000	EA	Compressor Mount Package - 454 C.I.D.
	006267-01-000	EA	Switch - Air Conditioner
	024867-01-000	EA	Valve - Thermostatic Expansion
	024997-01-000	EA	Core - Heater
	024998-01-000	EA	Wheel - Blower - 4.72" O.D.
	031393-01-000	EA	Coil - Evaporator
	031001-01-000	EA	Blower Housing
	033258-01-000	EA	Hose - Refrigerant - .50" I.D. x 34.50"
	034222-02-000	EA	Hose - Refrigerant - .31" I.D. x 32"
	034222-01-000	EA	Hose - Refrigerant - .31" I.D. x 26"
	031980-01-000	EA	Hose - Refrigerant - .34" I.D. x 30"
	031951-01-000	EA	Hose - Refrigerant - .31" I.D. x 14.75"
	031971-02-000	EA	Hose - Refrigerant - 3" I.D. x 19"
	024866-01-000	EA	Receiver - Dehydrator
	031044-01-000	EA	Clamp - Receiver Dehydrator
	048230-02-000	EA	Kit - Auto Air - 350 C.I.D. A Body
	048232-02-000	EA	Kit - Auto Air - 454 C.I.D. A Body
	049401-01-000	EA	Heater Asm. - Rear
	058906-01-000	EA	Control Panel - Aux Heater
**	052598-01-000	EA	Furnace - 19,000 BTU - Under Counter Mount - Coleman - 4319-729
	052350-01-000	EA	Furnace - 30,000 BTU - w Electronic Ignition - 4330-749
	039505-02-000	EA	Thermostat - Horizontal Wall Mount - Black
	024985-01-000	EA	Register - Heat - w Damper - 9.9" x 4.8"
	031604-01-000	EA	Bonnet - Heat Register
	009196-01-000	FT	Duct - Flexible - 4" I.D. x 25"
	009200-01-000	EA	Tape - Furnace - 1 1/2"
**	049777-02-000	EA	Air Conditioner - 110 Volt - Roof Mount - 11,000 BTU - Ivory - Coleman (w/o inside shroud)
**	049778-02-000	EA	Shroud Asm. - Ceiling - Inside - Roof Air - Cool Only - 11,000 BTU - Coleman
**	049774-02-000	EA	Air Conditioner - 110 Volt - Roof Mount - 13,500 BTU - Ivory - Coleman (w/o inside shroud)
**	049775-02-000	EA	Shroud Asm. - Ceiling - Inside - Roof Air - Cool Only - 13,500 BTU - Coleman
**	049776-01-000	EA	Shroud Asm. - Ceiling - Inside - Roof Air - Heat and Cool - 13,500 BTU - Coleman

\*\*The illustrated parts breakdown for this item is provided on the Common Items Fiche.

## 1979 ITASCA TABLE OF CONTENTS

ICF23RG	A-1 - B-16
ICF26RH	B-17 - D-8
ICN26RB	D-9 - E-22
ICF26RT	E-23 - G-14
ICN26RT	G-15 - I-10

## 1979 ICF26RT INDEX

Floor Plan	E-23 - E-24
Accessories Group	F-1 - F-2
Bath Group	F-3
Chassis Group	F-4
Curtain, Cushion and Pad Group	F-5 - F-12
Dinette Group	F-13
Driver's Compartment Group	F-13 - F-14
Electrical Group	F-15 - F-16
Exterior Body Group	F-17 - F-20
Galley Group	F-21
Heating & Air Conditioning Group	F-22
Interior Finish Group	F-23 - F-24
LP Group	G-1
Lounge Group	G-2 - G-3
Water & Sewage Group	G-4
Window, Vent & Exterior Door Group	G-5 - G-14

**INTERIOR FINISH GROUP**

**PANELING AND COUNTERTOP MATERIALS**

Key	Part Number	U/M	Description
	057856-01-00J	SF	Paneling - 724 Vermont Oak - Plain - 48" x 96" (32 SF)
	057855-01-000	SF	Paneling - 724 Vermont Oak - V Groove - 48" x 96" (32 SF)
	045863-01-000	SF	Paneling - 825 Buff - 48" x 96" (32 SF)
	052348-01-000	SF	Paneling - Pompeii Berge - Bath - 48" x 96" (32 SF)
	057858-02-000	SF	Paneling - Bath - Mangolds - 5' x 7' (35 SF)
	057858-02-000	SF	Paneling - Bath - Mangolds - 5' x 7' (35 SF)
	053849-01-000	SF	Paneling - Bath - Highs and Lows - 4' x 7' (28 SF)
	058348-03-000	SF	Paneling - Bath - Paintbrush - Green - 4' x 7' (28 SF)
	058348-02-000	SF	Paneling - Bath - Paintbrush - Brown - 4' x 7' (28 SF)
	058348-01-000	SF	Paneling - Bath - Paintbrush - Rust - 4' x 7' (28 SF)
	057989-01-000	SF	Plastic Laminate - Pet Pourri Tan - 48" x 96" (32 SF)
	059970-01-000	SF	Plastic Laminate - Metador I leather - 48" x 96" (32 SF)
	058219-01-000	SF	Plastic Laminate - Almond Batik
	053339-01-000	SF	Plastic Laminate - Butcher Block - 48" x 96" (32 SF)
	053339-01-001	EA	Plastic Laminate - Butcher Block - 48" x 48"
	053339-01-002	EA	Plastic Laminate - Butcher Block - 1.19" x 96"

**INTERIOR MOLDINGS AND TRIMS**

Key	Part Number	U/M	Description
	047354-01-000	EA	Batt Strip - 825 Buff - Ceiling - 96"
	057868-01-000	EA	Batt Strip - 724 Vermont Oak - 96"
	057887-02-000	EA	Batt Strip - Mangolds (Bath) 8'
	057725-01-000	EA	Batt Strip - Highs and Lows (Bath) 8'
	058349-03-000	EA	Batt Strip - Paintbrush Green - 8'
	058349-02-000	EA	Batt Strip - Paintbrush Brown - 8'
	058349-01-000	EA	Batt Strip - Paintbrush - Rust - 8'
	035337-22-000	EA	Trim - Inside Corner - Alum - 80/88"
	034394-02-000	FT	Extr. Vinyl Insert - Beige
	024700-06-000	EA	Cover - Roll Bar - Sidewall - Ivory
	024700-13-000	EA	Cover - Roll Bar - Vermont Oak
	039512-12-000	EA	Cover - Hat Section - Vermont Oak
	047488-01-000	EA	Cover - Corner - Hat Hat
	047489-01-000	EA	Cover - Corner - Tube Tube
	052859-01-J27	FT	Accent Trim - Acorn Brown Vinyl
	009813-01-000	FT	Molding - Outside Corner - 50' - Dark Pecan
	009767-05-000	FT	Wetting - Light Brown
	009778-01-000	FT	U-Channel - 1" - Dark Brown
	009810-01-000	FT	Molding - Outside Corner - 1" - Dark Pecan
	042430-01-000	EA	Molding - Shelf - Wood

**FABRICS AND FLOOR COVERINGS**

Key	Part Number	U/M	Description
	058784-04-000	YD	Fabric - Drapery - Green Forest
	058784-03-000	YD	Fabric - Drapery - Navy
	058784-05-000	YD	Fabric - Drapery - Brick/Burgundy
	057964-01-000	YD	Fabric - Upholstery - Emerald Green - Wide Stripe
	057964-02-000	YD	Fabric - Upholstery - Royal Blue - Wide Stripe
	057964-03-000	YD	Fabric - Upholstery - Oxford Burgundy - Wide Stripe
	057965-01-000	YD	Fabric - Upholstery - Emerald Green - Narrow Stripe
	057965-02-000	YD	Fabric - Upholstery - Royal Blue - Narrow Stripe
	057965-03-000	YD	Fabric - Upholstery - Oxford Burgundy - Narrow Stripe
	057966-01-000	YD	Fabric - Upholstery - Accent - Came
	057966-03-000	YD	Fabric - Upholstery - Accent - Burgundy
	053327-01-000	YD	Vinyl - Non-Expanded - 27 oz. - Acorn Brown
	053327-02-000	YD	Vinyl - Expanded - 28 oz. - Acorn Brown
	053327-03-000	YD	Vinyl - Non-Support - 15 Gauge Firm - Acorn Brown
	057897-04-000	SY	Carpet - Charade - Cocoa Mist

**INTERIOR FINISH GROUP (CONTINUED)**

**CABINETS AND TABLE HARDWARE**

Key	Part Number	U/M	Description
	057946-01-K01	EA	Put. Kit - Cabinet Drawer - Flat Latch
**	052932-01-J30	EA	Hinge Kit - Cabinet Door - Antique Brass
**	057945-01-K08	EA	Latch Kit - Cabinet Door - Flat Latch
**	009112-01-000	EA	Flange - 1" - Closet Rod
**	047842-01-000	EA	Kit - Dinette Table Leg
**	047809-03-000	EA	Kit - Dinette Table Wall Mount Hardware
	058753-01-000	EA	Slide - Drawer - Left
	058753-02-000	EA	Slide - Drawer - Right
	037688-01-000	FT	Rail - Drawer - Glide
	047744-01-000	EA	Kit - Drawer - Glide
	009059-01-000	EA	Hinge - Drop Leaf Extension - 2" - Gold
	009049-01-000	EA	Support - Drop Leaf Extension
	058335-01-000	EA	Latch - Bathroom Door
	039873-01-000	EA	Catchall - Strike - Nylon

\*\*The illustrated parts breakdown for this item is provided on the Cummins Items Table.

**CURTAIN HARDWARE**

Key	Part Number	U/M	Description
	052327-04-236	EA	Track - Curtain - Brown Alum. - 59" w/ Holes
	056116-01-000	FT	Track - Curtain - Brown Plastic
	056001-01-000	EA	Bracket - Shade - Left
	056002-01-000	EA	Bracket - Shade - Right
	056003-01-000	EA	Bracket - Shade - Leather - Right
	056003-02-000	EA	Bracket - Shade - Leather - Left
	053272-04-200	EA	Track - Curtain - Alum. - 45" w/ Holes
	056784-01-000	EA	Roller - Window Shade - Antique Brass
	009107-01-000	EA	Guide - Window Shade - Alum.
	018031-42-000	EA	Track - Curtain - Alum. - 42" w/ Holes
	009791-01-000	EA	Catchall - Window Curtain
	009792-01-000	EA	Extr. Stop - Window Curtain

**MISCELLANEOUS**

Key	Part Number	U/M	Description
	041944-01-000	EA	Roller - Window Shade - Alum. w/ Bracket
	040069-01-000	EA	Bracket - Window Shade - Alum. - 1.25" Dia.
	054155-04-000	EA	Catchall - Window Shade

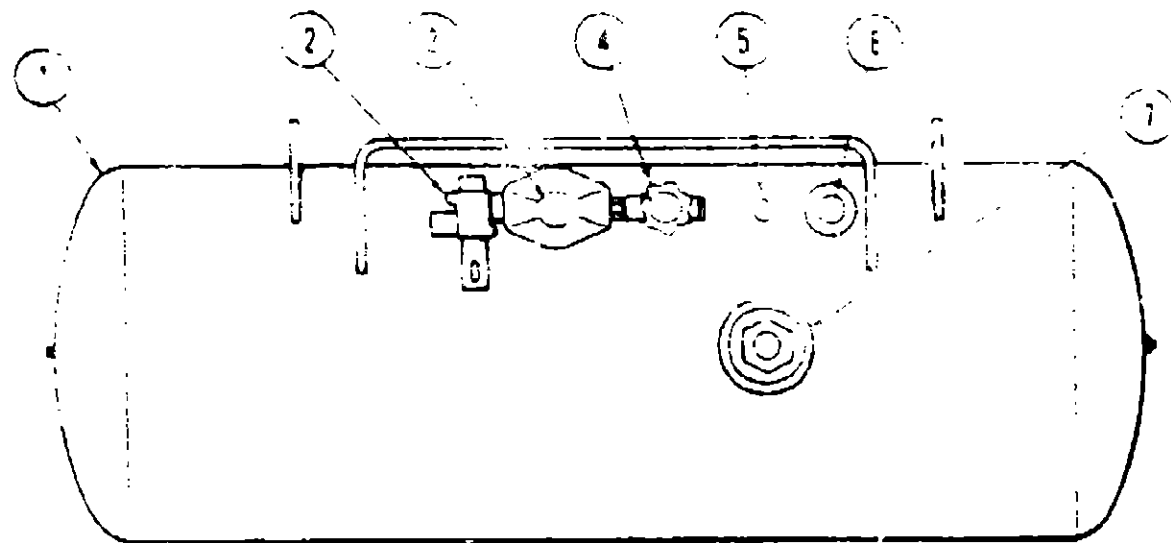
**1979 ITASCA  
TABLE OF CONTENTS**

ICF204G	A-1 - B-16
ICF262H	B-17 - D-8
ICN262B	D-9 - E-22
ICF262J	E-23 - G-14
ICF262T	G-15 - I-10

**1979 ICF204G INDEX**

Floor Plan	E-23 - F-1
Accessories Group	F-1 - F-2
Bath Group	F-3
Drains Group	F-4
Curtain Group	F-5 - F-6
Dinette Group	F-7 - F-8
Driver's Compartment Group	F-9 - F-14
Erector's Group	F-15 - F-16
Extended Body Group	F-17 - F-20
Galley Group	F-21
Heating & Air Conditioning Group	F-22
Interior Finish Group	F-23 - F-24
LP Group	G-1
Living Group	G-2 - G-3
Water & Sewage Group	G-4
Window, Vent & Exterior Door Group	G-5 - G-14

**LP GROUP**



Key	Part Number	U/M	Description
	052769-01-000	EA	Tank Asm. - LP - Frame Mount - 42 Pound
1	052770-01-000	EA	Tank Asm. - LP - Frame Mount - 65 Pound
2	047221-01-000	EA	Detector - LP Gas
3	058706-01-000	EA	Cover - Regulator - 1 Stage
4	058705-01-000	EA	Regulator - Two Stage - LP Gas
5	040421-01-700	EA	Valve - Vapor Relief
6	040421-01-701	EA	Gauge - Liquid Level - 20% LP
6	040421-01-701	EA	Valve - Filter - LP
7	040421-01-702	EA	Cap - Plastic For Valve
7	040421-01-707	EA	Gauge - Float - w Visible Dial - 65 Pound Tank
7	042281-01-700	EA	Gauge - Float - w Visible Dial - 42 Pound Tank
7	040421-01-705	EA	Dial - Visible Face - Float Gauge - Tank w Electric Transmitter
7	040421-01-705	EA	Dial - Transmitter - 0 - 90 Ohm - Float Gauge
7	045703-03-000	EA	Hose Asm. - LP - 3/8" I.D. x 14'
7	047737-02-000	EA	Support - LP Tank - 65.25"
7	047737-03-000	EA	Support - LP Tank - 30.50"
7	Not Illustrated		

**LOUNGE GROUP**

**REAR OVERHEAD CABINERY**

Key	Part Number	U/M	Description
	057754-01-K01	EA	Cabinet Asm. - Overhead - Left - Complete w Roll up Doors
	057754-02-K01	EA	Cabinet Asm. - Overhead - Right - Complete w Roll up Doors
	058120-01-K08	EA	Cabinet Asm. - Roll up Lounge Overhead Cabinet
	043257-01-000	FT	Handle - Roll up Door - Wood
	059409-01-K01	EA	Front Asm. - Fold Down Bunk - 17 1/2" x 74 1/4" w/c Doors or Hardware
	058374-01-K01	EA	Bottom Asm. - Fold Down Bunk - 14 5/8" x 74 3/8"
	057992-33-K01	EA	Door Asm. - Fold Down Bunk Cabinet - 18 1/2" x 17 1/2" w/c Hardware
	023812-2-000	EA	Rail Bunk - 17 1/2" - Brown
	041369-01-000	EA	Hinge - Rear Bunk - Brown - 725
	056249-01-000	EA	Bracket - Rear Bunk Support - 1 1/2" x 5 1/8" x 2 1/2" - 4 per Bunk
	056302-02-000	EA	Web Strap - Bunk Support - 30"
	051504-01-000	EA	Slide Bolt - Anticlip Brass

**TWIN BED CABINERY**

Key	Part Number	U/M	Description
	053794-01-K01	EA	Cabinet Asm. - Twin Bed - Left
	053794-02-K01	EA	Cabinet Asm. - Twin Bed - Right
	054006-01-J30	EA	Cabinet Asm. - Nightstand Base - w/c Countertop, Doors or Hardware
	053998-01-K08	EA	Countertop Asm. - Nightstand Base - 24 1/2" x 23 3/8" - Pot Pourri Jar
	053976-01-K01	EA	Cabinet Asm. - Nightstand Top - w Roll up Door - w/c Countertop
	053999-01-K00	EA	Countertop Asm. - Nightstand Top - 20 1/2" x 8 1/2" - Pot Pourri Jar
	059122-01-K08	EA	Door Asm. - Roll up Nightstand
	043257-01-000	FT	Handle - Roll up Door - Wood
	043255-01-000	FT	Track - Roll up Door - Brown Plastic
	043256-01-000	EA	Sprail - Roll up Door - Plastic - Right
	043258-02-000	EA	Sprail - Roll up Door - Plastic - Left
	057992-34-K01	EA	Door Asm. - Nightstand Cabinet - 10 1/2" x 17 1/2" - w/c Hardware

**PRESTO BED W CORNER LOUNGE CHAIRS**

Key	Part Number	U/M	Description
	061556-01-K01	EA	Cabinet Asm. - Corner Lounge Chair - Right
	061561-01-K01	EA	Cabinet Asm. - Corner Lounge Chair - Left
	061704-01-K01	EA	Table Asm. - Lounge - Butcher Block
	061882-01-000	EA	Leg Asm. - Table - Fixed
	061879-01-000	EA	Leg Asm. - Table - Fixed
	024275-04-000	EA	Rod - Table Lift
	024281-05-000	EA	Bracket - Table Lift - Mounts on Table
	053200-02-000	EA	Support - Table - 14 5/8" - Mounts on Wall
	057720-01-K08	EA	Panel - Couch Face - w/c Door or Hardware
	057992-27-K08	EA	Door Asm. - Couch Cabinet - 37 1/2" x 11 1/2" - w/c hardware
	057468-02-000	EA	Frame - Sprung Couch - Right
	057468-03-000	EA	Frame - Sprung Couch - Left
	057468-04-000	EA	Frame Rail - Sprung Couch (2 per couch)
	057489-01-000	EA	Leg - Sprung Couch (2 per couch)

**HORSESHOE LOUNGE W/PEDESTAL TABLE**

Key	Part Number	U/M	Description
	053200-06-J30	EA	Top Asm. - Pedestal Table - Butcher Block - 32" x 32"
	008040-03-000	EA	Base - Pedestal Table - Table Mount
	041104-01-000	EA	Gaze - Pedestal Table - Floor Mount
	008040-02-000	EA	Leg - Pedestal Table - 2.25" O.D. x 27.5" - Chrome
	052483-01-K01	EA	Cabinet Asm. - Center Gaucho
	053837-01-K01	EA	Cabinet Asm. - Right Gaucho
	053838-01-K01	EA	Cabinet Asm. - Left Gaucho
	053183-01-000	EA	Bracket - Couch Side
	058871-01-K01	EA	Cabinet Asm. - Hamper - Right - 75 1/8" x 20"
	058871-02-K01	EA	Cabinet Asm. - Hamper - Left - 75 1/8" x 20"

**1979 ITASCA  
TABLE OF CONTENTS**

ICF23FG	A-1 - B-16
ICF26RH	B-17 - D-8
ICN26RS	D-9 - E-22
ICF26RT	E-23 - G-14
ICN29RT	G-15 - I-10

**1979 ICF26RT INDEX**

Floor Plan	E-23 - E-24
Accessories Group	F-1 - F-2
Bath Group	F-3
Chess Group	F-4
Curtain, Cushion and Pad Group	F-5 - F-12
Dinette Group	F-13
Driver's Compartment Group	F-13 - F-14
Electrical Group	F-15 - F-16
Exterior Body Group	F-17 - F-20
Galley Group	F-21
Heating & Air Conditioning Group	F-22
Interior Finish Group	F-23 - F-24
LP Group	G-1
Lounge Group	G-2 - G-3
Water & Sewage Group	G-4
Window, Vent & Exterior Door Group	G-5 - G-14

## LOUNGE GROUP (CONTINUED)

### SPRUNG COUCH W SWIVEL CHAIRS AND PULL OUT TABLE

Key	Part Number	U/M	Description
	058548-01-K06	EA	Cabinet Asm - Pull Out Table - w/o Door or Hardware
	058547-01-K06	EA	Countertop Asm - Pull Out Table Cabinet - Butcher Block
	054552-01-K01	EA	Table Asm - Pull Out Table - Butcher Block
	068565-01-K08	EA	Pad Asm - Pull Out Table Cabinet
	045795-01-K00L	EA	Mount - Glass - Dark Blue - Plastic
	057720-01-K08	EA	Panel Asm - Couch Face - 73.5" x 14.62" - w/o Door or Hardware
	057992-27-K01	EA	Door Asm - Couch Cabinet - 37.42" x 11.82" - w/o Hardware
	057468-02-000	EA	Frame - Couch - Right
	057468-03-000	EA	Frame - Couch - Left
	057468-04-000	EA	Frame Rail - Couch (2 per couch)
	057469-01-000	EA	Leg - Sprung Couch (2 per couch)
	035036-01-000	EA	Plate - TT Chair
	035036-02-000	EA	Base w Legs - TT Chair

### WARDROBE CABINETRY

Key	Part Number	U/M	Description
	053895-01-K01	EA	Cabinet Asm - Left Wardrobe Upper - w/o Doors or Hardware
	058308-01-K01	EA	Cabinet Asm - Furnace - w/o Countertop, Door or Hardware
	053883-01-K03	EA	Countertop Asm - Furnace Cabinet - Pot Pourri Tan
	053944-01-K01	EA	Door Asm - Furnace - 15.58" x 13.14" - w Brass Mesh Insert
	047205-08-000	EA	Insert - Furnace Door - 10.16" x 12.12" - Brass
	039873-01-000	EA	Catch and Strike - Furnace Door - Nylon
	052812-13-K01	EA	Door Asm - Wardrobe Cabinet - 9.14" x 14.78" - w/o Hardware
	057992-21-K01	EA	Door Asm - Wardrobe Cabinet - 20.12" x 47.42" - w/o Hardware
	050705-01-K01	EA	Cabinet Asm - Right Wardrobe - Upper - w/o Doors or Hardware
	058307-01-K01	EA	Cabinet Asm - Right Wardrobe - Base - w/o Doors or Hardware
	053993-01-K08	EA	Countertop Asm - Right Wardrobe - Pot Pourri Tan
	057992-23-K01	EA	Door Asm - Wardrobe Cabinet - 22.22" x 22.22" - w/o Hardware

### SPRUNG COUCH W TT CHAIR AND VANITY DESK CABINET

Key	Part Number	U/M	Description
	054177-01-K01	EA	Cabinet Asm - Vanity - w/o Countertop, Doors, Drawers and Hardware
	054235-01-K08	EA	Countertop Asm - Vanity Cabinet - 46.12" x 27.14" - Pot Pourri Tan
	054102-02-K01	EA	Cabinet Asm - Desk Drawer - Mounts on Vanity Cabinet
	054242-02-K01	EA	Drawer Asm - Desk - 31.4" x 20.14" x 10.58" Deep w/o Hardware
	057992-35-K01	EA	Door Asm - Vanity Cabinet - 12.34" x 25" - w/o Hardware
	058023-08-K01	EA	Drawer Asm - Vanity Cabinet - 14.18" x 5.14" x 20" Deep - w/o Hardware
	057720-01-K01	EA	Panel Asm - Couch Face - 73.5" x 14.62" - w/o Door or Hardware
	057992-27-K01	EA	Door Asm - Couch Cabinet - 37.42" x 11.82" - w/o Hardware
	057468-02-000	EA	Frame - Couch - Right
	057468-03-000	EA	Frame - Couch - Left
	057468-04-000	EA	Frame Rail - Couch (2 per couch)
	057469-01-000	EA	Leg - Sprung Couch (2 per couch)
	035036-01-000	EA	Plate - TT Chair
	035036-02-000	EA	Base w Legs - TT Chair

### DOUBLE BED W/NIGHT STAND

Key	Part Number	U/M	Description
	057489-02-K08	EA	Head Board Asm - Padded - Green
	057489-02-K03	EA	Head Board Asm - Padded - Blue
	057489-02-K10	EA	Head Board Asm - Padded - Burgundy
	057882-40-K01	EA	Door Asm - Cabinet - 8.42" x 14.72" - w/o Hardware
	058083-02-K01	EA	Drawer Asm - Nightstand - Double Bed - 11.37" x 31.72" x 20" Deep - w/o Hardware
	057387-01-K01	EA	Cabinet Asm - Nightstand/Hamper - w/o Countertop, Doors, Drawer or Hardware
	057385-01-K08	EA	Countertop Asm - Nightstand - 14.4" x 28.8" - Pot Pourri Tan
	057386-01-K08	EA	Countertop Asm - Hamper Lid - 9.4" x 12.2" - Pot Pourri Tan
	058023-07-K01	EA	Drawer Asm - Night Stand Cabinet - 6.02" x 11.32" x 20" Deep - w/o Hardware

## WATER AND SEWAGE GROUP

### PLUMBING REPAIR PARTS

Key	Part Number	U/M	Description
**	040539-01-000	EA	Kit - Repair - 3.8" O.D. Plastic Tube
**	040540-01-000	EA	Kit - Repair - 1.2" O.D. Plastic Tube
**	040541-01-000	EA	Kit - Repair - 5.8" O.D. Plastic Tube
**	041219-02-000L	EA	Pump - Water - Flow 20 GPM - 1/2" HP
**	053648-01-000	EA	Pump - Water - 28 G.P.M. - Direct Drive - S
**	063646-02-000	EA	Pump - Water - 28 G.P.M. - Direct Drive - CSA
**	039547-02-000	EA	Filter - Water Pump - 2" MPT
**	039809-01-000	EA	Valve - Stop - Plastic 3.8" x 1.2" FPT
**	039818-01-000	EA	Riser Asm - 3.8" O.D. x 24" Tube
**	039818-02-000	EA	Riser Asm - 3.8" O.D. x 36" Tube
**	039818-04-000	EA	Riser Asm - 3.8" O.D. x 72" Tube
**	039818-05-000	EA	Riser Asm - 3.8" O.D. x 48" Tube
**	041819-01-000	EA	Nut and Cone - Plastic 1.2" O.D. Tube
**	004020-01-000	QT	Adhesive - ABS Cement
**	010201-01-000	EA	Hot - Sewer - 3" x 10 FT w Clamp
**	010235-01-000	EA	Cap - Sewage 3"
**	010236-01-000	EA	Adapter - Hose 3" Sewage
**	010234-01-000	EA	Adapter - Bayonet
**	011091-01-000	EA	Waste - Continuous - Double Sink 11.75"
**	011066-01-000	EA	P-Trap - Plastic - 1.14"
**	010205-01-000	EA	Valve - Sanitary - Therford 3 x B
**	010210-01-000	EA	Valve - Sanitary - Therford 3HE
**	010133-01-000	EA	Adapter - Trap - Plastic - 1.12" H x MPT
**	010071-01-000	EA	Tee - Plastic - 1.12" H x H x H
**	010073-01-000	EA	Wye - Plastic - 1.12" x 45 H x H x H
**	010079-01-000	EA	Tee - Plastic - 1.12" H x 1.12" H x 1.14" H
**	010091-01-000	EA	Wye - Plastic - 3" x 45 H x H x H
**	010117-01-000	EA	Coupling - Plastic - 3" H x H
**	010134-01-000	EA	Adapter - Plastic - 1.12" M x MPT
**	050780-01-000	EA	Coupler - Rubber - 3" x 3"
**	052952-01-000	EA	Nut - Plastic - 1.2" F
**	052953-01-000	EA	Nut - Faucet - 1.2" Tube x 1.2" FPT
**	052954-01-000	EA	Adapter - Nose Cone - 3.8" x 1.2"
**	052958-01-000	EA	Tee - Plastic - 1.2" F x 1.2" F x 1.2" F
**	052959-02-000	EA	Connector - Plastic - 1.2" F x 1.2" MPT
**	052960-01-000	EA	Valve - Line Drain - 1.2" F x 1.2" F
**	052961-01-000	EA	Header - 1.2" F x 1.2" F x 1.2" F x 1.2"
**	054537-01-000	EA	Valve - Tank Drain
**	046524-01-000	EA	Kit - Plastic Fittings - Holding Tank
**	046524-02-000	EA	Kit - Plastic Fittings - Water Tank
**	010209-05-000	EA	Handle - Extension - Sewer Valve - 36"
**	037845-01-000	FT	Tape - Butyl - 3.16" - Bead - Black

\*\*The illustrated parts breakdown for this item is provided on the Common Items Fiche.

### HOLDING TANKS AND WATER HEATERS

Key	Part Number	U/M	Description
**	051882-02-000	EA	Tank Asm - Holding w/Fittings - Double
**	051882-01-000	EA	Tank Asm - Holding w/o Fittings - Double
**	052555-03-000	EA	Tank Asm - Water w/Fittings
**	052555-01-000	EA	Tank Asm - Water w/o Fittings
**	051361-01-000	EA	Water Heater - 6 Gallon w/o Motor Aid - Atwood G6A-3

\*\*The illustrated parts breakdown for this item is provided on the Common Items Fiche.

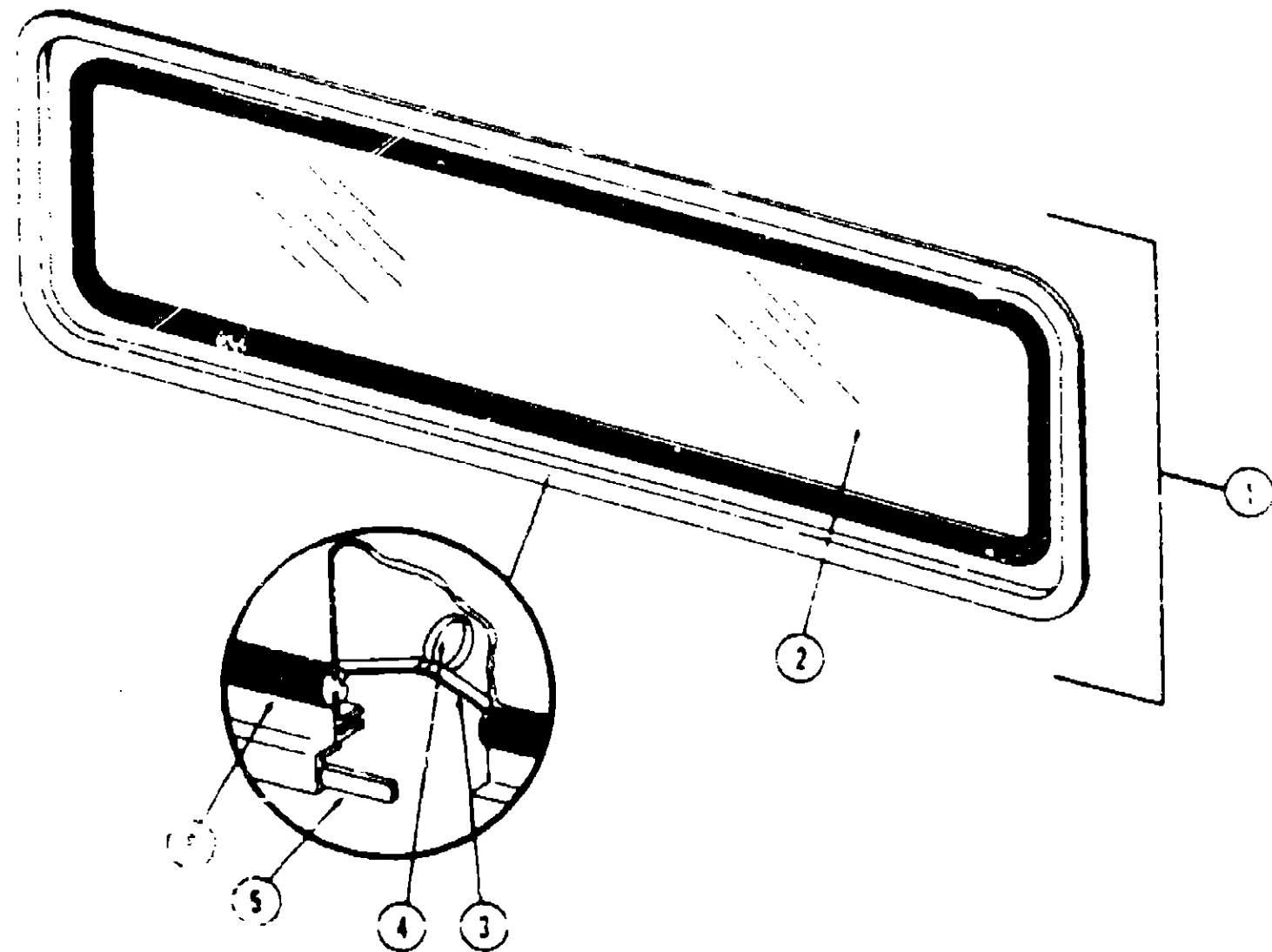
## 1979 ITASCA TABLE OF CONTENTS

ICF23RG	A-1 - B-16
ICF26KH	B-17 - D-8
ICN26RB	D-9 - E-22
ICF26RT	E-23 - G-14
ICN29RT	G-15 - I-10

## 1979 ICF26RT INDEX

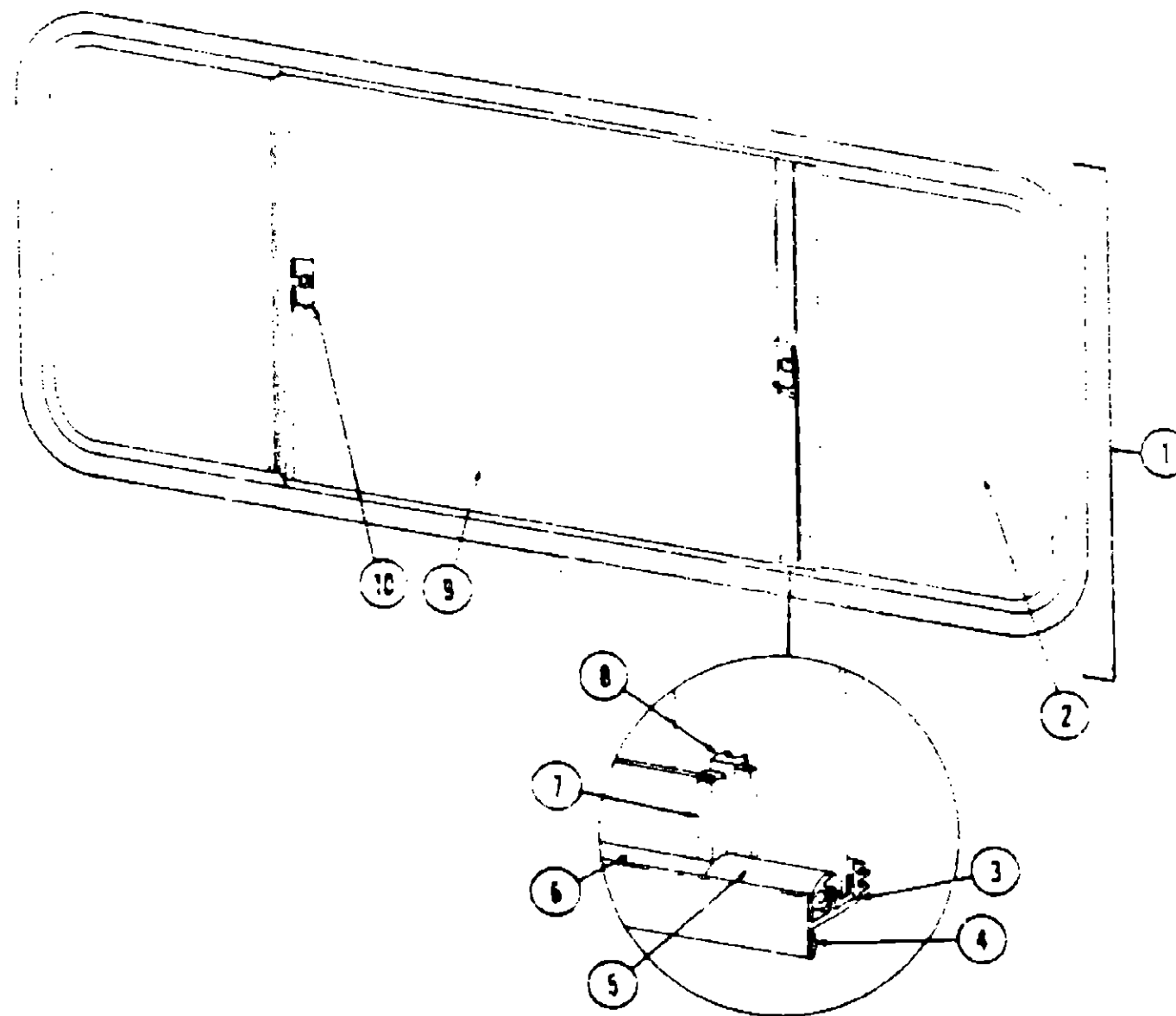
Floor Plan	E-23 - E-24
Accessories Group	F-1 - F-2
Bath Group	F-3
Chassis Group	F-4
Curtain, Cushion and Pad Group	F-5 - F-12
Dinette Group	F-13
Driver's Compartment Group	F-13 - F-14
Electrical Group	F-15 - F-16
Exterior Body Group	F-17 - F-20
Galley Group	F-21
Heating & Air Conditioning Group	F-22
Interior Finish Group	F-23 - F-24
LP Group	G-1
Lounge Group	G-2 - G-3
Water & Sewage Group	G-4
Window, Vent. & Exterior Door Group	G-5 - G-14

WINDOW, VENT AND EXTERIOR DOOR GROUP



Key	Part Number	U/M	Description
1	020754-03-000	EA	Window Asm. - Escape - 23" x 68" Black Anod. (w/o inside frame)
2	002178-01-000	EA	Glass - 1 8" x 19 61" x 64 80"
3	002285-01-000	FT	Weatherstrip - Filter - Black
4	020385-01-000	EA	Slip Ring - Pull
5	074363-01-000	FT	Tape - Foam 3 16" x 1 2" Gray
6	022282-01-000	FT	Weatherstrip - Window - 125" Black
•	020752-03-000	EA	Frame - Window - Inside - Escape 23" x 68" (not included in assembly)
•	006199-01-000	EA	Label - Exit - Escape Window
•			Not Illustrated

WINDOW, VENT AND EXTERIOR DOOR GROUP (CONTINUED)



Key	Part Number	U/M	Description
1	048630-02-000	EA	Window Asm. - Double Slider - 23" x 56" - Black Anod. (w/o inside frame)
2	047816-01-000	EA	Glass - 1 8" x 22" x 16 53" - Sliding (2 per window)
3	002324-01-000	FT	Channel - Weatherstrip - Glass Ret. - 1 8" Glass
4	004363-01-000	FT	Tape Foam - 3 16" x 1 2" - Gray
5	057374-02-000	FT	Seal - Window Channel - 1 8" Glass - Black
6	002309-02-000	FT	Spine - Glass - 1 8" - Black
7	018025-03-000	EA	Holder - Glass Seal - Black Anod.
8	041894-02-000	EA	Mullion - Slider Window - 23" Black Anod.
9	002188-01-000	EA	Glass - 1 8" x 22" x 21 03" - Stationary
10	047389-01-760	EA	Latch - Window - Plastic
•	042133-06-000	EA	Frame - Inside - Double Slider Window (not included in assembly)
•	002298-01-000	FT	Spine - Gray - .130" Dia. - (Screen)
•	002283-01-000	SF	Screen - Window - 28" - Gray
•	023713-02-000	EA	Cover - Weephole - Plastic Black
•			Not Illustrated

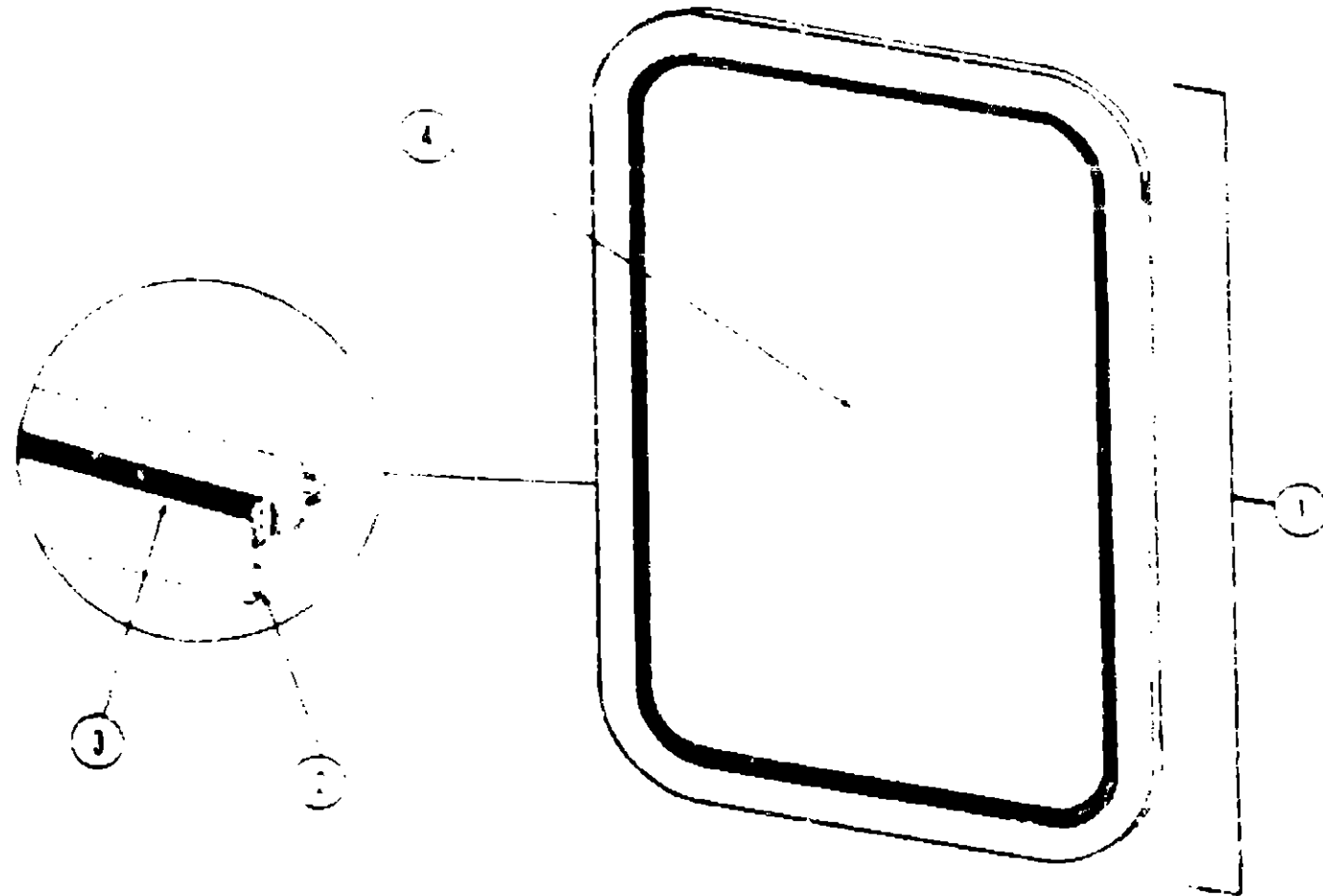
1979 ITASCA  
TABLE OF CONTENTS

CF23RG	A-1 - B-16
CF26RH	B-17 - D-8
ICN26PB	D-9 - E-22
CF26RT	E-23 - G-14
ICN26RT	G-15 - I-10

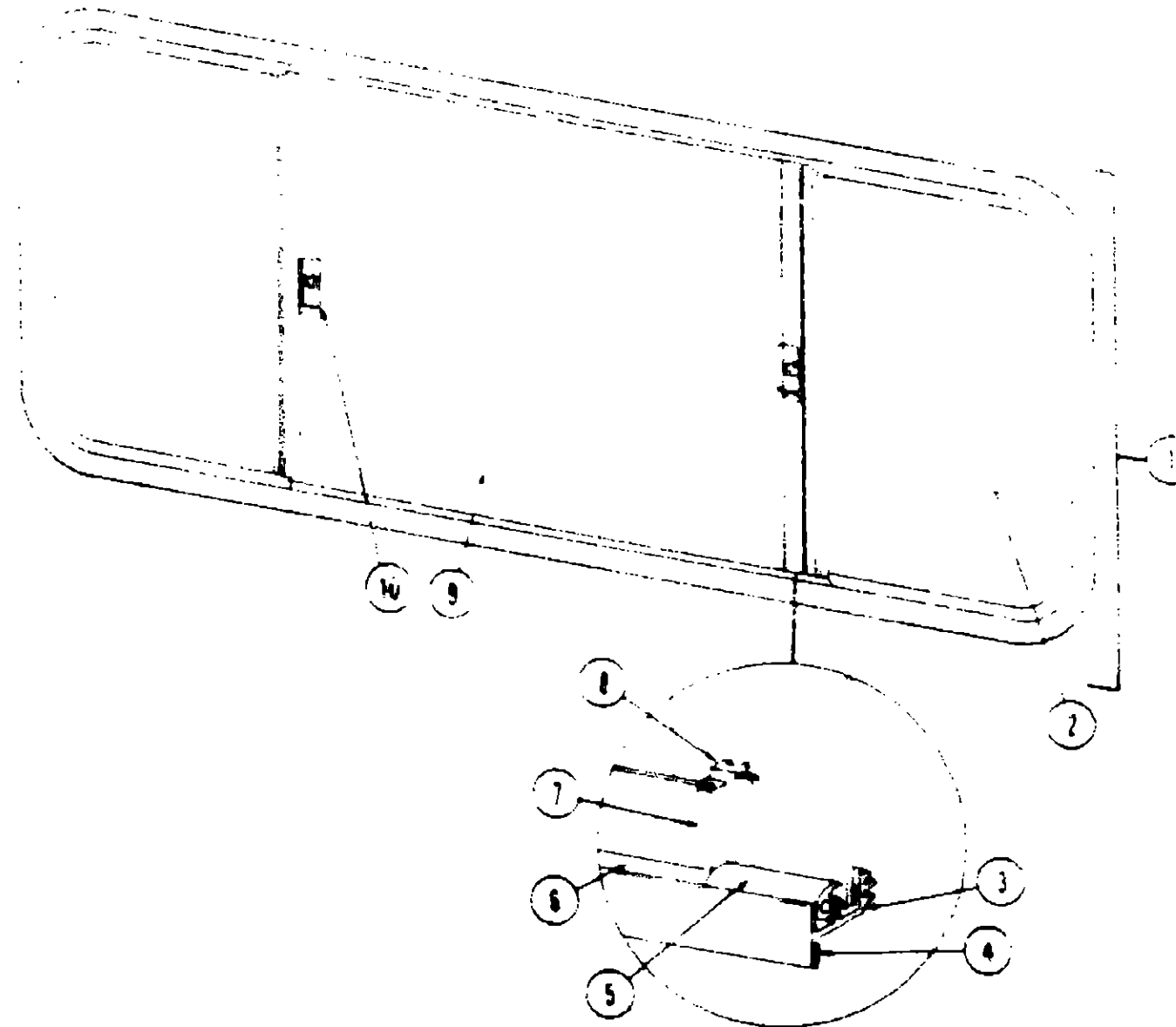
1979 ICF26RT INDEX

Floor Plan	E-23 - E-24
Accessories Group	F-1 - F-2
Bath Group	F-3
Chassis Group	F-4
Curtain, Cushion and Pad Group	F-5 - F-12
Dinette Group	F-13
Driver's Compartment Group	F-13 - F-14
Electrical Group	F-15 - F-18
Exterior Body Group	F-17 - F-20
Galley Group	F-21
Heating & Air Conditioning Group	F-22
Interior Finish Group	F-23 - F-24
LP Group	G-1
Lounge Group	G-2 - G-3
Water & Sewage Group	G-4
Window, Vent & Exterior Door Group	G-5 - G-14





Key	Part Number	U. M	Description
1	056651-01-000	EA	Window Asm - Picture - 20 3/4 x 20 3/4 - Black w/ inside frame
2	053767-02-000	FT	Tape - 3/16 Bead x 22 - Schnee Morehead
3	002309-02-000	FT	Spline - Glass - 1/8" - Black
4	002181-03-000	EA	Glass - 11 5/8 x 20 6/8 x 20 6/8 - Gray
·	056650-01-000	EA	Frame - Inside - Window (not included in assembly)
·			Not Illustrated



Key	Part Number	U. M	Description
1	049630-04-000	EA	Window Asm - Double Slider - 23" x 65" - Black Anod w/ inside frame
2	047823-01-000	EA	Glass - 1 8/8 x 22" x 21 0/8 - Sliding (2 per window)
3	002324-01-000	FT	Channel - Weatherstrip - Glass Run - 1 8/8" Glass
4	004363-01-000	FT	Tape - Foam - 3/16" x 1 1/2" - Gray
5	057374-02-000	FT	Seal - Window Channel - 1 8/8" Glass - Black
6	002309-02-000	FT	Spline - Glass - 1/8" - Black
7	018025-03-000	EA	Holder - Glass Seal - Black Anod
8	041894-02-000	EA	Mullion - Slider Window - 23" - Black Anod.
9	002188-01-000	EA	Glass - 1/8" x 22" x 25 5/8" - Stationary
10	047389-01-700	EA	Latch - Window - Plastic w/ Fastener
·	042133-08-000	EA	Frame - Inside - Double Slider Window (not included in assembly)
·	002298-01-000	FT	Spline - Gray - 130" Dia - (Screen)
·	002283-01-000	SF	Screen - Window - 28" - Gray
·	023713-02-000	EA	Cover - Weephole - Plastic - Black
·			Not Illustrated

1979 ITASCA  
TABLE OF CONTENTS

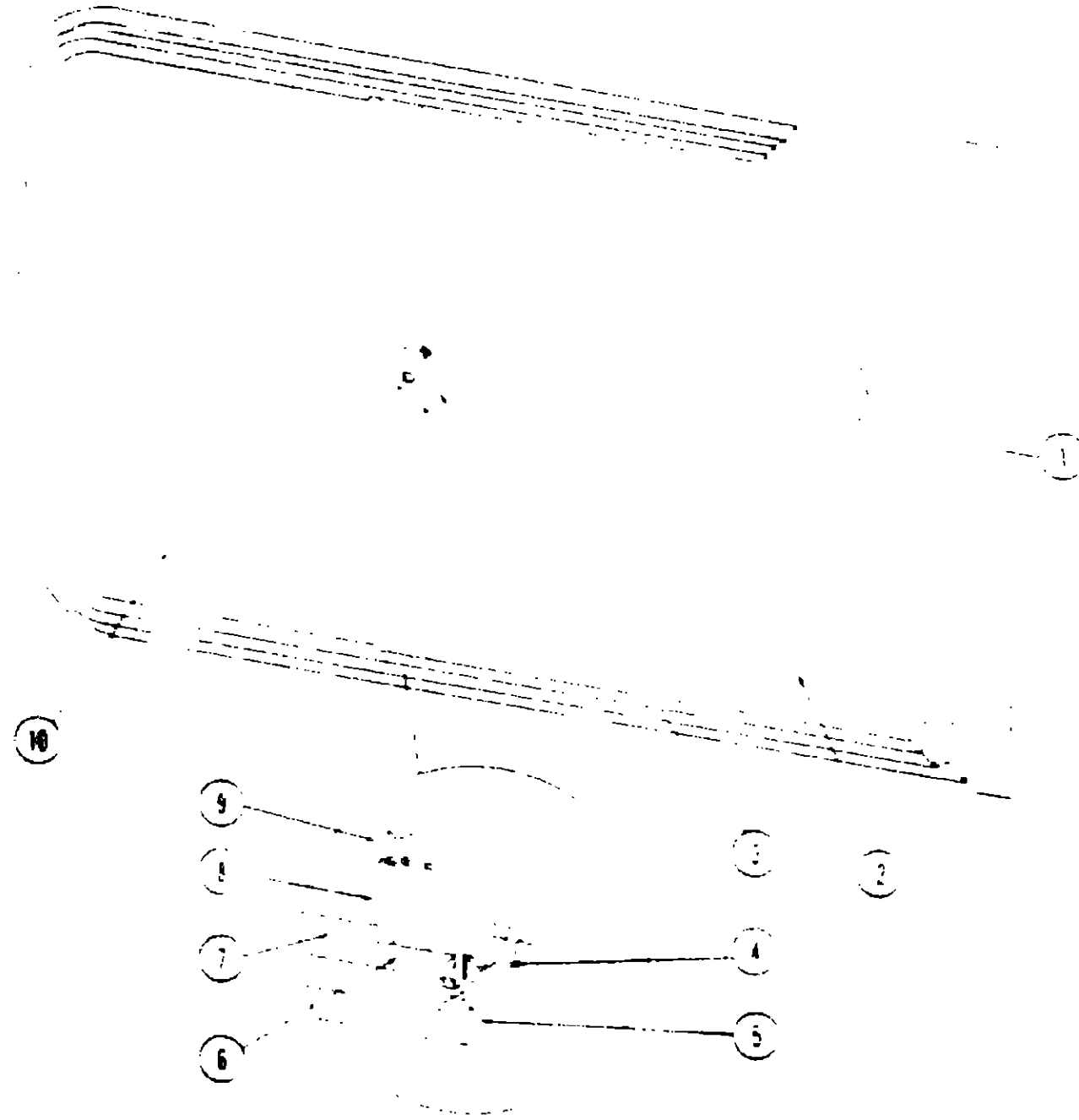
CF23RG	A-1 - B-16
CF26RT	B-17 - D-8
CN26RB	D-9 - E-22
CF26RT	E-23 - G-14
CN29FT	G-15 - I-10

1979 ICF26RT INDEX

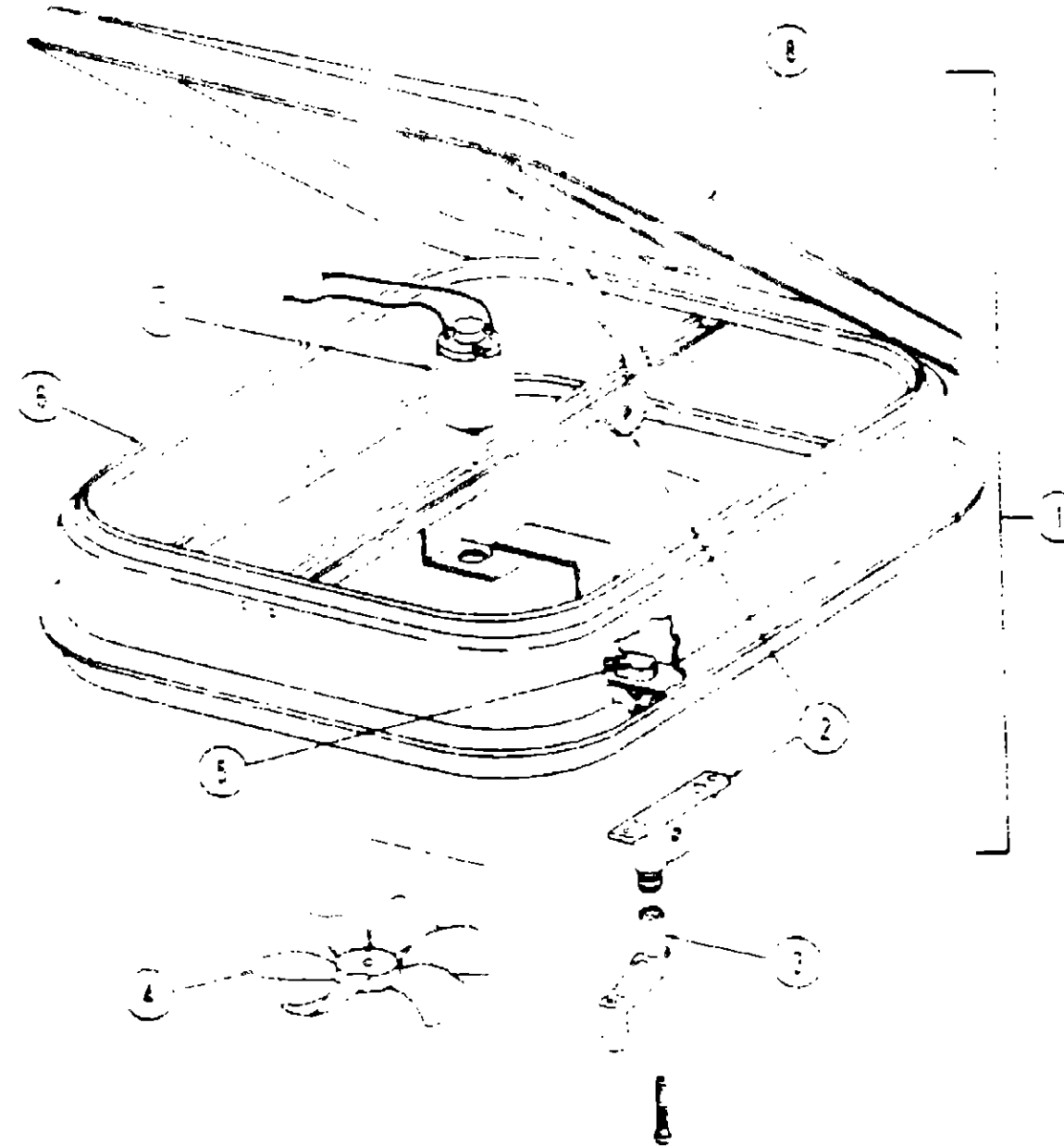
Floor Plan	E-23 - E-24
Accessories Group	F-1 - F-2
Bath Group	F-3
Chassis Group	F-4
Curtain, Cushion and Pad Group	F-5 - F-12
Dinette Group	F-13
Driver's Compartment Group	F-13 - F-14
Electrical Group	F-15 - F-18
Exterior Body Group	F-17 - F-20
Galley Group	F-21
Heating & Air Conditioning Group	F-22
Interior Finish Group	F-23 - F-24
LP Group	G-1
Lounge Group	G-2 - G-3
Water & Sewage Group	G-4
Window, Vent & Exterior Door Group	G-5 - G-14

WINDOW, VENT AND EXTERIOR DOOR GROUP (CONTINUED)

WINDOW, VENT AND EXTERIOR DOOR GROUP (CONTINUED)



Key	Part Number	U/M	Description
1	058046-01-000	EA	Window Arm - Right Front Slant Slider - 23" x 39" - Black Anod (w/o inside frame)
	058046-02-000	EA	Window Arm - Left Front Slant Slider - 23" x 39" - Black Anod (w/o inside frame)
2	057856-01-000	EA	Glass - 3-16" x 24 88" x 25 30" - Stationary
3	047388-01-700	EA	Latch - Window - Plastic w/ Fastener
4	042077-01-000	FT	Channel - Weatherstrip - Glass Run - 3-16" Glass
5	053787-01-000	FT	Tape - 1/2" x 1/8" x 30' - Gray - Schnee Morehead
6	050218-02-000	FT	Spline - 3-16" Glass
7	041828-02-000	FT	Seal - Window Channel - 3-16" Glass - Black
8	002388-03-208	EA	Holder - Glass Seal - Black Anod - 24 13"
9	057844-04-000	EA	Mullion - Window - Slant Slider
10	057857-01-000	EA	Glass - 3-16" x 24 88" x 14 70" - Sliding
	058042-01-000	EA	Inside Frame - Right Front Slant Slider (not included in assembly)
	058042-02-000	EA	Inside Frame - Left Front Slant Slider (not included in assembly)
	022713-02-000	EA	Cover - Weephole - Black Anod
	056184-05-000	EA	Slider Screen Arm - Right or Left - Black
	018910-03-000	EA	Handle - Slider Screen - Black
	002282-01-000	SF	Screen - Window - 20" - Gray
	002288-01-000	FT	Spline - Gray - 130" Dia
			Not Illustrated



Key	Part Number	U/M	Description
1	048789-01-000	EA	vent Arm - Roof - Powered - w/o Screen
2	009440-01-000	EA	Gear - Arm - Roof Vent
3	009439-01-000	EA	Crank - Roof Vent
4	048649-01-000	EA	Fan - Blade - 6" Plastic
5	008195-01-000	EA	Switch - Push Button - 12 Volt
6	002825-01-000	FT	Weatherstrip - Roof Vent
7	048648-01-000	EA	Motor - 12 Volt
8	046825-01-000	EA	Cover - Plastic - Roof Vent
	045695-01-000	EA	Screen Asm - Powered Roof Vent - Clear Anod (not included in assembly)
	048695-03-000	EA	Screen Asm - Powered Roof Vent - Beige (not included in assembly)
			Not Illustrated

1979 ITASCA  
TABLE OF CONTENTS

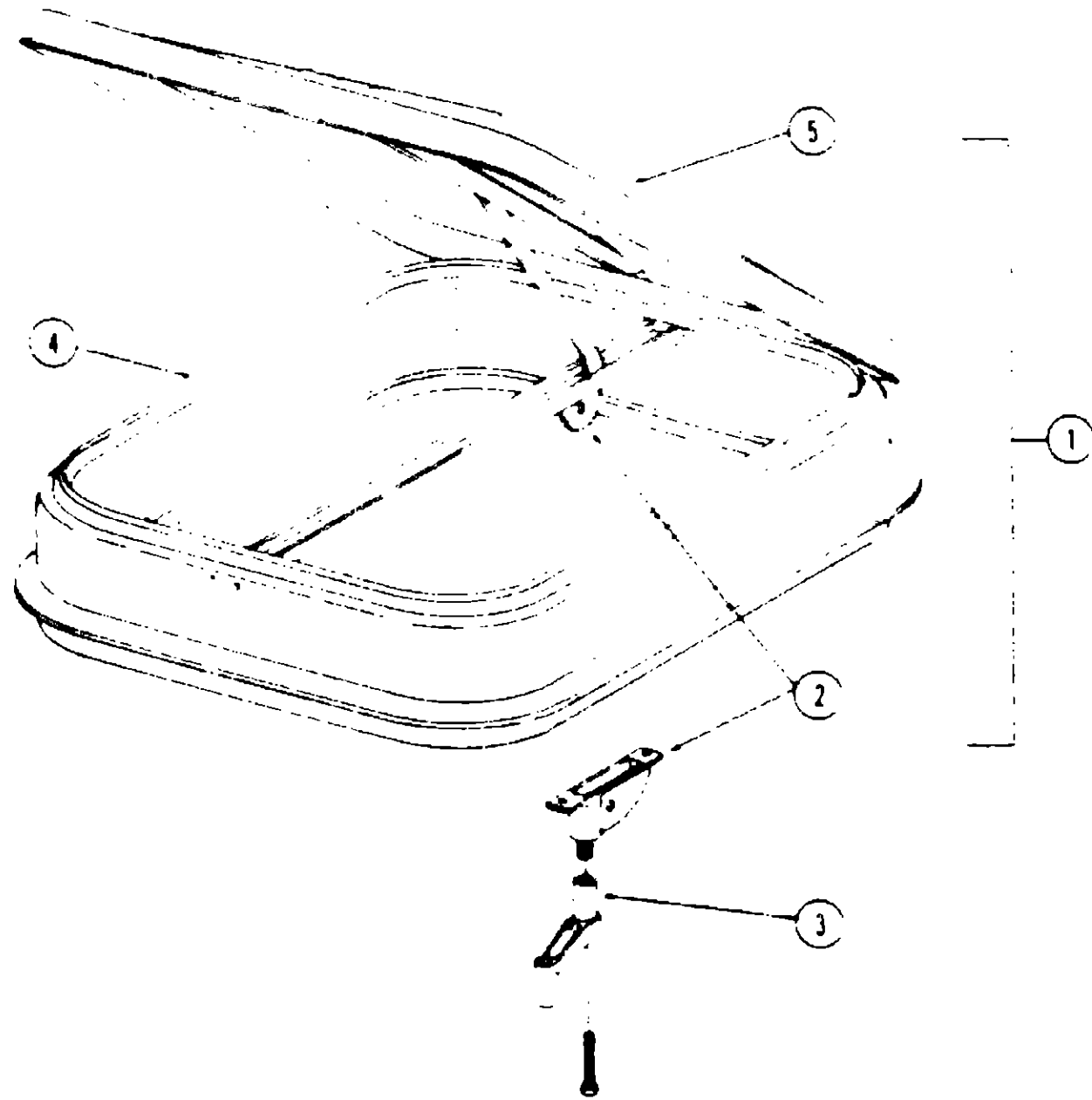
CF23RG	A-1 - B-6
CF26RL	B-17 - D-8
CN26RB	D-9 - E-22
CF26RT	E-23 - G-14
CN26RT	G-15 - I-10

1979 ICF26RT INDEX

Floor Plan	E-23 - E-24
Accessories Group	F-1 - F-2
Bath Group	F-3
Chassis Group	F-4
Curtain, Cushion, and Pad Group	F-5 - F-12
Dinette Group	F-13
Driver's Compartment Group	F-13 - F-14
Electrical Group	F-15 - F-16
Exterior Body Group	F-17 - F-20
Galley Group	F-21
Heating & Air Conditioning Group	F-22
Interior Finish Group	F-23 - F-24
LP Group	G-1
Lounge Group	G-2 - G-3
Water & Sewage Group	G-4
Window, Vent & Exterior Door Group	G-5 - G-14

WINDOW, VENT AND EXTERIOR DOOR GROUP (CONTINUED)

WINDOW, VENT AND EXTERIOR DOOR GROUP (CONTINUED)



Key	Part Number	U/M	Description
1	048835-01-000	EA	Vent Asm - Roof - Non Powered - w o Screen
2	009440-01-000	EA	Gear - Arm - Roof Vent
3	009439-01-000	EA	Crank - Roof Vent
4	002825-01-000	FT	Weatherstrip - Roof Vent
5	048825-01-000	EA	Cover - Plastic - Roof Vent
	016335-01-000	EA	Screen Asm - Non Powered Roof Vent - Clear Anod (not included in assembly)
	016335-03-000	EA	Screen Asm - Non Powered Roof Vent - Beige (not included in assembly)
			Not Illustrated

VENTS

Key	Part Number	U/M	Description
	039716-01-000	EA	Cover - Refrigerator Vent - Plastic
	009440-01-000	EA	Frame Asm - Refrigerator Vent
	049352-01-000	EA	Vent - Stovehood - Cook - Powered Hood - Off White
	053334-01-000	EA	Vent - Stovehood - Outside - Non Powered Hood - Off White

ACCESS DOORS

Key	Part Number	U/M	Description
	037544-01-000	EA	Door Asm - Battery - Off White w Twist Type Lock
	051504-01-000	EA	Door Asm - LP - Off White w Twist Type Lock
	047230-02-000	EA	Door Asm - Luggage - 10 x 35 - Off White w Key Type Lock
	037804-01-000	EA	Door Asm - Storage - 10 1/4 x 37 1/4 - Off White w Key Type Lock
	054270-01-000	EA	Door Asm - Refrigerator Access - Off White w Twist Type Lock
	055500-01-000	EA	Door Asm - Gas F - w Key Type Lock
	042441-01-000	EA	Lock Asm - Key Type - Gas F
	057096-01-000	EA	Door Asm - Power Cord Hatch - Off White
	052950-03-000	EA	Lock Asm - Twist Type - Straight Cam - Power Cord Door
	047305-01-000	EA	Lock Asm - Key Type w Dip - Meta
	052950-01-000	EA	Lock Asm - Twist Type w Dip - White Plastic
	016945-02-000	EA	Holder Asm - battery and Luggage Doors
	052179-02-000	EA	Door Asm - Generator - Off White w Twist Type Lock
	052181-01-000	EA	Baffle - Generator Door
	052009-01-000	EA	Door - Water Heater - Off White - Atwood

WINDSHIELD

Key	Part Number	U/M	Description
	057453-01-000	EA	Glass - Windshield - Flat
	058272-01-000	EA	Frame Asm - Windshield
	038886-01-000	EA	Tape - Butyl - 31" x 31" x 148

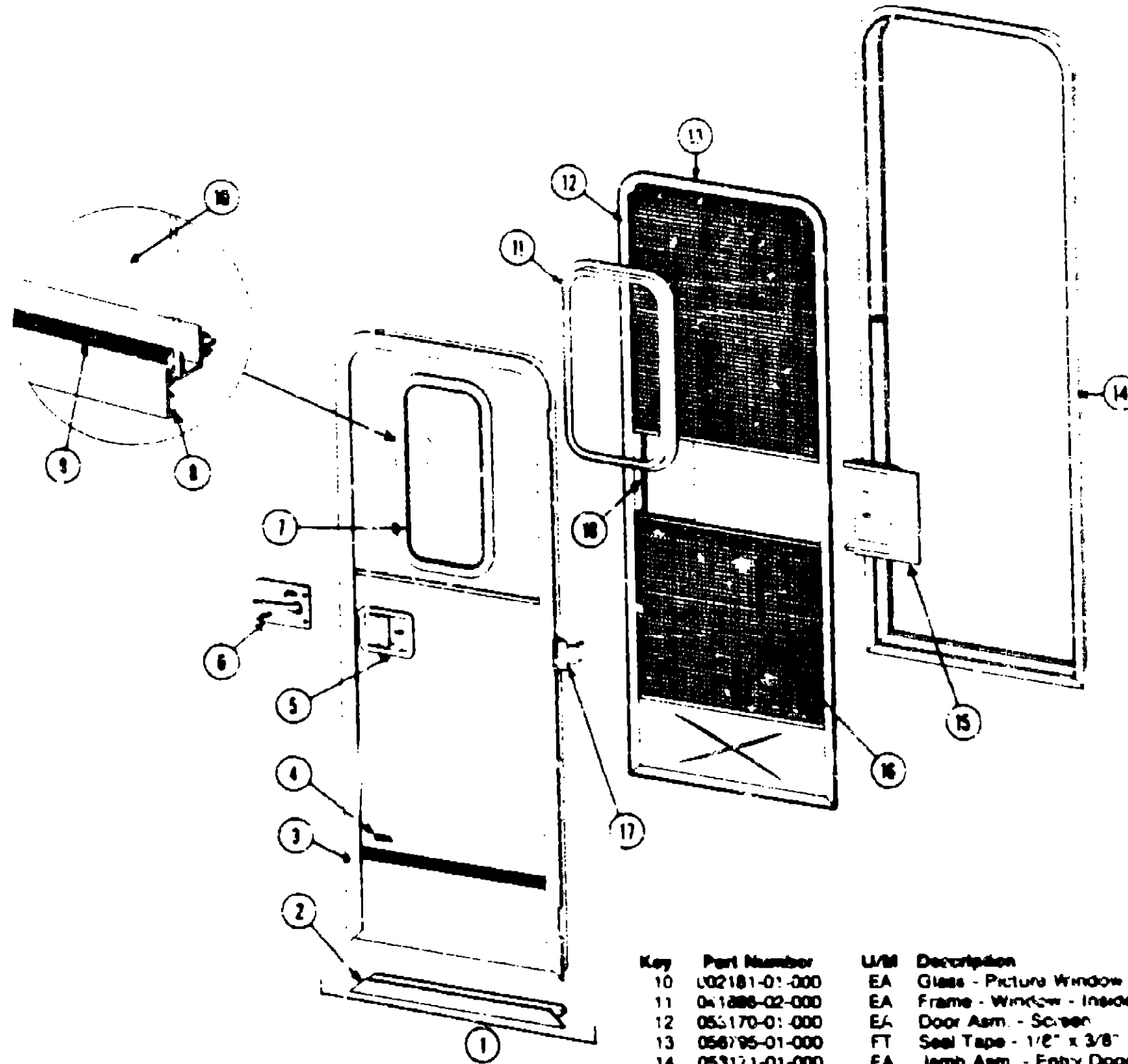
1979 ITASCA  
TABLE OF CONTENTS

ICF23RG	A-1 - B-16
ICF26RH	B-17 - D-8
ICN26RB	D-9 - E-22
ICF26RT	E-23 - G-14
ICN29RT	G-15 - H-10

1979 ICF26RT INDEX

Finer Plan	E-23 - E-24
Accessories Group	F-1 - F-2
Bath Group	F-3
Chassis Group	F-4
Curtain, Cushion and Pad Group	F-5 - F-12
Dinette Group	F-13
Driver's Compartment Group	F-13 - F-14
Electrical Group	F-15 - F-16
Exterior Body Group	F-17 - F-20
Galley Group	F-21
Heating & Air Conditioning Group	F-22
Interior Finish Group	F-23 - F-24
LP Group	G-1
Lounge Group	G-2 - G-3
Water & Sewage Group	G-4
Window, Vent & Exterior Door Group	G-5 - G-14

WINDOW, VENT AND EXTERIOR DOOR GROUP (CONTINUED)



Key	Part Number	U/M	Description
1	053169-04-000	EA	Door Asm - Radius Entry w/Screen Door
2	039737-01-000	EA	Frame - Entry Door (Bottom Portion Only)
3	039738-01-000	EA	Frame - Entry Door (Except Bottom Portion)
4	054530-01-000	EA	Holder Asm - Entry Door
5	045017-01-000	EA	Paddle Asm - Door Lock - Exterior
	045017-01-700	EA	Lock Cylinder w/Keys - Lynor
	038539-01-000	EA	Strike Bolt - Entry Door
	038540-01-000	EA	Latch Claw - Entry Door
6	038879-01-000	EA	Plate - Lock - Inside - Including Inside Handle
	052188-01-000	EA	Lock Asm - Complete - Lynor
7	041875-02-000	EA	Window Asm - Picture - 13" x 23" - Black Anod (inside frame not included in assembly)
8	004383-01-000	FT	Tape - Foam - 3/16" x 1/2" - Gray
9	002209-02-000	FT	Spine - Glass - 1/8" Black

Key	Part Number	U/M	Description
10	002181-01-000	EA	Glass - Picture Window - 1/8" x 12" x 22" Gray
11	041886-02-000	EA	Frame - Window - Inside - 13" x 23" - Brown
12	055170-01-000	EA	Door Asm - Screen
13	056795-01-000	FT	Seal Tape - 1/2" x 3/8" - Press On
14	053171-01-000	EA	Jamb Asm - Entry Door
15	015561-01-000	EA	Sider - Screen Door - Brown Plastic
16	002283-01-000	SF	Screen - Window - 28" - Gray
17	039520-01-000	EA	Hinge - Entry Door (3 used per door)
18	015581-01-000	EA	Cap - Screen Door - Brown Plastic
	049176-01-700	EA	Hedlok II - 3/4" Diameter - Screw Mount (Retains screen door to entry door)
	049797-01-000	EA	Hedlok II - 1" Diameter - Screw Mount (Retains screen door to entry door)
	018019-01-000	EA	Sider - Screen Door
	038883-01-000	EA	Catch Asm - Single Roller w/Strike - Screen Door
	051380-01-000	FT	Seal - Bulb - Rubber
	038890-03-000	FT	Tubing - Poly/Lutyl - 3/8" O.D. - Jamb
	044882-02-000	EA	Drip Cap - Jamb Mounted - Off White
			Not Illustrated

1979 ITASCA  
TABLE OF CONTENTS

ICF23RG	A-1 - B-16
ICF26RH	B-17 - D-8
ICN26RB	D-9 - E-22
ICF26RT	E-23 - G-14
ICN26RT	G-15 - I-10

1979 ICF26RT INDEX

Floor Plan	E-23 - E-24
Accessories Group	F-1 - F-2
Bath Group	F-3
Chassis Group	F-4
Curtain, Cushion & Pad Group	F-5 - F-12
Dinette Group	F-13
Driver's Compartment Group	F-13 - F-14
Electrical Group	F-13 - F-16
Exterior Body Group	F-17 - F-20
Galley Group	F-21
Heating & Air Conditioning Group	F-22
Interior Finish Group	F-23 - F-24
LP Group	G-1
Lounge Group	G-2 - G-3
Water & Sewage Group	G-4
Window, Vent & Exterior Door Group	G-5 - G-14