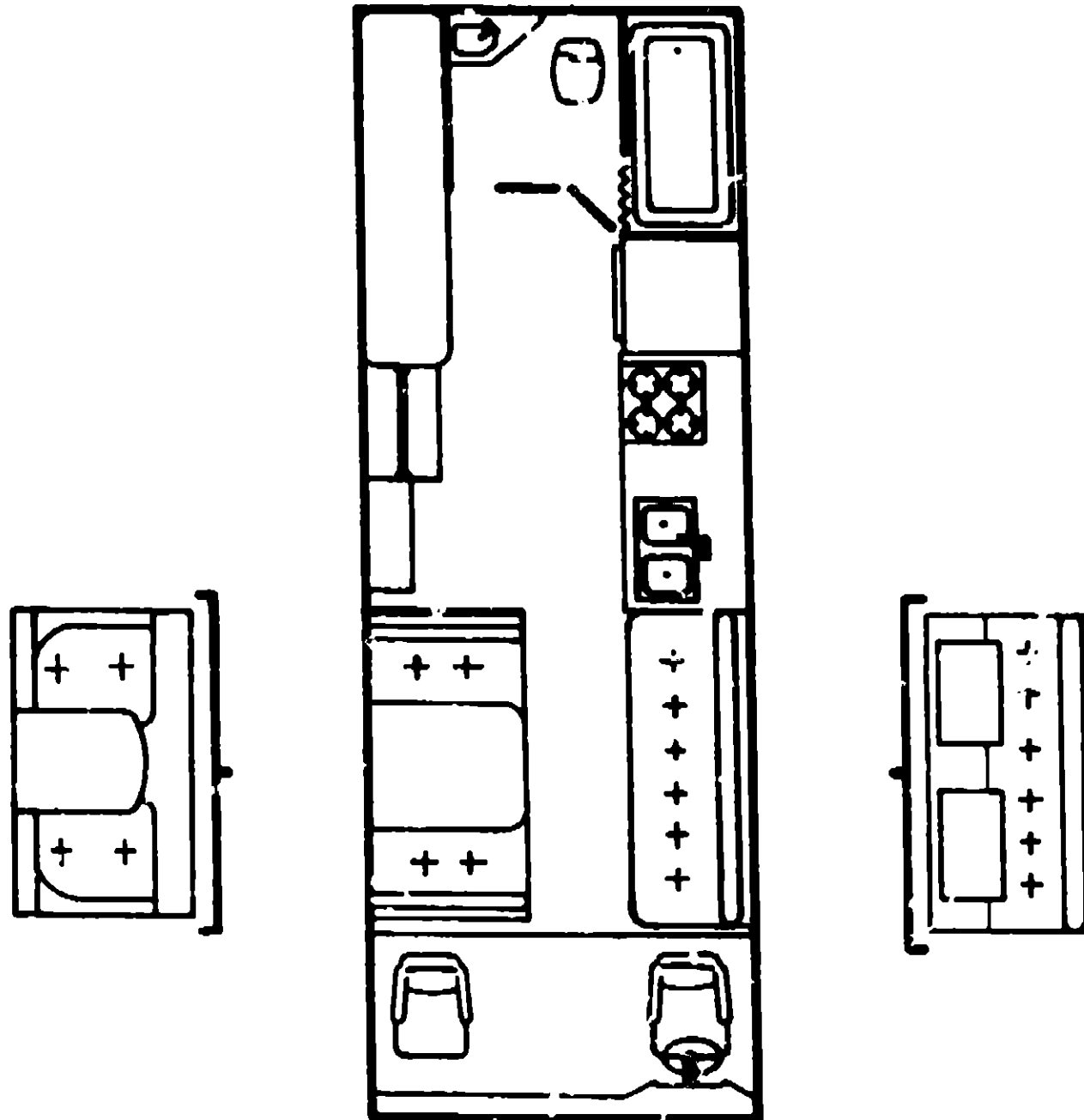


# 1979 ICF26RH



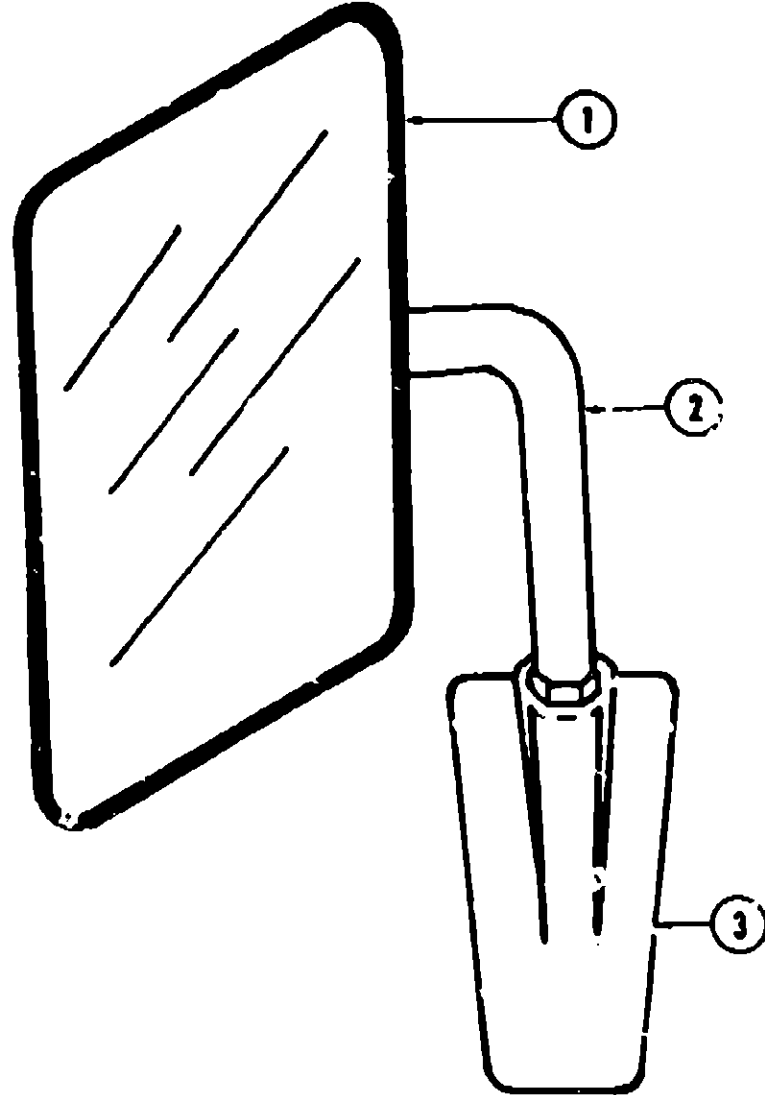
## 1979 ITASCA TABLE OF CONTENTS

ICF26RG	A-1 - B-16
ICF26RH	B-17 - D-6
ICN26RB	D-6 - E-22
ICF26RT	E-23 - G-14
ICN26RT	G-15 - I-10

## 1979 ICF26RH INDEX

Floor Plan	B-17 - B-18
Accessories Group	B-19 - B-20
Bath Group	B-21 - B-22
Chassis Group	B-23
Curtain, Cushion and Pad Group	B-24 - C-5
Dinette Group	C-6
Driver's Compartment Group	C-7 - C-8
Electrical Group	C-9 - C-10
Exterior Body Group	C-11 - C-14
Galley Group	C-15
Heating & Air Conditioning Group	C-16 - C-17
Interior Finish Group	C-18 - C-19
LP Group	C-20
Lounge Group	C-21
Water & Sewage Group	C-22
Window, Vent & Exterior Door Group	C-23 - D-6

**ACCESSORIES GROUP**



Key	Part Number	U/M	Description
1	057461-01-000	EA	Mirror Head - 7 1/2" x 10 1/2" - w/Convex - Stainless Steel
1	057461-02-000	EA	Mirror Head - 7 1/2" x 10 1/2" - w/Convex - Off White
2	048348-01-000	EA	Arm - Low Mount Mirror - Bright Finish
2	048348-02-000	EA	Arm - Low Mount Mirror - Off White
3	048944-02-000	EA	Bracket - Mirror - Outside - Off White

**ACCESSORIES GROUP (CONTINUED)**

**RADIOS AND RELATED COMPONENTS**

Key	Part Number	U/M	Description
	048730-01-000	EA	Radio - Clarion - AM - w/Fader Switch
	048731-01-000	EA	Radio - Clarion - AM/FM/MPX - w/Fader Switch
	048732-01-000	EA	Radio - Clarion - AM/FM/MPX - 8 Track - w/Fader Switch
	053788-01-000	EA	Speaker - Received - 5 1/4" - 10 oz.
	031105-01-000	EA	Antenna - Radio - Side Mount
	031105-01-700	EA	Holder - Antenna - Radio - Upper
	048153-01-000	EA	Antenna - CB Camper Style
	044328-01-000	EA	Switch - Fader - Speaker Balance
	050751-01-000	EA	Plaque - Fader/Mic Mounting
	055299-01-000	EA	Grille - Speaker - 5 1/4"

**GENERATORS AND COMPONENTS**

Key	Part Number	U/M	Description
**	054426-01-000	EA	Generator - Onan - 4.0 kw - BFA
**	054431-01-000	EA	Generator - Onan - 5.0 kw - BGA
	701629-02-000	EA	Onan Installation Package
	024732-01-001	EA	Tailpipe - 1 1/2" O.D. x 23"
	054426-01-000	EA	Muffler - Generator - w/Spark Arrestor
	740313-56-000	EA	Tray - Generator - 4.0 - 5.0 kw Onan

\*\*The illustrated parts breakdown for this item is provided on the Common Items Fiche.

**FRONT BUNK AND HARDWARE**

Key	Part Number	U/M	Description
	058300-01-K08	EA	Cabinet Asm. - Front Overhead
	058844-11-K08	EA	Bunk Board Asm. - Front Overhead w/Rails
	053773-01-000	EA	Support - Overhead Bunk - Brown - Right
	053773-02-000	EA	Support - Overhead Bunk - Brown - Left
	040071-02-000	EA	Support - Bunk - Seat Belt
	041322-01-000	EA	Washer - Flat - 15/32" I.D. x 2 3/8" O.D.
	038518-02-000	EA	Catch - Bunk - Brown
	023812-22-000	EA	Rail - Bunk - 80" - Brown
	053774-01-000	EA	Torsion Rod - Overhead Bunk - Brown

**MISCELLANEOUS ACCESSORIES**

Key	Part Number	U/M	Description
	054185-04-000	EA	Owners Manual - Itasca
	008053-01-000	EA	Antenna - TV Braund Delux
	008083-01-000	EA	Jack - TV - Brown (Antenna)
	008053-01-700	EA	Repair Parts Kits - Braund TV Antenna
	084082-01-000	EA	Wheel Cover - Delmet - Bolt On
	084082-02-000	EA	Retaining Nut - Delmet Wheel Cover
	084082-05-700	EA	Retainer Bracket - Bolt on Wheel Cover - Chevrolet - Front
	084082-05-701	EA	Retainer Bracket - Bolt On Wheel Cover - Chevrolet - Rear
	008076-01-000	EA	Ladder - Front Bunk
	017518-01-000	EA	Mud Flap - Black - 14" x 18" w/Holes
	008113-01-000	EA	Jack Hydraulic - 5 Ton
	041944-01-700	EA	Fire Extinguisher - w/Braund
	062771-02-000	EA	Chest - Microwave - Magic Chef MV207
**	041038-01-700	EA	Ladder Asm. - w/Luggage Rack
	041088-02-700	EA	Ladder Asm.
	041848-01-000	EA	Luggage Carrier Assembly
	038881-01-000	EA	Catch and Strike - Luggage Carrier
**	031386-04-000	EA	Wheel Cover - 16" Chrome
	058779-01-000	EA	Speed Control Package - Electric - Chev - Dana
	034410-12-000	EA	Cover - Spare Tire - 32"
	040089-01-000	EA	Door Mat - 10 1/2" x 28"

\*\*The illustrated parts breakdown for this item is provided on the Common Items Fiche.

**1979 ITASCA  
TABLE OF CONTENTS**

ICF23RG	A-1 - B-16
ICF26RH	B-17 - D-8
ICN26RB	D-6 - E-22
ICF26RT	E-23 - G-14
ICN26RT	G-15 - I-10

**1979 ICF26RH INDEX**

Floor Plan	B-17 - B-18
Accessories Group	B-19 - B-20
Bath Group	B-21 - B-22
Chassis Group	B-23
Curtain, Cushion and Pad Group	B-24 - C-5
Dinette Group	C-6
Driver's Compartment Group	C-7 - C-8
Electrical Group	C-9 - C-10
Exterior Body Group	C-11 - C-14
Galley Group	C-15
Heating & Air Conditioning Group	C-16 - C-17
Interior Finish Group	C-18 - C-19
LP Group	C-20
Lounge Group	C-21
Water & Sewage Group	C-22
Window, Vent & Exterior Door Group	C-23 - D-8

## BATH GROUP

### BATH CABINETRY

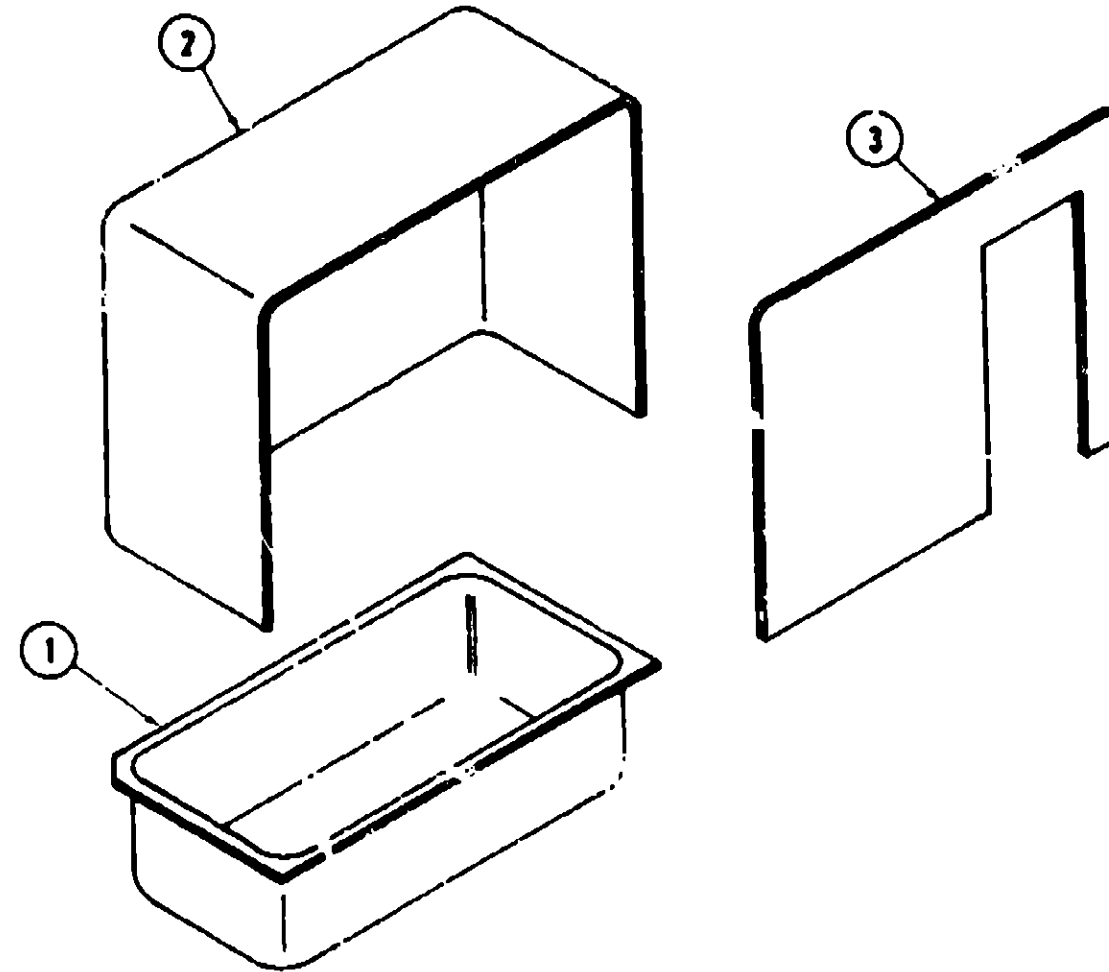
Key	Part Number	U/M	Description
	061171-01-K08	EA	Cabinet Asm. - Vanity - w/o Countertop or Hardware
	050431-01-K01	EA	Countertop Asm. - Vanity Cabinet - Almond Batik
	050127-01-K08	EA	Door Asm. - Rolling - 19" x 17.6" - w/Handle
	050122-02-K08	EA	Door Asm. - Rolling - 19" x 13.2" - w/Handle
	043257-01-000	FT	Handle - Wood - Roll Up Door
	050083-01-K08	EA	Door Asm. - Vanity Countertop - Almond Batik Laminate
	050037-02-K01	EA	Door Asm. - w/Mirror - 15.10" x 39.10"
	053130-03-000	EA	Cabinet - Medicine - 33" wide
	052563-02-000	EA	Towel Rack Asm. - Wood - Mounts on Folding Door Panel
	061182-01-K08	EA	Panel - Folding Door (2 required per unit)

### BATH HARDWARE

Key	Part Number	U/M	Description
	058713-01-000	EA	Sink - Bath - Ivory Plastic
**	011056-01-000	EA	Faucet - Sink
	011083-01-000	EA	Plug - Sink - 1 1/4" w.Chain
**	031558-01-000	EA	Faucet - Tub and Shower
**	011086-01-000	EA	Strainer - Shower Pan
**	011048-01-000	EA	Shower Head - w/60" Hose
	009134-01-000	EA	Holder - Tissue
	058331-02-000	EA	Mirror - Tempered Glass - 12" x 36"
	053280-05-000	EA	Trim - Shower Door - Bottom
	053281-04-000	EA	Trim - Shower Door - Left
	053282-01-000	EA	Trim - Shower Door - Right
	054529-01-000	EA	Slide Bolt - Antique Brass
	058344-02-000	EA	Track - Steel - Folding Door
	058344-03-000	EA	Hardware Package - Folding Door
	057534-01-000	EA	Tie Back - 6" - Clear Plastic
**	009041-02-000	EA	Toilet - Marine - Thetford Aqua Magic SH - Ivory

\*\*The illustrated parts breakdown for this item is provided on the Common Items Fiche.

## BATH GROUP (CONTINUED)



Key	Part Number	U/M	Description
1	041826-01-000	EA	Bathtub Bottom - Ivory Plastic
2	041853-01-000	EA	Bathtub Back - Ivory Plastic
3	041852-01-000	EA	Bathtub Front - Ivory Plastic

## 1979 ITASCA TABLE OF CONTENTS

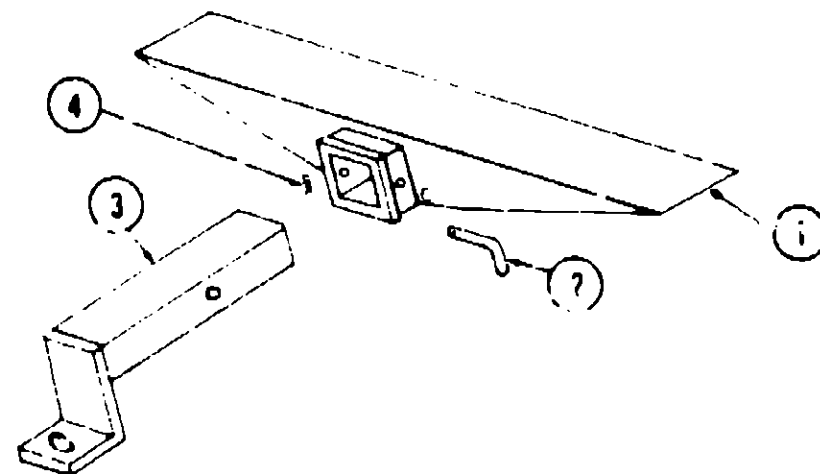
ICF23HG	A-1 - B-16
ICF26RH	B-17 - D-8
ICN26RS	D-9 - E-22
ICF26RT	E-23 - G-14
ICN26RT	G-15 - I-10

## 1979 ICF26RH INDEX

Floor Plan	B-17 - D-18
Accessories Group	B-19 - G-20
Bath Group	B-21 - B-22
Chassis Group	B-23
Curtain, Cushion and Pad Group	B-24 - C-5
Dinette Group	C-6
Driver's Compartment Group	C-7 - C-8
Electrical Group	C-9 - C-10
Exterior Body Group	C-11 - C-14
Galley Group	C-15
Heating & Air Conditioning Group	C-16 - C-17
Interior Finish Group	C-18 - C-19
LP Group	C-20
Lounge Group	C-21
Water & Sewage Group	C-22
Window, Vent & Exterior Door Group	C-23 - D-8

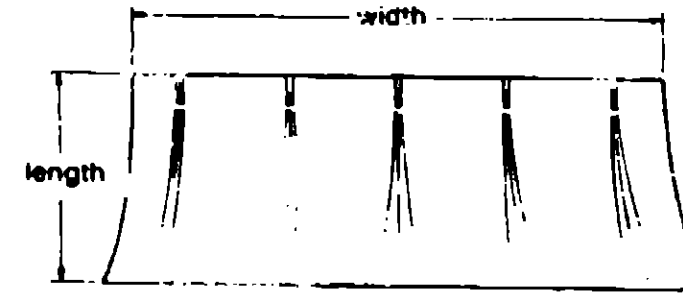
## CHASSIS GROUP

Key	Part Number	U/M	Description
	024652-01-700	EA	3tap Asm - Entry
	058401-01-000	EA	Hood Board - Upper - Right - Steel
	058401-01-000	EA	Hood Board - Upper - Left - Steel
	056818-01-000	EA	Cover - Radiator - Rear
	056817-01-000	EA	Cover - Radiator - Rear Back - (Fan Shroud)
	058029-01-000	EA	Tank - Fuel - Main
	061402-01-000	EA	Sending Unit - 90 OHM - Main Tank
	007111-01-000	FT	Hose - Fuel - 2 1/4" I.D. SAE 30RI
	044317-01-000	FT	Hose - Fuel - 3/8" I.D. SAE 30RI
	058790-01-000	EA	Gas Fill - w/Vent
	024611-04-000	EA	Cap - Gas - Pressure - 1.5" Chrome
	024136-01-000	FT	Hose - Fuel - 5/16" I.D. SAE 30RI
	024141-01-000	FT	Hose Rubber - 1/2" I.D.
	007134-01-000	EA	Clamp - Hose - Spring Type - 9/16"
	040078-01-000	EA	Tank - Fuel - 27.8 Gallon - Auxiliary
	040079-01-000	EA	Sending Unit - Fuel - 78 Ohm.
	043966-01-000	EA	Strap - Fuel Tank Mounting - 13.5"
	024647-01-000	EA	Hose - Fuel - 2 1/4" I.D.
	007137-01-000	EA	Clamp - Worm Gear - 1 5/16" to 2 1/4"
	007138-01-000	EA	Clamp - Worm Drive - .22" - 1" I.D.
	043477-01-000	EA	Valve Asm. - Fuel Selector - 6 Way
	048775-01-000	EA	Valve Asm. - Fuel Selector - 3 Way
	050227-01-000	EA	Canistor Asm. - vapor - 2 Stage - 3 Port
	052431-01-000	EA	Luggage Tray Asm.
	053249-01-000	EA	Battery Tray Asm.
	051697-01-000	EA	Bracket - Battery Tie Down
	058200-01-000	EA	Bumper - Front - Chrome
	058200-02-000	EA	Bumper - Front - Off White
	058439-01-000	EA	Bracket - Front Bumper - Black
	058416-01-000	EA	Bar - Front Bumper - Black
	021546-01-000	EA	Bumper Asm. - Rear
	039779-01-000	EA	Cap Rubber - Rear Bumper
	040974-01-000	EA	Bar - Retaining - Spare Tire - 2" x 6 7/8"
	016452-01-000	EA	Bracket - Tire Carrier - 20" Dia.
	046043-06-000	EA	Bracket Asm. - Rear Bumper Mounting
	033496-01-000	EA	Power Cord Box - Plastic
	055060-01-000	EA	Wheel Well - Plastic
	740313-56-000	EA	Tray - Generator - Onan - 4.0 kw - 5.0 kw
	022655-02-000	EA	Tailpipe - 2 1/4" x 8" - 454 Engine
	061411-01-000	EA	Tailpipe - 2" x 10" - 350 Engine
	007125-06-000	EA	Clamp Asm. - Muffler - 2 25" Dia.
	007125-05-000	EA	Clamp Asm. - Muffler - 2" Dia.



Key	Part Number	U/M	Description
1	023695-01-000	EA	Hitch - w/o Drawbar
2	034512-01-000	EA	Pin - Locking - Drawbar
3	023130-01-000	EA	Drawbar Asm - Trailer Hitch - Primed
4	034513-01-000	EA	Pin Hitch - 3/16" Wire Spring

## CURTAIN, CUSHION AND PAD GROUP



### NOTE:

Use this illustration when determining length and width measurements for curtains. You will note the width measurement is taken on the top of the curtain with the curtain full extended. The length measurement is taken from top to bottom.

### CURTAINS

Key	Part Number	U/M	Description
	054051-01-773	EA	Curtain Kit - Green
	054051-01-774	EA	Curtain Kit - Blue
	054051-01-775	EA	Curtain Kit - Brick
	054051-02-K08	EA	Curtain w/Snap Top - 34" x 37" - Green
	054051-02-K09	EA	Curtain w/Snap Top - 34" x 37" - Blue
	054051-02-K10	EA	Curtain w/Snap Top - 34" x 37" - Burgundy
	056464-21-K08	EA	Curtain w/Taped Top - 27.5" x 42" - Green
	056464-21-K09	EA	Curtain w/Taped Top - 27.5" x 42" - Blue
	056464-21-K10	EA	Curtain w/Taped Top - 27.5" x 42" - Burgundy
	056464-22-K08	EA	Curtain w/Taped Top - 21" x 27" - Green
	056464-22-K09	EA	Curtain w/Taped Top - 21" x 27" - Blue
	056464-22-K10	EA	Curtain w/Taped Top - 21" x 27" - Burgundy
	054051-22-K08	EA	Curtain w/Snap Top - Front Bunk - 22" x 96" - Green
	054051-22-K09	EA	Curtain w/Snap Top - Front Bunk - 22" x 96" - Blue
	054051-22-K10	EA	Curtain w/Snap Top - Front Bunk - 22" x 96" - Burgundy
	054051-37-K08	EA	Curtain w/Snap Top - Room Divider - 75" x 48" - Green
	054051-37-K09	EA	Curtain w/Snap Top - Room Divider - 75" x 48" - Blue
	054051-37-K10	EA	Curtain w/Snap Top - Room Divider - 75" x 48" - Burgundy
	054292-03-K08	EA	Curtain w/Snap Top - Front Wraparound - Left - 27.5" x 81" - Green
	054292-03-K09	EA	Curtain w/Snap Top - Front Wraparound - Left - 27.5" x 81" - Blue
	054292-03-K10	EA	Curtain w/Snap Top - Front Wraparound - Left - 27.5" x 81" - Burgundy
	054293-03-K08	EA	Curtain w/Snap Top - Front Wraparound - Right - 27.5" x 81" - Green
	054293-03-K09	EA	Curtain w/Snap Top - Front Wraparound - Right - 27.5" x 81" - Blue
	054293-03-K10	EA	Curtain w/Snap Top - Front Wraparound - Right - 27.5" x 81" - Burgundy

### VALANCES AND TIE BACKS

Key	Part Number	U/M	Description
	056897-17-K08	EA	Valance Asm. - 5.5" x 78" - w/Green Trim
	056897-17-K09	EA	Valance Asm. - 5.5" x 78" - w/Blue Trim
	056897-17-K10	EA	Valance Asm. - 5.5" x 78" - w/Burgundy Trim
	056897-10-K08	EA	Valance Asm. - 5.5" x 46" - w/Green Trim
	056897-10-K09	EA	Valance Asm. - 5.5" x 46" - w/Blue Trim
	056897-10-K10	EA	Valance Asm. - 5.5" x 46" - w/Burgundy Trim
	057791-09-K08	EA	Valance Asm. - 4.5" x 32" - w/Green Trim
	057791-09-K09	EA	Valance Asm. - 4.5" x 32" - w/Blue Trim
	057791-09-K10	EA	Valance Asm. - 4.5" x 32" - w/Burgundy Trim
	054048-05-K08	EA	Tie Back - 2" x 18" - Green
	054048-05-K09	EA	Tie Back - 2" x 18" - Blue
	054048-05-K10	EA	Tie Back - 2" x 18" - Burgundy

### SHADES AND BLINDS

Key	Part Number	U/M	Description
	059534-23-000	EA	Shade - Vinyl - 36.75" x 23" - Green
	059534-24-000	EA	Shade - Vinyl - 36.75" x 23" - Blue
	059534-26-000	EA	Shade - Vinyl - 36.75" x 23" - Burgundy
	059534-30-000	EA	Shade - Vinyl - 69.25" x 34" - Green
	059534-31-000	EA	Shade - Vinyl - 69.25" x 34" - Blue
	059534-32-000	EA	Shade - Vinyl - 69.25" x 34" - Burgundy
	057967-01-000	EA	Blinds - Levelor - 23.5" x 25.5" - Camel
	057967-02-000	EA	Blinds - Levelor - 32" x 30" - Camel

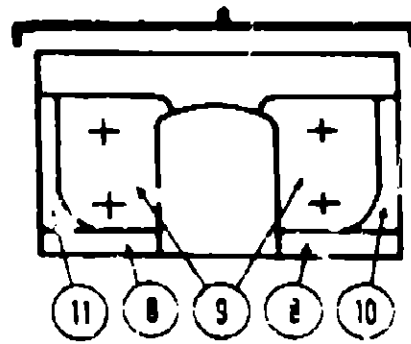
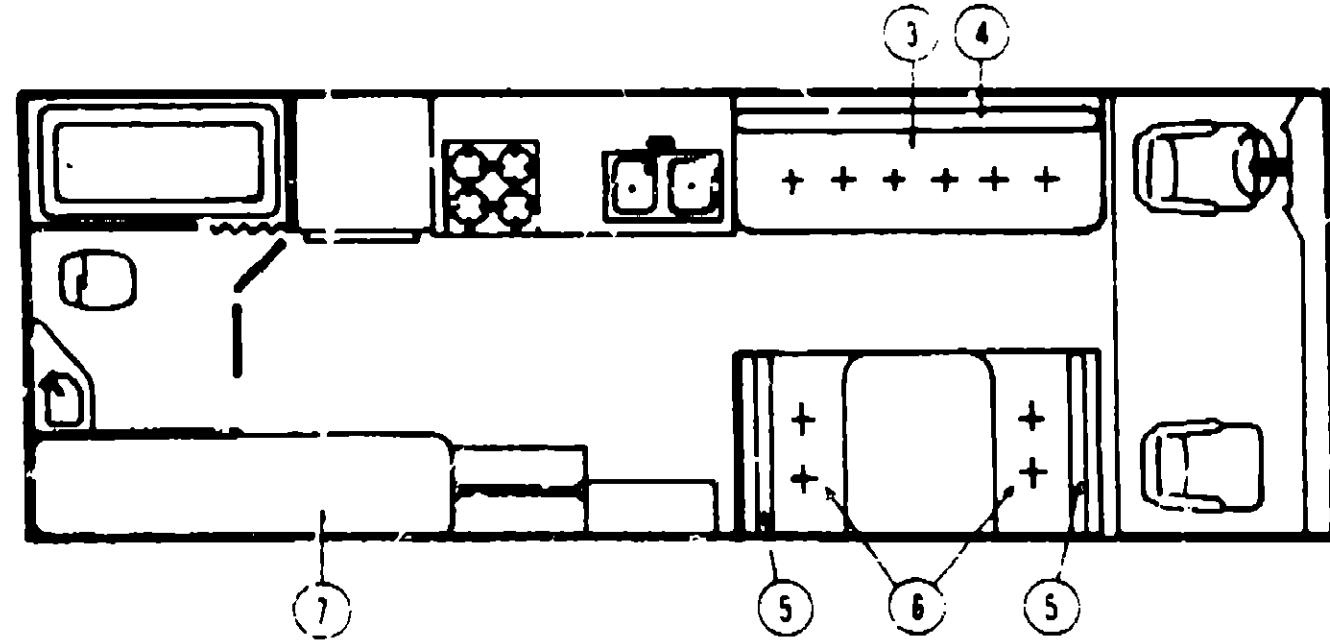
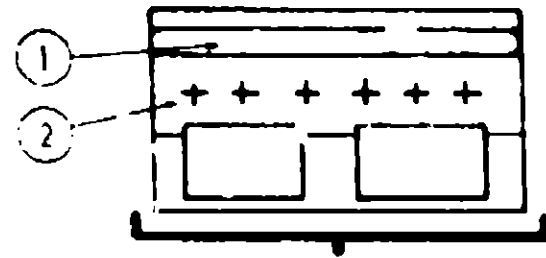
## 1979 ITASCA TABLE OF CONTENTS

ICF23RG	A-1 - B-16
ICF26RH	B-17 - D-8
ICN26RB	D-9 - E-22
ICF26RT	E-23 - G-14
ICN29RT	G-15 - I-10

## 1979 ICF26RH INDEX

Floor Plan	B-17 - B-18
Accessories Group	B-19 - B-20
Bath Group	B-21 - B-22
Chassis Group	B-23
Curtain, Cushion and Pad Group	B-24 - C-5
Dinette Group	C-6
Driver's Compartment Group	C-7 - C-8
Electrical Group	C-9 - C-10
Exterior Body Group	C-11 - C-14
Galley Group	C-15
Heating & Air Conditioning Group	C-16 - C-17
Interior Finish Group	C-18 - C-19
LP Group	C-20
Lounge Group	C-21
Water & Sewage Group	C-22
Window, Vent & Exterior Door Group	C-23 - D-8

**CURTAIN, CUSHION AND PAD GROUP (CONTINUED)**



**PRESTO BED CUSHIONS**

Key	Part Number	U/M	Description
1	059065-01-K08	EA	Cushion - Presto Bed - Back - 76" - Green
1	059065-01-K09	EA	Cushion - Presto Bed - Back - 76" - Blue
1	059065-01-K10	EA	Cushion - Presto Bed - Back - 76" - Burgundy
	062753-03-K08	EA	Cover - Presto Bed Cushion - Back - 76" - Green
	062753-03-K09	EA	Cover - Presto Bed Cushion - Back - 76" - Blue
	062753-03-K10	EA	Cover - Presto Bed Cushion - Back - 76" - Burgundy
2	059066-01-K08	EA	Cushion - Presto Bed - Bottom - 76" - Green
2	059066-01-K09	EA	Cushion - Presto Bed - Bottom - 76" - Blue
2	059066-01-K10	EA	Cushion - Presto Bed - Bottom - 76" - Burgundy
	062753-04-K08	EA	Cover - Presto Bed Cushion - Bottom - 76" - Green
	062753-04-K09	EA	Cover - Presto Bed Cushion - Bottom - 76" - Blue
	062753-04-K10	EA	Cover - Presto Bed Cushion - Bottom - 76" - Burgundy

**CURTAIN, CUSHION AND PAD GROUP (CONTINUED)**

**LESTER LOUNGE CUSHIONS**

Key	Part Number	U/M	Description
3	059055-01-K08	EA	Cushion - Lester Lounge - Complete - 76" - Green
3	059055-01-K09	EA	Cushion - Lester Lounge - Complete - 76" - Blue
3	059055-01-K10	EA	Cushion - Lester Lounge - Complete - 76" - Burgundy
	059056-01-K08	EA	Cover - Lester Lounge Cushion - 76" - Green
	059056-01-K09	EA	Cover - Lester Lounge Cushion - 76" - Blue
	059056-01-K10	EA	Cover - Lester Lounge Cushion - 76" - Burgundy
4	055021-23-K08	EA	Cushion - Lounge - 81" x 76" x 5" - Green
4	055021-23-K09	EA	Cushion - Lounge - 81" x 76" x 5" - Blue
4	055021-23-K10	EA	Cushion - Lounge - 81" x 76" x 5" - Burgundy
	055022-25-K08	EA	Cover - Lounge Cushion - 81" x 76" x 5" - Green
	055022-25-K09	EA	Cover - Lounge Cushion - 81" x 76" x 5" - Blue
	055022-25-K10	EA	Cover - Lounge Cushion - 81" x 76" x 5" - Burgundy

**CONVENTIONAL DINETTE CUSHIONS**

Key	Part Number	U/M	Description
5	058900-02-K08	EA	Cushion - Dinette Back - 19.2" x 38" x 5" - Green
5	058900-02-K09	EA	Cushion - Dinette Back - 19.2" x 38" x 5" - Blue
5	058900-02-K10	EA	Cushion - Dinette Back - 19.2" x 38" x 5" - Burgundy
	058901-02-K08	EA	Cover - Dinette Back Cushion - 19.2" x 38" x 5" - Green
	058901-02-K09	EA	Cover - Dinette Back Cushion - 19.2" x 38" x 5" - Blue
	058901-02-K10	EA	Cover - Dinette Back Cushion - 19.2" x 38" x 5" - Burgundy
6	058900-01-K08	EA	Cushion - Dinette Seat - 17.5" x 38" x 5" - Green
6	058900-01-K09	EA	Cushion - Dinette Seat - 17.5" x 38" x 5" - Blue
6	058900-01-K10	EA	Cushion - Dinette Seat - 17.5" x 38" x 5" - Burgundy
	058901-01-K08	EA	Cover - Dinette Seat Cushion - 17.5" x 38" x 5" - Green
	058901-01-K09	EA	Cover - Dinette Seat Cushion - 17.5" x 38" x 5" - Blue
	058901-01-K10	EA	Cover - Dinette Seat Cushion - 17.5" x 38" x 5" - Burgundy

**REAR BUNK CUSHIONS**

Key	Part Number	U/M	Description
7	055021-20-K08	EA	Cushion - Rear Bunk - 29" x 76.5" x 5" - Green
7	055021-20-K09	EA	Cushion - Rear Bunk - 29" x 76.5" x 5" - Blue
7	055021-20-K10	EA	Cushion - Rear Bunk - 29" x 76.5" x 5" - Burgundy
	055022-22-K08	EA	Cover - Rear Bunk Cushion - 29" x 76.5" x 5" - Green
	055022-22-K09	EA	Cover - Rear Bunk Cushion - 29" x 76.5" x 5" - Blue
	055022-22-K10	EA	Cover - Rear Bunk Cushion - 29" x 76.5" x 5" - Burgundy
7	055021-19-K08	EA	Cushion - Rear Bunk - 29" x 75.5" x 5" - Green
7	055021-19-K09	EA	Cushion - Rear Bunk - 29" x 75.5" x 5" - Blue
7	055021-19-K10	EA	Cushion - Rear Bunk - 29" x 75.5" x 5" - Burgundy
	055022-21-K08	EA	Cover - Rear Bunk Cushion - 29" x 75.5" x 5" - Green
	055022-21-K09	EA	Cover - Rear Bunk Cushion - 29" x 75.5" x 5" - Blue
	055022-21-K10	EA	Cover - Rear Bunk Cushion - 29" x 75.5" x 5" - Burgundy

**1979 ITASCA  
TABLE OF CONTENTS**

ICF23RG	A-1 - B-16
ICF26RH	B-17 - D-8
ICN26RB	D-9 - E-22
ICF26RT	E-23 - G-14
ICN29RT	G-15 - I-10

**1979 ICF26RH INDEX**

Floor Plan	B-17 - B-18
Accessories Group	B-19 - B-20
Bath Group	B-21 - B-22
Chassis Group	B-23
Curtain, Cushion and Pad Group	B-24 - C-5
Dinette Group	C-6
Drive's Compartment Group	C-7 - C-8
Electrical Group	C-9 - C-10
Exterior Body Group	C-11 - C-14
Galley Group	C-15
Heating & Air Conditioning Group	C-16 - C-17
Interior Finish Group	C-18 - C-19
LP Group	C-20
Lounge Group	C-21
Water & Sewage Group	C-22
Window, Vent & Exterior Door Group	C-23 - D-8

**CURTAIN, CUSHION AND PAD GROUP (CONTINUED)**

**CORNER LOUNGE CHAIR CUSHIONS**

Key	Part Number	U/M	Description
8	059742-03-K08	EA	Cushion - Lounge Chair Back - Green
8	059742-03-K09	EA	Cushion - Lounge Chair Back - Blue
9	059742-03-K10	EA	Cushion - Lounge Chair Back - Burgundy
	059745-03-K08	EA	Cover - Chair Back Cushion - Green
	059745-03-K09	EA	Cover - Chair Back Cushion - Blue
	059745-03-K10	EA	Cover - Chair Back Cushion - Burgundy
9	059743-03-K08	EA	Cushion - Lounge Chair Seat - Green
9	059743-03-K09	EA	Cushion - Lounge Chair Seat - Blue
9	059743-03-K10	EA	Cushion - Lounge Chair Seat - Burgundy
	059746-03-K08	EA	Cover - Chair Seat Cushion - Green
	059746-03-K09	EA	Cover - Chair Seat Cushion - Blue
	059746-03-K10	EA	Cover - Chair Seat Cushion - Burgundy
10	059744-06-K08	EA	Cushion - Chair Wedge - Left - Green
10	059744-06-K09	EA	Cushion - Chair Wedge - Left - Blue
10	059744-06-K10	EA	Cushion - Chair Wedge - Left - Burgundy
	059747-06-K08	EA	Cover - Wedge Cushion - Left - Green
	059747-06-K09	EA	Cover - Wedge Cushion - Left - Blue
	059747-06-K10	EA	Cover - Wedge Cushion - Left - Burgundy
11	059744-05-K08	EA	Cushion - Chair Wedge - Right - Green
11	059744-05-K09	EA	Cushion - Chair Wedge - Right - Blue
11	059744-05-K10	EA	Cushion - Chair Wedge - Right - Burgundy
	059747-05-K08	EA	Cover - Wedge Cushion - Right - Green
	059747-05-K09	EA	Cover - Wedge Cushion - Right - Blue
	059747-05-K10	EA	Cover - Wedge Cushion - Right - Burgundy

**FRONT OVERHEAD BUNK CUSHIONS**

Key	Part Number	U/M	Description
	055021-24-K08	EA	Cushion - Front Bunk - 47" x 79.2" x 5" - Green
	055021-24-K09	EA	Cushion - Front Bunk - 47" x 79.2" x 5" - Blue
	055021-24-K10	EA	Cushion - Front Bunk - 47" x 79.2" x 5" - Burgundy
	055022-26-K08	EA	Cover - Front Bunk Cushion - 47" x 79.2" x 5" - Green
	055022-26-K09	EA	Cover - Front Bunk Cushion - 47" x 79.2" x 5" - Blue
	055022-26-K10	EA	Cover - Front Bunk Cushion - 47" x 79.2" x 5" - Burgundy

**FABRICS AND TRIMS**

Key	Part Number	U/M	Description
	058784-04-000	YD	Fabric - Drapery - Green Forest
	058784-03-000	YD	Fabric - Drapery - Navy
	058784-05-000	YD	Fabric - Drapery - Brick (Burgundy)
	057964-01-000	YD	Fabric - Upholstery - Emerald Green - Wide Stripe
	057964-02-000	YD	Fabric - Upholstery - Royal Blue - Wide Stripe
	057964-03-000	YD	Fabric - Upholstery - Oxford Burgundy - Wide Stripe
	057965-01-000	YD	Fabric - Upholstery - Emerald Green - Narrow Stripe
	057965-02-000	YD	Fabric - Upholstery - Royal Blue - Narrow Stripe
	057965-03-000	YD	Fabric - Upholstery - Oxford Burgundy - Narrow Stripe
	057966-01-000	YD	Fabric - Upholstery - Accent - Camel
	057966-03-000	YD	Fabric - Upholstery - Accent - Burgundy
	054676-08-K08	EA	Button Asm. - Covered - #45 - Green
	054676-08-K09	EA	Button Asm. - Covered - #45 - Blue
	054676-08-K10	EA	Button Asm. - Covered - #45 - Burgundy
	054676-09-K08	EA	Button Asm. - Covered - #30 - Green
	054676-09-K09	EA	Button Asm. - Covered - #30 - Blue
	054676-09-K10	EA	Button Asm. - Covered - #30 - Burgundy
	052858-01-J27	FT	Trim Asm. - Accent - Acorn Brown Vinyl
	053327-01-000	YD	Vinyl - Non Expanded - 27 oz. - Acorn Brown
	053327-02-000	YD	Vinyl - Expanded - 28 oz. - Acorn Brown
	053327-03-000	YD	Vinyl - Non Support - 18 Gauge Film - Acorn Brown
	029219-01-000	YD	Vinyl - Crush White - Bunk

**CURTAIN, CUSHION AND PAD GROUP (CONTINUED)**

**HIGHBACK BUCKET SEATS**

Key	Part Number	U/M	Description
	061828-03-K08	EA	Seat Asm. - Single Highback - w Skirt and Armrests - Green
	061828-03-K09	EA	Seat Asm. - Single Highback - w Skirt and Armrests - Blue
	061828-03-K10	EA	Seat Asm. - Single Highback - w Skirt and Armrests - Burgundy
	061838-02-K08	EA	Cover - Single Highback Bucket - Back - Green
	061838-02-K09	EA	Cover - Single Highback Bucket - Back - Blue
	061838-02-K10	EA	Cover - Single Highback Bucket - Back - Burgundy
	061839-02-K08	EA	Cover - Single Highback Bucket - Bottom - Green
	061839-02-K09	EA	Cover - Single Highback Bucket - Bottom - Blue
	061839-02-K10	EA	Cover - Single Highback Bucket - Bottom - Burgundy
	054650-06-K08	EA	Skirt - Single Bucket - Green
	054650-06-K09	EA	Skirt - Single Bucket - Blue
	054650-06-K10	EA	Skirt - Single Bucket - Burgundy
	061833-01-K08	EA	Seat Asm. - Double Highback - w Skirt and Armrest - Green
	061833-01-K09	EA	Seat Asm. - Double Highback - w Skirt and Armrest - Blue
	061833-01-K10	EA	Seat Asm. - Double Highback - w Skirt and Armrests - Burgundy
	061840-02-K08	EA	Cover - Double Highback Bucket - Back - Green
	061840-02-K09	EA	Cover - Double Highback Bucket - Back - Blue
	061840-02-K10	EA	Cover - Double Highback Bucket - Back - Burgundy
	061841-02-K08	EA	Cover - Double Highback Bucket - Bottom - Green
	061841-02-K09	EA	Cover - Double Highback Bucket - Bottom - Blue
	061841-02-K10	EA	Cover - Double Highback Bucket - Bottom - Burgundy
	054650-08-K08	EA	Skirt - Double Highback Bucket - Green
	054650-08-K09	EA	Skirt - Double Highback Bucket - Blue
	054650-08-K10	EA	Skirt - Double Highback Bucket - Burgundy

**LOWBACK BUCKET SEATS**

Key	Part Number	U/M	Description
	061826-01-K08	EA	Seat Asm. - Single Lowback - w/o Arm or Headrest - Green
	061826-01-K09	EA	Seat Asm. - Single Lowback - w/o Arm or Headrest - Blue
	061826-01-K10	EA	Seat Asm. - Single Lowback - w/o Arm or Headrest - Burgundy
	061836-02-K08	EA	Cover - Single Lowback Bucket - Back - Green
	061836-02-K09	EA	Cover - Single Lowback Bucket - Back - Blue
	061836-02-K10	EA	Cover - Single Lowback Bucket - Back - Burgundy
	061837-02-K08	EA	Cover - Single Lowback Bucket - Bottom - Green
	061837-02-K09	EA	Cover - Single Lowback Bucket - Bottom - Blue
	061837-02-K10	EA	Cover - Single Lowback Bucket - Bottom - Burgundy

**ARMRESTS**

Key	Part Number	U/M	Description
	050275-01-700	EA	Armrest Asm. - Foam w/o Cover - Right
	050276-01-700	EA	Armrest Asm. - Foam w/o Cover - Left
	053357-04-K08	EA	Cover - Armrest - Right or Left - Green
	053357-04-K09	EA	Cover - Armrest - Right or Left - Blue
	053357-04-K10	EA	Cover - Armrest - Right or Left - Burgundy

**1979 ITASCA  
TABLE OF CONTENTS**

ICF23RG	A-1 - B-16
ICF26RH	B-17 - D-8
ICV26RB	D-9 - E-22
ICF26RT	E-23 - G-14
ICN29RT	G-15 - I-10

**1979 ICF26RH INDEX**

Floor Plan	B-17 - B-18
Accessories Group	B-19 - B-20
Bath Group	B-21 - B-22
Chassis Group	B-23
Curtain, Cushion and Pad Group	B-24 - C-5
Dinette Group	C-6
Driver's Compartment Group	C-7 - C-8
Electrical Group	C-9 - C-10
Exterior Body Group	C-11 - C-14
Galley Group	C-15
Heating & Air Conditioning Group	C-16 - C-17
Interior Finish Group	C-18 - C-19
LP Group	C-20
Lounge Group	C-21
Water & Sewage Group	C-22
Window, Vent & Exterior Door Group	C-23 - D-8

**CURTAIN, CUSHION AND PAD GROUP (CONTINUED)**

**PADS**

Key	Part Number	U/M	Description
	058444-13-K02	EA	Pad - End - Dinette Overhead Cabinet - Left - Acorn Vinyl
	058444-14-K08	EA	Pad - End - Dinette Overhead Cabinet - Right - Acorn Vinyl
	058948-01-K08	EA	Pad - Front Overhead Bunk - Right - Acorn Vinyl
	058948-02-K08	EA	Pad - Front Overhead Bunk - Left - Acorn Vinyl
	059438-01-K08	EA	Pad - End - Nightstand Overhead - Acorn Vinyl
	059414-01-100	EA	Pad - Sidewall Trim - Drivers
	059414-02-100	EA	Pad - Sidewall Trim - Passenger
	059467-03-K18	EA	Pad - Map Pocket - Left - Acorn Vinyl
	059467-04-K18	EA	Pad - Map Pocket - Right - Acorn Vinyl

**CURTAIN HARDWARE**

Key	Part Number	U/M	Description
	052327-04-236	EA	Track - Curtain - Brown Alum. - 89" w/Holes
	056116-01-000	FT	Track - Curtain - Brown Plastic
	058001-01-000	EA	Bracket - Shade - Left
	058002-01-000	EA	Bracket - Shade - Right
	056003-01-000	EA	Bracket - Drapery Retainer - Right
	056003-02-000	EA	Bracket - Drapery Retainer - Left
	059971-01-000	EA	Mounting Bracket - Levelor Shades - Right
	059971-02-000	EA	Mounting Bracket - Levelor Shades - Left
	008224-01-000	EA	Rod - Curtain - Flat - Extends 28" to 48"
	042439-01-000	EA	Bracket - Curtain Rod - Single
	056784-01-000	EA	Pull - Window Shade - Antique Brass
	009107-01-000	EA	Guide - Nylon Snap Curtain
	018031-42-000	EA	Track - Curtain - "L" Rod - Alum. Extr. - 90"
	003701-01-000	EA	Carrier - "L" Rod - Curtain
	009702-01-000	EA	End Stop - "L" Rod - Curtain
	059430-01-000	EA	Track - Curtain - Wraparound (2 required per unit)
	056289-05-000	EA	Track - Curtain - 90° - 40" x 11"



Key	Part Number	U/M	Description
1	029130-01-000	EA	Socket - Snap Fastener
2	029155-01-000	EA	Cap - Snap - .156" Dia. x .17" Barrel
3	029156-01-000	EA	Socket - Snap Fastener
4	020092-01-000	EA	Stud - Nickel Finish
5	029080-01-000	EA	Eyelet - Nickel Finish

**DINETTE GROUP**

**STANDARD DINETTE W/OPOSING BENCHES AND LESTER LOUNGE**

Key	Part Number	U/M	Description
	053192-01-K08	EA	Top Asm. - Table - Random Butcher Block
	058825-01-K08	EA	Cabinet Asm. - Right - Dinette Overhead - w/o Doors or Hardware
	053825-03-K08	EA	Cabinet Asm. - Dinette Couch Overhead - w/o Doors or Hardware
	057092-56-K08	EA	Door Asm. - Dinette Overhead Cabinet - 28.22" x 11.52" - w/o Hardware
	058758-01-K08	EA	Cabinet Asm. - Rear Dinette Seat - w/o Door or Hardware
	057992-55-K08	EA	Door Asm. - Dinette Seat Cabinet - 25.22" x 10.62" - w/o Hardware
	058758-02-K08	EA	Cabinet Asm. - Front Dinette Seat - w/o Door or Hardware
	057992-54-K08	EA	Door Asm. - Dinette Seat Cabinet - 20.02" x 12.22" - w/o Hardware
	061653-01-K08	EA	Cabinet Asm. - Lester Lounge - w/o Doors or Hardware
	056875-02-000	EA	Leg Asm. - Couch
	022517-01-000	EA	End Cap - Couch Leg - 1" x 1" - Brown
	053944-02-K08	EA	Door Asm. - Furnace Grille - w/o Catch
	047205-12-000	EA	Insert - Furnace Grille - 10.06" x 14.5" - Brass Mesh
	039873-01-000	EA	Catch and Strike - Furnace Door
**	047842-01-000	EA	Kit - Dinette Table Leg - Brown
**	047809-03-000	EA	Kit - Hardware - Dinette Table Wall Mount

\*\*The illustrated parts breakdown for this item is provided on the Common Items Page.

**CORNER LOUNGE CHAIRS W/FOLD DOWN TABLE**

Key	Part Number	U/M	Description
	061558-02-K08	EA	Cabinet Asm. - Corner Lounge Chair - Right
	061560-01-K08	EA	Cabinet Asm. - Corner Lounge Chair - Left
	061704-01-KC1	EA	Table Asm. - Lounge - Butcher Block
	061882-01-000	EA	Leg Asm. - Table - Pivot
	061879-01-000	EA	Leg Asm. - Table - Fixed
	024275-04-000	EA	Rod - Table Lift
	024281-05-000	EA	Bracket - Table Lift - Mounts on Table
	053200-02-000	EA	Support - Table - 14.5" - Mounts on Wall
	057992-60-K08	EA	Door Asm. - Corner Lounge Chair Cabinet - 19.72" x 12.22" - w/o Hardware
	059122-C6-101	EA	Door Asm. - Rolling - 17.7" x 13" - w/Handle

**SPRUNG COUCH W/PEDESTAL TABLES**

Key	Part Number	U/M	Description
	053203-07-K01	EA	Table Asm. - Pedestal - w/o Hardware - Butcher Block
	041194-01-000	EA	Base - Table Leg - Mounts in Floor
	018040-03-000	EA	Base - Table Leg - Mounts on Table
	009040-02-000	EA	Leg - Pedestal Table - 2.25" O.D. x 27.5" - Chrome
	058759-01-K08	EA	Panel Asm. - Couch Front - w/o Door or Hardware
	057468-02-000	EA	Frame Asm. - Sprung Couch - Right
	057468-03-000	EA	Frame Asm. - Sprung Couch - Left
	057468-04-000	EA	Frame Rails - Sprung Couch (2 per couch)
	057489-01-000	EA	Leg Asm. - Sprung Couch
	053944-02-K08	EA	Door Asm. - furnace - w/Brass Mesh Insert
	047205-12-000	EA	Insert - Furnace Door - 14.5" x 10" - Brass Mesh
	039873-01-000	EA	Catch and Strike - Furnace Door

**1979 ITASCA  
TABLE OF CONTENTS**

ICF23RG	A-1 - B-18
ICF26RH	B-17 - D-8
ICN26RB	C-9 - E-22
ICN26RT	E-23 - G-14
ICN29RT	G-15 - I-10

**1979 ICF26RH INDEX**

Floor Plan	B-17 - B-18
Accessories Group	B-19 - B-20
Bath Group	B-21 - B-22
Chassis Group	B-23
Curtain, Cushion and Pad Group	B-24 - C-5
Dinette Group	C-6
Driver's Compartment Group	C-7 - C-8
Electrical Group	C-9 - C-10
Exterior Body Group	C-11 - C-14
Galley Group	C-15
Heating & Air Conditioning Group	C-16 - C-17
Interior Finish Group	C-18 - C-19
LP Group	C-20
Lounge Group	C-21
Water & Sewage Group	C-22
Window, Vent & Exterior Door Group	C-23 - D-8

## DRIVER'S COMPARTMENT GROUP

### DASH PANEL AND COMPONENTS

Key	Part Number	U/M	Description
	061803-01-K08	EA	Dash Asm. - Complete w/Gauges and Switches
	022548-04-000	EA	Pad - Dash - Right - Dark Brown
	023242-06-000	EA	Pad - Dash - Left - Dark Brown
	024418-01-000	EA	Lamp Asm. - Map Gauge
	023020-01-000	EA	Lamp Asm. - Teltale
	007308-01-000	EA	Dash Clock
	052367-01-000	EA	Lighter Asm. - Cigarette - 12 Volt
	007041-01-000	EA	Bezel - Cigarette Lighter
	007071-01-000	EA	Louver - Chrome - w/Chrome Wheel
	024990-02-G00	EA	Outlet - Defroster w/Swivel - 2" Dark Brown
	039044-01-000	EA	Louver Asm. - A/C Adjustable
	050344-01-000	EA	Bezel - Entertainment Center No. 2 - w/Cut Out for Radio and Clock
	050345-01-000	EA	Bezel - Entertainment Center No. 3 - w/Cut Out for Radio, Clock, Hourmeter and Generator Stop Switch
	038847-06-000	EA	Bezel - Control Panel
	023882-01-000	EA	Box - Glove Compartment - Black Fiberglass
	022219-01-000	EA	Door - Glove Compartment
	009118-01-000	EA	Twist Lock - Glove Compartment
	024598-01-000	EA	Hinge - Glove Compartment - 1 1/8" x 19"
	034309-01-000	EA	Chain - Glove Box Door
	023834-01-000	EA	Panel - Knee Kick - Bottom of Dash

### DASH SWITCHES AND GAUGES

Key	Part Number	U/M	Description
	024461-01-000	EA	Switch - Battery
	024462-01-000	EA	Switch - Battery Condition
	024463-01-000	EA	Switch - Blinker
	024464-01-000	EA	Switch - Washer
	024465-01-000	EA	Switch - Fuel
	024467-01-000	EA	Switch - Wiper
	024976-01-000	EA	Switch - Generator w/o Circuit Board
	037387-01-000	EA	Switch - Generator w/Circuit Board
	024459-01-000	EA	Gauge - Voltmeter
	024460-01-000	EA	Gauge - Vacuum
	031035-01-000	EA	Gauge - Generator Hourmeter
	031376-01-000	EA	Control Asm. - Heater - 3 Speed
	055279-01-000	EA	Control Asm. - Heater A/C - 3 Speed

### BUCKET SEAT PEDESTAL AND SEAT BELTS

Key	Part Number	U/M	Description
	050447-01-000	EA	Pedestal Asm. - Tilt Seat - Left
	050447-02-000	EA	Pedestal Asm. - Tilt Seat - Right - Single Seat
	050447-04-000	EA	Pedestal Asm. - Tilt Seat - Right - Double Seat
	007019-01-000	EA	Inset Asm. - Seat - 2" x 4" - Black
	041322-01-000	EA	Washer - Flat 15/32" I.D. x 2 3/8" O.D. - Seat Belt
	048843-01-000	EA	Pedestal - Complete - Strivel

## DRIVER'S COMPARTMENT GROUP (CONTINUED)

### FRONT BUNK AND HARDWARE

Key	Part Number	U/M	Description
	058300-01-K08	EA	Cabinet Asm. - Front Overhead
	058844-01-K08	EA	Bunk Board Asm. - Front Overhead w/Rails
	053773-01-000	EA	Support - Overhead Bunk - Brown - Right
	053773-02-000	EA	Support - Overhead Bunk - Brown - Left
	040071-02-000	EA	Support - Bunk - Seat Belt
	041322-01-000	EA	Washer - Flat - 15/32" I.D. x 2 3/8" O.D.
	039515-02-000	EA	Catch - Bunk - Brown
	023812-02-000	EA	Rail - Bunk - 80" - Brown
	053774-01-000	EA	Torsion Rod - Overhead Bunk - Brown

### MISCELLANEOUS DRIVER'S COMPARTMENT COMPONENTS

Key	Part Number	U/M	Description
	061378-01-K08	EA	Beverage Tray Asm. - Malakor Leather Laminate
	055030-01-000	EA	Tray - Utensil - Dark Brown Plastic
	045795-01-000	EA	Glass Holder - Dark Brown Plastic
	050796-01-000	EA	Pocket - Ash Tray - Plastic
	050797-01-000	EA	Ash Tray - Plastic
	036857-01-000	EA	Latch - Rubber - Draw Handle 5 3/4" w/Strike
	036856-01-000	EA	Latch - Rubber - Draw Handle 3" w/Strike
	042541-01-000	EA	Latch Asm. - w/Strike - Chrome
	054800-01-000	EA	Cover - Motor - Plastic 454 C.I.D.
	039333-01-000	EA	Cover - Motor - Plastic - 350 C.I.D.
	035368-02-000	EA	Seat - Motor Cover - Alum
	040519-01-000	EA	Boot - Rubber Steering Column
	040520-01-000	EA	Boot - Retainer - Steering Column
	007278-01-000	EA	Mirror - Inside - Rear View 4 1/2" x 9"
	034499-01-000	EA	Support - Dimmer Switch
	040895-02-000	EA	Clip - Sunvisor
	056508-01-K08	EA	Sunvisor Asm. - Right - Acorn Brown - w/Mirror
	056508-02-K08	EA	Sunvisor Asm. - Left - Acorn Brown
	061350-01-000	EA	Trim - Interior - "A" Pos - Brown Plastic - w/Notch - Left
	061350-02-000	EA	Trim - Interior - "A" Pos - Brown Plastic - w/Notch - Right
	009143-01-000	EA	Mirror - 1/8" x 3 5/8" x 8" Sunvisor
	059198-01-000	EA	Panel - Side - Left - Dark Brown
	059197-01-000	EA	Panel - Side - Right - Dark Brown
	033880-02-000	EA	Cable - Bowden - 46"

## 1979 ITASCA TABLE OF CONTENTS

ICF23RG	A-1 - B-16
ICF26RH	B-17 - D-8
ICN26RB	D-9 - E-22
ICF26RT	E-23 - G-14
ICN26RT	G-15 - I-10

## 1979 ICF26RH INDEX

Floor Plan	B-17 - E-18
Accessories Group	B-19 - B-20
Bath Group	B-21 - B-22
Chassis Group	B-23
Curtain, Cushion and Pad Group	B-24 - C-5
Dinette Group	C-6
Driver's Compartment Group	C-7 - C-8
Electrical Group	C-9 - C-10
Exterior Body Group	C-11 - C-14
Galley Group	C-15
Heating & Air Conditioning Group	C-16 - C-17
Interior Finish Group	C-18 - C-19
LP Group	C-20
Lounge Group	C-21
Water & Sewage Group	C-22
Window, Vent & Exterior Door Group	C-23 - D-8



## ELECTRICAL GROUP

### BULBS

Key	Part Number	U/M	Description
	037935-01-000	EA	Bulb - 1157
	038010-01-000	EA	Bulb - 1143
	008103-01-000	EA	Bulb - 53
	008213-01-000	EA	Bulb - 57
	008214-01-000	EA	Bulb - 67
	008215-01-000	EA	Bulb - 1003
	008216-01-000	EA	Bulb - 1034
	008217-01-000	EA	Bulb - 1073
	008218-01-000	EA	Bulb - 1141
	008219-01-000	EA	Bulb - 656
	008220-01-000	EA	Bulb - 12V - 25W
	038198-01-000	EA	Bulb - 194
	700020-01-000	EA	Bulb - 12V - 20W - 1383

### INTERIOR LIGHTS

Key	Part Number	U/M	Description
	033508-02-000	EA	Light - Dome - Ivory - 1 Bulb - US
	033508-03-000	EA	Light - Dome - Ivory - 1 Bulb - CSA
	033509-02-000	EA	Light - Dome - Ivory - 2 Bulb - US
	033509-03-000	EA	Light - Dome - Ivory - 2 Bulb - CSA
	024642-01-701	EA	Lens - Domelight - 1 Bulb
	024643-01-701	EA	Lens - Domelight - 2 Bulb
	024418-01-000	EA	Lamp Asm. - Map/Gauge/Asie
	053346-01-000	EA	Light - High Intensity - Brown

### EXTERIOR LIGHTS

Key	Part Number	U/M	Description
	042405-03-000	EA	Base - Rectangular Clearance Light
	042405-04-000	EA	Lens - Clearance Light - Red
	042405-05-000	EA	Lens - Clearance Light - Amber
	008092-01-000	EA	Reflector - Stick on - Rectangular - Red
	008093-01-000	EA	Reflector - Stick on - Rectangular - Amber
	007309-01-000	EA	Light - Step Well
	058353-02-000	EA	Lamp Asm. - Tail - 2 Bulb - Left
	058353-01-000	EA	Lamp Asm. - Tail - 2 Bulb - Right
	058030-01-700	EA	Lens - Tail Lamp - Red
	058030-01-701	EA	Lens - Tail Lamp - Backup
	062742-02-000	EA	Wedge - Tail Lamp - Left
	062741-04-000	EA	Wedge - Tail Lamp - Right
	058038-01-000	EA	Bracket - Tail Lamp
	058540-01-000	EA	Bracket - License Plate
	048817-01-000	EA	Assist Handle - w/Light

### FUSES AND CIRCUIT BREAKER

Key	Part Number	U/M	Description
	058473-01-000	EA	Fuse - Slow Blow - 6 1/4 Amp.
	008233-01-000	EA	Fuse - 12 volt - 6 Amp.
	008234-01-000	EA	Fuse - 12 Volt - 10 Amp.
	008235-01-000	EA	Fuse - 12 Volt - 15 Amp.
	008238-01-000	EA	Fuse - 12 volt - 20 Amp.
	008248-01-000	EA	Fuse - 110 Volt - 30 Amp. - AGU
	008252-01-000	EA	Fuse - 110 volt - 50 Amp.
	008208-01-000	EA	Circuit Breaker - 12 Volt - 40 Amp.
	008211-01-000	EA	Circuit Breaker - 12 volt - 6 Amp.
	008288-01-000	EA	Circuit Breaker - 12 volt - 30 Amp. w/Mount
	033573-02-000	EA	Circuit Breaker - 12 volt - 15 Amp. w/Mount
	040051-01-000	EA	Circuit Breaker - 110 Volt - 20 Amp. - TOL

## ELECTRICAL GROUP (CONTINUED)

### WINDSHIELD WIPER AND WASHER

Key	Part Number	U/M	Description
	056000-02-000	EA	Washer Asm - Windshield
	057653-01-000	EA	Arm - Windshield Wiper - 18" - Black
	044313-02-000	EA	Motor Asm - Windshield Wiper - 100"
	044313-03-000	EA	Motor Asm - Windshield Wiper - 90"
**	037998-01-000	EA	Link Asm - Connecting - 22 40" Long
	057474-01-000	EA	Windshield Wiper Asm
**	049464-02-000	EA	Blade - Windshield Wiper - 20" Black
**	055675-01-000	EA	Shaft and Pivot Asm

\*\*The illustrated parts breakdown for this item is provided on the Common Items Fiche

### WIRE, SWITCHES, AND RECEPTACLES

Key	Part Number	U/M	Description
	008024-01-000	FT	Wire - 18 5 Bonded - Orange/White/Yellow/Blue/Brown
	008025-01-000	FT	Wire - 18 5 Bonded - Orange/White/Yellow/Blue/Green
	008028-01-000	FT	Wire - 18 5 Bonded - Blue/Red/Yellow/Orange/White
	008030-01-000	FT	Wire - 18 4 bonded
	008251-01-000	EA	Holder - Fuse - Black - Screw Type
	008277-01-000	EA	Holder - Fuse - Black - Panel Mount
	008195-01-000	EA	Switch - Push Button - 12 volt
	006077-01-000	EA	Plaque - Compressor Switch
	008054-01-000	EA	Cord - Power - 10-3 30 Amp - 25' - UL
	008052-01-000	EA	Cord - Power - 10-3 30 Amp - 25' - CSA
	034818-04-000	EA	Holder - Receptacle - Plastic
	039342-01-000	EA	Receptacle - Duplex Brown - T Junction
	024571-04-000	EA	Cover Plate - Receptacle - Jumbo Plastic Ivory
	024571-01-000	EA	Cover Plate - Receptacle - Jumbo - Brown
	058028-01-000	EA	Connector - Pigtail - Clear - Nylon
	039343-01-000	EA	Cap - End - Receptacle
	008162-01-000	EA	Switch - Double Toggle - Spade Brown
	008163-01-000	EA	Switch - Toggle Brown
	008164-01-000	EA	Cover Plate - Switch - Brown
	024924-01-000	EA	Receptacle - Power Cord
	008058-01-000	EA	Adaptor - Power Cord
	047353-01-000	EA	Cover - Receptacle - Ground Fault
	053128-01-000	EA	Receptacle - Ground Fault Interrupter - 125 volt, Ivory
	053126-02-000	EA	Receptacle - Ground Fault Interrupter - 125 Volt - Brown
	058707-01-000	EA	Receptacle - Single - Brown - Thomas & Belts
	058708-01-000	EA	Receptacle - Duplex - Brown - Thomas & Belts
	008157-01-000	EA	Receptacle - Duplex - Brown - (Exterior Backwall)
	058048-01-000	EA	Cover - Electrical Box - 4 5" x 2 75" - Rain Tight (Exterior)
	008288-01-000	EA	Box - Electrical - Plastic - 3" x 3.5"

### MISCELLANEOUS ELECTRICAL COMPONENTS

Key	Part Number	U/M	Description
	047338-01-000	EA	Isolator - Dual Battery
	047389-01-700	EA	Battery - 12 Volt - 105 Amp. Deep Cycle - Dry
	057889-01-000	EA	Battery - 12 volt - Maintenance Free - Delco
	008188-01-000	EA	Solenoid - Dual Battery - Relay
	048775-01-000	EA	Valve - Gas - Change Over - 3 Way
	043477-01-000	EA	Valve - Gas - Change Over - 6 Way
	054544-01-000	EA	Control Center - 37 Amp. - UL
	038850-01-702	EA	Circuit Board - Control Center
	024459-01-000	EA	Gauge - Voltmeter
	024482-01-000	EA	Switch - Battery Condition
	031035-01-000	EA	Gauge - Hourmeter - Generator
	024978-01-000	EA	Switch - Generator w/o Circuit Board
	024480-01-000	EA	Gauge - Vacuum
	038861-01-000	EA	Sending Unit Kit - Wemac
	048812-01-000	EA	Control Panel - Water/Double Sewage - Wemac - w/Thermostat
	048812-02-000	EA	Control Panel - Water/Double Sewage - Wemac - w/o Thermostat
	048812-03-000	EA	Control Panel - Water/Double Sewage - Wemac - w/L.P. Refrigerator and Clock

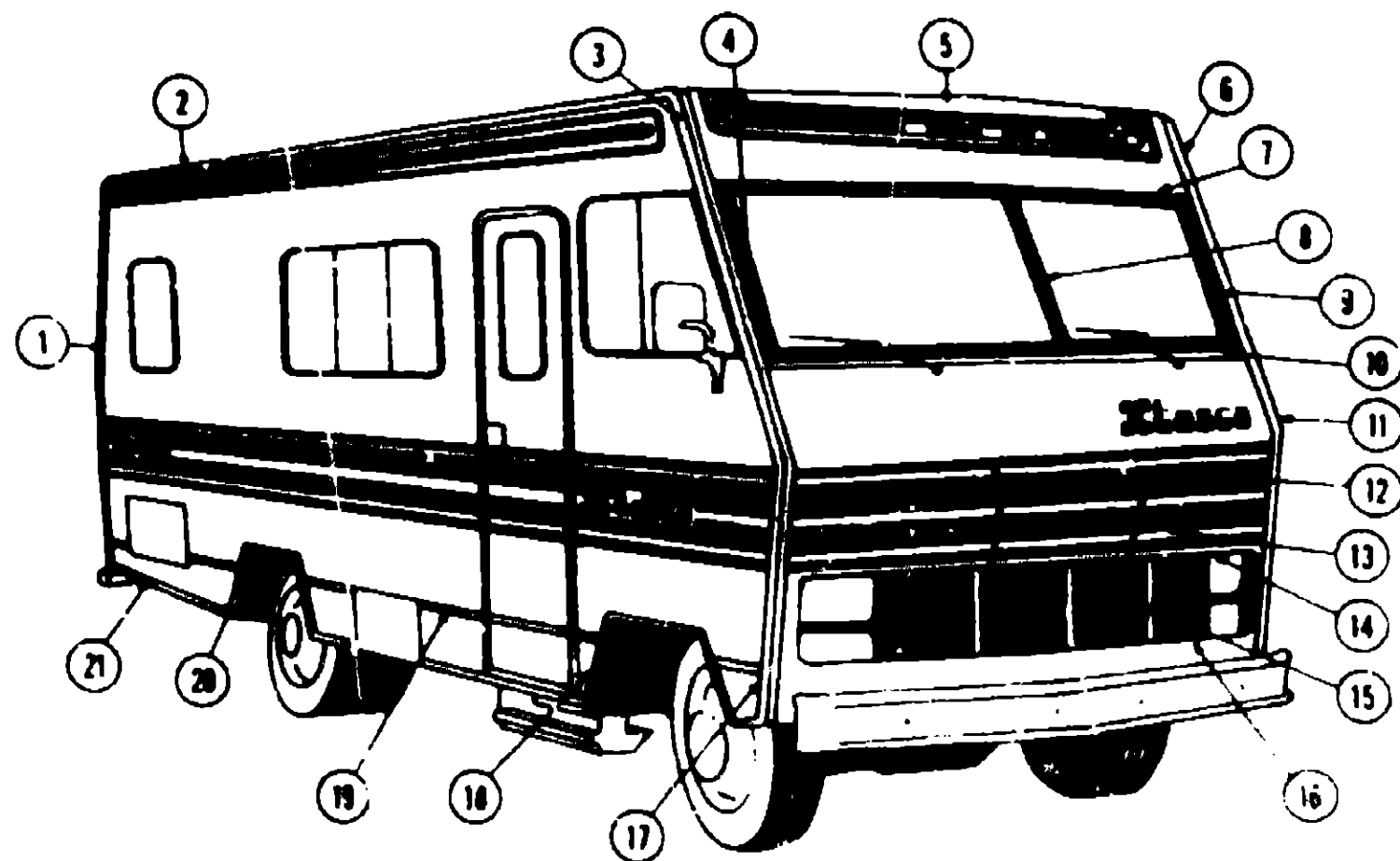
## 1979 ITASCA TABLE OF CONTENTS

ICF23RG	A-1 - B-16
ICF26RH	B-17 - D-8
ICN26PB	D-9 - E-22
ICF26RT	E-23 - G-14
ICN29RT	G-15 - I-10

## 1979 ICF26RH INDEX

Floor Plan	B-17 - B-16
Accessories Group	B-19 - B-20
Bath Group	B-21 - B-22
Chassis Group	B-23
Curtain, Cushion and Pad Group	B-24 - C-5
Dinette Group	C-6
Driver's Compartment Group	C-7 - C-8
Electrical Group	C-9 - C-10
Exterior Body Group	C-11 - C-14
Galley Group	C-15
Heating & Air Conditioning Group	C-16 - C-17
Interior Finish Group	C-18 - C-19
LP Group	C-20
Lounge Group	C-21
Water & Sewage Group	C-22
Window, Vent & Exterior Door Group	C-23 - D-8

## EXTERIOR BODY GROUP



## 1979 ITASCA TABLE OF CONTENTS

ICF23RG  
ICF26RH  
ICN26RB  
ICF26RT  
ICN26RT

A-1 - B-16  
B-17 - D-8  
D-9 - E-22  
E-23 - G-14  
G-15 - I-10

Key	Part Number	U/M	Description
1	038914-01-000	EA	Trim - Contour - Right Rear - Off White
-	038914-02-000	EA	Trim - Contour - Left Rear - Off White
2	034612-04-000	EA	Trim - Sidewall - Upper - Left or Right - Off White
3	058214-02-000	EA	Trim - Contour - Right Front Upper - Off White
4	058218-02-000	EA	Trim - Contour - Windshield - Right
5	054817-01-000	EA	Cap Asm. - Fiberglass - Over Windshield - Off White
6	058214-01-000	EA	Trim - Contour - Left Front Upper - Off White
7	058217-01-000	EA	Trim - Molding - Windshield - Upper
-	042743-02-000	EA	Trim - Corner Windshield - Upper
8	058218-01-000	EA	Trim Molding - Windshield - Center
9	058218-01-000	EA	Trim - Contour - Windshield - Left
10	058217-02-000	EA	Trim - Molding - Windshield - Lower
-	042743-01-000	EA	Trim - Corner Windshield - Lower

Key	Part Number	U/M	Description
11	058899-04-000	EA	Trim - Contour - Left Front Lower - Off White
12	058294-04-000	EA	Panel Asm. - Front Shroud
13	05887E-01-000	EA	Access Panel - Off White
-	058722-01-000	EA	Pull Pin - Hood Release
-	054781-01-000	EA	Striker - Hood Latch
-	057473-01-000	EA	Bezel - Headlamp - Left
-	057473-02-000	EA	Bezel - Headlamp - Right
14	059123-03-000	EA	Grille Trim - Upper
15	058339-01-000	EA	Grille Asm. - Right - Outer
-	058340-01-000	EA	Grille Asm. - Right - Inner
-	058341-01-000	EA	Grille Asm. - Left - Inner
-	058342-01-000	EA	Grille Asm. - Left - Outer
16	059124-03-000	EA	Grille Trim - Lower
17	058899-03-000	EA	Trim - Contour - Left Front Lower - Off White
18	052843-02-000	EA	Trim - Wheel Well - Front - Left or Right
19	002444-02-001	EA	Feature Strip - Extr. Anod. - 14" - w/o Insert
-	009731-01-000	EA	End Cap - Feature Strip Insert
-	001030-10-160	EA	Insert - Feature Strip - Gold - 17"
20	052842-01-000	EA	Trim - Wheel Well - Rear - Right or Left
21	002776-02-001	EA	Extr. - U-Channel - 1.75" x 16" - Anod.

## 1979 ICF26RH INDEX

Floor Plan	B-17 - B-18
Accessories Group	B-19 - B-20
Bath Group	B-21 - B-22
Chassis Group	B-23
Curtain, Cushion & Pad Group	B-24 - C-5
Dinette Group	C-6
Driver's Compartment Group	C-7 - C-8
Electrical Group	C-9 - C-10
Exterior Body Group	C-11 - C-14
Galley Group	C-15
Heating & Air Conditioning Group	C-16 - C-17
Interior Finish Group	C-18 - C-19
LP Group	C-20
Lounge Group	C-21
Water & Sewage Group	C-22
Window, Vent & Exterior Door Group	C-23 - D-8

## EXTERIOR BODY GROUP (CONTINUED)

### EXTERIOR PAINT

Key	Part Number	U/M	Description
	041561-01-000	EA	Paint - Off White - Acrylic Enamel - 1 Gal
	041561-03-000	EA	Paint - Off White - Acrylic Enamel - 16 oz Aerosol
	041561-04-000	EA	Paint - Off White - Acrylic Lacquer - 1 Gal
	058355-01-000	EA	Paint - Dark Yellow - Acrylic Enamel - 1 Gallon
	058355-03-000	EA	Paint - Dark Yellow - Acrylic Enamel - 16 oz Aerosol
	058356-01-000	EA	Paint - Green - Acrylic Enamel - 1 Gallon
	058356-03-000	EA	Paint - Green - Acrylic Enamel - 16 oz Aerosol
	058357-01-000	EA	Paint - Blue - Acrylic Enamel - 1 Gallon
	058357-03-000	EA	Paint - Blue - Acrylic Enamel - 16 oz Aerosol
	053760-01-000	EA	Paint - Crimson Red - Acrylic Enamel - 1 Gallon
	053760-03-000	EA	Paint - Crimson Red - Acrylic Enamel - 16 oz Aerosol
	045681-01-000	EA	Paint - Gloss Black - Acrylic Enamel - 1 Gallon
	045681-03-000	EA	Paint - Gloss Black - Acrylic Enamel - 16 oz Aerosol

### LABELS AND DECALS

Key	Part Number	U/M	Description
	008031-01-000	EA	Label - Potable Water Only
	008187-01-000	EA	Label - Sewage
	008188-01-000	EA	Label - Waste Water
	008198-01-000	EA	Label - Exit - Escape Window
	008023-01-000	EA	Label - Water Only
	008028-01-000	EA	Label - Drain Cap - 2" x 3"
	008092-01-000	EA	Reflector - Stick on - Rectangular - Red
	008093-01-000	EA	Reflector - Stick on - Rectangular - Amber
	040944-01-000	EA	Label - Open - Entrance Door
	047731-01-000	EA	Label - Emergency Exit
	008040-01-000	EA	Tag - Gas - Refueling Warning
	008082-01-000	EA	Tag - Electrical - 110V Connection
	054531-01-000	EA	Label - LP Gas Only
	081417-01-000	EA	Label - Fuel
	050225-01-000	EA	Label - Warning - Stove Vent - US
	081600-01-000	EA	Decal - Itasca - 5" x 2.64"
	041273-17-000	FT	Decal Stripe - .63" Black
	053343-01-000	EA	Decal - Itasca I - 9" High
	055289-01-000	EA	Decal - Logo - Suncruiser
	058251-01-000	EA	Decal - Front Side Upper - U-Shaped - Right
	058251-02-000	EA	Decal - Front Side Upper - U-Shaped - Left
	058528-01-000	EA	Decal - "L" Black - 5.75" - Right Front - Clearance Lite to Roof
	058528-02-000	EA	Decal - "L" Black - 5.75" - Left Front - Clearance Lite to Roof
	058529-01-000	EA	Decal - "L" Black - 9.12" - Right Front - Clearance Lite to Roof
	058529-02-000	EA	Decal - "L" Black - 9.12" - Left Front - Clearance Lite to Roof
	058004-07-000	EA	Decal - Logo - Itasca - 5.25" High

### MISCELLANEOUS EXTERNALLY MOUNTED PARTS

Key	Part Number	U/M	Description
	012230-02-000	EA	Fill - City Water - Recessed - Off White
	058808-01-000	EA	Fill - Water - Lockable
**	011124-01-000	EA	Plumbing Seal - Roof Vent - 1 1/4" White
**	011129-01-000	EA	Plumbing Seal - Roof Vent - 1 1/2" White
	057481-02-000	EA	Mirror Head - 7 1/2" x 10 1/2" - w/Convex - Off White
	048348-01-000	EA	Arm - Low Mount Mirror - Britz Finish
	048348-02-000	EA	Arm - Low Mount Mirror - Off White
	048844-03-000	EA	Bracket - Mirror - Outside - Black - Mounts to Coach
	048814-01-000	EA	Fill - Gas w/Vent - 5.44" Long
	048817-01-000	EA	Handle Asm. - Asses w/Light

\*\*The illustrated parts breakdown for this item is provided on the Common Items Fiche.

## EXTERIOR BODY GROUP (CONTINUED)

### SEALANTS, ADHESIVES AND FASTENERS

Key	Part Number	U/M	Description
	034552-05-000	EA	Sealant - Off White Silicone
	034552-04-000	EA	Sealant - Beige Silicone
	034552-02-000	EA	Sealant - Clear Silicone
	004348-02-000	EA	Sealant - Aluminum Silicone
	004349-01-000	EA	Sealant - Black Silicone
	004342-01-000	EA	Sealant - Weatherban 202 Tube
	004346-02-000	EA	Sealant - White Silicone
	004347-01-000	EA	Sealant - Tutlex
	002316-01-000	FT	Tape - Sealer - 3/32" x 1-8"
	024545-01-000	FT	Tape - Sealer - 1-8" x 5-8" - Black
	004350-01-000	FT	Tape - Sealer - 1-8" x 1" - Formaseal
	004352-01-000	FT	Tape - Sealer - 1-8" x 3/4" - Formaseal
	004355-01-000	FT	Tape - Sealer - 1-8" x 5-8" - Black
	004357-01-000	FT	Tape - Sealer - 1-8" x 5-8" - Adhesive
	002707-02-000	FT	Tape - Sealer - 5-16" x 1-2" - Black Foam
	002707-01-000	FT	Tape - Sealer - 5-16" x 3/4" - Black Foam
	004363-01-000	FT	Tape - Sealer - 3-16" x 1/2" - Foam
	004362-01-000	FT	Tape - Sealer - 1/4" x 5-8" - Foam
	009200-01-000	EA	Tape - Furnace - 1-1/2"
	004353-01-000	FT	Tape - Gasket - 1-8" x 3/4" - White
	002825-01-000	FT	Weather Stripping - Roof Vent
	002337-01-000	EA	Adhesive - 3M - 1000 Tube
	004005-01-000	GL	Adhesive - Swifts - Green - Glue (Sidewalls)
	004012-01-000	EA	Adhesive - 3M - 445 Tube
	004020-01-000	QT	Adhesive - ABS Cement (Plastic Fittings)
	029051-01-000	EA	Adhesive - Spray Vinyl
	042401-02-000	EA	Screw - 8 - 18 x 3/4" SDPH - Off White
	042403-02-000	EA	Screw - SF, DR - 8 - 18 x 1" SDPH - Off White
	053768-01-000	EA	Bedding Compound - Tube Black - Schnee Morehead
	053768-02-000	EA	Bedding Compound - Tube White - Schnee Morehead
	053767-01-000	FT	Tape - 1/2" x 1/8" x 30' - Gray - Schnee Morehead
	053767-02-000	FT	Tape - 3/16" Bead x 25' - Gray - Schnee Morehead
	053767-03-000	FT	Tape - 1/4" Bead x 20' - Gray - Schnee Morehead
	053767-04-000	FT	Tape - 3/4" x 1/8" x 30' - Gray - Schnee Morehead
	053767-05-000	FT	Tape - 2" x 3/32" x 45' - Gray - Schnee Morehead

### EXTERIOR BODY PANELS AND SHEET ALUMINUM

Key	Part Number	U/M	Description
	058708-01-K08	EA	Backwall Asm.
	058708-01-K08	EA	Roof Asm.
	058713-01-K08	EA	Sidewall Asm - Left
	058711-01-K08	EA	Sidewall Asm - Right
	039155-03-008	EA	Alum. - Off White Mesa I - .024" x 36" x 80"
	039155-03-003	EA	Alum. - Off White Mesa I - .024" x 36" x 360"
	039155-03-007	EA	Alum. - Off White Mesa I - .024" x 48" x 60"
	039155-03-008	EA	Alum. - Off White Mesa I - .024" x 48" x 360"
	039155-03-009	EA	Alum. - Off White Mesa I - .024" x 12" x 360"
	039155-28-001	EA	Alum. - Off White Mesa II - .024" x 36" x 60"
	039155-28-003	EA	Alum. - Off White Mesa II - .024" x 36" x 360"
	039155-28-004	EA	Alum. - Off White Mesa II - .024" x 48" x 60"
	039155-28-006	EA	Alum. - Off White Mesa II - .024" x 48" x 360"
	039155-28-007	EA	Alum. - Off White Mesa II - .024" x 12" x 360"
	044487-01-001	EA	Plain Roof Metal - 96" x 360"
	039155-07-010	EA	Off White Grayhound Alum. - 48" x 96"
	001054-01-011	EA	Off White Plain Alum. - 48" x 96"
	000868-01-000	BF	Styrofoam - 2/4" x 24" x 96"
	000870-01-000	BF	Styrofoam - 1 1/2" x 24" x 96"

NOTE: The raised portion of Mesa I aluminum is 1.857" wide.  
The raised portion of Mesa II aluminum is .875" wide.

## 1979 ITASCA TABLE OF CONTENTS

ICF23RG	A-1 - B-16
ICF26RH	B-17 - D-8
ICN26RB	D-9 - E-22
ICF26RT	E-23 - G-14
ICN26RT	G-15 - I-10

## 1979 ICF26RH INDEX

Floor Plan	B-17 - B-18
Accessories Group	B-19 - B-20
Bath Group	B-21 - B-22
Chassis Group	B-23
Curtain, Cushion & Pad Group	B-24 - C-5
Dinette Group	C-6
Driver's Compartment Group	C-7 - C-8
Electrical Group	C-9 - C-10
Exterior Body Group	C-11 - C-14
Galley Group	C-15
Heating & Air Conditioning Group	C-16 - C-17
Interior Finish Group	C-18 - C-19
LP Group	C-20
Lounge Group	C-21
Water & Sewage Group	C-22
Window, Vent & Exterior Door Group	C-23 - D-8

## GALLEY GROUP

### GALLEY CABINETS

Key	Part Number	U/M	Description
	050005-02-K08	EA	Cabinet Asm. - Galley - w/o Countertop, Doors, Drawers or Hardware
	050008-01-K08	EA	Countertop Asm. - Galley Cabinet - Pot Pourri Tan
	057982-50-K08	EA	Door Asm. - Galley Cabinet - 11 02" x 31 22" - w/o Hardware
	057982-51-K08	EA	Door Asm. - Galley Cabinet - 11 7/2" x 31 22" - w/o Hardware
	057982-52-K08	EA	Door Asm. - Galley Cabinet - 16 72" x 22 12" - w/o Hardware
	050015-01-K08	EA	Drawer Asm. - Galley Cabinet - 5" x 10 1" x 20" Deep - w/o Hardware
	050015-02-K08	EA	Drawer Asm. - Refrigerator Cabinet - 5" x 10 1" x 14" Deep - w/o Hardware
	050023-10-K08	EA	Drawer Asm. - Refrigerator Cabinet - 6 02" x 10 12" x 16" Deep - w/o Hardware
	057982-52-K08	EA	Door Asm. - Refrigerator Cabinet - 12 32" x 17 72" - w/o Hardware
	050774-01-K08	EA	Cabinet Asm. - Galley Overhead - w/o End Pad, Doors or Hardware
	057982-10-K08	EA	Door Asm. - Galley Overhead Cabinet - 11 62" x 16 02" - w/o Hardware

### GALLEY HARDWARE AND APPLIANCES

Key	Part Number	U/M	Description
	011032-01-000	EA	Sink - Stainless Steel - Double w/Bolts
**	011053-01-000	EA	Faucet - Swing Spout - 8" - U.S.
**	011053-02-000	EA	Faucet - Swing Spout - 8" - C.S.A.
**	011053-01-700	EA	Aerator - Swing Spout Faucet
**	011085-01-000	EA	Strainer - Sink
	050334-01-000	EA	Waste Basket - 9 3/4" x 7" x 10" - White
	050041-01-K08	EA	Cover - Wastebasket - Pot Pourri Tan
	054028-01-K08	EA	Cover - Sink - Pot Pourri Tan
	052771-02-000	EA	Oven - Microwave - Magic Chef MW207
	053333-01-000	EA	Hood - Range - Non Power - Black - Jenson - U.S.
	053333-02-000	EA	Hood - Range - Non Power - Black - Jenson - C.S.A.
	049030-03-000	EA	Hood - Range - Powered - Black - Jenson - U.S.
	049030-04-000	EA	Hood - Range - Powered - Black - Jenson - C.S.A.
**	055282-03-000	EA	Range - 4 Burner - Black - Magic Chef
**	049175-02-000	EA	Refrigerator - AC/DC/Gas - 1 Door - ET150/2
**	049174-02-000	EA	Refrigerator - AC/DC/Gas - 2 Door - ET230/2

\*\*The illustrated parts breakdown for this item is provided on the Common Items Fiche.

## HEATING AND AIR CONDITIONING GROUP

### AUTOMOTIVE HEATER AND AIR CONDITIONER

Key	Part Number	U/M	Description
	030044-01-000	EA	Louver Asm. - A.C. Adjustable
	047046-01-000	EA	Motor - 12 Volt - 3 Speed - Heater - Air Conditioner
	031043-01-000	EA	Valve - Heater - Water Flow Control
	031169-01-000	EA	Cable - Control - Flexible - 53"
	031169-02-000	EA	Cable - Control - Flexible - 48"
	031170-01-000	EA	Clamp - Cable - 3/16" Dia
	024996-01-000	EA	Clutch - Magnetic - Compressor
	024999-01-000	EA	Compressor - Auto Air - 10.3 Cubic Inch
	047036-01-000	EA	Package Compressor Mount 350 C.I.D.
	048100-01-000	EA	Package - Compressor Mount 454 C.I.D.
	048001-01-000	EA	Condensor - Radiator Mount
	008267-01-000	EA	Switch - Air Conditioner
	024867-01-000	EA	Valve - Thermostatic Expansion
	024997-01-000	EA	Core - Heater
	024998-01-000	EA	Wheel - Blower - 4 72" O.D.
	031393-01-000	EA	Coil - Evaporator
	031001-01-000	EA	Blower Housing
	007076-01-000	FT	Hose - Flexible PVC - 2 1/2" I.D.
	007106-01-000	FT	Hose - Heater - 5/8" I.D. SAE 20R3
	007281-01-000	FT	Hose - Flexible PVC - 2 1/2" I.D.
	007139-01-000	EA	Clamp - Worm Drive - 69" - 1 25" I.D.
	007140-01-000	EA	Clamp - Hose - 2" - 3" Dia
	033258-01-000	EA	Hose - Refrigerant - 50" I.D. x 34 50"
	034222-01-000	EA	Hose - Refrigerant - 31" I.D. x 26"
	034222-02-000	EA	Hose - Refrigerant - 31" I.D. x 32"
	031960-01-000	EA	Hose - Refrigerant - 34" I.D. x 30"
	031961-01-000	EA	Hose - Refrigerant - 31" I.D. x 14 75"
	031961-02-000	EA	Hose - Refrigerant - 31" I.D. x 19"
	049401-01-000	EA	Heater Asm. - Rear - Auxiliary
	049401-01-700	EA	Valve - Water Control - (Aux. Heater)
	049401-01-701	EA	Control Cable - (Aux. Heater)
	049401-01-702	EA	Motor Asm. - (Aux. Heater)
	049401-01-703	EA	Heater Core - (Aux. Heater)
	049401-01-704	EA	Switch - (Aux. Heater)
	050908-01-000	EA	Control Panel - Auxiliary Rear Heater
	024868-01-000	EA	Receiver - Dehydrator
	031044-01-000	EA	Clamp - Receiver Dehydrator
	031962-01-000	EA	Bracket - Receiver Dehydrator
	048230-02-000	EA	Kit - Auto Air - 350 C.I.D. A-Body
	048232-02-000	EA	Kit - Auto Air - 454 C.I.D. A-Body
	056464-01-000	EA	Register - 4" Dia. - Plastic w/Damper - Winterization Option
	062408-01-000	EA	Heat - Pusher - (Duct Fan) Winterization Option
	082411-01-000	EA	Switch - Temp. Control - 38° Close - 48° Open - Winterization Option
	082411-02-000	EA	Switch - Temp. Control - 28° Close - 30° Open - Winterization Option

## 1979 ITASCA TABLE OF CONTENTS

ICF23RG	A-1 - B-18
ICF26HH	B-17 - D-9
ICN26RB	D-9 - E-22
ICF26RT	E-23 - G-14
ICN26RT	G-15 - I-10

## 1979 ICF26RH INDEX

Floor Plan	B-17 - B-18
Accessories Group	B-19 - B-20
Bath Group	B-21 - B-22
Chassis Group	B-23
Curtain, Cushion & Pad Group	B-24 - C-5
Dinette Group	C-6
Driver's Compartment Group	C-7 - C-8
Electrical Group	C-9 - C-10
Exterior Body Group	C-11 - C-14
Galley Group	C-15
Heating & Air Conditioning Group	C-16 - C-17
Interior Finish Group	C-18 - C-19
LP Group	C-20
Lounge Group	C-21
Water & Sewage Group	C-22
Window, Vent & Exterior Door Group	C-23 - D-8

# HEATING AND AIR CONDITIONING GROUP (CONTINUED)

## FURNACES AND ROOF AIR CONDITIONERS

Key	Part Number	U/M	Description
**	052588-01-000	EA	Furnace - 19,000 BTU - Under Counter Mount - 4314-720
	058351-01-000	EA	Furnace - 24,000 BTU - w/Electric Ignition - 4324-740
	058350-01-000	EA	Furnace - 30,000 BTU - w/Electric Ignition - 4330 - 740
	009198-01-000	FT	Duct - Flexible - 4" I.D. x 25'
	009200-01-000	EA	Tape - Furnace - 1 1/2"
	023146-01-000	EA	Clamp - Screw Type - 4'
	024085-01-000	EA	Heat Register - w/Damper - 9.8" x 4.5"
	031804-01-000	EA	Bonnet - Heat Register
	049743-02-000	EA	Door - Furnace - Front
	051744-01-000	EA	Vent Package - Furnace - 3" - 6" wall
	038505-02-000	CA	Thermostat - Horizontal Wall Mount
**	049777-02-000	EA	Air Conditioner - 110 Volt - Roof Mount - 11,000 BTU - Ivory Coleman (w/o Inside Shroud)
**	049778-02-000	EA	Shroud Asm. - Ceiling - Inside Roof Air - Cool Only - 11,000 BTU - Coleman
**	049774-02-000	EA	Air Conditioner - 110 Volt - Roof Mount - 13,500 BTU Ivory - Coleman (w/o Inside Shroud)
**	049775-02-000	EA	Shroud Asm. - Ceiling - Inside - Roof Air Cool Only - 13,500 BTU - Coleman
**	049776-01-000	EA	Shroud Asm. - Ceiling - Inside - Roof Air Heat and Cool Only - 13,500 BTU - Coleman

\*\*The illustrated parts breakdown for this item is provided on the Common Items Fiche.

Key	Part Number	U/M	Description
	057858-01-000	SF	Paneling - 724 Vermont Oak - Plain - 48" x 96" (32SF)
	057855-01-000	SF	Paneling - 724 Vermont Oak - V Groove - 48" x 96" (32SF)
	045883-01-000	SF	Paneling - 825 Buff - 48" x 96" (32SF)
	058348-01-000	SF	Paneling - Pompeii Beige - Bath - 48" x 96" (32SF)
	057859-02-000	SF	Paneling - Galley Backsplash - Seige
	057858-02-000	SF	Paneling - Bath - Marigolds - 5' x 7' (35 SF)
	058349-01-000	SF	Paneling - Bath - Highs and Lows - 4' x 7' (28 SF)
	058346-03-000	SF	Paneling - Bath - Paintbrush - Green - 4' x 7' (28 SF)
	058346-02-000	SF	Paneling - Bath - Paintbrush - Brown - 4' x 7' (28 SF)
	058346-01-000	SF	Paneling - Bath - Paintbrush - Rust - 4' x 7' (28 SF)
**	057888-01-000	SF	Plastic Laminate - Pot Pourri Tan - 48" x 96" (32SF)
**	059970-01-000	SF	Plastic Laminate - Matador Leather - 48" x 96" (32 SF)
**	058219-01-000	SF	Plastic Laminate - Almond Batik
**	053339-01-000	SF	Plastic Laminate - Butcher Block - 48" x 96" (32SF)
**	053339-01-001	EA	Plastic Laminate - Butcher Block - 48" x 48"
**	053339-01-002	EA	Plastic Laminate - Butcher Block - 1.19" x 96"

## INTERIOR MOLDINGS AND TRIMS

Key	Part Number	U/M	Description
	047354-01-000	EA	Batt Strip - 825 Buff - Ceiling - 96"
	057868-01-000	EA	Batt Strip - 724 Vermont Oak - 96"
	057867-02-000	EA	Batt Strip - Marigolds (Bath) 8'
	057725-01-000	EA	Batt Strip - Highs and Lows (Bath) 8'
	058349-03-000	EA	Batt Strip - Paintbrush Green - 8'
	058349-02-000	EA	Batt Strip - Paintbrush Brown - 8'
	058349-01-000	EA	Batt Strip - Paintbrush Rust - 8'
	024700-06-000	EA	Cover - Roll Bar - Sidewall - Ivory
	024700-13-000	EA	Cover - Roll Bar - Vermont Oak
	039512-12-000	EA	Cover - Hat Section - Vermont Oak
	047488-01-000	EA	Cover - Corner - Hat/Hat
	047489-01-000	EA	Cover - Corner - Tube/Tube
	052859-01-J27	FT	Accent Trim - Acorn Brown Vinyl
	009813-01-000	FT	Molding - Outside Corner - .50" - Dark Pecan
	009767-05-000	FT	Wetting - Light Brown
	009778-01-000	FT	U-Channel - 1" - Dark Brown
	009810-01-000	FT	Molding - Outside Corner - 1" - Dark Pecan
	042430-01-000	EA	Molding - Shelf - Wood

## FABRIC AND FLOOR COVERINGS

Key	Part Number	U/M	Description
	058784-04-000	YD	Fabric - Drapery - Green Forest
	058784-03-000	YD	Fabric - Drapery - Navy
	058784-05-000	YD	Fabric - Drapery - Brick (Burgundy)
	057984-01-000	YD	Fabric - Upholstery - Emerald Green - Wide Stripe
	057984-02-000	YC	Fabric - Upholstery - Royal Blue - Wide Stripe
	057984-03-000	YD	Fabric - Upholstery - Oxford Burgundy - Wide Stripe
	057885-01-000	YD	Fabric - Upholstery - Emerald Green - Narrow Stripe
	057885-02-000	YD	Fabric - Upholstery - Royal Blue - Narrow Stripe
	057885-03-000	YD	Fabric - Upholstery - Oxford Burgundy - Narrow Stripe
	057886-01-000	YD	Fabric - Upholstery - Accent - Camel
	057886-02-000	YD	Fabric - Upholstery - Accent - Burgundy
	053327-01-000	YD	Vinyl - Non Expanded - 17 oz. - Acorn Brown
	053327-02-000	YD	Vinyl - Expanded - 28 oz. - Acorn Brown
	053327-03-000	YD	Vinyl - Non Support - 18 Gauge Film - Acorn Brown
	057887-04-000	SY	Carpet - Charade - Cocoa Mist

# INTERIOR FINISH GROUP

## PANELING AND COUNTERTOP MATERIALS

## 1979 ITASCA TABLE OF CONTENTS

ICF23RG	A-1 - B-18
ICF26RH	B-17 - D-8
ICN26RB	D-9 - E-22
ICF26RT	E-23 - G-14
ICN26RT	G-15 - I-10

## 1979 ICF26RH INDEX

Floor Plan	B-17 - B-18
Accessories Group	B-19 - B-20
Bath Group	B-21 - B-22
Chassis Group	B-23
Curtain, Cushion & Pad Group	B-24 - C-5
Dinette Group	C-6
Driver's Compartment Group	C-7 - C-8
Electrical Group	C-9 - C-10
Exterior Body Group	C-11 - C-14
Galley Group	C-15
Heating & Air Conditioning Group	C-16 - C-17
Interior Finish Group	C-18 - C-19
LP Group	C-20
Lounge Group	C-21
Water & Sewage Group	C-22
Window, Vent. & Exterior Door Group	C-23 - D-8

# INTERIOR FINISH GROUP (CONTINUED)

## CABINETS AND TABLE HARDWARE

Key	Part Number	U/M	Description
	057848-01-KJ1	EA	Pull Kit - Cabinet Drawer - Flat Latch
..	052932-01-J30	EA	Hinge Kit - Cabinet Door - Antique Brass
..	057845-01-K08	EA	Latch Kit - Cabinet Door - Flat Latch
..	008112-01-000	EA	Flange - 1" - Closet Rod
..	047842-01-000	EA	Kit - Dinette Table Leg
..	047808-03-070	EA	Kit - Dinette Table Wall Mount Hardware
	059753-01-000	EA	Slide - Drawer - Left
	059753-02-C30	EA	Slide - Drawer - Right
	037668-01-000	FT	Rail - Drawer Glide
	047744-01-000	EA	Kit - Drawer Glide
	039059-01-000	EA	Hinge - Drop Leaf Extension - 2" - Gold
	008049-01-000	EA	Support - Drop Leaf Extension
	058335-01-000	EA	Latch - Bathroom Door
	039873-01-000	EA	Catch and Strike - Nylon

\*\* The illustrated parts breakdown for this item is provided on the Common Items Fiche.

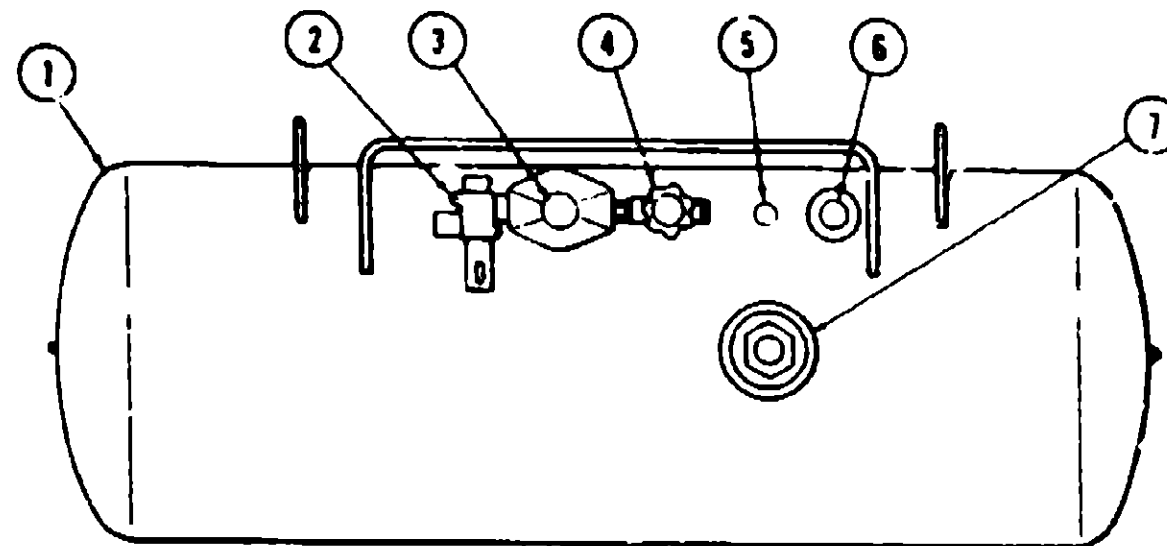
## CURTAIN HARDWARE

Key	Part Number	U/M	Description
	052327-04-238	EA	Track - Curtain - Brown Alum. - 89" w/Holes
	056116-01-000	FT	Track - Curtain - Brown Plastic
	056001-01-000	EA	Bracket - Shade - Left
	056002-01-000	EA	Bracket - Shade - Right
	056003-01-000	EA	Bracket - Drapery Retainer - Right
	056003-02-000	EA	Bracket - Drapery Retainer - Left
	059971-01-000	EA	Mounting Bracket - Levelor Shades - Right
	059971-02-000	EA	Mounting Bracket - Levelor Shades - Left
	008224-01-000	EA	Rod - Curtain - Flat - Extends 26" to 48"
	042437-01-000	EA	Bracket - Curtain Rod - Single
	056781-01-000	EA	Pull - Window Shade - Antique Brass
	008107-01-000	EA	Guide - Nylon Snap Curtain
	018031-42-000	EA	Track - Curtain - "L" Rod - Alum. Extr. - 90"
	009701-01-000	EA	Corner - "L" Rod - Curtain
	009702-01-000	EA	End Stop - "L" Rod - Curtain
	070430-01-000	EA	Track - Curtain - Wraparound (2 required per unit)
	056289-05-070	EA	Track - Curtain - 90" - 4" x 11"

## MISCELLANEOUS

Key	Part Number	U/M	Description
	041944-01-700	EA	Fire Extinguisher - Dry Chemical w/Bracket
	040089-01-000	EA	Door Mat - Black Rubber - 10 1/2" x 26" x Itasca
	054185-04-000	EA	Owners Manual - 1979 Itasca

# LP GROUP



Key	Part Number	U/M	Description
1	052769-01-000	EA	Tank Asm. - LP - Frame Mount - 42 Pound
1	052770-01-000	EA	Tank Asm. - LP - Frame Mount - 85 Pound
2	047221-01-000	EA	Detector - LP Gas Leak
3	058708-01-000	EA	Cover - Regulator - 2 Stage
.	056705-01-000	EA	Regulator - Two Stage - LP Gas
4	040421-01-703	EA	Valve - Vapor Relief
5	040421-01-700	EA	Gauge - Liquid Level - 20% LP
6	040421-01-701	EA	Valve - Filter - LP
.	040421-01-702	EA	Cap - Plastic Fill Valve
7	040421-01-707	EA	Gauge - Float - w/Visible Dial - 85 Pound Tank
.	042201-01-700	EA	Gauge - Float - w/Visible Dial - 42 Pound Tank
.	040421-01-706	EA	Dial - Visible Face - Float Gauge (Tank w/o Electric Transmitter)
.	040421-01-705	EA	Dial - Transmitter - 0 - 90 Ohm (Float Gauge)
.	045703-03-000	EA	Hose Asm. - LP - 3/8" I.D. x 14"
.	047737-02-000	EA	Support - LP Tank - 89.25"
.	047737-02-000	EA	Support - LP Tank - 30.50"
.			Not Illustrated

## 1979 ITASCA TABLE OF CONTENTS

ICF23RC	A-1 - B-18
ICF26RH	B-17 - D-8
ICN26RB	D-9 - E-22
ICF26RT	E-23 - G-14
ICN26RT	G-15 - I-10

## 1979 ICF26RH INDEX

Floor Plan	B-17 - B-18
Accessories Group	B-19 - B-23
Bath Group	B-21 - B-22
Chassis Group	B-23
Curtain, Cushion & Pad Group	B-24 - C-5
Dinette Group	C-6
Driver's Compartment Group	C-7 - C-8
Electrical Group	C-9 - C-10
Exterior Body Group	C-11 - C-14
Galley Group	C-15
Heating & Air Conditioning Group	C-16 - C-17
Interior Finish Group	C-18 - C-19
LP Group	C-20
Lounge Group	C-21
Water & Sewage Group	C-22
Window, Vent & Exterior Door Group	C-23 - D-8

## LOUNGE GROUP

Key	Part Number	U/M	Description
	059303-01-K08	EA	Cabinet Asm. - Nightstand - w/o Countertop, Drawers or Hardware
	059394-01-K08	EA	Countertop Asm. - Nightstand Cabinet - Butcher Block
	058023-09-K08	EA	Drawer Asm. - Nightstand Cabinet - 6" x 11.22" x 24" Deep - w/o Hardware
	057992-47-K08	EA	Door Asm. - Wardrobe Cabinet - 59.02" x 14.32" - w/o Hardware
	057992-48-K08	EA	Door Asm. - Wardrobe Cabinet - 28.42" x 12.12" - w/o Hardware
	059437-01-K08	EA	Cabinet Asm. - Nightstand Overhead - w/o Door or Hardware
	057992-49-K08	EA	Door Asm. - Nightstand Overhead Cabinet - 20.82" x 11.52" - w/o Hardware
	061801-02-K08	EA	Cabinet Asm. - Overhead Wamac - Padded - Acorn Vinyl
	061543-01-000	EA	Bunk Board - Upper - Padded - White Vinyl
	009112-01-000	EA	Flange - 1" - Closet Rod

## WATER AND SEWAGE GROUP

### PLUMBING REPAIR PARTS

Key	Part Number	U/M	Description
**	040539-01-000	EA	Kit - Repair - 3/8" O.D. Plastic Tube
**	040540-01-000	EA	Kit - Repair - 1/2" O.D. Plastic Tube
**	040541-01-000	EA	Kit - Repair - 5/8" O.D. Plastic Tube
**	041279-02-000	EA	Pump - Water Flow 2.8 G.P.M. - PAR
**	063646-01-000	EA	Pump - Water - 2.3 G.P.M. - Direct Drive - US
**	063646-02-000	EA	Pump - Water - 2.8 G.P.M. - Direct Drive - CSA
**	039647-02-000	EA	Filter - Water Pump 1/2" MPT
**	039809-01-000	EA	Valve - Stop - Plastic 3/8" x 1/2" F.P.T.
**	039818-01-000	EA	Riser Asm. - 3/8" O.D. x 24" Tube
**	039818-02-000	EA	Riser Asm. - 3/8" O.D. x 36" Tube
**	039818-04-000	EA	Riser Asm. - 3/8" O.D. x 72" Tube
**	039818-05-000	EA	Riser Asm. - 3/8" O.D. x 48" Tube
**	041819-01-000	EA	Nut and Cone - Plastic 1/2" O.D. Tube
**	010200-01-000	QT	Adhesive - ABS Cement
**	010201-01-000	EA	Hose - Sewer 3" x 10 FT w. Clamp
**	062415-01-000	EA	Cap - Sewer - 3"
**	062416-01-000	EA	Hose Adapter - Sewer - 3"
**	052413-02-000	EA	Valve - 3" - w/o Handle
**	062419-01-000	EA	Extension Handle - w/Adaptor - 35"
**	062419-02-000	EA	Handle - Extension w/Adaptor - 53"
**	062421-01-000	EA	Valve - 1 1/2" - w/handle
**	011091-01-000	EA	Waste - Continuous - Double Sink 11 7/8"
**	011066-01-000	EA	P-Trap - Plastic - 1 1/4"
**	010205-01-000	EA	Valve - Sanitary - Thetford 3 x B
**	010210-01-000	EA	Valve - Sanitary - Thetford 3HB
**	010133-01-000	EA	Adapter - Trap - Plastic - 1 1/2" H x MPT
**	010071-01-000	EA	Tee - Plastic - 1 1/2" H x H x H
**	010073-01-000	EA	Wye - Plastic - 1 1/2" x 45 H x H x H
**	010079-01-000	EA	Tee - Plastic - 1 1/2" H x 1 1/2" H x 1 1/4" H
**	010091-01-000	EA	Wye - Plastic - 3" x 45 H x H x H
**	010117-01-000	EA	Coupling - Plastic - 3" H x H
**	010134-01-000	EA	Adapter - Plastic - 1 1/2" M x MPT
**	050780-01-000	EA	Coupler - Rubber - 3" x 3"
**	052952-01-000	EA	Nut - Plastic - 1/2" F
**	052953-01-000	EA	Nut - Faucet - 1/2" Tube x 1/2" Fpt
**	052954-01-000	EA	Adapter - Nose Cone - 3/8" x 1/2"
**	052958-01-000	EA	Tee - Plastic - 1/2" F x 1/2" F x 1/2" F
**	052959-03-000	EA	Connector - Plastic - 1/2" F x 3/8" MPT
**	052960-01-000	EA	Valve - Line Drain - 1/2" F x 1/2" F
**	052961-01-000	EA	Header - 1/2" F x 1/2" F x 1/2" F - 1/2" F
**	054537-01-000	EA	Valve - Tank Drain
**	046524-01-000	EA	Kit - Plastic Fittings - Holding Tank
**	046524-02-000	EA	Kit - Plastic Fittings - Water Tank
**	010209-05-000	EA	Handle - Extension - Sewer Valve - 36"
**	037845-01-000	FT	Tape - Butyl - 3/16" - Bead - Black

\*\*The illustrated parts breakdown for this item is provided on the Common Items Fiche.

### HOLDING TANKS AND WATER HEATERS

Key	Part Number	U/M	Description
**	054032-08-000	EA	Tank Asm. - Holding - Gray Water - 25 Gallon - w/Fittings
**	054032-01-000	EA	Tank Asm. - Holding - Gray Water - 25 Gallon - w/o Fittings
**	054033-05-000	EA	Tank Asm. - Sewage - 32 Gallon - w/Fittings
**	054033-01-000	EA	Tank Asm. - Sewage - 32 Gallon - w/o Fittings
**	058731-02-000	EA	Tank Asm. - Water - 52 Gallon - w/Fittings
**	058731-01-000	EA	Tank Asm. - Water - 52 Gallon - w/o Fittings
**	051391-01-000	EA	Water Heater - 6 Gallon w/o Motor A/W - Atwood G6A-3

\*\*The illustrated parts breakdown for this item is provided on the Common Items Fiche.

## 1979 ITASCA TABLE OF CONTENTS

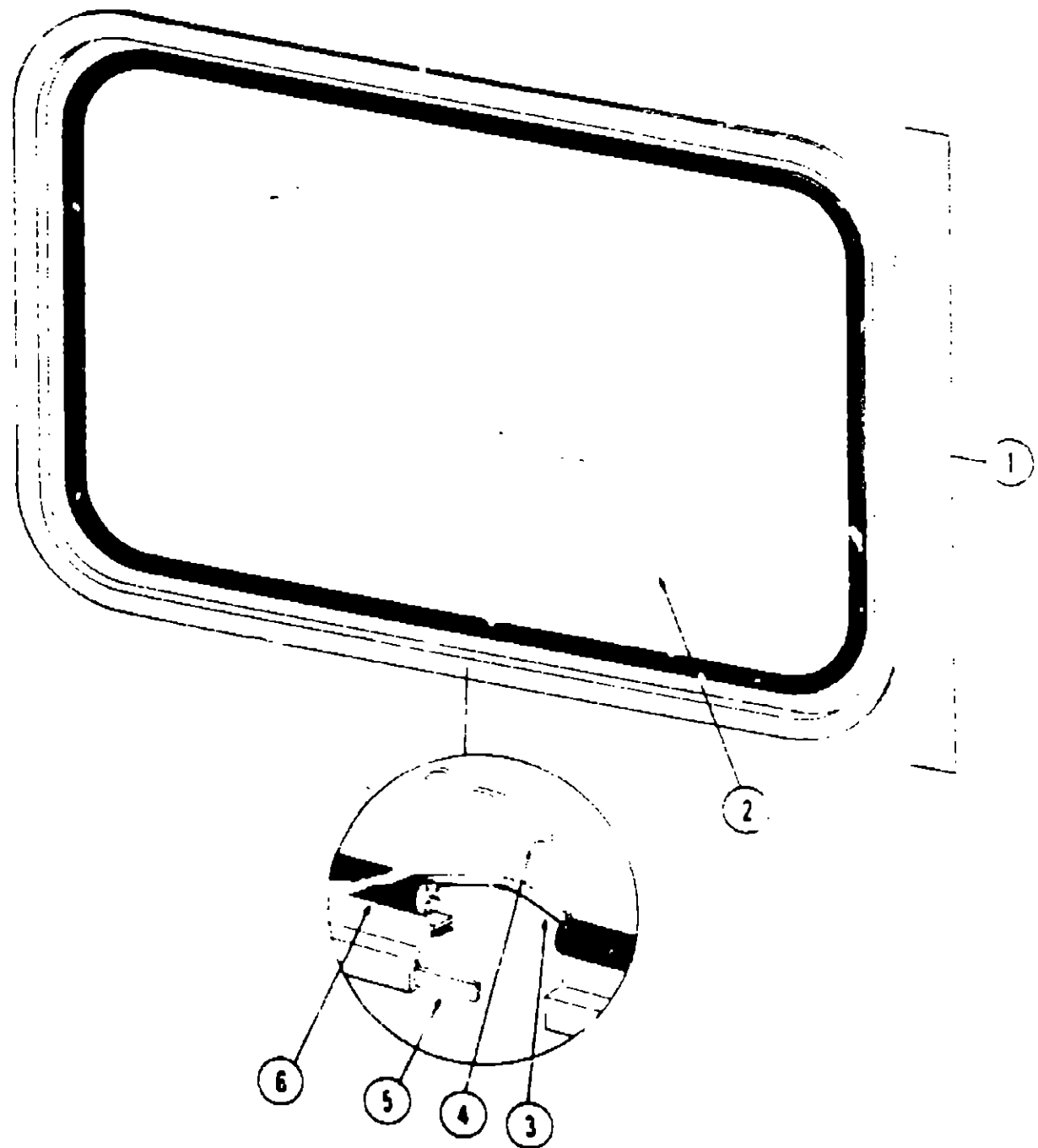
ICF23RG	A-1 - B-18
ICF26RH	B-17 - D-8
ICN26RB	D-9 - E-22
ICF26RT	E-23 - G-14
ICN29RT	G-15 - I-10

## 1979 ICF26RH INDEX

Floor Plan	B-17 - B-18
Accessories Group	B-19 - B-20
Bath Group	B-21 - B-22
Chassis Group	B-23
Curtain, Cushion & Pad Group	B-24 - C-5
Dinette Group	C-6
Driver's Compartment Group	C-7 - C-8
Electrical Group	C-9 - C-10
Exterior Body Group	C-11 - C-14
Galley Group	C-15
Heating & Air Conditioning Group	C-16 - C-17
Interior Finish Group	C-18 - C-19
LP Group	C-20
Lounge Group	C-21
Water & Sewage Group	C-22
Window, Vent & Exterior Door Group	C-23 - D-8

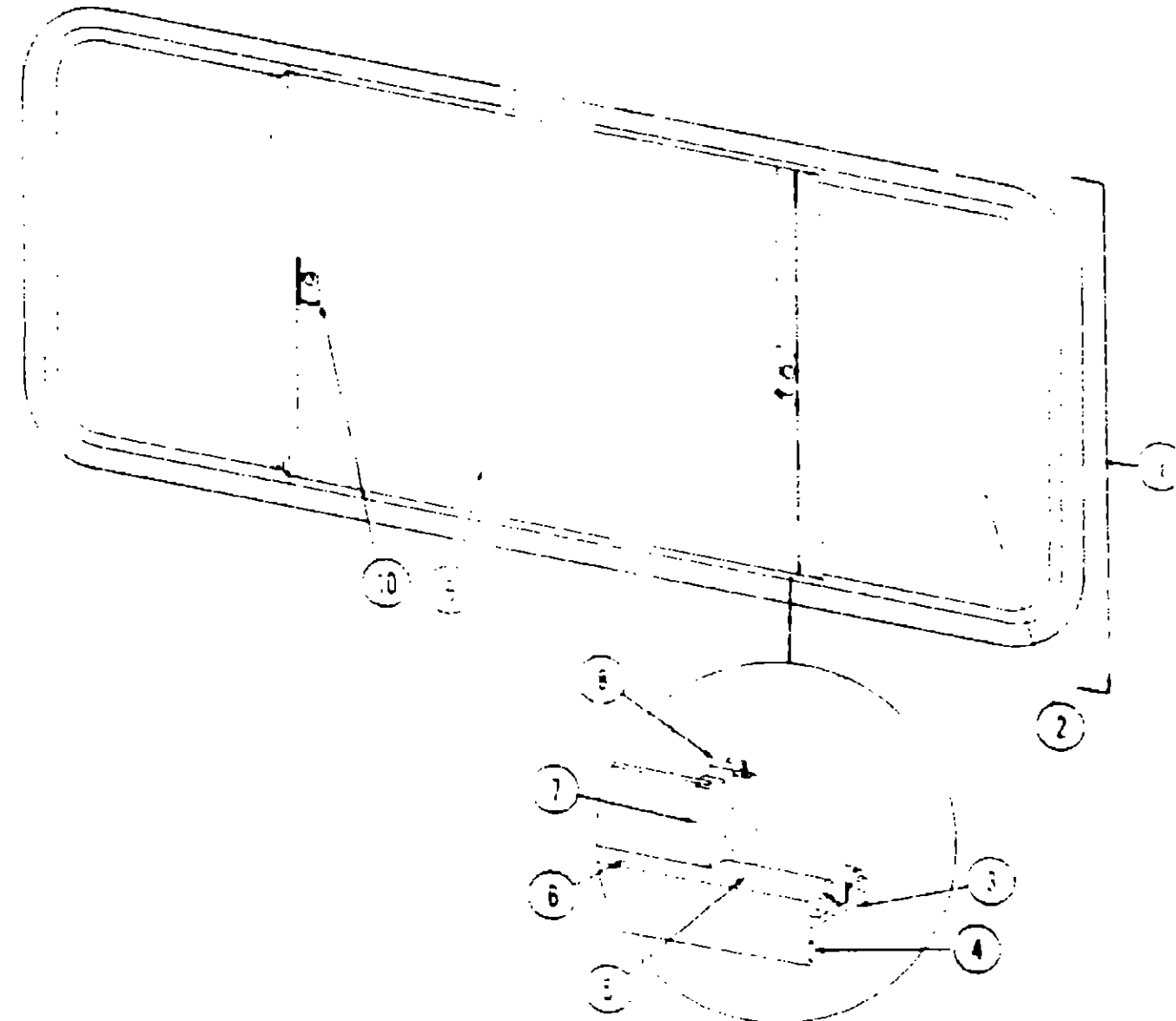
**WINDOW, VENT AND EXTERIOR DOOR GROUP**

**WINDOW, VENT AND EXTERIOR DOOR GROUP (CONTINUED)**



Key	Part Number	U/M	Description
1	020751-03-000	EA	Window Asm. - Rear Escape - 23" x 29" - Black Anod (w/o inside frame)
2	002174-01-000	EA	Glass - Window - 18" x 19.61" x 25.92"
3	002285-01-000	FT	Weatherstrip - Black
4	020395-01-000	EA	Slip Ring - Escape Window
5	004363-01-000	FT	Tape - Foam - 3/16" x 1/2" - Gray
6	002282-01-000	FT	Weatherstrip - .125" - Black
.	020749-03-000	EA	Inside Frame - Escape Window - 23" x 29" (not included in assembly)
.	006199-01-000	EA	Label - Exit - Escape Window
.	Not Illustrated		

Key	Part Number	U/M	Description
1	048630-08-000	EA	Window Asm. - Double Slider - 25" x 65" - Black Anod (w/o inside frame)
2	047822-01-000	EA	Glass - Sliding - 3 1/8" x 24" x 21.03"
3	042077-01-000	FT	Channel - Weatherstrip - Glass Run 3/16" Glass
4	004363-01-000	FT	Tape - Foam - 3/16" x 1/2" - Gray
5	041928-02-000	FT	Seal - Window Channel - Black
6	050216-02-000	FT	Spline - Glass
7	002389-03-201	EA	Extr. - Holder - Glass Seal - 23.19"
8	041894-04-000	EA	Mullion - Slider Window - 23"
9	002188-02-000	EA	Glass - 3 1/8" x 24" x 25.50" - Stationary
10	047369-01-700	EA	Latch - Window - Plastic
.	042133-09-000	EA	Frame Asm. - Window - Inside (not included in assembly)
.	023713-02-000	EA	Cover - Weephole - Plastic - Black
.	002298-01-000	FT	Spline - Gray - 1.30" Dia. (Screen)
.	002293-01-000	SF	Screen - Window - 26" - Gray
.	Not Illustrated		



**1979 ITASCA  
TABLE OF CONTENTS**

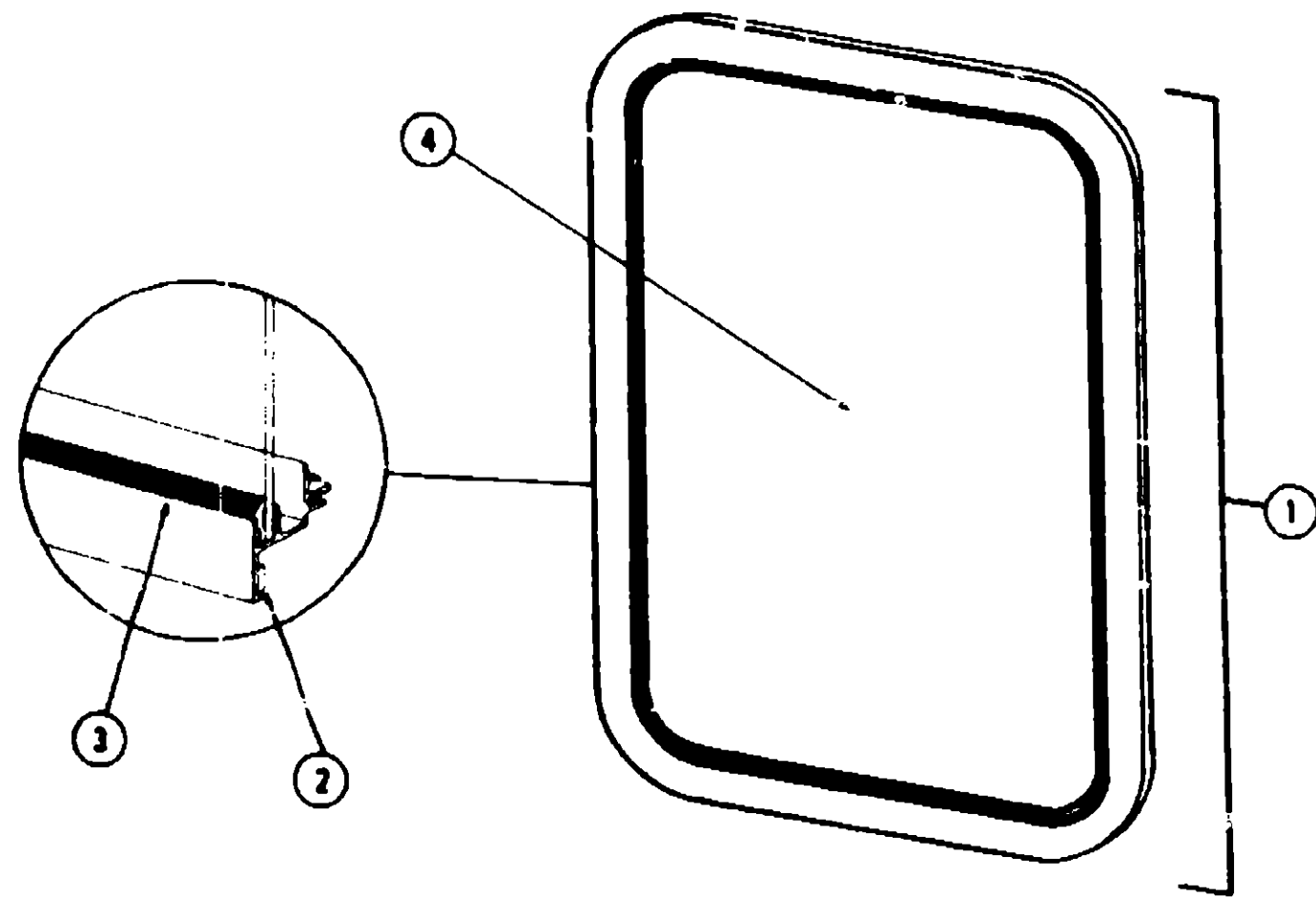
ICF25RB	A-1 - B-16
ICF26RH	B-17 - D-8
ICF26RE	D-9 - E-22
ICF26RT	E-23 - G-14
ICF29RT	G-15 - I-10

**1975 ICF26RH INDEX**

Floor Plan	B-17 - E-16
Accessories Group	B-19 - B-20
Bath Group	B-21 - B-22
Chassis Group	B-23
Curtain, Cushion & Pad Group	B-24 - C-5
Dinette Group	C-6
Driver's Compartment Group	C-7 - C-8
Electrical Group	C-9 - C-10
Exterior Body Group	C-11 - C-14
Galley Group	C-15
Heating & Air Conditioning Group	C-16 - C-17
Interior Finish Group	C-18 - C-19
LP Group	C-20
Lounge Group	C-21
Water & Sewage Group	C-22
Window, Vent & Exterior Door Group	C-23 - D-8

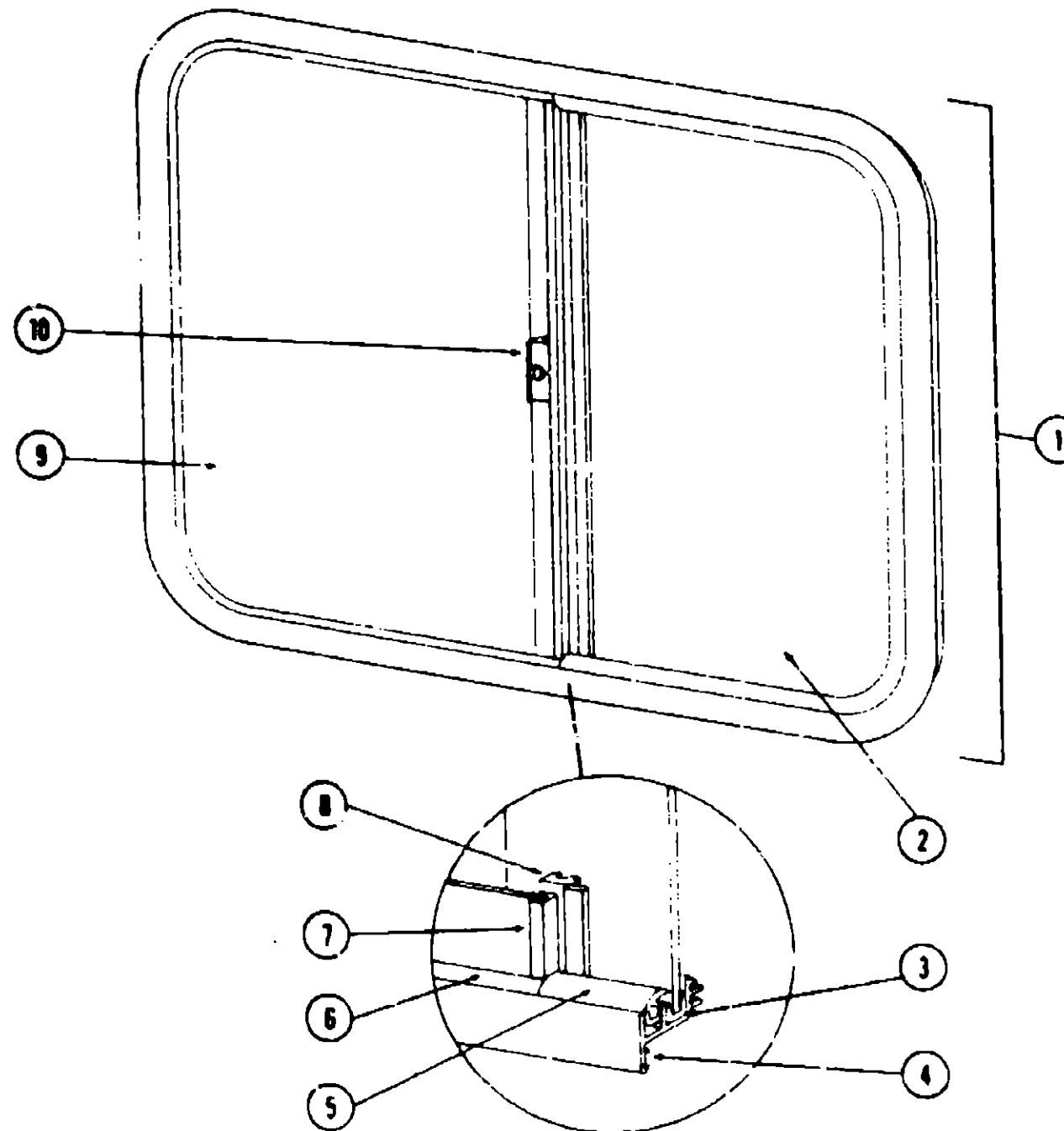


WINDOW, VENT AND EXTERIOR DOOR GROUP (CONTINUED)



Key	Part Number	U/M	Description
1	053851-01-000	EA	Window Asm. - Picture - 20 3/4" x 20 3/4" - Black (w/o inside frame)
2	053767-02-000	FT	Tape - 3/16" Bead x 25 - Schae Morehead
3	002309-02-000	FT	Spline - Glass - 1/8" - Black
4	002181-03-000	EA	Glass - .115" x 20.62" x 20.62" - Gray
*	058650-01-770	EA	Frame - Inside - Window (not included in assembly)
*			Not Illustrated

WINDOW, VENT AND EXTERIOR DOOR GROUP (CONTINUED)



Key	Part Number	U/M	Description
1	045556-06-000	EA	Window Asm. - Right Single Slider - 15" x 37" - Black Anod. (w/o inside frame)
2	002208-02-000	EA	Glass - Sliding - 1/8" - 14.4" x 19" - Gray
3	002324-01-000	FT	Channel - Weatherstrip - Glass Run - 1/8" Glass
4	004383-01-000	FT	Tape - Foam - 3/16" x 1/2" - Gray
5	057374-02-000	FT	Seal - window Channel - 1/8" Glass - Black
6	002309-02-000	FT	Spline - Glass - 1/8" - Black
7	002390-03-205	EA	Holder - Glass Seal - 13.62" - Black
8	041894-25-000	EA	Mullion - Slider Window - 13.44" - Black Anod.
9	002207-01-000	EA	Glass - Stationary - 1.9" x 14.4" x 21.32"
10	047188-01-700	EA	Latch - Window - Plastic w/Fastener
*	017451-03-000	EA	Inside Frame - Single Slider Window - 15" x 37" (not included in assembly)
*	023713-02-000	EA	Cover - Plastic Weephole - Black
*	002299-01-000	FT	Spline - Gray - .135" Dia. (Screen)
*	002293-01-000	SF	Screen - Window - 26" - Gray
*			Not Illustrated

1979 ITASCA  
TABLE OF CONTENTS

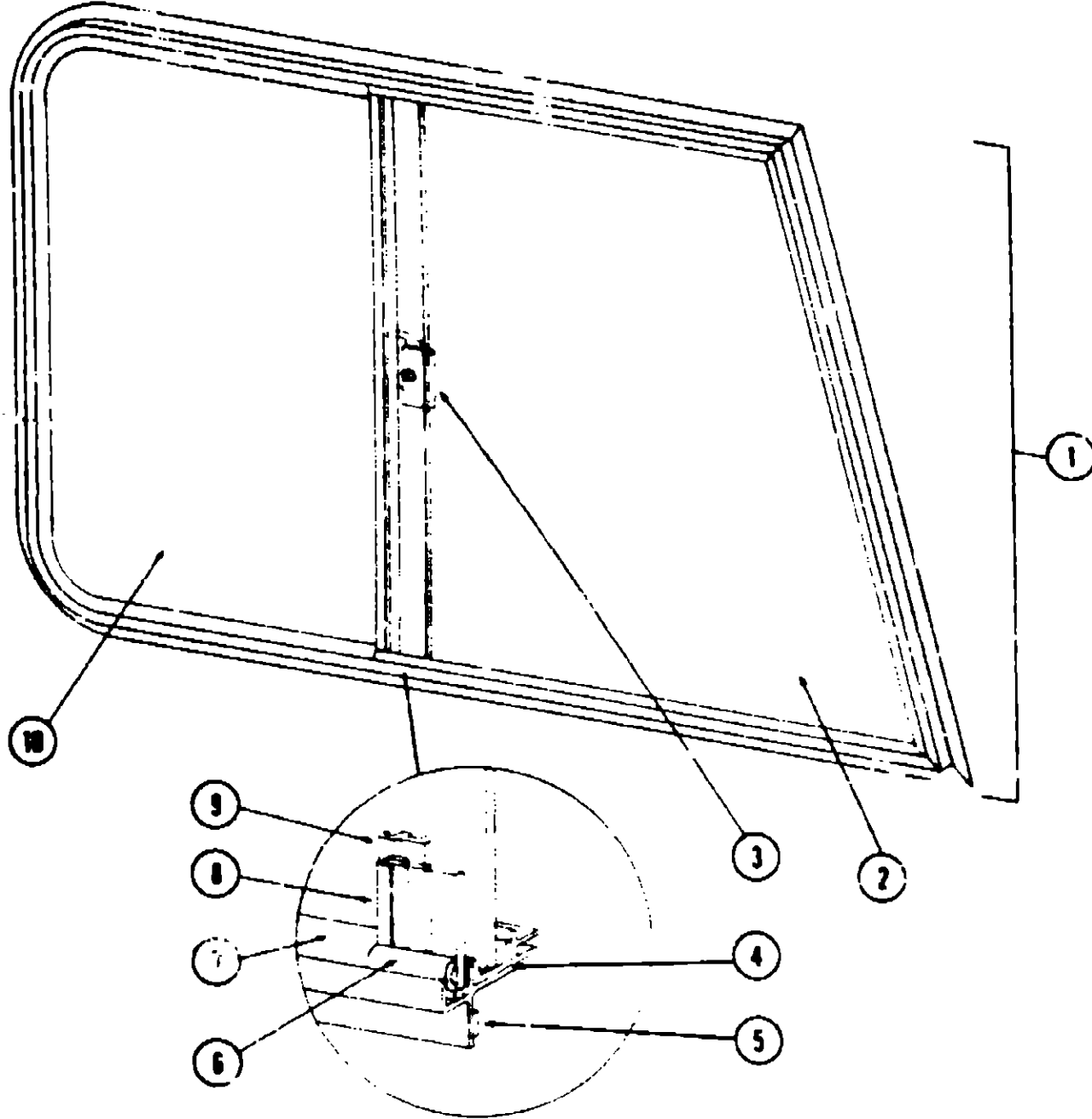
ICF23RG	A-1 - B-16
ICF28RH	B-17 - D-8
ICN26RB	D-9 - E-22
ICF26RT	E-23 - G-14
ICN28RT	G-15 - I-10

1979 ICF26RH INDEX

Floor Plan	B-17 - B-18
Accessories Group	B-19 - B-20
Bath Group	B-21 - B-22
Chairs Group	B-23
Curtain, Cushion & Pad Group	B-24 - C-5
Dinette Group	C-6
Driver's Compartment Group	C-7 - C-8
Electrical Group	C-9 - C-10
Exterior Body Group	C-11 - C-14
Galley Group	C-15
Heating & Air Conditioning Group	C-16 - C-17
Interior Finish Group	C-18 - C-19
LP Group	C-20
Loungers Group	C-21
Water & Sewage Group	C-22
Window, Vent & Exterior Door Group	C-23 - D-8

**WINDOW, VENT AND EXTERIOR DOOR GROUP (CONTINUED)**

**WINDOW, VENT AND EXTERIOR DOOR GROUP (CONTINUED)**



Key	Part Number	U/M	Description
1	059046-01-000	EA	Window Asm. - Right Front Slant Slider - 23" x 39" - Black Anod. (w/o inside frame)
	059046-02-000	EA	Window Asm. - Left Front Slant Slider - 23" x 39" - Black Anod. (w/o inside frame)
2	057856-01-000	EA	Glass - 3/16" x 24.88" x 25.30" - Stationary
3	047389-01-700	EA	Latch - Window - Plastic w/Fastener
4	042077-01-000	FT	Channel - Weatherstrip - Glass Run - 3/16" Glass
5	052767-01-000	FT	Tape - 1/2" x 1/8" x 30" - Gray - Schnee Morehead
6	050216-02-000	FT	Spline - 3/16" Glass
7	041828-02-000	FT	Seal - Window Channel - 3/16" Glass - Black
8	002389-03-208	EA	Holder - Glass Seal - Black Anod. - 24.13"
9	057844-14-000	EA	Mullion - Window - Slant Slider
10	057857-01-000	EA	Glass - 3/16" x 24.88" x 14.70" - Sliding
	059042-01-000	EA	Inside Frame - Right Front Slant Slider (not included in assembly)
	059042-02-000	EA	Inside Frame - Left Front Slant Slider (not included in assembly)
	023713-02-000	EA	Cover - Weephole - Black Anod.
	055164-05-000	EA	Slider Screen Asm. - Right or Left - Black
	016310-03-000	EA	Handle - Slider Screen - Black
	002282-01-000	SF	Screen - Window - 20" - Gray
	002288-01-000	FT	Spline - Gray - .130" Dia.
			Not Illustrated

**ACCESS DOORS**

Key	Part Number	U/M	Description
	037804-16-000	EA	Door Asm. - LP - Off White w/Twist Type Lock
	047233-02-000	EA	Door Asm. - Luggage - 13" x 35" - Off White w/Key Type Lock
	054270-01-000	EA	Door Asm. - Refrigerator Access - Off White w/Twist Type Lock
	059727-01-000	EA	Door Asm. - Storage - Insulated - 26.41" x 9.85" - Off White w/Key Type Lock
	037804-22-000	EA	Door Asm. - Luggage - 24.56" x 10" - Off White w/Key Type Lock
	055500-01-000	EA	Door Asm. - Gas Fill - w/Key Type Lock
	042441-01-700	EA	Lock Asm. - Key Type - Gas Fill
	057096-01-000	EA	Door Asm. - Power Cord w/Hatch - Off White
	052950-03-000	EA	Lock Asm. - Twist Type - Straight Cam (Power Cord Door)
	047305-01-000	EA	Lock Asm. - Key Type w/Clip - Metal
	052950-01-700	EA	Lock Asm. - Twist Type w/Clip - White Plastic
	016945-02-000	EA	Holder Asm. - Battery and Luggage Doors
	052179-02-000	EA	Door Asm. - Generator - Off White w/Twist Type Lock
	052181-01-000	EA	Baffle - Generator Door
	052009-01-000	EA	Door - Water Heater - Off White - Atwood

**WINDSHIELD**

Key	Part Number	U/M	Description
	057459-01-000	EA	Glass - Windshield - Flat
	058272-01-000	EA	Frame Asm. - Windshield
	038866-01-000	EA	Tape - Butyl - 31" x 31" x 148"

**VENTS**

Key	Part Number	U/M	Description
	039778-01-000	EA	Cover - Refrigerator Vent - Plastic
	009407-01-000	EA	Frame Asm. - Refrigerator Vent
	049352-01-000	EA	Vent - Stovehood - Outside - Powered Hood - Off White
	053374-01-000	EA	Vent - Stovehood - Outside - Non Powered Hood - Off White

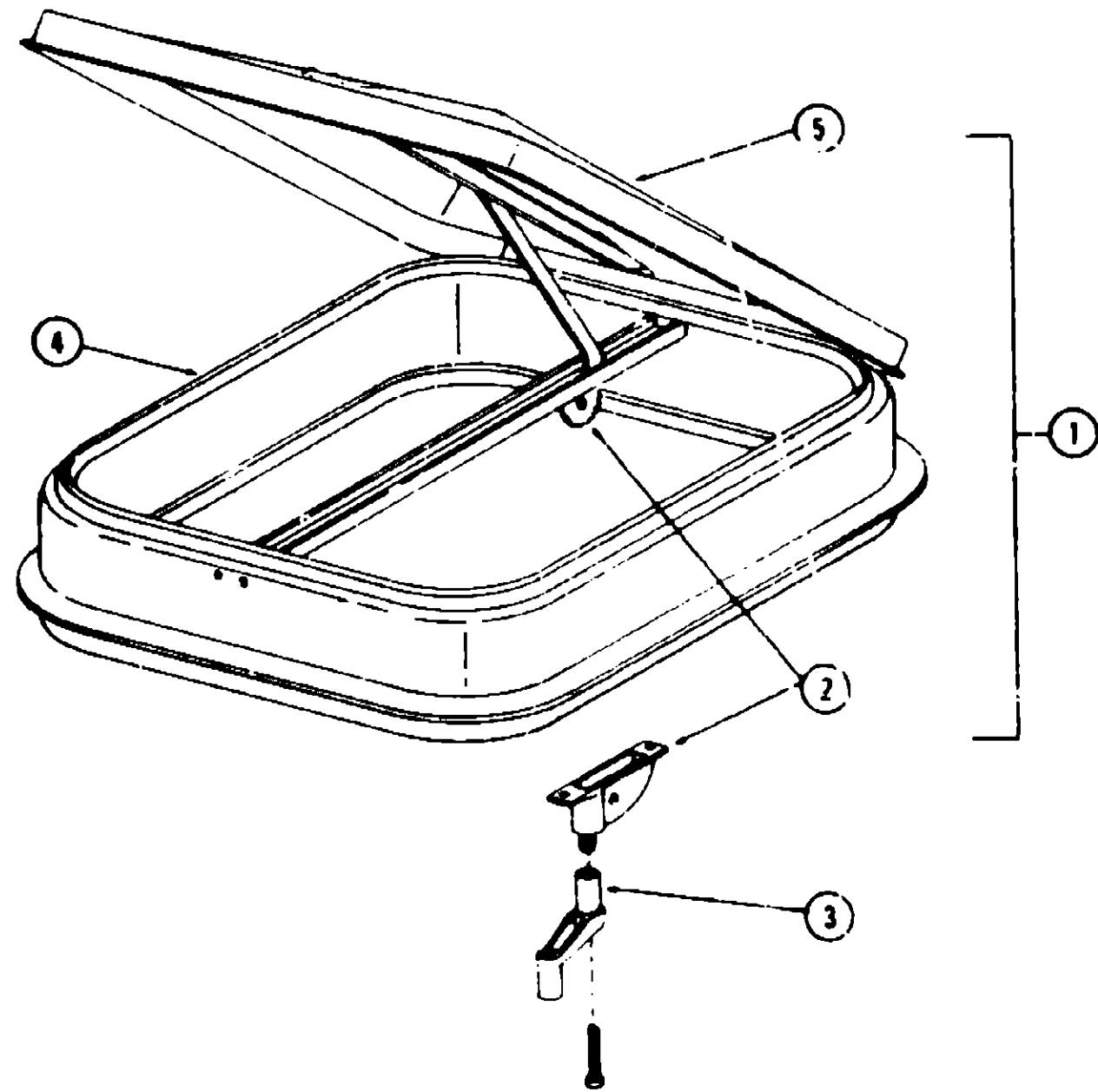
**1979 ITASCA  
TABLE OF CONTENTS**

ICF23RG	A-1 - B-16
ICF26RH	B-17 - D-8
ICN26RB	D-9 - E-22
ICF26RT	E-23 - G-14
ICN26RT	G-15 - I-10

**1979 ICF26RH INDEX**

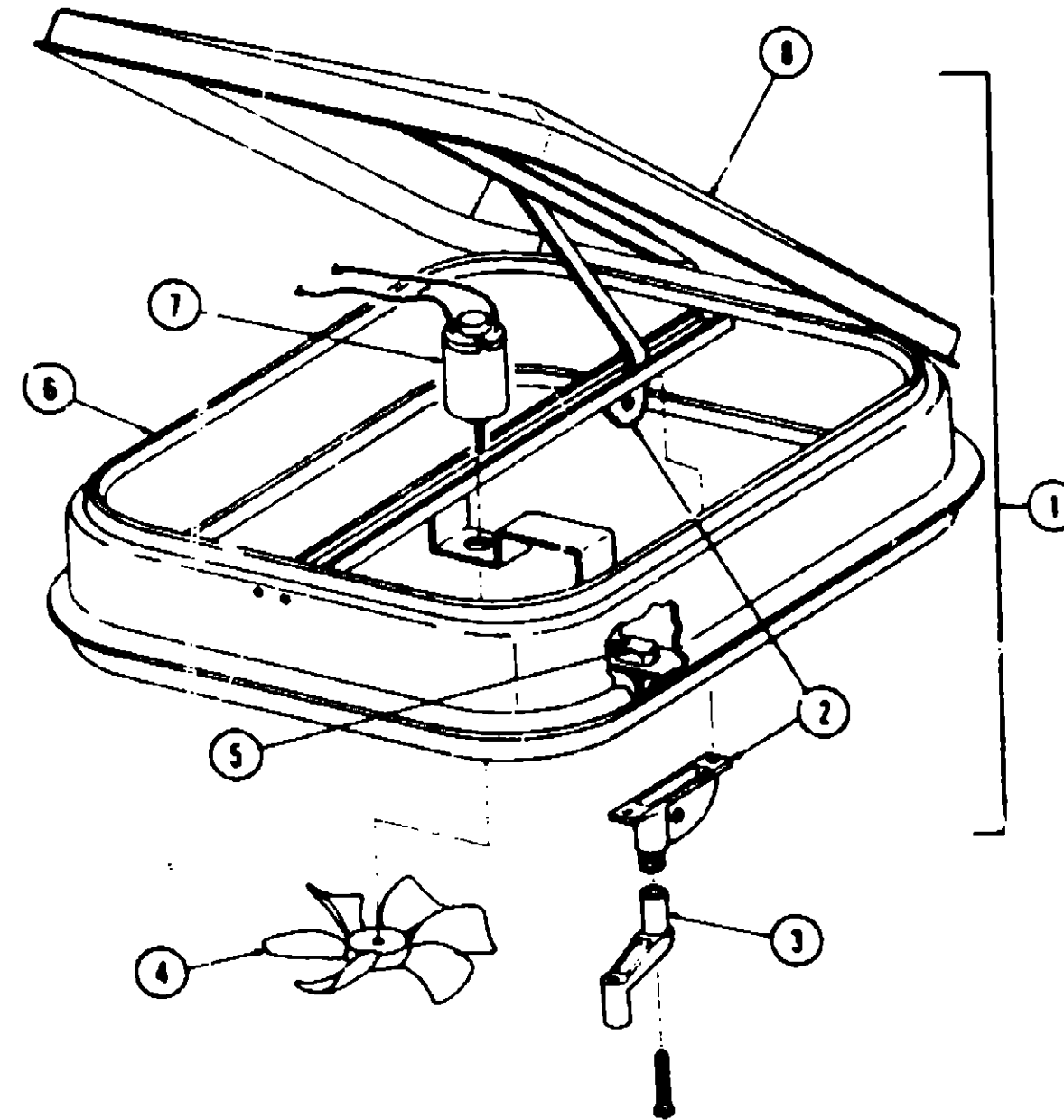
Floor Plan	B-17 - B-18
Accessories Group	B-19 - B-20
Bath Group	B-21 - B-22
Chassis Group	B-23
Curtain, Cushion & Pad Group	B-24 - C-5
Dinette Group	C-6
Driver's Compartment Group	C-7 - C-8
Electrical Group	C-9 - C-10
Exterior Body Group	C-11 - C-14
Galley Group	C-15
Heating & Air Conditioning Group	C-16 - C-17
Interior Finish Group	C-18 - C-19
LP Group	C-20
Lounge Group	C-21
Water & Sewage Group	C-22
Window, Vent & Exterior Door Group	C-23 - D-8

**WINDOW, VENT AND EXTERIOR DOOR GROUP (CONTINUED)**



Key	Part Number	U/M	Description
1	048835-01-000	EA	Vent Asm. - Roof - Non Powered - w/o Screen
2	009440-01-000	EA	Gear - Arm - Roof Vent
3	009439-01-000	EA	Crank - Roof Vent
4	002825-01-000	FT	Weatherstrip - Roof Vent
5	048825-01-000	EA	Cover - Plastic - Roof Vent
•	016335-01-000	EA	Screen Asm. - Non Powered Roof Vent - Clear Anod (not included in assembly)
•	016335-03-000	EA	Screen Asm. - Non Powered Roof Vent - Beige (not included in assembly)
•	Not Illustrated		

**WINDOW, VENT AND EXTERIOR DOOR GROUP (CONTINUED)**



Key	Part Number	U/M	Description
1	048789-01-000	EA	Vent Asm. - Roof - Powered - w/o Screen
2	009440-01-000	EA	Gear - Arm - Roof Vent
3	009439-01-000	EA	Crank - Roof Vent
4	048649-01-000	EA	Fan - Blade - 6" Plastic
5	008195-01-000	EA	Switch - Push Button - 12 Volt
6	002825-01-000	FT	Weatherstrip - Roof Vent
7	048648-01-000	EA	Motor - 12 Volt
8	048825-01-000	EA	Cover - Plastic - Roof Vent
•	048895-01-000	EA	Screen Asm. - Powered Roof Vent - Clear Anod (not included in assembly)
•	048895-03-000	EA	Screen Asm. - Powered Roof Vent - Beige (not included in assembly)
•	Not Illustrated		

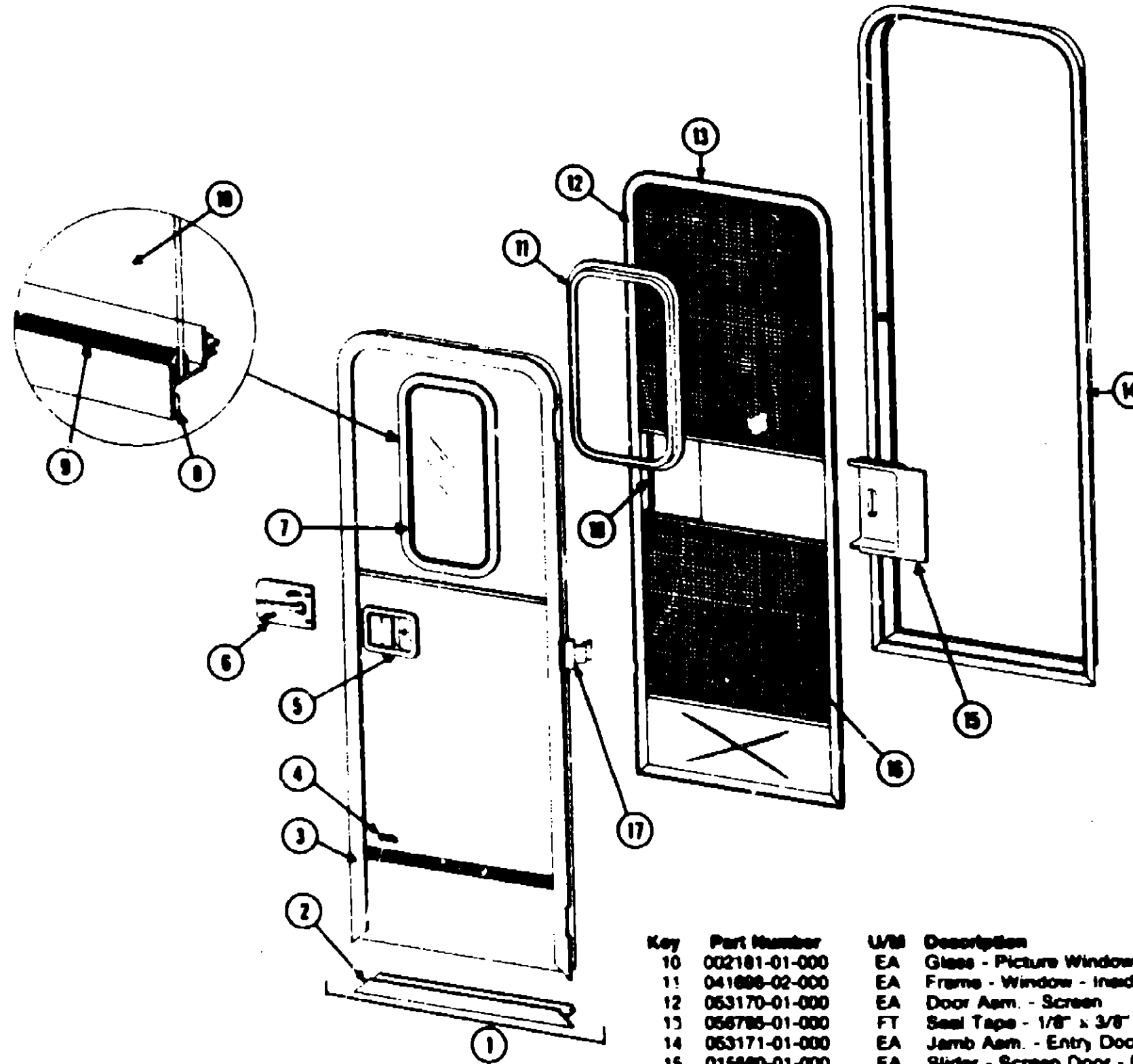
**1979 ITASCA  
TABLE OF CONTENTS**

ICF239G	A-1 - B-16
ICF26RH	B-17 - D-8
ICN26RB	D-9 - E-22
ICF26RT	E-23 - G-14
ICN26RT	G-15 - I-10

**1979 ICF26RH INDEX**

Floor Plan	B-17 - B-18
Accessories Group	B-19 - B-20
Bath Group	B-21 - B-22
Chassis Group	B-23
Curtain, Cushion & Pad Group	B-24 - C-5
Dinette Group	C-6
Driver's Compartment Group	C-7 - C-8
Electrical Group	C-9 - C-10
Exterior Body Group	C-11 - C-14
Galley Group	C-15
Heating & Air Conditioning Group	C-16 - C-17
Interior Finish Group	C-18 - C-19
LP Group	C-20
Lounge Group	C-21
Water & Sewage Group	C-22
Window, Vent & Exterior Door Group	C-23 - D-8

WINDOW, VENT AND EXTERIOR DOOR GROUP (CONTINUED)



Key	Part Number	U/M	Description
1	053168-04-000	EA	Door Arm. - Radius Entry w/Screen Door
2	038737-01-000	EA	Frame - Entry Door (Bottom Portion Only)
3	038738-01-000	EA	Frame - Entry Door (Except Bottom Portion)
4	054630-01-000	EA	Header Arm. - Entry Door
5	045017-01-000	EA	Paddle Arm. - Door Lock - Exterior
-	048017-01-700	EA	Lock Cylinder w/Keys - Lynor
-	038538-01-010	EA	Striker Bolt - Entry Door
-	038540-01-001	EA	Latch Claw - Entry Door
6	038978-01-010	EA	Plate - Lock - Inside - Including Inside Handle
-	052188-01-010	EA	Lock Arm. - Complete - Lynor
7	041875-02-000	EA	Window Arm. - Picture - 13" x 23" - Black Anod. (inside frame not included in assembly)
8	004383-01-000	FT	Tape - Foam - 3/16" x 1/2" - Gray
9	002308-02-000	FT	Spline - Glass - 1/8" Black

Key	Part Number	U/M	Description
10	002181-01-000	EA	Glass - Picture Window - 1/8" x 12" x 22" Gray
11	041888-02-000	EA	Frame - Window - Inside - 13" x 23" - Brown
12	053170-01-000	EA	Door Arm. - Screen
13	056785-01-000	FT	Seal Tape - 1/8" x 3/8" - Press On
14	053171-01-000	EA	Jamb Arm. - Entry Door
15	015580-01-000	EA	Slider - Screen Door - Brown Plastic
16	002283-01-000	SF	Screen - Window - 28" - Gray
17	038520-01-000	EA	Hinge - Entry Door (3 used per door)
18	015581-01-000	EA	Cap - Screen Door - Brown Plastic
-	048178-01-000	EA	Hedlok II - 3/4" Diameter - Screw Mount (Retains screen door to entry door)
-	048787-01-000	EA	Hedlok II - 1" Diameter - Screw Mount (Retains screen door to entry door)
-	018018-01-000	EA	Striker - Screen Door
-	038883-01-000	EA	Catch Arm. - Single Roller w/Strike - Screen Door
-	051380-01-000	FT	Seal - Bulb - Rubber
-	038800-03-000	FT	Tubing - Polybutyl - 3/8" O.D. - Jamb
-	044882-02-000	EA	Drip Cap - Jamb Mounted - Off White
-			Not Illustrated

1979 ITASCA  
TABLE OF CONTENTS

ICF23RG	A-1 - B-16
ICF28RH	B-17 - F-8
ICN28RS	D-9 - E-22
ICF28RT	E-23 - G-14
ICN28RT	G-15 - I-10

1979 ICF28RH INDEX

Floor Plan	B-17 - B-18
Accessories Group	B-19 - B-20
Bath Group	B-21 - B-22
Chassis Group	B-23
Curtain, Cushion & Pad Group	B-24 - C-6
Dinette Group	C-8
Driver's Compartment Group	C-7 - C-8
Electrical Group	C-9 - C-10
Exterior Body Group	C-11 - C-14
Galley Group	C-15
Heating & Air Conditioning Group	C-16 - C-17
Interior Finish Group	C-18 - C-19
LP Group	C-20
Lounge Group	C-21
Water & Sewage Group	C-22
Window, Vent & Exterior Door Group	C-23 - D-8