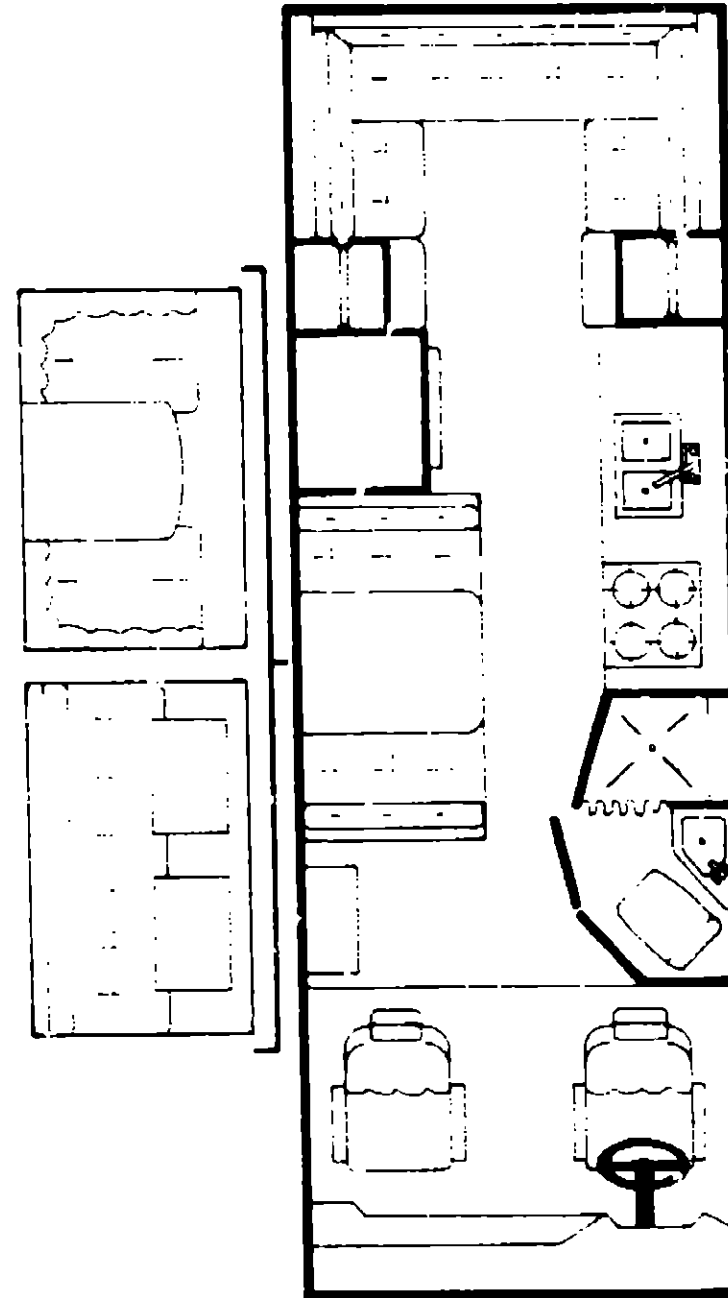


1979 ICF23RG



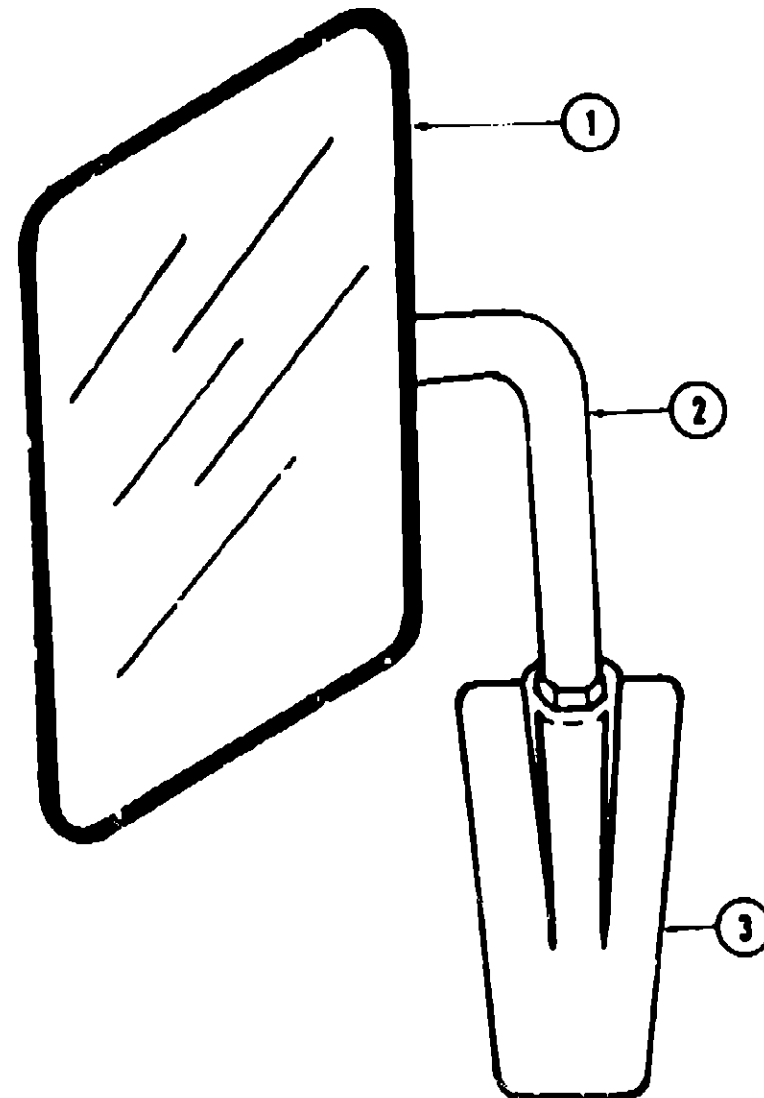
1979 ITASCA TABLE OF CONTENTS

ICF23RG	A-1 - B-16
ICF26RH	B-17 - D-8
ICN26RE	D-9 - E-22
ICF26RT	E-23 - G-14
ICN29RT	G-15 - I-10

1979 ICF23RG INDEX

Floor Plan	A-1 - A-2
Accessories Group	A-3 - A-4
Bath Group	A-5
Chassis Group	A-6
Curtain, Cushion & Pad Group	A-7 - A-12
Dinette Group	A-13
Driver's Compartment Group	A-14 - A-15
Electrical Group	A-16 - A-17
Exterior Body Group	A-18 - A-21
Galley Group	A-22
Heating & Air Conditioning Group	A-23 - A-24
Interior Finish Group	B-1 - B-2
LP Group	B-3
Lounge Group	B-4
Water & Sewage Group	B-5
Window, Vent & Exterior Door Group	B-6 - B-16

ACCESSORIES GROUP



Key	Part Number	U/M	Description
1	057461-01-000	EA	Mirror Head - 7 1/2" x 10 1/2" - w/Convex Stainless Steel
1	057461-02-000	EA	Mirror Head - 7 1/2" x 10 1/2" - w/Convex - Off White
2	049348-01-000	EA	Arm - Low Mount Mirror - Bright Finish
2	049348-02-000	EA	Arm - Low Mount Mirror - Off White
3	049944-02-000	EA	Bracket - Mirror - Outside - Off White

ACCESSORIES GROUP (CONTINUED)

RADIOS AND RELATED COMPONENTS

Key	Part Number	U/M	Description
	049730-01-000	EA	Radio - Clarion - AM/w/Fader Switch
	049731-01-000	EA	Radio - Clarion - AM/FM/MPX - w/Fader Switch
	049732-01-000	EA	Radio - Clarion - AM/FM/MPX - 8 Track - w/Fader Switch
	052774-01-000	EA	Radio - CB - 40 Channel - Hy Gain 9
	053788-01-000	EA	Speaker - Recessed - 5 1/4" - 10 oz.
	031105-01-000	EA	Antenna - Radio - Side Mount
	031105-01-700	EA	Holder - Antenna - Radio - Upper
	048153-01-000	EA	Antenna - CB Camper Style
	044328-01-000	EA	Switch - Fader - Speaker Balance
	050751-01-000	EA	Plaque - Fader/Mic Mounting
	055299-01-000	EA	Grille - Speaker - 5 1/4"

GENERATORS AND COMPONENTS

Key	Part Number	U/M	Description
**	054429-71-000	EA	Generator - Onan - 4.0 kw - BFA
**	054431-61-000	EA	Generator - Onan - 5.0 kw - BGA
	701629-02-000	EA	Onan Installation Package
	024732-01-001	EA	Tailpipe - 1 1/2" O.D. x 23"
	054426-01-000	EA	Muffler - Generator - w/Spark Arrestor
	740313-56-000	EA	Tray - Generator - 4.0 - 5.0 kw Onan

**The illustrated parts breakdown for this item is provided on the Common Items Fiche.

FRONT BUNK AND HARDWARE

Key	Part Number	U/M	Description
	058300-01-K08	EA	Cabinet Asm. - Front Overhead
	053321-01-K08	EA	Bunk Board Asm. - Front Overhead w/Rails
	053773-01-000	EA	Support - Overhead Bunk - Brown - Right
	053773-02-000	EA	Support - Overhead Bunk - Brown - Left
	040071-32-000	EA	Support - Bunk - Seat Belt
	041322-01-000	EA	Washer - Flat - 15/32" I.D. x 2 3/8" O.D.
	039516-02-000	EA	Catch - Bunk - Brown
	023812-27-000	EA	Rail - Bunk - 80" - Brown
	053774-01-000	EA	Torsion Rod - Overhead Bunk - Brown

MISCELLANEOUS ACCESSORIES

Key	Part Number	U/M	Description
	054185-04-000	EA	Owners Manual - Itasca
	008053-01-000	EA	Antenna - TV Braund Delux
	008093-01-000	EA	Jack - TV - Brown (Antenna)
	008053-01-700	EA	Repair Parts Kits - Braund TV Antenna
	084082-01-000	EA	Wheel Cover - Delmet - Bolt On
	084082-02-000	EA	Retaining Nut - Delmet Wheel Cover
	084082-07-700	EA	Retainer Bracket - Bolt On Wheel Cover - Chevrolet - Front
	084082-05-701	EA	Retainer Bracket - Bolt On Wheel Cover - Chevrolet - Rear
	008078-01-000	EA	Ladder - Front Bunk
	017516-01-000	EA	Mud Flap - Black - 14" x 18" w/Holes
	008113-51-000	EA	Jack Hydraulic - 5 Ton
	041944-01-700	EA	Fire Extinguisher - w/Bracket
	052771-02-000	EA	Oven - Microwave - Magic Chef MW207
**	041088-01-000	EA	Ladder Asm. - w/Luggage Rack
	041088-02-000	EA	Ladder Asm.
	041848-01-000	EA	Luggage Carrier Assembly
	039991-01-000	EA	Catch and Strike - Luggage Carrier
**	031386-04-000	EA	Wheel Cover - 16" Chrome
	059779-01-000	EA	Speed Control Package - Electric - Chev - Dana
	034410-12-000	EA	Cover - Spare Tire - 32"

A-3

**The illustrated parts breakdown for this item is provided on the Common Items Fiche.

1979 ITASCA TABLE OF CONTENTS

ICF23RG	A-1 - B-16
ICF28RH	E-17 - D-8
ICN28RB	D-9 - E-22
ICF28RT	E-23 - G-14
ICN28RT	G-15 - I-10

1979 ICF23HG INDEX

Floor Plan	A-1 - A-2
Accessories Group	A-3 - A-4
Bath Group	A-5
Chassis Group	A-6
Curtain, Cushion & Pad Group	A-7 - A-12
Dinette Group	A-13
Driver's Compartment Group	A-14 - A-15
Electrical Group	A-16 - A-17
Exterior Body Group	A-18 - A-21
Galley Group	A-22
Heating & Air Conditioning Group	A-23 - A-24
Interior Finish Group	B-1 - B-2
LP Group	B-3
Lounge Group	B-4
Water & Sewage Group	B-5
Window, Vent & Exterior Door Group	B-6 - B-16

A-4

BATH GROUP

Key	Part Number	U/M	Description
	052584-01-K08	EA	Cabinet Asm. - Vanity - w/o Sink, Door or Hardware
	057882-26-K08	EA	Door Asm. - Vanity Cabinet - 11.42" x 19.36" - w/o Hardware
	058233-02-K08	EA	Door Asm. - Shower - 72.16" x 20.82" - w/o Hardware
	058335-01-000	EA	Latch - Bathroom Door
	058837-01-K08	EA	Door Asm. - w/Mirror - 22.10" x 29.10"
	058331-01-000	EA	Mirror - Tempered Glass - 19" x 26"
	052563-01-000	EA	Rack - Towel - Mounts on Bath Door
	044087-01-000	EA	Sink - Bath - Ivory Plastic
**	011056-01-000	EA	Faucet - Lavatory
**	011048-01-000	EA	Shower Head - w/60" Hose
	011058-01-000	EA	Faucet - Shower
	011083-01-000	EA	Plug - 1 1/4" - w/Chain
**	011089-01-000	EA	Tailpiece - 1 1/4" x 4" - Brass
**	011086-01-000	EA	Stainer - Shower Pan
	036337-22-000	EA	Trim - Inside Corner - Alum. - 80.80"
	034384-02-000	FT	Ext. Vinyl Insert - Beige
	053129-01-000	EA	Medicine Cabinet - Jensen - 17.62" x 29 3/8"
	053129-01-700	EA	Mirror - Medicine Cabinet - 26" x 18"
	053129-01-701	EA	Frame - Mirror - Medicine Cabinet
	053129-01-702	EA	Switch - Medicine Cabinet
	053130-02-702	EA	Catch - Door - Medicine Cabinet
	038010-01-000	EA	Bulb - 1143
	154282-01-000	EA	Shower Pan Asm. - Ivory Plastic
	009134-01-000	EA	Holder - Tissue
	034639-03-000	EA	Cover Screw - PPH 10 - Ivory
**	038341-02-000	EA	Toilet - Marine - Thetford Aqua Magic Model SH - Ivory

** The illustrated parts breakdown for this item is provided on the Common Items Fiche.

CHASSIS GROUP

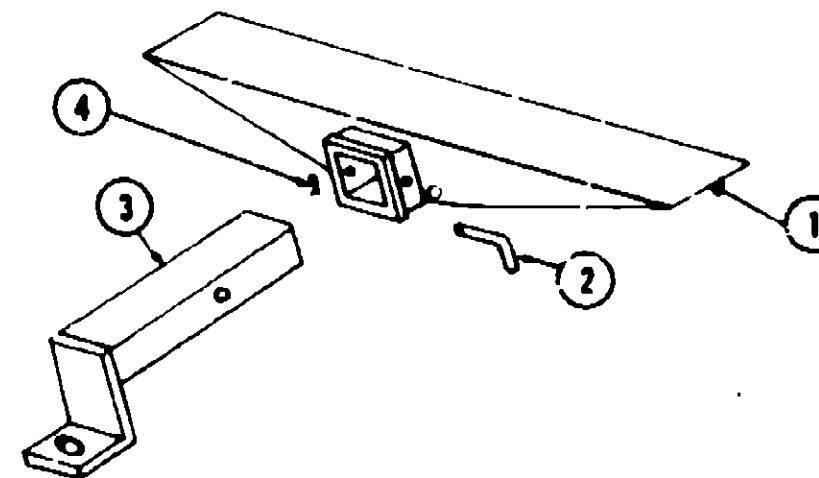
Key	Part Number	U/M	Description
	058200-02-000	EA	Bumper - Front - Painted
	058200-01-000	EA	Bumper - Front - Chrome
	058438-01-000	EA	Bracket Front Bumper
	021548-01-000	EA	Bumper - Rear - 93" - Square
	048043-08-000	EA	Bracket Asm. - Rear Bumper - Bolts to Chassis
	018452-01-000	EA	Bracket - Tire Carrier
	040874-01-000	EA	Bar - Retainer - Spare Tire - 2" x 6.75" - Off White
	038779-01-000	EA	Cap - Rubber - Rear Bumper - 4" x 4"
	022855-02-000	EA	Tail Pipe - 2 1/4" x 8"
	007125-08-000	EA	Clamp Asm. - Muffler 2.25" Dia.
	035087-01-000	EA	Wheelwell - Plastic
	024847-01-000	FT	Hose - Fuel - 2 1/4" I.D. SAE 30R1
	024141-01-000	FT	Hose - Rubber - 1/2" I.D.
	024138-01-000	FT	Hose - Fuel - 5/16" I.D. SAE 30R1
	007134-01-000	EA	Clamp - Hose - Spring Type - 9/16"
	007137-01-000	EA	Clamp - Worm Gear - 1 5/16" to 2 1/4"
	007138-01-000	EA	Clamp - Worm Drive - .22 - 1" I.D.
	007139-01-000	EA	Clamp - Worm Drive - .80 - 1.25" I.D.
	024811-01-000	EA	Cap - Gas - Pressure - 1.5" Black
	042552-01-000	EA	Fuel Tank - 40.4 Gallon
	043718-01-000	EA	Sending Unit - Fuel Tank
	043477-01-000	EA	Fuel Selector - 2 Way - 6 Port
	045814-01-000	EA	Fill - Gas - w/Vent - 5.44" Long
	058790-01-000	EA	Fill - Gas - w/Vent - California
	017516-01-000	EA	Mud Flap - Black - 14" x 18" w/Holes
	052431-01-000	EA	Tray - Luggage Compartment
	033488-01-000	EA	Power Cord Box - Plastic
	024852-01-700	EA	Entry Step
	053249-01-000	EA	Battery Tray Asm.
	051897-01-000	EA	Bracket - Battery Tie Down
	052412-01-000	EA	Cover - Radiator - Rear
	055103-01-000	EA	Cover - Radiator - Rear Back - Fan Shroud
	058401-01-000	EA	Hoodboard - Steel - Upper Right
	058404-01-000	EA	Hoodboard - Steel - Upper Left

1979 TASCA TABLE OF CONTENTS

ICF23RG	A-1 - B-18
ICF28RH	B-17 - D-6
ICN28RB	D-8 - E-22
ICF28RT	E-23 - G-14
ICN28RT	G-15 - I-10

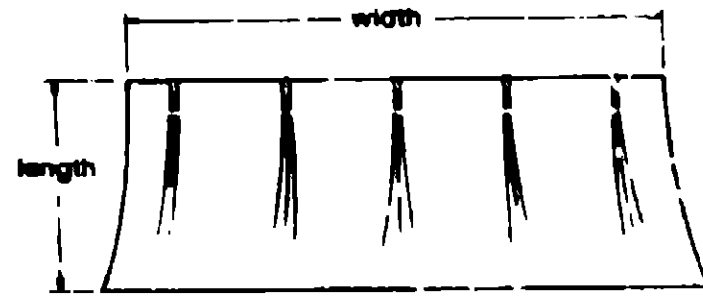
1979 ICF23RG INDEX

Floor Plan	A-1 - A-2
Accessories Group	A-3 - A-4
Bath Group	A-5
Chassis Group	A-6
Curtain, Cushion & Pad Group	A-7 - A-12
Dinette Group	A-13
Driver's Compartment Group	A-14 - A-15
Electrical Group	A-16 - A-17
Exterior Body Group	A-18 - A-21
Galley Group	A-22
Heating & Air Conditioning Group	A-23 - A-24
Interior Finish Group	B-1 - B-2
LP Group	B-3
Lounge Group	B-4
Water & Sewage Group	B-5
Window, Vent & Exterior Door Group	B-6 - B-16



Key	Part Number	U/M	Description
1	023895-01-000	EA	Hitch - w/o Drawbar
2	034512-01-000	EA	Pin - Locking - Drawbar
3	023890-01-000	EA	Drawbar Asm. - Trailer Hitch - Primed
4	034513-01-000	EA	Pin Hitch - 3/16" Wire Spring

CURTAIN, CUSHION AND PAD GROUP



NOTE:
Use this illustration when determining length and width measurements for curtains. You will note the width measurement is taken on the top of the curtain with the curtain fully extended. The length measurement is taken from top to bottom.

CURTAINS

Key	Part Number	U/M	Description
	054051-01-785	EA	Curtain Kit - Green
	054051-01-786	EA	Curtain Kit - Blue
	054051-01-787	EA	Curtain Kit - Brick
	054051-24-K08	EA	Curtain w/Snap Top - 34" x 37" - Green
	054051-24-K09	EA	Curtain w/Snap Top - 34" x 37" - Navy
	054051-24-K10	EA	Curtain w/Snap Top - 34" x 37" - Brick
	056484-01-K08	EA	Curtain w/Taped Top - 27.5" x 42" - Green
	056484-01-K09	EA	Curtain w/Taped Top - 27.5" x 42" - Navy
	056484-01-K10	EA	Curtain w/Taped Top - 27.5" x 42" - Brick
	056484-03-K08	EA	Curtain w/Taped Top - 22" x 19.5" - Green
	056484-03-K09	EA	Curtain w/Taped Top - 22" x 19.5" - Navy
	056484-03-K10	EA	Curtain w/Taped Top - 22" x 19.5" - Brick
	056484-23-K08	EA	Curtain w/Taped Top - 23.5" x 19.5" - Green
	056484-23-K09	EA	Curtain w/Taped Top - 23.5" x 19.5" - Navy
	056484-23-K10	EA	Curtain w/Taped Top - 23.5" x 19.5" - Brick
	054051-36-K08	EA	Curtain w/Snap Top - Room Divider - 58" x 56" - Green
	054051-36-K09	EA	Curtain w/Snap Top - Room Divider - 58" x 56" - Navy
	054051-36-K10	EA	Curtain w/Snap Top - Room Divider - 58" x 56" - Brick
	054282-03-K08	EA	Curtain w/Snaps - Front Wraparound - Left - 27.5" x 81" - Green
	054282-03-K09	EA	Curtain w/Snaps - Front Wraparound - Left - 27.5" x 81" - Navy
	054282-03-K10	EA	Curtain w/Snaps - Front Wraparound - Left - 27.5" x 81" - Brick
	054283-03-K08	EA	Curtain w/Snaps - Front Wraparound - Right - 27.5" x 81" - Green
	054283-03-K09	EA	Curtain w/Snaps - Front Wraparound - Right - 27.5" x 81" - Navy
	054283-03-K10	EA	Curtain w/Snaps - Front Wraparound - Right - 27.5" x 81" - Brick
	054051-29-K08	EA	Curtain w/Snap Top - Front Bunk Privacy - 22" x 96" - Green
	054051-29-K09	EA	Curtain w/Snap Top - Front Bunk Privacy - 22" x 96" - Navy
	054051-29-K10	EA	Curtain w/Snap Top - Front Bunk Privacy - 22" x 96" - Brick

VALANCES AND TIE BACKS

Key	Part Number	U/M	Description
	056887-13-K08	EA	Valance - 5.5" x 42" - w/Green Trim
	056887-13-K09	EA	Valance - 5.5" x 42" - w/Blue Trim
	056887-13-K10	EA	Valance - 5.5" x 42" - w/Brick Trim
	056887-17-K08	EA	Valance - 5.5" x 78" - w/Green Trim
	056887-17-K09	EA	Valance - 5.5" x 78" - w/Blue Trim
	056887-17-K10	EA	Valance - 5.5" x 78" - w/Brick Trim
	056887-18-K08	EA	Valance - 5.5" x 81" - w/Green Trim
	056887-18-K09	EA	Valance - 5.5" x 81" - w/Blue Trim
	056887-18-K10	EA	Valance - 5.5" x 81" - w/Brick Trim
	057791-09-K08	EA	Valance - 4.5" x 32" - w/Green Trim
	057791-09-K09	EA	Valance - 4.5" x 32" - w/Blue Trim
	057791-09-K10	EA	Valance - 4.5" x 32" - w/Brick Trim
	054048-05-K08	EA	Tie Back - 2" x 18" - Green
	054048-05-K09	EA	Tie Back - 2" x 18" - Blue
	054048-05-K10	EA	Tie Back - 2" x 18" - Brick

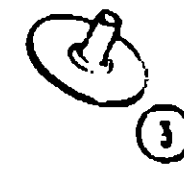
CURTAIN, CUSHION AND PAD GROUP (CONTINUED)

SHADES

Key	Part Number	U/M	Description
	056534-27-000	EA	Shade - Vinyl - 33.25" x 34" - Green
	056534-05-000	EA	Shade - Vinyl - 33.25" x 34" - Blue
	056534-17-010	EA	Shade - Vinyl - 33.25" x 34" - Burgundy
	056534-30-000	EA	Shade - Vinyl - 69.25" x 34" - Green
	056534-15-000	EA	Shade - Vinyl - 69.25" x 34" - Blue
	056534-21-000	EA	Shade - Vinyl - 69.25" x 34" - Burgundy
	056534-31-000	EA	Shade - Vinyl - 72.25" x 34" - Green
	056534-13-000	EA	Shade - Vinyl - 72.25" x 34" - Blue
	056534-22-000	EA	Shade - Vinyl - 72.25" x 34" - Burgundy
	057987-01-000	EA	Blinds - Levelor - 23.5" x 25.5" - Camel

CURTAIN HARDWARE

Key	Part Number	U/M	Description
	056116-01-000	FT	Track - Curtain - Brown Plastic
	056001-01-000	EA	Bracket - Shade - Left
	056002-01-000	EA	Bracket - Shade - Right
	056003-01-000	EA	Bracket - Drapery Retainer - Right
	056003-02-000	EA	Bracket - Drapery Retainer - Left
	053272-04-200	EA	Track - Curtain - Off White - 88" w/Holes
	056784-01-000	EA	Pull - Window Shade - Antique Brass
	009107-01-000	EA	Guide - Nylon Snap Curtain
	018031-42-000	EA	Track - Curtain - "L" Rod - Alum. Extr. - 90"
	009701-01-000	EA	Carrier - "L" Rod - Curtain
	009702-01-000	EA	End Stop - "L" Rod - Curtain
	059430-01-000	EA	Track - Curtain - Wraparound (2 required per unit)
	059871-01-000	EA	Mounting Bracket - Levelor Shades - Right
	059871-02-000	EA	Mounting Bracket - Levelor Shades - Left
	063251-01-000	EA	Hold Down Bracket - Levelor Shades
	009224-01-000	EA	Curtain Rod - Flat - Extends 26" - 48"
	042439-01-000	EA	Bracket - Curtain Rod - Single



Key	Part Number	U/M	Description
1	029130-01-000	EA	Socket - Snap Fastener
2	029155-01-000	EA	Cap - Snap - .156" Dia. x .17" Barrel
3	029154-01-000	EA	Socket - Snap Fastener
4	029082-01-000	EA	Stud - Nickel Finish
5	029083-01-000	EA	Eyelet - Nickel Finish

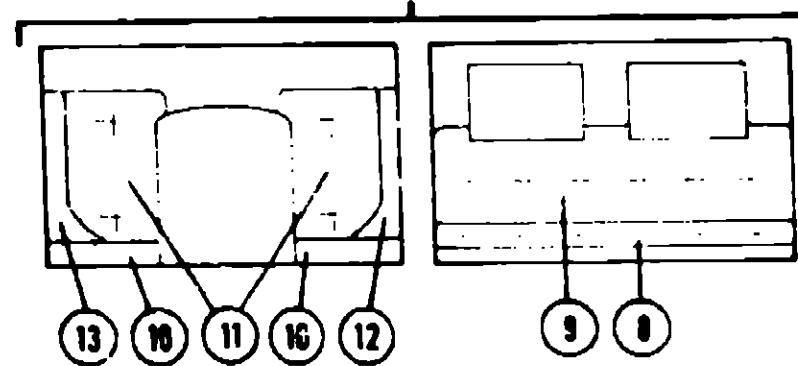
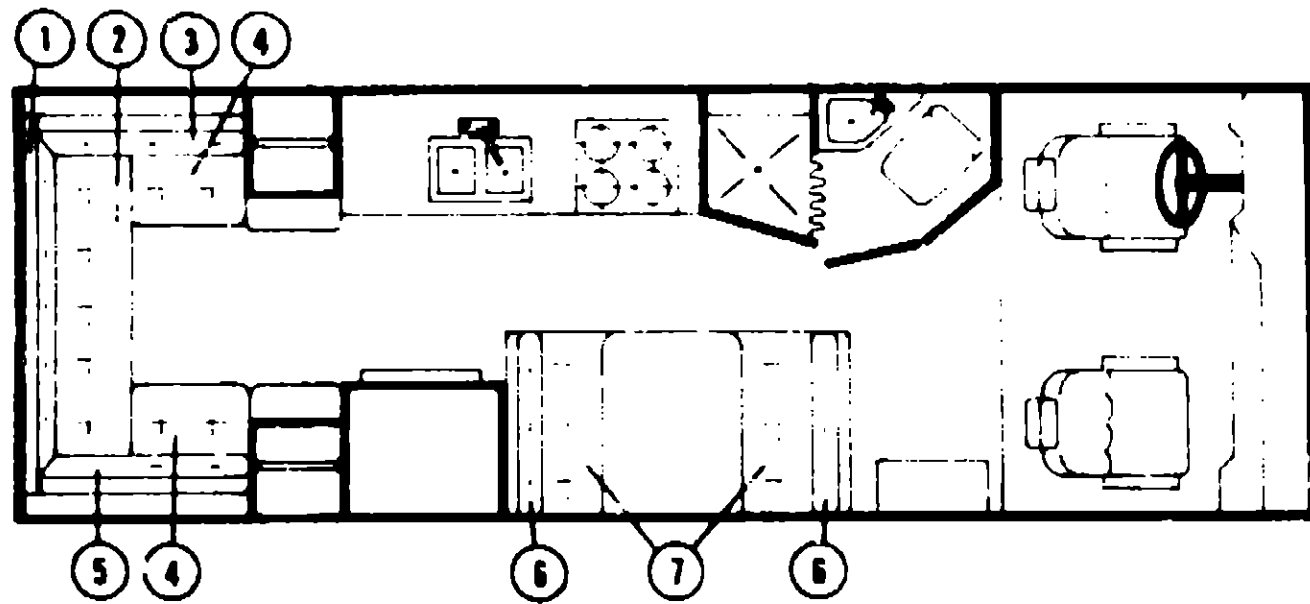
**1979 ITARCA
TABLE OF CONTENTS**

ICF23RG	A-1 - B-16
ICF28RH	B-17 - D-8
ICN28RB	D-9 - E-22
ICF28RT	E-23 - G-14
ICN28RT	G-15 - I-10

1979 ICF23RG INDEX

Floor Plan	A-1 - A-2
Accessories Group	A-3 - A-4
Bath Group	A-5
Chassis Group	A-6
Curtain, Cushion & Pad Group	A-7 - A-12
Dinette Group	A-13
Driver's Compartment Group	A-14 - A-15
Electrical Group	A-16 - A-17
Exterior Body Group	A-18 - A-21
Galley Group	A-22
Heating & Air Conditioning Group	A-23 - A-24
Interior Finish Group	B-1 - B-2
LP Group	B-3
Lounge Group	B-4
Water & Sewage Group	B-5
Window, Vent & Exterior Door Group	B-6 - B-16

CURTAIN, CUSHION AND PAD GROUP (CONTINUED)



REAR LOUNGE

Key	Part Number	U/M	Description
1	055021-23-K08	EA	Cushion - Lounge Back - 8" x 76" x 5" - Green
1	055021-23-K09	EA	Cushion - Lounge Back - 8" x 76" x 5" - Blue
1	055021-23-K10	EA	Cushion - Lounge Back - 8" x 76" x 5" - Burgundy
	055022-25-K08	EA	Cover - Lounge Back Cushion - 8" x 76" x 5" - Green
	055022-25-K09	EA	Cover - Lounge Back Cushion - 8" x 76" x 5" - Blue
	055022-25-K10	EA	Cover - Lounge Back Cushion - 8" x 76" x 5" - Burgundy
2	059055-01-K08	EA	Cushion - Lester Lounge - Complete - 76" - Green
2	059055-01-K09	EA	Cushion - Lester Lounge - Complete - 76" - Blue
2	059055-01-K10	EA	Cushion - Lester Lounge - Complete - 76" - Burgundy
	059056-01-K08	EA	Cover - Lester Lounge Cushion - 76" - Green
	059056-01-K09	EA	Cover - Lester Lounge Cushion - 76" - Blue
	059056-01-K10	EA	Cover - Lester Lounge Cushion - 76" - Burgundy
3	059911-05-K08	EA	Cushion - Lounge Back - Left - 13.5" x 43.5" x 40.5" x 5" - Green
3	059911-05-K09	EA	Cushion - Lounge Back - Left - 13.5" x 43.5" x 40.5" x 5" - Blue
3	059911-05-K10	EA	Cushion - Lounge Back - Left - 13.5" x 43.5" x 40.5" x 5" - Burgundy
	059912-05-K08	EA	Cover - Lounge Back Cushion - Left - 13.5" x 43.5" x 40.5" x 5" - Green
	059912-05-K09	EA	Cover - Lounge Back Cushion - Left - 13.5" x 43.5" x 40.5" x 5" - Blue
	059912-05-K10	EA	Cover - Lounge Back Cushion - Left - 13.5" x 43.5" x 40.5" x 5" - Burgundy
4	059900-09-K08	EA	Cushion - Lounge Seat - 24.5" x 18" x 6" - Green
4	059900-09-K09	EA	Cushion - Lounge Seat - 24.5" x 18" x 6" - Blue
4	059900-09-K10	EA	Cushion - Lounge Seat - 24.5" x 18" x 6" - Burgundy
	059901-09-K08	EA	Cover - Lounge Seat Cushion - 24.5" x 18" x 6" - Green
	059901-09-K09	EA	Cover - Lounge Seat Cushion - 24.5" x 18" x 6" - Blue
	059901-09-K10	EA	Cover - Lounge Seat Cushion - 24.5" x 18" x 6" - Burgundy
5	059911-04-K08	EA	Cushion - Lounge Back - Right - 13.5" x 43.5" x 40.5" x 5" - Green
5	059911-04-K09	EA	Cushion - Lounge Back - Right - 13.5" x 43.5" x 40.5" x 5" - Blue
5	059911-04-K10	EA	Cushion - Lounge Back - Right - 13.5" x 43.5" x 40.5" x 5" - Burgundy
	059912-04-K08	EA	Cover - Lounge Back Cushion - Right - 13.5" x 43.5" x 40.5" x 5" - Green
	059912-04-K09	EA	Cover - Lounge Back Cushion - Right - 13.5" x 43.5" x 40.5" x 5" - Blue
	059912-04-K10	EA	Cover - Lounge Back Cushion - Right - 13.5" x 43.5" x 40.5" x 5" - Burgundy

CURTAIN, CUSHION AND PAD GROUP (CONTINUED)

LINE ITE SEAT CUSHIONS

Key	Part Number	U/M	Description
6	058900-02-K08	EA	Cushion - Dinette Back - 19.2" x 38" x 5" - Green
6	058900-02-K09	EA	Cushion - Dinette Back - 19.2" x 38" x 5" - Blue
6	058900-02-K10	EA	Cushion - Dinette Back - 19.2" x 38" x 5" - Burgundy
	058901-02-K08	EA	Cover - Dinette Back Cushion - 19.2" x 38" x 5" - Green
	058901-02-K09	EA	Cover - Dinette Back Cushion - 19.2" x 38" x 5" - Blue
	058901-02-K10	EA	Cover - Dinette Back Cushion - 19.2" x 38" x 5" - Burgundy
7	058900-01-K08	EA	Cushion - Dinette Bottom - 17.5" x 38" x 5" - Green
7	058900-01-K09	EA	Cushion - Dinette Bottom - 17.5" x 38" x 5" - Blue
7	058900-01-K10	EA	Cushion - Dinette Bottom - 17.5" x 38" x 5" - Burgundy
	058901-01-K08	EA	Cover - Dinette Bottom Cushion - 17.5" x 38" x 5" - Green
	058901-01-K09	EA	Cover - Dinette Bottom Cushion - 17.5" x 38" x 5" - Blue
	058901-01-K10	EA	Cover - Dinette Bottom Cushion - 17.5" x 38" x 5" - Burgundy

PRESTO BED CUSHIONS

Key	Part Number	U/M	Description
8	059065-01-K08	EA	Cushion - Presto Bed - Back - 76" - Green
8	059065-01-K09	EA	Cushion - Presto Bed - Back - 76" - Blue
8	059065-01-K10	EA	Cushion - Presto Bed - Back - 76" - Burgundy
	062753-03-K08	EA	Cover - Presto Bed Cushion - Back - 76" - Green
	062753-03-K09	EA	Cover - Presto Bed Cushion - Back - 76" - Blue
	062753-03-K10	EA	Cover - Presto Bed Cushion - Back - 76" - Burgundy
9	059066-01-K08	EA	Cushion - Presto Bed - Bottom - 76" - Green
9	059066-01-K09	EA	Cushion - Presto Bed - Bottom - 76" - Blue
9	059066-01-K10	EA	Cushion - Presto Bed - Bottom - 76" - Burgundy
	062753-04-K08	EA	Cover - Presto Bed Cushion - Bottom - 76" - Green
	062753-04-K09	EA	Cover - Presto Bed Cushion - Bottom - 76" - Blue
	062753-04-K10	EA	Cover - Presto Bed Cushion - Bottom - 76" - Burgundy

CORNER LOUNGE CHAIR CUSHIONS

Key	Part Number	U/M	Description
10	059742-03-K08	EA	Cushion - Lounge Chair Back - Green
10	059742-03-K09	EA	Cushion - Lounge Chair Back - Blue
10	059742-03-K10	EA	Cushion - Lounge Chair Back - Burgundy
	059745-03-K08	EA	Cover - Lounge Chair Back - Green
	059745-03-K09	EA	Cover - Lounge Chair Back - Blue
	059745-03-K10	EA	Cover - Lounge Chair Back - Burgundy
11	059743-03-K08	EA	Cushion - Lounge Chair Seat - Green
11	059743-03-K09	EA	Cushion - Lounge Chair Seat - Blue
11	059743-03-K10	EA	Cushion - Lounge Chair Seat - Burgundy
	059746-03-K08	EA	Cover - Lounge Chair Seat - Green
	059746-03-K09	EA	Cover - Lounge Chair Seat - Blue
	059746-03-K10	EA	Cover - Lounge Chair Seat - Burgundy
12	059744-06-K08	EA	Cushion - Chair Wedge - Left - Green
12	059744-06-K09	EA	Cushion - Chair Wedge - Left - Blue
12	059744-06-K10	EA	Cushion - Chair Wedge - Left - Burgundy
	059747-06-K08	EA	Cover - Chair Wedge - Left - Green
	059747-06-K09	EA	Cover - Chair Wedge - Left - Blue
	059747-06-K10	EA	Cover - Chair Wedge - Left - Burgundy
13	059744-05-K08	EA	Cushion - Chair Wedge - Right - Green
13	059744-05-K09	EA	Cushion - Chair Wedge - Right - Blue
13	059744-05-K10	EA	Cushion - Chair Wedge - Right - Burgundy
	059747-05-K08	EA	Cover - Chair Wedge - Right - Green
	059747-05-K09	EA	Cover - Chair Wedge - Right - Blue
	059747-05-K10	EA	Cover - Chair Wedge - Right - Burgundy

**1979 ITASCA
TABLE OF CONTENTS**

ICF23RG	A-1 - B-18
ICF26RH	B-17 - D-8
ICN26RB	D-9 - E-22
ICF26TT	E-23 - G-14
ICN26RT	G-15 - I-10

1979 ICF23RG INDEX

Floor Plan	A-1 - A-2
Accessories Group	A-3 - A-4
Bath Group	A-5
Chassis Group	A-6
Curtain, Cushion & Pad Group	A-7 - A-12
Dinette Group	A-13
Driver's Compartment Group	A-14 - A-15
Electrical Group	A-16 - A-17
Exterior Body Group	A-18 - A-21
Galley Group	A-22
Heating & Air Conditioning Group	A-23 - A-24
Interior Finish Group	B-1 - B-2
LP Group	B-3
Lounge Group	B-4
Water & Sewage Group	B-5
Window, Vent & Exterior Door Group	B-6 - B-16

CURTAIN, CUSHION AND PAD GROUP (CONTINUED)

FRONT OVERHEAD BUNK CUSHIONS

Key	Part Number	U/M	Description
	055021-21-K08	EA	Cushion - Front Bunk - 31.5" x 79" x 5" - Green
	055021-21-K09	EA	Cushion - Front Bunk - 31.5" x 79" x 5" - Blue
	055021-21-K10	EA	Cushion - Front Bunk - 31.5" x 79" x 5" - Burgundy
	055022-23-K08	EA	Cover - Front Bunk Cushion - 31.5" x 79" x 5" - Green
	055022-23-K09	EA	Cover - Front Bunk Cushion - 31.5" x 79" x 5" - Blue
	055022-23-K10	EA	Cover - Front Bunk Cushion - 31.5" x 79" x 5" - Burgundy

FABRICS, TRIMS AND PADS

Key	Part Number	U/M	Description
	058784-04-000	YD	Fabric - Drapery - Green Forest
	058784-03-000	YD	Fabric - Drapery - Navy
	058784-05-000	YD	Fabric - Drapery - Brick (Burgundy)
	057984-01-000	YD	Fabric - Upholstery - Emerald Green - Wide Stripes
	057984-02-000	YD	Fabric - Upholstery - Royal Blue - Wide Stripes
	057984-03-000	YD	Fabric - Upholstery - Oxford Burgundy - Wide Stripes
	057985-01-000	YD	Fabric - Upholstery - Emerald Green - Narrow Stripes
	057985-02-000	YD	Fabric - Upholstery - Royal Blue - Narrow Stripes
	057985-03-000	YD	Fabric - Upholstery - Oxford Burgundy - Narrow Stripes
	057986-01-000	YD	Fabric - Upholstery - Accent - Camel
	057986-03-000	YD	Fabric - Upholstery - Accent - Burgundy
	054676-08-K08	EA	Button Asm. - Covered - #45 - Green
	054676-08-K09	EA	Button Asm. - Covered - #45 - Blue
	054676-08-K10	EA	Button Asm. - Covered - #45 - Burgundy
	054676-08-K08	EA	Button Asm. - Covered - #30 - Green
	054676-08-K09	EA	Button Asm. - Covered - #30 - Blue
	054676-08-K10	EA	Button Asm. - Covered - #30 - Burgundy
	052859-01-J27	FT	Trim Asm. - Accent - Acorn Brown Vinyl
	053327-01-000	YD	Vinyl - Non Expanded - 27 oz. - Acorn Brown
	053327-02-000	YD	Vinyl - Expanded - 28 oz. - Acorn Brown
	053327-03-000	YD	Vinyl - Non Support - 16 Gauge Film - Acorn Brown
	058444-01-K01	EA	Pad - End - Dinette Overhead Cabinet - Acorn Vinyl
	059807-01-K01	EA	Pad - Front Bunk Panel - Right - Acorn Vinyl
	059808-01-K01	EA	Pad - Front Bunk Panel - Left - Acorn Vinyl

LOWBACK BUCKET SEATS

Key	Part Number	U/M	Description
	061826-01-K08	EA	Seat Asm. - Single Lowback - w/o Arm or Headrest - Green
	061826-01-K09	EA	Seat Asm. - Single Lowback - w/o Arm or Headrest - Blue
	061826-01-K10	EA	Seat Asm. - Single Lowback - w/o Arm or Headrest - Burgundy
	061836-02-K08	EA	Cover - Single Lowback Bucket - Back - Green
	061836-02-K09	EA	Cover - Single Lowback Bucket - Back - Blue
	061836-02-K10	EA	Cover - Single Lowback Bucket - Back - Burgundy
	061837-02-K08	EA	Cover - Single Lowback Bucket - Bottom - Green
	061837-02-K09	EA	Cover - Single Lowback Bucket - Bottom - Blue
	061837-02-K10	EA	Cover - Single Lowback Bucket - Bottom - Burgundy

CURTAIN, CUSHION AND PAD GROUP (CONTINUED)

HIGHBACK BUCKET SEATS

Key	Part Number	U/M	Description
	061828-03-K08	EA	Seat Asm. - Single Highback - w Skirt and Armrests - Green
	061828-03-K09	EA	Seat Asm. - Single Highback - w/Skirt and Armrests - Blue
	061828-03-K10	EA	Seat Asm. - Single Highback - w/Skirt and Armrests - Burgundy
	061838-02-K08	EA	Cover - Single Highback Bucket - Back - Green
	061838-02-K09	EA	Cover - Single Highback Bucket - Back - Blue
	061838-02-K10	EA	Cover - Single Highback Bucket - Back - Burgundy
	061839-02-K08	EA	Cover - Single Highback Bucket - Bottom - Green
	061839-02-K09	EA	Cover - Single Highback Bucket - Bottom - Blue
	061839-02-K10	EA	Cover - Single Highback Bucket - Bottom - Burgundy
	054650-06-K08	EA	Skirt - Single Bucket - Green
	054650-06-K09	EA	Skirt - Single Bucket - Blue
	054650-06-K10	EA	Skirt - Single Bucket - Burgundy
	061833-01-K08	EA	Seat Asm. - Double Highback - w/Skirt and Armrests - Green
	061833-01-K09	EA	Seat Asm. - Double Highback - w/Skirt and Armrests - Blue
	061833-01-K10	EA	Seat Asm. - Double Highback - w/Skirt and Armrests - Burgundy
	061840-02-K08	EA	Cover - Double Highback Bucket - Back - Green
	061840-02-K09	EA	Cover - Double Highback Bucket - Back - Blue
	061840-02-K10	EA	Cover - Double Highback Bucket - Back - Burgundy
	061841-02-K08	EA	Cover - Double Highback Bucket - Bottom - Green
	061841-02-K09	EA	Cover - Double Highback Bucket - Bottom - Blue
	061841-02-K10	EA	Cover - Double Highback Bucket - Bottom - Burgundy
	054650-08-K08	EA	Skirt - Double Highback Bucket - Green
	054650-08-K09	EA	Skirt - Double Highback Bucket - Blue
	054650-08-K10	EA	Skirt - Double Highback Bucket - Burgundy

ARMRESTS

Key	Part Number	U/M	Description
	050275-01-700	EA	Armrest Asm. - Foam w/o Cover - Right
	050276-01-700	EA	Armrest Asm. - Foam w/o Cover - Left
	053357-04-K08	EA	Cover - Armrests - Right or Left - Green
	053357-04-K09	EA	Cover - Armrest - Right or Left - Blue
	053357-04-K10	EA	Cover - Armrest - Right or Left - Burgundy

**1979 ITASCA
TABLE OF CONTENTS**

ICF23RG	A-1 - B-16
ICF26RH	B-17 - D-8
ICN26RB	D-9 - E-22
ICF28R1	E-23 - G-14
ICN29RT	G-15 - I-10

1979 ICF23RG INDEX

Floor Plan	A-1 - A-2
Accessories Group	A-3 - A-4
Bath Group	A-5
Chassis Group	A-6
Curtain, Cushion & Pad Group	A-7 - A-12
Dinette Group	A-13
Driver's Compartment Group	A-14 - A-15
Electrical Group	A-16 - A-17
Exterior Body Group	A-18 - A-21
Galley Group	A-22
Heating & Air Conditioning Group	A-23 - A-24
Interior Finish Group	B-1 - B-2
LP Group	B-3
Lounge Group	B-4
Water & Sewage Group	B-5
Window, Vent & Exterior Door Group	B-6 - B-16

DINETTE GROUP

CONVENTIONAL DINETTE W/FOLD DOWN TABLE AND OPPOSING BENCHES

Key	Part Number	U/M	Description
	053192-01-J30	EA	Table Asm. - Dinette - w/o hardware - Butcher Block
**	047442-01-000	EA	Hardware Kit - Dinette Table Leg
**	047809-03-000	EA	Hardware Kit - Dinette Table - Wall Mount
	052488-01-K08	EA	Cabinet Asm. - Dinette Seat - Right
	052488-02-K08	EA	Cabinet Asm. - Dinette Seat - Left - w/o Hardware
	057982-25-K08	EA	Door Asm. - Dinette Seat Cabinet - 19.22" x 11.54" - w/o Hardware
	057715-01-K08	EA	Cabinet Asm. - Dinette Overhead - w/o Door or Hardware
	057982-24-K08	EA	Door Asm. - Dinette Overhead Cabinet - 35.42" x 11.52" - w/o Hardware

**The illustrated parts breakdown for this item is provided on the Common Items Fiche.

OPTIONAL COUCH W/TWIN PEDESTAL TABLES

Key	Part Number	U/M	Description
	053203-07-J30	EA	Table Asm. - Pedestal - w/o Hardware - Butcher Block
	008040-03-000	EA	Base - Table Leg - Mounts on Table
	041194-01-000	EA	Base - Table Leg - Floor Mount
	008040-02-000	EA	Leg - Pedestal Table - 27.5" - Chrome
	007021-01-000	EA	Seat Belt - 2" x 80" - Black
	041322-01-000	EA	Washer - Flat - 15/32" I.D. x 2 3/8" O.D.
	057468-02-000	EA	Frame - Sprung Couch - Right
	057468-03-000	EA	Frame - Sprung Couch - Left
	057468-04-000	EA	Frame Angle - Sprung Couch - (2 per couch)
	057468-01-000	EA	Leg Asm. - Sprung Couch - (2 per couch)
	057622-01-K08	EA	Cabinet Asm. - Face Panel - Sprung Couch
	057618-01-K08	EA	End Panel - Sprung Couch

CORNER LOUNGE CHAIRS W/FOLD DOWN TABLE

Key	Part Number	U/M	Description
	051704-01-K01	EA	Table Asm. - Lounge - Butcher Block - w/o Hardware
	081882-01-000	EA	Leg Asm. - Table - Pivot
	081879-01-000	EA	Leg Asm. - Table - Fixed
	024275-04-000	EA	Rod - Table Lift
	024281-05-000	EA	Bracket - Table Lift - Mounts on Table
	053200-02-000	EA	Support - Table - 14.5" - Mounts on Wall
	081580-02-K08	EA	Cabinet Asm. - Lounge Chair - Left
	082376-01-K01	EA	Cabinet Asm. - Lounge Chair - Right
	059122-08-K01	EA	Door Asm. - Rotted - 17.7" x 13"

DRIVER'S COMPARTMENT GROUP

DASH PANEL AND COMPONENTS

Key	Part Number	U/M	Description
	061803-01-K08	EA	Dash Asm. - Complete w/Gauges and Switches
	022548-04-000	EA	Pad - Dash - Right - Dark Brown
	023242-08-000	EA	Pad - Dash - Left - Dark Brown
	024118-01-000	EA	Lamp Asm. - Map/Gauge
	023120-01-000	EA	Lamp Asm. - Teltale
	007308-01-000	EA	Dash Clock
	052357-01-000	EA	Lighter Asm. - Cigarette - 12 Vol.
	007041-01-000	EA	Bezel - Cigarette Lighter
	007071-01-000	EA	Louver - Chrome - w/Chrome Wheel
	024880-02-000	EA	Outlet - Defroster w/Swivel - 2" Dark Brown
	038044-01-000	EA	Louver Asm. - A/C Adjustable
	050344-01-000	EA	Bezel - Entertainment Center No. 2 - w/Cut Out for Radio and Clock
	050345-01-000	EA	Bezel - Entertainment Center No. 3 - w/Cut Out for Radio, Clock, Hourmeter, Generator Start Stop Switch
	057487-02-000	EA	Bezel - Complete - Control Panel
	023882-01-000	EA	Box - Glove Compartment - Black Fiberglass
	022219-01-000	EA	Door - Glove Compartment
	009118-01-000	EA	Twist Lock - Glove Compartment
	024588-01-000	EA	Hinge - Glove Compartment - 1 1/16" x 19"
	034309-01-000	EA	Chain - Glove Box Door
	023834-01-000	EA	Panel - Knee Kick - Bottom of Dash

DASH SWITCHES AND GAUGES

Key	Part Number	U/M	Description
	024461-01-000	EA	Switch - Battery
	024462-01-000	EA	Switch - Battery Condition
	024433-01-000	EA	Switch - Blinker
	024464-01-000	EA	Switch - Washer
	024465-01-000	EA	Switch - Fuel
	024467-01-000	EA	Switch - Wiper
	024879-01-000	EA	Switch - Generator w/o Circuit Board
	037367-01-000	EA	Switch - Generator w/Circuit Board
	024459-01-000	EA	Gauge - Voltmeter
	024480-01-000	EA	Gauge - Vacuum
	031035-01-000	EA	Gauge - Generator Hourmeter
	031378-01-000	EA	Control Asm. - Heater - 3 Speed
	055279-01-000	EA	Control Asm. - Heater A/C - 3 Speed

BUCKET SEAT PEDESTAL AND SEAT BELTS

Key	Part Number	U/M	Description
	050447-01-000	EA	Pedestal Asm. - Tilt Seat - Left
	050447-02-000	EA	Pedestal Asm. - Tilt Seat - Right - Single Seat
	050447-04-000	EA	Pedestal Asm. - Tilt Seat - Right - Double Seat
	007019-01-000	EA	Belt Asm. - Seat - 2" x 84" - Black
	041322-01-000	EA	Washer - Flat 15/32" I.D. x 2 3/8" O.D. - Seat Belt
	048943-01-000	EA	Pedestal - Complete - Swivel

1979 ITASCA TABLE OF CONTENTS

ICF23RG	A-1 - B-18
ICF26RH	B-17 - D-8
ICN26RB	D-9 - E-22
ICF26RT	E-23 - G-14
ICN26RT	G-15 - I-10

1979 ICF23RG INDEX

Floor Plan	A-1 - A-2
Accessories Group	A-3 - A-4
Bath Group	A-5
Chassis Group	A-6
Curtain, Cushion & Pad Group	A-7 - A-12
Dinette Group	A-13
Driver's Compartment Group	A-14 - A-15
Electrical Group	A-16 - A-17
Exterior Body Group	A-18 - A-21
Galley Group	A-22
Heating & Air Conditioning Group	A-23 - A-24
Interior Finish Group	B-1 - B-2
LP Group	B-3
Lounge Group	B-4
Water & Sewage Group	B-5
Window, Vent & Exterior Door Group	B-6 - B-10

DRIVER'S COMPARTMENT GROUP (CONTINUED)

FRONT BUNK AND HARDWARE

Key	Part Number	U/M	Description
	058300-01-K08	EA	Cabinet Asm. - Front Overhead
	053321-01-K08	EA	Bunk Board Asm. - Front Overhead w/Rails
	053773-01-000	EA	Support - Overhead Bunk - Brown - Right
	053773-02-000	EA	Support - Overhead Bunk - Brown - Left
	040071-02-000	EA	Support - Bunk - Seat Belt
	041322-01-000	EA	Washer - Flat - 1/532" I.D. x 2 3/8" O.D.
	038518-02-000	EA	Catch - Bunk - Brown
	023812-22-000	EA	Rail - Bunk - L/R - Brown
	053774-01-000	EA	Torsion Rod - Overhead Bunk - Brown

MISCELLANEOUS DRIVER'S COMPARTMENT COMPONENTS

Key	Part Number	U/M	Description
	061378-01-K01	EA	Beverage Tray Asm. - Matador Leather Laminate
	055000-01-000	EA	Tray - Utensil - Dark Brown Plastic
	045785-01-000	EA	Glass Holder - Dark Brown Plastic
	050788-01-000	EA	Pocket - Ash Tray - Plastic
	050787-01-000	EA	Ash Tray - Plastic
	038857-01-000	EA	Latch - Rubber - Draw Handle 5 3/4" w/Strike
	038858-01-000	EA	Latch - Rubber - Draw Handle 3" w/Strike
	042541-01-000	EA	Latch Asm. w/Strike - Chrome
	034900-01-000	EA	Cover - Motor - Plastic 454 C.I.D.
	038333-01-000	EA	Cover - Motor - Plastic - 350 C.I.D.
	035388-02-000	EA	Seal - Motor Cover - Alum.
	040519-01-000	EA	Boot - Rubber Steering Column
	040520-01-000	EA	Boot - Retainer - Steering Column
	007278-01-000	EA	Mirror - Inside - Rear View 4 1/2" x 9"
	034489-01-000	EA	Support - Dimmer Switch
	040885-02-000	EA	Clip - Sunvisor
	058508-01-K08	EA	Sunvisor Asm. - Right - Acorn Brown - w/Mirror
	058508-02-K08	EA	Sunvisor Asm. - Left - Acorn Brown
	061350-01-000	EA	Trim - Interior - "A" Post - Brown Plastic - w/Notch - Left
	061350-02-000	EA	Trim - Interior - "A" Post - Brown Plastic - w/Notch - Right
	009143-01-000	EA	Mirror - 1/8" x 3.5" x 8" - Sunvisor
	059188-01-000	EA	Panel - Side - Left - Dark Brown
	059187-01-000	EA	Panel - Side - Right - Dark Brown

ELECTRICAL GROUP

BULBS

Key	Part Number	U/M	Description
	037835-01-000	EA	Bulb - 1157
	038010-01-000	EA	Bulb - 1143
	008103-01-000	EA	Bulb - 53
	008213-01-000	EA	Bulb - 57
	008214-01-000	EA	Bulb - 67
	008215-01-000	EA	Bulb - 1003
	008216-01-000	EA	Bulb - 1034
	008217-01-000	EA	Bulb - 1073
	008218-01-000	EA	Bulb - 1141
	008219-01-000	EA	Bulb - 658
	008220-01-000	EA	Bulb - 12V - 25W
	038188-01-000	EA	Bulb - 194
	700020-01-000	EA	Bulb - 12V - 20W - 1383

FUSES AND CIRCUIT BREAKER

Key	Part Number	U/M	Description
	058473-01-000	EA	Fuse - Slow Blow - 6 1/4 Amp.
	008233-01-000	EA	Fuse - 12 Volt - 8 Amp.
	008234-01-000	EA	Fuse - 12 Volt - 10 Amp.
	008235-01-000	EA	Fuse - 12 Volt - 15 Amp.
	008236-01-000	EA	Fuse - 12 Volt - 20 Amp.
	008248-01-000	EA	Fuse - 110 Volt - 30 Amp. - AGU
	008252-01-000	EA	Fuse - 110 Volt - 50 Amp.
	008208-01-000	EA	Circuit Breaker - 12 Volt - 40 Amp.
	008211-01-000	EA	Circuit Breaker - 12 Volt - 6 Amp.
	008288-01-000	EA	Circuit Breaker - 12 Volt - 30 Amp. w/Mount
	033573-02-000	EA	Circuit Breaker - 12 Volt - 15 Amp. w/Mount
	040051-01-000	EA	Circuit Breaker - 110 Volt - 20 Amp. - TQL

INTERIOR LIGHTS

Key	Part Number	U/M	Description
	033508-02-000	EA	Light - Dome - Ivory - 1 Bulb - US
	033508-03-000	EA	Light - Dome - Ivory - 1 Bulb - CSA
	033509-02-000	EA	Light - Dome - Ivory - 2 Bulb - US
	033509-03-000	EA	Light - Dom. - Ivory - 2 Bulb - CSA
	024842-01-701	EA	Lens - Domelight - 1 Bulb
	024843-01-701	EA	Lens - Domelight - 2 Bulb
	024418-01-000	EA	Lamp Asm. - Map/Gauge/Aisle
	053348-01-000	EA	Light - High Intensity - Brown

EXTERIOR LIGHTS

Key	Part Number	U/M	Description
	042405-03-000	EA	Base - Rectangular Clearance Light
	042405-04-000	EA	Lens - Clearance Light - Red
	042405-05-000	EA	Lens - Clearance Light - Amber
	008082-01-000	EA	Reflector - Stick on - Rectangular - Red
	008083-01-000	EA	Reflector - Stick on - Rectangular - Amber
	007308-01-000	EA	Light - Step Well
	058363-02-000	EA	Lamp Asm. - Tail - 2 Bulb - Left
	058363-01-000	EA	Lamp Asm. - Tail - 2 Bulb - Right
	058030-01-700	EA	Lens - Tail Lamp - Red
	058030-01-701	EA	Lens - Tail Lamp - Backup
	062741-02-000	EA	Wedge - Plastic - Left
	062741-04-000	EA	Wedge - Plastic - Right
	068038-01-000	EA	Bracket - Tail Lamp
	068840-01-000	EA	Bracket - License Plate
	048817-01-000	EA	Assist Handle - w/Light

1979 ITASCA TABLE OF CONTENTS

ICF23RG	A-1 - B-18
ICF28RH	B-17 - D-8
ICN28RB	D-8 - E-22
ICF28RT	E-23 - G-14
ICN28RT	G-15 - I-10

1979 ICF23RG INDEX

Floor Plan	A-1 - A-2
Accessories Group	A-3 - A-4
Bath Group	A-5
Chassis Group	A-6
Curtain, Cushion and Pad Group	A-7 - A-12
Dinette Group	A-13
Driver's Compartment Group	A-14 - A-15
Electrical Group	A-16 - A-17
Exterior Body Group	A-18 - A-21
Galley Group	A-22
Heating & Air Conditioning Group	A-23 - A-24
Interior Finish Group	B-1 - B-11
LP Group	B-11
Lounge Group	B-4
Water & Sewage Group	B-5
Window, Vent & Exterior Door Group	B-6 - B-16

ELECTRICAL GROUP (CONTINUED)

WIRE, SWITCHES, AND RECEPTACLES

Key	Part Number	U/M	Description
	008027-01-000	FT	Wire - 18.5 Bonded - Orange/White/Yellow/Blue/Brown
	008025-01-000	FT	Wire - 18.5 Bonded - Orange/White/Yellow/Blue/Green
	008028-01-000	FT	Wire - 18.5 Bonded - Blue/Red/Yellow/Orange/White
	008030-01-000	FT	Wire - 18.4 Bonded
	008251-01-000	EA	Holder - Fuse - Black - Screw Type
	008277-01-000	EA	Holder - Fuse - Black - Panel Mount
	008185-01-000	EA	Switch - Push Button - 12 Volt
	008077-01-000	EA	Flaque - Compressor Switch
	008064-01-000	EA	Cord - Power - 10-3 30 Amp. - 25' - UL
	008062-01-000	EA	Cord - Power - 10-3 30 Amp. - 25' - CSA
	034818-04-000	EA	Holder - Receptacle - Plastic
	038342-01-000	EA	Receptacle - Duplex Brown - T Junction
	024571-01-000	EA	Cover Plate - Receptacle - Jimbo Brown
	038343-01-000	EA	Cap - End - Receptacle
	008162-01-000	EA	Switch - Double Toggle - Spade Brown
	008163-01-000	EA	Switch - Toggle Brown
	008164-01-000	EA	Cover Plate - Switch - Brown
	024824-01-000	EA	Receptacle - Power Cord
	008058-01-000	EA	Adaptor - Power Cord
	047363-01-000	EA	Cover - Receptacle - Ground Fault
	053128-01-000	EA	Receptacle - Ground Fault Interrupter - 125 Volt - Ivory
	053128-02-000	EA	Receptacle - Ground Fault Interrupter - 125 Volt - Brown
	058707-01-000	EA	Receptacle - Single - Brown - Thomas & Betts
	058708-01-000	EA	Receptacle - Duplex - Brown - Thomas & Betts
	078157-01-000	EA	Receptacle - Duplex - Brown - (Exterior Backwall)
	058046-01-000	EA	Cover - Electrical Box - 4.5" x 2.75" - Rain Tight (Exterior)
	038850-01-700	EA	Circuit Board - Control Center

WINDSHIELD WIPER AND WASHER

Key	Part Number	U/M	Description
	058000-02-000	EA	Washer Asm. - Windshield
	057853-01-000	EA	Arm - Windshield Wiper - 18" Black
	044313-02-000	EA	Motor Asm. - Windshield Wiper - 100"
	044313-03-000	EA	Motor Asm. - Windshield Wiper - 93"
**	037988-01-000	EA	Link Asm. - Connecting - 22.40" Long
	057474-01-000	EA	Windshield Wiper Asm.
	049484-02-000	EA	Blade - Windshield Wiper - 20" Black
**	056675-01-000	EA	Shaft and Pivot Asm.

**The illustrated parts breakdown for this item is provided on the Common Items Fiche.

MISCELLANEOUS ELECTRICAL COMPONENTS

Key	Part Number	U/M	Description
	047338-01-000	EA	Isolator - Dual Battery
	047399-01-700	EA	Battery - 12 Volt - 105 Amp. Deep Cycle - Dry
	057888-01-000	EA	Battery - 12 Volt - Maintenance Free - Delco
	008188-01-000	EA	Solenoid - Dual Battery - Relay
	048775-01-000	EA	Valve - Gas - Change Over - 3 Way
	043477-01-000	EA	Valve - Gas - Change Over - 6 Way
	054544-01-000	EA	Control Center - 37 Amp. - UL
	024459-01-000	EA	Gauge - Voltmeter
	024482-01-000	EA	Switch - Battery Condition
	031035-01-000	EA	Gauge - Hourmeter - Generator
	024978-01-000	EA	Switch - Generator w/o Circuit Board
	024480-01-000	EA	Gauge - Vacuum
	038817-01-000	EA	Relay Canister - SPDT
	052839-01-000	EA	Alarm - Warning - 12 Volt - Winterization Option
	082825-01-000	EA	Panel - Wemac Control - Winterization Option
	048812-01-000	EA	Control Panel - Water/Double Sewage - Wemac w/Thermostat
	048812-02-000	EA	Control Panel - Water/Double Sewage - Wemac w/o Thermostat
	048812-03-000	EA	Control Panel - Water/Double Sewage - Wemac - w/LP, Refrigerator, Clock
	038881-01-000	EA	Bandaging Unit Kit - Wemac

EXTERIOR BODY GROUP

EXTERIOR BODY PANELS AND SHEET ALUMINUM

Key	Part Number	U/M	Description
	058415-01-K08	EA	Backwall Asm.
	058412-01-K08	EA	Sidewall Asm. - Right
	058411-01-K08	EA	Sidewall Asm. - Left
	058315-01-K08	EA	Roof Asm.
	039155-03-008	EA	Alum. - Off White Mesa I - .024" x 36" x 60"
	039155-03-003	EA	Alum. - Off White Mesa I - .024" x 36" x 360"
	039155-03-007	EA	Alum. - Off White Mesa I - .024" x 48" x 60"
	039155-03-006	EA	Alum. - Off White Mesa I - .024" x 48" x 360"
	039155-03-009	EA	Alum. - Off White Mesa I - .024" x 12" x 360"
	039155-28-001	EA	Alum. - Off White Mesa II - .024" x 36" x 60"
	039155-28-003	EA	Alum. - Off White Mesa II - .024" x 36" x 360"
	039155-28-004	EA	Alum. - Off White Mesa II - .024" x 48" x 50"
	039155-28-006	EA	Alum. - Off White Mesa II - .024" x 48" x 360"
	039155-28-007	EA	Alum. - Off White Mesa II - .024" x 12" x 360"
	044487-01-001	EA	Plain Roof Metal - 96" x 360"
	039155-07-010	EA	Off White Greyhound Alum. - 48" x 96"
	001054-01-011	EA	Off White Plain Alum. - 48" x 96"
	000888-01-000	BF	Styrofoam - 3/4" x 24" x 96"
	000870-01-000	BF	Styrofoam - 1 1/2" x 24" x 96"

NOTE: The raised portion of Mesa I aluminum is 1.657" wide.
The raised portion of Mesa II aluminum is .875" wide.

SEALANTS, ADHESIVES AND FASTENERS

Key	Part Number	U/M	Description
	034552-05-000	EA	Sealant - White Silicone
	034552-04-000	EA	Sealant - Orange Silicone
	034552-02-000	EA	Sealant - Clear Silicone
	004348-02-000	EA	Sealant - Aluminum Silicone
	004349-01-000	EA	Sealant - Black Silicone
	004342-01-000	EA	Sealant - Weatherban 202 Tube
	004348-02-000	EA	Sealant - White Silicone
	004347-01-000	EA	Sealant - Tufflex
	002316-01-000	FT	Tape - Sealer - 3/32" x 1/8"
	024545-01-000	FT	Tape - Sealer - 1/8" x 5/8" - Black
	004350-01-000	FT	Tape - Sealer - 1/8" x 1" - Formaseal
	004352-01-000	FT	Tape - Sealer - 1/8" x 3/4" - Formaseal
	004355-01-000	FT	Tape - Sealer - 1/8" x 5/8" - Black
	004357-01-000	FT	Tape - Sealer - 1/8" x 5/8" - Adhesive
	002707-02-000	FT	Tape - Sealer - 5/16" x 1/2" - Black Foam
	002707-01-000	FT	Tape - Sealer - 5/16" x 3/4" - Black Foam
	004363-01-000	FT	Tape - Sealer - 3/16" x 1/2" - Foam
	004362-01-000	FT	Tape - Sealer - 1/4" x 5/8" - Foam
	008200-01-000	EA	Tape - Furnace - 1 1/2"
	004353-01-000	FT	Tape - Gasket - 1/8" x 3/4" - White
	002825-01-000	FT	Weather Stripping - Roof Vent
	002337-01-000	EA	Adhesive - 3M - 1500 Tube
	004005-01-000	GL	Adhesive - Swifts - Green - Glue (Sidewalls)
	004012-01-000	EA	Adhesive - 3M - 4475 Tube
	004020-01-000	EA	Adhesive - ABS Cement (Plastic Fittings)
	029051-01-000	EA	Adhesive - Spray Vinyl
	042401-02-000	EA	Screw - 8 - 1A x 3/4" SDPH - Off White
	042403-02-000	EA	Screw - SF/D9 - 8 - 18 x 1" SDPH - Off White
	053786-01-000	EA	Bedding Compound - Tube Black - Schnee Morehead
	053783-02-000	EA	Bedding Compound - Tube White - Schnee Morehead
	053787-01-000	FT	Tape - 1/2" x 1/8" x 30' - Gray - Schnee Morehead
	053787-02-000	FT	Tape - 3/16" Bead x 25' - Gray - Schnee Morehead
	053787-03-000	FT	Tape - 1/4" Bead x 20' - Gray - Schnee Morehead
	053787-04-000	FT	Tape - 3/4" x 1/8" x 30' - Gray - Schnee Morehead
	053787-05-000	FT	Tape - 2" x 3/32" x 45' - Gray - Schnee Morehead

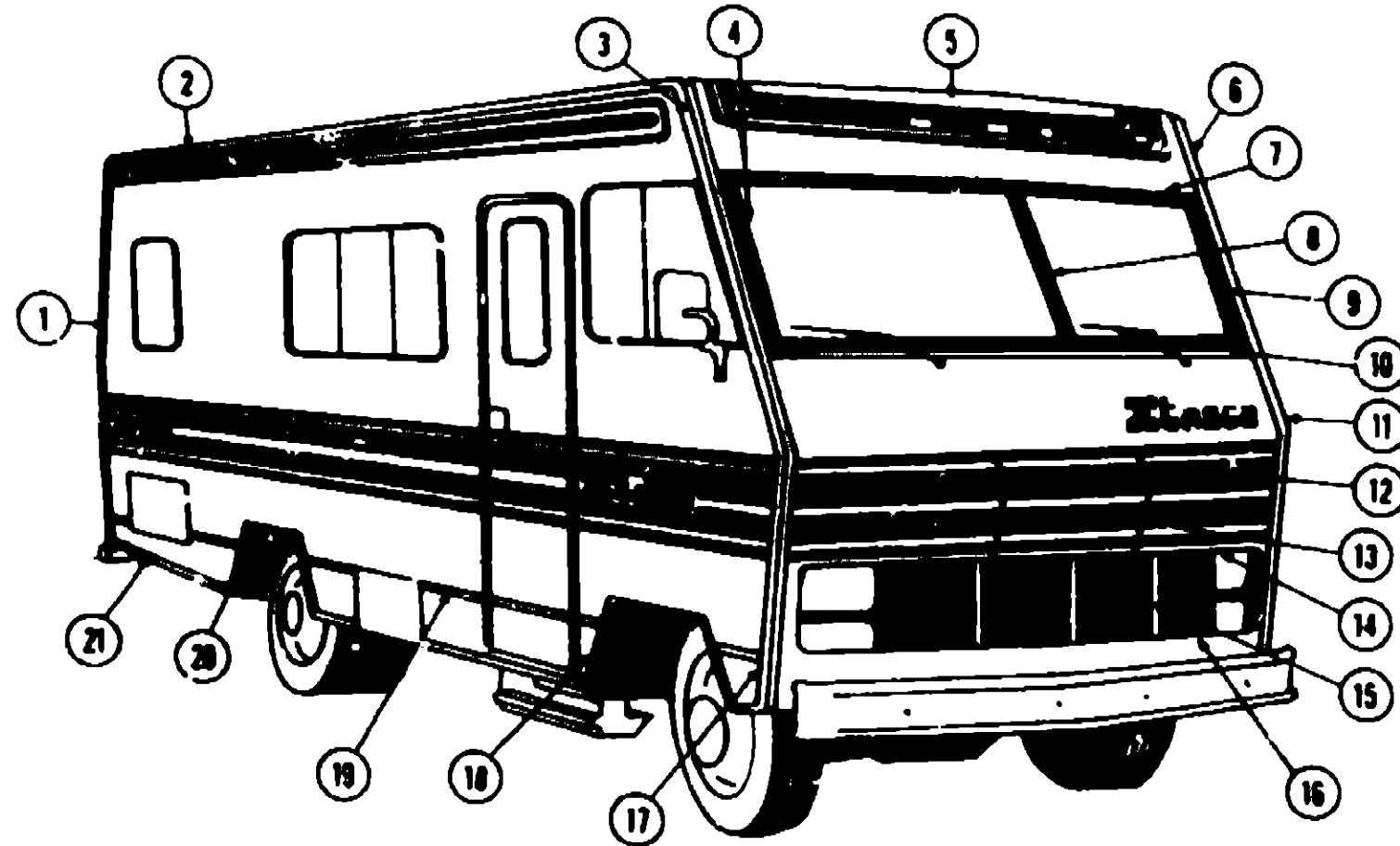
1979 ITASCA TABLE OF CONTENTS

ICF23RG	A-1 - B-16
ICF28RH	B-17 - D-8
ICN28RB	D-9 - E-22
ICF28RT	E-23 - G-14
ICN28RT	G-15 - I-10

1979 ICF23RG INDEX

Floor Plan	A-1 - A-2
Accessories Group	A-3 - A-4
Bath Group	A-5
Chassis Group	A-6
Curtain, Cushion and Pad Group	A-7 - A-12
Dinette Group	A-13
Driver's Compartment Group	A-14 - A-15
Electrical Group	A-16 - A-17
Exterior Body Group	A-18 - A-21
Galley Group	A-22
Heating & Air Conditioning Group	A-23 - A-24
Interior Finish Group	B-1 - B-2
LP Group	B-3
Lounge Group	B-4
Water & Sewage Group	B-5
Window, Vent & Exterior Door Group	B-6 - B-16

EXTERIOR BODY GROUP (CONTINUED)



1979 ITASCA TABLE OF CONTENTS

ICF23RG
ICF26RH
ICN26RB
ICF26RT
ICN26RT

A-1 - B-16
B-17 - D-8
D-9 - E-22
E-23 - G-14
G-15 - I-10

Key	Part Number	U/M	Description
1	039984-01-000	EA	Trim - Contour - Right Rear - Off White
2	039984-02-000	EA	Trim - Contour - Left Rear - Off White
3	034922-11-000	EA	Trim - Sidewall - Upper - Left or Right - Off White
4	058284-02-000	EA	Trim - Contour - Right Front Upper - Off White
5	058289-02-000	EA	Trim - Contour - Windshield - Right
6	054857-01-000	EA	Cap - Fiberglass - Over Windshield - Off White
7	058284-01-000	EA	Trim - Contour - Left Front Upper - Off White
8	058287-01-000	EA	Trim - Molding - Windshield - Upper
9	042743-02-000	EA	Trim - Corner Windshield - Upper
10	058288-01-000	EA	Trim Molding - Windshield - Center
11	058289-01-000	EA	Trim - Contour - Windshield - Left
12	058287-02-000	EA	Trim - Molding - Windshield - Lower
13	042743-01-000	EA	Trim - Corner Windshield - Lower

Key	Part Number	U/M	Description
14	058699-04-000	EA	Trim - Contour - Left Front Lower - Off White
15	058294-04-000	EA	Panel Asm. - Front Shroud
16	058678-01-000	EA	Access Panel - Off White
17	058722-01-000	EA	Pull Pin - Hood Release
18	058781-01-000	EA	Striker - Hood Latch
19	059123-03-000	EA	Grille Trim - Upper
20	059339-01-000	EA	Grille Asm. - Right - Outer
21	069340-01-000	EA	Grille Asm. - Right - Inner
22	058341-01-000	EA	Grille Asm. - Left - Inner
23	058342-01-000	EA	Grille Asm. - Left - Outer
24	069124-03-000	EA	Grille Trim - Lower
25	057473-01-000	EA	Bezel - Headlamp - Left
26	057473-02-000	EA	Bezel - Headlamp - Right
27	058699-03-000	EA	Trim - Contour - Left Front Lower - Off White
28	052843-02-000	EA	Trim - Wheel Well - Front - Left or Right
29	002444-02-001	EA	Feature Strip - Extr. Anod. - 14' - w/o Insert
30	009731-01-000	EA	End Cap - Feature Strip Insert
31	001030-10-100	EA	Insert - Feature Strip - Gold - 17'
32	052842-02-000	EA	Trim - Wheel Well - Rear - Right or Left
33	002776-02-001	EA	Extr. - U-Channel - 1.75" x 16" - Anod.
34			Not Illustrated

1979 ICF23RG INDEX

Floor Plan	A-1 - A-2
Accessories Group	A-3 - A-4
Bath Group	A-5
Chassis Group	A-6
Curtain, Cushion and Pad Group	A-7 - A-12
Dinette Group	A-13
Driver's Compartment Group	A-14 - A-15
Electrical Group	A-16 - A-17
Exterior Body Group	A-18 - A-21
Galley Group	A-22
Heating & Air Conditioning Group	A-23 - A-24
Interior Finish Group	B-1 - B-2
LP Group	B-3
Lounge Group	B-4
Water & Sewage Group	B-5
Window, Vent & Exterior Door Group	B-6 - B-16

EXTERIOR BODY GROUP (CONTINUED)

EXTERIOR PAINT

Key	Part Number	U/M	Description
	041581-01-000	EA	Paint - Off White - Acrylic Enamel - 1 Gal.
	041581-03-000	EA	Paint - Off White - Acrylic Enamel - 16 oz. Aerosol
	041581-04-000	EA	Paint - Off White - Acrylic Lacquer - 1 Gal.
	058355-01-000	EA	Paint - Dark Yellow - Acrylic Enamel - 1 Gallon
	058355-03-000	EA	Paint - Dark Yellow - Acrylic Enamel - 16 oz. Aerosol
	058356-01-000	EA	Paint - Green - Acrylic Enamel - 1 Gallon
	058356-03-000	EA	Paint - Green - Acrylic Enamel - 16 oz. Aerosol
	058357-01-000	EA	Paint - Blue - Acrylic Enamel - 1 Gallon
	058357-03-000	EA	Paint - Blue - Acrylic Enamel - 16 oz. Aerosol
	053760-01-000	EA	Paint - Crimson Red - Acrylic Enamel - 1 Gallon
	053760-03-000	EA	Paint - Crimson Red - Acrylic Enamel - 16 oz. Aerosol
	045681-01-000	EA	Paint - Gloss Black - Acrylic Enamel - 1 Gallon
	045681-03-000	EA	Paint - Gloss Black - Acrylic Enamel - 16 oz. Aerosol

LABELS AND DECALS

Key	Part Number	U/M	Description
	008031-01-000	EA	Label - Potable Water Only
	008187-01-000	EA	Label - Sewage
	008188-01-000	EA	Label - Waste Water
	008189-01-000	EA	Label - Exit - Escape Window
	008023-01-000	EA	Label - Water Only
	008028-01-000	EA	Label - Drain Cap - 2" x 3"
	008082-01-000	EA	Reflector - Stick on - Rectangular - Red
	008083-01-000	EA	Reflector - Stick on - Rectangular - Amber
	040944-01-000	EA	Label - Open - Entrance Door
	047731-01-000	EA	Label - Emergency Exit
	008040-01-000	EA	Tag - Gas - Refueling Warning
	008082-01-000	EA	Tag - Electrical - 110V Connection
	054531-01-000	EA	Label - LP Gas Only
	061417-01-000	EA	Label - Fuel
	050225-01-000	EA	Label - Warning - Stove Vent - U.S.
	081800-01-000	EA	Decal - Itasca - .5" x 2.64"
	041273-17-000	FT	Decal: Stripe - .63" Black
	053343-01-000	EA	Decal - Itasca I - 9" High
	055289-01-000	EA	Decal - Logo - SunCruiser
	056251-01-000	EA	Decal - Front Side Upper - U-Shaped - Right
	056251-02-000	EA	Decal - Front Side Upper - U Shaped - Left
	058528-01-000	EA	Decal - "L" Black - 5.75" - Right Front - Clearance Lite to Roof
	058528-02-000	EA	Decal - "L" Black - 5.75" - Left Front - Clearance Lite to Roof
	058529-01-000	EA	Decal - "L" Black - 9.12" - Right Front - Clearance Lite to Roof
	058529-02-000	EA	Decal - "L" Black - 9.12" - Left Front - Clearance Lite to Roof
	058004-07-000	EA	Decal - Logo - Itasca - 5.25" High

MISCELLANEOUS EXTERNALLY MOUNTED PARTS

Key	Part Number	U/M	Description
	010230-02-000	EA	Fill - City Water - Recessed - Off White
	058808-01-000	EA	Fill - Water - Lockable
**	011124-01-000	EA	Plumbing Seal - Roof Vent - 1 1/4" White
**	011129-01-000	EA	Plumbing Seal - Roof Vent - 1 1/2" White
	057481-C1-000	EA	Mirror Head - 7 1/2" x 10 1/2" - w/Convex - Stainless Steel
	057481-02-000	EA	Mirror Head - 7 1/2" x 10 1/2" - w/Convex - Off White
	048348-01-000	EA	Arm - Low Mount Mirror - Britz Finish
	043348-02-000	EA	Arm - Low Mount Mirror - Off White
	048844-02-000	EA	Bracket - Mirror - Outside - Mounts to Coach - Off White
	046814-01-000	EA	Fill - Gas w/Vent - 5.44" Long
	048917-01-000	EA	Handle Asm - Assist w/Light

**The illustrated parts breakdown for this item is provided on the Common Items Fiche.

GALLEY GROUP

GALLEY CABINETRY

Key	Part Number	U/M	Description
	058304-C1-001	EA	Cabinet Asm. - Galley - w/o Countertop, Doors, Drawers or Hardware
	052566-01-K08	EA	Countertop Asm. - Galley Cabinet - Pot Pourri Tan
	058023-05-K01	EA	Drawer Asm. - Galley Cabinet - 15 02" x 6" x 12 5" Deep - w/o Hardware
	057992-30-K01	EA	Door Asm. - Galley Cabinet - 13 02" x 30 82" - w/o Hardware
	057992-32-K01	EA	Door Asm. - Galley Cabinet - 14 82" x 9 72" - w/o Hardware
	057992-28-K01	EA	Door Asm. - Refrigerator Cabinet - 11 82" x 17 82" - w/o Hardware
	057677-01-K01	EA	Cabinet Asm. - Galley Overhead - w/o Doors or Hardware
	057992-10-K01	EA	Door Asm. - Galley Overhead Cabinet - 11 62" x 16 02" - w/o Hardware
	057992-29-K01	EA	Door Asm. - Galley Overhead Cabinet - 9 82" x 15 92" - w/o Hardware

GALLEY HARDWARE AND APPLIANCES

Key	Part Number	U/M	Description
	053424-01-K08	EA	Sink Cover - Large - Pot Pourri Tan
	011032-01-000	EA	Sink - Stainless Steel - Double w/Bolts
**	011053-01-000	EA	Faucet - Swing Spout - 8"
**	011085-01-000	EA	Strainer - Sink
**	011053-01-700	EA	Aerator - Swing Spout Faucet
	058334-01-000	EA	Wastebasket - 9 3/4" x 7" x 10" - White Rubbermaid
	039873-01-000	CA	Catch and Strike - Nylon
**	053333-01-000	EA	Range Hood - Iron Power - Black
**	049830-03-000	EA	Range Hood - Powered - Black - Jensen
	052771-02-000	EA	Microwave Oven - Magic Chef - MW207
**	055282-03-000	EA	Range - 4 Burner - Small - Black - Magic Chef
**	049175-02-000	EA	Refrigerator - AC/DC/Gas - Sibir ET 150/2 - 1 Door Model
**	049174-02-000	EA	Refrigerator - AC/DC/Gas - Sibir ET 230/2 - 2 Door Model

**The illustrated parts breakdown for this item is provided on the Common Items Fiche.

1979 ITASCA TABLE OF CONTENTS

ICF23RG	A-1 - B-18
ICF26RH	B-17 - D-8
ICN25RB	D-9 - E-22
ICF26RT	E-23 - G-14
ICN26RT	G-15 - I-10

1979 ICF23RG INDEX

Floor Plan	A-1 - A-2
Accessories Group	A-3 - A-4
Bath Group	A-5
Chassis Group	A-6
Curtain, Cushion and Pad Group	A-7 - A-12
Dinette Group	A-13
Driver's Compartment Group	A-14 - A-15
Electrical Group	A-16 - A-17
Exterior Body Group	A-18 - A-21
Galley Group	A-22
Heating & Air Conditioning Group	A-23 - A-24
Interior Finish Group	B-1 - B-2
LP Group	B-3
Lounge Group	B-4
Water & Sewage Group	B-5
Window, Vent & Exterior Door Group	B-6 - B-16

HEATING AND AIR CONDITIONING GROUP

AUTOMOTIVE HEATER AND AIR CONDITIONER

Key	Part Number	U/M	Description
	039044-01-000	EA	Louver Asm. - A/C Adjustable
	047046-01-000	EA	Motor - 12 Volt - 3 Speed - Heater - Air Conditioner
	031043-01-000	EA	Valve - Heater - Water - Low Control
	031169-01-000	EA	Cable - Control - Flexible - 53"
	031169-02-000	EA	Cable - Control - Flexible - 48"
	031170-01-000	EA	Clamp - Cable - 3/16" Dia.
	024996-01-000	EA	Clutch - Magnetic - Compressor
	024999-01-000	EA	Compressor - Auto Air - 10.3" Cubic Inch
	047036-01-000	EA	Package Compressor Mount 350 C.I.D.
	048100-01-000	EA	Package - Compressor Mount 454 C.I.D.
	048801-01-000	EA	Condenser - Radiator Mount
	008267-01-000	EA	Switch - Air Conditioner
	024887-01-000	EA	Valve - Thermostatic Expansion
	024827-01-000	EA	Core - Heater
	024898-01-000	EA	Wheel - Blower - 4.72" O.D.
	031393-01-000	EA	Cc.I - Evaporator
	031001-01-000	EA	Blower Housing
	007076-01-000	FT	Hose - Flexible PVC - 2" I.D.
	007108-01-000	FT	Hose - Heater - 5/8" I.D. SAE 20R3
	007281-01-000	FT	Hose - Flexible PVC - 2 1/2" I.D.
	007139-01-000	EA	Clamp - Worm Drive - .69" - 1.25" I.D.
	007140-01-000	EA	Clamp - Hose - 2" - 3" Dia.
	033258-01-000	EA	Hose - Refrigerant - 50" I.D. x 34.50"
	034222-01-000	EA	Hose - Refrigerant - 31" I.D. x 26"
	034222-02-000	EA	Hose - Refrigerant - 31" I.D. x 32"
	031960-01-000	EA	Hose - Refrigerant - 34" I.D. x 30"
	031961-01-000	EA	Hose - Refrigerant - 31" I.D. x 14.75"
	031961-02-000	EA	Hose - Refrigerant - 31" I.D. x 19"
	049401-01-000	EA	Heater Asm. - Rear - Auxiliary
	049401-01-700	EA	Valve - Water Control - (Aux. Heater)
	049401-01-701	EA	Control Cable - (Aux. Heater)
	049401-01-702	EA	Motor Asm. - (Aux. Heater)
	049401-01-703	EA	Heater Core - (Aux. Heater)
	049401-01-704	EA	Switch - (Aux. Heater)
	058906-01-000	EA	Control Panel - Auxiliary Rear Heater
	024868-01-000	EA	Receiver - Dehydrator
	031044-01-000	EA	Clamp - Receiver Dehydrator
	031962-01-000	EA	Bracket - Receiver Dehydrator
	048230-02-000	EA	Kit - Auto Air - 350 C.I.D. A-Body
	048232-02-000	EA	Kit - Auto Air - 454 C.I.D. A-Body
	058464-01-000	EA	Register - 4" Dia. - Plastic w/Damper - Winterization Option
	062406-01-000	EA	Heat - Pusher - (Duct Fan) Winterization Option
	062411-01-000	EA	Switch - Temp. Control - 38° Close - 48° Open - Winterization Option
	062411-02-000	EA	Switch - Temp. Control - 28° Close - 30° Open - Winterization Option

HEATING AND AIR CONDITIONING GROUP (CONTINUED)

FURNACES AND ROOF AIR CONDITIONERS

Key	Part Number	U/M	Description
	052598-01-000	EA	Furnace - 19,000 BTU - Under Counter Mount - 4319-729
	059351-01-000	EA	Furnace - 24,000 BTU - w. Electric Ignition - 4324-749
	059350-01-000	EA	Furnace - 30,000 BTU - w. Electric Ignition - 4330 - 749
	009196-01-000	FT	Duct - Flexible - 4" I.D. x 25'
	009200-01-000	EA	Tape - Furnace - 1 1/2"
	023146-01-000	EA	Clamp - Screw Type - 4"
	024985-01-000	EA	Heat Register - w. Damper - 9 9/16" x 4 8/16"
	031604-01-000	EA	Bonnet - Heat Register
	049043-02-000	EA	Door - Furnace - Front
	050784-01-000	EA	Vent Package - Furnace - 3 - 6 wall
	039505-02-000	EA	Thermostat - Horizontal Wall Mount
**	049777-02-000	EA	Air Conditioner - 110 Volt - Roof Mount - 11,000 BTU - Ivory Coleman (w/o Inside Shroud)
**	049778-02-000	EA	Shroud Asm. - Ceiling - Inside Roof Air - Cool Only - 11,000 BTU - Coleman
**	049774-02-000	EA	Air Conditioner - 110 Volt - Roof Mount - 13,500 BTU Ivory - Coleman (w/o Inside Shroud)
**	049775-C 100	EA	Shroud Asm. - Ceiling - Inside - Roof Air Cool Only - 13,500 BTU - Coleman
**	049776-C 100	EA	Shroud Asm. - Ceiling - Inside - Roof Air Heat and Cool Only - 13,500 BTU - Coleman

**The illustrated parts breakdown for this item is provided on the Common Items Fiche.

1979 ITASCA TABLE OF CONTENTS

ICF23RG	A-1 - B-16
ICF26RH	B-17 - D-6
ICN26RB	D-9 - E-22
ICF26RT	E-23 - G-14
ICN29RT	G-15 - I-10

1979 ICF23RG INDEX

Floor Plan	A-1 - A-2
Accessories Group	A-3 - A-4
Bath Group	A-5
Chassis Group	A-6
Curtain, Cushion and Pad Group	A-7 - A-12
Dinette Group	A-13
Driver's Compartment Group	A-14 - A-15
Electrical Group	A-16 - A-17
Exterior Body Group	A-18 - A-21
Galley Group	A-22
Heating & Air Conditioning Group	A-23 - A-24
Interior Finish Group	B-1 - B-2
LP Group	B-3
Lounge Group	B-4
Water & Sewage Group	B-5
Window, Vent & Exterior Door Group	B-6 - B-16

INTERIOR FINISH GROUP

PANELING AND COUNTERTOP MATERIALS

Key	Part Number	U/M	Description
	057856-01-000	SF	Paneling - 724 Vermont Oak - Plain - 48" x 96" (32SF)
	057855-01-000	SF	Paneling - 724 Vermont Oak - V Groove - 48" x 96" (32SF)
	045863-01-000	SF	Paneling - 825 Buff - 48" x 96" (32SF)
	058348-01-000	SF	Paneling - Pompeii Beige - Bath - 43" x 96" (32SF)
	057858-02-000	SF	Paneling - Galley Backsplash - Beige
	057858-02-000	SF	Paneling - Bath - Marigolds - 5' x 7' (36 SF)
	062849-01-000	SF	Paneling - Bath - Highs and Lows - 4' x 7' (28 SF)
	058346-03-000	SF	Paneling - Bath - Paintbrush - Green - 4' x 7' (28 SF)
	058346-02-000	SF	Paneling - Bath - Paintbrush - Brown - 4' x 7' (28 SF)
	058346-01-000	SF	Paneling - Bath - Paintbrush - Rust - 4' x 7' (28 SF)
	057888-01-000	SF	Plastic Laminate - Pot Pourri Tan - 48" x 96" (32SF)
	058870-01-000	SF	Plastic Laminate - Metador Leather - 48" x 96" (32SF)
	053339-01-000	SF	Plastic Laminate - Butcher Block - 48" x 93" (32SF)
	053339-01-001	EA	Plastic Laminate - Butcher Block - 48" x 48"
	053339-01-002	EA	Plastic Laminate - Butcher Block - 1.19" x 96"

INTERIOR MOLDINGS AND TRIMS

Key	Part Number	U/M	Description
	047354-01-000	EA	Base Strip - 825 Buff - Ceiling - 96"
	057888-01-000	EA	Base Strip - 724 Vermont Oak - 96"
	057887-02-000	EA	Base Strip - Marigolds (Bath) 8'
	063725-01-000	EA	Base Strip - Highs and Lows (Bath) 8'
	058349-03-000	EA	Base Strip - Paintbrush Green - 8'
	058349-02-000	EA	Base Strip - Paintbrush Brown - 8'
	058349-01-000	EA	Base Strip - Paintbrush - Rust - 8'
	024700-08-000	EA	Cover - Roll Bar - Sidewall - Ivory
	024700-13-000	EA	Cover - Roll Bar - Vermont Oak
	039512-12-000	EA	Cover - Hat Section - Vermont Oak
	047488-01-020	EA	Cover - Corner - Hat/Hat
	047489-01-000	EA	Cover - Corner - Tube/Tube
	052859-01-J27	FT	Accent Trim - Acorn Brown Vinyl
	J08313-01-010	FT	Molding - Outside Corner - .50" - Dark Pecan
	009787-05-000	FT	Molding - Light Brown
	009778-01-000	FT	U-Channel - 1" - Dark Brown
	009810-01-000	FT	Molding - Outside Corner - 1" - Dark Pecan
	042430-01-000	EA	Molding - Shelf - Wood
	035337-22-000	EA	Trim - Inside Corner - Alum. - 80/88"
	034384-02-000	FT	Extr. Vinyl Insert - Beige

FABRICS AND FLOOR COVERINGS

Key	Part Number	U/M	Description
	058784-04-000	YD	Fabric - Drapery - Green Forest
	058784-03-000	YD	Fabric - Drapery - Navy
	058784-05-000	YD	Fabric - Drapery - Brick (Burgundy)
	057864-01-000	YD	Fabric - Upholstery - Emerald Green - Wide Stripes
	057864-02-000	YD	Fabric - Upholstery - Royal Blue - Wide Stripes
	057864-03-000	YD	Fabric - Upholstery - Oxford Burgundy - Wide Stripes
	057865-01-000	YD	Fabric - Upholstery - Emerald Green - Narrow Stripes
	057865-02-000	YD	Fabric - Upholstery - Royal Blue - Narrow Stripes
	057865-03-000	YD	Fabric - Upholstery - Oxford Burgundy - Narrow Stripes
	057866-01-000	YD	Fabric - Upholstery - Accent - Camel
	057866-03-000	YD	Fabric - Upholstery - Accent - Burgundy
	053327-01-000	YD	Vinyl - Non Expanded - 27 oz - Acorn Brown
	053327-02-000	YD	Vinyl - Expanded - 28 oz - Acorn Brown
	053327-03-000	YD	Vinyl - Non Support - 18 Gauge Film - Acorn Brown
	057897-04-000	SY	Carpet - Charade - Cocoa Mist

INTERIOR FINISH GROUP (CONTINUED)

CABINETS AND TABLE HARDWARE

Key	Part Number	U/M	Description
	057848-01-K01	EA	Pull Kit - Cabinet Drawer - Flat Latch
**	052832-01-J30	EA	Hinge Kit - Cabinet Door - Antique Brass
**	057845-01-K08	EA	Latch Kit - Cabinet Door - Flat Latch
	009112-01-000	EA	Flange - 1" - Closet Rod
**	047842-01-000	EA	Kit - Dinette Table Leg
**	047809-03-000	EA	Kit - Dinette Table Wall Mount Hardware
	058753-01-000	EA	Slide - Drawer - Left
	058753-02-000	EA	Slide - Drawer - Right
	037868-01-000	FT	Rail - Drawer Glide
	047744-01-000	EA	Kit - Drawer Glides
	058335-01-000	EA	Latch - Bathroom Door
	023873-01-000	EA	Catch and Strike - Nylon

**The illustrated parts breakdown for this item is provided on the Common Items Fiche.

CURTAIN HARDWARE

Key	Part Number	U/M	Description
	058116-01-000	FT	Track - Curtain - Brown, Plastic
	058001-01-000	EA	Bracket - Shade - Left
	058002-01-000	EA	Bracket - Shade - Right
	058003-01-000	EA	Bracket - Drapery Retainer - Right
	058003-02-000	EA	Bracket - Drapery Retainer - Left
	053272-04-200	EA	Track - Curtain - Off White - 89" w/Holes
	058784-01-000	EA	Pull - Window Shade - Antique Brass
	009107-01-000	EA	Guide - Nylon Snap - Curtain
	018031-42-000	EA	Track - Curtain - "L" Rod - Alum. Extr. - 90"
	009701-01-000	EA	Carrier - "L" Rod - Curtain
	009702-01-000	EA	End Stop - "L" Rod - Curtain
	059430-01-000	EA	Track - Curtain - Wraparound (2 required per unit)
	059971-01-070	EA	Mounting Bracket - Leveler Shades - Right
	059971-02-000	EA	Mounting Bracket - Leveler Shades - Left
	063251-01-000	EA	Hold Down Bracket - Leveler Shades
	009224-01-000	EA	Curtain Rod - Flat - Extends 28" - 48"
	042438-10-000	EA	Bracket - Curtain Rod - Single

MISCELLANEOUS

Key	Part Number	U/M	Description
	041944-01-700	EA	Fire Extinguisher - Dry Chemical w/Bracket
	040069-01-000	EA	Door Mat - Black Rubber - 10 1/2" x 26" - Itasca
	054185-04-000	EA	Owners Manual - 1979 Itasca

1979 ITASCA TABLE OF CONTENTS

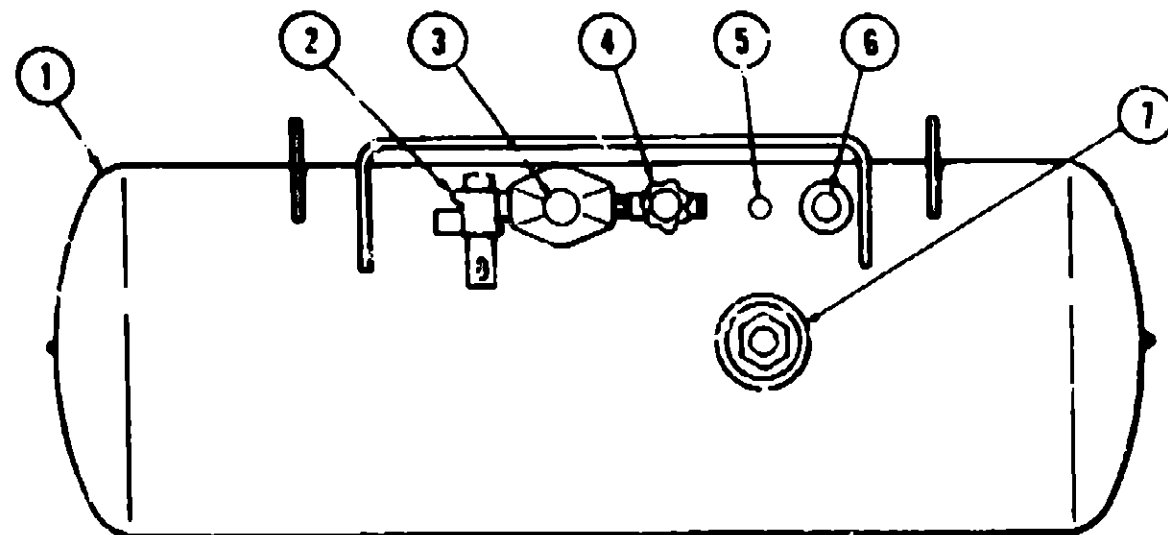
ICF23RG	A-1 - B-16
ICF28RH	B-17 - D-8
ICN28RB	D-8 - E-22
ICF28RT	E-23 - G-14
ICN28RT	G-15 - I-10

1979 ICF23RG INDEX

Floor Plan	A-1 - A-2
Accessories Group	A-3 - A-4
Bath Group	A-5
Chassis Group	A-6
Curtain, Cushion and Pad Group	A-7 - A-12
Dinette Group	A-13
Driver's Compartment Group	A-14 - A-15
Electrical Group	A-16 - A-17
Exterior Body Group	A-18 - A-21
Galley Group	A-22
Heating & Air Conditioning Group	A-23 - A-24
Interior Finish Group	B-1 - B-2
LP Group	B-3
Lounge Group	B-4
Water & Sewage Group	B-5
Window, Vent & Exterior Door Group	B-6 - B-16

LP GROUP

LOUNGE GROUP



Key	Part Number	U/M	Description
1	052769-01-000	EA	Tank Asm. - LP - Frame Mount - 42 Pound
1	052770-01-000	EA	Tank Asm. - LP - Frame Mount - 85 Pound
2	047221-01-000	EA	Detector - LP Gas Leak
3	058706-01-000	EA	Cover - Regulator - 2 Stage
3	058706-01-000	EA	Regulator - Two Stage - LP Gas
4	040421-01-703	EA	Valve - Vapor Relief
5	040421-01-700	EA	Gauge - Liquid Level - 20% LF
6	040421-01-701	EA	Valve - Filter - LP
6	040421-01-702	EA	Cap - Plastic Fill Valve
7	040421-01-707	EA	Gauge - Float - w/Visible Dial - 85 Pound Tank
7	042261-01-700	EA	Gauge - Float - w/Visible Dial - 12 Pound Tank
7	040421-01-706	EA	Dial - Visible Face - Float Gauge (Tank w/o Electric Transmitter)
7	040421-01-705	EA	Dial - Transmitter - 0 - 90 Ohm (Float Gauge)
7	045703-03-000	EA	Hose Asm. - LP - 3/8" I.D. x 14"
7	047737-02-000	EA	Support - LP Tank - 89.25"
7	047737-03-000	EA	Support - LP Tank - 30.50"
			Not Illustrated

Key	Part Number	U/M	Description
	052481-01-K01	EA	Cabinet Asm. - Lounge - Right
	052482-01-K01	EA	Cabinet Asm. - Lounge - Left
	052483-01-K01	EA	Cabinet Asm. - Lounge - Center
	058872-01-K01	EA	Cabinet Asm. - Right Hamper - 51" x 20"
	058872-02-K01	EA	Cabinet Asm. - Left Hamper - 51" x 20"
	058301-01-K01	EA	Cabinet Asm. - Magazine - w/Roll Door - Left
	058301-02-K01	EA	Cabinet Asm. - Magazine - w/Roll Door - Right
	059122-09-K01	EA	Door - Roll Up - Magazine - 12" x 21.6"
	052486-01-K01	EA	Cabinet Asm. - Right Wardrobe - Upper - w/o Door or Hardware
	057992-20-K01	EA	Door Asm. - Wardrobe Cabinet - Right or Left - 12.52" x 54.12" - w/o Hardware
	058302-01-K01	EA	Cabinet Asm. - Right Wardrobe - Base - w/o Door or Hardware
	057992-22-K01	EA	Door Asm. - Right Wardrobe Cabinet - Lower - 14.52" x 15.82" - w/o Hardware
	052715-01-K01	EA	Countertop Asm. - Right Wardrobe Cabinet - Pot Pourri Tan
	052497-01-K01	EA	Cabinet Asm. - Left Wardrobe - Upper - w/o Door or Hardware
	058303-01-K01	EA	Cabinet Asm. - Furnace - w/o Countertop, Door or Hardware
	052734-01-K01	EA	Countertop Asm. - Furnace Cabinet - Pot Pourri Tan
	053941-01-K08	EA	Door Asm. - Furnace - w/Brass Mesh Insert
	047205-08-000	EA	Insert - Furnace Door - Brass Mesh - 14.5" x 10.06"
	038873-01-000	EA	Catch and Strike - Furnace Door
	059409-01-K01	EA	Cabinet Asm. - Rear Bunk - Fold Down - 73.9" x 17.5" - w/o Doors
	057992-33-K01	EA	Door Asm. - Rear Bunk Cabinet - 15.02" x 11.72" - w/o Hardware
	023812-21-000	EA	Bunk Rail - 73.9" - Brown Alum.
	056241-01-000	EA	Bracket - Support - Rear Bunk (4 used per bunk)
	056302-02-000	EA	Strap Asm. - Bunk - w/Bracket
	053203-16-K08	EA	Table Asm. - Pedestal - w/o Hardware - Butcher Block
	041194-L1-000	EA	Base - Table Leg - Mounts in Floor
	009040-02-000	EA	Leg - Pedestal Table - 27.5" x 2.25" O.D. - Chrome
	009040-03-000	EA	Base - Table Leg - Mounts on Table

**1979 ITASCA
TABLE OF CONTENTS**

ICF23RG	A-1 - B-16
ICF26RH	B-17 - D-6
ICN26RB	D-9 - E-22
ICF26RT	E-23 - G-14
ICN26RT	G-15 - I-10

1979 ICF23RG INDEX

Floor Plan	A-1 - A-2
Accessories Group	A-3 - A-4
Bath Group	A-5
Chassis Group	A-6
Curtain, Cushion and Pad Group	A-7 - A-12
Dinette Group	A-13
Driver's Compartment Group	A-14 - A-15
Electrical Group	A-16 - A-17
Exterior Body Group	A-18 - A-21
Galley Group	A-22
Heating & Air Conditioning Group	A-23 - A-24
Interior Finish Group	B-1 - B-2
LP Group	B-3
Lounge Group	B-4
Water & Sewage Group	B-5
Window, Vent & Exterior Door Group	B-6 - B-16

WATER AND SEWAGE GROUP

PLUMBING REPAIR PARTS

Key	Part Number	U/M	Description
..	040539-01-000	EA	Kit - Repair - 1/8" O.D. Plastic Tube
..	040540-01-000	EA	Kit - Repair - 1/2" O.D. Plastic Tube
..	J40541-01-000	EA	Kit - Repair - 5/8" O.D. Plastic Tube
..	041279-02-000	EA	Pump - Water Flow 2.8 G.P.M. - PAR
..	063646-01-000	EA	Pump - Water - 2.8 G.P.M. - Direct Drive - US
..	063646-02-000	EA	Pump - Water - 2.8 G.P.M. - Direct Drive - CSA
..	039647-02-000	EA	Filter - Water Pump 1/2" MPT
..	039816-01-000	EA	Riser Asm. - 3/8" O.D. x 24" Tube
..	039818-02-000	EA	Riser Asm. - 3/8" O.D. x 36" Tube
..	039818-04-000	EA	Riser Asm. - 3/8" O.D. x 72" Tube
..	052952-01-000	EA	Nut - Plastic 1/2" F
..	052953-01-000	EA	Nut - Faucet - 1/2 Tube x 1/2 FPT
..	052954-01-000	EA	Adapter - Nose Cone 3/8 or 1/2
..	052958-01-000	EA	Tee Plastic 1/2 F x 1/2 F x 1/2 F
..	052959-02-000	EA	Connector - Plastic 1/2 F x 1/2 MPT
..	052980-01-000	EA	Valve - Line Drain 1/2 F x 1/2 F
..	052981-01-000	EA	Header - 1/2 F x 1/2 F x 1/2 F x 1/2 F
..	054537-01-000	EA	Valve - Tank Drain
..	004020-01-000	QT	Adhesive - ABS Cement
..	010201-01-000	EA	Hose - Sewer 3" x 10 Ft. w/Clamp
..	010235-01-000	EA	Cap - Sewage 3"
..	010236-01-000	EA	Adapter - Hose 3" Sewage
..	010234-01-000	EA	Adapter - Bayonet
..	011091-01-000	EA	Waste - Continuous - Double Sink 1 1/8"
..	011096-01-000	EA	P-Trap - Plastic - 1 1/4"
..	031126-01-000	EA	Elbow - Plastic - 1/4 BD 3 x 90 x LT
..	010210-01-000	EA	Valve - Sanitary - Thetford 3HB
..	010133-01-000	EA	Adapter - Trap - Plastic 1/2" H x MPT
..	010073-01-000	EA	Tee - Plastic - 1 1/2" x 45 H x H x H
..	010079-01-000	EA	Tee - Plastic - 1 1/2" H x 1 1/2" H x 1 1/4" H
..	010091-01-000	EA	Wye - Plastic - 3" x 45 H x H x H
..	010117-01-000	EA	Coupling - Plastic - 3" H x H
..	010134-01-000	EA	Adapter - Plastic - 1 1/2" M x MPT
..	050760-01-000	EA	Coupler - Rubber - 3" x 3"
..	048524-01-000	EA	Kit - Plastic Fittings - Holding Tank
..	048524-02-000	EA	Kit - Plastic Fittings - Water Tank
..	010209-05-000	EA	Handle - Extension - Sewer Valve - 36"
..	037845-01-000	FT	Tape - Butyl - 3/16" - Bead - Black

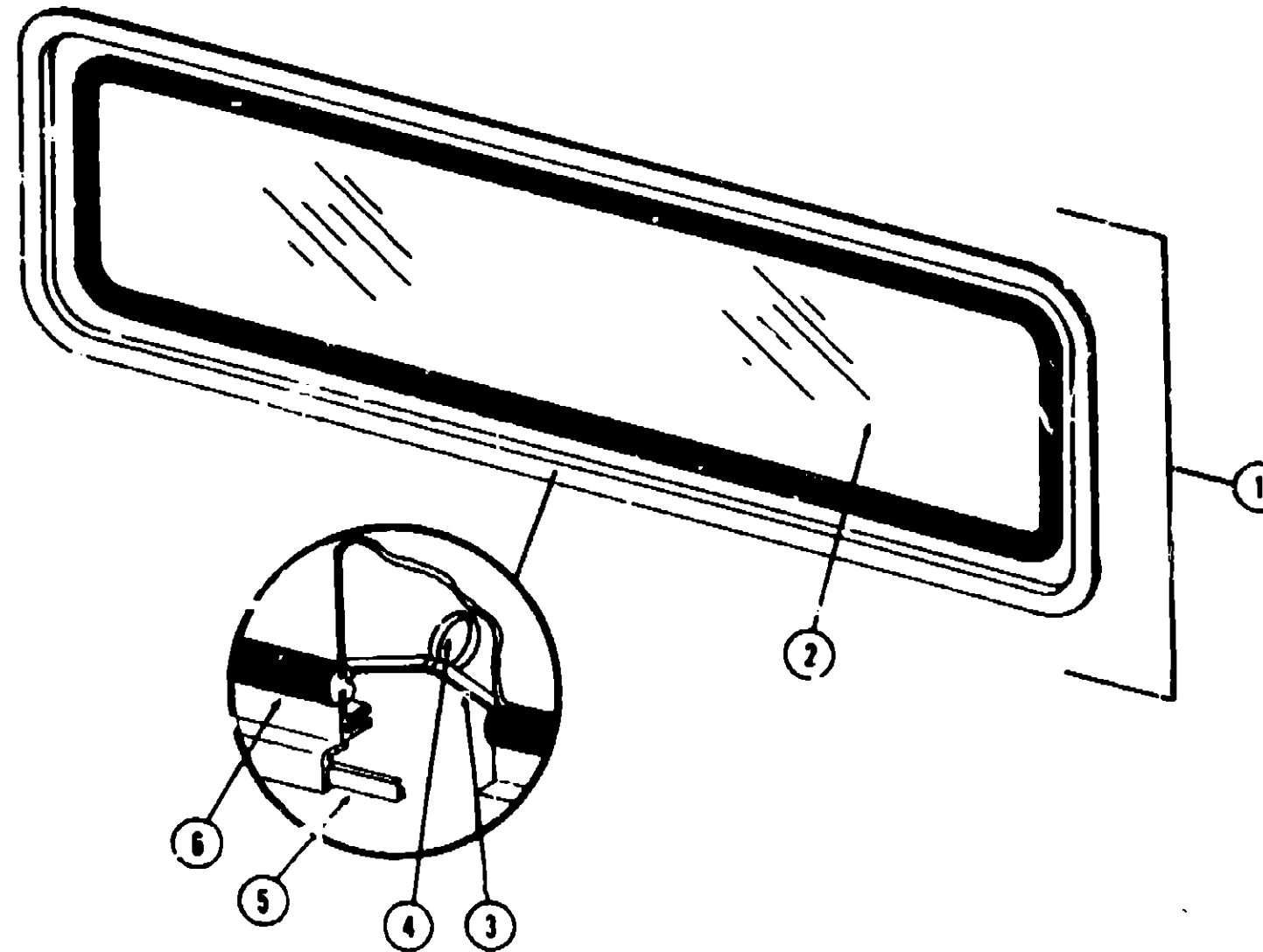
** The illustrated parts breakdown for this item is provided on the Common Items Fiche.

HOLDING TANKS AND WATER HEATERS

Key	Part Number	U/M	Description
..	052555-03-000	EA	Tank Asm. - Water - w/Fittings
..	052555-01-000	EA	Tank Asm. - Water - w/o Fittings
..	051982-02-000	EA	Tank Asm. - Holding - Main and Aux. w/Fittings
..	051982-01-000	EA	Tank Asm. - Holding - Main and Aux. - w/o Fittings
..	051391-01-000	EA	Water Heater - 6 Gallon - w/o Motor Aid - Atwood G6A3
..	051392-01-000	EA	Water Heater - 6 Gallon - w/Motor Aid - Atwood GH63

** The illustrated parts breakdown for this item is provided on the Common Items Fiche.

WINDOW, VENT AND EXTERIOR DOOR GROUP



Key	Part Number	U/M	Description
1	000754-03-000	EA	Window Asm. - Escape - 23" x 68" Black Anod. (w/o inside frame)
2	002178-01-000	EA	Glass - 1/8" x 19.61" x 64.80"
3	002285-01-000	FT	Weatherstrip - Filler - Black
4	020395-01-000	EA	Slip Ring - Pull
5	004363-01-000	FT	Tape - Foam 3/16" x 1/2" Gray
6	002282-11-000	FT	Weatherstrip - Window .125" Black
..	020752-03-000	EA	Frame - Window - Inside - Escape 23" x 68" (not included in assembly)
..	006199-01-000	EA	Label - Exit - Escape Window
..			Not Illustrated

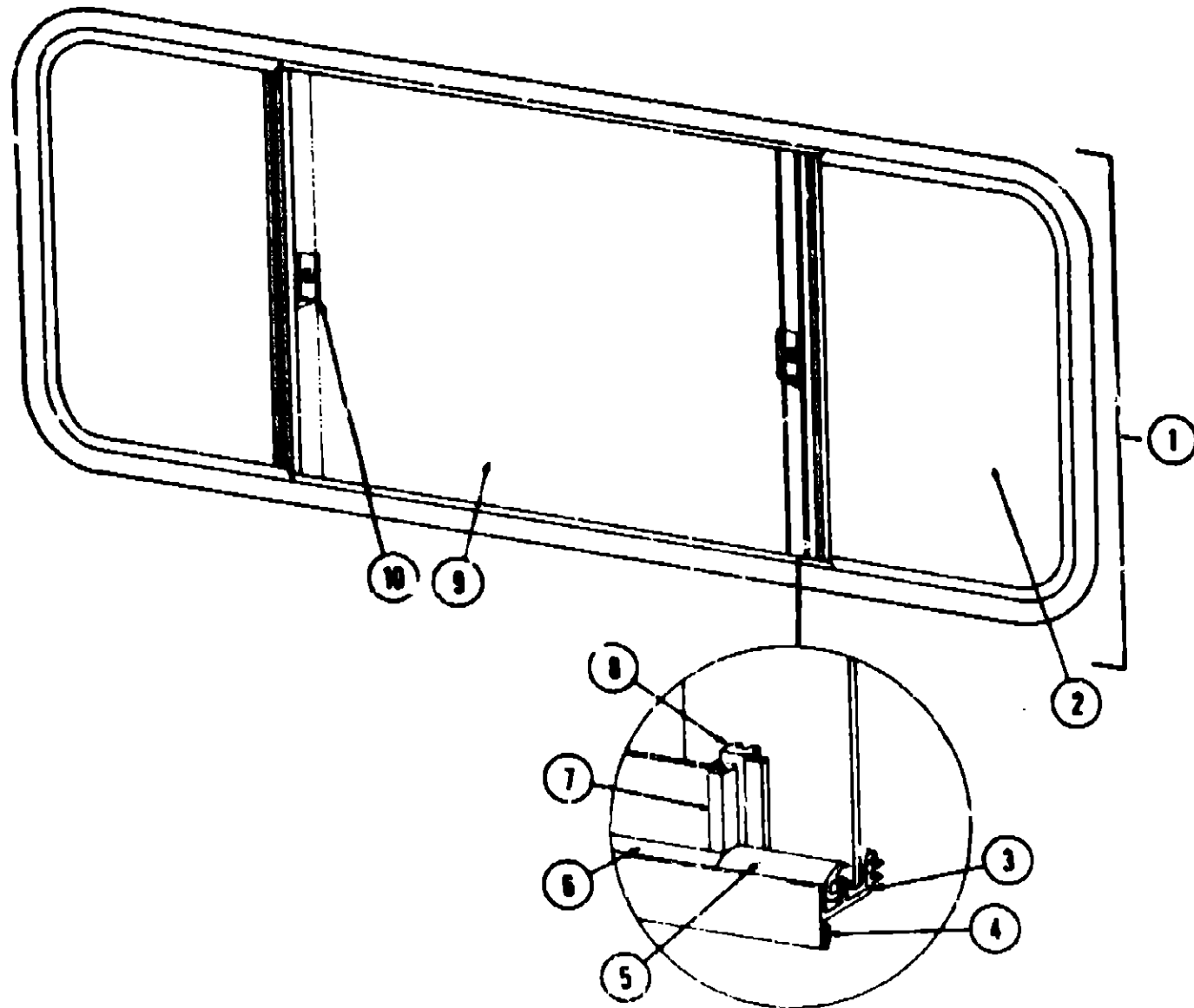
1979 ITASCA TABLE OF CONTENTS

ICF23RG	A-1 - B-16
ICF26RH	B-17 - D-9
ICN26RB	D-9 - E-22
ICF26RT	E-23 - G-14
ICN26RT	G-15 - I-10

1979 ICF23RG INDEX

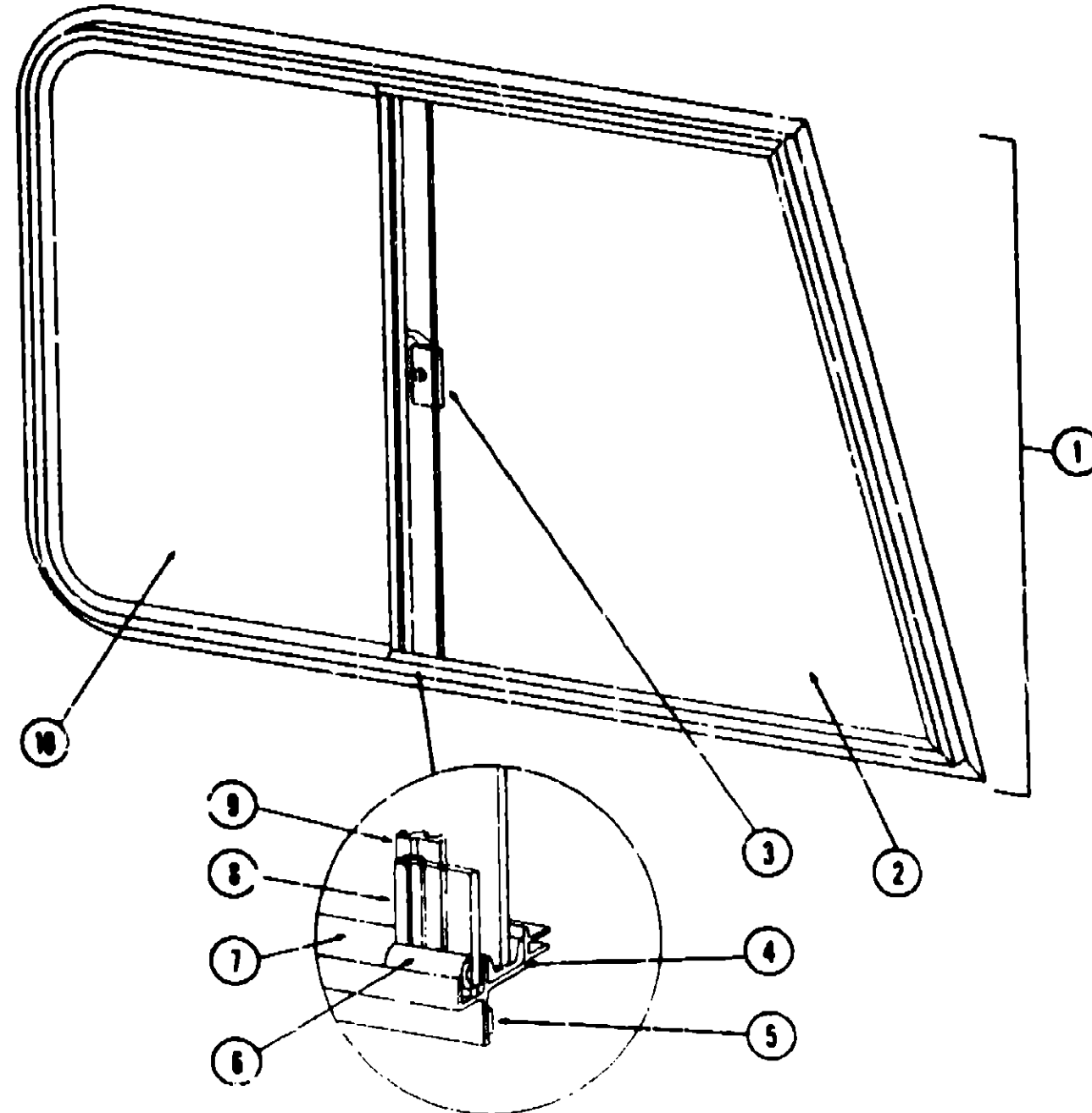
Floor Plan	A-1 - A-2
Accessories Group	A-3 - A-4
Bath Group	A-5
Chassis Group	A-6
Curtain, Cushion and Pad Group	A-7 - A-12
Dinette Group	A-13
Driver's Compartment Group	A-14 - A-15
Electrical Group	A-16 - A-17
Exterior Body Group	A-18 - A-21
Galley Group	A-22
Heating & Air Conditioning Group	A-23 - A-24
Interior Finish Group	B-1 - B-2
LP Group	B-3
Lounge Group	B-4
Water & Sewage Group	E-5
Window, Vent & Exterior Door Group	B-6 - B-16

WINDOW, VENT AND EXTERIOR DOOR GROUP (CONTINUED)



Key	Part Number	U/M	Description
1	048630-04-000	EA	Window Asm. - Double Slider - 23" x 65" - Black Anod (w/o inside frame)
2	047823-01-000	EA	Glass - 1/8" x 22" x 21.03" - Sliding (2 per window)
3	002324-01-000	FT	Channel - Weatherstrip - Glass Run - 1/8" Glass
4	004363-C1-000	FT	Tape - Foam - 3/16" x 1/2" - Gray
5	067374-02-000	FT	Seal - Window Channel - 1/8" Glass - Black
6	002309-02-000	FT	Spline - Glass - 1/8" - Black
7	018025-03-000	EA	Holder - Glass Seal - Black Anod
8	041894-02-000	EA	Mullion - Slider Window - 23" - Black Anod
9	002188-01-000	EA	Glass - 1/8" x 22" x 25.50" - Stationary
10	047369-01-700	EA	Latch - Window - Plastic w/Fastener
.	042133-08-000	EA	Frame - Inside - Double Slider Window (not included in assembly)
.	002298-01-000	FT	Spline - Gray - .130" Dia. - (Screen)
.	002293-01-000	SF	Screen - Window - 28" - Gray
.	023713-02-000	EA	Cover - Weephole - Plastic - Black
.			Not Illustrated

WINDOW, VENT AND EXTERIOR DOOR GROUP (CONTINUED)



Key	Part Number	U/M	Description
1	058046-01-000	EA	Window Asm. - Right Front Slant Slider - 23" x 38" - Black Anod. (w/c inside frame)
	058046-02-000	EA	Window Asm. - Left Front Slant Slider - 23" x 38" - Black Anod. (w/o inside frame)
2	057856-01-000	EA	Glass - 3/16" x 24.88" x 25.30" - Stationary
3	047369-01-700	EA	Latch - Window - Plastic w/Fastener
4	042077-01-000	FT	Channel - Weatherstrip - Glass Run - 3/16" Glass
5	063787-01-000	FT	Tape - 1/2" x 1/8" x 30" - Gray - Schnee Morehead
6	050218-02-000	FT	Spline - 3/16" Glass
7	041828-02-000	FT	Seal - Window Channel - 3/16" Glass - Black
8	002389-03-208	EA	Holder - Glass Seal - Black Anod. - 24.13"
9	057844-04-000	EA	Mullion - Window - Slant Slider
10	057867-01-000	EA	Glass - 3/16" x 24.88" x 14.70" - Sliding
.	058042-01-000	EA	Inside Frame - Right Front Slant Slider (not included in assembly)
.	058042-02-000	EA	Inside Frame - Left Front Slant Slider (not included in assembly)
.	023713-02-000	EA	Cover - Weephole - Black Anod.
.	065164-06-000	EA	Slider Screen Asm. - Right or Left - Black
.	018310-03-000	EA	Handle - Slider Screen - Black
.	002292-01-000	SF	Screen - Window - 20" - Gray
.	002298-01-000	FT	Spline - Gray - .130" Dia.
.			Not Illustrated

**1979 ITASCA
TABLE OF CONTENTS**

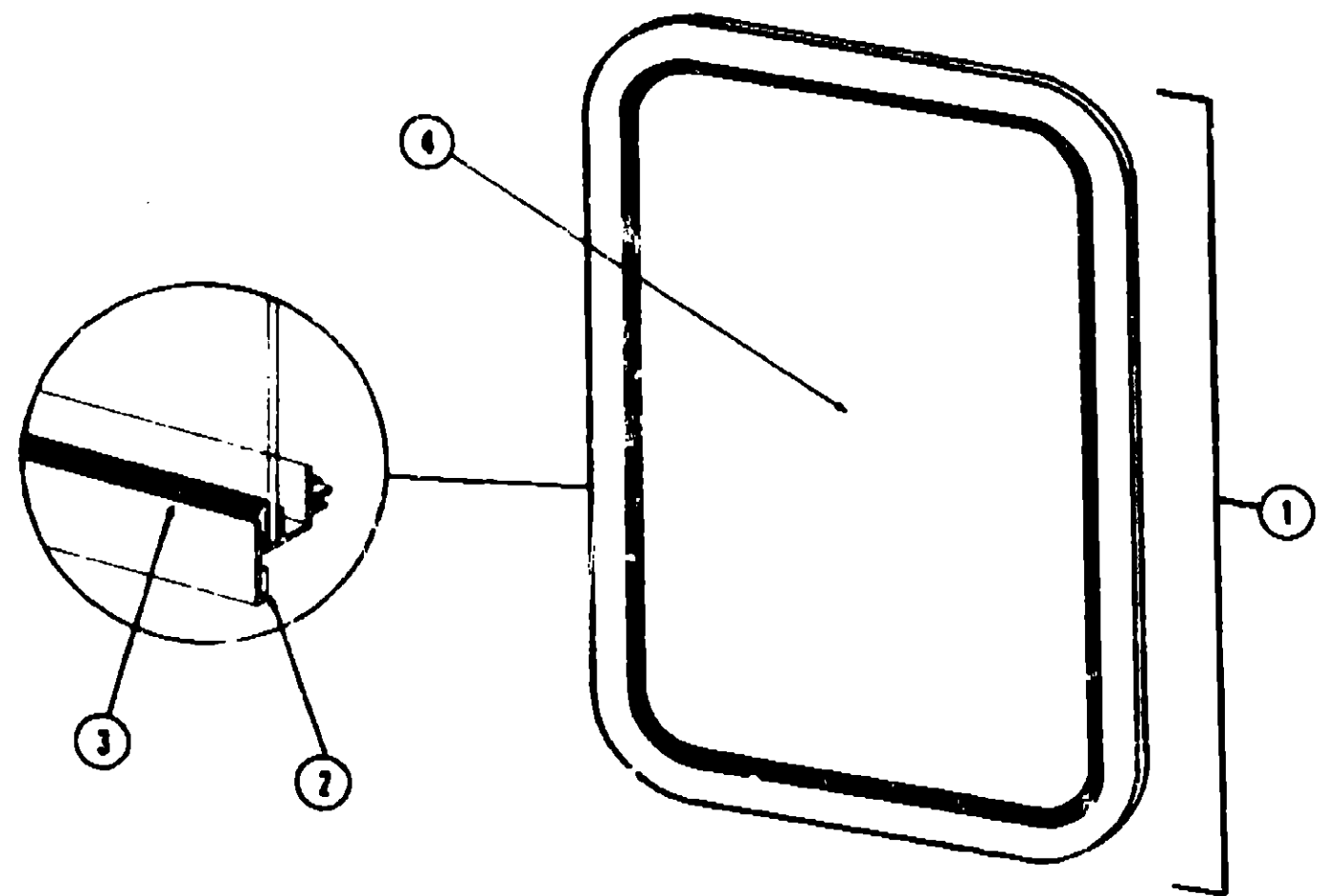
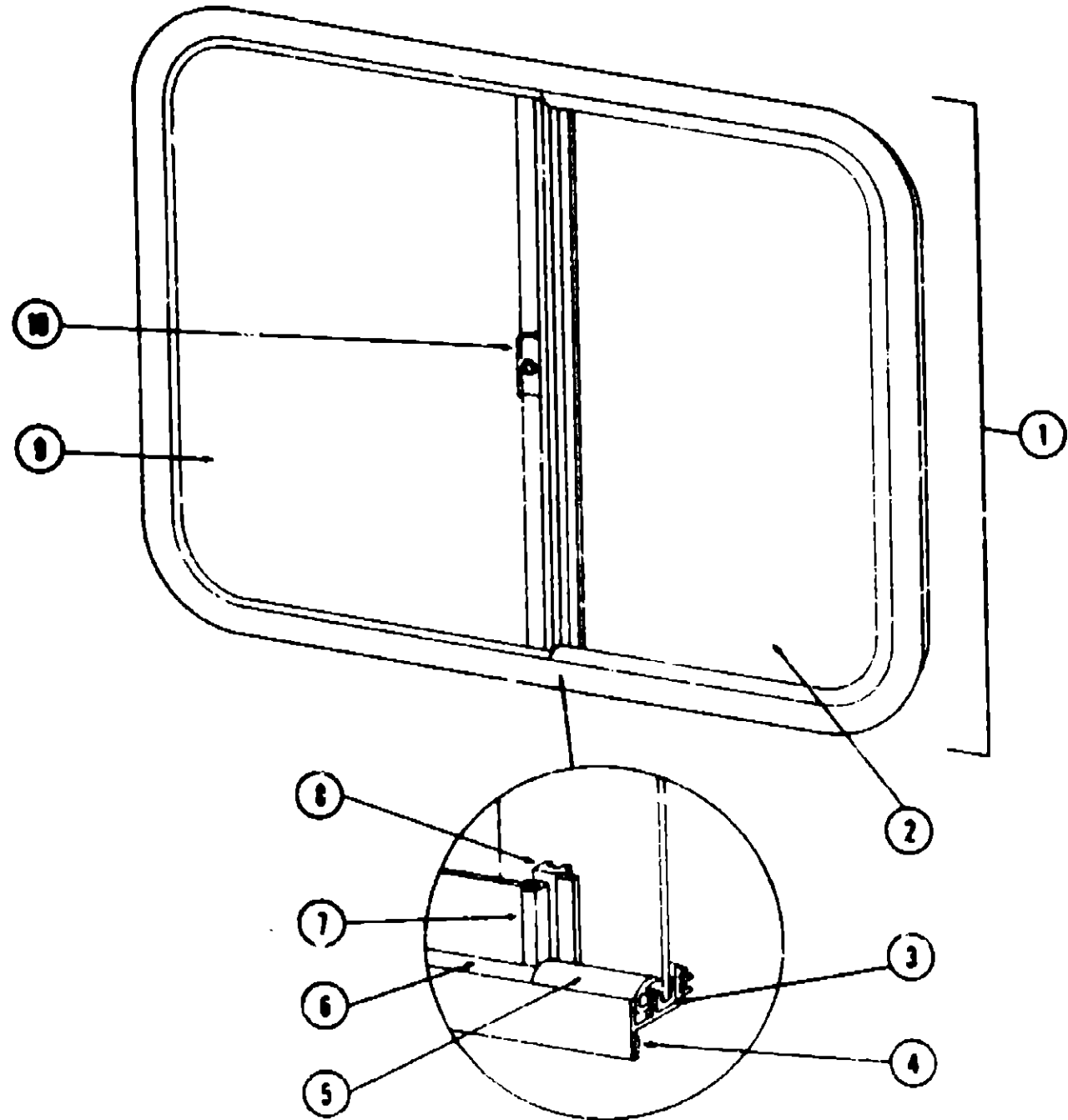
ICF23RG	A-1 - B-16
ICF28RH	B-17 - D-8
ICN28R8	D-9 - E-22
ICF28RT	E-23 - G-14
ICN28RT	G-15 - I-10

1979 ICF23RG INDEX

Floor Plan	A-1 - A-2
Accessories Group	A-3 - A-4
Bath Group	A-5
Chassis Group	A-6
Curtain, Cushion and Pad Group	A-7 - A-12
Dinette Group	A-13
Driver's Compartment Group	A-14 - A-15
Electrical Group	A-16 - A-17
Exterior Body Group	A-18 - A-21
Galley Group	A-22
Heating & Air Conditioning Group	A-23 - A-24
Interior Finish Group	B-1 - B-2
LP Group	B-3
Lounge Group	B-4
Water & Sewage Group	B-5
Window, Vent & Exterior Door Group	B-6 - B-16

WINDOW, VENT AND EXTERIOR DOOR GROUP (CONTINUED)

WINDOW, VENT AND EXTERIOR DOOR GROUP (CONTINUED)



Key	Part Number	U/M	Description
1	048631-07-000	EA	Window Asm - Right Single Slider - 23" x 29" Black Anod. (w/o inside frame)
	048631-08-000	EA	Window Asm - Left Single Slider - 23" x 29" Black Anod.
2	047813-01-000	EA	Glass - 1/8" x 22" x 13.68" - Sliding
3	002324-01-000	FT	Channel - Weatherstrip - Glass Run - 1/8" Glass
4	004383-01-000	FT	Tape - Foam - 3/16" x 1/2" - Gray
5	057374-02-000	FT	Seal - Window Channel - 1/8" Glass - Black
6	002309-02-000	FT	Spline - Glass - 1/8" - Black
7	018025-03-000	EA	Holder - Glass Seal - Black Anod.
8	041884-02-000	EA	Mullion - Slider Window - 23" - Black Anod.
9	002184-01-000	EA	Glass - Tempered Sheet - Stationary
10	047389-01-700	EA	Latch - Window - Plastic w/Fastener
	242147-07-000	EA	Frame - Inside - Single Slider Window - Left or Right - 23" x 29" (not included in assembly)
	023713-02-000	EA	Cover - Plastic Weephole - Black
	002198-01-000	FT	Spline - Gray - .130" Dia (Screen)
	002293-01-000	SF	Screen - Window - 26" - Gray
	Not Illustrated		

Key	Part Number	U/M	Description
1	058651-01-000	EA	Window Asm - Picture - 20 3/4" x 20 3/4" - Black (w/o inside frame)
2	053767-02-000	FT	Tape - 3/16" Bead x 25' - Schuss Morehead
3	002309-02-000	FT	Spline - Glass - 1/8" - Black
4	002181-00-000	EA	Glass - .115" x 20.62" x 20.62" - Gray
	058650-01-000	EA	Frame - Inside - Window (not included in assembly)
	Not Illustrated		

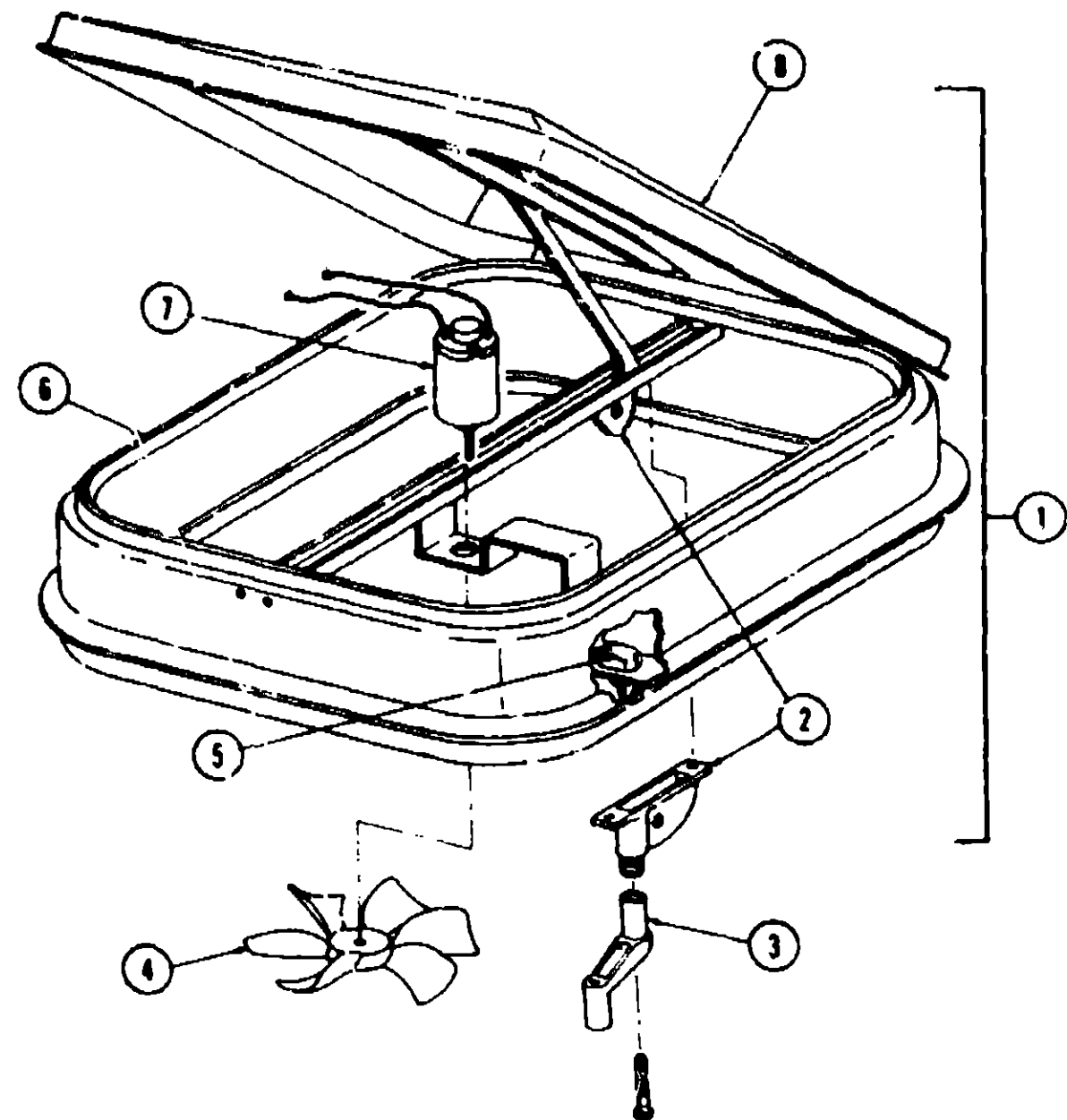
1979 ITASCA
TABLE OF CONTENTS

ICF23RG	A-1 - B-16
ICF28RH	B-17 - D-6
ICN28RB	D-8 - E-22
ICF28RT	E-23 - G-14
ICN28RT	G-15 - I-10

1979 ICF23RG INDEX

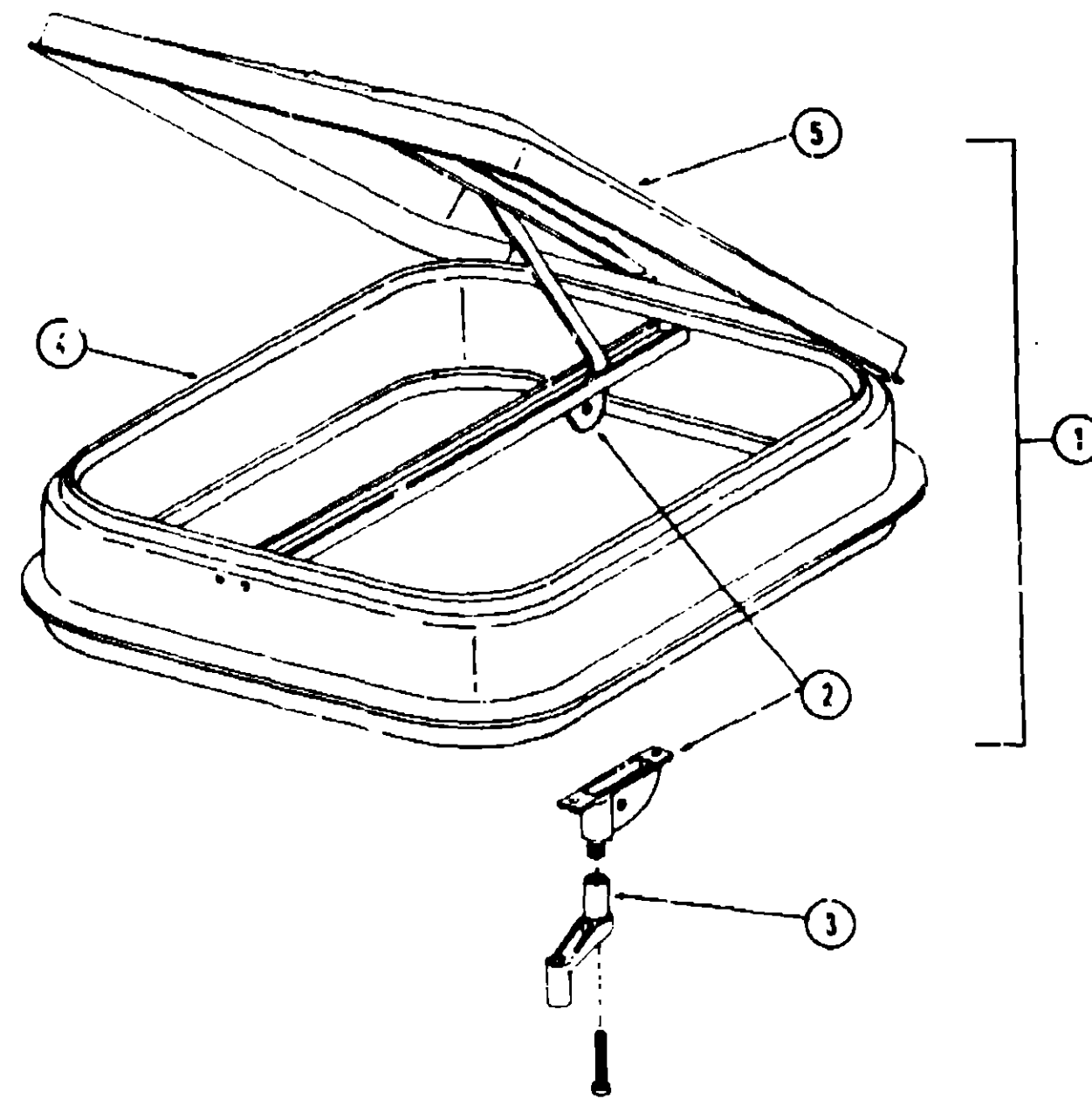
Floor Plan	A-1 - A-2
Accessories Group	A-3 - A-4
Bath Group	A-5
Chassis Group	A-6
Curtain, Cushion and Pad Group	A-7 - A-12
Dinette Group	A-13
Driver's Compartment Group	A-14 - A-15
Electrical Group	A-16 - A-17
Exterior Body Group	A-18 - A-21
Galley Group	A-22
Heating & Air Conditioning Group	A-23 - A-24
Interior Finish Group	B-1 - B-2
LP Group	B-3
Lounge Group	B-4
Water & Sewage Group	B-5
Window, Vent & Exterior Door Group	B-6 - B-16

WINDOW, VENT AND EXTERIOR DOOR GROUP (CONTINUED)



Key	Part Number	U/M	Description
1	048788-01-000	EA	Vent Asm. - Roof - Powered - w/o Screen
2	008440-01-000	EA	Gear - Arm - Roof Vent
3	008439-01-000	EA	Crank - Roof Vent
4	048849-01-000	EA	Fan - Blade - 6" Plastic
5	008195-01-000	EA	Switch - Push Button - 12 Volt
6	002825-01-000	FT	Weatherstrip - Roof Vent
7	041648-01-000	EA	Motor - 12 Volt
8	048825-01-000	EA	Cover - Plastic - Roof Vent
	048895-01-000	EA	Screen Asm. - Powered Roof Vent - Clear Anod. (not included in assembly)
	048895-03-000	EA	Screen Asm. - Powered Roof Vent - Beige (not included in assembly)
			Not Illustrated

WINDOW, VENT AND EXTERIOR DOOR GROUP (CONTINUED)



Key	Part Number	U/M	Description
1	048835-01-000	EA	Vent Asm. - Roof - Non Powered - w/c Screen
2	008440-01-000	EA	Gear - Arm - Roof Vent
3	008439-01-000	EA	Crank - Roof Vent
4	002825-01-000	FT	Weatherstrip - Roof Vent
5	048825-01-000	EA	Cover - Plastic - Roof Vent
	018335-01-000	EA	Screen Asm. - Non Powered Roof Vent - Clear Anod. (not included in assembly)
	018335-03-000	EA	Screen Asm. - Non Powered Roof Vent - Beige (not included in assembly)
			Not Illustrated

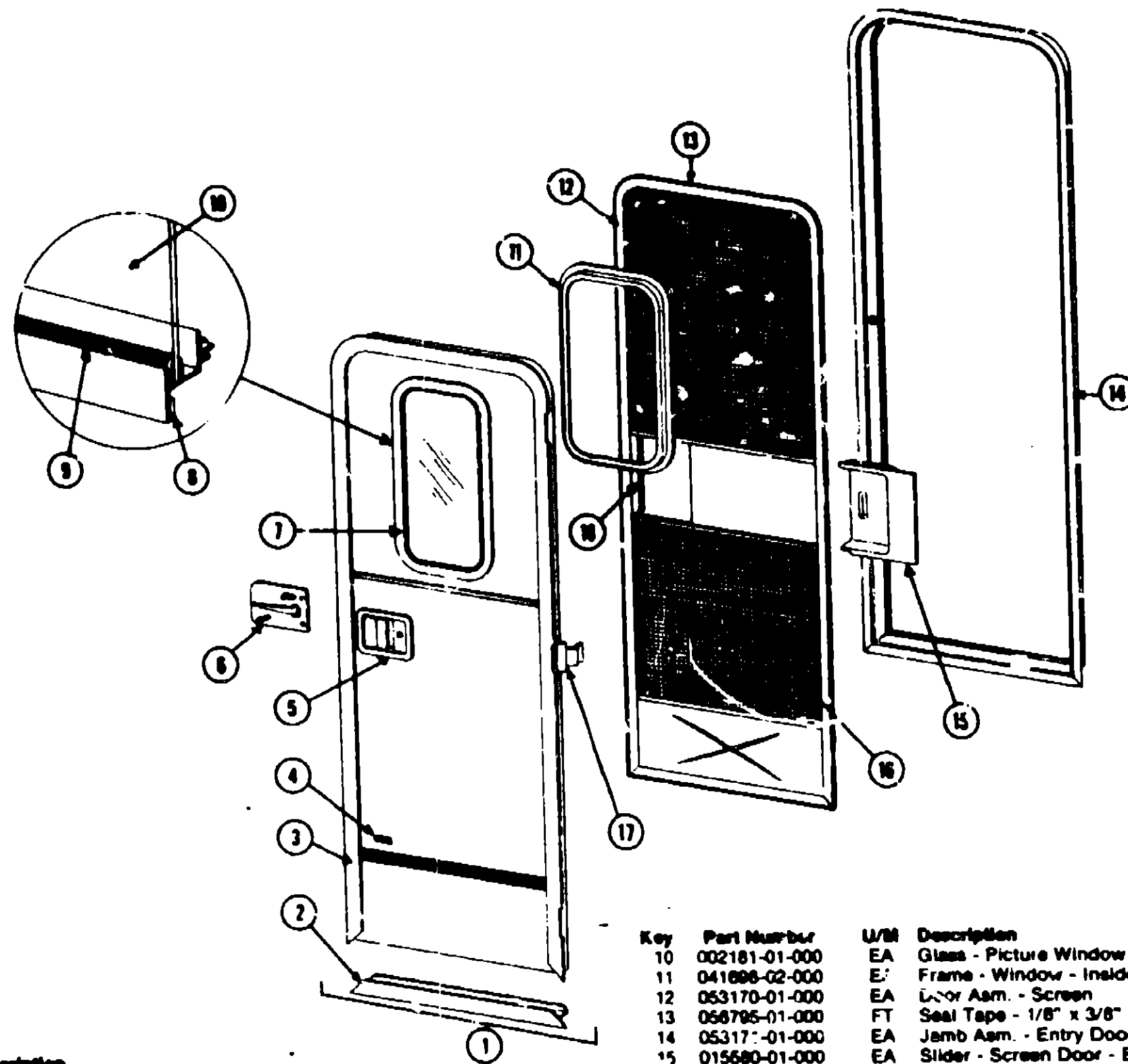
1979 ITASCA
TABLE OF CONTENTS

ICF23RG	A-1 - B-16
ICF28RH	B-17 - D-8
ICN28R8	D-9 - E-22
ICF28RT	E-23 - G-14
ICN28RT	G-15 - I-10

1979 ICF23RG INDEX

Floor Plan	A-1 - A-2
Accessories Group	A-3 - A-4
Bath Group	A-5
Chassis Group	A-6
Curtain, Cushion & Pad Group	A-7 - A-12
Dinette Group	A-13
Driver's Compartment Group	A-14 - A-15
Electrical Group	A-16 - A-17
Exterior Body Group	A-18 - A-21
Galley Group	A-22
Heating & Air Conditioning Group	A-23 - A-24
Interior Finish Group	B-1 - B-2
LP Group	B-3
Lounge Group	B-4
Water & Sewage Group	B-5
Window, Vent & Exterior Door Group	B-6 - B-15

WINDOW, VENT AND EXTERIOR DOOR GROUP (CONTINUED)



1979 ITARCA
TABLE OF CONTENTS

ICF231G	A-1 - B-16
ICF28RH	B-17 - D-8
ICN28RB	D-9 - E-22
ICF28RT	E-23 - G-14
ICN28RT	G-15 - I-10

1979 ICF23RG INDEX

Floor Plan	A-1 - A-2
Accessories Group	A-3 - A-4
Bath Group	A-5
Chassis Group	A-6
Curtain, Cushion & Pad Group	A-7 - A-12
Dinette Group	A-13
Driver's Compartment Group	A-14 - A-15
Electrical Group	A-16 - A-17
Exterior Body Group	A-18 - A-21
Galley Group	A-22
Heating & Air Conditioning Group	A-23 - A-24
Interior Finish Group	B-1 - B-2
LP Group	B-3
Lounge Group	B-4
Water & Sewage Group	B-5
Window, Vent & Exterior Door Group	B-6 - B-16

Key	Part Number	U/M	Description
1	053189-04-000	EA	Door Asm. - Radius Entry w/Screen Door
2	038737-01-000	EA	Frame - Entry Door (Bottom Portion Only)
3	079738-U1-000	EA	Frame - Entry Door (Except Bottom Portion)
4	054630-01-000	EA	Holder Asm. - Entry Door
5	045017-01-000	EA	Paddle Asm. - Door Lock - Exterior
6	045017-01-700	EA	Lock Cylinder w/Key - Lynor
7	038638-01-000	EA	Striker Bolt - Entry Door
8	038640-01-000	EA	Latch Claw - Entry Door
9	038878-01-000	EA	Plate - Lock - Inside - Incl. ding Inside Handle
10	052188-01-000	EA	Lock Asm. - Complete - Lynor
11	041875-02-000	EA	Window Asm. - Picture - 13" x 23" - Black Anod (Inside frame not included in assembly)
12	004383-01-000	FT	Tape - Foam - 3/16" x 1/2" - Gray
13	002288-02-000	FT	Bolts - Glass - 1/8" Black

Key	Part Number	U/M	Description
10	002181-01-000	EA	Glass - Picture Window - 1/8" x 12" x 22" Gray
11	041888-02-000	EA	Frame - Window - Inside - 13" x 23" - Brown
12	053170-01-000	EA	Latch Asm. - Screen
13	056795-01-000	FT	Seal Tape - 1/8" x 3/8" - Press On
14	053171-01-000	EA	Jamb Asm. - Entry Door
15	015580-01-000	EA	Slider - Screen Door - Brown Plastic
16	002283-01-000	SF	Screen - Window - 26" - Gray
17	038620-01-000	EA	Hinge - Entry Door (3 used per door)
18	015681-01-000	EA	Cap - Screen Door - Brown Plastic
19	049176-01-000	EA	Hedlok II - 3/4" Diameter - Screw Mount (Retains screen door to entry door)
20	048787-01-000	EA	Hedlok II - 1" Diameter - Screw Mount (Retains screen door to entry door)
21	018019-01-000	EA	Striker - Screen Door
22	038863-01-000	EA	Catch Asm. - Single Roller w/Strike - Screen Door
23	051380-01-000	FT	Seal - Bulb - Rubber
24	038800-03-000	FT	Tubing - Polybutyl - 3/8" O.D. Jamb
25	044582-02-000	EA	Drip Cap - Jamb Mounted - Off White
26	Not Illustrated		

WINDOW, VENT AND EXTERIOR DOOR GROUP (CONTINUED)

ACCESS DOORS

Key	Part Number	U/M	Description
	037804-17-000	EA	Door Asm. - Battery - Off White w/Twist Type Lock
	037804-16-000	EA	Door Asm. - LP - Off White w/Twist Type Lock
	047233-02-000	EA	Door Asm. - Luggage - 13" x 35" - Off White w/Key Type Lock
	052778-01-000	EA	Door Asm. - Luggage - 14.12" x 23" - Off White w/Key Type Lock
	054270-01-000	EA	Door Asm. - Refrigerator Access - Off White w/Twist Type Lock
	056600-01-000	EA	Door Asm. - Gas Fill - w/Key Type Lock
	042441-01-000	EA	Lock Asm. - Key Type - Gas Fill
	057098-01-000	EA	Door Asm. - Power Cord w/Heich - Off White
	052950-03-000	EA	Lock Asm. - Twist Type - Straight Cam (Power Cord Door)
	047305-01-000	EA	Lock Asm. - Key Type w/Clip - Metal
	052950-01-700	EA	Lock Asm. - Twist Type w/Clip - White Plastic
	018845-02-000	EA	Holder Asm. - Battery and Luggage Doors
	052179-02-000	EA	Door Asm. - Generator - Off White w/Twist Type Lock
	052181-01-000	EA	Baffle - Generator Door

WINDSHIELD

Key	Part Number	U/M	Description
	057459-01-000	EA	Glass - Windshield - Flat
	058272-01-000	EA	Frame Asm. - Windshield
	038886-01-000	EA	Tap - Butyl - .31" x .31" x 148"

VENTS

Key	Part Number	U/M	Description
	038778-01-000	EA	Cover - Refrigerator Vent - Plastic
	009407-01-000	EA	Frame Asm. - Refrigerator Vent
	048052-01-000	EA	Vent - Stovehood - Outside - Powered Hood - Off White
	053334-01-000	EA	Vent - Stovehood - Outside - Non Powered Hood - Off White
	056119-01-000	EA	Vent Asm. - Roof - Powered/Lighted - Jensen

1979 ITASC TABLE OF CONTENTS

ICF23RG	A-1 - B-10
ICF26RH	B-17 - D-8
ICN28RB	D-9 - E-22
ICF28RT	E-23 - G-14
ICN28RT	G-15 - I-10

1979 ICF23RG INDEX

Floor Plan	A-1 - A-2
Accessories Group	A-3 - A-4
Bath Group	A-5
Chassis Group	A-6
Curtain, Cushion & Pad Group	A-7 - A-12
Dinette Group	A-13
Driver's Compartment Group	A-14 - A-15
Electrical Group	A-16 - A-17
Exterior Body Group	A-18 - A-21
Galley Group	A-22
Heating & Air Conditioning Group	A-23 - A-24
Interior Finish Group	B-1 - B-2
LP Group	B-3
Lounge Group	B-4
Water & Sewage Group	B-5
Window, Vent & Exterior Door Group	B-6 - B-16