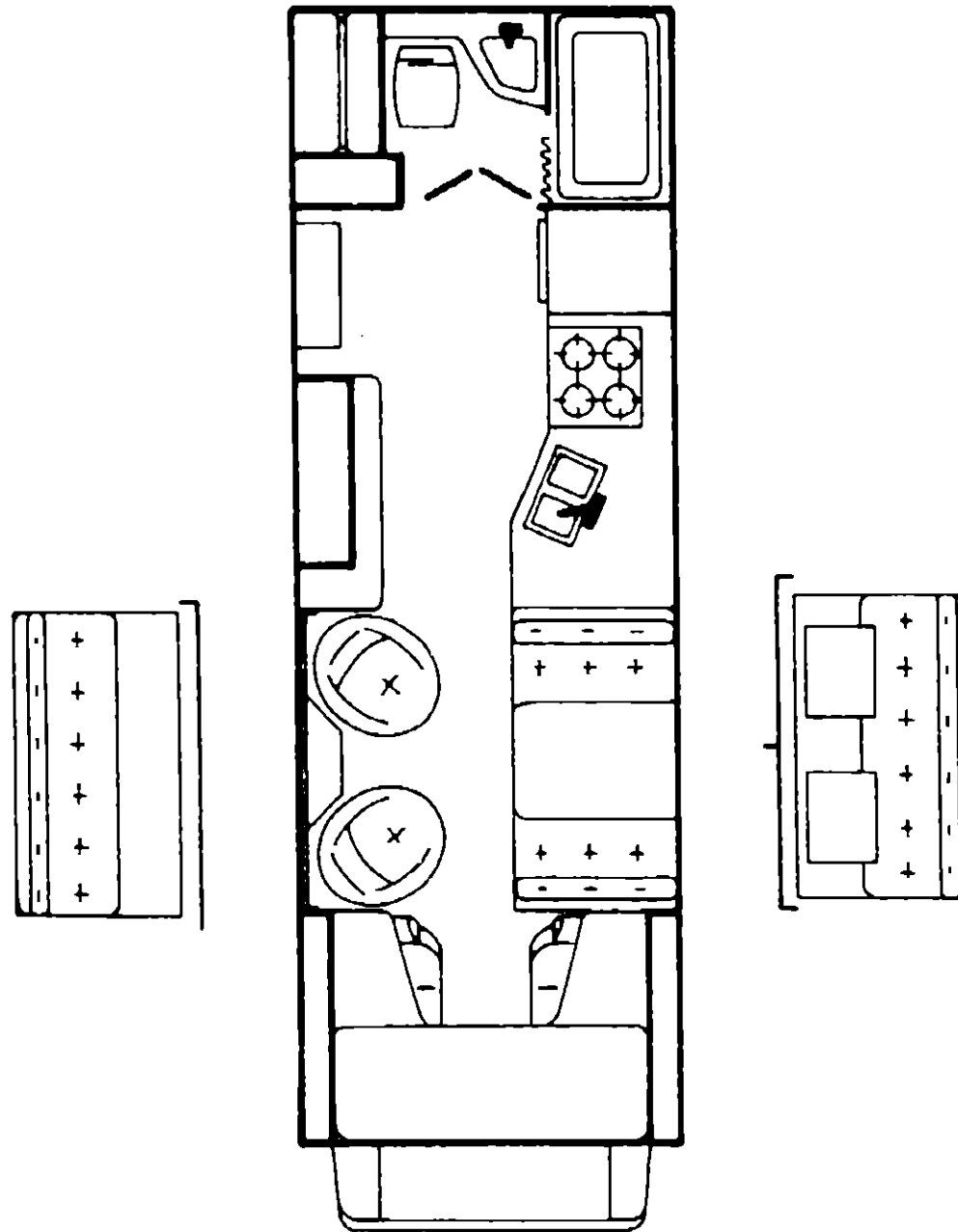


1979 IC625DB



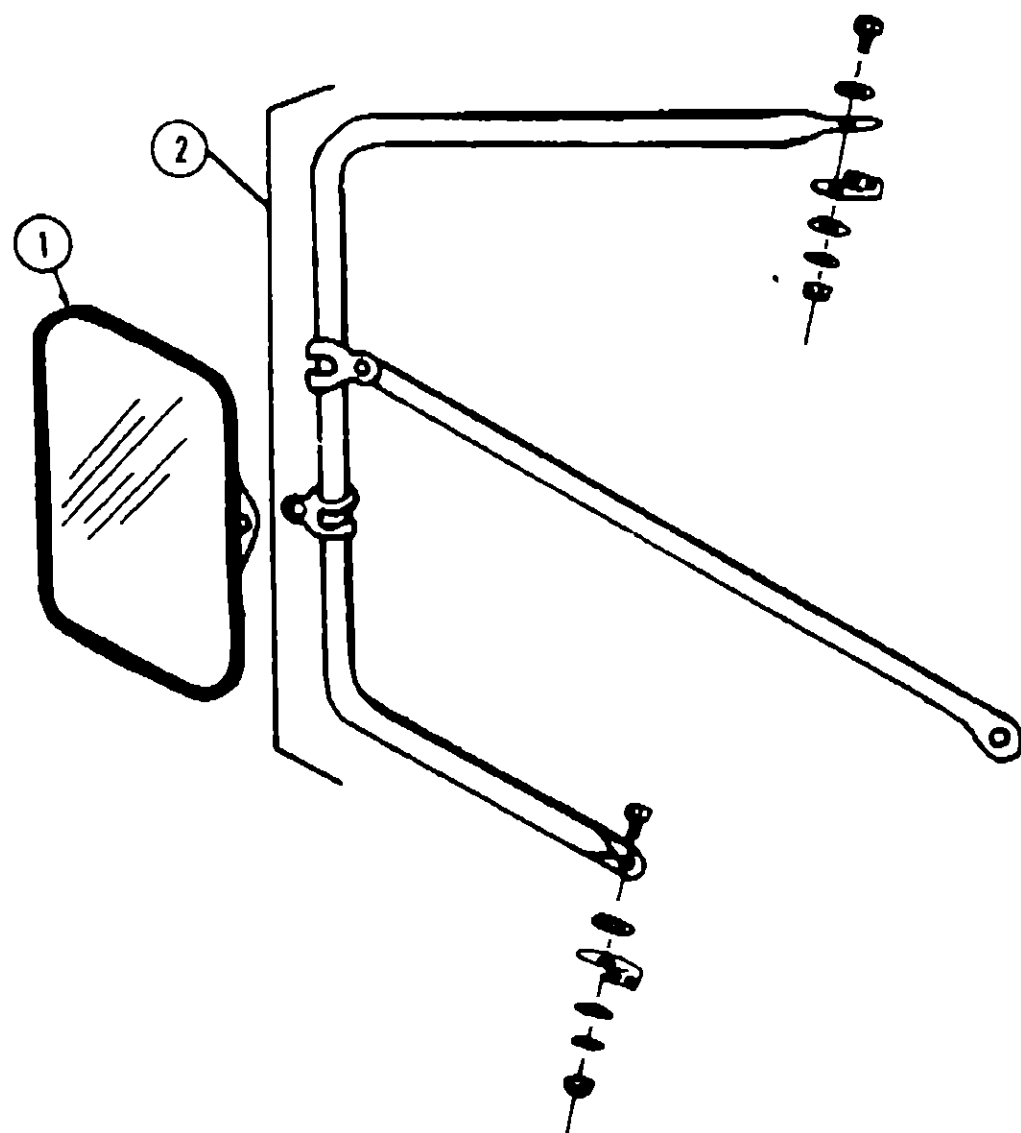
1979 ITASCA TABLE OF CONTENTS

Introduction	A-1
Abbreviations	A-1
Alphabetical Index	A-2 - A-4
IC420RG	A-5 - B-16
IC524RH	B-17 - D-6
IC525RB	D-7 - E-30
IC625DB	E-21 - G-6

1979 IC625DB INDEX

Floor Plan	E-21 - E-22
Accessories Group	E-23 - E-24
Bath Group	F-1 - F-2
Chassis Group	F-3
Curtain, Cushion and Pad Group	F-4 - F-6
Dinette Group	F-7
Driver's Compartment Group	F-7
Electrical Group	F-8 - F-10
Exterior Body Group	F-11 - F-14
Galley Group	F-15
Heating & Air Conditioning Group	F-16
Interior Finish Group	F-17 - F-18
LP Group	F-19
Lounge Group	F-19
Water & Sewage Group	F-20
Window, Vent & Exterior Door Group	F-21 - G-6

ACCESSORIES GROUP



Key	Part Number	U/M	Description
1	057461-01-000	EA	Mirror Head - 7 1/2" x 10 1/2" - w/Convex
2	049349-01-000	EA	Arm - West Coast Mirror - Stainless Steel

ACCESSORIES GROUP (CONTINUED)

RADIOS AND RELATED COMPONENTS

Key	Part Number	U/M	Description
	049730-01-000	EA	Radio - Clarion - AM - w/Fader Switch
	049731-01-000	EA	Radio - Clarion - AM/FM/MPX - w/Fader Switch
	049732-01-000	EA	Radio - Clarion - AM/FM/MPX/8 Track - w/Fader Switch
	050785-01-000	EA	Switch - Rear Volume Control
	007004-01-000	EA	Antenna - Radio - Cab Mount
	048153-01-000	EA	Antenna - CB - Camper Style
	053788-01-000	EA	Speaker - Recessed - 5 1/4" x 10 oz.
	055299-01-000	EA	Grille - Speaker - 5 1/4"
	056453-01-000	EA	Speaker - 4" x 8" - Oval

** The illustrated parts breakdown for this item is provided on the Common Items Fiche.

GENERATOR AND COMPONENTS

Key	Part Number	U/M	Description
**	054429-01-000	EA	Generator - 4.0 kw - Onan
	701629-02-000	EA	Package - Onan Installation
	052814-01-000	EA	Tailpipe - Generator - 90° - 1 1/2" O.D.
	054428-01-000	EA	Muffler - Generator - w/Arrestor
	740313-58-000	EA	Tray - Generator - 4.0 - 5.0 kw - Onan
	049360-03-000	EA	Overhead Console
	050015-01-000	EA	Bracket Overhead Console

MISCELLANEOUS ACCESSORIES

Key	Part Number	U/M	Description
	008053-01-000	EA	Antenna - TV - Braund Delux
	008053-01-700	EA	Repair Parts Kits - Braund TV Antenna
	008083-01-000	EA	Jack - TV - Brown
	052771-02-000	EA	Oven - Microwave - Magic Chef 207-4
	026113-01-000	EA	Jack - Hydraulic - 5 Ton
	040089-01-000	EA	Mat - Door - Black Rubber - 10 1/2" x 28"
	041944-01-700	EA	Fire Extinguisher - Dry Chemical w/Bracket
	054185-04-000	EA	Owner's Manual - 1979 Itasca
	047389-01-700	EA	Battery - 12V - 105 Amp. - Deep Cycle - Dry
	057899-01-000	EA	Battery - 12V - Maintenance Free - Delco
	017516-01-000	EA	Mud Flap - Black - 14" x 18" w/Holes
	040466-07-000	EA	Cover - Spare Tire - 29" - Off White
**	031396-03-000	EA	Wheel Cover - 16.5" - Chrome
**	042713-01-000	EA	Speed Control - 350 - Chev. - Dana
	058033-01-000	EA	Ladder Asm. - w/Luggage Rack
	041648-01-000	EA	Luggage Carrier Asm. - Roof Mounted
	038881-01-000	EA	Catch and Strike - Luggage Carrier
	058335-01-000	EA	Wastebasket - 9 3/4" x 7" x 10" - White - Rubbermaid

**The illustrated parts breakdown for this item is provided on the Common Items Fiche.

1979 ITASCA TABLE OF CONTENTS

Introduction	A-1
Abbreviations	A-1
Alphabetical Index	A-2 - A-4
IC420RG	A-5 - B-16
IC524RH	B-17 - D-6
IC525RB	D-7 - E-20
IC625DB	E-21 - G-8

1979 IC625DB INDEX

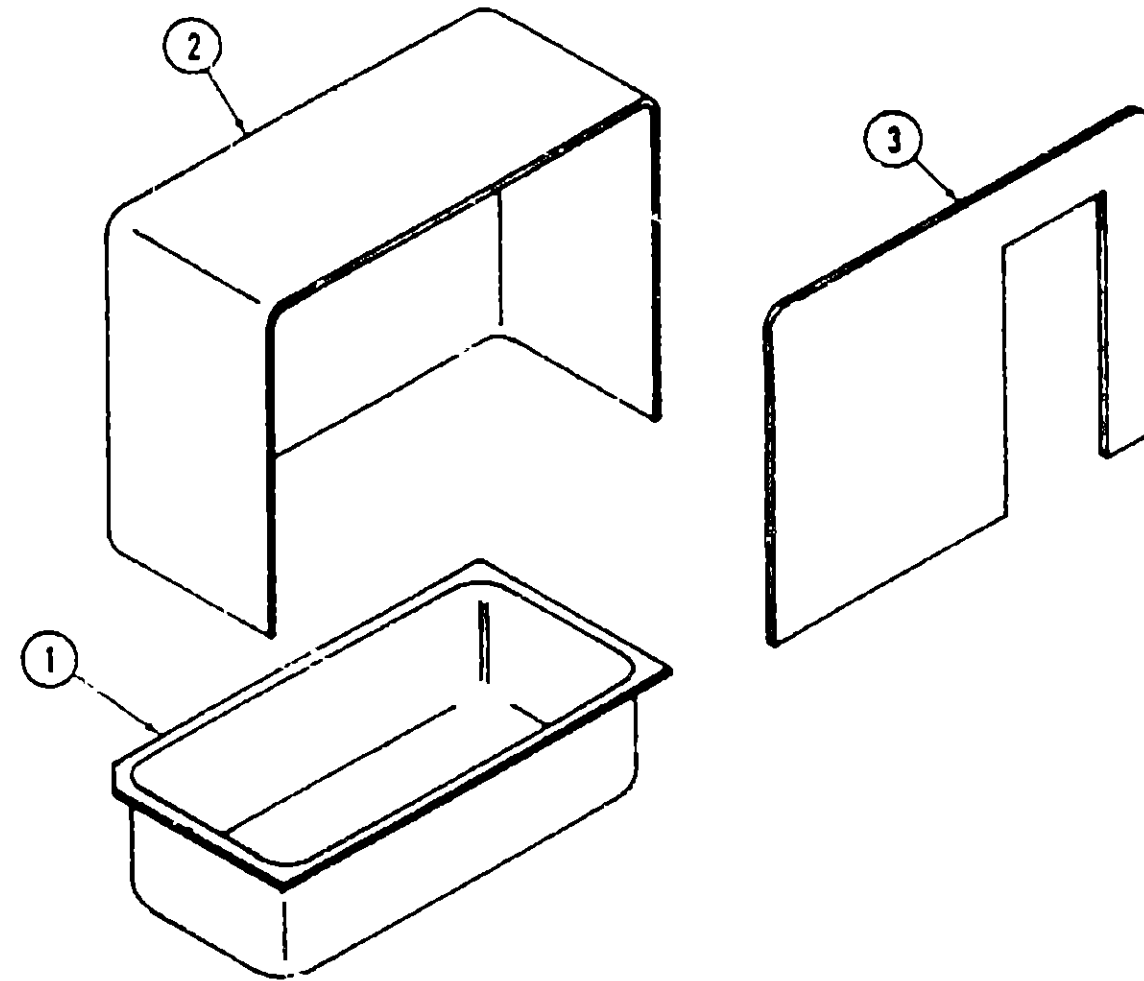
Floor Plan	E-21 - E-22
Accessories Group	E-23 - E-24
Bath Group	F-1 - F-2
Chassis Group	F-3
Curtain, Cushion and Pad Group	F-4 - F-6
Dinette Group	F-7
Driver's Compartment Group	F-7
Electrical Group	F-8 - F-10
Exterior Body Group	F-11 - F-14
Galley Group	F-15
Heating & Air Conditioning Group	F-16
Interior Finish Group	F-17 - F-18
LP Group	F-19
Lounge Group	F-19
Water & Sewage Group	F-20
Window, Vent & Exterior Door Group	F-21 - G-8

BATH GROUP

Key	Part Number	U/M	Description
	057832-01-K26	EA	Countertop Asm. - Vanity Cabinet - Dusty Gray
	053853-16-K26	EA	Door Asm. - Vanity Cabinet - 26 1/16" x 13 1/8" - w/o Hardware
	053533-05-K26	EA	Door Asm. - Wardrobe Cabinet - 42 5/8" x 8 1/8" - w/Mesh Insert w/o Hardware
	047205-05-000	EA	Insert - Wardrobe Door - 5 1/4" x 39 3/4" - Brass Mesh
	061586-01-K26	EA	Door Asm. - Wardrobe Cabinet - 50.25" x 15" - w/o Hardware
	054834-01-K26	EA	Drawer Asm. - Wardrobe Cabinet - 20 3/4" x 6" x 9" - w/o Hardware
	047008-01-000	EA	Lock Asm. - Key Type - Cabinet Door - Right - Antique Brass
	047009-01-000	EA	Lock Asm. - Key Type - Cabinet Door - Left - Antique Brass
	047007-01-000	EA	Lock Asm. - Key Type - Drawer - Antique Brass
	055465-01-K26	EA	Panel Asm. - Folding Door (2 required per unit)
	058713-01-000	EA	Sink - Oval - Ivory Plastic
	061408-02-000	EA	Soap Holder - Pewter
	061410-02-000	EA	Towel Ring - Pewter
	058344-01-000	EA	Hardware Package - Folding Door
	058344-02-000	EA	Steel Track - Folding Door
	052563-01-000	EA	Towel Rack Asm. - Mounts on Door
	053130-01-000	EA	Cabinet - Medicine - 41" wide
	053130-02-702	EA	Catch - Door - Medicine Cabinet
	053130-02-703	EA	Switch - Medicine Cabinet
	038010-01-000	EA	Bulb - 1143
	053260-01-000	EA	Trim - Shower Door - Bottom
	053261-01-000	EA	Trim - Shower Door - Left
	053262-01-000	EA	Trim - Shower Door - Right
	057534-01-000	EA	Tie Back - BiFold Doors - 6" - Clear Plastic
	009134-01-000	EA	Holder - Tissue
**	011056-01-000	EA	Faucet - Lavatory
	011083-02-000	EA	Plug w/Chain - 1 1/4"
**	011048-01-000	EA	Shower Head - w/60" Hose
**	011070-01-000	EA	Tailpiece - 1 1/4" x 6" - Brass
**	011086-01-000	EA	Strainer - Shower Pan
**	031558-01-000	EA	Faucet - Tub and Shower
**	039341-02-000	EA	Toilet - Thetford Aqua Magic SH - Ivory

**The illustrated parts breakdown for this item is provided on the Common Items Fiche.

BATH GROUP (CONTINUED)



Key	Part Number	U/M	Description
1	041826-01-000	EA	Bathtub - Bottom - Ivory Plastic
2	041853-01-000	EA	Bathtub - Rear - Ivory Plastic
3	041852-01-000	EA	Bathtub - Front - Ivory Plastic

1979 ITASCA TABLE OF CONTENTS

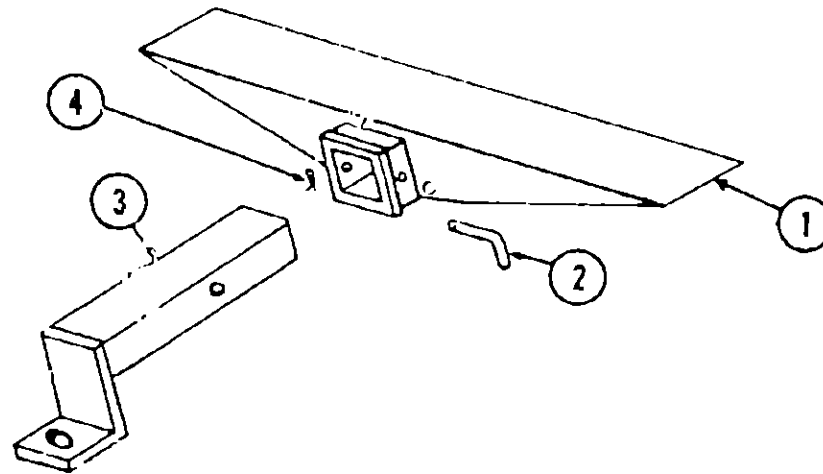
Introduction	A-1
Abbreviations	A-1
Alphabetical Index	A-2 - A-4
IC420RG	A-5 - B-18
IC524RH	B-17 - D-6
IC525RB	D-7 - E-20
IC625DB	E-21 - G-6

1979 IC625DB INDEX

Floor Plan	E-21 - E-22
Accessories Group	E-23 - E-24
Bath Group	F-1 - F-2
Chassis Group	F-3
Curtain, Cushion and Pad Group	F-4 - F-6
Dinette Group	F-7
Driver's Compartment Group	F-7
Electrical Group	F-8 - F-10
Exterior Body Group	F-11 - F-14
Galley Group	F-15
Heating & Air Conditioning Group	F-15
Interior Finish Group	F-17 - F-18
LP Group	F-19
Lounge Group	F-19
Water & Sewage Group	F-20
Window, Vent & Exterior Door Group	F-21 - G-6

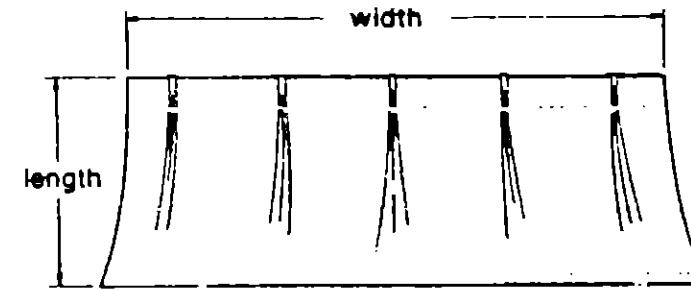
CHASSIS GROUP

Key	Part Number	U/M	Description
	055449-01-000	EA	Wheel Well - Plastic - Left or Right Rear
	061411-01-000	EA	Tail Pipe Extension - 2" O.D. x 10"
	007125-05-000	EA	Clamp Asm. - Muffler - 2" Dia.
	052431-01-000	EA	Tray - Luggage Compartment
	057822-01-000	EA	Tray - Battery - 13.50" x 19.25"
	048594-01-000	EA	Tray - Battery - 21" x 23"
	051697-01-000	EA	Bracket - Battery Tie Down
	024652-01-700	EA	Step Asm. - Coach Entry Door
	049912-01-000	EA	Step Asm. Assist - Cab
	017516-01-000	EA	Mud Flap - 14" x 18" - w/Holes
	044763-01-000	EA	Splashguard - Front - Black Rubber
	057046-01-000	EA	Bumper - Rear - Aluminum - 93"
	046785-01-000	EA	Bumper - Rear - Chrome Steel - 93"
	061189-01-000	EA	Bracket Asm. - Rear Bumper Mount - Left
	061189-02-000	EA	Bracket Asm. - Rear Bumper Mount - Right
	033439-01-000	EA	Box - Power Cord



Key	Part Number	U/M	Description
1	023695-01-700	EA	Hitch Kit - w/Drawbar
2	034512-01-000	EA	Pin - Locking - Drawbar
3	024876-01-700	EA	Drawbar Asm. - Trailer Hitch - Primed
4	034513-01-000	EA	Pin - Hitch - 3/16" Wire Spring

CURTAIN, CUSHION AND PAD GROUP



NOTE:

Use this illustration when determining length and width measurement for curtains. You will note the width measurement is taken on the top of the curtain with the curtain fully extended. The length measurement is taken from top to bottom.

1979 ITASCA TABLE OF CONTENTS

Introduction	A-1
Abbreviations	A-1
Alphabetical Index	A-2 - A-4
IC420RG	A-5 - B-16
IC524RH	B-17 - D-6
IC525R3	D-7 - E-20
IC625DB	E-21 - G-6

CURTAINS AND TIE BACKS

Key	Part Number	U/M	Description
	054051-01-760	EA	Curtain Kit - Ivory
	054045-17-K26	EA	Curtain w/Snap Top and Bottom - 18" x 44" - Ivory
	054051-33-K26	EA	Curtain w/Snap Top - 36" x 38" - Ivory
	054051-34-K26	EA	Curtain w/Snap Top - 25" x 70" - Ivory
	054103-08-K26	EA	Curtain w/Snap Top - 12" x 38" - Ivory
	059900-03-K26	EA	Curtain Asm. - Wraparound - 25" x 70" - Ivory
	054048-05-K26	EA	Tie Back - Curtain - 2" x 18" - Ivory
	056737-01-000	EA	Curtain - Shower - Vinyl

SHADES

Key	Part Number	U/M	Description
	062033-01-000	EA	Shade - Woven Wood - 70" x 33"
	062033-02-000	EA	Shade - Woven Wood - 39" x 29 1/2"
	062033-03-000	EA	Shade - Woven Wood - 24" x 26"

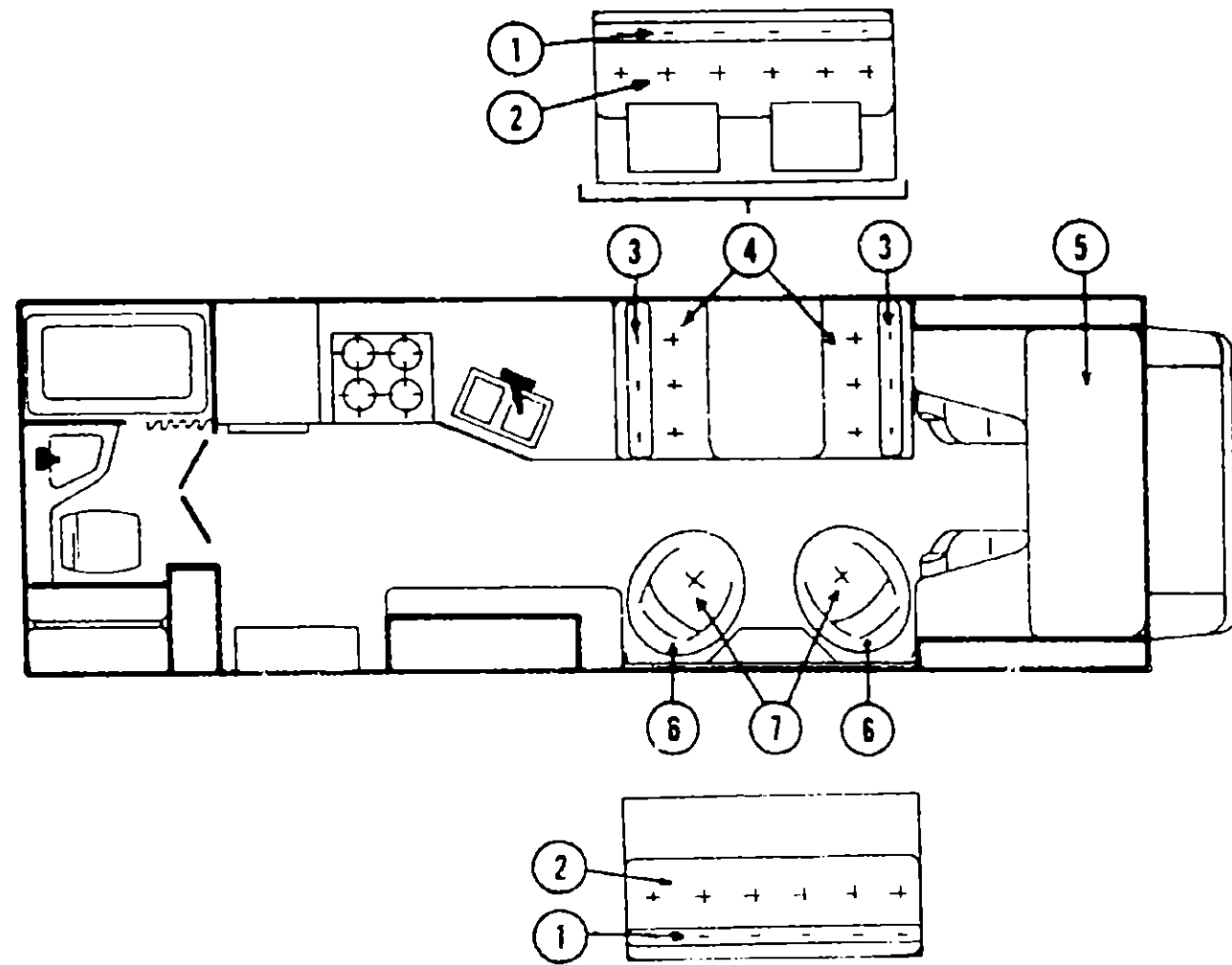
BUCKET SEATS

Key	Part Number	U/M	Description
	061831-01-K26	EA	Seat Asm. - Single Bucket - w/Right Armrest - Blue
	061831-02-K26	EA	Seat Asm. - Single Bucket - w/Left Armrest - Blue
	061838-05-K26	EA	Cover - Back - Bucket Seat - Blue
	061839-05-K26	EA	Cover - Bottom - Bucket Seat - Blue
	053357-06-K26	EA	Cover - Armrest - Right or Left - Blue
	050275-01-700	EA	Armrest Asm. - Foam w/o Cover - Right
	050276-01-700	EA	Armrest Asm. - Foam w/o Cover - Left

1979 IC625DB INDEX

Floor Plan	E-21 - E-22
Accessories Group	E-23 - E-24
Bath Group	F-1 - F-2
Chassis Group	F-3
Curtain, Cushion and Pad Group	F-4 - F-6
Dinette Group	F-7
Driver's Compartment Group	F-7
Electrical Group	F-8 - F-10
Exterior Body Group	F-11 - F-14
Galley Group	F-15
Heating & Air Conditioning Group	F-16
Interior Finish Group	F-17 - F-18
LP Group	F-19
Lounge Group	F-19
Water & Sewage Group	F-20
Window, Vent & Exterior Door Group	F-21 - G-6

CURTAIN, CUSHION AND PAD GROUP (CONTINUED)



CUSHIONS

Key	Part Number	U/M	Description
1	057615-02-K26	EA	Cushion - Complete - Sprung Couch - Back - Blue
2	057612-02-K26	EA	Cushion - Complete - Sprung Couch - Seat - Blue
3	055017-20-K26	EA	Cushion - Dinette Back - 19" x 38.5" x 5" - Blue
	055018-23-K26	EA	Cover - Dinette Back Cushion - 19" x 38.5" x 5" - Blue
4	055017-19-K26	EA	Cushion - Dinette Bottom - 17" x 37.5" x 5" - Blue
	055018-22-K26	EA	Cover - Dinette Bottom Cushion - 17" x 37.5" x 5" - Blue
5	058897-04-K26	EA	Mattress - Overhead Bunk - Two Fold - 19" x 35" x 75" x 5" - Blue
	058898-04-K26	EA	Cover - Overhead Bunk Mattress - Two Fold - 19" x 35" x 75" x 5" - Blue
6	054674-10-K26	EA	Swivel Chair - Complete - Blue
7	054700-09-K26	EA	Cushion - Swivel Chair - Blue
	035036-01-000	EA	Plate - Swivel Chair
	035036-02-000	EA	Base w/Legs - Swivel Chairs

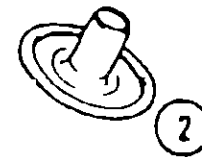
CURTAIN, CUSHION AND PAD GROUP (CONTINUED)

FABRICS, TRIMS AND PADS

Key	Part Number	U/M	Description
	058333-01-000	YD	Fabric - Curtain - Ivory
	061619-01-000	YD	Fabric - Upholstery - Blue
	054676-03-K26	EA	Button Asm. - Cloth Covered - #45 - Blue
	052859-01-K26	FT	Trim - Accent - Mushroom Vinyl
	048310-01-000	YD	Vinyl - Non Expanded - 27 oz. - Mushroom
	049310-02-000	YD	Vinyl - Expanded - 28 oz. - Mushroom
	049310-03-000	YD	Vinyl - Non Support - 16 Gauge Film - Mushroom
	055252-01-K26	EA	Pad - Pullout Table Cabinet - Mushroom
	058051-01-K26	EA	Pad - Sleeper Board - Left - Mushroom
	058051-02-K26	EA	Pad - Sleeper Board - Right - Mushroom
	056052-01-K26	EA	Pad - Locking Pillar - Left - Mushroom
	056052-02-K26	EA	Pad - Locking Pillar - Right - Mushroom
	056053-01-K26	EA	Pad - Hinging Pillar - Right - Mushroom
	056053-02-K26	EA	Pad - Hinging Pillar - Left - Mushroom
	056054-01-K26	EA	Pad - Headliner - Left
	056054-02-K26	EA	Pad - Headliner - Right

CURTAIN HARDWARE

Key	Part Number	U/M	Description
	052327-04-236	EA	Track - Curtain - Brown Alum. - 89" w/Holes
	053272-04-200	EA	Track - Curtain - Off White Alum. - 89" w/Holes
	056001-01-000	EA	Bracket - Shade - Left
	056002-01-000	EA	Bracket - Shade - Right
	009107-01-000	EA	Guide - Nylon Snap - Curtain
	018031-42-000	EA	Track - Curtain - "L" Rod - Alum. Extr. - 90"
	009701-01-000	EA	Carrier - "L" Rod - Curtain
	009702-01-000	EA	End Stop - "L" Rod - Curtain



Key	Part Number	U/M	Description
1	029130-01-000	EA	Socket - Snap Fastener
2	029155-01-000	EA	Cap - Snap - .156" Dia. x .17" Barrel
3	029156-01-000	EA	Socket - Snap Fastener
4	029092-01-000	EA	Stud - Nickel Finish
5	029093-01-000	EA	Eyelet - Nickel Finish

**1979 ITASCA
TABLE OF CONTENTS**

Introduction	A-1
Abbreviations	A-1
Alphabetical Index	A-2 - A-4
IC420RG	A-5 - B-16
IC524RH	B-17 - D-6
IC525RB	C-7 - E-20
IC625DB	E-21 - G-6

1979 IC625DB INDEX

Floor Plan	E-21 - E-22
Accessories Group	E-23 - E-24
Bath Group	F-1 - F-2
Chassis Group	F-3
Curtain, Cushion and Pad Group	F-4 - F-6
Dinette Group	F-7
Driver's Compartment Group	F-7
Electrical Group	F-8 - F-10
Exterior Body Group	F-11 - F-14
Galley Group	F-15
Heating & Air Conditioning Group	F-16
Interior Finish Group	F-17 - F-18
LP Group	F-19
Lounge Group	F-19
Water & Sewage Group	F-20
Window, Vent & Exterior Door Group	F-21 - G-6

DINETTE GROUP

CONVENTIONAL DINETTE W/FOLD DOWN TABLE

Key	Part Number	U/M	Description
	048735-03-K26	EA	Table Asm. - Dinette w/Insert - Golden Teak
**	047842-01-000	EA	Kit - Dinette Table Leg - Brown
**	047809-03-000	EA	Kit - Dinette Table Wall Mount Hardware
	053030-01-K26	EA	Cabinet Asm. - Dinette Overhead - w/o Doors or Hardware
	053853-03-K26	EA	Door Asm. - Dinette Overhead Cabinet - 21 1/2" x 9 1/2" - w/o Hardware
	059596-01-K26	EA	Cabinet Asm. - Right Dinette Seat
	059596-02-K26	EA	Cabinet Asm. - Left Dinette Seat

**The illustrated parts breakdown for this item is provided on the Common Items Fiche.

DINETTE COUCH W/PEDESTAL TABLES

Key	Part Number	U/M	Description
	053203-07-K26	EA	Table Asm. - Pedestal - Golden Teak - w/o Hardware
	009040-02-000	EA	Leg - Pedestal Table - 27.5" x 2.25" O.D. Chrome
	009040-03-000	EA	Base - Table Leg - Mounts on Table
	041194-01-000	EA	Base - Table Leg - Mounts in Floor
	057468-02-000	EA	Frame - Sprung Couch - Right
	057468-03-000	EA	Frame - Sprung Couch - Left
	057468-04-000	EA	Frame Rails - 2 per couch
	057468-02-000	EA	Leg Asm. - Sprung Couch - Right
	057468-03-000	EA	Leg Asm. - Sprung Couch - Left
	057820-01-K26	EA	Panel - Couch Face - w/o Door or Hardware
	059092-22-K26	EA	Door Asm. - Couch Cabinet - 11.70" x 37.15" - w/o Hardware
	057618-01-K26	EA	End Panel - Sprung Couch

DRIVER'S COMPARTMENT GROUP

Key	Part Number	U/M	Description
	049943-01-000	EA	Pedestal - Complete - Swivel Seat
	007222-01-000	EA	Belt Asm. - Seat - 2" x 60" - Black
	041332-01-000	EA	Washer - Flat - 15/32" I.D. x 2 3/8" O.D.
	049380-02-000	EA	Console - Overhead - w/o Gauges or Switches
	031035-01-000	EA	Gauge - Hourmeter - Generator
	024976-01-000	EA	Switch - Generator - w/o Circuit Board
	024462-01-000	EA	Switch - Battery Condition
	046885-01-000	EA	Plaque - Mounting - Battery Switch
	024461-01-000	EA	Switch - Battery Changeover
	050015-01-000	EA	Bracket - Overhead Console
	039039-01-000	EA	Bezel - Transmission Control
	052577-01-000	EA	Gauge - Voltmeter w/Bracket
	057577-01-000	EA	Cover - Engine

ELECTRICAL GROUP

BULBS

Key	Part Number	U/M	Description
	037935-01-000	EA	Bulb - 1157
	037936-01-000	EA	Bulb - 1157 A
	038010-01-000	EA	Bulb - 1143
	008103-01-000	EA	Bulb - 53
	008213-01-000	EA	Bulb - 57
	008214-01-000	E'	Bulb - 67
	008215-01-000	EA	Bulb - 1003
	008216-01-000	EA	Bulb - 1034
	008217-01-000	EA	Bulb - 1073
	008218-01-000	EA	Bulb - 1141
	008219-01-000	EA	Bulb - 656
	008220-01-000	EA	Bulb - 12V - 25W
	038198-01-000	EA	Bulb - 194
	700020-01-000	EA	Bulb - 12V - 20W - 1383

FUSES AND CIRCUIT BREAKERS

Key	Part Number	U/M	Description
	056473-01-000	EA	Fuse - Slow Blow - 6 1/4 Amp.
	008233-01-000	EA	Fuse - 12 Volt - 6 Amp.
	008234-01-000	EA	Fuse - 12 Volt - 10 Amp.
	008235-01-000	EA	Fuse - 12 Volt - 15 Amp.
	008236-01-000	EA	Fuse - 12 Volt - 20 Amp.
	008248-01-000	EA	Fuse - 110 Volt - 30 Amp. - AGU
	008252-01-000	EA	Fuse - 110 Volt - 50 Amp.
	008208-01-000	EA	Circuit Breaker - 12 Volt - 40 Amp.
	008211-01-000	EA	Circuit Breaker - 12 Volt - 6 Amp.
	008268-01-000	EA	Circuit Breaker - 12 Volt - 30 Amp. w/Mount
	033573-01-000	EA	Circuit Breaker - 12 Volt - 20 Amp. w/Mount
	040051-01-000	EA	Circuit Breaker - 110 Volt - 20 Amp. - TQL
	033573-02-000	EA	Circuit Breaker - 12 Volt - 15 Amp. - w/Mount

INTERIOR LIGHTS

Key	Part Number	U/M	Description
	024418-01-000	EA	Lamp Asm. - Map/Gauge/Isle
	024473-01-000	EA	Light - Aircraft - 1 Bulb - Gold
	033508-02-000	EA	Light - Dome - Ivory - 1 Bulb - U.S.
	033508-03-000	EA	Light - Dome - Ivory - 1 Bulb - CSA
	024642-01-701	EA	Lens - Dome Light - 1 Bulb
	033509-02-000	EA	Light - Dome - Ivory - 2 Bulb - U.S.
	033509-03-000	EA	Light - Dome - Ivory - 2 Bulb - C.S.A.
	024643-01-701	EA	Lens - Dome Light - 2 Bulb
	053346-01-000	EA	Light - High Intensity - Brown Plastic

1979 ITASCA TABLE OF CONTENTS

Introduction	A-1
Abbreviations	A-1
Alphabetical Index	A-2 - A-4
IC420RG	A-5 - B-18
IC524RH	B-17 - D-6
IC525RB	D-7 - E-20
IC625DB	E-21 - G-6

1979 IC625DB INDEX

Floor Plan	E-21 - E-22
Accessories Group	E-23 - E-24
Bath Group	F-1 - F-2
Chassis Group	F-3
Curtain, Cushion and Pad Group	F-4 - F-6
Dinette Group	F-7
Driver's Compartment Group	F-7
Electrical Group	F-8 - F-10
Exterior Body Group	F-11 - F-14
Galley Group	F-15
Heating & Air Conditioning Group	F-16
Interior Finish Group	F-17 - F-18
LP Group	F-19
Lounge Group	F-19
Water & Sewage Group	F-20
Window, Vent & Exterior Door Group	F-21 - G-6

ELECTRICAL GROUP (CONTINUED)

EXTERIOR LIGHTS

Key	Part Number	U/M	Description
	048817-01-000	EA	Handle Asm. - Assist w/Light
	007309-01-000	EA	Light - Stop Well
	056796-01-000	EA	Pan - Tall Lamp - Backup
	056797-01-000	EA	Pan - Tall Lamp - Directional stop
	056798-01-000	EA	Lens - Backup - Lamp
	056799-01-000	EA	Lens - Directional Lamp
	056900-01-000	EA	Lens - Stop Lamp
	042405-03-000	EA	Base - Rectangular Clearance Light
	042405-04-000	EA	Lens - Clearance Light - Red
	042405-05-000	EA	Lens - Clearance Light - Amber
	057668-01-000	EA	Lamp Asm. - Side Marker - Right
	057668-02-000	EA	Lamp Asm. - Side Marker - Left

MISCELLANEOUS ELECTRICAL COMPONENTS

Key	Part Number	U/M	Description
	047338-01-000	EA	Isolator - Dual Battery
	047389-01-700	EA	Battery - 12 Volt - 105 Amp. Deep Cycle - Dry
	057899-01-000	EA	Battery - 12 Volt - Maintenance Free
	008188-01-000	EA	Solenoid - Dual Battery - Relay
	046775-01-000	EA	Valve - Gas - Change Over
	039950-02-000	EA	Control Center - 30 Amp. w/Door - UL
	039881-01-000	EA	Sending Unit Kit - Wemac
	052577-01-000	EA	Gauge - Voltmeter - w/Bracket
	024462-01-000	EA	Switch - Battery Condition
	031035-01-000	EA	Gauge - Hour Meter - Generator
	024976-01-000	EA	Switch - Generator w/o Circuit Board
	024460-01-000	EA	Gauge Vacuum
	054544-01-000	EA	Control Center - 37 Amp.
	039950-01-702	EA	Circuit Board - Control Center
	024461-01-000	EA	Switch - Battery - Changeover
	046885-01-000	EA	Plaque - Switch Mounting
	048812-01-000	EA	Control Panel - Water/Double Sewage - Wemac w/Thermostat
	048812-02-000	EA	Control Panel - Water/Double Sewage - Wemac w/o Thermostat
	048812-03-000	EA	Control Panel - Water/Double Sewage - Wemac - w/LP, Refrigerator, Clock
	039881-01-000	EA	Sending Unit - Wemac
	031720-01-000	EA	Spacer - Receptacle - Brown Plastic - CSA

ELECTRICAL GROUP (CONTINUED)

WIRE, SWITCHES AND RECEPTACLES

Key	Part Number	U/M	Description
	006024-01-000	FT	Wire - 18.5 Bonded - Orange/White/Yellow/Blue/Brown
	006025-01-000	FT	Wire - 18.5 Bonded - Orange/White/Yellow/Blue/Green
	006028-01-000	FT	Wire - 18.5 Bonded - Blue/Red/Yellow/Orange/White
	006030-01-000	FT	Wire - 18.4 Bonded
	006251-01-000	EA	Holder - Fuse - Black - Screw Type
	006277-01-000	EA	Holder - Fuse - Black - Panel Mount
	006195-01-000	EA	Switch - Push Button - 12 Volt
	006077-01-000	EA	Plaque - Compressor Switch
	006054-01-000	EA	Cord - Power - 10-3 30 Amp. - 25' - UL
	034818-04-000	EA	Holder - Receptacle - Plastic
	024571-03-000	EA	Cover Plate - Receptacle - Jumbo Brown Plastic
	039342-02-000	EA	Receptacle - Single Ivory
	039342-01-000	EA	Receptacle - Duplex Brown - T Junction
	024571-01-000	EA	Cover Plate - Receptacle - Jumbo Steel Brown
	006294-01-000	EA	Cover Plate - Brown Steel - 4" x 4"
	006289-01-000	EA	Box - Electrical - Steel - 4" x 4"
	039343-01-000	EA	Cap - End - Receptacle
	008182-01-000	EA	Switch - Double Toggle - Spade Brown
	008163-01-000	EA	Switch - Toggle Brown
	008164-01-000	EA	Cover Plate - Switch - Brown
	024924-01-000	EA	Receptacle - Power Cord
	006058-01-000	EA	Adaptor - Power Cord
	047353-01-000	EA	Cover - Receptacle - Ground Fault
	053126-02-000	EA	Receptacle - Ground Fault - Interrupter - 125 Volt - Brown
	058707-01-000	EA	Receptacle - Single - Brown - Thomas & Belts
	058708-01-000	EA	Receptacle - Duplex - Brown - Thomas & Belts
	058048-01-000	EA	Cover - Electrical - Rain Tight - (Exterior)
	008157-01-000	EA	Receptacle - Single - (Exterior)
	061405-02-000	EA	Plate - Receptacle - Duplex - Pewter
	061406-02-000	EA	Plate - Single Switch - Pewter
	061407-02-000	EA	Plate - Double Switch - Pewter

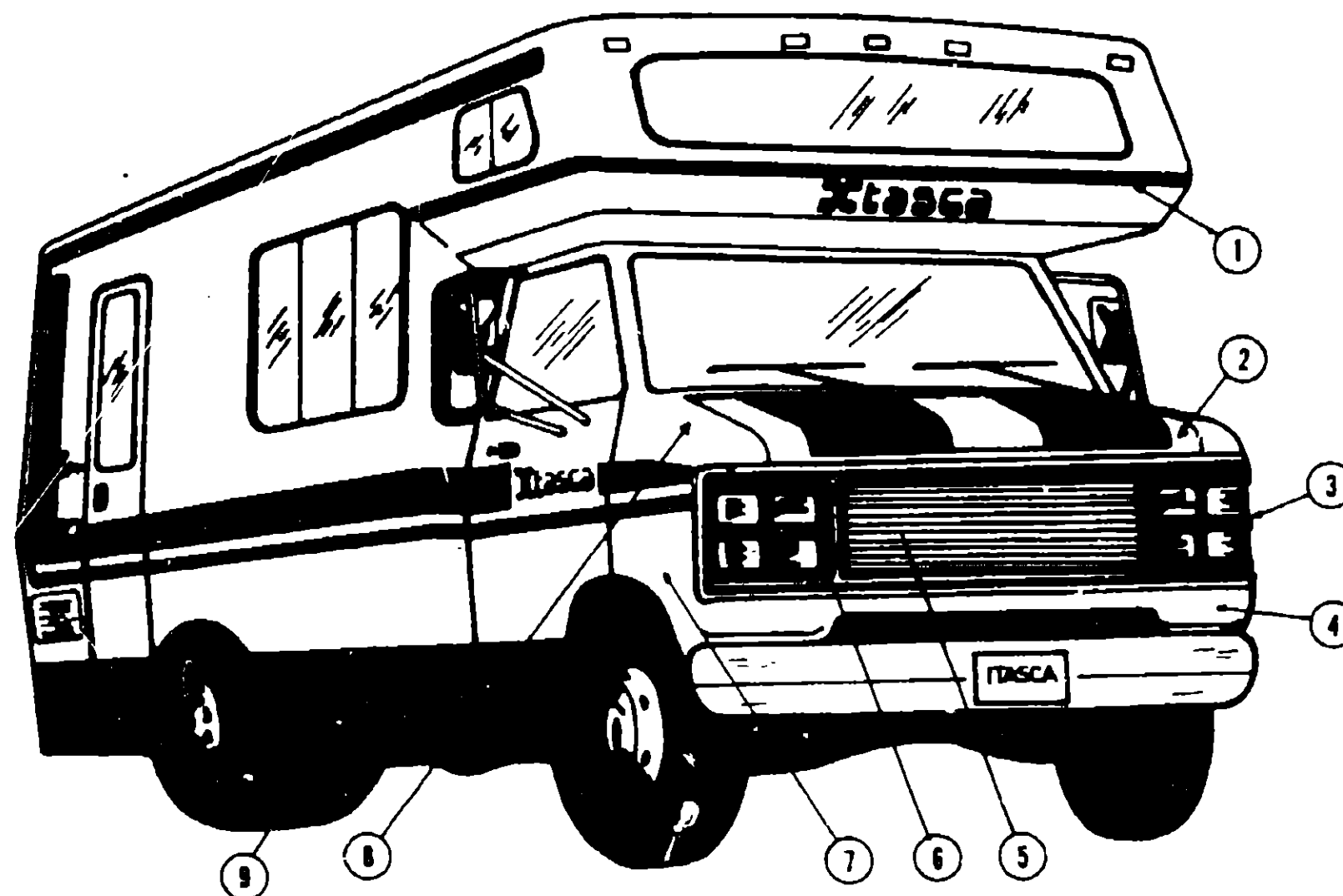
1979 ITASCA TABLE OF CONTENTS

Introduction	A-1
Abbreviations	A-1
Alphabetical Index	A-2 - A-4
IC420RG	A-5 - B-16
IC524RH	B-17 - D-6
IC525RB	D-7 - E-20
IC625DB	E-21 - G-6

1979 IC625DB INDEX

Floor Plan	E-21 - E-22
Accessories Group	E-23 - E-24
Bath Group	F-1 - F-2
Chassis Group	F-3
Curtain, Cushion and Pad Group	F-4 - F-6
Dinette Group	F-7
Driver's Compartment Group	F-7
Electrical Group	F-8 - F-10
Exterior Body Group	F-11 - F-14
Galley Group	F-15
Heating & Air Conditioning Group	F-16
Interior Finish Group	F-17 - F-18
LP Group	F-19
Lounge Group	F-19
Water & Sewage Group	F-20
Window, Vent & Exterior Door Group	F-21 - G-6

EXTERIOR BODY GROUP



Key	Part Number	U/M	Description
1	052785-01-000	EA	Trim Front Cap
*	055146-01-000	EA	Insert - Black Flexible Vinyl
2	058381-01-000	EA	Hood Asm.
*	057896-01-000	EA	Hinge Asm. - Hood
*	007180-01-000	EA	Gasket - Tire Carcass - 3/16" x 2" x 2"
3	054901-01-000	EA	Bezel - Headlamp - Left
4	054898-01-000	EA	Panel - Lower Grille - Valance
5	052847-01-000	EA	Grille Asm.
6	054901-02-000	EA	Bezel - Headlamp - Right
*	049185-01-000	EA	Capsule Asm. - Headlamp Rectangular - Left - High/Low Beam
*	049186-01-000	EA	Capsule Asm. - Headlamp Rectangular - Right - High/Low Beam
*	049187-01-000	EA	Capsule Asm. - Headlamp Rectangular - Left - High Beam
*	049188-01-000	E	Capsule Asm. - Headlamp Rectangular - Right - High Beam
*	050030-01-000	E	Housing Asm. - Headlamp
7	054883-02-000	EA	Panel - Wheel House - Front Half - Right
*	054883-01-000	EA	Panel - Wheel House - Front Half - Left
8	056380-02-000	EA	Front End Asm. - Fiberglass - Includes Hood w/o Front Grille
9	052850-01-003	EA	Trim - Sidewall - 150"
*			Not Illustrated

1979 ITASCA TABLE OF CONTENTS

Introduction	A-1
Abbreviations	A-1
Alphabetical Index	A-2 - A-4
IC420RG	A-5 - B-16
IC524RH	B-17 - D-6
IC525RB	D-7 - E-20
IC625DB	E-21 - G-6

1979 IC625DB INDEX

Floor Plan	E-21 - E-22
Accessories Group	E-23 - E-24
Bath Group	F-1 - F-2
Chassis Group	F-3
Curtain, Cushion and Pad Group	F-4 - F-6
Dinette Group	F-7
Driver's Compartment Group	F-7
Electrical Group	F-8 - F-10
Exterior Body Group	F-11 - F-14
Galley Group	F-15
Heating & Air Conditioning Group	F-16
Interior Finish Group	F-17 - F-18
LP Group	F-19
Lounge Group	F-19
Water & Sewage Group	F-20
Window, Vent & Exterior Door Group	F-21 - G-6

EXTERIOR BODY GROUP (CONTINUED)

EXTERIOR BODY PANELS AND SHEET ALUMINUM

Key	Part Number	U/M	Description
	053394-01-K26	EA	Sidewall Asm. - Right
	053391-01-J26	EA	Sidewall Asm. - Left
	053397-01-K26	EA	Roof Asm.
	053401-01-K26	EA	Backwall Asm.
	055457-01-K26	EA	Sleeper Board Asm.
	054971-01-000	EA	Cap - Backwall - Off White Fiberglass
	054894-01-000	EA	Cap - Upper Front - Outer - Off White Fiberglass
	054893-01-000	EA	Cap - Upper Front - inner - On White Fiberglass
	053933-01-000	EA	Valance Panel Asm. - Right Rear
	053935-01-000	EA	Valance Panel Asm. - Right Front
	053934-01-000	EA	Valance Panel Asm. - Left Rear
	053936-01-000	EA	Valance Panel Asm. - Left Front
	001054-01-041	EA	Off White Plain Alum. - 48" x 360"
	044487-01-001	EA	Plain Roof Metal - 96" x 360"
	039155-07-010	EA	Off White Greyhound Alum. - 48" x 96"
	001054-01-011	EA	Off White Plain Alum. - 48" x 96"
	000868-01-000	BF	Styrofoam - 3/4" x 24" x 96"
	000870-01-000	BF	Styrofoam - 1 1/2" x 24" x 96"

NOTE: The raised portion of Mesa I is 1.657" wide.
The raised portion of Mesa II aluminum is .875" wide.

LABELS AND DECALS

Key	Part Number	U/M	Description
	006023-01-000	EA	Label - Water - Only
	008025-01-000	EA	Label - Gas
	008026-01-000	EA	Label - Drain Caps - 2" x 3"
	008031-01-000	EA	Label - Potable Water Only
	008040-01-000	EA	Tag - Gas Refueling Warning
	008062-01-000	EA	Tag - Electrical - 110 Volt Connection
	008187-01-000	EA	Label - Sewage
	008188-01-000	EA	Label - Waste Water
	008190-01-000	EA	Label - Exit - Escape Window
	039268-01-000	EA	Label - Warning Aux. Loading
	061417-01-000	EA	Label - Fuel
	047731-01-000	EA	Label - Emergency Exit
	050225-01-000	EA	Label - Warning - Stove Vent - U.S.
	054531-01-000	EA	Label - LP Gas Only
	008092-01-000	EA	Reflector - Stick On - Rectangular - Red
	008093-01-000	EA	Reflector - Stick On - Rectangular - Amber
	041273-22-000	FT	Decal - Stripping - .75" - Gold
	041273-23-000	FT	Decal - Stripping - 2" - Dark Blue
	041273-24-000	FT	Decal - Stripping - .75" - Dark Blue
	046400-03-000	EA	Decal - Logo - Itasca - 5.25" x 24" - Dark Blue - Medium Blue
	059799-01-000	EA	Stencil - Taillamp - 12.75" High
	059954-01-000	EA	Decal - Sealracer - 12.88"
	059799-01-000	EA	Decal - Wave Cap - 11.78" - Right
	059799-02-000	EA	Decal - Wave Cap - 11.78" - Left
	059955-01-000	EA	Decal - Wave - Right
	059955-02-000	EA	Decal - Wave - Left
	059987-01-000	EA	Decal - Sea Gulf Logo - 13.19"

EXTERIOR BODY GROUP (CONTINUED)

EXTERIOR PAINT

Key	Part Number	U/M	Description
	059950-03-000	EA	Paint - Dark Blue - Acrylic Enamel - 16 oz. Aerosol
	059951-03-000	EA	Paint - Medium Blue - Acrylic Enamel - 16 oz. Aerosol
	059952-03-000	EA	Paint - Gold - Acrylic Enamel - 16 oz. Aerosol
	041561-01-000	EA	Paint - Off White - Acrylic Enamel - 1 Gallon
	041561-03-000	EA	Paint - Off White - Acrylic Enamel - 16 oz. Aerosol
	041561-04-000	EA	Paint - Off White - Acrylic Lacquer - 1 Gallon

SEALANTS, ADHESIVES AND FASTENERS

Key	Part Number	U/M	Description
	034552-05-000	EA	Sealant - Off White Silicone
	034552-04-000	EA	Sealant - Beige Silicone
	034552-02-000	EA	Sealant - Clear Silicone
	004342-01-000	EA	Sealant - Weatherban 202 Tube
	004348-02-000	EA	Sealant - White Silicone
	004347-01-000	EA	Sealant - Tufflex
	004357-01-000	FT	Tape - Sealer - 1/8" x 5/8" - Adhesive
	009200-01-000	EA	Tape - Furnace - 1 1/2"
	004353-01-000	FT	Tape - Gasket - 1/8" x 3/4" - White
	002825-01-000	FT	Weather Stripping - Roof Vent
	002337-01-000	EA	Adhesive - 3M - 1300 Tube
	004005-01-000	GL	Adhesive - Swifts - Green - Glue (Sidewalls)
	004012-01-000	EA	Adhesive - 3M - 4475 Tube
	004020-01-000	QT	Adhesive - ABS Cement (Plastic Fittings)
	029051-01-000	EA	Adhesive - Spray Vinyl
	042401-02-000	EA	Screw - 8 - 18 x 3/4" SDPH - Off White
	042403-02-000	EA	Screw - SF/DR - 8 - 18 x 1" SDPH - Off White
	053766-01-000	EA	Bedding Compound - Tube Black - Schnee Morehead
	053766-02-000	EA	Bedding Compound - Tube White - Schnee Morehead
	053767-01-000	FT	Tape - 1/2" x 1/8" x 30' - Gray - Schnee Morehead
	053767-03-000	FT	Tape - 1/4" Bead x 20' - Gray - Schnee Morehead
	053767-04-000	FT	Tape - 3/4" x 1/8" x 30' - Gray - Schnee Morehead
	053767-05-000	FT	Tape - 2" x 3/32" x 45' - Gray - Schnee Morehead

MISCELLANEOUS EXTERNALLY MOUNTED PARTS

Key	Part Number	U/M	Description
**	011124-01-000	EA	Plumbing Seal - Roof Vent - 1 1/4" - White
**	011129-01-000	EA	Plumbing Seal - Roof Vent - 1 1/2" - White
	048817-01-000	EA	Assist Handle - w/Light
	010230-02-000	EA	Fill - City Water - Recessed - Off White
	058808-01-000	EA	Water Fill - Lockable - Off White
	036579-03-000	EA	Fuel Fill - Recessed - Single - Off White
	061187-01-000	EA	Door Asm. - Gas Fill - Off White - w/Key Lock

**The illustrated parts breakdown for this item is provided on the Common Items Fiche.

1979 ITASCA TABLE OF CONTENTS

Introduction	A-1
Abbreviations	A-1
Alphabetical Index	A-2 - A-4
IC420RG	A-5 - B-16
IC524RH	B-17 - D-6
IC525RB	D-7 - E-20
IC625DB	E-21 - G-6

1979 IC625DB INDEX

Floor Plan	E-21 - E-22
Accessories Group	E-23 - E-24
Bath Group	F-1 - F-2
Chassis Group	F-3
Curtain, Cushion and Pad Group	F-4 - F-6
Dinette Group	F-7
Driver's Compartment Group	F-7
Electrical Group	F-8 - F-10
Exterior Body Group	F-11 - F-14
Galley Group	F-15
Heating & Air Conditioning Group	F-16
Interior Finish Group	F-17 - F-18
LP Group	F-19
Lounge Group	F-19
Water & Sewage Group	F-20
Window, Vent & Exterior Door Group	F-21 - G-6

GALLEY GROUP

GALLEY CABINETRY

Key	Part Number	U/M	Description
	053063-01-700	EA	Cabinet Asm. - Galley - w/o Countertop, Doors or Hardware
	053062-01-K26	EA	Countertop Asm. - Galley Cabinet - Golden Teak
	053853-17-K26	EA	Door Asm. - Galley Cabinet - 31 1/2" x 12 1/8" - w/o Hardware
	053853-18-K26	EA	Door Asm. - Galley Cabinet - 10 1/4" x 21 1/8" - w/o Hardware
	053028-01-K26	EA	Cabinet Asm. - Galley Overhead - w/o Door or Hardware
	053853-23-K26	EA	Door Asm. - Galley Overhead Cabinet - 18 9/16" x 9 1/2" - w/o Hardware
	053853-26-K26	EA	Door Asm. - Galley Overhead Cabinet - 15 1/4" x 10 11/16" - w/o Hardware
	053049-01-K26	EA	Cabinet Asm. - Beverage
	053056-01-700	EA	Cabinet Asm. - Buffet - w/o Countertop, Doors, Drawers or Hardware
	053055-01-K26	EA	Countertop Asm. - Buffet Cabinet - Golden Teak
	053853-20-K26	EA	Door Asm. - Buffet Cabinet - 21 1/8" x 12 3/8" - w/o Hardware
	054834-02-K26	EA	Drawer Asm. - Buffet Cabinet - 14 5/8" x 6" x 20" Deep - w/o Hardware
	054842-01-K26	EA	Door Asm. - Furnace - w/Mesh Insert - w/o Hardware
	047205-06-000	EA	Insert - Furnace Door - 10 1/8" x 12 1/2" - Brass Mesh
	039873-01-000	EA	Catch and Strike - Furnace Door
	053853-21-K26	EA	Door Asm. - Buffet Cabinet - 8 1/4" x 12 3/8" - w/o Hardware
	053853-22-K26	EA	Door Asm. - Buffet Cabinet - 9 7/16" x 15 5/8" - w/o Hardware
	053533-06-K26	EA	Door Asm. - Beverage Cabinet - 22 3/8" x 20 5/16" - w/Mesh Insert - w/o Hardware
	047205-02-000	EA	Insert - Cabinet Door - 15 1/4" x 17 1/8" - Brass Mesh

GALLEY HARDWARE AND APPLIANCES

Key	Part Number	U/M	Description
	011032-01-000	EA	Sink - Double - Stainless Steel w/Bolts
**	011053-01-000	EA	Faucet - 8" - Swing Spout
**	011085-01-000	EA	Strainer - Sink
	053424-01-K26	EA	Sink Cover - Large - Camel Impression
	050580-01-000	EA	Hand Rail - Teak - 1 Loop - 13"
**	046954-03-000	EA	Hood - Stove - Powered w/Spice Rack - Black Face - U.S.
**	046954-04-000	EA	Hood - Stove - Powered w/Spice Rack - Black Face - C.S.A.
**	049045-02-000	EA	Range - 4 Burner - Large Oven - Chrome - Magic Chef
**	049174-02-000	EA	Refrigerator - AC/DC/Gas - Sibir ET 230/2
	054450-01-000	EA	Level - Refrigerator
	052771-02-000	EA	Oven - Microwave - Magic Chef 207-4

**The illustrated parts breakdown for this item is provided on the Common Items Fiche.

HEATING AND AIR CONDITIONING GROUP

Key	Part Number	U/M	Description
	051768-01-000	EA	A/C - Compressor Mount Package - 350 C.I.D.
	051770-01-000	EA	A/C - Compressor - Rotolock - 10.3"
	056460-01-000	EA	A/C - Condenser Asm. - 350 C.I.D. C-Body
	056455-01-000	EA	A/C - Evaporator Asm.
	024996-01-000	EA	A/C - Clutch - 6" Drive
	049401-01-000	EA	Heater Asm. - Rear - (Auxiliary)
	049401-01-700	EA	Valve - Water Control - (Auxiliary Heater)
	049401-01-701	EA	Control Cable - (Auxiliary Heater)
	049401-01-702	EA	Motor Asm. - (Auxiliary Heater)
	049401-01-703	EA	Heater Core - (Auxiliary Heater)
	049401-01-704	EA	Switch - (Auxiliary Heater)
	058906-01-000	EA	Control Panel - (Auxiliary Rear Heater)
	024965-01-000	EA	Register w/Damper - 9.9" x 4.8"
	009198-01-000	EA	Duct - Flexible - 4" I.D. x 25'
	031604-01-000	EA	Bonnet - Heat Register
	039505-02-000	EA	Thermostat - Horizontal Wall Mount - Black
	009200-01-000	EA	Tape - Furnace - 1 1/2"
	023146-01-000	EA	Clamp - Screw Type - 4"
	050784-01-000	EA	Vent Package - Furnace - 3-6" Wall
	049042-02-000	EA	Door - Furnace - Front
	059351-01-000	EA	Furnace - 24,000 BTU - w/Electric Ignition - Coleman 4324-749
	059350-01-000	EA	Furnace - 30,000 BTU - w/Electric Ignition - Coleman 4330-749
**	049777-02-000	EA	Air Conditioner - 110 Volt - Roof Mount - 11,000 BTU Ivory - Coleman (w/o inside shroud)
**	049778-02-000	EA	Shroud Asm. - Ceiling - Inside - Roof Air - Cool Only 11,000 BTU - Coleman
**	049774-02-000	EA	Air Conditioner - 110 Volt - Roof Mount - 13,500 BTU Ivory - Coleman (w/o inside shroud)
**	049775-02-000	EA	Shroud Asm. - Ceiling - Inside - Roof Air - Cool Only 13,500 BTU - Coleman
**	049776-01-000	EA	Shroud Asm. - Ceiling - Inside - Roof Air - Heat and Cool 13,500 BTU - Coleman

**The illustrated parts breakdown for this item is provided on the Common Items Fiche.

1979 ITASCA TABLE OF CONTENTS

Introduction	A-1
Abbreviations	A-1
Alphabetical Index	A-2 - A-4
IC420RG	A-5 - B-18
IC524RH	B-17 - D-6
IC525RB	D-7 - E-20
IC625DB	E-21 - G-6

1979 IC625DB INDEX

Floor Plan	E-21 - E-22
Accessories Group	E-23 - E-24
Bath Group	F-1 - F-2
Chassis Group	F-3
Curtain, Cushion & Pad Group	F-4 - F-6
Dinette Group	F-7
Driver's Compartment Group	F-7
Electrical Group	F-8 - F-10
Exterior Body Group	F-11 - F-14
Galley Group	F-15
Heating & Air Conditioning Group	F-16
Interior Finish Group	F-17 - F-18
LP Group	F-19
Lounge Group	F-19
Water & Sewage Group	F-20
Window, Vent & Exterior Door Group	F-21 - G-6

INTERIOR FINISH GROUP

PANELING AND COUNTERTOP MATERIALS

Key	Part Number	U/M	Description
	049314-01-000	SF	Paneling - 736 Plain Pine - 48" x 96" (32 SF)
	049314-02-000	SF	Paneling - 736 Pine - V Groove - 48" x 96" (32 SF)
	058346-02-000	SF	Paneling - Paintbrush - Brown - 48" x 96" (32 SF)
	045963-01-000	SF	Paneling - 825 Buff - Ceiling - 48" x 96" (32 SF)
	063943-01-000	SF	Paneling - Backsplash - Ships - 48" x 84"
	045964-02-000	SF	Plastic Laminate - Golden Teak - 48" x 96"
	058340-02-000	SF	Plastic Laminate - Dusty Gray - 48" x 96"

INTERIOR MOLDINGS AND TRIMS

Key	Part Number	U/M	Description
	047354-01-000	EA	Batt Strip - 825 Buff - Ceiling - 96"
	058797-01-000	EA	Batt Strip - Sand Flower Cork - 96"
	024700-06-000	EA	Cover - Roll Bar - Sidewall - Ivory
	039512-06-000	EA	Cover - Hat Section - Ivory
	047488-01-000	EA	Cover - Corner - Hat/Hat
	047489-01-000	EA	Cover - Corner - Tube/Tube
	052859-01-K26	FT	Accent Trim - Mushroom Vinyl
	042357-06-000	FT	Molding - Radius - Outside Corner Plastic
	041886-01-003	EA	Extr. - Alum. - Radius Corner Molding
	009767-05-000	FT	Welting - Light Brown
	009778-01-000	FT	U-Channel - 1" - Dark Brown

FABRICS AND FLOOR COVERINGS

Key	Part Number	U/M	Description
	058333-01-000	YD	Fabric - Curtain - Ivory
	061619-01-000	YD	Fabric - Upholstery - Blue
	049310-01-000	YD	Vinyl - Non Expanded - 27 oz. - Mushroom
	049310-02-000	YD	Vinyl - Expanded - 28 oz. - Mushroom
	049310-03-000	YD	Vinyl - Non Support - 16 Gauge Film - Mushroom
	049311-01-000	SY	Carpet - Irish Linen
	045961-02-000	EA	Tile - Parquet Wood

INTERIOR FINISH GROUP (CONTINUED)

CABINETS AND TABLE HARDWARE

Key	Part Number	U/M	Description
**	041939-01-000	EA	Hinge Kit - Double Acting - Overhead Cabinet
	052929-01-K26	EA	Latch Kit - Cabinet Door - Antique Brass
	052932-01-K26	EA	Hinge Kit - Cabinet Door - Antique Brass
	052930-01-K26	EA	Pull Kit - Cabinet Drawer - Antique Brass
	009040-02-000	EA	Leg - Pedestal Table - 27.5" x 2.25" O.D. - Chrome
	009040-03-000	EA	Base - Table Leg - Mounts on Table
	041904-01-000	EA	Base - Table Leg - Recessed in Floor
	039573-01-000	EA	Catch and Strike - Furnace Door
	009112-01-000	EA	Flange - 1" - Closet Rod
**	047842-01-000	EA	Kit - Dinette Table Leg
**	047809-03-000	EA	Kit - Dinette Table Wall Mount Hardware
	059753-01-000	EA	Slide - Drawer - Left
	059753-02-000	EA	Slide - Drawer - Right
**	037688-01-000	FT	Rail - Drawer Glide
**	047744-01-000	EA	Kit - Drawer Glide

**The illustrated parts breakdown for this item is provided on the Common Items Fiche.

CURTAIN HARDWARE

Key	Part Number	U/M	Description
	052327-04-236	EA	Track - Curtain - Brown Alum. - 89" w/Holes
	053272-04-200	EA	Track - Curtain - Off White Alum. - 89" w/Holes
	056001-01-000	EA	Bracket - Shade - Left
	056002-01-000	EA	Bracket - Shade - Right
	009107-01-000	EA	Guide - Nylon Snap - Curtain
	018031-42-000	EA	Track - Curtain - "L" Rod - Alum. Extr. - 90"
	009701-01-000	EA	Carrier - "L" Rod - Curtain
	009702-01-000	EA	End Stop - "L" Rod - Curtain

MISCELLANEOUS

Key	Part Number	U/M	Description
	041944-01-700	EA	Fire Extinguisher - Dry Chemical w/Bracket
	053552-01-K01	EA	Assist Handle - Interior - Acorn Vinyl
	054185-04-000	EA	Owners Manual - Itasca - 1978
	040069-01-000	EA	Door Mat - Black Rubber - 10 1/2" x 26" w/Itasca Logo
	050580-01-000	EA	Hand Rail - Teak - 1 Loop 13"
	050408-01-000	EA	Hand Rail - Teak - 2 Loop 23"
	045969-01-000	EA	Mat - Cocoa - Natural Tan - 3/4" Thick
	050416-01-000	EA	Nameplate - Captains Head
	050410-01-000	EA	Transom Board - Teak - 24" Long
	050417-01-000	EA	Nameplate - Brass - Property of
	050526-01-000	EA	Nameplate - Seafarer
	050413-01-000	EA	Barometer - Ships Wheel
	050414-01-000	EA	Thermometer - Ships Wheel
	050415-01-000	EA	Humidity Meter - Ships Wheel
	050782-01-000	EA	Clock - Brass - 5 1/2" Dia.
	050429-01-000	EA	Ships Bell - Brass - Wall Mount
	058334-01-000	EA	Wastebasket - Vanity - 9 3/4" x 7" x 10" - White

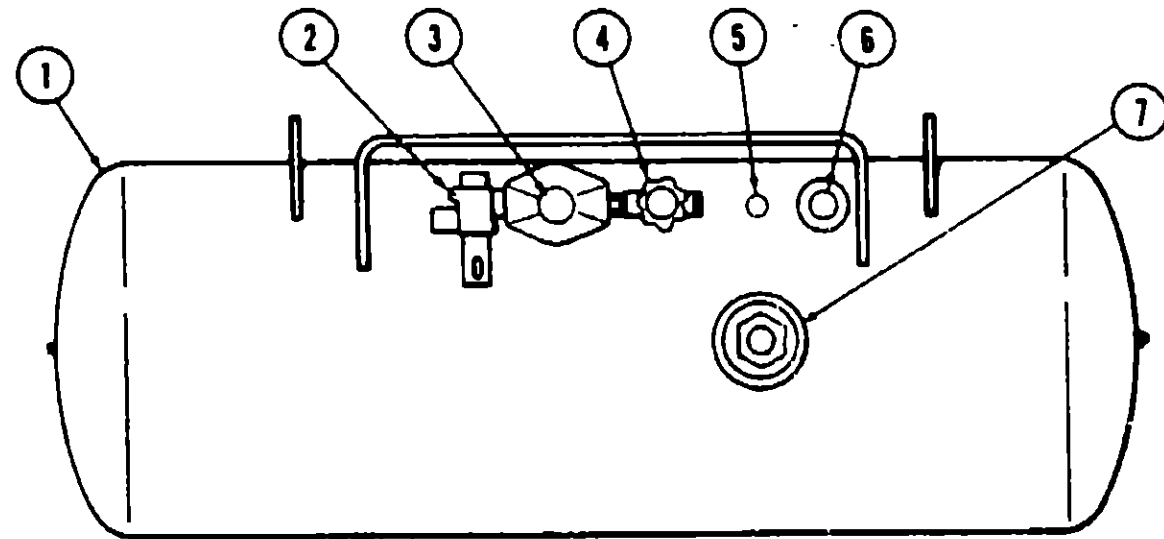
1979 ITASCA TABLE OF CONTENTS

Introduction	A-1
Abbreviations	A-1
Alphabetical Index	A-2 - A-4
IC420RG	A-5 - B-16
IC524RH	B-17 - D-6
IC525RB	D-7 - E-20
IC625DB	E-21 - G-6

1979 IC625DB INDEX

Floor Plan	E-21 - E-22
Accessories Group	E-23 - E-24
Bath Group	F-1 - F-2
Chassis Group	F-3
Curtain, Cushion & Pad Group	F-4 - F-6
Dinette Group	F-7
Driver's Compartment Group	F-7
Electrical Group	F-8 - F-10
Exterior Body Group	F-11 - F-14
Galley Group	F-15
Heating & Air Conditioning Group	F-16
Interior Finish Group	F-17 - F-18
LP Group	F-19
Lounge Group	F-19
Water & Sewage Group	F-20
Window, Vent & Exterior Door Group	F-21 - G-6

LP GROUP



Key	Part Number	U/M	Description
1	052769-01-000	EA	Tank Asm. - LP - Frame Mount - 42 Pound
1	052770-01-000	EA	Tank Asm. - LP - Frame Mount - 85 Pound
2	047221-01-000	EA	Detector - LP Gas Leak
3	058708-01-000	EA	Cover - Regulator - 2 Stage
•	058705-01-000	EA	Regulator - Two Stage - LP Gas
4	040421-01-703	EA	Valve - Vapor Relief
5	040421-01-700	EA	Gauge - Liquid Level - 20% LP
6	040421-01-701	EA	Valve - Filler - LP
•	040421-01-702	EA	Cap - Plastic Fill Valve
7	040421-01-707	EA	Gauge - Float - w/Visible Dial - 85 Pound Tank
•	042281-01-700	EA	Gauge - Float - w/Visible Dial - 42 Pound Tank
•	040421-01-706	EA	Dial - Visible Face - Float Gauge (Tank w/o Electric Transmitter)
•	040421-01-705	EA	Dial - Transmitter - 0 - 90 Ohm (Float Gauge)
•	045703-03-000	EA	Hose Asm. - LP - 3/8" I.D. x 14"
•	047737-02-000	EA	Support - LP Tank - 89.25"
•	047737-03-000	EA	Support - LP Tank - 30.50"
•			Not Illustrated

LOUNGE GROUP

Key	Part Number	U/M	Description
	054552-01-K26	EA	Table Asm. - Pullout - Golden Teak
	054553-01-K26	EA	Countertop Asm. - Pullout Table Cabinet - Golden Teak
	055252-01-K26	EA	Pad Asm. - Pullout Table Cabinet - Mushroom Vinyl
	054540-01-000	EA	Slide Asm. - Ball Bearing
	009148-01-000	EA	Finger Pull - 3/4" Dia. Brass
	053035-01-K26	EA	Cabinet Asm. - Lounge Overhead - w/o Doors or Hardware
	053853-27-K26	EA	Door Asm. - Lounge Overhead Cabinet - 23 1/2" x 9 1/2" - w/o Hardware
	045767-01-000	EA	Hardware Kit - Presto Bed

WATER AND SEWAGE GROUP

PLUMBING REPAIR PARTS

Key	Part Number	U/M	Description
**	040539-01-000	EA	Kit - Repair - 3/8" O.D. Plastic Tube
**	040540-01-000	EA	Kit - Repair - 1/2" O.D. Plastic Tube
**	040541-01-000	EA	Kit - Repair - 5/8" O.D. Plastic Tube
**	041279-02-000	EA	Pump - Water Flow 2.8 G.P.M. - PAR
**	063646-01-000	EA	Pump - Water - 2.8 G.P.M. - Direct Drive - US
**	063646-02-000	EA	Pump - Water - 2.8 G.P.M. - Direct Drive - CSA
**	039647-02-000	EA	Filter - Water Pump - 1/2" MPT
**	039809-01-000	EA	Valve - Stool - Plastic 3/8" x 1/2" FPT
**	039818-01-000	EA	Riser Asm. - 3/8" O.D. x 24" Tube
**	039818-02-000	EA	Riser Asm. - 3/8" O.D. x 36" Tube
**	039818-04-000	EA	Riser Asm. - 3/8" O.D. x 72" Tube
**	039818-05-000	EA	Riser Asm. - 3/8" O.D. x 48" - Tube
**	035539-01-000	EA	Elbow - Plastic - 3/8 MPT x 3/8 Barb
**	052952-01-000	EA	Nut - Plastic - 1/2 F
**	052953-01-000	EA	Nut - Faucet - 1/2 Tube x 1/2 FPT
**	052954-01-000	EA	Adapter - Nose Cone - 3/8 or 1/2
**	052958-01-000	EA	Tee - Plastic - 1/2 F x 1/2 F x 1/2 F
**	052959-02-000	EA	Connector - Plastic - 1/2 F x 1/2 MPT
**	052959-03-000	EA	Connector - Plastic - 1/2 F x 3/8 MPT
**	052960-01-000	EA	Drain Valve - Line - 1/2 F x 1/2 F
**	052961-01-000	EA	Header - 1/2 F x 1/2 F x 1/2 F x 1/2 F
**	004020-01-000	QT	Adhesive - ABS Cement
**	010201-01-000	EA	Hose - Sewer - 3" x 8 Ft. w/Clamp
**	062415-01-000	EA	Cap - Sewer - 3"
**	062416-01-000	EA	Hose - Adapter - 3"
**	062417-01-000	EA	Adapter - Termination - 3"
**	062418-01-000	EA	Valve - 3" w/Handle
**	062419-01-000	EA	Handle - Extension - w/6" Adapter
**	062421-01-000	EA	Valve - 1 1/2" - w/Handle
**	010006-01-000	EA	Elbow - Plastic - 1/8 BD 1 1/2 x 45 H x H
**	010006-01-000	EA	Elbow - Plastic - 1/4 BD 1 1/2 x 80 x Lt
**	010134-01-000	EA	Adapter - Plastic - 1 1/2 M x MPT
**	010154-01-000	EA	Ring - Closet - Plastic - 4 F x 3 MPT x L
**	011091-01-000	EA	Waste - Continuous - Double Sink - 11 7/8
**	011066-01-000	EA	P-Trap - Plastic - 1 1/4"
**	010079-01-000	EA	Tee - Plastic - 1 1/2 H x 1 1/2 H x 1 1/4 H
**	010091-01-000	EA	Wye - Plastic - 3 x 45 - H x H x H
**	010121-01-000	EA	Bushing - Plastic - 1 1/2 S x 1 1/4 H
**	031126-01-000	EA	Elbow - Plastic - 1/4 BD - 3 x 90 x LT
**	010133-01-000	EA	Adapter - Trap - Plastic - 1 1/2" H x MPT
**	050780-01-000	EA	Coupler - Rubber - 3" x 3"
**	046524-01-000	EA	Kit - Plastic Fittings - Holding Tank
**	046524-02-000	EA	Kit - Plastic Fittings - Water Tank

**The illustrated parts breakdown for this item is provided on the Common Items Fiche.

HOLDING TANKS AND WATER HEATERS

Key	Part Number	U/M	Description
**	053520-02-000	EA	Tank Asm. - Water - 20 Gallon w/Fittings
**	053520-01-000	EA	Tank Asm. - Water - 20 Gallon w/o Fittings
**	053519-02-000	EA	Tank Asm. - Water - 40 Gallon w/Fittings
**	053519-01-000	EA	Tank Asm. - Water - 40 Gallon w/o Fittings
**	054033-02-000	EA	Tank Asm. - Holding - 32 Gallon - Sewage - w/Fittings
**	054033-01-000	EA	Tank Asm. - Holding - 32 Gallon - Sewage - w/o Fittings
**	054032-02-000	EA	Tank Asm. - Holding - 25 Gallon - Gray Water - w/Fittings
**	054032-01-000	EA	Tank Asm. - Holding - 25 Gallon - Gray Water - w/o Fittings
**	051391-01-000	EA	Water Heater - 8 Gallon w/Motor Aid - Atwood - GH63

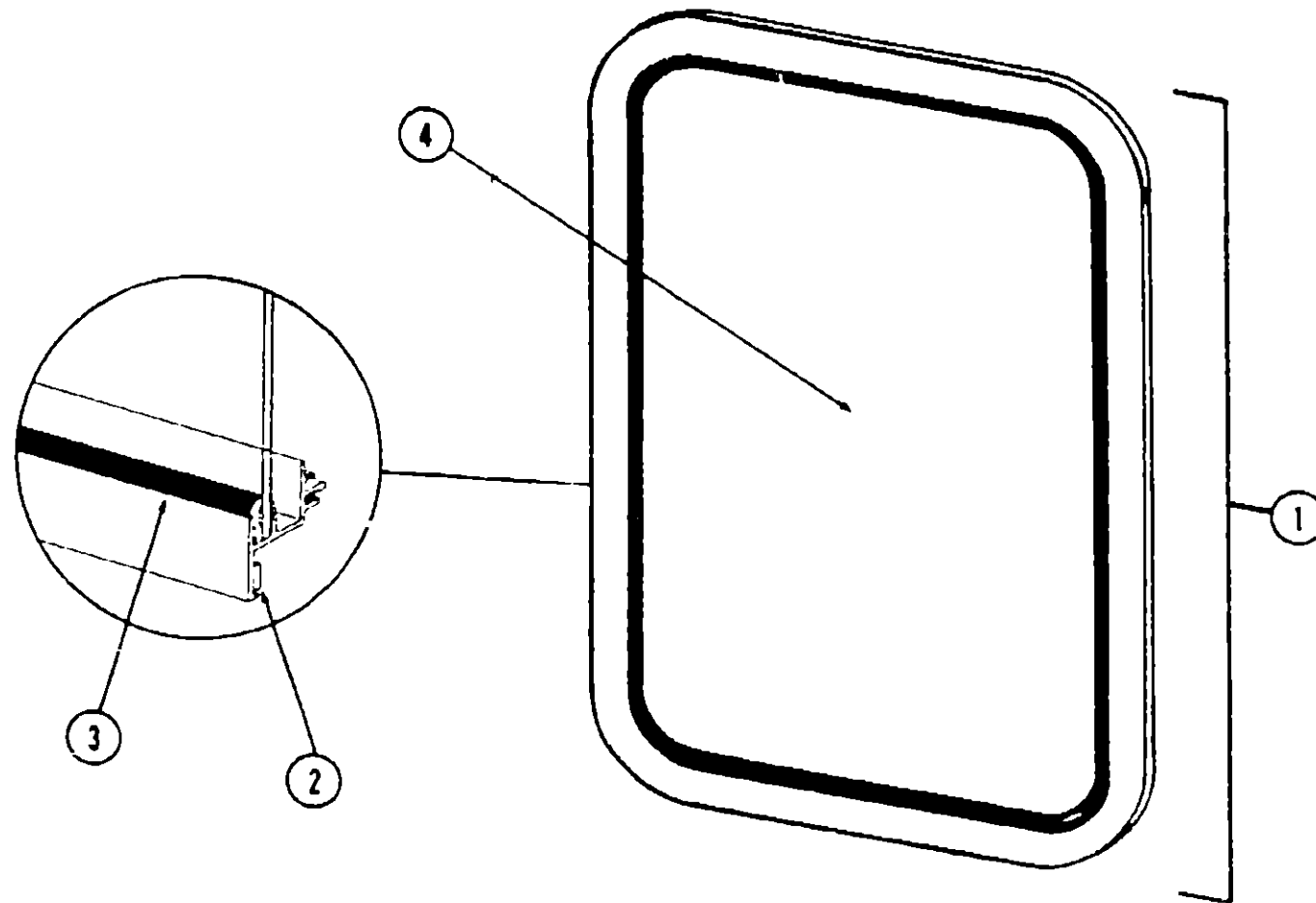
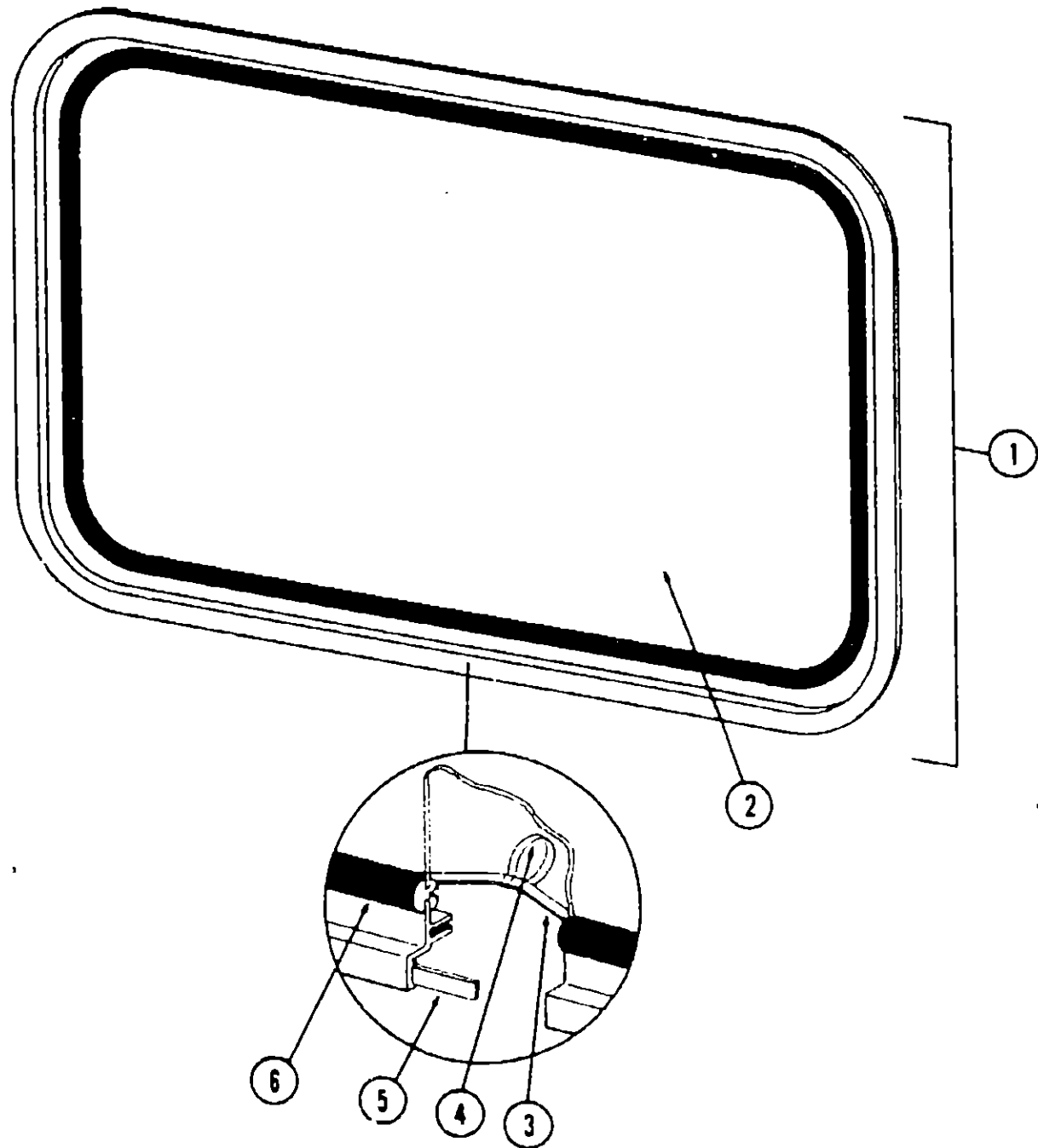
**The illustrated parts breakdown for this item is provided on the Common Items Fiche.

1979 ITASCA TABLE OF CONTENTS

Introduction	A-1
Abbreviations	A-1
Alphabetical Index	A-2 - A-4
IC420RG	A-5 - B-16
IC524RH	B-17 - D-8
IC525RB	D-7 - E-20
IC625DB	E-21 - G-8

1979 IC625DB INDEX

Floor Plan	E-21 - E-22
Accessories Group	E-23 - E-24
Bath Group	F-1 - F-2
Chassis Group	F-3
Curtain, Cushion & Pad Group	F-4 - F-6
Dinette Group	F-7
Driver's Compartment Group	F-7
Electrical Group	F-8 - F-10
Exterior Body Group	F-11 - F-14
Galley Group	F-15
Heating & Air Conditioning Group	F-16
Interior Finish Group	F-17 - F-18
LP Group	F-19
Lounge Group	F-19
Water & Sewage Group	F-20
Window, Vent & Exterior Door Group	F-21 - G-8



1979 ITASCA
TABLE OF CONTENTS

Introduction	A-1
Abbreviations	A-1
Alphabetical Index	A-2 - A-4
IC420RG	A-5 - B-18
IC524RH	B-17 - D-8
IC525RB	D-7 - E-20
IC625DB	E-21 - G-6

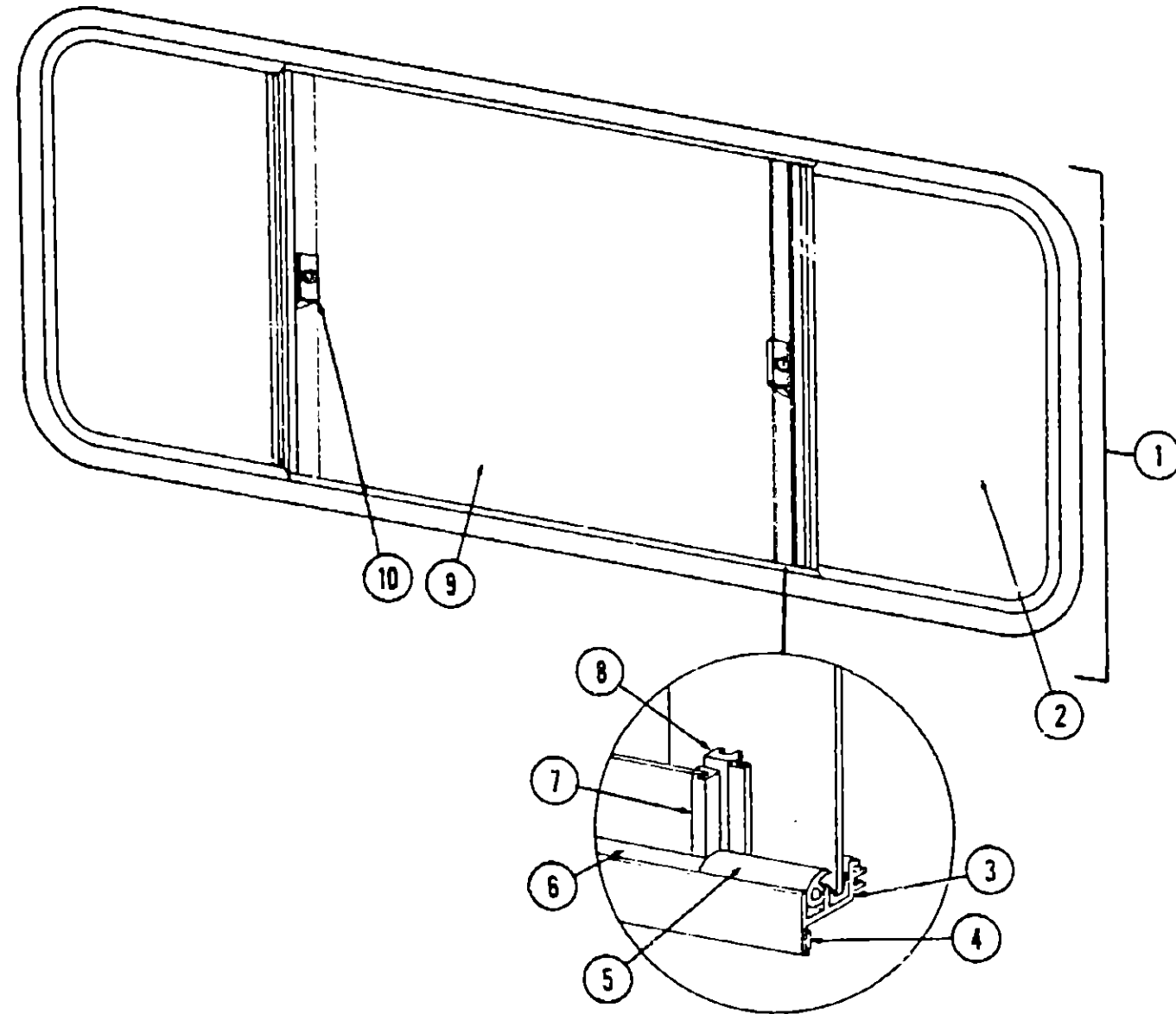
1979 IC625DB INDEX

Floor Plan	E-21 - E-22
Accessories Group	E-23 - E-24
Bath Group	F-1 - F-2
Chassis Group	F-3
Curtain, Cushion & Pad Group	F-4 - F-6
Dinette Group	F-7
Driver's Compartment Group	F-7
Electrical Group	F-8 - F-10
Exterior Body Group	F-11 - F-14
Galley Group	F-15
Heating & Air Conditioning Group	F-16
Interior Finish Group	F-17 - F-18
LP Group	F-19
Lounge Group	F-19
Water & Sewage Group	F-20
Window, Vent & Exterior Door Group	F-21 - G-6

Key	Part Number	U/M	Description
1	056772-01-000	EA	Window Asm. - Rear Escape - 24" x 33" - Black Anod. (w/o inside frame)
2	041392-02-000	EA	Glass - 1/8" x 24.08" x 33.25"
3	002285-01-000	FT	Filler - Weatherstrip - Black
4	020395-01-000	EA	Pull Ring - Escape Window
5	053767-02-000	FT	Tape - 3/16" Bead x 25 FT - Gray
6	002282-01-000	FT	Weatherstrip - .125" Window
.	056770-01-000	EA	Frame - Inside - Escape Window - 24" x 33" (not included in assembly)
.	006199-01-000	EA	Label - Exit - Escape Window
.			Not Illustrated

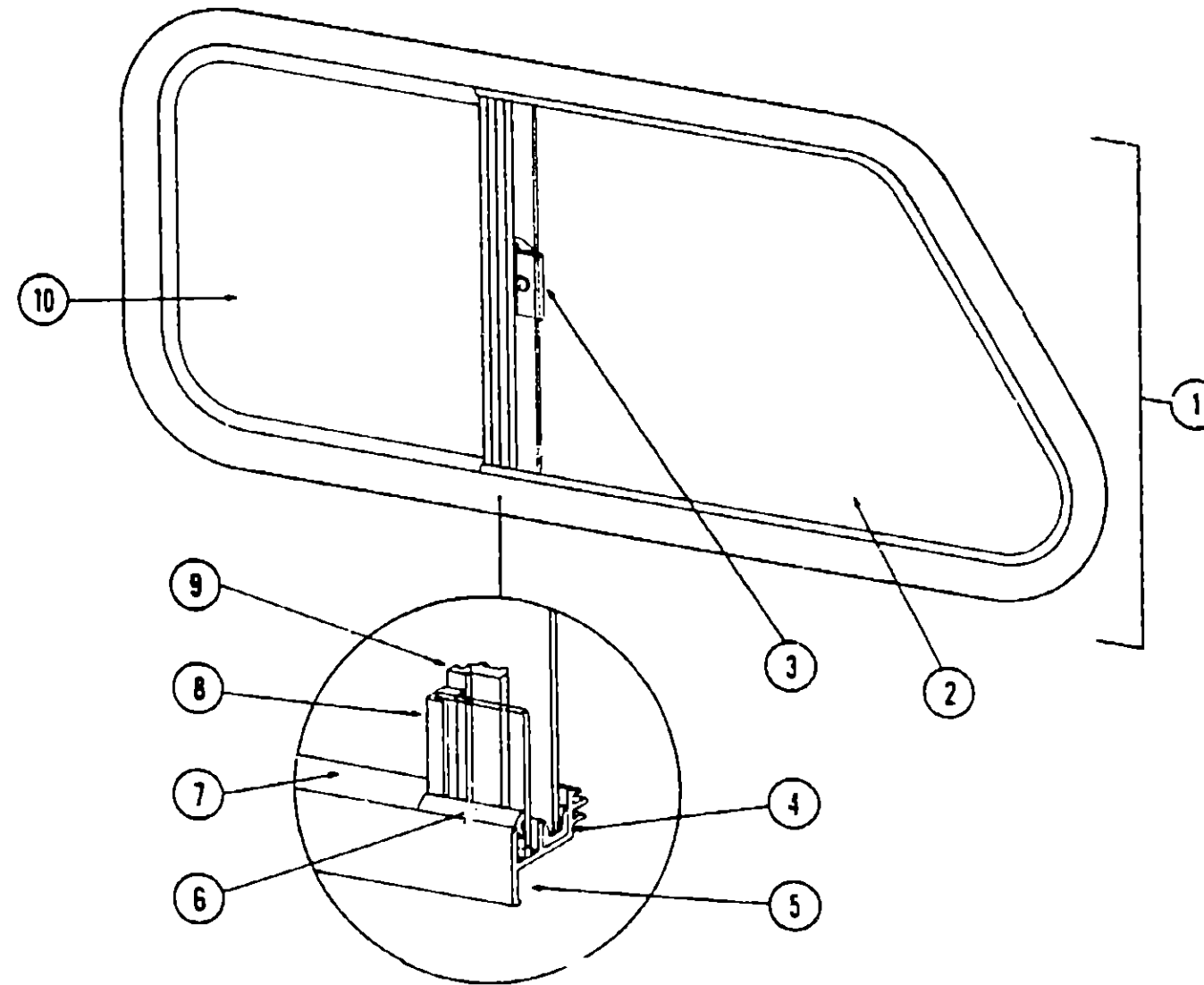
Key	Part Number	U/M	Description
1	056651-01-000	EA	Window Asm. - Picture - 20 3/4" x 20 3/4" - Black (w/o inside frame)
2	053767-02-000	FT	Tape - 3/16" Bead x 25' - Schnee Morehead
3	002309-02-000	FT	Spline - Glass - 1/8" - Black
4	002181-03-000	EA	Glass - .115" x 20.62" x 20.62" - Gray
.	056650-01-000	EA	Frame - Inside - Window (not included in assembly)
.			Not Illustrated

WINDOW, VENT AND EXTERIOR DOOR GROUP (CONTINUED)



Key	Part Number	U/M	Description
1	048630-11-000	EA	Window Asm. - Double Slider - 27" x 65" Black Anod. (w/o inside frame)
2	047822-02-000	EA	Glass - Sliding - 3/16" x 27" x 21.03"
3	042077-01-000	FT	Channel - Weatherstrip - Glass Run 3/16" Glass
4	004363-01-000	FT	Tape - Foam - 3/16" x 1/2" - Gray
5	041928-02-000	FT	Seal - Window Channel - Black
6	050216-02-000	FT	Spline - Glass
7	002389-03-203	EA	Extr. - Holder - Glass Seal - 27.125"
8	041894-27-000	EA	Mullion - Slider Window - 26"
9	002188-03-000	EA	Glass - 3/16" x 27" x 25.50" - Stationary
10	047389-01-700	EA	Latch - Window - Plastic
.	042133-12-000	EA	Frame Asm. - Window - Inside (not included in assembly)
.	023713-02-000	EA	Cover - Weephole - Plastic - Black
.	002298-01-000	FT	Spline - Gray - .130" Dia. (Screen)
.	002293-01-000	SF	Screen - Window - 26" - Gray
.			Not Illustrated

WINDOW, VENT AND EXTERIOR DOOR GROUP (CONTINUED)



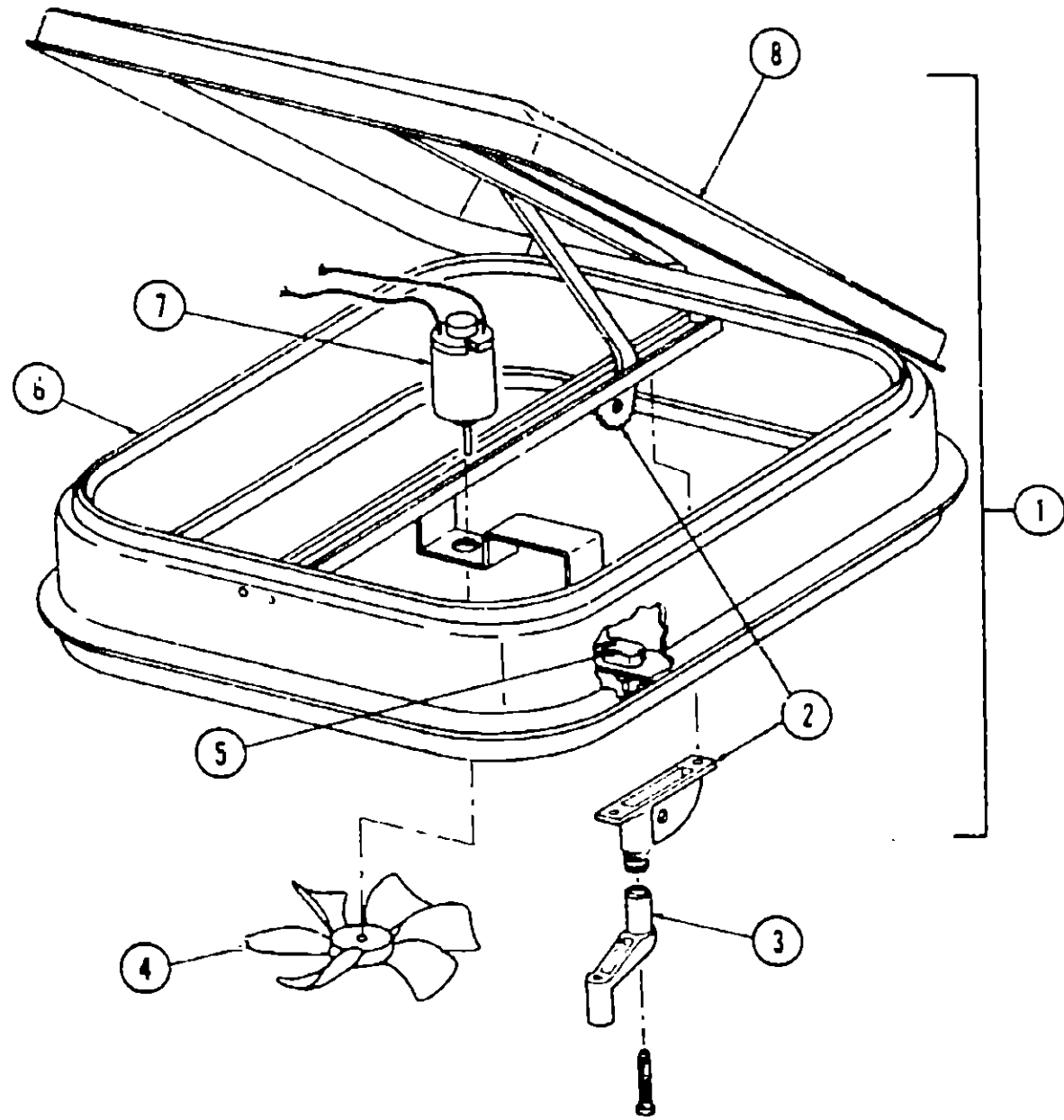
Key	Part Number	U/M	Description
1	056655-01-000	EA	Window Asm. - Bunk Slant Slider - Right - (w/o inside frame)
	056655-02-000	EA	Window Asm. - Bunk Slant Slider - Left - (w/o inside frame)
2	040919-02-000	EA	Glass - 1/8" x 9.54" x 16.62" - Gray - Stationary
3	047369-01-700	EA	Latch - Window - Plastic - w/Fastener
4	002324-01-000	FT	Channel - Weatherstrip - Glass Run - 1/8" Glass
5	053767-02-000	FT	Tape - 3/16" Bead x 25' - Gray
5	004363-01-000	FT	Tape - Foam - 3/16" x 1/2" - Gray
6	002309-02-000	FT	Spline - Glass - 1/8" - Black
7	057374-02-000	FT	Seal - Window Channel - 1/8" Glass - Black
8	002390-03-204	EA	Holder - Glass Seal - Extr. - Anod. Black - 8.38"
9	041894-22-000	EA	Mullion - 8" - Black Anod.
10	047815-02-000	EA	Glass - 1/8" - Gray - Sliding
.	056654-01-000	EA	Frame - Window - Inside - Bunk Slant - Right (not included in assembly)
.	056654-02-000	EA	Frame - Window - Inside - Bunk Slant - Left (not included in assembly)
.	023713-02-000	EA	Cover - Weephole - Black
.	002298-01-000	FT	Spline - Gray - .130" Dia. (Screen)
.	002291-01-000	SF	Screen - Gray - Window - 16"
.			Not Illustrated

1979 ITASCA
TABLE OF CONTENTS

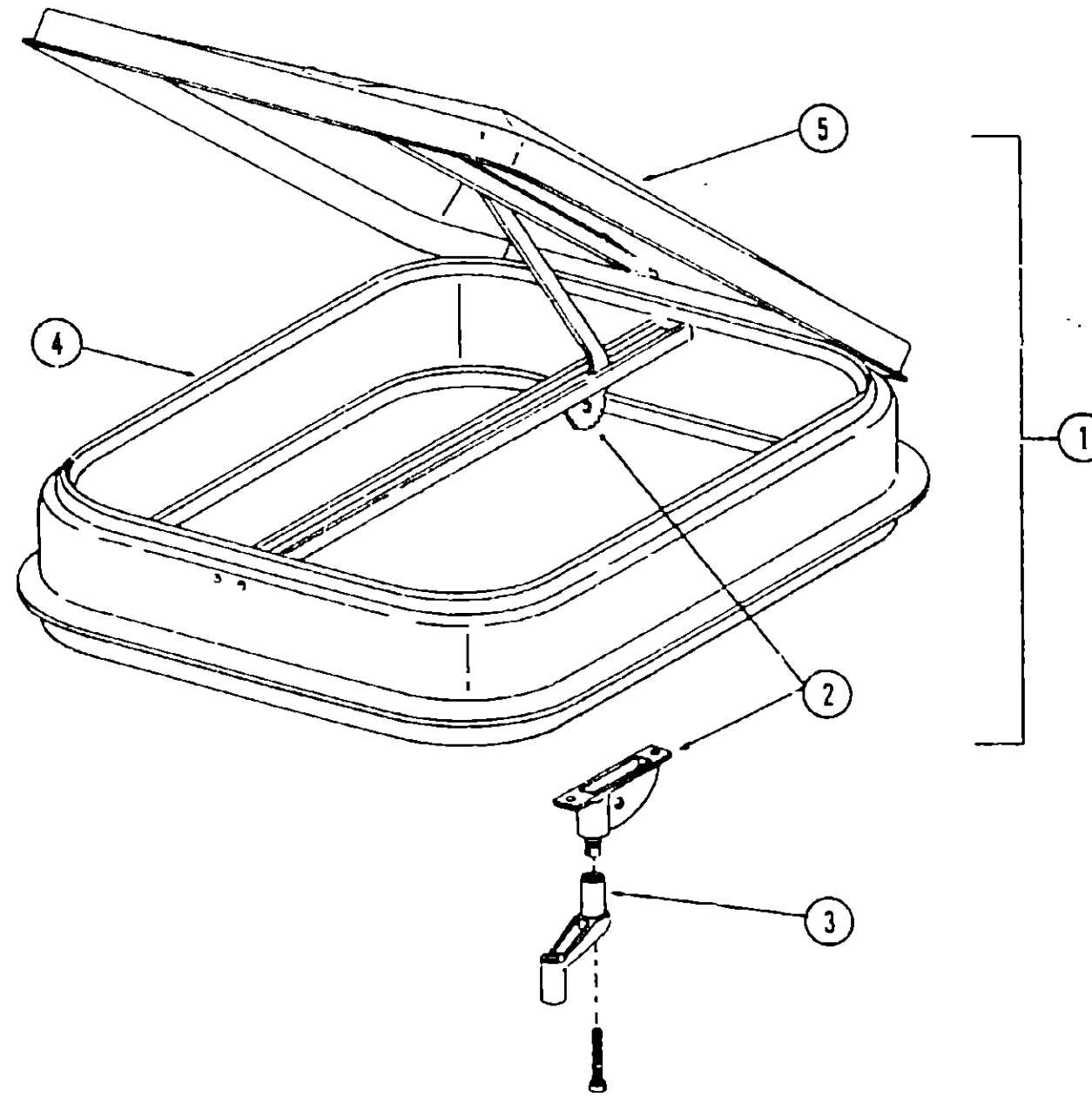
Introduction	A-1
Abbreviations	A-1
Alphabetical Index	A-2 - A-4
IC420RG	A-5 - B-16
IC524RH	B-17 - D-6
IC525RB	D-7 - E-20
IC625DB	E-21 - G-6

1979 IC625DB INDEX

Floor Plan	E-21 - E-22
Accessories Group	E-23 - E-24
Bath Group	F-1 - F-2
Chassis Group	F-3
Curtain, Cushion & Pad Group	F-4 - F-6
Dinette Group	F-7
Driver's Compartment Group	F-7
Electrical Group	F-8 - F-10
Exterior Body Group	F-11 - F-14
Galley Group	F-15
Heating & Air Conditioning Group	F-16
Interior Finish Group	F-17 - F-18
LP Group	F-19
Lounge Group	F-19
Water & Sewage Group	F-20
Window, Vent & Exterior Door Group	F-21 - G-6



Key	Part Number	U/M	Description
1	048789-01-000	EA	Vent Asm. Roof - Powered - w/o Screen
2	009440-01-000	EA	Gear - Arm - Roof Vent
3	009439-01-000	EA	Crank - Roof Vent
4	048649-01-000	EA	Fan - Blade - 6" Plastic
5	008195-01-000	EA	Switch - Push Button - 12 Volt
6	002825-01-000	FT	Weatherstrip - Roof Vent
7	048648-01-000	EA	Motor - 12 Volt
8	046825-01-000	EA	Cover - Plastic - Roof Vent
*	048695-01-000	EA	Screen Asm. - Powered Roof Vent - Clear Anod. (not included in assembly)
*	048695-03-000	EA	Screen Asm. - Powered Roof Vent - Beige (not included in assembly)
*			Not Illustrated



Key	Part Number	U/M	Description
1	048835-01-000	EA	Vent Asm. - Roof - Nonpowered - w/o Screen
2	009440-01-000	EA	Gear - Arm - Roof Vent
3	009439-01-000	EA	Crank - Roof Vent
4	002825-01-000	FT	Weatherstrip - Roof Vent
5	046825-01-000	EA	Cover - Plastic - Roof Vent
*	016335-01-000	EA	Screen Asm. - Nonpowered Roof Vent - Clear Anod. (not included in assembly)
*	016335-03-000	EA	Screen Asm. - Nonpowered Roof Vent - Beige (not included in assembly)
*			Not Illustrated

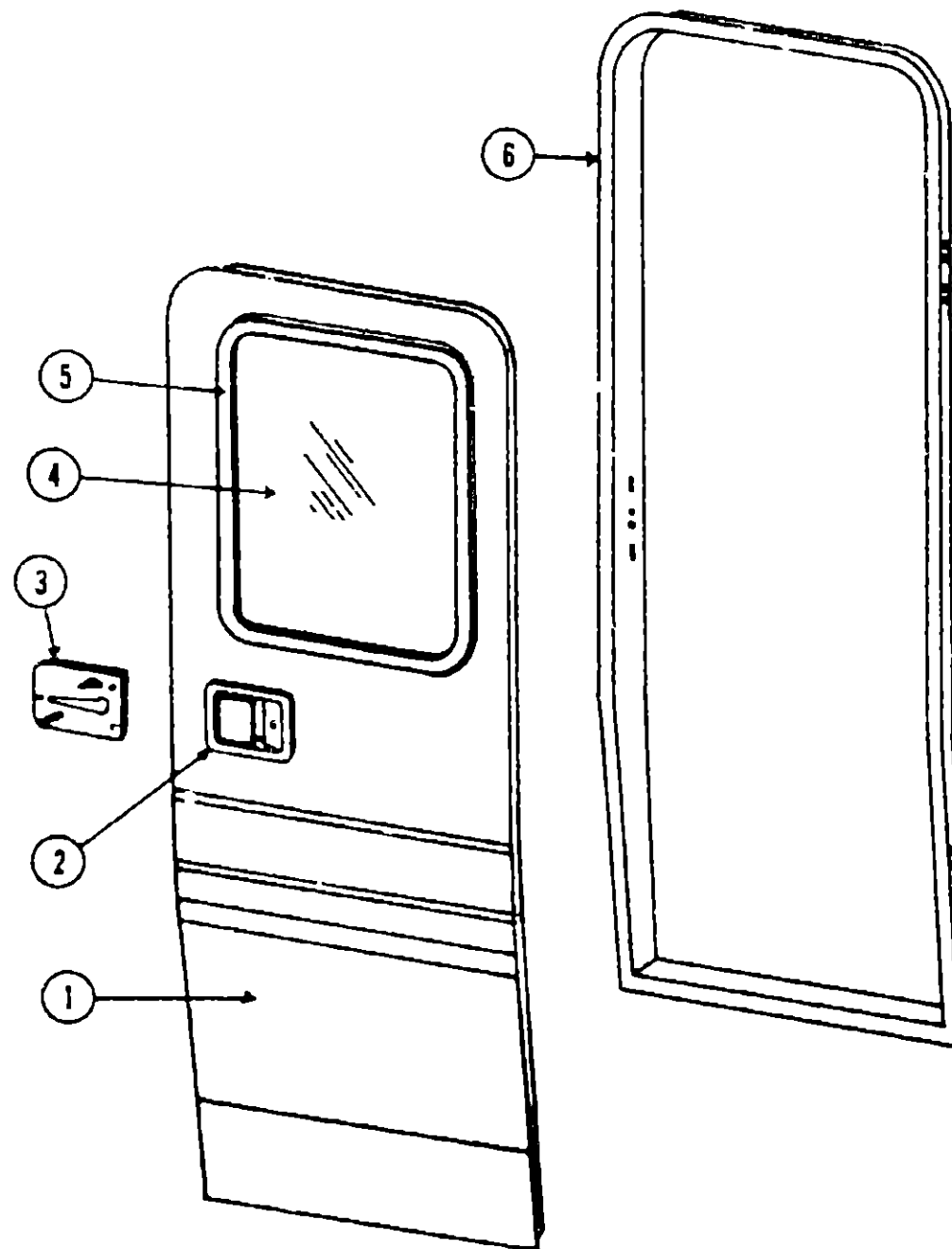
1979 ITASCA
TABLE OF CONTENTS

Introduction	A-1
Abbreviations	A-1
Alphabetical Index	A-2 - A-4
IC420RG	A-5 - B-16
IC524RH	B-17 - D-6
IC525RB	D-7 - E-20
IC625DB	E-21 - G-6

1979 IC625DB INDEX

Floor Plan	E-21 - E-22
Accessories Group	E-23 - E-24
Bath Group	F-1 - F-2
Chassis Group	F-3
Curtain, Cushion & Pad Group	F-4 - F-6
Dinette Group	F-7
Driver's Compartment Group	F-7
Electrical Group	F-8 - F-10
Exterior Body Group	F-11 - F-14
Galley Group	F-15
Heating & Air Conditioning Group	F-16
Interior Finish Group	F-17 - F-18
LP Group	F-19
Lounge Group	F-19
Water & Sewage Group	F-20
Window, Vent & Exterior Door Group	F-21 - G-6

WINDOW, VENT AND EXTERIOR DOOR GROUP (CONTINUED)



Key	Part Number	U/M	Description
1	063720-01-000	EA	Door Asm. - Fiberglass Entry - w/Latch and Hinges
2	045017-01-000	EA	Paddle Asm. - Door Lock - Exterior
	045017-01-700	EA	Lock Cylinder w/Keys - Lynor
	039539-01-000	EA	Striker Bolt - Entry Door
	039540-01-000	EA	Latch Claw - Entry Door
3	039979-01-000	EA	Plate - Lock - Inside - Including Inside Handle
	052186-01-000	EA	Lock Asm. - Complete - Lynor
4	002181-05-000	EA	Glass - Entry Door Picture Window - 1/8" x 17.12" x 26.88"
5	056903-01-000	FT	Weatherstrip - Picture Window - Entry Door

Key	Part Number	U/M	Description
	068253-01-000	EA	Window Asm. - Vertical Slider - 26.9" x 17.6" - w/o Inside Frame
	002241-04-000	EA	Glass - Vertical Slider - 1/8" x 17.5" x 13.5"
	047820-03-000	EA	Glass - Vertical Slider - 1/8" x 17.5" x 14.5"
	047369-01-700	EA	Latch - Window - Black Plastic
	066252-01-000	EA	Inside Frame - Vertical Slider - 26.9" x 17.6"
6	062545-01-000	EA	Jamb Asm. - Entry Door
	033492-01-000	FT	Seal - Entry Door Jamb - "D" - Rubber
	065043-01-000	EA	Hinge Asm. - Entry Door - Lower
	065046-01-000	EA	Hinge Asm. - Entry Door - Upper
	062409-01-000	EA	Pull - Interior - Door
			Not Illustrated

1979 ITASCA TABLE OF CONTENTS

Introduction	A-1
Abbreviations	A-1
Alphabetical Index	A-2 - A-4
IC420RG	A-5 - B-16
IC524RH	B-17 - D-6
IC525RB	D-7 - E-20
IC625DB	E-21 - G-6

1979 IC625DB INDEX

Floor Plan	E-21 - E-22
Accessories Group	E-23 - E-24
Bath Group	F-1 - F-2
Chassis Group	F-3
Curtain, Cushion & Pad Group	F-4 - F-6
Dinette Group	F-7
Driver's Compartment Group	F-7
Electrical Group	F-8 - F-10
Exterior Body Group	F-11 - F-14
Galley Group	F-15
Heating & Air Conditioning Group	F-16
Interior Finish Group	F-17 - F-18
LP Group	F-19
Lounge Group	F-19
Water & Sewage Group	F-20
Window, Vent & Exterior Door Group	F-21 - G-6

WINDOW, VENT AND EXTERIOR DOOR GROUP (CONTINUED)

ACCESS DOORS

Key	Part Number	U/M	Description
	057096-01-000	EA	Door Asm. - Power Cord w/Hatch - Off White
	052950-03-700	EA	Lock Asm. - Twist Type w/Clip - White (Power Cord)
	047233-02-000	EA	Door Asm. - Luggage - 35" x 12 3/4" - Off White - w/Key Lock
	054271-02-000	EA	Door Asm. - Refrigerator Access - Off White w/Twist Lock
	052179-07-000	EA	Door Asm. - Generator - Off White w/Twist Lock
	052161-01-000	EA	Baffle - Generator Door
	052009-01-000	EA	Door - Water Heater - Off White
	016945-02-000	EA	Holder Asm. - Luggage or Battery Door
	047305-01-000	EA	Lock Asm. - Key Type w/Clip
	042441-01-000	EA	Lock Asm. - Key Type (Gas Fill)
	061187-01-000	EA	Door Asm. - Fuel Fill - Off White w/Key Lock
	059965-01-000	EA	Lock Asm. - Key Type - Fuel Fill
	058199-01-000	EA	Door Asm. - Valance - 23.68" x 9.66" - Off White w/Turn Lock
	058199-02-000	EA	Door Asm. - Valance - 23.68" x 9.66" - Off White - w/Key Lock
	058199-03-000	EA	Door Asm. - Valance - 27.68" x 11.26" - Off White w/Turn Lock
	009118-01-000	EA	Lock Asm. - Twist Type - Metal
	059965-01-000	EA	Lock Asm. - Key Type - Valance Door

VENTS

Key	Part Number	U/M	Description
	009407-01-000	EA	Frame - Base - Refrigerator Vent (w/o cover)
	039778-01-000	EA	Cover - Vent - Refrigerator - Plastic
	049352-01-000	EA	Vent - Stove Hood - Outside - Off White

WINDOWS

Key	Part Number	U/M	Description
	054556-01-000	EA	Glass - Wingwall Transition Panel
	058044-01-000	FT	Weatherseal - Wingwall Transition Panel
	054557-01-000	EA	Glass - Upper Front Cap
	056903-01-000	FT	Weatherstrip - Upper Front Cap

1979 ITASCA TABLE OF CONTENTS

Introduction	A-1
Abbreviations	A-1
Alphabetical Index	A-2 - A-4
IC420RG	A-5 - B-16
IC524RH	B-17 - D-6
IC525RB	D-7 - E-20
IC625DB	E-21 - G-6

1979 IC625DB INDEX

Floor Plan	E-21 - E-22
Accessories Group	E-23 - E-24
Bath Group	F-1 - F-2
Chassis Group	F-3
Curtain, Cushion & Pad Group	F-4 - F-6
Dinette Group	F-7
Driver's Compartment Group	F-7
Electrical Group	F-8 - F-10
Exterior Body Group	F-11 - F-14
Galley Group	F-15
Heating & Air Conditioning Group	F-16
Interior Finish Group	F-17 - F-18
LP Group	F-19
Lounge Group	F-19
Water & Sewage Group	F-20
Window, Vent & Exterior Door Group	F-21 - G-6