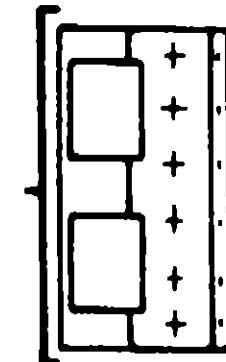
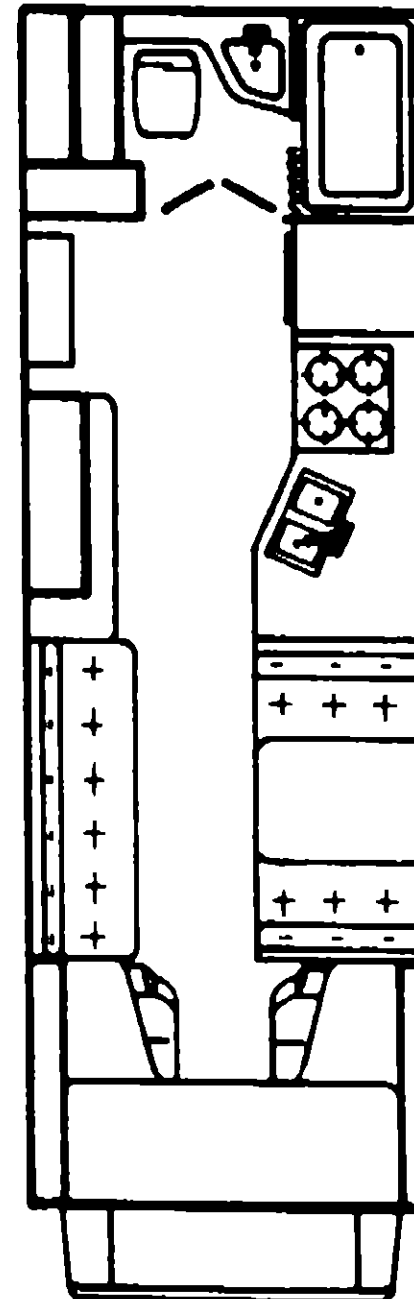
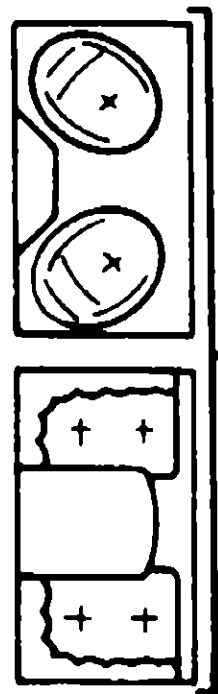


1979 IC525RB



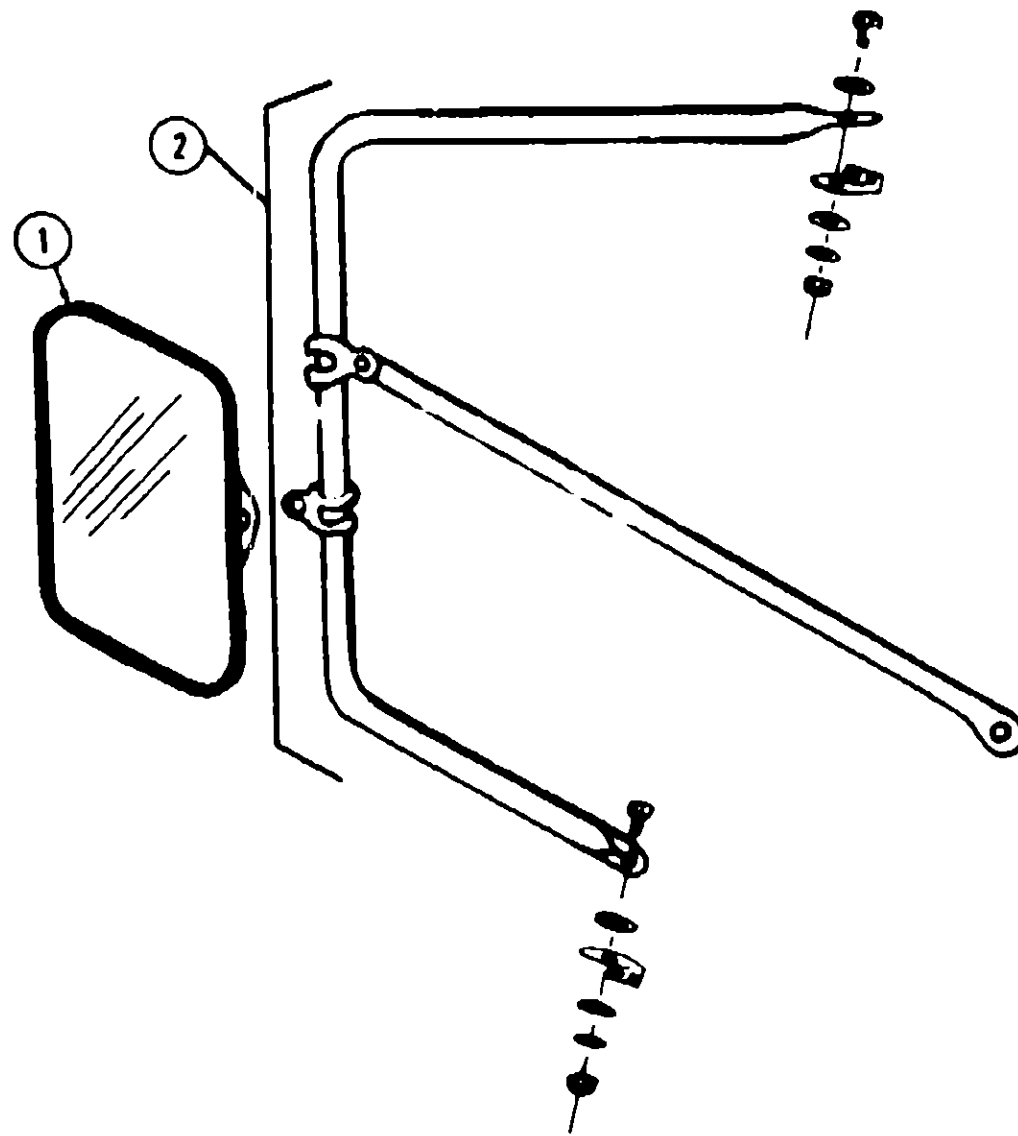
1979 ITASCA TABLE OF CONTENTS

Introduction	A-1
Abbreviations	A-1
Alphabetical Index	A-2 - A-4
IC420RG	A-6 - B-16
IC524RH	B-17 - D-6
IC525RB	D-7 - E-30
IC625DB	E-21 - G-6

1979 IC525RB INDEX

Floor Plan	D-7 - D-8
Accessories Group	D-9 - D-10
Bath Group	D-11 - D-12
Chassis Group	D-13
Curtain, Cushion and Pad Group	D-14 - D-16
Dinette Group	D-18
Driver's Compartment Group	D-20
Electrical Group	D-21 - D-22
Exterior Body Group	D-23 - E-2
Galley Group	E-3
Heating & Air Conditioning Group	E-4
Interior Finish Group	E-5 - E-6
LP Group	E-7
Lounge Group	E-8
Water & Sewage Group	E-9
Window, Vent & Exterior Door Group	E-10 - E-30

ACCESSORIES GROUP



Key	Part Number	U/M	Description
1	057461-01-000	EA	Mirror Head - 7 1/2" x 10 1/2" - w/Convex
2	049349-01-000	EA	Arm - West Coast Mirror - Stainless Steel

ACCESSORIES GROUP (CONTINUED)

RADIOS AND RELATED COMPONENTS

Key	Part Number	U/M	Description
	049730-01-000	EA	Radio - Clarion - AM - w/Fader Switch
	049731-01-000	EA	Radio - Clarion - AM/FM/MPX - w/Fader Switch
	049732-01-000	EA	Radio - Clarion - AM/FM/MPX/8-Track - w/Fader Switch
	050785-01-000	EA	Switch - Rear Volume Control
	007004-01-000	EA	Antenna - Radio - Cab Mount
	052774-01-000	EA	Radio - CB - 40 Channel - Hy Gain 9
	048153-01-000	EA	Antenna - CB - Camper Style
	053788-01-000	EA	Speaker - Recessed - 5 1/4" - 10 oz.
	055299-01-000	EA	Grille - Speaker - 5 1/4"
	058458-01-000	EA	Speaker - 4" x 6" - Oval

MISCELLANEOUS ACCESSORIES

Key	Part Number	U/M	Description
**	054429-01-000	EA	Generator - 4.0 kw - Onan
	701829-02-000	EA	Package - Onan Installation
	052814-01-000	EA	Tailpipe - Generator - 90° - 1 1/2" O.D.
	054426-01-000	EA	Muffler - Generator - w/Arrestor
	740313-58-000	EA	Tray - Generator - 4.0 - 5.0 kw - Onan
	048380-07-000	EA	Overhead Console
	050015-01-000	EA	Bracket Overhead Console
	058254-01-000	EA	Ladder Asm. - w/Luggage Rack
	058254-02-000	EA	Ladder Asm. Only
	008053-01-000	EA	Antenna - TV - Braund Delux
	008053-01-700	EA	Repair Parts Kits - Braund TV Antenna
	008083-01-000	EA	Jack - TV - Brown
	052771-01-000	EA	Oven - Microwave - Magic Chef 207-4
	006113-01-000	EA	Jack - Hydraulic - 5 Ton
	040089-01-000	EA	Mat - Door - Black Rubber - 10 1/2" x 26"
	041944-01-700	EA	Fire Extinguisher - Dry Chemical w/Bracket
	054185-04-000	EA	Owner's Manual - 1979 Itasca
	047389-01-700	EA	Battery - 12V - 105 Amp. - Deep Cycle - Dry
	057899-01-000	EA	Battery - 12V - Maintenance Free - Delco
	017516-01-000	EA	Mud Flap - Black - 14" x 18" w/Holes
	052241-03-000	EA	Cover - Spare Tire - Gray Plastic
	052185-03-000	EA	Shock Cord - Rubber - 24" - Tire Cover
**	031386-03-000	EA	Wheel Cover - 16.5" - Chrome
	058779-01-000	EA	Speed Control - Electric - Chev. - Dana
	041846-01-000	EA	Luggage Carrier Asm. - Roof Mounted
	039881-01-000	EA	Catch and Strike - Luggage Carrier
	058334-01-000	EA	Wastebasket - 9 3/4" x 7" x 10" - White - Rubbermaid

**The illustrated parts breakdown for this item is provided on the Common Items Fiche.

1979 ITASCA TABLE OF CONTENTS

Introduction	A-1
Abbreviations	A-1
Alphabetical Index	A-2 - A-4
IC420RG	A-5 - B-16
IC524RH	B-17 - D-6
IC525RB	D-7 - E-20
IC825DB	E-21 - G-6

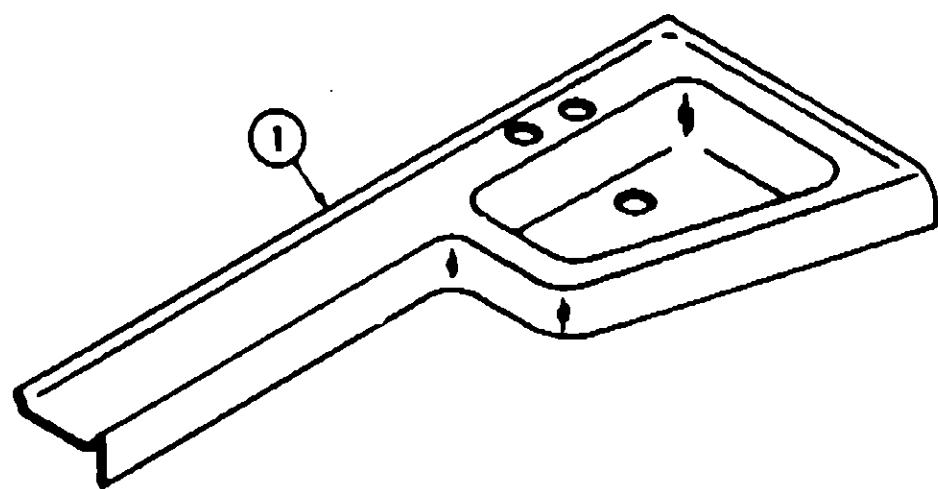
1979 IC525RB INDEX

Floor Plan	D-7 - D-8
Accessories Group	D-9 - D-10
Bath Group	D-11 - D-12
Chassis Group	D-13
Curtain, Cushion and Pad Group	D-14 - D-18
Dinette Group	D-19
Driver's Compartment Group	D-20
Electrical Group	D-21 - D-22
Exterior Body Group	D-23 - E-2
Galley Group	E-3
Heating & Air Conditioning Group	E-4
Interior Finish Group	E-5 - E-6
LP Group	E-7
Lounge Group	E-8
Water & Sewage Group	E-9
Window, Vent & Exterior Door Group	E-10 - E-20

BATH GROUP

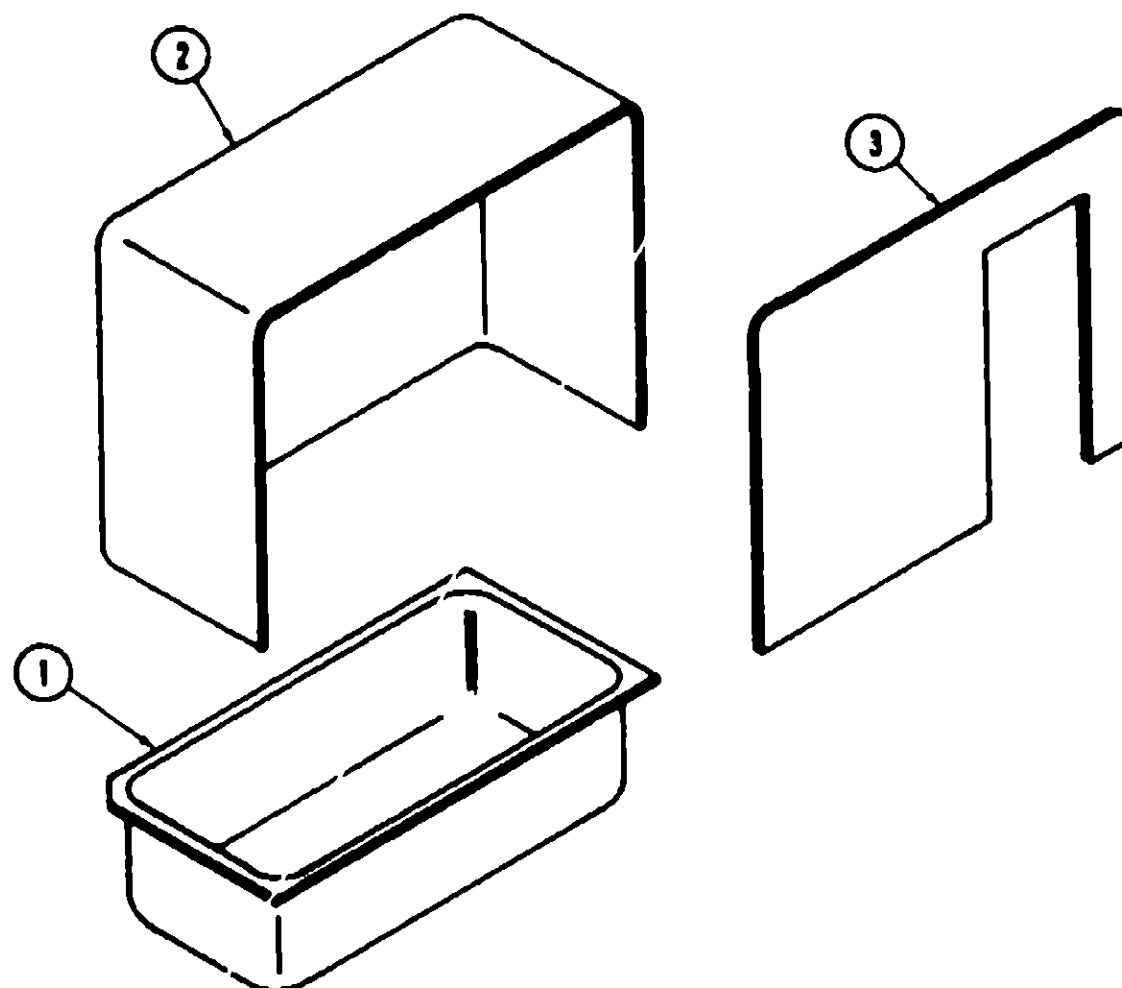
Key	Part Number	U/M	Description
	058574-01-K11	EA	Cabinet Asm. - Vanity - w/o Top, Doors or Hardware
	058082-15-K11	EA	Door Asm. - Vanity Cabinet - 12.52" x 19.52" - w/o Hardware
	058082-18-K11	EA	Door Asm. - Wardrobe Cabinet - 18.82" x 58.52" - w/o Hardware
	058082-13-K11	EA	Door Asm. - Wardrobe Cabinet - 18.52" x 53.82" - w/o Hardware
	058842-02-K11	EA	Door Asm. - Bath Cabinet - w/Mirror - 15.10" x 55.15" - w/o Hardware
	358331-02-000	EA	Mirror - Tempered Glass - 12" x 36"
	058913-02-K11	EA	Drawer Asm. - Wardrobe Cabinet - 20.8" x 6" x 8.63" Deep - w/o Hardware
	058580-01-K11	EA	Panel Asm. - Folding Door (2 used per door)
	058344-01-000	EA	Hardware Package - Folding Door
	058344-02-000	EA	Steel Track - Folding Door
	052563-01-000	EA	Towel Rack Asm. - Mounts on Door
	053130-02-000	EA	Medicine Cabinet - Jensen - 43.5" Wide
	053130-02-700	EA	Mirror - Medicine Cabinet - 35 1/2 x 15"
	053130-02-701	EA	Frame - Mirror - Medicine Cabinet
	053130-02-702	EA	Catch - Door - Medicine Cabinet
	053130-02-703	EA	Switch - Medicine Cabinet
	038010-01-000	EA	Bulb - 1143
	053280-01-000	EA	Trim - Shower Door - Bottom
	053261-01-000	EA	Trim - Shower Door - Left
	053262-01-000	EA	Trim - Shower Door - Right
	057534-01-000	EA	Tie Back - BiFold Doors - 6" - Clear Plastic
	009134-01-000	EA	Holder - Tissue
**	011058-01-000	EA	Faucet - Lavatory
**	011083-01-000	EA	Plug w/Chain - 1 1/4"
**	011048-01-000	EA	Shower Head - w/60" Hose
**	011070-01-000	EA	Tailpiece - 1 1/4" x 6" - Brass
**	011088-01-000	EA	Strainer - Shower Pan
**	031558-01-000	EA	Faucet - Tub and Shower
**	038341-02-000	EA	Toilet - Theford Aqua Magic SH - Ivory

** The illustrated parts breakdown for this item is provided on the Common Items Fiche.



Key	Part Number	U/M	Description
1	042175-01-000	EA	Lavatory Top

BATH GROUP (CONTINUED)



Key	Part Number	U/M	Description
1	041826-01-000	EA	Bathtub - Bottom - Ivory Plastic
2	041853-01-000	EA	Bathtub - Rear - Ivory Plastic
3	041852-01-000	EA	Bathtub - Front - Ivory Plastic

1979 ITASCA TABLE OF CONTENTS

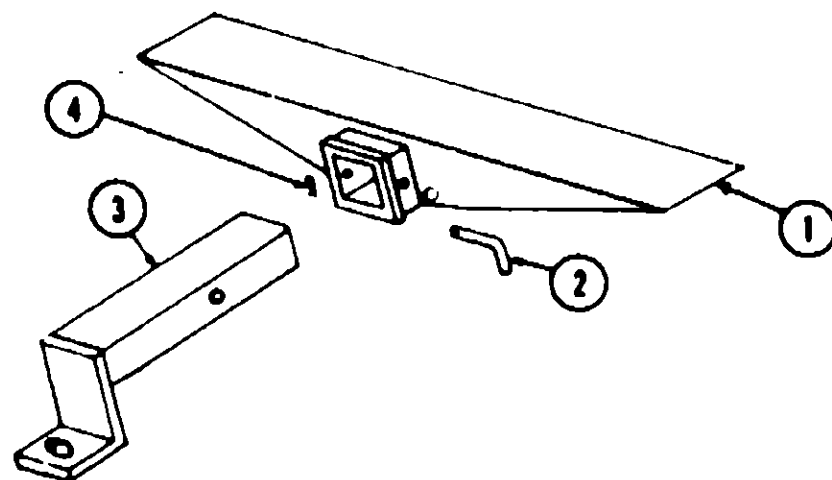
Introduction	A-1
Abbreviations	A-1
Alphabetical Index	A-2 - A-4
IC420RG	A-5 - B-16
IC524RH	B-17 - D-6
IC525RB	D-7 - E-20
IC625DB	E-21 - G-6

1979 IC525RB INDEX

Floor Plan	D-7 - D-8
Accessories Group	D-9 - D-10
Bath Group	D-11 - D-12
Chassis Group	D-13
Curtain, Cushion and Pad Group	D-14 - D-18
Dinette Group	D-19
Driver's Compartment Group	D-20
Electrical Group	D-21 - D-22
Exterior Body Group	D-23 - E-2
Galley Group	E-3
Heating & Air Conditioning Group	E-4
Interior Finish Group	E-5 - E-6
LP Group	E-7
Lounge Group	E-8
Water & Sewage Group	E-9
Window, Vent & Exterior Door Group	E-10 - E-20

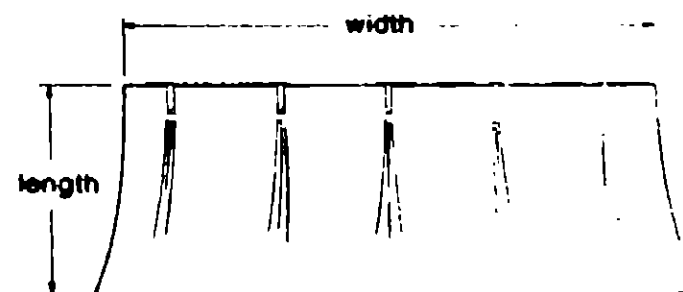
CHASSIS GROUP

Key	Part Number	U/M	Description
	055080-01-000	EA	Wheel Well - Plastic - Left or Right Rear
	081411-01-000	EA	Tail Pipe Extension - 2" O.D. x 10"
	007125-05-000	EA	Clamp Asm. - Muffler - 2" Dia.
	053249-01-000	EA	Tray - Battery - 19.38" x 22"
	057822-01-000	EA	Tray - Battery - 13.50" x 19.25"
	051897-01-000	EA	Bracket - Battery Tie Down
	024652-01-700	EA	Step Asm. - Coach Entry Door
	048912-01-000	EA	Step Asm. Assist - Cab
	017516-01-000	EA	Mud Flap - 14" x 18" - w/Holes
	044763-01-000	EA	Splashguard - Front - Black Rubber
	057046-01-000	EA	Bumper - Rear - Alum. - 93"
	048785-01-000	EA	Bumper - Rear - Chrome Steel - 93"
	058889-04-000	EA	Bracket Asm. - Rear Bumper
	039779-01-000	EA	Cap - Rubber - 4" x 4"
	058870-01-000	EA	Bracket - Tire Carrier
	049750-01-000	EA	Shroud - Fuel Fill - Inside Coach
	024141-01-000	FT	Hose - Fuel - Rubber - 1/2" I.D.
	007137-01-000	EA	Clamp - Hose - Worm Gear - 1 5/16" to 2 1/4"



Key	Part Number	U/M	Description
1	023895-01-000	EA	Hitch - w/o Drawbar
2	034512-01-000	EA	Pin - Locking - Drawbar
3	023890-01-000	EA	Drawbar Asm. - Trailer Hitch - Primed
4	034513-01-000	EA	Pin Hitch - 3/16" Wire Spring

CURTAIN, CUSHION AND PAD GROUP



NOTE:

Use this illustration when determining length and width measurements for curtains. You will note the width measurement is taken on the top of the curtain with the curtain fully extended. The length measurement is taken from top to bottom.

CURTAINS AND TIE BACKS

Key	Part Number	U/M	Description
	054051-01-758	EA	Curtain Kit - White
	054051-01-759	EA	Curtain Kit - Ivory
	054045-03-K11	EA	Curtain w/Snaps Top and Bottom - 17.5" x 42" - White
	054051-11-K11	EA	Curtain w/Snap Top - 32" x 96" - White
	054103-01-K11	EA	Curtain w/Snap Top - 15.5" x 42" - White
	058900-02-K11	EA	Curtain w/Snap Top - Wraparound - 23" x 64" - White
	054048-05-K11	EA	Tie Back - Curtain - 2" x 18" - White

SHADES

Key	Part Number	U/M	Description
	059547-02-000	EA	Shade - Woven Wood - 29" x 69" - Gray
	059547-08-000	EA	Shade - Woven Wood - 29" x 69" - Rust
	059547-14-000	EA	Shade - Woven Wood - 29" x 69" - Brown
	059547-04-000	EA	Shade - Woven Wood - 27" x 40" - Gray
	059547-10-000	EA	Shade - Woven Wood - 27" x 40" - Rust
	059547-16-000	EA	Shade - Woven Wood - 27" x 40" - Brown
	059547-06-000	EA	Shade - Woven Wood - 29" x 17" - Gray
	059547-12-000	EA	Shade - Woven Wood - 29" x 17" - Rust
	059547-18-000	EA	Shade - Woven Wood - 29" x 17" - Brown

FABRICS AND TRIMS

Key	Part Number	U/M	Description
	058333-02-000	YD	Fabric - Drapery - White
	058338-01-000	YD	Fabric - Upholstery - Blue Green
	058338-02-000	YD	Fabric - Upholstery - Rust
	058338-03-000	YD	Fabric - Upholstery - Brown
	054676-01-K11	EA	Button Asm. - #30 Covered - Blue Green
	054676-01-K12	EA	Button Asm. - #30 Covered - Rust
	054676-01-K13	EA	Button Asm. - #30 Covered - Brown
	053327-01-000	YD	Vinyl - Non Expanded - 27 oz. - Acorn Brown
	053327-02-000	YD	Vinyl - Expanded - 28 oz. - Acorn Brown
	053327-03-000	YD	Vinyl - Non Support - 16 Gauge Film - Acorn Brown
	052859-01-J10	FT	Trim - Accent - Acorn Vinyl

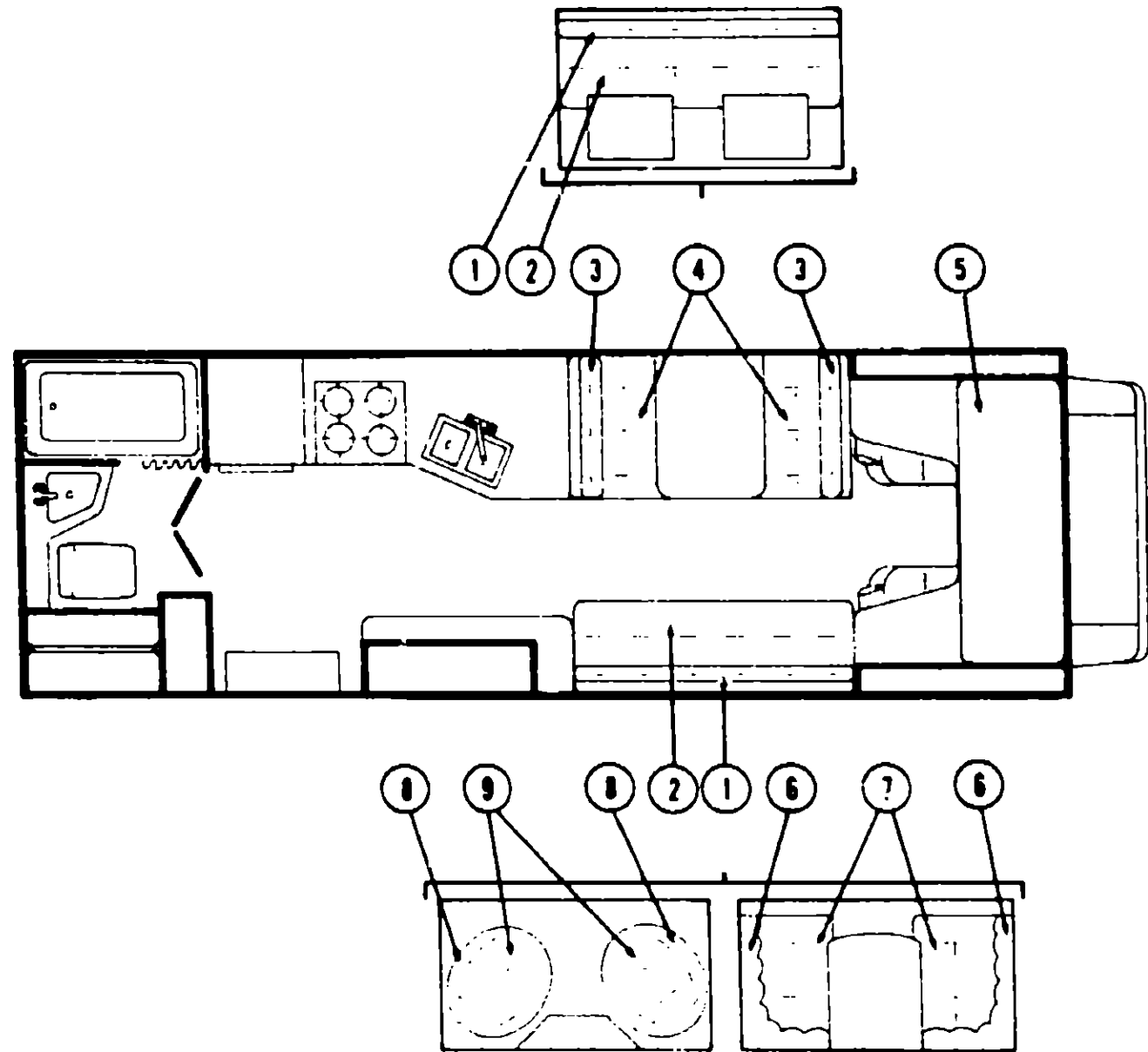
1979 ITASCA TABLE OF CONTENTS

Introduction	A-1
Abbreviations	A-1
Alphabetical Index	A-2 - A-4
IC420RG	A-5 - B-16
IC524RH	B-17 - D-6
IC525RB	D-7 - E-20
IC825DB	E-21 - G-6

1979 IC525RB INDEX

Floor Plan	D-7 - D-8
Accessories Group	D-9 - D-10
Bath Group	D-11 - D-12
Chassis Group	D-13
Curtain, Cushion & Pad Group	D-14 - D-18
Dinette Group	D-19
Driver's Compartment Group	D-20
Electrical Group	D-21 - D-22
Exterior Body Group	D-23 - E-2
Galley Group	E-3
Heating & Air Conditioning Group	E-4
Interior Finish Group	E-5 - E-6
LP Group	E-7
Lounge Group	E-8
Water & Sewage Group	E-9
Window, Vent & Exterior Door Group	E-10 - E-20

CURTAIN, CUSHION AND PAD GROUP (CONTINUED)



PRESTO BED CUSHIONS

Key	Part Number	U/M	Description
1	059083-01-K11	EA	Cushion - Presto Bed - Back - 76" - Blue Green
1	059083-01-K12	EA	Cushion - Presto Bed - Back - 76" - Rust
1	059083-01-K13	EA	Cushion - Presto Bed - Back - 76" - Brown
	062753-01-K11	EA	Cover - Presto Bed Cushion - Back - 76" - Blue Green
	062753-01-K12	EA	Cover - Presto Bed Cushion - Back - 76" - Rust
	062753-01-K13	EA	Cover - Presto Bed Cushion - Back - 76" - Brown
2	059084-01-K11	EA	Cushion - Presto Bed - Bottom - 76" - Blue Green
2	059084-01-K12	EA	Cushion - Presto Bed - Bottom - 76" - Rust
2	059084-01-K13	EA	Cushion - Presto Bed - Bottom - 76" - Brown
	062753-02-K11	EA	Cover - Presto Bed Cushion - Bottom - 76" - Blue Green
	062753-02-K12	EA	Cover - Presto Bed Cushion - Bottom - 76" - Rust
	062753-02-K13	EA	Cover - Presto Bed Cushion - Bottom - 76" - Brown

CURTAIN, CUSHION AND PAD GROUP (CONTINUED)

DINETTE SEAT CUSHIONS

Key	Part Number	U/M	Description
3	058913-03-K11	EA	Cushion - Dinette Seat - Back - 19.2" x 38" x 5" - Blue Green
3	058913-03-K12	EA	Cushion - Dinette Seat - Back - 19.2" x 38" x 5" - Rust
3	058913-03-K13	EA	Cushion - Dinette Seat - Back - 19.2" x 38" x 5" - Brown
	058914-03-K11	EA	Cover - Dinette Seat Cushion - Back - 19.2" x 38" x 5" - Blue Green
	058914-03-K12	EA	Cover - Dinette Seat Cushion - Back - 19.2" x 38" x 5" - Rust
	058914-03-K13	EA	Cover - Dinette Seat Cushion - Back - 19.2" x 38" x 5" - Brown
4	058913-04-K11	EA	Cushion - Dinette Seat - Bottom - 17.5" x 38" x 5" - Blue Green
4	058913-04-K12	EA	Cushion - Dinette Seat - Bottom - 17.5" x 38" x 5" - Rust
4	058913-04-K13	EA	Cushion - Dinette Seat - Bottom - 17.5" x 38" x 5" - Brown
	058914-04-K11	EA	Cover - Dinette Seat Cushion - Bottom - 17.5" x 38" x 5" - Blue Green
	058914-04-K12	EA	Cover - Dinette Seat Cushion - Bottom - 17.5" x 38" x 5" - Rust
	058914-04-K13	EA	Cover - Dinette Seat Cushion - Bottom - 17.5" x 38" x 5" - Brown

FRONT OVERHEAD BUNK CUSHIONS

Key	Part Number	U/M	Description
5	058897-02-K11	EA	Cushion - Bunk - Two Fold - 22.5" x 29.5" x 76" x 5" - Blue Green
5	058897-02-K12	EA	Cushion - Bunk - Two Fold - 22.5" x 29.5" x 76" x 5" - Rust
5	058897-02-K13	EA	Cushion - Bunk - Two Fold - 22.5" x 29.5" x 76" x 5" - Brown
	058898-02-K11	EA	Cover - Bunk Cushion - Two Fold - 22.5" x 29.5" x 76" x 5" - Blue Green
	058898-02-K12	EA	Cover - Bunk Cushion - Two Fold - 22.5" x 29.5" x 76" x 5" - Rust
	058898-02-K13	EA	Cover - Bunk Cushion - Two Fold - 22.5" x 29.5" x 76" x 5" - Brown

CORNER LOUNGE CHAIR CUSHIONS

Key	Part Number	U/M	Description
6	059742-04-K11	EA	Cushion - Lounge Chair - Back - Blue Green
6	059742-04-K12	EA	Cushion - Lounge Chair - Back - Rust
6	059742-04-K13	EA	Cushion - Lounge Chair - Back - Brown
	059745-04-K11	EA	Cover - Lounge Chair Cushion - Back - Blue Green
	059745-04-K12	EA	Cover - Lounge Chair Cushion - Back - Rust
	059745-04-K13	EA	Cover - Lounge Chair Cushion - Back - Brown
7	059743-04-K11	EA	Cushion - Lounge Chair - Bottom - Blue Green
7	059743-04-K12	EA	Cushion - Lounge Chair - Bottom - Rust
7	059743-04-K13	EA	Cushion - Lounge Chair - Bottom - Brown
	059746-04-K11	EA	Cover - Lounge Chair Cushion - Bottom - Blue Green
	059746-04-K12	EA	Cover - Lounge Chair Cushion - Bottom - Rust
	059746-04-K13	EA	Cover - Lounge Chair Cushion - Bottom - Brown
	059744-07-K11	EA	Wedge - Lounge Chair - Right - Blue Green
	059744-07-K12	EA	Wedge - Lounge Chair - Right - Rust
	059744-07-K13	EA	Wedge - Lounge Chair - Right - Brown
	059747-07-K11	EA	Cover - Chair Wedge - Right - Blue Green
	059747-07-K12	EA	Cover - Chair Wedge - Right - Rust
	059747-07-K13	EA	Cover - Chair Wedge - Right - Brown
	059744-08-K11	EA	Wedge - Lounge Chair - Left - Blue Green
	059744-08-K12	EA	Wedge - Lounge Chair - Left - Rust
	059744-08-K13	EA	Wedge - Lounge Chair - Left - Brown
	059747-08-K11	EA	Cover - Chair Wedge - Left - Blue Green
	059747-08-K12	EA	Cover - Chair Wedge - Left - Rust
	059747-08-K13	EA	Cover - Chair Wedge - Left - Brown

SWIVEL CHAIRS

Key	Part Number	U/M	Description
8	054674-06-K11	EA	Swivel Chair - Complete - Blue Green
8	054674-06-K12	EA	Swivel Chair - Complete - Rust
8	054674-06-K13	EA	Swivel Chair - Complete - Brown
9	054700-06-K11	EA	Cushion - Swivel Chair - Blue Green
9	054700-06-K12	EA	Cushion - Swivel Chair - Rust
9	054700-06-K13	EA	Cushion - Swivel Chair - Brown
	035036-01-000	EA	Plate - Swivel Chair
	035036-02-000	EA	Base - w/Legs - Swivel Chair

**1979 ITASCA
TABLE OF CONTENTS**

Introduction	A-1
Abbreviations	A-1
Alphabetical Index	A-2 - A-4
IC420RG	A-5 - B-16
IC524RH	B-17 - D-6
IC525RB	D-7 - E-20
IC625DB	E-21 - G-6

1979 IC525RB INDEX

Floor Plan	D-7 - D-8
Accessories Group	D-9 - D-10
Bath Group	D-11 - D-12
Chassis Group	D-13
Curtain, Cushion & Pad Group	D-14 - D-18
Dinette Group	D-19
Driver's Compartment Group	D-20
Electrical Group	D-21 - D-22
Exterior Body Group	D-23 - E-2
Galley Group	E-3
Heating & Air Conditioning Group	E-4
Interior Finish Group	E-5 - E-6
LP Group	E-7
Lounge Group	E-8
Water & Sewage Group	E-9
Window, Vent & Exterior Door Group	E-10 - E-20

CURTAIN, CUSHION AND PAD GROUP (CONTINUED)

HIGHBACK BUCKET SEATS AND ARMRESTS

Key	Part Number	U/M	Description
	061830-02-K11	EA	Seat Asm. - Highback Bucket - w/Skirt and Left Armrest - Blue Green
	061830-02-K12	EA	Seat Asm. - Highback Bucket - w/Skirt and Left Armrest - Rust
	061830-02-K13	EA	Seat Asm. - Highback Bucket - w/Skirt and Left Armrest - Brown
	061830-01-K11	EA	Seat Asm. - Highback Bucket - w/Skirt and Right Armrest - Blue Green
	061830-01-K12	EA	Seat Asm. - Highback Bucket - w/Skirt and Right Armrest - Rust
	061830-01-K13	EA	Seat Asm. - Highback Bucket - w/Skirt and Right Armrest - Brown
	061838-04-K11	EA	Cover - Back - Highback Bucket - Blue Green
	061838-04-K12	EA	Cover - Back - Highback Bucket - Rust
	061838-04-K13	EA	Cover - Back - Highback Bucket - Brown
	061839-04-K11	EA	Cover - Bottom - Highback Bucket - Blue Green
	061839-04-K12	EA	Cover - Bottom - Highback Bucket - Rust
	061839-04-K13	EA	Cover - Bottom - Highback Bucket - Brown
	054650-07-K11	EA	Skirt - Single Bucket - Blue Green
	054650-07-K12	EA	Skirt - Single Bucket - Rust
	054650-07-K13	EA	Skirt - Single Bucket - Brown
	050275-01-700	EA	Armrest Asm. - Foam w/o Cover - Right
	050276-01-700	EA	Armrest Asm. - Foam w/o Cover - Left
	053357-05-K11	EA	Cover - Armrest - Right or Left - Blue Green
	053357-05-K12	EA	Cover - Armrest - Right or Left - Rust
	053357-05-K13	EA	Cover - Armrest - Right or Left - Brown

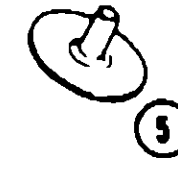
PADS

Key	Part Number	U/M	Description
	053913-03-K11	EA	Pad - Cab Pillar Support - Right - Acorn Vinyl
	053913-04-K11	EA	Pad - Cab Pillar Support - Left - Acorn Vinyl
	056051-01-K11	EA	Pad - Sleeper Board - Left - Acorn Vinyl
	056051-02-K11	EA	Pad - Sleeper Board - Right - Acorn Vinyl
	056052-01-K11	EA	Pad - Locking Pillar - Left - Acorn Vinyl
	056052-02-K11	EA	Pad - Locking Pillar - Right - Acorn Vinyl
	056053-01-K11	EA	Pad - Hinging Pillar - Right - Acorn Vinyl
	056053-02-K11	EA	Pad - Hinging Pillar - Left - Acorn Vinyl
	056054-01-K11	EA	Pad - Headliner - Left - Acorn Vinyl
	056054-02-K11	EA	Pad - Headliner - Right - Acorn Vinyl
	056567-02-K11	EA	Pad - Cab Door Panel - Right - Acorn Vinyl
	056568-02-K11	EA	Pad - Cab Door Panel - Left - Acorn Vinyl
	058551-01-K11	EA	Pad - End - Dinette Overhead Cabinet - Acorn Vinyl
	058551-03-K11	EA	Pad - End - Galley Overhead Cabinet - Acorn Vinyl
	058864-01-K11	EA	Pad - Entrance Door - Acorn Vinyl
	061430-01-K11	EA	Pad - Buffet Cabinet - Acorn Vinyl
	058551-02-K11	EA	Pad - End - Lounge Overhead - Left - Acorn Vinyl
	058551-03-K11	EA	Pad - End - Lounge Overhead - Right - Acorn Vinyl

CURTAIN, CUSHION AND PAD GROUP (CONTINUED)

CURTAIN HARDWARE

Key	Part Number	U/M	Description
	052327-04-236	EA	Track - Curtain - Brown Alum. - 89" w/Holes
	053272-04-200	EA	Track - Curtain - Off White Alum. - 89" w/Holes
	056001-01-000	EA	Bracket - Shade - Left
	056002-01-000	EA	Bracket - Shade - Right
	009107-01-000	EA	Guide - Nylon Snap - Curtain
	018031-42-000	EA	Track - Curtain - "L" Rod - Alum. Extr. - 90"
	009701-01-000	EA	Carrier - "L" Rod - Curtain
	009702-01-000	EA	End Stop - "L" Rod - Curtain



Key	Part Number	U/M	Description
1	029130-01-000	EA	Socket - Snap Fastener
2	029155-01-000	EA	Cap - Snap - .156" Dia. x .17" Barrel
3	029156-01-000	EA	Socket - Snap Fastener
4	029092-01-000	EA	Stud - Nickel Finish
5	029093-01-000	EA	Eyelet - Nickel Finish

**1979 ITASCA
TABLE OF CONTENTS**

Introduction	A-1
Abbreviations	A-1
Alphabetical Index	A-2 - A-4
IC420RG	A-5 - B-16
IC524RH	B-17 - D-6
IC525RB	D-7 - E-20
IC825DB	E-21 - G-6

1979 IC525RB INDEX

Floor Plan	D-7 - D-8
Accessories Group	D-9 - D-10
Bath Group	D-11 - D-12
Chassis Group	D-13
Curtain, Cushion & Pad Group	D-14 - D-18
Dinette Group	D-19
Driver's Compartment Group	D-20
Electrical Group	D-21 - D-22
Exterior Body Group	D-23 - E-2
Galley Group	E-3
Heating & Air Conditioning Group	E-4
Interior Finish Group	E-5 - E-6
LP Group	E-7
Lounge Group	E-8
Water & Sewage Group	E-9
Window, Vent & Exterior Door Group	E-10 - E-20

DINETTE GROUP

CONVENTIONAL DINETTE W/FOLD DO'WN TABLE AND OPPOSING BENCHES

Key	Part Number	U/M	Description
	059446-01-K11	EA	Table Asm. - Dinette - w/o Hardware - Camel Impression
	058569-01-K11	EA	Cabinet Asm. - Dinette Seat - w/o Door or Hardware - Right
	058570-01-K11	EA	Cabinet Asm. - Dinette Seat - w/o Door or Hardware - Left
	058082-14-K11	EA	Door Asm. - Dinette Seat Cabinet - 15.90" x 12.05" - w/o Hardware
**	047809-03-000	EA	Kit - Wall Mount Hardware - Dinette Table
**	047842-01-000	EA	Kit - Dinette Table Leg - Brown
	058568-01-K11	EA	Cabinet Asm. - Dinette Overhead - w/o Doors or Hardware
	059092-21-K11	EA	Door Asm. - Dinette Overhead Cabinet - 10.10" x 27.05" - w/o Hardware

DINETTE W/COUCH AND TWIN PEDESTAL TABLES

Key	Part Number	U/M	Description
	053203-07-K11	EA	Table Asm. - Pedestal - w/o Hardware - Camel Impression
	009040-02-000	EA	Leg - Pedestal Table - 27.5" x 2.25" O.D. - Chrome
	009040-03-000	EA	Base - Table Leg - Mounts on Table
	041194-01-000	EA	Base - Table Leg - Recessed in Floor
	057620-01-K11	EA	Panel - Couch Front
	057818-01-K11	EA	End Panel - Sprung Couch
	057468-02-000	EA	Frame - Sprung Couch - Right
	057468-03-000	EA	Frame - Sprung Couch - Left
	057468-04-000	EA	Frame Rails - Sprung Couch (2 per couch)
	057468-02-000	EA	Leg Asm. - Sprung Couch - Right
	057468-03-000	EA	Leg Asm. - Sprung Couch - Left

DRIVER'S COMPARTMENT GROUP

Key	Part Number	U/M	Description
	049043-01-000	EA	Pedestal - Complete - Swivel Seat
	007222-01-000	EA	Belt Asm. - Seat - 2" x 80" - Black
	041332-01-000	EA	Washer - Flat - 15/32" I.D. x 2 3/8" O.D.
	049380-03-000	EA	Console - Overhead - w/o Gauges or Switches
	031035-01-000	EA	Gauge - Hourmeter - Generator
	024976-01-000	EA	Switch - Generator - w/o Circuit Board
	024462-01-000	EA	Switch - Battery Condition
	046885-01-000	EA	Plaque - Mounting - Battery Switch
	024461-01-000	EA	Switch - Battery Changeover
	050015-01-000	EA	Bracket - Overhead Console
	052367-01-000	EA	Lighter Asm. - Cigarette
	007041-01-000	EA	Bezel - Cigarette Lighter
	039839-01-000	EA	Bezel - Transmission Control
	052577-01-000	EA	Gauge - Voltmeter w/Bracket
	064143-01-000	EA	Door Asm. - Front Overhead - 22.3" x 5.4"

1979 ITASCA TABLE OF CONTENTS

Introduction	A-1
Abbreviations	A-1
Alphabetical Index	A-2 - A-4
IC420RG	A-5 - B-16
IC524RH	B-17 - D-6
IC525RB	D-7 - E-20
IC6250B	E-21 - G-6

1979 IC525RB INDEX

Floor Plan	D-7 - D-8
Accessories Group	D-9 - D-10
Bath Group	D-11 - D-12
Chassis Group	D-13
Curtain, Cushion & Pad Group	D-14 - D-18
Dinette Group	D-19
Driver's Compartment Group	D-20
Electrical Group	D-21 - D-22
Exterior Body Group	D-23 - E-2
Galley Group	E-3
Heating & Air Conditioning Group	E-4
Interior Finish Group	E-5 - E-6
LP Group	E-7
Lounge Group	E-8
Water & Sewage Group	E-9
Window, Vent. & Exterior Door Group	E-10 - E-20

ELECTRICAL GROUP

BULBS

Key	Part Number	U/M	Description
	037935-01-000	EA	Bulb - 1157
	038010-01-000	EA	Bulb - 1143
	008103-01-000	EA	Bulb - 53
	008213-01-000	EA	Bulb - 57
	008214-01-000	EA	Bulb - 67
	008215-01-000	EA	Bulb - 1003
	008218-01-000	EA	Bulb - 1034
	008217-01-000	EA	Bulb - 1073
	008218-01-000	EA	Bulb - 1141
	008219-01-000	EA	Bulb - 656
	008220-01-000	EA	Bulb - 12V - 25W
	038196-01-000	EA	Bulb - 194
	700020-01-000	EA	Bulb - 12V - 20W - 1383

FUSES AND CIRCUIT BREAKERS

Key	Part Number	U/M	Description
	058473-01-000	EA	Fuse - Slow Blow - 6 1/4 Amp.
	008233-01-000	EA	Fuse - 12 Volt - 6 Amp.
	008234-01-000	EA	Fuse - 12 Volt - 10 Amp.
	008235-01-000	EA	Fuse - 12 Volt - 15 Amp.
	008236-01-000	EA	Fuse - 12 Volt - 20 Amp.
	008248-01-000	EA	Fuse - 110 Volt - 30 Amp. - AGU
	008252-01-000	EA	Fuse - 110 Volt - 50 Amp.
	008206-01-000	EA	Circuit Breaker - 12 Volt - 40 Amp.
	008211-01-000	EA	Circuit Breaker - 12 Volt - 6 Amp.
	008268-01-000	EA	Circuit Breaker - 12 Volt - 30 Amp. w/Mount
	033573-01-000	EA	Circuit Breaker - 12 Volt - 20 Amp. w/Mount
	040051-01-000	EA	Circuit Breaker - 110 Volt - 20 Amp. - TQL

INTERIOR LIGHTS

Key	Part Number	U/M	Description
	024418-01-000	EA	Lamp Asm. - Map/Gauge/Isle
	024473-01-000	EA	Light - Aircraft - 1 Bulb - Gold
	033508-02-000	EA	Light - Dome - Ivory - 1 Bulb - U.S.
	033508-03-000	EA	Light - Dome - Ivory - 1 Bulb - CSA
	024842-01-701	EA	Lens - Dome Light - 1 Bulb
	033509-02-000	EA	Light - Dome - Ivory - 2 Bulb - U.S.
	033509-03-000	EA	Light - Dome - Ivory - 2 Bulb - C.S.A.
	024843-01-701	EA	Lens - Dome Light - 2 Bulb
	053346-01-000	EA	Light - High Intensity - Brown Plastic

ELECTRICAL GROUP (CONTINUED)

EXTERIOR LIGHTS

Key	Part Number	U/M	Description
	048817-01-000	EA	Handle Asm. - Assist w/Light
	007309-01-000	EA	Light - Step Well
	058030-01-000	EA	Tail Lamp Asm. - 3 Bulb - Chrome - Right
	058030-02-000	EA	Tail Lamp Asm. - 3 Bulb - Chrome - Left
	058030-01-700	EA	Lens - Tail Lamp - Red
	058030-01-701	EA	Lens - Tail Lamp - Back Up
	059036-01-000	EA	Bracket - Tail Lamp
	059540-01-000	EA	Bracket - License Plate
	058958-01-000	EA	Wedge - Tail Lamp - Left
	058958-03-000	EA	Wedge - Tail Lamp - Right
	042405-03-000	EA	Base - Rectangular Clearance Light
	042405-04-000	EA	Lens - Clearance Light - Red
	042405-05-000	EA	Lens - Clearance Light - Amber

WIRE, SWITCHES AND RECEPTACLES

Key	Part Number	U/M	Description
	008024-01-000	FT	Wire - 18.5 Bonded - Orange/White/Yellow/Blue/Brown
	008025-01-000	FT	Wire - 18.5 Bonded - Orange/White/Yellow/Blue/Green
	008028-01-000	FT	Wire - 18.5 Bonded - Blue/Red/Yellow/Orange/White
	008030-01-000	FT	Wire - 18.4 Bonded
	008251-01-000	EA	Holder - Fuse - Black - Screw Type
	008277-01-000	EA	Holder - Fuse - Black - Panel Mount
	008195-01-000	EA	Switch - Push Button - 12 Volt
	008077-01-000	EA	Plaque - Compressor Switch
	008054-01-000	EA	Cord - Power - 10-3 30 Amp. - 25' - UL
	034818-04-000	EA	Holder - Receptacle - Plastic
	039338-01-000	EA	Cover Plate - Receptacle - Plastic - Brown
	039342-01-000	EA	Receptacle - Duplex Brown - T Junction
	024571-01-000	EA	Cover Plate - Receptacle - Jumbo Steel Brown
	039343-01-000	EA	Cap - End - Receptacle
	008162-01-000	EA	Switch - Double Toggle - Spade Brown
	008163-01-000	EA	Switch - Toggle Brown
	008164-01-000	EA	Cover Plate - Switch - Brown
	024924-01-000	EA	Receptacle - Power Cord
	008058-01-000	EA	Adaptor - Power Cord
	047353-01-000	EA	Cover - Receptacle - Ground Fault
	047351-01-000	EA	Receptacle - Ground Fault Interrupter - 125 Volt, Black
	058707-01-000	EA	Receptacle - Single - Brown - Thomas & Belts
	058708-01-000	EA	Receptacle - Duplex - Brown - Thomas & Belts

MISCELLANEOUS ELECTRICAL COMPONENTS

Key	Part Number	U/M	Description
	047338-01-000	EA	Isolator - Dual Battery
	047389-01-700	EA	Battery - 12 Volt - 105 Amp. Deep Cycle - Dry
	008188-01-000	EA	Solenoid - Dual Battery - Relay
	046775-01-000	EA	Valve - Gas - Change Over
	039950-02-000	EA	Control Center - 30 Amp. w/Door - UL
	031720-01-000	EA	Spacer - Receptacle - Brown Plastic - CSA
	039960-01-702	EA	Circuit Board - Control Center
	039961-01-000	EA	Sending Unit Kit - Wemac
	052577-01-000	EA	Gauge - Voltmeter - w/Bracket
	024462-01-000	EA	Switch - Battery Condition
	031035-01-000	EA	Gauge - Hour Meter - Generator
	024976-01-000	EA	Switch - Generator w/o Circuit Board
	024480-01-000	EA	Gauge Vacuum
	054544-01-000	EA	Control Center - 37 Amp.
	024461-01-000	EA	Switch - Battery - Changeover
	046885-01-000	EA	Plaque - Switch Mounting
	046812-01-000	EA	Control Panel - Water/Double Sewage - Wemac w/Thermostat
	046812-02-000	EA	Control Panel - Water/Double Sewage - Wemac w/o Thermostat
	046812-03-000	EA	Control Panel - Water/Double Sewage - Wemac - w/LP, Refrigerator, Clock

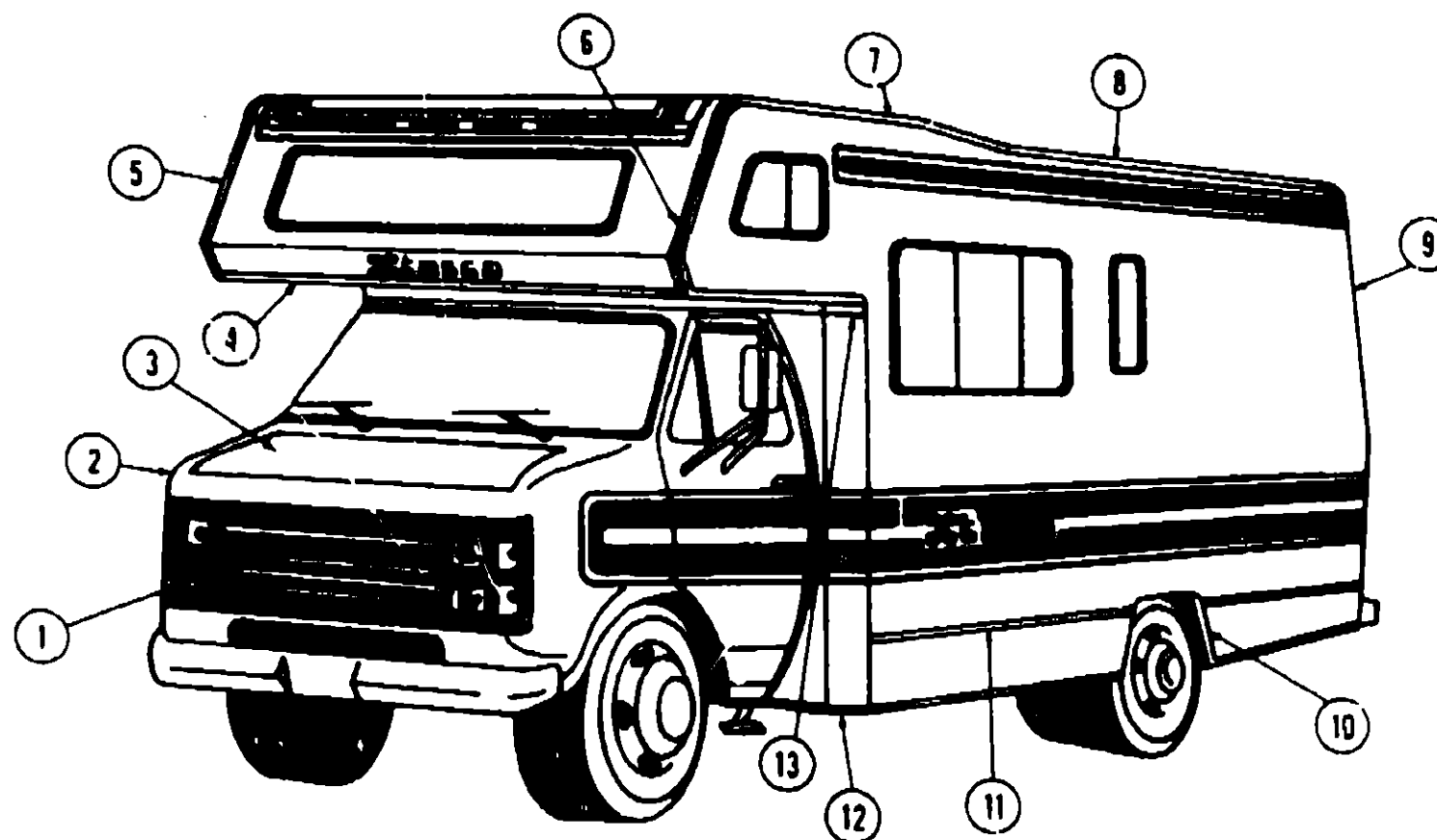
**1979 ITASCA
TABLE OF CONTENTS**

Introduction	A-1
Abbreviations	A-1
Alphabetical Index	A-2 - A-4
IC420RG	A-5 - B-16
IC524RH	B-17 - D-6
IC525RB	D-7 - E-20
IC825DB	E-21 - G-6

1979 IC525RB INDEX

Floor Plan	D-7 - D-8
Accessories Group	D-9 - D-10
Bath Group	D-11 - D-12
Chassis Group	D-13
Curtain, Cushion & Pad Group	D-14 - D-18
Dinette Group	D-19
Driver's Compartment Group	D-20
Electrical Group	D-21 - D-22
Exterior Body Group	D-23 - E-2
Galley Group	E-3
Heating & Air Conditioning Group	E-4
Interior Finish Group	E-5 - E-6
LP Group	E-7
Lounge Group	E-8
Water & Sewage Group	E-9
Window, Vent & Exterior Door Group	E-10 - E-20

EXTERIOR BODY GROUP



1979 ITASCA TABLE OF CONTENTS

Introduction	A-1
Abbreviations	A-1
Alphabetical Index	A-2 - A-4
IC420RG	A-5 - B-16
IC524RH	B-17 - D-6
IC525RB	D-7 - E-20
IC625DB	E-21 - G-6

Key	Part Number	U/M	Description
1	052847-01-000	EA	Grille Asm.
2	058360-01-000	EA	Front End Asm. - Fiberglass - Includes Hood w/o Front Grille
•	054863-01-000	EA	Panel - Wheel House - Front Half - Left
•	054863-02-000	EA	Panel - Wheel House - Front Half - Right
•	054866-02-000	EA	Panel - Lower Grille - Valance - Gray
3	058361-02-000	EA	Hood Asm.
•	057896-01-000	EA	Hinge Asm. - Hood
•	007160-01-000	EA	Gasket - Tire Carcass - 3/16" x 2" x 2"
•	049185-01-000	EA	Capsule Asm. - Headlamp Rectangular - Left - High/Low Beam
•	049186-01-000	EA	Capsule Asm. - Headlamp Rectangular - Right - High/Low Beam
•	049187-01-000	EA	Capsule Asm. - Headlamp Rectangular - Left - High Beam
•	049188-01-000	EA	Capsule Asm. - Headlamp Rectangular - Right - Highbeam
•	050030-01-000	EA	Housing Asm. - Headlamp
•	054901-01-000	EA	Bezel - Headlamp - Left
•	054901-02-000	EA	Bezel - Headlamp - Right
4	039644-06-000	EA	Trim - Sleeper Board
5	039635-06-000	EA	Trim - Contour - Sleeper Section - Right - Gray
6	039635-05-000	EA	Trim - Contour - Sleeper Section - Left - Gray
7	039634-05-000	EA	Trim - Contour - Roof - Left - Gray
•	039634-06-000	EA	Trim - Contour - Roof - Right - Gray

Key	Part Number	U/M	Description
8	034922-19-000	EA	Trim - Sidewall/Roof - Upper - Left or Right - Gray
9	039984-06-000	EA	Trim - Contour - Backwall - Left - Gray
•	039984-05-000	EA	Trim - Contour - Backwall - Right - Gray
10	039624-05-000	EA	Trim - Wheel Well - Rear - Left or Right
11	002444-02-001	EA	Feature Strip - Extr. Alum. - 14' w/o Insert
•	001030-11-100	EA	Insert - Feature Strip - Gray - 17'
•	009731-01-000	EA	End Cap - Feature Strip
12	058248-01-000	EA	Trim - Wingwall - Bottom Left
•	058248-02-000	EA	Trim - Wingwall - Bottom Right
13	048810-05-000	EA	Trim - Corner - Wingwall - Left - Gray
•	048810-06-000	EA	Trim - Corner - Wingwall - Right - Gray
•	002365-02-001	EA	Extr. - U-Channel - 1" Serrated - 18' - Anod.
•	002776-02-001	EA	Extr. - U-Channel - 1 3/4" - Anod. - 18'
•	039629-01-000	FT	Extr. - Vinyl - Sleeper Joint
•	043915-01-000	FT	Extr. - Vinyl - "B" Pillar/Wingwall
•			Not Illustrated

1979 IC525RB INDEX

Floor Plan	D-7 - D-8
Accessories Group	D-9 - D-10
Bath Group	D-11 - D-12
Chassis Group	D-13
Curtain, Cushion & Pad Group	D-14 - D-16
Dinette Group	D-19
Driver's Compartment Group	D-20
Electrical Group	D-21 - D-22
Exterior Body Group	D-23 - E-2
Galley Group	E-3
Heating & Air Conditioning Group	E-4
Interior Finish Group	E-5 - E-6
LP Group	E-7
Lounge Group	E-8
Water & Sewage Group	E-9
Window, Vent & Exterior Light Group	E-10 - E-20

EXTERIOR BODY GROUP (CONTINUED)

EXTERIOR PAINT

Key	Part Number	U/M	Description
	045881-01-000	EA	Paint - Gloss Black - Acrylic Enamel - 1 Gallon
	045881-03-000	EA	Paint - Gloss Black - Acrylic Enamel - 16 oz. Aerosol
	056006-01-000	EA	Paint - Lucerne Blue - Acrylic Enamel - 1 Gallon
	056006-03-000	EA	Paint - Lucerne Blue - Acrylic Enamel - 16 oz. Aerosol
	059354-01-000	EA	Paint - Bronze Metallic - Acrylic Enamel - 1 Gallon
	059354-03-000	EA	Paint - Bronze Metallic - Acrylic Enamel - 16 oz. Aerosol
	059358-01-000	EA	Paint - Gray Metallic - Acrylic Enamel - 1 Gallon (Trim)
	059358-03-000	EA	Paint - Gray Metallic - Acrylic Enamel - 16 oz. Aerosol (Trim)
	059359-01-000	EA	Paint - Brown Metallic - Acrylic Enamel - 1 Gallon
	059359-03-000	EA	Paint - Brown Metallic - Acrylic Enamel - 16 oz. Aerosol
	058637-01-000	EA	Paint - Gray - Acrylic Enamel - 1 Gallon - (Sidewall)
	058637-02-000	EA	Paint - Gray - Acrylic Enamel - 16 oz. Aerosol - (Sidewall)

MISCELLANEOUS EXTERNALLY MOUNTED PARTS

Key	Part Number	U/M	Description
	011124-01-000	EA	Plumbing Seal - Roof Vent - 1 1/4" - White
	011129-01-000	EA	Plumbing Seal - Roof Vent - 1 1/2" - White
	048817-01-000	EA	Assist Handle - w/Light
	010230-04-000	EA	Fill - City Water - Recessed - Gray
	058808-03-000	EA	Water Fill - Lockable - Gray
	036579-03-000	EA	Fuel Fill - Recessed - Single - Off White
	055500-05-000	EA	Door Asm. - Gas Fill - Gray

EXTERIOR BODY PANELS AND SHEET ALUMINUM

Key	Part Number	U/M	Description
	058160-01-K11	EA	Sidewall Asm. - Left
	058161-01-K11	EA	Sidewall Asm. - Right
	058162-01-K11	EA	Sleeper Board Asm.
	058163-01-K11	EA	Backwall Asm.
	058164-01-K11	EA	Roof Asm.
	039155-32-001	EA	Alum. - Gray - Mesa II - .024" x 48" x 360"
	039155-32-002	EA	Alum. - Gray - Mesa II - .024" x 36" x 360"
	039155-32-003	EA	Alum. - Gray - Mesa II - .024" x 48" x 300"
	039155-32-004	EA	Alum. - Gray - Mesa II - .024" x 36" x 300"
	039155-32-005	EA	Alum. - Gray - Mesa II - .024" x 12" x 360"
	039155-33-001	EA	Alum. - Gray - Greyhound Design - 18" x 96"
	001054-03-003	EA	Alum. - Gray - No Design - 48" x 96"
	044487-01-001	EA	Alum. - Mill Finish - No Design (Roof) 96" x 360"

EXTERIOR BODY GROUP (CONTINUED)

LABELS AND DECALS

Key	Part Number	U/M	Description
	008023-01-000	EA	Label - Water - Only
	008025-01-000	EA	Label - Gas
	008028-01-000	EA	Label - Drain Caps - 2" x 3"
	008031-01-000	EA	Label - Potable Water Only
	008040-01-000	EA	Tag - Gas Refueling Warning
	008062-01-000	EA	Tag - Electrical - 110 Volt Connection
	008187-01-000	EA	Label - Sewage
	008188-01-000	EA	Label - Waste Water
	008199-01-000	EA	Label - Exit - Escape Window
	039288-01-000	EA	Label - Warning Aux. Loading
	041273-17-000	FT	Decal - Stripe - .83" - Black
	053343-01-000	EA	Decal - Itasca "I" - 9" High
	058017-01-000	EA	Stencil - Stripe - Front Side
	058018-01-000	EA	Decal - Stripe - Front Side
	058250-01-000	EA	Decal - Front Side - Upper
	047731-01-000	EA	Label - Emergency Exit
	050225-01-000	EA	Label - Warning - Stove Vent - U.S.
	054531-01-000	EA	Label - LP Gas Only
	059526-01-000	EA	Decal - Sundance - 4"
	059527-01-000	EA	Decal - SE - 4"
	059528-01-000	EA	Decal - "L" Black - 5.57" - Right Front Clearance Lite to Roof
	059528-02-000	EA	Decal - "L" Black - 5.57" - Left Front Clearance Lite to Roof
	059529-01-000	EA	Decal - "L" Black - 9.12" - Right Front - Clearance Lite to Roof
	059529-02-000	EA	Decal - "L" Black - 9.12" - Left Front Clearance Lite to Roof
	056004-09-000	EA	Decal - Logo - Itasca - 5.25" High - Lucerne Blue/Gray
	056004-08-000	EA	Decal - Logo - Itasca - 5.25" High - Brown/Gray
	058004-10-000	EA	Decal - Logo - Itasca - 5.25" High - Bronze Metallic/Gray
	008092-01-000	EA	Reflector - Stick On - Rectangular - Red
	008093-01-000	EA	Reflector - Stick On - Rectangular - Amber

SEALANTS, ADHESIVES AND FASTENERS

Key	Part Number	U/M	Description
	034552-05-000	EA	Sealant - Off White Silicone
	034552-04-000	EA	Sealant - Beige Silicone
	034552-02-000	EA	Sealant - Clear Silicone
	004346-02-000	EA	Sealant - White Silicone
	009200-01-000	EA	Tape - Furnace - 1 1/2"
	004353-01-000	FT	Tape - Gasket - 1/8" x 3/4" - White
	002825-01-000	FT	Weather Stripping - Roof Vent
	002337-01-000	EA	Adhesive - 3M - 1300 Tube
	004005-01-000	GL	Adhesive - Swifts - Green - Glue (Sidewalls)
	004012-01-000	EA	Adhesive - 3M - 4475 Tube
	004020-01-000	QT	Adhesive - ABS Cement (Plastic Fittings)
	029051-01-000	EA	Adhesive - Spray Vinyl
	042401-02-000	EA	Screw - 8 - 18 x 3/4" SDPH - Off White
	042403-02-000	EA	Screw - SF/DR - 8 - 18 x 1" SDPH - Off White
	053766-01-000	EA	Bedding Compound - Tube Black - Schnee Morehead
	053766-02-000	EA	Bedding Compound - Tube White - Schnee Morehead
	053767-01-000	FT	Tape - 1/2" x 1/8" x 30' - Gray - Schnee Morehead
	053767-02-000	FT	Tape - 3/16" Bead x 25' - Gray - Schnee Morehead
	053767-03-000	FT	Tape - 1/4" Bead x 20' - Gray - Schnee Morehead
	053767-04-000	FT	Tape - 3/4" x 1/8" x 30' - Gray - Schnee Morehead
	053767-05-000	FT	Tape - 2" x 3/32" x 45' - Gray - Schnee Morehead

**1979 ITASCA
TABLE OF CONTENTS**

Introduction	A-1
Abbreviations	A-1
Alphabetical Index	A-2 - A-4
IC420RG	A-5 - B-16
IC524RH	B-17 - D-6
IC525RB	D-7 - E-20
IC825DB	E-21 - G-6

1979 IC525RB INDEX

Floor Plan	D-7 - D-8
Accessories Group	D-9 - D-10
Bath Group	D-11 - D-12
Chassis Group	D-13
Curtain, Cushion & Pad Group	D-14 - D-18
Dineite Group	D-19
Driver's Compartment Group	D-20
Electrical Group	D-21 - D-22
Exterior Body Group	D-23 - E-2
Galley Group	E-3
Heating & Air Conditioning Group	E-4
Interior Finish Group	E-5 - E-6
LP Group	E-7
Lounge Group	E-8
Water & Sewage Group	E-9
Window, Vent & Exterior Door Group	E-10 - E-20

GALLEY GROUP

GALLEY CABINETRY

Key	Part Number	U/M	Description
	058564-01-K11	EA	Cabinet Asm. - Galley - w/o Countertop, Doors, Drawers or Hardware
	058572-01-K11	EA	Countertop Asm. - Galley Cabinet - Camel Impression
	059092-12-K11	EA	Door Asm. - Galley Cabinet - 14.80" x 30.25" - w/o Hardware
	059092-18-K11	EA	Door Asm. - Galley Cabinet - 10.20" x 21.85" - w/o Hardware
	058578-01-K11	EA	Cabinet Asm. - Buffet Base - w/o Countertop, Doors or Hardware
	058577-01-K11	EA	Countertop Asm. - Buffet Base - Camel Impression
	058576-01-K11	EA	Cabinet Asm. - Buffet Top - w/o Doors or Hardware
	059092-10-K11	EA	Door Asm. - Buffet Cabinet - 14.40" x 13.15" - w/o Hardware
	059092-11-K11	EA	Door Asm. - Buffet Cabinet - 20.60" x 22.85" - w/o Hardware
	059913-03-K11	EA	Drawer Asm. - Buffet Cabinet - 16" x 6" x 19.63" Deep - w/o Hardware
	059343-02-K11	EA	Door Asm. - Furnace - 16.50" x 13.55" - w/Mesh Insert - w/o Hardware
	047205-13-000	EA	Insert - Furnace Door - 13 3/8" x 10 1/2" - Brass Mesh
	039873-01-000	EA	Catch and Strike - Furnace Door
	058579-01-K11	EA	Cabinet Asm. - Galley Overhead - w/o Doors or Hardware
	059570-01-K11	EA	Cabinet Asm. - Microwave - w/o Doors or Hardware
	059714-01-K11	EA	Door Asm. - Microwave Cabinet - Left - 15.7" x 11.7" - w/o Hardware
	059714-02-K11	EA	Door Asm. - Microwave Cabinet - Right - 15.7" x 11.7" - w/o Hardware
	059092-19-K11	EA	Door Asm. - Galley Overhead - 10.10" x 22.05" - w/o Hardware
	059092-17-K11	EA	Door Asm. - Refrigerator Cabinet - 12.30" x 25.25" - w/o Hardware
	058888-01-K11	EA	Holder Asm. - Glass - Buffet Cabinet - Camel Impression

GALLEY HARDWARE AND APPLIANCES

Key	Part Number	U/M	Description
	011032-01-000	EA	Sink - Double - Stainless Steel w/Bolts
**	011053-01-000	EA	Faucet - 8" - Swing Spout
**	011085-01-000	EA	Strainer - Sink
**	053424-01-K11	EA	Sink Cover - Large - Camel Impression
**	046954-03-000	EA	Hood - Stove - Powered w/Spice Rack - Black Face - U.S.
**	046954-04-000	EA	Hood - Stove - Powered w/Spice Rack - Black Face - C.S.A.
**	049045-01-000	EA	Range - 4 Burner - Large Oven - Chrome - Magic Chef
**	049175-02-000	EA	Refrigerator - AC/DC/Gas - Sibir - ET 150/2
**	049174-02-000	EA	Refrigerator - AC/DC/Gas - Sibir ET 230/2
**	054450-01-000	EA	Level - Refrigerator
**	052771-01-000	EA	Oven - Microwave - Magic Chef 207-4

**The illustrated parts breakdown for this item is provided on the Common Items Fiche.

HEATING AND AIR CONDITIONING GROUP

Key	Part Number	U/M	Description
	051768-01-000	EA	A/C - Compressor Mount Package - 350 C.I.D.
	051770-01-000	EA	A/C - Compressor - Rotolock - 10.3
	051771-01-000	EA	A/C - Condenser Asm. - 350 C.I.D. C-Body
	058455-01-000	EA	A/C - Evaporator Asm.
	024998-01-000	EA	A/C - Clutch - 8" Drive
	024985-01-000	EA	Register w/Damper - 9.9" x 4.8"
	009198-01-000	EA	Duct - Flexible - 4" I.D. x 25'
	031804-01-000	EA	Bonnet - Heat Register
	039505-02-000	EA	Thermostat - Horizontal Wall Mount - Black
	009200-01-000	EA	Tape - Furnace - 1 1/2"
	059351-01-000	EA	Furnace - 24,000 BTU - w/Electric Ignition - Coleman 4324-749
	059350-01-000	EA	Furnace - 30,000 BTU - w/Electric Ignition - Coleman 4330-749
**	049777-02-000	EA	Air Conditioner - 110 Volt - Roof Mount - 17,000 BTU Ivory - Coleman (w/o Inside Shroud)
**	049778-02-000	EA	Shroud Asm. - Ceiling - Inside - Roof Air - Cool Only 11,000 BTU - Coleman
**	049774-02-000	EA	Air Conditioner - 110 Volt - Roof Mount - 13,500 BTU Ivory - Coleman (w/o inside shroud)
**	049775-02-000	EA	Shroud Asm. - Ceiling - Inside - Roof Air - Cool Only 13,500 BTU - Coleman
**	049776-01-000	EA	Shroud Asm. - Ceiling - Inside - Roof Air - Heat and Cool 13,500 BTU - Coleman

**The illustrated parts breakdown for this item is provided on the Common Items Fiche.

1979 ITASCA TABLE OF CONTENTS

Introduction	A-1
Abbreviations	A-1
Alphabetical Index	A-2 - A-4
IC420RG	A-5 - B-16
IC524RH	B-17 - D-6
IC525RB	D-7 - E-20
IC625DB	E-21 - G-6

1979 IC525RB INDEX

Floor Plan	D-7 - D-8
Accessories Group	D-9 - D-10
Bath Group	D-11 - D-12
Chassis Group	D-13
Curtain, Cushion & Pad Group	D-14 - D-18
Dinette Group	D-19
Driver's Compartment Group	D-20
Electrical Group	D-21 - D-22
Exterior Body Group	D-23 - E-2
Galley Group	E-3
Heating & Air Conditioning Group	E-4
Interior Finish Group	E-5 - E-6
LP Group	E-7
Lounge Group	E-8
Water & Sewage Group	E-9
Window, Vent & Exterior Door Group	E-10 - E-20

INTERIOR FINISH GROUP

PANELING AND COUNTERTOP MATERIALS

Key	Part Number	U/M	Description
	057877-01-000	SF	Paneling - 725 Russet Oak - Plain - 48" x 96" (32 SF)
	057876-01-000	SF	Paneling - 725 Russet Oak - V Groove - 48" x 96" (32 SF)
	058338-01-000	SF	Paneling - Backsplash - Diamond Luster - 48" x 96" (32 SF)
	045883-01-000	SF	Paneling - 825 Buff - Ceiling - 48" x 96" (32 SF)
	056742-01-000	SF	Paneling - Sandflower Cork - Bath - 48" x 96" (32 SF)
	058221-01-000	SF	Plastic Laminate - Camel Impression - 48" x 96" (32 SF)
	050970-01-000	SF	Plastic Laminate - Matador Leather - 48" x 96" (32 SF)

FABRICS AND FLOOR COVERINGS

Key	Part Number	U/M	Description
	058333-02-000	YD	Fabric - Drapery - White
	058336-01-000	YD	Fabric - Upholstery - Blue Green
	058338-02-000	YD	Fabric - Upholstery - Rust
	058338-03-000	YD	Fabric - Upholstery - Brown
	053327-01-000	YD	Vinyl - Non Expanded - 27 oz. - Acorn Brown
	053327-02-000	YD	Vinyl - Expanded - 28 oz. - Acorn Brown
	053327-03-000	YD	Vinyl - Non Support - 16 Gauge Film - Acorn Brown
	058798-04-000	SY	Carpet - Inner Beauty - Green
	058798-05-000	SY	Carpet - Inner Beauty - Topaz
	058798-06-000	SY	Carpet - Inner Beauty - Brown

INTERIOR MOLDINGS AND TRIMS

Key	Part Number	U/M	Description
	047354-01-000	EA	Batt Strip - 825 Buff - Ceiling - 96"
	057888-01-000	EA	Batt Strip - 725 Russet Oak - 96"
	024700-06-000	EA	Cover - Roll Bar - Sidewall - Ivory
	024700-14-000	EA	Cover - Roll Bar - Sidewall - Russet Oak
	039512-06-000	EA	Cover - Hat Section - Ivory
	039512-13-000	EA	Cover - Hat Section - Russet Oak
	047488-01-000	EA	Cover - Corner - Hat/Hat
	047489-01-000	EA	Cover - Corner - Tube/Tube
	052859-01-J27	FT	Accent Trim - Acorn Brown Vinyl
	009813-01-000	FT	Molding - Outside Corner - 50" - Dark Pecan
	009767-05-000	FT	Welting - Light Brown
	009778-01-000	FT	U-Channel - 1" - Dark Brown
	009810-01-000	FT	Molding - Outside Corner - 1" - Dark Pecan
	059352-01-000	FT	Insert - Vinyl - Style and Rail Door

INTERIOR FINISH GROUP (CONTINUED)

CABINETS AND TABLE HARDWARE

Key	Part Number	U/M	Description
	057946-01-K01	EA	Pull Kit - Cabinet Drawer - Flat Latch
**	052832-01-J30	EA	Hinge Kit - Cabinet Door - Antique Brass
	057898-01-000	EA	Latch - Cabinet Door - Hidden
	009040-02-000	EA	Leg - Pedestal Table - 27.5" x 2.25" O.D. - Chrome
	009040-03-000	EA	Base - Table Leg - Mounts on Table
	041194-01-000	EA	Base - Table Leg - Recessed in Floor
	039873-01-000	EA	Catch and Strike - Furnace Door
	009112-01-000	EA	Flange - 1" - Closet Rod
**	047842-01-000	EA	Kit - Dinette Table Leg
**	047809-03-000	EA	Kit - Dinette Table Wall Mount Hardware
	059753-01-000	EA	Slide - Drawer - Left
	059753-02-000	EA	Slide - Drawer - Right
**	037688-01-000	FT	Rail - Drawer Glide
**	047744-01-000	EA	Kit - Drawer Glide

**The illustrated parts breakdown for this item is provided on the Common Items Fiche.

CURTAIN HARDWARE

Key	Part Number	U/M	Description
	052327-04-238	EA	Track - Curtain - Brown Alum. - 89" w/Holes
	053272-04-200	EA	Track - Curtain - Off White Alum. - 89" w/Holes
	056001-01-000	EA	Bracket - Shade - Left
	056002-01-000	EA	Bracket - Shade - Right
	009107-01-000	EA	Guide - Nylon Snap - Curtain
	018031-42-000	EA	Track - Curtain - "L" Rod - Alum. Extr. - 90"
	009701-01-000	EA	Carrier - "L" Rod - Curtain
	009702-01-000	EA	End Stop - "L" Rod - Curtain
	056784-01-000	EA	Pull - Window Shade - Antique Brass

MISCELLANEOUS

Key	Part Number	U/M	Description
	041944-01-700	EA	Fire Extinguisher - Dry Chemical w/Bracket
	053552-01-K01	EA	Assist Handle - Interior - Acorn Vinyl
	054185-04-000	EA	Owners Manual - Itasca - 1979
	040069-01-000	EA	Door Mat - Black Rubber - 10 1/2" x 26" w/Itasca Logo
	058334-01-000	EA	Wastebasket - 9 3/4" x 7" x 10" - White

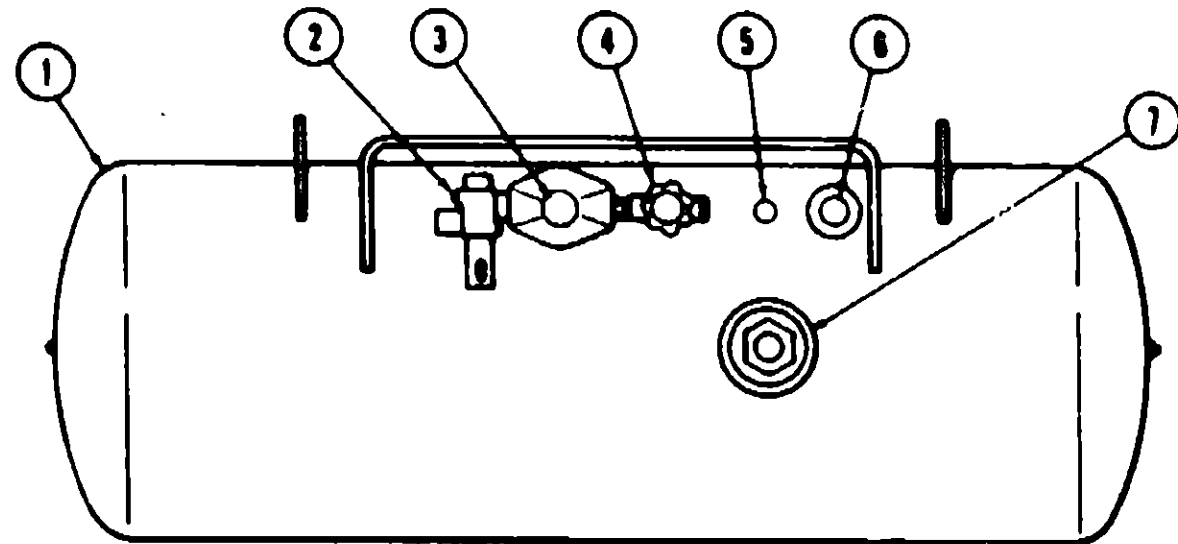
1979 ITASCA TABLE OF CONTENTS

Introduction	A-1
Abbreviations	A-1
Alphabetical Index	A-2 - A-4
IC420RG	A-5 - B-16
IC524RH	B-17 - D-6
IC525RB	D-7 - E-20
IC625DB	E-21 - G-6

1979 IC525RB INDEX

Floor Plan	D-7 - D-8
Accessories Group	D-9 - D-10
Bath Group	D-11 - D-12
Chassis Group	D-13
Curtain, Cushion & Pad Group	D-14 - D-18
Dinette Group	D-19
Driver's Compartment Group	D-20
Electrical Group	D-21 - D-22
Exterior Body Group	D-23 - E-2
Galley Group	E-3
Heating & Air Conditioning Group	E-4
Interior Finish Group	E-5 - E-6
LP Group	E-7
Lounge Group	E-8
Water & Sewage Group	E-9
Window, Vent & Exterior Door Group	E-10 - E-20

LP GROUP



Key	Part Number	U/M	Description
1	052769-01-000	EA	Tank Asm. - LP - Frame Mount - 42 Pound
1	052770-01-000	EA	Tank Asm. - LP - Frame Mount - 85 Pound
2	047221-01-000	EA	Detector - LP Gas Leak
3	058708-01-000	EA	Cover - Regulator - 2 Stage
.	058705-01-000	EA	Regulator - Two Stage - LP Gas
4	040421-01-703	EA	Valve - Vapor Relief
5	040421-01-700	EA	Gauge - Liquid Level - 20% LP
6	040421-01-701	EA	Valve - Filter - LP
.	040421-01-702	EA	Cap - Plastic Fill Valve
7	040421-01-707	EA	Gauge - Float - w/Visible Dial - 85 Pound Tank
.	042281-01-700	EA	Gauge - Float - w/Visible Dial - 42 Pound Tank
.	040421-01-706	EA	Dial - Visible Face - Float Gauge (Tank w/o Electric Transmitter)
.	040421-01-705	EA	Dial - Transmitter - 0 - 90 Ohm (Float Gauge)
.	045703-03-000	EA	Hose Asm. - LP - 3/8" I.D. x 14"
.	047737-02-000	EA	Support - LP Tank - 89.25"
.	047737-03-000	EA	Support - LP Tank - 30.50"
.			Not Illustrated

LOUNGE GROUP

STANDARD SPRUNG COUCH

Key	Part Number	U/M	Description
	057620-01-K11	EA	Panel - Couch Front
	057618-01-K11	EA	End Panel - Sprung Couch
	057468-02-000	EA	Frame - Sprung Couch - Right
	057468-03-000	EA	Frame - Sprung Couch - Left
	057468-04-000	EA	Frame Rails - Sprung Couch (2 per couch)
	057468-02-000	EA	Leg Asm. - Sprung Couch - Right
	057468-03-000	EA	Leg Asm. - Sprung Couch - Left
	058568-01-K11	EA	Cabinet Asm. - Lounge Overhead - w/o Doors or Hardware
	058092-21-K11	EA	Door Asm. - Lounge Overhead - 10.10" x 27.05" - w/o Hardware

OPTIONAL SWIVEL CHAIRS AND PULLOUT TABLE

Key	Part Number	U/M	Description
	054552-01-K11	EA	Table Asm. - Pullout - Camel Impression
	058548-01-K11	EA	Cabinet Asm. - Pullout Table - w/o Countertop, Pad or Table
	058547-01-K11	EA	Countertop Asm. - Pullout Table Cabinet - Camel Impression
	058565-01-K11	EA	Pad Asm. - Pullout Table Cabinet - Acorn Vinyl
	045795-01-000	EA	Holder - Glass - Dark Brown Plastic
	009148-01-000	EA	Finger Pull - 3/4" Dia. - Brass
	035036-01-000	EA	Plate - Swivel Chair
	035036-02-000	EA	Base - Swivel Chair - w/Legs

OPTIONAL CORNER LOUNGE CHAIRS

Key	Part Number	U/M	Description
	081559-01-K11	EA	Cabinet Asm. - Corner Lounge Chair - Right
	081560-01-K11	EA	Cabinet Asm. - Corner Lounge Chair - Left
	061704-01-K11	EA	Table Asm. - Lounge - Camel Impression - w/o Hardware
	024275-04-000	EA	Rod - Table Lift
	024281-05-000	EA	Bracket - Table Lift
	053200-02-000	EA	Support - Table - 14.5"
	061882-01-000	EA	Leg Asm. - Pivot - Table
	061879-01-000	EA	Leg Asm. - Fixed - Table

1979 ITASCA TABLE OF CONTENTS

Introduction	A-1
Abbreviations	A-1
Alphabetical Index	A-2 - A-4
IC420RG	A-5 - B-16
IC524RH	B-17 - D-6
IC525RB	D-7 - E-20
IC825DB	E-21 - G-4

1979 IC525RB INDEX

Floor Plan	D-7 - D-8
Accessories Group	D-9 - D-10
Bath Group	D-11 - D-12
Chassis Group	D-13
Curtain, Cushion & Pad Group	D-14 - D-16
Dinette Group	D-19
Driver's Compartment Group	D-20
Electrical Group	D-21 - D-22
Exterior Body Group	D-23 - E-2
Galley Group	E-3
Heating & Air Conditioning Group	E-4
Interior Finish Group	E-5 - E-6
LP Group	E-7
Lounge Group	E-8
Water & Sewage Group	E-9
Window, Vent & Exterior Door Group	E-10 - E-20

WATER AND SEWAGE GROUP

PLUMBING REPAIR PARTS

Key	Part Number	U/M	Description
..	040539-01-000	EA	Kit - Repair - 3/8" O.D. Plastic Tube
..	040540-01-000	EA	Kit - Repair - 1/2" O.D. Plastic Tube
..	040541-01-000	EA	Kit - Repair - 5/8" O.D. Plastic Tube
..	041279-02-000	EA	Pump - Water Flow 2.8 G.P.M. - PAR
..	083846-01-000	EA	Pump - Water - 2.8 G.P.M. - Direct Drive - US
..	083846-02-000	EA	Pump - Water - 2.8 G.P.M. - Direct Drive - CSA
..	038847-02-000	EA	Filter - Water Pump - 1/2" MPT
..	038809-01-000	EA	Valve - Stool - Plastic 3/8" x 1/2" FPT
..	038818-01-000	EA	Riser Asm. - 3/8" O.D. x 24" Tube
..	038818-02-000	EA	Riser Asm. - 3/8" O.D. x 36" Tube
..	038818-04-000	EA	Riser Asm. - 3/8" O.D. x 72" Tube
..	038818-05-000	EA	Riser Asm. - 3/8" O.D. x 48" - Tube
..	052953-01-000	EA	Nut - Faucet - 1/2 Tube x 1/2 FPT
..	052954-01-000	EA	Adapter - Nose Conn - 3/8 or 1/2
..	052956-01-000	EA	Tee - Plastic - 1/2 F x 1/2 F x 1/2 F
..	052959-02-000	EA	Connector - Plastic - 1/2 F x 1/2 MPT
..	052959-03-000	EA	Connector - Plastic - 1/2 F x 3/8 MPT
..	052980-01-000	EA	Drain Valve - Line - 1/2 F x 1/2 F
..	052981-01-000	EA	Header - 1/2 F x 1/2 F x 1/2 F x 1/2 F
..	004020-01-000	QT	Adhesive - ABS Cement
..	010201-01-000	EA	Hose - Sewer - 3" x 10 Ft. w/Clamp
..	010235-01-000	EA	Cap - Sewage - 3"
..	010238-01-000	EA	Adapter - Hose - 3" Sewage
..	010234-01-000	EA	Adapter - Bayonet
..	011091-01-000	EA	Waste - Continuous - Double Sink - 11 7/8"
..	011098-01-000	EA	P-Trap - Plastic - 1 1/4"
..	010079-01-000	EA	Tee - Plastic - 1 1/2 H x 1 1/2 H x 1 1/4 H
..	010091-01-000	EA	Wye - Plastic - 3 x 45 - H x H x H
..	010121-01-000	EA	Bushing - Plastic - 1 1/2 S x 1 1/4 H
..	031126-01-000	EA	Elbow - Plastic - 1/4 BD - 3 x 90 x LT
..	010205-01-000	EA	Valve - Sanitary - Thetford 3 x B
..	010210-01-000	EA	Valve - Sanitary - Thetford 3HB
..	010133-01-000	EA	Adapter - Trap - Plastic - 1 1/2" H x MPT
..	050780-01-000	EA	Coupler - Rubber - 3" x 3"
..	010209-05-000	EA	Handle - Extension - Sewer Valve - 36"
..	047246-01-000	EA	Handle - Extension - Sewer Valve - 43"
..	047247-01-000	EA	Handle - Extension - Sewer Valve - 19"
..	048524-01-000	EA	Kit - Plastic Fittings - Holding Tank
..	048524-02-000	EA	Kit - Plastic Fittings - Water Tank

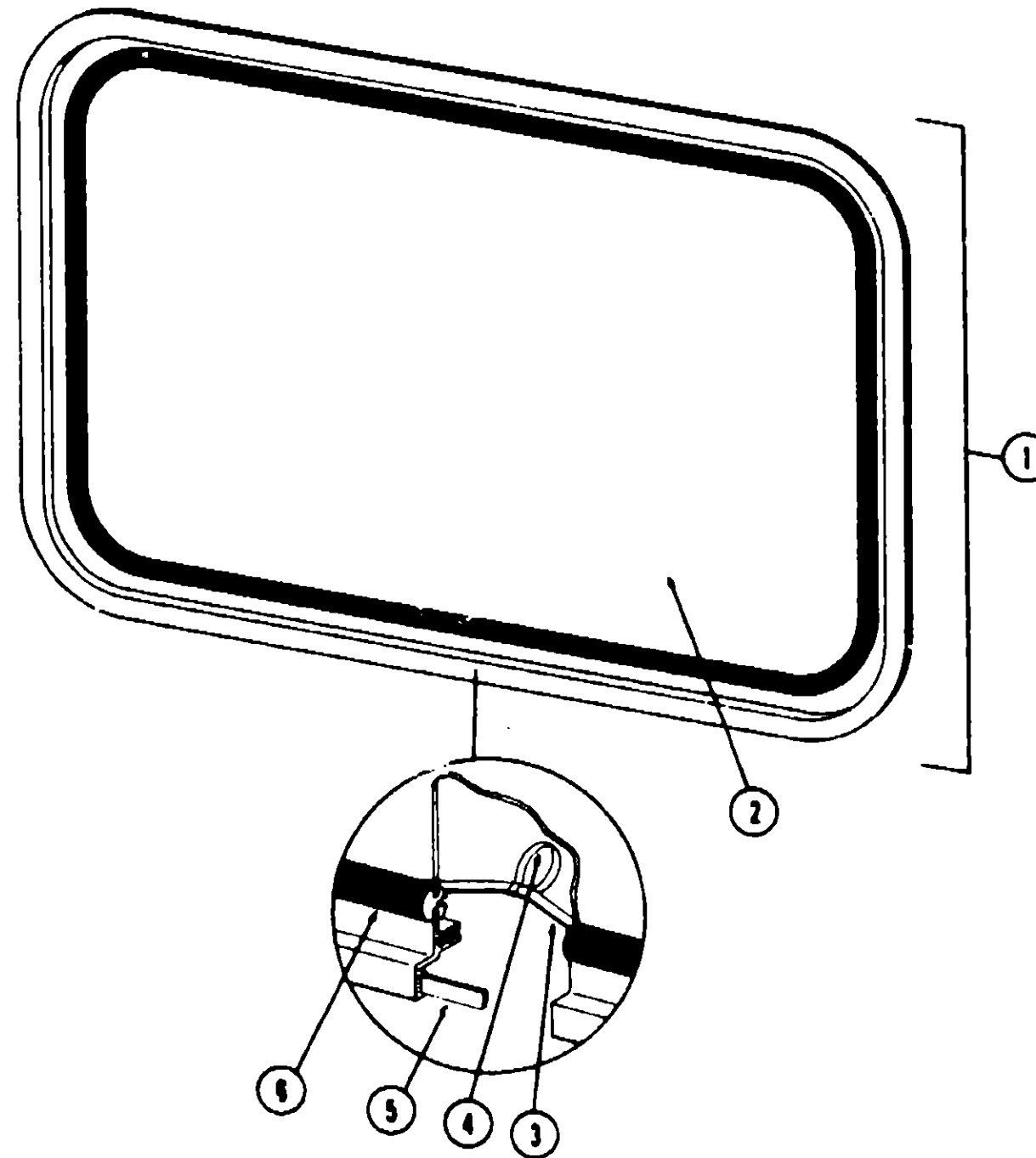
**The illustrated parts breakdown for this item is provided on the Common Items Fiche.

HOLDING TANKS AND WATER HEATERS

Key	Part Number	U/M	Description
..	053520-02-000	EA	Tank Asm. - Water - 20 Gallon w/Fittings
..	053520-01-000	EA	Tank Asm. - Water - 20 Gallon w/o Fittings
..	053519-02-000	EA	Tank Asm. - Water - 40 Gallon w/Fittings
..	053519-01-000	EA	Tank Asm. - Water - 40 Gallon w/o Fittings
..	054033-03-000	EA	Tank Asm. - Holding - 32 Gallon - Sewage - w/Fittings
..	054033-01-000	EA	Tank Asm. - Holding - 32 Gallon - Sewage - w/o Fittings
..	054032-03-000	EA	Tank Asm. - Holding - 25 Gallon - Gray Water - w/Fittings
..	054032-01-000	EA	Tank Asm. - Holding - 25 Gallon - Gray Water - w/o Fittings
..	051391-01-000	EA	Water Heater - 8 Gallon w/Motor Aid - Atwood - GH83

**The illustrated parts breakdown for this item is provided on the Common Items Fiche.

WINDOW, VENT AND EXTERIOR DOOR GROUP



1979 ITASCA TABLE OF CONTENTS

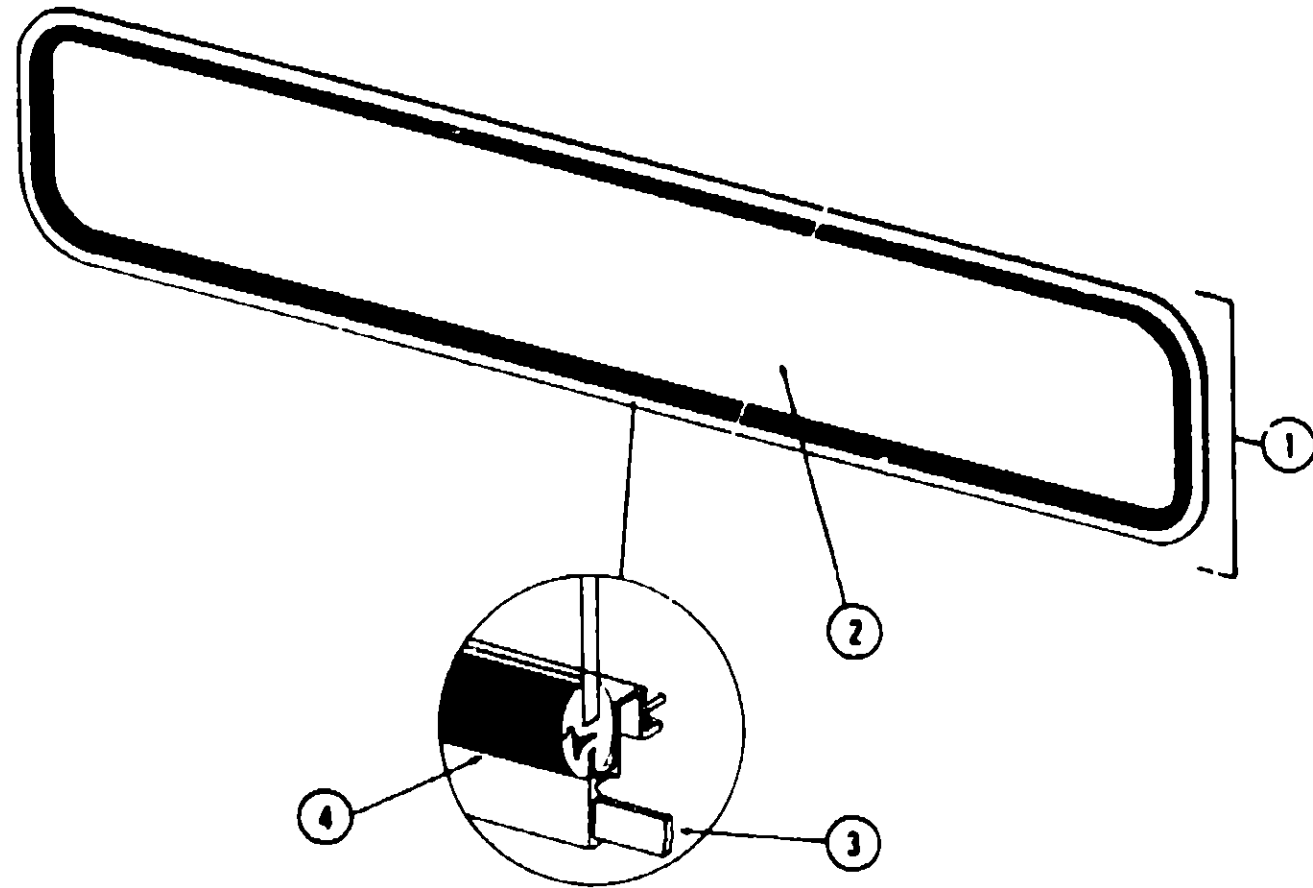
Introduction	A-1
Abbreviations	A-1
Alphabetical Index	A-2 - A-4
IC420RG	A-5 - B-16
IC524RH	B-17 - D-6
IC525RB	D-7 - E-20
IC825DB	E-21 - G-6

1979 IC525RB INDEX

Floor Plan	D-7 - D-8
Accessories Group	D-9 - D-10
Bath Group	D-11 - D-12
Chassis Group	D-13
Curtain, Cushion & Pad Group	D-14 - D-18
Dinette Group	D-19
Driver's Compartment Group	D-20
Electrical Group	D-21 - D-22
Exterior Body Group	D-23 - E-2
Galley Group	E-3
Heating & Air Conditioning Group	E-4
Interior Finish Group	E-5 - E-8
LP Group	E-7
Lounge Group	E-8
Water & Sewage Group	E-9
Window, Vent & Exterior Door Group	E-10 - E-20

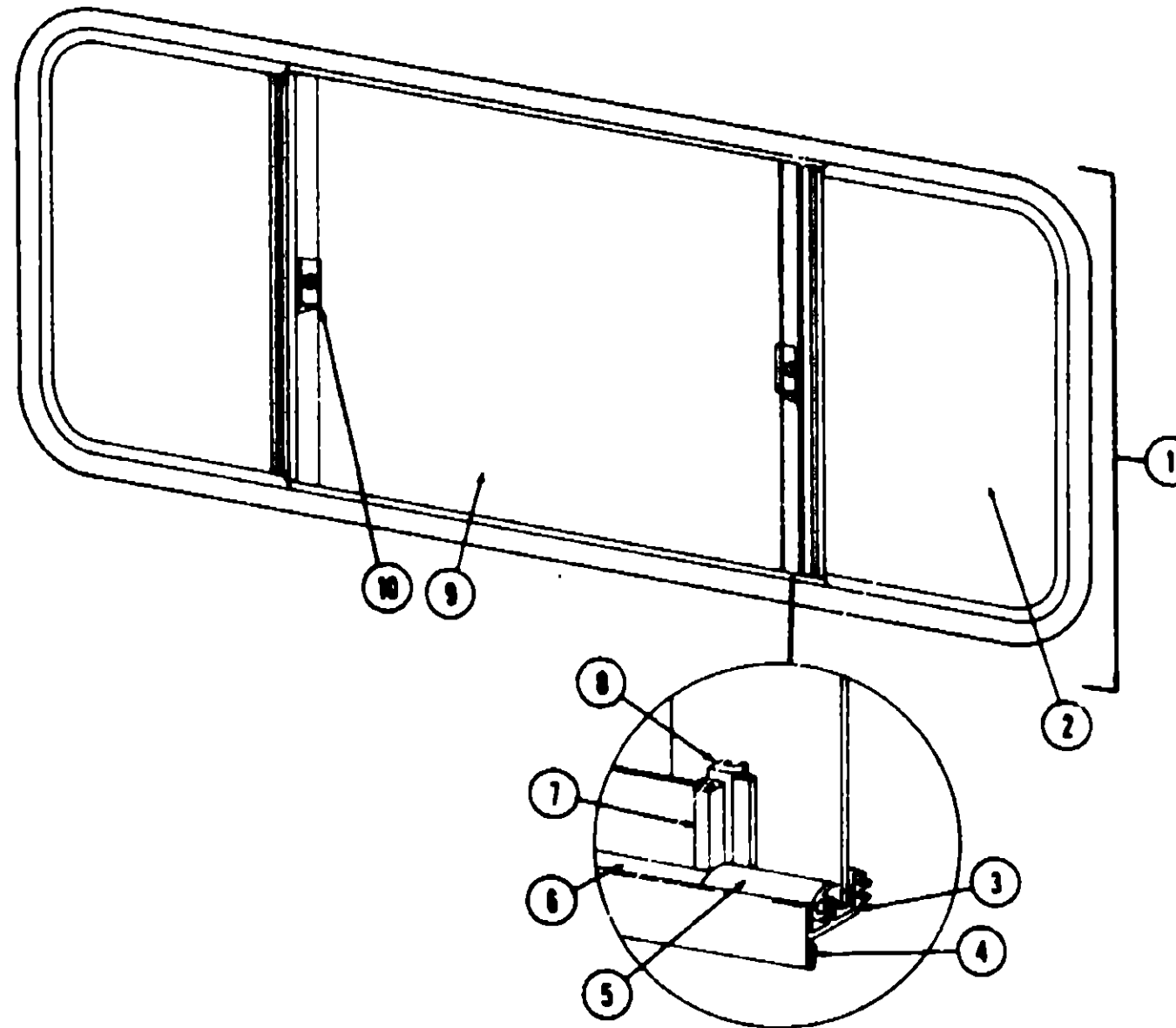
Key	Part Number	U/M	Description
1	042959-01-000	EA	Window Asm. - Rear Escape - 23" x 36" - Black Anod. (w/o inside frame)
2	041392-01-000	EA	Glass - 1/8" x 19.61" x 33.25"
3	002285-01-000	FT	Filler - Weatherstrip - Black
4	020395-01-000	EA	Slip - Pull Ring - Escape Window
5	004363-01-000	FT	Tape - Foam - 3/16" x 1/2" - Gray
6	002282-01-000	FT	Weatherstrip - .125" - Black
.	042027-02-000	EA	Frame - Inside - Escape Window - 23" x 36" (not included in assembly)
.	006199-01-000	EA	Label - Exit - Escape Window
.	Not Illustrated		

WINDOW, VENT AND EXTERIOR DOOR GROUP (CONTINUED)



Key	Part Number	U/M	Description
1	041936-01-000	EA	Window Asm. - Front Picture - 14" x 69" - Black (w/o inside frame)
2	002200-02-000	EA	Glass - TP - Picture Window
3	004363-01-000	FT	Tape - Sealer - 3/16" x 1/2" Foam
4	002281-01-000	FT	Weatherstrip - Self Seal - .06" Panel x 3/16" Black
.	037845-01-000	FT	Tape - Butyl - Window - 3/16" - Bead Black
.	041936-01-000	EA	Frame - Inside - Picture Window (not included in assembly)
.			Not Illustrated

WINDOW, VENT AND EXTERIOR DOOR GROUP (CONTINUED)



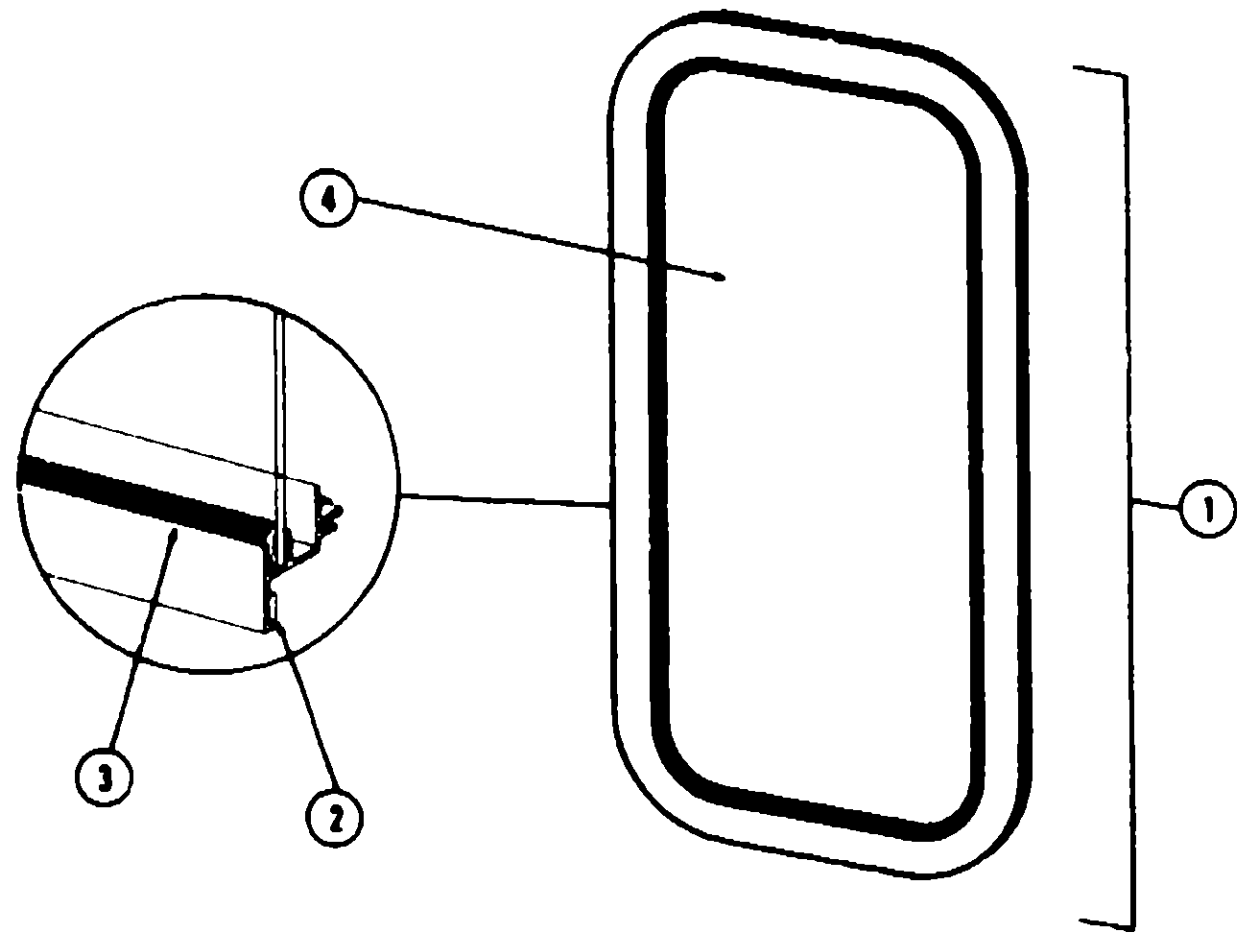
Key	Part Number	U/M	Description
1	048630-08-000	EA	Window Asm. - Double Slider - 25" x 65" Black Anod. (w/o inside frame)
2	047822-01-000	EA	Glass - Sliding - 3/16" x 24" x 21.03"
3	042077-01-000	FT	Channel - Weatherstrip - Glass Run 3/16" Glass
4	004363-01-000	FT	Tape - Foam - 3/16" x 1/2" - Gray
5	041928-02-000	FT	Seal - Window Channel - Black
6	050216-02-000	FT	Spline - Glass
7	002389-03-201	EA	Extr. - Holder - Glass Seal - 23.18"
8	041894-04-000	EA	Mullion - Slider Window - 25"
9	002188-02-000	EA	Glass - 3/16" x 24" x 25.50" - Stationary
10	047389-01-700	EA	Latch - Window - Plastic
.	042133-09-000	EA	Frame Asm. - Window - Inside (not included in assembly)
.	023713-02-000	EA	Cover - Weephole - Plastic - Black
.	002298-01-000	FT	Spline - Gray - .130" Dia. (Screen)
.	002283-01-100	SF	Screen - Window - 26" - Gray
.			Not Illustrated

**1979 ITASGA
TABLE OF CONTENTS**

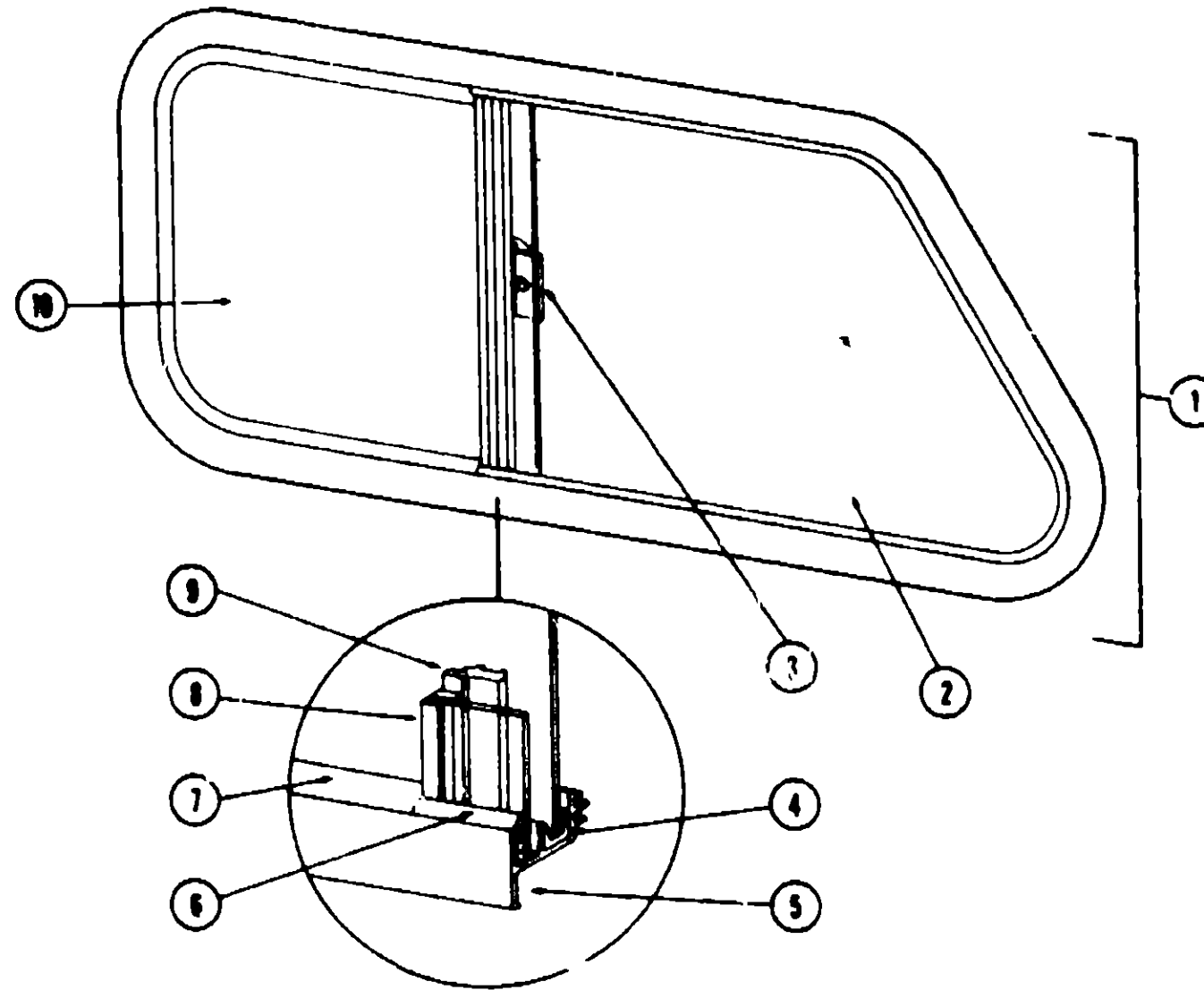
Introduction	A-1
Abbreviations	A-1
Alphabetical Index	A-2 - A-4
IC420RG	A-5 - B-16
IC524RH	B-17 - D-6
IC525RB	D-7 - E-20
IC825DB	E-21 - G-6

1979 IC525RB INDEX

Floor Plan	D-7 - D-8
Accessories Group	D-9 - D-10
Bath Group	D-11 - D-12
Chassis Group	D-13
Curtain, Cushion and Pad Group	D-14 - D-18
Dinette Group	D-19
Driver's Compartment Group	D-20
Electrical Group	D-21 - D-22
Exterior Body Group	D-23 - E-2
Galley Group	E-3
Heating & Air Conditioning Group	E-4
Interior Finish Group	E-5 - E-8
LP Group	E-7
Lounge Group	E-8
Water & Sewage Group	E-9
Window, Vent & Exterior Door Group	E-10 - E-20



Key	Part Number	U/M	Description
1	041875-08-000	EA	Window Asm. - Picture - 13" x 20" (w/o inside frame)
2	004363-01-000	FT	Tape - Foam - 3/16" x 1/2" - Gray
3	002308-02-000	FT	Spline - Glass - 1/8" Black
4	002203-01-000	EA	Glass - TP - 1/8" x 12" x 19"
.	041888-09-000	EA	Frame - Window - Inside - 13" x 20" (not included in assembly)
.			Not Illustrated



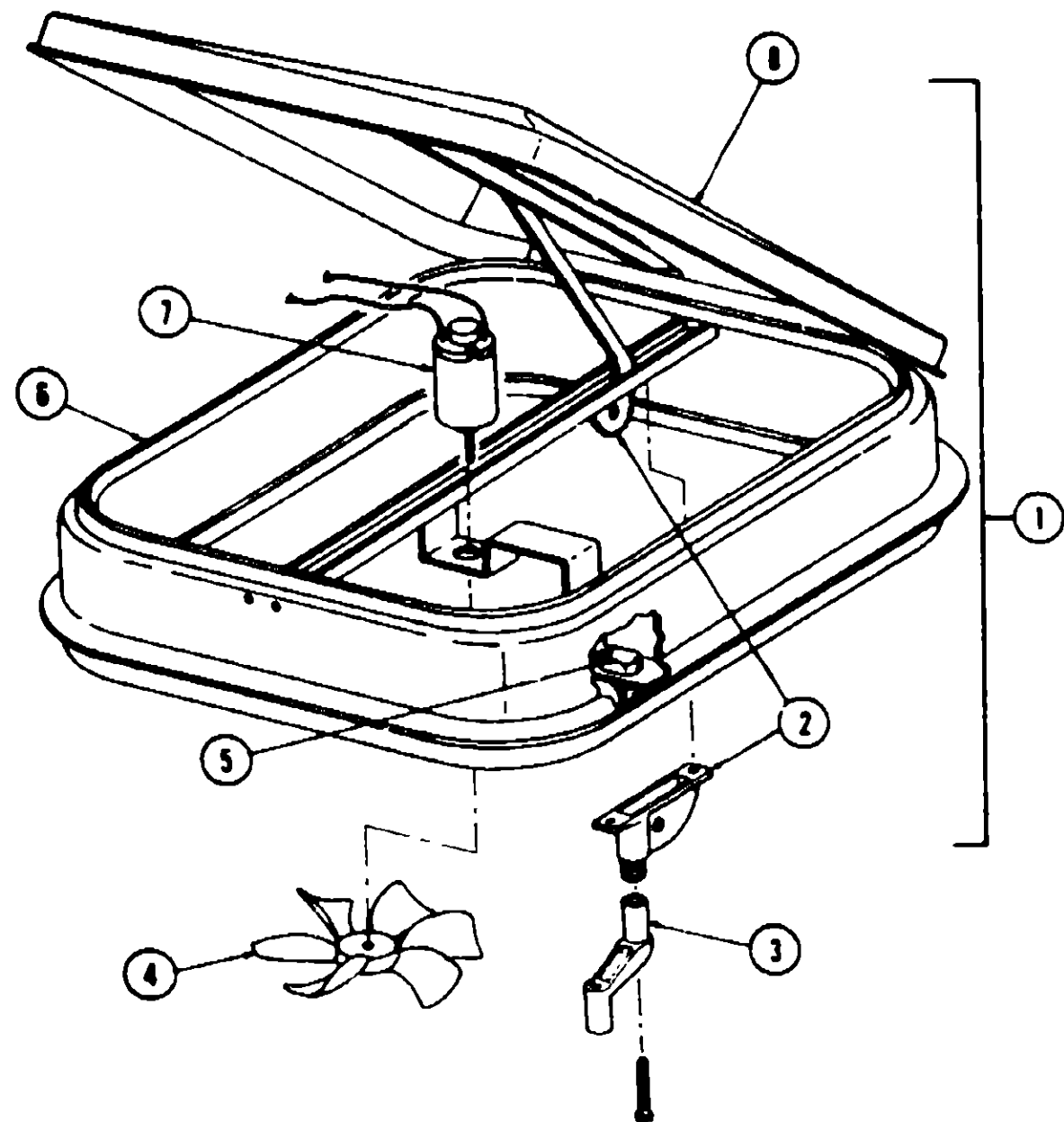
Key	Part Number	U/M	Description
1	048632-03-000	EA	Window Asm. - Bunk - Slanted Slider - Right - Black (w/o inside frame)
	048632-04-000	EA	Window Asm. - Bunk - Slanted Slider - Left - Black (w/o inside frame)
2	040919-01-000	EA	Glass - 1/8" x 11.98" x 19.42" - Gray - Stationary
3	047369-01-700	EA	Latch - Window - Plastic - w/Fastener
4	002324-01-000	FT	Channel - Weatherstrip - Glass Run - 1/8" Glass
5	004363-01-000	FT	Tape - Foam - 3/16" x 1/2" - Gray
6	002308-02-000	FT	Spline - Glass - 1/8" - Black
7	057374-02-000	FT	Seal - Window Channel - 1/8" Glass - Black
8	002390-03-200	EA	Holder - Glass Seal - Extr. - Anod. Black - 11.23"
9	041894-07-000	EA	Mullion - 13" - Black Anod.
10	047815-01-000	EA	Glass - 1/8" x 11.98" x 11.81" - Gray - Sliding
.	040916-03-000	EA	Frame - Window - Inside - Bunk Slant - Left (not included in assembly)
.	040916-04-000	EA	Frame - Window - Inside - Bunk Slant - Right (not included in assembly)
.	023713-02-000	EA	Cover - Weephole - Black
.	002298-01-000	FT	Spline - Gray - .130" Dia. (Screen)
.	002291-01-000	SF	Screen - Gray - Window - 16"
.			Not Illustrated

1979 ITASCA
TABLE OF CONTENTS

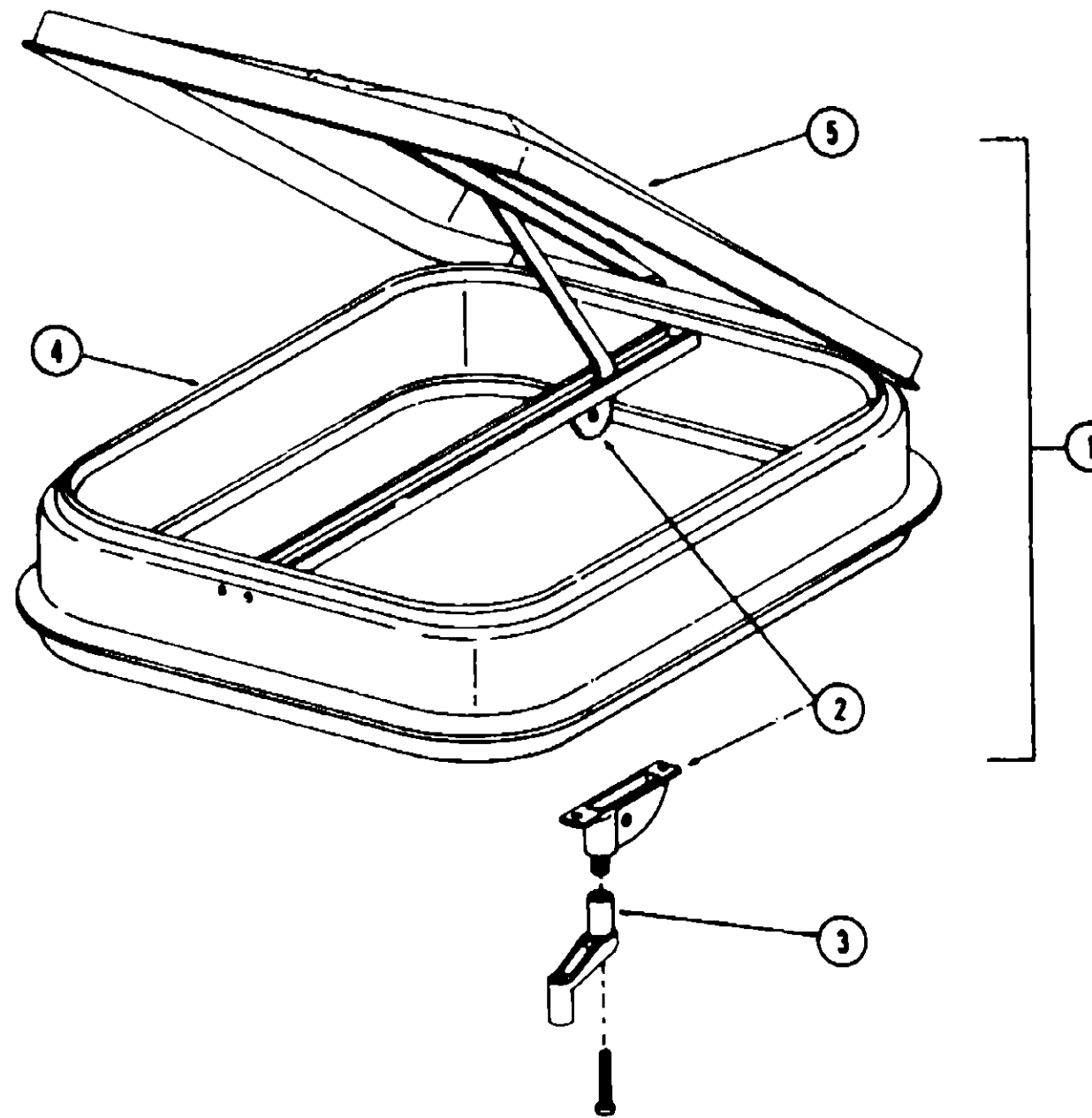
Introduction	A-1
Abbreviations	A-1
Alphabetical Index	A-2 - A-4
IC420RG	A-5 - B-16
IC524RH	B-17 - D-6
IC525RB	D-7 - E-20
IC925DB	E-21 - G-6

1979 IC525RB INDEX

Floor Plan	D-7 - D-8
Accessories Group	D-9 - D-10
Bath Group	D-11 - D-12
Chassis Group	D-13
Curtain, Cushion and Pad Group	D-14 - D-18
Dinette Group	D-19
Driver's Compartment Group	D-20
Electrical Group	D-21 - D-22
Exterior Body Group	D-23 - E-2
Galley Group	E-3
Heating & Air Conditioning Group	E-4
Interior Finish Group	E-5 - E-6
LP Group	E-7
Lounge Group	E-8
Water & Sewage Group	E-9
Window, Vent & Exterior Door Group	E-10 - E-20



Key	Part Number	U/M	Description
1	048789-01-000	EA	Vent Asm. Roof - Powered - w/o Screen
2	009440-01-000	EA	Gear - Arm - Roof Vent
3	009439-01-000	EA	Crank - Roof Vent
4	048849-01-000	EA	Fan - Blade - 6" Plastic
5	008195-01-000	EA	Switch - Push Button - 12 Volt
6	002825-01-000	FT	Weatherstrip - Roof Vent
7	048848-01-000	EA	Motor - 12 Volt
8	048825-01-000	EA	Cover - Plastic - Roof Vent
.	048895-01-000	EA	Screen Asm. - Powered Roof Vent - Clear Anod. (not included in assembly)
.	048895-03-000	EA	Screen Asm. - Powered Roof Vent - Beige (not included in assembly)
.			Not Illustrated



Key	Part Number	U/M	Description
1	048835-01-000	EA	Vent Asm. - Roof - Nonpowered - w/o Screen
2	009440-01-000	EA	Gear - Arm - Roof Vent
3	009439-01-000	EA	Crank - Roof Vent
4	002825-01-000	FT	Weatherstrip - Roof Vent
5	048825-01-000	EA	Cover - Plastic - Roof Vent
.	016335-01-000	EA	Screen Asm. - Non Powered Roof Vent - Clear Anod. (not included in assembly)
.	016335-03-000	EA	Screen Asm. - Non Powered Roof Vent - Beige (not included in assembly)
.			Not Illustrated

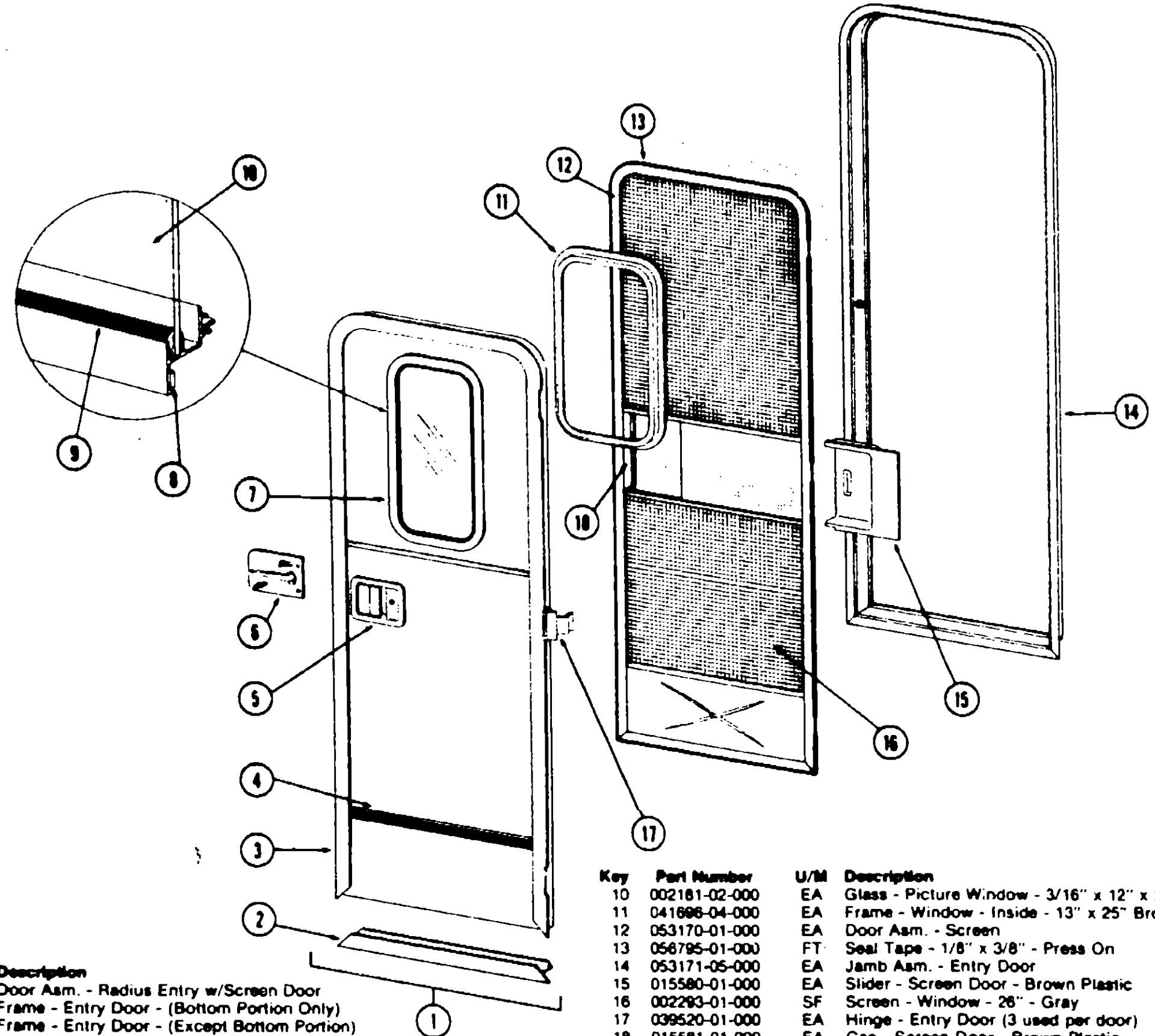
1979 ITASCA
TABLE OF CONTENTS

Introduction	A-1
Abbreviations	A-1
Alphabetical Index	A-2 - A-4
IC420RG	A-5 - B-16
IC524RH	B-17 - D-6
IC525RB	D-7 - E-20
IC625DB	E-21 - G-6

1979 IC525RB INDEX

Floor Plan	D-7 - D-8
Accessories Group	D-9 - D-10
Bath Group	D-11 - D-12
Chassis Group	D-13
Curtain, Cushion and Pad Group	D-14 - D-18
Dinette Group	D-19
Driver's Compartment Group	D-20
Electrical Group	D-21 - D-22
Exterior Body Group	D-23 - E-2
Galley Group	E-3
Heating & Air Conditioning Group	E-4
Interior Finish Group	E-5 - E-6
LP Group	E-7
Lounge Group	E-8
Water & Sewage Group	E-9
Window, Vent & Exterior Door Group	E-10 - E-20

WINDOW, VENT AND EXTERIOR DOOR GROUP (CONTINUED)



Key	Part Number	U/M	Description
1	053169-11-000	EA	Door Asm. - Radius Entry w/Screen Door
2	039737-08-000	EA	Frame - Entry Door - (Bottom Portion Only)
3	039738-05-000	EA	Frame - Entry Door - (Except Bottom Portion)
4	054530-01-000	EA	Holder Asm. - Entry Door
5	045017-01-000	EA	Paddle Asm. - Door Lock - Exterior
6	045017-01-700	EA	Lock Cylinder w/Keys - Lynor
7	039539-01-000	EA	Striker Bolt - Entry Door
8	039540-01-000	EA	Latch Claw - Entry Door
9	039979-01-000	EA	Plate - Lock - Inside - Including Inside Handle
10	052186-01-000	EA	Lock Asm. - Complete - Lynor
11	041875-04-000	EA	Window Asm. - Picture - 13" x 25" - Black Anod. (inside frame not included in assembly)
12	053170-01-000	EA	Door Asm. - Screen
13	056795-01-000	FT	Seal Tape - 1/8" x 3/8" - Press On
14	053171-05-000	EA	Jamb Asm. - Entry Door
15	015580-01-000	EA	Slider - Screen Door - Brown Plastic
16	002293-01-000	SF	Screen - Window - 28" - Gray
17	039520-01-000	EA	Hinge - Entry Door (3 used per door)
18	015581-01-000	EA	Cap - Screen Door - Brown Plastic
19	049176-01-000	EA	Hedlok II - 3/4" Diameter - Screw Mount (Retains screen door to entry door)
20	049797-01-000	EA	Hedlok II - 1" Diameter - Screw Mount (Retains screen door to entry door)
21	018019-01-000	EA	Striker - Screen Door
22	039863-01-000	EA	Catch Asm. - Single Roller w/Strike - Screen Door
23	051390-01-000	FT	Seal - Bulb - Rubber
24	044582-08-000	EA	Drip Cap - Jamb Mounted - Gray
25	Not Illustrated		

1979 ITASCA TABLE OF CONTENTS

Introduction	A-1
Abbreviations	A-1
Alphabetical Index	A-2 - A-4
IC420RG	A-5 - B-16
IC524RH	B-17 - D-6
IC525RB	D-7 - E-20
IC825DB	E-21 - G-6

1979 IC525RB INDEX

Floor Plan	D-7 - D-8
Accessories Group	D-9 - D-10
Bath Group	D-11 - D-12
Chassis Group	D-13
Curtain, Cushion and Pad Group	D-14 - D-18
Dinette Group	D-19
Driver's Compartment Group	D-20
Electrical Group	D-21 - D-22
Exterior Body Group	D-23 - E-2
Galley Group	E-3
Heating & Air Conditioning Group	E-4
Interior Finish Group	E-5 - E-6
LP Group	E-7
Lounge Group	E-8
Water & Sewage Group	E-9
Window, Vent & Exterior Door Group	E-10 - E-20

WINDOW, VENT AND EXTERIOR DOOR GROUP (CONTINUED)

VENTS

Key	Part Number	U/M	Description
	009407-01-000	EA	Frame - Base - Refrigerator Vent (w/o cover)
	039778-01-000	EA	Cover - Vent - Refrigerator - Plastic
	049352-03-000	EA	Vent - Stove Hood - Outside - Gray

ACCESS DOORS

Key	Part Number	U/M	Description
	057096-03-000	EA	Door Asm. - Power Cord w/Hatch - Gray
	033333-24-000	EA	Door Asm. - Battery - Gray w/Twist Type Lock
	047233-03-000	EA	Door Asm. - Luggage - 12 3/4" x 35" - Gray w/Key Type Lock
	054270-05-000	EA	Door Asm. - Refrigerator Access - Gray w/Twist Type Lock
	055500-05-000	EA	Door Asm. - Gas Fill - Gray w/Key Type Lock
	058166-01-000	EA	Door Asm. - Lower Access - 8" x 47 1/2" - Gray w/Key Type Lock
	052009-03-000	EA	Door Asm. - Water Heater Access - Gray
	052179-05-000	EA	Door Asm. - Generator - Gray w/Twist Type Lock
	052181-02-000	EA	Baffle - Generator Door
	016945-02-000	EA	Holder Asm. - Luggage or Battery Door
	047305-01-000	EA	Lock Asm. - Key Type w/Clip
	042441-01-000	EA	Lock Asm. - Key Type (Gas Fill)
	052950-03-700	EA	Lock Asm. - Twist Type w/Clip - White

1979 ITASCA TABLE OF CONTENTS

Introduction	A-1
Abbreviations	A-1
Alphabetical Index	A-2 - A-4
IC420RG	A-5 - B-16
IC524RH	B-17 - D-6
IC525RB	D-7 - E-20
IC625DB	E-21 - G-6

1979 IC525RB INDEX

Floor Plan	D-7 - D-8
Accessories Group	D-9 - D-10
Bath Group	D-11 - D-12
Chassis Group	D-13
Curtain, Cushion and Pad Group	D-14 - D-18
Dinette Group	D-19
Driver's Compartment Group	D-20
Electrical Group	D-21 - D-22
Exterior Body Group	D-23 - E-2
Galley Group	E-3
Heating & Air Conditioning Group	E-4
Interior Finish Group	E-5 - E-6
LP Group	E-7
Lounge Group	E-8
Water & Sewage Group	E-9
Window, Vent & Exterior Door Group	E-10 - E-20