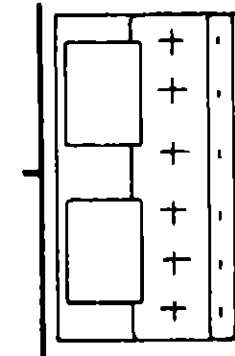
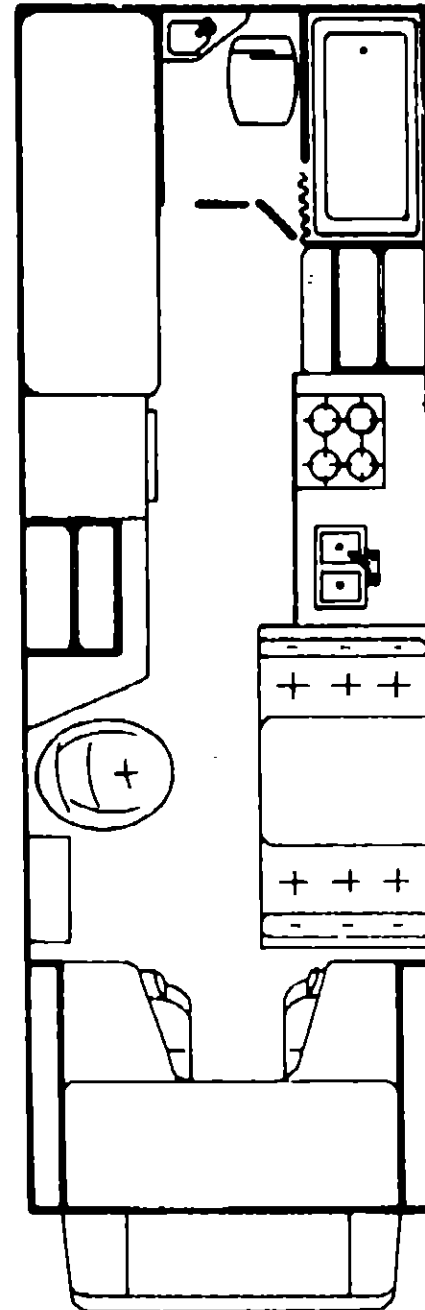


# 1979 IC524RH



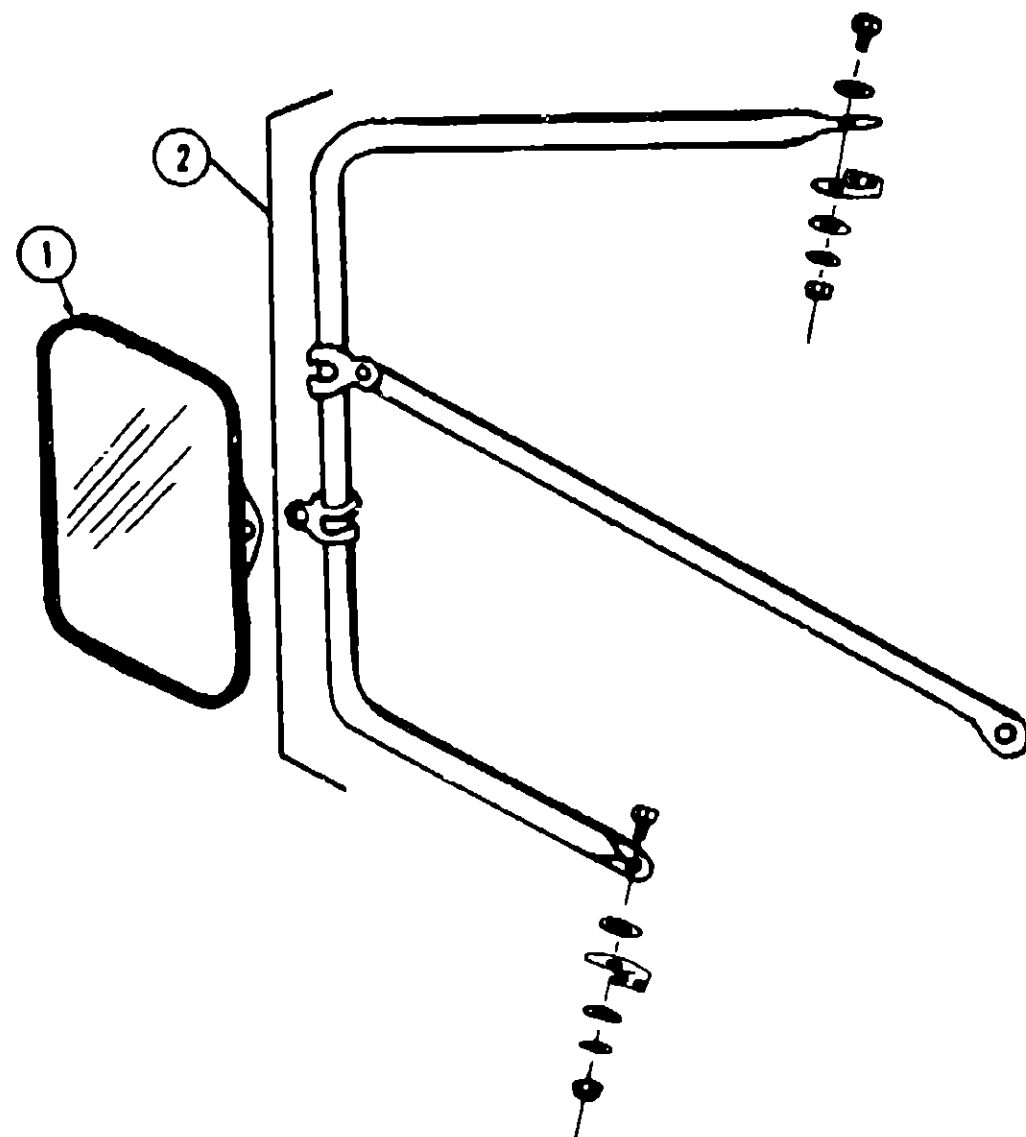
## 1979 ITASCA TABLE OF CONTENTS

Introduction	A-1
Abbreviations	A-1
Alphabetical Index	A-2 - A-4
IC420RG	A-5 - B-16
IC524RH	B-17 - D-6
IC525RB	D-7 - E-20
IC625DB	E-21 - G-6

## 1979 IC524RH INDEX

Floor Plan	B-17 - B-18
Accessories Group	B-19 - B-20
Bath Group	B-21 - B-22
Chassis Group	B-23
Curtain, Cushion & Pad Group	B-24 - C-4
Dinette Group	C-5
Driver's Compartment Group	C-5
Electrical Group	C-6 - C-7
Exterior Body Group	C-8 - C-11
Galley Group	C-12
Heating & Air Conditioning Group	C-13
Interior Finish Group	C-14 - C-15
LP Group	C-16
Lounge Group	C-17
Water & Sewage Group	C-18
Window, Vent & Exterior Door Group	C-19 - D-6

**ACCESSORIES GROUP**



Key	Part Number	U/M	Description
1	057481-01-000	EA	Mirror Head - 7 1/2" x 10 1/2" w/Convex - Stainless Steel
1	057481-02-000	EA	Mirror Head - 7 1/2" x 10 1/2" w/Convex - Off White
2	049349-03-000	EA	Arm - West Coast Mirror - Stainless Steel
2	049349-04-000	EA	Arm - West Coast Mirror - Off White

**ACCESSORIES GROUP (CONTINUED)**

**RADIOS AND RELATED COMPONENTS**

Key	Part Number	U/M	Description
	007004-01-000	EA	Antenna - Radio - Cab Mount
	045836-02-000	EA	Plate - Radio Cover
	049730-01-000	EA	Radio - Clarion - AM w/Fader Switch
	049731-01-000	EA	Radio - Clarion - AM/FM/MPX w/Fader Switch
	049732-01-000	EA	Radio - Clarion - AM/FM/MPX/8-Track w/Fader Switch
	053768-01-000	EA	Speaker - Recessed - 5 1/4" - 10 oz.
	055299-01-000	EA	Grille - Speaker - 5 1/4"
	048153-01-000	EA	Antenna - CB Camper Style
	056458-01-000	EA	Speaker - 4" x 6" - Oval - Clarion

**GENERATORS AND INSTALLATION KITS**

Key	Part Number	U/M	Description
	054429-01-000	EA	Generator - 4.0 kw Onan
	701629-02-000	EA	Installation Package - Onan Generator
	049360-07-000	EA	Overhead Console
	050015-01-000	EA	Bracket - Overhead Console
	740313-56-000	EA	Tray - Generator - 4.0 kw - Onan
	054426-01-000	EA	Muffler - Generator w/Arrestor
	052814-01-000	EA	Tailpipe - Generator - 90 Degree - 1 1/2" O.D.

**MISCELLANEOUS ACCESSORIES**

Key	Part Number	U/M	Description
	059779-01-000	EA	Speed Control - Chevrolet - Electric - Dana
**	031396-03-000	EA	Wheel Cover - 16.5" - Chrome
	052771-01-000	EA	Microwave Oven - Magic Chef MW207
	047388-01-700	EA	Battery - 12V - 105A Deep Cycle - Dry
	057899-01-000	EA	Battery - 12V - Maintenance Free - Delco
	041646-01-000	EA	Luggage Carrier Asm.
	039881-01-000	EA	Catch and Strike - Luggage Carrier
	056253-01-000	EA	Luggage Rack and Ladder Asm.
**	041086-02-000	EA	Ladder Asm. - w/o Luggage Rack
	006053-01-000	EA	Antenna Asm. - TV - Braund Delux
	008053-01-700	EA	Repair Parts Kits - Braund TV Antenna
	008093-01-000	EA	Jack - TV - Brown
	040486-07-000	EA	Cover - Spare Tire - 29" - Off White
	006113-01-000	EA	Jack - Hydraulic - 5 Ton
	041944-01-700	EA	Fire Extinguisher w/Bracket
	017516-01-000	EA	Mudflap - Black Rubber - 14" x 18" w/Holes

\*\*The illustrated parts breakdown for this item is provided on the Common Items Fiche.

**1979 ITASCA  
TABLE OF CONTENTS**

Introduction	A-1
Abbreviations	A-1
Alphabetical Index	A-2 - A-4
IC420RG	A-5 - B-16
IC524RH	B-17 - D-6
IC525RB	D-7 - E-20
IC625DB	E-21 - G-6

**1979 IC524RH INDEX**

Floor Plan	B-17 - B-18
Accessories Group	B-19 - B-20
Bath Group	B-21 - B-22
Chassis Group	B-23
Curtain, Cushion & Pad Group	B-24 - C-4
Dinette Group	C-5
Driver's Compartment Group	C-5
Electrical Group	C-6 - C-7
Exterior Body Group	C-8 - C-11
Galley Group	C-12
Heating & Air Conditioning Group	C-13
Interior Finish Group	C-14 - C-15
LP Group	C-16
Lounge Group	C-17
Water & Sewage Group	C-18
Window, Vent & Exterior Door Group	C-19 - D-6

## BATH GROUP

### BATH CABINETS

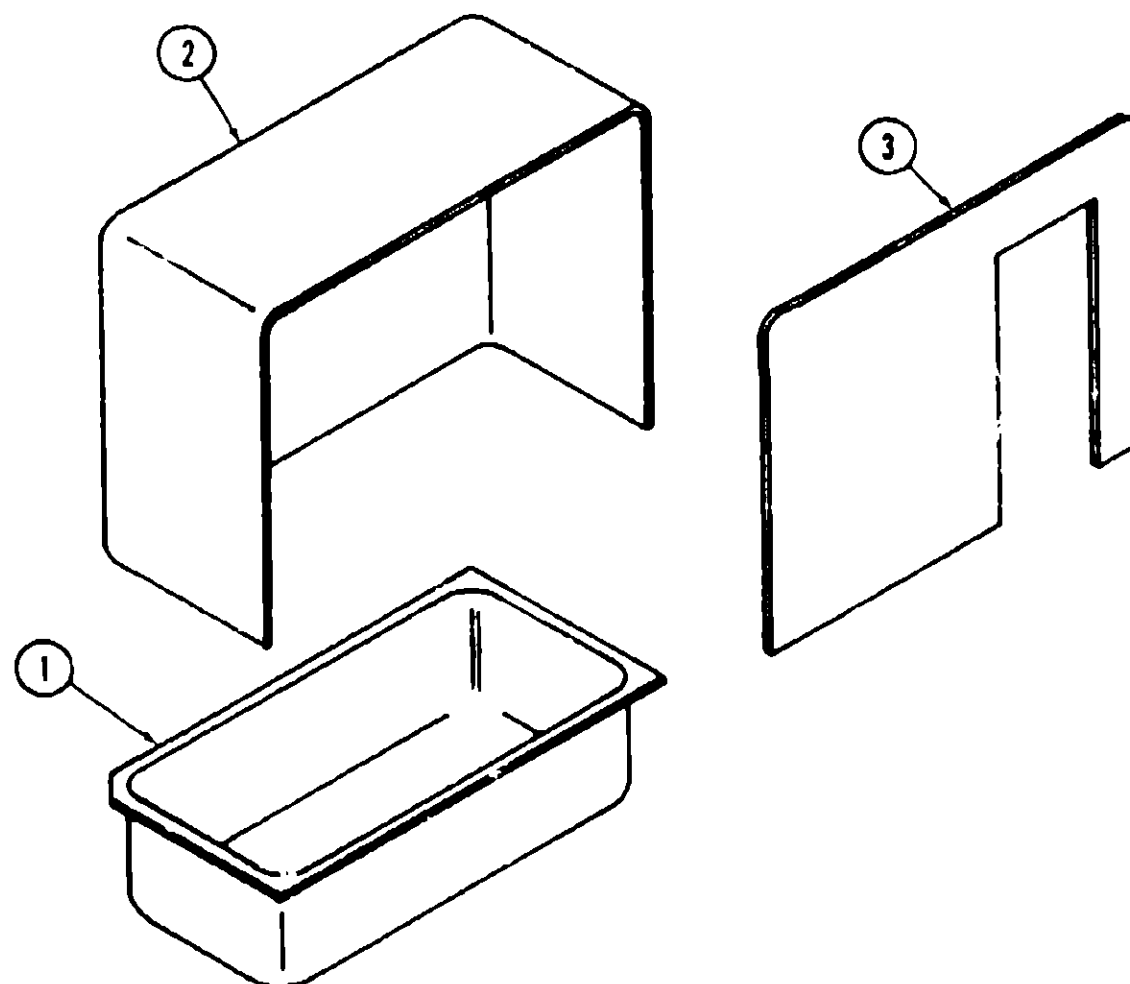
Key	Part Number	U/M	Description
	059072-01-K01	EA	Cabinet Asm. - Vanity - w/o Countertop or Hardware
	059431-01-K01	EA	Countertop Asm. - Vanity Cabinet - Almond Batik
	059122-01-K01	EA	Door Asm. - Rolling - 19" x 17.6" - w/Handle
	059122-02-K01	EA	Door Asm. - Rolling - 19" x 13.2" - w/Handle
	043257-01-000	FT	Handle - Wood - Roll Up Door
	059683-01-K08	EA	Door Asm. - Vanity Countertop - Almond Batik Laminate
	058484-01-K01	EA	Cabinet Asm. - Rear Wardrobe - Lower - w/o Door or Hardware
	059724-01-K08	EA	Cabinet Asm. - Rear Wardrobe - Upper - w/o Door or Hardware
	058023-11-K08	EA	Drawer Asm. - Rear Wardrobe Cabinet - 6.02" H x 14.82" W - w/o Hardware
	057992-42-K08	EA	Door Asm. - Rear Wardrobe Cabinet - 18.82" x 54.02" - w/o Hardware
	058637-02-K01	EA	Door Asm. - w/Mirror - 15.10" x 39.10"
	053831-03-K01	EA	Panel Asm. - Folding Door - 14 7/8" x 78"
	053130-02-000	EA	Medicine Cabinet - Jensen - 43.5" Wide
	053130-02-700	EA	Mirror - Medicine Cabinet - 35 1/2 x 15"
	053130-02-701	EA	Frame - Mirror - Medicine Cabinet
	053130-02-702	EA	Catch - Door - Medicine Cabinet
	053130-02-703	EA	Switch - Medicine Cabinet
	038010-01-000	EA	Bulb - 1143

### BATH HARDWARE

Key	Part Number	U/M	Description
	058713-01-000	EA	Sink - Bath - Ivory Plastic
**	011056-01-000	EA	Faucet - Sink
	011083-02-000	EA	Plug - Sink - 1 1/4" w/Chain
**	031558-01-000	EA	Faucet - Tub and Shower
**	011086-01-000	EA	Strainer - Shower Pan
**	011048-01-000	EA	Shower Head - w/60" Hose
	009134-01-000	EA	Holder - Tissue
	058331-02-000	EA	Mirror - Tempered Glass - 12" x 36"
	053260-05-000	EA	Trim - Shower Door - Bottom
	053262-04-000	EA	Trim - Shower Door - Left
	053262-01-000	EA	Trim - Shower Door - Right
	057534-01-000	EA	Tie Back - 6" - Clear Plastic
**	039341-02-000	EA	Toilet - Marine - Thetford Aqua Magic SH - Ivory

\*\* The illustrated parts breakdown for this item is provided on the Common Items Fiche.

## BATH GROUP (CONTINUED)



Key	Part Number	U/M	Description
1	041826-01-000	EA	Bathtub Bottom - Ivory Plastic
2	041853-01-000	EA	Bathtub Back - Ivory Plastic
3	041852-01-000	EA	Bathtub Front - Ivory Plastic

## 1979 ITASCA TABLE OF CONTENTS

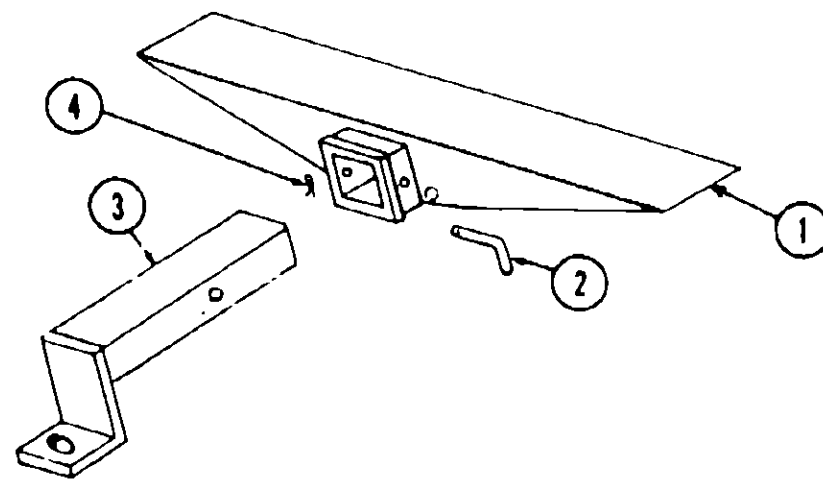
Introduction	A-1
Abbreviations	A-1
Alphabetical Index	A-2 - A-4
IC420RG	A-5 - B-16
IC524RH	B-17 - D-6
IC525RB	D-7 - E-20
IC625DB	E-21 - G-6

## 1979 IC524RH INDEX

Floor Plan	B-17 - B-18
Accessories Group	B-19 - B-20
Bath Group	B-21 - B-22
Chassis Group	B-23
Curtain, Cushion & Pad Group	B-24 - C-4
Dinette Group	C-5
Driver's Compartment Group	C-5
Electrical Group	C-6 - C-7
Exterior Body Group	C-8 - C-11
Galley Group	C-12
Heating & Air Conditioning Group	C-13
Interior Finish Group	C-14 - C-15
LP Group	C-16
Lounge Group	C-17
Water & Sewage Group	C-18
Window, Vent & Exterior Door Group	C-19 - D-6

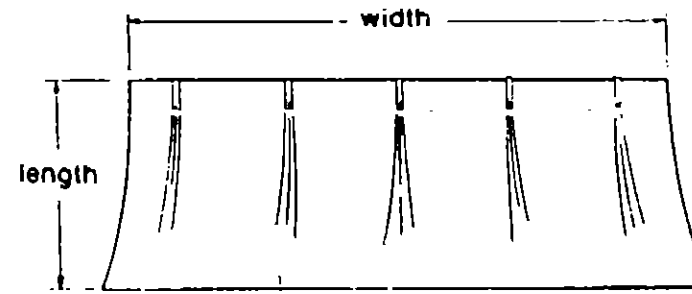
## CHASSIS GROUP

Key	Part Number	U/M	Description
	021546-01-000	EA	Bumper - Rear - 93" - Off White
	039779-01-000	EA	Cap - Rubber - 4" x 4" - Bumper
	040974-01-000	EA	Bracket - Spare Tire Retainer - 2" x 6.75"
	016452-01-000	EA	Bracket - Spare Tire Carrier - 5" x 25"
	046043-14-000	EA	Bracket Asm. - Rear Bumper Mount
	057987-01-000	EA	Bracket - Front Bumper Mount - Lower
	057988-01-000	EA	Bracket - Front Bumper Mount - Upper
	055080-01-000	EA	Wheel Well - Plastic - Left or Right Rear
	061441-01-000	EA	Tail Pipe Extension - 2" O.D. x 10"
	007125-05-000	EA	Clamp Asm. - Muffler - 2" Dia.
	057822-01-000	EA	Tray - Battery - 13.50" x 19.25"
	051697-02-000	EA	Bracket - Battery Tie Down
	024552-01-700	EA	Step Asm. - Coach Entry Door
	049912-01-000	EA	Step Asm. Assist - Cab
	017516-01-000	EA	Mud Flap - 14" x 18" - w/Holes
	044763-01-000	EA	Splashguard - Front - Black Rubber
	049750-01-000	EA	Shroud - Fuel Fill - Inside Coach
	024141-01-000	FT	Hose - Fuel - Rubber - 1/2" I.D.
	007137-01-000	EA	Clamp - Hose - Worm Gear - 1 5/16" to 2 1/4"



Key	Part Number	U/M	Description
1	023695-01-000	EA	Hitch - w/o Drawbar
2	034512-01-000	EA	Pin - Locking - Drawbar
3	023690-01-000	EA	Drawbar Asm. - Trailer Hitch - Primed
4	034513-01-000	EA	Pin Hitch - 3/16" Wire Spring

## CURTAIN, CUSHION AND PAD GROUP



### NOTE:

Use this illustration when determining length and width measurements for curtains. You will note the width measurement is taken on the top of the curtain with the curtain fully extended. The length measurement is taken from top to bottom.

### CURTAINS

Key	Part Number	U/M	Description
	054051-01-755	EA	Curtain Kit - Green
	054051-01-756	EA	Curtain Kit - Blue
	054051-01-757	EA	Curtain Kit - Brick
	054045-16-K08	EA	Curtain w/Snaps Top and Bottom - 17.5" x 42" - Green
	054045-16-K09	EA	Curtain w/Snaps Top and Bottom - 17.5" x 42" - Blue
	054045-16-K10	EA	Curtain w/Snaps Top and Bottom - 17.5" x 42" - Burgundy
	054051-24-K08	EA	Curtain w/Snap Top - 34" x 37" - Green
	054051-24-K09	EA	Curtain w/Snap Top - 34" x 37" - Blue
	054051-24-K10	EA	Curtain w/Snap Top - 34" x 37" - Burgundy
	054051-25-K08	EA	Curtain w/Snap Top - 25" x 57" - Green
	054051-25-K09	EA	Curtain w/Snap Top - 25" x 57" - Blue
	054051-25-K10	EA	Curtain w/Snap Top - 25" x 57" - Burgundy
	054103-05-K08	EA	Curtain w/Snap Top - 15.5" x 42" - Green
	054103-05-K09	EA	Curtain w/Snap Top - 15.5" x 42" - Blue
	054103-05-K10	EA	Curtain w/Snap Top - 15.5" x 42" - Burgundy
	056484-12-K08	EA	Curtain w/Taped Top - 31.2" x 43.5" - Green
	056484-12-K09	EA	Curtain w/Taped Top - 31.2" x 43.5" - Blue
	056484-12-K10	EA	Curtain w/Taped Top - 31.2" x 43.5" - Burgundy
	056484-14-K08	EA	Curtain w/Taped Top - 21" x 51" - Green
	056484-14-K09	EA	Curtain w/Taped Top - 21" x 51" - Blue
	056484-14-K10	EA	Curtain w/Taped Top - 21" x 51" - Burgundy
	056484-15-K08	EA	Curtain w/Taped Top - 22" x 9" - Green
	056484-15-K09	EA	Curtain w/Taped Top - 22" x 9" - Blue
	056484-15-K10	EA	Curtain w/Taped Top - 22" x 9" - Burgundy
	056484-16-K08	EA	Curtain w/Taped Top - 27" x 9" - Green
	056484-16-K09	EA	Curtain w/Taped Top - 27" x 9" - Blue
	056484-16-K10	EA	Curtain w/Taped Top - 27" x 9" - Burgundy
	056484-17-K08	EA	Curtain w/Taped Top - 28.5" x 26" - Green
	056484-17-K09	EA	Curtain w/Taped Top - 28.5" x 26" - Blue
	056484-17-K10	EA	Curtain w/Taped Top - 28.5" x 26" - Burgundy
	054051-26-K08	EA	Curtain Asm. - Rear Privacy - 76" x 57" - Green
	054051-26-K09	EA	Curtain Asm. - Rear Privacy - 76" x 57" - Blue
	054051-26-K10	EA	Curtain Asm. - Rear Privacy - 76" x 57" - Burgundy
	054051-23-K08	EA	Curtain w/Snap Top - Blackout - 32" x 96" - Green
	054051-23-K09	EA	Curtain w/Snap Top - Blackout - 32" x 96" - Blue
	054051-23-K10	EA	Curtain w/Snap Top - Blackout - 32" x 96" - Burgundy
	059900-01-K08	EA	Curtain Asm. - Wraparound - 23" x 64" - Green
	059900-01-K09	EA	Curtain Asm. - Wraparound - 23" x 64" - Blue
	059900-01-K10	EA	Curtain Asm. - Wraparound - 23" x 64" - Burgundy
	052967-01-000	EA	Curtain - Shower - 66" x 36" - Gold

### TIE BACKS

Key	Part Number	U/M	Description
	054048-05-K08	EA	Tie Back - 2" x 18" - Green
	054048-05-K09	EA	Tie Back - 2" x 18" - Blue
	054048-05-K10	EA	Tie Back - 2" x 18" - Burgundy

## 1979 ITASCA TABLE OF CONTENTS

Introduction	A-1
Abbreviations	A-1
Alphabetical Index	A-2 - A-4
IC420RG	A-5 - B-16
IC524RH	B-17 - D-6
IC525RB	D-7 - E-20
IC625DB	E-21 - G-6

## 1979 IC524RH INDEX

Floor Plan	B-17 - B-18
Accessories Group	B-19 - B-20
Bath Group	B-21 - B-22
Chassis Group	B-23
Curtain, Cushion & Pad Group	B-24 - C-4
Dinette Group	C-5
Driver's Compartment Group	C-5
Electrical Group	C-6 - C-7
Exterior Body Group	C-8 - C-11
Galley Group	C-12
Heating & Air Conditioning Group	C-13
Interior Finish Group	C-14 - C-15
LP Group	C-16
Lounge Group	C-17
Water & Sewage Group	C-18
Window, Vent & Exterior Door Group	C-19 - D-6

**CURTAIN, CUSHION AND PAD GROUP (CONTINUED)**

**VALANCES**

Key	Part Number	U/M	Description
	056897-11-K08	EA	Valance - 5.5" x 34" - w/Green Trim
	056897-11-K09	EA	Valance - 5.5" x 34" - w/Blue Trim
	056897-11-K10	EA	Valance - 5.5" x 34" - w/Burgundy Trim
	056897-12-K08	EA	Valance - 5.5" x 40" - w/Green Trim
	056897-12-K09	EA	Valance - 5.5" x 40" - w/Blue Trim
	056897-12-K10	EA	Valance - 5.5" x 40" - w/Burgundy Trim
	056897-13-K08	EA	Valance - 5.5" x 42" - w/Green Trim
	056897-13-K09	EA	Valance - 5.5" x 42" - w/Blue Trim
	056897-13-K10	EA	Valance - 5.5" x 42" - w/Burgundy Trim
	056897-15-K08	EA	Valance - 5.5" x 52.75" - w/Green Trim
	056897-15-K09	EA	Valance - 5.5" x 52.75" - w/Blue Trim
	056897-15-K10	EA	Valance - 5.5" x 52.75" - w/Burgundy Trim
	056897-17-K08	EA	Valance - 5.5" x 78" - w/Green Trim
	056897-17-K09	EA	Valance - 5.5" x 78" - w/Blue Trim
	056897-17-K10	EA	Valance - 5.5" x 78" - w/Burgundy Trim

**SHADES AND BLINDS**

Key	Part Number	U/M	Description
	059534-27-000	EA	Shade - Vinyl - 33.25" x 34" - Green
	059534-05-000	EA	Shade - Vinyl - 33.25" x 34" - Blue
	059534-17-000	EA	Shade - Vinyl - 33.25" x 34" - Burgundy
	059534-30-000	EA	Shade - Vinyl - 69.25" x 34" - Green
	059534-15-000	EA	Shade - Vinyl - 69.25" x 34" - Blue
	059534-21-000	EA	Shade - Vinyl - 69.25" x 34" - Burgundy
	059534-32-000	EA	Shade - Vinyl - 44.25" x 23" - Green
	059534-09-000	EA	Shade - Vinyl - 44.25" x 23" - Blue
	059534-19-000	EA	Shade - Vinyl - 44.25" x 23" - Burgundy
	057967-01-000	EA	Blinds - Levelor - 23.5" x 25.5" - Camel
	057967-02-000	EA	Blinds - Levelor - 32" x 30" - Camel

**FABRICS, TRIMS AND PADS**

Key	Part Number	U/M	Description
	058784-04-000	YD	Fabric - Drapery - Green Forest
	058784-03-000	YD	Fabric - Drapery - Navy
	058764-05-000	YD	Fabric - Drapery - Brick (Burgundy)
	057964-01-000	YD	Fabric - Upholstery - Emerald Green - Wide Stripe
	057964-02-000	YD	Fabric - Upholstery - Royal Blue - Wide Stripe
	057964-03-000	YD	Fabric - Upholstery - Oxford Burgundy - Wide Stripe
	057965-01-000	YD	Fabric - Upholstery - Emerald Green - Narrow Stripe
	057965-02-000	YD	Fabric - Upholstery - Royal Blue - Narrow Stripe
	057965-03-000	YD	Fabric - Upholstery - Oxford Burgundy - Narrow Stripe
	057966-01-000	YD	Fabric - Upholstery - Accent - Camel
	057966-03-000	YD	Fabric - Upholstery - Accent - Burgundy
	054676-08-K08	EA	Button Asm. - Covered - #45" - Green
	054676-08-K09	EA	Button Asm. - Covered - #45" - Blue
	054676-08-K10	EA	Button Asm. - Covered - #45" - Burgundy
	054676-09-K08	EA	Button Asm. - Covered - #30 - Green
	054676-09-K09	EA	Button Asm. - Covered - #30 - Blue
	054676-09-K10	EA	Button Asm. - Covered - #30 - Burgundy
	052859-01-J27	FT	Trim Asm. - Accent - Acorn Brown Vinyl
	053327-01-000	YD	Vinyl - Non Expanded - 27 oz. - Acorn Brown
	053327-02-000	YD	Vinyl - Expanded - 28 oz. - Acorn Brown
	053327-03-000	YD	Vinyl - Non Support - 16 Gauge Film - Acorn Brown
	058654-01-K08	EA	Pad - End - Galley Overhead Cabinet - Acorn Vinyl
	059061-02-K08	EA	Pad - End - Lounge Overhead Cabinet - Acorn Vinyl

**CURTAIN, CUSHION AND PAD GROUP (CONTINUED)**

**LOW BACK BUCKET SEATS**

Key	Part Number	U/M	Description
	061826-01-K08	EA	Bucket Seat - Low Back - w/o Arm or Headrests - Green
	061826-01-K09	EA	Bucket Seat - Low Back - w/o Arm or Headrest - Blue
	061826-01-K10	EA	Bucket Seat - Low Back - w/o Arm or Headrest - Burgundy
	061836-02-K08	EA	Cover - Low Back Bucket - Back - Green
	061836-02-K09	EA	Cover - Low Back Bucket - Back - Blue
	061836-02-K10	EA	Cover - Low Back Bucket - Back - Burgundy
	061837-02-K08	EA	Cover - Low Back Bucket - Bottom - Green
	061837-02-K09	EA	Cover - Low Back Bucket - Bottom - Blue
	061837-02-K10	EA	Cover - Low Back Bucket - Bottom - Burgundy

**HIGH BACK BUCKET SEATS**

Key	Part Number	U/M	Description
	061828-01-K08	EA	Bucket Seat - High Back - w/Skirt and Right Armrest - Green
	061828-01-K09	EA	Bucket Seat - High Back - w/Skirt and Right Armrest - Blue
	061828-01-K10	EA	Bucket Seat - High Back - w/Skirt and Right Armrest - Burgundy
	061828-02-K08	EA	Bucket Seat - High Back - w/Skirt and Left Armrest - Green
	061828-02-K09	EA	Bucket Seat - High Back - w/Skirt and Left Armrest - Blue
	061828-02-K10	EA	Bucket Seat - High Back - w/Skirt and Left Armrest - Burgundy
	061838-02-K08	EA	Cover - High Back Bucket - Back - Green
	061838-02-K09	EA	Cover - High Back Bucket - Back - Blue
	061838-02-K10	EA	Cover - High Back Bucket - Back - Burgundy
	061839-02-K08	EA	Cover - High Back Bucket - Seat - Green
	061839-02-K09	EA	Cover - High Back - Bucket - Seat - Blue
	061839-02-K10	EA	Cover - High Back Bucket - Seat - Burgundy
	054650-06-K08	EA	Skirt - High Back Bucket - Green
	054650-06-K09	EA	Skirt - High Back Bucket - Blue
	054650-06-K10	EA	Skirt - High Back Bucket - Burgundy

**ARMRESTS AND HEADRESTS**

Key	Part Number	U/M	Description
	019722-01-000	EA	Headrest Asm. - Foam w/o Cover
	053354-01-K08	EA	Cover - Headrest - Green
	053354-01-K09	EA	Cover - Headrest - Blue
	053354-01-K10	EA	Cover - Headrest - Burgundy
	050275-01-700	EA	Armrest Asm. - Foam w/o Cover - Right
	050276-01-700	EA	Armrest Asm. - Foam w/o Cover - Left
	053357-04-K08	EA	Cover - Armrest - Right or Left - Green
	053357-04-K09	EA	Cover - Armrest - Right or Left - Blue
	053357-04-K10	EA	Cover - Armrest - Right or Left - Burgundy

**CURTAIN HARDWARE**

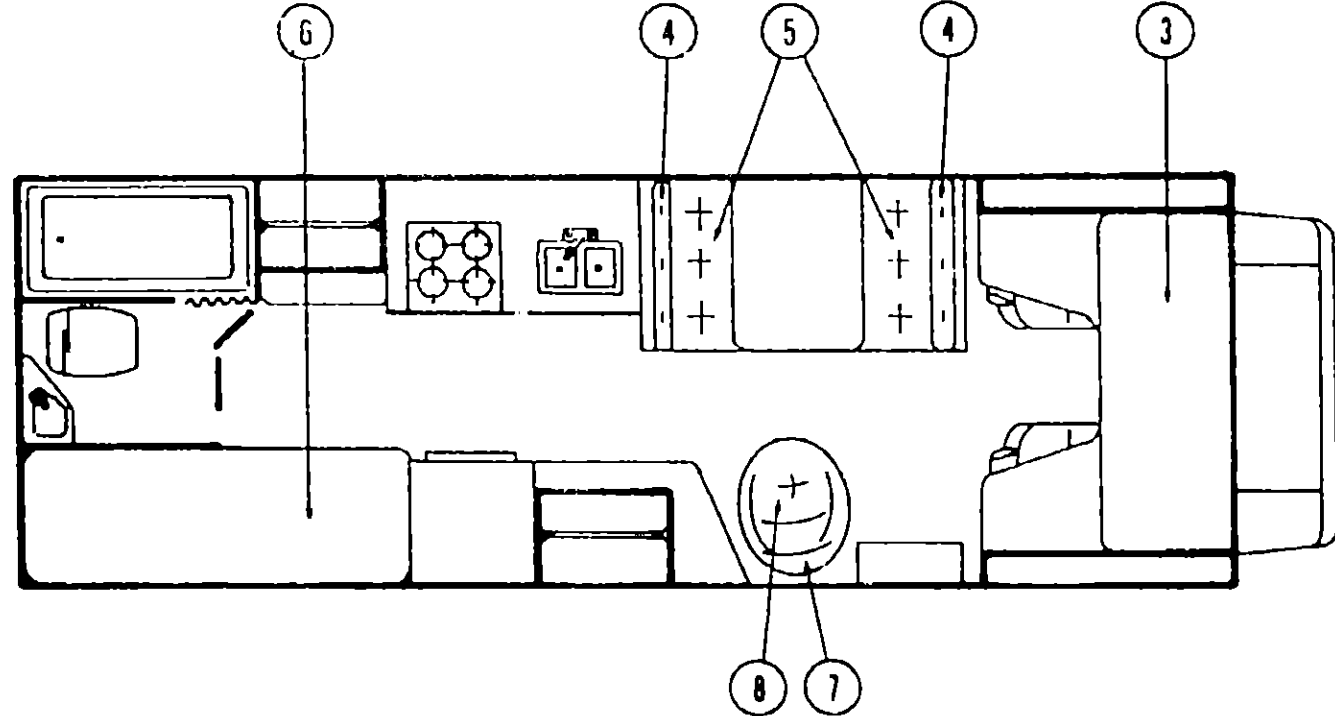
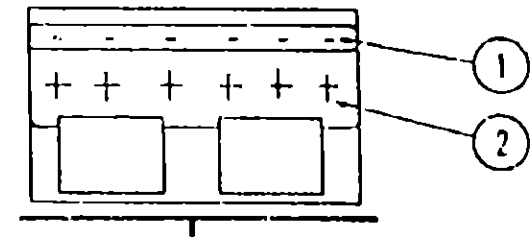
Key	Part Number	U/M	Description
	052327-04-236	EA	Track - Curtain - Brown Alum. - 89" w/Holes
	056116-01-000	FT	Track - Curtain - Brown Plastic
	056001-01-000	EA	Bracket - Shade - Left
	056002-01-000	EA	Bracket - Shade - Right
	056003-01-000	EA	Bracket - Drapery Retainer - Right
	056003-02-000	EA	Bracket - Drapery - Retainer - Left
	053272-04-200	EA	Track - Curtain - Off White - 89" w/Holes
	056784-01-000	EA	Pull - Window Shade - Antique Brass
	009107-01-000	EA	Guide - Nylon Snap - Curtain
	018031-42-000	EA	Track - Curtain - "L" Rod - Alum. Extr. - 90"
	009701-01-000	EA	Carrier - "L" Rod - Curtain
	009702-01-000	EA	End Stop - "L" Rod - Curtain
	059971-01-000	EA	Bracket - Shade
	056289-05-000	EA	Track - Curtain - 90" - 40" x 11"

**1979 ITASCA  
TABLE OF CONTENTS**

Introduction	A-1
Abbreviations	A-1
Alphabetical Index	A-2 - A-4
IC420RG	A-5 - B-16
IC524RH	B-17 - D-6
IC525RB	D-7 - E-20
IC625DB	E-21 - G-6

**1979 IC524RH INDEX**

Floor Plan	B-17 - B-18
Accessories Group	B-19 - B-20
Bath Group	B-21 - B-22
Chassis Group	B-23
Curtain, Cushion & Pad Group	B-24 - C-4
Dinette Group	C-5
Driver's Compartment Group	C-5
Electrical Group	C-6 - C-7
Exterior Body Group	C-8 - C-11
Galley Group	C-12
Heating & Air Conditioning Group	C-13
Interior Finish Group	C-14 - C-15
LP Group	C-16
Lounge Group	C-17
Water & Sewage Group	C-18
Window, Vent & Exterior Door Group	C-19 - D-8



Key	Part Number	U/M	Description
4	058900-02-K08	EA	Cushion - Dinette Back - 19.2" x 38" x 5" - Green
4	058900-02-K09	EA	Cushion - Dinette Back - 19.2" x 38" x 5" - Blue
4	058900-02-K10	EA	Cushion - Dinette Back - 19.2" x 38" x 5" - Burgundy
	058901-02-K08	EA	Cover - Dinette Back Cushion - 19.2" x 38" x 5" - Green
	058901-02-K09	EA	Cover - Dinette Back Cushion - 19.2" x 38" x 5" - Blue
	058901-02-K10	EA	Cover - Dinette Back Cushion - 19.2" x 38" x 5" - Green
5	058900-01-K08	EA	Cushion - Dinette Bottom - 17.5" x 38" x 5" - Green
5	058900-01-K09	EA	Cushion - Dinette Bottom - 17.5" x 38" x 5" - Blue
5	058900-01-K10	EA	Cushion - Dinette Bottom - 17.5" x 38" x 5" - Burgundy
	058901-01-K08	EA	Cover - Dinette Bottom Cushion - 17.5" x 38" x 5" - Green
	058901-01-K09	EA	Cover - Dinette Bottom Cushion - 17.5" x 38" x 5" - Blue
	058901-01-K10	EA	Cover - Dinette Bottom Cushion - 17.5" x 38" x 5" - Burgundy

REAR BUNK CUSHIONS

Key	Part Number	U/M	Description
6	055021-20-K08	EA	Cushion - Rear Bunk - 29" x 76.5" x 5" - Green
6	055021-20-K09	EA	Cushion - Rear Bunk - 29" x 76.5" x 5" - Blue
6	055021-20-K10	EA	Cushion - Rear Bunk - 29" x 76.5" x 5" - Burgundy
	055022-22-K08	EA	Cover - Rear Bunk Cushion - 29" x 76.5" x 5" - Green
	055022-22-K09	EA	Cover - Rear Bunk Cushion - 29" x 76.5" x 5" - Blue
	055022-22-K10	EA	Cover - Rear Bunk Cushion - 29" x 76.5" x 5" - Burgundy
6	055021-25-K08	EA	Cushion - Rear Bunk - 29" x 75.5" x 5" - Green
6	055021-25-K09	EA	Cushion - Rear Bunk - 29" x 75.5" x 5" - Blue
6	055021-25-K10	EA	Cushion - Rear Bunk - 29" x 75.5" x 5" - Burgundy
	055022-27-K08	EA	Cover - Rear Bunk Cushion - 29" x 75.5" x 5" - Green
	055022-27-K09	EA	Cover - Rear Bunk Cushion - 29" x 75.5" x 5" - Blue
	055022-27-K10	EA	Cover - Rear Bunk Cushion - 29" x 75.5" x 5" - Burgundy

SWIVEL CHAIRS

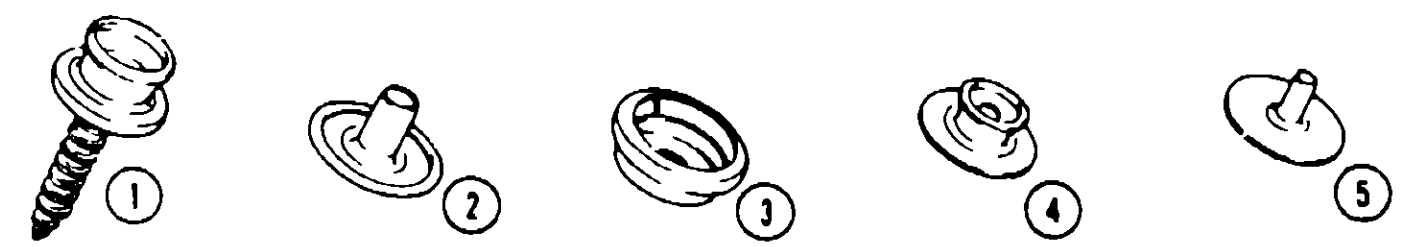
Key	Part Number	U/M	Description
7	054674-05-K08	EA	Swivel Chair - Complete - Green
7	054674-05-K09	EA	Swivel Chair - Complete - Blue
7	054674-05-K10	EA	Swivel Chair - Complete - Burgundy
8	054700-05-K08	EA	Cushion - Swivel Chair - Green
8	054700-05-K09	EA	Cushion - Swivel Chair - Blue
8	054700-05-K10	EA	Cushion - Swivel Chair - Burgundy
	035036-01-000	EA	Plate - Swivel Chair
	035036-02-000	EA	Base w/Legs - Swivel Chair

PRESTO BED CUSHIONS

Key	Part Number	U/M	Description
1	059065-01-K08	EA	Cushion - Presto Bed Back - 76" - Green
1	059065-01-K09	EA	Cushion - Presto Bed Back - 76" - Blue
1	059065-01-K10	EA	Cushion - Presto Bed Back - 76" - Burgundy
	062753-01-K08	EA	Cover - Presto Bed Back - 76" - Green
	062753-01-K09	E	Cover - Presto Bed Back - 76" - Blue
	062753-01-K10	EA	Cover - Presto Bed Back - 76" - Burgundy
2	059066-01-K08	EA	Cushion - Presto Bed Bottom - 76" - Green
2	059066-01-K09	EA	Cushion - Presto Bed Bottom - 76" - Blue
2	059066-01-K10	EA	Cushion - Presto Bed Bottom - 76" - Burgundy
	062753-02-K08	EA	Cover - Presto Bed Bottom - 76" - Green
	062853-02-K09	EA	Cover - Presto Bed Bottom - 76" - Blue
	062753-02-K10	EA	Cover - Presto Bed Bottom - 76" - Burgundy

FRONT BUNK CUSHIONS

Key	Part Number	U/M	Description
3	058897-01-K08	EA	Mattress - Front Bunk - 24.5" x 29.5" x 76" - Green
3	058897-01-K09	EA	Mattress - Front Bunk - 24.5" x 29.5" x 76" - Blue
3	058897-01-K10	EA	Mattress - Front Bunk - 24.5" x 29.5" x 76" - Burgundy
	058898-01-K08	EA	Cover - Front Bunk Mattress - 24.5" x 29.5" x 76" - Green
	058898-01-K09	EA	Cover - Front Bunk Mattress - 24.5" x 29.5" x 76" - Blue
	058898-01-K10	EA	Cover - Front Bunk Mattress - 24.5" x 29.5" x 76" - Burgundy



Key	Part Number	U/M	Description
1	029130-01-000	EA	Socket - Snap Fastener
2	029155-01-000	EA	Cap - Snap - .156" Dia. x .17" Barrel
3	029156-01-000	EA	Socket - Snap Fastener
4	029092-01-000	EA	Stud - Nickel Finish
5	029093-01-000	EA	Eyelet - Nickel Finish

1979 ITASCA TABLE OF CONTENTS

Introduction	A-1
Abbreviations	A-1
Alphabetical Index	A-2 - A-4
IC420RG	A-5 - B-16
IC524RH	B-17 - D-6
IC525RB	D-7 - E-20
IC625DB	E-21 - G-6

1979 IC524RH INDEX

Floor Plan	B-17 - B-18
Accessories Group	B-19 - B-20
Bath Group	B-21 - B-22
Chassis Group	B-23
Curtain, Cushion & Pad Group	B-24 - C-4
Dinette Group	C-5
Driver's Compartment Group	C-5
Electrical Group	C-6 - C-7
Exterior Body Group	C-8 - C-11
Galley Group	C-12
Heating & Air Conditioning Group	C-13
Interior Finish Group	C-14 - C-15
LP Group	C-16
Lounge Group	C-17
Water & Sewage Group	C-18
Window, Vent & Exterior Door Group	C-19 - D-6

## DINETTE GROUP

### DINETTE OVERHEAD CABINETS

Key	Part Number	U/M	Description
	059722-01-K08	EA	Cabinet Asm. - Dinette Overhead - w/o Doors or Hardware
	057992-14-K01	EA	Door Asm. - Dinette Overhead Cabinet - w/o Hardware

### CONVENTIONAL DINETTE W/OPOSING BENCHES

Key	Part Number	U/M	Description
	053192-01-J27	EA	Table Asm. - Dinette - w/o Hardware - Butcher Block
**	047842-01-000	EA	Hardware Kit - Table Leg
**	047809-03-000	EA	Hardware Kit - Dinette Table Wall Mount
	058873-01-K01	EA	Cabinet Asm. - Dinette Seat - Front
	058874-01-K01	EA	Cabinet Asm. - Dinette Seat - Rear
	007019-01-000	EA	Seat Belt - 2" x 84" - Black
	041322-01-000	EA	Washer - Flat - 15/32" I.D. x 2 3/8" O.D.

\*\*The illustrated parts breakdown for this item is provided on the Common Items Fiche.

### OPTIONAL DINETTE W/TWIN PEDESTAL TABLES

Key	Part Number	U/M	Description
	053203-07-J27	EA	Table Asm. - Pedestal - Butcher Block - w/o Hardware
	009040-02-000	EA	Leg - Pedestal Table - 2.25" O.D. x 27.5" - Chrome
	009040-03-000	EA	Base - Table Leg - Mounts on Table
	041194-01-000	EA	Base - Table Leg - Mounts in Floor
	057468-02-000	EA	Frame - Sprung Couch - Right
	057468-03-000	EA	Frame - Sprung Couch - Left
	057468-04-000	EA	Frame Rails - Sprung Couch (2 per couch)
	057469-01-000	EA	Leg Asm. - Sprung Couch (2 per couch)
	057620-01-K08	EA	Panel - Couch Front - 75" x 14.6"
	057618-01-K08	EA	Panel - Couch End

## DRIVER'S COMPARTMENT GROUP

Key	Part Number	U/M	Description
	058556-01-K08	EA	Cabinet Asm. - Headboard - Right - w/o Door or Hardware
	058557-01-K08	EA	Cabinet Asm. - Headboard - Left - w/o Door or Hardware
	057992-84-K08	EA	Door Asm. - Headboard Cabinet - 48.2" x 4.8" - w/o Hardware
	061606-01-000	EA	Pedestal - Seat Base
	061761-01-000	EA	Adapter Plate - Pedestal
	048360-07-000	EA	Console - Overhead - Brown Plastic
	052577-01-000	EA	Gauge Asm. - Voltmeter w/Bracket
	024462-01-000	EA	Switch - Battery Condition

## ELECTRICAL GROUP

### BULBS

Key	Part Number	U/M	Description
	037935-01-000	EA	Bulb - 1157
	038010-01-000	EA	Bulb - 1143
	008103-01-000	EA	Bulb - 53
	009213-01-000	EA	Bulb - 57
	008214-01-000	EA	Bulb - 67
	008215-01-000	EA	Bulb - 1003
	008216-01-000	EA	Bulb - 1034
	008217-01-000	EA	Bulb - 1073
	008218-01-000	EA	Bulb - 1141
	008219-01-000	EA	Bulb - 656
	008220-01-000	EA	Bulb - 12V - 25W
	036196-01-000	EA	Bulb - 194
	700020-01-000	EA	Bulb - 12V - 20W - 1383

### FUSES AND CIRCUIT BREAKERS

Key	Part Number	U/M	Description
	056473-01-000	EA	Fuse - Slow Blow - 6 1/4 Amp.
	008233-01-000	EA	Fuse - 12 Volt - 6 Amp.
	008234-01-000	EA	Fuse - 12 Volt - 10 Amp.
	008235-01-000	EA	Fuse - 12 Volt - 15 Amp.
	008236-01-000	EA	Fuse - 12 Volt - 20 Amp.
	008248-01-000	EA	Fuse - 110 Volt - 30 Amp. - AGU
	008252-01-000	EA	Fuse - 110 Volt - 50 Amp.
	008208-01-000	EA	Circuit Breaker - 12 Volt - 40 Amp.
	008211-01-000	EA	Circuit Breaker - 12 Volt - 6 Amp.
	008268-01-000	EA	Circuit Breaker - 12 Volt - 30 Amp. w/Mount
	033573-01-000	EA	Circuit Breaker - 12 Volt - 20 Amp. w/Mount
	040051-01-000	EA	Circuit Breaker - 110 Volt - 20 Amp. - TQL

### WIRE, SWITCHES AND RECEPTACLES

Key	Part Number	U/M	Description
	008024-01-000	FT	Wire - 18.5 Bonded - Orange/White/Yellow/Blue/Brown
	008025-01-000	FT	Wire - 18.5 Bonded - Orange/White/Yellow/Blue/Green
	008026-01-000	FT	Wire - 18.5 Bonded - Blue/Red/Yellow/Orange/White
	008030-01-000	FT	Wire - 18.4 Bonded
	008251-01-000	EA	Holder - Fuse - Black - Screw Type
	008277-01-000	EA	Holder - Fuse - Black - Panel Mount
	008195-01-000	EA	Switch - Push Button - 12 Volt
	006077-01-000	EA	Plaque - Compressor Switch
	008054-01-000	EA	Cord - Power - 10-3 30 Amp. - 25' - UL
	034818-04-000	EA	Holder - Receptacle - Plastic
	039338-01-000	EA	Cover Plate - Receptacle - Plastic - Brown
	039342-01-000	EA	Receptacle - Duplex Brown - T Junction
	024571-01-000	EA	Cover Plate - Receptacle - Jumbo Steel Brown
	039343-01-000	EA	Cap - End - Receptacle
	008162-01-000	EA	Switch - Double Toggle - Spade Brown
	008163-01-000	EA	Switch - Toggle Brown
	008164-01-000	EA	Cover Plate - Switch - Brown
	024924-01-000	EA	Receptacle - Power Cord
	008058-01-000	EA	Adaptor - Power Cord
	047353-01-000	EA	Cover - Receptacle - Ground Fault
	047351-01-000	EA	Receptacle - Ground Fault Interrupter - 125 Volt, Black
	058707-01-000	EA	Receptacle - Single - Brown - Thomas & Betts
	058708-01-000	EA	Receptacle - Duplex - Brown - Thomas & Betts
	008157-01-000	EA	Receptacle - Duplex Brown (Exterior)
	058048-01-000	EA	Cover - Electrical - Rain Tight (Exterior)
	024671-04-000	EA	Cover - Plate - Receptacle - Jumbo Plastic
	053126-01-000	EA	Receptacle - Ground Fault Interrupter - 125 Volt - Ivory

## 1979 ITASCA TABLE OF CONTENTS

Introduction	A-1
Abbreviations	A-1
Alphabetical Index	A-2 - A-4
IC420RG	A-5 - B-16
IC524RH	B-17 - D-6
IC525RB	D-7 - E-20
IC825DB	E-21 - G-6

## 1979 IC524RH INDEX

Floor Plan	B-17 - B-18
Accessories Group	B-19 - B-20
Bath Group	B-21 - B-22
Chassis Group	B-23
Curtain, Cushion & Pad Group	B-24 - C-4
Dinette Group	C-5
Driver's Compartment Group	C-5
Electrical Group	C-6 - C-7
Exterior Body Group	C-8 - C-11
Galley Group	C-12
Heating & Air Conditioning Group	C-13
Interior Finish Group	C-14 - C-15
LP Group	C-16
Lounge Group	C-17
Water & Sewage Group	C-18
Window, Vent & Exterior Door Group	C-19 - D-6

## ELECTRICAL GROUP (CONTINUED)

### INTERIOR LIGHTS

Key	Part Number	U/M	Description
	024418-01-000	EA	Lamp Asm. - Map/Gauge/Isle
	024473-01-000	EA	Light - Aircraft - 1 Bulb - Gold
	033508-02-000	EA	Light - Dome - Ivory - 1 Bulb - U.S.
	033508-03-000	EA	Light - Dome - Ivory - 1 Bulb - CSA
	024842-01-701	EA	Lens - Dome Light - 1 Bulb
	033509-02-000	EA	Light - Dome - Ivory - 2 Bulb - U.S.
	033509-03-000	EA	Light - Dome - Ivory - 2 Bulb - C.S.A.
	024843-01-701	EA	Lens - Dome Light - 2 Bulb
	053348-01-000	EA	Light - High Intensity - Brown Plastic

### EXTERIOR LIGHTS

Key	Part Number	U/M	Description
	048817-01-000	EA	Handle Asm. - Assist w/Light
	042405-03-000	EA	Base - Rectangular Clearance Light
	042405-04-000	EA	Lens - Clearance Light - Red
	042405-05-000	EA	Lens - Clearance Light - Amber
	007308-01-000	EA	Light - Stepwell
	059353-01-000	EA	Tail Lamp Asm. - Chrome - 2 Bulb - Right
	059353-02-000	EA	Tail Lamp Asm. - Chrome - 2 Bulb - Left
	058030-01-700	EA	Lens - Tail Lamp - Red
	058030-01-701	EA	Lens - Tail Lamp - Back Up
	059036-01-000	EA	Bracket - Tail Lamp
	059540-01-000	EA	Bracket - License Plate
	058958-02-000	EA	Wedge - Tail Lamp - Left
	058958-04-000	EA	Wedge - Tail Lamp - Right

### MISCELLANEOUS ELECTRICAL COMPONENTS

Key	Part Number	U/M	Description
	047338-01-000	EA	Isolator - Dual Battery
	047389-01-700	EA	Battery - 12 Volt - 105 Amp. Deep Cycle - Dry
	057899-01-000	EA	Battery - 12 Volt - Maintenance Free - Delco
	008188-01-000	EA	Solenoid - Dual Battery - Relay
	048775-01-000	EA	Valve - Gas - Change Over
	039950-02-000	EA	Control Center - 30 Amp. w/Door - UL
	031720-01-000	EA	Spacer - Receptacle - Brown Plastic - CSA
	039950-01-702	EA	Circuit Board - Control Center
	039951-01-000	EA	Sending Unit Kit - Wemac
	052577-01-000	EA	Gauge - Voltmeter - w/Bracket
	024482-01-000	EA	Switch - Battery Condition
	031035-01-000	EA	Gauge - Hour Meter - Generator
	024978-01-000	EA	Switch - Generator w/o Circuit Board
	024480-01-000	EA	Gauge Vacuum
	054544-01-000	EA	Control Center - 37 Amp.
	024481-01-000	EA	Switch - Battery - Changeover
	048885-01-000	EA	Plaque - Switch Mounting
	048812-01-000	EA	Control Panel - Water/Double Sewage - Wemac w/Thermostat
	048812-02-000	EA	Control Panel - Water/Double Sewage - Wemac w/o Thermostat
	048812-03-000	EA	Control Panel - Water/Double Sewage - Wemac - w/LP, Refrigerator, Clock

## EXTERIOR BODY GROUP

### EXTERIOR BODY PANELS AND SHEET ALUMINUM

Key	Part Number	U/M	Description
	061597-01-K08	EA	Sleeper Board Asm.
	059800-01-K08	EA	Backwall Asrn.
	059801-01-K08	EA	Roof Asm.
	059803-01-K08	EA	Sidewall Asm. - Right
	059802-01-K08	EA	Sidewall Asm. - Left
	039155-03-008	EA	Alum. - Off White - Mesa I - .024" x 36" x 60"
	039155-03-003	EA	Alum. - Off White - Mesa I - .024" x 36" x 360"
	039155-03-007	EA	Alum. - Off White - Mesa I - .024" x 48" x 60"
	039155-03-006	EA	Alum. - Off White - Mesa I - .024" x 48" x 360"
	039155-03-009	EA	Alum. - Off White - Mesa I - .024" x 12" x 360"
	039155-28-001	EA	Alum. - Off White - Mesa II - .024" x 36" x 60"
	039155-28-003	EA	Alum. - Off White - Mesa II - .024" x 36" x 360"
	039155-28-004	EA	Alum. - Off White - Mesa II - .024" x 48" x 60"
	039155-28-006	EA	Alum. - Off White - Mesa II - .024" x 48" x 360"
	039155-28-007	EA	Alum. - Off White - Mesa II - .024" x 12" x 360"
	044487-01-001	EA	Plain Roof Metal - 96" x 360"
	039155-07-010	EA	Off White Greyhound Alum. - 48" x 96"
	001054-01-011	EA	Off White Plain Alum. - 48" x 96"
	000868-01-000	BF	Styrofoam - 3/4" x 24" x 96"
	000870-01-000	BF	Styrofoam - 1 1/2" x 24" x 96"
	046817-01-000	EA	Panel Asm. - Valance - Off White

NOTE: The raised portion of Mesa I is 1.657" wide.  
The raised portion of Mesa II is .675" wide

### LABELS AND DECALS

Key	Part Number	U/M	Description
	006023-01-000	EA	Label - Water Only
	006025-01-000	EA	Label - Gas
	008028-01-000	EA	Label - Drain Caps - 2" x 3"
	008031-01-000	EA	Label - Potable Water Only
	006040-01-000	EA	Tag - Gas Refueling Warning
	008082-01-000	EA	Tag - Electrical - 110 Volt Connection
	008187-01-000	EA	Label - Sewage
	008188-01-000	EA	Label - Waste Water
	008199-01-000	EA	Label - Exit - Escape Window
	041273-17-000	FT	Decal - Stripe - .83" - Black
	053343-01-000	EA	Decal - Itasca "I" - 9" High
	058017-01-000	EA	Stencil - Stripe - Front Side
	058018-01-000	EA	Decal - Stripe - Front Side
	058250-01-000	EA	Decal - Front Side - Upper
	047731-01-000	EA	Label - Emergency Exit
	050225-01-000	EA	Label - Warning - Stove Vent - U.S.
	054531-01-000	EA	Label - LP Gas Only
	059528-01-000	EA	Decal - Sundancer - 4"
	059528-01-000	EA	Decal - "L" Black - 5.57" - Right Front Clearance Lite to Roof
	059528-02-000	EA	Decal - "L" Black - 5.57" - Left Front Clearance Lite to Roof
	059529-01-000	EA	Decal - "L" Black - 9.12" - Right Front Clearance Lite to Roof
	059529-02-000	EA	Decal - "L" Black - 9.12" - Left Front Clearance Lite to Roof
	058004-07-000	EA	Decal - Logo - Itasca - 5.25" High - Dark Yellow/Off White
	046400-03-000	EA	Decal - Logo - Itasca - 5.25" High - Dark Blue/Med. Blue
	008082-01-000	EA	Reflector - Stick On - Rectangular - Red
	008083-01-000	EA	Reflector - Stick On - Rectangular - Amber

## 1979 ITASCA TABLE OF CONTENTS

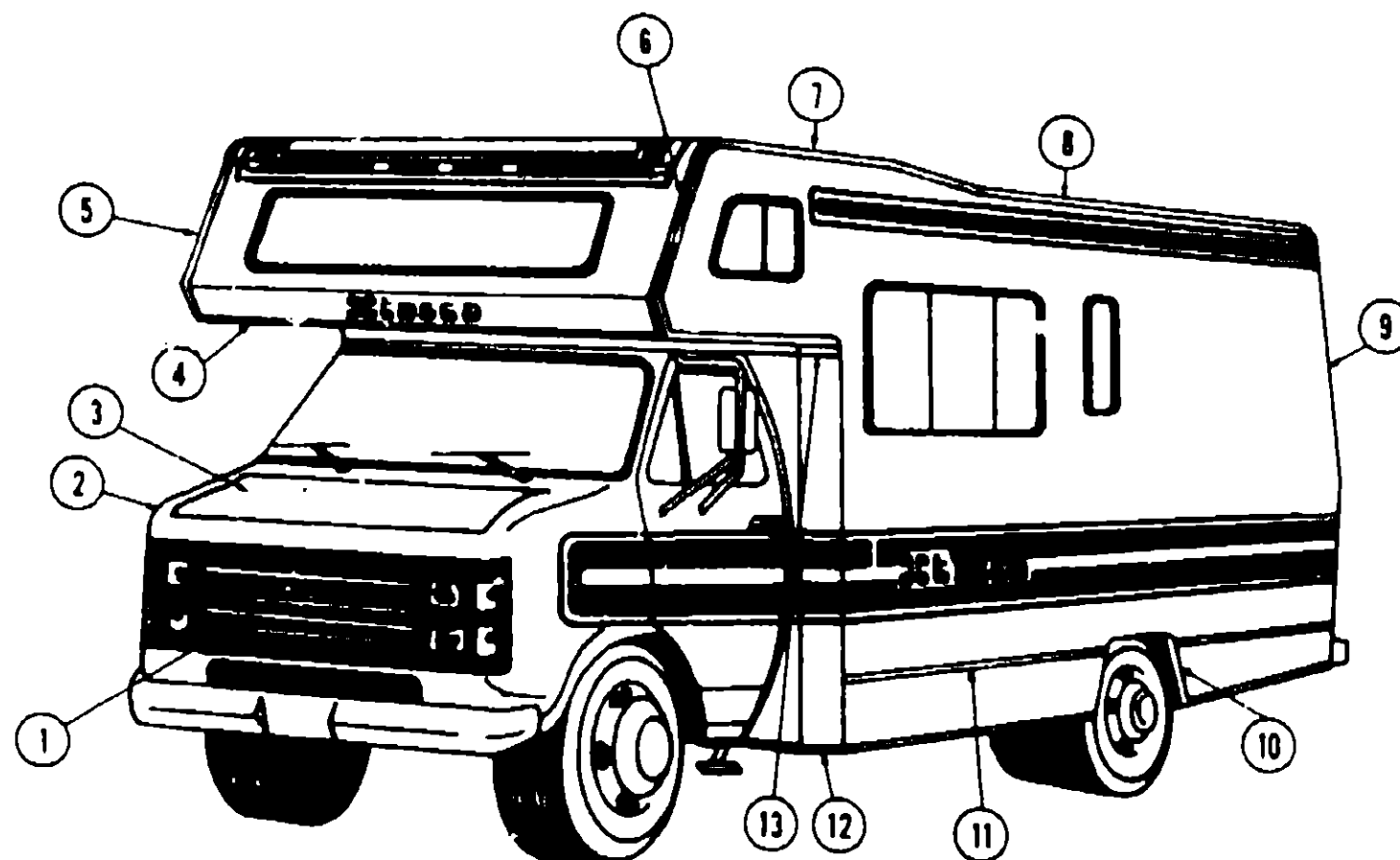
Introduction	A-1
Abbreviations	A-1
Alphabetical Index	A-2 - A-4
IC420RG	A-5 - B-16
IC524RH	B-17 - D-8
IC525RB	D-7 - E-20
IC625DB	E-21 - G-6

## 1979 IC524RH INDEX

Floor Plan	B-17 - B-18
Accessories Group	B-19 - B-20
Bath Group	B-21 - B-22
Chassis Group	B-23
Curtain, Cushion & Pad Group	B-24 - C-4
Dinette Group	C-5
Driver's Compartment Group	C-5
Electrical Group	C-6 - C-7
Exterior Body Group	C-8 - C-11
Galley Group	C-12
Heating & Air Conditioning Group	C-13
Interior Finish Group	C-14 - C-15
LP Group	C-16
Lounge Group	C-17
Water & Sewage Group	C-18
Window, Vent & Exterior Door Group	C-19 - D-6



EXTERIOR BODY GROUP (CONTINUED)



1979 ITASCA  
TABLE OF CONTENTS

Introduction	A-1
Abbreviations	A-1
Alphabetical Index	A-2 - A-4
IC420RG	A-5 - B-16
IC524RH	B-17 - D-8
IC525RB	D-7 - E-20
IC825DB	E-21 - G-6

Key	Part Number	U/M	Description
1	052647-01-000	EA	Grille Asm.
2	058360-02-000	EA	Front End Asm. - Fiberglass - Includes Hood w/o Front Grille
.	054863-01-000	EA	Panel - Wheel House - Front Half - Left
.	054863-02-000	EA	Panel - Wheel House - Front Half - Right
3	058361-01-000	EA	Hood Asm.
.	057896-01-000	EA	Hinge Asm. - Hood
.	007180-01-000	EA	Gasket - Tire Carcass - 3/16" x 2" x 2"
.	049185-01-000	EA	Capsule Asm. - Headlamp Rectangular - Left - High/Low Beam
.	049186-01-000	EA	Capsule Asm. - Headlamp Rectangular - Right - High/Low Beam
.	049187-01-000	EA	Capsule Asm. - Headlamp Rectangular - Left - High Beam
.	049188-01-000	EA	Capsule Asm. - Headlamp Rectangular - Right - High Beam
.	050030-01-000	EA	Housing Asm. - Headlamp
.	054901-01-000	EA	Bezel - Headlamp - Left
.	054901-02-000	EA	Bezel - Headlamp - Right
.	054999-01-000	EA	Panel - Lower Grille - Valance
4	039644-05-000	EA	Trim - Sleeper Board
5	039635-02-000	EA	Trim - Contour - Sleeper Section - Right
6	039635-01-000	EA	Trim - Contour - Sleeper Section - Left
7	039634-07-000	EA	Trim - Contour - Roof - Left
.	039634-08-000	EA	Trim - Contour - Roof - Right

Key	Part Number	U/M	Description
8	034922-21-000	EA	Trim - Sidewall/Roof - Upper - Left or Right
9	039964-02-000	EA	Trim - Contour - Backwall - Left
.	039964-01-000	EA	Trim - Contour - Backwall - Right
10	039924-06-000	EA	Trim - Wheel Well - Rear - Left
.	039924-07-000	EA	Trim - Wheel Well - Rear - Right
11	002444-02-001	EA	Feature Strip - Extr. Alum. - 14' w/o Insert
.	001030-10-100	EA	Insert - Feature Strip - Gold - 17'
.	009731-01-000	EA	End Cap - Feature Strip
12	058248-03-000	EA	Trim - Wingwall - Bottom Left
.	058248-04-000	EA	Trim - Wingwall - Bottom Right
13	048610-01-000	EA	Trim - Corner - Wingwall - Left
.	048610-02-000	EA	Trim - Corner - Wingwall - Right
.	002385-02-001	EA	Extr. - U-Channel - 1" Serrated - 18' - Anod.
.	002776-02-001	EA	Extr. - U-Channel - 1 3/4" - Anod. - 16'
.	041746-01-000	FT	Extr. - Vinyl - Bubble Seal
.			Not Illustrated

1979 IC524RH INDEX

Floor Plan	B-17 - B-18
Accessories Group	B-19 - B-20
Bath Group	B-21 - B-22
Chassis Group	B-23
Curtain, Cushion & Pad Group	B-24 - C-4
Dinette Group	C-5
Driver's Compartment Group	C-5
Electrical Group	C-6 - C-7
Exterior Body Group	C-8 - C-11
Galley Group	C-12
Heating & Air Conditioning Group	C-13
Interior Finish Group	C-14 - C-15
LP Group	C-16
Lounge Group	C-17
Water & Sewage Group	C-18
Window, Vent & Exterior Door Group	C-19 - D-6

## EXTERIOR BODY GROUP (CONTINUED)

### SEALANTS, ADHESIVES AND FASTENERS

Key	Part Number	U/M	Description
	034552-05-000	EA	Sealant - Off White Silicone
	034552-04-000	EA	Sealant - Beige Silicone
	034552-02-000	EA	Sealant - Clear Silicone
	004346-02-000	EA	Sealant - White Silicone
	009200-01-000	EA	Tape - Furnace - 1 1/2"
	004353-01-000	FT	Tape - Gasket - 1/8" x 3/4" - White
	002825-01-000	FT	Weather Stripping - Roof Vent
	002337-01-000	EA	Adhesive - 3M - 1300 Tube
	004005-01-000	GL	Adhesive - Swifts - Green - Glue (Sidevents)
	004012-01-000	EA	Adhesive - 3M - 4475 Tube
	004020-01-000	QT	Adhesive - ABS Cement (Plastic Fittings)
	009051-01-000	EA	Adhesive - Spray Vinyl
	042401-02-000	EA	Screw - 8 - 18 x 3/4" SDPH - Off White
	042403-02-000	EA	Screw - SF/DR - 8 - 18 x 1" SDPH - Off White
	053766-01-000	EA	Bedding Compound - Tube Black - Schnee Morehead
	053766-02-000	EA	Bedding Compound - Tube White - Schnee Morehead
	053767-01-000	FT	Tape - 1/2" x 1/8" x 30' - Gray - Schnee Morehead
	053767-02-000	FT	Tape - 3/16" Bead x 25' - Gray - Schnee Morehead
	053767-03-000	FT	Tape - 1/4" Bead x 20' - Gray - Schnee Morehead
	053767-04-000	FT	Tape - 3/4" x 1/8" x 30' - Gray - Schnee Morehead
	053767-05-000	FT	Tape - 2" x 3/32" x 45' - Gray - Schnee Morehead

### EXTERIOR PAINT

Key	Part Number	U/M	Description
	041561-01-000	EA	Paint - Off White - Acrylic Enamel - 1 Gal.
	041561-03-000	EA	Paint - Off White - Acrylic Enamel - 16 oz. Aerosol
	041561-04-000	EA	Paint - Off White - Acrylic Lacquer - 1 Gal.
	056355-01-000	EA	Paint - Dark Yellow - Acrylic Enamel - 1 Gallon
	056355-03-000	EA	Paint - Dark Yellow - Acrylic Enamel - 16 oz. Aerosol
	056356-01-000	EA	Paint - Green - Acrylic Enamel - 1 Gallon
	056356-03-000	EA	Paint - Green - Acrylic Enamel - 16 oz. Aerosol
	056357-01-000	EA	Paint - Blue - Acrylic Enamel - 1 Gallon
	056357-03-000	EA	Paint - Blue - Acrylic Enamel - 16 oz. Aerosol
	053760-01-000	EA	Paint - Crimson Red - Acrylic Enamel - 1 Gallon
	053760-03-000	EA	Paint - Crimson Red - Acrylic Enamel - 16 oz. Aerosol
	045661-01-000	EA	Paint - Gloss Black - Acrylic Enamel - 1 Gallon
	045661-03-000	EA	Paint - Gloss Black - Acrylic Enamel - 16 oz. Aerosol

### MISCELLANEOUS EXTERNALLY MOUNTED PARTS

Key	Part Number	U/M	Description
	011124-01-000	EA	Plumbing Seal - Roof Vent - 1 1/4" - White
	011129-01-000	EA	Plumbing Seal - Roof Vent - 1 1/2" - White
	048917-01-000	EA	Asslet Handle - w/Light
	010230-02-000	EA	Fill - City Water - Recessed - Off/White
	058808-01-000	EA	Water Fill - Lockable - White
	038579-03-000	EA	Fuel Fill - Recessed - Single - Off White
	048340-04-000	EA	Arm - West Coast Mirror - Off White
	057461-02-000	EA	Mirror Head - Exterior - w/Convex - Off White
	057461-01-000	EA	Mirror Head - Exterior w/Convex - Stainless Steel

## GALLEY GROUP

### GALLEY CABINETS

Key	Part Number	U/M	Description
	059723-01-K08	EA	Cabinet Asm. - Galley - w/o Countertop, Doors, Drawers or Hardware
	058860-01-K08	EA	Countertop Asm. - Galley Cabinet - Pot Pourri Tan
	058023-03-K01	EA	Drawer Asm. - Galley Cabinet - 7.52" x 6.02" x 11" Deep - w/o Hardware
	057992-17-K01	EA	Door Asm. - Galley Cabinet - 22.02" x 14.82" - w/o Hardware
	057992-18-K01	EA	Door Asm. - Galley Cabinet - 8.02" x 8.82" - w/o Hardware
	057992-19-K01	EA	Door Asm. - Galley Cabinet - 12.22" x 29.52" - w/o Hardware
	057992-43-K08	EA	Door Asm. - Galley Cabinet - 11.12" x 14.82" - w/o Hardware
	058653-01-K01	EA	Cabinet Asm. - Galley Overhead - w/o Doors or Hardware
	057992-10-K01	EA	Door Asm. - Galley Overhead Cabinet - 11.62" x 16.02" - w/o Hardware
	057992-15-K01	EA	Door Asm. - Refrigerator Cabinet - 12.52" x 19.52" - w/o Hardware
	057992-44-K08	EA	Door Asm. - Refrigerator Cabinet - 12.32" x 10.92" - w/o Hardware
	057992-45-K08	EA	Door Asm. - Refrigerator Cabinet - 12.42" x 16.12" - w/o Hardware
	053424-01 K08	EA	Sink Cover - Large - Pot Pourri Tan

### GALLEY HARDWARE AND APPLIANCES

Key	Part Number	U/M	Description
	011032-01-000	EA	Sink - Stainless Steel - Double w/Bolts
**	011053-01-000	EA	Faucet - 8" - Swing Spout
..	011085-01-000	EA	Strainer - Sink
	053333-01-000	EA	Hood - Range - Non Power - Black - Jensen - U.S.
	053333-02-000	EA	Hood - Range - Non Power - Black - Jensen - C.S.A.
	049930-07-000	EA	Hood - Range - Powered - Almond - Jensen
	055262-02-000	EA	Range - 4 Burner - Magic Chef - Small - Almond
	052771-01-000	EA	Microwave Oven - Magic Chef MW207
**	049175-02-000	EA	Refrigerator - AC/DC/Gas - 1 Door - Sibir ET150/2
**	049174-02-000	EA	Refrigerator - AC/DC/Gas - 2 Door - Sibir ET230/2

\*\*The illustrated parts breakdown for this item is provided on the Common Items Fiche.

## 1979 ITABCA TABLE OF CONTENTS

Introduction	A-1
Abbreviations	A-1
Alphabetical Index	A-2 - A-4
IC420RG	A-5 - B-16
IC524RH	B-17 - D-6
IC525PB	D-7 - E-20
IC625DB	E-21 - G-8

## 1979 IC524RH INDEX

Floor Plan	B-17 - B-18
Accessories Group	B-19 - B-20
Bath Group	B-21 - B-22
Chassis Group	B-23
Curtain, Cushion & Pad Group	B-24 - C-4
Dinette Group	C-5
Driver's Compartment Group	C-5
Electrical Group	C-6 - C-7
Exterior Body Group	C-8 - C-11
Galley Group	C-12
Heating & Air Conditioning Group	C-13
Interior Finish Group	C-14 - C-15
LP Group	C-16
Lounge Group	C-17
Water & Sewage Group	C-18
Window, Vent & Exterior Door Group	C-19 - D-6

## HEATING AND AIR CONDITIONING GROUP

Key	Part Number	U/M	Description
	051788-01-000	EA	A/C - Compressor Mount Package - 350 C.I.D.
	051770-01-000	EA	A/C - Compressor - Rotolock - 10.3
	051771-01-000	EA	A/C - Condenser Asm. - 350 C.I.D. C-Body
	056455-01-000	EA	A/C - Evaporator Asm.
	024998-01-000	EA	A/C - Clutch - 6" Drive
	024985-01-000	EA	Register w/Damper - 9.9" x 4.8"
	009198-01-000	EA	Duct - Flexible - 4" I.D. x 25'
	031604-01-000	EA	Bonnet - Heat Register
	039505-02-000	EA	Thermostat - Horizontal Wall Mount - Black
	009200-01-000	EA	Tape - Furnace - 1 1/2"
	052598-01-000	EA	Furnace - 19,000 BTU - Coleman - 4319-729
	059351-01-000	EA	Furnace - 24,000 BTU - w/Electric Ignition - Coleman 4324-749
	059350-01-000	EA	Furnace - 30,000 BTU - w/Electric Ignition - Coleman 4330-749
**	049777-02-000	EA	Air Conditioner - 110 Volt - Roof Mount - 11,000 BTU Ivory - Coleman (w/o inside shroud)
**	049778-02-000	EA	Shroud Asm. - Ceiling - Inside - Roof Air - Cool Only 11,000 BTU - Coleman
**	049774-02-000	EA	Air Conditioner - 110 Volt - Roof Mount - 13,500 BTU Ivory - Coleman (w/o inside shroud)
**	049775-02-000	EA	Shroud Asm. - Ceiling - Inside - Roof Air - Cool Only 13,500 BTU - Coleman
**	049776-01-000	EA	Shroud Asm. - Ceiling - Inside - Roof Air - Heat and Cool 13,500 BTU - Coleman

\*\*The illustrated parts breakdown for this item is provided on the Common Items Fiche.

## INTERIOR FINISH GROUP

### PANELING AND COUNTERTOP MATERIALS

Key	Part Number	U/M	Description
	057858-01-000	SF	Paneling - 724 Vermont Oak - Plain - 48" x 96" (32 SF)
	057855-01-000	SF	Paneling - 724 Vermont Oak - V Groove - 48" x 96" (32 SF)
	045983-01-000	SF	Paneling - 825 Buff - 48" x 96" (32 SF)
	058348-01-000	SF	Paneling - Pompeii Beige - Bath - 48" x 96" (32 SF)
	057859-02-000	SF	Paneling - Galley Backsplash - Beige
	057969-01-000	SF	Plastic Laminate - Pot Pourri Tan - 48" x 96" (32 SF)
	059970-01-000	SF	Plastic Laminate - Matador Leather - 48" x 96" (32 SF)
	058219-01-000	SF	Plastic Laminate - Almond Batik
	053339-01-000	SF	Plastic Laminate - Butcher Block - 48" x 96" (32 SF)
	053339-01-001	EA	Plastic Laminate - Butcher Block - 48" x 48"
	053339-01-002	EA	Plastic Laminate - Butcher Block - 1.19" x 96"

### FABRICS AND FLOOR COVERINGS

Key	Part Number	U/M	Description
	058784-04-000	YD	Fabric - Drapery - Green Forest
	058784-03-000	YD	Fabric - Drapery - Navy
	058784-05-000	YD	Fabric - Drapery - Brick (Burgundy)
	057964-01-000	YD	Fabric - Upholstery - Emerald Green - Wide Stripe
	057964-02-000	YD	Fabric - Upholstery - Royal Blue - Wide Stripe
	057964-03-000	YD	Fabric - Upholstery - Oxford Burgundy - Wide Stripe
	057965-01-000	YD	Fabric - Upholstery - Emerald Green - Narrow Stripe
	057965-02-000	YD	Fabric - Upholstery - Royal Blue - Narrow Stripe
	057965-03-000	YD	Fabric - Upholstery - Oxford Burgundy - Narrow Stripe
	057966-01-000	YD	Fabric - Upholstery - Accent - Camel
	057966-03-000	YD	Fabric - Upholstery - Accent - Burgundy
	053327-01-000	YD	Vinyl - Non Expanded - 27 oz. - Acorn Brown
	053327-02-000	YD	Vinyl - Expanded - 28 oz. - Acorn Brown
	053327-03-000	YD	Vinyl - Non Support - 16 Gauge Film - Acorn Brown
	057897-04-000	SY	Carpet - Charade - Cocoa Mist

### INTERIOR MOLDINGS AND TRIMS

Key	Part Number	U/M	Description
	047354-01-000	EA	Batt Strip - 825 Buff - Ceiling - 96"
	057868-01-000	EA	Batt Strip - 724 Vermont Oak - 96"
	024700-08-000	EA	Cover - Roll Bar - Sidewall - Ivory
	024700-13-000	EA	Cover - Roll Bar - Vermont Oak
	039512-12-000	EA	Cover - Hat Section - Vermont Oak
	047488-01-000	EA	Cover - Corner - Hat/Hat
	047489-01-000	EA	Cover - Corner - Tube/Tube
	052859-01-J27	FT	Accent Trim - Acorn Brown Vinyl
	009813-01-000	FT	Molding - Outside Corner - .50" - Dark Pecan
	009787-05-000	FT	Wetling - Light Brown
	009778-01-000	FT	U-Channel - 1" - Dark Brown
	009810-01-000	FT	Molding - Outside Corner - 1" - Dark Pecan
	042430-01-000	EA	Molding - Shelf - Wood

## 1979 ITAS CA TABLE OF CONTENTS

Introduction	A-1
Abbreviations	A-1
Alphabetical Index	A-2 - A-4
IC420RG	A-5 - B-16
IC524RH	B-17 - D-6
IC525RB	D-7 - E-20
IC625DB	E-21 - G-8

## 1979 IC524RH INDEX

Floor Plan	B-17 - B-18
Accessories Group	B-19 - B-20
Bath Group	B-21 - B-22
Chassis Group	B-23
Curtain, Cushion and Pad Group	B-24 - C-4
Dinette Group	C-5
Driver's Compartment Group	C-5
Electrical Group	C-6 - C-7
Exterior Body Group	C-8 - C-11
Galley Group	C-12
Heating & Air Conditioning Group	C-13
Interior Finish Group	C-14 - C-15
LP Group	C-16
Lounge Group	C-17
Water & Sewage Group	C-18
Window, Vent & Exterior Door Group	C-19 - D-6

## INTERIOR FINISH GROUP (CONTINUED)

### CABINETS AND TABLE HARDWARE

Key	Part Number	U/M	Description
	057845-01-K01	EA	Pull Kit - Cabinet Drawer - Flat Latch
**	052932-01-J30	EA	Hinge Kit - Cabinet Door - Antique Brass
**	057945-01-K08	EA	Latch Kit - Cabinet Door - Flat Latch
	009112-01-000	EA	Flange - 1" - Closet Rod
**	047842-01-000	EA	Kit - Dinette Table Leg
**	047809-03-000	EA	Kit - Dinette Table Wall Mount Hardware
	059753-01-000	EA	Slide - Drawer - Left
	059753-02-000	EA	Slide - Drawer - Right
	037088-01-000	FT	Rail - Drawer Glide
	047744-01-000	EA	Kit - Drawer Glide
	009059-01-000	EA	Hinge - Drop Leaf Extension - 2" - Gold
	009049-01-000	EA	Support - Drop Leaf Extension
	058335-01-000	EA	Latch - Bathroom Door
	039873-01-000	EA	Catch and Strike - Nylon

\*\*The illustrated parts breakdown for this item is provided on the Common Items Fiche.

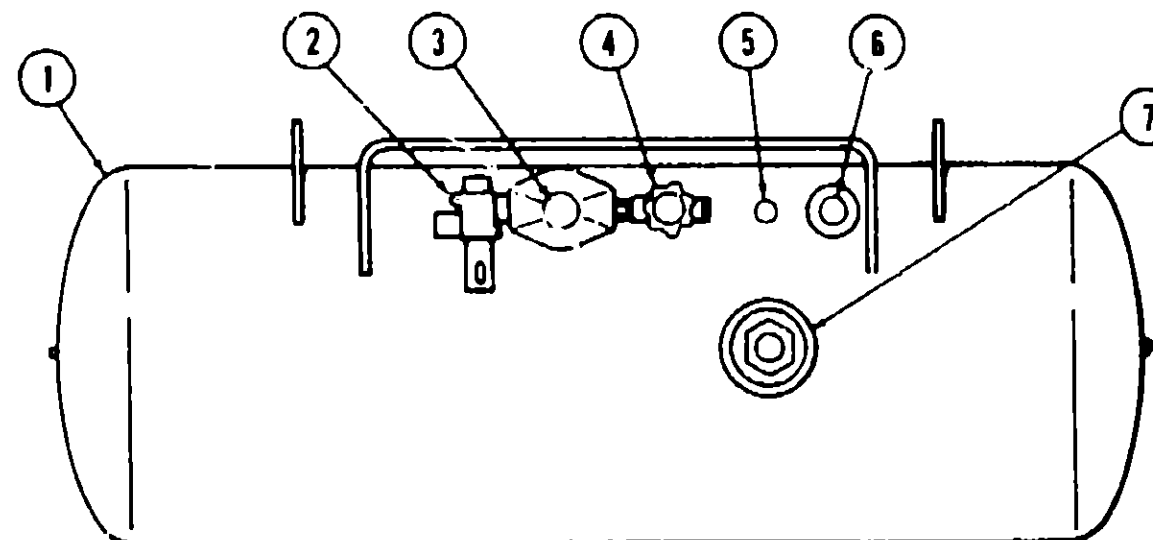
### CURTAIN HARDWARE

Key	Part Number	U/M	Description
	052327-04-236	EA	Track - Curtain - Brown Alum. - 89" w/Holes
	058116-01-000	FT	Track - Curtain - Brown Plastic
	058001-01-000	EA	Bracket - Shade - Left
	058002-01-000	EA	Bracket - Shade - Right
	058203-01-000	EA	Bracket - Drapery Retainer - Right
	058003-02-000	EA	Bracket - Drapery Retainer - Left
	053272-04-200	EA	Track - Curtain - Off White - 89" w/Holes
	058784-01-000	EA	Pull - Window Shade - Antique Brass
	009107-01-000	EA	Guide - Nylon Snap - Curtain
	018031-42-000	EA	Track - Curtain - "L" Rod - Alum. Extr. - 90"
	009701-01-000	EA	Carrier - "L" Rod - Curtain
	009702-01-000	EA	End Stop - "L" Rod - Curtain
	058289-05-000	EA	Track - Curtain - 90° - 40" x 11"

### MISCELLANEOUS

Key	Part Number	U/M	Description
	041844-01-700	EA	Fire Extinguisher - Dry Chemical w/Bracket
	040069-01-000	EA	Door Mat - Black Rubber - 10 1/2" x 26" - Itasca
	054185-04-000	EA	Owners Manual - 1979 Itasca

## LP GROUP



Key	Part Number	U/M	Description
1	052769-01-000	EA	Tank Asm. - LP - Frame Mount - 42 Pound
1	052770-01-000	EA	Tank Asm. - LP - Frame Mount - 85 Pound
2	047221-01-000	EA	Detector - LP Gas Leak
3	058706-01-000	EA	Cover - Regulator - 2 Stage
*	058705-01-000	EA	Regulator - Two Stage - LP Gas
4	040421-01-703	EA	Valve - Vapor Relief
5	040421-01-700	EA	Gauge - Liquid Level - 20% LP
6	040421-01-701	EA	Valve - Filler - LP
*	040421-01-702	EA	Cap - Plastic Fill Valve
7	040421-01-707	EA	Gauge - Float - w/Visible Dial - 85 Pound Tank
*	042281-01-700	EA	Gauge - Float - w/Visible Dial - 42 Pound Tank
*	040421-01-706	EA	Dial - Visible Face - Float Gauge (Tank w/o Electric Transmitter)
*	040421-01-705	EA	Dial - Transmitter - 0 - 90 Ohm (Float Gauge)
*	045703-03-000	EA	Hose Asm. - LP - 3/8" I.D. x 14"
*	047737-02-000	EA	Support - LP Tank - 89.25"
*	047737-03-000	EA	Support - LP Tank - 30.50"
*	Not Illustrated		

## 1979 ITASCA TABLE OF CONTENTS

Introduction	A-1
Abbreviations	A-1
Alphabetical Index	A-2 - A-4
IC420RG	A-5 - B-16
IC524RH	B-17 - D-6
IC525RB	D-7 - E-20
IC825DB	E-21 - G-6

## 1979 IC524RH INDEX

Floor Plan	B-17 - B-18
Accessories Group	B-19 - B-20
Bath Group	B-21 - B-22
Chassis Group	B-23
Curtain, Cushion and Pad Group	B-24 - C-4
Dinette Group	C-5
Driver's Compartment Group	C-5
Electrical Group	C-6 - C-7
Exterior Body Group	C-8 - C-11
Galley Group	C-12
Heating & Air Conditioning Group	C-13
Interior Finish Group	C-14 - C-15
LP Group	C-16
Lounge Group	C-17
Water & Sewage Group	C-18
Window, Vent & Exterior Door Group	C-19 - D-6

## LOUNGE GROUP

Key	Part Number	U/M	Description
	061911-01-K08	EA	Cabinet Asm. - Buffet - w/o Countertop, Doors, Drawers or Hardware
	061912-01-K08	EA	Countertop Asm. - Buffet Cabinet - Butcher Block
	058023-04-K01	EA	Drawer Asm. - Buffet Cabinet - 14.82" x 6.02" x 20" Deep - w/o Hardware
	057992-11-K01	EA	Door Asm. - Buffet Cabinet - 15.32" x 12.42" - w/o Hardware
	057992-61-K08	EA	Door Asm. - Buffet Cabinet - 18" x 12.5" - w/o Hardware
	059719-01-K08	EA	Cabinet Asm. - Front Wardrobe - Upper - w/o Door or Hardware
	057992-41-K08	EA	Door Asm. - Front Wardrobe - 18.52" x 51.32" - w/o Hardware
	058659-01-K01	EA	Cabinet Asm. - Lounge Overhead - w/o Doors or Hardware
	057992-14-K01	EA	Door Asm. - Lounge Overhead Cabinet - 27.22" x 10.52" - w/o Hardware
	059715-01-K01	EA	Door Asm. - Furnace - w/Mesh Insert - w/o Catch
	047205-07-000	EA	Insert - Furnace Door - Brass Mesh - 11 1/4" x 13 7/8"
	039873-01-000	EA	Catch and Strike - Furnace Door
	009112-01-000	EA	Flange - 1" - Closet Rod
	064632-01-000	EA	Bunk Board - Upper - 76" x 28.8"

## WATER AND SEWAGE GROUP

### PLUMBING REPAIR PARTS

Key	Part Number	U/M	Description
**	040539-01-000	EA	Kit - Repair - 3/8" O.D. Plastic Tube
**	040540-01-000	EA	Kit - Repair - 1/2" O.D. Plastic Tube
**	040541-01-000	EA	Kit - Repair - 5/8" O.D. Plastic Tube
**	041279-02-000	EA	Pump - Water Flow 2.8 G.P.M. - PAR
**	063648-01-000	EA	Pump - Water - 2.8 G.P.M. - Direct Drive - US
**	063648-02-000	EA	Pump - Water - 2.8 G.P.M. - Direct Drive - CSA
**	039847-02-000	EA	Filter - Water Pump - 1/2" MPT
**	039818-01-000	EA	Riser Asm. - 3/8" O.D. x 24" Tube
**	039818-02-000	EA	Riser Asm. - 3/8" O.D. x 36" Tube
**	039818-04-000	EA	Riser Asm. - 3/8" O.D. x 72" Tube
**	039818-05-000	EA	Riser Asm. - 3/8" O.D. x 48" Tube
**	004020-01-000	QT	Adhesive - ABS Cement
**	010201-01-000	EA	Hose - Sewer - 3" x 10 Ft. w/Clamp
**	010235-01-000	EA	Cap - Sewage - 3"
**	010236-01-000	EA	Adapter - Hose - 3" Sewage
**	010234-01-000	EA	Adapter - Bayonet
**	011091-01-000	EA	Waste - Continuous - Double Sink - 11 7/8"
**	011086-01-000	EA	P-Trap - Plastic - 1 1/4"
**	010134-01-000	EA	Adapter - Plastic - 1 1/2" M x MPT
**	010154-01-000	EA	Ring - Closet - Plastic - 4F x 3MPT
**	010079-01-000	EA	Tee - Plastic - 1 1/2 H x 1 1/2 H x 1 1/4 H
**	010091-01-000	EA	Wye - Plastic - 3" x 45 H x H x H
**	010115-01-000	EA	Coupling - Plastic - 1 1/2 H x H
**	010121-01-000	EA	Bushing - Plastic - 1 1/2 S x 1 1/4 H
**	010133-01-000	EA	Adapter - Trap - Plastic - 1 1/2 H x MPT
**	031126-01-000	EA	Elbow - Plastic - 1/4 BD - 3" x 90 LT
**	010205-01-000	EA	Valve - Sanitary - Thetford 3 x B
**	010210-01-000	EA	Valve - Sanitary - Thetford 3HB
**	052952-01-000	EA	Nut - Plastic - 1/2" F
**	052953-01-000	EA	Nut - Faucet - 1/2" Tube x 1/2 FPT
**	052958-01-000	EA	Tee - Plastic - 1/2 F x 1/2 F x 1/2 F
**	052959-02-000	EA	Connector - Plastic - 1/2 F x 1/2 MPT
**	052959-03-000	EA	Connector - Plastic - 1/2 F x 3/8 MPT
**	052960-01-000	EA	Drain Valve - Line - 1/2 F x 1/2 F
**	050780-01-000	EA	Coupler - Rubber - 3" x 3"
**	037845-01-000	FT	Tape - Butyl - 3/16" Bead - Black
**	047246-01-000	EA	Handle - Extension - Sewer Valve - 43"
**	047247-01-000	EA	Handle - Extension - Sewer Valve - 19"
**	046524-01-000	EA	Kit - Plastic Fittings - Holding Tank
**	046524-02-000	EA	Kit - Plastic Fittings - Water Tank

\*\*The illustrated parts breakdown for this item is provided on the Common Items Fiche.

### HOLDING TANKS AND WATER HEATERS

Key	Part Number	U/M	Description
**	045196-09-000	EA	Tank Asm. - Water - 26 Gallon w/Fittings (Mounts under rear dinette)
**	045196-10-000	EA	Tank Asm. - Water - 26 Gallon w/Fittings (Mounts under front dinette)
**	045196-01-000	EA	Tank - Water - 26 Gallon w/o Fittings
**	054033-06-000	EA	Tank Asm. - Sewage - 32 Gallon w/Fittings
**	054033-01-000	EA	Tank - Sewage - 32 Gallon w/o Fittings
**	058589-03-000	EA	Tank Asm. - Gray Water - 20 Gallon w/Fittings
**	058589-01-000	EA	Tank Asm. - Gray Water - 20 Gallon w/o Fittings
**	051391-01-000	EA	Water Heater - 6 Gallon w/o Motor Aid - Atwood - GH63

\*\*The illustrated parts breakdown for this item is provided on the Common Items Fiche.

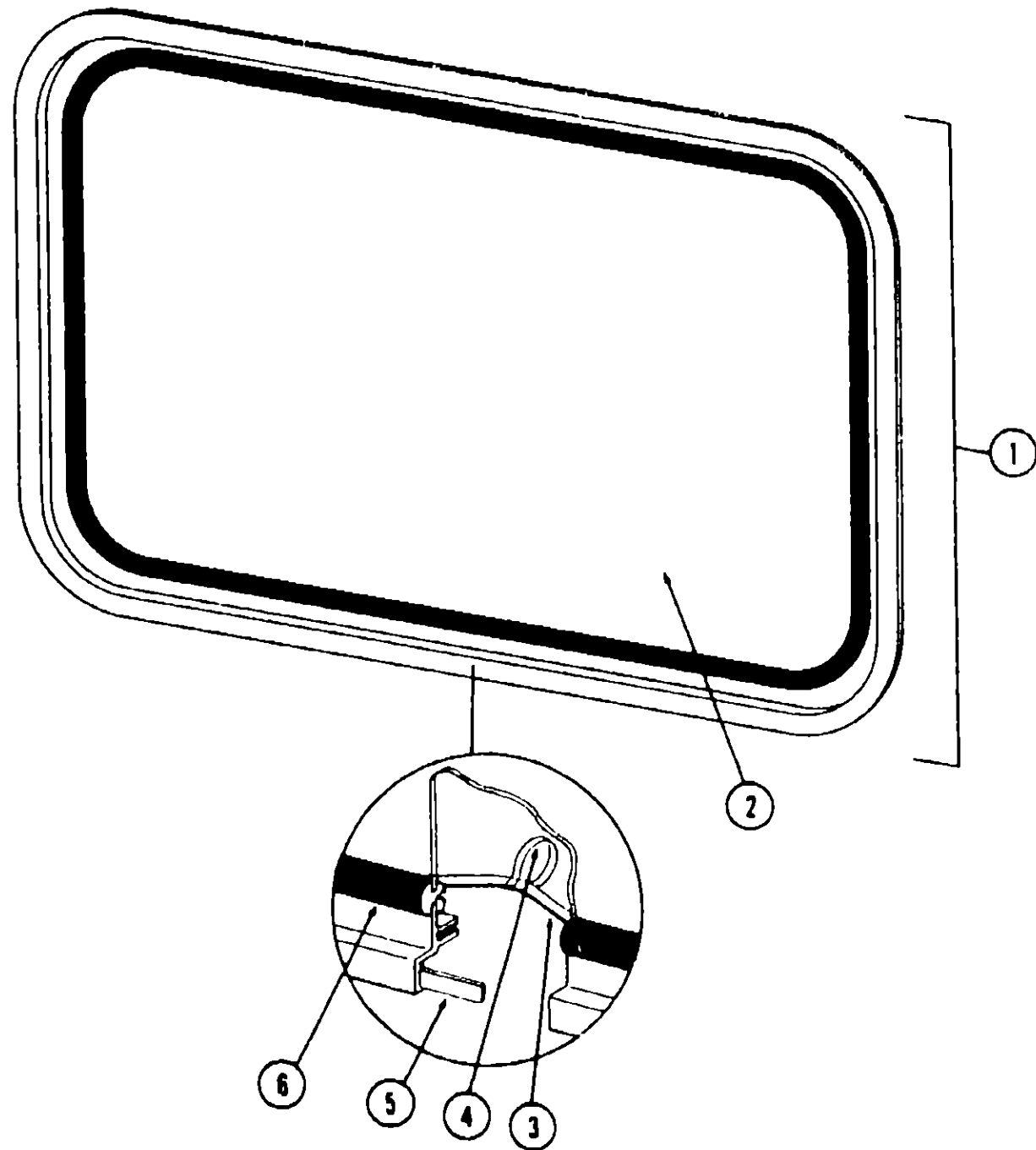
## 1979 ITASCA TABLE OF CONTENTS

Introduction	A-1
Abbreviations	A-1
Alphabetical Index	A-2 - A-4
IC420RG	A-5 - B-16
IC524RH	B-17 - D-6
IC525RB	D-7 - E-20
IC625DB	E-21 - G-6

## 1979 IC524RH INDEX

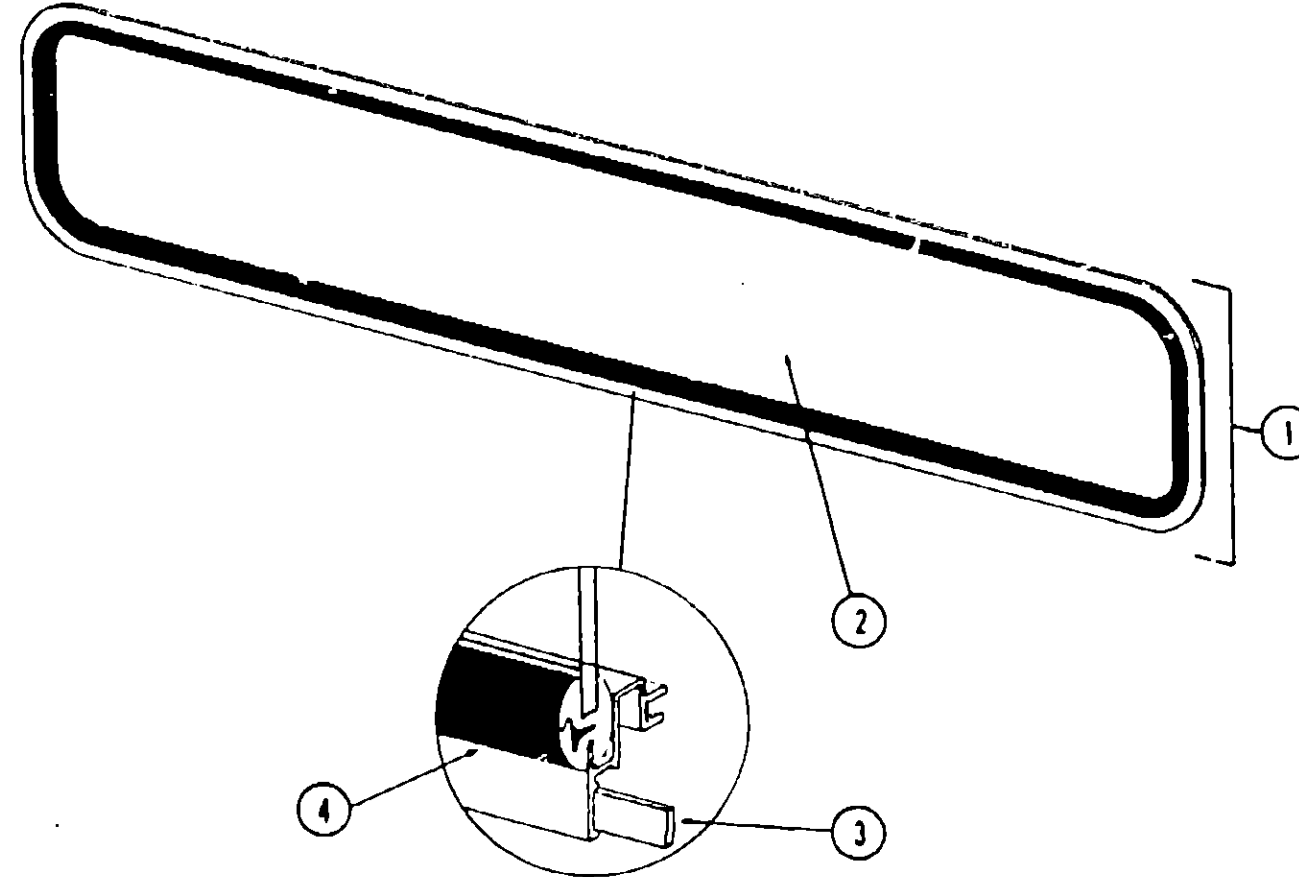
Floor Plan	B-17 - B-18
Accessories Group	B-19 - B-20
Bath Group	B-21 - B-22
Chassis Group	B-23
Curtain, Cushion and Pad Group	B-24 - C-4
Dinette Group	C-5
Driver's Compartment Group	C-5
Electrical Group	C-6 - C-7
Exterior Body Group	C-8 - C-11
Galley Group	C-12
Heating & Air Conditioning Group	C-13
Interior Finish Group	C-14 - C-15
LP Group	C-16
Lounge Group	C-17
Water & Sewage Group	C-18
Window, Vent & Exterior Door Group	C-19 - D-6

**WINDOW, VENT AND EXTERIOR DOOR GROUP**



Key	Part Number	U/M	Description
1	020751-03-000	EA	Window Asm. - Rear Escape - 23" x 29" - Black Anod. (w/o inside frame)
2	002174-01-000	EA	Glass - Window - 1/8" x 19.61" x 25.92"
3	002285-01-000	FT	Filler - Weatherstrip - Black
4	020395-01-000	EA	Slip Ring - Escape Window
5	004363-01-000	FT	Tape - Foam - 3/16" x 1/2" - Gray
6	002282-01-000	FT	Weatherstrip - .125" - Black
.	020749-03-000	EA	Inside Frame - Escape Window - 23" x 29" (not included in assembly)
.	006199-01-000	EA	Label - Exit - Escape Window
.			Not Illustrated

**WINDOW, VENT AND EXTERIOR DOOR GROUP (CONTINUED)**



Key	Part Number	U/M	Description
1	041936-01-000	EA	Window Asm. - Front Picture - 14" x 69" - Black (w/o inside frame)
2	002200-02-000	EA	Glass - TP - Picture Window
3	004363-01-000	FT	Tape - Sealer - 3/16" x 1/2" Foam
4	002281-01-000	FT	Weatherstrip - Self Seal - .06" Panel x 3/16" - Black
.	0378-5-01-000	FT	Tape - Butyl - Window - 3/16" Bead - Black
.	041938-01-000	EA	Frame - Inside - Picture Window (not included in assembly)
.			Not Illustrated

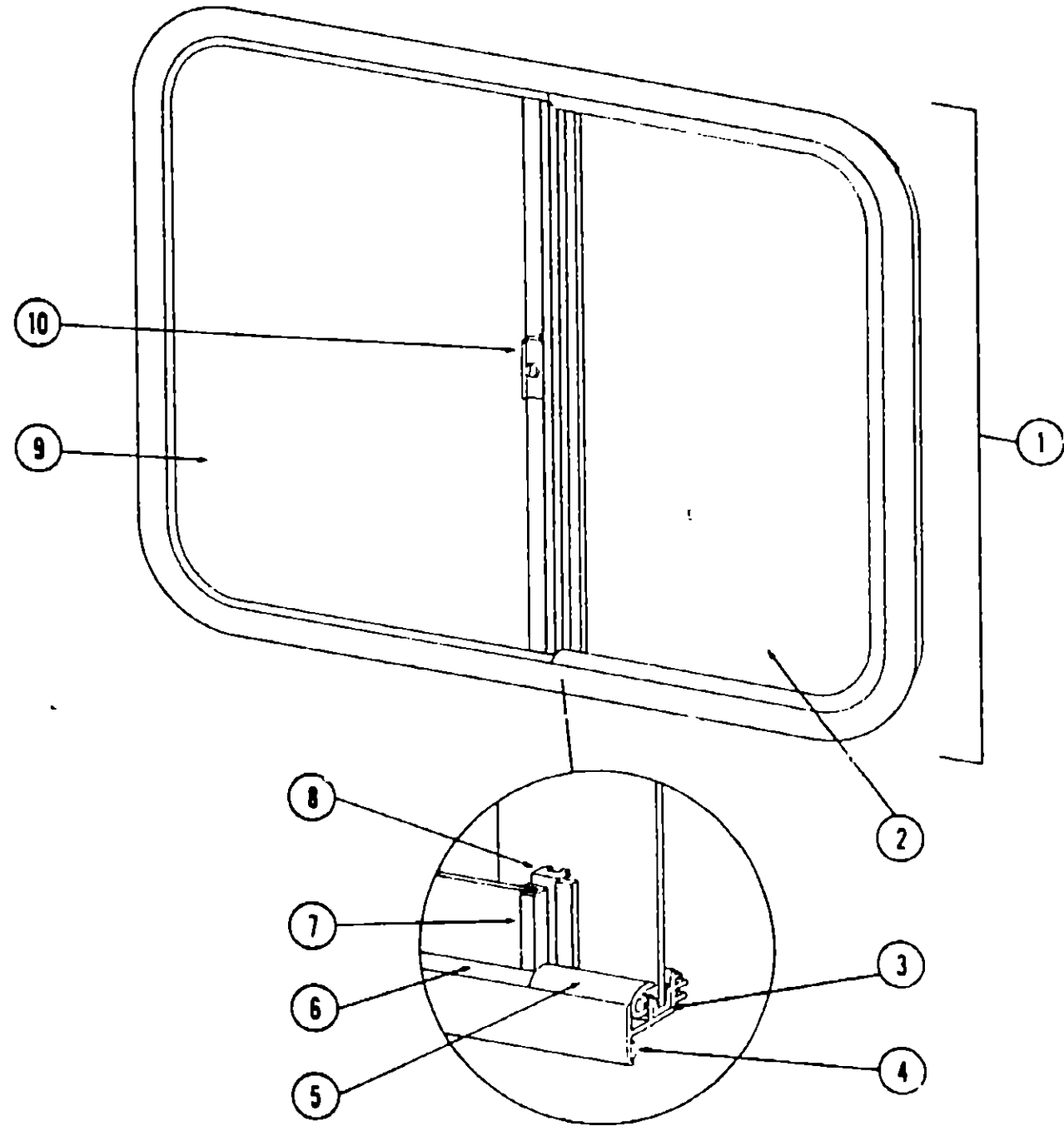
**1979 ITASCA  
TABLE OF CONTENTS**

Introduction	A-1
Abbreviations	A-1
Alphabetical Index	A-2 - A-4
IC420RG	A-5 - B-16
IC524RH	B-17 - D-6
IC525RB	D-7 - E-20
IC625DB	E-21 - G-6

**1979 IC524RH INDEX**

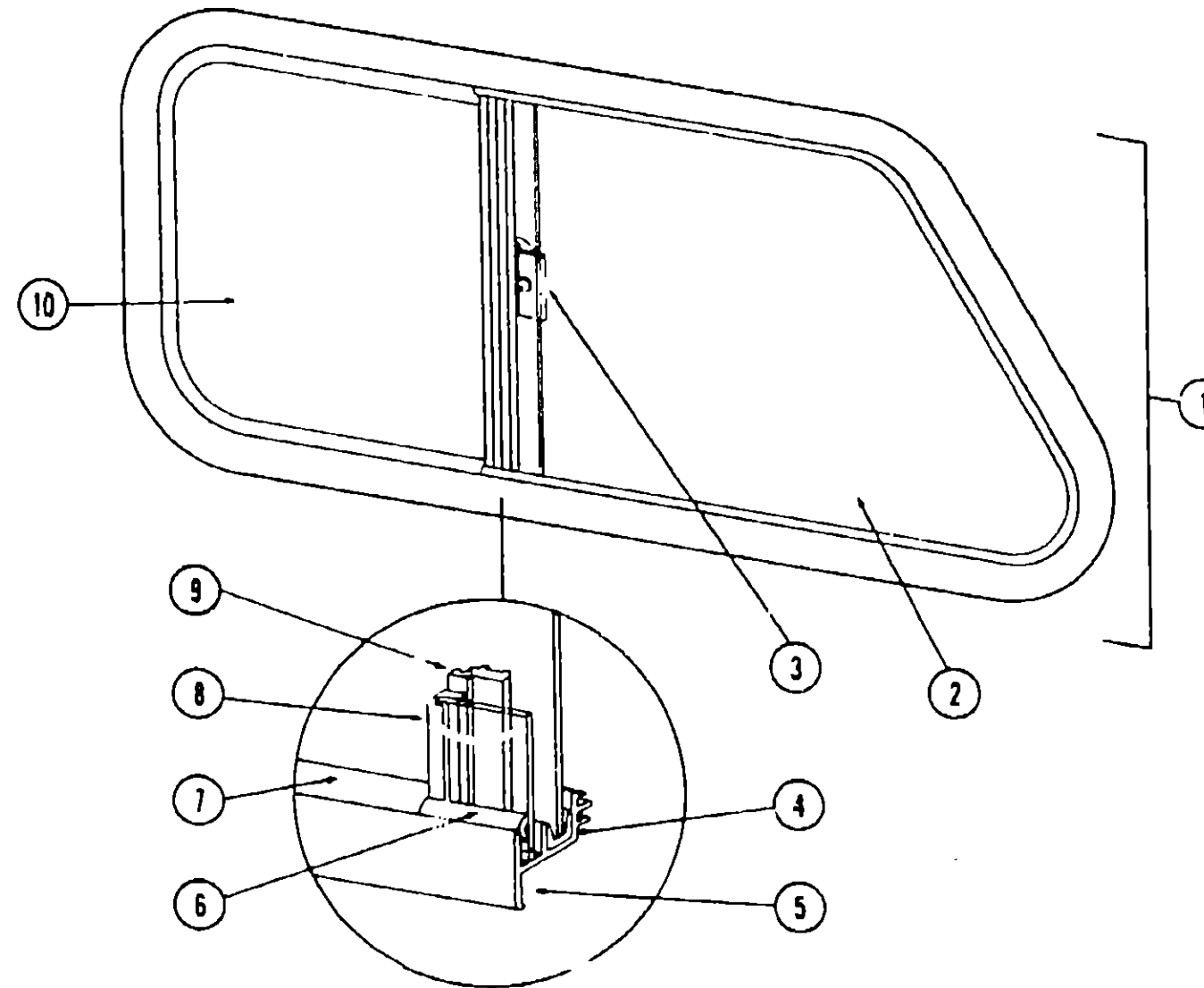
Floor Plan	B-17 - B-18
Accessories Group	B-19 - B-20
Bath Group	B-21 - B-22
Chassis Group	B-23
Curtain, Cushion and Pad Group	B-24 - C-4
Dinette Group	C-5
Driver's Compartment Group	C-5
Electrical Group	C-6 - C-7
Exterior Body Group	C-8 - C-11
Galley Group	C-12
Heating & Air Conditioning Group	C-13
Interior Finish Group	C-14 - C-15
LP Group	C-16
Lounge Group	C-17
Water & Sewage Group	C-18
Window, Vent & Exterior Door Group	C-19 - D-6

**WINDOW, VENT AND EXTERIOR DOOR GROUP (CONTINUED)**



Key	Part Number	U/M	Description
1	048631-11-000	EA	Window Asm. - Right Single Slider - 25" x 29" - Black Anod. (w/o inside frame)
2	047812-01-000	EA	Glass - 3/16" x 24" x 13.68" - Sliding
3	042077-01-000	FT	Channel - Weatherstrip - Glass Run - 3/16" Glass
4	004363-01-000	FT	Tape - Foam - 3/16" x 1/2" - Gray
5	041828-02-000	FT	Seal - Window Channel - Black
6	050216-02-000	FT	Spline - Glass - 1/8" - Black
7	002389-03-201	EA	Holder - Glass Seal - Black Anod.
8	041894-04-000	EA	Mullion - Slider Window - 25" - Black Anod.
9	002184-02-000	EA	Glass - Tempered Sheet - Stationary
10	047369-01-700	EA	Latch - Window - Plastic w/Fastener
	042147-09-000	EA	Frame - Inside - Single Slider Window - 25" x 29" (not included in assembly)
	023713-02-000	EA	Cover - Plastic Weephole - Black
	002298-01-000	FT	Spline - Gray - .130" Dia. (Screen)
	002293-01-000	SF	Screen - Window - 28" - Gray
			Not Illustrated

**WINDOW, VENT AND EXTERIOR DOOR GROUP (CONTINUED)**



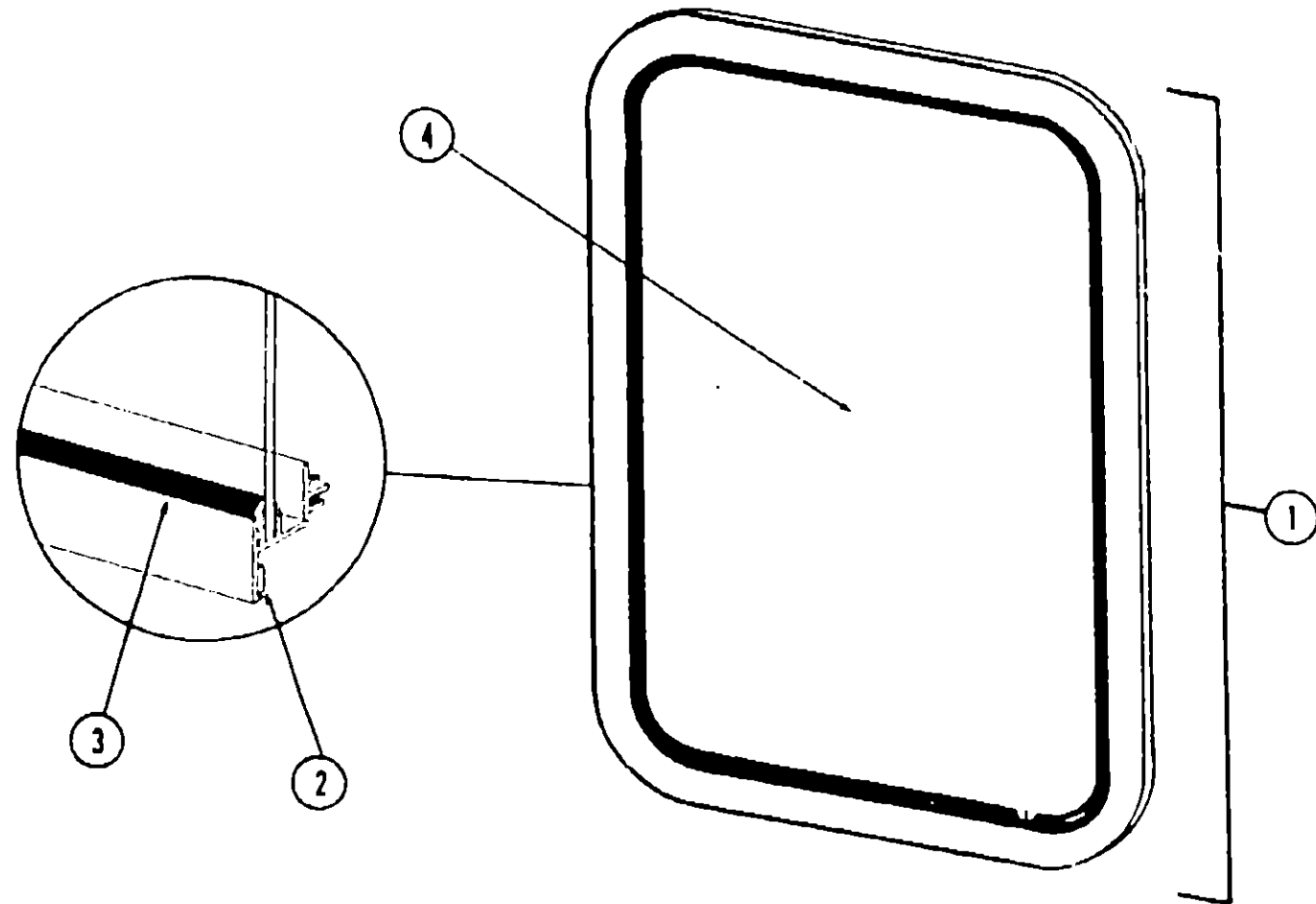
Key	Part Number	U/M	Description
1	048632-03-000	EA	Window Asm. - Bunk - Slanted Slider - Right - Black (w/o inside frame)
	048632-04-000	EA	Window Asm. - Bunk - Slanted Slider - Left - Black (w/o inside frame)
2	040919-01-000	EA	Glass - 1/8" x 11.98" x 19.42" - Gray - Stationary
3	047369-01-700	EA	Latch - Window - Plastic w/Fastener
4	002324-01-000	FT	Channel - Weatherstrip - Glass Run - 1/8" Glass
5	004363-01-000	FT	Tape - Foam - 3/16" x 1/2" - Gray
6	002309-02-000	FT	Spline - Glass - 1/8" - Black
7	057374-02-000	FT	Seal - Window Channel - 1/8" Glass - Black
8	002390-03-200	EA	Holder - Glass Seal - Extr. - Anod. Black - 11.23"
9	041894-07-000	EA	Mullion - 13" - Black Anod.
10	047815-01-000	EA	Glass - 1/8" x 11.98" x 11.81" - Gray - Sliding
	040916-03-000	EA	Frame - Window - Inside - Bunk Slant - Left (not included in assembly)
	040916-04-000	EA	Frame - Window - Inside - Bunk Slant - Right (not included in assembly)
	023713-02-000	EA	Cover - Weephole - Black
	002298-01-000	FT	Spline - Gray - .130" Dia. (Screen)
	002291-01-000	SF	Screen - Gray - Window - 16"
			Not Illustrated

**1979 ITASCA  
TABLE OF CONTENTS**

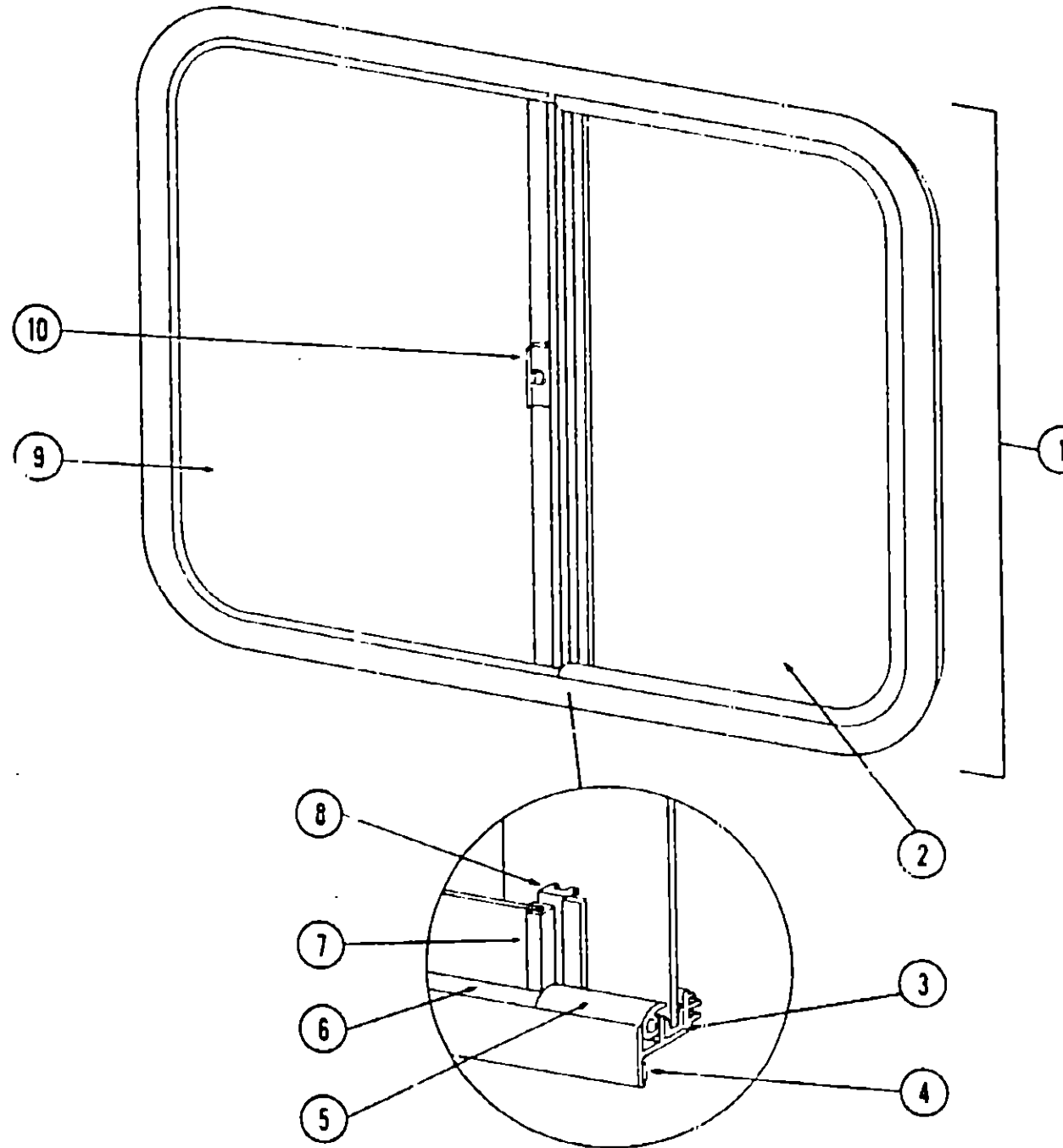
Introduction	A-1
Abbreviations	A-1
Alphabetical Index	A-2 - A-4
IC420RG	A-5 - B-16
IC524RH	B-17 - D-6
IC525RB	D-7 - E-20
IC625DB	E-21 - G-6

**1979 IC524RH INDEX**

Floor Plan	B-17 - B-18
Accessories Group	B-19 - B-20
Bath Group	B-21 - B-22
Chassis Group	B-23
Curtain, Cushion and Pad Group	B-24 - C-4
Dinette Group	C-5
Driver's Compartment Group	C-5
Electrical Group	C-6 - C-7
Exterior Body Group	C-8 - C-11
Galley Group	C-12
Heating & Air Conditioning Group	C-13
Interior Finish Group	C-14 - C-15
LP Group	C-16
Lounge Group	C-17
Water & Sewage Group	C-18
Window, Vent & Exterior Door Group	C-19 - D-6



Key	Part Number	U/M	Description
1	056651-01-000	EA	Window Asm. - Picture - 20 3/4" x 20 3/4" - Black (w/o inside frame)
2	053767-02-000	FT	Tape - 3/16" Bead x 25' - Schnee Morehead
3	002309-02-000	FT	Spline - Glass - 1/8" - Black
4	002181-03-000	EA	Glass - .115" x 20.62" x 20.62" - Gray
*	056650-01-000	EA	Frame - Inside - Window (not included in assembly)
*	Not Illustrated		



Key	Part Number	U/M	Description
1	045556-05-000	EA	Window Asm. - Right Single Slider - 15" x 40" - Black Anod. (w/o inside frame)
2	048324-01-000	EA	Glass - Sliding - 1/8" x 14.4" x 19" - w/Holes
3	002324-01-000	FT	Channel - Weatherstrip - Glass Run - 1/8" Glass
4	004363-01-000	FT	Tape - Foam - 3/16" x 1/2" - Gray
5	057374-02-000	FT	Seal - Window Channel - 1/8" Glass - Black
6	002309-02-000	FT	Spline - Glass - 1/8" - Black
7	002390-02-200	EA	Holder - Glass Seal - 13.62"
8	041894-18-000	EA	Mullion - Slider Window - 14" - Black Anod.
9	002207-01-000	EA	Glass - Stationary - 1/8" x 14.4" x 21.32"
10	047369-01-700	EA	Latch - Window - Plastic w/Fastener
*	017451-02-000	EA	Inside Frame - Single Slider Window - 15" x 40" (not included in assembly)
*	023713-02-000	EA	Cover - Plastic Weephole - Black
*	002298-01-000	FT	Spline - Gray - .130" Dia. (Screen)
*	002293-01-000	SF	Screen - Window - 26" - Gray
*	Not Illustrated		

1979 ITASCA  
TABLE OF CONTENTS

Introduction	A-1
Abbreviations	A-1
Alphabetical Index	A-2 - A-4
IC420RG	A-5 - B-16
IC524RH	B-17 - D-6
IC525RB	D-7 - E-20
IC625DB	E-21 - G-6

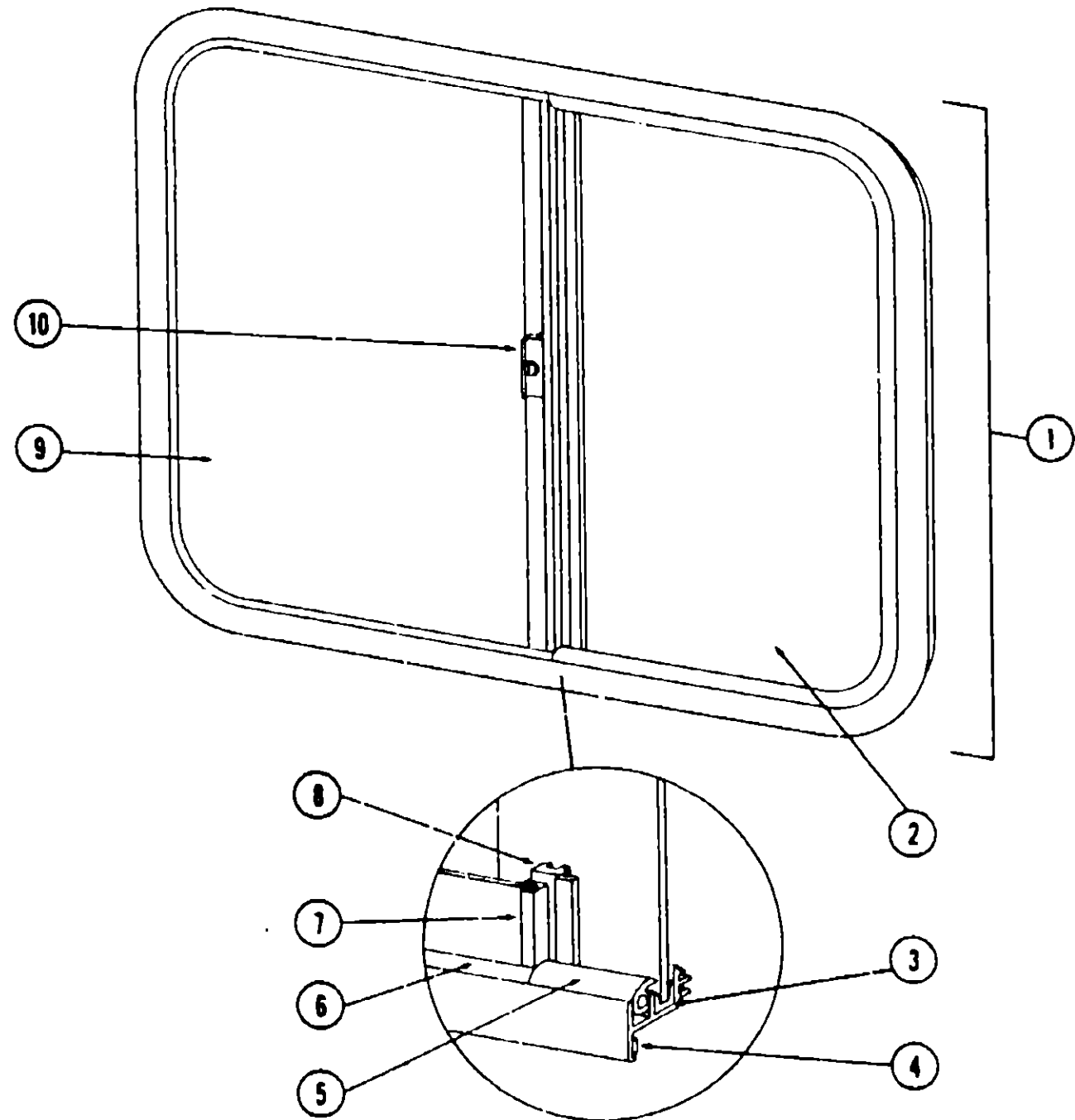
1979 IC524RH INDEX

Floor Plan	B-17 - B-18
Accessories Group	B-19 - B-20
Bath Group	B-21 - B-22
Chassis Group	B-23
Curtain, Cushion and Pad Group	B-24 - C-4
Dinette Group	C-5
Driver's Compartment Group	C-5
Electrical Group	C-6 - C-7
Exterior Body Group	C-8 - C-11
Galley Group	C-12
Heating & Air Conditioning Group	C-13
Interior Finish Group	C-14 - C-15
LP Group	C-16
Lounge Group	C-17
Water & Sewage Group	C-18
Window, Vent & Exterior Door Group	C-19 - D-6



**WINDOW, VENT AND EXTERIOR DOOR GROUP (CONTINUED)**

**WINDOW, VENT AND EXTERIOR DOOR GROUP (CONTINUED)**



Key	Part Number	U/M	Description
1	048631-32-000	EA	Window Asm. - Left Single Slider - 23" x 65" - Black Anod. (w/o inside frame)
2	052593-01-000	EA	Glass - Sliding - 1/8" x 22" x 31.75"
3	002324-01-000	FT	Channel - Weatherstrip - Glass Run
4	004363-01-000	FT	Tape Foam - 3/16" x 1/2" - Gray
5	057374-02-000	FT	Seal - Window Channel - 1/8" Glass - Black
6	002309-02-000	FT	Spline - Glass
7	018025-03-000	EA	Holder - Glass Seal - Black Anod.
8	041804-02-000	EA	Mullion - Slider Window - Black Anod. - 23"
9	052595-01-000	EA	Glass - Stationary - 1/8" x 22" x 34.18"
10	047369-01-700	EA	Latch - Window - Plastic w/Fastener
.	042133-06-000	EA	Frame Asm. - Window - Inside - 23" x 65" - Brown
.	023713-02-000	EA	Cover - Weephole - Plastic - Black
.	002298-01-000	FT	Spline - Gray - .130" Dia. (Screen)
.	002293-01-000	SF	Screen - Window - 26" - Gray
.			Not Illustrated

**ACCESS DOORS**

Key	Part Number	U/M	Description
	052009-01-000	EA	Door Asm. - Water Heater Access - Off White - Atwood
	057096-01-000	EA	Door Asm. - Power Cord w/Hatch - 6" x 10" - Off White w/Twist Type Lock
	052950-03-700	EA	Lock Asm. - Twist Type - Straight Cam (Power Cord Door)
	058166-03-000	EA	Door Asm. - Lower Access - 24.41" x 8" - w/Key Type Lock
	058166-02-000	EA	Door Asm. - Lower Access - 47.47" x 8" - w/Key Type Lock
	033333-22-000	EA	Door Asm. - LP - Off White w/Twist Type Plastic Latch
	033333-23-000	EA	Door Asm. - Battery - Off White w/Twist Type Plastic Latch
	047233-02-000	EA	Door Asm. - Luggage - Off White w/Key Type Lock
	054270-01-000	EA	Door Asm. - Refrigerator Access - Off White w/Twist Type Lock
	047305-01-000	EA	Lock Asm. - Key Type w/Clip
	052950-01-700	EA	Lock Asm. - Twist Type - White Plastic w/Retainer Clip
	016945-02-000	EA	Holder Asm. - Battery or Luggage Door (Holds door open)
	052179-02-000	EA	Door Asm. - Generator - Off White w/Twist Type Lock
	052181-01-000	EA	Baffle - Generator Door

**VENTS**

Key	Part Number	U/M	Description
	039778-01-000	EA	Cover - Refrigerator Vent - Plastic
	009407-01-000	EA	Base - Frame - Refrigerator Vent w/o Cover
	049352-01-000	EA	Vent - Outside - Stovehood - Off White

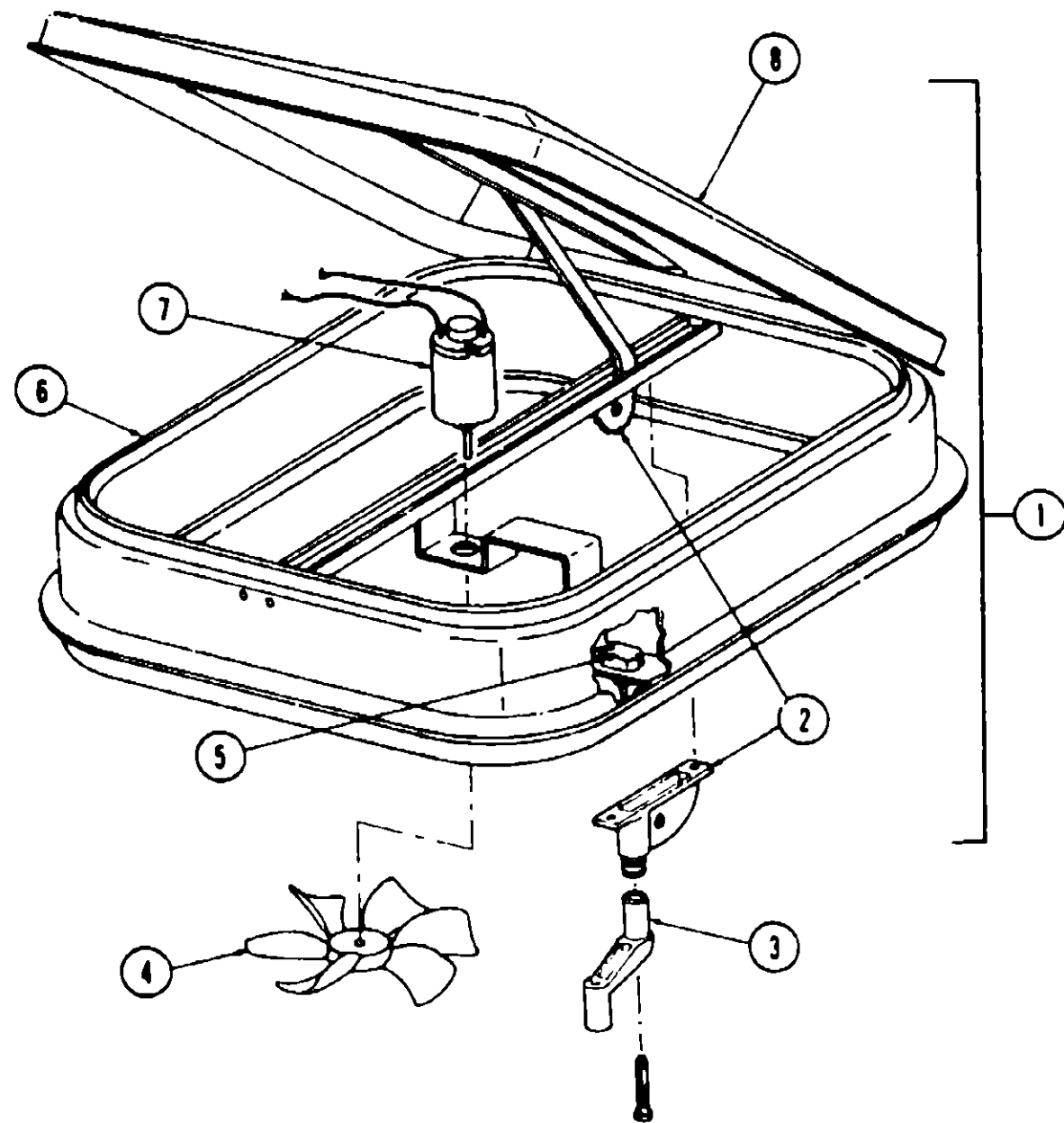
**1979 ITASCA  
TABLE OF CONTENTS**

Introduction	A-1
Abbreviations	A-1
Alphabetical Index	A-2 - A-4
IC420RG	A-5 - B-18
IC524RH	B-17 - D-6
IC525RB	D-7 - E-20
IC625DB	E-21 - G-8

**1979 IC524RH INDEX**

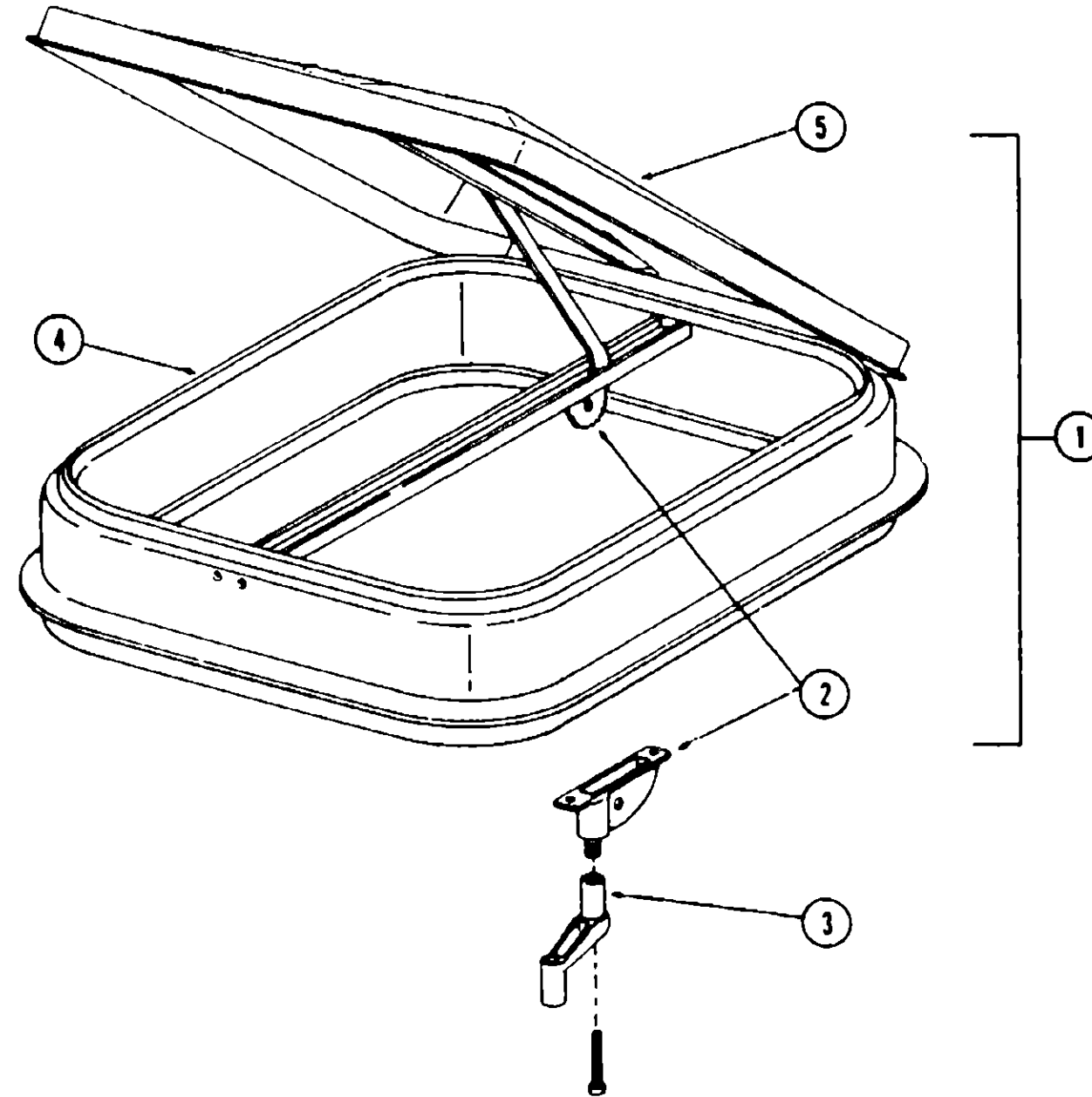
Floor Plan	B-17 - B-18
Accessories Group	B-19 - B-20
Bath Group	B-21 - B-22
Chassis Group	B-23
Curtain, Cushion and Pad Group	B-24 - C-4
Dinette Group	C-5
Driver's Compartment Group	C-5
Electrical Group	C-6 - C-7
Exterior Body Group	C-8 - C-11
Galley Group	C-12
Heating & Air Conditioning Group	C-13
Interior Finish Group	C-14 - C-15
LP Group	C-16
Lounge Group	C-17
Water & Sewage Group	C-18
Window, Vent & Exterior Door Group	C-19 - D-6

**WINDOW, VENT AND EXTERIOR DOOR GROUP (CONTINUED)**



Key	Part Number	U/M	Description
1	048789-01-000	EA	Vent Asm. - Roof - Powered - w/o Screen
2	009440-01-000	EA	Gear - Arm - Roof Vent
3	009439-01-000	EA	Crank - Roof Vent
4	048649-01-000	EA	Fan - Blade - 6" Plastic
5	008195-01-000	EA	Switch - Push Button - 12 Volt
6	002825-01-000	FT	Weatherstrip - Roof Vent
7	048648-01-000	EA	Motor - 12 Volt
8	048825-01-000	EA	Cover - Plastic - Roof Vent
*	048695-01-000	EA	Screen Asm. - Powered Roof Vent - Clear Anod. (not included in assembly)
*	048695-03-000	EA	Screen Asm. - Powered Roof Vent - Beige (not included in assembly)
*			Not Illustrated

**WINDOW, VENT AND EXTERIOR DOOR GROUP (CONTINUED)**



Key	Part Number	U/M	Description
1	048835-01-000	EA	Vent Asm. - Roof - Non Powered - w/o Screen
2	009440-01-000	EA	Gear - Arm - Roof Vent
3	009439-01-000	EA	Crank - Roof Vent
4	002825-01-000	FT	Weatherstrip - Roof Vent
5	048825-01-000	EA	Cover - Plastic - Roof Vent
*	016335-01-000	EA	Screen Asm. - Non Powered Roof Vent - Clear Anod. (not included in assembly)
*	016335-03-000	EA	Screen Asm. - Non Powered Roof Vent - Beige (not included in assembly)
*			Not Illustrated

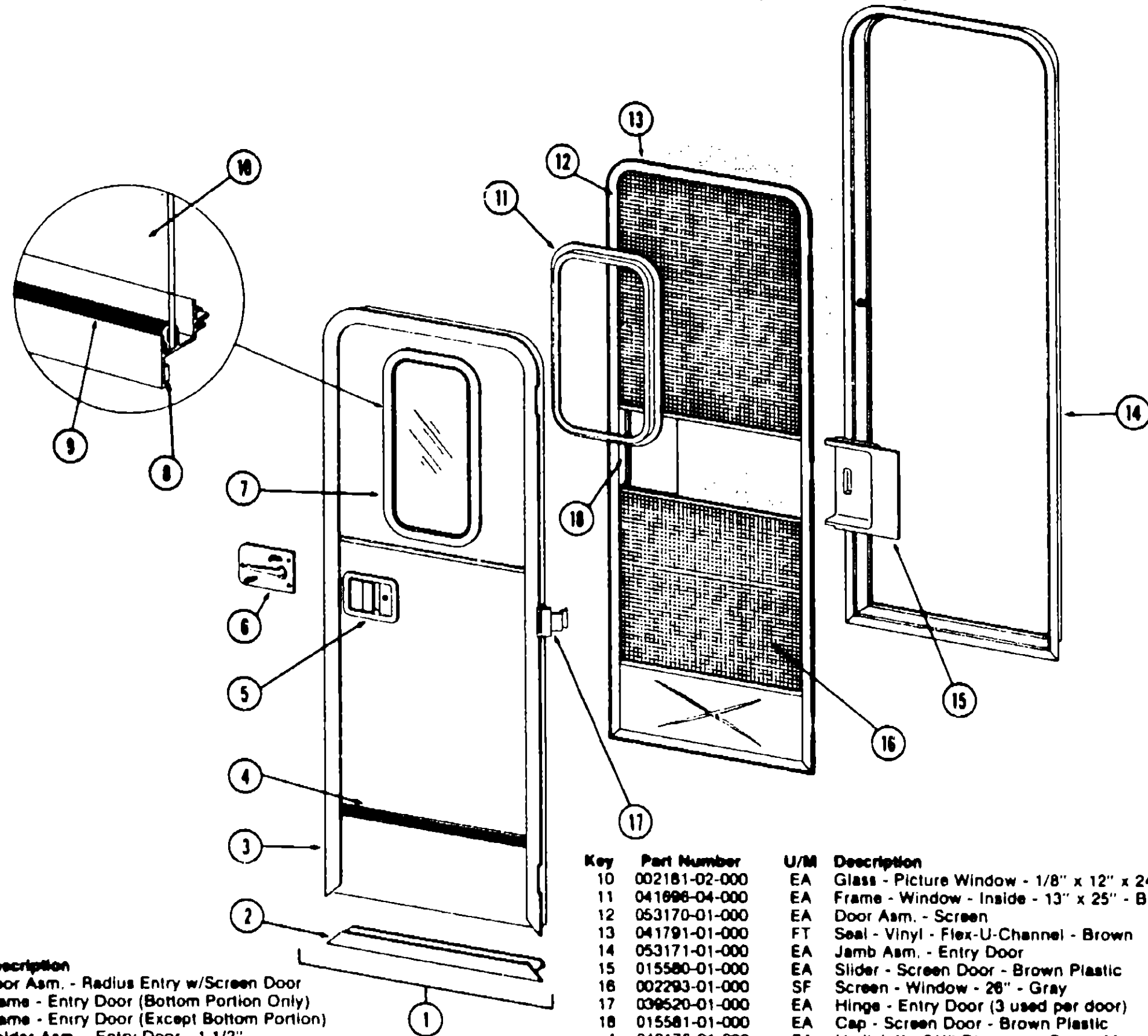
**1979 ITASCA  
TABLE OF CONTENTS**

Introduction	A-1
Abbreviations	A-1
Alphabetical Index	A-2 - A-4
IC420RG	A-5 - B-16
IC524RH	B-17 - D-6
IC525RB	D-7 - E-20
IC825DB	E-21 - G-6

**1979 IC524RH INDEX**

Floor Plan	B-17 - B-18
Accessories Group	B-19 - B-20
Bath Group	B-21 - B-22
Chassis Group	B-23
Curtain, Cushion & Pad Group	B-24 - C-4
Dinette Group	C-5
Driver's Compartment Group	C-5
Electrical Group	C-6 - C-7
Exterior Body Group	C-8 - C-11
Galley Group	C-12
Heating & Air Conditioning Group	C-13
Interior Finish Group	C-14 - C-15
LP Group	C-16
Lounge Group	C-17
Water & Sewage Group	C-18
Window, Vent & Exterior Door Group	C-19 - D-6

# WINDOW, VENT AND EXTERIOR DOOR GROUP (CONTINUED)



Key	Part Number	U/M	Description
1	053166-10-000	EA	Door Asm. - Radius Entry w/Screen Door
2	039737-01-000	EA	Frame - Entry Door (Bottom Portion Only)
3	039736-01-000	EA	Frame - Entry Door (Except Bottom Portion)
4	039874-01-000	EA	Holder Asm. - Entry Door - 1 1/2"
5	045017-01-000	EA	Paddle Asm. - Door Lock - Exterior
6	045017-01-700	EA	Lock Cylinder w/Keys - Lynor
7	039536-01-000	EA	Striker Bolt - Entry Door
8	039540-01-000	EA	Latch Claw - Entry Door
9	039979-01-000	EA	Plate - Lock - Inside - Including Inside Handle
10	052185-01-000	EA	Lock Asm. - Complete - Lynor
11	041875-04-000	EA	Window Asm. - Picture - 13" x 25" - Black Anod. (Inside frame not included in assembly)
12	004363-01-000	FT	Tape - Foam - 3/16" x 1/2" - Gray
13	002309-02-000	FT	Spline - Glass - 1/8" Black

Key	Part Number	U/M	Description
10	002181-02-000	EA	Glass - Picture Window - 1/8" x 12" x 24" Gray
11	041896-04-000	EA	Frame - Window - Inside - 13" x 25" - Brown
12	053170-01-000	EA	Door Asm. - Screen
13	041791-01-000	FT	Seal - Vinyl - Flex-U-Channel - Brown
14	053171-01-000	EA	Jamb Asm. - Entry Door
15	015580-01-000	EA	Slider - Screen Door - Brown Plastic
16	002293-01-000	SF	Screen - Window - 26" - Gray
17	039520-01-000	EA	Hinge - Entry Door (3 used per door)
18	015581-01-000	EA	Cap - Screen Door - Brown Plastic
	049176-01-000	EA	Hedlok II - 3/4" Diameter - Screw Mount (Retains screen door to entry door)
	049797-01-000	E/A	Hedlok II - 1" Diameter - Screw Mount (Retains screen door to entry door)
	018019-01-000	EA	Striker - Screen Door
	039863-01-000	EA	Catch Asm. - Single Roller w/Strike - Screen Door
	044582-02-000	EA	Drip Cap - Jamb Mounted - Off White
	051390-01-000	FT	Seal - Bulb - Rubber
	039800-03-000	FT	Tubing - Polylbutyl - 3/8" O.D. - Jamb
	Not Illustrated		

## 1979 ITASCA TABLE OF CONTENTS

Introduction	A-1
Abbreviations	A-1
Alphabetical Index	A-2 - A-4
IC420RG	A-5 - B-16
IC524RH	B-17 - D-6
IC525RB	D-7 - E-20
IC625DB	E-21 - G-6

## 1979 IC524RH INDEX

Floor Plan	B-17 - B-18
Accessories Group	B-19 - B-20
Bath Group	B-21 - B-22
Chassis Group	B-23
Curtain, Cushion & Pad Group	B-24 - C-4
Dinette Group	C-5
Driver's Compartment Group	C-5
Electrical Group	C-6 - C-7
Exterior Body Group	C-8 - C-11
Galley Group	C-12
Heating & Air Conditioning Group	C-13
Interior Finish Group	C-14 - C-15
LP Group	C-16
Lounge Group	C-17
Water & Sewage Group	C-18
Window, Vent & Exterior Door Group	C-19 - D-6