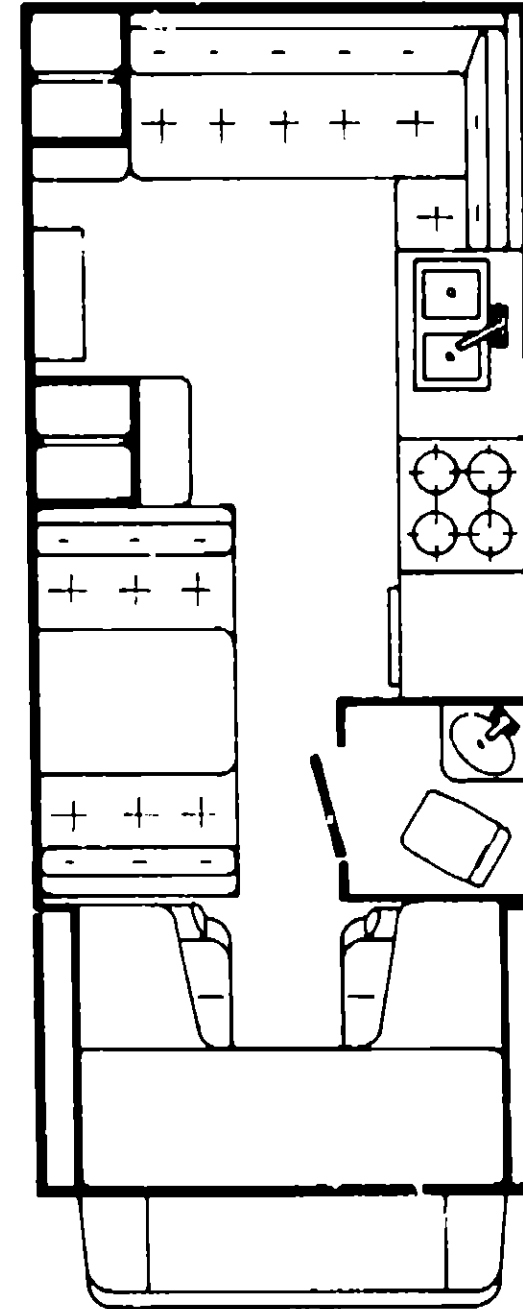
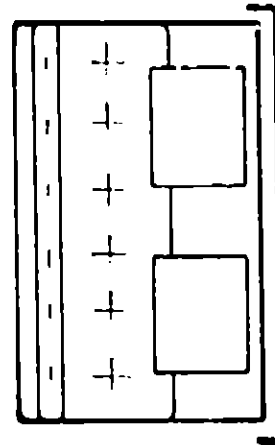


1979 IC420RG



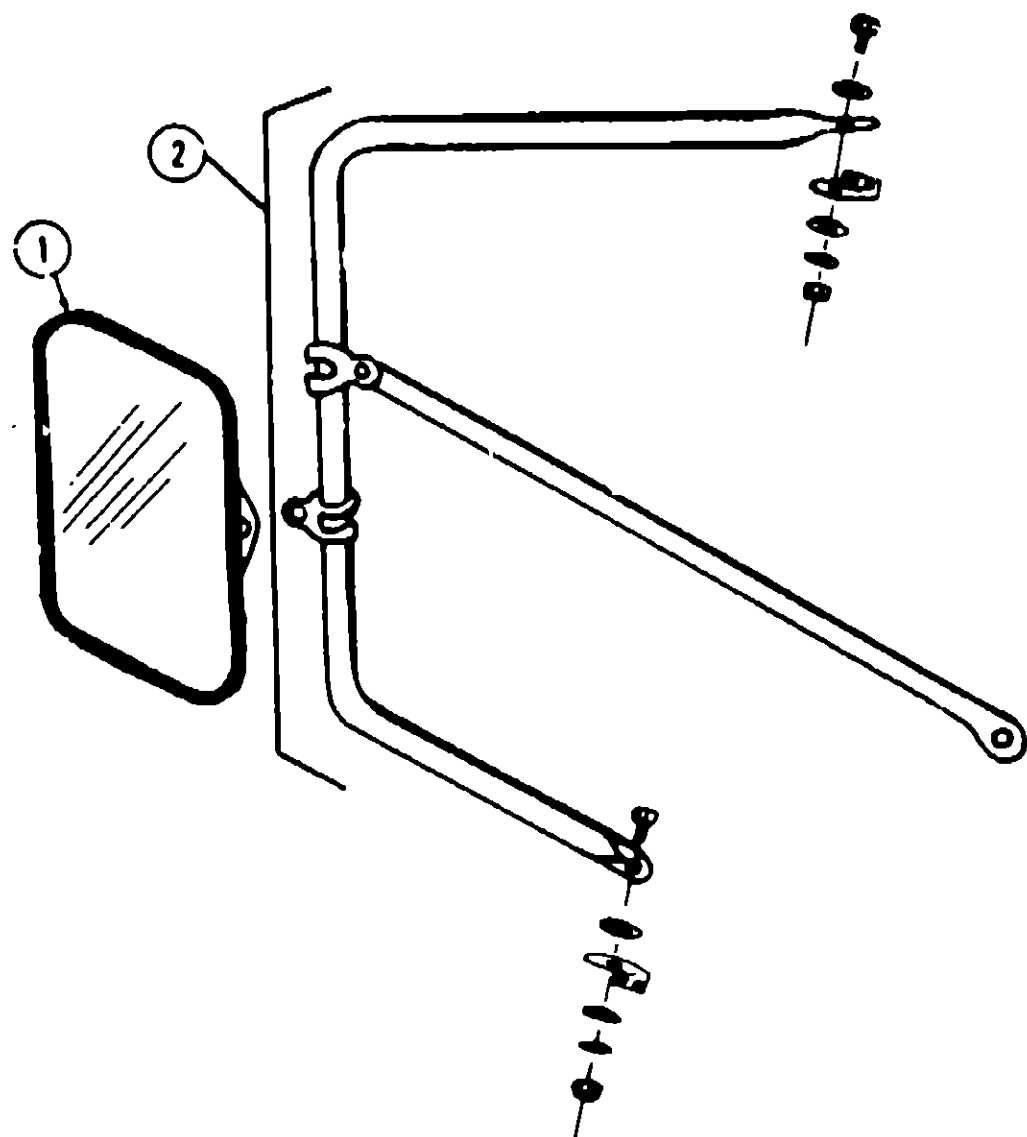
1979 ITASCA TABLE OF CONTENTS

Introduction	A-1
Abbreviations	A-1
Alphabetical Index	A-2 - A-4
IC420RG	A-5 - B-16
IC524RH	B-17 - D-6
IC525RB	D-7 - E-20
IC625DB	E-21 - G-6

1979 IC420RG INDEX

Floor Plan	A-5 - A-6
Accessories Group	A-7 - A-8
Bath Group	A-9
Chassis Group	A-10
Curtain, Cushion & Pad Group	A-11 - A-15
Dinette Group	A-16
Driver's Compartment Group	A-16
Electrical Group	A-17 - A-18
Exterior Body Group	A-19 - A-22
Galley Group	A-23
Heating & Air Conditioning Group	A-24
Interior Finish Group	B-1 - B-2
LP Group	B-3
Lounge Group	B-4
Water & Sewage Group	B-5
Window, Vent & Exterior Door Group	B-6 - B-16

ACCESSORIES GROUP



Key	Part Number	U/M	Description
1	057461-01-000	EA	Mirror Head - 7 1/2" x 10 1/2" - w/Convex
2	049349-02-000	EA	Arm - West Coast Mirror - Off White
2	049349-03-000	EA	Arm - West Coast Mirror - Stainless Steel

ACCESSORIES GROUP (CONTINUED)

RADIOS AND RELATED COMPONENTS

Key	Part Number	U/M	Description
	007004-01-000	EA	Antenna - Radio - Cab Mount
	045836-02-000	EA	Plate - Radio Cover
	049730-01-000	EA	Radio - Clarion - AM w/Fader Switch
	049731-01-000	EA	Radio - Clarion - AM/FM/MPX w/Fader Switch
	049732-01-000	EA	Radio - Clarion - AM/FM/MPX/8 Track w/Fader Switch
	063766-01-000	EA	Speaker - Recessed - 5 1/4" - i0 oz.
	055299-01-000	EA	Grille - Speaker - 5 1/4"
	052774-01-000	EA	Radio - CB - 40 Channel - Hy Gain 9
	048153-01-000	EA	Antenna - CB Camper Style

GENERATORS AND INSTALLATION KITS

Key	Part Number	U/M	Description
**	054427-01-000	EA	Generator - 3.0 kw Onan
	701629-02-000	EA	Installation Package - Onan Generator
	049360-02-000	EA	Overhead Console
	050015-01-000	EA	Bracket - Overhead Console
	024732-01-001	EA	Tail Pipe - 1/2" O.D. x 23"
	740313-72-000	EA	Tray - Generator - 3.0 kw - Onan

**The illustrated parts breakdown for this item is provided on the Common Items Fiche.

MISCELLANEOUS ACCESSORIES

Key	Part Number	U/M	Description
	056253-01-000	EA	Luggage Rack and Ladder Asm.
**	041066-02-000	EA	Ladder Asm. - w/o Luggage Rack
	006052-01-000	EA	Antenna Asm. - TV - Braund Delux
	006053-01-700	EA	Repair Parts Kits - Braund TV Antenna
	006093-01-000	EA	Jack - TV - Brown
	052771-01-000	EA	Microwave Oven - Magic Chef MW207
	059779-01-000	EA	Speed Control - Chevrolet - Electric - Dana
**	031396-03-000	EA	Wheel Cover - 16.5" - Chrome
	040466-07-000	EA	Cover - Spare Tire - 29" - Off White
	006113-01-000	EA	Jack - Hydraulic - 5 Ton
	041944-01-700	EA	Fire Extinguisher w/Bracket
	017516-01-000	EA	Mudflap - Black Rubber - 14" x 18" w/Holes

**The illustrated parts breakdown for this item is provided on the Common Items Fiche.

1979 ITASCA TABLE OF CONTENTS

Introduction	A-1
Abbreviations	A-1
Alphabetical Index	A-2 - A-4
IC420RG	A-5 - B-16
IC524RH	R-17 - D-6
IC525RB	D-7 - E-20
IC625DB	E-21 - G-6

1979 IC420RG INDEX

Floor Plan	A-5 - A-6
Accessories Group	A-7 - A-8
Bath Group	A-9
Chassis Group	A-10
Curtain, Cushion & Pad Group	A-11 - A-15
Dinette Group	A-16
Driver's Compartment Group	A-16
Electrical Group	A-17 - A-18
Exterior Body Group	A-19 - A-22
Galley Group	A-23
Heating & Air Conditioning Group	A-24
Interior Finish Group	B-1 - B-2
LP Group	B-3
Lounge Group	B-4
Water & Sewage Group	B-5
Window, Vent & Exterior Door Group	B-6 - B-16

BATH GROUP

Key	Part Number	U/M	Description
	068233-01-K01	EA	Door Asm. - Bathroom - w/o Towel Rack or Hardware
	058335-01-000	EA	Latch - Bathroom Door
	062583-01-000	EA	Rack Asm. - Towel - Mounts on Bath Door
	044097-01-000	EA	Sink - Lavatory - Ivory Plastic
**	011057-01-000	EA	Faucet - Lavatory and Shower
	011083-01-000	EA	Plug - Sink - 1 1/4" - w/Chain
**	011048-01-000	EA	Shower Head - w/60" Hose
	010495-01-000	EA	Clamp - Shower Hose - 9/16"
	048112-04-000	EA	Mirror - Plastic - 1/8" x 19" x 28"
	048113-01-000	EA	Rosette - Plastic - Mirror Mounting
	009134-01-000	EA	Holder - Tissue
	020554-03-000	EA	Shower Pan - 30" x 35" - Ivory Plastic
**	011086-01-000	EA	Strainer - Shower Pan
	057671-01-000	EA	Cover - Screw - No. 8
	035337-22-000	EA	Trim - Inside Corner - Alum. - 60.88"
	034394-02-000	FT	Extl. Vinyl Insert - Beige
	009252-01-000	EA	Cabinet - Medicine - White w/Light
	009256-01-000	EA	Mirror - Medicine Cabinet Door - 9 7/8" x 14 7/8"
**	011089-01-000	EA	Tailpiece - 1 1/4" x 4" - Brass
**	039341-02-000	EA	Toilet - Marine - Aqua Magic Model SH - Ivory

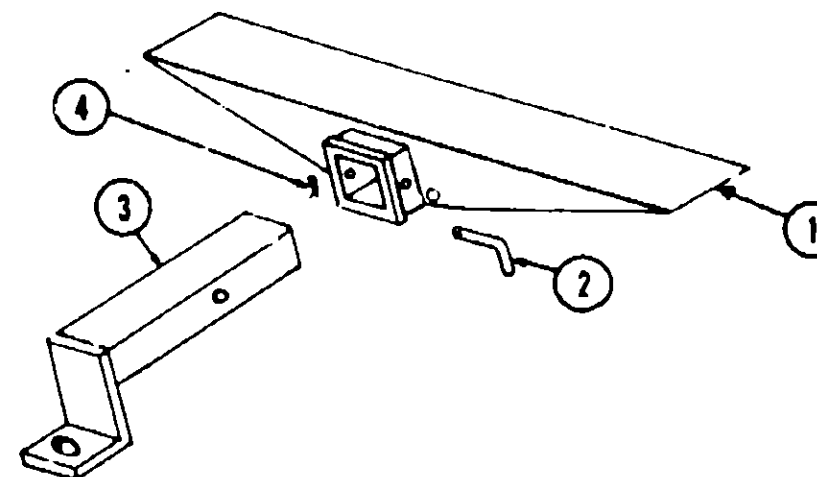
**The illustrated parts breakdown for this item is provided on the Common Items Fiche.

CHASSIS GROUP

Key	Part Number	U/M	Description
	021548-01-000	EA	Bumper - Rear - Square - 93"
	039779-01-000	EA	Rubber Cap - 4" x 4" - Square Bumper
	040974-01-000	EA	Bracket - Spare Tire Retainer - 2" x 8.75"
	016452-01-000	EA	Bracket - Spare Tire Carrier - 5" x 25"
	046043-12-000	EA	Bracket Asm. - Rear Bumper
	061697-02-000	EA	Bracket - Battery Tie Down
	051983-02-000	EA	Shroud - Fuel Fill - Interior
	051986-02-000	EA	Bezel - Fuel Fill - Recessed
	041385-01-000	EA	Tailpipe Extension - Curved - 3" O.D. x 14"
	007125-08-000	EA	Clamp - Muffler - 3" Dia.
	024852-01-700	EA	Step Asm. - Entry Door
	017516-01-000	EA	Mud Flap - Black Rubber - 14" x 18"
	057822-01-000	EA	Tray - Battery - Steel
	057724-01-000	EA	Wheelwell - Black Plastic
	740313-72-000	EA	Tray - Generator - 3.0 kw - Onan

1979 ITASCA TABLE OF CONTENTS

Introduction	A-1
Abbreviations	A-1
Alphabetical Index	A-2 - A-4
IC420RG	A-5 - B-16
IC524RH	B-17 - D-6
IC525RB	D-7 - E-20
IC625DB	E-21 - G-6

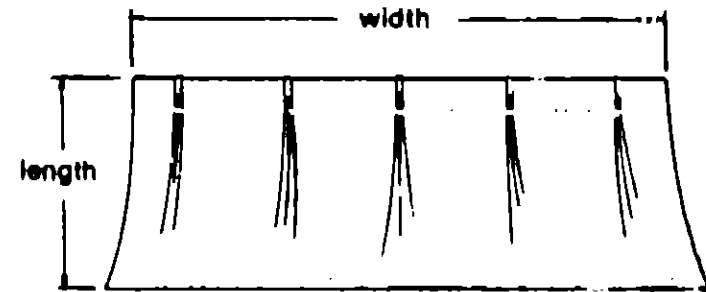


Key	Part Number	U/M	Description
1	023695-01-000	EA	Hitch - w/o Drawbar
2	034512-01-000	EA	Pin - Locking - Drawbar
3	023690-01-000	EA	Drawbar Asm. - Trailer Hitch - Primed
4	034513-01-000	EA	Pin Hitch - 3/16" Wire Spring

1979 IC420RG INDEX

Floor Plan	A-5 - A-6
Accessories Group	A-7 - A-8
Bath Group	A-9
Chassis Group	A-10
Curtain, Cushion and Pad Group	A-11 - A-15
Dinette Group	A-16
Driver's Compartment Group	A-16
Electrical Group	A-17 - A-18
Exterior Body Group	A-19 - A-22
Galley Group	A-23
Heating & Air Conditioning Group	A-24
Interior Finish Group	B-1 - B-2
LP Group	B-3
Lounge Group	B-4
Water & Sewage Group	B-5
Window, Vent & Exterior Door Group	B-6 - B-16

CURTAIN, CUSHION AND PAD GROUP



NOTE:
Use this illustration when determining length and width measurements for curtains. You will note the width measurement is taken on the top of the curtain with the curtain fully extended. The length measurement is taken from top to bottom.

CURTAINS

Key	Part Number	U/M	Description
	054051-01-752	EA	Curtain Kit - Green
	054051-01-753	EA	Curtain Kit - Blue
	054051-01-754	EA	Curtain Kit - Brick
	054045-16-K08	EA	Curtain w/Snap Top and Bottom - 17.5" x 42" - Green Forest
	054045-16-K09	EA	Curtain w/Snap Top and Bottom - 17.5" x 42" - Navy
	054045-16-K10	EA	Curtain w/Snap Top and Bottom - 17.5" x 42" - Brick
	054051-24-K08	EA	Curtain w/Snap Top - 34" x 37" - Green Forest
	054051-24-K09	EA	Curtain w/Snap Top - 34" x 37" - Navy
	054051-24-K10	EA	Curtain w/Snap Top - 34" x 37" - Brick
	054103-05-K08	EA	Curtain w/Snap Top - 15.5" x 42" - Green Forest
	054103-05-K09	EA	Curtain w/Snap Top - 15.5" x 42" - Navy
	054103-05-K10	EA	Curtain w/Snap Top - 15.5" x 42" - Brick
	056484-12-K08	EA	Curtain w/Taped Top - 31.2" x 43.5" - Green Forest
	056484-12-K09	EA	Curtain w/Taped Top - 31.2" x 43.5" - Navy
	056484-12-K10	EA	Curtain w/Taped Top - 31.2" x 43.5" - Brick
	056484-13-K08	EA	Curtain w/Taped Top - 18" x 29" - Green Forest
	056484-13-K09	EA	Curtain w/Taped Top - 18" x 29" - Navy
	056484-13-K10	EA	Curtain w/Taped Top - 18" x 29" - Brick
	054051-23-K08	EA	Curtain w/Snap Top - Blackout - 32" x 98" - Green Forest
	054051-23-K09	EA	Curtain w/Snap Top - Blackout - 32" x 98" - Navy
	054051-23-K10	EA	Curtain w/Snap Top - Blackout - 32" x 98" - Brick
	059900-01-K08	EA	Curtain - Wraparound - 23" x 64" - Green Forest
	059900-01-K09	EA	Curtain - Wraparound - 23" x 64" - Navy
	059900-01-K10	EA	Curtain - Wraparound - 23" x 64" - Brick

VALANCES

Key	Part Number	U/M	Description
	056897-15-K08	EA	Valance - 5.5" x 52.75" - w/Green Trim
	056897-15-K09	EA	Valance - 5.5" x 52.75" - w/Blue Trim
	056897-15-K10	EA	Valance - 5.5" x 52.75" - w/Burgundy Trim
	056897-17-K08	EA	Valance - 5.5" x 78" - w/Green Trim
	056897-17-K09	EA	Valance - 5.5" x 78" - w/Blue Trim
	056897-17-K10	EA	Valance - 5.5" x 78" - w/Burgundy Trim
	056897-18-K08	EA	Valance - 5.5" x 81" - w/Green Trim
	056897-18-K09	EA	Valance - 5.5" x 81" - w/Blue Trim
	056897-18-K10	EA	Valance - 5.5" x 81" - w/Burgundy Trim

CURTAIN, CUSHION AND PAD GROUP (CONTINUED)

SHADES

Key	Part Number	U/M	Description
	059534-28-000	EA	Shade - Vinyl - 60.25" x 34" - Green
	059534-11-000	EA	Shade - Vinyl - 60.25" x 34" - Blue
	059534-20-000	EA	Shade - Vinyl - 60.25" x 34" - Burgundy
	059534-30-000	EA	Shade - Vinyl - 69.25" x 34" - Green
	059534-15-000	EA	Shade - Vinyl - 69.25" x 34" - Blue
	059534-21-000	EA	Shade - Vinyl - 69.25" x 34" - Burgundy
	059534-31-000	EA	Shade - Vinyl - 72.25" x 34" - Green
	059534-13-000	EA	Shade - Vinyl - 72.25" x 34" - Blue
	059534-22-000	EA	Shade - Vinyl - 72.25" x 34" - Burgundy

FABRICS AND TRIMS

Key	Part Number	U/M	Description
	058784-04-000	YD	Fabric - Drapery - Green Forest
	058784-03-000	YD	Fabric - Drapery - Navy
	058784-05-000	YD	Fabric - Drapery - Brick (Burgundy)
	057984-01-000	YD	Fabric - Upholstery - Emerald Green - Wide Stripe
	057984-02-000	YD	Fabric - Upholstery - Royal Blue - Wide Stripe
	057984-03-000	YD	Fabric - Upholstery - Oxford - Burgundy - Wide Stripe
	057985-01-000	YD	Fabric - Upholstery - Emerald Green - Narrow Stripe
	057985-02-000	YD	Fabric - Upholstery - Royal Blue - Narrow Stripe
	057985-03-000	YD	Fabric - Upholstery - Oxford Burgundy - Narrow Stripe
	057986-01-000	YD	Fabric - Upholstery - Accent - Camel
	057986-03-000	YD	Fabric - Upholstery - Accent - Burgundy
	054676-08-K08	EA	Button Asm. - Covered - #45 - Green
	054676-08-K09	EA	Button Asm. - Covered - #45 - Blue
	054676-08-K10	EA	Button Asm. - Covered - #45 - Burgundy
	054676-09-K08	EA	Button Asm. - Covered - #30 - Green
	054676-09-K09	EA	Button Asm. - Covered - #30 - Blue
	054676-09-K10	EA	Button Asm. - Covered - #30 - Burgundy
	052859-01-J27	FT	Trim Asm. - Accent - Acorn Brown Vinyl
	053327-01-000	YD	Vinyl - Non Expanded - 27 oz. - Acorn Brown
	053327-02-000	YD	Vinyl - Expanded - 28 oz. - Acorn Brown
	053327-03-000	YD	Vinyl - Non Support - 18 Gauge Film - Acorn Brown

Pads

Key	Part Number	U/M	Description
	056587-01-K08	EA	Pad - Cab Door - Right - Green
	056587-01-K09	EA	Pad - Cab Door - Right - Blue
	056587-01-K10	EA	Pad - Cab Door - Right - Burgundy
	056580-01-K08	EA	Pad - Cab Door - Left - Green
	056580-01-K09	EA	Pad - Cab Door - Left - Blue
	056580-01-K10	EA	Pad - Cab Door - Left - Burgundy
	057794-02-K01	EA	Pad - End Panel - Dinette Overhead Cabinet - Acorn Vinyl
	053719-01-K08	EA	Headliner - Cab - Acorn Vinyl
	054014-01-K08	EA	Trim Asm. - Over Door - Left - Acorn Vinyl
	054014-02-K08	EA	Trim Asm. - Over Door - Right - Acorn Vinyl

TIE BACKS

Key	Part Number	U/M	Description
	054048-05-K08	EA	Tie Back Asm. - 2" x 18" - Green Forest
	054048-05-K09	EA	Tie Back Asm. - 2" x 18" - Navy
	054048-05-K10	EA	Tie Back Asm. - 2" x 18" - Brick

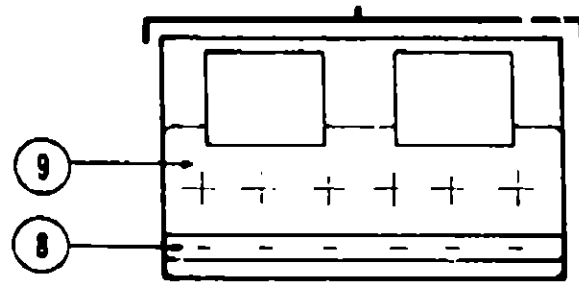
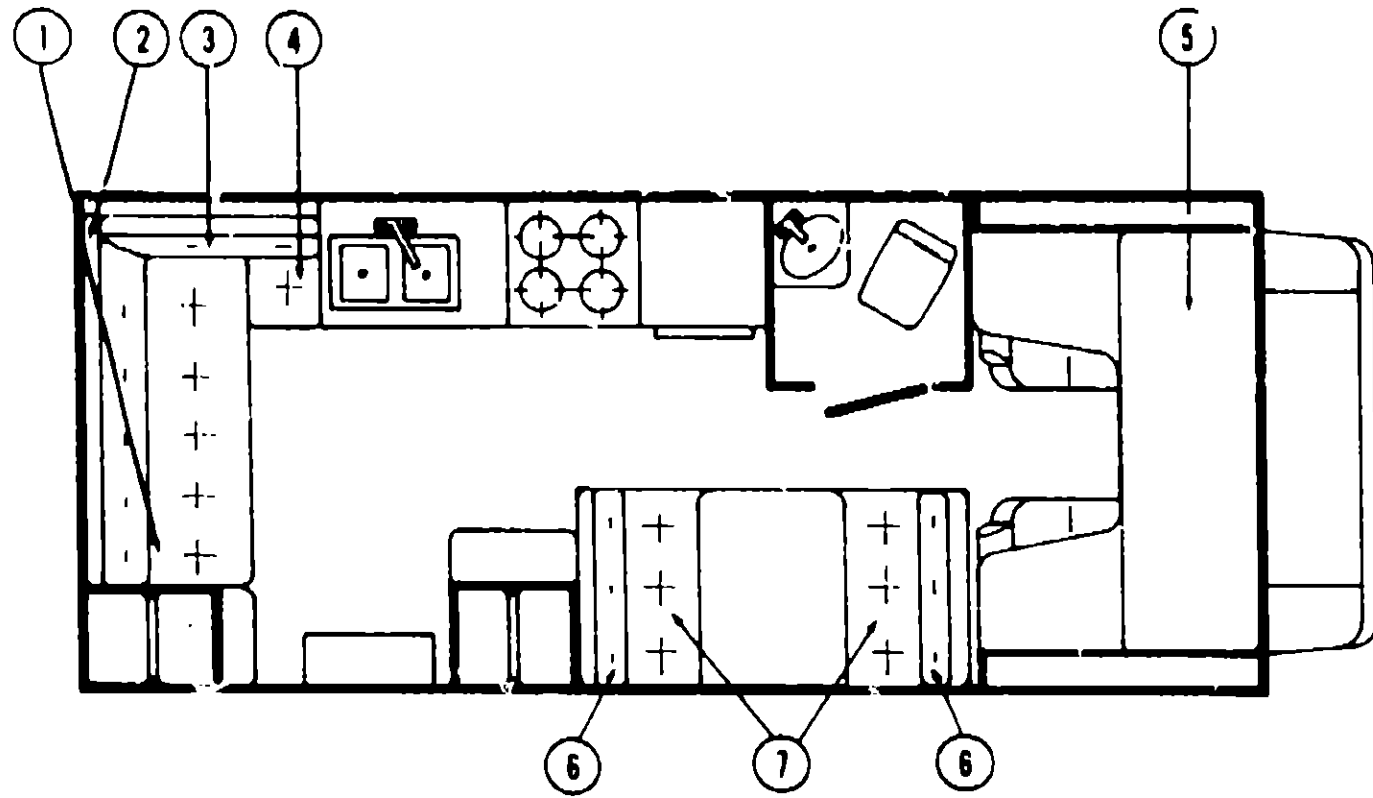
**1979 ITASCA
TABLE OF CONTENTS**

Introduction	A-1
Abbreviations	A-1
Alphabetical Index	A-2 - A-4
IC420RG	A-5 - B-16
IC524RH	B-17 - D-6
IC525RB	D-7 - E-20
IC625DB	E-21 - G-6

1979 IC420RG INDEX

Floor Plan	A-5 - A-6
Accessories Group	A-7 - A-8
Bath Group	A-9
Chassis Group	A-10
Curtain, Cushion and Pad Group	A-11 - A-15
Dinette Group	A-16
Driver's Compartment Group	A-16
Electrical Group	A-17 - A-18
Exterior Body Group	A-19 - A-22
Galley Group	A-23
Heating & Air Conditioning Group	A-24
Interior Finish Group	B-1 - B-2
LP Group	B-3
Lounge Group	B-4
Water & Sewage Group	B-5
Window, Vent & Exterior Door Group	B-6 - B-16

CURTAIN, CUSHION AND PAD GROUP (CONTINUED)



REAR LOUNGE CUSHIONS

Key	Part Number	U/M	Description
1	059055-01-K08	EA	Cushion - Lester Lounge - Two Fold - 76" - Green
1	059055-01-K09	EA	Cushion - Lester Lounge - Two Fold - 76" - Blue
1	059055-01-K10	EA	Cushion - Lester Lounge - Two Fold - 76" - Burgundy
	059056-01-K08	EA	Cover - Lester Lounge Cushion - Two Fold - 76" - Green
	059056-01-K09	EA	Cover - Lester Lounge Cushion - Two Fold - 76" - Blue
	059056-01-K10	EA	Cover - Lester Lounge Cushion - Two Fold - 76" - Burgundy
2	055021-23-K08	EA	Cushion - Lounge - 9.5" x 76" x 5" - Green
2	055021-23-K09	EA	Cushion - Lounge - 9.5" x 76" x 5" - Blue
2	055021-23-K10	EA	Cushion - Lounge - 9.5" x 76" x 5" - Burgundy
	055022-25-K08	EA	Cover - Lounge Cushion - 9.5" x 76" x 5" - Green
	055022-25-K09	EA	Cover - Lounge Cushion - 9.5" x 76" x 5" - Blue
	055022-25-K10	EA	Cover - Lounge Cushion - 9.5" x 76" x 5" - Burgundy
3	058911-01-K08	EA	Cushion - Bolster - 16" x 42.5" x 38.5" x 5" - Green
3	058911-01-K09	EA	Cushion - Bolster - 16" x 42.5" x 38.5" x 5" - Blue
3	058911-01-K10	EA	Cushion - Bolster - 16" x 42.5" x 38.5" x 5" - Burgundy
	058912-01-K08	EA	Cover - Bolster Cushion - 16" x 42.5" x 38.5" x 5" - Green
	058912-01-K09	EA	Cover - Bolster Cushion - 16" x 42.5" x 38.5" x 5" - Blue
	058912-01-K10	EA	Cover - Bolster Cushion - 16" x 42.5" x 38.5" x 5" - Burgundy
4	058900-03-K08	EA	Cushion - Seat - 22.5" x 17.5" x 6" - Green
4	058900-03-K09	EA	Cushion - Seat - 22.5" x 17.5" x 6" - Blue
4	058900-03-K10	EA	Cushion - Seat - 22.5" x 17.5" x 6" - Burgundy
	058901-03-K08	EA	Cover - Seat Cushion - 22.5" x 17.5" x 6" - Green
	058901-03-K09	EA	Cover - Seat Cushion - 22.5" x 17.5" x 6" - Blue
	058901-03-K10	EA	Cover - Seat Cushion - 22.5" x 17.5" x 6" - Burgundy

CURTAIN, CUSHION AND PAD GROUP (CONTINUED)

FRONT BUNK MATTRESS

Key	Part Number	U/M	Description
5	058897-01-K08	EA	Mattress - Two Fold - 24.5" x 29.5" x 76" - Green
5	058897-01-K09	EA	Mattress - Two Fold - 24.5" x 29.5" x 76" - Blue
5	058897-01-K10	EA	Mattress - Two Fold - 24.5" x 29.5" x 76" - Burgundy
	058898-01-K08	EA	Cover - Two Fold Mattress - 24.5" x 29.5" x 76" - Green
	058898-01-K09	EA	Cover - Two Fold Mattress - 24.5" x 29.5" x 76" - Blue
	058898-01-K10	EA	Cover - Two Fold Mattress - 24.5" x 29.5" x 76" - Burgundy

CONVENTIONAL DINETTE CUSHIONS

Key	Part Number	U/M	Description
6	058900-02-K08	EA	Cushion - Dinette Back - 19.2" x 38" x 5" - Green
6	058900-02-K09	EA	Cushion - Dinette Back - 19.2" x 38" x 5" - Blue
6	058900-02-K10	EA	Cushion - Dinette Back - 19.2" x 38" x 5" - Burgundy
	058901-02-K08	EA	Cover - Dinette Back Cushion - 19.2" x 38" x 5" - Green
	058901-02-K09	EA	Cover - Dinette Back Cushion - 19.2" x 38" x 5" - Blue
	058901-02-K10	EA	Cover - Dinette Back Cushion - 19.2" x 38" x 5" - Burgundy
7	058900-01-K08	EA	Cushion - Dinette Seat - 17.5" x 38" x 5" - Green
7	058900-01-K09	EA	Cushion - Dinette Seat - 17.5" x 38" x 5" - Blue
7	058900-01-K10	EA	Cushion - Dinette Seat - 17.5" x 38" x 5" - Burgundy
	058901-01-K08	EA	Cover - Dinette Seat Cushion - 17.5" x 38" x 5" - Green
	058901-01-K09	EA	Cover - Dinette Seat Cushion - 17.5" x 38" x 5" - Blue
	058901-01-K10	EA	Cover - Dinette Seat Cushion - 17.5" x 38" x 5" - Burgundy

PRESTO BED CUSHIONS

Key	Part Number	U/M	Description
8	059065-01-K08	EA	Cushion - Presto Bed - Back - 76" - Green
8	059065-01-K09	EA	Cushion - Presto Bed - Back - 76" - Blue
8	059065-01-K10	EA	Cushion - Presto Bed - Back - 76" - Burgundy
9	059066-01-K08	EA	Cushion - Presto Bed - Bottom - 76" - Green
9	059066-01-K09	EA	Cushion - Presto Bed - Bottom - 76" - Blue
9	059066-01-K10	EA	Cushion - Presto Bed - Bottom - 76" - Burgundy

HIGH BACK BUCKET SEATS

Key	Part Number	U/M	Description
	061828-01-K08	EA	Bucket Seat - High Back - w/Skirt and Right Armrest - Green
	061828-01-K09	EA	Bucket Seat - High Back - w/Skirt and Right Armrest - Blue
	061828-01-K10	EA	Bucket Seat - High Back - w/Skirt and Right Armrest - Burgundy
	061828-02-K08	EA	Bucket Seat - High Back - w/Skirt and Left Armrest - Green
	061828-02-K09	EA	Bucket Seat - High Back - w/Skirt and Left Armrest - Blue
	061828-02-K10	EA	Bucket Seat - High Back - w/Skirt and Left Armrest - Burgundy
	061838-02-K08	EA	Cover - High Back Bucket - Back - Green
	061838-02-K09	EA	Cover - High Back Bucket - Back - Blue
	061838-02-K10	EA	Cover - High Back Bucket - Back - Burgundy
	061839-02-K08	EA	Cover - High Back Bucket - Seat - Green
	061839-02-K09	EA	Cover - High Back Bucket - Seat - Blue
	061839-02-K10	EA	Cover - High Back Bucket - Seat - Burgundy
	054650-06-K08	EA	Skirt - High Back Bucket - Green
	054650-06-K09	EA	Skirt - High Back Bucket - Blue
	054650-06-K10	EA	Skirt - High Back Bucket - Burgundy

**1979 ITASCA
TABLE OF CONTENTS**

Introduction	A-1
Abbreviations	A-1
Alphabetical Index	A-2 - A-4
IC420RG	A-5 - B-19
IC524RH	B-17 - D-8
IC525RB	D-7 - E-20
IC625DB	E-21 - G-6

1979 IC420RG INDEX

Floor Plan	A-5 - A-8
Accessories Group	A-7 - A-8
Bath Group	A-9
Chassis Group	A-10
Curtain, Cushion & Pad Group	A-11 - A-15
Dinette Group	A-16
Driver's Compartment Group	A-16
Electrical Group	A-17 - A-18
Exterior Body Group	A-19 - A-22
Galley Group	A-23
Heating & Air Conditioning Group	A-24
Interior Finish Group	B-1 - B-2
LP Group	B-3
Lounge Group	B-4
Water & Sewage Group	B-5
Window, Vent & Exterior Door Group	B-6 - B-16

CURTAIN, CUSHION AND PAD GROUP (CONTINUED)

LOW BACK BUCKET SEATS

Key	Part Number	U/M	Description
	061826-01-K08	EA	Bucket Seat - Low Back - w/o Arm or Headrests - Green
	061826-01-K09	EA	Bucket Seat - Low Back - w/o Arm or Headrest - Blue
	061826-01-K10	EA	Bucket Seat - Low Back - w/o Arm or Headrest - Burgundy
	061836-02-K08	EA	Cover - Low Back Bucket - Back - Green
	061836-02-K09	EA	Cover - Low Back Bucket - Back - Blue
	061836-02-K10	EA	Cover - Low Back Bucket - Back - Burgundy
	061837-02-K08	EA	Cover - Low Back Bucket - Bottom - Green
	061837-02-K09	EA	Cover - Low Back Bucket - Bottom - Blue
	061837-02-K10	EA	Cover - Low Back Bucket - Bottom - Burgundy

ARMRESTS AND HEADRESTS

Key	Part Number	U/M	Description
	019722-01-000	EA	Headrest Asm. - Foam w/o Cover
	053354-01-K08	EA	Cover - Headrest - Green
	053354-01-K09	EA	Cover - Headrest - Blue
	053354-01-K10	EA	Cover - Headrest - Burgundy
	050275-01-700	EA	Armrest Asm. - Foam w/o Cover - Right
	050276-01-700	EA	Armrest Asm. - Foam w/o Cover - Left
	053357-04-K08	EA	Cover - Armrest - Right or Left - Green
	053357-04-K09	EA	Cover - Armrest - Right or Left - Blue
	053357-04-K10	EA	Cover - Armrest - Right or Left - Burgundy

CURTAIN HARDWARE

Key	Part Number	U/M	Description
	052327-04-236	EA	Track - Curtain - Brown Alum. - 89" w/Holes
	056116-01-000	FT	Track - Curtain - Brown Plastic
	056001-01-000	EA	Bracket - Shade - Left
	056002-01-000	EA	Bracket - Shade - Right
	056003-01-000	EA	Bracket - Drapery Retainer - Right
	056003-02-000	EA	Bracket - Drapery Retainer - Left
	053272-04-200	EA	Track - Curtain - Off White - 89" w/Holes
	056784-01-000	EA	Pull - Window Shade - Antique Brass
	009107-01-000	EA	Guide - Nylon Snap - Curtain
	018031-42-000	EA	Track - Curtain - "L" Rod - Alum. Extr. - 90"
	009701-01-000	EA	Carrier - "L" Rod - Curtain
	009702-01-000	EA	End Stop - "L" Rod - Curtain



Key	Part Number	U/M	Description
1	029130-01-000	EA	Socket - Snap Fastener
2	029155-01-000	EA	Cap - Snap - .156" Dia. x .17" Burret
3	029156-01-000	EA	Socket - Snap Fastener
4	029082-01-000	EA	Stud - Nickel Finish
5	029063-01-000	EA	Eyelet - Nickel Finish

DINETTE GROUP

OPTIONAL COUCH W/TWIN PEDESTAL TABLES

Key	Part Number	U/M	Description
	053203-07-K01	EA	Table Asm. - Pedestal - w/o Hardware - Butcher Block
	057821-01-K01	EA	Panel Asm. - Couch Front - w/o Door or Hardware
	057992-03-K01	EA	Door Asm. - Couch - Cabinet - 11.82" x 37.22" - w/o Hardware
	057468-02-000	EA	Frame Asm. - Sprung Couch - Right
	057468-03-000	EA	Frame Asm. - Sprung Couch - Left
	057468-04-000	EA	Couch Rails - Front or Rear (2 per couch)
	057469-01-000	EA	Leg Asm. - Sprung Couch (2 per couch)
	009040-02-000	EA	Leg - Pedestal Table - 27.5" - Chrome
	009040-03-000	EA	Base - Table Leg - Table Mount
	041194-01-000	EA	Base - Table Leg - Floor Mount

CONVENTIONAL DINETTE W/FOLD DOWN TABLE AND OPPOSING BENCHES

Key	Part Number	U/M	Description
	053192-01-K01	EA	Table Asm. - Dinette w/o Hardware - Butcher Block
	057739-01-K01	EA	Cabinet Asm. - Dinette Seat - Front - w/o Door or Hardware
	057740-01-K01	EA	Cabinet Asm. - Dinette Seat - Rear
	057992-07-K01	EA	Door Asm. - Dinette Seat Cabinet - 20.02" x 12.52" - w/o Hardware
	057992-08-K01	EA	Cabinet Asm. - Dinette Overhead - w/o Doors or Hardware
	057992-02-K01	EA	Door Asm. - Dinette Overhead Cabinet - 10.32" x 35.22" - w/o Hardware
**	047842-01-000	EA	Hardware Kit - Dinette Table Leg
**	047809-03-000	EA	Hardware Kit - Dinette Table - Wall Mount

**The illustrated parts breakdown for this item is provided on the Common Items Fiche.

DRIVER'S COMPARTMENT GROUP

Key	Part Number	U/M	Description
	057775-01-K01	EA	Cabinet Asm. - Head Board - Left
	057776-01-K01	EA	Cabinet Asm. - Head Board - Right
	057992-06-K01	EA	Door Asm. - Head Board Cabinet - 25.02" x 5.42" - w/o Hardware
	049360-07-000	EA	Console - Overhead
	052577-01-000	EA	Gauge - Voltmeter w/Bracket
	024462-01-000	EA	Switch - Battery Condition
	055279-01-000	EA	Control Asm. - Heater and A/C
	054014-01-K08	EA	Trim Asm. - Over Door - Left - Acorn Brown Vinyl
	054014-02-K08	EA	Trim Asm. - Over Door - Right - Acorn Brown Vinyl
	053719-01-K08	EA	Headliner Asm. - Acorn Brown Vinyl
	061308-01-000	EA	Pedestal - Bucket Seat Base
	007222-01-000	EA	Seat Belt Asm. - 2" x 60" - Black

1979 ITASCA TABLE OF CONTENTS

Introduction	A-1
Abbreviations	A-1
Alphabetical Index	A-2 - A-4
IC420RG	A-5 - B-16
IC524RH	B-17 - D-6
IC525RB	D-7 - E-20
IC625DB	E-21 - G-6

1979 IC420RG INDEX

Floor Plan	A-5 - A-6
Accessories Group	A-7 - A-8
Bath Group	A-9
Chassis Group	A-10
Curtain, Cushion & Pad Group	A-11 - A-15
Dinette Group	A-16
Driver's Compartment Group	A-16
Electrical Group	A-17 - A-18
Exterior Body Group	A-19 - A-22
Galley Group	A-23
Heating & Air Conditioning Group	A-24
Interior Finish Group	B-1 - B-2
LP Group	B-3
Lounge Group	B-4
Water & Sewage Group	B-5
Window, Vent & Exterior Door Group	B-6 - B-16

ELECTRICAL GROUP

BULBS

Key	Part Number	U/M	Description
	037935-01-000	EA	Bulb - 1157
	038010-01-000	EA	Bulb - 1143
	008103-01-000	EA	Bulb - 53
	008213-01-000	EA	Bulb - 57
	008214-01-000	EA	Bulb - 87
	008215-01-000	EA	Bulb - 1003
	008216-01-000	EA	Bulb - 1034
	008217-01-000	EA	Bulb - 1073
	008218-01-000	EA	Bulb - 1141
	008219-01-000	EA	Bulb - 658
	008220-01-000	EA	Bulb - 12V - 25W
	038196-01-000	EA	Bulb - 194
	700020-01-000	EA	Bulb - 12V - 20W - 1383

FUSES AND CIRCUIT BREAKERS

Key	Part Number	U/M	Description
	056473-01-000	EA	Fuse - Slow Blow - 6 1/4 Amp.
	008233-01-000	EA	Fuse - 12 Volt - 6 Amp.
	008234-01-000	EA	Fuse - 12 Volt - 10 Amp.
	008235-01-000	EA	Fuse - 12 Volt - 15 Amp.
	008236-01-000	EA	Fuse - 12 Volt - 20 Amp.
	008242-01-000	EA	Fuse - 110 Volt - 30 Amp. - AGU
	008252-01-000	EA	Fuse - 110 Volt - 50 Amp.
	008208-01-000	EA	Circuit Breaker - 12 Volt - 40 Amp.
	008211-01-000	EA	Circuit Breaker - 12 Volt - 6 Amp.
	008268-01-000	EA	Circuit Breaker - 12 Volt - 30 Amp. w/Mount
	033573-01-000	EA	Circuit Breaker - 12 Volt - 20 Amp. w/Mount
	040051-01-000	EA	Circuit Breaker - 110 Volt - 20 Amp. - TQL

MISCELLANEOUS ELECTRICAL COMPONENTS

Key	Part Number	U/M	Description
	047338-01-000	EA	Isolator - Dual Battery
	047399-01-700	EA	Battery - 12 Volt - 105 Amp. Deep Cycle - Dry
	057899-01-000	EA	Battery - 12 Volt - Maintenance Free - Deico
	008188-01-000	EA	Solenoid - Dual Battery - Relay
	046775-01-000	EA	Valve - Gas - Change Over
	048812-01-000	EA	Panel - Control - Water/Double Sewage - Wemac
	039861-01-000	EA	Sending Unit Kit - Wemac
	052577-01-000	EA	Gauge - Voltmeter - w/Bracket
	024462-01-000	EA	Switch - Battery Condition
	031035-01-000	EA	Gauge - Hour Meter - Generator
	024976-01-000	EA	Switch - Generator w/o Circuit Board
	054544-01-000	EA	Control Center - 37 Amp.
	031720-01-000	EA	Spacer - Receptacle - Brown Plastic - CSA
	039950-01-702	EA	Circuit Board - Control Center
	048812-01-000	EA	Panel - Control - Water/Double Sewage - w/Thermostat
	048812-02-000	EA	Panel - Control - Water/Double Sewage - w/o Thermostat
	048812-03-000	EA	Panel - Control - Water/Double Sewage Deluxe - w/LP Gauge, Refrigerator Alarm, and Clock
	024461-01-000	EA	Switch - Battery
	046885-01-000	EA	Plaque - Switch Mounting
	008077-01-000	EA	Plaque - Compressor Switch
	059784-01-000	EA	Switch - Wiper - Intermittant
	033499-03-000	EA	Box - Power Cord

ELECTRICAL GROUP (CONTINUED)

EXTERIOR LIGHTS

Key	Part Number	U/M	Description
	042405-03-000	EA	Base - Rectangular Clearance Light
	042405-04-000	EA	Lens - Clearance Light - Red
	042405-05-000	EA	Lens - Clearance Light - Amber
	048817-01-000	EA	Assist Handle w/Light
	007309-01-000	EA	Step Well Light
	059353-02-000	EA	Tail Lamp Asm. - 1/2 Bulb - Chrome - Left
	058958-02-000	EA	Wedge Asm. Tail Lamp - Left
	059353-01-000	EA	Tail Lamp Asm. - 2 Bulb Chrome - Right
	058958-04-000	EA	Wedge Asm. Tail Lamp - Right
	058030-01-700	EA	Lens - Tail Lamp - Red
	058030-01-701	EA	Lens - Tail Lamp - Backup
	059038-01-000	EA	Bracket - Tail Lamp
	059540-01-000	EA	Bracket - License Plate
	008092-01-000	EA	Reflector - Stick On - Rectangular - Red
	008093-01-000	EA	Reflector - Stick On - Rectangular - Amber

INTERIOR LIGHTS

Key	Part Number	U/M	Description
	024418-01-000	EA	Lamp Asm. - Map/Gauge/Isle
	024473-01-000	EA	Light - Aircraft - 1 Bulb - Gold
	033508-02-000	EA	Light - Dome - Ivory - 1 Bulb
	024642-01-701	EA	Lens - Dome Light - 1 Bulb
	033509-02-000	EA	Light - Dome - Ivory - 2 Bulb
	024643-01-701	EA	Lens - Dome Light - 2 Bulb
	033508-03-000	EA	Light - Dome - Ivory - 1 Bulb CSA
	033509-03-000	EA	Light - Dome - Ivory - 2 Bulb CSA
	053346-01-000	EA	Light - High Intensity - Brown Plastic

WIRE, SWITCHES, AND RECEPTACLES

Key	Part Number	U/M	Description
	008024-01-000	FT	Wire - 18.5 Bonded - Orange/White/Yellow/Blue/Brown
	008025-01-000	FT	Wire - 18.5 Bonded - Orange/White/Yellow/Blue/Green
	008028-01-000	FT	Wire - 18.5 Bonded - Blue/Red/Yellow/Orange/White
	008030-01-000	FT	Wire - 18.4 Bonded
	008251-01-000	EA	Holder - Fuse - Black - Screw Type
	008277-01-000	EA	Holder - Fuse - Black - Panel Mount
	008195-01-000	EA	Switch - Push Button - 12 Volt
	006077-01-000	EA	Plaque - Compressor Switch
	008054-01-000	EA	Cord - Power - 10-3 30 Amp. - 25' - UL
	03-818-04-000	EA	Holder - Receptacle - Plastic
	039338-01-000	EA	Cover Plate - Receptacle - Plastic - Brown
	039342-01-000	EA	Receptacle - Duplex Brown - T Junction
	024571-01-000	EA	Cover Plate - Receptacle - Jumbo Steel Brown
	039343-01-000	EA	Cap - End - Receptacle
	008162-01-000	EA	Switch - Double Toggle - Spade Brown
	008163-01-000	EA	Switch - Toggle Brown
	008164-01-000	EA	Cover Plate - Switch - Brown
	024924-01-000	EA	Receptacle - Power Cord
	008058-01-000	EA	Adaptor - Power Cord
	047353-01-000	EA	Cover - Receptacle - Ground Fault
	047351-01-000	EA	Receptacle - Ground Fault Interrupter - 125 Volt, Black
	053126-01-000	EA	Receptacle - Ground Fault Interrupter - 125 Volt - Ivory
	053128-02-000	EA	Receptacle - Ground Fault Interrupter - 125 Volt - Brown
	058707-01-000	EA	Receptacle - Single Brown - Thomas & Belts
	058708-01-000	EA	Receptacle - Duplex - Brown - Thomas & Belts

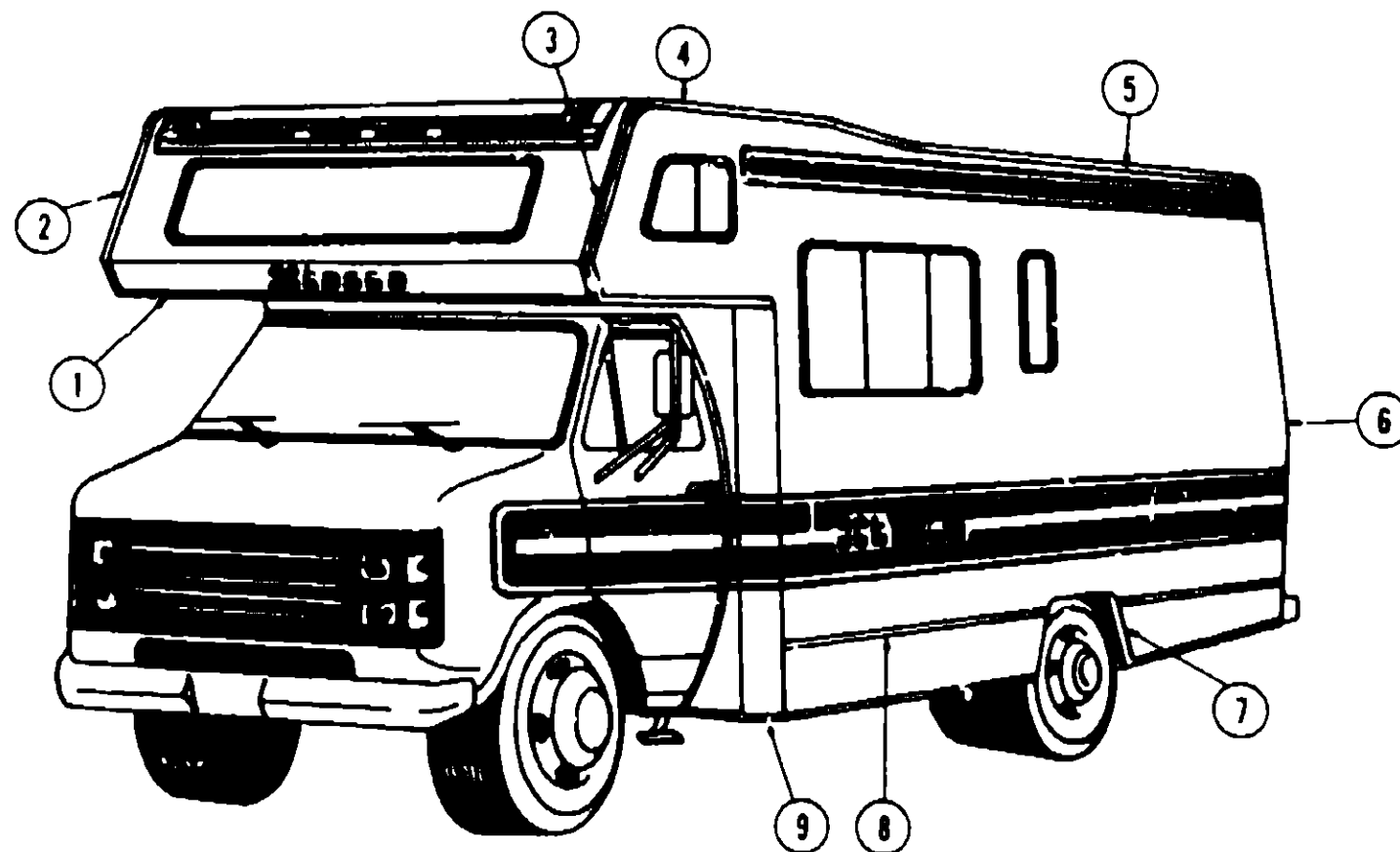
1979 ITASCA TABLE OF CONTENTS

Introduction	A-1
Abbreviations	A-1
Alphabetical Index	A-2 - A-4
IC420RG	A-5 - B-16
IC524RH	B-17 - D-6
IC525RB	D-7 - E-20
IC625DB	E-21 - G-6

1979 IC420RG INDEX

Floor Plan	A-5 - A-6
Accessories Group	A-7 - A-8
Bath Group	A-9
Chassis Group	A-10
Curtain, Cushion & Pad Group	A-11 - A-15
Dinette Group	A-16
Driver's Compartment Group	A-16
Electrical Group	A-17 - A-18
Exterior Body Group	A-19 - A-22
Galley Group	A-23
Heating & Air Conditioning Group	A-24
Interior Finish Group	B-1 - B-2
LP Group	B-3
Lounge Group	B-4
Water & Sewage Group	B-5
Window, Vent & Exterior Door Group	B-6 - B-16

EXTERIOR BODY GROUP



Key	Part Number	U/M	Description
1	039844-05-000	EA	Trim - Sleeper Board - Front
2	052799-01-000	EA	Trim - Contour - Sleeper - Right - Off White
3	052799-02-000	EA	Trim - Contour - Sleeper - Left - Off White
4	056240-02-000	EA	Trim - Contour - Roof - Front Left - Off White
	056240-01-000	EA	Trim - Contour - Roof - Front Right - Off White
5	042170-04-000	EA	Trim - Contour - Roof - Rear Left - Off White
	042170-03-000	EA	Trim - Contour - Roof - Rear Right - Off White
6	039964-02-000	EA	Trim - Contour - Backwall - Left - Off White
	039964-01-000	EA	Trim - Contour - Backwall - Right - Off White
7	052671-01-000	EA	Trim - Wheel Well - Rear - Right or Left
8	002444-02-001	EA	Feature Strip - Extr. Alum. - 14'
	001030-01-100	EA	Insert - Feature Strip - Black - 17'
	009731-01-000	EA	End Cap - Feature Strip
	021241-01-000	FT	Extr. Vinyl - White - Wingwall
9	036476-10-000	EA	Trim - Corner - Wingwall - Left
	036476-09-000	EA	Trim - Corner - Wingwall - Right
	050630-03-000	EA	Trim - Backwall - Lower
	002792-01-003	EA	Extrusion - Contour - Trim - 222"
	Not Illustrated		

1979 ITASCA TABLE OF CONTENTS

Introduction	A-1
Abbreviations	A-1
Alphabetical Index	A-2 - A-4
IC420RG	A-5 - B-16
IC524RH	B-17 - D-6
IC525RB	D-7 - E-20
IC625DB	E-21 - G-6

1979 IC420RG INDEX

Floor Plan	A-5 - A-6
Accessories Group	A-7 - A-8
Bath Group	A-9
Chassis Group	A-10
Curtain, Cushion & Pad Group	A-11 - A-15
Dinette Group	A-16
Driver's Compartment Group	A-16
Electrical Group	A-17 - A-18
Exterior Body Group	A-19 - A-22
Galley Group	A-23
Heating & Air Conditioning Group	A-24
Interior Finish Group	B-1 - B-2
LP Group	B-3
Lounge Group	B-4
Water & Sewage Group	B-5
Window, Vent & Exterior Door Group	B-6 - B-16

EXTERIOR BODY GROUP (CONTINUED)

EXTERIOR BODY PANELS AND SHEET ALUMINUM

Key	Part Number	U/M	Description
	058379-02-K08	EA	Sleeper Board Asm.
	058145-01-K08	EA	Sidewall Asm. - Right
	058144-01-K08	EA	Sidewall Asm. - Left
	058147-01-K08	EA	Backwall Asm.
	058146-01-K08	EA	Roof Asm.
	044487-01-001	EA	Alum. - Mill Finish - No Design (Roof) - 96" x 360"
	039155-07-010	EA	Alum. - Off White - Greyhound Design - 48" x 96"
	001054-01-011	EA	Alum. - Off White - No Design - 48" x 96"
	039155-03-008	EA	Alum. - Off White Mesa I - .024" x 36" x 60"
	039155-03-003	EA	Alum. - Off White Mesa I - .024" x 36" x 360"
	039155-03-006	EA	Alum. - Off White Mesa I - .024" x 48" x 60"
	039155-03-007	EA	Alum. - Off White Mesa I - .024" x 48" x 360"
	039155-03-009	EA	Alum. - Off White Mesa I - .024" x 12" x 360"
	039155-28-001	EA	Alum. - Off White Mesa II - .024" x 36" x 60"
	039155-28-003	EA	Alum. - Off White Mesa II - .024" x 36" x 360"
	039155-28-004	EA	Alum. - Off White Mesa II - .024" x 48" x 60"
	039155-28-006	EA	Alum. - Off White Mesa II - .024" x 48" x 360"
	039155-28-007	EA	Alum. - Off White Mesa II - .024" x 12" x 360"

NOTE: The raised portion of Mesa I Aluminum is 1.657" wide.
The raised portion of Mesa II Aluminum is .875" wide.

EXTERIOR PAINT

Key	Part Number	U/M	Description
	041561-01-000	EA	Paint - Off White - Acrylic Enamel - 1 Gallon
	041561-03-000	EA	Paint - Off White - Acrylic Enamel - 16 oz. Aerosol
	041561-04-000	EA	Paint - Off White - Acrylic Lacquer - 1 Gallon
	053761-01-000	EA	Paint - Crimson Red - Acrylic Enamel - 1 Gallon
	053760-03-000	EA	Paint - Crimson Red - Acrylic Enamel - 16 oz. Aerosol
	059355-01-000	EA	Paint - Dark Yellow - Acrylic Enamel - 1 Gallon
	059355-03-000	EA	Paint - Dark Yellow - Acrylic Enamel - 16 oz. Aerosol
	059357-01-000	EA	Paint - Blue - Acrylic Enamel - 1 Gallon
	059357-03-000	EA	Paint - Blue - Acrylic Enamel - 16 oz. Aerosol
	059356-01-000	EA	Paint - Green - Acrylic Enamel - 1 Gallon
	059356-03-000	EA	Paint - Green - Acrylic Enamel - 16 oz. Aerosol

LABELS AND DECALS

Key	Part Number	U/M	Description
	006023-01-000	EA	Label - Water Only
	006025-01-000	EA	Label - Gas
	006028-01-000	EA	Label - Drain Cap - 2" x 3"
	006031-01-000	EA	Label - Potable Water Only
	006040-01-000	EA	Tag - Gas Refueling Warning
	006062-01-000	EA	Tag - Electrical - 110 Volt Connection
	006187-01-000	EA	Label - Sewage
	006188-01-000	EA	Label - Waste Water
	006199-01-000	EA	Label - Exit - Escape Window
	047731-01-000	EA	Label - Emergency Exit
	054531-01-000	EA	Label - LP Gas Only
	008092-01-000	EA	Reflector - Stick On - Rectangular - Red
	008093-01-000	EA	Reflector - Stick On - Rectangular - Amber
	050225-01-000	EA	Label - Warning - Stove Vent - US
	041273-17-000	FT	Decal Stripe - .63" Black
	053343-01-000	EA	Decal - Itasca - 1 - 9" High
	056004-07-000	EA	Decal - Logo - Itasca - 5.25" High - Yellow/Off White
	056017-01-000	EA	Stencil Stripe - Front Side - U Shaped
	056018-01-000	EA	Decal Stripe - Front Side - U Shaped
	056250-01-000	EA	Decal - Front Side - Upper - U Shaped
	059528-01-000	EA	Decal - Sundancer - 4"
	059528-01-000	EA	Decal - "L" Black - 5.75" - Right Front - Clearance Lite to Roof
	059528-02-000	EA	Decal - "L" Black - 5.75" - Left Front - Clearance Lite to Roof
	059529-01-000	EA	Decal - "L" Black - 9.12" - Right Front - Clearance Lite to Roof
	059529-02-000	EA	Decal - "L" Black - 9.12" - Left Front - Clearance Lite to Roof

EXTERIOR BODY GROUP (CONTINUED)

SEALANTS, ADHESIVES AND FASTENERS

Key	Part Number	U/M	Description
	034552-05-000	EA	Sealant - Off White Silicone
	034552-04-000	EA	Sealant - Beige Silicone
	034552-02-000	EA	Sealant - Clear Silicone
	004348-02-000	EA	Sealant - Aluminum Silicone
	004349-01-000	EA	Sealant - Black Silicone
	004342-01-000	EA	Sealant - Weatherban 202 Tube
	004346-02-000	EA	Sealant - White Silicone
	004347-01-000	EA	Sealant - Tulleflex
	002318-01-000	FT	Tape - Sealer - 3/32" x 1/8"
	024545-01-000	FT	Tape - Sealer - 1/8" x 5/8" - Black
	004350-01-000	FT	Tape - Sealer - 1/8" x 1" - Formaseal
	004352-01-000	FT	Tape - Sealer - 1/8" x 3/4" - Formaseal
	004355-01-000	FT	Tape - Sealer - 1/8" x 5/8" - Black
	004357-01-000	FT	Tape - Sealer - 1/8" x 5/8" - Adhesive
	002707-02-000	FT	Tape - Sealer - 5/16" x 1/2" - Black Foam
	002707-01-000	FT	Tape - Sealer - 5/16" x 3/4" - Black Foam
	041422-01-000	FT	Tape - Sealer - 1/4" x 1/2"
	004363-01-000	FT	Tape - Sealer - 3/16" x 1/2" - Foam
	004362-01-000	FT	Tape - Sealer - 1/8" x 5/8" - Foam
	009200-01-000	EA	Tape - Furnace - 1 1/2"
	004353-01-000	FT	Tape - Gasket - 1/8" x 3/4" - White
	002825-01-000	FT	Weather Stripping - Roof Vent
	002337-01-000	EA	Adhesive - 3M - 1300 Tube
	004005-01-000	GL	Adhesive - Swifits - Green - Glue (Sidewalls)
	004012-01-000	EA	Adhesive - 3M - 4475 Tube
	004020-01-000	QT	Adhesive - ABS Cement (Plastic Fittings)
	029051-01-000	EA	Adhesive - Spray Vinyl
	042401-02-000	EA	Screw - 8 - 18 x 3/4" SDPH - Off White
	042403-02-000	EA	Screw - SF/DR - 8 - 18 x 1" SDPH - Off White
	005058-01-000	EA	Screw - Wood - 12 - 11 x 3" P.O.H. Zinc
	053766-01-000	EA	Bedding Compound - Tube Black - Schnee Morehead
	053766-02-000	EA	Bedding Compound - Tube White - Schnee Morehead
	053767-01-000	FT	Tape - 1/2" x 1/8" x 30' - Gray - Schnee Morehead
	053767-02-000	FT	Tape - 3/16" Bead x 25' - Gray - Schnee Morehead
	053767-03-000	FT	Tape - 1/4" Bead x 20' - Gray - Schnee Morehead
	053767-04-000	FT	Tape - 3/4" x 1/8" x 30' - Gray - Schnee Morehead
	053767-05-000	FT	Tape - 2" x 3/32" x 45' - Gray - Schnee Morehead

MISCELLANEOUS EXTERNALLY MOUNTED PARTS

Key	Part Number	U/M	Description
	049349-02-000	EA	Arm - West Coast Mirror - Off White
	049349-03-000	EA	Arm - West Coast Mirror - Stainless Steel
	057461-01-000	EA	Mirror Head - 7 1/2" x 10 1/2" - Stainless Steel - w/Convex
	057461-02-000	EA	Mirror Head - 7 1/2" x 10 1/2" - Off White - w/Convex
	048817-01-000	EA	Assist Handle - w/Light
**	011124-01-000	EA	Plumbing Seal - Roof Vent - 1 1/4" - White
**	011129-01-000	EA	Plumbing Seal - Roof Vent - 1 1/2" - White
**	010230-02-000	EA	Fill - City Water - Recessed - Off White - w/Screw on Cap
	058808-01-000	EA	Fill - Water Lockable
	036579-03-000	EA	Fuel Fill - Recessed - Off White

**The illustrate parts breakdown for this item is provided on the Common Items Fiche.

1979 ITASCA TABLE OF CONTENTS

Introduction	A-1
Abbreviations	A-1
Alphabetical Index	A-2 - A-4
IC420RG	A-5 - B-16
IC524RH	B-17 - D-6
IC525RB	D-7 - E-20
IC525JB	E-21 - G-6

1979 IC420RG INDEX

Floor Plan	A-5 - A-6
Accessories Group	A-7 - A-8
Bath Group	A-9
Chassis Group	A-10
Curtain, Cushion & Pad Group	A-11 - A-15
Dinette Group	A-16
Driver's Compartment Group	A-16
Electrical Group	A-17 - A-18
Exterior Body Group	A-18 - A-22
Galley Group	A-23
Heating & Air Conditioning Group	A-24
Interior Finish Group	B-1 - B-2
LP Group	B-3
Lounge Group	B-4
Water & Sewage Group	B-5
Window, Vent & Exterior Door Group	B-6 - B-16

GALLEY GROUP

GALLEY CABINETRY

Key	Part Number	U/M	Description
	057758-01-K01	EA	Cabinet Asm. - Galley - w/o Countertop, Doors, Drawers or Hardware
	057909-01-K08	EA	Countertop Asm. - Galley Cabinet - Pot Pourri Tan
	052820-01-K08	EA	Extension Asm. - Galley Countertop - w/o Hardware - Pot Pourri Tan
	053424-01-K08	EA	Sink Cover - Large - Pot Pourri Tan
	053440-01-K08	EA	Bread Board Asm. - Pot Pourri Tan
	058023-02-K01	EA	Drawer Asm. - Refrigerator Cabinet - 6.02" x 21.92" x 9" Deep - w/o Hardware
	057992-08-K01	EA	Door Asm. - Refrigerator Cabinet - 25.02" x 19.82" - w/o Catch
	058220-01-K01	EA	Drawer Asm. - Galley Cabinet - 6.02" x 23.02" x 11.10" - w/o Hardware
	057992-01-K01	EA	Door Asm. - Galley Cabinet - 12.12" x 24.82" - w/o Hardware
	057992-09-K01	EA	Door Asm. - Galley Cabinet - 22.02" x 16.92" - w/o Hardware
	057840-01-K01	EA	Cabinet Asm. - Microwave - w/o Doors or Hardware
	057841-01-K01	EA	Cabinet Asm. - Galley Overhead - 10.32" x 35.22" - w/o Door or Hardware
	057992-02-K01	EA	Door Asm. - Galley Overhead - 10.32" x 35.22" - w/o Hardware
	057992-10-K01	EA	Door Asm. - Microwave Cabinet - 11.62" x 16.02" - w/o Hardware

GALLEY HARDWARE AND APPLIANCES

Key	Part Number	U/M	Description
	011032-01-000	EA	Sink - Stainless Steel - Double w/Bolts
**	011053-01-000	EA	Faucet - Swing Spout - 8"
**	011085-01-000	EA	Strainer - Sink
	039873-01-000	EA	Catch and Strike - Nylon
	009049-01-000	EA	Support - Galley Extension Table
	009059-01-000	EA	Hinge - 2" - Gold - Galley Extension Table
**	053333-01-000	EA	Stove Hood - Non Power - Black - Jenson
	049930-03-000	EA	Stove Hood - Powered - Black - Jenson
	053333-04-000	EA	Stove Hood - Non Power - Almond - Jenson - C.S.A.
	053333-05-000	EA	Stove Hood - Non Power - Almond - Jenson - U.S.
	052771-01-000	EA	Oven - Microwave - Magic Chef MW207
	055282-03-000	EA	Range - 4 Burner - Small Oven - Black - Magic Chef
**	049175-02-000	EA	Refrigerator - AC/DC/Gas - Sibir ET 150/2

**The illustrated parts breakdown for this item is provided on the Common Items Fiche.

HEATING AND AIR CONDITIONING GROUP

Key	Part Number	U/M	Description
	051770-01-000	EA	Compressor - Auto Air - Chev C-Body - ARA
	056452-01-000	EA	Evaporator - Auto Air - Chev C-Body - ARA
	056459-01-000	EA	Mount - Compressor - Chev C-Body - ARA
	056460-01-000	EA	Condenser Asm. - Auto Air - Chev C-Body - ARA
	056779-01-000	EA	Clutch - Auto Air - 7" Drive - ARA
	055279-01-000	EA	Control Asm. - Dash - Heater and A/C
	023146-01-000	EA	Clamp - Screw Type - 4"
	024985-01-000	EA	Register w/Damper - 9.9" x 4.8"
	009198-01-000	EA	Duct - Flexible - 4" I.D. x 25'
	031604-01-000	EA	Bonnet - Heat Register
	039505-02-000	EA	Thermostat - Horizontal Wall Mount - Black
	009200-01-000	EA	Tape - Furnace - 1 1/2"
	050783-01-000	EA	Vent Package - Furnace - 1" - 3" Wall
**	052598-01-000	EA	Furnace - 19,000 BTU - Coleman 4319-729
	059351-01-000	EA	Furnace - 24,000 BTU - w/Electric Ignition - Coleman - 4324-749
**	059350-01-000	EA	Furnace - 30,000 BTU - w/Electric Ignition - Coleman - 4330-749
**	049777-02-000	EA	Air Conditioner - 110 Volt - Roof Mount - 11,000 BTU Ivory - Coleman (w/o inside shroud)
**	049778-02-000	EA	Shroud Asm. - Ceiling - Inside - Roof Air - Cool Only 11,000 BTU - Coleman
**	049774-02-000	EA	Air Conditioner - 110 Volt - Roof Mount - 13,500 BTU Ivory - Coleman (w/o inside shroud)
**	049775-02-000	EA	Shroud Asm. - Ceiling - Inside - Roof Air - Cool Only 13,500 BTU - Coleman
**	049776-01-000	EA	Shroud Asm. - Ceiling - Inside - Roof Air - Heat and Cool 13,500 BTU - Coleman

**The illustrated parts breakdown for this item is provided on the Common Items Fiche.

1979 ITASCA TABLE OF CONTENTS

Introduction	A-1
Abbreviations	I-1
Alphabetical Index	A-2 - A-4
IC420RG	A-5 - B-18
IC524RH	B-17 - D-8
IC525RB	D-7 - E-20
IC625DB	E-21 - G-6

1979 IC420RG INDEX

Floor Plan	A-5 - A-6
Accessories Group	A-7 - A-8
Bath Group	A-9
Chassis Group	A-10
Curtain, Cushion & Pad Group	A-11 - A-15
Dinette Group	A-16
Driver's Compartment Group	A-16
Electrical Group	A-17 - A-18
Exterior Body Group	A-19 - A-22
Galley Group	A-23
Heating & Air Conditioning Group	A-24
Interior Finish Group	B-1 - B-2
LP Group	B-3
Lounge Group	B-4
Water & Sewage Group	B-5
Window, Vent & Exterior Door Group	B-6 - B-16

INTERIOR FINISH GROUP

PANELING AND COUNTERTOP MATERIALS

Key	Part Number	U/M	Description
	057856-01-000	SF	Paneling - 724 Vermont Oak - Plain - 48" x 96" (32 SF)
	057855-01-000	SF	Paneling - 724 Vermont Oak - V Groove - 48" x 96" (32 SF)
	045963-01-000	SF	Paneling - 825 Buff - 48" x 96" (32 SF)
	058348-01-000	SF	Paneling - Pompeii Beige - Bath - 48" x 96" (32 SF)
	057859-02-000	SF	Paneling - Galley Backsplash - Beige
	057989-01-000	SF	Plastic Laminate - Pot Pourri Tan - 48" x 96" (32 SF)
	059970-01-000	SF	Plastic Laminate - Matador Leather - 48" x 96" (32 SF)
	058219-01-000	SF	Plastic Laminate - Almond Batik
	053339-01-000	SF	Plastic Laminate - Butcher Block - 48" x 96" (32 SF)
	053339-01-001	EA	Plastic Laminate - Butcher Block - 48" x 48"
	053339-01-002	EA	Plastic Laminate - Butcher Block - 1.19" x 96"

FABRICS AND FLOOR COVERINGS

Key	Part Number	U/M	Description
	058784-04-000	YD	Fabric - Drapery - Green Forest
	058784-03-000	YD	Fabric - Drapery - Navy
	058784-05-000	YD	Fabric - Drapery - Brick (Burgundy)
	057964-01-000	YD	Fabric - Upholstery - Emerald Green - Wide Stripe
	057964-02-000	YD	Fabric - Upholstery - Royal Blue - Wide Stripe
	057964-03-000	YD	Fabric - Upholstery - Oxford Burgundy - Wide Stripe
	057965-01-000	YD	Fabric - Upholstery - Emerald Green - Narrow Stripe
	057965-02-000	YD	Fabric - Upholstery - Royal Blue - Narrow Stripe
	057965-03-000	YD	Fabric - Upholstery - Oxford Burgundy - Narrow Stripe
	057966-01-000	YD	Fabric - Upholstery - Accent - Camel
	057966-03-000	YD	Fabric - Upholstery - Accent - Burgundy
	053327-01-000	YD	Vinyl - Non Expanded - 27 oz. - Acorn Brown
	053327-02-000	YD	Vinyl - Expanded - 28 oz. - Acorn Brown
	053327-03-000	YD	Vinyl - Non Support - 16 Gauge Film - Acorn Brown
	057897-04-000	SY	Carpet - Charade - Cocoa Mist
	042720-03-000	SY	Vinyl - Floor Covering - 90" - Tan

INTERIOR MOLDINGS AND TRIMS

Key	Part Number	U/M	Description
	047354-01-000	EA	Batt Strip - 825 Buff - Ceiling - 96"
	057868-01-000	EA	Batt Strip - 724 Vermont Oak - 96"
	024700-06-000	EA	Cover - Roll Bar - Sidewall - Ivory
	024700-13-000	EA	Cover - Roll Bar - Vermont Oak
	039512-12-000	EA	Cover - Hat Section - Vermont Oak
	047488-01-000	EA	Cover - Corner - Hat/Hat
	047489-01-000	EA	Cover - Corner - Tube/Tube
	052859-01-J27	FT	Accent Trim - Acorn Brown Vinyl
	009813-01-000	FT	Molding - Outside Corner - .50" - Dark Pecan
	009767-05-000	FT	Wetling - Light Brown
	009778-01-000	FT	U-Channel - 1" - Dark Brown
	009810-01-000	FT	Molding - Outside Corner - 1" - Dark Pecan
	042430-01-000	EA	Molding - Shelf - Wood

INTERIOR FINISH GROUP (CONTINUED)

CABINETRY AND TABLE HARDWARE

Key	Part Number	U/M	Description
	057946-01-K01	EA	Pull Kit - Cabinet Drawer - Flat Latch
**	052932-01-J30	EA	Hinge Kit - Cabinet Door - Antique Brass
**	057945-01-K08	EA	Latch Kit - Cabinet Door - Flat Latch
	009112-01-000	EA	Flange - 1" - Closet Rod
**	047842-01-000	EA	Kit - Dinette Table Leg
**	047809-03-000	EA	Kit - Dinette Table Wall Mount Hardware
	059753-01-000	EA	Slide - Drawer - Left
	059753-02-000	EA	Slide - Drawer - Right
	037888-01-000	FT	Rail - Drawer Glide
	047744-01-000	EA	Kit - Drawer Glide
	009059-01-000	EA	Hinge - Drop Leaf Extension - 2" - Gold
	009049-01-000	EA	Support - Drop Leaf Extension
	058335-01-000	EA	Latch - Bathroom Door
	039873-01-000	EA	Catch and Strike - Nylon

**The illustrated parts breakdown for this item is provided on the Common Items Fiche.

CURTAIN HARDWARE

Key	Part Number	U/M	Description
	052327-04-236	EA	Track - Curtain - Brown Alum. - 89" w/Holes
	056116-01-000	FT	Track - Curtain - Brown Plastic
	056001-01-000	EA	Bracket - Shade - Left
	056002-01-000	EA	Bracket - Shade - Right
	056003-01-000	EA	Bracket - Drapery Retainer - Right
	056003-02-000	EA	Bracket - Drapery Retainer - Left
	053272-01-200	EA	Track - Curtain - Off White - 89" w/Holes
	056784-01-000	EA	Pull - Window Shade - Antique Brass
	009107-01-000	EA	Guide - Nylon Snap - Curtain
	018031-42-000	EA	Track - Curtain - "L" Rod - Alum. Extr. - 90"
	009701-01-000	EA	Carrier - "L" Rod - Curtain
	009702-01-000	EA	End Stop - "L" Rod - Curtain

MISCELLANEOUS

Key	Part Number	U/M	Description
	041944-01-700	EA	Fire Extinguisher - Dry Chemical w/Bracket
	040069-01-000	EA	Door Mat - Black Rubber - 10 1/2" x 26" - Itasca
	054185-04-000	EA	Owners Manual - 1979 Itasca

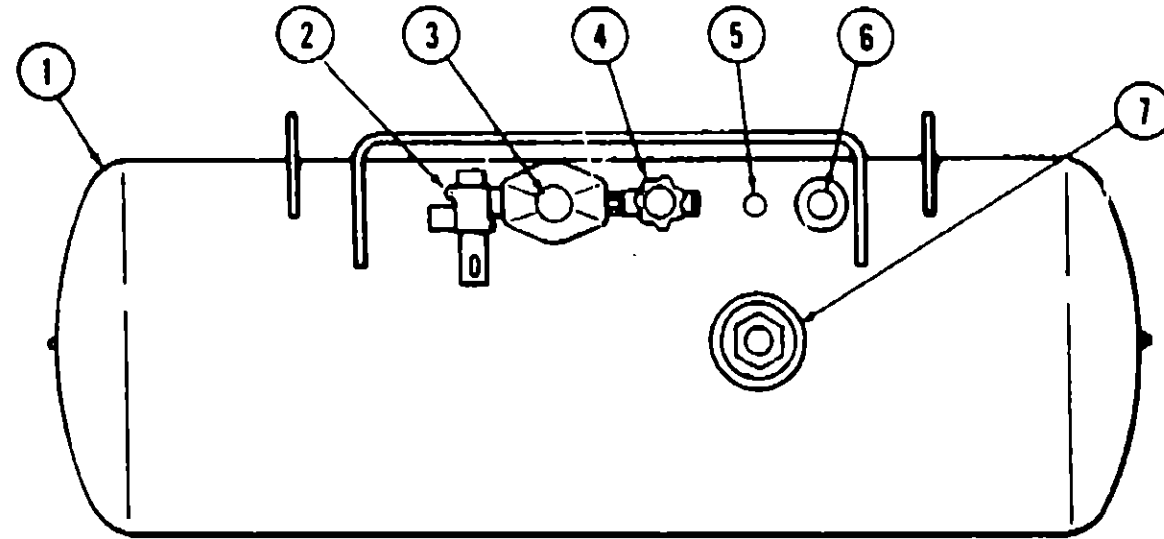
1979 ITASCA TABLE OF CONTENTS

Introduction	A-1
Abbreviations	A-1
Alphabetical Index	A-2 - A-4
IC420RG	A-5 - B-18
IC524RH	B-17 - D-6
IC525RB	D-7 - E-20
IC625DB	E-21 - G-8

1979 IC420RG INDEX

Floor Plan	A-5 - A-6
Accessories Group	A-7 - A-8
Bath Group	A-9
Chassis Group	A-10
Curtain, Cushion & Pad Group	A-11 - A-15
Dinette Group	A-16
Driver's Compartment Group	A-16
Electrical Group	A-17 - A-18
Exterior Body Group	A-19 - A-22
Galley Group	A-23
Heating & Air Conditioning Group	A-24
Interior Finish Group	B-1 - B-2
LP Group	B-3
Lounge Group	B-4
Water & Sewage Group	B-5
Window, Vent & Exterior Door Group	B-6 - B-18

LP GROUP



Key	Part Number	U/M	Description
1	052769-01-000	EA	Tank Asm. - LP - Frains Mount - 42 Pound
2	047221-01-000	EA	Detector - LP Gas Leak
3	058706-01-000	EA	Cover - Regulator - 2 Stage
4	058705-01-000	EA	Regulator - Two Stage - LP Gas
5	040421-01-703	EA	Valve - Vapor Relief
6	040421-01-700	EA	Gauge - Liquid Level - 20% L.P
7	040421-01-701	EA	Valve - Filler - LP
	040421-01-702	EA	Cap - Plastic Fill Valve
	042261-01-700	EA	Gauge - Float - w/Visible Dial - 42 Pound Tank
	040421-01-706	EA	Dial - Visible Face - Float Gauge (Tank w/o Electric Transmitter)
	040421-01-705	EA	Dial - Transmitter - 0 90 Ohm (Float Gauge)
	045703-03-000	EA	Hose Asm. - LP - 3/8" I.D. x 14"
	047737-02-000	EA	Support - LP Tank - 89.25"
	047737-03-000	EA	Support - LP Tank - 30.50"
			Not Illustrated

LOUNGE GROUP

Key	Part Number	U/M	Description
	057919-01-K01	EA	Cabinet Asm. - Rear Wardrobe - Upper - w/o Door or Hardware
	057904-01-K01	EA	Cabinet Asm. - Rear Wardrobe - Lower - w/o Drawer or Hardware
	057907-01-K01	EA	Countertop Asm. - Rear Wardrobe Cabinet - Butcher Block
	057992-04-K01	EA	Door Asm. - Wardrobe Cabinet - 11.82" x 51.22" - w/o Hardware
	058023-01-K01	EA	Drawer Asm. - Rear Wardrobe Cabinet - 11.32" x 6.02" x 20" Deep - w/o Hardware
	057784-01-K01	EA	Cabinet Asm. - Furnace - w/o Countertop, Door or Hardware
	057793-01-K01	EA	Cabinet Asm. - Front Wardrobe - w/o Door or Hardware
	057785-01-K01	EA	Countertop Asm. - Furnace Cabinet - Butcher Block
	057992-05-K01	EA	Door Asm. - Wardrobe Cabinet - 12.02" x 42.02" - w/o Hardware
	058230-01-K01	EA	Door Asm. - Furnace Cabinet - w/Mesh Insert - w/o Catch
	047205-07-000	EA	Insert - Furnace Door - 11 1/4" x 13.7/8" - Brass Mesh
	039673-01-000	EA	Catch and Strike - Nylon - Furnace Door
	057837-01-K01	EA	Cabinet Asm. - Rear Overhead - w/o Doors or Hardware
	057992-02-K01	EA	Door Asm. - Rear Overhead Cabinet - 10.32" x 35.22" - w/o Hardware
	058149-01-K01	EA	Cabinet Asm. - Couch - w/o Drawer or Hardware
	058093-01-K01	EA	Drawer Asm. - Blanket - 29.72" x 10.72" x 19.62" Deep - w/o Hardware
	053203-07-K01	EA	Table Asm. - Pedestal - w/o Hardware - Butcher Block
	009040-02-000	EA	Leg - Pedestal Table - 2.25" O.D. x 27.5" - Chrome
	009040-03-000	EA	Base - Table Leg - Mounts on Table
	041194-01-000	EA	Base - Table Leg - Mounts in Floor

1979 ITASCA TABLE OF CONTENTS

Introduction	A-1
Abbreviations	A-1
Alphabetical Index	A-2 - A-4
IC420RG	A-5 - B-16
IC524RH	B-17 - D-6
IC525RB	D-7 - E-20
IC625DB	E-21 - G-6

1979 IC420RG INDEX

Floor Plan	A-5 - A-6
Accessories Group	A-7 - A-8
Bath Group	A-9
Chassis Group	A-10
Curtain, Cushion & Pad Group	A-11 - A-15
Dinette Group	A-16
Driver's Compartment Group	A-16
Electrical Group	A-17 - A-18
Exterior Body Group	A-19 - A-22
Galley Group	A-23
Heating & Air Conditioning Group	A-24
Interior Finish Group	B-1 - B-2
LP Group	B-3
Lounge Group	B-4
Water & Sewage Group	B-5
Window, Vent & Exterior Door Group	B-6 - B-16

WATER AND SEWAGE GROUP

PLUMBING REPAIR PARTS

Key	Part Number	U/M	Description
**	040539-01-000	EA	Kit - Repair - 3/8" O.D. Plastic Tube
**	040540-01-000	EA	Kit - Repair - 1/2" O.D. Plastic Tube
**	040541-01-000	EA	Kit - Repair - 5/8" O.D. Plastic Tube
**	041279-02-000	EA	Pump - Water Flow 2.8 G.P.M. - PAR
**	063646-01-000	EA	Pump - Water - 2.8 G.P.M. - Direct Drive - US
**	063646-02-000	EA	Pump - Water - 2.8 G.P.M. - Direct Drive - CSA
**	039847-02-000	EA	Filter - Water Pump 1/2" MPT
**	052958-01-000	EA	Tee - Plastic - 1/2 F x 1/2 F x 1/2 F
**	052958-02-000	EA	Connector - Plastic - 1/2 F x 1/2 MPT
**	052958-03-000	EA	Connector - Plastic - 1/2 F x 3/8 MPT
**	052960-01-000	EA	Drain Valve - Line - 1/2 F x 1/2 F
**	039818-01-000	EA	Riser Asm. - 3/8" O.D. x 24" Tube
**	039818-02-000	EA	Riser Asm. - 3/8" O.D. x 36" Tube
**	039818-04-000	EA	Riser Asm. - 3/8" O.D. x 72" Tube
**	039818-05-000	EA	Riser Asm. - 3/8" O.D. x 48" Tube
**	004020-01-000	QT	Adhesive - ABS Cement
**	010201-01-000	EA	Hose - Sewer - 3" x 10 Ft. w/Clamp
**	010235-01-000	EA	Cap - Sewage - 3"
**	010236-01-000	EA	Adapter - Hose - 3" Sewage
**	010234-01-000	EA	Adapter - Bayonet
**	011091-01-000	EA	Waste - Continuous - Double Sink - 11 7/8"
**	011086-01-000	EA	P-Trap - Plastic - 1 1/4"
**	010079-01-000	EA	Tee - Plastic - 1 1/2 H x 1 1/2 H x 1 1/4 H
**	010091-01-000	EA	Wye - Plastic - 3" x 45 H x H x H
**	010115-01-000	EA	Coupling - Plastic - 1 1/2 H x H
**	010121-01-000	EA	Bushing - Plastic - 1 1/2 S x 1 1/4 H
**	010133-01-000	EA	Adapter - Trap - Plastic - 1 1/2 H x MPT
**	031126-01-000	EA	Elbow - Plastic - 1/4 BD - 3" x 90 XLT
**	010210-01-000	EA	Valve - Sanitary - Theford 3 HB
**	050780-01-000	EA	Coupler - Rubber - 3" x 3"
**	037845-01-000	FT	Tape - Butyl - 3/16" Bead - Black
**	047246-01-000	EA	Handle - Extension - Sewer Valve - 43"
**	047247-01-000	EA	Handle - Extension - Sewer Valve - 19"
**	046524-01-000	EA	Kit - Plastic Fittings - Holding Tank
**	046524-02-000	EA	Kit - Plastic Fittings - Water Tank

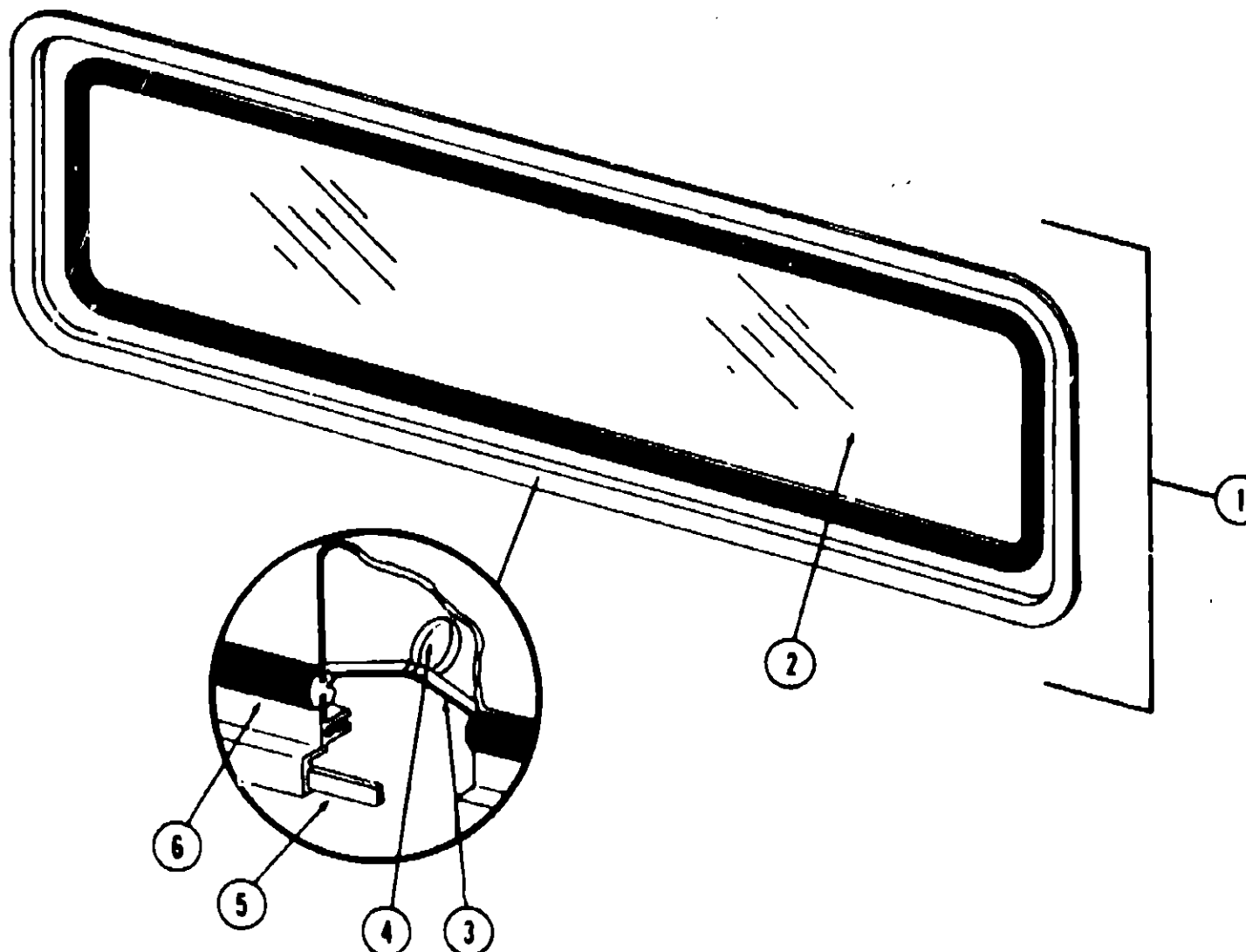
**The illustrated parts breakdown for this item is provided on the Common Items Fiche.

HOLDING TANKS AND WATER HEATER

Key	Part Number	U/M	Description
**	057063-02-000	EA	Tank Asm. - Water - 28 Gallon w/Fittings
**	057063-01-000	EA	Tank - Water - 28 Gallon w/o Fittings
**	043835-03-000	EA	Tank Asm. - Holding - 18 Gallon - w/Fittings
**	043835-01-000	EA	Tank - Holding - 18 Gallon - w/o Fittings
**	053423-03-000	EA	Tank Asm. - Holding - 22 Gallon w/Fittings
**	053423-01-000	EA	Tank Holding - 22 Gallon w/o Fittings
**	051391-01-000	EA	Water Heater - 8 Gallon, w/o Motor Aid - Atwood - GH83

**The illustrated parts breakdown for this item is provided on the Common Items Fiche.

WINDOW, VENT AND EXTERIOR DOOR GROUP



Key	Part Number	U/M	Description
1	020754-03-000	EA	Window Asm. - Escape - 23" x 68" Black Anod. (w/o inside frame)
2	002178-01-000	EA	Glass 1/8" x 19.61" x 64.80"
3	002285-01-000	FT	Weatherstrip - Filler - Black
4	020395-01-000	EA	Slip Ring - Pull
5	004363-01-000	FT	Tape - Foam 3/16" x 1/2" Gray
6	002282-01-000	FT	Weatherstrip - Window .125" Black
*	020752-03-000	EA	Frame - Window - Inside - Escape - 23" x 68" (not included in assembly)
*	006199-01-000	EA	Label - Exit - Escape Window
			Not Illustrated

1979 ITASCA TABLE OF CONTENTS

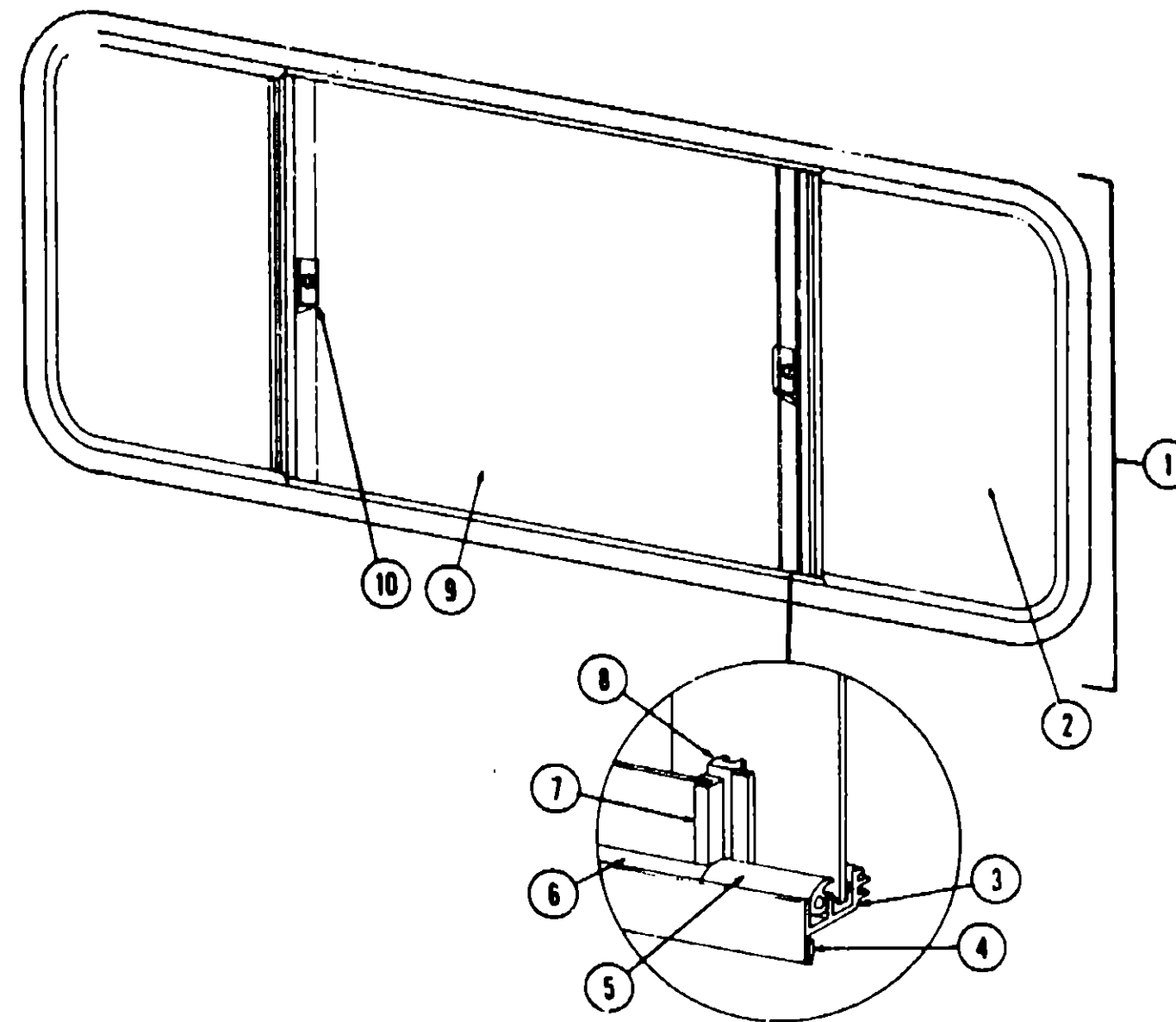
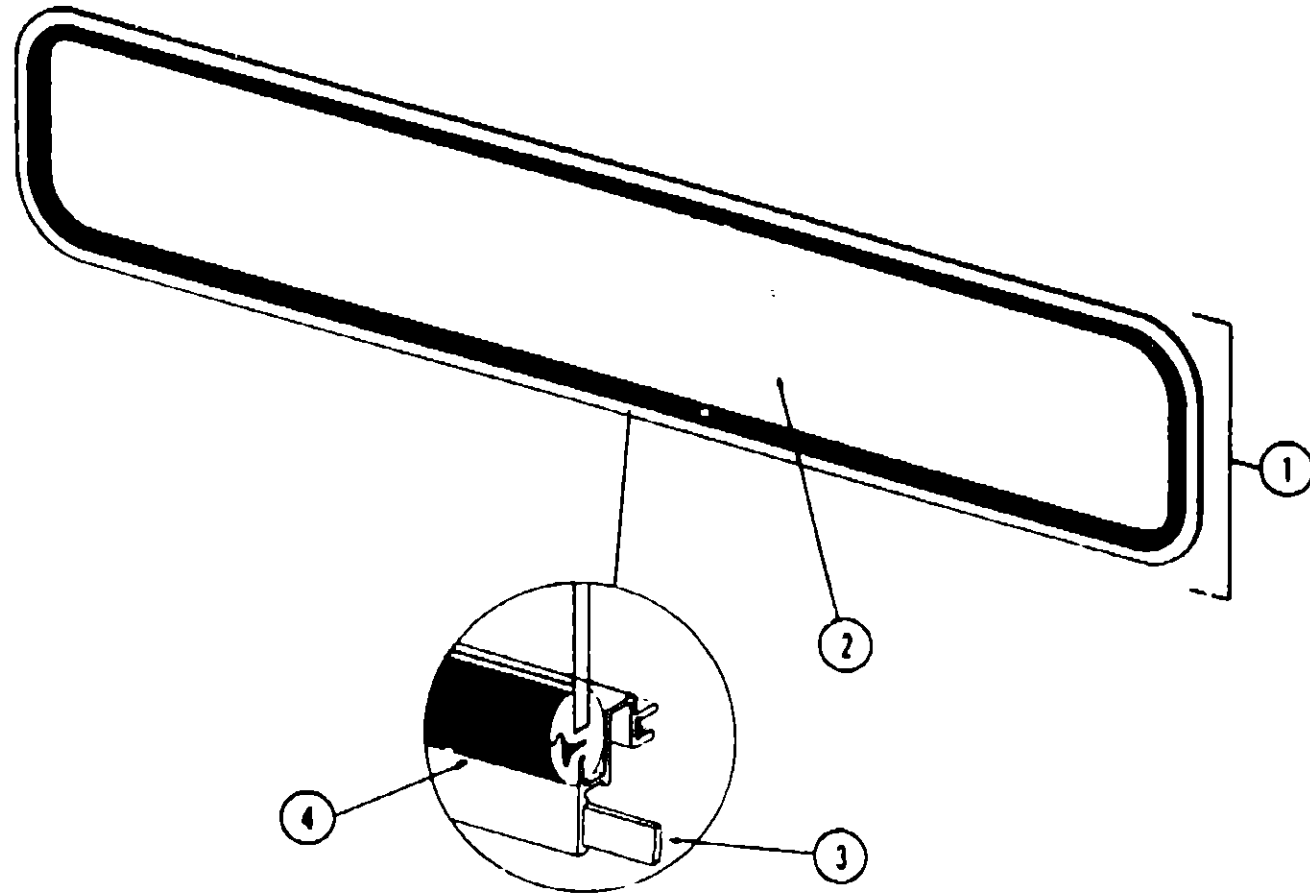
Introduction	A-1
Abbreviations	A-1
Alphabetical Index	A-2 - A-4
IC420RG	A-5 - B-16
IC524RH	B-17 - D-6
IC525RB	D-7 - E-20
IC625DB	E-21 - G-6

1979 IC420RG INDEX

Floor Plan	A-5 - A-6
Accessories Group	A-7 - A-8
Bath Group	A-9
Chassis Group	A-10
Curtain, Cushion and Pad Group	A-11 - A-15
Dinette Group	A-16
Driver's Compartment Group	A-16
Electrical Group	A-17 - A-18
Exterior Body Group	A-19 - A-22
Galley Group	A-23
Heating & Air Conditioning Group	A-24
Interior Finish Group	B-1 - B-2
LP Group	B-3
Lounge Group	B-4
Water & Sewage Group	B-5
Window, Vent & Exterior Door Group	B-6 - B-16

WINDOW, VENT AND EXTERIOR DOOR GROUP (CONTINUED)

WINDOW, VENT AND EXTERIOR DOOR GROUP (CONTINUED)



Key	Part Number	U/M	Description
1	041938-01-000	EA	Window Asm. - Front Picture - 14" x 69" - Black (w/o inside frame)
2	002200-02-000	EA	Glass - TP - Picture Window
3	004363-01-000	FT	Tape - Sealer - 3/16" x 1/2" Foam
4	002281-01-000	FT	Weatherstrip - Self Seal - .06" Panel x 3/16" - Black
.	037845-01-000	FT	Tape - Butyl - Window - 3/16" Bead - Black
.	041938-01-000	EA	Frame - Inside - Picture Window (not included in assembly)
.			Not Illustrated

Key	Part Number	U/M	Description
1	048830-06-000	EA	Window Asm. - Double Slider - 25" x 65" Black Anod. (w/o inside frame)
2	047822-01-000	EA	Glass - Sliding - 3/16" x 24" x 21.03"
3	042077-01-000	FT	Channel - Weatherstrip - Glass Run 3/16" Glass
4	004363-01-000	FT	Tape - Foam - 3/16" x 1/2" - Gray
5	041928-02-000	FT	Seal - Window Channel - Black
6	050218-02-000	FT	Spline - Glass
7	002389-03-201	EA	Extr. - Holder - Glass Seal - 23.19"
8	041894-04-000	EA	Mullion - Slider Window - 25"
9	002188-02-000	EA	Glass - 3/16" x 24" x 25.50" - Stationary
10	047389-01-700	EA	Latch - Window - Plastic
.	042133-09-000	EA	Frame Asm. - Window - Inside (not included in assembly)
.	023713-02-000	EA	Cover - Weephole - Plastic - Black
.	002298-01-000	FT	Spline - Gray - .130" Dia. (Screen)
.	002293-01-000	SF	Screen - Window - 26" - Gray
.			Not Illustrated

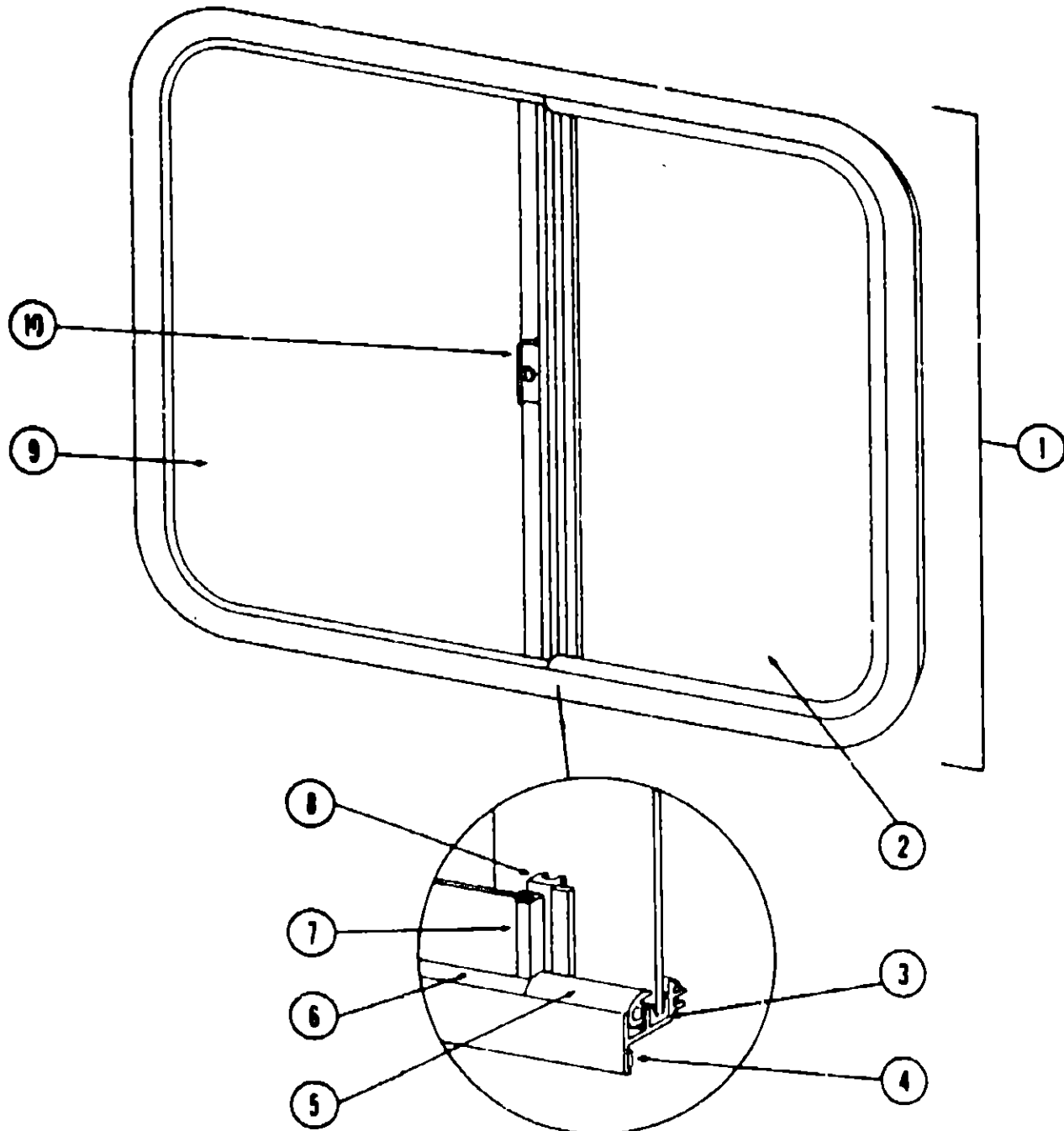
**1979 ITASCA
TABLE OF CONTENTS**

Introduction	A-1
Abbreviations	A-1
Alphabetical Index	A-2 - A-4
IC420RG	A-5 - B-16
IC524RH	B-17 - D-6
IC525RB	D-7 - E-20
IC625DB	E-21 - G-6

1979 IC420RG INDEX

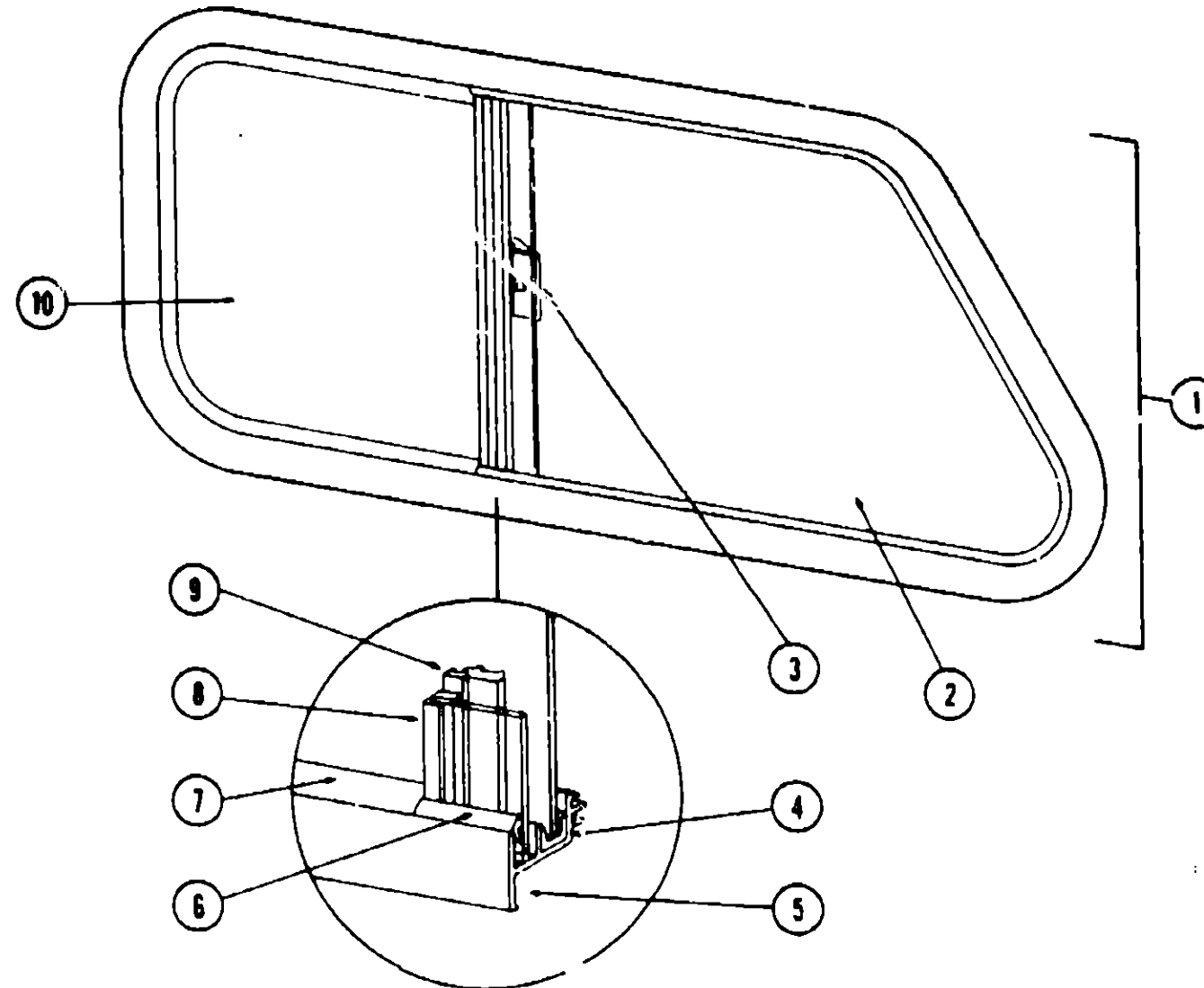
Floor Plan	A-5 - A-8
Accessories Group	A-7 - A-8
Bath Group	A-9
Chassis Group	A-10
Curtain, Cushion and Pad Group	A-11 - A-15
Dinette Group	A-16
Driver's Compartment Group	A-16
Electrical Group	A-17 - A-18
Exterior Body Group	A-19 - A-22
Galley Group	A-23
Heating & Air Conditioning Group	A-24
Interior Finish Group	B-1 - B-2
LP Group	B-3
Lounge Group	B-4
Water & Sewage Group	B-5
Window, Vent & Exterior Door Group	B-6 - B-16

WINDOW, VENT AND EXTERIOR DOOR GROUP (CONTINUED)



Key	Part Number	U/M	Description
1	048631-28-000	EA	Window Asm. - Left Single Slider - 23" x 56" - Black Anod. (w/o inside frame)
2	052593-02-000	EA	Glass - Sliding - 1/8" x 22" x 27.25" - w/Hole
3	002324-01-000	FT	Channel - Weatherstrip - Glass Run - 1/8" Glass
4	004363-01-000	FT	Tape - Foam - 3/16" x 1/2" - Gray
5	057374-02-000	FT	Seal - Window Channel - 1/8" Glass - Black
6	002309-02-000	FT	Spline - Glass - 1/8" - Black
7	016025-03-000	EA	Holder - Glass Seal - Black - 1/8" Glass
8	041894-02-000	EA	Mullion - Slider Window - 23" - Black Anod.
9	052595-02-000	EA	Glass - Stationary - 1/8" x 22" x 29.68"
10	047369-01-700	EA	Latch - Window - Plastic w/Fastener
*	042133-07-000	EA	Inside Frame - Single Slider Window - 23" x 56" (not included in assembly)
*	023713-02-000	EA	Cover - Plastic Weephole - Black
*	002298-01-000	FT	Spline - Gray - .130" Dia. (Screen)
*	002283-01-000	SF	Screen - Window - 26" - Gray
*			Not Illustrated

WINDOW, VENT AND EXTERIOR DOOR GROUP (CONTINUED)



Key	Part Number	U/M	Description
1	048632-03-000	EA	Window Asm. - Bunk - Slanted Slider - Right - Black (w/o inside frame)
	048632-04-000	EA	Window Asm. - Bunk - Slanted Slider - Left - Black (w/c inside frame)
2	040919-01-000	EA	Glass - 1/8" x 11.98" x 19.42" - Gray - Stationary
3	047369-01-700	EA	Latch - Window - Plastic - w/Fastener
4	002324-01-000	FT	Channel - Weatherstrip - Glass Run - 1/8" Glass
5	004363-01-000	FT	Tape - Foam - 3/16" x 1/2" - Gray
6	002309-02-000	FT	Spline - Glass - 1/8" - Black
7	057374-02-000	FT	Seal - Window Channel - 1/8" Glass - Black
8	002390-03-200	EA	Holder - Glass Seal - Extr. - Anod. Black - 11.23"
9	041894-07-000	EA	Mullion - 13" - Black Anod.
10	047815-01-000	EA	Glass - 1/8" x 11.98" x 11.81" - Gray - Sliding
*	040916-03-000	EA	Frame - Window - Inside - Bunk Slant - Left (not included in assembly)
*	040916-04-000	EA	Frame - Window - Inside - Bunk Slant - Right (not included in assembly)
*	023713-02-000	EA	Cover - Weephole - Black
*	002298-01-000	FT	Spline - Gray - .130" Dia. (Screen)
*	002281-01-000	SF	Screen - Gray - Window - 18"
*			Not Illustrated

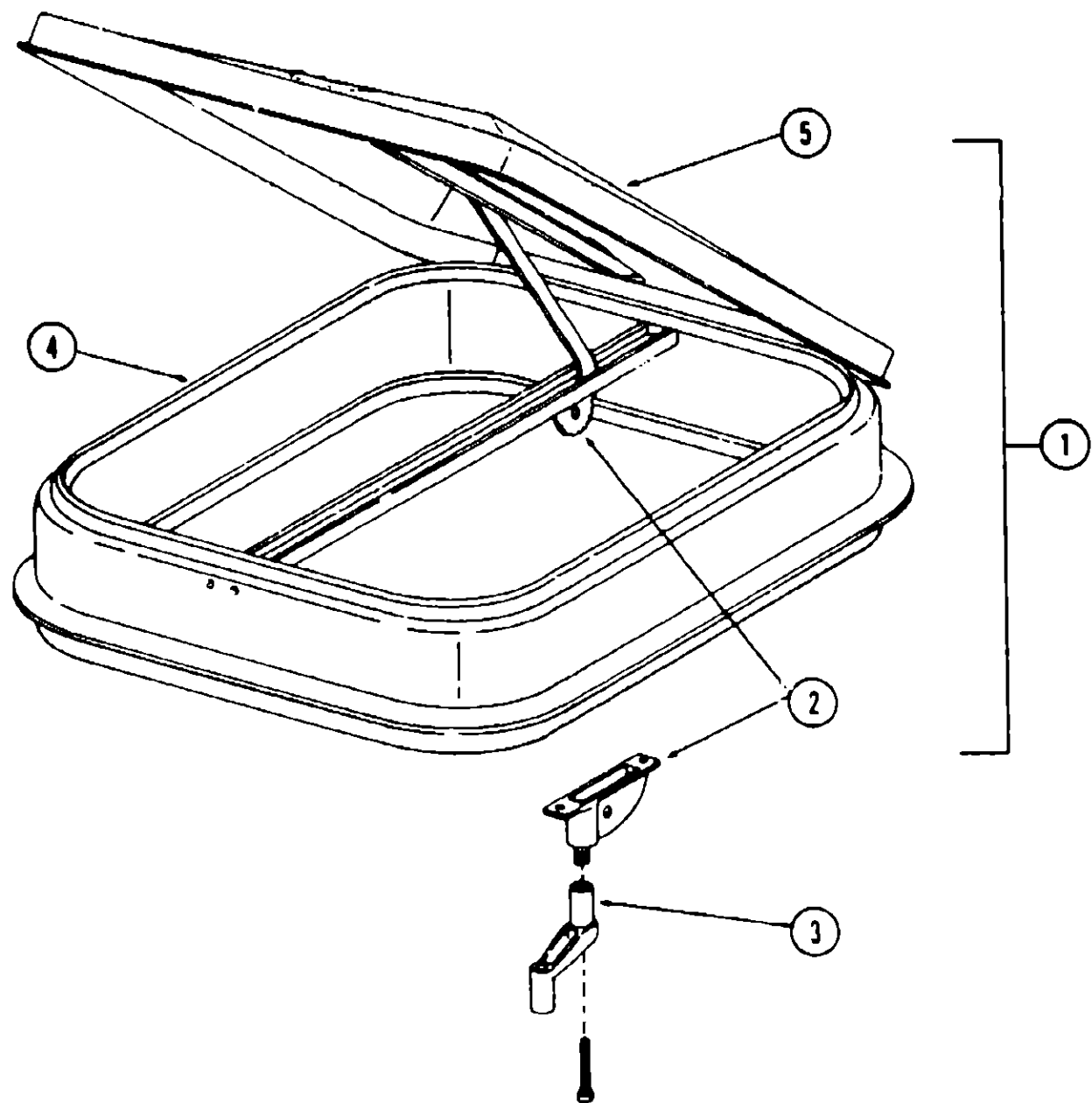
**1979 ITASCA
TABLE OF CONTENTS**

Introduction	A-1
Abbreviations	A-1
Alphabetical Index	A-2 - A-4
IC420RG	A-5 - B-16
IC524RH	B-17 - D-6
IC525RB	D-7 - E-20
IC625DB	E-21 - G-6

1979 IC420RG INDEX

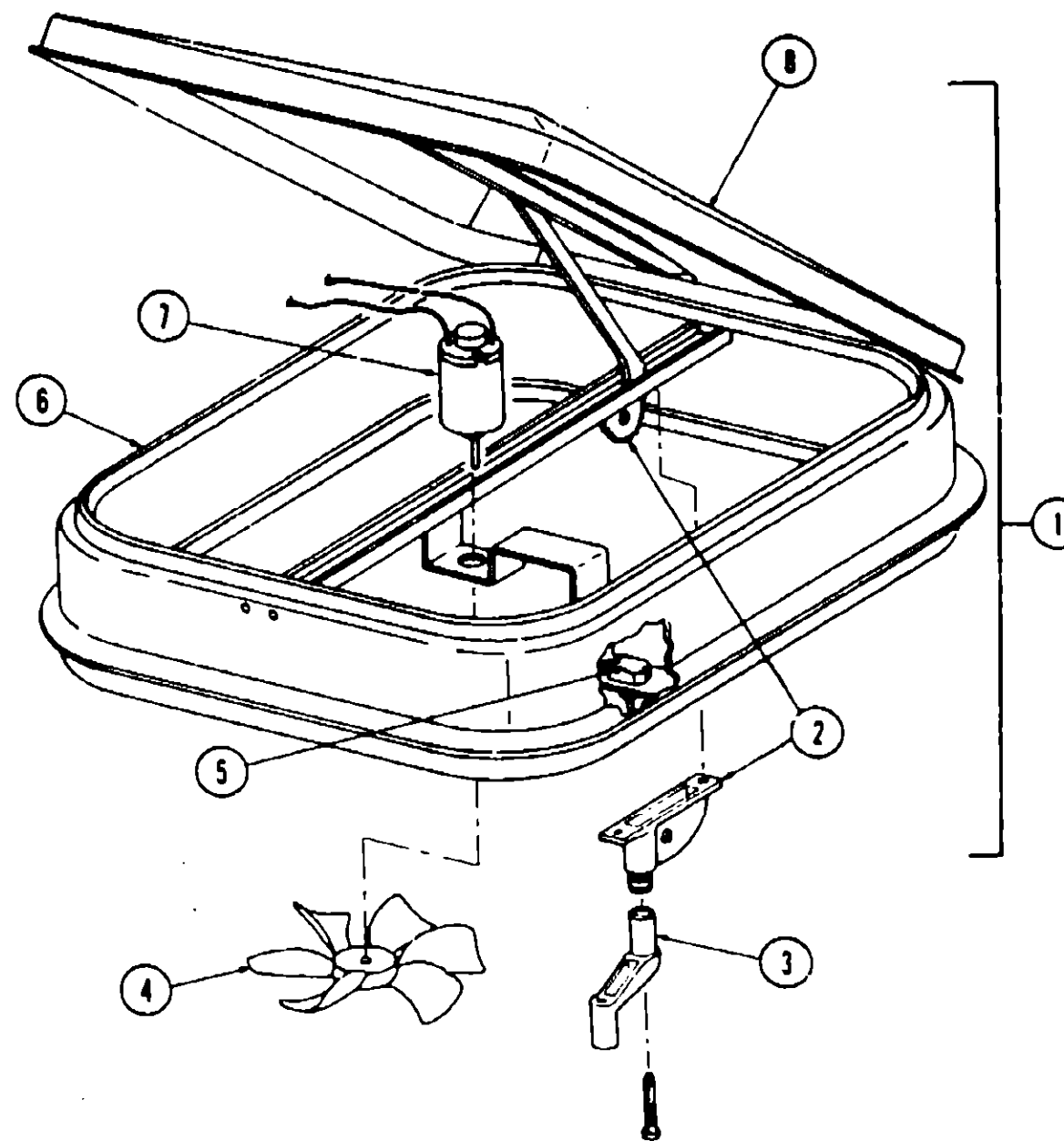
Floor Plan	A-5 - A-6
Accessories Group	A-7 - A-8
Bath Group	A-9
Chassis Group	A-10
Curtain, Cushion and Pad Group	A-11 - A-15
Dinette Group	A-16
Driver's Compartment Group	A-16
Electrical Group	A-17 - A-18
Exterior Body Group	A-19 - A-22
Galley Group	A-23
Heating & Air Conditioning Group	A-24
Interior Finish Group	B-1 - B-2
LP Group	B-3
Lounge Group	B-4
Water & Sewage Group	B-5
Window, Vent & Exterior Door Group	B-6 - B-16

WINDOW, VENT AND EXTERIOR DOOR GROUP (CONTINUED)



Key	Part Number	U/M	Description
1	048835-01-000	EA	Vent Asm. - Roof - Nonpowered - w/o Screen
2	009440-01-000	EA	Gear - Arm - Roof Vent
3	009439-01-000	EA	Crank - Roof Vent
4	002825-01-000	FT	Weatherstrip - Roof Vent
5	046825-01-000	EA	Cover - Plastic - Roof Vent
•	016335-01-000	EA	Screen Asm. - Nonpowered Roof Vent - Clear Anod. (not included in assembly)
•	016335-03-000	EA	Screen Asm. - Nonpowered Roof Vent - Beige (not included in assembly)
•	Not Illustrated		

WINDOW, VENT AND EXTERIOR DOOR GROUP (CONTINUED)



Key	Part Number	U/M	Description
1	048789-01-000	EA	Vent Asm. - Roof - Powered - w/o Screen
2	009440-01-000	EA	Gear - Arm - Roof Vent
3	009439-01-000	EA	Crank - Roof Vent
4	048649-01-000	EA	Fan - Blade - 6" Plastic
5	008195-01-000	EA	Switch - Push Button - 12 Volt
6	002825-01-000	FT	Weatherstrip - Roof Vent
7	048648-01-000	EA	Motor - 12 Volt
8	046825-01-000	EA	Cover - Plastic - Roof Vent
•	048695-01-000	EA	Screen Asm. - Powered Roof Vent - Clear Anod. (not included in assembly)
•	048695-03-000	EA	Screen Asm. - Powered Roof Vent - Beige (not included in assembly)
•	Not Illustrated		

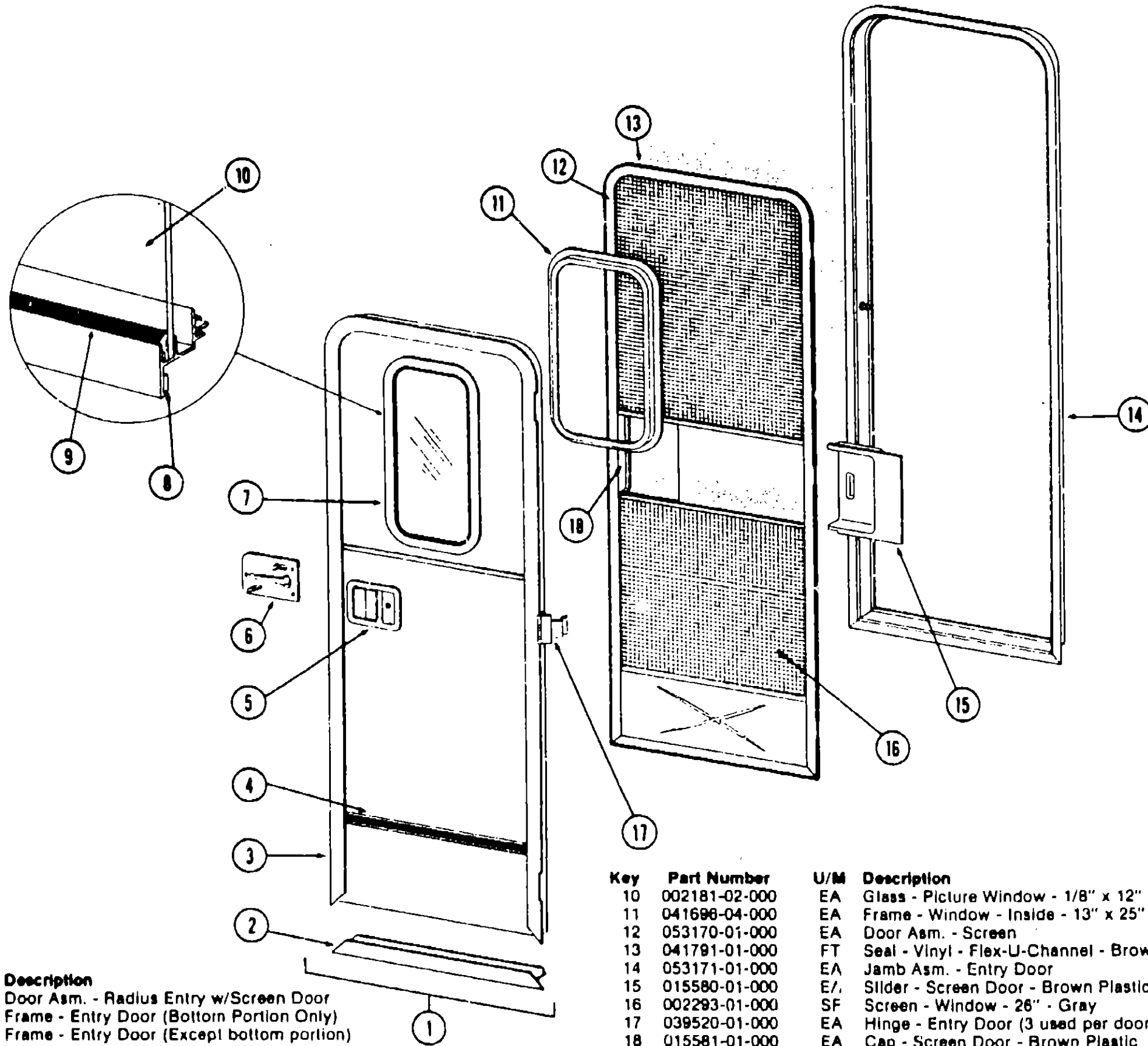
**1979 ITASCA
TABLE OF CONTENTS**

Introduction	A-1
Abbreviations	A-1
Alphabetical Index	A-2 - A-4
IC420RG	A-5 - B-16
IC524RH	B-17 - D-6
IC525RB	D-7 - E-20
IC625DB	E-21 - G-6

1979 IC420RG INDEX

Floor Plan	A-5 - A-6
Accessories Group	A-7 - A-8
Bath Group	A-9
Chassis Group	A-10
Curtain, Cushion and Pad Group	A-11 - A-15
Dinette Group	A-16
Driver's Compartment Group	A-16
Electrical Group	A-17 - A-18
Exterior Body Group	A-19 - A-22
Galley Group	A-23
Heating & Air Conditioning Group	A-24
Interior Finish Group	B-1 - B-2
LP Group	B-3
Lounge Group	B-4
Water & Sewage Group	B-5
Window, Vent & Exterior Door Group	B-6 - B-16

WINDOW, VENT AND EXTERIOR DOOR GROUP (CONTINUED)



Key	Part Number	U/M	Description
1	053100-10-000	EA	Door Asm. - Radius Entry w/Screen Door
2	039737-01-000	EA	Frame - Entry Door (Bottom Portion Only)
3	039736-01-000	EA	Frame - Entry Door (Except bottom portion)
4	039874-01-000	EA	Holder Asm. - Entry Door - 1 1/2"
5	045017-01-000	EA	Paddle Asm. - Door Lock - Exterior
	045017-01-700	EA	Lock Cylinder w/Keys - Lynor
	039539-01-000	EA	Striker Bolt - Entry Door
	039540-01-000	EA	Latch Claw - Entry Door
6	039979-01-000	EA	Plate - Lock - Inside - Including Inside Handle
	052108-01-000	EA	Lock Asm. - Complete - Lynor
7	041875-04-000	EA	Window Asm. - Picture - 13" x 25" - Black Anod. (Inside frame not included in assembly)
8	004363-01-000	FT	Tape - Foam - 3/16" x 1/2" - Gray
9	002308-02-000	FT	Spilne - Glass - 1/8" Black

Key	Part Number	U/M	Description
10	002181-02-000	EA	Glass - Picture Window - 1/8" x 12" x 24" Gray
11	041698-04-000	EA	Frame - Window - Inside - 13" x 25" - Brown
12	053170-01-000	EA	Door Asm. - Screen
13	041791-01-000	FT	Seal - Vinyl - Flex-U-Channel - Brown
14	053171-01-000	EA	Jamb Asm. - Entry Door
15	015580-01-000	E/	Slider - Screen Door - Brown Plastic
16	002293-01-000	SF	Screen - Window - 26" - Gray
17	039520-01-000	EA	Hinge - Entry Door (3 used per door)
18	015581-01-000	EA	Cap - Screen Door - Brown Plastic
	049176-01-000	EA	Hedlok II - 3/4" Diameter - Screw Mount (retains screen door to entry door)
	049797-01-000	EA	Hedlok II - 1" Diameter - Screw Mount (retains screen door to entry door)
	018019-01-000	EA	Striker - Screen Door
	039463-01-000	EA	Catch Asm. - Single Roller w/Strike - Screen Door
	044582-02-000	EA	Drip Cap - Jamb Mounted - Off White
	051390-01-000	FT	Seal - Bulb - Rubber
	039800-03-000	FT	Tubing - Polybutyl - 3/8" O.D. - Jamb
	Not Illustrated		

1979 ITASCA
TABLE OF CONTENTS

Introduction	A-1
Abbreviations	A-1
Alphabetical Index	A-2 - A-4
IC420RG	A-5 - B-16
IC524RH	B-17 - D-8
IC525RB	D-7 - E-20
IC625DB	E-21 - G-6

1979 IC420RG INDEX

Floor Plan	A-5 - A-8
Accessories Group	A-7 - A-8
Bath Group	A-9
Chassis Group	A-10
Curtain, Cushion and Pad Group	A-11 - A-15
Dinette Group	A-16
Driver's Compartment Group	A-16
Electrical Group	A-17 - A-18
Exterior Body Group	A-19 - A-22
Galley Group	A-23
Heating & Air Conditioning Group	A-24
Interior Finish Group	B-1 - B-2
LP Group	B-3
Lounge Group	B-4
Water & Sewage Group	B-5
Window, Vent & Exterior Door Group	B-6 - B-16

WINDOW, VENT AND EXTERIOR DOOR GROUP (CONTINUED)

ACCESS DOORS

Key	Part Number	U/M	Description
	052009-01-000	EA	Door Asm. - Water Heater Access - Off White - Atwood
	033333-23-000	EA	Door Asm. - Battery - Off White w/Twist Type Lock
	054270-02-000	EA	Door Asm. - Refrigerator Access - Off White w/Twist Type Lock
	052776-01-000	EA	Door Asm. - Luggage - 14 1/4" x 23" - Off White w/Key Type Lock
	052775-01-000	EA	Door Asm. - Generator - Off White w/Twist Type Lock
	052743-01-000	EA	Baffle - Generator Door
	055500-01-000	EA	Door Asm. - Gas Fill - w/Key Type Lock
	042441-01-000	EA	Lock Asm. - Key Type - Gas Fill
	057096-01-000	EA	Door Asm. - Power Cord w/Hatch - Off White w/Twist Type Lock
	052950-03-700	EA	Lock Asm. - Power Cord Door - Twist Type - Straight Cam
	047305-01-000	EA	Lock Asm. - Key Type w/Clip
	052950-01-700	EA	Lock Asm. - Twist Type - White Plastic w/Retainer Clip
	016945-02-000	EA	Holder Asm. - Battery or Luggage Door (holds door open)

VENTS

Key	Part Number	U/M	Description
	039778-01-000	EA	Cover - Refrigerator Vent - Plastic
	009407-01-000	EA	Base - Frame - Refrigerator Vent w/o Cover
	049352-01-000	EA	Vent - Stovehood - Outside - Off White Jenson

ACCESS DOORS

Key	Part Number	U/M	Description
	052009-01-000	EA	Door Asm. - Water Heater Access - Off White - Atwood
	033333-23-000	EA	Door Asm. - Battery - Off White w/Twist Type Lock
	054270-02-000	EA	Door Asm. - Refrigerator Access - Off White w/Twist Type Lock
	052776-01-000	EA	Door Asm. - Luggage - 14 1/4" x 23" - Off White w/Key Type Lock
	052775-01-000	EA	Door Asm. - Generator - Off White w/Twist Type Lock
	052743-01-000	EA	Baffle - Generator Door
	055500-01-000	EA	Door Asm. - Gas Fill - w/Key Type Lock
	042441-01-000	EA	Lock Asm. - Key Type - Gas Fill
	057096-01-000	EA	Door Asm. - Power Cord w/Hatch - Off White w/Twist Type Lock
	052950-03-700	EA	Lock Asm. - Power Cord Door - Twist Type - Straight Cam
	047305-01-000	EA	Lock Asm. - Key Type w/Clip
	052950-01-700	EA	Lock Asm. - Twist Type - White Plastic w/Retainer Clip
	016945-02-000	EA	Holder Asm. - Battery or Luggage Door (holds door open)

1979 ITASCA TABLE OF CONTENTS

Introduction	A-1
Abbreviations	A-1
Alphabetical Index	A-2 - A-4
IC420RG	A-5 - B-16
IC524RH	B-17 - D-6
IC525RB	D-7 - E-20
IC625DB	E-21 - G-6

1979 IC420RG INDEX

Floor Plan	A-5 - A-6
Accessories Group	A-7 - A-8
Bath Group	A-9
Chassis Group	A-10
Curtain, Cushion and Pad Group	A-11 - A-15
Dinette Group	A-16
Driver's Compartment Group	A-16
Electrical Group	A-17 - A-18
Exterior Body Group	A-19 - A-22
Galley Group	A-23
Heating & Air Conditioning Group	A-24
Interior Finish Group	B-1 - B-2
LP Group	B-3
Lounge Group	B-4
Water & Sewage Group	B-5
Window, Vent & Exterior Door Group	B-6 - B-16