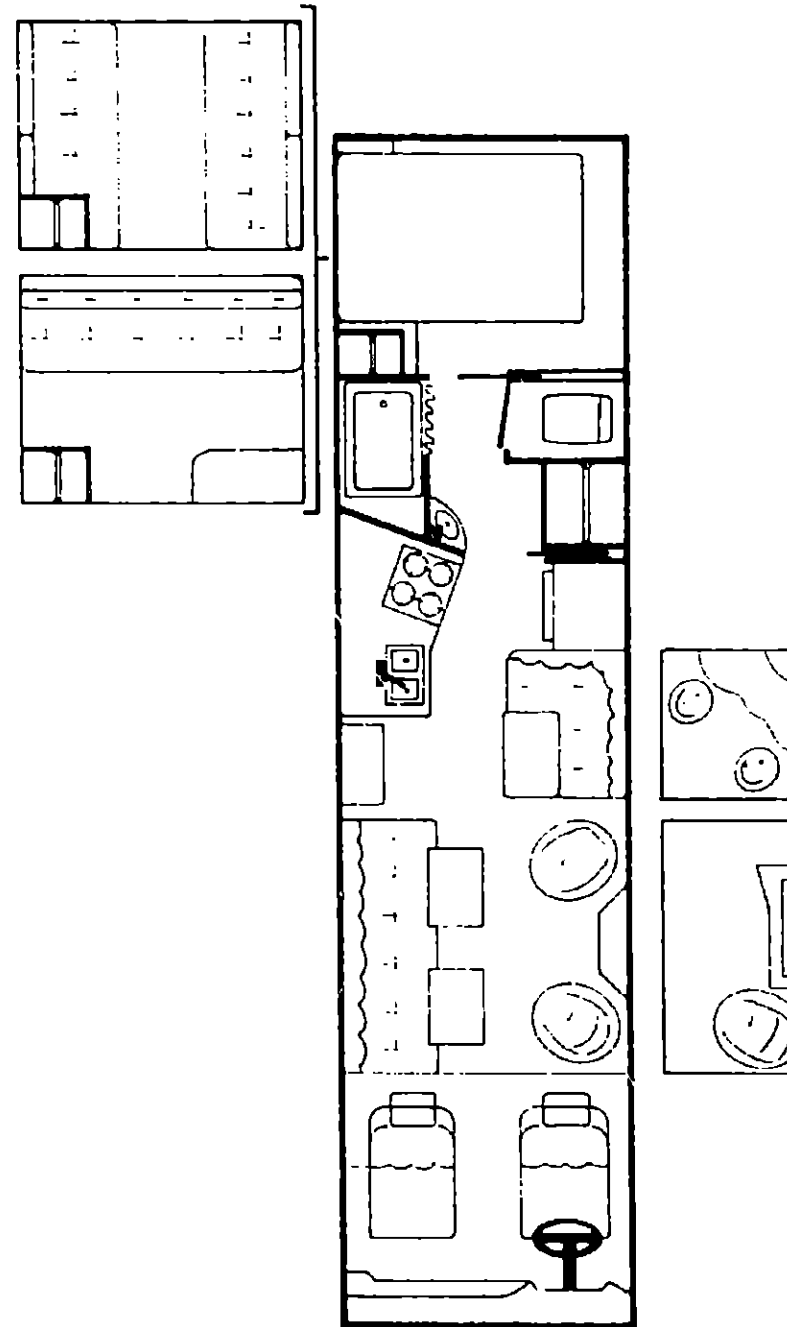


1978 WDU32RU



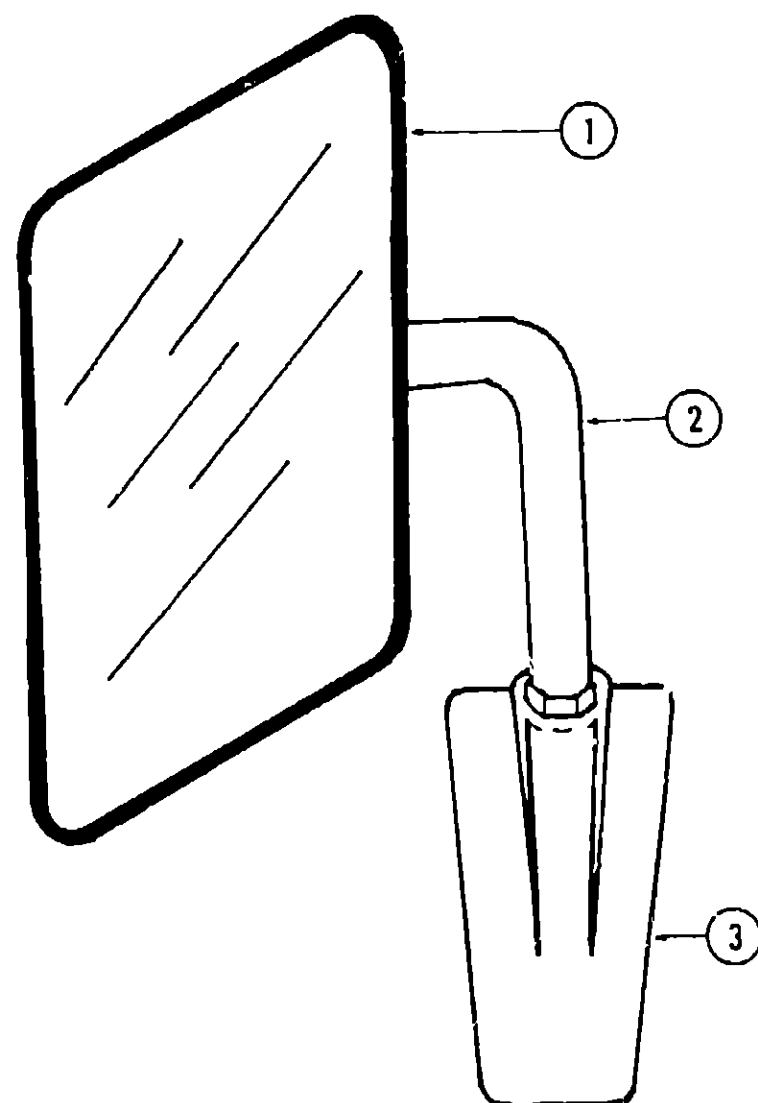
1978 WINNEBAGO TABLE OF CONTENTS

WD420RG	A-1 - B-12
WD423RB	B-13 - D-2
WC525RB J2	D-3 - E-16
WDF23RG	E-17 - G-6
WDF26RT	G-7 - H-24
WD424RH	I-1 - J-16
WDU32RU	J-17 - L-6

1978 WDU32RU INDEX

Floor Plan	J-17 - J-19
Accessories Group	J-19 - J-20
Bath Group	J-21
Chassis Group	J-22
Curtain, Cushion & Pad Group	J-23 - K-2
Dinette Group	K-3 - K-4
Driver's Compartment Group	K-5 - K-6
Electrical Group	K-7 - K-8
Exterior Body Group	K-9 - K-12
Galley Group	K-13
Heating & Air Conditioning Group	K-14
Interior Finish Group	K-15 - K-16
LP Group	K-17
Lounge Group	K-18
Water & Sewage Group	K-19
Window, Vent & Exterior Door Group	K-20 - L-6

ACCESSORIES GROUP



Key	Part Number	U/M	Description
1	049347-01-000	EA	Mirror Head - 7 1/2" x 10 1/2" - Stainless Steel
*	057461-01-000	EA	Mirror Head - 7 1/2" x 10 1/2" w/Convex
2	049348-01-000	EA	Arm - Low Mount Mirror - Bright Finish
3	049944-01-000	EA	Bracket - Mirror - Beige
*	Not Illustrated		

ACCESSORIES GROUP (CONTINUED)

RADIOS AND RELATED COMPONENTS

Key	Part Number	U/M	Description
	056014-01-000	EA	Radio - AM/FM/MPX - 8 Track - Motorola 3RV4715
	031105-01-000	EA	Antenna - Radio - Side Mount
	031105-01-700	EA	Clip - Radio Antenna
	052774-01-000	EA	Radio - CB - 40 Channel - Hy Gain 9
	048153-01-000	EA	Antenna - CB Camper Style
	053768-01-000	EA	Speaker - Recessed - 5 1/4" x 10 oz.
	044535-01-000	EA	Grille - Speaker - Black Padded

GENERATORS AND INSTALLATION KITS

Key	Part Number	U/M	Description
	054431-01-000	EA	Generator - 5.0 kw Onan - U.S. and C.S.A.
	054433-01-000	EA	Generator - 6.5 kw Onan - U.S. and C.S.A.
	701629-02-000	EA	Installation Package - Onan Generator
	024732-01-001	EA	Tailpipe - 1 1/2" O.D. x 23"
	050467-01-000	EA	Bezel - Entertainment Center #3

FRONT BUNK AND HARDWARE

Key	Part Number	U/M	Description
	046820-02-000	EA	Bunk Asm. - Front Overhead
	039516-02-000	EA	Catch - Bunk - Safety - Brown
	040071-01-000	EA	Support - Bunk - Seat Belt
	042201-01-000	EA	Support Asm. - Overhead Bunk - Beige

MISCELLANEOUS ACCESSORIES

Key	Part Number	U/M	Description
	044148-01-000	EA	TV - 13" Color - Sharp
	006053-01-000	EA	Antenna - TV - Braund Delux
	006053-01-700	EA	Repair Parts Kit - Braund TV Antenna
	006093-01-000	EA	Jack - TV - Brown
	042344-01-000	EA	Luggage Rack Asm. - w/Ladder
	042344-02-000	EA	Ladder Only - For Rack and Ladder Asm.
	006113-01-000	EA	Jack - Hydraulic - 5 Ton
	041944-01-700	EA	Fire Extinguisher - Dry Chemical - w/Bracket
	052771-01-000	EA	Oven - Microwave - Magic Chef 207-4
	054185-01-000	EA	Owner's Manual - Winnebago 1978
	023111-01-000	EA	Food Center - Built In - Power Unit w/Blender
	023111-02-000	EA	Ice Crusher Attachment - Food Center
	024746-01-000	EA	Speed Control Package - 440 C.I.D. - Dodge - Lever Type - A-Body
	055284-01-000	EA	Ice Maker - Automatic - Instamatic 45
	055285-01-000	EA	Vacuum Cleaner - Built In - Tevis Campbell 1-A
	017516-01-000	EA	Mudflap - Black - 14" x 18" - w/Holes
	006069-01-000	EA	Case - Leather Key - Motor Home
	007038-01-000	EA	Mat - Door - Black Rubber - 10 1/2" x 26"
	031396-02-000	EA	Cover - Wheel - 19.5" Chrome
	044399-01-000	EA	Thermometer - Outside - Chrome
	047226-01-000	EA	Tire Cover - Black - w/Zipper
	048813-01-000	EA	Weather Center - 5 1/2" x 13" - Gold

1978 WINNEBAGO TABLE OF CONTENTS

WD420RG	A-1 - B-12
WD423RB	B-13 - D-2
WC525RB J2	D-3 - E-16
WDF23RG	E-17 - G-6
WDF26RT	G-7 - H-24
WD424RH	I-1 - J-16
WDU32RU	J-17 - L-6

1978 WDU32RU INDEX

Floor Plan	J-17 - J-18
Accessories Group	J-19 - J-20
Bath Group	J-21
Chassis Group	J-22
Curtain, Cushion & Pad Group	J-23 - K-2
Dinette Group	K-3 - K-4
Driver's Compartment Group	K-5 - K-6
Electrical Group	K-7 - K-9
Exterior Body Group	K-9 - K-12
Galley Group	K-13
Heating & Air Conditioning Group	K-14
Interior Finish Group	K-15 - K-16
LP Group	K-17
Lounge Group	K-18
Water & Sewage Group	K-19
Window, Vent & Exterior Door Group	K-20 - L-6

BATH GROUP

BATH CABINETRY

Key	Part Number	U/M	Description
	054633-01-J38	EA	Cabinet Asm. - Lavatory - w/o Countertop, Door or Hardware
	057574-01-J38	EA	Countertop Asm. - Lavatory Cabinet - Driftwood
	057574-01-J39	EA	Countertop Asm. - Lavatory Cabinet - Concord Birch
	055458-05-J38	EA	Door Asm. - Lavatory Cabinet - 17.12" x 14.12" - w/o Hardware
	053889-01-J38	EA	Cabinet Asm. - Bath Overhead - w/o Door or Hardware
	056488-01-J38	EA	Door Asm. - Overhead Cabinet - 16 1/2" x 10 1/8" - w/o Hardware
	045358-06-700	EA	Door Asm. - Bathroom - 21" x 72 1/2" - w/o Hardware
	053565-01-J38	EA	Cabinet Asm. - 3 Drawer - w/o Drawers or Hardware
	053580-01-J38	EA	Cabinet Asm. - 1 Drawer - w/o Drawer or Hardware
	056702-06-J38	EA	Drawer Asm. - Wardrobe Cabinet - 12 1/4" x 3 3/4" x 18" Deep - w/o Hardware
	056702-07-J38	EA	Drawer Asm. - Wardrobe Cabinet - 12 1/4" x 3 3/4" x 21" Deep - w/o Hardware
	053600-01-J38	EA	Door Asm. - Wardrobe Cabinet - 14 15/16" x 62 3/4" - w/Mirror
	053420-01-000	EA	Shower Stall - Off White Fiberglass
	053421-01-000	EA	Bottom - Tub and Shower - Off White Fiberglass

BATH HARDWARE

Key	Part Number	U/M	Description
	045390-01-000	EA	Sink - Oval - Ivory Plastic
**	011056-01-000	EA	Faucet - Lavatory
	011083-01-000	EA	Plug - 1 1/4" - w/Chain
	009134-01-000	EA	Holder - Tissue
	048171-01-000	EA	Towel Rack - 21" - Antique Brass
	048169-01-000	EA	Ring - Towel - Antique Brass
**	031558-01-000	EA	Faucet - Tub and Shower
**	011069-01-000	EA	Tailpiece - 1 1/4" x 4" - Brass
**	011086-01-000	EA	Stainer - Shower Pan
	055287-01-000	EA	Shower Head - Adjustable
	009112-01-000	EA	Flange - 1" - Closet Rod - Chrome
	009124-01-000	EA	Lock - Bath Door - Push Button - Brass
	009150-01-000	EA	Warp Guard - 64"
	009779-01-000	FT	U-Channel - 1 1/8" - Dark Brown
	009191-01-000	EA	Mirror - Wardrobe Door - 1/8" x 10" x 42"
	055227-01-000	EA	Frame Asm. - Shower Door
	055288-01-000	EA	Door Asm. - Shower - Expanding - 28.5" x 56.2"
	056457-01-000	EA	Mirror - Medicine Cabinet Door - 33"
	055270-02-000	EA	Plate - Heater Control Panel
**	039341-02-000	EA	Toilet - Thetford Aqua Magic SH - Ivory

**The illustrated parts breakdown for this item is provided on the Common Items Fiche.

CHASSIS GROUP

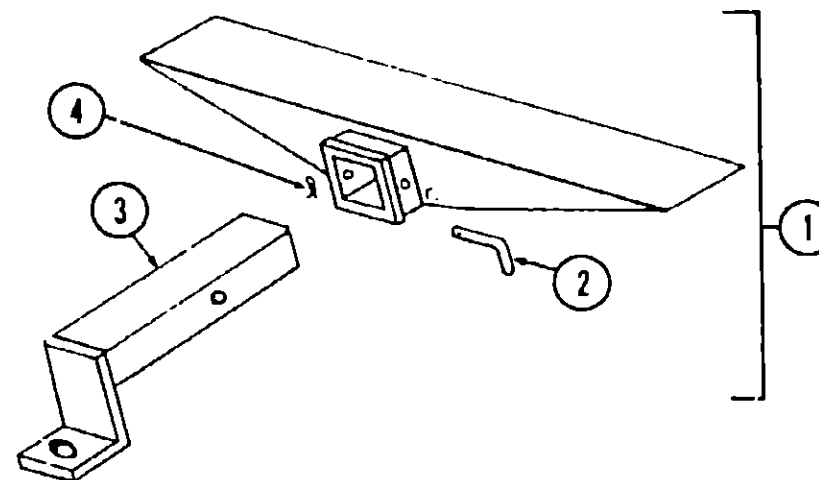
Key	Part Number	U/M	Description
	041233-01-000	EA	Bumper - Contoured - Front or Rear
	042510-01-000	EA	Reinforcement - Bumper - Front or Rear
	042515-01-000	EA	Bracket - Bumper - Front
	050305-01-000	EA	Bracket - Splash Guard Mount - Front
	037933-01-000	EA	Bracket - License Plate - Front or Rear
	050703-01-000	EA	Bracket - Bumper - Rear
	042524-01-000	EA	Support Asm. - Tire Carrier
	042495-01-000	EA	Power Step - Kwikkee
	038398-01-700	EA	Motor - Power Step Kwikkee
	038398-01-701	EA	Gear - Power Step - Kwikkee
	038398-01-702	EA	Switch - Motor Control - Power Step - Kwikkee
	041248-01-000	EA	Light - Warning - Step
	041249-01-000	EA	Switch - Toggle - On/Off - Power Step
	041250-01-000	EA	Switch - Push Button - Power Step
	048594-01-000	EA	Tray - Battery - Steel
	035102-01-000	EA	Cover Asm. - Radiator - Rear
	037468-02-000	EA	Hoodboard - Steel - Front - Left
	037468-01-000	EA	Hoodboard - Steel - Front - Right
	007134-01-000	EA	Clamp - Hose - Spring Type - 9/16"
	007137-01-000	EA	Clamp - Worm Gear - 1 5/16" to 2 1/4"
	007138-01-000	EA	Clamp - Hose - 1/4" to 3/4" Dia.
	024138-01-000	FT	Hose - Fuel - 5/16" I.D.
	024141-01-000	FT	Hose - Rubber - 1/2" I.D.
	024647-01-000	EA	Hose - Gas - 2 1/4" I.D.
	007063-01-000	FT	Hose - Gas - 1/4 I.D. x 1/2 O.D.
	045814-02-000	EA	Fill - Gas w/Vent - 2.76" Long
	024611-04-000	EA	Cap - Gas - Pressure - 1.5" - Chrome
	040078-01-000	EA	Tank - Fuel - 27.8 Gallon
	043986-01-000	EA	Strap - Mounting - Fuel Tank
	007160-01-000	EA	Gasket - 3/16" x 2" x 2" - Tire Carcass
	03C883-01-000	EA	Sending Unit - Fuel - 78 Ohm
	050227-01-000	EA	Canister - Vapor - 2 Stage - 3 Port
	023699-01-000	EA	Hose - Gas Fill - 2" I.D. x 45.50"
	056199-01-000	EA	Tank Fuel - 36 Gallon - w/Mounting Bracket
	007125-08-000	EA	Clamp Asm. - Muffler - 3" Dia.
	007131-01-000	EA	Hanger - Tailpipe
	056728-02-000	EA	Tailpipe Extension - 2.5" x 24"
	035260-01-000	EA	Wheel Well - Plastic - Black
	058974-02-700	EA	Alternator Kit - 105 Ampere (WDU32RU)

1978 WINNEBAGO TABLE OF CONTENTS

WD420RG	A-1 - B-12
WD423RB	B-13 - D-2
WC525RB J2	D-3 - E-16
WDF23RG	E-17 - G-6
WDF26RT	G-7 - H-24
WD424RH	I-1 - J-16
WDU32RU	J-17 - L-6

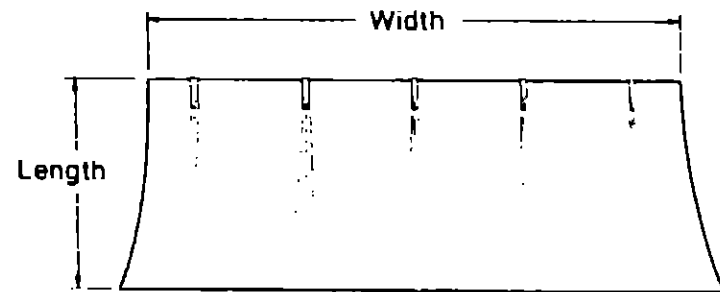
1978 WDU32RU INDEX

Floor Plan	J-17 - J-18
Accessories Group	J-19 - J-20
Bath Group	J-21
Chassis Group	J-22
Curtain, Cushion & Pad Group	J-23 - K-2
Dinette Group	K-3 - K-4
Driver's Compartment Group	K-5 - K-6
Electrical Group	K-7 - K-8
Exterior Body Group	K-9 - K-12
Galley Group	K-13
Heating & Air Conditioning Group	K-14
Interior Finish Group	K-15 - K-16
LP Group	K-17
Lounge Group	K-18
Water & Sewage Group	K-19
Window, Vent & Exterior Door Group	K-20 - L-6



Key	Part Number	U/M	Description
1	023695-01-700	EA	Hitch Kit - w/Drawbar
2	034512-01-000	EA	Pin - Locking - Drawbar
3	024876-01-000	EA	Drawbar - Trailer Hitch
4	034513-01-000	EA	Pin - Hitch - 3/16" Wire Spring

CURTAIN, CUSHION AND PAD GROUP



NOTE:
Use this illustration when determining length and width measurements for curtains. You will note the width measurement is taken on the top of the curtain with the curtain fully extended. The length measurement is taken from top to bottom.

CURTAINS

Key	Part Number	U/M	Description
	057492-01-J38	EA	Curtain Asm. - Front Wraparound - 30" x 80" Right - Blue
	057492-01-J39	EA	Curtain Asm. - Front Wraparound - 30" x 80" Right - Rust
	057493-01-J38	EA	Curtain Asm. - Front Wraparound - 30" x 80" Left - Blue
	057493-01-J39	EA	Curtain Asm. - Front Wraparound - 30" x 80" Left - Rust
	054051-08-J38	EA	Curtain Asm. - Blackout - 38" x 77" - Blue
	054051-08-J39	EA	Curtain Asm. - Blackout - 38" x 77" - Rust
	054051-02-J38	EA	Curtain Asm. - Entrance Door - 34" x 37" - Blue
	054051-02-J39	EA	Curtain Asm. - Entrance Door - 34" x 37" - Rust

SHADES

Key	Part Number	U/M	Description
	057019-01-000	EA	Shade - Woven Wood - 71" x 28 1/2" - Blue
	057019-02-000	EA	Shade - Woven Wood - 71" x 28 1/2" - Rust
	057019-03-000	EA	Shade - Woven Wood - 68 1/4" x 28 1/2" - Blue
	057019-04-000	EA	Shade - Woven Wood - 68 1/4" x 28 1/2" - Rust
	057019-05-000	EA	Shade - Woven Wood - 45" x 28 1/2" - Blue
	057019-06-000	EA	Shade - Woven Wood - 45" x 28 1/2" - Rust
	057019-09-000	EA	Shade - Woven Wood - 31" x 28 1/2" - Blue
	057019-10-000	EA	Shade - Woven Wood - 31" x 28 1/2" - Rust
	057019-11-000	EA	Shade - Woven Wood - 28" x 24 1/2" - Blue
	057019-12-000	EA	Shade - Woven Wood - 28" x 24 1/2" - Rust

FRONT OVERHEAD BUNK CUSHIONS

Key	Part Number	U/M	Description
	055021-13-J38	EA	Cushion - Front Overhead Bunk - 38.8" x 76.5" x 4" - Blue
	055021-13-J39	EA	Cushion - Front Overhead Bunk - 38.8" x 76.5" x 4" - Rust
	055022-15-J38	EA	Cover - Front Overhead Bunk Cushion - 38.8" x 76.5" x 4" - Blue
	055022-15-J39	EA	Cover - Front Overhead Bunk Cushion - 38.8" x 76.5" x 4" - Rust

BUCKET SEATS

Key	Part Number	U/M	Description
	056918-01-000	EA	Seat - Single Bucket - Complete - Highback - Flexsteel - Blue
	056918-02-000	EA	Seat - Single Bucket - Complete - Highback - Flexsteel - Rust
	057538-01-J38	EA	Seat Asm. - Double Bucket - Blue
	057538-01-J39	EA	Seat Asm. - Double Bucket - Rust

CURTAIN, CUSHION AND PAD GROUP (CONTINUED)

FABRICS AND TRIMS

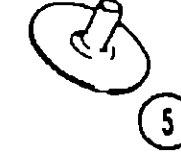
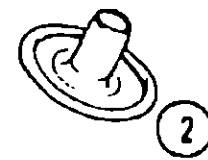
Key	Part Number	U/M	Description
	056735-01-000	YD	Fabric - Drapery - Blue
	056735-02-000	YD	Fabric - Drapery - Copper/Tan
	056733-01-000	YD	Fabric - Upholstery - Blue (Main)
	056734-01-000	YD	Fabric - Upholstery - Blue (Accent)
	056733-02-000	YD	Fabric - Upholstery - Rust (Main)
	056734-02-000	YD	Fabric - Upholstery - Rust (Accent)
	042411-01-000	YD	Vinyl - Non Expanded - 27 oz. - Berkshire Brown
	042411-02-000	YD	Vinyl - Expanded - 28 oz. - Berkshire Brown
	042411-03-000	YD	Vinyl - Non Support - 16 Gauge - Film - Berkshire Brown
	023631-05-000	EA	Button Asm. - Vinyl Covered - Brown
	054676-06-J38	EA	Button Asm. - Cloth Covered - Blue
	054676-06-J39	EA	Button Asm. - Cloth Covered - Rust
	042414-01-000	FT	Trim - Accent - Brown Vinyl

PADS

Key	Part Number	U/M	Description
	048747-02-000	EA	Pad - End - Television Overhead Cabinet - Brown Vinyl
	048747-01-000	EA	Pad - End - Front Couch Overhead Cabinet - Left - Brown Vinyl
	048747-02-000	EA	Pad - End - Front Couch Overhead Cabinet - Right - Brown Vinyl
	055701-02-000	EA	Pad - Front Overhead Cabinet - Facepanel - 76 1/8" x 9 1/2" w/Two 16" Openings - Brown Vinyl
	055671-02-000	EA	Pad - Front Overhead Cabinet - Sidepanel - Left - 36 1/8" x 8 5/8" w/One 29 3/8" Opening - Brown Vinyl
	055672-02-000	EA	Pad - Front Overhead Cabinet - Sidepanel - Right - 36 1/8" x 8 5/8" w/One 29 3/8" Opening - Brown Vinyl
	055700-02-000	EA	Pad - Front Overhead Cabinet - Basepanel - 89 1/4" x 48" - Brown Vinyl
	057526-01-000	EA	Pad - Interior Trim - Right - 46 1/2" x 3 1/2" - Brown Vinyl
	057526-02-000	EA	Pad - Interior Trim - Left - 46 1/2" x 3 1/2" - Brown Vinyl
	057562-01-000	EA	Pad - Galley Sliding Door - 24" - Brown Vinyl
	057562-02-000	EA	Pad - Galley Sliding Door - 25" - Brown Vinyl
	057562-03-000	EA	Pad - Lounge Sliding Door - 26.38" - Brown Vinyl

CURTAIN HARDWARE

Key	Part Number	U/M	Description
	052327-04-236	EA	Track - Curtain - Brown Alum. - 89" w/Holes
	053272-04-203	EA	Track - Blackout Curtain - Off White - 76.5" w/Holes
	056289-03-000	EA	Track - Wraparound Curtain - Brown Alum. - Right
	056289-04-000	EA	Track - Wraparound Curtain - Brown Alum. - Left
	056001-01-000	EA	Bracket - Shade - Left
	056002-01-000	EA	Bracket - Shade - Right
	009107-01-000	EA	Guide - Nylon Snap - Curtain
	018031-42-000	EA	Track - Curtain - "L" Rod - Alum. Extr. - 90"
	009701-01-000	EA	Carrier - "L" Rod - Curtain
	009702-01-000	EA	End Stop - "L" Rod - Curtain



Key	Part Number	U/M	Description
1	029130-01-000	EA	Socket - Snap Fastener
2	029155-01-000	EA	Cap - Snap - .156" Dia. x .17" Barrel
3	029156-01-000	EA	Socket - Snap Fastener
4	029092-01-000	EA	Stud - Nickel Finish
5	029093-01-000	EA	Eyelet - Nickel Finish

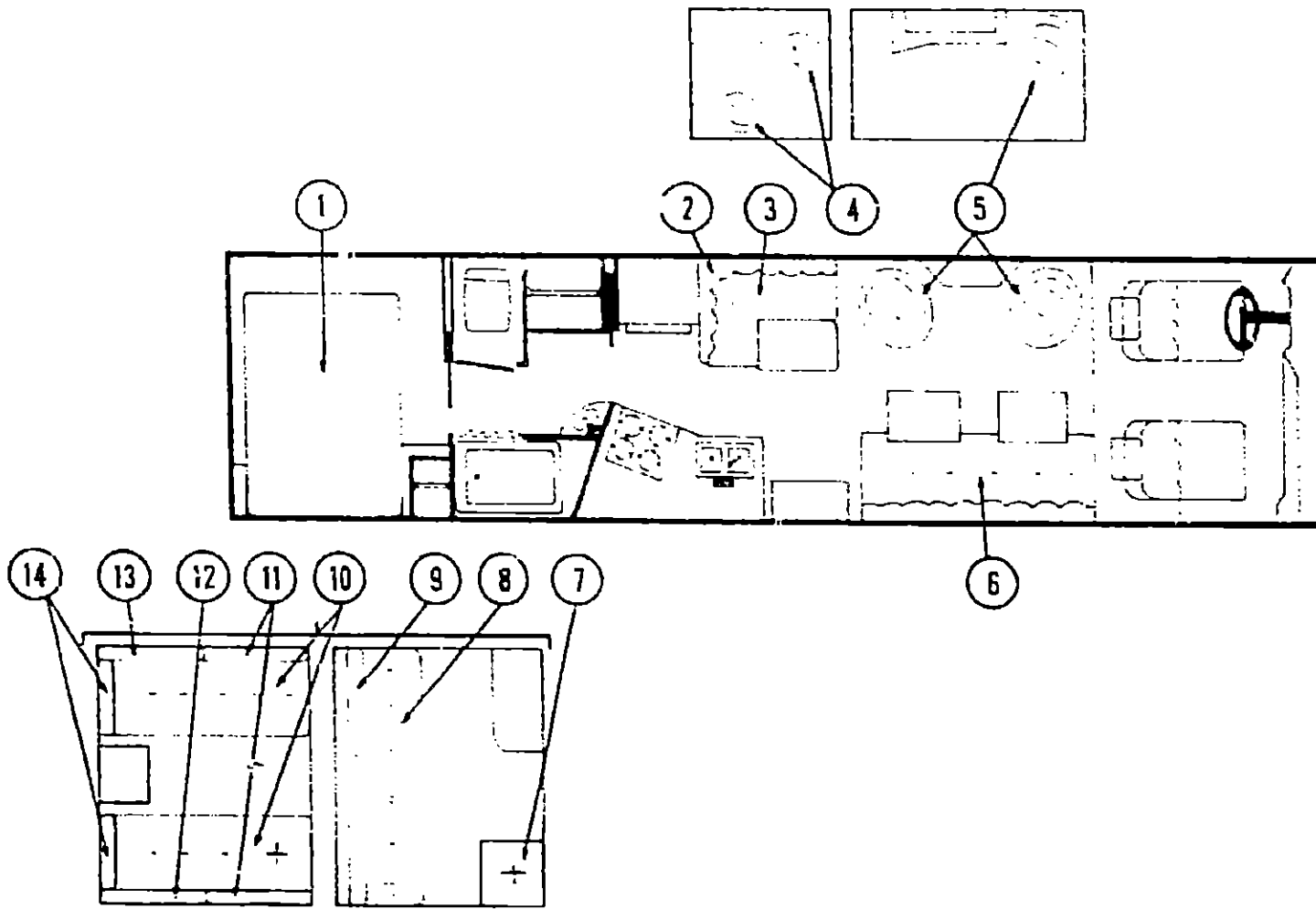
1978 WINNEBAGO TABLE OF CONTENTS

WD420RG	A-1 - B-12
WD423RB	B-13 - D-2
WC525RB J2	D-3 - E-16
WDF23RG	E-17 - G-6
WDF26RT	G-7 - H-24
WD424RH	I-1 - J-16
WDU32RU	J-17 - L-6

1978 WDU32RU INDEX

Floor Plan	J-17 - J-18
Accessories Group	J-19 - J-20
Bath Group	J-21
Chassis Group	J-22
Curtain, Cushion & Pad Group	J-23 - K-2
Dinette Group	K-3 - K-4
Driver's Compartment Group	K-5 - K-6
Electrical Group	K-7 - K-8
Exterior Body Group	K-9 - K-12
Galley Group	K-13
Heating & Air Conditioning Group	K-14
Interior Finish Group	K-15 - K-16
LP Group	K-17
Lounge Group	K-18
Water & Sewage Group	K-19
Window, Vent & Exterior Door Group	K-20 - L-6

CURTAIN, CUSHION AND PAD GROUP (CONTINUED)



DOUBLE BED CUSHIONS

Key	Part Number	U/M	Description
1	055281-01-000	EA	Mattress - Innerspring - 54" x 75" - Sealy
	054866-01-J38	EA	Headboard Asm. - Double Bed - Padded - Blue Upholstery
	054866-01-J39	EA	Headboard Asm. - Double Bed - Padded - Rust Upholstery
	057503-01-J38	EA	Bedspread - Double Bed - Blue
	057503-01-J39	EA	Bedspread - Double Bed - Rust

DINETTE CUSHIONS

Key	Part Number	U/M	Description
2	057502-01-J38	EA	Cushion - Back - Corner Dinette - Blue
	057502-01-J39	EA	Cushion - Back - Corner Dinette - Rust
3	057501-01-J38	EA	Cushion - Seat - Corner Dinette - Blue
	057501-01-J39	EA	Cushion - Seat - Corner Dinette - Rust
4	057026-01-000	EA	Seat - Bar Stool
	057025-01-000	EA	Base - Bar Stool
5	056916-01-000	EA	Lounge Chair - w/Base - Flexsteel - Blue
	056916-02-000	EA	Lounge Chair - w/Base - Flexsteel - Rust
6	057037-01-000	EA	Magic Bed - w/Bolsters and Armrests - Flexsteel - Blue
	057037-02-000	EA	Magic Bed - w/Bolsters and Armrests - Flexsteel - Rust

CURTAIN, CUSHION AND PAD GROUP (CONTINUED)

PRESTO BED CUSHIONS

Key	Part Number	U/M	Description
7	057495-02-J38	EA	Cushion - Right Gaucho - 22.5" x 28" x 5" - Blue
	057495-02-J39	EA	Cushion - Right Gaucho - 22.5" x 28" x 5" - Rust
	057495-02-J38	EA	Cover - Cushion - Right Gaucho - 22.5" x 28" x 5" - Blue
	057495-02-J39	EA	Cover - Cushion - Right Gaucho - 22.5" x 28" x 5" - Rust
8	057627-01-J38	EA	Presto Bed - Bottom - 86" - Blue
	057627-01-J39	EA	Presto Bed - Bottom - 86" - Rust
9	057628-01-J38	EA	Presto Bed - Back - 86" - Blue
	057628-01-J39	EA	Presto Bed - Back - 86" - Rust
	057625-01-J38	EA	End Pad - Presto Bed - Right or Left - Blue
	057626-01-J39	EA	End Pad - Presto Bed - Right or Left - Rust

TWIN BED CUSHIONS

Key	Part Number	U/M	Description
10	057494-01-J38	EA	Cushion - Twin Bed - Bottom w/Frame - 30" x 76" x 5" - Blue
	057494-01-J39	EA	Cushion - Twin Bed - Bottom w/Frame - 30" x 76" x 5" - Rust
11	057495-01-J38	EA	Cushion - Twin Bed - Back - Knife Edge - 12" x 33.8" x 6" - Blue
	057495-01-J39	EA	Cushion - Twin Bed - Back - Knife Edge - 12" x 33.8" x 6" - Rust
	057496-01-J38	EA	Cover - Twin Bed Cushion - Back - Knife Edge - 12" x 33.8" x 6" - Blue
	057496-01-J39	EA	Cover - Twin Bed Cushion - Back - Knife Edge - 12" x 33.8" x 6" - Rust
12	057499-01-J38	EA	Cushion - Twin Bed - Back - Knife Edge - Right - 12" x 33.4" x 29.2" x 6" - Blue
	057499-01-J39	EA	Cushion - Twin Bed - Back - Knife Edge - Right - 12" x 33.4" x 29.2" x 6" - Rust
	057500-01-J38	EA	Cover - Twin Bed Cushion - Back - Knife Edge - Right - 12" x 33.4" x 29.2" x 6" - Blue
	057500-01-J39	EA	Cover - Twin Bed Cushion - Back - Knife Edge - Right - 12" x 33.4" x 29.2" x 6" - Rust
13	057499-02-J38	EA	Cushion - Twin Bed - Back - Knife Edge - Left - 12" x 33.4" x 29.2" x 6" - Blue
	057499-02-J39	EA	Cushion - Twin Bed - Back - Knife Edge - Left - 12" x 33.4" x 29.2" x 6" - Rust
	057500-02-J38	EA	Cover - Twin Bed Cushion - Back - Knife Edge - Left - 12" x 33.4" x 29.2" x 6" - Blue
	057500-02-J39	EA	Cover - Twin Bed Cushion - Back - Knife Edge - Left - 12" x 33.4" x 29.2" x 6" - Rust
14	057497-01-J38	EA	Cushion - Twin Bed - Bolster - Knife Edge - 7" x 14" x 16" x 29.8" - Blue
	057497-01-J39	EA	Cushion - Twin Bed - Bolster - Knife Edge - 7" x 14" x 16" x 29.8" - Rust
	057498-01-J38	EA	Cover - Twin Bed Cushion - Bolster - Knife Edge - 7" x 14" x 16" x 29.8" - Blue
	057498-01-J39	EA	Cover - Twin Bed Cushion - Bolster - Knife Edge - 7" x 14" x 16" x 29.8" - Rust

**1978 WINNEBAGO
TABLE OF CONTENTS**

WD420RG	A-1 - B-12
WD423R3	B-13 - D-2
WC525RB J2	D-3 - E-15
WDF23RG	E-17 - G-6
WDF26RT	G-7 - H-24
WD424RH	I-1 - J-16
WDU32RU	J-17 - L-6

1978 WDU32RU INDEX

Floor Plan	J-17 - J-18
Accessories Group	J-19 - J-20
Bath Group	J-21
Chassis Group	J-22
Curtain, Cushion & Pad Group	J-23 - K-2
Dinette Group	K-3 - K-4
Driver's Compartment Group	K-5 - K-6
Electrical Group	K-7 - K-8
Exterior Body Group	K-9 - K-12
Galley Group	K-13
Heating & Air Conditioning Group	K-14
Interior Finish Group	K-15 - K-16
LP Group	K-17
Lounge Group	K-18
Water & Sewage Group	K-19
Window, Vent & Exterior Door Group	K-20 - L-6

DINETTE GROUP

DINETTE OVERHEAD CABINETS

Key	Part Number	U/M	Description
	054867-01-J38	EA	Cabinet Asm. - Dinette Overhead - 55" w/o Door or Hardware
	054383-01-J38	EA	Cabinet Asm. - TV Overhead - 57" - w/o Door or Hardware
	054393-01-J38	EA	Cabinet Asm. - Couch Overhead - 58 1/8" - w/o Door or Hardware
	054696-01-J38	EA	Door Asm. - Overhead Cabinet - 48 1/2" x 9 1/8" - w/o Hardware

"L" SHAPED DINETTE W/PEDESTAL TABLE

Key	Part Number	U/M	Description
	055244-01-J38	EA	Table Asm. - Dinette Pedestal - 27 1/8" x 20 1/8" - w/o Hardware - Driftwood
	055244-01-J39	EA	Table Asm. - Dinette Pedestal - 27 1/2" x 20 1/8" - w/o Hardware - Concord Birch
	009040-02-000	EA	Leg - Pedestal Table - 27.5" x 2.25" O.D. - Chrome
	009040-03-000	EA	Base - Table Leg - Mounts on Table
	041194-01-000	EA	Base - Table Leg - Mounts in Floor
	053442-01-J38	EA	Cabinet Asm. - Dinette Seal - "L" Shape - w/o Door, Drawers or Hardware
	045753-01-000	EA	Cap - Cabinet Corner - Dark Brown Plastic
	056702-05-J38	EA	Drawer Asm. - Dinette Cabinet - 9 1/2" x 10 3/4" x 15 1/2" Deep - w/o Hardware
	055433-02-J38	EA	Door Asm. - Furnace - 15 3/4" x 13" - w/Mesh Insert
	047205-08-000	EA	Insert - Furnace Door - Brass Mesh - 10 1/8" x 12 1/2"

BREAKFAST BAR W/STOOLS

Key	Part Number	U/M	Description
	055991-01-J38	EA	Cabinet Asm. - Breakfast Bar - Lower - w/o Countertop, Doors or Hardware
	055978-01-J38	EA	Countertop Asm. - Breakfast Bar - Lower - 36" - Driftwood
	055978-01-J39	EA	Countertop Asm. - Breakfast Bar - Lower - 35" - Concord Birch
	055990-01-J38	EA	Cabinet Asm. - Breakfast Bar - Upper - w/o Countertop
	055992-01-J38	EA	Countertop Asm. - Breakfast Bar - Upper - 18" - Driftwood
	055992-01-J39	EA	Countertop Asm. - Breakfast Bar - Upper - 18" - Concord Birch
	055433-02-J38	EA	Door Asm. - Furnace - 15 3/4" x 13" - w/Insert
	047205-08-000	EA	Insert - Furnace Door - 10 1/8" x 12 1/2" - Brass Mesh
	055756-01-J38	EA	Door Asm. - Breakfast Cabinet - 11 7/8" x 16" - w/Insert
	047205-09-000	EA	Insert - Cabinet Door - 13 1/4" x 7 3/8" - Brass Mesh
	055458-02-J38	EA	Door Asm. - Breakfast Cabinet - 14.62" x 9.25" - w/o Hardware
	057025-01-000	EA	Base - Bar Stool - w/Mounting Hole
	057026-01-000	EA	Seat - Bar Stool

TWIN PEDESTAL TABLES W/COUCH

Key	Part Number	U/M	Description
	053203-07-J38	EA	Table Asm. - Pedestal - 17" x 24" - w/o Hardware - Driftwood
	053203-07-J39	EA	Table Asm. - Pedestal - 17" x 24" - w/o Hardware - Concord Birch
	009040-02-000	EA	Leg - Pedestal Table - 27.5" x 2.25" O.D. - Chrome
	009040-03-000	EA	Base - Table Leg - Mounts on Table
	041194-01-000	EA	Base - Table Leg - Flush Mount in Floor
	056093-01-J38	EA	Floor Plug - Pedestal Table - Kingdom Beige Carpet

DINETTE GROUP (CONTINUED)

TELEVISION CABINET W/O BAR

Key	Part Number	U/M	Description
	055325-01-J38	EA	Cabinet Asm. - Television - w/o Countertop
	055520-01-J38	EA	Countertop Asm. - Television Cabinet - Driftwood
	055520-01-J39	EA	Countertop Asm. - Television Cabinet - Concord Birch
	045795-01-000	EA	Glass Holder - Plastic
	056916-01-000	EA	Chair - Lounge - Blue - Flexsteel
	056916-02-000	EA	Chair - Lounge - Rust - Flexsteel

TELEVISION CABINET W/BAR

Key	Part Number	U/M	Description
	054690-01-J38	EA	Cabinet Asm. - Entertainment Center - w/o Countertops, Door or Hardware
	053627-01-J38	EA	Countertop Asm. - Entertainment Center - Upper - 43 1/2" x 17 7/8" - Driftwood
	054703-01-J38	EA	Countertop Asm. - Entertainment Center - Lower - 23 9/16" x 20 9/16" - Driftwood
	053627-01-J39	EA	Countertop Asm. - Entertainment Center - Upper 43 1/2" x 17 7/8" - Concord Birch
	054703-01-J39	EA	Countertop Asm. - Entertainment Center - Lower - 23 9/16" x 20 9/16" - Concord Birch
	054786-01-J38	EA	Cabinet Asm. - Insert - Glass Storage - w/o Flip Up Door
	054702-01-J38	EA	Flip Up Door - Glass Storage - w/Hinge and Padded Board - Driftwood
	009066-01-000	EA	Hinge - Continuous - Alum. - 1 1/16" x 72"
	056209-01-J38	EA	Board - Padded - Mounts on Flip Up Door - Brown Vinyl
	055000-01-000	EA	Tray - Utensil - 7 3/4" x 3 1/2" - Dark Brown Plastic
	054814-01-J38	EA	Rack - Bottle Storage - 15" x 15"
	055458-07-J38	EA	Door Asm. - Entertainment Cabinet - 14 1/8" x 17 5/8" - w/o Hardware
	056916-01-000	EA	Chair - Lounge - Blue - Flexsteel
	056916-02-000	EA	Chair - Lounge - Rust - Flexsteel
	055284-01-000	EA	Ice Maker - Automatic - Instamatic 45

1978 WINNEBAGO TABLE OF CONTENTS

D420RG	A-1 - B-12
D423RB	B-13 - D-2
C525RB J2	D-3 - E-16
DF23RG	E-17 - G-6
DF26RT	G-7 - H-24
WD424RH	I-1 - J-16
WDU32RU	J-17 - L-6

1978 WDU32RU INDEX

Floor Plan	J-17 - J-18
Accessories Group	J-19 - J-20
Bath Group	J-21
Chassis Group	J-22
Curtain, Cushion & Pad Group	J-23 - K-2
Dinette Group	K-3 - K-4
Driver's Compartment Group	K-5 - K-6
Electrical Group	K-7 - K-8
Exterior Body Group	K-9 - K-12
Galley Group	K-13
Heating & Air Conditioning Group	K-14
Interior Finish Group	K-15 - K-16
LP Group	K-17
Lounge Group	K-18
Water & Sewage Group	K-19
Window, Vent & Exterior Door Group	K-20 - L-6

DRIVER'S COMPARTMENT GROUP

DASH PANEL AND COMPONENTS

Key	Part Number	U/M	Description
	050583-01-000	EA	Dash Asm. - Elandan II - Complete
	022548-03-000	EA	Pad - Dash - Foam - Right - Dark Brown
	023242-05-000	EA	Pad - Dash - Foam - Left - Dark Brown
	024418-01-000	EA	Lamp Asm. - Map/Gauge
	023020-01-000	EA	Lamp Asm. - Tell Tale
	039044-01-000	EA	Louver Asm. - A/C - Adjustable
	048771-01-000	EA	Nameplate - Elandan II - Brown/Gold
	052367-01-000	EA	Lighter Asm. - Cigarette - 12V
	007071-01-000	EA	Bezel - Cigarette Lighter
	007041-01-000	EA	Louver - Chrome - w/Chrome Wheel
	024906-01-000	EA	Diffuser Case - A/C - 2 1/2" Black
	050299-01-000	EA	Bezel - Instrument Panel
	055269-01-000	EA	Bezel - Entertainment Center
	022219-01-000	EA	Door - Glove Box
	009118-01-000	EA	Lock - Twist w/Nut
	023892-01-000	EA	Box - Glove Compartment - Black Fiberboard
	024598-01-000	EA	Hinge - Continuous Aluminum - 1 1/16" x 19"
	034309-01-000	EA	Chain - Bead - Glove Box Door
	023834-01-000	EA	Panel - Knee Kick
	024930-02-000	EA	Outlet - Defroster - 2" w/Swivel - Dark Brown
	046636-01-000	EA	Bracket Asm. - Shift Lever

DASH SWITCHES AND GAUGES

Key	Part Number	U/M	Description
	055279-01-000	EA	Control Asm. - Heater and A/C
	031035-01-000	EA	Gauge - Hourmeter - Generator
	024459-01-000	EA	Gauge - Voltmeter
	024460-01-000	EA	Gauge - Vacuum
	007308-01-000	EA	Clock - Dash
	024976-01-000	EA	Switch - Generator - w/o Circuit Board
	024462-01-000	EA	Switch - Battery Condition
	024461-01-000	EA	Switch - Battery Changeover
	024464-01-000	EA	Switch - Washer
	024465-01-000	EA	Switch - Fuel
	024466-01-000	EA	Switch - Rear Wiper
	024467-01-000	EA	Switch - Wiper
	049783-01-000	EA	Switch - Aux. Light
	050031-01-000	EA	Switch - Step
	051750-01-000	EA	Switch - Dash Electric LP Gas Shut Off

DRIVER'S COMPARTMENT GROUP (CONTINUED)

FRONT OVERHEAD BUNK AND HARDWARE

Key	Part Number	U/M	Description
	055671-02-000	EA	Pad - Overhead Cabinet - Left
	055672-02-000	EA	Pad - Overhead Cabinet - Right
	055701-02-000	EA	Pad - Overhead Cabinet - Center
	048820-02-J38	EA	Bunk Asm. - Front Overhead
	04671-01-000	EA	Bunk Support - Seat Belt
	042201-01-000	EA	Bunk Support - Beige

MISCELLANEOUS DRIVER'S COMPARTMENT COMPONENTS

Key	Part Number	U/M	Description
	056435-01-000	EA	Cabinet Asm. - Beverage Tray
	055207-01-J38	EA	Tray Asm. - Beverage
	034499-01-000	EA	Support - Dimmer Switch
	007278-01-000	EA	Mirror - 4 1/2" x 9" - Rear View
	036414-01-000	EA	Ashtray - Wall Mount
	042434-02-000	EA	Sunvisor Asm. - 8" x 28" - Dark Brown Vinyl - Right or Left
	040519-01-000	EA	Boot - Rubber - Steering Column
	040520-01-000	EA	Retainer - Boot - Steering Column
	039857-01-000	EA	Latch - Rubber - Draw Handle - 5 3/4" w/Strike
	039856-01-000	EA	Latch - Rubber - Draw Handle - 3" w/Strike
	039623-01-000	FT	Seal - Motor Cover
	052151-01-000	EA	Pedestal Asm. - Seat - Drivers or Passenger
	052154-01-000	EA	Slide - Bucket Seat - (1 pair)
	049943-02-000	EA	Pedestal - Complete - Swivel Seat
	054663-01-000	EA	Panel - Drivers Side - Below Window - Plastic
	054664-01-000	EA	Panel - Passenger Side - Below Window - Plastic

**1978 WINNEBAGO
TABLE OF CONTENTS**

WD420RG	A-1 - B-12
WD423RB	B-13 - D-2
WC525RB J2	D-3 - E-16
WDF23RG	E-17 - G-6
WDF26RT	G-7 - H-24
WD424RH	I-1 - J-16
WDU32RU	J-17 - L-6

1978 WDU32RU INDEX

Floor Plan	J-17 - J-18
Accessories Group	J-19 - J-20
Bath Group	J-21
Chassis Group	J-22
Curtain, Cushion & Pad Group	J-23 - K-2
Dinette Group	K-3 - K-4
Driver's Compartment Group	K-5 - K-6
Electrical Group	K-7 - K-8
Exterior Body Group	K-9 - K-12
Galley Group	K-13
Heating & Air Conditioning Group	K-14
Interior Finish Group	K-15 - K-16
LP Group	K-17
Lounge Group	K-18
Water & Sewage Group	K-19
Window, Vent & Exterior Door Group	K-20 - L-6

ELECTRICAL GROUP

BULBS

Key	Part Number	U/M	Description
	037935-01-000	EA	Bulb - 1157
	038010-01-000	EA	Bulb - 1143
	008103-01-000	EA	Bulb - 53
	005213-01-000	EA	Bulb - 57
	008214-01-000	EA	Bulb - 67
	008215-01-000	EA	Bulb - 1003
	008216-01-000	EA	Bulb - 1034
	008217-01-000	EA	Bulb - 1073
	008218-01-000	EA	Bulb - 1141
	008219-01-000	EA	Bulb - 656
	008220-01-000	EA	Bulb - 12V - 25W
	036195-01-000	EA	Bulb - 194
	700020-01-000	EA	Bulb - 12V - 20W - 1383
	037934-01-000	EA	Bulb - 1156
	037936-01-000	EA	Bulb - 1157-A
	037937-01-000	EA	Bulb - 1295
	037934-01-000	EA	Bulb - 1156
	037936-01-000	EA	Bulb - 1157-A
	037937-01-000	EA	Bulb - 1295

INTERIOR LIGHTS

Key	Part Number	U/M	Description
	033508-02-000	EA	Light - Dome - Ivory - 1 Bulb - US
	033508-03-000	EA	Light - Dome - Ivory - 1 Bulb - CSA
	033509-02-000	EA	Light - Dome - Ivory - 2 Bulb - US
	033509-03-000	EA	Light - Dome - Ivory - 2 Bulb - CSA
	024642-01-000	EA	Lens - Dome Light - 1 Bulb
	024643-01-701	EA	Lens - Dome Light - 2 Bulb
	024418-01-000	EA	Lamp Asm. - Map/Gauge/Aisle
	024473-01-000	EA	Light - Aircraft - 1 Bulb - Gold
	049412-01-000	EA	Light Asm. - Overhead - Recessed - 10" x 30"

EXTERIOR LIGHTS

Key	Part Number	U/M	Description
	037586-01-000	EA	Lamp Asm. - Front Right
	037586-02-000	EA	Lamp Asm. - Front Left
	037585-01-000	EA	Lamp Asm. - Tail - Rear Right
	037585-03-000	EA	Lens - Tail Lamp - Right
	037585-02-000	EA	Lamp Asm. - Tail - Rear Left
	037585-04-000	EA	Lens - Tail Lamp - Left
	048811-02-000	EA	Lamp Asm. - Fog Light
	042405-03-000	EA	Base - Rectangular Clearance Light
	042405-04-000	EA	Lens - Clearance Light - Red w/o Reflector
	042405-05-000	EA	Lens - Clearance Light - Amber w/o Reflector
	049185-01-000	EA	Headlamp Capsule Asm. - Rectangular - Left - High/Low Beam
	049186-01-000	EA	Headlamp Capsule Asm. - Rectangular - Right - High/Low Beam
	049187-01-000	EA	Headlamp Capsule Asm. - Rectangular - Left - High Beam
	049188-01-000	EA	Headlamp Capsule Asm. - Rectangular - Right - High Beam
	048817-01-000	EA	Handle - Assist w/Light

WINDSHIELD WIPER AND WASHER

Key	Part Number	U/M	Description
	007029-01-000	EA	Washer - Electric - Windshield
	049463-01-000	EA	Arm - Windshield Wiper - 15" Black
	037990-01-000	EA	Link Asm. - Connecting - 22.40" Long
	037999-01-000	EA	Motor Asm. - Windshield Wiper
	049464-01-000	EA	Blade - Windshield Wiper - 16" Black
	038001-01-000	EA	Shaft and Pivot Asm. - 2.25" Arm
	700073-05-000	EA	Pump and Cover Asm. - Windshield Washer
	700073-04-000	EA	Reservoir Only - Water - Windshield Washer
	700073-02-000	EA	Washer Nozzle Hardware Package

K-7

ELECTRICAL GROUP (CONTINUED)

FUSES AND CIRCUIT BREAKERS

Key	Part Number	U/M	Description
	056473-01-000	EA	Fuse - Slow Blow - 6 1/4" Amp.
	008233-01-000	EA	Fuse - 12 Volt - 6 Amp.
	008234-01-000	EA	Fuse - 12 Volt - 10 Amp.
	008235-01-000	EA	Fuse - 12 Volt - 15 Amp.
	008236-01-000	EA	Fuse - 12 Volt - 20 Amp.
	008245-01-000	EA	Fuse - 110 Volt - 30 Amp. - AGU
	008252-01-000	EA	Fuse - 110 Volt - 50 Amp.
	008208-01-000	EA	Circuit Breaker - 12 Volt - 40 Amp.
	008211-01-000	EA	Circuit Breaker - 12 Volt - 6 Amp.
	008268-01-000	EA	Circuit Breaker - 12 Volt - 30 Amp. w/Mount
	033573-01-000	EA	Circuit Breaker - 12 Volt - 20 Amp. w/Mount
	040051-01-000	EA	Circuit Breaker - 110 Volt - 20 Amp. - TQL

WIRE, SWITCHES, AND RECEPTACLES

Key	Part Number	U/M	Description
	008024-01-000	FT	Wire - 18.5 Bonded - Orange/White/Yellow/Blue/Brown
	008025-01-000	FT	Wire - 18.5 Bonded - Orange/White/Yellow/Blue/Green
	008028-01-000	FT	Wire - 18.5 Bonded - Blue/Red/Yellow/Orange/White
	008030-01-000	FT	Wire - 18.4 Bonded
	008251-01-000	EA	Holder - Fuse - Black - Screw Type
	008277-01-000	EA	Holder - Fuse - Black - Panel Mount
	008195-01-000	EA	Switch - Push Button - 12 Volt
	006077-01-000	EA	Plaque - Compressor Switch
	008054-01-000	EA	Cord - Power - 10-3 30 Amp. - 25' - UL
	008052-01-000	EA	Cord - Power - 10-3 30 Amp. - 25' - CSA
	034818-04-000	EA	Holder - Receptacle - Plastic
	039338-01-000	EA	Cover Plate - Receptacle - Plastic - Brown
	039342-01-000	EA	Receptacle - Duplex Brown - T Junction
	024571-01-000	EA	Cover Plate - Receptacle - Jumbo Steel Brown
	039343-01-000	EA	Cap - End - Receptacle
	008162-01-000	EA	Switch - Double Toggle - Spade Brown
	008163-01-000	EA	Switch - Toggle Brown
	008164-01-000	EA	Cover Plate - Switch - Brown
	024924-01-000	EA	Receptacle - Power Cord
	008058-01-000	EA	Adaptor - Power Cord
	047353-01-000	EA	Cover - Receptacle - Ground Fault
	047351-01-000	EA	Receptacle - Ground Fault Interrupter - 125 Volt, Black

MISCELLANEOUS ELECTRICAL COMPONENTS

Key	Part Number	U/M	Description
	047338-01-000	EA	Isolator - Dual Battery
	047389-01-700	EA	Battery - 12 Volt - 105 Amp. Deep Cycle - Dry
	008188-01-000	EA	Solenoid - Dual Battery - Relay
	046775-01-000	EA	Valve - Gas - Change Over
	054545-01-000	EA	Control Center - 44 Amp. VL
	036420-01-000	EA	Fan Defroster
	047375-01-000	EA	Control Unit - Power Step
	041248-01-000	EA	Light - Warning - Power Step
	041249-01-000	EA	Switch - Toggle - On/Off - Power Step
	041250-01-000	EA	Switch - Push Button - Power Step
	056463-01-000	EA	Panel Control - Water/Double Sewage - Wemac
	039861-01-000	EA	Sending Unit Kit - Wemac
	024459-01-000	EA	Gauge - Voltmeter
	024462-01-000	EA	Switch - Battery Condition
	031035-01-000	EA	Gauge - Hour Meter - Generator
	024976-01-000	EA	Switch - Generator w/o Circuit Board
	024460-01-000	EA	Gauge Vacuum
	058974-02-700	EA	Alternator Kit - 105 Ampere (WDU32RU)
	036617-01-000	EA	Relay - Canister - SPDT
	008181-01-000	EA	Relay - 12 to 15 Volt - 27 Amp.

K-8

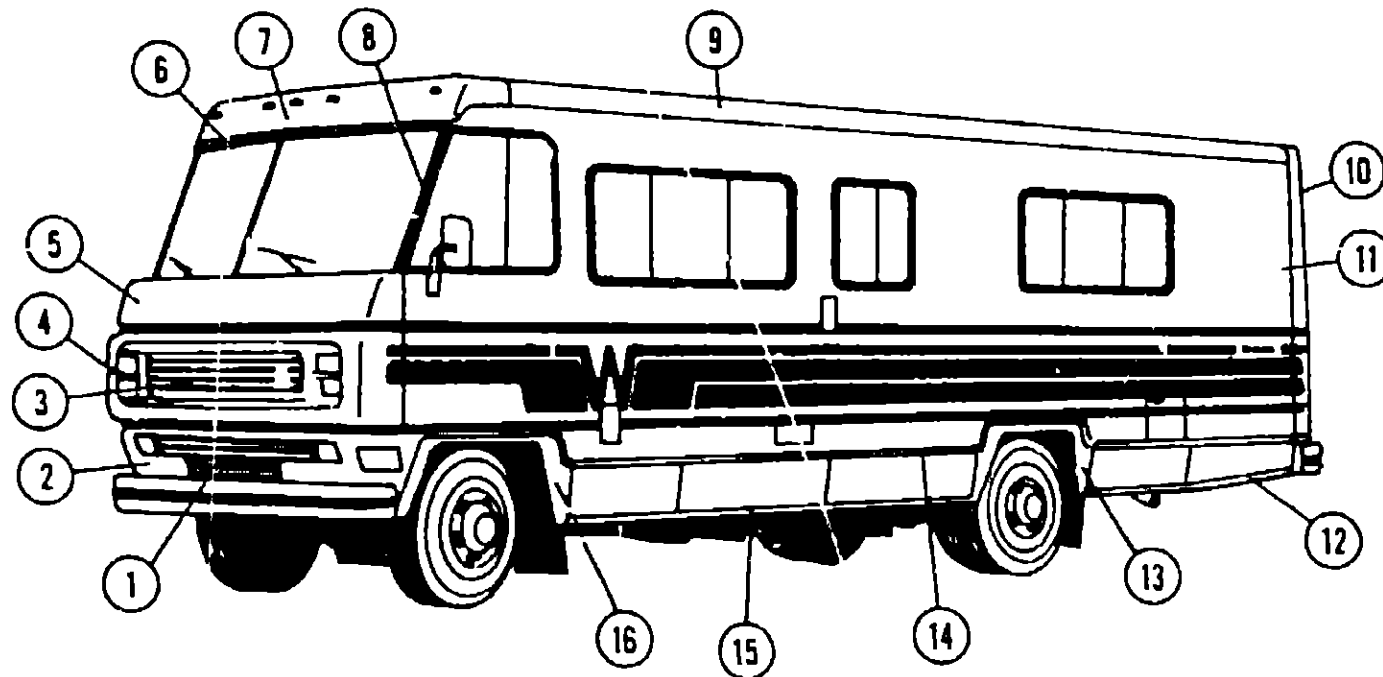
1978 WINNEBAGO TABLE OF CONTENTS

WD420RG	A-1 - B-12
WD423RB	B-13 - D-2
WC525RB J2	D-3 - E-15
WDF23RG	E-17 - G-6
WDF26RT	G-7 - H-24
WD424RH	I-1 - J-16
WDU32RU	J-17 - L-6

1978 WDU32RU INDEX

Floor Plan	J-17 - J-18
Accessories Group	J-19 - J-20
Bath Group	J-21
Chassis Group	J-22
Curtain, Cushion & Pad Group	J-23 - K-2
Dinette Group	K-3 - K-4
Driver's Compartment Group	K-5 - K-6
Electrical Group	K-7 - K-8
Exterior Body Group	K-9 - K-12
Galley Group	K-13
Heating & Air Conditioning Group	K-14
Interior Finish Group	K-15 - K-16
LP Group	K-17
Lounge Group	K-18
Water & Sewage Group	K-19
Window, Vent & Exterior Door Group	K-20 - L-6

EXTERIOR BODY GROUP



1978 WINNEBAGO TABLE OF CONTENTS

WD420RG	A-1 - B-12
WD423RB	B-13 - D-2
WC525RB J2	D-3 - E-16
WDF23RG	E-17 - G-6
WDF26RT	G-7 - H-24
WD424RH	I-1 - J-16
WDU32RU	J-17 - L-6

Key	Part Number	U/M	Description
1	050686-01-000	EA	Grille Asm. - Lower - Complete
2	048132-01-000	EA	Panel - Wheelhouse - Front Outer - Right - Fiberglass
2	048132-03-000	EA	Panel - Wheelhouse - Front Outer - Right - Plastic
3	050684-01-000	EA	Grille Asm. - Upper
	021497-01-000	EA	Latch Asm. - Grille
4	049185-01-000	EA	Capsule Asm. - Headlamp - Rectangular - Left - High/Low Beam
	049186-01-000	EA	Capsule Asm. - Headlamp - Rectangular - Right - High/Low Beam
	049187-01-000	EA	Capsule Asm. - Headlamp - Rectangular - Left - High Beam
	049188-01-000	EA	Capsule Asm. - Headlamp - Rectangular - Right - High Beam
	049358-01-000	EA	Bezel Asm. - Headlamp - Chrome - Left
	049358-02-000	EA	Bezel Asm. - Headlamp - Chrome - Right
	049359-01-000	EA	Spring - Headlamp - Retainer
	050030-01-000	EA	Housing Asm. - Headlamp - Left or Right
5	048992-02-000	EA	Panel - Front End - Fiberglass - Beige
6	038493-07-000	EA	Trim - Windshield - Right - Black
	038493-08-000	EA	Trim - Windshield - Left - Black
	038494-04-000	EA	Trim - Windshield - Center - 31.42" - Black
	038900-01-000	EA	Cap - Windshield Top - "T" - Black Plastic
	038900-02-000	EA	Cap - Windshield Bottom - "T" - Black Plastic
7	053375-01-000	EA	Cap - Front Upper - Beige Fiberglass (above windshield)

Key	Part Number	U/M	Description
8	042348-02-000	EA	Trim - "A" Post - Exterior - Left
	042348-07-000	EA	Trim - "A" Post - Exterior - Right
9	051853-01-000	EA	Extrusion - Roof/Sidewall Joint - Beige - 269"
10	053385-02-000	EA	Cap - Rear Fiberglass - Beige
11	047978-02-000	EA	Trim - Extrusion - "J" Molding - Radius Left
	047978-01-000	EA	Trim - Extrusion - "J" Molding - Radius Right
12	042314-02-000	EA	Trim - Valance Panel - Left Rear
	042314-01-000	EA	Trim - Valance Panel - Right Rear
13	047980-01-000	EA	Panel - Wheelhouse - Rear - Left or Right
14	044504-06-000	EA	Feature Strip - 133" - Beige
	042313-01-000	EA	End Cap - Feature Strip - Beige
15	049015-01-000	EA	Trim - Valance Panel - Left Front
	044861-02-000	EA	Trim - Valance Panel - Right Front
16	048132-02-000	EA	Panel - Wheelhouse - Front Outer - Left - Fiberglass
16	048132-04-000	EA	Panel - Wheelhouse - Front Outer - Left - Plastic
	048159-01-000	EA	Splash Guard - Front Bumper - Black Plastic
	044975-01-000	EA	Trim - Extrusion - 100.25" - "J" Molding - Beige
			Not Illustrated

1978 WDJ32RU INDEX

Floor Plan	J-17 - J-18
Accessories Group	J-19 - J-20
Bath Group	J-21
Chassis Group	J-22
Curtain, Cushion & Pad Group	J-23 - K-2
Dinette Group	K-3 - K-4
Driver's Compartment Group	K-5 - K-6
Electrical Group	K-7 - K-8
Exterior Body Group	K-9 - K-12
Galley Group	K-13
Heating & Air Conditioning Group	K-14
Interior Finish Group	K-15 - K-16
LP Group	K-17
Lounge Group	K-18
Water & Sewage Group	K-19
Window, Vent & Exterior Door Group	K-20 - L-6

EXTERIOR BODY GROUP (CONTINUED)

EXTERIOR BODY PANELS AND SHEET ALUMINUM

Key	Part Number	U/M	Description
	055551-01-000	EA	Panel Asm. - Valance - Beige - Right Front
	055553-01-000	EA	Panel Asm. - Valance - Beige - Left Front
	055552-01-000	EA	Panel Asm. - Valance - Beige - Right Rear
	055554-01-000	EA	Panel Asm. - Valance - Beige - Left Rear
	044612-01-000	EA	Backwall Asm. - w/o Fiberglass Cap
	054258-01-J38	EA	Sidewall Asm. - Left
	054257-01-J38	EA	Sidewall Asm. - Right
	054259-01-J38	EA	Roof Asm.
	039155-02-008	EA	Alum. - Beige - Mesa I Design - .024" x 36" x 60"
	039155-02-003	EA	Alum. - Beige - Mesa I Design - .024" x 36" x 360"
	039155-02-007	EA	Alum. - Beige - Mesa I Design - .024" x 48" x 60"
	039155-02-006	EA	Alum. - Beige - Mesa I Design - .024" x 48" x 360"
	039155-02-009	EA	Alum. - Beige - Mesa I Design - .024" x 12" x 360"
	044487-01-001	EA	Alum. - Mill Finish - No Design (Roof) - 96" x 360"
	028545-01-000	EA	Alum. - Beige Greyhound Design 48" x 96"
	001018-01-024	EA	Alum. - Beige - No Design - 48" x 96"
	000668-01-000	BF	Styrofoam - 3/4" x 24" x 96"
	039155-30-001	EA	Alum. - Beige - Mesa II Design - .024" x 36" x 60"
	039155-30-004	EA	Alum. - Beige - Mesa II Design - .024" x 36" x 384"
	039155-30-005	EA	Alum. - Beige - Mesa II Design - .024" x 48" x 60"
	039155-30-006	EA	Alum. - Beige - Mesa II Design - .024" x 48" x 384"
	039155-30-009	EA	Alum. - Beige - Mesa II Design - .024" x 12" x 360"
	039155 3-008	EA	Alum. - Off White - Mesa II Design - .024" x 36" x 384"

NOTE: The raised portion of Mesa I aluminum is 1.657" wide
The raised portion of Mesa II aluminum is .857" wide.

EXTERIOR PAINT

Key	Part Number	U/M	Description
	044486-01-000	EA	Paint - Beige - Acrylic Enamel - 1 Gallon
	044486-03-000	EA	Paint - Beige - Acrylic Enamel - 16 oz. Aerosol
	044486-04-000	EA	Paint - Beige - Acrylic Lacquer - 1 Gallon
	041561-01-000	EA	Paint - Off White - Acrylic Enamel - 1 Gallon
	041561-03-000	EA	Paint - Off White - Acrylic Enamel - 16 oz. Aerosol
	041561-04-000	EA	Paint - Off White - Acrylic Lacquer - 1 Gallon
	045681-01-000	EA	Paint - High Gloss Black - Acrylic Enamel - 1 Gallon
	045681-03-000	EA	Paint - High Gloss Black - Acrylic Enamel - 16 oz. Aerosol
	050037-01-000	EA	Paint - Astro Blue Metallic - Acrylic Enamel - 1 Gallon
	050037-03-000	EA	Paint - Astro Blue Metallic - Acrylic Enamel - 16 oz. Aerosol
	056109-01-000	EA	Paint - Burnished Red - Acrylic Enamel - 1 Gallon
	056109-03-000	EA	Paint - Burnished Red - Acrylic Enamel - 16 oz. Aerosol

MISCELLANEOUS EXTERNALLY MOUNTED PARTS

Key	Part Number	U/M	Description
	011124-01-000	EA	Plumbing Seal - Roof Vent - 1 1/4" White
	011129-01-000	EA	Plumbing Seal - Roof Vent - 1 1/2" White
	010230-02-000	EA	Fil - City Water - Recessed - Off White
	048817-01-000	EA	Handle - Assist w/Light
	048347-01-000	EA	Mirror Head - 7 1/2" x 10 1/2" Stainless Steel w/o Bracket
	049348-01-000	EA	Arm - Low Mount Mirror - Brite Finish
	049944-01-000	EA	Bracket - Mirror - Outside - Beige - Mounts to Coach
	044399-01-000	EA	Thermometer - Outside Chrome

EXTERIOR BODY GROUP (CONTINUED)

LABELS AND DECALS

Key	Part Number	U/M	Description
	005023-01-000	EA	Label - Water Only
	006025-01-000	EA	Label - Gas
	006026-01-000	EA	Label - Drain Cap - 2" x 3"
	006031-01-000	EA	Label - Potable Water Only
	006187-01-000	EA	Label - Sewage
	006188-01-000	EA	Label - Waste Water
	006199-01-000	EA	Label - Exit - Escape Window
	031161-01-000	EA	Label - Flying "W"
	039289-01-000	EA	Label - Warning Aux. Loading
	005001-01-000	EA	Name Plate - Winnebago - Chrome - Plastic
	006040-01-000	EA	Tag - Gas - Refueling Warning
	040944-01-000	EA	Label - Open - Entrance Door
	049289-06-000	EA	Decal - Logo - Elandan II - Regal Blue
	049289-07-000	EA	Decal - Logo - Elandan II - Burnished Red
	039284-01-000	EA	Decal - Grille - Flying W
	039403-02-000	EA	Decal - Logo - Winnebago - 2.80" - Off White

SEALANTS, ADHESIVES AND FASTENERS

Key	Part Number	U/M	Description
	034552-05-000	EA	Sealant - Off White Silicone
	034552-04-000	EA	Sealant - Beige Silicone
	034552-02-000	EA	Sealant - Clear Silicone
	004348-02-000	EA	Sealant - Aluminum Silicone
	004349-01-000	EA	Sealant - Black Silicone
	004342-01-000	EA	Sealant - Weatherban 202 Tube
	004346-02-000	EA	Sealant - White Silicone
	004347-01-000	EA	Sealant - Tufflex
	002316-01-000	FT	Tape - Sealer - 3/32" x 1/8"
	024545-01-000	FT	Tape - Sealer - 1/8" x 5/8" - Black
	004350-01-000	FT	Tape - Sealer - 1/8" x 1" - Formaseal
	004352-01-000	FT	Tape - Sealer - 1/8" x 3/4" - Formaseal
	004355-01-000	FT	Tape - Sealer - 1/8" x 5/8" - Black
	004357-01-000	FT	Tape - Sealer - 1/8" x 5/8" - Adhesive
	002707-02-000	FT	Tape - Sealer - 5/16" x 1/2" - Black Foam
	002707-01-000	FT	Tape - Sealer - 5/16" x 3/4" - Black Foam
	041422-01-000	FT	Tape - Sealer - 1/4" x 1/2"
	004363-01-000	FT	Tape - Sealer - 3/15" x 1/2" - Foam
	004362-01-000	FT	Tape - Sealer - 1/8" x 5/8" - Foam
	009200-01-000	EA	Tape - Furnace - 1 1/2"
	004353-01-000	FT	Tape - Gasket - 1/8" x 3/4" - White
	002825-01-000	FT	Weather Stripping - Roof Vent
	002337-01-000	EA	Adhesive - 3M - 1300 Tube
	004005-01-000	GL	Adhesive - Swifts - Green - Glue (Sidewalls)
	004012-01-000	EA	Adhesive - 3 M - 4475 Tube
	034020-01-000	QT	Adhesive - ABS Cement (Plastic Fittings)
	029051-01-000	EA	Adhesive - Spray Vinyl
	042401-02-000	EA	Screw - 8 - 18 x 3/4" SDPH - Off White
	042403-02-000	EA	Screw - SF/DR - 9 - 18 x 1" SDPH - Off White
	005053-01-000	EA	Screw - Wood - 12 - 11 x 3" P.O.H. Zinc
	053766-01-000	EA	Bedding Compound - Tube Black - Schnee Morehead
	053766-02-000	EA	Bedding Compound - Tube White - Schnee Morehead
	053767-01-000	FT	Tape - 1/2" x 1/8" x 30' - Gray - Schnee Morehead
	053767-02-000	FT	Tape - 3/16" Bead x 25' - Gray - Schnee Morehead
	053767-03-000	FT	Tape - 1/4" Bead x 20' - Gray - Schnee Morehead
	053767-04-000	FT	Tape - 3/4" x 1/8" x 30' - Gray - Schnee Morehead
	053767-05-000	FT	Tape - 2" x 3/32" x 45' - Gray - Schnee Morehead

**1978 WINNEBAGO
TABLE OF CONTENTS**

WD420RG	A-1 - B-12
WD423RE	B-13 - D-2
WC525RB J2	D-3 - E-16
WCF23RG	E-17 - G-6
WCF26RT	G-7 - H-24
WD424RH	I-1 - J-16
WCU32RU	J-17 - L-6

1978 WLU32RU INDEX

Floor Plan	J-17 - J-18
Accessories Group	J-19 - J-20
Bath Group	J-21
Chassis Group	J-22
Curtain, Cushion & Pad Group	J-23 - K-2
Dinette Group	K-3 - K-4
Driver's Compartment Group	K-5 - K-6
Electrical Group	K-7 - K-8
Exterior Body Group	K-9 - K-12
Galley Group	K-13
Heating & Air Conditioning Group	K-14
Interior Finish Group	K-15 - K-16
LP Group	K-17
Lounge Group	K-18
Water & Sewage Group	K-19
Window, Vent & Exterior Door Group	K-20 - L-6

GALLEY GROUP

GALLEY CABINETRY

Key	Part Number	U/M	Description
	053841-01-J38	EA	Cabinet Asm. - Galley - w/o Countertop, Doors, Drawers or Hardware
	053729-01-J38	EA	Countertop Asm. - Galley Cabinet - Drillwood
	057695-01-J38	EA	Backsplash - Galley - 41" - Drillwood
	057696-01-J38	EA	Backsplash - Galley - 65 1/8" - Drillwood
	053729-01-J37	EA	Countertop Asm. - Galley Cabinet - Concord Birch
	057695-01-J39	EA	Backsplash - Galley - 41" - Concord Birch
	057696-01-J39	EA	Backsplash - Galley - 65 1/8" Concord Birch
	055458-01-J38	EA	Door Asm. - Galley Cabinet - 10 1/8" x 27 1/4" - w/o Hardware
	055458-02-J38	EA	Door Asm. - Galley Cabinet - 14 5/8" x 9 1/4" - w/o Hardware
	055458-03-J38	EA	Door Asm. - Galley Cabinet - 8 7/8" x 18 1/8" - w/o Hardware
	056702-03-J38	EA	Drawer Asm. - Galley Cabinet - 13 7/8" x 5" x 10" Deep - w/o Hardware
	056702-02-J38	EA	Drawer Asm. - Refrigerator Cabinet - 23 5/8" x 5 1/4" x 20" Deep - w/o Hardware
	053842-01-J38	EA	Cabinet Asm. - Galley Overhead - w/o Doors or Hardware
	055458-06-J38	EA	Door Asm. - Galley Overhead Cabinet - 14 5/8" x 12 5/8" - w/o Hardware
	054001-02-J38	EA	Door Asm. - Sliding - 25 1/2" x 73" - w/o Hardware
	057562-01-000	EA	Padded Trim - Sliding Door - 24"
	057562-02-000	EA	Padded Trim - Sliding Door - 25"

GALLEY HARDWARE AND APPLIANCES

Key	Part Number	U/M	Description
	011033-01-000	EA	Sink - Stainless Steel - Double - Large/Small - w/Bolts
	039872-01-000	EA	Faucet Asm. - Swivel - Single Handle
	011035-01-000	EA	Strainer - Sink
	009155-01-000	EA	Track - Sliding Door
	009156-01-000	EA	Hanger - Sliding Door
	023111-01-000	EA	Food Center - Power Unit - Built in - w/Blender
	023111-02-000	EA	Ice Crusher - Food Center
	052771-01-000	EA	Oven - Microwave - Magic Chef 207-4
	056504-01-000	EA	Duct - Stove Hood Vent
**	046954-03-000	EA	Stove Hood - Powered - Black
**	055282-01-000	EA	Range - 4 Burner - Small Oven - Black
**	049174-02-000	EA	Refrigerator - AC/DC/Gas - 2 Door Model - Sibir ET230/2

**The illustrated parts breakdown for this item is provided on the Common Items Fiche.

HEATING AND AIR CONDITIONING GROUP

Key	Part Number	U/M	Description
	039505-02-000	EA	Thermostat - Wall Mount - Black
	009198-01-000	FT	Duct - Flexible - 4" I.D. x 25'
	003200-01-000	EA	Tape - Furnace - 1 1/2"
	023146-01-000	EA	Clamp - Screw Type - 4"
	056464-01-000	EA	Register - 4" Dia. - Plastic w/Damper
	007108-01-000	FT	Hose - Heater - 5/8" I.D.
	039044-01-000	EA	Louver Asm. - A/C Adjustable
**	056113-01-000	EA	Furnace - 22,000 BTU - w/Electric Ignition - 4322 - Coleman
**	056112-01-000	EA	Furnace - 28,000 BTU - w/Electric Ignition - 4328 Coleman
**	049777-02-000	EA	Air Conditioner - 110 Volt - Roof Mount - 11,000 BTU - Ivory Coleman (w/o inside shroud)
**	049778-02-000	EA	Shroud Asm. - Ceiling - Inside - Roof Air - Cool Only - 11,000 BTU - Coleman
**	049774-02-000	EA	Air Conditioner - 110 Volt - Roof Mount - 13,500 BTU Ivory - Coleman (w/o inside shroud)
**	049775-02-000	EA	Shroud Asm. - Ceiling - Inside - Roof Air - Cool Only - 13,500 BTU - Coleman
**	049776-01-000	EA	Shroud Asm. - Ceiling - Inside - Roof Air - Heat and Cool Only - 13,500 BTU - Coleman
	049401-01-000	EA	Heater Asm. - Rear Aux.
	056906-01-000	EA	Control Panel - Rear Aux. Heater
	049401-01-700	EA	Valve - Water Control - Rear Aux. - Heater
	049401-01-701	EA	Control Cable - Rear Aux. Heater
	049401-01-702	EA	Motor Asm. - Rear Aux. Heater
	049401-01-703	EA	Heater Core - Rear Aux. - Heater
	049401-01-704	EA	Switch - Rear Aux. Heater
	056778-01-714	EA	Auto Air Kit - 440 C.I.D. - Evans
	039044-01-000	EA	Louver Asm. - A/C Adjustable
	056778-01-700	EA	Water Valve
	056778-01-701	EA	Heater Core
	056778-01-702	EA	Blower Asm.
	056778-01-703	EA	Cold Control
	056778-01-704	EA	Evaporator Coil
	056778-01-705	EA	Expansion Valve
	056778-01-706	EA	Receiver Dehydrator
	056778-01-707	EA	Clutch
	056778-01-708	EA	Compressor
	056778-01-709	EA	Hose - Refrigerant - Evaporator to Condensor
	056778-01-710	EA	Hose - Refrigerant - Receiver Drier to Evaporator Hose
	056778-01-713	EA	Hose - Refrigerant - Evaporator to Receiver Drier Hose
	056778-01-711	EA	Hose - Refrigerant - Condensor to Compressor Hose
	056778-01-712	EA	Hose - Refrigerant - Compressor to Condensor Hose

**The illustrated parts breakdown for this item is provided on the Common Items Fiche.

1978 WINNERAGO TABLE OF CONTENTS

WD420RG	A-1 - B-12
WD423RB	B-13 - D-2
WCE25RB J2	D-3 - E-16
WDF23RG	E-17 - G-6
WDF26RT	G-7 - H-24
WD424RH	I-1 - J-16
WDU32RU	J-17 - L-6

1978 WDU32RU INDEX

Floor Plan	J-17 - J-18
Accessories Group	J-19 - J-20
Bath Group	J-21
Chassis Group	J-22
Curtain, Cushion & Pad Group	J-23 - K-2
Dinette Group	K-3 - K-4
Driver's Compartment Group	K-5 - K-6
Electrical Group	K-7 - K-8
Exterior Body Group	K-9 - K-12
Galley Group	K-13
Heating & Air Conditioning Group	K-14
Interior Finish Group	K-15 - K-16
LP Group	K-17
Lounge Group	K-18
Water & Sewage Group	K-19
Window, Vent & Exterior Door Group	K-20 - L-6

INTERIOR FINISH GROUP

PANELING AND COUNTERTOP MATERIALS

Key	Part Number	U/M	Description
	039188-01-000	SF	Paneling - 707 Hickory - 48" x 96" (32 SF)
	056744-01-000	SF	Paneling - Champagne - 48" x 96" (32 SF)
	000726-05-000	EA	Batt Strip - 707 Hickory
	057020-01-000	SF	Plastic Laminate - 48" x 96" - Driftwood
	055741-01-000	SF	Plastic Laminate - 48" x 96" - Concord Birch

FABRICS AND CARPET

Key	Part Number	U/M	Description
	056735-01-000	YD	Fabric - Drapery - Blue
	056735-02-000	YD	Fabric - Drapery - Copper/Tan
	056733-01-000	YD	Fabric - Upholstery - Blue (Main)
	056734-01-000	YD	Fabric - Upholstery - Blue (Accent)
	056733-02-000	YD	Fabric - Upholstery - Rust (Main)
	056734-02-000	YD	Fabric - Upholstery - Rust (Accent)
	042411-01-000	YD	Vinyl - Non Expanded - 27 oz. - Berkshire Brown
	042411-02-000	YD	Vinyl - Expanded - 28 oz. - Berkshire Brown
	042411-03-000	YD	Vinyl - Non Support - 16 Gauge Film - Berkshire Brown
	056736-01-000	SY	Carpet - Kingdom Beige

INTERIOR MOLDINGS AND TRIMS

Key	Part Number	U/M	Description
	052075-01-000	FT	Wetling - Brown Vinyl
	041665-01-000	EA	Extr. - Alum. - Interior Cabinet Joint - 77"
	042357-01-000	FT	Molding - Outside Cabinet Corner - 707 Hickory - 7'
	033535-03-000	FT	Molding Asm. - Shelf - 707 Hickory
	042321-01-000	FT	Molding - Cove - Pine/Vinyl - 1 3/4"
	022756-01-000	EA	Cover - Air Conditioner Wire - Plastic
	009778-01-000	FT	U-Channel - 1" Dark Brown Plastic
	009777-01-000	FT	U-Channel - 3/4" Dark Brown Plastic
	009779-01-000	FT	U-Channel - 1 1/8" - Dark Brown Plastic
	023631-05-000	EA	Button Asm. - Vinyl Covered - Brown
	054676-06-J33	EA	Button Asm. - Cloth Covered - Blue
	054676-06-J39	EA	Button Asm. - Cloth Covered - Rust
	042414-01-000	FT	Trim - Accent - Brown Vinyl

INTERIOR FINISH GROUP (CONTINUED)

CURTAIN HARDWARE

Key	Part Number	U/M	Description
	052327-04-236	EA	Track - Curtain - Brown Alum. - 89" w/Holes
	053272-04-203	EA	Track - Blackout Curtain - Off White - 76.5 w/Holes
	056269-03-000	EA	Track - Wraparound Curtain - Brown Alum. - Right
	056269-04-000	EA	Track - Wraparound Curtain - Brown Alum. - Left
	056001-01-000	EA	Bracket - Shade - Left
	056002-01-000	EA	Bracket - Shade - Right
	009107-01-000	EA	Guide - Nylon Snap - Curtain
	018031-42-000	EA	Track - Curtain - "L" Rod - Alum. Extr. - 90"
	009701-01-000	EA	Carrier - "L" Rod - Curtain
	009702-01-000	EA	End Stop - "L" Rod - Curtain

CABINETRY AND INTERIOR HARDWARE

Key	Part Number	U/M	Description
	009155-01-000	EA	Track - Sliding Door
	009156-01-000	EA	Hanger - Sliding Door
	041835-01-000	EA	Screw - 5 x 5/8" POH - Antique Brass
**	041923-01-000	EA	Kit - Lower Door Pull
**	041799-01-000	EA	Drawer Pull
**	051714-01-000	EA	Kit - Overhead Door - Pull and Latch
**	041434-01-000	EA	Hinge - Double Acting - Overhead Cabinet
**	047744-02-000	EA	Kit - Drawer Glide - 22" - 23.38"
**	047744-03-000	EA	Kit - Drawer Glide - 11" - 12.38"
**	047744-04-000	EA	Kit - Drawer Glide - 25" - 26.38"
**	041931-01-000	EA	Kit - Cabinet Door Hinge
	009112-01-000	EA	Flange 1" Rod - Chrome
	007019-01-000	EA	Belt Asm. - Seat 2" x 84" - Black
	007021-01-000	EA	Belt Asm. - Seat 2" x 90" - Black
	041322-01-000	EA	Washer - Flat - 15/32" i.D. x 2 3/8" O.D. (Seat Belt)
	042950-01-000	EA	Handle - Interior Assist

** The illustrated parts breakdown for this item is provided on the Common Items Fiche.

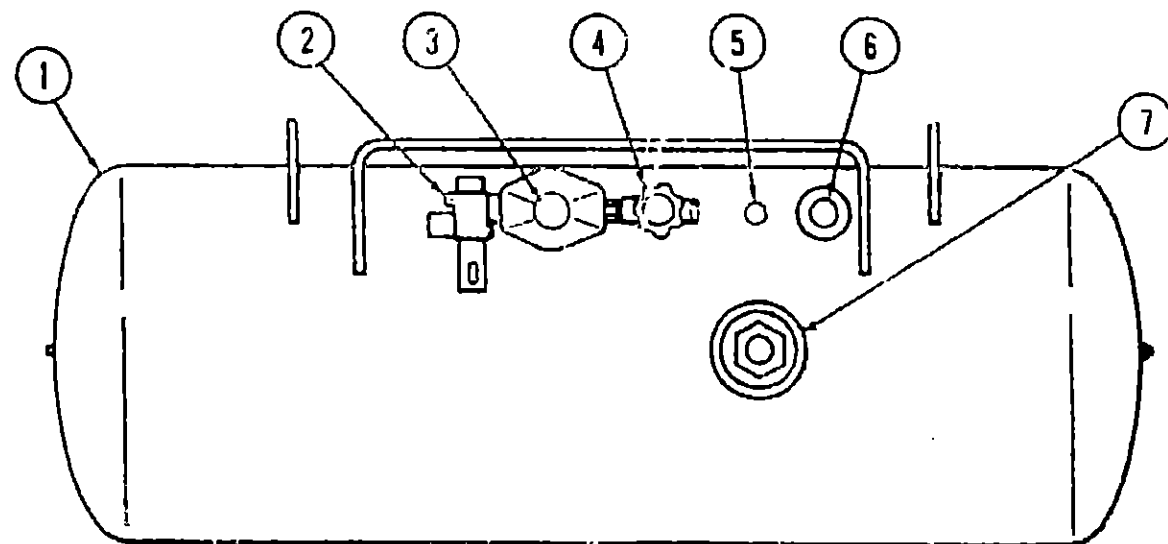
**1978 WINNEBAGO
TABLE OF CONTENTS**

WD420RG	A-1 - B-12
WD423RB	B-13 - D-2
WC525RB J2	D-3 - E-16
WDF23RG	E-17 - G-6
WDF26RT	G-7 - H-24
WD424RH	I-1 - J-16
WDU32RU	J-17 - L-6

1978 WDU32RU INDEX

Floor Plan	J-17 - J-18
Accessories Group	J-19 - J-20
Bath Group	J-21
Chassis Group	J-22
Curtain, Cushion & Pad Group	J-23 - K-2
Dinette Group	K-3 - K-4
Driver's Compartment Group	K-5 - K-6
Electrical Group	K-7 - K-8
Exterior Body Group	K-9 - K-12
Galley Group	K-13
Heating & Air Conditioning Group	K-14
Interior Finish Group	K-15 - K-16
LP Group	K-17
Lounge Group	K-18
Water & Sewage Group	K-19
Window, Vent & Exterior Door Group	K-20 - L-6

LP GROUP



Key	Part Number	U/M	Description
1	040421-01-000	EA	Tank - LP - Frame Mount - 83 Pound
2	047221-01-000	EA	Detector - LP Gas Leak
3	024712-01-000	EA	Cover - LP Regulator
4	052103-01-000	EA	Regulator - Manual - LP Gas - 2 Stage
5	040421-01-703	EA	Valve - Vapor Relief
6	040421-01-700	EA	Gauge - Liquid Level - 20% LP
7	040421-01-701	EA	Valve - Filler - LP
	040421-01-702	EA	Cap - Plastic Fill Valve
	040421-01-707	EA	Gauge - Float w/Visible Dial
	040421-01-704	EA	Gauge - Float w/Electrical Transmitter Dial
	040421-01-706	EA	Dial - Visible Face
	040421-01-705	EA	Dial - Transmitter - 0 - 90 Ohm
	045703-03-000	EA	Hose Asm. - LP - 3/8" I.D. x 14"
	047737-02-000	EA	Support - LP - E9.25
	047737-03-000	EA	Support - LP Tank - 30.50"
	050799-01-000	EA	Valve - Automatic LP Gas Flow - 3/8" FPT
	Not Illustrated		

LOUNGE GROUP

LOUNGE OVERHEAD CABINETRY AND SLIDING DOOR

Key	Part Number	U/M	Description
	054294-01-J38	EA	Cabinet Asm. - Rear Overhead - 89 1/4" - Across Back - w/o Door or Hardware
	053850-01-J38	EA	Cabinet Asm. - Right Rear Overhead - 49 1/2" - w/o Door or Hardware
	053875-02-J38	EA	Cabinet Asm. - Right Rear Overhead - 67 3/4" - w/o Doors or Hardware
	053375-01-J38	EA	Cabinet Asm. - Left Rear Overhead - 67 3/4" - w/o Doors or Hardware
	L56483-03-J38	EA	Door Asm. - Overhead Cabinet - 10 1/2" x 40 1/2" - w/o Hardware
	056488-02-J38	EA	Door Asm. - Overhead Cabinet - 10 1/8" x 30 1/2" - w/o Hardware
	054001-01-J38	EA	Door Asm. - Sliding - 28 1/2" x 75" - w/o Pads or Hardware
	009155-01-000	EA	Track - Sliding Door
	009156-01-000	EA	Hanger - Sliding Door
	057562-03-000	EA	Trim Pad - Sliding Door - 26 3/8" - Brown Vinyl

REAR LOUNGE W/DOUBLE BED

Key	Part Number	U/M	Description
	053626-01-J38	EA	Cabinet Asm. - Furnace - w/o Countertop, Door, Drawers or Hardware
	053601-01-J38	EA	Countertop Asm. - Furnace Cabinet - 25" x 21 5/8" - Driftwood
	053601-01-J39	EA	Countertop Asm. - Furnace Cabinet - 25" x 21 5/8" - Concord Birch
	053659-01-J38	EA	Cabinet Asm. - Wardrobe - w/o Door or Hardware
	055433-01-J38	EA	Door Asm. - Furnace - 17" x 12 3/4" - w/Insert
	047205-08-000	EA	Insert - Furnace Door - 10 1/8" x 12 1/2" - Brass Mesh
	057551-01-J38	EA	Door Asm. - Wardrobe Cabinet - 42 3/8" x 14 7/8" - w/o Hardware
	056702-04-J38	EA	Drawer Asm. - Bed Cabinet - 9 3/4" x 10 5/8" x 20" Deep - w/o Hardware
	054866-01-J38	EA	Headboard Asm. - Double Bed - Padded - Blue Upholstery
	054866-1-J39	EA	Headboard Asm. - Double Bed - Padded - Rust Upholstery

REAR TWIN BEDS W/NIGHTSTAND

Key	Part Number	U/M	Description
	056064-01-J38	EA	Cabinet Asm. - Twin Bed - Right - w/o Doors or Hardware
	056085-01-J38	EA	Cabinet Asm. - Twin Bed - Left - w/o Doors or Hardware
	056095-01-J38	EA	Countertop Asm. - Twin Bed - Right - 31 5/8" x 8 1/2" - Driftwood
	056094-01-J38	EA	Countertop Asm. - Twin Bed - Left - 31" x 6 3/4" - Driftwood
	056095-01-J39	EA	Countertop Asm. - Twin Bed - Right - 31 5/8" x 8 1/2" - Concord Birch
	056094-01-J39	EA	Countertop Asm. - Twin Bed - Left - 31" x 6 3/4" - Concord Birch
	056099-01-J38	EA	Cabinet Asm. - Nightstand - w/o Countertop
	056099-01-J38	EA	Countertop Asm. - Nightstand - Driftwood
	056098-01-J39	EA	Countertop Asm. - Nightstand - Concord Birch

PRESTO BED W/VANITY

Key	Part Number	U/M	Description
	056295-01-J38	EA	Cabinet Asm. - Bedroom Vanity - w/o Countertop, Drawers or Hardware
	056299-01-J38	EA	Countertop Asm. - Bedroom Vanity - 22 7/8" x 35 3/8" - Driftwood
	056299-01-J39	EA	Countertop Asm. - Bedroom Vanity - 22 7/8" x 35 3/8" - Concord Birch
	056702-03-J38	EA	Drawer Asm. - Bedroom Vanity Cabinet - 14 1/8" x 5 1/4" x 10" Deep - w/o Hardware
	056300-01-J38	EA	Cabinet Asm. - Right Gaucho - 28 5/8" x 22" - w/o Drawer or Hardware
	056702-02-J38	EA	Drawer Asm. - Right Gaucho Cabinet - 23 5/8" x 5" x 20" Deep - w/o Hardware
	056702-04-J38	EA	Drawer Asm. - Presto Bed Cabinet - 9 3/4" x 10 5/8" x 20" Deep - w/o Hardware
	055433-01-J38	EA	Door Asm. - Furnace - 17" x 12 3/4" - w/Insert
	047205-08-000	EA	Insert - Furnace Door - 10 1/8" x 12 1/2" - Brass Mesh
	042277-01-000	EA	Bracket Asm. w/o Spring - Presto Bed - Right
	042277-02-000	EA	Bracket Asm. w/Spring - Presto Bed - Left
	045088-02-000	EA	Torque Tube - Presto Bed - 96"

1978 WIIJNEBAGO TABLE OF CONTENTS

WD420RG	A-1 - B-12
WD423RB	B-13 - D-2
WC525RB J2	D-3 - E-16
WDF23RG	E-17 - G-6
WDF26RT	G-7 - H-24
WD424RH	I-1 - J-16
WDU32RU	J-17 - L-6

1978 WDU32RU INDEX

Floor Plan	J-17 - J-18
Accessories Group	J-19 - J-20
Bath Group	J-21
Chassis Group	J-22
Curtain, Cushion & Pad Group	J-23 - K-2
Dinette Group	K-3 - K-4
Driver's Compartment Group	K-5 - K-6
Electrical Group	K-7 - K-8
Exterior Body Group	K-9 - K-12
Galley Group	K-13
Heating & Air Conditioning Group	K-14
Interior Finish Group	K-15 - K-16
LP Group	K-17
Lounge Group	K-18
Water & Sewage Group	K-19
Window, Vent & Exterior Door Group	K-20 - L-6

WATER AND SEWAGE GROUP

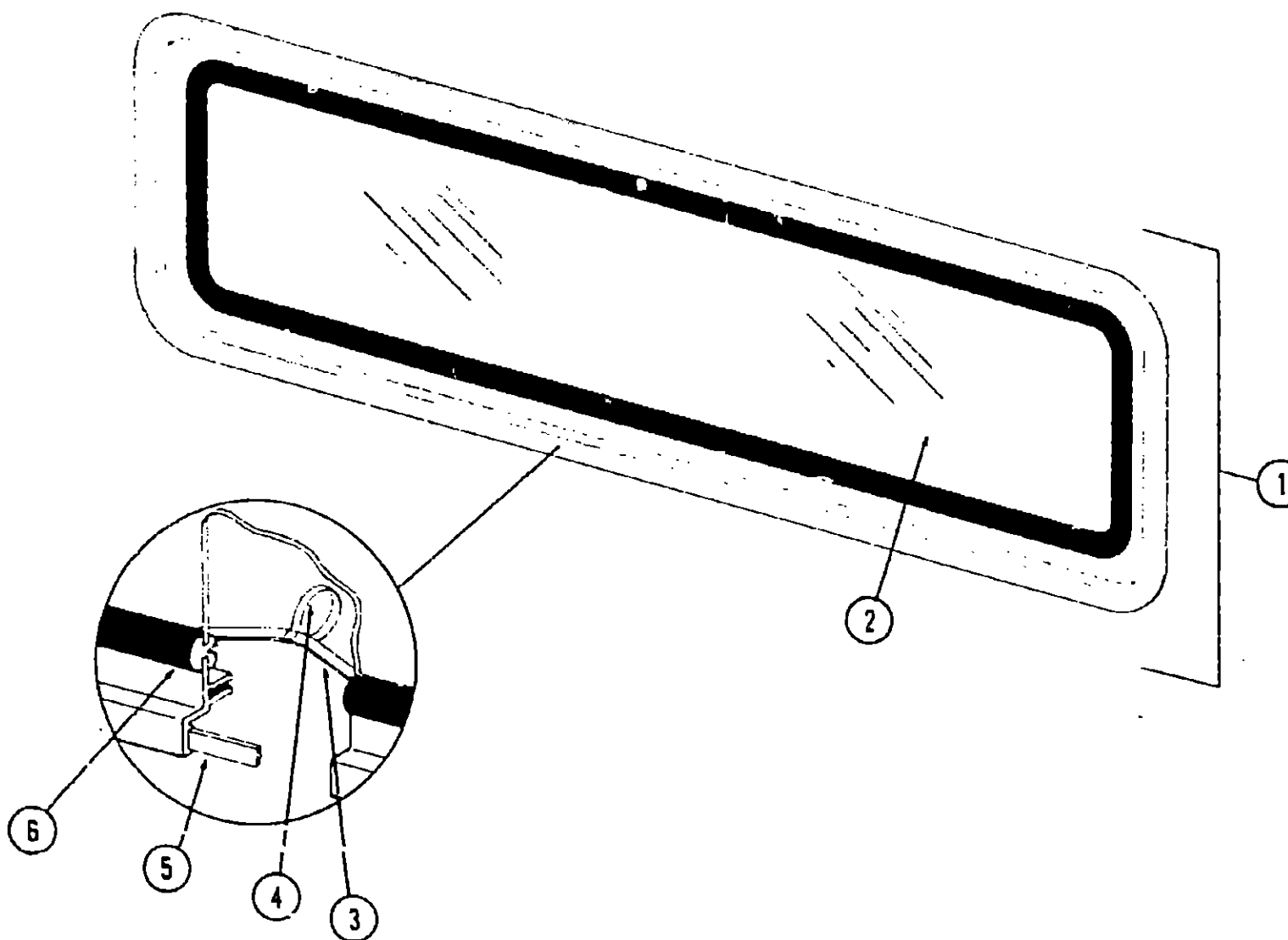
Key	Part Number	U/M	Description
**	040539-01-000	EA	Kit - Repair - 3/8" O.D. Plastic Tube
**	040540-01-000	EA	Kit - Repair - 1/2" O.D. Plastic Tube
**	040541-01-000	EA	Kit - Repair - 5/8" O.D. Plastic Tube
**	041278-02-000	EA	Pump - Water Flow 2.8 G.P.M. - PAR
**	039647-02-000	EA	Filter - Water Pump 1/2" MPT
**	039809-01-000	EA	Valve - Stool - Plastic 3/8" x 1/2" FPT.
**	039818-01-000	EA	Riser Asm. - 3/8" O.D. x 24" Tube
**	039818-02-000	EA	Riser Asm. - 3/8" O.D. x 36" Tube
**	039818-04-000	EA	Riser Asm. - 3/8" O.D. x 72" Tube
**	041819-01-000	EA	Nut and Cone - Plastic 1/2" O.D. Tube
**	039807-01-000	EA	Valve - Drain - Brass - 1/2" MPT
**	004020-01-000	QT	Adhesive - ABS Cement
**	010201-01-000	EA	Hose - Sewer 3" x 10 FT w/Clamp
**	010235-01-000	EA	Cap - Sewage 3"
**	010236-01-000	EA	Adapter - Hose 3" Sewage
**	010234-01-000	EA	Adapter - Bayonet
**	011091-01-000	EA	Waste - Continuous - Double Sink 11 7/8"
**	011066-01-000	EA	P-Trap - Plastic - 1 1/4"
**	010205-01-000	EA	Valve - Sanitary - Thetford 3XB
**	010210-01-000	EA	Valve - Sanitary - Thetford 3HB
**	010133-01-000	EA	Adapter - Trap - Plastic 1 1/2" H x MPT
**	010071-01-000	EA	Tee - Plastic - 1 1/2" H x H x H
**	010079-01-000	EA	Tee - Plastic - 1 1/2" H x 1 1/2" H x 1 1/4" H
**	010091-01-000	EA	Wye - Plastic - 3" x 45 H x H x H
**	010073-01-000	EA	Wye - Plastic - 1 1/2" x 45 H x H x H
**	010121-01-000	EA	Bushing - Plastic 1 1/2 S x 1 1/4 H
**	010117-01-000	EA	Coupling - Plastic - 3" H x H
**	010134-01-000	EA	Adapter - Plastic - 1 1/2" M x MPT
**	050780-01-000	EA	Coupler - Rubber - 3" x 3"
**	046524-01-000	EA	Kit - Plastic Fittings - Holding Tank
**	046524-02-000	EA	Kit - Plastic Fittings - Water Tank
**	010209-07-000	EA	Handle - Extension - Sewer Valve - 26.75"
**	010209-08-000	EA	Handle - Extension - Sewer Valve - 57.75"
**	037845-01-000	FT	Tape - Butyl - 3/16" - Bead - Black

**The illustrated parts breakdown for this item is provided on the Common Items Fiche.

HOLDING TANKS AND WATER HEATERS

Key	Part Number	U/M	Description
**	053373-02-000	EA	Tank Asm. - Holding w/Fittings - 33 Gallon
**	053370-01-000	EA	Tank Asm. - Holding w/o Fittings - 33 Gallon
**	053369-02-000	EA	Tank Asm. - Holding w/Fittings - 43 Gallon
**	053369-01-000	EA	Tank Asm. - Holding w/o Fittings - 43 Gallon
**	045194-03-000	EA	Tank Asm. - Water w/Fittings - 36 Gallon
**	045194-01-000	EA	Tank Asm. - Water w/o Fittings - 36 Gallon
**	042031-03-000	EA	Tank Asm. - Water w/Fittings - 38 Gallon
**	042031-01-000	EA	Tank Asm. - Water w/o Fittings - 38 Gallon
**	055283-01-000	EA	Water Heater - w/Motor Aid GH610E

WINDOW, VENT AND EXTERIOR DOOR GROUP



1978 WINNEBAGO TABLE OF CONTENTS

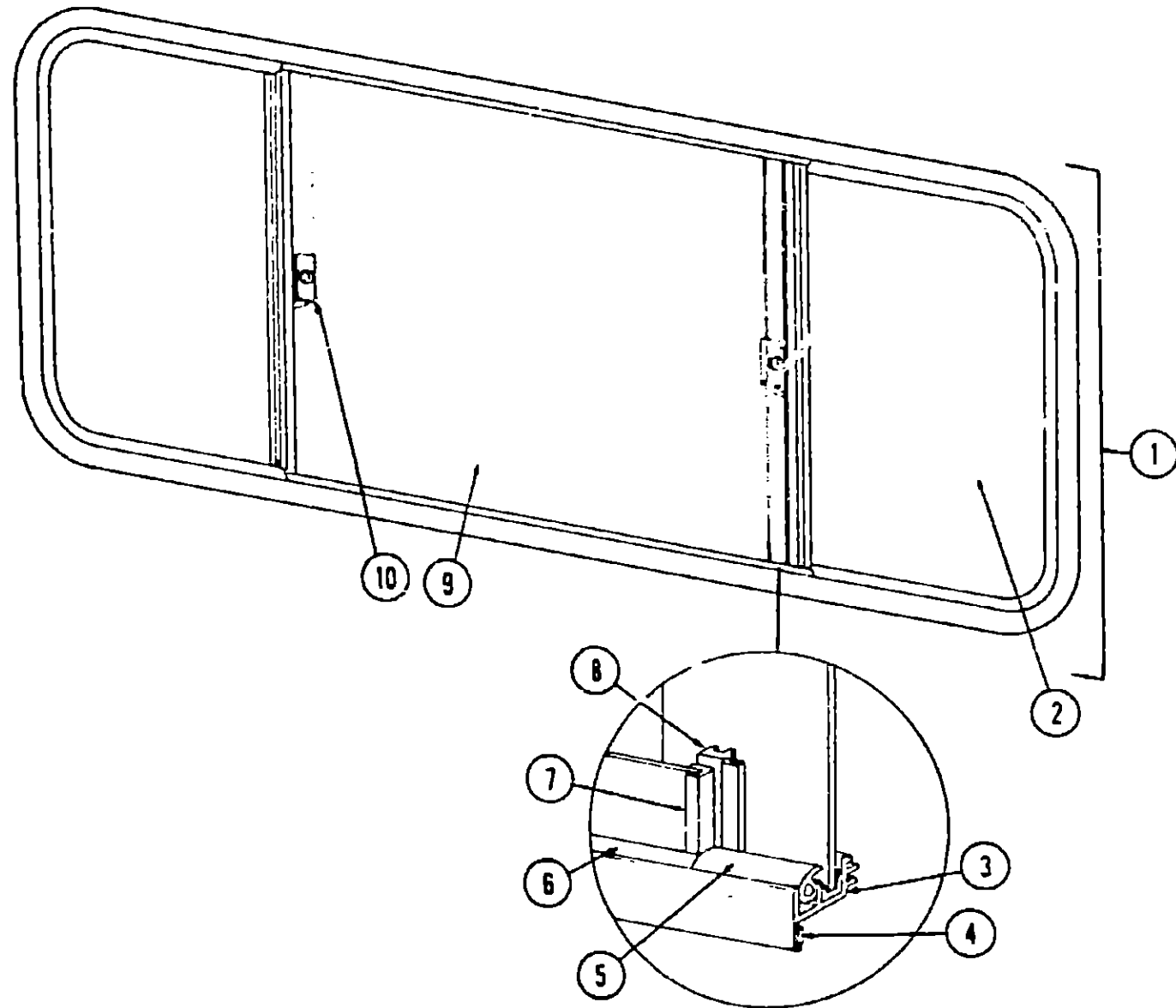
WD420RG	A-1 - R-12
WD423RB	B-13 - D-2
WC525RB J2	D-3 - E-16
WDF23RG	E-17 - G-6
WDF26RT	G-7 - H-24
WD424RH	I-1 - J-16
WDU32RU	J-17 - L-6

1978 WDU32RU INDEX

Floor Plan	J-17 - J-18
Accessories Group	J-19 - J-20
Bath Group	J-21
Chassis Group	J-22
Curtain, Cushion & Pad Group	J-23 - K-2
Dinette Group	K-3 - K-4
Driver's Compartment Group	K-5 - K-6
Electrical Group	K-7 - K-8
Exterior Body Group	K-9 - K-12
Galley Group	K-13
Heating & Air Conditioning Group	K-14
Interior Finish Group	K-15 - K-16
LP Group	K-17
Lounge Group	K-18
Water & Sewage Group	K-19
Window, Vent & Exterior Door Group	K-20 - L-6

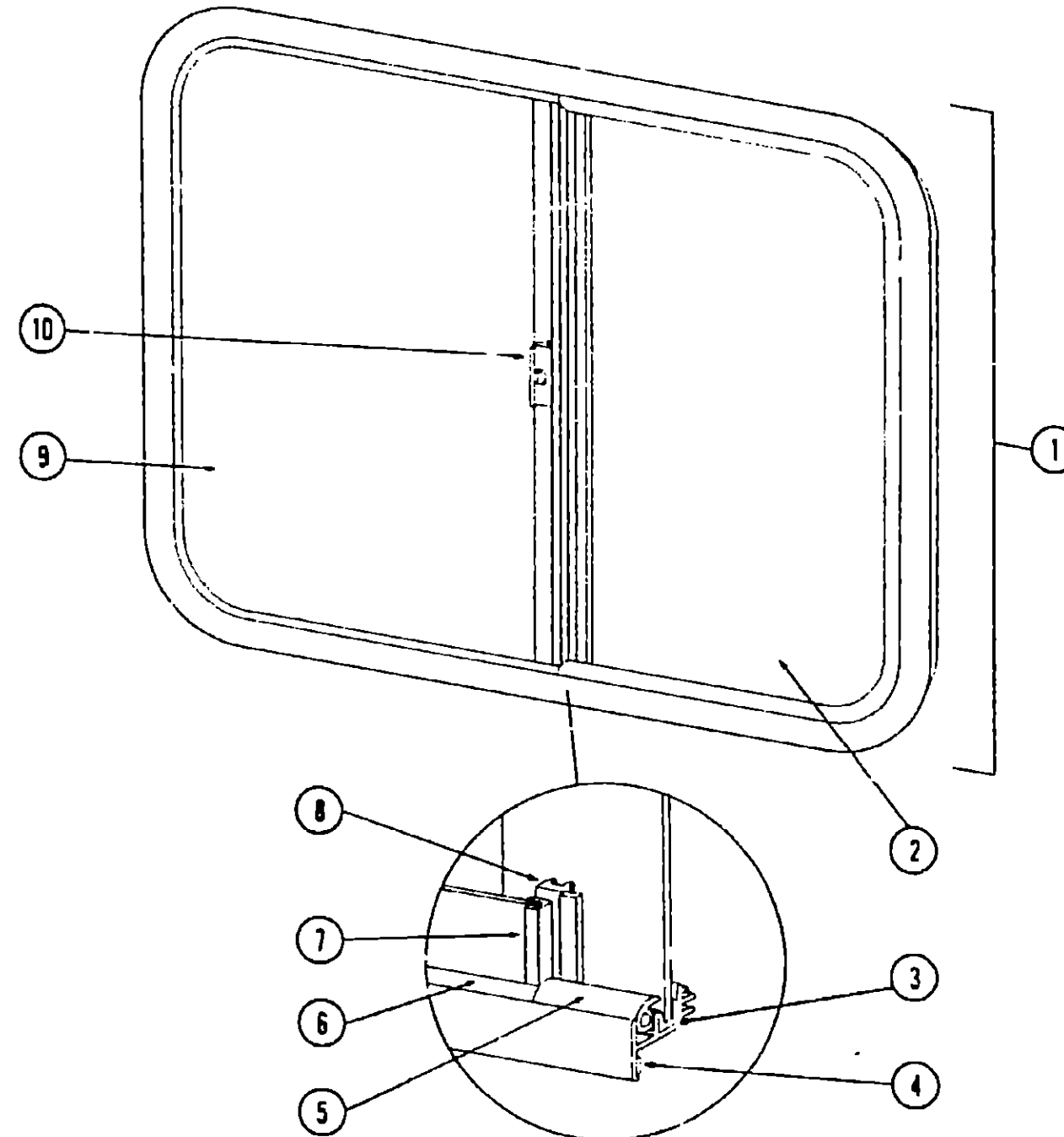
Key	Part Number	U/M	Description
1	044689-02-000	EA	Window Asm. Escape - 23" x 68" Black Anod. (w/o inside frame)
2	002178-01-000	EA	Glass 1/8" x 19.61" x 64.80"
3	002285-01-000	FT	Weatherstrip - Filler - Black
4	020395-01-000	EA	Slip Ring - Pull
5	004363-01-000	FT	Tape - Foam - 3/16" x 1/2" - Gray
6	002282-01-000	FT	Weatherstrip - Window .125" Black
*	039915-01-000	EA	Frame - Window - Inside - Escape 23" x 68" (not included in assembly)
*	006199-01-000	EA	Label - Exit - Escape Window
*	Not Illustrated		

WINDOW, VENT AND EXTERIOR DOOR GROUP (CONTINUED)



Key	Part Number	U/M	Description
1	048630-08-000	EA	Window Asm. - Double - Slider - 25" x 65" Black Anod. (w/o inside frame)
2	047822-01-000	EA	Glass - Sliding - 3/16" x 24" x 21.03"
3	042077-01-000	FT	Channel - Weatherstrip - Glass Run - 3/16" Glass
4	004363-01-000	FT	Tape - Foam - 3/16" x 1/2" - Gray
5	041928-02-000	FT	Seal - Window Channel - 3/16" Glass - Black
6	050216-02-000	FT	Spline - Glass - Black
7	002389-03-203	EA	Extr. - Holder - Glass Seal - 27.125"
8	041894-04-000	EA	Mullion - Slider Window - 25"
9	002188-02-000	EA	Glass - 3/16" x 24" x 25.5" - Stationary
10	047369-01-700	EA	Latch - Window - Plastic w/Fastener
	042133-09-000	EA	Frame Asm. - Window - Inside (not included in assembly)
	023713-02-000	EA	Cover - Weephole - Plastic - Black
	002298-01-000	FT	Spline - Gray - .130" Dia. (Screen)
	002293-01-000	SF	Screen - Window - 26" - Gray
			Not Illustrated

WINDOW, VENT AND EXTERIOR DOOR GROUP (CONTINUED)



Key	Part Number	U/M	Description
1	048631-19-000	EA	Window Asm. - Right - Single Slider - 25" x 44" - Black Anod. (w/o inside frame)
2	047822-01-000	EA	Glass - 3/16" x 24" x 21.03" - Sliding
3	042077-01-000	FT	Channel - Weatherstrip - Glass Run - 3/16" Glass
4	004363-01-000	FT	Tape - Foam - 3/16" x 1/2" - Gray
5	041928-02-000	FT	Seal - Window Channel - Black
6	050216-02-000	FT	Spline - Glass - 3/16" - Black
7	002389-03-201	EA	Holder - Glass Seal - Anod. Black
8	041894-04-000	EA	Mullion - Slider Window - 25" - Black Anod.
9	002183-02-000	EA	Glass - TP - 3/16" x 24" x 23.49" - Stationary
10	047369-01-700	EA	Latch - Window - Plastic w/Fastener
	042147-11-000	EA	Frame - Inside - Single Slider Window - 25" x 44" (not included in assembly)
	023713-02-000	EA	Cover - Plastic Weephole - Black
	002298-01-000	FT	Spline - Gray - .130" Dia. (Screen)
	002293-01-000	SF	Screen - Window - 26" - Gray
			Not Illustrated

1978 WINNEBAGO
TABLE OF CONTENTS

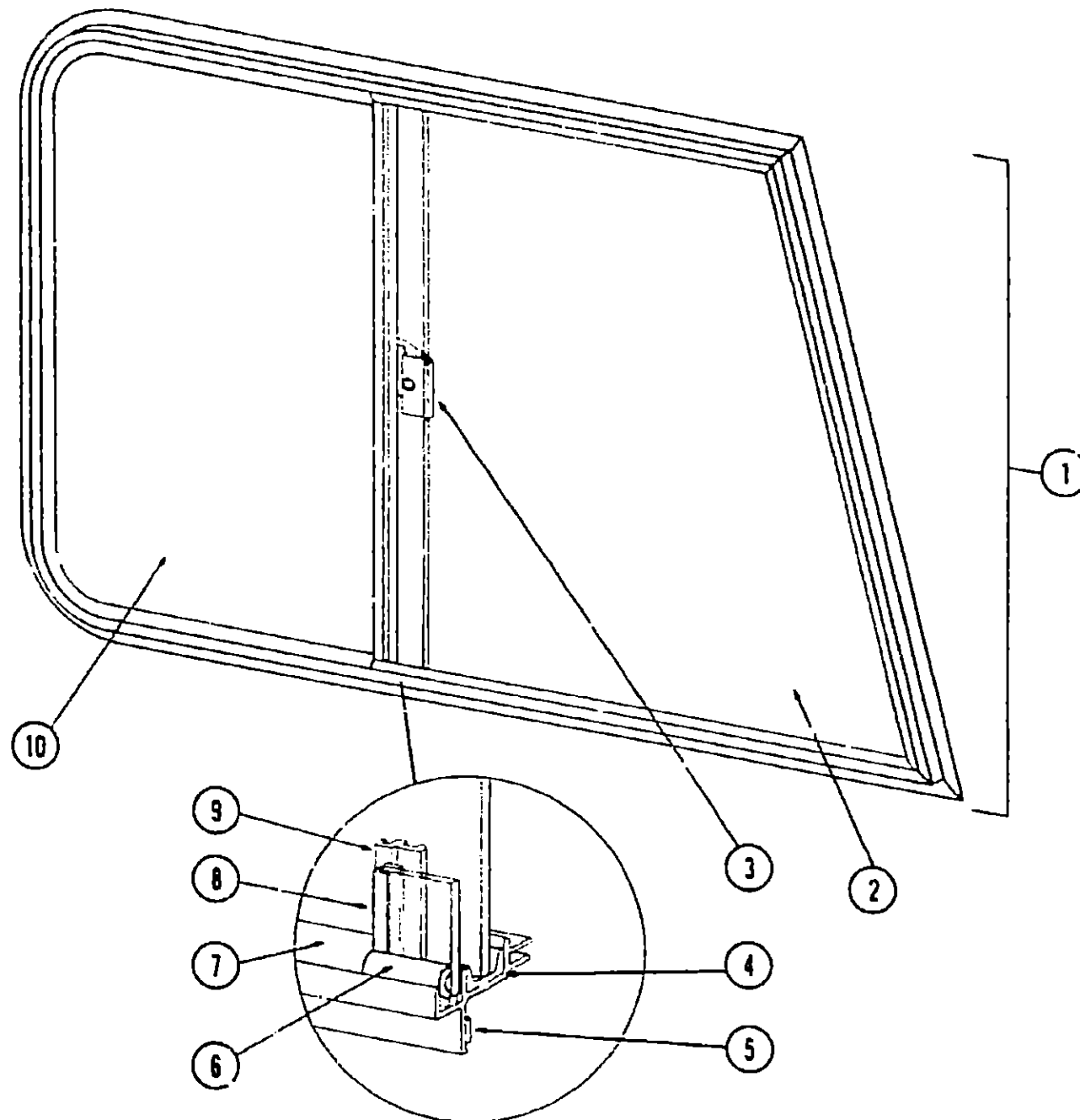
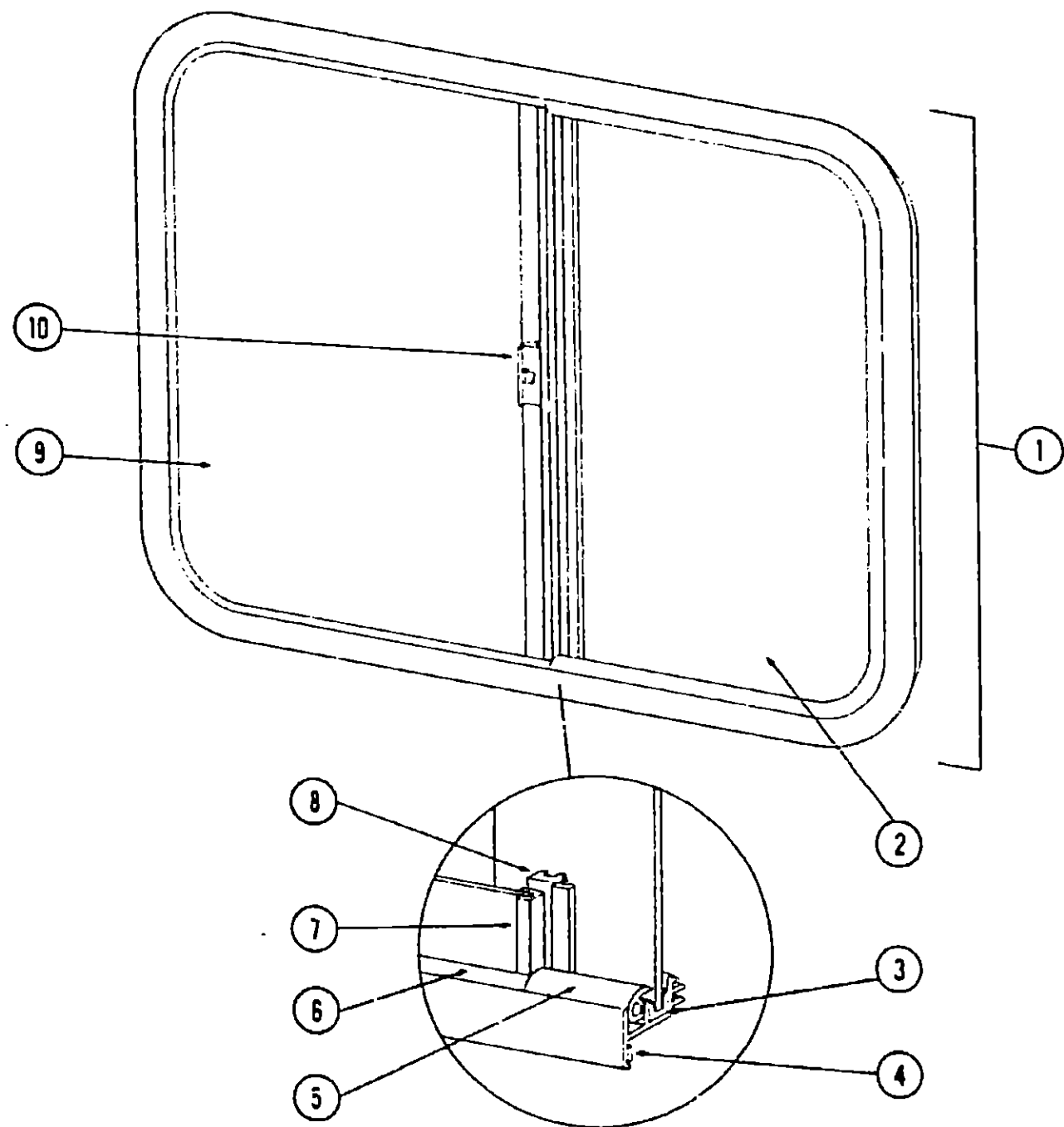
WD420RG	A-1 - B-12
WD423RB	B-13 - D-2
WC525RB J2	D-3 - E-16
WDF23RG	E-17 - G-6
WDF26RT	G-7 - H-24
WD424RH	I-1 - J-16
WDU32RU	J-17 - L-6

1978 WDU32RU INDEX

Floor Plan	J-17 - J-18
Accessories Group	J-19 - J-20
Bath Group	J-21
Chassis Group	J-22
Curtain, Cushion & Pad Group	J-23 - K-2
Dinette Group	K-3 - K-4
Driver's Compartment Group	K-5 - K-6
Electrical Group	K-7 - K-8
Exterior Body Group	K-9 - K-12
Galley Group	K-13
Heating & Air Conditioning Group	K-14
Interior Finish Group	K-15 - K-16
LP Group	K-17
Lounge Group	K-18
Water & Sewage Group	K-19
Window, Vent & Exterior Door Group	K-20 - L-6

WINDOW, VENT AND EXTERIOR DOOR GROUP (CONTINUED)

WINDOW, VENT AND EXTERIOR DOOR GROUP (CONTINUED)



Key	Part Number	IJ/M	Description
1	048631-12-000	EA	Window Asm. - Left - Single Slider - 25" x 29" - Black Anod. (w/o inside frame)
2	047812-01-000	EA	Glass - 3/16" x 24" x 13.68" - Sliding
3	042077-01-000	FT	Channel - Weatherstrip - Glass Run - 3/16" Glass
4	004363-01-000	FT	Tape - Foam - 3/16" x 1/2" - Gray
5	041982-J2-000	FT	Seal - Window Channel - Black
6	050216-02-000	FT	Spline - Glass - 3/16" - Black
7	002389-03-201	EA	Holder - Glass Seal - Anod. Black
8	041894-04-000	EA	Mullion - Slider Window - 25" - Black Anod.
9	002184-02-000	EA	Glass - TP - 3/16" x 24" x 16.531" - Stationary
10	047369-01-700	EA	Latch - Window - Plastic w/Fastener
*	042147-08-000	EA	Frame - Inside - Single Slider Window - 25" x 29" (not included in assembly)
*	023713-02-000	EA	Cover - Plastic Weephole - Black
*	002298-01-000	FT	Spline - Gray - .130" Dia. (Screen)
*	002293-01-000	SF	Screen - Window - 28" - Gray
*			Not Illustrated

Key	Part Number	U/M	Description
1	056434-01-000	EA	Window Asm. - Right Slant Slider - 29" x 40" - Black Anod. (w/o inside frame)
	056434-02-000	EA	Window Asm. - Left Slant Slider - 29" x 40" - Black Anod. (w/o inside frame)
2	042265-01-000	EA	Glass - 3/16" x 27.91" x 13.94" x 26.38" - Stationary
3	047369-01-700	EA	Latch - Window - Plastic w/Fastener
4	042077-01-000	FT	Channel - Weatherstrip - Glass Run - 3/16" Glass
5	004363-01-000	FT	Tape - Foam - 3/16" x 1/2" - Gray
6	050216-02-000	FT	Spline - 3/16" Glass - Black
7	041828-02-000	FT	Seal - Window Channel - Black
8	002389-03-203	EA	Holder - Glass Seal - Black Anod. - 27.125"
9	041894-08-000	EA	Mullion - Slider Window - 29" - Black Anod.
10	047814-01-000	EA	Glass - 3/16" x 27.91" x 14.03" - Sliding
*	053266-08-000	EA	Inside Frame - Right Front Slant Slider (not included in assembly)
*	053266-07-000	EA	Inside Frame - Left Front Slant Slider (not included in assembly)
*	055164-02-000	EA	Slider Screen - Right or Left
*	023713-02-000	EA	Cover - Plastic Weephole - Black
*	002298-01-000	FT	Spline - Gray - .130" Dia. (Screen)
*	002293-01-000	SF	Screen - Window - 26" - Gray
*			Not Illustrated

1978 WINNEBAGO TABLE OF CONTENTS

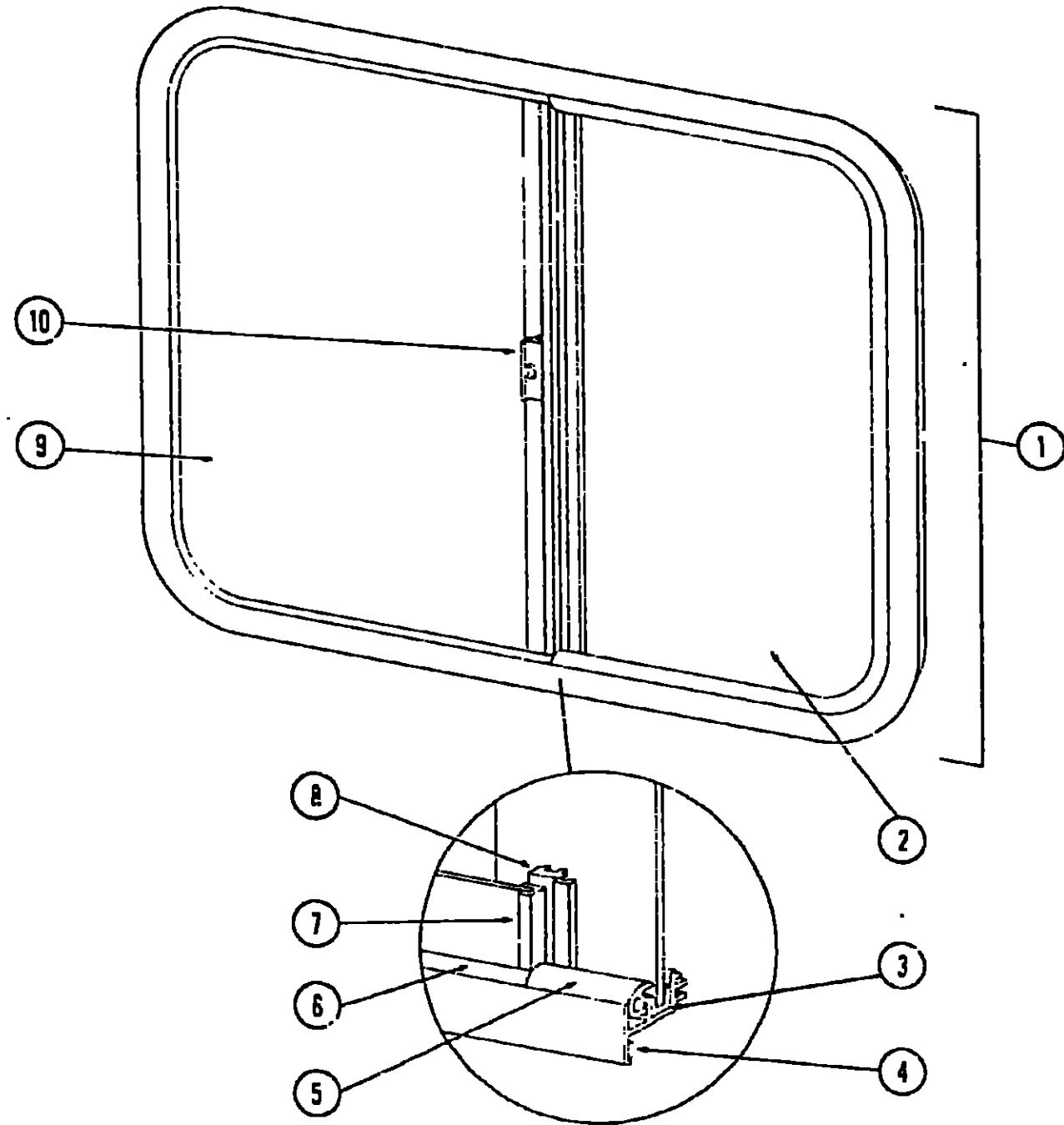
WD420RG	A-1 - B-12
WD423RH	B-13 - D-2
WC525RE J2	D-3 - E-16
WDF23RG	E-17 - G-6
WDF26RT	G-7 - H-24
WD424RH	I-1 - J-16
WDU32RU	J-17 - L-6

1978 WDU32RU INDEX

Floor Plan	J-17 - J-18
Accessories Group	J-19 - J-20
Bath Group	J-21
Chassis Group	J-22
Curtain, Cushion & Pad Group	J-23 - K-2
Dinette Group	K-3 - K-4
Driver's Compartment Group	K-5 - K-6
Electrical Group	K-7 - K-8
Exterior Body Group	K-9 - K-12
Galley Group	K-13
Heating & Air Conditioning Group	K-14
Interior Finish Group	K-15 - K-16
LP Group	K-17
Lounge Group	K-18
Water & Sewage Group	K-19
Window, Vent & Exterior Door Group	K-20 - L-6

WINDOW, VENT AND EXTERIOR DOOR GROUP (CONTINUED)

WINDOW, VENT AND EXTERIOR DOOR GROUP (CONTINUED)



Key	Part Number	U/M	Description
1	048631-03-000	EA	Window Asm. - Right - Single Slider - 20" x 25" - Black Anod. (w/o inside frame)
2	047820-01-000	EA	Glass - 1/8" x 19" x 13.68" - Sliding
3	002324-01-000	FT	Channel - Weatherstrip - Glass Run - 1/8" Glass
4	004363-01-000	FT	Tape - Foam - 3/16" x 1/2" - Gray
5	024096-02-000	FT	Seal - Window Channel - Black
6	002309-02-000	FT	Spline - Glass - 1/8" - Black
7	002390-03-201	EA	Holder - Glass Seal - 18.19" - Black Anod.
8	041894-12-000	EA	Multicn - Slider Window - 20" - Black Anod.
9	002241-02-000	EA	Glass - Tempere. Sheet - Stationary
10	047359-01-700	EA	Latch - Window - Plastic w/Fastener
*	042147-09-000	EA	Frame - Inside - Single Slider Window - 20" x 25" (not included in assembly)
*	023713-02-000	EA	Cover - Plastic Weephole - Black
*	002295-01-000	FT	Spline - Gray - .130" Dia. (Screen)
*	002293-01-000	SF	Screen - Window - 26" - Gray
*	Not Illustrated		

VENTS

Key	Part Number	U/M	Description
	009407-01-000	EA	Vent Asm. - Base - Refrigerator Vent w/o Cover
	039778-01-000	EA	Cover - Plastic - Refrigerator Vent
	049352-02-000	EA	Vent - Stovehood - Outside - Beige (Jensen)

WINDSHIELD

Key	Part Number	U/M	Description
	042744-01-000	EA	Frame Asm. - Windshield w/o Glass
	034975-02-000	EA	Glass - Windshield - Safety Plate w/Tinted Band - Left or Right
	038886-02-000	EA	Tape - Butyl - .31" x .31" x 160" Long

ACCESS DOORS

Key	Part Number	U/M	Description
	052179-01-000	EA	Door Asm. - Generator - Off White w/Twist Type Lock
	054270-02-000	EA	Door Asm. - Refrigerator Access - Off White w/Twist Type Lock
	055500-01-000	EA	Door Asm. - Gas Fill - Single - Off White w/Key Type Lock
	052009-01-000	EA	Door Asm. - Water Heater Access - Off White - Atwood
	052950-01-700	EA	Lock Asm. - Twist Type w/Clip
	042441-01-000	EA	Lock Asm. - Key Type
	042416-01-000	EA	Door Asm. - Trunk - Black Plastic w/Key Type Lock

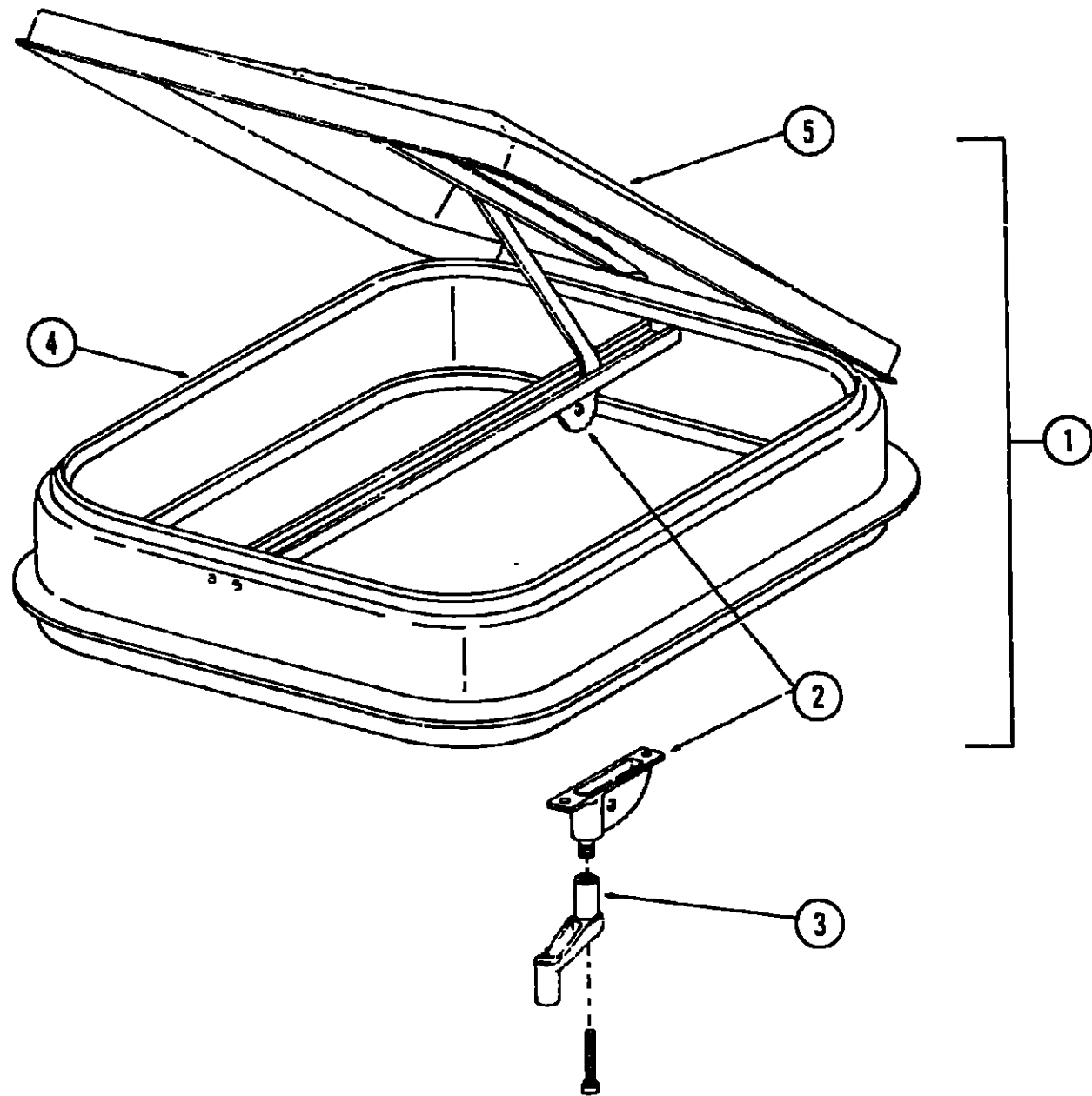
**1978 WINNEBAGO
TABLE OF CONTENTS**

WD420RG	A-1 - B-12
WD423RB	B-13 - D-2
WC525RB J2	D-3 - E-16
WDF23RG	E-17 - G-6
WDF26RT	G-7 - H-24
WD424RH	I-1 - J-16
WDU32RU	J-17 - L-6

1978 WDU32RU INDEX

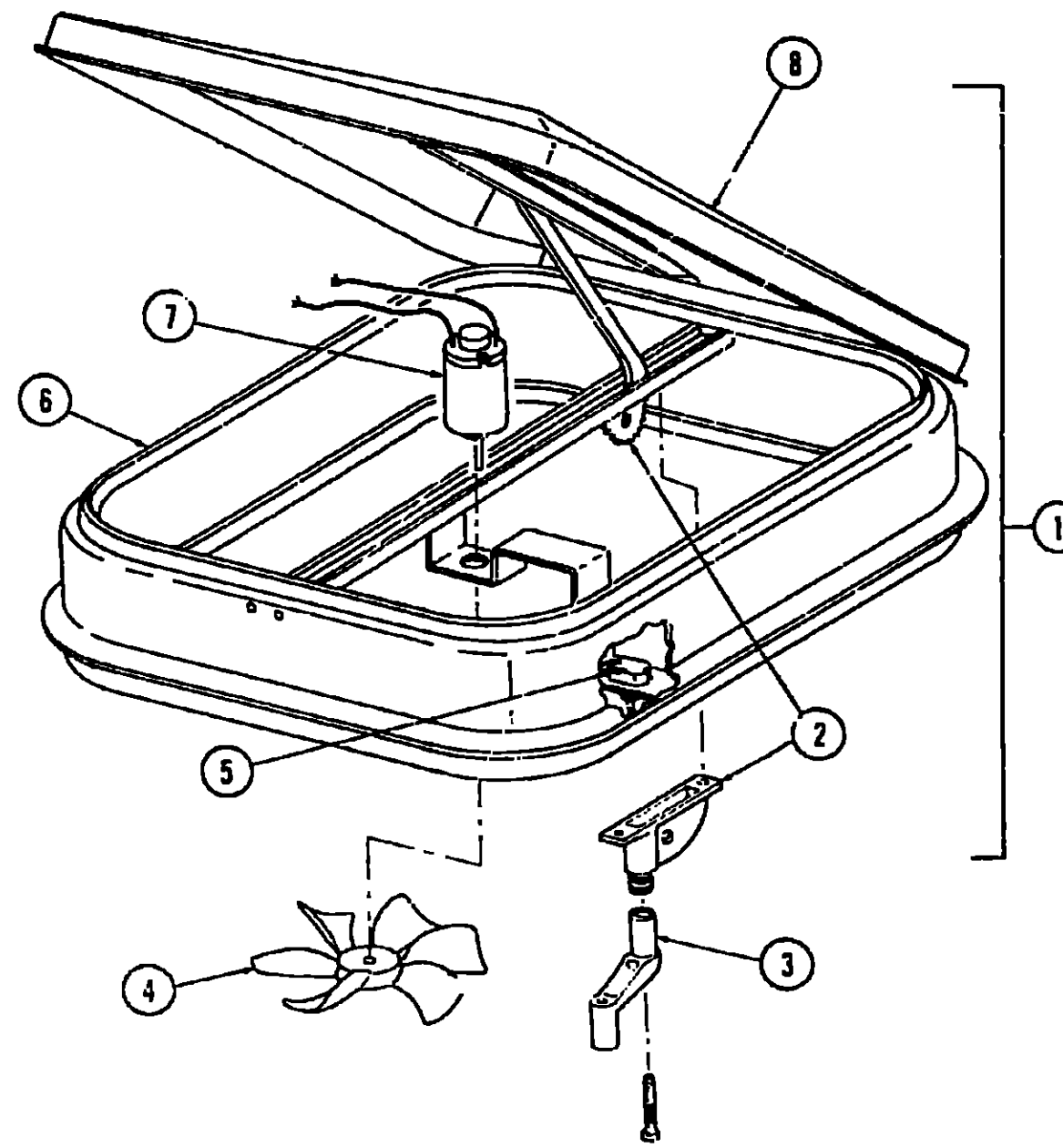
Floor Plan	J-17 - J-18
Accessories Group	J-19 - J-20
Bath Group	J-21
Chassis Group	J-22
Curtain, Cushion & Pad Group	J-23 - K-2
Dinette Group	K-3 - K-4
Driver's Compartment Group	K-5 - K-8
Electrical Group	K-7 - K-8
Exterior Body Group	K-9 - K-12
Galley Group	K-13
Heating & Air Conditioning Group	K-14
Interior Finish Group	K-15 - K-16
LP Group	K-17
Lounge Group	K-18
Water & Sewage Group	K-19
Window, Vent & Exterior Door Group	K-20 - L-6

WINDOW, VENT AND EXTERIOR DOOR GROUP (CONTINUED)



Key	Part Number	U/M	Description
1	048835-01-000	EA	Vent Asm. - Roof - Non Powered - w/o Screen
2	009440-01-000	EA	Gear - Arm - Roof Vent
3	009439-01-000	EA	Crank - Roof Vent
4	002825-01-000	FT	Weatherstrip - Roof Vent
5	046825-01-000	EA	Cover - Plastic - Roof Vent
	016335-01-000	EA	Screen Asm. - Non Powered Roof Vent - Clear Anod. (not included in assembly)
	016335-03-000	EA	Screen Asm. - Non Powered Roof Vent - Beige (not included in assembly)
			Not Illustrated

WINDOW, VENT AND EXTERIOR DOOR GROUP (CONTINUED)



Key	Part Number	U/M	Description
1	048785-01-000	EA	Vent Asm. - Roof - Powered - w/o Screen
2	009440-01-000	EA	Gear - Arm - Roof Vent
3	009439-01-000	EA	Crank - Roof Vent
4	048549-01-000	EA	Fan - Blade - 8" Plastic
5	008195-01-000	EA	Switch - Push Button - 12 Volt
6	002825-01-000	FT	Weatherstrip - Roof Vent
7	048848-01-000	EA	Motor - 12 Volt
8	046825-01-000	EA	Cover - Plastic - Roof Vent
	048695-01-000	EA	Screen Asm. - Powered Roof Vent - Clear Anod. (not included in assembly)
	048695-03-000	EA	Screen Asm. - Powered Roof Vent - Beige (not included in assembly)
			Not Illustrated

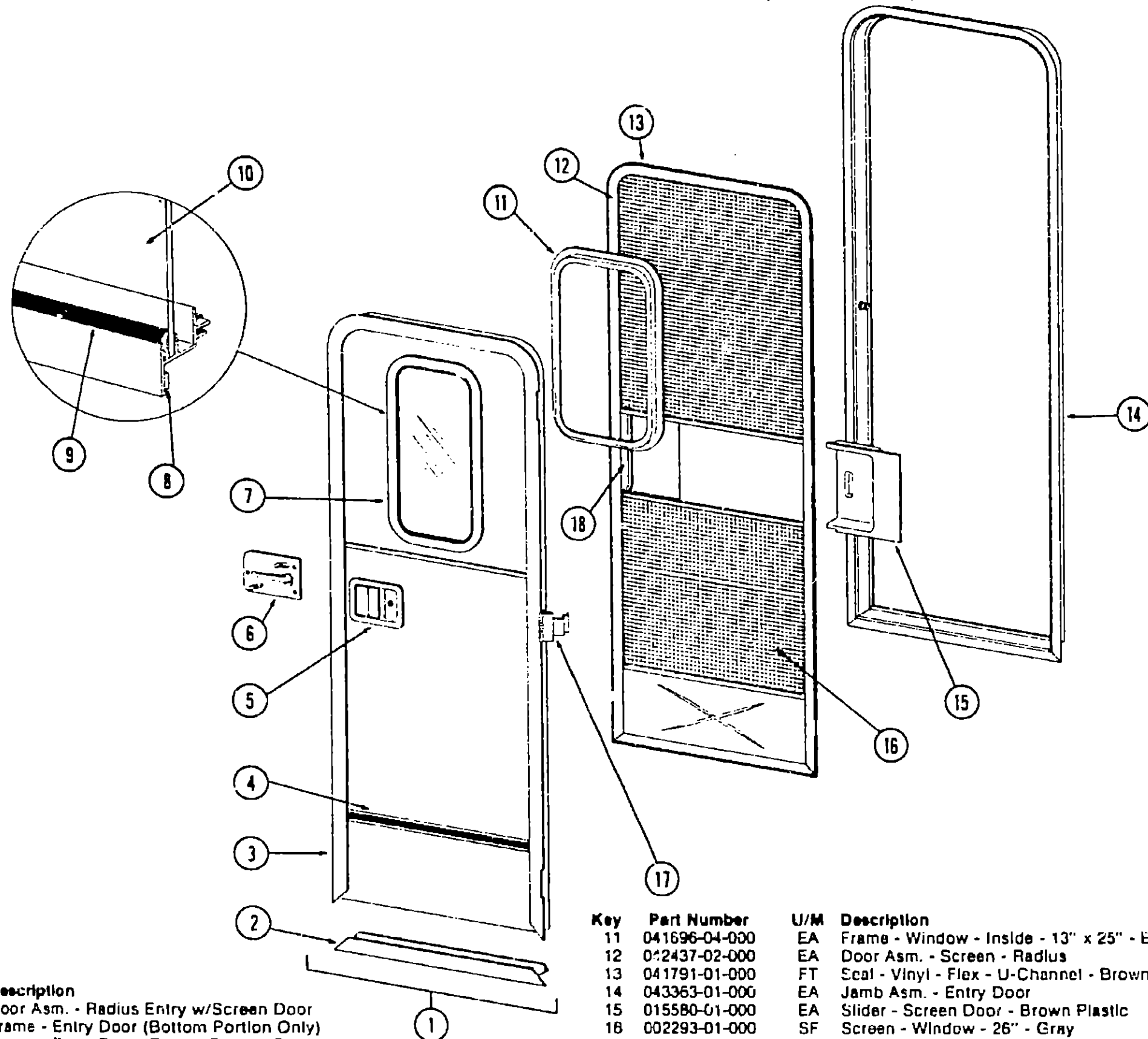
**1978 WINNEBAGO
TABLE OF CONTENTS**

WD420RG	A-1 - B-12
WD423RB	B-13 - D-2
WC525RB J2	D-3 - E-16
WDF23RG	E-17 - G-6
WDF26RT	G-7 - H-24
WD424RH	I-1 - J-16
WDU32RU	J-17 - L-6

1978 WDU32RU INDEX

Floor Plan	J-17 - J-18
Accessories Group	J-19 - J-20
Bath Group	J-21
Chassis Group	J-22
Curtain, Cushion & Pad Group	J-23 - K-2
Dinette Group	K-3 - K-4
Driver's Compartment Group	K-5 - K-6
Electrical Group	K-7 - K-8
Exterior Body Group	K-9 - K-12
Galley Group	K-13
Heating & Air Conditioning Group	K-14
Interior Finish Group	K-15 - K-16
LP Group	K-17
Lounge Group	K-18
Water & Sewage Group	K-19
Window, Vent & Exterior Door Group	K-20 - L-6

WINDOW, VENT AND EXTERIOR DOOR GROUP (CONTINUED)



Key	Part Number	U/M	Description
1	042418-02-000	EA	Door Asm. - Radius Entry w/Screen Door
2	039737-02-000	EA	Frame - Entry Door (Bottom Portion Only)
3	041375-01-000	EA	Frame - Entry Door (Except Bottom Portion)
4	054530-01-000	EA	Kit - Door Stop (Holds Door Open)
5	052186-01-000	EA	Lock Asm. - Radius Entry Door - Lynor
6	045017-01-700	EA	Lock Cylinder w/Keys - Lynor
7	039539-01-000	EA	Striker - Entry Door Lock
8	004363-01-000	FT	Tape - Foam - 3/16" x 1/2" - Gray
9	002318-02-000	FT	Spline - Glass - 3/16" - Black
10	002181-02-000	EA	Glass - Picture Window - 3/16" x 12" x 24" - Gray

Key	Part Number	U/M	Description
11	041696-04-000	EA	Frame - Window - Inside - 13" x 25" - Brown
12	012437-02-000	EA	Door Asm. - Screen - Radius
13	041791-01-000	FT	Seal - Vinyl - Flex - U-Channel - Brown
14	043363-01-000	EA	Jamb Asm. - Entry Door
15	015580-01-000	EA	Slider - Screen Door - Brown Plastic
16	002293-01-000	SF	Screen - Window - 26" - Gray
17	042433-01-000	EA	Hinge - Entry Door (3 used per door)
18	015581-01-000	EA	Cap - Screen Door - Brown Plastic
	049176-01-000	EA	Hedlok II - 3/4" Diameter - Screw Mount (Retains Screen Door to Entry Door)
	049797-01-000	EA	Hedlok II - 1" Diameter - Screw Mount (Retains Screen Door to Entry Door)
	018018-01-000	EA	Striker - Screen Door
	039363-01-000	EA	Catch Asm. - Single Roller w/Strike - Screen Door
	051390-01-000	FT	Seal - Jamb - Entry Door
	039800-03-000	FT	Tubing - Polybutyl - 3/8" O.D. - Jamb
			Not Illustrated

1978 WINNEBAGO
TABLE OF CONTENTS

WD420RG	A-1 - B-12
WD423RB	B-13 - D-2
WC525RB J2	D-3 - E-16
WDF23RG	E-17 - G-6
WDF26RT	G-7 - H-24
WD424RH	I-1 - J-16
WDU32RU	J-17 - L-6

1978 WDU32RU INDEX

Floor Plan	J-17 - J-18
Accessories Group	J-19 - J-20
Bath Group	J-21
Chassis Group	J-22
Curtain, Cushion & Pad Group	J-23 - K-2
Dinette Group	K-3 - K-4
Driver's Compartment Group	K-5 - K-6
Electrical Group	K-7 - K-8
Exterior Body Group	K-9 - K-12
Galley Group	K-13
Heating & Air Conditioning Group	K-14
Interior Finish Group	K-15 - K-16
LP Group	K-17
Lounge Group	K-18
Water & Sewage Group	K-19
Window, Vent & Exterior Door Group	K-20 - L-6