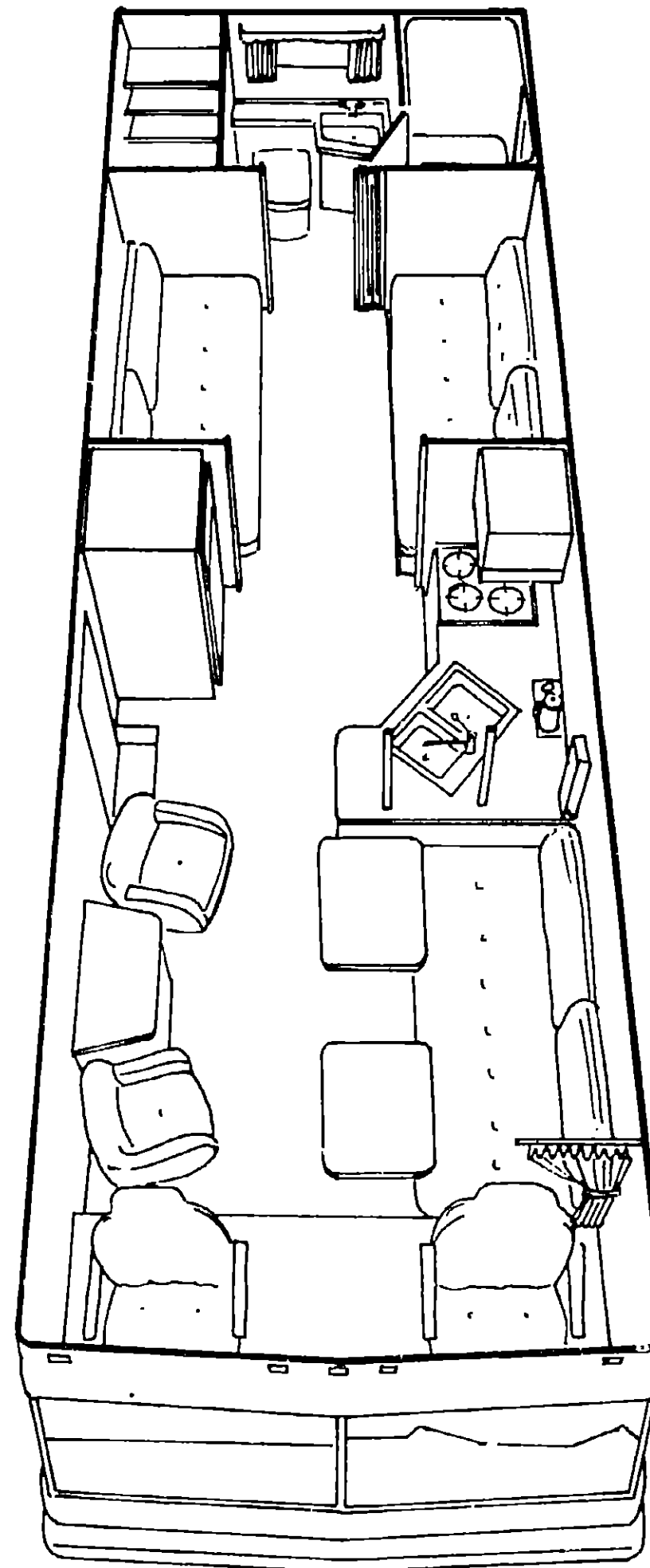


1978 WDU29RB



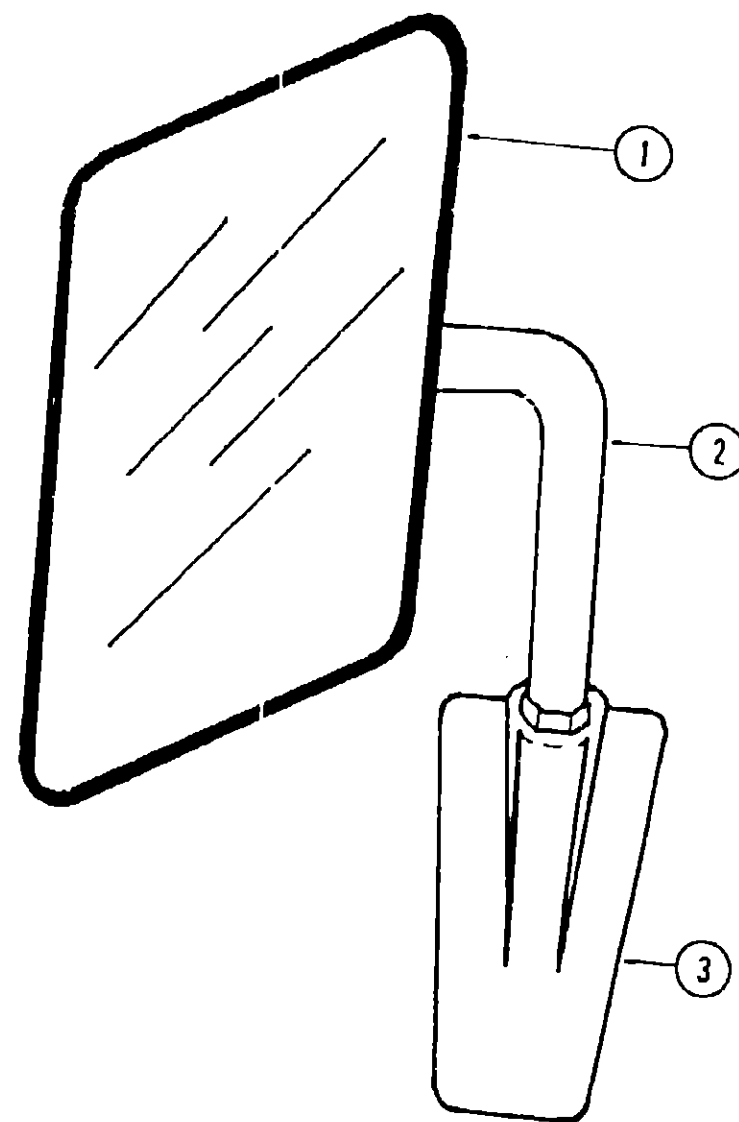
1978 WINNEBAGO TABLE OF CONTENTS

| | |
|--------------------|-------------|
| Introduction | A-1 |
| Abbreviations | A-1 |
| Alphabetical Index | A-2 - A-4 |
| WC525RB | A-5 - B-14 |
| WDP23RG | B-15 - C-24 |
| WDP26RK | D-1 - E-12 |
| WDU27RK | E-13 - F-22 |
| WDU29RB | F-23 - H-10 |
| WDU27RT | H-11 - I-22 |
| WDP26RB | I-23 - K-10 |

1978 WDU29RB INDEX

| | |
|------------------------------------|-------------|
| Floor Plan | F-23 - F-24 |
| Accessories Group | G-1 - G-3 |
| Bath Group | G-3 - G-4 |
| Chassis Group | G-5 |
| Curtain, Cushion & Pad Group | G-6 - G-9 |
| Dinette Group | G-9 |
| Driver's Compartment Group | G-10 - G-11 |
| Electrical Group | G-11 - G-13 |
| Exterior Body Group | G-14 - G-17 |
| Galley Group | G-18 |
| Heating & Air Conditioning Group | G-19 |
| Interior Finish Group | G-20 - G-21 |
| LP Group | G-22 |
| Lounge Group | G-23 |
| Water & Sewage Group | G-24 |
| Window, Vent & Exterior Door Group | H-1 - H-10 |

ACCESSORIES GROUP



| Key | Part Number | U/M | Description |
|-----|---------------|-----|--|
| 1 | 049347-01-000 | EA | Mirror - Head - 7 1/2" x 10 1/2" - Stainless Steel |
| 2 | 049348-01-000 | EA | Arm - Low Mount Mirror - Bright Finish |
| 3 | 049944-01-000 | EA | Bracket - Mirror - Beige |

ACCESSORIES GROUP (CONTINUED)

RADIOS AND RELATED COMPONENTS

| Key | Part Number | U/M | Description |
|-----|---------------|-----|--|
| | 051907-01-000 | EA | Radio - AM - FM/MPX/8-Track w/Fader - Motorola |
| | 051923-01-700 | EA | Speaker Kit - 5 3/4" Motorola |
| | 050044-01-000 | EA | Radio - AM/FM/8 - Track w/CB - J.I.L. |
| | 048153-01-000 | EA | Antenna - CB Camper Style - J.I.L. Radio |
| | 050785-01-000 | EA | Switch - Rear Volume Control - J.I.L. |
| | 050751-01-000 | EA | Bracket - Mounting - Fader Switch and Microphone |
| | 031105-01-000 | EA | Antenna - Side Mounted Radio |
| | 031105-01-700 | EA | Clip - Radio Antenna - Side Mounted - Upper |

SPEED CONTROL AND COMPONENTS

| Key | Part Number | U/M | Description |
|-----|---------------|-----|---|
| | 024746-01-000 | EA | Speed Control Pkg. 440 - C.I.D. - Dodge Lever Type A Body |
| | 007255-01-000 | EA | Regulator Asm. |
| | 024746-01-701 | EA | Servo Asm. |
| | 024746-01-702 | EA | Engage Switch-Lever Type |
| | 007255-01-703 | EA | Transmission Cable Asm. 42" |
| | 007255-01-704 | EA | Switch Asm. - Decelerate |
| | 024746-01-700 | EA | Relay-Speed Control |

GENERATORS AND INSTALLATION KITS

| Key | Part Number | U/M | Description |
|-----|---------------|-----|---|
| | 040506-01-000 | EA | Generator - 5000 Watt - Tray Mount - Kohler |
| | 044149-01-000 | EA | Generator - 6500 Watt - Tray Mount - Kohler |
| | 040508-01-000 | EA | Exhaust System - Generator 5000 Watt |
| | 047343-01-000 | EA | Exhaust System - Generator 5000/6500 Watt |
| | 046317-01-000 | EA | Tailpipe - Exhaust - Generator 1 3/8" x 5' |
| | 037387-01-000 | EA | Switch - Generator - w/Circuit Board |
| | 007067-01-000 | SF | Insulation - Fiberglass - 1" |
| | 050279-01-000 | EA | Tray - Generator - Kohler |
| | 041420-01-000 | EA | Elbow - Steel - 1/8" MPT x 3/16" Barb |
| | 042865-01-000 | EA | Scoop - Generator Air |
| ** | 040505-01-000 | EA | Generator - 4.0 KW - Kohler |
| ** | 040506-01-000 | EA | Generator - 5.0 KW - Kohler |
| ** | 044149-01-000 | EA | Generator - 6.5 KW - Kohler |
| ** | 051908-01-000 | EA | Generator - 3.5 KW - Kohler |
| ** | 051909-01-000 | EA | Generator - 4.5 KW - Kohler |
| ** | 051910-01-000 | EA | Generator - 5.5 KW - Kohler |
| ** | 051911-01-000 | EA | Generator - 7.0 KW - Kohler |

**The illustrated parts breakdown for this item is provided on the Common Items Fiche

FRONT BUNK AND HARDWARE

| Key | Part Number | U/M | Description |
|-----|---------------|-----|--------------------------------------|
| | 048820-01-000 | EA | Bunk Asm. - Front Overhead w/Carpet |
| | 039516-02-000 | EA | Catch - Bunk - Safety - Brown |
| | 040071-01-000 | EA | Support - Bunk - Seat Belt |
| | 042201-01-000 | EA | Support Asm. - Overhead Bunk - Beige |

**1978 WINNEBAGO
TABLE OF CONTENTS**

| | |
|--------------------|-------------|
| Introduction | A-1 |
| Abbreviations | A-1 |
| Alphabetical Index | 1-2 - A-4 |
| WCS23RB | A-5 - B-14 |
| WDP23RG | B-15 - C-24 |
| WDP26RK | D-1 - E-12 |
| WDU27RK | E-13 - F-22 |
| WDU29RB | F-23 - H-10 |
| WDU27RT | H-11 - I-22 |
| WDP26RB | I-23 - K-10 |

**1978 WDU29RB
INDEX**

| | |
|------------------------------------|-------------|
| Floor Plan | F-23 - F-24 |
| Accessories Group | G-1 - G-3 |
| Bath Group | G-3 - G-4 |
| Chassis Group | G-5 |
| Curtain, Cushion & Pad Group | G-6 - G-9 |
| Dinette Group | G-9 |
| Driver's Compartment Group | G-10 - G-11 |
| Electrical Group | G-11 - G-13 |
| Exterior Body Group | G-14 - G-17 |
| Galley Group | G-18 |
| Heating & Air Conditioning Group | G-19 |
| Interior Finish Group | G-20 - G-21 |
| LP Group | G-22 |
| Lounge Group | G-23 |
| Water & Sewage Group | G-24 |
| Window, Vent & Exterior Door Group | H-1 - H-10 |

ACCESSORIES GROUP (CONTINUED)

MISCELLANEOUS ACCESSORIES

| Key | Part Number | U/M | Description |
|-----|---------------|-----|--|
| | 044148-01-000 | EA | TV - 13" Color - Sharp |
| | 006053-01-000 | EA | Antenna - TV - Braund Delux |
| | 006093-01-000 | EA | Jack - TV - Brown |
| | 052771-01-000 | EA | Oven - Microwave - Magic Chef - 207-4 |
| | 042344-01-000 | EA | Luggage Rack Asm. - w/Ladder |
| | 042344-02-000 | EA | Ladder Only - For Rack and Ladder Asm. |
| | 006113-01-000 | EA | Jack - Hydraulic - 5 Ton |
| | 041944-01-700 | EA | Fire Extinguisher - Dry Chemical - w/Bracket |
| | 054185-01-000 | EA | Owner's Manual - 1978 - Winnebago |
| | 017516-01-000 | EA | Mudflap - Black - 14r x 18" - w/Holes |
| | 006053-01-700 | EA | Repair Parts Kit - Braund TV Antenna |
| | 007038-01-000 | EA | Mat - Door - Black Rubber - 10 1/2" x 26" |
| | 031396-02-000 | EA | Cover - Wheel - 19 5" Chrome |
| | 044399-01-000 | EA | Thermometer - Outside - Chrome |
| | 047226-01-000 | EA | Tire Cover - Black - w/Zipper |
| | 048813-01-000 | EA | Weather Center - 5 1/2" x 15" - Gold |
| | 003174-01-000 | EA | Vacuum Cleaner - w/o Attachments |
| | 003174-02-000 | EA | Attachment Package - Vacuum Cleaner |
| | 700108-01-000 | EA | Bag - Vacuum - Disposable |
| | 042562-01-000 | EA | Slide Asm. - Vacuum - 22" - Right |
| | 042562-02-000 | EA | Slide Asm. - Vacuum - 22" - Left |
| | 052003-01-000 | EA | Trim Plate - Motorola Radio |
| | 036420-01-000 | EA | Fan - 12 Volt Defroster |

BATH GROUP

BATH CABINETRY

| Key | Part Number | U/M | Description |
|-----|---------------|-----|---|
| | 042488-01-000 | EA | Door Asm. - Folding - 31.2" x 77 1/8" - Walnut |
| | 041474-01-000 | EA | Cabinet Asm. - Vanity w/o Top, Doors or Hardware |
| | 048103-15-700 | EA | Door Asm. - Vanity - 20 9/16" x 6 1/4" w/o Hardware |
| | 048103-17-700 | EA | Door Asm. - Vanity - 15 1/4" x 23" w/o Hardware |
| | 042175-01-000 | EA | Lavatory Top - Plastic - w/o Faucet |
| | 011056-01-000 | EA | Faucet - Bath Lavatory |
| | 011683-02-000 | EA | Plug - 1 1/2" x 12" w/Chain and Stopper |
| | 051022-01-000 | EA | Cabinet Asm. - Medicine w/o Door, Mirror or Hardware |
| | 042529-01-000 | EA | Door Asm. - Medicine Cabinet w/Mirror |
| | 038836-01-000 | EA | Mirror - Medicine Cabinet Door - 9" x 30" |
| | 052632-01-700 | EA | Door Asm. - Wardrobe Cabinet - 15" x 58 1/2" - w/o Hardware |
| | 009091-01-000 | EA | Mirror - Wardrobe Cabinet Door - 10" x 42" |

MISCELLANEOUS HARDWARE

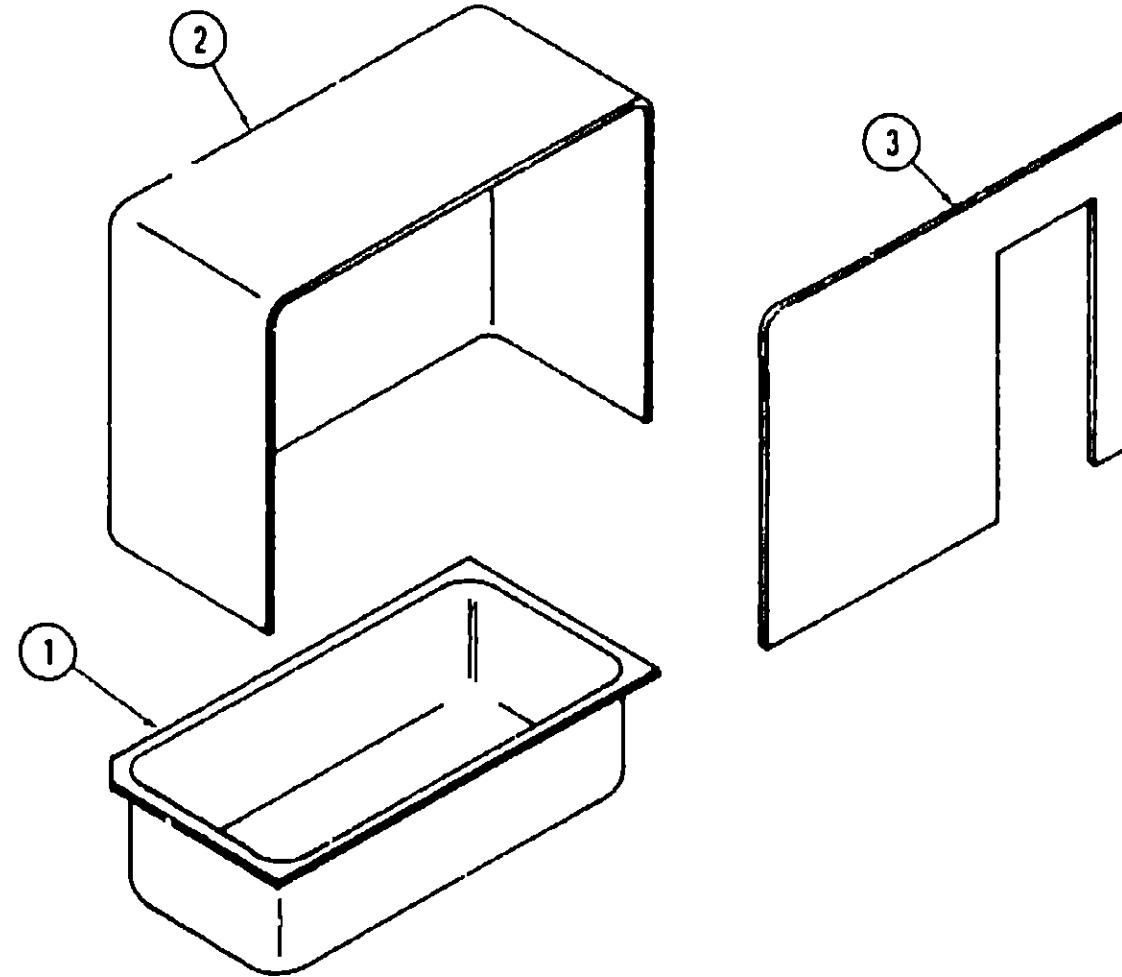
| Key | Part Number | U/M | Description |
|-----|---------------|-----|--|
| | 009134-01-000 | EA | Holder - Tissue |
| | 048169-01-000 | EA | Ring - Towel - Antique Brass |
| | 048171-01-000 | EA | Bar - Towel Rack - 21" - Antique Brass |
| | 048749-01-000 | EA | Soap Dish - Wall Mount Brass |
| | 033535-03-000 | FT | Molding Asm. - Shelf - 707 Hickory |
| | 009021-01-000 | EA | Catch - Nylon Grille - Medicine Cabinet Door |
| | 009021-02-000 | EA | Strike - Nylon Catch - Medicine Cabinet Door |
| | 009047-01-000 | EA | Support - Door Cabinet |
| ** | 039241-02-000 | EA | Stool Asm. - Ivory - Aqua Magic - Model SH |

**The illustrated parts breakdown for this item is provided on the Common Items Fiche.

BATH GROUP (CONTINUED)

BATHTUB AND RELATED HARDWARE

| Key | Part Number | U/M | Description |
|-----|---------------|-----|--|
| | 031558-01-000 | EA | Faucet - Tub and Shower |
| | 011048-01-000 | EA | Shower Head - w/59" Hose |
| | 010495-01-000 | EA | Clamp - Shower Hose - 9/16" |
| | 011086-01-000 | EA | Strainer - Shower Pan |
| | 011069-01-000 | EA | Tailpiece - 1 1/4" x 4" - Brass |
| | 050739-02-000 | EA | Door Asm. - Shower - Brown |
| | 050470-01-000 | EA | Plastic Styrene - 090" x 15 3/8" x 51 5/8" |
| | 050080-01-000 | FT | Glazing - Extr. Vinyl - U Shaped |
| | 050482-01-000 | EA | Catch - Spring - Roll Point |
| | 050712-02-000 | EA | Handle - Shower Door - Brown |
| | 043566-05-000 | EA | Jamb - Shower Door Bottom - Brown |
| | 043567-03-000 | EA | Jamb - Shower Door Right - Brown |
| | 043567-04-000 | EA | Jamb - Shower Door Left - Brown |
| | 050233-02-000 | EA | Striker - Shower Door Jamb - Brown |



| Key | Part Number | U/M | Description |
|-----|---------------|-----|----------------|
| 1 | 041826-01-000 | EA | Bathtub Bottom |
| 2 | 041853-01-000 | EA | Bathtub Rear |
| 3 | 041852-01-000 | EA | Bathtub Front |

1978 WINNEBAGO TABLE OF CONTENTS

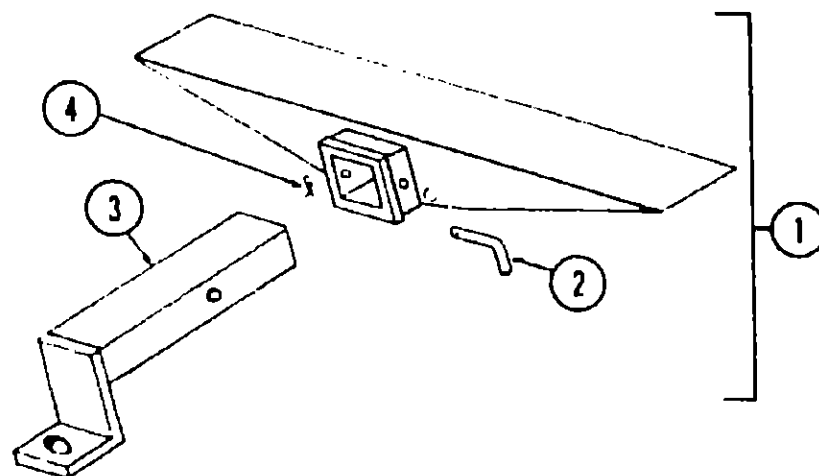
| | |
|--------------------|-------------|
| Introduction | A-1 |
| Abbreviations | A-1 |
| Alphabetical Index | A-2 - A-4 |
| WC525RB | A-5 - B-14 |
| WDP23RG | B-15 - C-24 |
| WDP26RK | D-1 - E-12 |
| WDU27RK | E-13 - F-22 |
| WDU29RB | F-23 - H-10 |
| WDU27RT | H-11 - I-22 |
| WDP26RB | I-23 - K-10 |

1978 WDU29RB INDEX

| | |
|------------------------------------|-------------|
| Floor Plan | F-23 - F-24 |
| Accessories Group | G-1 - G-3 |
| Bath Group | G-3 - G-4 |
| Chassis Group | G-5 |
| Curtain, Cushion & Pad Group | G-6 - G-9 |
| Dinette Group | G-9 |
| Driver's Compartment Group | G-10 - G-11 |
| Electrical Group | G-11 - G-13 |
| Exterior Body Group | G-14 - G-17 |
| Galley Group | G-18 |
| Heating & Air Conditioning Group | G-19 |
| Interior Finish Group | G-20 - G-21 |
| LP Group | G-22 |
| Lounge Group | G-23 |
| Water & Sewage Group | G-24 |
| Window, Vent & Exterior Door Group | H-1 - H-10 |

CHASSIS GROUP

| Key | Part Number | U/M | Description |
|---------------|-------------|---|-------------|
| 041233-01-000 | EA | Bumper - Contoured - Front or Rear | |
| 042510-01-000 | EA | Reinforcement - Bumper - Front or Rear | |
| 042515-01-000 | EA | Bracket - Bumper - Front | |
| 050305-01-000 | EA | Bracket - Splash Guard Mount - Front | |
| 037933-01-000 | EA | Bracket - License Plate - Front or Rear | |
| 050703-01-000 | EA | Bracket - Bumper - Rear | |
| 042522-01-000 | EA | Support Asm. - Tire Carrier | |
| 042495-01-000 | EA | Power Step - Kwikkee | |
| 038398-01-700 | EA | Motor - Power Step Kwikkee | |
| 038398-01-701 | EA | Gear - Power Step - Kwikkee | |
| 038398-01-702 | EA | Switch - Motor Control - Power Step - Kwikkee | |
| 048594-01-000 | EA | Tray - Battery - Steel | |
| 035104-02-000 | EA | Cover Asm. - Radiator - Rear | |
| 037468-02-000 | EA | Hoodboard - Steel - Front - Left | |
| 037468-03-000 | EA | Hoodboard - Steel - Front - Right | |
| 007134-01-000 | EA | Clamp - Hose - Spring Type - 9/16" | |
| 007137-01-000 | EA | Clamp - Worm Gear - 1 5/16" to 2 1/4" | |
| 007138-01-000 | EA | Clamp - Hose - 1/4" to 3/4" Dia. | |
| 024138-01-000 | FT | Hose - Fuel - 5/16" I.D. | |
| 024141-01-000 | FT | Hose - Rubber - 1/2" I.D. | |
| 024647-01-000 | EA | Hose - Gas - 2 1/4" I.D. | |
| 045814-01-000 | EA | Fill - Gas w/Vent - 5.44" Long | |
| 024611-03-000 | EA | Cap - Gas - Pressure - 1.328" - Chrome | |
| 024611-04-000 | EA | Cap - Gas - Pressure - 1.500" - Chrome | |
| 040073-01-000 | EA | Tank - Fuel - 27.8 Gallon | |
| 043986-01-000 | EA | Strap - Mounting - Fuel Tank | |
| 007160-01-000 | EA | Gasket - 3/16" x 2" x 2" - Tire Carcass | |
| 038883-01-000 | EA | Sending Unit - Fuel - 78 Ohm | |



| Key | Part Number | U/M | Description |
|-----|---------------|-----|---------------------------------|
| 1 | 023695-01-700 | EA | Hitch Kit - w/Drawbar |
| 2 | 034512-01-000 | EA | Pin - Locking - Drawbar |
| 3 | 024876-01-700 | EA | Drawbar - Trailer Hitch |
| 4 | 034513-01-000 | EA | Pin - Hitch - 3/16" Wire Spring |

CURTAIN, CUSHION AND PAD GROUP

CURTAINS

| Key | Part Number | U/M | Description |
|---------------|-------------|--|-------------|
| 048842-17-000 | EA | Curtain - Pleated w/Hooks - 26" x 40" - Green (Martini Mist) | |
| 048842-18-000 | EA | Curtain - Pleated w/Hooks - 26" x 40" - Beige (Champagne Velvet) | |
| 048842-19-000 | EA | Curtain - Pleated w/Hooks - 26" x 40" - Rust (Sierra Sunset) | |
| 048842-29-000 | EA | Curtain - Pleated w/Hooks - 26" x 25" - Green (Martini Mist) | |
| 048842-30-000 | EA | Curtain - Pleated w/Hooks - 26" x 25" - Beige (Champagne Velvet) | |
| 048842-31-000 | EA | Curtain - Pleated w/Hooks - 26" x 25" - Rust (Sierra Sunset) | |
| 049728-13-000 | EA | Curtain w/Snap Top - 72" x 39" - Green (Martini Mist) | |
| 049728-14-000 | EA | Curtain w/Snap Top - 72" x 39" - Beige (Sierra Sunset) | |
| 049728-15-000 | EA | Curtain w/Snap Top - 72" x 39" - Rust (Sierra Sunset) | |
| 051836-16-000 | EA | Curtain w/Snap Top and Bottom - 26" x 18" - Green (Martini Mist) | |
| 051836-17-000 | EA | Curtain w/Snap Top and Bottom - 26" x 18" - Beige (Champagne Velvet) | |
| 051836-18-000 | EA | Curtain w/Snap Top and Bottom - 26" x 18" - Rust (Sierra Sunset) | |
| 049728-07-000 | EA | Curtain w/Snap Top - 30" x 80" - Left - Green (Martini Mist) | |
| 049728-08-000 | EA | Curtain w/Snap Top - 30" x 80" - Left - Beige (Champagne Velvet) | |
| 049728-09-000 | EA | Curtain w/Snap Top - 30" x 80" - Left - Rust (Sierra Sunset) | |
| 049728-10-000 | EA | Curtain w/Snap Top - 30" x 80" - Right - Green (Martini Mist) | |
| 049728-11-000 | EA | Curtain w/Snap Top - 30" x 80" - Right - Beige (Champagne Velvet) | |
| 049728-12-000 | EA | Curtain w/Snap Top - 30" x 80" - Right - Rust (Sierra Sunset) | |
| 052414-01-000 | EA | Curtain w/Snap Top - 38" x 77" - Green (Martini Mist) | |
| 052414-02-000 | EA | Curtain w/Snap Top - 38" x 77" - Beige (Champagne Velvet) | |
| 052414-03-000 | EA | Curtain w/Snap Top - 38" x 77" - Rust (Sierra Sunset) | |
| 051832-06-000 | EA | Curtain w/Snap Top - 33" x 33" - Green (Martini Mist) | |
| 051832-07-000 | EA | Curtain w/Snap Top - 33" x 33" - Beige (Champagne Velvet) | |
| 051832-08-000 | EA | Curtain w/Snap Top - 33" x 33" - Rust (Sierra Sunset) | |
| 052763-01-000 | EA | Shade Asm. - Woven Wood - 71" x 28.5" - Green (Martini Mist) | |
| 052763-02-000 | EA | Shade Asm. - Woven Wood - 71" x 28.5" - Beige (Champagne Velvet) | |
| 052763-03-000 | EA | Shade Asm. - Woven Wood - 71" x 28.5" - Rust (Sierra Sunset) | |
| 052764-01-000 | EA | Shade Asm. - Woven Wood - 68 1/4" x 28 1/2" - Green (Martini Mist) | |
| 052764-02-000 | EA | Shade Asm. - Woven Wood - 68 1/4" x 28 1/2" - Beige (Champagne Velvet) | |
| 052764-03-000 | EA | Shade Asm. - Woven Wood - 66 1/4" x 28 1/2" - Rust (Sierra Sunset) | |
| 052765-01-000 | EA | Shade Asm. - Woven Wood - 45" x 28.5" - Green (Martini Mist) | |
| 052765-02-000 | EA | Shade Asm. - Woven Wood - 45" x 28.5" - Beige (Champagne Velvet) | |
| 052765-03-000 | EA | Shade Asm. - Woven Wood - 45" x 28.5" - Rust (Sierra Sunset) | |
| 052766-01-000 | EA | Shade Asm. - Woven Wood - 39" x 27" - Green (Martini Mist) | |
| 052766-02-000 | EA | Shade Asm. - Woven Wood - 39" x 27" - Beige (Champagne Velvet) | |
| 052766-03-000 | EA | Shade Asm. - Woven Wood - 39" x 27" - Rust (Sierra Sunset) | |
| 052767-01-000 | EA | Shade Asm. - Woven Wood - 31" x 28.5" - Green (Martini Mist) | |
| 052767-02-000 | EA | Shade Asm. - Woven Wood - 31" x 28.5" - Beige (Champagne Velvet) | |
| 052767-03-000 | EA | Shade Asm. - Woven Wood - 31" x 28.5" - Rust (Sierra Sunset) | |

VALANCES

| Key | Part Number | U/M | Description |
|---------------|-------------|---|-------------|
| 041906-37-000 | EA | Valance - Pleated w/Hooks - 6 1/2" x 78" - Green (Martini Mist) | |
| 041906-38-000 | EA | Valance - Pleated w/Hooks - 6 1/2" x 78" - Beige (Champagne Velvet) | |
| 041906-39-000 | EA | Valance - Pleated w/Hooks - 6 1/2" x 78" - Rust (Sierra Sunset) | |
| 041906-43-000 | EA | Valance - Pleated w/Hooks - 6 1/2" x 39" - Green (Martini Mist) | |
| 041906-44-000 | EA | Valance - Pleated w/Hooks - 6 1/2" x 39" - Beige (Champagne Velvet) | |
| 041906-45-000 | EA | Valance - Pleated w/Hooks - 6 1/2" x 39" - Rust (Sierra Sunset) | |
| 041906-55-000 | EA | Valance - Pleated w/Hooks - 6 1/2" x 37 1/2" - Green (Martini Mist) | |
| 041906-56-000 | EA | Valance - Pleated w/Hooks - 6 1/2" x 37 1/2" - Beige (Champagne Velvet) | |
| 041906-57-000 | EA | Valance - Pleated w/Hooks - 6 1/2" x 37 1/2" - Rust (Sierra Sunset) | |
| 041906-58-000 | EA | Valance - Pleated w/Hooks - 6 1/2" x 48 1/2" - Green (Martini Mist) | |
| 041906-59-000 | EA | Valance - Pleated w/Hooks - 6 1/2" x 48 1/2" - Beige (Champagne Velvet) | |
| 041906-60-000 | EA | Valance - Pleated w/Hooks - 6 1/2" x 48 1/2" - Rust (Sierra Sunset) | |

1978 WINNEBAGO TABLE OF CONTENTS

| | |
|--------------------|-------------|
| Introduction | A-1 |
| Abbreviations | A-1 |
| Alphabetical Index | A-2 - A-4 |
| WC525RB | A-5 - B-14 |
| WDP23RG | B-15 - C-24 |
| WDP26RK | D-1 - E-12 |
| WDU27RK | E-13 - F-22 |
| WDU29RB | F-23 - H-10 |
| WDU27RT | H-11 - I-22 |
| WDP26RB | I-23 - K-10 |

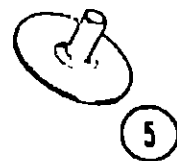
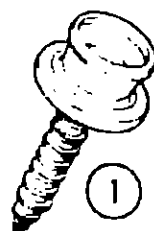
1978 WDU29RB INDEX

| | |
|------------------------------------|-------------|
| Floor Plan | F-23 - F-24 |
| Accessories Group | G-1 - G-3 |
| Bath Group | G-3 - G-4 |
| Chassis Group | G-5 |
| Curtain, Cushion & Pad Group | G-6 - G-9 |
| Dinette Group | G-9 |
| Driver's Compartment Group | G-10 - G-11 |
| Electrical Group | G-11 - G-13 |
| Exterior Body Group | G-14 - G-17 |
| Galley Group | G-18 |
| Heating & Air Conditioning Group | G-19 |
| Interior Finish Group | G-20 - G-21 |
| LP Group | G-22 |
| Lounge Group | G-23 |
| Water & Sewage Group | G-24 |
| Window, Vent & Exterior Door Group | H-1 - H-10 |

CURTAIN, CUSHION AND PAD GROUP (CONTINUED)

CURTAIN HARDWARE

| Key | Part Number | U/M | Description |
|-----|---------------|-----|---|
| | 052327-04-236 | EA | Curtain Track - Alum - Brown - 89" w/Holes (Replaces 009108-01 Plastic Track) |
| | 009107-01-000 | EA | Guide - Nylon Snap |
| | 009136-01-000 | EA | Pin - Shower Curtain |
| | 009701-01-000 | EA | Carrier - Curtain w/Rollers - "L" Rod |
| | 009702-01-000 | EA | End Stop - Curtain - "L" Rod |
| | 018031-42-000 | EA | Extr. - "L" Rod - 90" |
| | 049737-01-000 | EA | End Cap - Plastic - Brown (Blackout Curtain) |
| | 049738-01-000 | EA | Snap Carrier - White Plastic (Blackout Curtain) |
| | 051355-14-000 | EA | Track - Curtain - Alum. - 89" (Blackout Curtain) |
| | 047291-01-000 | EA | Rod - Curtain - Traverse w/Valance |
| | 049897-01-000 | EA | Rod - Curtain - Flat - Extends 25" - 45" |
| | 049897-02-000 | EA | Rod - Curtain - Flat - Extends 48" - 86" |
| | 049936-01-000 | EA | Pulley - Tension - Traverse Rod |
| | 049937-01-000 | EA | Kit - Conversion - Traverse/Valance Rods |
| | 050829-03-000 | EA | Track - Wraparound Curtain - Right - Brown |
| | 050829-04-000 | EA | Track - Wraparound Curtain - Left - Brown |



| Key | Part Number | U/M | Description |
|-----|---------------|-----|---|
| 1 | 029130-01-000 | EA | Socket - Snap Fastener (Tie Backs) |
| 2 | 029155-01-000 | EA | Cap - Snap - .156" Diameter x .17" Barrel (Tie Backs) |
| 3 | 029156-01-000 | EA | Socket - Snap Fastener (Tie Backs) |
| 4 | 029092-01-000 | EA | Stud - Nickel Finish (Curtains) |
| 5 | 029093-01-000 | EA | Eyelet - Nickel Finish (Curtains) |

TIE BACKS

| Key | Part Number | U/M | Description |
|-----|---------------|-----|---|
| | 049097-48-000 | EA | Tie Back - Curtain - 14" - Green (Martini Mist) |
| | 049097-49-000 | EA | Tie Back - Curtain - 14" - Beige (Champagne Velvet) |
| | 049097-50-000 | EA | Tie Back - Curtain - 14" - Rust (Sierra Sunset) |
| | 049097-45-000 | EA | Tie Back - Curtain - 10" - Green (Martini Mist) |
| | 049097-46-000 | EA | Tie Back - Curtain - 10" - Beige (Champagne Velvet) |
| | 049097-47-000 | EA | Tie Back - Curtain - 10" - Rust (Sierra Sunset) |
| | 049097-25-000 | EA | Tie Back Asm. - Curtain - Green (Martini Mist) |
| | 049097-26-000 | EA | Tie Back Asm. - Curtain - Beige (Champagne Velvet) |
| | 049097-27-000 | EA | Tie Back Asm. - Curtain - Rust (Sierra Sunset) |

CURTAIN, CUSHION AND PAD GROUP (CONTINUED)

MATTRESSES

| Key | Part Number | U/M | Description |
|-----|---------------|-----|---|
| | 041914-28-000 | EA | Mattress - Flexsteel Bunk - 38 3/4" x 76 1/2" x 4" Green (Martini Mist) |
| | 041914-29-000 | EA | Mattress - Flexsteel Bunk - 38 3/4" x 76 1/2" x 4" Beige (Champagne Velvet) |
| | 041914-30-000 | EA | Mattress - Flexsteel Bunk - 38 3/4" x 76 1/2" x 4" Rust (Sierra Sunset) |

DINETTE AND LOUNGE SEATING

| Key | Part Number | U/M | Description |
|-----|---------------|-----|---|
| | 052374-01-000 | EA | Magic Bed (Flexsteel) - Green (Martini Mist) |
| | 052374-02-000 | EA | Magic Bed (Flexsteel) - Beige (Champagne Velvet) |
| | 052374-03-000 | EA | Magic Bed (Flexsteel) - Rust (Sierra Sunset) |
| | 052158-01-000 | EA | Chair - Corner Mount - Left - Green (Martini Mist) |
| | 052158-02-000 | EA | Chair - Corner Mount - Left - Beige (Champagne Velvet) |
| | 052158-03-000 | EA | Chair - Corner Mount - Left - Rust (Sierra Sunset) |
| | 052157-01-000 | EA | Chair - Corner Mount - Right - Green (Martini Mist) |
| | 052157-02-000 | EA | Chair - Corner Mount - Right - Beige (Champagne Velvet) |
| | 052157-03-000 | EA | Chair - Corner Mount - Right - Rust (Sierra Sunset) |
| | 052155-01-000 | EA | Chair - Swivel (Flexsteel) - Green (Martini Mist) |
| | 052155-02-000 | EA | Chair - Swivel (Flexsteel) - Beige (Champagne Velvet) |
| | 052155-03-000 | EA | Chair - Swivel (Flexsteel) - Rust (Sierra Sunset) |
| | 041428-07-000 | EA | Presto Bed Asm. - Lounge - Left or Right w/o Skirt or Bolsters Green (Martini Mist) |
| | 041428-08-000 | EA | Presto Bed Asm. - Lounge - Left or Right w/o Skirt or Bolsters Beige (Champagne Velvet) |
| | 041428-09-000 | EA | Presto Bed Asm. - Lounge - Left or Right w/o Skirt or Bolsters Rust (Sierra Sunset) |
| | 042384-48-000 | EA | Skirt - Lounge - 9 1/2" x 74 3/4" - Green (Martini Mist) |
| | 042384-43-000 | EA | Skirt - Lounge - 9 1/2" x 74 3/4" - Beige (Champagne Velvet) |
| | 042384-44-000 | EA | Skirt - Lounge - 9 1/2" x 74 3/4" - Rust (Sierra Sunset) |
| | 049598-16-000 | EA | Cushion - Bolster - 8" x 12" x 38" x 12" - Green (Martini Mist) |
| | 049598-17-000 | EA | Cushion - Bolster - 8" x 12" x 38" x 12" - Beige (Champagne Velvet) |
| | 049598-18-000 | EA | Cushion - Bolster - 8" x 12" x 38" x 12" - Rust (Sierra Sunset) |
| | 049598-16-016 | EA | Cover - Cushion - Bolster - 8" x 12" x 38" x 12" - Green (Martini Mist) |
| | 049598-17-017 | EA | Cover - Cushion - Bolster - 8" x 12" x 38" x 12" - Beige (Champagne Velvet) |
| | 049598-18-018 | EA | Cover - Cushion - Bolster - 8" x 12" x 38" x 12" - Rust (Sierra Sunset) |

BUCKET SEATS

| Key | Part Number | U/M | Description |
|-----|---------------|-----|--|
| | 052150-01-000 | EA | Seat Asm. - Single Bucket (Flexsteel) - Green (Martini Mist) |
| | 052150-02-000 | EA | Seat Asm. - Single Bucket (Flexsteel) - Beige (Champagne Velvet) |
| | 052150-03-000 | EA | Seat Asm. - Single Bucket (Flexsteel) - Rust (Sierra Sunset) |

**1978 WINNEBAGO
TABLE OF CONTENTS**

| | |
|--------------------|-------------|
| Introduction | A-1 |
| Abbreviations | A-1 |
| Alphabetical Index | A-2 - A-4 |
| WC525RB | A-5 - B-14 |
| WDP23RG | B-15 - C-24 |
| WDP26RK | D-1 - E-12 |
| WDI127RK | E-13 - F-22 |
| WDU29RB | F-23 - H-10 |
| WDU27RT | H-11 - I-22 |
| WDP26RB | I-23 - K-10 |

**1978 WDU29RB
INDEX**

| | |
|------------------------------------|-------------|
| Floor Plan | F-23 - F-24 |
| Accessories Group | G-1 - G-3 |
| Bath Group | G-3 - G-4 |
| Chassis Group | G-5 |
| Curtain, Cushion & Pad Group | G-6 - G-9 |
| Dinette Group | G-9 |
| Driver's Compartment Group | G-10 - G-11 |
| Electrical Group | G-11 - G-13 |
| Exterior Body Group | G-14 - G-17 |
| Galley Group | G-18 |
| Heating & Air Conditioning Group | G-19 |
| Interior Finish Group | G-20 - G-21 |
| LP Group | G-22 |
| Lounge Group | G-23 |
| Water & Sewage Group | G-24 |
| Window, Vent & Exterior Door Group | H-1 - H-10 |

CURTAIN, CUSHION AND PAD GROUP (CONTINUED)

FADS

| Key | Part Number | U/M | Description |
|-----|---------------|-----|---|
| | 049571-01-000 | EA | Pad - End Panel - Galley Overhead Cabinet |
| | 048747-01-000 | EA | Pad - End Panel - Overhead T.V. Cabinet - Left |
| | 048747-02-000 | EA | Pad - End Panel - Overhead T.V. Cabinet - Right or Dinette Overhead Cabinet |
| | 042330-01-000 | EA | Armrest Asm. - Wall Mount - Left - Brown Vinyl |
| | 042331-01-000 | EA | Armrest Asm. - Wall Mount - Right - Brown Vinyl |
| | 042950-01-000 | EA | Handle - Interior Assist Strap - Brown Vinyl |
| | 051109-01-000 | EA | Armrest Asm. - Lounge - Green (Martini Mist) |
| | 051109-02-000 | EA | Armrest Asm. - Lounge - Beige (Champagne Velvet) |
| | 051109-03-000 | EA | Armrest Asm. - Lounge - Rust (Sierra Sunset) |
| | 050889-03-000 | EA | Base Asm. - Stool Cover - Brown Vinyl |
| | 050944-03-000 | EA | Skirt Asm. - Stool - Front - Brown Vinyl |
| | 050890-03-000 | EA | Lid Asm. - Stool - Covered - Green (Martini Mist) |
| | 050890-04-000 | EA | Lid Asm. - Stool - Covered - Beige (Champagne Velvet) |
| | 050890-05-000 | EA | Lid Asm. - Stool - Covered - Rust (Sierra Sunset) |

FABRICS

| Key | Part Number | U/M | Description |
|-----|---------------|-----|--|
| | 041429-01-000 | YD | Fabric - Valance - Green (Martini Mist) |
| | 041429-02-000 | YD | Fabric - Valance - Beige (Champagne Velvet) |
| | 041429-03-000 | YD | Fabric - Valance - Rust (Sierra Sunset) |
| | 051772-01-000 | YD | Fabric - Floral Drapery - Green (Martini Mist) |
| | 051772-02-000 | YD | Fabric - Floral Drapery - Beige (Champagne Velvet) |
| | 051772-03-000 | YD | Fabric - Floral Drapery - Rust (Sierra Sunset) |
| | 043623-01-000 | YD | Fabric - Upholstery - Green (Martini Mist) |
| | 043623-02-000 | YD | Fabric - Upholstery - Beige (Champagne Velvet) |
| | 042623-03-000 | YD | Fabric - Upholstery - Rust (Sierra Sunset) |
| | 042411-01-000 | YD | Vinyl - Nonexpanded - 27 Ounce - Brown |
| | 042411-03-000 | YD | Vinyl - Nonsupport - 16 Gauge - Brown |
| | 042414-01-000 | FT | Trim - Accent - Bostonian Brown Vinyl |
| | 023631-05-000 | EA | Button - Nail - Brown Vinyl |

DINETTE GROUP

| Key | Part Number | U/M | Description |
|-----|---------------|-----|---|
| | 048732-01-000 | EA | Cabinet Asm. - Television - w/o Top, Doors, Hardware |
| | 048756-01-000 | EA | Countertop Asm. - Television Cabinet - Brown Mocha Leather |
| | 048103-19-700 | EA | Door Asm. - Television Cabinet - 10" x 15" - w/o Hardware |
| | 048728-01-000 | EA | Cabinet Asm. - Overhead-Television - w/o Doors or End Pads |
| | 048103-02-700 | EA | Door Asm. - Overhead Cabinet - 22" x 9" - w/o Hardware |
| | 049569-01-000 | EA | Cabinet Asm. - Overhead - Magic Bed - w/o Doors or End Pads |
| | 049514-01-700 | EA | Table Asm. - Dinette w/o Leg or Base - Brown Mocha Leather |
| | 009040-02-000 | EA | Leg - Table - 2 3/8" Dia. x 28" - Chrome |
| | 009040-03-000 | EA | Base - Table Leg - Mounts on Table |
| | 041194-01-000 | EA | Base - Table Leg - Mounts on Floor |

DRIVER'S COMPARTMENT GROUP

DASH PANEL AND COMPONENTS

| Key | Part Number | U/M | Description |
|-----|---------------|-----|---|
| | 050582-01-000 | EA | Dash Asm. - Elandan II - Complete |
| | 022548-03-000 | EA | Pad - Dash - Foam - Right - Dark Brown |
| | 023242-05-000 | EA | Pad - Dash - Foam - Left - Dark Brown |
| | 024418-01-000 | EA | Lamp Asm. - Map/Gauge |
| | 023020-01-000 | EA | Lamp Asm. - Tell Tale |
| | 039044-01-000 | EA | Louver Asm. - A/C - Adjustable |
| | 048771-01-000 | EA | Nameplate - Elandan II - Brown/Gold |
| | 007037-01-000 | EA | Lighter Asm. - Cigarette - 12V |
| | 007041-01-000 | EA | Bezel - Cigarette Lighter |
| | 007071-01-000 | EA | Louver - Chrome - w/Chrome Wheel |
| | 024906-01-000 | EA | Diffuser Case - A/C - 2 1/2" Black |
| | 050299-01-000 | EA | Bezel - Instrument Panel |
| | 050465-01-000 | EA | Bezel - Entertainment Center - No. 1 |
| | 022219-01-000 | EA | Door - Glove Box |
| | 009118-01-000 | EA | Lock - Twist w/Nut |
| | 023892-01-000 | EA | Box - Glove Compartment - Black Fiberboard |
| | 024598-01-000 | EA | Hinge - Continuous Aluminum - 1 1/16" x 19" |
| | 034309-01-000 | EA | Chain - Bead - Glove Box Door |
| | 023034-01-000 | EA | Panel - Knee Kick |
| | 024990-02-000 | EA | Outlet - Defroster - 2" w/Swivel - Dark Brown |
| | 040636-01-000 | EA | Bracket Asm. - Shift Lever |

DASH SWITCHES AND GAUGES

| Key | Part Number | U/M | Description |
|-----|---------------|-----|--|
| | 024907-01-000 | EA | Control Asm. - Heater and A/C |
| | 031035-01-000 | EA | Gauge - Hourmeter - Generator |
| | 024459-01-000 | EA | Gauge - Voltmeter |
| | 024460-01-000 | EA | Gauge - Vacuum |
| | 007308-01-000 | EA | Clock - Dash |
| | 024976-01-000 | EA | Switch - Generator - w/o Circuit Board |
| | 024462-01-000 | EA | Switch - Battery Condition |
| | 024461-01-000 | EA | Switch - Battery Changeover |
| | 024464-01-000 | EA | Switch - Washer |
| | 024465-01-000 | EA | Switch - Fuel |
| | 024466-01-000 | EA | Switch - Rear Wiper |
| | 024467-01-000 | EA | Switch - Wiper |
| | 049783-01-000 | EA | Switch - Aux. Light |
| | 050031-01-000 | EA | Switch - Step |
| | 051750-01-000 | EA | Switch - Dash Electric LP Gas Shut Off |

BUCKET SEAT PEDESTAL AND SEAT BELTS

| Key | Part Number | U/M | Description |
|-----|---------------|-----|---|
| | 050447-01-000 | EA | Pedestal Asm. - Tilt Seat - Driver |
| | 050447-02-000 | EA | Pedestal Asm. - Tilt Seat - Passenger |
| | 007019-01-000 | EA | Belt Asm. - Seat - 2" x 84" - Black |
| | 041322-01-000 | EA | Washer - Flat - 15/32" I.D. x 2 3/8" O.D. |
| | 052151-01-000 | EA | Pedestal Asm. - Flexsteel Bucket Seat |
| | 052154-01-000 | EA | Slide Asm. - Flexsteel Bucket Seat |

**1978 WINNEBAGO
TABLE OF CONTENTS**

| | |
|--------------------|-------------|
| Introduction | A-1 |
| Abbreviations | A-1 |
| Alphabetical Index | A-2 - A-4 |
| WC525RB | A-5 - B-14 |
| WDP23RG | B-15 - C-24 |
| WDP26RK | D-1 - E-12 |
| WDU27RK | E-13 - F-22 |
| WDU29RB | F-23 - H-10 |
| WDU27RT | H-11 - I-22 |
| WDP26RB | I-23 - K-10 |

**1978 WDU29RB
INDEX**

| | |
|------------------------------------|-------------|
| Floor Plan | F-23 - F-24 |
| Accessories Group | G-1 - G-3 |
| Bath Group | G-3 - G-4 |
| Chassis Group | G-5 |
| Curtain, Cushion & Pad Group | G-6 - G-9 |
| Dinette Group | G-9 |
| Driver's Compartment Group | G-10 - G-11 |
| Electrical Group | G-11 - G-13 |
| Exterior Body Group | G-14 - G-17 |
| Galley Group | G-18 |
| Heating & Air Conditioning Group | G-19 |
| Interior Finish Group | G-20 - G-21 |
| LP Group | G-22 |
| Lounge Group | G-23 |
| Water & Sewage Group | G-24 |
| Window, Vent & Exterior Door Group | H-1 - H-10 |

DRIVER'S COMPARTMENT GROUP (CONTINUED)

MISCELLANEOUS DRIVER'S COMPARTMENT COMPONENTS

| Key | Part Number | U/M | Description |
|-----|---------------|-----|---|
| | 048583-01-000 | EA | Tray Asm. - Beverage |
| | 048670-01-000 | EA | Track Asm. - Beverage Tray (2 per Tray) |
| | 034499-01-000 | EA | Support - Dimmer Switch |
| | 007278-01-000 | EA | Mirror - 4 1/2" x 9" - Rear View |
| | 036414-01-000 | EA | Ashtray - Wall Mount |
| | 042434-01-000 | EA | Sunvisor Asm. - 8" x 28" - Dark Brown Vinyl - Right or Left |
| | 040519-01-000 | EA | Boot - Rubber - Steering Column |
| | 040520-01-000 | EA | Retainer - Boot - Steering Column |
| | 039857-01-000 | EA | Latch - Rubber - Draw Handle - 5 3/4" w/Strike |
| | 039856-01-000 | EA | Latch - Rubber - Draw Handle - 3" w/Strike |
| | 035368-02-000 | EA | Seal - Motor Cover - Extr. Aluminum |
| | 042328-03-000 | EA | Sidepanel - Left |
| | 050761-01-000 | EA | Sidepanel - Right |
| | 042332-01-000 | EA | Pouch - Vinyl - Sidepanel - Left |
| | 042333-01-000 | EA | Pouch - Vinyl - Sidepanel - Right |
| | 042337-01-000 | EA | Trim - Brown Plastic - Over Driver Window |
| | 042337-02-000 | EA | Trim - Brown Plastic - Over Passenger Window |
| | 042341-01-000 | EA | Trim - A Post - Brown Plastic - Left |
| | 042341-02-000 | EA | Trim - A Post - Brown Plastic - Right |

ELECTRICAL GROUP

BULBS

| Key | Part Number | U/M | Description |
|-----|---------------|-----|-------------------------|
| | 037936-01-000 | EA | Bulb - 1157-A |
| | 037937-01-000 | EA | Bulb - 1295 |
| | 037934-01-000 | EA | Bulb - 1156 |
| | 037935-01-000 | EA | Bulb - 1157 |
| | 038010-01-000 | EA | Bulb - 1143 |
| | 008103-01-000 | EA | Bulb - 53 |
| | 008213-01-000 | EA | Bulb - 57 |
| | 008214-01-000 | EA | Bulb - 67 |
| | 008215-01-000 | EA | Bulb - 1003 |
| | 008216-01-000 | EA | Bulb - 1034 |
| | 008217-01-000 | EA | Bulb - 1073 |
| | 008218-01-000 | EA | Bulb - 1141 |
| | 008219-01-000 | EA | Bulb - 656 |
| | 008220-01-000 | EA | Bulb - 12V - 25W |
| | 036196-01-000 | EA | Bulb - 194 |
| | 700020-01-000 | EA | Bulb - 12V - 20W - 1383 |

EXTERIOR LIGHTS

| Key | Part Number | U/M | Description |
|-----|---------------|-----|---|
| | 037586-01-000 | EA | Lamp Asm. - Front Right |
| | 037586-02-000 | EA | Lamp Asm. - Front Left |
| | 037585-01-000 | EA | Lamp Asm. - Tail - Rear Right |
| | 037585-03-000 | EA | Lens - Tail Lamp - Right |
| | 037585-02-000 | EA | Lamp Asm. - Tail - Rear Left |
| | 037585-04-000 | EA | Lens - Tail Lamp - Left |
| | 048811-01-000 | EA | Lamp Asm. - Fog Light |
| | 042405-03-000 | EA | Base - Rectangular Clearance Light |
| | 042405-04-000 | EA | Lens - Clearance Light - Red w/o Reflector |
| | 042405-05-000 | EA | Lens - Clearance Light - Amber w/o Reflector |
| | 049185-01-000 | EA | Headlamp Capsule Asm. - Rectangular - Left - High/Low Beam |
| | 049186-01-000 | EA | Headlamp Capsule Asm. - Rectangular - Right - High/Low Beam |
| | 049187-01-000 | EA | Headlamp Capsule Asm. - Rectangular - Left - High Beam |
| | 049188-01-000 | EA | Headlamp Capsule Asm. - Rectangular - Right - High Beam |
| | 048817-01-000 | EA | Handle - Assist w/Light |

ELECTRICAL GROUP (CONTINUED)

INTERIOR LIGHTS

| Key | Part Number | U/M | Description |
|-----|---------------|-----|--|
| | 023070-01-000 | EA | Lamp Asm. - Tail Tale |
| | 024418-01-000 | EA | Lamp Asm. - Map/Gauge/Aisle |
| | 024473-01-000 | EA | Light - Aircraft - 1 Bulb-Gold |
| | 033508-02-000 | EA | Light - Dome - Ivory - 1 Bulb |
| | 024642-01-701 | EA | Lens - Dome Light - 1 Bulb |
| | 033509-02-000 | EA | Light - Dome - Ivory- 2 Bulb |
| | 024643-01-701 | EA | Lens - Dome Light - 2 Bulb |
| | 007309-01-000 | EA | Light - Step Well |
| | 049412-01-000 | EA | Light Asm. - Overhead Recessed - 10" x 30" |
| | 008114-01-000 | EA | Light - Dome - 12 Volt |
| | 008101-01-000 | EA | Light - Aircraft - 2 Bulb - Gold |

FUSES AND CIRCUIT BREAKERS

| Key | Part Number | U/M | Description |
|-----|---------------|-----|---|
| | 008233-01-000 | EA | Fuse - 12 Volt - 6 Amp. |
| | 008234-01-000 | EA | Fuse - 12 Volt - 10 Amp. |
| | 008235-01-000 | EA | Fuse - 12 Volt - 15 Amp. |
| | 008236-01-000 | EA | Fuse - 12 Volt - 20 Amp. |
| | 008248-01-000 | EA | Fuse - 12 Volt - 30 Amp. |
| | 008252-01-000 | EA | Fuse - 110 Volt - 50 Amp. |
| | 008208-01-000 | EA | Circuit Breaker - 12 Volt - 40 Amp. |
| | 008211-01-000 | EA | Circuit Breaker - 12 Volt - 6 Amp. |
| | 008268-01-000 | EA | Circuit Breaker - 12 Volt - 30 Amp. w/Mount |
| | 033573-01-000 | EA | Circuit Breaker - 12 Volt - 20 Amp. w/Mount |
| | 008273-03-000 | EA | Circuit Breaker - 15/20 Amp. w/Mount |
| | 008273-03-000 | EA | Circuit Breaker - 15/20 Amp. TQL |
| | 036617-01-000 | EA | Relay - Canister - SPDT |

WINDSHIELD WIPER & WASHER

| Key | Part Number | U/M | Description |
|-----|---------------|-----|---|
| | 037998-01-000 | EA | Link Asm. - Connecting - 22.40" Long |
| | 037999-01-000 | EA | Motor Asm. - Windshield Wiper - Front |
| | 038001-01-000 | EA | Shaft and Pivot Asm. - 2.25" Arm |
| | 049463-01-000 | EA | Arm - Windshield Wiper - 15" Black |
| | 049464-01-000 | EA | Blade - Windshield Wiper - 16" Black |
| | 007029-01-000 | EA | Washer Asm. - Windshield Power Jet Electric - Front |
| | 700073-05-000 | EA | Pump and Cover Asm. - for Windshield Washer - Front or Rear |
| | 700073-04-000 | EA | Reservoir Only - Water - Windshield Washer - Front or Rear |
| | 700073-02-000 | EA | Washer Nozzle Hardware Package - Front |
| | 700073-03-000 | EA | Washer Nozzle Hardware Package - Rear |
| | 038000-03-000 | EA | Blade - Windshield Wiper - 14" |
| | 039756-01-000 | EA | Motor - Rear Window Wiper |
| | 039757-01-000 | EA | Arm - Rear Window Wiper - 16" |

1978 WINNEBAGO TABLE OF CONTENTS

| | |
|--------------------|-------------|
| Introduction | A-1 |
| Abbreviations | A-1 |
| Alphabetical Index | A-2 - A-4 |
| WC525RB | A-5 - B-14 |
| WDP23RG | B-15 - C-24 |
| WDP26RK | D-1 - E-12 |
| WDL27RK | E-13 - F-22 |
| WDL29RB | F-23 - H-10 |
| WDU27RT | H-11 - I-22 |
| WDP26RB | I-23 - K-10 |

1978 WDU29RB INDEX

| | |
|------------------------------------|-------------|
| Floor Plan | F-23 - F-24 |
| Accessories Group | G-1 - G-3 |
| Bath Group | G-3 - G-4 |
| Chassis Group | G-5 |
| Curtain, Cushion & Pad Group | G-6 - G-9 |
| Dinette Group | G-9 |
| Driver's Compartment Group | G-10 - G-11 |
| Electrical Group | G-11 - G-13 |
| Exterior Body Group | G-14 - G-17 |
| Galley Group | G-18 |
| Heating & Air Conditioning Group | G-19 |
| Interior Finish Group | G-20 - G-21 |
| LP Group | G-22 |
| Lounge Group | G-23 |
| Water & Sewage Group | G-24 |
| Window, Vent & Exterior Door Group | H-1 - H-10 |

ELECTRICAL GROUP (CONTINUED)

WIRE, SWITCHES, AND RECEPTACLES

| Key | Part Number | U/M | Description |
|-----|---------------|-----|--|
| | 008024-01-000 | FT | Wire - 18.5 Bonded - Orange/White/Blue/Brown |
| | 008025-01-000 | FT | Wire - 18.5 Bonded - Orange/White/Yellow/Blue/Green |
| | 008028-01-000 | FT | Wire - 19.5 Bonded - Blue/Red/Yellow/Orange/White |
| | 008030-01-000 | FT | Wire - 18.4 Bonded |
| | 008251-01-000 | EA | Holder - Fuse - Black - Screw Type |
| | 008277-01-000 | EA | Holder - Fuse - Black - Panel Mount |
| | 008195-01-000 | EA | Switch - Push Button - 12 Volt |
| | 008077-01-000 | EA | Plaque - Compressor Switch |
| | 008054-01-000 | EA | Cord - Power - 10-3 30 Amp. - 25' - UL |
| | 034818-04-000 | EA | Holder - Receptacle - Plastic |
| | 039338-01-000 | EA | Cover Plate - Receptacle - Plastic - Brown |
| | 039339-01-000 | EA | Receptacle - Duplex Brown - End of Line |
| | 039342-01-000 | EA | Receptacle - Duplex Brown - T Junction |
| | 024571-01-000 | EA | Cover Plate - Receptacle - Jumbo Steel Brown |
| | 048172-01-000 | EA | Cover Plate - Receptacle - Antique Brass |
| | 048173-01-000 | EA | Cover Plate - Double Switch - Antique Brass |
| | 048174-01-000 | EA | Cover Plate - Single Switch - Antique Brass |
| | 039343-01-000 | EA | Cap - End - Receptacle |
| | 008162-01-000 | EA | Switch - Double Toggle - Spade Brown |
| | 008163-01-000 | EA | Switch - Toggle Brown |
| | 024924-01-000 | EA | Receptacle - Power Cord |
| | 008058-01-000 | EA | Adaptor - Power Cord |
| | 047353-01-000 | EA | Cover - Receptacle - Ground Fault |
| | 047351-01-000 | EA | Receptacle - Ground Fault Interrupter - 125 Volt Black |

MISCELLANEOUS ELECTRICAL COMPONENTS

| Key | Part Number | U/M | Description |
|-----|---------------|-----|---|
| | 047338-01-000 | EA | Isolator - Dual Battery |
| | 047389-01-000 | EA | Battery - 12 Volt - 105 Amp. Deep Cycle - Dry |
| | 008188-01-000 | EA | Solenoid - Dual Battery - Relay |
| | 046775-01-000 | EA | Valve - Gas - Change Over |
| | 041079-01-000 | EA | Control Center - 50 Amp w/DL or UL |
| | 048812-04-000 | EA | Control Panel - Water/Double Sewage - w/o Insert |
| | 048812-05-000 | EA | Insert - Control Panel - w/Thermostat Mount Holes |
| | 048812-06-000 | EA | Insert - Control Panel - w/o Thermostat Mount Holes |
| | 039861-01-000 | EA | Sending Unit Kit - Wamac |
| | 036400-01-000 | EA | Fan - Defroster |
| | 047375-01-000 | EA | Control Unit - Power Step |
| | 041248-01-000 | EA | Light - Warning - Power Step |
| | 041249-01-000 | EA | Switch - Toggle - on/off - Power Step |
| | 041250-01-000 | EA | Switch - Push Button - Power Step |
| | 036517-01-000 | EA | Relay - Canister - SPDT |
| | 008181-01-000 | EA | Relay - 12 to 15 Volt - 27 Amp. |

G-13

EXTERIOR BODY GROUP

EXTERIOR PAINT

| Key | Part Number | U/M | Description |
|-----|---------------|-----|---|
| | 044486-01-000 | EA | Paint - Beige - Acrylic Enamel - 1 Gallon |
| | 044486-03-000 | EA | Paint - Beige - Acrylic Enamel - 16 Oz. Aerosol |
| | 044486-04-000 | EA | Paint - Beige - Acrylic Lacquer - 1 Gallon |
| | 041561-01-000 | EA | Paint - Off White - Acrylic Enamel - 1 Gallon |
| | 041561-03-000 | EA | Paint - Off White - Acrylic Enamel - 16 Oz. Aerosol |
| | 041561-04-000 | EA | Paint - Off White - Acrylic Lacquer - 1 Gallon |
| | 045681-01-000 | EA | Paint - High Gloss Black - Acrylic Enamel - 1 Gallon |
| | 045681-03-000 | EA | Paint - High Gloss Black - Acrylic Enamel - 16 Oz. Aerosol |
| | 041568-01-000 | EA | Paint - Antique Bronze Metallic - Acrylic Enamel - 1 Gallon |
| | 041568-03-000 | EA | Paint - Antique Bronze Metallic - Acrylic Enamel - 16 Oz. Aerosol |
| | 043877-01-000 | EA | Paint - Saddle Bronze Metallic - Acrylic Enamel - 1 Gallon |
| | 043877-03-000 | EA | Paint - Saddle Bronze Metallic - Acrylic Enamel - 16 Oz. Aerosol |
| | 041575-01-000 | EA | Paint - Dark Green Metallic - Acrylic Enamel - 1 Gallon |
| | 041575-03-000 | EA | Paint - Dark Green Metallic - Acrylic Enamel - 16 Oz. Aerosol |
| | 043476-01-000 | EA | Paint - Lime Metallic - Acrylic Enamel - 1 Gallon |
| | 043476-03-000 | EA | Paint - Lime Metallic - Acrylic Enamel - 16 Oz. Aerosol |
| | 041574-01-000 | EA | Paint - Dark Ginger Metallic - Acrylic Enamel - 1 Gallon |
| | 041574-03-000 | EA | Paint - Dark Ginger Metallic - Acrylic Enamel - 16 Oz. Aerosol |
| | 043876-01-000 | EA | Paint - Chestnut Metallic - Acrylic Enamel - 1 Gallon |
| | 043876-03-000 | EA | Paint - Chestnut Metallic - Acrylic Enamel - 16 Oz. Aerosol |

MISCELLANEOUS EXTERNALLY MOUNTED PARTS

| Key | Part Number | U/M | Description |
|-----|---------------|-----|--|
| | 011124-01-000 | EA | Plumbing Seal - Roof Vent - 1 1/4" White |
| | 011129-01-000 | EA | Plumbing Seal - Roof Vent - 1 1/2" White |
| | 010230-02-000 | EA | Fill - City Water - Recessed - Off White |
| | 048817-01-000 | EA | Handle - Assist w/Light |
| | 049347-01-000 | EA | Mirror Head - 7 1/2" x 10 1/2" Stainless Steel w/o Bracket |
| | 049348-01-000 | EA | Arm - Low Mount Mirror - Brite Finish |
| | 049944-01-000 | EA | Bracket - Mirror - Outside - Beige - Mounts to Coach |
| | 044399-01-000 | EA | Thermometer - Outside Chrome |

EXTERIOR BODY PANELS AND SHEET ALUMINUM

| Key | Part Number | U/M | Description |
|-----|---------------|-----|--|
| | 052027-01-000 | EA | Valance Panel Asm. - Right Front - Beige Fiberglass |
| | 052026-01-000 | EA | Valance Panel Asm. - Right Rear - Beige Fiberglass |
| | 052025-01-000 | EA | Valance Panel Asm. - Left Front - Beige Fiberglass |
| | 051999-01-000 | EA | Valance Panel Asm. - Left Rear - Beige Fiberglass |
| | 046311-02-000 | EA | Valance Panel Asm. - Right Front - Beige Plastic |
| | 046159-02-000 | EA | Valance Panel Asm. - Left Rear - Beige Plastic |
| | 046158-02-000 | EA | Valance Panel Asm. - Right Rear - Louvered - Beige Plastic |
| | 046161-11-000 | EA | Valance Panel Asm. - 54.94" - Beige Plastic |
| | 046161-21-000 | EA | Valance Panel Asm. - 46.12" - Beige Plastic |
| | 044612-01-000 | EA | Backwall Asm. w/o Fiberglass Cap |
| | 049572-01-000 | EA | Sidewall Asm. - Left |
| | 049573-01-000 | EA | Sidewall Asm. - Right |
| | 049680-01-000 | EA | Roof Asm. |
| | 039155-03-002 | EA | Alum. - Off White - Mesa Design - .024" x 36" x 300" |
| | 039155-03-003 | EA | Alum. - Off White - Mesa Design - .024" x 36" x 360" |
| | 039155-03-007 | EA | Alum. - Off White - Mesa Design - .024" x 48" x 60" |
| | 039155-02-008 | EA | Alum. - Beige Mesa Design - .024" x 36" x 60" |
| | 039155-02-002 | EA | Alum. - Beige Mesa Design - .024" x 36" x 300" |
| | 039155-02-003 | EA | Alum. - Beige Mesa Design - .024" x 36" x 360" |
| | 039155-02-007 | EA | Alum. - Beige Mesa Design - .024" x 48" x 60" |
| | 039155-02-005 | EA | Alum. - Beige Mesa Design - .024" x 48" x 300" |
| | 039155-02-006 | EA | Alum. - Beige Mesa Design - .024" x 48" x 360" |
| | 039155-02-009 | EA | Alum. - Beige Mesa Design - .024" x 12" x 360" |
| | 044487-01-001 | EA | Alum. - Mill Finish - No Design (Roof) - 96" x 360" |
| | 001018-01-024 | EA | Alum. - Beige - No Design - 48" x 96" |
| | 000868-01-000 | BF | Styrofoam - 3/4" x 24" x 96" |

G-14

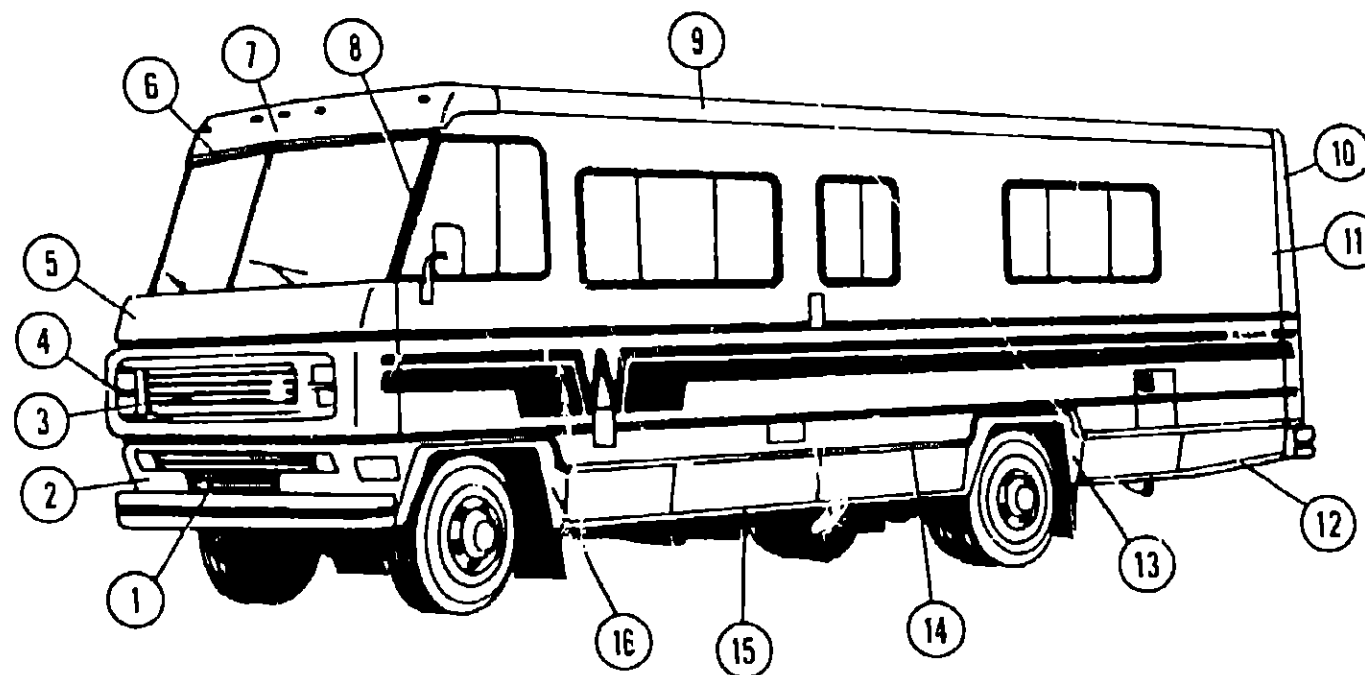
1978 WINNEBAGO TABLE OF CONTENTS

| | |
|--------------------|-------------|
| Introduction | A-1 |
| Abbreviations | A-1 |
| Alphabetical Index | A-2 - A-4 |
| WC525RB | A-5 - B-14 |
| WDP23RG | B-15 - C-24 |
| WDP26RK | D-1 - E-12 |
| WDU27RK | E-13 - F-22 |
| WDU29RB | F-23 - H-10 |
| WDU27RT | H-11 - I-22 |
| WDP26RB | I-23 - K-10 |

1978 WDU29RB INDEX

| | |
|------------------------------------|-------------|
| Floor Plan | F-23 - F-24 |
| Accessories Group | G-1 - G-3 |
| Bath Group | G-3 - G-4 |
| Chassis Group | G-5 |
| Curtain, Cushion & Pad Group | G-6 - G-9 |
| Dinette Group | G-9 |
| Driver's Compartment Group | G-10 - G-11 |
| Electrical Group | G-11 - G-13 |
| Exterior Body Group | G-14 - G-17 |
| Galley Group | G-18 |
| Heating & Air Conditioning Group | G-19 |
| Interior Finish Group | G-20 - G-21 |
| LP Group | G-22 |
| Lounge Group | G-23 |
| Water & Sewage Group | G-24 |
| Window, Vent & Exterior Door Group | H-1 - H-10 |

EXTERIOR BODY GROUP (CONTINUED)



1978 WINNEBAGO
TABLE OF CONTENTS

| | |
|--------------------|-------------|
| Introduction | A-1 |
| Abbreviations | A-1 |
| Alphabetical Index | A-2 - A-4 |
| WC525RB | A-5 - B-4 |
| WDP23RG | B-15 - C-24 |
| WDP26RK | D-1 - E-12 |
| WDU27RK | E-13 - F-22 |
| WDU29RB | F-23 - H-10 |
| WDU27RT | H-11 - I-22 |
| WDP26RE | I-23 - K-10 |

1978 WDU29RB
INDEX

| | |
|------------------------------------|-------------|
| Floor Plan | F-23 - F-24 |
| Accessories Group | G-1 - G-3 |
| Bath Group | G-3 - G-4 |
| Chassis Group | G-5 |
| Curtain, Cushion & Pad Group | G-6 - G-9 |
| Dinette Group | G-9 |
| Driver's Compartment Group | G-10 - G-11 |
| Electrical Group | G-11 - G-13 |
| Exterior Body Group | G-14 - G-17 |
| Galley Group | G-18 |
| Heating & Air Conditioning Group | G-19 |
| Interior Finish Group | G-20 - G-21 |
| LP Group | G-22 |
| Lounge Group | G-23 |
| Water & Sewage Group | G-24 |
| Window, Vent & Exterior Door Group | H-1 - H-10 |

| Key | Part Number | U/M | Description |
|-----|---------------|-----|---|
| 1 | 050686-01-000 | EA | Grille Asm. - Lower - Complete |
| 2 | 048132-01-000 | EA | Panel - Wheelhouse - Front - Outer - Right |
| 3 | 050684-01-000 | EA | Grille Asm. - Upper - Complete |
| • | 021497-01-000 | EA | Latch Asm. - Grille |
| 4 | 049185-01-000 | EA | Capsule Asm. - Headlamp - Rectangular - Left - High/Low Beam |
| • | 049186-01-000 | EA | Capsule Asm. - Headlamp - Rectangular - Right - High/Low Beam |
| • | 049187-01-000 | EA | Capsule Asm. - Headlamp - Rectangular - Left - High Beam |
| • | 049188-01-000 | EA | Capsule Asm. - Headlamp - Rectangular - Right - High Beam |
| • | 049358-01-000 | EA | Bezel Asm. - Headlamp - Chrome - Left |
| • | 049358-02-000 | EA | Bezel Asm. - Headlamp - Chrome - Right |
| • | 049359-01-000 | EA | Spring - Headlamp - Retainer |
| • | 050030-01-000 | EA | Housing Asm. - Headlamp - Left or Right |
| 5 | 048992-01-000 | EA | Panel - Front End - Fiberglass - Beige |
| 6 | 038493-07-000 | EA | Trim - Windshield - Right - Black |
| • | 038493-08-000 | EA | Trim - Windshield - Left - Black |
| • | 038494-04-000 | EA | Trim - Windshield - Center - 31.42" - Black |
| • | 038900-04-000 | EA | Cap - Windshield Top - "T" - Black Plastic |
| 7 | 047979-01-000 | EA | Cap - Front Upper - Beige Fiberglass (above windshield) |

| Key | Part Number | U/M | Description |
|-----|-----------------|-----|--|
| 8 | 042348-02-000 | EA | Trim - "A" Post - Exterior - Left |
| • | 042348-01-000 | EA | Trim - "A" Post - Exterior - Right |
| 9 | 051853-01-000 | EA | Extrusion - Roof/Sidewall Joint - Beige - 269" |
| 10 | 050977-01-000 | EA | Cap - Rear Fiberglass - Beige |
| 11 | 047978-02-000 | EA | Trim - Extrusion - "J" Molding - Radius Left |
| • | 047978-01-000 | EA | Trim - Extrusion - "J" Molding - Radius Right |
| 12 | 042314-02-000 | EA | Trim - Valance Panel - Left Rear |
| • | 042314-01-000 | EA | Trim - Valance Panel - Right Rear |
| 13 | 047980-01-000 | EA | Panel - Wheelhouse - Rear - Left or Right |
| 14 | 044504-06-000 | EA | Feature Strip - 133" - Beige |
| • | 042313-01-000 | EA | End Cap - Feature Strip - Beige |
| 15 | 049015-01-000 | EA | Trim - Valance Panel - Left Front |
| • | 044861-02-000 | EA | Trim - Valance Panel - Right Front |
| 16 | 048132-02-000 | EA | Panel - Wheelhouse - Front - Left or Right |
| • | 048159-01-000 | EA | Splash Guard - Front Bumper - Black Plastic |
| • | 044975-01-000 | EA | Trim - Extrusion - 100.25" - "J" Molding - Beige |
| • | Not Illustrated | | |

EXTERIOR BODY GROUP (CONTINUED)

LABELS AND DECALS

| Key | Part Number | U/M | Description |
|-----|---------------|-----|--|
| | 049289-01-000 | EA | Decal - Logo - Elandan II - Antiquo Bronze Metallic |
| | 049289-02-000 | EA | Decal - Logo - Elandan II - Dark Green Metallic |
| | 049289-03-000 | EA | Decal - Logo - Elandan II - Dark Ginger Metallic |
| | 044477-01-000 | EA | Decal - 1" Dia. - Black Satin Finish |
| | 050313-01-000 | EA | Decal - Logo - Winnebago - 2.80" - Antiquo Bronze Metallic |
| | 050313-02-000 | EA | Decal - Logo - Winnebago - 2.80" - Dark Green Metallic |
| | 050313-03-000 | EA | Decal - Logo - Winnebago - 2.80" - Dark Ginger - Metallic |
| | 038284-01-000 | EA | Decal - Grille - "Flying W" |
| | 038403-02-000 | EA | Decal - Logo "W" - Trunk Door |
| | 006028-01-000 | EA | Label - Drain Cap - 2" x 3" |
| | 006031-01-000 | EA | Label - Potable Water Only |
| | 006187-01-000 | EA | Label - Sewage |
| | 006188-01-000 | EA | Label - Waste Water |
| | 006199-01-000 | EA | Label - Exit - Escape Window |
| | 031161-01-000 | EA | Label - Flying "W" |
| | 039289-01-000 | EA | Label - Warning Aux. Loading |

SEALANTS, ADHESIVES, AND FASTENERS

| Key | Part Number | U/M | Description |
|-----|---------------|-----|--|
| | 034552-05-000 | EA | Sealant - Off White Silicone |
| | 034552-04-000 | EA | Sealant - Beige Silicone |
| | 034552-02-000 | EA | Sealant - Clear Silicone |
| | 004348-02-000 | EA | Sealant - Aluminum Silicone |
| | 004349-01-000 | EA | Sealant - Black Silicone |
| | 004342-01-000 | EA | Sealant - Weatherban 202 Tube |
| | 004346-02-000 | EA | Sealant - White Silicone |
| | 004347-01-000 | EA | Sealant - Tuflex |
| | 002316-01-000 | FT | Sealer Tape - 3/32" x 1/8" |
| | 024545-01-000 | FT | Sealer Tape - 1/8" x 5/8" - Black |
| | 004350-01-000 | FT | Sealer Tape - 1/8" x 1" - Formaseal |
| | 004352-01-000 | FT | Sealer Tape - 1/8" x 3/4" - Formaseal |
| | 004355-01-000 | FT | Sealer Tape - 1/8" x 5/8" - Black |
| | 004357-01-000 | FT | Sealer Tape - 1/8" x 5/8" - Adhesive |
| | 002707-02-000 | FT | Sealer Tape - 5/16" x 1/2" - Foam |
| | 002707-01-000 | FT | Sealer Tape - 5/16" x 3/4" - Black Foam |
| | 041422-01-000 | FT | Sealer Tape - 1/4" x 1/2" |
| | 004363-01-000 | FT | Sealer Tape - 3/16" x 1/2" - Foam |
| | 004362-01-000 | FT | Sealer Tape - 1/8" x 5/8" - Foam |
| | 009200-01-000 | EA | Tape - Furnace - 1 1/2" |
| | 041839-01-000 | FT | Tape - Window - Latch - 3/4" - Adhesive |
| | 041839-02-000 | FT | Tape - Window - Latch - 1/2" - Adhesive |
| | 004353-01-000 | FT | Tape - Gasket - 1/8" x 3/4" - White |
| | 002825-01-000 | FT | Weather Stripping - Roof Vent |
| | 002337-01-000 | EA | Adhesive - 3M - 1300 Tube |
| | 004005-01-000 | GL | Adhesive - Swifts - Green - Glue (Sidewalls) |
| | 004012-01-000 | EA | Adhesive - 3M - 4475 Tube |
| | 004020-01-000 | QT | Adhesive - ABS Cement (Plastic Fittings) |
| | 029051-01-000 | EA | Adhesive - Spray Vinyl |
| | 042401-01-000 | EA | Screw - 8 - 18 x 3/4" SDPH Beige |
| | 042403-01-000 | EA | Screw - SF/DR - 8 - 18 x 1" SDPH Beige |
| | 005058-01-000 | EA | Screw - Wood - 12-11 x 3" P.O.H. Zinc |
| | 053766-01-000 | EA | Bedding Compound - Tube Black - Schnee Morehead |
| | 053766-02-000 | EA | Bedding Compound - Tube White - Schnee Morehead |
| | 053767-01-000 | FT | Tape - 1/2" x 1/8" x 30' - Gray - Schnee Morehead |
| | 053767-02-000 | FT | Tape - 3/16" Bead x 25' - Gray - Schnee Morehead |
| | 053767-03-000 | FT | Tape - 1/4" Bead x 20' - Gray - Schnee Morehead |
| | 053767-04-000 | FT | Tape - 3/4" x 1/8" x 30' - Gray - Schnee Morehead |
| | 053767-05-000 | FT | Tape - 2" x 3/32" x 45' - Gray - Schnee Morehead |
| | 053752-03-000 | EA | Sealing Compound - Seam Sealer - White - Schnee Morehead #5517 |

GALLEY GROUP

CABINETS AND HARDWARE

| Key | Part Number | U/M | Description |
|-----|---------------|-----|---|
| | 049440-01-000 | EA | Cabinet Asm. - Galley w/o Countertop, Drawers, Doors or Hardware |
| | 049436-01-000 | EA | Countertop Asm. - Galley Cabinet w/Cutout - Green (Martini Mist) |
| | 049436-02-000 | EA | Countertop Asm. - Galley Cabinet w/Cutout - Beige (Champagne Velvet or Sierra Sunset) |
| | 048103-15-700 | EA | Door Asm. - Galley Cabinet - 20 9/16" x 6 1/4" w/o Hardware |
| | 048103-13-700 | EA | Door Asm. - Galley Cabinet - 13 3/4" x 27" w/o Hardware |
| | 049074-04-700 | EA | Drawer Asm. - Galley Cabinet w/o Hardware (4 used per Galley Cabinet) |
| | 043095-01-700 | EA | Drawer Asm. - Pantry Cabinet w/o Hardware |
| | 042562-01-000 | EA | Slide Asm. Roller - Pantry Drawer - 22" - Right |
| | 042562-02-000 | EA | Slide Asm. - Roller - Pantry Drawer - 22" - Left |
| | 048103-28-700 | EA | Door Asm. - Refrigerator Cabinet w/o Hardware |
| | 049074-03-700 | EA | Drawer Asm. - Refrigerator Cabinet w/o Hardware |
| | 049491-01-000 | EA | Cabinet Asm. - Galley Overhead w/o Door or Hardware |
| | 048103-02-700 | EA | Door Asm. - Galley Overhead Cabinet - 22" x 9" w/o Hardware |
| | 049568-01-000 | EA | Cabinet Asm. - Extending Galley Overhead w/o Doors, Hardware or End Pad |
| | 048103-15-700 | EA | Door Asm. - Extending Galley Overhead Cabinet - 20 9/16" x 6 1/4" |
| | 049366-01-000 | EA | Cabinet Asm. - Microwave Oven |
| | 048103-08-700 | EA | Door Asm. - Microwave Oven Cabinet w/o Hardware (2 used per cabinet when Microwave Oven is not installed) |
| | 051120-01-000 | EA | Cabinet Asm. - Beverage w/o Countertop, Door or Hardware |
| | 051124-01-000 | EA | Countertop Asm. - Beverage Cabinet |
| | 048103-17-700 | EA | Door Asm. - Beverage Cabinet 15 1/4" x 23" w/o Hardware |
| | 044829-05-000 | EA | Cover - Sink - Small - Green (Martini Mist) |
| | 044829-06-000 | EA | Cover - Sink - Small - Beige (Champagne Velvet or Sierra Sunset) |
| | 044830-05-000 | EA | Cover - Sink - Large - Green (Martini Mist) |
| | 044830-06-000 | EA | Cover - Sink - Large - Beige (Champagne Velvet or Sierra Sunset) |
| | 011033-01-000 | EA | Sink - Double Stainless Steel - Large/Small w/ Bolts |
| | 011054-01-000 | EA | Faucet Asm. - Swivel - Single Handle w/Aerator |
| | 011053-01-700 | EA | Aerator - Swivel Faucet |
| | 011085-01-000 | EA | Strainer - Sink |
| | 024584-01-000 | EA | Towel Rack - Disappearing - 18" |
| | 023111-01-000 | EA | Blender - Food Center w/o Ice Crusher Attachment |
| | 023111-02-000 | EA | Ice Crusher Attachment - Food Center |
| | 045593-01-000 | EA | Magazine Rack Asm. |
| ** | 046955-01-000 | EA | Refrigerator - Norcold - AC/DC - 2 Door |
| ** | 049045-01-000 | EA | Range - 4 Burner - Large Oven - Chrome - Magic Chef |
| ** | 046954-01-000 | EA | Hood - Range - Power w/Spice Cabinet - Jensen |

**The illustrated parts breakdown for this item is provided on the Common Items Fiche.

1978 WINNEBAGO TABLE OF CONTENTS

| | |
|--------------------|-------------|
| Introduction | A-1 |
| Abbreviations | A-1 |
| Alphabetical Index | A-2 - A-4 |
| WC525RB | A-5 - B-14 |
| WDP23RG | B-15 - C-24 |
| WDP26RK | D-1 - E-12 |
| WDU27RK | E-13 - F-22 |
| WDU29RB | F-23 - H-10 |
| WDU27RT | H-11 - I-22 |
| WDP26RB | I-23 - K-10 |

1978 WDU29RB INDEX

| | |
|------------------------------------|-------------|
| Floor Plan | F-23 - F-24 |
| Accessories Group | G-1 - G-3 |
| Bath Group | G-3 - G-4 |
| Chassis Group | G-5 |
| Curtain, Cushion & Pad Group | G-6 - G-9 |
| Dinette Group | G-9 |
| Driver's Compartment Group | G-10 - G-11 |
| Electrical Group | G-11 - G-13 |
| Exterior Body Group | G-14 - G-17 |
| Galley Group | G-18 |
| Heating & Air Conditioning Group | G-19 |
| Interior Finish Group | G-20 - G-21 |
| LP Group | G-22 |
| Lounge Group | G-23 |
| Water & Sewage Group | G-24 |
| Window, Vent & Exterior Door Group | H-1 - H-10 |

HEATING AND AIR CONDITIONING GROUP

| Key | Part Number | U/M | Description |
|-----|---------------|-----|--|
| | 048223-02-000 | EA | Auto Air Kit - 440 C.I.D. - Winnebago |
| | 039044-01-000 | EA | Louver Asm. - A/C Adjustable |
| | 047046-01-000 | EA | Motor - 12 Volt - 3 Speed - Heater - Air Conditioner |
| | 031043-01-000 | EA | Valve - Heater - Water Flow Control |
| | 031169-01-000 | EA | Cable - Control - Flexible - 53" |
| | 031169-02-000 | EA | Cable - Control - Flexible - 48" |
| | 031170-01-000 | EA | Clamp - Cable - 3/16" Dia. |
| | 024996-01-000 | EA | Clutch - Magnetic - Compressor |
| | 024999-01-000 | EA | Compressor - Auto Air - 10.3 Cubic Inch |
| | 033295-01-000 | EA | Package - Air Conditioner - Compressor Mount - 440 C.I.D. |
| | 031394-01-000 | EA | Condenser - Radiator Mount |
| | 008267-01-000 | EA | Switch - Air Conditioner |
| | 024867-01-000 | EA | Valve - Thermostatic Expansion |
| | 024937-01-000 | EA | Core - Heater |
| | 024998-01-000 | EA | Wheel - Blower - 4.72" O.D. |
| | 031393-01-000 | EA | Coil - Evaporator |
| | 033258-01-000 | EA | Hose - Refrigerant - .50" I.D. x 34.50" |
| | 034222-01-000 | EA | Hose - Refrigerant - .31" I.D. x 26" |
| | 031960-01-000 | EA | Hose - Refrigerant - .34" I.D. x 30" |
| | 031961-01-000 | EA | Hose - Refrigerant - .31" I.D. x 14.75" |
| | 024868-01-000 | EA | Receiver - Dehydrator |
| | 031044-01-000 | EA | Clamp - Receiver Dehydrator |
| | 031962-01-000 | EA | Bracket - Receiver Dehydrator |
| | 031976-01-000 | EA | Belt - Drive - .50" I.D. x 54" - 440 C.I.D. |
| ** | 049041-01-000 | EA | Furnace - Coleman - 16,000 BTU - Under Counter Mount - 4316 |
| ** | 049777-01-000 | EA | Air Conditioner - 110 Volt - Roof Mount - 11,000 BTU - Ivory Coleman (w/o Inside Shroud) |
| ** | 049778-01-000 | EA | Shroud Asm. - Ceiling - Inside - Roof Air - Cool Only - 11,000 BTU - Coleman |
| ** | 049774-01-000 | EA | Air Conditioner - 110 Volt - Roof Mount - 13,500 BTU Ivory - Coleman (w/o Inside Shroud) |
| ** | 049775-01-000 | EA | Shroud Asm. - Ceiling - Inside - Roof Air Cool Only - 13,500 BTU - Coleman |
| ** | 049776-01-000 | EA | Shroud Asm. - Ceiling - Inside - Roof Air - Heat and Cool Only - 13,500 BTU - Coleman |

**The illustrated parts breakdown for this item is provided on the Common Items Fiche

INTERIOR FINISH GROUP

PANELING AND COUNTERTOP MATERIALS

| Key | Part Number | U/M | Description |
|-----|---------------|-----|---|
| | 000726-06-000 | EA | Balt Strip - 707 Hickory |
| | 047354-01-000 | EA | Balt Strip - 825 Buff |
| | 045963-01-000 | SF | Paneling - Buff - Ceiling - 48" x 96" (32SF) |
| | 039188-01-000 | SF | Paneling - 707 Hickory - 48" x 96" (32SF) |
| | 041206-01-000 | SF | Tileboard - 60" x 84" - Agate Beige (35 SF) |
| | 041205-05-000 | SF | Plastic Laminate - 48" x 96" - Burlwood Green - (Martini Mist) (32 SF) |
| | 041205-05-001 | EA | Plastic Laminate - 48" x 48" - Burlwood Green (Martini Mist) |
| | 041205-05-002 | EA | Plastic Laminate - 1.19" x 96" - Burlwood Green (Martini Mist) |
| | 041205-06-000 | SF | Plastic Laminate - 48" x 96" - Burlwood Beige (Champagne Velvet or Sierra Sunset) (32 SF) |
| | 041205-06-001 | EA | Plastic Laminate - 48" x 48" - Burlwood Beige (Champagne Velvet or Sierra Sunset) |
| | 041205-06-002 | EA | Plastic Laminate - 1.19" x 96" - Burlwood Beige (Champagne Velvet or Sierra Sunset) |
| | 045965-01-000 | SF | Plastic Laminate - 48" x 96" - Brown Mocha Leather (32SF) |
| | 045965-01-001 | EA | Plastic Laminate - 48" x 48" - Brown Mocha Leather |
| | 045965-01-002 | EA | Plastic Laminate - 1.19" x 96" - Brown Mocha Leather |

FABRICS AND CARPET

| Key | Part Number | U/M | Description |
|-----|---------------|-----|--|
| | 041429-01-000 | YD | Fabric - Valance - Green (Martini Mist) |
| | 041429-02-000 | YD | Fabric - Valance - Beige (Champagne Velvet) |
| | 041429-03-000 | YD | Fabric - Valance - Rust (Sierra Sunset) |
| | 051772-01-000 | YD | Fabric - Floral Drapery - Green (Martini Mist) |
| | 051772-02-000 | YD | Fabric - Floral Drapery - Beige (Champagne Velvet) |
| | 051772-03-000 | YD | Fabric - Floral Drapery - Rust (Sierra Sunset) |
| | 043623-01-000 | YD | Fabric - Upholstery - Green (Martini Mist) |
| | 043623-02-000 | YD | Fabric - Upholstery - Beige (Champagne Velvet) |
| | 042623-03-000 | YD | Fabric - Upholstery - Rust (Sierra Sunset) |
| | 042411-01-000 | YD | Vinyl - Nonexpanded - 27 Ounce - Brown |
| | 042411-03-000 | YD | Vinyl - Nonsupport - 16 Gauge - Brown |
| | 042414-01-000 | FT | Trim - Accent - Bostonian Brown Vinyl |
| | 023631-05-000 | EA | Button - Nail - Brown Vinyl |
| | 041430-01-000 | SY | Carpet - Olive Inspiration - Green (Martini Mist) |
| | 041430-02-000 | SY | Carpet - Van Dyke Brown Inspiration - Beige (Champagne Velvet) |
| | 041430-03-000 | SY | Carpet - Russet Inspiration - Rust (Sierra Sunset) |

INTERIOR MOLDING AND TRIMS

| Key | Part Number | U/M | Description |
|-----|---------------|-----|---|
| | 022756-01-000 | EA | Cover - Air Conditioner Wire - Plastic |
| | 009778-01-000 | FT | U-Channel - 1" Dark Brown Plastic |
| | 009777-01-000 | FT | U-Channel - 3/4" Dark Brown Plastic |
| | 009815-02-000 | FT | T Molding 3/4" Brown |
| | 009812-03-000 | FT | Molding - Plastic - Outside Corner - .50" |
| | 009767-01-000 | FT | Welling - Brown |
| | 009779-01-000 | FT | U-Channel - 1 1/8" - Dark Brown Plastic |
| | 009809-03-000 | FT | Molding - Plastic - Outside Corner - 1" |
| | 034394-02-000 | FT | Extr. - Vinyl - Insert Beige - Bath Trim |
| | 034689-03-000 | EA | Cover - Screw PPH 10 - Ivory - Bathroom |
| | 042356-01-000 | EA | Plug - Button - Mahogany 3/8" Dia. |
| | 009781-01-000 | FT | Cover - Outside - .62" x .62" Dark Brown Plastic |
| | 042321-01-000 | FT | Molding - Cover - Pine/Vinyl - 1 3/4" |
| | 048588-01-000 | EA | Molding - Cover - Pine/Vinyl - 3 1/2" x 89" |
| | 044558-01-000 | EA | Trim - Brown Plastic - Over Entrance Door |
| | 045416-01-000 | EA | Trim - Brown Plastic - Entrance Door Bottom - Front |
| | 042340-01-000 | EA | Trim - Brown Plastic - Entrance Door Bottom - Rear |
| | 048890-01-000 | EA | Panel - Overhead Entrance Door w/Carpet |
| | 041866-01-002 | EA | Extr. - Alum. - Interior Cabinet Joint - 77" |
| | 042357-01-000 | FT | Molding - Outside Cabinet Corner - 707 Hickory - 7' |
| | 033535-03-000 | FT | Molding Asm. - Shelf - 707 Hickory |
| | 050761-01-000 | EA | Panel - Side - Interior Right |

1978 WINNEBAGO TABLE OF CONTENTS

| | |
|--------------------|-------------|
| Introduction | A-1 |
| Abbreviations | A-1 |
| Alphabetical Index | A-2 - A-4 |
| WC525RB | A-5 - B-14 |
| WDP23RG | B-15 - C-24 |
| WDP26RK | D-1 - E-12 |
| WDU27RK | E-13 - F-22 |
| WDU29RB | F-23 - H-10 |
| WDU27RT | H-11 - I-22 |
| WDP26RB | I-23 - K-10 |

1978 WDU29RB INDEX

| | |
|------------------------------------|-------------|
| Floor Plan | F-23 - F-24 |
| Accessories Group | G-1 - G-3 |
| Bath Group | G-3 - G-4 |
| Chassis Group | G-5 |
| Curtain, Cushion & Pad Group | G-6 - G-9 |
| Dinette Group | G-9 |
| Driver's Compartment Group | G-10 - G-11 |
| Electrical Group | G-11 - G-13 |
| Exterior Body Group | G-14 - G-17 |
| Galley Group | G-18 |
| Heating & Air Conditioning Group | G-19 |
| Interior Finish Group | G-20 - G-21 |
| LP Group | G-22 |
| Lounge Group | G-23 |
| Water & Sewage Group | G-24 |
| Window, Vent & Exterior Door Group | H-1 - H-10 |

INTERIOR FINISH GROUP (CONTINUED)

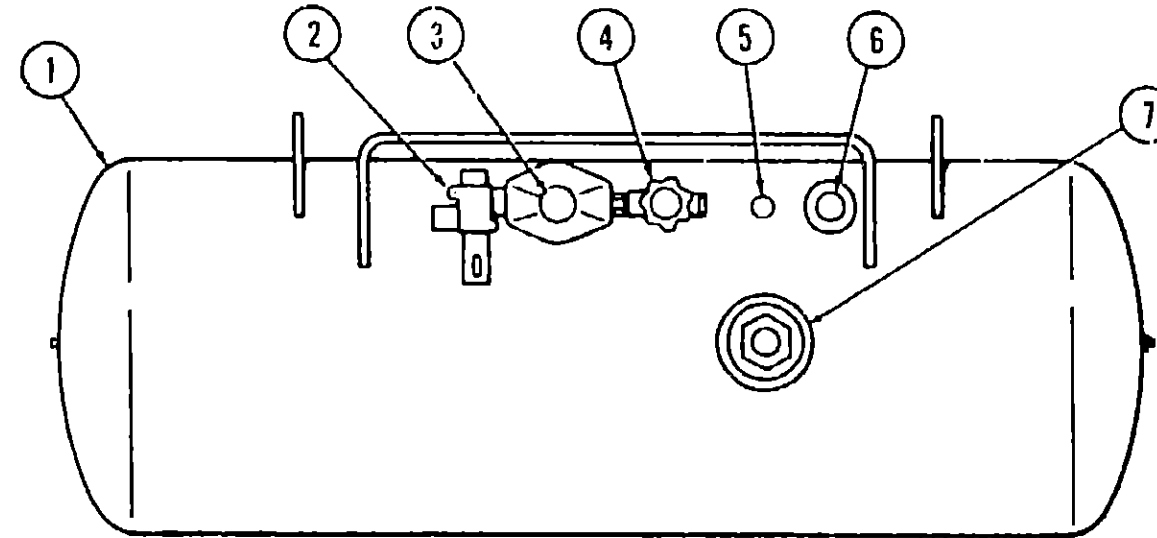
CURTAIN HARDWARE

| Key | Part Number | U/M | Description |
|-----|---------------|-----|--|
| | 009107-01-000 | EA | Guide - Nylon Snap |
| | 009136-01-000 | EA | Pin - Shower Curtain |
| | 009701-01-000 | EA | Carrier - Curtain w/Rollers - "L" Rod |
| | 009702-01-000 | EA | End Stop - Curtain - "L" Rod |
| | 018031-42-000 | EA | Extr. - "L" Rod - 90" - Aluminum |
| | 049737-01-000 | EA | End Cap - Plastic - Brown (Blackout Curtain) |
| | 049738-01-000 | EA | Snap Carrier - White Plastic (Blackout Curtain) |
| | 051355-14-000 | EA | Track - Curtain - Alum. - 89" (Blackout) |
| | 047291-01-000 | EA | Rod - Curtain - Traverse w/Valance |
| | 049897-01-000 | EA | Rod - Curtain - Flat - Extends 25" - 45" |
| | 049936-01-000 | EA | Pulley - Tension - Traverse Rod |
| | 049937-01-000 | EA | Kit - Conversion - Traverse/Valance Rods |
| | 049897-02-000 | EA | Rod - Curtain - Flat - Extends - 48" - 86" |
| | 050829-03-000 | EA | Track - Wraparound Curtain - Left - Brown |
| | 050829-04-000 | EA | Track - Wraparound Curtian - Right - Brown |
| | 052327-04-236 | EA | Curtain Track - Alum - Brown - 89" w/Holes (Replaces 009108-01 Plastic Track) |

CABINERY AND INTERIOR HARDWARE

| Key | Part Number | U/M | Description |
|-----|---------------|-----|---|
| | 041838-01-000 | EA | Screw - 5 x 5/8" POH - Antique Brass |
| | 041923-01-000 | EA | Kit - Lower Door Pull |
| | 041799-01-000 | EA | Drawer Pull |
| | 051714-01-000 | EA | Kit - Overhead Door - Pull and Latch |
| | 041434-01-000 | EA | Hinge - Double Acting - Overhead Cabinet |
| | 047744-02-000 | EA | Kit - Drawer Glide - 22" - 23.38" |
| | 047744-03-000 | EA | Kit - Drawer Glide - 11" - 12.38" |
| | 047744-04-000 | EA | Kit - Drawer Glide - 25" - 26.38" |
| | 041931-01-000 | EA | Kit - Cabinet Door Hinge |
| | 009150-01-000 | EA | Warp Guard - 64" |
| | 009151-01-000 | EA | Warp Guard - 48" |
| | 009124-01-000 | EA | Lock - Bath Door - Push Button Brass |
| | 009112-01-000 | EA | Flange 1" Rod - Chrome |
| | 007019-01-000 | EA | Belt Asm. - Seat 2" x 84" - Black |
| | 007021-01-000 | EA | Belt Asm. - Seat - 2" x 90" - Black |
| | 041322-01-000 | EA | Washer - Flat - 15/32" I.D. x 2 3/8" O.D. (Seat Belt) |
| | 042950-01-000 | EA | Handle - Interior Assist |

LP GROUP



| Key | Part Number | U/M | Description |
|-----|---------------|-----|--|
| 1 | 040421-01-000 | EA | Tank - LP - Frame Mount - 83 Pound |
| 2 | 047221-01-000 | EA | Detector - LP Gas Leak |
| 3 | 024712-01-000 | EA | Cover - LP Regulator |
| * | 052163-01-000 | EA | Regulator - Manual - LP Gas - 2 Stage |
| 4 | 040421-01-703 | EA | Valve - Vapor Relief |
| 5 | 040421-01-700 | EA | Gauge - Liquid Level - 20% LP |
| 6 | 040421-01-701 | EA | Valve - Filler - LP |
| * | 040421-01-702 | EA | Cap - Plastic Fill Valve |
| 7 | 040421-01-707 | EA | Gauge - Flat - w/Visible Dial - 83 Pound Tank |
| * | 040421-01-706 | EA | Dial - Visible Face - Float Gauge (Tank w/o Electric Transmitter) |
| * | 040421-01-705 | EA | Dial - Transmitter - O - 90 Ohm (Float Gauge) |
| * | 045703-03-000 | EA | Hose Asm. - LP - 3/8" I.D. x 14" |
| * | 047737-02-000 | EA | Support - LP Tank - 89.25" |
| * | 047737-03-000 | EA | Support - LP Tank - 30.50" |
| * | 050799-01-000 | EA | Valve - Automatic LP Gas Flow - 3/8" FPT |
| * | | | Not Illustrated |

1978 WINNEBAGO TABLE OF CONTENTS

| | |
|--------------------|-------------|
| Introduction | A-1 |
| Abbreviations | A-1 |
| Alphabetical Index | A-2 - A-4 |
| WC525RB | A-5 - B-14 |
| WDP23RG | B-15 - C-24 |
| WDP26RK | D-1 - E-12 |
| WDU27RK | E-13 - F-22 |
| WDU29RB | F-23 - H-10 |
| WDU27RT | H-11 - I-22 |
| WDP26RB | I-23 - K-10 |

1978 WDU29RB INDEX

| | |
|------------------------------------|-------------|
| Floor Plan | F-23 - F-24 |
| Accessories Group | G-1 - G-3 |
| Bath Group | G-3 - G-4 |
| Chassis Group | G-5 |
| Curtain, Cushion & Pad Group | G-6 - G-9 |
| Dinette Group | G-9 |
| Driver's Compartment Group | G-10 - G-11 |
| Electrical Group | G-11 - G-13 |
| Exterior Body Group | G-14 - G-17 |
| Galley Group | G-18 |
| Heating & Air Conditioning Group | G-19 |
| Interior Finish Group | G-20 - G-21 |
| LP Group | G-22 |
| Lounge Group | G-23 |
| Water & Sewage Group | G-24 |
| Window, Vent & Exterior Door Group | H-1 - H-10 |

LOUNGE GROUP

| Key | Part Number | U/M | Description |
|-----|---------------|-----|---|
| | 049436-01-000 | EA | Cabinet Asm. - Presto Bed - w/o Door - Right |
| | 049439-01-000 | EA | Cabinet Asm. - Presto Bed - Left |
| | 048103-04-700 | EA | Door Asm. - Presto Bed Cabinet - 19 3/8" x 10 1/4" - w/o Hardware |
| | 049356-01-000 | EA | Cabinet Asm. - Overhead - Lounge - w/o Doors |
| | 048103-01-700 | EA | Door Asm. - Overhead Lounge Cabinet - 30" x 9" - w/o Hardware |
| | 049969-01-000 | EA | Cabinet Asm. - Lounge Chair - Rear |
| | 049970-01-000 | EA | Cabinet Asm. - Lounge Chair - Front |
| | 049989-01-700 | EA | Table Asm. - Lounge - w/o Support or Glass Holder - Brown Mocha Leather |
| | 045795-01-000 | EA | Holder - Glass |
| | 049988-01-000 | EA | Support - Lounge Table |
| | 042488-01-000 | EA | Door Asm. Folding w/Hardware |
| | 044571-01-000 | EA | Leg Asm. - Glideout Bed - Right |
| | 044571-02-000 | EA | Leg Asm. - Glideout Bed - Left |

WATER AND SEWAGE GROUP

PLUMBING REPAIR KITS, PIPE FITTINGS, AND WATER PUMP

| Key | Part Number | U/M | Description |
|-----|---------------|-----|---|
| | 046524-02-000 | EA | Kit - Fittings - Plastic - Water Tank |
| | 046524-01-000 | EA | Kit - Fittings - Plastic - Holding Tank |
| | 040539-01-000 | EA | Kit - Repair - 3/8" O.D. Plastic Tube |
| | 040540-01-000 | EA | Kit - Repair - 1/2" O.D. Plastic Tube |
| | 040541-01-000 | EA | Kit - Repair - 5/8" O.D. Plastic Tube |
| | 041819-01-000 | EA | Nut and Cone - Plastic 1/2" O.D. Tube |
| | 046128-01-000 | EA | Valve - Drain - Plastic 1/2 FPT |
| | 039807-01-000 | EA | Valve - Drain - Brass 1/2 MPT |
| | 039818-01-000 | EA | Riser Asm. - 3/8" O.D. x 24" Tube |
| | 039818-02-000 | EA | Riser Asm. - 3/8" O.D. x 36" Tube |
| | 039818-04-000 | EA | Riser Asm. - 3/8" O.D. x 72" Tube |
| | 004020-01-000 | QT | Adhesive - ABS Cement |
| | 010133-01-000 | EA | Adaptor Trap - Plastic 1 1/2 H x MPT |
| | 010134-01-000 | EA | Adapter - Plastic 1 1/2" Male MPT |
| | 010153-01-000 | EA | Ring - Closet - Plastic 4 F x 3 MPT |
| | 010201-01-000 | EA | Hose - Sewer - 3" x 10' w/Clamp |
| | 010235-01-000 | EA | Cap - Sewage 3" |
| | 010236-01-000 | EA | Adapter - Hose 3" |
| | 011091-01-000 | EA | Waste - Continuous Double Sink 11 7/8" |
| | 010210-01-000 | EA | Valve - Sanitary - Thetford 3HD |
| | 010234-01-000 | EA | Adaptor - Bayonet |
| | 011066-01-000 | EA | P-Trap - Plastic 1 1/4" |
| | 041278-02-000 | EA | Pump - Water Flow 3.7 G.P.M. - PAR |
| | 039C47-02-000 | EA | Filter - Water Pump - 1/2 MPT |
| | 039809-01-000 | EA | Valve - Stool - Plastic - 3/8" C x 1/2" FPT |
| | 042839-01-000 | FT | Hose - Non Pressure - PVC - 1/2" I.D. |
| | 010230-01-000 | EA | Fill - City Water - Recessed - Off White w/Screw-on Cap |
| | 011020-01-000 | EA | Fill - City Water - Recessed - Off White - w/ Snap Cap |

WATER AND SEWAGE HOLDING TANKS

| Key | Part Number | U/M | Description |
|-----|---------------|-----|--|
| | 043575-01-000 | EA | Tank Asm. - Water - Plastic - 55 Gallon w/Fittings |
| | 043464-01-000 | EA | Tank Asm. - Water - Plastic - 55 Gallon w/o Fittings |
| | 041625-02-000 | EA | Tank Asm. - Holding - Main - Plastic - 56 Gallon - w/Fittings |
| | 041625-01-000 | EA | Tank - Holding - Main - Plastic - 56 Gallon - w/o Fittings |
| | 043611-02-000 | EA | Tank Asm. - Holding - Auxillary - Plastic - 22 Gallon w/Fittings |
| | 043611-01-000 | EA | Tank - Holding - Auxillary - Plastic - 22 Gallon w/o Fittings |
| ** | 051393-01-000 | EA | Water Heater - GH63E - Electric Ignition w/Motor Aid |
| ** | 051385-01-000 | EA | Water Heater - GH6E - Electric Ignition w/Motor Aid |

**The illustrated parts breakdown for this item is provided on the Common Items Fiche.

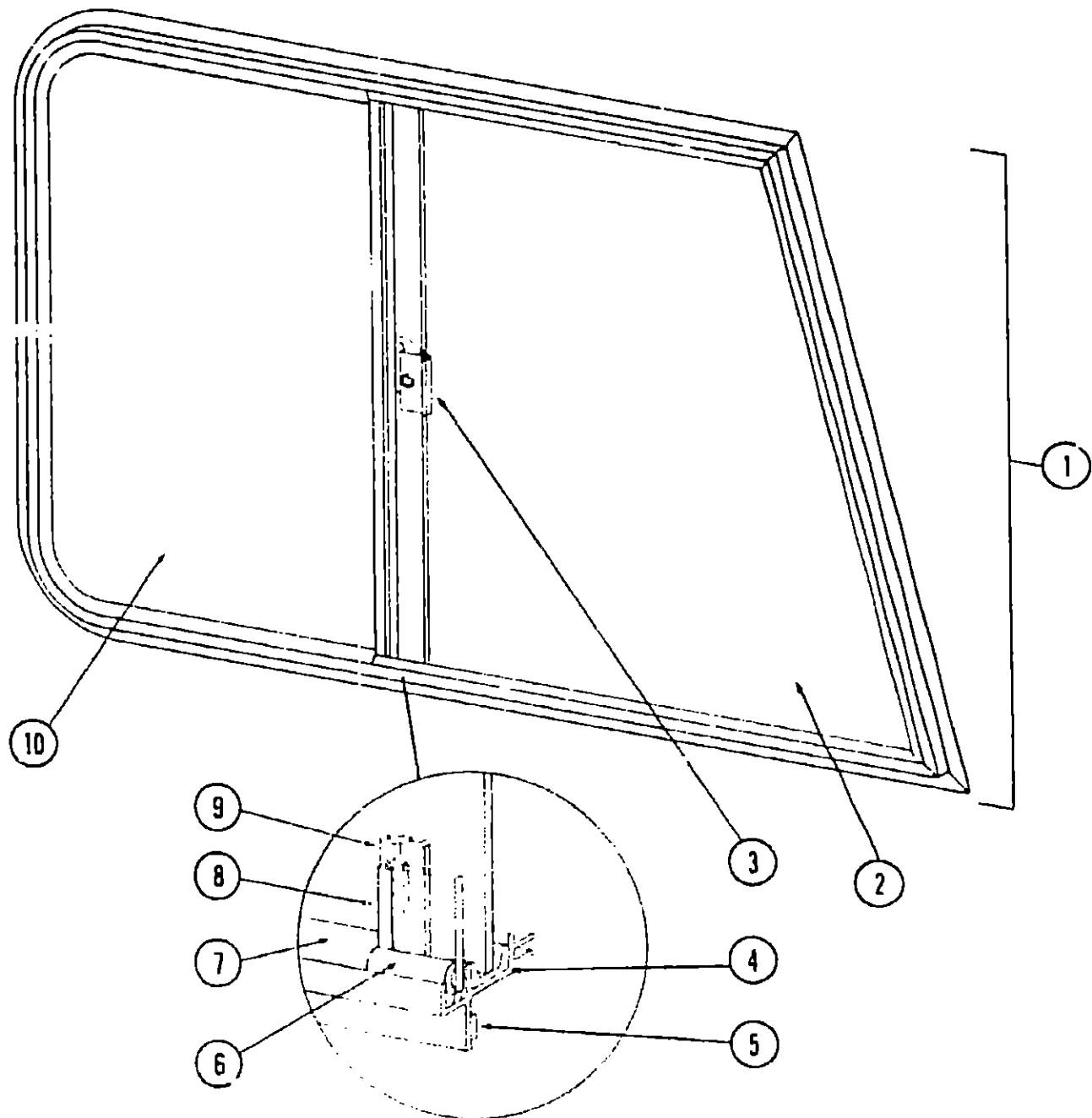
1978 WINNEBAGO TABLE OF CONTENTS

| | |
|--------------------|-------------|
| Introduction | A-1 |
| Abbreviations | A-1 |
| Alphabetical Index | A-2 - A-4 |
| WC525RB | A-5 - B-14 |
| WDP23RG | B-15 - C-24 |
| WDP26RK | D-1 - E-12 |
| WDU27RK | E-13 - F-22 |
| WDU29RB | F-23 - H-10 |
| WDU27RT | H-11 - I-22 |
| WDP26RB | I-23 - K-10 |

1978 WDU29RB INDEX

| | |
|------------------------------------|-------------|
| Floor Plan | F-23 - F-24 |
| Accessories Group | G-1 - G-3 |
| Bath Group | G-3 - G-4 |
| Chassis Group | G-5 |
| Curtain, Cushion & Pad Group | G-6 - G-9 |
| Dinette Group | G-9 |
| Driver's Compartment Group | G-10 - G-11 |
| Electrical Group | G-11 - G-13 |
| Exterior Body Group | G-14 - G-17 |
| Galley Group | G-18 |
| Heating & Air Conditioning Group | G-19 |
| Interior Finish Group | G-20 - G-21 |
| LP Group | G-22 |
| Lounge Group | G-23 |
| Water & Sewage Group | G-24 |
| Window, Vent & Exterior Door Group | H-1 - H-10 |

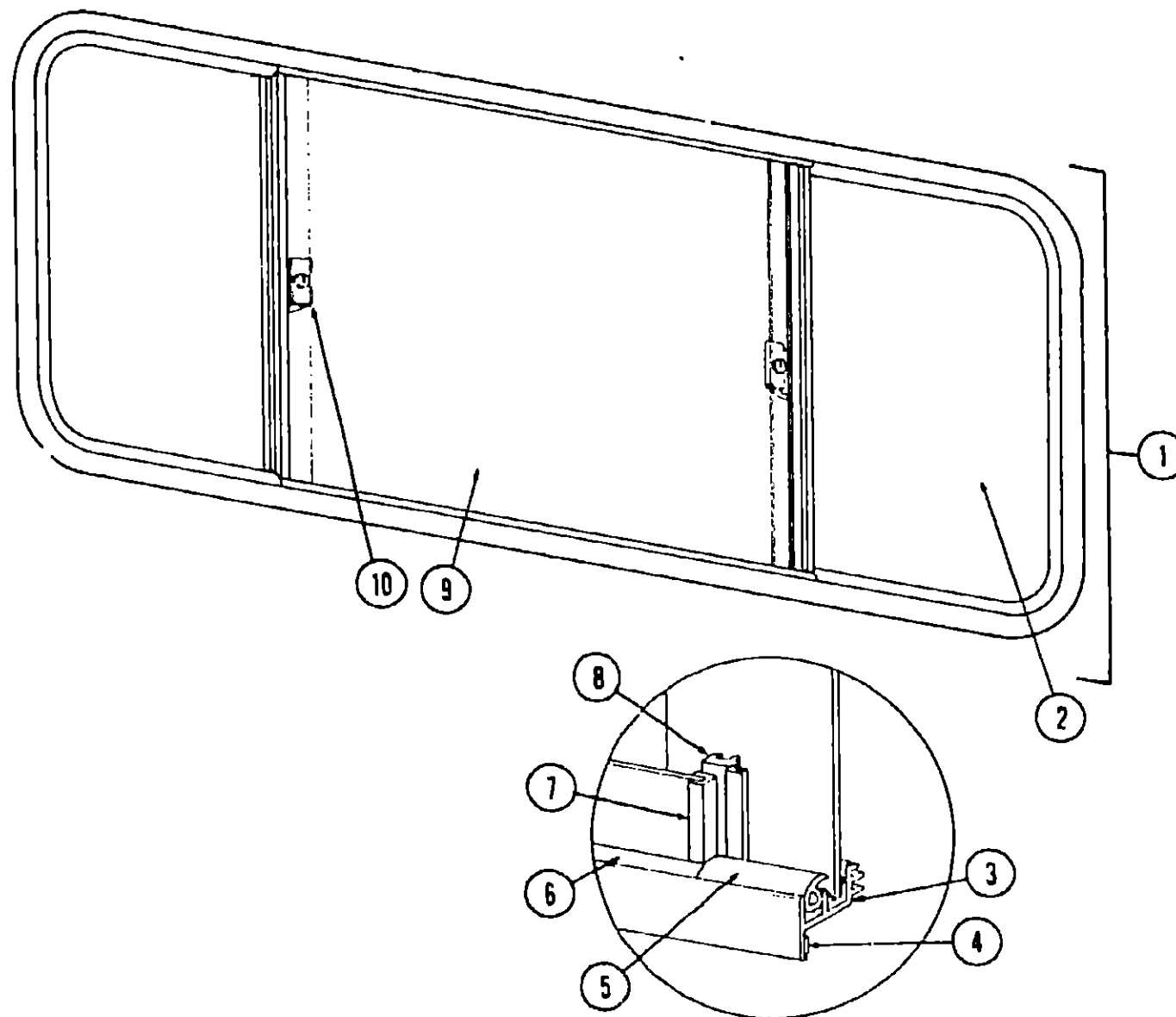
WINDOW, VENT AND EXTERIOR DOOR GROUP



| Key | Part Number | U/M | Description |
|-----|---------------|-----|---|
| 1 | 048628-05-000 | EA | Window Asm. - Right - Slant Slider - 29" x 40" Black Anod. (w/o Inside Frame) |
| | 048628-06-000 | EA | Window Asm. - Left - Slant Slider - 29" x 40" Black Anod. (w/o Inside Frame) |
| 2 | 042265-01-000 | EA | Glass - 3/16" x 27.91" x 13.94" x 1.638" - Stationary |
| 3 | 047369-01-700 | EA | Latch - Window - Plastic w/Fastener |
| 4 | 042077-01-000 | FT | Channel - Weatherstrip - Glass Run - 3/16" Glass |
| 5 | 004363-01-000 | FT | Tape - Foam - 3/16" x 1/2" - Gray |
| 6 | 050216-02-000 | FT | Spline - 3/16" Glass - Black |
| 7 | 041928-02-000 | FT | Seal - Window Channel - Black |
| 8 | 002389-03-203 | EA | Holder - Glass Seal - Black Anod. - 27.125" |
| 9 | 041894-04-000 | EA | Mullion - Slider Window - 25" - Black Anod. |
| 10 | 047814-01-000 | EA | Glass - 3/16" x 27.91" x 14.03" - Sliding |
| * | 049162-04-000 | EA | Frame - Inside - Right Front Slant Slider Window (not included in assembly) |
| * | 049162-03-000 | EA | Frame - Inside - Left Front Slant Slider Window (not included in assembly) |
| * | 023713-02-000 | EA | Cover - Plastic Weephole - Black |

* Not Illustrated

WINDOW, VENT AND EXTERIOR DOOR GROUP (CONTINUED)



| Key | Part Number | U/M | Description |
|-----|---------------|-----|---|
| 1 | 048630-08-000 | EA | Window Asm. - Double - Sliding - 25" x 65" Black Anod. (w/o Inside Frame) |
| 2 | 047822-01-000 | EA | Glass - Sliding - 3/16" x 24" x 21.03" |
| 3 | 042077-01-000 | FT | Channel - Weatherstrip - Glass Run - 3/16" Glass |
| 4 | 004363-01-000 | FT | Tape - Foam - 3/16" x 1/2" - Gray |
| 5 | 041882-01-000 | FT | Seal - Window Channel - 3/16" Glass - Black |
| 6 | 050216-02-000 | FT | Spline - Glass - Black |
| 7 | 002389-03-203 | EA | Extr. - Holder - Glass Seal - 27.125" |
| 8 | 041894-04-000 | EA | Mullion - Slider Window - 25" |
| 9 | 002188-02-000 | EA | Glass - 3/16" x 24" x 25.5" - Stationary |
| 10 | 047369-01-700 | EA | Latch - Window - Plastic w/Fastener |
| * | 042133-04-000 | EA | Frame Asm. - Window - Inside (not included in assembly) |
| * | 023713-02-000 | EA | Cover - Weephole - Plastic - Black |
| * | 002238-01-000 | FT | Spline - Gray - .130" Dia. (Screen) |
| * | 002293-01-000 | SF | Screen - Window - 26" - Gray |

* Not Illustrated

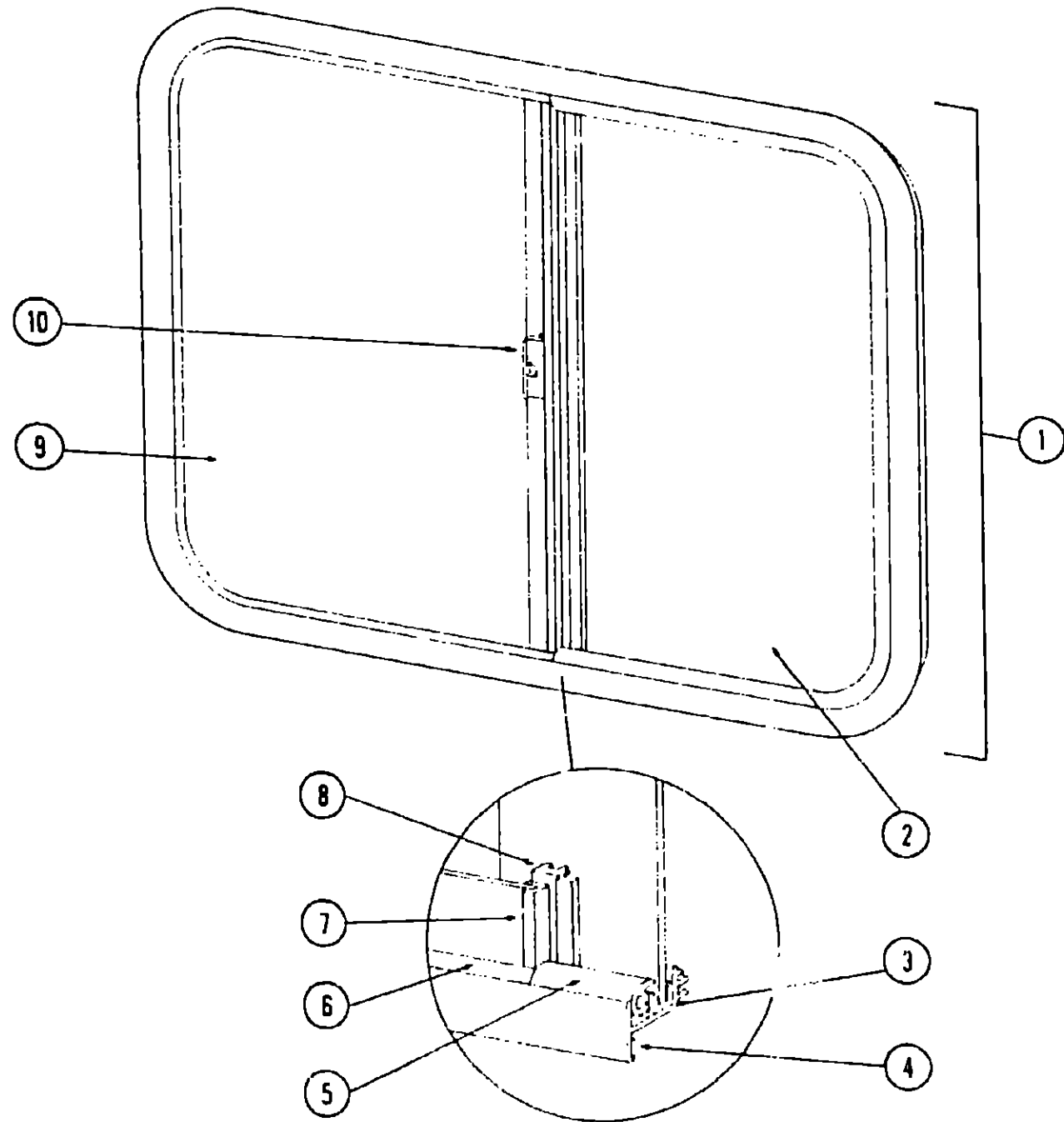
**1978 WINNEBAGO
TABLE OF CONTENTS**

| | |
|--------------------|-------------|
| Introduction | A-1 |
| Abbreviations | A-1 |
| Alphabetical Index | A-2 - A-4 |
| WC525RB | A-5 - B-14 |
| WDP23RG | B-15 - C-24 |
| WDP26RK | D-1 - E-12 |
| WDU27RK | E-13 - F-22 |
| WDU29RB | F-23 - H-10 |
| WDU27RT | H-11 - I-22 |
| WDP26RB | I-23 - K-10 |

**1978 WDU29RB
INDEX**

| | |
|------------------------------------|-------------|
| Floor Plan | F-23 - F-24 |
| Accessories Group | G-1 - G-3 |
| Bath Group | G-3 - G-4 |
| Chassis Group | G-5 |
| Curtain, Cushion & Pad Group | G-6 - G-9 |
| Dinette Group | G-9 |
| Driver's Compartment Group | G-10 - G-11 |
| Electrical Group | G-11 - G-13 |
| Exterior Body Group | G-14 - G-17 |
| Galley Group | G-18 |
| Heating & Air Conditioning Group | G-19 |
| Interior Finish Group | G-20 - G-21 |
| LP Group | G-22 |
| Lounge Group | G-23 |
| Water & Sewage Group | G-24 |
| Window, Vent & Exterior Door Group | H-1 - H-10 |

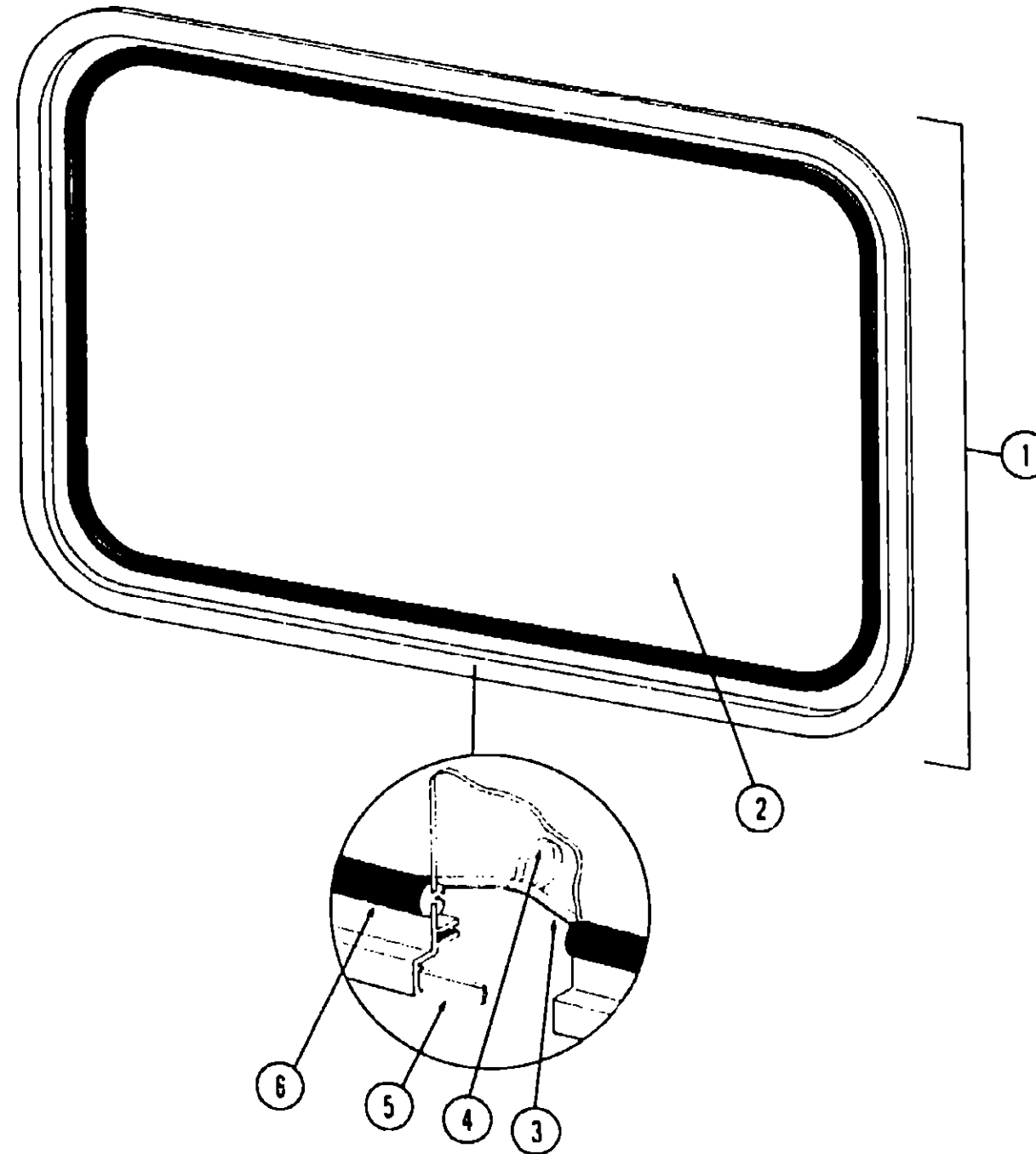
WINDOW, VENT AND EXTERIOR DOOR GROUP (CONTINUED)



| Key | Part Number | U/M | Description |
|-----|---------------|-----|---|
| 1 | 048631-12-000 | EA | Window Asm. - Left - Single Slider - 25" x 29" - Black Anod. (w/o Inside Frame) |
| 2 | 047812-01-000 | EA | Glass - 3/16" x 24" x 13.68" - Sliding |
| 3 | 042077-01-000 | FT | Channel - Weatherstrip - Glass Run - 3/16" Glass |
| 4 | 004363-01-000 | FT | Tape - Foam - 3/16" x 1/2" - Gray |
| 5 | 041982-02-000 | FT | Seal - Window Channel - Black |
| 6 | 050216-02-000 | FT | Spline - Glass - 3/16" - Black |
| 7 | 002389-03-201 | EA | Holder - Glass Seal - Anod. Black |
| 8 | 041894-04-000 | EA | Mullion - Slider Window - 25" - Black Anod. |
| 9 | 002184-02-000 | EA | Glass - TP - 3/18" x 24" x 18.531" - Stationary |
| 10 | 047369-01-700 | EA | Latch - Window - Plastic w/Fastener |
| * | 042147-03-000 | EA | Frame - Inside - Single Slider Window - 25" x 29" (not included in assembly) |
| * | 023713-02-000 | EA | Cover - Plastic Weephole - Black |
| * | 002298-01-000 | FT | Spline - Gray - 130" Dia. (Screen) |
| * | 002293-01-000 | SF | Screen - Window - 26" - Gray |

* Not Illustrated

WINDOW, VENT AND EXTERIOR DOOR GROUP (CONTINUED)



| Key | Part Number | U/M | Description |
|-----|---------------|-----|--|
| 1 | 044689-03-000 | EA | Window Asm. - Rear Escape - 23" x 36" - Black Anod. (w/o Inside Frame) |
| 2 | 041392-01-000 | EA | Glass - 1/8" x 19.61" x 33.25" |
| 3 | 002285-01-000 | FT | Filler - Weatherstrip - Black |
| 4 | 020395-01-000 | EA | Slip - Pull Ring - Escape Window |
| 5 | 004363-01-000 | FT | Tape - Foam - 3/16" x 1/2" - Gray |
| 6 | 002282-01-000 | FT | Weatherstrip - .125" - Black |
| * | 041393-01-000 | EA | Frame - Inside - Escape Window - 23" x 36" (not included in assembly) |

* Not Illustrated

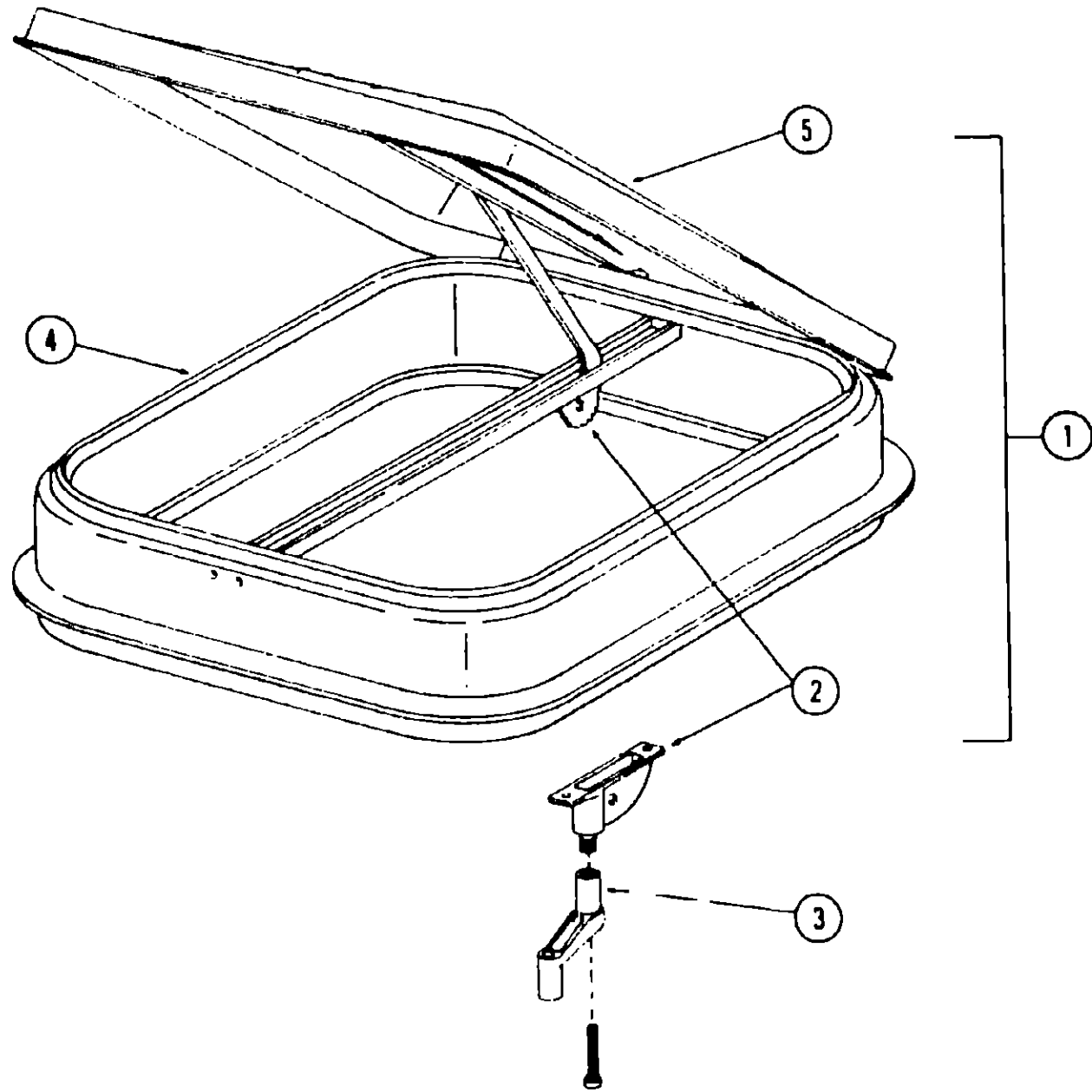
**1978 WINNEBAGO
TABLE OF CONTENTS**

| | |
|--------------------|-------------|
| Introduction | A-1 |
| Abbreviations | A-1 |
| Alphabetical Index | A-2 - A-4 |
| WC525RB | A-5 - B-14 |
| WDP23RG | B-15 - C-24 |
| WDP26RK | D-1 - E-12 |
| WDU27RK | E-13 - F-22 |
| WDU29RB | F-23 - H-10 |
| WDU27RT | H-11 - I-22 |
| WDP26RB | I-23 - K-10 |

**1978 WDU29RB
INDEX**

| | |
|------------------------------------|-------------|
| Floor Plan | F-23 - F-24 |
| Accessories Group | G-1 - G-3 |
| Bath Group | G-3 - G-4 |
| Chassis Group | G-5 |
| Curtain, Cushion & Pad Group | G-6 - G-9 |
| Dinette Group | G-9 |
| Driver's Compartment Group | G-10 - G-11 |
| Electrical Group | G-11 - G-13 |
| Exterior Body Group | G-14 - G-17 |
| Galley Group | G-18 |
| Heating & Air Conditioning Group | G-19 |
| Interior Finish Group | G-20 - G-21 |
| LP Group | G-22 |
| Lounge Group | G-23 |
| Water & Sewage Group | G-24 |
| Window, Vent & Exterior Door Group | H-1 - H-10 |

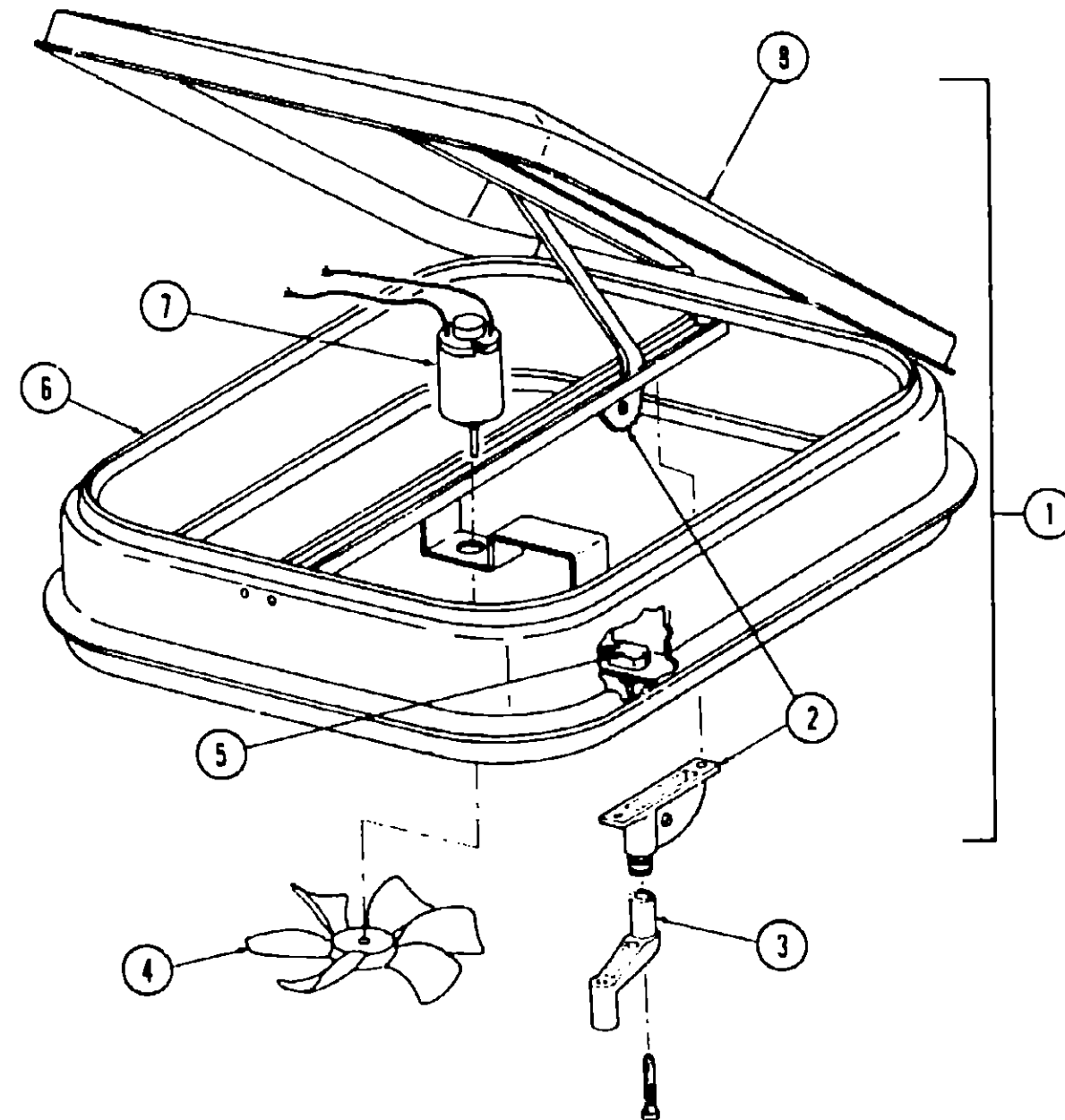
WINDOW, VENT AND EXTERIOR DOOR GROUP (CONTINUED)



| Key | Part Number | U/M | Description |
|-----|---------------|-----|---|
| 1 | 048835-01-000 | EA | Vent Asm. - Roof - Non Powered - w/o Screen |
| 2 | 009440-01-000 | EA | Gear - Arm - Roof Vent |
| 3 | 009439-01-000 | EA | Crank - Roof Vent |
| 4 | 002825-01-000 | FT | Weatherstrip - Roof Vent |
| 5 | 046825-01-000 | EA | Cover - Plastic - Roof Vent |
| * | 016335-01-000 | EA | Screen Asm. - Non Powered Roof Vent - Clear Anod. (not included in assembly) |
| * | 016335-03-000 | EA | Screen Asm. - Non Powered Roof Vent - Beige (not included in assembly) |

* Not Illustrated

WINDOW, VENT AND EXTERIOR DOOR GROUP (CONTINUED)



| Key | Part Number | U/M | Description |
|-----|---------------|-----|---|
| 1 | 048789-01-000 | EA | Vent Asm. Roof - Powered - w/o Screen |
| 2 | 009440-01-000 | EA | Gear - Arm - Roof Vent |
| 3 | 009439-01-000 | EA | Crank - Roof Vent |
| 4 | 048649-01-000 | EA | Fan - Blade - 6" Plastic |
| 5 | 008195-01-000 | EA | Switch - Push Button - 12 Volt |
| 6 | 002825-01-000 | FT | Weatherstrip - Roof Vent |
| 7 | 048640-01-000 | EA | Motor - 12 Volt |
| 8 | 046825-01-000 | EA | Cover - Plastic - Roof Vent |
| * | 048695-01-000 | EA | Screen Asm. - Powered Roof Vent - Clear Anod. (not included in assembly) |
| * | 016335-03-000 | EA | Screen A Asm. - Powered Roof Vent - Beige (not included in assembly) |

* Not Illustrated

**1978 WINNEBAGO
TABLE OF CONTENTS**

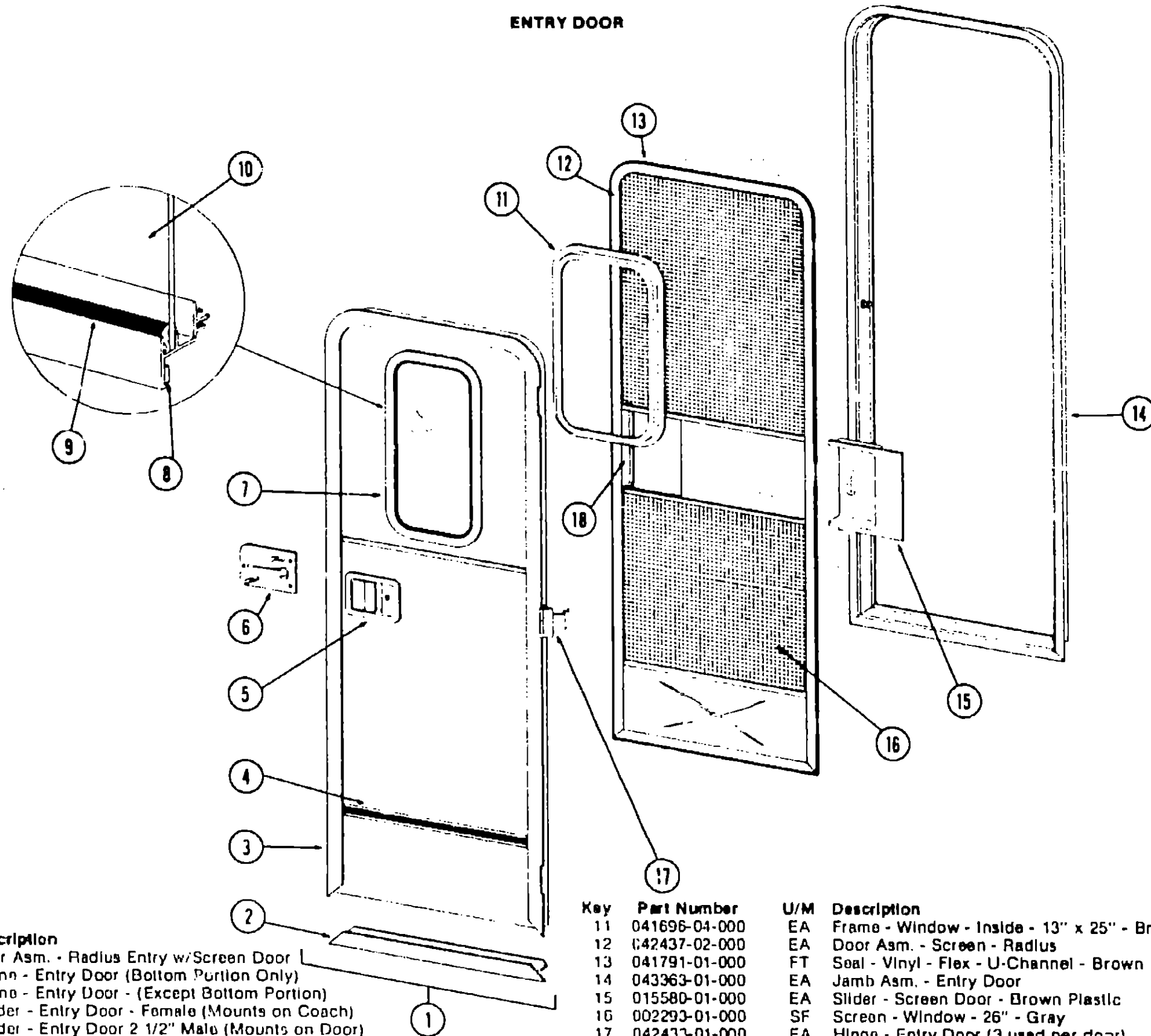
| | |
|--------------------|-------------|
| Introduction | A-1 |
| Abbreviations | A-1 |
| Alphabetical Index | A-2 - A-4 |
| WC525RB | A-5 - B-14 |
| WDP23RG | B-15 - C-24 |
| WDP26RK | D-1 - E-12 |
| WDU27RK | E-13 - F-22 |
| WDU29RB | F-23 - H-10 |
| WDU27RT | H-11 - I-22 |
| VDP26RB | I-23 - K-10 |

**1978 WDU29RB
INDEX**

| | |
|------------------------------------|-------------|
| Floor Plan | F-23 - F-24 |
| Accessories Group | G-1 - G-3 |
| Bath Group | G-3 - G-4 |
| Chassis Group | G-5 |
| Curtain, Cushion & Pad Group | G-6 - G-9 |
| Dinette Group | G-9 |
| Driver's Compartment Group | G-10 - G-11 |
| Electrical Group | G-11 - G-13 |
| Exterior Body Group | G-14 - G-17 |
| Galley Group | G-18 |
| Heating & Air Conditioning Group | G-19 |
| Interior Finish Group | G-20 - G-21 |
| LP Group | G-22 |
| Lounge Group | G-23 |
| Water & Sewage Group | G-24 |
| Window, Vent & Exterior Door Group | H-1 - H-10 |

WINDOW, VENT AND EXTERIOR DOOR GROUP (CONTINUED)

ENTRY DOOR



| Key | Part Number | U/M | Description |
|-----|---------------|-----|--|
| 1 | 042418-02-000 | EA | Door Asm. - Radius Entry w/Screen Door |
| 2 | 039737-02-000 | EA | Frame - Entry Door (Bottom Portion Only) |
| 3 | 041375-01-000 | EA | Frame - Entry Door - (Except Bottom Portion) |
| 4 | 009101-02-000 | EA | Holder - Entry Door - Female (Mounts on Coach) |
| 5 | 009102-01-000 | EA | Holder - Entry Door 2 1/2" Male (Mounts on Door) |
| 6 | 041948-01-000 | EA | Lock Asm. - Radius Entry Door - Atwood |
| 7 | 039541-01-000 | EA | Lock Cylinder w/Keys - Atwood |
| 8 | 052186-01-000 | EA | Lock Asm. - Radius Entry Door - Lynor |
| 9 | 045017-01-700 | EA | Lock Cylinder w/Keys - Lynor |
| 10 | 039539-01-000 | EA | Striker - Entry Door Lock |
| 11 | 039979-01-000 | EA | Plate - Lock - Interior - Including Inside Handle |
| 12 | 041875-04-000 | EA | Window Asm. - Picture - 13" x 25" - Black Anod (inside frame not included in assembly) |
| 13 | 004363-01-000 | FT | Tape - Foam - 3/16" x 1/2" - Gray |
| 14 | 002318-02-000 | FT | Spline - Glass - 3/16" - Black |
| 15 | 002161-02-000 | EA | Glass - Picture Window - 3/16" x 12" x 24" - Gray |

| Key | Part Number | U/M | Description |
|-----|---------------|-----|---|
| 11 | 041696-04-000 | EA | Frame - Window - Inside - 13" x 25" - Brown |
| 12 | 042437-02-000 | EA | Door Asm. - Screen - Radius |
| 13 | 041791-01-000 | FT | Seal - Vinyl - Flex - U-Channel - Brown |
| 14 | 043363-01-000 | EA | Jamb Asm. - Entry Door |
| 15 | 015580-01-000 | EA | Slider - Screen Door - Brown Plastic |
| 16 | 002293-01-000 | SF | Screen - Window - 26" - Gray |
| 17 | 042433-01-000 | EA | Hinge - Entry Door (3 used per door) |
| 18 | 015581-01-000 | EA | Cap - Screen Door - Brown Plastic |
| | 049176-01-000 | EA | Hadlok II - 3/4" Diameter - Screw Mount (Retains Screen Door to Entry Door) |
| | 049797-01-000 | EA | Hadlok II - 1" Diameter - Screw Mount (Retains Screen Door to Entry Door) |
| | 018019-01-000 | EA | Striker - Screen Door |
| | 039863-01-000 | EA | Catch Asm. - Single Roller w/Strike - Screen Door |
| | 051390-01-000 | FT | Seal - Jamb - Entry Door |
| | 039800-03-000 | FT | Tubing - Polybutyl - 3/8" O.D. - Jamb |

H-7

H-8

1978 WINNEBAGO TABLE OF CONTENTS

| | |
|--------------------|-------------|
| Introduction | A-1 |
| Abbreviations | A-1 |
| Alphabetical Index | A-2 - A-4 |
| WC525RB | A-5 - B-14 |
| WDP23RG | B-15 - C-24 |
| WDP26RK | D-1 - E-12 |
| WDU27RK | E-13 - F-22 |
| WDU29RB | F-23 - H-10 |
| WDU27RT | H-11 - I-22 |
| WDP26RB | I-23 - K-10 |

1978 WDU29RB INDEX

| | |
|------------------------------------|-------------|
| Floor Plan | F-23 - F-24 |
| Accessories Group | G-1 - G-3 |
| Bath Group | G-3 - G-4 |
| Chassis Group | G-5 |
| Curtain, Cushion & Pad Group | G-6 - G-9 |
| Dinette Group | G-9 |
| Driver's Compartment Group | G-10 - G-11 |
| Electrical Group | G-11 - G-13 |
| Exterior Body Group | G-14 - G-17 |
| Galley Group | G-18 |
| Heating & Air Conditioning Group | G-19 |
| Interior Finish Group | G-20 - G-21 |
| LP Group | G-22 |
| Lounge Group | G-23 |
| Water & Sewage Group | G-24 |
| Window, Vent & Exterior Door Group | H-1 - H-10 |

WINDOW, VENT AND EXTERIOR DOOR GROUP (CONTINUED)

VENTS

| Key | Part Number | U/P | Description |
|-----|---------------|-----|--|
| | 009407-01-000 | EA | Vent Asm. - Base - Refrigerator Vent w/o Cover |
| | 039778-01-000 | EA | Cover - Plastic - Refrigerator Vent |
| | 049352-02-000 | EA | Vent - Stovehood - Outside - Beige (Jensen) |

WINDSHIELD

| Key | Part Number | U/M | Description |
|-----|---------------|-----|---|
| | 042744-01-000 | EA | Frame Asm. - Windshield w/o Glass |
| | 034975-02-000 | EA | Glass - Windshield - Safety Plate w/Tinted Band - Left or Right |
| | 038886-02-000 | EA | Tape - Butyl - .31" x .31" x 160" Long |

ACCESS DOORS

| Key | Part Number | U/M | Description |
|-----|---------------|-----|---|
| | 042459-02-000 | EA | Door Asm. - Valance Panel - LP/Utility - Beige Plastic |
| | 049734-01-000 | EA | Door Asm. - Valance Panel - Battery - Beige Plastic |
| | 049733-01-000 | EA | Door Asm. - Valance Panel - 31" x 10.59" - Luggage - Beige Plastic |
| | 042453-02-000 | EA | Door Asm. - Valance Panel - 46.12" x 10.29" - Luggage - Beige Plastic |
| | 052086-02-000 | EA | Door Asm. - Valance Panel - 28" - Beige Fiberglass |
| | 052086-03-000 | EA | Door Asm. - Valance Panel - 42" - Beige Fiberglass |
| | 052179-01-000 | EA | Door Asm. - Generator (used with Kohler generator) |
| | 042451-01-000 | EA | Door Asm. - Generator (used with Onan generator) |
| | 039884-01-000 | EA | Lock Asm. - Twist Type w/Clip (generator door) |
| | 044210-01-000 | EA | Door Asm. - 6" x 10" - Off White Plastic |
| | 044210-02-000 | EA | Door Asm. - 6" x 10" - Beige Plastic |
| | 043942-01-000 | EA | Latch Asm. - Quarter Turn - Plastic |
| | 042416-01-000 | EA | Door Asm. - Trunk - Black Plastic |
| | 042441-01-000 | EA | Lock Asm. - Key Type - Valance Panel Door or Trunk Door |
| | 042442-01-000 | EA | Lock Asm. - Twist Type - Valance Panel Door |
| | 042494-01-000 | EA | Hinge - Continuous Aluminum - Valance Panel Door |

1978 WINNEBAGO TABLE OF CONTENTS

| | |
|--------------------|-------------|
| Introduction | A-1 |
| Abbreviations | A-1 |
| Alphabetical Index | A-2 - A-4 |
| WC525RB | A-5 - B-14 |
| WDP23RG | B-15 - C-24 |
| WDP26RK | D-1 - E-12 |
| WDU27RK | E-13 - F-22 |
| WDU29RB | F-23 - H-10 |
| WDU27RT | H-11 - I-22 |
| WDP26RB | I-23 - K-10 |

1978 WDU29RB INDEX

| | |
|------------------------------------|-------------|
| Floor Plan | F-23 - F-24 |
| Accessories Group | G-1 - G-3 |
| Bath Group | G-3 - G-4 |
| Chassis Group | G-5 |
| Curtain, Cushion & Pad Group | G-6 - G-9 |
| Dinette Group | G-9 |
| Driver's Compartment Group | G-10 - G-11 |
| Electrical Group | G-11 - G-13 |
| Exterior Body Group | G-14 - G-17 |
| Galley Group | G-18 |
| Heating & Air Conditioning Group | G-19 |
| Interior Finish Group | G-20 - G-21 |
| LP Group | G-22 |
| Lounge Group | G-23 |
| Water & Sewage Group | G-24 |
| Window, Vent & Exterior Door Group | H-1 - H-10 |