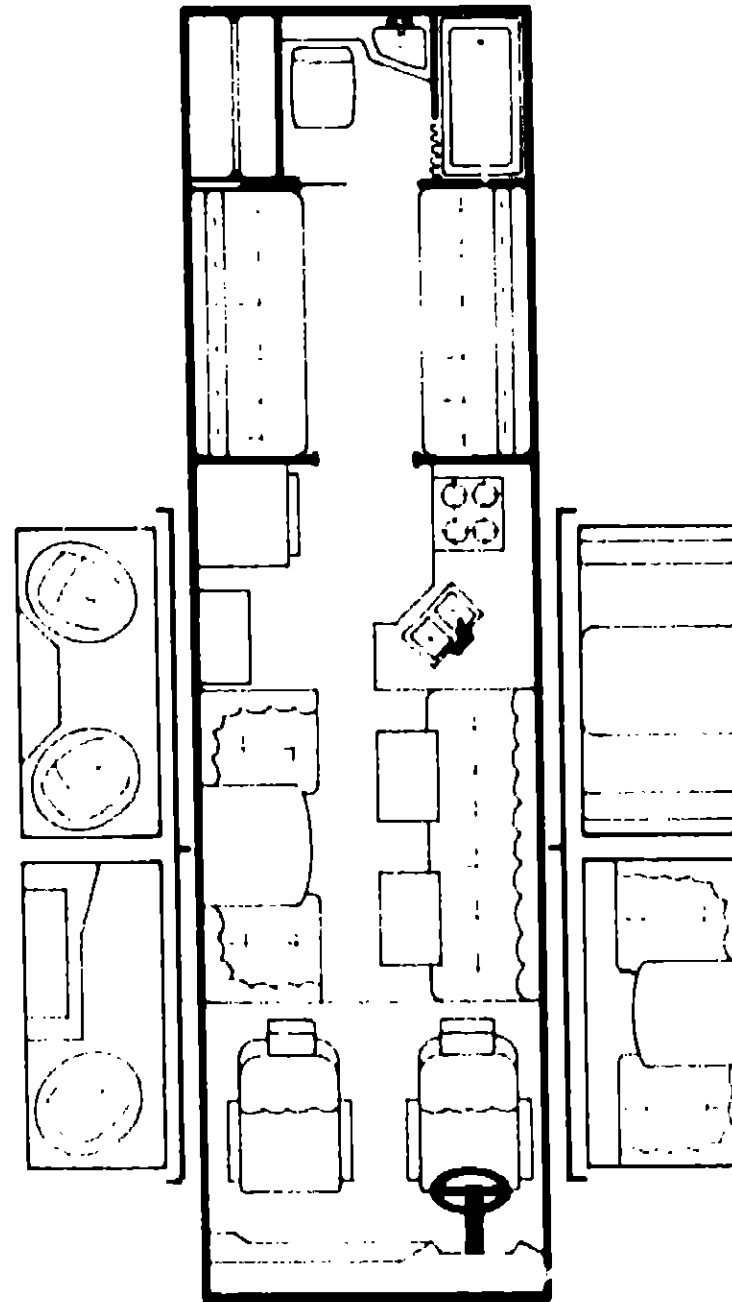


1978 WDU29RB J2



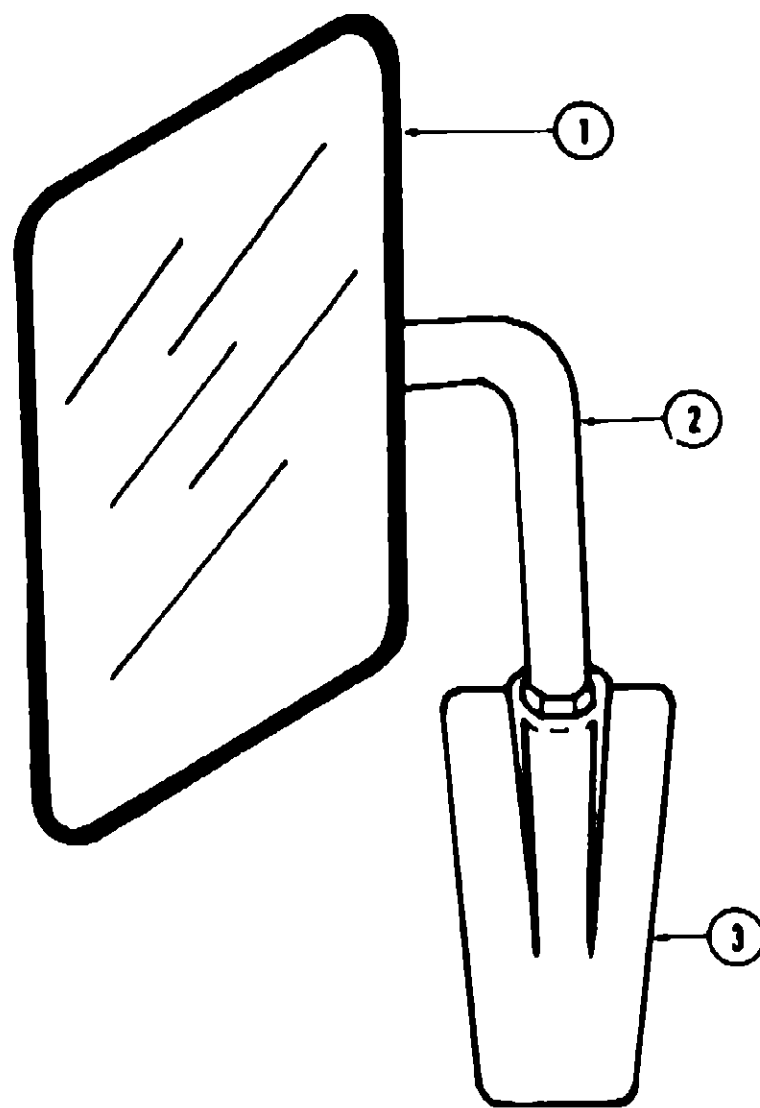
1978 WINNEBAGO TABLE OF CONTENTS

WDP26RB J2	A-1 - B-14
WDP26RK J2	B-15 - D-4
WDU29RB J2	D-5 - E-14

1978 WDU29RB J2 INDEX

Floor Plan	D-5 - D-6
Accessories Group	D-7 - D-8
Bath Group	D-9 - D-10
Chassis Group	D-11
Curtain, Cushion & Pad Group	D-12 - D-15
Dinette Group	D-15 - D-16
Driver's Compartment Group	D-17 - D-18
Electrical Group	D-19 - D-20
Exterior Body Group	D-21 - D-24
Galley Group	E-1
Heating & Air Conditioning Group	E-2
Interior Finish Group	E-3 - E-4
LP Group	E-5
Lounge Group	E-5
Water & Sewage Group	E-6
Window, Vent & Exterior Door Group	E-7 - E-14

ACCESSORIES GROUP



Key	Part Number	U/M	Description
1	049347-01-000	EA	Mirror Head - 7 1/2" x 10 1/2" - Stainless Steel
*	057481-01-000	EA	Mirror Head - 7 1/2" x 10 1/2" w/Convex
2	049348-01-000	EA	Arm - Low Mount Mirror - Bight Finish
3	049944-01-000	EA	Bracket - Mirror - Beige
*	Not Illustrated		

ACCESSORIES GROUP (CONTINUED)

FRONT OVERHEAD BUNK AND HARDWARE

Key	Part Number	U/M	Description
	055671-02-000	EA	Pad - Overhead Cabinet - Left
	055672-02-000	EA	Pad - Overhead Cabinet - Right
	055701-02-000	EA	Pad - Overhead Cabinet - Center
	048820-02-J38	EA	Bunk Asm. - Front Overhead
	040071-01-000	EA	Bunk Support - Seat Belt
	042201-01-000	EA	Bunk Support - Beige
	039516-02-000	EA	Catch - Bunk - Overhead Safety - Brown

GENERATORS AND INSTALLATION KITS

Key	Part Number	U/M	Description
	054431-01-000	EA	Generator - 5.0 kw Onan - U.S. and C.S.A.
	054433-01-000	EA	Generator - 6.5 kw Onan - U.S. and C.S.A.
	701629-02-000	EA	Installation Package - Onan Generator
	024732-01-001	EA	Tailpipe - 1 1/2" O.D. x 23"
	050467-01-000	EA	Bezel - Entertainment Center #3

RADIOS AND RELATED COMPONENTS

Key	Part Number	U/M	Description
	058014-01-000	EA	Radio - AM/FM/MPX - 8 Track - Motorola 3RV4715
	031105-01-000	EA	Antenna - Radio - Side Mount
	031105-01-700	EA	Clip - Radio Antenna
	052774-01-000	EA	Radio - CB - 40 Channel - HyGain 9
	048153-01-000	EA	Antenna - CB Camper Style
	053768-01-000	EA	Speaker - Recessed - 5 1/4" x 10 oz.
	044535-01-000	EA	Grille - Speaker - Black Padded

MISCELLANEOUS ACCESSORIES

Key	Part Number	U/M	Description
	057486-01-000	EA	TV - 12" - Color - Trinitron
	008053-01-000	EA	Antenna - TV - Braund Delux
	008053-01-700	EA	Repair Parts Kit - Braund TV Antenna
	008093-01-000	EA	Jack - TV - Brown
**	042344-01-000	EA	Luggage Rack Asm. - w/Ladder
**	042344-02-000	EA	Ladder Only - For Rack and Ladder Asm.
	008113-01-000	EA	Jack - Hydraulic - 5 Ton
	041844-01-700	EA	Fire Extinguisher - Dry Chemical - w/Bracket
	052771-01-000	EA	Oven - Microwave - Magic Chef 207-4
	054185-01-000	EA	Owner's Manual - Winnebago 1978
	023111-01-000	EA	Food Center - Built in - Power Unit w/Blender
	023111-02-000	EA	Ice Crusher Attachment - Food Center
**	024748-01-000	EA	Speed Control Package - 440 C.I.D. - Dodge - Lever Type - A-Body
	058284-01-000	EA	Ice Maker - Automatic - Instamatic 45
	003174-01-000	EA	Vacuum Cleaner - Closet Mount - Filtrix
	003174-02-000	EA	Attachment Package - Filtrix Vacuum
	017516-01-000	EA	Mudflap - Black - 14" x 18" - w/Holes
	008099-01-000	EA	Case - Leather Key - Motor Home
	007038-01-000	EA	Mat - Door - Black Rubber - 10 1/2" x 26"
**	031388-02-000	EA	Cover - Wheel - 19.5" Chrome
	044388-01-000	EA	Thermometer - Outside - Chrome
	047228-01-000	EA	Tire Cover - Black - w/Zipper
	048813-01-000	EA	Weather Center - 5 1/2" x 15" - Gold

**The illustrated parts breakdown for this item is provided on the Common Items Fiche.

1978 WINNEBAGO TABLE OF CONTENTS

WDP26RB J2	A-1 - B-14
WDP26RK J2	B-15 - D-4
WDU26RB J2	D-5 - E-14

1978 WDU26RB J2 INDEX

Floor Plan	D-5 - D-6
Accessories Group	D-7 - D-8
Bath Group	D-9 - D-10
Chassis Group	D-11
Curtain, Cushion & Pad Group	D-12 - D-15
Dinette Group	D-15 - D-16
Driver's Compartment Group	D-17 - D-18
Electrical Group	D-19 - D-20
Exterior Body Group	D-21 - D-24
Galley Group	E-1
Heating & Air Conditioning Group	E-2
Interior Finish Group	E-3 - E-4
LP Group	E-5
Lounge Group	E-5
Water & Sewage Group	E-6
Window, Vent & Exterior Door Group	E-7 - E-14

BATH GROUP

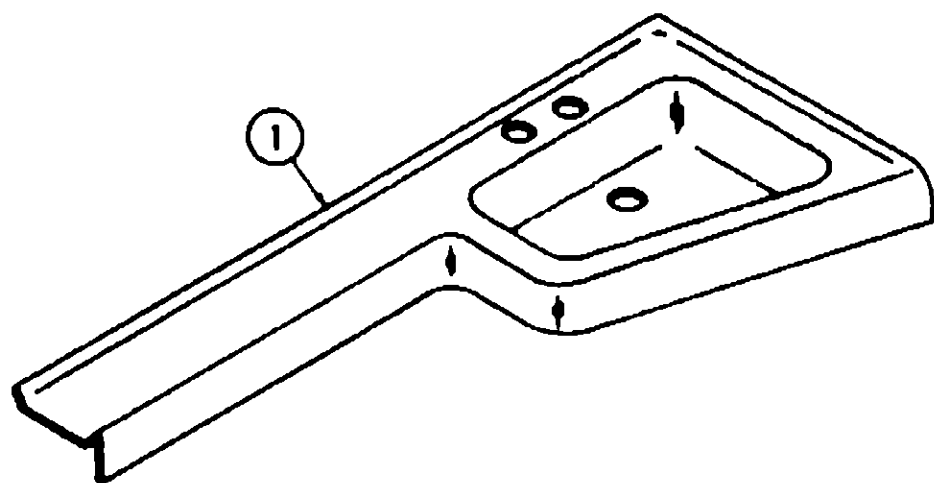
BATH CABINERY

Key	Part Number	U/M	Description
	055313-01-J38	EA	Cabinet Asm. - Vanity - w/o Top, Doors or Hardware
	055458-08-J38	EA	Door Asm. - Vanity Cabinet - 20 7/8" x 6 7/8" - w/o Hardware
	055458-09-J38	EA	Door Asm. - Vanity Cabinet - 15 7/8" x 23 3/8" - w/o Hardware
	052832-01-700	EA	Door Asm. - Wardrobe - 57 1/8" x 15 1/8" - w/Mirror - w/o Hardware
	054001-03-J38	EA	Door Asm. - Sliding - 27" x 75.5" - w/o Hardware
	055130-02-000	EA	Medicine Cabinet - 43.5" Wide

BATH HARDWARE

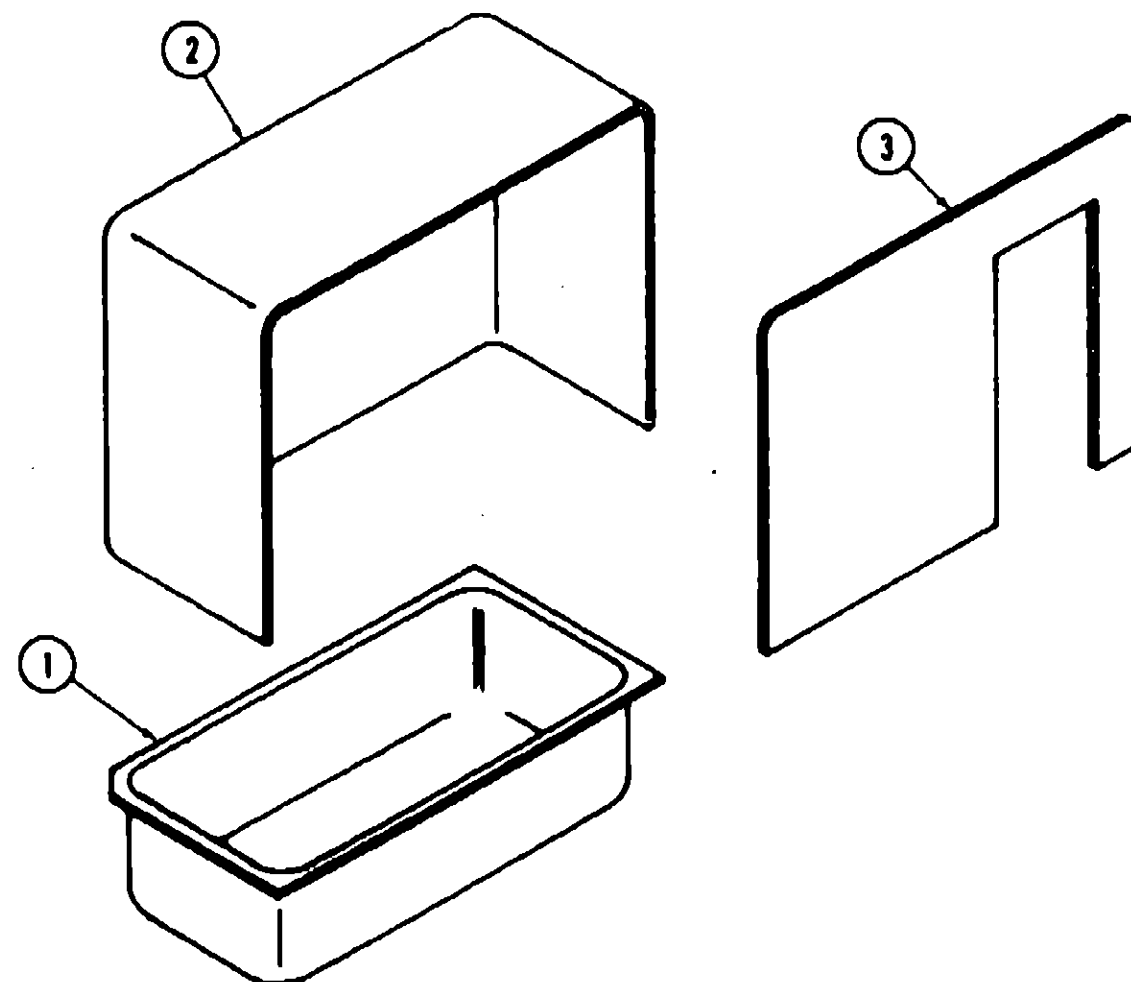
Key	Part Number	U/M	Description
**	011058-01-000	EA	Faucet - Lavatory - U.S.
**	011058-02-000	EA	Faucet - Lavatory - C.S.A.
**	011083-02-000	EA	Plug - Sink - 1 1/4" w/Chain
**	031558-01-000	EA	Faucet - Tub and Shower - U.S. - C.S.A.
**	011086-01-000	EA	Strainer - Shower Pan
**	011070-01-000	EA	Tailpiece - 1 1/4" x 8" - Brass
**	010495-01-000	EA	Clamp - Cable - 9/16"
**	055287-01-000	EA	Shower Head - w/Adjusting Bar and 59" Hose
**	048189-01-000	EA	Towel Ring - Antique Brass
**	048171-01-000	EA	Towel Bar - 21" - Antique Brass
**	009134-01-000	EA	Holder - Tissue
**	049749-01-000	EA	Soap Dish - Wall Mount - Antique Brass
**	009091-01-000	EA	Mirror - Wardrobe Door - 1/8" x 10" x 42"
**	009112-01-000	EA	Flange - 1" - Closet Rod - Chrome
**	053260-01-000	EA	Trim - Shower Door - Bottom
**	053261-01-000	EA	Trim - Shower Door - Left
**	053262-01-000	EA	Trim - Shower Door - Right
**	009155-01-000	EA	Track - Sliding Door
**	009156-01-000	EA	Hanger - Sliding Door
**	039341-02-000	EA	Toilet - Marine - Thetford Aqua Magic SH - Ivory

**The illustrated parts breakdown for this item is provided on the Common Items Fiche.



Key	Part Number	U/M	Description
1	042175-02-000	EA	Lavatory Top - Ivory Plastic

BATH GROUP (CONTINUED)



Key	Part Number	U/M	Description
1	041826-01-000	EA	Bathtub Bottom
2	041853-01-000	EA	Bathtub Rear
3	041852-01-000	EA	Bathtub Front

1978 WINNEBAGO TABLE OF CONTENTS

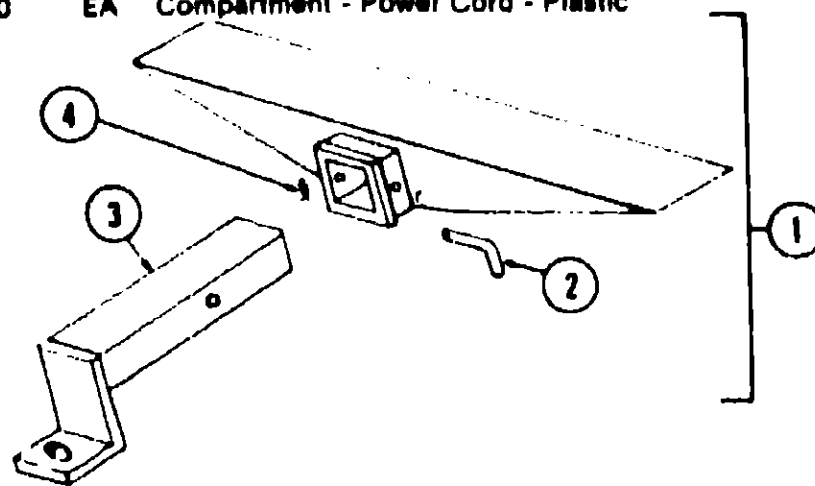
WDP26RB J2	A-1 - B-14
WDP26RK J2	B-15 - D-4
WDU29RB J2	D-5 - E-14

1978 WDU29RB J2 INDEX

Floor Plan	D-5 - D-8
Accessories Group	D-7 - D-8
Bath Group	D-9 - D-10
Chassis Group	D-11
Curtain, Cushion & Pad Group	D-12 - D-15
Dinette Group	D-15 - D-16
Driver's Compartment Group	D-17 - D-18
Electrical Group	D-19 - D-20
Exterior Body Group	D-21 - D-24
Galley Group	E-1
Heating & Air Conditioning Group	E-2
Interior Finish Group	E-3 - E-4
LP Group	E-5
Lounge Group	E-5
Water & Sewage Group	E-6
Window, Vent & Exterior Door Group	E-7 - E-14

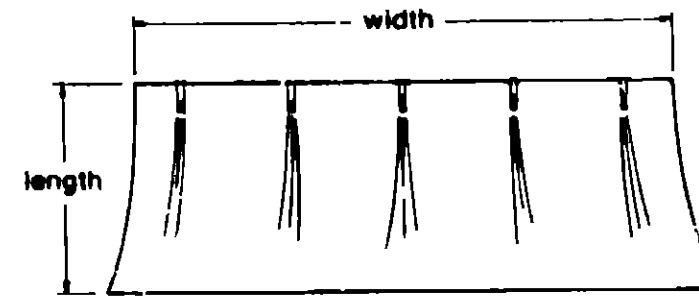
CHASSIS GROUP

Key	Part Number	U/M	Description
	041233-01-000	EA	Bumper - Contoured - Front or Rear
	042510-01-000	EA	Reinforcement - Bumper - Front or Rear
	042515-01-000	EA	Bracket - Bumper - Front
	050305-01-000	EA	Bracket - Splash Guard Mount - Front
	037933-01-000	EA	Bracket - License Plate - Front or Rear
	050703-01-000	EA	Bracket - Bumper - Rear
	042524-01-000	EA	Support Asm. - Tire Carrier
	042546-01-000	EA	Mounting Plate - Spare Tire
	042544-01-000	EA	Support - Spare Tire Asm.
	042495-01-000	EA	Power Step - Kwikkee
	038398-01-700	EA	Motor - Power Step Kwikkee
	038398-01-701	EA	Gear - Power Step - Kwikkee
	038398-01-702	EA	Switch - Motor Control - Power Step - Kwikkee
	041246-01-000	EA	Light - Warning - Step
	041249-01-000	EA	Switch - Toggle - On/Off - Power Step
	041250-01-000	EA	Switch - Push Button - Power Step
	048584-01-000	EA	Tray - Battery - Steel
	035102-01-000	EA	Cover Asm. - Radiator - Rear
	037468-02-000	EA	Hoodboard - Steel - Front - Left
	037468-01-000	EA	Hoodboard - Steel - Front - Right
	007134-01-000	EA	Clamp - Hose - Spring Type - 9/16"
	007137-01-000	EA	Clamp - Worm Gear - 1 5/16" to 2 1/4"
	007138-01-000	EA	Clamp - Hose - 1/4" to 3/4" Dia.
	007140-01-000	EA	Clamp - Hose - 2" to 3" Dia.
	024138-01-000	FT	Hose - Fuel - 5/16" I.D.
	024141-01-000	FT	Hose - Rubber - 1/2" I.D.
	024647-01-000	EA	Hose - Gas - 2 1/4" I.C.
	007063-01-000	FT	Hose - Gas - 1/4" I.D. x 1/2" O.D.
	045814-02-000	EA	Fill - Gas w/Vent - 2.76 Long
	024611-04-000	EA	Cap - Gas - Pressure - 1.5" - Chrome
	038882-01-000	EA	Tank - Fuel - 27.8 Gallo. - Aux.
	043986-01-000	EA	Strap - Mounting - Fuel Tank
	007180-01-000	EA	Gasket - 3/16" x 2" x 2" - Tire Carcass
	038883-01-000	EA	Sending Unit - Fuel - 78 Ohm - Aux. Tank
	050227-01-000	EA	Canister - Vapor - 2 Stage - 3 Port
	046775-01-000	EA	Valve Asm. - Fuel Selector
	007125-08-000	EA	Clamp Asm. - Muffler - 3" Dia.
	007131-01-000	EA	Hanger - Tailpipe
	007258-01-000	EA	Extension - Tailpipe - 2 1/2" x 48"
	035260-01-000	EA	Wheel Well - Plastic - Black
	017516-01-000	EA	Mudflap - Black - 14" x 18" - w/Holes
	058974-01-700	EA	Alternator Kit - 105 Ampere (WDU29RB)
	013382-01-000	EA	Compartment - Power Cord - Plastic



Key	Part Number	U/M	Description
1	023895-01-700	EA	Hitch Kit - w/Drawbar
2	034512-01-000	EA	Pin - Locking - Drawbar
3	024876-01-700	EA	Drawbar - Trailer Hitch
4	034513-01-000	EA	Pin - Hitch - 3/16" Wire Spring

CURTAIN, CUSHION AND PAD GROUP



NOTE:

Use this illustration when determining length and width measurements for curtains. You will note the width measurement is taken on the top of the curtain with the curtain fully extended. The length measurement is taken from top of bottom.

1978 WINNEBAGO TABLE OF CONTENTS

WDP26RB J2	A-1 - B-14
WDP26RK J2	B-15 - D-4
WDU29RB J2	D-5 - E-14

CURTAINS AND TIEBACKS

Key	Part Number	U/M	Description
	054051-02-J38	EA	Curtain Asm. - Entrance Door - 34" x 37" - Navy Blue
	054051-02-J39	EA	Curtain Asm. - Entrance Door - 34" x 37" - Copper Tan
	054051-08-J38	EA	Curtain Asm. - Blackout - 38" x 77" - Navy Blue
	054051-08-J39	EA	Curtain Asm. - Blackout - 38" x 77" - Copper Tan
	057492-01-J38	EA	Curtain Asm. - Wraparound - Right - 30" x 80" - Navy Blue
	057492-01-J39	EA	Curtain Asm. - Wraparound - Right - 30" x 80" - Copper Tan
	057493-01-J38	EA	Curtain Asm. - Wraparound - Left - 30" x 80" - Navy Blue
	057493-01-J39	EA	Curtain Asm. - Wraparound - Left - 30" x 80" - Copper Tan
	054051-20-J38	EA	Curtain Asm. - Front Bunk - 48" x 77" - Navy Blue
	054051-20-J39	EA	Curtain Asm. - Front Bunk - 48" x 77" - Copper Tan
	054048-05-J38	EA	Tie Back Asm. - 2" x 18" - Navy Blue
	054048-05-J39	EA	Tie Back Asm. - 2" x 18" - Copper Tan

SHADES

Key	Part Number	U/M	Description
	057019-03-000	EA	Shade - Woven Wood - 68 1/4" x 28 1/2" - Blue
	057019-04-000	EA	Shade - Woven Wood - 68 1/4" x 28 1/2" - Rust
	057019-07-000	EA	Shade - Woven Wood - 39" x 27" - Blue
	057019-08-000	EA	Shade - Woven Wood - 39" x 27" - Rust
	057019-11-000	EA	Shade - Woven Wood - 28" x 24 1/2" - Blue
	057019-12-000	EA	Shade - Woven Wood - 28" x 24 1/2" - Rust

FRONT OVERHEAD BUNK CUSHIONS

Key	Part Number	U/M	Description
	055021-13-J38	EA	Cushion - Front Overhead Bunk - 38.8" x 76.5" x 4" - Blue
	055021-13-J39	EA	Cushion - Front Overhead Bunk - 38.8" x 76.5" x 4" - Rust
	055022-15-J38	EA	Cover - Front Overhead Bunk Cushion - 38.8" x 76.5" x 4" - Blue
	055022-15-J39	EA	Cover - Front Overhead Bunk Cushion - 38.8" x 76.5" x 4" - Rust

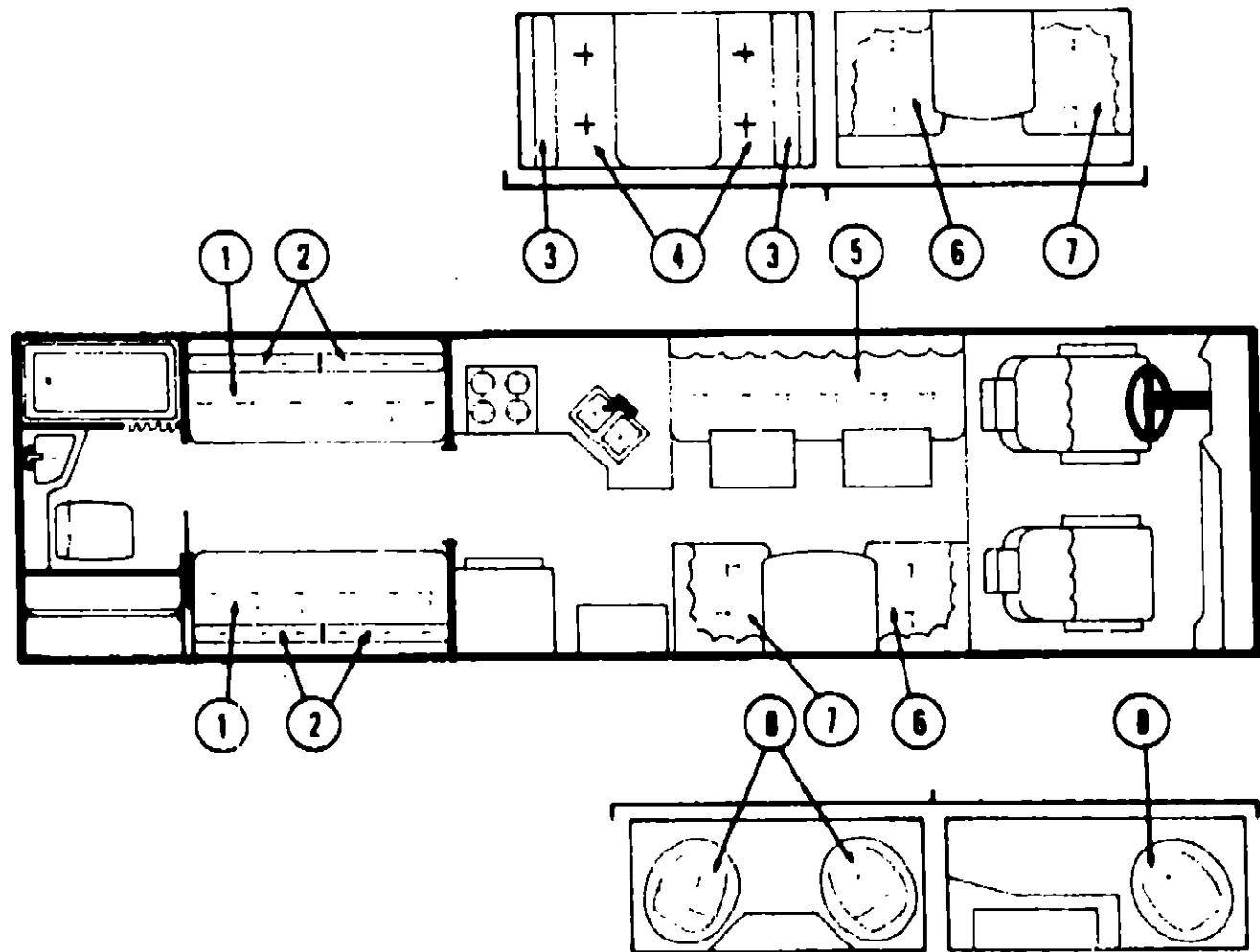
BUCKET SEATS

Key	Part Number	U/M	Description
	058918-01-000	EA	Seat - Single Bucket - Complete - Highback - Flexsteel - Blue
	058918-02-000	EA	Seat - Single Bucket - Complete - Highback - Flexsteel - Rust
	057538-01-J38	EA	Seat Asm. - Double Bucket - Blue
	057538-01-J39	EA	Seat Asm. - Double Bucket - Rust

1978 WDU29RB J2 INDEX

Floor Plan	D-5 - D-8
Accessories Group	D-7 - D-8
Bath Group	D-9 - D-10
Chassis Group	D-11
Curtain, Cushion & Pad Group	D-12 - D-15
Dinette Group	D-15 - D-16
Driver's Compartment Group	D-17 - D-18
Electrical Group	D-19 - D-20
Exterior Body Group	D-21 - D-24
Galley Group	E-1
Heating & Air Conditioning Group	E-2
Interior Finish Group	E-3 - E-4
LP Group	E-5
Lounge Group	E-5
Water & Sewage Group	E-6
Window, Vent & Exterior Door Group	E-7 - E-14

CURTAIN, CUSHION AND PAD GROUP (CONTINUED)



REAR LOUNGE CUSHIONS

Key	Part Number	U/M	Description
1	057629-01-J38	EA	Cushion - Complete - Glideout - 75 1/2" Long - Blue
1	057629-01-J39	EA	Cushion - Complete - Glideout - 75 1/2" Long - Rust
2	057497-02-J38	EA	Cushion - Bolster - 7" x 10" x 37.5" x 14" - Blue
2	057497-02-J39	EA	Cushion - Bolster - 7" x 10" x 37.5" x 14" - Rust
	057498-02-J38	EA	Cover - Bolster Cushion - 7" x 10" x 37.5" x 14" - Blue
	057498-02-J39	EA	Cover - Bolster Cushion - 7" x 10" x 37.5" x 14" - Rust
	057630-01-J38	EA	Armrest Asm. - Glideout - Blue
	057630-01-J39	EA	Armrest Asm. - Glideout - Rust

CONVENTIONAL DINETTE CUSHIONS

Key	Part Number	U/M	Description
3	057495-03-J38	EA	Cushion - Dinette Back - 14.2" x 38" x 5" - Blue
3	057495-03-J39	EA	Cushion - Dinette Back - 14.2" x 38" x 5" - Rust
	057496-03-J38	EA	Cover - Dinette Back Cushion - 14.2" x 38" x 5" - Blue
	057496-03-J39	EA	Cover - Dinette Back Cushion - 14.2" x 38" x 5" - Rust
4	057631-01-J38	EA	Cushion - Dinette Bottom - w/Spring - 22" x 38" x 5" - Blue
4	057631-01-J39	EA	Cushion - Dinette Bottom - w/Spring - 22" x 38" x 5" - Rust

FLEXSTEEL MAGIC BED

Key	Part Number	U/M	Description
5	056919-01-000	EA	Magic Bed - Flexsteel - w/Bolster and Armrest - 72" - Blue
5	056919-02-000	EA	Magic Bed - Flexsteel - w/Bolster and Armrest - 72" - Rust

CURTAIN, CUSHION AND PAD GROUP (CONTINUED)

FLEXSTEEL CORNER LOUNGE CHAIRS

Key	Part Number	U/M	Description
6	056917-03-000	EA	Corner Lounge Chair - Flexsteel - Left - Blue
6	056917-04-000	EA	Corner Lounge Chair - Flexsteel - Left - Rust
7	056917-01-000	EA	Corner Lounge Chair - Flexsteel - Right - Blue
7	056917-02-000	EA	Corner Lounge Chair - Flexsteel - Right - Rust

FLEXSTEEL SWIVEL CHAIRS

Key	Part Number	U/M	Description
8	056916-01-000	EA	Swivel Chair - Flexsteel - Blue
8	056916-02-000	EA	Swivel Chair - Flexsteel - Rust

FABRICS AND TRIMS

Key	Part Number	U/M	Description
	056735-01-000	YD	Fabric - Drapery - Blue
	056735-02-000	YD	Fabric - Drapery - Copper/Tan
	056733-01-000	YD	Fabric - Upholstery - Blue (Main)
	056734-01-000	YD	Fabric - Upholstery - Blue (Accent)
	056733-02-000	YD	Fabric - Upholstery - Rust (Main)
	056734-02-000	YD	Fabric - Upholstery - Rust (Accent)
	042411-01-000	YD	Vinyl - Non Expanded - 27 oz. - Berkshire Brown
	042411-02-000	YD	Vinyl - Expanded - 28 oz. - Berkshire Brown
	042411-03-000	YD	Vinyl - Non Support - 16 Gauge - Film - Berkshire Brown
	023631-05-000	EA	Button Asm. - Vinyl Covered - Brown
	054876-05-J38	EA	Button Asm. - Cloth Covered - No. 45 - Blue
	054876-05-J39	EA	Button Asm. - Cloth Covered - No. 45 - Rust
	042414-01-000	FT	Trim - Accent - Brown Vinyl

PADS

Key	Part Number	U/M	Description
	054991-02-J38	EA	Pad - Entrance Door Header - 9 1/2" x 41" - Berkshire Brown Vinyl
	054992-02-J38	EA	Pad - Entrance Door Jamb - Berkshire Brown Vinyl
	058965-01-J38	EA	Pad - Entrance Door - Corner - 4" x 4" - Berkshire Brown Vinyl
	057562-04-000	EA	Pad - Bath Sliding Door - 26" - Berkshire Brown Vinyl
	050889-03-000	EA	Pad - Toilet Base Cover - Berkshire Brown Vinyl
	050944-03-000	EA	Skirt Asm. - Toilet - Berkshire Brown Vinyl
	055701-02-000	EA	Pad - Front Overhead Cabinet - Facepanel - 76 1/8" x 9 1/2" w/Two 16" Openings - Brown Vinyl
	055671-02-000	EA	Pad - Front Overhead Cabinet - Sidepanel - Left - 36 1/8" x 8 5/8" w/One 29 3/8" Opening - Brown Vinyl
	055672-02-000	EA	Pad - Front Overhead Cabinet - Sidepanel - Right - 36 1/8" x 8 5/8" w/One 29 3/8" Opening - Brown Vinyl
	055700-02-000	EA	Pad - Front Overhead Cabinet - Basepanel - 89 1/4" x 48" - Brown Vinyl
	057526-01-000	EA	Pad - Interior Trim - Right - 46 1/2" x 3 1/2" - Brown Vinyl
	057526-02-000	EA	Pad - Interior Trim - Left - 46 1/2" x 3 1/2" - Brown Vinyl

1978 WINNEBAGO TABLE OF CONTENTS

WDP26RB J2	A-1 - B-14
WDP26RK J2	B-15 - D-4
WDU29RB J2	D-5 - E-14

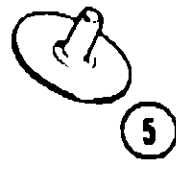
1978 WDU29RB J2 INDEX

Floor Plan	D-5 - D-8
Accessories Group	D-7 - D-8
Bath Group	D-9 - D-10
Chassis Group	D-11
Curtain, Cushion & Pad Group	D-12 - D-15
Dinette Group	D-15 - D-16
Driver's Compartment Group	D-17 - D-18
Electrical Group	D-19 - D-20
Exterior Body Group	D-21 - D-24
Galley Group	E-1
Heating & Air Conditioning Group	E-2
Interior Finish Group	E-3 - E-4
LP Group	E-5
Lounge Group	E-6
Water & Sewage Group	E-6
Window, Vent & Exterior Door Group	E-7 - E-14

CURTAIN, CUSHION AND PAD GROUP (CONTINUED)

CURTAIN HARDWARE

Key	Part Number	U/M	Description
	052327-04-236	EA	Track - Curtain - Brown Alum. - 89" w/Holes
	053272-04-203	EA	Track - Blackout Curtain - Off White - 76.5" w/Holes
	057189-01-000	EA	Track - Wraparound Curtain - Brown Alum. - Right
	057989-02-000	EA	Track - Wraparound Curtain - Brown Alum. - Left
	058007-01-000	EA	Bracket - Shade - Left
	058008-01-000	EA	Bracket - Shade - Right
	009107-01-000	EA	Guide - Nylon Snap - Curtain
	018011-42-000	EA	Track - Curtain - "L" Rod - Alum. Extr. - 90"
	009702-01-000	EA	End Stop - "L" Rod - Curtain
	009701-01-000	EA	Carrier - "L" Rod - Curtain



Key	Part Number	U/M	Description
1	029130-01-000	EA	Socket - Snap Fastener
2	029155-01-000	EA	Cap - Snap - .156" Dia. x .17" Barrel
3	029156-01-000	EA	Socket - Snap Fastener
4	029092-01-000	EA	Stud - Nickel Finish
5	029093-01-000	EA	Eyelet - Nickel Finish

DINETTE GROUP

DINETTE OVERHEAD CABINETRY

Key	Part Number	U/M	Description
	055301-01-J38	EA	Cabinet Asm. - Left Dinette Overhead - w/o Door or Hardware
	055272-02-J38	EA	Cabinet Asm. - Right Dinette Overhead - w/o Door or Hardware
	054896-01-J38	EA	Door Asm. - Dinette Overhead Cabinet - Right or Left - 48 1/2" x 12" - w/o Hardware

PRESTO BED W/TWO PEDESTAL TABLES

Key	Part Number	U/M	Description
	053203-07-J38	EA	Table Asm. - Pedestal - w/o Hardware - Driftwood
	053203-07-J39	EA	Table Asm. - Pedestal - w/o Hardware - Concord Birch
	009040-02-000	EA	Leg - Pedestal Table - 27.5" x 2.25" O.D. - Chrome
	009040-03-000	EA	Base - Pedestal Table - Mounts on Table
	041194-01-000	EA	Base - Pedestal Table - Mounts in Floor
	058093-01-J38	EA	Floor Plug - Pedestal Table - Beige Carpet

DINETTE GROUP (CONTINUED)

CORNER LOUNGE CHAIRS W/TABLE

Key	Part Number	U/M	Description
	049989-01-000	EA	Table Asm. - Lounge - Complete - Mocha Leather
	049988-01-000	EA	Support Asm. - Lounge Table
	045795-01-000	EA	Holder - Glass - Plastic
	051111-01-000	EA	Cabinet Asm. - Corner Lounge Chair - Right - w/o Door or Hardware
	051111-02-000	EA	Cabinet Asm. - Corner Lounge Chair - Left - w/o Door or Hardware
	045753-01-000	EA	Cap - Corner - Brown Plastic
	055458-10-J38	EA	Door Asm. - Lounge Chair Cabinet - 22 1/2" x 9 1/2" - w/o Hardware

CONVENTIONAL DINETTE W/OPPOSING BENCHES AND FOLD DOWN TABLE

Key	Part Number	U/M	Description
	048735-03-J38	EA	Table - Dinette - w/o Hardware - Driftwood
	048735-03-J39	EA	Table - Dinette - w/o Hardware - Concord Birch
**	047842-01-000	EA	Hardware Kit - Dinette Table Leg
**	047809-03-000	EA	Hardware Kit - Dinette Table - Wall Mount
	045795-01-000	EA	Holder - Glass - Brown Plastic
	044554-01-000	EA	Cabinet Asm. - Dinette Seat - Front
	053881-01-000	EA	Cabinet Asm. - Dinette Seat - Rear
	048103-04-700	EA	Door Asm. - Dinette Seat Cabinet - 19 3/8" x 10 1/4" - w/o Hardware
	045753-01-000	EA	Cap - Corner - Brown Plastic

**The illustrated parts breakdown for this item is provided on the Common Items Fiche.

TELEVISION CABINET W/BAR

Key	Part Number	U/M	Description
	054890-01-J38	EA	Cabinet Asm. - Entertainment Center - w/o Countertops, Door or Hardware
	053827-01-J38	EA	Countertop Asm. - Entertainment Center - Upper - 43 1/2" x 17 7/8" Driftwood
	054703-01-J38	EA	Countertop Asm. - Entertainment Center - Lower - 23 9/16" x 20 9/16" Driftwood
	053827-01-J39	EA	Countertop Asm. - Entertainment Center - Upper - 43 1/2" x 17 7/8" - Concord Birch
	054703-01-J39	EA	Countertop Asm. - Entertainment Center - Lower - 23 9/16" x 20 9/16" - Concord Birch
	054786-01-J38	EA	Cabinet Asm. - Insert - Glass Storage - w/o Flip Up Door
	054702-01-J38	EA	Flip Up Door - Glass Storage - w/Hinge and Padded Board - Driftwood
	054702-01-J39	EA	Flip Up Door - Glass Storage - w/Hinge and Padded Board - Concord Birch
	009066-01-000	EA	Hinge - Continuous - Alum. - 1 1/16" x 72"
	056209-01-J38	EA	Board - Padded - Mounts on Flip Up Door - Brown Vinyl
	055000-01-000	EA	Tray - Utensil - 7 3/4" x 3 1/2" - Dark Brown Plastic
	054814-01-J38	EA	Rack - Bottle Storage - 15" x 15"
	055458-07-J38	EA	Door Asm. - Entertainment Cabinet - 14 1/8" x 17 5/8" - w/o Hardware
	058916-01-000	EA	Chair - Lounge - Blue - Flexsteel
	058916-02-000	EA	Chair - Lounge - Rust - Flexsteel
	055284-01-000	EA	Ice Maker - Automatic - Instamatic 45

TELEVISION CABINET W/O BAR

Key	Part Number	U/M	Description
	055325-01-J38	EA	Cabinet Asm. - Television - w/o Countertop
	055520-01-J38	EA	Countertop Asm. - Television Cabinet - Driftwood
	055520-01-J39	EA	Countertop Asm. - Television Cabinet - Concord Birch
	045795-01-000	EA	Glass Holder - Plastic
	058916-01-000	EA	Chair - Lounge - Blue - Flexsteel
	058916-02-000	EA	Chair - Lounge - Rust - Flexsteel

1978 WINNEBAGO TABLE OF CONTENTS

WDP261B J2	A-1 - B-14
WDP26RK J2	B-15 - D-4
WDU29RB J2	D-5 - E-14

1978 WDU29RB J2 INDEX

Floor Plan	D-5 - D-6
Accessories Group	D-7 - D-8
Bath Group	D-9 - D-10
Chassis Group	D-11
Curtain, Cushion & Pad Group	D-12 - D-15
Dinette Group	D-15 - D-16
Driver's Compartment Group	D-17 - D-18
Electrical Group	D-19 - D-20
Exterior Body Group	D-21 - D-24
Galley Group	E-1
Heating & Air Conditioning Group	E-2
Interior Finish Group	E-3 - E-4
LP Group	E-5
Lounge Group	E-5
Water & Sewage Group	E-6
Window, Vent & Exterior Door Group	E-7 - E-14

DRIVER'S COMPARTMENT GROUP

DASH PANEL AND COMPONENTS

Key	Part Number	U/M	Description
	050583-01-000	EA	Dash Asm. - Elandan II - Complete
	022548-03-000	EA	Pad - Dash - Foam - Right - Dark Brown
	023242-05-000	EA	Pad - Dash - Foam - Left - Dark Brown
	024418-01-000	EA	Lamp Asm. - Map/Gauge
	023020-01-000	EA	Lamp Asm. - Tell Tale
	039044-01-000	EA	Louver Asm. - A/C - Adjustable
	048771-01-000	EA	Nameplate - Elandan II - Brown/Gold
	052387-01-000	EA	Lighter Asm. - Cigarette - 12 V
	007071-01-000	EA	Bezel - Cigarette Lighter
	007041-01-000	EA	Louver - Chrome - w/Chrome Wheel
	024906-01-000	EA	Diffuser Case - A/C - 2 1/2" Black
	050299-01-000	EA	Bezel - Instrument Panel
	055269-01-000	EA	Bezel - Entertainment Center
	022219-01-000	EA	Door - Glove Box
	009118-01-000	EA	Lock - Twist w/Nut
	023882-01-000	EA	Box - Glove Compartment - Black Fiberboard
	024598-01-000	EA	Hinge - Continuous Aluminum - 1 1/16" x 19"
	034309-01-000	EA	Chain - Bead - Glove Box Door
	023834-01-000	EA	Panel - Knee Kick
	024990-02-000	EA	Outlet - Defroster - 2" w/Swivel - Dark Brown
	040836-01-000	EA	Bracket Asm. - Shift Lever

DASH SWITCHES AND GAUGES

Key	Part Number	U/M	Description
	055279-01-000	EA	Control Asm. - Heater and A/C
	031035-01-000	EA	Gauge - Hourmeter - Generator
	024459-01-000	EA	Gauge - Voltmeter
	024460-01-000	EA	Gauge - Vacuum
	007308-01-000	EA	Clock - Dash
	024913-01-000	EA	Switch - Generator - w/o Circuit Board
	024462-01-000	EA	Switch - Battery Condition
	024461-01-000	EA	Switch - Battery Changeover
	024464-01-000	EA	Switch - Washer
	024465-01-000	EA	Switch - Fuel
	024466-01-000	EA	Switch - Rear Wiper
	024467-01-000	EA	Switch - Wiper
	049783-01-000	EA	Switch - Aux. Light
	050031-01-000	EA	Switch - Step
	051750-01-000	EA	Switch - Dash Electric LP Gas Shut Off

DRIVER'S COMPARTMENT GROUP (CONTINUED)

FRONT OVERHEAD BUNK, CABINET AND HARDWARE

Key	Part Number	U/M	Description
	053920-01-J38	EA	Cabinet Asm. - Overhead - w/o Doors or Hardware
	055671-02-000	EA	Pad - Overhead Cabinet - Left
	055672-02-000	EA	Pad - Overhead Cabinet - Right
	055701-02-000	EA	Pad - Overhead Cabinet - Center
	048820-02-J38	EA	Bunk Asm. - Front Overhead
	040071-01-000	EA	Bunk Support - Seat Belt
	042201-01-000	EA	Bunk Support - Beige

MISCELLANEOUS DRIVER'S COMPARTMENT COMPONENTS

Key	Part Number	U/M	Description
	058435-01-000	EA	Cabinet Asm. - Beverage Tray
	055207-01-J38	EA	Tray Asm. - Beverage
	034499-01-000	EA	Support - Dimmer Switch
	007278-01-000	EA	Mirror - 4 1/2" x 9" - Rear View
	042434-02-000	EA	Sunvisor Asm. - 8" x 28" - Dark Brown Vinyl - Right or Left
	040519-01-000	EA	Boot - Rubber - Steering Column
	040520-01-000	EA	Retainer - Boot - Steering Column
	039857-01-000	EA	Latch - Rubber - Draw Handle - 5 3/4" w/Strike
	039856-01-000	EA	Latch - Rubber - Draw Handle - 3" w/Strike
	052151-01-000	EA	Pedestal Asm. - Seat - Drivers or Passenger
	050447-04-000	EA	Pedestal Asm. - Tilt
	049943-02-000	EA	Pedestal - Complete - Swivel Seat
	052154-01-000	EA	Slide - Bucket Seat - (1 pair)
	034800-01-000	EA	Motor Cover - Plastic
	035366-02-000	EA	Seal - Motor Cover
	041944-01-700	EA	Fire Extinguisher - Dry Chemical - w/Bracket
	050797-01-000	EA	Ash Tray - Plastic
	050796-01-000	EA	Pocket - Ash Tray - Plastic
	054863-01-000	EA	Pad - Quarter Panel - Left Front - Below Window - Plastic - Brown
	054864-01-000	EA	Pad - Quarter Panel - Right Front - Below Window - Plastic - Brown

1978 WINNEBAGO TABLE OF CONTENTS

WDP26RB J2
WDP26RK J2
WDU29RB J2

A-1 - B-14
B-15 - D-4
D-5 - E-14

1978 WDU29RB J2 INDEX

Floor Plan	D-5 - D-6
Accessories Group	D-7 - D-8
Bath Group	D-9 - D-10
Chassis Group	D-11
Curtain, Cushion & Pad Group	D-12 - D-15
Dinette Group	D-15 - D-16
Driver's Compartment Group	D-17 - D-18
Electrical Group	D-19 - D-20
Exterior Body Group	D-21 - D-24
Galley Group	E-1
Heating & Air Conditioning Group	E-2
Interior Finish Group	E-3 - E-4
LP Group	E-5
Lounge Group	E-5
Water & Sewage Group	E-6
Window, Vent & Exterior Door Group	E-7 - E-14

ELECTRICAL GROUP

BULBS

Key	Part Number	U/M	Description
	037936-01-000	EA	Bulb - 1157-A
	037937-01-000	EA	Bulb - 1295
	037934-01-000	EA	Bulb - 1158
	037935-01-000	EA	Bulb - 1157
	038010-01-000	EA	Bulb - 1143
	008103-01-000	EA	Bulb - 53
	008213-01-000	EA	Bulb - 57
	008214-01-000	EA	Bulb - 67
	008216-01-000	EA	Bulb - 1003
	008216-01-000	EA	Bulb - 1034
	008217-01-000	EA	Bulb - 1073
	008218-01-000	EA	Bulb - 1141
	008219-01-000	EA	Bulb - 656
	008220-01-000	EA	Bulb - 12V - 25W
	038196-01-000	EA	Bulb - 194
	700020-01-000	EA	Bulb - 12V - 20W - 1383

FUSES AND CIRCUIT BREAKERS

Key	Part Number	U/M	Description
	008233-01-000	EA	Fuse - 12 Volt - 8 Amp.
	008234-01-000	EA	Fuse - 12 Volt - 10 Amp.
	008235-01-000	EA	Fuse - 12 Volt - 15 Amp.
	008236-01-000	EA	Fuse - 12 Volt - 20 Amp.
	008246-01-000	EA	Fuse - 12 Volt - 30 Amp.
	008252-01-000	EA	Fuse - 110 Volt - 50 Amp.
	008208-01-000	EA	Circuit Breaker - 12 Volt - 40 Amp.
	008211-01-000	EA	Circuit Breaker - 12 Volt - 8 Amp.
	008268-01-000	EA	Circuit Breaker - 12 Volt - 30 Amp. w/Mount
	033573-01-000	EA	Circuit Breaker - 12 Volt - 20 Amp. w/Mount
	008273-03-000	EA	Circuit Breaker - 15/20 Amp. TOL
	038817-01-000	EA	Relay - Canister - SPDT
	008181-01-000	EA	Relay - 12 to 15 Volt - 27 Amp.

MISCELLANEOUS ELECTRICAL COMPONENTS

Key	Part Number	U/M	Description
	047338-01-000	EA	Isolator - Dual Battery
	047389-01-700	EA	Battery - 12 Volt - 105 Amp. Deep Cycle - Dry
	008188-01-000	EA	Solenoid - Dual Battery - Relay
	046775-01-000	EA	Valve - Gas - Change Over
	054545-01-000	EA	Control Center - 44 Amp. UL
	056463-01-000	EA	Panel - Control - Water/Double Sewage - Wemac
	038881-01-000	EA	Sending Unit Kit - Wemac
	038400-01-000	EA	Fan - Defroster
	047375-01-000	EA	Control Unit - Power Step
	041248-01-000	EA	Light - Warning - Power Step
	041249-01-000	EA	Switch - Toggle - On/Off - Power Switch
	041250-01-000	EA	Switch - Push Button - Power Step
	058874-01-700	EA	Alternator Kit - 105 Ampere (WDU29RB)

INTERIOR LIGHTS

Key	Part Number	U/M	Description
	023070-01-000	EA	Lamp Asm. - Tail Tale
	024418-01-000	EA	Lamp Asm. - Map/Gauge/Aisle
	024473-01-000	EA	Light - Aircraft - 1 Bulb - Gold
	033508-02-000	EA	Light - Dome - Ivory - 1 Bulb - US
	033508-03-000	EA	Light - Dome - Ivory - 1 Bulb - CSA
	033508-02-000	EA	Light - Dome - Ivory - 2 Bulb - US
	033508-03-000	EA	Light - Dome - Ivory - 2 Bulb - CSA
	024842-01-701	EA	Lens - Dome Light - 1 Bulb
	024843-01-701	EA	Lens - Dome Light - 2 Bulb
	007309-01-000	EA	Light - Step Well
	049412-01-000	EA	Light Asm. - Overhead Recessed - 10' x 30'
	041248-01-000	EA	Light - Warning - Step Out

ELECTRICAL GROUP (CONTINUED)

EXTERIOR LIGHTS

Key	Part Number	U/M	Description
	037586-01-000	EA	Lamp Asm. - Front Right
	037586-02-000	EA	Lamp Asm. - Front Left
	037585-01-000	EA	Lamp Asm. - Tail - Rear Right
	037585-03-000	EA	Lens - Tail Lamp - Right
	037585-02-000	EA	Lamp Asm. - Tail - Rear Left
	037585-04-000	EA	Lens - Tail Lamp - Left
	048811-02-000	EA	Lamp Asm. - Fog Light - Clear Lens
	042405-03-000	EA	Base - Rectangular Clearance Light
	042405-04-000	EA	Lens - Clearance Light - Red w/o Reflector
	042405-05-000	EA	Lens - Clearance Light - Amber w/o Reflector
	049185-01-000	EA	Headlamp Capsule Asm. - Rectangular - Left - High/Low Beam
	049186-01-000	EA	Headlamp Capsule Asm. - Rectangular - Right - High/Low Beam
	049187-01-000	EA	Headlamp Capsule Asm. - Rectangular - Left - High Beam
	049188-01-000	EA	Headlamp Capsule Asm. - Rectangular - Right - High Beam
	048817-01-000	EA	Handle - Assist w/Light

WINDSHIELD WIPER & WASHER

Key	Part Number	U/M	Description
	037898-01-000	EA	Link Asm. - Connecting - 22.40' Long
	037999-01-000	EA	Motor Asm. - Windshield Wiper - Front
	038001-01-000	EA	Shaft and Pivot Asm. - 2.25" Arm
	049463-01-000	EA	Arm - Windshield Wiper - 15" Black
	049464-01-000	EA	Blade - Windshield Wiper - 16" Black
	007029-01-000	EA	Washer Asm. - Windshield Power Jet Electric - Front
	700073-05-000	EA	Pump and Cover Asm. - for Windshield Washer - Front or Rear
	700073-04-000	EA	Reservoir Only - Water - Windshield Washer - Front or Rear
	700073-02-000	EA	Washer Nozzle Hardware Package - Front
	700073-03-000	EA	Washer Nozzle Hardware Package - Rear
	038003-03-000	EA	Blade - Windshield Wiper - 14"
	039756-01-000	EA	Motor - Rear Window Wiper
	039757-01-000	EA	Arm - Rear Window Wiper - 16"
	007191-01-000	EA	Washer Kit - Rear Window

WIRE, SWITCHES, AND RECEPTACLES

Key	Part Number	U/M	Description
	008024-01-000	FT	Wire - 18.5 Bonded - Orange/White/Blue/Brown
	008025-01-000	FT	Wire - 18.5 Bonded - Orange/White/Yellow/Blue/Green
	008026-01-000	FT	Wire - 18.5 Bonded - Blue/Red/Yellow/Orange/White
	008030-01-000	FT	Wire - 18.4 Bonded
	008251-01-000	EA	Holder - Fuse - Black - Screw Type
	008277-01-000	EA	Holder - Fuse - Black - Panel Mount
	008195-01-000	EA	Switch - Push Button - 12 Volt
	008077-01-000	EA	Plaque - Compressor Switch
	008054-01-000	EA	Cord - Power - 10-3 30 Amp. - 25' - UL
	008052-01-000	EA	Cord - Power - 10-3 30 Amp. 25' - CSA
	034818-04-000	EA	Holder - Receptacle - Plastic
	038338-01-000	EA	Cover Plate - Receptacle - Plastic - Brown
	038339-01-000	EA	Receptacle - Duplex Brown - End of Line
	038342-01-000	EA	Receptacle - Duplex Brown - T Junction
	024571-01-000	EA	Cover Plate - Receptacle - Jumbo Steel Brown
	048172-01-000	EA	Cover Plate - Receptacle - Antique Brass
	048173-01-000	EA	Cover Plate - Double Switch - Antique Brass
	048174-01-000	EA	Cover Plate - Single Switch - Antique Brass
	038343-01-000	EA	Cap - End - Receptacle
	008182-01-000	EA	Switch - Double Toggle - Spade Brown
	008183-01-000	EA	Switch - Toggle Brown
	024824-01-000	EA	Receptacle - Power Cord
	008068-01-000	EA	Adaptor - Power Cord
	047363-01-000	EA	Cover - Receptacle - Ground Fault
	047361-01-000	EA	Receptacle - Ground Fault Interrupter - 125 Volt Black

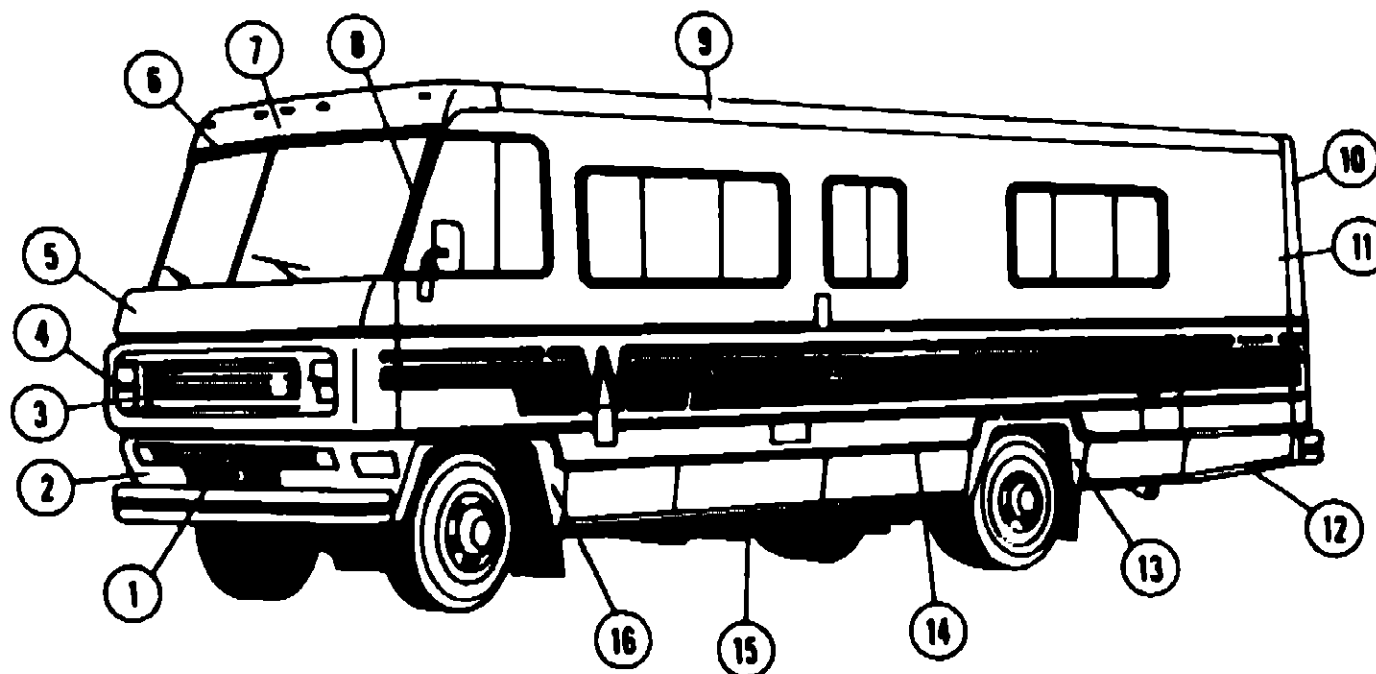
1978 WINNEBAGO TABLE OF CONTENTS

WDP26RB J2	A-1 - B-14
WDP26RK J2	B-15 - D-4
WDU29RB J2	D-5 - E-14

1978 WDU29RB J2 INDEX

Floor Plan	D-5 - D-6
Accessories Group	D-7 - D-8
Bath Group	D-9 - D-10
Chassis Group	D-11
Curtain, Cushion & Pad Group	D-12 - D-15
Dinette Group	D-15 - D-16
Driver's Compartment Group	D-17 - D-18
Electrical Group	D-19 - D-20
Exterior Body Group	D-21 - D-24
Galley Group	E-1
Heating & Air Conditioning Group	E-2
Interior Finish Group	E-3 - E-4
LP Group	E-5
Lounge Group	E-5
Water & Sewage Group	E-6
Window, Vent & Exterior Door Group	E-7 - E-14

EXTERIOR BODY GROUP



1978 WINNEBAGO TABLE OF CONTENTS

WDP26RB J2
WDP26RK J2
WDU29RB J2

A-1 - B-14
B-15 - D-4
D-5 - E-14

Key	Part Number	U/M	Description
1	050886-01-000	EA	Grille Asm. - Lower - Complete
2	048132-01-000	EA	Panel - Wheelhouse - Front Outer - Right - Fiberglass
2	048132-03-000	EA	Panel - Wheelhouse - Front Outer - Right - Plastic
3	050884-01-000	EA	Grille Asm. - Upper
·	021497-01-000	EA	Latch Asm. - Grille
4	049185-01-000	EA	Capsule Asm. - Headlamp - Rectangular - Left - High/Low Beam
·	049186-01-000	EA	Capsule Asm. - Headlamp - Rectangular - Right - High/Low Beam
·	049187-01-000	EA	Capsule Asm. - Headlamp - Rectangular - Left - High Beam
·	049188-01-000	EA	Capsule Asm. - Headlamp - Rectangular - Right - High Beam
·	049358-01-000	EA	Bezel Asm. - Headlamp - Chrome - Left
·	049358-02-000	EA	Bezel Asm. - Headlamp - Chrome - Right
·	049359-01-000	EA	Spring - Headlamp - Retainer
·	050030-01-000	EA	Housing Asm. - Headlamp - Left or Right
5	048992-02-000	EA	Panel - Front End - Fiberglass - Beige
6	038493-07-000	EA	Trim - Windshield - Right - Black
·	038493-08-000	EA	Trim - Windshield - Left - Black
·	038494-04-000	EA	Trim - Windshield - Center - 31.42" - Black
·	038900-01-000	EA	Cap - Windshield Top - "T" - Black Plastic
·	038900-02-000	EA	Cap - Windshield Bottom - "T" - Black Plastic
7	063375-01-000	EA	Cap - Front Upper - Beige Fiberglass (above windshield)

Key	Part Number	U/M	Description
8	042348-02-000	EA	Trim - "A" Post - Exterior - Left
·	042348-01-000	EA	Trim - "A" Post - Exterior - Right
9	051853-01-000	EA	Extrusion - Roof/Sidewall Joint - Beige - 268"
10	053385-01-000	EA	Cap - Rear Fiberglass - Beige
11	047978-02-000	EA	Trim - Extrusion - "J" Molding - Radius Left
·	047978-01-000	EA	Trim - Extrusion - "J" Molding - Radius Right
12	042314-02-000	EA	Trim - Valance Panel - Left Rear
·	042314-01-000	EA	Trim - Valance Panel - Right Rear
13	047980-01-000	EA	Panel - Wheelhouse - Rear - Left or Right
14	044504-08-000	EA	Feature Strip - 133" - Beige
·	042313-01-000	EA	End Cap - Feature Strip - Beige
15	049015-01-000	EA	Trim - Valance Panel - Left Front
·	044881-02-000	EA	Trim - Valance Panel - Right Front
16	048132-02-000	EA	Panel - Wheelhouse - Front Outer - Left - Fiberglass
16	048132-04-000	EA	Panel - Wheelhouse - Front Outer - Left - Plastic
·	048159-01-000	EA	Splash Guard - Front Bumper - Black Plastic
·	044975-01-000	EA	Trim - Extrusion - 100.25" - "J" Molding - Beige
·			Not Illustrated

1978 WDU29RB J2 INDEX

Floor Plan	D-5 - D-8
Accessories Group	D-7 - D-8
Bath Group	D-9 - D-10
Chassis Group	D-11
Curtain, Cushion & Pad Group	D-12 - D-15
Dinette Group	D-15 - D-16
Driver's Compartment Group	D-17 - D-18
Electrical Group	D-19 - D-20
Exterior Body Group	D-21 - D-24
Galley Group	E-1
Heating & Air Conditioning Group	E-2
Interior Finish Group	E-3 - E-4
LP Group	E-5
Lounge Group	E-5
Water & Sewage Group	E-6
Window, Vent & Exterior Door Group	E-7 - E-14

EXTERIOR BODY GROUP (CONTINUED)

EXTERIOR BODY PANELS AND SHEET ALUMINUM

Key	Part Number	U/M	Description
	055326-01-J38	EA	Sidewall Asm. - Left
	055327-01-J38	EA	Sidewall Asm. - Right
	055328-01-J38	EA	Backwall Asm.
	055333-01-J38	EA	Roof Asm.
	052027-03-000	EA	Valance Panel Asm. - Right Front - Beige Fiberglass
	052026-02-000	EA	Valance Panel Asm. - Right Rear - Beige Fiberglass
	052025-02-000	EA	Valance Panel Asm. - Left Front - Beige Fiberglass
	051999-02-000	EA	Valance Panel Asm. - Left Rear - Beige Fiberglass
	039155-02-008	EA	Alum. - Beige - Mesa I Design - .024" x 36" x 60"
	039155-02-003	EA	Alum. - Beige - Mesa I Design - .024" x 36" x 360"
	039155-02-007	EA	Alum. - Beige - Mesa I Design - .024" x 48" x 60"
	039155-02-006	EA	Alum. - Beige - Mesa I Design - .024" x 48" x 360"
	039155-02-009	EA	Alum. - Beige - Mesa I Design - .024" x 12" x 360"
	044487-01-001	EA	Alum. - Mill Finish - No Design (Roof) - 96" x 360"
	028545-01-000	EA	Alum. - Beige Greyhound Design 48" x 96"
	001018-01-024	EA	Alum. - Beige - No Design - 48" x 96"
	000868-01-000	BF	Styrofoam - 3/4" x 24" x 96"
	039155-30-001	EA	Alum. - Beige - Mesa II Design - .024" x 36" x 60"
	039155-30-004	EA	Alum. - Beige - Mesa II Design - .024" x 36" x 384"
	039155-30-005	EA	Alum. - Beige - Mesa II Design - .024" x 48" x 60"
	039155-30-008	EA	Alum. - Beige - Mesa II Design - .024" x 48" x 384"
	039155-30-009	EA	Alum. - Beige - Mesa II Design - .024" x 12" x 360"
	039155-28-008	EA	Alum. - Off White - Mesa II Design - .024" x 36" x 384"

NOTE: The raised portion of Mesa I aluminum is 1.657" wide
The raised portion of Mesa II aluminum is .857" wide.

EXTERIOR PAINT

Key	Part Number	U/M	Description
	044486-01-000	EA	Paint - Beige - Acrylic Enamel - 1 Gallon
	044486-03-000	EA	Paint - Beige - Acrylic Enamel - 16 oz. Aerosol
	044486-04-000	EA	Paint - Beige - Acrylic Lacquer - 1 Gallon
	041561-01-000	EA	Paint - Off White - Acrylic Enamel - 1 Gallon
	041561-03-000	EA	Paint - Off White - Acrylic Enamel - 16 oz. Aerosol
	041561-04-000	EA	Paint - Off White - Acrylic Lacquer - 1 Gallon
	045681-01-000	EA	Paint - High Gloss Black - Acrylic Enamel - 1 Gallon
	045681-03-000	EA	Paint - High Gloss Black - Acrylic Enamel - 16 oz. Aerosol
	050037-01-000	EA	Paint - Astro Blue Metallic - Acrylic Enamel - 1 Gallon
	050037-03-000	EA	Paint - Astro Blue Metallic - Acrylic Enamel - 16 oz. Aerosol
	056109-01-000	EA	Paint - Burnished Red - Acrylic Enamel - 1 Gallon
	056109-03-000	EA	Paint - Burnished Red - Acrylic Enamel - 16 oz. Aerosol
	056110-01-000	EA	Paint - Orange Flame Metallic - Acrylic Enamel - 1 Gallon
	056110-03-000	EA	Paint - Orange Flame Metallic - Acrylic Enamel - 16 oz. Aerosol
	056912-01-000	EA	Paint - Regal Blue - Acrylic Enamel - 1 Gallon
	056912-03-000	EA	Paint - Regal Blue - Acrylic Enamel - 16 oz. Aerosol
	051071-01-000	EA	Paint - Gray Metallic - Acrylic Enamel - 1 Gallon

MISCELLANEOUS EXTERNALLY MOUNTED PARTS

Key	Part Number	U/M	Description
	011124-01-000	EA	Plumbing Seal - Roof Vent - 1 1/4" White
	011129-01-000	EA	Plumbing Seal - Roof Vent - 1 1/2" White
	010230-02-000	EA	Fill - City Water - Recessed - Off White
	048817-01-000	EA	Handle - Assist w/Light
	044399-01-000	EA	Thermometer - Outside Chrome
	037933-01-000	EA	Bracket - License Plate
	055402-01-000	EA	Fuel Fill - Recessed - Beige
	049347-01-000	EA	Mirror Head - 7 1/2" x 10 1/2" - Stainless Steel
	057461-01-000	EA	Mirror Head - 7 1/2" x 10 1/2" w/Convex
	049348-01-000	EA	Arm - Low Mount Mirror - Bright Finish
	049944-01-000	EA	Bracket - Mirror - Beige

EXTERIOR BODY GROUP (CONTINUED)

LABELS AND DECALS

Key	Part Number	U/M	Description
	006023-01-000	EA	Label - Water Only
	006025-01-000	EA	Label - Gas
	006028-01-000	EA	Label - Drain Cap - 2" x 3"
	006031-01-000	EA	Label - Potable Water Only
	006187-01-000	EA	Label - Sewage
	006188-01-000	EA	Label - Waste Water
	006199-01-000	EA	Label - Exit - Escape Window
	031161-01-000	EA	Label - Flying "W"
	039289-01-000	EA	Label - Warning Aux. Loading
	006001-01-000	EA	Name Plate - Winnebago - Chrome - Plastic
	006040-01-000	EA	Tag - Gas - Refueling Warning
	006062-01-000	EA	Tag - Electrical 110 Volt Connection
	040944-01-000	EA	Label - Open - Entrance Door
	049289-06-000	EA	Decal - Logo - "Elandan II" - Regal Blue
	049289-07-000	EA	Decal - Logo - "Elandan II" - Burnished Red
	038284-01-000	EA	Decal - Grille - Flying W
	038403-02-000	EA	Decal - Logo - Winnebago - 2.80" - Off White
	038403-09-000	EA	Decal - Logo - "Winnebago" - Regal Blue
	050313-03-000	EA	Decal - Logo - "Winnebago" - Dark Ginger Metallic
	043695-01-000	EA	Template - Flying "W" - 13.75" High
	050225-01-000	EA	Label - Warning - Stove Vent
	054531-01-000	EA	Label - LP Gas Only

SEALANTS, ADHESIVES AND FASTENERS

Key	Part Number	U/M	Description
	034552-05-000	EA	Sealant - Off White Silicone
	034552-04-000	EA	Sealant - Beige Silicone
	034552-02-000	EA	Sealant - Clear Silicone
	004348-02-000	EA	Sealant - Aluminum Silicone
	004349-01-000	EA	Sealant - Black Silicone
	004342-01-000	EA	Sealant - Weatherban 202 Tube
	004346-02-000	EA	Sealant - White Silicone
	004347-01-000	EA	Sealant - Tufflex
	002316-01-000	FT	Tape - Sealer - 3/32" x 1/8"
	024545-01-000	FT	Tape - Sealer - 1/8" x 5/8" - Black
	004360-01-000	FT	Tape - Sealer - 1/8" x 1" - Formaseal
	004352-01-000	FT	Tape - Sealer - 1/8" x 3/4" - Formaseal
	004355-01-000	FT	Tape - Sealer - 1/8" x 5/8" - Black
	004357-01-000	FT	Tape - Sealer - 1/8" x 5/8" - Adhesive
	002707-02-000	FT	Tape - Sealer - 5/16" x 1/2" - Black Foam
	002707-01-000	FT	Tape - Sealer - 5/16" x 3/4" - Black Foam
	041422-01-000	FT	Tape - Sealer - 1/4" x 1/2"
	004363-01-000	FT	Tape - Sealer - 3/16" x 1/2" - Foam
	004362-01-000	FT	Tape - Sealer - 1/8" x 5/8" - Foam
	009200-01-000	EA	Tape - Furnace - 1 1/2"
	004353-01-000	FT	Tape - Gasket - 1/8" x 3/4" - White
	002825-01-000	FT	Weather Stripping - Roof Vent
	002337-01-000	EA	Adhesive - 3M - 1300 Tube
	004005-01-000	GL	Adhesive - Swifts - Green - Glue (Sidewalls)
	004012-01-000	EA	Adhesive - 3M - 4475 Tube
	004020-01-000	QT	Adhesive - ABS Cement (Plastic Fittings)
	029051-01-000	EA	Adhesive - Spray Vinyl
	042401-02-000	EA	Screw - 8 - 18 x 3/4" SDPH - Off White
	042403-02-000	EA	Screw - SF/DR - 8 - 18 x 1" SDPH - Off White
	005058-01-000	EA	Screw - Wood - 12 - 11 x 3" P.O.H. Zinc
	053786-01-000	EA	Bedding Compound - Tube Black - Schnee Morehead
	053786-02-000	EA	Bedding Compound - Tube White - Schnee Morehead
	053787-01-000	FT	Tape - 1/2" x 1/8" x 30' - Gray - Schnee Morehead
	053787-02-000	FT	Tape - 3/16" Bead x 25' - Gray - Schnee Morehead
	053787-03-000	FT	Tape - 1/4" Bead x 20' - Gray - Schnee Morehead
	053787-04-000	FT	Tape - 3/4" x 1/8" x 30' - Gray - Schnee Morehead
	053787-05-000	FT	Tape - 2" x 3/32" x 45' - Gray - Schnee Morehead

**1978 WINNEBAGO
TABLE OF CONTENTS**

WDP26RB J2	A-1 - B-14
WDP26RK J2	B-15 - D-4
WDU29RB J2	D-5 - E-14

1978 WDU29RB J2 INDEX

Floor Plan	D-5 - D-6
Accessories Group	D-7 - D-8
Bath Group	D-9 - D-10
Chassis Group	D-11
Curtain, Cushion & Pad Group	D-12 - D-15
Dinette Group	D-15 - D-16
Driver's Compartment Group	D-17 - D-18
Electrical Group	D-19 - D-20
Exterior Body Group	D-21 - D-24
Galley Group	E-1
Heating & Air Conditioning Group	E-2
Interior Finish Group	E-3 - E-4
LP Group	E-5
Lounge Group	E-5
Water & Sewage Group	E-6
Window, Vent & Exterior Door Group	E-7 - E-14

GALLEY GROUP

GALLEY CABINETRY

Key	Part Number	U/M	Description
	055322-01-J38	EA	Cabinet Asm. - Galley - w/o Countertop, Doors, Drawers or Hardware
	049436-03-J38	EA	Countertop Asm. - Galley Cabinet - Driftwood
	049436-03-J39	EA	Countertop Asm. - Galley Cabinet - Concord Birch
	049095-01-700	EA	Drawer Asm. - Pantry - Roll Out - w/o Hardware
	055458-11-J38	EA	Door Asm. - Galley Cabinet - 14 7/8" x 28 1/2" - w/o Hardware
	055458-12-J38	EA	Door Asm. - Galley Cabinet - 15" x 9 5/8" - w/o Hardware
	056702-01-J38	EA	Drawer Asm. - Galley Cabinet - 12.75" x 5" x 10" Deep - w/o Hardware
	055458-09-J38	EA	Door Asm. - Refrigerator Cabinet - 15 7/8" x 23 3/8" - w/o Hardware
	055318-01-J38	EA	Cabinet Asm. - Beverage - w/o Countertop
	055271-01-J38	EA	Countertop Asm. - Beverage Cabinet - Driftwood
	055271-01-J39	EA	Countertop Asm. - Beverage Cabinet - Concord Birch
	056702-02-J38	EA	Drawer Asm. - Refrigerator Cabinet - 23 5/8" x 5" x 20" Deep - w/o Hardware
	055319-01-J38	EA	Cabinet Asm. - Overhead Microwave
	055458-13-J38	EA	Door Asm. - Microwave Cabinet - 15" x 18 9/16" - w/o Hardware
	053424-01-J38	EA	Sink Cover - Large - Driftwood
	053424-01-J39	EA	Sink Cover - Large - Concord Birch
	053424-02-J38	EA	Sink Cover - Small - Driftwood
	053424-02-J39	EA	Sink Cover - Small - Concord Birch

GALLEY HARDWARE AND APPLIANCES

Key	Part Number	U/M	Description
	011033-01-000	EA	Sink - Stainless Steel - Double - w/Bolts
	011054-01-000	EA	Faucet - Swivel w/Single Handle
**	011085-01-000	EA	Strainer - Sink
	023111-01-000	EA	Food Center - Built In - Power Unit w/Blender
	023111-02-000	EA	Ice Crusher Attachment - Food Center
	052771-01-000	EA	Oven Microwave - Magic Chef MW207
**	046954-03-000	EA	Hood - Range - Black - U.S.
**	046954-04-000	EA	Hood - Range - Black - C.S.A.
**	055282-01-000	EA	Range - 4 Burner - Small Oven - Black - Magic Chef
**	049174-02-000	EA	Refrigerator - AC/DC/Gas - 2 Door - Sibir ET230/2

**The illustrated parts breakdown for this item is provided on the Common Items Fiche.

HEATING AND AIR CONDITIONING GROUP

Key	Part Number	U/M	Description
**	056113-01-000	EA	Furnace - 22,000 BTU - w/Electric Ignition - 4322 - Coleman
**	056112-01-000	EA	Furnace - 28,000 BTU - w/Electric Ignition - 4328 - Coleman
	039505-02-000	EA	Thermostat - Wall Mount - Black
	009198-01-000	FT	Duct - Flexible - 4" I.D. x 25'
	009200-01-000	EA	Tape - Furnace - 1 1/2"
	023146-01-000	EA	Clamp - Screw Type - 4"
	056464-01-000	EA	Register - 4" Dia. - Plastic w/Damper
	007108-01-000	FT	Hose - Heater - 5/8" I.D.
	007139-01-000	EA	Clamp - Worm Drive - 69" - 1 25' I.D.
	009175-01-000	EA	Register - Steel - 11.5" x 3.7" - Brown
	017519-01-000	EA	Bonnet - Heat Register - Front
	017520-01-000	EA	Bonnet - Heat Register - Rear
**	049777-02-000	EA	Air Conditioner - 110 Volt - Roof Mount - 11,000 BTU - Ivory Coleman (w/o inside shroud)
**	049778-02-000	EA	Shroud Asm. - Ceiling - Inside - Roof Air - Cool Only - 11,000 BTU - Coleman
**	049774-02-000	EA	Air Conditioner - 110 Volt - Roof Mount - 13,500 BTU Ivory - Coleman (w/o inside shroud)
**	049775-02-000	EA	Shroud Asm. - Ceiling - Inside - Roof Air - Cool Only - 13,500 BTU - Coleman
**	049776-01-000	EA	Shroud Asm. - Ceiling - Inside - Roof Air - Heat and Cool Only - 13,500 BTU - Coleman
	056778-01-714	EA	Auto Air Kit - 440 C.I.D. - Evans
	039044-01-000	EA	Louver Asm. - A/C Adjustable
	056778-01-700	EA	Water Valve
	056778-01-701	EA	Heater Core
	056778-01-702	EA	Blower Asm.
	056778-01-703	EA	Cold Control
	056778-01-704	EA	Evaporator Coil
	056778-01-705	EA	Expansion Valve
	056778-01-706	EA	Receiver Dehydrator
	056778-01-707	EA	Clutch
	056778-01-708	EA	Compressor
	056778-01-709	EA	Hose - Refrigerant - Evaporator to Condensor
	056778-01-710	EA	Hose - Refrigerant - Receiver Drier to Evaporator Hose
	056778-01-713	EA	Hose - Refrigerant - Evaporator to Receiver Drier Hose
	056778-01-711	EA	Hose - Refrigerant - Condensor to Compressor Hose
	056778-01-712	EA	Hose - Refrigerant - Compressor to Condensor Hose
	049401-01-000	EA	Heater Asm. - Rear Aux.
	058906-01-000	EA	Control Panel - Rear Aux. Heater
	049401-01-700	EA	Valve - Water Control - Rear Aux. - Heater
	049401-01-701	EA	Control Cable - Rear Aux. Heater
	049401-01-702	EA	Motor Asm. - Rear Aux. Heater
	049401-01-703	EA	Heater Core - Rear Aux. Heater
	049401-01-704	EA	Switch - Rear Aux. Heater

**The illustrated parts breakdown for this item is provided on the Common Items Fiche.

1978 WINNEBAGO TABLE OF CONTENTS

WDP26RB J2	A-1 - B-14
WDP26RK J2	B-15 - D-4
WDU29RB J2	D-5 - E-14

1978 WDU29RB J2 INDEX

Floor Plan	D-5 - D-6
Accessories Group	D-7 - D-8
Bath Group	D-9 - D-10
Chassis Group	D-11
Curtain, Cushion & Pad Group	D-12 - D-15
Dinette Group	D-15 - D-16
Driver's Compartment Group	D-17 - D-18
Electrical Group	D-19 - D-20
Exterior Body Group	D-21 - D-24
Galley Group	E-1
Heating & Air Conditioning Group	E-2
Interior Finish Group	E-3 - E-4
LP Group	E-5
Lounge Group	E-5
Water & Sewage Group	E-6
Window, Vent & Exterior Door Group	E-7 - E-14

INTERIOR FINISH GROUP

PANELING AND COUNTERTOP MATERIALS

Key	Part Number	U/M	Description
	039188-01-000	SF	Paneling - 707 Hickory - 48" x 96" (32 SF)
	056744-01-000	SF	Paneling - Champagne - 48" x 96" (32 SF)
	056743-01-000	SF	Paneling - Brown - 48" x 96" (32 SF)
	057020-01-000	SF	Plastic Laminate - 48" x 96" - Driftwood (32 SF)
	056741-01-000	SF	Plastic Laminate - 48" x 96" - Concord Birch (32 SF)
	056742-01-000	SF	Paneling - Sand Flower Cork - 48" x 96" (32 SF)
	045963-01-000	SF	Paneling - 825 Buff - Ceiling

FABRICS AND CARPET

Key	Part Number	U/M	Description
	056735-01-000	YD	Fabric - Drapery - Blue
	056735-02-000	YD	Fabric - Drapery - Copper/Tan
	056733-01-000	YD	Fabric - Upholstery - Blue (Main)
	056734-01-000	YD	Fabric - Upholstery - Blue (Accent)
	056733-02-000	YD	Fabric - Upholstery - Rust (Main)
	056734-02-000	YD	Fabric - Upholstery - Rust (Accent)
	042411-01-000	YD	Vinyl - Non Expanded - 27 oz. - Berkshire Brown
	042411-02-000	YD	Vinyl - Expanded - 28 oz. - Berkshire Brown
	042411-03-000	YD	Vinyl - Non Support - 16 Gauge Film - Berkshire Brown
	056736-01-000	SY	Carpet - Kingdom Beige

INTERIOR MOLDINGS AND TRIMS

Key	Part Number	U/M	Description
	009815-02-000	FT	T-Molding - 3/4" Brown
	000726-06-000	EA	Batt Strip - 707 Hickory
	047354-01-000	EA	Batt Strip - 825 Buff
	009809-03-000	FT	Molding - Outside Corner - 1" - Cherry
	052075-01-000	FT	Welting - Brown Vinyl
	041666-01-002	EA	Extr. - Alum. - Interior Cabinet Joint - 77"
	042357-01-000	FT	Molding - Outside Cabinet Corner - 707 Hickory - 7"
	033535-03-000	FT	Molding Asm. - Shelf - 707 Hickory
	042321-01-000	FT	Molding - Cove - Pine/Vinyl - 1 3/4"
	022756-01-000	EA	Cover - Air Conditioner Wire - Plastic
	009778-01-000	FT	U-Channel - 1" Dark Brown Plastic
	009777-01-000	FT	U-Channel - 3/4" Dark Brown Plastic
	009779-01-000	FT	U-Channel - 1 1/8" - Dark Brown Plastic
	023631-05-000	EA	Button Asm. - Vinyl Covered - Brown
	054676-06-J38	EA	Button Asm. - Cloth Covered - Blue
	054676-06-J39	EA	Button Asm. - Cloth Covered - Rust
	042414-01-000	FT	Trim - Accent - Brown Vinyl
	054664-01-000	EA	Pad - Quarter Panel - Left Front - Below Window - Brown Plastic
	054663-01-000	EA	Pad - Quarter Panel - Right Front - Below Window - Brown Plastic
	042341-01-000	EA	Trim - Interior A Post - Left
	042341-02-000	EA	Trim - Interior A Post - Right
	042337-01-000	EA	Trim - Windshield - Inside - Front Center Left
	042337-02-000	EA	Trim - Windshield - Inside - Front Center Right

INTERIOR FINISH GROUP (CONTINUED)

CABINETS AND INTERIOR HARDWARE

Key	Part Number	U/M	Description
	009040-02-000	EA	Leg - Pedestal Table - 27.5" x 2.25" O.D. Chrome
	009040-03-000	EA	Base - Pedestal Table - Mounts on Table
	041194-01-000	EA	Base - Pedestal Table - Mounts in Floor
**	047842-01-000	EA	Hardware Kit - Dinette Table Leg
**	047809-03-000	EA	Hardware Kit - Dinette Table - Wall Mount
	009155-01-000	EA	Track - Sliding Door
	009156-01-000	EA	Hanger - Sliding Door
	041838-01-000	EA	Screw - 5 x 5/8" POH - Antique Brass
**	041923-01-000	EA	Kit - Lower Door Pull
	041799-01-000	EA	Drawer Pull
**	051714-01-000	EA	Kit - Overhead Door - Pull and Latch
	041434-01-000	EA	Hinge - Double Acting - Overhead Cabinet
**	047744-02-000	EA	Kit - Drawer Glide - 22" - 23.38"
**	047744-03-000	EA	Kit - Drawer Glide - 11" - 12.38"
**	047744-04-000	EA	Kit - Drawer Glide - 25" - 26.38"
**	041931-01-000	EA	Kit - Cabinet Door Hinge
	009112-01-000	EA	Flange 1" Rod - Chrome
	007019-01-000	EA	Belt Asm. - Seat 2" x 84" - Black
	007021-01-000	EA	Belt Asm. - Seat 2" x 90" - Black
	041322-01-000	EA	Washer - Flat - 15/32" I.D. x 2 3/8" O.D. (Seat Belt)
	053552-01-J30	EA	Handle - Interior Assist

**The illustrated parts breakdown for this item is provided on the Common Items Fiche.

CURTAIN HARDWARE

Key	Part Number	U/M	Description
	052327-04-236	EA	Track - Curtain - Brown Alum. - 89" w/Holes
	053272-04-203	EA	Track - Blackout Curtain - Off White - 76.5" w/Holes
	057989-01-000	EA	Track - Wraparound Curtain - Brown Alum. - Right
	057989-02-000	EA	Track - Wraparound Curtain - Brown Alum. - Left
	056001-01-000	EA	Bracket - Shade - Left
	056002-01-000	EA	Bracket - Shade - Right
	009107-01-000	EA	Guide - Nylon Snap - Curtain
	018031-42-000	EA	Track - Curtain - "L" Rod - Alum. Extr. - 90"
	009701-01-000	EA	Carrier - "L" Rod - Curtain
	009702-01-000	EA	End Stop - "L" Rod - Curtain

MISCELLANEOUS

Key	Part Number	U/M	Description
	007038-01-000	EA	Mat - Door Black - 10 1/2" x 26"
	006069-01-000	EA	Case - Key - Leather
	054185-01-000	EA	Owners Manual - Winnebago - 1978
	048013-01-000	EA	Weather Center - 5 1/2" x 15" - Gold

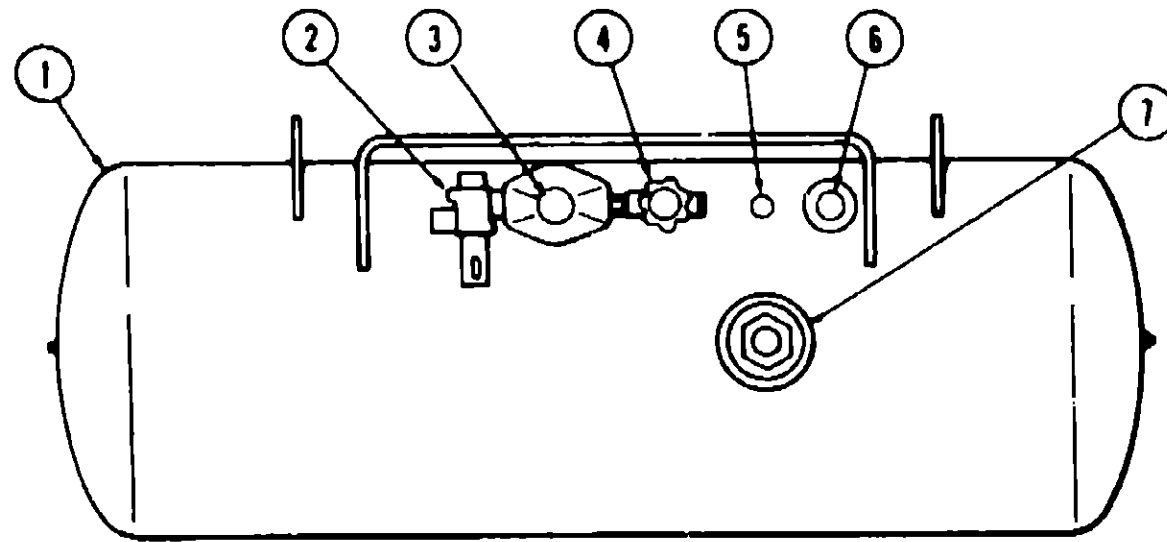
1978 WINNEBAGO TABLE OF CONTENTS

WDP26RB J2	A-1 - B-14
WDP26RK J2	B-15 - D-4
WDU29RB J2	D-5 - E-14

1978 WDU29RB J2 INDEX

Floor Plan	D-5 - D-6
Accessories Group	D-7 - D-8
Bath Group	D-9 - D-10
Chassis Group	D-11
Curtain, Cushion & Pad Group	D-12 - D-15
Dinette Group	D-15 - D-16
Driver's Compartment Group	D-17 - D-18
Electrical Group	D-19 - D-20
Exterior Body Group	D-21 - D-24
Galley Group	E-1
Heating & Air Conditioning Group	E-2
Interior Finish Group	E-3 - E-4
LP Group	E-5
Lounge Group	E-5
Water & Sewage Group	E-6
Window, Vent & Exterior Door Group	E-7 - E-14

LP GROUP



Key	Part Number	U/M	Description
1	040421-01-000	EA	Tank - LP - Frame Mount - 83 Pound
2	047221-01-000	EA	Detector - LP Gas Leak
3	024712-01-000	EA	Cover - LP Regulator
.	052163-01-000	EA	Regulator - Manual - LP Gas - 2 Stage
4	040421-01-703	EA	Valve - Vapor Relief
5	040421-01-700	EA	Gauge - Liquid Level - 20% LP
6	040421-01-701	EA	Valve - Filler - LP
.	040421-01-702	EA	Cap - Plastic Fill Valve
7	040421-01-707	EA	Gauge - Float w/Visible Dial
.	040421-01-704	EA	Gauge - Float w/Electrical Transmitter Dial
.	040421-01-706	EA	Dial - Visible Face
.	040421-01-705	EA	Dial - Transmitter - 0 - 90 Ohm
.	045703-03-000	EA	Hose Asm. - LP - 3/8" I.D. x 14"
.	047737-02-000	EA	Support - LP - 89.25
.	047737-03-000	EA	Support - LP Tank - 30.50"
.			Not Illustrated

LOUNGE GROUP

Key	Part Number	U/M	Description
	055300-01-J38	EA	Cabinet Asm. - Twin Bed - Left
	055274-01-J38	EA	Cabinet Asm. - Twin Bed - Right - w/o Doors, Drawers or Hardware
	056702-02-J38	EA	Drawer Asm. - Twin Bed Cabinet - 23 5/8" x 5 1/4" x 20" Deep - w/o Hardware
	055433-02-J38	EA	Grille Asm. - Furnace - w/Mesh Insert
	047205-06-000	EA	Insert - Furnace Grille - Brass Mesh - 10 1/8" x 12 1/2"
	055316-01-J38	EA	Cabinet Asm. - Gaucho Overhead - Right - w/o Doors or Hardware
	055316-02-J38	EA	Cabinet Asm. - Gaucho Overhead - Left - w/o Doors or Hardware
	054696-02-J38	EA	Door Asm. - Gaucho Overhead Cabinet - 9 1/8" x 30 1/2" - w/o Hardware
	044571-01-000	EA	Leg Asm. - Glide Bed - Right
	044571-02-000	EA	Leg Asm. - Glide Bed - Left

WATER AND SEWAGE GROUP

PLUMBING REPAIR PARTS

Key	Part Number	U/M	Description
..	040539-01-000	EA	Kit - Repair - 3/8" O.D. Plastic Tube
..	040540-01-000	EA	Kit - Repair - 1/2" O.D. Plastic Tube
..	040541-01-000	EA	Kit - Repair - 5/8" O.D. Plastic Tube
..	041278-02-000	EA	Pump - Water Flow 3.7 G.P.M. - PAR
..	039547-02-000	EA	Filter - Water Pump 1/2" MPT
..	039809-01-000	EA	Valve - Stool - Plastic 3/8" x 1/2" F.P.T.
..	039818-01-000	EA	Riser Asm. - 3/8" O.D. x 24" Tube
..	039818-02-000	EA	Riser Asm. - 3/8" O.D. x 36" Tube
..	039818-04-000	EA	Riser Asm. - 3/8" O.D. x 72" Tube
..	041819-01-000	EA	Nut and Cone - Plastic 1/2" O.D. Tube
..	039807-01-000	EA	Valve - Drain - Brass - 1/2" MPT
..	004020-01-000	QT	Adhesive - ABS Cement
..	010201-01-000	EA	Hose - Sewer 3" x 10 FT w/Clamp
..	010235-01-000	EA	Cap - Sewage 3"
..	010236-01-000	EA	Adapter - Hose 3" Sewage
..	010234-01-000	EA	Adapter - Bayonet
..	011091-01-000	EA	Waste - Continuous - Double Sink 11 7/8"
..	011066-01-000	EA	P-Trap - Plastic - 1 1/4"
..	010210-01-000	EA	Valve - Sanitary - Thefford 3HB
..	010133-01-000	EA	Adapter - Trap - Plastic 1 1/2" H x MPT
..	010071-01-000	EA	Tee - Plastic - 1 1/2" H x H x H
..	010079-01-000	EA	Tee - Plastic - 1 1/2" H x 1 1/2" H x 1 1/4" H
..	010091-01-000	EA	Wye - Plastic - 3" x 45 H x H x H
..	010117-01-000	EA	Coupling - Plastic - 3" H x H
..	010134-01-000	EA	Adapter - Plastic - 1 1/2" M x MPT
..	050780-01-000	EA	Coupler - Rubber - 3" x 3"
..	046524-01-000	EA	Kit - Plastic Fittings - Holding Tank
..	046524-02-000	EA	Kit - Plastic Fittings - Water Tank
..	010209-01-000	EA	Handle - Extension - Sewer Valve - 23.5"
..	010209-02-000	EA	Handle - Extension - Sewer Valve - 9.5"
..	010209-04-000	EA	Handle - Extension - Sewer Valve - 39.88"
..	010209-05-000	EA	Handle - Extension - Sewer Valve - 36"
..	010209-06-000	EA	Handle - Extension - Sewer Valve - 11.25"
..	010209-07-000	EA	Handle - Extension - Sewer Valve - 26.75"
..	010209-08-000	EA	Handle - Extension - Sewer Valve - 57.75"
..	037845-01-000	FT	Tape - Butyl - 3/16" - Bead - Black

**The illustrated parts breakdown for this item is located on the Common Items Fiche.

HOLDING TANKS AND WATER HEATERS

Key	Part Number	U/M	Description
	055518-02-000	EA	Tank Asm. - Holding w/Fittings - 35 Gallon
	055518-01-000	EA	Tank Asm. - Holding w/o Fittings - 35 Gallon
	041625-05-000	EA	Tank Asm. - Holding - w/Fittings - 56 Gallon
	041625-01-000	EA	Tank Asm. - Holding - w/o Fittings - 56 Gallon
	055504-02-000	EA	Tank Asm. - Water - w/Fittings - 68 Gallon
	055504-01-000	EA	Tank Asm. - Water - w/o Fittings - 68 Gallon
..	055283-01-000	EA	Water Heater - Atwood Bowen - GH610E

**The illustrated parts breakdown for this item is provided on the Common Items Fiche.

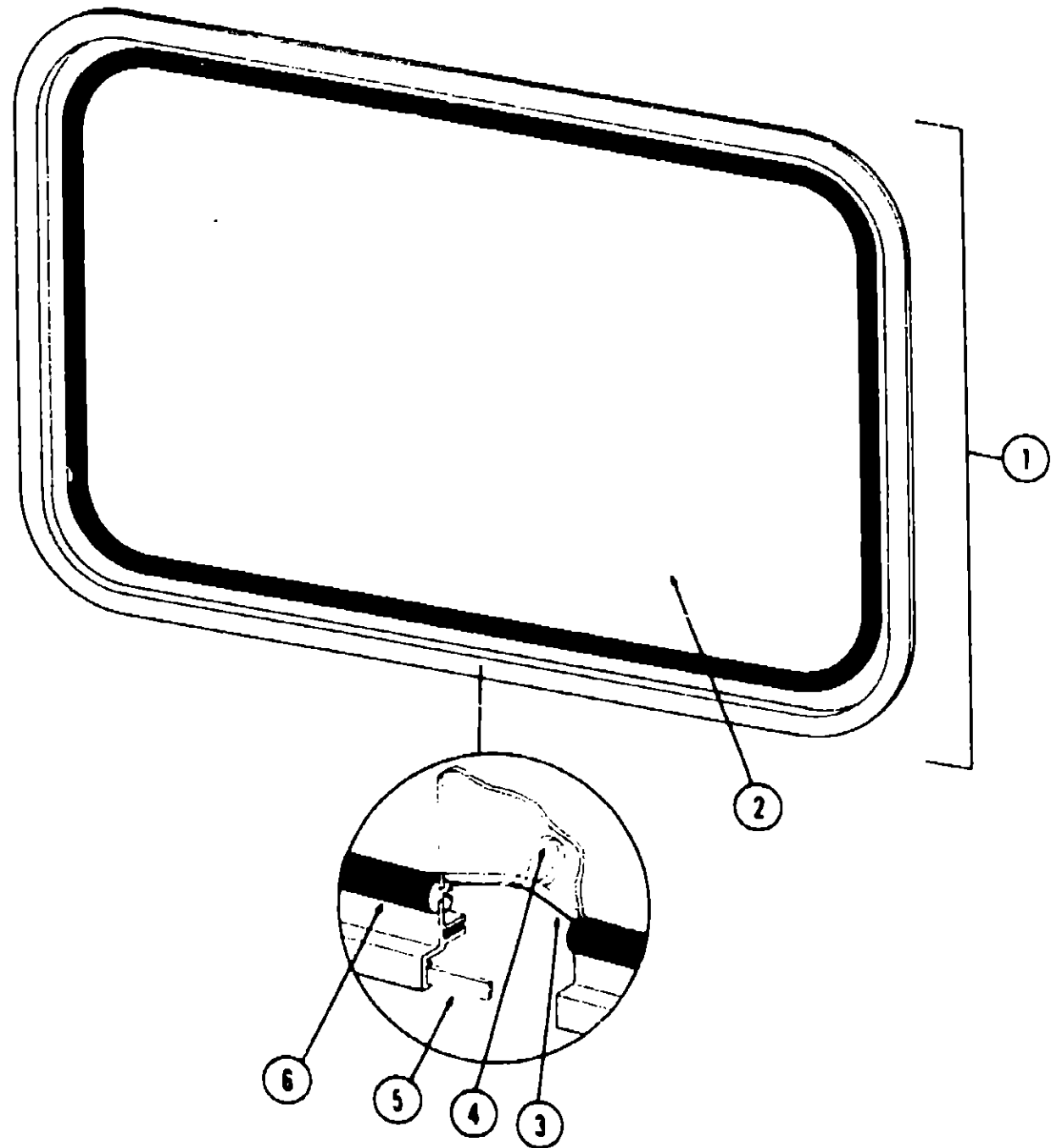
1978 WINNEBAGO TABLE OF CONTENTS

WDP26RB J2	A-1 - B-14
WDP26RK J2	B-15 - D-4
WDU29RB J2	D-5 - E-14

1978 WDU29RB J2 INDEX

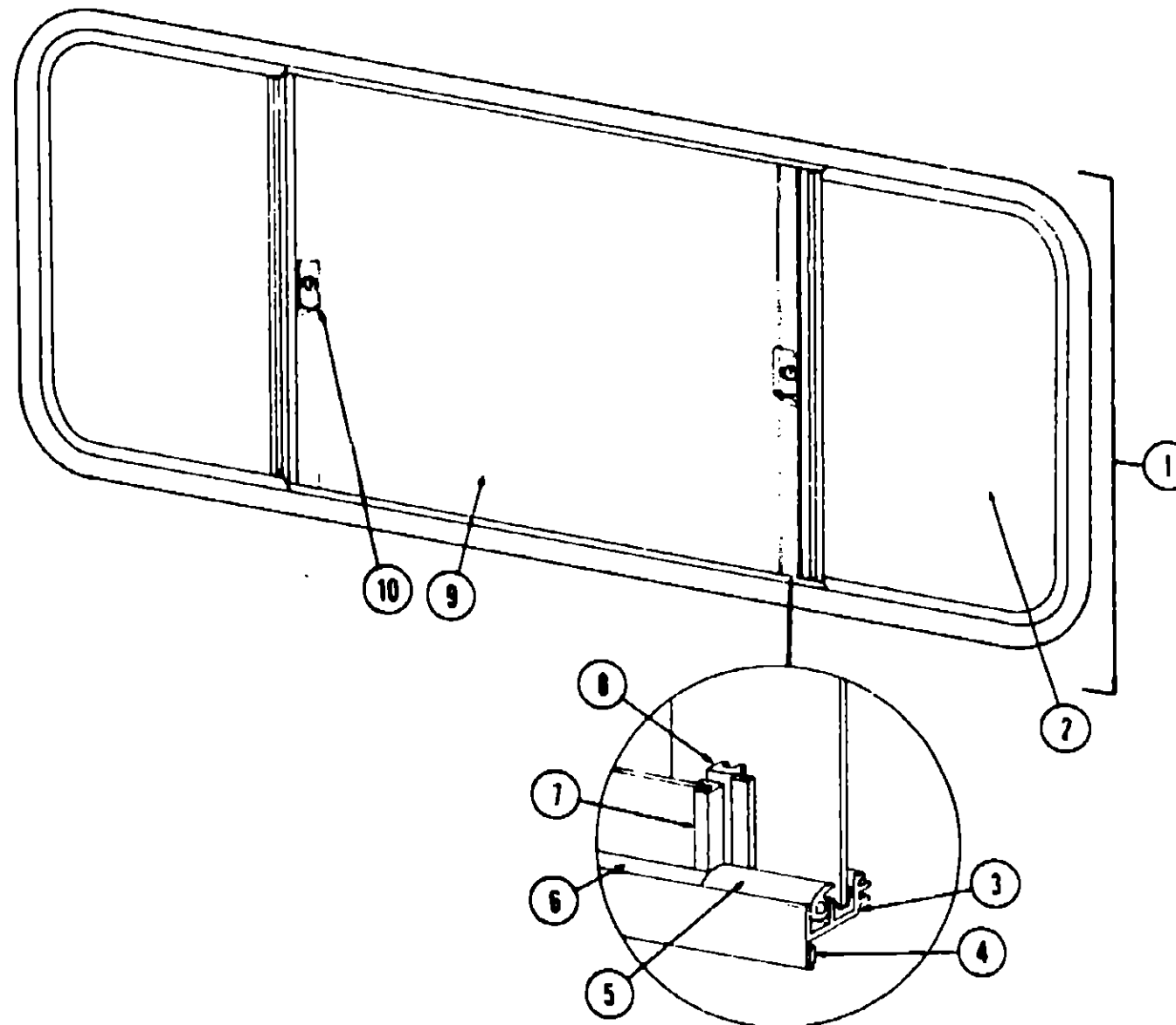
Floor Plan	D-5 - D-6
Accessories Group	D-7 - D-8
Bath Group	D-9 - D-10
Chassis Group	D-11
Curtain, Cushion & Pad Group	D-12 - D-15
Dinette Group	D-15 - D-16
Driver's Compartment Group	D-17 - D-18
Electrical Group	D-19 - D-20
Exterior Body Group	D-21 - D-24
Galley Group	E-1
Heating & Air Conditioning Group	E-2
Interior Finish Group	E-3 - E-4
LP Group	E-5
Lounge Group	E-5
Water & Sewage Group	E-6
Window, Vent & Exterior Door Group	E-7 - E-14

WINDOW, VENT AND EXTERIOR DOOR GROUP



Key	Part Number	U/M	Description
1	044689-03-000	EA	Window Asm. - Rear Escape - 23" x 36" - Black Anod. (w/o inside frame)
2	041392-01-000	EA	Glass - 1/8" x 19.61" x 33.25"
3	002285-01-000	FT	Filler - Weatherstrip - Black
4	020395-01-000	EA	Slip - Pull Ring - Escape Window
5	004363-01-000	FT	Tape - Foam - 3/16" x 1/2" - Black
6	002282-01-000	FT	Weatherstrip - .125" - Black
*	041393-01-000	EA	Frame - Inside - Escape Window - 23" x 36" (not included in assembly)
*			Not Illustrated

WINDOW, VENT AND EXTERIOR DOOR GROUP (CONTINUED)



Key	Part Number	U/M	Description
1	048630-08-000	EA	Window Asm. - Double Slider - 25" x 65" Black Anod. (w/o inside frame)
2	047822-01-000	EA	Glass - Sliding - 3/16" x 24" x 21.03"
3	042077-01-000	FT	Channel - Weatherstrip - Glass Run - 3/16" Glass
4	004363-01-000	FT	Tape - Foam - 3/16" x 1/2" - Gray
5	041982-01-000	FT	Seal - Window Channel - 3/16" Glass - Black
6	050216-02-000	FT	Spline - Glass - Black
7	002389-03-203	EA	Extr. - Holder - Glass Seal - 27.125"
8	041894-04-000	EA	Mullion - Slider Window - 25"
9	002188-02-000	EA	Glass - 3/16" x 24" x 25.50" - Stationary
10	047369-01-700	EA	Latch - Window - Plastic w/Fastener
*	042133-09-000	EA	Frame Asm. - Window - Inside (not included in assembly)
*	023713-02-000	EA	Cover - Weephole - Plastic - Black
*	002298-01-000	FT	Spline - Gray - .130" Dia. (Screen)
*	002293-01-000	SF	Screen - Window - 26" - Gray
*			Not Illustrated

**1978 WINNEBAGO
TABLE OF CONTENTS**

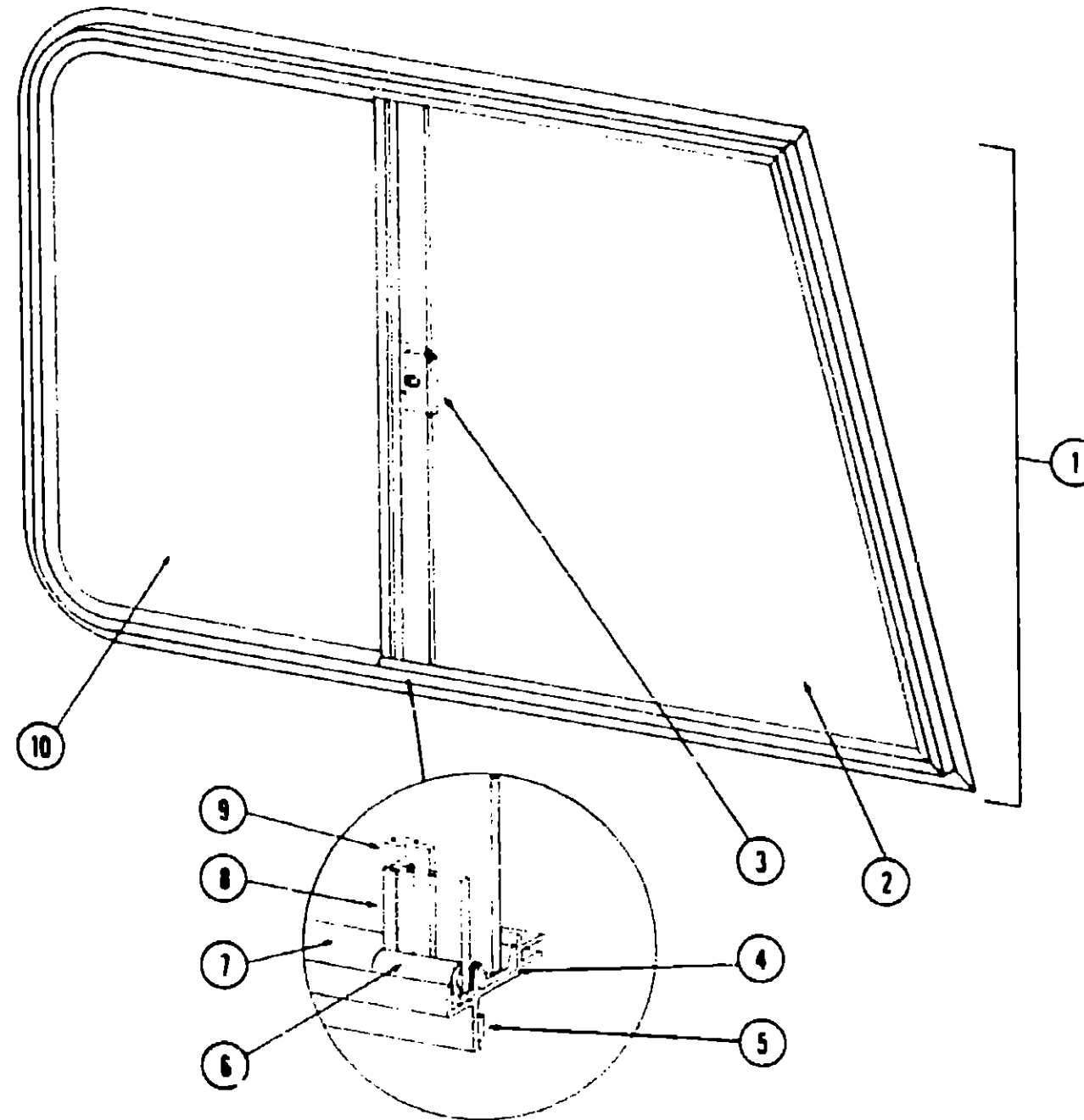
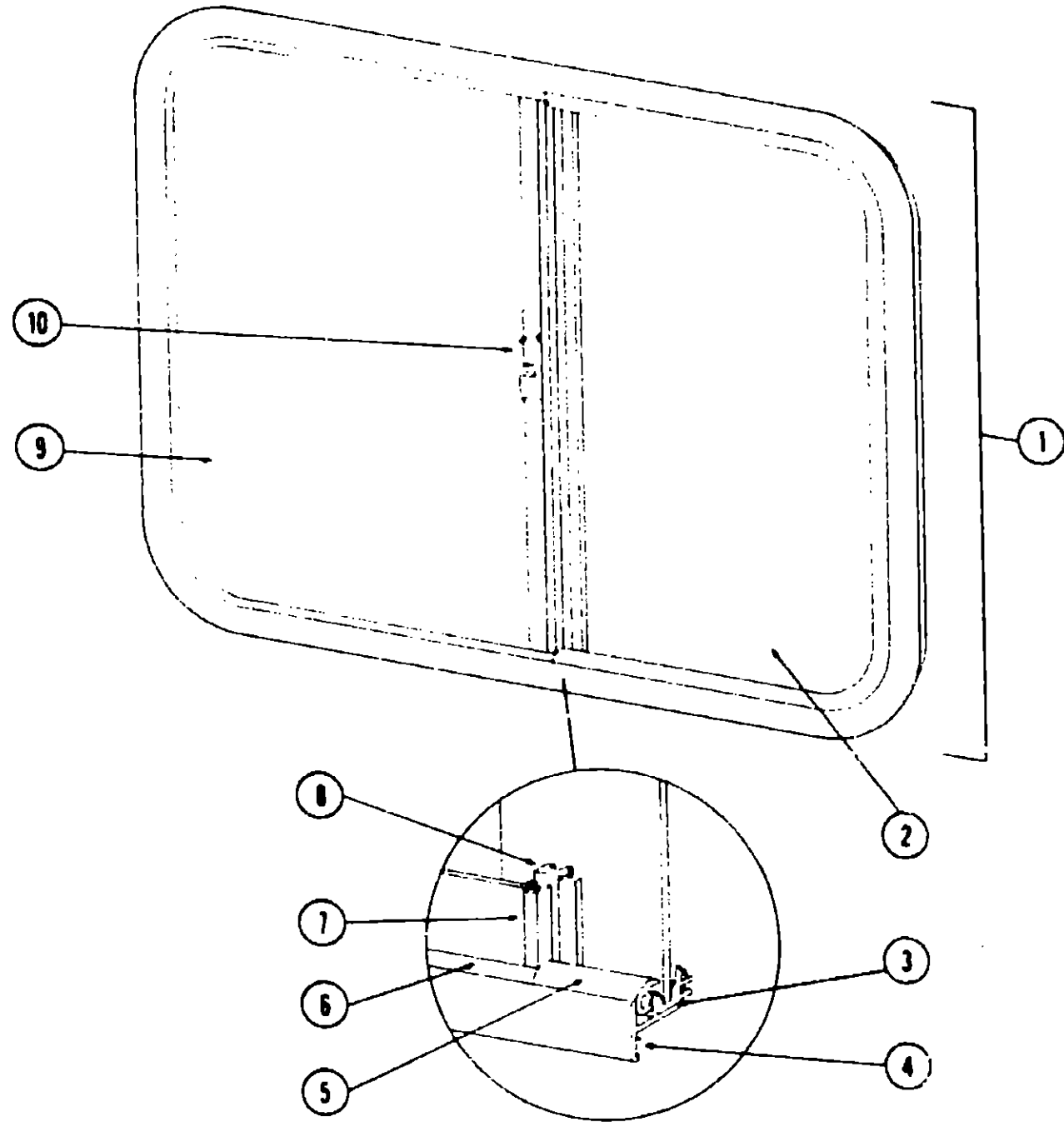
WDP26RB J2	A-1 - B-14
WDP26RK J2	B-15 - D-4
WDU29RB J2	D-5 - E-14

1978 WDU29RB J2 INDEX

Floor Plan	D-5 - D-6
Accessories Group	D-7 - D-8
Bath Group	D-9 - D-10
Chassis Group	D-11
Curtain, Cushion & Pad Group	D-12 - D-15
Dinette Group	D-15 - D-16
Driver's Compartment Group	D-17 - D-18
Electrical Group	D-19 - D-20
Exterior Body Group	D-21 - D-24
Galley Group	E-1
Heating & Air Conditioning Group	E-2
Interior Finish Group	E-3 - E-4
LP Group	E-5
Lounge Group	E-5
Water & Sewage Group	E-6
Window, Vent & Exterior Door Group	E-7 - E-14

WINDOW, VENT AND EXTERIOR DOOR GROUP (CONTINUED)

WINDOW, VENT AND EXTERIOR DOOR GROUP (CONTINUED)



**1978 WINNEBAGO
TABLE OF CONTENTS**

WDP26RB J2
WDP26RK J2
WDU29RB J2

A-1 - B-14
B-15 - D-4
D-5 - E-14

1978 WDU29RB J2 INDEX

Floor Plan	D-5 - D-6
Accessories Group	D-7 - D-8
Bath Group	D-9 - D-10
Chassis Group	D-11
Curtain, Cushion & Pad Group	D-12 - D-15
Dinette Group	D-15 - D-16
Driver's Compartment Group	D-17 - D-18
Electrical Group	D-19 - D-20
Exterior Body Group	D-21 - D-24
Galley Group	E-1
Heating & Air Conditioning Group	E-2
Interior Finish Group	E-3 - E-4
LP Group	E-5
Lounge Group	E-5
Water & Sewage Group	E-6
Window, Vent & Exterior Door Group	E-7 - E-14

Key	Part Number	U/M	Description
1	048631-04-000	EA	Window Asm. - Left Single Slider - 20" x 25" - Black Anod. (w/o inside frame)
2	047820-01-000	EA	Glass - 1/8" x 19" x 13.68" - Sliding
3	002324-01-000	FT	Channel - Weatherstrip - Glass Run - 1/8" Glass
4	004363-01-000	FT	Tape - Foam - 3/16" x 1/2" - Gray
5	024096-02-000	FT	Seal - Window Channel - Black
6	002309-02-000	FT	Spline - Glass - 1/8" - Black
7	002390-03-201	EA	Holder - Glass Seal - 18.19" - Black Anod.
8	041894-12-000	EA	Mullion - Sliding Window - 20" - Black Anod.
9	002241-02-000	EA	Glass - 1/8" x 12.3" x 19" - Stationary
10	047369-01-700	EA	Latch - Window - Plastic w/Fastener
	042147-08-000	EA	Inside Frame - Single Slider Window - 25" x 29" (not included in assembly)
	023713-02-000	EA	Cover - Weephole - Black Plastic
	002298-01-000	FT	Spline - Gray - .130" Dia. (Screen)
	002293-01-000	SF	Screen - Window - 26" - Gray
			Not Illustrated

Key	Part Number	U/M	Description
1	056434-01-000	EA	Window Asm. - Front Slant Slider - Right - 29" x 40" - Black Anod. (w/o inside frame)
	056434-02-000	EA	Window Asm. - Front Slant Slider - Left - 29" x 40" - Black Anod. (w/o inside frame)
2	042265-01-000	EA	Glass - 3/16" x 27.91" x 13.94" x 26.38" - Stationary
3	047369-01-700	EA	Latch - Window - Plastic w/Fastener
4	042077-01-000	FT	Channel - Weatherstrip - Glass Run - 3/16" Glass
5	053787-02-000	FT	Tape - Sealer - 3/16" Bead x 25" - Schnee Morehead
6	050216-02-000	FT	Spline - 3/16" Glass - Black
7	041928-02-000	FT	Seal - Window Channel - Black
8	002389-03-203	EA	Holder - Glass Seal - Black Anod. - 27.125"
9	057644-03-000	EA	Mullion - Slider Window - 25" - Black Anod.
10	047814-01-000	EA	Glass - 3/16" x 27.91" x 14.03" - Sliding
	053266-08-000	EA	Inside Frame - Right Front Slant Slider (not included in assembly)
	053266-07-000	EA	Inside Frame - Left Front Slant Slider (not included in assembly)
	023713-02-000	EA	Cover - Weephole - Black
	055164-02-000	EA	Screen Asm. - Slider - Right or Left
			Not Illustrated

WINDOW, VENT AND EXTERIOR DOOR GROUP (CONTINUED)

ACCESS DOORS

Key	Part Number	U/M	Description
	054270-03-000	EA	Door Asm. - Refrigerator Access - Beige w/Twist Type Locks
	055500-03-000	EA	Door Asm. - Gas Fill - Beige w/Key Type Lock
	052009-02-000	EA	Door Asm. - Water Heater - Atwood - Beige
	052179-04-000	EA	Door Asm. - Generator - Beige w/Twist Type Locks
	052181-01-000	EA	Baffle - Generator Door
	052085-02-000	EA	Door Asm. - Valance Panel - 10 3/4" x 28"
	052086-03-000	EA	Door Asm. - Valance Panel - 10 3/4" x 42"
	009065-01-000	EA	Hinge - Continuous Alum. - 1 1/2" x 96"
	042442-01-000	EA	Lock Asm. - Twist Type (Valance and Trunk Door)
	042415-01-000	EA	Panel - Trunk Door - Black Plastic
	052950-02-700	EA	Lock - Twist Type w/Clip - Beige Plastic

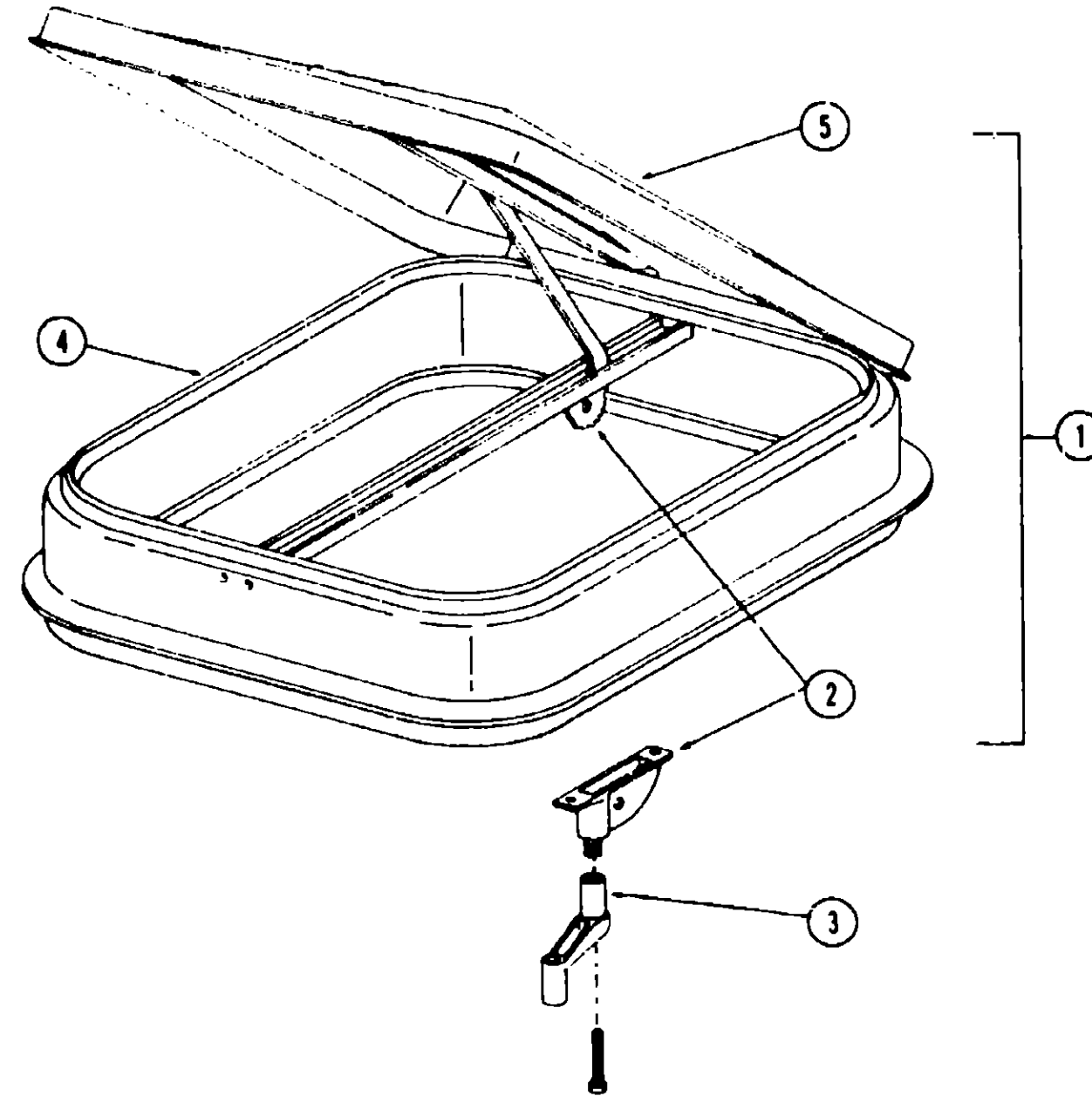
WINDSHIELD

Key	Part Number	U/M	Description
	042744-01-000	EA	Frame Asm. - Windshield w/o Glass
	034977-02-000	EA	Glass - Windshield - Safety Plate w/Tinted Band - Left or Right
	038856-02-000	EA	Tape - Butyl - .31" x .31" x 160" Long

VENTS

Key	Part Number	U/M	Description
	009407-01-000	EA	Vent Asm. - Base - Refrigerator Vent w/o Cover
	039778-01-000	EA	Cover - Plastic - Refrigerator Vent
	049352-02-000	EA	Vent - Stovehood - Outside - Beige (Jensen)
	056119-01-000	EA	Vent Asm. - Roof - Powered/Lighted - Jensen

WINDOW, VENT AND EXTERIOR DOOR GROUP (CONTINUED)



Key	Part Number	U/M	Description
1	048835-01-000	EA	Vent Asm. - Roof - Non Powered - w/o Screen
2	009440-01-000	EA	Gear - Arm - Roof Vent
3	009439-01-000	EA	Crank - Roof Vent
4	002825-01-000	FT	Weatherstrip - Roof Vent
5	051384-01-000	EA	Cover - Roof Vent
*	016335-01-000	EA	Screen Asm. - Non Powered Roof Vent - Clear Anod. (not included in assembly)
*	016335-03-000	EA	Screen Asm. - Non Powered Roof Vent - Beige (not included in assembly)
*			Not Illustrated

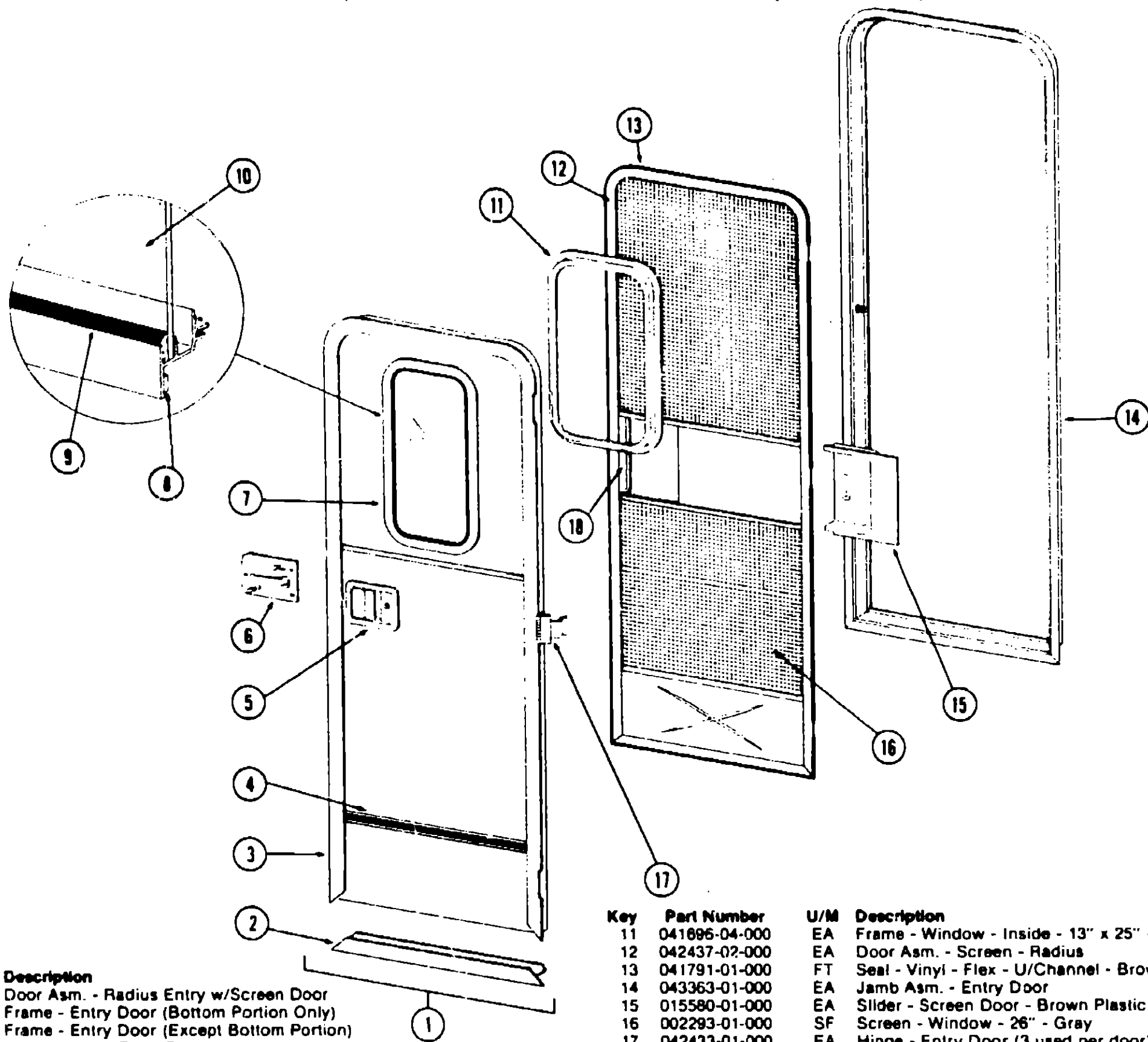
1978 WINNEBAGO TABLE OF CONTENTS

WDP26RB J2	A-1 - B-14
WDP26RK J2	B-15 - D-4
WDU29RB J2	D-5 - E-14

1978 WDU29RB J2 INDEX

Floor Plan	D-5 - D-6
Accessories Group	D-7 - D-8
Bath Group	D-9 - D-10
Chassis Group	D-11
Curtain, Cushion & Pad Group	D-12 - D-15
Dinette Group	D-15 - D-16
Driver's Compartment Group	D-17 - D-18
Electrical Group	D-19 - D-20
Exterior Body Group	D-21 - D-24
Galley Group	E-1
Heating & Air Conditioning Group	E-2
Interior Finish Group	E-3 - E-4
LP Group	E-5
Lounge Group	E-5
Water & Sewage Group	E-6
Window, Vent & Exterior Door Group	E-7 - E-14

WINDOW, VENT AND EXTERIOR DOOR GROUP (CONTINUED)



Key	Part Number	U/M	Description
1	042418-03-000	EA	Door Asm. - Radius Entry w/Screen Door
2	039737-02-000	EA	Frame - Entry Door (Bottom Portion Only)
3	041375-01-000	EA	Frame - Entry Door (Except Bottom Portion)
4	039874-01-000	EA	Holder Asm. - Entry Door
5	052186-01-000	EA	Lock Asm. - Radius Entry Door - Lynor
6	045017-01-700	EA	Lock Cylinder w/Keys - Lynor
7	039539-01-000	EA	Striker - Entry Door Lock
8	039879-01-000	EA	Plate - Lock - Interior - Including Inside Handle
9	041875-04-000	EA	Window Asm. - Picture - 13" x 25" - Black Anod. (inside frame not included in assembly)
10	004363-01-000	FT	Tape - Foam - 3/16" x 1/2" - Gray
11	002318-02-000	FT	Spline - Glass - 3/16" - Black
12	002181-02-000	EA	Glass - Picture Window - 3/16" x 12" x 24" - Gray

Key	Part Number	U/M	Description
11	041895-04-000	EA	Frame - Window - Inside - 13" x 25" - Brown
12	042437-02-000	EA	Door Asm. - Screen - Radius
13	041791-01-000	FT	Seal - Vinyl - Flex - U/Channel - Brown
14	043363-01-000	EA	Jamb Asm. - Entry Door
15	015580-01-000	EA	Slider - Screen Door - Brown Plastic
16	002293-01-000	SF	Screen - Window - 26" - Gray
17	042433-01-000	EA	Hinge - Entry Door (3 used per door)
18	015581-01-000	EA	Cap - Screen Door - Brown Plastic
	049176-01-000	EA	Hedlok II - 3/4" Diameter - Screw Mount (Retains Screen Door to Entry Door)
	049797-01-000	EA	Hedlok II - 1" Diameter - Screw Mount (Retains Screen Door to Entry Door)
	018019-01-000	EA	Striker - Screen Door
	039863-01-000	EA	Catch Asm. - Single Roller w/Strike - Screen Door
	051390-01-000	FT	Seal - Jamb - Entry Door
	039800-03-000	FT	Tubing - Polybutyl - 3/8" O.D. - Jamb
			Not Illustrated

1978 WINNEBAGO TABLE OF CONTENTS

WDP26RB J2
WDP26RK J2
WDU29RB J2

A-1 - B-14
B-15 - D-4
D-5 - E-14

1978 WDU29RB J2 INDEX

Floor Plan	D-5 - D-6
Accessories Group	D-7 - D-8
Bath Group	D-9 - D-10
Chassis Group	D-11
Curtain, Cushion & Pad Group	D-12 - D-15
Dinette Group	D-15 - D-16
Driver's Compartment Group	D-17 - D-18
Electrical Group	D-19 - D-20
Exterior Body Group	D-21 - D-24
Galley Group	E-1
Heating & Air Conditioning Group	E-2
Interior Finish Group	E-3 - E-4
LP Group	E-5
Lounge Group	E-5
Water & Sewage Group	E-6
Window, Vent & Exterior Door Group	E-7 - E-14