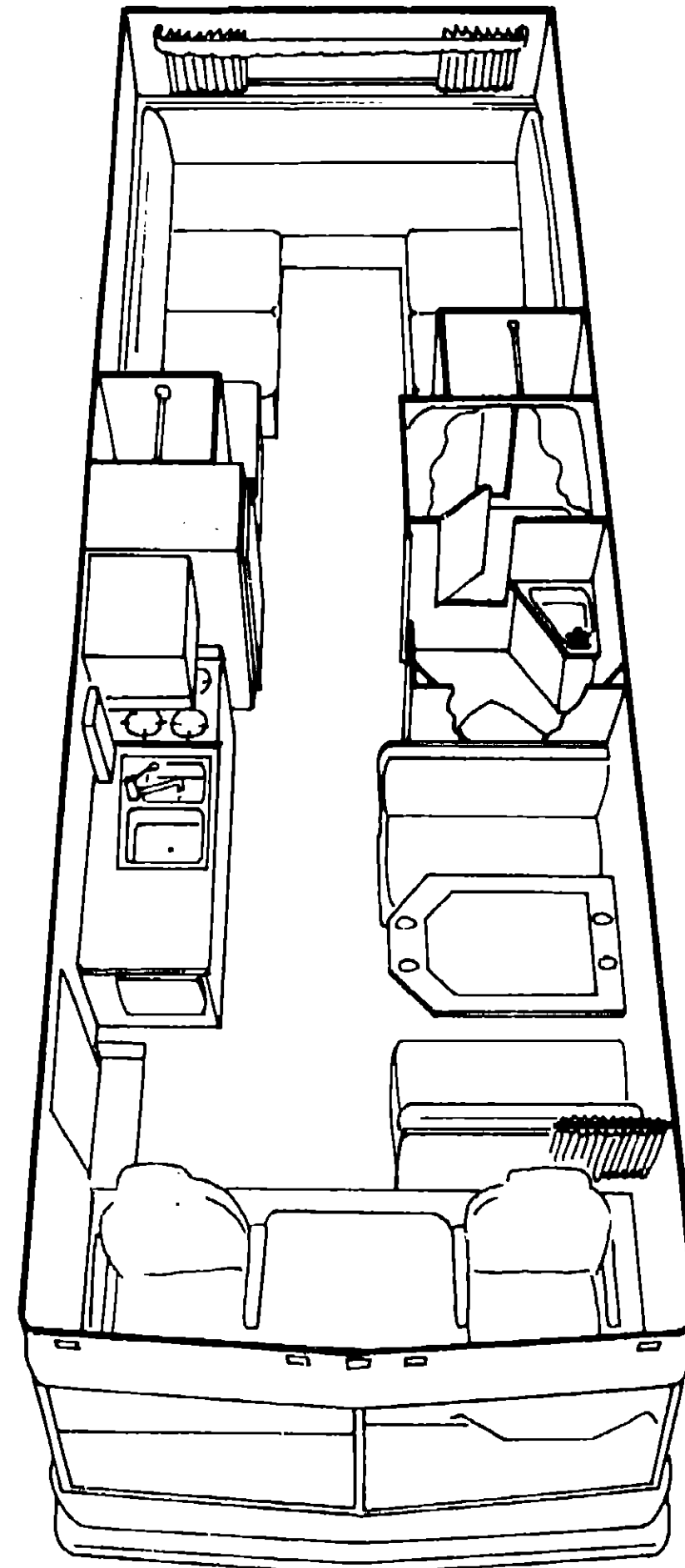


1978 WDU27RT



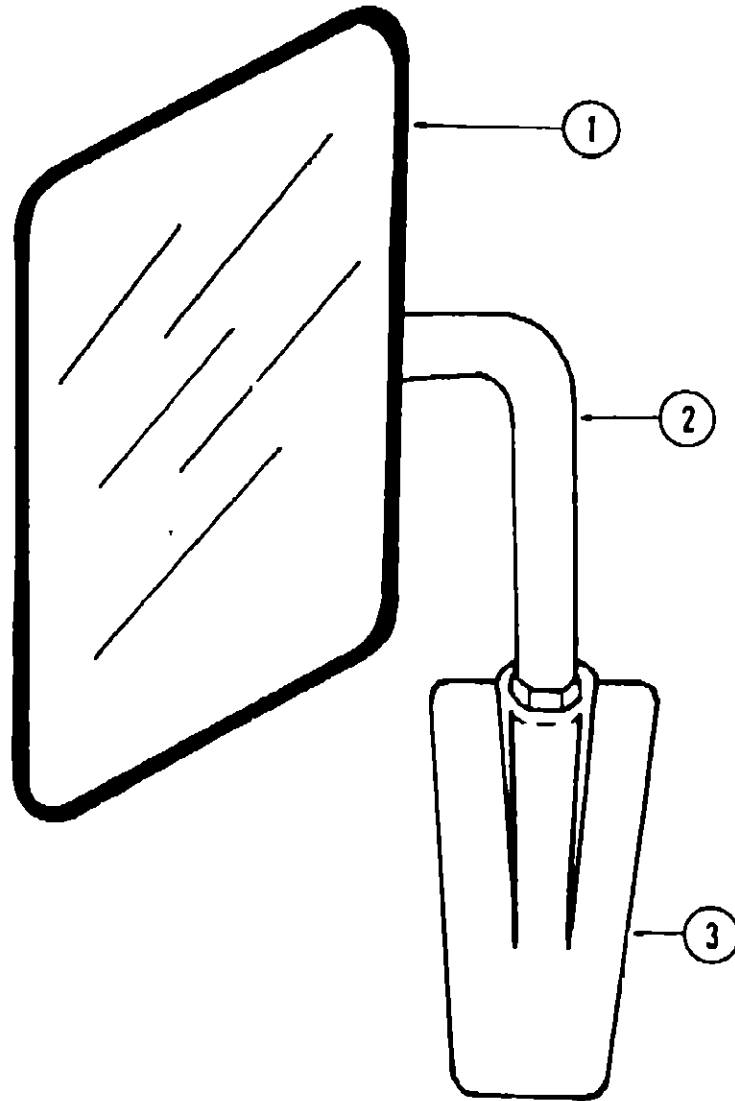
1978 WINNEBAGO TABLE OF CONTENTS

Introduction	A-1
Abbreviations	A-1
Alphabetical Index	A-2 - A-4
WC525RB	A-5 - B-14
WDP23RG	B-15 - C-24
WDP26RK	D-1 - E-12
WDU27RK	E-13 - F-22
WDU29RB	F-23 - H-10
WDU27RT	H-11 - I-22
WDP26RB	I-23 - K-10

1978 WDU27RT INDEX

Floor Plan	H-11 - H-12
Accessories Group	H-13 - H-15
Bath Group	H-15 - H-16
Chassis Group	H-17
Curtain, Cushion & Pad Group	H-18 - H-21
Dinette Group	H-21
Driver's Compartment Group	H-22 - H-23
Electrical Group	H-23 - H-24
	I-1
Exterior Body Group	I-2 - I-5
Galley Group	I-6
Heating & Air Conditioning Group	I-7
Interior Finish Group	I-8 - I-9
LP Group	I-10
Lounge Group	I-11
Water & Sewage Group	I-12
Window, Vent & Exterior Door Group	I-13 - I-22

ACCESSORIES GROUP



Key	Part Number	U/M	Description
1	049347-01-000	EA	Mirror Head - 7 1/2" x 10 1/2" - Stainless Steel
2	049348-01-000	EA	Arm - Low Mount Mirror - Bright Finish
3	049944-01-000	EA	Bracket - Mirror - Beige

ACCESSORIES GROUP (CONTINUED)

RADIOS AND RELATED COMPONENTS

Key	Part Number	U/M	Description
	051907-01-000	EA	Radio - AM - FM/MPX/8 - Track w/Fader - Motorola
	051923-01-700	EA	Speaker Kit - 5 3/4" - Motorola
	050044-01-000	EA	Radio - AM/FM/8 - Track w/CB - J.I.L.
	048153-01-000	EA	Antenna - CB Camper Style - J.I.L. Radio
	050785-01-000	EA	Switch - Rear Volume Control - J.I.L.
	050751-01-000	EA	Bracket - Mounting - Fader Switch and Microphone
	031105-01-000	EA	Antenna - Side Mounted
	031105-01-700	EA	Clip - Radio Antenna - Side Mounted - Upper

SPEED CONTROL AND COMPONENTS

Key	Part Number	U/M	Description
	024746-01-000	EA	Speed Control Pkg. 440 Dodge Lever Type A Body
	007255-01-700	EA	Regulator Asm.
	024746-01-701	EA	Servo Asm.
	024746-01-702	EA	Engage Switch - Lever
	007255-01-703	EA	Cable Asm. - Transmission - 42"
	007255-01-704	EA	Switch Asm. - Decelerate
	024746-01-700	EA	Relay - Speed Control

FRONT BUNK AND HARDWARE

Key	Part Number	U/M	Description
	048820-01-000	EA	Bunk Asm. - Front Overhead w/Carpet on Underside
	040071-01-700	EA	Support Kit - Overhead Bunk - Seat Belt
	042201-01-000	EA	Support Asm. - Overhead Bunk - Beige - Left or Right

GENERATORS AND INSTALLATION KITS

Key	Part Number	U/M	Description
	040505-01-000	EA	Generator - 4000 Watt - Tray Mount - Kohler
	040506-01-000	EA	Generator - 5000 Watt - Tray Mount - Kohler
	044149-01-000	EA	Generator - 6500 Watt - Tray Mount - Kohler
	040507-01-000	EA	Exhaust System - Generator - 4000W - Kohler
	040612-01-000	EA	Muffler - Generator - 4000W - Kohler
	040852-01-000	EA	Exhaust System - Generator - 5000W - Kohler
	047343-01-000	EA	Exhaust System - Generator 5000/6500W - Kohler
	046317-01-000	EA	Tailpipe - Exhaust - Generator 1 3/8" x 5' - Kohler
	041743-01-000	EA	Switch - Generator - w/o Circuit Board
	007067-01-000	SF	Insulation - Fiberglass - 1"
	050279-01-000	EA	Tray - Generator - Kohler
	041420-01-000	EA	Elbow - Steel - 1/8" MPT x 3/16" Barb
	042865-01-000	EA	Scoop - Generator Air
	007058-01-000	EA	Generator - 5000 Watt - Tray Mount - Onan
	045720-01-000	EA	Tray Asm. - Generator - Onan
	007292-01-000	EA	Muffler - Generator - Onan
	007131-01-000	EA	Hanger - Tailpipe
	040508-01-000	EA	Muffler - Kohler
**	040504-01-000	EA	Generator - 2.5 KW - Kohler
**	040505-01-000	EA	Generator - 4.0 KW - Kohler
**	040506-01-000	EA	Generator - 5.0 KW - Kohler
**	044149-01-000	EA	Generator - 6.5 KW - Kohler
**	051908-01-000	EA	Generator - 3.5 KW - Kohler
**	051909-01-000	EA	Generator - 4.5 KW - Kohler
**	051910-01-000	EA	Generator - 5.5 KW - Kohler
**	051911-01-000	EA	Generator - 7.0 KW - Kohler

**The illustrated parts breakdown for this item is provided on the Common Items Fiche

**1978 WINNEBAGO
TABLE OF CONTENTS**

Introduction	A-1
Abbreviations	A-1
Alphabetical Index	A-2 - A-4
WC525RB	A-5 - B-14
WDP23RG	B-15 - C-24
WD?26RK	D-1 - E-12
WDU27RK	E-13 - F-22
WDU29RB	F-23 - H-10
WDU27RT	H-11 - I-22
WDP26RB	I-23 - K-10

**1978 WDU27RT
INDEX**

Floor Plan	H-11 - H-12
Accessories Group	H-13 - H-15
Bath Group	H-15 - H-16
Chassis Group	H-17
Curtain, Cushion & Pad Group	H-18 - H-21
Dinette Group	H-21
Driver's Compartment Group	H-22 - H-23
Electrical Group	H-23 - H-24
	I-1
Exterior Body Group	I-2 - I-5
Galley Group	I-6
Heating & Air Conditioning Group	I-7
Interior Finish Group	I-8 - I-9
LP Group	I-10
Lounge Group	I-11
Water & Sewage Group	I-12
Window, Vent & Exterior Door Group	I-13 - I-22

ACCESSORIES GROUP (CONTINUED)

MISCELLANEOUS ACCESSORIES

Key	Part Number	U/M	Description
	044148-01-000	EA	TV - 13" Color - Sharp
	006053-01-000	EA	Antenna - TV - Braund Delux
	006093-01-000	EA	Jack - TV - Brown
	052771-01-000	EA	Oven - Microwave - Magic Chef - 207-4
	042344-01-000	EA	Luggage Rack Asm. - w/Ladder
	042344-02-000	EA	Ladder Only - For Rack and Ladder Asm.
	006113-01-000	EA	Jack - Hydraulic - 5 Ton
	041944-01-700	EA	Fire Extinguisher - Dry Chemical - w/Bracket
	054185-01-000	EA	Owner's Manual - 1978 - Winnebago
	017516-01-000	EA	Mudflap - Black - 14" x 18" - w/Holes
	006053-01-700	EA	Repair Parts Kit - Braund TV Antenna
	007038-01-000	EA	Mat - Door - Black Rubber - 10 1/2" x 26"
	031396-02-000	EA	Cover - Wheel - 19.5" Chrome
	044399-01-000	EA	Thermometer - Outside - Chrome
	047226-01-000	EA	Tire Cover - Black - w/Zipper
	048813-01-000	EA	Weather Center - 5 1/2" x 15" - Gold
	003174-01-000	EA	Vacuum Cleaner - w/o Attachments
	003174-02-000	EA	Attachment Package - Vacuum Cleaner
	700108-01-000	EA	Bag - Vacuum - Disposable
	042562-01-000	EA	Slide Asm. - Vacuum - 22" - Right
	042562-02-000	EA	Slide Asm. - Vacuum - 22" - Left
	052003-01-000	EA	Trim Plate - Motorola Radio
	036420-01-000	EA	Fan - 12 Volt Defroster

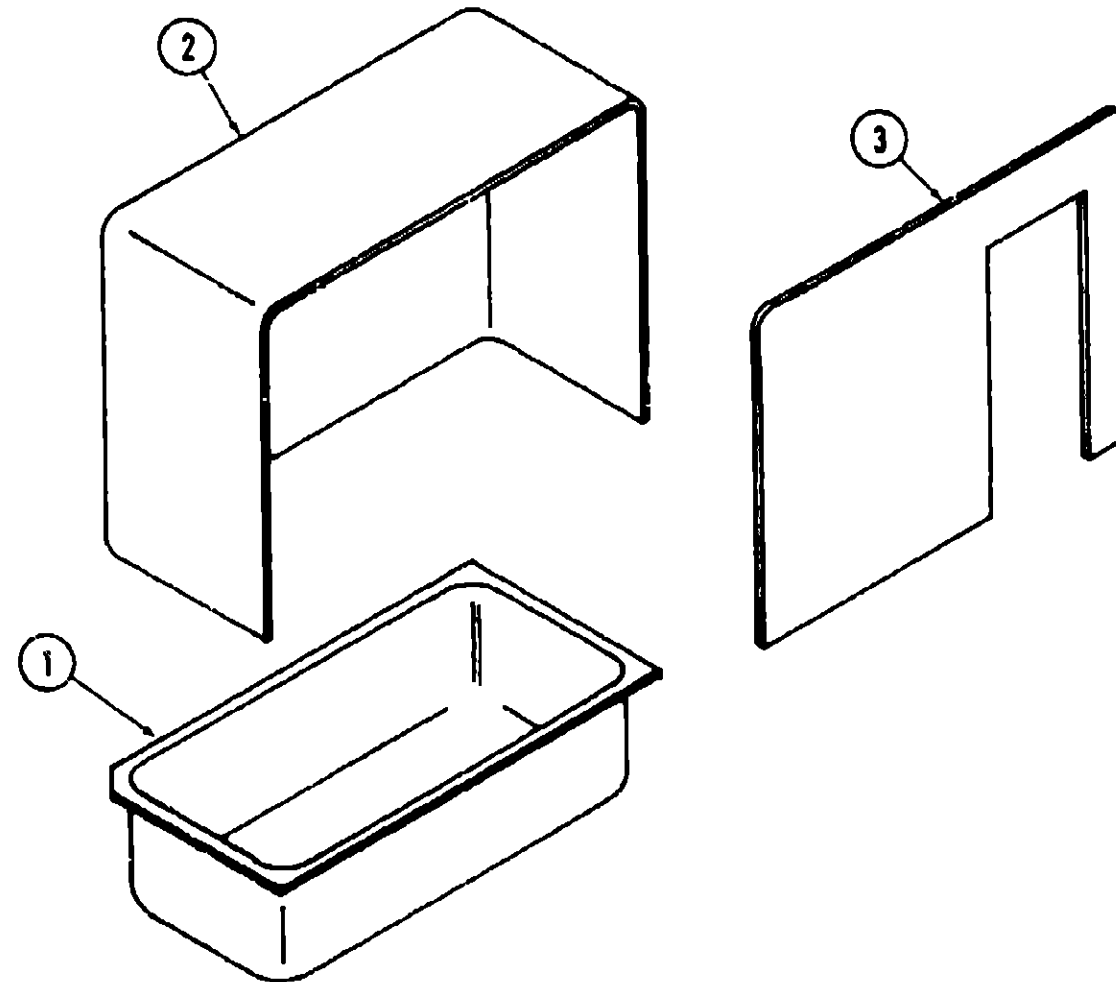
BATH GROUP

Key	Part Number	U/M	Description
	045358-05-700	EA	Door Asm. - Bathroom w/o Hardware
	009124-01-000	EA	Lock - Door - Push Button - Brass
	011048-01-700	EA	Vacuum Breaker - 1/8 MPT Nylon Shower Hose
	009151-01-000	EA	Warp - Guard - 48"
	048739-01-000	EA	Cabinet Asm. - Medicine - Side
	048103-02-700	EA	Door Asm. - Medicine Cabinet - 22" x 9" - w/o Hardware
	048740-01-000	EA	Cabinet Asm. - Medicine - Rear
	042529-04-700	EA	Door Asm. - Medicine Cabinet - 29 1/2" x 12" - w/o Hardware
	045700-01-000	EA	Mirror - 1/8" x 9" x 25"
	031558-01-000	EA	Faucet - Tub and Shower
	011048-01-000	EA	Shower Head - w/59" Hose
	010495-01-000	EA	Clamp - Cable - 9/16"
	011086-01-000	EA	Strainer - Shower Pan
	011069-01-000	EA	Tailpiece - 1 1/4" x 4" - Brass
	050739-02-000	EA	Door Asm. - Shower - Brown
	050080-01-000	FT	Glazing - Vinyl - Shower Door
	050470-01-000	EA	Plastic Styrene - .090" x 15 3/8" x 51 5/8"
	050482-01-000	EA	Catch - Spring - Roll Point
	050233-02-000	EA	Striker - Door Jamb - Brown
	050712-02-000	EA	Handle - Shower Door - Brown
	043566-05-000	EA	Jamb - Shower Door - Brown - Bottom
	043567-03-000	EA	Jamb - Shower Door - Brown - Right
	043567-04-000	EA	Jamb - Shower Door - Brown - Left
	050552-01-000	EA	Cabinet Asm. - Vanity - w/o Top, Door or Hardware
	048103-04-700	EA	Door Asm. - Vanity Cabinet - 19 3/8" x 10 1/4" - w/o Hardware
	044057-01-000	EA	Sink - Vanity
	011056-01-000	EA	Faucet - Vanity
	011083-01-000	EA	Plug - Stopper w/Chain
	048103-23-700	EA	Door Asm. - Wardrobe Cabinet - 41" x 19 1/2" - w/o Hardware
	050365-01-000	EA	Cabinet Asm. - Upper Wardrobe - Left - w/o Door or Hardware
	050379-01-000	EA	Cabinet Asm. - Lower Wardrobe - Left - w/o Door or Hardware
	052216-01-000	EA	Countertop - Wardrobe - Left - Brown Mocha Leather
**	039341-02-000	EA	Stool Asm. - Ivory - Aqua Magic - Model SH

**The illustrated parts breakdown for this item is provided on the Common Items Fiche.

H-15

BATH GROUP (CONTINUED)



Key	Part Number	U/M	Description
	043727-01-000	EA	Bathtub - Bottom
	043728-01-000	EA	Bathtub - Back
	043726-01-000	EA	Bathtub - Front

MISCELLANEOUS HARDWARE

Key	Part Number	U/M	Description
	009134-01-000	EA	Holder - Tissue
	046112-02-000	EA	Mirror - Plastic - 1/8" x 24" x 30"
	048189-01-000	EA	Ring - Towel - Antique Brass
	048171-01-000	EA	Bar - Towel - 21" - Antique Brass
	049749-01-000	EA	Soap Dish - Wall Mount - Brass
	035337-22-000	EA	Trim - Inside Corner - Bath - Beige Alum. - 80.88"
	034394-02-000	FT	Insert - Corner Trim - Beige Vinyl

1978 WINNEBAGO TABLE OF CONTENTS

Introduction	A-1
Abbreviations	A-1
Alphabetical Index	A-2 - A-4
WC525RB	A-5 - B-14
WDP23RG	B-15 - C-24
WDP26RK	D-1 - E-12
WDU27RK	E-13 - F-22
WDU29RB	F-23 - H-10
WDU27RT	H-11 - I-22
WDP26RB	I-23 - K-10

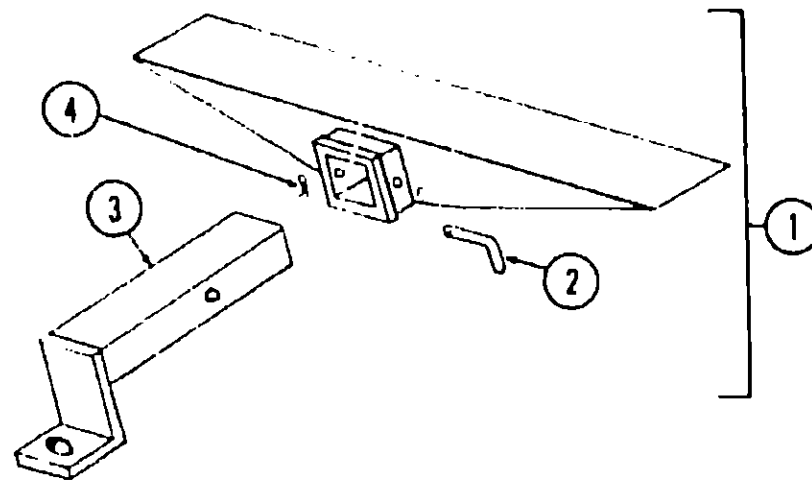
1978 WDU27RT INDEX

Floor Plan	H-11 - H-12
Accessories Group	H-13 - H-15
Bath Group	H-15 - H-16
Chassis Group	H-17
Curtain, Cushion & Pad Group	H-18 - H-21
Dinette Group	H-21
Driver's Compartment Group	H-22 - H-23
Electrical Group	H-23 - H-24
	I-1
Exterior Body Group	I-2 - I-5
Galley Group	I-6
Heating & Air Conditioning Group	I-7
Interior Finish Group	I-8 - I-9
LP Group	I-10
Lounge Group	I-11
Water & Sewage Group	I-12
Window, Vent & Exterior Door Group	I-13 - I-22

H-16

CHASSIS GROUP

Key	Part Number	U/M	Description
	041233-01-000	EA	Bumper - Contoured - Front or Rear - Chrome
	042510-01-000	EA	Reinforcement - Bumper - Front or Rear
	042515-01-000	EA	Bracket - Bumper - Front
	050305-01-000	EA	Bracket - Splash Guard Mount - Front
	037933-01-000	EA	Bracket - License Plate - Front or Rear
	050703-01-000	EA	Bracket - Bumper - Rear
	042522-01-000	EA	Support Asm. - Tire Carrier
	042495-01-000	EA	Power Step - Kwikkee
	038398-01-700	EA	Motor - Power Step Kwikkee
	038398-01-701	EA	Gear - Power Step - Kwikkee
	038398-01-702	EA	Switch - Motor Control - Power Step - Kwikkee
	048594-01-000	EA	Tray - Battery - Steel
	035104-02-000	EA	Cover - Asm. - Radiator - Rear
	037468-02-000	EA	Hoodboard - Steel - Front - Left
	037468-03-000	EA	Hoodboard - Steel - Front - Right
	007134-01-000	EA	Clamp - Hose - Spring Type - 9/16"
	007137-01-000	EA	Clamp - Worm Gear - 1 5/16" to 2 1/4"
	007138-01-000	EA	Clamp - Hose - 1/4" to 3/4" Dia.
	024138-01-000	FT	Hose - Fuel - 5/16" I.D.
	024141-01-000	FT	Hose - Rubber - 1/2" I.D.
	024647-01-000	EA	Hose - Gas - 2 1/4" I.D.
	045814-01-000	EA	Fill - Gas w/Vent - 5.44" Long
	024611-03-000	EA	Cap - Gas - Pressure - 1.328" - Chrome
	024611-04-000	EA	Cap - Gas - Pressure - 1.500" - Chrome
	040078-01-000	EA	Tank - Fuel - 27.8 Gallon
	043986-01-000	EA	Strap - Mounting - Fuel Tank
	007160-01-000	EA	Gasket - 3/16" x 2" x 2" - Tire Carcass
	038883-01-000	EA	Sending Unit - Gas Tank - 78 Ohm



Key	Part Number	U/M	Description
1	023695-01-700	EA	Hitch Kit - w/Drawbar
2	034512-01-000	EA	Pin - Locking - Drawbar
3	024878-01-700	EA	Drawbar - Trailer Hitch
4	034513-01-000	EA	Pin - Hitch - 3/16" Wire Spring

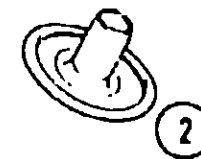
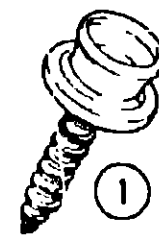
CURTAIN, CUSHION AND PAD GROUP

CURTAINS

Key	Part Number	U/M	Description
	051832-06-000	EA	Curtain w/Snap top - 33" x 29" - Green (Martini Mist)
	051832-07-000	EA	Curtain w/Snap Top - 33" x 29" - Beige (Champagne Velvet)
	051832-08-000	EA	Curtain w/Snap Top - 33" x 29" - Rust (Sierra Sunset)
	041906-61-000	EA	Valance - Pleated w/Hooks - 6.5" x 43" - Green (Martini Mist)
	041906-62-000	EA	Valance - Pleated w/Hooks - 6.5" x 43" - Beige (Champagne Velvet)
	041906-63-000	EA	Valance - Pleated w/Hooks - 6.5" x 43" - Rust (Sierra Sunset)
	052763-01-000	EA	Shade Asm. - Woven Wood - 71" x 28.5" - Green (Martini Mist)
	052763-02-000	EA	Shade Asm. - Woven Wood - 71" x 28.5" - Beige (Champagne Velvet)
	052763-03-000	EA	Shade Asm. - Woven Wood - 71" x 28.5" - Rust (Sierra Sunset)
	052764-01-000	EA	Shade Asm. - Woven Wood - 68 1/4" x 28 1/2" - Green (Martini Mist)
	052764-02-000	EA	Shade Asm. - Woven Wood - 68 1/4" x 28 1/2" - Beige (Champagne Velvet)
	052764-03-000	EA	Shade Asm. - Woven Wood - 68 1/4" x 28 1/2" - Rust (Sierra Sunset)
	052765-01-000	EA	Shade Asm. - Woven Wood - 45" x 28.5" - Green (Martini Mist)
	052765-02-000	EA	Shade Asm. - Woven Wood - 45" x 28.5" - Beige (Champagne Velvet)
	052765-03-000	EA	Shade Asm. - Woven Wood - 45" x 28.5" - Rust (Sierra Sunset)
	052766-01-000	EA	Shade Asm. - Woven Wood - 39" x 27" - Green (Martini Mist)
	052766-02-000	EA	Shade Asm. - Woven Wood - 39" x 27" - Beige (Champagne Velvet)
	052766-03-000	EA	Shade Asm. - Woven Wood - 39" x 27" - Rust (Sierra Sunset)
	052767-01-000	EA	Shade Asm. - Woven Wood - 31" x 28.5" - Green (Martini Mist)
	052767-02-000	EA	Shade Asm. - Woven Wood - 31" x 28.5" - Beige (Champagne Velvet)
	052767-03-000	EA	Shade Asm. - Woven Wood - 31" x 28.5" - Rust (Sierra Sunset)

CURTAIN HARDWARE

Key	Part Number	U/M	Description
	009107-01-000	EA	Guide - Nylon Snap
	009136-01-000	EA	Pin - Shower Curtain
	009701-01-000	EA	Carrier - Curtain w/Rollers - "L" Rod
	009702-01-000	EA	End Stop - Curtain - "L" Rod
	018031-42-000	EA	Extr. - "L" Rod - 90"
	049737-01-000	EA	End Cap - Plastic - Brown (Blackout Curtain)
	049738-01-000	EA	Snap Carrier - White Plastic (Blackout Curtain)
	051355-14-000	EA	Track - Curtain - Alum. - 89" (Blackout Curtain)
	047291-01-000	EA	Rod - Curtain - Traverse w/Valance
	049897-01-000	EA	Rod - Curtain - Flat - Extends 25" - 45"
	049936-01-000	EA	Pulley - Tension - Traverse Rod
	049937-01-000	EA	Kit - Conversion - Traverse/Valance Rods
	049897-02-000	EA	Rod - Curtain - Flat - Extends - 48" - 86"
	050829-03-000	EA	Track - Wraparound Curtain - Right - Brown
	050829-04-000	EA	Track - Wraparound Curtain - Left - Brown
	052327-04-236	EA	Curtain Track - Alum. - Brown - 89" w/Holes (Replaces 009108-01 Plastic Track)



Key	Part Number	U/M	Description
1	029130-01-000	EA	Socket - Snap Fastener (Tie Backs)
2	029155-01-000	EA	Cap - Snap - .156" Diameter x .17" Barrel (Tie Backs)
H-17	029156-01-000	EA	Socket - Snap Fastener (Tie Backs)
4	029092-01-000	EA	Stud - Nickel Finish (Curtains)
5	029093-01-000	EA	Eyelet - Nickel Finish (Curtains)

1978 WINNEBAGO TABLE OF CONTENTS

Introduction	A-1
Abbreviations	A-1
Alphabetical Index	A-2 - A-4
WC525RB	A-5 - B-14
WDP23RG	B-15 - C-24
WDP26RK	D-1 - E-12
WDU27RK	E-13 - F-22
WDU29RB	F-23 - H-10
WDU27RT	H-11 - I-22
WDP26RB	I-23 - K-10

1978 WDU27RT INDEX

Floor Plan	H-11 - H-12
Accessories Group	H-13 - H-15
Bath Group	H-15 - H-16
Chassis Group	H-17
Curtain, Cushion & Pad Group	H-18 - H-21
Dinette Group	H-21
Driver's Compartment Group	H-22 - H-23
Electrical Group	H-23 - H-24
	I-1
Exterior Body Group	I-2 - I-5
Galley Group	I-6
Heating & Air Conditioning Group	I-7
Interior Finish Group	I-8 - I-9
LP Group	I-10
Lounge Group	I-11
Water & Sewage Group	I-12
Window, Vent & Exterior Door Group	I-13 - I-22

CURTAIN, CUSHION AND PAD GROUP (CONTINUED)

DINETTE CUSHIONS

Key	Part Number	U/M	Description
	049714-10-000	EA	Cushion - Dinette Back w/Buttons - 14 1/4" x 38" x 5" Green (Martini Mist)
	049714-02-000	EA	Cushion - Dinette Back w/Buttons - 14 1/4" x 38" x 5" Beige (Champagne Velvet)
	049714-03-000	EA	Cushion - Dinette Back w/Buttons - 14 1/4" x 38" x 5" Rust (Sierra Sunset)
	049715-01-000	EA	Cushion - Dinette Bottom w/Frame - 21 3/4" x 38" x 5" Green (Martini Mist)
	049715-02-000	EA	Cushion - Dinette Bottom w/Frame 21 3/4" x 38" x 5" Beige (Champagne Velvet)
	049715-03-000	EA	Cushion - Dinette Bottom w/Frame - 21 3/4" x 38" x 5" Rust (Sierra Sunset)
	048483-06-000	EA	Button Asm. - Covered - Upholstery - Green (Martini Mist)
	048483-07-000	EA	Button Asm. - Covered - Upholstery - Beige (Champagne Velvet)
	048483-08-000	EA	Button Asm. - Covered - Upholstery - Rust (Sierra Sunset)

MATTRESSES

Key	Part Number	U/M	Description
	041914-28-000	EA	Mattress - Flexsteel Bunk - 38 3/4" x 76 1/2" x 4" Green (Martini Mist)
	041914-29-000	EA	Mattress - Flexsteel Bunk - 38 3/4" x 76 1/2" x 4" Beige (Champagne Velvet)
	041914-30-000	EA	Mattress - Flexsteel Bunk - 38 3/4" x 76 1/2" x 4" Rust (Sierra Sunset)

LOUNGE CUSHIONS

Key	Part Number	U/M	Description
	049715-04-000	EA	Cushion w/Frame - 30" x 76" x 5" Green (Martini Mist)
	049715-05-000	EA	Cushion w/Frame - 30" x 76" x 5" Beige (Champagne Velvet)
	049715-06-000	EA	Cushion w/Frame - 30" x 76" x 5" - Rust (Sierra Sunset)
	050992-01-000	EA	Cushion - Slant w/Buttons - 35" x 29" x 12" x 6" Right - Green (Martini Mist)
	050992-02-000	EA	Cushion - Slant w/Buttons - 35" x 29" x 12" x 6" Right - Beige (Champagne Velvet)
	050992-03-000	EA	Cushion - Slant w/Buttons - 35" x 29" x 12" x 6" Right - Rust (Sierra Sunset)
	050992-04-000	EA	Cushion - Slant w/Buttons - 35" x 29" x 12" x 6" Left - Green (Martini Mist)
	050992-05-000	EA	Cushion - Slant w/Buttons - 35" x 29" x 12" x 6" Left - Beige (Champagne Velvet)
	050992-06-000	EA	Cushion - Slant w/Buttons - 35" x 29" x 12" x 6" - Left Rust (Sierra Sunset)
	049598-22-000	EA	Cushion - Bolster - 7" x 14" x 31" x 13" - Green (Martini Mist)
	049598-23-000	EA	Cushion - Bolster - 7" x 14" x 31" x 13" - Beige (Champagne Velvet)
	049598-24-000	EA	Cushion - Bolster - 7" x 14" x 31" x 13" - Rust (Sierra Sunset)
	049714-10-000	EA	Cushion w/Buttons - 12" x 33" x 6" - Green (Martini Mist)
	049714-11-000	EA	Cushion w/Buttons - 12" x 33" x 6" - Beige (Champagne Velvet)
	049714-12-000	EA	Cushion w/Buttons - 12" x 33" x 6" - Rust (Sierra Sunset)
	049714-10-010	EA	Cover - Cushion w/Buttons - 12" x 33" x 6" - Green (Martini Mist)
	049714-11-011	EA	Cover - Cushion w/Buttons - 12" x 33" x 6" - Beige (Champagne Velvet)
	049714-12-012	EA	Cover - Cushion w/Buttons - 12" x 33" x 6" - Rust (Sierra Sunset)
	042384-52-000	EA	Skirt - Lounge - 9.5" x 59.5" - Green (Martini Mist)
	042384-53-000	EA	Skirt - Lounge - 9.5" x 59.5" - Beige (Champagne Velvet)
	042384-54-000	EA	Skirt - Lounge - 9.5" x 59.5" - Rust (Sierra Sunset)
	048483-06-000	EA	Button Asm. - Covered - Upholstery - Green (Martini Mist)
	048483-07-000	EA	Button Asm. - Covered - Upholstery - Beige (Champagne Velvet)
	048483-08-000	EA	Button Asm. - Covered - Upholstery - Rust (Sierra Sunset)

H-19

CURTAIN, CUSHION AND PAD GROUP (CONTINUED)

OPTIONAL LOUNGE CUSHIONS

Key	Part Number	U/M	Description
	043317-16-000	EA	Presto Bed Asm. - Bottom - Green (Martini Mist)
	043317-17-000	EA	Presto Bed Asm. - Bottom - Beige (Champagne Velvet)
	043317-18-000	EA	Presto Bed Asm. - Bottom - Rust (Sierra Sunset)
	043318-16-000	EA	Presto Bed Asm. - Back - Green (Martini Mist)
	043318-17-000	EA	Presto Bed Asm. - Back - Beige (Champagne Velvet)
	043318-18-000	EA	Presto Bed Asm. - Back - Rust (Sierra Sunset)
	049715-01-000	EA	Cushion w/Frame - 21 3/4" x 38" x 5" - Green (Martini Mist)
	049715-02-000	EA	Cushion w/Frame - 21 3/4" x 38" x 5" - Beige (Champagne Velvet)
	049715-03-000	EA	Cushion w/Frame - 21 3/4" x 38" x 5" - Rust (Sierra Sunset)
	049714-01-000	EA	Cushion w/Buttons - 14 1/4" x 38" x 5" - Green (Martini Mist)
	049714-02-000	EA	Cushion w/Buttons - 14 1/4" x 38" x 5" - Beige (Champagne Velvet)
	049714-03-000	EA	Cushion w/Buttons - 14 1/4" x 38" x 5" - Rust (Sierra Sunset)
	049714-34-000	EA	Cushion w/Buttons - 12" x 33.75" x 6" - Green (Martini Mist)
	049714-35-000	EA	Cushion w/Buttons - 12" x 33.75" x 6" - Beige (Champagne Velvet)
	049714-36-000	EA	Cushion w/Buttons - 12" x 33.75" x 6" - Rust (Sierra Sunset)
	049714-34-034	EA	Cover - Cushion w/Buttons - 12" x 33.75" x 6" - Green (Martini Mist)
	049714-35-035	EA	Cover - Cushion w/Buttons - 12" x 33.75" x 6" - Beige (Champagne Velvet)
	049714-36-036	EA	Cover - Cushion w/Buttons - 12" x 33.75" x 6" - Rust (Sierra Sunset)
	049714-13-000	EA	Cushion w/Buttons - 32" x 12" x 6.5" - Green (Martini Mist)
	049714-14-000	EA	Cushion w/Buttons - 32" x 12" x 6.5" - Beige (Champagne Velvet)
	049714-15-000	EA	Cushion w/Buttons - 32" x 12" x 6.5" - Rust (Sierra Sunset)
	049714-19-000	EA	Cushion w/Buttons - 32" x 26" x 6.5" - Green (Martini Mist)
	049714-20-000	EA	Cushion w/Buttons - 32" x 26" x 6.5" - Beige (Champagne Velvet)
	049714-21-000	EA	Cushion w/Buttons - 32" x 26" x 6.5" - Rust (Sierra Sunset)
	049714-22-000	EA	Cushion w/Buttons - 19" x 86" x 5" - Green (Martini Mist)
	049714-23-000	EA	Cushion w/Buttons - 19" x 86" x 5" - Beige (Champagne Velvet)
	049714-24-000	EA	Cushion w/Buttons - 19" x 86" x 5" - Rust (Sierra Sunset)
	050992-07-000	EA	Cushion - Slanted w/Buttons - 12" x 31" x 27" x 6" - Right Green (Martini Mist)
	050992-08-000	EA	Cushion - Slanted w/Buttons - 12" x 31" x 27" x 6" - Right Beige (Champagne Velvet)
	050992-09-000	EA	Cushion - Slanted w/Buttons - 12" x 31" x 27" x 6" - Right Rust (Sierra Sunset)
	050992-10-000	EA	Cushion - Slanted w/Buttons - 12" x 31" x 27" x 6" - Left Green (Martini Mist)
	050992-11-000	EA	Cushion - Slanted w/Buttons - 12" x 31" x 27" x 6" - Left - Beige (Champagne Velvet)
	050992-12-000	EA	Cushion - Slanted w/Buttons - 12" x 31" x 27" x 6" - Left - Rust (Sierra Sunset)
	042384-55-000	EA	Skirt - Lounge - 9.5" x 118" - Green (Martini Mist)
	042384-56-000	EA	Skirt - Lounge - 9.5" x 118" - Beige (Champagne Velvet)
	042384-57-000	EA	Skirt - Lounge - 9.5" x 11" - Rust (Sierra Sunset)

BUCKET SEATS

Key	Part Number	U/M	Description
	052150-01-000	EA	Seat Asm. - Single Bucket (Flexsteel) Green (Martini Mist)
	052150-02-000	EA	Seat Asm. - Single Bucket (Flexsteel) Beige (Champagne Velvet)
	052150-03-000	EA	Seat Asm. - Single Bucket (Flexsteel) Rust (Sierra Sunset)
	055038-01-000	EA	Seat Asm. - Double Bucket - Green (Martini Mist)
	055038-02-000	EA	Seat Asm. - Double Bucket - Beige (Champagne Velvet)
	055038-03-000	EA	Seat Asm. - Double Bucket - Rust (Sierra Sunset)
	055038-01-001	EA	Cover Asm. - Double Bucket Seat - Bottom - Green (Martini Mist)
	055038-02-001	EA	Cover Asm. - Double Bucket Seat - Bottom - Beige (Champagne Velvet)
	055038-03-001	EA	Cover Asm. - Double Bucket Seat - Bottom - Rust (Sierra Sunset)
	055038-01-002	EA	Cover Asm. - Double Bucket Seat - Back - Green (Martini Mist)
	055038-02-002	EA	Cover Asm. - Double Bucket Seat - Back - Beige (Champagne Velvet)
	055038-03-002	EA	Cover Asm. - Double Bucket Seat - Back - Rust (Sierra Sunset)
	055038-01-003	EA	Skirt Asm. - Double Bucket Seat - Green (Martini Mist)
	055038-02-003	EA	Skirt Asm. - Double Bucket Seat - Beige (Champagne Velvet)
	055038-03-003	EA	Skirt Asm. - Double Bucket Seat - Rust (Sierra Sunset)

H-20

**1978 WINNEBAGO
TABLE OF CONTENTS**

Introduction	A-1
Abbreviations	A-1
Alphabetical Index	A-2 - A-4
WC525RB	A-5 - B-14
WDP23RG	B-15 - C-24
WDP26RK	D-1 - E-12
WDU27RK	E-13 - F-22
WDU29RB	F-23 - H-10
WDU27RT	H-11 - I-22
WDP26RB	I-23 - K-10

**1978 WDU27RT
INDEX**

Floor Plan	H-11 - H-12
Accessories Group	H-13 - H-15
Bath Group	H-15 - H-16
Chassis Group	H-17
Curtain, Cushion & Pad Group	H-18 - H-21
Dinette Group	H-21
Driver's Compartment Group	H-22 - H-23
Electrical Group	H-23 - H-24
	I-1
Exterior Body Group	I-2 - I-5
Galley Group	I-6
Heating & Air Conditioning Group	I-7
Interior Finish Group	I-8 - I-9
LP Group	I-10
Lounge Group	I-11
Water & Sewage Group	I-12
Window, Vent & Exterior Door Group	I-13 - I-22

CURTAIN, CUSHION AND PAD GROUP (CONTINUED)

PADS

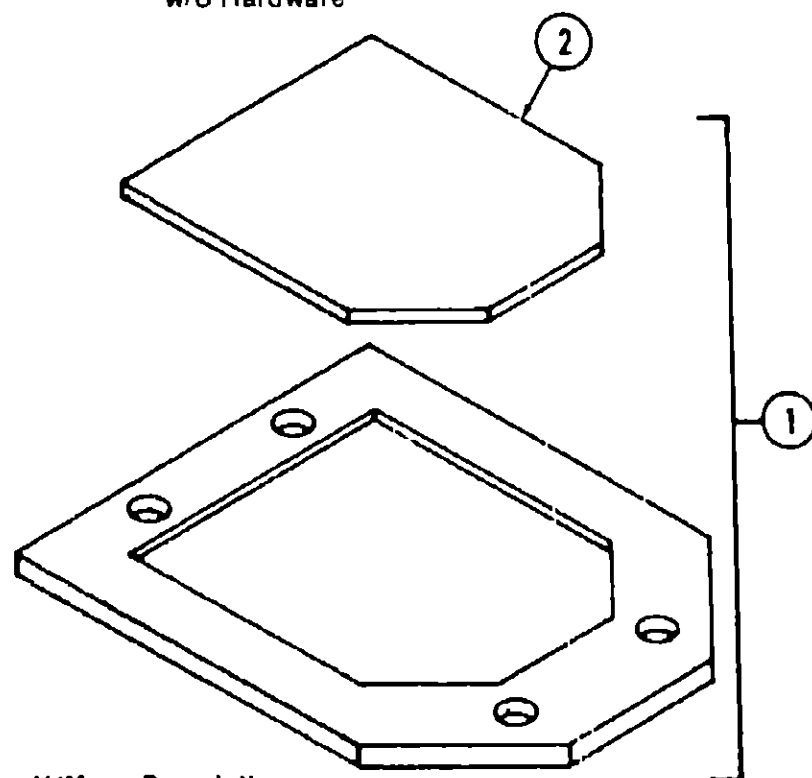
Key	Part Number	U/M	Description
	048751-01-000	EA	Pad - End Panel - Overhead Galley Cabinet
	048747-01-000	EA	Pad - End Panel - Overhead Lounge Cabinet - Left
	048747-02-000	EA	Pad - End Panel - Overhead Lounge Cabinet - Right
	042330-01-000	EA	Armrest Asm. - Wall Mount - Left - Brown Vinyl
	042331-01-000	EA	Armrest Asm. - Wall Mount - Right - Brown Vinyl
	042950-01-000	EA	Handle - Interior Assist Strap - Brown Vinyl

FABRICS

Key	Part Number	U/M	Description
	041429-01-000	YD	Fabric - Valance - Green (Martini Mist)
	041429-02-000	YD	Fabric - Valance - Beige (Champagne Velvet)
	041429-03-000	YD	Fabric - Valance - Rust (Sierra Sunset)
	051772-01-000	YD	Fabric - Floral Drapery - Green (Martini Mist)
	051772-02-000	YD	Fabric - Floral Drapery - Beige (Champagne Velvet)
	051772-03-000	YD	Fabric - Floral Drapery - Rust (Sierra Sunset)
	043623-01-000	YD	Fabric - Upholstery - Green (Martini Mist)
	043623-02-000	YD	Fabric - Upholstery - Beige (Champagne Velvet)
	042623-03-000	YD	Fabric - Upholstery - Rust (Sierra Sunset)
	042411-01-000	YD	Vinyl - Nonexpanded - 27 Ounce - Brown
	042411-03-000	YD	Vinyl - Nonsupport - 16 Gauge - Brown
	042414-01-000	FT	Trim - Accent - Bostonian Brown Vinyl
	023631-05-000	EA	Button - Nail - Brown Vinyl

DINETTE GROUP

Key	Part Number	U/M	Description
	048726-01-000	EA	Cabinet Asm. - Dinette Overhead w/o Padded End Panel, Doors or Hardware
	048103-02-700	EA	Door Asm. - Overhead Cabinet - 22" x 9" w/o Hardware
	044554-01-000	EA	Cabinet Asm. - Dinette Seat - Rear
	044554-02-000	EA	Cabinet Asm. - Dinette Seat - Front
	048103-04-700	EA	Door Asm. - Dinette Seat Cabinet - 19 3/8" x 10 1/4" w/o Hardware



Key	Part Number	U/M	Description
1	048735-01-000	EA	Table Asm. - Dinette - w/o Hardware - w/Insert Brown Mocha Leather
2	048735-01-700	EA	Insert - Dinette Table - Brown Mocha Leather
	047809-02-000	EA	Kit - Table Hardware - Wall Mount
	047842-01-000	EA	Kit - Dinette Table Leg

H-21

DRIVER'S COMPARTMENT GROUP

DASH PANEL AND COMPONENTS

Key	Part Number	U/M	Description
	050582-01-000	EA	Dash Asm. - Elandan II - Complete
	022548-03-000	EA	Pad - Dash - Foam - Right - Dark Brown
	023242-05-000	EA	Pad - Dash - Foam - Left - Dark Brown
	024418-01-000	EA	Lamp Asm. - Map/Guage
	023020-01-000	EA	Lamp Asm. - Tell Tale
	039044-01-000	EA	Louver Asm. - A/C - Adjustable
	048771-01-000	EA	Nameplate - Elandan II - Brown/Gold
	007037-01-000	EA	Lighter Asm. - Cigarette - 12V
	007041-01-000	EA	Bezel - Cigarette Lighter
	007071-01-000	EA	Louver - Chrome - w/Chrome Wheel
	024906-01-000	EA	Diffuser Case - A/C - 2 1/2" Black
	050299-01-000	EA	Bezel - Instrument Panel
	050465-01-000	EA	Bezel - Entertainment Center - No. 1
	022219-01-000	EA	Door - Glove Box
	009118-01-000	EA	Lock - Twist w/Nut
	023892-01-000	EA	Box - Glove Compartment - Black Fiberboard
	024598-01-000	EA	Hinge - Continuous Aluminum - 1 1/16" x 19"
	034309-01-000	EA	Chain - Bead - Glove Box Door
	023834-01-000	EA	Panel - Knee Kick
	024990-02-000	EA	Outlet - Defroster - 2" w/Swivel - Dark Brown
	040636-01-000	EA	Bracket Asm. - Shift Lever

DASH SWITCHES AND GAUGES

Key	Part Number	U/M	Description
	024907-01-000	EA	Control Asm. - Heater and A/C
	031035-01-000	EA	Gauge - Hourmeter - Generator
	024459-01-000	EA	Gauge - Voltmeter
	024460-01-000	EA	Gauge - Vacuum
	007308-01-000	EA	Clock - Dash
	024976-01-000	EA	Switch - Generator - w/o Circuit Board
	024462-01-000	EA	Switch - Battery Condition
	024461-01-000	EA	Switch - Battery Changeover
	024464-01-000	EA	Switch - Washer
	024465-01-000	EA	Switch - Fuel
	024466-01-000	EA	Switch - Rear Wiper
	024467-01-000	EA	Switch - Wiper
	049783-01-000	EA	Switch - Aux. Light
	050031-01-000	EA	Switch - Step
	051750-01-000	EA	Switch - Dash Electric LP Gas Shut Off

BUCKET SEAT PEDESTAL AND SEAT BELTS

Key	Part Number	U/M	Description
	050447-01-000	EA	Pedestal Asm. - Tilt Seat - Driver
	050447-02-000	EA	Pedestal Asm. - Tilt Seat - Passenger
	007019-01-000	EA	Belt Asm. - Seat - 2" x 84" - Black
	041322-01-000	EA	Washer - Flat - 15/32" I.D. x 2 3/8" O.D.
	052151-01-000	EA	Pedestal Asm. - Flexsteel Bucket Seat
	052154-01-000	EA	Slide Asm. - Flexsteel Bucket Seat

**1978 WINNEBAGO
TABLE OF CONTENTS**

Introduction	A-1
Abbreviations	A-1
Alphabetical Index	A-2 - A-4
WC525RB	A-5 - B-14
WDP23RG	B-15 - C-24
WDP26RK	D-1 - E-12
WDU27RK	E-13 - F-22
WDU29RB	F-23 - H-10
WDU27RT	H-11 - I-22
WDP26RB	I-23 - K-10

**1978 WDU27RT
INDEX**

Floor Plan	H-11 - H-12
Accessories Group	H-13 - H-15
Bath Group	H-15 - H-16
Chassis Group	H-17
Curtain, Cushion & Pad Group	H-18 - H-21
Dinette Group	H-21
Driver's Compartment Group	H-22 - H-23
Electrical Group	H-23 - H-24
	I-1
Exterior Body Group	I-2 - I-5
Galley Group	I-6
Heating & Air Conditioning Group	I-7
Interior Finish Group	I-8 - I-9
LP Group	I-10
Lounge Group	I-11
Water & Sewage Group	I-12
Window, Vent & Exterior Door Group	I-13 - I-22

H-22

DRIVER'S COMPARTMENT GROUP (CONTINUED)

MISCELLANEOUS DRIVERS COMPARTMENT COMPONENTS

Key	Part Number	U/M	Description
	048583-01-000	EA	Tray Asm. - Beverage
	048670-01-000	EA	Track Asm. - Beverage Tray (2 per Tray)
	034499-01-000	EA	Support - Dimmer Switch
	007278-01-000	EA	Mirror - 4 1/2" x 9" - Rear View
	036414-01-000	EA	Ashtray - Wall Mount
	042434-02-000	EA	Sunvisor Asm. - 8" x 28" - Dark Brown Vinyl - Right or Left
	040519-01-000	EA	Boot - Rubber - Steering Column
	040520-01-000	EA	Retainer - Boot - Steering Column
	039857-01-000	EA	Latch - Rubber - Draw Handle - 5 3/4" w/Strike
	039856-01-000	EA	Latch - Rubber - Draw Handle - 3" w/Strike
	035368-02-000	EA	Seal - Motor Cover - Extr. Aluminum
	042328-03-000	EA	Sidepanel - Left
	050761-01-000	EA	Sidepanel - Right
	042332-01-000	EA	Pouch - Vinyl - Sidepanel - Left
	042333-01-000	EA	Pouch - Vinyl - Sidepanel - Right
	042337-01-000	EA	Trim - Brown Plastic - Over Driver Window
	042337-02-000	EA	Trim - Brown Plastic - Over Passenger Window
	042341-01-000	EA	Trim - A Post - Brown Plastic - Left
	042341-02-000	EA	Trim - A Post - Brown Plastic - Right

ELECTRICAL GROUP

BULBS

Key	Part Number	U/M	Description
	037936-01-000	EA	Bulb - 1157-A
	037937-01-000	EA	Bulb - 1295
	037934-01-000	EA	Bulb - 1156
	037935-01-000	EA	Bulb - 1157
	038010-01-000	EA	Bulb - 1143
	008103-01-000	EA	Bulb - 53
	008213-01-000	EA	Bulb - 57
	008214-01-000	EA	Bulb - 67
	008215-01-000	EA	Bulb - 1003
	008216-01-000	EA	Bulb - 1034
	008217-01-000	EA	Bulb - 1073
	008218-01-000	EA	Bulb - 1141
	008219-01-000	EA	Bulb - 656
	008220-01-000	EA	Bulb - 12V - 25W
	036196-01-000	EA	Bulb - 194
	7000.0-01-000	EA	Bulb - 12V - 20W 1383

ELECTRICAL GROUP (CONTINUED)

INTERIOR LIGHTS

Key	Part Number	U/M	Description
	023020-01-000	EA	Lamp Asm. - Tell Tale
	024418-01-000	EA	Lamp Asm. - Map/Gauge/Aisle
	024473-01-000	EA	Light - Aircraft - 1 Bulb - Gold
	033508-02-000	EA	Light - Dome - Ivory - 1 Bulb
	024642-01-701	EA	Lens - Dome Light - 1 Bulb
	033509-02-000	EA	Light - Dome - Ivory - 2 Bulb
	024643-01-701	EA	Lens - Dome Light - 2 Bulb
	007309-01-000	EA	Light - Step Well
	049412-01-000	EA	Light Asm. - Overhead Recessed - 10" x 30"

EXTERIOR LIGHTS

Key	Part Number	U/M	Description
	037586-01-000	EA	Lamp Asm. - Front Right - Turn Signal
	037586-02-000	EA	Lamp Asm. - Front Left - Turn Signal
	037585-01-000	EA	Lamp Asm. - Tail - Rear Right
	037585-03-000	EA	Lens - Tail Lamp - Right
	037585-02-000	EA	Lamp Asm. - Tail - Rear Left
	037585-04-000	EA	Lens - Tail Lamp - Left
	048811-01-000	EA	Lamp Asm. - Fog Light
	042405-03-000	EA	Base - Rectangular Clearance Light
	042405-04-000	EA	Lens - Clearance Light - Red w/o Reflector
	042405-05-000	EA	Lens - Clearance Light - Amber w/o Reflector
	049185-01-000	EA	Headlamp Capsule Asm. - Rectangular - Left - High/Low Beam
	049186-01-000	EA	Headlamp Capsule Asm. - Rectangular - Right - High/Low Beam
	049187-01-000	EA	Headlamp Capsule Asm. - Rectangular - Left - High Beam
	049188-01-000	EA	Headlamp Capsule Asm. - Rectangular - Right - High Beam
	048817-01-000	EA	Handle - Assist w/Light

FUSES AND CIRCUIT BREAKERS

Key	Part Number	U/M	Description
	008233-01-000	EA	Fuse - 12 Volt - 6 Amp.
	008234-01-000	EA	Fuse - 12 Volt - 10 Amp.
	008235-01-000	EA	Fuse - 12 Volt - 15 Amp.
	008236-01-000	EA	Fuse - 12 Volt - 20 Amp.
	008248-01-000	EA	Fuse - 12 Volt - 30 Amp.
	008252-01-000	EA	Fuse - 110 Volt - 50 Amp.
	008208-01-000	EA	Circuit Breaker - 12 Volt - 40 Amp.
	008211-01-000	EA	Circuit Breaker - 12 Volt - 6 Amp.
	008268-01-000	EA	Circuit Breaker - 12 Volt - 30 Amp. w/Mount
	035373-01-000	EA	Circuit Breaker - 12 Volt - 20 Amp. w/Mount
	008273-03-000	EA	Circuit Breaker - 15/20 Amp. TQL
	036617-01-000	EA	Relay - Canister - SPDT
	033484-01-000	EA	Circuit Breaker - 30 Amp. - Air Conditioner
	052012-01-000	EA	Circuit Breaker - 50 Amp. - Air Conditioner

1978 WINNEBAGO TABLE OF CONTENTS

Introduction	A-1
Abbreviations	A-1
Alphabetical Index	A-2 - A-4
WC525RB	A-5 - B-14
WDP23RG	B-15 - C-24
WDP26RK	D-1 - E-12
WDU27RK	E-13 - F-22
WDU29RB	F-23 - H-10
WDU27RT	H-11 - I-22
WDP26RB	I-23 - K-10

1978 WDU27RT INDEX

Floor Plan	H-11 - H-12
Accessories Group	H-13 - H-15
Bath Group	H-15 - H-16
Chassis Group	H-17
Curtain, Cushion & Pad Group	H-18 - H-21
Dinette Group	H-21
Driver's Compartment Group	H-22 - H-23
Electrical Group	H-23 - H-24
	I-1
Exterior Body Group	I-2 - I-5
Galley Group	I-6
Heating & Air Conditioning Group	I-7
Interior Finish Group	I-8 - I-9
LP Group	I-10
Lounge Group	I-11
Water & Sewage Group	I-12
Window, Vent & Exterior Door Group	I-13 - I-22

ELECTRICAL GROUP (CONTINUED)

WINDSHIELD WIPER AND WASHER

Key	Part Number	U/M	Description
	037998-01-000	EA	Link Asm. - Connecting - 22.40" Long
	037999-01-000	EA	Motor Asm. - Windshield Wiper - Front
	038001-01-000	EA	Shaft and Pivot Asm. - 2.25" Arm
	049163-01-000	EA	Arm - Windshield Wiper - 15" Black
	049464-01-000	EA	Blade - Windshield Wiper - 16" Black
	007029-01-000	EA	Washer Asm. - Windshield Power Jet Electric - Front
	700073-05-000	EA	Pump and Cover Asm. - for Windshield Washer - Front or Rear
	700073-04-000	EA	Reservoir Only - Water - Windshield Washer - Front or Rear
	700073-02-000	EA	Washer Nozzle Hardware Package - Front
	700073-03-000	EA	Washer Nozzle Hardware Package - Rear
	038000-03-000	EA	Blade - Windshield Wiper - 14"
	039756-01-000	EA	Motor - Rear Window Wiper
	039757-01-000	EA	Arm - Rear Window Wiper - 16"

WIRE, SWITCHES, AND RECEPTACLES

Key	Part Number	U/M	Description
	008024-01-000	FT	Wire - 18.5 Bonded - Orange/White/Yellow/Blue/Brown
	008025-01-000	FT	Wire - 18.5 Bonded - Orange/White/Yellow/Blue/Green
	008028-01-000	FT	Wire - 18.5 Bonded - Blue/Red/Yellow/Orange/White
	008030-01-000	FT	Wire - 18.4 Bonded
	008251-01-000	EA	Holder - Fuse - Black - Screw Type
	008277-01-000	EA	Holder - Fuse - Black - Panel Mount
	008195-01-000	EA	Switch - Push Button - 12 Volt
	006077-01-000	EA	Plaque - Compressor Switch
	008054-01-000	EA	Cord - Power - 10-3 30 An.p. - 25' - UL
	034818-04-000	EA	Holder - Receptacle - Plastic
	039338-01-000	EA	Cover - Plate - Receptacle - Plastic - Brown
	039339-01-000	EA	Receptacle - Duplex Brown - End of Line
	039342-01-000	EA	Receptacle - Duplex Brown - T Junction
	024571-01-000	EA	Cover Plate - Receptacle - Jumbo Steel Brown
	048172-01-000	EA	Cover Plate - Receptacle - Antique Brass
	048173-01-000	EA	Cover Plate - Double Switch - Antique Brass
	048174-01-000	EA	Cover Plate - Single Switch - Antique Brass
	039343-01-000	EA	Cap - End - Receptacle
	008162-01-000	EA	Switch - Double Toggle - Spade Brown
	008163-01-000	EA	Switch - Toggle Brown
	024924-01-000	EA	Receptacle - Power Cord
	003058-01-000	EA	Adaptor - Power Cord
	047353-01-000	EA	Cover - Receptacle - Ground Fault
	047351-01-000	EA	Receptacle - Ground Fault Interrupter - 125 Volt - Black

MISCELLANEOUS ELECTRICAL COMPONENTS

Key	Part Number	U/M	Description
	047338-01-000	EA	Isolator - Dual Battery
	047389-01-700	EA	Battery - 12 Volt - 105 Amp. Deep Cycle - Dry
	008188-01-000	EA	Solenoid - Dual Battery - Relay
	045775-01-000	EA	Valve - Gas - Change Over
	041079-01-000	EA	Control Center - 50 Amp. w/Door - UL
	048812-04-000	EA	Control Panel - Water/Double Sewage - w/o Insert
	048812-05-000	EA	Insert - Control Panel - w/Thermostat Mount Holes
	048812-06-000	EA	Insert - Control Panel - w/o Thermostat Mount Holes
	039861-01-000	EA	Sending Unit Kit - Wemac
	036420-01-000	EA	Fan - Defroster
	047375-01-000	EA	Control Unit - Power Step
	041248-01-000	EA	Light - Warning - Power Step
	041249-01-000	EA	Switch - Toggle - On/Off - Power Step
	041250-01-000	EA	Switch - Push Button - Power Step
	036617-01-000	EA	Relay - Canister - SPDT
	008181-01-000	EA	Relay - 12 to 15 Volt - 27 Amp.

EXTERIOR BODY GROUP

EXTERIOR PAINT

Key	Part Number	U/M	Description
	044486-01-000	EA	Paint - Beige - Acrylic Enamel - 1 Gallon
	044486-03-000	EA	Paint - Beige - Acrylic Enamel - 16 Oz. Aerosol
	044486-04-000	EA	Paint - Beige - Acrylic Lacquer - 1 Gallon
	041561-01-000	EA	Paint - Off White - Acrylic Enamel - 1 Gallon
	041561-03-000	EA	Paint - Off White - Acrylic Enamel - 16 Oz. Aerosol
	041561-04-000	EA	Paint - Off White - Acrylic Lacquer - 1 Gallon
	045681-01-000	EA	Paint - High Gloss Black - Acrylic Enamel - 1 Gallon
	045681-03-000	EA	Paint - High Gloss Black - Acrylic Enamel - 16 Oz. Aerosol
	041568-01-000	EA	Paint - Antique Bronze Metallic - Acrylic Enamel - 1 Gallon
	041568-03-000	EA	Paint - Antique Bronze Metallic - Acrylic Enamel - 16 Oz. Aerosol
	043877-01-000	EA	Paint - Saddle Bronze Metallic - Acrylic Enamel - 1 Gallon
	043877-03-000	EA	Paint - Saddle Bronze Metallic - Acrylic Enamel - 16 Oz. Aerosol
	041575-01-000	EA	Paint - Dark Green Metallic - Acrylic Enamel - 1 Gallon
	041575-03-000	EA	Paint - Dark Green Metallic - Acrylic Enamel - 16 Oz. Aerosol
	043476-01-000	EA	Paint - Lime Metallic - Acrylic Enamel - 1 Gallon
	043476-03-000	EA	Paint - Lime Metallic - Acrylic Enamel - 16 Oz. Aerosol
	041574-01-000	EA	Paint - Dark Ginger Metallic - Acrylic Enamel - 1 Gallon
	041574-03-000	EA	Paint - Dark Ginger Metallic - Acrylic Enamel - 16 Oz. Aerosol
	043876-01-000	EA	Paint - Chestnut Metallic - Acrylic Enamel - 1 Gallon
	043876-03-000	EA	Paint - Chestnut Metallic - Acrylic Enamel - 16 Oz. Aerosol

MISCELLANEOUS EXTERNALLY MOUNTED PARTS

Key	Part Number	U/M	Description
	011124-01-000	EA	Plumbing Seal - Roof Vent - 1 1/4" White
	011129-01-000	EA	Plumbing Seal - Roof Vent - 1 1/2" White
	010230-02-000	EA	Fill - City Water - Recessed - Off White
	011020-01-000	EA	Fill - Water - Recessed - Off White
	048817-01-000	EA	Handle - Assist w/Light
	049347-01-000	EA	Mirror Head - 7 1/2" x 10 1/2" Stainless Steel w/o Bracket
	049348-01-000	EA	Arm - Low Mount Mirror - Brite Finish
	049944-01-000	EA	Bracket - Mirror - Outside - Beige - Mounts to Coach

EXTERIOR BODY PANELS AND SHEET ALUMINUM

Key	Part Number	U/M	Description
	052278-01-000	EA	Valance Panel - Left Rear - Beige Fiberglass
	052279-01-000	EA	Valance Panel - Left Front - Beige Fiberglass
	052276-01-000	EA	Valance Panel - Right Rear - Beige Fiberglass
	052277-01-000	EA	Valance Panel - Right Front - Beige Fiberglass
	046311-02-000	EA	Valance Panel - Right Front - Beige Plastic
	046158-03-000	EA	Valance Panel - Louvered - Left Rear - Beige Plastic
	046161-16-000	EA	Valance Panel - 49" - Beige Plastic
	046161-17-000	EA	Valance Panel - 52" - Beige Plastic
	046161-18-000	EA	Valance Panel - 30.94" - Beige Plastic
	046159-01-000	EA	Valance Panel - Right Rear - Beige Plastic
	046161-22-000	EA	Valance Panel - 31" x 10.59" - Beige Plastic
	044612-01-000	EA	Backwall Asm. - w/o Fiberglass Cap
	050075-01-000	EA	Sidewall Asm. - Left
	050074-01-000	EA	Sidewall Asm. - Right
	050073-01-000	EA	Roof Asm.
	039155-03-002	EA	Alum. - Off White - Mesa Design - .024" x 36" x 300"
	039155-03-003	EA	Alum. - Off White - Mesa Design - .024" x 36" x 360"
	039155-03-007	EA	Alum. - Off White - Mesa Design - .024" x 48" x 60"
	039155-02-008	EA	Alum. - Beige Mesa Design - .024" x 36" x 60"
	039155-02-002	EA	Alum. - Beige Mesa Design - .024" x 36" x 300"
	039155-02-003	EA	Alum. - Beige Mesa Design - .024" x 36" x 360"
	039155-02-007	EA	Alum. - Beige Mesa Design - .024" x 48" x 60"
	039155-02-005	EA	Alum. - Beige Mesa Design - .024" x 48" x 300"
	039155-02-006	EA	Alum. - Beige Mesa Design - .024" x 48" x 360"
	039155-02-009	EA	Alum. - Beige Mesa Design - .024" x 12" x 360"
	044487-01-001	EA	Alum. - Mill Finish - No Design (Roof) - 96" x 350"
	000868-01-000	BF	Styrofoam - 3/4" x 24" x 96"

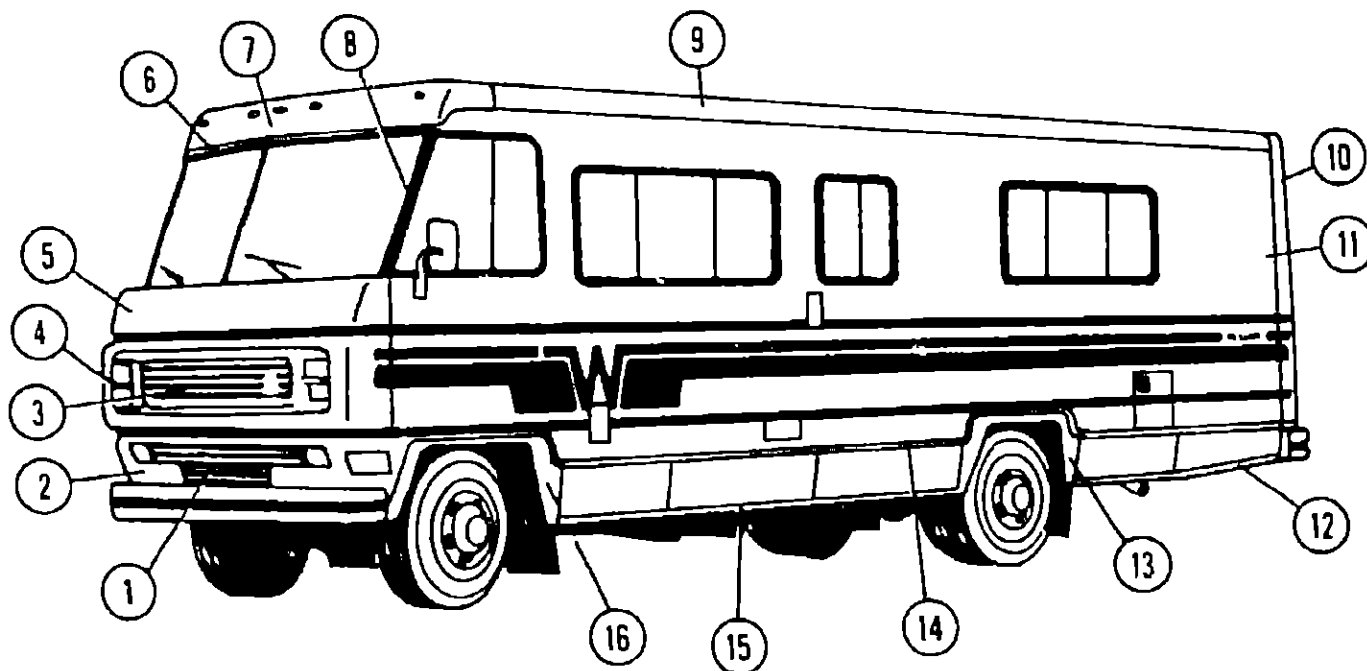
**1978 WINNEBAGO
TABLE OF CONTENTS**

Introduction	A-1
Abbreviations	A-1
Alphabetical Index	A-2 - A-4
WC525RB	A-5 - B-14
WDP23RG	B-15 - C-24
WDP26RK	D-1 - E-12
WDU27RK	E-13 - F-22
WDU29RB	F-23 - H-10
WDU27RT	H-11 - I-22
WDP26RB	I-23 - K-10

**1978 WDU27RT
INDEX**

Floor Plan	H-11 - H-12
Accessories Group	H-13 - H-15
Bath Group	H-15 - H-18
Chassis Group	H-17
Curtain, Cushion & Pad Group	H-18 - H-21
Dinette Group	H-21
Driver's Compartment Group	H-22 - H-23
Electrical Group	H-23 - H-24
	I-1
Exterior Body Group	I-2 - I-5
Galley Group	I-6
Heating & Air Conditioning Group	I-7
Interior Finish Group	I-8 - I-9
LP Group	I-10
Lounge Group	I-11
Water & Sewage Group	I-12
Window, Vent & Exterior Door Group	I-13 - I-22

EXTERIOR BODY GROUP (CONTINUED)



Key	Part Number	U/M	Description
1	050686-01-000	EA	Grille Asm. - Lower - Complete
2	048132-01-000	EA	Panel - Wheelhouse - Front - Outer - Right
3	050684-01-000	EA	Grille Asm. - Upper - Complete
•	021497-01-000	EA	Latch Asm. - Grille
4	049185-01-000	EA	Capsule Asm. - Headlamp - Rectangular - Left - High/Low Beam
•	049186-01-000	EA	Capsule Asm. - Headlamp - Rectangular - Right - High/Low Beam
•	049187-01-000	EA	Capsule Asm. - Headlamp - Rectangular - Left - High Beam
•	049188-01-000	EA	Capsule Asm. - Headlamp - Rectangular - Right - High Beam
•	049358-01-000	EA	Bezel Asm. - Headlamp - Chrome - Left
•	049358-02-000	EA	Bezel Asm. - Headlamp - Chrome - Right
•	049359-01-000	EA	Spring - Headlamp - Retainer
•	050030-01-000	EA	Housing Asm. - Headlamp - Left or Right
5	048992-01-000	EA	Panel - Front End - Fiberglass - Beige
6	038493-07-000	EA	Trim - Windshield - Right - Black
•	038493-08-000	EA	Trim - Windshield - Left - Black
•	038494-04-000	EA	Trim - Windshield - Center - 31.42" - Black
•	038900-04-000	EA	Cap - Windshield Top - "T" - Black Plastic

Key	Part Number	U/M	Description
7	047979-01-000	EA	Cap - Front Upper - Beige Fiberglass (above windshield)
8	042348-02-000	EA	Trim - "A" Post - Exterior - Left
•	042348-01-000	EA	Trim - "A" Post - Exterior - Right
9	051853-01-000	EA	Extrusion - Roof/Sidewall Joint - Beige - 269"
10	050977-02-000	EA	Cap - Rear - Fiberglass - Beige
11	047978-02-000	EA	Trim - Extrusion - "J" Molding - Radius Left
•	047978-01-000	EA	Trim - Extrusion - "J" Molding - Radius Right
•	042314-02-000	EA	Trim - Valance Panel - Left Rear
•	042314-01-000	EA	Trim - Valance Panel - Right Rear
13	047980-01-000	EA	Panel - Wheelhouse - Rear - Left or Right
14	044504-06-000	EA	Feature Strip - 133" - Beige
•	042313-01-000	EA	End Cap - Feature Strip - Beige
15	049015-01-000	EA	Trim - Valance Panel - Left Front
•	044861-02-000	EA	Trim - Valance Panel - Right Front
16	048132-02-000	EA	Panel - Wheelhouse - Front - Left or Right
•	048159-01-000	EA	Splash Guard - Front Bumper - Black Plastic
•	044975-01-000	EA	Trim - Extrusion - 100.25" - "J" Molding - Beige
•			Not Illustrated

1978 WINNEBAGO
TABLE OF CONTENTS

Introduction	A-1
Abbreviations	A-1
Alphabetical Index	A-2 - A-4
WC525RB	A-5 - B-14
WDP23RG	B-15 - C-24
WDP26RK	D-1 - E-12
WDU27RK	E-13 - F-22
WDU29RB	F-23 - H-10
WDU27RT	H-11 - I-22
WDP26RB	I-23 - K-10

1978 WDU27RT
INDEX

Floor Plan	H-11 - H-12
Accessories Group	H-13 - H-15
Bath Group	H-15 - H-16
Chassis Group	H-17
Curtain, Cushion & Pad Group	H-18 - H-21
Dinette Group	H-21
Driver's Compartment Group	H-22 - H-23
Electrical Group	H-23 - H-24
	I-1
Exterior Body Group	I-2 - I-5
Galley Group	I-6
Heating & Air Conditioning Group	I-7
Interior Finish Group	I-8 - I-9
LP Group	I-10
Lounge Group	I-11
Water & Sewage Group	I-12
Window, Vent & Exterior Door Group	I-13 - I-22

EXTERIOR BODY GROUP (CONTINUED)

LABELS AND DECALS

Key	Part Number	U/M	Description
	049289-01-000	EA	Decal - Logo - Elandan II - Antique Bronze Metallic
	049289-02-000	EA	Decal - Logo - Elandan II - Dark Green Metallic
	049289-03-000	EA	Decal - Logo - Elandan II - Dark Ginger Metallic
	044477-01-000	EA	Decal - 1" Dia. - Black Stain Finish
	050313-01-000	EA	Decal - Logo - Winnebago - 2.80" - Antique Bronze Metallic
	050313-02-000	EA	Decal - Logo - Winnebago - 2.80" - Dark Green Metallic
	050313-03-000	EA	Decal - Logo - Winnebago - 2.80" - Dark Ginger Metallic
	038284-01-000	EA	Decal - Grille - "Flying W"
	038403-02-000	EA	Decal - Logo "W" - Trunk Door
	006028-01-000	EA	Label - Drain Cap - 2" x 3"
	006031-01-000	EA	Label - Potable Water Only
	006187-01-000	EA	Label - Sewage
	006188-01-000	EA	Label - Waste Water
	006199-01-000	EA	Label - Exit - Escape Window
	031161-01-000	EA	Label - Flying "W"

SEALANTS, ADHESIVES AND FASTENERS

Key	Part Number	U/M	Description
	034552-05-000	EA	Sealant - Off White Silicone
	034552-04-000	EA	Sealant - Beige Silicone
	034552-02-000	EA	Sealant - Clear Silicone
	004348-02-000	EA	Sealant - Aluminum Silicone
	004349-01-000	EA	Sealant - Black Silicone
	004342-01-000	EA	Sealant - Weatherban 202 Tube
	004346-02-000	EA	Sealant - White Silicone
	004347-01-000	EA	Sealant - Tuflex
	002316-01-000	FT	Sealer Tape - 3/32" x 1/8"
	024545-01-000	FT	Sealer Tape - 1/8" x 5/8" - Black
	004350-01-000	FT	Sealer Tape - 1/8" x 1" Formaseal
	004352-01-000	FT	Sealer Tape - 1/8" x 3/4" - Formaseal
	004355-01-000	FT	Sealer Tape - 1/8" x 5/8" - Black
	004357-01-000	FT	Sealer Tape - 1/8" x 5/8" - Adhesive
	002707-02-000	FT	Sealer Tape - 5/16" x 1/2" - Foam
	002707-01-000	FT	Sealer Tape - 5/16" x 3/4" - Black Foam
	041422-01-000	FT	Sealer Tape - 1/4" x 1/2"
	004363-01-000	FT	Sealer Tape - 3/16" x 1/2" - Foam
	004362-01-000	FT	Sealer Tape - 1/8" x 5/8" - Foam
	009200-01-000	EA	Tape - Furnace - 1 1/2"
	041839-01-000	FT	Tape - Window - Latch - 3/4" - Adhesive
	041839-02-000	FT	Tape - Window - Latch - 1/2" - Adhesive
	004353-01-000	FT	Tape - Gasket - 1/8" x 3/4" - White
	002825-01-000	FT	Weather Stripping - Roof Vent
	002337-01-000	EA	Adhesive - 3M - 1300 Tube
	004005-01-000	GL	Adhesive - Swifts - Green - Glue (Sidewalls)
	004012-01-000	EA	Adhesive - 3M - 4475 Tube
	004020-01-000	QT	Adhesive - ABS Cement (Plastic Fittings)
	029051-01-000	EA	Adhesive - Spray Vinyl
	042401-01-000	EA	Screw - 8-18 x 3/4" SDPH Beige
	042403-01-000	EA	Screw - SF/DR - 8-18 x 1" SDPH Beige
	005058-01-000	EA	Screw - Wood - 12-11 x 3" P.O.H. Zinc
	053766-01-000	EA	Bedding Compound - Tube Black - Schnee Morehead
	053766-02-000	EA	Bedding Compound - Tube White - Schnee Morehead
	053767-01-000	FT	Tape - 1/2" x 1/8" x 30' - Gray - Schnee Morehead
	053767-02-000	FT	Tape - 3/16" Bead x 25' - Gray - Schnee Morehead
	053767-03-000	FT	Tape - 1/4" Bead x 20' - Gray - Schnee Morehead
	053767-04-000	FT	Tape - 3/4" x 1/8" x 30' - Gray - Schnee Morehead
	053767-05-000	FT	Tape - 2" x 3/32" x 45' - Gray - Schnee Morehead
	053752-03-000	EA	Sealing Compound - Seam Sealer - White - Schnee Morehead #5517

GALLEY GROUP

Key	Part Number	U/M	Description
	050363-01-000	EA	Cabinet Asm. - Galley - w/o Top, Doors or Hardware
	048103-22-700	EA	Door Asm. - Galley Cabinet - 13" x 25 7/8" - w/o Hardware
	049074-07-700	EA	Drawer Asm. - Galley Cabinet - 14 1/8" x 5 1/4" x 10" Deep - w/o Hardware
	049074-02-700	EA	Drawer Asm. - Galley Cabinet - 14 1/8" x 5 1/4" x 20" Deep - w/o Hardware
	049095-01-700	EA	Drawer Asm. - Pantry - w/o Hardware
	011033-01-000	EA	Sink - Stainless Steel - Double - (Large/Small) Sink w/Bolts
	011054-01-000	EA	Faucet Asm. - Swivel w/Single Handle
	011053-01-700	EA	Aerator - Swivel Spout Faucet
	011085-01-000	EA	Strainer - Sink
	044829-05-000	EA	Cover - Sink - Small - Green (Martini Mist)
	044829-06-000	EA	Cover - Sink - Small - Beige (Champagne Velvet or Sierra Sunset)
	044830-05-000	EA	Cover - Sink - Large - Green (Martini Mist)
	044830-06-000	EA	Cover - Sink - Large - Beige (Champagne Velvet or Sierra Sunset)
	050364-01-000	EA	Countertop - Galley Cabinet - Green (Martini Mist)
	050364-02-000	EA	Countertop - Galley Cabinet - Beige (Champagne Velvet or Sierra Sunset)
	042599-01-000	EA	Countertop Asm. - Galley Extension - Green (Martini Mist) w/Hinges and Brace
	042599-02-000	EA	Countertop Asm. - Galley Extension - Beige (Champagne Velvet or Sierra Sunset) - w/Hinges and Brace
	009049-01-000	EA	Support - Galley Extension
	009059-01-000	EA	Hinge - Galley Extension - Gold
	048103-15-700	EA	Door Asm. - Refrigerator Cabinet - 209/16" x 6 1/4" - w/o Hardware
	049074-03-700	EA	Drawer Asm. - Refrigerator Cabinet - 20 5/8" x 6 1/4" x 20" - w/o Hardware
	050424-01-000	EA	Cabinet Asm. - Galley Overhead - w/o Doors or Hardware
	048103-01-700	EA	Door Asm. - Galley Overhead Cabinet - 30" x 9" - w/o Hardware
	049366-01-000	EA	Cabinet Asm. - Microwave Oven
	048103-08-700	EA	Door Asm. - Microwave Oven Cabinet - 21 1/2" x 13 11/16" - w/o Hardware - 2 Per Cabinet (Doors Are Used When Microwave Oven is Not Installed)
	042563-01-000	EA	Oven - Microwave - Winnebago (by Panasonic)
**	046955-01-000	EA	Refrigerator - Norcold - AC/DC - 2 Door
**	049045-01-000	EA	Range - 4 Burner - Large Oven - Chrome - Magic Chef
**	046954-01-000	EA	Hood - Range - Power w/Spice Cabinet - Jensen

**The illustrated parts breakdown for this item is provided on the Common Items Fiche.

**1978 WINNEBAGO
TABLE OF CONTENTS**

Introduction	A-1
Abbreviations	A-1
Alphabetical Index	A-2 - A-4
WC525RB	A-5 - B-14
WDP23RG	B-15 - C-24
WDP26RK	D-1 - E-12
WDU27RK	E-13 - F-22
WDU29RB	F-23 - H-10
WDU27RT	H-11 - I-22
WDP26RB	I-23 - K-10

**1978 WDU27RT
INDEX**

Floor Plan	H-11 - H-12
Accessories Group	H-13 - H-15
Bath Group	H-15 - H-16
Chassis Group	H-17
Curtain, Cushion & Pad Group	H-18 - H-21
Dinette Group	H-21
Driver's Compartment Group	H-22 - H-23
Electrical Group	H-23 - H-24
	I-1
Exterior Body Group	I-2 - I-5
Galley Group	I-6
Heating & Air Conditioning Group	I-7
Interior Finish Group	I-8 - I-9
LP Group	I-10
Lounge Group	I-11
Water & Sewage Group	I-12
Window, Vent & Exterior Door Group	I-13 - I-22

HEATING AND AIR CONDITIONING GROUP

AUTOMOTIVE HEATING AND AIR CONDITIONING

Key	Part Number	U/M	Description
	048228-02-000	EA	Auto Air - 440 C.I.D. - Winnebago
	039044-01-000	EA	Louver Asm. - A/C Adjustable
	047046-01-000	EA	Motor - 12 Volt - 3 Speed - Heater - Air Conditioner
	031043-01-000	EA	Valve - Heater - Water Flow Control
	031169-01-000	EA	Cable - Control - Flexible - 53"
	031169-02-000	EA	Cable - Control - Flexible - 48"
	031170-01-000	EA	Clamp - Cable - 3/16" Dia.
	024996-01-000	EA	Clutch - Magnetic - Compressor
	024999-01-000	EA	Compressor - Auto Air - 10.3 Cubic Inch
	033295-01-000	EA	Package - Air Conditioner - Compressor Mount - 440 C.I.D.
	031394-01-000	EA	Condenser - Radiator Mount
	008267-01-000	EA	Switch - Air Conditioner
	024867-01-000	EA	Valve - Thermostatic Expansion
	024997-01-000	EA	Core - Heater
	024998-01-000	EA	Wheel - Blower - 4.72" O.D.
	031393-01-000	EA	Coil - Evaporator
	033258-01-000	EA	Hose - Refrigerant - .50" I.D. x 34.50"
	034222-01-000	EA	Hose - Refrigerant - .31" I.D. x 26"
	031960-01-000	EA	Hose - Refrigerant - .34" I.D. x 30"
	031961-01-000	EA	Hose - Refrigerant - .31" I.D. x 14.75"
	024868-01-000	EA	Receiver - Dehydrator
	031044-01-000	EA	Clamp - Receiver Dehydrator
	031962-01-000	EA	Bracket - Receiver Dehydrator
	031976-01-000	EA	Belt - Drive - .50" x 54" - 440 C.I.D.
	049401-01-000	EA	Heater Asm. - Auto - Rear
	049401-01-700	EA	Valve Asm. - Rear Auto Heater
**	049043-01-000	EA	Furnace - 28,000 BTU - Under Counter Mount - Coleman - 4328
**	049777-01-000	EA	Air Conditioner - 110 Volt - Roof Mount - 11,000 BTU - Ivory Coleman (w/o Inside Shroud)
**	049778-01-000	EA	Shroud Asm. - Ceiling - Inside-Roof Air - Cool Only - 11,000 BTU - Coleman
**	049774-01-000	EA	Air Conditioner - 110 Volt - Roof Mount - 13,500 BTU Ivory - Coleman (w/o Inside Shroud)
**	049775-01-000	EA	Shroud Asm. - Ceiling - Inside - Roof Air Cool Only - 13,500 BTU - Coleman
**	049776-01-000	EA	Shroud Asm. - Ceiling - inside - Roof Air - Heat and Cool Only - 13,500 BTU - Coleman

**The illustrated parts breakdown for this item is provided on the Common Items Fiche

INTERIOR FINISH GROUP

PANELING AND COUNTERTOP MATERIALS

Key	Part Number	U/M	Description
	000726-05-000	EA	Batt Strip - 707 Hickory
	047354-01-000	EA	Batt Strip - 825 Buff
	045963-01-000	SF	Paneling - Buff - Ceiling - 48" x 96" (32SF)
	039188-01-000	SF	Paneling - 707 Hickory - 48" x 96" (32SF)
	041206-01-000	SF	Tileboard - 60" x 84" - Agate Beige (35SF)
	041205-05-000	SF	Plastic Laminate - 48" x 96" - Burlwood Green (Martini Mist) (32SF)
	041205-05-001	EA	Plastic Laminate - 48" x 48" - Burlwood Green (Martini Mist)
	041205-05-002	EA	Plastic - Laminate - 1.19" x 96" - Burlwood Green (Martini Mist)
	041205-06-000	SF	Plastic - Laminate - 48" x 96" - Burlwood Beige (Champagne Velvet or Sierra Sunset) (32SF)
	041205-06-001	EA	Plastic Laminate - 48" x 48" - Burlwood Beige (Champagne Velvet or Sierra Sunset)
	041205-06-002	EA	Plastic Laminate - 1.19" x 96" - Burlwood Beige (Champagne Velvet or Sierra Sunset)
	045965-01-000	SF	Plastic Laminate - 48" x 96" - Brown Mocha Leather (32SF)
	045965-01-001	EA	Plastic Laminate - 48" x 48" - Brown Mocha Leather
	045965-01-002	EA	Plastic Laminate - 1.19" x 96" - Brown Mocha Leather

FABRICS AND CARPET

Key	Part Number	U/M	Description
	041429-01-000	YD	Fabric - Valance - Green (Martini Mist)
	041429-02-000	YD	Fabric - Valance - Beige (Champagne Velvet)
	041429-03-000	YD	Fabric - Valance - Rust (Sierra Sunset)
	051772-01-000	YD	Fabric - Floral Drapery - Green (Martini Mist)
	051772-02-000	YD	Fabric - Floral Drapery - Beige (Champagne Velvet)
	051772-03-000	YD	Fabric - Floral Drapery - Rust (Sierra Sunset)
	043623-01-000	YD	Fabric - Upholstery - Green (Martini Mist)
	043623-02-000	YD	Fabric - Upholstery - Beige (Champagne Velvet)
	042623-03-000	YD	Fabric - Upholstery - Rust (Sierra Sunset)
	042411-01-000	YD	Vinyl - Nonexpanded - 27 Ounce - Brown
	042411-03-000	YD	Vinyl - NonSupport - 16 Gauge - Brown
	042414-01-000	FT	Trim - Accent - Bostonian Brown Vinyl
	023631-05-000	EA	Bulion - Nail - Brown Vinyl
	041430-01-000	SY	Carpet - Olive Inspiration - Green (Martini Mist)
	041430-02-000	SY	Carpet - Van Dyke Brown Inspiration - Beige (Champagne Velvet)
	041430-03-000	SY	Carpet - Russet Inspiration - Rust (Sierra Sunset)
	051772-01-000	YD	Fabric - Floral Drapery - Green (Martini Mist)
	051772-02-000	YD	Fabric - Floral Drapery - Rust (Sierra Sunset)

CABINETS AND INTERIOR HARDWARE

Key	Part Number	U/M	Description
	041838-01-000	EA	Screw - 5 x 5/8" POH - Antique Brass
	041923-01-000	EA	Kit - Lower Door Pull
	041799-01-000	EA	Drawer Pull
	051714-01-000	EA	Kit - Overhead Door - Pull and Latch
	041434-01-000	EA	Hinge - Double Acting - Overhead Cabinet
	047744-02-000	EA	Kit - Drawer Glide - 22" - 23.38"
	047744-03-000	EA	Kit - Drawer Glide - 11" - 12.38"
	047744-04-000	EA	Kit - Drawer Glide - 25" - 26.38"
	041931-01-000	EA	Kit - Cabinet Door Hinge
	009150-01-000	EA	Warp Guard - 64"
	009151-01-000	EA	Warp Guard - 48"
	009124-01-000	EA	Lock - Bath Door - Push Button Brass
	009112-01-000	EA	Frige - 1" Rod - Chrome
	007019-01-000	EA	Belt Asm. - Seat - 2" x 84" - Black
	007021-01-000	EA	Belt Asm. - Seat - 2" x 90" - Black
	041322-01-000	EA	Washer - Flat - 15/32" I.D. x 2 3/8" O.D.

1978 WINNEBAGO TABLE OF CONTENTS

Introduction	A-1
Abbreviations	A-1
Alphabetical Index	A-2 - A-4
WC525RB	A-5 - B-14
WDP23RG	B-15 - C-24
WDP26RK	D-1 - E-12
WDU27RK	E-13 - F-22
WDU29RB	F-23 - H-10
WDU27RT	H-11 - I-22
WDP26RB	I-23 - K-10

1978 WDU27RT INDEX

Floor Plan	H-11 - H-12
Accessories Group	H-13 - H-15
Bath Group	H-15 - H-16
Chassis Group	H-17
Curtain, Cushion & Pad Group	H-18 - H-21
Dinette Group	H-21
Driver's Compartment Group	H-22 - H-23
Electrical Group	H-23 - H-24
	I-1
Exterior Body Group	I-2 - I-5
Galley Group	I-6
Heating & Air Conditioning Group	I-7
Interior Finish Group	I-8 - I-9
LP Group	I-10
Lounge Group	I-11
Water & Sewage Group	I-12
Window, Vent & Exterior Door Group	I-13 - I-22

INTERIOR FINISH GROUP (CONTINUED)

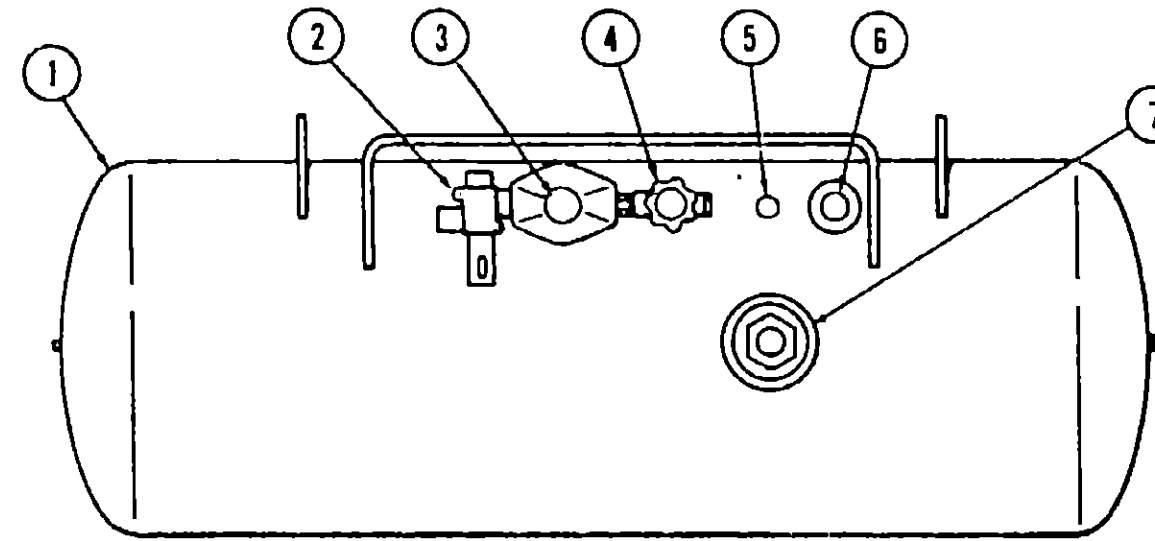
CURTAIN HARDWARE

Key	Part Number	U/M	Description
	009107-01-000	EA	Guide - Nylon Snap
	009136-01-000	EA	Pin - Shower Curtain
	009701-01-000	EA	Carrier - Curtain w/Rollers - "L" Rod
	009702-01-000	EA	End Stop - Curtain - "L" Rod
	018031-42-000	EA	Extr. - "L" Rod - 90" - Alum.
	049737-01-000	EA	End Cap - Plastic - Brown (Black Out Curtain)
	049738-01-000	EA	Snap Carrier - White Plastic (Black Out Curtain)
	052327-04-236	EA	Track - Curtain - Alum. - 89" (Black Out Curtain)
	047291-01-000	EA	Rod - Curtain - Traverse w/Valance
	049879-01-000	EA	Rod - Curtain - Flat - Extends 25" - 45"
	049936-01-000	EA	Pulley - Tension - Traverse Rod
	049937-01-000	EA	Kit - Conversion - Traverse/Valance Rods
	049897-02-000	EA	Rod - Curtain - Flat - Extends - 48" - 86"
	050829-03-000	EA	Track - Wrap Around Curtain - Left - Brown
	050829-04-000	EA	Track - Wrap Around Curtain - Right - Brown

INTERIOR MOLDINGS AND TRIMS

Key	Part Number	U/M	Description
	022756-01-000	EA	Cover - Air Conditioner Wire - Plastic
	009778-01-000	FT	U-Channel - 1" Dark Brown Plastic
	009777-01-000	FT	U-Channel - 3/4" Dark Brown Plastic
	009815-02-000	FT	T Molding 3/4" Brown
	009812-03-000	FT	Molding - Plastic - Outside Corner - .50"
	009767-01-000	FT	Welling - Brown
	009779-01-000	FT	U-Channel - 1 1/8" - Dark Brown Plastic
	009809-03-000	FT	Molding - Plastic - Outside Corner - 1"
	034394-02-000	FT	Extr. - Vinyl - Insert Beige - Bath Trim
	034689-03-000	EA	Cover - Screw PPH 10 - Ivory - Bathroom
	042356-01-000	EA	Plug - Button - Mahogany 3/8" Dia.
	009781-01-000	FT	Cover - Outside - 62" x .62" Dark Brown Plastic
	042321-01-000	FT	Molding - Cove - Pine/Vinyl - 1 3/4"
	048588-01-000	EA	Molding - Cove - Pine/Vinyl - 3 1/2" x 89"
	044558-01-000	EA	Trim - Brown Plastic - Over Entrance Door
	045416-01-000	EA	Trim - Brown Plastic - Entrance Door Bottom - Front
	053350-01-000	EA	Trim - Brown Plastic - Entrance Door Bottom - Rear
	048890-01-000	EA	Panel - Overhead Entrance Door w/Carpet
	041666-01-002	EA	Extr. - Alum. - Interior Cabinet Joint - 77"
	042357-01-000	FT	Molding - Outside Cabinet Corner - 707 Hickory - 7"
	033535-03-000	FT	Molding Asm. - Shelf - 707 Hickory

LP GROUP



Key	Part Number	U/M	Description
1	040421-01-000	EA	Tank Asm. - LP - Frame Mount - 83 Pound
.	042281-01-000	EA	Tank Asm. - LP - Frame Mount - 42 Pound
2	047221-01-000	EA	Detector - LP Gas Leak
3	024712-01-000	EA	Cover - LP Regulator
.	052163-01-000	EA	Regulator - Manual - LP Gas - 2 Stage
4	040421-01-703	EA	Valve - Vapor Relief
5	040421-01-700	EA	Gauge - Liquid Level - 20% LP
6	040421-01-701	EA	Valve - Filler - LP
.	040421-01-702	EA	Cap - Plastic Fill Valve
7	040421-01-707	EA	Gauge - Float - w/Visible Dial - 83 Pound Tank
.	042281-01-700	EA	Gauge - Float - w/Visible Dial - 42 Pound Tank
.	040421-01-706	EA	Dial - Visible Face - Float Gauge (Tank w/o Electric Transmitter)
.	040421-01-705	EA	Dial - Transmitter - 0 - 90 Ohm (Float Gauge)
.	045703-03-000	EA	Hose Asm. - LP - 3/8" I.D. x 14"
.	047737-02-000	EA	Support - LP Tank - 89 25"
.	047737-03-000	EA	Support - LP Tank - 30 50"
.	050799-01-000	EA	Valve - Automatic LP Gas Flow - 3/8" FPT
.			Not Illustrated

1978 WINNEBAGO TABLE OF CONTENTS

Introduction	A-1
Abbreviations	A-1
Alphabetical Index	A-2 - A-4
WC525RB	A-5 - B-14
WDP23RG	B-15 - C-24
WDP26RK	D-1 - E-12
WDU27RK	E-13 - F-22
WDU29RB	F-23 - H-10
WDU27RT	H-11 - I-22
WDP26RB	I-23 - K-10

1978 WDU27RT INDEX

Floor Plan	H-11 - H-12
Accessories Group	H-13 - H-15
Bath Group	H-15 - H-16
Chassis Group	H-17
Curtain, Cushion & Pad Group	H-18 - H-21
Dinette Group	H-21
Driver's Compartment Group	H-22 - H-23
Electrical Group	H-23 - H-24
	I-1
Exterior Body Group	I-2 - I-5
Galley Group	I-6
Heating & Air Conditioning Group	I-7
Interior Finish Group	I-8 - I-9
LP Group	I-10
Lounge Group	I-11
Water & Sewage Group	I-12
Window, Vent & Exterior Door Group	I-13 - I-22

LOUNGE GROUP

LOUNGE CABINETRY

Key	Part Number	U/M	Description
	044546-01-000	EA	Cabinet Asm. - Twin Bed - Right
	044542-01-000	EA	Cabinet Asm. - Twin Bed - Left
	044543-01-000	EA	Cabinet Asm. - Night Stand - w/o Countertop, Dcors, or Hardware
	044544-01-000	EA	Countertop - Night Stand - Brown Mocha Leather
	045055-01-000	EA	Cabinet Asm. - Night Stand Top w/Door
	043255-01-000	FT	Track - Plastic - Roll-Up Door - Dark Brown
	043256-01-000	EA	Spiral - Plastic - Roll-Up Door - Right
	043256-02-000	EA	Spiral - Plastic - Roll-Up Door - Left
	043316-02-000	EA	Door Asm. - Roll-Up - Night Stand
	043257-01-000	FT	Handle - Wood - Roll-Up Door
	044545-01-000	EA	Countertop - Night Stand Header - Brown Mocha Leather
	050354-01-000	EA	Cabinet Asm. - Right Wardrobe - Upper - w/o Door or Hardware
	050355-01-000	EA	Cabinet Asm. - Right Wardrobe - Lower - w/o Door or Hardware
	050353-01-000	EA	Countertop Asm. - Right Wardrobe - Brown Mocha Leather
	048103-23-700	EA	Door Asm. - Right Wardrobe Cabinet - w/o Hardware
	049074-06-700	EA	Drawer Asm. - Right Wardrobe Cabinet - w/o Hardware
	050361-01-000	EA	Cabinet Asm. - Overhead - Left Rear - w/o Doors or Hardware
	048103-01-700	EA	Door Asm. - Overhead Cabinet - Left Rear - 30" x 9" - w/o Hardware
	050360-01-000	EA	Cabinet Asm. - Overhead - Right Rear - w/o Doors or Hardware
	048103-02-700	EA	Door Asm. - Overhead Cabinet - Right Rear - 22" x 9" - w/o Hardware

OPTIONAL LOUNGE CABINETRY

Key	Part Number	U/M	Description
	045080-01-000	EA	Cabinet Asm. - Twin Bed - Right
	045079-01-000	EA	Cabinet Asm. - Twin Bed - Left
	045078-01-000	EA	Cabinet Asm. - Lounge - Rear
	050354-01-000	EA	Cabinet Asm. - Wardrobe Top - Right - w/o Countertop, Doors or Hardware
	050355-01-000	EA	Cabinet Asm. - Wardrobe Base - Right - w/o Countertop, Doors or Hardware
	048103-23-700	EA	Door Asm. - Wardrobe Cabinet - 41" x 16 1/2" - w/o Hardware
	049074-06-700	EA	Drawer Asm. - Wardrobe Cabinet - w/o Hardware
	050353-01-000	EA	Countertop Asm. - Furnace Cabinet - Brown Mocha Leather
	050361-01-000	EA	Cabinet Asm. - Overhead - Left Rear - w/o Doors or Hardware
	048103-01-700	EA	Door Asm. - Overhead Cabinet - 30" x 9" - w/o Hardware
	050360-01-000	EA	Cabinet Asm. - Overhead - Right Rear - w/o Doors or Hardware
	048103-02-700	EA	Door Asm. - Overhead Cabinet - 22" x 9" - w/o Hardware

WATER AND SEWAGE GROUP

PLUMBING REPAIR KITS, PIPE FITTINGS AND WATER PUMP

Key	Part Number	U/M	Description
	046524-02-000	EA	Kit - Fittings - Plastic - Water Tank
	046524-01-000	EA	Kit - Fittings - Plastic - Holding Tank
	040539-01-000	EA	Kit - Repair - 3/8" O.D. Plastic Tube
	040540-01-000	EA	Kit - Repair - 1/2" O.D. Plastic Tube
	040541-01-000	EA	Kit - Repair - 5/8" O.D. Plastic Tube
	041819-01-000	EA	Nut and Cone - Plastic 1/2" O.D. Tube
	046128-01-000	EA	Valve - Drain - Plastic 1/2 FPT
	039807-01-000	EA	Valve - Drain - Brass 1/2 MPT
	039818-01-000	EA	Riser Asm. - 3/8" O.D. x 24" Tube
	039818-02-000	EA	Riser Asm. - 3/8" O.D. x 36" Tube
	039818-03-000	EA	Riser Asm. - 3/8" O.D. x 18" Tube
	004020-01-000	QT	Adhesive - ABS Cement
	010133-01-000	EA	Adaptor Trap - Plastic 1 1/2" H x MPT
	010134-01-000	EA	Adaptor - Plastic 1 1/2" Male MPT
	010153-01-000	EA	Ring - Closet - Plastic 4 F x 3 MPT
	010201-01-000	EA	Hose - Sewer - 3" x 10' w/Clamp
	010235-01-000	EA	Cap - Sewage 3"
	010236-01-000	EA	Adaptor - Hose 3"
	011091-01-000	EA	Waste - Continuous Double Sink 11 7/8"
	010210-01-000	EA	Valve - Sanitary - Thefford 3HB
	010234-01-000	EA	Adaptor - Bayonet
	011066-01-000	EA	P-Trap - Plastic 1 1/4"
	041279-02-000	EA	Pump - Water Flow 2.8 G.P.M. - PAR
	039647-02-000	EA	Filter - Water Pump - 1/2 MPT
	039809-01-000	EA	Valve - Stool - Plastic - 3/8" C x 1/2" FPT

WATER AND SEWAGE HOLDING TANKS

Key	Part Number	U/M	Description
	044939-01-000	EA	Tank Asm. - Water - 31 Gallon - Main w/Fittings
	044937-01-000	EA	Tank Asm. - Water - 31 Gallon - Main w/o Fittings
	044940-01-000	EA	Tank Asm. - Water - 26 Gallon - Auxilliary - w/Fittings
	045196-01-000	EA	Tank Asm. - Water - 26 Gallon - Auxilliary - w/o Fittings
	044588-02-000	EA	Tank Asm. - Holding - Plastic - 32 Gallon - w/Fittings
	044588-01-000	EA	Tank Asm. - Holding - Plastic - 32 Gallon - w/o Fittings
	044589-04-000	EA	Tank Asm. - Holding - Plastic - 29 Gallon - w/Fittings
	044589-01-000	EA	Tank Asm. - Holding - Plastic - 29 Gallon - w/o Fittings
**	051393-01-000	EA	Water Heater - GH63E - Electric Ignition w/Motor Aid
**	051385-01-000	EA	Water Heater - GH6E - Electric Ignition w/Motor Aid

**The illustrated parts breakdown for this item is provided on the Common Items Fiche.

1978 WINNEBAGO TABLE OF CONTENTS

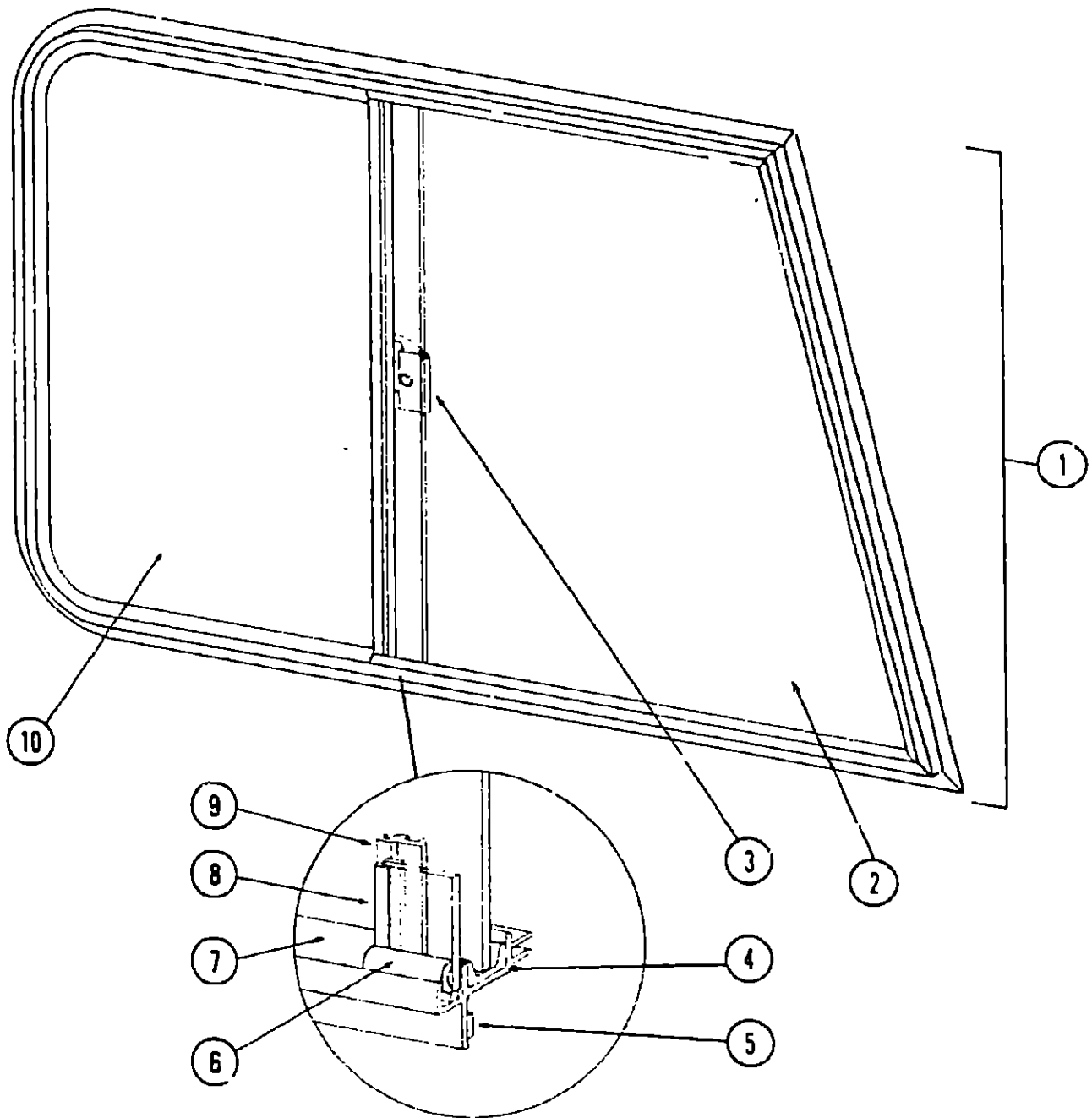
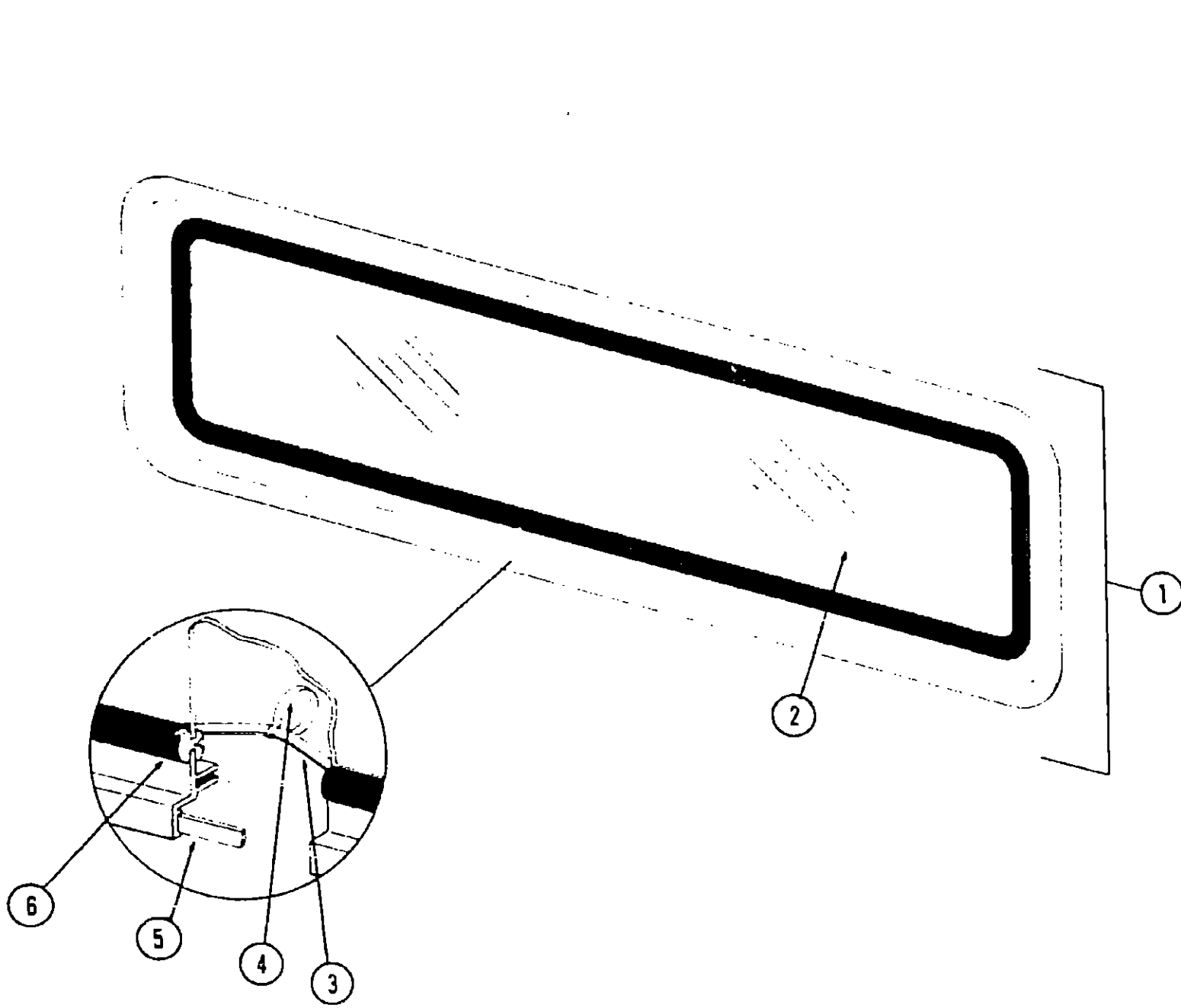
Introduction	A-1
Abbreviations	A-1
Alphabetical Index	A-2 - A-4
WC525RB	A-5 - B-14
WDP23RG	B-15 - C-24
WDP26RK	D-1 - E-12
WDU27RK	E-13 - F-22
WDU29RB	F-23 - H-10
WDU27RT	H-11 - I-22
WDP26RB	I-23 - K-10

1978 WDU27RT INDEX

Floor Plan	H-11 - H-12
Accessories Group	H-13 - H-15
Bath Group	H-15 - H-16
Chassis Group	H-17
Curtain, Cushion & Pad Group	H-18 - H-21
Dinette Group	H-21
Driver's Compartment Group	H-22 - H-23
Electrical Group	H-23 - H-24
	I-1
Exterior Body Group	I-2 - I-5
Galley Group	I-6
Heating & Air Conditioning Group	I-7
Interior Finish Group	I-8 - I-9
LP Group	I-10
Lounge Group	I-11
Water & Sewage Group	I-12
Window, Vent & Exterior Door Group	I-13 - I-22

WINDOW, VENT AND EXTERIOR DOOR GROUP

WINDOW, VENT AND EXTERIOR DOOR GROUP (CONTINUED)



Key	Part Number	U/M	Description
1	041689-02-000	EA	Window Asm. Escape - 23" x 68" Black Anod. (w/o Inside Frame)
2	002178-01-000	EA	61" x 64.80"
3	002285-01-000	FT	Weatherstrip - Filler - Black
4	020395-01-000	EA	Slip Ring - Pull
5	004363-01-000	FT	Tape - Foam - 3/16" x 1/2" - Gray
6	002282-01-000	FT	Weatherstrip - Window .125" Black
	039915-01-000	EA	Frame - Window - Inside - Escape 23" x 68" (not included in assembly)
	006199-01-000	EA	Label - Exit - Escape Window
	• Not Illustrated		

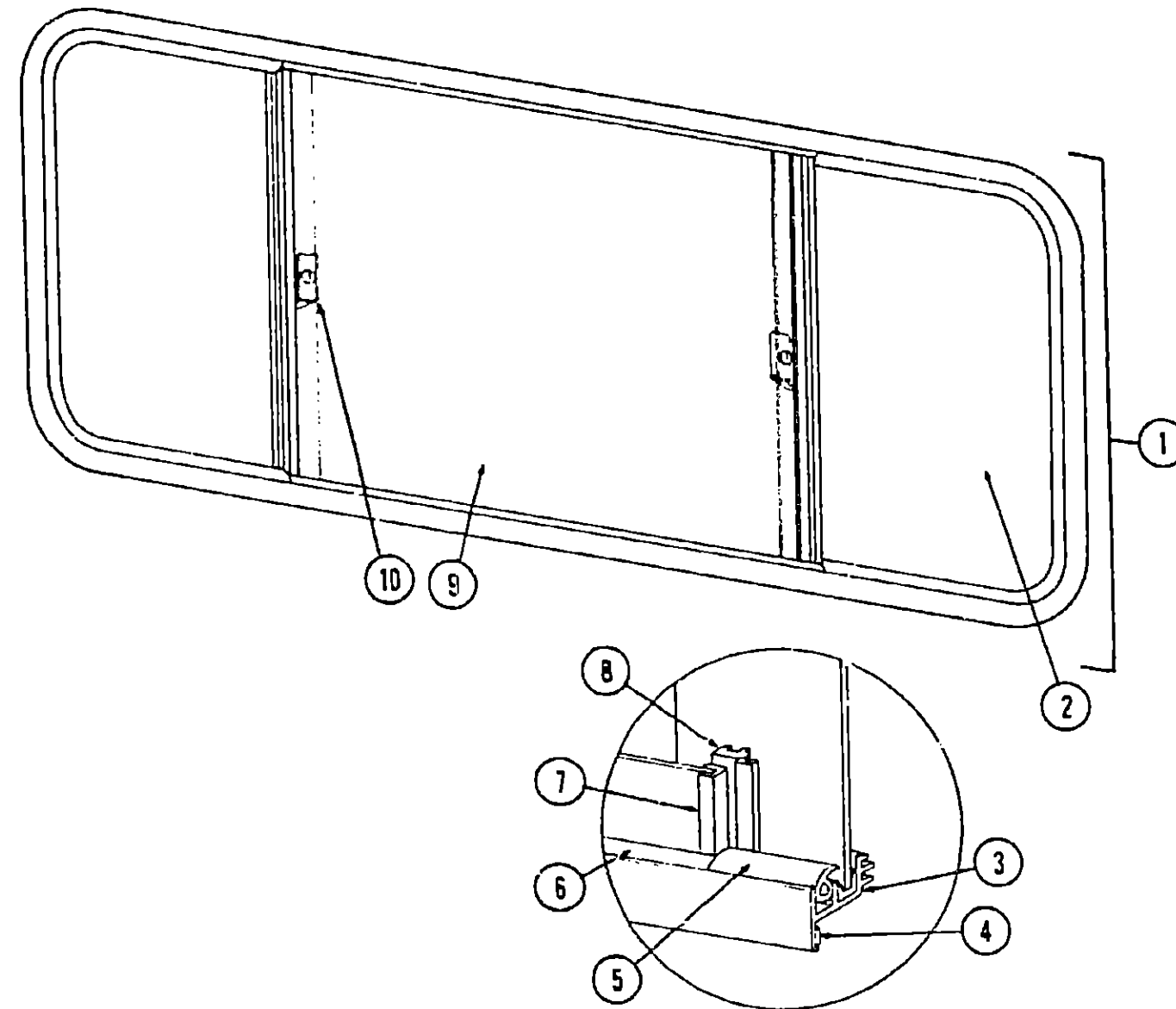
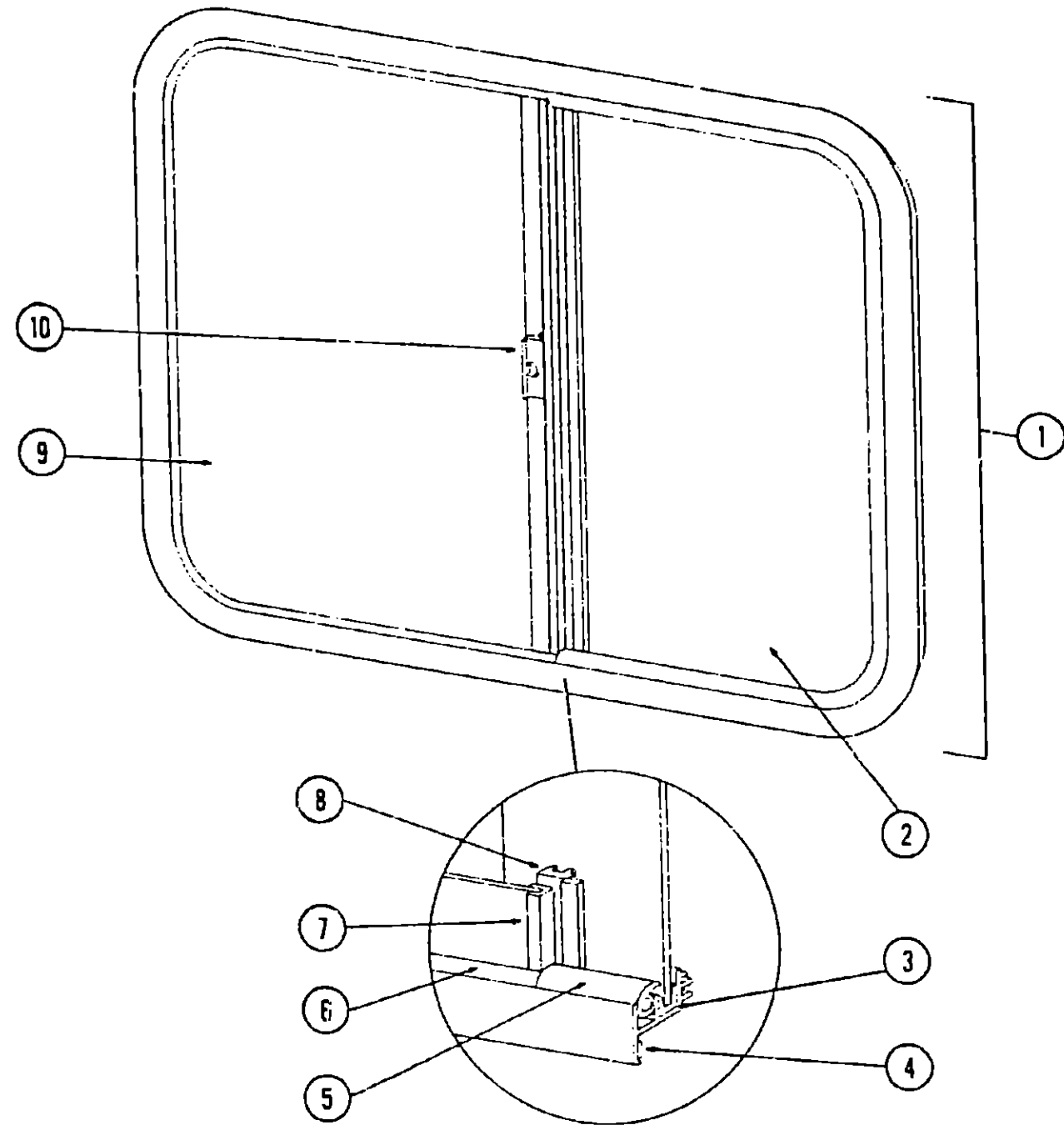
Key	Part Number	U/M	Description
1	048628-05-000	EA	Window Asm. - Right - Front Slant Slider - 29" x 40" Black Anod. (w/o Inside Frame)
	048628-06-000	EA	Window Asm. - Left Slant Slider - 29" x 40" - Black Anod (W/o Inside Frame)
2	042265-01-000	EA	Glass - 3/16" x 27.91" x 13.94" x 26.38" - Stationary
3	047369-01-700	EA	Latch - Window - Plastic w/Fastener
4	042077-01-000	FT	Channel - Weatherstrip - Glass Run - 3/16" Glass
5	004363-01-000	FT	Tape - Foam - 3/16" x 1/2" - Gray
6	050216-02-000	FT	Spline - 3/16" Glass - Black
7	041928-02-000	FT	Seal - Window Channel - Black
8	002389-03-203	EA	Holder - Glass Seal - Black Anod. - 27.125"
9	041894-04-000	EA	Mullion - Slider Window - 25" - Black Anod.
10	047814-01-000	EA	Glass - 3/16" x 27.91" x 14.03" - Sliding
	049162-04-000	EA	Frame - Inside - Right Front Slant Slider Window (not included in assembly)
	049162-03-000	EA	Frame - Inside - Left Front Slant Slider Window (not included in assembly)
	023713-02-000	EA	Cover - Plastic Weephole - Black
	• Not Illustrated		

1978 WINNEBAGO
TABLE OF CONTENTS

Introduction	A-1
Abbreviations	A-1
Alphabetical Index	A-2 - A-4
WC525RB	A-5 - B-14
WDP23RG	B-15 - C-24
WDP26RK	D-1 - E-12
WDU27RK	E-13 - F-22
WDU29RB	F-23 - H-10
WDU27RT	H-11 - I-22
WDP26RB	I-23 - K-10

1978 WDU27RT
INDEX

Floor Plan	H-11 - H-12
Accessories Group	H-13 - H-15
Bath Group	H-15 - H-16
Chassis Group	H-17
Curtain, Cushion & Pad Group	H-18 - H-21
Dinette Group	H-21
Driver's Compartment Group	H-22 - H-23
Electrical Group	H-23 - H-24
	I-1
Exterior Body Group	I-2 - I-5
Galley Group	I-6
Heating & Air Conditioning Group	I-7
Interior Finish Group	I-8 - I-9
LP Group	I-10
Lounge Group	I-11
Water & Sewage Group	I-12
Window, Vent & Exterior Door Group	I-13 - I-22



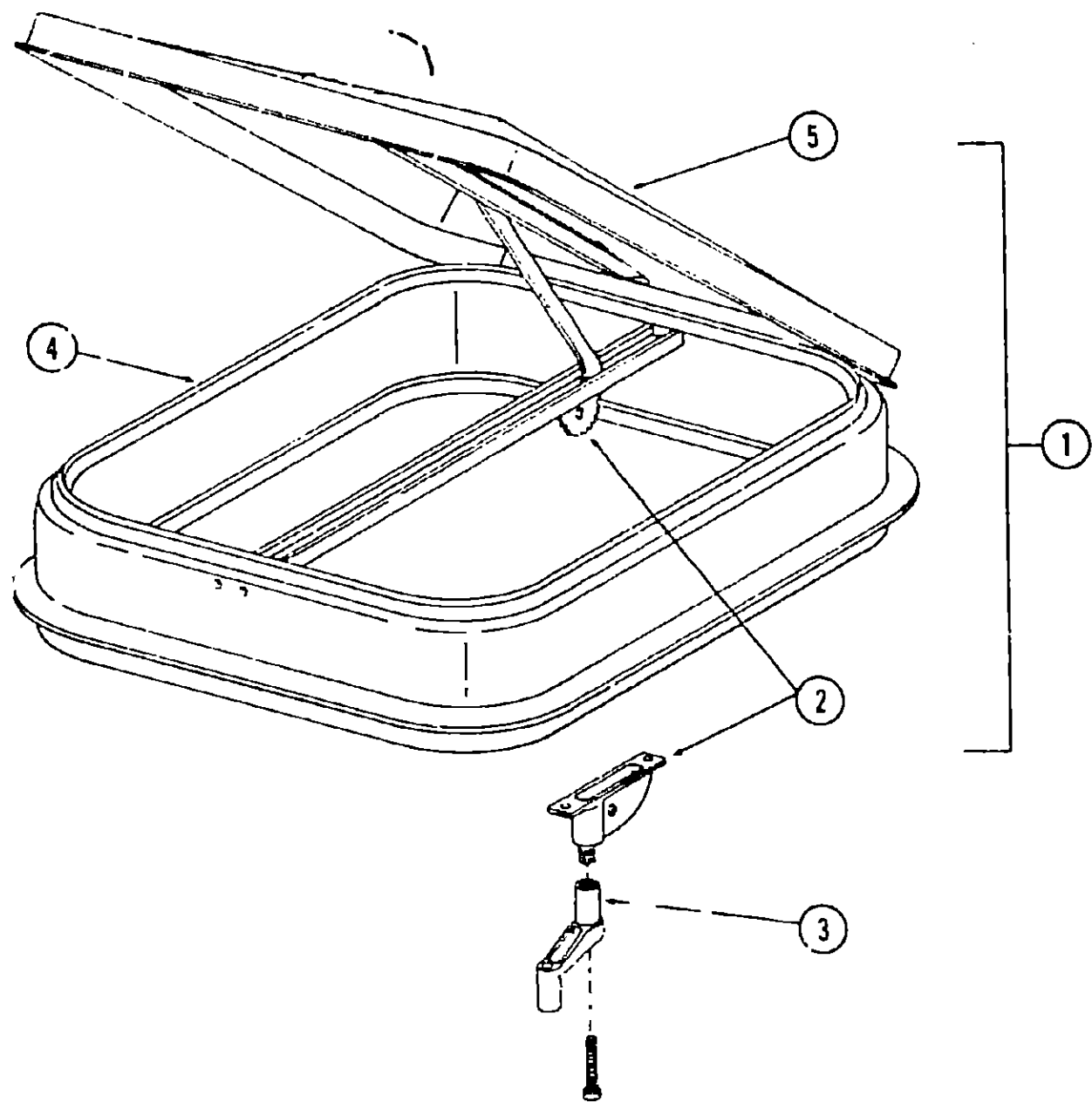
Key	Part Number	U/M	Description
1	048631-11-000	EA	Window Asm. - Right Single Slider - 25" x 29" - Black Anod. (w/o Inside Frame)
2	047812-01-000	EA	Glass - Sliding - 3/16" x 24" x 13.68"
3	042077-01-000	FT	Channel - Weatherstrip - Glass Run - 3/16" Glass
4	004363-01-000	FT	Tape - Foam - 3/16" x 1/2" - Gray
5	041982-02-000	FT	Seal - Window Channel - Black
6	050216-02-000	FT	Spline - Glass - 3/16" - Black
7	002389-03-201	EA	Holder - Glass Seal - Anod. Black
8	041894-04-000	EA	Mullion - Slider Window - 25" - Black Anod.
9	002184-02-000	EA	Glass - 3/16" x 24" x 16.531" - Sliding
10	047369-01-700	EA	Latch - Window - Plastic w/Fastener
*	023713-02-000	EA	Cover - Weephole - Black Plastic
*	042147-03-000	EA	Frame - Window - Inside - Single Slider - 25" x 29" (Not Included In Assembly)
*	002298-01-000	FT	Spline - Gray - .130" Dia. (Screen)
*	002293-01-000	SF	Screen - Window - 26" - Gray
*			Not Illustrated

1978 WINNEBAGO
TABLE OF CONTENTS

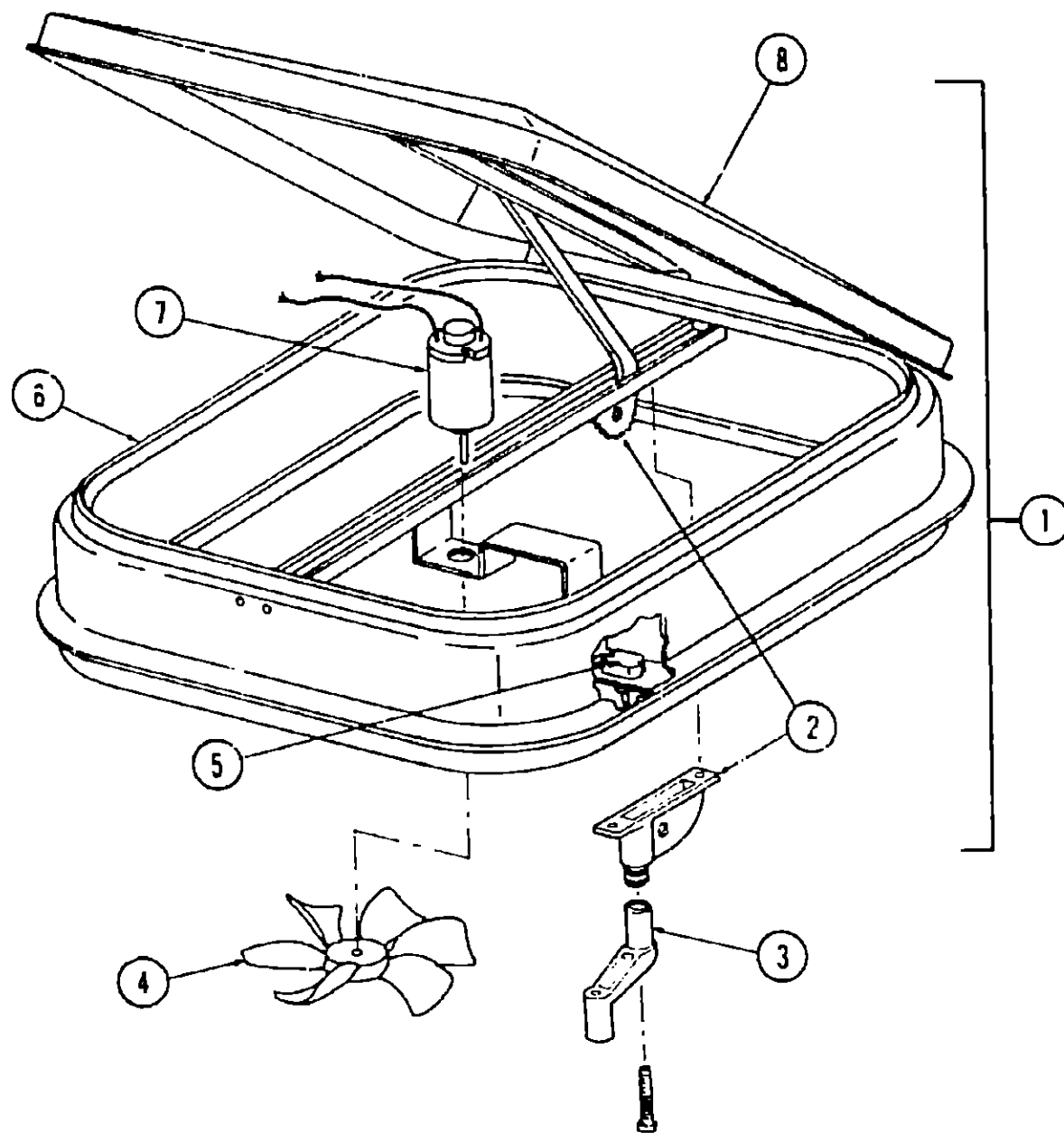
Introduction	A-1
Abbreviations	A-1
Alphabetical Index	A-2 - A-4
WC525RB	A-5 - B-14
WDP23RG	B-15 - C-24
WDP26RK	D-1 - E-12
WDU27RK	E-13 - F-22
WDU29RB	F-23 - H-10
WDU27RT	H-11 - I-22
WDP26RB	I-23 - K-10

1978 WDU27RT
INDEX

Floor Plan	H-11 - H-12
Accessories Group	H-13 - H-15
Bath Group	H-15 - H-16
Chassis Group	H-17
Curtain, Cushion & Pad Group	H-18 - H-21
Dinette Group	H-21
Driver's Compartment Group	H-22 - H-23
Electrical Group	H-23 - H-24
	I-1
Exterior Body Group	I-2 - I-5
Galley Group	I-6
Heating & Air Conditioning Group	I-7
Interior Finish Group	I-8 - I-9
LP Group	I-10
Lounge Group	I-11
Water & Sewage Group	I-12
Window, Vent & Exterior Door Group	I-13 - I-22



Key	Part Number	U/M	Description
1	048835-01-000	EA	Vent Asm. - Roof - Non Powered - w/o Screen
2	009440-01-000	EA	Gear - Arm - Roof Vent
3	009439-01-000	EA	Crank - Roof Vent
4	002825-01-000	FT	Weatherstrip - Roof Vent
5	046825-01-000	EA	Cover - Plastic - Roof Vent
•	016335-03-000	EA	Screen Asm. - Non Powered Roof Vent - Beige (not included in assembly)
•	Not Illustrated		



Key	Part Number	U/M	Description
1	048789-01-000	EA	Vent Asm. Roof - Powered - w/o Screen
2	009440-01-000	EA	Gear - Arm - Roof Vent
3	009439-01-000	EA	Crank - Roof Vent
4	048649-01-000	EA	Fan - Blade - 6" Plastic
5	008195-01-000	EA	Switch - Push Button - 12 Volt
6	002825-01-000	FT	Weatherstrip - Roof Vent
7	048648-01-000	EA	Motor - 12 Volt
8	046825-01-000	EA	Cover - Plastic - Roof Vent
•	048695-03-000	EA	Screen Asm. - Powered Roof Vent - Beige (not included in assembly)
•	Not Illustrated		

1978 WINNEBAGO
TABLE OF CONTENTS

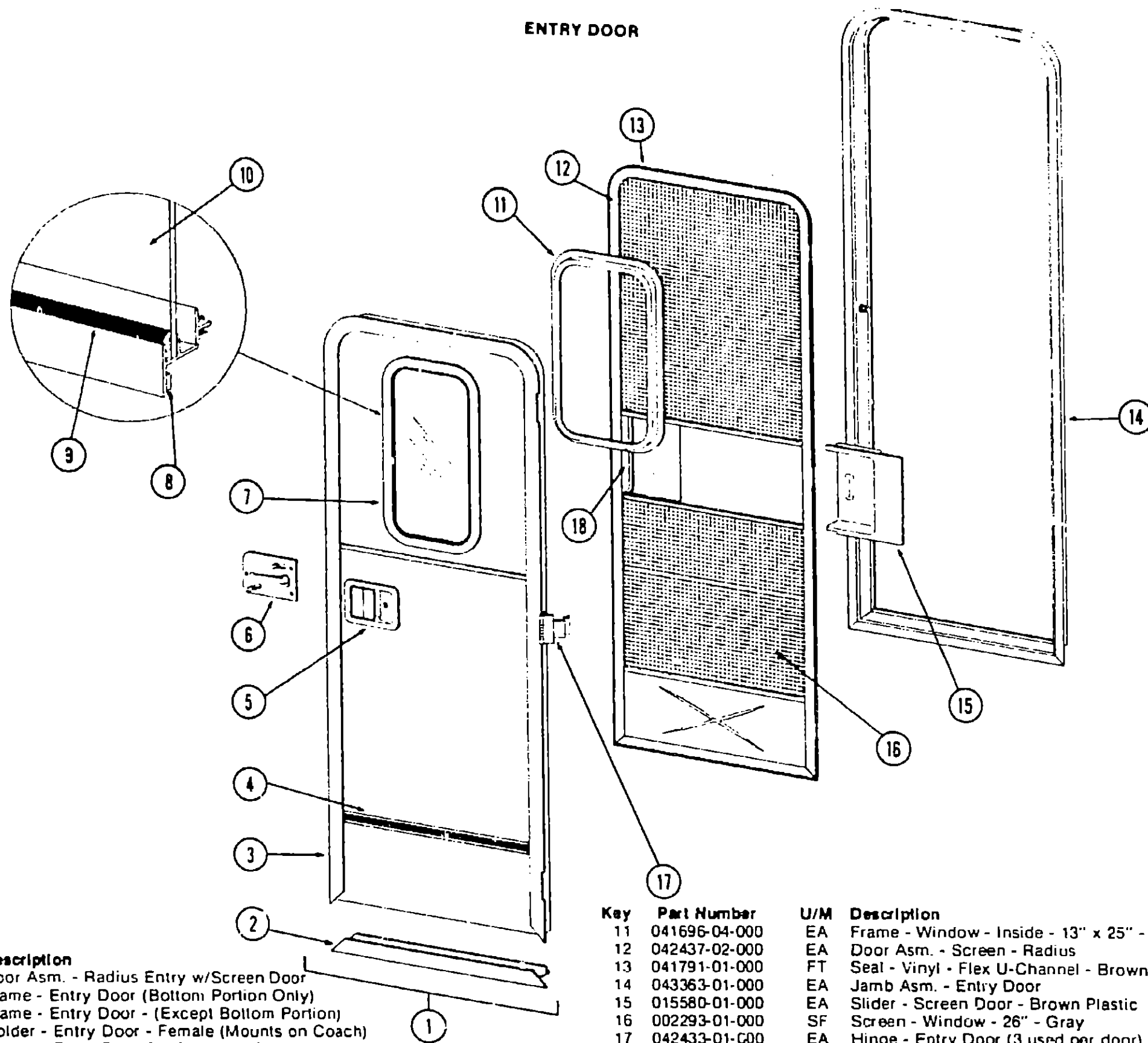
Introduction	A-1
Abbreviations	A-1
Alphabetical Index	A-2 - A-4
WC525RB	A-5 - B-14
WDP23RG	B-15 - C-24
WDP26RK	D-1 - E-12
WDU27RK	E-13 - F-22
WDU29RB	F-23 - H-10
WDU27RT	H-11 - I-22
WDP26RB	I-23 - K-10

1978 WDU27RT
INDEX

Floor Plan	H-11 - H-12
Accessories Group	H-13 - H-15
Bath Group	H-15 - H-16
Chassis Group	H-17
Curtain, Cushion & Pad Group	H-18 - H-21
Dinette Group	H-21
Driver's Compartment Group	H-22 - H-23
Electrical Group	H-23 - H-24
	I-1
Exterior Body Group	I-2 - I-5
Galley Group	I-6
Heating & Air Conditioning Group	I-7
Interior Finish Group	I-8 - I-9
LP Group	I-10
Lounge Group	I-11
Water & Sewage Group	I-12
Window, Vent & Exterior Door Group	I-13 - I-22

WINDOW, VENT AND EXTERIOR DOOR GROUP (CONTINUED)

ENTRY DOOR



Key	Part Number	U/M	Description
1	042418-02-000	EA	Door Asm. - Radius Entry w/Screen Door
2	039737-02-000	EA	Frame - Entry Door (Bottom Portion Only)
3	041375-01-000	EA	Frame - Entry Door - (Except Bottom Portion)
4	009101-02-000	EA	Holder - Entry Door - Female (Mounts on Coach)
5	009102-01-000	EA	Holder - Entry Door 2 1/2" Male (Mounts on Door)
6	041948-01-000	EA	Lock Asm. - Radius Entry Door - Atwood
7	039541-01-000	EA	Lock Cylinder w/Keys - Atwood
8	052186-01-000	EA	Lock Asm. - Radius Entry Door - Lynor
9	045017-01-700	EA	Lock Cylinder w/Keys - Lynor
10	039539-01-000	EA	Striker - Entry Door Lock
11	039979-01-000	EA	Plate - Lock - Interior - Including Inside Handle
12	041875-04-000	EA	Window Asm. - Picture - 13" x 25" - Black Anod.
13	004363-01-000	FT	Tape - Foam - 3/16" x 1/2" - Gray
14	002318-02-000	FT	Spline - Glass - 3/16" - Black
15	002181-02-000	EA	Glass - Picture Window - 3/16" x 12" x 24" - Gray

Key	Part Number	U/M	Description
11	041696-04-000	EA	Frame - Window - Inside - 13" x 25" - Brown
12	042437-02-000	EA	Door Asm. - Screen - Radius
13	041791-01-000	FT	Seal - Vinyl - Flex U-Channel - Brown
14	043363-01-000	EA	Jamb Asm. - Entry Door
15	015580-01-000	EA	Slider - Screen Door - Brown Plastic
16	002293-01-000	SF	Screen - Window - 26" - Gray
17	042433-01-000	EA	Hinge - Entry Door (3 used per door)
18	015581-01-000	EA	Cap - Screen Door - Brown Plastic
	049176-01-000	EA	Hedlok II - 3/4" Diameter - Screw Mount (Retains Screen Door to Entry Door)
	049797-01-000	EA	Hedlok II - 1" Diameter - Screw Mount (Retains Screen Door to Entry Door)
	018019-01-000	EA	Striker - Screen Door
	0390863-01-000	EA	Catch Asm. - Single Roller w/Strike - Screen Door
	051390-01-000	FT	Seal - Jamb - Entry Door
	039800-03-000	FT	Tubing - Polybutyl - 3/8" O.D. - Jamb
			Not Illustrated

I-19

1978 WINNEBAGO TABLE OF CONTENTS

Introduction	A-1
Abbreviations	A-1
Alphabetical Index	A-2 - A-4
WC525RB	A-5 - B-14
WDP23RG	B-15 - C-24
WDP26RK	D-1 - E-12
WDU27RK	E-13 - F-22
WDU29RB	F-23 - H-10
WDU27RT	H-11 - I-22
WDP26RB	I-23 - K-10

1978 WDU27RT INDEX

Floor Plan	H-11 - H-12
Accessories Group	H-13 - H-15
Bath Group	H-15 - H-16
Chassis Group	H-17
Curtain, Cushion & Pad Group	H-18 - H-21
Dinette Group	H-21
Driver's Compartment Group	H-22 - H-23
Electrical Group	H-23 - H-24
	I-1
Exterior Body Group	I-2 - I-5
Galley Group	I-6
Heating & Air Conditioning Group	I-7
Interior Finish Group	I-8 - I-9
LP Group	I-10
Lounge Group	I-11
Water & Sewage Group	I-12
Window, Vent & Exterior Door Group	I-13 - I-22

I-20

WINDOW, VENT AND EXTERIOR DOOR GROUP (CONTINUED)

VENTS

Key	Part Number	U/M	Description
	009407-01-000	EA	Vent Asm. - Base - Refrigerator Vent w/o Cover
	039778-01-000	EA	Cover - Plastic - Refrigerator Vent
	049352-02-000	EA	Vent - Stovehood - Outside - Beige (Jensen)

WINDSHIELD

Key	Part Number	U/M	Description
	042744-01-000	EA	Frame Asm. - Windshield w/o Glass
	034975-02-000	EA	Glass - Windshield - Safety Plate w/Tinted Band - Left or Right
	038886-02-000	EA	Tape - Butyl - .31" x .31" x 160" Long

ACCESS DOORS

Key	Part Number	U/M	Description
	052086-01-000	EA	Door Asm. - Valance Panel - 18" w/Hinge - Beige Fiberglass
	052086-02-000	EA	Door Asm. - Valance Panel - 28" w/Hinge - Beige Fiberglass
	052086-03-000	EA	Door Asm. - Valance Panel - 42" w/Hinge - Beige Fiberglass
	044827-01-000	EA	Door Asm. - Valance Panel - LP - Beige Plastic
	050405-01-000	EA	Door Asm. - Valance Panel - Battery - w/Key Type Lock - Beige Plastic
	047233-01-000	EA	Door Asm. - Valance Panel - Luggage - w/Key Type Lock - Beige Plastic
	042451-01-000	EA	Door Asm. - Generator (used with Onan generator)
	052179-01-000	EA	Door Asm. - Generator (used with Kohler generator)
	044210-01-000	EA	Door Asm. - 6" x 10" - Off White Plastic
	044210-02-000	EA	Door Asm. - 6" x 10" - Beige Plastic
	043942-01-000	EA	Latch Asm. - Quarter Turn Plastic
	042416-01-000	EA	Door Asm. - Trunk - Black Plastic
	042441-01-000	EA	Lock Asm. - Key Type - Valance Panel Door or Trunk Door
	042442-01-000	EA	Lock Asm. - Twist Type - Valance Panel Door
	042494-01-000	EA	Hinge - Continuous Aluminum - Valance Panel Door
	039884-01-000	EA	Lock Asm. - Twist Type w/Clip - Generator Door

1978 WINNEBAGO TABLE OF CONTENTS

Introduction	A-1
Abbreviations	A-1
Alphabetical Index	A-2 - A-4
WC525RB	A-5 - B-14
WDP23RG	B-15 - C-24
WDP26RK	D-1 - E-12
WDU27RK	E-13 - F-22
WDU29RB	F-23 - H-10
WDU27RT	H-11 - I-22
WDP26RB	I-23 - K-10

1978 WDU27RT INDEX

Floor Plan	H-11 - H-12
Accessories Group	H-13 - H-15
Bath Group	H-15 - H-16
Chassis Group	I-17
Curtain, Cushion & Pad Group	H-18 - H-21
Dinette Group	H-21
Driver's Compartment Group	H-22 - H-23
Electrical Group	H-23 - H-24
	I-1
Exterior Body Group	I-2 - I-5
Galley Group	I-6
Heating & Air Conditioning Group	I-7
Interior Finish Group	I-8 - I-9
LP Group	I-10
Lounge Group	I-11
Water & Sewage Group	I-12
Window, Vent & Exterior Door Group	I-13 - I-22