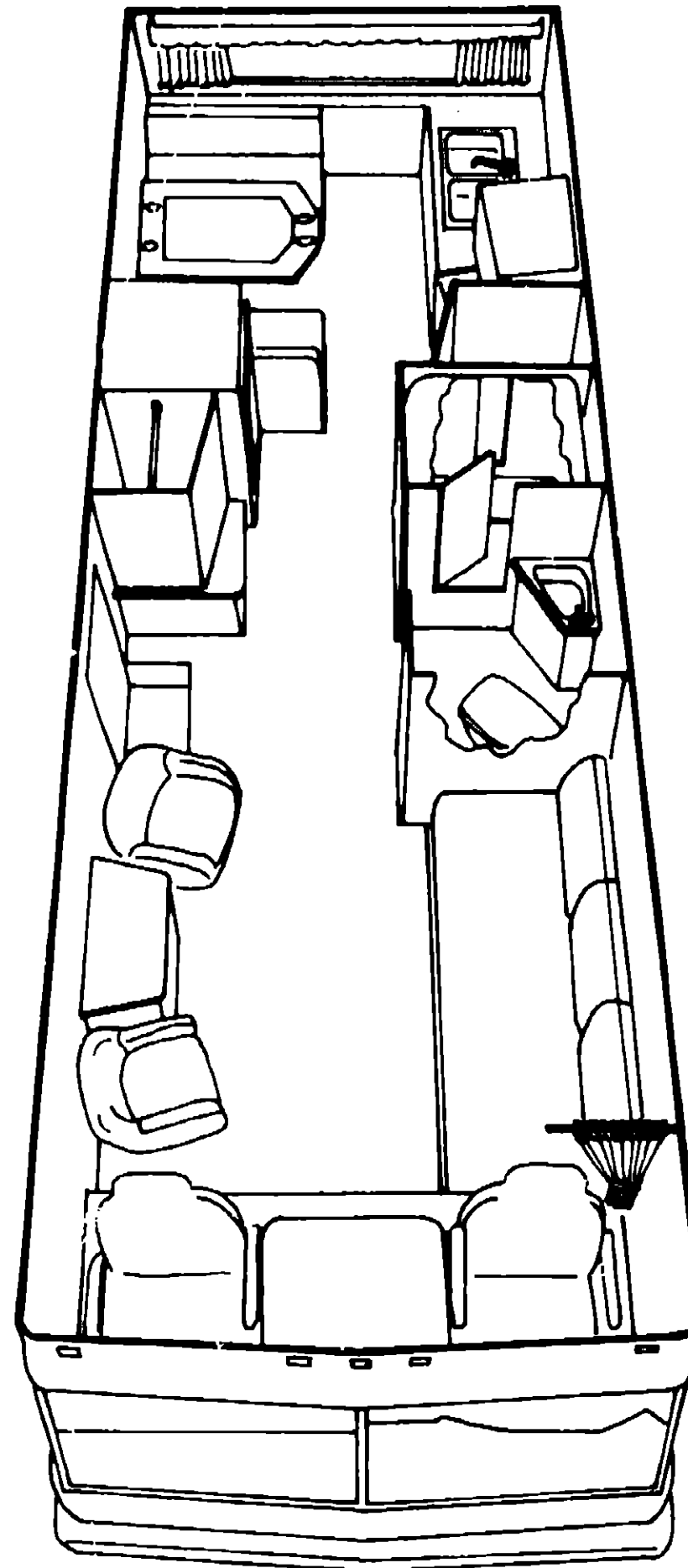


1978 WDU27RK



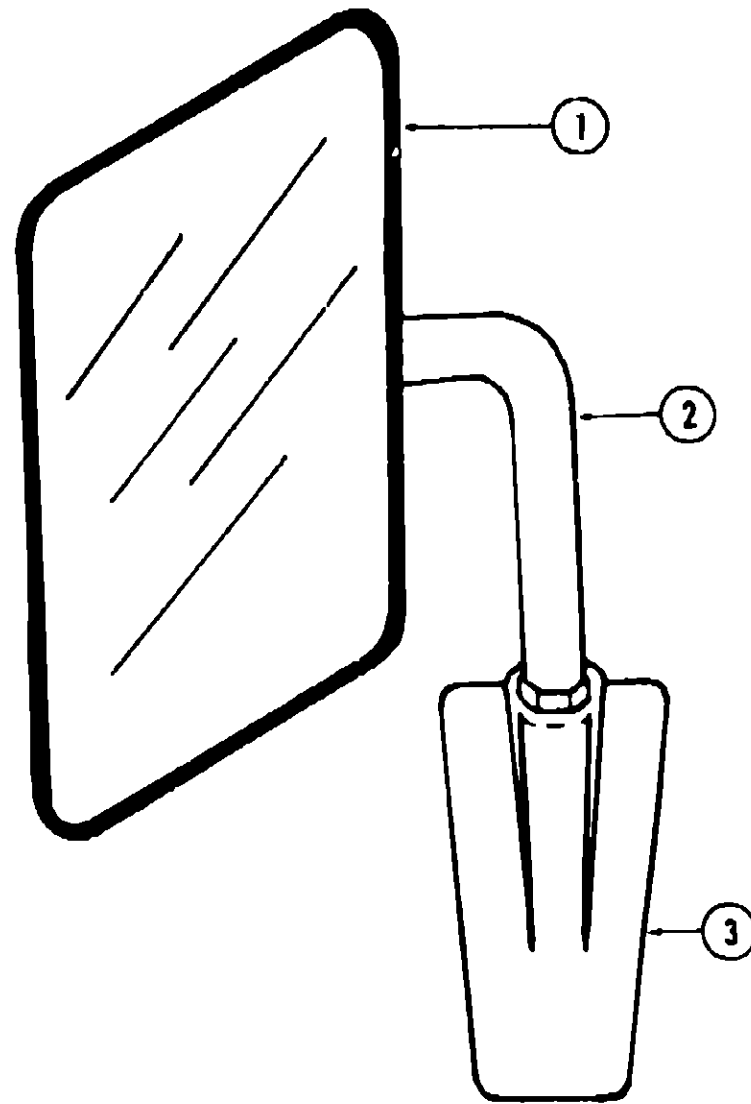
1978 WINNEBAGO TABLE OF CONTENTS

Introduction	A-1
Abbreviations	A-1
Alphabetical Index	A-2 - A-4
WC5251B	A-5 - B-14
WDP23RG	B-15 - C-24
WDP26RK	D-1 - E-12
WDU27RK	E-13 - F-22
WDU25RB	F-23 - H-10
WDU27RT	H-11 - I-22
WDP26RB	I-23 - K-10

1978 WDU27RK INDEX

Floor Plan	E-13 - E-14
Accessories Group	E-15 - E-17
Bath Group	E-17 - E-18
Chassis Group	E-19
Curtain, Cushion & Pad Group	E-20 - E-23
Dinette Group	E-23
Driver's Compartment Group	E-24
	F-1
Electrical Group	F-1 - F-3
Exterior Body Group	F-4 - F-7
Galley Group	F-8
Heating & Air Conditioning Group	F-9
Interior Finish Group	F-10 - F-11
LP Group	F-12
Lounge Group	F-12
Water & Sewage Group	F-13
Window, Vent & Exterior Door Group	F-14 - F-22

ACCESSORIES GROUP



Key	Part Number	U/M	Description
1	049347-01-000	EA	Mirror Head - 7 1/2" x 10 1/2" - Stainless Steel
2	049348-01-000	EA	Arm - Low Mount Mirror - Bright Finish
3	049944-01-000	EA	Bracket - Mirror - Beige

ACCESSORIES GROUP (CONTINUED)

RADIOS AND RELATED COMPONENTS

Key	Part Number	U/M	Description
	051907-01-000	EA	Radio - AM - FM/MPX/8-Track w/Fader - Motorola
	051923-01-700	EA	Speaker Kit - 5 3/4" - Motorola
	050044-01-000	EA	Radio - AM/FM/8-Track w/CB - J.I.L.
	048153-01-000	EA	Antenna - CB Camper Style - J.I.L. Radio
	050785-01-000	EA	Switch - Rear Volume Control - J.I.L.
	050751-01-000	EA	Bracket - Mounting - Fader Switch and Mic.
	031105-01-000	EA	Antenna - Side Mounted
	031105-01-700	EA	Clip - Radio Antenna - Side Mounted - Upper

SPEED CONTROL AND COMPONENTS

Key	Part Number	U/M	Description
	024748-01-000	EA	Speed Control Pkg. 440 Dodge Lever Type A Body
	007255-01-700	EA	Regulator Asm.
	024748-01-701	EA	Servo Asm.
	024748-01-702	EA	Engage Switch - Lever
	007255-01-703	EA	Cable Asm. - Transmission - 42"
	007255-01-704	EA	Switch Asm. - Decelerate
	024748-01-700	EA	Relay - Speed Control

FRONT BUNK AND HARDWARE

Key	Part Number	U/M	Description
	048820-01-000	EA	Bunk Asm. - Front Overhead w/Carpet on Underside
	040071-01-700	EA	Support Kit - Overhead Bunk - Seat Belt
	042201-01-000	EA	Support Asm. - Overhead Bunk - Beige

GENERATORS AND INSTALLATION KITS

Key	Part Number	U/M	Description
	040505-01-000	EA	Generator - 4000 Watt - Tray Mount - Kohler
	040506-01-000	EA	Generator - 5000 Watt - Tray Mount - Kohler
	044149-01-000	EA	Generator - 6500 Watt - Tray Mount - Kohler
	040507-01-000	EA	Exhaust System - Generator - 4000W - Kohler
	040612-01-000	EA	Muffler - Generator - 4000W - Kohler
	040652-01-000	EA	Exhaust System - Generator 5000W - Kohler
	047343-01-000	EA	Exhaust System - Generator 5000/6500W - Kohler
	048317-01-000	EA	Tailpipe - Exhaust - Generator 1 3/8" x 5' - Kohler
	041743-01-000	EA	Switch - Generator - w/o Circuit Board
	007067-01-000	SF	Insulation - Fiberglass - 1"
	050279-01-000	EA	Tray - Generator - Kohler
	041420-01-000	EA	Elbow - Steel - 1/8" MPT x 3/16" Barb
	042885-01-000	EA	Scoop - Generator Air
	007058-01-000	EA	Generator - 5000 Watt - Tray Mount - Onan
	045720-01-000	EA	Tray Asm. - Generator - Onan
	007292-01-000	EA	Muffler - Generator - Onan
	007131-01-000	EA	Hanger - Tailpipe
	040508-01-000	EA	Muffler - Kohler
**	040504-01-000	EA	Generator - 2.5 KW - Kohler
**	040505-01-000	EA	Generator - 4.0 KW - Kohler
**	040506-01-000	EA	Generator - 5.0 KW - Kohler
**	044149-01-000	EA	Generator - 6.5 KW - Kohler
**	051908-01-000	EA	Generator - 3.5 KW - Kohler
**	051909-01-000	EA	Generator - 4.5 KW - Kohler
**	051910-01-000	EA	Generator - 5.5 KW - Kohler
**	051911-01-000	EA	Generator - 7.0 KW - Kohler

**1978 WINNEBAGO
TABLE OF CONTENTS**

Introduction	A-1
Abbreviations	A-1
Alphabetical Index	A-2 - A-4
WC525RB	A-5 - B-14
WDP23RG	B-15 - C-24
WDP26RK	D-1 - E-12
WDU27RK	E-13 - F-22
WDU29RB	F-23 - H-10
WDU27RT	H-11 - I-22
WDP26RB	I-23 - K-10

**1978 WDU27RK
INDEX**

Floor Plan	E-13 - E-14
Accessories Group	E-15 - E-17
Bath Group	E-17 - E-18
Chassis Group	E-19
Curtain, Cushion & Pad Group	E-20 - E-23
Dinette Group	E-23
Driver's Compartment Group	E-24
	F-1
Electrical Group	F-1 - F-3
Exterior Body Group	F-4 - F-7
Galley Group	F-8
Heating & Air Conditioning Group	F-9
Interior Finish Group	F-10 - F-11
LP Group	F-12
Lounge Group	F-12
Water & Sewage Group	F-13
Window, Vent & Exterior Door Group	F-14 - F-22

ACCESSORIES GROUP (CONTINUED)

MISCELLANEOUS ACCESSORIES

Key	Part Number	U/M	Description
	U44148-01-000	EA	TV - 13" Color - Sharp
	006053-01-000	EA	Antenna - TV - Braund Delux
	006093-01-000	EA	Jack - TV - Brown
	052771-01-000	EA	Oven - Microwave - Magic Chef - 207-4 (sonic)
	042344-01-000	EA	Luggage Rack Asm. - w/Ladder
	042344-02-000	EA	Ladder Only - For Rack and Ladder Asm.
	006113-01-000	EA	Jack - Hydraulic - 5 Ton
	041944-01-700	EA	Fire Extinguisher - Dry Chemical - w/Bracket
	054185-01-000	EA	Owner's Manual - 1978 - Winnebago
	017516-01-000	EA	Mudflap - Black - 14" x 18" - w/Holes
	006089-01-000	EA	Case - Leather Key - Motor Home
	007038-01-000	EA	Mat - Door - Black Rubber - 10 1/2" x 26"
	031398-02-000	EA	Cover - Wheel - 19.5" Chrome
	044399-01-000	EA	Thermometer - Outside - Chrome
	047226-01-000	EA	Tire Cover - Black - w/Zipper
	048813-01-000	EA	Weather Center - 5 1/2" x 15" - Gold
	003174-01-000	EA	Vacuum Cleaner - w/o Attachments
	003174-02-000	EA	Attachment Package - Vacuum Cleaner
	700108-01-000	EA	Bag - Vacuum - Disposable
	042582-01-000	EA	Slide Asm. - Vacuum - 22" - Right
	042582-02-000	EA	Slide Asm. - Vacuum - 22" - Left
	036420-01-000	EA	Fan - 12 Volt Defroster
	052003-01-000	EA	Trim Plate - Motorola Radio
	006053-01-700	EA	Repair Parts Kit - Braund TV Antenna

BATH GROUP

BATH CABINETS

Key	Part Number	U/M	Description
	050552-01-000	EA	Cabinet Asm. - Vanity - w/o Top, Door or Hardware
	048103-04-700	EA	Door Asm. - Vanity Cabinet - 19 3/8" x 10 1/4" - w/o Hardware
	044067-01-000	EA	Sink - Vanity
	011056-01-000	EA	Faucet - Vanity
	011083-01-000	EA	Plug - Stopper w/Chain
	045358-05-700	EA	Door Asm. - Bathroom w/o Hardware
	009124-01-000	EA	Lock - Door - Push Button - Brass
	009150-01-000	EA	Warp - Guard - 64"
	009151-01-000	EA	Warp - Guard - 48"
	048103-09-700	EA	Door Asm. - Wardrobe - 19 1/8" x 45 1/4" - w/o Hardware
	048739-01-000	EA	Cabinet Asm. - Medicine - Side
	048103-02-700	EA	Door Asm. - Medicine Cabinet - 22" x 9" - w/o Hardware
	048740-01-000	EA	Cabinet Asm. - Medicine - Rear
	042529-04-700	EA	Door Asm. - Medicine Cabinet - 28 1/2" x 12" - w/o Hardware
	045700-01-000	EA	Mirror - 1/8" x 9" x 25"

MISCELLANEOUS HARDWARE

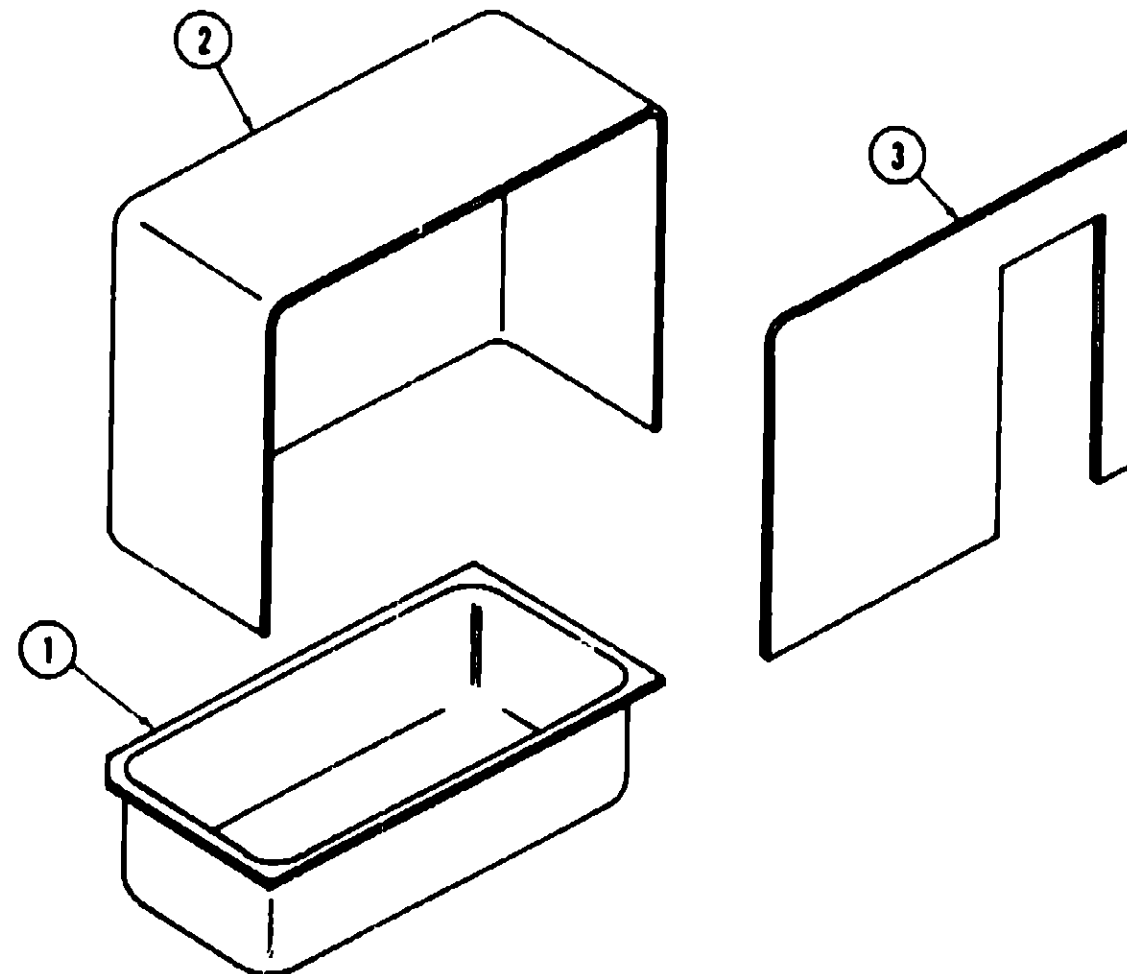
Key	Part Number	U/M	Description
	009134-01-000	EA	Holder - Tissue
	048112-02-000	EA	Mirror - Plastic - 1/8" x 24" x 30"
	048169-01-000	EA	Ring - Towel - Antique Brass
	048171-01-000	EA	Bar - Towel - 21" - Antique Brass
	049749-01-000	EA	Soap Dish - Wall Mount - Brass
**	039341-02-000	EA	Stool Asm. - Ivory - Aqua Magic - Model SH

**The illustrated parts breakdown for this item is provided on the Common Items Fiche.

BATH GROUP (CONTINUED)

BATHTUB AND RELATED HARDWARE

Key	Part Number	U/M	Description
	031558-01-000	EA	Faucet - Tub and Shower
	011048-01-000	EA	Shower Head - w/59" Hose
	010495-01-000	EA	Clamp - Cable - 9/16"
	011086-01-000	EA	Strainer - Shower Pan
	011048-01-700	EA	Vacuum Breaker - 1/8 MPT Nylon Shower Hose
	050739-02-000	EA	Door Asm. - Shower - Brown
	050080-01-000	FT	Glazing - Vinyl - Shower Door
	050470-01-000	EA	Plastic Styrene - .090" x 15 3/8" x 51 5/8"
	050482-01-000	EA	Catch - Spring - Roll Point
	050233-02-000	EA	Striker - Door Jamb - Brown
	050712-02-000	EA	Handle - Shower Door - Brown
	043566-05-000	EA	Jamb - Shower Door - Brown - Bottom
	043567-03-000	EA	Jamb - Shower Door - Brown - Right
	043567-04-000	EA	Jamb - Shower Door - Brown - Left
	035337-22-000	EA	Trim - Inside Corner - Bath - Beige Alum. - 80.88"
	034394-02-000	FT	Insert - Corner Trim - Beige Vinyl



Key	Part Number	U/M	Description
1	043727-01-000	EA	Bathtub - Bottom
2	043728-01-000	EA	Bathtub - Back
3	043726-01-000	EA	Bathtub - Front

1978 WINNEBAGO TABLE OF CONTENTS

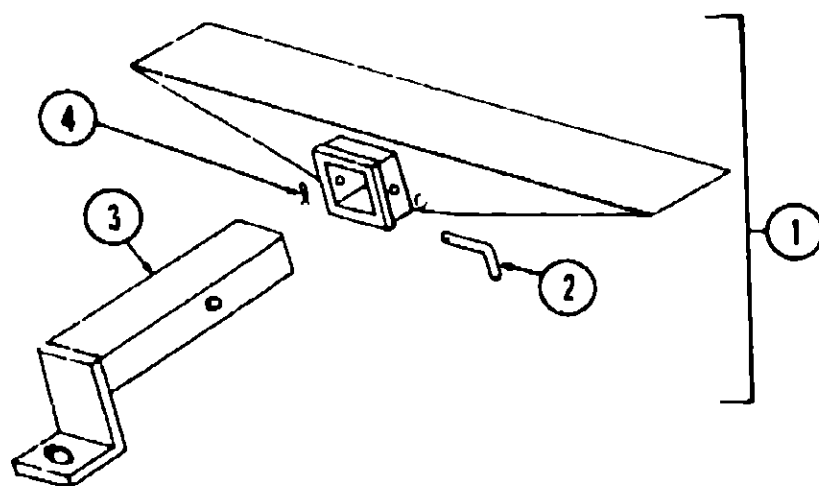
Introduction	A-1
Abbreviations	A-1
Alphabetical Index	A-2 - A-4
WC525RB	A-5 - B-14
WDP23RG	B-15 - C-24
WDP26RK	D-1 - E-12
WDU27RK	E-13 - F-22
WDU29RB	F-23 - H-10
WDU27RT	H-11 - I-22
WDP26RB	I-23 - K-10

1978 WDU27RK INDEX

Floor Plan	E-13 - E-14
Accessories Group	E-15 - E-17
Bath Group	E-17 - E-18
Chassis Group	E-19
Curtain, Cushion & Pad Group	E-20 - E-23
Dinette Group	E-23
Driver's Compartment Group	E-24
	F-1
Electrical Group	F-1 - F-3
Exterior Body Group	F-4 - F-7
Galley Group	F-8
Heating & Air Conditioning Group	F-9
Interior Finish Group	F-10 - F-11
LP Group	F-12
Lounge Group	F-12
Water & Sewage Group	F-13
Window, Vent & Exterior Door Group	F-14 - F-22

CHASSIS GROUP

Key	Part Number	U/M	Description
	041233-01-000	EA	Bumper - Contoured - Front or Rear
	042510-01-000	EA	Reinforcement - Bumper - Front or Rear
	042515-01-000	EA	Bracket - Bumper - Front
	050305-01-000	EA	Bracket - Splash Guard Mount - Front
	037933-01-000	EA	Bracket - License Plate - Front or Rear
	050703-01-000	EA	Bracket - Bumper - Rear
	042522-01-000	EA	Support Asm. - Tire Carrier
	042495-01-000	EA	Power Step - Kwikkee
	038398-01-700	EA	Motor - Power Step Kwikkee
	038398-01-701	EA	Gear - Power Step - Kwikkee
	038398-01-702	EA	Switch - Motor Control - Power Step - Kwikkee
	048594-01-000	EA	Tray - Battery - Steel
	035104-02-000	EA	Cover - Asm. - Radiator - Rear
	037466-02-000	EA	Hoodboard - Steel - Front - Left
	037466-03-000	EA	Hoodboard - Steel - Front - Right
	007134-01-000	EA	Clamp - Hose - Spring Type - 9/16"
	007137-01-000	EA	Clamp - Worm Gear - 1 5/16" to 2 1/4"
	007138-01-000	EA	Clamp - Hose - 1/4" to 3/4" Dia.
	024138-01-000	FT	Hose - Fuel - 5/16" I.D.
	024141-01-000	FT	Hose - Rubber - 1/2" I.D.
	024847-01-000	EA	Hose - Gas - 2 1/4" I.D.
	045814-01-000	EA	Fill - Gas w/Vent - 5.44" Long
	024611-03-000	EA	Cap - Gas - Pressure - 1.328" - Chrome
	024611-04-000	EA	Cap - Gas - Pressure - 1.500" - Chrome
	040078-01-000	EA	Tank - Fuel - 27.8 Gallon
	043986-01-000	EA	Strap - Mounting - Fuel Tank
	007160-01-000	EA	Gasket - 3/16" x 2" x 2" - Tire Carcass
	038883-01-000	EA	Sending Unit - Gas Tank - 78 Chm



Key	Part Number	U/M	Description
1	023695-01-700	EA	Hitch Kit - w/Drawbar
2	034512-01-000	EA	Pin - Locking - Drawbar
3	024876-01-700	EA	Drawbar - Trailer Hitch
4	034513-01-000	EA	Pin - Hitch - 3/16" Wire Spring

CURTAIN, CUSHION AND PAD GROUP

CURTAINS

Key	Part Number	U/M	Description
	051836-09-000	EA	Curtain w/Snap Top and Bottom - 27" x 24" - Green (Martini Mist)
	051836-10-000	EA	Curtain w/Snap Top and Bottom - 27" x 24" - Beige (Champagne Velvet)
	051836-11-000	EA	Curtain w/Snap Top and Bottom - 27" x 24" - Rust (Sierra Sunset)
	048842-26-000	EA	Curtain - Pleated w/Hooks - 26" x 42" - Green (Martini Mist)
	048842-27-000	EA	Curtain - Pleated w/Hooks - 26" x 42" - Beige (Champagne Velvet)
	048842-28-000	EA	Curtain - Pleated w/Hooks - 26" x 42" - Rust (Sierra Sunset)
	048842-17-000	EA	Curtain - Pleated w/Hooks - 26" x 40" - Green (Martini Mist)
	048842-18-000	EA	Curtain - Pleated w/Hooks - 26" x 40" - Beige (Champagne Velvet)
	048842-19-000	EA	Curtain - Pleated w/Hooks - 26" x 40" - Rust (Sierra Sunset)
	048842-20-000	EA	Curtain - Pleated w/Hooks - 26" x 45" - Green (Martini Mist)
	048842-21-000	EA	Curtain - Pleated w/Hooks - 26" x 45" - Beige (Champagne Velvet)
	048842-22-000	EA	Curtain - Pleated w/Hooks - 26" x 45" - Rust (Sierra Sunset)
	049728-07-000	EA	Curtain w/Snap Top - 30" x 80" - Left - Green (Martini Mist)
	049728-08-000	EA	Curtain w/Snap Top - 30" x 80" - Left - Beige (Champagne Velvet)
	049728-09-000	EA	Curtain w/Snap Top - 30" x 80" - Left - Rust (Sierra Sunset)
	049728-10-000	EA	Curtain w/Snap Top - 30" x 80" - Right - Green (Martini Mist)
	049728-11-000	EA	Curtain w/Snap Top - 30" x 80" - Right - Beige (Champagne Velvet)
	049728-12-000	EA	Curtain w/Snap Top - 30" x 80" - Right - Rust (Sierra Sunset)
	049728-13-000	EA	Curtain w/Snap Top - 72" x 39" - Green (Martini Mist)
	049728-14-000	EA	Curtain w/Snap Top - 72" x 39" - Beige (Champagne Velvet)
	049728-15-000	EA	Curtain w/Snap Top - 72" x 39" - Rust (Sierra Sunset)
	051832-06-000	EA	Curtain w/Snap Top - 33" x 33" - Green (Martini Mist)
	051832-07-000	EA	Curtain w/Snap Top - 33" x 33" - Beige (Champagne Velvet)
	051832-08-000	EA	Curtain w/Snap - 33" x 33" - Rust (Sierra Sunset)
	052414-01-000	EA	Curtain w/ScrewStuds - 38" x 77" - Green (Martini Mist)
	052414-02-000	EA	Curtain w/Screw Studs - 38" x 77" - Beige (Champagne Velvet)
	052414-03-000	EA	Curtain w/Screw Studs - 38" x 77" - Rust (Sierra Sunset)
	052763-01-000	EA	Shade Asm. - Woven Wood - 71" x 28.5" - Green (Martini Mist)
	052763-02-000	EA	Shade Asm. - Woven Wood - 71" x 28.5" - Beige (Champagne Velvet)
	052763-03-000	EA	Shade Asm. - Woven Wood - 71" x 28.5" - Rust (Sierra Sunset)
	052764-01-000	EA	Shade Asm. - Woven Wood - 68 1/4" x 28 1/2" - Green (Martini Mist)
	052764-02-000	EA	Shade Asm. - Woven Wood - 68 1/4" x 28 1/2" - Beige (Champagne Velvet)
	052764-03-000	EA	Shade Asm. - Woven Wood - 68 1/4" x 28 1/2" - Rust (Sierra Sunset)
	052765-01-000	EA	Shade Asm. - Woven Wood - 45" x 28.5" - Green (Martini Mist)
	052765-02-000	EA	Shade Asm. - Woven Wood - 45" x 28.5" - Beige (Champagne Velvet)
	052765-03-000	EA	Shade Asm. - Woven Wood - 45" x 28.5" - Rust (Sierra Sunset)

VALANCES

Key	Part Number	U/M	Description
	041906-49-000	EA	Valance - Pleated w/Hooks - 6 1/2" x 82" - Green (Martini Mist)
	041906-50-000	EA	Valance - Pleated w/Hooks - 6 1/2" x 82" - Beige (Champagne Velvet)
	041906-51-000	EA	Valance - Pleated w/Hooks - 6 1/2" x 82" - Rust (Sierra Sunset)
	041906-37-000	EA	Valance - Pleated w/Hooks - 6 1/2" x 78" - Green (Martini Mist)
	041906-38-000	EA	Valance - Pleated w/Hooks - 6 1/2" x 78" - Beige (Champagne Velvet)
	041906-39-000	EA	Valance - Pleated w/Hooks - 6 1/2" x 78" - Rust (Sierra Sunset)
	041906-40-000	EA	Valance - Pleated w/Hooks - 6 1/2" x 88" - Green (Martini Mist)
	041906-41-000	EA	Valance - Pleated w/Hooks - 6 1/2" x 88" - Beige (Champagne Velvet)
	041906-42-000	EA	Valance - Pleated w/Hooks - 6 1/2" x 88" - Rust (Sierra Sunset)
	041906-52-000	EA	Valance - Pleated w/Hooks - 6 1/2" x 53" - Green (Martini Mist)
	041906-53-000	EA	Valance - Pleated w/Hooks - 6 1/2" x 53" - Beige (Champagne Velvet)
	041906-54-000	EA	Valance - Pleated w/Hooks - 6 1/2" x 53" - Rust (Sierra Sunset)
	041906-61-000	EA	Valance - Pleated w/Hooks - 6 1/2" x 43" - Green (Martini Mist)
	041906-62-000	EA	Valance - Pleated w/Hooks - 6 1/2" x 43" - Beige (Champagne Velvet)
	041906-63-000	EA	Valance - Pleated w/Hooks - 6 1/2" x 43" - Rust (Sierra Sunset)

1978 WINNEBAGO TABLE OF CONTENTS

Introduction	A-1
Abbreviations	A-1
Alphabetical Index	A-2 - A-4
WC525RB	A-5 - B-14
WDP23RG	B-15 - C-24
WDP26RK	D-1 - E-12
WDU27RK	E-13 - F-22
WDU29RB	F-23 - H-10
WDU27RT	H-11 - I-22
WDP26RB	I-23 - K-10

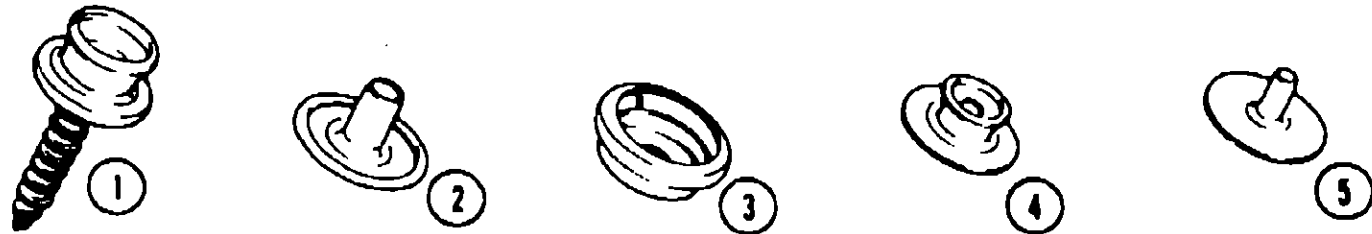
1978 WDU27RK INDEX

Floor Plan	E-13 - E-14
Accessories Group	E-15 - E-17
Bath Group	E-17 - E-18
Chassis Group	E-19
Curtain, Cushion & Pad Group	E-20 - E-23
DINETTE Group	E-23
Driver's Compartment Group	E-24
	F-1
Electrical Group	F-1 - F-3
Exterior Body Group	F-4 - F-7
Galley Group	F-8
Heating & Air Conditioning Group	F-9
Interior Finish Group	F-10 - F-11
LP Group	F-12
Lounge Group	F-12
Water & Sewage Group	F-13
Window, Vent & Exterior Door Group	F-14 - F-22

CURTAIN, CUSHION AND PAD GROUP (CONTINUED)

CURTAIN HARDWARE

Key	Part Number	U/M	Description
	009107-01-000	EA	Guide - Nylon Snap
	009136-01-000	EA	Pin - Shower Curtain
	009701-01-000	EA	Carrier - Curtain w/Rollers - "L" Rod
	009702-01-000	EA	End Stop - Curtain - "L" Rod
	018031-42-000	EA	Extr. - "L" Rod - 90'
	049737-01-000	EA	End Cap - Plastic - Brown (Blackout Curtain)
	049738-01-000	EA	Snap Carrier - White Plastic (Blackout Curtain)
	051365-14-000	EA	Track - Curtain - Alum. - 89" (Blackout Curtain)
	047291-01-000	EA	Rod - Curtain - Traverse w/Valance
	049897-01-000	EA	Rod - Curtain - Flat - Extends 25" - 45"
	049936-01-000	EA	Pulley - Tension - Traverse Rod
	049937-01-000	EA	Kit - Conversion - Traverse/Valance Rods
	049997-02-000	EA	Rod - Curtain - Flat - Extends - 48" - 88"
	050829-03-000	EA	Track - Wraparound Curtain - Right - Brown
	050829-04-000	EA	Track - Wraparound Curtain - Left - Brown
	052327-04-236	EA	Curtain Track - Alum. - Brown - 89" w/Holes (Replaces 009108-01 Plastic Track)



Key	Part Number	U/M	Description
1	029130-01-000	EA	Socket - Snap Fastener (Tie Backs)
2	029155-01-000	EA	Cap - Snap - .158" Diameter x .17" Barrel (Tie Backs)
3	029156-01-000	EA	Socket - Snap Fastener (Tie Backs)
4	029092-01-000	EA	Stud - Nickel Finish (Curtains)
5	029093-01-000	EA	Eyelet - Nickel Finish (Curtains)

TIE BACKS

Key	Part Number	U/M	Description
	049097-48-000	EA	Tie Back - Curtain - 14" - Green (Martini Mist)
	049097-49-000	EA	Tie Back - Curtain - 14" - Beige (Champagne Velvet)
	049097-50-000	EA	Tie Back - Curtain - 14" - Rust (Sierra Sunset)
	049097-45-000	EA	Tie Back - Curtain - 10" - Green (Martini Mist)
	049097-46-000	EA	Tie Back - Curtain - 10" - Beige (Champagne Velvet)
	049097-47-000	EA	Tie Back - Curtain - 10" - Rust (Sierra Sunset)
	049097-25-000	EA	Tie Back Asm. - Curtain - Green (Martini Mist)
	049097-26-000	EA	Tie Back Asm. - Curtain - Beige (Champagne Velvet)
	049097-27-000	EA	Tie Back Asm. - Curtain - Rust (Sierra Sunset)

CURTAIN, CUSHION AND PAD GROUP (CONTINUED)

DINETTE CUSHIONS

Key	Part Number	U/M	Description
	049714-01-000	EA	Cushion - Dinette Back w/Buttons - 14 1/4" x 38" x 5" Green (Martini Mist)
	049714-02-000	EA	Cushion - Dinette Back w/Buttons - 14 1/4" x 38" x 5" Beige (Champagne Velvet)
	049714-03-000	EA	Cushion - Dinette Back w/Buttons - 14 1/4" x 38" x 5" Rust (Sierra Sunset)
	049715-01-000	EA	Cushion - Dinette Bottom w/Frame - 21 3/4" x 38" x 5" Green (Martini Mist)
	049715-02-000	EA	Cushion - Dinette Bottom w/Frame - 21 3/4" x 38" x 5" Beige (Champagne Velvet)
	049715-03-000	EA	Cushion - Dinette Bottom w/Frame - 21 3/4" x 38" x 5" Rust (Sierra Sunset)
	048483-06-000	EA	Button Asm. - Covered - Upholstery - Green (Martini Mist)
	048483-07-000	EA	Button Asm. - Covered - Upholstery - Beige (Champagne Velvet)
	048483-08-000	EA	Button Asm. - Covered - Upholstery - Rust (Sierra Sunset)

MATTRESSES

Key	Part Number	U/M	Description
	041914-28-000	EA	Mattress - Flexsteel Bunk - 38 3/4" x 76 1/2" x 4" Green (Martini Mist)
	041914-29-000	EA	Mattress - Flexsteel Bunk - 38 3/4" x 76 1/2" x 4" Beige (Champagne Velvet)
	041914-30-000	EA	Mattress - Flexsteel Bunk - 38 3/4" x 76 1/2" x 4" Rust (Sierra Sunset)

LOUNGE SEATING

Key	Part Number	U/M	Description
	052156-01-000	EA	Magic Bed (Flexsteel) Green (Martini Mist)
	052156-02-000	EA	Magic Bed (Flexsteel) Beige (Champagne Velvet)
	052156-03-000	EA	Magic Bed (Flexsteel) Rust (Sierra Sunset)
	052158-01-000	EA	Chair - Corner Mount - Left - Green (Martini Mist)
	052158-02-000	EA	Chair - Corner Mount - Left - Beige (Champagne Velvet)
	052158-03-000	EA	Chair - Corner Mount - Left - Rust (Sierra Sunset)
	052157-01-000	EA	Chair - Corner Mount - Right - Green (Martini Mist)
	052157-02-000	EA	Chair - Corner Mount - Right - Beige (Champagne Velvet)
	052157-03-000	EA	Chair - Corner Mount - Right - Rust (Sierra Sunset)
	052155-01-000	EA	Chair - Swivel (Flexsteel) Green (Martini Mist)
	052155-02-000	EA	Chair - Swivel (Flexsteel) Beige (Champagne Velvet)
	052155-03-000	EA	Chair - Swivel (Flexsteel) Rust (Sierra Sunset)

FABRICS

Key	Part Number	U/M	Description
	041429-01-000	YD	Fabric - Valance - Green (Martini Mist)
	041429-02-000	YD	Fabric - Valance - Beige (Champagne Velvet)
	041429-03-000	YD	Fabric - Valance - Rust (Sierra Sunset)
	051772-01-000	YD	Fabric - Floral Drapery - Green (Martini Mist)
	051772-02-000	YD	Fabric - Floral Drapery - Beige (Champagne Velvet)
	051772-03-000	YD	Fabric - Floral Drapery - Rust (Sierra Sunset)
	043823-01-000	YD	Fabric - Upholstery - Green (Martini Mist)
	043823-02-000	YD	Fabric - Upholstery - Beige (Champagne Velvet)
	042823-03-000	YD	Fabric - Upholstery - Rust (Sierra Sunset)
	042411-01-000	YD	Vinyl - Nonexpanded - 27 Ounce - Brown
	042411-03-000	YD	Vinyl - Nonsupport - 18 Gauge - Brown
	042414-01-000	FT	Trim - Accent - Bostonian Brown Vinyl
	023631-05-000	EA	Button - Nail - Brown Vinyl

**1978 WINNEBAGO
TABLE OF CONTENTS**

Introduction	A-1
Abbreviations	A-1
Alphabetical Index	A-2 - A-4
WC525RB	A-5 - B-14
WDP23RG	B-15 - C-24
WDP26RK	D-1 - E-12
WDU27RK	E-13 - F-22
WDU29RB	F-23 - H-10
WDU27RT	H-11 - I-22
WDP26RB	I-23 - K-10

**1978 WDU27RK
INDEX**

Floor Plan	E-13 - E-14
Accessories Group	E-15 - E-17
Bath Group	E-17 - E-18
Chassis Group	E-19
Curtain, Cushion & Pad Group	E-20 - E-23
Dinette Group	E-23
Driver's Compartment Group	E-24
	F-1
Electrical Group	F-1 - F-3
Exterior Body Group	F-4 - F-7
Galley Group	F-8
Heating & Air Conditioning Group	F-9
Interior Finish Group	F-10 - F-11
LP Group	F-12
Lounge Group	F-12
Water & Sewage Group	F-13
Window, Vent & Exterior Door Group	F-14 - F-22

CURTAIN, CUSHION AND PAD GROUP (CONTINUED)

BUCKET SEATS

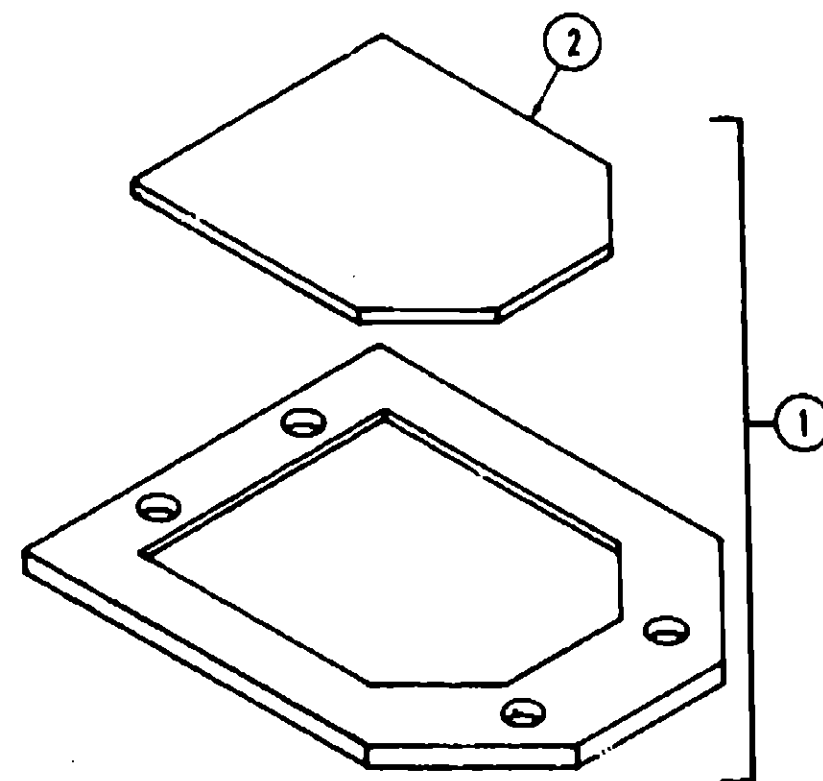
Key	Part Number	U/M	Description
	052150-01-000	EA	Seat Asm. - Single Bucket (Flexsteel) Green (Martini Mist)
	052150-02-000	EA	Seat Asm. - Single Bucket (Flexsteel) Beige (Champagne Velvet)
	052150-03-000	EA	Seat Asm. - Single Bucket (Flexsteel) Rust (Sierra Sunset)

PADS

Key	Part Number	U/M	Description
	048751-01-000	EA	Pad - End Panel - Overhead Galley Cabinet
	048747-01-000	EA	Pad - End Panel - Overhead Lounge Cabinet - Left
	048747-02-000	EA	Pad - End Panel - Overhead Lounge Cabinet - Right
	042330-01-000	EA	Armrest Asm. - Wall Mount - Left - Brown Vinyl
	042331-01-000	EA	Armrest Asm. - Wall Mount - Right - Brown Vinyl
	042950-01-000	EA	Handle - Interior Assist Strap - Brown Vinyl

DINETTE GROUP

Key	Part Number	U/M	Description
	048725-01-000	EA	Countertop - Rear - 3 1/2" x 81 3/4" - Green (Martini Mist)
	048725-02-000	EA	Countertop - Rear - 3 1/2" x 81 3/4" - Beige (Champagne Velvet or Sierra Sunset)
	048736-01-000	EA	Cabinet Asm. - Dinette Seat - Front
	048738-01-000	EA	Cabinet Asm. - Dinette Seat - Rear
	048727-01-000	EA	Cabinet Asm. - Dinette Overhead - w/o Doors or Hardware
	048729-01-000	EA	Cabinet Asm. - Floor Overhead - w/o Doors or Hardware
	048103-01-700	EA	Door Asm. - Cabinet - 30" x 9" - w/o Hardware
	048103-05-700	EA	Door Asm. - Cabinet - 28" x 5 5/16" - w/o Hardware



Key	Part Number	U/M	Description
1	048735-01-000	EA	Table Asm. - Dinette - w/o Hardware - Brown Mocha Leather
2	048735-02-700	EA	Insert - Dinette Table - Brown Mocha Leather
	047809-02-000	EA	Kit - Table Hardware - Wall Mount
	047842-01-000	EA	Kit - Dinette Table Leg

DRIVER'S COMPARTMENT GROUP

DASH PANEL AND COMPONENTS

Key	Part Number	U/M	Description
	050582-01-000	EA	Dash Asm. - Elandan II - Complete
	022548-03-000	EA	Pad - Dash - Foam - Right - Dark Brown
	023242-05-000	EA	Pad - Dash - Foam - Left - Dark Brown
	024418-01-000	EA	Lamp Asm. - Map/Gauge
	023020-01-000	EA	Lamp Asm. - Tell Tale
	039044-01-000	EA	Louver Asm. - A/C - Adjustable
	048771-01-000	EA	Nameplate - Elandan II - Brown/Gold
	007037-01-000	EA	Lighter Asm. - Cigarette - 12V
	007041-01-000	EA	Bezel - Cigarette Lighter
	007071-01-000	EA	Louver - Chrome - w/Chrome Wheel
	024908-01-000	EA	Diffuser Case - A/C - 2 1/2" Black
	050299-01-000	EA	Bezel - Instrument Panel
	050485-01-000	EA	Bezel - Entertainment Center - No. 1
	022219-01-000	EA	Door - Glove Box
	009118-01-000	EA	Lock - Twist w/Nut
	023892-01-000	EA	Box - Glove Compartment - Black Fiberboard
	024598-01-000	EA	Hinge - Continuous Aluminum - 1 1/16" x 19"
	034309-01-000	EA	Chain - Bead - Glove Box Door
	023834-01-000	EA	Panel - Knee Kick
	024990-02-000	EA	Outlet - Defroster - 2" w/Swivel - Dark Brown
	040636-01-000	EA	Bracket Asm. - Shift Lever

DASH SWITCHES AND GAUGES

Key	Part Number	U/M	Description
	024907-01-000	EA	Control Asm. - Heater and A/C
	031035-01-000	EA	Gauge - Hourmeter - Generator
	024459-01-000	EA	Gauge - Voltmeter
	024460-01-000	EA	Gauge - Vacuum
	007308-01-000	EA	Clock - Dash
	024976-01-000	EA	Switch - Generator - w/o Circuit Board
	024462-01-000	EA	Switch - Battery Condition
	024461-01-000	EA	Switch - Battery Changeover
	024464-01-000	EA	Switch - Washer
	024465-01-000	EA	Switch - Fuel
	024466-01-000	EA	Switch - Rear Wiper
	024467-01-000	EA	Switch - Wiper
	049783-01-000	EA	Switch - Aux. Light
	050031-01-000	EA	Switch - Stop
	051750-01-000	EA	Switch - Dash Electric LP Gas Shut Off

BUCKET SEAT PEDESTAL AND SEAT BELTS

Key	Part Number	U/M	Description
	052151-01-000	EA	Pedestal Asm. - Flexsteel Bracket Seat
	052154-01-000	EA	Slide Asm. - Flexsteel Bucket Seat
	007019-01-000	EA	Belt Asm. - Seat - 2" x 84" - Black
	041322-01-000	EA	Washer - Flat - 15/32" I.D. x 2 3/8" O.D.

1978 WINNEBAGO TABLE OF CONTENTS

Introduction	A-1
Abbreviations	A-1
Alphabetical Index	A-2 - A-4
WC525RB	A-5 - B-14
WDP23RG	B-15 - C-24
WDP26RK	D-1 - E-12
WDU27RK	E-13 - F-22
WDU29RB	F-23 - H-10
WDU27RT	H-11 - I-22
WDP26RB	I-23 - K-10

1978 WDU27RK INDEX

Floor Plan	E-13 - E-14
Accessories Group	E-15 - E-17
Bath Group	E-17 - E-18
Chassis Group	E-19
Curtain, Cushion & Pad Group	E-20 - E-23
Dinette Group	E-23
Driver's Compartment Group	E-24
	F-1
Electrical Group	F-1 - F-3
Exterior Body Group	F-4 - F-7
Galley Group	F-8
Heating & Air Conditioning Group	F-9
Interior Finish Group	F-10 - F-11
LP Group	F-12
Lounge Group	F-12
Water & Sewage Group	F-13
Window, Vent & Exterior Door Group	F-14 - F-22

DRIVER'S COMPARTMENT GROUP (CONTINUED)

MISCELLANEOUS DRIVER'S COMPARTMENT COMPONENTS

Key	Part Number	U/M	Description
	048583-01-000	EA	Tray Asm. - Beverage
	048670-01-000	EA	Track Asm. - Beverage Tray (2 per Tray)
	034499-01-000	EA	Support - Dimmer Switch
	007278-01-000	EA	Mirror - 4 1/2" x 9" - Rear View
	036414-01-000	EA	Ashtray - Wall Mount
	042434-02-000	EA	Sunvisor Asm. - 8" x 28" - Dark Brown Vinyl - Right or Left
	040519-01-000	EA	Boot - Rubber - Steering Column
	040520-01-000	EA	Retainer - Boot - Steering Column
	039857-01-000	EA	Latch - Rubber - Draw Handle - 5 3/4" w/Strike
	039856-01-000	EA	Latch - Rubber - Draw Handle - 3" w/Strike
	035368-02-000	EA	Seal - Motor Cover - Extr. Aluminum
	042328-03-000	EA	Sidepanel - Left
	050761-01-000	EA	Sidepanel - Right
	042332-01-000	EA	Pouch - Vinyl - Sidepanel - Left
	042333-01-000	EA	Pouch - Vinyl - Sidepanel - Right
	042337-01-000	EA	Trim - Brown Plastic - Over Driver Window
	042337-02-000	EA	Trim - Brown Plastic - Over Passenger Window
	042341-01-000	EA	Trim - A Post - Brown Plastic - Left
	042341-02-000	EA	Trim - A Post - Brown Plastic - Right

ELECTRICAL GROUP

BULBS

Key	Part Number	U/M	Description
	037836-01-000	EA	Bulb - 1157-A
	037937-01-000	EA	Bulb - 1295
	037934-01-000	EA	Bulb - 1156
	037935-01-000	EA	Bulb - 1157
	038010-01-000	EA	Bulb - 1143
	008103-01-000	EA	Bulb - 53
	008213-01-000	EA	Bulb - 57
	008214-01-000	EA	Bulb - 67
	003215-01-000	EA	Bulb - 1003
	008216-01-000	EA	Bulb - 1034
	008217-01-000	EA	Bulb - 1073
	008218-01-000	EA	Bulb - 1141
	008219-01-000	EA	Bulb - 656
	008220-01-000	EA	Bulb - 12V - 25W
	036196-01-000	EA	Bulb - 194
	700020-01-000	EA	Bulb - 12V - 20W 1383

INTERIOR LIGHTS

Key	Part Number	U/M	Description
	023020-01-000	EA	Lamp Asm. - Tail Tale
	024418-01-000	EA	Lamp Asm. - Map/Gauge/Aisle
	024473-01-000	EA	Light - Aircraft - 1 Bulb - Gold
	033506-02-000	EA	Light - Dome - Ivory - 1 Bulb
	024642-01-701	EA	Lens - Dome Light - 1 Bulb
	033509-02-000	EA	Light - Dome - Ivory - 2 Bulb
	024643-01-701	EA	Lens - Dome Light - 2 Bulb
	007309-01-000	EA	Light - Step Well
	049412-01-000	EA	Light Asm. - Overhead Recessed - 10" x 30"

ELECTRICAL GROUP (CONTINUED)

EXTERIOR LIGHTS

Key	Part Number	U/M	Description
	037586-01-000	EA	Lamp Asm. - Front Right
	037586-02-000	EA	Lamp Asm. - Front Left
	037585-01-000	EA	Lamp Asm. - Tail - Rear Right
	037585-03-000	EA	Lens - Tail Lamp - Right
	037585-02-000	EA	Lamp Asm. - Tail - Rear Left
	037585-04-000	EA	Lens - Tail Lamp - Left
	049811-01-000	EA	Lamp Asm. - Fog Light
	042405-03-000	EA	Base - Rectangular Clearance Light
	042405-04-000	EA	Lens - Clearance Light - Red w/o Reflector
	042405-05-000	EA	Lens - Clearance Light - Amber w/o Reflector
	049185-01-000	EA	Headlamp Capsule Asm. - Rectangular - Left - High/Low Beam
	049186-01-000	EA	Headlamp Capsule Asm. - Rectangular - Right - High/Low Beam
	049187-01-000	EA	Headlamp Capsule Asm. - Rectangular - Left - High Beam
	049188-01-000	EA	Headlamp Capsule Asm. - Rectangular - Right - High Beam
	048817-01-000	EA	Handle - Asslt w/Light

FUSES AND CIRCUIT BREAKERS

Key	Part Number	U/M	Description
	008233-01-000	EA	Fuse - 12 Volt - 6 Amp.
	008234-01-000	EA	Fuse - 12 Volt - 10 Amp.
	008235-01-000	EA	Fuse - 12 Volt - 15 Amp.
	008236-01-000	EA	Fuse - 12 Volt - 20 Amp.
	008248-01-000	EA	Fuse - 12 Volt - 30 Amp.
	008252-01-000	EA	Fuse - 110 Volt - 50 Amp.
	008208-01-000	EA	Circuit Breaker - 12 Volt - 40 Amp.
	008211-01-000	EA	Circuit Breaker - 12 Volt - 6 Amp.
	008269-01-000	EA	Circuit Breaker - 12 Volt - 30 Amp. w/Mount
	035373-01-000	EA	Circuit Breaker - 12 Volt - 20 Amp. w/Mount
	008273-03-000	EA	Circuit Breaker - 15/20 Amp. TQL
	036617-01-000	EA	Relay - Canister - SPDT
	033484-01-000	EA	Circuit Breaker - 30 Amp. - Air Conditioner
	052012-01-000	EA	Circuit Breaker - 50 Amp. - Air Conditioner

WINDSHIELD WIPER AND WASHER

Key	Part Number	U/M	Description
	037998-01-000	EA	Link Asm. - Connecting - 22.40" Long
	037999-01-000	EA	Motor Asm. - Windshield Wiper - Front
	038001-01-000	EA	Shaft and Pivot Asm. - 2.25" Arm
	049463-01-000	EA	Arm - Windshield Wiper - 15" Black
	049464-01-000	EA	Blade - Windshield Wiper - 16" Black
	007029-01-000	EA	Washer Asm. - Windshield Power Jet Electric - Front
	700073-05-000	EA	Pump and Cover Asm. - for Windshield Washer - Front or Rear
	700073-04-000	EA	Reservoir Only - Water - Windshield Washer - Front or Rear
	700073-02-000	EA	Washer Nozzle Hardware Package - Front
	700073-03-000	EA	Washer Nozzle Hardware Package - Rear
	038000-03-000	EA	Blade - Windshield Wiper - 14"
	039756-01-000	EA	Motor - Rear Window Wiper
	039757-01-000	EA	Arm - Rear Window Wiper - 16"

1978 WINNEBAGO TABLE OF CONTENTS

Introduction	A-1
Abbreviations	A-1
Alphabetical Index	A-2 - A-4
WC525RB	A-5 - B-14
WDP23RG	B-15 - C-24
WDP26RK	D-1 - E-12
WDU27RK	E-13 - F-22
WDU29RB	F-23 - H-10
WDU27RT	H-11 - I-22
WDP26RB	I-23 - K-10

1978 WDU27RK INDEX

Floor Plan	E-13 - E-14
Accessories Group	E-15 - E-17
Bath Group	E-17 - E-18
Chassis Group	E-19
Curtain, Cushion & Pad Group	E-20 - E-23
Dinette Group	E-23
Driver's Compartment Group	E-24
	F-1
Electrical Group	F-1 - F-3
Exterior Body Group	F-4 - F-7
Galley Group	F-8
Heating & Air Conditioning Group	F-9
Interior Finish Group	F-10 - F-11
LP Group	F-12
Lounge Group	F-12
Water & Sewage Group	F-13
Window, Vent & Exterior Door Group	F-14 - F-22

ELECTRICAL GROUP (CONTINUED)

WIRE, SWITCHES AND RECEPTACLES

Key	Part Number	U/M	Description
	008024-01-000	FT	Wire - 18.5 Bonded - Orange/White/Yellow/Blue/Brown
	008025-01-000	FT	Wire - 18.5 Bonded - Orange/White/Yellow/Blue/Green
	008028-01-000	FT	Wire - 18.5 Bonded - Blue/Red/Yellow/Orange/White
	008030-01-000	FT	Wire - 18.4 Bonded
	008251-01-000	EA	Holder - Fuse - Black - Screw Type
	008277-01-000	EA	Holder - Fuse - Black - Panel Mount
	008195-01-000	EA	Switch - Push Button - 12 Volt
	006077-01-000	EA	Plaque - Compressor Switch
	008054-01-000	EA	Cord - Power - 10-3 30 Amp. - 25' - UL
	034818-04-000	EA	Holder - Receptacle - Plastic
	039338-01-000	EA	Cover - Plate - Receptacle - Plastic - Brown
	039339-01-000	EA	Receptacle - Duplex Brown - End of Line
	039342-01-000	EA	Receptacle - Duplex Brown - T Junction
	024571-01-000	EA	Cover Plate - Receptacle - Jumbo Steel Brown
	048172-01-000	EA	Cover Plate - Receptacle - Antique Brass
	048173-01-000	EA	Cover Plate - Double Switch - Antique Brass
	048174-01-000	EA	Cover Plate - Single Switch - Antique Brass
	039343-01-000	EA	Cap - End - Receptacle
	008162-01-000	EA	Switch - Double Toggle - Spade Brown
	008163-01-000	EA	Switch - Toggle Brown
	024924-01-000	EA	Receptacle - Power Cord
	008058-01-000	EA	Adaptor - Power Cord
	047353-01-000	EA	Cover - Receptacle - Ground Fault
	047351-01-000	EA	Receptacle - Ground Fault Interrupter - 125 Volt - Black

MISCELLANEOUS ELECTRICAL COMPONENTS

Key	Part Number	U/M	Description
	047338-01-000	EA	Isolator - Dual Battery
	047369-01-700	EA	Battery - 12 Volt - 105 Amp. Deep Cycle - Dry
	008188-01-000	EA	Solenoid - Dual Battery - Relay
	046775-01-000	EA	Valve - Gas - Change Over
	041079-01-000	EA	Control Center - 50 Amp. w/Door - UL
	048812-04-000	EA	Control Panel - Water/Double Sewage - w/o Insert
	048812-05-000	EA	Insert - Control Panel - w/Thermostat Mount Holes
	048812-06-000	EA	Insert - Control Panel - w/o Thermostat Mount Holes
	039861-01-000	EA	Sending Unit Kit - Wemac
	036420-01-000	EA	Fan - Defroster
	047375-01-000	EA	Control Unit - Power Step
	041248-01-000	EA	Light - Warning - Power Step
	041249-01-000	EA	Switch - Toggle - On/Off - Power Step
	041250-01-000	EA	Switch - Push Button - Power Step
	036617-01-000	EA	Relay - Canister - SPDT
	008181-01-000	EA	Relay - 12 to 15 Volt - 27 Amp

F-3

EXTERIOR BODY GROUP

EXTERIOR PAINT

Key	Part Number	U/M	Description
	044486-01-000	EA	Paint - Beige - Acrylic Enamel - 1 Gallon
	044486-03-000	EA	Paint - Beige - Acrylic Enamel - 16 Oz. Aerosol
	044486-04-000	EA	Paint - Beige - Acrylic Lacquer - 1 Gallon
	041561-01-000	EA	Paint - Off White - Acrylic Enamel - 1 Gallon
	041561-03-000	EA	Paint - Off White - Acrylic Enamel - 16 Oz. Aerosol
	041561-04-000	EA	Paint - Off White - Acrylic Lacquer - 1 Gallon
	045681-01-000	EA	Paint - High Gloss Black - Acrylic Enamel - 1 Gallon
	045681-03-000	EA	Paint - High Gloss Black - Acrylic Enamel - 16 Oz. Aerosol
	041568-01-000	EA	Paint - Antique Bronze Metallic - Acrylic Enamel - 1 Gallon
	041568-03-000	EA	Paint - Antique Bronze Metallic - Acrylic Enamel - 16 Oz. Aerosol
	043877-01-000	EA	Paint - Saddle Bronze Metallic - Acrylic Enamel - 1 Gallon
	043877-03-000	EA	Paint - Saddle Bronze Metallic - Acrylic Enamel - 16 Oz. Aerosol
	041575-01-000	EA	Paint - Dark Green Metallic - Acrylic Enamel - 1 Gallon
	041575-03-000	EA	Paint - Dark Green Metallic - Acrylic Enamel - 16 Oz. Aerosol
	043476-01-000	EA	Paint - Lime Metallic - Acrylic Enamel - 1 Gallon
	043476-03-000	EA	Paint - Lime Metallic - Acrylic Enamel - 16 Oz. Aerosol
	041574-01-000	EA	Paint - Dark Ginger Metallic - Acrylic Enamel - 1 Gallon
	041574-03-000	EA	Paint - Dark Ginger Metallic - Acrylic Enamel - 16 Oz. Aerosol
	043876-01-000	EA	Paint - Chestnut Metallic - Acrylic Enamel - 1 Gallon
	043876-03-000	EA	Paint - Chestnut Metallic - Acrylic Enamel - 16 Oz. Aerosol

MISCELLANEOUS EXTERNALLY MOUNTED PARTS

Key	Part Number	U/M	Description
	011124-01-000	EA	Plumbing Seal - Roof Vent - 1 1/4" White
	011129-01-000	EA	Plumbing Seal - Roof Vent - 1 1/2" White
	010230-02-000	EA	Fill - City Water - Recessed - Off White
	011020-01-000	EA	Fill - Water - Recessed - Off White
	048817-01-000	EA	Handle - Assist w/Light
	049347-01-000	EA	Mirror Head - 7 1/2" x 10 1/2" Stainless Steel w/o Bracket
	049348-01-000	EA	Arm - Low Mount Mirror - Brite Finish
	049944-01-000	EA	Bracket - Mirror - Outside - Beige - Mounts to Coach

EXTERIOR BODY PANELS AND SHEET ALUMINUM

Key	Part Number	U/M	Description
	052027-02-000	EA	Valance Panel Asm. - Right Front - Beige Fiberglass
	052339-01-000	EA	Valance Panel Asm. - Right Rear - Beige Fiberglass
	052278-01-000	EA	Valance Panel Asm. - Left Rear - Beige Fiberglass
	052279-01-000	EA	Valance Panel Asm. - Left Front - Beige Fiberglass
	046311-02-000	EA	Valance Panel Asm. - Right Front - Beige Plastic
	048268-01-000	EA	Valance Panel Asm. - Right Rear - Beige Plastic
	046158-03-000	EA	Valance Panel Asm. - Louvered - Left Rear - Beige Plastic
	046161-16-000	EA	Valance Panel Asm. - 49" - Beige Plastic
	046161-17-000	EA	Valance Panel Asm. - 52" - Beige Plastic
	046161-18-000	EA	Valance Panel Asm. - 30.94" - Beige Plastic
	044612-01-000	EA	Backwall Asm. - w/o Fiberglass Cap
	048410-01-000	EA	Sidewall Asm. - Left
	048409-01-000	EA	Sidewall Asm. - Right
	048680-01-000	EA	Roof Asm.
	039155-03-002	EA	Alum. - Off White - Mesa Design - .024" x 36" x 300"
	039155-03-003	EA	Alum. - Off White - Mesa Design - .024" x 36" x 360"
	039155-03-007	EA	Alum. - Off White - Mesa Design - .024" x 48" x 60"
	039155-02-008	EA	Alum. - Beige Mesa Design - .024" x 36" x 60"
	039155-02-002	EA	Alum. - Beige Mesa Design - .024" x 36" x 300"
	039155-02-003	EA	Alum. - Beige Mesa Design - .024" x 36" x 360"
	039155-02-007	EA	Alum. - Beige Mesa Design - .024" x 48" x 60"
	039155-02-005	EA	Alum. - Beige Mesa Design - .024" x 48" x 300"
	039155-02-006	EA	Alum. - Beige Mesa Design - .024" x 48" x 360"
	039155-02-009	EA	Alum. - Beige Mesa Design - .024" x 12" x 360"
	044487-01-001	EA	Alum. - Mill Finish - No Design (Roof) - 96" x 360"
	000868-01-000	RF	Styrofoam - 2 1/4" x 24" x 96"

F-4

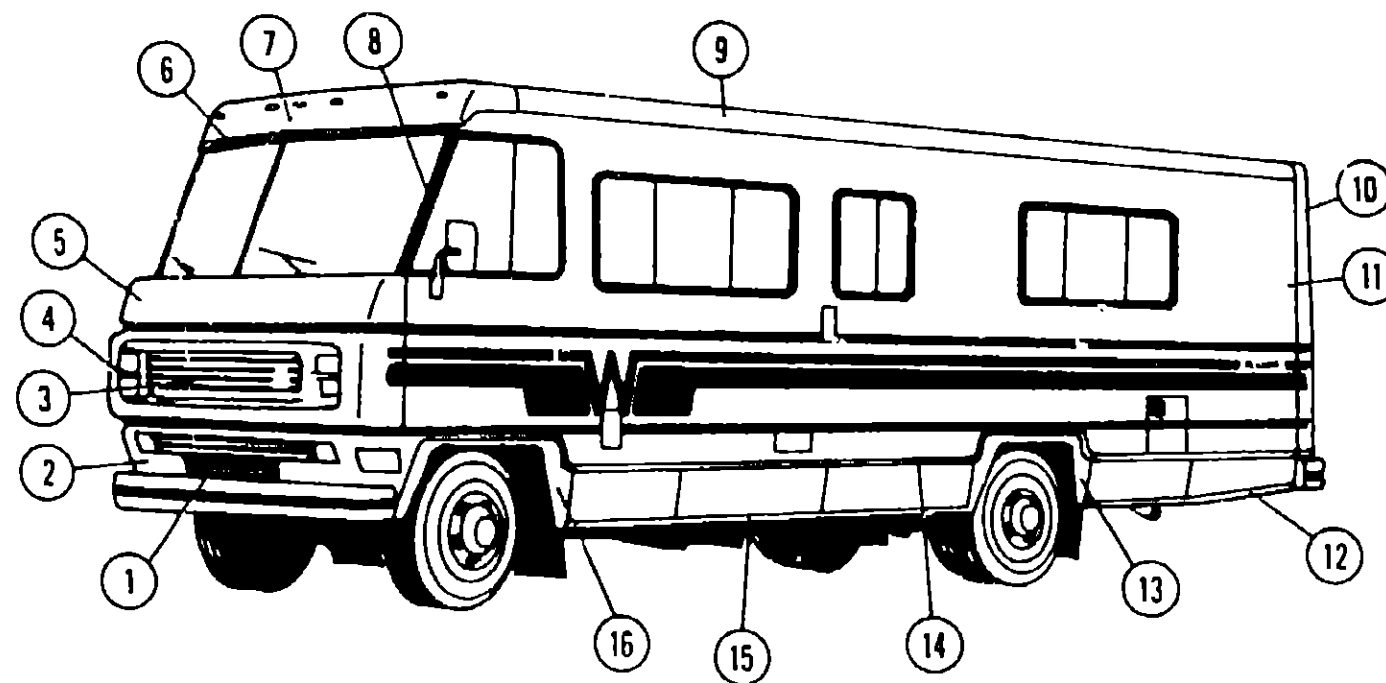
1978 WINNEBAGO TABLE OF CONTENTS

Introduction	A-1
Abbreviations	A-1
Alphabetical Index	A-2 - A-4
WC525RB	A-5 - B-14
WDP23RG	B-15 - C-24
WDP26RK	D-1 - E-12
WDU27RK	E-13 - F-22
WDU29RB	F-23 - H-10
WDU27RT	H-11 - I-22
WDP26RB	I-23 - K-10

1978 WDU27RK INDEX

Floor Plan	E-13 - E-14
Accessories Group	E-15 - E-17
Bath Group	E-17 - E-18
Chassis Group	E-19
Curtain, Cushion & Pad Group	E-20 - E-23
Dinette Group	E-23
Driver's Compartment Group	E-24
	F-1
Electrical Group	F-1 - F-3
Exterior Body Group	F-4 - F-7
Galley Group	F-8
Heating & Air Conditioning Group	F-9
Interior Finish Group	F-10 - F-11
LP Group	F-12
Lounge Group	F-12
Water & Sewage Group	F-13
Window, Vent & Exterior Door Group	F-14 - F-22

EXTERIOR BODY GROUP (CONTINUED)



1978 WINNEBAGO TABLE OF CONTENTS

Introduction	A-1
Abbreviations	A-1
Alphabetical Index	A-2 - A-4
WC525RB	A-5 - B-14
WDP23RG	B-15 - C-24
WDP26RK	D-1 - E-12
WDU27RK	E-13 - F-22
WDU29RB	F-23 - H-10
WDU27RT	H-11 - I-22
WDP26RB	I-23 - K-10

1978 WDU27RK INDEX

Floor Plan	E-13 - E-14
Accessories Group	E-15 - E-17
Bath Group	E-17 - E-18
Chassis Group	E-19
Curtain, Cushion & Pad Group	E-20 - E-23
Dinette Group	E-23
Driver's Compartment Group	E-24
	F-1
Electrical Group	F-1 - F-3
Exterior Body Group	F-4 - F-7
Galley Group	F-8
Heating & Air Conditioning Group	F-9
Interior Finish Group	F-10 - F-11
LP Group	F-12
Lounge Group	F-12
Water & Sewage Group	F-13
Window, Vent & Exterior Door Group	F-14 - F-22

Key	Part Number	U/M	Description
1	050686-01-000	EA	Grille Asm - Lower - Complete
2	048132-01-000	EA	Panel - Wheelhouse - Front - Outer - Right
3	050684-01-000	EA	Grille Asm. - Upper - Complete
4	021497-01-000	EA	Latch Asm - Grille
5	049185-01-000	EA	Capsule Asm. - Headlamp - Rectangular - Left - High/Low Beam
	049186-01-000	EA	Capsule Asm. - Headlamp - Rectangular - Right - High/Low Beam
	049187-01-000	EA	Capsule Asm. - Headlamp - Rectangular - Left - High Beam
	049188-01-000	EA	Capsule Asm. - Headlamp - Rectangular - Right - High Beam
	049358-01-000	EA	Bezel Asm. - Headlamp - Chrome - Left
	049358-02-000	EA	Bezel Asm. - Headlamp - Chrome - Right
	049359-01-000	EA	Spring - Headlamp - Retainer
	050030-01-000	EA	Housing Asm. - Headlamp - Left or Right
6	048992-01-000	EA	Panel - Front End - Fiberglass - Beige
	038493-07-000	EA	Trim - Windshield - Right - Black
	038493-08-000	EA	Trim - Windshield - Left - Black
	038494-04-000	EA	Trim - Windshield - Center - 31.42" - Black
	038900-04-000	EA	Cap - Windshield Top - "T" - Black Plastic
7	047979-01-000	EA	Cap - Front Upper - Beige Fiberglass (above windshield)

Key	Part Number	U/M	Description
8	042348-02-000	EA	Trim - "A" Post - Exterior - Left
	042348-01-000	EA	Trim - "A" Post - Exterior - Right
9	051853-01-000	EA	Extrusion - Roof/Sidewall Joint - Beige - 269"
10	050977-02-000	EA	Cap - Rear - Fiberglass - Beige
11	047978-02-000	EA	Trim - Extrusion - "J" Molding - Radius Left
	047978-01-000	EA	Trim - Extrusion - "J" Molding - Radius Right
12	042314-02-000	EA	Trim - Valance Panel - Left Rear
	042314-01-000	EA	Trim - Valance Panel - Right Rear
13	047980-01-000	EA	Panel - Wheelhouse - Rear - Left or Right
14	044504-06-000	EA	Feature Strip - 133" - Beige
	042313-01-000	EA	End Cap - Feature Strip - Beige
15	049015-01-000	EA	Trim - Valance Panel - Left Front
	044861-02-000	EA	Trim - Valance Panel - Right Front
16	048132-02-000	EA	Panel - Wheelhouse - Front - Left or Right
	048159-01-000	EA	Splash Guard - Front Bumper - Black Plastic
	044975-01-000	EA	Trim - Extrusion - 100.25" - "J" Molding - Beige
			Not Illustrated

EXTERIOR BODY GROUP (CONTINUED)

LABELS AND DECALS

Key	Part Number	U/M	Description
	049289-01-000	EA	Decal - Logo - Elandan II - Antique Bronze Metallic
	049289-02-000	EA	Decal - Logo - Elandan II - Dark Green Metallic
	049289-03-000	EA	Decal - Logo - Elandan II - Dark Ginger Metallic
	044477-01-000	EA	Decal - 1" Dia. - Black Stain Finish
	050313-01-000	EA	Decal - Logo - Winnebago - 2.80" - Antique Bronze Metallic
	050313-02-000	EA	Decal - Logo - Winnebago - 2.80" - Dark Green Metallic
	050313-03-000	EA	Decal - Logo - Winnebago - 2.80" - Dark Ginger Metallic
	038284-01-000	EA	Decal - Grille - "Flying W"
	038403-02-000	EA	Decal - Logo "W" - Trunk Door
	006028-01-000	EA	Label - Drain Cap - 2" x 3"
	006031-01-000	EA	Label - Potable Water Only
	006187-01-000	EA	Label - Sewage
	006188-01-000	EA	Label - Waste Water
	006199-01-000	EA	Label - Exit - Escape Window
	031161-01-000	EA	Label - Flying "W"

SEALANTS, ADHESIVES AND FASTENERS

Key	Part Number	U/M	Description
	034552-05-000	EA	Sealant - Off White Silicone
	034552-04-000	EA	Sealant - Beige Silicone
	034552-02-000	EA	Sealant - Clear Silicone
	004348-02-000	EA	Sealant - Aluminum Silicone
	004349-01-000	EA	Sealant - Black Silicone
	004342-01-000	EA	Sealant - Weatherban 202 Tube
	004346-02-000	EA	Sealant - White Silicone
	004347-01-000	EA	Sealant - Tuflex
	002316-01-000	FT	Sealer Tape - 3/32" x 1/8"
	024545-01-000	FT	Sealer Tape - 1/8" x 5/8" - Black
	004350-01-000	FT	Sealer Tape - 1/8" x 1" - Formaseal
	004352-01-000	FT	Sealer Tape - 1/8" x 3/4" - Formaseal
	004355-01-000	FT	Sealer Tape - 1/8" x 5/8" - Black
	004357-01-000	FT	Sealer Tape - 1/8" x 5/8" - Adhesive
	002707-02-000	FT	Sealer Tape - 5/16" x 1/2" - Foam
	002707-01-000	FT	Sealer Tape - 5/16" x 3/4" - Black Foam
	041422-01-000	FT	Sealer Tape - 1/4" x 1/2"
	004363-01-000	FT	Sealer Tape - 3/16" x 1/2" - Foam
	004362-01-000	FT	Sealer Tape - 1/8" x 5/8" - Foam
	009200-01-000	EA	Tape - Furnace - 1 1/2"
	041839-01-000	FT	Tape - Window - Latch - 3/4" - Adhesive
	041839-02-000	FT	Tape - Window - Latch - 1 1/2" - Adhesive
	004353-01-000	FT	Tape - Gasket - 1/8" x 3/4" - White
	002825-01-000	FT	Weather Stripping - Roof Vent
	002337-01-000	EA	Adhesive - 3M - 1300 Tube
	004005-01-000	GL	Adhesive - Swifits - Green - Glue (Sidewalls)
	004012-01-000	EA	Adhesive - 3M - 4475 Tube
	004020-01-000	QT	Adhesive - ABS Cement (Plastic Fittings)
	029051-01-000	EA	Adhesive - Spray Vinyl
	042401-01-000	EA	Screw - 8-18 x 3/4" SDPH Beige
	042403-01-000	EA	Screw - SF/DR - 8-18 x 1" SDPH Beige
	005058-01-000	EA	Screw - Wood - 12-11 x 3" P.O.H. Zinc
	053766-01-000	EA	Bedding Compound - Tube Black - Schnee Morehead
	053766-02-000	EA	Bedding Compound - Tube White - Schnee Morehead
	053767-01-000	FT	Tape - 1/2" x 1/8" x 30' - Gray - Schnee Morehead
	053767-02-000	FT	Tape - 3/16" Bead x 25' - Gray - Schnee Morehead
	053767-03-000	FT	Tape - 1/4" Bead x 20' - Gray - Schnee Morehead
	053767-04-000	FT	Tape - 3/4" x 1 1/8" x 30' - Gray - Schnee Morehead
	053767-05-000	FT	Tape - 2" x 3/32" x 45' - Gray - Schnee Morehead
	053752-03-000	EA	Sealing Compound - Seam Sealer - White - Schnee Morehead #5517

GALLEY GROUP

CABINETRY AND HARDWARE

Key	Part Number	U/M	Description
	011033-01-000	EA	Sink - Stainless Steel - Double - (Large/Small) Sink w/Bolts
	011054-01-000	EA	Faucet Asm. - Swivel w/Single Handle
	011053-01-700	EA	Aerator - Swivel Spout Faucet
	011065-01-000	EA	Strainer - Sink
	048744-01-000	EA	Cabinet Asm. - Galley w/o Countertop, Drawers, Doors or Hardware
	044829-05-000	EA	Cover - Sink - Small - Green (Martini Mist)
	044829-06-000	EA	Cover - Sink - Small - Beige (Champagne Velvet or Sierra Sunset)
	044830-05-000	EA	Cover - Sink - Large - Green (Martini Mist)
	044830-06-000	EA	Cover - Sink - Large - Beige (Champagne Velvet or Sierra Sunset)
	048730-01-000	EA	Countertop - Galley Cabinet w/Cut-out-Green (Martini Mist)
	048730-02-000	EA	Countertop - Galley Cabinet w/Cut-out-Beige (Champagne Velvet or Sierra Sunset)
	048103-20-700	EA	Door Asm. - Galley Cabinet 10 11/16" x 15" w/o Hardware
	049074-02-700	EA	Drawer Asm. - Galley Cabinet w/o Hardware (2 Used Per Galley Cabinet)
	049095-01-700	EA	Drawer Asm. - Pantry Cabinet w/o Hardware
	049074-03-700	EA	Drawer Asm. - Refrigerator Cabinet w/o Hardware
	048749-01-000	EA	Cabinet Asm. - Galley Overhead w/o Door or Hardware
	048103-01-700	EA	Door Asm. - Galley Overhead Cabinet - 30" x 9" w/o Hardware or End Pad
	049366-01-000	EA	Cabinet Asm. - Microwave Oven
	048103-08-700	EA	Door Asm. - Microwave Oven Cabinet - 21 1/2" x 13 11/16" - w/o Hardware - 2 Per Cabinet (Doors are Used When Microwave is Not Installed)
	042563-01-000	EA	Oven - Microwave - Winnebago (by Panasonic)
	024584-01-000	EA	Rack - Towel - Disappearing - 18"
**	046955-01-000	EA	Refrigerator - Norcold - AC/DC - 2 Door
**	049045-01-000	EA	Range - 4 Burner - Large Oven - Chrome - Magic Chef
**	046954-01-000	EA	Hood - Range - Power w/Spice Cabinet - Jensen

**The illustrated parts breakdown for this item is provided on the Common Items Fiche.

**1978 WINNEBAGO
TABLE OF CONTENTS**

Introduction	A-1
Abbreviations	A-1
Alphabetical Index	A-2 - A-4
WC525RB	A-5 - B-14
WDP23RG	B-15 - C-24
WDP26RK	D-1 - E-12
WDU27RK	E-13 - F-22
WDU29RB	F-23 - H-10
WDU27RT	H-11 - I-22
WDP26RB	I-23 - K-10

**1978 WDU27RK
INDEX**

Floor Plan	E-13 - E-14
Accessories Group	E-15 - E-17
Bath Group	E-17 - E-18
Chassis Group	E-19
Curtain, Cushion & Pad Group	E-20 - E-23
Dinette Group	E-23
Driver's Compartment Group	E-24
	F-1
Electrical Group	F-1 - F-3
Exterior Body Group	F-4 - F-7
Galley Group	F-8
Heating & Air Conditioning Group	F-9
Interior Finish Group	F-10 - F-11
LP Group	F-12
Lounge Group	F-12
Water & Sewage Group	F-13
Window, Vent & Exterior Door Group	F-14 - F-22

HEATING AND AIR CONDITIONING GROUP

Key	Part Number	U/M	Description
	048228-02-000	EA	Auto Air Kit - 440 C.I.D. - Winnebago
	039044-01-000	EA	Louver Asm. - A/C Adjustable
	047046-01-000	EA	Motor - 12 Volt - 3 Speed - Heater - Air Conditioner
	031043-01-000	EA	Valve - Heater - Water Flow Control
	031169-01-000	EA	Cable - Control - Flexible - 53"
	031169-02-000	EA	Cable - Control - Flexible - 48"
	031170-01-000	EA	Clamp - Cable - 3/16" Dia.
	024996-01-000	EA	Clutch - Magnetic - Compressor
	024999-01-000	EA	Compressor - Auto Air - 10.3 Cubic Inch
	033295-01-000	EA	Package - Air Conditioner - Compressor Mount - 440 C.I.D.
	031394-01-000	EA	Condenser - Radiator Mount
	008267-01-000	EA	Switch - Air Conditioner
	024867-01-000	EA	Valve - Thermostatic Expansion
	024997-01-000	EA	Core - Heater
	024998-01-000	EA	Wheel - Blower - 4.72" O.D.
	031393-01-000	EA	Coil - Evaporator
	033258-01-000	EA	Hose - Refrigerant - .50" I.D. x 34.50"
	034222-01-000	EA	Hose - Refrigerant - .31" I.D. x 26"
	031960-01-000	EA	Hose - Refrigerant - .34" I.D. x 30"
	031961-01-000	EA	Hose - Refrigerant - .31" I.D. x 14.75"
	024868-01-000	EA	Receiver - Dehydrator
	031044-01-000	EA	Clamp - Receiver Dehydrator
	031962-01-000	EA	Bracket - Receiver Dehydrator
	031976-01-000	EA	Belt - Drive - .50" I.D. x 54" - 440 C.I.D.
	049401-01-000	EA	Heater Asm. - Auto - Rear
	049401-01-700	EA	Valve Asm. - Rear Auto Heater
**	049042-01-000	EA	Furnace - 22,000 BTU - Under Counter - Coleman - 4322
**	049043-01-000	EA	Furnace - 28,000 BTU - Under Counter - Coleman - 4328
**	049777-01-000	EA	Air Conditioner - 110 Volt - Roof Mount - 11,000 BTU - Ivory Coleman (w/o Inside Shroud)
**	049778-01-000	EA	Shroud Asm - Ceiling - Inside - Roof Air - Cool Only - 11,000 BTU - Coleman
**	049774-01-000	EA	Air Conditioner - 110 Volt - Roof Mount - 13,500 BTU Ivory - Coleman (w/o Inside Shroud)
**	049775-01-000	EA	Shroud Asm - Ceiling - Inside - Roof Air - Cool Only - 13,500 BTU - Coleman
**	049776-01-000	EA	Shroud Asm - Ceiling - Inside - Roof Air - Heat and Cool Only - 13,500 BTU - Coleman

**The illustrated parts breakdown for this item is provided on the Common Items Fiche

INTERIOR FINISH GROUP

PANELING AND COUNTERTOP MATERIALS

Key	Part Number	U/M	Description
	00072E-06-000	EA	Batt Strip - 707 Hickory
	047354-01-000	EA	Batt Strip - 825 Buff
	045963-01-000	SF	Paneling - Buff - Ceiling - 48" x 96" (32SF)
	039188-01-000	SF	Paneling - 707 Hickory - 48" x 96" (32SF)
	041206-01-000	SF	Tileboard - 60" x 84" - Agate Beige (35 SF)
	041205-05-000	SF	Plastic Laminate - 48" x 96" - Burlwood Green - (Martini Mist) (32 SF)
	041205-05-001	EA	Plastic Laminate - 48" x 48" - Burlwood Green (Martini Mist)
	041205-05-002	EA	Plastic Laminate - 1.19" x 96" - Burlwood Green (Martini Mist)
	041205-06-000	SF	Plastic Laminate - 48" x 96" - Burlwood Beige (Champagne Velvet or Sierra Sunset) (32 SF)
	041205-06-001	EA	Plastic Laminate - 48" x 48" - Burlwood Beige (Champagne Velvet or Sierra Sunset)
	041205-06-002	EA	Plastic Laminate - 1.19" x 96" - Burlwood Beige (Champagne Velvet or Sierra Sunset)
	045965-01-000	SF	Plastic Laminate - 48" x 96" - Brown Mocha Leather (32SF)
	045965-01-001	EA	Plastic Laminate - 48" x 48" - Brown Mocha Leather
	045965-01-002	EA	Plastic Laminate - 1.19" x 96" - Brown Mocha Leather

FABRICS AND CARPET

Key	Part Number	U/M	Description
	041429-01-000	YD	Fabric - Valance - Green (Martini Mist)
	041429-02-000	YD	Fabric - Valance - Beige (Champagne Velvet)
	041429-03-000	YD	Fabric - Valance - Rust (Sierra Sunset)
	051772-01-000	YD	Fabric - Floral Drapery - Green (Martini Mist)
	051772-02-000	YD	Fabric - Floral Drapery - Beige (Champagne Velvet)
	051772-03-000	YD	Fabric - Floral Drapery - Rust (Sierra Sunset)
	043623-01-000	YD	Fabric - Upholstery - Green (Martini Mist)
	043623-02-000	YD	Fabric - Upholstery - Beige (Champagne Velvet)
	042623-03-000	YD	Fabric - Upholstery - Rust (Sierra Sunset)
	042411-01-000	YD	Vinyl - Nonexpanded - 27 Ounce - Brown
	042411-03-000	YD	Vinyl - Nonsupport - 16 Gauge - Brown
	042414-01-000	FT	Trim - Accent - Bostonian Brown Vinyl
	023631-05-000	EA	Button - Nail - Brown Vinyl
	041430-01-000	SY	Carpet - Olive Inspiration - Green (Martini Mist)
	041430-02-000	SY	Carpet - Van Dyke Brown Inspiration - Beige (Champagne Velvet)
	041430-03-000	SY	Carpet - Russel Inspiration - Rust (Sierra Sunset)

INTERIOR MOLDINGS AND TRIMS

Key	Part Number	U/M	Description
	022756-01-000	EA	Cover - Air Conditioner Wire - Plastic
	009778-01-000	FT	U-Channel - 1" Dark Brown Plastic
	009777-01-000	FT	U-Channel - 3/4" Dark Brown Plastic
	009815-02-000	FT	T Molding 3/4" Brown
	009812-03-000	FT	Molding - Plastic - Outside Corner - .50"
	009787-01-000	FT	Welling - Brown
	009779-01-000	FT	U-Channel - 1 1/8" - Dark Brown Plastic
	009809-03-000	FT	Molding - Plastic - Outside Corner - 1"
	034394-02-000	FT	Extr. - Vinyl - Insert Beige - Bath Trim
	034889-03-000	EA	Cover - Screw PPH 10 - Ivory - Bathroom
	042356-01-000	EA	Plug - Button - Mahogany 3/8" Dia.
	009781-01-000	FT	Cover - Outside - .62" x .82" Dark Brown Plastic
	042321-01-000	FT	Molding - Cove - Pine/Vinyl - 1 3/4"
	048588-01-000	EA	Molding - Cove - Pine/Vinyl - 3 1/2" x 89"
	044558-01-000	EA	Trim - Brown Plastic - Over Entrance Door
	045416-01-000	EA	Trim - Brown Plastic - Entrance Door Bottom - Front
	042340-01-000	EA	Trim - Brown Plastic - Entrance Door Bottom - Rear
	048890-01-000	EA	Panel - Overhead Entrance Door w/Carpet
	041866-01-002	EA	Extr. - Alum. - Interior Cabinet Joint - 77"
	042357-01-000	FT	Molding - Outside Cabinet Corner - 707 Hickory - 7"
	033535-03-000	FT	Molding Asm. - Shelf - 707 Hickory

F-9

1978 WINNEBAGO TABLE OF CONTENTS

Introduction	A-1
Abbreviations	A-1
Alphabetical Index	A-2 - A-4
WCS25RB	A-5 - B-14
WDP23RG	B-15 - C-24
WDP26RK	D-1 - E-12
WDU27RK	E-13 - F-22
WDU29RB	F-23 - H-10
WDU27RT	H-11 - I-22
WDP26RB	I-23 - K-10

1978 WDU27RK INDEX

Floor Plan	E-13 - E-14
Accessories Group	E-15 - E-17
Bath Group	E-17 - E-18
Chassis Group	E-19
Curtain, Cushion & Pad Group	E-20 - E-23
Dinette Group	E-23
Driver's Compartment Group	E-24
	F-1
Electrical Group	F-1 - F-3
Exterior Body Group	F-4 - F-7
Galley Group	F-8
Heating & Air Conditioning Group	F-9
Interior Finish Group	F-10 - F-11
L.P. Group	F-12
Lounge Group	F-12
Water & Sewage Group	F-13
Window, Vent & Exterior Door Group	F-14 - F-22

F-10

INTERIOR FINISH GROUP (CONTINUED)

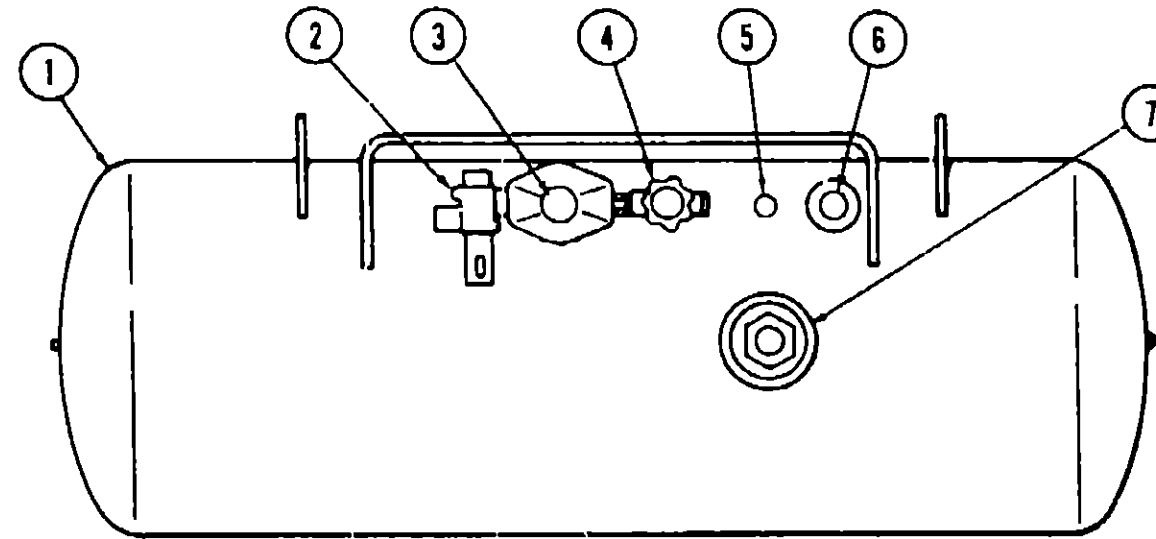
CURTAIN HARDWARE

Key	Part Number	U/M	Description
	009107-01-000	EA	Guide - Nylon Snap
	009136-01-000	EA	Pin - Shower Curtain
	009701-01-000	EA	Carrier - Curtain w/Rollers - "L" Rod
	009702-01-000	EA	End Stop - Curtain - "L" Rod
	018031-42-000	EA	Extr. - "L" Rod - 90" - Alum.
	049737-01-000	EA	End Cap - Plastic - Brown (Black Out Curtain)
	049738-01-000	EA	Snap Carrier - White Plastic (Black Out Curtain)
	051355-14-000	EA	Track - Curtain - Alum - 88" (Black Out Curtain)
	047291-01-000	EA	Rod - Curtain - Traverse w/Valence
	049887-01-000	EA	Rod - Curtain - Flat - Extends 25" - 45"
	049936-01-000	EA	Pulley - Tension - Traverse Rod
	049937-01-000	EA	Kit - Conversion - Traverse/Valance Rods
	049897-02-000	EA	Rod - Curtain - lat - Extends - 48" - 86"
	050829-03-000	EA	Track - Wrap Around Curtain - Left - Brown
	050829-04-000	EA	Track - Wrap Around Curtain - Right - Brown
	052327-04-236	EA	Curtain Track - Alum. - Brown - 89" w/Holes (Replaces 009108-01 Plastic Track)

CABINETRY AND INTERIOR HARDWARE

Key	Part Number	U/M	Description
	041838-01-000	EA	Screw - 5 x 5/8" POH - Antique Brass
	041923-01-000	EA	Kit - Lower Door Pull
	041799-01-000	EA	Drawer Pull
	051714-01-000	EA	Kit - Overhead Door - Pull and Latch
	041434-01-000	EA	Hinge - Double Acting - Overhead Cabinet
	047744-02-000	EA	Kit - Drawer Glide - 22" - 23.38"
	047744-03-000	EA	Kit - Drawer Glide - 11" - 12.38"
	047744-04-000	EA	Kit - Drawer Glide - 25" - 26.38"
	041931-01-000	EA	Kit - Cabinet Door Hinge
	009150-01-000	EA	Warp Guard - 64"
	009151-01-000	EA	Warp Guard - 48"
	009124-01-000	EA	Lock - Bath Door - Push Button Brass
	009112-01-000	EA	Flange - 1" Rod - Chrome
	007019-01-000	EA	Belt Asm. - Seat - 2" x 84" - Black
	007021-01-000	EA	Belt Asm. - Seat - 2" x 90" - Black
	041322-01-000	EA	Washer - Flat - 15/32" I.D. x 2 3/8" O.D.

LP GROUP



Key	Part Number	U/M	Description
	040421-01-000	EA	Tank Asm. - LP - Frame Mount - 83 Pound
	042281-01-000	EA	Tank Asm. - LP - Frame Mount - 42 Pound
	047221-01-000	EA	Detector - LP Gas Leak
	024712-01-000	EA	Cover - LP Regulator
	052163-01-000	EA	Regulator - Manual - LP Gas - 2 Stage
	040421-01-703	EA	Valve - Vapor Relief
	040421-01-700	EA	Gauge - Liquid Level - 20% LP
	040421-01-701	EA	Valve - Filler - LP
	040421-01-702	EA	Cap - Plastic Fill Valve
	040421-01-707	EA	Gauge - Float - w/Visible Dial - 83 Pound Tank
	042281-01-700	EA	Gauge - Float - w/Visible Dial - 42 Pound Tank
	040421-01-706	EA	Dial - Visible Face - Float Gauge (Tank w/o Electric Transmitter)
	040421-01-705	EA	Dial - Transmitter - 0 - 90 Ohm (Float Gauge)
	045703-03-000	EA	Hose Asm. - LP - 3/8" I.D. x 14"
	047737-02-000	EA	Support - LP Tank - 89.25"
	047737-03-000	EA	Support - LP Tank - 30.50"
	050799-01-000	EA	Valve - Automatic LP Gas Flow - 3/8" FPT
			Not Illustrated

LOUNGE GROUP

Key	Part Number	U/M	Description
	048724-01-000	EA	Countertop Asm. - Furnace Cabinet - Brown Mocha Leather
	049989-01-700	EA	Table Asm. - Lounge w/o Wall Support - Brown Mocha Leather
	048756-01-000	EA	Countertop Asm. - TV Cabinet - Brown Mocha Leather
	049074-01-700	EA	Drawer Asm. - Front Wardrobe Cabinet - w/o Hardware
	048103-09-700	EA	Door Asm. - Front Wardrobe - 19 1/8" x 45 1/4" w/o Hardware
	009112-01-000	EA	Flange - 1" - Rod Chrome
	009151-01-000	EA	Warp Guard - 48"
	048731-01-000	EA	Cabinet Asm. - Furnace w/o Countertop
	045795-01-000	EA	Holder - Glass - Plastic
	049888-01-000	EA	Support Asm. - Lounge Table
	051111-01-000	EA	Cabinet Asm. - Corner Mount Lounge Chair - Right
	051111-02-000	EA	Cabinet Asm. - Corner Mount Lounge Chair - Left
	048732-01-000	EA	Cabinet Asm. - Television w/o Countertop, Doors or Hardware
	048726-01-000	EA	Cabinet Asm. - Gaucho Overhead w/o Doors or Hardware
	048103-02-700	EA	Door Asm. - Gaucho Overhead - 22" x 8" w/o Hardware
	048728-01-000	EA	Cabinet Asm. - Overhead (Over TV Cabinet) w/o Doors or Hardware or End Pads

1978 WINNEBAGO TABLE OF CONTENTS

Introduction	A-1
Abbreviations	A-1
Alphabetical Index	A-2 - A-4
WC525RB	A-5 - B-14
WDP23RG	B-15 - C-24
WDP26RK	D-1 - E-12
WDU27RK	E-13 - F-22
WDU29RB	F-23 - H-10
WDU27RT	H-11 - I-22
WDP26RB	I-23 - K-10

1978 WDU27RK INDEX

Floor Plan	E-13 - E-14
Accessories Group	E-15 - E-17
Bath Group	E-17 - E-18
Chassis Group	E-19
Curtain, Cushion & Pad Group	E-20 - E-23
Dinette Group	E-23
Driver's Compartment Group	E-24
	F-1
Electrical Group	F-1 - F-3
Exterior Body Group	F-4 - F-7
Galley Group	F-8
Heating & Air Conditioning Group	F-9
Interior Finish Group	F-10 - F-11
LP Group	F-12
Lounge Group	F-12
Water & Sewage Group	F-13
Window, Vent & Exterior Door Group	F-14 - F-22

WATER AND SEWAGE GROUP

PLUMBING REPAIR KITS, PIPE FITTINGS, AND WATER PUMP

Key	Part Number	U/M	Description
	046524-02-000	EA	Kit - Fittings - Plastic - Water Tank
	046524-01-000	EA	Kit - Fittings - Plastic - Holding Tank
	040539-01-000	EA	Kit - Repair - 3/8" O.D. Plastic Tube
	040540-01-000	EA	Kit - Repair - 1/2" O.D. Plastic Tube
	040541-01-000	EA	Kit - Repair - 5/8" O.D. Plastic Tube
	041819-01-000	EA	Nut and Cone - Plastic 1/2" O.D. Tube
	046128-01-000	EA	Valve - Drain - Plastic 1/2 FPT
	039807-01-000	EA	Valve - Drain - Brass 1/2 MPT
	039818-01-000	EA	Riser Asm. - 3/8" O.D. x 24" Tube
	039818-02-000	EA	Riser Asm. - 3/8" O.D. x 36" Tube
	039818-03-000	EA	Riser Asm. - 3/8" O.D. x 18" Tube
	004020-01-000	QT	Adhesive - ABS Cement
	010133-01-000	EA	Adaptor Trap - Plastic 1 1/2 H x MPT
	010134-01-000	EA	Adaptor - Plastic 1 1/2" Male MPT
	010153-01-000	EA	Ring - Closet - Plastic 4 F x 3 MPT
	010201-01-000	EA	Hose - Sewer - 3" x 10' w/Clamp
	010235-01-000	EA	Cap - Sewage 3"
	010236-01-000	EA	Adaptor - Hose 3"
	011091-01-000	EA	Waste - Continuous Double Sink 11 7/8"
	010210-01-000	EA	Valve - Sanitary - Thetford 3HB
	010234-01-000	EA	Adaptor - Bayonet
	011066-01-000	EA	P-Trap - Plastic 1 1/4"
	041279-02-000	EA	Pump - Water Flow 2.8 G.P.M. - PAR
	039647-02-000	EA	Filter - Water Pump - 1/2 MPT
	039809-01-000	EA	Valve - Stool - Plastic - 3/8" C x 1/2" FPT

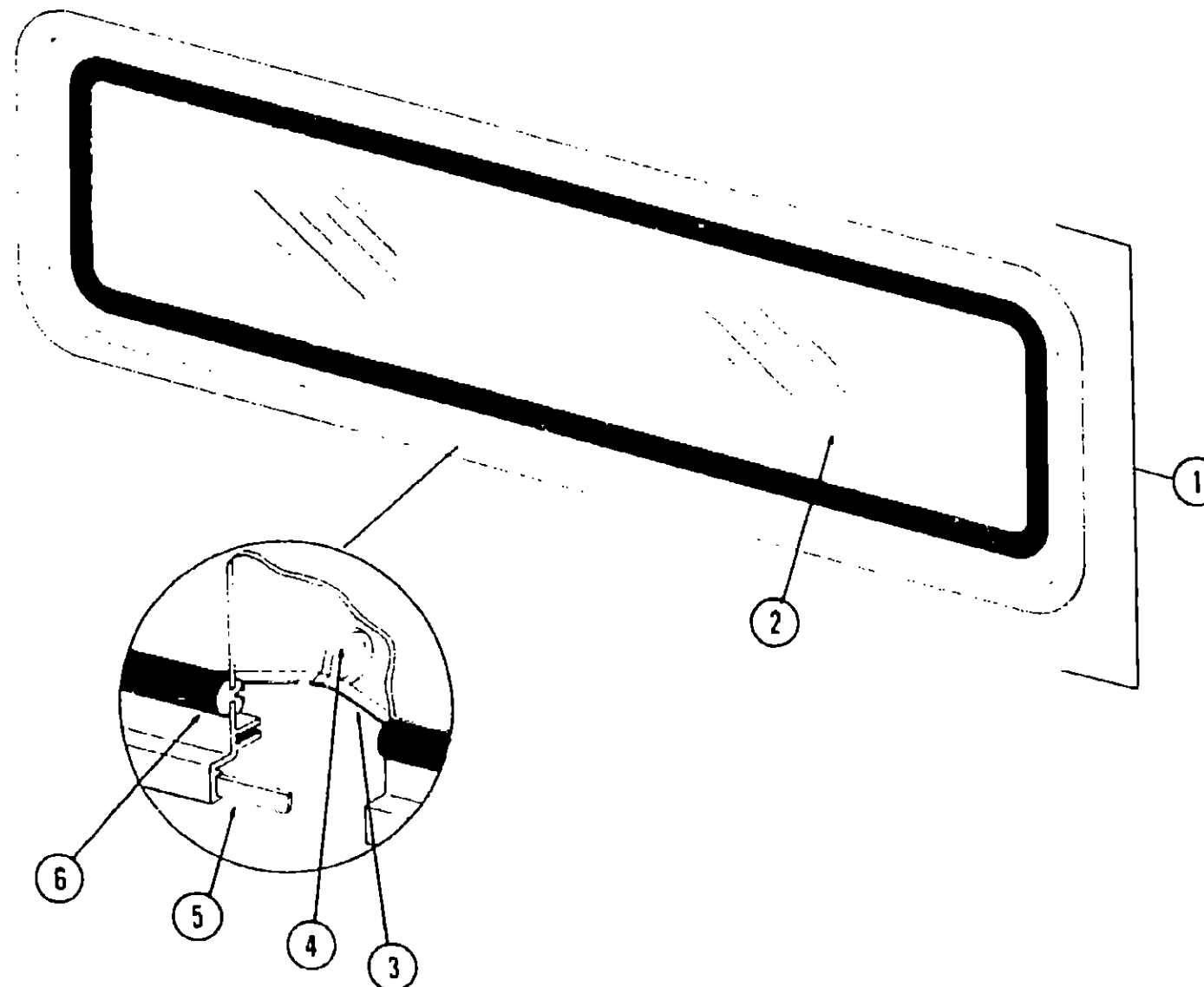
WATER AND SEWAGE HOLDING TANKS

Key	Part Number	U/M	Description
	045196-05-000	EA	Tank Asm. - Water - Plastic - 26 Gallon w/Fittings (Rear Tank)
	045196-06-000	EA	Tank Asm. Water - Plastic - 26 Gallon w/Fittings (Front Tank)
	045196-01-000	EA	Tank - Water - Plastic - 26 Gallon w/o Fittings Front or Rear Water Tank
	044588-02-000	EA	Tank Asm. - Holding - Main - Plastic - 32 Gallon w/Fittings
	044588-01-000	EA	Tank - Holding - Main - Plastic - 32 Gallon w/o Fittings
	044589-02-000	EA	Tank Asm. - Holding - Auxillary - Plastic - 29 Gallon w/Fittings
	044589-01-000	EA	Tank - Holding - Auxillary - Plastic - 29 Gallon w/o Fittings
..	051393-01-000	EA	Water Heater - w/Electric Ignition and Motor Aid - GH63E
..	051385-01-000	EA	Water Heater - w/Electric Ignition and Motor Aid - GH6E

** The illustrated parts breakdown for this item is provided on the Common Items Fiche

WINDOW, VENT AND EXTERIOR DOOR GROUP

WINDOWS



Key	Part Number	U/M	Description
1	044689-02-000	EA	Window Asm. Escape - 23" x 68" Black Anod. (w/o Inside Frame)
2	002178-01-000	EA	Glass 1/8" x 19.61" x 64.80"
3	002285-01-000	FT	Weatherstrip - Filler - Black
4	020395-01-000	EA	Slip Ring - Pull
5	004363-01-000	FT	Tape - Foam - 3/16" x 1/2" - Gray
6	002282-01-000	FT	Weatherstrip - Window .125" Black
*	039915-01-000	EA	Frame - Window - Inside - Escape 23" x 68" (not included in assembly)
*	006199-01-000	EA	Label - Exlt - Escape Window
* Not Illustrated			

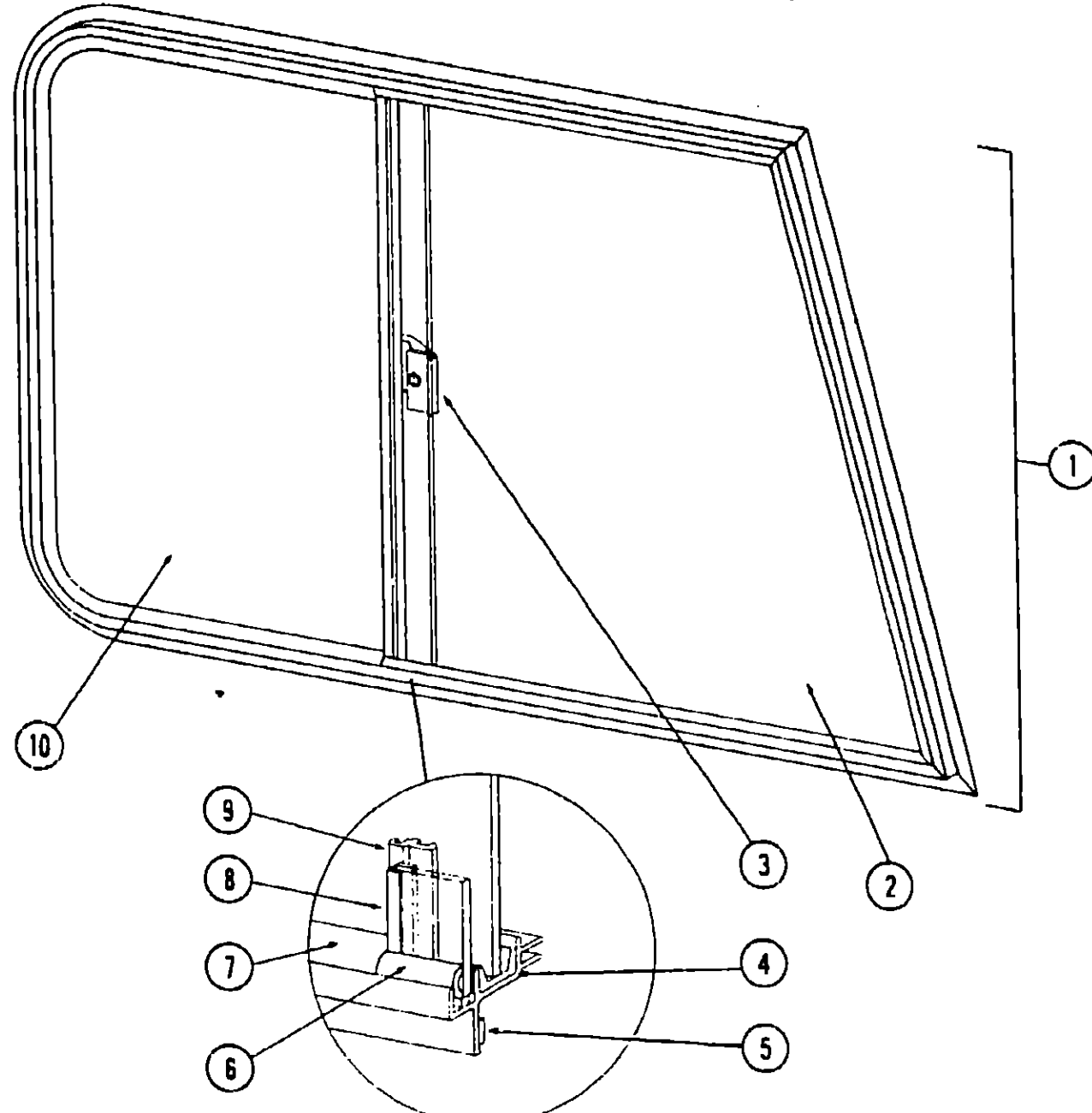
1978 WINNEBAGO TABLE OF CONTENTS

Introduction	A-1
Abbreviations	A-1
Alphabetical Index	A-2 - A-4
WC525RB	A-5 - B-14
WDP23RG	B-15 - C-24
WDP26RK	D-1 - E-12
WDU27RK	E-13 - F-22
WDU29RB	F-23 - H-10
WDU27RT	H-11 - I-22
WDP26RB	I-23 - K-10

1978 WDU27RK INDEX

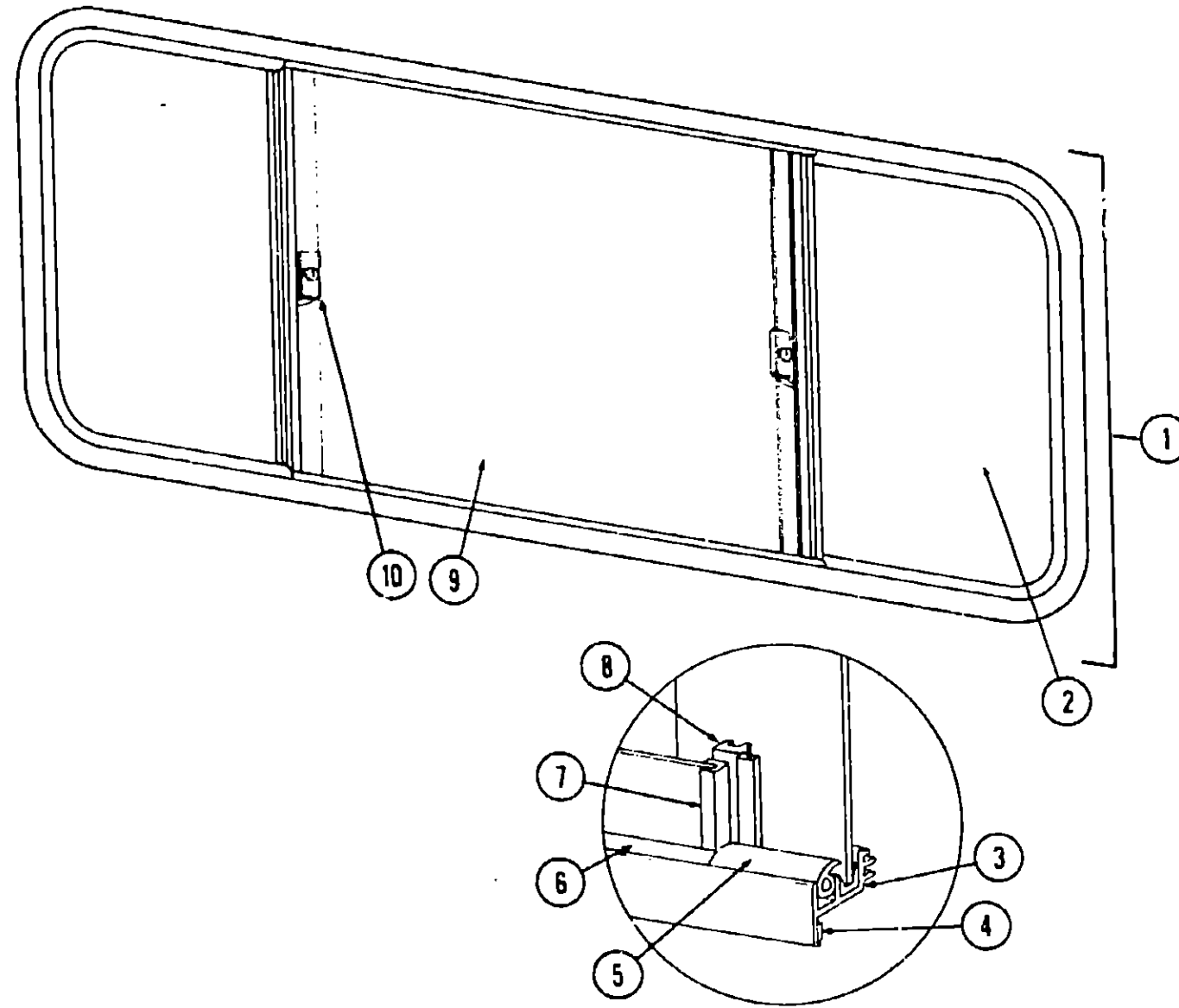
Floor Plan	E-13 - E-14
Accessories Group	E-15 - E-17
Bath Group	E-17 - E-18
Chassis Group	E-19
Curtain, Cushion & Pad Group	E-20 - E-23
Dinette Group	E-23
Driver's Compartment Group	E-24
	F-1
Electrical Group	F-1 - F-3
Exterior Body Group	F-4 - F-7
Galley Group	F-8
Heating & Air Conditioning Group	F-9
Interior Finish Group	F-10 - F-11
LF Group	F-12
Lounge Group	F-12
Water & Sewage Group	F-13
Window, Vent & Exterior Door Group	F-14 - F-22

WINDOW, VENT AND EXTERIOR DOOR GROUP (CONTINUED)



Key	Part Number	U/M	Description
1	048628-05-000	EA	Window Asm. - Right - Front Slant Slider - 29" x 40" - Black Anod. (w/o Inside Frame)
	048628-06-000	EA	Window Asm. - Left Slant Slider - 29" x 40" - Black Anod. (w/o Inside Frame)
2	042265-01-000	EA	Glass - 3/16" x 27.91" x 13.94" x 26.38" - Stationary
3	047369-01-700	EA	Latch - Window - Plastic
4	042077-01-000	FT	Channel - Weatherstrip - Glass Run - 3/16" Glass
5	004363-01-000	FT	Tape - Foam - 3/16" x 1/2" - Gray
6	050216-02-000	FT	Spline - 3/16" Glass - Black
7	041928-02-000	FT	Seal - Window Channel - Black
8	002389-03-203	EA	Holder - Glass Seal - Black Anod. - 27.125"
9	041894-04-000	EA	Mullion - Slider Window - 25" - Black Anod.
10	047814-01-000	EA	Glass - 3/16" x 27.91" x 14.03" - Sliding
	049287-01-000	EA	Washer - Nylon - .62" x .140" I.D.
	049288-01-000	EA	Screw - Machine - 6-32 x 5/16" - HWH - Black
	049162-04-000	EA	Frame - Inside - Right Front Slant Slider Window (not included in assembly)
	049162-03-000	EA	Frame - Inside - Left Front Slant Slider Window (not included in assembly)
	023713-02-000	EA	Cover - Plastic Weephole - Black
	002298-01-000	FT	Spline - Gray - .130" Dia. (Screen)
	002293-01-000	SF	Screen - Window - 26" - Gray
			• Not Illustrated

WINDOW, VENT AND EXTERIOR DOOR GROUP (CONTINUED)



Key	Part Number	U/M	Description
1	048630-08-000	EA	Window Asm. - Double - Slider - 25" x 65" Black Anod. (w/o Inside Frame)
2	047822-01-000	EA	Glass - Sliding - 3/16" x 24" x 21.03"
3	042077-01-000	FT	Channel - Weatherstrip - Glass Run - 3/16" Glass
4	004363-01-000	FT	Tape - Foam - 3/16" x 1/2" - Gray
5	041982-01-000	FT	Seal - Window Channel - 3/16" Glass - Black
6	050216-02-000	FT	Spline - Glass - Black
7	002389-03-203	EA	Extr. - Holder - Glass Seal - 27.125"
8	041894-04-000	EA	Mullion - Slider Window - 25"
9	002188-02-000	EA	Glass - 3/16" x 24" x 25.5" - Stationary
10	047369-01-000	EA	Latch - Window - Plastic
	042133-04-000	EA	Frame Asm. - Window - Inside (not included in assembly)
	023713-02-000	EA	Cover - Weephole - Plastic - Black
	002298-01-000	FT	Spline - Gray - .130" Dia. (Screen)
	002293-01-000	SF	Screen - Window - 26" - Gray
			• Not Illustrated

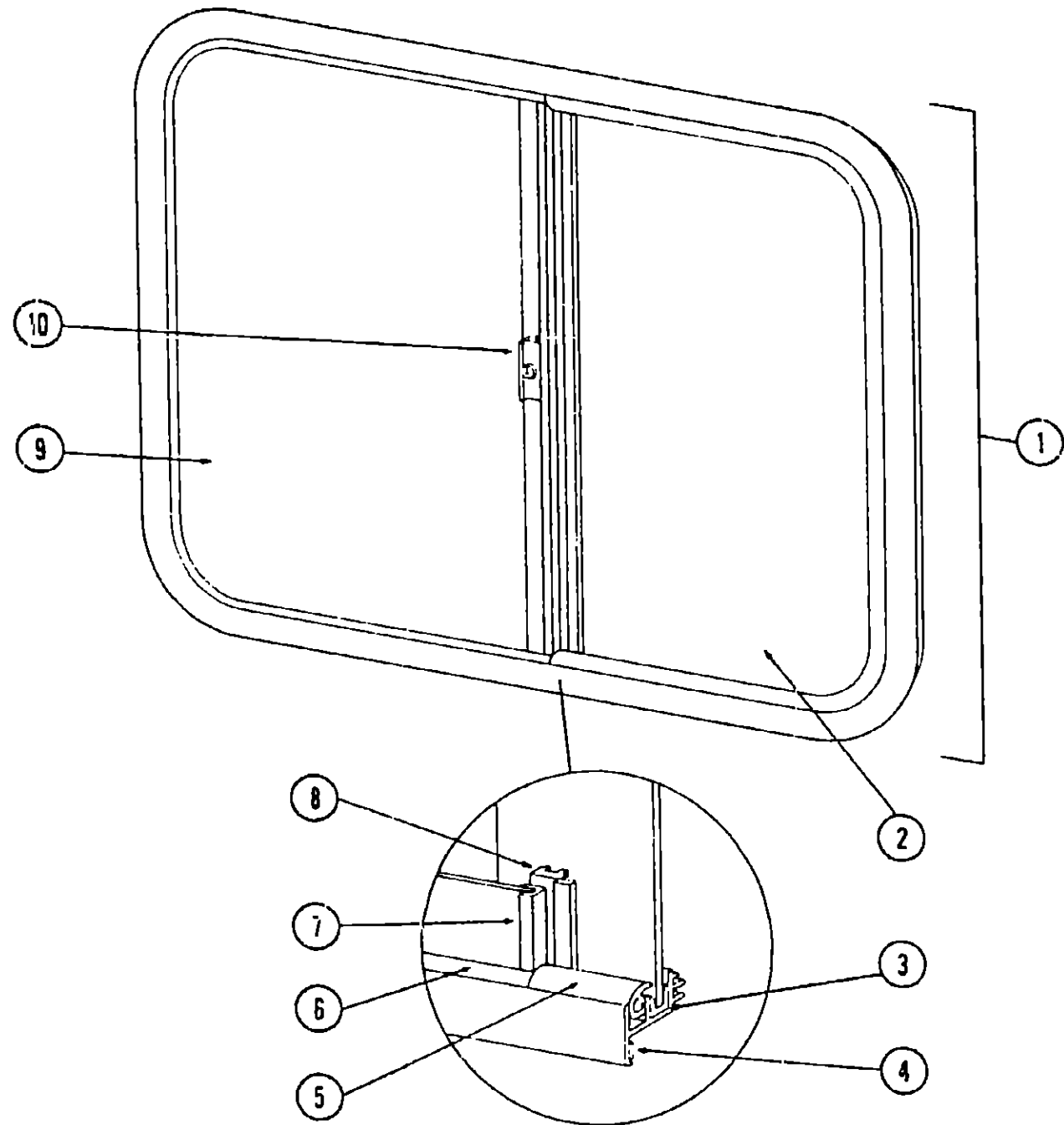
**1978 WINNEBAGO
TABLE OF CONTENTS**

Introduction	A-1
Abbreviations	A-1
Alphabetical Index	A-2 - A-4
WC525RB	A-5 - B-14
WDP23RG	B-15 - C-24
WDP26RK	D-1 - E-12
WDU27RK	E-13 - F-22
WDU29RB	F-23 - H-10
WDU27RT	H-11 - I-22
WDP26RB	I-23 - K-10

**1978 WDU27RK
INDEX**

Floor Plan	E-13 - E-14
Accessories Group	E-15 - E-17
Bath Group	E-17 - E-18
Chassis Group	E-19
Curtain, Cushion & Pad Group	E-20 - E-23
Dinette Group	E-23
Driver's Compartment Group	E-24
	F-1
Electrical Group	F-1 - F-3
Exterior Body Group	F-4 - F-7
Galley Group	F-8
Heating & Air Conditioning Group	F-9
Interior Finish Group	F-10 - F-11
LP Group	F-12
Lounge Group	F-12
Water & Sewage Group	F-13
Window, Vent & Exterior Door Group	F-14 - F-22

WINDOW, VENT AND EXTERIOR DOOR GROUP (CONTINUED)

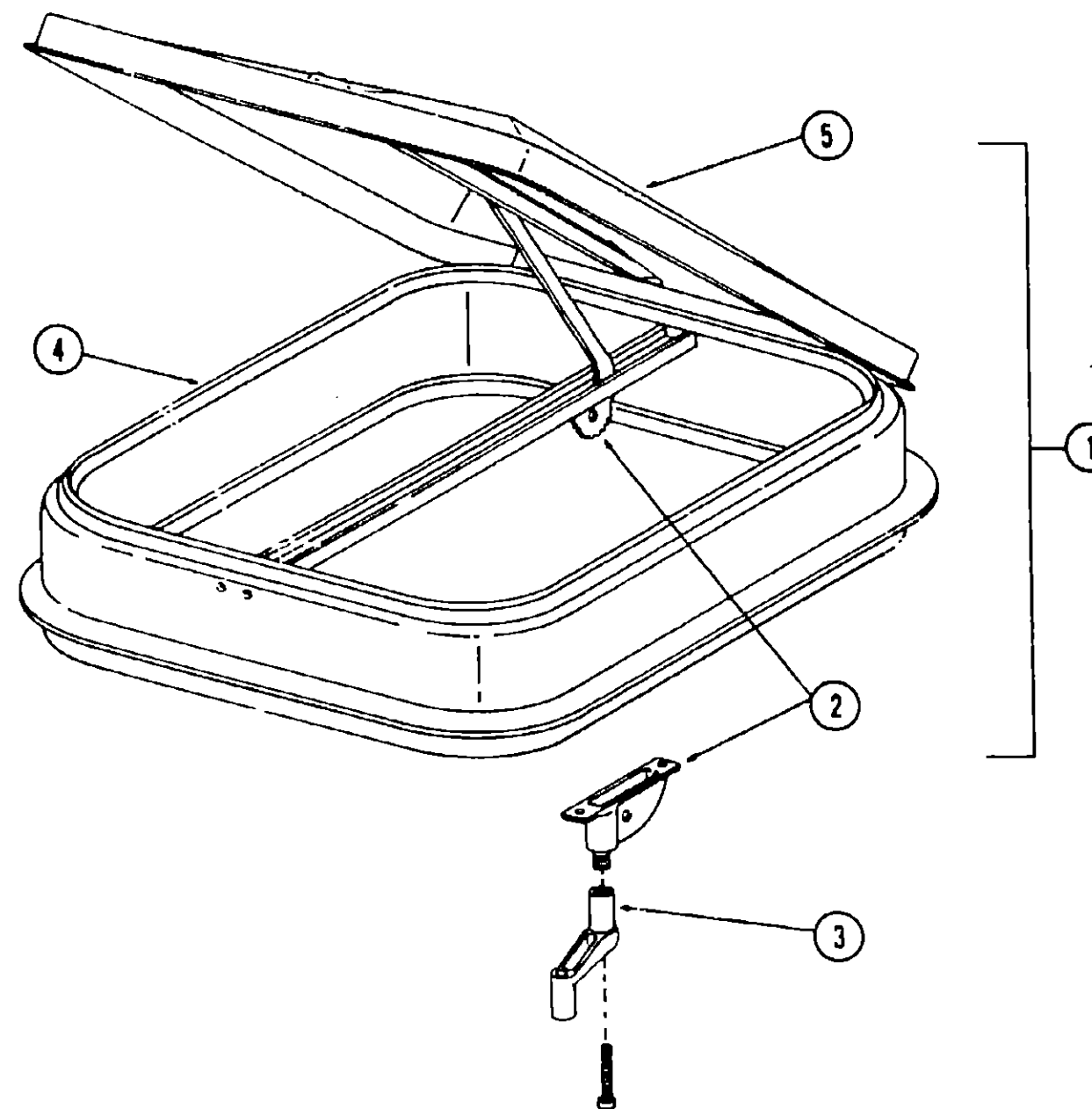


Key	Part Number	U/M	Description
1	048631-20-000	EA	Window Asm. - Left - Single Slider - 25" x 44" - Black Anod. (w/o Inside Frame)
2	047822-01-000	EA	Glass - 3/16" x 24" x 21.03" - Sliding
3	042077-01-000	FT	Channel - Weatherstrip - Glass Run - 3/16" Glass
4	004363-01-000	FT	Tape - Foam - 3/16" x 1/2" - Gray
5	041982-02-000	FT	Seal - Window Channel - Black
6	050216-02-000	FT	Spline - Glass - 3/16" - Black
7	002389-03-201	EA	Holder - Glass Seal - Anod. Black
8	041894-04-000	EA	Mullion - Slider Window - 25" - Black Anod.
9	002183-02-000	EA	Glass - TP - 3/16" x 24" x 23.49" - Stationary
10	047369-01-700	EA	Latch - Window - Plastic
*	042147-04-000	EA	Frame - Inside - Single Slider Window - 25" x 44" (not included in assembly)
*	023713-02-000	EA	Cover - Plastic Weephole - Black
*	002293-01-000	FT	Spline - Gray - .130" Dia. (Screen)
*	002293-01-000	SF	Screen - Window - 26" - Gray

* Not Illustrated

WINDOW, VENT AND EXTERIOR DOOR GROUP (CONTINUED)

VENTS



Key	Part Number	U/M	Description
1	048835-01-000	EA	Vent Asm. - Roof - Non Powered - w/o Screen
2	009440-01-000	EA	Gear - Arm - Roof Vent
3	009439-01-000	EA	Crank - Roof Vent
4	002825-01-000	FT	Weatherstrip - Roof Vent
5	046825-01-000	EA	Cover - Plastic - Roof Vent
*	016335-01-000	EA	Screen Asm. - Non Powered Roof Vent - Clear Anod. (not included in assembly)
*	016335-03-000	EA	Screen Asm. - Non Powered Roof Vent - Beige (not included in assembly)

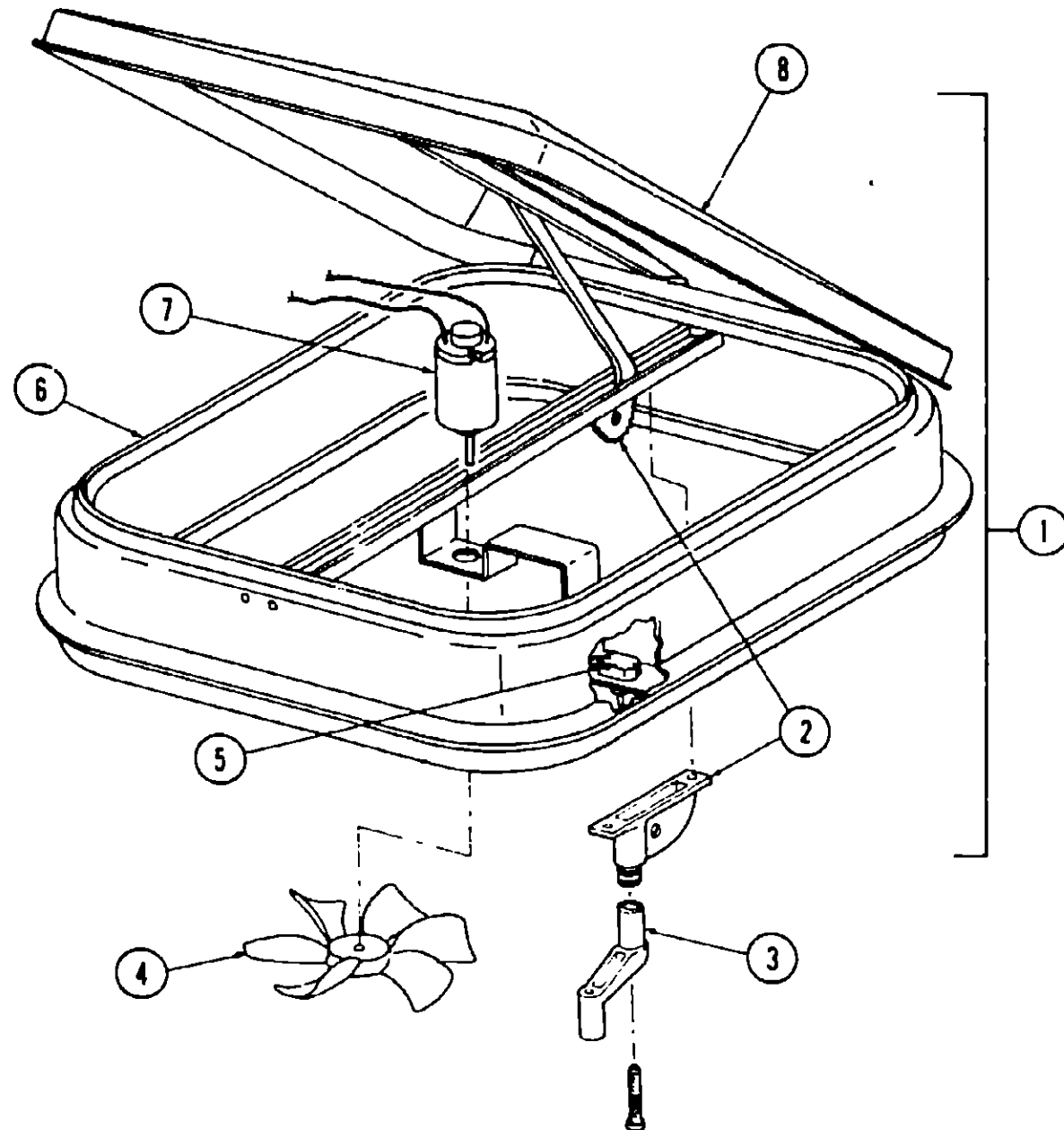
* Not Illustrated

**1978 WINNEBAGO
TABLE OF CONTENTS**

Introduction	A-1
Abbreviations	A-1
Alphabetical Index	A-2 - A-4
WC525RB	A-5 - B-14
WDP23RG	B-15 - C-24
WDP26RK	D-1 - E-12
WDU27RK	E-13 - F-22
WDU29RB	F-23 - H-10
WDU27IT	H-11 - I-22
WDP26FB	I-23 - K-10

**1978 WDU27RK
INDEX**

Floor Plan	E-13 - E-14
Accessories Group	E-15 - E-17
Bath Group	E-17 - E-18
Chassis Group	E-19
Curtain, Cushion & Pad Group	E-20 - E-23
Dinette Group	E-23
Driver's Compartment Group	E-24
	F-1
Electrical Group	F-1 - F-3
Exterior Body Group	F-4 - F-7
Galley Group	F-8
Heating & Air Conditioning Group	F-9
Interior Finish Group	F-10 - F-11
LP Group	F-12
Lounge Group	F-12
Water & Sewage Group	F-13
Window, Vent & Exterior Door Group	F-14 - F-22



Key	Part Number	U/M	Description
1	048789-01-000	EA	Vent Asm. Roof - Powered - w/o Screen
2	009440-01-000	EA	Gear - Arm - Roof Vent
3	009439-01-000	EA	Crank - Roof Vent
4	048649-01-000	EA	Fan - Blade - 6" Plastic
5	008195-01-000	EA	Switch - Push Button - 12 Volt
6	002825-01-000	FT	Weatherstrip - Roof Vent
7	048648-01-000	EA	Motor - 12 Volt
8	046825-01-000	EA	Cover - Plastic - Roof Vent
*	048695-01-000	EA	Screen Asm. - Powered Roof Vent - Clear Anod. (not included in assembly)
*	048695-03-000	EA	Screen Asm. - Powered Roof Vent - Beige (not included in assembly)

* Not Illustrated

VENTS

Key	Part Number	U/M	Description
	009407-01-000	EA	Vent Asm. - Base - Refrigerator Vent w/o Cover
	039778-01-000	EA	Cover - Plastic - Refrigerator Vent
	049352-02-000	EA	Vent - Stovehood - Outside - Beige (Jensen)

WINDSHIELD

Key	Part Number	U/M	Description
	042744-01-000	EA	Frame Asm. - Windshield w/o Glass
	034975-02-000	EA	Glass - Windshield - Safety Plate w/Tinted Band - Left or Right
	038886-02-000	EA	Tape - Butyl - .31" x .31" x 160" Long

ACCESS DOORS

Key	Part Number	U/M	Description
	044826-01-000	EA	Door Asm. - Valance Panel - Utility - Beige Plastic
	049205-01-000	EA	Door Asm. - Valance Panel - LP - Beige Plastic
	049206-01-000	EA	Door Asm. - Valance Panel - Battery - Beige Plastic
	049207-01-000	EA	Door Asm. - Valance Panel - Luggage - Beige Plastic
	052086-02-000	EA	Door Asm. - Valance Panel - 28" - Beige Fiberglass
	052086-03-000	EA	Door Asm. - Valance Panel - 42" - Beige Fiberglass
	052377-01-000	EA	Door Asm. - Valance Panel - 55.81" - Beige Fiberglass
	052086-01-000	EA	Door Asm. - Valance Panel - 18" - Beige Fiberglass
	052179-01-000	EA	Door Asm. - Generator (used with Kohler generator)
	042451-01-000	EA	Door Asm. - Generator (used with Onan generator)
	044210-01-000	EA	Door Asm. - 6" x 10" - Off White Plastic
	044210-02-000	EA	Door Asm. - 6" x 10" - Beige Plastic
	043942-01-000	EA	Latch Asm. - Quarter Turn Plastic
	042416-01-000	EA	Door Asm. - Trunk - Black Plastic
	042441-01-000	EA	Lock Asm. - Key Type - Valance Panel Door or Trunk Door
	042442-01-000	EA	Lock Asm. - Twist Type - Valance Panel Door
	042494-01-000	EA	Hinge - Continuous Aluminum - Valance Panel Door

1978 WINNEBAGO
TABLE OF CONTENTS

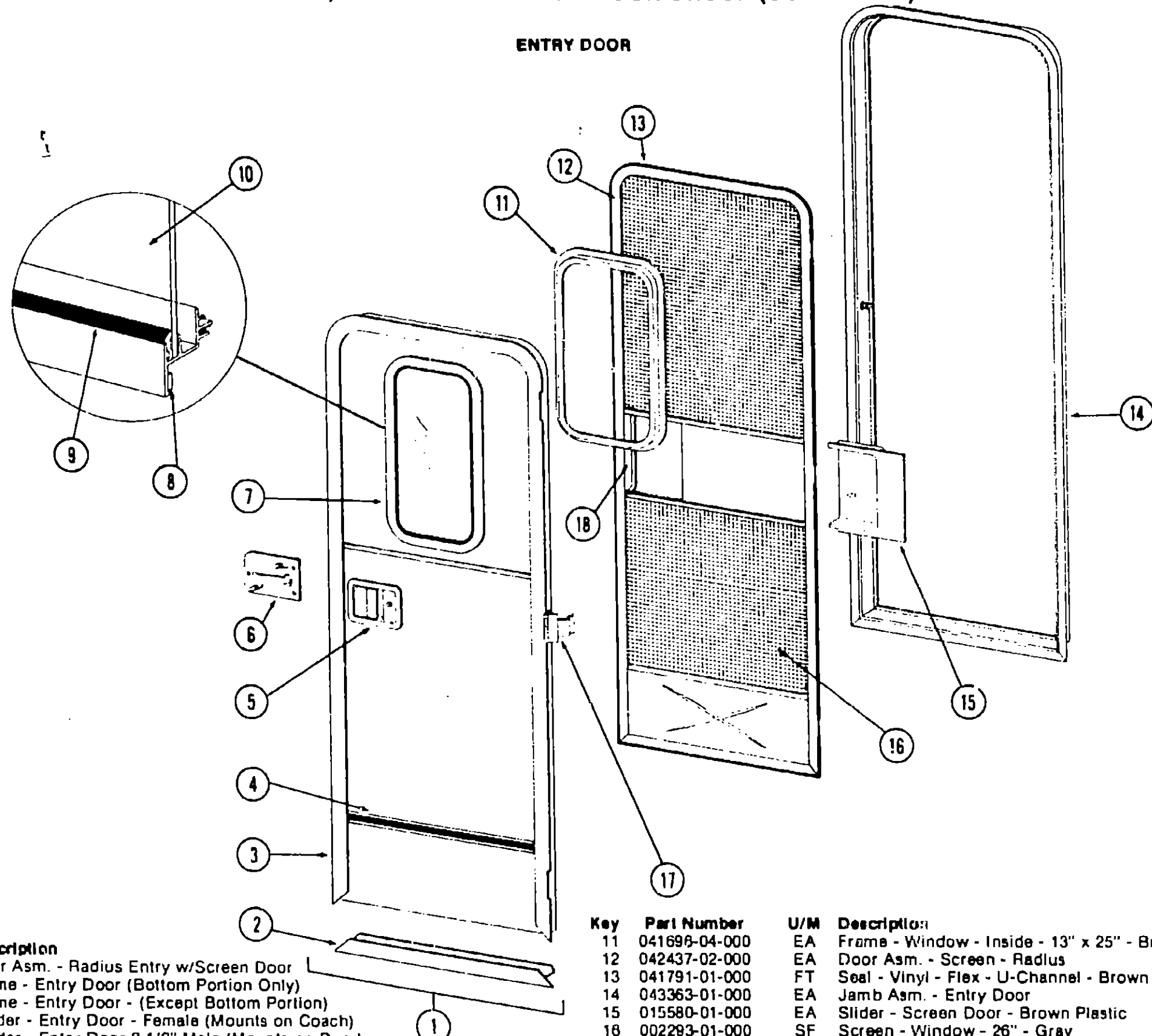
Introduction	A-1
Abbreviations	A-1
Alphabetical Index	A-2 - A-4
WC525RB	A-5 - B-14
WDP23RG	B-15 - C-24
WDP26RK	D-1 - E-12
WDU27RK	E-13 - F-22
WDU29RB	F-23 - H-10
WDU27RT	H-11 - I-22
WDP26RB	I-23 - K-10

1978 WDU27RK
INDEX

Floor Plan	E-13 - E-14
Accessories Group	E-15 - E-17
Bath Group	E-17 - E-18
Chassis Group	E-19
Curtain, Cushion & Pad Group	E-20 - E-23
Dinette Group	E-23
Driver's Compartment Group	E-24
	F-1
Electrical Group	F-1 - F-3
Exterior Body Group	F-4 - F-7
Galley Group	F-8
Heating & Air Conditioning Group	F-9
Interior Finish Group	F-10 - F-11
LP Group	F-12
Lounge Group	F-12
Water & Sewage Group	F-13
Window, Vent & Exterior Door Group	F-14 - F-22

WINDOW, VENT AND EXTERIOR DOOR GROUP (CONTINUED)

ENTRY DOOR



Key	Part Number	U/M	Description
1	042418-02-000	EA	Door Asm. - Radius Entry w/Screen Door
2	039737-02-000	EA	Frame - Entry Door (Bottom Portion Only)
3	041375-01-000	EA	Frame - Entry Door - (Except Bottom Portion)
4	009101-02-000	EA	Holder - Entry Door - Female (Mounts on Coach)
5	009102-01-000	EA	Holder - Entry Door 2 1/2" Male (Mounts on Door)
6	041948-01-000	EA	Lock Asm. - Radius Entry Door - Atwood
7	039541-01-000	EA	Lock Cylinder w/Keys - Atwood
8	052186-01-000	EA	Lock Asm. - Radius Entry Door - Lynor
9	045017-01-700	EA	Lock Cylinder w/Keys - Lynor
10	039539-01-000	EA	Striker - Entry Door Lock
11	039979-01-000	EA	Plate - Lock - Interior - Including Inside Handle
12	041875-04-000	EA	Window Asm. - Picture - 13" x 25" - Black Anod. (inside frame not included in assembly)
13	004363-01-000	FT	Tape - Foam - 3/16" x 1/2" - Gray
14	002318-02-000	FT	Spline - Glass - 3/16" - Black
15	002181-02-000	EA	Glass - Picture Window - 3/16" x 12" x 24" - Gray

Key	Part Number	U/M	Description
11	041698-04-000	EA	Frame - Window - Inside - 13" x 25" - Brown
12	042437-02-000	EA	Door Asm. - Screen - Radius
13	041791-01-000	FT	Seal - Vinyl - Flex - U-Channel - Brown
14	043363-01-000	EA	Jamb Asm. - Entry Door
15	015580-01-000	EA	Slider - Screen Door - Brown Plastic
16	002293-01-000	SF	Screen - Window - 26" - Gray
17	042433-01-000	EA	Hinge - Entry Door (3 used per door)
18	015581-01-000	EA	Cap - Screen Door - Brown Plastic
	049176-01-000	EA	Hedlok II - 3/4" Diameter - Screw Mount (Retains Screen Door to Entry Door)
	049797-01-000	EA	Hedlok II - 1" Diameter - Screw Mount (Retains Screen Door to Entry Door)
	018019-01-000	EA	Striker - Screen Door
	039863-01-000	EA	Catch Asm. - Single Roller w/Strike - Screen Door
	051390-01-000	FT	Seal - Bulb - Rubber
	039800-03-000	FT	Tubing - Polybutyl - 3/8" O.D. - Jamb

F-21

* Not Illustrated

1978 WINNEBAGO TABLE OF CONTENTS

Introduction	A-1
Abbreviations	A-1
Alphabetical Index	A-2 - A-4
WC525RB	A-5 - B-14
WDP23RG	B-15 - C-24
WDP26RK	D-1 - E-12
WDU27RK	E-13 - F-22
WDU29RB	F-23 - H-10
WDU27RT	H-11 - I-22
WDP26RB	I-23 - K-10

1978 WDU27RK INDEX

Floor Plan	E-13 - E-14
Accessories Group	E-15 - E-17
Bath Group	E-17 - E-18
Chassis Group	E-19
Curtain, Cushion & Pad Group	E-20 - E-23
Dinette Group	E-23
Driver's Compartment Group	E-24
	F-1
Electrical Group	F-1 - F-3
Exterior Body Group	F-4 - F-7
Galley Group	F-8
Heating & Air Conditioning Group	F-9
Interior Finish Group	F-10 - F-11
LP Group	F-12
Lounge Group	F-12
Water & Sewage Group	F-13
Window, Vent & Exterior Door Group	F-14 - F-22

F-22