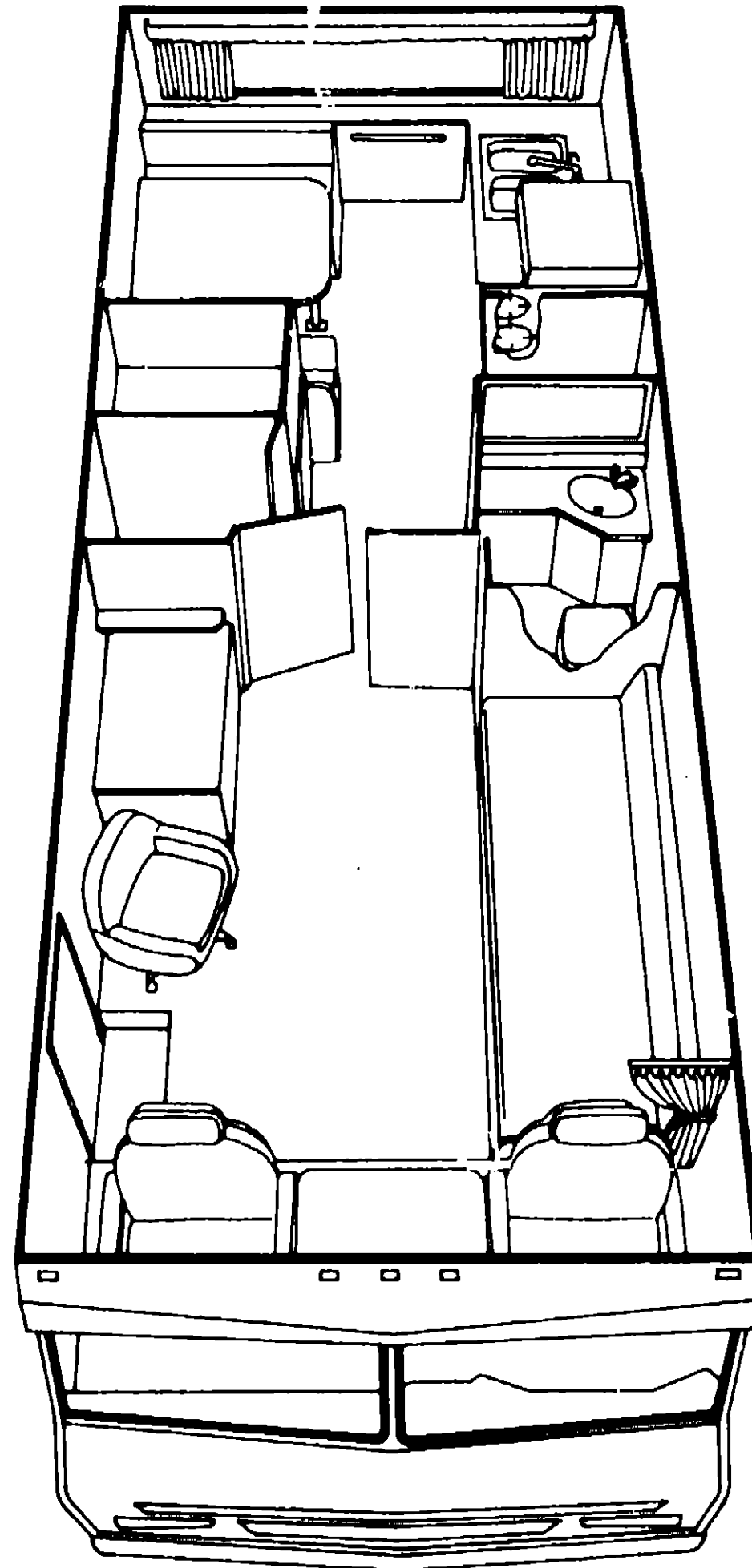


# 1978 WDP26RK



D-1

## 1978 WINNEBAGO TABLE OF CONTENTS

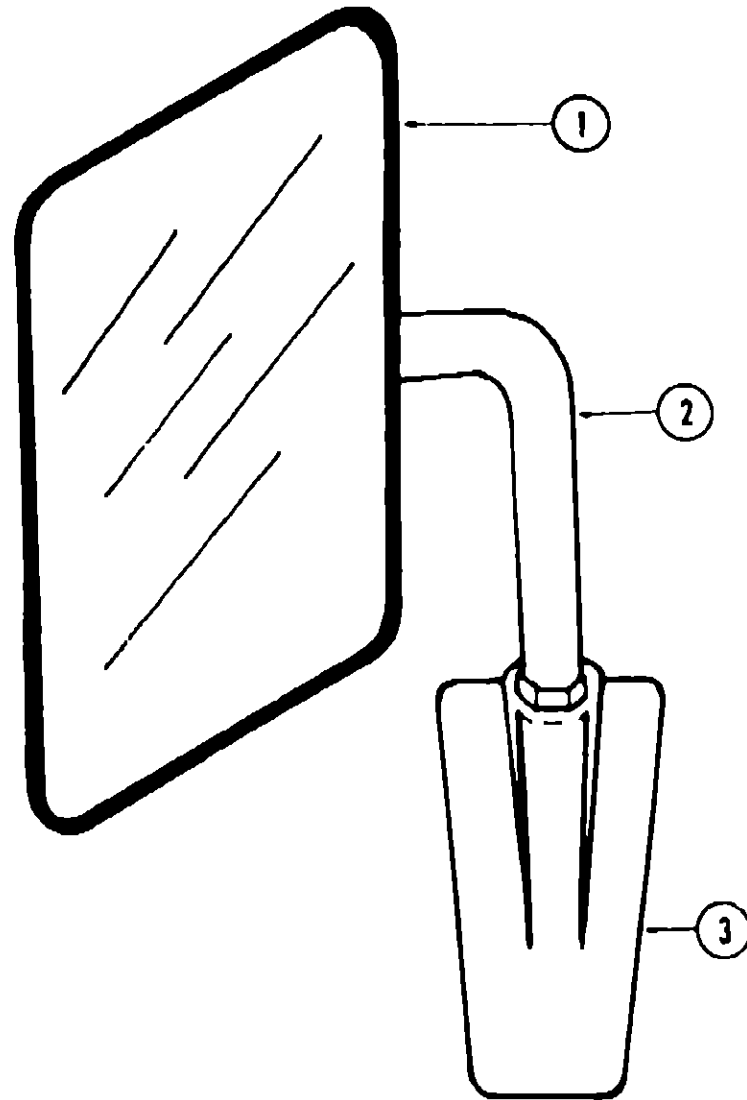
Introduction	A-1
Abbreviations	A-1
Alphabetical Index	A-2 - A-4
WC525RB	A-5 - B-14
WDP23RG	B-15 - C-24
WDP26RK	D-1 - E-12
WDU27RK	E-13 - F-22
WDU29RB	F-23 - H-10
WDU27RT	H-11 - I-22
WDP26RB	I-23 - K-10

## 1978 WDP26RK INDEX

Floor Plan	D-1 - D-2
Accessories Group	D-3 - D-4
Bath Group	D-5
Chassis Group	D-6 - D-7
Curtain, Cushion & Pad Group	D-8 - D-10
Dinette Group	D-11
Driver's Compartment Group	D-11 - D-12
Electrical Group	D-13 - D-14
Exterior Body Group	D-15 - D-18
Galley Group	D-19
Heating & Air Conditioning Group	D-20
Interior Finish Group	D-21 - D-22
LP Group	D-23
Lounge Group	D-23
Water & Sewage Group	D-24
Window, Vent & Exterior Door Group	E-1 - E-12

D-2

**ACCESSORIES GROUP**



Key	Part Number	U/M	Description
1	049347-01-000	EA	Mirror Head - 7 1/2" x 10 1/2" - Stainless Steel
2	049348-01-000	EA	Arm - Low Mount Mirror - Bright Finish
3	049944-01-000	EA	Bracket - Mirror - Outside - Beige

**ACCESSORIES GROUP (CONTINUED)**

**RADIOS AND RELATED COMPONENTS**

Key	Part Number	U/M	Description
	031105-01-700	EA	Clip - Retaining - Side Mount Antenna
	031105-01-000	EA	Antenna - Radio - Side Mount
	039879-01-000	EA	Kit - Radio Speaker - 5 1/4" w/Cover
	049730-01-000	EA	Radio - AM - w/Fader - Clarion
	049731-01-000	EA	Radio - AM/FM/MPX - w/Fader - Clarion
	049732-01-000	EA	Radio - AM/FM/MPX - 8 Track - w/Fader - Clarion
	050044-01-000	EA	Radio - AM/FM/MPX - 8 Track - w/CB - J.I.L.
	048153-01-000	EA	Antenna - CB Camper Style - J.I.L. Radio
	050785-01-000	EA	Switch - Rear Volume Control - J.I.L. Radio
	050751-01-000	EA	Plaque - Fader Switch/Mic Mounting
	050465-01-000	EA	Bezel - Entertainment Center - Number 1 - (Radio Only)
	050466-01-000	EA	Bezel - Entertainment Center - Number 2 - (Radio and Clock)

**SPEED CONTROLS AND COMPONENTS**

Key	Part Number	U/M	Description
	024746-01-000	EA	Speed Control Package - 440 C.I.D. - Dodge - Lever Type - A Body - Dana
	007255-01-700	EA	Regulator Asm.
	024746-01-701	EA	Servo Asm.
	024746-01-702	EA	Switch - Engage - Lever
	007255-01-703	EA	Cable Asm. - Transmission - 42"
	007255-01-704	EA	Switch Asm. - Decelerate
	024746-01-700	EA	Relay - Speed Control
	047841-01-000	EA	Speed Control Package - 360 C.I.D. - Dodge - Lever Type - A Body - Dana
	007255-01-700	EA	Regulator Asm.
	047841-01-701	EA	Servo Asm.
	047841-01-700	EA	Switch - Engage - Lever
	007255-01-703	EA	Cable Asm. - Transmission - 42"
	007255-01-704	EA	Switch Asm. - Decelerate
	024746-01-700	EA	Relay - Speed Control

**FRONT BUNK, CABINET, AND HARDWARE**

Key	Part Number	U/M	Description
	048390-01-700	EA	Bunk Board Asm. - Board w/Rails - w/o Hardware
	042988-01-000	EA	Support Asm. - Left and Right - Overhead Bunk - Dark Brown
	040071-01-700	EA	Support Kit - Overhead Bunk - Seat Belt
	006076-01-000	EA	Ladder - Bunk
	048391-04-000	EA	Cabinet - Front Overhead w/o Doors or Hardware
	042984-17-000	EA	Door Asm. - Sliding - Front Overhead Bunk Cabinet
	009148-01-000	EA	Pull - Finger - 3/4" Brass (Sliding Cabinet Door)
	009785-01-000	FT	Track - Sliding Door - Upper - Dark Brown Plastic
	009786-01-000	FT	Track - Sliding Door - Lower - Dark Brown Plastic
	053774-01-000	EA	Rod - Torsion - Overhead Bunk - Brown

**MISCELLANEOUS**

Key	Part Number	U/M	Description
	054185-01-000	EA	Owner's Manual - 1978 - Winnebago
	017516-01-000	EA	Mudflap - Black - 14" x 18" w/Holes
	008089-01-000	EA	Case - Leather Key - Motor Home
	007036-01-000	EA	Mat - Door - Black Rubber - 10 1/2" x 26"
	008053-01-000	EA	Antenna - TV - Braund Delux
	008053-01-700	EA	Repair Parts Kit - Braund TV Antenna
	040899-01-000	EA	Ladder Asm. w/Luggage Rack - Round
	040899-02-000	EA	Ladder Only - For Rack and Ladder Asm.
	008113-01-000	EA	Jack - Hydraulic 5 Ton
	041944-01-700	EA	Fire Extinguisher w/Bracket
	034410-14-000	EA	Cover - Spare Tire w/Brown "W" - 32"
D-3	** 051909-01-000	EA	Generator - 4.5 KW - Kohler
	** 051910-01-000	EA	Generator - 5.5 KW - Kohler
	** 051911-01-000	EA	Generator - 7.0 KW - Kohler

**1978 WINNEBAGO  
TABLE OF CONTENTS**

Introduction	A-1
Abbreviations	A-1
Alphabetical Index	A-2 - A-4
WC525RB	A-5 - B-14
WDP23RG	B-15 - C-24
WDP26RK	D-1 - E-12
WDU27RK	E-13 - F-22
WDLI29RB	F-23 - H-10
WDU27RT	H-11 - I-22
WDP26RB	I-23 - K-10

**1978 WDP26RK  
INDEX**

Floor Plan	D-1 - D-2
Accessories Group	D-3 - D-4
Bath Group	D-5
Chassis Group	D-6 - D-7
Curtain, Cushion & Pad Group	D-8 - D-10
Dinette Group	D-11
Driver's Compartment Group	D-11 - D-12
Electrical Group	D-13 - D-14
Exterior Body Group	D-15 - D-18
Galley Group	D-19
Heating & Air Conditioning Group	D-20
Interior Finish Group	D-21 - D-22
LP Group	D-23
Lounge Group	D-23
Water & Sewage Group	D-24
Window, Vent & Exterior Door Group	E-1 - E-12

\*\*The illustrated parts breakdown for this item is provided on the Common Items Fiche

## BATH GROUP

Key	Part Number	U/M	Description
	042601-07-700	EA	Door Asm. - Bath - 70 1/16" x 19 1/16" - Agate Beige - w/o Hardware
	042701-07-701	EA	Door Asm. - Bath - 70 1/16" x 19 1/16" - Cloud Beige - w/o Hardware
	048405-02-000	EA	Cabinet Asm. - Vanity - w/o Countertop, Doors, or Hardware
	048402-04-000	EA	Countertop Asm. - Vanity - Ironstone
	042709-17-700	EA	Drawer Asm. - Vanity Cabinet - 5 7/8" x 14 3/4" x 10" Deep - w/o Hardware
	011056-01-000	EA	Faucet - Lavatory
	011083-01-000	EA	Plug - 1 1/4" x 5" w/Chain
	045390-01-000	EA	Sink - Oval - Ivory Plastic
	043216-10-000	EA	Cabinet Asm. - Medicine - w/o Doors - Ironstone
	042964-06-000	EA	Door Asm. - Sliding - Medicine Cabinet
	009148-01-000	EA	Finger Pull - 3/4" Dia. - Brass
	009785-01-000	FT	Track - Sliding Door - Upper - Dark Brown
	009786-01-000	FT	Track - Sliding Door - Lower - Dark Brown
	049601-46-700	EA	Door Asm. - Wardrobe Cabinet - 17 1/2" x 50" - w/o Hardware
	053129-01-000	EA	Cabinet Asm. - Medicine - 17.62" x 29 3/8" - w/Lights - Jenson
	046749-01-000	EA	Shower Pan - Ivory Plastic
	011059-01-000	EA	Faucet - Shower
	010495-01-000	EA	Clamp - Cable 9/16" (for Shower Hose)
	011048-01-000	EA	Shower Head - with 59" Hose
	011086-01-000	EA	Strainer - Shower Pan
	011048-01-700	EA	Vacuum Breaker - 1/8 MPT Nylon Shower Hose
	009134-01-000	EA	Holder - Tissue
	009124-01-000	EA	Lock - Door - Push Button Brass
	033580-01-000	EA	Ring - Towel - Chrome w/Plastic Ring
	043579-01-000	EA	Mirror - 1/8" x 19" x 26"
	009089-01-000	EA	Clip - Mirror - Plastic w/Screw
	035337-22-000	EA	Trim - Inside Corner - Bath - Beige Alum. - 80.88"
	034394-02-000	FT	Insert - Corner Trim - Beige Vinyl
**	039341-02-000	EA	Stool Asm. - Ivory - Aqua Magic - Model SH

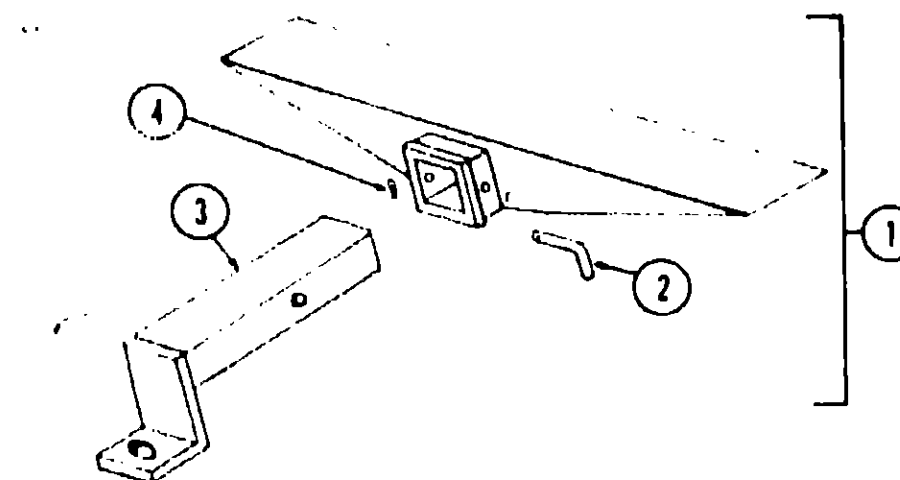
\*\*The illustrated parts breakdown for this item is provided on the Common Items Fiche

## CHASSIS GROUP

Key	Part Number	U/M	Description
	024652-01-700	EA	Step Asm. - Pull-Out - Entry Door
	045602-01-000	EA	Panel - Headlight - Right
	045603-01-000	EA	Panel - Headlight - Left
	045611-01-000	EA	Hoodboard - Steel - Right
	045611-02-000	EA	Hoodboard - Steel - Left
	007134-01-000	EA	Clamp - Hose - Spring Type - 9/16"
	024138-01-000	FT	Hose - Fuel - 5/16" I.D. SAE30R1
	033699-01-000	EA	Hose - Fuel - 2" I.D. x 45.50"
	007140-01-000	EA	Clamp - Hose - 2" to 3" Dia.
	016253-02-000	EA	Fill - Gas - Single - Beige
	007138-01-000	EA	Clamp 1/4" to 3/4" Dia.
	007160-01-000	EA	Gasket 3/16" x 2" x 2" Tire Carcass
	038882-01-000	EA	Tank - Fuel - Aux. - 27.8 Gallon
	043986-01-000	EA	Strap - Fuel Tank Mount
	017571-02-000	EA	Support Asm. - Auxiliary Fuel Tank
	031374-01-000	EA	Sending Unit - Engine Oil Pressure
	031375-01-000	EA	Sending Unit - Engine Water Temperature
	038883-01-000	EA	Sending Unit - Fuel 7.8 Ohm - Auxiliary Fuel Tank
	045814-01-000	EA	Fill - Gas - w/Vent 4.5"
	024611-04-000	EA	Cap - Gas Pressure 1.50" Black
	048595-01-000	EA	Tray Asm. - Battery - Steel
	035102-01-000	EA	Cover - Rear Radiator
	007131-01-000	EA	Hanger - Tailpipe
	035260-01-000	EA	Wheel Well - Plastic - Black - Left or Right
	007125-01-000	EA	Clamp Asm. - Muffler - 1.62" Dia
	007249-01-000	EA	Tailpipe - Curved - 2 1/2" x 58"

## 1978 WINNEBAGO TABLE OF CONTENTS

Introduction	A-1
Abbreviations	A-1
Alphabetical Index	A-2 - A-4
WC525RB	A-5 - B-14
WDP23RG	B-15 - C-24
WDP26RK	D-1 - E-12
WDU27RK	E-13 - F-22
WDU29RB	F-23 - H-10
WDU27RT	H-11 - I-22
WDP26RB	I-23 - K-10

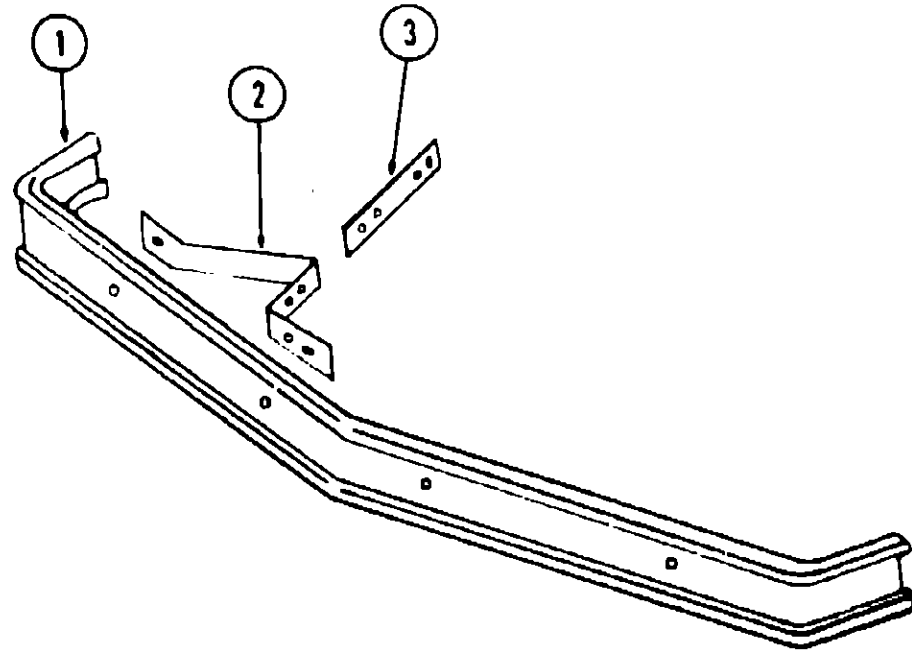


Key	Part Number	U/M	Description
1	023695-01-700	EA	Hitch Kit - w/Drawbar
2	034512-01-000	EA	Pin - Locking - Drawbar
3	024876-01-700	EA	Drawbar Asm. - Trailer Hitch
4	034513-01-000	EA	Pin - Hitch - 3/16" Wire Spring

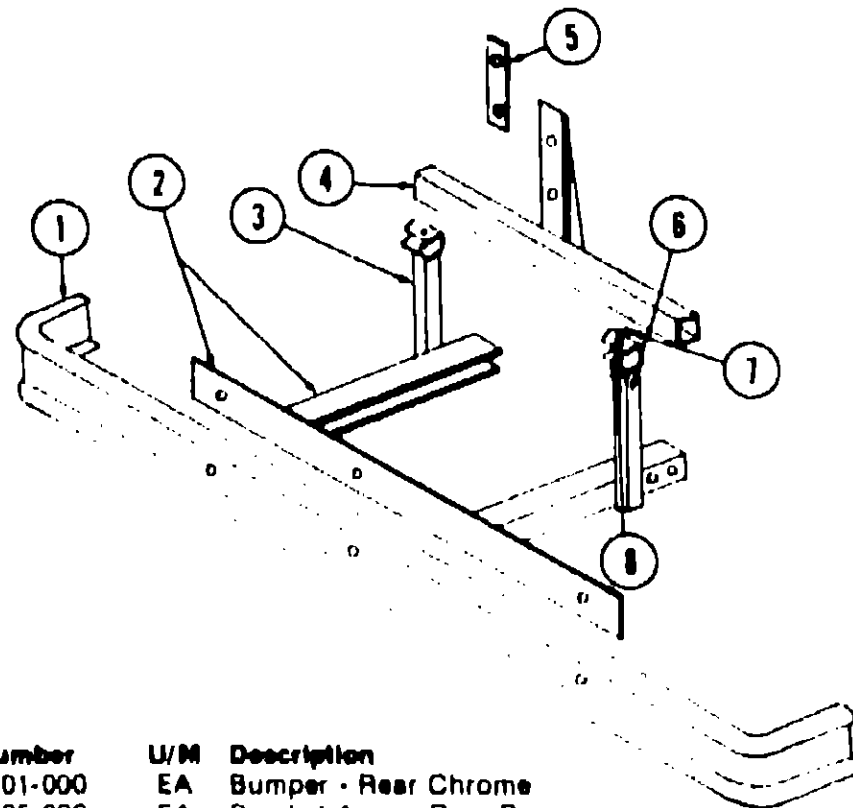
## 1978 WDP26RK INDEX

Floor Plan	D-1 - D-2
Accessories Group	D-3 - D-4
Bath Group	D-5
Chassis Group	D-6 - D-7
Curtain, Cushion & Pad Group	D-8 - D-10
Dinette Group	D-11
Driver's Compartment Group	D-11 - D-12
Electrical Group	D-13 - D-14
Exterior Body Group	D-15 - D-18
Galley Group	D-19
Heating & Air Conditioning Group	D-20
Interior Finish Group	D-21 - D-22
LP Group	D-23
Lounge Group	D-23
Water & Sewage Group	D-24
Window, Vent & Exterior Door Group	E-1 - E-12

## CHASSIS GROUP (CONTINUED)



Key	Part Number	U/M	Description
1	048473-01-000	EA	Bumper - Front - Chrome
2	023496-04-000	EA	Bracket - Bumper - Black - Right or Left
3	023520-04-000	EA	Bar - Bumper - Black - Right or Left



Key	Part Number	U/M	Description
1	048474-01-000	EA	Bumper - Rear Chrome
2	046043-05-000	EA	Bracket Asm - Rear Bumper
3	022445-01-000	EA	Bracket - Tire Carrier - Left
4	016924-02-000	EA	Bracket - Tire Carrier
5	040974-01-000	EA	Retainer - Spare Tire
6	021356-01-000	EA	Bracket - Tire Carrier - Right
7	015365-01-000	EA	Pin - Tire Carrier
8	005522-01-000	EA	Pin - Hitch - 5/32" Wire

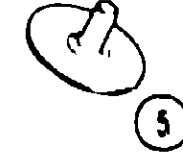
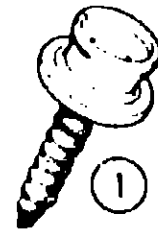
## CURTAIN, CUSHION AND PAD GROUP

### CURTAINS, TIEBACKS AND SHADES

Key	Part Number	U/M	Description
	049021-65-000	EA	Curtain w/Snap Top - 33" x 36" - Parchment
	049021-69-000	EA	Curtain w/Snap Top - 72" x 36" - Parchment
	049021-67-000	EA	Curtain w/Snap Top - 38" x 84" - Parchment
	049021-64-000	EA	Curtain - Wraparound w/Snap Top - Right - 25" x 80" - Parchment
	049485-21-000	EA	Curtain - Wraparound w/Snap Top - Left - 25" x 80" - Parchment
	049097-66-000	EA	Tie Back Asm. - Curtain - 10" - Parchment
	049097-67-000	EA	Tie Back Asm. - Curtain - 16" - Parchment
	052750-01-000	EA	Shade Asm. - 71" x 29" - Green (Shadow)
	052750-02-000	EA	Shade Asm. - 71" x 29" - Gold (Meadow Gold)
	052750-03-000	EA	Shade Asm. - 71" x 29" - Rust (Russet)
	052751-01-000	EA	Shade Asm. - 68 1/4" x 29" - Green (Shadow)
	052751-02-000	EA	Shade Asm. - 68 1/4" x 29" - Gold (Meadow Gold)
	052751-03-000	EA	Shade Asm. - 68 1/4" x 29" - Rust (Russet)
	052752-01-000	EA	Shade Asm. - 59" x 29" - Green (Shadow)
	052752-02-000	EA	Shade Asm. - 59" x 29" - Gold (Meadow Gold)
	052752-03-000	EA	Shade Asm. - 59" x 29" - Rust (Russet)
	052753-01-000	EA	Shade Asm. - 46 1/2" x 29" - Green (Shadow)
	052753-02-000	EA	Shade Asm. - 46 1/2" x 29" - Gold (Meadow Gold)
	052753-03-000	EA	Shade Asm. - 46 1/2" x 29" - Rust (Russet)
	052756-01-000	EA	Shade Asm. - 31" x 28 1/2" - Green (Shadow)
	052756-02-000	EA	Shade Asm. - 31" x 28 1/2" - Gold (Meadow Gold)
	052756-03-000	EA	Shade Asm. - 31" x 28 1/2" - Rust (Russet)

### CURTAIN HARDWARE

Key	Part Number	U/M	Description
	009107-01-000	EA	Guide - Nylon - Snap
	009701-01-000	EA	Carrier - Curtain w/Rollers (used with "L" Rod)
	009702-01-000	EA	End Stop - Curtain Track (used with "L" Rod)
	029100-01-000	EA	Hook - Curtain (Privacy Curtain)
	009136-01-000	EA	Hook - Shower Curtain
	050826-01-000	EA	Track - Wraparound Curtain - Right
	050826-02-000	EA	Track - Wraparound Curtain - Left
	037872-01-000	EA	Rod - Double Curtain Flat - Extends 48" - 84"
	037872-03-000	EA	Rod - Double Curtain Flat - Extends 28" - 48"
	018031-42-000	EA	Track - Curtain - "L" Rod - 90" Alum.
	052327-04-236	EA	Curtain Track - Alum. - Brown - 89" w/Holes



Key	Part Number	U/M	Description
1	029130-01-000	EA	Socket - Snap Fastener (Tie Backs)
2	029155-01-000	EA	Cap - Snap .158" Dia x .17" Barrel (Tie Backs)
3	029156-01-000	EA	Socket - Snap Fastener (Tie Backs)
4	029092-01-000	EA	Stud - Nickel Finish (Curtains)
5	029093-01-000	EA	Eyelet - Nickel Finish (Curtains)

## 1978 WINNEBAGO TABLE OF CONTENTS

Introduction	A-1
Abbreviations	A-1
Alphabetical Index	A-2 - A-4
WC525RB	A-5 - B-14
WDP23RG	B-15 - C-24
WDP26RK	D-1 - E-12
WDU27RK	E-13 - F-22
WCU29RB	F-23 - H-10
WDU27RT	H-11 - I-22
WDP26RB	I-23 - K-10

## 1978 WDP26RK INDEX

Floor Plan	D-1 - D-2
Accessories Group	D-3 - D-4
Bath Group	D-5
Chassis Group	D-6 - D-7
Curtain, Cushion & Pad Group	D-8 - D-10
Dinette Group	D-11
Driver's Compartment Group	D-11 - D-12
Electrical Group	D-13 - D-14
Exterior Body Group	D-15 - D-18
Galley Group	D-19
Heating & Air Conditioning Group	D-20
Interior Finish Group	D-21 - D-22
LP Group	D-23
Lounge Group	D-23
Water & Sewage Group	D-24
Window, Vent & Exterior Door Group	E-1 - E-12

**CURTAIN, CUSHION AND PAD GROUP (CONTINUED)**

**DINETTE CUSHIONS**

Key	Part Number	U/M	Description
	053386-01-000	EA	Cushion - Waterfall Style - 24" x 38" x 5" - Green (Shadow)
	053386-02-000	EA	Cushion - Waterfall Style - 24" x 38" x 5" - Gold (Meadow Gold)
	053386-03-000	EA	Cushion - Waterfall Style - 24" x 38" x 5" - Rust (Russet)
	053386-01-001	EA	Cover - Cushion - Waterfall Style - 24" x 38" x 5" - Green (Shadow)
	053386-02-002	EA	Cover - Cushion - Waterfall Style - 24" x 38" x 5" - Gold (Meadow Gold)
	053386-03-003	EA	Cover - Cushion - Waterfall Style - 24" x 38" x 5" - Rust (Russet)
	053386-04-000	EA	Cushion - Waterfall Style - 14" x 38" x 5" - Green (Shadow)
	053386-05-000	EA	Cushion - Waterfall Style - 14" x 38" x 5" - Gold (Meadow Gold)
	053386-06-000	EA	Cushion - Waterfall Style - 14" x 38" x 5" - Rust (Russet)
	053386-04-004	EA	Cover - Cushion - Waterfall Style - 14" x 38" x 5" - Green (Shadow)
	053386-05-005	EA	Cover - Cushion - Waterfall Style - 14" x 38" x 5" - Gold (Meadow Gold)
	053386-06-006	EA	Cover - Cushion - Waterfall Style - 14" x 38" x 5" - Rust (Russet)

**LOUNGE CUSHIONS AND SWIVEL CHAIRS**

Key	Part Number	U/M	Description
	053386-07-000	EA	Cushion - Waterfall Style - 29" x 79" x 5" - Green (Shadow)
	053386-08-000	EA	Cushion - Waterfall Style - 29" x 79" x 5" - Gold (Meadow Gold)
	053386-09-000	EA	Cushion - Waterfall Style - 29" x 79" x 5" - Rust (Russet)
	053386-07-007	EA	Cover - Cushion - Waterfall Style - 29" x 79" x 5" - Green (Shadow)
	053386-08-008	EA	Cover - Cushion - Waterfall Style - 29" x 79" x 5" - Gold (Meadow Gold)
	053386-09-009	EA	Cover - Cushion - Waterfall Style - 29" x 79" x 5" - Rust (Russet)
	053425-01-000	EA	Cushion - Slanted - Waterfall Style - 16" x 79" x 6" - Green (Shadow)
	053425-02-000	EA	Cushion - Slanted - Waterfall Style - 16" x 79" x 6" - Gold (Meadow Gold)
	053425-03-000	EA	Cushion - Slanted - Waterfall Style - 16" x 79" x 6" - Rust (Russet)
	053425-01-001	EA	Cover - Cushion - Slanted - Waterfall Style - 16" x 79" x 6" - Green (Shadow)
	053425-02-002	EA	Cover - Cushion - Slanted - Waterfall Style - 16" x 79" x 6" - Gold (Meadow Gold)
	053425-03-003	EA	Cover - Cushion - Slanted - Waterfall Style - 16" x 79" x 6" - Rust (Russet)
	042384-82-000	EA	Skirt - Gaucho - 13" x 84" - Green (Shadow)
	042384-83-000	EA	Skirt - Gaucho - 13" x 84" - Gold (Meadow Gold)
	042384-84-000	EA	Skirt - Gaucho - 13" x 84" - Rust (Russet)
	052382-04-000	EA	Button Asm. - Covered - Green (Shadow)
	052382-05-000	EA	Button Asm. - Covered - Gold (Meadow Gold)
	052382-06-000	EA	Button Asm. - Covered - Rust (Russet)
	042986-25-000	EA	Chair Asm. - T T - Green (Shadow)
	042986-26-000	EA	Chair Asm. - T T - Gold (Meadow Gold)
	042986-27-000	EA	Chair Asm. - T T - Rust (Russet)
	042987-25-000	EA	Cushion Asm. - T T Chair - Green (Shadow)
	042987-26-000	EA	Cushion Asm. - T T Chair - Gold (Meadow Gold)
	042987-27-000	EA	Cushion Asm. - T T Chair - Rust (Russet)
	035036-01-000	EA	Plate - Tilt and Turn Chair
	035036-02-000	EA	Base - Tilt and Turn Chair w/Holes in Legs

**BUNK MATTRESSES**

Key	Part Number	U/M	Description
	041914-45-000	EA	Mattress - Flexsteel Bunk - 42" x 79" - Green (Shadow)
	041914-46-000	EA	Mattress - Flexsteel Bunk - 42" x 79" - Gold (Meadow Gold)
	041914-47-000	EA	Mattress - Flexsteel Bunk - 42" x 79" - Rust (Russet)

**CURTAIN, CUSHION AND PAD GROUP (CONTINUED)**

**BUCKET SEATS, ARMRESTS AND HEADRESTS**

Key	Part Number	U/M	Description
	049159-12-000	EA	Seat Asm. - Single Bucket - w/o Slides, Armrests or Headrests - Green (Shadow)
	049159-13-000	EA	Seat Asm. - Single Bucket - w/o Slides, Armrests or Headrests - Gold (Meadow Gold)
	049159-14-000	EA	Seat Asm. - Single Bucket - w/o Slides, Armrests or Headrests - Rust (Russet)
	049159-12-001	EA	Cover - Single Bucket Seat - Bottom - Green (Shadow)
	049159-13-001	EA	Cover - Single Bucket Seat - Bottom - Gold (Meadow Gold)
	049159-14-001	EA	Cover - Single Bucket Seat - Bottom - Rust (Russet)
	049159-12-002	EA	Cover - Single Bucket Seat - Back - Green (Shadow)
	049159-13-002	EA	Cover - Single Bucket Seat - Back - Gold (Meadow Gold)
	049159-14-002	EA	Cover - Single Bucket Seat - Back - Rust (Russet)
	049159-12-003	EA	Skirt - Single Bucket Seat - Green (Shadow)
	049159-13-003	EA	Skirt - Single Bucket Seat - Gold (Meadow Gold)
	049159-14-003	EA	Skirt - Single Bucket Seat - Rust (Russet)
	049160-12-000	EA	Seat Asm. - Double Bucket - w/o Armrests or Headrests - Green (Shadow)
	049160-13-000	EA	Seat Asm. - Double Bucket - w/o Armrests or Headrests - Gold (Meadow Gold)
	049160-14-000	EA	Seat Asm. - Double Bucket - w/o Armrests or Headrests - Rust (Russet)
	049160-12-001	EA	Cover - Double Bucket Seat - Bottom - Green (Shadow)
	049160-13-001	EA	Cover - Double Bucket Seat - Bottom - Gold (Meadow Gold)
	049160-14-001	EA	Cover - Double Bucket Seat - Bottom - Rust (Russet)
	049160-12-002	EA	Cover - Double Bucket Seat - Back - Green (Shadow)
	049160-13-002	EA	Cover - Double Bucket Seat - Back - Gold (Meadow Gold)
	049160-14-002	EA	Cover - Double Bucket Seat - Back - Rust (Russet)
	049160-12-003	EA	Skirt - Double Bucket Seat - Green (Shadow)
	049160-13-003	EA	Skirt - Double Bucket Seat - Gold (Meadow Gold)
	049160-14-003	EA	Skirt - Double Bucket Seat - Rust (Russet)
	036658-02-000	EA	Screw - Shoulder - 3/8" x 1 1/2" - Hex Socket (Armrest Fastener)
	029136-01-000	EA	Grommet - Headrest - Brown Nylon
	031133-01-000	EA	Protector - Driver Seat - 6" - Brown Plastic
	033908-53-000	EA	Headrest Cover - Green (Shadow)
	033908-54-000	EA	Headrest Cover - Gold (Meadow Gold)
	033908-55-000	EA	Headrest Cover - Rust (Russet)
	019722-01-000	EA	Headrest Asm. - Foam w/o Cover
	050280-22-000	EA	Armrest Cover - Green (Shadow)
	050280-23-000	EA	Armrest Cover - Gold (Meadow Gold)
	050280-24-000	EA	Armrest Cover - Rust (Russet)
	050275-01-700	EA	Armrest Asm. - Foam w/o Cover - Right
	050276-01-700	EA	Armrest Asm. - Foam w/o Cover - Left

**FABRICS AND TRIMS**

Key	Part Number	U/M	Description
	052352-01-000	YD	Fabric - Upholstery - Green (Shadow)
	052352-02-000	YD	Fabric - Upholstery - Gold (Meadow Gold)
	052352-03-000	YD	Fabric - Upholstery - Rust (Russet)
	052597-01-000	YD	Fabric - Curtain - Parchment
	042411-01-000	YD	Vinyl - Nonexpanded - 27 Ounce
	042411-03-000	YD	Vinyl - Nonsupported - 16 Gauge - Brown
	042414-01-000	FT	Trim - Accent - Bostonian Brown Vinyl
	023631-05-000	EA	Button - Bostonian Brown
	052382-04-000	EA	Button Asm. - Covered - Green (Shadow)
	052382-05-000	EA	Button Asm. - Covered - Gold (Meadow Gold)
	052382-06-000	EA	Button Asm. - Covered - Rust (Russet)

**PADS**

Key	Part Number	U/M	Description
	023486-09-000	EA	Pad Asm. - Dinette Frame - Boston Berkshire
	042945-03-000	EA	Pad Asm. - A Post - Right
	042945-04-000	EA	Pad Asm. - A Post - Left
	048209-01-000	EA	Pad Asm. - Desk Overhead Cabinet

**1978 WINNEBAGO  
TABLE OF CONTENTS**

Introduction	A-1
Abbreviations	A-1
Alphabetical Index	A-2 - A-4
WC525RB	A-5 - B-14
WDP23RG	B-15 - C-24
WDP26RK	D-1 - E-12
WDU27RK	E-13 - F-22
WDU29RB	F-23 - H-10
WDU27RT	H-11 - I-22
WDP26RB	I-23 - K-10

**1978 WDP26RK  
INDEX**

Floor Plan	D-1 - D-2
Accessories Group	D-3 - D-4
Bath Group	D-5
Chassis Group	D-6 - D-7
Curtain, Cushion & Pad Group	D-8 - D-10
Dinette Group	D-11
Driver's Compartment Group	D-11 - D-12
Electrical Group	D-13 - D-14
Exterior Body Group	D-15 - D-18
Galley Group	D-19
Heating & Air Conditioning Group	D-20
Interior Finish Group	D-21 - D-22
LP Group	D-23
Lounge Group	D-23
Water & Sewage Group	D-24
Window, Vent & Exterior Door Group	E-1 - E-12

## DINETTE GROUP

Key	Part Number	U/M	Description
	043629-13-700	EA	Table Asm. - Dinette - Ironstone - w/o Hardware
	042104-02-000	EA	Back - Front Dinette Seat
	042105-02-000	EA	Seat - Front Dinette
	042106-02-000	EA	Seat - Rear Dinette
	042107-02-000	EA	Back - Rear Dinette Seat
	042097-04-000	EA	Countertop - Rear
	048361-02-000	EA	Cabinet Asm. - Dinette Overhead - w/o Doors or Hardware
	042600-30-700	EA	Door Asm. - Dinette Overhead Cabinet - 31 3/16" x 109/16" - w/o Hardware

## DRIVER'S COMPARTMENT GROUP

### BUCKET SEAT PEDESTAL AND SEAT BELTS

Key	Part Number	U/M	Description
	050447-01-000	EA	Pedestal Asm. - Tilt Seat - Left
	050447-02-000	EA	Pedestal Asm. - Tilt Seat - Right - Single Seat
	050447-03-000	EA	Pedestal Asm. - Tilt Seat - Right - Double Seat
	007019-01-000	EA	Belt Asm. - Seat - 2" x 84" - Black
	041322-01-000	EA	Washer - Flat - 15/32" I.D. x 2 3/8" O.D. - Seat Belt

### DASH PANEL AND COMPONENTS

Key	Part Number	U/M	Description
	031623-07-000	EA	Dash Asm. - Chieftain - Complete w/Gauges and Switches
	022548-03-000	EA	Pad - Dash - Foam - Right - Dark Brown
	023242-04-000	EA	Pad - Dash - Foam - Left - Dark Brown
	022219-01-000	EA	Door - Glove Compartment
	009118-01-000	EA	Lock - Twist w/Nut
	023892-01-000	EA	Box - Glove Compartment - Black Fiberboard
	009086-01-000	EA	Hinge - Continuous - Alum. 11/16" x 72" - Plain
	034309-01-000	EA	Chain - Bead - Glove Box Door
	023834-01-000	EA	Panel - Knee Kick - (Bottom of Dash)
	024418-01-000	EA	Lamp Asm. - Map/Gauge
	007306-01-000	EA	Clock - Dash
	007037-01-000	EA	Lighter - Asm. - Cigarette 12 Volt
	007041-01-000	EA	Bezel Cigarette Lighter
	024979-01-000	EA	Bezel - Entertainment Center
	007071-01-000	EA	Louver - Chrome - w/Chrome Wheel
	022547-01-000	EA	Bezel - Panel - Control
	023020-01-000	EA	Lamp Asm. - Toll Tale
	039044-01-000	EA	Louver Asm. - C Adjustable
	040636-01-000	EA	Bracket Asm. - Shift Lever
	042961-01-000	EA	Nameplate - Chieftain - Brown/Silver

## DRIVER'S COMPARTMENT GROUP (CONTINUED)

### DASH SWITCHES AND GAUGES

Key	Part Number	U/M	Description
	024907-01-000	EA	Control Asm. - Heater - A/C - 3 Speed
	024461-01-000	EA	Switch - Battery
	024463-01-000	EA	Switch - Blinker
	024464-01-000	EA	Switch - Washer
	024465-01-000	EA	Switch - Fuel
	024467-01-000	EA	Switch - Wiper
	024459-01-000	EA	Gauge Asm. - Voltmeter
	024480-01-000	EA	Gauge - Vacuum Dash
	024462-01-000	EA	Switch - Battery Condition
	031035-01-000	EA	Gauge - Hourmeter - Generator
	024976-01-000	EA	Switch - Generator w/o Circuit Board
	037387-01-000	EA	Switch - Generator w/Circuit Board
	024990-02-000	EA	Outlet - Defroster - w/Swivel - 2" - Dark Brown
	031376-01-000	EA	Heater - Control Asm. - 3 Speed

### FRONT OVERHEAD BUNK CABINET

Key	Part Number	U/M	Description
	048391-04-000	EA	Cabinet - Front Overhead - w/o Doors
	042964-17-000	EA	Door Asm. - Sliding - (Front Overhead Cabinet)
	009148-01-000	EA	Pull - Finger 3/4" Dia. Brass

### MISCELLANEOUS DRIVER'S COMPARTMENT COMPONENTS

Key	Part Number	U/M	Description
	048563-01-000	EA	Tray - Beverage
	048670-01-000	EA	Track Asm. - Beverage (2 Per Tray)
	034800-01-000	EA	Cover - Motor - Plastic
	039957-01-000	EA	Latch - Rubber - Draw Handle - 5 3/4" w/Strike (Motor Cover)
	039855-01-000	EA	Latch - Rubber - Draw Handle - 3" w/Strike (Motor Cover)
	035368-02-000	EA	Seal - Motor Cover - (Aluminum Extr.)
	040519-01-000	EA	Boot - Rubber - Steering Column
	040520-01-000	EA	Boot - Retainer - Steering Column
	034499-01-000	EA	Support - Dimmer Switch
	022758-04-000	EA	Sunvisor Asm. - Right Bostonian
	022759-06-000	EA	Sunvisor Asm. - Left Bostonian
	041842-01-000	EA	Clip - Sunvisor Rod - Brown Plastic
	009143-01-000	EA	Mirror - Sunvisor
	007278-01-000	EA	Mirror - Rear View
	036414-01-000	EA	Ashtray
	044699-01-000	EA	Panel - Side - Interior - Left - Plastic
	044700-01-000	EA	Panel - Side - Interior - Right - Plastic

## 1978 WINNEBAGO TABLE OF CONTENTS

Introduction	A-1
Abbreviations	A-1
Alphabetical Index	A-2 - A-4
WC525RB	A-5 - B-14
WDP23RG	B-15 - C-24
WDP26RK	D-1 - E-12
WDU27RK	E-13 - F-22
WDU29RB	F-23 - H-10
WDU27RT	H-11 - I-22
WDP26RB	I-23 - K-10

## 1978 WDP26RK INDEX

Floor Plan	D-1 - D-2
Accessories Group	D-3 - D-4
Bath Group	D-5
Chassis Group	D-6 - D-7
Curtain, Cushion & Pad Group	D-8 - D-10
Dinette Group	D-11
Driver's Compartment Group	D-11 - D-12
Electrical Group	D-13 - D-14
Exterior Body Group	D-15 - D-16
Galley Group	D-19
Heating & Air Conditioning Group	D-20
Interior Finish Group	D-21 - D-22
LP Group	D-23
Lounge Group	D-23
Water & Sewage Group	D-24
Window, Vent & Exterior Door Group	E-1 - E-12

## ELECTRICAL GROUP

### BULBS

Key	Part Number	U/M	Description
	037935-01-000	EA	Bulb - 1157
	038010-01-000	EA	Bulb - 1143
	008103-01-000	EA	Bulb - 53
	008213-01-000	EA	Bulb - 57
	008214-01-000	EA	Bulb - 67
	008215-01-000	EA	Bulb - 1003
	008216-01-000	EA	Bulb - 1034
	008217-01-000	EA	Bulb - 1073
	008218-01-000	EA	Bulb - 1141
	008219-01-000	EA	Bulb - 656
	008220-01-000	EA	Bulb - 12V - 25W
	038196-01-000	EA	Bulb 194
	700020-01-000	EA	Bulb - 12V - 20W 1383

### EXTERIOR LIGHTS

Key	Part Number	U/M	Description
	008089-01-000	EA	Light - Porch - Recessed
	031054-02-000	EA	Lamp Asm. - Tail - Left - Beige
	031054-01-701	EA	Lens - Tail Lamp - Left
	031055-02-000	EA	Lamp Asm. - Tail - Right - Beige
	031055-01-701	EA	Lens - Tail Lamp - Right
	042405-03-000	EA	Base - Rectangular Clearance Light
	042405-04-000	EA	Lens - Rectangular Light - Red
	042405-05-000	EA	Lens - Rectangular Light - Amber

### INTERIOR LIGHTS

Key	Part Number	U/M	Description
	024418-01-000	EA	Lamp Asm. - Map/Gauge/Aisle
	024473-01-000	EA	Light - Aircraft - 1 Bulb Gold
	033508-01-000	EA	Light - Dome - White 1 Bulb
	024642-01-701	EA	Lens - Dome Light - 1 Bulb
	033509-01-000	EA	Light - Dome - White - 2 Bulb
	024643-01-701	EA	Lens - Dome Light - 2 Bulb
	008102-01-000	EA	Light - Corner Mount - Multibulb

### FUSES AND CIRCUIT BREAKERS

Key	Part Number	U/M	Description
	008233-01-000	EA	Fuse - 12 Volt - 6 Amp.
	008234-01-000	EA	Fuse - 12 Volt - 10 Amp.
	008235-01-000	EA	Fuse - 12 Volt - 15 Amp.
	008236-01-000	EA	Fuse - 12 Volt - 20 Amp.
	008248-01-000	EA	Fuse - 110 Volt - 30 Amp.
	008252-01-000	EA	Fuse - 110 Volt - 50 Amp.
	008208-01-000	EA	Circuit Breaker - 12 Volt - 40 Amp.
	008211-01-000	EA	Circuit Breaker - 12 Volt - 8 Amp.
	008268-01-000	EA	Circuit Breaker - 12 Volt - 30 Amp. w/Mount
	033573-01-000	EA	Circuit Breaker - 12 Volt - 20 Amp. w/Mount
	033573-02-000	EA	Circuit Breaker - 12 Volt - 15 Amp. w/Mount
	040051-01-000	EA	Circuit Breaker - 110 Volt - 20 Amp. TQL
	033484-01-000	EA	Circuit Breaker - 30 Amp. - Air Conditioner
	052012-01-000	EA	Circuit Breaker - 50 Amp. - Air Conditioner

## ELECTRICAL GROUP (CONTINUED)

### WINDSHIELD WIPER & WASHER

Key	Part Number	U/M	Description
	037998-01-000	EA	Link Asm. - Connecting - 22.40" Long
	037999-01-000	EA	Motor Asm. - Windshield Wiper
	038001-01-000	EA	Shaft and Pivot Asm. - 2.25" Arm
	049463-01-000	EA	Arm - Windshield Wiper - 15" Black
	049464-01-000	EA	Blade - Windshield Wiper - 16" Black
	007029-01-000	EA	Washer Asm. - Windshield Power Jet Electric - Front
	700073-05-000	EA	Pump and Cover Asm. - for Windshield Washer
	700073-04-000	EA	Reservoir Only - Water w/Washer
	700073-02-000	EA	Washer Nozzle Package - Front

### WIRE, SWITCHES AND RECEPTACLES

Key	Part Number	U/M	Description
	008024-01-000	FT	Wire - 18.5 Bonded - Orange/White/Yellow/Blue/Brown
	008025-01-000	FT	Wire - 18.5 Bonded - Orange/White/Yellow/Blue/Green
	008028-01-000	FT	Wire - 18.5 Bonded - Blue/Red/Yellow/Orange/White
	008030-01-000	FT	Wire - 18.4 Bonded
	008251-01-000	EA	Holder - Fuse - Black - Screw Type
	008277-01-000	EA	Holder - Fuse - Black - Panel Mount
	008195-01-000	EA	Switch - Push Button - 12 Volt
	008077-01-000	EA	Plaque - Compressor Switch
	008054-01-000	EA	Cord - Power - 10-3 30 Amp. - 25' - UL
	034818-04-000	EA	Holder - Receptacle - Plastic
	039338-01-000	EA	Cover Plate - Receptacle - Plastic - Brown
	039339-01-000	EA	Receptacle - Duplex Brown - End of Line
	039342-01-000	EA	Receptacle - Duplex Brown - T Junction
	024571-01-000	EA	Cover Plate - Jumbo Steel Brown Receptacle
	039343-01-000	EA	Cap End - Receptacle
	008162-01-000	EA	Switch - Double Toggle - Spade Brown
	008163-01-000	EA	Switch - Toggle Brown
	024924-01-000	EA	Receptacle - Power Cord
	008058-01-000	EA	Adaptor - Power Cord
	047353-01-000	EA	Cover - Receptacle - Ground Fault
	047351-01-000	EA	Receptacle - Ground Fault Interrupter - 125 Volt Black
	040223-01-000	EA	Holder Asm. - Fuse - 30 Amp.

### MISCELLANEOUS ELECTRICAL COMPONENTS

Key	Part Number	U/M	Description
	047338-01-000	EA	Isolator - Dual Battery
	047389-01-700	EA	Battery - 12 Volt - 105 Amp. Deep Cycle - Dry
	008168-01-000	EA	Solenoid - Dual Battery - Relay
	046775-01-000	EA	valve - Gas - Change Over - 3 Way
	038817-01-000	EA	Relay - Canister - SPDT
	039950-02-000	EA	Control Center - 30 Amp. w/Door - UL
	039950-01-702	EA	Circuit Board - 8 Prong - Control Center
	039950-01-701	EA	Circuit Board - 5 Prong - Control Center - w/Light
	039950-01-700	EA	Circuit Board - 3.5" x 2" - Control Center - w/o Light
	048812-04-000	EA	Control Panel - Water/Double Sewage - w/o Insert
	048812-05-000	EA	Insert - Control Panel - w/Thermostat Mount Holes
	048812-06-000	EA	Insert - Control Panel - w/o Thermostat Mount Holes
	039861-01-000	EA	Sending Unit Kit - Wemac
	008181-01-000	EA	Relay - 12 to 15 Volt - 27 Amp.

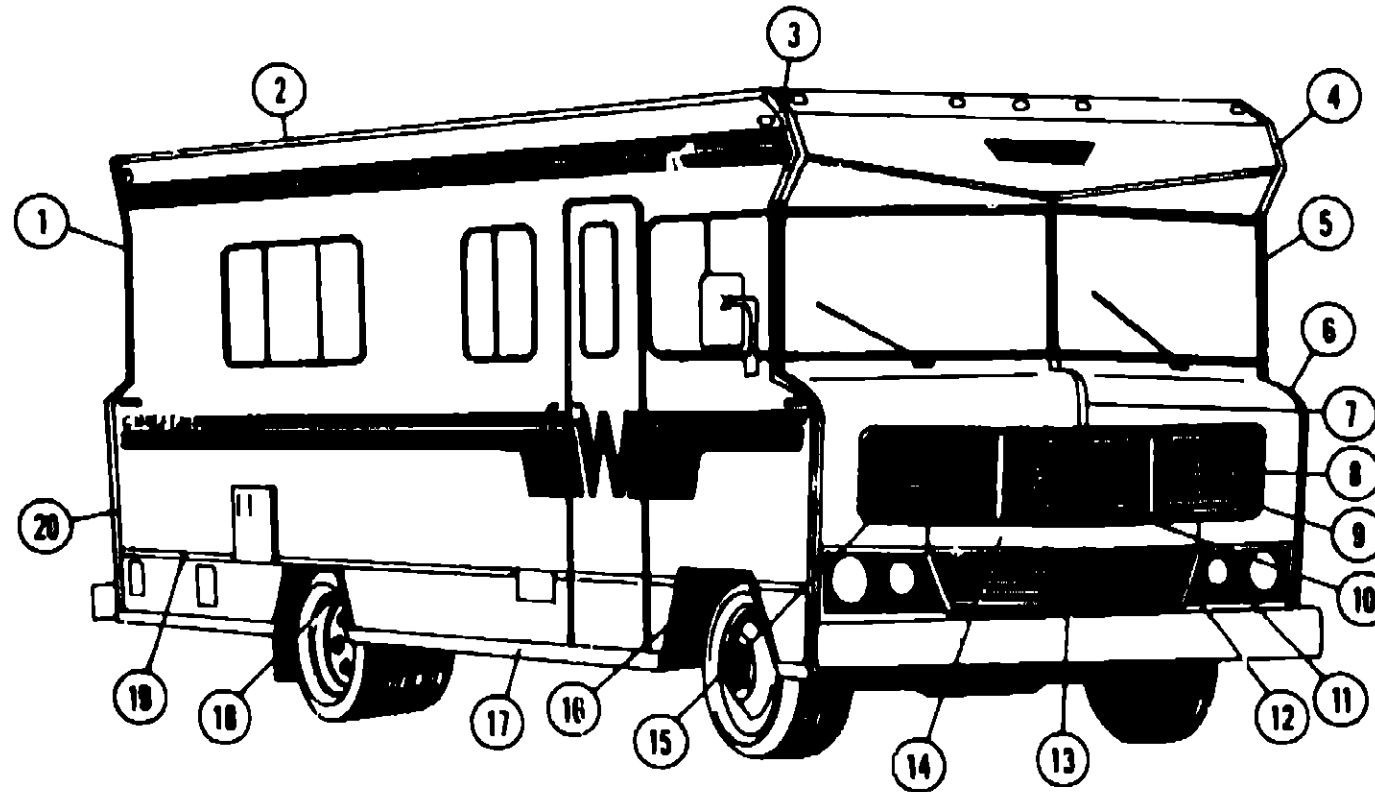
## 1978 WINNEBAGO TABLE OF CONTENTS

Introduction	A-1
Abbreviations	A-1
Alphabetical Index	A-2 - A-4
WC525RB	A-5 - B-14
WDP23RG	B-15 - C-24
WDP26RK	D-1 - E-12
WDU27RK	E-13 - F-22
WDU29RB	F-23 - H-10
WDU27RT	H-11 - I-22
WDP26RB	I-23 - K-10

## 1978 WDP26RK INDEX

Floor Plan	D-1 - D-2
Accessories Group	D-3 - D-4
Bath Group	D-5
Chassis Group	D-6 - D-7
Curtain, Cushion & Pad Group	D-8 - D-10
Dinette Group	D-11
Driver's Compartment Group	D-11 - D-12
Electrical Group	D-13 - D-14
Exterior Body Group	D-15 - D-18
Galley Group	D-19
Heating & Air Conditioning Group	D-20
Interior Finish Group	D-21 - D-22
LP Group	D-23
Lounge Group	D-23
Water & Sewage Group	D-24
Window, Vent & Exterior Door Group	E-1 - E-12

## EXTERIOR BODY GROUP



Key	Part Number	U/M	Description
1	021213-03-000	EA	Trim - Contour - Right Rear Upper - Beige
•	020985-03-000	EA	Trim - Contour - Left Rear Upper - Beige
2	044771-01-000	EA	Extr. - Awning Rail w/Holes - 18' - Beige
•	044770-01-000	EA	Extr. - Drip Rail w/Holes - 18' - Beige
3	042801-02-000	EA	Trim - Contour - Right Front Upper - Beige
4	042801-03-000	EA	Trim - Contour - Left Front - Upper - Beige
5	042894-01-000	EA	Trim - Contour - Windshield - Left - Black
•	042894-03-000	EA	Trim - Contour - Windshield - Right - Black
6	042730-01-000	EA	Trim - Contour - Left Front Lower - Beige
•	042730-03-000	EA	Trim - Contour - Right Front Lower - Beige
7	024581-05-000	EA	Trim - Center - Front Wall - Beige
8	024763-01-000	EA	Trim - Anod. - Upper Grille - Side - Left or Right
•	024764-01-000	EA	Trim - Anod. - Upper Grille - Center Top
•	002754-02-001	EA	Extr. - Anod. Angle - 3/4" x 3/4" x 18" - (Grille)
9	033365-01-000	EA	Grille Asm. - Left - Upper
10	033366-01-000	EA	Grille Asm. - Center - Upper
•	021497-01-000	EA	Latch Asm. - Center Grille
•	024585-01-000	EA	Stop Asm. - Upper Grille
11	048421-01-000	EA	Bezel - Headlight - Left - Wrought Iron Black
•	048422-01-000	EA	Bezel - Headlight - Right - Wrought Iron Black

Key	Part Number	U/M	Description
12	048419-01-000	EA	Trim - Headlight - U-Channel - Left or Right
•	048417-02-000	EA	Trim - Headlight/Grille - Left
•	048417-01-000	EA	Trim - Headlight/Grille - Right
13	048418-01-000	EA	Grille Asm. - Lower
14	048542-01-000	EA	Center Asm. - Grille - Between Top and Bottom Grille w/Beige Insert
15	040676-01-000	EA	Grille Asm. - Upper Right
16	042467-01-000	EA	Trim - Wheel Well - Front - Left or Right
17	036908-02-001	EA	Extr. - Anod. - Rocker Panel - 18'
•	040420-01-000	EA	Cap - Rocker Panel - End - 3/4 Miter - Right
•	040420-02-000	EA	Cap - Rocker Panel - End - 3/4 Miter - Left
18	042466-01-000	EA	Trim - Wheel Well - Rear - Left or Right
19	002444-02-001	EA	Extr. Anod. - Feature Strip - 14' w/o Insert
•	001030-04-002	EA	Insert - Feature Strip - 13/16" x 17' - Antique Brown Metallic
•	009731-01-000	EA	End Cap - Feature Strip
20	015251-04-000	EA	Trim - Contour - Right Rear Lower - Beige
•	015252-04-000	EA	Trim - Contour - Left Rear Lower - Beige
•	002365-02-001	EA	Extr. - U-Channel - 1" Serrated - 18' (Lower Backwall Trim)
•	048416-01-000	EA	Hoodboard - Front - Right - Beige
•	048416-02-000	EA	Hoodboard - Front - Left - Beige
•			Not Illustrated

## 1978 WINNEBAGO TABLE OF CONTENTS

Introduction	A-1
Abbreviations	A-1
Alphabetical Index	A-2 - A-4
WC525RB	A-5 - B-14
WDP23RG	B-15 - C-24
WDP26RK	D-1 - E-12
WDU27RK	E-13 - F-22
WDU29RB	F-23 - H-10
WDU27RT	H-11 - I-22
WDP26RB	I-23 - K-10

## 1978 WDP26RK INDEX

Floor Plan	D-1 - D-2
Accessories Group	D-3 - D-4
Bath Group	D-5
Chassis Group	D-6 - D-7
Curtain, Cushion & Pad Group	D-8 - D-10
Dinette Group	D-11
Driver's Compartment Group	D-11 - D-12
Electrical Group	D-13 - D-14
Exterior Body Group	D-15 - D-18
Galley Group	D-19
Heating & Air Conditioning Group	D-20
Interior Finish Group	D-21 - D-22
LP Group	D-23
Lounge Group	D-23
Water & Sewage Group	D-24
Window, Vent & Exterior Door Group	E-1 - E-12



**EXTERIOR BODY GROUP (CONTINUED)**

**EXTERIOR BODY PANELS AND SHEET ALUMINUM**

Key	Part Number	U/M	Description
	049908-02-000	EA	Backwall Asm.
	047894-02-000	EA	Sidewall Asm. - Right (w/Cloud Beige Marlite)
	047894-02-700	EA	Sidewall Asm. - Right (w/Agate Beige Marlite)
	048206-02-000	EA	Sidewall Asm. - Left (w/Cloud Beige Marlite)
	048206-02-700	EA	Sidewall Asm. - Left (w/Agate Beige Marlite)
	047906-01-000	EA	Roof Asm.
	047906-01-700	EA	Roof Section - Windshield to First Seam
	039155-02-008	EA	Alum. - Beige Mesa Design - .024" x 36" x 60"
	039155-02-002	EA	Alum. - Beige Mesa Design - .024" x 36" x 300"
	039155-02-003	EA	Alum. - Beige Mesa Design - .024" x 36" x 360"
	039155-02-007	EA	Alum. - Beige Mesa Design - .024" x 48" x 60"
	039155-02-005	EA	Alum. - Beige Mesa Design - .024" x 48" x 300"
	039155-02-006	EA	Alum. - Beige Mesa Design - .024" x 48" x 360"
	039155-02-009	EA	Alum. - Beige Mesa Design - .024" x 12" x 360"
	044487-01-001	EA	Alum. - Mill Finish - No Design (Roof) - 96" x 360"
	028545-01-000	EA	Alum. - Beige Greyhound Design 48" x 96"
	001018-01-024	EA	Alum. - Beige - No Design - 48" x 96"
	000868-01-000	BF	Styrofoam - 3/4" x 24" x 96"

**EXTERIOR PAINT**

Key	Part Number	U/M	Description
	044486-01-000	EA	Paint - Beige Acrylic Enamel - 1 Gallon
	044486-03-000	EA	Paint - Beige - Acrylic Enamel - 16 Oz. Aerosol
	044486-04-000	EA	Paint - Beige - Acrylic Lacquer - 1 Gallon
	041567-01-000	EA	Paint - Rally Gold - Acrylic Enamel - 1 Gallon (Lower Stripe)
	041567-03-000	EA	Paint - Rally Gold - Acrylic Enamel - 16 Oz. Aerosol (Lower Stripe)
	041568-01-000	EA	Paint - Antique Bronze Metallic - Acrylic Enamel 1 Gallon (Upper Stripe)
	041568-03-000	EA	Paint - Antique Bronze Metallic - Acrylic Enamel 16 Oz. Aerosol (Upper Stripe)
	045681-01-000	EA	Paint - High Gloss Black - Acrylic Enamel - 1 Gallon
	045681-03-000	EA	Paint - High Gloss Black - Acrylic Enamel - 16 Oz. Aerosol

**LABELS AND DECALS**

Key	Part Number	U/M	Description
	006010-01-000	EA	Decal - Winnebago - Brown/Chrome
	006023-01-000	EA	Label - Water Only
	006025-01-000	EA	Label - Gas
	006028-01-000	EA	Label - Drain Cap - 2" x 3"
	006031-01-000	EA	Label - Potable Water Only
	005187-01-000	EA	Label - Sewage
	006188-01-000	EA	Label - Waste Water
	006199-01-000	EA	Label - Exit - Escape Window
	031181-01-000	EA	Label - Flying "W"
	038403-01-000	EA	Decal - Logo - Winnebago 2.80" (Front or Rear)
	039289-01-000	EA	Label - Warning Aux. Loading
	043473-03-000	EA	Decal - Flying "W" - 13.75" High - Bronze
	045374-01-000	EA	Stencil - Chieftain 2.28" High - Right
	045374-02-000	EA	Stencil - Chieftain 2.28" High - Left
	008092-01-000	EA	Reflector - Stick on - Rectangular - Red
	008093-01-000	EA	Reflector - Stick on - Rectangular - Amber

**EXTERIOR BODY GROUP (CONTINUED)**

**SEALANTS, ADHESIVES AND FASTENERS**

Key	Part Number	U/M	Description
	034552-05-000	EA	Sealant - Off White Silicone
	034552-04-000	EA	Sealant - Beige Silicone
	034552-02-000	EA	Sealant - Clear Silicone
	004348-02-000	EA	Sealant - Aluminum Silicone
	004349-01-000	EA	Sealant - Black Silicone
	004342-01-000	EA	Sealant - Weatherban 202 Tube
	004346-02-000	EA	Sealant - White Silicone
	004347-01-000	EA	Sealant - Tuffex
	002316-01-000	FT	Sealer Tape - 3/32" x 1/8"
	024545-01-000	FT	Sealer Tape - 1/8" x 5/8" - Black
	004350-01-000	FT	Sealer Tape - 1/8" x 1" - Formaseal
	004352-01-000	FT	Sealer Tape - 1/8" x 3/4" - Formaseal
	004355-01-000	FT	Sealer Tape - 1/8" x 5/8" - Black
	004357-01-000	FT	Sealer Tape - 1/8" x 5/8" - Adhesive
	002707-02-000	FT	Sealer Tape - 5/16" x 1/2"
	002707-01-000	FT	Sealer Tape - 5/16" x 3/4" - Black Foam
	002708-01-000	FT	Sealer Tape - 5/16" x 1/2"
	004363-01-000	FT	Sealer Tape - 3/16" x 1/2" - Foam
	004362-01-000	FT	Sealer Tape - 1/8" x 5/8" - Foam
	009200-01-000	EA	Tape - Furnace - 1 1/2"
	041839-01-000	FT	Tape - Window - Latch - 3/4" - Adhesive
	041839-02-000	FT	Tape - Window - Latch - 1/2" - Adhesive
	004353-01-000	FT	Tape - Gasket - 1/8" x 3/4" - White
	02825-01-000	FT	Weather Stripping - Roof Vent
	02337-01-000	EA	Adhesive - 3M - 1300 Tube
	004005-01-000	GL	Adhesive - Swifts - Green - Glue (Sidewalls)
	004012-01-000	EA	Adhesive - 3M - 4475 Tube
	004020-01-000	QT	Adhesive - ABS Cement (Plastic Fittings)
	029051-01-000	EA	Adhesive - Spray Vinyl
	042401-01-000	EA	Screw - 8-18 x 3/4" SDPH - Beige
	042403-01-000	EA	Screw - SF/DR - 8-18 x 1" SDPH - Beige
	005081-01-000	EA	Screw - Wood - 12-11 x 3" P.O.H. Zinc
	053766-01-000	EA	Bedding Compound - Tube Black - Schnee Morehead
	053766-02-000	EA	Bedding Compound - Tube White - Schnee Morehead
	053767-01-000	FT	Tape - 1/2" x 1/8" x 30' - Gray - Schnee Morehead
	053767-02-000	FT	Tape - 3/16" Bead x 25' - Gray - Schnee Morehead
	053767-03-000	FT	Tape - 1/4" Bead x 20' - Gray - Schnee Morehead
	053767-04-000	FT	Tape - 3/4" x 1/8" x 30' - Gray - Schnee Morehead
	053767-05-000	FT	Tape - 2" x 3/32" x 45' - Gray - Schnee Morehead
	053752-03-000	EA	Sealing Compound - Seam Sealer - White - Schnee Morehead #5517

**MISCELLANEOUS EXTERNALLY MOUNTED PARTS**

Key	Part Number	U/M	Description
	016253-01-000	EA	Fuel Fill - Recessed - Single - Beige
	015587-05-000	EA	Fuel Fill - Recessed - Double - Beige
	011124-01-000	EA	Plumbing Seal - Roof Vent - 1 1/4" White
	011126-01-000	EA	Plumbing Seal - Roof Vent - 1 1/2" White
	010230-02-000	EA	Fill - City Water - Recessed - Off White
	011020-01-000	EA	Fill - Water - Recessed - Off White
	009126-01-000	EA	Handle - Assist - Metal - Exterior
	046347-01-000	EA	Mirror Head - 7 1/2" x 10 1/2" Stainless Steel w/o Bracket
	049348-01-000	EA	Arm - Low Mount Mirror - Brite Finish
	049144-01-000	EA	Bracket - Mirror - Outside - Beige - Mounts to Coach

**1978 WINNEBAGO  
TABLE OF CONTENTS**

Introduction	A-1
Abbreviations	A-1
Alphabetical Index	A-2 - A-4
WC525RB	A-5 - B-14
WDP23RG	B-15 - C-24
WDP26RK	D-1 - E-12
WDU27RK	E-13 - F-22
WDU29RB	F-23 - H-10
WDU27RT	H-11 - I-22
WDP26RB	I-23 - K-10

**1978 WDP26RK  
INDEX**

Floor Plan	D-1 - D-2
Accessories Group	D-3 - D-4
Bath Group	D-5
Chassis Group	D-6 - D-7
Curtain, Cushion & Pad Group	D-8 - D-10
Dinette Group	D-11
Driver's Compartment Group	D-11 - D-12
Electrical Group	D-13 - D-14
Exterior Body Group	D-15 - D-18
Galley Group	D-19
Heating & Air Conditioning Group	D-20
Interior Finish Group	D-21 - D-22
LP Group	D-23
Lounge Group	D-23
Water & Sewage Group	D-24
Window, Vent & Exterior Door Group	E-1 - E-12

## GALLEY GROUP

Key	Part Number	U/M	Description
	048367-02-000	EA	Cabinet Asm. - Galley - w/o Countertop, Doors, Drawers or Hardware
	048369-04-000	EA	Countertop Asm. - Galley Cabinet - Ironstone
	042602-45-700	EA	Door Asm. - Galley Cabinet - 7 5/8" x 20 3/8" - w/o Hardware
	042709-18-700	EA	Drawer Asm. - Galley Cabinet - 7" x 12 5/8" x 20" Deep - w/o Hardware
	049801-48-700	EA	Door Asm. - Galley Cabinet - 20 7/8" x 8 11/16" - w/o Hardware
	042600-31-700	EA	Door Asm. - Refrigerator Cabinet - 23 7/8" x 9" - w/o Hardware
	048366-02-000	EA	Cabinet Asm. - Galley Overhead - w/o Doors or Hardware
	042600-29-700	EA	Door Asm. - Overhead Cabinet - 26" x 10 9/16" - w/o Hardware
	048368-02-000	EA	Cabinet Asm. - Rear Overhead - w/o Doors or Hardware
	011032-01-000	EA	Sink - Stainless Steel - Double - w/Bolts
	011053-01-000	EA	Faucet - Swing Spout - 8"
	011053-01-700	EA	Aerator - Swing Spout Faucet
	011065-01-000	EA	Strainer - Sink
	044830-09-000	EA	Cover Asm. - Sink - Large - Ironstone
	009049-01-000	EA	Bracket - Extension - Support
	009059-01-000	EA	Hinge - 2" Gold
	009133-01-000	EA	Bar - Towel Rack - 12" Plastic
	023449-01-000	EA	Support - Towel Rack - Chrome
**	049045-01-000	EA	Range - 4 Burner - Large Oven - Chrome - Magic Chef
**	046954-01-000	EA	Hood - Range - Power w/Spice Rack - Jensen
**	049174-01-000	EA	Refrigerator - A/C/Gas - ET 230 - 2 Door Model - Sibir

\*\*The illustrated parts breakdown for this item is provided on the Common Items Fiche.

## HEATING AND AIR CONDITIONING GROUP

Key	Part Number	U/M	Description
	039044-01-000	EA	Louver Asm. - A/C Adjustable
	047046-01-000	EA	Motor - 12 Volt - 3 Speed - Heater - Air Conditioner
	031043-01-000	EA	Valve - Heater - Water Flow Control
	031169-01-000	EA	Cable - Control - Flexible - 53"
	031169-02-000	EA	Cable - Control - Flexible - 48"
	031170-01-000	EA	Clamp - Cable - 3/16" Dia.
	024998-01-000	EA	Clutch - Magnetic - Compressor
	024999-01-000	EA	Compressor - Auto Air - 10.3 Cubic Inch
	048721-01-000	EA	Package - Air Conditioner - Compressor Mount 360 C.I.D.
	033295-01-000	EA	Package - Air Conditioner - Compressor Mount - 440 C.I.D.
	031394-01-000	EA	Condenser - Radiator Mount
	008267-01-000	EA	Switch - Air Conditioner
	024867-01-000	EA	Valve - Thermostatic Expansion
	024997-01-000	EA	Core - Heater
	024998-01-000	EA	Wheel - Blower - 4.72" O.D.
	031393-01-000	EA	Coil - Evaporator
	033258-01-000	EA	Hose - Refrigerant - .50" I.D. x 34.50"
	034222-01-000	EA	Hose - Refrigerant - .31" I.D. x 26"
	031980-01-000	EA	Hose - Refrigerant - .34" I.D. x 30"
	031981-01-000	EA	Hose - Refrigerant - .31" I.D. x 14.75"
	024868-01-000	EA	Receiver - Dehydrator
	031044-01-000	EA	Clamp - Receiver Dehydrator
	031982-01-000	EA	Bracket - Receiver Dehydrator
	031976-01-000	EA	Belt - Drive - .50" I.D. x 54" - 360 C.I.D. or 440 C.I.D.
	048228-02-000	EA	Kit - Auto Air - 360 C.I.D. A Body - Winnebago Heater
	048229-02-000	EA	Kit - Auto Air - 440 C.I.D. A Body - Winnebago Heater
**	049042-01-000	EA	Furnace - 22,000 BTU - Under Counter - Coleman - 4322
**	049043-01-000	EA	Furnace - 28,000 BTU - Under Counter - Coleman - 4328
**	049777-01-000	EA	Air Conditioner - 110 Volt - Roof Mount - 11,000 BTU - Ivory Coleman (w/o Inside Shroud)
**	049778-01-000	EA	Shroud Asm. - Ceiling - Inside - Roof Air - Cool Only - 11,000 BTU - Coleman
**	049774-01-000	EA	Air Conditioner - 110 Volt - Roof Mount - 13,500 BTU Ivory - Coleman (w/o Inside Shroud)
**	049775-01-000	EA	Shroud Asm. - Ceiling - Inside - Roof - Air Cool Only - 13,500 BTU - Coleman
**	049776-01-000	EA	Shroud Asm. - Ceiling - Inside - Roof Air - Heat and Cool - 13,500 BTU - Coleman

\*\*The illustrated parts breakdown for this item is provided on the Common Items Fiche.

## 1978 WINNEBAGO TABLE OF CONTENTS

Introduction	A-1
Abbreviations	A-1
Alphabetical Index	A-2 - A-4
WC525RB	A-5 - B-14
WDP23RG	B-15 - C-24
WDP26RK	D-1 - E-12
WDU27RK	E-13 - F-22
WDU29RB	F-23 - H-10
WDU27RT	H-11 - I-22
WDP26RB	I-23 - K-10

## 1978 WDP26RK INDEX

Floor Plan	D-1 - D-2
Accessories Group	D-3 - D-4
Bath Group	D-5
Chassis Group	D-6 - D-7
Curtain, Cushion & Pad Group	D-8 - D-10
Dinette Group	D-11
Driver's Compartment Group	D-11 - D-12
Electrical Group	D-13 - D-14
Exterior Body Group	D-15 - D-18
Galley Group	D-19
Heating & Air Conditioning Group	D-20
Interior Finish Group	D-21 - D-22
LP Group	D-23
Lounge Group	D-23
Water & Sewage Group	D-24
Window, Vent & Exterior Door Group	E-1 - E-12

## INTERIOR FINISH GROUP

### PANELING AND COUNTERTOP MATERIALS

Key	Part Number	U/M	Description
	045983-01-000	SF	Paneling - Buff - Ceiling - 48" x 96" (32SF)
	039188-01-000	SF	Paneling - 707 Hickory - 48" x 96" (32SF)
	047354-01-000	EA	Batt Strip - 825 Buff
	000726-06-000	EA	Batt Strip - 707 Hickory
	051904-01-000	SF	Tileboard - Cloud Beige - 48" x 96" (32SF)
	051906-01-000	SF	Plastic Laminate - 48" x 96" - Ironstone
	051903-03-000	EA	Countertop - Formed - 144" - Ironstone
	041206-01-000	SF	Tileboard - 60" x 84" - Agate Beige (35SF)

### FABRICS AND CARPET

Key	Part Number	U/M	Description
	052352-01-000	YD	Fabric - Upholstery - Green (Shadow)
	052352-02-000	YD	Fabric - Upholstery - Gold (Meadow Gold)
	052352-03-000	YD	Fabric - Upholstery - Rust (Russet)
	042411-01-000	YD	Vinyl - Nonexpanded - 27 Ounce
	042411-03-000	YD	Vinyl - Nonsupported - 16 Gauge - Brown
	042414-01-000	FT	Trim - Accent - Bostonian Brown Vinyl
	052351-01-000	SY	Carpet - Fashion Place - Green (Shadow)
	052351-02-000	SY	Carpet - Fashion Place - Gold (Meadow Gold)
	052351-03-000	SY	Carpet - Fashion Place - Rust (Russet)

### INTERIOR MOLDINGS AND TRIMS

Key	Part Number	U/M	Description
	022758-01-000	EA	Cover - Air Conditioner Wire - Plastic
	024700-04-000	EA	Cover - Sidewall Roll Bar - 707 Hickory
	024700-03-000	EA	Cover - Sidewall Roll Bar - White
	034113-03-000	EA	Cover - Corner Support Bar - Dark Brown
	039512-02-000	EA	Cover - Hat - Section - 707 Hickory
	039512-06-000	EA	Cover - Hat - Section - Ivory
	047488-01-000	EA	Cover - Corner Hat/Hat
	047489-01-000	EA	Cover - Corner Tube/Tube
	009778-01-000	FT	U-Channel - 1" - Dark Brown Plastic
	009777-01-000	FT	U-Channel - 3/4" - Dark Brown Plastic
	009815-02-000	FT	T Molding - 3/4" Brown
	009812-03-000	FT	Molding - Plastic Corner - O/S .50"
	009767-01-000	FT	Welling - Brown
	009779-01-000	FT	U-Channel - 1 1/8" - Dark Brown
	009809-03-000	FT	Molding - Plastic Corner - O/S 1"
	034394-02-000	FT	Extr. - Vinyl - Insert Beige
	034889-03-000	EA	Cover - Screw - PPH 10 - Ivory - Bathroom
	042358-01-000	EA	Plug - Button - Mahogany 3/8" Dia.
	009781-01-000	FT	Cover - Outside - .62" x .62" - Dark Brown Plastic

## INTERIOR FINISH GROUP (CONTINUED)

### CURTAIN HARDWARE

Key	Part Number	U/M	Description
	009107-01-000	EA	Guide - Nylon - Snap - Curtain
	052327-04-236	EA	Curtain Track - Alum. - Brown - 89" w/Holes
	042439-01-000	EA	Bracket (Left or Right) Curtain Rod - Single
	049897-01-000	EA	Rod - Curtain - Flat Extension - 25" - 45"
	037872-01-000	EA	Rod - Curtain - Double Flat Extension - 48" - 84"
	037872-02-000	EA	Bracket - Curtain Rod - Double Flat Extension
	049897-02-000	EA	Rod - Curtain Flat Extension 48" - 86"
	009702-01-000	EA	End Stop - Curtain "L" Rod w/Rollers
	009701-01-000	EA	Carrier - "L" Rod w/Rollers
	019031-42-000	EA	Track - Curtain - "L" Rod 90" Alum.
	049736-01-000	FT	Track - Curtain - Plastic 3 Brown (Blackout Curtain)
	049737-01-000	EA	End Cap - Plastic - Curtain Track Brown (Blackout Curtain)
	049738-01-000	EA	Snap - Carrier - White Plastic (Blackout Curtain)

### CABINETS AND TABLE HARDWARE

Key	Part Number	U/M	Description
	009088-01-000	EA	Hinge - Continuous Steel - 1 1/2" x 72"
	009150-01-000	EA	Warp Guard - 64"
	009124-01-000	EA	Lock - Door - Push Button Brass (Bath Door)
	009112-01-000	EA	Flange - 1" Rod - Chrome
	041931-01-000	EA	Kit Cabinet Door Hinge
	052426-01-000	EA	Kit - Drawer Pull - Villa Deste
	041917-01-000	EA	Kit - Latch - Overhead Cab Door - Jamestown
	052427-01-000	EA	Kit - Latch - Lower Cab. Door - Villa Deste
	009047-01-000	EA	Hold Open - Overhead Door
	009089-01-000	EA	Clip - Mirror - Plastic w/Screw
	047842-01-000	EA	Kit - Dinette Table Leg
	047809-01-000	EA	Kit - Dinette Table Hardware - Wall Mount
	007021-01-000	EA	Belt Asm. - Seat - 2" x 90" Black
	041322-01-000	EA	Washer - Flat - 15/32" I.D. x 2 3/8" O.D. (Seat Belt)
	041838-01-000	EA	Screw - 5 x 5/8" POH - Antique Brass
	037888-01-000	FT	Rail - Drawer Glide
	047744-01-000	EA	Kit - Drawer Glide

### MISCELLANEOUS PARTS

Key	Part Number	U/M	Description
	042950-01-000	EA	Handle - Interior Assit
	041944-01-700	EA	Extinguisher - Fire - Dry Chemical w/Bracket
	007038-01-000	EA	Mat - Door - Black Rubber - 10 1/2" x 28"

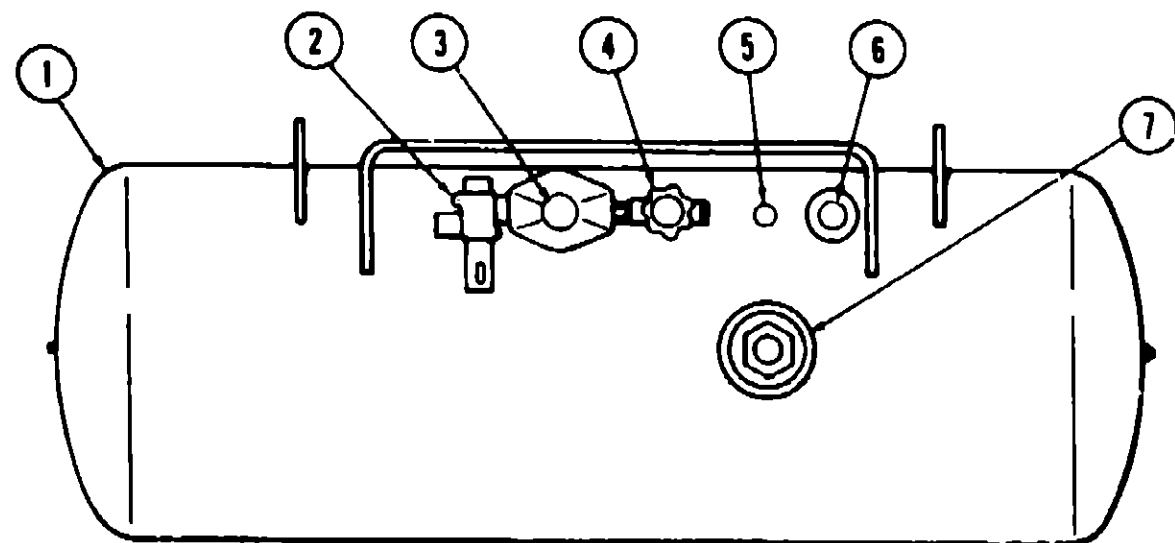
## 1978 WINNEBAGO TABLE OF CONTENTS

Introduction	A-1
Abbreviations	A-1
Alphabetical Index	A-2 - A-4
WC525RB	A-5 - B-14
WDP23FG	B-15 - C-24
WDP26RK	D-1 - E-12
WDU27RK	E-13 - F-22
WDU29RB	F-23 - H-10
WDU27RT	H-11 - I-22
WDP26RB	I-23 - K-10

## 1978 WDP26RK INDEX

Floor Plan	D-1 - D-2
Accessories Group	D-3 - D-4
Bath Group	D-5
Chassis Group	D-6 - D-7
Curtain, Cushion & Pad Group	D-8 - D-10
Dinette Group	D-11
Driver's Compartment Group	D-11 - D-12
Electrical Group	D-13 - D-14
Exterior Body Group	D-15 - D-18
Galley Group	D-19
Heating & Air Conditioning Group	D-20
Interior Finish Group	D-21 - D-22
LP Group	D-23
Lounge Group	D-23
Water & Sewage Group	D-24
Window, Vent & Exterior Door Group	E-1 - E-12

## LP GROUP



Key	Part Number	U/M	Description
1	040421-01-000	EA	Tank - LP - Frame Mount - 83 Pound
2	047221-01-000	EA	Detector - LP Gas Leak
3	024712-01-000	EA	Cover - LP Regulator
4	052183-01-000	EA	Regulator - Manual - LP Gas - 2 Stage
5	040421-01-703	EA	Valve - Vapor Relief
6	040421-01-700	EA	Gauge - Liquid Level - 20% LP
7	040421-01-701	EA	Valve - Filler - LP
	040421-01-702	EA	Cap - Plastic Fill Valve
	040421-01-707	EA	Gauge - Float w/Visible Dial
	040421-01-704	EA	Gauge - Float w/Electrical Transmitter Dial
	040421-01-706	EA	Dial - Visible Face
	040421-01-705	EA	Dial - Transmitter - 0 - 90 Ohm
	045703-03-000	EA	Hose Asm. - LP - 3/8" I.D. x 14"
	047737-02-000	EA	Support - LP - 89.25"
	047737-03-000	EA	Support - LP Tank - 30.50"
			Not Illustrated

## LOUNGE GROUP

Key	Part Number	U/M	Description
	042092-02-000	EA	Cabinet Asm. - Gaucho
	042091-02-000	EA	Leg Asm. - Gaucho
	042847-01-000	EA	Guide Strap - Gaucho
	048207-02-000	EA	Cabinet Asm. - Gaucho Overhead - w/o Doors or Hardware
	048208-05-000	EA	End Cap - Gaucho Overhead
	042800-30-700	EA	Door Asm. - Gaucho Overhead Cabinet - 31 3/16" x 10 9/16" - w/o Hardware
	048355-03-000	EA	Cabinet Asm. - Desk
	048358-04-000	EA	Countertop Asm. - Desk Cabinet - Ironstone
	042709-19-700	EA	Drawer Asm. - Desk Cabinet - 7" x 12 5/8" x 20" Deep - w/o Hardware
	049801-47-700	EA	Door Asm. - Desk Cabinet - 9" x 17 7/8" - w/o Hardware
	048400-02-700	EA	Glass Holder Panel - w/o Plastic Inserts
	045795-01-000	EA	Plastic Insert - Glass Holder
	048210-02-000	EA	Cabinet Asm. - Desk Overhead - w/o Doors or Hardware
	042800-29-700	EA	Door Asm. - Desk Overhead Cabinet - 28" x 10 9/16" - w/o Hardware

## WATER AND SEWAGE GROUP

### PLUMBING REPAIR KITS, PIPE FITTINGS, AND WATER PUMP

Key	Part Number	U/V	Description
	046524-02-000	EA	Kit - Fittings - Plastic - Water Tank
	046524-01-000	EA	Kit - Fittings - Plastic - Holding Tank
	040539-01-000	EA	Kit - Repair - 3/8" O.D. Plastic Tube
	040540-01-000	EA	Kit - Repair - 1/2" O.D. Plastic Tube
	040541-01-000	EA	Kit - Repair - 5/8" O.D. Plastic Tube
	041819-01-000	EA	Nut and Cone - Plastic 1/2" O.D. Tube
	048128-01-000	EA	Valve and Drain - Plastic 1/2 FPT
	039807-01-000	EA	Valve - Drain - Brass 1/2 MPT
	039818-01-000	EA	Riser Asm. - 3/8" O.D. x 24" Tube
	039818-02-000	EA	Riser Asm. - 3/8" O.D. x 36" Tube
	039818-03-000	EA	Riser Asm. - 3/8" O.D. x 18" Tube
	004020-01-000	QT	Adhesive - ABS Cement
	010133-01-000	EA	Adaptor Trap - Plastic 1 1/2" H x MPT
	010134-01-000	EA	Adaptor - Plastic 1 1/2" Male MPT
	022316-01-000	EA	Holder - Extension Handle
	010153-01-000	EA	Ring - Closet - Plastic 4 F x 3 MPT
	010201-01-000	EA	Hose - Sewer - 3" x 10' w/Clamp
	010209-02-000	EA	Handle - Extension Sewer Valve 9.50"
	010235-01-000	EA	Cap - Sewage 3"
	010236-01-000	EA	Adaptor - Hose 3"
	011091-01-000	EA	Waste - Continuous Double Sink 11 7/8"
	010210-01-000	EA	Valve - Sanitary - Thetford LHB
	010234-01-000	EA	Adaptor - Bayonet
	011086-01-000	EA	P-Trap - Plastic 1 1/4"
	041279-02-000	EA	Pump - Water - Flow 2.8 G.P.M. - PAR
	039847-02-000	EA	Filter - Water Pump - 1/2 MPT

### WATER HEATER AND HOLDING TANKS

Key	Part Number	U/M	Description
	045708-01-000	EA	Tank Asm. - Water - Plastic 26 Gallon - w/Fittings
	045198-01-000	EA	Tank - Water - Plastic 26 Gallon - w/o Fittings
	045214-09-000	EA	Tank Asm. - Holding - Main and Aux. - w/Fittings
	041155-02-000	EA	Tank Asm. - Holding - Plastic 25 Gallon - w/Fittings
	041155-01-000	EA	Tank - Holding - Plastic - 25 Gallon - w/o Fittings
	040552-02-000	EA	Tank Asm. - Holding - Plastic - 20 Gallon - w/Fittings
	040552-01-000	EA	Tank - Holding - Plastic - 20 Gallon - w/o Fittings
**	051391-01-000	EA	Water Heater - 20 Gallon - w/o Motor Aid - Atwood - G6A3

\*\*The illustrated parts breakdown for this item is provided on the Common Items Fiche.

## 1978 WINNEBAGO TABLE OF CONTENTS

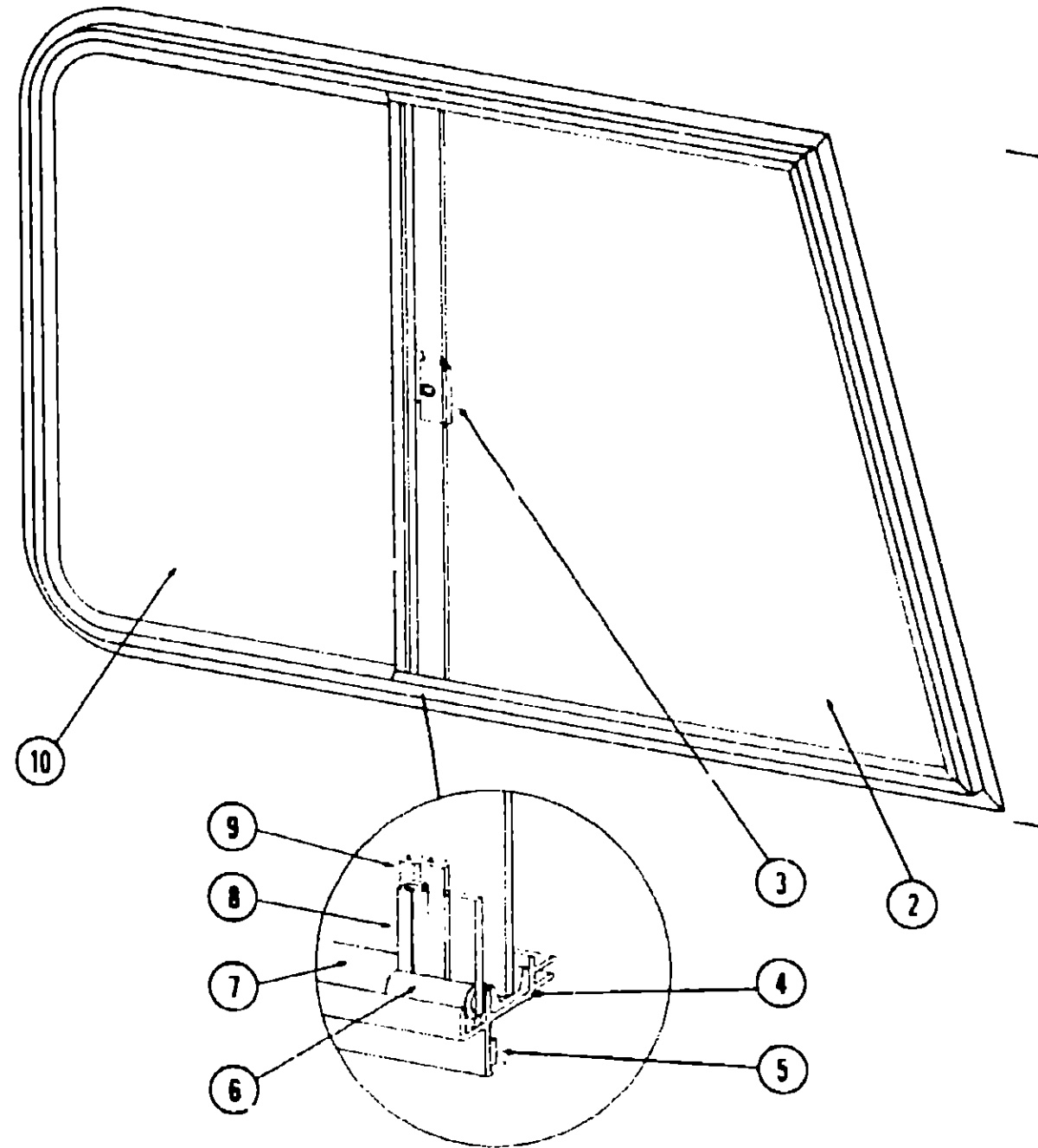
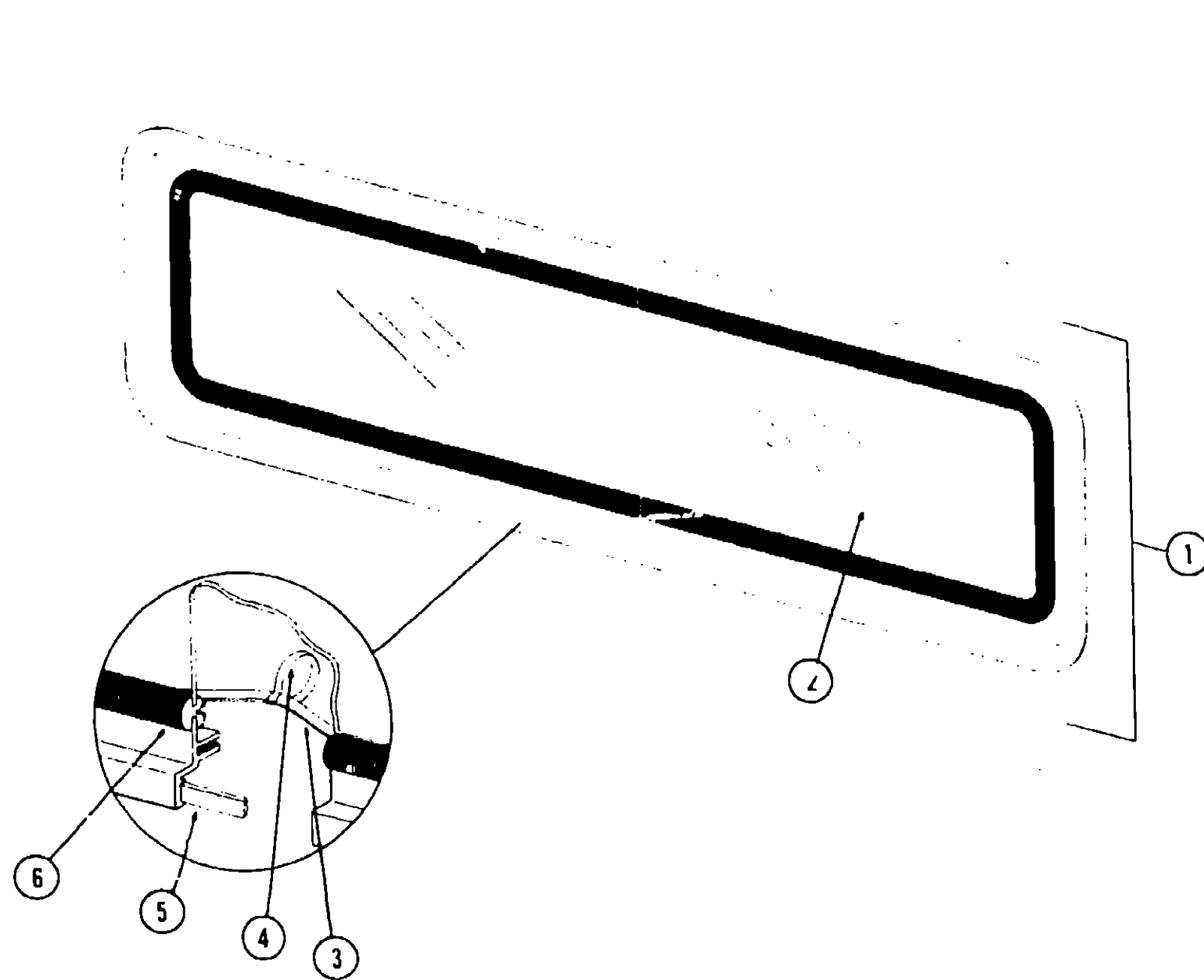
Introduction	A-1
Abbreviations	A-1
Alphabetical Index	A-2 - A-4
VC525RB	A-5 - B-14
WDP23RG	B-15 - C-24
WDP26RK	D-1 - E-12
WDU27RK	E-13 - F-22
WDU29RB	F-23 - H-10
WDU27RT	H-11 - I-22
WDP26RB	I-23 - K-10

## 1978 WDP26RK INDEX

Floor Plan	D-1 - D-2
Accessories Group	D-3 - D-4
Bath Group	D-5
Chassis Group	D-6 - D-7
Curtain, Cushion & Pad Group	D-8 - D-10
Dinette Group	D-11
Driver's Compartment Group	D-11 - D-12
Electrical Group	D-13 - D-14
Exterior Body Group	D-15 - D-18
Galley Group	D-19
Heating & Air Conditioning Group	D-20
Interior Finish Group	D-21 - D-22
LP Group	D-23
Lounge Group	D-23
Water & Sewage Group	D-24
Window, Vent & Exterior Door Group	E-1 - E-12

**WINDOW, VENT AND EXTERIOR DOOR GROUP**

**WINDOW, VENT AND EXTERIOR DOOR GROUP (CONTINUED)**



Key	Part Number	U/M	Description
1	020754-03-000	EA	Window Asm. Escape - 23" x 68" Black Anod. (w/o Inside Frame)
2	002178-01-000	EA	Glass 1/8" x 19.61" x 64.80"
3	002285-01-000	FL	Weatherstrip - Filler - Black
4	020395-01-000	EA	Slip Ring - Pull
5	004363-01-000	FT	Tape - Foam - 3/16" x 1/2" - Gray
6	002282-01-000	FT	Weatherstrip - Window .125" Black
	020753-04-000	EA	Frame - Window Inside - Escape 23" x 68" (not included in assembly)
	006199-01-000	EA	Label - Exit - Escape Window
	Not Illustrated		

Key	Part Number	U/M	Description
1	048628-03-000	EA	Window Asm. - Right - Front Slant Slider - 23" x 39" - Black Anod. w/o Inside Frame
	048628-04-000	EA	Window Asm. - Left Front Slant Slider - 23" x 39" - Black Anod. w/o Inside Frame
2	041897-01-000	EA	Glass - 1/8" x 22.06" x 18.91" x 21.22" - Stationary
3	047369-01-000	EA	Latch - Window - Plastic w/Fastener
4	002324-01-000	FT	Channel - Weatherstrip - Glass Run - 1/8" Glass
5	004363-01-000	FT	Tape - Foam - 3/16" x 1/2" - Gray
6	002309-02-000	FT	Spline - Glass - 1/8" - Black
7	024096-02-000	FT	Seal - Window Channel - Black
8	018025-03-000	EA	Holder - Glass Seal - Black Anod.
9	041894-11-000	EA	Mullion - Slider Window - 23" - Black Anod.
10	047824-01-000	EA	Glass - 1/8" x 22.06" x 19.06" - Sliding
	049162-02-000	EA	Frame - Inside - Right Front Slant Slider Window - 23" x 39" (not included in assembly)
	049162-01-000	EA	Frame - Inside - Left Front Slant Slider Window - 23" x 39" (not included in assembly)
E-1	023713-02-000	EA	Cover - Plastic Weephole - Black
	Not Illustrated		

**1978 WINNEBAGO  
TABLE OF CONTENTS**

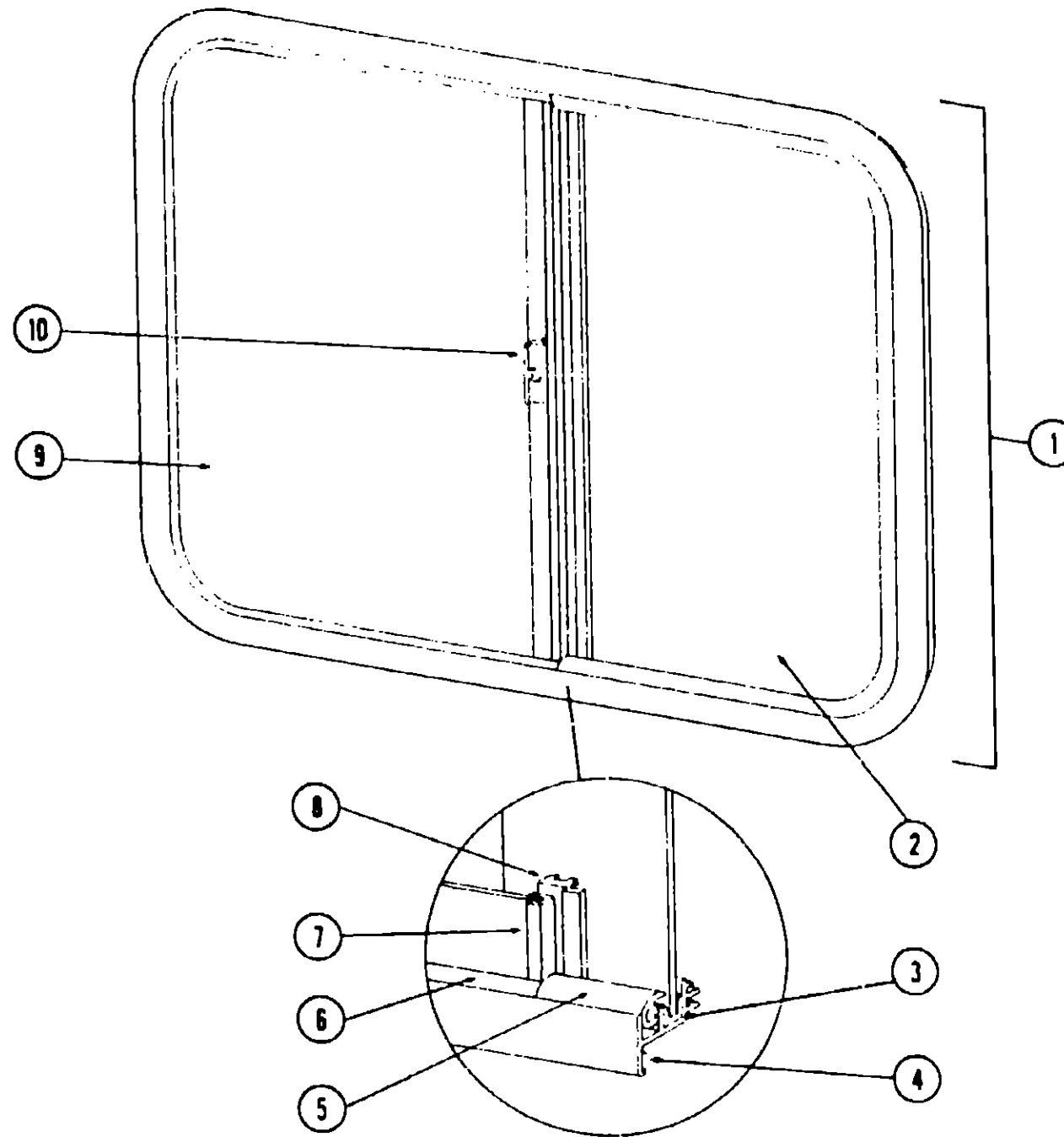
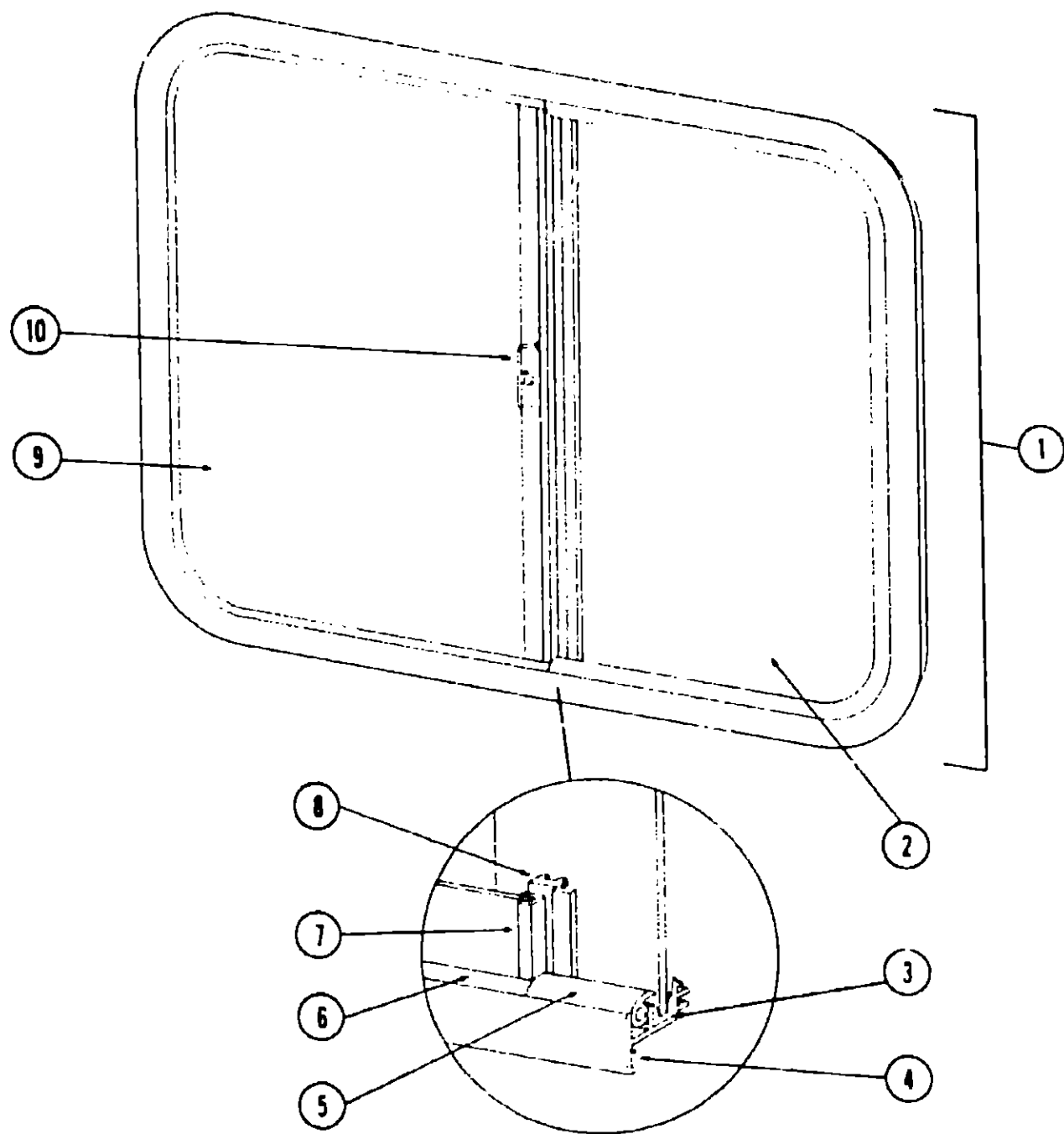
Introduction	A-1
Abbreviations	A-1
Alphabetical Index	A-2 - A-4
WC525RB	A-5 - B-14
WDP23RG	B-15 - C-24
WDP26RK	D-1 - E-12
WDU27RK	E-13 - F-22
WDU29RB	F-23 - H-10
WDU27RT	H-11 - I-22
WDP26RB	I-23 - K-10

**1978 WDP26RK  
INDEX**

Floor Plan	D-1 - D-2
Accessories Group	D-3 - D-4
Bath Group	D-5
Chassis Group	D-6 - D-7
Curtain, Cushion & Pad Group	D-8 - D-10
Dinette Group	D-11
Driver's Compartment Group	D-11 - D-12
Electrical Group	D-13 - D-14
Exterior Body Group	D-15 - D-18
Galley Group	D-19
Heating & Air Conditioning Group	D-20
Interior Finish Group	D-21 - D-22
LP Group	D-23
Lounge Group	D-23
Water & Sewage Group	D-24
Window, Vent & Exterior Door Group	E-1 - E-12

WINDOW, VENT AND EXTERIOR DOOR GROUP (CONTINUED)

WINDOW, VENT AND EXTERIOR DOOR GROUP (CONTINUED)



Key	Part Number	U/M	Description
1	048631-07-000	EA	Window Asm. - Right - Single Slider - 23" x 29" - Black Anod. w/o Inside Frame
	048631-08-000	EA	Window Asm. - Left - Single Slider - 23" x 29" - Black Anod. w/o Inside Frame
2	047813-01-000	EA	Glass - 1/8" x 22" x 13.68" - Sliding
3	002324-01-000	FT	Channel - Weatherstrip - Glass Run - 1/8" - Gray
4	004363-01-000	FT	Tape - Foam - 3/16" x 1/2" - Gray
5	024096-02-000	FT	Seal - Window Channel - Black
6	002309-02-000	FT	Spline - Glass - 1/8" - Black
7	018025-03-000	EA	Holder - Glass Seal - Anod. Black
8	041894-02-000	EA	Mullion - Slider Window - 23" - Black Anod.
9	002184-01-000	EA	Glass - Tempered Sheet - Stationary
10	047369-01-700	EA	Latch - Window - Plastic w/Fastener
	042147-01-000	EA	Frame - Inside - Single Slider Window (not included in assembly)
	023713-02-000	EA	Cover - Plastic Weephole - Black.
	Not Illustrated		

Key	Part Number	U/M	Description
1	048631-15-000	EA	Window Asm. - Right - Single Slider - 23" x 44" - Black Anod. w/o Inside Frame
2	047823-01-000	EA	Glass - 1/8" x 22" x 21.03" - Sliding
3	002324-01-000	FT	Channel - Weatherstrip - Glass Run - 1/8" Glass
4	004363-01-000	FT	Tape - Foam - 3/16" x 1/2" - Gray
5	024096-02-000	FT	Seal - Window Channel - Black
6	002309-02-000	FT	Spline - Glass - 1/8" - Black
7	018025-03-000	EA	Holder - Glass Seal - Anod. Black
8	041894-02-000	EA	Mullion - Slider Window - 23" - Black Anod.
9	002183-01-000	EA	Glass - Tempered Sheet - Stationary
10	047369-01-700	EA	Latch - Window - Plastic w/Fastener
	042147-02-000	EA	Frame - Inside - Single Slider Window - Left - 23" x 44" (not included in assembly)
	023713-02-000	EA	Cover - Plastic Weephole - Black
	002298-01-000	FT	Splins - Gray - .130" Dia. (Screen)
	002293-01-000	SF	Screen - Window - 26" - Gray
	Not Illustrated		

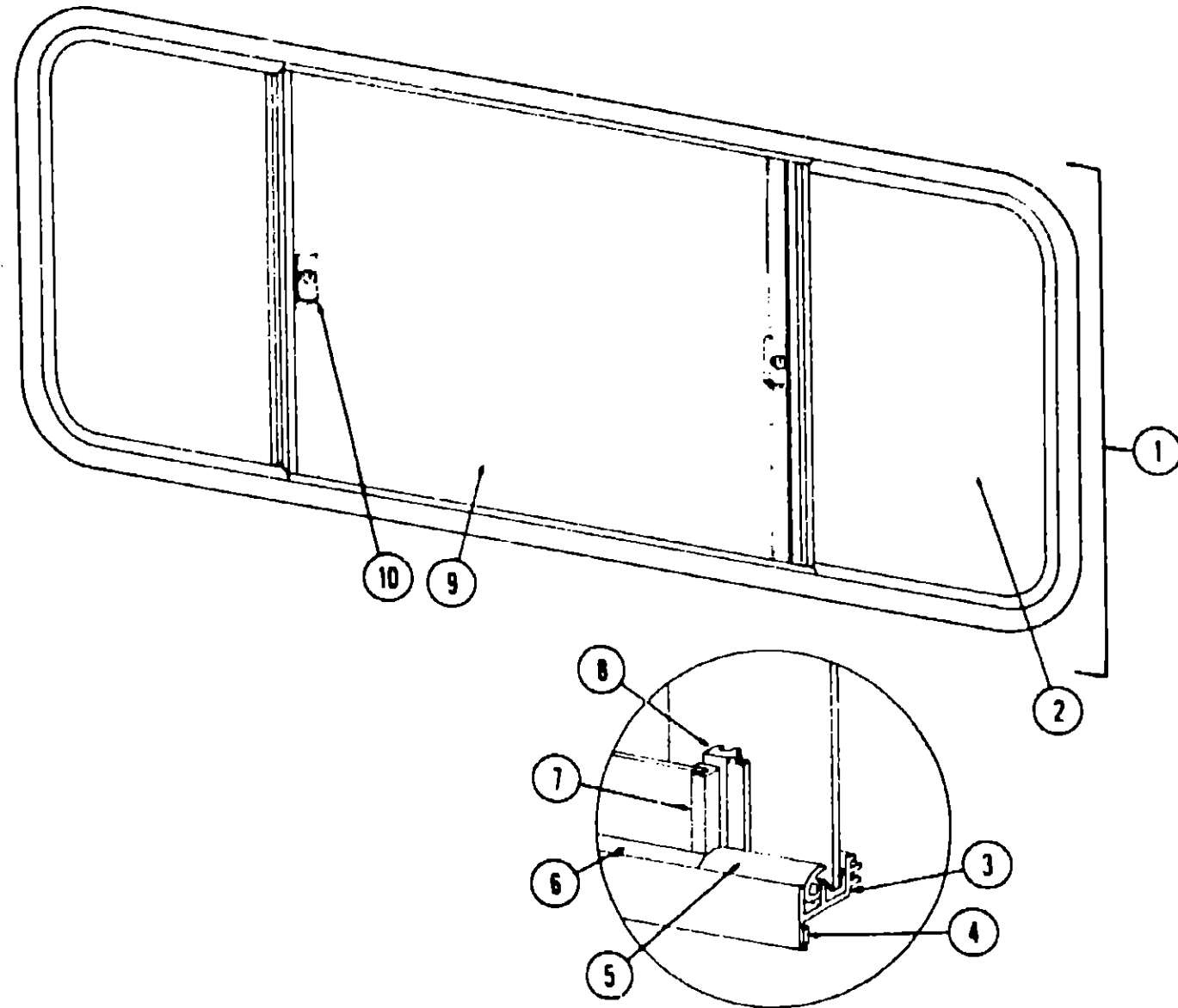
1978 WINNEBAGO  
TABLE OF CONTENTS

Introduction	A-1
Abbreviations	A-1
Alphabetical Index	A-2 - A-4
WC525RB	A-5 - B-14
WDP23RG	B-15 - C-24
WDP26RK	D-1 - E-12
WDU27RK	E-13 - F-22
WDU29RB	F-23 - H-10
WDU27RT	H-11 - I-22
WDP26RB	I-23 - K-10

1978 WDP26RK  
INDEX

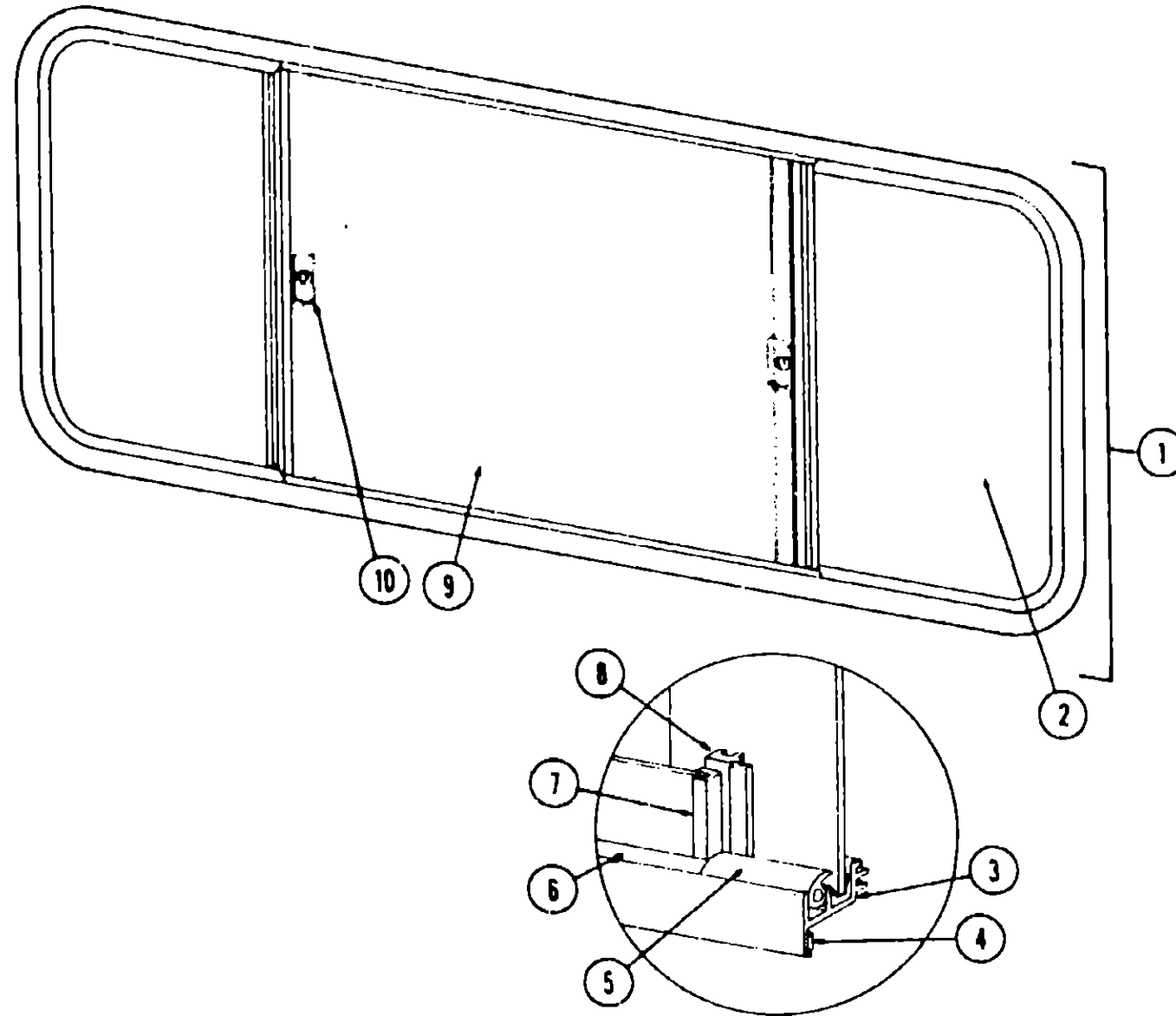
Floor Plan	D-1 - D-2
Accessories Group	D-3 - D-4
Bath Group	D-5
Chassis Group	D-6 - D-7
Curtain, Cushion & Pad Group	D-8 - D-10
Dinette Group	D-11
Driver's Compartment Group	D-11 - D-12
Electrical Group	D-13 - D-14
Exterior Body Group	D-15 - D-18
Galley Group	D-19
Heating & Air Conditioning Group	D-20
Interior Finish Group	D-21 - D-22
LP Group	D-23
Lounge Group	D-23
Water & Sewage Group	D-24
Window, Vent & Exterior Door Group	E-1 - E-12

**WINDOW, VENT AND EXTERIOR DOOR GROUP (CONTINUED)**



Key	Part Number	U/M	Description
1	048630-02-000	EA	Window Asm. - Double - Slider - 23" x 56" Black Anod. (w/o Inside Frame)
2	047816-01-000	EA	Glass - 1/8" x 22" x 16.53" - Sliding (2 per window)
3	002324-01-000	FT	Channel - Weatherstrip - Glass Run - 1/8" Glass
4	004363-01-000	FT	Tape - Foam - 3/16" x 1/2" - Gray
5	024096-02-000	FT	Seal - Window Channel - Black
6	002309-02-000	FT	Spline - Glass - 1/8" - Black
7	018025-03-000	EA	Holder - Glass Seal - Black Anod.
8	041894-02-000	EA	Mullion - Slider Window - 23" Black Anod.
9	002188-01-000	EA	Glass - 1/8" x 22" x 21.03" - Stationary
10	047369-01-700	EA	Latch - Window - Plastic w/Fastener
	042133-02-000	EA	Frame - Inside - Double Slider Window (not included in assembly)
	002298-01-000	FT	Spline - Gray - .130" Dia. - (Screen)
	002293-01-000	SF	Screen - Window - 26" - Gray
	023713-02-000	EA	Cover - Weephole - Plastic - Black
			Not Illustrated

**WINDOW, VENT AND EXTERIOR DOOR GROUP (CONTINUED)**



Key	Part Number	U/M	Description
1	048630-04-000	EA	Window Asm. - Double - Slider - 23" x 65" Black Anod. w/o Inside Frame
2	047823-01-000	EA	Glass - 1/8" x 22" x 21.03" - Sliding (2 per window)
3	002324-01-000	FT	Channel - Weatherstrip - Glass Run - 1/8" Glass
4	004363-01-000	FT	Tape - Foam - 3/16" x 1/2" - Gray
5	024096-02-000	FT	Seal - Window Channel - Black
6	002309-02-000	FT	Spline - Glass - 1/8" - Black
7	018025-03-000	EA	Holder - Glass Seal - Black Anod.
8	041894-02-000	EA	Mullion - Slider Window - 23" Black Anod.
9	002188-01-000	EA	Glass - 1/8" x 22" x 21.03" - Stationary
10	047369-01-700	EA	Latch - Window - Plastic w/Fastener
	042133-02-000	EA	Frame - Inside - Double Slider Window (not include in assembly)
	002298-01-000	FT	Spline - Gray - .130 Dia. - (Screen)
	002293-01-000	SF	Screen - Window - 26" - Gray
	023713-02-000	EA	Cover - Weephole - Plastic - Black
			Not Illustrated

**1978 WINNEBAGO  
TABLE OF CONTENTS**

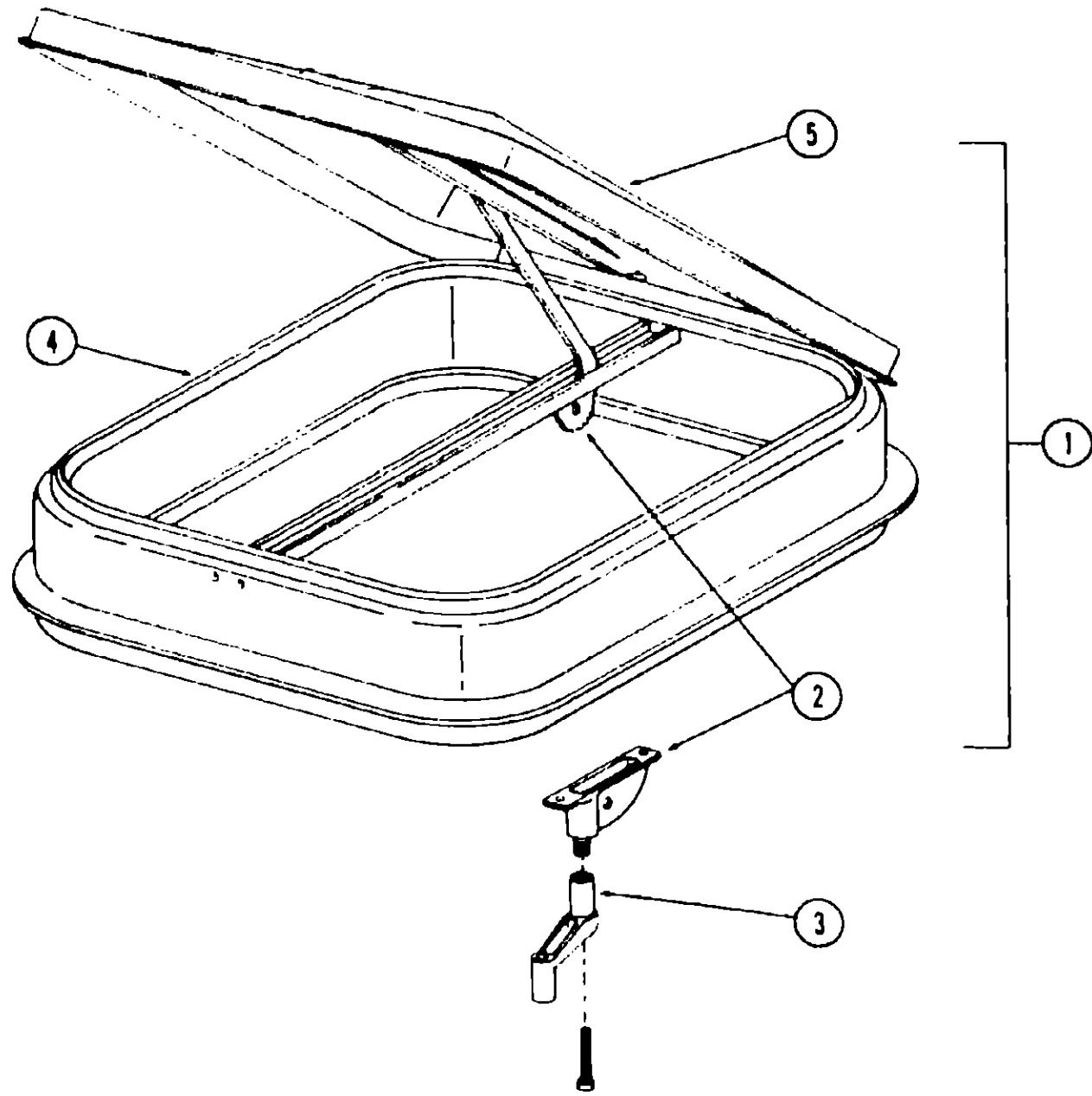
Introduction	A-1
Abbreviations	A-1
Alphabetical Index	A-2 - A-4
WC525RB	A-5 - B-14
WDP23RG	B-15 - C-24
WDP26RK	D-1 - E-12
WDU27RK	E-13 - F-22
WDU29RB	F-23 - H-10
WDU27RT	H-11 - I-22
WDP26RB	I-23 - K-10

**1978 WDP26RK  
INDEX**

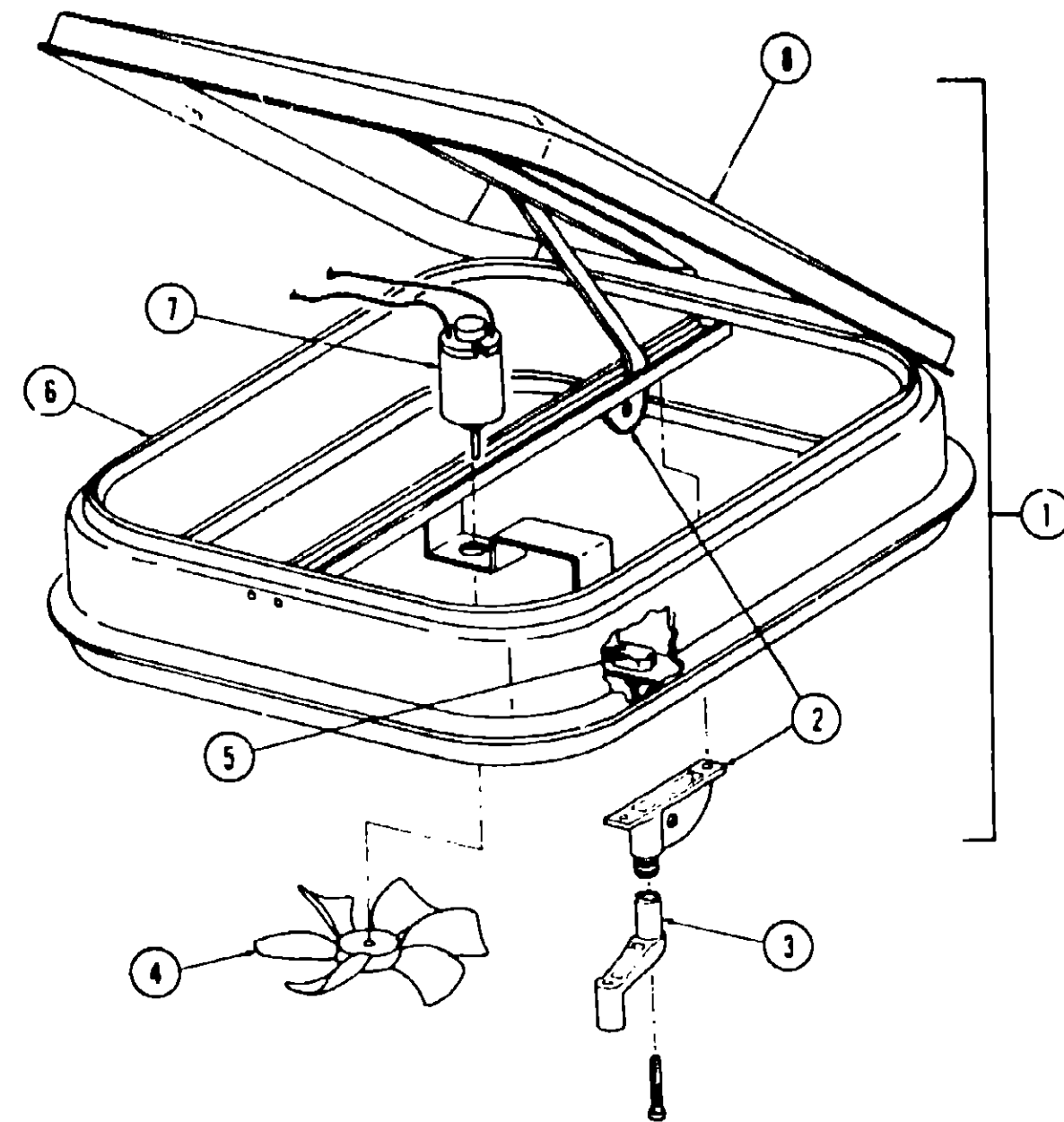
Floor Plan	D-1 - D-2
Accessories Group	D-3 - D-4
Bath Group	D-5
Chassis Group	D-6 - D-7
Curtain, Cushion & Pad Group	D-8 - D-10
Dinette Group	D-11
Driver's Compartment Group	D-11 - D-12
Electrical Group	D-13 - D-14
Exterior Body Group	D-15 - D-18
Galley Group	D-19
Heating & Air Conditioning Group	D-20
Interior Finish Group	D-21 - D-22
LP Group	D-23
Lounge Group	D-23
Water & Sewage Group	D-24
Window, Vent & Exterior Door Group	E-1 - E-12

**WINDOW, VENT AND EXTERIOR DOOR GROUP (CONTINUED)**

**WINDOW, VENT AND EXTERIOR DOOR GROUP (CONTINUED)**



Key	Part Number	U/M	Description
1	048835-01-000	EA	Vent Asm. - Roof - Nonpowered - w/o Screen
2	009440-01-000	EA	Gear - Arm - Roof Vent
3	009439-01-000	EA	Crank - Roof Vent
4	002825-01-000	FT	Weatherstrip - Roof Vent
5	046825-01-000	EA	Cover - Plastic - Roof Vent
*	016335-01-000	EA	Screen Asm. - Non Powered Roof Vent - Clear Anod. (not included in assembly)
*	016335-03-000	EA	Screen Asm. - Non Powered Roof Vent - Beige (not included in assembly)
*	Not Illustrated		



Key	Part Number	U/M	Description
1	048789-01-000	EA	Vent Asm. Roof - Powered - w/o Screen
2	009440-01-000	EA	Gear - Arm - Roof Vent
3	009439-01-000	EA	Crank - Roof Vent
4	048649-01-000	EA	Fan - Blade - 6" Plastic
5	008195-01-000	EA	Switch - Push Button - 12 Volt
6	002825-01-000	FT	Weatherstrip - Roof Vent
7	048648-01-000	EA	Motor - 12 Volt
8	046825-01-000	EA	Cover - Plastic - Roof Vent
*	048695-01-000	EA	Screen Asm. - Powered Roof Vent - Clear Anod. (not included in assembly)
*	048695-03-000	EA	Screen Asm. - Powered Roof Vent - Beige (not included in assembly)
*	Not Illustrated		

**1978 WINNEBAGO  
TABLE OF CONTENTS**

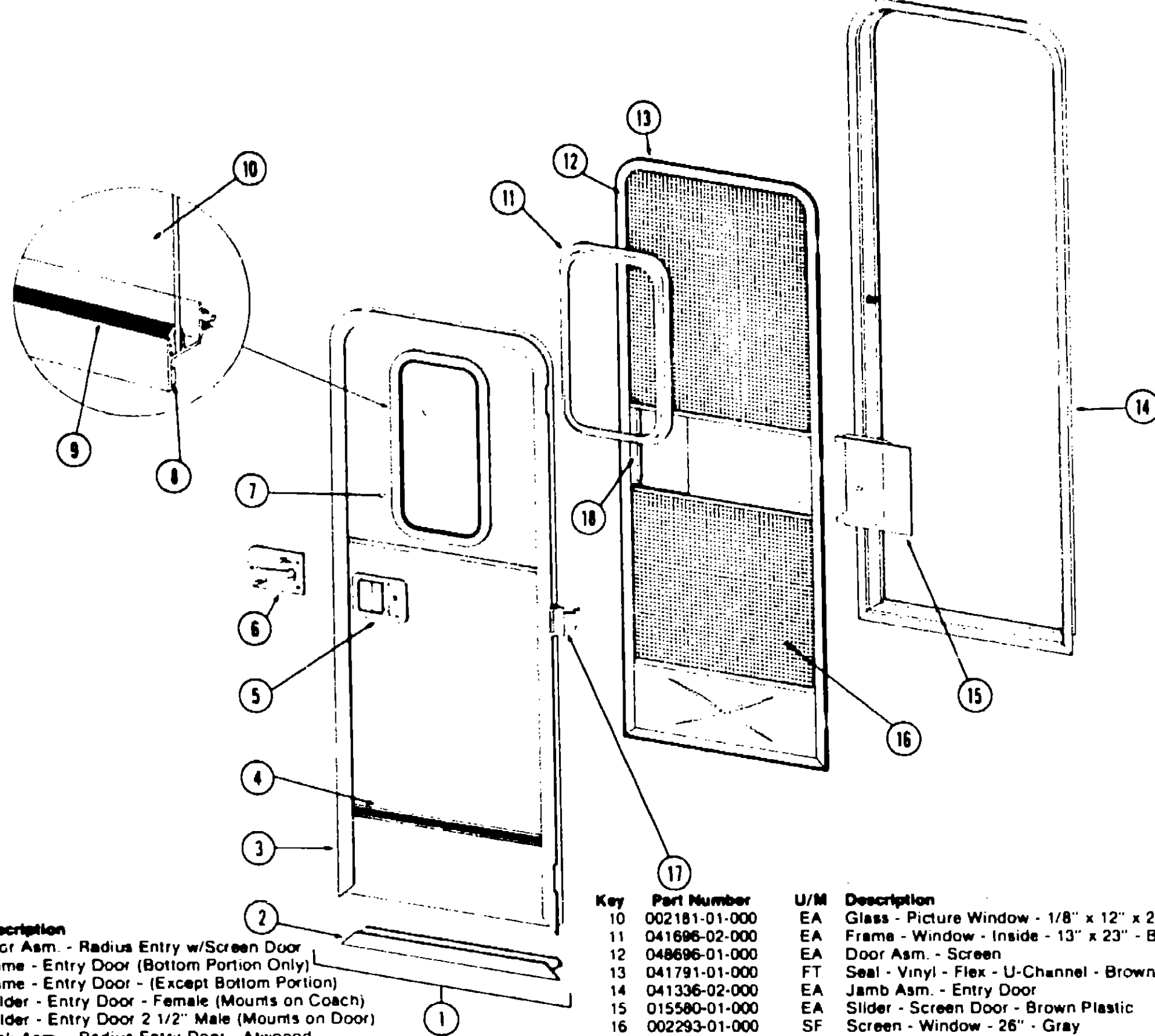
Introduction	A-1
Abbreviations	A-1
Alphabetical Index	A-2 - A-4
WC525RB	A-5 - B-14
WDP23RG	B-15 - C-24
WDP26RK	D-1 - E-12
WDU27RK	E-13 - F-22
WDU29RB	F-23 - H-10
WDU27RT	H-11 - I-22
WDP26RB	I-23 - K-10

**1978 WDP26RK  
INDEX**

Floor Plan	D-1 - D-2
Accessories Group	D-3 - D-4
Bath Group	D-5
Chassis Group	D-6 - D-7
Curtain, Cushion & Pad Group	D-8 - D-10
Dinette Group	D-11
Driver's Compartment Group	D-11 - D-12
Electrical Group	D-13 - D-14
Exterior Body Group	D-15 - D-18
Galley Group	D-19
Heating & Air Conditioning Group	D-20
Interior Finish Group	D-21 - D-22
LP Group	D-23
Lounge Group	D-23
Water & Sewage Group	D-24
Window, Vent & Exterior Door Group	E-1 - E-12



**WINDOW, VENT AND EXTERIOR DOOR GROUP (CONTINUED)**



Key	Part Number	U/M	Description
1	050096-15-000	EA	Door Asm. - Radius Entry w/Screen Door
2	039737-02-000	EA	Frame - Entry Door (Bottom Portion Only)
3	039736-02-000	EA	Frame - Entry Door - (Except Bottom Portion)
4	009101-02-000	EA	Holder - Entry Door - Female (Mounts on Coach)
5	009102-01-000	EA	Holder - Entry Door 2 1/2" Male (Mounts on Door)
6	041948-01-000	EA	Lock Asm. - Radius Entry Door - Atwood
7	039541-01-000	EA	Lock Cylinder w/Keys - Atwood
8	052186-01-000	EA	Lock Asm. - Radius Entry Door - Lynor
9	045017-01-700	EA	Lock Cylinder w/Keys - Lynor
10	039539-01-000	EA	Striker - Entry Door Lock
11	039979-01-000	EA	Plate - Lock - Interior - Including Inside Handle
12	041875-02-000	EA	Window Asm - Picture - 13" x 23" - Black Anod (inside frame not included in assembly)
13	004363-01-000	FT	Tape - Foam - 3/16" x 1/2" - Gray
14	002309-01-000	FT	Spline - Glass - 1/8" - Gray
15	Not Illustrated		

Key	Part Number	U/M	Description
10	002181-01-000	EA	Glass - Picture Window - 1/8" x 12" x 22" - Gray
11	041696-02-000	EA	Frame - Window - Inside - 13" x 23" - Brown
12	048696-01-000	EA	Door Asm. - Screen
13	041791-01-000	FT	Seal - Vinyl - Flex - U-Channel - Brown
14	041336-02-000	EA	Jamb Asm. - Entry Door
15	015580-01-000	EA	Slider - Screen Door - Brown Plastic
16	002293-01-000	SF	Screen - Window - 26" - Gray
17	039520-01-000	EA	Hinge - Entry Door (3 used per door)
18	015581-01-000	EA	Cap - Screen Door - Brown Plastic
19	049176-01-000	EA	Hedlok II - 3/4" Diameter - Screw Mount (Retains Screen Door to Entry Door)
20	049797-01-000	EA	Hedlok II - 1" Diameter - Screw Mount (Retains Screen Door to Entry Door)
21	018019-01-000	EA	Striker - Screen Door
22	039863-01-000	EA	Catch Asm. - Single Roller w/Strike - Screen Door
23	039740-01-000	FT	Seal - Jamb - Entry Door
24	039800-03-000	FT	Tubing - Polybutyl - 3/8" O.D. - Jamb
25	Not Illustrated		

**1978 WINNEBAGO TABLE OF CONTENTS**

Introduction	A-1
Abbreviations	A-1
Alphabetical Index	A-2 - A-4
WC525RB	A-5 - B-14
WDP23RG	B-15 - C-24
WDP26RK	D-1 - E-12
WDU27RK	E-13 - F-22
WDU29RB	F-23 - H-10
WDU27RT	H-11 - I-22
WDP26RB	I-23 - K-10

**1978 WDP26RK INDEX**

Floor Plan	D-1 - D-2
Accessories Group	D-3 - D-4
Bath Group	D-5
Chassis Group	D-6 - D-7
Curtain, Cushion & Pad Group	D-8 - D-10
Dinette Group	D-11
Driver's Compartment Group	D-11 - D-12
Electric' Group	D-13 - D-14
Exterior Body Group	D-15 - D-18
Galley Group	D-19
Heating & Air Conditioning Group	D-20
Interior Finish Group	D-21 - D-22
LP Group	D-23
Lounge Group	D-23
Water & Sewage Group	D-24
Window, Vent & Exterior Door Group	E-1 - E-12

## WINDOW, VENT AND EXTERIOR DOOR GROUP (CONTINUED)

### WINDSHIELD

Key	Part Number	U/M	Description
	034975-04-000	EA	Glass - Windshield 1/4" x 22 1/2" x 45 1/2" - Right or Left
	036764-03-200	EA	Extr - Windshield Trim - Anod. Black - 22 3/8"
	042744-03-000	EA	Frame Asm. - Windshield w/o Glass
	036886-01-000	EA	Tape - Butyl - 31" x .31" x 148"
	043988-01-000	EA	Trim - Windshield

### VENTS

Key	Part Number	U/M	Description
	039778-01-000	EA	Cover - Plastic Refrigerator Vent
	009407-01-000	EA	Frame - Base - Refrigerator Vent w/o Cover
	049352-02-000	EA	Vent - Stovehood - Outside - Beige (Jensen)

### ACCESS DOORS

Key	Part Number	U/M	Description
	035324-04-000	EA	Door Asm. - Luggage - Beige - w/Key Type Lock - 25.75" x 10.25"
	037804-07-000	EA	Door Asm. - Luggage - Beige - w/Key Type Lock - 48" x 10"
	037804-06-000	EA	Door Asm. - Battery - Beige - w/Twist Type Lock - 25.05" x 10.46"
	037804-12-000	EA	Door Asm. - Battery and LP - Beige - 47.81" x 9.77" w/Twist Type Lock
	047187-01-000	EA	Door Asm. - Refrigerator Access - Beige - w/Twist Type Lock
	039884-01-000	EA	Kit - Twist Type Lock w/Clip
	047305-01-000	EA	Kit - Lock - Key Type w/Clip
	016945-02-000	EA	Holder Asm. - Battery and Luggage Door (holds door open)
	041330-03-000	EA	Door Asm. - Radius Trunk - Rear - Beige - w/Bent Cam Lock
	009009-01-000	EA	Lock - Bent Cam - Trunk Door
	009161-01-000	EA	Chain - Retaining - Trunk Door
	043863-01-000	EA	Door Asm. - Generator - Beige
	007067-01-000	SF	Insulation - Fiberglass
	052009-01-000	EA	Door Asm. - Water Heater Access - Beige
	051780-01-000	EA	Door Asm. - Storage - Right w/Key Type Lock

## 1978 WINNEBAGO TABLE OF CONTENTS

Introduction	A-1
Abbreviations	A-1
Alphabetical Index	A-2 - A-4
WC525RB	A-5 - B-14
WDP23RG	B-15 - C-24
WDI26RK	D-1 - E-12
WDU27RK	E-13 - F-22
WDU29RB	F-23 - H-10
WDU27RT	H-11 - I-22
WDP26RB	I-23 - K-10

## 1978 WDP26RK INDEX

Floor Plan	D-1 - D-2
Accessories Group	D-3 - D-4
Bath Group	D-5
Chassis Group	D-6 - D-7
Curtain, Cushion & Pad Group	D-8 - D-10
Dinette Group	D-11
Driver's Compartment Group	D-11 - D-12
Electrical Group	D-13 - D-14
Exterior Body Group	D-15 - D-18
Galley Group	D-19
Heating & Air Conditioning Group	D-20
Interior Finish Group	D-21 - D-22
LP Group	D-23
Lounge Group	D-23
Water & Sewage Group	D-24
Window, Vent & Exterior Door Group	E-1 - E-12