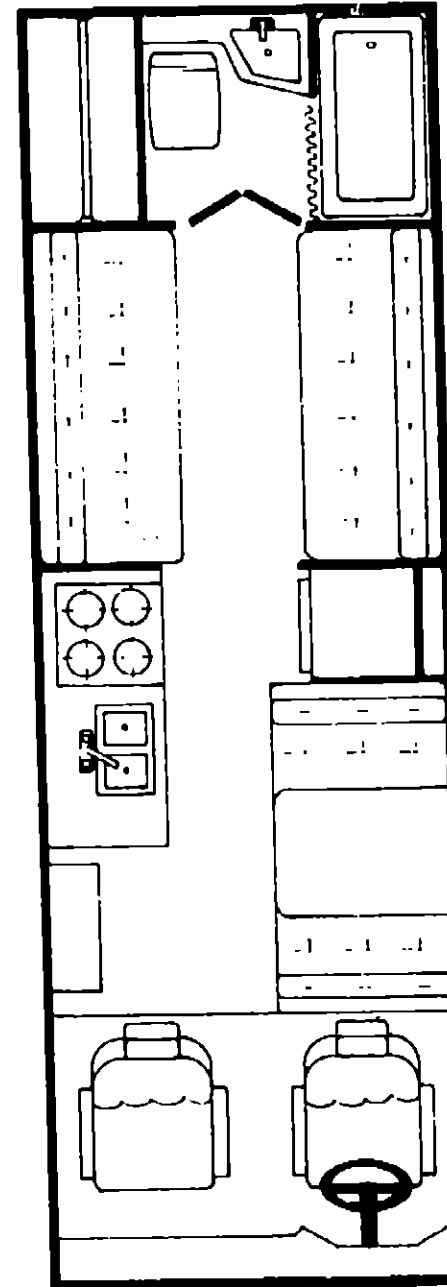


1978 WDP26RB J2



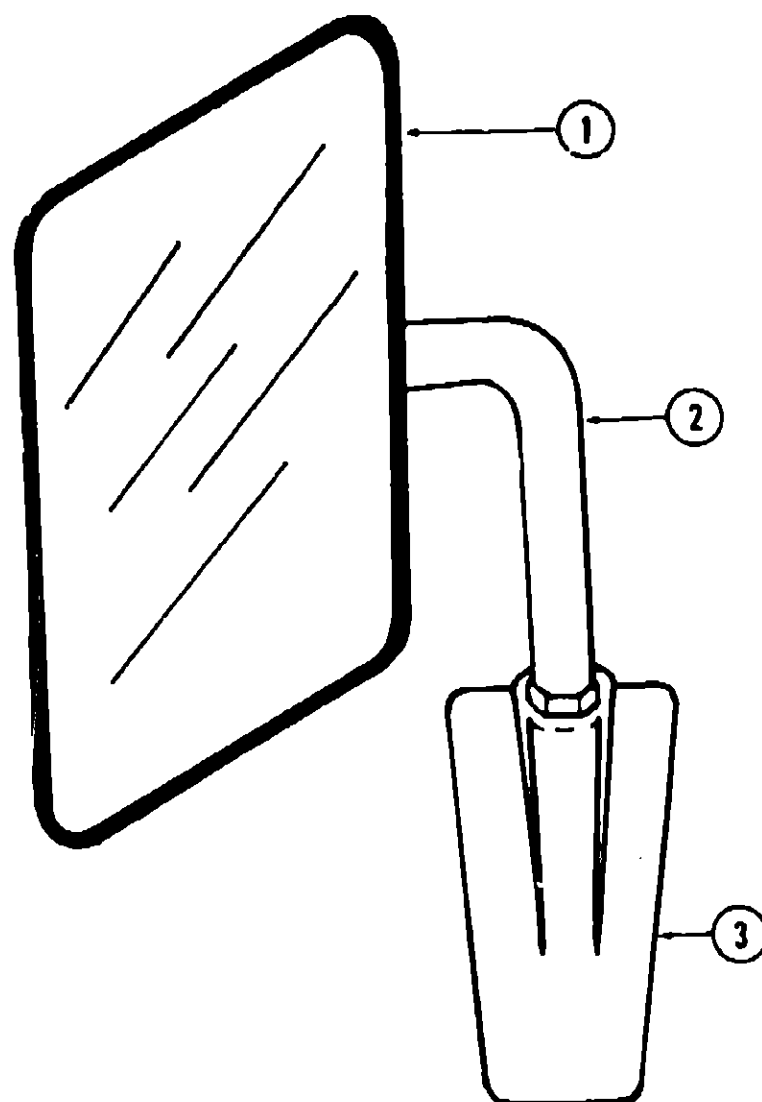
1978 WINNEBAGO TABLE OF CONTENTS

WDP26RB J2	A-1 - B-14
WDP26RK J2	B-15 - D-4
WDU29RB J2	D-5 - E-14

1978 WDP26RB J2 INDEX

Floor Plan	A-1 - A-2
Accessories Group	A-3 - A-4
Bath Group	A-5 - A-6
Chassis Group	A-7 - A-8
Curtain, Cushion & Pad Group	A-9 - A-12
Dinette Group	A-13
Driver's Compartment Group	A-13 - A-14
Electrical Group	A-15 - A-16
Exterior Body Group	A-17 - A-20
Galley Group	A-21
Heating & Air Conditioning Group	A-22
Interior Finish Group	A-23 - A-24
LP Group	B-1
Lounge Group	B-2
Water & Sewage Group	B-3
Window, Vent & Exterior Door Group	B-4 - B-14

ACCESSORIES GROUP



Key	Part Number	U/M	Description
1	049347-01-000	EA	Mirror Head - 7 1/2" x 10 1/2" - Stainless Steel
2	049348-01-000	EA	Arm - Low Mount Mirror - Bright Finish
3	049944-01-000	EA	Bracket - Mirror - Outside - Beige
	057461-01-000	EA	Mirror Head - 7 1/2" x 10 1/2" - w/Convex

ACCESSORIES GROUP (CONTINUED)

RADIOS AND RELATED COMPONENTS

Key	Part Number	U/M	Description
	031105-01-700	EA	Clip - Retaining - Side Mount Antenna
	031105-01-000	EA	Antenna - Radio - Side Mount
	049730-01-000	EA	Radio - AM - w/Fader - Clarion
	049731-01-000	EA	Radio - AM/FM/MPX - w/Fader - Clarion
	049732-01-000	EA	Radio - AM/FM/MPX - 8 Track - w/Fader - Clarion
	048153-01-000	EA	Antenna - CB Camper Style
	052774-01-000	EA	Radio - CB 40 Channel - HyGain 9
	053768-01-000	EA	Speaker - Recessed - 5 1/4" - 10 ounce
	055299-01-000	EA	Grille - Speaker - 5 1/4"
	050465-01-000	EA	Bezel - Entertainment Center - No. 1 - w/Cut Out for Vehicle Sensor Panel
	050466-01-000	EA	Bezel - Entertainment Center - No. 2 - w/Cut Out for Vehicle Sensor Panel, Radio and Clock
	050467-01-000	EA	Bezel - Entertainment Center - No. 3 - w/Cut Out for Vehicle Sensor Panel, Radio, Clock, Hourmeter, Generator Start Stop Switch
	050751-01-000	EA	Plaque - Fader Switch/Mic Mounting

GENERATORS AND COMPONENTS

Key	Part Number	U/M	Description
	054429-01-000	EA	Generator - Onan - 4.0 kw
	054431-01-000	EA	Generator - Onan - 5.0 kw
	054433-01-000	EA	Generator - Onan - 6.5 kw
	701629-02-000	EA	Onan Installation Package
	050467-01-000	EA	Bezel - Entertainment Center No. 3
	024732-01-001	EA	Tailpipe - 1 1/2" O.D. x 23"

FRONT OVERHEAD BUNK, CABINET AND HARDWARE

Key	Part Number	U/M	Description
	054302-01-000	EA	Cabinet Asm. - Front Overhead - w/o Doors
	054779-01-J07	EA	Door Asm. - Sliding - Front Overhead Cabinet
	009785-01-000	FT	Track - Sliding Door - Upper - Dark Brown Plastic
	009786-01-000	FT	Track - Sliding Door - Lower - Dark Brown Plastic
	009148-01-000	EA	Pull - Finger - 3/4" Dia. - Brass
	055462-01-J07	EA	Bunk Asm. - Front Overhead - w/Rail
	023812-06-000	EA	Bunk Rail - Brown - 72.5"
	040071-01-000	EA	Support - Front Overhead Bunk - Seat Belt
	042986-01-000	EA	Support Asm. - Front Overhead Bunk - Dark Brown - Left and Right
	006076-01-000	EA	Bunk Ladder
	053774-01-000	EA	Rod - Torsion - Overhead Bunk - Brown

MISCELLANEOUS

Key	Part Number	U/M	Description
	054185-01-000	EA	Owner's Manual - 1978 - Winnebago
	017516-01-000	EA	Mudflap - Black - 14" x 18" w/Holes
	008069-01-000	EA	Case - Leather Key - Motor Home
	007038-01-000	EA	Mat - Door - Black Rubber - 10 1/2" x 26"
	006053-01-000	EA	Antenna - TV - Braund Delux
	006053-01-700	EA	Repair Parts Kit - Braund TV Antenna
	008063-01-000	EA	Jack - TV - Brown (Antenna)
	006113-01-000	EA	Jack - Hydraulic 5 Ton
	041944-01-700	EA	Fire Extinguisher w/Bracket
**	031366-01-000	EA	Wheel Cover - 17.5" - Chrome
**	024746-01-000	EA	Speed Control - 440 C.I.D. - Dodge - A-Body
**	052771-01-000	EA	Microwave Oven - Magic Chef - MW207
**	041028-01-000	EA	Ladder Asm. - w/Luggage Rack - Round Tube
	041096-02-000	EA	Ladder Only For Rack and Ladder Asm.
	034410-14-000	EA	Cover - Spare Tire - w/Brown "W" - 32"

**The illustrated parts breakdown for this item is provided on the Common Items Fiche.

1978 WINNEBAGO TABLE OF CONTENTS

WDP26RB J2	A-1 - B-14
WDP26RK J2	B-15 - D-4
WDU29RB J2	D-5 - E-14

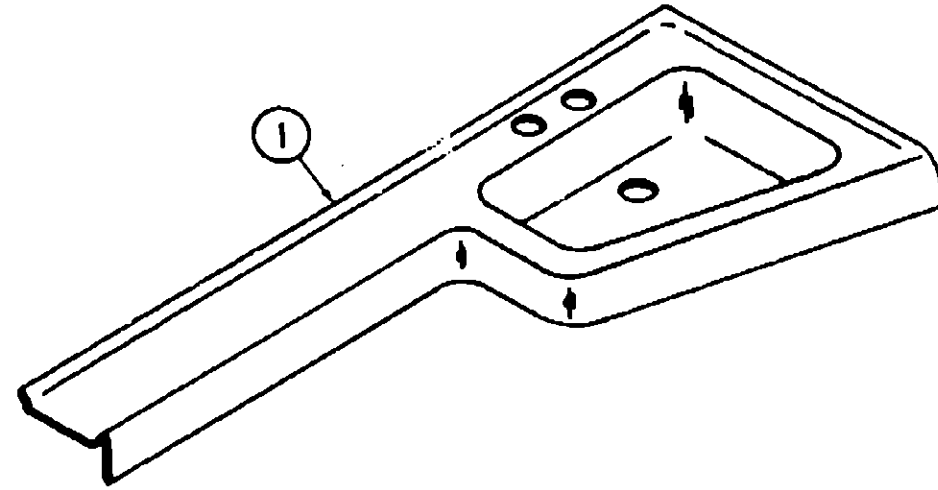
1978 WDP26RB J2 INDEX

Floor Plan	A-1 - A-2
Accessories Group	A-3 - A-4
Bath Group	A-5 - A-6
Chassis Group	A-7 - A-8
Curtain, Cushion & Pad Group	A-9 - A-12
Dinette Group	A-13
Driver's Compartment Group	A-13 - A-14
Electrical Group	A-15 - A-16
Exterior Body Group	A-17 - A-20
Galley Group	A-21
Heating & Air Conditioning Group	A-22
Interior Finish Group	A-23 - A-24
LP Group	B-1
Lounge Group	B-2
Water & Sewage Group	B-3
Window, Vent & Exterior Door Group	B-4 - B-14

BATH GROUP

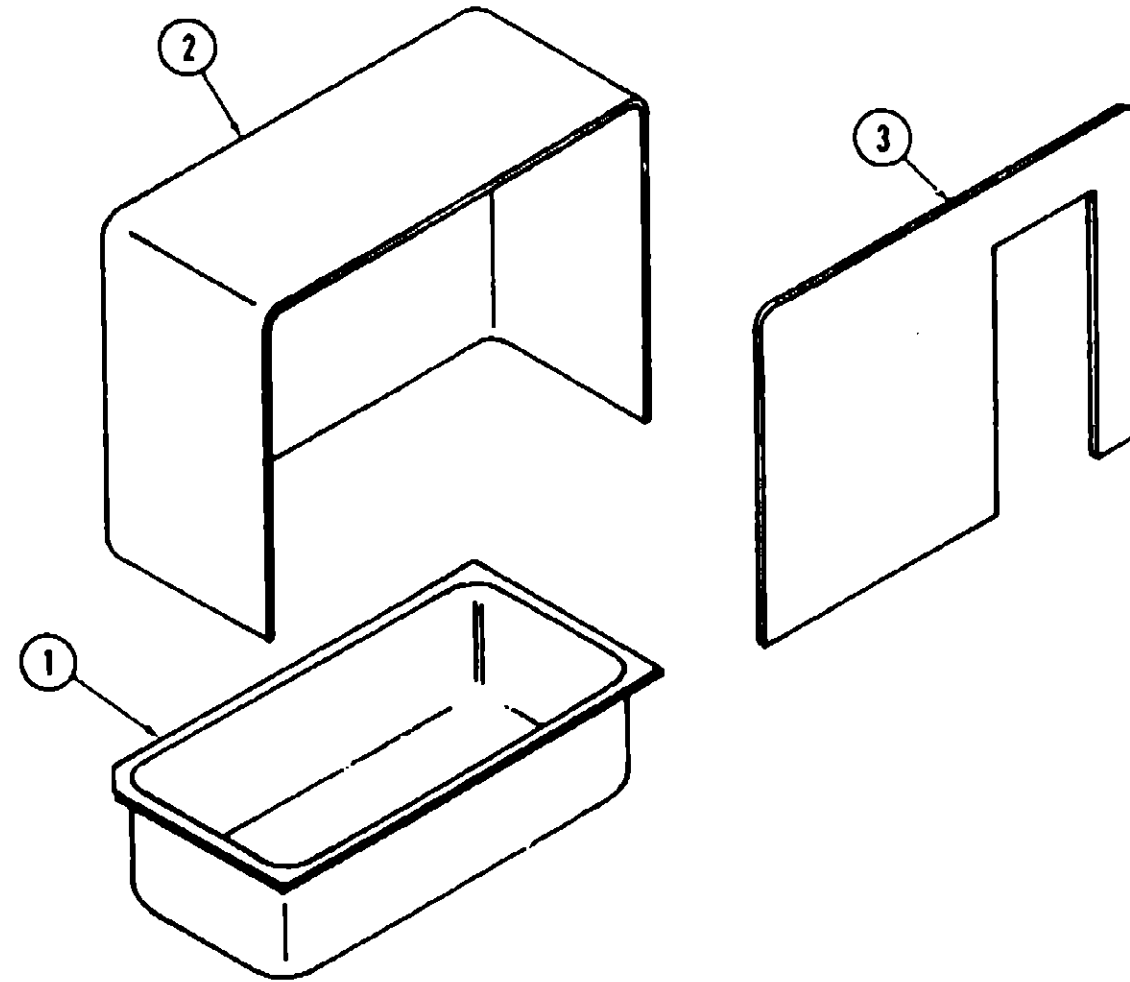
Key	Part Number	U/M	Description
	054175-01-J07	EA	Cabinet Asm. - Vanity - w/o Top, Doors or Hardware
	054517-06-J07	EA	Door Asm. - Vanity Cabinet - 23 1/2" x 16 1/4" - w/o Hardware
	054517-07-J07	EA	Door Asm. - Vanity Cabinet - 8 3/8" x 20 3/4" - w/o Hardware
	054556-01-J07	EA	Door Asm. - Wardrobe Cabinet - 56 5/8" x 15 1/2" - w/o Hardware
	053890-01-J07	EA	Panel - Folding Bath Door
	053338-01-000	EA	Hardware Package - Folding Door
	053338-02-000	EA	Track - Steel - Folding Door
	052563-01-000	EA	Rack Asm. - Towel
	009134-01-000	EA	Holder - Tissue
**	011048-01-000	EA	Shower Head - w/60" Hose
	010495-01-000	EA	Clamp - Shower Hose - 9/16"
**	011086-01-000	EA	Strainer - Shower Pan
**	011070-01-000	EA	Tailpiece - 1 1/4" x 6" - Brass
**	031358-01-000	EA	Faucet - Tub and Shower
**	011056-01-000	EA	Faucet - Lavatory - U.S.
**	011056-02-000	EA	Faucet - Lavatory - C.S.A.
	011083-01-000	EA	Plug - 1 1/4" - w/Chain
	009112-01-000	EA	Flange - Closet Rod - 1"
	053130-02-000	EA	Medicine Cabinet - 43.5" Wide
	053260-01-000	EA	Trim - Shower Door - Bottom
	053261-01-000	EA	Trim - Shower Door - Left
	053262-01-000	EA	Trim - Shower Door - Right
**	039341-02-000	EA	Toilet - Marine - Thetford Aqua Magic Model SH

**The illustrated parts breakdown for this item is provided on the Common Items Fiche.



Key	Part Number	U/M	Description
1	042175-01-000	EA	Lavatory Top - Ivory Plastic

BATH GROUP (CONTINUED)



Key	Part Number	U/M	Description
1	041826-01-000	EA	Bathtub Bottom - Ivory Plastic
2	041853-01-000	EA	Bathtub Back - Ivory Plastic
3	041852-01-000	EA	Bathtub Front - Ivory Plastic

1978 WINNEBAGO TABLE OF CONTENTS

WDP26RB J2
WDP26RK J2
WDU29RB J2

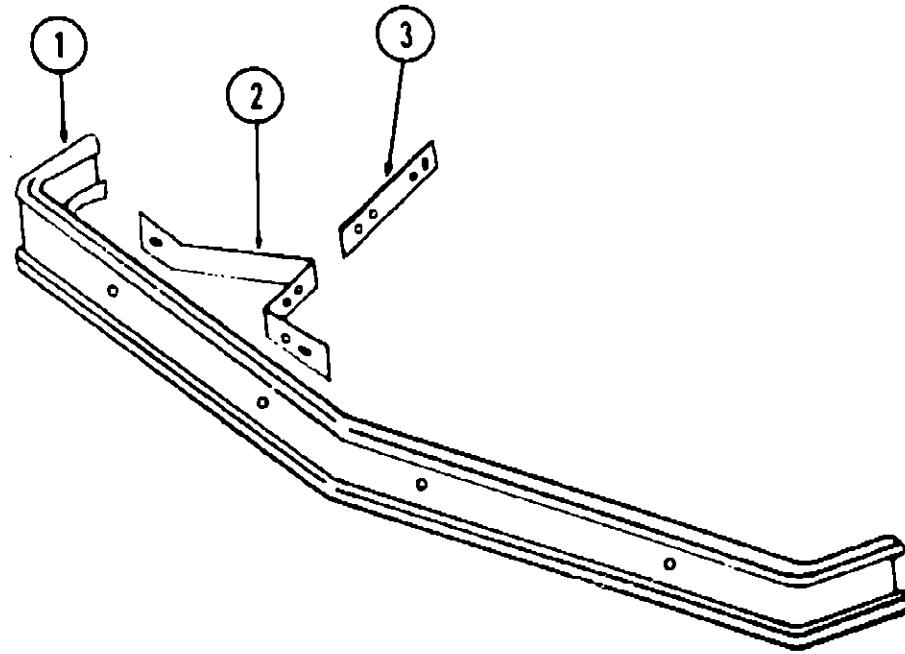
A-1 - B-14
B-15 - D-4
D-5 - E-14

1978 WDP26RB J2 INDEX

Floor Plan	A-1 - A-2
Accessories Group	A-3 - A-4
Bath Group	A-5 - A-6
Chassis Group	A-7 - A-8
Curtain, Cushion & Pad Group	A-9 - A-12
Dinette Group	A-13
Driver's Compartment Group	A-13 - A-14
Electrical Group	A-15 - A-16
Exterior Body Group	A-17 - A-20
Galley Group	A-21
Heating & Air Conditioning Group	A-22
Interior Finish Group	A-23 - A-24
LP Group	B-1
Lounge Group	B-2
Water & Sewage Group	B-3
Window, Vent & Exterior Door Group	B-4 - B-14

CHASSIS GROUP

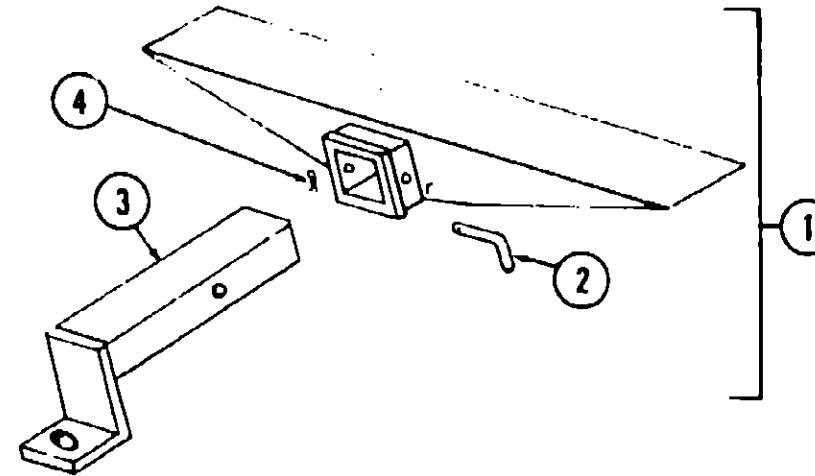
Key	Part Number	U/M	Description
	007134-01-000	EA	Clamp - Hose - Spring Type - 9/16"
	024138-01-000	FT	Hose - Fuel - 5/16" I.D. SAE30R1
	024647-01-000	EA	Hose - Fuel - 2 1/4" I.D.
	007140-01-000	EA	Clamp - Hose - 2" to 3" Dia
	053921-01-000	EA	Fill - Gas - Single - Beige
	007138-01-000	EA	Clamp - 1/4" to 3/4" Dia.
	007160-01-000	EA	Gasket - 3/16" x 2" x 2" - Tire Carcass
	038882-01-000	EA	Tank - Fuel - Aux. - 27.8 Gallon
	043986-01-000	EA	Strap - Fuel Tank Mount
	017571-02-000	EA	Support Asm. - Auxiliary Fuel Tank
	031374-01-000	EA	Sending Unit - Engine Oil Pressure
	031375-01-000	EA	Sending Unit - Engine Water Temperature
	038883-01-000	EA	Sending Unit - Fuel 78 Ohm - Auxiliary Fuel Tank
	045814-01-000	EA	Fill - Gas - w/Vent 4.5"
	024611-04-000	EA	Cap - Gas Pressure 1.50" Black
	050227-01-000	EA	Canister - Vapor - 2 Stage - 3 Port
	046775-01-000	EA	Valve Asm. - Fuel Selector - 3 Way
	024652-01-700	EA	Step Asm. - Pull-Out - Entry Door
	045602-01-000	EA	Panel - Headlight - Right
	045603-01-000	EA	Panel - Headlight - Left
	053861-01-000	EA	Hoodboard - Steel - Upper Right
	053862-01-000	EA	Hoodboard - Steel - Lower Right
	053861-02-000	EA	Hoodboard - Steel - Upper Left
	053863-01-000	EA	Hoodboard - Steel - Lower Left
	053249-01-000	EA	Tray Asm. - Battery - Steel
	035103-01-000	EA	Cover - Rear Radiator
	007131-01-000	EA	Hanger - Tailpipe
	035260-01-000	EA	Wheel Well - Plastic - Black - Left or Right
	007125-01-000	EA	Clamp Asm. - Muffler - 1 5/2" Dia
	007249-01-000	EA	Tailpipe - Curved - 2 1/2" x 58"



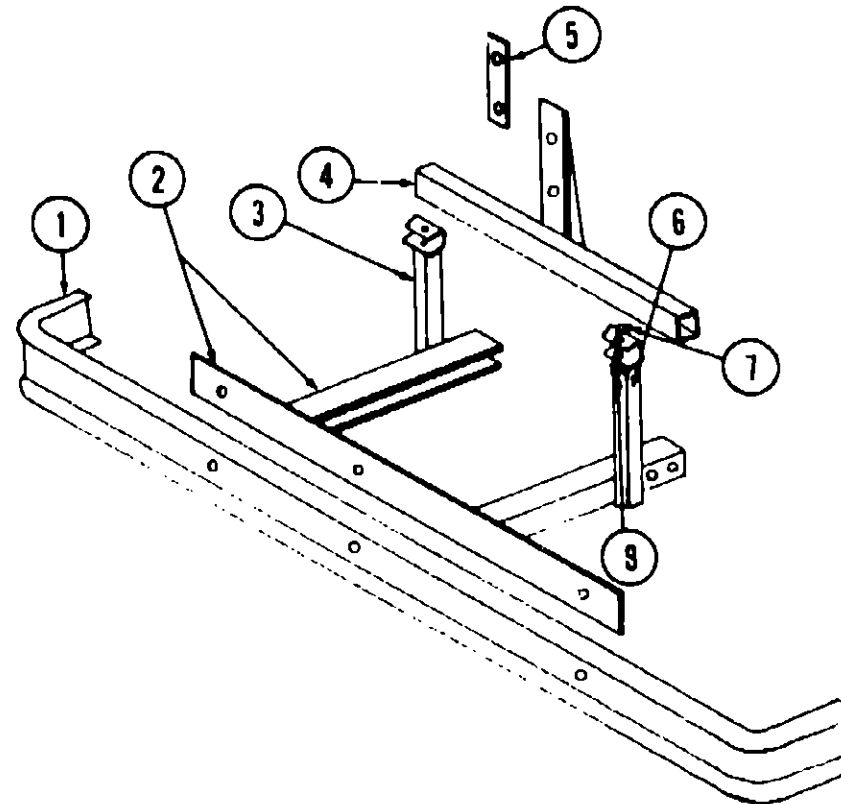
Key	Part Number	U/M	Description
1	048473-01-000	EA	Bumper - Front - Chrome
2	023496-04-000	EA	Bracket - Bumper - Black - Right or Left
3	023520-04-000	EA	Bar - Bumper - Black - Right or Left

A-7

CHASSIS GROUP (CONTINUED)



Key	Part Number	U/M	Description
1	023695-01-700	EA	Hitch Kit - w/Drawbar
2	034512-01-000	EA	Pin - Locking - Drawbar
3	024876-01-700	EA	Drawbar Asm. - Trailer Hitch
4	034513-01-000	EA	Pin - Hitch - 3/16" Wire Spring



Key	Part Number	U/M	Description
1	048474-01-000	EA	Bumper - Rear Chrome
2	046043-06-000	EA	Bracket Asm. - Rear Bumper
3	022445-01-000	EA	Bracket - Tire Carrier - Left
4	016924-02-000	EA	Bracket - Tire Carrier
5	040974-01-000	EA	Retainer - Spare Tire
6	021356-01-000	EA	Bracket - Tire Carrier - Right
7	015385-01-000	EA	Pin - Tire Carrier
8	005522-01-000	EA	Pin - Hitch - 5/32" Wire

A-8

1978 WINNEBAGO TABLE OF CONTENTS

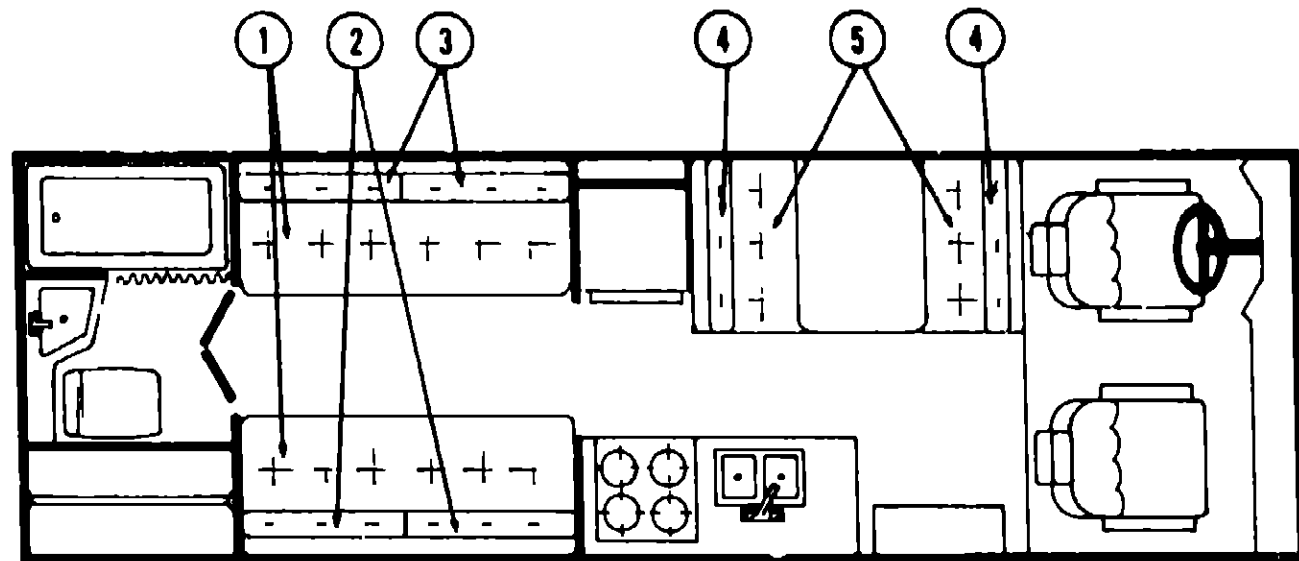
WDP26RB J2
WDP26RK J2
WDU29RB J2

A-1 - B-14
B-15 - D-4
D-5 - E-14

1978 WDP26RB J2 INDEX

Floor Plan	A-1 - A-2
Accessories Group	A-3 - A-4
Bath Group	A-5 - A-6
Chassis Group	A-7 - A-8
Curtain, Cushion & Pad Group	A-9 - A-12
Dinette Group	A-13
Driver's Compartment Group	A-13 - A-14
Electrical Group	A-15 - A-16
Exterior Body Group	A-17 - A-20
Galley Group	A-21
Heating & Air Conditioning Group	A-22
Interior Finish Group	A-23 - A-24
LP Group	B-1
Lounge Group	B-2
Water & Sewage Group	B-3
Window, Vent & Exterior Door Group	B-4 - B-14

CURTAIN, CUSHION AND PAD GROUP



REAR LOUNGE CUSHIONS

Key	Part Number	U/M	Description
1	055017-07-J07	EA	Cushion - Lounge Seat - 32" x 75" x 5" - Green
1	055017-07-J08	EA	Cushion - Lounge Seat - 32" x 75" x 5" - Gold
1	055017-07-J09	EA	Cushion - Lounge Seat - 32" x 75" x 5" - Rust
	055018-07-J07	EA	Cover - Lounge Seat Cushion - 32" x 75" x 5" - Green
	055018-07-J08	EA	Cover - Lounge Seat Cushion - 32" x 75" x 5" - Gold
	055018-07-J09	EA	Cover - Lounge Seat Cushion - 32" x 75" x 5" - Rust
2	056948-06-J07	EA	Cushion - Bolster - Right - 7" x 10" x 12" x 37 5" - Green
2	056948-06-J08	EA	Cushion - Bolster - Right - 7" x 10" x 12" x 37 5" - Gold
2	056948-06-J09	EA	Cushion - Bolster - Right - 7" x 10" x 12" x 37 5" - Rust
3	056948-07-J07	EA	Cushion - Bolster - Left - 7" x 10" x 12" x 37 5" - Green
3	056948-07-J08	EA	Cushion - Bolster - Left - 7" x 10" x 12" x 37 5" - Gold
3	056948-07-J09	EA	Cushion - Bolster - Left - 7" x 10" x 12" x 37 5" - Rust
	056949-06-J07	EA	Cover - Bolster Cushion - Right or Left - 7" x 10" x 12" x 37 5" - Green
	056949-06-J08	EA	Cover - Bolster Cushion - Right or Left - 7" x 10" x 12" x 37 5" - Gold
	056949-06-J09	EA	Cover - Bolster Cushion - Right or Left - 7" x 10" x 12" x 37 5" - Rust

DINETTE CUSHIONS

Key	Part Number	U/M	Description
4	055017-16-J07	EA	Cushion - Dinette Back - 19 25" x 38" x 5" - Green
4	055017-16-J08	EA	Cushion - Dinette Back - 19 25" x 38" x 5" - Gold
4	055017-16-J09	EA	Cushion - Dinette Back - 19 25" x 38" x 5" - Rust
	055018-19-J07	EA	Cover - Dinette Back Cushion - 19 25" x 38" x 5" - Green
	055018-19-J08	EA	Cover - Dinette Back Cushion - 19 25" x 38" x 5" - Gold
	055018-19-J09	EA	Cover - Dinette Back Cushion - 19 25" x 38" x 5" - Rust
5	055017-14-J07	EA	Cushion - Dinette Seat - 17 5" x 38" x 5" - Green
5	055017-14-J08	EA	Cushion - Dinette Seat - 17 5" x 38" x 5" - Gold
5	055017-14-J09	EA	Cushion - Dinette Seat - 17 5" x 38" x 5" - Rust
	055018-17-J07	EA	Cover - Dinette Seat Cushion - 17 5" x 38" x 5" - Green
	055018-17-J08	EA	Cover - Dinette Seat Cushion - 17 5" x 38" x 5" - Gold
	055018-17-J09	EA	Cover - Dinette Seat Cushion - 17 5" x 38" x 5" - Rust

FRONT BUNK CUSHIONS

Key	Part Number	U/M	Description
	055021-17-J07	EA	Cushion - Front Bunk - 42" x 79" x 4" - Green
	055021-17-J08	EA	Cushion - Front Bunk - 42" x 79" x 4" - Gold
	055021-17-J09	EA	Cushion - Front Bunk - 42" x 79" x 4" - Rust
	055022-19-J07	EA	Cover - Front Bunk Cushion - 42" x 79" x 4" - Green
	055022-19-J08	EA	Cover - Front Bunk Cushion - 42" x 79" x 4" - Gold
	055022-19-J09	EA	Cover - Front Bunk Cushion - 42" x 79" x 4" - Rust

CURTAIN, CUSHION AND PAD GROUP (CONTINUED)

BUCKET SEATS, ARMRESTS AND HEADRESTS

Key	Part Number	U/M	Description
	054197-02-J07	EA	Seat Asm - Single Bucket - w/o Armrests or Headrest - Green
	054197-02-J08	EA	Seat Asm - Single Bucket - w/o Armrests or Headrest - Gold
	054197-02-J09	EA	Seat Asm - Single Bucket - w/o Armrests or Headrest - Rust
	053358-03-J07	EA	Cover - Back - Single Bucket - Green
	053358-03-J08	EA	Cover - Back - Single Bucket - Gold
	053358-03-J09	EA	Cover - Back - Single Bucket - Rust
	053358-07-J07	EA	Cover - Bottom - Single Bucket - Green
	053358-07-J08	EA	Cover - Bottom - Single Bucket - Gold
	053358-07-J09	EA	Cover - Bottom - Single Bucket - Rust
	054650-01-J07	EA	Skirt - Single Bucket - Brown Vinyl
	054199-01-J07	EA	Seat Asm - Double Bucket - w/Armrests - w/o Headrests - Green
	054199-01-J08	EA	Seat Asm - Double Bucket - w/Armrests - w/o Headrests - Gold
	054199-01-J09	EA	Seat Asm - Double Bucket - w/Armrests - w/o Headrests - Rust
	053360-03-J07	EA	Cover - Back - Double Bucket - Green
	053360-03-J08	EA	Cover - Back - Double Bucket - Gold
	053360-03-J09	EA	Cover - Back - Double Bucket - Rust
	053360-07-J07	EA	Cover - Bottom - Double Bucket - Green
	053360-07-J08	EA	Cover - Bottom - Double Bucket - Gold
	053360-07-J09	EA	Cover - Bottom - Double Bucket - Rust
	054650-02-J07	EA	Skirt - Double Bucket - Brown Vinyl
	019722-01-000	EA	Headrest Asm - Foam w/o Cover
	053354-02-J07	EA	Cover - Headrest - Green
	053354-02-J08	EA	Cover - Headrest - Gold
	053354-02-J09	EA	Cover - Headrest - Rust
	050275-01-700	EA	Armrest Asm - Foam w/o Cover - Right
	050276-01-700	EA	Armrest Asm - Foam w/o Cover - Left
	053357-02-J07	EA	Cover - Armrest - Right or Left - Green
	053357-02-J08	EA	Cover - Armrest - Right or Left - Gold
	053357-02-J09	EA	Cover - Armrest - Right or Left - Rust

FABRICS, TRIMS AND PADS

Key	Part Number	U/M	Description
	053325-01-000	YD	Fabric - Drapery - Parchment
	052352-01-000	YD	Fabric - Upholstery - Green
	052352-02-000	YD	Fabric - Upholstery - Gold
	052352-03-000	YD	Fabric - Upholstery - Rust
	054676-03-J07	EA	Button Asm - Upholstered - Green
	054676-03-J08	EA	Button Asm - Upholstered - Gold
	054676-03-J09	EA	Button Asm - Upholstered - Rust
	042411-01-000	YD	Vinyl - Non Expanded - 27 oz. - Bostonian Brown
	042411-02-000	YD	Vinyl - Expanded - 28 oz. - Bostonian Brown
	042411-03-000	YD	Vinyl - Non Support - 18 Gauge Film - Bostonian Brown
	054226-01-J07	EA	Pad - Dinette Seat Back - Front or Rear - Brown Vinyl
	054647-01-J07	EA	Pad - End - Galley Overhead Cabinet - Brown Vinyl
	042945-03-000	EA	Pad - "A" Post - Right - Brown Vinyl
	042945-04-000	EA	Pad - "A" Post - Left - Brown Vinyl
	052959-01-J07	FT	Trim - Accent - Brown Vinyl

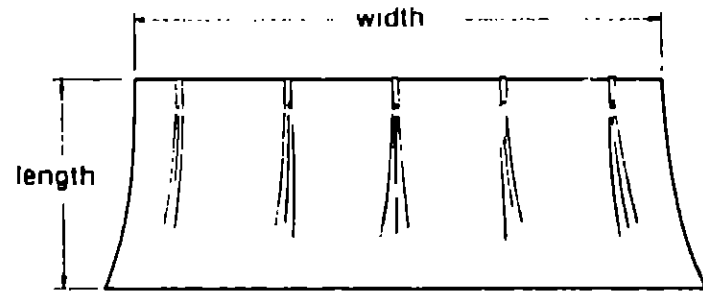
**1978 WINNEBAGO
TABLE OF CONTENTS**

WDP26RB J2	A-1 - B-14
WDP26RK J2	B-15 - D-4
WDU29RB J2	D-5 - E-14

1978 WDP26RB J2 INDEX

Floor Plan	A-1 - A-2
Accessories Group	A-3 - A-4
Bath Group	A-5 - A-3
Chassis Group	A-7 - A-8
Curtain, Cushion & Pad Group	A-9 - A-12
Dinette Group	A-13
Driver's Compartment Group	A-13 - A-14
Electrical Group	A-15 - A-16
Exterior Body Group	A-17 - A-20
Galley Group	A-21
Heating & Air Conditioning Group	A-22
Interior Finish Group	A-23 - A-24
LP Group	B-1
Lounge Group	B-2
Water & Sewage Group	B-3
Window, Vent & Exterior Door Group	B-4 - B-14

CURTAIN, CUSHION AND PAD GROUP (CONTINUED)



NOTE:
Use this illustration when determining length and width measurements for curtains. You will note the width measurement is taken on the top of the curtain with the curtain fully extended. The length measurement is taken from top to bottom.

CURTAINS AND TIE BACKS

Key	Part Number	U/M	Description
	054051-12-J07	EA	Curtain w/Snap Top - 38" x 84" - Parchment
	054051-13-J07	EA	Curtain w/Snap Top - 72" x 44" - Parchment
	054051-02-J07	EA	Curtain w/Snap Top - 34" x 37" - Parchment
	054292-01-J10	EA	Curtain Asm. - Front Wraparound - Left - 25" x 81" - Parchment
	054293-01-J10	EA	Curtain Asm. - Front Wraparound - Right - 25" x 81" - Parchment
	052967-01-000	EA	Curtain - Shower - 66" x 36" - Gold
	054048-05-J07	EA	Tie Back - Curtain - 2" x 18" - Parchment

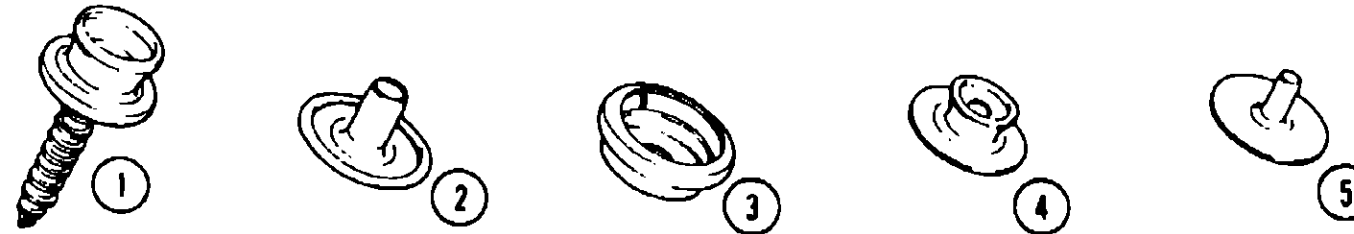
SHADES

Key	Part Number	U/M	Description
	052751-01-000	EA	Shade - Woven Wood - 68 1/4" x 29" - Green
	052751-02-000	EA	Shade - Woven Wood - 68 1/4" x 29" - Gold
	052751-03-000	EA	Shade - Woven Wood - 68 1/4" x 29" - Rust
	052755-01-000	EA	Shade - Woven Wood - 39" x 27" - Green
	052755-02-000	EA	Shade - Woven Wood - 39" x 27" - Gold
	052755-03-000	EA	Shade - Woven Wood - 39" x 27" - Rust
	052756-01-000	EA	Shade - Woven Wood - 31" x 28 1/2" - Green
	052756-02-000	EA	Shade - Woven Wood - 31" x 28 1/2" - Gold
	052756-03-000	EA	Shade - Woven Wood - 31" x 28 1/2" - Rust

CURTAIN, CUSHION AND PAD GROUP (CONTINUED)

CURTAIN HARDWARE

Key	Part Number	U/M	Description
	052327-04-236	EA	Track - Curtain - Brown Alum. - 89" w/
	053272-04-200	EA	Track - Curtain - Off White Alum. - 89"
	056001-01-000	EA	Bracket - Shade - Left
	056002-01-000	EA	Bracket - Shade - Right
	056269-01-000	EA	Track - Wraparound Curtain - Right
	056289-02-000	EA	Track - Wraparound Curtain - Left
	009107-01-000	EA	Guide - Nylon Snap - Curtain
	018031-42-000	EA	Track - Curtain - "L" Rod - Alum. Extr. - 90"
	009701-01-000	EA	Carrier - "L" Rod - Curtain
	009702-01-000	EA	End Stop - "L" Rod - Curtain



Key	Part Number	U/M	Description
1	029130-01-000	EA	Socket - Snap Fastener
2	029155-01-000	EA	Cap - Snap - .156" Dia. x .17" Barrel
3	029156-01-000	EA	Socket - Snap Fastener
4	029092-01-000	EA	Stud - Nickel Finish
5	029093-01-000	EA	Eyelet - Nickel Finish

**1978 WINNEBAGO
TABLE OF CONTENTS**

WDP26RB J2	A-1 - B-14
WDP26RK J2	B-15 - D-4
WDU29RB J2	D-5 - E-14

1978 WDP26RB J2 INDEX

Floor Plan	A-1 - A-2
Accessories Group	A-3 - A-4
Bath Group	A-5 - A-6
Chassis Group	A-7 - A-8
Curtain, Cushion & Pad Group	A-9 - A-12
Dinette Group	A-13
Driver's Compartment Group	A-13 - A-14
Electrical Group	A-15 - A-16
Exterior Body Group	A-17 - A-20
Galley Group	A-21
Heating & Air Conditioning Group	A-22
Interior Finish Group	A-23 - A-24
LP Group	B-1
Lounge Group	B-2
Water & Sewage Group	B-3
Window, Vent & Exterior Door Group	B-4 - B-14

DINETTE GROUP

Key	Part Number	U/M	Description
	053192-01-J07	EA	Table Asm. - Dinette - w/o Hardware - Country Elm
**	047842-01-000	EA	Kit - Dinette Table Leg - Brown
**	047809-03-000	EA	Kit - Hardware - Dinette Table Wall Mount
	054248-01-J07	EA	Cabinet Asm. - Dinette Seat - Front - w/o Door, Seat Back or Hardware
	054588-01-J07	EA	Cabinet Asm. - Dinette Seat - Rear - w/o Seat Back
	054918-01-J07	EA	Back - Front Dinette Seat
	054247-01-J07	EA	Back - Rear Dinette Seat
	054517-03-J07	EA	Joor Asm. - Dinette Seat Cabinet - 11 7/8" x 13 5/8" - w/o Hardware
	054220-01-J07	EA	Cabinet Asm. - Dinette Overhead - w/o Doors or Hardware
	054517-01-J07	EA	Door Asm. - Dinette Overhead Cabinet - 9 1/2" x 26 1/2" - w/o Hardware
	007021-01-000	EA	Belt Asm. - Seat - 2" x 90" - Black
	041322-01-000	EA	Washer - Flat - 15/32" I.D. x 2 3/8" O.D.

** The illustrated parts breakdown for this item is provided on the Common Items Fiche.

DRIVER'S COMPARTMENT GROUP

DASH PANEL AND COMPONENTS

Key	Part Number	U/M	Description
	056287-01-000	EA	Dash Asm. - Chieftain - Complete w/Gauges and Switches
	022548-03-000	EA	Pad - Dash - Foam - Right - Dark Brown
	023242-05-000	EA	Pad - Dash - Foam - Left - Dark Brown
	022219-01-000	EA	Door - Glove Compartment
	009118-01-000	EA	Lock - Twist w/Nut
	023892-01-000	EA	Box - Glove Compartment - Black Fiberboard
	009066-01-000	EA	Hinge - Continuous - Alum. 1 1/8" x 72" - Plain
	034309-01-000	EA	Chain - Bead - Glove Box Door
	023834-01-000	EA	Panel - Knee Kick - (Bottom of Dash)
	024418-01-000	EA	Lamp Asm. - Map/Gauge
	007308-01-000	EA	Clock - Dash
	052367-01-000	EA	Lighter Asm. - Cigarette - 12 Volt
	007041-01-000	EA	Bezel - Cigarette Lighter
	007071-01-000	EA	Louver - Chrome - w/Chrome Wheel
	023020-01-000	EA	Lamp Asm. - Tail Tale
	039044-01-000	EA	Louver Asm. - A/C Adjustable
	040636-01-000	EA	Bracket Asm. - Shift Lever
	042961-01-000	EA	Nameplate - Chieftain - Brown/Silver
	024990-02-000	EA	Outlet - Defroster - w/Swivel - 2" - Dark Brown
	050299-01-000	EA	Bezel - Instrument Panel
	050465-01-000	EA	Bezel - Entertainment Center - No. 1 - w/Cut Out for Vehicle Sensor Panel
	050466-01-000	EA	Bezel - Entertainment Center - No. 2 - w/Cut Out for Vehicle Sensor Panel, Radio and Clock
	050467-01-000	EA	Bezel - Entertainment Center - No. 3 - w/Cut Out for Vehicle Sensor Panel, Radio, Clock, Hourmeter, Generator Start Stop Switch

FRONT OVERHEAD BUNK AND CABINET

Key	Part Number	U/M	Description
	054302-01-J07	EA	Cabinet - Front Overhead - w/o Doors
	054779-01-J07	EA	Door Asm. - Sliding - (Front Overhead Cabinet)
	009148-01-000	EA	Pull - Finger - 3/4" Dia. Brass
	055482-01-J07	EA	Bunk Asm. - Front Overhead - w/Rail
	023812-06-000	EA	Bunk Rail - Brown - 72.5"
	040071-01-000	EA	Support - Front Overhead Bunk - Seat Belt
	042988-01-000	EA	Support Asm. - Front Overhead Bunk - Dark Pecan

DRIVER'S COMPARTMENT GROUP (CONTINUED)

DASH SWITCHES AND GAUGES

Key	Part Number	U/M	Description
	055279-01-000	EA	Control Asm. - Heater - A/C - 3 Speed
	024461-01-000	EA	Switch - Battery
	024463-01-000	EA	Switch - Bliinker
	024464-01-000	EA	Switch - Washer
	024465-01-000	EA	Switch - Fuel
	024467-01-000	EA	Switch - Wiper
	024459-01-000	EA	Gauge Asm. - Voltmeter
	024460-01-000	EA	Gauge - Vacuum Dash
	024462-01-000	EA	Switch - Battery Condition
	031035-01-000	EA	Gauge - Hourmeter - Generator
	024976-01-000	EA	Switch - Generator w/o Circuit Board
	037367-01-000	EA	Switch - Generator w/Circuit Board
	031376-01-000	EA	Heater Control Asm. - 3 Speed

MISCELLANEOUS DRIVER'S COMPARTMENT COMPONENTS

Key	Part Number	U/M	Description
	048583-01-000	EA	Tray - Beverage
	048670-01-000	EA	Track Asm. - Beverage (2 Per Tray)
	034800-01-000	EA	Cover - Motor - Plastic
	039857-01-000	EA	Latch - Rubber - Draw Handle - 5 3/4" w/Strike (Motor Cover)
	039856-01-000	EA	Latch - Rubber - Draw Handle - 3" w/Strike (Motor Cover)
	035368-02-000	EA	Seal - Motor Cover - (Aluminum Extr.)
	040519-01-000	EA	Boot - Rubber - Steering Column
	040520-01-000	EA	Boot - Retainer - Steering Column
	034499-01-000	EA	Support - Dimmer Switch
	022758-04-000	EA	Sunvisor Asm. - Right Bostonian
	022759-06-000	EA	Sunvisor Asm. - Left Bostonian
	040695-02-000	EA	Clip - Sunvisor Rod - Brown Plastic
	009143-01-000	EA	Mirror - Sunvisor
	007278-01-000	EA	Mirror - Rear View
	044699-01-000	EA	Panel - Side - Interior - Left - Plastic
	044700-01-000	EA	Panel - Side - Interior - Right - Plastic
	050796-01-000	EA	Pocket - Ash Tray - Plastic
	050797-01-000	EA	Ash Tray - Plastic

BUCKET SEAT PEDESTAL AND SEAT BELTS

Key	Part Number	U/M	Description
	050447-01-000	EA	Pedestal Asm. - Tilt Seat - Left
	050447-02-000	EA	Pedestal Asm. - Tilt Seat - Right - Single Seat
	050447-03-000	EA	Pedestal Asm. - Tilt Seat - Right - Double Seat
	007019-01-000	EA	Belt Asm. - Seat - 2" x 84" - Black
	041322-01-000	EA	Washer - Flat - 15/32" I.D. x 2 3/8" O.D. - Seat Belt

1978 WINNEBAGO TABLE OF CONTENTS

WDP26RB J2
WDP26RK J2
WDU29RB J2

A-1 - B-14
B-15 - D-4
D-5 - E-14

1978 WDP26RB J2 INDEX

Floor Plan	A-1 - A-2
Accessories Group	A-3 - A-4
Bath Group	A-5 - A-6
Chassis Group	A-7 - A-8
Curtain, Cushion & Pad Group	A-9 - A-12
Dinette Group	A-13
Driver's Compartment Group	A-13 - A-14
Electrical Group	A-15 - A-16
Exterior Body Group	A-17 - A-20
Galley Group	A-21
Heating & Air Conditioning Group	A-22
Interior Finish Group	A-23 - A-24
LP Group	B-1
Lounge Group	B-2
Water & Sewage Group	B-3
Window, Vent & Exterior Door Group	B-4 - B-14

ELECTRICAL GROUP

BULBS

Key	Part Number	U/M	Description
	037935-01-000	EA	Bulb - 1157
	038010-01-000	EA	Bulb - 1143
	008103-01-000	EA	Bulb - 53
	008213-01-000	EA	Bulb - 57
	008214-01-000	EA	Bulb - 67
	008215-01-000	EA	Bulb - 1003
	008216-01-000	EA	Bulb - 1034
	008217-01-000	EA	Bulb - 1073
	008218-01-000	EA	Bulb - 1141
	008219-01-000	EA	Bulb - 656
	008220-01-000	EA	Bulb - 12V - 25W
	036198-01-000	EA	Bulb - 194
	700020-01-000	EA	Bulb - 12V - 20W - 1303

INTERIOR LIGHTS

Key	Part Number	U/M	Description
	024473-01-000	EA	Light - Aircraft - 1 Bulb - Gold
	033508-02-000	EA	Light - Dome - Ivory - 1 Bulb - US
	033508-03-000	EA	Light - Dome - Ivory - 1 Bulb - CSA
	033509-02-000	EA	Light - Dome - Ivory - 2 Bulb - US
	033509-03-000	EA	Light - Dome - Ivory - 2 Bulb - CSA
	024418-01-000	EA	Lamp Asm. - Map/Gauge

EXTERIOR LIGHTS

Key	Part Number	U/M	Description
	008089-01-000	EA	Porch Light - Recessed
	045863-01-000	EA	Lamp Asm. - Tall - Horizontal
	045864-01-000	EA	Lamp Asm. - Tall - Horizontal w/License Mount
	045863-01-700	EA	Lens - Tail Light - Red
	045863-01-701	EA	Lens - Tail Light - Red w/Backup
	042405-03-000	EA	Base - Rectangular Clearance Light
	042405-04-000	EA	Lens - Clearance Light - Red
	042405-05-000	EA	Lens - Clearance Light - Amber
	008092-01-000	EA	Reflector - Stick on - Rectangular - Red
	008093-01-000	EA	Reflector - Stick on - Rectangular - Amber

FUSES AND CIRCUIT BREAKERS

Key	Part Number	U/M	Description
	056473-01-000	EA	Fuse - Slow Blow - 6 1/4" Amp.
	008233-01-000	EA	Fuse - 12 Volt - 6 Amp.
	008234-01-000	EA	Fuse - 12 Volt - 10 Amp.
	008235-01-000	EA	Fuse - 12 Volt - 15 Amp.
	008236-01-000	EA	Fuse - 12 Volt - 20 Amp.
	008248-01-000	EA	Fuse - 110 Volt - 30 Amp. - AGU
	008252-01-000	EA	Fuse - 110 Volt - 50 Amp.
	008208-01-000	EA	Circuit Breaker - 12 Volt - 40 Amp.
	008211-01-000	EA	Circuit Breaker - 12 Volt - 6 Amp.
	008268-01-000	EA	Circuit Breaker - 12 Volt - 30 Amp. w/Mount
	033573-01-000	EA	Circuit Breaker - 12 Volt - 20 Amp. w/Mount
	040051-01-000	EA	Circuit Breaker - 110 Volt - 20 Amp. - TQL

ELECTRICAL GROUP (CONTINUED)

WINDSHIELD WIPER AND WASHER

Key	Part Number	U/M	Description
	007029-01-000	EA	Washer - Electric - Windshield
	049483-01-000	EA	Arm - Windshield Wiper - 15" Black
	037998-01-000	EA	Lirik Asm. - Connecting - 22.40" Long
	037999-01-000	EA	Motor Asm. - Windshield Wiper
	049484-01-000	EA	Blade - Windshield Wiper - 16" Black
	038001-01-000	EA	Shaft and Pivot Asm. - 2.25" Arm
	700073-05-000	EA	Pump and Cover Asm. - Windshield Washer
	700073-04-000	EA	Reservoir Only - Water - Windshield Washer
	700073-02-000	EA	Washer Nozzle Hardware Package

WIRE, SWITCHES, AND RECEPTACLES

Key	Part Number	U/M	Description
	008024-01-000	FT	Wire - 18.5 Bonded - Orange/White/Yellow/Blue/Brown
	008025-01-000	FT	Wire - 18.5 Bonded - Orange/White/Yellow/Blue/Green
	008028-01-000	FT	Wire - 18.5 Bonded - Blue/Red/Yellow/Orange/White
	008030-01-000	FT	Wire - 18.4 Bonded
	008251-01-000	EA	Holder - Fuse - Black - Screw Type
	008277-01-000	EA	Holder - Fuse - Black - Panel Mount
	008195-01-000	EA	Switch - Push Button - 12 Volt
	008077-01-000	EA	Plaque - Compressor Switch
	008054-01-000	EA	Cord - Power - 10-3 30 Amp. - 25' - UL
	008052-01-000	EA	Cord - Power - 10-3 30 Amp. - 25' - CSA
	034818-04-000	EA	Holder - Receptacle - Plastic
	039338-01-000	EA	Cover Plate - Receptacle - Plastic - Brown
	039342-01-000	EA	Receptacle - Duplex Brown - T Junction
	024571-01-000	EA	Cover Plate - Receptacle - Jumbo Steel Brown
	039343-01-000	EA	Cap - End - Receptacle
	008162-01-000	EA	Switch - Double Toggle - Spade Brown
	008163-01-000	EA	Switch - Toggle Brown
	008164-01-000	EA	Cover Plate - Switch - Brown
	024924-01-000	EA	Receptacle - Power Cord
	008058-01-000	EA	Adaptor - Power Cord
	047353-01-000	EA	Cover - Receptacle - Ground Fault
	047351-01-000	EA	Receptacle - Ground Fault Interrupter - 125 Volt, Black

MISCELLANEOUS ELECTRICAL COMPONENTS

Key	Part Number	U/M	Description
	047338-01-000	EA	Isolator - Dual Battery
	047389-01-700	EA	Battery - 12 Volt - 105 Amp. Deep Cycle - Dry
	008189-01-000	EA	Solenoid - Dual Battery - Relay
	046775-01-000	EA	Valve - Gas - Change Over
	039950-02-000	EA	Control Center - 30 Amp. w/Door - UL
	039950-01-702	EA	Circuit Board - 6 Prong - Control Center
	039950-01-701	EA	Circuit Board - 5 Prong - Control Center - w/Light
	039950-01-700	EA	Circuit Board - 3.5" x 2" - Control Center - w/o Light
	054544-01-000	EA	Control Center - 37 Amp - VL
	048812-01-000	EA	Panel Control - Water/Double Sewage - Wemac
	039881-01-000	EA	Sending Unit Kit - Wemac
	024459-01-000	EA	Gauge - Voltmeter
	024482-01-000	EA	Switch - Battery Condition
	031035-01-000	EA	Gauge - Hour Meter - Generator
	024978-01-000	EA	Switch - Generator w/o Circuit Board
	024460-01-000	EA	Gauge Vacuum
	038817-01-000	EA	Relay - Canister - SPDT
	008181-01-000	EA	Relay - 12 to 15 Volt - 27 Amp.

1978 WINNEBAGO TABLE OF CONTENTS

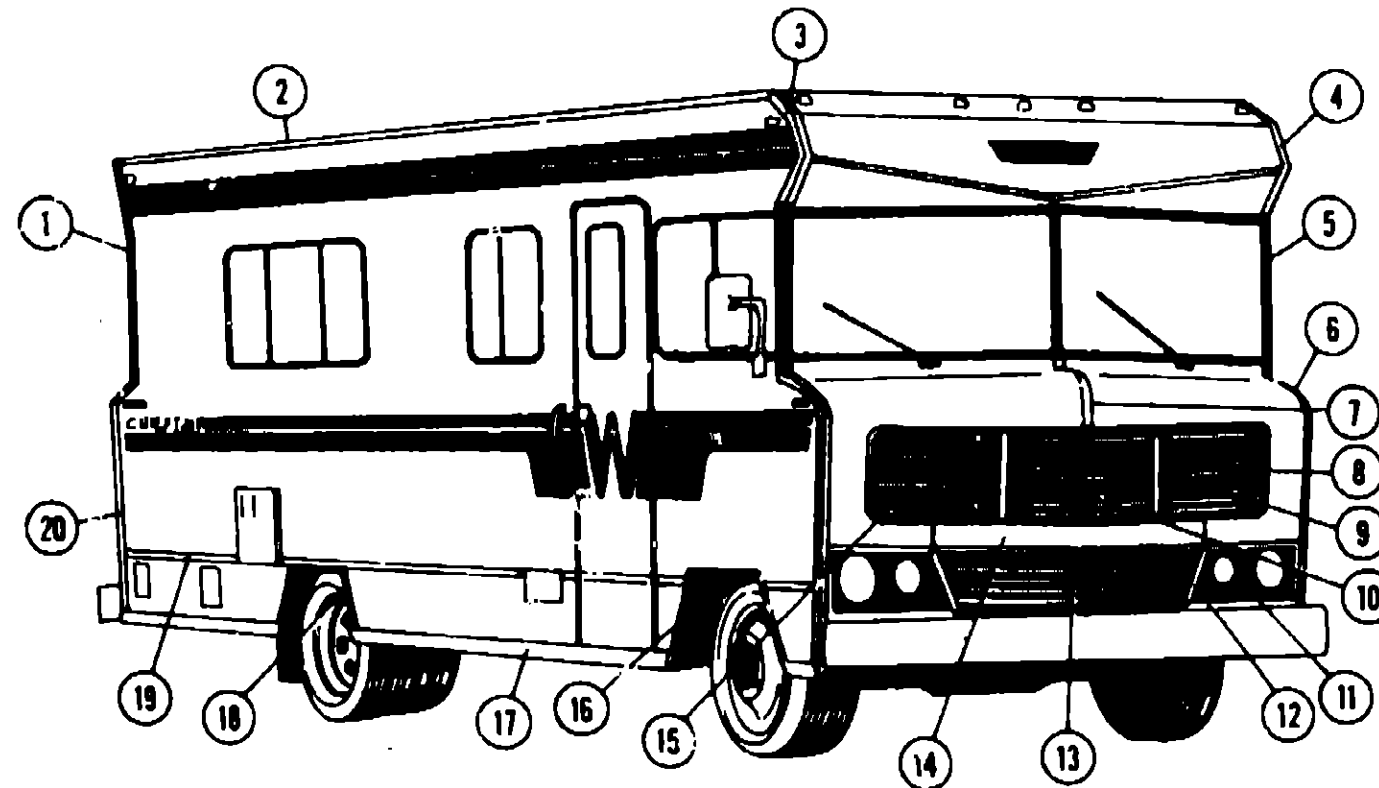
WDP26RB J2
WDP26RK J2
WDU29RB J2

A-1 - B-14
B-15 - D-4
D-5 - E-14

1978 WDP26RB J2 INDEX

Floor Plan	A-1 - A-2
Accessories Group	A-3 - A-4
Bath Group	A-5 - A-6
Chassis Group	A-7 - A-8
Curtain, Cushion & Pad Group	A-9 - A-12
Dinette Group	A-13
Driver's Compartment Group	A-13 - A-14
Electrical Group	A-15 - A-16
Exterior Body Group	A-17 - A-20
Galley Group	A-21
Heating & Air Conditioning Group	A-22
Interior Finish Group	A-23 - A-24
LP Group	B-1
Lounge Group	B-2
Water & Sewage Group	B-3
Window, Vent & Exterior Door Group	B-4 - B-14

EXTERIOR BODY GROUP



1978 WINNEBAGO TABLE OF CONTENTS

WDP26RB J2
WDP26RK J2
WDU29RB J2

A-1 - B-14
B-15 - D-4
D-5 - E-14

1978 WDP26RB J2 INDEX

Key	Part Number	U/M	Description
1	021213-03-000	EA	Trim - Contour - Right - Rear Upper - Beige
•	020965-03-000	EA	Trim - Contour - Left Rear Upper - Beige
2	044771-01-000	EA	Extr. - Awning Rail w/Holes - 16' - Beige
•	044770-01-000	EA	Extr. - Drip Rail w/Holes - 16' - Beige
3	042801-02-000	EA	Trim - Contour - Right Front Upper - Beige
4	042801-03-000	EA	Trim - Contour - Left Front - Upper - Beige
5	042894-01-000	EA	Trim - Contour - Windshield - Left - Black
•	042894-03-000	EA	Trim - Contour - Windshield - Right - Black
6	042730-01-000	EA	Trim - Contour - Left Front Lower - Beige
•	042730-03-000	EA	Trim - Contour - Right Front Lower - Beige
7	024581-05-000	EA	Trim - Center - Front Wall - Beige
8	024763-01-000	EA	Trim - Anod. - Upper Grille - Side - Left or Right
•	024764-01-000	EA	Trim - Anod. - Upper Grille - Center Top
•	002754-02-001	EA	Extr. - Anod. Angle - 3/4" x 3/4" x 18" - (Grille)
9	033365-01-000	EA	Grille Asm. - Left - Upper
10	033366-01-000	EA	Grille Asm. - Center - Upper
•	021497-01-000	EA	Latch Asm. - Center Grille
•	016484-01-000	EA	Stop Asm. - Upper Grille
11	048421-01-000	EA	Bezel - Headlight - Left - Wrought Iron Black
•	048422-01-000	EA	Bezel - Headlight - Right - Wrought Iron Black

Key	Part Number	U/M	Description
12	048419-01-000	EA	Trim - Headlight - U-Channel - Left or Right
•	048417-02-000	EA	Trim - Headlight/Grille - Left
•	048417-01-000	EA	Trim - Headlight/Grille - Right
13	048418-01-000	EA	Grille Asm. - Lower
14	054757-01-000	EA	Center Asm. - Grille - Between Top and Bottom Grille w/Beige Insert
15	040876-01-000	EA	Grille Asm. - Upper Right
16	042467-01-000	EA	Trim - Wheel Well - Front - Left or Right
17	036908-02-001	EA	Extr. - Anod. - Rocker Panel - 18'
•	040420-01-000	EA	Cap - Rocker Panel - End - 3/4 Miter - Right
•	040420-02-000	EA	Cap - Rocker Panel - End - 3/4 Miter - Left
18	042466-01-000	EA	Trim - Wheel Well - Rear - Left or Right
19	002444-02-001	EA	Extr. Anod. - Feature Strip - 14' w/o Insert
•	001030-04-002	EA	Insert - Feature Strip - 13/16" x 17" - Antique Brown Metallic
•	009731-01-000	EA	End Cap - Feature Strip
20	015251-04-000	EA	Trim - Contour - Right Rear Lower - Beige
•	015252-04-000	EA	Trim - Contour - Left Rear Lower - Beige
•	002365-02-001	EA	Extr. - U-Channel - 1" Serrated - 18" (Lower Backwall Trim)
•	054692-01-000	EA	Hoodboard - Front - Right - Beige
•	054692-02-000	EA	Hoodboard - Front - Left - Beige
•			Not Illustrated

Floor Plan	A-1 - A-2
Accessory Group	A-3 - A-4
Bath Group	A-5 - A-6
Chassis Group	A-7 - A-8
Curtain, Cushion & Pad Group	A-9 - A-12
Dinette Group	A-13
Driver's Compartment Group	A-13 - A-14
Electrical Group	A-15 - A-16
Exterior Body Group	A-17 - A-20
Galley Group	A-21
Heating & Air Conditioning Group	A-22
Interior Finish Group	A-23 - A-24
LP Group	B-1
Lounge Group	B-2
Water & Sewage Group	B-3
Window, Vent & Exterior Door Group	B-4 - B-14

EXTERIOR BODY GROUP (CONTINUED)

EXTERIOR BODY PANELS AND SHEET ALUMINUM

Key	Part Number	U/M	Description
	053858-01-J07	EA	Sidewall Asm. - Right
	054004-01-J07	EA	Sidewall Asm. - Left
	053859-01-J07	EA	Backwall Asm.
	053867-01-J07	EA	Roof Asm.
	053887-01-700	EA	Roof Section - Windshield to First Seam
	039155-02-008	EA	Alum. - Beige - Mesa I Design - .024" x 36" x 60"
	039155-02-003	EA	Alum. - Beige - Mesa I Design - .024" x 36" x 360"
	039155-02-007	EA	Alum. - Beige - Mesa I Design - .024" x 48" x 60"
	039155-02-006	EA	Alum. - Beige - Mesa I Design - .024" x 48" x 360"
	039155-02-009	EA	Alum. - Beige - Mesa I Design - .024" x 12" x 360"
	044487-01-001	EA	Alum. - Mill Finish - No Design (Roof) - 96" x 360"
	028545-01-000	EA	Alum. - Beige Greyhound Design 48" x 96"
	001018-01-024	EA	Alum. - Beige - No Design - 48" x 96"
	000868-01-000	BF	Styrofoam - 3/4" x 24" x 96"
	039155-30-001	EA	Alum. - Beige - Mesa II Design - .024" x 36" x 60"
	039155-30-004	EA	Alum. - Beige - Mesa II Design - .024" x 36" x 384"
	039155-30-005	EA	Alum. - Beige - Mesa II Design - .024" x 48" x 60"
	039155-30-003	EA	Alum. - Beige - Mesa II Design - .024" x 48" x 384"
	039155-30-009	EA	Alum. - Beige - Mesa II Design - .024" x 12" x 360"
	039155-28-008	EA	Alum. - Off White - Mesa II Design - .024" x 36" x 384"

NOTE: The raised portion of Mesa I aluminum is 1.657" wide.
The raised portion of Mesa II aluminum is .857" wide.

EXTERIOR PAINT

Key	Part Number	U/M	Description
	044486-01-000	EA	Paint - Beige Acrylic Enamel - 1 Gallon
	044486-03-000	EA	Paint - Beige - Acrylic Enamel - 16 oz. Aerosol
	044486-04-000	EA	Paint - Beige - Acrylic Lacquer - 1 Gallon
	041567-01-000	EA	Paint - Rally Gold - Acrylic Enamel - 1 Gallon (Lower Stripe)
	041567-03-000	EA	Paint - Rally Gold - Acrylic Enamel - 16 oz. Aerosol (Lower Stripe)
	041568-01-000	EA	Paint - Antique Bronze Metallic - Acrylic Enamel 1 Gallon (Upper Stripe)
	041568-03-000	EA	Paint - Antique Bronze Metallic - Acrylic Enamel 16 Oz. Aerosol (Upper Stripe)
	045681-01-000	EA	Paint - High Gloss Black - Acrylic Enamel - 1 Gallon
	045681-03-000	EA	Paint - High Gloss Black - Acrylic Enamel - 16 Oz. Aerosol
	055678-01-000	EA	Paint - Bronze Metallic - Acrylic Enamel - 1 Gallon
	055678-03-000	EA	Paint - Bronze Metallic - Acrylic Enamel - 16 Oz. Aerosol
	043877-01-000	EA	Paint - Saddle Bronze - Acrylic Enamel - 1 Gallon
	043877-03-000	EA	Paint - Saddle Bronze - Acrylic Enamel - 16 Oz. Aerosol
	043476-01-000	EA	Paint - Lime Metallic - Acrylic Enamel - 1 Gallon
	043476-03-000	EA	Paint - Lime Metallic - Acrylic Enamel - 16 Oz. Aerosol

MISCELLANEOUS EXTERNALLY MOUNTED PARTS

Key	Part Number	U/M	Description
	016253-01-000	EA	Fuel Fill - Recessed - Single - Beige
	015587-05-000	EA	Fuel Fill - Recessed - Double - Beige
	011124-01-000	EA	Plumbing Seal - Roof Vent - 1 1/4" White
	011129-01-000	EA	Plumbing Seal - Roof Vent - 1 1/2" White
	010230-02-000	EA	Fill - City Water - Recessed - Off White
	011020-01-000	EA	Fill - Water - Recessed - Off White
	009126-01-000	EA	Handle - Assist - Metal - Exterior
	049347-01-000	EA	Mirror Head - 7 1/2" x 10 1/2" Stainless Steel w/o Bracket
	049348-01-000	EA	Arm - Low Mount Mirror - Brite Finish
	049944-01-000	EA	Bracket - Mirror - Outside - Beige - Mounts to Coach
	057461-01-000	EA	Mirror Head - 7 1/2" x 10 1/2" - w/Convex

A-19

EXTERIOR BODY GROUP (CONTINUED)

LABELS AND DECALS

Key	Part Number	U/M	Description
	006023-01-000	EA	Label - Water Only
	006025-01-000	EA	Label - Gas
	006028-01-000	EA	Label - Drain Cap - 2" x 3"
	006031-01-000	EA	Label - Potable Water Only
	006187-01-000	EA	Label - Sewage
	006188-01-000	EA	Label - Waste Water
	005199-01-000	EA	Label - Exit - Escape Window
	039289-01-000	EA	Label - Warning Aux. Loading
	040944-01-000	EA	Label - Open - Entrance Door
	047731-01-000	EA	Label - Emergency Exit
	050225-01-000	EA	Label - Warning - Stove Vent
	054531-01-000	EA	Label - LP Gas Only
	045374-01-000	EA	Stencil - Chieftain 2.28" High - Right
	045374-02-000	EA	Stencil - Chieftain 2.28" High - Left
	008092-01-000	EA	Reflector - Stick on - Rectangular - Red
	008093-01-000	EA	Reflector - Stick on - Rectangular - Amber
	006040-01-000	EA	Tag - Gas Refueling Warning
	006062-01-000	EA	Tag - Electrical - 110V Connection
	050302-03-000	EA	Decal - Flying "W" - 13.75" High - Bronze
	050313-03-000	EA	Decal - Logo - Winnebago - 2.80" - Dark Ginger Metallic
	050313-02-000	EA	Decal - Logo - Winnebago - 2.80" - Dark Green Metallic
	050313-01-000	EA	Decal - Logo - Winnebago - 2.80" - Antique Bronze Metallic

SEALANTS, ADHESIVES AND FASTENERS

Key	Part Number	U/M	Description
	034552-05-000	EA	Sealant - Off White Silicone
	034552-04-000	EA	Sealant - Beige Silicone
	034552-02-000	EA	Sealant - Clear Silicone
	004348-02-000	EA	Sealant - Aluminum Silicone
	004349-01-000	EA	Sealant - Black Silicone
	004342-01-000	EA	Sealant - Weatherbzn 202 Tube
	004346-02-000	EA	Sealant - White Silicone
	004347-01-000	EA	Sealant - Tuflex
	002316-01-000	FT	Tape - Sealer - 3/32" x 1/8"
	024545-01-000	FT	Tape - Sealer - 1/8" x 5/8" - Black
	004350-01-000	FT	Tape - Sealer - 1/8" x 1" - Formaseal
	004352-01-000	FT	Tape - Sealer - 1/8" x 3/4" - Formaseal
	004355-01-000	FT	Tape - Sealer - 1/8" x 5/8" - Black
	004357-01-000	FT	Tape - Sealer - 1/8" x 5/8" - Adhesive
	002707-02-000	FT	Tape - Sealer - 5/16" x 1/2" - Black Foam
	002707-01-000	FT	Tape - Sealer - 5/16" x 3/4" - Black Foam
	041422-01-000	FT	Tape - Sealer - 1/4" x 1/2"
	004363-01-000	FT	Tape - Sealer - 3/16" x 1/2" - Foam
	004362-01-000	FT	Tape - Sealer - 1/8" x 5/8" - Foam
	009200-01-000	EA	Tape - Furnace - 1 1/2"
	004353-01-000	FT	Tape - Gasket - 1/8" x 3/4" - White
	002825-01-000	FT	Weather Stripping - Roof Vent
	002337-01-000	EA	Adhesive - 3M - 1300 Tube
	004005-01-000	GL	Adhesive - Swifts - Green - Glue (Sidewalls)
	004012-01-000	EA	Adhesive - 3M - 4475 Tube
	004020-01-000	QT	Adhesive - ABS Cement (Plastic Fittings)
	029051-01-000	EA	Adhesive - Spray Vinyl
	042401-02-000	EA	Screw - 8 - 18 x 3/4" SDPH - Off White
	042403-02-000	EA	Screw - SF/DR - 8 - 18 x 1" SDPH - Off White
	005058-01-000	EA	Screw - Wood - 12 - 11 x 3" P.O.H. Zinc
	053766-01-000	EA	Bedding Compound - Tube Black - Schnee Morehead
	053766-02-000	EA	Bedding Compound - Tube White - Schnee Morehead
	053767-01-000	FT	Tape - 1/2" x 1/8" x 30' - Gray - Schnee Morehead
	053767-02-000	FT	Tape - 3/16" Bead x 25' - Gray - Schnee Morehead
	053767-03-000	FT	Tape - 1/4" Bead x 20' - Gray - Schnee Morehead
	053767-04-000	FT	Tape - 3/4" x 1/8" x 30' - Gray - Schnee Morehead
	053767-05-000	FT	Tape - 2" x 3/32" x 45' - Gray - Schnee Morehead

1978 WINNEBAGO TABLE OF CONTENTS

WDP26RB J2	A-1 - B-14
WDP26RK J2	B-15 - D-4
WDU29RB J2	D-5 - E-14

1978 WDP26RB J2 INDEX

Floor Plan	A-1 - A-2
Accessories Group	A-3 - A-4
Bath Group	A-5 - A-6
Chassis Group	A-7 - A-8
Curtain, Cushion & Pad Group	A-9 - A-12
Dinette Group	A-13
Driver's Compartment Group	A-13 - A-14
Electrical Group	A-15 - A-16
Exterior Body Group	A-17 - A-20
Galley Group	A-21
Heating & Air Conditioning Group	A-22
Interior Finish Group	A-23 - A-24
LP Group	B-1
Lounge Group	B-2
Water & Sewage Group	B-3
Window, Vent & Exterior Door Group	B-4 - B-14

A-20

GALLEY GROUP

GALLEY CABINET

Key	Part Number	U/M	Description
	054355-01-J07	EA	Cabinet Asm. - Galley - w/o Countertop, Doors, Drawers or Hardware
	054411-01-J07	EA	Countertop Asm. - Galley Cabinet - Sandstone
	054879-01-J07	EA	Extension - Galley Countertop - Sandstone
	054517-04-J07	EA	Door Asm. - Galley Cabinet - 26 3/8" x 11 5/16" - w/o Hardware
	054605-01-J07	EA	Drawer Asm. - Galley Cabinet - 5" x 13 7/8" x 20" Deep - w/o Hardware
	053640-01-J07	EA	Cabinet Asm. - Galley Overhead - w/o Door or Hardware
	054517-02-J07	EA	Door Asm. - Galley Overhead Cabinet - 9 1/2" x 32 1/8" - w/ Hardware
	053678-02-J07	EA	Cabinet Asm. - Microwave - w/o Door or Hardware
	053989-02-J07	EA	Door Asm. - Microwave Cabinet - 11 3/8" x 15 1/4" - w/o Hardware
	053424-01-J07	EA	Sink Cover - Large - Sandstone

GALLEY HARDWARE AND APPLIANCES

Key	Part Number	U/M	Description
	011032-01-000	EA	Sink - Stainless Steel - Double w/Bolts
**	011053-01-000	EA	Faucet - 8" - Swing Spout - U.S.
**	011053-02-000	EA	Faucet - 8" - Swing Spout - C.S.A.
	011085-01-000	EA	Strainer - Sink
	009049-01-000	EA	Support - Galley Countertop Extension
	009050-01-000	EA	Hinge - 2" - Gold
**	046954-03-000	EA	Hood - Range - w/Black Face - U.S.
	046954-04-000	EA	Hood - Range - w/Black Face - C.S.A.
	052771-01-000	EA	Oven - Microwave - Magic Chef MW207
**	049045-01-000	EA	Range - 4 Burner - Large Oven - Chrome - Magic Chef BT22G
**	049174-02-000	EA	Refrigerator - AC/DC/Gas - 2 Door Model - Sibir ET230/2

**The illustrated parts breakdown for this item is provided on the Common Items Fiche.

HEATING AND AIR CONDITIONING GROUP

Key	Part Number	U/M	Description
	039044-01-000	EA	Louver Asm. - A/C Adjustable
	047046-01-000	EA	Motor - 12 Volt - 3 Speed - Heater - Air Conditioner
	031043-01-000	EA	Valve - Heater - Water Flow Control
	031199-01-000	EA	Cable - Control - Flexible - 53"
	031169-02-000	EA	Cable - Control - Flexible - 48"
	031170-01-000	EA	Clamp - Cable - 3/16" Dia.
	024996-01-000	EA	Clutch - Magnotic - Compressor
	024999-01-000	EA	Compressor - Auto Air - 10.3 Cubic Inch
	033295-01-000	EA	Compressor Mount Package - 440
	048721-01-000	EA	Compressor Mount Package - 360
	031394-01-000	EA	Condenser - Radiator Mount
	008267-01-000	EA	Switch - Air Conditioner
	024867-01-000	EA	Valve - Thermostatic Expansion
	024997-01-000	EA	Core - Heater
	024998-01-000	EA	Wheel - Blower - 4.72" O.D.
	031001-01-000	EA	Blower Housing
	031393-01-000	EA	Coil - Evaporator
	009198-01-000	FT	Duct - Flexible - 4" I.D. x 25'
	009200-01-000	EA	Tape - Furnace - 1 1/2"
	023146-01-000	EA	Clamp - Screw Type - 4"
	024985-01-000	EA	Heat Register - w/Damper - 9.9" x 4.6"
	042152-01-000	EA	Bonnet - Heat Register - 4.5" x 8.44"
	009175-01-000	EA	Heat Register - Steel - 11.5" x 3.7" Brown
	031604-01-000	EA	Bonnet - Heat Register - 4.38" x 8.43"
	007139-01-000	EA	Clamp - Worm Drive - .09" - 1.25" I.D.
	007140-01-000	EA	Clamp - Hose - 2" - 3" Dia.
	007076-01-000	FT	Hose - Flexible - PVC 2" I.D.
	007108-01-000	FT	Hose - Heater - 5/8" I.D. SAE 20R3
	007281-01-000	FT	Hose - Flexible - PVC 2 1/2" I.D.
	034222-02-000	EA	Hose - Refrigerant - .31" I.D. x 32"
	033258-01-000	EA	Hose - Refrigerant - .50" I.D. x 34.50"
	034222-01-000	EA	Hose - Refrigerant - .31" I.D. x 26"
	031960-01-000	EA	Hose - Refrigerant - .34" I.D. x 30"
	031961-01-000	EA	Hose - Refrigerant - .31" I.D. x 14.75"
	024868-01-000	EA	Receiver - Dehydrator
	031044-01-000	EA	Clamp - Receiver Dehydrator
	031862-01-000	EA	Bracket - Receiver Dehydrator
	031876-01-000	EA	Belt - Drive - .50" x 54" - 360 C.I.D. or 440 C.I.D.
	048228-02-000	EA	Kit - Auto Air - 360 C.I.D. A Body - Winnebago Heater
	048229-02-000	EA	Kit - Auto Air - 440 C.I.D. A Body - Winnebago Heater
**	049042-01-000	EA	Furnace - 22,000 BTU - Under Counter - Coleman 4322-729
**	056113-01-000	EA	Furnace - 22,000 BTU - Under Counter - Coleman - 4322-749
**	049777-02-000	EA	Air Conditioner - 110 Volt - Roof Mount - 11,000 BTU - Ivory Coleman (w/o inside shroud)
**	049778-02-000	EA	Shroud Asm. - Ceiling - Inside - Roof Air - Cool Only - 11,000 BTU - Coleman
**	049774-02-000	EA	Air Conditioner - 110 Volt - Roof Mount - 13,500 BTU - Ivory - Coleman (w/o inside shroud)
**	049775-02-000	EA	Shroud Asm. - Ceiling - Inside - Roof Air - Cool Only - 13,500 BTU - Coleman
**	049776-01-000	EA	Shroud Asm. - Ceiling - Inside - Roof Air - Heat and Cool - 13,500 BTU - Coleman

**The illustrated parts breakdown for this item is provided on the Common Items Fiche.

1978 WINNEBAGO TABLE OF CONTENTS

WDP26RB J2	A-1 - B-14
WDP26RK J2	B-15 - D-4
WDU29RB J2	D-5 - E-14

1978 WDP26RB J2 INDEX

Floor Plan	A-1 - A-2
Accessories Group	A-3 - A-4
Bath Group	A-5 - A-6
Chassis Group	A-7 - A-8
Curtain, Cushion & Pad Group	A-9 - A-12
Dinette Group	A-13
Driver's Compartment Group	A-13 - A-14
Electrical Group	A-15 - A-16
Exterior Body Group	A-17 - A-20
Galley Group	A-21
Heating & Air Conditioning Group	A-22
Interior Finish Group	A-23 - A-24
LP Group	B-1
Lounge Group	B-2
Water & Sewage Group	B-3
Window, Vent & Exterior Door Group	E-4 - B-14

INTERIOR FINISH GROUP

PANELING AND COUNTERTOP MATERIALS

Key	Part Number	U/M	Description
	045963-01-000	SF	Paneling - Buff - Ceiling - 48" x 96" (32 SF)
	039188-01-000	SF	Paneling - 707 Hickory - 48" x 96" (32 SF)
	053330-01-000	SF	Paneling - Grass Cloth - 48" x 88"
	041205-10-000	SF	Plastic Laminate - Country Elm - 48" x 96" (32 SF)
	041205-10-001	EA	Plastic Laminate - Country Elm - 48" x 48"
	041205-10-002	EA	Plastic Laminate - Country Elm - 1.19" x 96"
	051906-01-000	SF	Plastic Laminate - Sandstone - 48" x 96" (32 SF)

INTERIOR MOLDINGS AND TRIMS

Key	Part Number	U/M	Description
	022756-01-000	EA	Cover - Air Conditioner Wire - Plastic
	024700-04-000	EA	Cover - Sidewall Roll Bar - 707 Hickory
	024700-06-000	EA	Cover - Sidewall Roll Bar - Ivory
	034113-03-000	EA	Cover - Corner Support Bar - Dark Brown
	039512-02-000	EA	Cover - Hat - Section - 707 Hickory
	039512-06-000	EA	Cover - Hat - Section - Ivory
	047488-01-000	EA	Cover - Corner Hat/Hat
	047489-01-000	EA	Cover - Corner Tube/Tube
	009778-01-000	FT	U-Channel - 1" - Dark Brown Plastic
	009777-01-000	FT	U-Channel - 3/4" - Dark Brown Plastic
	009815-02-000	FT	T Molding - 3/4" Brown
	009812-03-000	FT	Molding - Plastic Corner - O/S .50"
	009767-01-000	FT	Welting - Brown
	009779-01-000	FT	U-Channel - 1 1/8" - Dark Brown
	009809-03-000	FT	Molding - Plastic Corner - O/S 1"
	034394-02-000	FT	Extr. - Vinyl - Insert Beige
	034689-03-000	EA	Cover - Screw - PPH 10 - Ivory - Bathroom
	042356-01-000	EA	Plug - Button - Mahogany 3/8" Dia.
	009781-01-000	FT	Corner - Outside - .62" x .62" - Dark Brown Plastic
	047534-01-000	EA	Batt Strip - 825 Buff
	000726-06-000	EA	Batt Strip - 707 Hickory

FABRICS AND CARPETS

Key	Part Number	U/M	Description
	052352-01-000	YD	Fabric - Upholstery - Green (Shadow)
	052352-02-000	YD	Fabric - Upholstery - Gold (Meadow Gold)
	052352-03-000	YD	Fabric - Upholstery - Rust (Russet)
	042411-01-000	YD	Vinyl - Nonexpanded - 27 Ounce - Bostonian Brown Berkshire
	042411-02-000	YD	Vinyl - Expanded - 28 Ounce - Bostonian Brown Berkshire
	042411-03-000	YD	Vinyl - Nonsupported - 16 Gauge - Brown
	042414-01-000	FT	Trim - Accent - Bostonian Brown Vinyl
	052351-01-000	SY	Carpet - Fashion Place - Green (Shadow)
	052351-02-000	SY	Carpet - Fashion Place - Gold (Meadow Gold)
	052351-03-000	SY	Carpet - Fashion Place - Rust (Russet)

INTERIOR FINISH GROUP (CONTINUED)

CABINETS AND TABLE HARDWARE

Key	Part Number	U/M	Description
	009068-01-000	EA	Hinge - Continuous Steel - 1 1/2" x 72"
	009151-01-000	EA	Warp Guard - 48"
	009124-01-000	EA	Lock - Door - Push Button Brass (Bath Door)
	009112-01-000	EA	Flange - 1" Rod - Chrome
	052932-01-J07	EA	Kit - Cabinet Door Hinge
	052929-01-J07	EA	Kit - Cabinet Door - Latch
**	052426-01-000	EA	Kit - Drawer Pull - Villa Deste
	009047-01-000	EA	Hold Open - Overhead Door
	009089-01-000	EA	Clip - Mirror - Plastic w/Screw
**	047842-01-000	EA	Kit - Dinette Table Leg
**	047809-01-000	EA	Kit - Dinette Table Hardware - Wall Mount
	007021-01-000	EA	Belt Asm. - Seat - 2" x 90" Black
	041322-01-000	EA	Washer - Flat - 15/32" I.D. x 2 3/8" O.D. (Seat Belt)
	041838-01-000	EA	Screw - 5 x 5/8" POH - Antique Brass
	037688-01-000	FT	Rail - Drawer Glide
	047744-01-000	EA	Kit - Drawer Glide

**The illustrated parts breakdown for this item is provided on the Common Items Fiche.

CURTAIN HARDWARE

Key	Part Number	U/M	Description
	052327-04-236	EA	Track - Curtain - Brown Alum. - 89" w/Holes
	053272-04-200	EA	Track - Curtain - Off White Alum. - 89" w/Holes
	056001-01-000	EA	Bracket - Shade - Left
	056002-01-000	EA	Bracket - Shade - Right
	056289-01-000	EA	Track - Wraparound Curtain - Right
	056289-02-000	EA	Track - Wraparound Curtain - Left
	009107-01-000	EA	Guide - Nylon Snap - Curtain
	018031-42-000	EA	Track - Curtain - "L" Rod - Alum. Extr. - 90"
	009701-01-000	EA	Carrier - "L" Rod - Curtain
	009702-01-000	EA	End Stop - "L" Rod - Curtain

MISCELLANEOUS PARTS

Key	Part Number	U/M	Description
	053552-01-J07	EA	Handle - Interior Assist
	041944-01-700	EA	Extinguisher - Fire - Dry Chemical w/Bracket
	007038-01-000	EA	Mat - Door - Black Rubber - 10 1/2" x 26"
	054185-01-000	EA	Owners Manual - Winnebago - 1978
	006113-01-000	EA	Jack - Hydraulic - w/Handle - 5 Ton
	053424-01-J07	EA	Cover Asm. - Sink - Large - Sandstone

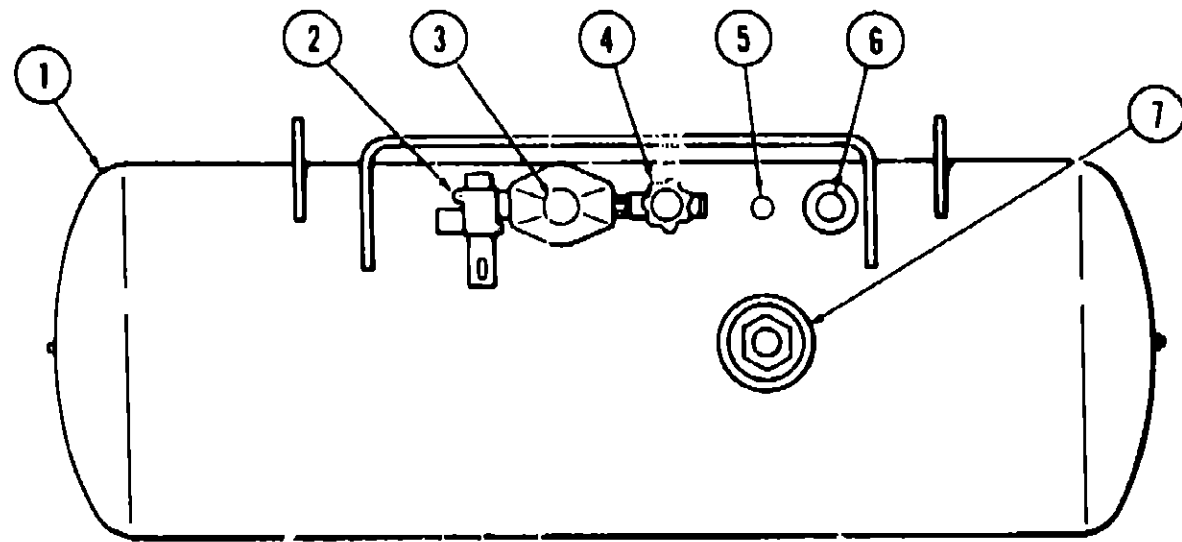
1978 WINNEBAGO TABLE OF CONTENTS

WDP26RB J2	A-1 - B-14
WDP26RK J2	B-15 - D-4
WDU29RB J2	D-5 - E-14

1978 WDP26RB J2 INDEX

Floor Plan	A-1 - A-2
Accessories Group	A-3 - A-4
Bath Group	A-5 - A-6
Chassis Group	A-7 - A-8
Curtain, Cushion & Pad Group	A-9 - A-12
Dinette Group	A-13
Driver's Compartment Group	A-13 - A-14
Electrical Group	A-15 - A-16
Exterior Body Group	A-17 - A-20
Galley Group	A-21
Heating & Air Conditioning Group	A-22
Interior Finish Group	A-23 - A-24
LP Group	B-1
Lounge Group	B-2
Water & Sewage Group	B-3
Window, Vent & Exterior Door Group	B-4 - B-14

LP GROUP



Key	Part Number	U/M	Description
1	040421-01-000	EA	Tank - LP - Frame Mount - 83 Pound
2	047221-01-000	EA	Detector - LP Gas Leak
3	024712-01-000	EA	Cover - LP Regulator
•	052163-01-000	EA	Regulator - Manual - LP Gas - 2 Stage
4	040421-01-703	EA	Valve - Vapor Relief
5	040421-01-700	EA	Gauge - Liquid Level - 20% LP
6	040421-01-701	EA	Valve - Filler - LP
•	040421-01-702	EA	Cap - Plastic Fill Valve
7	040421-01-707	EA	Gauge - Float w/Visible Dial
•	040421-01-704	EA	Gauge - Float w/Electrical Transmitter Dial
•	040421-01-706	EA	Dial - Visible Face
•	040421-01-705	EA	Dial - Transmitter - 0 - 90 Ohm
•	045703-03-000	EA	Hose Asm. - LP - 3/8" I.D. x 14"
•	047737-02-000	EA	Support - LP - 8 3/8"
•	047737-03-000	EA	Support - LP Tank - 30.50"

Not Illustrated

LOUNGE GROUP

Key	Part Number	U/M	Description
	054381-01-J07	EA	Cabinet Asm. - Gaucho - Left - w/o Door or Hardware
	054476-01-J07	EA	Cabinet Asm. - Gaucho - Right - w/o Door or Hardware
	054517-05-J07	EA	Door Asm. - Right Gaucho Cabinet - 10 3/8" x 16" - w/o Hardware
	053944-01-J10	EA	Door Asm. - Furnace Grille - 15 5/8" x 13 1/4" - w/Insert w/o Hardware
	047205-08-000	EA	Mesh - Furnace Grille - 10 1/8" x 12 1/2"
	039873-01-000	EA	Catch Asm. - Nylon w/Strike
	054399-01-J07	EA	Cabinet Asm. - Gaucho Overhead - Right - w/o Doors or Hardware
	054508-01-J07	EA	Cabinet Asm. - Gaucho Overhead - Left - w/o Doors or Hardware
	054517-01-J07	EA	Door Asm. - Gaucho Overhead Cabinet - 9 1/2" x 26 1/2" - w/o Hardware
	007021-01-000	EA	Seat Belt Asm. - 2" x 90" - Black
	041322-01-000	EA	Washer - Flat - 15/32" I.D. x 2 3/8" O.D.

1978 WINNEBAGO TABLE OF CONTENTS

WDP26RB J2	A-1 - B-14
WDP26RK J2	B-15 - D-4
WDU29RB J2	D-5 - E-14

1978 WDP26RB J2 INDEX

Floor Plan	A-1 - A-2
Accessories Group	A-3 - A-4
Bath Group	A-5 - A-6
Chassis Group	A-7 - A-8
Curtain, Cushion & Pad Group	A-9 - A-12
Dinette Group	A-13
Driver's Compartment Group	A-13 - A-14
Electrical Group	A-15 - A-16
Exterior Body Group	A-17 - A-20
Galley Group	A-21
Heating & Air Conditioning Group	A-22
Interior Finish Group	A-23 - A-24
LP Group	B-1
Lounge Group	B-2
Water & Sewage Group	B-3
Window, Vent & Exterior Door Group	B-4 - B-14

WATER AND SEWAGE GROUP

PLUMBING REPAIR PARTS

Key	Part Number	U/M	Description
**	040539-01-000	EA	Kit - Repair - 3/8" O.D. Plastic Tube
**	040540-01-000	EA	Kit - Repair - 1/2" O.D. Plastic Tube
**	040541-01-000	EA	Kit - Repair - 5/8" O.D. Plastic Tube
**	041279-02-000	EA	Pump - Water Flow 2.8 G.P.M. - PAR
**	039647-02-000	EA	Filter - Water Pump 1/2" MPT
**	039809-01-000	EA	Valve - Stool - Plastic 3/8" x 1/2" F.P.T.
**	039818-01-000	EA	Riser Asm. - 3/8" O.D. x 24" Tube
**	039818-02-000	EA	Riser Asm. - 3/8" O.D. x 36" Tube
**	039818-04-000	EA	Riser Asm. - 3/8" O.D. x 72" Tube
**	041819-01-000	EA	Nut and Cone - Plastic 1/2" O.D. Tube
**	039807-01-000	EA	Valve - Drain - Brass - 1/2" MPT
**	004020-01-000	QT	Adhesive - ABS Cement
**	010201-01-000	EA	Hose - Sewer 3" x 10 FT w/Clamp
**	010235-01-000	EA	Cap - Sewage 3"
**	010236-01-000	EA	Adapter - Hose 3" Sewage
**	010234-01-000	EA	Adapter - Bayonet
**	011091-01-000	EA	Waste - Continuous - Double Sink 11 7/8"
**	011066-01-000	EA	P-Trap - Plastic - 1 1/4"
**	010205-01-000	EA	Valve - Sanitary - Thetford 3 x B
**	010210-01-000	EA	Valve - Sanitary - Thetford 3HB
**	010133-01-000	EA	Adapter - Trap - Plastic 1 1/2" H x MPT
**	010071-01-000	EA	Tee - Plastic - 1 1/2" H x H x H
**	010079-01-000	EA	Tee - Plastic - 1 1/2" H x 1 1/2" H x 1 1/4" H
**	010091-01-000	EA	Wye - Plastic - 3" x 45 H x H x H
**	010117-01-000	EA	Coupling - Plastic - 3" H x H
**	010134-01-000	EA	Adapter - Plastic - 1 1/2" M x MPT
**	050780-01-000	EA	Coupler - Rubber - 3" x 3"
**	046524-01-000	EA	Kit - Plastic Fittings - Holding Tank
**	046524-02-000	EA	Kit - Plastic Fittings - Water Tank
**	010209-05-000	EA	Handle - Extension - Sewer Valve - 36"
**	037845-01-000	FT	Tape - Butyl - 3/16" - Bead - Black
**	010121-01-000	EA	Bushing - Plastic - 1 1/2 S x 1 1/4 H
**	010147-01-000	EA	Ring - Closet - Plastic - 4F x 3FPT
**	031126-01-000	EA	Elbow - Plastic - 1/4 BD 3 x 90 x LT
**	052960-01-000	EA	Drain Valve - Inline - 1/2 F x 1/2 F

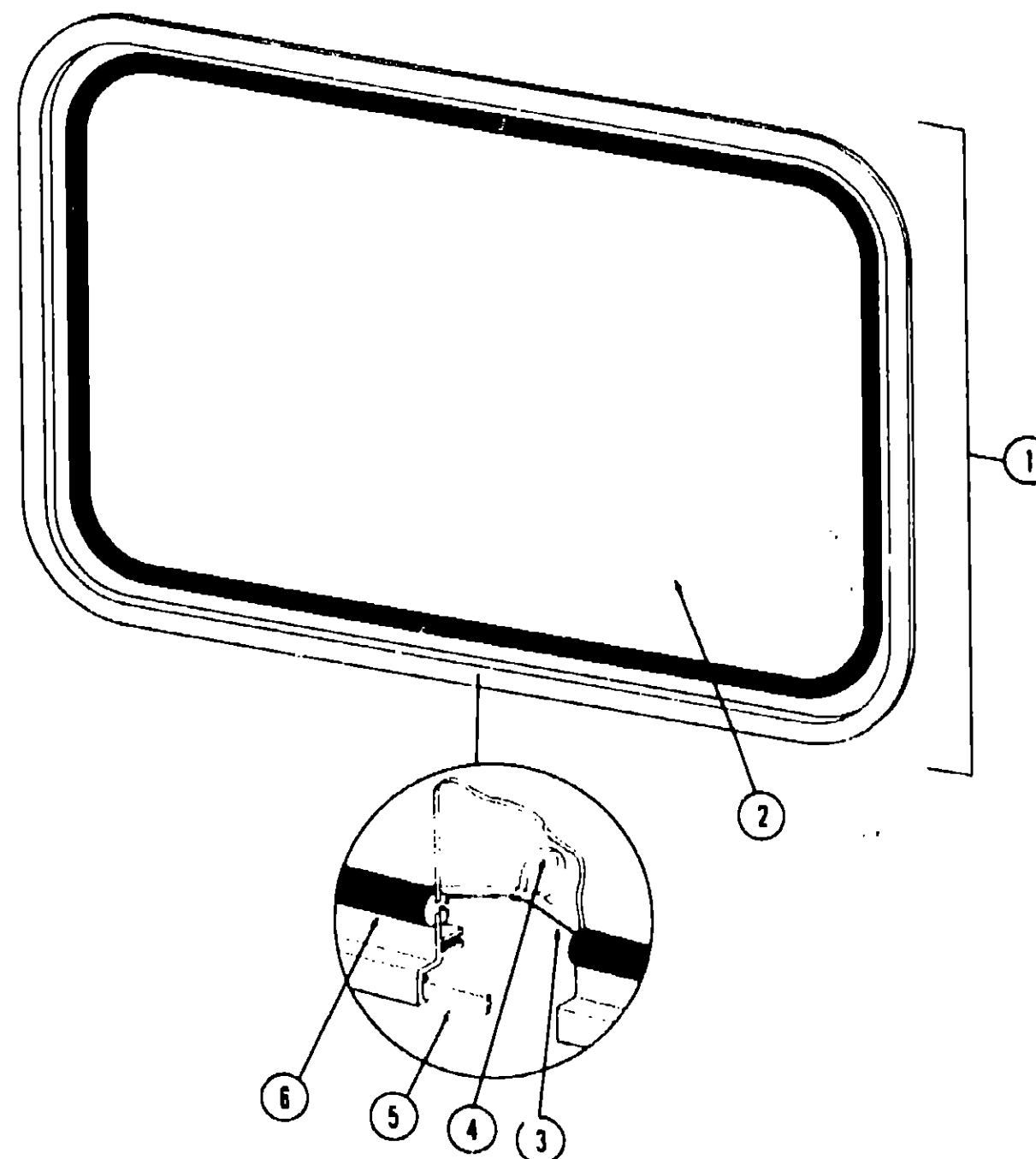
** The illustrated parts breakdown for this item is provided on the Common Items Fiche.

WATER HEATER AND HOLDING TANKS

Key	Part Number	U/M	Description
**	042132-05-000	EA	Tank Asm - Water - 58 Gallon - w/Fittings
**	042132-01-000	EA	Tank Asm - Water - 58 Gallon - w/o Fittings
**	041625-03-000	EA	Tank Asm - Holding - 56 Gallon - w/Fittings
**	041625-01-000	EA	Tank Asm - Holding - 56 Gallon - w/o Fittings
**	041627-03-000	EA	Tank Asm - Holding - 17 Gallon - w/Fittings
**	041627-01-000	EA	Tank Asm - Holding - 17 Gallon - w/o Fittings
**	051391-01-000	EA	Water Heater - 6 Gallon - w/o Motor Aid - Atwood - G6A3

** The illustrated parts breakdown for this item is provided on the Common Items Fiche.

WINDOW, VENT AND EXTERIOR DOOR GROUP



Key	Part Number	U/M	Description
1	042959-01-000	EA	Window Asm. - Rear Escape - 23" x 36" - Black Anod. (w/o inside frame)
2	041392-01-000	EA	Glass - 1/8" x 19.61" x 33.25"
3	002285-01-000	FT	Filler - Weatherstrip - Black
4	020395-01-000	EA	Slip - Pull Ring - Escape Window
5	004363-01-000	FT	Tape - Foam - 3/16" x 1/2" - Gray
6	002282-01-000	FT	Weatherstrip - 125" Black
*	042027-01-000	EA	Frame - Inside - Escape Window - 23" x 36" (not included in assembly)
*	008199-01-000	EA	Label - Exit - Escape Window
*			Not Illustrated

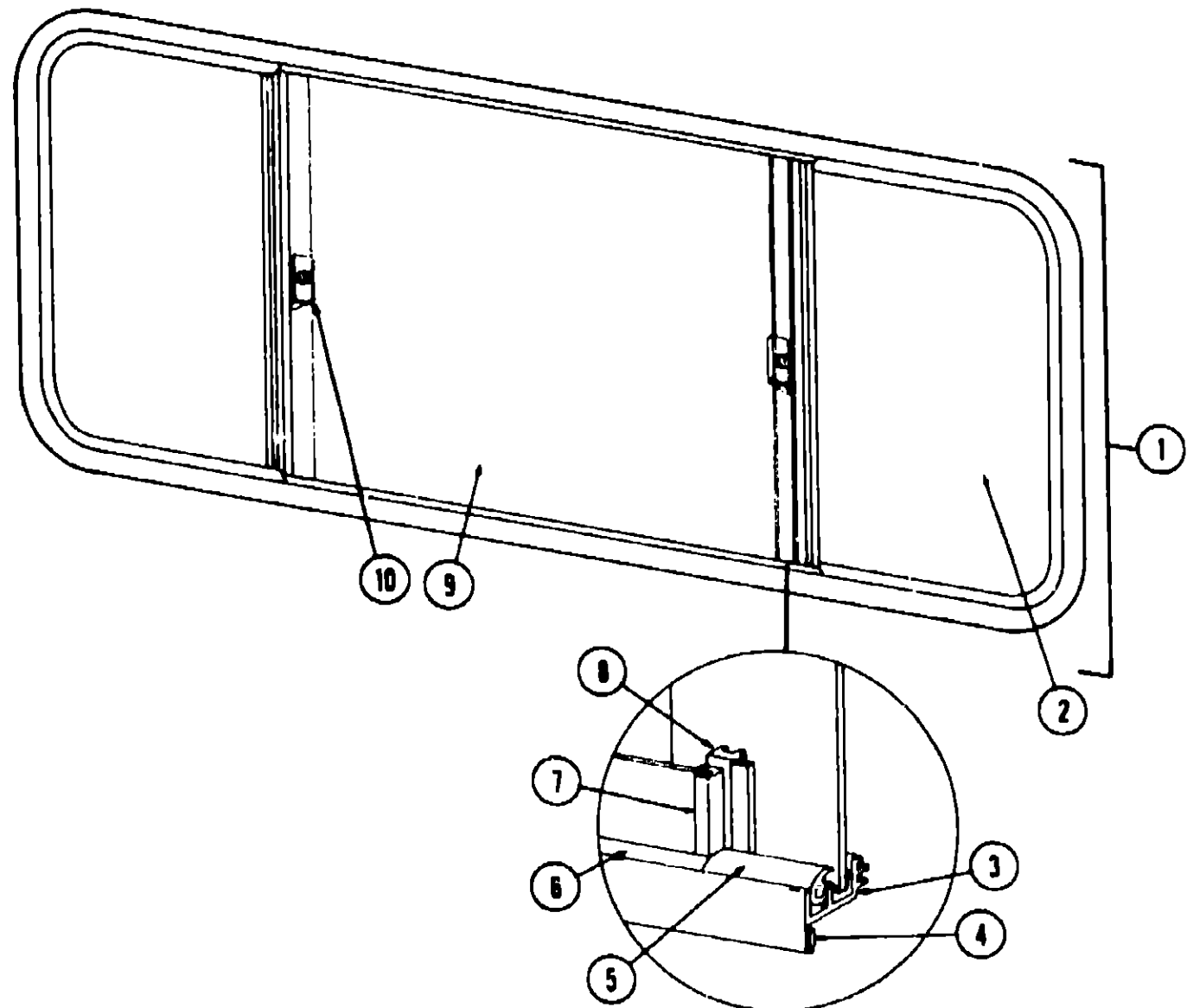
1978 WINNEBAGO TABLE OF CONTENTS

WDP26RB J2	A-1 - B-14
WDP26RK J2	B-15 - D-4
WDU29RB J2	D-5 - E-14

1978 WDP26RB J2 INDEX

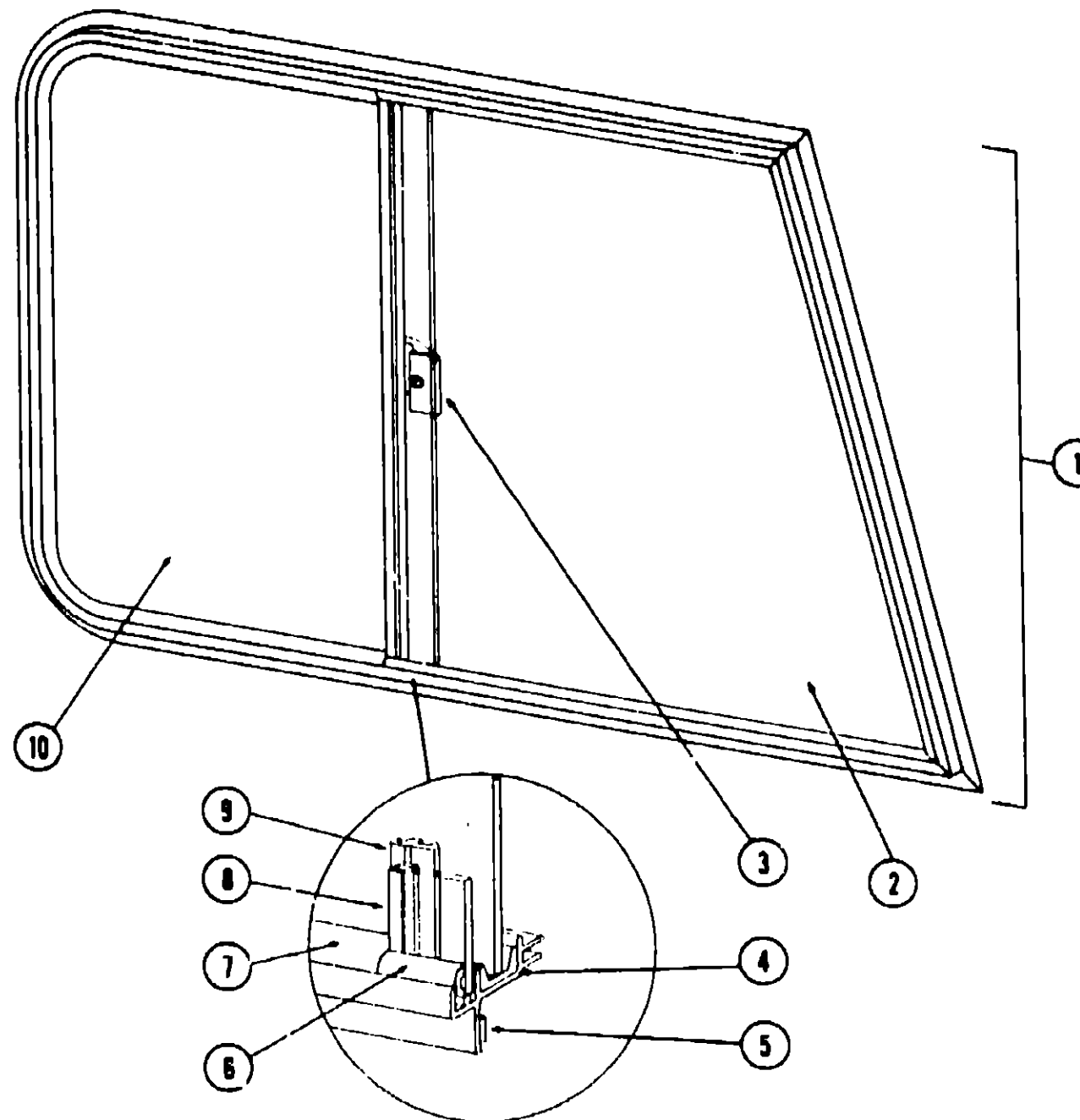
Floor Plan	A-1 - A-2
Accessories Group	A-3 - A-4
Bath Group	A-5 - A-6
Chassis Group	A-7 - A-8
Curtain, Cushion & Pad Group	A-9 - A-12
Dinette Group	A-13
Driver's Compartment Group	A-13 - A-14
Electrical Group	A-15 - A-16
Exterior Body Group	A-17 - A-20
Galley Group	A-21
Heating & Air Conditioning Group	A-22
Interior Finish Group	A-23 - A-24
LP Group	B-1
Lounge Group	B-2
Water & Sewage Group	B-3
Window, Vent & Exterior Door Group	B-4 - B-14

WINDOW, VENT AND EXTERIOR DOOR GROUP (CONTINUED)



Key	Part Number	U/M	Description
1	048630-02-000	EA	Window Asm. - Double Slider - 23" x 56" - Black Anod. (w/o inside frame)
2	047816-01-000	EA	Glass - 1/8" x 22" x 16.53" - Sliding (2 per window)
3	002324-01-000	FT	Channel - Weatherstrip - Glass Run - 1/8" Glass
4	004363-01-000	FT	Tape - Foam - 3/16" x 1/2" - Gray
5	024096-02-000	FT	Seal - Window Channel - Black
6	002309-02-000	FT	Spline - Glass - 1/8" - Black
7	018025-03-000	EA	Holder - Glass Seal - Black Anod.
8	041894-02-000	EA	Mullion - Slider Window - 23" Black Anod.
9	002186-01-000	EA	Glass - 1/8" x 22" x 21.03" - Stationary
10	047369-01-700	EA	Latch - Window - Plastic w/Fastener
	042133-05-000	EA	Frame - Inside - Double Slider Window (not included in assembly)
	002296-01-000	FT	Spline - Gray - .130" Dia. - (Screen)
	002293-01-000	SF	Screen - Window - 26" - Gray
	023713-02-000	EA	Cover - Weephole - Plastic - Black
			Not Illustrated

WINDOW, VENT AND EXTERIOR DOOR GROUP (CONTINUED)



Key	Part Number	U/M	Description
1	048628-03-000	EA	Window Asm. - Right Front Slant Slider - 23" x 39" - Black Anod. (w/o inside frame)
	048628-04-000	EA	Window Asm. - Left Front Slant Slider - 23" x 39" - Black Anod. (w/o inside frame)
2	041897-01-000	EA	Glass - 1/8" x 22.06" x 18.91" x 21.22" - Stationary
3	047369-01-700	EA	Latch - Window - Plastic w/Fastener
4	002324-01-000	FT	Channel - Weatherstrip - Glass Run - 1/8" Glass
5	004363-01-000	FT	Tape - Foam - 3/16" x 1/2" - Gray
6	002309-02-000	FT	Spline - Glass - 1/8" - Black
7	024096-02-000	FT	Seal - Window Channel - Black
8	018025-03-000	EA	Holder - Glass Seal - Black Anod.
9	041894-11-000	EA	Mullion - Slider Window - 23" - Black Anod.
10	047824-01-000	EA	Glass - 1/8" x 22.06" x 19.06" - Sliding
	041862-02-000	EA	Frame - Inside - Right Front Slant Slider - Window - 23" x 39" (not included in assembly)
	041862-01-000	EA	Frame - Inside - Left Front Slant Slider - Window - 23" x 39" (not included in assembly)
	023713-02-000	EA	Cover - Plastic Weephole - Black
	055164-01-000	EA	Slider Screen Asm.
			Not Illustrated

**1978 WINNEBAGO
TABLE OF CONTENTS**

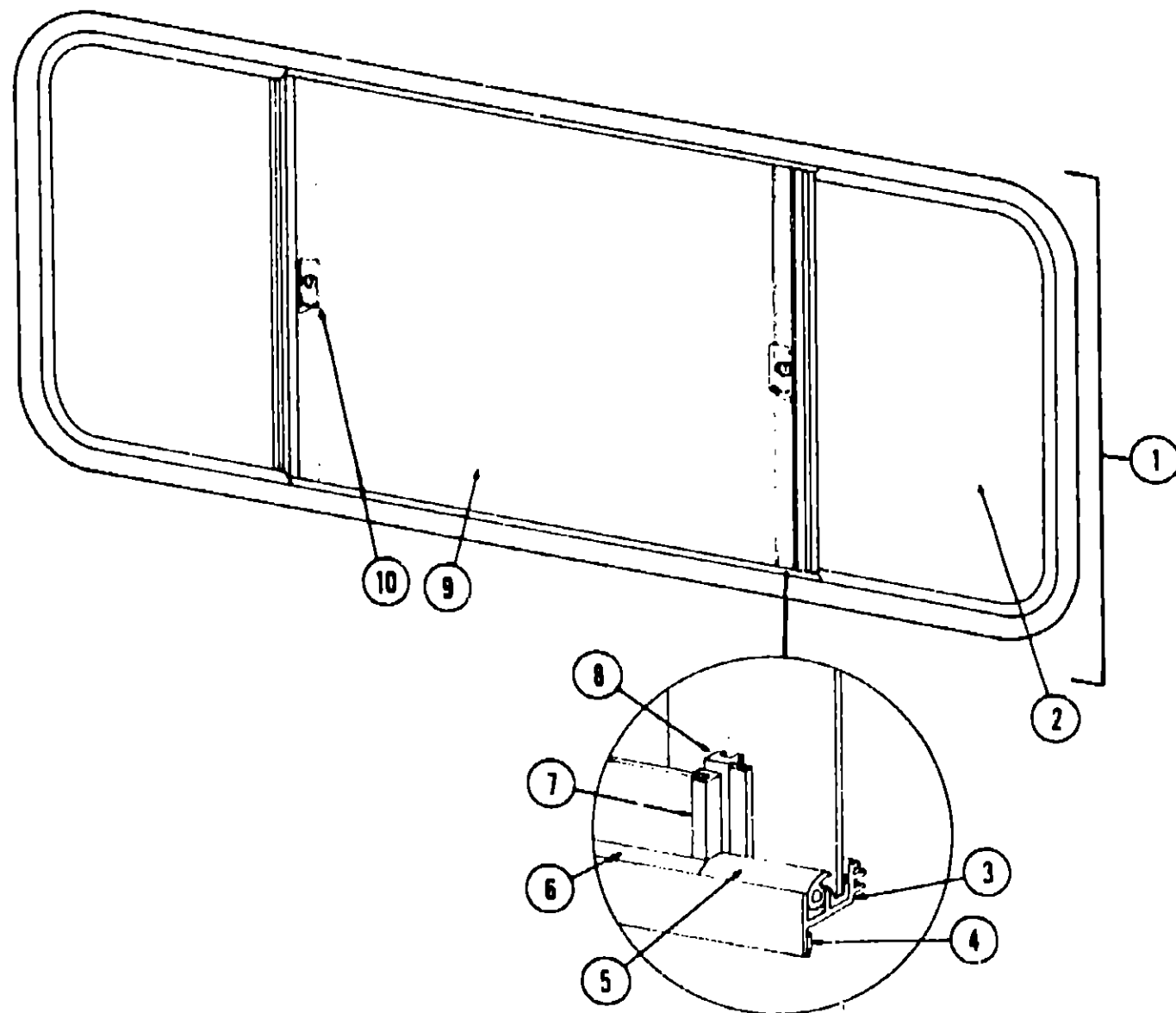
WDP26RB J2
WDP26RK J2
WDU29RB J2

A-1 - B-14
B-15 - D-4
D-5 - E-14

1978 WDP26RB J2 INDEX

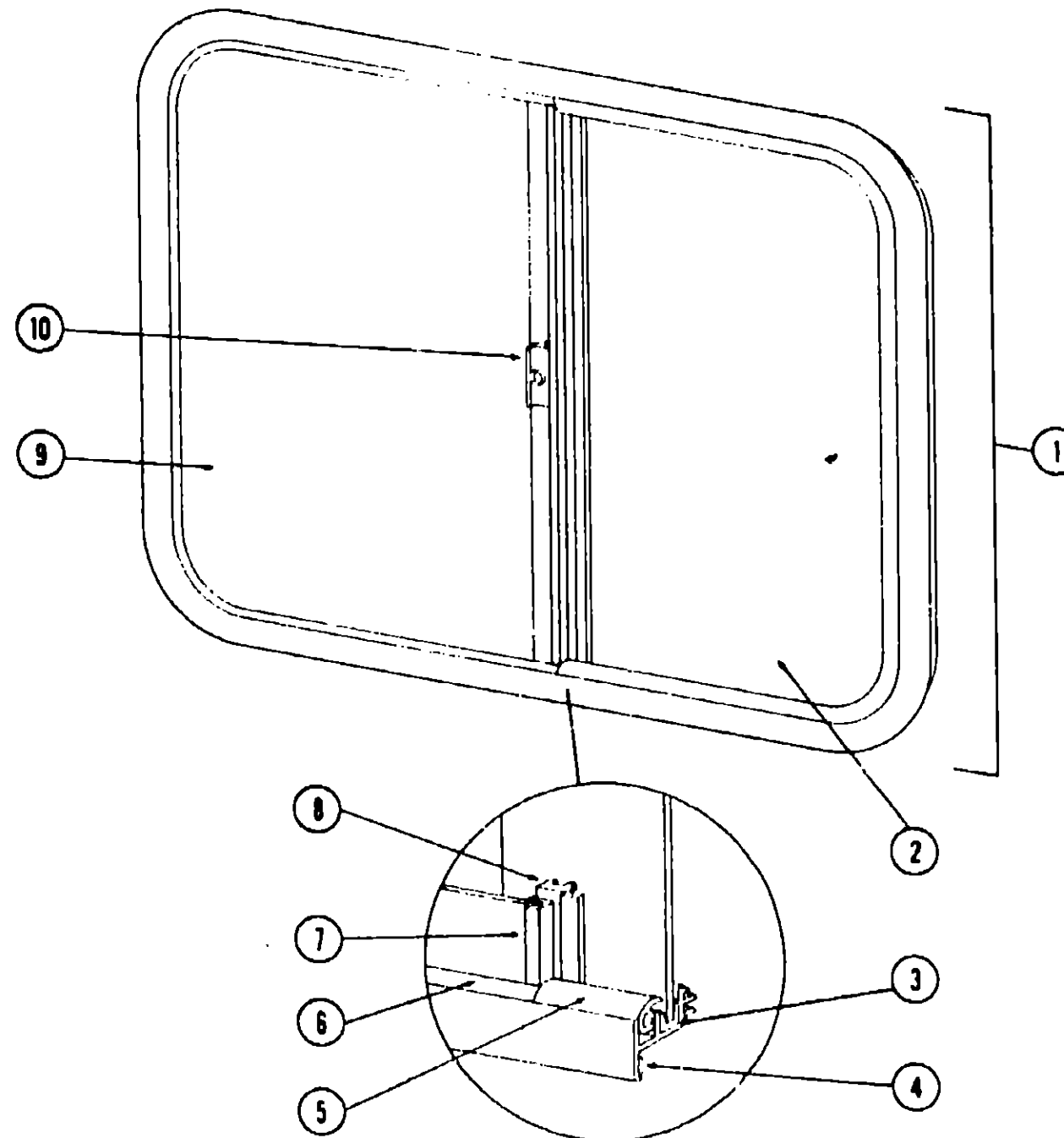
Floor Plan	A-1 - A-2
Accessories Group	A-3 - A-4
Bath Group	A-5 - A-8
Chassis Group	A-7 - A-8
Curtain, Cushion & Pad Group	A-9 - A-12
Dinette Group	A-13
Driver's Compartment Group	A-13 - A-14
Electrical Group	A-15 - A-16
Exterior Body Group	A-17 - A-20
Galley Group	A-21
Heating & Air Conditioning Group	A-22
Interior Finish Group	A-23 - A-24
LP Group	B-1
Lounge Group	B-2
Water & Sewage Group	B-3
Window, Vent & Exterior Door Group	B-4 - B-14

WINDOW, VENT AND EXTERIOR DOOR GROUP (CONTINUED)



Key	Part Number	U/M	Description
1	046630-04-000	EA	Window Asm. - Double - Slider - 23" x 65" Black Anod. (w/o inside frame)
2	047823-01-000	EA	Glass - 1/8" x 22" x 21.03" - Sliding (2 per window)
3	002324-01-000	FT	Channel - Weatherstrip - Glass Run - 1/8" Glass
4	004363-01-000	FT	Tape - Foam - 3/16" x 1/2" - Gray
5	024096-02-000	FT	Seal - Window Channel - Black
6	002309-02-000	FT	Spline - Glass - 1/8" - Black
7	018025-03-000	EA	Holder - Glass Seal - Black Anod.
8	041894-02-000	EA	Mullion - Slider Window - 23" Black Anod.
9	002188-01-000	EA	Glass - 1/8" x 22" x 21.03" - Stationary
10	047369-01-700	EA	Latch - Window - Plastic w/Fastener
*	042133-02-000	EA	Frame - Inside - Double Slider Window (not included in assembly)
*	002298-01-000	FT	Spline - Gray - .130" Dia. - (Screen)
*	002293-01-000	SF	Screen - Window - 26" - Gray
*	023713-02-000	EA	Cover - Weephole - Plastic - Black
*			Not Illustrated

WINDOW, VENT AND EXTERIOR DOOR GROUP (CONTINUED)



Key	Part Number	U/M	Description
1	048631-07-000	EA	Window Asm. - Right - Single Slider - 23" x 29" - Black Anod. (w/o inside frame)
2	047813-01-000	EA	Glass - 1/8" x 22" x 13.66" - Sliding
3	002324-01-000	FT	Channel - Weatherstrip - Glass Run - 1/8" Glass
4	004363-01-000	FT	Tape - Foam - 3/16" x 1/2" - Gray
5	024096-02-000	FT	Seal - Window Channel - Black
6	002309-02-000	FT	Spline - Glass - 1/8" - Black
7	018025-03-000	EA	Holder - Glass Seal - Anod. Black
8	041894-02-000	EA	Mullion - Slider Window - 23" - Black Anod.
9	002184-01-000	EA	Glass - Tempered Sheet - Stationary
10	047369-01-700	EA	Latch - Window - Plastic w/Fastener
*	042147-01-000	EA	Frame - Inside - Single Slider Window - Right - 23" x 29" (not included in assembly)
*	023713-02-000	EA	Cover - Plastic Weephole - Black
*	002298-01-000	FT	Spline - Gray - .130" Dia. (Screen)
*	002293-01-000	SF	Screen - Window - 26" - Gray
*			Not Illustrated

**1978 WINNEBAGO
TABLE OF CONTENTS**

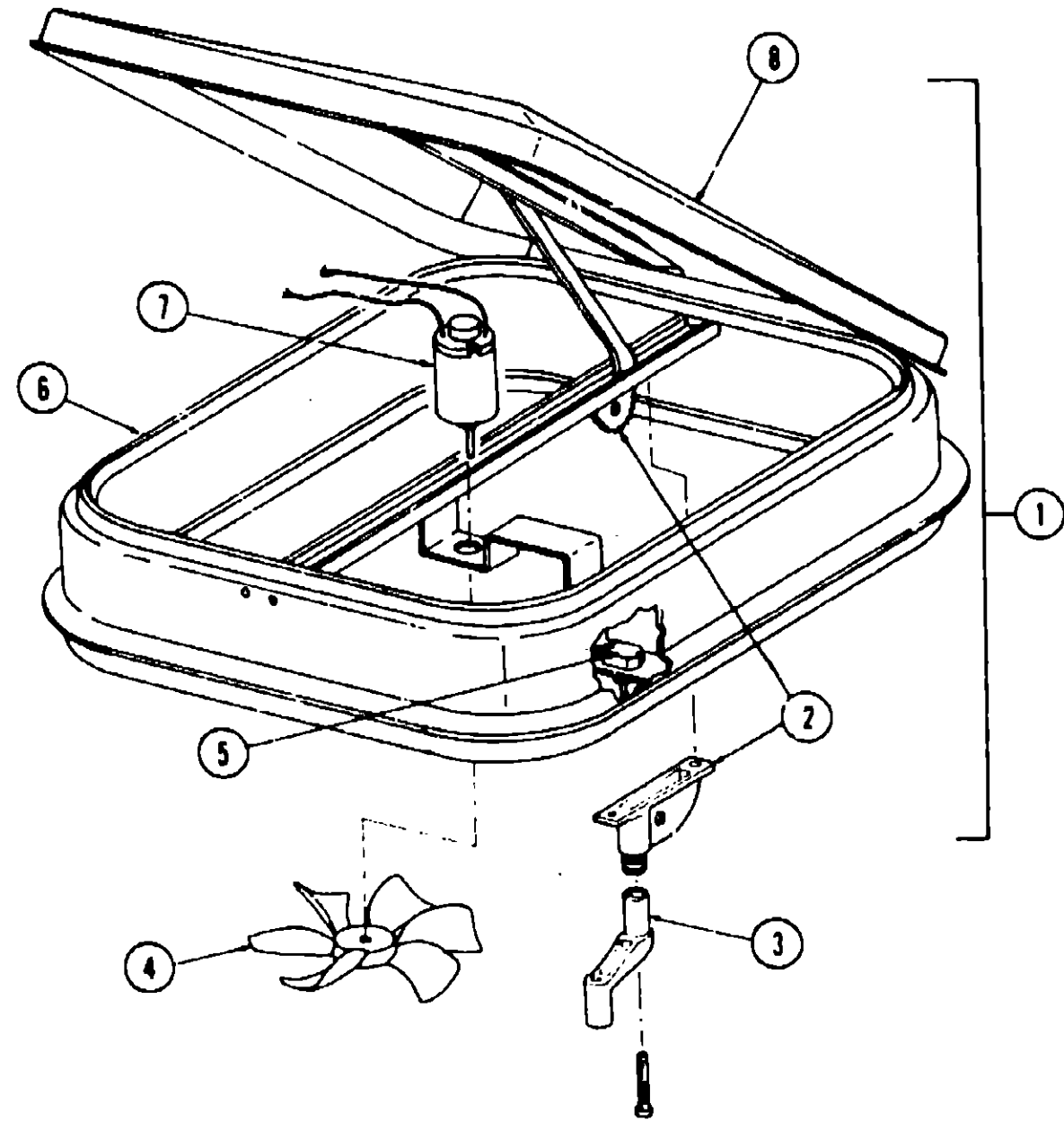
WDP26RB J2
WDP26RK J2
WDU29RB J2

A-1 - B-14
B-15 - D-4
D-5 - E-14

1978 WDP26RB J2 INDEX

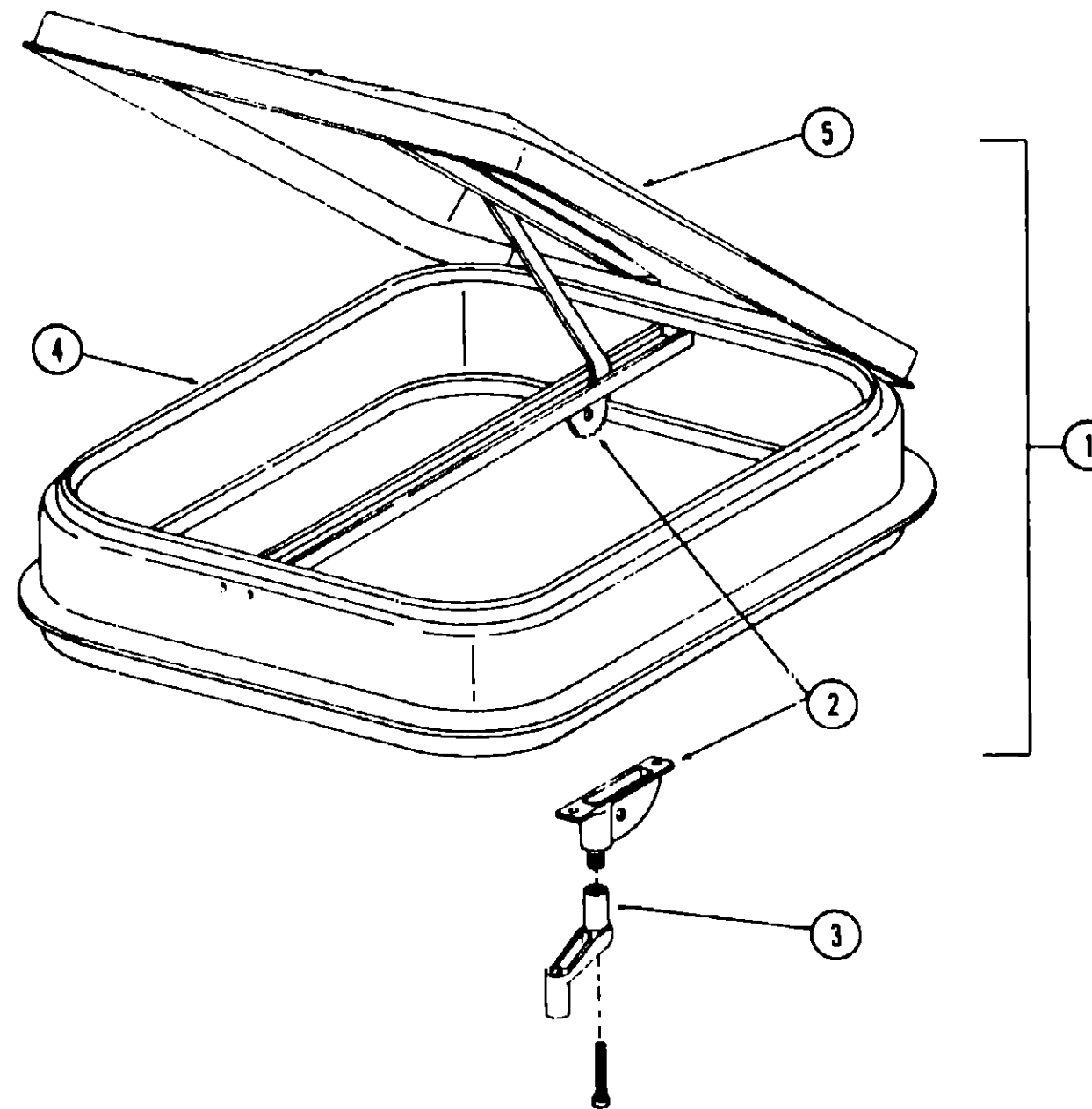
Floor Plan	A-1 - A-2
Accessories Group	A-3 - A-4
Bath Group	A-5 - A-8
Chassis Group	A-7 - A-8
Curtain, Cushion & Pad Group	A-9 - A-12
Dinette Group	A-13
Driver's Compartment Group	A-13 - A-14
Electrical Group	A-15 - A-18
Exterior Body Group	A-17 - A-20
Galley Group	A-21
Heating & Air Conditioning Group	A-22
Interior Finish Group	A-23 - A-24
LP Group	B-1
Lounge Group	B-2
Water & Sewage Group	B-3
Window, Vent & Exterior Door Group	B-4 - B-14

WINDOW, VENT AND EXTERIOR DOOR GROUP (CONTINUED)



Key	Part Number	U/M	Description
1	048789-01-000	EA	Vent Asm. - Roof - Powered - w/o Screen
2	009440-01-000	EA	Gear - Arm - Roof Vent
3	009439-01-000	EA	Crank - Roof Vent
4	048649-01-000	EA	Fan - 6" - Plastic
5	008195-01-000	EA	Switch - Push Button - 12 Volt
6	002825-01-000	FT	Weatherstrip - Roof Vent
7	048648-01-000	EA	Motor - 12 Volt
8	046825-01-000	EA	Cover - Plastic - Roof Vent
•	048695-01-000	EA	Screen Asm. - Powered Roof Vent - Clear Anod. (not included in assembly)
•	048695-03-000	EA	Screen Asm. - Powered Roof Vent - Beige (not included in assembly)
•	Not Illustrated		

WINDOW, VENT AND EXTERIOR DOOR GROUP (CONTINUED)



Key	Part Number	U/M	Description
1	048835-01-000	EA	Vent Asm. - Roof - Nonpowered - w/o Screen
2	009440-01-000	EA	Gear - Arm - Roof Vent
3	009439-01-000	EA	Crank - Roof Vent
4	002825-01-000	FT	Weatherstrip - Roof Vent
5	046825-01-000	EA	Cover - Plastic - Roof Vent
•	016335-01-000	EA	Screen Asm. - Nonpowered Roof Vent - Clear Anod. (not included in assembly)
•	016335-03-000	EA	Screen Asm. - Nonpowered Roof Vent - Beige (not included in assembly)
•	Not Illustrated		

1978 WINNEBAGO
TABLE OF CONTENTS

WDP26RB J2
WDP26RK J2
WDU29RB J2

A-1 - B-14
B-15 - D-4
D-5 - E-14

1978 WDP26RB J2 INDEX

Floor Plan	A-1 - A-2
Accessories Group	A-3 - A-4
Bath Group	A-5 - A-6
Chassis Group	A-7 - A-8
Curtain, Cushion & Pad Group	A-9 - A-12
Dinette Group	A-13
Driver's Compartment Group	A-13 - A-14
Electrical Group	A-15 - A-16
Exterior Body Group	A-17 - A-20
Galley Group	A-21
Heating & Air Conditioning Group	A-22
Interior Finish Group	A-23 - A-24
LP Group	B-1
Lounge Group	B-2
Water & Sewage Group	B-3
Window, Vent & Exterior Door Group	B-4 - B-14

WINDOW, VENT AND EXTERIOR DOOR GROUP (CONTINUED)

ACCESS DOORS

Key	Part Number	U/M	Description
	052009-02-000	EA	Door - Water Heater Access - Beige
	037804-12-000	EA	Door Asm. - Battery/LP - Beige - w/Twist Type Lock
	054271-04-000	EA	Door Asm. - Refrigerator Access - w/Twist Type Lock
	052179-04-000	EA	Door Asm. - Generator - Beige - w/Twist Type Lock
	054181-01-000	EA	Baffle - Generator Door
	037804-10-000	EA	Door Asm. - Luggage - 12" x 25.5" - Beige - w/Key Type Lock
	055041-01-000	EA	Door Asm. - Luggage - 14" x 36" - Beige w/Key Type Lock
	016945-02-000	EA	Holder Asm. - Battery and Luggage Door
	041330-03-000	EA	Door Asm. - Radius Trunk - Beige - Rear w/Bent Cam - T-Handle Lock
	009009-01-000	EA	Lock - T-Handle - Bent Cam - Rear Trunk Door
	039884-01-000	EA	Kit - Lock - Twist Type w/Cilp
	047305-01-000	EA	Kit - Lock - Key Type w/Cilp
	044210-02-000	EA	Door Asm. - Power Cord - 6" x 10" Beige Plastic w/Quarter Turn Plastic Latch
	043942-01-000	EA	Latch - Power Cord Door - Quarter Turn Plastic

VENTS

Key	Part Number	U/M	Description
	039778-01-000	EA	Cover - Plastic - Refrigerator Vent
	009407-01-000	EA	Frame - Base - Refrigerator Vent (w/o Cover)
	049352-02-000	EA	Vent - Stovehood - Outside - Beige (Jenson)

WINDSHIELD

Key	Part Number	U/M	Description
	034975-04-000	EA	Glass - Windshield - 1/4" x 22.12" x 45.45" - Right or Left
	036764-03-200	EA	Extr. - Windshield Trim - Anod. - Black - 22.38"
	042744-03-000	EA	Frame Asm. - Windshield w/o Glass
	038886-01-000	EA	Tape - Butyl - .31" x .31" x 148"
	043982-01-000	EA	Trim - Windshield

1978 WINNEBAGO TABLE OF CONTENTS

WDP26RB J2	A-1 - B-14
WDP26RK J2	B-15 - D-4
WDU29RB J2	D-5 - E-14

1978 WDP26RB J2 INDEX

Floor Plan	A-1 - A-2
Accessories Group	A-3 - A-4
Bath Group	A-5 - A-6
Chassis Group	A-7 - A-8
Curtain, Cushion & Pad Group	A-9 - A-12
Dinette Group	A-13
Driver's Compartment Group	A-13 - A-14
Electrical Group	A-15 - A-16
Exterior Body Group	A-17 - A-20
Galley Group	A-21
Heating & Air Conditioning Group	A-22
Interior Finish Group	A-23 - A-24
LP Group	B-1
Lounge Group	B-2
Water & Sewage Group	B-3
Window, Vent & Exterior Door Group	B-4 - B-14