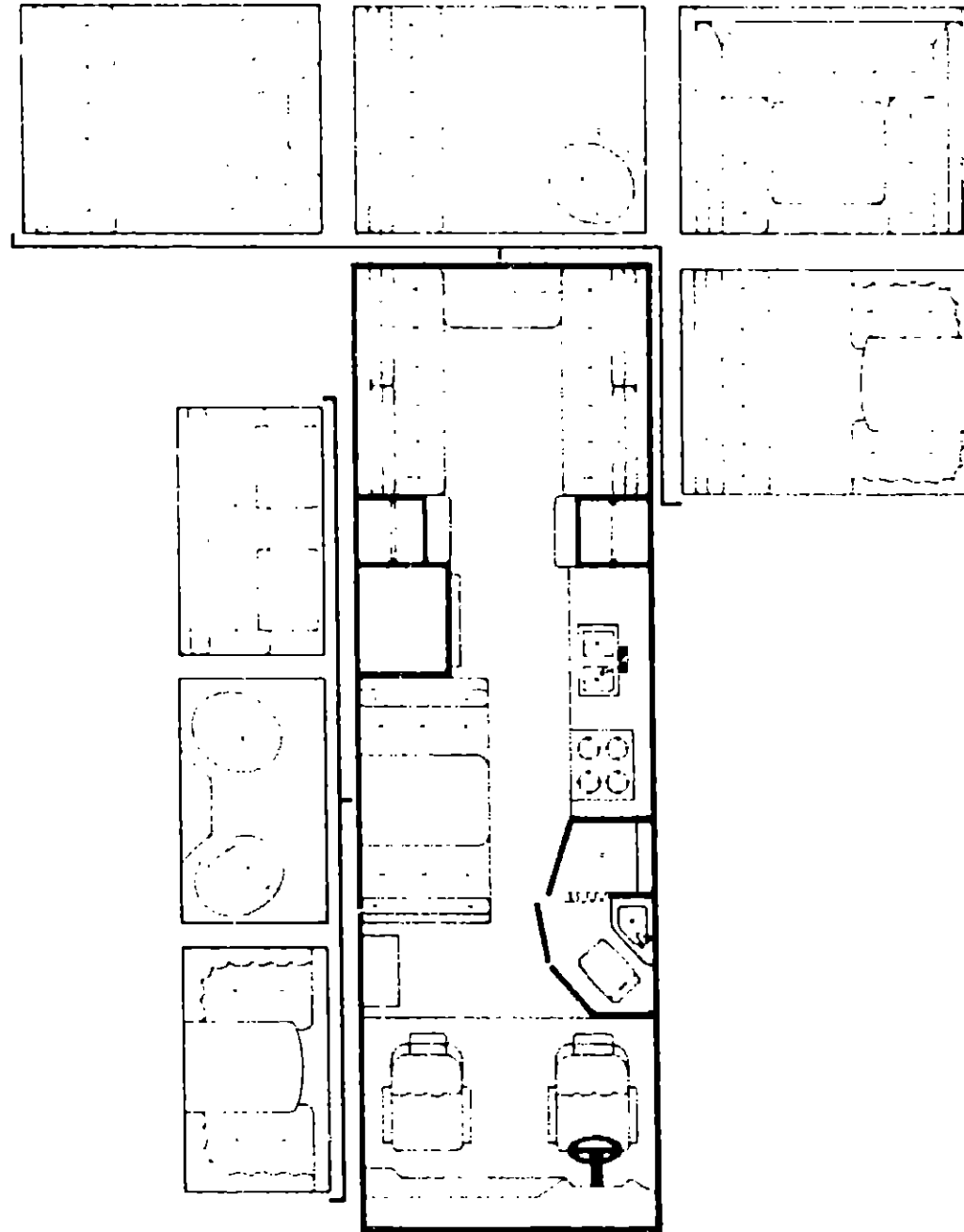


1978 WDF26RT



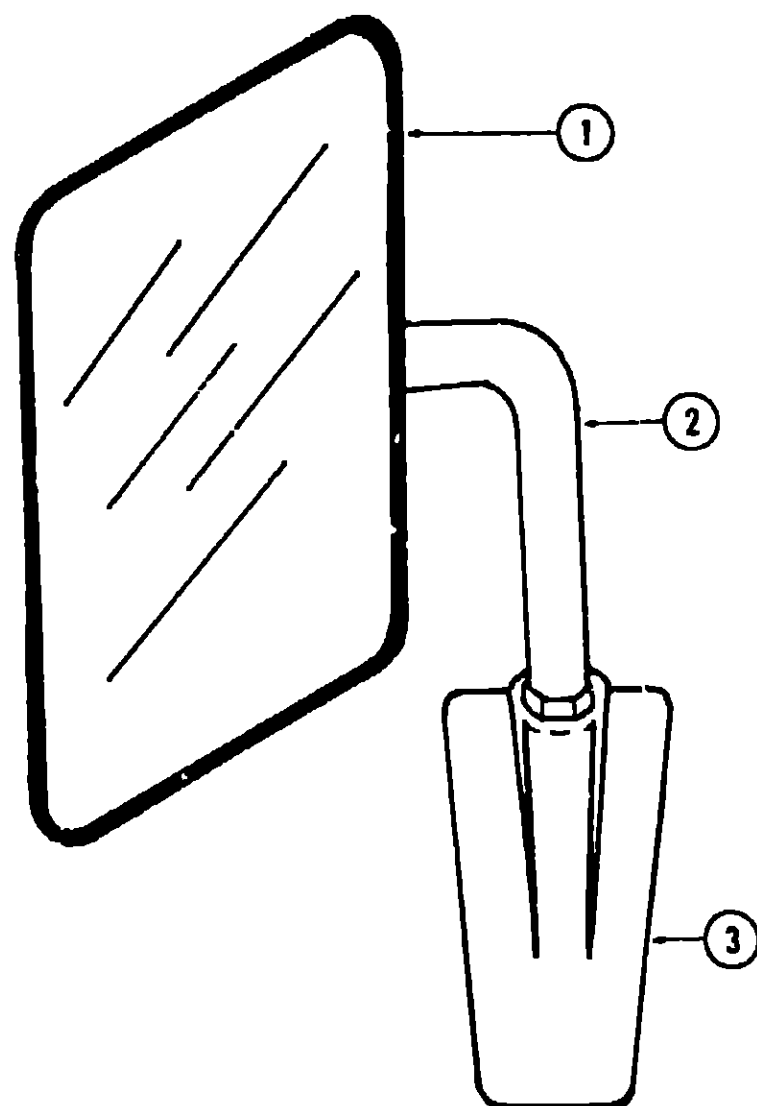
1978 WINNEBAGO TABLE OF CONTENTS

WD420RG	A-1 - B-12
WD423RB	B-13 - D-2
WC525RB J2	D-3 - E-16
WDF23RG	E-17 - G-6
WDF26RT	G-7 - H-24
WD424RH	I-1 - J-16
WDU32RU	J-17 - L-6

1978 WDF26RT INDEX

Floor Plan	G-7 - G-8
Accessories Group	G-9 - G-10
Bath Group	G-11
Chassis Group	G-12
Curtain, Cushion & Pad Group	G-13 - G-20
Dinette Group	G-21
Driver's Compartment Group	G-22 - G-23
Electrical Group	G-24 - H-1
Exterior Body Group	H-2 - H-5
Galley Group	H-6
Heating & Air Conditioning Group	H-7
Interior Finish Group	H-8 - H-9
LP Group	H-10
Lounge Group	H-11 - H-12
Water & Sewage Group	H-13
Window, Vent & Exterior Door Group	H-14 - H-24

ACCESSORIES GROUP



Key	Part Number	U/M	Description
1	049347-01-000	EA	Mirror Head - 7 1/2" x 10 1/2" - Stainless Steel
2	049348-01-000	EA	Arm - Low Mount Mirror - Bright Finish
3	049944-02-000	EA	Bracket - Mirror - Outside - Off White

ACCESSORIES GROUP (CONTINUED)

RADIOS AND RELATED COMPONENTS

Key	Part Number	U/M	Description
	049730-01-000	EA	Radio - Clarion - AM w/Fader Switch
	049731-01-000	EA	Radio - Clarion - AM/FM/MPX - w/Fader Switch
	049732-01-000	EA	Radio - Clarion - AM/FM/MPX - 8 Track - w/Fader Switch
	052774-01-000	EA	Radio - CB - 40 Channel - Hy Gain 9
	053768-01-000	EA	Speaker - Recessed - 5 1/4" - 10 oz.
	031105-01-000	EA	Antenna - Radio - Side Mount
	031105-01-700	EA	Holder - Antenna - Radio - Upper
	048153-01-000	EA	Antenna - CB Camper Style
	044328-01-000	EA	Switch - Fader - Speaker Balance
	050751-01-000	EA	Plaque - Fader/Mic Mounting
	055299-01-000	EA	Grille - Speaker - 5 1/4"

GENERATORS AND COMPONENTS

Key	Part Number	U/M	Description
	054428-01-000	EA	Generator - Onan - 4.0 kw
	701629-02-000	EA	Onan Installation Package
	050467-01-000	EA	Bezel - Entertainment Center No. 3 - w/Cut Out for Vehicle Sensor Panel Radio, Clock, Hourmeter and Generator Start Stop Switch
	024732-01-001	EA	Tailpipe - 1 1/2" O.D. x 23"

FRONT BUNK AND HARDWARE

Key	Part Number	U/M	Description
	052831-01-J30	EA	Cabinet Asm. Front Overhead
	053320-01-J30	EA	Bunk - Front Overhead - Board w/Rails
	053773-01-000	EA	Support - Overhead Bunk - Brown - Right
	053773-02-000	EA	Support - Overhead Bunk - Brown - Left
	040071-01-000	EA	Support - Bunk - Seat Belt
	041322-01-000	EA	Washer - Flat - 15/32" I.D. x 2 3/8" O.D.
	039516-02-000	EA	Catch - Bunk - Brown
	023812-04-000	EA	Rail - Bunk - 75" - Brown
	053774-01-000	EA	Rod - Torsion - Overhead Bunk - Brown

MISCELLANEOUS ACCESSORIES

Key	Part Number	U/M	Description
	054185-01-000	EA	Owners Manual - Winnebago
	006053-01-000	EA	Antenna - TV Braund Delux
	006093-01-000	EA	Jack - TV - Brown (Antenna)
	006076-01-000	EA	Ladder - Front Bunk
	017516-01-000	EA	Mud Flap - Black - 14" x 18" w/Holes
	006113-01-000	EA	Jack Hydraulic - 5 Ton
	041944-01-700	EA	Fire Extinguisher - w/Bracket
	034410-12-000	EA	Tire Cover - 32"
	006053-01-700	EA	Repair Parts Kit - Braund TV Antenna
**	031396-01-000	EA	Wheel Cover - 17.5" Chrome
**	056253-01-000	EA	Ladder Asm. - w/Luggage Rack
**	047841-01-000	EA	Speed Control Package - 360 C.I.D. - A-Body
**	024746-01-000	EA	Speed Control Package - 440 C.I.D. - A-Body
**	056253-01-000	EA	Ladder Asm. - w/Luggage Rack
**	041086-02-000	EA	Ladder Only - For Rack and Ladder Asm.

**The illustrated parts breakdown for this item is provided on the Common Items Fiche.

1978 WINNEBAGO TABLE OF CONTENTS

WD420RG	A-1 - B-12
WD423RB	B-13 - D-2
WC525RB J2	D-3 - E-16
WDF23RG	E-17 - G-6
WDF26RT	G-7 - H-24
WD424RH	I-1 - J-18
WDU32RU	J-17 - L-6

1978 WDF26RT INDEX

Floor Plan	G-7 - G-8
Accessories Group	G-9 - G-10
Bath Group	G-11
Chassis Group	G-12
Curtain, Cushion & Pad Group	G-13 - G-20
Dinette Group	G-21
Driver's Compartment Group	G-22 - G-23
Electrical Group	G-24 - H-1
Exterior Body Group	H-2 - H-5
Galley Group	H-6
Heating & Air Conditioning Group	H-7
Interior Finish Group	H-8 - H-9
LP Group	H-10
Lounge Group	H-11 - H-12
Water & Sewage Group	H-13
Window, Vent & Exterior Dr. or Group	H-14 - H-24

BATH GROUP

Key	Part Number	U/M	Description
	009134-01-000	EA	Holder - Tissue
**	011056-01-000	EA	Faucet - Lavatory - US
	011059-01-000	EA	Faucet - Tub
	011048-01-000	EA	Shower Head - w/60" Hose
	044067-01-000	EA	Lavatory - Bath
	011083-01-000	EA	Plug - Sink - w/Chain
	034689-03-000	EA	Cover - Screw
**	039341-02-000	EA	Toilet - Marine - Ivory - Aqua Magic Model SH
	046112-04-000	EA	Mirror - Plastic - 1/8" x 19" x 26"
	046113-01-000	EA	Rosette - Plastic - Mirror Mounting
	009124-01-000	EA	Door Lock - Push Button Brass
	046749-01-000	EA	Shower Pan
**	011069-01-000	EA	Tailpiece - 1 1/4" x 4" - Brass
	056103-01-000	EA	Shower Curtain - Mosiac - 42" x 72"
	052564-01-J30	EA	Cabinet Asm. - Lavatory
	052812-02-J30	EA	Door Asm. - Lavatory Cabinet
	053985-01-J27	EA	Door Asm. - Bath - 20 1/2" x 71 3/8" - Mosaic Gray - w/o Hardware
	053985-01-J28	EA	Door Asm. - Bath - 20 1/2" x 71 3/8" - Mosaic Rust - w/o Hardware
	053985-01-J29	EA	Door Asm. - Bath - 20 1/2" x 71 3/8" - Mosaic Gold - w/o Hardware
	053129-01-000	EA	Medicine Cabinet - 17.62" x 29 3/8"
	035337-22-000	EA	Trim - Inside Corner - Bath - Beige Alum. - 80.85"
	034394-02-000	FT	Insert - Corner Trim - Beige Vinyl
	052563-01-000	EA	Rack Asm. - Towel - Mounts on Bath Door

**The illustrated parts breakdown for this item is provided on the Common Items Fiche.

CHASSIS GROUP

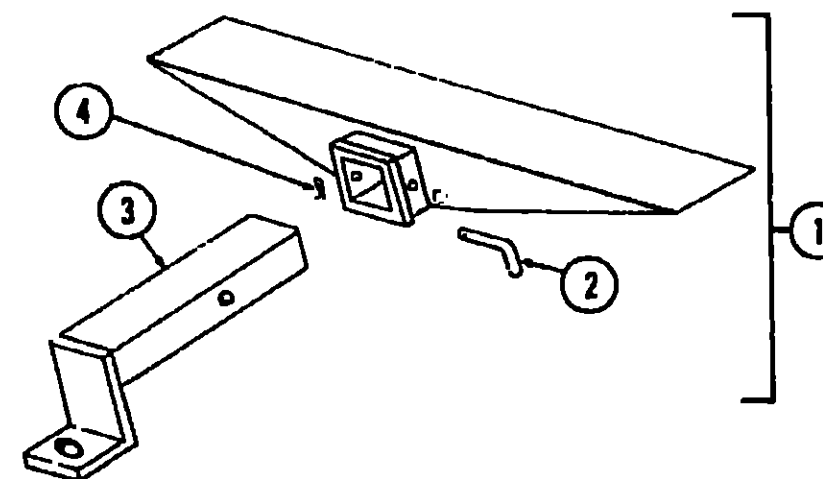
Key	Part Number	U/M	Description
	024652-01-700	EA	Step Asm. - Entry
	052662-01-000	EA	Hoodboard - Steel - Bottom Left
	052670-01-000	EA	Hoodboard - Steel - Top Left
	052918-01-000	EA	Hoodboard - Steel - Bottom Right
	053429-01-000	EA	Hoodboard - Steel - Top Right
	052759-01-000	EA	Tank - Fuel - 50 Gallon
	052760-01-000	EA	Sending Unit - Fuel - 78 OHM
	045814-01-000	EA	Gas Fill - w/Vent - 5.44" Long
	024611-01-000	EA	Cap - Gas - Pressure - 1.5" Black
	024138-01-000	FT	Hose - Fuel - 5/16" I.D. SAE 30RI
	024141-01-000	FT	Hose Rubber - 1/2" I.D.
	007134-01-000	EA	Clamp - Hose - Spring Type - 9/16"
	038882-01-000	EA	Tank - Fuel - 27.8 Gallon
	038883-01-000	EA	Sending Unit - Fuel - 78 Ohm.
	043986-01-000	EA	Strap - Fuel Tank Mounting - 13.5"
	024647-01-000	EA	Hose - Fuel - 2 1/4" I.D.
	007137-01-000	EA	Clamp - Worm Gear - 1 5/16" to 2 1/4"
	007138-01-000	EA	Clamp - Worm Drive - .22" - 1" I.D.
	046775-01-000	EA	Valve Asm. - Fuel Selector - 3 Way
	050227-01-000	EA	Canistor Asm. - Vapor - 2 Stage - 3 Port
	053249-01-000	EA	Battery Tray Asm.
	061252-01-000	EA	Bumper - Front - Off White
	023496-04-000	EA	Bracket - Front Bumper - Black
	023520-04-000	EA	Bar - Front Bumper - Black
	021546-01-000	EA	Bumper Asm. - Rear
	039779-01-000	EA	Cap Rubber - Rear Bumper
	040974-01-000	EA	Bar - Retaining - Spare Tire - 2" x 6.75"
	016452-01-000	EA	Bracket - Tire Carrier - 25" x 5"
	007249-01-000	EA	Tail Pipe - Curved - 2 1/2" x 58"
	033499-01-000	EA	Power Cord Box - Plastic
	039649-01-000	EA	Wheel Well - Plastic

1978 WINNEBAGO TABLE OF CONTENTS

WD420RG	A-1 - B-12
WD423RB	B-13 - D-2
WC525RB J2	D-3 - E-16
WDF23RG	E-17 - G-6
WDF26RT	G-7 - H-24
WD424RH	I-1 - J-16
WDU32RU	J-17 - L-6

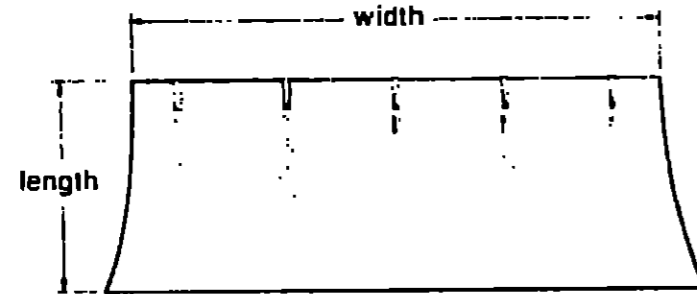
1978 WDF26RT INDEX

Floor Plan	G-7 - G-8
Accessories Group	G-9 - G-10
Bath Group	G-11
Chassis Group	G-12
Curtain, Cushion & Pad Group	G-13 - G-20
Dinette Group	G-21
Driver's Compartment Group	G-22 - G-23
Electrical Group	G-24 - H-1
Exterior Body Group	H-2 - H-5
Galley Group	H-6
Heating & Air Conditioning Group	H-7
Interior Finish Group	H-8 - H-9
LP Group	H-10
Lounge Group	H-11 - H-12
Water & Sewage Group	H-13
Window, Vent & Exterior Door Group	H-14 - H-24



Key	Part Number	U/M	Description
1	023695-01-700	EA	Hitch Kit - w/Drawbar
2	034512-01-000	EA	Pin - Locking - Drawbar
3	024876-01-700	EA	Drawbar Asm. - Trailer Hitch - Pri. and
4	034513-01-000	EA	Pin Hitch - 3/16" Wire Spring

CURTAIN, CUSHION AND PAD GROUP



NOTE:
Use this illustration when determining length and width measurements for curtains. You will note the width measurements is taken on the top of the curtain with the curtain fully extended. The length measurement is taken from top to bottom.

CURTAINS

Key	Part Number	U/M	Description
	054051-02-J27	EA	Curtain w/Snap Top - 34" x 37" - Blue
	054051-02-J28	EA	Curtain w/Snap Top - 34" x 37" - Rust
	054051-02-J29	EA	Curtain w/Snap Top - 34" x 37" - Green
	056484-01-J27	EA	Curtain w/Taped Top - 27.5" x 42" - Blue
	056484-01-J28	EA	Curtain w/Taped Top - 27.5" x 42" - Rust
	056484-01-J29	EA	Curtain w/Taped Top - 27.5" x 42" - Green
	056484-02-J27	EA	Curtain w/Taped Top - 27" x 19.5" - Blue
	056484-02-J28	EA	Curtain w/Taped Top - 27" x 19.5" - Rust
	056484-02-J29	EA	Curtain w/Taped Top - 27" x 19.5" - Green
	056484-03-J27	EA	Curtain w/Taped Top - 22" x 19.5" - Blue
	056484-03-J28	EA	Curtain w/Taped Top - 22" x 19.5" - Rust
	056484-03-J29	EA	Curtain w/Taped Top - 22" x 19.5" - Green
	056484-07-J27	EA	Curtain w/Taped Top - 24.5" x 42" - Blue
	056484-07-J28	EA	Curtain w/Taped Top - 24.5" x 42" - Rust
	056484-07-J29	EA	Curtain w/Taped Top - 24.5" x 42" - Green
	056103-01-000	EA	Curtain - Shower - 42" x 72" - Mosaic Gray
	056103-02-000	EA	Curtain - Shower - 42" x 72" - Mosaic Rust
	056103-03-000	EA	Curtain - Shower - 42" x 72" - Mosaic Gold
	054050-04-J27	EA	Curtain - Blackout - 66" x 96" - Acorn Brown Vinyl
	054051-07-J27	EA	Curtain - Blackout - 72" x 61" - Acorn Brown Vinyl
	054292-01-J27	EA	Curtain - Front Wraparound - 25" x 81" - Left - Blue
	054292-01-J28	EA	Curtain - Front Wraparound - 25" x 81" - Left - Rust
	054292-01-J29	EA	Curtain - Front Wraparound - 25" x 81" - Left - Green
	054293-01-J27	EA	Curtain - Front Wraparound - 25" x 81" - Right - Blue
	054293-01-J28	EA	Curtain - Front Wraparound - 25" x 81" - Right - Rust
	054293-01-J29	EA	Curtain - Front Wraparound - 25" x 81" - Right - Green

TIE BACKS

Key	Part Number	U/M	Description
	054048-05-J27	EA	Tie Back - Curtain - 2" x 18" - Blue
	054048-05-J28	EA	Tie Back - Curtain - 2" x 18" - Rust
	054048-05-J29	EA	Tie Back - Curtain - 2" x 18" - Green
	054048-05-J27	EA	Tie Back - Curtain - 2" x 18" - Acorn Brown Vinyl

CURTAIN, CUSHION AND PAD GROUP (CONTINUED)

SHADES

Key	Part Number	U/M	Description
	056915-01-000	EA	Shade - Vinyl - 33 1/4" x 34" w/Blue Trim
	056915-02-000	EA	Shade - Vinyl - 33 1/4" x 34" w/Rust Trim
	056915-03-000	EA	Shade - Vinyl - 33 1/4" x 34" w/Green Trim
	056915-04-000	EA	Shade - Vinyl - 60 1/4" x 34" w/Blue Trim
	056915-05-000	EA	Shade - Vinyl - 60 1/4" x 34" w/Rust Trim
	056915-06-000	EA	Shade - Vinyl - 60 1/4" x 34" w/Green Trim
	056915-10-000	EA	Shade - Vinyl - 69 1/4" x 34" w/Blue Trim
	056915-11-000	EA	Shade - Vinyl - 69 1/4" x 34" w/Rust Trim
	056915-12-000	EA	Shade - Vinyl - 69 1/4" x 34" w/Green Trim
	056915-13-000	EA	Shade - Vinyl - 72 1/4" x 34" w/Blue Trim
	056915-14-000	EA	Shade - Vinyl - 72 1/4" x 34" w/Rust Trim
	056915-15-000	EA	Shade - Vinyl - 72 1/4" x 34" w/Green Trim

VALANCES

Key	Part Number	U/M	Description
	056897-01-J27	EA	Valance - 5.5" x 42" w/Blue Trim
	056897-01-J28	EA	Valance - 5.5" x 42" w/Rust Trim
	056897-01-J29	EA	Valance - 5.5" x 42" w/Green Trim
	056897-02-J27	EA	Valance - 5.5" x 78" w/Blue Trim
	056897-02-J28	EA	Valance - 5.5" x 78" w/Rust Trim
	056897-02-J29	EA	Valance - 5.5" x 78" w/Green Trim
	056897-03-J27	EA	Valance - 5.5" x 81" w/Blue Trim
	056897-03-J28	EA	Valance - 5.5" x 81" w/Rust Trim
	056897-03-J29	EA	Valance - 5.5" x 81" w/Green Trim
	056897-05-J27	EA	Valance - 5.5" x 89" w/Blue Trim
	056897-05-J28	EA	Valance - 5.5" x 89" w/Rust Trim
	056897-05-J29	EA	Valance - 5.5" x 89" w/Green Trim

FABRICS, TRIMS AND PADS

Key	Part Number	U/M	Description
	049328-02-000	YD	Fabric - Drapery - Blue
	049328-03-000	YD	Fabric - Drapery - Rust
	049328-04-000	YD	Fabric - Drapery - Green
	054547-01-000	YD	Fabric - Upholstery - Beige
	054547-02-000	YD	Fabric - Upholstery - Rust
	054547-03-000	YD	Fabric - Upholstery - Bronze
	054676-05-J27	EA	Button Asm. - Cloth - Blue
	054676-05-J28	EA	Button Asm. - Cloth - Rust
	054676-05-J29	EA	Button Asm. - Cloth - Green
	052484-01-J27	EA	Pad - End - Dinette Overhead Cabinet
	053327-01-000	YD	Vinyl - Non Expanded - 27 oz. - Acorn Brown
	053327-02-000	YD	Vinyl - Expanded - 28 oz. - Acorn Brown
	053327-03-000	YD	Vinyl - Non Support - 16 Gauge Film - Acorn Brown
	052859-01-J27	FT	Accent Trim - Acorn Brown Vinyl
	055252-01-J27	EA	Pad - Pullout Table Cabinet - Acorn Brown Vinyl

1978 WINNEBAGO TABLE OF CONTENTS

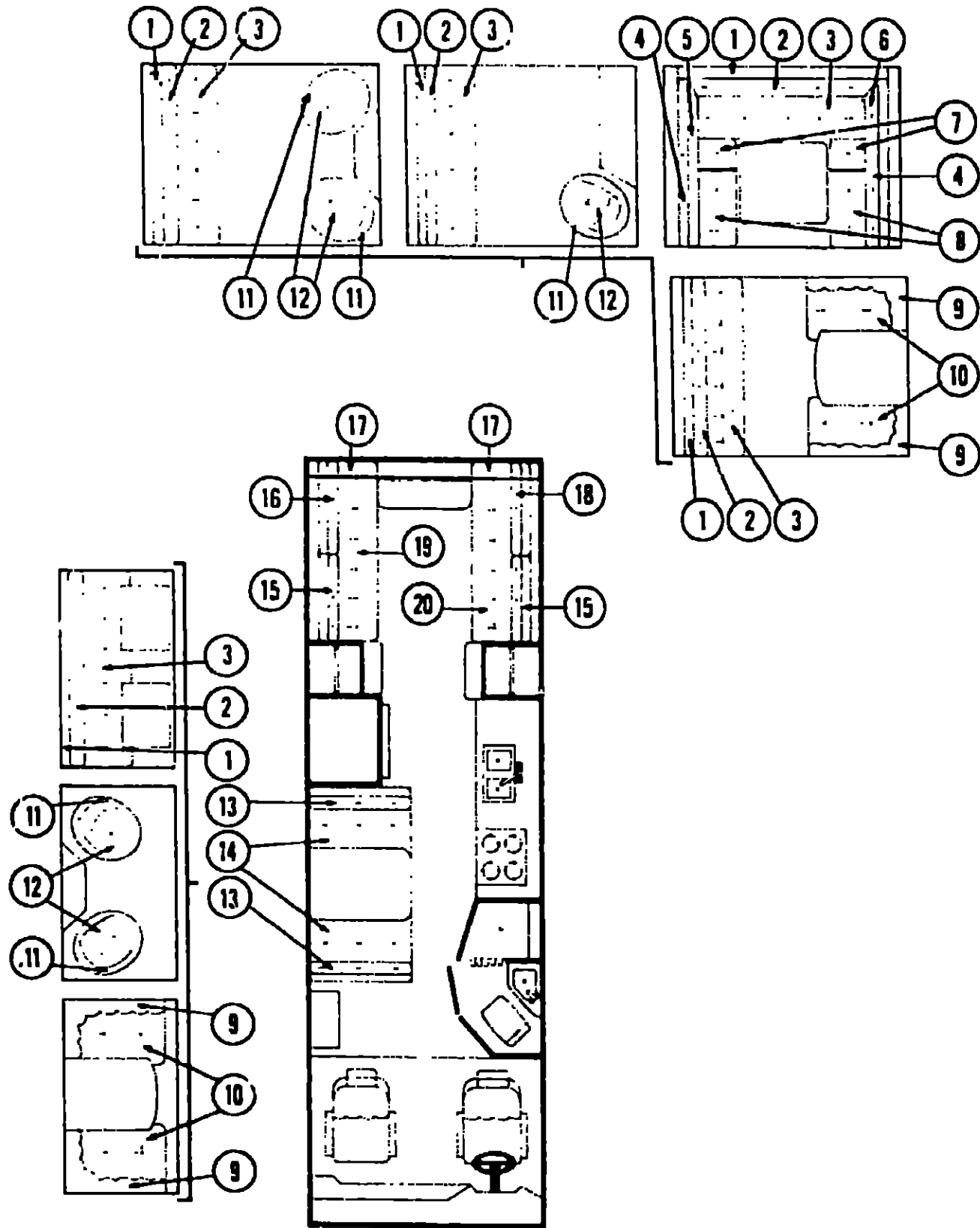
WD420RG	A-1 - B-12
WD423RB	B-13 - D-2
WC525RB J2	D-3 - E-16
WDF23RG	E-17 - G-5
WDF26RT	G-7 - H-24
WD424RH	I-1 - J-16
WDU32RU	J-17 - L-6

1978 WDF26RT INDEX

Floor Plan	G-7 - G-8
Accessories Group	G-9 - G-10
Bath Group	G-11
Chassis Group	G-12
Curtain, Cushion & Pad Group	G-13 - G-20
Dinette Group	G-21
Driver's Compartment Group	G-22 - G-23
Electrical Group	G-24 - H-1
Exterior Body Group	H-2 - H-5
Galley Group	H-6
Heating & Air Conditioning Group	H-7
Interior Finish Group	H-8 - H-9
LP Group	H-10
Lounge Group	H-11 - H-12
Water & Sewage Group	H-13
Window, Vent & Exterior Door Group	H-14 - H-24

CURTAIN, CUSHION AND PAD GROUP (CONTINUED)

CURTAIN, CUSHION AND PAD GROUP (CONTINUED)



Key	Part Number	U/M	Description
1	055021-07-J27	EA	Cushion - Couch - 8" x 76" x 5" - Beige w/Blue Trim
1	055021-07-J28	EA	Cushion - Couch - 8" x 76" x 5" - Rust w/Rust Trim
1	055021-07-J29	EA	Cushion - Couch - 8" x 76" x 5" - Bronze w/Green Trim
	055022-07-J27	EA	Cover - Cushion - Couch - 8" x 76" x 5" - Beige w/Blue Trim
	055022-07-J28	EA	Cover - Cushion - Couch - 8" x 76" x 5" - Rust w/Rust Trim
	055022-07-J29	EA	Cover - Cushion - Couch - 8" x 76" x 5" - Bronze w/Green Trim
2	057073-01-J27	EA	Cushion - Couch Back - 16" x 76" x 5" - Beige w/Blue Trim
2	057073-01-J28	EA	Cushion - Couch Back - 16" x 76" x 5" - Rust w/Rust Trim
2	057073-01-J29	EA	Cushion - Couch Back - 16" x 76" x 5" - Bronze w/Green Trim
	057079-02-J27	EA	Cover - Cushion - Couch Back - 16" x 76" x 5" - Beige w/Blue Trim
	057079-02-J28	EA	Cover - Cushion - Couch Back - 16" x 76" x 5" - Rust w/Rust Trim
	057079-02-J29	EA	Cover - Cushion - Couch Back - 16" x 76" x 5" - Bronze w/Green Trim
3	057069-01-J27	EA	Cushion - Couch Seat - 21" x 76" x 5" - Beige w/Blue Trim
3	057069-01-J28	EA	Cushion - Couch Seat - 21" x 76" x 5" - Rust w/Rust Trim
3	057069-01-J29	EA	Cushion - Couch Seat - 21" x 76" x 5" - Bronze w/Green Trim
	057076-02-J27	EA	Cover - Cushion - Couch Seat - 21" x 76" x 5" - Beige w/Blue Trim
	057076-02-J28	EA	Cover - Cushion - Couch Seat - 21" x 76" x 5" - Rust w/Rust Trim
	057076-02-J29	EA	Cover - Cushion - Couch Seat - 21" x 76" x 5" - Bronze w/Green Trim

COUCH SEAT CUSHIONS

HORSESHOE LOUNGE CUSHIONS

Key	Part Number	U/M	Description
4	057150-02-J27	EA	Cushion - Lounge Back - 16" x 30.5" x 5" - Beige w/Blue Trim
4	057150-02-J28	EA	Cushion - Lounge Back - 16" x 30.5" x 5" - Rust w/Rust Trim
4	057150-02-J29	EA	Cushion - Lounge Back - 16" x 30.5" x 5" - Bronze w/Green Trim
	055022-14-J27	EA	Cover - Cushion - Lounge Back - 16" x 30.5" x 5" - Beige w/Blue Trim
	055022-14-J28	EA	Cover - Cushion - Lounge Back - 16" x 30.5" x 5" - Rust w/Rust Trim
	055022-14-J29	EA	Cover - Cushion - Lounge Back - 16" x 30.5" x 5" - Bronze w/Green Trim
5	055029-05-J27	EA	Cushion - Lounge Back - Right - 16" x 40.5" x 36.5" x 5" - Beige w/Blue Trim
5	055029-05-J28	EA	Cushion - Lounge Back - Right - 16" x 40.5" x 36.5" x 5" - Rust w/Rust Trim
5	055029-05-J29	EA	Cushion - Lounge Back - Right - 16" x 40.5" x 36.5" x 5" - Bronze w/Green Trim
	055030-05-J27	EA	Cover - Cushion - Lounge Back - Right - 16" x 40.5" x 36.5" x 5" - Beige w/Blue Trim
	055030-05-J28	EA	Cover - Cushion - Lounge Back - Right - 16" x 40.5" x 36.5" x 5" - Rust w/Rust Trim
	055030-05-J29	EA	Cover - Cushion - Lounge Back - Right - 16" x 40.5" x 36.5" x 5" - Bronze w/Green Trim
6	055029-06-J27	EA	Cushion - Lounge Back - Left - 16" x 40.5" x 36.5" x 5" - Beige w/Blue Trim
6	055029-06-J28	EA	Cushion - Lounge Back - Left - 16" x 40.5" x 36.5" x 5" - Rust w/Rust Trim
6	055029-06-J29	EA	Cushion - Lounge Back - Left - 16" x 40.5" x 36.5" x 5" - Bronze w/Green Trim
	055030-06-J27	EA	Cover - Cushion - Lounge Back - Left - 16" x 40.5" x 36.5" x 5" - Beige w/Blue Trim
	055030-06-J28	EA	Cover - Cushion - Lounge Back - Left - 16" x 40.5" x 36.5" x 5" - Rust w/Rust Trim
	055030-06-J29	EA	Cover - Cushion - Lounge Back - Left - 16" x 40.5" x 36.5" x 5" - Bronze w/Green Trim
7	055021-12-J27	EA	Cushion - Lounge Seat - 15" x 24" x 5.5" - Beige w/Blue Trim
7	055021-12-J28	EA	Cushion - Lounge Seat - 15" x 24" x 5.5" - Rust w/Rust Trim
7	055021-12-J29	EA	Cushion - Lounge Seat - 15" x 24" x 5.5" - Bronze w/Green Trim
	055022-13-J27	EA	Cover - Cushion - Lounge Seat - 15" x 24" x 5.5" - Beige w/Blue Trim
	055022-13-J28	EA	Cover - Cushion - Lounge Seat - 15" x 24" x 5.5" - Rust w/Rust Trim
	055022-13-J29	EA	Cover - Cushion - Lounge Seat - 15" x 24" x 5.5" - Bronze w/Green Trim
8	055021-11-J27	EA	Cushion - Lounge Seat - 24" x 32" x 5.5" - Beige w/Blue Trim
8	055021-11-J28	EA	Cushion - Lounge Seat - 24" x 32" x 5.5" - Rust w/Rust Trim
8	055021-11-J29	EA	Cushion - Lounge Seat - 24" x 32" x 5.5" - Bronze w/Green Trim
	055022-12-J27	EA	Cover - Cushion - Lounge Seat - 24" x 32" x 5.5" - Beige w/Blue Trim
	055022-12-J28	EA	Cover - Cushion - Lounge Seat - 24" x 32" x 5.5" - Rust w/Rust Trim
	055022-12-J29	EA	Cover - Cushion - Lounge Seat - 24" x 32" x 5.5" - Bronze w/Green Trim

1978 WINNEBAGO TABLE OF CONTENTS

WD420RG	A-1 - B-12
WD423RB	B-13 - D-2
WC525RB J2	D-3 - E-16
WDF23RG	E-17 - G-6
WDF26RT	G-7 - H-24
WD424RH	I-1 - J-16
WDU32RU	J-17 - L-6

1978 WDF26RT INDEX

Floor Plan	G-7 - G-8
Accessories Group	G-9 - G-10
Bath Group	G-11
Chassis Group	G-12
Curtain, Cushion & Pad Group	G-13 - G-20
Dinette Group	G-21
Driver's Compartment Group	G-22 - G-23
Electrical Group	G-24 - H-1
Exterior Body Group	H-2 - H-5
Galley Group	H-6
Heating & Air Conditioning Group	H-7
Interior Finish Group	H-8 - H-9
LP Group	H-10
Lounge Group	H-11 - H-12
Water & Sewage Group	H-13
Window, Vent & Exterior Door Group	H-14 - H-24

CURTAIN, CUSHION AND PAD GROUP (CONTINUED)

CORNER LOUNGE CHAIR CUSHIONS

Key	Part Number	U/M	Description
9	056636-02-J27	EA	Cushion - Back - Corner Lounge Chair - Beige w/Blue Trim
9	056636-02-J28	EA	Cushion - Back - Corner Lounge Chair - Rust w/Rust Trim
9	056636-02-J29	EA	Cushion - Back - Corner Lounge Chair - Bronze w/Green Trim
10	056637-02-J27	EA	Cushion - Seat - Corner Lounge Chair - Beige w/Blue Trim
10	056637-02-J28	EA	Cushion - Seat - Corner Lounge Chair - Rust w/Rust Trim
10	056637-02-J29	EA	Cushion - Seat - Corner Lounge Chair - Bronze w/Green Trim

TT CHAIRS

Key	Part Number	U/M	Description
11	054674-03-J27	EA	TT Chair - Complete - Beige w/Blue Trim
11	054674-03-J28	EA	TT Chair - Complete - Rust w/Rust Trim
11	054674-03-J29	EA	TT Chair - Complete - Bronze w/Green Trim
12	054700-03-J27	EA	Cushion - TT Chair - Beige w/Blue Trim
12	054700-03-J28	EA	Cushion - TT Chair - Rust w/Rust Trim
12	054700-03-J29	EA	Cushion - TT Chair - Bronze w/Green Trim
	035036-01-000	EA	Plate - TT Chair
	035036-02-000	EA	Base - TT Chair - w/Holes in Legs

CONVENTIONAL DINETTE CUSHIONS

Key	Part Number	U/M	Description
13	055021-03-J27	EA	Cushion - Dinette Back - 14.2" x 38" x 5" - Beige w/Blue Trim
13	055021-03-J28	EA	Cushion - Dinette Back - 14.2" x 38" x 5" - Rust w/Rust Trim
13	055021-03-J29	EA	Cushion - Dinette Back - 14.2" x 38" x 5" - Bronze w/Green Trim
	055022-03-J27	EA	Cover - Cushion - Dinette Back - 14.2" x 38" x 5" - Beige w/Blue Trim
	055022-03-J28	EA	Cover - Cushion - Dinette Back - 14.2" x 38" x 5" - Rust w/Rust Trim
	055022-03-J29	EA	Cover - Cushion - Dinette Back - 14.2" x 38" x 5" - Bronze w/Green Trim
14	055021-05-J27	EA	Cushion - Dinette Bottom - 22.5" x 38" x 5" - Beige w/Blue Trim
14	055021-05-J28	EA	Cushion - Dinette Bottom - 22.5" x 38" x 5" - Rust w/Rust Trim
14	055021-05-J29	EA	Cushion - Dinette Bottom - 22.5" x 38" x 5" - Bronze w/Green Trim
	055022-05-J27	EA	Cover - Cushion - Dinette Bottom - 22.5" x 38" x 5" - Beige w/Blue Trim
	055022-05-J28	EA	Cover - Cushion - Dinette Bottom - 22.5" x 38" x 5" - Rust w/Rust Trim
	055022-05-J29	EA	Cover - Cushion - Dinette Bottom - 22.5" x 38" x 5" - Bronze w/Green Trim

CURTAIN, CUSHION AND PAD GROUP (CONTINUED)

TWIN COUCH CUSHIONS

Key	Part Number	U/M	Description
15	056948-03-J27	EA	Cushion - Side Bolster - 14" x 33" x 8" x 10" - Beige w/Blue Trim
15	056948-03-J28	EA	Cushion - Side Bolster - 14" x 33" x 8" x 10" - Rust w/Rust Trim
15	056948-03-J29	EA	Cushion - Side Bolster - 14" x 33" x 8" x 10" - Bronze w/Green Trim
	056949-03-J27	EA	Cover - Cushion - Side Bolster - 14" x 33" x 8" x 10" - Beige w/Blue
	056949-03-J28	EA	Cover - Cushion - Side Bolster - 14" x 33" x 8" x 10" - Rust w/Rust Trim
	056949-03-J29	EA	Cover - Cushion - Side Bolster - 14" x 33" x 8" x 10" - Bronze w/Green Trim
16	056966-02-J27	EA	Cushion - Side Bolster - Angled - Right - 14" x 33" x 35" x 8" x 10" - Beige w/Blue Trim
16	056966-02-J28	EA	Cushion - Side Bolster - Angled - Right - 14" x 33" x 35" x 8" x 10" - Rust w/Rust Trim
16	056966-02-J29	EA	Cushion - Side Bolster - Angled - Right - 14" x 33" x 35" x 8" x 10" - Bronze w/Green Trim
	056967-02-J27	EA	Cover - Cushion - Side Bolster - Angled - Right - 14" x 33" x 35" x 8" x 10" - Beige w/Blue Trim
	056967-02-J28	EA	Cover - Cushion - Side Bolster - Angled - Right - 14" x 33" x 35" x 8" x 10" - Rust w/Rust Trim
	056967-02-J29	EA	Cover - Cushion - Side Bolster - Angled - Right - 14" x 33" x 35" x 8" x 10" - Bronze w/Green Trim
17	056948-04-J27	EA	Cushion - Rear Bolster - 14" x 33" x 8" x 10" - Beige w/Blue Trim
17	056948-04-J28	EA	Cushion - Rear Bolster - 14" x 33" x 8" x 10" - Rust w/Rust Trim
17	056948-04-J29	EA	Cushion - Rear Bolster - 14" x 33" x 8" x 10" - Bronze w/Green Trim
	056949-04-J27	EA	Cover - Cushion - Rear Bolster - 14" x 33" x 8" x 10" - Beige w/Blue Trim
	056949-04-J28	EA	Cover - Cushion - Rear Bolster - 14" x 33" x 8" x 10" - Rust w/Rust Trim
	056949-04-J29	EA	Cover - Cushion - Rear Bolster - 14" x 33" x 8" x 10" - Bronze w/Green Trim
18	056966-03-J27	EA	Cushion - Slide Bolster - Angled - Left - 14" x 33" x 35" x 8" x 10" - Beige w/Blue Trim
18	056966-03-J28	EA	Cushion - Slide Bolster - Angled - Left - 14" x 33" x 35" x 8" x 10" - Rust w/Rust Trim
18	056966-03-J29	EA	Cushion - Slide Bolster - Angled - Left - 14" x 33" x 35" x 8" x 10" - Bronze w/Green Trim
	056967-03-J27	EA	Cover - Cushion - Side Bolster - Angled - Left - 14" x 33" x 35" x 8" x 10" - Beige w/Blue Trim
	056967-03-J28	EA	Cover - Cushion - Side Bolster - Angled - Left - 14" x 33" x 35" x 8" x 10" - Rust w/Rust Trim
	056967-03-J29	EA	Cover - Cushion - Side Bolster - Angled - Left - 14" x 33" x 35" x 8" x 10" - Bronze w/Green Trim
19	057150-01-J27	EA	Cushion - Couch Seat - Right - 34" x 76" x 5" - Beige w/Blue Trim
19	057150-01-J28	EA	Cushion - Couch Seat - Right - 34" x 76" x 5" - Rust w/Rust Trim
19	057150-01-J29	EA	Cushion - Couch Seat - Right - 34" x 76" x 5" - Bronze w/Green Trim
	055022-11-J27	EA	Cover - Cushion - Couch Seat - 34" x 76" x 5" - Beige w/Blue Trim
	055022-11-J28	EA	Cover - Cushion - Couch Seat - 34" x 76" x 5" - Rust w/Rust Trim
	055022-11-J29	EA	Cover - Cushion - Couch Seat - 34" x 76" x 5" - Bronze w/Green Trim
20	057150-07-J27	EA	Cushion - Couch Seat - Left - 34" x 76" x 5" - Beige w/Blue Trim
20	057150-07-J28	EA	Cushion - Couch Seat - Left - 34" x 76" x 5" - Rust w/Rust Trim
20	057150-07-J29	EA	Cushion - Couch Seat - Left - 34" x 76" x 5" - Bronze w/Green Trim
	055022-11-J27	EA	Cover - Cushion - Couch Seat - 34" x 76" x 5" - Beige w/Blue Trim
	055022-11-J28	EA	Cover - Cushion - Couch Seat - 34" x 76" x 5" - Rust w/Rust Trim
	055022-11-J29	EA	Cover - Cushion - Couch Seat - 34" x 76" x 5" - Bronze w/Green Trim

1978 WINNEBAGO TABLE OF CONTENTS

WD420RG	A-1 - B-12
WD423RB	B-13 - D-2
WC525RB J2	D-3 - E-16
WDF23RG	E-17 - G-6
WDF26RT	G-7 - H-24
WD424RH	I-1 - J-16
WDU32RU	J-17 - L-6

1978 WDF26RT INDEX

Floor Plan	G-7 - G-8
Accessories Group	G-9 - G-10
Bath Group	G-11
Chassis Group	G-12
Curtain, Cushion & Pad Group	G-13 - G-20
Dinette Group	G-21
Driver's Compartment Group	G-22 - G-23
Electrical Group	G-24 - H-1
Exterior Body Group	H-2 - H-5
Galley Group	H-6
Heating & Air Conditioning Group	H-7
Interior Finish Group	H-8 - H-9
LP Group	H-10
Lounge Group	H-11 - H-12
Water & Sewage Group	H-13
Window, Vent & Exterior Door Group	H-14 - H-24

CURTAIN, CUSHION AND PAD GROUP (CONTINUED)

FRONT BUNK CUSHION

Key	Part Number	U/M	Description
	055021-09-J27	EA	Cushion - Front Bunk - 31.5" x 79" x 4" - Beige w/Blue Trim
	055021-09-J28	EA	Cushion - Front Bunk - 31.5" x 79" x 4" - Rust w/Rust Trim
	055021-09-J29	EA	Cushion - Front Bunk - 31.5" x 79" x 4" - Bronze w/Green Trim
	055022-09-J27	EA	Cover - Cushion - Front Bunk - 31.5" x 79" x 4" - Beige w/Blue Trim
	055022-09-J28	EA	Cover - Cushion - Front Bunk - 31.5" x 79" x 4" - Rust w/Rust Trim
	055022-09-J29	EA	Cover - Cushion - Front Bunk - 31.5" x 79" x 4" - Bronze w/Green Trim

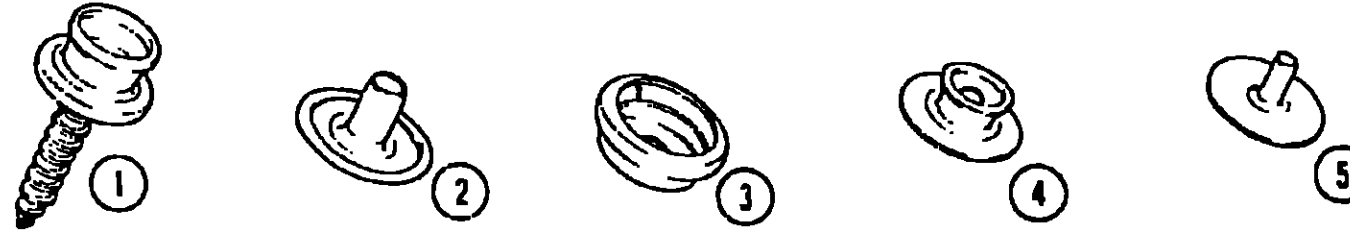
BUCKET SEATS, ARMRESTS AND HEADREST

Key	Part Number	U/M	Description
	054193-02-J27	EA	Seat Asm. - Single Bucket - w/o Armrests, Headrest or Slides - Beige
	054193-02-J28	EA	Seat Asm. - Single Bucket - w/o Armrests, Headrest or Slides - Rust
	054193-02-J29	EA	Seat Asm. - Single Bucket - w/o Armrests, Headrests or Slides - Bronze
	053356-01-J27	EA	Cover - Single Bucket - Bottom - Beige
	053356-01-J28	EA	Cover - Single Bucket - Bottom - Rust
	053356-01-J29	EA	Cover - Single Bucket - Bottom - Bronze
	053356-02-J27	EA	Cover - Single Bucket - Back - Beige
	053356-02-J28	EA	Cover - Single Bucket - Back - Rust
	053356-02-J29	EA	Cover - Single Bucket - Back - Bronze
	054650-03-J27	EA	Skirt - Single Bucket - Beige
	054650-03-J28	EA	Skirt - Single Bucket - Rust
	054650-03-J29	EA	Skirt - Single Bucket - Bronze
	054195-02-J27	EA	Seat Asm. - Double Bucket - w/o Armrests, Headrest or Slides - Beige
	054195-02-J28	EA	Seat Asm. - Double Bucket - w/o Armrests, Headrest or Slides - Rust
	054195-02-J29	EA	Seat Asm. - Double Bucket - w/o Armrests, Headrest or Slides - Bronze
	053360-01-J27	EA	Cover - Double Bucket - Bottom - Beige
	053360-01-J28	EA	Cover - Double Bucket - Bottom - Rust
	053360-01-J29	EA	Cover - Double Bucket - Bottom - Bronze
	053360-02-J27	EA	Cover - Double Bucket - Back - Beige
	053360-02-J28	EA	Cover - Double Bucket - Back - Rust
	053360-02-J29	EA	Cover - Double Bucket - Back - Bronze
	054650-04-J27	EA	Skirt - Double Bucket - Beige
	054650-04-J28	EA	Skirt - Double Bucket - Rust
	054650-04-J29	EA	Skirt - Double Bucket - Bronze
	019722-01-000	EA	Headrest Asm. - Foam w/o Cover
	053354-01-J27	EA	Cover - Headrest - Beige
	053354-01-J28	EA	Cover - Headrest - Rust
	053354-01-J29	EA	Cover - Headrest - Bronze
	050275-01-700	EA	Armrest Asm. - Foam w/o Cover - Right
	050276-01-700	EA	Armrest Asm. - Foam w/o Cover - Left
	053357-01-J27	EA	Cover - Armrest - Right or Left - Beige
	053357-01-J28	EA	Cover - Armrest - Right or Left - Rust
	053357-01-J29	EA	Cover - Armrest - Right or Left - Bronze

CURTAIN, CUSHION AND PAD GROUP (CONTINUED)

CURTAIN HARDWARE

Key	Part Number	U/M	Description
	052327-04-236	EA	Track - Curtain - Brown Alum. - 89" w/Holes
	056116-01-000	FT	Track - Curtain - Brown Plastic
	056001-01-000	EA	Bracket - Shade - Left
	056002-01-000	EA	Bracket - Shade - Right
	056003-01-000	EA	Bracket - Drapery Retainer - Right
	056003-02-000	EA	Bracket - Drapery - Retainer - Left
	050826-03-000	EA	Track - Curtain - Front Wraparound - Left
	050826-04-000	EA	Track - Curtain - Front Wraparound - Right
	053272-04-200	EA	Track - Curtain - Off White - 89" w/Holes
	056784-01-000	EA	Pull - Window Shade - Antique Brass
	009107-01-000	EA	Guide - Nylon Snap - Curtain
	018031-42-000	EA	Track - Curtain - "L" Rod - Alum. Extr. - 90"
	009701-01-000	EA	Carrier - "L" Rod - Curtain
	009702-01-000	EA	End Stop - "L" Rod - Curtain



Key	Part Number	U/M	Description
1	029130-01-000	EA	Socket - Snap Fastener
2	029155-01-000	EA	Cap - Snap - .156" Dia. x .17" Barrel
3	029156-01-000	EA	Socket - Snap Fastener
4	029092-01-000	EA	Stud - Nickel Finish
5	029093-01-000	EA	Eyelet - Nickel Finish

1978 WINNEBAGO TABLE OF CONTENTS

WD420RG	A-1 - B-12
WD423RB	B-13 - D-2
WC525RB J2	D-3 - E-16
WDF23RG	E-17 - G-6
WDF26RT	G-7 - H-24
WD424RH	I-1 - J-16
WDU32RU	J-17 - L-6

1978 WDF26RT INDEX

Floor Plan	G-7 - G-8
Accessories Group	G-9 - G-10
Bath Group	G-11
Chassis Group	G-12
Curtain, Cushion & Pad Group	G-13 - G-20
Dinette Group	G-21
Driver's Compartment Group	G-22 - G-23
Electrical Group	G-24 - H-1
Exterior Body Group	H-2 - H-5
Galley Group	H-6
Heating & Air Conditioning Group	H-7
Interior Finish Group	H-8 - H-9
LP Group	H-10
Lounge Group	H-11 - H-12
Water & Sewage Group	H-13
Window, Vent & Exterior Door Group	H-14 - H-24

DINETTE GROUP

CONVENTIONAL DINETTE W/FOLD DOWN TABLE AND OPPOSING BENCHES

Key	Part Number	U/M	Description
	053192-01-J30	EA	Table Asm. - Dinette - w/o Hardware - Butcher Block
**	047842-01-000	EA	Hardware Kit - Dinette - Table Leg
**	047809-02-000	EA	Hardware Kit - Dinette Table - Wall Mount
	052488-01-J27	EA	Cabinet Asm. - Dinette Seat - Right
	052488-02-J27	EA	Cabinet Asm. - Dinette Seat - Left
	052812-11-J30	EA	Door Asm. - Dinette Seat Cabinet w/o Hardware
	052485-02-700	EA	Cabinet Asm. - Dinette Overhead - w/o Doors, Endpad or Hardware
	052812-01-J30	EA	Door Asm. - Dinette Overhead Cabinet - w/o Hardware

**The illustrated parts breakdown for this item is provided on the Common Items Fiche.

SWIVEL CHAIR OPTION W/PULL OUT TABLE

Key	Part Number	U/M	Description
	054553-01-J30	EA	Countertop Asm. - Pull Out Table - Butcher Block
	054555-01-J30	EA	Cabinet Asm. - Pull Out Table
	054552-01-J30	EA	Table Asm. - Pull Out
	045795-01-000	EA	Holder - Glass - Plastic
	009148-01-000	EA	Finger Pull - 3/4" Dia. - Brass
	054540-01-000	EA	Slide Asm. - Ball Bearing

COUCH OPTION W/TWIN PEDESTAL TABLES

Key	Part Number	U/M	Description
	054396-01-J30	EA	Cabinet Asm. - Couch
	053203-07-J30	EA	Table Asm. - Pedestal - w/o Hardware - Butcher Block
	009040-02-000	EA	Leg - Pedestal Table - 2.25" O.D. x 27.5" Chrome
	009040-03-000	EA	Base - Table Leg - Table Mount
	041194-01-000	EA	Base - Table Leg - Floor Mount
	052812-06-J30	EA	Door Asm. - Couch Cabinet - w/o Hardware
	053879-02-000	EA	Slide Asm. - Couch - w/Legs

OPTIONAL DINETTE TABLE CORNER LOUNGE CHAIRS

Key	Part Number	U/M	Description
	053977-01-J30	EA	Table Asm. - Dinette - w/o Hardware - Butcher Block
	045795-01-000	EA	Holder - Glass - Plastic
	053855-01-J27	EA	Support Asm. - Lounge Table
	054029-02-J27	EA	Cabinet Asm. - Corner Chair - Front
	054523-01-J27	EA	Cabinet Asm. - Corner Chair - Rear

DRIVER'S COMPARTMENT GROUP

DASH SWITCHES AND GAUGES

Key	Part Number	U/M	Description
	024461-01-000	EA	Switch - Battery
	024462-01-000	EA	Switch - Battery Condition
	024463-01-000	EA	Switch - Blinker
	024464-01-000	EA	Switch - Washer
	024465-01-000	EA	Switch - Fuel
	024467-01-000	EA	Switch - Wiper
	024978-01-000	EA	Switch - Generator w/o Circuit Board
	037387-01-000	EA	Switch - Generator w/Circuit Board
	024459-01-000	EA	Gauge - Voltmeter
	024460-01-000	EA	Gauge - Vacuum
	031035-01-000	EA	Gauge - Generator Hourmeter
	031376-01-000	EA	Control Asm. - Heater - 3 Speed
	055279-01-000	EA	Control Asm. - Heater A/C - 3 Speed

DASH PANEL AND COMPONENTS

Key	Part Number	U/M	Description
	053384-01-J27	EA	Dash Asm. - Complete w/Gauges and Switches
	022548-03-000	EA	Pad - Dash - Right - Dark Brown
	023242-05-000	EA	Pad - Dash - Left - Dark Brown
	024418-01-000	EA	Lamp Asm. - Map/Gauge
	023020-01-000	EA	Lamp Asm. - Telltale
	007308-01-000	EA	Dash Clock
	052367-01-000	EA	Lighter Asm. - Cigarette - 12 Volt
	007041-01-000	EA	Bezel - Cigarette Lighter
	007071-01-000	EA	Louver - Chrome - w/Chrome Wheel
	024990-02-000	EA	Outlet - Defroster w/Swivel - 2" Dark Brown
	039044-01-000	EA	Louver Asm. - A/C Adjustable
	031599-08-000	EA	Bezel Asm. - Control Panel
	050465-01-000	EA	Bezel - Entertainment Center No. 1 w/Cut Out for Vehicle Sensor Panel
	050466-01-000	EA	Bezel - Entertainment Center No. 2 - w/Cut Out for Vehicle Sensor Panel, Radio and Clock
	050467-01-000	EA	Bezel - Entertainment Center No. 3 - w/Cut Out for Vehicle Sensor Panel, Radio, Clock, Hourmeter and Generator Start Stop Switch
	023892-01-000	EA	Box - Glove Compartment - Black Fiberboard
	022219-01-000	EA	Door - Glove Compartment
	009118-01-000	EA	Twist Lock - Glove Compartment
	024598-01-000	EA	Hinge - Glove Compartment - 1 1/16" x 19"
	034309-01-000	EA	Chain - Glove Box Door
	023834-01-000	EA	Panel - Knee Kick - Bottom of Dash

1978 WINNEBAGO TABLE OF CONTENTS

WD420RG	A-1 - B-12
WD423RB	B-13 - D-2
WC525RB J2	D-3 - E-18
WDF23RG	E-17 - G-8
WDF26RT	G-7 - H-24
WD424RH	I-1 - J-18
WDU32RU	J-17 - L-8

1978 WDF26RT INDEX

Floor Plan	G-7 - G-8
Accessories Group	G-9 - G-10
Bath Group	G-11
Chassis Group	G-12
Curtain, Cushion & Pad Group	G-13 - G-20
Dinette Group	G-21
Driver's Compartment Group	G-22 - G-23
Electrical Group	G-24 - H-1
Exterior Body Group	H-2 - H-5
Galley Group	H-8
Heating & Air Conditioning Group	H-7
Interior Finish Group	H-8 - H-9
LP Group	H-10
Lounge Group	H-11 - H-12
Water & Sewage Group	H-13
Window, Vent & Exterior Door Group	H-14 - H-24

DRIVER'S COMPARTMENT GROUP (CONTINUED)

BUCKET SEAT PEDESTAL AND SEAT BELTS

Key	Part Number	U/M	Description
	050447-01-000	EA	Pedestal Asm. - Tilt Seat - Left
	050447-02-000	EA	Pedestal Asm. - Tilt Seat - Right - Single Seat
	050447-03-000	EA	Pedestal Asm. - Tilt Seat - Right - Double Seat
	007019-01-000	EA	Belt Asm. - Seat - 2" x 84" - Black
	041322-01-000	EA	Washer - Flat 15/32" I.D. x 2 3/8" O.D. - Seat Belt
	049943-01-000	EA	Pedestal - Complete - Swivel

MISCELLANEOUS DRIVER'S COMPARTMENT COMPONENTS

Key	Part Number	U/M	Description
	048583-01-000	EA	Beverage Tray - Plastic - Dark Brown
	048670-01-000	EA	Track Asm. - Beverage Tray
	036414-01-000	EA	Ashtray
	039857-01-000	EA	Latch - Rubber - Draw Handle 5 3/4" w/Strike
	039856-01-000	EA	Latch - Rubber - Draw Handle 3" w/Strike
	052783-01-000	EA	Seal - Motor Cover - Alum.
	042541-01-000	EA	Latch Asm. w/Strike - Chrome
	034800-03-000	EA	Cover - Motor - Plastic
	040519-01-000	EA	Boot - Rubber Steering Column
	040520-01-000	EA	Boot - Retainer - Steering Column
	007278-01-000	EA	Mirror - Inside - Rear View 4 1/2" x 9"
	034499-01-000	EA	Support - Dimmer Switch
	040695-02-000	EA	Clip - Sunvisor
	056508-01-J27	EA	Sunvisor Asm. - Right - Acorn Brown
	056508-02-J27	EA	Sunvisor Asm. - Left - Acorn Brown
	052831-01-J30	EA	Cabinet Asm. Front Overhead
	053320-01-J30	EA	Bunk - Front Overhead - Board w/Rails
	053773-01-000	EA	Support - Overhead Bunk - Brown - Right
	053773-02-000	EA	Support - Overhead Bunk - Brown - Left
	040071-01-000	EA	Support - Bunk - Seat Belt
	041322-01-000	EA	Washer - Flat - 15/32" I.D. x 2 3/8" O.D.
	039516-02-000	EA	Catch - Bunk - Brown
	023812-04-000	EA	Rail - Bunk - 75" - Brown
	050797-01-000	EA	Ashtray - Plastic
	050796-01-000	EA	Pocket - Ashtray - Plastic
	042341-07-000	EA	Trim - A-Post - Dark Brown Plastic - Left
	042341-08-000	EA	Trim - A-Post - Dark Brown Plastic - Right

ELECTRICAL GROUP

BULBS

Key	Part Number	U/M	Description
	037935-01-000	EA	Bulb - 1157
	038010-01-000	EA	Bulb - 1143
	008103-01-000	EA	Bulb - 53
	008213-01-000	EA	Bulb - 57
	008214-01-000	EA	Bulb - 67
	008215-01-000	EA	Bulb - 1003
	009216-01-000	EA	Bulb - 1034
	008217-01-000	EA	Bulb - 1073
	008218-01-000	EA	Bulb - 1141
	008219-01-000	EA	Bulb - 656
	008220-01-000	EA	Bulb - 12V - 25W
	036196-01-000	EA	Bulb - 194
	700020-01-000	EA	Bulb - 12V - 20W - 1383

EXTERIOR LIGHTS

Key	Part Number	U/M	Description
	031054-01-000	EA	Lamp Asm. - Tail - Left - White
	031055-01-000	EA	Lamp Asm. - Tail - Right - White
	031054-01-701	EA	Lens - Tail Lamp - Left
	031055-01-701	EA	Lens - Tail Lamp - Right
	042405-03-000	EA	Base - Rectangular Clearance Light
	042405-04-000	EA	Lens - Clearance Light - Red
	042405-05-000	EA	Lens - Clearance Light - Amber
	008092-01-000	EA	Reflector - Stick On - Rectangular - Red
	008093-01-000	EA	Reflector - Stick On - Rectangular - Amber

INTERIOR LIGHTS

Key	Part Number	U/M	Description
	033508-02-000	EA	Light - Dome - Ivory - 1 Bulb - US
	033508-03-000	EA	Light - Dome - Ivory - 1 Bulb - CSA
	033509-02-000	EA	Light - Dome - Ivory - 2 Bulb - US
	033509-03-000	EA	Light - Dome - Ivory - 2 Bulb - CSA
	024642-01-000	EA	Lens - Domelight - 1 Bulb
	024643-01-701	EA	Lens - Domelight - 2 Bulb
	024418-01-000	EA	Lamp Asm. - Map/Gauge/Alse
	024473-01-000	EA	Light - Aircraft - 1 Bulb - Gold

FUSES AND CIRCUIT BREAKERS

Key	Part Number	U/M	Description
	056473-01-000	EA	Fuse - Slow Blow - 6 1/4" Amp.
	008233-01-000	EA	Fuse - 12 Volt - 6 Amp.
	008234-01-000	EA	Fuse - 12 Volt - 10 Amp.
	008235-01-000	EA	Fuse - 12 Volt - 15 Amp.
	008236-01-000	EA	Fuse - 12 Volt - 20 Amp.
	008248-01-000	EA	Fuse - 110 Volt - 30 Amp. - AGU
	008252-01-000	EA	Fuse - 110 Volt - 50 Amp.
	008208-01-000	EA	Circuit Breaker - 12 Volt - 40 Amp.
	008211-01-000	EA	Circuit Breaker - 12 Volt - 6 Amp.
	008266-01-000	EA	Circuit Breaker - 12 Volt - 30 Amp. w/Mount
	033573-01-000	EA	Circuit Breaker - 12 Volt - 20 Amp. w/Mount
	040051-01-000	EA	Circuit Breaker - 110 Volt - 20 Amp. - TQL

**1978 WINNEBAGO
TABLE OF CONTENTS**

WD420RG	A-1 - B-12
WD423RB	B-13 - D-2
WC525RB J2	D-3 - E-16
WDF23RG	E-17 - G-6
WDF26RT	G-7 - H-24
WD424RH	I-1 - J-16
WDU32RU	J-17 - L-6

1978 WDF26RT INDEX

Floor Plan	G-7 - G-8
Accessories Group	G-9 - G-10
Bath Group	G-11
Chassis Group	G-12
Curtain, Cushion & Pad Group	G-13 - G-20
Dinette Group	G-21
Driver's Compartment Group	G-22 - G-23
Electrical Group	G-24 - H-1
Exterior Body Group	H-2 - H-5
Galley Group	H-6
Heating & Air Conditioning Group	H-7
Interior Finish Group	H-8 - H-9
LP Group	H-10
Lounge Group	H-11 - H-12
Water & Sewage Group	H-13
Window, Vent & Exterior Door Group	H-14 - H-24

ELECTRICAL GROUP (CONTINUED)

WINDSHIELD WIPER AND WASHER

Key	Part Number	U/M	Description
	007029-01-000	EA	Washer - Electric - Windshield
	049463-01-000	EA	Arm - Windshield Wiper - 15" Black
	037998-01-000	EA	Link Asm. - Connecting - 22.40" Long
	055676-01-000	EA	Motor - Wiper - 8" Drive Asm.
	049464-01-000	EA	Blade - Windshield Wiper - 16" Black
	055675-01-000	EA	Shaft and Pivotal Asm. - Windshield Wiper
	700073-05-000	EA	Pump and Cover Asm. - Windshield Washer
	700073-04-000	EA	Reservoir Only - Water - Windshield Washer
	700073-02-000	EA	Washer Nozzle Hardware Package

WIRE, SWITCHES, AND RECEPTACLES

Key	Part Number	U/M	Description
	008024-01-000	FT	Wire - 18.5 Bonded - Orange/White/Yellow/Blue/Brown
	008025-01-000	FT	Wire - 18.5 Bonded - Orange/White/Yellow/Blue/Green
	008028-01-000	FT	Wire - 18.5 Bonded - Blue/Red/Yellow/Orange/White
	008030-01-000	FT	Wire - 18.4 Bonded
	008251-01-000	EA	Holder - Fuse - Black - Screw Type
	008277-01-000	EA	Holder - Fuse - Black - Panel Mount
	008195-01-000	EA	Switch - Push Button - 12 Volt
	006077-01-000	EA	Plaque - Compressor Switch
	008054-01-000	EA	Cord - Power - 10-3 30 Amp. - 25' - UL
	008052-01-000	EA	Cord - Power - 10-3 30 Amp - 25' - CSA
	034818-04-000	EA	Holder - Receptacle - Plastic
	039338-01-000	EA	Cover Plate - Receptacle - Plastic - Brown
	039342-01-000	EA	Receptacle - Duplex Brown - T Junction
	024571-01-000	EA	Cover Plate - Receptacle - Jumbo Steel Brown
	039343-01-000	EA	Cap - End - Receptacle
	008162-01-000	EA	Switch - Double Toggle - Spade Brown
	008163-01-000	EA	Switch - Toggle Brown
	008164-01-000	EA	Cover Plate - Switch - Brown
	024924-01-000	EA	Receptacle - Power Cord
	008058-01-000	EA	Adaptor - Power Cord
	047353-01-000	EA	Cover - Receptacle - Ground Fault
	047351-01-000	EA	Receptacle - Ground Fault Interrupter - 125 Volt, Black

MISCELLANEOUS ELECTRICAL COMPONENTS

Key	Part Number	U/M	Description
	047338-01-000	EA	Isolator - Dual Battery
	047389-01-700	EA	Battery - 12 Volt - 105 Amp. Deep Cycle - Dry
	008168-01-000	EA	Solenoid - Dual Battery - Relay
	046775-01-000	EA	Valve - Gas - Change Over
	039950-02-000	EA	Control Center - 30 Amp. w/Door - UL
	039950-01-702	EA	Circuit Board - 6 Prong - Control Center
	039950-01-701	EA	Circuit Board - 5 Prong - Control Center - w/Light
	039950-01-700	EA	Circuit Board - 3.5" x 2" - Control Center - w/o Light
	054544-01-000	EA	Control Center - 37 Amp - VL
	048812-04-000	EA	Control Panel - Water/Double Sewage - w/o Insert
	048812-05-000	EA	Insert - Control Panel - w/Thermostat Mount Holes
	048812-06-000	EA	Insert - Control Panel - w/o Thermostat Mount Holes
	039861-01-000	EA	Sending Unit Kit - Wamac
	024459-01-000	EA	Gauge - Voltmeter
	024452-01-000	EA	Switch - Battery Condition
	031035-01-000	EA	Gauge - Hour Meter - Generator
	024976-01-000	EA	Switch - Generator w/o Circuit Board
	024460-01-000	EA	Gauge Vacuum
	036617-01-000	EA	Relay - Canister - SPDT
	008181-01-000	EA	Relay - 12 to 15 Volt - 27 Amp.

H-1

EXTERIOR BODY GROUP

EXTERIOR BODY PANELS AND SHEET ALUMINUM

Key	Part Number	U/M	Description
	052522-02-J27	EA	Backwall Asm.
	053454-01-J30	EA	Sidewall Asm. - Right
	053455-01-J30	EA	Sidewall Asm. - Left
	052984-01-J30	EA	Roof Asm.
	039155-03-008	EA	Alum. - Off White Mesa I - .024" x 36" x 60"
	039155-03-003	EA	Alum. - Off White Mesa I - .024" x 36" x 360"
	039155-03-007	EA	Alum. - Off White Mesa I - .024" x 48" x 60"
	039155-03-006	EA	Alum. - Off White Mesa I - .024" x 48" x 360"
	039155-03-009	EA	Alum. - Off White Mesa I - .024" x 12" x 360"
	039155-28-001	EA	Alum. - Off White Mesa II - .024" x 36" x 60"
	039155-28-003	EA	Alum. - Off White Mesa II - .024" x 36" x 360"
	039155-28-004	EA	Alum. - Off White Mesa II - .024" x 48" x 60"
	039155-28-006	EA	Alum. - Off White Mesa II - .024" x 48" x 360"
	039155-28-007	EA	Alum. - Off White Mesa II - .024" x 12" x 360"
	001054-01-011	EA	Off White Plain Alum. - 48" x 96"
	000668-01-000	BF	Styrofoam - 3/4" x 24" x 96"
	000870-01-000	BF	Styrofoam - 1 1/2" x 24" x 96"

NOTE: The raised portion of Mesa I Aluminum is 1.657" wide.
The raised portion of Mesa II Aluminum is .675" wide.

EXTERIOR PAINT

Key	Part Number	U/M	Description
	041561-01-000	EA	Paint - Off White - Acrylic Enamel - 1 Gal.
	041561-03-000	EA	Paint - Off White - Acrylic Enamel - 16 Oz. Aerosol
	041561-04-000	EA	Paint - Off White - Acrylic Lacquer - 1 Gal.
	045681-01-000	EA	Paint - High Gloss Black - Acrylic Enamel - 1 Gal.
	045681-03-000	EA	Paint - High Gloss Black - Acrylic Enamel - 16 Oz. Aerosol
	056006-01-000	EA	Paint - Lucerne Blue - Acrylic Enamel - 1 Gallon
	056006-03-000	EA	Paint - Lucerne Blue - Acrylic Enamel - 16 oz. Aerosol
	043877-01-000	EA	Paint - Saddle Bronze - Acrylic Enamel - 1 Gallon
	043877-03-000	EA	Paint - Saddle Bronze - Acrylic Enamel - 16 oz. Aerosol
	056109-01-000	EA	Paint - Burnished Red - Acrylic Enamel - 1 Gallon
	056109-03-000	EA	Paint - Burnished Red - Acrylic Enamel - 16 oz. Aerosol
	056110-01-000	EA	Paint - Orange Flame Metallic - Acrylic Enamel - 1 Gallon
	056110-03-000	EA	Paint - Orange Flame Metallic - Acrylic Enamel - 16 oz. Aerosol
	056111-01-000	EA	Paint - Amber Firemist - Acrylic Enamel - 1 Gallon
	056111-03-000	EA	Paint - Amber Firemist - Acrylic Enamel - 16 oz. Aerosol
	041575-01-000	EA	Paint - Dark Green Metallic - Acrylic Enamel - 1 Gallon
	041575-03-000	EA	Paint - Dark Green Metallic - Acrylic Enamel - 16 oz. Aerosol

MISCELLANEOUS EXTERNALLY MOUNTED PARTS

Key	Part Number	U/M	Description
	010230-02-000	EA	Fill - City Water - Recessed - Off White
	011020-01-000	EA	Fill - Water - Recessed - Off White
	056132-01-000	EA	Fill - Water - Lockable
**	011124-01-000	EA	Plumbing Seal - Roof Vent - 1 1/4" White
**	011129-01-000	EA	Plumbing Seal - Roof Vent - 1 1/2" White
	049347-01-000	EA	Mirror Head - 7 1/2" x 10 1/2" Stainless Steel w/o Bracket
	049348-01-000	EA	Arm - Low Mount Mirror - Brite Finish
	049344-02-000	EA	Bracket - Mirror - Outside - Off White - Mounts to Coach
	045814-01-000	EA	Fill - Gas w/Vent - 5.44" Long

H-2

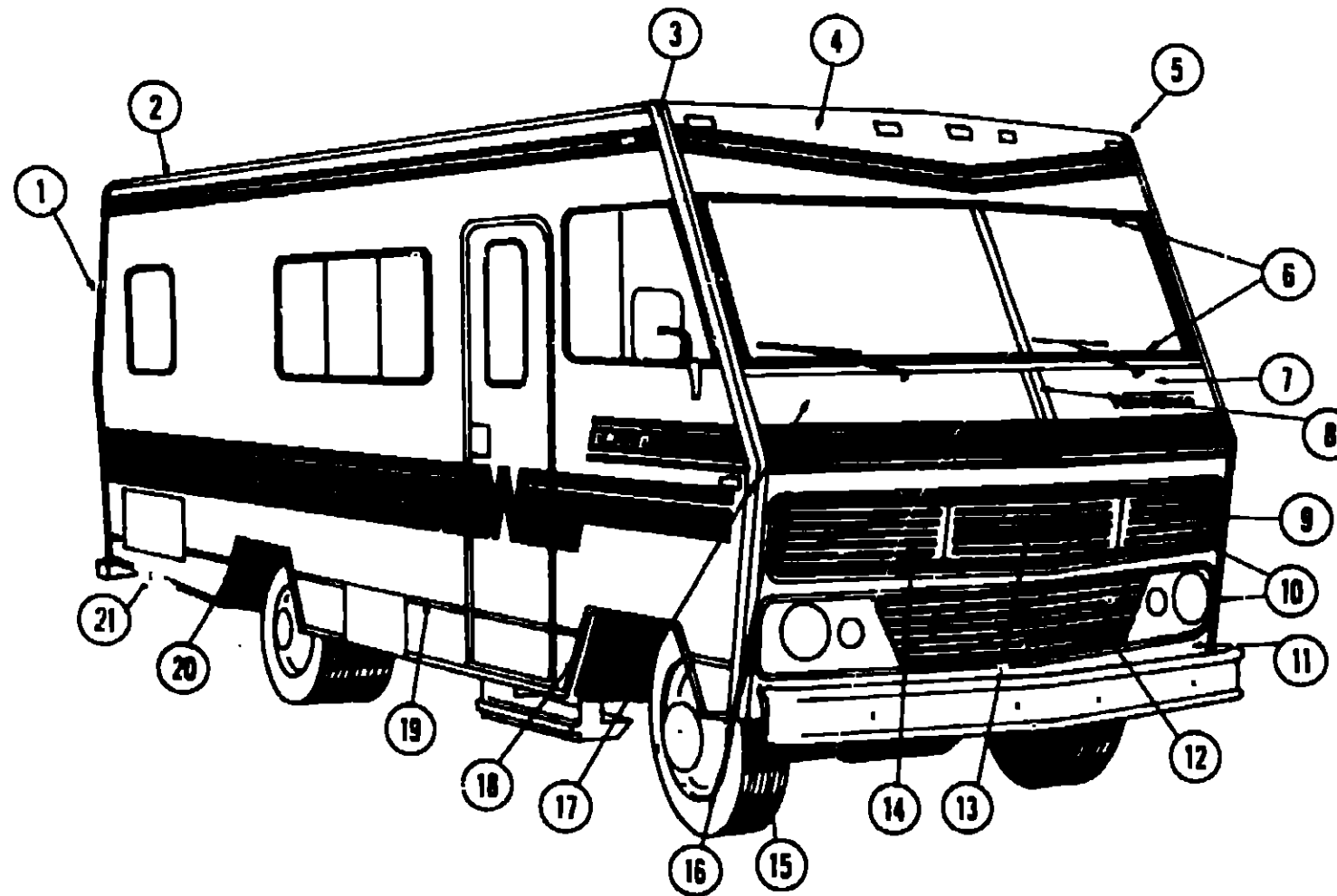
1978 WINNEBAGO TABLE OF CONTENTS

WD420RG	A-1 - B-12
WD423RB	B-13 - D-2
WC525RB J2	D-3 - E-16
WDF23RG	E-17 - G-6
WDF26RT	G-7 - H-24
WD424RH	I-1 - J-16
WDU32RU	J-17 - L-6

1978 WDF26RT INDEX

Floor Plan	G-7 - G-8
Accessories Group	G-9 - G-10
Bath Group	G-11
Chassis Group	G-12
Curtain, Cushion & Pad Group	G-13 - G-20
Dinette Group	G-21
Driver's Compartment Group	G-22 - G-23
Electrical Group	G-24 - H-1
Exterior Body Group	H-2 - H-5
Galley Group	H-6
Heating & Air Conditioning Group	H-7
Interior Finish Group	H-8 - H-9
LP Group	H-10
Lounge Group	H-11 - H-12
Water & Sewage Group	H-13
Window, Vent & Exterior Door Group	H-14 - H-24

EXTERIOR BODY GROUP (CONTINUED)



1978 WINNEBAGO TABLE OF CONTENTS

WD420RG
WD423RB
WC525RB J2
WDF23RG
WDF26RT
WD424RH
WDU32RU

A-1 - B-12
B-13 - D-2
D-3 - E-16
E-17 - G-6
G-7 - H-24
I-1 - J-16
J-17 - L-8

Key	Part Number	U/M	Description
1	039964-01-000	EA	Trim - Contour - Right Rear - Off White
•	039964-02-000	EA	Trim - Contour - Left Rear - Off White
2	034922-10-000	EA	Trim - Sidewall - Upper - Left or Right - Off White
3	053217-01-000	EA	Trim - Contour - Right Front - Off White
4	054968-01-000	EA	Cap Asm. - Fiberglass - Over Windshield - Off White
5	053217-02-000	EA	Trim - Contour - Left Front - Off White
6	053233-01-000	EA	Trim - Windshield - 91" - Off White
7	052979-02-J30	EA	Hoodboard Asm. - Upper Right
8	053207-01-000	EA	Trim - Hood - Center
9	052325-02-000	EA	Grille Asm. - Upper Left
10	053089-02-000	EA	Trim - Grille or Headlight - Left
11	052924-02-J27	EA	Hoodboard Asm. - Lower Left
12	053106-01-000	EA	Grille Asm. - Lower
13	053097-01-000	EA	Grille Asm. - Upper - Center
•	021497-01-000	EA	Latch Asm. - Grille

Key	Part Number	U/M	Description
14	052325-01-000	EA	Grille Asm. - Upper - Right
15	052924-01-J27	EA	Hoodboard Asm. - Lower Right
16	053089-01-000	EA	Trim - Grille or Headlight - Right
17	052979-01-J30	EA	Hoodboard Asm. - Upper Right
18	052843-01-000	EA	Trim - Wheelwell - Front - Left or Right
19	002444-02-003	EA	Feature Strip - Extr. Alum. - 16"
•	001030-02-003	EA	Insert - Feature Strip - Off White - 17"
•	001030-06-100	EA	Insert - Feature Strip - Lucerne Blue - 17"
•	001030-05-100	EA	Insert Feature Strip - Dark Green - 17"
•	009731-01-000	EA	End Cap - Feature Strip
20	052842-01-000	EA	Trim - Wheel Well - Rear - Right or Left
21	002776-02-001	EA	U-Channel - Extr. Anod. Alum. - 1 3/4" x 18"
•	002365-02-001	EA	U-Channel - Extr. Anod. Alum. - 18" (Lower Back Wall)
•	044582-02-000	EA	Drip Cap - Over Entry Door - Off White
•	009717-02-002	EA	Drip Rail - Extr. Alum. - 19"
•	002754-02-001	EA	Trim Angle - Extr. Alum. - 3/4" x 3/4" x 18"
•			Not Illustrated

1978 WDF26RT INDEX

Floor Plan	G-7 - G-8
Accessories Group	G-9 - G-10
Bath Group	G-11
Chassis Group	G-12
Curtain, Cushion & Pad Group	G-13 - G-20
Dinette Group	G-21
Driver's Compartment Group	G-22 - G-23
Electrical Group	G-24 - H-1
Exterior Body Group	H-2 - H-5
Galley Group	H-6
Heating & Air Conditioning Group	H-7
Interior Finish Group	H-8 - H-9
LP Group	H-10
Lounge Group	H-11 - H-12
Water & Sewage Group	H-13
Window, Vent & Exterior Door Group	H-14 - H-24

EXTERIOR BODY GROUP (CONTINUED)

LABELS AND DECALS

Key	Part Number	U/M	Description
	006031-01-000	EA	Label - Potable Water Only
	006187-01-000	EA	Label - Sewage
	006188-01-000	EA	Label - Waste Water
	006199-01-000	EA	Label - Exit - Escape Window
	039289-01-000	EA	Label - Warning Aux. Loading
	006023-01-000	EA	Label - Water Only
	008025-01-000	EA	Label - Gas
	006028-01-000	EA	Label - Drain Cap - 2" x 3"
	008092-01-000	EA	Reflector - Stick on - Rectangular - Red
	008093-01-000	EA	Reflector - Stick on - Rectangular - Amber
	040944-01-000	EA	Label - Open - Entrance Door
	047731-01-000	EA	Label - Emergency Exit
	006040-01-000	EA	Tag - Gas - Refueling Warning
	006062-01-000	EA	Tag - Electrical - 110V Connection
	045373-01-000	EA	Stencil - "Brave" - 2.28" High - Right
	045373-02-000	EA	Stencil - "Brave" - 2.28" High - Left
	038403-07-000	EA	Decal - Logo - Winnebago - Lucerne Blue
	038403-06-000	EA	Decal - Logo - Winnebago - Amber Mist
	050313-03-000	EA	Decal - Logo - Winnebago - Dark Ginger Metallic

SEALANTS, ADHESIVES AND FASTENERS

Key	Part Number	U/M	Description
	034552-05-000	EA	Sealant - Off White Silicone
	034552-04-000	EA	Sealant - Beige Silicone
	034552-02-000	EA	Sealant - Clear Silicone
	004348-02-000	EA	Sealant - Aluminum Silicone
	004349-01-000	EA	Sealant - Black Silicone
	004342-01-000	EA	Sealant - Weatherban 202 Tube
	004346-02-000	EA	Sealant - White Silicone
	004347-01-000	EA	Sealant - Tufflex
	002316-01-000	FT	Sealer Tape - 3/32" x 1/8"
	024545-01-000	FT	Sealer Tape - 1/8" x 5/8" - Black
	004350-01-000	FT	Sealer Tape - 1/8" x 1" - Formaseal
	004352-01-000	FT	Sealer Tape - 1/8" x 3/4" - Formaseal
	004355-01-000	FT	Sealer Tape - 1/8" x 5/8" - Black
	004357-01-000	FT	Sealer Tape - 1/8" x 5/8" - Adhesive
	002707-01-000	FT	Sealer Tape - 5/16" x 3/4" - Black Foam
	004363-01-000	FT	Sealer Tape - 3/16" x 1/2" - Foam
	004362-01-000	FT	Sealer Tape - 1/4" x 5/8" - Foam
	008200-01-000	EA	Tape - Furnace - 1 1/2"
	004353-01-000	FT	Tape - Gasket - 1/8" x 3/4" - White
	002825-01-000	FT	Weather Stripping - Roof Vent
	002337-01-000	EA	Adhesive - 3M - 1300 Tube
	004005-01-000	GL	Adhesive - Swifts - Green - Glue (Sidewalls)
	004012-01-000	EA	Adhesive - 3M - 4475 Tube
	004020-01-000	QT	Adhesive - ABS Cement (Plastic Fittings)
	029051-01-000	EA	Adhesive - Spray Vinyl
	042401-02-000	EA	Screw - B - 18 x 3/4" SDPH - Off White
	042403-02-000	EA	Screw - SF/DR - 8-18 x 1" SDPH - Off White
	053766-01-000	EA	Bedding Compound - Tube Black - Schnee Morehead
	053766-02-000	EA	Bedding Compound - Tube White - Schnee Morehead
	053767-01-000	FT	Tape - 1/2" x 1/8" x 30' - Gray - Schnee Morehead
	053767-02-000	FT	Tape - 3/16" Bead x 25' - Gray - Schnee Morehead
	053767-03-000	FT	Tape - 1/4" Bead x 20' - Gray - Schnee Morehead
	053767-04-000	FT	Tape - 3/4" x 1/8" x 30' - Gray - Schnee Morehead
	053767-05-000	FT	Tape - 2" x 3/32" x 45' - Gray - Schnee Morehead

GALLEY GROUP

GALLEY CABINERY

Key	Part Number	U/M	Description
	052485-01-J30	EA	Cabinet Asm. - Galley Overhead - w/o Doors or Hardware
	052812-01-J30	EA	Door Asm. - Galley Overhead Cabinet - w/o Hardware
	054301-01-J30	EA	Cabinet Asm. - Galley - w/o Countertop, Doors, Drawers or Hardware
	052566-01-J30	EA	Countertop Asm. - Galley - Butcher Block
	053983-02-J30	EA	Door Asm. - Galley Cabinet - 12 3/4" x 29 7/8" - w/o Hardware
	053983-03-J30	EA	Door Asm. - Galley Cabinet - 9 1/4" x 14 7/8" - w/o Hardware
	053816-01-J30	EA	Drawer Asm. - Galley Cabinet - 12 3/4" x 13 1/8" - w/o Hardware
	053983-04-J27	EA	Door Asm. - Refrigerator Cabinet - 11 13/16" x 17 3/4" - w/o Hardware
	052812-03-J30	EA	Door Asm. - Refrigerator Cabinet - 24 1/2" x 18 3/4"
	054028-01-J10	EA	Sink Cover - Butcher Block

GALLEY HARDWARE AND APPLIANCES

Key	Part Number	U/M	Description
	011032-01-000	EA	Sink - Stainless Steel - Double w/Bolts
**	011053-01-000	EA	Faucet - 8" Swing Spout - US
**	011085-01-000	EA	Strainer - Sink
**	011053-01-700	EA	Aerator - Swing Spout Faucet
**	053333-01-000	EA	Hood Stove - Non Power - Black
**	052583-01-000	EA	Range - 4 Burner - Small Oven - Black
**	049175-01-000	EA	Refrigerator - AC/Gas - Sibir ET150 - 1 Door Model
**	049175-02-000	EA	Refrigerator - AC/DC/Gas - Sibir ET150/2 - 1 Door Model
**	049174-01-000	EA	Refrigerator - AC/Gas - Sibir ET230 - 2 Door Model
**	049174-02-000	EA	Refrigerator - AC/DC/Gas - Sibir ET230/2 - 2 Door Model

**The illustrated parts breakdown for this item is provided on the Common Items Fiche.

1978 WINNEBAGO TABLE OF CONTENTS

WD420RG	A-1 - B-12
WD423RB	B-13 - D-2
WCS25RB J2	D-3 - E-16
WDF23RG	E-17 - G-6
WDF26RT	G-7 - H-24
WD424RH	I-1 - J-16
WDU32RU	J-17 - L-6

1978 WDF26RT INDEX

Floor Plan	G-7 - G-8
Accessories Group	G-9 - G-10
Bath Group	G-11
Chassis Group	G-12
Curtain, Cushion & Pad Group	G-13 - G-20
Dinette Group	G-21
Driver's Compartment Group	G-22 - G-23
Electrical Group	G-24 - H-1
Exterior Body Group	H-2 - H-5
Galley Group	H-6
Heating & Air Conditioning Group	H-7
Interior Finish Group	H-8 - H-9
LP Group	H-10
Lounge Group	H-11 - H-12
Water & Sewage Group	H-13
Window, Vent & Exterior Door Group	H-14 - H-24

HEATING AND AIR CONDITIONING GROUP

Key	Part Number	U/M	Description
	039044-01-000	EA	Louver Asm. - A/C Adjustable
	047046-01-000	EA	Motor - 12 Volt - 3 Speed - Heater - Air Conditioner
	031043-01-000	EA	Valve - Heater - Water Flow Control
	031169-01-000	EA	Cable - Control - Flexible - 53"
	031169-02-000	EA	Cable - Control - Flexible - 48"
	031170-01-000	EA	Clamp - Cable - 3/16" Dia.
	024996-01-000	EA	Clutch - Magnetic - Compressor
	024999-01-000	EA	Compressor - Auto Air - 10.3 Cubic Inch
	048721-01-000	EA	Package - Compressor Mount 360 C.I.D.
	033295-01-000	EA	Package - Compressor Mount 440 C.I.D.
	031394-01-000	EA	Condensor - Radiator Mount
	006267-01-000	EA	Switch - Air Conditioner
	024867-01-000	EA	Valve - Thermostatic Expansion
	024997-01-000	EA	Core - Heater
	024998-01-000	EA	Wheel - Blower - 4.72" O.D.
	031393-01-000	EA	Coil - Evaporator
	033528-01-000	EA	Hose - Refrigerant - .50" I.D. x 34.50"
	034222-01-000	EA	Hose - Refrigerant - .31" I.D. x 26"
	031960-01-000	EA	Hose - Refrigerant - .34" I.D. x 30"
	031961-01-000	EA	Hose - Refrigerant - .31" I.D. x 14.75"
	024868-01-000	EA	Receiver - Dehydrator
	031044-01-000	EA	Clamp - Receiver Dehydrator
	031962-01-000	EA	Bracket - Receiver Dehydrator
	031976-01-000	EA	Belt - Drive - .50" I.D. x 54" - 360 C.I.D. or 440 C.I.D.
	048228-02-000	EA	Kit - Auto Air - 360 C.I.D. A Body - Winnebago Heater
	048229-02-000	EA	Kit - Auto Air - 440 C.I.D. A Body - Winnebago Heater
	052598-01-000	EA	Furnace - 19,000 BTU - Under Counter Mount - Coleman - 4319-729
**	056113-01-000	EA	Furnace - 22,000 BTU - w/Electronic Ignition
**	056112-01-000	EA	Furnace - 28,000 BTU - w/Electronic Ignition
	039505-02-000	EA	Thermostat - Horizontal Wall Mount - Black
	024985-01-000	EA	Register - Heat - w/Damper - 9.9" x 4.8"
	031604-01-000	EA	Bonnet - Heat Register
	009198-01-000	FT	Duct - Flexible - 4" I.D. x 25'
	009200-01-000	EA	Tape - Furnace - 1 1/2"
**	049777-01-000	EA	Air Conditioner - 110 Volt - Roof Mount - 11,000 BTU - Ivory Coleman (w/o inside shroud)
**	049778-01-000	EA	Shroud Asm. - Ceiling - Inside Roof Air Cool Only - 11,000 BTU - Coleman
**	049774-01-000	EA	Air Conditioner - 110 Volt - Roof Mount - 13,500 BTU Ivory - Coleman (w/o inside shroud)
**	049775-01-000	EA	Shroud Asm. - Ceiling - Inside - Roof Air Cool Only - 13,500 BTU - Coleman
**	049776-01-000	EA	Shroud Asm. - Ceiling - Inside - Roof Air Heat and Cool Only - 13,500 BTU - Coleman

**The illustrated parts breakdown for this item is provided on the Common Items Fiche.

INTERIOR FINISH GROUP

PANELING AND COUNTERTOP MATERIALS

Key	Part Number	U/M	Description
	055275-01-000	SF	Paneling - Hickory - 48" x 96" (32 SF)
	052585-01-000	SF	Paneling - White Brick - 48" x 96" (32 SF)
	045963-01-000	SF	Paneling - 825 Buff - Ceiling - 48" x 94"
	051904-01-000	SF	Paneling - Cloud Beige - Bath - 48" x 96" (32 SF)
	053330-01-000	SF	Paneling - Grass Cloth - 48" x 88"
	055677-04-000	SF	Paneling - Mosaic Gray - 48" x 84" (28 S.F.)
	055677-05-000	SF	Paneling - Mosaic Rust - 48" x 84" (28 S.F.)
	055677-06-000	SF	Paneling - Mosaic Gold - 48" x 84" (28 S.F.)
	045964-01-000	SF	Plastic Laminate - Butcher Block - 48" x 96" (32 SF)
	045964-01-001	EA	Plastic Laminate - Butcher Block - 48" x 48"
	045964-01-002	EA	Plastic Laminate - Butcher Block - 1.19" x 96"

FABRICS AND FLOOR COVERING

Key	Part Number	U/M	Description
	049328-02-000	YD	Fabric - Drapery - Blue
	049328-03-000	YD	Fabric - Drapery - Rust
	049328-04-000	YD	Fabric - Drapery - Green
	054547-01-000	YD	Fabric - Upholstery - Beige
	054547-02-000	YD	Fabric - Upholstery - Rust
	054547-03-000	YD	Fabric - Upholstery - Bronze
	053327-01-000	YD	Vinyl - Non Expanded - 27 oz. - Acorn Brown
	053327-02-000	YD	Vinyl - Expanded - 23 oz. - Acorn Brown
	053327-03-000	YD	Vinyl - Non Support - 16 Gauge Film - Acorn Brown
	054546-01-000	SY	Carpet - Sheer Sensations - Beige
	054546-02-000	SY	Carpet - Sheer Sensations - Rust
	054546-03-000	SY	Carpet - Sheer Sensations - Gold
	042720-03-000	SY	Vinyl - Floor Covering - 90" - Tan

INTERIOR MOLDING AND TRIMS

Key	Part Number	U/M	Description
	000726-07-000	EA	Balt Strip - 709 Hickory
	047354-01-000	EA	Balt Strip - 825 Buff
	024700-05-000	EA	Cover - Roll Bar - 709 Hickory - 12' Plastic
	024700-06-000	EA	Cover - Roll Bar - Ivory - 8' Plastic
	039512-03-000	EA	Cover - Hat Section - Hickory - 12" Plastic
	039512-06-000	EA	Cover - Hat Section - Ivory - 8' Plastic
	047488-01-000	EA	Cover - Corner - Hat/Hat
	047489-01-000	EA	Cover - Corner - Tube/Tube
	052859-01-J27	FT	Trim - Accent - Brown Vinyl
	009767-01-000	FT	Welling - Brown
	009778-01-000	FT	U-Channel - 1" - Dark Brown
	009779-01-000	FT	U-Channel - 1 1/8" - Dark Brown
	009813-01-000	FT	Molding - Outside Corner - .50" - Dark Pecan
	022992-03-000	FT	Molding - Reverse Cove - Sandalwood
	034689-03-000	EA	Cover - Screw - PPH 10 - Ivory
	009812-06-000	FT	Molding - Outside Corner - .50" - Antique Birch
	009805-06-000	FT	Molding - Outside Corner - 1" - Antique Birch
	009813-02-000	EA	Molding - Plastic - Outside Corner - .50" - Cherry
	009810-02-000	EA	Molding - Plastic - Outside Corner - 1" - Cherry
	039512-09-000	EA	Cover - Hat Section - 709 Hickory - 8'
	024700-11-000	EA	Cover - Sidewall Roll Bar - 709 Hickory - 8'

1978 WINNEBAGO TABLE OF CONTENTS

WD420RG	A-1 - B-12
WD423RB	B-13 - D-2
WC525RB J2	D-3 - E-16
WDF23RG	E-17 - G-6
WDF26RT	G-7 - H-24
WD424RH	I-1 - J-16
WDU32RU	J-17 - L-6

1978 WDF26RT INDEX

Floor Plan	G-7 - G-8
Accessories Group	G-9 - G-10
Bath Group	G-11
Chassis Group	G-12
Curtain, Cushion & Pad Group	G-13 - G-20
Dinette Group	G-21
Driver's Compartment Group	G-22 - G-23
Electrical Group	G-24 - H-1
Exterior Body Group	H-2 - H-5
Galley Group	H-6
Heating & Air Conditioning Group	H-7
Interior Finish Group	H-8 - H-9
LP Group	H-10
Lounge Group	H-11 - H-12
Water & Sewage Group	H-13
Window, Vent & Exterior Door Group	H-14 - H-24

INTERIOR FINISH GROUP (CONTINUED)

CABINETY AND TABLE HARDWARE

Key	Part Number	U/M	Description
	052929-01-J30	EA	Latch Kit - Cabinet Door - Antique Brass
	052930-01-J30	EA	Pull Kit - Drawer - Antique Brass
	052932-01-J30	EA	Hinge Kit - Cabinet Door - Antique Brass
	041939-01-000	EA	Hinge Kit - Double Acting
	047744-01-000	EA	Kit - Drawer Glide
	047809-03-000	EA	Kit - Dinette Hardware - Wall Mount
	009040-02-000	EA	Leg - Pedestal Table - 27.5" - Chrome
	009040-03-000	EA	Base - Table Leg - Mounts on Table
	041194-01-000	EA	Base - Table Leg - Floor Mount

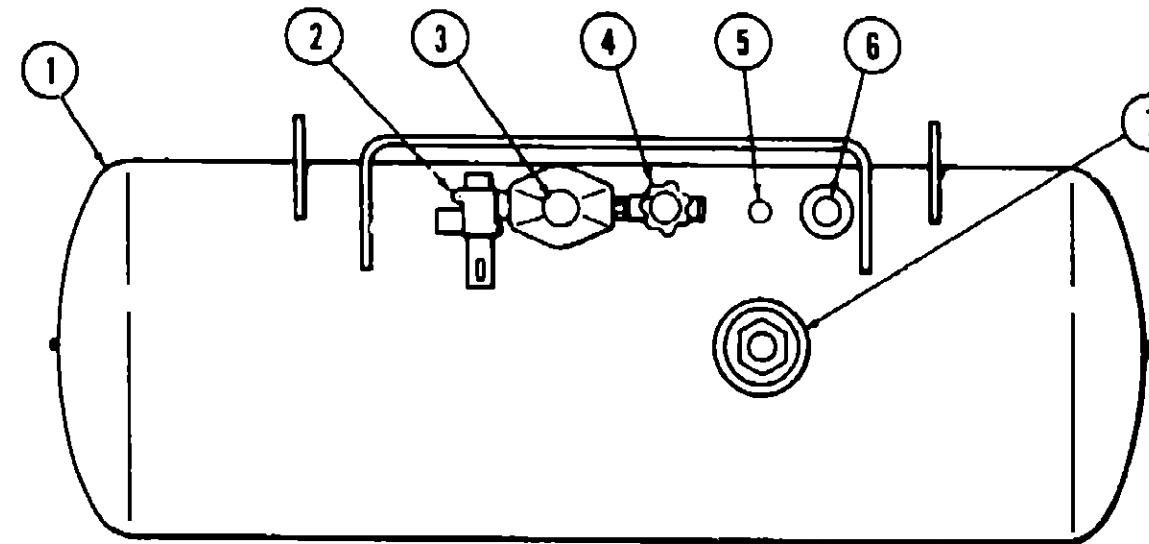
CURTAIN HARDWARE

Key	Part Number	U/M	Description
	052327-04-236	EA	Track - Curtain - Brown Alum. - 89" w/Holes
	056116-01-000	FT	Track - Curtain - Brown Plastic
	056001-01-000	EA	Bracket - Shade - Left
	056002-01-000	EA	Bracket - Shade - Right
	056003-01-000	EA	Bracket - Drapery Retainer - Right
	056003-02-000	EA	Bracket - Drapery Retainer - Left
	056289-01-000	EA	Track - Wraparound Curtain - Right
	056289-02-000	EA	Track - Wraparound Curtain - Left
	053272-04-200	EA	Track - Curtain - Off White - 89" w/Holes
	056784-01-000	EA	Pull - Window Shade - Antique Brass
	009107-01-000	EA	Guide - Nylon Snap - Curtain
	018031-42-000	EA	Track - Curtain - "L" Rod - Alum. Extr. - 90"
	009701-01-000	EA	Carrier - "L" Rod - Curtain
	009702-01-000	EA	End Stop - "L" Rod - Curtain

MISCELLANEOUS

Key	Part Number	U/M	Description
	041944-01-700	EA	Fire Extinguisher - Dry Chemical w/Bracket
	007038-01-000	EA	Door Mat - Black Rubber - 10 1/2" x 26"
	053552-01-J10	EA	Handle - Asslat - Belge
	054185-01-000	EA	Owners Manual Winnebago - 1978

LP GROUP



Key	Part Number	U/M	Description
1	040421-01-000	EA	Tank Asm. - LP - Frame Mount - 83 Pound
2	042281-01-000	EA	Tank Asm. - LP - Frame Mount - 42 Pound
3	047221-01-000	EA	Detector - LP Gas Leak
4	024712-01-000	EA	Cover - LP Regulator
5	052163-01-000	EA	Regulator - Manual - LP Gas - 2 Stage
6	040421-01-703	EA	Valve - Vapor Relief
7	040421-01-700	EA	Gauge - Liquid Level - 20% LP
	040421-01-701	EA	Valve - Filler - LP
	040421-01-702	EA	Cap - Plastic Fill Valve
	040421-01-707	EA	Gauge - Float - w/Visible Dial - 83 Pound Tank
	042281-01-700	EA	Gauge - Float - w/Visible Dial - 42 Pound Tank
	040421-01-706	EA	Dial - Visible Face - Float Gauge (Tank w/o Electric Transmitter)
	040421-01-705	EA	Dial - Transmitter - 0 - 90 Ohm (Float Gauge)
	045703-03-000	EA	Hose Asm. - LP - 3/8" I.D. x 14"
	047737-02-000	EA	Support - LP Tank - 89.25"
	047737-03-000	EA	Support - LP Tank - 30.50"
			Not Illustrated

1978 WINNEBAGO TABLE OF CONTENTS

WD420RG	A-1 - B-12
WD423RB	B-13 - D-2
WC525RB J2	D-3 - E-18
WDF23RG	E-17 - G-6
WDF26RT	G-7 - H-24
WD424RH	I-1 - J-18
WDU32RU	J-17 - L-8

1978 WDF26RT INDEX

Floor Plan	G-7 - G-8
Accessories Group	G-9 - G-10
Bath Group	G-11
Chassis Group	G-12
Curtain, Cushion & Pad Group	G-13 - G-20
Dinette Group	G-21
Driver's Compartment Group	G-22 - G-23
Electrical Group	G-24 - H-1
Exterior Body Group	H-2 - H-5
Galley Group	H-6
Heating & Air Conditioning Group	H-7
Interior Finish Group	H-8 - H-9
LP Group	H-10
Lounge Group	H-11 - H-12
Water & Sewage Group	H-13
Window, Vent & Exterior Door Group	H-14 - H-24

LOUNGE GROUP

Key	Part Number	U/M	Description
	053670-01-J30	EA	Cabinet Asm. - Wardrobe Base - Left
	053695-01-J30	EA	Cabinet Asm. - Wardrobe Top - Left - w/o Door or Hardware
	052812-13-J27	EA	Door Asm. - Wardrobe - Left or Right w/o Hardware
	053883-01-J30	EA	Countertop Asm. - Wardrobe Base Cabinet - Left
	053674-01-J30	EA	Cabinet Asm. - Wardrobe Base - Right
	053706-01-J30	EA	Cabinet Asm. - Wardrobe Top - Right - w/o Door or Hardware
	053993-01-J30	EA	Countertop Asm. - Wardrobe Base Cabinet - Right
	054413-01-J30	EA	Grille Asm. - Furnace
	047205-08-000	EA	Insert - Furnace Grille - 10 1/8" x 12 1/2" - Brass Mesh
	009112-01-000	EA	Flange - 1" - Closet Rod

OPPOSING TWIN BEDS W/NIGHTSTAND

Key	Part Number	U/M	Description
	054002-01-J30	EA	Cabinet Asm. - Magazine - Overhead - w/o Doors or Hardware - Right
	054002-02-J30	EA	Cabinet Asm. - Magazine - Overhead - w/o Doors or Hardware - Left
	052812-06-J30	EA	Door Asm. - Magazine - Cabinet - 16 1/4" x 11 5/8" - w/o Hardware
	053794-01-J30	EA	Cabinet Asm. - Twin Bed - Left
	053794-02-J30	EA	Cabinet Asm. - Twin Bed - Right
	054006-01-J30	EA	Cabinet Asm. - Nightstand - Base
	053999-01-J30	EA	Countertop Asm. - Nightstand Base - Butcher Block
	053976-01-J30	EA	Cabinet Asm. - Nightstand - Top
	053998-01-J30	EA	Countertop Asm. - Nightstand Top - Butcher Block
	043316-01-700	EA	Door Asm. - Rollup - Nightstand w/o Handle
	043257-01-000	FT	Handle - Wood - Rollup Door
	043255-01-000	FT	Track - Plastic - Rollup Door
	043256-01-000	EA	Spiral - Plastic - Rollup Door - Right
	043256-02-000	EA	Spiral - Plastic - Rollup Door - Left

TWIN BED W/SWIVEL CHAIRS AND SLIDE OUT TABLE

Key	Part Number	U/M	Description
	054630-01-J30	EA	Cabinet Asm. - Gaucho - Right - w/o Slide Asm.
	053879-03-000	EA	Slide Asm. - Gaucho - w/Legs
	022517-01-000	EA	End Cap - Gaucho Leg
	035036-01-000	EA	Plate - TT Chair
	035036-02-000	EA	Base - TT Chair - w/Legs
	054555-01-J30	EA	Cabinet Asm. - Pullout Table
	054553-01-J30	EA	Countertop Asm. - Pullout Table - Butcher Block
	054552-01-J30	EA	Table Asm. - Pullout
	045795-01-000	EA	Glass Holder - Plastic
	009148-01-000	EA	Finger Pull - 3/4" Dia. - Brass

LOUNGE GROUP (CONTINUED)

HORSESHOE LOUNGE W/PEDESTAL TABLE

Key	Part Number	U/M	Description
	053203-06-J30	EA	Table Asm. - Pedestal - w/o Hardware - Butcher Block
	052483-01-J30	EA	Cabinet Asm. - Center
	053837-01-J30	EA	Cabinet Asm. - Right - Base
	053838-01-J30	EA	Cabinet Asm. - Left - Base
	053974-01-J30	EA	Cabinet Asm. - Hamper - w/o Door or Hardware - Right
	053974-02-J30	EA	Cabinet Asm. - Hamper - w/o Door or Hardware - Left
	009040-02-000	EA	Leg - Pedestal Table - 2.25" O.D. x 27.5" Chrome
	009040-03-000	EA	Base - Table Leg - Table Mount
	041194-01-000	EA	Base - Table Leg - Floor Mount

TWIN BED W/CORNER LOUNGE CHAIRS

Key	Part Number	U/M	Description
	054630-01-J30	EA	Cabinet Asm. - Gaucho - Right - w/o Slide
	053879-03-000	EA	Slide Asm. - Gaucho - w/Legs
	022517-01-000	EA	End Cap - Gaucho Leg
	053977-01-J30	EA	Table Asm. - Lounge - w/o Support - Butcher Block
	053855-01-J27	EA	Support - Lounge Table
	045795-01-000	EA	Glass Holder - Plastic
	054029-02-J27	EA	Cabinet Asm. - Corner Chair - Left
	056493-01-J27	EA	Cabinet Asm. - Corner Chair - Right

TWIN BED W/SWIVEL CHAIR AND VANITY CABINET

Key	Part Number	U/M	Description
	054630-01-J30	EA	Cabinet Asm. - Gaucho - Right - w/o Slide
	053879-03-000	EA	Slide Asm. - Gaucho - w/Legs
	022517-01-000	EA	End Cap - Gaucho Leg
	035036-01-000	EA	Plate - TT Chair
	035036-02-000	EA	Base - TT Chair - w/Legs
	054177-01-J27	EA	Cabinet Asm. - Vanity w/o Countertop, Doors, Drawers or Hardware
	052812-07-J30	EA	Door Asm. - Vanity Cabinet - 12 3/8" x 25" - w/o Hardware
	053816-02-J27	EA	Drawer Asm. - Vanity Cabinet - 6 1/2" x 15 1/2" x 20" Deep w/o Hardware
	054235-01-J27	EA	Countertop Asm. - Vanity Cabinet - Butcher Block
	054242-01-J27	EA	Drawer Asm. - Vanity Cabinet - 3 1/4" x 20 3/8" x 10 5/8" - w/o Hardware

1978 WINNEBAGO TABLE OF CONTENTS

WD420RG	A-1 - B-12
WD423RB	B-13 - D-2
WC525RB J2	D-3 - E-16
WDF23RG	E-17 - G-6
WDF26RT	G-7 - H-24
WD424RH	I-1 - J-16
WDU32RU	J-17 - L-6

1978 WDF26RT INDEX

Floor Plan	G-7 - G-8
Accessories Group	G-9 - G-10
Bath Group	G-11
Chassis Group	G-12
Curtain, Cushion & Pad Group	G-13 - G-20
Dinette Group	G-21
Driver's Compartment Group	G-22 - G-23
Electrical Group	G-24 - H-1
Exterior Body Group	H-2 - H-5
Galley Group	H-6
Heating & Air Conditioning Group	H-7
Interior Finish Group	H-8 - H-9
LP Group	H-10
Lounge Group	H-11 - H-12
Water & Sewage Group	H-13
Window, Vent & Exterior Door Group	H-14 - H-24

WATER AND SEWAGE GROUP

PLUMBING REPAIR PARTS

Key	Part Number	U/M	Description
**	040539-01-000	EA	Kit - Repair - 3/8" O.D. Plastic Tube
**	040540-01-000	EA	Kit - Repair - 1/2" O.D. Plastic Tube
**	040541-01-000	EA	Kit - Repair - 5/8" O.D. Plastic Tube
**	041279-02-000	EA	Pump - Water Flow 2.8 G.P.M. - PAR
**	039647-02-000	EA	Filter - Water Pump 1/2" MPT
**	039809-01-000	EA	Valve - Stool - Plastic 3/8" x 1/2" F.P.T
**	039818-01-000	EA	Riser Asm. - 3/8" O.D. x 24" Tube
**	039818-02-000	EA	Riser Asm. - 3/8" O.D. x 36" Tube
**	039818-04-000	EA	Riser Asm. - 3/8" O.D. x 72" Tube
**	039818-05-000	EA	Riser Asm. - 3/8" O.D. x 48" Tube
**	041819-01-000	EA	Nut and Conc. - Plastic 1/2" O.D. Tube
**	039307-01-000	EA	Valve - Drain - Brass - 1/2" MPT
**	004020-01-000	QT	Adhesive - ABS Cement
**	010201-01-000	EA	Hose - Sewer 3" x 10 FT w/Clamp
**	010235-01-000	EA	Cap - Sewage 3"
**	010236-01-000	EA	Adapter - Hose 3" Sewage
**	010234-01-000	EA	Adapter - Bayonet
**	011091-01-000	EA	Waste - Continuous - Double Sink 11 7/8"
**	011086-01-000	EA	P-trap - Plastic - 1 1/4"
**	010205-01-000	EA	Valve - Sanitary - Thetford 3 x B
**	010210-01-000	EA	Valve - Sanitary - Thetford 3HB
**	010133-01-000	EA	Adapter - Trap - Plastic 1 1/2" H x MPT
**	010071-01-000	EA	Tee - Plastic - 1 1/2" H x H x H
**	010079-01-000	EA	Tee - Plastic - 1 1/2" H x 1 1/2" H x 1 1/4" H
**	010091-01-000	EA	Wye - Plastic - 3" x 45 H x H x H
**	010117-01-000	EA	Coupling - Plastic - 3" H x H
**	010134-01-000	EA	Adapter - Plastic - 1 1/2" MX MPT
**	050780-01-000	EA	Coupler - Rubber - 3" x 3"
**	046524-01-000	EA	Kit - Plastic Fittings - Holding Tank
**	046524-02-000	EA	Kit - Plastic Fittings - Water Tank
**	010209-05-000	EA	Handle - Extension - Sewer Valve - 36"
**	037845-01-000	FT	Tape - Butyl - 3/16" - Bead - Black

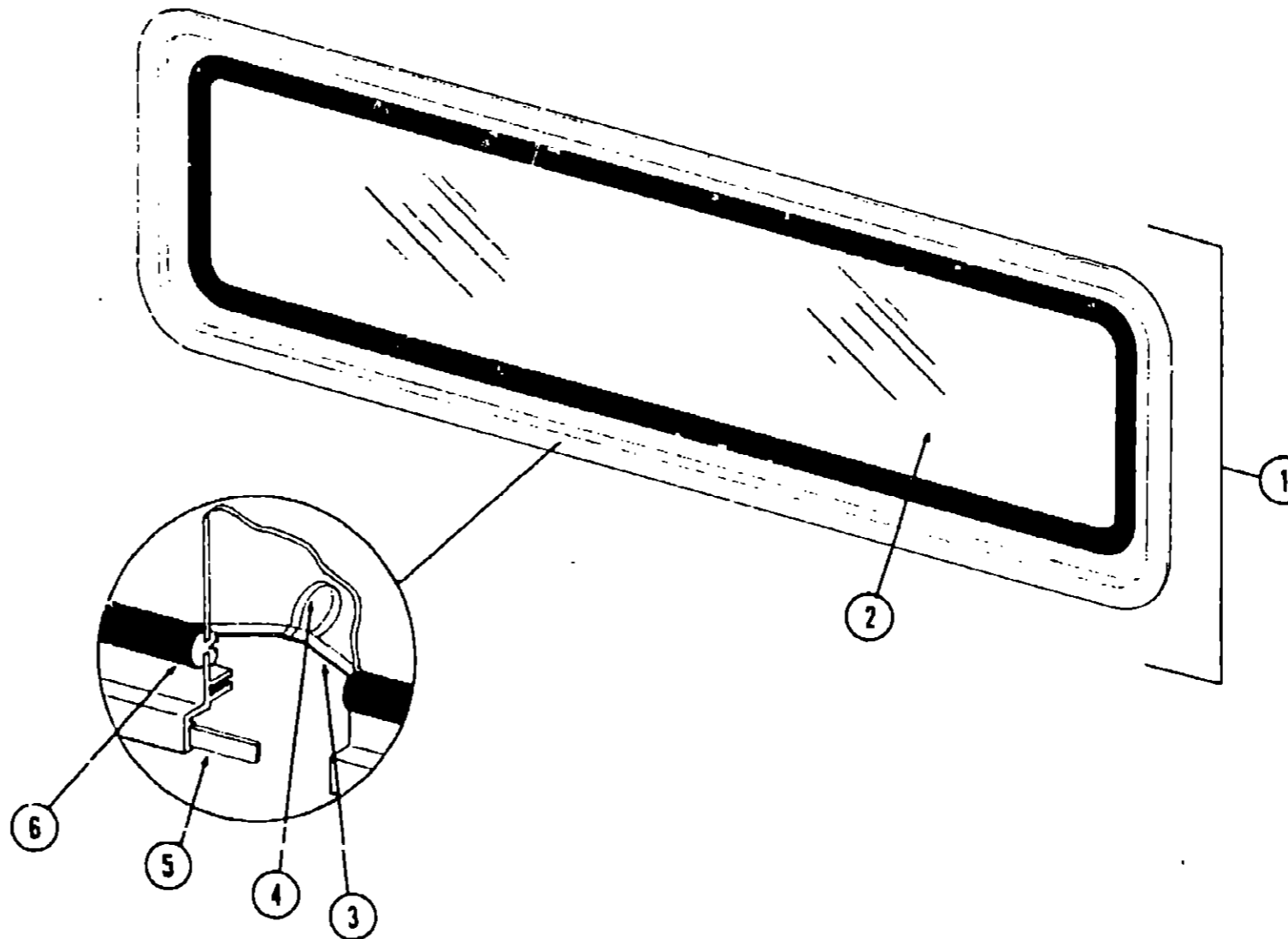
**The illustrated parts breakdown for this item is provided on the Common Items Fiche.

HOLDING TANKS AND WATER HEATERS

Key	Part Number	U/M	Description
**	051882-02-000	EA	Tank Asm. - Holding w/Fittings - Double
**	051882-01-000	EA	Tank Asm. - Holding w/o Fittings - Double
**	052555-03-000	EA	Tank Asm. - Water w/Fittings
**	052555-01-000	EA	Tank Asm. - Water w/o Fittings
**	051391-01-000	EA	Water Heater - 6 Gallon w/o Motor Aid - Atwood G6A-3

**The illustrated parts breakdown for this item is provided on the Common Items Fiche.

WINDOW, VENT AND EXTERIOR DOOR GROUP



Key	Part Number	U/M	Description
1	020754-01-000	EA	Window Asm. - Escape - 23" x 68" - Clear Anod. (w/o Inside Frame)
1	020754-03-000	EA	Window Asm. - Escape - 23" x 68" Black Anod. (w/o Inside Frame)
2	002178-01-000	EA	Glass - 1/8" x 19.61" x 64.80"
3	002285-01-000	FT	Weatherstrip - Filler - Black
4	020395-01-000	EA	Slip Ring - Pull
5	004363-01-000	FT	Tape - Foam 3/16" x 1/2" Gray
6	002282-01-000	FT	Weatherstrip - Window .125" Black
*	020752-03-000	EA	Frame - Window - Inside - Escape 23" x 68" (not included in assembly)
*	005199-01-000	EA	Label - Exit - Escape Window
*			Not Illustrated

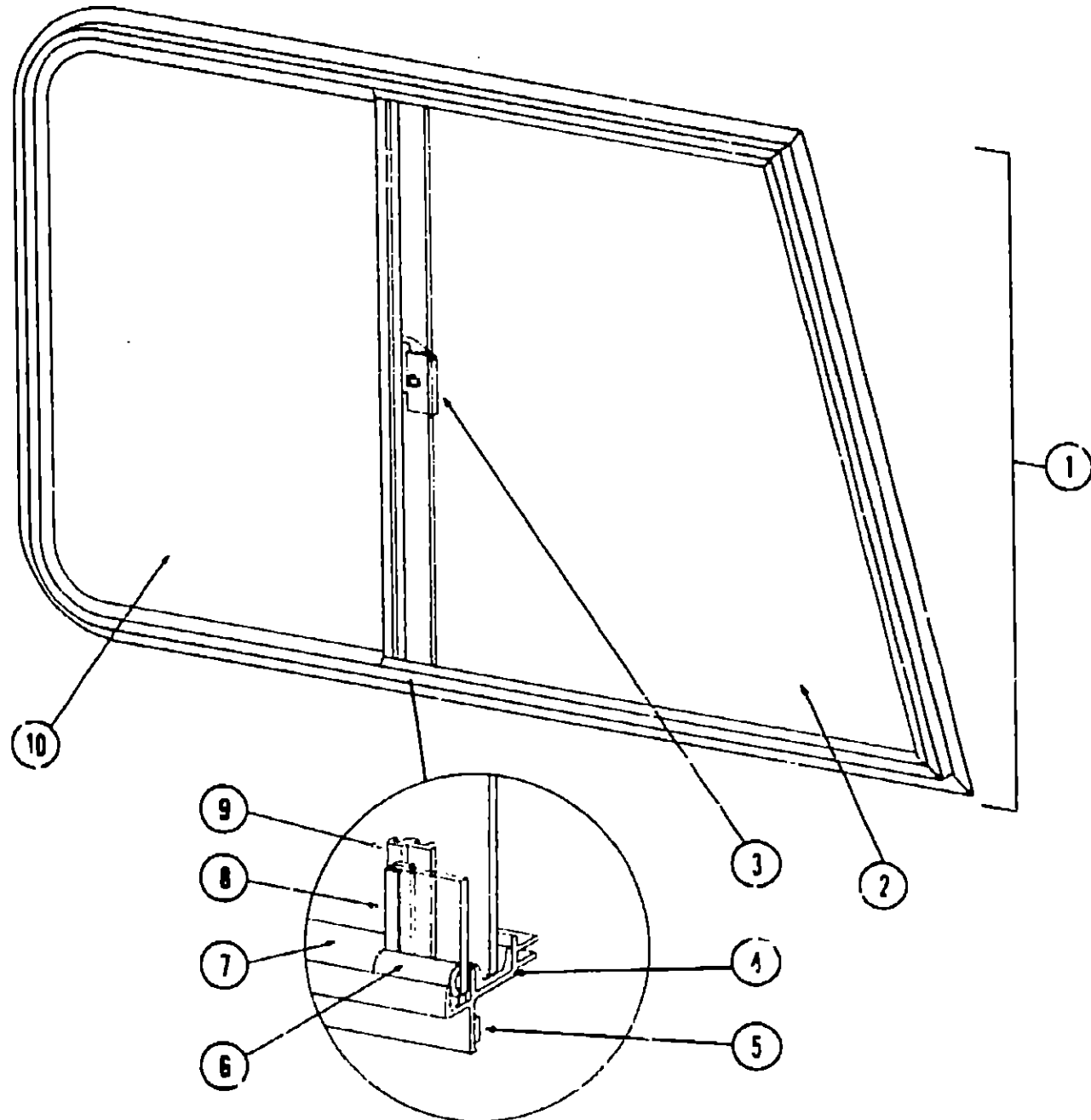
1978 WINNEBAGO TABLE OF CONTENTS

WD420RG	A-1 - 5-12
WD423RB	B-13 - D-2
WC525RB J2	D-3 - E-16
WDF23RG	E-17 - G-6
WDF26RT	G-7 - H-24
WD424RH	I-1 - J-16
WDU32RU	J-17 - L-6

1978 WDF26RT INDEX

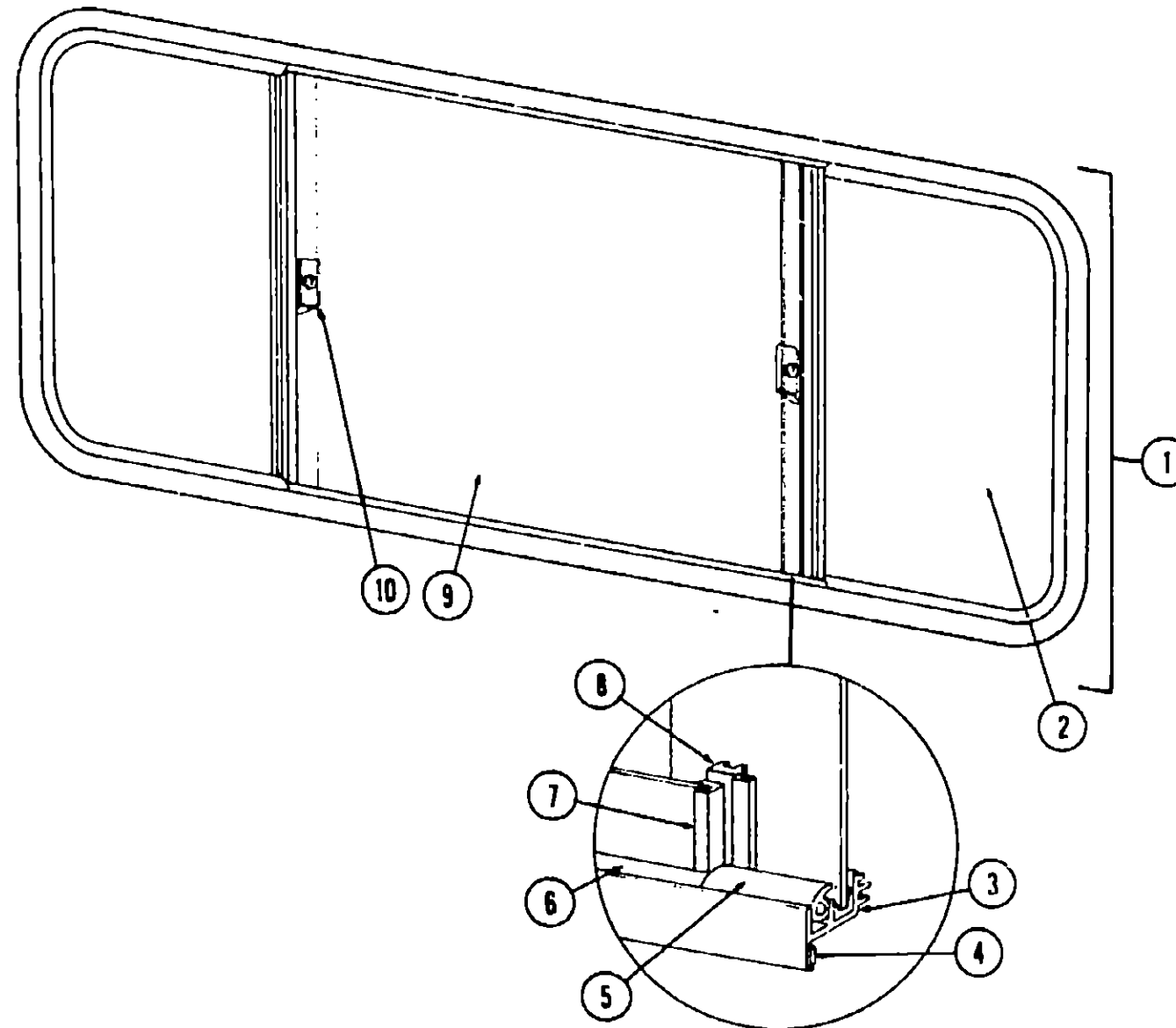
Floor Plan	G-7 - G-8
Accessories Group	G-9 - G-10
Bath Group	G-11
Chassis Group	G-12
Curtain, Cushion & Pad Group	G-13 - G-20
Dinette Group	G-21
Driver's Compartment Group	G-22 - G-23
Electrical Group	G-24 - H-1
Exterior Body Group	H-2 - H-5
Galley Group	H-6
Heating & Air Conditioning Group	H-7
Interior Finish Group	H-8 - H-9
LP Group	H-10
Lounge Group	H-11 - H-12
Water & Sewage Group	H-13
Window, Vent & Exterior Door Group	H-14 - H-24

WINDOW, VENT AND EXTERIOR DOOR GROUP (CONTINUED)



Key	Part Number	U/M	Description
1	048629-03-000	EA	Window Asm. - Right Front Slant Slider - 23" x 39" - Black Anod. (w/o inside frame)
	048621-04-000	EA	Window Asm. - Left Front Slant Slider - 23" x 39" - Black Anod. (w/o inside frame)
2	052598-01-000	EA	Glass - 1/8" x 22" x 24.10" - Stationary
3	047369-01-700	EA	Latch - Window - Plastic w/Fastener
4	002324-01-000	FT	Channel - Weatherstrip - Glass Run - 1/8" Glass
5	004363-01-000	FT	Tape - Foam - 3/16" x 1/2" - Gray
6	002309-02-000	FT	Spline - Glass - 1/8" - Black
7	024098-01-000	FT	Seal - Window Channel - Black
8	018025-03-000	EA	Holder - Glass Seal - Black Anod.
9	041894-11-000	EA	Mullion - Slider Window - 23" - Black Anod.
10	052594-01-000	EA	Glass - 1/8" x 22" x 15.9" - Sliding
	053266-02-000	EA	Frame - Inside - Right Front Slant Slider - Window - 23" x 39" (not included in assembly)
	053266-01-000	EA	Frame - Inside - Left Front Slant Slider - Window - 23" x 39" (not included in assembly)
	023713-02-000	EA	Cover - Plastic - Weephole - Black
	055164-04-000	EA	Slider Screen Asm. - Right or Left
	018310-03-000	EA	Handle - Screen
	002298-01-000	FT	Spline - Gray - .130" Dia. - (Screen)
	002293-01-000	SF	Screen - Window - 26" - Gray
			Not illustrated

WINDOW, VENT AND EXTERIOR DOOR GROUP (CONTINUED)



Key	Part Number	U/M	Description
1	048630-03-000	EA	Window Asm. - Double Slider - 23" x 65" - Clear Anod. (w/o inside frame)
1	048630-04-000	EA	Window Asm. - Double Slider - 23" x 65" - Black Anod. (w/o inside frame)
2	047823-01-000	EA	Glass - 1/8" x 22" x 21.03" - Sliding (2 per window)
3	002324-01-000	FT	Channel - Weatherstrip - Glass Run - 1/8" Glass
4	004363-01-000	FT	Tape - Foam - 3/16" x 1/2" - Gray
5	024098-01-000	FT	Seal - Window Channel - Gray
5	024098-02-000	FT	Seal - Window Channel - Black
6	002309-01-000	FT	Spline - Glass - 1/8" - Gray
6	002309-02-000	FT	Spline - Glass - 1/8" - Black
7	018025-01-000	EA	Holder - Glass Seal - Clear Anod.
7	018025-03-000	EA	Holder - Glass Seal - Black Anod.
8	041894-01-000	EA	Mullion - Slider Window - 23" - Clear Anod.
8	041894-02-000	EA	Mullion - Slider Window - 23" - Black Anod.
9	022188-01-000	EA	Glass - 1/8" x 22" x 25.50" - Stationary
10	047360-01-700	EA	Latch - Window - Plastic w/Fastener
	042133-06-000	EA	Frame - Inside - Double Slider Window (not included in assembly)
	002298-01-000	FT	Spline - Gray - .130" Dia. - (Screen)
	002293-01-000	SF	Screen - Window - 26" - Gray
	023713-01-000	EA	Cover - Weephole - Plastic - White
	023713-02-000	EA	Cover - Weephole - Plastic - Black
			Not illustrated

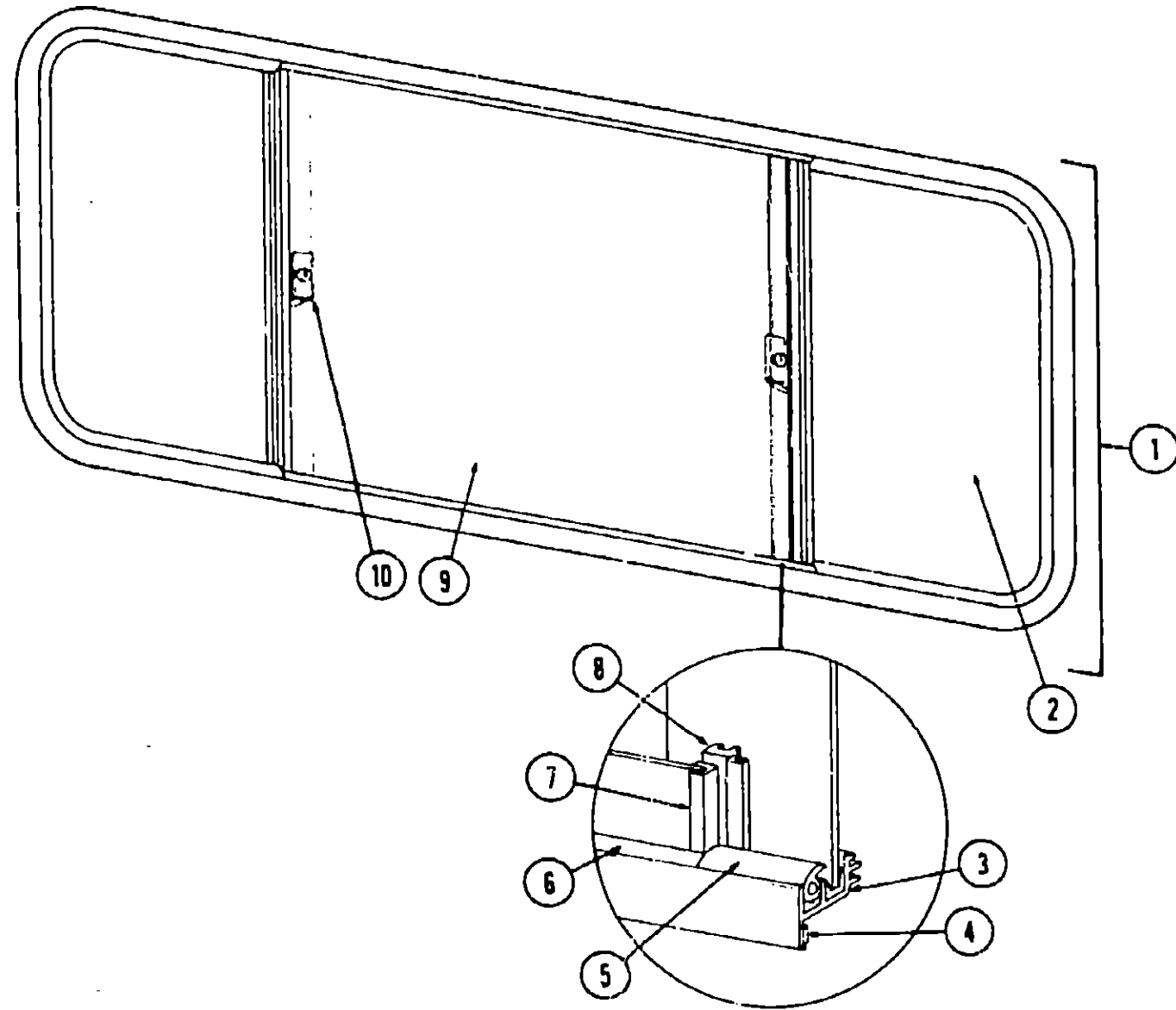
**1978 WINNEBAGO
TABLE OF CONTENTS**

WD420RG	A-1 - B-12
WD4237B	B-13 - D-2
WC525RB J2	D-3 - E-16
WDF23RG	E-17 - G-6
WDF26RT	G-7 - H-24
WD424RH	I-1 - J-18
WDU32RU	J-17 - L-6

1978 WDF26RT INDEX

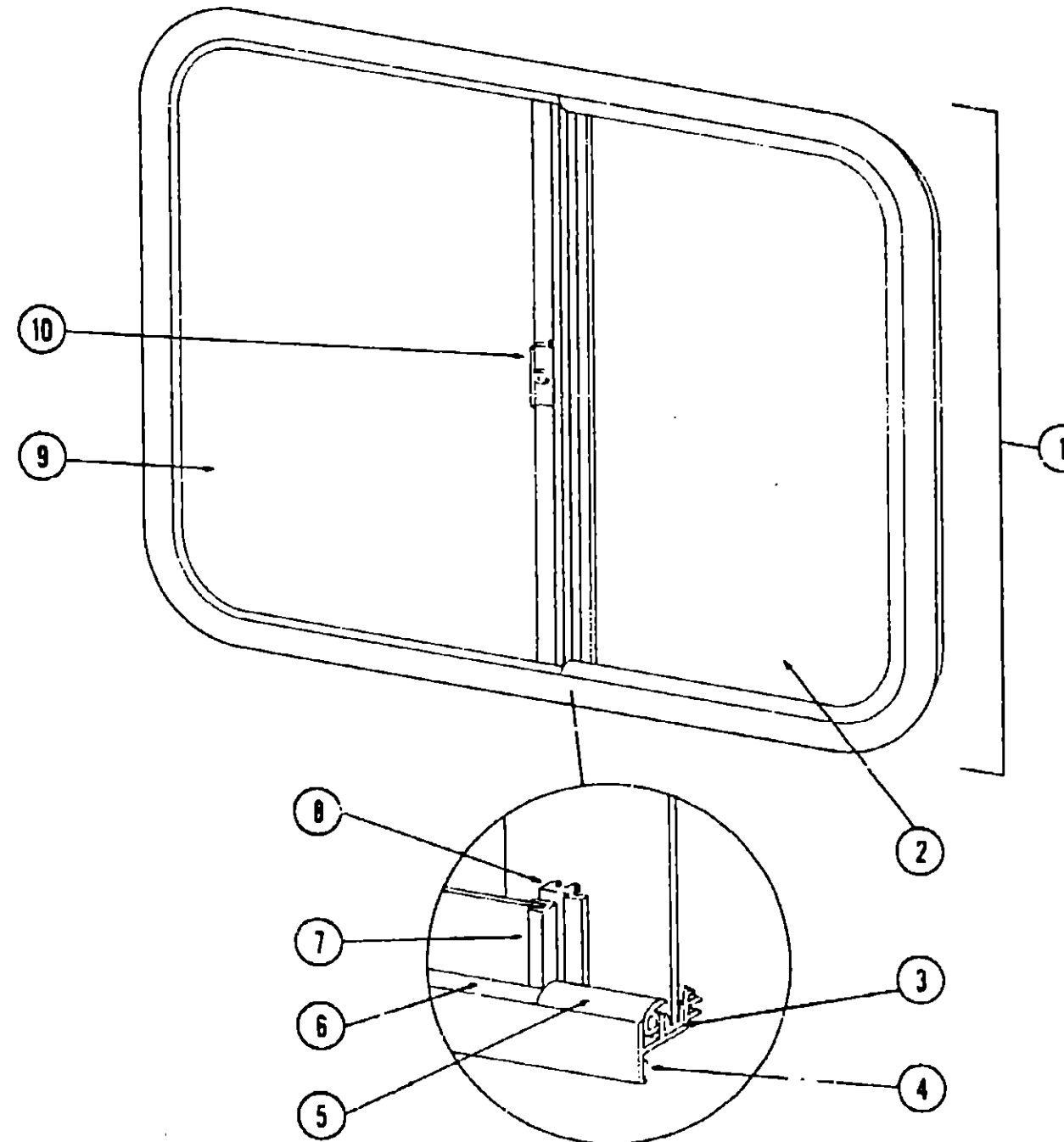
Floor Plan	G-7 - G-8
Accessories Group	G-9 - G-10
Bath Group	G-11
Chassis Group	G-12
Curtain, Cushion & Pad Group	G-13 - G-20
Dinette Group	G-21
Driver's Compartment Group	G-22 - G-23
Electrical Group	G-24 - H-1
Exterior Body Group	H-2 - H-5
Galley Group	H-6
Heating & Air Conditioning Group	H-7
Interior Finish Group	H-8 - H-9
LP Group	H-10
Lounge Group	H-11 - H-12
Water & Sewage Group	H-13
Window, Vent & Exterior Door Group	H-14 - H-24

WINDOW, VENT AND EXTERIOR DOOR GROUP (CONTINUED)



Key	Part Number	U/M	Description
1	048630-01-000	EA	Window Asm. - Double Slider - 23" x 56" - Clear Anod (w/o inside frame)
1	048630-02-000	EA	Window Asm. - Double Slider - 23" x 56" - Black Anod. (w/o inside frame)
2	047816-01-000	EA	Glass - 1/8" x 22" x 16.53" - Sliding (2 per window)
3	002324-01-000	FT	Channel - Weatherstrip - Glass Run - 1/8" Glass
4	004363-01-000	FT	Tape Foam - 3/16" x 1/2" - Gray
5	024096-01-000	FT	Seal - Window Channel - Gray
5	024096-02-000	FT	Seal - Window Channel - Black
6	002309-01-000	FT	Spline - Glass - 1/8" - Gray
6	002309-02-000	FT	Spline - Glass - 1/8" - Black
7	018025-01-000	EA	Holder - Glass Seal - Clear Anod.
7	018025-03-000	EA	Holder - Glass Seal - Black Anod.
8	041894-03-000	EA	Mullion - Slider Window - 23" - Clear Anod.
8	041894-02-000	EA	Mullion - Slider Window - 23" - Black Anod.
9	002188-01-000	EA	Glass - 1/8" x 22" x 21.03" - Stationary
10	047369-01-700	EA	Latch - Window - Plastic
	042133-02-000	EA	Frame - Inside - Double Slider Window (not included in assembly)
	002298-01-000	FT	Spline - Gray - .130" Dia. - (Screen)
	002293-01-000	SF	Screen - Window - 26" - Gray
	023713-01-000	EA	Cover - Weephole - Plastic - White
	023713-02-000	EA	Cover - Weephole - Plastic Black
			Not Illustrated

WINDOW, VENT AND EXTERIOR DOOR GROUP (CONTINUED)



Key	Part Number	U/M	Description
1	048531-06-000	EA	Window Asm. - Left Single Slider - 23" x 29" - Clear Anod. (w/o inside frame)
1	048531-08-000	EA	Window Asm. - Left Single Slider - 23" x 29" - Black Anod. (w/o inside frame)
2	047813-01-000	EA	Glass - 1/8" x 22" x 13.68" - Sliding
3	002324-01-000	FT	Channel - Weatherstrip - Glass Run - 1/8" Glass
4	004363-01-000	FT	Tape - Foam - 3/16" x 1/2" - Gray
5	024096-01-000	FT	Seal - Window Channel - Gray
5	024096-02-000	FT	Seal - Window Channel - Black
6	002309-01-000	FT	Spline - Glass - 1/8" - Gray
6	002309-02-000	FT	Spline - Glass - 1/8" - Black
7	018025-01-000	EA	Holder - Glass Seal - Clear Anod.
7	018025-03-000	EA	Holder - Glass Seal - Black Anod.
8	041894-01-000	EA	Mullion - Slider Window - 23" - Clear Anod.
8	041894-02-000	EA	Mullion - Slider Window - 23" - Black Anod.
9	002184-01-000	EA	Glass - Tempered Sheet - Stationary
10	047369-01-700	EA	Latch - Window - Plastic w/Fastener
	042147-07-000	EA	Frame - Inside - Single Slider Window - Left or Right - 23" x 29" (not included in assembly)
	023713-01-000	EA	Cover - Plastic Weephole - White
	023713-02-000	EA	Cover - Plastic Weephole - Black
	002298-01-000	FT	Spline - Gray - .130" Dia. (Screen)
	002293-01-000	SF	Screen - Window - 26" - Gray
			Not Illustrated

**1978 WINNEBAGO
TABLE OF CONTENTS**

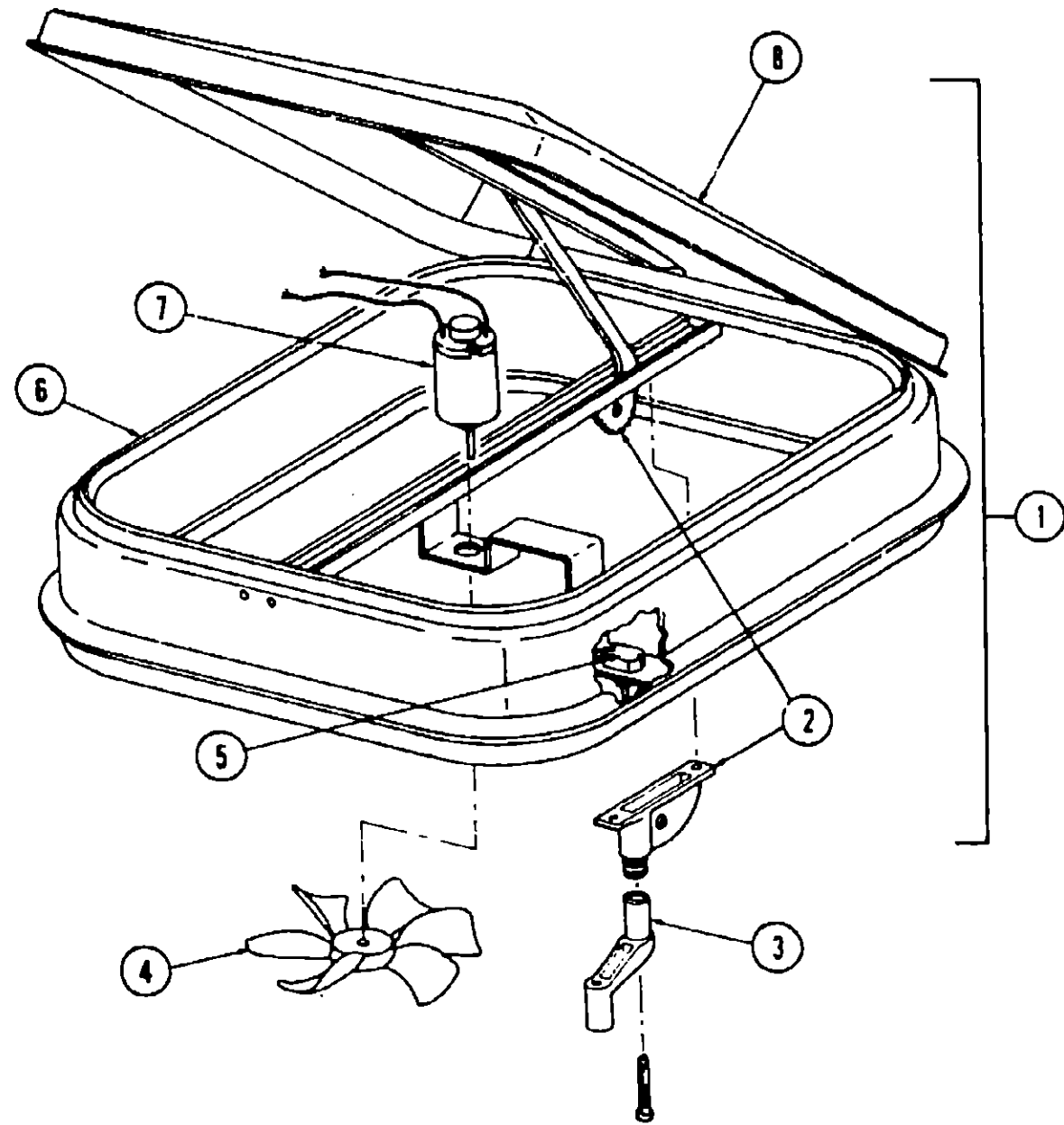
WD420RG
WD423RB
WC525RB J2
WDF23RG
WDF26RT
WD424RH
WDU32RU

A-1 - B-12
B-13 - D-2
D-3 - E-16
E-17 - G-6
G-7 - H-24
I-1 - J-16
J-17 - L-6

1978 WDF26RT INDEX

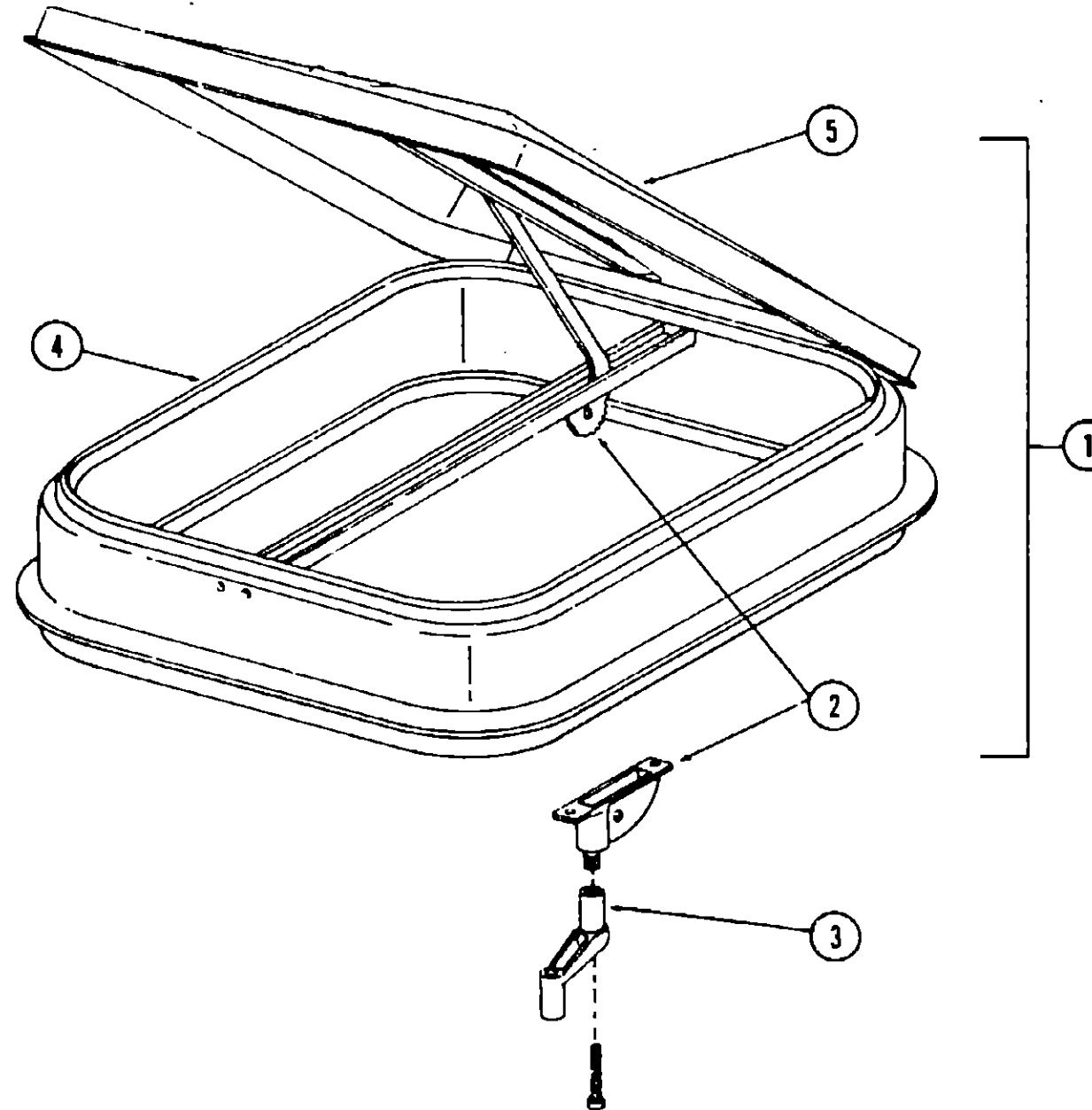
Floor Plan	G-7 - G-8
Accessories Group	G-9 - G-10
Bath Group	G-11
Chassis Group	G-12
Curtain, Cushion & Pad Group	G-13 - G-20
Dinette Group	G-21
Driver's Compartment Group	G-22 - G-23
Electrical Group	G-24 - H-1
Exterior Body Group	H-2 - H-5
Galley Group	H-6
Heating & Air Conditioning Group	H-7
Interior Finish Group	H-8 - H-9
LP Group	H-10
Lounge Group	H-11 - H-12
Water & Sewage Group	H-13
Window, Vent & Exterior Door Group	H-14 - H-24

WINDOW, VENT AND EXTERIOR DOOR GROUP (CONTINUED)



Key	Part Number	U/M	Description
1	048789-01-000	EA	Vent Asm. - Roof - Powered - w/o Screen
2	009440-01-000	EA	Gear - Arm - Roof Vent
3	009439-01-000	EA	Crank - Roof Vent
4	048649-01-000	EA	Fan - Blade - 6" Plastic
5	008105-01-000	EA	Switch - Push Button - 12 Volt
6	002825-01-000	FT	Weatherstrip - Roof Vent
7	048643-01-000	EA	Motor - 12 Volt
8	048625-01-000	EA	Cover - Plastic - Roof Vent
•	048695-01-000	EA	Screen Asm. - Powered Roof Vent - Clear Anod. (not included in assembly)
•	048695-03-000	EA	Screen Asm. - Powered Roof Vent - Beige (not included in assembly)
•	Not Illustrated		

WINDOW, VENT AND EXTERIOR DOOR GROUP (CONTINUED)



Key	Part Number	U/M	Description
1	048835-01-000	EA	Vent Asm. - Roof - Non Powered - w/o Screen
2	009440-01-000	EA	Gear - Arm - Roof Vent
3	009439-01-000	EA	Crank - Roof Vent
4	002825-01-000	FT	Weatherstrip - Roof Vent
5	048825-01-000	EA	Cover - Plastic - Roof Vent
•	016335-01-000	EA	Screen Asm. - Non Powered Roof Vent - Clear Anod. (not included in assembly)
•	016335-03-000	EA	Screen Asm. - Non Powered Roof Vent - Roof Vent - Beige (not included in assembly)
•	Not Illustrated		

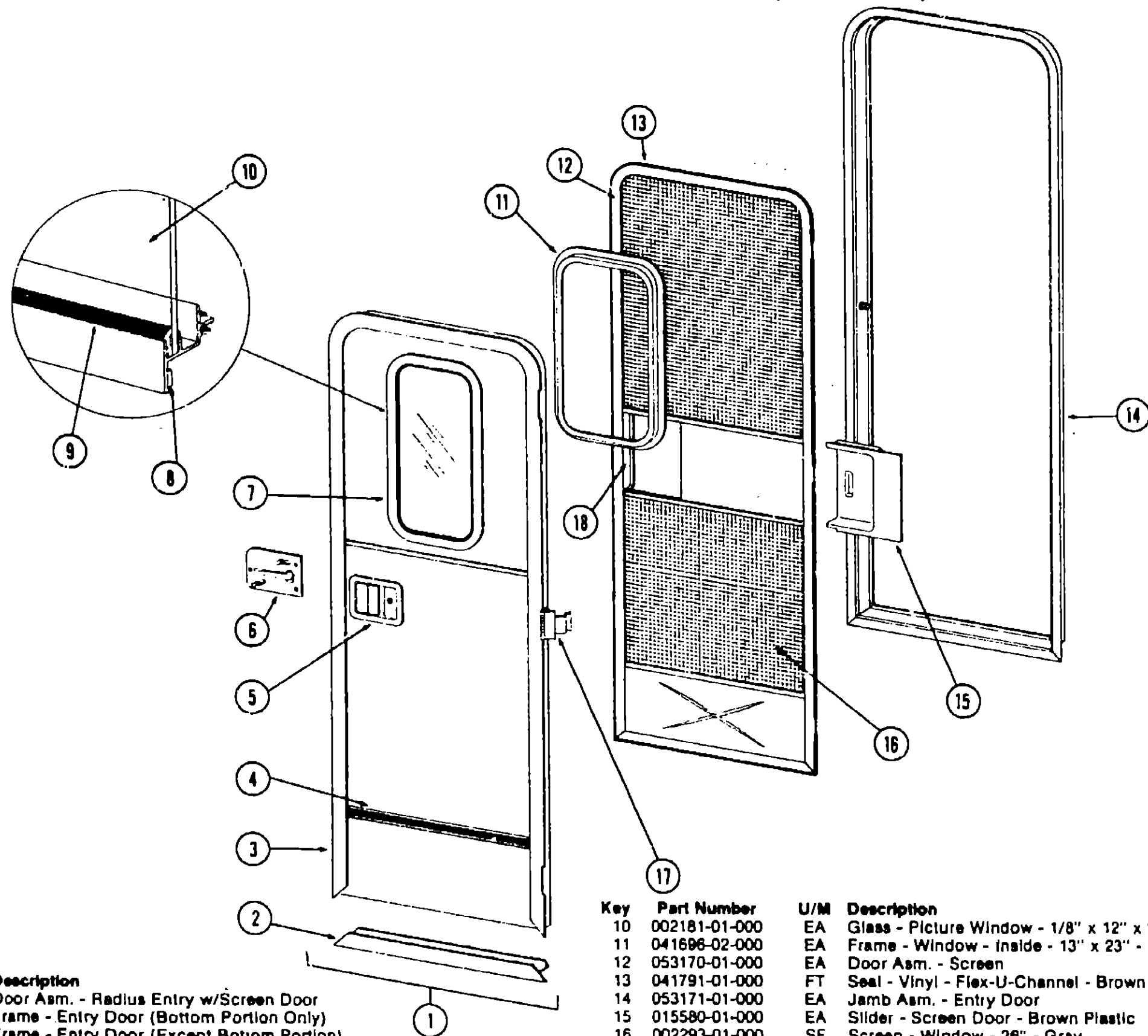
1978 WINNEBAGO
TABLE OF CONTENTS

WD420RG	A-1 - B-12
WD423RB	B-13 - D-2
WC525RB J2	D-3 - E-16
WDF23RG	E-17 - G-6
WDF26RT	G-7 - H-24
WD424RH	I-1 - J-16
WDU32RU	J-17 - L-6

1978 WDF26RT INDEX

Floor Plan	G-7 - G-8
Accessories Group	G-9 - G-10
Bath Group	G-11
Chassis Group	G-12
Curtain, Cushion & Pad Group	G-13 - G-20
Dinette Group	G-21
Driver's Compartment Group	G-22 - G-23
Electrical Group	G-24 - H-1
Exterior Body Group	H-2 - H-5
Galley Group	H-6
Heating & Air Conditioning Group	H-7
Interior Finish Group	H-8 - H-9
LP Group	H-10
Lounge Group	H-11 - H-12
Water & Sewage Group	H-13
Window, Vent & Exterior Door Group	H-14 - H-24

WINDOW, VENT AND EXTERIOR DOOR GROUP (CONTINUED)



Key	Part Number	U/M	Description
1	053189-04-000	EA	Door Asm. - Radius Entry w/Screen Door
2	039737-01-000	EA	Frame - Entry Door (Bottom Portion Only)
3	039736-01-000	EA	Frame - Entry Door (Except Bottom Portion)
4	054530-01-000	EA	Holder Asm. - Entry Door
5	052188-01-000	EA	Lock Asm. - Radius Entry Door - Lynor
6	045017-01-700	EA	Lock Cylinder w/Keys - Lynor
6	039539-01-000	EA	Striker - Entry Door Lock
6	039979-01-000	EA	Plate - Lock - Interior - Including Inside Handle
7	041875-02-000	EA	Window Asm. - Picture - 13" x 23" - Black Anod. (inside frame not included in assembly)
8	004363-01-000	FT	Tape - Foam - 3/16" x 1/2" - Gray
9	002309-02-000	FT	Spline - Glass - 1/8" Black

Key	Part Number	U/M	Description
10	002181-01-000	EA	Glass - Picture Window - 1/8" x 12" x 22" Gray
11	041696-02-000	EA	Frame - Window - inside - 13" x 23" - Brown
12	053170-01-000	EA	Door Asm. - Screen
13	041791-01-000	FT	Seal - Vinyl - Flex-U-Channel - Brown
14	053171-01-000	EA	Jamb Asm. - Entry Door
15	015580-01-000	EA	Slider - Screen Door - Brown Plastic
16	002293-01-000	SF	Screen - Window - 28" - Gray
17	039520-01-000	EA	Hinge - Entry Door (3 used per door)
18	015581-01-000	EA	Cap - Screen Door - Brown Plastic
	049176-01-000	EA	Hedlok II - 3/4" Diameter - Screw Mount (Retains screen door to entry door)
	049797-01-000	EA	Hedlok II - 1" Diameter - Screw Mount (Retains screen door to entry door)
	018019-01-000	EA	Striker - Screen Door
	039863-01-000	EA	Catch Asm. - Single Roller w/Strike - Screen Door
	051390-01-000	FT	Seal - Bulb - Rubber
	039800-03-000	FT	Tubing - Polybutyl - 3/8" O.D. - Jamb

H-21

*Not Illustrated

1978 WINNEBAGO TABLE OF CONTENTS

WD420RG	A-1 - B-12
WD423RB	B-13 - D-2
WC525RB J2	D-3 - E-16
WDF23RG	E-17 - G-6
WDF26FT	G-7 - H-24
WD424RH	I-1 - J-16
WDU32RU	J-17 - L-6

1978 WDF26RT INDEX

Floor Plan	G-7 - G-8
Accessories Group	G-9 - G-10
Bath Group	G-11
Chassis Group	G-12
Curtain, Cushion & Pad Group	G-13 - G-20
Dineite Group	G-21
Driver's Compartment Group	G-22 - G-23
Electrical Group	G-24 - H-1
Exterior Body Group	H-2 - H-5
Galley Group	H-6
Heating & Air Conditioning Group	H-7
Interior Finish Group	H-8 - H-9
LP Group	H-10
Lounge Group	H-11 - H-12
Water & Sewage Group	H-13
Window, Vent & Exterior Door Group	H-14 - H-24

H-22

WINDOW, VENT AND EXTERIOR DOOR GROUP (CONTINUED)

ACCESS DOORS

Key	Part Number	U/M	Description
	044210-01-000	EA	Door Asm. - Power Cord - 6" x 10" - Off White Plastic w/Quarter Turn Latch
	037804-17-000	EA	Door Asm. - Battery - Off White w/Twist Type Locks
	037804-16-000	EA	Door Asm. - LP - Off White w/Key Type Locks
	037804-21-000	EA	Door Asm. - Storage - 7 3/4" x 37 1/4" - Off White w/Key Type Locks
	047233-02-000	EA	Door Asm. - Luggage - 13" x 35" - Off White w/Key Type Locks
	054270-01-000	EA	Door Asm. - Refrigerator Access - Off White w/Twist Type Locks
	052179-02-000	EA	Door Asm. - Generator - Off White w/Twist Type Locks
	052181-01-000	EA	Baffle - Generator Door
	043942-01-000	EA	Latch - Quarter Turn - White Plastic (Power Cord Door)
	016945-02-000	EA	Holder Asm. - Battery and Luggage Doors
	052950-01-700	EA	Lock Asm. - Twist Type w/Clip - White Plastic
	047305-01-000	EA	Lock Asm. - Key Type w/Clip
	055500-01-000	EA	Fuel Fill Door - Lockable - White

VENTS

Key	Part Number	U/M	Description
	039778-01-000	EA	Cover - Refrigerator Vent - Plastic
	009407-01-000	EA	Base - Frame - Refrigerator Vent w/o Cover
	049352-01-000	EA	Vent - Stovehood - Outside - Off White - Jensen
	053334-01-000	EA	Vent - Stovehood - Non Power - Off White

WINDSHIELD

Key	Part Number	U/M	Description
	052584-01-000	EA	Glass - Windshield - 1/4" x 26.25" x 48.63"
	052467-01-000	EA	Frame Asm. - Windshield
	038886-01-000	EA	Tape - Butyl - .31" x .31" x 148"

1978 WINNEBAGO TABLE OF CONTENTS

WD420RG	A-1 - B-12
WD423RB	B-13 - D-2
WC525RB J2	D-3 - E-16
WDF23RG	E-17 - G-6
WDF26RT	G-7 - H-24
WD424RH	I-1 - J-16
WDU32RU	J-17 - L-6

1978 WDF26RT INDEX

Floor Plan	G-7 - G-8
Accessories Group	G-9 - G-10
Bath Group	G-11
Chassis Group	G-12
Curtain, Cushion & Pad Group	G-13 - G-20
Dinette Group	G-21
Driver's Compartment Group	G-22 - G-23
Electrical Group	G-24 - H-1
Exterior Body Group	H-2 - H-5
Gulley Group	H-6
Heating & Air Conditioning Group	H-7
Interior Finish Group	H-8 - H-9
LP Group	H-10
Loungn Group	H-11 - H-12
Water & Sewage Group	H-13
Window, Vent & Exterior Door Group	H-14 - H-24