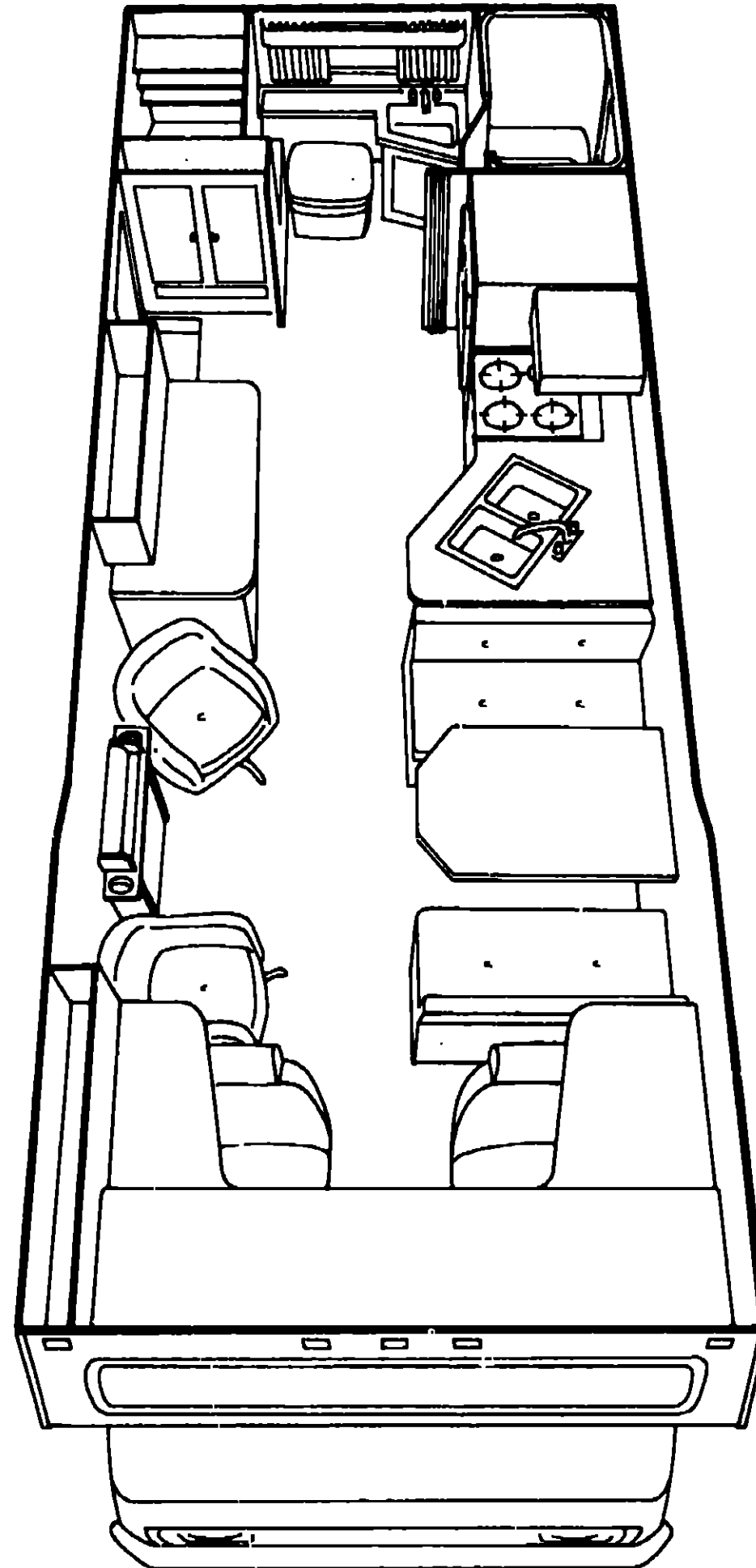


1978 WC525RB



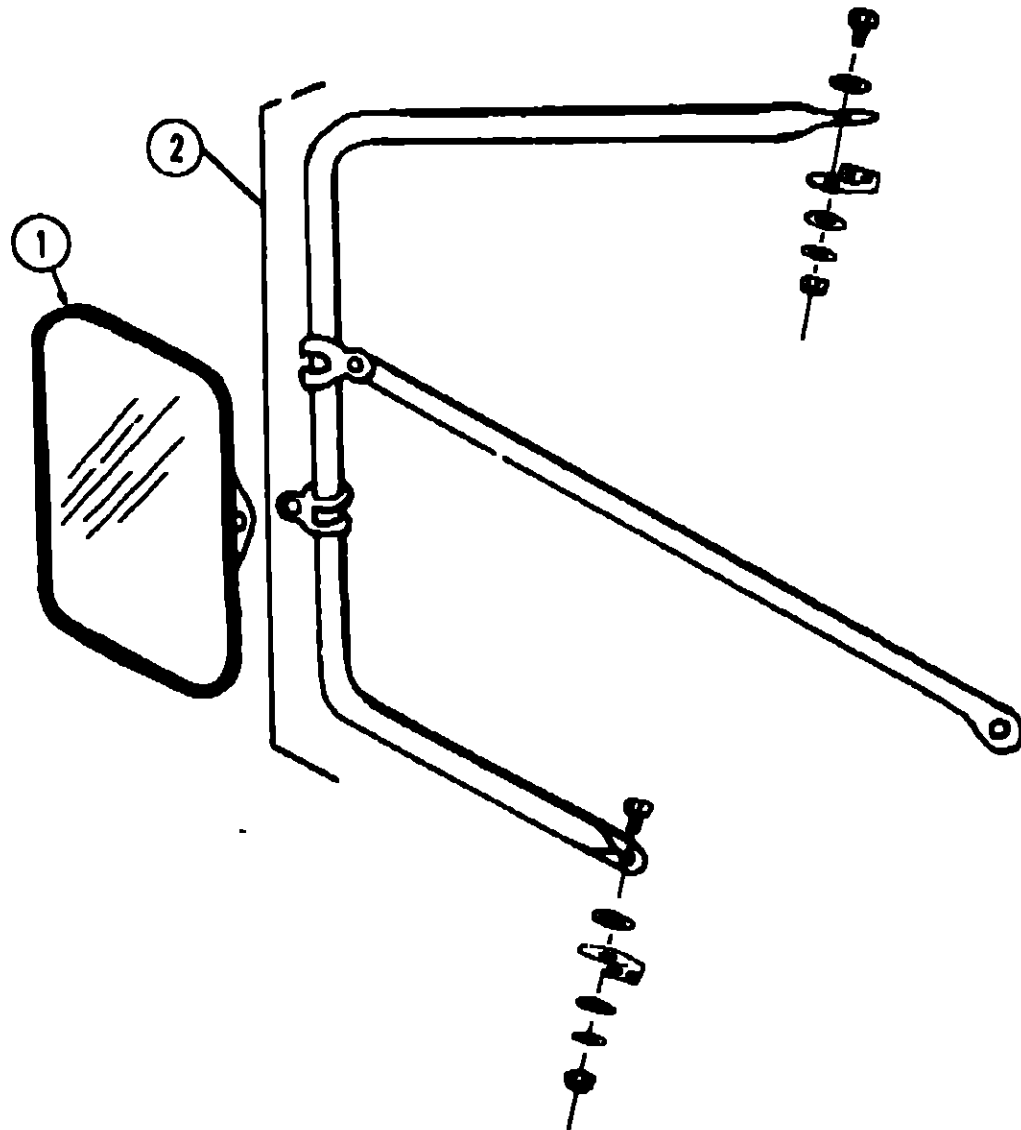
1978 WINNEBAGO TABLE OF CONTENTS

Introduction	A-1
Abbreviations	A-1
Alphabetical Index	A-2 - A-4
WC525RB	A-5 - B-14
WDP23RG	B-15 - C-24
WDP26RK	D-1 - E-12
WDU27RK	E-13 - F-22
WDU29RB	F-23 - H-10
WDU27RT	H-11 - I-22
WDP26RB	I-23 - K-10

1978 WC525RB INDEX

Floor Plan	A-5 - A-6
Accessories Group	A-7 - A-8
Bath Group	A-9 - A-10
Chassis Group	A-11
Curtain, Cushion & Pad Group	A-12 - A-14
Dinette Group	A-15
Driver's Compartment Group	A-16
Electrical Group	A-17 - A-18
Exterior Body Group	A-19 - A-22
Galley Group	A-23
Heating & Air Conditioning Group	A-24
Interior Finish Group	B-1 - B-2
LP Group	B-3
Lounge Group	B-3
Water & Sewage Group	B-4
Window, Vent & Exterior Door Group	B-5 - B-14

ACCESSORIES GROUP



Key	Part Number	U/M	Description
1	049347-01-000	EA	Mirror Head Only 7 1/2" x 10 1/2" Stainless Steel
2	049349-01-000	EA	Arm West Coast Mirror - Stainless Steel

ACCESSORIES GROUP (CONTINUED)

RADIOS AND RELATED COMPONENTS

Key	Part Number	U/M	Description
	007004-01-000	EA	Antenna - Radio - Cab Mount
	039879-01-000	EA	Speaker Kit - 5 1/4" Diameter w/Black Padded Grille
	045836-02-000	EA	Plate - Radio Cover
	049730-01-000	EA	Radio - Clarion - AM - w/Fader Switch
	049731-01-000	EA	Radio - Clarion - AM/FM/MPX - w/Fader Switch
	049732-01-000	EA	Radio - Clarion - AM/FM/MPX/8-Track - w/Fader Switch
	050044-01-000	EA	Radio - J.I.L. - AM/FM/MPX/8-Track/CB
	045836-01-000	EA	Plate - Radio Cover for J.I.L.
	050785-01-000	EA	Switch - Rear Volume Control
	050751-01-000	EA	Plaque - Fader/Mic Mounting

SPEED CONTROL AND COMPONENTS

Key	Part Number	U/M	Description
	042713-01-000	EA	Speed Control Package - 350 C.I.D. - C-Body
	007255-01-700	EA	Regulator Asm.
	047841-01-701	EA	Servo Asm.
	007255-01-702	EA	Engage Switch - Clamp On
	007298-01-702	EA	Harness Asm.
	007298-01-700	EA	Cable Asm. - Transmission
	007255-01-704	EA	Switch Asm. - Decelerate
	024746-01-700	EA	Relay - Speed Control

GENERATORS AND INSTALLATION KITS

Key	Part Number	U/M	Description
	040507-01-000	EA	Exhaust System - Generator 2500/4000 Watt
	040612-01-000	EA	Muffler - Generator - 2500/4000 Watt
	046317-01-000	EA	Tailpipe - Exhaust - Generator 1 3/8" x 5'
	007131-01-000	EA	Hanger - Tailpipe
	024978-01-000	EA	Switch - Generator - w/o Circuit Board
	008251-01-000	EA	Fuse Holder - Black Screw Type
	007067-01-000	SF	Insulation - Fiberglass - 1"
	041369-01-000	EA	Tray - Generator
	041420-01-000	EA	Elbow - Steel - 1/8" MPT x 3/16" Barb
	042865-01-000	EA	Scoop - Generator Air
	007063-01-000	FT	Hose - 1/4" I.D. x 1/2" O.D.
	010351-01-000	EA	Valve - Needle - 1/8" MPT x 5/16" C
**	040504-01-000	EA	Generator - 2.5 KW - Kohler
**	040505-01-000	EA	Generator - 4.0 KW - Kohler
**	040506-01-000	EA	Generator - 5.0 KW - Kohler

**The illustrated parts breakdown for this item is provided on the Common Items Fiche.

MISCELLANEOUS ACCESSORIES

Key	Part Number	U/M	Description
	041440-01-000	EA	Luggage Rack - and Ladder Asm.
	041440-02-000	EA	Ladder Only - for Luggage Rack
	006053-01-000	EA	Antenna Asm. - TV - Braund Delux
	008093-01-000	EA	Jack - TV - Brown
	040466-06-000	EA	Cover - Spare Tire - 29" - Off White
	017516-01-000	EA	Mudflap - Black Rubber - 14" x 18" w/Holes
	031396-03-000	EA	Cover - Wheel - 16.5" Chrome
	006113-01-000	EA	Jack - Hydraulic - 5 Ton
	041844-01-700	EA	Fire Extinguisher - w/Bracket
	054185-01-000	EA	Owner's Manual - 1978 - Winnebago
	006053-01-700	EA	Repair Parts Kit - Braund TV Antenna

1978 WINNEBAGO TABLE OF CONTENTS

Introduction	A-1
Abbreviations	A-1
Alphabetical Index	A-2 - A-4
WC525RB	A-5 - B-14
WDP23RG	B-15 - C-24
WDP26RK	D-1 - E-12
WDU27RK	E-13 - F-22
WDU29RB	F-23 - H-10
WDU27RT	H-11 - I-22
WDP26RB	I-23 - K-10

1978 WC525RB INDEX

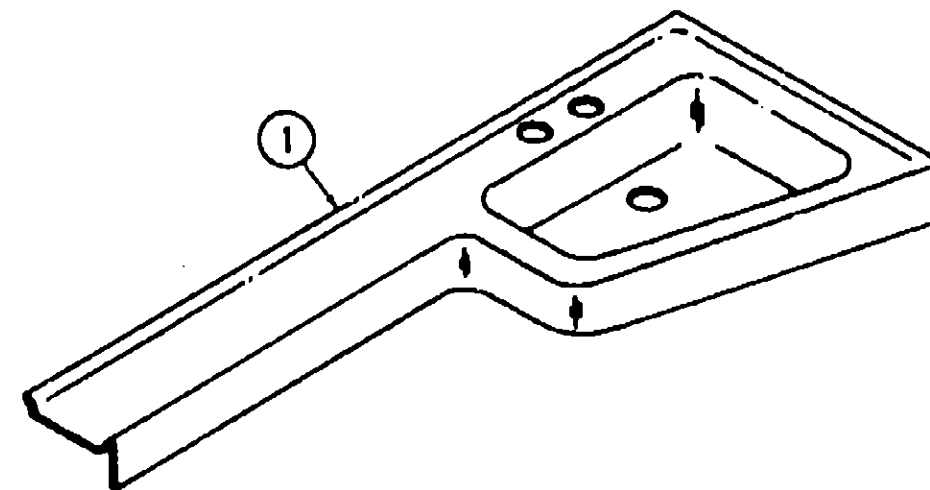
Floor Plan	A-5 - A-6
Accessories Group	A-7 - A-8
Bath Group	A-9 - A-10
Chassis Group	A-11
Curtain, Cushion & Pad Group	A-12 - A-14
Dinette Group	A-15
Driver's Compartment Group	A-16
Electrical Group	A-17 - A-18
Exterior Body Group	A-19 - A-22
Galley Group	A-23
Heating & Air Conditioning Group	A-24
Interior Finish Group	B-1 - B-2
LP Group	B-3
Lounge Group	B-3
Water & Sewage Group	B-4
Window, Vent & Exterior Door Group	B-5 - B-14

BATH GROUP

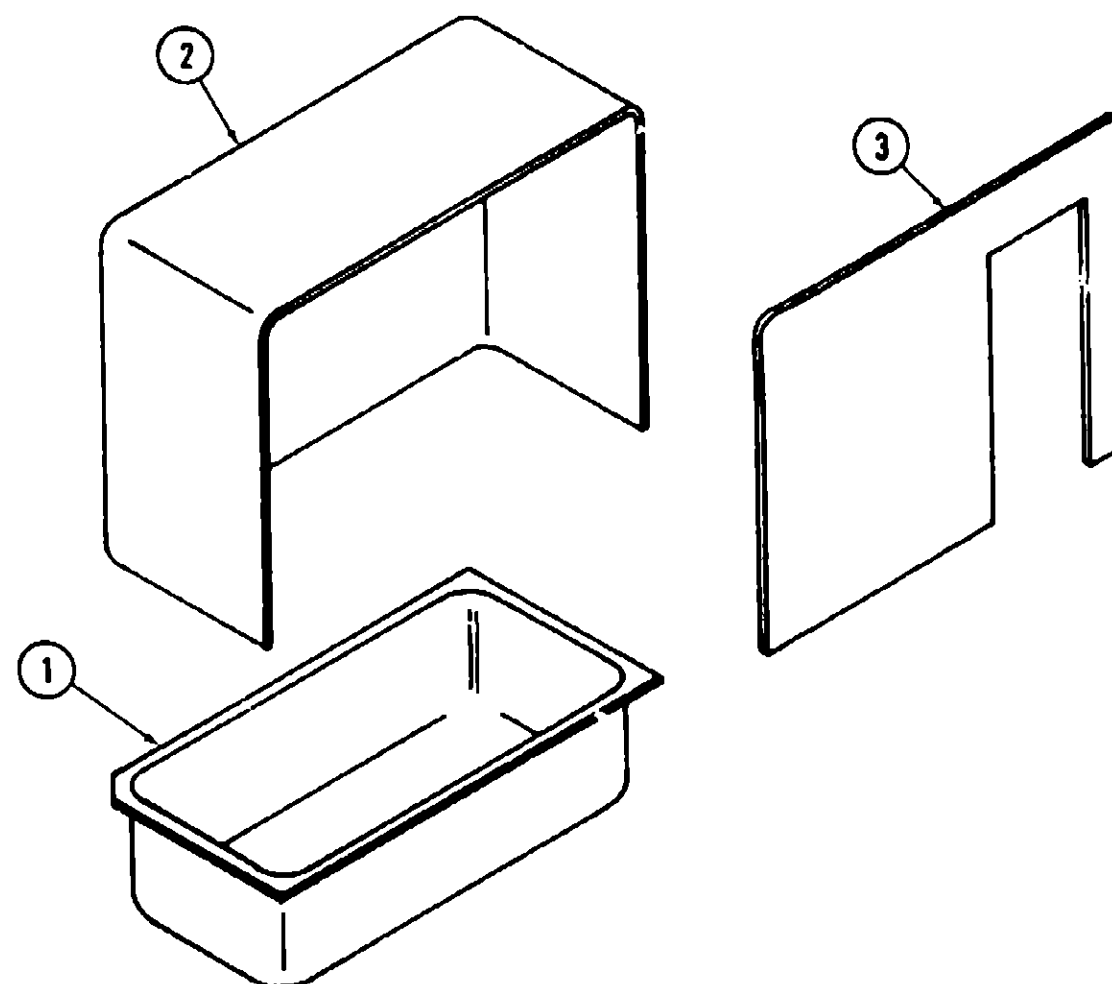
Key	Part Number	U/M	Description
	050739-01-000	EA	Door Asm. - Shower - Clear Anod.
	043566-01-000	EA	Jamb - Shower Door - Bottom
	043567-01-000	EA	Jamb - Shower Door - Right
	043567-02-000	EA	Jamb - Shower Door - Left
	009112-01-000	EA	Flange - 1" Rod - Chrome
	049236-62-000	EA	Door Asm. - Rear Wardrobe Cabinet w/o Hardware
	049239-13-000	EA	Drawer Asm. - Rear Wardrobe Cabinet - w/o Hardware
	041945-02-000	EA	Cabinet Asm. - Vanity w/o Vanity Top, Door or Hardware
	049236-75-000	EA	Door Asm. - Vanity Cabinet w/o Hardware
	045422-01-000	EA	Cabinet Asm. - Medicine w/o Door or Hardware
	045992-01-700	EA	Door Asm. - Medicine Cabinet w/Mirror - w/o Hardware
	042488-02-000	EA	Door Asm. - Bathroom - Folding - 34" x 77 1/8" w/Hardware
	031563-03-000	EA	Track - Folding Door
	009134-01-000	EA	Holder - Toilet Tissue
	033580-01-000	EA	Ring Towel - Plastic w/Chrome Bracket
	009133-01-000	EA	Bar - Towel Rack - 12" Plastic - w/o Brackets
	023449-01-000	EA	Bracket - Towel Bar - Chrome - Left or Right
	010495-01-000	EA	Clamp - Cable - 9/16" - Shower Hose
	011048-01-000	EA	Shower Head w/60" Hose
	011048-01-700	EA	Breaker Valve - Vacuum - 1/8" MPT - Nylon - Shower Hose
	011070-01-000	EA	Tailpiece - 1 1/4" Brass x 6"
	011086-01-000	EA	Strainer - Shower Pan
	031558-01-000	EA	Faucet - Tub and Shower
	011056-01-000	EA	Faucet - Lavatory
	011083-01-000	EA	Plug - Stopper - 1 1/4" x 5" w/Chain
**	039341-02-000	EA	Toilet - Aqua Magic Model SH - Ivory

**The illustrated parts breakdown for this item is provided on the Common Items Fiche.

BATH GROUP (CONTINUED)



Key	Part Number	U/M	Description
1	042175-01-000	EA	Lavatory Top - Ivory Plastic w/o Hardware



Key	Part Number	U/M	Description
1	041826-01-000	EA	Bathtub - Bottom - Ivory Plastic
2	041853-01-000	EA	Bathtub - Rear - Ivory Plastic
3	041852-01-000	EA	Bathtub - Front - Ivory Plastic

1978 WINNEBAGO TABLE OF CONTENTS

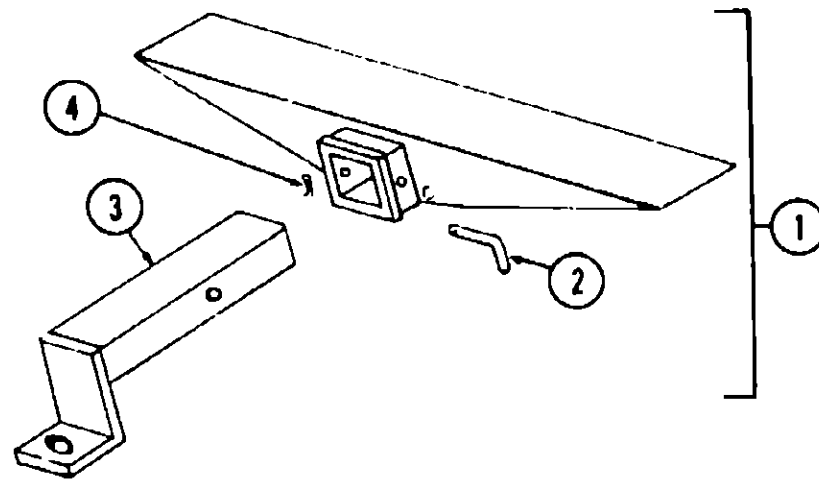
Introduction	A-1
Abbreviations	A-1
Alphabetical Index	A-2 - A-4
WC525RB	A-5 - B-14
WDP23RG	B-15 - C-24
WDP26RK	D-1 - E-12
WDU27RK	E-13 - F-22
WDU29RB	F-23 - H-10
WDU27RT	H-11 - I-22
WDP26RB	I-23 - K-10

1978 WC525RB INDEX

Floor Plan	A-5 - A-6
Accessories Group	A-7 - A-8
Bath Group	A-9 - A-10
Chassis Group	A-11
Curtain, Cushion & Pad Group	A-12 - A-14
Dinette Group	A-15
Driver's Compartment Group	A-16
Electrical Group	A-17 - A-18
Exterior Body Group	A-19 - A-22
Galley Group	A-23
Heating & Air Conditioning Group	A-24
Interior Finish Group	B-1 - B-2
LP Group	B-3
Lounge Group	B-3
Water & Sewage Group	B-4
Window, Vent & Exterior Door Group	B-5 - B-14

CHASSIS GROUP

Key	Part Number	U/M	Description
	024652-01-700	EA	Step Asm. - Entry Door
	049912-01-000	EA	Step Asm. - Assist Front Door
	045000-03-000	EA	Shield - Heat 40.00"
	048504-01-000	EA	Tray Battery Steel
	048682-01-000	EA	Rod - Battery Tie Down
	048592-01-000	EA	Hold Down Double Battery
	039615-01-000	EA	Rod - Holding Hood
	046746-01-000	EA	Support Asm. - Radiator/Grille
	044763-01-000	EA	Splash Guard - Front Black Rubber
	017516-01-000	EA	Mud Flap - Black
	044163-01-000	EA	Bracket Fiberglass to Wheel Well
	044164-01-000	EA	Bracket Fiberglass to Hinge Pillar
	044371-01-000	EA	Bracket Fiberglass Front Bottom Attach
	044373-01-000	EA	Bracket Fiberglass Front Top Attach
	041723-01-000	EA	Bracket - Hood - Center Bumper
	045683-01-000	EA	Pivot - Hood
	040848-01-000	EA	Bumper - Hood
	007125-08-000	EA	Clamp Asm. Muffler 3" Dia.
	042377-01-000	EA	Tail Pipe Extension 3" O.D. 7.50"
	040634-02-000	EA	Carrier - Spare Tire
	046043-06-000	EA	Bracket Asm. - Bumper
	046785-01-000	EA	Bumper - Rear Chrome 93"
	045226-01-000	EA	Tray Generator 36.25" x 37.75"
	039649-01-000	EA	Wheel Well Rear Plastic Left or Right



Key	Part Number	U/M	Description
1	023695-01-700	EA	Hitch Kit - w/Drawbar
2	034512-01-000	EA	Pin - Locking - Drawbar
3	024876-01-700	EA	Drawbar - Trailer Hitch - Primed
4	034513-01-000	EA	Pin - Hitch - 3/16" Wire Spring

CURTAIN, CUSHION AND PAD GROUP

CURTAINS, SHADES AND TIE BACKS

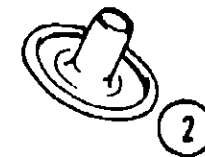
Key	Part Number	U/M	Description
	050006-02-000	EA	Curtain - Blackout - 25" x 83" - Bostonian Brown Vinyl
	045839-01-000	EA	Curtain - Wraparound w/Snap Top - Parchment - Left or Right
	048021-74-000	EA	Curtain - w/Snaps Top - 33" x 30" - Parchment
	052751-01-000	EA	Shade - 68 1/4" x 29" - Green
	052751-02-000	EA	Shade - 68 1/4" x 29" - Gold
	052751-03-000	EA	Shade - 68 1/4" x 29" - Rust
	052755-01-000	EA	Shade - 39" x 27" - Green
	052755-02-000	EA	Shade - 39" x 27" - Gold
	052755-03-000	EA	Shade - 39" x 27" - Rust
	052756-01-000	EA	Shade - 31" x 28 1/2" - Green
	052756-02-000	EA	Shade - 31" x 28 1/2" - Gold
	052756-03-000	EA	Shade - 31" x 28 1/2" - Rust
	049097-15-000	EA	Tie Back - Curtain - 14" - Bostonian Brown Vinyl
	049097-70-000	EA	Tie Back - Curtain - 10" - Parchment
	043120-61-000	EA	Curtain - Wraparound - 21" x 63" - Bostonian Brown Vinyl - Left or Right

CURTAIN HARDWARE

Key	Part Number	U/M	Description
	009223-01-000	EA	Rod - Curtain - Flat - Extends - 33" - 51"
	009223-02-000	EA	Rod - Curtain - Flat - Extends - 48" - 84"
	042439-01-000	EA	Bracket - Flat Curtain Rod - Left or Right
	018031-42-000	EA	Track - Curtain - "L" Rod - Alum. - 90"
	009701-01-000	EA	Carrier w/Rollers - Curtain - "L" Rod
	009702-01-000	EA	End Stop - Curtain Track - "L" Rod
	052327-04-236	EA	Track - Curtain - Alum. - Brown - 89" w/Holes
	009107-01-000	EA	Guide - Nylon - Snap Curtain (used with 052327-04-236 Track)



Key	Part Number	U/M	Description
1	029130-01-000	EA	Socket Snap Fastener (Tie Backs)
2	029155-01-000	EA	Cap - Snap - .156" Diameter x .17" Barrel (Tie Backs)
3	029156-01-000	EA	Socket - Snap Fastener (Tie Backs)
4	029092-01-000	EA	Stud - Nickel Finish (Curtains)
5	029093-01-000	EA	Eyelet - Nickel Finish (Curtains)



1978 WINNEBAGO TABLE OF CONTENTS

Introduction	A-1
Abbreviations	A-1
Alphabetical Index	A-2 - A-4
WC525RB	A-5 - B-14
WDP23RG	B-15 - C-24
WDP26RK	D-1 - E-12
WDU27RK	E-13 - F-22
WDU29RB	F-23 - H-10
WDU27RT	H-11 - I-22
WDP26RB	I-23 - K-10

1978 WC525RB INDEX

Floor Plan	A-5 - A-8
Accessories Group	A-7 - A-8
Bath Group	A-9 - A-10
Chassis Group	A-11
Curtain, Cushion & Pad Group	A-12 - A-14
Dinette Group	A-15
Driver's Compartment Group	A-16
Electrical Group	A-17 - A-18
Exterior Body Group	A-19 - A-22
Galley Group	A-23
Heating & Air Conditioning Group	A-24
Interior Finish Group	B-1 - B-2
LP Group	B-3
Lounge Group	B-3
Water & Sewage Group	B-4
Window, Vent & Exterior Door Group	B-5 - B-14

CURTAIN, CUSHION AND PAD GROUP (CONTINUED)

DINETTE CUSHIONS

Key	Part Number	U/M	Description
	054462-11-000	EA	Cushion - Mitered - 22.5" x 38" x 4" - Green
	054462-12-000	EA	Cushion - Mitered - 22.5" x 38" x 4" - Gold
	054462-13-000	EA	Cushion - Mitered - 22.5" x 38" x 4" - Rust
	054462-11-011	EA	Cover - Cushion - Mitered - 22.5" x 38" x 4" - Green
	054462-12-012	EA	Cover - Cushion - Mitered - 22.5" x 38" x 4" - Gold
	054462-13-013	EA	Cover - Cushion - Mitered - 22.5" x 38" x 4" - Rust
	054462-20-000	EA	Cushion - Mitered - 14" x 38" x 4" - Green
	054462-21-000	EA	Cushion - Mitered - 14" x 38" x 4" - Gold
	054462-22-000	EA	Cushion - Mitered - 14" x 38" x 4" - Rust
	054462-20-020	EA	Cover - Cushion - Mitered - 14" x 38" x 4" - Green
	054462-21-021	EA	Cover - Cushion - Mitered - 14" x 38" x 4" - Gold
	054462-22-022	EA	Cover - Cushion - Mitered - 14" x 38" x 4" - Rust

LOUNGE CUSHIONS

Key	Part Number	U/M	Description
	054462-14-000	EA	Cushion - Mitered - 28" x 75" x 4" - Green
	054462-15-000	EA	Cushion - Mitered - 28" x 75" x 4" - Gold
	054462-16-000	EA	Cushion - Mitered - 28" x 75" x 4" - Rust
	054462-14-014	EA	Cover - Cushion - Mitered - 28" x 75" x 4" - Green
	054462-15-015	EA	Cover - Cushion - Mitered - 28" x 75" x 4" - Gold
	054462-16-016	EA	Cover - Cushion - Mitered - 28" x 75" x 4" - Rust
	054462-17-000	EA	Cushion - Mitered - 15" x 37.5" x 4" - Green
	054462-18-000	EA	Cushion - Mitered - 15" x 37.5" x 4" - Gold
	054462-19-000	EA	Cushion - Mitered - 15" x 37.5" x 4" - Rust
	054462-17-017	EA	Cover - Cushion - Mitered - 15" x 37.5" x 4" - Green
	054462-18-018	EA	Cover - Cushion - Mitered - 15" x 37.5" x 4" - Gold
	054462-19-019	EA	Cover - Cushion - Mitered - 15" x 37.5" x 4" - Rust

SWIVEL CHAIRS

Key	Part Number	U/M	Description
	042986-35-000	EA	Chair - TT - Green
	042986-36-000	EA	Chair - TT - Gold
	042986-37-000	EA	Chair - TT - Rust
	042987-35-000	EA	Cushion - TT Chair - Green
	042987-36-000	EA	Cushion - TT Chair - Gold
	042987-37-000	EA	Cushion - TT Chair - Rust
	035036-01-000	EA	Plate - Tilt and Swivel Chair (mounts to bottom of chair)
	035036-02-000	EA	Base - Tilt and Swivel Chair w/Holes in Legs

MATTRESSES

Key	Part Number	U/M	Description
	050102-30-000	EA	Mattress - Mitered - 24.5" x 76" x 5" - Green
	050102-31-000	EA	Mattress - Mitered - 24.5" x 76" x 5" - Gold
	050102-32-000	EA	Mattress - Mitered - 24.5" x 76" x 5" - Rust
	050102-30-030	EA	Cover - Mattress - Mitered - 24.5" x 76" x 5" - Green
	050102-31-031	EA	Cover - Mattress - Mitered - 24.5" x 76" x 5" - Gold
	050102-32-032	EA	Cover - Mattress - Mitered - 24.5" x 76" x 5" - Rust
	050102-33-000	EA	Mattress - Mitered - 28.5" x 76" x 4" - Green
	050102-34-000	EA	Mattress - Mitered - 28.5" x 76" x 4" - Gold
	050102-35-000	EA	Mattress - Mitered - 28.5" x 76" x 4" - Rust
	050102-33-033	EA	Cover - Mattress - Mitered - 28.5" x 76" x 4" - Green
	050102-34-034	EA	Cover - Mattress - Mitered - 28.5" x 76" x 4" - Gold
	050102-35-035	EA	Cover - Mattress - Mitered - 28.5" x 76" x 4" - Rust

CURTAIN, CUSHION AND PAD GROUP (CONTINUED)

BUCKET SEATS, ARMRESTS AND HEADRESTS

Key	Part Number	U/M	Description
	040517-21-000	EA	Seat Asm. - Single Bucket w/Pocket - Green
	040517-22-000	EA	Seat Asm. - Single Bucket w/Pocket - Gold
	040517-23-000	EA	Seat Asm. - Single Bucket w/Pocket - Rust
	040516-38-001	EA	Cover - Single Bucket - Bottom - Green
	040516-39-001	EA	Cover - Single Bucket - Bottom - Gold
	040516-40-001	EA	Cover - Single Bucket - Bottom - Rust
	040516-38-002	EA	Cover - Single Bucket - Back w/Pocket - Green
	040516-39-002	EA	Cover - Single Bucket - Back w/Pocket - Gold
	040516-40-002	EA	Cover - Single Bucket - Back w/Pocket - Rust
	040494-01-000	EA	Armrest Asm. - Foam w/o Cover - Right - Style #1
	010494-02-000	EA	Armrest Asm. - Foam w/o Cover - Left - Style #1
	050275-01-700	EA	Armrest Asm. - Foam w/o Cover - Right - Style #2
	050276-01-700	EA	Armrest Asm. - Foam w/o Cover - Left - Style #2
	050280-22-000	EA	Armrest Cover - Right or Left - Green
	050280-23-000	EA	Armrest Cover - Right or Left - Gold
	050280-24-000	EA	Armrest Cover - Right or Left - Rust
	019722-01-000	EA	Headrest Asm. - Foam w/o Cover
	033906-53-000	EA	Headrest Cover - Green
	033906-54-000	EA	Headrest Cover - Gold
	033906-55-000	EA	Headrest Cover - Rust
	029136-01-000	EA	Grommet - Headrest - Brown Nylon
	029134-01-000	EA	Clip - Finish - Upholstery (Bucket Seat)
	031133-01-000	EA	Protector - Driver Seat - 6" Tan Plastic

NOTE

A production change was made in the armrest. When ordering, you must first determine which style is required. Measure up ten inches from the bottom of the seat frame. If you feel (through the upholstery) a collar protruding outward approximately 1/2", you should order style two. Order style one if no protrusion is noted.

PADS

Key	Part Number	U/M	Description
	042414-01-000	FT	Trim - Accent - Bostonian Brown
	043321-02-000	EA	Pad-A Pillar - Right - Bostonian Brown
	043322-02-000	EA	Pad-A Pillar - Left - Bostonian Brown
	043323-02-000	EA	Pad - Door Top - Right - Bostonian Brown
	043324-02-000	EA	Pad - Door Top - Left - Bostonian Brown
	043325-03-000	EA	Pad-B Pillar - Left - Bostonian Brown
	043325-04-000	EA	Pad-B Pillar - Right - Bostonian Brown
	048360-01-000	EA	Pad - Sleeper Board - Left - Bostonian Brown
	048360-02-000	EA	Pad - Sleeper Board - Right - Bostonian Brown
	043327-09-000	EA	Pad - Support - Cab/Pillar Asm. - Left
	048709-02-000	EA	Pad - Support - Cab/Pillar Asm. - Right
	043326-02-000	EA	Headliner - Cab - Bostonian Brown

FABRICS

Key	Part Number	U/M	Description
	052352-01-000	YD	Fabric - Upholstery - Green
	052352-02-000	YD	Fabric - Upholstery - Gold
	052352-03-000	YD	Fabric - Upholstery - Rust
	053325-01-000	YD	Fabric - Drapery - Parchment
	042411-01-000	YD	Vinyl - Nonexpandable - 27 Ounce - Bostonian Brown
	042411-02-000	YD	Vinyl - Expandable - 28 Ounce - Bostonian Brown
	042411-03-000	YD	Vinyl - Nonsupport - 16 Gauge - Bostonian Brown

**1978 WINNEBAGO
TABLE OF CONTENTS**

Introduction	A-1
Abbreviations	A-1
Alphabetical Index	A-2 - A-4
WC525RB	A-5 - B-14
WDP23RG	B-15 - C-24
WDP26RK	D-1 - E-12
WDU27RK	E-13 - F-22
WDU29RB	F-23 - H-10
WDU27RT	H-11 - I-22
WDP26RB	I-23 - K-10

**1978 WC525RB
INDEX**

Floor Plan	A-5 - A-6
Accessories Group	A-7 - A-8
Bath Group	A-9 - A-10
Chassis Group	A-11
Curtain, Cushion & Pad Group	A-12 - A-14
Dinette Group	A-15
Driver's Compartment Group	A-16
Electrical Group	A-17 - A-18
Exterior Body Group	A-19 - A-22
Galley Group	A-23
Heating & Air Conditioning Group	A-24
Interior Finish Group	B-1 - B-2
LP Group	B-3
Lounge Group	B-3
Water & Sewage Group	B-4
Window, Vent & Exterior Door Group	B-5 - B-14

DINETTE GROUP

Key	Part Number	U/M	Description
	051865-01-000	EA	Table Asm. - Dinette w/o Hardware - Butcher Block
	047809-02-000	EA	Hardware Kit - Dinette Table - Wall Mount
	047842-01-000	EA	Kit - Table Leg - Dinette
	045377-01-000	EA	Cabinet Asm. - Dinette Seat - Left
	048561-03-000	EA	Cabinet Asm. - Dinette Seat - Right
	049236-64-000	EA	Door Asm. - Dinette Seat Cabinet - w/o Hardware
	047726-01-000	EA	Cabinet Asm. - Dinette Overhead Cabinet - w/o Doors or Hardware
	049236-63-000	EA	Door Asm. - Dinette Overhead Cabinet - w/o Hardware
	007021-01-000	EA	Belt Asm. - Seat - 2" x 90" - Black
	041322-01-000	EA	Washer - Flat - 15/32" I.D. x 2 3/8" O.D.

DRIVER'S COMPARTMENT GROUP

Key	Part Number	U/M	Description
	039639-01-000	EA	Bezel - Transmission Control
	038414-01-000	EA	Ashtray
	041425-01-000	EA	Cover - Engine
	041320-01-000	EA	Bracket - Engine Cover /Floor
	048223-01-000	EA	Bracket - Motor Cover
	045206-24-000	EA	Side Panel - Cab Door - Left - Green
	045206-25-000	EA	Side Panel - Cab Door - Left - Gold
	045206-26-000	EA	Side Panel - Cab Door - Left - Rust
	045205-24-000	EA	Side Panel - Cab Door - Right - Green
	045205-25-000	EA	Side Panel - Cab Door - Right - Gold
	045205-26-000	EA	Side Panel - Cab Door - Right - Rust
	007222-01-000	EA	Belt Asm. - Seat - 2" x 60" - Black
	049797-01-000	EA	Hedlock II - 1" Dia. Screw Mount - Black Plastic
	046885-01-000	EA	Plaque - Mounting - Battery Switch
	024461-01-000	EA	Switch - Battery
	024976-01-000	EA	Switch - Generator - w/o Circuit Board
	031035-01-000	EA	Gauge - Hourmeter - Generator
	049360-02-000	EA	Console - Overhead - w/o Gauges or Switches
	039646-06-000	EA	Extension Asm. - Sleeper Board
	023812-04-000	EA	Rail - Bunk - Brown - 75"
	041476-01-000	FT	Track - Slide - PVC Dark Pecan - 12'
	048656-01-000	EA	Bracket - Catch - Bunk
	049918-01-000	EA	Pedestal Asm. - Swivel Seat
	007223-01-000	EA	Adjuster Asm. - Seat w/Lock
	007224-02-000	EA	Handle - Seat Adjuster - 9"
	007227-01-000	EA	Adjuster Asm. - Seat w/o Lock
	048636-01-000	EA	Handle - Swivel Seat
	049916-01-000	EA	Plate Asm. - Swivel Seat
	049943-01-000	EA	Pedestal - Complete - Swivel Seat
	040697-03-000	EA	Pad out Instrument Panel - Brown

1978 WINNEBAGO TABLE OF CONTENTS

Introduction	A-1
Abbreviations	A-1
Alphabetical Index	A-2 - A-4
WC525RB	A-5 - B-14
WDP20RG	B-15 - C-24
WDP20RK	D-1 - E-12
WDU27RK	E-13 - F-22
WDU29RB	F-23 - H-10
WDU27RT	H-11 - I-22
WDP26RB	I-23 - K-10

1978 WC525RB INDEX

Floor Plan	A-5 - A-8
Accessories Group	A-7 - A-8
Bath Group	A-9 - A-10
Chassis Group	A-11
Curtain, Cushion & Pad Group	A-12 - A-14
Dinette Group	A-15
Driver's Compartment Group	A-16
Electrical Group	A-17 - A-18
Exterior Body Group	A-19 - A-22
Galley Group	A-23
Heating & Air Conditioning Group	A-24
Interior Finish Group	B-1 - B-2
LP Group	B-3
Lounge Group	B-3
Water & Sewage Group	B-4
Window, Vent & Exterior Door Group	B-5 - B-14

ELECTRICAL GROUP

BULBS

Key	Part Number	U/M	Description
	037935-01-000	EA	Bulb - 1157
	038010-01-000	EA	Bulb - 1143
	008103-01-000	EA	Bulb 53
	008213-01-000	EA	Bulb - 57
	008214-01-000	EA	Bulb - 67
	008215-01-000	EA	Bulb - 1003
	008216-01-000	EA	Bulb - 1034
	008217-01-000	EA	Bulb - 1073
	008218-01-000	EA	Bulb - 1141
	008219-01-000	EA	Bulb - 658
	008220-01-000	EA	Bulb - 12V - 25W
	036196-01-000	EA	Bulb - 194
	700020-01-000	EA	Bulb - 12V - 20W - 1383

EXTERIOR LIGHTS

Key	Part Number	U/M	Description
	031054-01-000	EA	Lamp - Tall - Left - White
	031055-01-000	EA	Lamp - Tall - Right - White
	042405-01-000	EA	Lens - Rectangular Clearance Light - Red
	042405-02-000	EA	Lens - Rectangular Clearance Light - Amber
	042405-03-000	EA	Base - Rectangular Clearance Light

INTERIOR LIGHTS

Key	Part Number	U/M	Description
	024418-01-000	EA	Lamp Asm. - Map/Gauge/Aisle
	024473-01-000	EA	Light - Aircraft - 1 Bulb - Gold
	033508-01-000	EA	Light - Dome - Ivory - 1 Bulb
	024642-01-701	EA	Lens - Dome - Light - 1 Bulb
	033509-01-000	EA	Light - Dome - Ivory - 2 Bulb
	024643-01-701	EA	Lens - Dome Light - 2 Bulb

FUSES AND CIRCUIT BREAKERS

Key	Part Number	U/M	Description
	008233-01-000	EA	Fuse - 12 Volt - 6 Amp.
	008234-01-000	EA	Fuse - 12 Volt - 10 Amp.
	008235-01-000	EA	Fuse - 12 Volt - 15 Amp.
	008236-01-000	EA	Fuse - 12 Volt - 20 Amp.
	008248-01-000	EA	Fuse - 110 Volt - 30 Amp. - AGU
	008252-01-000	EA	Fuse - 110 Volt - 50 Amp.
	008208-01-000	EA	Circuit Breaker - 12 Volt - 40 Amp.
	008211-01-000	EA	Circuit Breaker - 12 Volt - 6 Amp.
	008268-01-000	EA	Circuit Breaker - 12 Volt - 30 Amp. w/Mount
	033573-01-000	EA	Circuit Breaker - 12 Volt - 20 Amp. w/Mount
	040051-01-000	EA	Circuit Breaker - 110 Volt - 20 Amp. - TQL

ELECTRICAL GROUP (CONTINUED)

WIRE, SWITCHES, AND RECEPTACLES

Key	Part Number	U/M	Description
	008024-01-000	FT	Wire - 18.5 Bonded - Orange/White/Yellow/Blue/Brown
	008025-01-000	FT	Wire - 18.5 Bonded - Orange/White/Yellow/Blue/Green
	008028-01-000	FT	Wire - 18.5 Bonded - Blue/Red/Yellow/Orange/White
	008030-01-000	FT	Wire - 18.4 Bonded
	008251-01-000	EA	Holder - Fuse - Black - Screw Type
	008277-01-000	EA	Holder - Fuse - Black - Panel Mount
	008195-01-000	EA	Switch - Push Button - 12 Volt
	006077-01-000	EA	Plaque - Compressor Switch
	008054-01-000	EA	Cord - Power - 10-3 30 Amp. - 25' - UL
	034818-04-000	EA	Holder - Receptacle - Plastic
	039338-01-000	EA	Cover Plate - Receptacle - Plastic - Brown
	039342-01-000	EA	Receptacle - Duplex Brown - T Junction
	024571-01-000	EA	Cover Plate - Receptacle - Jumbo Steel Brown
	039343-01-000	EA	Cap - End - Receptacle
	008162-01-000	EA	Switch - Double Toggle - Spade Brown
	008163-01-000	EA	Switch - Toggle Brown
	008164-01-000	EA	Cover Plate - Switch - Brown
	024924-01-000	EA	Receptacle - Power Cord
	008058-01-000	EA	Adaptor - Power Cord
	047353-01-000	EA	Cover - Receptacle - Ground Fault
	047351-01-000	EA	Receptacle - Ground Fault Interrupter - 125 Volt, Black

MISCELLANEOUS ELECTRICAL COMPONENTS

Key	Part Number	U/M	Description
	047338-01-000	EA	Isolator - Dual Battery
	047389-01-700	EA	Battery - 12 Volt - 105 Amp. Deep Cycle - Dry
	008188-01-000	EA	Solenoid - Dual Battery - Relay
	046775-01-000	EA	Valve - Gas - Change Over
	039950-02-000	EA	Control Center - 30 Amp. w/Door - UL
	039950-01-702	EA	Circuit Board - 6 Prong - Control Center
	039950-01-701	EA	Circuit Board - 5 Prong - Control Center - w/Light
	039950-01-700	EA	Circuit Board - 3.5" x 2" - Control Center - w/o Light
	024417-01-000	EA	Panel - Control - Water/Double Sewage - Wemac
	039861-01-000	EA	Sending Unit Kit - Wemac
	024459-01-000	EA	Gauge - Voltmeter
	024462-01-000	EA	Switch - Battery Condition
	031035-01-000	EA	Gauge - Hour Meter - Generator
	024976-01-000	EA	Switch - Generator w/o Circuit Board
	024460-01-000	EA	Gauge Vacuum
	036617-01-000	EA	Relay - Canister - SPDT
	008181-01-000	EA	Relay - 12 to 15 Volt - 27 Amp.

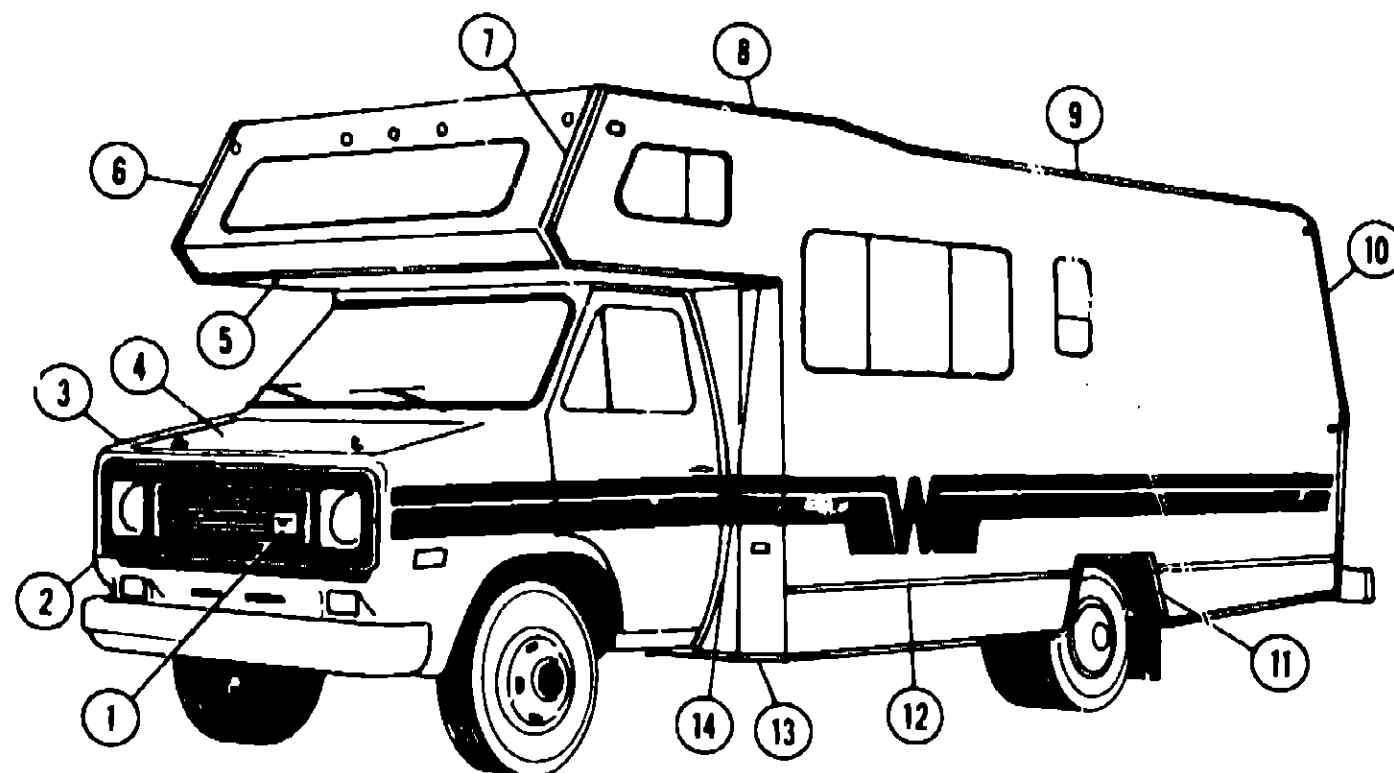
1978 WINNEBAGO TABLE OF CONTENTS

Introduction	A-1
Abbreviations	A-1
Alphabetical Index	A-2 - A-4
WC525RB	A-5 - B-14
WDP23RK	B-15 - C-24
WDP26RK	D-1 - E-12
WDU27RK	E-13 - F-22
WDU29RB	F-23 - H-10
WDU27RT	H-11 - I-22
WDP26RB	I-23 - K-10

1978 WC525RB INDEX

Floor Plan	A-5 - A-6
Accessories Group	A-7 - A-8
Bath Group	A-9 - A-10
Chassis Group	A-11
Curtain, Cushion & Pad Group	A-12 - A-14
Dinette Group	A-15
Driver's Compartment Group	A-16
Electrical Group	A-17 - A-18
Exterior Body Group	A-19 - A-22
Galley Group	A-23
Heating & Air Conditioning Group	A-24
Interior Finish Group	B-1 - B-2
LP Group	B-3
Lounge Group	B-3
Water & Sewage Group	B-4
Window, Vent & Exterior Door Group	B-5 - B-14

EXTERIOR BODY GROUP



Key	Part Number	U/M	Description
1	031181-01-000	EA	Logo - Flying "W" Grille
2	045282-01-000	EA	Grille - Plastic
3	040843-01-000	EA	Front End Asm. - Fiberglass - Off White - Includes Hood w/o Front Grille
4	040845-01-000	EA	Hood Asm. - Off White
5	039644-01-000	EA	Trim - Sleeper Board - Off White
	039616-01-000	EA	Hinge - Hood (2 used per hood)
	035388-01-000	EA	Hood Pin Kit - 7/16" x 20 x 3.50" Long
	037449-01-000	EA	Well Nut - 10 - 32 x .812" Long
6	039635-02-000	EA	Trim - Contour - Sleeper Section - Right - Off White
7	039635-01-000	EA	Trim - Contour - Sleeper Section - Left - Off White
8	039634-01-000	EA	Trim - Contour - Roof - Left - Off White
	039634-02-000	EA	Trim - Contour - Roof - Right - Off White
9	034922-05-000	EA	Trim - Sidewall/Roof - Upper - Left or Right - Off White

Key	Part Number	U/M	Description
10	039633-01-000	EA	Trim - Contour - Backwall - Left - Off White
	039633-02-000	EA	Trim - Contour - Backwall - Right - Off White
11	039624-01-000	EA	Trim - Wheel Well - Rear - Left or Right
12	002444-02-003	EA	Extr. - Feature Strip - Alum. - 16' w/o Insert
	001030-03-002	EA	Insert - Feature Strip - Burnt Orange - 17'
	009731-01-000	EA	End Cap - Feature Strip
13	043442-01-000	EA	Trim - Wingwall - Bottom - Left
	043442-02-000	EA	Trim - Wingwall - Bottom - Right
14	048610-01-000	EA	Trim - Corner - Wingwall - Left
	048610-02-000	EA	Trim - Corner - Wingwall - Right
	002365-02-001	EA	Extr. - U-Channel - 1" Serrated x 1.5" Anod.
	039629-01-000	FT	Extr. - Vinyl - Sleeper Joint
	043915-01-000	FT	Extr. - Vinyl - "B" Pillar/Wingwall
			Not Illustrated

1978 WINNEBAGO TABLE OF CONTENTS

Introduction	A-1
Abbreviations	A-1
Alphabetical Index	A-2 - A-4
WC525RB	A-5 - B-14
WDP23RG	B-15 - C-24
WDP26RK	D-1 - E-12
WDU27RK	E-13 - F-22
WDU29RB	F-23 - H-10
WDU27RT	H-11 - I-22
WDP26RB	I-23 - K-10

1978 WC525RB INDEX

Floor Plan	A-5 - A-6
Accessories Group	A-7 - A-8
Bath Group	A-9 - A-10
Chassis Group	A-11
Curtain, Cushion & Pad Group	A-12 - A-14
Dinette Group	A-15
Driver's Compartment Group	A-16
Electrical Group	A-17 - A-18
Exterior Body Group	A-19 - A-22
Galley Group	A-23
Heating & Air Conditioning Group	A-24
Interior Finish Group	B-1 - B-2
LP Group	B-3
Lounge Group	B-3
Water & Sewage Group	B-4
Window, Vent & Exterior Door Group	B-5 - B-14

EXTERIOR BODY GROUP (CONTINUED)

EXTERIOR BODY PANELS AND SHEET ALUMINUM

Key	Part Number	U/M	Description
	039579-01-000	EA	Sleeper Board Asm.
	050270-01-000	EA	Sidewall Asm. - Left
	050014-01-000	EA	Sidewall Asm. - Right
	050375-03-000	EA	Backwall Asm.
	045802-01-000	EA	Roof Asm.
	045902-01-700	EA	Roof Section - Front - Cab Overhang to First Roof Seam
	039155-03-008	EA	Alum. - Off White - Mesa Design - .024" x 36" x 60"
	039155-03-002	EA	Alum. - Off White - Mesa Design - .024" x 36" x 300"
	039155-03-003	EA	Alum. - Off White - Mesa Design - .024" x 36" x 360"
	039155-03-007	EA	Alum. - Off White - Mesa Design - .024" x 48" x 60"
	039155-03-005	EA	Alum. - Off White - Mesa Design - .024" x 48" x 300"
	039155-03-006	EA	Alum. - Off White - Mesa Design - .024" x 48" x 360"
	039155-03-009	EA	Alum. - Off White - Mesa Design - .024" x 12" x 360"
	044487-01-001	EA	Alum. - Mill Finish - No Design (Roof) - 96" x 360"
	039155-07-010	EA	Alum. - Off White - Greyhound Design 48" x 96"
	041054-01-011	EA	Alum. - Off White - No Design - 48" x 96"

EXTERIOR PAINT

Key	Part Number	U/M	Description
	041561-01-000	EA	Paint - Off White - Acrylic Enamel - 1 Gallon
	041561-03-000	EA	Paint - Off White - Acrylic Enamel - 16 Oz. Aerosol
	041561-04-000	EA	Paint - Off White - Acrylic Lacquer - 1 Gallon
	041563-01-000	EA	Paint - Burnt Orange - Acrylic Enamel - 1 Gallon
	041563-03-000	EA	Paint - Burnt Orange - Acrylic Enamel - 16 Oz. Aerosol
	041565-01-000	EA	Paint - Rally Yellow - Acrylic Enamel - 1 Gallon
	041565-03-000	EA	Paint - Rally Yellow - Acrylic Enamel - 16 Oz. Aerosol

LABELS AND DECALS

Key	Part Number	U/M	Description
	006023-01-000	EA	Label - Water Only
	006025-01-000	EA	Label - Gas
	006028-01-000	EA	Label - Drain Cap - 2" x 3"
	006031-01-000	EA	Label - Potable Water Only
	006187-01-000	EA	Label - Sewage
	006188-01-000	EA	Label - Waste Water
	006199-01-000	EA	Label - Exit - Escape Window
	031161-01-000	EA	Label - Flying "W"
	038403-01-000	EA	Decal - Logo - Winnebago 2.80" (Front or Rear)
	039288-01-000	EA	Label - Warning Aux. Loading
	006061-01-000	EA	Tag - LP Gas Only
	008092-01-000	EA	Reflector - Stick On - Rectangular - Red
	008093-01-000	EA	Reflector - Stick On - Rectangular - Amber
	039716-01-000	EA	Stencil - "Minnie Winnie" - Left or Right
	006040-01-000	EA	Tag - Gas Refueling Warning

EXTERIOR BODY GROUP (CONTINUED)

SEALANTS, ADHESIVES, AND FASTENERS

Key	Part Number	U/M	Description
	034552-05-000	EA	Sealant - Off White Silicone
	034552-04-000	EA	Sealant - Beige Silicone
	034552-02-000	EA	Sealant - Clear Silicone
	004348-02-000	EA	Sealant - Aluminum Silicone
	004349-01-000	EA	Sealant - Black Silicone
	004342-01-000	EA	Sealant - Weatherban 202 Tube
	004346-02-000	EA	Sealant - White Silicone
	004347-01-000	EA	Sealant - Tuflex
	002316-01-000	FT	Tape - Sealer - 3/32" x 1/8"
	024545-01-000	FT	Tape - Sealer - 1/8" x 5/8" - Black
	004350-01-000	FT	Tape - Sealer - 1/8" x 1" - Formaseal
	004352-01-000	FT	Tape - Sealer - 1/8" x 3/4" - Formaseal
	004353-01-000	FT	Tape - Sealer - 1/8" x 5/8" - Black
	004357-01-000	FT	Tape - Sealer - 1/8" x 5/8" - Adhesive
	002707-01-000	FT	Tape - Sealer - 5/16" x 1/2" - Black Foam
	002707-02-000	FT	Tape - Sealer - 5/16" x 3/4" - Black Foam
	041422-01-000	FT	Tape - Sealer - 1/4" x 1/2"
	004363-01-000	FT	Tape - Sealer - 3/16" x 1/2" - Foam
	004362-01-000	FT	Tape - Sealer - 1/8" x 5/8" - Foam
	009200-01-000	EA	Tape - Furnace - 1 1/2"
	041839-01-000	FT	Tape - Window - Latch 3/4" - Adhesive
	041839-02-000	FT	Tape - Window - Latch - 1/2" - Adhesive
	004353-01-000	FT	Tape - Gasket - 1/8" x 3/4" - White
	002825-01-000	FT	Weather Stripping - Roof Vent
	002337-01-000	EA	Adhesive - 3M - 1300 Tube
	004005-01-000	GL	Adhesive - Swifts - Green - Glue (Sidewalls)
	004012-01-000	EA	Adhesive - 3M - 4475 Tube
	004020-01-000	QT	Adhesive - ABS Cement (Plastic Fittings)
	029051-01-000	EA	Adhesive - Spray Vinyl
	042401-02-000	EA	Screw - 8 - 18 x 3/4" SDPH Off White
	042403-02-000	EA	Screw - SF/DR - 8 - 18 x 1" SDPH Off White
	005058-01-000	EA	Screw - Wood - 12 - 11 x 3" P.O.H. Zinc
	041746-01-000	FT	Extr. - Vinyl - Bubble Seal
	021241-01-000	FT	Extr. - Vinyl - White - Wingwall
	053766-01-000	EA	Bedding Compound - Tube Black - Schnee Morehead
	053766-02-000	EA	Bedding Compound - Tube White - Schnee Morehead
	053767-01-000	FT	Tape - 1/2" x 1/8" x 30' - Gray - Schnee Morehead
	053767-02-000	FT	Tape - 3/16" Bead x 25' - Gray - Schnee Morehead
	053767-03-000	FT	Tape - 1/4" Bead x 20' - Gray - Schnee Morehead
	053767-04-000	FT	Tape - 3/4" x 1/8" x 30' - Gray - Schnee Morehead
	053767-05-000	FT	Tape - 2" x 3/32" x 45' - Gray - Schnee Morehead
	053752-03-000	EA	Sealing Compound - Seam Sealer - White - Schnee Morehead #5517

MISCELLANEOUS EXTERNALLY MOUNTED PARTS

Key	Part Number	U/M	Description
	016253-06-000	EA	Fuel Fill - Recessed - Single - Off White
	015587-04-000	EA	Fuel Fill - Recessed - Double - Off White
	011124-01-000	EA	Plumbing Seal - Roof Vent - 1 1/4" White
	011129-01-000	EA	Plumbing Seal - Roof Vent - 1 1/2" White
	010230-02-000	EA	Fill - City Water - Recessed - Off White w/Screw Cap
	011020-01-000	EA	Fill - Water - Recessed - Off White
	009126-01-000	EA	Handle - Assist - Metal Exterior
	049347-01-000	EA	Mirror Head - 7 1/2" x 10 1/2" Stainless Steel w/o Bracket
	049349-01-000	EA	Arm - Mirror - Brite Finish
	009101-01-000	EA	Holder - Entry Door - Male
	009101-02-000	EA	Holder - Entry Door - Female

1978 WINNEBAGO TABLE OF CONTENTS

Introduction	A-1
Abbreviations	A-1
Alphabetical Index	A-2 - A-4
WC525RB	A-5 - B-14
WDP23RG	B-15 - C-24
WDP26RK	D-1 - E-12
WDU27RK	E-13 - F-22
WDU29RB	F-23 - H-10
WDU27RT	H-11 - I-22
WDP26RB	I-23 - K-10

1978 WC525RB INDEX

Floor Plan	A-5 - A-6
Accessories Group	A-7 - A-8
Bath Group	A-9 - A-10
Chassis Group	A-11
Curtain, Cushion & Pad Group	A-12 - A-14
Dinette Group	A-15
Driver's Compartment Group	A-16
Electrical Group	A-17 - A-18
Exterior Body Group	A-19 - A-22
Galley Group	A-23
Heating & Air Conditioning Group	A-24
Interior Finish Group	B-1 - B-2
LP Group	B-3
Lounge Group	B-3
Water & Sewage Group	B-4
Window, Vent & Exterior Door Group	B-5 - B-14

GALLEY GROUP

GALLEY CABINETRY

Key	Part Number	U/M	Description
	049324-02-000	EA	Cabinet Asm. - Galley - w/o Countertop, Drawers, Doors or Hardware
	049083-02-000	EA	Countertop Asm. - Galley Cabinet w/Cutouts - Butcher Block
	049236-71-000	EA	Door Asm. - Galley Cabinet - 29" x 13 1/4" w/o Hardware
	049236-70-000	EA	Door Asm. - Galley Cabinet - 11 3/4" x 20 1/8" w/o Hardware
	051602-01-000	EA	Bread Board Asm.
	045379-01-000	EA	Cabinet Asm. - Galley Overhead w/o Doors or Hardware
	049236-69-000	EA	Door Asm. - Galley Overhead Cabinet - w/o Hardware
	045385-01-000	EA	Cabinet Asm. - Buffet Top w/o Doors or Hardware
	048818-02-000	EA	Countertop Asm. - Buffet Cabinet Base - Butcher Block
	049236-67-000	EA	Door Asm. - Buffet Cabinet - 13 1/2" x 7 3/4" w/o Hardware
	049236-68-000	EA	Door Asm. - Buffet Cabinet - 14 1/8" x 7 3/4" w/o Hardware
	049236-72-000	EA	Door Asm. - Buffet Cabinet - 38" x 13 3/8" w/o Hardware
	049236-65-000	EA	Door Asm. - Buffet Cabinet - 7 3/4" x 13 1/2" w/o Hardware
	049236-66-000	EA	Door Asm. - Cabinet - 10" x 13 1/2" w/o Hardware
	049565-05-000	EA	Cabinet Asm. - Buffet Base w/o Countertop, Doors or Hardware
	049239-13-000	EA	Drawer Asm. - Cabinet - w/o Hardware
	027671-04-000	EA	Cover Asm. - Sink - Butcher Block

GALLEY HARDWARE AND APPLIANCES

Key	Part Number	U/M	Description
	011032-01-000	EA	Sink - Stainless Steel - Double w/Bolts
	011053-01-000	EA	Faucet - 8" Swing Spout w/Aerator
	011053-01-700	EA	Aerator - Swing Spout Faucet
	011085-01-000	EA	Strainer - Sink
	049352-01-000	EA	Vent - Stove Hood - Outside - Off White - Jensen
**	049930-01-000	EA	Stove Hood - Powered - Chrome - Jensen
**	049044-01-000	EA	Range - 4 Burner - Small Oven - Chrome - Magic Chef
**	049174-01-000	EA	Refrigerator - AC/Gas - 2 Door Sibir

**The illustrated parts breakdown for this item is provided on the Common Items Fiche.

HEATING AND AIR CONDITIONING GROUP

Key	Part Number	U/M	Description
	048231-02-000	EA	Auto Air - 350 - C.I.D. - ARA
	051768-01-000	EA	A/C - Compressor Mount Package - 350 - C.I.D. - ARA
	051769-01-000	EA	A/C - Evaporator Package - 350 - C.I.D. - ARA
	051770-01-000	EA	A/C - Compressor - 350 - C.I.D. - ARA
	051771-01-000	EA	A/C - Condenser Asm. - 350 - C.I.D. - ARA
**	049042-01-000	EA	Furnace - 22,000 BTU - Under Counter - Coleman - 4322
**	049043-01-000	EA	Furnace - 28,000 BTU - Under Counter - Coleman - 4328
**	049777-01-000	EA	Air Conditioner - 110 Volt - Roof Mount - 11,000 BTU - Ivory Coleman (w/o Inside Shroud)
**	049778-01-000	EA	Shroud Asm. - Ceiling - Inside - Roof Air - Cool Only - 11,000 BTU - Coleman
**	049774-01-000	EA	Air Conditioner - 110 Volt - Roof Mount - 13,500 BTU Ivory - Coleman (w/o Inside Shroud)
**	049775-01-000	EA	Shroud Asm. - Ceiling - Inside - Roof Air - Cool Only - 13,500 BTU - Coleman
**	049776-01-000	EA	Shroud Asm. - Ceiling - Inside - Roof Air - Heat and Cool Only - 13,500 BTU - Coleman

**The illustrated parts breakdown for this item is provided on the Common Items Fiche.

1978 WINNEBAGO TABLE OF CONTENTS

Introduction	A-1
Abbreviations	A-1
Alphabetical Index	A-2 - A-4
WC525RB	A-5 - B-14
WDP23RG	B-15 - C-24
WDP26RK	D-1 - E-12
WDU27RK	E-13 - F-22
WDU29RB	F-23 - H-10
WDU27RT	H-11 - I-22
WDP26RB	I-23 - K-10

1978 WC525RB INDEX

Floor Plan	A-5 - A-6
Accessories Group	A-7 - A-8
Bath Group	A-9 - A-10
Chassis Group	A-11
Curtain, Cushion & Pad Group	A-12 - A-14
Dinette Group	A-15
Driver's Compartment Group	A-16
Electrical Group	A-17 - A-18
Exterior Body Group	A-19 - A-22
Galley Group	A-23
Heating & Air Conditioning Group	A-24
Interior Finish Group	B-1 - B-2
LP Group	B-3
Lounge Group	B-3
Water & Sewage Group	B-4
Window, Vent & Exterior Door Group	B-5 - B-14

INTERIOR FINISH GROUP

PANELING AND COUNTERTOP MATERIALS

Key	Part Number	U/M	Description
	039188-01-000	SF	Paneling - 707 Hickory - 48" x 96" (32SF)
	000726-06-000	EA	Batt Strip - 707 Hickory
	045963-01-000	SF	Paneling - Buff - Ceiling - 48" x 96" (32SF)
	047354-01-000	EA	Batt Strip - 825 Buff
	037682-01-000	SF	Plastic Laminate - 48" x 96" - Butcher Block
	037682-01-008	EA	Plastic Laminate - 48" x 48" - Butcher Block
	037682-01-009	EA	Plastic Laminate - 1.19" x 96" - Butcher Block
	049473-01-000	EA	Countertop - Formed - 96" - Butcher Block

FABRICS AND CARPET

Key	Part Number	U/M	Description
	052351-01-000	SY	Carpet - Fashion Place - Green
	052351-02-000	SY	Carpet - Fashion Place - Gold
	052351-03-000	SY	Carpet - Fashion Place - Rust
	052352-01-000	YD	Fabric - Upholstery - Green
	052352-02-000	YD	Fabric - Upholstery - Gold
	052352-03-000	YD	Fabric - Upholstery - Rust
	053325-01-000	YD	Fabric - Drapery - Parchment
	042411-01-000	YD	Vinyl - Nonexpandable - 27 Ounce - Bostonian Brown
	042411-02-000	YD	Vinyl - Expandable - 28 Ounce - Bostonian Brown
	042411-03-000	YD	Vinyl - Nonsupport - 16 Gauge - Bostonian Brown

CABINETRY AND TABLE HARDWARE

Key	Part Number	U/M	Description
	009065-01-000	EA	Hinge - Continuous - Aluminum - 1 1/2" x 96" Plain
	009068-01-000	EA	Hinge - Continuous - Steel 1 1/2" x 72"
	009150-01-000	EA	Warp Guard - 64"
	000124-01-000	EA	Lock - Door - Push Button Brass (Bath Door)
	009112-01-000	EA	Flange - 1" - Rod - Chrome
	049332-01-000	EA	Kit - Cabinet Door Hinge - Black
	049331-01-000	EA	Kit - Drawer Pull
	049333-01-000	EA	Kit - Cabinet Door Latch - Black
	009047-01-000	EA	Bracket - Hold Open - Overhead Door
	047842-01-000	EA	Kit - Dinette Table Leg
	047809-01-000	EA	Kit - Dinette Table Hardware - Wall Mount
	033535-03-000	FT	Molding Asm. - Shelf - 707 Hickory
	041838-01-000	EA	Screw - 5 x 5/8" POH Antique Brass
	037629-01-000	FT	Rail - Drawer Glide
	047744-01-000	EA	Kit - Drawer Glide

INTERIOR FINISH GROUP (CONTINUED)

INTERIOR MOLDINGS AND TRIM

Key	Part Number	U/M	Description
	022756-01-000	EA	Cover - Air Conditioner Wire - Plastic
	024700-06-000	EA	Cover - Sidewall Roll Bar - Ivory
	024700-04-000	EA	Cover - Sidewall Roll Bar - 707 Hickory
	034103-03-000	EA	Cover - Corner Support Bar - Dark Brown
	039512-02-000	EA	Cover - Hat Section - 707 Hickory
	039512-06-000	EA	Cover - Hat Section - Ivory
	047488-01-000	EA	Cover - Corner Hat/Hat
	047489-01-000	EA	Cover - Corner Tube/Tube
	009778-01-000	FT	U-Channel - 1" - Dark Brown Plastic
	009777-01-000	FT	U-Channel - 3/4" - Dark Brown Plastic
	009815-02-000	FT	T Molding - 3/4" - Brown
	009812-06-000	FT	Molding - Plastic Corner - Outside - .50"
	009767-01-000	FT	Welling - Brown
	009779-01-000	FT	U-Channel - 1 1/8" - Dark Brown
	009809-03-000	FT	Molding - Plastic Corner - Outside - 1"
	009810-01-000	FT	Corner - Outside - 1" - Dark Pecan
	034394-02-000	FT	Insert - Extruded Vinyl - Beige
	034689-03-000	EA	Cover - Screw PPH 10 - Ivory - Bathroom
	042356-01-000	EA	Plug - Button - Mahogany 3/8" Dia.
	009781-01-000	FT	Corner - Outside - .62" x .62" Dark Brown Plastic

CURTAIN HARDWARE

Key	Part Number	U/M	Description
	009223-01-000	EA	Rod - Curtain - Flat - Extends - 32" - 51"
	009223-02-000	EA	Rod - Curtain - Flat - Extends - 48" - 84"
	042439-01-000	EA	Bracket - Flat Curtain Rod - Left or Right
	018031-42-000	EA	Track - Curtain - "L" Rod - Alum. - 90"
	009701-01-000	EA	Carrier w/Rollers - Curtain - "L" Rod
	009702-01-000	EA	End Stop - Curtain Track - "L" Rod
	052327-04-236	EA	Track - Curtain - Alum. - Brown - 89" w/Holes
	009107-01-000	EA	Guide - Nylon - Snap Curtain (used with 052327-04-236 Track)

MISCELLANEOUS

Key	Part Number	U/M	Description
	042950-01-000	EA	Handle - Interior Assist
	041944-01-700	EA	Extinguisher - Fire - Dry Chemical w/Bracket
	007038-01-000	EA	Mat - Door - Black Rubber - 10 1/2" x 26"
	007021-01-000	EA	Bell Asm. - Seat - 2" x 90" - Black
	041322-01-000	EA	Washer - Flat - 15/32" I.D. - 2 3/8" O.D. (Seat Bell)

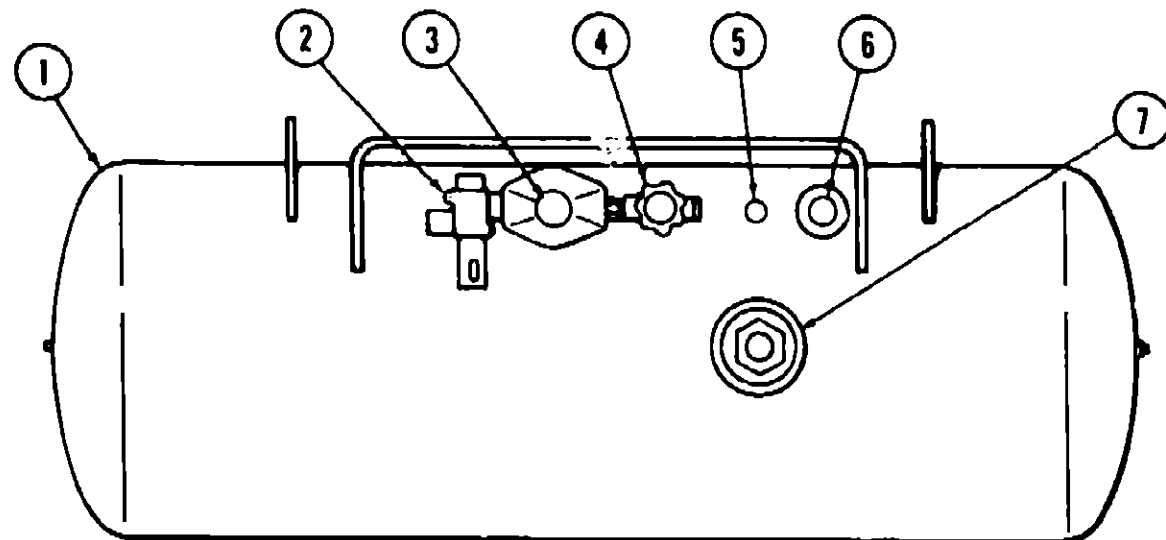
1978 WINNEBAGO TABLE OF CONTENTS

Introduction	A-1
Abbreviations	A-1
Alphabetical Index	A-2 - A-4
WC525RB	A-5 - B-14
WDP23RG	B-15 - C-24
WDP26RK	D-1 - E-12
WDU27RK	E-13 - F-22
WDU29RB	F-23 - H-10
WDU27RT	H-11 - I-22
WDP26RB	I-23 - K-10

1978 WC525RB INDEX

Floor Plan	A-5 - A-6
Accessories Group	A-7 - A-8
Bath Group	A-9 - A-10
Chassis Group	A-11
Curtain, Cushion & Pad Group	A-12 - A-14
Dinette Group	A-15
Driver's Compartment Group	A-16
Electrical Group	A-17 - A-18
Exterior Body Group	A-19 - A-22
Galley Group	A-23
Heating & Air Conditioning Group	A-24
Interior Finish Group	B-1 - B-2
LP Group	B-3
Lounge Group	B-3
Water & Sewage Group	B-4
Window, Vent & Exterior Door Group	B-5 - B-14

LP GROUP



Key	Part Number	U/M	Description
1	040421-01-000	EA	Tank Asm. - LP - Frame Mount - 83 Pound
•	042281-01-000	EA	Tank Asm. - LP - Frame Mount - 42 Pound
2	047221-01-000	EA	Detector - LP Gas Leak
3	024712-01-000	EA	Cover - LP Regulator
•	052163-01-000	EA	Regulator - Manual - LP Gas - 2 Stage
4	040421-01-703	EA	Valve - Vapor Relief
5	040421-01-700	EA	Gauge - Liquid Level - 20% LP
6	040421-01-701	EA	Valve - Filler - LP
•	040421-01-702	EA	Cap - Plastic Fill Valve
7	040421-01-707	EA	Gauge - Float - w/Visible Dial - 83 Pound Tank
•	042281-01-700	EA	Gauge - Float - w/Visible Dial - 42 Pound Tank
•	040421-01-708	EA	Dial - Visible Face - Float Gauge (Tank w/o Electric Transmitter)
•	040421-01-705	EA	Dial - Transmitter - 0 - 90 Ohm (Float Gauge)
•	045703-03-000	EA	Hose Asm. - LP - 3/8" I.D. x 14"
•	047737-02-000	EA	Support - LP Tank - 89.25"
•	047737-03-000	EA	Support - LP Tank - 30.50"
•			Not Illustrated

LOUNGE GROUP

Key	Part Number	U/M	Description
	050819-02-000	EA	Cabinet Asm. - Gaucho w/o Door or Hardware
	049236-74-000	EA	Door Asm. - Gaucho Cabinet w/o Hardware
	047727-01-000	EA	Cabinet Asm. - Gaucho Overhead w/o Doors or Hardware
	049236-73-000	EA	Door Asm. - Gaucho Overhead Cabinet w/o Hardware
	007021-01-000	EA	Belt Asm. - Seat - 2" x 90" - Black
	041322-01-000	EA	Washer - Flat - 15/32" I.D. x 2 3/8" O.D. (Seat Belt)
	039582-01-700	EA	Table Asm. - Fold Down - Butcher Block w/o Hardware
	039587-01-000	EA	Cabinet - Fold Down Table
	047842-02-000	EA	Kit - Table Leg Hardware

WATER AND SEWAGE GROUP

Key	Part Number	U/M	Description
	040539-01-000	EA	Kit - Repair - 3/8" O.D. Plastic Tube
	040540-01-000	EA	Kit - Repair - 1/2" O.D. Plastic Tube
	040541-01-000	EA	Kit - Repair - 5/8" O.D. Plastic Tube
	039818-01-000	EA	Riser Asm. - 3/8" O.D. x 24" Tube
	039818-02-000	EA	Riser Asm. - 3/8" O.D. x 36" Tube
	039818-04-000	EA	Riser Asm. - 3/8" O.D. x 72" Tube
	041279-02-000	EA	Pump - Water Flow 2.8 G.P.M. - PAR
	039647-02-000	EA	Filter - Water Pump - 1/2 MPT
	041819-01-000	EA	Nut and Cone - Plastic 1/2 O.D. Tube
	004020-01-000	QT	Adhesive - ABS Cement
	010133-01-000	EA	Adaptor Trap - Plastic 1 1/2 H. MPT
	010153-01-000	EA	Ring - Closet - Plastic - 4 F x 3" F
	010201-01-000	EA	Hose - Sewer 3" x 10' w/Clamp
	010209-06-000	EA	Handle - Ext. Sewer Valve 11.25"
	010235-01-000	EA	Cap - Sewage 3"
	010236-01-000	EA	Adaptor Hose 3"
	011091-01-000	EA	Waste - Continuous - Double Sink - 11 7/8"
	010205-01-000	EA	Valve Sanitary - Thetford 3 X B
	010213-01-000	EA	Elbow - Plastic Side Vent and Drain
	010234-01-000	EA	Adaptor Bayonet
	011066-01-000	EA	P-Trap - Plastic 1 1/4"
	047246-01-000	EA	Handle - Extension - Sewer Valve 43.00"
	043181-01-000	EA	Tank Asm. - Water - w/Fittings - 60 Gallon
	039641-01-000	EA	Tank - Water - w/o Fittings - 60 Gallon
	046524-02-000	EA	Kit - Fittings - Plastic Water Tank
	014903-02-000	EA	Tank Asm. - Holding - w/Fittings - 35 Gallon
	014903-01-000	EA	Tank Asm. - Holding - w/o Fittings - 35 Gallon
	039938-02-000	EA	Tank Asm. - Holding - w/Fittings - 21 Gallon
	039938-01-000	EA	Tank - Holding - w/o Fittings - 21 Gallon
	046524-01-000	EA	Kit - Fittings Plastic for Holding Tank
**	051391-01-000	EA	Water Heater - w/o Outside Access Door (G6A3)
**	031952-01-000	EA	Water Heater - w/o Outside Access Door - (G6A2)

**The illustrated parts breakdown for this item is provided on the Common Items Fiche.

1978 WINNEBAGO TABLE OF CONTENTS

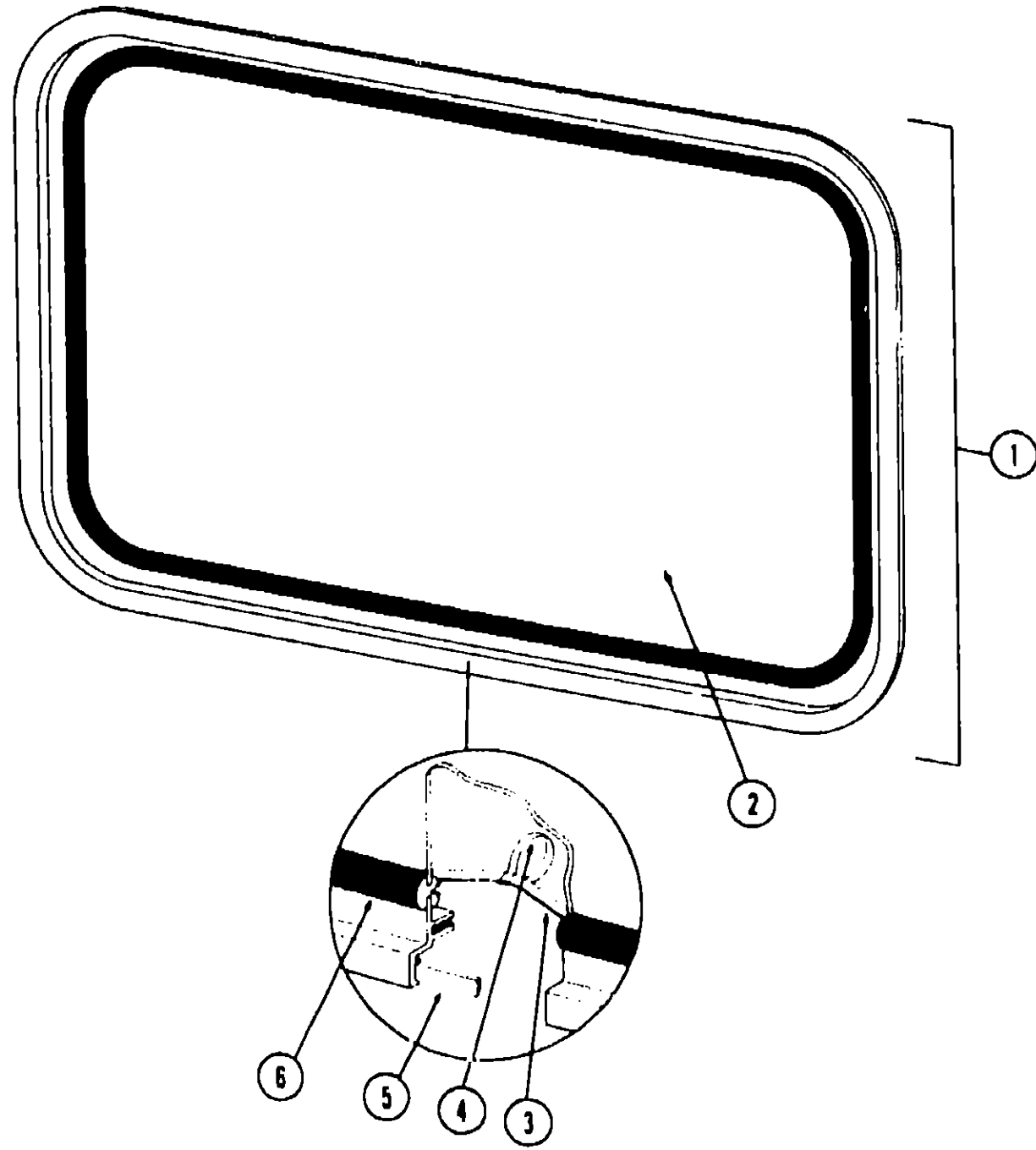
Introduction	A-1
Abbreviations	A-1
Alphabetical Index	A-1 - A-4
WC525RB	A-5 - U-14
WDP23RG	B-15 - C-24
WDP26RK	D-1 - E-12
WDU27RK	E-13 - F-22
VDU29RB	F-23 - H-10
WDU27RT	H-11 - I-22
WDP26RB	I-23 - K-10

1978 WC525RB INDEX

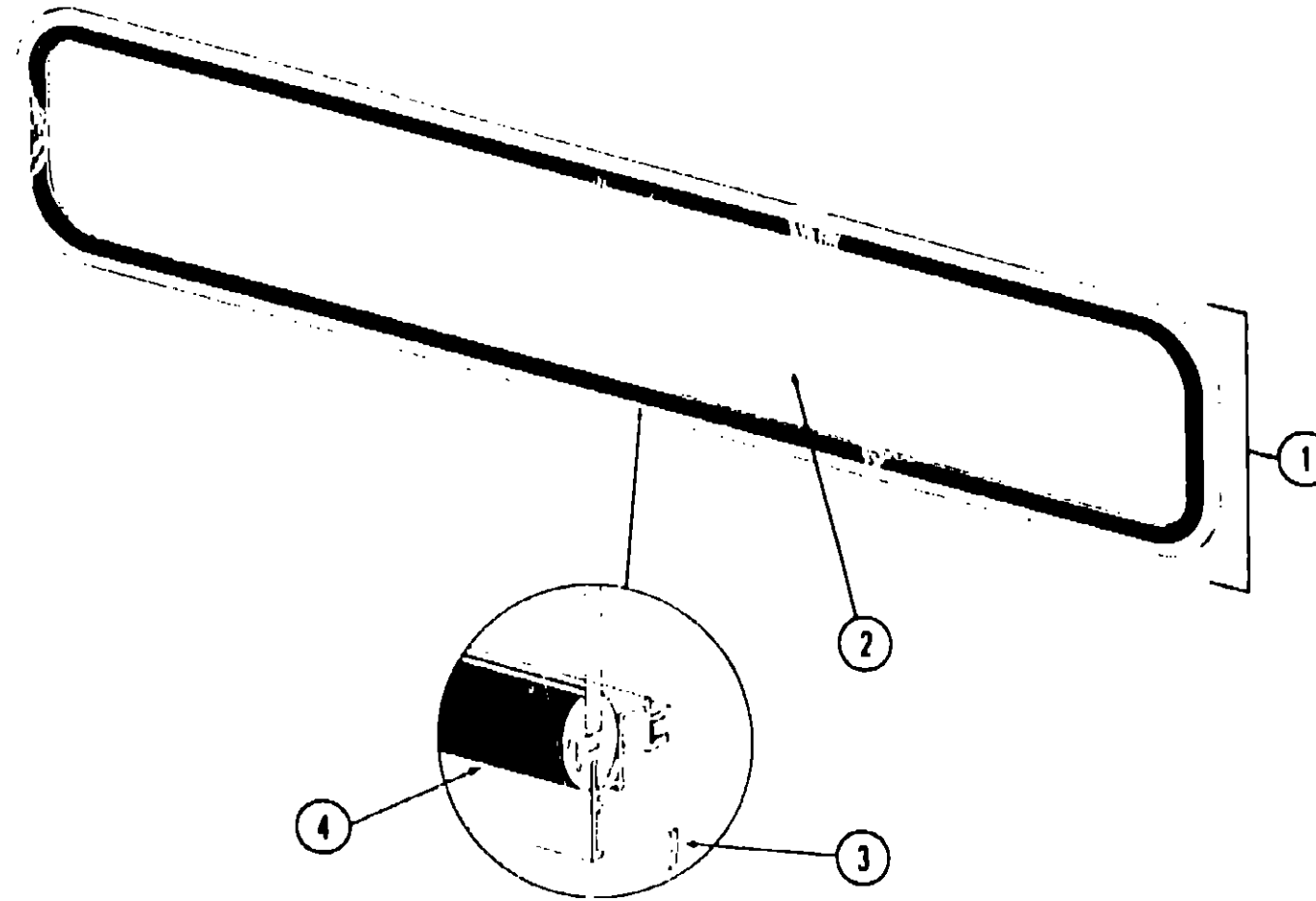
Floor Plan	A-5 - A-6
Accessories Group	A-7 - A-8
Bath Group	A-9 - A-10
Chassis Group	A-11
Curtain, Cushion & Pad Group	A-12 - A-14
Dinette Group	A-15
Driver's Compartment Group	A-16
Electrical Group	A-17 - A-18
Exterior Body Group	A-19 - A-22
Galley Group	A-23
Heating & Air Conditioning Group	A-24
Interior Finish Group	B-1 - B-2
LP Group	B-3
Lounge Group	B-3
Water & Sewage Group	B-4
Window, Vent & Exterior Door Group	B-5 - B-14

WINDOW, VENT AND EXTERIOR DOOR GROUP

WINDOW, VENT AND EXTERIOR DOOR GROUP (CONTINUED)



Key	Part Number	U/M	Description
1	020751-03-000	EA	Window Asm. - Rear Escape - 23" x 29" - Black Anod. w/o Inside Frame
2	002174-01-000	EA	Glass - Window - 1/8" x 19.61" x 25.92"
3	002285-01-000	FT	Filler - Weatherstrip - Black
4	020395-01-000	EA	Slip Ring - Escape Window
5	004363-01-000	FT	Tape - Foam - 3/16" x 1/2" - Gray
6	002282-01-000	FT	Weatherstrip - 125" - Black
	020749-03-000	EA	Frame - Escape Window - Inside - 23" x 29" (not included in window assembly)
	006199-01-000	EA	Label - Exit - Escape Window
	Not Illustrated		



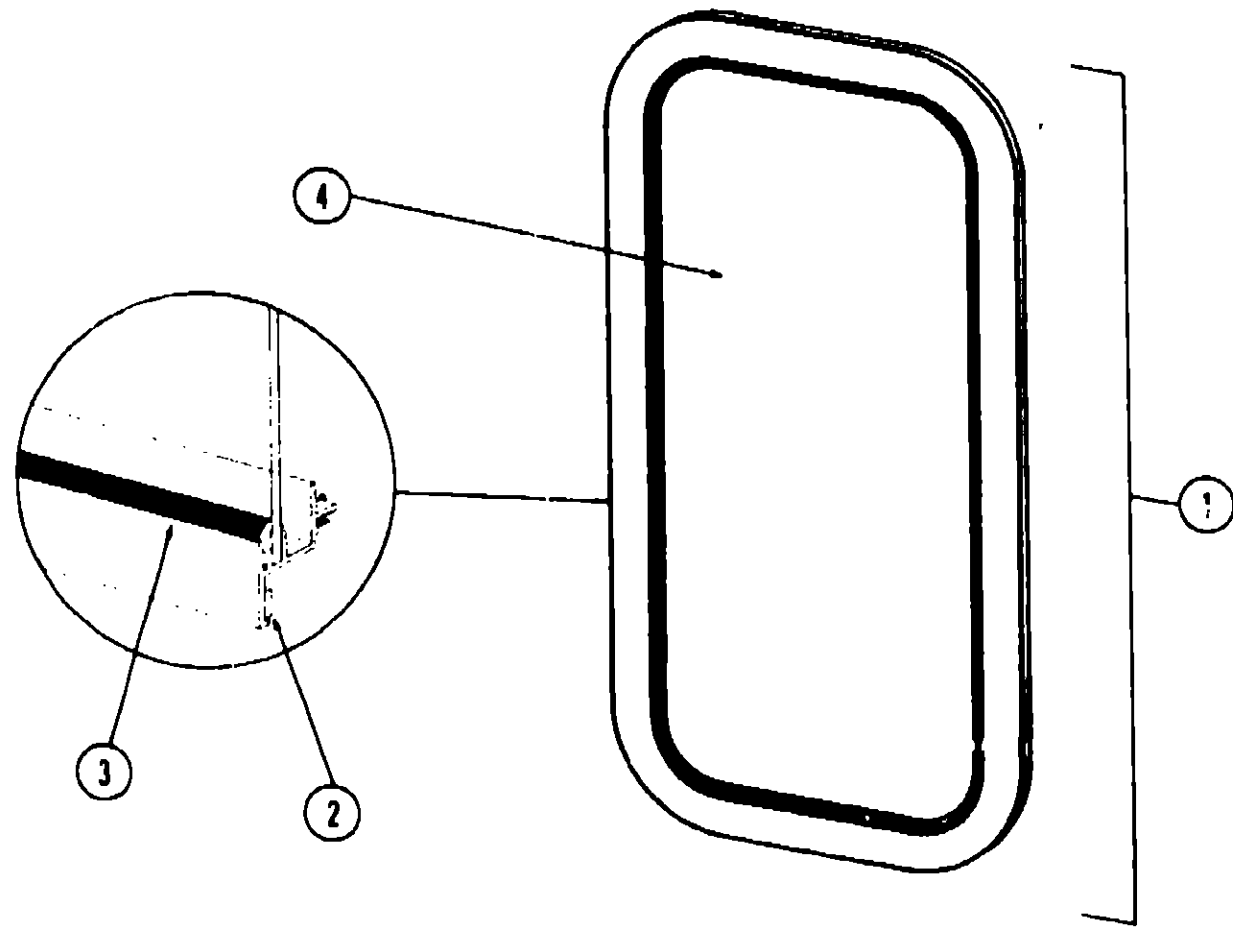
Key	Part Number	U/M	Description
1	041936-02-000	EA	Window Asm. - Front Picture - 14" x 69" (w/o Inside frame)
2	002200-02-000	EA	Glass - TP - Picture Window
3	004363-01-000	FT	Tape - Sealer - 3/16" x 1/2" - Foam
4	002281-01-000	FT	Weatherstrip - Self Seal - .06" Panel x 3/16" - Black
	037845-01-000	FT	Tape - Butyl - Window - 3/16" - Bead Black
	041938-01-000	EA	Frame - Inside - Picture Window (not included in assembly)
	Not Illustrated		

**1978 WINNEBAGO
TABLE OF CONTENTS**

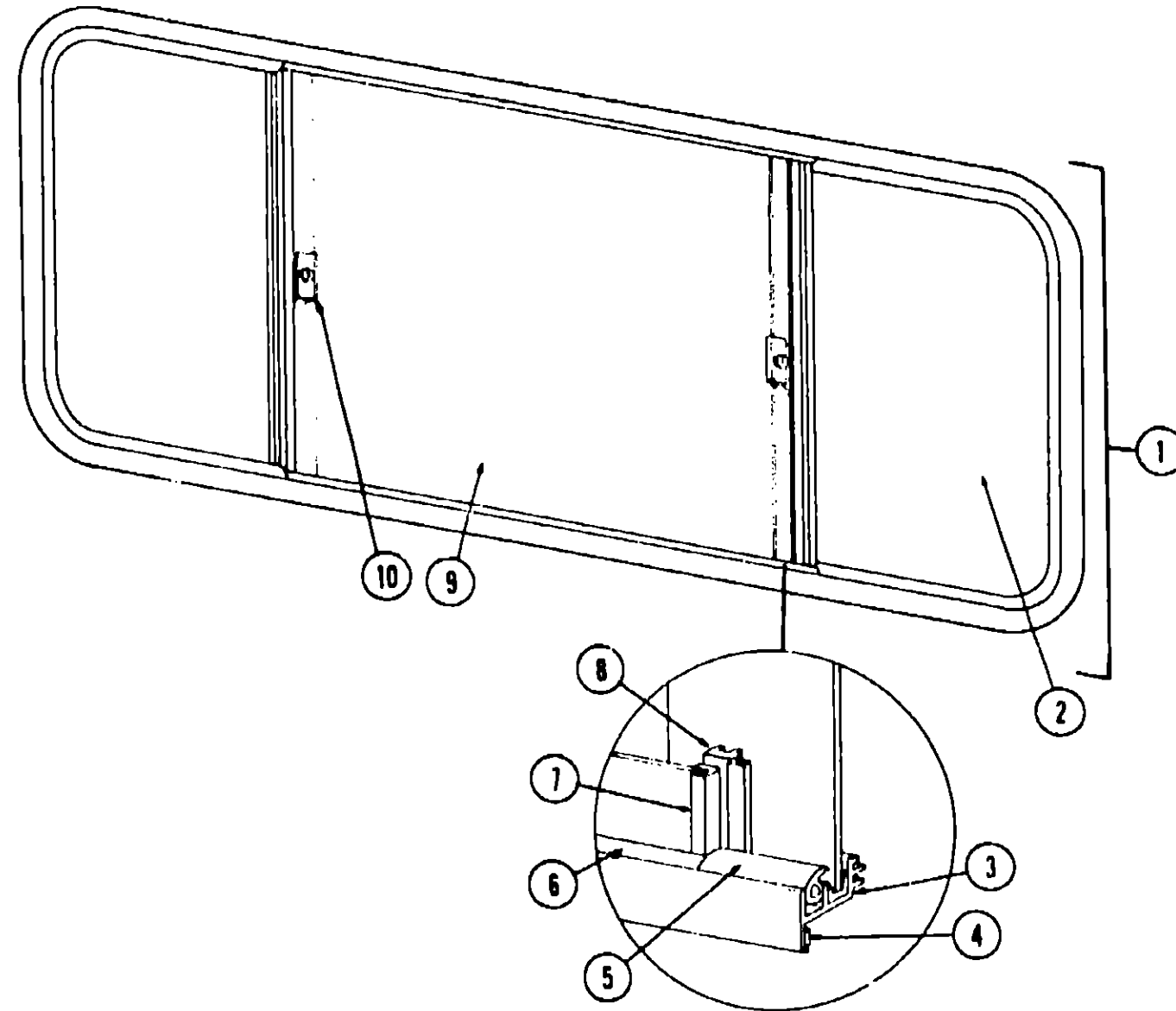
Introduction	A-1
Abbreviations	A-1
Alphabetical Index	A-2 - A-4
WC525RB	A-5 - B-14
WDP23RG	B-15 - C-24
WDP26RK	D-1 - E-12
WDU27RK	E-13 - F-22
WDU29RB	F-23 - H-10
WDU27RT	H-11 - I-22
WDP26RB	I-23 - K-10

**1978 WC525RB
INDEX**

Floor Plan	A-5 - A-8
Accessories Group	A-7 - A-8
Bath Group	A-9 - A-10
Chassis Group	A-11
Curtain, Cushion & Pad Group	A-12 - A-14
Dinette Group	A-15
Driver's Compartment Group	A-16
Electrical Group	A-17 - A-18
Exterior Body Group	A-19 - A-22
Galley Group	A-23
Heating & Air Conditioning Group	A-24
Interior Finish Group	B-1 - B-2
LP Group	B-3
Lounge Group	B-3
Water & Sewage Group	B-4
Window, Vent & Exterior Door Group	B-5 - B-14



Key	Part Number	U/M	Description
1	041875-05-000	EA	Window Asm. - Picture - 13" x 20" (w/o inside frame)
2	004363-01-000	FT	Tape - Foam - 3/16" x 12" - Gray
3	002309-01-000	FT	Spline - Glass - 1/8" Gray
4	002203-01-000	EA	Glass - TP - 1/8" x 12" x 19"
.	041696-09-000	EA	Frame - Window - Inside - 13" x 20" (not included in assembly)
.	Not Illustrated		



Key	Part Number	U/M	Description
1	048630-07-000	EA	Window Asm. - Double - Slider - 25" x 65" - Clear Anod. (w/o inside frame)
2	047822-01-000	EA	Glass - Sliding - 3/16" x 24" x 21.03"
3	042077-01-000	FT	Channel - Weatherstrip - Glass Run - 3/16" Glass
4	004363-01-000	FT	Tape - Foam - 3/16" x 1/2" - Gray
5	041928-01-000	FT	Seal - Window Channel - 3/16" Glass
6	050218-01-000	FT	Spline - Glass - 3/16"
7	002389-02-200	EA	Extr. - Holder - Glass Seal
8	041894-03-000	EA	Mullion - Slider Window - 25" - Clear Anod.
9	002188-02-000	EA	Glass - 3/16" x 24" x 25.5" - Stationary
10	047369-01-700	EA	Latch - Window - Plastic w/Fastener
.	042133-04-000	EA	Frame Asm. - Window - Inside (not included in assembly)
.	023713-01-000	EA	Cover - Weephole - Plastic - White
.	002298-01-000	FT	Spline - Gray - .130" Dia. (Screen)
.	002293-01-000	SF	Screen - Window - 28" - Gray
.	Not Illustrated		

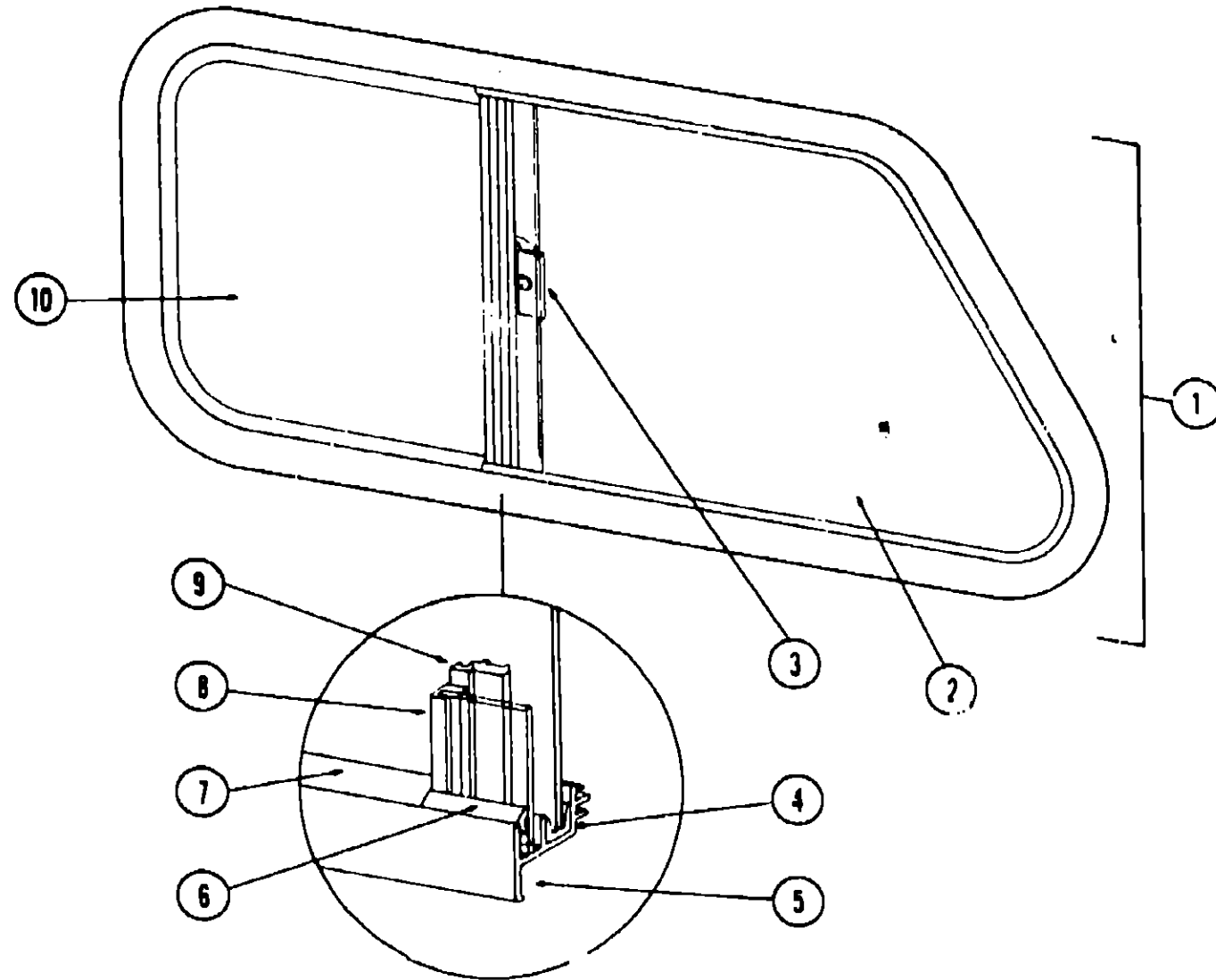
1978 WINNEBAGO
TABLE OF CONTENTS

Introduction	A-1
Abbreviations	A-1
Alphabetical Index	A-2 - A-4
WC525RB	A-5 - B-14
WDP23RG	B-15 - C-24
WDP26RK	D-1 - E-12
WDU27RK	E-13 - F-22
WDU29RB	F-23 - H-10
WDU27RT	H-11 - I-22
WDP26RB	I-23 - K-10

1978 WC525RB
INDEX

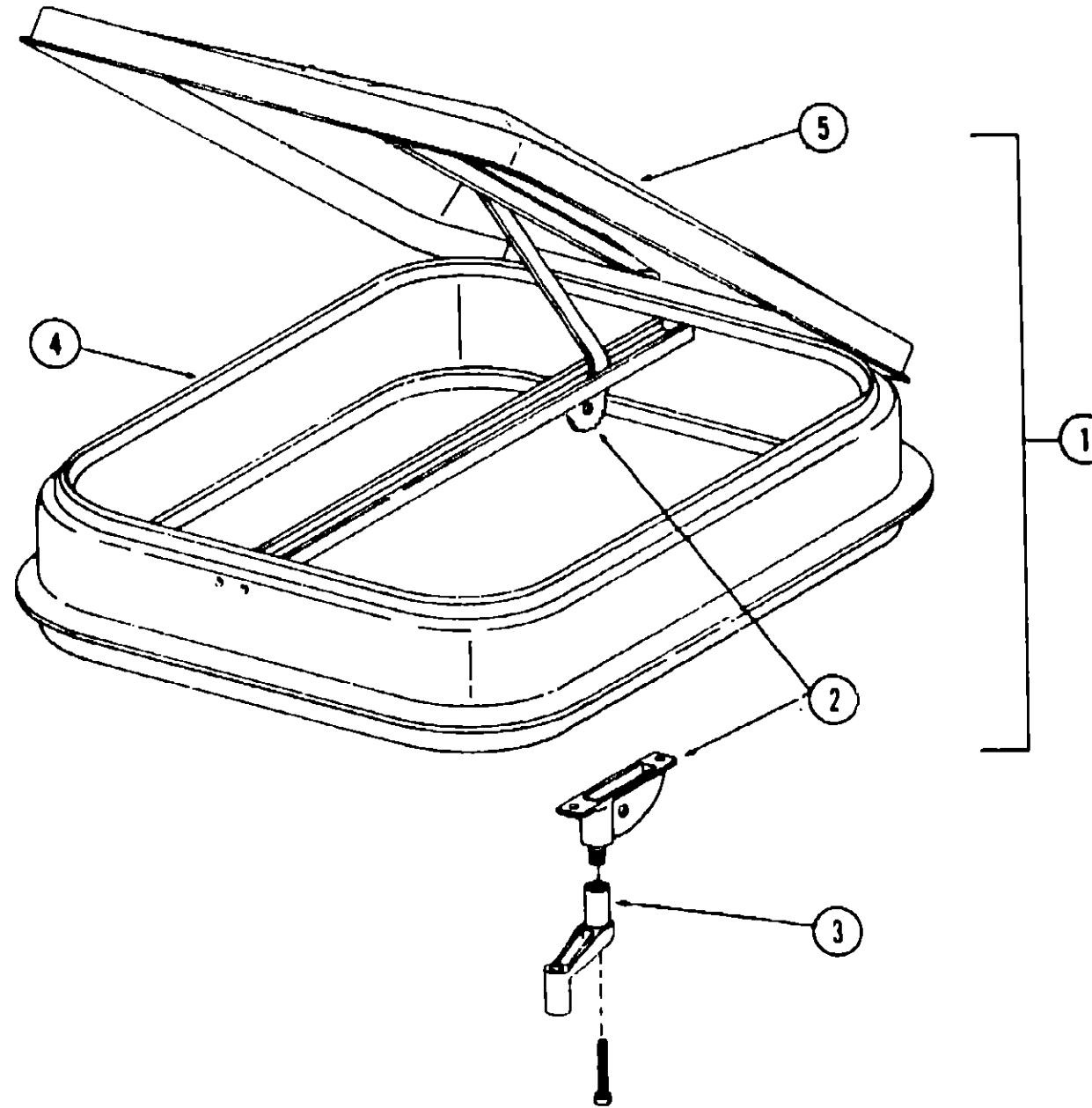
Floor Plan	A-5 - A-8
Accessories Group	A-7 - A-8
Bath Group	A-9 - A-10
Chassis Group	A-11
Curtain, Cushion & Pad Group	A-12 - A-14
Dinette Group	A-15
Driver's Compartment Group	A-16
Electrical Group	A-17 - A-18
Exterior Body Group	A-19 - A-22
Galley Group	A-23
Heating & Air Conditioning Group	A-24
Interior Finish Group	B-1 - E-2
LP Group	B-3
Lounge Group	B-3
Water & Sewage Group	B-4
Window, Vent & Exterior Door Group	B-5 - B-14

WINDOW, VENT AND EXTERIOR DOOR GROUP (CONTINUED)



Key	Part Number	U/M	Description
1	048632-01-000	EA	Window Asm. - Bunk - Slanted Slider - Right (w/o inside frame)
	048632-02-000	EA	Window Asm. - Bunk - Slanted Slider - Left (w/o inside frame)
2	040919-01-000	EA	Glass - 1/8" x 11.98" x 19.42" - Gray - Stationary
3	047389-01-700	EA	Latch - Window - Plastic w/Fastener
4	002324-01-000	FT	Channel - Weatherstrip - Glass Run - 1/8" Glass
5	004363-01-000	FT	Tape - Foam - 3/16" x 1/2" - Gray
6	002309-01-000	FT	Spline - Glass - 1/8" - Gray
7	024096-01-000	FT	Seal - Window Channel - Gray
8	002390-02-001	EA	Holder - Glass Seal - Extr. - Anod.
9	041894-10-000	EA	Mullion - 13" - Clear Anod.
10	047815-01-000	EA	Glass - 1/8" x 11.98" x 11.81" - Gray - Sliding
	040916-01-000	EA	Frame - Window - Inside - Right (not included in assembly)
	040916-02-000	EA	Frame - Window - Inside - Left (not included in assembly)
	023713-01-000	EA	Cover - Weepholes - White
	002298-01-000	FT	Spline - Gray - .130" Dia. (Screen)
	002292-01-000	SF	Screen - Window - 20" - Gray
			Not Illustrated

WINDOW, VENT AND EXTERIOR DOOR GROUP (CONTINUED)



Key	Part Number	U/M	Description
1	048835-01-000	EA	Vent Asm. - Roof - Nonpowered - w/o Screen
2	009440-01-000	EA	Gear - Arm - Roof Vent
3	009439-01-000	EA	Crank - Roof Vent
4	002825-01-000	FT	Weatherstrip - Roof Vent
5	046825-01-000	EA	Cover - Plastic - Roof Vent
	016335-01-000	EA	Screen Asm. - Nonpowered Roof Vent - Clear Anod. (not included in assembly)
	016335-03-000	EA	Screen Asm. - Nonpowered Roof Vent - Belge (not included in assembly)
			Not Illustrated

**1978 WINNEBAGO
TABLE OF CONTENTS**

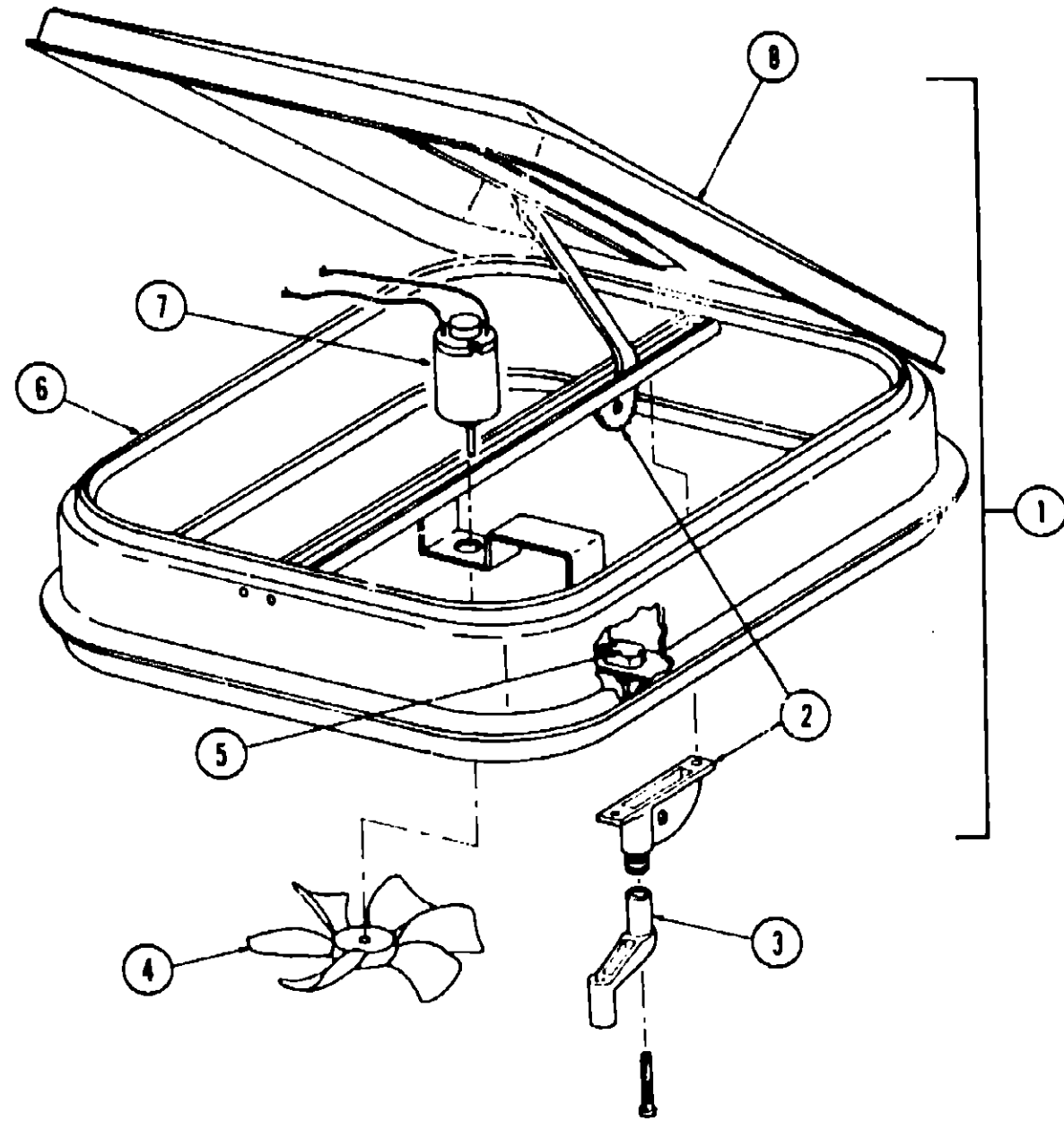
Introduction	A-1
Abbreviations	A-1
Alphabetical Index	A-2 - A-4
WC525RB	A-5 - B-14
WDP23RG	B-15 - C-24
WDP26RK	D-1 - E-12
WDU27RK	E-13 - F-22
WDU29RB	F-23 - H-10
WDU27RT	H-11 - I-22
WDP26RB	I-23 - K-10

**1978 WC525RB
INDEX**

Floor Plan	A-5 - A-6
Accessories Group	A-7 - A-8
Bath Group	A-9 - A-10
Chassis Group	A-11
Curtain, Cushion & Pad Group	A-12 - A-14
Dinette Group	A-15
Driver's Compartment Group	A-16
Electrical Group	A-17 - A-18
Exterior Body Group	A-19 - A-22
Galley Group	A-23
Heating & Air Conditioning Group	A-24
Interior Finish Group	B-1 - B-2
LP Group	B-3
Lounge Group	B-3
Water & Sewage Group	B-4
Window, Vent & Exterior Door Group	B-5 - B-14

WINDOW, VENT AND EXTERIOR DOOR GROUP (CONTINUED)

WINDOW, VENT AND EXTERIOR DOOR GROUP (CONTINUED)



Key	Part Number	U/M	Description
1	048789-01-000	EA	Vent Asm. - Roof - Powered - w/o Screen
2	009440-01-000	EA	Gear - Arm - Roof Vent
3	009439-01-000	EA	Crank - Roof Vent
4	048649-01-000	EA	Fan - Blade - 6" Plastic
5	008195-01-000	EA	Switch - Push Button - 12 Volt
6	002825-01-000	FT	Weatherstrip - Roof Vent
7	048648-01-000	EA	Motor - 12 Volt
8	048825-01-000	EA	Cover - Plastic - Roof Vent
	048095-01-000	EA	Screen Asm. - Powered Roof Vent - Clear Anod. (not included in assembly)
	048095-03-000	EA	Screen Asm. - Powered Roof Vent - Beige (not included in assembly)
			Not Illustrated

VENTS

Key	Part Number	U/M	Description
	009407-01-000	EA	Frame - Base - Refrigerator Vent (w/o Cover)
	039778-01-000	EA	Cover - Vent - Refrigerator - Plastic
	049352-01-000	EA	Vent - Stove Hood - Outside - Off White - Jensen

ACCESS DOORS

Key	Part Number	U/M	Description
	047187-04-000	EA	Door Asm. - Refrigerator - Off White - w/Twist Type Lock
	044210-01-000	EA	Door Asm. - 6" x 10" - Off White - Plastic - Power Cord w/Plastic Latch
	043942-01-000	EA	Latch - Quarter Turn - Plastic (Power Cord Door)
	037804-05-000	EA	Door Asm. - Battery - Off White - w/Twist Type Lock
	037433-06-000	EA	Door Asm. - Generator - Off White - w/Twist Type Lock
	037804-14-000	EA	Door Asm. - Luggage - Off White - w/Key Type Lock
	039884-01-000	EA	Kit - Twist Type Lock w/Clip
	047305-01-000	EA	Kit - Key Type Lock w/Clip
	016945-02-000	EA	Holder Asm. - Battery and Luggage Door (Holds Door Open)
	043059-02-000	EA	Door Asm. - Luggage - Right Hinged w/Key Type Lock
	052009-01-000	EA	Door Asm. - Water Heater Access - Off White - G6A3
	003182-03-000	EA	Door Asm. - Water Heater Access - Off White - G6A2

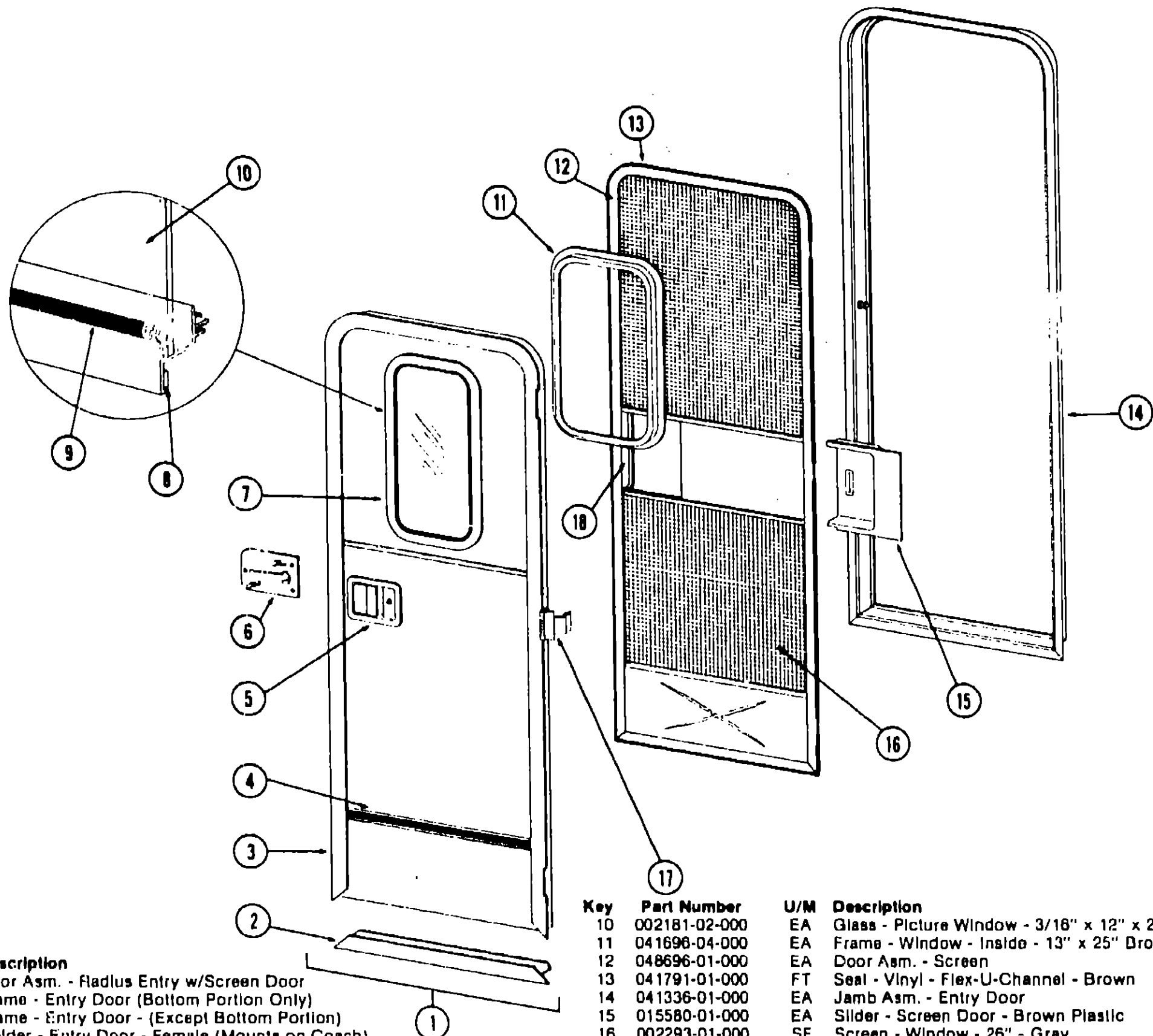
**1978 WINNEBAGO
TABLE OF CONTENTS**

Introduction	A-1
Abbreviations	A-1
Alphabetical Index	A-2 - A-4
WC525RB	A-5 - B-14
WDP23RG	B-15 - C-24
WDP26RK	D-1 - E-12
WDU27RK	E-13 - F-22
WDU29RB	F-23 - H-10
WDU27RT	H-11 - I-22
WDP26RB	I-23 - K-10

**1978 WC525RB
INDEX**

Floor Plan	A-5 - A-6
Accessories Group	A-7 - A-8
Bath Group	A-9 - A-10
Chassis Group	A-11
Curtain, Cushion & Pad Group	A-12 - A-14
Dinette Group	A-15
Driver's Compartment Group	A-16
Electrical Group	A-17 - A-18
Exterior Body Group	A-19 - A-22
Galley Group	A-23
Heating & Air Conditioning Group	A-24
Interior Finish Group	B-1 - B-2
LP Group	B-3
Lounge Group	B-3
Water & Sewage Group	B-4
Window, Vent & Exterior Door Group	B-5 - B-14

WINDOW, VENT AND EXTERIOR DOOR GROUP (CONTINUED)



Key	Part Number	U/M	Description
1	050096-16-000	EA	Door Asm. - Radius Entry w/Screen Door
2	039737-01-000	EA	Frame - Entry Door (Bottom Portion Only)
3	039736-01-000	EA	Frame - Entry Door - (Except Bottom Portion)
4	009101-02-000	EA	Holder - Entry Door - Female (Mounts on Coach)
5	009102-01-000	EA	Holder - Entry Door 2 1/2" Male (Mounts on Door)
6	041948-01-000	EA	Kit - Radius Door - Lock - Complete - Atwood
7	039541-01-000	EA	Lock Cylinder w/Keys - Atwood
8	052186-01-000	EA	Lock Asm. - Entry Door - Lynor
9	045017-01-700	EA	Lock Cylinder w/Keys - Lynor
10	039538-01-000	EA	Striker - Entry Door Lock
11	039979-01-000	EA	Plate - Lock - Interior - Including Inside Handle
12	041875-03-000	EA	Window Asm. - Picture - 13" x 25" Clear Anod. (inside frame not included in door assembly)
13	004383-01-000	FT	Tape - Foam - 3/16" x 1/2" - Gray
14	002309-01-000	FT	Spline - Glass - 1/8" - Gray

Key	Part Number	U/M	Description
10	002181-02-000	EA	Glass - Picture Window - 3/16" x 12" x 24" - Gray
11	041696-04-000	EA	Frame - Window - Inside - 13" x 25" Brown
12	048696-01-000	EA	Door Asm. - Screen
13	041791-01-000	FT	Seal - Vinyl - Flex-U-Channel - Brown
14	041336-01-000	EA	Jamb Asm. - Entry Door
15	015580-01-000	EA	Slider - Screen Door - Brown Plastic
16	002293-01-000	SF	Screen - Window - 26" - Gray
17	039520-01-000	EA	Hinge - Entry Door (3 used per door)
18	015581-01-000	EA	Cap - Screen Door - Brown Plastic
	049176-01-000	EA	Hedlok II - 3/4" Diameter - Screw Mount (Retains Screen Door to Entry Door)
	049797-01-000	EA	Hedlok II - 1" Diameter - Screw Mount (Retains Screen Door to Entry Door)
	018019-01-000	EA	Striker - Screen Door
	039863-01-700	EA	Catch Asm. - Single Roller w/Strike - Screen Door
	051390-01-000	FT	Seal - Jamb - Entry Door - Bubble
	039800-03-000	FT	Tubing - Polybutyl - 3/8" O.D. - Jamb
			Not Illustrated

B-13

**1978 WINNEBAGO
TABLE OF CONTENTS**

Introduction	A-1
Abbreviations	A-1
Alphabetical Index	A-2 - A-4
WC525RB	A-5 - B-14
WDP23RG	B-15 - C-24
WDP26RK	D-1 - E-12
WDU27AK	E-13 - F-22
WDU29RB	F-23 - H-10
WDU27RT	H-11 - I-22
WDP26RB	I-23 - K-10

**1978 WC525RB
INDEX**

Floor Plan	A-5 - A-6
Accessories Group	A-7 - A-8
Bath Group	A-9 - A-10
Chassis Group	A-11
Curtain, Cushion & Pad Group	A-12 - A-14
Dinette Group	A-15
Driver's Compartment Group	A-16
Electrical Group	A-17 - A-18
Exterior Body Group	A-19 - A-22
Galley Group	A-23
Heating & Air Conditioning Group	A-24
Interior Finish Group	B-1 - B-2
LP Group	B-3
Lounge Group	B-3
Water & Sewage Group	B-4
Window, Vent & Exterior Door Group	B-5 - B-14

B-14