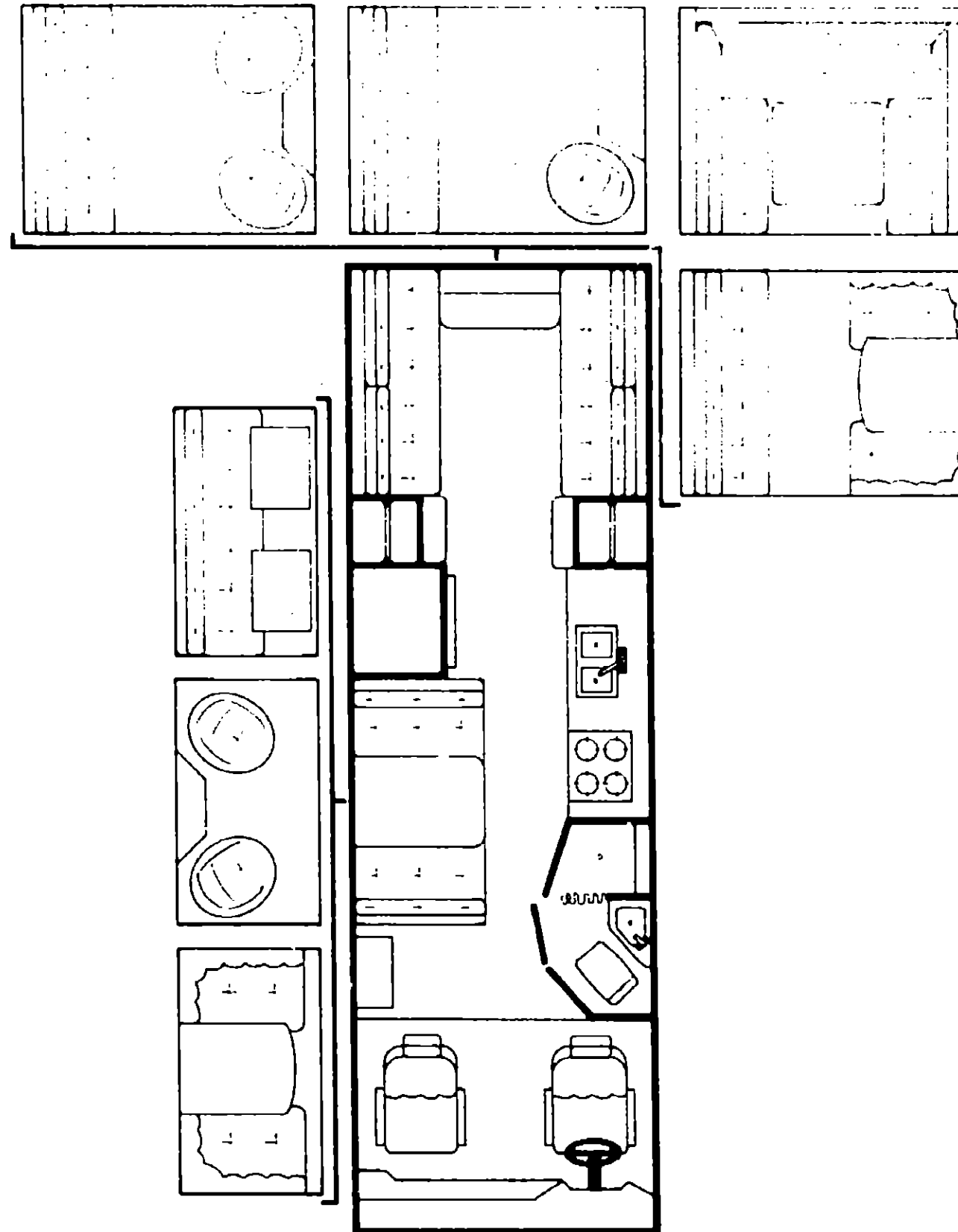


# 1978 IDF/ICF26RT



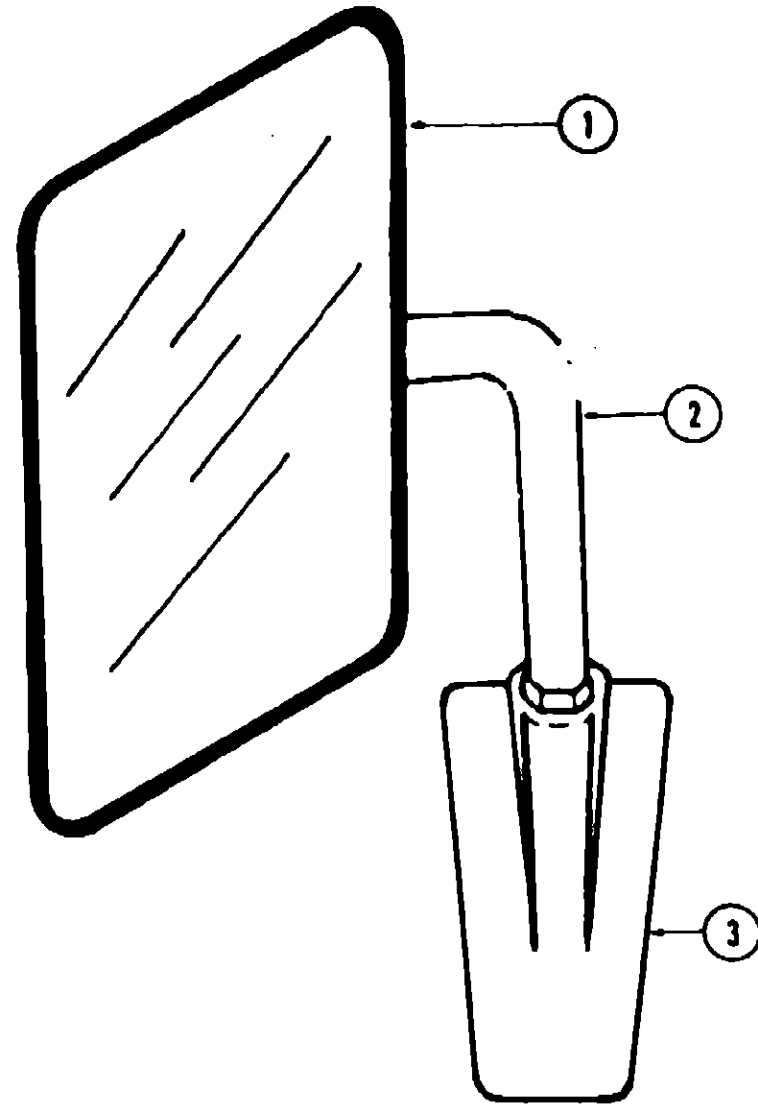
## 1978 ITASCA TABLE OF CONTENTS

Introduction	A-1
Abbreviations	A-1
Alphabetical Index	A-2 - A-4
IDF/ICF23RG	A-5 - B-16
IC420RG	B-17 - D-6
IC525RB	D-7 - E-20
IDF/ICF26RT	E-21 - G-12

## 1978 IDF/ICF26RT INDEX

Floor Plan	E-21 - E-22
Accessories Group	E-23 - E-24
Bath Group	F-1
Chassis Group	F-2
Curtain, Cushion & Pad Group	F-3 - F-10
Dinette Group	F-11
Driver's Compartment Group	F-11 - F-12
Electrical Group	F-13 - F-14
Exterior Body Group	F-15 - F-18
Galley Group	F-19
Heating & Air Conditioning Group	F-20
Interior Finish Group	F-21 - F-22
LP Group	F-23
Lounge Group	F-24
Water & Sewage Group	G-1
Window, Vent & Exterior Door Group	G-2 - G-12

**ACCESSORIES GROUP**



Key	Part Number	U/M	Description
1	049347-01-000	EA	Mirror Head - 7 1/2" x 10 1/2" - Stainless Steel
2	049348-01-000	EA	Arm - Low Mount Mirror - Bright Finish
3	049444-02-000	EA	Bracket - Mirror - Outside - Off White

**ACCESSORIES GROUP (CONTINUED)**

**RADIOS AND RELATED COMPONENTS**

Key	Part Number	U/M	Description
	049730-01-000	EA	Radio - Clarion - AM w/Fader Switch
	049731-01-000	EA	Radio - Clarion - AM/FM/MPX - w/Fader Switch
	049732-01-000	EA	Radio - Clarion - AM/FM/MPX - B-Track - w/Fader Switch
	052774-01-000	EA	Radio - CB - 40 Channel - Hy Gain 9
	053768-01-000	EA	Speaker - Recessed - 5 1/4" - 10 oz.
	031105-01-000	EA	Antenna - Radio - Side Mount
	031105-01-700	EA	Holder - Antenna - Radio - Upper
	048153-01-000	EA	Antenna - CB Camper Style
	044328-01-000	EA	Switch - Fader - Speaker Balance
	050751-01-000	EA	Plaque - Fader/Mic Mounting
	055299-01-000	EA	Grille - Speaker - 5 1/4"

**FRONT BUNK AND HARDWARE**

Key	Part Number	U/M	Description
	053320-01-J30	EA	Bunk - Front Overhead - Board w/Rails
	053773-01-000	EA	Support - Overhead Bunk - Brown - Right
	053773-02-000	EA	Support - Overhead Bunk - Brown - Left
	040071-01-000	EA	Support - Bunk - Seat Belt
	041322-01-000	EA	Washer - Flat - 15/32" I.D. x 2 3/8" O.D.
	039516-02-000	EA	Catch - Bunk - Brown
	023812-04-000	EA	Rail - Bunk - 75" - Brown

**GENERATORS AND COMPONENTS**

Key	Part Number	U/M	Description
	054429-01-000	EA	Generator - Onan - 4.0 kw
	054430-01-000	EA	Generator - Onan - 5.0 kw
	054432-01-000	EA	Generator - Onan - 6.5 kw
	071629-02-000	EA	Onan Installation Package
	050487-01-000	EA	Bezel - Entertainment Center No. 3 - w/Cut Out for Vehicle Sensor Panel Radio, Clock, Hourmeter and Generator Start Stop Switch
	024732-01-001	EA	Tailpipe - 1 1/2" O.D. x 23"

**MISCELLANEOUS ACCESSORIES**

Key	Part Number	U/M	Description
	054185-02-000	EA	Owner's Manual - Itasca
	040089-01-000	EA	Mat - Door - Black Rubber - 10 1/2" x 26"
	008053-01-000	EA	Antenna - TV Braund Delux
	008093-01-000	EA	Parts Kit - Repair - Braund TV Antenna
	008076-01-000	EA	Jack - TV - Brown (Antenna)
	017516-01-000	EA	Ladder - Front Bunk
	017516-01-000	EA	Mud Flap - Black - 14" x 18" w/Holes
	008113-01-000	EA	Jack - Hydraulic - 5 Ton
	041944-01-700	EA	Fire Extinguisher - w/Bracket
**	031386-04-000	EA	Wheel Cover - Chrome - 16"
**	031386-01-000	EA	Wheel Cover - Chrome - 17.5"
**	041088-01-000	EA	Ladder Asm. - w/Luggage Rack
**	041088-02-000	EA	Ladder Asm. - w/o Luggage Rack
**	047841-01-000	EA	Speed Control Package - 380 C.I.D. - A-Body
**	024748-01-000	EA	Speed Control Package - 440 C.I.D. - A-Body

\*\*The illustrated parts breakdown for this item is provided on the Common Items Fiche.

**1978 ITASCA  
TABLE OF CONTENTS**

Introduction	A-1
Abbreviations	A-1
Alphabetical Index	A-2 - A-4
IDF/ICF23RG	A-5 - B-16
IC420RG	B-17 - D-6
IC525RB	D-7 - E-20
IDF/ICF26RT	E-21 - G-12

**1978 IDF/ICF26RT INDEX**

Floor Plan	E-21 - E-22
Accessories Group	E-23 - E-24
Bath Group	F-1
Chassis Group	F-2
Curtain, Cushion & Pad Group	F-3 - F-10
Dinette Group	F-11
Driver's Compartment Group	F-11 - F-12
Electrical Group	F-13 - F-14
Exterior Body Group	F-15 - F-18
Galley Group	F-19
Heating & Air Conditioning Group	F-20
Interior Finish Group	F-21 - F-22
LP Group	F-23
Lounge Group	F-24
Water & Sewage Group	G-1
Window, Vent & Exterior Door Group	G-2 - G-12

## BATH GROUP

Key	Part Number	U/M	Description
	009134-01-000	EA	Holder - Tissue
**	011058-01-000	EA	Faucet - Lavatory - US
	011059-01-000	EA	Faucet - Tub
	044067-01-000	EA	Lavatory - Bath
	011083-01-000	EA	Plug - Sink - w/Chain
	034689-03-000	EA	Cover - Screw
**	039341-02-000	EA	Toilet - Marine - Ivory - Aqua Magic Model SH
	046112-04-000	EA	Mirror - Plastic - 1/8" x 19" x 26"
	046113-01-000	EA	Rosette - Plastic - Mirror Mounting
	009124-01-000	EA	Door Lock - Push Button Brass
	046749-01-000	EA	Shower Pan
	011069-01-000	EA	Tailpiece - 1 1/4" x 4" - Brass
	052967-01-000	EA	Curtain - Shower - 66" x 36"
	052564-01-J30	EA	Cabinet Asm. - Lavatory
	052812-02-J30	EA	Door Asm. - Lavatory Cabinet
	053985-01-J30	EA	Door Asm. - Bathroom
	009150-01-000	EA	Warp Guard - 64"
	011048-01-000	EA	Shower Head - w/60" Hcse
	053129-01-000	EA	Medicine Cabinet - 17.62" x 29 3/8"
	052563-01-000	EA	Rack Asm. - Towel - Mounts on Bath Door

\*The illustrated parts breakdown for this item is provided on the Common Items Fiche.

## CHASSIS GROUP

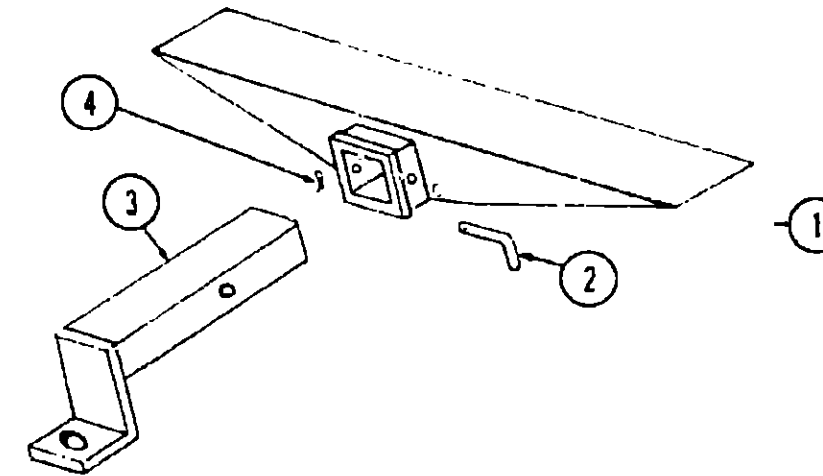
### ICF26RT

Key	Part Number	U/M	Description
	024652-01-700	EA	Step - Entry
	052670-01-000	EA	Hoodboard - Steel - Top Left
	053423-01-000	EA	Hoodboard - Steel - Top Right
	057197-01-000	EA	Hoodboard - Steel - Bottom Left
	057198-01-000	EA	Hoodboard - Steel - Bottom Right
	056831-01-000	EA	Cover Asm. - Radiator
	047811-01-000	EA	Compartment - Sewer Hose
	053249-01-000	EA	Battery Tray Asm.
	022655-02-000	EA	Tail Pipe - 2 1/4" x 8"
	007125-06-000	EA	Clamp Asm. - Muffler 2.25" Dia.
	044536-01-000	EA	Wheelwell - Plastic
	007111-01-000	FT	Hose - Fuel - 2 1/4" I.D. SAE 30PI
	024141-01-000	FT	Hose - Rubber - 1/2" I.D.
	024138-01-000	FT	Hose - Fuel - 5/16" I.D. SAE 30RI
	007134-01-000	EA	Clamp - Hose - Spring Type - 9/16"
	007137-01-000	EA	Clamp - Worm Gear - 1 5/16" to 2 1/4"
	007138-01-000	EA	Clamp - Worm Drive - .22 - 1" I.D.
	007139-01-000	EA	Clamp - Worm Drive - .69 - 1.25" I.D.
	024611-01-000	EA	Cap - Gas - Pressure - 1.5" Black
	052759-01-000	EA	Tank - Fuel - 50 Gallon
	057039-01-000	EA	Sending Unit - 90 OHM.
	023496-04-000	EA	Bracket - Front Bumper - Right or Left
	041252-01-000	EA	Bumper - Front
	021546-01-000	EA	Bumper - Rear - 93" - Square
	046043-13-000	EA	Bracket Asm. - Rear Bumper - Bolts to Chassis
	016452-01-000	EA	Bracket - Tire Carrier
	040974-01-000	EA	Bar - Retainer - Spare Tire - 2" x 6.75" - Off White
	039779-01-000	EA	Cap - Rubber - Rear Bumper - 4" x 4"

## CHASSIS GROUP (CONTINUED)

### IDF26RT

Key	Part Number	U/M	Description
	024652-01-700	EA	Step Asm. - Entry
	052662-01-000	EA	Hoodboard - Steel - Bottom Left
	052670-01-000	EA	Hoodboard - Steel - Top Left
	052918-01-000	EA	Hoodboard - Steel - Bottom Right
	053429-01-000	EA	Hoodboard - Steel - Top Right
	052761-01-000	EA	Tank - Aux. Fuel - 20 Gallon
	052759-01-000	EA	Tank - Fuel - 50 Gallon
	052759-01-000	EA	Sending Unit - Fuel - 78 OHM
	045814-01-000	EA	Gas Fill - w/Vent - 5.44" Long
	045814-02-000	EA	Gas Fill - w/Vent - 2.76" Long
	024611-01-000	EA	Cap - Gas - Pressure - 1.5" Black
	007111-01-000	FT	Hose - Fuel - 2 1/4" I.D. SAE 30RI
	024141-01-000	FT	Hose - Rubber - 1/2" I.D.
	024138-01-000	FT	Hose - Fuel - 5/16" I.D. SAE 30RI
	007134-01-000	FT	Clamp - Hose - Spring Type - 9/16"
	007137-01-000	EA	Clamp - Worm Gear - 1 5/16" to 2 1/4"
	007138-01-000	EA	Clamp - Worm Drive - .22 - 1"
	046775-01-000	EA	Valve Asm. - Fuel Selector - 3 Way
	050227-01-000	EA	Canistor Asm. - Vapor - 2 Stage - 3 Port
	053249-01-000	EA	Battery Tray Asm.
	041252-01-000	EA	Bumper - Front - Off White
	023496-04-000	EA	Bracket - Front Bumper - Black
	023520-04-000	EA	Bar - Front Bumper - Black
	021546-01-000	EA	Bumper Asm. - Rear
	039779-01-000	EA	Cap - Rubber - Rear Bumper
	040974-01-000	EA	Bar - Retaining - Spare Tire - 2" x 6.75"
	016452-01-000	EA	Bracket - Tire Carrier - 25" x 5"
	007249-01-000	EA	Tail Pipe - Curved - 2 1/2" x 58"
	033499-01-000	EA	Power Cord Box - Plastic
	039649-01-000	EA	Wheel Well - Plastic
	017568-04-000	EA	Strap - Mounting - Fuel Tank



Key	Part Number	U/M	Description
1	023695-01-000	EA	Hitch Asm. - w/o Drawbar
2	034512-01-000	EA	Pin - Locking - Drawbar
3	023630-01-000	EA	Drawbar Asm. - Trailer Hitch
4	034513-01-000	EA	Pin - Hitch - 3/16" Wire Spring

## 1978 ITASCA TABLE OF CONTENTS

Introduction	A-1
Abbreviations	A-1
Alphabetical Index	A-2 - A-4
IDF/ICF23RG	A-5 - B-16
IC420RG	B-17 - D-6
IC525RB	D-7 - E-20
IDF/ICF26RT	E-21 - G-12

## 1978 IDF/ICF26RT INDEX

Floor Plan	E-21 - E-22
Accessories Group	E-23 - E-24
Bath Group	F-1
Chassis Group	F-2
Curtain, Cushion & Pad Group	F-3 - F-10
Dinette Group	F-11
Driver's Compartment Group	F-11 - F-12
Electrical Group	F-13 - F-14
Exterior Body Group	F-15 - F-16
Galley Group	F-19
Heating & Air Conditioning Group	F-20
Interior Finish Group	F-21 - F-22
LP Group	F-23
Lounge Group	F-24
Water & Sewage Group	G-1
Window, Vent & Exterior Door Group	G-2 - G-12

**CURTAIN, CUSHION AND PAD GROUP**

**CURTAIN, CUSHION AND PAD GROUP (CONTINUED)**

**CURTAINS**

Key	Part Number	U/M	Description
	054051-02-J30	EA	Curtain w/Snap Top - 34" x 37" - Green
	054051-02-J31	EA	Curtain w/Snap Top - 34" x 37" - Gold
	054051-02-J32	EA	Curtain w/Snap Top - 34" x 37" - Beige
	054051-02-J36	EA	Curtain w/Snap Top - 34" x 37" - Brown
	054051-02-J37	EA	Curtain w/Snap Top - 34" x 37" - Rust
	056484-01-J30	EA	Curtain w/Taped Top - 27.5" x 42" - Green
	056484-01-J31	EA	Curtain w/Taped Top - 27.5" x 42" - Gold
	056484-01-J32	EA	Curtain w/Taped Top - 27.5" x 42" - Beige
	056484-01-J35	EA	Curtain w/Taped Top - 27.5" x 42" - Brown
	056484-01-J37	EA	Curtain w/Taped Top - 27.5" x 42" - Rust
	056484-02-J30	EA	Curtain w/Taped Top - 27" x 19.5" - Green
	056484-02-J31	EA	Curtain w/Taped Top - 27" x 19.5" - Gold
	056484-02-J32	EA	Curtain w/Taped Top - 27" x 19.5" - Beige
	056484-02-J36	EA	Curtain w/Taped Top - 27" x 19.5" - Brown
	056484-02-J37	EA	Curtain w/Taped Top - 27" x 19.5" - Rust
	056484-03-J30	EA	Curtain w/Taped Top - 22" x 19.5" - Green
	056484-03-J31	EA	Curtain w/Taped Top - 22" x 19.5" - Gold
	056484-03-J32	EA	Curtain w/Taped Top - 22" x 19.5" - Beige
	056484-03-J36	EA	Curtain w/Taped Top - 22" x 19.5" - Brown
	056484-03-J37	EA	Curtain w/Taped Top - 22" x 19.5" - Rust
	054292-01-J30	EA	Curtain Asm. - Front Wraparound - Left - 25" x 81" - Green
	054292-01-J31	EA	Curtain Asm. - Front Wraparound - Left - 25" x 81" - Gold
	054292-01-J32	EA	Curtain Asm. - Front Wraparound - Left - 25" x 81" - Beige
	054292-01-J36	EA	Curtain Asm. - Front Wraparound - Left - 25" x 81" - Brown
	054292-01-J37	EA	Curtain Asm. - Front Wraparound - Left - 25" x 81" - Rust
	054293-01-J30	EA	Curtain Asm. - Front Wraparound - Right - 25" x 81" - Green
	054293-01-J31	EA	Curtain Asm. - Front Wraparound - Right - 25" x 81" - Gold
	054293-01-J32	EA	Curtain Asm. - Front Wraparound - Right - 25" x 81" - Beige
	054293-01-J36	EA	Curtain Asm. - Front Wraparound - Right - 25" x 81" - Brown
	054293-01-J37	EA	Curtain Asm. - Front Wraparound - Right - 25" x 81" - Rust
	054050-04-J30	EA	Curtain Asm. - Slackout - 66" x 96" - Brown Vinyl
	054051-07-J30	EA	Curtain Asm. - 72" x 61" - Brown Vinyl
	052967-01-000	EA	Curtain - Shower - 66" x 36" - Gold

**STRAIGHT SHADES**

Key	Part Number	U/M	Description
	056915-25-000	EA	Shade - Vinyl - 33 1/4" x 34" - Straight - Green
	056915-26-000	EA	Shade - Vinyl - 33 1/4" x 34" - Straight - Gold
	056915-27-000	EA	Shade - Vinyl - 33 1/4" x 34" - Straight - Beige
	056915-49-000	EA	Shade - Vinyl - 33 1/4" x 34" - Straight - Dark Brown
	056915-50-000	EA	Shade - Vinyl - 33 1/4" x 34" - Straight - Rust
	056915-28-000	EA	Shade - Vinyl - 60 1/4" x 34" - Straight - Green
	056915-29-000	EA	Shade - Vinyl - 60 1/4" x 34" - Straight - Gold
	056915-30-000	EA	Shade - Vinyl - 60 1/4" x 34" - Straight - Beige
	056915-51-000	EA	Shade - Vinyl - 60 1/4" x 34" - Straight - Dark Brown
	056915-52-000	EA	Shade - Vinyl - 60 1/4" x 34" - Straight - Rust
	056915-34-000	EA	Shade - Vinyl - 69 1/4" x 34" - Straight - Green
	056915-35-000	EA	Shade - Vinyl - 69 1/4" x 34" - Straight - Gold
	056915-36-000	EA	Shade - Vinyl - 69 1/4" x 34" - Straight - Beige
	056915-55-000	EA	Shade - Vinyl - 69 1/4" x 34" - Straight - Dark Brown
	056915-56-000	EA	Shade - Vinyl - 69 1/4" x 34" - Straight - Rust
	056915-37-000	EA	Shade - Vinyl - 72 1/4" x 34" - Straight - Green
	056915-38-000	EA	Shade - Vinyl - 72 1/4" x 34" - Straight - Gold
	056915-39-000	EA	Shade - Vinyl - 72 1/4" x 34" - Straight - Beige
	056915-57-000	EA	Shade - Vinyl - 72 1/4" x 34" - Straight - Dark Brown
	056915-58-000	EA	Shade - Vinyl - 72 1/4" x 34" - Straight - Rust

**TIE BACKS**

Key	Part Number	U/M	Description
	054048-05-J30	EA	Tie Back - Curtain - 2" x 18" - Green
	054048-05-J31	EA	Tie Back - Curtain - 2" x 18" - Gold
	054048-05-J32	EA	Tie Back - Curtain - 2" x 18" - Beige
	054048-05-J36	EA	Tie Back - Curtain - 2" x 18" - Brown
	054048-05-J37	EA	Tie Back - Curtain - 2" x 18" - Rust
	054048-06-J30	EA	Tie Back - Curtain - 2" x 18" - Brown Vinyl

**VALANCES**

Key	Part Number	U/M	Description
	056897-01-J30	EA	Valance - 5.5" x 42" - w/Green Trim
	056897-01-J31	EA	Valance - 5.5" x 42" - w/Gold Trim
	056897-01-J32	EA	Valance - 5.5" x 42" - w/Tan Trim
	056897-01-J36	EA	Valance - 5.5" x 42" - w/Rust Trim
	056897-01-J37	EA	Valance - 5.5" x 42" - w/Brown Trim
	056897-02-J30	EA	Valance - 5.5" x 78" - w/Green Trim
	056897-02-J31	EA	Valance - 5.5" x 78" - w/Gold Trim
	056897-02-J32	EA	Valance - 5.5" x 78" - w/Tan Trim
	056897-02-J36	EA	Valance - 5.5" x 78" - w/Rust Trim
	056897-02-J37	EA	Valance - 5.5" x 78" - w/Brown Trim
	056897-03-J30	EA	Valance - 5.5" x 81" - w/Green Trim
	056897-03-J31	EA	Valance - 5.5" x 81" - w/Gold Trim
	056897-03-J32	EA	Valance - 5.5" x 81" - w/Tan Trim
	056897-03-J36	EA	Valance - 5.5" x 81" - w/Rust Trim
	056897-03-J37	EA	Valance - 5.5" x 81" - w/Brown Trim
	056897-05-J30	EA	Valance - 5.5" x 69" - w/Green Trim
	056897-05-J31	EA	Valance - 5.5" x 69" - w/Gold Trim
	056897-05-J32	EA	Valance - 5.5" x 69" - w/Tan Trim
	056897-05-J36	EA	Valance - 5.5" x 69" - w/Rust Trim
	056897-05-J37	EA	Valance - 5.5" x 69" - w/Brown Trim

**GREEK KEY SHADES**

Key	Part Number	U/M	Description
	054550-25-000	EA	Shade - Vinyl - 33 1/4" x 34" - Greek Key - Green
	054550-26-000	EA	Shade - Vinyl - 33 1/4" x 34" - Greek Key - Gold
	054550-27-000	EA	Shade - Vinyl - 33 1/4" x 34" - Greek Key - Beige
	054550-28-000	EA	Shade - Vinyl - 60 1/4" x 34" - Greek Key - Green
	054550-29-000	EA	Shade - Vinyl - 60 1/4" x 34" - Greek Key - Gold
	054550-30-000	EA	Shade - Vinyl - 60 1/4" x 34" - Greek Key - Beige
	054550-34-000	EA	Shade - Vinyl - 69 1/4" x 34" - Greek Key - Green
	054550-35-000	EA	Shade - Vinyl - 69 1/4" x 34" - Greek Key - Gold
	054550-36-000	EA	Shade - Vinyl - 69 1/4" x 34" - Greek Key - Beige
	054550-37-000	EA	Shade - Vinyl - 72 1/4" x 34" - Greek Key - Green
	054550-38-000	EA	Shade - Vinyl - 72 1/4" x 34" - Greek Key - Gold
	054550-39-000	EA	Shade - Vinyl - 72 1/4" x 34" - Greek Key - Beige

**FABRICS, TRIMS AND PADS**

Key	Part Number	U/M	Description
	052581-01-000	YD	Fabric - Drapery - Green
	052581-02-000	YD	Fabric - Drapery - Gold
	052581-03-000	YD	Fabric - Drapery - Beige
	057027-01-000	YD	Fabric - Drapery - Brown
	057027-02-000	YD	Fabric - Drapery - Rust
	052582-01-000	YD	Fabric - Upholstery - Green
	052582-02-000	YD	Fabric - Upholstery - Gold
	052582-03-000	YD	Fabric - Upholstery - Beige
	057028-01-000	YD	Fabric - Upholstery - Wine
	057028-02-000	YD	Fabric - Upholstery - Blue
	054676-03-J30	EA	Button Asm. - Cloth - Green
	054676-03-J31	EA	Button Asm. - Cloth - Gold
	054676-03-J32	EA	Button Asm. - Cloth - Beige
	054676-05-J36	EA	Button Asm. - Cloth - Wine
	054676-05-J37	EA	Button Asm. - Cloth - Blue
	042411-01-000	YD	Vinyl - Nonexpanded - 27 oz. - Brown
	042411-02-000	YD	Vinyl - Expanded - 28 oz. - Brown
	042411-03-000	YD	Vinyl - Non Support - 16 Gauge - Brown
	052859-01-J07	FT	Trim - Accent - Brown Vinyl
	052484-01-130	EA	Pad - End - Dinette Overhead Cabinet

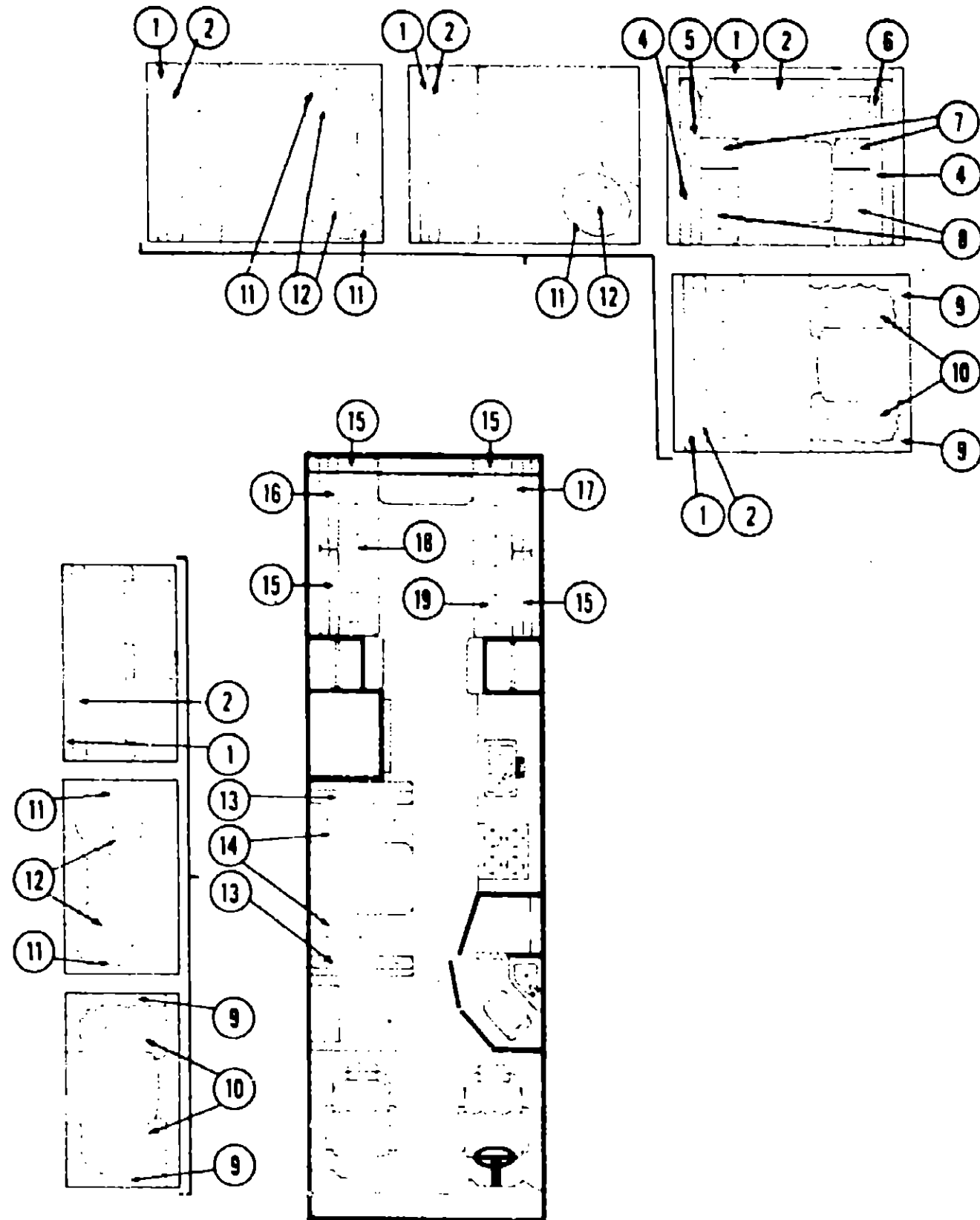
**1978 ITASC/ TABLE OF CONTENTS**

Introduction	A-1
Abbreviations	A-1
Alphabetical Index	A-2 - A-4
IDF/ICF23RG	A-5 - B-16
IC420RG	B-17 - D-6
IC525RB	D-7 - E-20
IDF/ICF26F.T	E-21 - G-12

**1978 IDF/ICF26RT INDEX**

Floor Plan	E-21 - E-32
Accessories Group	E-23 - E-24
Bath Group	F-1
Chassis Group	F-2
Curtain, Cushion & Pad Group	F-3 - F-10
Dinette Group	F-11
Driver's Compartment Group	F-11 - F-12
Electrical Group	F-13 - F-14
Exterior Body Group	F-15 - F-18
Galley Group	F-19
Heating & Air Conditioning Group	F-20
Interior Finish Group	F-21 - F-22
LP Group	F-23
Lounge Group	F-24
Water & Sewage Group	G-1
Window, Vent & Exterior Door Group	G-2 - G-12

**CURTAIN, CUSHION AND PAD GROUP (CONTINUED)**



**CURTAIN, CUSHION AND PAD GROUP (CONTINUED)**

**COUCH CUSHIONS**

Key	Part Number	U/M	Description
1	053965-06-J30	EA	Cushion - Mitered - 8" x 76" x 5" - Green
1	053965-06-J31	EA	Cushion - Mitered - 8" x 76" x 5" - Gold
1	053965-06-J32	EA	Cushion - Mitered - 8" x 76" x 5" - Beige
1	053965-06-J36	EA	Cushion - Mitered - 8" x 76" x 5" - Wine
1	053965-06-J37	EA	Cushion - Mitered - 8" x 76" x 5" - Rust
	054678-04-J30	EA	Cover - Mitered Cushion - 8" x 76" x 5" - Green
	054678-04-J31	EA	Cover - Mitered Cushion - 8" x 76" x 5" - Gold
	054678-04-J32	EA	Cover - Mitered Cushion - 8" x 76" x 5" - Beige
	054678-04-J36	EA	Cover - Mitered Cushion - 8" x 76" x 5" - Wine
	054678-04-J37	EA	Cover - Mitered Cushion - 8" x 76" x 5" - Rust
2	053964-02-J30	EA	Cushion - Two Fold - Mitered - 16" x 21" x 76" x 5" - Green
2	053964-02-J31	EA	Cushion - Two Fold - Mitered - 16" x 21" x 76" x 5" - Gold
2	053964-02-J32	EA	Cushion - Two Fold - Mitered - 16" x 21" x 76" x 5" - Beige
2	062215-01-J36	EA	Cushion - Two Fold - Waterfall - 16" x 21" x 76" x 5" - Wine
2	062215-01-J37	EA	Cushion - Two Fold - Waterfall - 16" x 21" x 76" x 5" - Rust
	054506-02-J30	EA	Cover - Mitered Cushion - 16" x 21" x 76" x 5" - Green
	054506-02-J31	EA	Cover - Mitered Cushion - 16" x 21" x 76" x 5" - Gold
	054506-02-J32	EA	Cover - Mitered Cushion - 16" x 21" x 76" x 5" - Beige
	062216-01-J36	EA	Cover - Waterfall Cushion - 16" x 21" x 76" x 5" - Wine
	062216-01-J37	EA	Cover - Waterfall Cushion - 16" x 21" x 76" x 5" - Rust

**HORSESHOE LOUNGE CUSHIONS**

Key	Part Number	U/M	Description
4	056963-02-J30	EA	Cushion - Mitered - 16" x 30.5" x 5" - Green
4	056963-02-J31	EA	Cushion - Mitered - 16" x 30.5" x 5" - Gold
4	056963-02-J32	EA	Cushion - Mitered - 16" x 30.5" x 5" - Beige
4	058128-08-J36	EA	Cushion - Wraparound - 16" x 30.5" x 5" - Wine
4	058128-08-J37	EA	Cushion - Wraparound - 16" x 30.5" x 5" - Rust
	054678-09-J30	EA	Cover - Mitered Cushion - 16" x 30.5" x 5" - Green
	054678-09-J31	EA	Cover - Mitered Cushion - 16" x 30.5" x 5" - Gold
	054678-09-J32	EA	Cover - Mitered Cushion - 16" x 30.5" x 5" - Beige
	058129-08-J36	EA	Cover - Wraparound Cushion - 16" x 30.5" x 5" - Wine
	058129-08-J37	EA	Cover - Wraparound Cushion - 16" x 30.5" x 5" - Rust
5	053966-07-J30	EA	Cushion - Mitered - Right - 16" x 40.5" x 36.5" x 5" - Green
5	053966-07-J31	EA	Cushion - Mitered - Right - 16" x 40.5" x 36.5" x 5" - Gold
5	053966-07-J32	EA	Cushion - Mitered - Right - 16" x 40.5" x 36.5" x 5" - Beige
5	058130-01-J36	EA	Cushion - Wraparound - Right - 16" x 40.5" x 36.5" x 5" - Wine
5	058130-01-J37	EA	Cushion - Wraparound - Right - 16" x 40.5" x 36.5" x 5" - Rust
	054680-07-J30	EA	Cover - Mitered Cushion - Right - 16" x 40.5" x 36.5" x 5" - Green
	054680-07-J31	EA	Cover - Mitered Cushion - Right - 16" x 40.5" x 36.5" x 5" - Gold
	054680-07-J32	EA	Cover - Mitered Cushion - Right - 16" x 40.5" x 36.5" x 5" - Beige
	058131-01-J36	EA	Cover - Wraparound Cushion - Right - 16" x 40.5" x 36.5" x 5" - Wine
	058131-01-J37	EA	Cover - Wraparound Cushion - Right - 16" x 40.5" x 36.5" x 5" - Rust
6	053966-08-J30	EA	Cushion - Mitered - Left - 16" x 40.5" x 36.5" x 5" - Green
6	053966-08-J31	EA	Cushion - Mitered - Left - 16" x 40.5" x 36.5" x 5" - Gold
6	053966-08-J32	EA	Cushion - Mitered - Left - 16" x 40.5" x 36.5" x 5" - Beige
6	058130-02-J36	EA	Cushion - Wraparound - Left - 16" x 40 1/2" x 36 1/2" x 5" - Wine
6	058130-02-J37	EA	Cushion - Wraparound - Left - 16" x 40 1/2" x 36 1/2" x 5" - Rust
	054680-08-J30	EA	Cover - Mitered Cushion - Left - 16" x 40.5" x 36.5" x 5" - Green
	054680-08-J31	EA	Cover - Mitered Cushion - Left - 16" x 40.5" x 36.5" x 5" - Gold
	054680-08-J32	EA	Cover - Mitered Cushion - Left - 16" x 40.5" x 36.5" x 5" - Beige
	058131-02-J36	EA	Cover - Wraparound Cushion - Left - 16" x 40.5" x 36.5" x 5" - Wine
	058131-02-J37	EA	Cover - Wraparound Cushion - Left - 16" x 40.5" x 36.5" x 5" - Rust

**1978 ITASCA  
TABLE OF CONTENTS**

Introduction	A-1
Abbreviations	A-1
Alphabetical Index	A-2 - A-4
IDF/ICF23RG	A-5 - B-16
IC420RG	B-17 - D-6
IC525RB	D-7 - E-20
IDF/ICF26RT	E-21 - G-12

**1978 IDF/ICF26RT INDEX**

Floor Plan	E-21 - E-22
Accessories Group	E-23 - E-24
Bath Group	F-1
Chassis Group	F-2
Curtain, Cushion & Pad Group	F-3 - F-10
Dinette Group	F-11
Driver's Compartment Group	F-11 - F-12
Electrical Group	F-13 - F-14
Exterior Body Group	F-15 - F-18
Galley Group	F-19
Heating & Air Conditioning Group	F-20
Interior Finish Group	F-21 - F-22
LP Group	F-23
Lounge Group	F-24
Water & Sewage Group	G-1
Window, Vent & Exterior Door Group	G-2 - G-12

**CURTAIN, CUSHION AND PAD GROUP (CONTINUED)**

**HORSESHOE LOUNGE CUSHIONS**

Key	Part Number	U/M	Description
7	053965-09-J30	EA	Cushion - Mitered - 15" x 24" x 5.5" - Green
7	053065-09-J31	EA	Cushion - Mitered - 15" x 24" x 5.5" - Gold
7	053965-09-J32	EA	Cushion - Mitered - 15" x 24" x 5.5" - Beige
7	058128-08-J36	EA	Cushion - Wraparound - 16" x 30 1/2" x 5" - Wine
7	058128-08-J37	EA	Cushion - Wraparound - 16" x 30 1/2" x 5" - Rust
	054678-08-J30	EA	Cover - Mitered Cushion - 15" x 24" x 5.5" - Green
	054678-08-J31	EA	Cover - Mitered Cushion - 15" x 24" x 5.5" - Gold
	054678-08-J32	EA	Cover - Mitered Cushion - 15" x 24" x 5.5" - Beige
	058129-08-J36	EA	Cover - Wraparound Cushion - 16" x 30 1/2" x 5" - Wine
	058129-08-J37	EA	Cover - Wraparound Cushion - 16" x 30 1/2" x 5" - Rust
8	053965-10-J30	EA	Cushion - Mitered - 24" x 32" x 5.5" - Green
8	053965-10-J31	EA	Cushion - Mitered - 24" x 32" x 5.5" - Gold
8	053965-10-J32	EA	Cushion - Mitered - 24" x 32" x 5.5" - Beige
8	058128-07-J36	EA	Cushion - Wraparound - 24" x 32" x 5.5" - Wine
8	058128-07-J37	EA	Cushion - Wraparound - 24" x 32" x 5.5" - Rust
	054678-10-J30	EA	Cover - Mitered Cushion - 24" x 32" x 5.5" - Green
	054678-10-J31	EA	Cover - Mitered Cushion - 24" x 32" x 5.5" - Gold
	054678-10-J32	EA	Cover - Mitered Cushion - 24" x 32" x 5.5" - Beige
	058129-07-J36	EA	Cover - Wraparound Cushion - 24" x 32" x 5.5" - Wine
	058129-07-J37	EA	Cover - Wraparound Cushion - 24" x 32" x 5.5" - Rust

**CORNER LOUNGE CHAIR CUSHION**

Key	Part Number	U/M	Description
9	056636-02-J30	EA	Cushion - Back - Corner Lounge Chair - Green
9	056636-02-J31	EA	Cushion - Back - Corner Lounge Chair - Gold
9	056636-02-J32	EA	Cushion - Back - Corner Lounge Chair - Beige
9	056636-02-J36	EA	Cushion - Back - Corner Lounge Chair - Wine
9	056636-02-J37	EA	Cushion - Back - Corner Lounge Chair - Rust
10	056637-02-J30	EA	Cushion - Seat - Corner Lounge Chair - Green
10	056637-02-J31	EA	Cushion - Seat - Corner Lounge Chair - Gold
10	056637-02-J32	EA	Cushion - Seat - Corner Lounge Chair - Beige
10	056637-02-J36	EA	Cushion - Seat - Corner Lounge Chair - Wine
10	056637-02-J37	EA	Cushion - Seat - Corner Lounge Chair - Rust

**TT CHAIRS**

Key	Part Number	U/M	Description
11	054674-03-J30	EA	TT Chair - Complete - Green
11	054674-03-J31	EA	TT Chair - Complete - Gold
11	054674-03-J32	EA	TT Chair - Complete - Beige
11	054674-03-J36	EA	TT Chair - Complete - Wine
11	054674-03-J37	EA	TT Chair - Complete - Rust
12	054700-03-J30	EA	Cushion - TT Chair - Green
12	054700-03-J31	EA	Cushion - TT Chair - Gold
12	054700-03-J32	EA	Cushion - TT Chair - Beige
12	054700-03-J36	EA	Cushion - TT Chair - Wine
12	054700-03-J37	EA	Cushion - TT Chair - Rust

**CURTAIN, CUSHION AND PAD GROUP (CONTINUED)**

**CONVENTIONAL DINETTE CUSHIONS**

Key	Part Number	U/M	Description
13	053965-02-J30	EA	Cushion - Mitered - 14 1/4" x 38" x 5" - Green
13	053965-02-J31	EA	Cushion - Mitered - 14 1/4" x 38" x 5" - Gold
13	053965-02-J32	EA	Cushion - Mitered - 14 1/4" x 38" x 5" - Beige
13	058128-01-J36	EA	Cushion - Wraparound - 14 1/2" x 38" x 5" - Wine
13	058128-01-J37	EA	Cushion - Wraparound - 14 1/2" x 38" x 5" - Rust
	054678-01-J30	EA	Cover - Mitered Cushion - 14 1/4" x 38" x 5" - Green
	054678-01-J31	EA	Cover - Mitered Cushion - 14 1/4" x 38" x 5" - Gold
	054678-01-J32	EA	Cover - Mitered Cushion - 14 1/4" x 38" x 5" - Beige
	058129-01-J36	EA	Cover - Wraparound Cushion - 14 1/4" x 38" x 5" - Wine
	058129-01-J37	EA	Cover - Wraparound Cushion - 14 1/4" x 38" x 5" - Rust
14	053965-04-J30	EA	Cushion - Mitered - 22 1/2" x 38" x 5" - Green
14	053965-04-J31	EA	Cushion - Mitered - 22 1/2" x 38" x 5" - Gold
14	053965-04-J32	EA	Cushion - Mitered - 22 1/2" x 38" x 5" - Beige
14	058128-02-J36	EA	Cushion - Wraparound - 22 1/2" x 38" x 5" - Wine
14	058128-02-J37	EA	Cushion - Wraparound - 22 1/2" x 38" x 5" - Rust
	054678-02-J30	EA	Cover - Mitered Cushion - 22 1/2" x 38" x 5" - Green
	054678-02-J31	EA	Cover - Mitered Cushion - 22 1/2" x 38" x 5" - Gold
	054678-02-J32	EA	Cover - Mitered Cushion - 22 1/2" x 38" x 5" - Beige
	058129-02-J36	EA	Cover - Wraparound Cushion - 22 1/2" x 38" x 5" - Wine
	058129-02-J37	EA	Cover - Wraparound Cushion - 22 1/2" x 38" x 5" - Rust

**TWIN BED CUSHIONS**

Key	Part Number	U/M	Description
15	056948-01-J30	EA	Cushion - Bolster - Mitered - 14" x 33" x 8" x 10" - Green
15	056948-01-J31	EA	Cushion - Bolster - Mitered - 14" x 33" x 8" x 10" - Gold
15	056948-01-J32	EA	Cushion - Bolster - Mitered - 14" x 33" x 8" x 10" - Beige
15	058132-01-J36	EA	Cushion - Bolster - Wraparound - 14" x 33" x 8" x 10" - Wine
15	058132-01-J37	EA	Cushion - Bolster - Wraparound - 14" x 33" x 8" x 10" - Rust
	056949-01-J30	EA	Cover - Mitered Cushion - Bolster - 14" x 33" x 8" x 10" - Green
	056949-01-J31	EA	Cover - Mitered Cushion - Bolster - 14" x 33" x 8" x 10" - Gold
	056949-01-J32	EA	Cover - Mitered Cushion - Bolster - 14" x 33" x 8" x 10" - Beige
	058133-01-J36	EA	Cover - Wraparound Cushion - Bolster - 14" x 33" x 8" x 10" - Wine
	058133-01-J37	EA	Cover - Wraparound Cushion - Bolster - 14" x 33" x 8" x 10" - Rust
16	056966-02-J30	EA	Cushion - Mitered - 8" x 10" x 14" x 33" x 35" - Right - Green
16	056966-02-J31	EA	Cushion - Mitered - 8" x 10" x 14" x 33" x 35" - Right - Gold
16	056966-02-J32	EA	Cushion - Mitered - 8" x 10" x 14" x 33" x 35" - Right - Beige
16	058134-01-J36	EA	Cushion - Wraparound - 8" x 10" x 14" x 33" x 35" - Right - Wine
16	058134-01-J37	EA	Cushion - Wraparound - 8" x 10" x 14" x 33" x 35" - Right - Rust
	056967-02-J30	EA	Cover - Mitered Cushion - 8" x 10" x 14" x 33" x 35" - Right - Green
	056967-02-J31	EA	Cover - Mitered Cushion - 8" x 10" x 14" x 33" x 35" - Right - Gold
	056967-02-J32	EA	Cover - Mitered Cushion - 8" x 10" x 14" x 33" x 35" - Right - Beige
	058135-01-J36	EA	Cover - Wraparound Cushion - 8" x 10" x 14" x 33" x 35" - Right - Wine
	058135-01-J37	EA	Cover - Wraparound Cushion - 8" x 10" x 14" x 33" x 35" - Right - Rust
17	056966-03-J30	EA	Cushion - Mitered - 8" x 10" x 14" x 33" x 35" - Left - Green
17	056966-03-J31	EA	Cushion - Mitered - 8" x 10" x 14" x 33" x 35" - Left - Gold
17	056966-03-J32	EA	Cushion - Mitered - 8" x 10" x 14" x 33" x 35" - Left - Beige
17	058134-02-J36	EA	Cushion - Wraparound - 8" x 10" x 14" x 33" x 35" - Left - Wine
17	058134-02-J37	EA	Cushion - Wraparound - 8" x 10" x 14" x 33" x 35" - Left - Rust
	056967-01-J30	EA	Cover - Mitered Cushion - 8" x 10" x 14" x 33" x 35" - Left - Green
	056967-01-J31	EA	Cover - Mitered Cushion - 8" x 10" x 14" x 33" x 35" - Left - Gold
	056967-01-J32	EA	Cover - Mitered Cushion - 8" x 10" x 14" x 33" x 35" - Left - Beige
	058135-02-J36	EA	Cover - Wraparound Cushion - 8" x 10" x 14" x 33" x 35" - Left - Wine
	058135-02-J37	EA	Cover - Wraparound Cushion - 8" x 10" x 14" x 33" x 35" - Left - Rust

**1978 ITASCA  
TABLE OF CONTENTS**

Introduction	A-1
Abbreviations	A-1
Alphabetical Index	A-2 - A-4
IDF/ICF23RG	A-5 - B-16
IC420RG	B-17 - D-6
IC525RB	D-7 - E-20
IDF/ICF26RT	E-21 - G-12

**1978 IDF/ICF26RT INDEX**

Floor Plan	E-21 - E-22
Accessories Group	E-23 - E-24
Bath Group	F-1
Chassis Group	F-2
Curtain, Cushion & Pad Group	F-3 - F-10
Dinette Group	F-11
Driver's Compartment Group	F-11 - F-12
Electrical Group	F-13 - F-14
Exterior Body Group	F-15 - F-18
Galley Group	F-19
Heating & Air Conditioning Group	F-20
Interior Finish Group	F-21 - F-22
LP Group	F-23
Lounge Group	F-24
Water & Sewage Group	G-1
Window, Vent & Exterior Door Group	G-2 - G-12

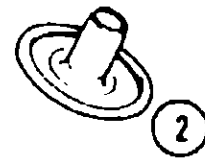
**CURTAIN, CUSHION AND PAD GROUP (CONTINUED)**

**TWIN BED CUSHIONS**

Key	Part Number	U/M	Description
18	056963-01-J30	EA	Cushion - Mitered - 34" x 76" x 5" - Right - Green
18	056963-01-J31	EA	Cushion - Mitered - 34" x 76" x 5" - Right - Gold
18	056963-01-J32	EA	Cushion - Mitered - 34" x 76" x 5" - Right - Beige
18	058128-04-J36	EA	Cushion - Wraparound - 34" x 76" x 5" - Right - Wine
18	058128-04-J37	EA	Cushion - Wraparound - 34" x 76" x 5" - Right - Rust
	054678-07-J30	EA	Cover - Mitered Cushion - 34" x 76" x 5" - Right - Green
	054678-07-J31	EA	Cover - Mitered Cushion - 34" x 76" x 5" - Right - Gold
	054678-07-J32	EA	Cover - Mitered Cushion - 34" x 76" x 5" - Right - Beige
	058129-04-J36	EA	Cover - Wraparound Cushion - 34" x 76" x 5" - Right - Wine
	058129-04-J37	EA	Cover - Wraparound Cushion - 34" x 76" x 5" - Right - Rust
19	056963-03-J30	EA	Cushion - Mitered - 34" x 76" x 5" - Left - Green
19	056963-03-J31	EA	Cushion - Mitered - 34" x 76" x 5" - Left - Gold
19	056963-03-J32	EA	Cushion - Mitered - 34" x 76" x 5" - Left - Beige
19	058128-05-J36	EA	Cushion - Wraparound - 34" x 76" x 5" - Left - Wine
19	058128-05-J37	EA	Cushion - Wraparound - 34" x 76" x 5" - Left - Rust
	054678-07-J30	EA	Cover - Mitered Cushion - 34" x 76" x 5" - Left - Green
	054678-07-J31	EA	Cover - Mitered Cushion - 34" x 76" x 5" - Left - Gold
	054678-07-J32	EA	Cover - Mitered Cushion - 34" x 76" x 5" - Left - Beige
	058129-05-J36	EA	Cover - Wraparound Cushion - 34" x 76" x 5" - Left - Wine
	058129-05-J37	EA	Cover - Wraparound Cushion - 34" x 76" x 5" - Left - Rust

**CURTAIN HARDWARE**

Key	Part Number	U/M	Description
	052327-04-236	EA	Track - Curtain - Brown Alum. - 89" w/Holes
	056116-01-000	FT	Track - Curtain - Brown Plastic
	056001-01-000	EA	Bracket - Shade - Left
	056002-01-000	EA	Bracket - Shade - Right
	056003-01-000	EA	Bracket - Drapery Retainer - Right
	056003-02-000	EA	Bracket - Drapery Retainer - Left
	056784-01-000	EA	Pull - Window Shade - Antique Brass



Key	Part Number	U/M	Description
1	029130-01-000	EA	Socket - Snap Fastener
2	029155-01-000	EA	Cap - Snap - .156" Dia. x .17" Barrel
3	029156-01-000	EA	Socket - Snap Fastener
4	029092-01-000	EA	Stud - Nickel Finish
5	029093-01-000	EA	Eyelet - Nickel Finish

**CURTAIN, CUSHION AND PAD GROUP (CONTINUED)**

**BUCKET SEATS, ARMRESTS AND HEADRESTS**

Key	Part Number	U/M	Description
	054193-02-J30	EA	Seat Asm. - Single Bucket - Green - w/o Slides, Armrest or Headrest
	054193-02-J31	EA	Seat Asm. - Single Bucket - Gold - w/o Slide, Armrest or Headrest
	054193-02-J32	EA	Seat Asm. - Single Bucket - Beige - w/o Slide, Armrest or Headrest
	054193-02-J36	EA	Seat Asm. - Single Bucket - Brown - w/o Slides, Armrest or Headrest
	054193-02-J37	EA	Seat Asm. - Single Bucket - Blue - w/o Slides, Armrest or Headrest
	053356-06-J30	EA	Cover Asm. - Single Bucket Seat - Back - Green
	053356-06-J31	EA	Cover Asm. - Single Bucket Seat - Back - Gold
	053356-06-J32	EA	Cover Asm. - Single Bucket Seat - Back - Beige
	053356-06-J36	EA	Cover Asm. - Single Bucket Seat - Back - Brown
	053356-06-J37	EA	Cover Asm. - Single Bucket Seat - Back - Blue
	053356-05-J30	EA	Cover Asm. - Single Bucket Seat - Bottom - Green
	053356-05-J31	EA	Cover Asm. - Single Bucket Seat - Bottom - Gold
	053356-05-J32	EA	Cover Asm. - Single Bucket Seat - Bottom - Beige
	053356-05-J36	EA	Cover Asm. - Single Bucket Seat - Bottom - Brown
	053356-05-J37	EA	Cover Asm. - Single Bucket Seat - Bottom - Blue
	057584-02-J30	EA	Seat Asm. - Double Bucket - w/o Slides, Armrests or Headrests - Green
	057584-02-J31	EA	Seat Asm. - Double Bucket - w/o Slides, Armrests or Headrests - Gold
	057584-02-J32	EA	Seat Asm. - Double Bucket - w/o Slides, Armrests or Headrests - Beige
	057584-02-J36	EA	Seat Asm. - Double Bucket - w/o Slides, Armrests or Headrests - Brown
	057584-02-J37	EA	Seat Asm. - Double Bucket - w/o Slides, Armrests or Headrests - Rust
	053360-05-J30	EA	Cover - Seat - Double Bucket - Green
	053360-05-J31	EA	Cover - Seat - Double Bucket - Gold
	053360-05-J32	EA	Cover - Seat - Double Bucket - Beige
	053360-05-J36	EA	Cover - Seat - Double Bucket - Brown
	053360-05-J37	EA	Cover - Seat - Double Bucket - Rust
	053360-06-J30	EA	Cover - Back - Double Bucket - Green
	053360-06-J31	EA	Cover - Back - Double Bucket - Gold
	053360-06-J32	EA	Cover - Back - Double Bucket - Beige
	053360-06-J36	EA	Cover - Back - Double Bucket - Brown
	053360-06-J37	EA	Cover - Back - Double Bucket - Rust
	029136-01-000	EA	Grommet - Headrest - Brown Nylon
	031133-01-000	EA	Protector - Driver Seat - 6" - Brown Plastic
	036658-03-000	EA	Screw - Shoulder - 1/2" x 1 3/4" - Hex Socket (Armrest Fastener)
	019722-01-000	EA	Headrest Asm. - Foam - w/o Cover
	053354-02-J30	EA	Headrest Cover - Green
	053354-02-J31	EA	Headrest Cover - Gold
	053354-02-J32	EA	Headrest Cover - Beige
	053354-02-J36	EA	Headrest Cover - Brown
	053354-02-J37	EA	Headrest Cover - Blue
	050275-01-700	EA	Armrest Asm. - Foam - w/o Cover - Right
	050276-01-700	EA	Armrest Asm. - Foam - w/o Cover - Left
	053357-02-J30	EA	Armrest Cover - Green
	053357-02-J31	EA	Armrest Cover - Gold
	053357-02-J32	EA	Armrest Cover - Beige
	053357-02-J36	EA	Armrest Cover - Brown
	053357-02-J37	EA	Armrest Cover - Blue
	054650-03-J36	EA	Skirt - Single Bucket - Wine
	054650-03-J37	EA	Skirt - Single Bucket - Beige
	054650-04-J36	EA	Skirt - Double Bucket - Wine
	054650-04-J37	EA	Skirt - Double Bucket - Beige

**FRONT BUNK CUSHIONS**

Key	Part Number	U/M	Description
	055021-09-J30	EA	Cushion - Front Bunk - 31.5" x 79" x 4" - Green
	055021-09-J31	EA	Cushion - Front Bunk - 31.5" x 79" x 4" - Gold
	055021-09-J32	EA	Cushion - Front Bunk - 31.5" x 79" x 4" - Beige
	055021-09-J36	EA	Cushion - Front Bunk - 31.5" x 79" x 4" - Wine
	055021-09-J37	EA	Cushion - Front Bunk - 31.5" x 79" x 4" - Rust
	055022-09-J30	EA	Cover - Bunk Cushion - 31.5" x 79" x 4" - Green
	055022-09-J31	EA	Cover - Bunk Cushion - 31.5" x 79" x 4" - Gold
	055022-09-J32	EA	Cover - Bunk Cushion - 31.5" x 79" x 4" - Beige
	055022-09-J36	EA	Cover - Bunk Cushion - 31.5" x 79" x 4" - Wine
	055022-09-J37	EA	Cover - Bunk Cushion - 31.5" x 79" x 4" - Rust

**1978 ITASCA  
TABLE OF CONTENTS**

Introduction	A-1
Abbreviations	A-1
Alphabetical Index	A-2 - A-4
IDF/ICF23RG	A-5 - B-16
IC420RG	B-17 - D-6
IC525RB	D-7 - E-20
IDF/ICF26RT	E-21 - G-12

**1978 IDF/ICF26RT INDEX**

Floor Plan	E-21 - E-22
Accessories Group	E-23 - E-24
Bath Group	F-1
Chassis Group	F-2
Curtain, Cushion & Pad Group	F-3 - F-10
Dinette Group	F-11
Driver's Compartment Group	F-11 - F-12
Electrical Group	F-13 - F-14
Exterior Body Group	F-15 - F-18
Galley Group	F-19
Heating & Air Conditioning Group	F-20
Interior Finish Group	F-21 - F-22
LP Group	F-23
Lounge Group	F-24
Water & Sewage Group	G-1
Window, Vent & Exterior Door Group	G-2 - G-12



## DINETTE GROUP

### CONVENTIONAL DINETTE W/FOLD DOWN TABLE AND OPPOSING BENCHES

Key	Part Number	U/M	Description
	053192-01-J30	EA	Table Asm. - Dinette - w/o Hardware - Butcher Block
..	047842-01-000	EA	Hardware Kit - Dinette - Table Leg
..	047809-02-000	EA	Hardware Kit - Dinette Table - Wall Mount
	052488-01-J30	EA	Cabinet Asm. - Dinette Seat - Right
	052488-02-J30	EA	Cabinet Asm. - Dinette Seat - Left
	052812-11-J30	EA	Door Asm. - Dinette Seat Cabinet w/o Hardware
	052485-02-700	EA	Cabinet Asm. - Dinette Overhead - w/o Doors, Endpad or Hardware
	053983-01-J30	EA	Door Asm. - Dinette Overhead Cabinet - w/o Hardware

### SWIVEL CHAIR OPTION W/PULL OUT TABLE

Key	Part Number	U/M	Description
	054553-01-J30	EA	Countertop Asm. - Pull Out Table - Butcher Block
	054555-01-J30	EA	Cabinet Asm. - Pull Out Table
	054552-01-J30	EA	Table Asm. - Pull Out
	045795-01-000	EA	Holder - Glass - Plastic
	009148-01-000	EA	Finger Pull - 3/4" Dia. - Brass
	054540-01-000	EA	Slide Asm. - Ball Bearing

### COUCH OPTION W/TWIN PEDESTAL TABLES

Key	Part Number	U/M	Description
	054396-01-J30	EA	Cabinet Asm. - Couch
	053203-07-J30	EA	Table Asm. - Pedestal - w/o Hardware - Butcher Block
	009040-02-000	EA	Leg - Pedestal Table - 2.25" O.D. x 27.5" Chrome
	009040-03-000	EA	Base - Table Leg - Table Mount
	041194-01-000	EA	Base - Table Leg - Floor Mount
	052812-06-J30	EA	Door Asm. - Couch Cabinet - w/o Hardware

### OPTIONAL DINETTE TABLE WITH CORNER LOUNGE CHAIRS

Key	Part Number	U/M	Description
	053977-01-J30	EA	Table Asm. - Dinette - w/o Hardware - Butcher Block
	045795-01-000	EA	Holder - Glass - Plastic

## DRIVER'S COMPARTMENT GROUP

### DASH SWITCHES AND GAUGES

Key	Part Number	U/M	Description
	024461-01-000	EA	Switch - Battery
	024462-01-000	EA	Switch - Battery Condition
	024463-01-000	EA	Switch - Blinker
	024464-01-000	EA	Switch - Washer
	024465-01-000	EA	Switch - Fuel
	024467-01-000	EA	Switch - Wiper
	024976-01-000	EA	Switch - Generator w/o Circuit Board
	037387-01-000	EA	Switch - Generator w/Circuit Board
	024459-01-000	EA	Gauge - Voltmeter
	024460-01-000	EA	Gauge - Vacuum
	031035-01-000	EA	Gauge - Generator Hourmeter
	031376-01-000	EA	Control Asm. - Heater - 3 Speed
	055279-01-000	EA	Control Asm. - Heater A/C - 3 Speed

## DRIVER'S COMPARTMENT GROUP (CONTINUED)

### DASH PANEL AND COMPONENTS

Key	Part Number	U/M	Description
	053384-01-J30	EA	Dash Asm. - Complete w/Gauges and Switches
	022548-03-000	EA	Pad - Dash - Right - Dark Brown
	023242-05-000	EA	Pad - Dash - Left - Dark Brown
	024418-01-000	EA	Lamp Asm. - Map/Gauge
	023020-01-000	EA	Lamp Asm. - Telltale
	007308-01-000	EA	Dash Clock
	052367-01-000	EA	Lighter Asm. - Cigarette - 12 Volt
	007041-01-000	EA	Bezel - Cigarette Lighter
	007071-01-000	EA	Louver - Chrome - w/Chrome Wheel
	024990-02-000	EA	Outlet - Defroster w/Swivel - 2" Dark Brown
	039044-01-000	EA	Louver Asm. - A/C Adjuster
	050299-01-000	EA	Bezel - Control Panel (Dodge Chassis)
	039847-03-000	EA	Bezel - Control Panel (Chev. Chassis)
	050465-01-000	EA	Bezel - Entertainment Center No. 1 - w/Cut Out for Vehicle Sensor Panel
	050466-01-000	EA	Bezel - Entertainment Center No. 2 - w/Cut Out for Vehicle Sensor Panel, Radio and Clock
	050467-01-000	EA	Bezel - Entertainment Center No. 3 - w/Cut Out for Vehicle Sensor Panel, Radio, Clock, Hourmeter and Generator Start Stop Switch.
	023892-01-000	EA	Box - Glove Compartment - Black Fiberboard
	022219-01-000	EA	Door - Glove Compartment
	009118-01-000	EA	Twist Lock - Glove Compartment
	024598-01-000	EA	Hinge - Glove Compartment - 1 1/16" x 19"
	034309-01-000	EA	Chain - Glove Box Door
	023834-01-000	EA	Panel - Knee Kick - Bottom of Dash

### BUCKET SEAT PEDESTAL AND SEAT BELTS

Key	Part Number	U/M	Description
	050447-01-000	EA	Pedestal Asm. - Tilt Seat - Left
	050447-02-000	EA	Pedestal Asm. - Tilt Seat - Right - Single Seat
	050447-03-000	EA	Pedestal Asm. - Tilt Seat - Right - Double Seat
	007019-01-000	EA	Belt Asm. - Seat - 2" x 84" - Black
	041322-01-000	EA	Washer - Flat 15/32" I.D. x 2 3/8" O.D. - Seat Belt

### MISCELLANEOUS DRIVER'S COMPARTMENT COMPONENTS

Key	Part Number	U/M	Description
	048583-01-000	EA	Beverage Tray - Plastic - Dark Brown
	048670-01-000	EA	Track Asm. - Beverage Tray
	050786-01-000	EA	Pocket - Ash Tray - Plastic
	050797-01-000	EA	Ash Tray - Plastic
	052831-01-J30	EA	Cabinet Asm. - Front Overhead
	039857-01-000	EA	Latch - Rubber - Draw Handle 5 3/4" w/Strike
	039856-01-000	EA	Latch - Rubber - Draw Handle 3" w/Strike
	052783-01-000	EA	Seal - Motor Cover - Alum.
	042541-01-000	EA	Latch Asm. w/Strike - Chrome
	034800-03-000	EA	Cover - Motor - Plastic
	040519-01-000	EA	Boot - Rubber Steering Column
	040520-01-000	EA	Boot - Retainer - Steering Column
	007278-01-000	EA	Mirror - Inside Rear View 4 1/2" x 9"
	034499-01-000	EA	Support - Dimmer Switch
	041842-01-000	EA	Clip - Sunvisor Rod - Brown Plastic
	022758-04-000	EA	Sunvisor Asm. - Right Bostonian Brown
	022759-06-000	EA	Sunvisor Asm. - Left Bostonian Brown

## 1978 ITASCA TABLE OF CONTENTS

Introduction	A-1
Abbreviations	A-1
Alphabetical Index	A-2 - A-4
IDF/ICF23RG	A-5 - B-16
IC420RG	B-17 - D-5
IC525RB	D-7 - E-20
IDF/ICF26RT	E-21 - G-12

## 1978 IDF/ICF26RT INDEX

Floor Plan	E-21 - E-22
Accessories Group	E-23 - E-24
Bath Group	F-1
Chassis Group	F-2
Curtain, Cushion & Pad Group	F-3 - F-10
Dinette Group	F-11
Driver's Compartment Group	F-11 - F-12
Electrical Group	F-13 - F-14
Exterior Body Group	F-15 - F-18
Galley Group	F-19
Heating & Air Conditioning Group	F-20
Interior Finish Group	F-21 - F-22
LP Group	F-23
Lounge Group	F-24
Water & Sewage Group	G-1
Window, Vent & Exterior Door Group	G-2 - G-12



## ELECTRICAL GROUP

### BULBS

Key	Part Number	U/M	Description
	037835-01-000	EA	Bulb - 1157
	038010-01-000	EA	Bulb - 1143
	008103-01-000	EA	Bulb 53
	008213-01-000	EA	Bulb - 57
	008214-01-000	EA	Bulb - 67
	008215-01-000	EA	Bulb - 1003
	008216-01-000	EA	Bulb - 1034
	008217-01-000	EA	Bulb - 1073
	008218-01-000	EA	Bulb - 1141
	008219-01-000	EA	Bulb - 856
	008220-01-000	EA	Bulb - 12V - 25W
	036196-01-000	EA	Bulb - 194
	700020-01-000	EA	Bulb - 12V - 20W - 1383

### EXTERIOR LIGHTS

Key	Part Number	U/M	Description
	045863-01-000	EA	Lamp Asm. - Tail - Horizontal
	045864-01-000	EA	Lamp Asm. - Tail - Horizontal - w/License Mount
	045863-01-700	EA	Lens - Tail Light - All Red
	045863-01-701	EA	Lens - Tail Light - Red w/Back up
	046125-01-000	EA	Wedge - Tail Light
	042405-03-000	EA	Base - Rectangular Clearance Light
	042405-04-000	EA	Lens - Clearance Light - Red
	042405-05-000	EA	Lens - Clearance Light - Amber
	008092-01-000	EA	Reflector - Stick On - Rectangular - Red
	008093-01-000	EA	Reflector - Stick On - Rectangular - Amber

### INTERIOR LIGHTS

Key	Part Number	U/M	Description
	033508-02-000	EA	Light - Dome - Ivory - 1 Bulb - US
	033508-03-000	EA	Light - Dome - Ivory - 1 Bulb - CSA
	033509-02-000	EA	Light - Dome - Ivory - 2 Bulb - US
	033509-03-000	EA	Light - Dome - Ivory - 2 Bulb - CSA
	024642-01-000	EA	Lens - Dome Light - 1 Bulb
	024643-01-701	EA	Lens - Dome Light - 2 Bulb
	024418-01-000	EA	Lamp Asm. - Map/Gauge/Aisle
	024473-01-000	EA	Light - Aircraft - 1 Bulb - Gold

### FUSES AND CIRCUIT BREAKERS

Key	Part Number	U/M	Description
	056473-01-000	EA	Fuse - Slow Blow - 6 1/4" Amp.
	008233-01-000	EA	Fuse - 12 Volt - 6 Amp.
	008234-01-000	EA	Fuse - 12 Volt - 10 Amp.
	008235-01-000	EA	Fuse - 12 Volt - 15 Amp.
	008236-01-000	EA	Fuse - 12 Volt - 20 Amp.
	008248-01-000	EA	Fuse - 110 Volt - 30 Amp. - AGU
	008252-01-000	EA	Fuse - 110 Volt - 50 Amp.
	008208-01-000	EA	Circuit Breaker - 12 Volt - 40 Amp.
	008211-01-000	EA	Circuit Breaker - 12 Volt - 6 Amp.
	008263-01-000	EA	Circuit Breaker - 12 Volt - 30 Amp. w/Mount
	033573-01-000	EA	Circuit Breaker - 12 Volt - 20 Amp. w/Mount
	040051-01-000	EA	Circuit Breaker - 110 Volt - 20 Amp. - TQL

## ELECTRICAL GROUP (CONTINUED)

### WIRE, SWITCHES, AND RECEPTACLES

Key	Part Number	U/M	Description
	008024-01-000	FT	Wire - 18.5 Bonded - Orange/White/Yellow/Blue/Brown
	008025-01-000	FT	Wire - 18.5 Bonded - Orange/White/Yellow/Blue/Green
	008026-01-000	FT	Wire - 18.5 Bonded - Blue/Red/Yellow/Orange/White
	008030-01-000	FT	Wire - 18.4 Bonded
	008251-01-000	EA	Holder - Fuse - Black - Screw Type
	008277-01-000	EA	Holder - Fuse - Black - Panel Mount
	008195-01-000	EA	Switch - Push Button - 12 Volt
	008077-01-000	EA	Plaque - Compressor Switch
	008054-01-000	EA	Cord - Power - 10-3 30 Amp. - 25' - UL
	034818-04-000	EA	Holder - Receptacle - Plastic
	039338-01-000	EA	Cover Plate - Receptacle - Plastic - Brown
	039342-01-000	EA	Receptacle - Duplex Brown - T Junction
	024571-01-000	EA	Cover Plate - Receptacle - Jumbo Steel Brown
	039343-01-000	EA	Cap - End - Receptacle
	008162-01-000	EA	Switch - Double Toggle - Spade Brown
	003163-01-000	EA	Switch - Toggle Brown
	008164-01-000	EA	Cover Plate - Switch - Brown
	024924-01-000	EA	Receptacle - Power Cord
	008058-01-000	EA	Adaptor - Power Cord
	047353-01-000	EA	Cover - Receptacle - Ground Fault
	047351-01-000	EA	Receptacle - Ground Fault Interrupter - 125 Volt, Black
	008052-01-000	EA	Cord - Power - 10-3 30 Amp - 25' - CSA

### WINDSHIELD WIPER AND WASHER

Key	Part Number	U/M	Description
	007029-01-000	EA	Washer - Electric - Windshield
	049463-01-000	EA	Arm - Windshield Wiper 15" Black
	037998-01-000	EA	Link Asm. - Connecting - 22.40" Long
	037999-01-000	EA	Motor Asm. - Windshield Wiper
	049464-01-000	EA	Blade - Windshield Wiper 16" Black
	038001-01-000	EA	Shaft and Pivot Asm. - 2.25" Arm
	700073-05-000	EA	Pump and Cover Asm. - Windshield Washer
	700073-04-000	EA	Reservoir Only - Water - Windshield Washer
	700073-02-000	EA	Washer Nozzle Hardware Package

### MISCELLANEOUS ELECTRICAL COMPONENTS

Key	Part Number	U/M	Description
	047338-01-000	EA	Isolator - Dual Battery
	047389-01-700	EA	Battery - 12 Volt - 105 Amp. Deep Cycle - Dry
	008188-01-000	EA	Solenoid - Dual Battery - Relay
	046775-01-000	EA	Valve - Gas - Change Over
	039950-02-000	EA	Control Center - 30 Amp. w/Door - UL
	039950-01-702	EA	Circuit Board - Control Center
	039950-01-701	EA	Circuit Board - Control Center - w/Light
	039950-01-700	EA	Circuit Board - Control Center - w/o Light
	008077-01-000	EA	Plaque - Compressor Switch
	039950-01-000	EA	Control - Center - 30 Amp - w/o Door UL
	054544-01-000	EA	Control - Center - 37 Amp - VL
	048812-01-000	EA	Panel - Control - Water/Double Sewage - Wemac
	039861-01-000	EA	Sending Unit Kit - Wemac
	024458-01-000	EA	Gauge - Voltmeter
	024462-01-000	EA	Switch - Battery Conditioner
	031035-01-000	EA	Gauge - Hour Meter - Generator
	024972-01-000	EA	Switch - Generator w/o Circuit Board
	024460-01-000	EA	Gauge Vacuum
	038617-01-000	EA	Relay - Canister - S.P.D.T.

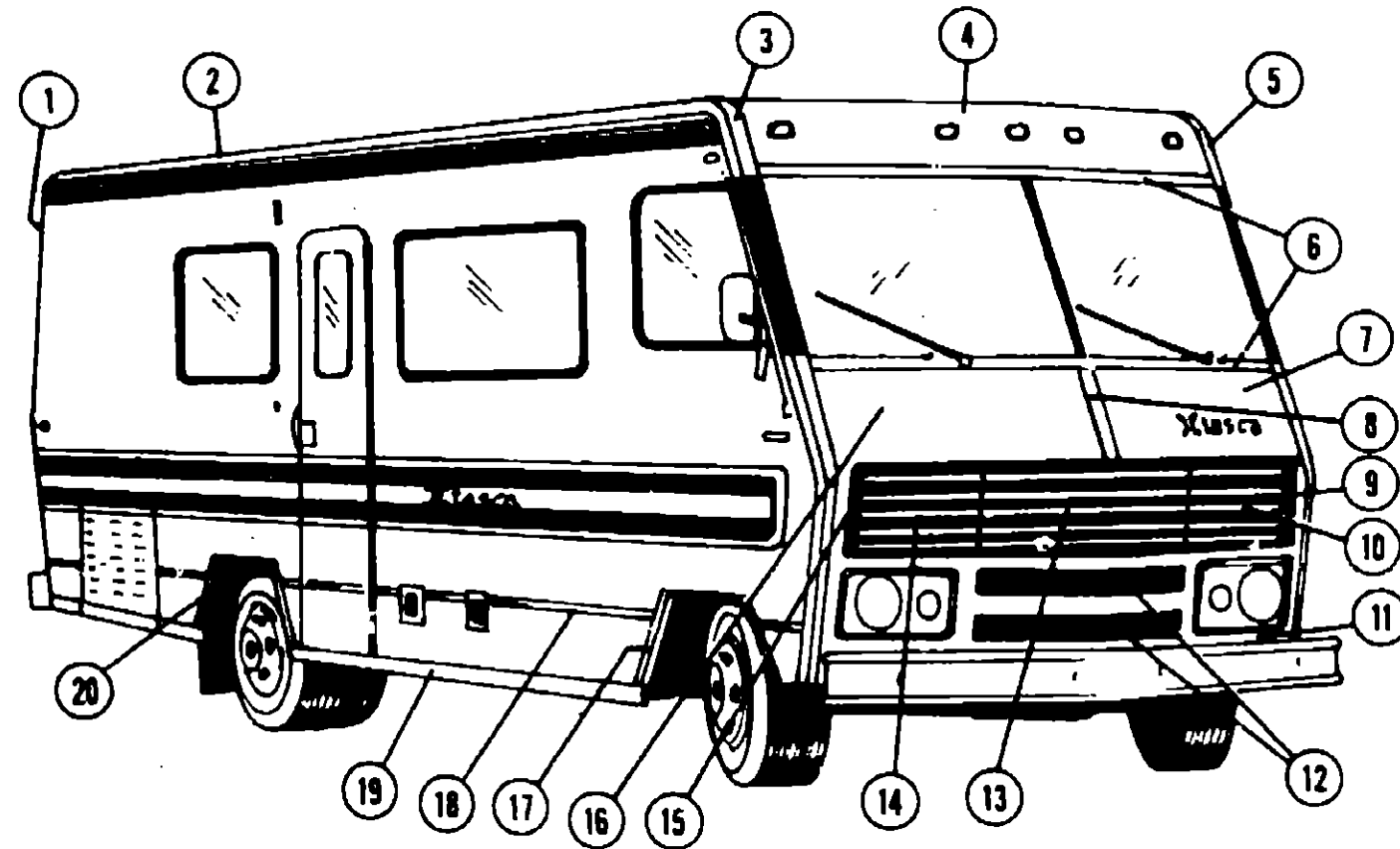
## 1978 ITASCA TABLE OF CONTENTS

Introduction	A-1
Abbreviations	A-1
Alphabetical Index	A-2 - A-4
IDF/ICF23RG	A-5 - B-16
IC420RG	B-17 - D-6
IC525RB	D-7 - E-20
IDF/ICF26RT	E-21 - G-12

## 1978 IDF/ICF26RT INDEX

Floor Plan	E-21 - E-22
Accessories Group	E-23 - E-24
Bath Group	F-1
Chassis Group	F-2
Curtain, Cushion & Pad Group	F-3 - F-10
Dinette Group	F-11
Driver's Compartment Group	F-11 - F-12
Electrical Group	F-13 - F-14
Exterior Body Group	F-15 - F-18
Galley Group	F-19
Heating & Air Conditioning Group	F-20
Interior Finish Group	F-21 - F-22
LP Group	F-23
Lounge Group	F-24
Water & Sewage Group	G-1
Window, Vent & Exterior Door Group	G-2 - G-12

## EXTERIOR BODY GROUP



## 1978 ITASCA TABLE OF CONTENTS

Introduction	A-1
Abbreviations	A-1
Alphabetical Index	A-2 - A-4
IDF/ICF23RG	A-5 - B-16
IC420RG	B-17 - D-6
IC525RB	D-7 - E-20
IDF/ICF26RT	E-21 - G-12

## 1978 IDF/ICF26RT INDEX

Floor Plan	E-21 - E-22
Accessories Group	E-23 - E-24
Bath Group	F-1
Chassis Group	F-2
Curtain, Cushion & Pad Group	F-3 - F-10
Dinette Group	F-11
Driver's Compartment Group	F-11 - F-12
Electrical Group	F-13 - F-14
Exterior Body Group	F-15 - F-18
Galley Group	F-19
Heating & Air Conditioning Group	F-20
Interior Finish Group	F-21 - F-22
LP Group	F-23
Lounge Group	F-24
Water & Sewage Group	G-1
Window, Vent & Exterior Door Group	G-2 - G-12

Key	Part Number	U/M	Description
1	039964-01-000	EA	Trim - Contour - Right Rear - Off White
2	039964-02-000	EA	Trim - Contour - Left Rear - Off White
3	034922-10-000	EA	Trim - Sidewall - Upper - Left or Right - Off White
4	053217-01-000	EA	Trim - Contour - Right Front - Off White
5	054957-01-000	EA	Cap Asm. - Fiberglass - Over Windshield - Off White
6	053217-02-000	EA	Trim - Contour - Left Front - Off White
7	053233-02-000	EA	Trim - Windshield - 91" - Off White
8	052979-02-J30	EA	Hoodboard - Left
9	053207-01-000	EA	Trim - Hood - Center
10	053089-02-000	EA	Trim - Grille - Left
11	053108-02-000	EA	Grille Asm. - Left
12	053102-01-000	EA	Hoodboard - Lower - Dodge Chassis
13	057444-01-000	EA	Hoodboard - Lower - Chevy Chassis
14	057197-01-000	EA	Bezel - Headlight - Left
15	057198-01-000	EA	Bezel - Headlight - Right
16	055221-01-000	EA	Grille Asm. - Lower
17	053109-01-000	EA	Grille Asm. - Center
18	053090-01-J27	EA	Trim - Grille Center
19	021497-01-000	EA	Latch Asm. - Grille
20	053113-01-000	EA	Hinge - Grille

Key	Part Number	U/M	Description
14	053108-01-000	EA	Grille Asm. - Right
15	053089-01-000	EA	Trim - Grille - Right
16	052979-01-J30	EA	Hoodboard - Right
17	035628-01-000	EA	Fastener - Blind Well Nut - Fiberglass to Chassis
18	052843-01-000	EA	Trim - Wheel Well - Front - Left or Right
19	002444-02-003	EA	Feature Strip - Extr. Alum. - 18'
20	001030-02-100	EA	Insert - Feature Strip - Off White - 17'
	001030-05-100	EA	Insert - Feature Strip - Burnished Red - 17'
	001030-06-100	EA	Insert - Feature Strip - Lucerne Blue - 17'
	001030-07-100	EA	Insert - Feature Strip - Dark Green - 17'
	009731-01-000	EA	End Cap - Feature Strip
	002776-02-001	EA	Extr. - Anod. - U-Channel - 1 3/4" x 16'
	052842-01-000	EA	Trim - Wheel Well - Rear - Right or Left
	002365-02-001	EA	Extr. - Anod. U-Channel - 18' (Lower Backwall)
	044582-02-000	EA	Drip Cap - Over Entry Door - Off White
	009717-02-002	EA	Extr. - Drip Rail - Alum. - 19'
			Not Illustrated

## EXTERIOR BODY GROUP (CONTINUED)

### EXTERIOR BODY PANELS AND SHEET ALUMINUM

Key	Part Number	U/M	Description
	052522-01-J30	EA	Backwall Asm.
	053455-01-J30	EA	Sidewall Asm. - Left
	053454-01-J30	EA	Sidewall Asm. - Right
	052984-01-J30	EA	Roof Asm.
	039155-03-008	EA	Alum. - Off White - Mesa I - .024" x 36" x 60"
	039155-03-003	EA	Alum. - Off White - Mesa I - .024" x 36" x 360"
	039155-03-007	EA	Alum. - Off White - Mesa I - .024" x 48" x 60"
	039155-03-006	EA	Alum. - Off White - Mesa I - .024" x 48" x 360"
	039155-03-009	EA	Alum. - Off White - Mesa I - .024" x 12" x 360"
	039155-28-001	EA	Alum. - Off White - Mesa II - .024" x 36" x 60"
	039155-28-003	EA	Alum. - Off White - Mesa II - .024" x 36" x 360"
	039155-28-004	EA	Alum. - Off White - Mesa II - .024" x 48" x 60"
	039155-28-006	EA	Alum. - Off White - Mesa II - .024" x 48" x 360"
	039155-28-007	EA	Alum. - Off White - Mesa II - .024" x 12" x 360"
	044487-01-001	EA	Plain Roof Metal - 96" x 360"
	039155-07-010	EA	Off White Greyhound Alum. - 48" x 96"
	001054-01-011	EA	Off White Plain Alum. - 48" x 96"
	000868-01-000	BF	Styrofoam - 3/4" x 24" x 96"
	000870-01-000	BF	Styrofoam - 1 1/2" x 24" x 96"
	046817-01-000	EA	Panel Asm. - Valance - Off White

Note: The raised portion of Mesa I is 1.657" wide  
The raised portion of Mesa II is .875" wide

### SEALANTS, ADHESIVES AND FASTENERS

Key	Part Number	U/M	Description
	034552-05-000	EA	Sealant - Off White Silicone
	034552-04-500	EA	Sealant - Beige Silicone
	034552-02-000	EA	Sealant - Clear Silicone
	004342-01-000	EA	Sealant - Weatherbar 202 Tube
	004346-02-000	EA	Sealant - White Silicone
	004347-01-000	EA	Sealant - Tutflex
	004357-01-000	FT	Sealer Tape - 1/8" x 5/8" - Adhesive
	009200-01-000	EA	Tape - Furnace - 1 1/2"
	004353-01-000	FT	Tape - Gasket - 1/8" x 3/4" - White
	002825-01-000	FT	Weather Stripping - Roof Vent
	002337-01-000	EA	Adhesive - 3M - 1300 Tube
	004005-01-000	GL	Adhesive - Swifts - Green - Glue (Sidewalls)
	004012-01-000	EA	Adhesive - 3M - 4475 Tube
	004020-01-000	QT	Adhesive - ABS Cement (Plastic Fittings)
	029051-01-000	EA	Adhesive - Spray Vinyl
	042401-02-000	EA	Screw - 8 - 18 x 3/4" SDPH - Off White
	042403-02-000	EA	Screw - SF/DR - 8-18 x 1" SDPH - Off White
	053766-01-000	EA	Bedding Compound - Tube Black - Schnee Morehead
	053766-02-000	EA	Bedding Compound - Tube White - Schnee Morehead
	053767-01-000	FT	Tape - 1/2" x 1/8" x 30' - Gray - Schnee Morehead
	053767-03-000	FT	Tape - 1/4" Bead x 20' - Gray - Schnee Morehead
	053767-04-000	FT	Tape - 3/4" x 1/8" x 30' - Gray - Schnee Morehead
	053767-05-000	FT	Tape - 2" x 3/32" x 45' - Gray - Schnee Morehead

## EXTERIOR BODY GROUP (CONTINUED)

### EXTERIOR PAINT

Key	Part Number	U/M	Description
	041561-01-000	EA	Paint - Off White - Acrylic Enamel - 1 Gal.
	041561-03-000	EA	Paint - Off White - Acrylic Enamel - 16 oz. Aerosol
	041561-04-000	EA	Paint - Off White - Acrylic Laquer - 1 Gal.
	045681-01-000	EA	Paint - Satin Black - Acrylic Enamel - 16 oz. Aerosol
	045681-03-000	EA	Paint - Gloss Black - Acrylic Enamel - 16 oz. Aerosol
	056006-03-000	EA	Paint - Lucerne Blue - 16 oz. Aerosol - Dupont 42858
	056007-03-000	EA	Paint - Dark Jade - 16 oz. Aerosol - Dupont 43517
	041565-03-000	EA	Paint - Rally Yellow - Acrylic Enamel - 16 oz. Aerosol
	055684-03-000	EA	Paint - Medium Gray Metallic - 16 oz. Aerosol - Dupont 44783
	043877-03-000	EA	Paint - Saddle Bronze - Acrylic Enamel - 16 oz. Aerosol
	057462-03-000	EA	Paint - Autumn Fall Metallic - 16 oz. Aerosol - Dupont 43507
	055683-03-000	EA	Paint - Tan Bronze Metallic - 16 oz. Aerosol - Dupont 44161
	056912-03-000	EA	Paint - Regal Blue - 16 oz. Aerosol - Dupont 5543
	045812-03-000	EA	Paint - Orange - Acrylic Enamel - 16 oz. Aerosol

### LABELS AND DECALS

Key	Part Number	U/M	Description
	006031-01-000	EA	Label - Potable Water Only
	006187-01-000	EA	Label - Sewage
	006188-01-000	EA	Label - Waste Water
	006199-01-000	EA	Label - Exit - Escape Window
	039289-01-000	EA	Label - Warning Aux. Loading
	006023-01-000	EA	Label - Water Only
	006025-01-000	EA	Label - Gas
	006028-01-000	EA	Label - Drain Cap - 2" x 3"
	008092-01-000	EA	Reflector - Stick on - Rectangular - Red
	008093-01-000	EA	Reflector - Stick on - Rectangular - Amber
	046325-01-000	EA	Decal - Logo - Itasca - Grille
	055289-01-000	EA	Decal - Logo - Suncruiser
	040055-01-000	EA	Decal - Clearance Light Stripe - Right
	040055-02-000	EA	Decal - Clearance Light Stripe - Left
	041273-02-000	FT	Decal - Stripe .88" Black
	041273-17-000	FT	Decal - Stripe - .63" Black
	056251-01-000	EA	Decal - Front Side - Upper - Right
	056251-02-000	EA	Decal - Front Side - Upper - Left
	056257-01-000	EA	Stencil - Stripe - Front Side - Right
	056257-02-000	EA	Stencil - Stripe - Front Side - Left
	056258-01-000	EA	Decal - Stripe - Front Side - Right
	056258-02-000	EA	Decal - Stripe - Front Side - Left
	056004-05-000	EA	Decal - Logo - "Itasca" - 5.25" High - Dark Jade w/White Back
	056004-01-000	EA	Decal - Logo "Itasca" - 5.25" High - Orange w/White Back
	056004-02-000	EA	Decal - Logo - "Itasca" - 5.25" High - Gray w/White Back
	048323-01-000	EA	Stencil - Logo - Itasca "I"
	046400-01-000	EA	Decal - Logo - Itasca 5.35" High
	040944-01-000	EA	Label - Open - Entrance Door
	047731-01-000	EA	Label - Emergency Exit
	053343-01-000	EA	Stencil - Itasca - "I" - 8.5"

### MISCELLANEOUS EXTERNALLY MOUNTED PARTS

Key	Part Number	U/M	Description
	016253-06-000	EA	Fuel Fill - Recessed - Single - Off White
	010230-02-000	EA	Fill - City Water - Recessed - Off White
	011020-01-000	EA	Fill - Water - Recessed - Off White
	056132-01-000	EA	Fill - Water - Lockable
	011124-01-000	EA	Plumbing Seal - Roof Vent - 1 1/4" White
	011129-01-000	EA	Plumbing Seal - Roof Vent - 1 1/2" White
	049347-01-000	EA	Mirror Head - 7 1/2" x 10 1/2" Stainless Steel w/o Bracket
	049348-01-000	EA	Arm - Low Mount Mirror - Brite Finish
	049944-02-000	EA	Bracket - Mirror - Outside - Off White - Mounts to Coach

## 1978 ITASCA TABLE OF CONTENTS

Introduction	A-1
Abbreviations	A-1
Alphabetical Index	A-2 - A-4
IDF/ICF23RG	A-5 - B-16
IC420RG	B-17 - D-6
IC525RB	D-7 - E-20
IDF/ICF26RT	E-21 - G-12

## 1978 IDF/ICF26RT INDEX

Floor Plan	E-21 - E-22
Accessories Group	E-23 - E-24
Bath Group	F-1
Chassis Group	F-2
Curtain, Cushion & Pad Group	F-3 - F-10
Dinette Group	F-11
Driver's Compartment Group	F-11 - F-12
Electrical Group	F-13 - F-14
Exterior Body Group	F-15 - F-18
Galley Group	F-19
Heating & Air Conditioning Group	F-20
Interior Finish Group	F-21 - F-22
LP Group	F-23
Lounge Group	F-24
Water & Sewage Group	G-1
Window, Vent & Exterior Door Group	G-2 - G-12

## GALLEY GROUP

### GALLEY CABINETRY

Key	Part Number	U/M	Description
	052485-01-J30	EA	Cabinet Asm. - Galley Overhead - w/o Doors or Hardware
	052812-01-J30	EA	Door Asm. - Galley Overhead Cabinet - w/o Hardware
	054301-01-J30	EA	Cabinet Asm. - Galley - w/o Countertop, Doors, Drawers or Hardware
	052566-01-J30	EA	Countertop Asm. - Galley - Butcher Block
	053983-02-J30	EA	Door Asm. - Galley Cabinet - 12 3/4" x 29 7/8" - w/o Hardware
	053983-03-J30	EA	Door Asm. - Galley Cabinet - 9 1/4" x 14 7/8" - w/o Hardware
	053816-01-J30	EA	Drawer Asm. - Galley Cabinet - 12 3/4" x 13 1/8" - w/o Hardware
	053983-04-J27	EA	Door Asm. - Refrigerator Cabinet - 11 13/16" x 17 3/4" - w/o Hardware
	052812-03-J30	EA	Door Asm. - Refrigerator Cabinet - 24 1/2" x 18 3/4"
	054028-01-J10	EA	Sink Cover - Butcher Block

### GALLEY HARDWARE AND APPLIANCES

Key	Part Number	U/M	Description
	011032-01-000	EA	Sink - Stainless Steel - Double w/Bolts
**	011053-01-000	EA	Faucet - 8" Swing Spout - US
**	011085-01-000	EA	Strainer - Sink
**	011053-01-700	EA	Aerator - Swing Spout Faucet
**	053333-01-000	EA	Hood Stove - Non Power - Black
**	052583-01-000	EA	Range - 4 Burner - Small Oven - Black
**	049175-01-000	EA	Refrigerator - AC/Gas - Sibir ET150 - 1 Door Model
**	049175-02-000	EA	Refrigerator - AC/DC/Gas - Sibir ET150/2 - 1 Door Model
**	049174-01-000	EA	Refrigerator - AC/Gas - Sibir ET230 - 2 Door Model
**	049174-02-000	EA	Refrigerator - AC/DC/Gas - Sibir ET230/2 - 2 Door Model

\*\*The illustrated parts breakdown for this item is provided on the Common Items Fiche.

## HEATING AND AIR CONDITIONING GROUP

Key	Part Number	U/M	Description
	039044-01-000	EA	Louver Asm. - A/C Adjustable
	047046-01-000	EA	Motor - 12 Volt - 3 Speed - Heater - Air Conditioner
	031043-01-000	EA	Valve - Heater - Water Flow Control
	031169-01-000	EA	Cable - Control - Flexible - 53"
	031169-02-000	EA	Cable - Control - Flexible - 48"
	031170-01-000	EA	Clamp - Cable - 3/16" Dia.
	024996-01-000	EA	Clutch - Magnetic - Compressor
	024999-01-000	EA	Compressor - Auto Air - 10.3" Cubic Inch
	048721-01-000	EA	Package - Compressor Mount 360 C.I.D.
	033295-01-000	EA	Package - Compressor Mount 440 C.I.D.
	031394-01-000	EA	Condensor - Radiator Mount
	008267-01-000	EA	Switch - Air Conditioner
	024867-01-000	EA	Valve - Thermostatic Expansion
	024997-01-000	EA	Core - Heater
	024998-01-000	EA	Wheel - Blower - 4.72" O.D.
	031393-01-000	EA	Coil - Evaporator
	033258-01-000	EA	Hose - Refrigerant - .50" I.D. x 34.50"
	034222-01-000	EA	Hose - Refrigerant - .31" I.D. x 26"
	031960-01-000	EA	Hose - Refrigerant - .34" I.D. x 30"
	031961-01-000	EA	Hose - Refrigerant - .31" I.D. x 14.75"
	024868-01-000	EA	Receiver - Dehydrator
	031044-01-000	EA	Clamp - Receiver Dehydrator
	031962-01-000	EA	Bracket - Receiver Dehydrator
	031976-01-000	EA	Belt - Drive - .50" I.D. x 54" - 360 C.I.D. or 440 C.I.D.
	048228-02-000	EA	Kit - Auto Air - 360 C.I.D. A Body - Winnebago Heater
	048229-02-000	EA	Kit - Auto Air - 440 C.I.D. A Body - Winnebago Heater
	039505-02-000	EA	Thermostat - Horizontal Wall Mount
	055280-01-000	EA	Switch - Heater and A/C
**	052598-01-000	EA	Furnace - 19,000 BTU - Under Counter Mount - Coleman - 4319-729
**	049777-01-000	EA	Air Conditioner - 110 Volt - Roof Mount - 11,000 BTU - Ivory Coleman (w/o Inside Shroud)
**	049778-01-000	EA	Shroud Asm. - Ceiling - Inside Roof Air - Cool Only - 11,000 BTU - Coleman
**	049774-01-000	EA	Air Conditioner - 110 Volt - Roof Mount - 13,500 BTU Ivory - Coleman (w/o Inside Shroud)
**	049775-01-000	EA	Shroud Asm. - Ceiling - Inside - Roof Air Cool Only - 13,500 BTU - Coleman
**	049776-01-000	EA	Shroud Asm. - Ceiling - Inside - Roof Air - Heat and Cool Only 13,500 BTU - Coleman

\*\*The illustrated parts breakdown for this item is provided on the Common Items Fiche.

## 1978 ITASCA TABLE OF CONTENTS

Introduction	A-1
Abbreviations	A-1
Alphabetical Index	A-2 - A-4
IDF/ICF23RG	A-5 - B-16
IC420RG	B-17 - D-6
IC525RB	D-7 - E-20
IDF/ICF26RT	E-21 - G-12

## 1978 IDF/ICF26RT INDEX

Floor Plan	E-21 - E-22
Accessories Group	E-23 - E-24
Bath Group	F-1
Chassis Group	F-2
Curtain, Cushion & Pad Group	F-3 - F-10
Dinette Group	F-11
Driver's Compartment Group	F-11 - F-12
Electrical Group	F-13 - F-14
Exterior Body Group	F-15 - F-18
Galley Group	F-19
Heating & Air Conditioning Group	F-20
Interior Finish Group	F-21 - F-22
LP Group	F-23
Lounge Group	F-24
Water & Sewage Group	G-1
Window, Vent & Exterior Door Group	G-2 - G-12

## INTERIOR FINISH GROUP

### PANELING AND COUNTERTOP MATERIALS

Key	Part Number	U/M	Description
	055275-01-000	SF	Paneling - Hickory - 48" x 96" (32 SF)
	052585-01-000	SF	Paneling - White Brick - 48" x 96" (32 SF)
	045963-01-000	SF	Paneling - 825 Buff - Ceiling - 48" x 94"
	051904-01-000	SF	Paneling - Cloud Beige - Bath - 48" x 96" (32 SF)
	053330-01-000	SF	Paneling - Grass Cloth - 48" x 88"
	045964-01-000	SF	Plastic Laminate - Butcher Block - 48" x 96" (32 SF)
	045964-01-001	EA	Plastic Laminate - Butcher Block - 48" x 48"
	045964-01-002	EA	Plastic Laminate - Butcher Block - 1.19" x 96"

### FABRICS AND FLOOR COVERINGS

Key	Part Number	U/M	Description
	052581-01-000	YD	Fabric - Drapery - Green
	052581-02-000	YD	Fabric - Drapery - Gold
	052581-03-000	YD	Fabric - Drapery - Beige
	052582-01-000	YD	Fabric - Upholstery - Green
	052582-02-000	YD	Fabric - Upholstery - Gold
	052582-03-000	YD	Fabric - Upholstery - Beige
	042411-01-000	YD	Vinyl - Nonexpanded - 27 Oz. - Brown
	042411-02-000	YD	Vinyl - Expanded - 28 Oz. - Brown
	042411-03-000	YD	Vinyl - Non Support - 16 Gauge - Brown
	052580-01-000	SY	Carpet - Scottish Fancy - Green
	052580-02-000	SY	Carpet - Scottish Fancy - Gold
	052580-03-000	SY	Carpet - Scottish Fancy - Beige
	042720-03-000	SY	Vinyl - Floor Covering - 90" Wide - Tan

### INTERIOR MOLDING AND TRIMS

Key	Part Number	U/M	Description
	000726-07-000	EA	Batt Strip - 709 Hickory
	047354-01-000	EA	Batt Strip - 825 Buff
	024700-05-000	EA	Cover - Roll Bar - 709 Hickory - 12" Plastic
	024700-06-000	EA	Cover - Roll Bar - Ivory - 8' Plastic
	039512-03-000	EA	Cover - Hat Section - Hickory - 12' Plastic
	039512-06-000	EA	Cover - Hat Section - Ivory - 8' Plastic
	047488-01-000	EA	Cover - Corner - Hat/Hat
	047489-01-000	EA	Cover - Corner - Tube/Tube
	052859-01-J07	FT	Trim - Accent - Brown Vinyl
	009767-01-000	FT	Welting - Brown
	009778-01-000	FT	U-Channel - 1" - Dark Brown
	009813-01-000	FT	Molding - Outside Corner - .50" - Dark Pecan
	022992-03-000	FT	Molding - Reverse Cove - Sandalwood
	034689-03-000	EA	Cover - Screw - PPH 10 - Ivory
	009809-06-000	FT	Molding - Plastic Corner - Outside - 1" Antique Birch
	009812-06-000	FT	Molding - Plastic Corner - Outside - .50" - Antique Birch
	024700-07-000	EA	Cover - Roll Bar - Birch - 12' Plastic
	039512-05-000	EA	Cover - Hat Section - Birch - 12' Plastic

## INTERIOR FINISH GROUP (CONTINUED)

### CABINETS AND TABLE HARDWARE

Key	Part Number	U/M	Description
	052929-01-J30	EA	Latch Kit - Cabinet Door - Antique Brass
	052930-01-J30	EA	Pull Kit - Drawer - Antique Brass
	052932-01-J30	EA	Hinge Kit - Cabinet Door - Antique Brass
..	041939-01-000	EA	Hinge Kit - Double Acting
..	047744-01-000	EA	Kit - Drawer Glide
	047809-03-000	EA	Kit - Dinette Hardware - Wall Mount
	009040-02-000	EA	Leg - Pedestal Table - 27.5" - Chrome
	009040-03-000	EA	Base - Table Leg - Mounts on Table
	041194-01-000	EA	Base - Table Leg - Floor Mount
	009047-01-000	EA	Door Support - Overhead Cabinet

### CURTAIN HARDWARE

Key	Part Number	U/M	Description
	052327-04-236	EA	Track - Curtain - Brown Alum. - 89" w/Holes
	056116-01-000	EA	Track - Curtain - Brown Plastic
	056001-01-000	EA	Bracket - Shade - Left
	056002-01-000	EA	Bracket - Shade - Right
	050826-03-000	EA	Track - Wraparound Curtain - Left
	050826-04-000	EA	Track - Wraparound Curtain - Right
	053272-02-201	EA	Track - Privacy Curtain - Anod. Alum. - 50" w/Holes
	053272-03-203	EA	Track Blackout Curtain - Brown Alum. - 93" w/Holes
	009107-01-000	EA	Guide - Nylon Snap - Curtain
	018031-42-000	EA	Track - Curtain - "L" Rod - Alum. Extr. - 90"
	009701-01-000	EA	Carrier - "L" Rod - Curtain
	009702-01-000	EA	End Stop - "L" Rod - Curtain

### MISCELLANEOUS

Key	Part Number	U/M	Description
	041944-01-700	EA	Fire Extinguisher - Dry Chemical w/Bracket
	040069-01-000	EA	Door Mat - Black Rubber - Itasca
	053552-01-J07	EA	Handle - Assist - Brown
	054185-02-000	EA	Owners Manual - Itasca 1978

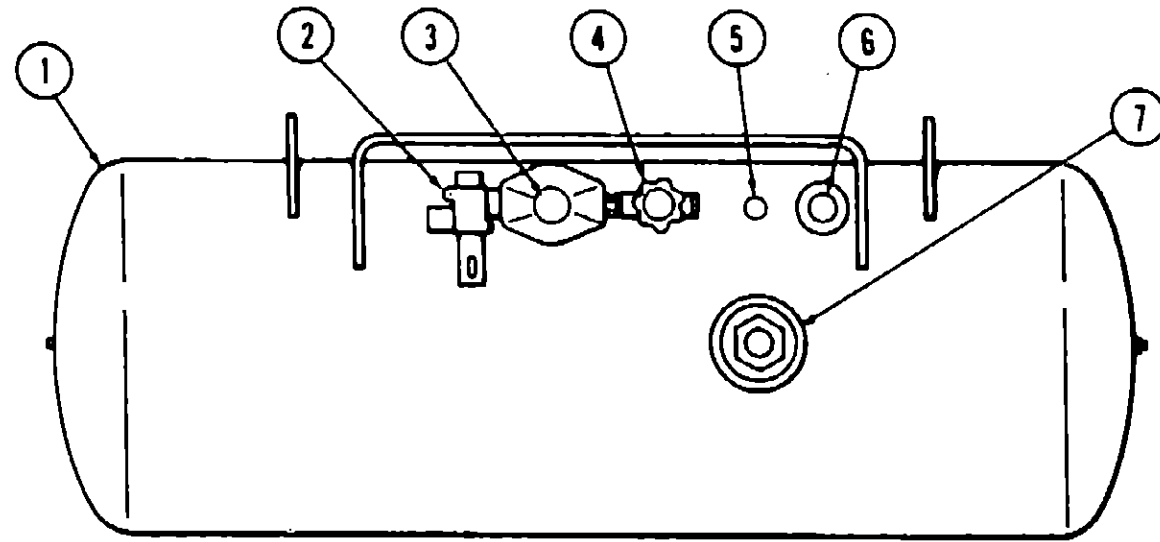
## 1978 ITASCA TABLE OF CONTENTS

Introduction	A-1
Abbreviations	A-1
Alphabetical Index	A-2 - A-4
IDF/ICF23RG	A-5 - B-16
IC420RG	B-17 - D-6
IC525RB	D-7 - E-20
IDF/ICF26RT	E-21 - G-12

## 1978 IDF/ICF26RT INDEX

Floor Plan	E-21 - E-22
Accessories Group	E-23 - E-24
Bath Group	F-1
Chassis Group	F-2
Curtain, Cushion & Pad Group	F-3 - F-10
Dinette Group	F-11
Driver's Compartment Group	F-11 - F-12
Electrical Group	F-13 - F-14
Exterior Body Group	F-15 - F-18
Galley Group	F-19
Heating & Air Conditioning Group	F-20
Interior Finish Group	F-21 - F-22
LP Group	F-23
Lounge Group	F-24
Water & Sewage Group	G-1
Window, Vent & Exterior Door Group	G-2 - G-12

## LP GROUP



Key	Part Number	U/M	Description
1	040421-01-000	EA	Tank Asm. - LP - Frame Mount - 83 Pound
.	042281-01-000	EA	Tank Asm. - LP - Frame Mount - 42 Pound
2	047221-01-000	EA	Detector - LP Gas Leak
3	024712-01-000	EA	Cover - LP Regulator
.	052163-01-000	EA	Regulator - Manual - LP Gas - 2 Stage
4	040421-01-703	EA	Valve - Vapor Relief
5	040421-01-700	EA	Gauge - Liquid Level - 20% LP
6	040421-01-701	EA	Valve - Filler - LP
.	040421-01-702	EA	Cap - Plastic Fill Valve
7	040421-01-707	EA	Gauge - Float - w/Visible Dial - 83 Pound Tank
.	042261-01-700	EA	Gauge - Float - w/Visible Dial - 42 Pound Tank
.	040421-01-706	EA	Dial - Visible Face - Float Gauge (Tank w/o Electric Transmitter)
.	040421-01-705	EA	Dial - Transmitter - 0 - 90 Ohm (Float Gauge)
.	045703-03-000	EA	Hose Asm. - LP - 3/8" I.D. x 14"
.	047737-02-000	EA	Support - LP Tank - 89 25"
.	047737-03-000	EA	Support - LP Tank - 30 50"
.			Not Illustrated

## LOUNGE GROUP

### LOUNGE WARDROBE CABINETS

Key	Part Number	U/M	Description
	053670-01-J30	EA	Cabinet Asm. - Wardrobe Base - Left
	053695-01-J30	EA	Cabinet Asm. - Wardrobe Top - Left - w/o Door or Hardware
	052812-13-J27	EA	Door Asm. - Wardrobe - Left or Right w/o Hardware
	053883-01-J30	EA	Countertop Asm. - Wardrobe Base Cabinet - Left
	053674-01-J30	EA	Cabinet Asm. - Wardrobe Base - Right
	053706-01-J30	EA	Cabinet Asm. - Wardrobe Top - Right - w/o Door or Hardware
	053993-01-J30	EA	Countertop Asm. - Wardrobe Base Cabinet - Right

### TWIN BED W/SWIVEL CHAIRS AND SLIDE OUT TABLE

Key	Part Number	U/M	Description
	053977-01-J30	EA	Table Asm. - Lounge - w/o Hardware
	045795-01-000	EA	Holder - Glass - Plastic
	054630-01-J30	EA	Cabinet Asm. - Gaucho

### OPPOSING TWIN BEDS W/NIGHTSTAND

Key	Part Number	U/M	Description
	054002-01-J30	EA	Cabinet Asm. - Magazine - Overhead - w/o Doors or Hardware - Right
	054002-02-J30	EA	Cabinet Asm. - Magazine - Overhead - w/o Doors or Hardware - Left
	052812-06-J30	EA	Door Asm. - Magazine - Cabinet - 16 1/4" x 11 5/8" - w/o Hardware
	053794-01-J30	EA	Cabinet Asm. - Twin Bed - Left
	053794-02-J30	EA	Cabinet Asm. - Twin Bed - Right
	054006-01-J30	EA	Cabinet Asm. - Nightstand - Base
	053999-01-J30	EA	Countertop Asm. - Nightstand Base - Butcher Block
	053976-C1-J30	EA	Cabinet Asm. - Nightstand - Top
	053998-C1-J30	EA	Countertop Asm. - Nightstand Top - Butcher Block
	043316-01-700	EA	Door Asm. - Rollup - Nightstand w/o Handle

### TWIN BED W/SWIVEL CHAIR AND VANITY CABINET

Key	Part Number	U/M	Description
	054630-01-J30	EA	Cabinet Asm. - Gaucho
	054262-01-J30	EA	Cabinet Asm. - Desk
	054177-01-J30	EA	Cabinet Asm. - Vanity - w/o Door or Hardware
	054235-01-J30	EA	Countertop Asm. - Vanity Cabinet - Butcher Block
	052812-07-J30	EA	Door Asm. - Vanity Cabinet - w/o Hardware
	053816-02-J30	EA	Drawer Asm. - Vanity Cabinet - w/o Hardware
	054242-01-J30	EA	Drawer Asm. - Desk Cabinet - w/o Hardware

### HORSESHOE LOUNGE W/PEDESTAL TABLE

Key	Part Number	U/M	Description
	053203-05-J30	EA	Table Asm. - Lounge - w/o Hardware - Butcher Block
	052483-01-J30	EA	Cabinet Asm. - Center
	053837-01-J30	EA	Cabinet Asm. - Right - Base
	053838-01-J30	EA	Cabinet Asm. - Left - Base
	053974-01-J30	EA	Cabinet Asm. - Hamper - w/o Door or Hardware - Right
	053974-02-J30	EA	Cabinet Asm. - Hamper - w/o Door or Hardware - Left
	009040-02-000	EA	Leg - Pedestal Table - 2.25" O.D. x 27.5" Chrome
	009040-03-000	EA	Base - Table Leg - Table Mount
	041194-01-000	EA	Base - Table Leg - Floor Mount

## 1978 ITASCA TABLE OF CONTENTS

Introduction	A-1
Abbreviations	A-1
Alphabetical Index	A-2 - A-4
IDF/ICF23RG	A-5 - B-16
IC420RG	B-17 - D-6
IC525RB	D-7 - E-20
IDF/ICF26RT	E-21 - G-12

## 1978 IDF/ICF26RT INDEX

Floor Plan	E-21 - E-22
Accessories Group	E-23 - E-24
Bath Group	F-1
Chassis Group	F-2
Curtain, Cushion & Pad Group	F-3 - F-10
Dinette Group	F-11
Driver's Compartment Group	F-11 - F-12
Electrical Group	F-13 - F-14
Exterior Body Group	F-15 - F-18
Galley Group	F-19
Heating & Air Conditioning Group	F-20
Interior Finish Group	F-21 - F-22
LP Group	F-23
Lounge Group	F-24
Water & Sewage Group	G-1
Window, Vent & Exterior Door Group	G-2 - G-12

## WATER AND SEWAGE GROUP

## WINDOW, VENT AND EXTERIOR DOOR GROUP

### PLUMBING REPAIR PARTS

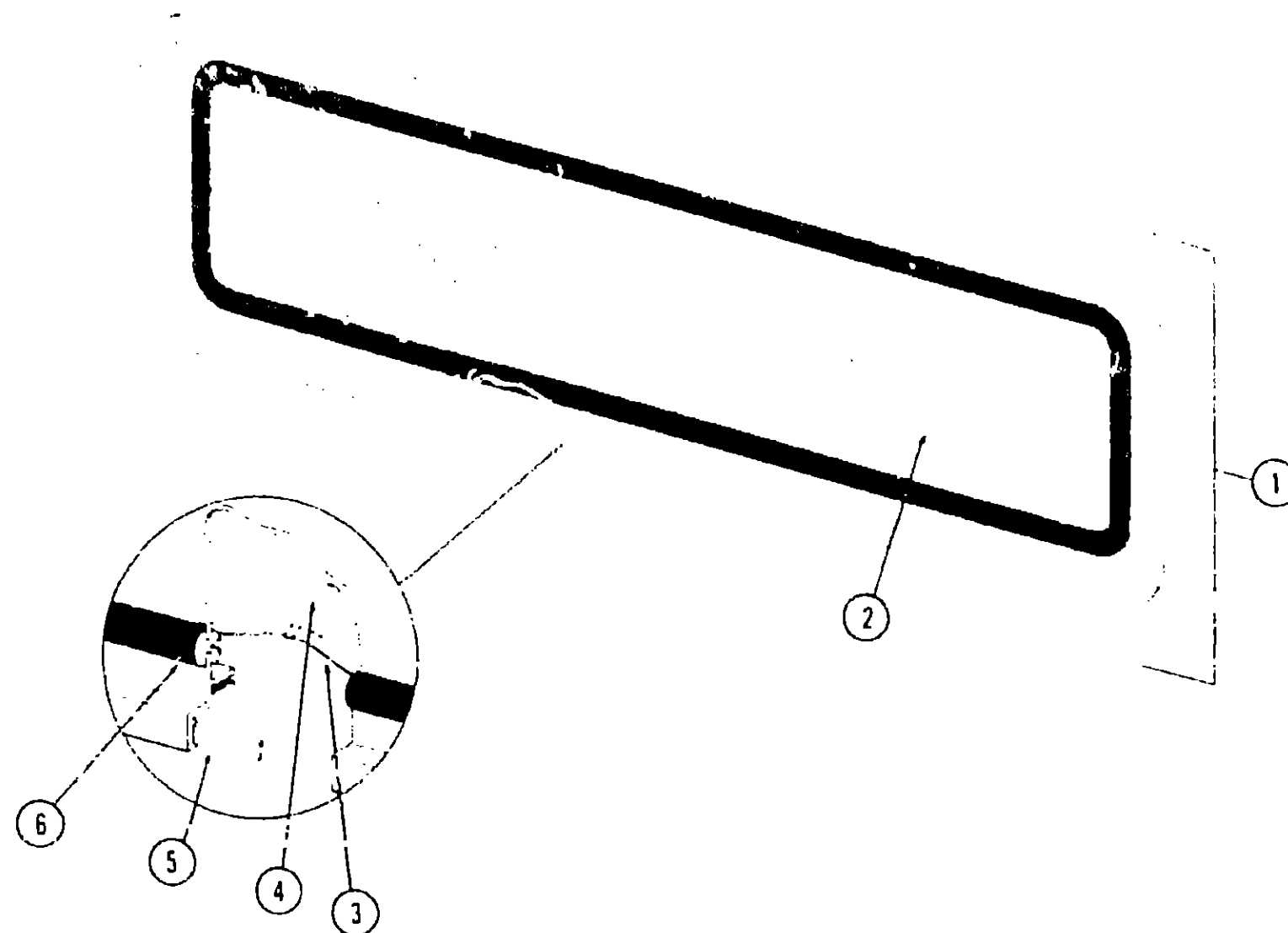
Key	Part Number	U/M	Description
**	040539-01-000	EA	Kit - Repair - 3.8" O.D. Plastic Tube
**	040540-01-000	EA	Kit - Repair - 1.2" O.D. Plastic Tube
**	040541-01-000	EA	Kit - Repair - 5.8" O.D. Plastic Tube
**	041279-02-000	EA	Pump - Water Flow 2.8 G.P.M. - PAR
**	039647-02-000	EA	Filter - Water Pump 1.2" MPT
**	039809-01-000	EA	Valve - Stop - Plastic 3.8" x 1/2" F.P.T.
**	039818-01-000	EA	Riser Asm - 3.8" O.D. x 24" Tube
**	039818-02-000	EA	Riser Asm - 3.8" O.D. x 36" Tube
**	039818-04-000	EA	Riser Asm - 3.8" O.D. x 72" Tube
**	039818-05-000	EA	Riser Asm - 3.8" O.D. x 48" Tube
**	041813-01-000	EA	Nut and Cone - Plastic 1.2" O.D. Tube
**	052817-01-000	EA	Valve - Drain - Brass - 1/2" MPT
**	004020-01-000	QT	Adhesive - ABS Cement
**	010201-01-000	EA	Hose - Sewer 3" x 10 FT w/Clamp
**	010235-01-000	EA	Cap - Sewage 3"
**	010236-01-000	EA	Adapter - Hose 3" Sewage
**	010234-01-000	EA	Adapter - Bayonet
**	011091-01-000	EA	Waste - Continuous - Double Sink 11 7/8"
**	011066-01-000	EA	P-Trap - Plastic - 1 1/4"
**	010205-01-000	EA	Valve - Sanitary - Thetford 3 x B
**	010210-01-000	EA	Valve - Sanitary - Thetford 3HB
**	010133-01-000	EA	Adapter - Trap - Plastic 1 1/2" H x MPT
**	050780-01-000	EA	Coupler - Rubber - 3" x 3"
**	046524-01-000	EA	Kit - Plastic Fittings - Holding Tank
**	046524-02-000	EA	Kit - Plastic Fittings - Water Tank
**	010209-06-000	EA	Handle - Extension - Sewer Valve - 11.25"
**	037845-01-000	FT	Tape - Butyl - 3/16" - Red - Black

\*\*The illustrated parts breakdown for this item is provided on the Common Items Fiche

### HOLDING TANKS AND WATER HEATERS

Key	Part Number	U/M	Description
	052555-03-000	EA	Tank Asm. - Water - w/Fittings
	052555-01-000	EA	Tank Asm. - Water - w/o Fittings
	051882-02-000	EA	Tank Asm. - Holding - Main and Aux. w/Fittings
	051882-01-000	EA	Tank Asm. - Holding - Main and Aux. - w/o Fittings
**	051391-01-000	EA	Water Heater - 6 Gallon - w/o Motor Aid - Atwood G6A3

\*\*The illustrated parts breakdown for this item is provided on the Common Items Fiche



Key	Part Number	U/M	Description
1	020754-03-000	EA	Window Asm - Escape - 23" x 68" Black Anod (w/o Inside Frame)
2	002178-01-000	EA	Glass 1/8" x 19.61" x 64.80"
3	002285-01-000	FT	Weatherstrip - Filler - Black
4	020395-01-000	EA	Slip Ring - Pull
5	004363-01-000	FT	Tape - Foam 3/16" x 1/2" Gray
6	002282-01-000	FT	Weatherstrip - Window .125" Black
*	020752-03-000	EA	Frame - Window - Inside - Escape 23" x 68" (not included in assembly)
*	006199-01-000	EA	Label - Exit - Escape Window
*			Not Illustrated

### 1978 ITASCA TABLE OF CONTENTS

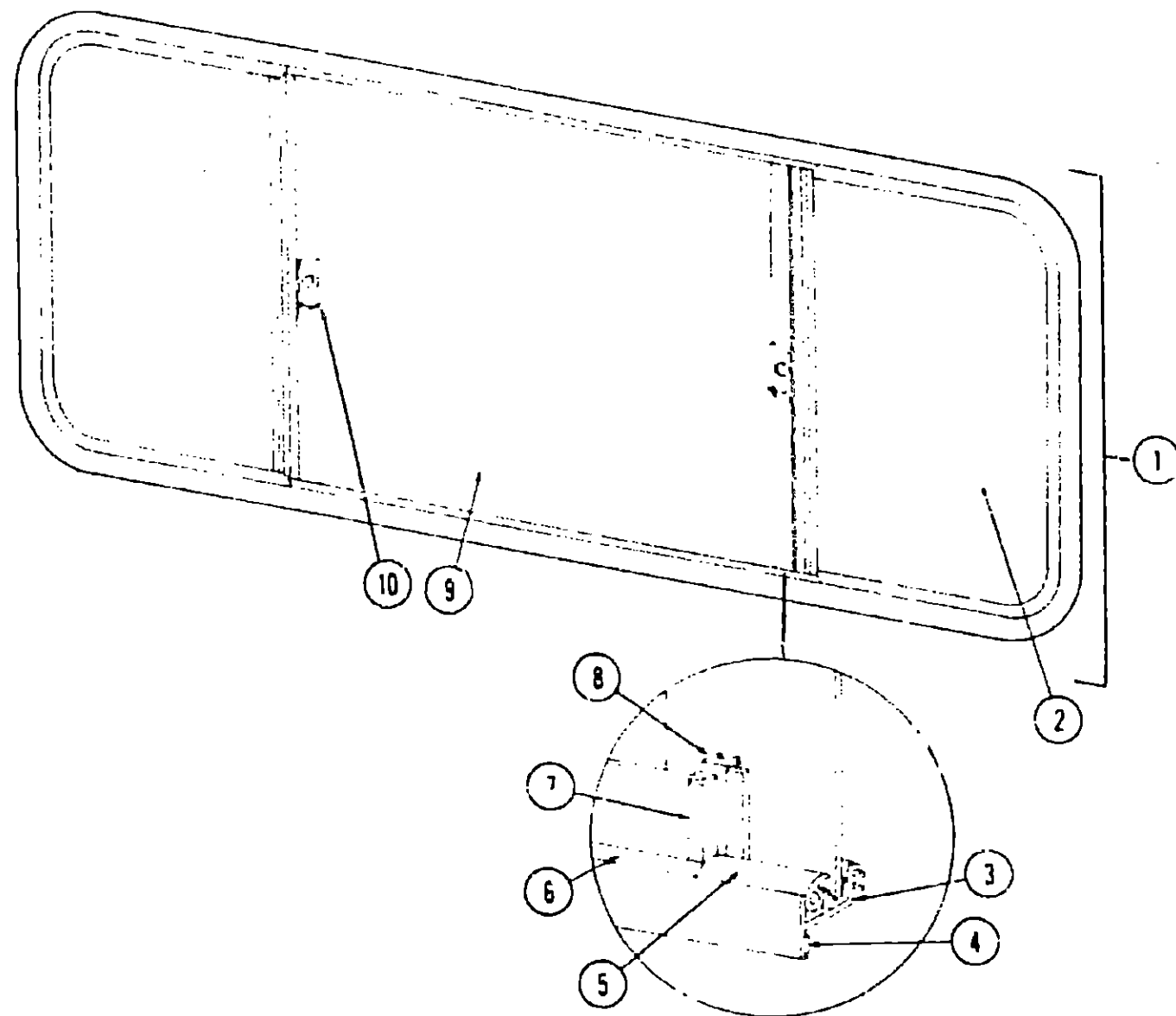
Introduction	A-1
Abbreviations	A-1
Alphabetical Index	A-2 - A-4
IDF ICF23RG	A-5 - B-16
IC420RG	B-17 - D-6
IC525RG	D-7 - E-20
IDF ICF26RT	E-21 - G-12

### 1978 IDF/ICF26RT INDEX

Floor Plan	E-21 - E-22
Accessories Group	E-23 - E-24
Bath Group	F-1
Chassis Group	F-2
Curtain, Cushion & Pad Group	F-3 - F-10
Dinette Group	F-11
Driver's Compartment Group	F-11 - F-12
Electrical Group	F-13 - F-14
Exterior Body Group	F-15 - F-18
Galley Group	F-19
Heating & Air Conditioning Group	F-20
Interior Finish Group	F-21 - F-22
LP Group	F-23
Lounge Group	F-24
Water & Sewage Group	G-1
Window, Vent & Exterior Door Group	G-2 - G-12

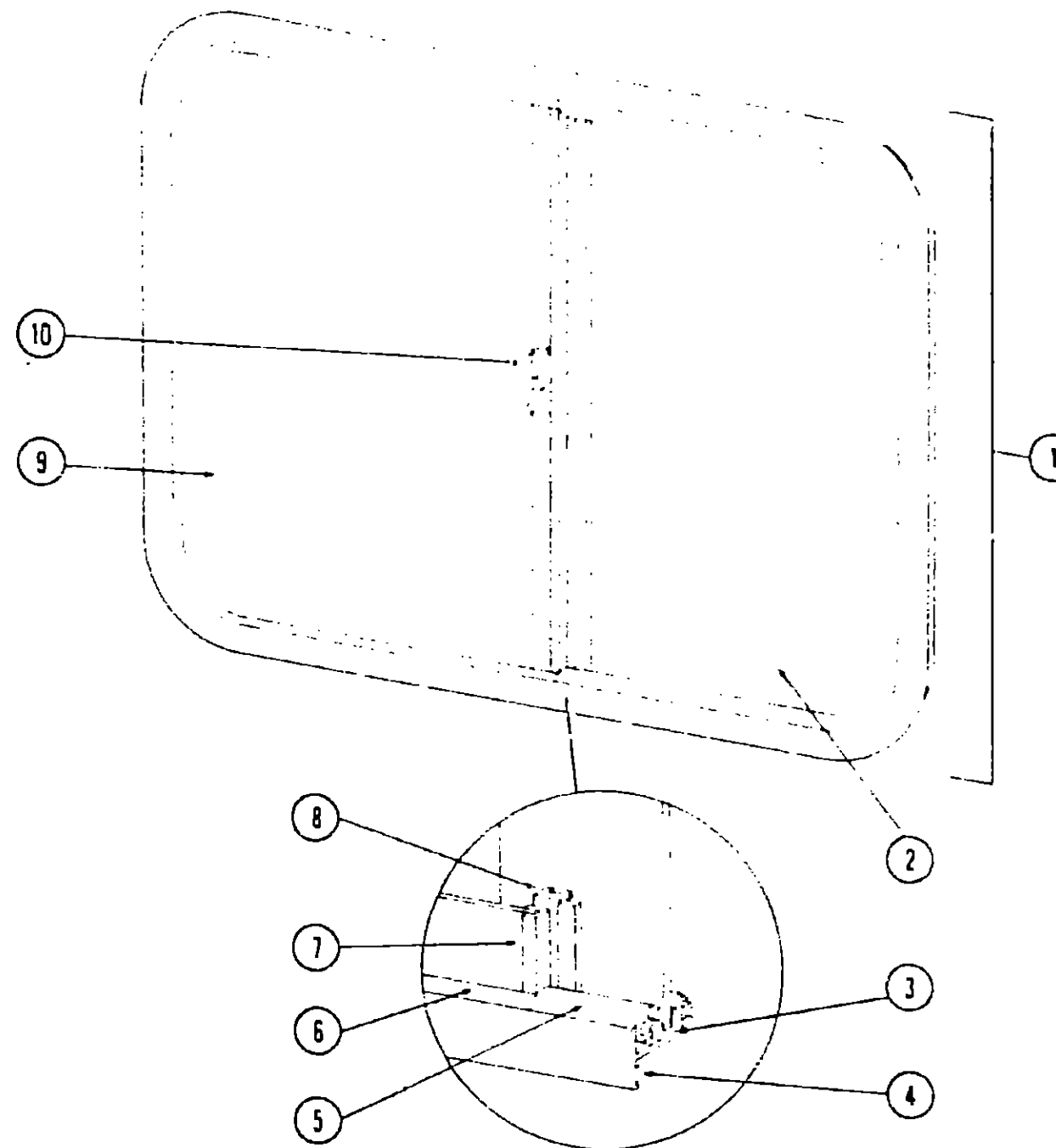


WINDOW, VENT AND EXTERIOR DOOR GROUP (CONTINUED)



Key	Part Number	U/M	Description
1	048630-04-000	EA	Window Asm. - Double Slider - 23" x 65" - Black Anod. (w/o Inside Frame)
2	047823-01-000	EA	Glass - 1/8" x 22" x 21.03" - Sliding (2 per window)
3	002324-01-000	FT	Channel - Weatherstrip - Glass Run - 1/8" Glass
4	004363-01-000	FT	Tape - Foam - 3/16" x 1/2" - Gray
5	024096-01-000	FT	Seal - Window Channel - Gray
6	002309-01-000	FT	Spline - Glass - 1/8" - Gray
7	018025-03-000	EA	Holder - Glass Seal - Black Anod.
8	041894-02-000	EA	Mullion - Slider Window - 23" - Black Anod
9	002188-01-000	EA	Glass - 1/8" x 22" x 25.50" - Stationary
10	047369-01-700	EA	Latch - Window - Plastic w/ Fastener
.	042133-06-000	EA	Frame - Inside - Double Slider Window (not included in assembly)
.	002298-01-000	FT	Spline - Gray - 130" Dia - (Screen)
.	002293-01-000	SF	Screen - Window - 26" - Gray
.	023713-02-000	EA	Cover - Weephole Plastic - Black
.			Not Illustrated

WINDOW, VENT AND EXTERIOR DOOR GROUP (CONTINUED)



Key	Part Number	U/M	Description
1	048631-08-000	EA	Window Asm. - Left - Single Slider - 23" x 29" - Black Anod (w/o Inside Frame)
2	047813-01-000	EA	Glass - 1/8" x 22" x 13.68" - Sliding
3	002324-01-000	FT	Channel - Weatherstrip - Glass - Run - 1/8" Glass
4	004363-01-000	FT	Tape - Foam - 3/16" x 1/2" - Gray
5	002309-01-000	FT	Spline - Glass - 1/8" - Gray
6	024096-01-000	FT	Seal - Window Channel - Gray
7	018025-03-000	EA	Holder - Glass Seal - Anod. Black
8	041894-02-000	EA	Mullion - Slider Window - 23" - Black Anod
9	002184-01-000	EA	Glass - Tempered Sheet - Stationary
10	047369-01-700	EA	Latch - Window - Plastic
.	042147-01-000	EA	Frame - Inside - Single Slider Window - Right - 23" x 29" (not included in assembly)
.	023713-02-000	EA	Cover - Plastic Weephole - Black
.	002298-01-000	FT	Spline - Gray - 130" Dia (Screen)
.	002293-01-000	SF	Screen - Window - 26" - Gray
.			Not Illustrated

1978 ITASCA  
TABLE OF CONTENTS

Introduction	A-1
Abbreviations	A-1
Alphabetical Index	A-2 - A-4
IDF/ICF23RG	A-5 - A-16
IC420RG	B-17 - D-6
IC525RB	D-7 - E-20
IDF/ICF26RT	E-21 - G-12

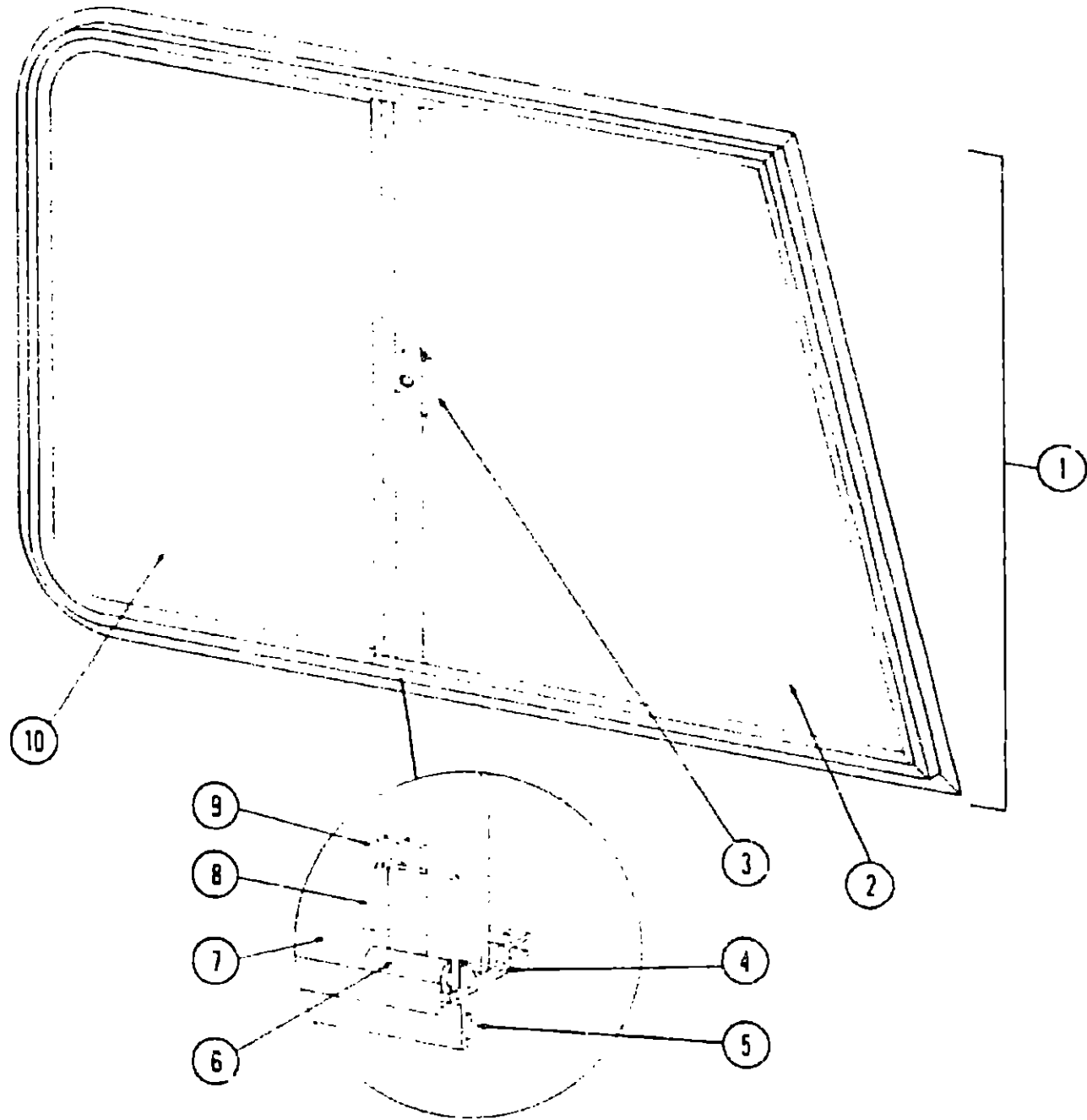
1978 IDF/ICF26RT INDEX

Floor Plan	E-21 - E-22
Accessories Group	E-23 - E-24
Bath Group	F-1
Chassis Group	F-2
Curtain, Cushion & Pad Group	F-3 - F-10
Dirette Group	F-11
Driver's Compartment Group	F-11 - F-12
Electrical Group	F-13 - F-14
Exterior Body Group	F-15 - F-18
Galley Group	F-19
Heating & Air Conditioning Group	F-20
Interior Finish Group	F-21 - F-22
LP Group	F-23
Lounge Group	F-24
Water & Sewage Group	G-1
Window, Vent & Exterior Door Group	G-2 - G-12

WINDOW, VENT AND EXTERIOR DOOR GROUP (CONTINUED)

WINDOW, VENT AND EXTERIOR DOOR GROUP (CONTINUED)

Key	Part Number	U/M	Description
1	048629-03-000	EA	Window Asm - Right Front - Slant Slider - 23" x 39" - Black Anod (w/o Inside Frame)
	048629-04-000	EA	Window Asm - Left Front Slant Slider - 23" x 39" - Black Anod (w/o Inside Frame)
2	052596-01-000	EA	Glass - 1.8" x 22" x 24.10" - Stationary
3	047369-01-700	EA	Latch - Window - Plastic w/ Fastener
4	002324-01-000	FT	Channel - Weatherstrip - Glass Run - 1.8" Glass
5	004363-01-000	FT	Tape - Foam - 3.16" x 1.2" - Gray
6	002309-02-000	FT	Spline - Glass - 1.8" - Black
7	024095-02-000	FT	Seal - Window Channel - Black
8	016025-03-000	EA	Holder - Glass Seal - Black Anod
9	041894-11-000	EA	Mullion - Slider Window - 23" - Black Anod
10	052594-01-000	EA	Glass - 1.8" x 22" x 15.9" - Sliding
	053266-02-000	EA	Frame - Inside - Right Front Slant Slider - Window - 23" x 39" (not included in assembly)
	053266-01-000	EA	Frame - Inside - Left Front Slant Slider - Window - 23" x 39" (not included in assembly)
	023713-02-000	EA	Cover - Plastic - Weephole - Black
	055164-04-000	EA	Slider Screen Asm - Right or Left
	016310-03-000	EA	Handle - Screen
	002298-01-000	FT	Spline - Gray - 130" Dia - (Screen)
	002293-01-000	SF	Screen - Window - 26" - Gray
			Not Illustrated



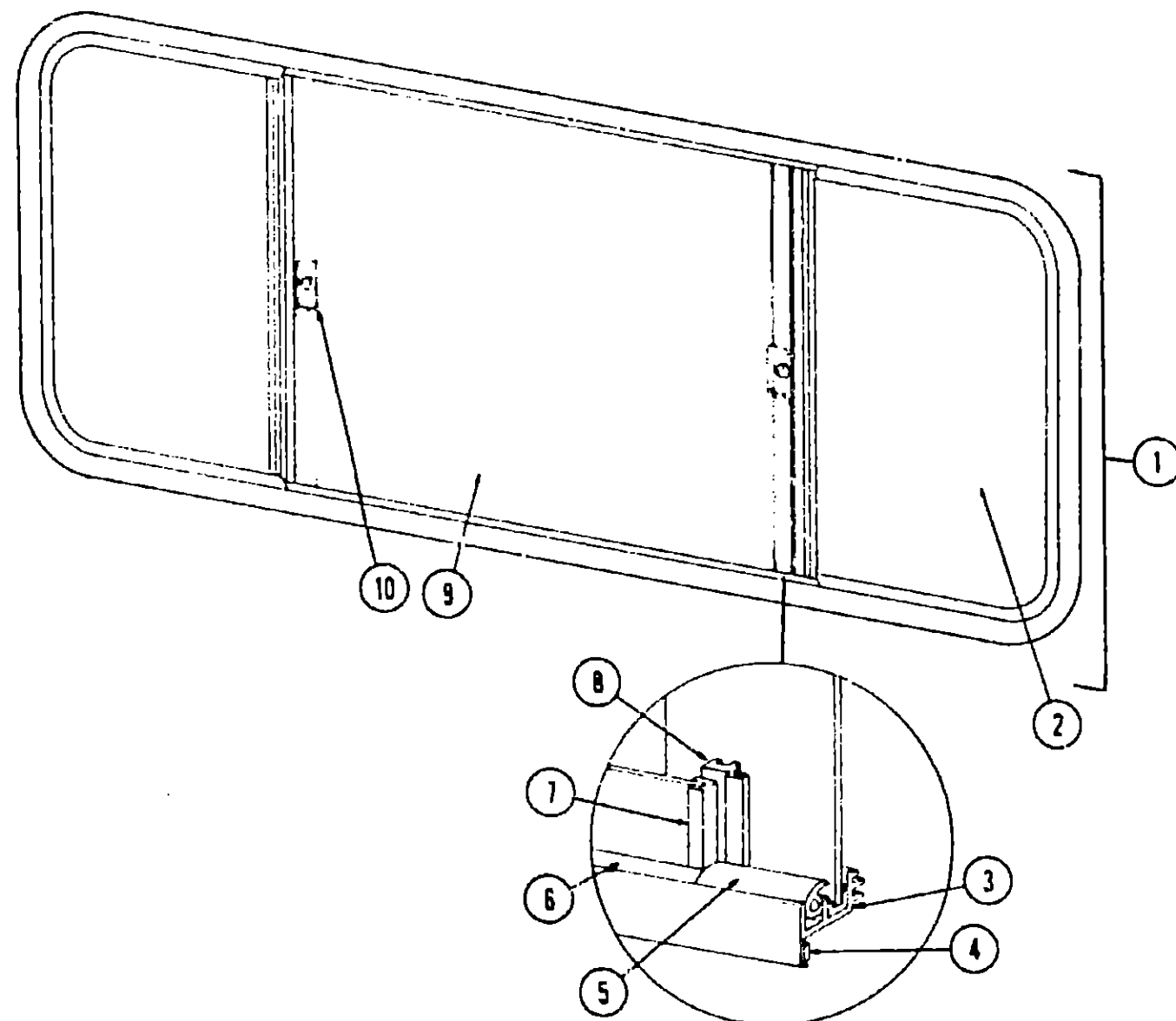
1978 ITASCA  
TABLE OF CONTENTS

Introduction	A-1
Abbreviations	A-1
Alphabetical Index	A-2 - A-4
IDF/ICF23RG	A-5 - B-16
IC420RG	B-17 - D-6
IC525RB	D-7 - E-20
IDF/ICF26RT	E-21 - G-12

1978 IDF/ICF26RT INDEX

Floor Plan	E-21 - E-22
Accessories Group	E-23 - E-24
Bath Group	F-1
Chassis Group	F-2
Curtain, Cushion & Pad Group	F-3 - F-10
Dinette Group	F-11
Driver's Compartment Group	F-11 - F-12
Electrical Group	F-13 - F-14
Exterior Body Group	F-15 - F-18
Galley Group	F-19
Heating & Air Conditioning Group	F-20
Interior Finish Group	F-21 - F-22
LP Group	F-23
Lounge Group	F-24
Water & Sewage Group	G-1
Window, Vent & Exterior Door Group	G-2 - G-12

**WINDOW, VENT AND EXTERIOR DOOR GROUP (CONTINUED)**



Key	Part Number	U/M	Description
1	048630-02-000	EA	Window Asm. - Double - Slider - 23" x 56" Black Anod. (w/o Inside Frame)
2	047816-01-000	EA	Glass - 1/8" x 22" x 16.53" - Sliding (2 per window)
3	002324-01-000	FT	Channel - Weatherstrip - Glass Run - 1/8" Glass
4	004363-01-000	FT	Tape - Foam - 3/16" x 1/2" - Gray
5	002309-02-000	FT	Spline - Glass - 1/8" - Black
6	024096-02-000	FT	Seal - Window Channel - Black
7	018025-03-000	EA	Holder - Glass Seal - Black Anod.
8	041894-02-000	EA	Mullion - Slider Window - 23" Black Anod.
9	002188-01-000	EA	Glass - 1/8" x 22" x 21.03" - Stationary
10	047369-01-700	EA	Latch - Window - Plastic
	042133-02-000	EA	Frame - Inside - Double Slider Window (not included in assembly)
	002298-01-000	FT	Spline - Gray - .130" Dia. - (Screen)
	002293-01-000	SF	Screen - Window - 26" - Gray
	023713-02-000	EA	Cover - Weephole - Plastic - Black
			Not Illustrated

**WINDOW, VENT AND EXTERIOR DOOR GROUP (CONTINUED)**

**ACCESS DOORS**

Key	Part Number	U/M	Description
	044210-01-000	EA	Door Asm. - Power Cord - 6" x 10" - Off White Plastic w/Quarter Turn Plastic Latch
	037804-17-000	EA	Door Asm. - Battery - Off White - w/Twist Type Lock
	037804-16-000	EA	Door Asm. - LP - Off White - w/Key Type Lock
	054270-01-000	EA	Door Asm. - Refrigerator Access - Off White w/Twist Type Lock
	047233-01-000	EA	Door Asm. - Luggage - Off White w/Key Type Lock
	052009-01-000	EA	Door Asm. - Water Heater Access - Off White - Atwood
	052179-02-000	EA	Door Asm. - Generator - Off White w/Twist Type Lock
	043942-01-000	EA	Lock Asm. - Quarter Turn Plastic (Power Cord Door)
	047305-01-000	EA	Lock Asm. - Key Type w/Clip
	052950-01-700	EA	Lock Asm. - Twist Type - White Plastic w/Retainer Clip
	016945-02-000	EA	Holder Asm. - Battery or Luggage Door (Holds Door Open)
	055500-01-000	EA	Fuel Fill Door - Lockable - White

**VENTS**

Key	Part Number	U/M	Description
	039778-01-000	EA	Cover - Refrigerator Vent - Plastic
	009407-01-000	EA	Base - Frame - Refrigerator Vent w/o Cover
	049352-01-000	EA	Vent - Stovehood - Outside - Off White Jensen

**WINDSHIELD**

Key	Part Number	U/M	Description
	052467-01-000	EA	Frame Asm. - Windshield - w/o Glass
	038886-01-000	EA	Tape - Butyl - .31" x .31" x 148" Long
	052584-01-000	EA	Glass - Windshield - 1/4" x 26.25" x 48.63" - Left or Right

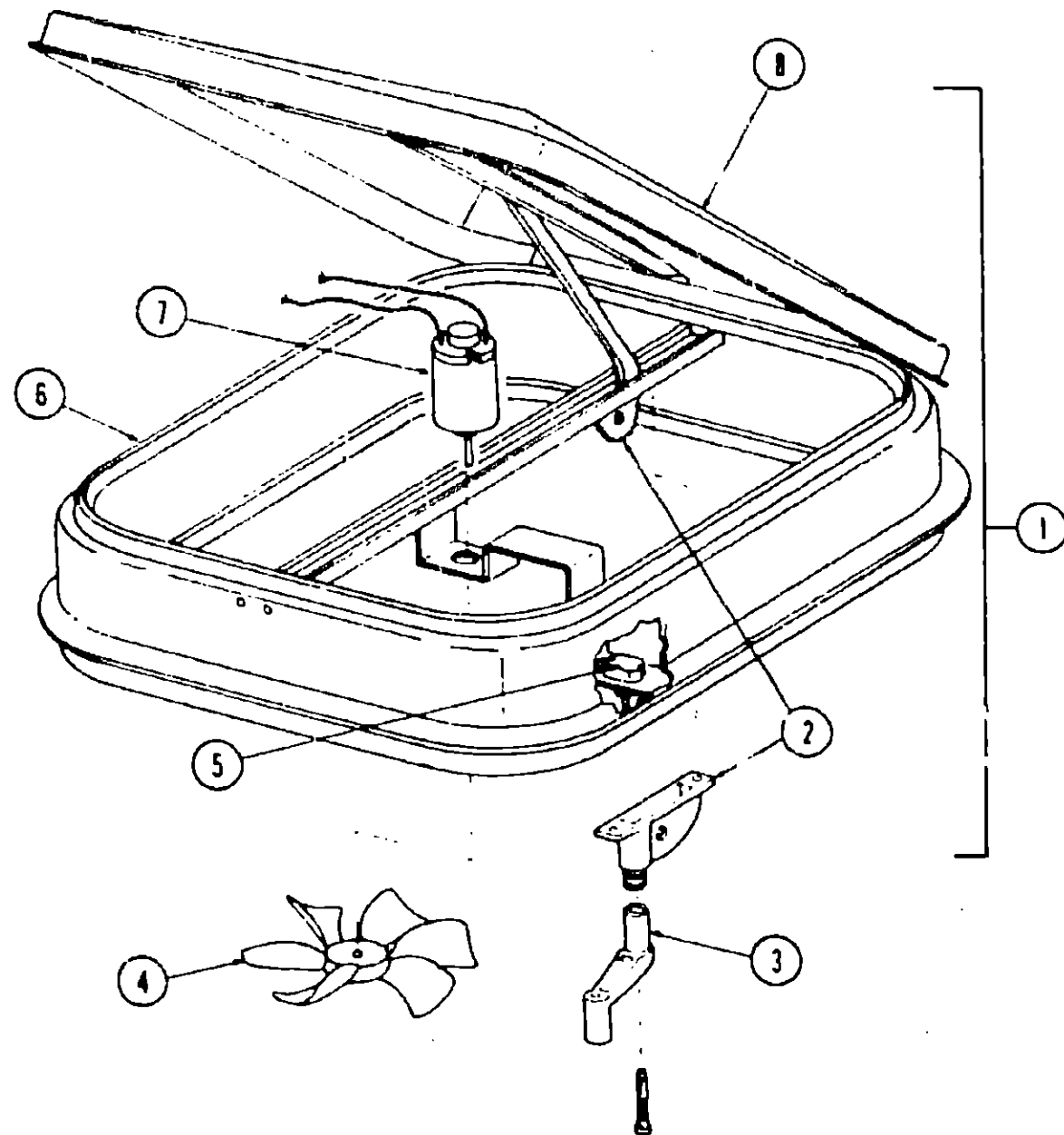
**1978 ITASCA  
TABLE OF CONTENTS**

Introduction	A-1
Abbreviations	A-1
Alphabetical Index	A-2 - A-4
IDF/ICF23RG	A-5 - B-16
IC420RG	B-17 - D-6
IC525RB	D-7 - E-20
IDF/ICF26RT	E-21 - G-12

**1978 IDF/ICF26RT INDEX**

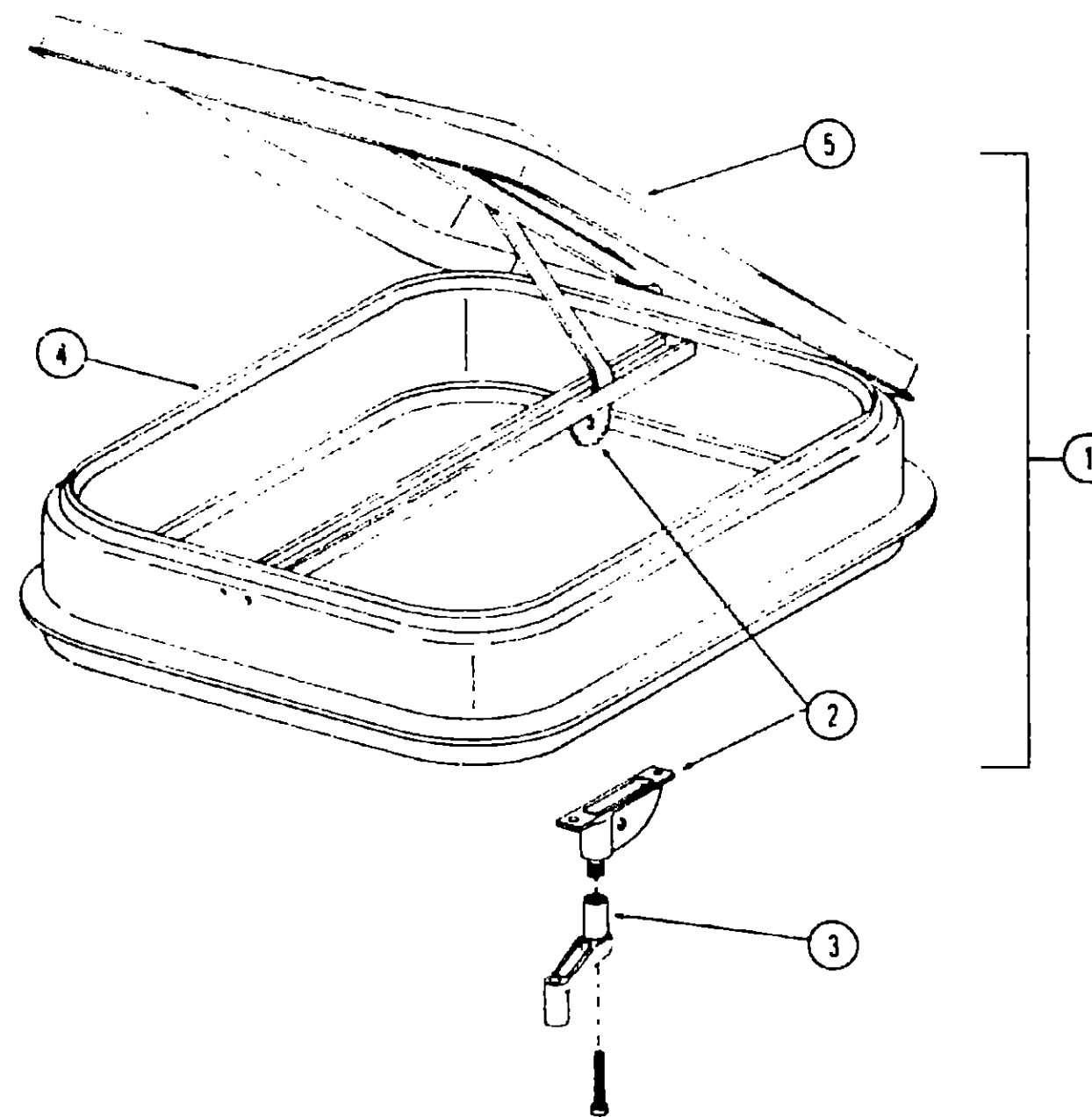
Floor Plan	E-21 - E-22
Accessories Group	E-23 - E-24
Bath Group	F-1
Chassis Group	F-2
Curtain, Cushion & Pad Group	F-3 - F-10
Dinette Group	F-11
Driver's Compartment Group	F-11 - F-12
Electrical Group	F-13 - F-14
Exterior Body Group	F-15 - F-18
Galley Group	F-19
Heating & Air Conditioning Group	F-20
Interior Finish Group	F-21 - F-22
LP Group	F-23
Lounge Group	F-24
Water & Sewage Group	G-1
Window, Vent & Exterior Door Group	G-2 - G-12

WINDOW, VENT AND EXTERIOR DOOR GROUP (CONTINUED)



Key	Part Number	U/M	Description
1	048789-01-000	EA	Vent Asm. Roof - Powered - w/o Screen
2	009440-01-000	EA	Gear - Arm - Roof Vent
3	009439-01-000	EA	Crank - Roof Vent
4	048649-01-000	EA	Fan - Blade - 6" Plastic
5	008195-01-000	EA	Switch - Push Button - 12 Volt
6	002825-01-000	FT	Weatherstrip - Roof Vent
7	048648-01-000	EA	Motor - 12 Volt
8	046825-01-000	EA	Cover - Plastic - Roof Vent
*	048695-01-000	EA	Screen Asm. - Powered Roof Vent - Clear Anod. (not included in assembly)
*	048695-03-000	EA	Screen Asm. - Powered Roof Vent - Beige (not included in assembly)
*			Not Illustrated

WINDOW, VENT AND EXTERIOR DOOR GROUP (CONTINUED)



Key	Part Number	U/M	Description
1	048835-01-000	EA	Vent Asm. - Roof - Nonpowered - w/o Screen
2	009440-01-000	EA	Gear - Arm - Roof Vent
3	009439-01-000	EA	Crank - Roof Vent
4	002825-01-000	FT	Weatherstrip - Roof Vent
5	046825-01-000	EA	Cover - Plastic - Roof Vent
*	016335-01-000	EA	Screen Asm. - Nonpowered Roof Vent - Clear Anod. (not included in assembly)
*	016335-03-000	EA	Screen Asm. - Non Powered Roof Vent - Beige (not included in assembly)
*			Not Illustrated

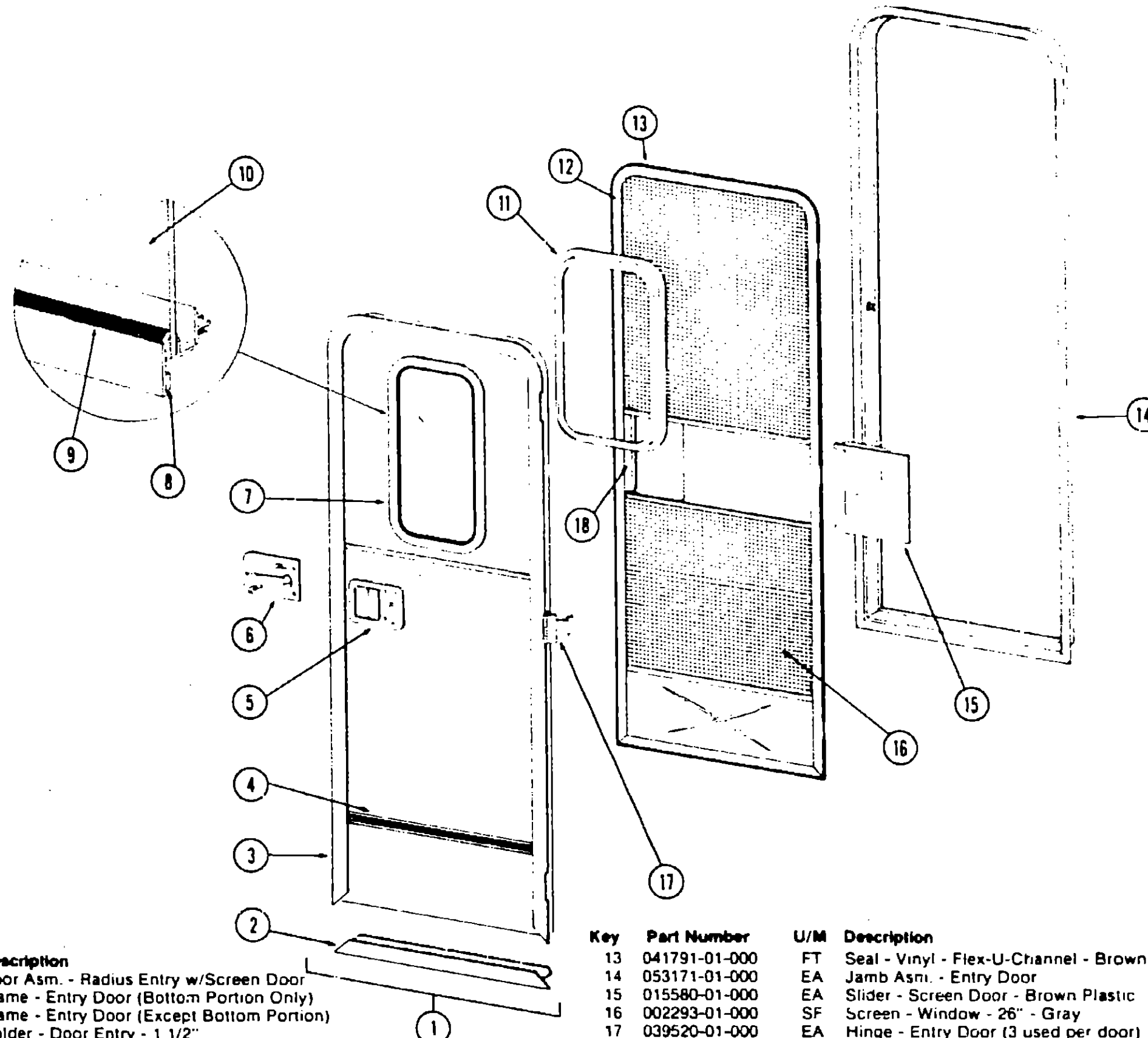
1978 ITASCA  
TABLE OF CONTENTS

Introduction	A-1
Abbreviations	A-1
Alphabetical Index	A-2 - A-4
IDF/ICF23RG	A-5 - B-16
IC420RG	B-17 - D-6
IC525hB	D-7 - E-20
IDF/ICF26RT	E-21 - G-12

1978 IDF/ICF26RT INDEX

Floor Plan	E-21 - E-22
Accessories Group	E-23 - E-24
Bath Group	F-1
Chassis Group	F-2
Curtain, Cushion & Pad Group	F-3 - F-10
Dinette Group	F-11
Driver's Compartment Group	F-11 - F-12
Electrical Group	F-13 - F-14
Exterior Body Group	F-15 - F-18
Galley Group	F-19
Heating & Air Conditioning Group	F-20
Interior Finish Group	F-21 - F-22
LP Group	F-23
Lounge Group	F-24
Water & Sewage Group	G-1
Window, Vent & Exterior Door Group	G-2 - G-12

WINDOW, VENT AND EXTERIOR DOOR GROUP (CONTINUED)



1978 ITASCA  
TABLE OF CONTENTS

Introduction	A-1
Abbreviations	A-1
Alphabetical Index	A-2 - A-4
IDF/ICF23RG	A-5 - B-16
IC420RG	B-17 - D-6
IC525RB	D-7 - E-20
IDF/ICF26RT	E-21 - G-12

1978 IDF/ICF26RT INDEX

Floor Plan	E-21 - E-22
Accessories Group	E-23 - E-24
Bath Group	F-1
Chassis Group	F-2
Curtain, Cushion & Pad Group	F-3 - F-10
Dinette Group	F-11
Driver's Compartment Group	F-11 - F-12
Electrical Group	F-13 - F-14
Exterior Body Group	F-15 - F-18
Galley Group	F-19
Heating & Air Conditioning Group	F-20
Interior Finish Group	F-21 - F-22
LP Group	F-23
Lounge Group	F-24
Water & Sewage Group	G-1
Window, Vent & Exterior Door Group	G-2 - G-12

Key	Part Number	U/M	Description
1	053169-04-000	EA	Door Asm. - Radius Entry w/Screen Door
2	039737-01-000	EA	Frame - Entry Door (Bottom Portion Only)
3	039736-01-000	EA	Frame - Entry Door (Except Bottom Portion)
4	039874-01-000	EA	Holder - Door Entry - 1 1/2"
5	052136-01-000	EA	Lock Asm. - Radius Entry Door - Lynor
6	045017-01-700	EA	Lock Cylinder w/Keys - Lynor
7	039539-01-000	EA	Striker - Entry Door Lock
8	039979-01-000	EA	Plate - Lock - Interior - Including Inside Handle
9	041875-02-000	EA	Window Asm. - Picture - 13" x 23" - Black Anod. (inside frame not included in assembly)
10	004263-01-000	FT	Tape - Foam - 3/16" x 1/2" - Gray
11	002309-02-000	FT	Spline - Glass - 1/8" Black
12	002181-01-000	EA	Glass - Picture Window - 1/8" x 12" x 22" - Gray
13	041696-02-000	EA	Frame - Window - Inside - 13" x 23" - Brown
14	053170-01-000	EA	Door Asm. - Screen

Key	Part Number	U/M	Description
13	041791-01-000	FT	Seal - Vinyl - Flex-U-Channel - Brown
14	053171-01-000	EA	Jamb Asm. - Entry Door
15	015580-01-000	EA	Slider - Screen Door - Brown Plastic
16	002293-01-000	SF	Screen - Window - 26" - Gray
17	039520-01-000	EA	Hinge - Entry Door (3 used per door)
18	015581-01-000	EA	Cap - Screen Door - Brown Plastic
	049176-01-000	EA	Hedlok II - 3/4" Diameter - Screw Mount (Retains screen door to entry door)
	049797-01-000	EA	Hedlok II - 1" Diameter - Screw Mount (Retains screen door to entry door)
	018019-01-000	EA	Striker - Screen Door
	039863-01-000	EA	Catch Asm. - Single Roller - w/Strike - Screen Door
	051390-01-000	FT	Seal - Bulb - Rubber
	039800-03-000	FT	Tubing - Polybutyl - 3/8" O.D. - Jamb
			Not Illustrated