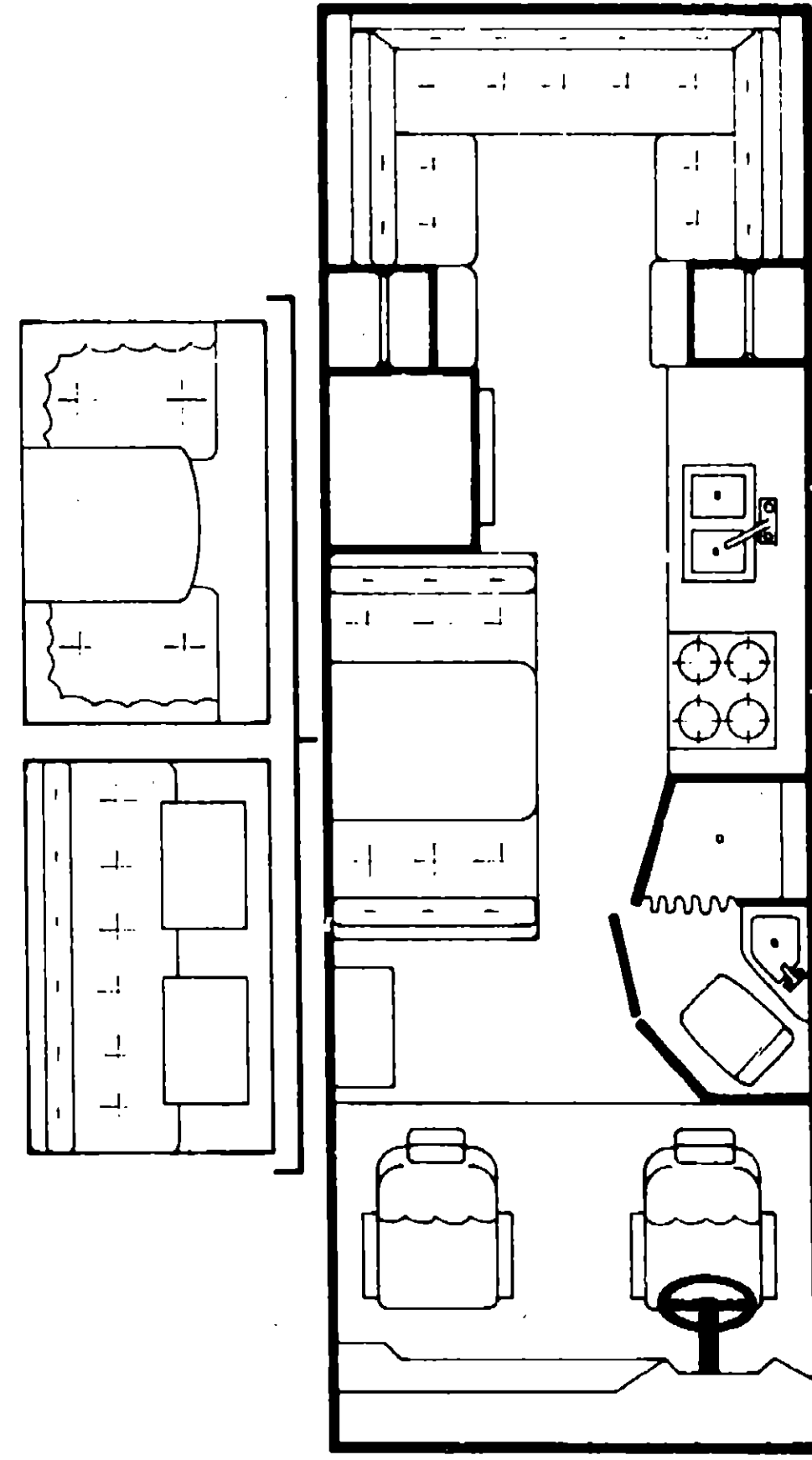


# 1978 IDF/ICF23RG



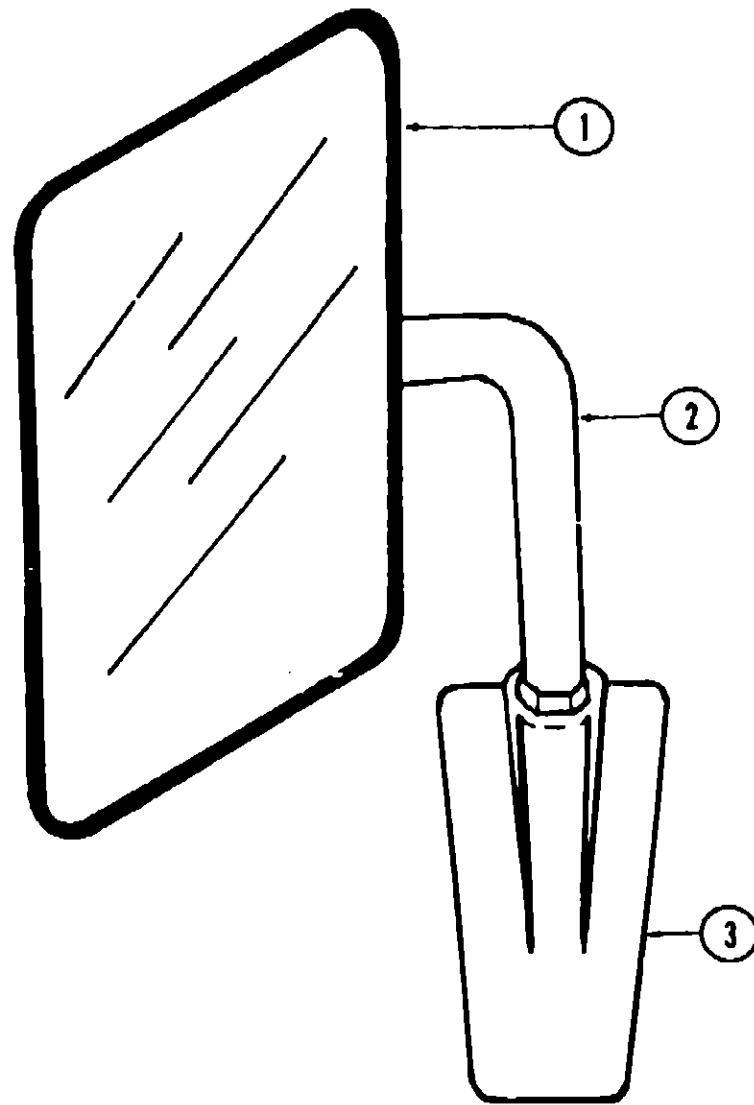
## 1978 ITASCA TABLE OF CONTENTS

Introduction	A-1
Abbreviations	A-1
Alphabetical Index	A-2 - A-4
IDF/ICF23RG	A-5 - B-16
IC420RG	B-17 - D-6
IC525RB	D-7 - E-20
IDF/ICF26RT	E-21 - G-12

## 1978 IDF/ICF23RG INDEX

Floor Plan	A-5 - A-6
Accessories Group	A-7 - A-8
Bath Group	A-9
Chassis Group	A-9 - A-10
Curtain, Cushion & Pad Group	A-11 - A-16
Dinette Group	A-17
Driver's Compartment Group	A-17 - A-18
Electrical Group	A-19 - A-20
Exterior Body Group	A-21 - A-24
Galley Group	B-1
Heating & Air Conditioning Group	B-2
Interior Finish Group	B-3 - B-4
LP Group	B-5
Lounge Group	B-6
Water & Sewage Group	B-7
Window, Vent & Exterior Door Group	B-8 - B-16

**ACCESSORIES GROUP**



Key	Part Number	U/M	Description
1	049347-01-000	EA	Mirror Head - 7 1/2" x 10 1/2" - Stainless Steel
2	049348-01-000	EA	Arm - Low Mount Mirror - Bright Finish
3	049444-02-000	EA	Bracket - Mirror - Outside - Off White

**ACCESSORIES GROUP (CONTINUED)**

**RADIOS AND RELATED COMPONENTS**

Key	Part Number	U/M	Description
	049730-01-000	EA	Radio - Clarion - AM w/Fader Switch
	049731-01-000	EA	Radio - Clarion - AM/FM/MPX - w/Fader Switch
	049732-01-000	EA	Radio - Clarion - AM/FM/MPX - 8-Track - w/Fader Switch
	052774-01-000	EA	Radio - CB - 40 Channel - Hy Gain 9
	053768-01-000	EA	Speaker - Recessed - 5 1/4" - 10 oz.
	031105-01-000	EA	Antenna - Radio - Side Mount
	031105-01-700	EA	Holder - Antenna - Radio - Upper
	048153-01-000	EA	Antenna - CB Camper Style
	044328-01-000	EA	Switch - Fader - Speaker Balance
	050751-01-000	EA	Plaque - Fader/Mic Mounting
	055299-01-000	EA	Grille - Speaker - 5 1/4"

**FRONT BUNK AND HARDWARE**

Key	Part Number	U/M	Description
	053320-01-J30	EA	Bunk - Front Overhead - Board w/Rails
	053773-01-000	EA	Support - Overhead Bunk - Brown - Right
	053773-02-000	EA	Support - Overhead Bunk - Brown - Left
	040071-01-000	EA	Support - Bunk - Seat Belt
	041322-01-000	EA	Washer - Flat - 15/32" I.D. x 2 3/8" O.D.
	039518-02-000	EA	Catch - Bunk - Brown
	023812-04-000	EA	Rail - Bunk - 75" - Brown

**GENERATORS AND COMPONENTS**

Key	Part Number	U/M	Description
	054428-01-000	EA	Generator - Onan - 4.0 kw
	701829-02-000	EA	Onan Installation Package
	050467-01-000	EA	Bezel - Entertainment Center No. 3 - w/Cut Out for Vehicle Sensor Panel Radio, Clock, Hourmeter and Generator Start Stop Switch
	024732-01-001	EA	Tailpipe - 1 1/2" O.D. x 23"

**MISCELLANEOUS ACCESSORIES**

Key	Part Number	U/M	Description
	054185-02-000	EA	Owner's Manual - Itasca
	040069-01-000	EA	Mat - Door - Black Rubber - 10 1/2" x 26"
	006053-01-000	EA	Antenna - TV Braund Delux
	006053-01-700	EA	Parts Kit - Repair - Braund TV Antenna
	006093-01-000	EA	Jack - TV - Brown (Antenna)
	006076-01-000	EA	Ladder - Front Bunk
	017518-01-000	EA	Mud Flap - Black - 14" x 18" w/Holes
	006113-01-000	EA	Jack - Hydraulic - 5 Ton
	041844-01-700	EA	Fire Extinguisher - w/Bracket
**	031396-04-000	EA	Wheel Cover - Chrome - 16"
**	031396-01-000	EA	Wheel Cover - Chrome - 17.5"
**	041088-01-000	EA	Ladder Asm. - w/Luggage Rack
**	041088-02-000	EA	Ladder Asm. - w/o Luggage Rack
**	047841-01-000	EA	Speed Control Package - 350 C.I.D. - A-Body
**	024746-01-000	EA	Speed Control Package - 440 C.I.D. - A-Body

\*\*The illustrated parts breakdown for this item is provided on the Common Items Fiche.

**1978 ITASCA  
TABLE OF CONTENTS**

Introduction	A-1
Abbreviations	A-1
Alphabetical Index	A-2 - A-4
IDF/ICF23RG	A-5 - B-16
IC420RG	B-17 - D-6
IC525RB	D-7 - E-20
IDF/ICF26RT	E-21 - G-12

**1978 IDF/ICF23RG INDEX**

Floor Plan	A-5 - A-6
Accessories Group	A-7 - A-8
Bath Group	A-9
Chassis Group	A-9 - A-10
Curtain, Cushion & Pad Group	A-11 - A-16
Dinette Group	A-17
Driver's Compartment Group	A-17 - A-18
Electrical Group	A-19 - A-20
Exterior Body Group	A-21 - A-24
Galley Group	B-1
Heating & Air Conditioning Group	B-2
Interior Finish Group	B-3 - B-4
LP Group	B-5
Lounge Group	B-6
Water & Sewage Group	B-7
Window, Vent & Exterior Door Group	B-8 - B-16

## BATH GROUP

Key	Part Number	U/M	Description
	052584-01-J30	EA	Cabinet Asm. - Vanity - w/o Sink, Door or Hardware
	052812-02-J30	EA	Door Asm. - Vanity Cabinet - w/o Hardware
	044087-01-000	EA	Sink - Bath - Ivory Plastic
	053985-01-J30	EA	Door Asm. - Bath Cabinet - 20 1/2" x 71 3/8" - w/o Hardware
	052583-01-000	EA	Rack - Towel - Mounts on Bath Door
	009124-01-000	EA	Lock - Bath Door - Push Button - Brass
	048112-04-000	EA	Mirror - Plastic - 1/8" x 19" x 26"
**	011058-01-000	EA	Faucet - Lavatory
	011059-01-000	EA	Faucet - Shower
**	011083-01-000	EA	Plug - 1 1/4" - w/Chain
**	011088-01-000	EA	Tailpiece - 1 1/4" x 4" - Brass
**	011088-01-000	EA	Strainer - Shower Pan
	048748-01-000	EA	Pan - Shower
	009134-01-000	EA	Holder - Tissue
	034889-03-000	EA	Cover Screw - PPH 10 - Ivory
	011048-01-000	EA	Shower Head - w/60" Hose
	009150-01-000	EA	Warp Guard - 64"
	053129-01-000	EA	Medicine Cabinet - 17.62" x 29 3/8"
**	039341-02-000	EA	Toilet - Marine - Thetford Aqua Magic Model SH - Ivory

\*\*The illustrated parts breakdown for this item is provided on the Common Items Fiche.

## CHASSIS GROUP

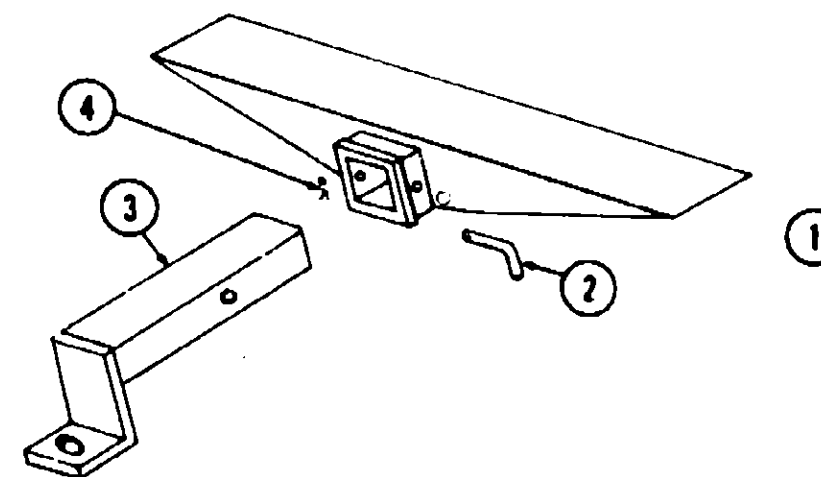
### ICF23RG

Key	Part Number	U/M	Description
	024852-01-700	EA	Step - Entry
	052670-01-000	EA	Hoodboard - Steel - Top Left
	053429-01-000	EA	Hoodboard - Steel - Top Right
	057197-01-000	EA	Hoodboard - Steel - Bottom Left
	057198-01-000	EA	Hoodboard - Steel - Bottom Right
	056831-01-000	EA	Cover Asm. - Radiator
	047811-01-000	EA	Compartment - Sewer Hose
	053249-01-000	EA	Battery Tray Asm.
	022855-02-000	EA	Tail Pipe - 2 1/4" x 8"
	007125-06-000	EA	Clamp Asm. - Muffler 2.25" Dia.
	044536-01-000	EA	Wheelwell - Plastic
	007111-01-000	FT	Hose - Fuel - 2 1/4" I.D. SAE 30RI
	024141-01-000	FT	Hose - Rubber - 1/2" I.D.
	024138-01-000	FT	Hose - Fuel - 5/16" I.D. SAE 30RI
	007134-01-000	EA	Clamp - Hose - Spring Type - 9/16"
	007137-01-000	EA	Clamp - Worm Gear - 1 5/16" to 2 1/4"
	007138-01-000	EA	Clamp - Worm Drive - .22 - 1" I.D.
	007138-01-000	EA	Clamp - Worm Drive - .69 - 1.25" I.D.
	024611-01-000	EA	Cap - Gas - Pressure - 1.5" Black
	052759-01-000	EA	Tank - Fuel - 50 Gallon
	057038-01-000	EA	Sending Unit - 90 OHM.
	045814-01-000	EA	Fill - Gas - w/Vent - 5.44" Long
	048043-08-000	EA	Bracket Asm. - Rear Bumper - Bolts to Chassis
	023498-04-000	EA	Bracket - Front Bumper - Right or Left
	041252-01-000	EA	Bumper - Front
	021546-01-000	EA	Bumper - Rear - 83" - Square
	048043-13-000	EA	Bracket Asm. - Rear Bumper - Bolts to Chassis
	016452-01-000	EA	Bracket - Tire Carrier
	040974-01-000	EA	Bar - Retainer - Spare Tire - 2" x 6.75" - Off White
	039779-01-000	EA	Cap - Rubber - Rear Bumper - 4" x 4"

## CHASSIS GROUP (CONTINUED)

### IDF23RG

Key	Part Number	U/M	Description
	024852-01-700	EA	Step Asm. - Entry
	052662-01-000	EA	Hoodboard - Steel - Bottom Left
	052670-01-000	EA	Hoodboard - Steel - Top Left
	052918-01-000	EA	Hoodboard - Steel - Bottom Right
	053429-01-000	EA	Hoodboard - Steel - Top Right
	038882-01-000	EA	Tank - Aux. Fuel - 27.8 Gallon
	052759-01-000	EA	Tank - Fuel - 50 Gallon
	052780-01-000	EA	Sending Unit - Fuel - 78 OHM
	045814-01-000	EA	Gas Fill - w/Vent - 5.44" Long
	045814-02-000	EA	Gas Fill - w/Vent - 2.78" Long
	024611-01-000	EA	Cap - Gas - Pressure - 1.5" Black
	007111-01-000	FT	Hose - Fuel - 2 1/4" I.D. SAE 30RI
	024141-01-000	FT	Hose - Rubber - 1/2" I.D.
	024138-01-000	FT	Hose - Fuel - 5/16" I.D. SAE 30RI
	007134-01-000	FT	Clamp - Hose - Spring Type - 9/16"
	007137-01-000	EA	Clamp - Worm Gear - 1 5/16" to 2 1/4"
	007138-01-000	EA	Clamp - Worm Drive - .22 - 1"
	048775-01-000	EA	Valve Asm. - Fuel Selector - 3 Way
	050227-01-000	EA	Canister Asm. - Vapor - 2 Stage - 3 Port
	053249-01-000	EA	Battery Tray Asm.
	041252-01-000	EA	Bumper - Front - Off White
	023498-04-000	EA	Bracket - Front Bumper - Black
	023520-04-000	EA	Bar - Front Bumper - Black
	021546-01-000	EA	Bumper Asm. - Rear
	039779-01-000	EA	Cap - Rubber - Rear Bumper
	040974-01-000	EA	Bar - Retaining - Spare Tire - 2" x 6.75"
	016452-01-000	EA	Bracket - Tire Carrier - 25" x 5"
	007249-01-000	EA	Tail Pipe - Curved - 2 1/2" x 58"
	033499-01-000	EA	Power Cord Box - Plastic
	039649-01-000	EA	Wheel Well - Plastic
	007125-07-000	EA	Clamp Asm. - Muffler - 2.5" Dia.
	007258-01-000	EA	Tailpipe - Curved - 2.5" x 48"



Key	Part Number	U/M	Description
1	023885-01-000	EA	Hitch Asm. - w/o Drawbar
2	034512-01-000	EA	Pin - Locking - Drawbar
3	023887-01-000	EA	Drawbar Asm. - Trailer Hitch
4	034513-01-000	EA	Pin - Hitch - 3/16" Wire Spring

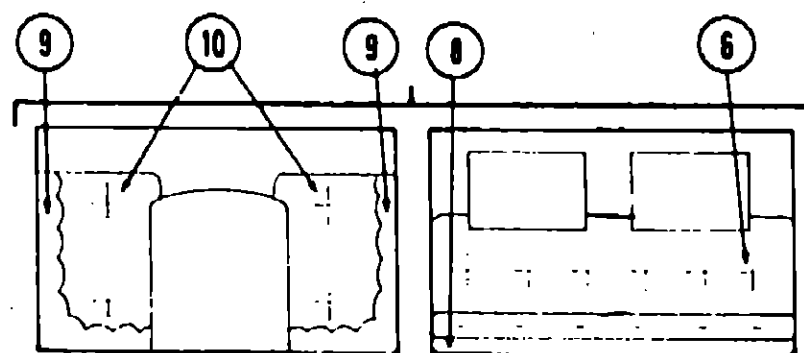
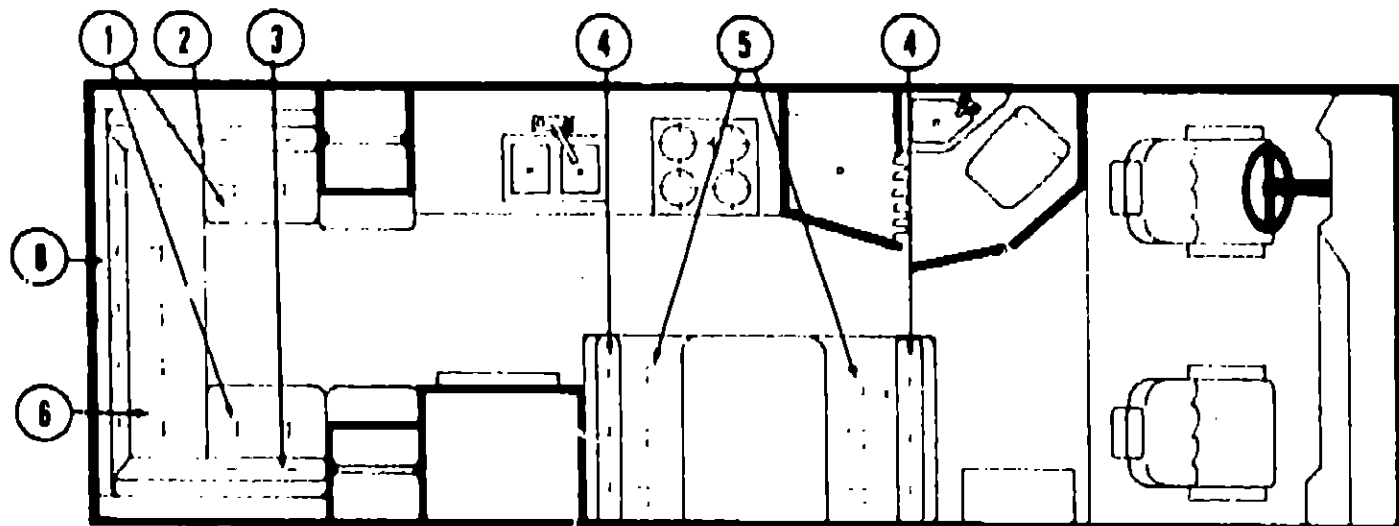
## 1978 ITASCA TABLE OF CONTENTS

Introduction	A-1
Abbreviations	A-1
Alphabetical Index	A-2 - A-4
IDF/ICF23RG	A-5 - B-16
IC420RG	B-17 - D-6
IC525RB	D-7 - E-20
IDF/ICF26RT	E-21 - G-12

## 1978 IDF/ICF23RG INDEX

Floor Plan	A-5 - A-6
Accessories Group	A-7 - A-8
Bath Group	A-9
Chassis Group	A-9 - A-10
Curtain, Cushion & Pad Group	A-11 - A-16
Dinette Group	A-17
Driver's Compartment Group	A-17 - A-18
Electrical Group	A-19 - A-20
Exterior Body Group	A-21 - A-24
Galley Group	B-1
Heating & Air Conditioning Group	B-2
Interior Finish Group	B-3 - B-4
LP Group	B-5
Lounge Group	B-6
Water & Sewage Group	B-7
Window, Vent & Exterior Door Group	B-8 - B-16

**CURTAIN, CUSHION AND PAD GROUP**



**REAR LOUNGE CUSHIONS**

Key	Part Number	U/M	Description
1	053965-07-J30	EA	Cushion - Mitered - 18" x 24.5" x 6" - Green
1	053965-07-J31	EA	Cushion - Mitered - 18" x 24.5" x 6" - Gold
1	053965-07-J32	EA	Cushion - Mitered - 18" x 24.5" x 6" - Beige
1	058128-09-J36	EA	Cushion - Wraparound - 18" x 24.5" x 6" - Wine
1	058128-09-J37	EA	Cushion - Wraparound - 18" x 24.5" x 6" - Rust
	054678-05-J30	EA	Cover - Mitered Cushion - 18" x 24.5" x 6" - Green
	054678-05-J31	EA	Cover - Mitered Cushion - 18" x 24.5" x 6" - Gold
	054678-05-J32	EA	Cover - Mitered Cushion - 18" x 24.5" x 6" - Beige
	058129-09-J36	EA	Cover - Wraparound Cushion - 18" x 24.5" x 6" - Wine
	058129-09-J37	EA	Cover - Wraparound Cushion - 18" x 24.5" x 6" - Rust
2	053966-04-J30	EA	Cushion - Mitered - 45 1/2" x 39 1/2" x 13 1/2" x 4" - Left - Green
2	053966-04-J31	EA	Cushion - Mitered - 45 1/2" x 39 1/2" x 13 1/2" x 4" - Left - Gold
2	053966-04-J32	EA	Cushion - Mitered - 45 1/2" x 39 1/2" x 13 1/2" x 4" - Left - Beige
2	058130-04-J36	EA	Cushion - Wraparound - 43.5" x 40.5" x 13 1/2" x 5" - Left - Wine
2	058130-04-J37	EA	Cushion - Wraparound - 43.5" x 40.5" x 13 1/2" x 5" - Left - Rust
	054680-04-J30	EA	Cover - Mitered Cushion - 45 1/2" x 39 1/2" x 13 1/2" x 4" - Left - Green
	054680-04-J31	EA	Cover - Mitered Cushion - 45 1/2" x 39 1/2" x 13 1/2" x 4" - Left - Gold
	054680-04-J32	EA	Cover - Mitered Cushion - 45 1/2" x 39 1/2" x 13 1/2" x 4" - Left - Beige
	058131-04-J36	EA	Cover - Wraparound Cushion - 43.5" x 40.5" x 13 1/2" x 5" - Left - Wine
	058131-04-J37	EA	Cover - Wraparound Cushion - 43.5" x 40.5" x 13 1/2" x 5" - Left - Rust
3	053966-03-J30	EA	Cushion - Mitered - 45 1/2" x 39 1/2" x 13 1/2" x 4" - Right - Green
3	053966-03-J31	EA	Cushion - Mitered - 45 1/2" x 39 1/2" x 13 1/2" x 4" - Right - Gold
3	053966-03-J32	EA	Cushion - Mitered - 45 1/2" x 39 1/2" x 13 1/2" x 4" - Right - Beige
3	058130-03-J36	EA	Cushion - Wraparound - 43 1/2" x 40.5" x 13 1/2" x 5" - Right - Wine
3	058130-03-J37	EA	Cushion - Wraparound - 43 1/2" x 40.5" x 13 1/2" x 5" - Right - Rust
	054680-03-J30	EA	Cover - Mitered Cushion - 45 1/2" x 39 1/2" x 13 1/2" x 4" - Right - Green
	054680-03-J31	EA	Cover - Mitered Cushion - 45 1/2" x 39 1/2" x 13 1/2" x 4" - Right - Gold
	054680-03-J32	EA	Cover - Mitered Cushion - 45 1/2" x 39 1/2" x 13 1/2" x 4" - Right - Beige
	058131-03-J36	EA	Cover - Wraparound Cushion - 43 1/2" x 40.5" x 13 1/2" x 4" - Right - Wine
	058131-03-J37	EA	Cover - Wraparound Cushion - 43 1/2" x 40.5" x 13 1/2" x 4" - Right - Rust

**CURTAIN, CUSHION AND PAD GROUP (CONTINUED)**

**CONVENTIONAL DINETTE CUSHIONS**

Key	Part Number	U/M	Description
4	053965-02-J30	EA	Cushion - Mitered - 14 1/4" x 38" x 5" - Green
4	053965-02-J31	EA	Cushion - Mitered - 14 1/4" x 38" x 5" - Gold
4	053965-02-J32	EA	Cushion - Mitered - 14 1/4" x 38" x 5" - Beige
4	058128-01-J36	EA	Cushion - Wraparound - 14 1/4" x 38" x 5" - Wine
4	058128-01-J37	EA	Cushion - Wraparound - 14 1/4" x 38" x 5" - Rust
	054678-01-J30	EA	Cover - Mitered Cushion - 14 1/4" x 38" x 5" - Green
	054678-01-J31	EA	Cover - Mitered Cushion - 14 1/4" x 38" x 5" - Gold
	054678-01-J32	EA	Cover - Mitered Cushion - 14 1/4" x 38" x 5" - Beige
	058129-01-J36	EA	Cover - Wraparound Cushion - 14 1/4" x 38" x 5" - Wine
	058129-01-J37	EA	Cover - Wraparound Cushion - 14 1/4" x 38" x 5" - Rust
5	053965-04-J30	EA	Cushion - Mitered - 22 1/2" x 38" x 5" - Green
5	053965-04-J31	EA	Cushion - Mitered - 22 1/2" x 38" x 5" - Gold
5	053965-04-J32	EA	Cushion - Mitered - 22 1/2" x 38" x 5" - Beige
5	058128-02-J36	EA	Cushion - Wraparound - 22 1/2" x 38" x 5" - Wine
5	058128-02-J37	EA	Cushion - Wraparound - 22 1/2" x 38" x 5" - Rust
	054678-02-J30	EA	Cover - Mitered Cushion - 22 1/2" x 38" x 5" - Green
	054678-02-J31	EA	Cover - Mitered Cushion - 22 1/2" x 38" x 5" - Gold
	054678-02-J32	EA	Cover - Mitered Cushion - 22 1/2" x 38" x 5" - Beige
	058129-02-J36	EA	Cover - Wraparound Cushion - 22 1/2" x 38" x 5" - Wine
	058129-02-J37	EA	Cover - Wraparound Cushion - 22 1/2" x 38" x 5" - Rust

**COUCH CUSHIONS - DINETTE OR LOUNGE**

Key	Part Number	U/M	Description
6	053964-02-J30	EA	Cushion - Two Fold - Mitered - 16" x 21" x 76" x 5" - Green
6	053964-02-J31	EA	Cushion - Two Fold - Mitered - 16" x 21" x 76" x 5" - Gold
6	053964-02-J32	EA	Cushion - Two Fold - Mitered - 16" x 21" x 76" x 5" - Beige
6	062215-01-J36	EA	Cushion - Two Fold - Waterfall - 16" x 21" x 76" x 5" - Wine
6	062215-01-J37	EA	Cushion - Two Fold - Waterfall - 16" x 21" x 76" x 5" - Rust
	054508-02-J30	EA	Cover - Mitered Cushion - 16" x 21" x 76" x 5" - Green
	054508-02-J31	EA	Cover - Mitered Cushion - 16" x 21" x 76" x 5" - Gold
	054508-02-J32	EA	Cover - Mitered Cushion - 16" x 21" x 76" x 5" - Beige
	062216-01-J36	EA	Cover - Waterfall Cushion - 16" x 21" x 76" x 5" - Wine
	062216-01-J37	EA	Cover - Waterfall Cushion - 16" x 21" x 76" x 5" - Rust
8	053965-06-J30	EA	Cushion - Mitered - 8" x 76" x 5" - Green
8	053965-06-J31	EA	Cushion - Mitered - 8" x 76" x 5" - Gold
8	053965-06-J32	EA	Cushion - Mitered - 8" x 76" x 5" - Beige
8	053965-06-J36	EA	Cushion - Mitered - 8" x 76" x 5" - Wine
8	053965-06-J37	EA	Cushion - Mitered - 8" x 76" x 5" - Rust
	054678-04-J30	EA	Cover - Mitered Cushion - 8" x 76" x 5" - Green
	054678-04-J31	EA	Cover - Mitered Cushion - 8" x 76" x 5" - Gold
	054678-04-J32	EA	Cover - Mitered Cushion - 8" x 76" x 5" - Beige
	054678-04-J36	EA	Cover - Mitered Cushion - 8" x 76" x 5" - Wine
	054678-04-J37	EA	Cover - Mitered Cushion - 8" x 76" x 5" - Rust

**1978 ITASCA  
TABLE OF CONTENTS**

Introduction	A-1
Abbreviations	A-1
Alphabetical Index	A-2 - A-4
IDF/ICF23RG	A-5 - B-16
IC420RG	B-17 - D-6
IC525RE	D-7 - E-20
IDF/ICF26RT	E-21 - G-12

**1978 IDF/ICF23RG INDEX**

Floor Plan	A-5 - A-6
Accessories Group	A-7 - A-8
Bath Group	A-9
Chassis Group	A-9 - A-10
Curtain, Cushion & Pad Group	A-11 - A-16
Dinette Group	A-17
Driver's Compartment Group	A-17 - A-18
Electrical Group	A-19 - A-20
Exterior Body Group	A-21 - A-24
Galley Group	B-1
Heating & Air Conditioning Group	B-2
Interior Finish Group	B-3 - B-4
LP Group	B-5
Lounge Group	B-6
Water & Sewage Group	B-7
Window, Vent & Exterior Door Group	B-8 - B-16

**CURTAIN, CUSHION AND PAD GROUP (CONTINUED)**

**CORNER LOUNGE CHAIR CUSHIONS**

Key	Part Number	U/M	Description
9	056636-01-J30	EA	Back Cushion - Corner Lounge Chair - Green
9	056636-01-J31	EA	Back Cushion - Corner Lounge Chair - Gold
9	056636-01-J32	EA	Back Cushion - Corner Lounge Chair - Beige
9	056636-01-J36	EA	Back Cushion - Corner Lounge Chair - Brown
9	056636-01-J37	EA	Back Cushion - Corner Lounge Chair - Blue
10	056637-01-J30	EA	Bottom Cushion - Corner Lounge Chair - Green
10	056637-01-J31	EA	Bottom Cushion - Corner Lounge Chair - Gold
10	056637-01-J32	EA	Bottom Cushion - Corner Lounge Chair - Beige
10	056637-01-J36	EA	Bottom Cushion - Corner Lounge Chair - Brown
10	056637-01-J37	EA	Bottom Cushion - Corner Lounge Chair - Blue

**BUCKET SEATS, ARMRESTS AND HEADRESTS**

Key	Part Number	U/M	Description
	054193-02-J30	EA	Seat Asm. - Single Bucket - Green - w/o Slides, Armrest or Headrest
	054193-02-J31	EA	Seat Asm. - Single Bucket - Gold - w/o Slides, Armrest or Headrest
	054193-02-J32	EA	Seat Asm. - Single Bucket - Beige w/o Slides, Armrest or Headrest
	054193-02-J36	EA	Seat Asm. - Single Bucket - Brown - w/o Slides, Armrest or Headrest
	054193-02-J37	EA	Seat Asm. - Single Bucket - Blue - w/o Slides, Armrest or Headrest
	053356-06-J30	EA	Cover Asm. - Single Bucket Seat - Back - Green
	053356-06-J31	EA	Cover Asm. - Single Bucket Seat - Back - Gold
	053356-06-J32	EA	Cover Asm. - Single Bucket Seat - Back - Beige
	053356-06-J36	EA	Cover Asm. - Single Bucket Seat - Back - Brown
	053356-06-J37	EA	Cover Asm. - Single Bucket Seat - Back - Blue
	053356-05-J30	EA	Cover Asm. - Single Bucket Seat - Bottom - Green
	053356-05-J31	EA	Cover Asm. - Single Bucket Seat - Bottom - Gold
	053356-05-J32	EA	Cover Asm. - Single Bucket Seat - Bottom - Beige
	053356-05-J36	EA	Cover Asm. - Single Bucket Seat - Bottom - Brown
	053356-05-J37	EA	Cover Asm. - Single Bucket Seat - Bottom - Blue
	054650-03-J36	EA	Skirt - Single Bucket - Wine
	054650-03-J37	EA	Skirt - Single Bucket - Beige
	057584-02-J30	EA	Seat Asm. - Double Bucket - w/o Slides, Armrests or Headrests - Green
	057584-02-J31	EA	Seat Asm. - Double Bucket - w/o Slides, Armrests or Headrests - Gold
	057584-02-J32	EA	Seat Asm. - Double Bucket - w/o Slides, Armrests or Headrests - Beige
	057584-02-J36	EA	Seat Asm. - Double Bucket - w/o Slides, Armrests or Headrests - Brown
	057584-02-J37	EA	Seat Asm. - Double Bucket - w/o Slides, Armrests or Headrests - Rust
	053360-05-J30	EA	Cover - Seat - Double Bucket - Green
	053360-05-J31	EA	Cover - Seat - Double Bucket - Gold
	053360-05-J32	EA	Cover - Seat - Double Bucket - Beige
	053360-05-J36	EA	Cover - Seat - Double Bucket - Brown
	053360-05-J37	EA	Cover - Seat - Double Bucket - Rust
	053360-06-J30	EA	Cover - Back - Double Bucket - Green
	053360-06-J31	EA	Cover - Back - Double Bucket - Gold
	053360-06-J32	EA	Cover - Back - Double Bucket - Beige
	053360-06-J36	EA	Cover - Back - Double Bucket - Brown
	053360-06-J37	EA	Cover - Back - Double Bucket - Rust
	054650-04-J30	EA	Skirt - Double Bucket - Wine
	054650-04-J37	EA	Skirt - Double Bucket - Beige
	029136-01-000	EA	Grommet - Headrest - Brown Nylon
	031133-01-000	EA	Protector - Driver Seat - 6" - Brown Plastic
	036658-03-000	EA	Screw - Shoulder - 1/2" x 1 3/4" - Hex Socket (Armrest Fastener)
	019722-01-000	EA	Headrest Asm. - Foam - w/o Cover
	053354-02-J30	EA	Headrest Cover - Green
	053354-02-J31	EA	Headrest Cover - Gold
	053354-02-J32	EA	Headrest Cover - Beige
	053354-02-J36	EA	Headrest Cover - Brown
	053354-02-J37	EA	Headrest Cover - Blue
	050275-01-700	EA	Armrest Asm. - Foam - w/o Cover - Right
	050276-01-700	EA	Armrest Asm. - Foam - w/o Cover - Left
	053357-02-J30	EA	Armrest Cover - Green
	053357-02-J31	EA	Armrest Cover - Gold
	053357-02-J32	EA	Armrest Cover - Beige
	053357-02-J36	EA	Armrest Cover - Brown
	053357-02-J37	EA	Armrest Cover - Blue

**CURTAIN, CUSHION AND PAD GROUP (CONTINUED)**

**FRONT BUNK CUSHIONS**

Key	Part Number	U/M	Description
	055021-09-J30	EA	Cushion - Front Bunk - 31.5" x 79" x 4" - Green
	055021-09-J31	EA	Cushion - Front Bunk - 31.5" x 79" x 4" - Gold
	055021-09-J32	EA	Cushion - Front Bunk - 31.5" x 79" x 4" - Beige
	055021-09-J36	EA	Cushion - Front Bunk - 31.5" x 79" x 4" - Wine
	055021-09-J37	EA	Cushion - Front Bunk - 31.5" x 79" x 4" - Rust
	055022-09-J30	EA	Cover - Bunk Cushion - 31.5" x 79" x 4" - Green
	055022-09-J31	EA	Cover - Bunk Cushion - 31.5" x 79" x 4" - Gold
	055022-09-J32	EA	Cover - Bunk Cushion - 31.5" x 79" x 4" - Beige
	055022-09-J36	EA	Cover - Bunk Cushion - 31.5" x 79" x 4" - Wine
	055022-09-J37	EA	Cover - Bunk Cushion - 31.5" x 79" x 4" - Rust

**CURTAINS**

Key	Part Number	U/M	Description
	054051-02-J30	EA	Curtain Asm. - Privacy - 24" x 37" - Green
	054051-02-J31	EA	Curtain Asm. - Privacy - 24" x 37" - Gold
	054051-02-J32	EA	Curtain Asm. - Privacy - 24" x 37" - Beige
	054051-02-J36	EA	Curtain Asm. - Privacy - 24" x 37" - Brown
	054051-02-J37	EA	Curtain Asm. - Privacy - 24" x 37" - Rust
	056484-01-J30	EA	Curtain Asm. - Taped Top - 27 1/2" x 42" - Green
	056484-01-J31	EA	Curtain Asm. - Taped Top - 27 1/2" x 42" - Gold
	056484-01-J32	EA	Curtain Asm. - Taped Top - 27 1/2" x 42" - Beige
	056484-01-J36	EA	Curtain Asm. - Taped Top - 27 1/2" x 42" - Brown
	056484-01-J37	EA	Curtain Asm. - Taped Top - 27 1/2" x 42" - Rust
	056484-02-J30	EA	Curtain Asm. - Taped Top - 27" x 19 1/2" - Green
	056484-02-J31	EA	Curtain Asm. - Taped Top - 27" x 19 1/2" - Gold
	056484-02-J32	EA	Curtain Asm. - Taped Top - 27" x 19 1/2" - Beige
	056484-02-J36	EA	Curtain Asm. - Taped Top - 27" x 19 1/2" - Brown
	056484-02-J37	EA	Curtain Asm. - Taped Top - 27" x 19 1/2" - Rust
	056484-03-J30	EA	Curtain Asm. - Taped Top - 22" x 19 1/2" - Green
	056484-03-J31	EA	Curtain Asm. - Taped Top - 22" x 19 1/2" - Gold
	056484-03-J32	EA	Curtain Asm. - Taped Top - 22" x 19 1/2" - Beige
	056484-03-J36	EA	Curtain Asm. - Taped Top - 22" x 19 1/2" - Brown
	056484-03-J37	EA	Curtain Asm. - Taped Top - 22" x 19 1/2" - Rust
	056484-04-J30	EA	Curtain Asm. - Taped Top - 23 1/2" x 19 1/2" - Green
	056484-04-J31	EA	Curtain Asm. - Taped Top - 23 1/2" x 19 1/2" - Gold
	056484-04-J32	EA	Curtain Asm. - Taped Top - 23 1/2" x 19 1/2" - Beige
	056484-04-J36	EA	Curtain Asm. - Taped Top - 23 1/2" x 19 1/2" - Brown
	056484-04-J37	EA	Curtain Asm. - Taped Top - 23 1/2" x 19 1/2" - Rust
	054292-01-J30	EA	Curtain Asm. - Front Wraparound - Left - Green
	054292-01-J31	EA	Curtain Asm. - Front Wraparound - Left - Gold
	054292-01-J32	EA	Curtain Asm. - Front Wraparound - Left - Beige
	054292-01-J36	EA	Curtain Asm. - Front Wraparound - Left - Brown
	054292-01-J37	EA	Curtain Asm. - Front Wraparound - Left - Rust
	054293-01-J30	EA	Curtain Asm. - Front Wraparound - Right - Green
	054293-01-J31	EA	Curtain Asm. - Front Wraparound - Right - Gold
	054293-01-J32	EA	Curtain Asm. - Front Wraparound - Right - Beige
	054293-01-J36	EA	Curtain Asm. - Front Wraparound - Right - Brown
	054293-01-J37	EA	Curtain Asm. - Front Wraparound - Right - Rust
	054050-02-J30	EA	Curtain Asm. - Blackout - 70" x 93" - Brown Vinyl
	054050-02-J31	EA	Curtain Asm. - Blackout - 58" x 51" - Brown Vinyl

**1978 ITASCA  
TABLE OF CONTENTS**

Introduction	A-1
Abbreviations	A-1
Alphabetical Index	A-2 - A-4
IDF/ICF23RG	A-5 - B-16
IC420RG	B-17 - D-6
IC525RB	D-7 - E-20
IDF/ICF26RT	E-21 - G-12

**1978 IDF/ICF23RG INDEX**

Floor Plan	A-5 - A-6
Accessories Group	A-7 - A-8
Bath Group	A-9
Chassis Group	A-9 - A-10
Curtain, Cushion & Pad Group	A-11 - A-16
Dinette Group	A-17
Driver's Compartment Group	A-17 - A-18
Electrical Group	A-19 - A-20
Exterior Body Group	A-21 - A-24
Galley Group	B-1
Heating & Air Conditioning Group	B-2
Interior Finish Group	B-3 - B-4
LP Group	B-5
Lounge Group	B-6
Water & Sewage Group	B-7
Window, Vent & Exterior Door Group	B-8 - B-16

**CURTAIN, CUSHION AND PAD GROUP (CONTINUED)**

**VALANCES**

Key	Part Number	U/M	Description
	056123-25-000	EA	Valance w/Trim - 42" - Green
	056123-26-000	EA	Valance w/Trim - 42" - Gold
	056123-27-000	EA	Valance w/Trim - 42" - Beige
	056123-42-000	EA	Valanc. w/Trim - 42" - Dark Brown
	056123-43-000	EA	Valance w/Trim - 42" - Rust
	056123-28-000	EA	Valance w/Trim - 78" - Green
	056123-29-000	EA	Valance w/Trim - 78" - Gold
	056123-30-000	EA	Valance w/Trim - 78" - Beige
	056123-44-000	EA	Valance w/Trim - 78" - Dark Brown
	056123-45-000	EA	Valance w/Trim - 78" - Rust
	056123-34-000	EA	Valance w/Trim - 81" - Green
	056123-35-000	EA	Valance w/Trim - 81" - Gold
	056123-36-000	EA	Valance w/Trim - 81" - Beige
	056123-48-000	EA	Valance w/Trim - 81" - Dark Brown
	056123-49-000	EA	Valance w/Trim - 81" - Rust

**SHADES**

Key	Part Number	U/M	Description
	054550-25-000	EA	Shade - Vinyl - 33 1/4" x 34" - Greek Key - Green Trim
	054550-26-000	EA	Shade - Vinyl - 33 1/4" x 34" - Greek Key - Gold Trim
	054550-27-000	EA	Shade - Vinyl - 33 1/4" x 34" - Greek Key - Beige Trim
	054550-34-000	EA	Shade - Vinyl - 69 1/4" x 34" - Greek Key - Green Trim
	054550-35-000	EA	Shade - Vinyl - 69 1/4" x 34" - Greek Key - Gold Trim
	054550-36-000	EA	Shade - Vinyl - 69 1/4" x 34" - Greek Key - Beige Trim
	054550-37-000	EA	Shade - Vinyl - 72 1/4" x 34" - Greek Key - Green Trim
	054550-38-000	EA	Shade - Vinyl - 72 1/4" x 34" - Greek Key - Gold Trim
	054550-39-000	EA	Shade - Vinyl - 72 1/4" x 34" - Greek Key - Beige Trim
	056915-25-000	EA	Shade - Vinyl - 33 1/4" x 34" x Straight - Green Trim
	056915-26-000	EA	Shade - Vinyl - 33 1/4" x 34" - Straight - Gold Trim
	056915-27-000	EA	Shade - Vinyl - 33 1/4" x 34" - Straight - Beige Trim
	056915-49-000	EA	Shade - Vinyl - 33 1/4" x 34" - Straight - Dark Brown Trim
	056915-50-000	EA	Shade - Vinyl - 33 1/4" x 34" - Straight - Rust Trim
	056915-34-000	EA	Shade - Vinyl - 69 1/4" x 34" - Straight - Green Trim
	056915-35-000	EA	Shade - Vinyl - 69 1/4" x 34" - Straight - Gold Trim
	056915-36-000	EA	Shade - Vinyl - 69 1/4" x 34" - Straight - Beige Trim
	056915-55-000	EA	Shade - Vinyl - 69 1/4" x 34" - Straight - Dark Brown Trim
	056915-56-000	EA	Shade - Vinyl - 69 1/4" x 34" - Straight - Rust Trim
	056915-37-000	EA	Shade - Vinyl - 72 1/4" x 34" - Straight - Green Trim
	056915-38-000	EA	Shade - Vinyl - 72 1/4" x 34" - Straight - Gold Trim
	056915-39-000	EA	Shade - Vinyl - 72 1/4" x 34" - Straight - Beige Trim
	056915-57-000	EA	Shade - Vinyl - 72 1/4" x 34" - Straight - Dark Brown
	056915-58-000	EA	Shade - Vinyl - 72 1/4" x 34" - Straight - Rust Trim



Key	Part Number	U/M	Description
1	029130-01-000	EA	Socket - Snap Fastener
2	029155-01-000	EA	Cap - Snap - .156" Dia. x .17" Barrel
3	029156-01-000	EA	Socket - Snap Fastener
4	029092-01-000	EA	Stud - Nickel Finish
5	029093-01-000	EA	Eyelet - Nickel Finish

**CURTAIN, CUSHION AND PAD GROUP (CONTINUED)**

**TIE BACKS**

Key	Part Number	U/M	Description
	054048-05-J30	EA	Tie Back - Curtain - 18" - Green
	054048-05-J31	EA	Tie Back - Curtain - 18" - Gold
	054048-05-J32	EA	Tie Back - Curtain - 18" - Beige
	054048-05-J36	EA	Tie Back - Curtain - 18" - Brown
	054048-05-J37	EA	Tie Back - Curtain - 18" - Rust
	054048-01-J30	EA	Tie Back - Curtain - 14" - Green
	054048-01-J31	EA	Tie Back - Curtain - 14" - Gold
	054048-01-J32	EA	Tie Back - Curtain - 14" - Beige
	054048-02-J30	EA	Tie Back - Curtain - 14" - Brown Vinyl
	054048-04-J30	EA	Tie Back - Curtain - 10" - Brown Vinyl

**CURTAIN HARDWARE**

Key	Part Number	U/M	Description
	052327-04-236	EA	Track - Curtain - Brown Alum. - 89" w/Holes
	056116-01-000	FT	Track - Curtain - Brown Plastic
	056001-01-000	EA	Bracket - Shade - Left
	056002-01-000	EA	Bracket - Shade - Right
	050826-03-000	EA	Track - Wraparound Curtain - Left
	050826-04-000	EA	Track - Wraparound Curtain - Right
	053272-02-201	EA	Track - Privacy Curtain - Anod. Alum. - 50" w/Holes
	053272-03-203	EA	Track - Blackout Curtain - Brown Alum. - 93" w/Holes
	009107-01-000	EA	Guide - Nylon Snap - Curtain
	018031-42-000	EA	Track - Curtain - "L" Rod - Alum. Extr. - 90"
	009701-01-000	EA	Carrier - "L" Rod - Curtain
	009702-01-000	EA	End Stop - "L" Rod - Curtain

**FABRICS, TRIMS AND PADS**

Key	Part Number	U/M	Description
	052581-01-000	YD	Fabric - Drapery - Green
	052581-02-000	YD	Fabric - Drapery - Gold
	052581-03-000	YD	Fabric - Drapery - Beige
	057027-01-000	YD	Fabric - Drapery - Brown
	057027-02-000	YD	Fabric - Drapery - Rust
	052582-01-000	YD	Fabric - Upholstery - Green
	052582-02-000	YD	Fabric - Upholstery - Gold
	052582-03-000	YD	Fabric - Upholstery - Beige
	057028-01-000	YD	Fabric - Upholstery - Wine
	057028-02-000	YD	Fabric - Upholstery - Blue
	042411-01-000	YD	Vinyl - Nonexpanded - 27 oz. - Brown
	042411-02-000	YD	Vinyl - Expanded - 28 Oz. - Brown
	042411-03-000	YD	Vinyl - Non Support - 18 Gauge - Brown
	042414-01-000	FT	Trim - Accent - Berkshire Brown Vinyl
	053719-01-J30	EA	Headliner - Cab - Berkshire Brown Vinyl
	054015-01-J30	EA	Pad - Cab Door - Left - Berkshire Brown Vinyl
	054015-02-J30	EA	Pad - Cab Door - Right - Berkshire Brown Vinyl
	054676-03-J30	EA	Button Asm. - Cloth Covered - Green
	054676-03-J31	EA	Button Asm. - Cloth Covered - Gold
	054676-03-J32	EA	Button Asm. - Cloth Covered - Beige
	054676-03-J33	EA	Button Asm. - Cloth Covered - Brown
	054676-03-J37	EA	Button Asm. - Cloth Covered - Blue

**1978 ITASCA  
TABLE OF CONTENTS**

Introduction	A-1
Abbreviations	A-1
Alphabetical Index	A-2 - A-4
IDF/ICF23RG	A-5 - B-16
IC420RG	B-17 - D-6
IC525RB	D-7 - E-20
IDF/ICF26RT	E-21 - G-12

**1978 IDF/ICF23RG INDEX**

Floor Plan	A-5 - A-6
Accessories Group	A-7 - A-8
Bath Group	A-9
Chassis Group	A-9 - A-10
Curtain, Cushion & Pad Group	A-11 - A-16
Dinette Group	A-17
Driver's Compartment Group	A-17 - A-18
Electrical Group	A-19 - A-20
Exterior Body Group	A-21 - A-24
Galley Group	B-1
Heating & Air Conditioning Group	B-2
Interior Finish Group	B-3 - B-4
LP Group	B-5
Lounge Group	B-6
Water & Sewage Group	B-7
Window, Vent & Exterior Door Group	B-8 - B-16

## DINETTE GROUP

### CONVENTIONAL DINETTE W/FOLD DOWN TABLE AND OPPOSING BENCHES

Key	Part Number	U/M	Description
	053192-01-J30	EA	Table Asm. - Dinette - w/o Hardware - Butcher Block
	047842-01-000	EA	Hardware Kit - Dinette Table Leg
	047803-03-000	EA	Hardware Kit - Dinette Table - Wall Mount
	052488-01-J30	EA	Cabinet Asm. - Dinette Seat - Right
	052488-02-J30	EA	Cabinet Asm. - Dinette Seat - Left - w/o Door or Hardware
	052812-11-J30	EA	Door Asm. - Dinette Seat Cabinet - 10 7/8" x 18 3/4" - w/o Hardware
	052485-02-J30	EA	Cabinet Asm. - Dinette Overhead - w/o Doors or Hardware
	052812-01-J30	EA	Door Asm. - Overhead Cabinet - 9 3/4" x 21 9/16" - w/o Hardware

### OPTIONAL COUCH W/TWIN PEDESTAL TABLES

Key	Part Number	U/M	Description
	053203-07-J30	EA	Table Asm. - Pedestal - w/o Hardware - Butcher Block
	009040-03-000	EA	Base - Table Leg - Mounts on Table
	041194-01-000	EA	Base - Table Leg - Floor Mount
	002040-02-000	EA	Leg - Pedestal Table - 27.5" - Chrome
	054396-01-J30	EA	Cabinet Asm. - Couch - w/o Legs or Slider
	052812-06-J30	EA	Door Asm. - Couch - 16 1/4" x 11 5/8" - w/o Hardware
	053079-02-000	EA	Slide Asm. - Couch - w/Legs

### OPTIONAL CORNER CHAIRS W/LOUNGE TABLE

Key	Part Number	U/M	Description
	053977-01-J30	EA	Countertop Asm. - Lounge Table - w/o Support - Butcher Block
	053855-01-J30	EA	Support Asm. - Lounge Table
	045795-01-000	EA	Glass Holder - Plastic - Dark Brown
	054029-02-J30	EA	Cabinet Asm. - Corner Chair - Front
	054523-01-J30	EA	Cabinet Asm. - Corner Chair - Rear

## DRIVER'S COMPARTMENT GROUP

### DASH SWITCHES AND GAUGES

Key	Part Number	U/M	Description
	024461-01-000	EA	Switch - Battery
	024462-01-000	EA	Switch - Battery Condition
	024463-01-000	EA	Switch - Blinker
	024464-01-000	EA	Switch - Washer
	024465-01-000	EA	Switch - Fuel
	024467-01-000	EA	Switch - Wiper
	024976-01-000	EA	Switch - Generator w/o Circuit Board
	037387-01-000	EA	Switch - Generator w/Circuit Board
	024459-01-000	EA	Gauge - Voltmeter
	024460-01-000	EA	Gauge - Vacuum
	031035-01-000	EA	Gauge - Generator Hourmeter
	031376-01-000	EA	Control Asm. - Heater - 3 Speed
	055279-01-000	EA	Control Asm. - Heater A/C - 3 Speed

## DRIVER'S COMPARTMENT GROUP (CONTINUED)

### DASH PANEL AND COMPONENTS

Key	Part Number	U/M	Description
	057486-01-J30	EA	Dash Asm. Complete - w/Switches and Gauges
	022548-03-000	EA	Pad - Dash - Right - Dark Brown
	023242-05-000	EA	Pad - Dash - Left - Dark Brown
	024418-01-000	EA	Lamp Asm. - Map/Gauge
	023020-01-000	EA	Lamp Asm. - Teletale
	007308-01-000	EA	Dash Clock
	052387-01-000	EA	Lighter Asm. - Cigarette - 12 Volt
	007041-01-000	EA	Bezel - Cigarette Lighter
	007071-01-000	EA	Louver - Chrome - w/Chrome Wheel
	024990-02-000	EA	Outlet - Defroster w/Swivel - 2" Dark Brown
	039044-01-000	EA	Louver Asm. - A/C Adjuster
	050299-01-000	EA	Bezel - Control Panel (Dodge Chassis)
	039847-03-000	EA	Bezel - Control Panel - (Chev. Chassis)
	050485-01-000	EA	Bezel - Entertainment Center No. 1 - w/Cut Out for Vehicle Sensor Panel
	050486-01-000	EA	Bezel - Entertainment Center No. 2 - w/Cut Out for Vehicle Sensor Panel, Radio and Clock
	050487-01-000	EA	Bezel - Entertainment Center No. 3 - w/Cut Out for Vehicle Sensor Panel, Radio, Clock, Hourmeter and Generator Start Stop Switch.
	023892-01-000	EA	Box - Glove Compartment - Black Fiberboard
	022219-01-000	EA	Door - Glove Compartment
	009118-01-000	EA	Twist Lock - Glove Compartment
	024598-01-000	EA	Hinge - Glove Compartment - 1 1/16" x 18"
	034309-01-000	EA	Chain - Glove Box Door
	023834-01-000	EA	Panel - Knee Kick - Bottom of Dash

### BUCKET SEAT PEDESTAL AND SEAT BELTS

Key	Part Number	U/M	Description
	050447-01-000	EA	Pedestal Asm. - Tilt Seat - Left
	050447-02-000	EA	Pedestal Asm. - Tilt Seat - Right - Single Seat
	050447-03-000	EA	Pedestal Asm. - Tilt Seat - Right - Double Seat
	007019-01-000	EA	Belt Asm. - Seat - 2" x 8 1/2" - Black
	041322-01-000	EA	Washer - Flat 15/32" I.D. x 2 3/8" O.D. - Seat Belt

### MISCELLANEOUS DRIVER'S COMPARTMENT COMPONENTS

Key	Part Number	U/M	Description
	048583-01-000	EA	Beverage Tray - Plastic - Dark Brown
	048670-01-000	EA	Tray Asm. - Beverage Tray
	050798-01-000	EA	Pocket - Ash Tray - Plastic
	050797-01-000	EA	Ash Tray - Plastic
	052831-01-J30	EA	Cabinet Asm. - Front Overhead
	039857-01-000	EA	Latch - Rubber - Draw Handle 5 3/4" w/Strike
	039856-01-000	EA	Latch - Rubber - Draw Handle 3" w/Strike
	052783-01-000	EA	Seal - Motor Cover - Alum.
	042541-01-000	EA	Latch Asm. w/Strike - Chrome
	034800-03-C00	EA	Cover - Motor - Plastic
	040519-01-000	EA	Boot - Rubber Steering Column
	040520-01-000	EA	Boot - Retainer - Steering Column
	007278-01-000	EA	Mirror - Inside Rear View 4 1/2" x 9"
	034499-01-000	EA	Support - Dimmer Switch
	041842-01-000	EA	Clip - Sunvisor Rod - Brown Plastic
	022758-04-000	EA	Sunvisor Asm. - Right Bostonian Brown
	022759-08-000	EA	Sunvisor Asm. - Left Bostonian Brown

## 1978 ITASCA TABLE OF CONTENTS

Introduction	A-1
Abbreviations	A-1
Alphabetical Index	A-2 - A-4
IDF/ICF23RG	A-5 - B-16
IC420RG	B-17 - D-6
IC525RB	D-7 - E-20
IDF/ICF26RT	E-21 - G-12

## 1978 IDF/ICF23RG INDEX

Floor Plan	A-5 - A-6
Accessories Group	A-7 - A-8
Bath Group	A-9
Chassis Group	A-9 - A-10
Curtain, Cushion & Pad Group	A-11 - A-16
Dinette Group	A-17
Driver's Compartment Group	A-17 - A-18
Electrical Group	A-19 - A-20
Exterior Body Group	A-21 - A-24
Galley Group	B-1
Heating & Air Conditioning Group	B-2
Interior Finish Group	B-3 - B-4
LP Group	B-5
Lounge Group	B-6
Water & Sewage Group	B-7
Window, Vent & Exterior Door Group	B-8 - B-16

## ELECTRICAL GROUP

### BULBS

Key	Part Number	U/M	Description
	037935-01-000	EA	Bulb - 1157
	038010-01-000	EA	Bulb - 1143
	008103-01-000	EA	Bulb 53
	008213-01-000	EA	Bulb - 57
	008214-01-000	EA	Bulb - 67
	008215-01-000	EA	Bulb - 1003
	008216-01-000	EA	Bulb - 1034
	008217-01-000	EA	Bulb - 1073
	008218-01-000	EA	Bulb - 1141
	008219-01-000	EA	Bulb - 656
	008220-01-000	EA	Bulb - 12V - 25W
	036196-01-000	EA	Bulb - 194
	700020-01-000	EA	Bulb - 12V - 20W - 1363

### INTERIOR LIGHTS

Key	Part Number	U/M	Description
	024418-01-000	EA	Lamp Asm. - Map/Gauge/Isle
	024473-01-000	EA	Light - Aircraft - 1 Bulb - Gold
	033508-02-000	EA	Light - Dome - Ivory - 1 Bulb
	024642-01-701	EA	Lens - Dome Light - 1 Bulb
	033509-02-000	EA	Light - Dome - Ivory - 2 Bulb
	024643-01-701	EA	Lens - Dome Light - 2 Bulb

### EXTERIOR LIGHTS

Key	Part Number	U/M	Description
	045863-01-000	EA	Lamp Asm. - Tail - Horizontal
	045864-01-000	EA	Lamp Asm. - Tail - Horizontal - w/License Mount
	045863-01-700	EA	Lens - Tail Light - All Red
	045863-01-701	EA	Lens - Tail Light - Red w/Backup
	046125-01-000	EA	Wedge - Tail Light
	042405-03-000	EA	Base - Rectangular Clearance Light
	042405-04-000	EA	Lens - Clearance Light - Red
	042405-05-000	EA	Lens - Clearance Light - Amber

### FUSES AND CIRCUIT BREAKERS

Key	Part Number	U/M	Description
	056473-01-000	EA	Fuse - Slow Blow - 6 1/4 Amp.
	008233-01-000	EA	Fuse - 12 Volt - 3 Amp.
	008234-01-000	EA	Fuse - 12 Volt - 10 Amp.
	008235-01-000	EA	Fuse - 12 Volt - 15 Amp.
	008236-01-000	EA	Fuse - 12 Volt - 20 Amp.
	008248-01-000	EA	Fuse - 110 Volt - 30 Amp. - AGU
	008252-01-000	EA	Fuse - 110 Volt - 50 Amp.
	008208-01-000	EA	Circuit Breaker - 12 Volt - 40 Amp.
	008211-01-000	EA	Circuit Breaker - 12 Volt - 6 Amp.
	008268-01-000	EA	Circuit Breaker - 12 Volt - 30 Amp. w/Mount
	033573-01-000	EA	Circuit Breaker - 12 Volt - 20 Amp. w/Mount
	040051-01-000	EA	Circuit Breaker - 110 Volt - 20 Amp. - TQL

## ELECTRICAL GROUP (CONTINUED)

### WINDSHIELD WIPER AND WASHER

Key	Part Number	U/M	Description
	007029-01-000	EA	Washer - Electric - Windshield
	037997-01-000	EA	Arm - Windshield Wiper - 15"
	037998-01-000	EA	Link Asm. - Connecting - 22.40" Long
	037999-01-000	EA	Motor Asm. - Windshield Wiper
	038000-01-000	EA	Blade - Windshield Wiper - 16"
	038001-01-000	EA	Shaft and Pivot Asm. - 2.25" Arm
	700073-05-000	EA	Pump and Cover Asm. - Windshield Washer
	700073-04-000	EA	Reservoir Only - Water - Windshield Washer
	700073-02-000	EA	Washer Nozzle Hardware Package

### WIRE, SWITCHES, AND RECEPTACLES

Key	Part Number	U/M	Description
	008024-01-000	FT	Wire - 18.5 Bonded - Orange/White/Yellow/Blue/Brown
	008025-01-000	FT	Wire - 18.5 Bonded - Orange/White/Yellow/Blue/Green
	008026-01-000	FT	Wire - 18.5 Bonded - Blue/Red/Yellow/Orange/White
	008030-01-000	FT	Wire - 18.4 Bonded
	008251-01-000	EA	Holder - Fuse - Black - Screw Type
	008277-01-000	EA	Holder - Fuse - Black - Panel Mount
	008195-01-000	EA	Switch - Push Button - 12 Volt
	008077-01-000	EA	Plaque - Compressor Switch
	008054-01-000	EA	Cord - Power - 10-3 30 Amp. - 25' - UL
	034818-04-000	EA	Holder - Receptacle - Plastic
	039338-01-000	EA	Cover Plate - Receptacle - Plastic - Brown
	039342-01-000	EA	Receptacle - Duplex Brown - T Junction
	024571-01-000	EA	Cover Plate - Receptacle - Jumbo Steel Brown
	039343-01-000	EA	Cap - End - Receptacle
	008182-01-000	EA	Switch - Double Toggle - Spade Brown
	008183-01-000	EA	Switch - Toggle Brown
	008184-01-000	EA	Cover Plate - Switch - Brown
	024924-01-000	EA	Receptacle - Power Cord
	008058-01-000	EA	Adaptor - Power Cord
	047353-01-000	EA	Cover - Receptacle - Ground Fault
	047351-01-000	EA	Receptacle - Ground Fault Interrupter - 125 Volt, Black

### MISCELLANEOUS ELECTRICAL COMPONENTS

Key	Part Number	U/M	Description
	047338-01-000	EA	Isolator - Dual Battery
	047389-01-700	EA	Battery - 12 Volt - 105 Amp. Deep Cycle - Dry
	008188-01-000	EA	Solenoid - Dual Battery - Relay
	046775-01-000	EA	Valve - Gas - Change Over
	039950-02-000	EA	Control Center - 30 Amp. w/Door - UL
	039950-01-702	EA	Circuit Board - Control Center
	039950-01-701	EA	Circuit Board - Control Center - w/Light
	039950-01-700	EA	Circuit Board - Control Center - w/o Light
	054544-01-000	EA	Control Center - 37 Amp.
	024417-01-000	EA	Panel - Control - Water/Double Sewage - Wemac
	039961-01-000	EA	Sending Unit Kit - Wemac
	024459-01-000	EA	Gauge - Voltmeter
	024462-01-000	EA	Switch - Battery Condition
	031035-01-000	EA	Gauge - Hour Meter - Generator
	024976-01-000	EA	Switch - Generator w/o Circuit Board
	024460-01-000	EA	Gauge Vacuum
	036817-01-000	EA	Relay - Canister - S.P.D.T.

## 1978 ITASCA TABLE OF CONTENTS

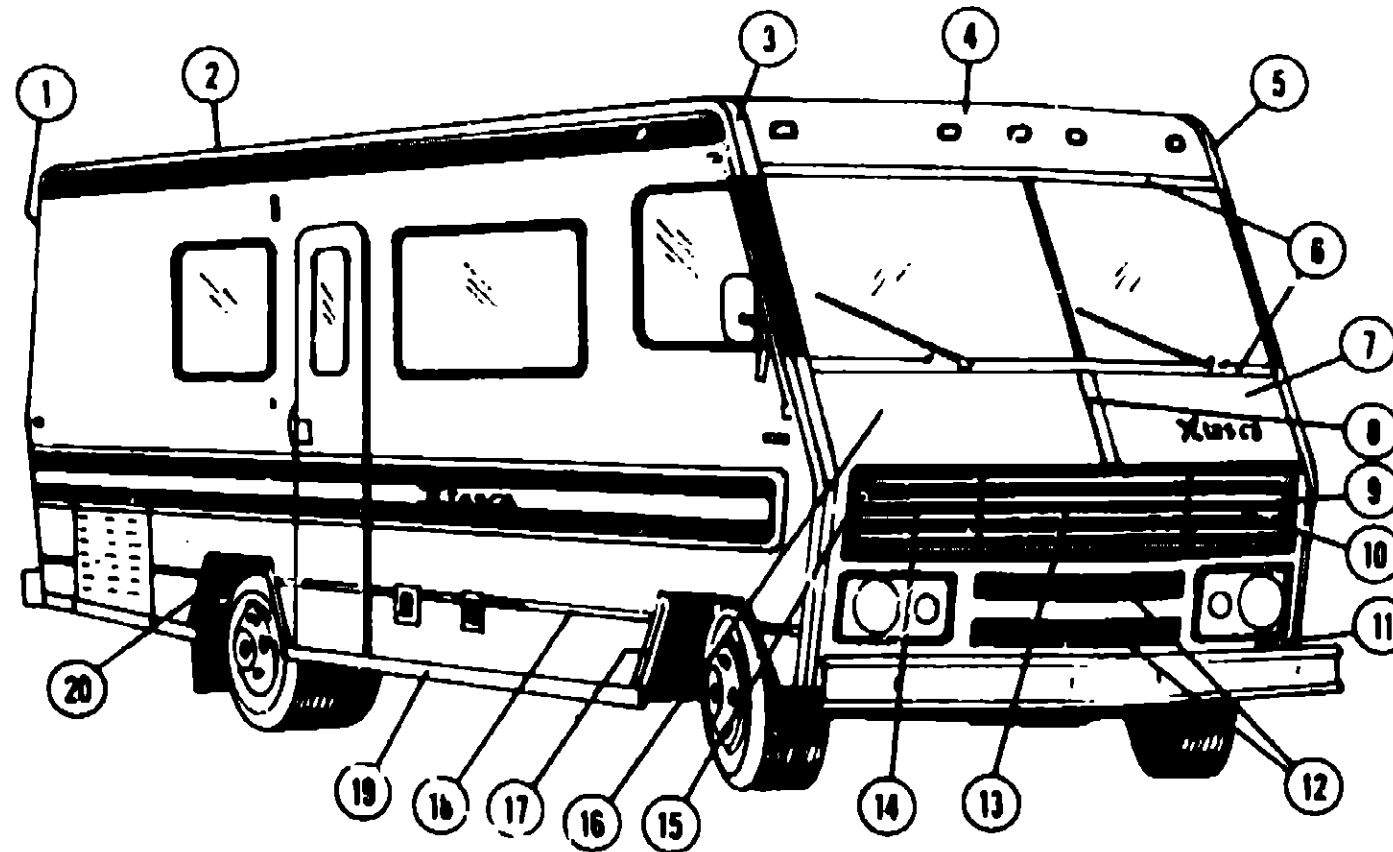
Introduction	A-1
Abbreviations	A-1
Alphabetical Index	A-2 - A-4
IDF/ICF23PG	A-5 - B-16
IC420RG	B-17 - D-6
IC525RB	D-7 - E-20
IDF/ICF26RT	E-21 - G-12

## 1978 IDF/ICF23RG INDEX

Floor Plan	A-5 - A-6
Accessories Group	A-7 - A-8
Bath Group	A-9
Chassis Group	A-9 - A-10
Curtain, Cushion & Pad Group	A-11 - A-16
Dinette Group	A-17
Driver's Compartment Group	A-17 - A-18
Electrical Group	A-19 - A-20
Exterior Body Group	A-21 - A-24
Galley Group	B-1
Heating & Air Conditioning Group	B-2
Interior Finish Group	B-3 - B-4
LP Group	B-5
Lounge Group	B-6
Water & Sewage Group	B-7
Window, Vent & Exterior Door Group	B-8 - B-16



## EXTERIOR BODY GROUP



## 1978 ITASCA TABLE OF CONTENTS

Introduction	A-1
Abbreviations	A-1
Alphabetical Index	A-2 - A-4
IDF/ICF23RG	A-5 - B-16
IC420RG	B-17 - D-6
IC525RB	D-7 - E-20
IDF/ICF28RT	E-21 - G-12

Key	Part Number	U/M	Description
1	039864-01-000	EA	Trim - Contour - Right Rear - Off White
.	039864-02-000	EA	Trim - Contour - Left Rear - Off White
2	034922-10-000	EA	Trim - Sidewall - Upper - Left or Right - Off White
3	053217-01-000	EA	Trim - Contour - Right Front - Off White
4	054957-01-000	EA	Cap Asm. - Fiberglass - Over Windshield - Off White
5	053217-02-000	EA	Trim - Contour - Left Front - Off White
6	053233-02-000	EA	Trim - Windshield - 91" - Off White
7	052979-02-J30	EA	Hoodboard - Left
8	053207-01-000	EA	Trim - Hood - Center
9	053089-02-000	EA	Trim - Grille - Left
10	053108-02-000	EA	Grille Asm. - Left
11	053102-01-000	EA	Hoodboard - Lower - Dodge Chassis
.	057444-01-000	EA	Hoodboard - Lower - Chevy Chassis
.	057197-01-000	EA	Bezel - Headlight - Left
.	057198-01-000	EA	Bezel - Headlight - Right
12	055221-01-000	EA	Grille Asm. - Lower
13	053109-01-000	EA	Grille Asm. - Center
.	053090-01-J27	EA	Trim - Grille Center
.	021497-01-000	EA	Latch Asm. - Grille
.	053113-01-000	EA	Hinge - Grille

Key	Part Number	U/M	Description
14	053108-01-000	EA	Grille Asm. - Right
15	053089-01-000	EA	Trim - Grille - Right
16	052979-01-J30	EA	Hoodboard - Right
.	035628-01-000	EA	Fastener - Blind Well Nut - Fiberglass to Chassis
17	052843-01-000	EA	Trim - Wheel Well - Front - Left or Right
18	002444-02-003	EA	Feature Strip - Extr. Alum. - 16'
.	001030-02-100	EA	Insert - Feature Strip - Off White - 17'
.	001030-05-100	EA	Insert - Feature Strip - Burnished Red - 17'
.	001030-06-100	EA	Insert - Feature Strip - Lucerne Blue - 17'
.	001030-07-100	EA	Insert - Feature Strip - Dark Green - 17'
.	009731-01-000	EA	End Cap - Feature Strip
19	002776-02-001	EA	Extr. - Anod. - U-Channel - 1 3/4" x 16'
20	052842-01-000	EA	Trim - Wheel Well - Rear - Right or Left
.	002365-02-001	EA	Extr. - Anod. U-Channel - 18" (Lower Backwall)
.	044582-02-000	EA	Drip Cap - Over Entry Door - Off White
.	009717-02-002	EA	Extr. - Drip Rail - Alum. - 19'
.			Not Illustrated

## 1978 IDF/ICF23RG INDEX

Floor Plan	A-5 - A-6
Accessories Group	A-7 - A-8
Bath Group	A-9
Chassis Group	A-9 - A-10
Curtain, Cushion & Pad Group	A-11 - A-16
Dinette Group	A-17
Driver's Compartment Group	A-17 - A-18
Electrical Group	A-19 - A-20
Exterior Body Group	A-21 - A-24
Galley Group	B-1
Heating & Air Conditioning Group	B-2
Interior Finish Group	B-3 - B-4
LP Group	B-5
Lounge Group	B-6
Water & Sewage Group	B-7
Window, Vent & Exterior Door Group	B-8 - B-16

**EXTERIOR BODY GROUP (CONTINUED)**

**EXTERIOR BODY PANELS AND SHEET ALUMINUM**

Key	Part Number	U/M	Description
	052522-01-J30	EA	Backwall Asm.
	053455-01-J30	EA	Sidewall Asm. - Left
	053454-01-J30	EA	Sidewall Asm. - Right
	052984-01-J30	EA	Roof Asm.
	039155-03-008	EA	Alum. - Off White - Mesa I - .024" x 36" x 80"
	039155-03-003	EA	Alum. - Off White - Mesa I - .024" x 36" x 360"
	039155-03-007	EA	Alum. - Off White - Mesa I - .024" x 48" x 80"
	039155-03-006	EA	Alum. - Off White - Mesa I - .024" x 48" x 360"
	039155-03-009	EA	Alum. - Off White - Mesa I - .024" x 12" x 360"
	039155-28-001	EA	Alum. - Off White - Mesa II - .024" x 36" x 80"
	039155-28-003	EA	Alum. - Off White - Mesa II - .024" x 36" x 360"
	039155-28-004	EA	Alum. - Off White - Mesa II - .024" x 48" x 80"
	039155-28-006	EA	Alum. - Off White - Mesa II - .024" x 48" x 360"
	039155-28-007	EA	Alum. - Off White - Mesa II - .024" x 12" x 360"
	044487-01-001	EA	Plain Roof Metal - 96" x 360"
	039155-07-010	EA	Off White Greyhound Alum. - 48" x 96"
	001054-01-011	EA	Off White Plain Alum. - 48" x 96"
	000868-01-000	BF	Styrofoam - 3/4" x 24" x 96"
	000870-01-000	BF	Styrofoam - 1 1/2" x 24" x 96"
	046817-01-000	EA	Panel Asm. - Valance - Off White

Note: The raised portion of Mesa I is 1.657" wide  
The raised portion of Mesa II is .875" wide

**SEALANTS, ADHESIVES AND FASTENERS**

Key	Part Number	U/M	Description
	034552-05-000	EA	Sealant - Off White Silicone
	034552-04-000	EA	Sealant - Beige Silicone
	034552-02-000	EA	Sealant - Clear Silicone
	004342-01-000	EA	Sealant - Weatherban 202 Tube
	004346-02-000	EA	Sealant - White Silicone
	004347-01-000	EA	Sealant - Tuffex
	004357-01-000	FT	Sealer Tape - 1/8" x 5/8" - Adhesive
	009200-01-000	EA	Tape - Furnace - 1 1/2"
	004353-01-000	FT	Tape - Gasket - 1/8" x 3/4" - White
	002825-01-000	FT	Weather Stripping - Roof Vent
	002337-01-000	EA	Adhesive - 3M - 1300 Tube
	004005-01-000	GL	Adhesive - Swifts - Green - Glue (Sidewalls)
	004012-01-000	EA	Adhesive - 3M - 4475 Tube
	004020-01-000	QT	Adhesive - ABS Cement (Plastic Fittings)
	029051-01-000	EA	Adhesive - Spray Vinyl
	042401-02-000	EA	Screw - 8 - 18 x 3/4" SDPH - Off White
	042403-02-000	EA	Screw - SF/DR - 8-18 x 1" SDPH - Off White
	053766-01-000	EA	Bedding Compound - Tube Black - Schnee Morehead
	053766-02-000	EA	Bedding Compound - Tube White - Schnee Morehead
	053767-01-000	FT	Tape - 1/2" x 1/8" x 30' - Gray - Schnee Morehead
	053767-02-000	FT	Tape - 3/16" Bead x 25' - Gray - Schnee Morehead
	053767-03-000	FT	Tape - 1/4" Bead x 20' - Gray - Schnee Morehead
	053767-04-000	FT	Tape - 3/4" x 1/8" x 30' - Gray - Schnee Morehead
	053767-05-000	FT	Tape - 2" x 3/32" x 45' - Gray - Schnee Morehead

**EXTERIOR BODY GROUP (CONTINUED)**

**EXTERIOR PAINT**

Key	Part Number	U/M	Description
	041581-01-000	EA	Paint - Off White - Acrylic Enamel - 1 Gal.
	041581-03-000	EA	Paint - Off White - Acrylic Enamel - 16 oz. Aerosol
	041581-04-000	EA	Paint - Off White - Acrylic Laquer - 1 Gal.
	045881-01-000	EA	Paint - Satin Black - Acrylic Enamel - 16 oz. Aerosol
	045881-03-000	EA	Paint - Gloss Black - Acrylic Enamel - 16 oz. Aerosol
	058008-03-000	EA	Paint - Lucerne Blue - 16 oz. Aerosol - Dupont 42858
	058007-03-000	EA	Paint - Dark Jade - 16 oz. Aerosol - Dupont 43517
	041588-03-000	EA	Paint - Rally Yellow - Acrylic Enamel - 16 oz. Aerosol
	055884-03-000	EA	Paint - Medium Gray Metallic - 16 oz. Aerosol - Dupont 44783
	043877-03-000	EA	Paint - Saddle Bronze - Acrylic Enamel - 16 oz. Aerosol
	057482-03-000	EA	Paint - Autumn Red Metallic - 16 oz. Aerosol - Dupont 43507
	055883-03-000	EA	Paint - Tan Bronze Metallic - 16 oz. Aerosol - Dupont 44161
	058912-03-000	EA	Paint - Regal Blue - 16 oz. Aerosol - Dupont 5543
	045812-03-000	EA	Paint - Orange - Acrylic Enamel - 16 oz. Aerosol

**LABELS AND DECALS**

Key	Part Number	U/M	Description
	008031-01-000	EA	Label - Potable Water Only
	008187-01-000	EA	Label - Sewage
	008188-01-000	EA	Label - Waste Water
	008199-01-000	EA	Label - Exit - Escape Window
	039289-01-000	EA	Label - Warning Aux. Loading
	008023-01-000	EA	Label - Water Only
	008025-01-000	EA	Label - Gas
	008028-01-000	EA	Label - Drain Cap - 2" x 3"
	008092-01-000	EA	Reflector - Stick on - Rectangular - Red
	008093-01-000	EA	Reflector - Stick on - Rectangular - Amber
	048325-01-000	EA	Decal - Logo - Itasca - Grille
	048764-01-000	EA	Decal - Grille Accent - Left - Orange
	048764-02-000	EA	Decal - Grille Accent - Right - Orange
	040055-01-000	EA	Decal - Clearance Light Stripe - Right
	040055-02-000	EA	Decal - Clearance Light Stripe - Left
	041273-02-000	FT	Decal - Stripe .88" Black
	055289-01-000	EA	Decal - Logo - Suncruiser
	041273-17-000	FT	Decal - Stripe - .63" Black
	056251-01-000	EA	Decal - Front Side - Upper - Right
	056251-02-000	EA	Decal - Front Side - Upper - Left
	056257-01-000	EA	Stencil - Stripe - Front Side - Right
	056257-02-000	EA	Stencil - Stripe - Front Side - Left
	056258-01-000	EA	Decal - Stripe - Front Side - Right
	056258-02-000	EA	Decal - Stripe - Front Side - Left
	058004-05-000	EA	Decal - Logo - "Itasca" - 5.25" High - Dark Jade w/White Back
	058004-01-000	EA	Decal - Logo "Itasca" - 5.25" High - Orange w/White Back
	058004-02-000	EA	Decal - Logo - "Itasca" - 5.25" High - Gray w/White Back
	048400-01-000	EA	Decal - Logo - Itasca 5.35" High
	040944-01-000	EA	Label - Open - Entrance Door
	047731-01-000	EA	Label - Emergency Exit
	053343-01-000	EA	Stencil - Itasca - "I" - 8.5"

**MISCELLANEOUS EXTERNALLY MOUNTED PARTS**

Key	Part Number	U/M	Description
	018253-08-000	EA	Fuel Fill - Recessed - Single - Off White
	010230-02-000	EA	Fill - City Water - Recessed - Off White
	011020-01-000	EA	Fill - Water - Recessed - Off White
	058908-01-000	EA	Water Fill - Lockable - Off White
	011124-01-000	EA	Plumbing Seal - Roof Vent - 1 1/4" White
	011129-01-000	EA	Plumbing Seal - Roof Vent - 1 1/2" White
	049347-01-000	EA	Mirror Head - 7 1/2" x 10 1/2" Stainless Steel w/o Bracket
	049348-01-000	EA	Arm - Low Mount Mirror - Brite Finish
	048944-02-000	EA	Bracket - Mirror - Outside - Off White - Mounts to Coach

**1978 ITASCA  
TABLE OF CONTENTS**

Introduction	A-1
Abbreviations	A-1
Alphabetical Index	A-2 - A-4
IDF/ICF23RG	A-5 - B-16
IC420RG	B-17 - D-6
IC525RB	D-7 - E-20
IDF/ICF26RT	E-21 - G-12

**1978 IDF/ICF23RG INDEX**

Floor Plan	A-5 - A-6
Accessories Group	A-7 - A-8
Bath Group	A-9
Chassis Group	A-9 - A-10
Curtain, Cushion & Pad Group	A-11 - A-16
Dinette Group	A-17
Driver's Compartment Group	A-17 - A-18
Electrical Group	A-19 - A-20
Exterior Body Group	A-21 - A-24
Galley Group	B-1
Heating & Air Conditioning Group	B-2
Interior Finish Group	B-3 - B-4
LP Group	B-5
Lounge Group	B-6
Water & Sewage Group	B-7
WinJow, Vent & Exterior Door Group	B-8 - B-16

## GALLEY GROUP

### GALLEY CABINETRY

Key	Part Number	U/M	Description
	052565-01-J30	EA	Cabinet Asm. - Galley - w/o Countertop, Doors or Hardware
	052566-01-J30	EA	Countertop Asm. - Galley Cabinet - Butcher Block
	053983-02-J30	EA	Door Asm. - Galley Cabinet - 12 3/4" x 29 7/8" - w/o Hardware
	053816-01-J30	EA	Drawer Asm. - Galley Cabinet - 4 7/16" x 13 7/8" x 12 3/4" Deep - w/o Hardware
	053583-03-J30	EA	Door Asm. - Galley Cabinet - 9 1/4" x 14 7/8" - w/o Hardware
	052812-03-J30	EA	Door Asm. - Refrigerator Cabinet - 24 1/2" x 18 3/4" - w/o Hardware
	052485-01-J30	EA	Cabinet Asm. - Galley Overhead - w/o Doors or Hardware
	052812-01-J30	EA	Door Asm. - Galley Overhead Cabinet - 9 3/4" x 21 9/16" - w/o Hardware
	053983-04-J27	EA	Door Asm. - Refrigerator Cabinet - 11 13/16" x 17 3/4" - w/o Hardware

### GALLEY HARDWARE AND APPLIANCES

Key	Part Number	U/M	Description
	053424-01-J30	EA	Sink Cover - Large - Butcher Block
	011032-01-000	EA	Sink - Stainless Steel - Double w/Bolts
**	011053-01-000	EA	Faucet - Swing Spout - 8"
**	011085-01-000	EA	Strainer - Sink
	046112-04-000	EA	Mirror - 1/8" x 19" x 26" - Plastic
	046113-01-000	EA	Rosette - Mirror Mounting - Plastic
	009021-01-000	EA	Catch - Grille - Nylon
	053333-01-000	EA	Range Hood - Non Power - Black
**	049930-03-000	EA	Range Hood - Power - Black
**	052583-01-000	EA	Range - 4 Burner - Small Oven - Black
**	049175-01-000	EA	Refrigerator - AC/Gas - Sibir ET150 - 1 Door Model
**	049174-01-000	EA	Refrigerator - AC/Gas - Sibir ET230 - 2 Door Model
**	049175-02-000	EA	Refrigerator - AC/DC/Gas - Sibir ET150/2 - 1 Door Model
**	049174-02-000	EA	Refrigerator - AC/DC/Gas - Sibir ET230/2 - 2 Door Model

\*\*The illustrated parts breakdown for this item is provided on the Common Items Fiche.

## HEATING AND AIR CONDITIONING GROUP

Key	Part Number	U/M	Description
	039044-01-000	EA	Louver Asm. - A/C Adjustable
	047046-01-000	EA	Motor - 12 Volt - 3 Speed - Heater - Air Conditioner
	031043-01-000	EA	Valve - Heater - Water Flow Control
	031169-01-000	EA	Cable - Control - Flexible - 53"
	031169-02-000	EA	Cable - Control - Flexible - 48"
	031170-01-000	EA	Clamp - Cable - 3/16" Dia.
	024996-01-000	EA	Clutch - Magnetic - Compressor
	024999-01-000	EA	Compressor - Auto Air - 10.3" Cubic Inch
	048721-01-000	EA	Package - Compressor Mount 360 C.I.D.
	033295-01-000	EA	Package - Compressor Mount 440 C.I.D.
	031394-01-000	EA	Condensor - Radiator Mount
	008267-01-000	EA	Switch - Air Conditioner
	024867-01-000	EA	Valve - Thermostatic Expansion
	024997-01-000	EA	Core - Heater
	024998-01-000	EA	Wheel - Blower - 4.72" O.D.
	031393-01-000	EA	Coil - Evaporator
	033258-01-000	EA	Hose - Refrigerant - .50" I.D. x 34.50"
	034222-01-000	EA	Hose - Refrigerant - .31" I.D. x 26"
	031960-01-000	EA	Hose - Refrigerant - .34" I.D. x 30"
	031961-01-000	EA	Hose - Refrigerant - .31" I.D. x 14.75"
	024868-01-000	EA	Receiver - Dehydrator
	031044-01-000	EA	Clamp - Receiver Dehydrator
	031962-01-000	EA	Bracket - Receiver Dehydrator
	031976-01-000	EA	Belt - Drive - .50" I.D. x 54" - 360 C.I.D. or 440 C.I.D.
	048220-02-000	EA	Kit - Auto Air - 360 C.I.D. A Body - Winnebago Heater
	048229-02-000	EA	Kit - Auto Air - 440 C.I.D. A Body - Winnebago Heater
	055280-01-000	EA	Switch - Heater and A/C
	039505-02-000	EA	Thermostat - Horizontal Wall Mount
**	052598-01-000	EA	Furnace - 19,000 BTU - Under Counter Mount - Coleman - 4319-729
**	049777-C1-000	EA	Air Conditioner - 110 Volt - Roof Mount - 11,000 BTU - Ivory Coleman (w/o Inside Shroud)
**	049778-01-000	EA	Shroud Asm. - Ceiling - Inside Roof Air - Cool Only - 11,000 BTU - Coleman
**	049774-01-000	EA	Air Conditioner - 110 Volt - Roof Mount - 13,500 BTU Ivory - Coleman (w/o Inside Shroud)
**	049775-01-000	EA	Shroud Asm. - Ceiling - Inside - Roof Air Cool Only - 13,500 BTU - Coleman
**	049776-01-000	EA	Shroud Asm. - Ceiling - Inside - Roof Air Heat and Cool Only - 13,500 BTU - Coleman

\*\*The illustrated parts breakdown for this item is provided on the Common Items Fiche.

## 1978 ITASCA TABLE OF CONTENTS

Introduction	A-1
Abbreviations	A-1
Alphabetical Index	A-2 - A-4
IDF/ICF23RG	A-5 - B-18
IC420RG	B-17 - D-6
IC525RB	D-7 - E-20
IDF/ICF26RT	E-21 - G-12

## 1978 IDF/ICF23RG INDEX

Floor Plan	A-5 - A-6
Accessories Group	A-7 - A-8
Bath Group	A-9
Chassis Group	A-9 - A-10
Curtain, Cushion & Pad Group	A-11 - A-16
Dinette Group	A-17
Driver's Compartment Group	A-17 - A-18
Electrical Group	A-19 - A-20
Exterior Body Group	A-21 - A-24
Galley Group	B-1
Heating & Air Conditioning Group	B-2
Interior Finish Group	B-3 - B-4
LP Group	B-5
Lounge Group	B-6
Water & Sewage Group	B-7
Window, Vent & Exterior Door Group	B-8 - B-18

## INTERIOR FINISH GROUP

### PANELING AND COUNTERTOP MATERIALS

Key	Part Number	U/M	Description
	055275-01-000	SF	Paneling - Hickory - 48" x 96" (32 SF)
	052585-01-000	SF	Paneling - White Brick - 48" x 96" (32 SF)
	045963-01-000	SF	Paneling - 825 Buff - Ceiling - 48" x 94"
	051904-01-000	SF	Paneling - Cloud Beige - Bath - 48" x 96" (32 SF)
	053330-01-000	SF	Paneling - Grass Cloth - 48" x 96"
	045964-01-000	SF	Plastic Laminate - Butcher Block - 48" x 96" (32 SF)
	045964-01-001	EA	Plastic Laminate - Butcher Block - 48" x 48"
	045964-01-002	EA	Plastic Laminate - Butcher Block - 1.19" x 96"
	047401-01-000	SF	Paneling - Monks Cloth - 48" x 96" (32 SF)

### FABRICS AND FLOOR COVERINGS

Key	Part Number	U/M	Description
	052581-01-000	YD	Fabric - Drapery - Green
	052581-02-000	YD	Fabric - Drapery - Gold
	052581-03-000	YD	Fabric - Drapery - Beige
	052582-01-000	YD	Fabric - Upholstery - Green
	052582-02-000	YD	Fabric - Upholstery - Gold
	052582-03-000	YD	Fabric - Upholstery - Beige
	042411-01-000	YD	Vinyl - Nonexpanded - 27 Oz. - Brown
	042411-02-000	YD	Vinyl - Expanded - 28 Oz. - Brown
	042411-03-000	YD	Vinyl - Non Support - 16 Gauge - Brown
	052580-01-000	SY	Carpet - Scottish Fancy - Green
	052580-02-000	SY	Carpet - Scottish Fancy - Gold
	052580-03-000	SY	Carpet - Scottish Fancy - Beige
	042720-03-000	SY	Vinyl - Floor Covering - 90" Wide - Tan

### INTERIOR MOLDING AND TRIMS

Key	Part Number	U/M	Description
	000726-07-000	EA	Batt Strip - 709 Hickory
	047354-01-000	EA	Batt Strip - 825 Buff
	024700-05-000	EA	Cover - Roll Bar - 709 Hickory - 12' Plastic
	024700-06-000	EA	Cover - Roll Bar - Ivory - 8' Plastic
	039512-03-000	EA	Cover - Hat Section - Hickory - 12' Plastic
	039512-06-000	EA	Cover - Hat Section - Ivory - 8' Plastic
	047488-01-000	EA	Cover - Corner - Hat/Hat
	047489-01-000	EA	Cover - Corner - Tube/Tubs
	052859-01-J07	FT	Trim - Accent - Brown Vinyl
	009767-01-000	FT	Wellting - Brown
	009776-01-000	FT	U-Channel - 1" - Dark Brown
	009813-01-000	FT	Molding - Outside Corner - .50" - Dark Pecan
	022992-03-000	FT	Molding - Reverse Cove - Sandalwood
	034689-03-000	EA	Cover - Screw - PPH 10 - Ivory
	024700-07-000	EA	Cover - Roll Bar - Birch - 12' Plastic
	039512-05-000	EA	Cover - Hat Section - Birch - 12' Plastic

## INTERIOR FINISH GROUP (CONTINUED)

### CURTAIN HARDWARE

Key	Part Number	U/M	Description
	052327-04-236	EA	Track - Curtain - Brown Alum. - 89" w/Holes
	056116-01-000	EA	Track - Curtain - Brown Plastic
	056001-01-000	EA	Bracket - Shade - Left
	056002-01-000	EA	Bracket - Shade - Right
	050826-03-000	EA	Track - Wraparound Curtain - Left
	050826-04-000	EA	Track - Wraparound Curtain - Right
	053272-02-201	EA	Track - Privacy Curtain - Anod. Alum. - 50" w/Holes
	053272-03-203	EA	Track Blackout Curtain - Brown Alum. - 93" w/Holes
	009107-01-000	EA	Guide - Nylon Snap - Curtain
	018031-42-000	EA	Track - Curtain - "L" Rod - Alum. Extr. - 90"
	009701-01-000	EA	Carrier - "L" Rod - Curtain
	009702-01-000	EA	End Stop - "L" Rod - Curtain

### CABINETS AND TABLE HARDWARE

Key	Part Number	U/M	Description
	052929-01-J30	EA	Latch Kit - Cabinet Door - Antique Brass
	052930-01-J30	EA	Pull Kit - Drawer - Antique Brass
	052932-01-J30	EA	Hinge Kit - Cabinet Door - Antique Brass
**	041939-01-000	EA	Hinge Kit - Double Acting
**	047744-01-000	EA	Kit - Drawer Glide
	047809-03-000	EA	Kit - Dinette Hardware - Wall Mount
	009040-02-000	EA	Leg - Pedestal Table - 27.5" - Chrome
	009040-03-000	EA	Base - Table Leg - Mounts on Table
	041194-01-000	EA	Base - Table Leg - Floor Mount
	009047-01-000	EA	Door Support - Overhead Cabinet

\*\* The illustrated parts breakdown for this item is provided on the Common Items Fiche.

### MISCELLANEOUS

Key	Part Number	U/M	Description
	041944-01-700	EA	Fire Extinguisher - Dry Chemical w/Bracket
	040089-01-000	EA	Door Mat - Black Rubber - Itasca
	053552-01-J07	EA	Handle - Assist - Brown
	054185-02-000	EA	Owners Manual - Itasca 1978

## 1978 ITASCA TABLE OF CONTENTS

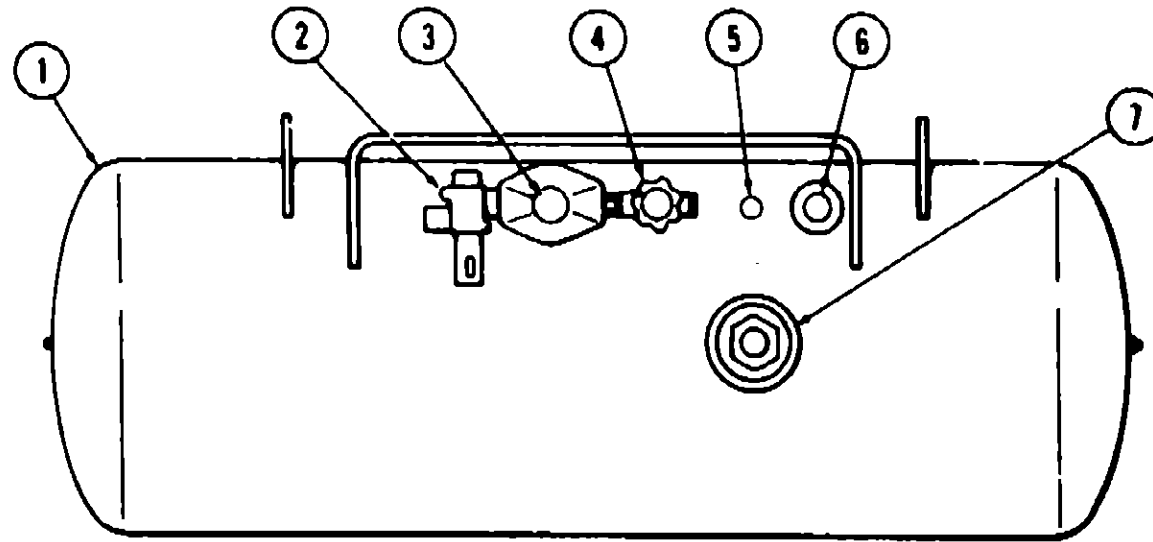
Introduction	A-1
Abbreviations	A-1
Alphabetical Index	A-2 - A-4
IDF/ICF23RG	A-5 - B-16
IC420RG	B-17 - D-6
IC525RB	D-7 - E-20
IDF/ICF26RT	E-21 - G-12

## 1978 IDF/ICF23RG INDEX

Floor Plan	A-5 - A-8
Accessories Group	A-7 - A-8
Bath Group	A-9
Chassis Group	A-9 - A-10
Curtain, Cushion & Pad Group	A-11 - A-16
Dinette Group	A-17
Driver's Compartment Group	A-17 - A-18
Electrical Group	A-19 - A-20
Exterior Body Group	A-21 - A-24
Galley Group	B-1
Heating & Air Conditioning Group	B-2
Interior Finish Group	B-3 - B-4
LP Group	B-5
Lounge Group	B-6
Water & Sewage Group	B-7
Window, Vent & Exterior Door Group	B-8 - B-16

**LP GROUP**

**LOUNGE GROUP**



Key	Part Number	U/M	Description
1	040421-01-000	EA	Tank Asm. - LP - Frame Mount - 83 Pound
•	042281-01-000	EA	Tank Asm. - LP - Frame Mount - 42 Pound
2	047221-01-000	EA	Detector - LP Gas Leak
3	024712-01-000	EA	Cover - LP Regulator
•	052163-01-000	EA	Regulator - Manual - LP Gas - 2 Stage
4	040421-01-703	EA	Valve - Vapor Relief
5	040421-01-700	EA	Gauge - Liquid Level - 20% LP
6	040421-01-701	EA	Valve - Filler - LP
•	040421-01-702	EA	Cap - Plastic Fill Valve
7	040421-01-707	EA	Gauge - Float - w/Visible Dial - 83 Pound Tank
•	042281-01-700	EA	Gauge - Float - w/Visible Dial - 42 Pound Tank
•	040421-01-706	EA	Dial - Visible Face - Float Gauge (Tank w/o Electric Transmitter)
•	040421-01-705	EA	Dial - Transmitter - 0 - 90 Ohm (Float Gauge)
•	045703-03-000	EA	Hose Asm. - LP - 3/8" I.D. x 14"
•	047737-02-000	EA	Support - LP Tank - 89.25"
•	047737-03-000	EA	Support - LP Tank - 30.50"
•	Not Illustrated		

Key	Part Number	U/M	Description
	052481-01-J30	EA	Cabinet Asm. - Lounge - Right
	052482-01-J30	EA	Cabinet Asm. - Lounge - Left
	052485-01-J30	EA	Cabinet Asm. - Lounge - Center
	053443-01-J30	EA	Cabinet Asm. - Hamper - Rear Right
	053443-02-J30	EA	Cabinet Asm. - Hamper - Rear Left
	052486-01-J30	EA	Cabinet Asm. - Right Wardrobe - Top - w/o Door or Hardware
	052712-01-J30	EA	Cabinet Asm. - Right Wardrobe - Bottom - w/o Countertop, Door or Hardware
	052745-01-J30	EA	Countertop Asm. - Right Wardrobe - Butcher Block
	052487-01-J30	EA	Cabinet Asm. - Left Wardrobe - Top - w/o Door or Hardware
	052660-01-J30	EA	Cabinet Asm. - Furnace - w/o Countertop
	052734-01-J30	EA	Countertop Asm. - Furnace Cabinet - Butcher Block
	052812-04-J30	EA	Door Asm. - Wardrobe Cabinet - 13 13/16" x 15 7/8" - w/o Hardware
	053984-01-J30	EA	Door Asm. - Wardrobe Cabinet - 53 5/8" x 11 13/16" - w/o Hardware
	054413-01-J30	EA	Grille Asm. - Furnace
	047205-08-000	EA	Mesh - Furnace Grille - 10 1/8" x 12 1/2" - Brass
	009021-01-000	EA	Catch - Grille - Nylon
	009021-02-000	EA	Strike - Nylon Catch - Grille
	009151-01-000	EA	Warp Guard - 48"
	009112-01-000	EA	Flange - Closet Rod - 1" - Chrome
	052787-01-J30	EA	Bunk Asm. - Rear Fold Down
	041389-01-000	EA	Hinge - Piano - 72.5" - Brown
	052711-01-000	EA	Support Bracket - Rear Bunk (4 used per bunk)
	052721-01-000	EA	Support Bracket - Bunk - Right Side
	052721-02-000	EA	Support Bracket - Bunk - Left Side
	054529-01-000	EA	Slide Bolt - Antique Brass
	052748-01-J30	EA	Cabinet Asm. - Magazine - Right
	052748-02-J30	EA	Cabinet Asm. - Magazine - Left

**1978 ITASCA  
TABLE OF CONTENTS**

Introduction	A-1
Abbreviations	A-1
Alphabetical Index	A-2 - A-4
IDF/ICF23RG	A-5 - B-16
IC420RG	B-17 - D-6
IC525RB	D-7 - E-20
IDF/ICF26RT	E-21 - G-12

**1978 IDF/ICF23RG INDEX**

Floor Plan	A-5 - A-6
Accessories Group	A-7 - A-8
Bath Group	A-9
Chassis Group	A-9 - A-10
Curtain, Cushion & Pad Group	A-11 - A-16
Dinette Group	A-17
Driver's Compartment Group	A-17 - A-18
Electrical Group	A-19 - A-20
Exterior Body Group	A-21 - A-24
Galley Group	B-1
Heating & Air Conditioning Group	B-2
Interior Finish Group	B-3 - B-4
LP Group	B-5
Lounge Group	B-6
Water & Sewage Group	B-7
Window, Vent & Exterior Door Group	B-8 - B-16

## WATER AND SEWAGE GROUP

### PLUMBING REPAIR PARTS

Key	Part Number	U/M	Description
**	040539-01-000	EA	Kit - Repair - 3/8" O.D. Plastic Tube
**	040540-01-000	EA	Kit - Repair - 1/2" O.D. Plastic Tube
**	040541-01-000	EA	Kit - Repair - 5/8" O.D. Plastic Tube
**	041279-02-000	EA	Pump - Water Flow 2.8 G.P.M. - PAR
**	039647-02-000	EA	Filter - Water Pump 1/2" MPT
**	039809-01-000	EA	Valve - Stool - Plastic 3/8" x 1/2" F.P.T.
**	039818-01-000	EA	Riser Asm. - 3/8" O.D. x 24" Tube
**	039818-02-000	EA	Riser Asm. - 3/8" O.D. x 36" Tube
**	039818-04-000	EA	Riser Asm. - 3/8" O.D. x 72" Tube
**	039818-05-000	EA	Riser Asm. - 3/8" O.D. x 48" Tube
**	041819-01-000	EA	Nut and Cone - Plastic 1/2" O.D. Tube
**	039807-01-000	EA	Valve - Drain - Brass - 1/2" MPT
**	004020-01-000	QT	Adhesive - ABS Cement
**	010201-01-000	EA	Hose - Sewer 3" x 10 FT w/Clamp
**	010235-01-000	EA	Cap - Sewage 3"
**	010236-01-000	EA	Adapter - Hose 3" Sewage
**	010234-01-000	EA	Adapter - Bayonet
**	011091-01-000	EA	Waste - Continuous - Double Sink 11 7/8"
**	011066-01-000	EA	P-Trap - Plastic - 1 1/4"
**	010205-01-000	EA	Valve - Sanitary - Thetford 3 x B
**	010210-01-000	EA	Valve - Sanitary - Thetford 3MB
**	010133-01-000	EA	Adapter - Trap - Plastic 1 1/2" H x MPT
**	050780-01-000	EA	Coupler - Rubber - 3" x 3"
**	046524-01-000	EA	Kit - Plastic Fittings - Holding Tank
**	046524-02-000	EA	Kit - Plastic Fittings - Water Tank
**	010209-06-000	EA	Handle - Extension - Sewer Valve - 11.25"
**	037845-01-000	FT	Tape - Butyl - 3/16" - Bead - Black

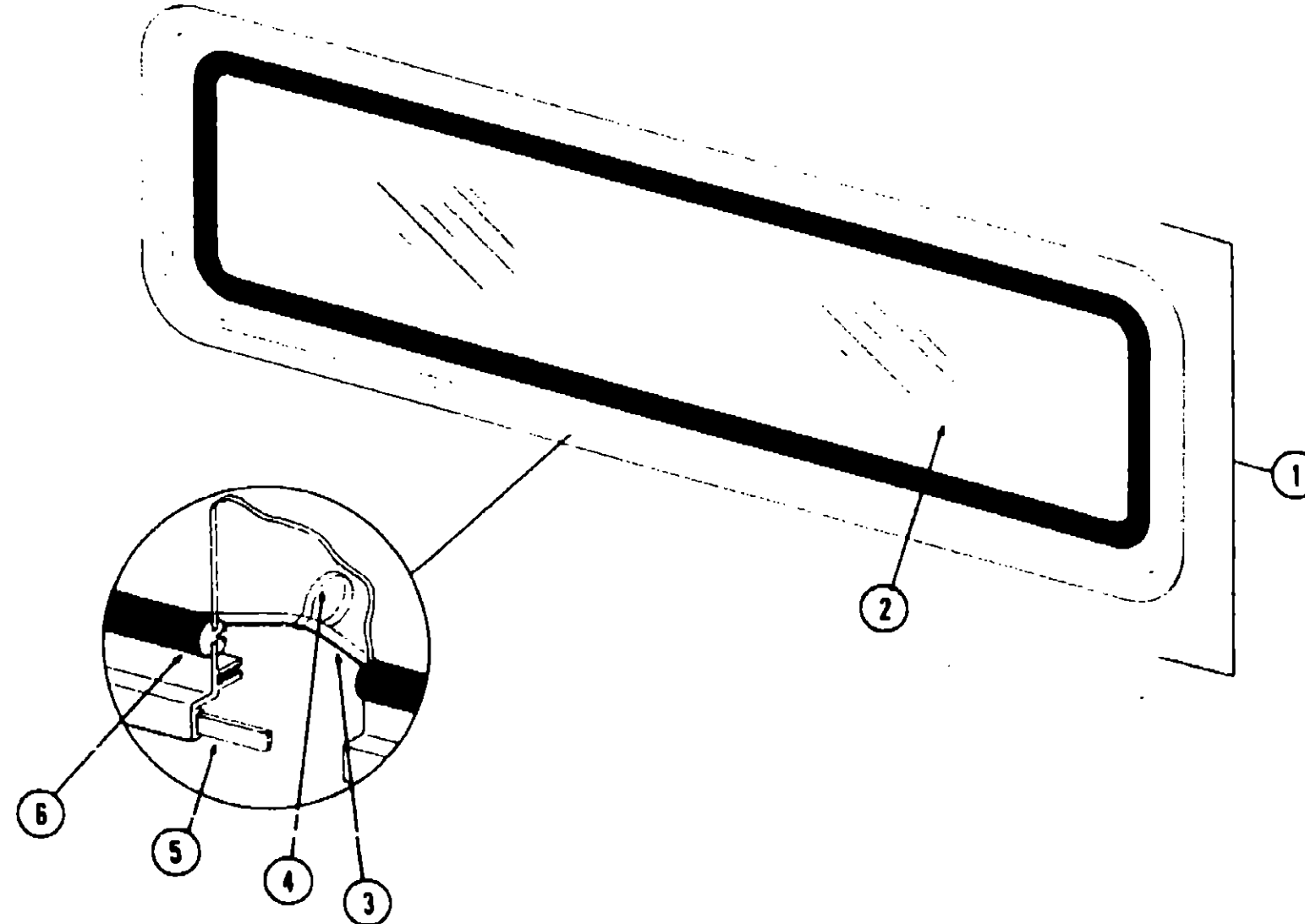
\*\*The illustrated parts breakdown for this item is provided on the Common Items Fiche.

### HOLDING TANKS AND WATER HEATERS

Key	Part Number	U/M	Description
**	051882-02-000	EA	Tank Asm. - Holding - Double w/Fittings
**	051882-01-000	EA	Tank - Holding - Double w/o Fittings
**	052555-02-000	EA	Tank Asm. - Water - w/Fittings
**	052555-01-000	EA	Tank - Water - w/o Fittings
**	051391-01-000	EA	Water Heater - 6 Gallon w/o Motor Aid - Atwood G6A-3

\*\*The illustrated parts breakdown for this item is provided on the Common Items Fiche.

## WINDOW, VENT AND EXTERIOR DOOR GROUP



Key	Part Number	U/M	Description
1	020754-03-000	EA	Window Asy - Escape - 23" x 68" Black Anod. (w/o inside frame)
2	002178-01-000	EA	Glass 1/8" x 9.61" x 64.80"
3	002285-01-000	FT	Weatherstrip - Filler - Black
4	020395-01-000	EA	Slip Ring - Pull
5	004383-01-000	FT	Tape - Foam 3/16" x 1/2" Gray
6	002282-01-000	FT	Weatherstrip - Window .125" Black
.	020752-03-000	EA	Frame - Window - Inside - Escape 23" x 68" (not included in assembly)
.	006199-01-000	EA	Label - Exit - Escape Window
.			Not Illustrated

## 1978 ITASCA TABLE OF CONTENTS

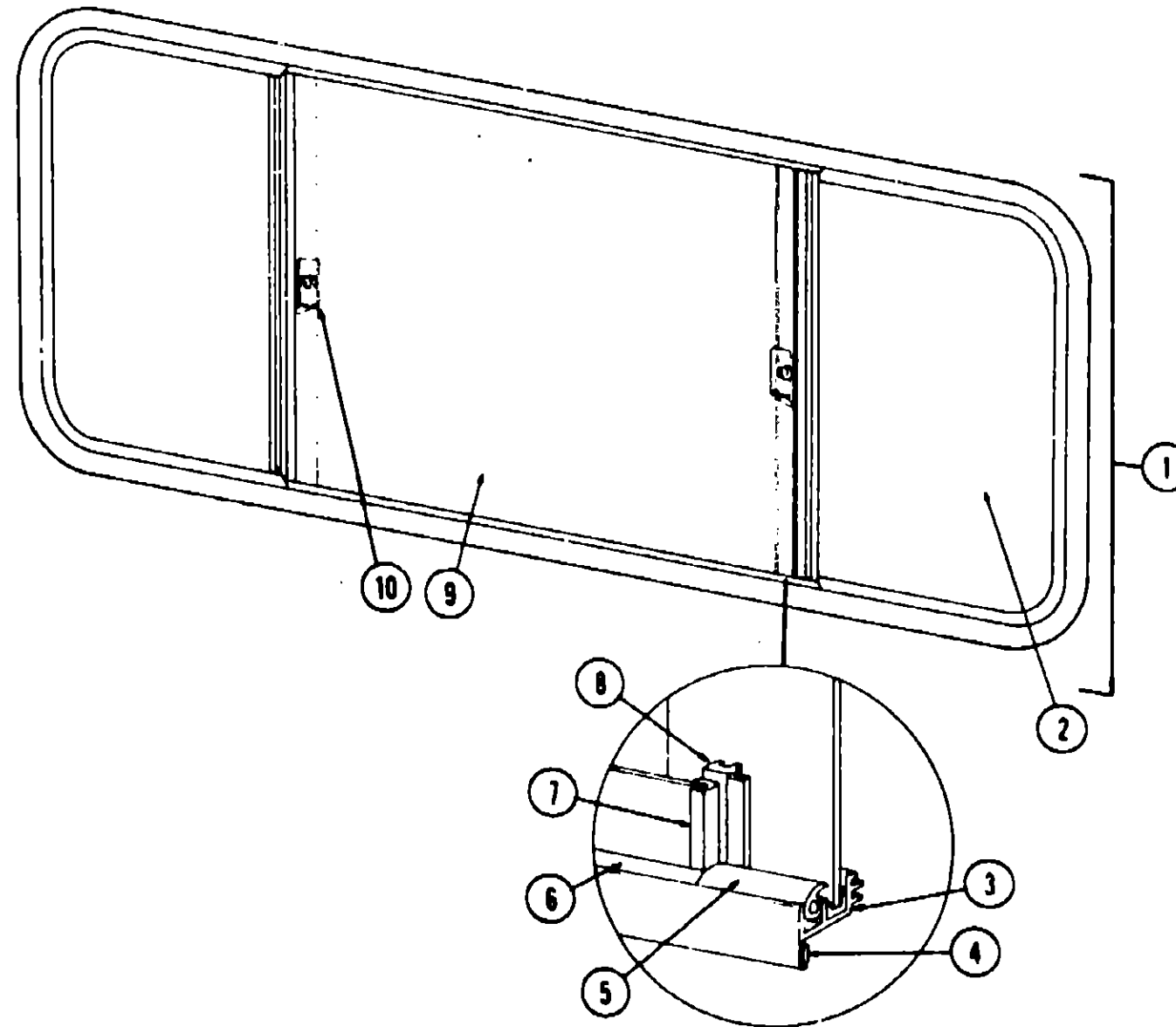
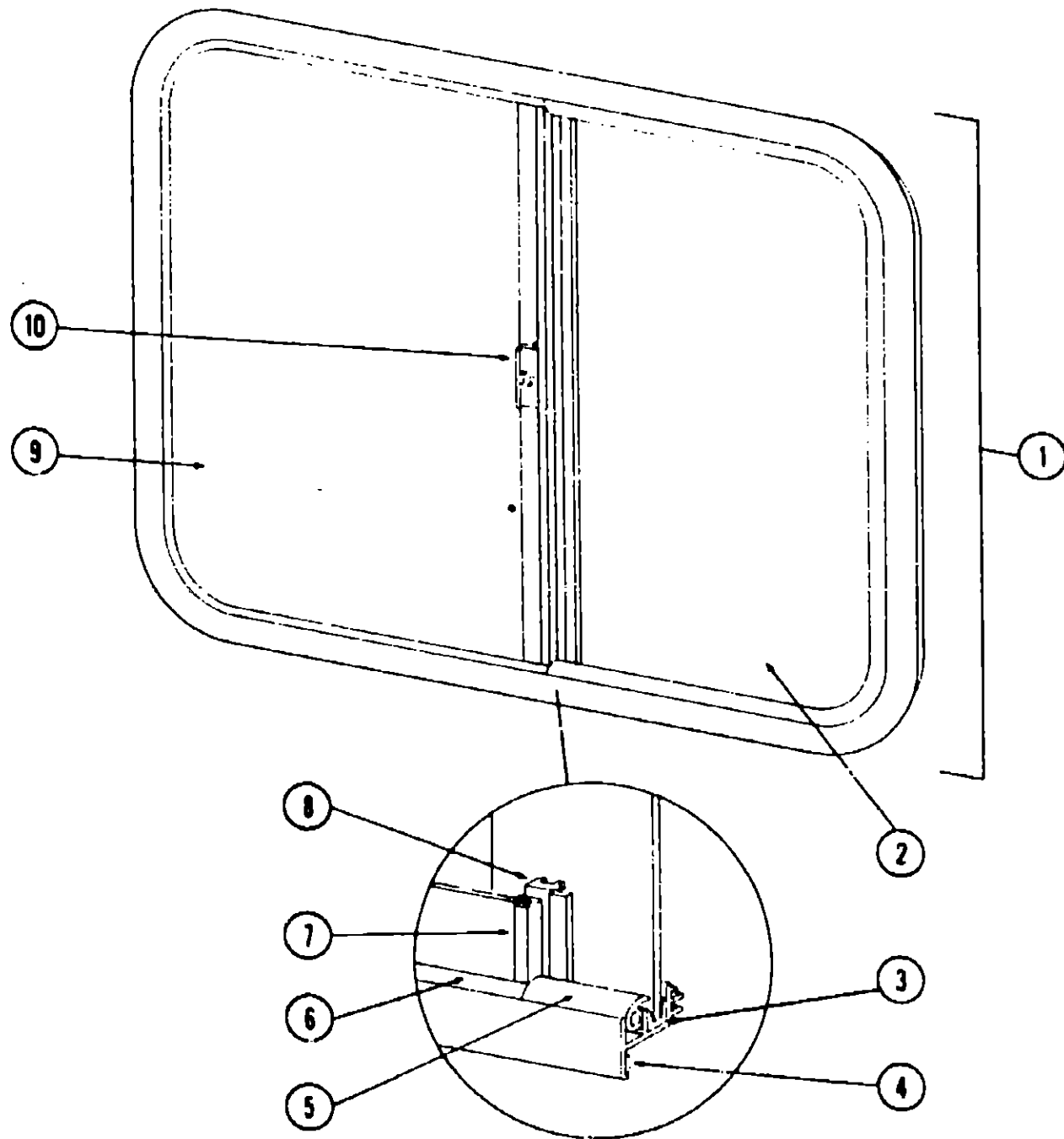
Introduction	A-1
Abbreviations	A-1
Alphabetical Index	A-2 - A-4
IDF/ICF23RG	A-5 - B-16
IC420RG	B-17 - D-6
IC525RB	D-7 - E-20
IDF/ICF26RT	E-21 - G-12

## 1978 IDF/ICF23RG INDEX

Floor Plan	A-5 - A-6
Accessories Group	A-7 - A-8
Bath Group	A-9
Chassis Group	A-9 - A-10
Curtain, Cushion & Pad Group	A-11 - A-16
Dinette Group	A-17
Driver's Compartment Group	A-17 - A-18
Electrical Group	A-19 - A-20
Exterior Body Group	A-21 - A-24
Galley Group	B-1
Heating & Air Conditioning Group	B-2
Interior Finish Group	B-3 - B-4
LP Group	B-5
Lounge Group	B-6
Water & Sewage Group	B-7
Window, Vent & Exterior Door Group	B-8 - B-16

**WINDOW, VENT AND EXTERIOR DOOR GROUP (CONTINUED)**

**WINDOW, VENT AND EXTERIOR DOOR GROUP (CONTINUED)**



Key	Part Number	U/M	Description
1	048631-07-000	EA	Window Asm. - Right Single Slider - 23" x 29" Black Anod. (w/o inside frame)
	048631-08-000	EA	Window Asm. - Left Single Slider - 23" x 29" Black Anod. (w/o inside frame)
2	047813-01-000	EA	Glass - 1/8" x 22" x 13.68" - Sliding
3	002324-01-000	FT	Channel - Weatherstrip - Glass Run - 1/8" Glass
4	004363-01-000	FT	Tape - Foam - 3/16" x 1/2" - Gray
5	002309-02-000	FT	Spline - Glass - 1/8" - Black
6	024096-02-000	FT	Seal - Window Channel - Black
7	018025-03-000	EA	Holder - Glass Seal - Anod. Black
8	041394-02-000	EA	Mullion - Slider Window - 23" - Black Anod.
9	002184-01-000	EA	Glass - Tempered Sheet - Stationary
10	047369-01-700	EA	Latch - Window - Plastic w/Fastener
	042147-07-000	EA	Frame - Inside - Single Slider Window - Left or Right - 23" x 29" (not included in assembly)
	023713-02-000	EA	Cover - Plastic Weephole - Black
	002298-01-000	FT	Spline - Gray - .130" Dia. (Screen)
	002293-01-000	SF	Screen - Window - 26" - Gray
	Not Illustrated		

Key	Part Number	U/M	Description
1	048630-04-000	EA	Window Asm. - Double Slider - 23" x 65" - Black Anod. (w/o inside frame)
2	047823-01-000	EA	Glass - 1/8" x 22" x 21.03" - Sliding (2 per window;
3	002324-01-000	FT	Channel - Weatherstrip - Glass Run - 1/8" Glass
4	004363-01-000	FT	Tape - Foam - 3/16" x 1/2" - Gray
5	024096-02-000	FT	Seal - Window Channel - Black
6	002309-02-000	FT	Spline - Glass - 1/8" - Black
7	018025-03-000	EA	Holder - Glass Seal - Black Anod.
8	041894-02-000	EA	Mullion - Slider Window - 23" - Black Anod.
9	002189-01-000	EA	Glass - 1/8" x 22" x 25.50" - Stationary
10	047369-01-700	EA	Latch - Window - Plastic w/Fastener
	042133-08-000	EA	Frame - Inside - Double Slider Window (not included in assembly)
	002298-01-000	FT	Spline - Gray - .130" Dia. (Screen)
	002293-01-000	SF	Screen - Window - 26" - Gray
	023713-02-000	EA	Cover - Weephole - Plastic - Black
	Not Illustrated		

**1978 ITASCA  
TABLE OF CONTENTS**

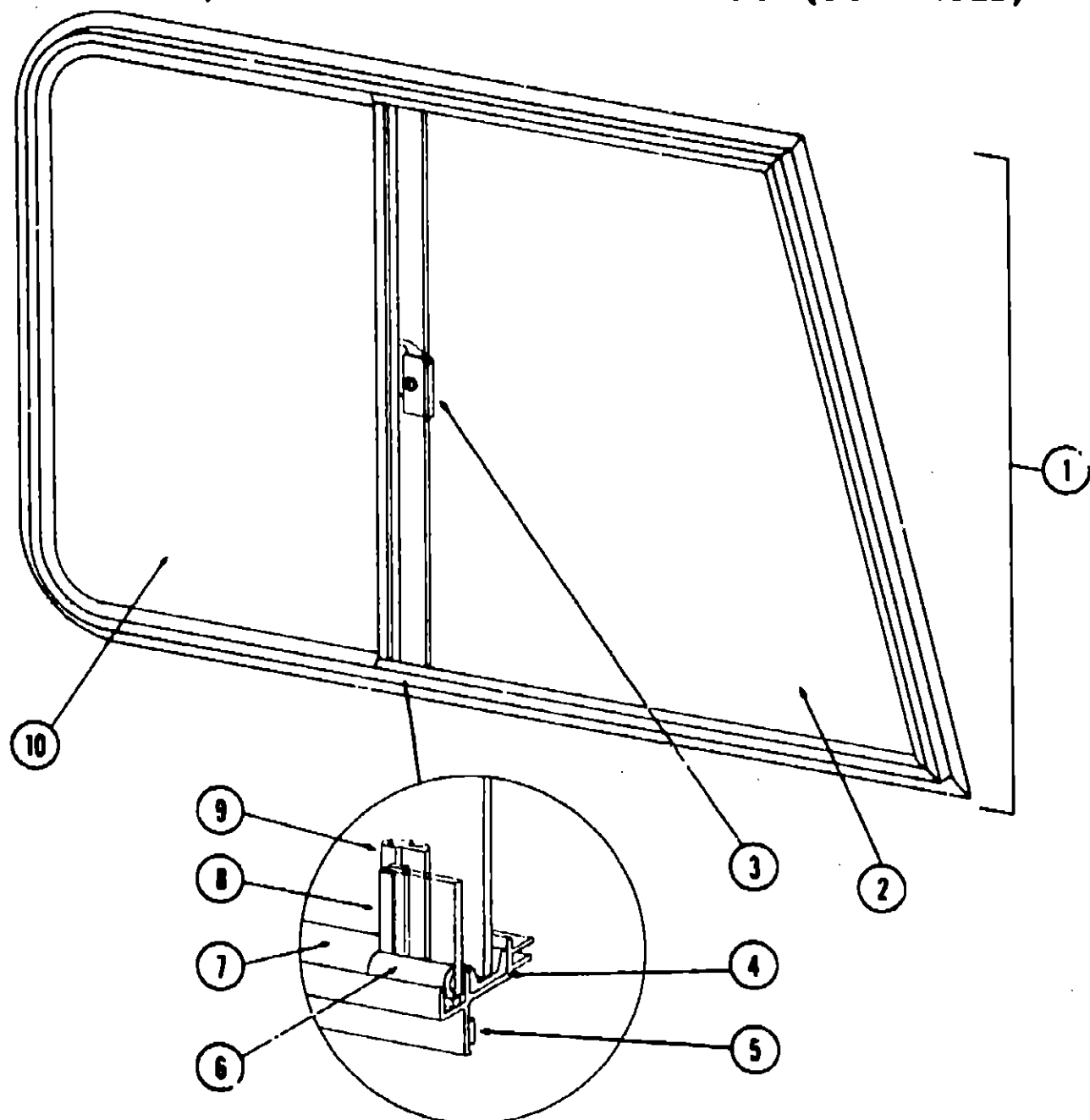
Introduction	A-1
Abbreviations	A-1
Alphabetical Index	A-2 - A-4
IDF/ICF23RG	A-5 - B-16
IC420RG	B-17 - D-6
IC525RB	D-7 - E-20
IDF/ICF26RT	E-21 - G-12

**1978 IDF/ICF23RG INDEX**

Floor Plan	A-5 - A-6
Accessories Group	A-7 - A-8
Bath Group	A-9
Chassis Group	A-9 - A-10
Curtain, Cushion & Pad Group	A-11 - A-16
Dinette Group	A-17
Driver's Compartment Group	A-17 - A-18
Electrical Group	A-19 - A-20
Exterior Body Group	A-21 - A-24
Galley Group	B-1
Heating & Air Conditioning Group	B-2
Interior Finish Group	B-3 - B-4
LP Group	B-5
Lounge Group	B-6
Water & Sewage Group	B-7
Window, Vent & Exterior Door Group	B-8 - B-16

**WINDOW, VENT AND EXTERIOR DOOR GROUP (CONTINUED)**

**WINDOW, VENT AND EXTERIOR DOOR GROUP (CONTINUED)**



Key	Part Number	U/M	Description
1	048629-03-000	EA	Window Asm. - Right Front Slant Slider - 23" x 39" - Black Anod. (w/o inside frame)
	048629-04-000	EA	Window Asm. - Left Front Slant Slider - 23" x 39" - Black Anod. (w/o inside frame)
2	052596-01-000	EA	Glass - 1/8" x 22" x 24.10" - Stationary
3	047369-01-700	EA	Latch - Window - Plastic w/Fastener
4	002324-01-000	FT	Channel - Weatherstrip - Glass Run - 1/8" Glass
5	004363-01-000	FT	Tape - Foam - 3/16" x 1/2" - Gray
6	002309-02-000	FT	Spline - Glass - 1/8" - Black
7	024098-02-000	FT	Seal - Window Channel - Black
8	018025-03-000	EA	Holder - Glass Seal - Black Anod.
9	041894-11-000	EA	Mullion - Slider Window - 23" - Black Anod.
10	052594-01-000	EA	Glass - 1/8" x 22" x 15.9" - Sliding
	053266-02-000	EA	Frame - Inside - Right Front Slant Slider - Window - 23" x 39" (not included in assembly)
	053266-01-000	EA	Frame - Inside - Left Front Slant Slider - Window - 23" x 39" (not included in assembly)
	023713-02-000	EA	Cover - Plastic - Weephole - Black
	055164-04-000	EA	Slider Screen Asm. - Right or Left
	018310-03-000	EA	Handle - Screen
	002298-01-000	FT	Spline - Gray - .130" Dia. - (Screen)
	002283-01-000	SF	Screen - Window - 26" - Gray
			Not Illustrated

**ACCESS DOORS**

Key	Part Number	U/M	Description
	044210-01-000	EA	Door Asm. - 6" x 10" - Off White Plastic
	037804-17-000	EA	Door Asm. - Battery - Off White w/Twist Type Lock
	037804-18-000	EA	Door Asm. - LP - Off White w/Key Type Lock
	052776-01-000	EA	Door Asm. - Luggage - 14" x 23" - Off White w/Key Type Lock
	047233-02-000	EA	Door Asm. - Luggage - 13" x 35" - Off White w/Twist Type Lock
	054270-01-000	EA	Door Asm. - Refrigerator - Off White w/Twist Type Lock
	052009-01-000	EA	Door Asm. - Water Heater - Off White
	052179-02-000	EA	Door Asm. - Generator - Off White
	052181-01-000	EA	Baffle - Generator Door
	043942-01-000	EA	Latch - Quarter Turn - White Plastic (Power Cord Door)
	018945-02-000	EA	Holder Asm. - Battery and Luggage Doors (Holds open)
	052950-01-700	EA	Lock Asm. - Twist Type w/Clip White Plastic
	047305-01-000	EA	Lock Asm. - Key Type w/Clip
	055500-01-000	EA	Fuel Fill Door - Lockable - White

**VENTS**

Key	Part Number	U/M	Description
	039778-01-000	EA	Cover - Refrigerator Vent - Plastic
	009407-01-000	EA	Base - Frame - Refrigerator Vent w/o Cover
	049352-01-000	EA	Vent - Stovehood - Outside - Off White Jensen

**WINDSHIELD**

Key	Part Number	U/M	Description
	052467-01-000	EA	Frame Asm. - Windshield - w/o Glass
	038886-01-000	EA	Tape - Butyl - .31" x .31" x 148" Long
	052584-01-000	EA	Glass - Windshield - 1/4" x 26.25" x 48.63" - Left or Right

**1978 ITASCA TABLE OF CONTENTS**

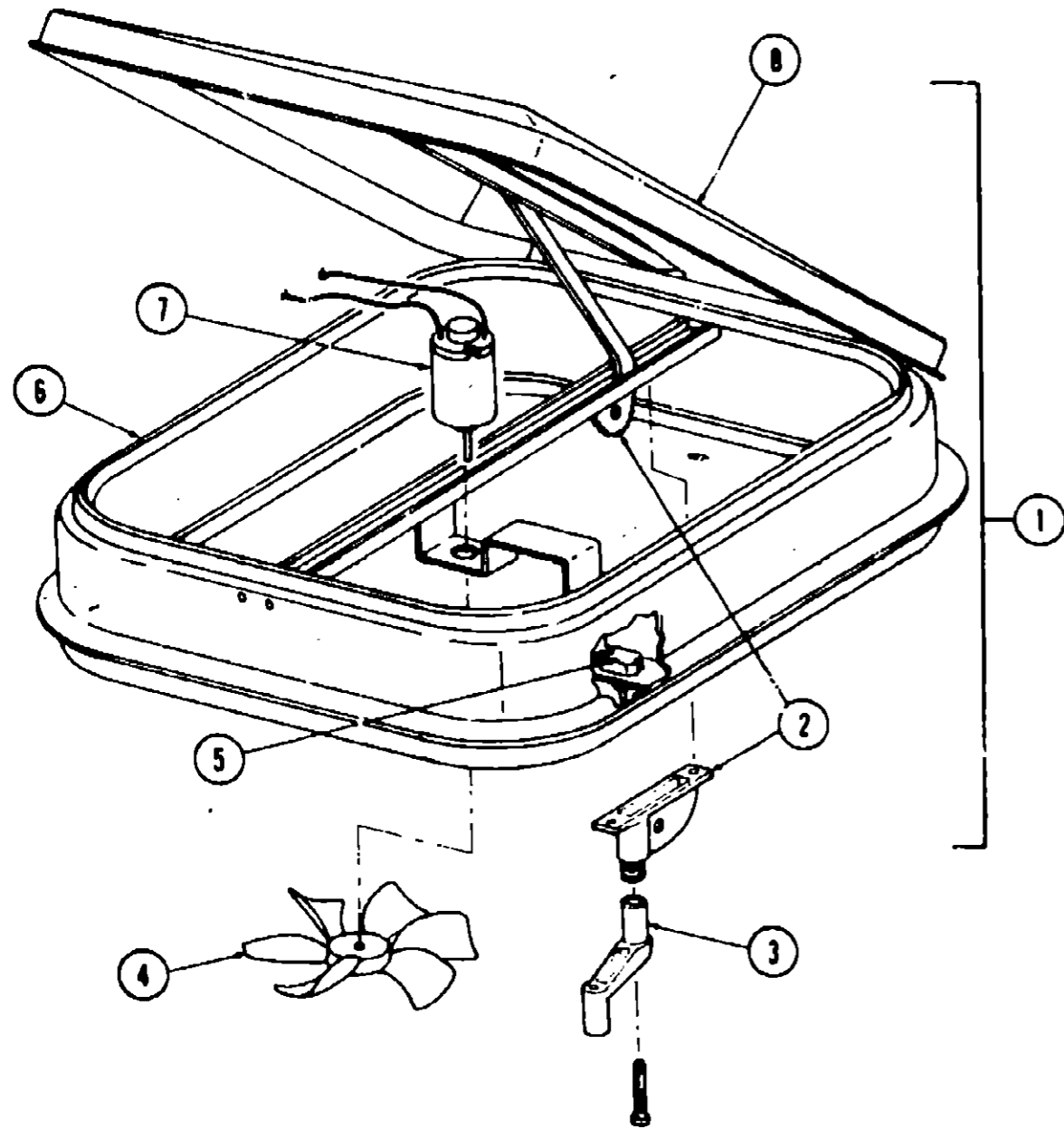
Introduction	A-1
Abbreviations	A-1
Alphabetical Index	A-2 - A-4
IDF/ICF23RG	A-5 - B-16
IC420RG	B-17 - D-6
IC525RB	D-7 - E-20
IDF/ICF26RT	E-21 - G-12

**1978 IDF/ICF23RG INDEX**

Floor Plan	A-5 - A-6
Accessories Group	A-7 - A-8
Bath Group	A-9
Chassis Group	A-9 - A-10
Curtain, Cushion & Pad Group	A-11 - A-16
Dinette Group	A-17
Driver's Compartment Group	A-17 - A-18
Electrical Group	A-19 - A-20
Exterior Body Group	A-21 - A-24
Galley Group	B-1
Heating & Air Conditioning Group	B-2
Interior Finish Group	B-3 - B-4
LP Group	B-5
Lounge Group	B-6
Water & Sewage Group	B-7
Window, Vent & Exterior Door Group	B-8 - B-16

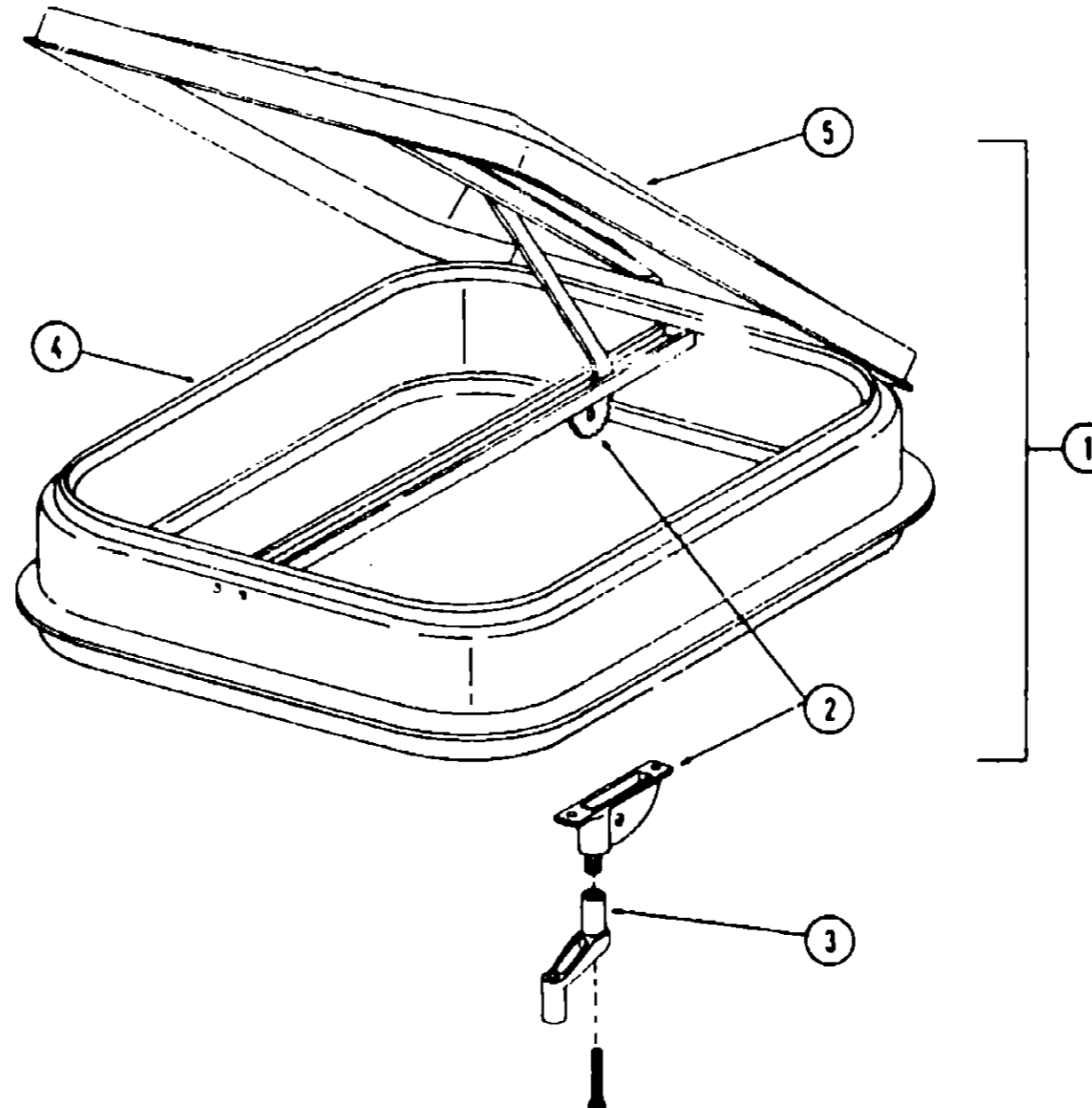


WINDOW, VENT AND EXTERIOR DOOR GROUP (CONTINUED)



Key	Part Number	U/M	Description
1	048789-01-000	EA	Vent. Asm. - Roof - Powered - w/o Screen
2	009440-01-000	EA	Gear - Arm - Roof Vent
3	009439-01-000	EA	Crank - Roof Vent
4	048649-01-000	EA	Fan - Blade - 8" Plastic
5	008195-01-000	EA	Switch - Push Button - 12 Volt
6	002825-01-000	FT	Weatherstrip - Roof Vent
7	048648-01-000	EA	Motor - 12 Volt
8	046825-01-000	EA	Cover - Plastic - Roof Vent
•	048695-01-000	EA	Screen Asm. - Powered Roof Vent - Clear Anod. (not included in assembly)
•	048695-03-000	EA	Screen Asm. - Powered Roof Vent - Beige (not included in assembly)
•			Not Illustrated

WINDOW, VENT AND EXTERIOR DOOR GROUP (CONTINUED)



Key	Part Number	U/M	Description
1	048835-01-000	EA	Vent Asm. - Roof - Non Powered - w/o Screen
2	009440-01-000	EA	Gear - Arm - Roof Vent
3	009439-01-000	EA	Crank - Roof Vent
4	002825-01-000	FT	Weatherstrip - Roof Vent
5	046825-01-000	EA	Cover - Plastic - Roof Vent
•	016335-01-000	EA	Screen Asm. - Non Powered Roof Vent - Clear Anod. (not included in assembly)
•	016335-03-000	EA	Screen Asm. - Non Powered Roof Vent - Beige (not included in assembly)
•			Not Illustrated

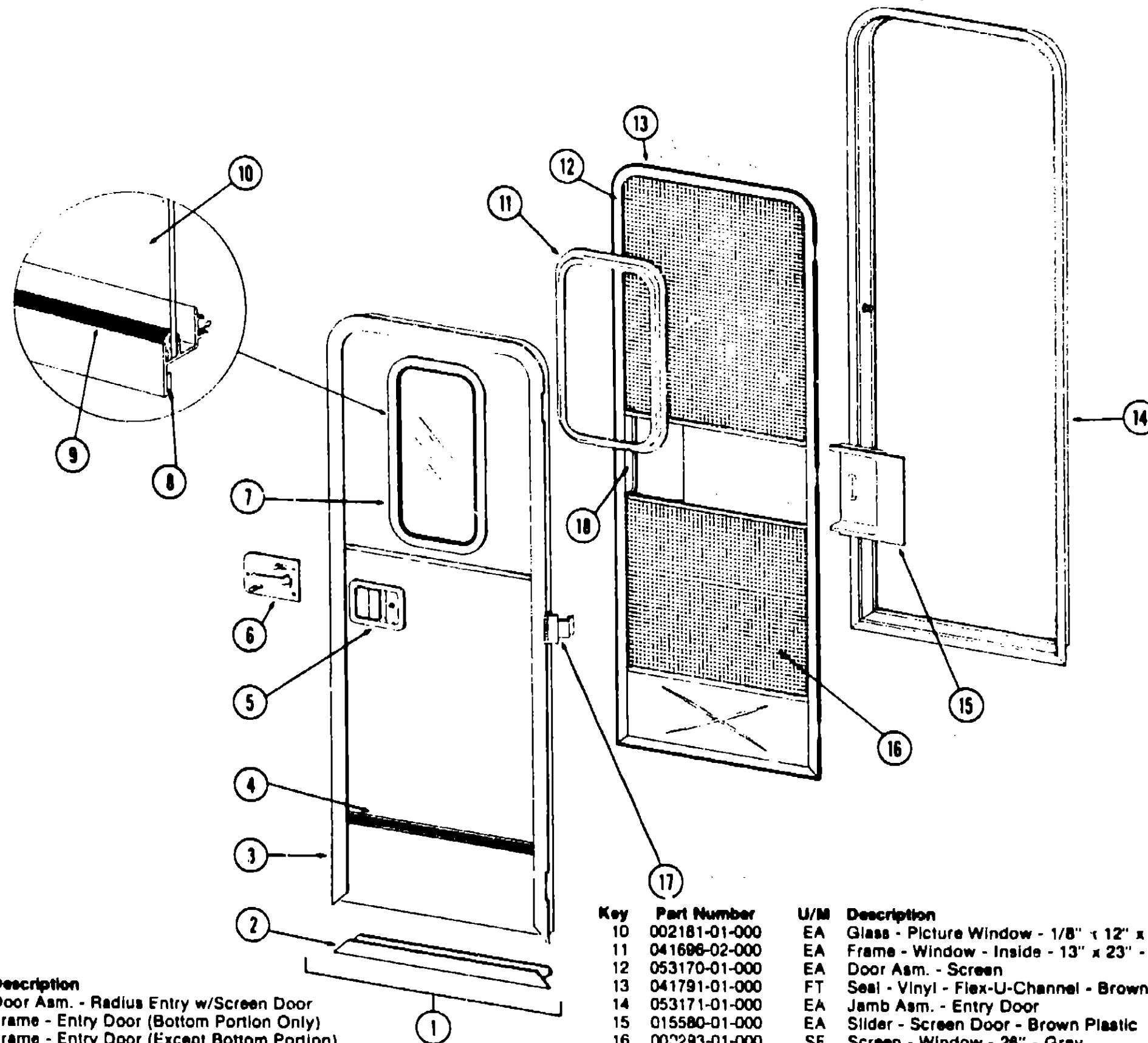
1978 ITASCA  
TABLE OF CONTENTS

Introduction	A-1
Abbreviations	A-1
Alphabetical Index	A-2 - A-4
IDF/ICF23RG	A-5 - B-16
IC420RG	B-17 - D-6
IC525RB	D-7 - E-20
IDF/ICF26RT	E-21 - G-12

1978 IDF/ICF23RG INDEX

Floor Plan	A-5 - A-6
Accessories Group	A-7 - A-8
Bath Group	A-9
Chassis Group	A-9 - A-10
Curtain, Cushion & Pad Group	A-11 - A-16
Dinette Group	A-17
Driver's Compartment Group	A-17 - A-18
Electrical Group	A-19 - A-20
Exterior Body Group	A-21 - A-24
Galley Group	B-1
Heating & Air Conditioning Group	B-2
Interior Finish Group	B-3 - B-4
LP Group	B-5
Lounge Group	B-6
Water & Sewage Group	B-7
Window, Vent & Exterior Door Group	B-8 - B-16

# WINDOW, VENT AND EXTERIOR DOOR GROUP (CONTINUED)



Key	Part Number	U/M	Description
1	053169-05-000	EA	Door Asm. - Radius Entry w/Screen Door
2	039737-01-000	EA	Frame - Entry Door (Bottom Portion Only)
3	039736-01-000	EA	Frame - Entry Door (Except Bottom Portion)
4	039874-01-000	EA	Holder Asm. - Entry Door
5	052186-01-000	EA	Lock Asm. - Radius Entry Door - Lynor
6	045017-01-700	EA	Lock Cylinder w/Keys - Lynor
6	039539-01-000	EA	Striker - Entry Door Lock
6	039979-01-000	EA	Plate - Lock - Interior - Including Inside Handle
7	041875-02-000	EA	Window Asm. - Picture - 13" x 23" - Black Anod. (Inside frame not included in assembly)
8	004363-01-000	FT	Tape - Foam - 3/16" x 1/2" - Gray
9	002309-02-000	FT	Spline - Glass - 1/8" Black

Key	Part Number	U/M	Description
10	002181-01-000	EA	Glass - Picture Window - 1/8" x 12" x 22" Gray
11	041696-02-000	EA	Frame - Window - Inside - 13" x 23" - Brown
12	053170-01-000	EA	Door Asm. - Screen
13	041791-01-000	FT	Seal - Vinyl - Flex-U-Channel - Brown
14	053171-01-000	EA	Jamb Asm. - Entry Door
15	015580-01-000	EA	Slider - Screen Door - Brown Plastic
16	003293-01-000	SF	Screen - Window - 26" - Gray
17	039520-01-000	EA	Hinge - Entry Door (3 used per door)
18	015581-01-000	EA	Cap - Screen Door - Brown Plastic
	049176-01-000	EA	Hedlok II - 3/4" Diameter - Screw Mount (Retains screen door to entry door)
	049797-01-000	EA	Hedlok II - 1" Diameter - Screw Mount (Retains screen door to entry door)
	018019-01-000	EA	Striker - Screen Door
	039863-01-000	EA	Catch Asm. - Single Roller w/Strike - Screen Door
	051390-01-000	FT	Seal - Bulb - Rubber
	039800-03-000	FT	Tubing - Polybutyl - 3/8" O.D. - Jamb.
			Not Illustrated

B-13

## 1978 ITASCA TABLE OF CONTENTS

Introduction	A-1
Abbreviations	A-1
Alphabetical Index	A-2 - A-4
IDF/ICF23RG	A-5 - B-16
IC420RG	B-17 - D-6
IC525RB	D-7 - E-20
IDF/ICF26RT	E-21 - G-12

## 1978 IDF/ICF23RG INDEX

Floor Plan	A-5 - A-6
Accessories Group	A-7 - A-8
Bath Group	A-9
Chassis Group	A-9 - A-10
Curtain, Cushion & Pad Group	A-11 - A-16
Dinette Group	A-17
Driver's Compartment Group	A-17 - A-18
Electrical Group	A-19 - A-20
Exterior Body Group	A-21 - A-24
Galley Group	B-1
Heating & Air Conditioning Group	B-2
Interior Finish Group	B-3 - B-4
LP Group	B-5
Lounge Group	B-6
Water & Sewage Group	B-7
Window, Vent & Exterior Door Group	B-8 - B-16

B-16