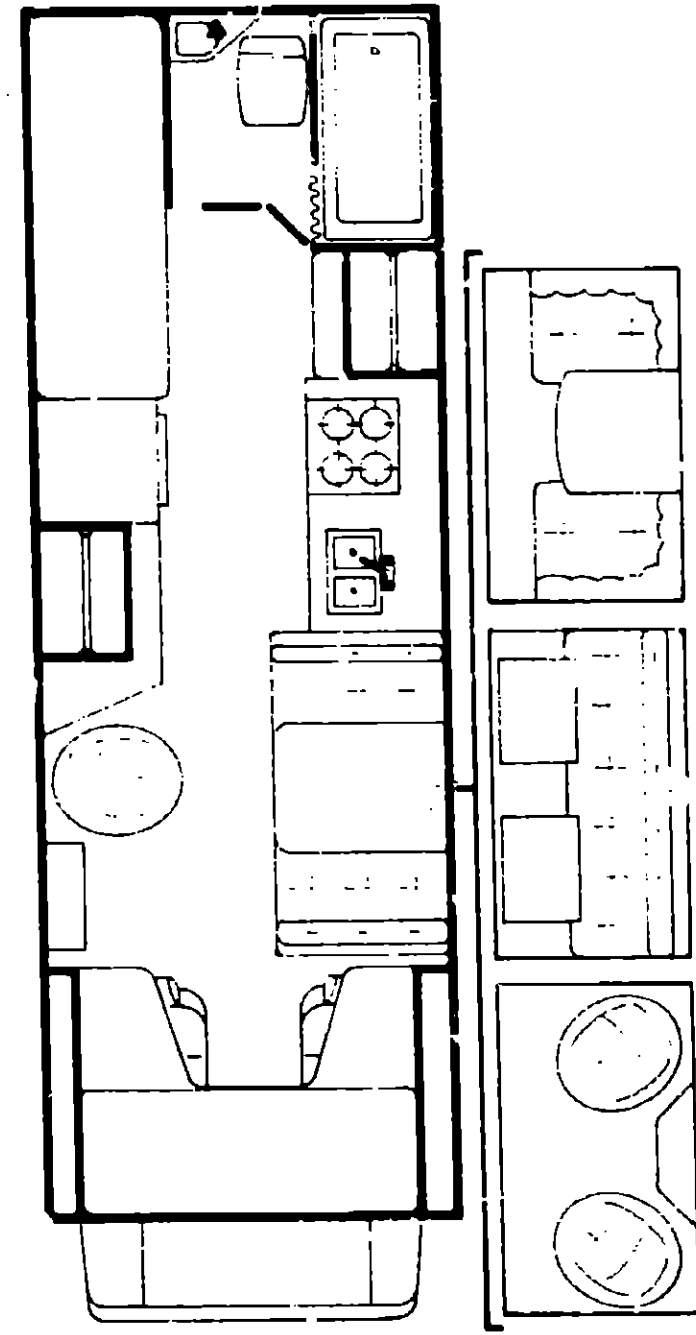


1978 ID424RH



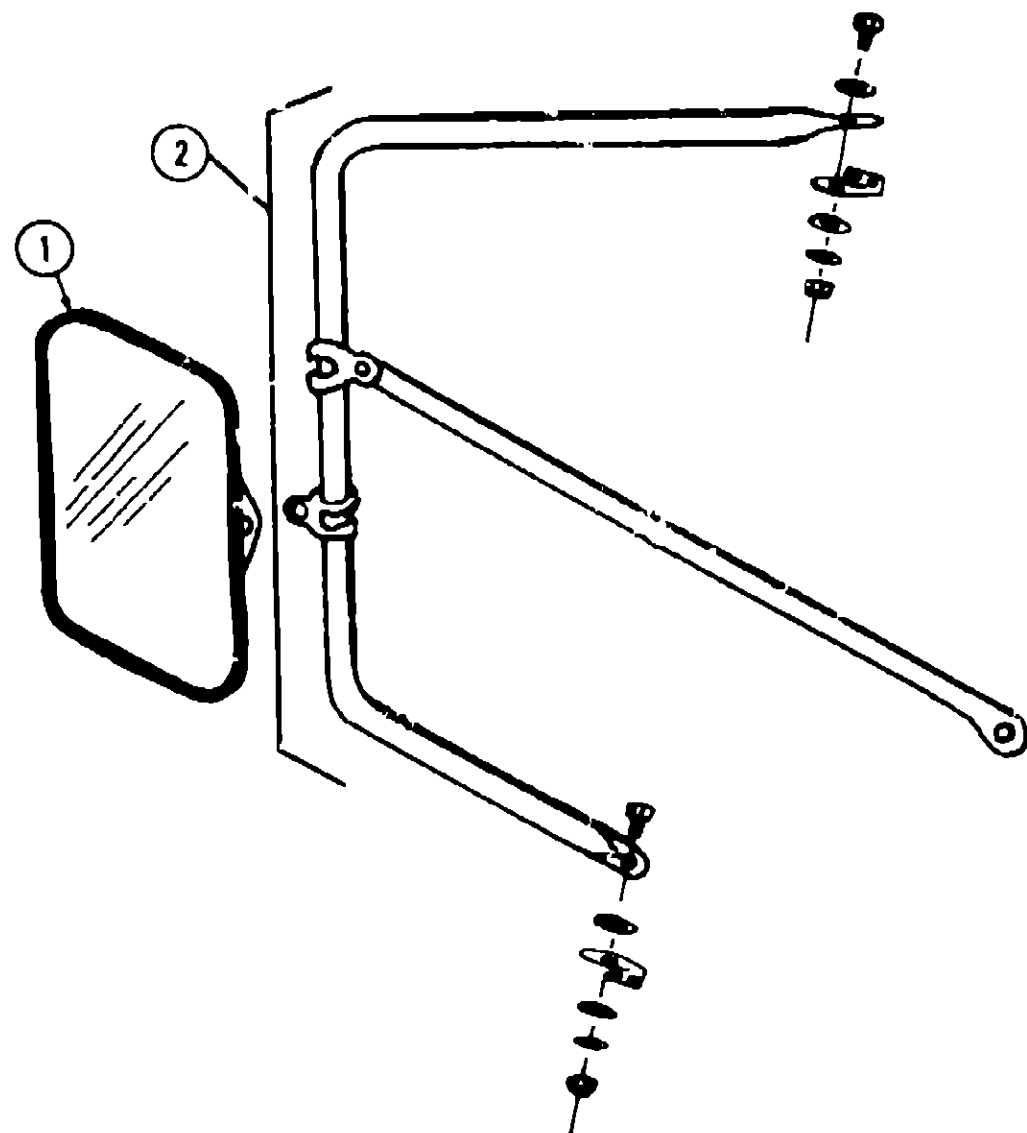
1978 ITASCA TABLE OF CONTENTS

ICP25RB	A-1 - B-12
ID424RH	B-13 - D-2
IC525DE	D-3 - E-14
ICP27RT	E-15 - G-2

1978 ID424RH INDEX

Floor Plan	B-13 - B-14
Accessories Group	B-15 - B-16
Bath Group	B-17 - B-18
Chassis Group	B-19
Curtain, Cushion & Pad Group	B-20 - B-23
Dinette Group	B-24
Driver's Compartment Group	C-1
Electrical Group	C-2 - C-3
Exterior Body Group	C-4 - C-7
Galley Group	C-8
Heating & Air Conditioning Group	C-9
Interior Finish Group	C-10 - C-11
LP Group	C-12
Lounge Group	C-13
Water & Sewage Group	C-14
Window, Vent & Exterior Door Group	C-15 - D-2

ACCESSORIES GROUP



Key	Part Number	U/M	Description
1	049347-01-000	EA	Mirror Head - 7 1/2" x 10 1/2" - Stainless Steel
2	049348-01-000	EA	Arm - West Coast Mirror - Stainless Steel

ACCESSORIES GROUP (CONTINUED)

RADIOS AND RELATED COMPONENTS

Key	Part Number	U/M	Description
	007004-01-000	EA	Antenna - Radio - Cab Mount
	045836-02-000	EA	Plate - Radio Cover
	049730-01-000	EA	Radio - Clarion - AM w/Fader Switch
	049731-01-000	EA	Radio - Clarion - AM/FM/MPX w/Fader Switch
	049732-01-000	EA	Radio - Clarion - AM/FM/MPX/8-Track w/Fader Switch
	053768-01-000	EA	Speaker - Recessed - 5 1/4" - 10 oz.
	055299-01-000	EA	Grille - Speaker - 5 1/4"
	052774-01-000	EA	Radio - CB - 40 Channel - Hy Gain 9
	048153-01-000	EA	Antenna - CB Camper Style

GENERATORS AND INSTALLATION KITS

Key	Part Number	U/M	Description
	054429-01-000	EA	Generator - 4.0 kw Onan
	701629-02-000	EA	Installation Package - Onan Generator
	048380-02-000	EA	Overhead Console
	750015-01-000	EA	Bracket - Overhead Console
	024732-01-000	EA	Tail Pipe - 1 1/2" O.D. x 23"

MISCELLANEOUS ACCESSORIES

Key	Part Number	U/M	Description
**	007298-01-000	EA	Speed Control Package - 360 C.I.D. Dodge
**	048652-01-000	EA	Speed Control Package - 440 C.I.D. Dodge
	056253-01-000	EA	Luggage Rack and Ladder Asm.
	041086-02-000	EA	Ladder Asm. - w/o Luggage Rack
	006053-01-000	EA	Antenna Asm. - TV - Braund Delux
	006053-01-700	EA	Parts Kit - Repair - Braund TV Antenna
	008093-01-000	EA	Jack - TV - Brown
	040466-07-000	EA	Cover - Spare Tire - 29" - Off White
	006113-01-000	EA	Jack - Hydraulic - 5 Ton
	041944-01-700	EA	Fire Extinguisher w/Bracket
	017516-01-000	EA	Muffler - Black Rubber - 14" x 18" w/Holes

**The illustrated parts breakdown for this item is provided on the Common Items Fiche.

**1978 ITASCA
TABLE OF CONTENTS**

ICP25RB	A-1 - B-12
ID424RH	B-13 - D-2
IC525DB	D-3 - E-14
ICP27RT	E-15 - G-2

1978 ID424RH INDEX

Floor Plan	B-13 - B-14
Accessories Group	B-15 - B-16
Bath Group	B-17 - B-18
Chassis Group	B-19
Curtain, Cushion & Pad Group	B-20 - B-23
Dinette Group	B-24
Driver's Compartment Group	C-1
Electrical Group	C-2 - C-3
Exterior Body Group	C-4 - C-7
Galley Group	C-8
Heating & Air Conditioning Group	C-9
Interior Finish Group	C-10 - C-11
LP Group	C-12
Lounge Group	C-13
Water & Sewage Group	C-14
Window, Vent & Exterior Door Group	C-15 - D-2

BATH GROUP

BATH CABINETRY

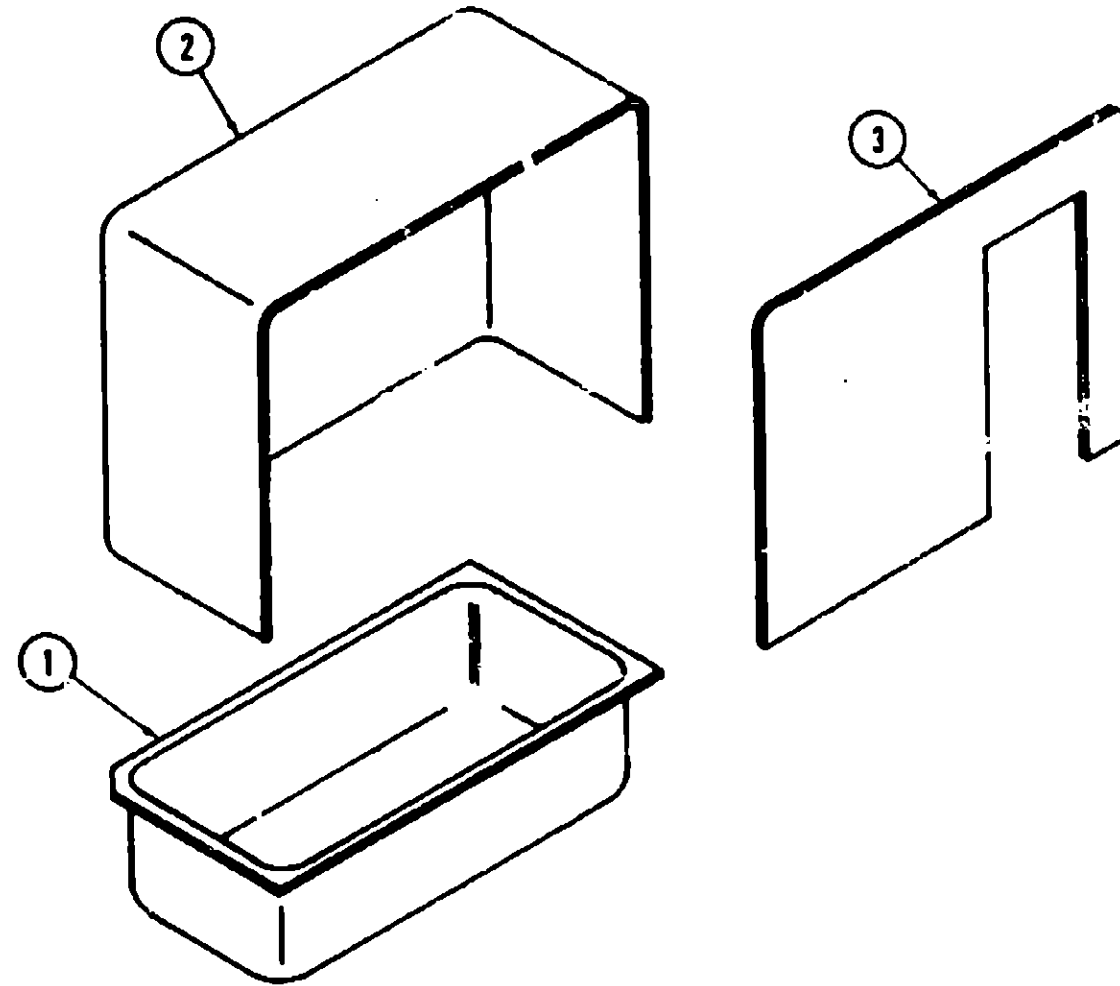
Key	Part Number	U/M	Description
	056372-01-J27	EA	Cabinet Asm. - Vanity - w/o Top, Door or Hardware
	052724-17-J27	EA	Door Asm. - Vanity Cabinet - 20 1/2" x 10 7/8" - w/o Hardware
	053130-03-000	EA	Cabinet Asm. - Medicine - 33" Wide
	056368-01-J27	EA	Cabinet Asm. - Rear Wardrobe - Lower Section
	056369-01-J27	EA	Cabinet Asm. - Rear Wardrobe - Upper Section - w/o Door or Hardware
	052724-24-J27	EA	Door Asm. - Wardrobe - 56 1/4" x 18 5/8" - w/o Hardware
	052724-14-J27	EA	Door Asm. - Bunk Wall - 12 1/8" x 15 1/4" - w/o Hardware
	052563-02-000	EA	Rack Asm. - Towel - Mounts on Door Panel
	053831-02-J27	EA	Panel Asm. - Folding Door (2 required per unit)

BATH HARDWARE

Key	Part Number	U/M	Description
	044067-01-000	EA	Sink - Bath - Ivory Plastic
**	011056-01-000	EA	Faucet - Sink
	011083-01-000	EA	Plug - Sink - 1 1/4" w/Chain
**	031558-01-000	EA	Faucet - Tub and Shower
**	011086-01-000	EA	Strainer - Shower Pan
**	011049-01-000	EA	Shower Head - w/60" Hose
	009134-01-000	EA	Holder - Tissue
	009096-01-000	EA	Mirror - 1/8" x 12" x 42" - Beveled
	046113-01-000	EA	Rosette - Plastic - Mirror Mounting
	053050-01-000	EA	Trim - Shower Door - Bottom
	053261-01-000	EA	Trim - Shower Door - Left
	053262-01-000	EA	Trim - Shower Door - Right
	058344-01-000	EA	Folding Door Hardware
	058344-02-000	EA	Folding Door Track
	011083-01-000	EA	Plug - Sink - w/Chain - 1 1/4" x 5"
	011083-02-000	EA	Plug - Sink - w/Chain - 1 1/4" x 12"
	009112-01-000	EA	Flange - 1" - Closet Rod
	009151-01-000	EA	Warp Guard - 48"
	057534-01-000	EA	Tieback - 6" - Clear Plastic
**	039341-02-000	EA	Toilet - Marine - Thetford Aqua Magic SH - Ivory

**The illustrated parts breakdown for this item is provided on the Common Items Fiche.

BATH GROUP (CONTINUED)



Key	Part Number	U/M	Description
1	041828-01-000	EA	Bathtub Bottom - Ivory Plastic
2	041853-01-000	EA	Bathtub Back - Ivory Plastic
3	041852-01-000	EA	Bathtub Front - Ivory Plastic

1978 ITASCA TABLE OF CONTENTS

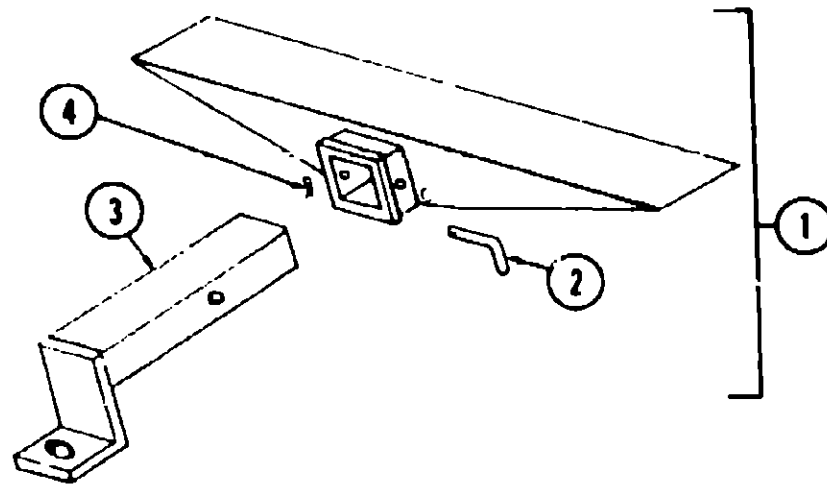
ICP25RB	A-1 - B-12
ID424RH	B-13 - D-2
IC525DB	D-3 - E-14
ICP27RT	E-15 - G-2

1978 ID424RH INDEX

Floor Plan	B-13 - B-14
Accessories Group	B-15 - B-16
Bath Group	B-17 - B-18
Chassis Group	B-19
Curtain, Cushion & Pad Group	B-20 - B-23
Dinette Group	B-24
Driver's Compartment Group	C-1
Electrical Group	C-2 - C-3
Exterior Body Group	C-4 - C-7
Galley Group	C-8
Heating & Air Conditioning Group	C-9
Interior Finish Group	C-10 - C-11
LP Group	C-12
Lounge Group	C-13
Water & Sewage Group	C-14
Window, Vent & Exterior Door Group	C-15 - D-2

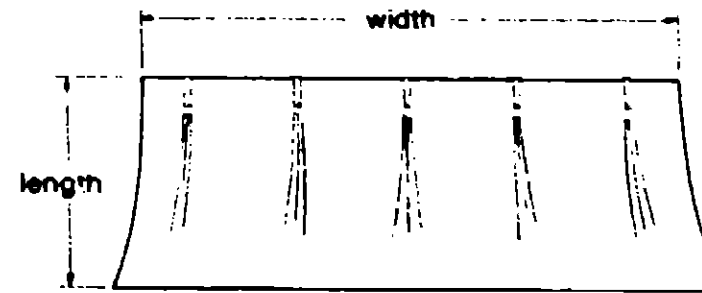
CHASSIS GROUP

Key	Part Number	U/M	Description
	021546-01-000	EA	Bumper - Rear - Square - 93"
	039773-01-000	EA	Rubber Cap - 4" x 4" - Square Bumper
	040974-01-000	EA	Bracket - Spare Tire Retainer - 2" x 6.75"
	016452-01-000	EA	Bracket - Spare Tire Carrier - 5" x 25"
	046043-12-000	EA	Bracket Asm. - Rear Bumper
	048594-03-000	EA	Tray Asm. - Battery
	051667-02-000	EA	Bracket - Battery Tie Down
	051983-C2-000	EA	Shroud - Fuel Fill - Interior
	051986-02-000	EA	Bezel - Fuel Fill - Recessed
	041385-01-000	EA	Tailpipe Extension - Curved - 3" O.D. x 14"
	007125-08-000	EA	Clamp - Muffler - 3" Dia.
	024652-01-700	EA	Step Asm. - Entry Door
	041078-01-000	EA	Wheelwell - Black Plastic
	017516-01-000	EA	Mud Flap - Black Rubber - 14" x 18"



Key	Part Number	U/M	Description
1	023895-02-000	EA	Hitch Asm. - w/o Drawback
2	034512-02-000	EA	Pin - Locking - Drawbar
3	023690-01-000	EA	Drawbar Asm. - Trailer Hitch
4	034513-01-000	EA	Pin - Hitch - 3/16" Wire Spring

CURTAIN, CUSHION AND PAD GROUP



NOTE:
Use this illustration when determining length and width measurements for curtains. You will note the width measurement is taken on the top of the curtain with the curtain fully extended. The length measurement is taken from top to bottom.

CURTAINS

Key	Part Number	U/M	Description
	054045-03-J36	EA	Curtain w/Snap Top and Bottom - 17.5" x 42" - Brown
	054045-03-J37	EA	Curtain w/Snap Top and Bottom - 17.5" x 42" - Rust/Copper
	054051-02-J36	EA	Curtain w/Snap Top - 34" x 37" - Brown
	054051-02-J37	EA	Curtain w/Snap Top - 34" x 37" - Rust/Copper
	054051-09-J36	EA	Curtain w/Snap Top - 76" x 57" - Brown
	054051-09-J37	EA	Curtain w/Snap Top - 76" x 57" - Rust/Copper
	054103-01-J36	EA	Curtain w/Snaps - 15.5" x 42" - Brown
	054103-01-J37	EA	Curtain w/Snaps - 15.5" x 42" - Rust/Copper
	056484-01-J36	EA	Curtain w/Taped Top - 27.5" x 42" - Brown
	056484-01-J37	EA	Curtain w/Taped Top - 27.5" x 42" - Rust/Copper
	056484-02-J35	EA	Curtain w/Taped Top - 27" x 19.5" - Brown
	056484-02-J37	EA	Curtain w/Taped Top - 27" x 19.5" - Rust/Copper
	056484-09-J36	EA	Curtain w/Taped Top - 15.5" x 19" - Brown
	056484-09-J37	EA	Curtain w/Taped Top - 15.5" x 19" - Rust/Copper
	056484-10-J36	EA	Curtain w/Taped Top - 22" x 28" - Brown
	056484-10-J37	EA	Curtain w/Taped Top - 22" x 28" - Rust/Copper
	056484-11-J36	EA	Curtain w/Taped Top - 27" x 9" - Brown
	056484-11-J37	EA	Curtain w/Taped Top - 27" x 9" - Rust/Copper
	054051-10-J36	EA	Curtain w/Snap Top - Privacy - 25" x 57" - Brown
	054051-10-J37	EA	Curtain w/Snap Top - Privacy - 25" x 57" - Rust/Copper
	054051-11-J36	EA	Curtain w/Snap Top - Privacy - 32" x 96" - Brown
	054051-11-J37	EA	Curtain w/Snap Top - Privacy - 32" x 96" - Rust/Copper
	054052-01-J36	EA	Curtain w/Snap Top - Front Wraparound - 23" x 64" - Brown
	054052-01-J37	EA	Curtain w/Snap Top - Front Wraparound - 23" x 64" - Rust/Copper
	052967-01-000	EA	Curtain - Shower - 66" x 36" - Gold

VALANCES

Key	Part Number	U/M	Description
	056897-01-J36	EA	Valance w/Trim - 5.5" x 42" - Brown Accent
	056897-01-J37	EA	Valance w/Trim - 5.5" x 42" - Blue Accent
	056897-02-J36	EA	Valance w/Trim - 5.5" x 78" - Brown Accent
	056897-02-J37	EA	Valance w/Trim - 5.5" x 78" - Blue Accent
	056897-07-J36	EA	Valance w/Trim - 5.5" x 36" - Brown Accent
	056897-07-J37	EA	Valance w/Trim - 5.5" x 36" - Blue Accent
	056897-08-J36	EA	Valance w/Trim - 5.5" x 52.8" - Brown Accent
	056897-08-J37	EA	Valance w/Trim - 5.5" x 52.8" - Blue Accent
	056897-09-J36	EA	Valance w/Trim - 5.5" x 40" - Brown Accent
	056897-09-J37	EA	Valance w/Trim - 5.5" x 40" - Blue Accent

SHADES

Key	Part Number	U/M	Description
	056915-49-000	EA	Shade - Vinyl - 33 1/4" x 34" - w/Dark Brown Trim
	056915-50-000	EA	Shade - Vinyl - 33 1/4" x 34" - w/Rust Trim
	056915-55-000	EA	Shade - Vinyl - 69 1/4" x 34" - w/Dark Brown Trim
	056915-56-000	EA	Shade - Vinyl - 69 1/4" x 34" - w/Rust Trim
	056915-61-000	EA	Shade - Vinyl - 44.25" x 23" - w/Dark Brown Trim
	056915-62-000	EA	Shade - Vinyl - 44.25" x 23" - w/Rust Trim

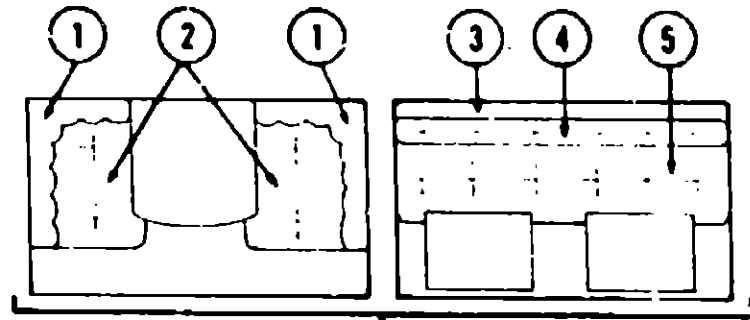
**1978 ITASCA
TABLE OF CONTENTS**

ICP25RB	A-1 - B-12
ID424RH	B-13 - D-2
IC525DR	D-3 - E-14
ICP27RT	E-15 - G-2

1978 ID424RH INDEX

Floor Plan	B-13 - B-14
Accessories Group	B-15 - B-16
Bath Group	B-17 - B-19
Chassis Group	E-19
Curtain, Cushion & Pad Group	B-20 - B-23
Dinette Group	B-24
Driver's Compartment Group	C-1
Electrical Group	C-2 - C-3
Exterior Body Group	C-4 - C-7
Galley Group	C-8
Heating & Air Conditioning Group	C-9
Interior Finish Group	C-10 - C-11
LP Group	C-12
Lounge Group	C-13
Water & Sewage Group	C-14
Window, Vent & Exterior Door Group	C-15 - D-2

CURTAIN, CUSHION AND PAD GROUP (CONTINUED)



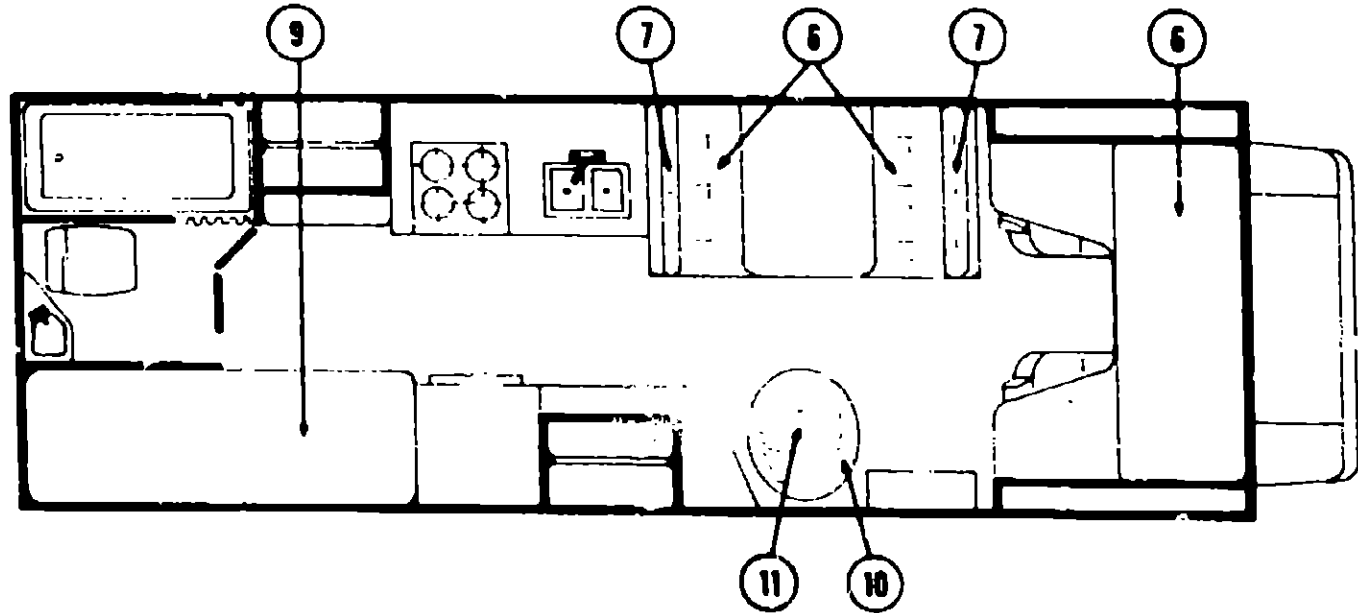
Key	Part Number	U/M	Description
6	054693-01-J36	EA	Cushion - Front Bunk - 29.5" x 24.5" x 76" x 5" - Wine
6	054693-01-J37	EA	Cushion - Front Bunk - 29.5" x 24.5" x 76" x 5" - Rust
	054994-01-J36	EA	Cover - Front Bunk Cushion - 29.5" x 24.5" x 76" x 5" - Wine
	054694-01-J37	EA	Cover - Front Bunk Cushion - 29.5" x 24.5" x 76" x 5" - Rust

CONVENTIONAL DINETTE CUSHIONS

Key	Part Number	U/M	Description
7	058128-01-J36	EA	Cushion - Wraparound - 14 1/4" x 38" x 5" - Wine
7	058128-01-J37	EA	Cushion - Wraparound - 14 1/4" x 38" x 5" - Rust
	058129-01-J36	EA	Cover - Wraparound Cushion - 14 1/4" x 38" x 5" - Wine
	058129-01-J37	EA	Cover - Wraparound Cushion - 14 1/4" x 38" x 5" - Rust
8	058128-02-J36	EA	Cushion - Wraparound - 22 1/2" x 38" x 5" - Wine
8	058128-02-J37	EA	Cushion - Wraparound - 22 1/2" x 38" x 5" - Rust
	058129-02-J36	EA	Cover - Wraparound Cushion - 22 1/2" x 38" x 5" - Wine
	058129-02-J37	EA	Cover - Wraparound Cushion - 22 1/2" x 38" x 5" - Rust

REAR BUNK CUSHIONS

Key	Part Number	U/M	Description
9	055021-14-J36	EA	Cushion - Upper Rear Bunk - 30.8" x 75.5" x 5" - Brown
9	055021-14-J37	EA	Cushion - Upper Rear Bunk - 30.8" x 75.5" x 5" - Blue
	055022-16-J36	EA	Cover - Upper Rear Bunk Cushion - 30.8" x 75.5" x 5" - Brown
	055022-16-J37	EA	Cover - Upper Rear Bunk Cushion - 30.8" x 75.5" x 5" - Blue
9	055021-15-J36	EA	Cushion - Lower Rear Bunk - 30.8" x 76.5" x 5" - Brown
9	055021-15-J37	EA	Cushion - Lower Rear Bunk - 30.8" x 76.5" x 5" - Blue
	055022-17-J36	EA	Cover - Lower Rear Bunk Cushion - 30.8" x 76.5" x 5" - Brown
	055022-17-J37	EA	Cover - Lower Rear Bunk Cushion - 30.8" x 76.5" x 5" - Blue



CORNER LOUNGE CHAIR CUSHIONS

Key	Part Number	U/M	Description
1	056636-02-J36	EA	Cushion - Back - Corner Lounge Chair - Wine
1	056636-02-J37	EA	Cushion - Back - Corner Lounge Chair - Rust
2	056637-02-J36	EA	Cushion - Seat - Corner Lounge Chair - Wine
2	056637-02-J37	EA	Cushion - Seat - Corner Lounge Chair - Rust

DINETTE COUCH CUSHIONS

Key	Part Number	U/M	Description
3	055021-07-J36	EA	Cushion - Couch - 8" x 76" x 5" - Wine
3	055021-07-J37	EA	Cushion - Couch - 8" x 76" x 5" - Rust
	055022-07-J36	EA	Cover - Couch Cushion - 8" x 76" x 5" - Wine
	055022-07-J37	EA	Cover - Couch Cushion - 8" x 76" x 5" - Rust
4	062215-01-J36	EA	Cushion - Two Fold - Wraparound - 18" x 21" x 76" x 5" - Wine
4	062215-01-J37	EA	Cushion - Two Fold - Wraparound - 18" x 21" x 76" x 5" - Rust
	062216-01-J36	EA	Cover - Wraparound Cushion - 18" x 21" x 76" x 5" - Wine
	062216-01-J37	EA	Cover - Wraparound Cushion - 18" x 21" x 76" x 5" - Rust

CURTAIN, CUSHION AND PAD GROUP (CONTINUED)

FRONT BUNK CUSHIONS

Key	Part Number	U/M	Description
6	054693-01-J36	EA	Cushion - Front Bunk - 29.5" x 24.5" x 76" x 5" - Wine
6	054693-01-J37	EA	Cushion - Front Bunk - 29.5" x 24.5" x 76" x 5" - Rust
	054994-01-J36	EA	Cover - Front Bunk Cushion - 29.5" x 24.5" x 76" x 5" - Wine
	054694-01-J37	EA	Cover - Front Bunk Cushion - 29.5" x 24.5" x 76" x 5" - Rust

CONVENTIONAL DINETTE CUSHIONS

Key	Part Number	U/M	Description
7	058128-01-J36	EA	Cushion - Wraparound - 14 1/4" x 38" x 5" - Wine
7	058128-01-J37	EA	Cushion - Wraparound - 14 1/4" x 38" x 5" - Rust
	058129-01-J36	EA	Cover - Wraparound Cushion - 14 1/4" x 38" x 5" - Wine
	058129-01-J37	EA	Cover - Wraparound Cushion - 14 1/4" x 38" x 5" - Rust
8	058128-02-J36	EA	Cushion - Wraparound - 22 1/2" x 38" x 5" - Wine
8	058128-02-J37	EA	Cushion - Wraparound - 22 1/2" x 38" x 5" - Rust
	058129-02-J36	EA	Cover - Wraparound Cushion - 22 1/2" x 38" x 5" - Wine
	058129-02-J37	EA	Cover - Wraparound Cushion - 22 1/2" x 38" x 5" - Rust

REAR BUNK CUSHIONS

Key	Part Number	U/M	Description
9	055021-14-J36	EA	Cushion - Upper Rear Bunk - 30.8" x 75.5" x 5" - Brown
9	055021-14-J37	EA	Cushion - Upper Rear Bunk - 30.8" x 75.5" x 5" - Blue
	055022-16-J36	EA	Cover - Upper Rear Bunk Cushion - 30.8" x 75.5" x 5" - Brown
	055022-16-J37	EA	Cover - Upper Rear Bunk Cushion - 30.8" x 75.5" x 5" - Blue
9	055021-15-J36	EA	Cushion - Lower Rear Bunk - 30.8" x 76.5" x 5" - Brown
9	055021-15-J37	EA	Cushion - Lower Rear Bunk - 30.8" x 76.5" x 5" - Blue
	055022-17-J36	EA	Cover - Lower Rear Bunk Cushion - 30.8" x 76.5" x 5" - Brown
	055022-17-J37	EA	Cover - Lower Rear Bunk Cushion - 30.8" x 76.5" x 5" - Blue

TT CHAIRS

Key	Part Number	U/M	Description
10	054674-02-J36	EA	TT Chair - Complete - Brown
10	054674-03-J37	EA	TT Chair - Complete - Blue
11	054700-03-J36	EA	Cushion - TT Chair - Brown
11	054700-03-J37	EA	Cushion - TT Chair - Blue
	035036-01-06J	EA	Plate - TT Chair
	035036-02-000	EA	Base - TT Chair - w/Legs

BUCKET SEATS, ARMRESTS AND HEADRESTS

Key	Part Number	U/M	Description
	057583-05-J36	EA	Seat Asm. - Single Bucket w/o Armrest or Headrests - Brown
	057583-05-J37	EA	Seat Asm. - Single Bucket w/c Armrests or Headrests - Blue
	053356-05-J36	EA	Cover - Single Bucket Seat - Bottom - Brown
	053356-05-J37	EA	Cover - Single Bucket Seat - Bottom - Blue
	053356-06-J36	EA	Cover - Single Bucket Seat - Back - Brown
	053356-06-J37	EA	Cover - Single Bucket Seat - Back - Blue
	019722-01-000	EA	Headrest Asm. - Foam w/o Cover
	053354-02-J36	EA	Cover - Headrest - Brown
	053354-02-J37	EA	Cover - Headrest - Blue
	050275-01-700	EA	Armrest Asm. - Foam w/o Cover - Driver's Seat
	050276-01-700	EA	Armrest Asm. - Foam w/o Cover - Passenger Seat
	053357-02-J36	EA	Cover - Armrest - Brown
	053357-02-J37	EA	Cover - Armrest - Blue

1978 ITASCA TABLE OF CONTENTS

ICP25AB	A-1 - B-12
ID424RH	B-13 - D-2
IC525DB	D-3 - E-14
ICP27RT	E-15 - G-2

1978 ID424RH INDEX

Floor Plan	B-13 - E-14
Accessories Group	B-15 - B-16
Bath Group	B-17 - B-18
Chassis Group	B-19
Curtain, Cushion & Pad Group	B-20 - B-23
Dinette Group	B-24
Driver's Compartment Group	C-1
Electrical Group	C-2 - C-3
Exterior Body Group	C-4 - C-7
Galley Group	C-8
Heating & Air Conditioning Group	C-9
Interior Finish Group	C-10 - C-11
LP Group	C-12
Lounge Group	C-13
Water & Sewage Group	C-14
Window, Vent & Exterior Door Group	C-15 - D-2

CURTAIN, CUSHION AND PAD GROUP (CONTINUED)

FABRICS, TRIMS AND PADS

Key	Part Number	U/M	Description
	057027-01-000	YD	Fabric - Drapery - Brown
	057027-02-000	YD	Fabric - Drapery - Rust/Copper
	057029-01-000	YD	Fabric - Upholstery - Plaid - Brown/Burgundy
	057029-02-000	YD	Fabric - Upholstery - Plaid - Blue/Copper
	057028-01-000	YU	Fabric - Upholstery - Solid - Burgundy
	057028-02-000	YD	Fabric - Upholstery - Solid - Blue
	054676-05-J36	EA	Button Asm. - Cloth - Burgundy
	054676-05-J37	EA	Button Asm. - Cloth - Blue
	052859-01-J36	FT	Trim - Accent - Bostonian Brown Vinyl
	042411-01-000	YD	Vinyl - Non Expanded - 27 oz. - Bostonian Brown
	042411-02-000	YD	Vinyl - Expanded - 28 oz. - Bostonian Brown
	042411-03-000	YD	Vinyl - Non Support - 16 Gauge Film - Bostonian Brown
	056980-01-J36	EA	Pad - End - Lounge Overhead Cabinet - Brown Vinyl
	053720-01-J36	EA	Headliner - Cab - Berkshire Brown Vinyl
	054015-01-J36	EA	Pad - Cab Door - Left - Berkshire Brown Vinyl
	054015-02-J36	EA	Pad - Cab Door - Right - Berkshire Brown Vinyl

CURTAIN HARDWARE

Key	Part Number	U/M	Description
	053272-03-203	EA	Track - Curtain - Brown Alum. - 93" w/Holes
	056001-01-000	EA	Bracket - Shade - Left
	056002-01-000	EA	Bracket - Shade - Right
	056003-01-000	EA	Bracket - Drapery Retainer - Right
	056003-02-000	EA	Bracket - Drapery Retainer - Left
	056784-01-000	EA	Pull - Window Shade - Antique Brass
	056116-01-000	FT	Track - Curtain - Brown Plastic
	009107-01-000	EA	Guide - Nylon Snap - Curtain
	018031-42-000	EA	Track - Curtain - "L" Rod - Alum. Extr. - 90"
	009701-01-000	EA	Carrier - "L" Rod - Curtain
	009702-01-000	EA	End Stop - "L" Rod - Curtain



Key	Part Number	U/M	Description
1	029130-01-000	EA	Socket - Snap Fastener
2	029155-01-000	EA	Cap - Snap - .155" Dia. x .17" Barrel
3	029156-01-000	EA	Socket - Snap Fastener
4	029092-01-000	EA	Stud - Nickel Finish
5	029093-01-000	EA	Eyelet - Nickel Finish

TIE BACKS

Key	Part Number	U/M	Description
	054048-05-J36	EA	Tie Back - Curtain - 2" x 18" - Brown
	054048-05-J37	EA	Tie Back - Curtain - 2" x 18" - Blue
	057534-01-000	EA	Tie Back - BiFold Doors - 6" Clear Plastic

DINETTE GROUP

DINETTE OVERHEAD CABINETS

Key	Part Number	U/M	Description
	058364-01-J27	EA	Cabinet Asm. - Dinette Overhead - w/o Doors or Hardware
	052774-J2-J27	EA	Door Asm. - Dinette Overhead Cabinet - 21 3/8" x 9 3/4" - w/o Hardware

CONVENTIONAL DINETTE W/OPOSING BENCHES

Key	Part Number	U/M	Description
	053192-01-J27	EA	Table Asm. - Dinette - w/o Hardware - Butcher Block
**	047842-01-000	EA	Hardware Kit - Table Leg
**	047809-03-000	EA	Hardware Kit - Dinette Table Wall Mount
	058975-01-J27	EA	Cabinet Asm. - Dinette Seat - Front
	058976-01-J27	EA	Cabinet Asm. - Dinette Seat - Rear
	007019-01-000	EA	Seat Belt - 2" x 84" - Black
	041322-01-000	EA	Washer - Flat - 15/32" I.D. x 2 3/8" O.D.

**The illustrated parts breakdown for this item is provided on the Common Items Fiche.

OPTIONAL DINETTE W/TWIN PEDESTAL TABLES

Key	Part Number	U/M	Description
	053203-07-J27	EA	Table Asm. - Pedestal - Butcher Block - w/o Hardware
	009040-02-000	EA	Leg - Pedestal Table - 2.25" O.D. x 27.5" - Chrome
	009040-03-000	EA	Base - Table Leg - Mounts on Table
	041194-01-000	EA	Base - Table Leg - Mounts in Floor
	058977-01-J27	EA	Cabinet Asm. - Couch

OPTIONAL DINETTE W/CORNER LOUNGE CHAIR

Key	Part Number	U/M	Description
	054029-01-J27	EA	Cabinet Asm. - Corner Chair - Rear
	054054-01-J27	EA	Cabinet Asm. - Corner Chair - Front
	053977-01-J27	EA	Countertop Asm. - Lounge Table - Butcher Block - w/o Support
	053855-01-J27	EA	Support - Lounge Table
	045795-01-000	EA	Glass Holder - Plastic

1978 ITASCA TABLE OF CONTENTS

ICP25RB	A-1 - B-12
ID424RH	B-13 - D-2
IC525DB	D-3 - E-14
ICP27AT	E-15 - G-2

1978 ID424RH INDEX

Floor Plan	B-13 - B-14
Accessories Group	B-15 - B-16
Bath Group	B-17 - B-18
Chassis Group	B-19
Curtain, Cushion & Pad Group	B-20 - B-23
Dinette Group	B-24
Driver's Compartment Group	C-1
Electrical Group	C-2 - C-3
Exterior Body Group	C-4 - C-7
Galley Group	C-8
Heating & Air Conditioning Group	C-9
Interior Finish Group	C-10 - C-11
LP Group	C-12
Lounge Group	C-13
Water & Sewage Group	C-14
Window, Vent & Exterior Door Group	C-15 - D-2

DRIVER'S COMPARTMENT GROUP

Key	Part Number	U/M	Description
	054291-01-000	EA	Adapter - Seat Pedestal
	056345-01-J27	EA	Cabinet Asm - Headboard - Right
	056346-01-J27	EA	Cabinet Asm - Headboard - Left
	053491-02-J27	EA	Door Asm - Headboard Cabinet - 6 1/8" x 53" - w/o Hardware
	05415-01-J27	EA	Trim Asm - Over Door - Left - Acorn Brown Vinyl
	054015-02-J27	EA	Trim Asm - Over Door - Right - Acorn Brown Vinyl
	053720-01-J27	EA	Headliner Asm - Acorn Brown Vinyl
	049360-03-000	EA	Console - Overhead
	050015-01-000	EA	Bracket - Overhead Console
	052577-01-000	EA	Gauge - Voltmeter w/Bracket
	024462-01-000	EA	Switch - Battery Condition
	055279-01-000	EA	Control Asm - Heater and A/C
	046885-01-000	EA	Plaque - Switch Mounting
	024461-01-000	EA	Switch - Battery Changeover
	027480-01-000	EA	Seat - Bracket

ELECTRICAL GROUP

BULBS

Key	Part Number	U/M	Description
	037935-01-000	EA	Bulb - 1157
	036010-01-000	EA	Bulb - 1143
	008103-01-000	EA	Bulb - 53
	008213-01-000	EA	Bulb - 57
	008214-01-000	EA	Bulb - 67
	008215-01-000	EA	Bulb - 1003
	008216-01-000	EA	Bulb - 1034
	008217-01-000	EA	Bulb - 1073
	008218-01-000	EA	Bulb - 1141
	008219-01-000	EA	Bulb - 656
	008220-01-000	EA	Bulb - 12V - 25W
	036196-01-000	EA	Bulb - 194
	700020-01-000	EA	Bulb - 12V - 20W - 1383

INTERIOR LIGHTS

Key	Part Number	U/M	Description
	033508-02-000	EA	Light - Dome - Ivory - 1 Bulb - US
	033508-03-000	EA	Light - Dome - Ivory - 1 Bulb - CSA
	033509-02-000	EA	Light - Dome - Ivory - 2 Bulb - US
	033509-02-000	EA	Light - Dome - Ivory - 2 Bulb - US
	033509-03-000	EA	Light - Dome - Ivory - 2 Bulb - CSA
	024642-01-701	EA	Lens - Dome Light - 1 Bulb
	024643-01-701	EA	Lens - Dome Light - 2 Bulb
	024473-01-000	EA	Light - Aircraft - 1 Bulb Gold

EXTERIOR LIGHTS

Key	Part Number	U/M	Description
	042405-03-000	EA	Base - Rectangular Clearance Light
	042405-04-000	EA	Lens - Clearance Light - Red
	042405-05-000	EA	Lens - Clearance Light - Amber
	008092-01-000	EA	Reflector - Stick On - Rectangular - Red
	008093-01-000	EA	Reflector - Stick On - Rectangular - Amber
	045863-01-000	EA	Lamp Asm. - Tail - Horizontal
	045864-01-000	EA	Lamp Asm. - Tail - Horizontal - w/License Mount
	045863-01-700	EA	Lens - Tail Light - Red
	045863-01-701	EA	Lens - Tail Light - Red w/Backup
	046125-01-000	EA	Wedge - Tail Light

FUSES AND CIRCUIT BREAKERS

Key	Part Number	U/M	Description
	055473-01-000	EA	Fuse - Slow Blow - 6 1/4" Amp.
	008233-01-000	EA	Fuse - 12 Volt - 6 Amp.
	008234-01-000	EA	Fuse - 12 Volt - 10 Amp.
	008235-01-000	EA	Fuse - 12 Volt - 15 Amp.
	008236-01-000	EA	Fuse - 12 Volt - 20 Amp.
	008248-01-000	EA	Fuse - 110 Volt - 30 Amp. - AGU
	008252-01-000	EA	Fuse - 110 Volt - 50 Amp.
	008208-01-000	EA	Circuit Breaker - 12 Volt - 40 Amp.
	008211-01-000	EA	Circuit Breaker - 12 Volt - 6 Amp.
	008268-01-000	EA	Circuit Breaker - 12 Volt - 30 Amp. w/Mount
	033573-01-000	EA	Circuit Breaker - 12 Volt - 20 Amp. w/Mount
	040051-01-000	EA	Circuit Breaker - 110 Volt - 20 Amp. - TQL

1978 ITASCA TABLE OF CONTENTS

ICP25RB	A-1 - B-12
ID424RH	B-13 - D-2
IC525DB	D-3 - E-14
ICP27RT	E-15 - G-2

1978 ID424RH INDEX

Floor Plan	B-13 - B-14
Accessories Group	B-15 - B-16
Bath Group	B-17 - B-18
Chassis Group	B-19
Curtain, Cushion & Pad Group	B-20 - B-23
Dinette Group	B-24
Driver's Compartment Group	C-1
Electrical Group	C-2 - C-3
Exterior Body Group	C-4 - C-7
Galley Group	C-8
Heating & Air Conditioning Group	C-9
Interior Finish Group	C-10 - C-11
LP Group	C-12
Lounge Group	C-13
Water & Sewage Group	C-14
Window, Vent & Exterior Door Group	C-15 - D-2

ELECTRICAL GROUP (CONTINUED)

WIRE, SWITCHES, AND RECEPTACLES

Key	Part Number	U/M	Description
	008024-01-000	FT	Wire - 18.5 Bonded - Orange/White/Yellow/Blue/Brown
	008025-01-000	FT	Wire - 18.5 Bonded - Orange/White/Yellow/Blue/Green
	008028-01-000	FT	Wire - 18.5 Bonded - Blue/Red/Yellow/Orange/White
	008030-01-000	FT	Wire - 18.4 Bonded
	008251-01-000	EA	Holder - Fuse - Black - Screw Type
	008277-01-000	EA	Holder - Fuse - Black - Panel Mount
	008195-01-000	EA	Switch - Push Button - 12 Volt
	006077-01-000	EA	Plaque - Compressor Switch
	008054-01-000	EA	Cord - Power - 10-3 30 Amp. - 25' - UL
	008052-01-000	EA	Cord - Power - 10-3 30 Amp. - 25' - CSA
	034818-04-000	EA	Holder - Receptacle - Plastic
	039338-01-000	EA	Cover Plate - Receptacle - Plastic - Brown
	039342-01-000	EA	Receptacle - Duplex Brown - T Junction
	024571-01-000	EA	Cover Plate - Receptacle - Jumbo Steel Brown
	039343-01-000	EA	Cap - End - Receptacle
	008162-01-000	EA	Switch - Double Toggle - Spade Brown
	008163-01-000	EA	Switch - Toggle Brown
	008164-01-000	EA	Cover Plate - Switch - Brown
	024924-01-000	EA	Receptacle - Power Cord
	008058-01-000	EA	Adaptor - Power Cord
	047353-01-000	EA	Cover - Receptacle - Ground Fault
	047351-01-000	EA	Receptacle - Ground Fault Interrupter - 125 Volt, Black

MISCELLANEOUS ELECTRICAL COMPONENTS

Key	Part Number	U/M	Description
	047338-01-000	EA	Isolator - Dual Battery
	047389-01-700	EA	Battery - 12 Volt - 105 Amp. Deep Cycle - Dry
	008188-01-000	EA	Solenoid - Dual Battery - Relay
	046775-01-000	EA	Valve - Gas - Change Over
	039950-02-000	EA	Control Center - 30 Amp. w/Door - UL
	039950-01-701	EA	Circuit Board - Control Center - w/Light
	039950-01-700	EA	Circuit Board - Control Center - w/o Light
	054544-01-000	EA	Control Center - 37 Amp - VL
	039950-01-702	EA	Circuit Board - Control Center
	048812-01-000	EA	Panel Control - Water/Double Sewage - Wemac
	039861-01-000	EA	Sending Unit Kit - Wemac
	024459-01-000	EA	Gauge - Voltmeter
	024462-01-000	EA	Switch - Battery Condition
	031035-01-000	EA	Gauge - Hour Meter - Generator
	024976-01-000	EA	Switch - Generator w/o Circuit Board
	024460-01-000	EA	Gauge Vacuum
	036617-01-000	EA	Relay - Canister - S.P.D.T.

EXTERIOR BODY GROUP

EXTERIOR BODY PANELS AND SHEET ALUMINUM

Key	Part Number	U/M	Description
	056381-01-J27	EA	Backwall Asm.
	056384-01-J27	EA	Roof Asm.
	056384-01-700	EA	Roof Section - Front - Cab Overhang to First Roof Seam
	056382-01-J27	EA	Sidewall Asm. - Right
	056383-01-J27	EA	Sidewall Asm. - Left
	056319-01-J27	EA	Sleeper Board Asm.
	044487-01-001	EA	Alum. - Mill Finish - No Design (Roof) - 96" x 360"
	039155-07-01u	EA	Alum. - Off White - Greyhound Design - 48" x 96"
	001054-01-011	EA	Alum. - Off White - No Design - 48" x 96"
	039155-03-008	EA	Alum. - Off White Mesa I - .024" x 36" x 60"
	039155-03-003	EA	Alum. - Off White Mesa I - .024" x 36" x 360"
	039155-03-007	EA	Alum. - Off White Mesa I - .024" x 48" x 60"
	031955-03-006	EA	Alum. - Off White - Mesa I - .024" x 48" x 360"
	039155-03-009	EA	Alum. - Off White Mesa I - .024" x 12" x 360"
	039155-28-001	EA	Alum. - Off White Mesa II - .024" x 36" x 60"
	039155-28-003	EA	Alum. - Off White Mesa II - .024" x 36" x 360"
	039155-28-004	EA	Alum. - Off White Mesa II - .024" x 48" x 60"
	039155-28-006	EA	Alum. - Off White Mesa II - .024" x 48" x 360"
	039155-23-007	EA	Alum. - Off White Mesa II - .024" x 12" x 360"

Note: The raised portion of Mesa I Aluminum is 1.657" Wide
The raised portion of Mesa II Aluminum is .875" Wide

EXTERIOR PAINT

Key	Part Number	U/M	Description
	041561-01-000	EA	Paint - Off White - Acrylic Enamel - 1 Gal.
	041561-03-000	EA	Paint - Off White - Acrylic Enamel - 16 oz. Spray
	041561-04-000	EA	Paint - Off White - Acrylic Lacquer - 1 Gal.
	045681-01-000	EA	Paint - Satin Black - Acrylic Enamel - 16 oz. Spray
	045681-03-000	EA	Paint - Gloss Black - Acrylic Enamel - 16 oz. Spray
	055683-03-000	EA	Paint - Tan Bronze Metallic - 16 oz. Spray - Dupont 44161
	057462-03-000	EA	Paint - Autumn Red Metallic - 16 oz. Spray - Dupont 43507
	056912-03-000	EA	Paint - Regal Blue - 16 oz. Spray - Dupont 5543
	043877-03-000	EA	Paint - Saddle Bronze - Acrylic Enamel - 16 oz. Spray

LABELS AND DECALS

Key	Part Number	U/M	Description
	006023-01-000	EA	Label - Water Only
	006025-01-000	EA	Label - Gas
	006028-01-000	EA	Label - Drain Cap - 2" x 3"
	006031-01-000	EA	Label - Potable Water Only
	006040-01-000	EA	Tag - Gas Refueling Warning
	006062-01-000	EA	Tag - Electrical - 110 Volt Connection
	006187-01-000	EA	Label - Sewage
	006188-01-000	EA	Label - Waste Water
	006199-01-000	EA	Label - Exit - Escape Window
	039288-01-000	EA	Label - Warning Aux. Loading
	047731-01-000	EA	Label - Emergency Exit
	054531-01-000	EA	Label - LP Gas Only
	008092-01-000	EA	Reflector - Stick on - Rectangular - Red
	008093-01-000	EA	Reflector - Stick on - Rectangular - Amber
	041273-17-000	FT	Decal - Stripe - .63" Black
	053343-01-000	EA	Decal - Itasca - "I" - 9" High
	056004-06-000	EA	Decal - Logo "Itasca" - 5.25" High - Black/Red
	056017-01-000	EA	Stencil - Stripe - Front Side
	056018-01-000	EA	Decal - Stripe - Front Side
	056250-01-000	EA	Decal - Front Side - Upper

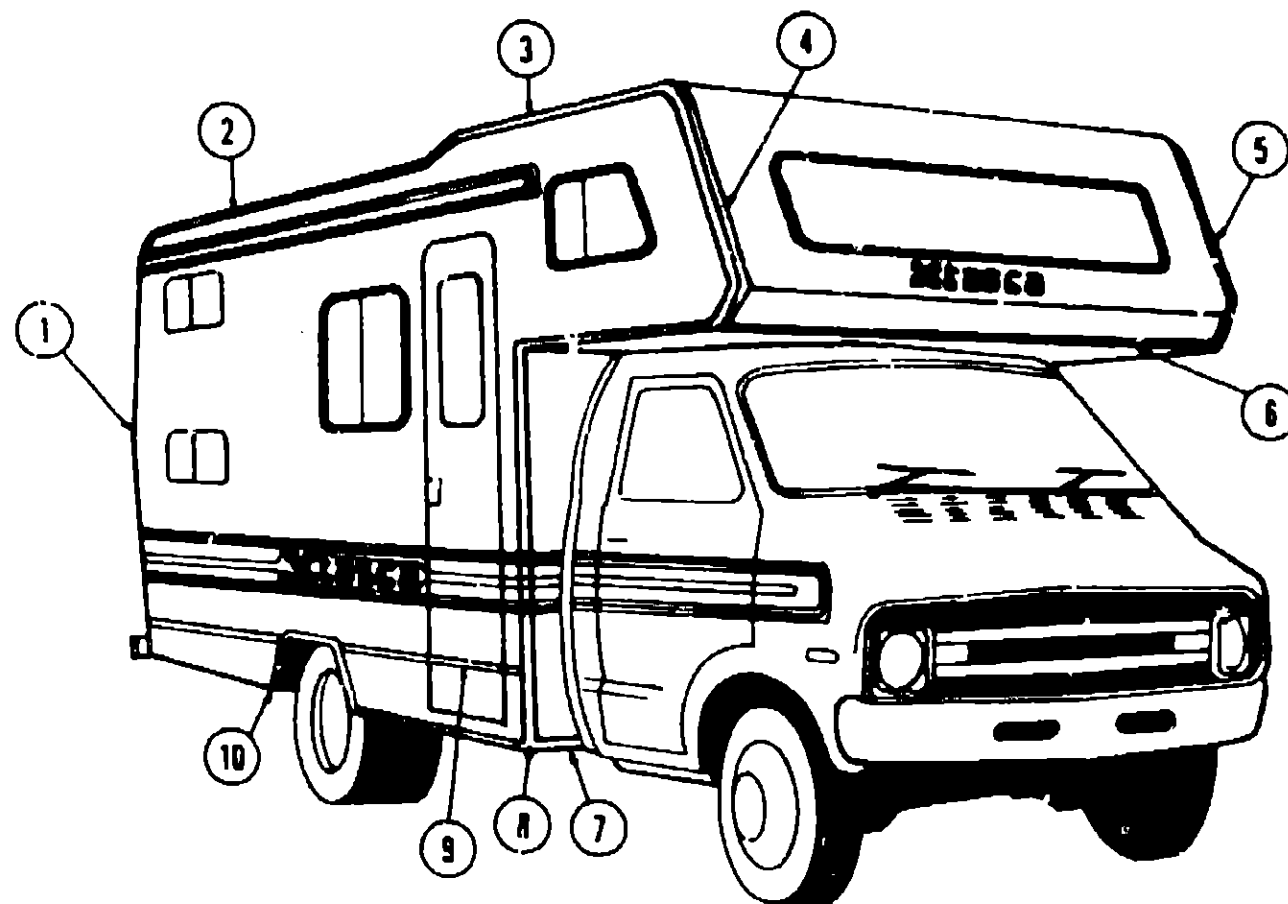
1978 ITASCA TABLE OF CONTENTS

ICP25RB	A-1 - B-12
ID424RH	B-13 - D-2
IC525DB	D-3 - E-14
ICP27RT	E-15 - G-2

1978 ID424RH INDEX

Floor Plan	B-13 - B-14
Accessories Group	B-15 - B-16
Bath Group	B-17 - B-18
Chassis Group	B-19
Curtain, Cushion & Pad Group	B-20 - B-23
Dinette Group	B-24
Driver's Compartment Group	C-1
Electrical Group	C-2 - C-3
Exterior Body Group	C-4 - C-7
Galley Group	C-8
Heating & Air Conditioning Group	C-9
Interior Finish Group	C-10 - C-11
LP Group	C-12
Lounge Group	C-13
Water & Sewage Group	C-14
Window, Vent & Exterior Door Group	C-15 - D-2

EXTERIOR BODY GROUP (CONTINUED)



1978 ITASCA
TABLE OF CONTENTS

ICP25RB	A-1 - B-12
ID424RH	B-13 - D-2
IC525DB	D-3 - E-14
ICP27RT	E-15 - G-2

Key	Part Number	U/M	Description
1	039964-01-000	EA	Trim - Contour - Backwall - Right - Off White
•	039964-02-000	EA	Trim - Contour - Backwall - Left - Off White
2	042170-07-000	EA	Trim - Contour - Roof - Rear Right - Off White
•	042170-08-000	EA	Trim - Contour - Roof - Rear Left - Off White
3	056240-01-000	EA	Trim - Contour - Roof - Front Right - Off White
•	056240-02-000	EA	Trim - Contour - Roof - Front Left - Off White
4	052799-01-000	EA	Trim - Contour - Sleeper - Right - Off White
5	052799-02-000	EA	Trim - Contour - Sleeper - Left - Off White
6	039644-05-000	EA	Trim - Sleeper Board - Front
7	054459-01-000	EA	Trim - Wingwall - Bottom - Right
•	054459-02-000	EA	Trim - Wingwall - Bottom - Left

Key	Part Number	U/M	Description
8	048610-02-000	EA	Trim - Corner - Wingwall
9	002444-02-001	EA	Feature Strip - Extr. Alum. - 14'
•	001030-04-100	EA	Insert - Feature Strip - Bronze Metallic - 17'
•	001030-02-100	EA	Insert - Feature Strip - Off White - 17'
•	001030-05-100	EA	Insert - Feature Strip - Burnished Red - 17'
•	001030-06-100	EA	Insert - Feature Strip - Lucerne Blue - 17'
•	001030-07-100	EA	Insert - Feature Strip - Dark Green - 17'
•	009731-01-000	EA	End Cap - Feature Strip
10	042141-01-000	EA	Trim - Wheelwell - Rear - Right or Left
•	050630-03-000	EA	Trim - Backwall - Lower
•	002792-01-003	EA	Extrusion - Contour Trim - 222'
•			Not Illustrated

1978 ID424RH INDEX

Floor Plan	B-13 - B-14
Accessories Group	B-15 - B-16
Bath Group	B-17 - B-18
Chassis Group	B-19
Curtain, Cushion & Pad Group	B-20 - B-23
Dinette Group	B-24
Driver's Compartment Group	C-1
Electrical Group	C-2 - C-3
Exterior Body Group	C-4 - C-7
Galley Group	C-8
Heating & Air Conditioning Group	C-9
Interior Finish Group	C-10 - C-11
LP Group	C-12
Lounge Group	C-13
Water & Sewage Group	C-14
Window, Vent & Exterior Door Group	C-15 - D-2

EXTERIOR BODY GROUP (CONTINUED)

SEALANTS, ADHESIVES AND FASTENERS

Key	Part Number	U/M	Description
	034552-05-000	EA	Sealant - Off White Silicone
	034552-04-000	EA	Sealant - Beige Silicone
	034552-02-000	EA	Sealant - Clear Silicone
	004342-01-000	EA	Sealant - Weatherban 202 Tube
	004346-02-000	EA	Sealant - White Silicone
	004347-01-000	EA	Sealant - Tufflex
	004357-01-000	FT	Tape - Sealer - 1/8" x 5/8" - Adhesive
	009200-01-000	EA	Tape - Furnace - 1 1/2"
	004353-01-000	FT	Tape - Gasket - 1/8" x 3/4" - White
	002825-01-000	FT	Weater Stripping - Roof Vent
	002337-01-000	EA	Adhesive - 3M - 1300 Tube
	004005-01-000	GL	Adhesive - Swifts - Green - Glue (Sidewalls)
	004017-01-000	EA	Adhesive - 3M - 4475 Tube
	004020-01-000	QT	Adhesive - ABS Cement (Plastic Fittings)
	029051-01-000	EA	Adhesive - Spray Vinyl
	042401-02-000	EA	Screw - 8-18 x 3/4" SDPH - Off White
	042403-02-000	EA	Screw - 5F/DR - 8-18 x 1" SDPH - Off White
	005058-01-000	EA	Screw - Wood - 12 - 11 x 3" P.O.H. Zinc
	053766-01-000	EA	Bedding Compound - Tube Black - Schnee Morehead
	053766-02-000	EA	Bedding Compound - Tube White - Schnee Morehead
	053767-01-000	FT	Tape - 1/2" x 1/8" x 30' - Gray - Schnee Morehead
	053767-02-000	FT	Tape - 3/16" Bead x 25' - Gray - Schnee Morehead
	053767-03-000	FT	Tape - 1/4" Bead x 20' - Gray - Schnee Morehead
	053767-04-000	FT	Tape - 3/4" x 1/8" x 30' - Gray - Schnee Morehead
	053767-05-000	FT	Tape - 2" x 3/32" x 45" - Gray - Schnee Morehead

MISCELLANEOUS EXTERNALLY MOUNTED PARTS

Key	Part Number	U/M	Description
	036579-03-000	EA	Fuel Fill - Recessed - Single - Off White
**	011124-01-000	EA	Plumbing Seal - Roof Vent - 1 1/4" White
**	011129-01-000	EA	Plumbing Seal - Roof Vent - 1 1/2" White
**	010230-02-000	EA	Fill - City Water - Recessed - Off White - w/Screw On Cap
**	011020-01-000	EA	Fill - Water - Recessed - Off White
**	009126-01-000	EA	Handle - Assist - Metal Ext.
	049347-01-000	EA	Mirror Head - 7 1/2" x 10 1/2" - Stainless Steel
	049349-01-000	EA	Arm - West Coast Mirror - Stainless Steel

**The illustrated parts breakdown for this item is provided on the Common Items Fiche.

GALLEY GROUP

GALLEY CABINETRY

Key	Part Number	U/M	Description
	058363-01-J27	EA	Cabinet Asm. - Galley - w/o Countertop, Doors, Drawers or Hardware
	058367-01-J27	EA	Counter/Top Asm. - Galley Cabinet - Formed Butcher Block
	052724-21-J27	EA	Door Asm. - Galley Cabinet - 29 1/8" x 12 1/4" - w/o Hardware
	052724-22-J27	EA	Door Asm. - Galley Cabinet - 8 1/2" x 7 1/2" - w/o Hardware
	052724-23-J27	EA	Door Asm. - Galley Cabinet - 15 3/16" x 22" - w/o Hardware
	053438-04-J27	EA	Drawer Asm. - Galley Cabinet - 7 3/8" x 6" x 20" Deep - w/o Hardware
	053438-05-J27	EA	Drawer Asm. - Galley Cabinet - 7 3/8" x 6" x 10" Deep - w/o Hardware
	058366-01-J27	EA	Cabinet Asm. - Galley Overhead - w/o Doors or Hardware
	052724-25-J27	EA	Door Asm. - Galley Overhead Cabinet - 18 3/4" x 11 7/16" - w/o Hardware
	052724-15-J27	EA	Door Asm. - Refrigerator Cabinet - 18 5/8" x 12 5/16" - w/o Hardware
	052724-06-J27	EA	Door Asm. - Refrigerator Cabinet - 19 3/8" x 25" - w/o Hardware
	053424-01-J27	EA	Sink Cover - Large - Butcher Block

GALLEY HARDWARE AND APPLIANCES

Key	Part Number	U/M	Description
	011032-01-000	EA	Sink - Stainless Steel - Double w/Bolts
**	011053-01-000	EA	Faucet - 8" - Swing Spout
	011085-01-000	EA	Strainer - Sink
**	049930-03-000	EA	Range Hood - Powered - Black
**	052583-01-000	EA	Range - 4 Burner - Small Oven - Black - Magic Chef
**	049175-02-000	EA	Refrigerator - AC/DC/Gas - 1 Door - Sibir ET150/2
**	049174-02-000	EA	Refrigerator - AC/DC/Gas - 2 Door - Sibir ET230/2

**The illustrated parts breakdown for this item is provided on the Common Items Fiche.

1978 ITASCA TABLE OF CONTENTS

ICP25RB	A-1 - B-12
ID424RH	B-13 - D-2
IC525DB	D-3 - E-14
ICP27RT	E-15 - G-2

1978 ID424RH INDEX

Floor Plan	B-13 - B-14
Accessories Group	B-15 - B-16
Bath Group	B-17 - B-18
Chassis Group	B-19
Curtain, Cushion & Pad Group	B-20 - B-23
Dinette Group	B-24
Driver's Compartment Group	C-1
Electrical Group	C-2 - C-3
Exterior Body Group	C-4 - C-7
Galley Group	C-8
Heating & Air Conditioning Group	C-9
Interior Finish Group	C-10 - C-11
LP Group	C-12
Lounge Group	C-13
Water & Sewage Group	C-14
Window, Vent & Exterior Door Group	C-15 - D-2

HEATING AND AIR CONDITIONING GROUP

Key	Part Number	U/M	Description
	056779-01-000	EA	A/C - Clutch - Magnetic - 6"
	051770-01-000	EA	A/C - Compressor - 440 or 360 C.I.D. - ARA
	056454-01-000	EA	A/C - Evaporator Asm. - Dodge C-Body
	056793-01-000	EA	A/C - Compressor Mount Package - 440 or 360 C.I.D. - ARA
	051771-01-000	EA	A/C - Condenser Asm. - 440 or 360 C.I.D. - ARA
	024985-01-000	EA	Register w/Damper - 9.9" x 4.8"
	009198-01-000	EA	Duct - Flexible - 4" I.D. x 25'
	023146-01-000	EA	Clamp - Screw Type - 4"
	031604-01-000	EA	Bonnet - Heat Register - 4.38" x 8.43"
	042152-02-000	EA	Bonnet - Heat Register - 4.5" x 8.44"
	039505-02-000	EA	Thermostat - Horizontal Wall Mount - Black
	009200-01-000	EA	Tape - Furnace - 1 1/2"
	055279-01-000	EA	Control Asm. - Heater and A/C
**	056113-01-000	EA	Furnace - 22,000 BTU - w/Electric Ignition - Coleman - 4322-749
**	056112-01-000	EA	Furnace - 28,000 BTU - w/Electric Ignition - Coleman 4328-749
	049777-02-000	EA	Air Conditioner - 110 Volt - Roof Mount - 11,000 BTU Ivory - Coleman (w/o inside shroud)
**	049778-02-000	EA	Shroud Asm. - Ceiling - Inside - Roof Air - Cool Only 11,000 BTU - Coleman
**	049774-02-000	EA	Air Conditioner - 110 Volt - Roof Mount - 13,500 BTU Ivory - Coleman (w/o inside shroud)
**	049775-02-000	EA	Shroud Asm. - Ceiling - Inside - Roof Air - Cool Only 13,500 BTU - Coleman
**	049776-01-000	EA	Shroud Asm. - Ceiling - Inside - Roof Air - Heat and Cool Only 13,500 BTU - Coleman

**The illustrated parts breakdown for this item is provided on the Common Items Fiche.

INTERIOR FINISH GROUP

PANELING AND COUNTERTOP MATERIAL

Key	Part Number	U/M	Description
	055275-01-000	SF	Paneling - Hickory - 48" x 96" (32 SF)
	045963-01-000	SF	Paneling - 825 Buft - Ceiling - 48" x 94"
	053330-01-000	SF	Paneling - Grass Cloth - 48" x 88"
	055677-04-000	SF	Paneling - Mosaic - Gray - 48" x 84"
	052585-01-000	SF	Paneling - White Brick - 48" x 96" (32 SF)
	045964-01-000	SF	Plastic Laminate - Butcher Block - 48" x 96" (32 SF)
	045964-01-001	EA	Plastic Laminate - Butcher Block - 48" x 48"
	045964-01-002	EA	Plastic Laminate - Butcher Block - 1.19" x 96"

INTERIOR MOLDINGS AND TRIMS

Key	Part Number	U/M	Description
	000726-07-000	EA	Batt Strip - 709 Hickory
	047354-01-000	EA	Batt Strip - 825 Buft
	024700-05-000	EA	Cover - Roll Bar - 709 Hickory - 12' Plastic
	024700-06-000	EA	Cover - Roll Bar - Ivory - 8' Plastic
	039512-03-000	EA	Cover - Hat Section - Hickory - 12' Plastic
	039512-06-000	EA	Cover - Hat Section - Ivory - 8' Plastic
	047488-01-000	EA	Cover - Corner - Hat/Hat
	047489-01-000	EA	Cover - Corner - Tube/Tube
	052859-01-J27	FT	Trim - Accent - Acorn Brown Vinyl
	009767-01-000	FT	Welling - Brown
	009778-01-000	FT	U-Channel - 1" - Dark Brown
	009779-01-000	FT	U-Channel - 1 1/8" - Dark Brown
	022992-03-000	FT	Molding - Reverse Cove - Sandalwood
	034689-03-000	EA	Cover - Screw - PPH 10 - Ivory
	009813-02-000	FT	Molding - Outside Corner - .50" - Cherry
	009810-01-000	FT	Molding - Outside Corner - 1" - Dark Pecan
	009813-01-000	FT	Molding - Outside Corner - .50" - Dark Pecan

FABRICS, AND FLOOR COVERINGS

Key	Part Number	U/M	Description
	057027-01-000	YD	Fabric - Drapery - Brown
	057027-02-000	YD	Fabric - Drapery - Rust/Copper
	057029-01-000	YD	Fabric - Upholstery - Plaid - Brown/Burgundy
	057029-02-000	YD	Fabric - Upholstery - Plaid - Blue/Copper
	057028-01-000	YD	Fabric - Upholstery - Solid - Burgundy
	057028-02-000	YD	Fabric - Upholstery - Solid - Blue
	042411-01-000	YD	Vinyl - Non Expanded - 27 oz. - Bostonian Brown
	042411-02-000	YD	Vinyl - Expanded - 26 oz. - Bostonian Brown
	042411-03-000	YD	Vinyl - Non Support - 16 Gauge Film - Bostonian Brown
	057023-01-000	SY	Carpet - Brick - Burgundy
	057023-02-000	SY	Carpet - Autumn - Rust

1978 ITASCA TABLE OF CONTENTS

ICP25RB	A-1 - B-12
ID424RH	B-13 - D-2
IC525DB	D-3 - E-14
ICP27PT	E-15 - G-2

1978 ID424RH INDEX

Floor Plan	B-13 - B-14
Accessories Group	B-15 - B-16
Bath Group	B-17 - B-18
Chassis Group	B-19
Curtain, Cushion & Pad Group	B-20 - B-23
Drivette Group	B-24
Driver's Compartment Group	C-1
Electrical Group	C-2 - C-3
Exterior Body Group	C-4 - C-7
Galley Group	C-8
Heating & Air Conditioning Group	C-9
Interior Finish Group	C-10 - C-11
LP Group	C-12
Lounge Group	C-13
Water & Sewage Group	C-14
Window, Vent & Exterior Door Group	C-15 - D-2

INTERIOR FINISH GROUP (CONTINUED)

CABINERY AND TABLE HARDWARE

Key	Part Number	U/M	Description
	052929-01-J30	EA	Latch Kit - Cabinet Door - Antique Brass
	052930-01-J30	EA	Pull Kit - Drawer - Antique Brass
	052932-01-J30	EA	Hinge Kit - Cabinet Door - Antique Brass
**	041939-01-000	EA	Hinge Kit - Double Acting
**	047744-01-000	EA	Kit - Drawer Glide
**	047809-03-000	EA	Kit - Dinette Hardware - Wall Mount
**	047842-01-000	EA	Hardware Kit - Table Leg

** The illustrated parts breakdown for this item is provided on the Common Items Fiche.

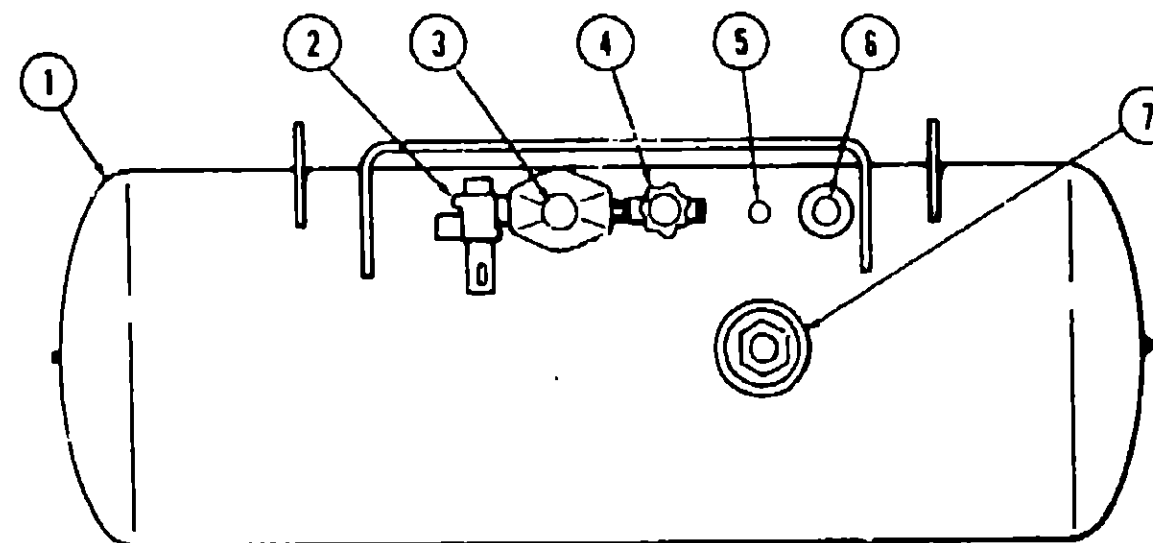
CURTAIN HARDWARE

Key	Part Number	U/M	Description
	053272-03-203	EA	Track - Curtain - Brown Alum. - 93" w/Holes
	056001-01-000	EA	Bracket - Shade - Left
	056002-01-000	EA	Bracket - Shade - Right
	056003-01-000	EA	Bracket - Drapery Retainer - Right
	056003-02-000	EA	Bracket - Drapery Retainer - Left
	056784-01-000	EA	Pull - Window Shade - Antique Brass
	056116-01-000	FT	Track - Curtain - Brown Plastic
	009107-01-000	EA	Guide - Nylon Snap - Curtain
	018031-42-000	EA	Track - Curtain - "L" Rod - Alum Extr. - 90"
	009701-01-000	EA	Carrier - "L" Rod - Curtain
	009702-01-000	EA	End Stop - "L" Rod - Curtain

MISCELLANEOUS

Key	Part Number	U/M	Description
	041944-01-700	EA	Fire Extinguisher - Dry Chemical - wBracket
	007038-01-000	EA	Door Mat - Black Rubber - 10 1/2" x 26"
	054185-02-000	EA	Owners Manual - 1978 Itasca
	009096-01-000	EA	Mirror - Inside - 1/8" x 12" x 42" - Beveled
	046113-01-000	EA	Rosette - Plastic - Mirror Mounting
	053552-01-JC7	EA	Handle - Assist - Brown

LP GROUP



Key	Part Number	U/M	Description
1	040421-01-000	EA	Tank Asm. - LP - Frame Mount - 83 Pound
*	042281-01-000	EA	Tank Asm. - LP - Frame Mount - 42 Pound
2	047221-01-000	EA	Detector - LP Gas Leak
3	024712-01-000	EA	Cover - LP Regulator
*	052163-01-000	EA	Regulator - Manual - LP Gas - 2 Stage
4	040421-01-703	EA	Valve - Vapor Relief
5	040421-01-700	EA	Gauge - Liquid Level - 20% LP
6	040421-01-701	EA	Valve - Filler - LP
*	040421-01-702	EA	Cap - Plastic Fill Valve
7	040421-01-707	EA	Gauge - Float - w/Visible Dial - 83 Pound Tank
*	042281-01-700	EA	Gauge - Float - w/Visible Dial - 42 Pound Tank
*	040421-01-706	EA	Dial - Visible Face - Float Gauge (Tank w/o Electric Transmitter)
*	040421-01-705	EA	Dial - Transmitter - 0 - 90 Ohm (Float Gauge)
*	045703-03-000	EA	Hose Asm. - LP - 3/8" I.D. x 14"
*	047737-02-000	EA	Support - LP Tank - 89.25"
*	047737-03-000	EA	Support - LP Tank - 30.50"
*			Not Illustrated

**1978 ITASCA
TABLE OF CONTENTS**

ICP25RB	A-1 - B-12
ID424RH	B-13 - D-2
IC525DB	D-3 - E-14
ICP27RT	E-15 - G-2

1978 ID424RH INDEX

Floor Plan	B-13 - B-14
Accessories Group	B-15 - B-16
Bath Group	B-17 - B-18
Chassis Group	B-19
Curtain, Cushion & Pad Group	B-20 - B-23
Dinette Group	B-24
Driver's Compartment Group	C-1
Electrical Group	C-2 - C-3
Exterior Body Group	C-4 - C-7
Galley Group	C-8
Heating & Air Conditioning Group	C-9
Interior Finish Group	C-10 - C-11
LP Group	C-12
Lounge Group	C-13
Water & Sewage Group	C-14
Window, Vent & Exterior Door Group	C-15 - D-2

LOUNGE GROUP

Key	Part Number	U/M	Description
	056376-01-J27	EA	Cabinet Asm. - Front Wardrobe - w/o Door or Hardware
	052724-20-J27	EA	Door Asm. - Front Wardrobe Cabinet - 53 3/4" x 19 1/4" - w/o Hardware
	056362-01-J27	EA	Cabinet Asm. - Buffet - w/o Countertop, Doors, Drawers or Hardware
	056377-01-J27	EA	Countertop Asm. - Buffet Cabinet - Butcher Block
	052724-18-J27	EA	Door Asm. - Buffet Cabinet - 18 3/4" x 14 1/4" - w/o Hardware
	052724-19-J27	EA	Door Asm. - Buffet Cabinet - 12 1/8" x 15 3/8" - w/o Hardware
	053816-02-J27	EA	Drawer Asm. - Buffet Cabinet - 6 1/2" x 5 1/2" x 20" Deep - w/o Hardware
	056388-01-J27	EA	Cabinet Asm. - Lounge Overhead - w/o Door or Hardware
	052724-26-J27	EA	Door Asm. - Lounge Overhead Cabinet - 36 1/4" x 93/4" - w/o Hardware
	056489-01-J27	EA	Grille Asm. - Furnace
	047205-07-000	EA	Mesh - Brass Grille - 11 1/4" x 13 7/8"

WATER AND SEWAGE GROUP

PLUMBING REPAIR PARTS

Key	Part Number	U/M	Description
**	040539-01-000	EA	Kit - Repair - 3/8" O.D. Plastic Tube
**	040540-01-000	EA	Kit - Repair - 1/2" O.D. Plastic Tube
**	040541-01-000	EA	Kit - Repair - 5/8" O.D. Plastic Tube
**	041279-02-000	EA	Pump - Water Flow 2.8 G.P.M. - PAR
**	039647-02-000	EA	Filter - Water Pump 1/2" MPT
**	039809-01-000	EA	Valve - Stool - Plastic 3/8" x 1/2" F.P.T.
**	039818-01-000	EA	Riser Asm. - 3/8" O.D. x 24" Tube
**	039818-02-000	EA	Riser Asm. - 3/8" O.D. x 36" Tube
**	039818-04-000	EA	Riser Asm. - 3/8" O.D. x 72" Tube
**	041819-01-000	EA	Nut and Cone - Plastic 1/2" O.D. Tube
**	039807-01-000	EA	Valve - Drain - Brass - 1/2" MPT
**	004020-01-000	OT	Adhesive - ABS Cement
**	010201-01-000	EA	Hose - Sewer 3" x 10 FT w/Clamp
**	010235-01-000	EA	Cap - Sewage 3"
**	010236-01-000	EA	Adapter - Hose 3" Sewage
**	010234-01-000	EA	Adapter - Bayonet
**	011091-01-000	EA	Waste - Continuous - Double Sink 11 7/8"
**	011066-01-000	EA	P-Trap - Plastic - 1 1/4"
**	010205-01-000	EA	Valve - Sanitary - Thetford 3 x B
**	010210-01-000	EA	Valve - Sanitary - Thetford 3HB
**	010133-01-000	EA	Adapter - Trap - Plastic 1 1/2" H x MPT
**	010071-01-000	EA	Tee - Plastic - 1 1/2" H x H x H
**	010079-01-000	EA	Tee - Plastic - 1 1/2" H x 1 1/2" H x 1 1/4" H
**	010091-01-000	EA	Wye - Plastic - 3" x 45 H x H x H
**	010117-01-000	EA	Coupling - Plastic - 3" H x H
**	010134-01-000	EA	Adapter - Plastic - 1 1/2" M x MPT
**	050780-01-000	EA	Coupler - Rubber - 3" x 3"
**	046524-01-000	EA	Kit - Plastic Fittings - Holding Tank
**	046524-02-000	EA	Kit - Plastic Fittings - Water Tank
**	010209-05-000	EA	Handle - Extension - Sewer Valve - 36"
**	047246-01-000	EA	Handle - Extension - Sewer Valve - 43"
**	037845-01-000	FT	Tape - Butyl - 3/16" - Bead - Black

**The illustrated parts breakdown for this item is provided on the Common Items Fiche.

HOLDING TANKS AND WATER HEATERS

Key	Part Number	U/M	Description
	056393-02-000	EA	Tank Asm. - Holding w/Fittings - Gray Water
	056393-01-000	EA	Tank Asm. - Holding w/o Fittings - Gray Water
	056403-02-000	EA	Tank Asm. - Holding w/Fittings - 36 Gallon
	056403-01-000	EA	Tank Asm. - Holding w/o Fittings - 36 Gallon
	056297-02-000	EA	Tank Asm. - Water w/Fittings - 31 Gallon
	056297-01-000	EA	Tank Asm. - Water w/o Fittings - 31 Gallon
	051391-01-000	EA	Water Heater - 6 Gallon w/o Motor Aid - Atwood G6A-3

**The illustrated parts breakdown for this item is provided on the Common Items Fiche.

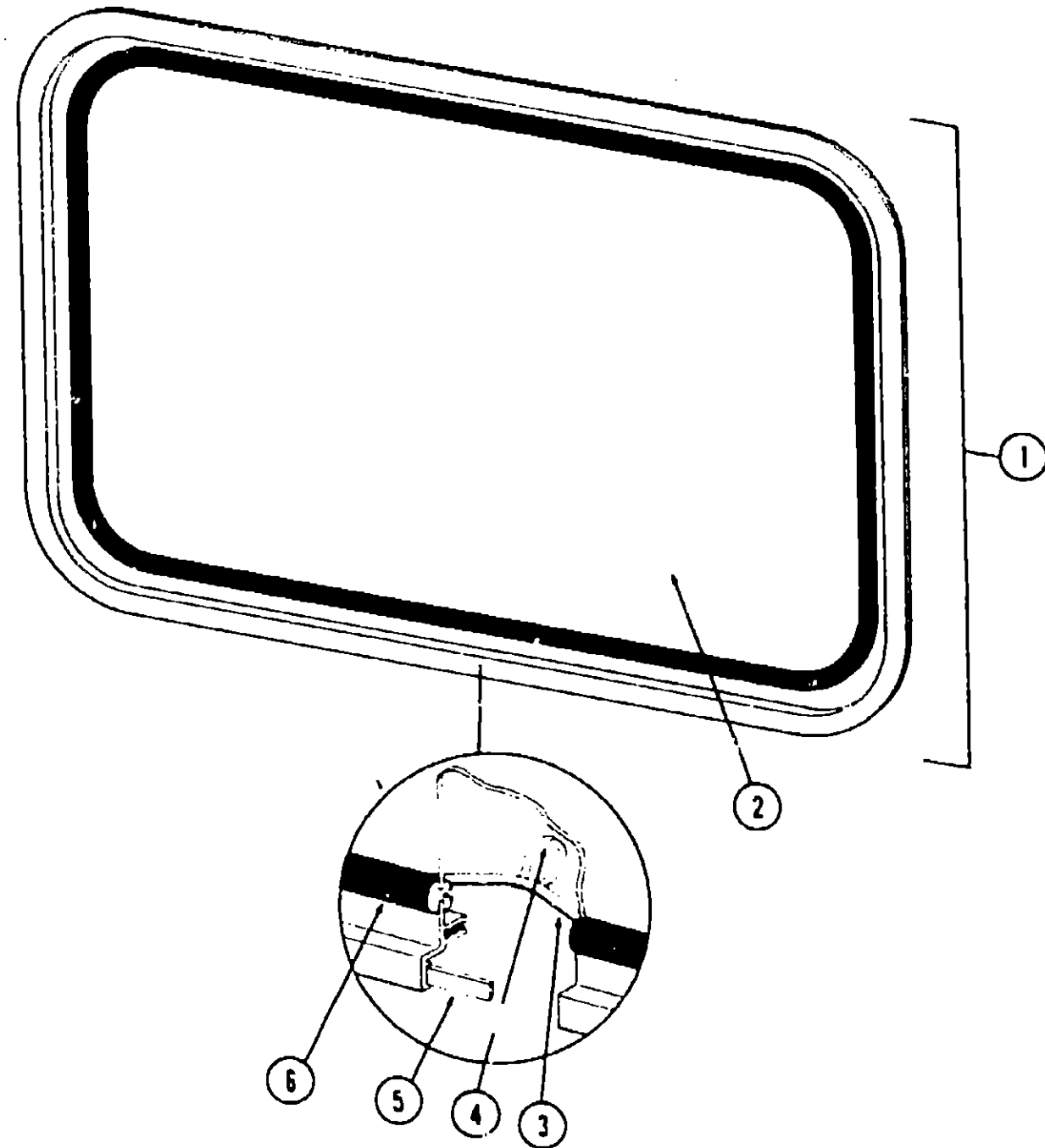
1978 ITASCA TABLE OF CONTENTS

ICP25RB	A-1 - B-12
ID424RH	B-13 - D-2
IC525DB	D-3 - E-14
ICP27RT	E-15 - G-2

1978 ID424RH INDEX

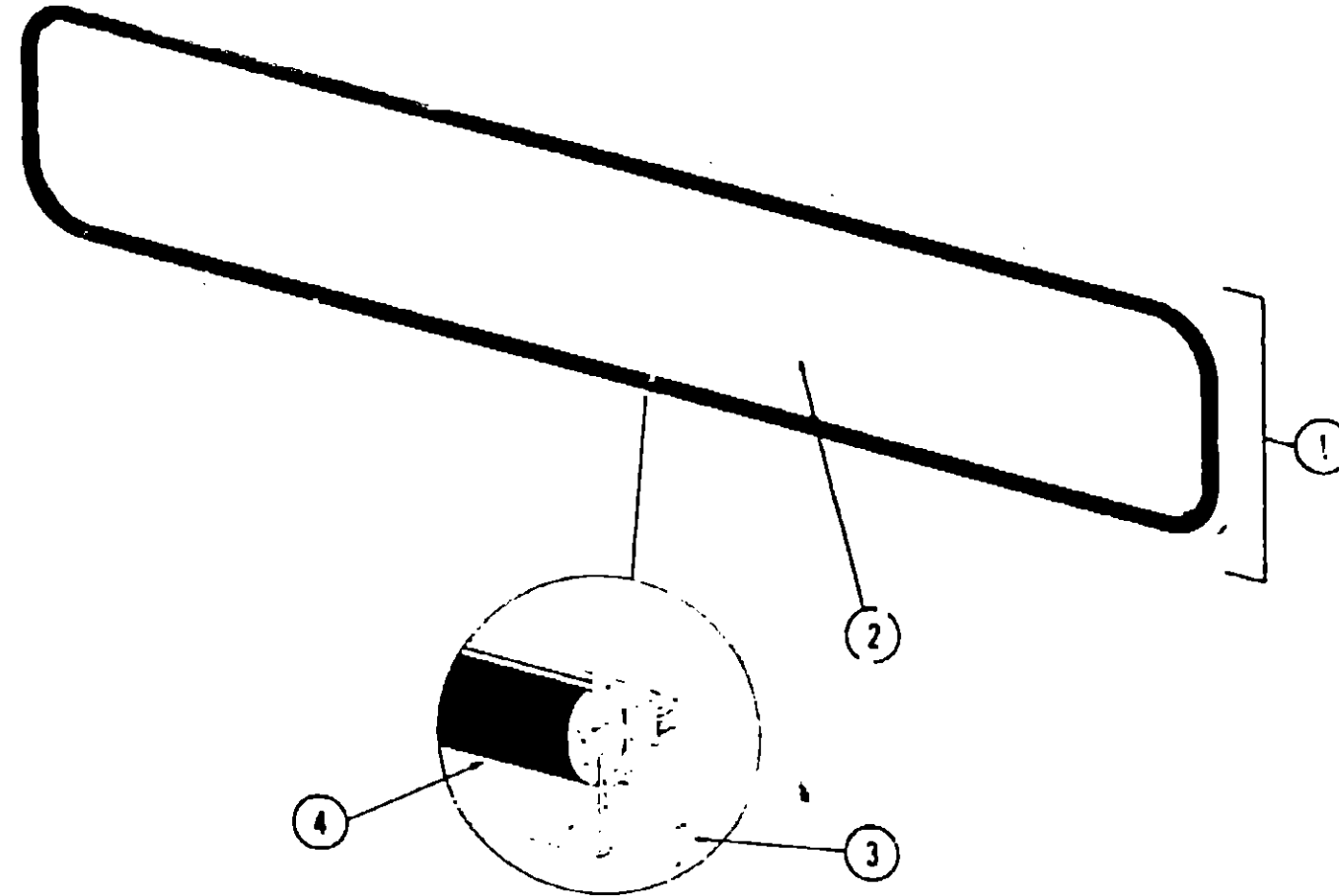
Floor Plan	B-13 - B-14
Accessories Group	B-15 - B-16
Bath Group	B-17 - B-18
Chassis Group	B-19
Curtain, Cushion & Pad Group	B-20 - B-23
Dinette Group	B-24
Driver's Compartment Group	C-1
Electrical Group	C-2 - C-3
Exterior Body Group	C-4 - C-7
Galley Group	C-8
Heating & Air Conditioning Group	C-9
Interior Finish Group	C-10 - C-11
LP Group	C-12
Lounge Group	C-13
Water & Sewage Group	C-14
Window, Vent & Exterior Door Group	C-15 - D-2

WINDOW, VENT AND EXTERIOR DOOR GROUP



Key	Part Number	U/M	Description
1	020751-03-000	EA	Window Asm. - Rear Escape - 23" x 29" - Black Anod (w/o inside frame)
2	002174-01-000	EA	Glass - Window - 1/8" x 19.61" x 25.92"
3	002285-01-000	FT	Filler - Weatherstrip - Black
4	020395-01-000	EA	Slip Ring - Escape Window
5	004363-01-000	FT	Tape - Foam - 3/16" x 1/2" - Gray
6	002282-01-000	FT	Weatherstrip - .125" - Black
.	020749-03-000	EA	Inside Frame - Escape Window - 23" x 29" (not included in assembly)
.	006199-01-000	EA	Label - Exit - Escape Window
.			Not Illustrated

WINDOW, VENT AND EXTERIOR DOOR GROUP (CONTINUED)



Key	Part Number	U/M	Description
1	041336-01-000	EA	Window Asm. - Front Picture - 14" x 69" - Black (w/o inside frame)
2	002200-02-000	EA	Glass - TP - Picture Window
3	004363-01-000	FT	Tape - Sealer - 3/16" x 1/2" Foam
4	002281-01-000	FT	Weatherstrip - Self Seal - .06" Panel x 3/16" - Black
.	037845-01-000	FT	Tape - Butyl - Window - 3/16" Bead - Black
.	041938-01-000	EA	Frame - Inside - Picture Window (not included in assembly)
.			Not Illustrated

**1978 ITASCA
TABLE OF CONTENTS**

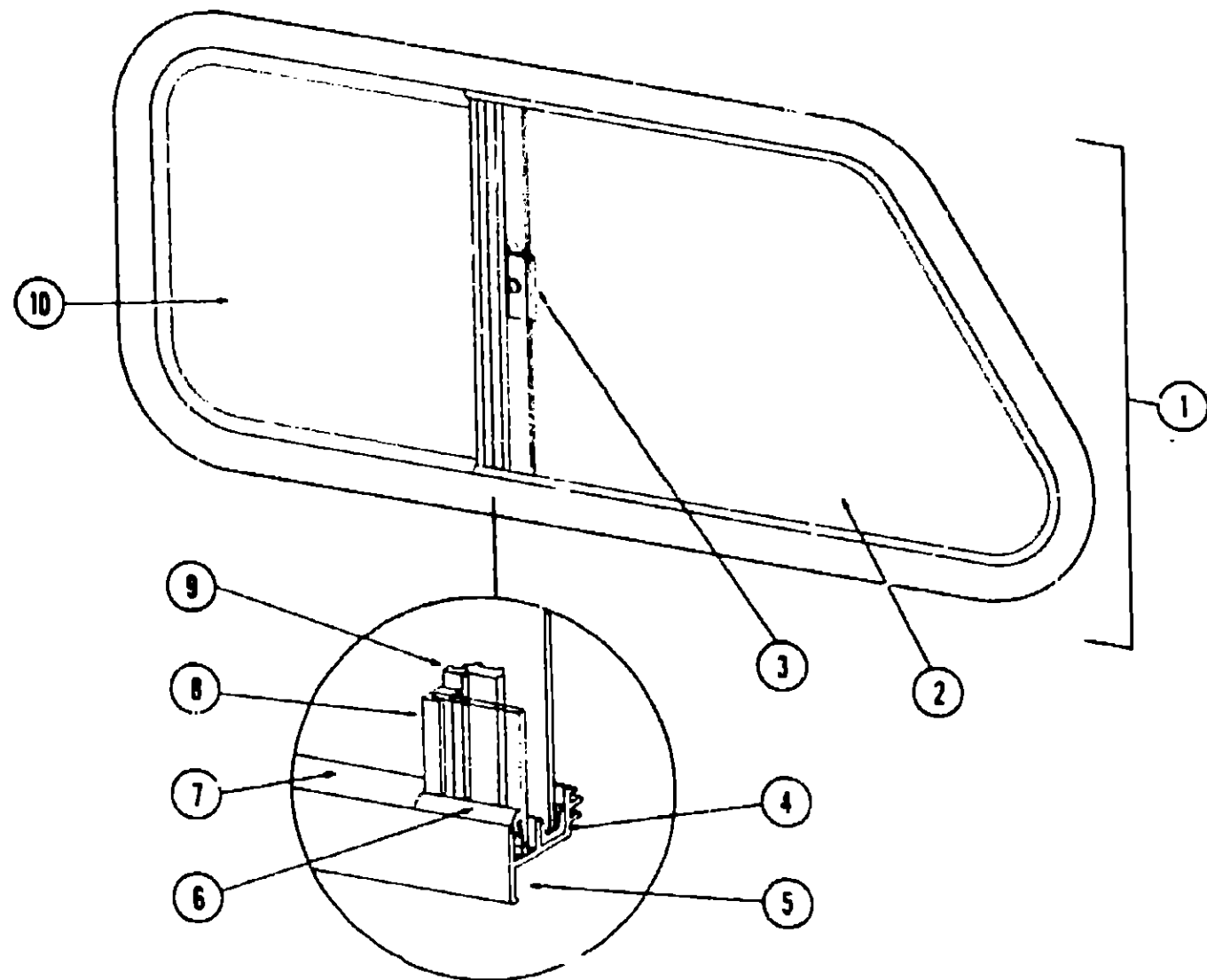
ICP25RB	A-1 - B-12
ID424RH	B-13 - D-2
IC525DB	D-3 - E-14
ICP27RT	E-15 - G-2

1978 ID424RH INDEX

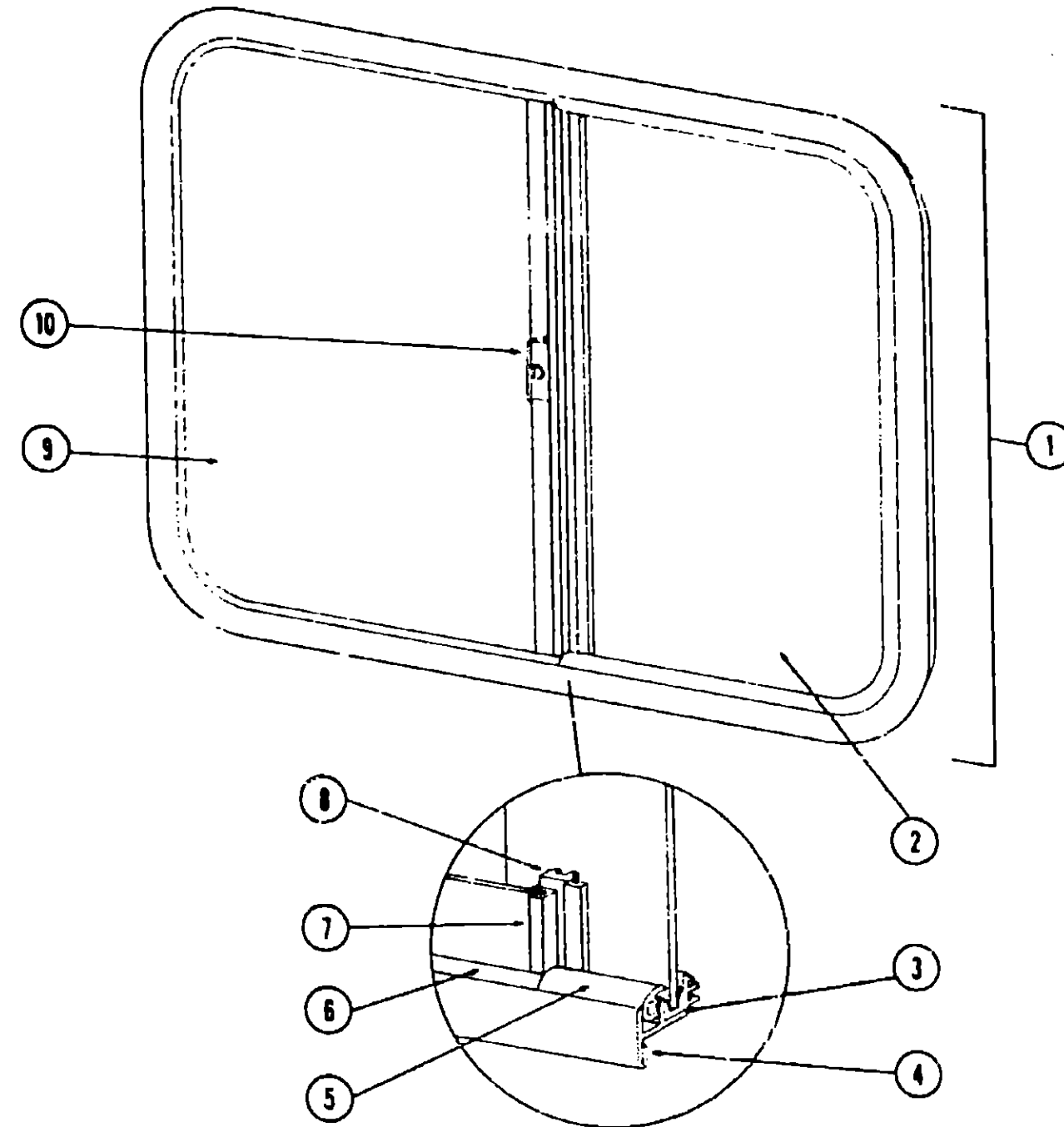
Floor Plan	B-13 - B-14
Accessories Group	B-15 - B-16
Bath Group	B-17 - B-18
Chassis Group	B-19
Curtain, Cushion & Pad Group	B-20 - B-23
Dinette Group	B-24
Driver's Compartment Group	C-1
Electrical Group	C-2 - C-3
Exterior Body Group	C-4 - C-7
Galley Group	C-8
Heating & Air Conditioning Group	C-9
Interior Finish Group	C-10 - C-11
LP Group	C-12
Lounge Group	C-13
Water & Sewage Group	C-14
Window, Vent & Exterior Door Group	C-15 - D-2

WINDOW, VENT AND EXTERIOR DOOR GROUP (CONTINUED)

WINDOW, VENT AND EXTERIOR DOOR GROUP (CONTINUED)



Key	Part Number	U/M	Description
1	048632-03-000	EA	Window Asm. - Bunk - Slanted Slider - Right - Black (w/o inside frame)
	048632-04-000	EA	Window Asm. - Bunk - Slanted Slider - Left - Black (w/o inside frame)
2	040919-01-000	EA	Glass - 1/8" x 11.98" x 19.42" - Gray - Stationary
3	047369-01-700	EA	Latch - Window - Plastic w/Fastener
4	002324-01-000	FT	Channel - Weatherstrip - Glass Run - 1/8" Glass
5	004363-01-000	FT	Tape - Foam - 3/16" x 1/2" - Gray
6	002309-02-000	FT	Spline - Glass - 1/8" - Black
7	024096-02-000	FT	Seal - Window Channel - Black
8	002390-03-200	EA	Holder - Glass Seal - Extr. - Anod. Black - 11.23"
9	041894-07-000	EA	Mullion - 13" - Black Anod.
10	047815-01-000	EA	Glass - 1/8" x 11.98" x 11.81" - Gray - Sliding
	040916-03-000	EA	Frame - Window - Inside - Bunk Slant - Left (not included in assembly)
	040916-04-000	EA	Frame - Window - Inside - Bunk Slant - Right (not included in assembly)
	023713-02-000	EA	Cover - Weephole - Black
	002298-01-000	FT	Spline - Gray - .130" Dia. (Screen)
	002291-01-000	SF	Screen - Gray - Window - 16"
			Not Illustrated



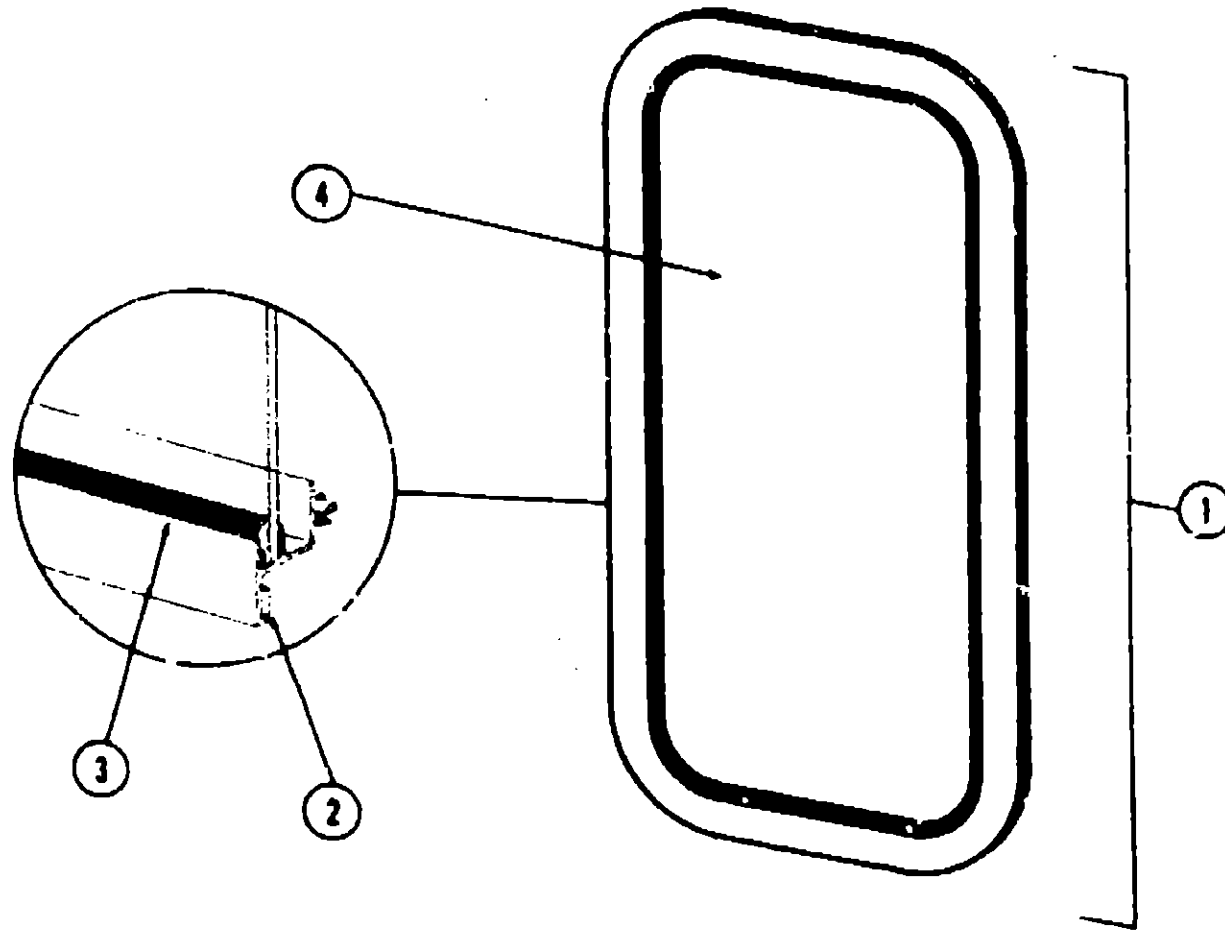
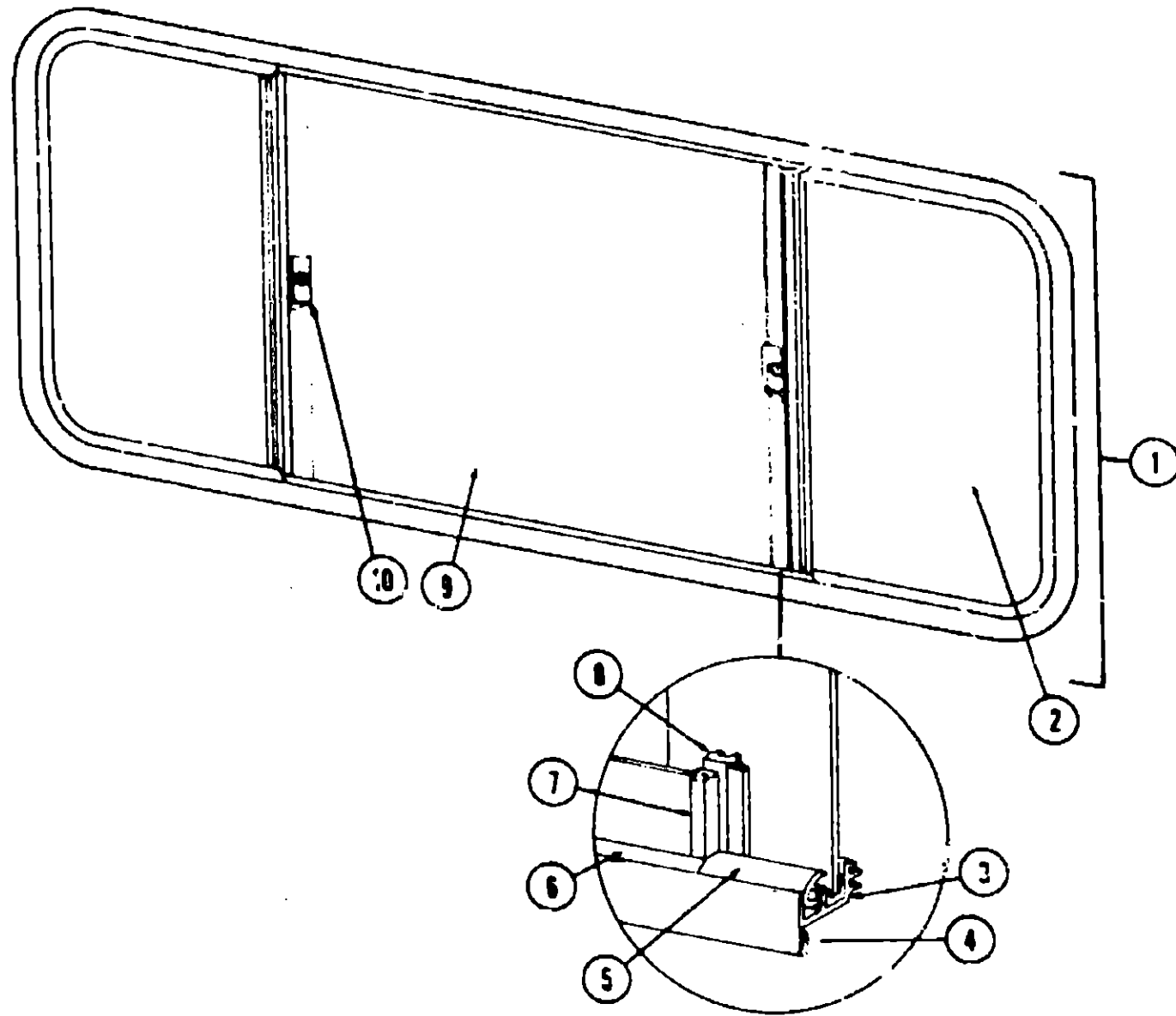
Key	Part Number	U/M	Description
1	045556-05-000	EA	Window Asm. - Right Single Slider - 15" x 40" - Black Anod. (w/o inside frame)
2	048324-02-000	EA	Glass - Sliding - 1/8" x 14.4" x 19" - Gray - w/Holes
3	002324-01-000	FT	Channel - Weatherstrip - Glass Run - 1/8" Glass
4	004363-01-000	FT	Tape - Foam - 3/16" x 1/2" - Gray
5	024096-02-000	FT	Seal - Window Channel - Black
6	002309-02-000	FT	Spline - Glass - 1/8" - Black
7	002390-02-200	EA	Holder - Glass Seal - 13.82"
8	041624-18-000	EA	Mullion - Slider Window - 14" - Black Anod.
9	002207-02-000	EA	Glass - Stationary - 1/8" x 14.4" x 21.32" - Gray
10	047369-01-700	EA	Latch - Window - Plastic w/Fastener
	017451-02-000	EA	Inside Frame - Single Slider Window - 15" x 40" (not included in assembly)
	023713-02-000	EA	Cover - Plastic Weephole - Black
	002298-01-000	FT	Spline - Gray - .130" Dia. (Screen)
	002293-01-000	SF	Screen - Window - 26" - Gray
			Not Illustrated

**1978 ITASCA
TABLE OF CONTENTS**

ICP25RB	A-1 - B-12
ID424RH	B-13 - D-2
IC525DB	D-3 - E-14
ICP27RT	E-15 - G-2

1978 ID424RH INDEX

Floor Plan	B-13 - B-14
Accessories Group	B-15 - B-16
Bath Group	B-17 - B-18
Chassis Group	B-19
Curtain, Cushion & Pad Group	B-20 - B-23
Dinette Group	B-24
Driver's Compartment Group	C-1
Electrical Group	C-2 - C-3
Exterior Body Group	C-4 - C-7
Galley Group	C-8
Heating & Air Conditioning Group	C-9
Interior Finish Group	C-10 - C-11
LP Group	C-12
Lounge Group	C-13
Water & Sewage Group	C-14
Window, Vent & Exterior Door Group	C-15 - D-2



Key	Part Number	U/M	Description
1	048630-04-000	EA	Window Asm. - Double Slider - 23" x 65" - Black Anod. (w/o inside frame)
2	047823-01-000	EA	Glass - 1/8" x 22" x 21.03" - Sliding (2 per window)
3	002324-01-000	FT	Channel - Weatherstrip - Glass Run - 1/8" Glass
4	004363-01-000	FT	Tape - Foam - 3/16" x 1/2" - Gray
5	024096-01-000	FT	Seal - Window Channel - Gray
6	002309-01-00J	FT	Spline - Glass - 1/8" - Gray
7	018025-03-000	EA	Holder - Glass Seal - Black Anod.
8	041894-02-000	EA	Motion - Slider Window - 23" - Black Anod.
9	002186-01-000	EA	Glass - 1/8" x 22" x 25.50" - Stationary
10	047389-01-700	EA	Latch - Window - Plastic w/Fastener
.	042133-06-000	EA	Frame - Inside - Double Slider Window (not included in assembly)
.	002296-01-000	FT	Spline - Gray - .130" Dia. - (Screen)
.	002293-01-000	SF	Screen - Window - 26" - Gray
.	023713-02-000	EA	Cover - Weephole - Plastic - Black
.			Not Illustrated

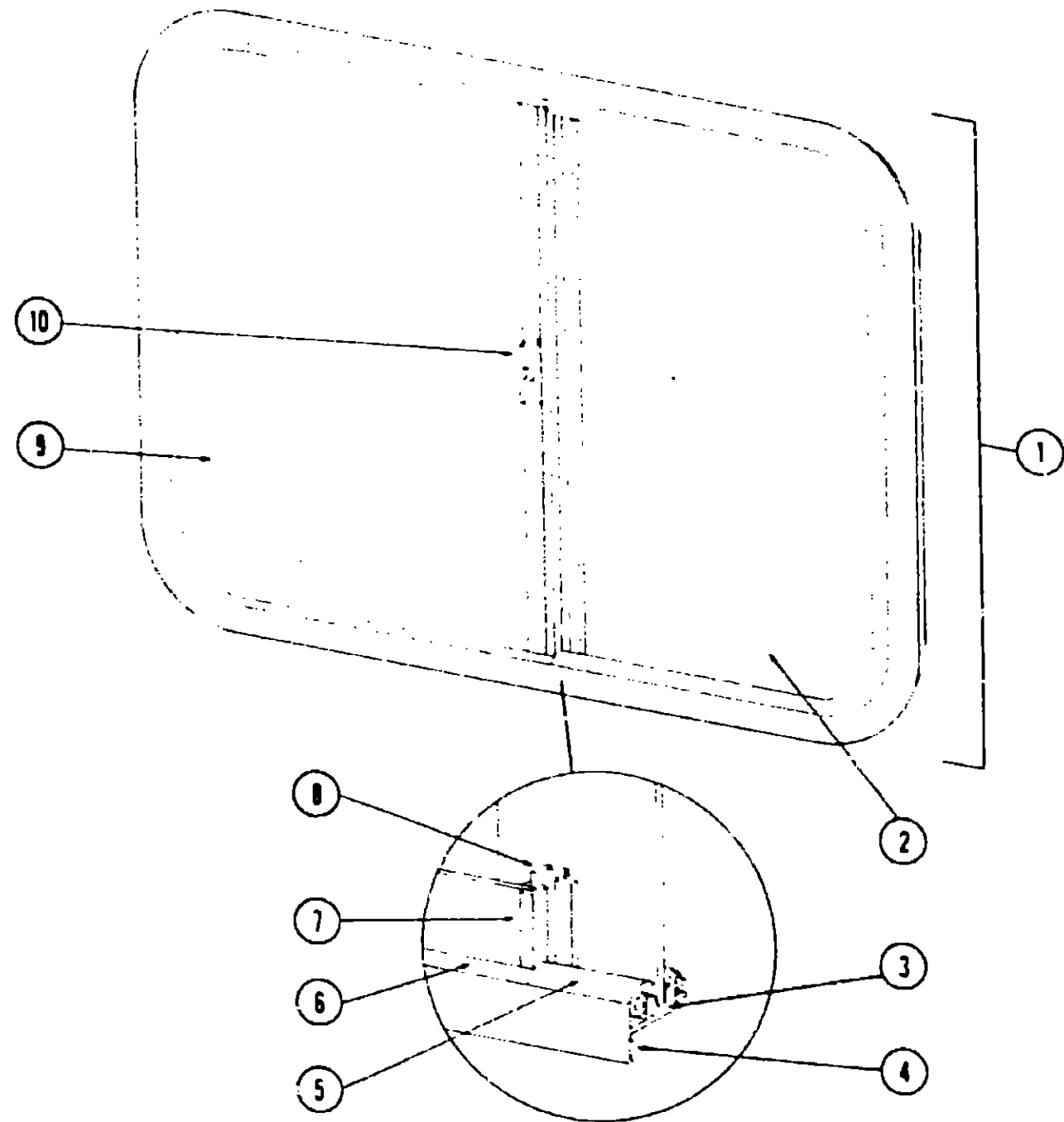
Key	Part Number	U/M	Description
1	041875-02-000	EA	Window Asm. - Picture - 13" x 23" (w/o inside frame)
2	004363-01-000	FT	Tape - Foam - 3/16" x 1/2" - Gray
3	002309-02-000	FT	Spline - Glass - 1/8" Black
4	002181-01-000	EA	Glass - TP - 1/8" x 12" x 22"
.	041896-02-000	EA	Frame - Window - Inside - 13" x 23" (not included in assembly)
.			Not Illustrated

1978 ITASCA
TABLE OF CONTENTS

ICP25RB	A-1 - B-12
ID424RH	B-13 - D-2
IC525DB	D-3 - E-14
ICP27RT	E-15 - G-2

1978 ID424RH INDEX

Floor Plan	B-13 - B-14
Accessories Group	B-15 - B-16
Bath Group	B-17 - B-18
Chassis Group	B-19
Curtain, Cushion & Pad Group	B-20 - B-23
Dinette Group	B-24
Driver's Compartment Group	C-1
Electrical Group	C-2 - C-3
Exterior Body Group	C-4 - C-7
Galley Group	C-8
Heating & Air Conditioning Group	C-9
Interior Finish Group	C-10 - C-11
LP Group	C-12
Lounge Group	C-13
Water & Sewage Group	C-14
Window, Vent & Exterior Door Group	C-15 - D-2



Key	Part Number	U/M	Description
1	048531-07-000	EA	Window Asm. - Right Single Slider - 23" x 29" - Black Anod. (w/o inside frame)
2	047813-01-000	EA	Glass - 1/8" x 22" x 13.68" - Sliding
3	002324-01-000	FT	Channel - Weatherstrip - Glass Run - 1/8" Glass
4	004363-01-000	FT	Tape - Foam - 3/16" x 1/2" - Gray
5	024096-02-000	FT	Seal - Window Channel - Black
6	002309-02-000	FT	Spline - Glass - 1/8" - Black
7	018025-03-000	EA	Holder - Glass Seal - Black Anod.
8	041894-02-000	EA	Mullion - Slider Window - 23" - Black Anod.
9	002184-01-000	EA	Glass - Tempered Sheet - Stationary
10	047369-01-700	EA	Latch - Window - Plastic w/Fastener
.	042147-07-000	EA	Frame - Inside - Single Slider Window - 23" x 29" (not included in assembly)
.	023713-02-000	EA	Cover - Plastic Weephole - Black
.	002298-01-000	FT	Spline - Gray - .130" Dia. (Screen)
.	002293-01-000	SF	Screen - Window - 26" - Gray
.	Not Illustrated		

ACCESS DOORS

Key	Part Number	U/M	Description
	052009-01-000	EA	Door Asm - Water Heater Access - Off White - Atwood
	044210-01-000	EA	Door Asm - Power Cord - 6" x 10" - Off White Plastic - Quarter Turn Plastic Latch
	033333-22-000	EA	Door Asm - LP - Off White w/Twist Type Plastic Latch
	033333-23-000	EA	Door Asm - Battery - Off White w/Twist Type Plastic Latch
	047233-02-000	EA	Door Asm - Luggage - Off White w/Key Type Lock
	054270-01-000	EA	Door Asm - Refrigerator Access - Off White w/Twist Type Lock
	043942-01-000	EA	Lock Asm - Quarter Turn Plastic (Power Cord Door)
	047305-01-000	EA	Lock Asm - Key Type w/Clip
	052950-01-700	EA	Lock Asm - Twist Type - White Plastic w/Retainer Clip
	016945-02-000	EA	Holder Asm - Battery or Luggage Door (Holds door open)

VENTS

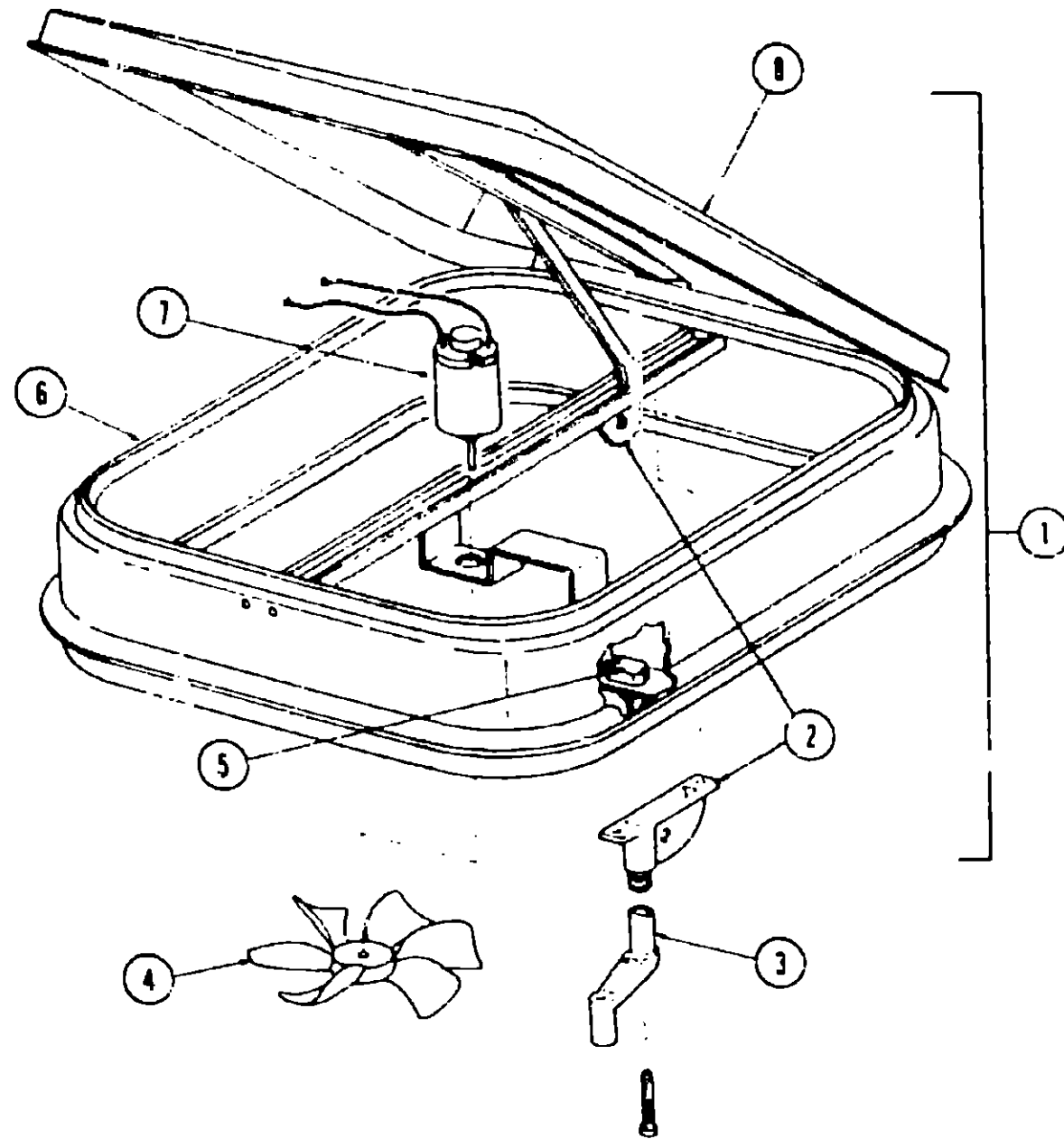
Key	Part Number	U/M	Description
	039778-01-000	EA	Cover - Refrigerator Vent - Plastic
	009407-01-000	EA	Base - Frame - Refrigerator Vent w/o Cover
	049352-01-000	EA	Vent - Outside - Stovehood - Off White

1978 ITASCA
TABLE OF CONTENTS

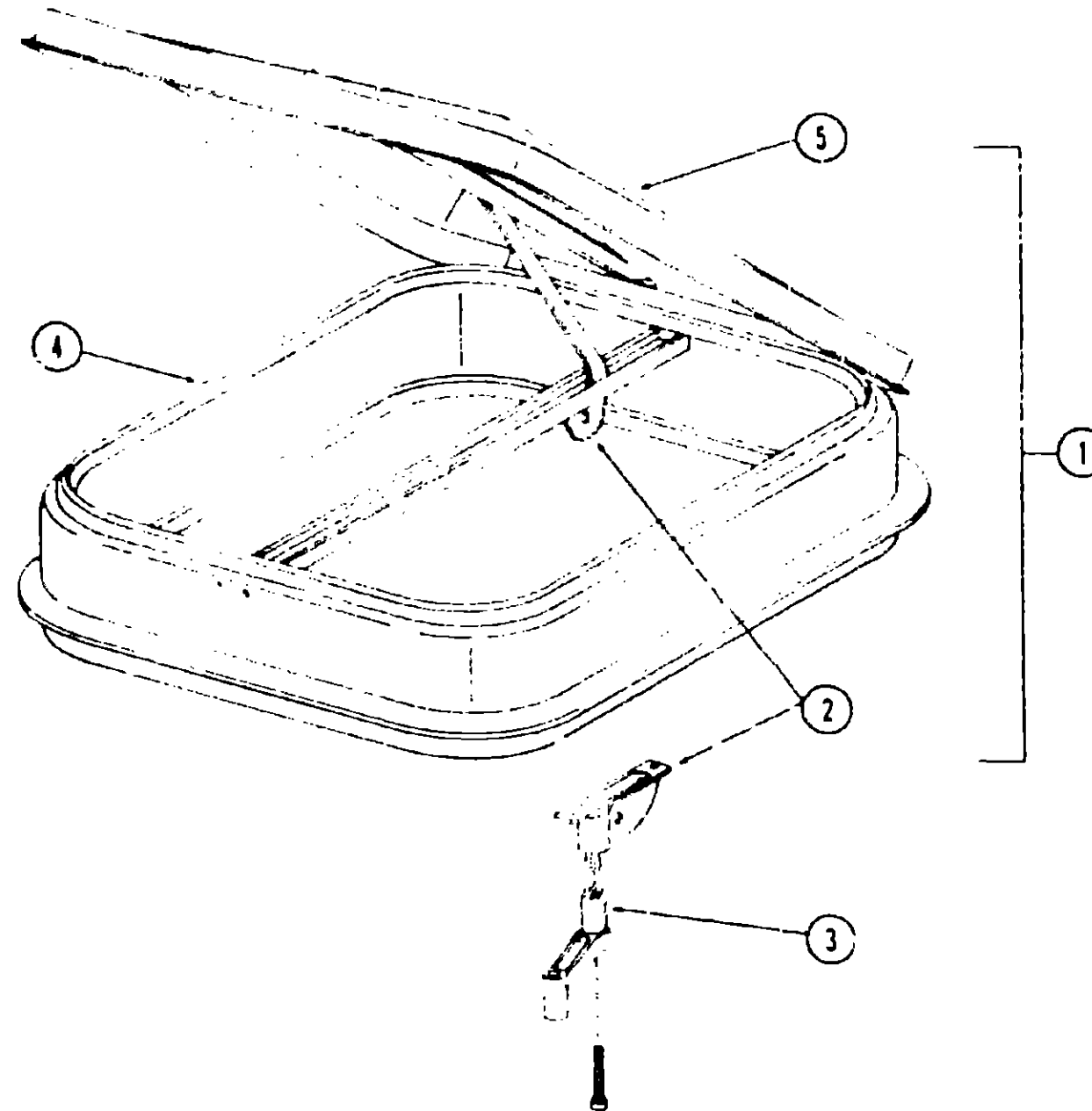
ICP25RB	A-1 - B-12
ID424RH	B-13 - D-2
IC525UB	D-3 - E-14
ICP27RT	E-15 - G-2

1978 ID424RH INDEX

Floor Plan	B-13 - B-14
Accessories Group	B-15 - B-16
Bath Group	B-17 - B-18
Chassis Group	B-19
Curtain, Cushion & Pad Group	B-20 - B-23
Dinette Group	B-24
Driver's Compartment Group	C-1
Electrical Group	C-2 - C-3
Exterior Body Group	C-4 - C-7
Galley Group	C-8
Heating & Air Conditioning Group	C-9
Interior Finish Group	C-10 - C-11
LP Group	C-12
Lounge Group	C-13
Water & Sewage Group	C-14
Window, Vent & Exterior Door Group	C-15 - D-2



Key	Part Number	U/M	Description
1	048789-01-000	EA	Vent Asm - Roof - Powered - w/o Screen
2	009440-01-000	EA	Gear - Arm - Roof Vent
3	009439-01-000	EA	Crank - Roof Vent
4	048649-01-000	EA	Fan - Blade - 6" Plastic
5	008195-01-000	EA	Switch - Push Button - 12 Volt
6	002825-01-000	FT	Weatherstrip - Roof Vent
7	048648-01-000	EA	Motor - 12 Volt
8	046825-01-000	EA	Cover - Plastic - Roof Vent
•	048695-01-000	EA	Screen Asm - Powered Roof Vent - Clear Anod. (not included in assembly)
•	048695-03-000	EA	Screen Asm - Powered Roof Vent - Beige (not included in assembly)
•	Not Illustrated		



Key	Part Number	U/M	Description
1	048835-01-000	EA	Vent Asm. - Roof - Non Powered - w/o Screen
2	009440-01-000	EA	Gear - Arm - Roof Vent
3	009439-01-000	EA	Crank - Roof Vent
4	002825-01-000	FT	Weatherstrip - Roof Vent
5	046825-01-000	EA	Cover - Plastic - Roof Vent
•	016335-01-000	EA	Screen Asm. - Non Powered Roof Vent - Clear Anod. (not included in assembly)
•	016335-03-000	EA	Screen Asm. - Non Powered Roof Vent - Beige (not included in assembly)
•	Not Illustrated		

1978 ITASCA
TABLE OF CONTENTS

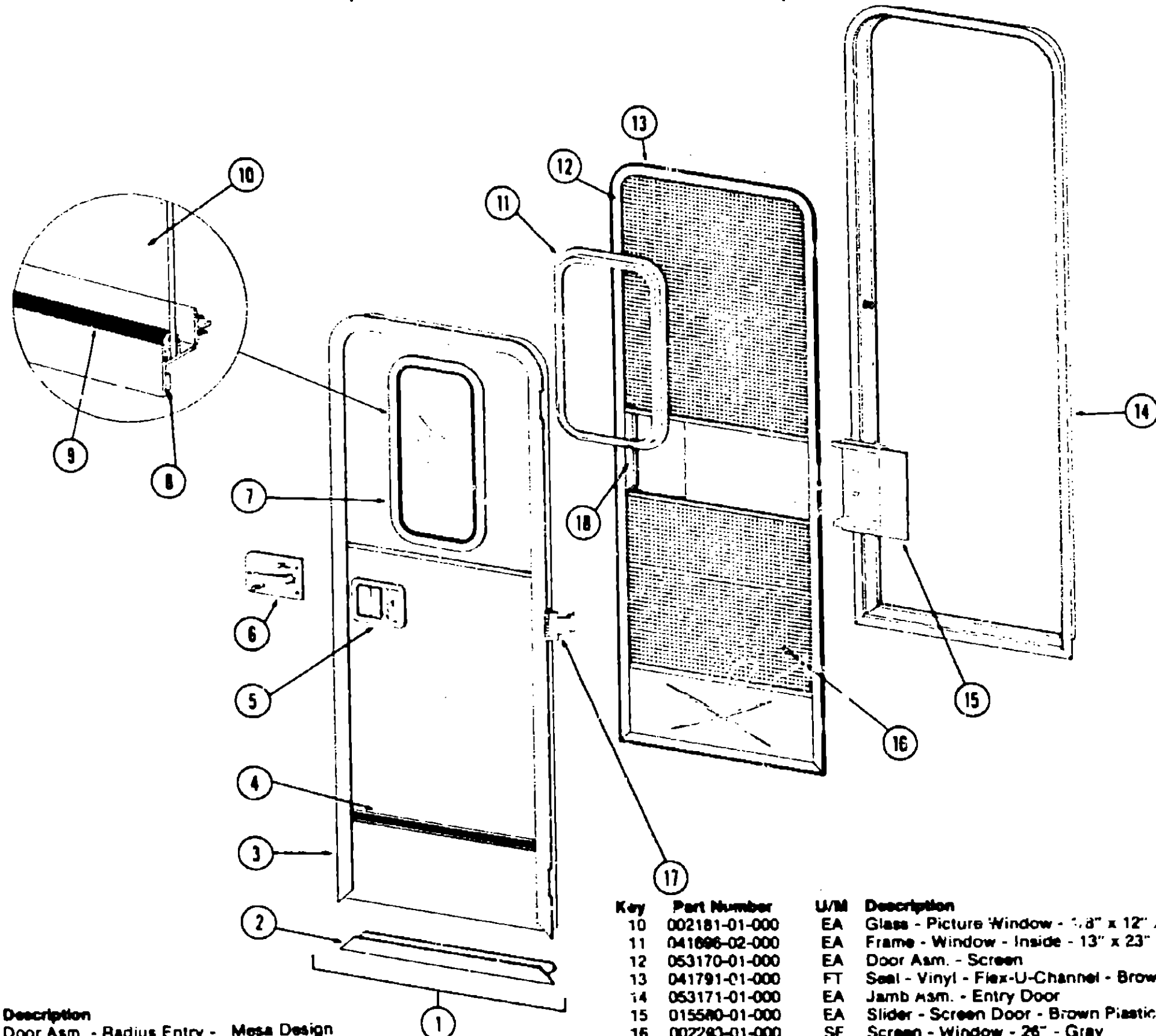
ICF25RB
ID424RH
IC525DS
ICP27R

A-1 - B-12
B-13 - D-2
D-3 - E-14
E-15 - G-2

1978 ID424RH INDEX

Floor Plan	B-13 - B-14
Accessories Group	B-15 - B-16
Bath Group	B-17 - B-18
Chassis Group	B-19
Curtain, Cushion & Pad Group	B-20 - B-23
Dinette Group	B-24
Driver's Compartment Group	C-1
Electrical Group	C-2 - C-3
Exterior Body Group	C-4 - C-7
Galley Group	C-8
Heating & Air Conditioning Group	C-9
Interior Finish Group	C-10 - C-11
LP Group	C-12
Lounge Group	C-13
Water & Sewage Group	C-14
Window, Vent & Exterior Door Group	C-15 - D-2

WINDOW, VENT AND EXTERIOR DOOR GROUP (CONTINUED)



Key	Part Number	U/M	Description
1	053169-07-000	EA	Door Asm. - Radius Entry - Mesa Design
1	053169-07-700	EA	Door Asm. - Radius Entry - Greyhound Design
2	039737-01-000	EA	Frame - Entry Door (Bottom Portion Only)
3	039736-01-000	EA	Frame - Entry Door (Except Bottom Portion)
4	039874-01-000	EA	Holder Asm. - Entry Door
5	052186-01-000	EA	Lock Asm. - Radius Entry Door - Lynor
6	045017-01-700	EA	Lock Cylinder w/Keys - Lynor
6	039539-01-000	EA	Striker - Entry Door Lock
6	039979-01-000	EA	Plate - Lock - Interior - Including Inside Handle
7	041875-02-000	EA	Window Asm. - Picture - 13" x 23" - Black Anod. (inside frame not included in assembly)
8	004363-01-000	FT	Tape - Foam - 3/16" x 1/2" - Gray

Key	Part Number	U/M	Description
10	002181-01-000	EA	Glass - Picture Window - 13" x 12" x 22" Gray
11	041896-02-000	EA	Frame - Window - Inside - 13" x 23" - Brown
12	053170-01-000	EA	Door Asm. - Screen
13	041791-01-000	FT	Seal - Vinyl - Flex-U-Channel - Brown
14	053171-01-000	EA	Jamb Asm. - Entry Door
15	015580-01-000	EA	Slider - Screen Door - Brown Plastic
16	002283-01-000	SF	Screen - Window - 26" - Gray
17	039520-01-000	EA	Hinge - Entry Door (3 used per door)
18	015581-01-000	EA	Cap - Screen Door - Brown Plastic
	049176-01-000	EA	Hedlok II - 3/4" Diameter - Screw Mount (Retains Screen Door to Entry Door)
	049797-01-000	EA	Hedlok II - 1" Diameter - Screw Mount (Retains Screen Door to Entry Door)
	018019-01-000	EA	Striker - Screen Door
	039863-01-000	EA	Catch Asm. - Single Roller w/Strike - Screen Door
	051390-01-000	FT	Seal - Bulb - Rubber
	039800-03-000	FT	Tubing - Polybutyl - 3/8" O.D. - Jamb
			Not Illustrated

D-1

1978 ITASCA TABLE OF CONTENTS

ICP25RB
D424RH
IC525DB
ICP27RT

A-1 - B-12
B-13 - D-2
D-3 - E-14
E-15 - G-2

1978 ID42/RH INDEX

Floor Plan	B-13 - B-14
Accessories Group	B-15 - B-16
Brth Group	B-17 - B-18
Chassis Group	B-19
Curtain, Cushion & Pad Group	B-20 - B-23
Dinette Group	B-24
Driver's Compartment Group	C-1
Electrical Group	C-2 - C-3
Exterior Body Group	C-4 - C-7
Galley Group	C-8
Heating & Air Conditioning Group	C-9
Interior Finish Group	C-10 - C-11
LP Group	C-12
Lounge Group	C-13
Water & Sewage Group	C-14
Window, Vent & Exterior Door Group	C-15 - D-2

D-2