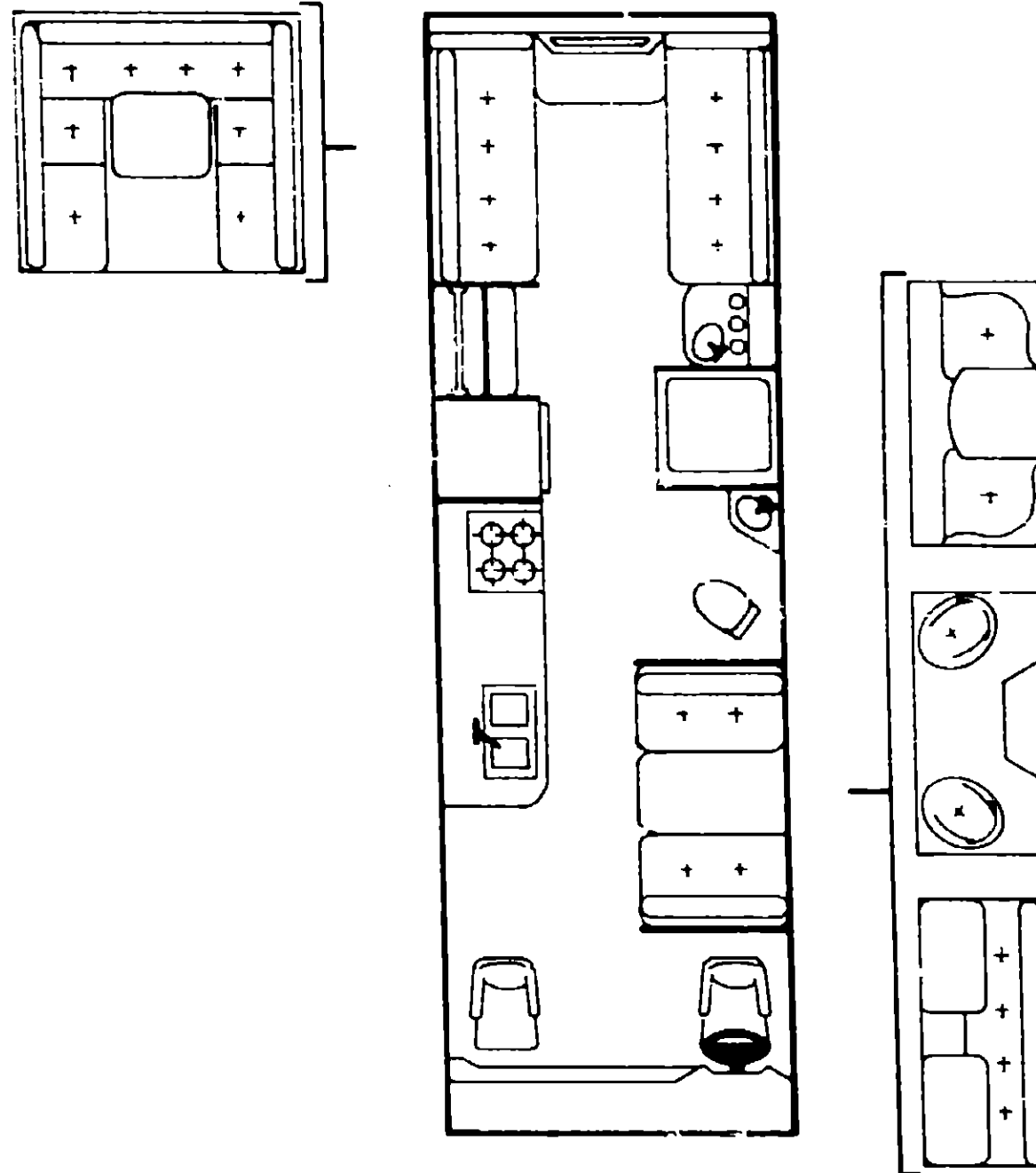


1978 ICP27RT



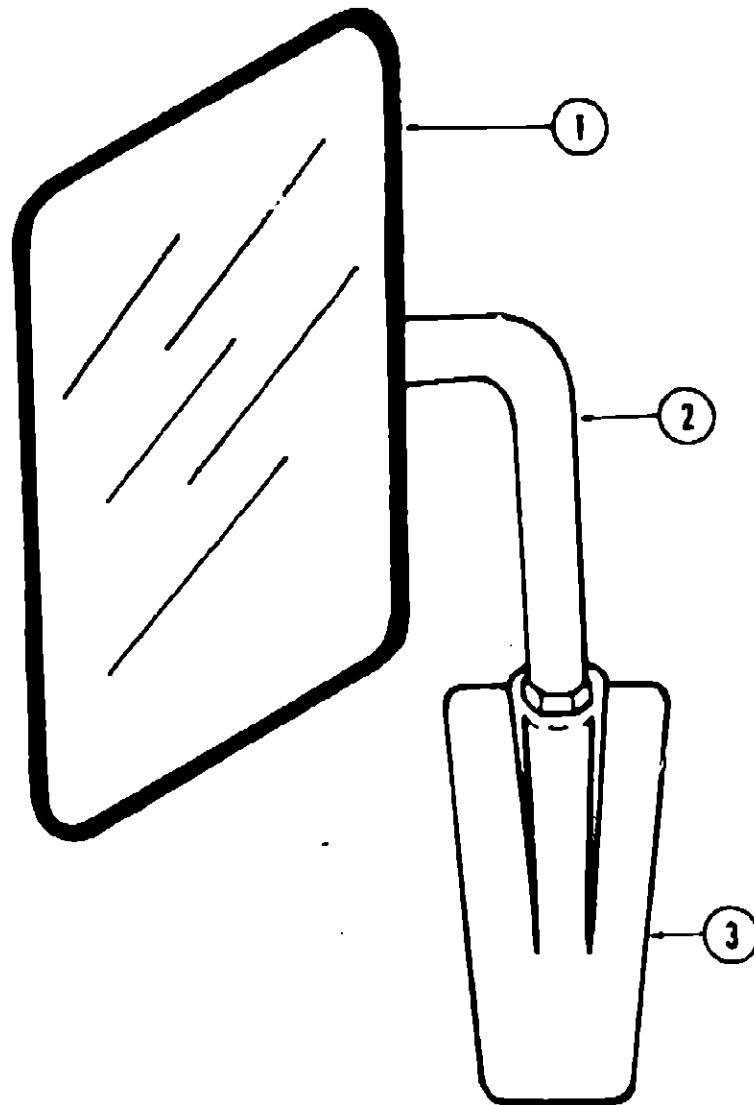
1978 ITASCA TABLE OF CONTENTS

ICP25RB	A-1 - B-12
ID424RH	B-13 - D-2
IC525DB	D-3 - E-14
ICP27RT	E-15 - G-2

1978 ICP27RT INDEX

Floor Plan	E-15 - E-16
Accessories Group	E-17 - E-18
Bath Group	E-19
Chassis Group	E-20
Curtain, Cushion & Pad Group	E-21 - F-1
Dinette Group	F-2
Driver's Compartment Group	F-3
Electrical Group	F-4 - F-5
Exterior Body Group	F-6 - F-9
Galley Group	F-10
Heating & Air Conditioning Group	F-11
Interior Finish Group	F-12 - F-13
LP Group	F-14
Lounge Group	F-15
Water & Sewage Group	F-16
Window, Vent & Exterior Door Group	F-17 - G-2

ACCESSORIES GROUP



Key	Part Number	U/M	Description
1	049347-01-000	EA	Mirror Head - 7 1/2" x 10 1/2" - Stainless Steel
2	049348-01-000	EA	Arm - Low Mount Mirror - Bright Finish
3	049944-02-000	EA	Bracket - Mirror - Outside - Off White
.	057461-01-000	EA	Mirror Head - 7 1/2" x 10 1/2" - w/Convex
.	Not Illustrated		

ACCESSORIES GROUP (CONTINUED)

RADIOS AND RELATED COMPONENTS

Key	Part Number	U/M	Description
	049730-01-000	EA	Radio - Clarion - AM w/Fader Switch
	049731-01-000	EA	Radio - Clarion - AM/FM/MPX - w/Fader Switch
	049732-01-000	EA	Radio - Clarion - AM/FM/MPX - B - Track w/Fader Switch
	052774-01-000	EA	Radio - CB - 40 Channel - HyGain 9
	053768-01-000	EA	Speaker - Recessed - 5 1/4" - 10 Oz.
	044535-01-000	EA	Grille - Speaker - Black Padded
	031105-01-000	EA	Antenna - Radio - Side Mount
	031105-01-700	EA	Holder - Antenna - Radio - Upper
	048153-01-000	EA	Antenna - CB Camper Style
	044328-01-000	EA	Switch - Fader - Speaker Balance
	050751-01-000	EA	Plaque - Fader/Mic Mounting

GENERATORS AND COMPONENTS

Key	Part Number	U/M	Description
	054429-01-000	EA	Generator - Onan - 4.0 kw
	054431-01-000	EA	Generator - Onan - 5.0 kw
	054433-01-000	EA	Generator - Onan - 6.5 kw
	701629-02-000	EA	Onan Installation Package
	050345-01-000	EA	Basel - Entertainment Center No. 3
	052814-01-000	EA	Tailpipe - 90°, 1 1/2" O.D.

FRONT BUNK AND HARDWARE

Key	Part Number	U/M	Description
	055035-01-J:0	EA	Bunk Board Asm. - w/Rails - w/o Hardware
	053773-02-000	EA	Support Asm. - Overhead Bunk - Left - Brown
	053773-01-000	EA	Support Asm. - Overhead Bunk - Right - Brown
	040071-01-000	EA	Support Strap - Bunk
	039516-02-000	EA	Safety Catch - Overhead Bunk - Brown

MISCELLANEOUS ACCESSORIES

Key	Part Number	U/M	Description
	052771-01-000	EA	Oven - Microwave - Magic Chef 207-4
**	048577-01-000	EA	Speed Control Package - 350 C.I.D. - A-Body
**	040568-01-000	EA	Speed Control Package - 454 C.I.D. - A-Body
	006053-01-000	EA	Antenna - TV - Braund Delux
	006053-01-700	EA	Parts Kit - Repair - Braund TV Antenna
	006093-01-000	EA	Jack - TV - Brown (Antenna)
	006076-01-000	EA	Ladder - Front Bunk
	054185-02-000	EA	Owner's Manual - Itasca
	017516-01-000	EA	Mudflap - Black - 14" x 18" w/Holes
	040069-01-000	EA	Mat - Door - Black Rubber - 10 1/2" x 26"
	040486-04-000	EA	Tire Cover - 34"
**	031396-02-000	EA	Wheel Cover - 19.5" Chrome
	056253-01-000	EA	Ladder Asm. - w/Luggage Rack
	041086-02-000	EA	Ladder Asm. - w/c Luggage Rack
	006113-01-000	EA	Jack - Hydraulic - 5 Ton
	041944-01-700	EA	Fire Extinguisher - w/Bracket

**The illustrated parts breakdown for this item is provided for on the Common Items Fiche.

1978 ITASCA TABLE OF CONTENTS

ICP25RB	A-1 - B-12
ID424RH	B-13 - D-2
IC525DB	D-3 - E-14
ICP27RT	E-15 - G-2

1978 ICP27RT INDEX

Floor Plan	E-15 - E-16
Accessories Group	E-17 - E-18
Bath Group	E-19
Chassis Group	E-20
Curtain, Cushion & Pad Group	E-21 - F-1
Dinette Group	F-2
Driver's Compartment Group	F-3
Electrical Group	F-4 - F-5
Exterior Body Group	F-6 - F-9
Galley Group	F-10
Heating & Air Conditioning Group	F-11
Interior Finish Group	F-12 - F-13
LP Group	F-14
Lounge Group	F-15
Water & Sewage Group	F-16
Window, Vent & Exterior Door Group	F-17 - G-2

BATH GROUP

Key	Part Number	U/M	Description
	055538-01-J10	EA	Cabinet Asm. - Vanity - w/o Door or Hardware
	055526-07-J10	EA	Door Asm. - Vanity Cabinet - 10 1/4" x 12 3/4" - w/o Hardware
	044067-01-000	EA	Sink - Ivory Plastic
**	011056-01-000	EA	Faucet - Lavatory
	011083-01-000	EA	Plug - Sink - 1 1/4" w/Chain
	009134-01-000	EA	Holder - Tissue
	053129-01-000	EA	Cabinet - Medicine - 17.6" x 29 5/8"
	043726-01-000	EA	Bathtub Front - Ivory Plastic
	043727-01-000	EA	Bathtub Bottom - Ivory Plastic
	043728-01-000	EA	Bathtub Back - Ivory Plastic
**	031558-01-000	EA	Faucet - Tub and Shower
	011086-01-000	EA	Strainer - Shower Pan
	011069-01-000	EA	Tailpiece - 1 1/4" x 4" - Brass
**	011048-01-000	EA	Shower Head - w/60" Hose
	055614-01-J10	EA	Door Asm. - Bathroom - w/o Towel Rack or Hardware
	052563-02-000	EA	Rack Asm. - Towel
**	009124-01-000	EA	Lock - Bath Door - Push Button - Brass
	053260-03-000	EA	Trim - Shower Door - Bottom
	055578-01-000	EA	Trim - Shower Door - Left
	055582-01-000	EA	Trim - Shower Door - Right
	034394-02-000	FT	Vinyl Insert - Corner Trim - Beige
**	039341-02-000	EA	Toilet - Marine - Thetford Aqua Magic SH - Ivory

**The illustrated parts breakdown for this item is provided on the Common Items Fiche.

CHASSIS GROUP

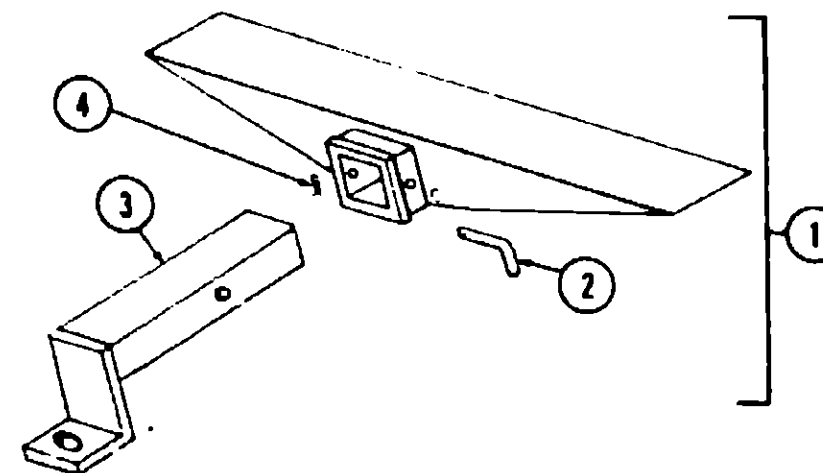
Key	Part Number	U/M	Description
	024852-01-700	EA	Step - Entry
	023496-04-000	EA	Bracket - Front Bumper - Right or Left
	048827-01-000	EA	Bumper - Front - Plated
	041253-01-000	EA	Bumper - Rear - Off White
	048043-06-000	EA	Bracket Asm. - Rear Bumper - Bolts to Chassis
	040634-01-000	EA	Carrier - Spare Tire
	040974-01-000	EA	Bar - Retaining - Spare Tire - 2" x 6.75" - Off White
	045427-01-000	EA	Hoodboard - Steel - Top Right
	045428-01-000	EA	Hoodboard - Steel - Bottom Right
	045429-01-000	EA	Hoodboard - Steel - Top Left
	045430-01-000	EA	Hoodboard - Steel - Bottom Left
	039197-01-000	EA	Cover - Radiator - Rear
	042552-01-000	EA	Tank - Fuel - 40.4 Gallon
	007111-01-000	FT	Hose - Fuel - 2 1/4" I.D. SAE 30RI
	024141-01-000	FT	Hose - Rubber - 1/2" I.D.
	044317-01-000	FT	Hose - Fuel - 3/8" I.D. SAE 30RI
	024138-01-000	FT	Hose - Fuel - 5/16" I.D. SAE 30RI
	007134-01-000	EA	Clamp - Hose - Spring Type - 9/16"
	007137-01-000	EA	Clamp - Worm Gear - 1 5/16" to 2 1/4"
	007138-01-000	EA	Clamp - Worm Drive - .22 - 1" I.D.
	007139-01-000	EA	Clamp - Worm Drive - .69" - 1.25" I.D.
	007140-01-000	EA	Clamp - Hose - 2" - 3" Dia.
	041341-01-000	EA	Fill Pipe - Aux. Fuel - Lower
	041342-01-000	EA	Fill Pipe - Aux. Fuel - Upper
	056266-01-000	EA	Canister Asm. - Emission Control
	056465-01-000	EA	Plate - Vapor Canister Bottom
	043718-01-000	EA	Sending Unit - Fuel - 90 OHM - Tank
	045814-02-000	EA	Gas Fill - w/Vent - 2.76" Long
	024611-04-000	EA	Cap - Gas - Pressure - 1.5" Chrome - Main or Aux. Fill
	043478-01-000	EA	Canister Asm. - Vapor
	043477-01-000	EA	Valve Asm. - 6 Way Fuel Selector
	047811-01-000	EA	Compartment - Sewer Hose
	053249-01-000	EA	Battery Tray Asm.
	022655-02-000	EA	Tail Pipe - 2 1/4" x 8"
	007125-06-000	EA	Clamp Asm. - Muffler - 2.25" Dia.
	044536-01-000	EA	Wheelwell - Plastic

1978 ITASCA TABLE OF CONTENTS

ICP25RB	A-1 - B-12
ID424RH	B-13 - D-2
IC525DB	D-J - E-14
ICP27RT	E-15 - G-2

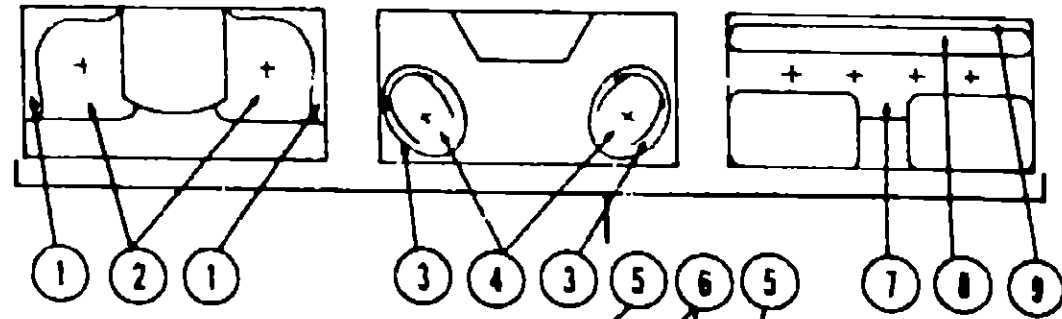
1978 ICP27RT INDEX

Floor Plan	E-15 - E-16
Accessories Group	E-17 - E-18
Bath Group	E-19
Chassis Group	E-20
Curtain, Cushion & Pad Group	E-21 - F-1
Dinette Group	F-2
Driver's Compartment Group	F-3
Electrical Group	F-4 - F-5
Exterior Body Group	F-6 - F-9
Galley Group	F-10
Heating & Air Conditioning Group	F-11
Interior Finish Group	F-12 - F-13
LP Group	F-14
Lounge Group	F-15
Water & Sewage Group	F-16
Window, Vent & Exterior Door Group	F-17 - G-2



Key	Part Number	U/M	Description
1	023885-01-000	EA	Hitch Asm. - w/o Drawbar
2	034512-01-000	EA	Pin - Locking - Drawbar
3	023880-01-000	EA	Drawbar Asm. - Trailer Hitch
4	034513-01-000	EA	Pin - Hitch - 3/16" Wire Spring

CURTAIN, CUSHION AND PAD GROUP



Key	Part Number	U/M	Description
5	055017-04-J10	EA	Cushion - Dinette Back - 15" x 38" x 5" - Beige
5	055017-04-J12	EA	Cushion - Dinette Back - 15" x 38" x 5" - Gray
	055018-04-J10	EA	Cover - Dinette Back Cushion - 15" x 38" x 5" - Beige
	055018-04-J12	EA	Cover - Dinette Back Cushion - 15" x 38" x 5" - Gray
6	055017-05-J10	EA	Cushion - Dinette Bottom - 21.5" x 38" x 5" - Beige
6	055017-05-J12	EA	Cushion - Dinette Bottom - 21.5" x 38" x 5" - Gray
	055018-05-J10	EA	Cover - Cushion - Dinette Bottom - 21.5" x 38" x 5" - Beige
	055018-05-J12	EA	Cover - Cushion - Dinette Bottom - 21.5" x 38" x 5" - Gray

DINETTE CUSHIONS

DINETTE COUCH CUSHIONS

Key	Part Number	U/M	Description
7	057067-01-J10	EA	Cushion - Couch Seat - 21" x 76" x 5" - Beige
7	057067-01-J12	EA	Cushion - Couch Seat - 21" x 76" x 5" - Gray
	057074-01-J10	EA	Cover - Couch Seat Cushion - 21" x 76" x 5" - Beige
	057074-01-J12	EA	Cover - Couch Seat Cushion - 21" x 76" x 5" - Gray
8	057071-01-J10	EA	Cushion - Couch Back - 16" x 76" x 5" - Beige
8	057071-01-J12	EA	Cushion - Couch Back - 16" x 76" x 5" - Gray
	057077-01-J10	EA	Cover - Couch Back Cushion - 16" x 76" x 5" - Beige
	057077-01-J12	EA	Cover - Couch Back Cushion - 16" x 76" x 5" - Gray
9	055017-01-J10	EA	Cushion - Couch - 8" x 76" x 5" - Beige
9	055017-01-J12	EA	Cushion - Couch - 8" x 76" x 5" - Gray
	055018-01-J10	EA	Cover - Couch Cushion - 8" x 76" x 5" - Beige
	055018-01-J12	EA	Cover - Couch Cushion - 8" x 76" x 5" - Gray

HORSESHOE LOUNGE CUSHIONS

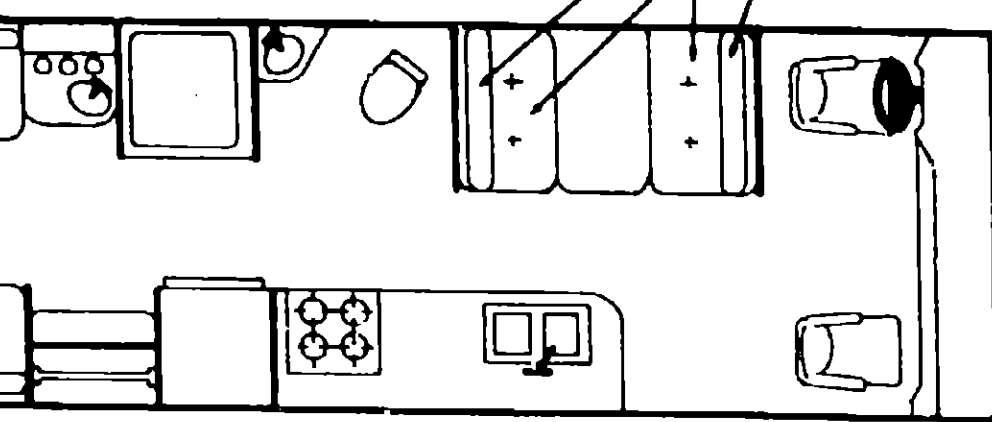
Key	Part Number	U/M	Description
10	057693-04-J10	EA	Cushion - Backrest - 15" x 28" x 6" - Beige
10	057693-04-J12	EA	Cushion - Backrest - 15" x 28" x 6" - Gray
	055018-16-J10	EA	Cover - Backrest Cushion - 15" x 28" x 6" - Beige
	055018-16-J12	EA	Cover - Backrest Cushion - 15" x 28" x 6" - Gray
	055017-12-J10	EA	Cushion - Lounge Seat - 26.5" x 28" x 6" - Beige
11	055017-12-J12	EA	Cushion - Lounge Seat - 26.5" x 28" x 6" - Gray
	055018-13-J10	EA	Cover - Lounge Seat Cushion - 26.5" x 28" x 6" - Beige
	055018-13-J12	EA	Cover - Lounge Seat Cushion - 26.5" x 28" x 6" - Gray
12	055017-13-J10	EA	Cushion - Lounge Seat - 26.5" x 18" x 6" - Beige
12	055017-13-J12	EA	Cushion - Lounge Seat - 26.5" x 18" x 6" - Gray
	055018-14-J10	EA	Cover - Lounge Seat Cushion - 26.5" x 18" x 6" - Beige
	055018-14-J12	EA	Cover - Lounge Seat Cushion - 26.5" x 18" x 6" - Gray
13	055027-03-J10	EA	Cushion - Lounge Backrest - 15" x 42.5" x 38.5" x 6" - Beige
13	055027-03-J12	EA	Cushion - Lounge Backrest - 15" x 42.5" x 38.5" x 6" - Gray
	055028-03-J10	EA	Cover - Lounge Backrest Cushion - 15" x 42.5" x 38.5" x 6" - Beige
	055028-03-J12	EA	Cover - Lounge Backrest Cushion - 15" x 42.5" x 38.5" x 6" - Gray
14	057067-03-J10	EA	Cushion - Lounge Seat - Rear - 21" x 86" x 5" - Beige
14	057067-03-J12	EA	Cushion - Lounge Seat - Rear - 21" x 86" x 5" - Gray
	057074-03-J10	EA	Cover - Lounge Seat Cushion - Rear - 21" x 86" x 5" - Beige
	057074-03-J12	EA	Cover - Lounge Seat Cushion - Rear - 21" x 86" x 5" - Gray
15	057071-03-J10	EA	Cushion - Lounge Back - 16" x 86" x 5" - Beige
15	057071-03-J12	EA	Cushion - Lounge Back - 16" x 86" x 5" - Gray
	057077-03-J10	EA	Cover - Lounge Back Cushion - 16" x 86" x 5" - Beige
	057077-03-J12	EA	Cover - Lounge Back Cushion - 16" x 86" x 5" - Gray
16	055017-11-J10	EA	Cushion - Lounge - 8" x 86" x 5" - Beige
16	055017-11-J12	EA	Cushion - Lounge - 8" x 86" x 5" - Gray
	055018-12-J10	EA	Cover - Lounge Cushion - 8" x 86" x 5" - Beige
	055018-12-J12	EA	Cover - Lounge Cushion - 8" x 86" x 5" - Gray
17	055027-04-J10	EA	Cushion - Lounge Backrest - 15" x 42.5" x 38.5" x 6" - Beige
17	055027-04-J12	EA	Cushion - Lounge Backrest - 15" x 42.5" x 38.5" x 6" - Gray
	055028-04-J10	EA	Cover - Lounge Backrest Cushion - 15" x 42.5" x 38.5" x 6" - Beige
	055028-04-J12	EA	Cover - Lounge Backrest Cushion - 15" x 42.5" x 38.5" x 6" - Gray

**1978 ITASCA
TABLE OF CONTENTS**

ICP25RB	A-1 - B-12
ID424RH	B-13 - D-2
IC525DB	D-3 - E-14
ICP27RT	E-15 - G-2

1978 ICP27RT INDEX

Floor Plan	E-15 - E-16
Accessories Group	E-17 - E-18
Bath Group	E-19
Chassis Group	E-20
Curtain, Cushion & Pad Group	E-21 - F-1
Dinette Group	F-2
Driver's Compartment Group	F-3
Electrical Group	F-4 - F-5
Exterior Body Group	F-6 - F-9
Galley Group	F-10
Heating & Air Conditioning Group	F-11
Interior Finish Group	F-12 - F-13
LP Group	F-14
Lounge Group	F-15
Water & Sewage Group	F-16
Window, Vent & Exterior Door Group	F-17 - G-2



CORNER LOUNGE CHAIR CUSHIONS

Key	Part Number	U/M	Description
1	056631-01-J10	EA	Cushion - Backrest - Right or Left - Beige
1	056636-01-J12	EA	Cushion - Backrest - Right or Left - Gray
2	056637-01-J10	EA	Cushion - Seat - Right or Left - Beige
2	056637-01-J12	EA	Cushion - Seat - Right or Left - Gray

TT CHAIRS

Key	Part Number	U/M	Description
3	054674-01-J10	EA	TT Chair - Complete - Beige
3	054674-01-J12	EA	TT Chair - Complete - Gray
4	054700-01-J10	EA	Cushion - TT Chair - Beige
4	054700-01-J12	EA	Cushion - TT Chair - Gray
	035036-01-000	EA	Plate - TT Chair
	035036-02-000	EA	Base - TT Chair - w/Legs

CURTAIN, CUSHION AND PAD GROUP (CONTINUED)

REAR TWIN BED CUSHIONS

Key	Part Number	U/M	Description
18	057693-03-J10	EA	Cushion - Backrest - 9" x 30" x 6" - Beige
18	057693-03-J12	EA	Cushion - Backrest - 9" x 30" x 6" - Gray
	055018-15-J10	EA	Cover - Backrest Cushion - 9" x 30" x 6" - Beige
	055018-15-J12	EA	Cover - Backrest Cushion - 9" x 30" x 6" - Gray
19	055027-01-J10	EA	Cushion - Backrest - Right - 9" x 37" x 33" x 6" - Beige
19	055027-01-J12	EA	Cushion - Backrest - Right - 9" x 37" x 33" x 6" - Gray
	055028-01-J10	EA	Cover - Backrest Cushion - Right - 9" x 37" x 33" x 6" - Beige
	055028-01-J12	EA	Cover - Backrest Cushion - Right - 9" x 37" x 33" x 6" - Gray
20	056948-08-J10	EA	Cushion - Rear Bolster - 10" x 12" x 28" x 9" - Beige
20	056948-08-J12	EA	Cushion - Rear Bolster - 10" x 12" x 28" x 9" - Gray
	056949-07-J10	EA	Cover - Cushion - Rear Bolster - 10" x 12" x 28" x 9" - Beige
	056949-07-J12	EA	Cover - Cushion - Rear Bolster - 10" x 12" x 28" x 9" - Gray
21	057693-01-J10	EA	Cushion - Seat - Right - 28" x 75" x 5" - Beige
21	057693-01-J12	EA	Cushion - Seat - Right - 28" x 75" x 5" - Gray
	055018-11-J10	EA	Cover - Seat Cushion - Right - 28" x 75" x 5" - Beige
	055018-11-J12	EA	Cover - Seat Cushion - Right - 28" x 75" x 5" - Gray
22	057693-02-J10	EA	Cushion - Seat - Left - 28" x 75" x 5" - Beige
22	057693-02-J12	EA	Cushion - Seat - Left - 28" x 75" x 5" - Gray
	055018-11-J10	EA	Cover - Seat Cushion - Left - 28" x 75" x 5" - Beige
	055018-11-J12	EA	Cover - Seat Cushion - Left - 28" x 75" x 5" - Gray
23	055027-02-J10	EA	Cushion - Backrest - Left - 9" x 37" x 33" x 6" - Beige
23	055027-02-J12	EA	Cushion - Backrest - Left - 9" x 37" x 33" x 6" - Gray
	055028-02-J10	EA	Cover - Backrest Cushion - Left - 9" x 37" x 33" x 6" - Beige
	055028-02-J12	EA	Cover - Backrest Cushion - Left - 9" x 37" x 33" x 6" - Gray

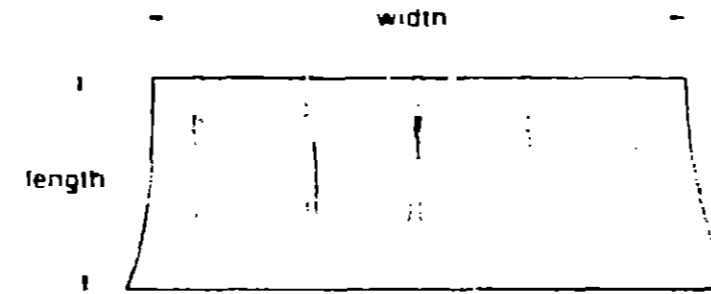
BUCKET SEATS, ARMRESTS AND HEADREST

Key	Part Number	U/M	Description
	054197-02-J10	EA	Seat Asm. - Single Bucket - w/o Armrests and Skirt - Beige
	054197-02-J12	EA	Seat Asm. - Single Bucket - w/Armrests and Skirt - Gray
	053356-03-J10	EA	Cover - Back - Single Bucket - Beige
	053356-03-J12	EA	Cover - Back - Single Bucket - Gray
	053356-07-J10	EA	Cover - Bottom - Single Bucket - Beige
	053356-07-J12	EA	Cover - Bottom - Single Bucket - Gray
	054650-01-J10	EA	Skirt - Single Bucket - Acorn Brown Vinyl
	054199-02-J10	EA	Seat Asm. - Double Bucket - w/Armrests and Skirt - Beige
	054199-02-J12	EA	Seat Asm. - Double Bucket - w/Armrests and Skirt - Gray
	053360-04-J10	EA	Cover - Back - Double Bucket - Beige
	053360-04-J12	EA	Cover - Back - Double Bucket - Gray
	053360-07-J10	EA	Cover - Bottom - Double Bucket - Beige
	053360-07-J12	EA	Cover - Bottom - Double Bucket - Gray
	054650-02-J10	EA	Skirt - Double Bucket - Acorn Brown Vinyl
	019722-01-000	EA	Headrest Asm. - Foam w/o Cover
	053354-03-J10	EA	Cover - Headrest - Beige
	053354-03-J12	EA	Cover - Headrest - Gray
	050275-01-700	EA	Armrest Asm. - Foam w/o Cover - Right
	050276-01-700	EA	Armrest Asm. - Foam w/o Cover - Left
	053357-03-J10	EA	Cover - Armrest - Right or Left - Beige
	053357-03-J12	EA	Cover - Armrest - Right or Left - Gray

PADS

Key	Part Number	U/M	Description
	053868-01-J10	EA	Pad - Sidewall Panel - Drivers
	053791-01-J10	EA	Pad - Sidewall Panel - Passengers
	053811-01-J10	EA	Armrest Asm. - Wall Mount - Driver
	053812-01-J10	EA	Armrest Asm. - Wall Mount - Passenger
	053792-01-J10	EA	Pad - Overhead Bunk - Right
	053792-02-J10	EA	Pad - Overhead Bunk - Left
	055252-01-J10	EA	Pad - Pullout Table
	057341-02-J10	EA	Pad - End - Galley Overhead Cabinet - Left - Acorn Vinyl

CURTAIN, CUSHION AND PAD GROUP (CONTINUED)



NOTE:

Use this illustration when determining length and width measurements for curtains. You will note the width measurement is taken on the top of the curtain with the curtain fully extended. The length measurement is taken from top to bottom.

CURTAINS AND TIE BACKS

Key	Part Number	U/M	Description
	054051-02-J10	EA	Curtain w/Snap Top - 34" x 37" - Parchment
	054051-03-J10	EA	Curtain w/Snap Top - Blackout - 48" x 96" - Acorn Brown Vinyl
	054292-01-J10	EA	Curtain w/Snaps - Front Wraparound - Left - 25" x 81" - Parchment
	054293-01-J10	EA	Curtain w/Snaps - Front Wraparound - Right - 25" x 81" - Parchment
	054048-05-J10	EA	Tie Back - Curtain - 2" x 18" - Parchment
	054048-06-J10	EA	Tie Back - Curtain - 2" x 18" - Acorn Brown Vinyl

SHADES

Key	Part Number	U/M	Description
	052974-01-000	EA	Shade - Woven Wood - 28 1/2" x 23" - Beige
	052974-02-000	EA	Shade - Woven Wood - 28 1/2" x 23" - Gray
	052971-01-000	EA	Shade - Woven Wood - 68 1/4" x 29" - Beige
	052971-02-000	EA	Shade - Woven Wood - 68 1/4" x 29" - Gray
	052972-01-000	EA	Shade - Woven Wood - 46 3/4" x 29" - Beige
	052972-02-000	EA	Shade - Woven Wood - 46 3/4" x 29" - Gray
	052970-01-000	EA	Shade - Woven Wood - 71" x 29" - Beige
	052970-02-000	EA	Shade - Woven Wood - 71" x 29" - Gray

**1978 ITASCA
TABLE OF CONTENTS**

ICP25RB	A-1 - B-12
ID424RH	B-13 - D-2
IC525DB	D-3 - E-14
ICP27RT	E-15 - G-2

1978 ICP27RT INDEX

Floor Plan	E-15 - E-15
Accessories Group	E-17 - E-18
Bath Group	E-19
Chassis Group	E-20
Curtain, Cushion & Pad Group	E-21 - F-1
Dinette Group	F-2
Driver's Compartment Group	F-3
Electrical Group	F-4 - F-5
Exterior Body Group	F-6 - F-9
Galley Group	F-10
Heating & Air Conditioning Group	F-11
Interior Finish Group	F-12 - F-13
LP Group	F-14
Lounge Group	F-15
Water & Sewage Group	F-16
Window, Vent & Exterior Door Group	F-17 - G-2

CURTAIN, CUSHION AND PAD GROUP (CONTINUED)

FABRICS AND TRIMS

Key	Part Number	U/M	Description
	053325-01-000	YD	Fabric - Drapery - Off White
	053150-01-000	YD	Fabric - Upholstery - Beige
	053150-03-000	YD	Fabric - Upholstery - Gray
	054676-03-J10	EA	Button Asm - Cloth - Beige
	054676-03-J12	EA	Button Asm - Cloth - Gray
	053327-01-000	YD	Vinyl - Non Expanded - 27 oz - Acorn Brown
	053327-02-000	YD	Vinyl - Expanded - 28 oz - Acorn Brown
	053327-03-000	YD	Vinyl - Non Support - 16 Gauge Film - Acorn Brown
	052859-01-J10	FT	Trim - Accent - Acorn Vinyl

CURTAIN HARDWARE

Key	Part Number	U/M	Description
	052327-04-236	EA	Track - Curtain - Brown Alum - 89" w Holes
	05272-04-200	EA	Track - Curtain - Off White Alum - 89" w Holes
	056001-01-000	EA	Bracket - Shade - Left
	056002-01-000	EA	Bracket - Shade - Right
	056289-01-000	EA	Track - Wraparound Curtain - Right
	056289-02-000	EA	Track - Wraparound Curtain - Left
	009107-01-000	EA	Guide - Nylon Snap - Curtain
	018031-42-000	EA	Track - Curtain - "L" Rod - Alum Extr - 90'
	009701-01-000	EA	Carrier - "L" Rod - Curtain
	009702-01-000	EA	End Stop - "L" Rod - Curtain



Key	Part Number	U/M	Description
1	029130-01-000	EA	Socket - Snap Fastener
2	029155-01-000	EA	Cap - Snap - 1.56" Dia x .17" Barrel
3	029156-01-000	EA	Socket - Snap Fastener
4	029092-01-000	EA	Stud - Nickel Finish
5	029093-01-000	EA	Eyelet - Nickel Finish

DINETTE GROUP

CONVENTIONAL DINETTE W/OPPOSING BENCHES

Key	Part Number	U/M	Description
	053192-01-J10	EA	Table Asm - Dinette - Country Elm - w/o Hardware
	047842-01-000	EA	Hardware Kit - Dinette Table Leg
	047809-03-000	EA	Hardware Kit - Dinette Table - Wall Mount
	055230-01-J10	EA	Seat Asm - Dinette - Front - w/o Seat Back Doors or Hardware
	055250-02-J10	EA	Seat Back - Dinette - Front
	055174-01-J10	EA	Seat Asm - Dinette - Rear - w/o Seat Back, Door or Hardware
	055250-01-J10	EA	Seat Back - Dinette - Rear
	055526-01-J10	EA	Door Asm - Dinette Seat - 11 5.3" x 16 3.4" - w/o Hardware
	055543-01-J10	EA	Cabinet Asm - Dinette Overhead - w/o Doors or Hardware
	055526-05-J10	EA	Door Asm - Dinette Overhead Cabinet - 91 2" x 21 1.2" - w/o Hardware

DINETTE COUCH W/TWIN PEDESTAL TABLES

Key	Part Number	U/M	Description
	054783-01-J10	EA	Cabinet Asm - Dinette Couch - w/o Slider
	053879-03-000	EA	Slide Asm - Dinette Couch - w/ Legs
	022517-01-000	EA	End Cap - 1" x 1" - Brown Plastic
	053203-07-J10	EA	Table Asm - Pedestal - Country Elm - w/o Hardware
	009040-02-000	EA	Table Leg - 27 5" x 2 25" - Chrome
	009040-03-000	EA	Base - Table Leg - Mounts on Table
	041194-01-000	EA	Base - Table Leg - Mounts in Floor
	055543-01-J10	EA	Cabinet Asm - Dinette Overhead - w/o Doors or Hardware
	055526-05-J10	EA	Door Asm - Dinette Overhead Cabinet - 91 2" x 21 1.2" - w/o Hardware

DINETTE W/CORNER LOUNGE CHAIRS

Key	Part Number	U/M	Description
	053849-02-J10	EA	Cabinet Asm - Corner Lounge Chair - Rear
	053386-02-J10	EA	Cabinet Asm - Corner Lounge Chair - Front
	045753-01-000	EA	Cap - Corner - Brown Plastic
	053977-01-J10	EA	Countertop Asm - Lounge Table - Country Elm
	053855-01-J10	EA	Support - Lounge Table
	045795-01-000	EA	Holder - Glass - Brown Plastic
	055543-01-J10	EA	Cabinet Asm - Dinette Overhead - w/o Doors or Hardware
	055526-05-J10	EA	Door Asm - Dinette Overhead Cabinet - 91 2" x 21 1.2" - w/o Hardware

DINETTE W/SWIVEL CHAIRS AND FLIP UP TABLE

Key	Part Number	U/M	Description
	054555-01-J10	EA	Cabinet Asm - Pullout Table - w/o Countertop, Pad or Table
	054553-01-J10	EA	Countertop Asm - Pullout Table Cabinet - Country Elm
	054552-01-J10	EA	Table Asm - Pullout - Country Elm
	009148-01-000	EA	Finger Pull - 3 4" Dia - Brass
	045795-01-000	EA	Holder - Glass - Brown Plastic
	055543-01-J10	EA	Cabinet Asm - Dinette Overhead - w/o Doors or Hardware
	055526-05-J10	EA	Door Asm - Dinette Overhead Cabinet - 91 2" x 21 1.2" - w/o Hardware
	035036-01-000	EA	Plate - TT Chair
	035036-02-000	EA	Base - TT Chair w Legs

1978 ITASCA TABLE OF CONTENTS

ICP25RB	A-1 - B-12
ID424RH	B-13 - D-2
IC525DB	D-3 - E-14
ICP27RT	E-15 - G-2

1978 ICP27RT INDEX

Floor Plan	E-15 - E-16
Accessories Group	E-17 - E-18
Bath Group	E-19
Chassis Group	E-20
Curtain, Cushion & Pad Group	E-21 - F-1
Dinette Group	F-2
Driver's Compartment Group	F-3
Electrical Group	F-4 - F-5
Exterior Body Group	F-6 - F-9
Galley Group	F-10
Heating & Air Conditioning Group	F-11
Interior Finish Group	F-12 - F-13
LP Group	F-14
Lounge Group	F-15
Water & Sewage Group	F-16
Window, Vent & Exterior Door Group	F-17 - G-2

DRIVER'S COMPARTMENT GROUP

DASH SWITCHES AND GAUGES

Key	Part Number	U/M	Description
	031376-01-000	EA	Control Asm - Heater - 3 Speed
	055279-01-000	EA	Control Asm - Heater A C - 3 Speed
	024461-01-000	EA	Switch - Battery
	024462-01-000	EA	Switch - Battery Condition
	024463-01-000	EA	Switch - Blinker
	024464-01-000	EA	Switch - Washer
	024465-01-000	EA	Switch - Fuel
	024467-01-000	EA	Switch - Wiper
	024976-01-000	EA	Switch - Generator w/o Circuit Board
	037387-01-000	EA	Switch - Generator w Circuit Board
	024459-01-000	EA	Gauge - Voltmeter
	024460-01-000	EA	Gauge - Vacuum
	031035-01-000	EA	Gauge - Generator Hourmeter

DASH PANEL AND COMPONENTS

Key	Part Number	U/M	Description
	053464-01-000	EA	Dash Asm - Complete w Gauges and Switches
	022548-03-000	EA	Pad - Dash - Right - Dark Brown
	023242-05-000	EA	Pad - Dash - Left - Dark Brown
	024418-01-000	EA	Lamp Asm - Map Gauge
	007308-01-000	EA	Clock - Dash
	052367-01-000	EA	Lighter Asm - Cigarette - 12 Volt
	007041-01-000	EA	Bezel - Cigarette Lighter
	050344-01-000	EA	Bezel - Entertainment Center No. 2 - with cutout for Clock, Radio and Cigarette Lighter
	050345-01-000	EA	Bezel - Entertainment Center No. 3 - with cutout for Clock, Radio, Cigarette Lighter, Hourmeter and Generator Switch
	007071-01-000	EA	Louver - Chrome - w Chrome Wheel
	039847-03-000	EA	Bezel - Control Panel
	024990-02-000	EA	Outlet - Defroster w Swivel - 2" - Dark Brown
	039044-01-000	EA	Louver Asm - A C Adjustable

MISCELLANEOUS DRIVER'S COMPARTMENT COMPONENTS

Key	Part Number	U/M	Description
	050447-01-000	EA	Pedestal Asm - Tilt Seat - Driver
	050447-02-000	EA	Pedestal Asm - Tilt Seat - Passenger
	050447-04-000	EA	Pedestal Asm - Double Seat - Tilt
	007019-01-000	EA	Belts Asm - Seat - 2" x 54" - Black
	041322-01-000	EA	Washer - Flat - 15 3/4" ID x 2 3/8" O D
	048583-01-000	EA	Beverage Tray - Plastic - Dark Brown
	048670-01-000	EA	Track Asm - Beverage Tray
	053605-01-J10	EA	Cabinet Asm - Front Overhead
	034800-01-000	EA	Cover - Motor - Plastic
	039623-01-000	FT	Seal - Cover Engine
	039857-01-000	EA	Latch - Rubber - Draw Handle 5 3/4" w Strike
	039856-01-000	EA	Latch - Rubber - Draw Handle 3" w Strike
	040519-01-000	EA	Boot - Rubber Steering Column
	040520-01-000	EA	Boot - Retainer - Steering Column
	034499-01-000	EA	Support - Dimmer Switch
	042434-02-000	EA	Sunvisor Asm - 8" x 28" Dark Brown - Left u. Right
	035358-02-000	EA	Seal - Motor Cover - Alum
	046086-01-000	EA	Ashtray Asm - Flush Mount Chrome
	042341-03-000	EA	Trim - Interior "A" Post - Left - Brown Plastic
	042341-04-000	EA	Trim - Interior "A" Post - Right - Brown Plastic
	007278-01-000	EA	Mirror - Inside Rear View 4 1/2" x 9"
	033860-02-000	EA	Cable - Bowden - 46"

ELECTRICAL GROUP

BULBS

Key	Part Number	U/M	Description
	037935-01-000	EA	Bulb - 1157
	038010-01-000	EA	Bulb - 1143
	008103-01-000	EA	Bulb - 53
	008213-01-000	EA	Bulb - 57
	008214-01-000	EA	Bulb - 67
	008215-01-000	EA	Bulb - 1003
	008216-01-000	EA	Bulb - 1034
	008217-01-000	EA	Bulb - 1073
	008218-01-000	EA	Bulb - 1141
	008219-01-000	EA	Bulb - 556
	008220-01-000	EA	Bulb - 12V - 25W
	036196-01-000	EA	Bulb - 194
	700020-01-000	EA	Bulb - 12V - 20W - 1383

INTERIOR LIGHTS

Key	Part Number	U/M	Description
	033508-02-000	EA	Light - Dome - Ivory - 1 Bulb - US
	033508-03-000	EA	Light - Dome - Ivory - 1 Bulb - CSA
	023509-02-000	EA	Light - Dome - Ivory - 2 Bulb - US
	033509-03-000	EA	Light - Dome - Ivory - 2 Bulb - CSA
	024642-01-000	EA	Lens - Dome Light - 1 Bulb
	024643-01-701	EA	Lens - Dome Light - 2 Bulb
	024418-01-000	EA	Lamp Asm - Map Gauge Aisle
	024473-01-000	EA	Light - Aircraft - 1 Bulb - Gold

EXTERIOR LIGHTS

Key	Part Number	U/M	Description
	008089-01-000	EA	Porchlight - Recessed
	042405-03-000	EA	Base - Rectangular Clearance Light
	042405-04-000	EA	Lens - Clearance Light - Red
	042405-05-000	EA	Lens - Clearance Light - Amber
	045863-01-000	EA	Lamp Asm - Tail - Horizontal
	045864-01-000	EA	Lamp Asm - Tail - Horizontal w License Mount
	045863-01-700	EA	Lens - Tail Light - Red
	045863-01-701	EA	Lens - Tail Light - Red w Backup
	046125-01-000	EA	Wedge - Tail Light

FUSES AND CIRCUIT BREAKERS

Key	Part Number	U/M	Description
	056473-01-000	EA	Fuse - Slow Blow - 5 1/4" Amp
	008233-01-000	EA	Fuse - 12 Volt - 6 Amp
	008234-01-000	EA	Fuse - 12 Volt - 10 Amp
	008235-01-000	EA	Fuse - 12 Volt - 15 Amp
	008236-01-000	EA	Fuse - 12 Volt - 20 Amp
	008246-01-000	EA	Fuse - 110 Volt - 30 Amp - AGU
	008252-01-000	EA	Fuse - 110 Volt - 50 Amp
	008206-01-000	EA	Circuit Breaker - 12 Volt - 40 Amp
	008211-01-000	EA	Circuit Breaker - 12 Volt - 6 Amp
	008266-01-000	EA	Circuit Breaker - 12 Volt - 30 Amp w Mount
	033573-01-000	EA	Circuit Breaker - 12 Volt - 20 Amp w Mount
	040051-01-000	EA	Circuit Breaker - 110 Volt - 20 Amp - TOL

1978 ITASCA TABLE OF CONTENTS

ICP25RB	A-1 - B-12
ID424RH	B-13 - D-2
IC525DB	D-3 - E-14
ICP27RT	E-15 - G-2

1978 ICP27RT INDEX

Floor Plan	E-15 - E-16
Accessories Group	E-17 - E-18
Bath Group	E-19
Chassis Group	E-20
Curtain, Cushion, & Pad Group	E-21 - F-1
Dinette Group	F-2
Driver's Compartment Group	F-3
Electrical Group	F-4 - F-5
Exterior Body Group	F-6 - F-9
Galley Group	F-10
Heating & Air Conditioning Group	F-11
Interior Finish Group	F-12 - F-13
LP Group	F-14
Lounge Group	F-15
Water & Sewage Group	F-16
Window Vent & Exterior Door Group	F-17 - G-2

ELECTRICAL GROUP (CONTINUED)

WINDSHIELD WIPER AND WASHER

Key	Part Number	U/M	Description
	007029-01-000	EA	Washer - Electric - Windshield
	049463-01-000	EA	Arm - Windshield Wiper - 15" Black
	037998-01-900	EA	Link Asm - Connecting - 22.40" Long
	037979-01-000	EA	Motor Asm - Windshield Wiper
	049464-01-000	EA	Blade - Windshield Wiper - 16" Black
	038001-01-000	EA	Shaft and Pivot Asm - 2 25" Arm
	700073-05-000	EA	Pump and Cover Asm. - Windshield Washer
	700073-04-000	EA	Reservoir Only - Water - Windshield Washer
	700073-02-000	EA	Washer Nozzle Hardware Package

WIRE, SWITCHES, AND RECEPTACLES

Key	Part Number	U/M	Description
	009024-01-000	FT	Wire - 18.5 Bonded - Orange/White/Yellow/Blue/Brown
	008025-01-000	FT	Wire - 18.5 Bonded - Orange/White/Yellow/Blue/Green
	008028-01-000	FT	Wire - 18.5 Bonded - Blue/Red/Yellow/Orange/White
	008030-01-000	FT	Wire - 18.4 Bonded
	008251-01-000	EA	Holder - Fuse - Black - Screw Type
	008277-01-000	EA	Holder - Fuse - Black - Panel Mount
	008195-01-000	EA	Switch - Push Button - 12 Volt
	006077-01-000	EA	Plaque - Compressor Switch
	008054-01-000	EA	Cord - Power - 10-3 30 Amp - 25' - UL
	008052-01-000	EA	Cord - Power - 10-3 30 Amp - 25' - CSA
	034818-04-000	EA	Holder - Receptacle - Plastic
	039338-01-000	EA	Cover Plate - Receptacle - Plastic - Brown
	039342-01-000	EA	Receptacle - Duplex Brown - T Junction
	024571-01-000	EA	Cover Plate - Receptacle - Jumbo Steel Brown
	039343-01-000	EA	Cap - End - Receptacle
	008162-01-000	EA	Switch - Double Toggle - Spade Brown
	008163-01-000	EA	Switch - Toggle Brown
	008164-01-000	EA	Cover Plate - Switch - Brown
	024924-01-000	EA	Receptacle - Power Cord
	008055-01-000	EA	Adaptor - Power Cord
	047353-01-000	EA	Cover - Receptacle - Ground Fault
	047351-01-000	EA	Receptacle - Ground Fault Interrupter - 125 Volt, Black

MISCELLANEOUS ELECTRICAL COMPONENTS

Key	Part Number	U/M	Description
	047338-01-000	EA	Isolator - Dual Battery
	047389-01-700	EA	Battery - 12 Volt - 135 Amp. Deep Cycle - Dry
	008188-01-000	EA	Solenoid - Dual Battery - Relay
	046775-01-000	EA	Valve - Gas - Change Over
	039950-02-000	EA	Control Center - 30 Amp w/Door - UL
	039950-01-701	EA	Circuit Board - Control Center - w/Light
	039950-01-700	EA	Circuit Board - Control Center - w/o Light
	054544-01-000	EA	Control Center - 37 Amp - VL
	039950-01-702	EA	Circuit Board - Control Center
	048812-01-000	EA	Panel Control - Water/Double Sewage - Wemac
	039651-01-000	EA	Sending Unit Kit - Wemac
	024459-01-000	EA	Gauge - Voltmeter
	024462-01-000	EA	Switch - Battery Condition
	031035-01-000	EA	Gauge - Hour Meter - Generator
	024976-01-000	EA	Switch - Generator w/o Circuit Board
	024460-01-000	EA	Gauge Vacuum
	036517-01-000	EA	Relay - Canister - S P D T

EXTERIOR BODY GROUP

EXTERIOR BODY PANELS AND SHEET ALUMINUM

Key	Part Number	U/M	Description
	054827-01-J10	EA	Backwall Asm.
	054758-01-J10	EA	Sidewall Asm - Left
	054916-01-J10	EA	Sidewall Asm - Right
	055175-01-J10	EA	Roof Asm.
	039155-03-008	EA	Alum. - Off White Mesa I - 024" x 36" x 60"
	039155-03-003	EA	Alum. - Off White Mesa I - 024" x 36" x 360"
	039155-03-007	EA	Alum. - Off White Mesa I - 024" x 48" x 60"
	039155-03-006	EA	Alum. - Off White Mesa I - 024" x 48" x 360"
	039155-03-003	EA	Alum. - Off White Mesa I - 024" x 12" x 360"
	039155-28-001	EA	Alum. - Off White Mesa II - 024" x 36" x 60"
	039155-28-003	EA	Alum. - Off White Mesa II - 024" x 36" x 360"
	039155-28-004	EA	Alum. - Off White Mesa II - 024" x 48" x 60"
	039155-28-006	EA	Alum. - Off White Mesa II - 024" x 48" x 360"
	039155-26-007	EA	Alum. - Off White Mesa II - 024" x 12" x 360"
	044487-01-001	EA	Alum. - Mill Finish - No Design (Roof) - 96" x 360"
	039155-07-010	EA	Alum. - Off White - Greyhound Design - 46" x 96"
	001054-01-011	EA	Alum. - Off White - No Design - 46" x 96"

Note: The raised portion of Mesa I aluminum is 1.657" wide.
The raised portion of Mesa II aluminum is .857" wide.

LABELS AND DECALS

Key	Part Number	U/M	Description
	006031-01-000	EA	Label - Potable Water Only
	006187-01-000	EA	Label - Sewage
	006188-01-000	EA	Label - Waste Water
	006199-01-000	EA	Label - Exit - Escape Window
	039289-01-000	EA	Label - Warning Aux Loading
	006023-01-000	EA	Label - Water Only
	006025-01-000	EA	Label - Gas
	006028-01-000	EA	Label - Drain Cap - 2" x 3"
	008092-01-000	EA	Reflector - Stick on - Rectangular - Red
	008093-01-000	EA	Reflector - Stick on - Rectangular - Amber
	006015-01-000	EA	Label - Patent - Motorhome
	054531-01-000	EA	Label - LP Gas Only
	047731-01-000	EA	Label - Emergency Exit
	006040-01-000	EA	Tag - Gas - Refueling Warning
	006062-01-000	EA	Tag - Elec - 110 V Connection
	040055-05-000	EA	Decal - Clearance Light Stripe - Right - Black/Yellow
	040055-06-000	EA	Decal - Clearance Light Stripe - Left - Black/Yellow
	040055-07-000	EA	Decal - Clearance Light Stripe - Right - Black/Gray
	040055-08-000	EA	Decal - Clearance Light Stripe - Left - Black/Gray
	041273-17-000	FT	Decal Stripe .63" Black
	056004-03-000	EA	Decal - Logo Itasca 5.25" High - Bronze
	056004-02-000	EA	Decal - Logo Itasca 5.25" High - Gray w/White Backing
	056251-01-000	EA	Decal - Front Side - Upper Right
	056251-02-000	EA	Decal - Front Side - Upper Left
	056257-01-000	EA	Stencil - Front Stripe - Right Side
	056257-02-000	EA	Stencil - Front Stripe - Left Side
	056259-01-000	EA	Decal - Front Stripe - Right
	056258-02-000	EA	Decal - Front Stripe - Left
	040944-01-000	EA	Label - Open - Entrance Door

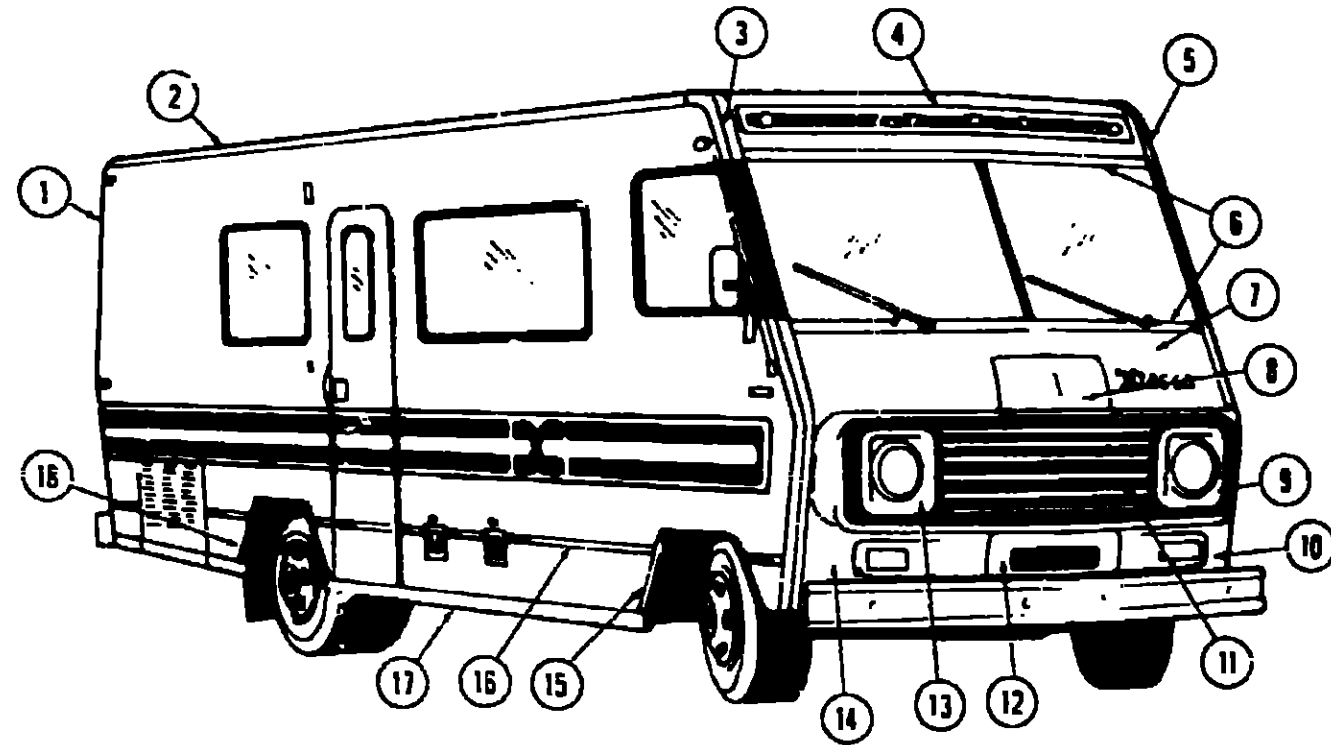
1978 ITASCA TABLE OF CONTENTS

ICP25RB	A-1 - B-12
ID424RH	B-13 - D-2
IC525DB	D-3 - E-14
ICP27RT	E-15 - G-2

1978 ICP27RT INDEX

Floor Plan	F-15 - E-16
Accessories Group	E-17 - E-18
Bath Group	E-19
Chassis Group	E-20
Curtain, Cushion & Pad Group	E-21 - F-1
Dinette Group	F-2
Driver's Compartment Group	F-3
Electrical Group	F-4 - F-5
Exterior Body Group	F-6 - F-9
Galley Group	F-10
Heating & Air Conditioning Group	F-11
Interior Finish Group	F-12 - F-13
LP Group	F-14
Lounge Group	F-15
Water & Sewage Group	F-16
Window, Vent & Exterior Door Group	F-17 - G-2

EXTERIOR BODY GROUP (CONTINUED)



1978 ITASCA
TABLE OF CONTENTS

ICP25RB
ID424RH
IC525DB
ICP27RT

A-1 - B-12
B-13 - D-7
D-3 - E-14
E-15 - G-2

Key	Part Number	U/M	Description
1	039964-01-000	EA	Trim - Contour - Right Rear - Off White
•	039964-02-000	EA	Trim - Contour - Left Rear - Off White
2	034922-03-000	EA	Trim - Sidewall - Upper - Left or Right - Off White
3	039963-01-000	EA	Trim - Contour - Right Front - Off White
4	039499-01-000	EA	Cap Asm - Fiberglass - Over Windshield - Off White
5	039963-02-000	EA	Trim - Contour - Left Front - Off White
6	052469-01-000	EA	Trim - Windshield - 91" - Off White
7	046142-01-000	EA	Shroud - Front - Upper - Off White
8	046145-01-000	EA	Door - Access - Front - Off White Plastic
•	047336-01-000	EA	Catch - Magnetic (Access Door) Surface Mount
•	039615-01-000	EA	Holding Rod - Hood
9	046141-01-000	EA	Bezel - Headlamp - Plastic - Left
10	046144-01-000	EA	Shroud - Front - Lower Left - Off White
11	047396-03-000	EA	Grille Asm - Front - Alum.
12	046146-01-000	EA	Shroud - Front Center - Off White
13	046140-01-000	EA	Bezel - Headlamp - Plastic - Right
14	046143-01-000	EA	Shroud - Front - Lower Right - Off White
•	035628-01-000	EA	Fastener - Blind Well Nut - Fiberglass to Chassis

Key	Part Number	U/M	Description
15	039962-01-000	EA	Trim - Wheel Well - Front - Left or Right
16	002444-02-003	EA	Extr. - Feature Strip w/o Insert - Alum - 16"
•	001030-04-002	EA	Insert - Feature Strip - Antique Bronze Alum - 17"
•	009731-01-000	EA	End Cap - Feature Strip
17	036908-02-001	EA	Extr. - Anod. - Rocker Panel - 18"
•	040632-01-000	EA	Plug - Rocker Panel - Mitered - Wheel Well Opening Used for Left Side of All Wheel Well Openings
•	040631-01-000	EA	Plug - Rocker Panel - Mitered - Wheel Well Opening Used for Right Side of All Wheel Well Openings
•	040420-01-000	EA	Plug - Rocker Panel End - Right
•	040420-02-000	EA	Plug - Rocker Panel End - Left
18	039961-01-000	EA	Trim - Wheel Well Rear - Right or Left
•	038494-04-000	EA	Trim - Windshield - Center - 31 42" - Black
•	002365-02-001	EA	Extr. - Anod. U-Channel - 18" (Lower Backwall)
•	044582-02-000	EA	Drip Cap - Over Entry Door - Off White
•	009717-02-002	EA	Extr. - Drip Rail - Alum - 19"
•			Not Illustrated

1978 ICP27RT INDEX

Floor Plan	E-15 - E-16
Accessories Group	E-17 - E-18
Bath Group	E-19
Chassis Group	E-20
Curtain, Cushion & Pad Group	E-21 - F-1
Dinette Group	F-2
Driver's Compartment Group	F-3
Electrical Group	F-4 - F-5
Exterior Body Group	F-6 - F-9
Galley Group	F-10
Heating & Air Conditioning Group	F-11
Interior Finish Group	F-12 - F-13
LP Group	F-14
Lounge Group	F-15
Water & Sewage Group	F-16
Window, Vent & Exterior Door Group	F-17 - G-2

EXTERIOR BODY GROUP (CONTINUED)

SEALANTS, ADHESIVES AND FASTENERS

Key	Part Number	U/M	Description
	034552-05-000	EA	Sealant - Off White Silicone
	034552-04-000	EA	Sealant - Beige Silicone
	034552-02-000	EA	Sealant - Clear Silicone
	004342-01-000	EA	Sealant - Weatherban 202 Tube
	004346-02-000	EA	Sealant - White Silicone
	004347-01-000	EA	Sealant - TulleX
	004357-01-000	FT	Tape - Sealer - 1/8" x 5/8" - Adhesive
	009200-01-000	EA	Tape - Furnace - 1 1/2"
	004353-01-000	FT	Tape - Gasket - 1/8" x 3/4" - White
	002825-01-000	FT	Weather Stripping - Roof Vent
	002337-01-000	EA	Adhesive - 3M - 1300 Tube
	004005-01-000	GL	Adhesive - Swifts - Green - Glue (Sidewalls)
	004012-01-000	EA	Adhesive - 3M - 4475 Tube
	004020-01-000	QT	Adhesive - ABS Cement (Plastic Fittings)
	029051-01-000	EA	Adhesive - Spray Vinyl
	042401-02-000	EA	Screw - 8 - 18 x 3/4" x SDPH - Off White
	042403-02-000	EA	Screw - SF/DR - 8 - 18 x 1" SDPH - Off White
	005058-01-000	EA	Screw - Wood - 12 - 11 x 3" P.O.H. Zinc.
	053766-01-000	EA	Bedding Compound - Tube Black - Schnee Morehead
	053766-02-000	EA	Bedding Compound - Tube White - Schnee Morehead
	053767-01-000	FT	Tape - 1/2" x 1/8" x 30' - Gray - Schnee Morehead
	053767-02-000	FT	Tape - 3/16" Bead x 25' - Gray - Schnee Morehead
	053767-03-000	FT	Tape - 1/4" Bead x 20' - Gray - Schnee Morehead
	053767-04-000	FT	Tape - 3/4" x 1/8" x 30' - Gray - Schnee Morehead
	053767-05-000	FT	Tape - 2" x 3/32" x 45' - Gray - Schnee Morehead

EXTERIOR PAINT

Key	Part Number	U/M	Description
	041561-01-000	EA	Paint - Off White - Acrylic Enamel - 1 Gal.
	041561-03-000	EA	Paint - Off White - Acrylic Enamel - 16 oz. Spray
	041561-04-000	EA	Paint - Off White - Acrylic Laquer - 1 Gal.
	045681-01-000	EA	Paint - Satin Black - Acrylic Enamel - 16 oz. Spray
	045681-03-000	EA	Paint - Gloss Black - Acrylic Enamel - 16 oz. Spray
	055681-03-000	EA	Paint - Copper Tan Metallic - 16 oz. Spray - Dupont 5520
	055682-03-000	EA	Paint - Mellow Yellow - 16 oz. Spray - Dupont - 5522
	055683-03-000	EA	Paint - Tan Bronze Metallic - 16 oz. Spray - Dupont 44161
	055684-03-000	EA	Paint - Medium Gray Metallic - 16 oz. Spray - Dupont 44783

MISCELLANEOUS EXTERNALLY MOUNTED PARTS

Key	Part Number	U/M	Description
	016253-06-000	EA	Fuel Fill - Recessed - Single - Off White
	056132-01-000	EA	Fill - Water Lockable
	011124-01-000	EA	Plumbing Seal - Roof Vent - 1 1/4" White
	011129-01-000	EA	Plumbing Seal - Roof Vent - 1 1/2" White
	049347-01-000	EA	Mirror Head - 7 1/2" x 10 1/2" Stainless Steel w/o Bracket
	049348-01-000	EA	Arm - Low Mount Mirror - Brite Finish
	049944-02-000	EA	Bracket - Mirror - Outside - Off White - Mounts to Coach
	057461-01-000	EA	Mirror - Exterior w/Convex - 7 1/2" x 10 1/2"
	047509-01-000	EA	Fuel Fill - Recessed - Single - For Aux. Tank

GALLEY GROUP

GALLEY CABINETS

Key	Part Number	U/M	Description
	055167-01-J10	EA	Cabinet Asm. - Galley - w/o Countertop, Doors, Drawers or Hardware
	055341-02-J10	EA	Countertop Asm. - Galley Cabinet - Butcher Block
	053963-01-J10	EA	Extension Asm. - Galley Countertop - w/o Hardware - Butcher Block
	054028-01-J10	EA	Sink Cover - Butcher Block
	054110-03-J10	EA	Drawer Asm. - Galley Cabinet - 13 7/8" x 5" x 20" Deep - w/o Hardware
	055106-01-J10	EA	Drawer Asm. - Pantry - Roll Out
	055526-02-J10	EA	Door Asm. - Galley Cabinet - 15 3/4" x 26 3/8" - w/o Hardware
	055526-03-J10	EA	Door Asm. - Refrigerator Cabinet - 13 7/8" x 24 3/8" - w/o Hardware
	055429-01-J10	EA	Cabinet Asm. - Galley Overhead w/o Doors or Hardware
	055526-06-J10	EA	Door Asm. - Galley Overhead Cabinet - w/o Hardware
	053678-02-J07	EA	Cabinet Asm. - Microwave - w/o Doors or Hardware
	053969-02-J10	EA	Door Asm. - Microwave Cabinet - 11 3/8" x 15 1/4" - w/o Hardware

GALLEY HARDWARE AND APPLIANCES

Key	Part Number	U/M	Description
	011032-01-000	EA	Sink - Stainless Steel - Double w/Bolts
**	011053-01-000	EA	Faucet - 8" - Swing Spout
**	011085-01-000	EA	Strainer - Sink
	009049-01-000	EA	Support - Galley Extension
	009059-01-000	EA	Hinge - 2" - Gold
	052771-01-000	EA	Oven - Microwave - Magic Chef MW 207
**	047744-02-000	EA	Drawer Glide Kit - 22" - 23.38"
**	045954-03-000	EA	Hood - Range - Powered - Black
**	049045-01-000	EA	Range - 4 Burner - Large Oven - Magic Chef - Chrome
**	049174-02-000	EA	Refrigerator - AC/DC/Gas - Sibir ET230/2

**The illustrated parts breakdown for this item is provided on the Common Items Fiche.

1978 ITASCA TABLE OF CONTENTS

ICP25RB	A-1 - B-12
ID424RH	B-13 - D-2
IC525DB	D-3 - E-14
ICP27RT	E-15 - G-2

1978 ICP27RT INDEX

Floor Plan	E-15 - E-16
Accessories Group	E-17 - E-18
Bath Group	E-19
Chassis Group	E-20
Curtain, Cushion & Pad Group	E-21 - F-1
Dinette Group	F-2
Driver's Compartment Group	F-3
Electrical Group	F-4 - F-5
Exterior Body Group	F-6 - F-9
Galley Group	F-10
Heating & Air Conditioning Group	F-11
Interior Finish Group	F-12 - F-13
LP Group	F-14
Lounge Group	F-15
Water & Sewage Group	F-16
Window, Vent & Exterior Door Group	F-17 - G-2

HEATING AND AIR CONDITIONING GROUP

Key	Part Number	U/M	Description
	048230-02-000	EA	Kit - Auto Air - 350 - C.I.D. A-Body
	048232-02-000	EA	Kit - Auto Air - 454 - C.I.D. A-Body
	047036-01-000	EA	A/C Compressor Mount Package - 350 C.I.D.
	048100-01-000	EA	A/C Compressor Mount Package - 454 C.I.D.
	048801-01-000	EA	Condenser - A/C 350/454 C.I.D.
	024867-01-000	EA	Valve - Thermostat Expansion
	031393-01-000	EA	Evaporator Coil
	031962-01-000	EA	Bracket - Receiver Drier Mounting
	024868-01-000	EA	Receiver - Dehydrator
	024996-01-000	EA	Clutch - Magnetic - Compressor
	024999-01-000	EA	Compressor - Auto Air - 10.3 Cu. In.
	031043-01-000	EA	Valve - Flow Control - Heater
	031044-01-000	EA	Clamp - Receiver Drier
	031169-02-000	EA	Cable - Control - Flexible - 48"
	031170-01-000	EA	Clamp - Cable - 3/16" Diameter
	031960-01-000	EA	Hose - Refrigerant - 3/4" I.D. x 30"
	031961-01-000	EA	Hose - Refrigerant - 3/4" I.D. x 14.75"
	033258-01-000	EA	Hose - Refrigerant - 5/8" I.D. x 34.5"
	034222-01-000	EA	Hose - Refrigerant - 3/4" I.D. x 26"
	034222-02-000	EA	Hose - Refrigerant - 3/4" I.D. x 32"
	033860-02-000	EA	Cable - Bowden - 46"
	007076-01-000	FT	Hose - Flex - 2" Diameter
	007108-01-000	FT	Hose - Heater - 5/8" Diameter
	007139-01-000	EA	Clamp - Hose 5/8" - 1 1/16" Diameter
	007140-01-000	EA	Clamp - Hose - 2" x 3" Diameter
	007281-01-000	FT	Hose - Flex - 2 1/2" Diameter
	024860-01-000	EA	Panel - Front - Heater - A/C
	024997-01-000	EA	Core - Heater
	024998-01-000	EA	Wheel - Blower - 4.72" O.D.
	047046-01-000	EA	Motor - 12V - 3 Speed
	039044-01-000	EA	Louver Asm. - A/C Adjustable
	008267-01-000	EA	Switch - A/C Temperature
	055280-01-000	EA	Switch - Heater and A/C
	031376-01-000	EA	Control Asm. - Heater - 3 Speed
	055279-01-000	EA	Control Asm. - Heater A/C - 3 Speed
	024985-01-000	EA	Register w/Damper - 9.9" x 4.8"
	009198-01-000	EA	Duct - Flexible - 4" I.D. x 25'
	031604-01-000	EA	Bonnet - Heat Register
	039505-02-000	EA	Thermostat - Horizontal Wall Mount - Black
	009200-01-000	EA	Tape - Furnace - 1 1/2"
**	049043-01-000	EA	Furnace - 28,000 BTU - Under Counter - Coleman - 4328
**	049777-02-000	EA	Air Conditioner - 110 Volt - Roof Mount - 11,000 BTU - Ivory Coleman (w/o inside shroud)
**	049778-02-000	EA	Shroud Asm. - Ceiling - Inside - Roof Air - Cool Only - 11,000 BTU - Coleman
**	049774-02-000	EA	Air Conditioner - 110 Volt - Roof Mount - 13,500 BTU Ivory - Coleman (w/o Inside Shroud)
**	049775-02-000	EA	Shroud Asm. - Ceiling - Inside - Roof Air - Cool Only - 13,500 BTU - Coleman
**	049776-01-000	EA	Shroud Asm. - Ceiling - Inside - Roof Air Heat and Cool Only - 13,500 BTU - Coleman

**The illustrated parts breakdown for this item is provided on the Common Items Fiche

INTERIOR FINISH GROUP

PANELING AND COUNTERTOP MATERIALS

Key	Part Number	U/M	Description
	039188-01-000	SF	Paneling - 707 Hickory - 48" x 96" (32 SF)
	053328-01-000	SF	Paneling - Brick - 48" x 96" (32 SF)
	045963-01-000	SF	Paneling - 825 Buff - Ceiling - 48" x 96" (32 SF)
	053330-01-000	SF	Paneling - Grass Cloth - 48" x 60"
	041205-10-000	SF	Plastic Laminate - Country Elm - 48" x 96" (32 SF)
	041205-10-001	EA	Plastic Laminate - Country Elm - 48" x 48"
	041205-10-002	EA	Plastic Laminate - Country Elm - 1.19" x 96"

INTERIOR MOLDINGS AND TRIMS

Key	Part Number	U/M	Description
	000726-06-000	EA	Batt Strip - 707 Hickory
	047354-01-000	EA	Batt Strip - 825 Buff
	024700-04-000	EA	Cover - Sidewall Roll Bar - 707 Hickory
	024700-06-000	EA	Cover - Sidewall Roll Bar - Ivory
	039512-02-000	EA	Cover - Hat Section - 707 Hickory
	039512-06-000	EA	Cover - Hat Section - Ivory
	047488-01-000	EA	Cover - Corner - Hat/Hat
	047490-01-000	EA	Cover - Corner - Hat/Tube
	009767-01-000	FT	Welting - Brown
	009812-03-000	FT	Molding - Plastic - Outside Corner - .50"
	042357-01-000	FT	Molding - Radius Corner - Plastic - Hickory - 7"

FABRICS AND FLOOR COVERINGS

Key	Part Number	U/M	Description
	053325-01-000	YD	Fabric - Drapery - Off White
	053150-01-000	YD	Fabric - Upholstery - Beige
	053150-03-000	YD	Fabric - Upholstery - Gray
	053327-01-000	YD	Vinyl - Non Expanded - 27 Oz. - Acorn Brown
	053327-02-000	YD	Vinyl - Expanded - 28 Oz. - Acorn Brown
	053327-03-000	YD	Vinyl - Non Support - 16 Gauge Film - Acorn Brown
	053332-01-000	SY	Carpet - Prima Donna - Beige
	053332-03-000	SY	Carpet - Prima Donna - Gray

1978 ITASCA TABLE OF CONTENTS

ICP25RB	A-1 - B-12
ID424RH	B-13 - D-2
IC525DB	D-3 - E-14
ICP27RT	E-15 - G-2

1978 ICP27RT INDEX

Floor Plan	E-15 - E-16
Accessories Group	E-17 - E-18
Bath Group	E-19
Chassis Group	E-20
Curtain, Cushion & Pad Group	E-21 - F-1
Dinette Group	F-2
Driver's Compartment Group	F-3
Electrical Group	F-4 - F-5
Exterior Body Group	F-6 - F-9
Galley Group	F-10
Heating & Air Conditioning Group	F-11
Interior Finish Group	F-12 - F-13
LP Group	F-14
Lounge Group	F-15
Water & Sewage Group	F-16
Window, Vent & Exterior Door Group	F-17 - G-2

INTERIOR FINISH GROUP (CONTINUED)

CABINETS AND TABLE HARDWARE

Key	Part Number	U/M	Description
	052929-01-J10	EA	Latch Kit - Cabinet Door - Rustic Early American
**	041939-01-000	EA	Kit - Double Action Hinge
	052932-01-J10	EA	Hinge Kit - Cabinet Door - 3/8" Inset - Antique Brass
**	052891-01-J10	EA	Pull Kit - Lower Door - Rustic Early American
	047744-01-000	EA	Kit - Drawer Glide
**	047809-03-000	EA	Kit - Dinette Hardware - Wall Mount
	047842-01-000	EA	Kit - Hardware - Dinette Table Leg
	009040-02-000	EA	Leg - Pedestal Table - 27.5" - Chrome
**	009040-03-000	EA	Base - Table Leg - Mounts on Table
	041194-01-000	EA	Base - Table Leg - Recessed

**The illustrated parts breakdown for this item is provided on the Common Items Fiche.

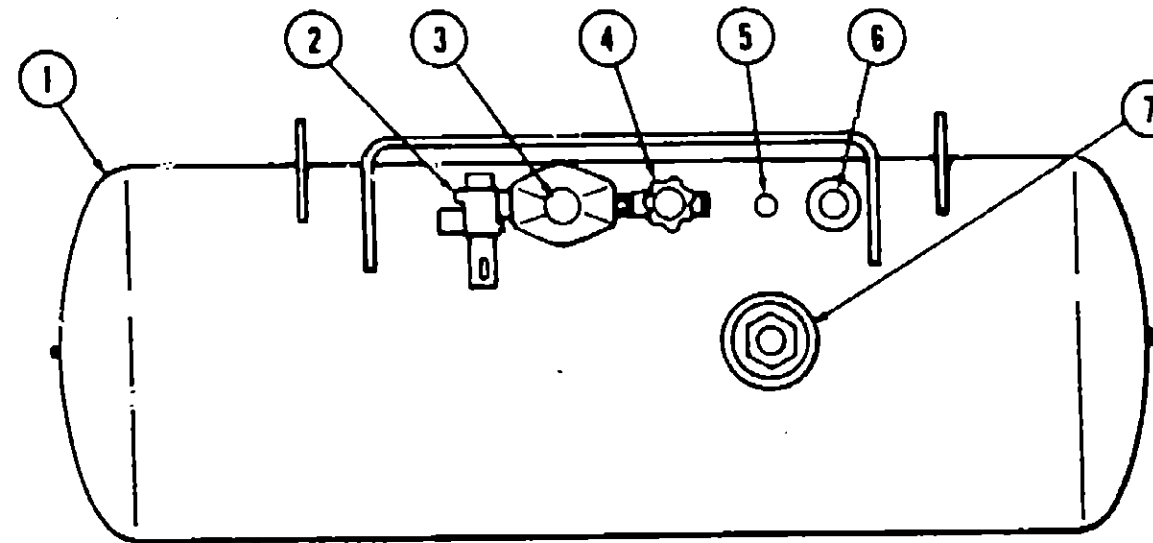
CURTAIN HARDWARE

Key	Part Number	U/M	Description
	052327-04-236	EA	Track - Curtain - Brown Alum. - 89" w/Holes
	053272-04-200	EA	Track - Curtain - Off White Alum. - 89" w/Holes
	056001-01-000	EA	Bracket - Shade - Left
	056002-01-000	EA	Bracket - Shade - Right
	056289-01-000	EA	Track - Wraparound Curtain - Right
	056289-02-000	EA	Track - Wraparound Curtain - Left
	009107-01-000	EA	Guide - Nylon Snap - Curtain
	018031-42-000	EA	Track - Curtain - "L" Rod
	009702-01-000	EA	End Stop - "L" Rod - Curtain
	009701-01-000	EA	Carrier - "L" Rod - Curtain

MISCELLANEOUS

Key	Part Number	U/M	Description
	041944-01-700	EA	Fire Extinguisher - Dry Chemical w/Bracket
	040069-01-000	EA	Door Mat - Black Rubber - Itasca
	053552-01-J10	EA	Handle - Interior Assist - Acorn Brown Vinyl
	006113-01-000	EA	Jack - Hydraulic - 5 Ton w/Handle
	054185-02-000	EA	Owner's Manual - 1978 Itasca
	006069-01-000	EA	Key Case - Leather - Motorhome

LP GROUP



Key	Part Number	U/M	Description
1	040421-01-000	EA	Tank - LP - Frame Mount - 83 Pound
2	047221-01-000	EA	Detector - LP Gas Leak
3	024712-01-000	EA	Cover - LP Regulator
*	052163-01-000	EA	Regulator - Manual - LP Gas - 2 Stage
4	040421-01-703	EA	Valve - Vapor Relief
5	040421-01-700	EA	Gauge - Liquid Level - 20% LP
6	040421-01-701	EA	Valve - Filler - LP
*	040421-01-702	EA	Cap - Plastic Fill Valve
7	040421-01-707	EA	Gauge - Float w/Visible Dial
*	040421-01-704	EA	Gauge - Float w/Electrical Transmitter Dial
*	040421-01-706	EA	Dial - Visible Face
*	040421-01-705	EA	Dial - Transmitter - 0 - 90 Ohm
*	045703-03-000	EA	Hose Asm. - LP - 3/8" I.D. x 14"
*	047737-02-000	EA	Support - LP - 89.25
*	047737-03-000	EA	Support - LP Tank - 30.50"
*			Not Illustrated

**1978 ITASCA
TABLE OF CONTENTS**

ICP25RB	A-1 - B-12
ID424RH	B-13 - D-2
IC525DB	D-3 - E-14
ICP27RT	E-15 - G-2

1978 ICP27RT INDEX

Floor Plan	E-15 - E-16
Accessories Group	E-17 - E-18
Bath Group	E-19
Chassis Group	E-20
Curtain, Cushion & Pad Group	E-21 - F-1
Dinette Group	F-2
Driver's Compartment Group	F-3
Electrical Group	F-4 - F-5
Exterior Body Group	F-6 - F-9
Galley Group	F-10
Heating & Air Conditioning Group	F-11
Interior Finish Group	F-12 - F-13
LP Group	F-14
Lounge Group	F-15
Water & Sewage Group	F-16
Window, Vent & Exterior Door Group	F-17 - G-2

LOUNGE GROUP

WARDROBE CABINETRY

Key	Part Number	U/M	Description
	055440-01-J10	EA	Countertop Asm. - Wardrobe Cabinet - Country Elm
	053991-05-J10	EA	Door Asm. - Wardrobe Cabinet - 16 3/4" x 42 1/4" - w/o Hardware
	055596-01-J10	EA	Door Asm. - Furnace - w/Insert
	047205-08-000	EA	Insert - Furnace Door - 10 1/8" x 12 1/2" - Brass Mesh
	055162-01-J10	EA	Door Asm. - Sliding - w/o Hardware
	009155-01-000	EA	Track - Sliding Door
	009156-01-000	EA	Hanger - Sliding Door
	009148-01-000	EA	Finger Pull - 3/4" Dia. - Brass

OVERHEAD CABINETRY

Key	Part Number	U/M	Description
	055404-01-J10	EA	Cabinet Asm. - Rear Overhead - w/o Doors or Hardware
	055089-02-J10	EA	Cabinet Asm. - Rear Overhead - Right - w/o Doors or Hardware
	055089-01-J10	EA	Cabinet Asm. - Rear Overhead - Left - w/o Doors or Hardware
	055526-05-J10	EA	Door Asm. - Rear Overhead Cabinet - 9 1/2" x 21 1/2" - w/o Hardware

TWIN BEDS AND NIGHTSTAND

Key	Part Number	U/M	Description
	054859-01-J10	EA	Cabinet Asm. - Twin Bed - Right
	054913-01-J10	EA	Cabinet Asm. - Twin Bed - Left
	055524-01-J10	EA	Countertop Asm. - Nightstand Header - 89 3/16" - Country Elm
	055525-01-J10	EA	Cabinet Asm. - Nightstand - Upper - w/Roll Up Door
	043255-01-000	FT	Track - Plastic - Roll Up Door - Brown
	043256-01-000	EA	Spiral - Plastic - Roll Up Door - Right
	043256-02-000	EA	Spiral - Plastic - Roll Up Door - Left
	043257-01-000	FT	Handle - Wood - Roll Up Door
	043316-01-700	EA	Door - Roll Up - Nightstand - w/o Handle
	055515-01-J10	EA	Cabinet Asm. - Nightstand Base - w/o Doors, Drawers or Hardware
	054110-04-J10	EA	Drawer Asm. - Nightstand Cabinet - 27 5/8" x 5" x 15" - w/o Hardware
	055526-08-J10	EA	Door Asm. - Nightstand Cabinet - 9 5/8" x 13 5/8" - w/o Hardware

HORSESHOE LOUNGE

Key	Part Number	U/M	Description
	054822-01-J10	EA	Cabinet Asm. - Gaucho - Right
	054878-01-J10	EA	Cabinet Asm. - Gaucho - Rear
	053203-08-J10	EA	Table Asm. - Pedestal - w/o Hardware - Country Elm
	009040-02-000	EA	Leg - Pedestal Table - 27.5" - Chrome
	009040-03-000	EA	Base - Table Leg - Mounts on Table
	041194-01-000	EA	Base - Table Leg - Mounts in Floor

ENTERTAINMENT CENTER CABINETRY AND HARDWARE

Key	Part Number	U/M	Description
	011028-01-000	EA	Sink - Stainless Steel - Oval w/Bolts
	011083-01-000	EA	Plug - Sink - 1 1/4" w/Chain
	041027-01-000	EA	Faucet - Bar - 8" Spout
	046112-02-000	EA	Mirror - Plastic - 1/8" x 24" x 30"
	046113-01-000	EA	Rosette - Mirror Mounting
	055165-01-J10	EA	Cabinet Asm. - Overhead - Entertainment Center - w/o Doors or Hardware
	055526-05-J10	EA	Door Asm. - Entertainment Overhead Cabinet - 9 1/2" x 21 1/2" - w/o Hardware
	055168-01-J10	EA	Cabinet Asm. - Entertainment Center - w/o Countertop, Door or Hardware
	055526-04-J10	EA	Door Asm. - Entertainment Cabinet - 16 1/8" x 25 1/4" - w/o Hardware
	055163-01-J10	EA	Countertop Asm. - Entertainment Cabinet - Country Elm

WATER AND SEWAGE GROUP

PLUMBING REPAIR PARTS

Key	Part Number	U/M	Description
**	040539-01-000	EA	Kit - Repair - 3/8" O.D. Plastic Tube
**	040540-01-000	EA	Kit - Repair - 1/2" O.D. Plastic Tube
**	040541-01-000	EA	Kit - Repair - 5/8" O.D. Plastic Tube
**	041279-02-000	EA	Pump - Water Flow 2.8 G.P.M. - PAR
**	039647-02-000	EA	Filter - Water Pump 1/2" MPT
**	039809-01-000	EA	Valve - Stool - Plastic 3/8" x 1/2" F.P.T.
**	039818-01-000	EA	Riser Asm. - 3/8" O.D. x 24" Tube
**	039818-02-000	EA	Riser Asm. - 3/8" O.D. x 36" Tube
**	039818-04-000	EA	Riser Asm. - 3/8" O.D. x 72" Tube
**	041819-01-000	EA	Nut and Cone - Plastic 1/2" O.D. Tube
**	039807-01-000	EA	Valve - Drain - Brass - 1/2" MPT
**	004020-01-000	QT	Adhesive - ABS Cement
**	010201-01-000	EA	Hose - Sewer 3" x 10 FT w/Clamp
**	010235-01-000	EA	Cap - Sewage 3"
**	010236-01-000	EA	Adapter - Hose 3" Sewage
**	010234-01-000	EA	Adapter - Bayonet
**	011091-01-000	EA	Waste - Continuous - Double Sink 11 7/8"
**	011066-01-000	EA	P-Trap - Plastic - 1 1/4"
**	010205-01-000	EA	Valve - Sanitary - Thetford 3 x B
**	010210-01-000	EA	Valve - Sanitary - Thetford 3HB
**	010133-01-000	EA	Adapter - Tray - Plastic 1 1/2" H x MPT
**	010071-01-000	EA	Tee - Plastic - 1 1/2" H x H x H
**	010079-01-000	EA	Tee - Plastic - 1 1/2" H x 1 1/2" H x 1 1/4" H
**	010091-01-000	EA	Wye - Plastic - 3" x 45 H x H x H
**	010117-01-000	EA	Coupling - Plastic - 3" H x H
**	010134-01-000	EA	Adapter - Plastic - 1 1/2" M x MPT
**	050780-01-000	EA	Coupler - Rubber - 3" x 3"
**	046524-01-000	EA	Kit - Plastic Fittings - Holding Tank
**	046524-02-000	EA	Kit - Plastic Fittings - Water Tank
**	010209-05-000	EA	Handle - Extension - Sewer Valve - 36"
**	037845-01-000	FT	Tape - Butyl - 3" x 16" - Bead - Black

**The illustrated parts breakdown for this item is provided on the Common Items Fiche.

HOLDING TANKS AND WATER HEATERS

Key	Part Number	U/M	Description
	045194-02-000	EA	Tank Asm. - Water w/Fittings - 36 Gallon
	045194-01-000	EA	Tank Asm. - Water w/o Fittings - 36 Gallon
	045250-01-000	EA	Tank Asm. - Water w/Fittings - 30 Gallon
	045195-01-000	EA	Tank Asm. - Water w/o Fittings - 30 Gallon
	044588-03-000	EA	Tank Asm. - Holding w/Fittings - 32 Gallon
	044588-01-000	EA	Tank Asm. - Holding w/o Fittings - 32 Gallon
	044589-03-000	EA	Tank Asm. - Holding w/Fittings - 29 Gallon
	044589-01-000	EA	Tank Asm. - Holding w/o Fittings - 29 Gallon
**	051392-01-000	EA	Water Heater w/Motor Aid - GH6-3

**The illustrated parts breakdown for this item is provided on the Common Items Fiche.

1978 ITASCA TABLE OF CONTENTS

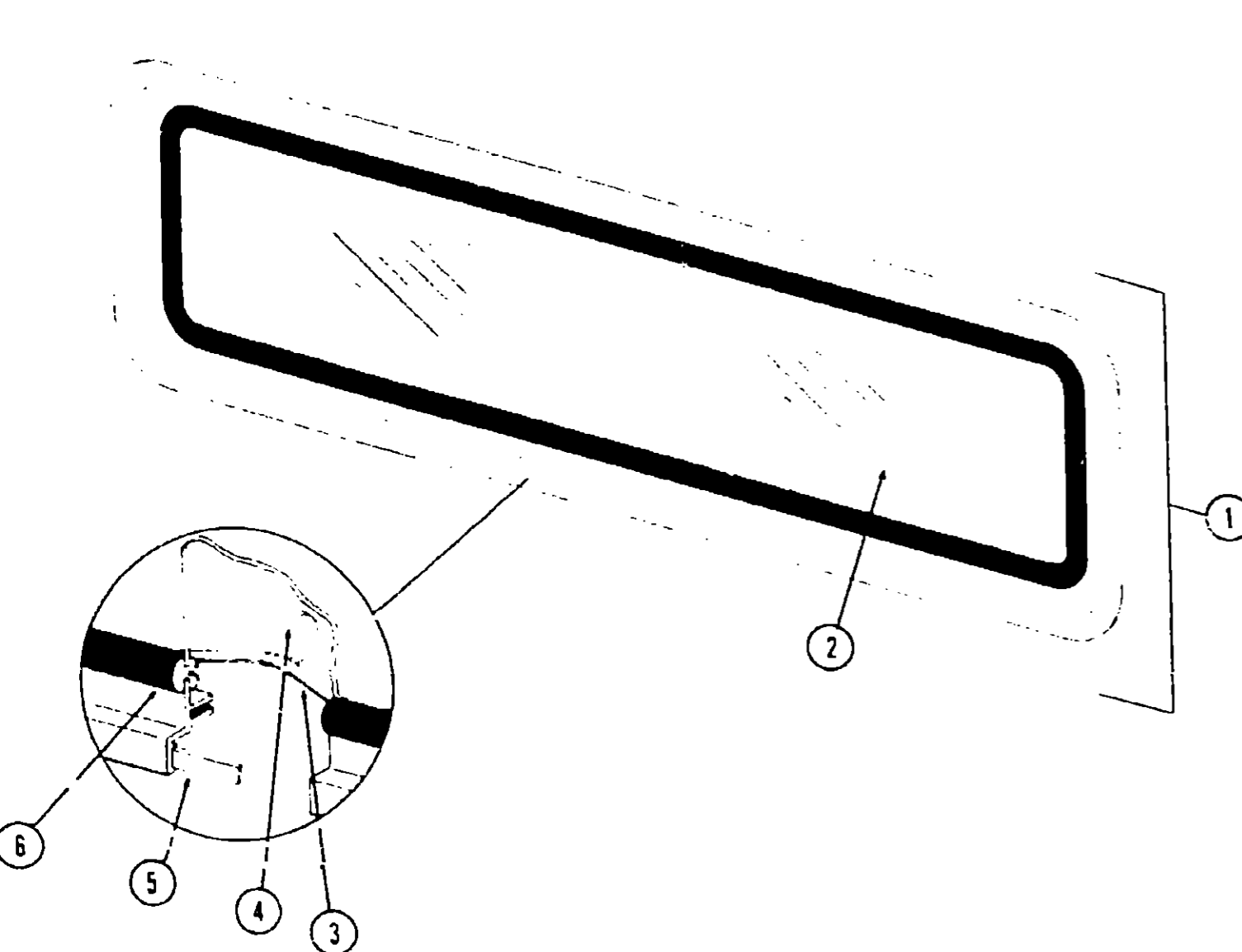
ICP25RB	A-1 - B-12
ID424RH	B-13 - D-2
IC525DB	D-3 - E-14
ICP27RT	E-15 - G-2

1978 ICP27RT INDEX

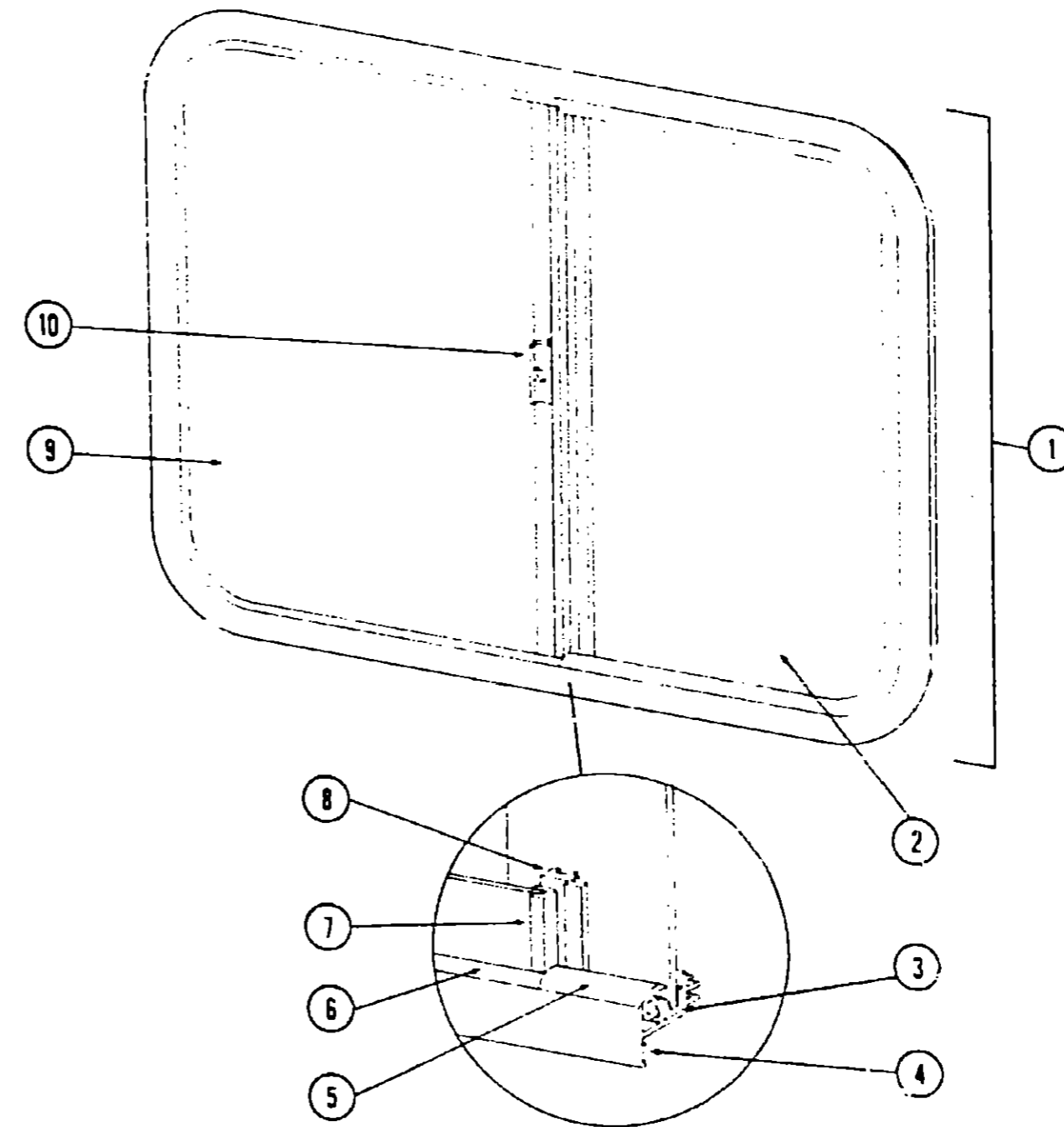
Floor Plan	E-15 - E-16
Accessories Group	E-17 - E-18
Bath Group	E-19
Chassis Group	E-20
Curtain, Cushion & Pad Group	E-21 - F-1
Dinette Group	F-2
Driver's Compartment Group	F-3
Electrical Group	F-4 - F-5
Exterior Body Group	F-6 - F-9
Galley Group	F-10
Heating & Air Conditioning Group	F-11
Interior Finish Group	F-12 - F-13
LP Group	F-14
Lounge Group	F-15
Water & Sewage Group	F-16
Window, Vent & Exterior Door Group	F-17 - G-2

WINDOW, VENT AND EXTERIOR DOOR GROUP

WINDOW, VENT AND EXTERIOR DOOR GROUP (CONTINUED)



Key	Part Number	U/M	Description
1	020754-03-000	EA	Window Asm. Escape - 23" x 68" Black Anod. (w/o inside frame)
2	002178-01-000	EA	Glass 1/8" x 19.61" x 64.80"
3	002285-01-000	FT	Weatherstrip - Filler - Black
4	020395-01-000	EA	Slip Ring - Pull
5	004363-01-000	FT	Tape - Foam - 3/16" x 1/2" - Gray
6	002282-01-000	FT	Weatherstrip - Window .125" Black
	020752-03-000	EA	Frame - Window - Inside - Escape 23" x 68" (not included in assembly)
	006199-01-000	EA	Label - Exit - Escape Window
			Not Illustrated



Key	Part Number	U/M	Description
1	048631-03-000	EA	Window Asm. - Right - Single Slider - 20" x 25" - Black Anod. (w/o inside frame)
2	047820-01-000	EA	Glass - 1/8" x 19" x 13.68" - Sliding
3	002324-01-000	FT	Channel - Weatherstrip - Glass Run - 1/8" Glass
4	004363-01-000	FT	Tape - Foam - 3/16" x 1/2" - Gray
5	024096-02-000	FT	Seal - Window Channel - Black
6	002309-02-000	FT	Spline - Glass - 1/8" - Black
7	002389-03-201	EA	Holder - Glass Seal - Anod. Black
8	041894-04-000	EA	Mullion - Slider Window - 25" - Black Anod.
9	002241-02-000	EA	Glass - TP - 1/8" x 12.30" x 19" - Stationary
10	047369-01-700	EA	Latch - Window - Plastic
	042147-05-000	EA	Frame - Inside - Single Slider Window - 20" x 25" (not included in assembly)
	023713-02-000	EA	Cover - Plastic Weephole - Black
	002298-01-000	FT	Spline - Gray - .130" Dia. (Screen)
	002293-01-000	SF	Screen - Window - 26" - Gray
			Not Illustrated

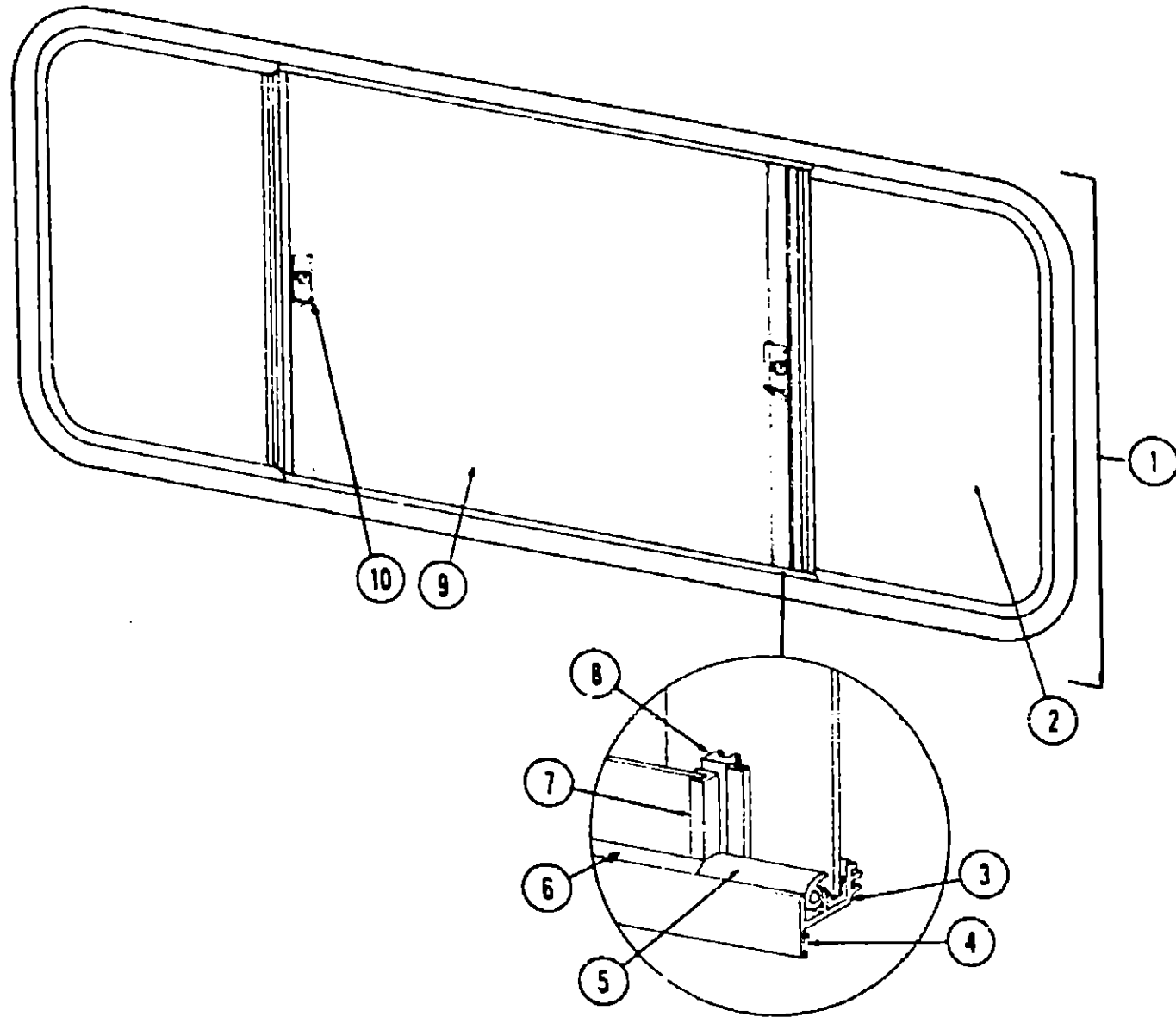
**1978 ITASCA
TABLE OF CONTENTS**

ICP25RB	A-1 - B-12
ID424RH	B-13 - D-2
IC525DB	D-3 - E-14
ICP27RT	E-15 - G-2

1978 ICP27RT INDEX

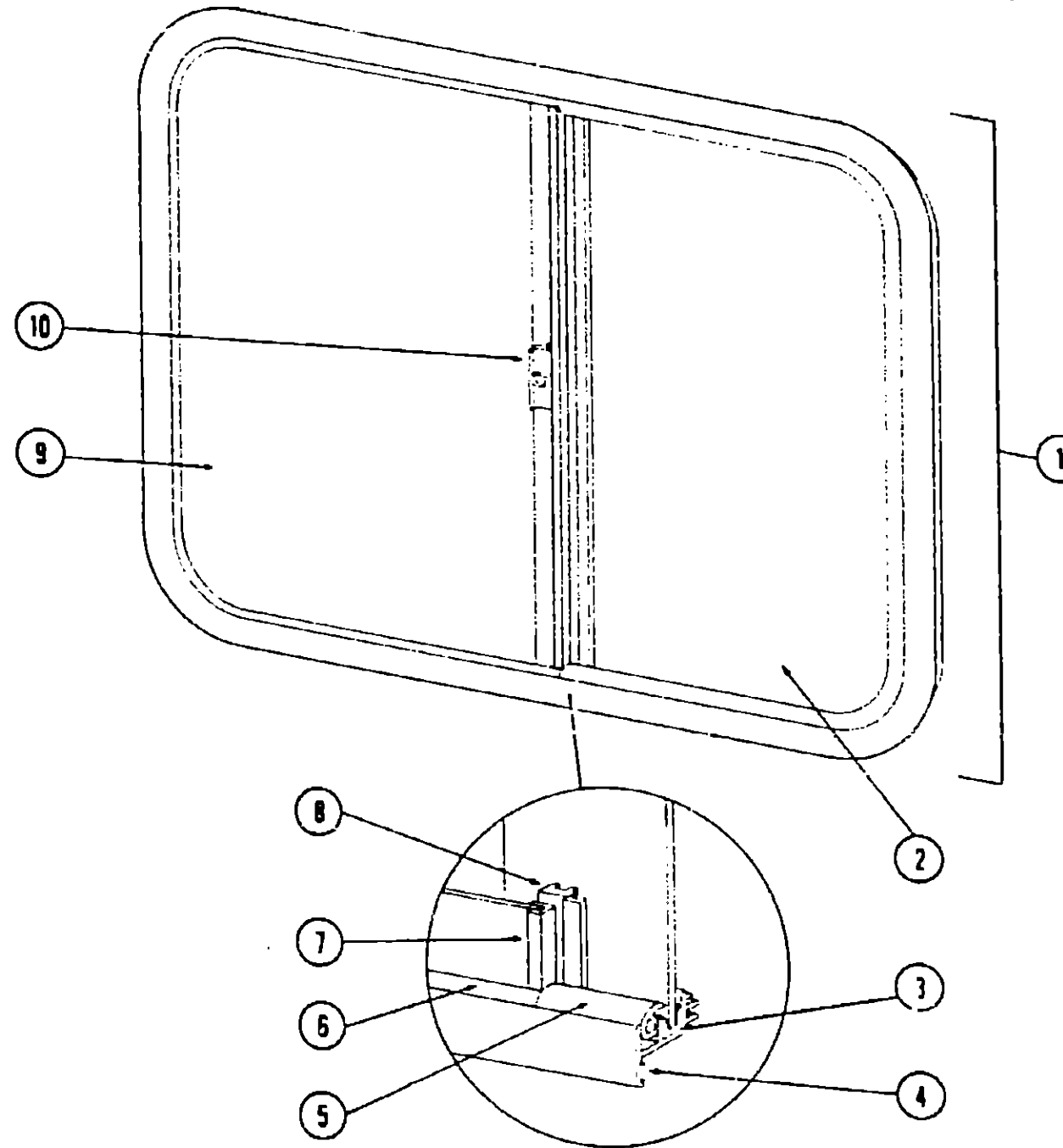
Floor Plan	E-15 - E-16
Accessories Group	E-17 - E-18
Bath Group	E-19
Chassis Group	E-20
Curtain, Cushion & Pad Group	E-21 - F-1
Dinette Group	F-2
Driver's Compartment Group	F-3
Electrical Group	F-4 - F-5
Exterior Body Group	F-6 - F-9
Galley Group	F-10
Heating & Air Conditioning Group	F-11
Interior Finish Group	F-12 - F-13
LP Group	F-14
Lounge Group	F-15
Water & Sewage Group	F-16
Window, Vent & Exterior Door Group	F-17 - G-2

WINDOW, VENT AND EXTERIOR DOOR GROUP (CONTINUED)



Key	Part Number	U/M	Description
1	048630-08-000	EA	Window Asm. - Double - Slider - 25" x 65" Black Anod. (w/o inside frame)
2	047822-01-000	EA	Glass - Sliding - 3/16" x 24" x 21.03"
3	042077-01-000	FT	Channel - Weatherstrip - Glass Run - 3/16" Glass
4	004363-01-000	FT	Tape - Foam - 3/16" x 1/2" - Gray
5	041928-02-000	FT	Seal - Window Channel - Black
6	050216-02-000	FT	Spline - Glass
7	002389-03-201	EA	Extr. - Holder - Glass Seal - 23.19"
8	041894-04-000	EA	Mullion - Slider Window - 25"
9	002188-02-000	EA	Glass - 3/16" x 24" x 25.50" - Stationary - Gray
10	047369-01-700	EA	Latch - Window - Plastic w/Fastener
.	042133-04-000	EA	Frame Asm. - Window - Inside (not included in assembly)
.	023713-02-000	EA	Cover - Weephole - Plastic - Black
.	002298-01-000	FT	Spline - Gray - .130" Dia. (Screen)
.	002293-01-000	SF	Screen - Window - 26" - Gray
.			Not Illustrated

WINDOW, VENT AND EXTERIOR DOOR GROUP (CONTINUED)



Key	Part Number	U/M	Description
1	048631-19-000	EA	Window Asm. - Right Single Slider - 25" x 44" - Black Anod. (w/o inside frame)
	048631-20-000	EA	Window Asm. - Left Single Slider - 25" x 44" - Black Anod. (w/o inside frame)
2	047822-01-000	EA	Glass - Sliding - 3/16" x 24" x 21.03"
3	042077-01-000	FT	Channel - Weatherstrip - Glass Run - 3/16" Glass
4	004363-01-000	FT	Tape - Foam - 3/16" x 1/2" - Gray
5	041928-02-000	FT	Seal - Window Channel - Black
6	050216-02-000	FT	Spline - Glass
7	002389-03-201	EA	Extr. - Holder - Glass Seal - 23.19"
8	041894-04-000	EA	Mullion - Slider Window - 25"
9	002183-02-000	EA	Glass - 3/15" x 24" x 23.49" - Stationary
10	047369-01-700	EA	Latch - Window - Plastic w/Fastener
.	042147-04-000	EA	Frame Asm. - Window - Inside - 25" x 44" - Brown (not included in assembly)
.	023713-02-000	EA	Cover - Weephole - Plastic - Black
.	002298-01-000	FT	Spline - Gray - .130" Dia. (Screen)
.	002293-01-000	SF	Screen - Window - 26" - Gray
.			Not Illustrated

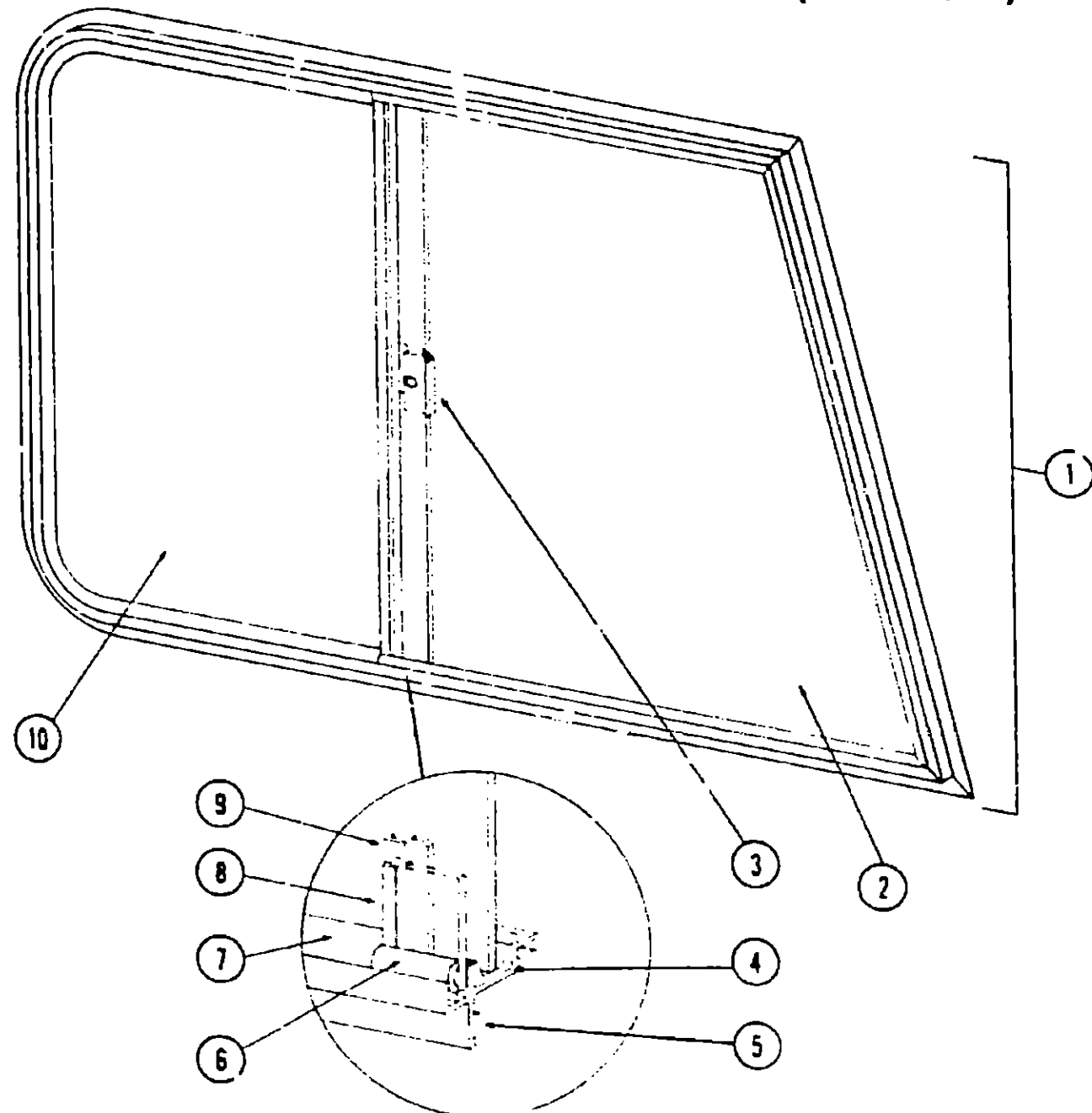
**1978 ITASCA
TABLE OF CONTENTS**

ICP25RB	A-1 - B-11
ID424RH	B-13 - D-2
IC525DB	D-3 - E-14
ICP27RT	E-15 - G-2

1978 ICP27RT INDEX

Floor Plan	E-15 - E-16
Accessories Group	E-17 - E-18
Bath Group	E-19
Chassis Group	E-20
Curtain, Cushion & Pad Group	E-21 - F-1
Dinette Group	F-2
Driver's Compartment Group	F-3
Electrical Group	F-4 - F-5
Exterior Body Group	F-6 - F-9
Galley Group	F-10
Heating & Air Conditioning Group	F-11
Interior Finish Group	F-12 - F-13
LP Group	F-14
Lounge Group	F-15
Water & Sewage Group	F-16
Window, Vent & Exterior Door Group	F-17 - G-2

WINDOW, VENT AND EXTERIOR DOOR GROUP (CONTINUED)



Key	Part Number	U/M	Description
1	048628-07-000	EA	Window Asm. - Right - Front Slant Slider - 25" x 38" - Black Anod. (w/o inside frame)
	048628-08-000	EA	Window Asm. - Left Front Slant Slider - 25" x 38" - Black Anod. (w/o inside frame)
2	039190-01-000	EA	Glass - 3/16" x 24" x 14.12" x 25" - Stationary
3	047369-01-700	EA	Latch - Window - Plastic w/Fastener
4	042077-01-000	FT	Channel - Weatherstrip - Glass Run - 3/16" Glass
5	004363-01-000	FT	Tape - Foam - 3/16" x 1/2" - Gray
6	050216-02-000	FT	Spline - 3/16" Glass - Black
7	041928-02-000	FT	Seal - Window Channel - Black
8	002389-03-001	EA	Holder - Glass Seal - Black Anod.
9	041691-04-000	EA	Mullion - Slider Window - 25" - Black Anod.
10	047818-01-000	EA	Glass - 3/16" x 24" x 15" - Sliding
	041962-06-000	EA	Frame - Inside - Right Front Slant Slider Window (not included in assembly)
	041962-05-000	EA	Frame - Inside - Left Front Slant Slider Window (not included in assembly)
	023713-02-000	EA	Cover - Plastic Weephole - Black
	002298-01-000	FT	Spline - Gray - .130" Dia. (Screen)
	002293-01-000	SF	Screen - Window - 26" - Gray (not included in assembly)
	Not Illustrated		

WINDOW, VENT AND EXTERIOR DOOR GROUP (CONTINUED)

ACCESS DOORS

Key	Part Number	U/M	Description
	052009-02-000	EA	Door Asm. - Water Heater Access - Off White
	044210-01-000	EA	Door Asm. - Power Cord - 6" x 10" - Off White Plastic w/Quarter Turn Plastic Latch
	037804-03-000	EA	Door Asm. - Battery - Off White w/Twist Type Lock
	054271-01-000	EA	Door Asm. - Refrigerator Access - Off White w/Twist Type Lock
	052179-02-000	EA	Door Asm. - Generator - w/Mesh Insert
	052181-01-000	EA	Baffle - Generator Door
	037433-05-000	EA	Door Asm. - Generator - w/Louvered Face Panel
	047233-01-000	EA	Door Asm. - Luggage - 35" x 12.73" - Off White
	039884-01-000	EA	Lock Asm. - Twist Type w/Clip
	047305-01-000	EA	Lock Asm. - Key Type w/Clip
	016945-02-000	EA	Holder Asm. - Battery or Luggage Door
	052950-01-700	EA	Lock Asm. - Twist Type w/Clip - Plastic
	045674-01-000	EA	Door Asm. - Luggage - Left - Off White w/Key Type Lock

VENTS

Key	Part Number	U/M	Description
	039778-01-000	EA	Cover - Refrigerator Vent - Plastic
	009407-01-000	EA	Base - Frame - Refrigerator Vent w/o Cover
	049352-01-000	EA	Vent - Stovehood - Outside - Off White Jensen

WINDSHIELD

Key	Part Number	U/M	Description
	042744-02-000	EA	Frame Asm. - Windshield w/o Glass
	038886-01-000	EA	Tape - Butyl - .31" x .31" x 148" Long
	034975-03-000	EA	Glass - Windshield - 1/4" x 28.25" x 47.38" Left or Right
	038407-01-000	EA	Clip - Retainer - Windshield

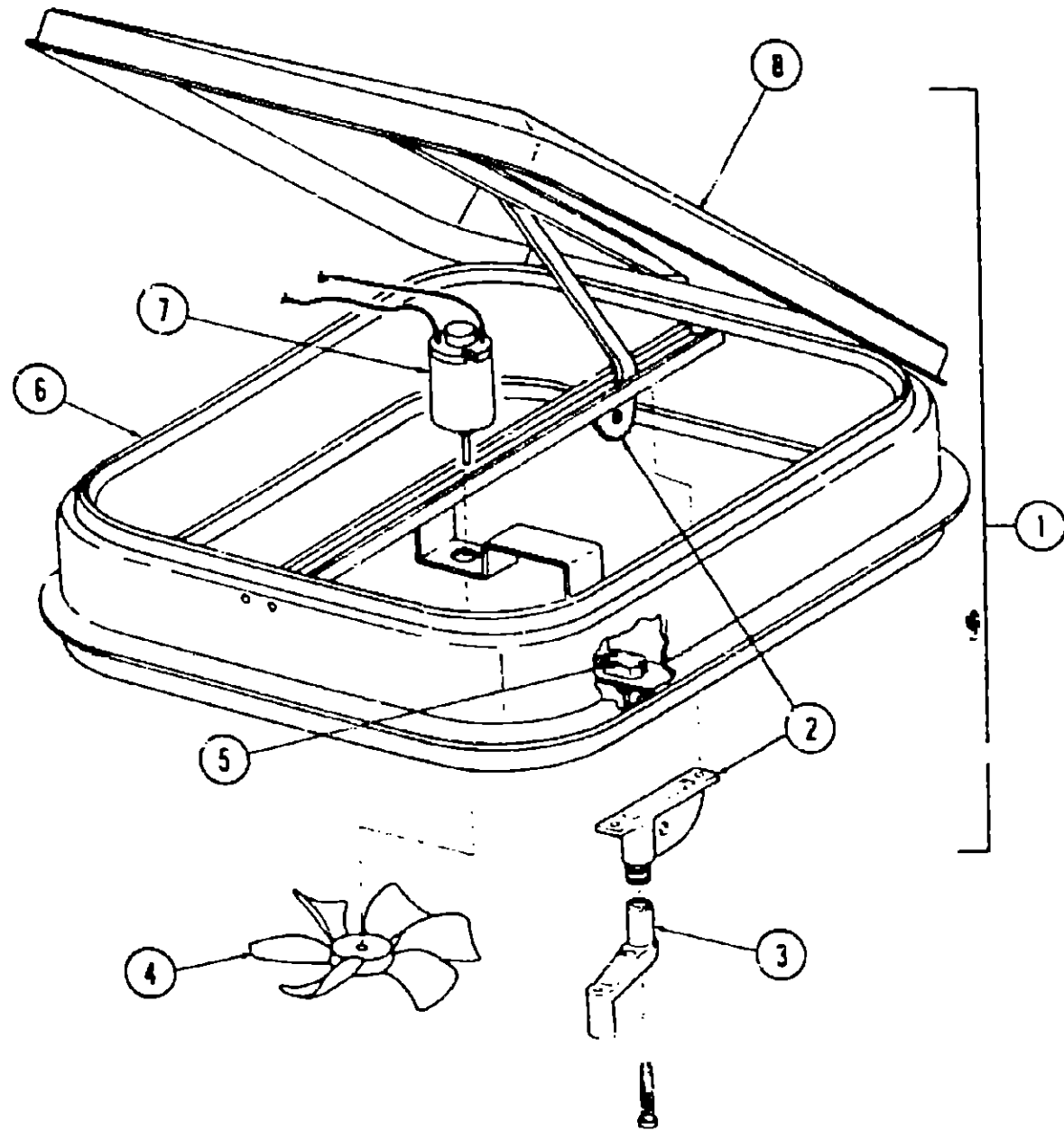
1978 ITASCA TABLE OF CONTENTS

ICP25RB	A-1 - B-12
ID424RH	B-13 - D-2
IC525DB	D-3 - E-14
ICP27RT	E-15 - G-2

1978 ICP27RT INDEX

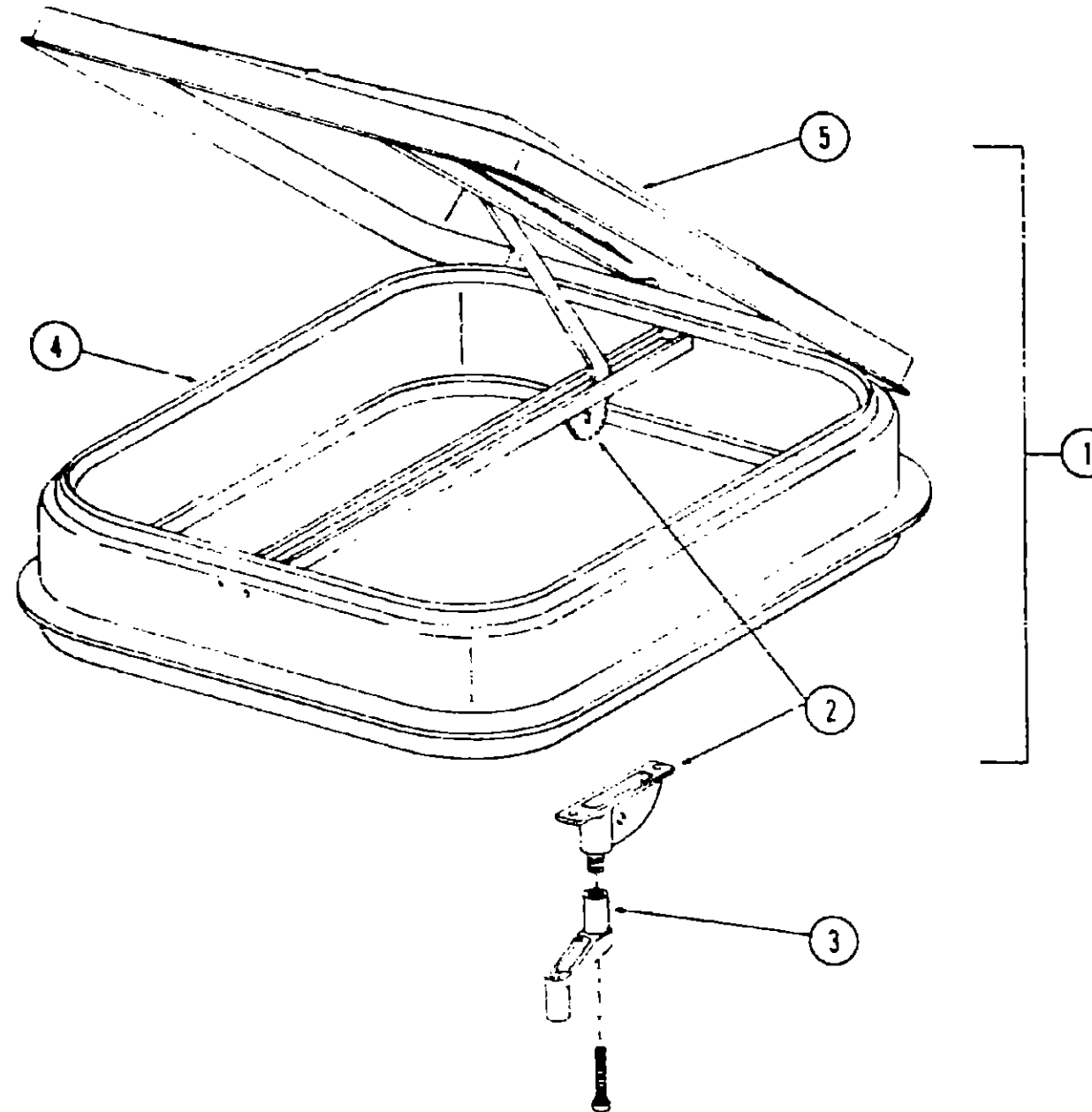
Floor Plan	E-15 - E-16
Accessories Group	E-17 - E-18
Bath Group	E-19
Chassis Group	E-20
Curtain, Cushion & Pad Group	E-21 - F-1
Dinette Group	F-2
Driver's Compartment Group	F-3
Electrical Group	F-4 - F-5
Exterior Body Group	F-6 - F-9
Galley Group	F-10
Heating & Air Conditioning Group	F-11
Interior Finish Group	F-12 - F-13
LP Group	F-14
Lounge Group	F-15
Water & Sewage Group	F-16
Window, Vent & Exterior Door Group	F-17 - G-2

WINDOW, VENT AND EXTERIOR DOOR GROUP (CONTINUED)



Key	Part Number	U/M	Description
1	048789-01-000	EA	Vent Asm. Roof - Powered - w/o Screen
2	009440-01-000	EA	Gear - Arm - Roof Vent
3	009439-01-000	EA	Crank - Roof Vent
4	048649-01-000	EA	Fan - Blade - 6" Plastic
5	008195-01-000	EA	Switch - Push Button - 12 Volt
6	002825-01-000	FT	Weatherstrip - Roof Vent
7	048648-01-000	EA	Motor - 12 Volt
8	046825-01-000	EA	Cover - Plastic - Roof Vent
•	048695-000	EA	Screen Asm. - Powered Roof Vent - Clear Anod. (not included in assembly)
•	048695-03-000	EA	Screen Asm. - Powered Roof Vent - Beige (not included in assembly)
•			Not Illustrated

WINDOW, VENT AND EXTERIOR DOOR GROUP (CONTINUED)



Key	Part Number	U/M	Description
1	046835-01-000	EA	Vent Asm. - Roof - Non Powered - w/o Screen
2	009440-01-000	EA	Gear - Arm - Roof Vent
3	009439-01-000	EA	Crank - Roof Vent
4	002825-01-000	FT	Weatherstrip - Roof Vent
5	046825-01-000	EA	Cover - Plastic - Roof Vent
•	016335-01-000	EA	Screen Asm. - Non Powered Roof Vent - Clear Anod. (not included in assembly)
•	016335-03-000	EA	Screen Asm. - Non Powered Roof Vent - Beige (not included in assembly)
•			Not Illustrated

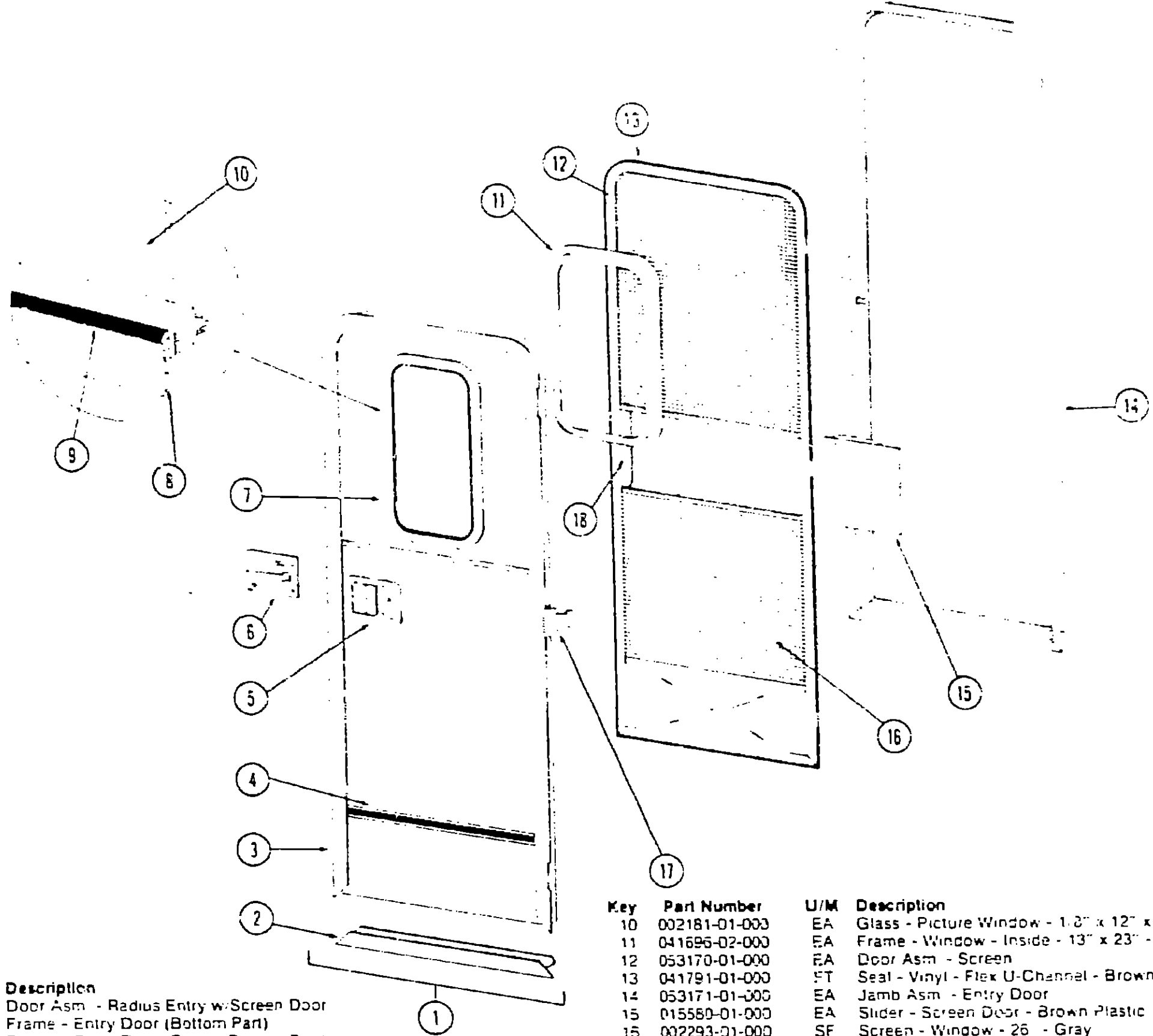
**1978 ITASCA
TABLE OF CONTENTS**

ICP25RB	A-1 - B-12
ID424RH	B-13 - D-2
IC525DB	D-3 - E-14
ICP27RT	E-15 - G-2

1978 ICP27RT INDEX

Floor Plan	E-15 - E-16
Accessories Group	E-17 - E-18
Bath Group	E-19
Chassis Group	E-20
Curtain, Cushion & Pad Group	E-21 - F-1
Dinette Group	F-2
Driver's Compartment Group	F-3
Electrical Group	F-4 - F-5
Exterior Body Group	F-6 - F-9
Galley Group	F-10
Heating & Air Conditioning Group	F-11
Interior Finish Group	F-12 - F-13
LP Group	F-14
Lounge Group	F-15
Water & Sewage Group	F-16
Window, Vent & Exterior Door Group	F-17 - G-2

WINDOW, VENT AND EXTERIOR DOOR GROUP (CONTINUED)



Key	Part Number	U/M	Description
1	053139-05-000	EA	Door Asm - Radius Entry w/Screen Door
2	039737-01-000	EA	Frame - Entry Door (Bottom Part)
3	039736-01-000	EA	Frame - Entry Door (Except Bottom Part)
4	039974-01-000	EA	Holder Asm - Entry Door
5	052166-01-000	EA	Lock Asm - Radius Entry Door - Lynor
6	045917-01-700	EA	Lock Cylinder w/Keys - Lynor
7	039539-01-000	EA	Strike - Entry Door Lock
8	001363-01-000	EA	Plate - Lock - Interior - Including Inside Handle
9	002309-02-000	EA	Window Asm - Picture - 13" x 23" - Black Anod (inside frame not included in assembly)
		FT	Tape - Foam - 3/16" x 1/2" - Gray
		FT	Spline - Glass - 1/8" Black

Key	Part Number	U/M	Description
10	002181-01-000	EA	Glass - Picture Window - 1/8" x 12" x 22" - Gray
11	041696-02-000	EA	Frame - Window - Inside - 13" x 23" - Brown
12	053170-01-000	EA	Door Asm - Screen
13	041791-01-000	FT	Seal - Vinyl - Flex U-Channel - Brown
14	053171-01-000	EA	Jamb Asm - Entry Door
15	015560-01-000	EA	Slider - Screen Door - Brown Plastic
16	002293-01-000	SF	Screen - Window - 26" - Gray
17	039520-01-000	EA	Hinge - Entry Door (3 used per door)
18	015581-01-000	EA	Cap - Screen Door - Brown Plastic
	049176-01-000	EA	Headlock I - 3/4" Diameter - Screw Mount (retains screen door to entry door)
	049797-01-000	EA	Headlock II - 1" Diameter - Screw Mount (retains screen door to entry door)
	018019-01-000	EA	Striker - Screen Door
	039863-01-000	EA	Catch Asm - Single Roller w/Strike - Screen Door
	051390-01-000	EA	Seal - Bulb - Rubber
	039800-03-000	FT	Tubing - Polybutyl - 3/8" O.D. - Jamb
			Not Illustrated

G-1

1978 ITASCA
TABLE OF CONTENTS

ICP25RB	A-1 - B-12
IC424RH	B-13 - D-2
IC526DB	D-3 - E-14
ICP27RT	E-15 - G-2

1978 ICP27RT INDEX

Floor Plan	E-15 - E-15
Accessories Group	E-17 - E-18
Bath Group	E-19
Chassis Group	E-20
Curtain, Cushion & Pad Group	E-21 - F-1
Dinette Group	F-2
Driver's Compartment Group	F-3
Electrical Group	F-4 - F-5
Exterior Body Group	F-6 - F-9
Galley Group	F-10
Heating & Air Conditioning Group	F-11
Interior Finish Group	F-12 - F-13
LP Group	F-14
Lounge Group	F-15
Water & Sewage Group	F-16
Window, Vent & Exterior Door Group	F-17 - G-2

G-2