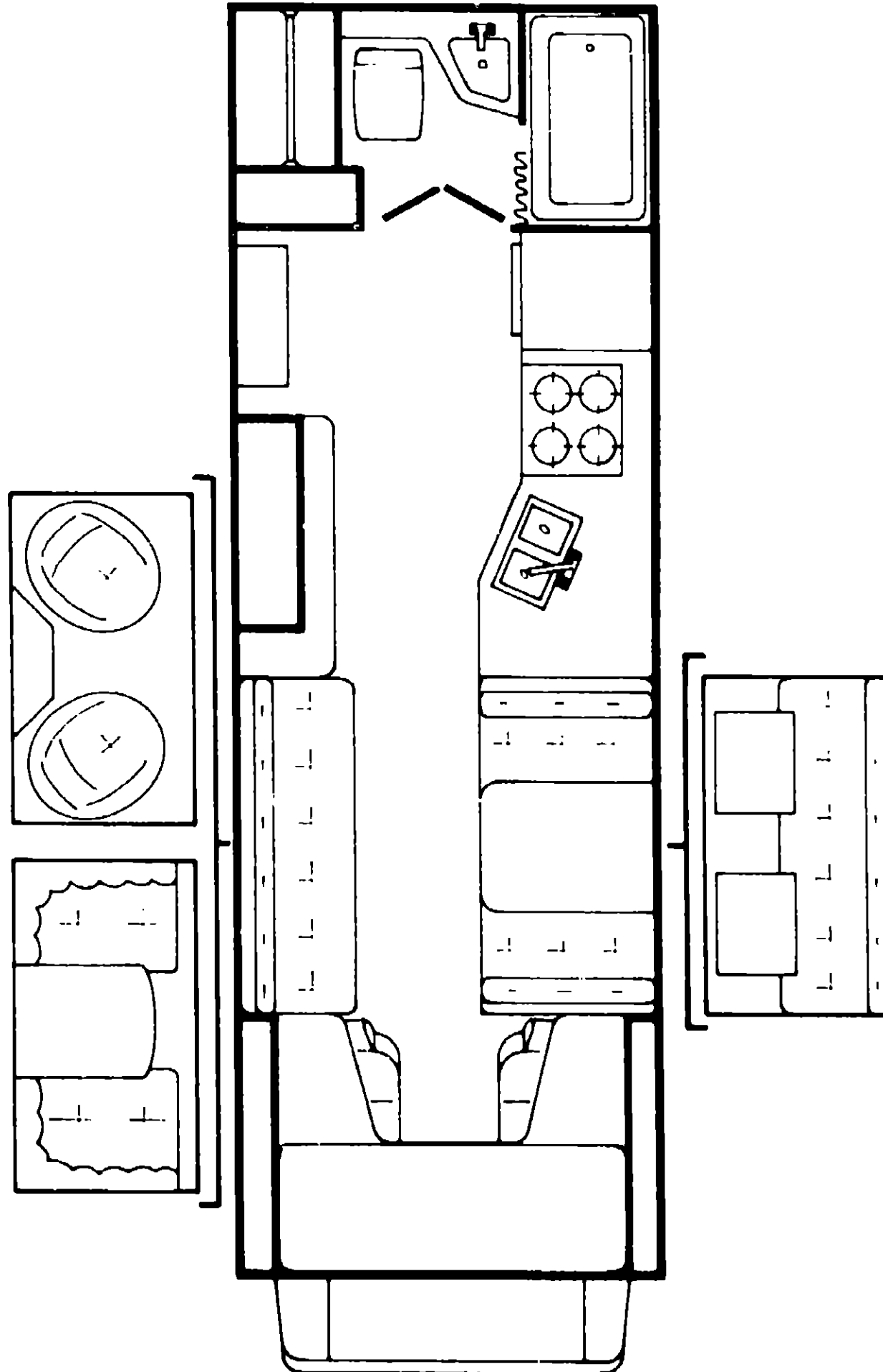


1978 IC525RB



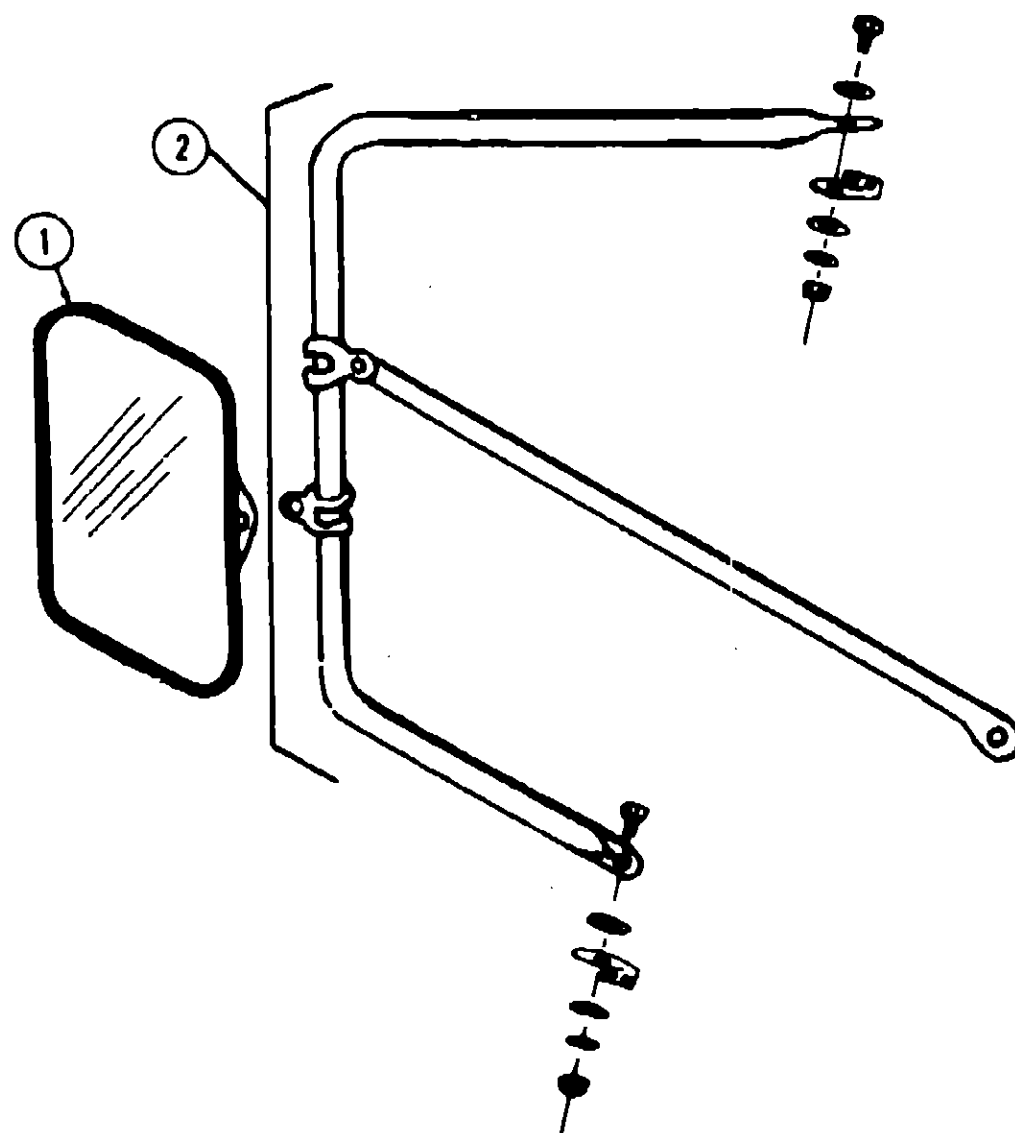
1978 ITASCA TABLE OF CONTENTS

Introduction	A-1
Abbreviations	A-1
Alphabetical Index	A-2 - A-4
IDF/ICF23RG	A-5 - B-16
IC430RG	B-17 - D-6
IC525RB	D-7 - E-20
IDF/ICF26RT	E-21 - G-12

1978 IC525RB INDEX

Floor Plan	D-7 - D-8
Accessories Group	D-9 - D-10
Bath Group	D-11 - D-12
Chassis Group	D-13
Curtain, Cushion & Pad Group	D-14 - D-18
Dinette Group	D-19
Driver's Compartment Group	D-20
Electrical Group	D-21 - D-22
Exterior Body Group	D-23 - E-2
Galley Group	E-3
Heating & Air Conditioning Group	E-4
Interior Finish Group	E-5 - E-6
LP Group	E-7
Lounge Group	E-8
Water & Sewage Group	E-9
Window, Vent & Exterior Door Group	E-10 - E-20

ACCESSORIES GROUP



Key	Part Number	U/M	Description
1	048347-01-000	EA	Mirror Head Only - 7 1/2" x 10 1/2" - Stainless Steel
2	048349-01-000	EA	Arm - West Coast Mirror - Stainless Steel

ACCESSORIES GROUP (CONTINUED)

RADIOS AND RELATED COMPONENTS

Key	Part Number	U/M	Description
	049730-01-000	EA	Radio - Clarion - AM - w/Fader Switch
	049731-01-000	EA	Radk - Clarion - AM/FM/MPX - w/Fader Switch
	049732-01-000	EA	Radio - Clarion - AM/FM/MPX/B-Track - w/Fader Switch
	050785-01-000	EA	Switch - Rear Volume Control
	007004-01-000	EA	Antenna - Radio - Cab Mount
	052774-01-000	EA	Radio - CB - 40 Channel - Hy Gain 9
	048153-01-000	EA	Antenna - CB - Camper Style
	053788-01-000	EA	Speaker - Recessed - 5 1/4" - 10 oz.
	055298-01-000	EA	Grille - Speaker - 5 1/4"

MISCELLANEOUS ACCESSORIES

Key	Part Number	U/M	Description
	054428-01-000	EA	Generator - 4.0 kw - Onan
	701629-02-000	EA	Package - Onan Installation
	048386-02-000	EA	Overhead Console
	050015-01-000	EA	Bracket Overhead Console
	056254-01-000	EA	Ladder Asm. - w/Luggage Rack
	056254-02-000	EA	Ladder Asm Only
	008053-01-000	EA	Antenna - TV - Braund Delux
	008053-01-700	EA	Parts Kit - Repair - Braund TV Antenna
	008093-01-000	EA	Jack - TV - Brown
	052771-01-000	EA	Oven - Microwave - Magic Chef 207-4
	008113-01-000	EA	Jack - Hydraulic - 5 Ton
	040089-01-000	EA	Mat - Door - Black Rubber - 10 1/2" x 28"
	041844-01-700	EA	Fire Extinguisher - Dry Chemical w/Bracket
	054185-02-000	EA	Owner's Manual - 1978 Itasca
::	042713-01-000	EA	Speed Control Package - 350 C.I.D. - C Body
::	031398-03-000	EA	Wheel Cover - 16.5" - Chrome
	040488-07-000	EA	Cover - Spare Tire - 28" - Off White
	017516-01-000	EA	Mud Flap - Black - 14" x 18" w/Holes
	047399-01-700	EA	Battery - 12 V - 105 Amp. - Deep Cycle - Dry

**The illustrated parts breakdown for this item is provided on the Common Items Fiche.

1978 ITASCA TABLE OF CONTENTS

Introduction	A-1
Abbreviations	A-1
Alphabetical Index	A-2 - A-4
IDF/ICF23RG	A-5 - B-18
IC420RG	B-17 - D-8
IC525RB	D-7 - E-20
IDF/ICF26RT	E-21 - G-12

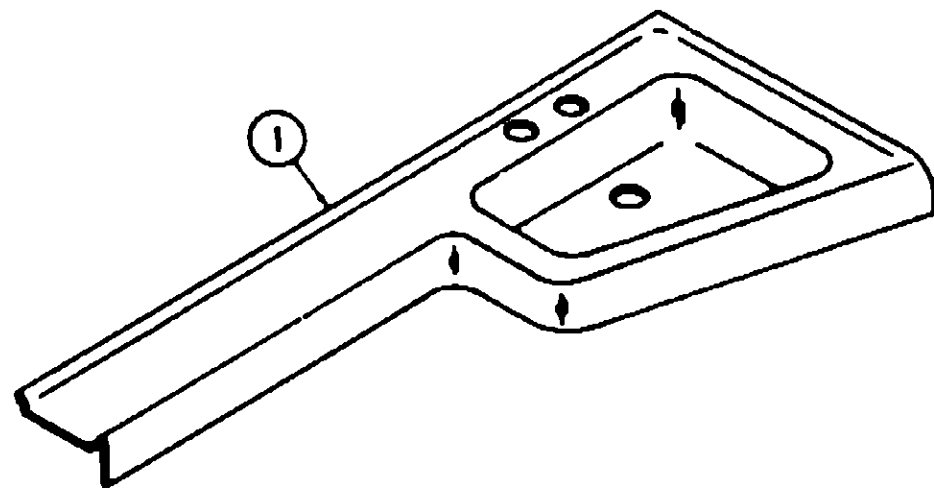
1978 IC525RB INDEX

Floor Plan	D-7 - D-8
Accessories Group	D-9 - D-10
Bath Group	D-11 - D-12
Chassis Group	D-13
Curtain, Cushion & Pad Group	D-14 - D-18
Dinette Group	D-19
Driver's Compartment Group	D-20
Electrical Group	D-21 - D-22
Exterior Body Group	D-23 - E-2
Galley Group	E-3
Heating & Air Conditioning Group	E-4
Interior Finish Group	E-5 - E-8
LP Group	E-7
Lounge Group	E-8
Water & Sewage Group	E-9
Window, Vent & Exterior Door Group	E-10 - E-20

BATH GROUP

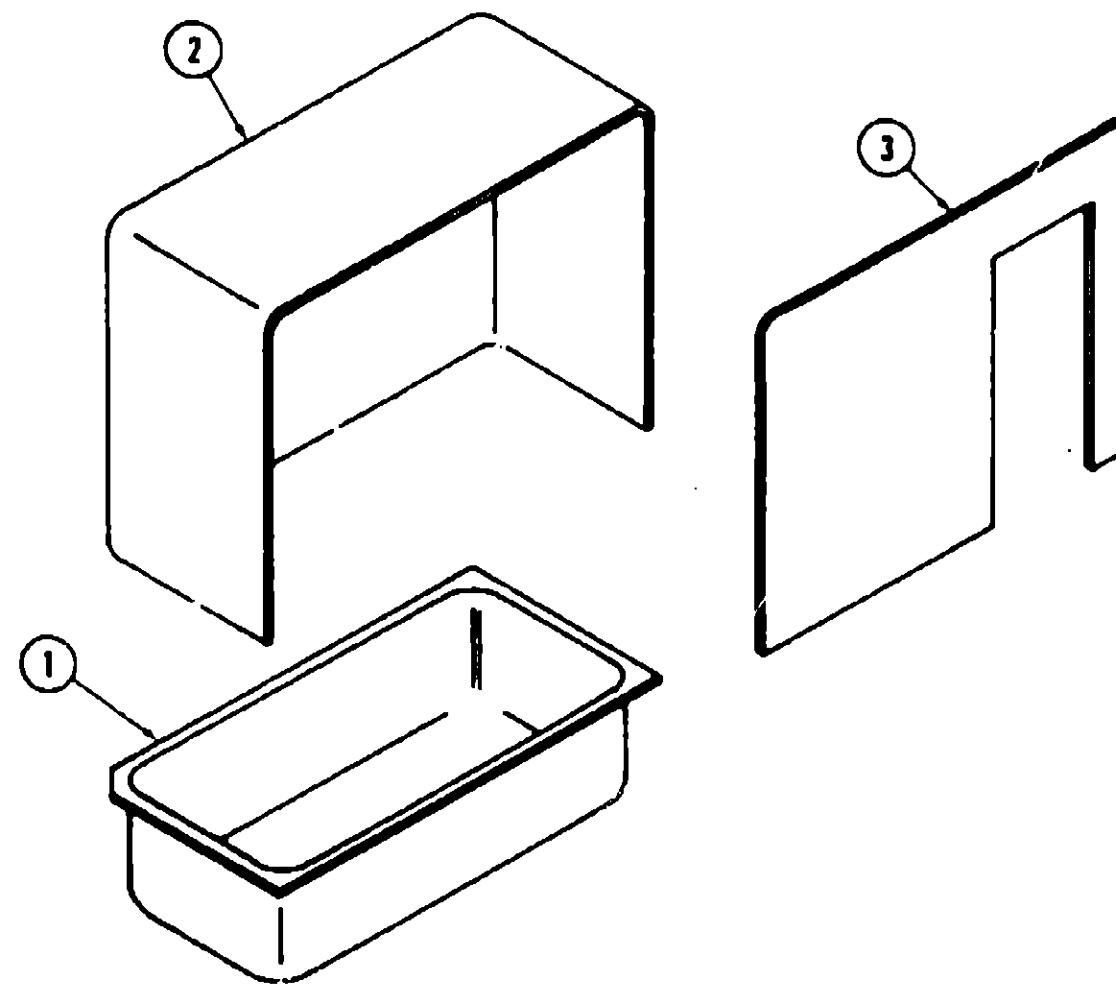
Key	Part Number	U/M	Description
	053877-01-J10	EA	Cabinet Asm. - Vanity - w/o Top, Doors or Hardware
	053853-07-J10	EA	Door Asm. - Vanity Cabinet - 25 1/8" x 15 13/16" - w/o Hardware
	053853-15-J10	EA	Door Asm. - Vanity Cabinet - 6 1/2" x 21" - w/o Hardware
	053853-05-J10	EA	Door Asm. - Wardrobe Cabinet - 54 1/2" x 18 1/2" - w/o Hardware
	053853-06-J10	EA	Door Asm. - Wardrobe Cabinet - 49 7/8" x 9 13/16" - w/o Hardware
	054834-01-J10	EA	Drawer Asm. - Wardrobe Cabinet - 20" W x 9" D - w/o Hardware
	052563-01-000	EA	Towel Rack Asm. - Mounts on Door
	053884-01-J10	EA	Panel Asm. - Folding Door (2 used per door)
	053338-01-000	EA	Hardware Package - Folding Door
	053338-02-000	EA	Steel Track - Folding Door
	053130-02-000	EA	Cabinet - Medicine - 43.5" Wide
	053260-01-000	EA	Trim - Shower Door - Bottom
	053261-01-000	EA	Trim - Shower Door - Left
	053262-01-000	EA	Trim - Shower Door - Right
	057534-01-000	EA	Tie Back - BiFold Doors - 6" - Clear Plastic
	009096-01-000	EA	Mirror - 1/8" x 12" x 42" - Beveled
	046113-01-000	EA	Rosette - Plastic - Mirror Mount
	009134-01-000	EA	Holder - Tissue
**	011056-01-000	EA	Faucet - Lavatory
	011083-01-000	EA	Plug w/Chain - 1 1/4"
**	011048-01-000	EA	Shower Head - w/60" Hose
**	011070-01-000	EA	Tailpiece - 1 1/4" x 6" - Brass
**	011086-01-000	EA	Strainer - Shower Pan
**	031558-01-000	EA	Faucet - Tub and Shower
**	039341-02-000	EA	Toilet - Thetford Aqua Magic SH - Ivory

**The illustrated parts breakdown for this item is provided on the Common Items Fiche.



Key	Part Number	U/M	Description
1	042175-01-000	EA	Lavatory Top

BATH GROUP (CONTINUED)



Key	Part Number	U/M	Description
1	041826-01-000	EA	Bathtub - Bottom
2	041853-01-000	EA	Bathtub - Rear
3	041852-01-000	EA	Bathtub - Front

1978 ITASCA TABLE OF CONTENTS

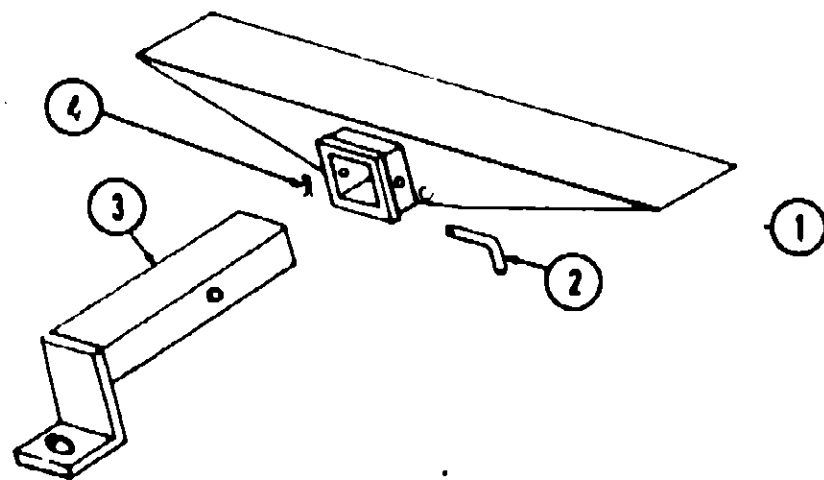
Introduction	A-1
Abbreviations	A-1
Alphabetical Index	A-2 - A-4
IDF/ICF23RG	A-5 - B-16
IC420RG	B-17 - D-6
IC525RB	D-7 - E-20
IDF/ICF26RT	E-21 - G-12

1978 IC525RB INDEX

Floor Plan	D-7 - D-8
Accessories Group	D-9 - D-10
Bath Group	D-11 - D-12
Chassis Group	D-13
Curtain, Cushion & Pad Group	D-14 - D-18
Dinette Group	D-19
Driver's Compartment Group	D-20
Electrical Group	D-21 - D-22
Exterior Body Group	D-23 - E-2
Galley Group	E-3
Heating & Air Conditioning Group	E-4
Interior Finish Group	E-5 - E-8
LP Group	E-7
Lounge Group	E-8
Water & Sewage Group	E-9
Window, Vent & Exterior Door Group	E-10 - E-20

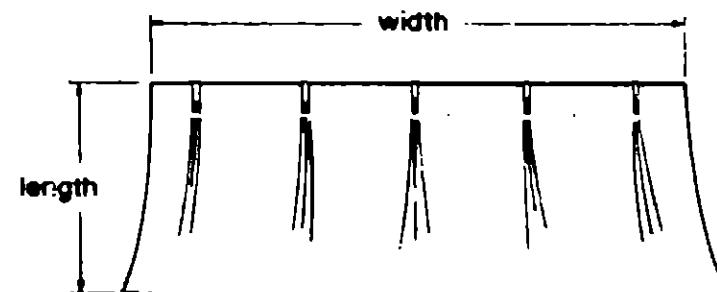
CHASSIS GROUP

Key	Part Number	U/M	Description
	053249-01-000	EA	Tray - Battery
	048592-01-000	EA	Hold Down - Double Battery
	039815-01-000	EA	Rod - Hold Open - Hood
	046748-01-000	EA	Support Asm. - Radiator/Grille
	041787-01-000	EA	Clip - Speed Cable or Rod
	044783-01-000	EA	Splashguard - Front - Black Rubber
	046742-01-000	EA	Step Asm. - Assist - Front Door
	039640-01-000	EA	Bracket - Hood Pins
	037449-01-000	EA	Well Nut - 10-32 x .812"
	041200-01-000	EA	Pin - Clevis - 1/4" Dia. x 2.50"
	041228-01-000	EA	Pin - Hitch - 1/16" Wire
	044183-01-000	EA	Bracket - Fiberglass to Wheelwell
	044184-01-000	EA	Bracket - Fiberglass to Hinge Pillar
	044371-01-000	EA	Bracket - Fiberglass - Front Bottom
	044373-01-000	EA	Bracket - Fiberglass - Front Top
	045683-01-000	EA	Pivot - Hood
	041723-01-000	EA	Bracket - Center Hood Bumper
	044372-01-000	EA	Bracket - Fiberglass - Parking Light
	046703-01-000	EA	Brace - Fiberglass to Upper Cowl
	042377-01-000	EA	Extension - Tail Pipe - 3" O.D. x 7.50"
	007125-08-000	EA	Clamp Asm. - Muffler - 3" Dia.
	040634-02-000	EA	Carrier - Stationary Spare Tire
	040974-01-000	EA	Bracket - Spare Tire
	046043-06-000	EA	Bracket - Asm. - Rear Bumper
	046785-01-000	EA	Bumper - Rear Chrome - 93"
	017516-01-000	EA	Mud Flap - 14" x 18" - w/Holes
	049750-01-000	EA	Shroud - Fuel Fill - Inside Coach
	024141-01-000	FT	Hose - Fuel - Rubber - 1/2" I.D.
	007137-01-000	EA	Clamp - Hose - Worm Gear - 1 5/16" to 2 1/4"
	039649-01-000	EA	Wheel Well - Plastic - Left Rear or Right Rear
	024652-01-700	EA	Step Asm. - Coach Entry Door



Key	Part Number	U/M	Description
1	023895-01-000	EA	Hitch Asm. - w/o Drawbar
2	034512-01-000	EA	Pin - Locking - Drawbar
3	023890-01-000	EA	Drawbar Asm. - Trailer Hitch
4	034513-01-000	EA	Pin - Hitch - 3/16" Wire Spring

CURTAIN, CUSHION AND PAD GROUP



NOTE:

Use this illustration when determining length and width measurements for curtains. You will note the width measurement is taken on the top of the curtain with the curtain fully extended. The length measurement is taken from top to bottom.

CURTAINS

Key	Part Number	U/M	Description
	054045-03-J10	EA	Curtain - w/Snap Top and Bottom - 17.5" x 42" - Off White
	054051-02-J10	EA	Curtain - w/Snap Top - 34" x 37" - Off White
	054103-01-J10	EA	Curtain - w/Snap Top - 15.5" x 42" - Off White
	054050-01-J10	EA	Curtain - Blackout - 32" x 96" - Brown Vinyl
	054052-01-J10	EA	Curtain - Front Wraparound - 23" x 64" - Brown Vinyl (2 required per unit)

CURTAIN TIE BACKS

Key	Part Number	U/M	Description
	054048-05-J10	EA	Tie Back - Curtain - 2" x 18" - Beige
	054048-06-J10	EA	Tie Back - Curtain - 2" x 18" - Brown Vinyl
	057534-01-000	EA	Tie Back - BiFold Doors - 6" - Clear Plastic

SHADES

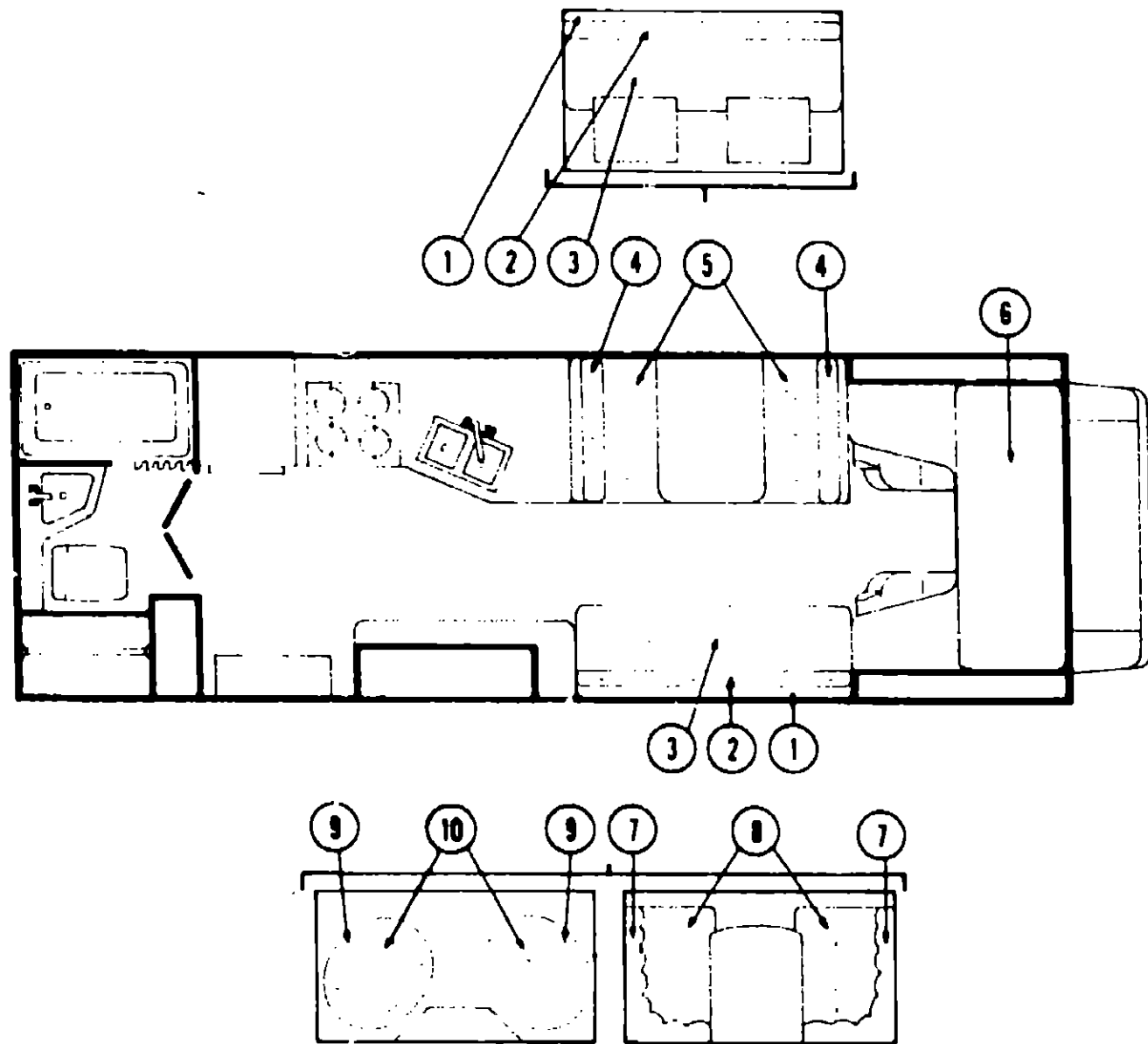
Key	Part Number	U/M	Description
	052989-01-000	EA	Shade - Woven Wood - 18" x 25" - Beige
	052989-02-000	EA	Shade - Woven Wood - 18" x 25" - Gray
	052971-01-000	EA	Shade - Woven Wood - 68 1/4" x 29" - Beige
	052971-02-000	EA	Shade - Woven Wood - 68 1/4" x 29" - Gray
	052973-01-000	EA	Shade - Woven Wood - 39 1/2" x 29" - Beige
	052973-02-000	EA	Shade - Woven Wood - 39 1/2" x 29" - Gray

1978 ITASCA TABLE OF CONTENTS

Introduction	A-1
Abbreviations	A-1
Alphabetical Index	A-2 - A-4
IDF/ICF23RG	A-5 - B-16
IC420RG	B-17 - D-6
IC525RB	D-7 - E-20
IDF/ICF26RT	E-21 - G-12

1978 IC525RB INDEX

Floor Plan	D-7 - D-8
Accessories Group	D-9 - D-10
Bath Group	D-11 - D-12
Chassis Group	D-13
Curtain, Cushion & Pad Group	D-14 - D-18
Dinette Group	D-19
Driver's Compartment Group	D-20
Electrical Group	D-21 - D-22
Exterior Body Group	D-23 - E-2
Galley Group	E-3
Heating & Air Conditioning Group	E-4
Interior Finish Group	E-5 - E-6
LP Group	E-7
Lounge Group	E-8
Water & Sewage Group	E-9
Window, Vent & Exterior Door Group	E-10 - E-20



Key	Part Number	U/M	Description
1	055017-01-J10	EA	Cushion - Waterfall - 8" x 76" x 5" - Beige
1	055017-01-J12	EA	Cushion - Waterfall - 8" x 76" x 5" - Gray
	055018-01-J10	EA	Cover - Cushion - Waterfall - 8" x 76" x 5" - Beige
	055018-01-J12	EA	Cover - Cushion - Waterfall - 8" x 76" x 5" - Gray
2	057071-01-J10	EA	Cushion - Couch Back - 16" x 76" x 5" - Beige
2	057071-01-J12	EA	Cushion - Couch Back - 16" x 76" x 5" - Gray
	057077-01-J10	EA	Cover - Cushion - Couch Back - 16" x 76" x 5" - Beige
	057077-01-J12	EA	Cover - Cushion - Couch Back - 16" x 76" x 5" - Gray
3	057067-01-J10	EA	Cushion - Couch Seat - 21" x 76" x 5" - Beige
3	057067-01-J12	EA	Cushion - Couch Seat - 21" x 76" x 5" - Gray
	057074-01-J10	EA	Cover - Cushion - Couch Seat - 21" x 76" x 5" - Beige
	057074-01-J12	EA	Cover - Cushion - Couch Seat - 21" x 76" x 5" - Gray

COUCH CUSHIONS

DINETTE CUSHIONS

Key	Part Number	U/M	Description
4	055017-02-J10	EA	Cushion - Dinette Back - 14.3" x 38" x 5" - Beige
4	055017-02-J12	EA	Cushion - Dinette Back - 14.3" x 38" x 5" - Gray
	055018-02-J10	EA	Cover - Cushion - Dinette Back - 14.3" x 38" x 5" - Beige
	055018-02-J12	EA	Cover - Cushion - Dinette Back - 14.3" x 38" x 5" - Gray
5	055017-03-J10	EA	Cushion - Dinette Seat - 22.5" x 38" x 5" - Beige
5	055017-03-J12	EA	Cushion - Dinette Seat - 22.5" x 38" x 5" - Gray
	055018-03-J10	EA	Cover - Cushion - Dinette Seat - 22.5" x 38" x 5" - Beige
	055018-03-J12	EA	Cover - Cushion - Dinette Seat - 22.5" x 38" x 5" - Gray

BUNK CUSHIONS

Key	Part Number	U/M	Description
6	054693-03-J10	EA	Cushion - Overhead Bunk - 29.5" x 22.5" x 76" x 5" - Beige
6	054693-03-J12	EA	Cushion - Overhead Bunk - 29.5" x 22.5" x 76" x 5" - Gray
	054694-03-J10	EA	Cover - Cushion - Overhead Bunk - 29.5" x 22.5" x 76" x 5" - Beige
	054694-03-J12	EA	Cover - Cushion - Overhead Bunk - 29.5" x 22.5" x 76" x 5" - Gray

CORNER LOUNGE CHAIR CUSHIONS

Key	Part Number	U/M	Description
7	056636-02-J10	EA	Back - Corner Lounge Chair - Beige
7	056636-02-J12	EA	Back - Corner Lounge Chair - Gray
8	056637-02-J10	EA	Seat - Corner Lounge Chair - Beige
8	056637-02-J12	EA	Seat - Corner Lounge Chair - Gray

TT CHAIRS

Key	Part Number	U/M	Description
9	054674-01-J10	EA	TT Chair - Complete - Beige
9	054674-01-J12	EA	TT Chair - Complete - Gray
10	054700-01-J10	EA	Cushion - TT Chair - Beige
10	054700-01-J12	EA	Cushion - TT Chair - Gray

1978 ITASCA
TABLE OF CONTENTS

Introduction	A-1
Abbreviations	A-1
Alphabetical Index	A-2 - A-4
IDF/ICF23RG	A-5 - B-16
IC420RG	B-17 - D-6
IC525RB	D-7 - E-20
IDF/ICF26RT	E-21 - G-12

1978 IC525RB INDEX

Floor Plan	D-7 - D-8
Accessories Group	D-9 - D-10
Bath Group	D-11 - D-12
Chassis Group	D-13
Curtain, Cushion & Pad Group	D-14 - D-18
Dinette Group	D-19
Driver's Compartment Group	D-20
Electrical Group	D-21 - D-22
Exterior Body Group	D-23 - E-2
Galley Group	E-3
Heating & Air Conditioning Group	E-4
Interior Finish Group	E-5 - E-6
LP Group	E-7
Lounge Group	E-8
Water & Sewage Group	E-9
Window, Vent & Exterior Door Group	E-10 - E-20

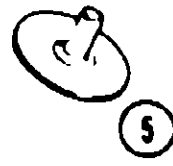
CURTAIN, CUSHION AND PAD GROUP (CONTINUED)

BUCKET SEATS, ARMRESTS AND HEADRESTS

Key	Part Number	U/M	Description
	054193-03-J10	EA	Seat Asm. - Passenger Bucket - w/Left Armrest - w/o Headrest - Beige
	054193-03-J12	EA	Seat Asm. - Passenger Bucket - w/Left Armrest - w/o Headrest - Gray
	054193-04-J10	EA	Seat Asm. - Driver Bucket - w/Right Armrest - w/o Headrest - Beige
	054193-04-J12	EA	Seat Asm. - Driver Bucket - w/Right Armrest - w/o Headrest - Gray
	053356-01-J10	EA	Cover - Single Bucket Seat - Bottom - Beige
	053356-01-J12	EA	Cover - Single Bucket Seat - Bottom - Gray
	053356-02-J10	EA	Cover - Single Bucket Seat - Back - Beige
	053356-02-J12	EA	Cover - Single Bucket Seat - Back - Gray
	050275-01-700	EA	Armrest Asm. - Foam w/o Cover - Right
	050276-01-700	EA	Armrest Asm. - Foam w/o Cover - Left
	053357-03-J10	EA	Cover - Armrest - Right or Left - Beige
	053357-03-J12	EA	Cover - Armrest - Right or Left - Gray
	019722-01-000	EA	Headrest Asm. - Foam w/o Cover
	053354-03-J10	EA	Cover - Headrest - Beige
	053354-03-J12	EA	Cover - Headrest - Gray

CURTAIN HARDWARE

Key	Part Number	U/M	Description
	052327-04-236	EA	Track - Curtain - Brown Alum. - 89" w/Holes
	053272-04-200	EA	Track - Curtain - Off White Alum. - 89" w/Holes
	056001-01-000	EA	Bracket - Shade - Left
	056002-01-000	EA	Bracket - Shade - Right
	056289-01-000	EA	Track - Wraparound Curtain - Right
	056289-02-000	EA	Track - Wraparound Curtain - Left
	009107-01-000	EA	Guide - Nylon Snap - Curtain
	018031-42-000	EA	Track - Curtain - "L" Rod - Alum. Extr. - 90"
	009701-01-000	EA	Carrier - "L" Rod - Curtain
	009702-01-000	EA	End Stop - "L" Rod - Curtain



Key	Part Number	U/M	Description
1	029130-01-000	EA	Socket - Snap Fastener
2	029155-01-000	EA	Cap - Snap - .156" Dia. x .17" Barrel
3	029156-01-000	EA	Socket - Snap Fastener
4	029092-01-000	EA	Stud - Nickel Finish
5	029093-01-000	EA	Eyelet - Nickel Finish

CURTAIN, CUSHION AND PAD GROUP (CONTINUED)

PADS

Key	Part Number	U/M	Description
	053913-03-J10	EA	Pad - Cab Pillar Support - Right
	053913-04-J10	EA	Pad - Cab Pillar Support - Left
	056051-01-J10	EA	Pad - Sleeper Board - Left
	056051-02-J10	EA	Pad - Sleeper Board - Right
	056052-01-J10	EA	Pad - Locking Pillar - Left
	056052-02-J10	EA	Pad - Locking Pillar - Right
	056053-01-J10	EA	Pad - Hinging Pillar - Right
	056053-02-J10	EA	Pad - Hinging Pillar - Left
	056054-01-J10	EA	Pad - Headliner - Left
	056054-02-J10	EA	Pad - Headliner - Right

FABRICS AND TRIMS

Key	Part Number	U/M	Description
	053325-01-000	YD	Fabric - Drapery - Off White
	053150-01-000	YD	Fabric - Upholstery - Beige
	053150-03-000	YD	Fabric - Upholstery - Gray
	054676-03-J10	EA	Button Asm. - Cloth - Beige
	054676-03-J12	EA	Button Asm. - Cloth - Gray
	053327-01-000	YD	Vinyl - Non Expanded - 27 oz. - Acorn Brown
	053327-02-000	YD	Vinyl - Expanded - 28 oz. - Acorn Brown
	053327-03-000	YD	Vinyl - Non Support - 16 Gauge Film - Acorn Brown
	052859-01-J10	FT	Trim - Accent - Acorn Vinyl

**1978 ITASCA
TABLE OF CONTENTS**

Introduction	A-1
Abbreviations	A-1
Alphabetical Index	A-2 - A-4
IDF/ICF23RG	A-5 - B-16
IC420RG	B-17 - D-6
IC525RB	D-7 - E-20
IDF/ICF26RT	E-21 - G-12

1978 IC525RB INDEX

Floor Plan	D-7 - D-8
Accessories Group	D-9 - D-10
Bath Group	D-11 - D-12
Chassis Group	D-13
Curtain, Cushion & Pad Group	D-14 - D-16
Dinette Group	D-19
Driver's Compartment Group	D-20
Electrical Group	D-21 - D-22
Exterior Body Group	D-23 - E-2
Galley Group	E-3
Heating & Air Conditioning Group	E-4
Interior Finish Group	E-5 - E-6
LP Group	E-7
Lounge Group	E-8
Water & Sewage Group	E-9
Window, Vent & Exterior Door Group	E-10 - E-20

DINETTE GROUP

CONVENTIONAL DINETTE W/FOLD DOWN TABLE AND OPPOSING BENCHES

Key	Part Number	U/M	Description
	053192-01-J10	EA	Table Asm. - Dinette w/o Hardware - Country Elm
	047809-03-000	EA	Kit - Wall Mount Hardware - Dinette Table
	047842-01-000	EA	Kit - Dinette Table Leg - Brown
	055056-01-J10	EA	Cabinet Asm. - Dinette Seat - w/o Door or Hardware - Left
	055057-01-J10	EA	Cabinet Asm. - Dinette Seat - w/o Door or Hardware - Right
	053853-14-J10	EA	Door Asm. - Dinette Seat Cabinet - 11 1/4" x 15 13/16" - w/o Hardware

DINETTE W/COUCH AND TWIN PEDESTAL TABLES

Key	Part Number	U/M	Description
	053203-07-J10	EA	Table Asm. - Pedestal w/o Hardware - Country Elm
	009040-02-000	EA	Leg - Pedestal Table - 2.25" O.D. x 27.5" - Chrome
	009040-03-000	EA	Base - Table Leg - Mounts on Table
	041194-01-000	EA	Base - Table Leg - Recessed in Floor
	053711-01-J10	EA	Cabinet Asm. - Couch - Left - w/o Slide or Hardware
	054008-02-000	EA	Slide Asm. - Couch - w/Legs
	022517-01-000	EA	End Cap - Slider - 1" x 1" - Brown
	053898-01-J10	EA	Cabinet Asm. - Dinette Overhead - w/o Doors or Hardware
	053853-03-J10	EA	Door Asm. - Dinette Overhead Cabinet - 21 1/2" x 9 1/2" - w/o Hardware

DRIVER'S COMPARTMENT GROUP

Key	Part Number	U/M	Description
	049943-01-000	EA	Pedestal - Complete - Swivel Seat
	007222-01-000	EA	Belt Asm. - Seat - 2" x 60" - Black
	041332-01-000	EA	Washer - Flat - 15/32" I.D. x 2 3/8" O.D.
	049360-03-000	EA	Console - Overhead - w/o Gauges or Switches
	031035-01-000	EA	Gauge - Hourmeter - Generator
	024976-01-000	EA	Switch - Generator - w/o Circuit Board
	024462-01-000	EA	Switch - Battery Condition
	046885-01-000	EA	Plaque - Mounting - Battery Switch
	024461-01-000	EA	Switch - Battery Changeover
	050015-01-000	EA	Bracket - Overhead Console
	052367-01-000	EA	Lighter Asm. - Cigarette
	007041-01-000	EA	Bezel - Cigarette Lighter
	039839-01-000	EA	Bezel - Transmission Control

1978 ITASCA TABLE OF CONTENTS

Introduction	A-1
Abbreviations	A-1
Alphabetical Index	A-2 - A-4
IDF/ICF23RG	A-5 - B-16
IC420RG	B-17 - D-6
IC525RB	D-7 - E-20
IDF/ICF26RT	E-21 - G-12

1978 IC525RB INDEX

Floor Plan	D-7 - D-8
Accessories Group	D-9 - D-10
Bath Group	D-11 - D-12
Chassis Group	D-13
Curtain, Cushion & Pad Group	D-14 - D-18
Dinette Group	D-19
Driver's Compartment Group	D-20
Electrical Group	D-21 - D-22
Exterior Body Group	D-23 - E-2
Galley Group	E-3
Heating & Air Conditioning Group	E-4
Interior Finish Group	E-5 - E-8
LP Group	E-7
Lounge Group	E-8
Water & Sewage Group	E-9
Window, Vent & Exterior Door Group	E-10 - E-20

ELECTRICAL GROUP

BULBS

Key	Part Number	U/M	Description
	037935-01-000	EA	Bulb - 1157
	038010-01-000	EA	Bulb - 1143
	008103-01-000	EA	Bulb 53
	008213-01-000	EA	Bulb - 57
	008214-01-000	EA	Bulb - 67
	008215-01-000	EA	Bulb - 1003
	008216-01-000	EA	Bulb - 1034
	008217-01-000	EA	Bulb - 1073
	008218-01-000	EA	Bulb - 1141
	008219-01-000	EA	Bulb - 656
	008220-01-000	EA	Bulb - 12V - 25W
	036196-01-000	EA	Bulb - 194
	700020-01-000	EA	Bulb - 12V - 21W - 1383

INTERIOR LIGHTS

Key	Part Number	U/M	Description
	024418-01-000	EA	Lamp Asm. - Map/Gauge/Isle
	024473-01-000	EA	Light - Aircraft - 1 Bulb - Gold
	033508-02-000	EA	Light - Dome - Ivory - 1 Bulb
	024842-01-701	EA	Lens - Dome Light - 1 Bulb
	033509-02-000	EA	Light - Dome - Ivory - 2 Bulb
	024843-01-701	EA	Lens - Dome Light - 2 Bulb

EXTERIOR LIGHTS

Key	Part Number	U/M	Description
	045863-01-000	EA	Lamp Asm. - Tail - Horizontal
	045864-01-000	EA	Lamp Asm. - Tail - Horizontal - w/License Mount
	045863-01-700	EA	Lens - Tail Light - All Red
	045863-01-701	EA	Lens - Tail Light - Red w/Backup
	046125-01-000	EA	Wedge - Tail Light
	042405-03-000	EA	Base - Rectangular Clearance Light
	042405-04-000	EA	Lens - Clearance Light - Red
	042405-05-000	EA	Lens - Clearance Light - Amber

FUSES AND CIRCUIT BREAKERS

Key	Part Number	U/M	Description
	056473-01-000	EA	Fuse - Slow Blow - 8 1/4 Amp.
	008233-01-000	EA	Fuse - 12 Volt - 6 Amp.
	008234-01-000	EA	Fuse - 12 Volt - 10 Amp.
	008235-01-000	EA	Fuse - 12 Volt - 15 Amp.
	008236-01-000	EA	Fuse - 12 Volt - 20 Amp.
	008248-01-000	EA	Fuse - 110 Volt - 30 Amp. - AGU
	008252-01-000	EA	Fuse - 110 Volt - 50 Amp.
	008208-01-000	EA	Circuit Breaker - 12 Volt - 40 Amp.
	008211-01-000	EA	Circuit Breaker - 12 Volt - 6 Amp.
	008286-01-000	EA	Circuit Breaker - 12 Volt - 30 Amp. w/Mount
	033573-01-000	EA	Circuit Breaker - 12 Volt - 20 Amp. w/Mount
	040051-01-000	EA	Circuit Breaker - 110 Volt - 20 Amp. - TQL

ELECTRICAL GROUP (CONTINUED)

WIRE, SWITCHES, AND RECEPTACLES

Key	Part Number	U/M	Description
	008024-01-000	FT	Wire - 18.5 Bonded - Orange/White/Yellow/Blue/Brown
	008025-01-000	FT	Wire - 18.5 Bonded - Orange/White/Yellow/Blue/Green
	008026-01-000	FT	Wire - 18.5 Bonded - Blue/Red/Yellow/Orange/White
	008030-01-000	FT	Wire - 18.4 Bonded
	008251-01-000	EA	Holder - Fuse - Black - Screw Type
	008277-01-000	EA	Holder - Fuse - Black - Panel Mount
	008195-01-000	EA	Switch - Push Button - 12 Volt
	008077-01-000	EA	Plaque - Compressor Switch
	008054-01-000	EA	Cord - Power - 10-3 30 Amp. - 25' - UL
	034818-04-000	EA	Holder - Receptacle - Plastic
	038338-01-000	EA	Cover Plate - Receptacle - Plastic - Brown
	038342-01-000	EA	Receptacle - Duplex Brown - T Junction
	024571-01-000	EA	Cover Plate - Receptacle - Jumbo Steel Brown
	038343-01-000	EA	Cap - End - Receptacle
	008162-01-000	EA	Switch - Double Toggle - Spade Brown
	008163-01-000	EA	Switch - Toggle Brown
	008164-01-000	EA	Cover Plate - Switch - Brown
	024824-01-000	EA	Receptacle - Power Cord
	008058-01-000	EA	Adaptor - Power Cord
	047353-01-000	EA	Cover - Receptacle - Ground Fault
	047351-01-000	EA	Receptacle - Ground Fault Interrupter - 125 Volt, Black

MISCELLANEOUS ELECTRICAL COMPONENTS

Key	Part Number	U/M	Description
	047338-01-000	EA	Isolator - Dual Battery
	047389-01-700	EA	Battery - 12 Volt - 105 Amp. Deep Cycle - Dry
	008188-01-000	EA	Solenoid - Dual Battery - Relay
	046775-01-000	EA	Valve - Gas - Change Over
	039950-02-000	EA	Control Center - 30 Amp. w/Door - UL
	039950-01-702	EA	Circuit Board - Control Center
	039950-01-701	EA	Circuit Board - Control Center - w/Light
	039950-01-700	EA	Circuit Board - Control Center - w/o Light
	054544-01-000	EA	Control Center - 37 Amp.
	024417-01-000	EA	Panel - Control - Water/Double Sewage - Wemac
	038861-01-000	EA	Sending Unit Kit - Wemac
	024459-01-000	EA	Gauge - Voltmeter
	024462-01-000	EA	Switch - Battery Condition
	031035-01-000	EA	Gauge - Hour Meter - Generator
	024876-01-000	EA	Switch - Generator w/o Circuit Board
	024460-01-000	EA	Gauge Vacuum
	038817-01-000	EA	Relay - Canister - S.P.D.T.

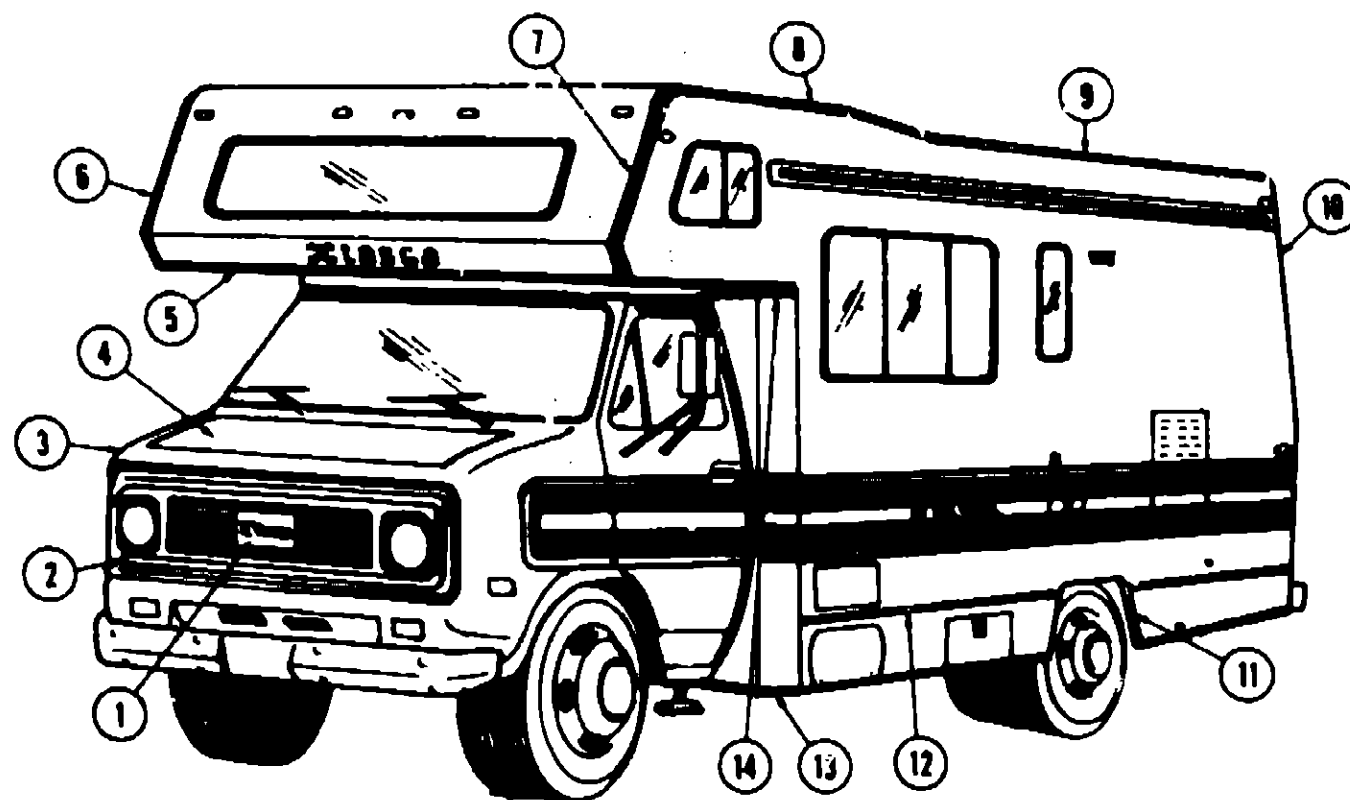
1978 ITASCA TABLE OF CONTENTS

Introduction	A-1
Abbreviations	A-1
Alphabetical Index	A-2 - A-4
IDF/ICF23RG	A-5 - B-16
IC420RG	B-17 - D-6
IC525RB	D-7 - E-20
IDF/ICF26RT	E-21 - G-12

1978 IC525RB INDEX

Floor Plan	D-7 - D-8
Accessories Group	D-9 - D-10
Bath Group	D-11 - D-12
Chassis Group	D-13
Curtain, Cushion & Pad Group	D-14 - D-18
Dinette Group	D-19
Driver's Compartment Group	D-20
Electrical Group	D-21 - D-22
Exterior Body Group	D-23 - E-2
Galley Group	E-3
Heating & Air Conditioning Group	E-4
Interior Finish Group	E-5 - E-6
LP Group	E-7
Lounge Group	E-8
Water & Sewage Group	E-9
Window, Vent & Exterior Door Group	E-10 - E-20

EXTERIOR BODY GROUP



Key	Part Number	U/M	Description
1	046619-01-000	EA	Plate - Grille Cover - Logo
2	046741-01-000	EA	Grille - Plastic Chrome w/o Decal Striping
3	040843-01-000	EA	Front End Asm. - Fiberglass - Off White - Includes Hood w/o Front Grille
4	040845-01-000	EA	Hood Asm. - Off White
5	039644-01-000	EA	Trim - Sleeper Board - Off White
	039616-01-000	EA	Hinge - Hood (2 used per hood)
	035388-01-000	EA	Hood Pin Kit - 7/16" x 20" x 3.50" Long
	007180-01-000	EA	Gasket - Tire Carcass - 3/16" x 2" x 2"
	037449-01-000	EA	Well Nut - 10 - 32 x .812" Long
6	039635-02-000	EA	Trim - Contour - Sleeper Section - Right - Off White
7	039635-01-000	EA	Trim - Contour - Sleeper Section - Left - Off White
8	039634-01-000	EA	Trim - Contour - Roof - Left - Off White
	039634-02-000	EA	Trim - Contour - Roof - Right - Off White
9	034922-13-000	EA	Trim - Sidewall/Roof - Upper - Left or Right - Off White

Key	Part Number	U/M	Description
10	039984-02-000	EA	Trim - Contour - Backwall - Left - Off White
	039984-01-000	EA	Trim - Contour - Backwall - Right - Off White
11	039824-04-000	EA	Trim - Wheel Well - Rear - Left or Right
12	002444-02-003	EA	Feature Strip - Extr. Alum. - 16' w/o Insert
	001030-02-002	EA	Insert - Feature Strip - Off White - 21'
	001030-04-002	EA	Insert - Feature Strip - Bronze Metallic - 17'
	009731-01-000	EA	End Cap - Feature Strip
13	043442-01-000	EA	Trim - Wingwall - Bottom Left
	043442-02-000	EA	Trim - Wingwall - Bottom - Right
14	048816-01-000	EA	Trim - Corner - Wingwall - Left
	048810-02-000	EA	Trim - Corner - Wingwall - Right
	002385-02-001	EA	Extr. - U-Channel - 1" Serrated x 18' Anod.
	039829-01-000	FT	Extr. - Vinyl - Sleeper Joint
	043915-01-000	FT	Extr. - Vinyl - "B" Pillar/Wingwall
			Not Illustrated

1978 ITASCA TABLE OF CONTENTS

Introduction	A-1
Abbreviations	A-1
Alphabetical Index	A-2 - A-4
IDF/ICF23RG	A-5 - B-16
IC420RG	B-17 - D-6
IC525RB	D-7 - E-20
IDF/ICF26RT	E-21 - G-12

1978 IC525RB INDEX

Floor Plan	D-7 - D-8
Accessories Group	D-9 - D-10
Bath Group	D-11 - D-12
Chassis Group	D-13
Curtain, Cushion & Pad Group	D-14 - D-18
Dinette Group	D-19
Driver's Compartment Group	D-20
Electrical Group	D-21 - D-22
Exterior Body Group	D-23 - E-2
Galley Group	E-3
Heating & Air Conditioning Group	E-4
Interior Finish Group	E-5 - E-8
LP Group	E-7
Lounge Group	E-8
Water & Sewage Group	E-9
Window, Vent & Exterior Door Group	E-10 - E-20

EXTERIOR BODY GROUP (CONTINUED)

EXTERIOR BODY PANELS AND SHEET ALUMINUM

Key	Part Number	U/M	Description
	053723-01-J10	EA	Sidewall Asm. - Left
	053988-01-J10	EA	Sidewall Asm. - Right
	054115-01-J10	EA	Backwall Asm.
	054016-01-J10	EA	Roof Asm.
	054169-01-J10	EA	Sleeper Board Asm.
	044487-01-001	EA	Alum. - Mill Finish - No Design (Roof) - 96" x 360"
	039155-07-010	EA	Alum. - Off White - Greyhound Design 48" x 96"
	001054-01-011	EA	Alum. - Off White - No Design - 48" x 96"
	039155-03-008	EA	Alum. - Off White - Mesa I - .024" x 36" x 60"
	039155-03-003	EA	Alum. - Off White - Mesa I - .024" x 36" x 360"
	039155-03-007	EA	Alum. - Off White - Mesa I - .024" x 48" x 60"
	039155-03-009	EA	Alum. - Off White - Mesa I - .024" x 48" x 360"
	039155-03-009	EA	Alum. - Off White - Mesa I - .024" x 12" x 360"
	039155-28-001	EA	Alum. - Off White - Mesa II - .024" x 36" x 60"
	039155-28-003	EA	Alum. - Off White - Mesa II - .024" x 36" x 360"
	039155-28-004	EA	Alum. - Off White - Mesa II - .024" x 48" x 60"
	039155-28-005	EA	Alum. - Off White - Mesa II - .024" x 48" x 360"
	039155-28-007	EA	Alum. - Off White - Mesa II - .024" x 12" x 360"

Note: The raised portion of Mesa I is .657" wide
The raised portion of Mesa II is .875" wide

EXTERIOR PAINT

Key	Part Number	U/M	Description
	041561-01-000	EA	Paint - Off White - Acrylic Enamel - 1 Gal.
	041561-03-000	EA	Paint - Off White - Acrylic Enamel - 16 oz. Spray
	041561-04-000	EA	Paint - Off White - Acrylic Laquer - 1 Gal.
	045681-01-000	EA	Paint - Satin Black - Acrylic Enamel - 16 oz. Spray
	045681-03-000	EA	Paint - Gloss Black - Acrylic Enamel - 16 oz. Spray
	055681-03-000	EA	Paint - Copper Tan Metallic - 16 oz. Spray - Dupont 5520
	055682-03-000	EA	Paint - Mellow Yellow - 16 oz. Spray - Dupont - 5522
	055683-03-000	EA	Paint - Tan Bronze Metallic - 16 oz. Spray - Dupont 44161
	055684-03-000	EA	Paint - Medium Gray Metallic - 16 oz. Spray - Dupont 44783

MISCELLANEOUS EXTERNALLY MOUNTED PARTS

Key	Part Number	U/M	Description
	036579-03-000	EA	Fuel Fill - Recessed - Single - Off White
	011124-01-000	EA	Plumbing Seal - Roof Vent - 1 1/4" White
	011129-01-000	EA	Plumbing Seal - Roof Vent - 1 1/2" White
	010230-02-000	EA	Fill - City Water - Recessed - Off White - w/Screw On Cap
	011020-01-000	EA	Fill - Water - Recessed - Off White
	009126-01-000	EA	Handle - Assist - Metal Ext.

EXTERIOR BODY GROUP (CONTINUED)

LABELS AND DECALS

Key	Part Number	U/M	Description
	008023-01-000	EA	Label - Water Only
	008025-01-000	EA	Label - Gas
	008028-01-000	EA	Label - Drain Caps - 2" x 3"
	008031-01-000	EA	Label - Potable Water Only
	008040-01-000	EA	Tag - Gas Refueling Warning
	008061-01-000	EA	Tag - LP Gas Only
	008062-01-000	EA	Tag - Electrical - 110 Volt Connection
	008187-01-000	EA	Label - Sewage
	008188-01-000	EA	Label - Waste Water
	008199-01-000	EA	Label - Exit - Escape Window
	039288-01-000	EA	Label - Warning Aux. Loading
	041273-17-000	FT	Decal - Stripe - .53" - Black
	053343-01-000	EA	Decal - Itasca "I" - 9" High
	058004-02-000	EA	Decal - Logo - "Itasca" - Gray w/White Back - 5 25" High
	058004-03-000	EA	Decal - Logo - "Itasca" - Bronze w/White Back - 5 25" High
	058017-01-000	EA	Stencil - Stripe - Front Side
	058018-01-000	EA	Decal - Stripe - Front Side
	058250-01-000	EA	Decal - Front Side - Upper
	041273-18-000	FT	Decal - Stripe - 1" - Yellow
	048325-06-000	EA	Decal - Logo - Itasca - Grille - Black and Yellow
	046764-05-000	EA	Decal - Grille Accent - Yellow - Left
	046764-06-000	EA	Decal - Grille Accent - Yellow - Right
	008092-01-000	EA	Reflector - Stick On - Rectangular - Red
	008093-01-000	EA	Reflector - Stick On - Rectangular - Amber

SEALANTS, ADHESIVES AND FASTENERS

Key	Part Number	U/M	Description
	034552-05-000	EA	Sealant - Off White Silicone
	034552-04-000	EA	Sealant - Beige Silicone
	034552-02-000	EA	Sealant - Clear Silicone
	004342-01-000	EA	Sealant - Weatherban 202 Tube
	004346-02-000	EA	Sealant - White Silicone
	004347-01-000	EA	Sealant - Tufflex
	004357-01-000	FT	Tape Sealer - 1/8" x 5/8" - Adhesive
	041422-01-000	FT	Tape - Sealer - 1/4" x 1/2"
	009200-01-000	EA	Tape - Furnace - 1 1/2"
	004353-01-000	FT	Tape - Gasket - 1/8" x 3/4" - White
	002825-01-000	FT	Weather Stripping - Roof Vent
	002337-01-000	EA	Adhesive - 3M - 1300 Tube
	004005-01-000	GL	Adhesive - Swifts - Green Glue (Sidewalls)
	004012-01-000	EA	Adhesive - 3M - 4475 Tube
	004020-01-000	QT	Adhesive - ABS Cement (Plastic Fittings)
	029051-01-000	EA	Adhesive - Spray Vinyl
	042401-02-000	EA	Screw - 8-18 x 3/4" SDPH Off White
	042403-02-000	EA	Screw - SF/DR - 8-18 x 1" SDPH Off White
	005058-01-000	EA	Screw - Wood - 12-11 x 3" P.O.H. Zinc
	053766-01-000	EA	Bedding Compound - Tube Black - Schnee Morehead
	053766-02-000	EA	Bedding Compound - Tube White - Schnee Morehead
	053767-01-000	FT	Tape - 1/2" x 1/8" x 30' - Gray - Schnee Morehead
	053767-02-000	FT	Tape - 3/16" Bead x 25' - Gray - Schnee Morehead
	053767-03-000	FT	Tape - 1/4" Bead x 20' - Gray - Schnee Morehead
	053767-04-000	FT	Tape - 3/4" x 1/8" x 30' - Gray - Schnee Morehead
	053767-05-000	FT	Tape - 2" x 3/32" x 45' - Gray - Schnee Morehead

**1978 ITASCA
TABLE OF CONTENTS**

Introduction	A-1
Abbreviations	A-1
Alphabetical Index	A-2 - A-4
IDF/ICF23RG	A-5 - B-16
IC420RG	B-17 - D-6
IC525RB	D-7 - E-20
IDF/ICF26RT	E-21 - G-12

1978 IC525RB INDEX

Floor Plan	D-7 - D-8
Accessories Group	D-9 - D-10
Bath Group	D-11 - D-12
Chassis Group	D-13
Curtain, Cushion & Pad Group	D-14 - D-18
Dinette Group	D-19
Driver's Compartment Group	D-20
Electrical Group	D-21 - D-22
Exterior Body Group	D-23 - E-2
Galley Group	E-3
Heating & Air Conditioning Group	E-4
Interior Finish Group	E-5 - E-6
LP Group	E-7
Lounge Group	E-8
Water & Sewage Group	E-9
Window, Vent & Exterior Door Group	E-10 - E-20

GALLEY GROUP

GALLEY CABINETRY

Key	Part Number	U/M	Description
	053899-01-J10	EA	Cabinet Asm - Galley - w/o Countertop, Doors, Drawers or Hardware
	053900-01-J10	EA	Countertop Asm - Galley Cabinet - Random Butcher Block
	053853-10-J10	EA	Door Asm - Galley Cabinet - 29 1/2" x 13 3/4" - w/o Hardware
	053853-11-J10	EA	Door Asm - Galley Cabinet - 9 3/8" x 21 1/4" - w/o Hardware
	053853-04-J10	EA	Door Asm - Refrigerator Cabinet - 18 9/16" x 11 9/16" - w/o Hardware
	054834-03-J10	EA	Drawer Asm - Refrigerator Cabinet - 20" W x 20" D - w/o Hardware
	053635-01-J10	EA	Cabinet Asm - Galley Overhead - w/o Doors or Hardware
	053853-03-J10	EA	Door Asm - Galley Overhead Cabinet - 21 1/2" x 9 1/2" - w/o Hardware
	053814-01-J10	EA	Cabinet Asm - Microwave - w/o Doors or Hardware
	053853-02-J10	EA	Door Asm - Microwave Cabinet - 15 1/4" x 11 1/4" - w/o Hardware (unit w/no microwave)
	053828-01-J10	EA	Cabinet Asm - Buffet Base - w/o Countertop, Doors or Hardware
	053738-01-J10	EA	Cabinet Asm - Buffet Top - w/o Hardware
	053853-01-J10	EA	Door Asm - Buffet Cabinet - 22 3/16" x 20 1/16" - w/o Hardware
	053853-08-J10	EA	Door Asm - Buffet Cabinet - 19 1/2" x 14 3/8" - w/o Hardware
	054164-02-J10	EA	Countertop Asm - Buffet Cabinet - Country Elm
	054834-02-J10	EA	Drawer Asm - Buffet Cabinet - 13 7/8" W x 20" D - w/o Hardware
	053853-12-J10	EA	Door Asm - Buffet Cabinet - 8 1/4" x 14 3/8" - w/o Hardware
	053853-09-J10	EA	Door Asm - Buffet Cabinet - 8 1/4" x 14 5/8" - w/o Hardware

GALLEY HARDWARE AND APPLIANCES

Key	Part Number	U/M	Description
	011032-01-000	EA	Sink - Double - Stainless Steel w/Bolts
**	011053-01-000	EA	Faucet - 8" - Swing Spout
**	011085-01-000	EA	Strainer - Sink
	053424-01-J10	EA	Sink Cover - Large - Random Butcher Block
	053440-02-J10	EA	Bread Board - Random Butcher Block
	054842-01-J10	EA	Grille Asm. - Furnace
	047205-08-000	EA	Mesh - Grille - 10 1/8" x 12 1/2" - Brass
	049930-03-000	EA	Hood - Stove - Powered - Black
**	052583-01-000	EA	Range - 4 Burner - Small Oven - Black
**	049175-02-000	EA	Refrigerator - AC/DC/Gas - Sibir ET 150/2
**	049174-02-000	EA	Refrigerator - AC/DC/Gas - Sibir ET 230/2
	054450-01-000	EA	Level - Refrigerator
	052771-01-000	EA	Oven - Microwave - Magic Chef 207-4

** The illustrated parts breakdown for this item is provided on the Common Items Fiche

HEATING AND AIR CONDITIONING GROUP

Key	Part Number	U/M	Description
	051768-01-000	EA	A/C - Compressor Mount Package - 350 C I D
	051770-01-000	EA	A/C - Compressor - Rotolock - 10 3
	051771-01-000	EA	A/C - Condenser Asm - 350 C I D C-Body
	056455-01-000	EA	A/C - Evaporator Asm
	056779-01-000	EA	A/C - Clutch - 7" Drive
	024985-01-000	EA	Register w/Damper - 9 9" x 4 8"
	009198-01-000	EA	Duct - Flexible - 4" I D x 25'
	031604-01-000	EA	Bonnet - Heat Register
	019505-02-000	EA	Thermostat - Horizontal Wall Mount - Black
	009200-01-000	EA	Tape - Furnace - 1 1/2"
	055279-01-000	EA	Control Asm - Heater and A/C
**	056113-01-000	EA	Furnace - 22,000 BTU - w/Electric Ignition - Coleman 4322-749
**	056112-01-000	EA	Furnace - 28,000 BTU - w/Electric Ignition - Coleman 4328-749
**	049777-01-000	EA	Air Conditioner - 110 Volt - Roof Mount - 11,000 BTU Ivory - Coleman (w/o Inside Shroud)
**	049778-01-000	EA	Shroud Asm. - Ceiling - Inside - Roof Air - Cool Only 11,000 BTU - Coleman
**	049774-01-000	EA	Air Conditioner - 110 Volt - Roof Mount - 13,500 BTU Ivory - Coleman (w/o Inside Shroud)
**	049775-01-000	EA	Shroud Asm. - Ceiling - Inside - Roof Air - Cool Only 13,500 BTU - Coleman
**	049776-01-000	EA	Shroud Asm. - Ceiling - Inside - Roof Air - Heat and Cool 13,500 BTU - Coleman

** The illustrated parts breakdown for this item is provided on the Common Items Fiche

1978 ITASCA TABLE OF CONTENTS

Introduction	A-1
Abbreviations	A-1
Alphabetical Index	A-2 - A-4
IDF-ICF23RG	A-5 - B-16
IC420RG	B-17 - D-6
IC525RB	D-7 - E-20
IDF-ICF26RT	E-21 - G-12

1978 IC525RB INDEX

Floor Plan	D-7 - D-8
Accessories Group	D-9 - D-10
Bath Group	D-11 - D-12
Chassis Group	D-13
Curtain, Cushion & Pad Group	D-14 - D-18
Dinette Group	D-19
Driver's Compartment Group	D-20
Electrical Group	D-21 - D-22
Exterior Body Group	D-23 - E-2
Galley Group	E-3
Heating & Air Conditioning Group	E-4
Interior Finish Group	E-5 - E-6
LP Group	E-7
Lounge Group	E-8
Water & Sewage Group	E-9
Window, Vent & Exterior Door Group	E-10 - E-20

INTERIOR FINISH GROUP

PANELING AND COUNTERTOP MATERIAL

Key	Part Number	U/M	Description
	039188-01-000	SF	Paneling - 707 Hickory - 48" x 96" (32 SF)
	053328-01-000	SF	Paneling - Brick - 48" x 96" (32 SF)
	045963-01-000	SF	Paneling - 825 Buff - Ceiling - 48" x 96" (32 SF)
	053330-01-000	SF	Paneling - Grass Cloth - 48" x 60"
	053339-01-000	SF	Plastic Laminate - Random Butcher Block - 48" x 96" (32 SF)
	045964-01-000	SF	Plastic Laminate - Butcher Block - 48" x 96" (32 SF)
	045964-01-001	EA	Plastic Laminate - Butcher Block - 48" x 48"
	045964-01-002	EA	Plastic Laminate - Butcher Block - 1 19" x 96"

INTERIOR MOLDINGS AND TRIMS

Key	Part Number	U/M	Description
	000726-06-000	EA	Batt Strip - 707 Hickory
	047354-01-000	EA	Batt Strip - 825 Buff
	024700-04-000	EA	Cover - Sidewall Roll Bar - 707 Hickory
	024700-06-000	EA	Cover - Sidewall Roll Bar - Ivory
	039512-02-000	EA	Cover - Hat Section - 707 Hickory
	039512-06-000	EA	Cover - Hat Section - Ivory
	047488-01-000	EA	Cover - Corner - Hat/Hat
	047489-01-000	EA	Cover - Corner - Tube/Tube
	009767-01-000	FT	Welting - Brown
	009812-03-000	FT	Molding - Plastic - Outside Corner - .50"
	042357-01-000	FT	Molding - Radius Corner - Plastic - Hickory - 7"
	009778-01-000	FT	U-Channel - 1" - Dark Brown - Plastic
	009815-02-000	FT	T-Molding - 3/4" - Brown

CABINETS AND TABLE HARDWARE

Key	Part Number	U/M	Description
	047809-03-000	EA	Kit - Wall Mount Hardware - Dinette Table
	047842-01-000	EA	Kit - Dinette Table Leg - Brown
	009040-02-000	EA	Leg - Pedestal Table - 27.5" - Chrome
	009040-03-000	EA	Base - Table Leg - Mounts on Table
	041194-01-000	EA	Base - Table Leg - Recessed
	052930-01-J10	EA	Drawer Pull - Rustic Early American
	052929-01-J10	EA	Latch Kit - Cabinet Door - Rustic Early American
**	041939-01-000	EA	Kit - Double Action Hinge
**	052932-01-J10	EA	Hinge Kit - Cabinet Door - 3/8" Inset
**	047744-01-000	EA	Kit - Drawer Glide

**The illustrated parts breakdown for this item is provided on the Common Items Fiche.

INTERIOR FINISH GROUP (CONTINUED)

FABRICS / NO FLOOR COVERINGS

Key	Part Number	U/M	Description
	053325-01-000	YD	Fabric - Drapery - Off White
	053150-01-000	YD	Fabric - Upholstery - Beige
	053150-03-000	YD	Fabric - Upholstery - Gray
	053327-01-000	YD	Vinyl - Non Expanded - 27 oz. - Acorn Brown
	053327-02-000	YD	Vinyl - Expanded - 28 oz. - Acorn Brown
	053327-03-000	YD	Vinyl - Non Support - 16 Gauge Film - Acorn Brown
	053332-01-000	SY	Carpet - Prima Donna - Beige
	053332-03-000	SY	Carpet - Prima Donna - Gray

CURTAIN HARDWARE

Key	Part Number	U/M	Description
	052327-04-236	EA	Track - Curtain - Brown Alum - 89" w/Holes
	053272-04-200	EA	Track - Curtain - Off White Alum - 89" w/Holes
	058001-01-000	EA	Bracket - Shade - Left
	058002-01-000	EA	Bracket - Shade - Right
	058289-01-000	EA	Track - Wraparound Curtain - Right
	058289-02-000	EA	Track - Wraparound Curtain - Left
	009107-01-000	EA	Guide - Nylon Snap - Curtain
	018031-42-000	EA	Track - Curtain - "L" Rod - Alum Extr - 90"
	009701-01-000	EA	Carrier - "L" Rod - Curtain
	009702-01-000	EA	End Stop - "L" Rod - Curtain

MISCELLANEOUS

Key	Part Number	U/M	Description
	041944-01-700	EA	Fire Extinguisher - Dry Chemical w/Bracket
	040069-01-000	EA	Door Mat - Black Rubber - Itasca
	053352-01-J10	EA	Handle - Interior Assist - Acorn Brown Vinyl
	005113-01-000	EA	Jack - Hydraulic - 5 Ton w/Handle
	054185-02-000	EA	Owners Manual - 1978 Itasca

1978 ITASCA TABLE OF CONTENTS

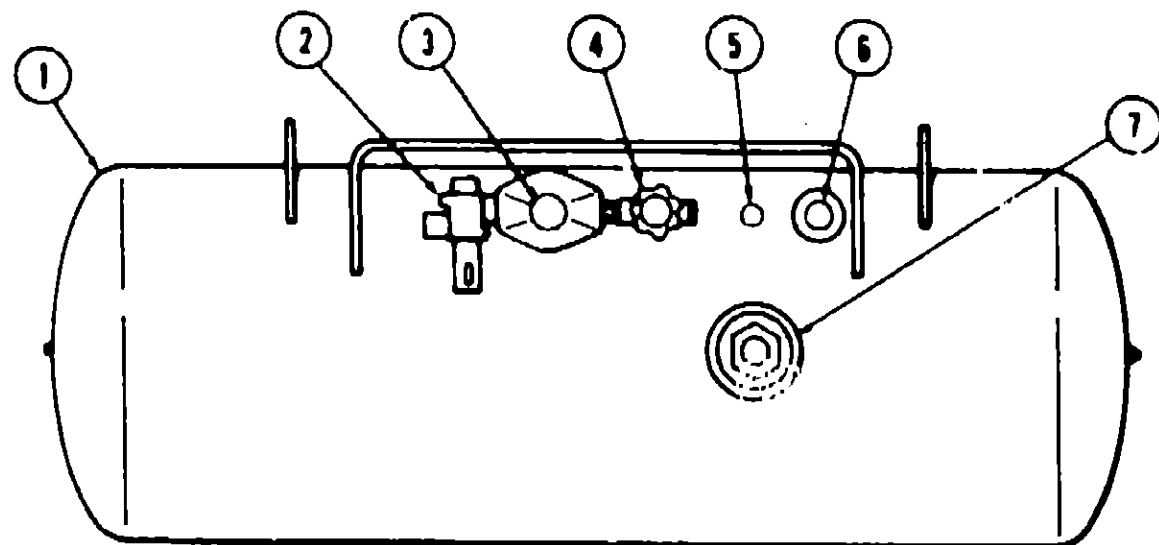
Introduction	A-1
Abbreviations	A-1
Alphabetical Index	A-2 - A-4
IDF/ICF23RG	A-5 - B-16
IC420RG	B-17 - D-6
IC525RB	D-7 - E-20
IDF/ICF26RT	E-21 - G-12

1978 IC525RB INDEX

Floor Plan	D-7 - D-8
Accessories Group	D-9 - D-10
Bath Group	D-11 - D-12
Chassis Group	D-13
Curtain, Cushion & Pad Group	D-14 - D-18
Dinette Group	D-19
Driver's Compartment Group	D-20
Electrical Group	D-21 - D-22
Exterior Body Group	D-23 - E-2
Galley Group	E-3
Heating & Air Conditioning Group	E-4
Interior Finish Group	E-5 - E-6
LP Group	E-7
Lounge Group	E-8
Water & Sewage Group	E-9
Window, Vent & Exterior Door Group	E-10 - E-20

LP GROUP

LOUNGE GROUP



Key	Part Number	U/M	Description
	053656-01-J10	EA	Cabinet Asm - Lounge Overhead - w/o Door or Hardware
	053853-03-J10	EA	Door Asm - Overhead Cabinet - 21 1/2" x 9 1/2" - w/o Hardware
	053712-01-J10	EA	Cabinet Asm - Couch - Right
	054552-01-J10	EA	Table Asm - Pullout - Country Elm
	054555-01-J10	EA	Cabinet Asm - Pullout Table
	054553-01-J10	EA	Countertop Asm - Pullout Table - Country Elm
	045795-01-000	EA	Holder - Glass - Plastic
	009148-01-000	EA	Pull - Finger - 3/4" Dia - Brass
	053977-01-J10	EA	Countertop Asm - Lounge Table - Country Elm
	053855-01-J10	EA	Support - Lounge Table
	054029-01-J10	EA	Cabinet Asm - Corner Chair - Left
	054772-01-J10	EA	Cabinet Asm - Corner Chair - Right

1978 ITA/CA TABLE OF CONTENTS

Introduction	A-1
Abbreviations	A-1
Alphabetical Index	A-2 - A-4
IDF/ICF23RG	A-5 - B-16
IC420RG	B-17 - D-6
IC525RB	D-7 - E-20
IDF/ICF26RT	E-21 - G-12

Key	Part Number	U/M	Description
1	040421-01-000	EA	Tank Asm. - LP - Frame Mount - 83 Pound
.	042281-01-000	EA	Tank Asm - LP - Frame Mount - 42 Pound
2	047221-01-000	EA	Detector - LP Gas Leak
3	024712-01-000	EA	Cover - LP Regulator
.	052163-01-000	EA	Regulator - Manual - LP Gas - 2 Stage
4	040421-01-703	EA	Valve - Vapor Relief
5	040421-01-700	EA	Gauge - Liquid Level - 20% LP
6	040421-01-701	EA	Valve - Filler - LP
.	040421-01-702	EA	Cap - Plastic Fill Valve
7	040421-01-707	EA	Gauge - Float - w/Visible Dial - 83 Pound Tank
.	042281-01-700	EA	Gauge - Float - w/Visible Dial - 42 Pound Tank
.	040421-01-708	EA	Dial - Visible Face - Float Gauge (Tank w/o Electric Transmitter)
.	040421-01-705	EA	Dial - Transmitter - 0 - 90 Ohm (Float Gauge)
.	045703-03-000	EA	Hose Asm. - LP - 3/8" I.D. x 14"
.	047737-02-000	EA	Support - LP Tank - 89.25"
.	047737-03-000	EA	Support - LP Tank - 30.50"
.	Not Illustrated		

1978 IC525RB INDEX

Floor Plan	D-7 - D-8
Accessories Group	D-9 - D-10
Bath Group	D-11 - D-12
Chassis Group	D-13
Curtain, Cushion & Pad Group	D-14 - D-18
Dinette Group	D-19
Driver's Compartment Group	D-20
Electrical Group	D-21 - D-22
Exterior Body Group	D-23 - E-2
Galley Group	E-3
Heating & Air Conditioning Group	E-4
Interior Finish Group	E-5 - E-8
LP Group	E-7
Lounge Group	E-8
Water & Sewage Group	E-9
Window, Vent & Exterior Door Group	E-10 - E-20

WATER AND SEWAGE GROUP

PLUMBING REPAIR PARTS

Key	Part Number	U/M	Description
**	040539-01-000	EA	Kit - Repair - 3/8" OD Plastic Tube
**	040540-01-000	EA	Kit - Repair - 1/2" OD Plastic Tube
**	040541-01-000	EA	Kit - Repair - 5/8" OD Plastic Tube
**	041279-02-030	EA	Pump - Water Flow 2.8 GPM - PAR
**	039647-02-000	EA	Filter - Water Pump 1/2" MPT
**	039809-01-000	EA	Valve - Stool - Plastic 3/8" x 1/2" FPT
**	039818-01-000	EA	Riser Asm - 3/8" OD x 24" Tube
**	039818-02-000	EA	Riser Asm - 3/8" OD x 36" Tube
**	039818-04-000	EA	Riser Asm - 3/8" OD x 72" Tube
**	039818-05-000	EA	Riser Asm - 3/8" OD x 48" Tube
**	041819-01-000	EA	Nut and Cone - Plastic 1/2" OD Tube
**	046128-01-000	EA	Valve - Drain - Plastic 1/2" FPT
**	039807-01-000	EA	Valve - Drain - Brass - 1/2" MPT
**	004020-01-000	QT	Adhesive - ABS Cement
**	010201-01-000	EA	Hose - Sewer - 3" x 10 Ft w/Clamp
**	010235-01-000	EA	Cap - Sewage - 3"
**	010236-11-000	EA	Adapter - Hose - 3" Sewage
**	010237-11-000	EA	Adapter - Bayonet
**	011091-11-000	EA	Waste - Continuous - Double Sink - 11 7/8"
**	011088-01-000	EA	P-Trap - Plastic - 1 1/4"
**	010205-01-000	EA	Valve - Sanitary - Thetford 3XB
**	010210-01-000	EA	Valve - Sanitary - Thetford 3HB
**	010133-01-000	EA	Adapter - Trap - Plastic - 1 1/2" H x MPT
**	050780-01-000	EA	Coupler - Rubber - 3" x 3"
**	047246-01-000	EA	Handle - Extension - Sewer Valve - 43"
**	047247-01-000	EA	Handle - Extension - Sewer Valve - 19"
**	046524-01-000	EA	Kit - Plastic Fittings - Holding Tank
**	046524-02-000	EA	Kit - Plastic Fittings - Water Tank

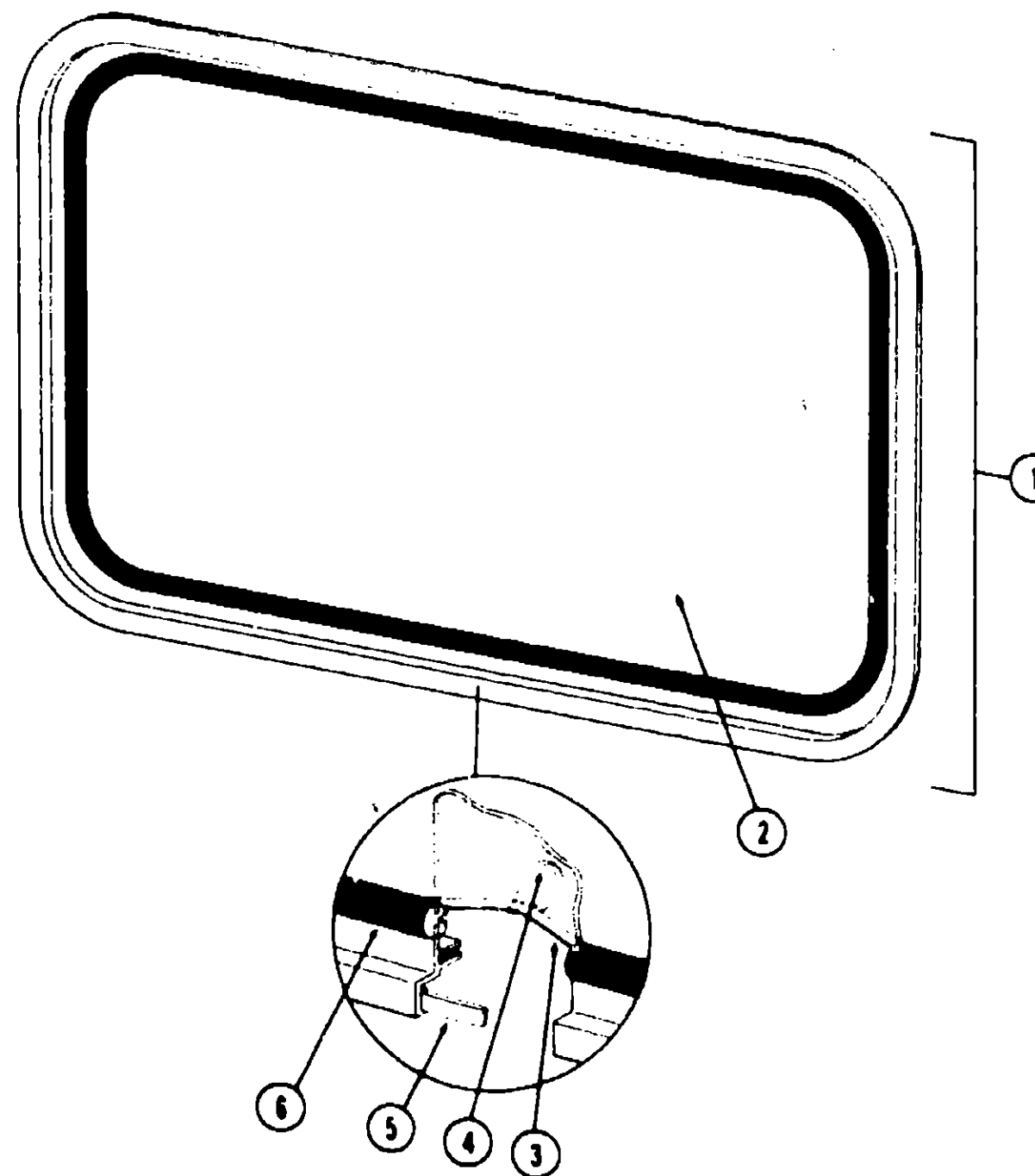
**The illustrated parts breakdown for this item is provided on the Common Items Fiche.

HOLDING TANKS AND WATER HEATERS

Key	Part Number	U/M	Description
**	053520-02-000	EA	Tank Asm - Water - 20 Gallon w/Fittings
**	053520-01-000	EA	Tank Asm - Water - 20 Gallon w/o Fittings
**	053519-02-000	EA	Tank Asm - Water - 40 Gallon w/Fittings
**	053519-01-000	EA	Tank Asm - Water - 40 Gallon w/o Fittings
**	054033-03-000	EA	Tank Asm - Holding - 32 Gallon - Sewage - w/Fittings
**	054033-01-000	EA	Tank Asm - Holding - 32 Gallon - Sewage - w/o Fittings
**	054032-03-000	EA	Tank Asm - Holding - 25 Gallon - Gray Water - w/Fittings
**	054032-01-000	EA	Tank Asm - Holding - 25 Gallon - Gray Water - w/o Fittings
**	051391-01-000	EA	Water Heater - 6 Gallon w/Motor Aid - Atwood - GH63

**The illustrated parts breakdown for this item is provided on the Common Items Fiche.

WINDOW, VENT AND EXTERIOR DOOR GROUP



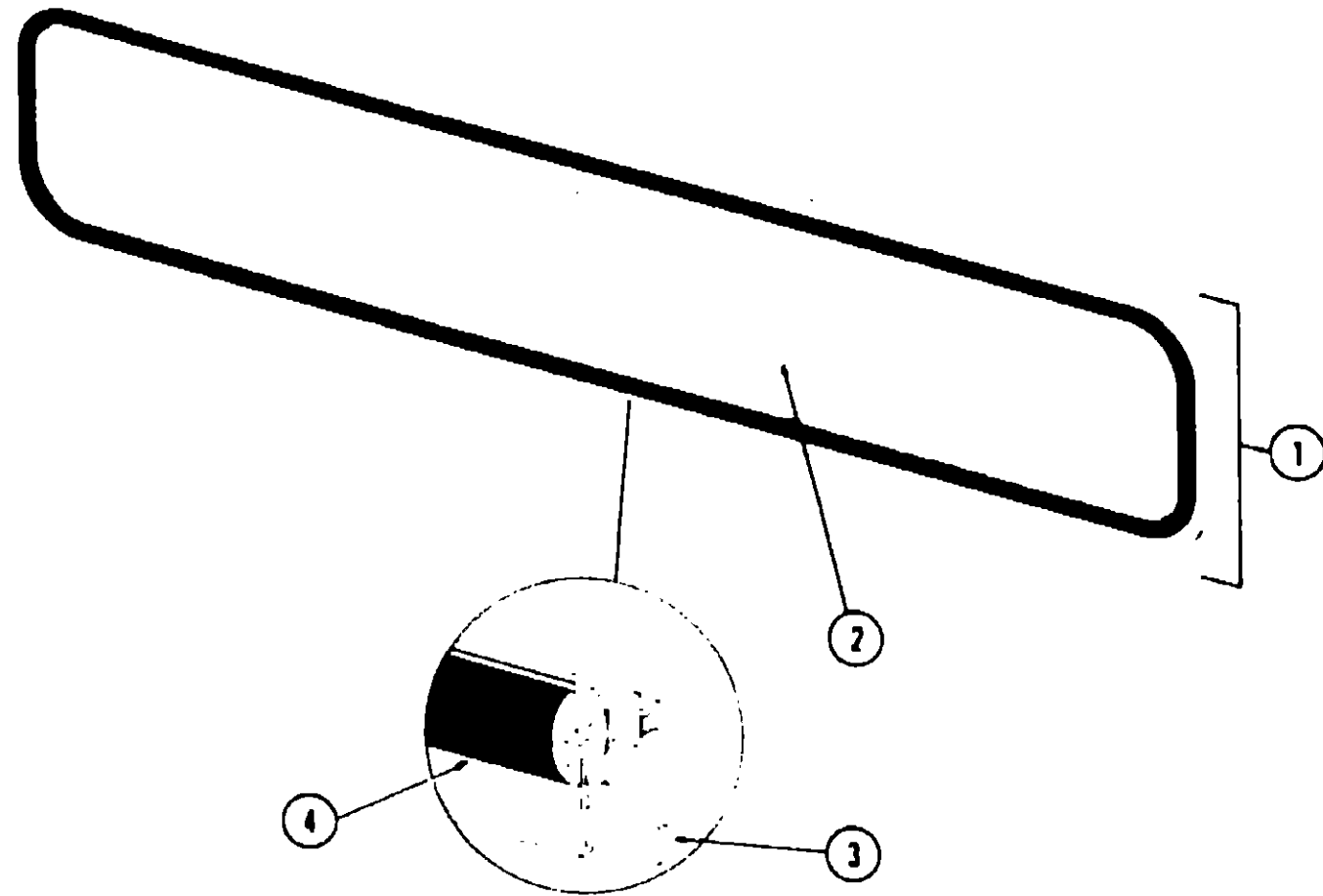
Key	Part Number	U/M	Description
1	042959-01-000	EA	Window Asm - Rear Escape - 23" x 36" - Black Anod. (w/o inside frame)
2	041392-01-000	EA	Glass - 1/8" x 19.61" x 33.25"
3	002285-01-000	FT	Filter - Weatherstrip - Black
4	020395-01-000	EA	Slip - Pull Ring - Escape Window
5	004363-01-000	FT	Tape - Foam - 3/16" x 1/2" - Gray
6	002282-01-000	FT	Weatherstrip - .125" - Black
.	042027-02-000	EA	Frame - Inside - Escape Window - 23" x 36" (not included in assembly)
.	006199-01-000	EA	Label - Exit - Escape Window
.	Not Illustrated		

1978 ITASCA TABLE OF CONTENTS

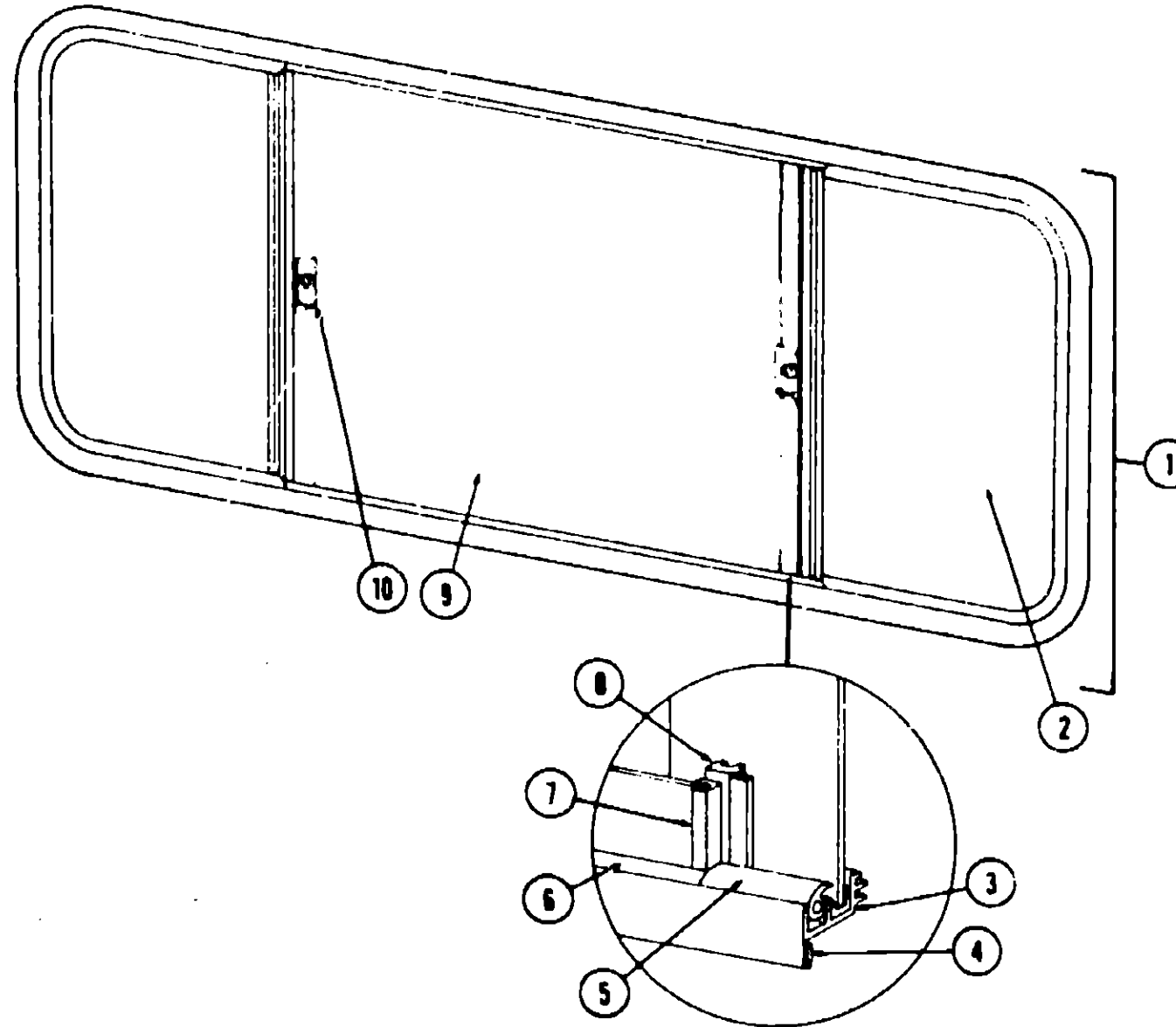
Introduction	A-1
Abbreviations	A-1
Alphabetical Index	A-2 - A-4
IDF/ICF23RG	A-5 - B-16
IC420RG	B-17 - D-6
IC525RB	D-7 - E-20
IDF/ICF26RT	E-21 - G-12

1978 IC525RB INDEX

Floor Plan	D-7 - D-8
Accessories Group	D-9 - D-10
Bath Group	D-11 - D-12
Chassis Group	D-13
Curtain, Cushion & Pad Group	D-14 - D-18
Dinette Group	D-19
Driver's Compartment Group	D-20
Electrical Group	D-21 - D-22
Exterior Body Group	D-23 - E-2
Galley Group	E-3
Heating & Air Conditioning Group	E-4
Interior Finish Group	E-5 - E-6
LP Group	E-7
Lounge Group	E-8
Water & Sewage Group	E-9
Window, Vent & Exterior Door Group	E-10 - E-20



Key	Part Number	U/M	Description
1	041936-01-000	EA	Window Asm. - Front Picture - 14" x 69" - Black (w/o inside frame)
2	002200-02-000	EA	Glass - TP - Picture Window
3	004363-01-000	FT	Tape - Sealer - 3/16" x 1/2" Foam
4	002281-01-000	FT	Weatherstrip - Self Seal - .06" Panel x 3/16" Black
.	037845-01-000	FT	Tape - Butyl - Window - 3/16" - Bead Black
.	041936-01-000	EA	Frame - Inside - Picture Window (not included in assembly)
.			Not Illustrated



Key	Part Number	U/M	Description
1	048630-06-000	EA	Window Asm. - Double - Slider - 25" x 65" Black Anod. (w/o Inside Frame)
2	047822-01-000	EA	Glass - Sliding - 3/16" x 24" x 21.03"
3	042077-01-000	FT	Channel - Weatherstrip - Glass Run 3/16" Glass
4	004363-01-000	FT	Tape - Foam - 3/16" x 1/2" - Gray
5	041926-02-000	FT	Seal - Window Channel - Black
6	050216-02-000	FT	Spline - Glass
7	002389-03-201	EA	Extr. - Holder - Glass Seal - 23.19"
8	041894-04-000	EA	Mullion - Slider Window - 25"
9	002166-02-000	EA	Glass - 3/16" x 24" x 25.50" - Stationary
10	047369-01-700	EA	Latch - Window - Plastic
.	042133-04-000	EA	Frame Asm. - Window - Inside (not included in assembly)
.	023713-02-000	EA	Cover - Weephole - Plastic - Black
.	002296-01-000	FT	Spline - Gray - .130" Dia. (Screen)
.	002293-01-000	SF	Screen - Window - 26" - Gray
.			Not Illustrated

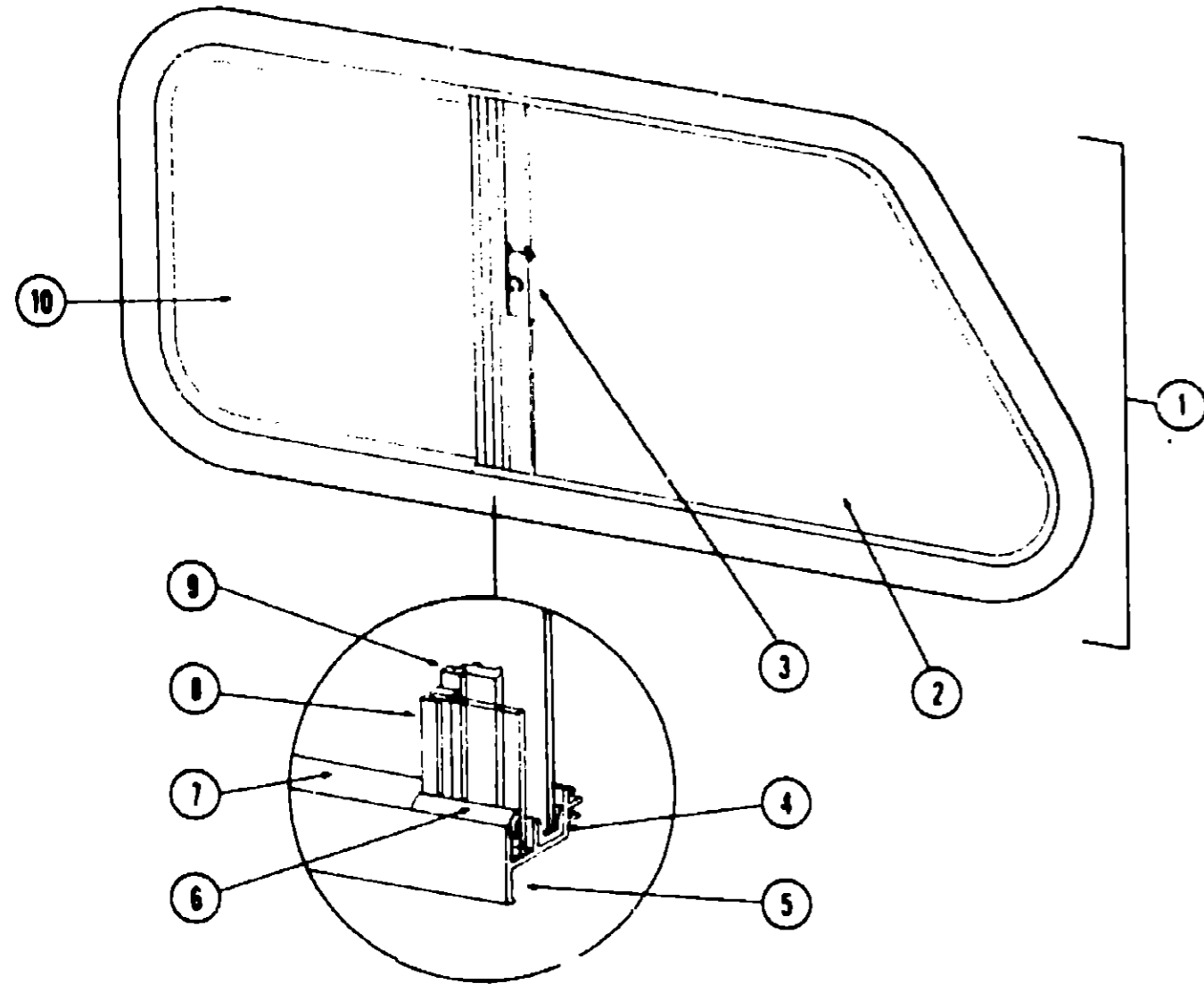
1978 ITASCA
TABLE OF CONTENTS

Introduction	A-1
Abbreviations	A-1
Alphabetical Index	A-2 - A-4
IDF/ICF23RG	A-5 - B-16
IC420RG	B-17 - D-6
IC525RB	D-7 - E-20
IDF/ICF26RT	E-21 - G-12

1979 IC525RB INDEX

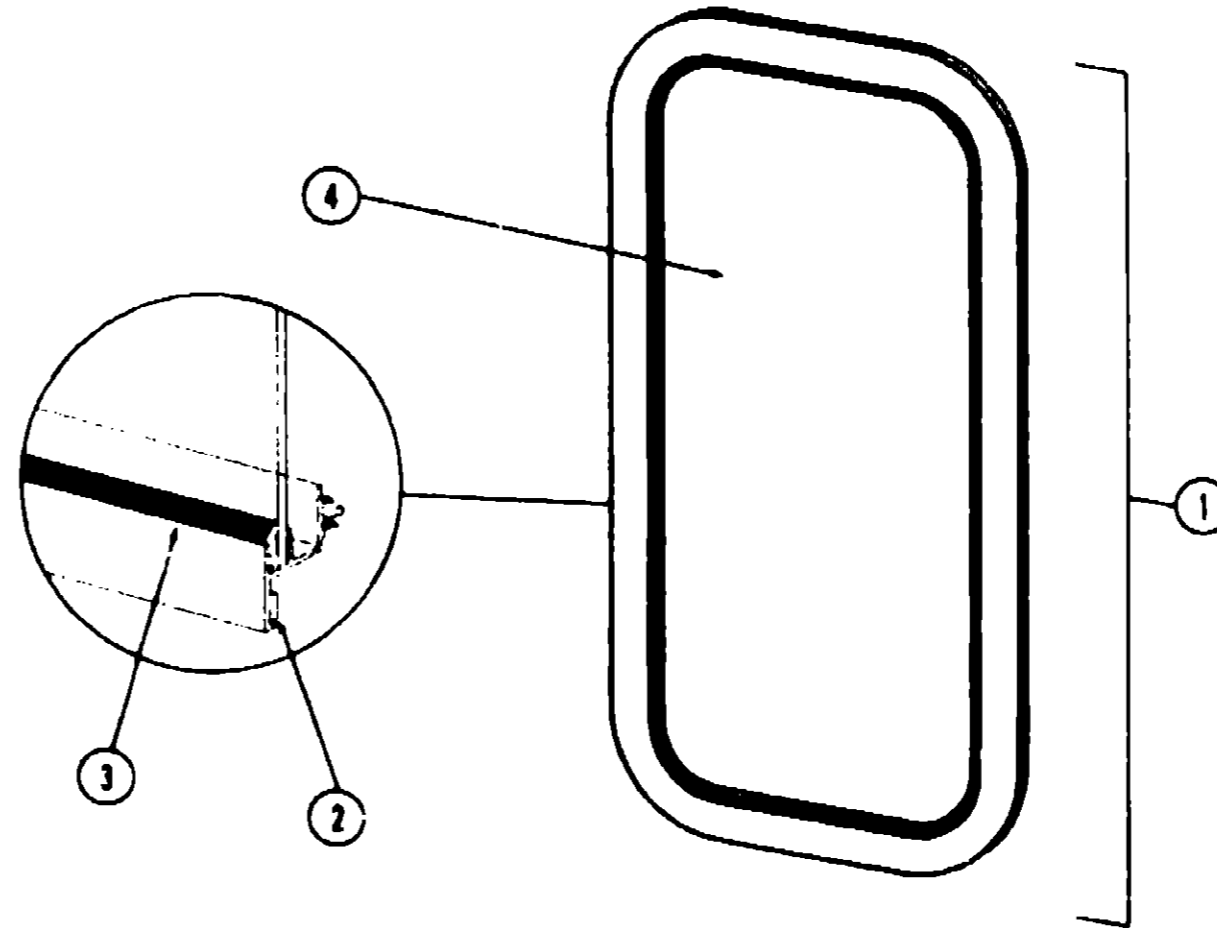
Floor Plan	D-7 - D-8
Accessories Group	D-9 - D-10
Bath Group	D-11 - D-12
Chassis Group	D-13
Curtain, Cushion & Pad Group	D-14 - D-18
Dinette Group	D-19
Driver's Compartment Group	D-20
Electrical Group	D-21 - D-22
Exterior Body Group	D-23 - E-2
Galley Group	E-3
Heating & Air Conditioning Group	E-4
Interior Finish Group	E-5 - E-6
LP Group	E-7
Lounge Group	E-8
Water & Sewage Group	E-9
Window, Vent & Exterior Door Group	E-10 - E-20

WINDOW, VENT AND EXTERIOR DOOR GROUP (CONTINUED)



Key	Part Number	U/M	Description
1	048632-03-000	EA	Window Asm. - Bunk - Slanted Slider - Right - Black (w/o Inside Frame)
	048632-04-000	EA	Window Asm. - Bunk - Slanted Slider - Left - Black (w/o Inside Frame)
2	040919-01-000	EA	Glass - 1/8" x 11.93" x 19.42" - Gray - Stationary
3	047369-01-700	EA	Latch - Window - Plastic - w/Fastener
4	002324-01-000	FT	Channel - Weatherstrip - Glass Run - 1/8" Glass
5	004763-01-000	FT	Tape - Foam - 3/16" x 1/2" - Gray
6	002309-02-000	FT	Spline - Glass - 1/8" - Black
7	024096-02-000	FT	Seal - Window Channel - Black
8	002390-03-200	EA	Holder - Glass Seal - Extr. - Anod. Black - 11.23"
9	041894-07-000	EA	Mullion - 13" - Black Anod.
10	047815-01-000	EA	Glass - 1/8" x 11.98" x 11.81" - Gray - Sliding
	040916-03-000	EA	Frame - Window - Inside - Bunk Slant - Left (not included in assembly)
	040916-04-000	EA	Frame - Window - Inside - Bunk Slant - Right (not included in assembly)
	023713-02-000	EA	Cover - Weephole - Black
	002298-01-000	FT	Spline - Gray - .130" Dia. (Screen)
	002291-01-000	SF	Screen - Gray - Window - 16"
			Not Illustrated

WINDOW, VENT AND EXTERIOR DOOR GROUP (CONTINUED)



Key	Part Number	U/M	Description
1	041875-06-000	EA	Window Asm. - Picture - 13" x 20" (w/o inside frame)
2	004363-01-000	FT	Tape - Foam - 3/16" x 1/2" - Gray
3	002309-02-000	FT	Spline - Glass - 1/8" Black
4	002203-01-000	EA	Glass - TP - 1/8" x 12" x 19"
	041696-09-000	EA	Frame - Window - Inside - 13" x 20" (not included in assembly)
			Not Illustrated

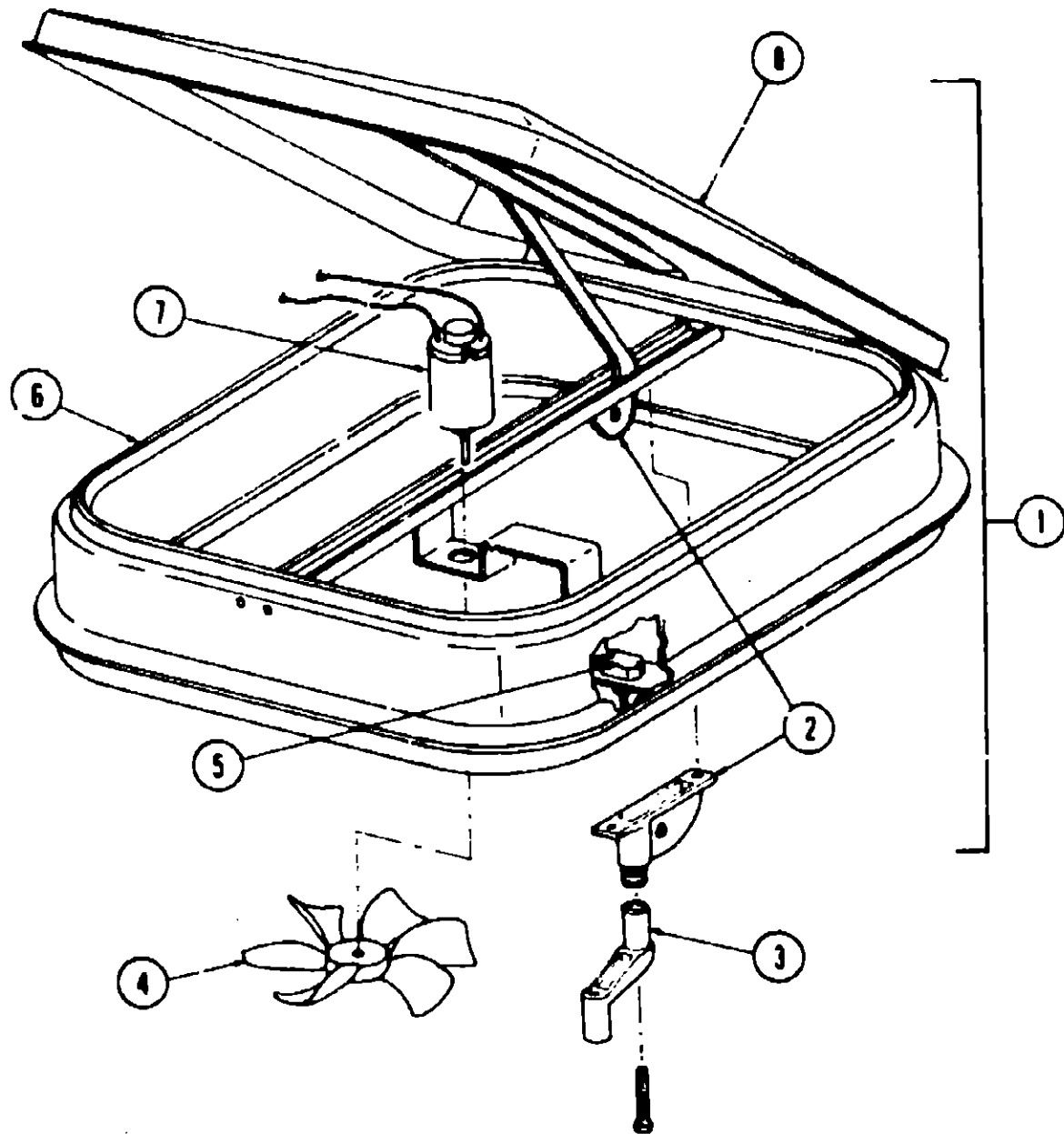
1978 ITASCA
TABLE OF CONTENTS

Introduction	A-1
Abbreviations	A-1
Alphabetical Index	A-2 - A-4
IDF/ICF23RG	A-5 - B-16
IC420RG	B-17 - D-6
IC525RB	D-7 - E-20
IDF/ICF26RT	E-21 - G-12

1978 IC525RB INDEX

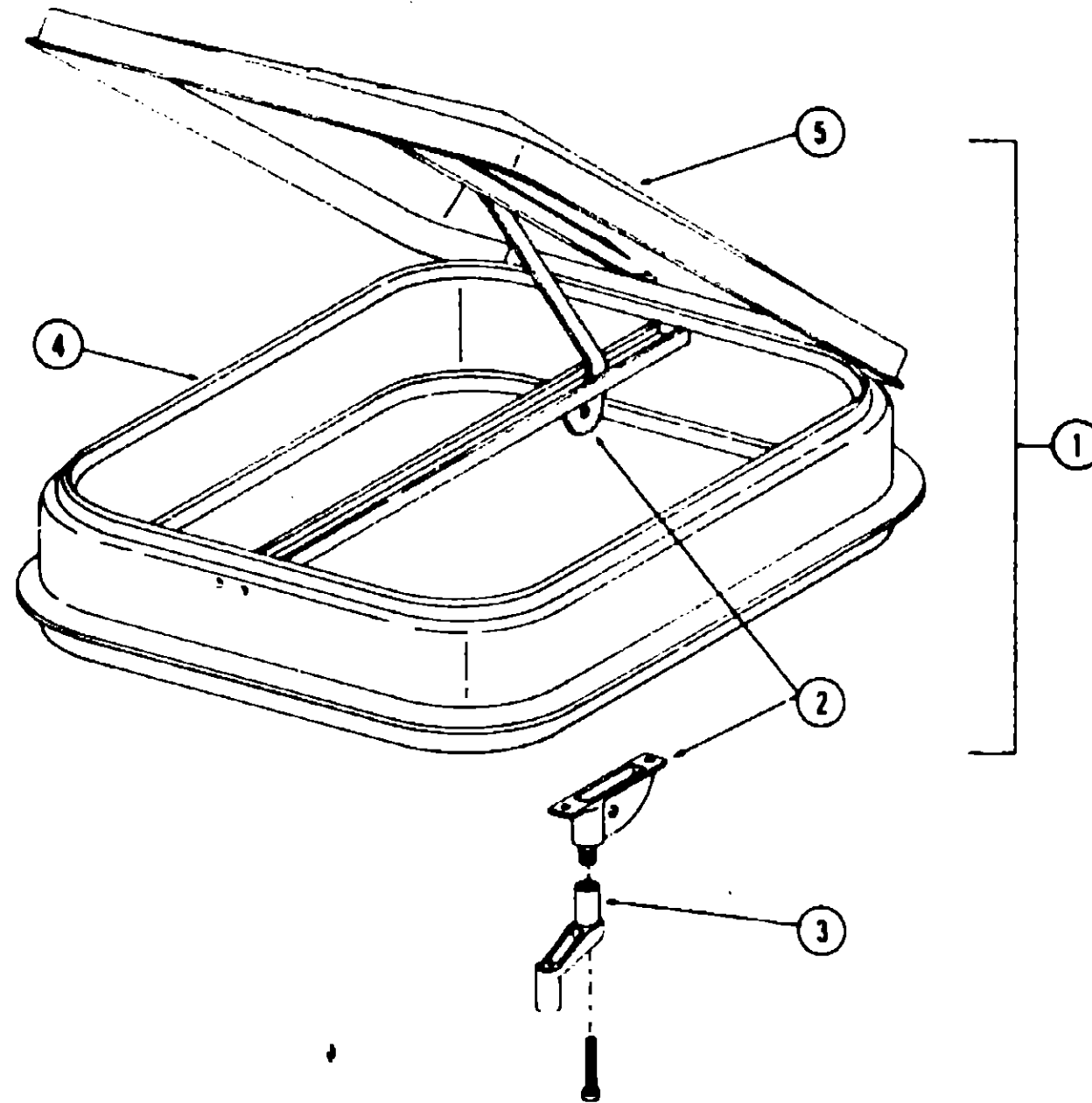
Floor Plan	D-7 - D-8
Accessories Group	D-9 - D-10
Bath Group	D-11 - D-12
Chassis Group	D-13
Curtain, Cushion & Pad Group	D-14 - D-16
Dinette Group	D-19
Driver's Compartment Group	D-20
Electrical Group	D-21 - D-22
Exterior Body Group	D-23 - E-2
Galley Group	E-3
Heating & Air Conditioning Group	E-4
Interior Finish Group	E-5 - E-6
LP Group	E-7
Lounge Group	E-8
Water & Sewage Group	E-9
Window, Vent & Exterior Door Group	E-10 - E-20

WINDOW, VENT AND EXTERIOR DOOR GROUP (CONTINUED)



Key	Part Number	U/M	Description
1	048789-01-000	EA	Vent Asm. Roof - Powered - w/o Screen
2	009440-01-000	EA	Gear - Arm - Roof Vent
3	009439-01-000	EA	Crank - Roof Vent
4	048649-01-000	EA	Fan - Blade - 6" Plastic
5	008195-01-000	EA	Switch - Push Button - 12 Volt
6	002825-01-000	FT	Weatherstrip - Roof Vent
7	048648-01-000	EA	Motor - 12 Volt
8	046825-01-000	EA	Cover - Plastic - Roof Vent
	048695-01-000	EA	Screen Asm. - Powered Roof Vent - Clear Anod. (not included in assembly)
	048695-03-000	EA	Screen Asm. - Powered Roof Vent - Beige (not included in assembly)
			Not Illustrated

WINDOW, VENT AND EXTERIOR DOOR GROUP (CONTINUED)



Key	Part Number	U/M	Description
1	048835-01-000	EA	Vent Asm. - Roof - Nonpowered - w/o Screen
2	009440-01-000	EA	Gear - Arm - Roof Vent
3	009439-01-000	EA	Crank - Roof Vent
4	002825-01-000	FT	Weatherstrip - Roof Vent
5	046825-01-000	EA	Cover - Plastic - Roof Vent
	016335-01-000	EA	Screen Asm. - Non Powered Roof Vent - Clear Anod. (not included in assembly)
	016335-03-000	EA	Screen Asm. - Non Powered Roof Vent - Beige (not included in assembly)
			Not Illustrated

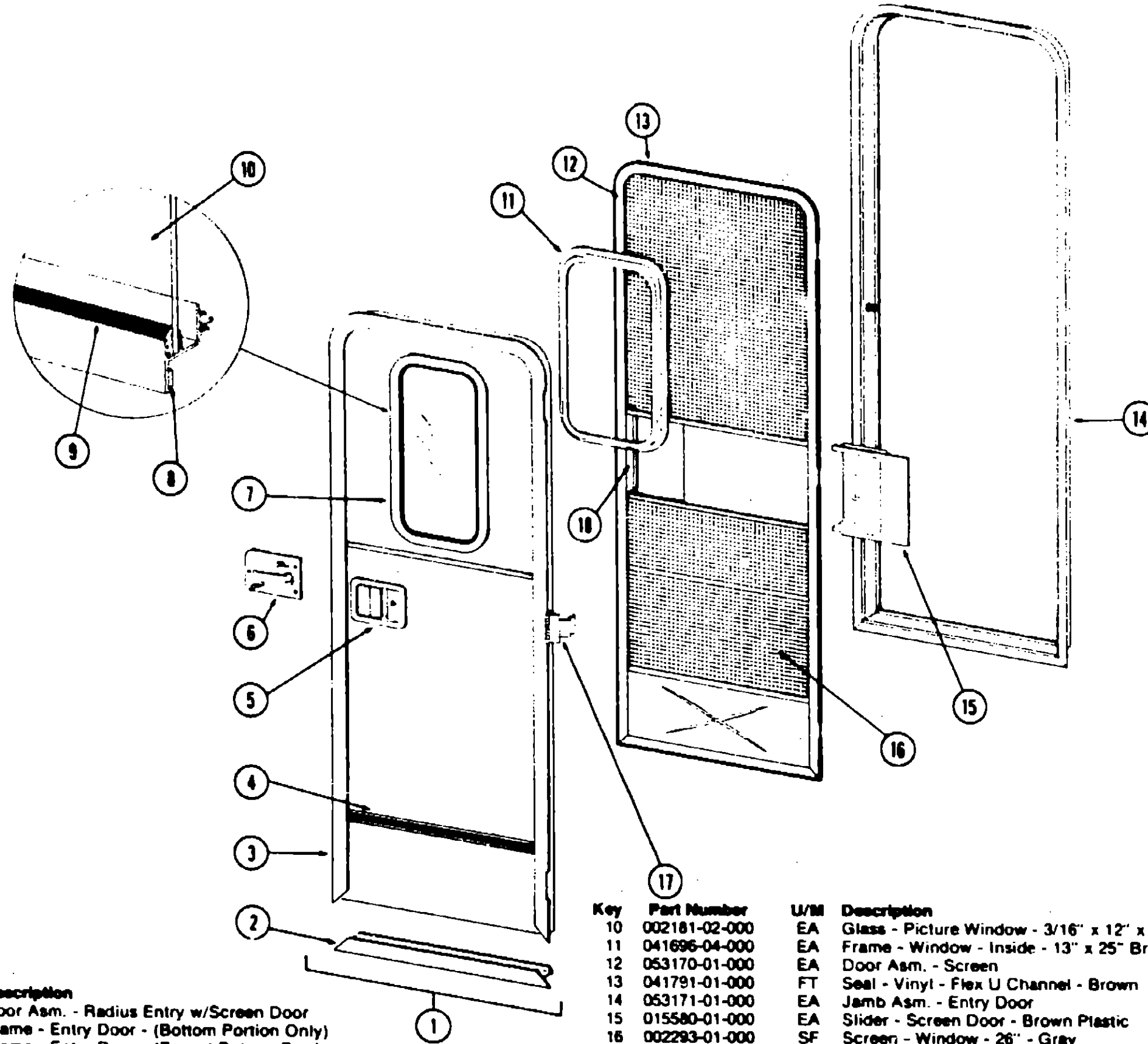
**1978 ITASCA
TABLE OF CONTENTS**

Introduction	A-1
Abbreviations	A-1
Alphabetical Index	A-2 - A-4
IDF/ICF23RG	A-5 - B-16
IC420RG	B-17 - D-6
IC525RB	D-7 - E-20
IDF/ICF26RT	E-21 - G-12

1978 IC525RB INDEX

Floor Plan	D-7 - D-8
Accessories Group	D-9 - D-10
Bath Group	D-11 - D-12
Chassis Group	D-13
Curtain, Cushion & Pad Group	D-14 - D-18
Dinette Group	D-19
Driver's Compartment Group	D-20
Electrical Group	D-21 - D-22
Exterior Body Group	D-23 - E-2
Galley Group	E-3
Heating & Air Conditioning Group	E-4
Interior Finish Group	E-5 - E-6
LP Group	E-7
Lounge Group	E-8
Water & Sewage Group	E-9
Window, Vent & Exterior Door Group	E-10 - E-20

WINDOW, VENT AND EXTERIOR DOOR GROUP (CONTINUED)



Key	Part Number	U/M	Description
1	053169-08-000	EA	Door Asm. - Radius Entry w/Screen Door
2	039737-01-000	EA	Frame - Entry Door - (Bottom Portion Only)
3	039736-01-000	EA	Frame - Entry Door - (Except Bottom Portion)
4	039874-01-000	EA	Holder Asm. - Entry Door
5	052186-01-000	EA	Lock Asm. - Radius Entry Door - Lynor
	045017-01-700	EA	Lock Cylinder w/Keys - Lynor
	039539-01-000	EA	Striker - Entry Door Lock
6	039879-01-000	EA	Plate - Lock - Interior - Including Inside Handle
7	041875-04-000	EA	Window Asm. - Picture - 13" x 25" - Black Anod. (inside frame not included in assembly)
8	004363-01-000	FT	Tape - Foam - 3/16" x 1/2" - Gray
9	002318-02-000	FT	Spline - Glass - .18" Black

Key	Part Number	U/M	Description
10	002181-02-000	EA	Glass - Picture Window - 3/16" x 12" x 24" - Gray
11	041696-04-000	EA	Frame - Window - Inside - 13" x 25" Brown
12	053170-01-000	EA	Door Asm. - Screen
13	041791-01-000	FT	Seal - Vinyl - Flex U Channel - Brown
14	053171-01-000	EA	Jamb Asm. - Entry Door
15	015580-01-000	EA	Slider - Screen Door - Brown Plastic
16	002293-01-000	SF	Screen - Window - 26" - Gray
17	039520-01-000	EA	Hinge - Entry Door (3 used per door)
18	015581-01-000	EA	Cap - Screen Door - Brown Plastic
	049176-01-000	EA	Hedlok II - 3/4" Diameter - Screw Mount (Retains Screen Door to Entry Door)
	049797-01-000	EA	Hedlok II - 1" - Diameter - Screw Mount (Retains Screen Door to Entry Door)
	018019-01-000	EA	Striker - Screen Door
	039863-01-000	EA	Catch Asm. - Single Roller w/Strike - Screen Door
	051390-01-000	FT	Seal - Bulb - Rubber
	039800-03-000	FT	Tubing - Polybutyl - 3/8" O.D. - Jamb
			Not Illustrated

E-17

1978 ITASCA TABLE OF CONTENTS

Introduction	A-1
Abbreviations	A-1
Alphabetical Index	A-2 - A-4
IDF/ICF23RG	A-5 - B-16
IC420RG	B-17 - D-6
IC525RB	D-7 - E-20
IDF/ICF26RT	E-21 - G-12

1978 IC525RB INDEX

Floor Plan	D-7 - D-8
Accessories Group	D-9 - D-10
Bath Group	D-11 - D-12
Chassis Group	D-13
Curtain, Cushion & Pad Group	D-14 - D-18
Dinette Group	D-19
Driver's Compartment Group	D-20
Electrical Group	D-21 - D-22
Exterior Body Group	D-23 - E-2
Galley Group	E-3
Heating & Air Conditioning Group	E-4
Interior Finish Group	E-5 - E-6
LP Group	E-7
Lounge Group	E-8
Water & Sewage Group	E-9
Window, Vent & Exterior Door Group	E-10 - E-20

E-18

WINDOW, VENT AND EXTERIOR DOOR GROUP (CONTINUED)

ACCESS DOORS

Key	Part Number	U/M	Description
	052009-01-000	EA	Door Asm. - Water Heater Access - Off White
	052179-02-000	EA	Door Asm. - Generator - Off White w/Twist Type Lock
	044210-01-000	EA	Door Asm. - 6' x 10" - Off White Plastic w/Quarter Turn Plastic Twist Lock
	037804-18-000	EA	Door Asm. - Battery - Off White w/Twist Type Lock
	037804-14-000	EA	Door Asm. - Luggage - Off White w/Key Type Lock
	043942-01-000	EA	Lock - Quarter Turn Plastic - Power Cord Door
	016945-02-000	EA	Holder Asm. - Luggage or Battery Door
	047305-01-000	EA	Lock Asm. - Key Type w/Clip
	052950-01-700	EA	Lock Asm. - Twist Type - White Plastic

VENTS

Key	Part Number	U/M	Description
	009407-01-000	EA	Frame - Base - Refrigerator Vent (w/o cover)
	039778-01-000	EA	Cover - Vent - Refrigerator - Plastic
	049352-01-000	EA	Vent - Stove Hood - Outside - Off White

1978 ITASCA TABLE OF CONTENTS

Introduction	A-1
Abbreviations	A-1
Alphabetical Index	A-2 - A-4
IDF/ICF23RG	A-5 - B-16
IC420RG	B-17 - D-6
IC525RB	D-7 - E-20
IDF/ICF26RT	E-21 - G-12

1978 IC525RB INDEX

Floor Plan	D-7 - D-8
Accessories Group	D-9 - D-10
Bath Group	D-11 - D-12
Chassis Group	D-13
Curtain, Cushion & Pad Group	D-14 - D-18
Dinette Group	D-19
Driver's Compartment Group	D-20
Electrical Group	D-21 - D-22
Exterior Body Group	D-23 - E-2
Galley Group	E-3
Heating & Air Conditioning Group	E-4
Interior Finish Group	E-5 - E-6
LP Group	E-7
Lounge Group	E-8
Water & Sewage Group	E-9
Window, Vent & Exterior Door Group	E-10 - E-20