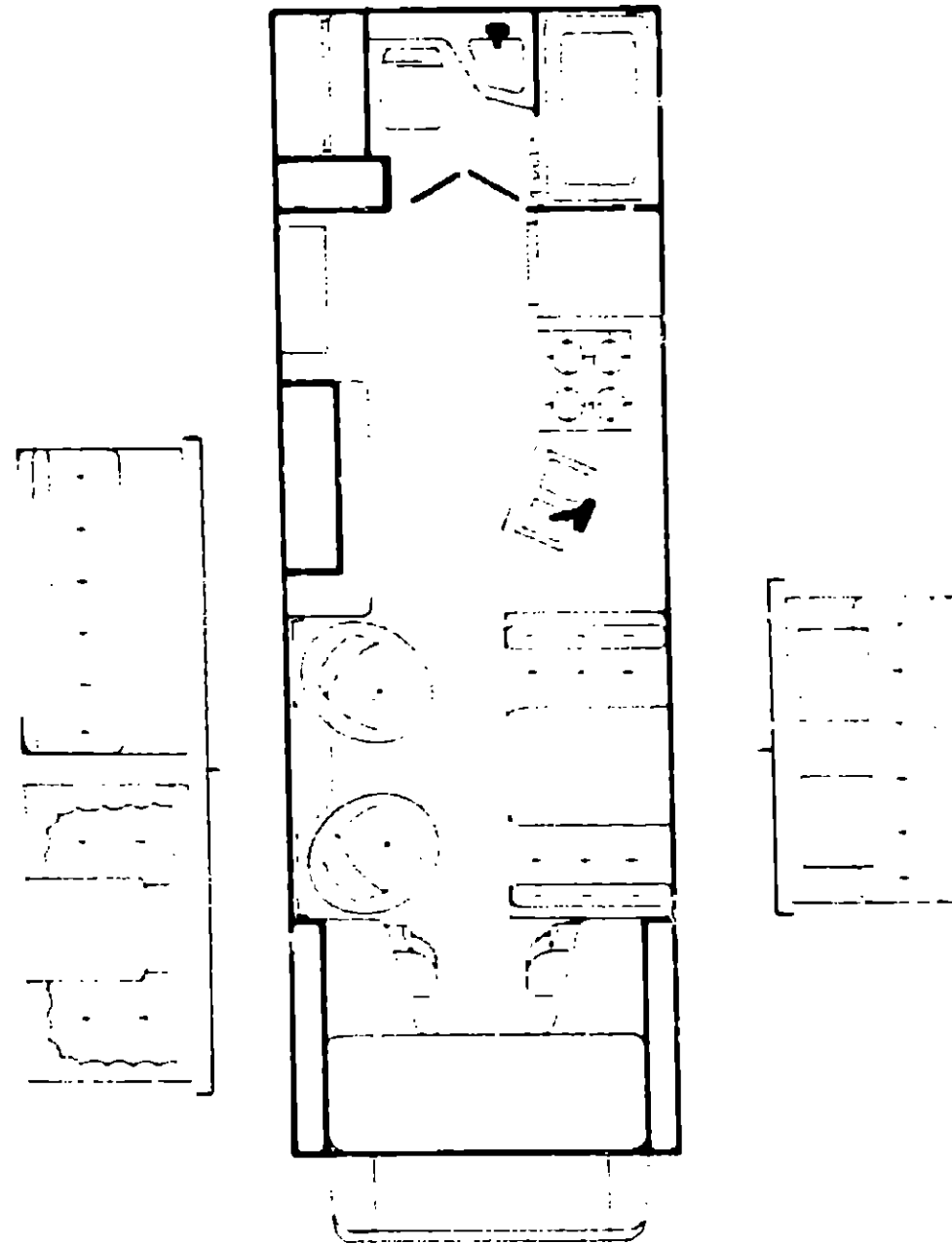


1978 IC525DB



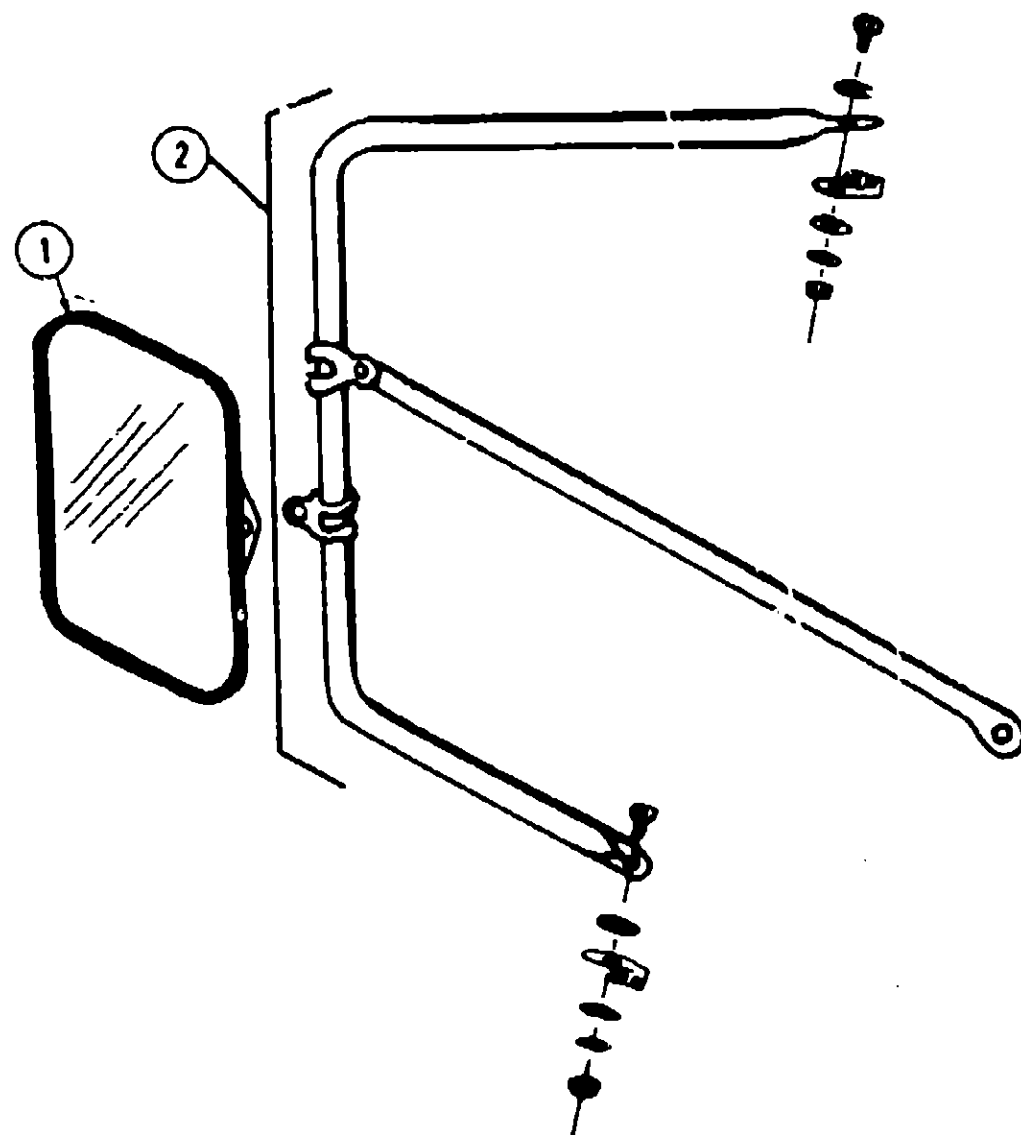
1978 ITASCA TABLE OF CONTENTS

ICP25RB	A-1 - B-12
ID424RH	B-13 - D-2
IC525DB	D-3 - E-14
ICP27RT	E-15 - G-2

1978 IC525DB INDEX

Floor Plan	D-3 - D-4
Accessories Group	D-5 - D-6
Bath Group	D-7 - D-8
Chassis Group	D-9
Curtain, Cushion & Pad Group	D-10 - D-13
Dinette Group	D-14
Driver's Compartment Group	D-15
Electrical Group	D-16 - D-17
Exterior Body Group	D-18 - D-21
Galley Group	D-22
Heating & Air Conditioning Group	D-23
Interior Finish Group	D-24 - E-1
LP Group	E-2
Lounge Group	E-3
Water & Sewage Group	E-4
Window, Vent & Exterior Door Group	E-5 - E-14

ACCESSORIES GROUP



Key	Part Number	U/M	Description
1	049347-01-000	EA	Mirror Head - 7 1/2" x 10 1/2" - Stainless Steel
2	049348-01-000	EA	Arm - West Coast Mirror - Stainless Steel
.	057481-01-000	EA	Mirror Head - 7 1/2" x 10 1/2" - w/Convex
.	Not Illustrated		

ACCESSORIES GROUP (CONTINUED)

RADIOS AND RELATED COMPONENTS

Key	Part Number	U/M	Description
	007004-01-000	EA	Antenna - Radio - Cab Mount
	045838-02-000	EA	Plate - Radio Cover
	049730-01-000	EA	Radio - Clarion - AM - w/Fader Switch
	049731-01-000	EA	Radio - Clarion - AM/FM/MPX - w/Fader Switch
	049732-01-000	EA	Radio - Clarion - AM/FM/MPX/B-Track - w/Fader Switch
	055299-01-000	EA	Grille - Speaker - Black Padded
	053788-01-000	EA	Speaker - Recessed - 5 1/4" - 10 Oz.
	056458-01-000	EA	Speaker - 4" x 6" - Oval
	048153-01-000	EA	Antenna - CB Camper Style
	052774-01-000	EA	Radio - CB - 40 Channel - Hy-Gain 9

MISCELLANEOUS ACCESSORIES

Key	Part Number	U/M	Description
**	042713-01-000	EA	Speed Control Package - 350 C.I.D. - C-Body
	008113-01-000	EA	Jack - Hydraulic - 5 Ton
	041944-01-700	EA	Fire Extinguisher - w/Bracket - Dry Chemical
	054185-02-000	EA	Owners Manual - Itasca
	017518-01-000	EA	Mud Flap - Black - 14" x 18" - w/Holes
	023111-01-000	EA	Food Center - Blender and Power Unit w/o Ice Crusher Attachment
	023111-02-000	EA	Ice Crusher Attachment for Blender
	041646-01-000	EA	Carrier Assembly - Luggage - Roof
	030881-01-000	EA	Catch - Draw Type - Luggage Carrier w/Strike
	031161-01-000	EA	Label - Flying "W" - Luggage Carrier
	041653-01-000	EA	Pin Asm. - w/Retainer - 1/4" x 3/4" - Luggage Carrier
	008053-01-000	EA	Antenna - TV - Braund Delux
	008053-01-700	EA	Parts Kit - Repair - Braund TV Antenna
	008083-01-000	EA	Jack - TV - Brown
**	031398-03-000	EA	Cover - Wheel - 16.5" Chrome
	047226-04-000	EA	Cover - Spare Tire - 29" - Off White
	050411-01-000	EA	Horn - Dual Trumpet - 12 Volt - Chrome
	054429-01-000	EA	Generator - 4.0 KW - Onan
	701629-02-000	EA	Onan Installation Package
	048380-02-000	EA	Overhead Console
	050015-01-000	EA	Bracket - Overhead Console
	024732-01-001	EA	Tailpipe - 90°, 1 1/2" O.D.
	056254-01-000	EA	Ladder Asm. - w/Luggage Rack
	041088-02-000	EA	Ladder Asm. - w/o Luggage Rack

**The illustrated parts breakdown for this item is provided on the Common Items Fiche.

1978 ITASCA TABLE OF CONTENTS

ICP25RB	A-1 - B-12
ID424RH	B-13 - D-2
IC525DB	D-3 - E-14
ICP27RT	E-15 - G-2

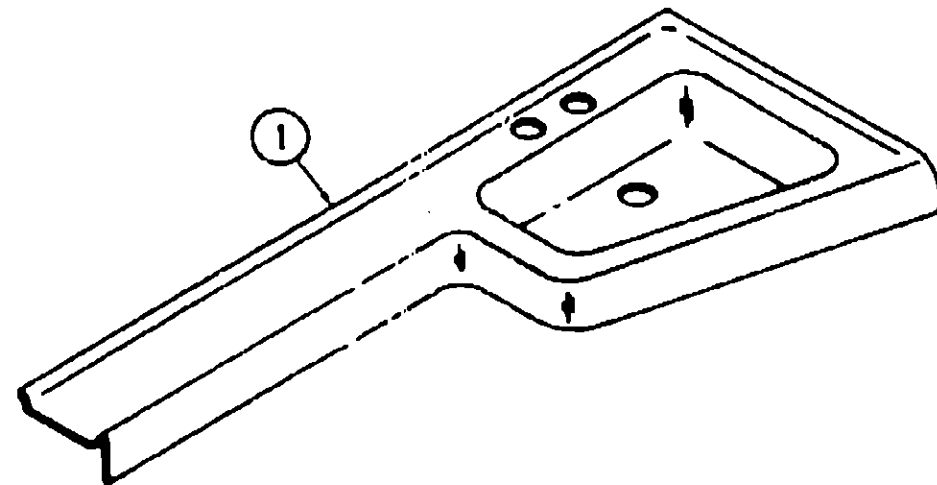
1978 IC525DB INDEX

Floor Plan	D-3 - D-4
Accessories Group	D-5 - D-6
Bath Group	D-7 - D-8
Chassis Group	D-9
Curtain, Cushion & Pad Group	D-10 - D-13
Dinette Group	D-14
Driver's Compartment Group	D-15
Electrical Group	D-16 - D-17
Exterior Body Group	D-18 - D-21
Galley Group	D-22
Heating & Air Conditioning Group	D-23
Interior Finish Group	D-24 - E-1
LP Group	E-2
Lounge Group	E-3
Water & Sewage Group	E-4
Window, Vent & Exterior Door Group	E-5 - E-14

BATH GROUP

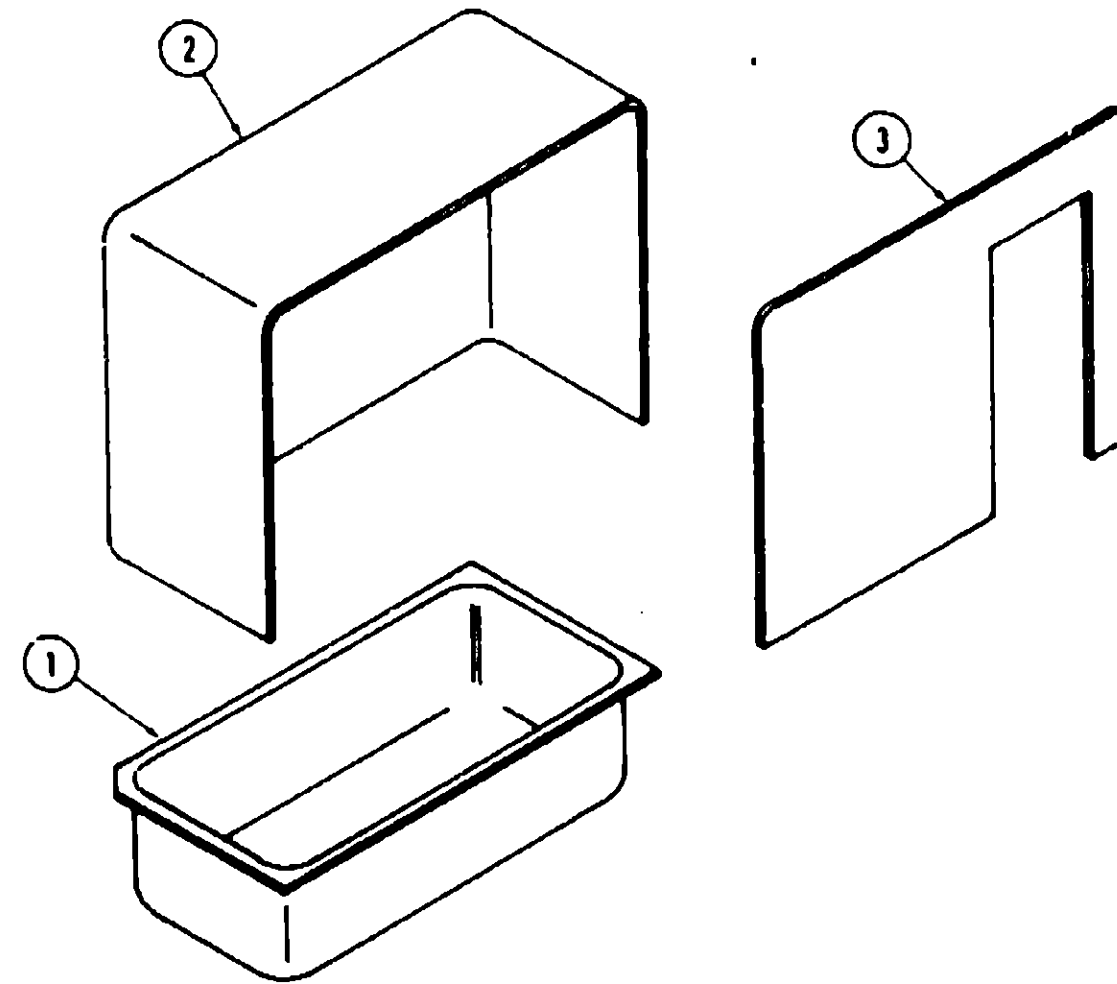
Key	Part Number	U/M	Description
	053877-01-J13	EA	Cabinet Asm. - Vanity - w/o Top, Doors or Hardware
	053853-07-J13	EA	Door Asm. - Vanity Cabinet - 25 1/8" x 15 13/16" - w/o Hardware
	053853-13-J13	EA	Door Asm. - Vanity Cabinet - 6 1/2" x 21" - w/o Hardware
	053853-05-J13	EA	Door Asm. - Wardrobe Cabinet - 54 1/2" x 18 1/2" - w/o Hardware
	053533-01-J13	EA	Door Asm. - Wardrobe Cabinet - Right or Left - 49 7/8" x 9 13/16" - w/Plastic Insert - w/o Hardware
	G50513-02-000	EA	Plastic Insert - Amber - 2' x 6'
	047008-01-000	EA	Lock Asm. - Key Type - Antique Brass - Right
	047009-01-000	EA	Lock Asm. - Key Type - Antique Brass - Left
	009151-01-000	EA	Warp Guard - 48"
	057534-01-000	EA	Tieback - 6" - Clear Plastic
	009112-01-000	EA	Flange - Closet Rod - 1"
	052563-01-000	EA	Towel Rack Asm. - Mounts on Door
	053884-01-J13	EA	Panel Asm. - Folding (Door (2 used per door))
	053338-01-000	EA	Hardware Package - Folding Door
	053338-02-000	EA	Steel Track - Folding Door
	053130-02-000	EA	Cabinet - Medicine - 13 5" Wide
	053260-01-000	EA	Trim - Shower Door - Bottom
	053261-01-000	EA	Trim - Shower Door - Left
	053262-01-000	EA	Trim - Shower Door - Right
	009096-01-000	EA	Mirror - 1/8" x 12" x 42" - Beveled
	046113-01-000	EA	Rosette - Plastic - Mirror Mount
	009134-01-000	EA	Holder - Tissue
**	011056-01-000	EA	Faucet - Lavatory
	011083-01-000	EA	Plug w/Chain - 1 1/4"
**	011048-01-000	EA	Shower Head - w/30" Hose
**	011070-01-000	EA	Tailpiece - 1 1/4" x 6" - Brass
**	011086-01-000	EA	Strainer - Shower Pan
**	031558-01-000	EA	Faucet - Tub and Shower
**	039341-02-000	EA	Toilet - Thetford Aqua Magic SH - Ivory

**The illustrated parts breakdown for this item is provided on the Common Items Fiche.



Key	Part Number	U/M	Description
1	042175-01-000	EA	Lavatory Top

BATH GROUP (CONTINUED)



Key	Part Number	U/M	Description
1	041826-01-000	EA	Bathtub - Bottom
2	041853-01-000	EA	Bathtub - Rear
3	041852-01-000	EA	Bathtub - Front

1978 ITASCA TABLE OF CONTENTS

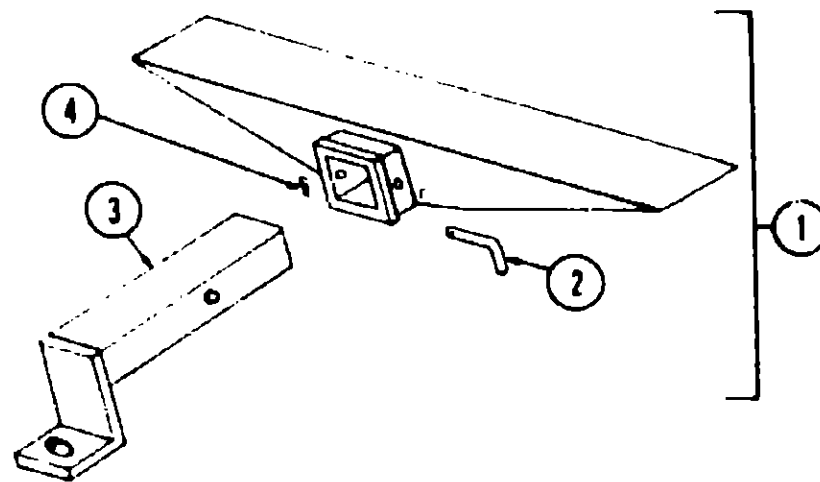
ICP25RB	A-1 - B-12
ID424RH	B-13 - D-2
IC525DB	D-3 - E-14
ICP27RT	E-15 - G-2

1978 IC525DB INDEX

Floor Plan	D-3 - D-4
Accessories Group	D-5 - D-6
Bath Group	D-7 - D-8
Chassis Group	D-9
Curtain, Cushion & Pad Group	D-10 - D-13
Dinette Group	D-14
Driver's Compartment Group	D-15
Electrical Group	D-16 - D-17
Exterior Body Group	D-18 - D-21
Galley Group	D-22
Heating & Air Conditioning Group	D-23
Interior Finish Group	D-24 - E-1
LP Group	E-2
Lounge Group	E-3
Water & Sewage Group	E-4
Window, Vent & Exterior Door Group	E-5 - E-14

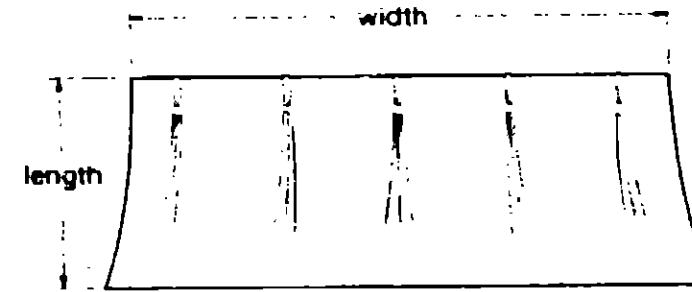
CHASSIS GROUP

Key	Part Number	U/M	Description
	048592-01-000	EA	Hold Down - Double Battery
	053249-01-000	EA	Battery Tray
	048682-01-000	EA	Rod - Battery Tie Down
	039615-01-000	EA	Rod - Hold Open - Hood
	046746-01-000	EA	Support Asm. - Radiator/Grille
	041787-01-000	EA	Clip - Speed Cable or Rod
	044763-01-000	EA	Splashguard - Front - Black Rubber
	049912-01-000	EA	Step Asm. - Assist - Front Door
	024652-01-700	EA	Step Asm. - Coach Entry Door
	039640-01-000	EA	Bracket - Hood Pins
	037449-01-000	EA	Well Nut - 10 - 32 x .812"
	041200-01-000	EA	Pin - Clevis - 1/4" Dia. x 2.50"
	041228-01-000	EA	Pin - Hitch - 1/16" Wire
	044163-01-000	EA	Bracket - Fiberglass to Wheelwell
	044164-01-000	EA	Bracket - Fiberglass to Hinge Pillar
	044371-01-000	EA	Bracket - Fiberglass - Front Bottom
	044373-01-000	EA	Bracket - Fiberglass - Front Top
	045683-01-000	EA	Pivot - Hood
	040848-01-000	EA	Bumper - Hood
	041723-01-000	EA	Bracket - Center Hood Bumper
	044372-01-000	EA	Bracket - Fiberglass - Parking Light
	046703-01-000	EA	Brace - Fiberglass to Upper Cowl
	042377-01-000	EA	Extension - Tailpipe - 3" O.D. x 7.50"
	007125-08-000	EA	Clamp Asm. - Muffler 3" Dia.
	040634-02-000	EA	Carrier - Spare Tire
	040974-01-000	EA	Bracket - Spare Tire
	046043-06-000	EA	Bracket Asm. - Rear Bumper
	046785-01-000	EA	Bumper - Rear Chrome - 93"
	057046-01-000	EA	Bumper - Rear Aluminum - 93"
	049750-01-000	EA	Shroud - Fuel Fill - Inside Coach
	024141-01-000	FT	Hose - Fuel - Rubber - 1/2" I.D.
	007137-01-000	EA	Clamp - Hose - Worm Gear - 1 5/16" to 2 1/4"
	039649-01-000	EA	Wheel Well - Plastic - Left Rear or Right Rear
	017516-01-000	EA	Mud Flap - 14" x 18" - w/Holes



Key	Part Number	U/M	Description
1	023885-01-000	EA	Hitch Asm. - w/o Drawbar
2	034512-01-000	EA	Pin - Locking - Drawbar
3	023890-01-000	EA	Drawbar Asm. - Trailer Hitch
4	034513-01-000	EA	Pin - Hitch - 3/16" Wire Spring

CURTAIN, CUSHION AND PAD GROUP



NOTE:

Use this illustration when determining length and width measurements for curtains. You will note the width measurement is taken on the top of the curtain with the curtain fully extended. The length measurement is taken from top to bottom.

ICP25RB
ID424RH
IC525DB
ICP27RT

A-1 - B-12
B-13 - D-2
D-3 - E-14
E-15 - G-2

1978 ITASCA TABLE OF CONTENTS

CURTAINS

Key	Part Number	U/M	Description
	054045-14-J13	EA	Curtain w/Snaps Top and Bottom - 22" x 18" - Parchment
	054045-15-J13	EA	Curtain w/Snaps Top and Bottom - 25.5" x 24" - Parchment
	054103-02-J13	EA	Curtain w/Snaps - 27" x 39" - Right - Parchment w/Brown Trim
	054103-02-J14	EA	Curtain w/Snaps - 27" x 39" - Right - Parchment w/Blue Trim
	054103-03-J13	EA	Curtain w/Snaps - 27" x 39" - Left - Parchment w/Brown Trim
	054103-03-J14	EA	Curtain w/Snaps - 27" x 39" - Left - Parchment w/Blue Trim
	054103-04-J13	EA	Curtain w/Snaps - 15.5" x 42" - Parchment w/Brown Trim
	054103-04-J14	EA	Curtain w/Snaps - 15.5" x 42" - Parchment w/Blue Trim
	054051-14-J13	EA	Curtain w/Snap Top - 25" x 93" - Parchment w/Brown Trim
	054051-14-J14	EA	Curtain w/Snap Top - 25" x 93" - Parchment w/Blue Trim
	054052-01-J13	EA	Curtain Asm. - Wraparound - 23" x 64" - Mushroom Vinyl

TIE BACKS

Key	Part Number	U/M	Description
	054048-01-J13	EA	Tie Back - Curtain - 2" x 14" - Parchment
	054048-03-J13	EA	Tie Back - Curtain - 2" x 10" - Parchment

VALANCES

Key	Part Number	U/M	Description
	057791-01-J13	EA	Valance w/Trim - 5.5" x 28" - Parchment w/Brown Trim
	057791-01-J14	EA	Valance w/Trim - 5.5" x 28" - Parchment w/Blue Trim
	057791-02-J13	EA	Valance w/Trim - 5.5" x 47" - Parchment w/Brown Trim
	057791-02-J14	EA	Valance w/Trim - 5.5" x 47" - Parchment w/Blue Trim
	057791-03-J13	EA	Valance w/Trim - 5.5" x 78" - Parchment w/Brown Trim
	057791-03-J14	EA	Valance w/Trim - 5.5" x 78" - Parchment w/Blue Trim

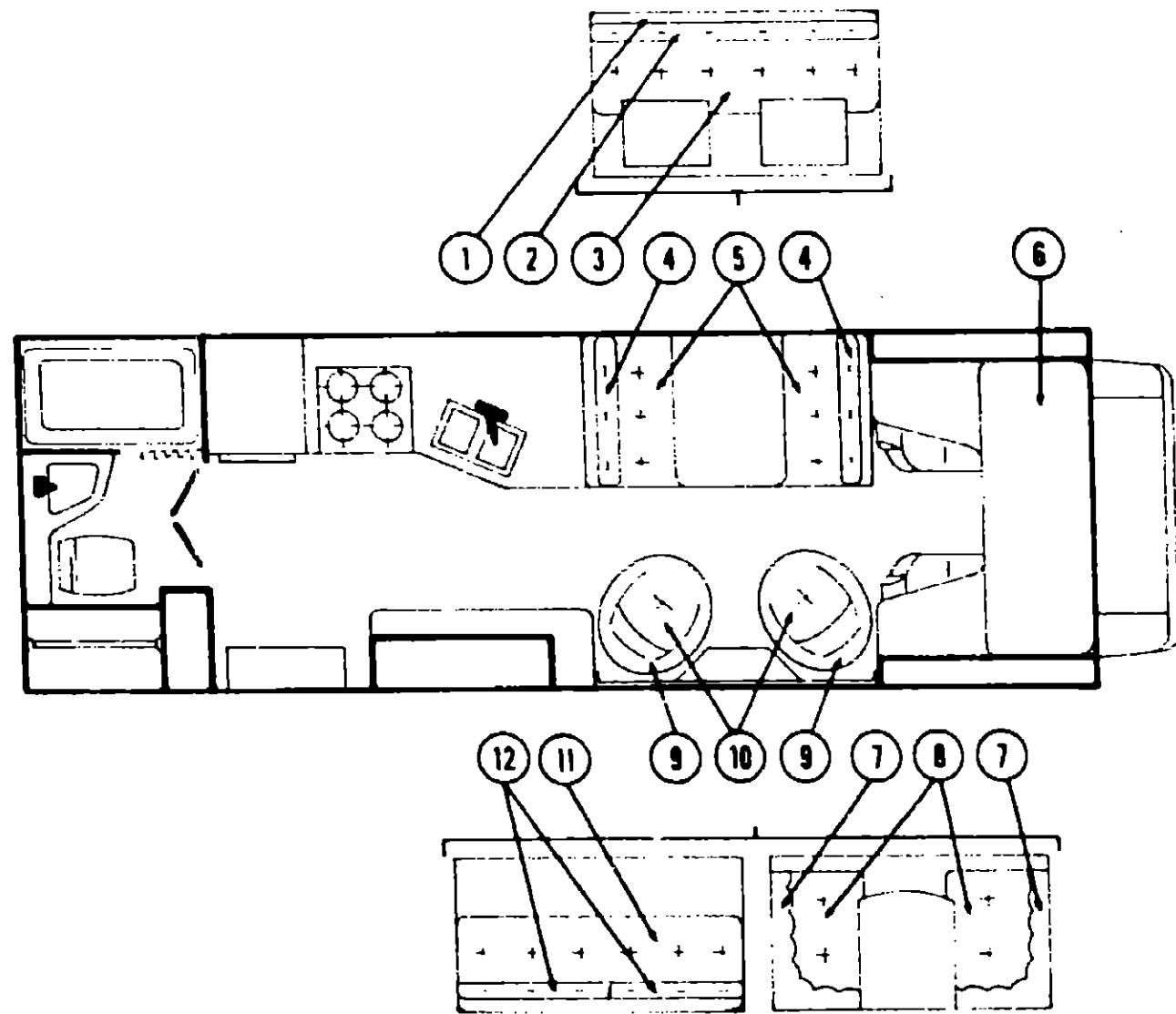
PADS

Key	Part Number	U/M	Description
	053719-01-J13	EA	Pad - Cab Headliner - Mushroom Vinyl
	053913-03-J13	EA	Pad - Cab Pillar Support - Right - Mushroom Vinyl
	053913-04-J13	EA	Pad - Cab Pillar Support - Left - Mushroom Vinyl
	058051-01-J13	EA	Pad - Sleeper Board - Left - Mushroom Vinyl
	058051-02-J13	EA	Pad - Sleeper Board - Right - Mushroom Vinyl
	058052-01-J13	EA	Pad - Locking Pillar - Left - Mushroom Vinyl
	058052-02-J13	EA	Pad - Locking Pillar - Right - Mushroom Vinyl
	058053-01-J13	EA	Pad - Hinging Pillar - Right - Mushroom Vinyl
	058053-02-J13	EA	Pad - Hinging Pillar - Left - Mushroom Vinyl
	058054-01-J13	EA	Pad - Over Cab Door - Left - Mushroom Vinyl
	058054-02-J13	EA	Pad - Over Cab Door - Right - Mushroom Vinyl
	055252-01-J13	EA	Pad - Pullout Table - Mushroom Vinyl
	050889-02-000	EA	Pad Asm. - Toilet Base - Mushroom Vinyl
	050890-02-000	EA	Pad Asm. - Toilet Lid - Mushroom Vinyl
	050944-02-000	EA	Pad Asm. - Toilet Skirt - Mushroom Vinyl

1978 IC525DB INDEX

Floor Plan	D-3 - D-4
Accessories Group	D-5 - D-6
Bath Group	D-7 - D-8
Chassis Group	D-9
Curtain, Cushion & Pad Group	D-10 - D-13
Dinette Group	D-14
Driver's Compartment Group	D-15
Electrical Group	D-16 - D-17
Exterior Body Group	D-18 - D-21
Galley Group	D-22
Heating & Air Conditioning Group	D-23
Interior Finish Group	D-24 - E-1
LP Group	E-2
Lounge Group	E-3
Water & Sewage Group	E-4
Window, Vent & Exterior Door Group	E-5 - E-14

CURTAIN, CUSHION AND PAD GROUP (CONTINUED)



DINETTE COUCH CUSHIONS

Key	Part Number	U/M	Description
1	055017-01-J13	EA	Cushion - Dinette Couch - 8" x 76" x 5" - Brown
1	055017-01-J14	EA	Cushion - Dinette Couch - 8" x 76" x 5" - Blue
	055018-01-J13	EA	Cover - Dinette Couch Cushion - 8" x 76" x 5" - Brown
	055018-01-J14	EA	Cover - Dinette Couch Cushion - 8" x 76" x 5" - Blue
2	057071-01-J13	EA	Cushion - Dinette Back - 16" x 76" x 5" - Brown
2	057071-01-J14	EA	Cushion - Dinette Back - 16" x 76" x 5" - Blue
	057077-01-J13	EA	Cover - Dinette Back Cushion - 16" x 76" x 5" - Brown
	057077-01-J14	EA	Cover - Dinette Back Cushion - 16" x 76" x 5" - Blue
3	057067-01-J13	EA	Cushion - Dinette Bottom - 21" x 76" x 5" - Brown
3	057067-01-J14	EA	Cushion - Dinette Bottom - 21" x 76" x 5" - Blue
	057074-01-J13	EA	Cover - Dinette Bottom Cushion - 21" x 76" x 5" - Brown
	057074-01-J14	EA	Cover - Dinette Bottom Cushion - 21" x 76" x 5" - Blue

CURTAIN, CUSHION AND PAD GROUP (CONTINUED)

CONVENTIONAL DINETTE CUSHIONS

Key	Part Number	U/M	Description
4	055017-08-J13	EA	Cushion - Dinette Back - 14.2" x 38" x 5" - Brown
4	055017-08-J14	EA	Cushion - Dinette Back - 14.2" x 38" x 5" - Blue
	055018-08-J13	EA	Cover - Dinette Back Cushion - 14.2" x 38" x 5" - Brown
	055018-08-J14	EA	Cover - Dinette Back Cushion - 14.2" x 38" x 5" - Blue
5	055017-09-J13	EA	Cushion - Dinette Bottom - 22.5" x 38" x 5" - Brown
5	055017-09-J14	EA	Cushion - Dinette Bottom - 22.5" x 38" x 5" - Blue
	055018-09-J13	EA	Cover - Dinette Bottom Cushion - 22.5" x 38" x 5" - Brown
	055018-09-J14	EA	Cover - Dinette Bottom Cushion - 22.5" x 38" x 5" - Blue

FRONT BUNK CUSHIONS

Key	Part Number	U/M	Description
6	054693-02-J13	EA	Cushion - Front Bunk - 29.5" x 22.5" x 76" x 5" - Brown
6	054693-02-J14	EA	Cushion - Front Bunk - 29.5" x 22.5" x 76" x 5" - Blue
	054694-02-J13	EA	Cover - Front Bunk Cushion - 29.5" x 22.5" x 76" x 5" - Brown
	054694-02-J14	EA	Cover - Front Bunk Cushion - 29.5" x 22.5" x 76" x 5" - Blue

CORNER LOUNGE CHAIR CUSHIONS

Key	Part Number	U/M	Description
7	056636-01-J13	EA	Cushion - Back - Corner Lounge Chair - Right or Left - Brown
7	056636-01-J14	EA	Cushion - Back - Corner Lounge Chair - Right or Left - Blue
8	056637-01-J13	EA	Cushion - Seat - Corner Lounge Chair - Right or Left - Brown
8	056637-01-J14	EA	Cushion - Seat - Corner Lounge Chair - Right or Left - Blue

TT CHAIRS

Key	Part Number	U/M	Description
9	054674-02-J13	EA	TT Chair - Complete - Brown
9	054674-02-J14	EA	TT Chair - Complete - Blue
10	054700-02-J13	EA	Cushion - TT Chair - Brown
10	054700-02-J14	EA	Cushion - TT Chair - Blue
	035036-01-000	EA	Plate - TT Chair
	035036-02-000	EA	Base - TT Chair - w/Legs

GLIDE BED CUSHIONS

Key	Part Number	U/M	Description
11	057199-01-J13	EA	Cushion - Complete - Glide Bed - Brown
11	057199-01-J14	EA	Cushion - Complete - Glide Bed - Blue
12	056948-05-J13	EA	Cushion - Bolster - 15" x 36" x 7" x 10" - Brown
	056948-05-J14	EA	Cushion - Bolster - 15" x 36" x 7" x 10" - Blue
	056949-05-J13	EA	Cover - Bolster Cushion - 15" x 36" x 7" x 10" - Brown
	056949-05-J14	EA	Cover - Bolster Cushion - 15" x 36" x 7" x 10" - Blue

**1978 ITASCA
TABLE OF CONTENTS**

ICP25RB	A-1 - B-12
ID424RH	B-13 - D-2
IC525DB	D-3 - E-14
ICP27RT	E-15 - G-2

1978 IC525DB INDEX

Floor Plan	D-3 - D-4
Accessories Group	D-5 - D-6
Bath Group	D-7 - D-8
Chassis Group	D-9
Curtain, Cushion & Pad Group	D-10 - D-13
Dinette Group	D-14
Driver's Compartment Group	D-15
Electrical Group	D-16 - D-17
Exterior Body Group	D-18 - D-21
Galley Group	D-22
Heating & Air Conditioning Group	D-23
Interior Finish Group	D-24 - E-1
LP Group	E-2
Lounge Group	E-3
Water & Sewage Group	E-4
Window, Vent & Exterior Door Group	E-5 - E-14

CURTAIN, CUSHION AND PAD GROUP (CONTINUED)

BUCKET SEATS, ARMRESTS AND HEADRESTS

Key	Part Number	U/M	Description
	057583-03-J13	EA	Seat Asm. - Single Bucket w/Left Armrest - Passenger - Brown
	057583-03-J14	EA	Seat Asm. - Single Bucket w/Left Armrest - Passenger - Blue
	057583-04-J14	EA	Seat Asm. - Single Bucket w/Right Armrest - Driver - Brown
	057583-04-J13	EA	Seat Asm. - Single Bucket w/Right Armrest - Driver - Blue
	053356-05-J13	EA	Cover - Bucket Seat - Bottom - Brown
	053356-05-J14	EA	Cover - Bucket Seat - Bottom - Blue
	053356-06-J13	EA	Cover - Bucket Seat - Back - Brown
	053356-06-J14	EA	Cover - Bucket Seat - Back - Blue
	050275-01-700	EA	Armrest Asm. - Foam w/o Cover - Right
	050276-01-700	EA	Armrest Asm. - Foam w/o Cover - Left
	053357-02-J13	EA	Cover - Armrest - Brown
	053357-02-J14	EA	Cover - Armrest - Blue
	019722-01-000	EA	Headrest Asm. - Foam w/o Cover
	053354-02-J13	EA	Cover - Headrest - Brown
	053354-02-J14	EA	Cover - Headrest - Blue

FABRICS AND TRIMS

Key	Part Number	U/M	Description
	049328-01-000	YD	Fabric - Drapery - Natural
	049312-02-000	YD	Fabric - Drapery Trim - Brown
	049312-01-000	YD	Fabric - Drapery Trim - Blue
	049313-02-000	YD	Fabric - Upholstery - Brown
	049313-01-000	YD	Fabric - Upholstery - Blue
	049310-01-000	YD	Vinyl - Non Expanded - 27 oz. - Mushroom
	049310-02-000	YD	Vinyl - Expanded - 28 oz. - Mushroom
	049310-03-000	YD	Vinyl - Non Support - 16 Gauge Film - Mushroom
	054676-03-J13	EA	Button Asm. - Cloth - Brown
	054676-03-J14	EA	Button Asm. - Cloth - Blue
	054676-07-J13	EA	Button Asm. - Vinyl - Mushroom
	052859-01-J13	EA	Trim - Accent - Mushroom Vinyl

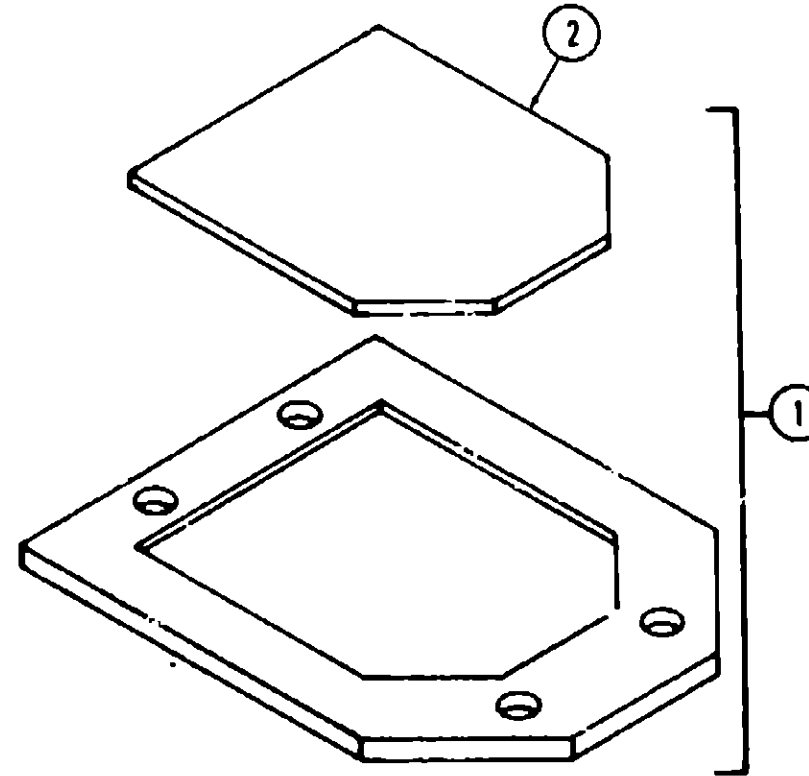
CURTAIN HARDWARE

Key	Part Number	U/M	Description
	052327-04-236	EA	Track - Curtain - Brown Alum. - 89" w/Holes
	009107-01-000	EA	Guide - Nylon Snap - Curtain
	018031-42-000	EA	Track - Curtain - "L" Rod - Alum. Extr. - 90"
	009701-01-000	EA	Carrier - "L" Rod - Curtain
	009702-01-000	EA	End Stop - "L" Rod - Curtain
	049897-01-000	EA	Rod - Curtain - Flat - Extends 25" x 45"
	009224-01-000	EA	Rod - Curtain - Flat - Extended 28" - 48"
	009223-02-000	EA	Rod - Curtain - Flat - Extends 48" - 84"
	053272-04-200	EA	Track - Curtain - Off White Alum. - 89" w/Holes



Key	Part Number	U/M	Description
1	029130-01-000	EA	Socket - Snap Fastener
2	029155-01-000	EA	Cap - Snap - .156" Dia. x .17" Barrel
3	029156-01-000	EA	Socket - Snap Fastener
4	029092-01-000	EA	Stud - Nickel Finish
5	029093-01-000	EA	Eyelet - Nickel Finish

DINETTE GROUP



Key	Part Number	U/M	Description
1	046166-04-J13	EA	Table Asm. - Dinette w/Insert - Golden Teak
2	057537-01-J13	EA	Insert - Dinette Table - Green Felt

CONVENTIONAL DINETTE W/OPPOSING BENCHES

Key	Part Number	U/M	Description
	055056-01-J13	EA	Cabinet Asm. - Dinette Seat - Rear
	055057-01-J13	EA	Cabinet Asm. - Dinette Seat - Front - w/Seat Back
	054475-01-J13	EA	Back Asm. - Front Dinette Seat
	053853-14-J13	EA	Door Asm. - Dinette Seat Cabinet - 11 1/4" x 15 13/16" - w/o Hardware
	007021-01-000	EA	Seat Belt - 2" x 90" - Black
	041322-01-000	EA	Washer - Flat - 15/32" I.D. x 2 3/8" O.D.
	045795-01-000	EA	Holder - Glass - Plastic
	047809-03-000	EA	Hardware Kit - Dinette Table - Wall Mount
	047842-01-000	EA	Kit - Table Leg - Dinette
	041833-01-000	EA	Spring - Conical Balance - Pull Rod
	041834-01-000	EA	Rod - Balance - Pull 3/4" Thick
	053698-01-J13	EA	Cabinet Asm. - Dinette Overhead - w/o Doors or Hardware
	053853-03-J13	EA	Door Asm. - Dinette Overhead Cabinet - 21 1/2" x 9 1/2" - w/o Hardware

DINETTE COUCH W/PEDESTAL TABLES

Key	Part Number	U/M	Description
	053203-07-J13	EA	Table Asm. - Pedestal - Golden Teak
	009040-02-000	EA	Leg - Pedestal Table - 2.25" O.D. x 27.5"
	041194-01-000	EA	Base - Table Leg - Recess in Floor
	009040-03-000	EA	Base - Table Leg - Mounts on Table
	053711-01-J13	EA	Cabinet Asm. - Dinette Couch
	056875-02-000	EA	Leg Asm. - Couch
	022517-01-000	EA	End Cap - Couch Leg - 1" x 1" - Brown Plastic
	053698-01-J13	EA	Cabinet Asm. - Dinette Overhead - w/o Doors or Hardware
	053853-03-J13	EA	Door Asm. - Dinette Overhead Cabinet - 21 1/2" x 9 1/2" - w/o Hardware

1978 ITASCA TABLE OF CONTENTS

ICP25RB	A-1 - B-12
ID424RH	B-13 - D-2
IC525DB	D-3 - E-14
ICP27RT	E-15 - G-2

1978 IC525DB INDEX

Floor Plan	D-3 - D-4
Accessories Group	D-5 - D-6
Bath Group	D-7 - D-8
Chassis Group	D-9
Curtain, Cushion & Pad Group	D-10 - D-13
Dinette Group	D-14
Driver's Compartment Group	D-15
Electrical Group	D-16 - D-17
Exterior Body Group	D-18 - D-21
Galley Group	D-22
Heating & Air Conditioning Group	D-23
Interior Finish Group	D-24 - E-1
LP Group	E-2
Lounge Group	E-3
Water & Sewage Group	E-4
Window, Vent & Exterior Door Group	E-5 - E-14

DRIVER'S COMPARTMENT GROUP

DRIVER'S COMPARTMENT PADS

Key	Part Number	U/M	Description
	053719-01-J13	EA	Pad - Cab Headliner - Mushroom Vinyl
	053913-03-J13	EA	Pad - Cab Pillar Support - Right - Mushroom Vinyl
	053913-04-J13	EA	Pad - Cab Pillar Support - Left - Mushroom Vinyl
	056051-01-J13	EA	Pad - Sleeper Board - Left - Mushroom Vinyl
	056051-02-J13	EA	Pad - Sleeper Board - Right - Mushroom Vinyl
	056052-01-J13	EA	Pad - Locking Pillar - Left - Mushroom Vinyl
	056052-02-J13	EA	Pad - Locking Pillar - Right - Mushroom Vinyl
	056053-01-J13	EA	Pad - Hinging Pillar - Right - Mushroom Vinyl
	056053-02-J13	EA	Pad - Hinging Pillar - Left - Mushroom Vinyl
	056054-01-J13	EA	Pad - Over Cab Door - Left - Mushroom Vinyl
	056054-02-J13	EA	Pad - Over Cab Door - Right - Mushroom Vinyl

MISCELLANEOUS DRIVER'S COMPARTMENT COMPONENTS

Key	Part Number	U/M	Description
	024451-01-000	EA	Switch - Battery
	046885-01-000	EA	Plaque - Mounting - Battery Switch
	024462-01-000	EA	Switch - Battery Condition
	024459-01-000	EA	Gauge - Voltmeter
	049360-03-000	EA	Console - Overhead - w/o Gauges or Switches
	045836-02-000	EA	Plate - Radio Cover
	041786-01-000	EA	Cover - Radio - Cut Out
	007041-01-000	EA	Bezel - Cigarette Lighter
	052367-01-000	EA	Lighter Asm. - Cigarette
	024418-01-000	EA	Lamp Asm. - Map/Gauge
	039639-01-000	EA	Bezel - Transmission Control
	049943-01-000	EA	Pedestal - Complete - Swivel Seat
	007222-01-000	EA	Belt Asm. - Seat - 2" x 60" - Black
	041332-01-000	EA	Washer - Flat - 15/32" I.D. x 2 3/8" O.D.
	040697-03-000	EA	Pad - Instrument Panel - Brown
	036414-01-000	EA	Asstray
	041425-01-000	EA	Cover - Engine
	041320-01-000	EA	Bracket - Engine Cover/Floor
	048223-01-000	EA	Bracket - Engine Cover
	044469-01-000	EA	Nameplate - Itasca - Brown/Silver
	045206-27-J13	EA	Side Panel - Cab Door - Left - Brown
	045205-27-J13	EA	Side Panel - Cab Door - Right - Brown
	056346-01-J13	EA	Cabinet Asm. - Headboard
	039645-08-000	EA	Extension Asm. - Sleeper Board
	023812-04-000	EA	Rail - Bunk - Brown - 75"
	041476-01-000	FT	Track - Slide - PVC Dark Pecan - 12'
	048656-01-000	EA	Bracket - Catch - Bunk
	049797-01-000	EA	Hexlok II - 1" Dia. - Screw Mount - Black Plastic

ELECTRICAL GROUP

BULBS

Key	Part Number	U/M	Description
	037935-01-000	EA	Bulb - 1157
	038010-01-000	EA	Bulb - 1143
	008103-01-000	EA	Bulb - 53
	008213-01-000	EA	Bulb - 57
	008214-01-000	EA	Bulb - 67
	008215-01-000	EA	Bulb - 1003
	008216-01-000	EA	Bulb - 1034
	008217-01-000	EA	Bulb - 1073
	008218-01-000	EA	Bulb - 1141
	008219-01-000	EA	Bulb - 656
	008220-01-000	EA	Bulb - 12V - 25W
	036196-01-000	EA	Bulb - 194
	700020-01-000	EA	Bulb - 12V - 20W - 1383

INTERIOR LIGHTS

Key	Part Number	U/M	Description
	024418-01-000	EA	Lamp Asm. - Map/Gauge
	024473-01-000	EA	Light - Aircraft - 1 Bulb - Gold
	033508-02-000	EA	Light - Dome - Ivory - 1 Bulb - US
	022508-03-000	EA	Light - Dome - Ivory - 1 Bulb - CSA
	033509-02-000	EA	Light - Dome - Ivory - 2 Bulb - US
	033509-03-000	EA	Light - Dome - Ivory - 2 Bulb - CSA
	024642-01-000	EA	Lens - Dome Lite - 1 Bulb
	024643-01-701	EA	Lens - Dome Lite - 2 Bulb

EXTERIOR LIGHTS

Key	Part Number	U/M	Description
	008069-01-000	EA	Porch Light - Recessed
	045863-01-000	EA	Lamp Asm. - Tail - Horizontal
	045864-01-000	EA	Lamp Asm. - Tail - Horizontal w/License Mount
	046125-01-000	EA	Wedge - Tail Light
	042405-03-000	EA	Base - Rectangular Clearance Light
	042405-04-000	EA	Lens - Rectangular Light - Red
	042405-05-000	EA	Lens - Rectangular Light - Amber
	048817-01-000	EA	Handle - Assist w/Light

1978 ITASCA TABLE OF CONTENTS

ICP25RB	A-1 - B-12
ID424RH	B-13 - D-2
IC525DB	D-3 - E-14
ICP27RT	E-15 - G-2

1978 IC525DB INDEX

Floor Plan	D-3 - D-4
Accessories Group	D-5 - D-6
Bath Group	D-7 - D-8
Chassis Group	D-9
Curtain, Cushion & Pad Group	D-10 - D-13
Dinette Group	D-14
Driver's Compartment Group	D-15
Electrical Group	D-16 - D-17
Exterior Body Group	D-18 - D-21
Galley Group	D-22
Heating & Air Conditioning Group	D-23
Interior Finish Group	D-24 - E-1
LP Group	E-2
Lounge Group	E-3
Water & Sewage Group	E-4
Window, Vent & Exterior Door Group	E-5 - E-14

ELECTRICAL GROUP (CONTINUED)

FUSES AND CIRCUIT BREAKERS

Key	Part Number	U/M	Description
	056473-01-000	EA	Fuse - Slow Blow - 6 1/4" Amp.
	008233-01-000	EA	Fuse - 12 Volt - 6 Amp.
	008234-01-000	EA	Fuse - 12 Volt - 10 Amp.
	008235-01-000	EA	Fuse - 12 Volt - 15 Amp.
	008236-01-000	EA	Fuse - 12 Volt - 20 Amp.
	008248-01-000	EA	Fuse - 110 Volt - 30 Amp. - AGU
	009252-01-000	EA	Fuse - 110 Volt - 50 Amp.
	008208-01-000	EA	Circuit Breaker - 12 Volt - 40 Amp.
	008211-01-000	EA	Circuit Breaker - 12 Volt - 6 Amp.
	008268-01-000	EA	Circuit Breaker - 12 Volt - 30 Amp. w/Mount
	033573-01-000	EA	Circuit Breaker - 12 Volt - 20 Amp. w/Mount
	040051-01-000	EA	Circuit Breaker - 110 Volt - 20 Amp. - TQL

WIRE, SWITCHES, AND RECEPTACLES

Key	Part Number	U/M	Description
	008024-01-000	FT	Wire - 18.5 Bonded - Orange/White/Yellow/Blue/Brown
	008025-01-000	FT	Wire - 18.5 Bonded - Orange/White/Yellow/Blue/Green
	008028-01-000	FT	Wire - 18.5 Bonded - Blue/Red/Yellow/Orange/White
	008030-01-000	FT	Wire - 18.4 Bonded
	008251-01-000	EA	Holder - Fuse - Black - Screw Type
	008277-01-000	EA	Holder - Fuse - Black - Panel Mount
	008195-01-000	EA	Switch - Push Button - 12 Volt
	006077-01-000	EA	Plaque - Compressor Switch
	008054-01-000	EA	Cord - Power - 10-3 30 Amp. - 25' - UL
	008052-01-000	EA	Cord - Power - 10-3 30 Amp. - 25' - CSA
	034818-04-000	EA	Holder - Receptacle - Plastic
	039338-01-000	EA	Cover Plate - Receptacle - Plastic - Brown
	039342-01-000	EA	Receptacle - Duplex Brown - T Junction
	024571-01-000	EA	Cover Plate - Receptacle - Jumbo Steel Brown
	039343-01-000	EA	Cap - End - Receptacle
	008162-01-000	EA	Switch - Double Toggle - Spade Crown
	008163-01-000	EA	Switch - Toggle Brown
	008164-01-000	EA	Cover Plate - Switch - Brown
	024924-01-000	EA	Receptacle - Power Cord
	008058-01-000	EA	Adaptor - Power Cord
	047353-01-000	EA	Cover - Receptacle - Ground Fault
	047351-01-000	EA	Receptacle - Ground Fault Interrupter - 125 Volt, Black

MISCELLANEOUS ELECTRICAL COMPONENTS

Key	Part Number	U/M	Description
	047338-01-000	EA	Isolator - Dual Battery
	047389-01-700	EA	Battery - 12 Volt - 105 Amp. Deep Cycle - Dry
	008188-01-000	EA	Solenoid - Dual Battery - Relay
	046775-01-000	EA	Valve - Gas - Change Over
	039950-02-000	EA	Control Center - 30 Amp. w/Door - UL
	039950-01-701	EA	Circuit Board - Control Center - w/Light
	039950-01-700	EA	Circuit Board - Control Center - w/o Light
	054544-01-000	EA	Control Center - 37 Amp - VL
	039950-01-702	EA	Circuit Board - Control Center
	048812-01-000	EA	Panel Control - Water/Double Sewage - Wemac
	039961-01-000	EA	Sending Unit Kit - Wemac
	024459-01-000	EA	Gauge - Voltmeter
	024462-01-000	EA	Switch - Battery Condition
	031035-01-000	EA	Gauge - Hour Meter - Generator
	024976-01-000	EA	Switch - Generator w/o Circuit Board
	024480-01-000	EA	Gauge Vacuum
	038617-01-000	EA	Relay - Canister - S.P.D.T.

EXTERIOR BODY GROUP

EXTERIOR BODY PANELS AND SHEET ALUMINUM

Key	Part Number	U/M	Description
	053723-01-J13	EA	Sidewall Asm. - Left
	054367-01-J13	EA	Sidewall Asm. - Right
	054169-01-J13	EA	Sleeper Board Asm.
	054115-02-J13	EA	Backwall Asm.
	054366-01-J13	EA	Roof Asm.
	054366-01-700	EA	Roof Section - Front - Cab Overhang to First Roof Seam
	044487-01-001	EA	Alum. - Mill Finish - No Design (Roof) - 96" x 360"
	039155-07-010	EA	Alum. - Off White - Greyhound Design 48" x 96"
	001054-01-011	EA	Alum. - Off White - No Design - 48" x 96"
	039155-03-008	EA	Alum. - Off White - Mesa I - .024" x 36" x 60"
	039155-03-003	EA	Alum. - Off White - Mesa I - .024" x 36" x 360"
	039155-03-007	EA	Alum. - Off White - Mesa I - .024" x 48" x 60"
	039155-03-006	EA	Alum. - Off White - Mesa I - .024" x 48" x 360"
	039155-03-009	EA	Alum. - Off White - Mesa I - .024" x 12" x 360"
	039155-28-001	EA	Alum. - Off White - Mesa II - .024" x 36" x 60"
	039155-28-003	EA	Alum. - Off White - Mesa II - .024" x 36" x 360"
	039155-28-004	EA	Alum. - Off White - Mesa II - .024" x 48" x 60"
	039155-28-006	EA	Alum. - Off White - Mesa II - .024" x 48" x 360"
	039155-28-007	EA	Alum. - Off White - Mesa II - .024" x 12" x 360"

Note: The raised portion of Mesa I is 1.657" wide.
The raised portion of Mesa II is .875" wide.

EXTERIOR PAINT

Key	Part Number	U/M	Description
	041561-01-000	EA	Paint - Off White - Acrylic Enamel - 1 Gal.
	041561-03-000	EA	Paint - Off White - Acrylic Enamel - 16 oz. Spray
	041561-04-000	EA	Paint - Off White - Acrylic Laquer - 1 Gal.
	045681-01-000	EA	Paint - Satin Black - Acrylic Enamel - 16 oz. Spray
	045681-03-000	EA	Paint - Gloss Black - Acrylic Enamel - 16 oz. Spray
	050037-03-000	EA	Paint - Astro Blue Metallic - Acrylic Enamel - 16 oz. Spray
	050038-03-000	EA	Paint - Tan Metallic - Acrylic Enamel - 16 oz. Spray
	042933-03-000	EA	Paint - Dark Brown - Acrylic Enamel - 16 oz. Spray

LABELS AND DECALS

Key	Part Number	U/M	Description
	008023-01-000	EA	Label - Water Only
	008025-01-000	EA	Label - Gas
	008028-01-000	EA	Label - Drain Cap - 2" x 3"
	008031-01-000	EA	Label - Potable Water Only
	008040-01-000	EA	Tag - Gas Refueling Warning
	047731-01-000	EA	Label - Emergency Exit
	050225-01-000	EA	Label - Warning - Stove Vent
	054531-01-000	EA	Label - LP Gas Only
	008082-C1-000	EA	Tag - Electrical - 110 Volt Connection
	008187-01-000	EA	Label - Sewage
	008188-01-000	EA	Label - Waste Water
	008199-01-000	EA	Label - Exit - Escape Window
	046470-02-000	EA	Decal - Logo - Itasca - 5.25" High
	050425-01-000	EA	Decal - Logo - "Seafarer"
	050426-01-000	EA	Decal - Logo - Itasca "I"
	038288-01-000	EA	Label - Warning Aux. Loading
	041273-12-000	FT	Decal - Stripe - Sidewall - .88" - Dark Blue
	046321-01-000	EA	Stencil - Stripe - Front Side
	046324-02-000	EA	Decal - Stripe - Front Side - Dark Blue
	041273-07-000	FT	Decal - Stripe - 1" - Light Blue
	046325-02-000	EA	Decal - Logo - Itasca Grille
	046764-03-000	EA	Decal - Grille - Accent - Left Hand - Blue
	046764-04-000	EA	Decal - Grille - Accent - Right Hand - Blue
	008082-01-000	EA	Reflector - Stick On - Rectangular - Red
	008083-01-000	EA	Reflector - Stick On - Rectangular - Amber

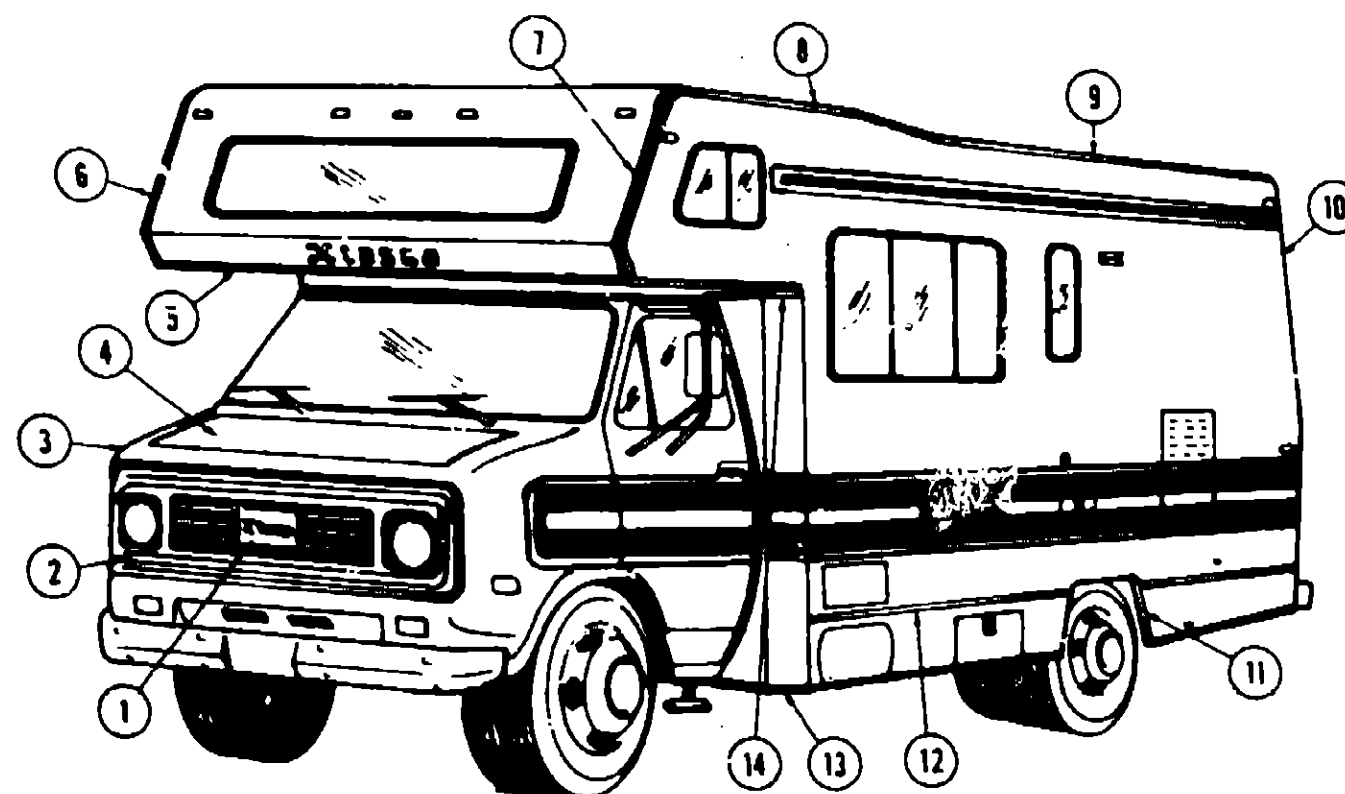
1978 ITASCA TABLE OF CONTENTS

ICP25RB	A-1 - B-12
ID424RH	B-13 - D-2
IC525DB	D-3 - E-14
ICP27RT	E-15 - G-2

1978 IC525DB INDEX

Floor Plan	D-3 - D-4
Accessories Group	D-5 - D-6
Bath Group	D-7 - D-8
Chassis Group	D-9
Curtain, Cushion & Pad Group	D-10 - D-13
Dinette Group	D-14
Driver's Compartment Group	D-15
Electrical Group	D-16 - D-17
Exterior Body Group	D-18 - D-21
Galley Group	D-22
Heating & Air Conditioning Group	D-23
Interior Finish Group	D-24 - E-1
LP Group	E-2
Lounge Group	E-3
Water & Sewage Group	E-4
Window, Vent & Exterior Door Group	E-5 - E-14

EXTERIOR BODY GROUP (CONTINUED)



1978 ITASCA TABLE OF CONTENTS

ICP25RB
ID424RH
IC525DB
ICP27RT

A-1 - B-12
B-13 - D-2
D-3 - E-14
E-15 - G-2

Key	Part Number	U/M	Description
1	046619-01-000	EA	Plate - Grille Cover - Logo
2	046741-01-000	EA	Grille - Plastic Chrome w/o Decal Striping
3	040843-01-000	EA	Front End Asm. - Fiberglass - Off White - Includes Hood w/o Front Grille
4	040845-01-000	EA	Hood Asm. - Off White
5	039644-01-000	EA	Trim - Sleeper Board - Off White
.	039616-01-000	EA	Hinge - Hood (2 used per hood)
.	035388-01-000	EA	Hood Pin Kit - 7/16" x 20" x 3.50" Long
.	007160-01-000	EA	Gasket - Tire Carcass - 3/16" x 2" x 2"
.	037249-01-000	EA	Well Nut - 10 - 32 x .812" Long
6	039635-02-000	EA	Trim - Contour - Sleeper Section - Right - Off White
7	039635-01-000	EA	Trim - Contour - Sleeper Section - Left - Off White
8	039634-01-000	EA	Trim - Contour - Roof - Left - Off White
.	039634-02-000	EA	Trim - Contour - Roof - Right - Off White
9	034922-13-000	EA	Trim - Sidewall/Roof - Upper - Left or Right - Off White

Key	Part Number	U/M	Description
10	039964-02-000	EA	Trim - Contour - Backwall - Left - Off White
.	039964-01-000	EA	Trim - Contour - Backwall - Right - Off White
11	039624-04-000	EA	Trim - Wheel Well - Rear - Left or Right
12	002444-02-003	EA	Extr. - Feature Strip - Alum. - 18' w/o Insert
.	001030-02-002	EA	Insert - Feature Strip - Off White - 21'
.	009731-01-000	EA	End Cap - Feature Strip
13	043442-01-000	EA	Trim - Wingwall - Bottom - Left
.	043442-02-000	EA	Trim - Wingwall - Bottom - Right
14	048610-01-000	EA	Trim - Corner - Wingwall - Left
.	048610-02-000	EA	Trim - Corner - Wingwall - Right
.	002365-02-001	EA	Extr. - U-Channel - 1" Serrate x 18' Anod.
.	039629-01-000	FT	Extr. - Vinyl - Sleeper Joint
.	043915-01-000	FT	Extr. - Vinyl - "B" Pillar/Wingwall
.			Not Illustrated

1978 IC525DB INDEX

Floor Plan	D-3 - D-4
Accessories Group	D-5 - D-6
Bath Group	D-7 - D-8
Chassis Group	D-9
Curtain, Cushion & Pad Group	D-10 - D-13
Dinette Group	D-14
Driver's Compartment Group	D-15
Electrical Group	D-16 - D-17
Exterior Body Group	D-18 - D-21
Galley Group	D-22
Heating & Air Conditioning Group	D-23
Interior Finish Group	D-24 - E-1
LP Group	E-2
Lounge Group	E-3
Water & Sewage Group	E-4
Window, Vent & Exterior Door Group	E-5 - E-14

EXTERIOR BODY GROUP (CONTINUED)

SEALANTS, ADHESIVES AND FASTENERS

Key	Part Number	U/M	Description
	034552-05-000	EA	Sealant - Off White Silicone
	034552-04-000	EA	Sealant - Beige Silicone
	034552-02-000	EA	Sealant - Clear Silicone
	004342-01-000	EA	Sealant - Weatherban 202 Tube
	004346-02-000	EA	Sealant - White Silicone
	004347-01-000	EA	Sealant - Tufflex
	004357-01-000	FT	Tape - Sealer - 1/8" x 5/8" - Adhesive
	009200-01-000	EA	Tape - Furnace - 1 1/2"
	041839-01-000	FT	Tape - Window - Latch - 3/4" - Adhesive
	041839-02-000	FT	Tape - Window - Latch - 1/2" - Adhesive
	004353-01-000	FT	Tape - Gasket - 1/8" x 3/4" - White
	002825-01-000	FT	Weatherstripping - Roof Vent
	002337-01-000	EA	Adhesive - 3M - 1300 Tube
	004005-01-000	GL	Adhesive - Swifts - Green - Glue (Sidewalls)
	004012-01-000	EA	Adhesive - 3M - 4475 Tube
	004020-01-000	QT	Adhesive - ABS Cement (Plastic Fittings)
	029051-01-000	EA	Adhesive - Spray Vinyl
	042401-02-000	EA	Screw - 8-18 x 3/4" SDPH Off White
	042403-02-000	EA	Screw - SF/DR - 8-18 x 1" SDPH Off White
	005058-01-000	EA	Screw - Wood - 12-11 x 3" P.O.H. Zinc
	053766-01-000	EA	Bedding Compound - Tube Black - Schnee Morehead
	053766-02-000	EA	Bedding Compound - Tube White - Schnee Morehead
	053767-01-000	FT	Tape - 1/2" x 1/8" x 30' - Gray - Schnee Morehead
	053767-02-000	FT	Tape - 3/16" Bead x 25' - Gray - Schnee Morehead
	053767-03-000	FT	Tape - 1/4" Bead x 20' - Gray - Schnee Morehead
	053767-04-000	FT	Tape - 3/4" x 1/8" x 30' - Gray - Schnee Morehead
	053767-05-000	FT	Tape - 2" x 3/32" x 45' - Gray - Schnee Morehead

MISCELLANEOUS EXTERNALLY MOUNTED PARTS

Key	Part Number	U/M	Description
	049347-01-000	EA	Mirror Head - 7 1/2" x 10 1/2" - Stainless Steel
	057461-01-000	EA	Mirror Head - 7 1/2" x 10 1/2" - w/Convex
	049349-01-000	EA	Arm - West Coast Mirror - Stainless Steel
	050411-01-000	EA	Horn - Dual Trumpet - 12V - Chrome
	048817-01-000	EA	Assist Handle - w/Light
	039874-01-000	EA	Kit - Holder - Entry Door
	011124-01-000	EA	Plumbing Seal - Roof Vent - 1 1/4" White
	011125-01-000	EA	Plumbing Seal - Roof Vent - 1 1/2" White
	010230-02-000	EA	Fill - City Water - Recessed - Off White
	011020-01-000	EA	Fill - Water - Recessed - Off White

GALLEY GROUP

GALLEY CABINETS

Key	Part Number	U/M	Description
	053979-01-J13	EA	Cabinet Asm. - Galley - w/o Countertop, Doors or Hardware
	053900-01-J13	EA	Countertop Asm. - Galley Cabinet - Golden Teak
	053853-10-J13	EA	Door Asm. - Galley Cabinet - 29 1/2" x 13 3/4" - w/o Hardware
	053853-11-J13	EA	Door Asm. - Galley Cabinet - 9 3/8" x 21 1/4" - w/o Hardware
	053424-01-J13	EA	Sink Cover - Large - Golden Teak
	053635-01-J13	EA	Cabinet Asm. - Galley Overhead - w/o Doors or Hardware
	053853-03-J13	EA	Door Asm. - Galley Overhead Cabinet - 21 1/2" x 9 1/2" - w/o Hardware
	053814-01-J13	EA	Cabinet Asm. - Microwave - w/o Doors or Hardware
	053853-02-J13	EA	Door Asm. - Microwave Cabinet - 15 1/4" x 11 1/4" - w/o Hardware
	053802-01-J13	EA	Cabinet Asm. - Overhead Beverage - w/o Doors or Hardware
	053533-02-J13	EA	Door Asm. - Overhead Beverage Cabinet - Right (or Left) - 22 3/16" x 20 1/16" - w/Insert - w/o Hardware
	050513-02-000	EA	Plastic Sheet - 2' x 6' - Amber
	056496-01-J13	EA	Holder Asm. - Glass - Golden Teak Laminate w/Sand Natural Cork
	053828-02-J13	EA	Cabinet Asm. - Buffet Base - w/o Countertop, Doors, Drawers or Hardware
	054164-01-J13	EA	Countertop Asm. - Buffet Cabinet - Golden Teak
	053853-08-J13	EA	Door Asm. - Buffet Cabinet - 19 1/2" x 14 3/8" - w/o Hardware
	054834-02-J13	EA	Drawer Asm. - Buffet Cabinet - 6" x 14 5/8" - w/o Hardware

GALLEY HARDWARE AND APPLIANCES

Key	Part Number	U/M	Description
	011032-01-000	EA	Sink - Stainless Steel - Double w/Boils
**	011053-01-000	EA	Faucet - 8" - Swing Spout
**	011053-01-700	EA	Aerator - Swing Spout Faucet
**	011085-01-000	EA	Strainer - Sink
**	049045-01-000	EA	Range - 4 Burner - Large Oven - Chrome - Magic Chef
**	049174-02-000	EA	Refrigerator - AC/DC/Gas - 2 Door - Sibir - ET230/2
**	046854-03-000	EA	Range Hood - Powered - Black
**	052583-01-000	EA	Range - 4 Burner - Small Oven - Black

**The illustrated parts breakdown for this item is provided on the Common Items Fiche.

1978 ITASCA TABLE OF CONTENTS

ICP25RB	A-1 - B-12
ID424RH	B-13 - D-2
IC525DB	D-3 - E-14
ICP27RT	E-15 - G-2

1978 IC525DB INDEX

Floor Plan	D-3 - D-4
Accessories Group	D-5 - D-6
Bath Group	D-7 - D-8
Chassis Group	D-9
Curtain, Cushion & Pad Group	D-10 - D-13
Dinette Group	D-14
Driver's Compartment Group	D-15
Electrical Group	D-16 - D-17
Exterior Body Group	D-18 - D-21
Galley Group	D-22
Heating & Air Conditioning Group	D-23
Interior Finish Group	D-24 - E-1
LP Group	E-2
Lounge Group	E-3
Water & Sewage Group	E-4
Window, Vent & Exterior Door Group	E-5 - E-14

HEATING AND AIR CONDITIONING GROUP

Key	Part Number	U/M	Description
	009198-01-000	FT	Duct - Flexible - 4" x 25' (Furnace)
	023146-01-000	EA	Clamp - Screw Type - 4"
	009200-01-000	EA	Tape - Furnace - 1 1/2"
	024985-01-000	EA	Register - Heat w/Damper - 9 9" x 4 8"
	031604-01-000	EA	Bonnet - Heat Register
	039505-02-000	EA	Thermostat - Wall Mount - Coleman
**	056112-01-000	EA	Furnace - 28,000 BTU - w/Electric Ignition - Coleman 4328-749
	051768-01-000	EA	A/C - Compressor Mount Package - 350 C.I.D. ARA
	056455-01-000	EA	A/C - Evaporator Package - 350 C.I.D. - ARA
	051770-01-000	EA	A/C - Compressor - 350 C.I.D. - ARA
	051771-01-000	EA	A/C - Condenser Asm. - 350 C.I.D. - ARA
	049777-02-000	EA	Air Conditioner - 110 Volt - Roof Mount - 11,000 BTU Ivory - Coleman (w/o inside shroud)
	049778-02-000	EA	Shroud Asm. - Ceiling - Inside - Roof Air - Cool Only 11,000 BTU - Coleman
**	049774-02-000	EA	Air Conditioner - 110 Volt - Roof Mount - 13,500 BTU Ivory - Coleman (w/o inside shroud)
**	049775-02-000	EA	Shroud Asm. - Ceiling - Inside - Roof Air - Cool Only 13,500 BTU - Coleman
**	049776-01-000	EA	Shroud Asm. - Ceiling - Inside - Roof Air - Heat and Cool Only 13,500 BTU - Coleman

**The illustrated parts breakdown for this item is provided on the Common Items Fiche

INTERIOR FINISH GROUP

PANELING AND COUNTERTOP MATERIALS

Key	Part Number	U/M	Description
	049314-01-000	SF	Paneling - Pine - Plain - 48" x 96" (32 SF)
	049314-02-000	SF	Paneling - Pine - V Groove - 48" x 96" (32 SF)
	047401-02-000	SF	Paneling - Ship Ahoy - Brown - 48" x 96" (32 SF)
	047401-03-000	SF	Paneling - Ship Ahoy - Blue - 48" x 96" (32 SF)
	045963-01-000	SF	Paneling - Buff - Ceiling - 48" x 96" (32 SF)
	000726-06-000	EA	Batt Strip - 707 Hickory
	047354-01-000	EA	Batt Strip - Buff
	045964-02-000	SF	Plastic Laminate - Golden Teak - 48" x 96" (32 SF)
	045964-02-001	EA	Plastic Laminate - Golden Teak - 48" x 48"
	045964-02-002	EA	Plastic Laminate - Golden Teak - 1 19" x 96"

INTERIOR MOLDINGS AND TRIMS

Key	Part Number	U/M	Description
	024700-04-000	EA	Cover - Sidewall Roll Bar - Hickory
	024700-06-000	EA	Cover - Sidewall Roll Bar - Ivory
	039512-02-000	EA	Cover - Hat Section - Hickory
	039512-06-000	EA	Cover - Hat Section - Ivory
	047488-01-000	EA	Cover - Corner - Hat/Hat
	047489-01-000	EA	Cover - Corner - Tube/Tube
	009767-01-000	FT	Welling - Brown
	009778-01-000	FT	U-Channel - 1" Dark Brown
	009779-01-000	FT	U-Channel - 1 1/8" Dark Brown
	009812-01-000	FT	Molding - Plastic - Outside Corner - .50"
	009815-02-000	FT	T-Molding - 3/4" Brown
	009809-01-000	FT	Molding - Plastic - Outside Corner - 1" Wor. Pecan
	047398-01-000	FT	Molding - Wood - 3/4" x 8" - Quarter Round
	050513-02-000	EA	Plastic Sheet - 2' x 6' - Amber
	034689-03-000	EA	Cover - Screw - PPH - 10 Ivory
	052859-01-J13	FT	Trim Asm. - Accent - Mushroom Gray Vinyl

FABRICS AND FLOOR COVERINGS

Key	Part Number	U/M	Description
	049313-02-000	YD	Fabric - Upholstery - Brown (Black Forest Chocolate)
	049313-01-000	YD	Fabric - Upholstery - Blue (Teal Blue)
	049328-01-000	YD	Fabric - Drapery - Natural
	049312-02-000	YD	Fabric - Drapery Trim - Brown (Black Forest Chocolate)
	049312-01-000	YD	Fabric - Drapery Trim - Blue (Teal Blue)
	049310-01-000	YD	Vinyl - Non Expanded - 27 Ounce - Mushroom
	049310-02-000	YD	Vinyl - Expanded - 28 Ounce - Mushroom
	049310-03-000	YD	Vinyl - Non Support - 16 Gauge - Mushroom
	049311-01-000	SY	Carpet - Irish Linen
	045961-01-000	EA	Tile - Wood - 12" x 12" - Old Brown Oak
	045969-01-000	SF	Mat - Cocoa - 3/4" Thick - Natural Tan

1976 ITASCA TABLE OF CONTENTS

ICP25RB	A-1 - B-12
ID424RH	B-13 - D-2
IC525DB	D-3 - E-14
ICP27RT	E-15 - G-2

1978 IC525DB INDEX

Floor Plan	D-3 - D-4
Accessories Group	D-5 - D-6
Bath Group	D-7 - D-8
Chassis Group	D-9
Curtain, Cushion & Pad Group	D-10 - D-13
Dinette Group	D-14
Driver's Compartment Group	D-15
Electrical Group	D-16 - D-17
Exterior Body Group	D-18 - D-21
Galley Group	D-22
Heating & Air Conditioning Group	D-23
Interior Finish Group	D-24 - E-1
LP Group	E-2
Lounge Group	E-3
Water & Sewage Group	E-4
Window, Vent & Exterior Door Group	E-5 - E-14

INTERIOR FINISH GROUP (CONTINUED)

CABINETY AND TABLE HARDWARE

Key	Part Number	U/M	Description
	045795-01-000	EA	Holder - Glass - Plastic
	047809-03-000	EA	Hardware Kit - Dinette Table - Wall Mount
	047842-01-000	EA	Kit - Table Leg - Dinette
	041833-01-000	EA	Spring - Conical Balance - Pull Rod
	041834-01-000	EA	Rod - Balance - Pull 3/4" Thick
	009040-02-000	EA	Leg - Pedestal Table - 2 25" O D x 27 5"
	009040-03-000	EA	Base - Table Leg - Mounts on Table
	041194-01-000	EA	Base - Table Leg - Recess in Floor
	052932-01-J13	EA	Kit - Cabinet Door Hinge
	052929-01-J13	EA	Kit - Cabinet Door Latch
	052930-01-J30	EA	Kit - Drawer Pull
	009047-01-000	EA	Support - Door Cabinet
	047744-01-000	EA	Kit - Drawer Glide
	037688-01-000	FT	Rail - Drawer Guide V
	050274-01-000	EA	Screw - 6-20 x 3/4" PFH - Dark Brown
	009151-01-000	EA	Warp Guard - 48"
	041838-01-000	EA	Screw - 5 x 5/8" POH - Antique Brass
	047008-01-000	EA	Lock Asm - Key Type - Antique Brass - Right Door
	047009-01-000	EA	Lock Asm - Key Type - Antique Brass - Left Door
	009021-01-000	EA	Catch - Nylon - Medicine Cabinet
	009021-02-000	EA	Strike - Nylon Catch - Medicine Cabinet
	009059-01-000	EA	Hinge - 2" - Gold
	039524-01-000	EA	Strike - Plastic - Door Overlay
	009112-01-000	EA	Flange - 1" Rod - Chrome

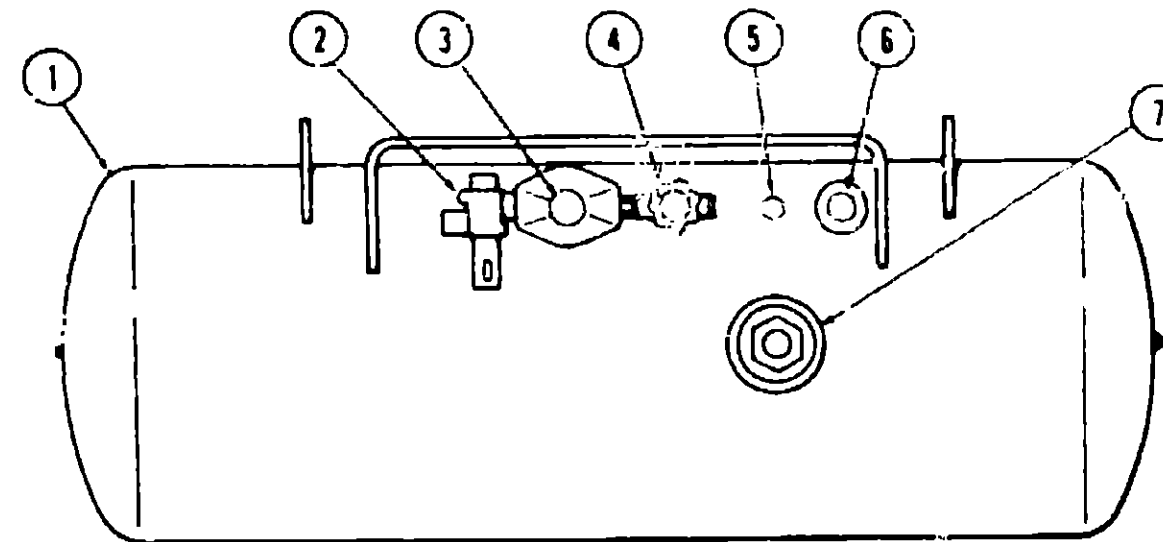
CURTAIN HARDWARE

Key	Part Number	U/M	Description
	052327-04-236	EA	Track - Curtain - Brown Aluminum - 89" w/Holes
	009107-01-000	EA	Guide - Nylon Snap - Curtain
	018031-42-000	EA	Track - Curtain - "L" Rod - Alum Extr - 90"
	009701-01-000	EA	Carrier - "L" Rod - Curtain
	009702-01-000	EA	End Stop - "L" Rod - Curtain
	049897-01-000	EA	Rod - Curtain - Flat - Extends - 25" - 45"
	009224-01-000	EA	Rod - Curtain - Flat - Extends - 28" - 48"
	009223-02-000	EA	Rod - Curtain - Flat - Extends - 48" - 84"
	053272-04-200	EA	Track - Curtain - Off White Alum. - 89" w/Holes

MISCELLANEOUS

Key	Part Number	U/M	Description
	050410-01-000	EA	Transom Board - Teak - 24" Long
	050417-01-000	EA	Nameplate - Brass - Property of
	050526-01-000	EA	Nameplate - Seafarer
	050413-01-000	EA	Barometer - Ships Wheel
	050414-01-000	EA	Thermometer - Ships Wheel
	050415-01-000	EA	Humidity Meter - Ships Wheel
	050416-01-000	EA	Name Plate - Captains Head
	050429-01-000	EA	Bell - Brass - Wall Mount
	053552-01-J13	EA	Handle Asm - Assist - Mushroom Vinyl
	050412-01-000	EA	Mirror - Ships Wheel - 13"
	047033-01-000	SF	Cork - 1/8" x 12" x 24" - Sand Natural
	047033-02-000	SF	Cork - 1/8" x 12" x 24" - Terrazzo Natural
	050782-01-000	EA	Clock - Brass - 5 1/2" Diameter
	050408-01-000	EA	Hand Rail - Teak - 2 Loop 23"
	050580-01-000	EA	Hand Rail - Teak - 1 Loop 13"
	057398-01-000	EA	Hand Rail - Teak - 1 Loop 12"
	041944-01-000	EA	Fire Extinguisher - w/Bracket - Dry Chemical
	044982-01-000	EA	Pouch - Home Owners Plan - Plastic
	054185-02-000	EA	Owners Manual - Itasca
	040069-01-000	EA	Mat - Door - Black Rubber - 10 1/2" x 26"
	006113-01-000	EA	Jack - Hydraulic - 5 Ton - w/Handle

LP GROUP



Key	Part Number	U/M	Description
	040421-01-000	EA	Tank Asm - LP - Frame Mount - 83 Pound
	042281-01-000	EA	Tank Asm - LP - Frame Mount - 42 Pound
	047221-01-000	EA	Detector - LP Gas Leak
	024712-01-000	EA	Cover - LP Regulator
	052163-01-000	EA	Regulator - Manual - LP Gas - 2 Stage
	040421-01-703	EA	Valve - Vapor Relief
	040421-01-700	EA	Gauge - Liquid Level - 20% LP
	040421-01-701	EA	Valve - Filler - LP
	040421-01-702	EA	Cap - Plastic Fill Valve
	040421-01-707	EA	Gauge - Float - w-Visible Dial - 83 Pound Tank
	042281-01-700	EA	Gauge - Float - w-Visible Dial - 42 Pound Tank
	040421-01-706	EA	Dial - Visible Face - Float Gauge (Tank w/o Electric Transmitter)
	040421-01-705	EA	Dial - Transmitter - 0 - 90 Ohm (Float Gauge)
	045703-03-000	EA	Hose Asm. - LP - 3/8" I D x 14"
	047737-02-000	EA	Support - LP Tank - 89 25"
	047737-03-000	EA	Support - LP Tank - 30 50"
			Not Illustrated

1978 ITASCA TABLE OF CONTENTS

ICP25RB	A-1 - B-12
ID424RH	B-13 - D-2
IC525DB	D-3 - E-14
ICP27RT	E-15 - G-2

1978 IC525DB INDEX

Floor Plan	D-3 - D-4
Accessories Group	D-5 - D-6
Bath Group	D-7 - D-8
Chassis Group	D-9
Curtain, Cushion & Pad Group	D-10 - D-13
Dinette Group	D-14
Driver's Compartment Group	D-15
Electrical Group	D-16 - D-17
Exterior Body Group	D-18 - D-21
Galley Group	D-22
Heating & A - Conditioning Group	D-23
Interior Finish Group	D-24 - E-1
LP Group	E-2
Lounge Group	E-3
Water & Sewage Group	E-4
Window, Vent & Exterior Door Group	E-5 - E-14

LOUNGE GROUP

LOUNGE OVERHEAD CABINETS

Key	Part Number	U/M	Description
	053956-01-J13	EA	Cabinet Asm - Fishing Pole
	047032-01-000	EA	Holder - Fishing Pole - Gold
	047033-02-000	SF	Cork - 1 8" x 12" x 24" - Terrazzo Natural

TT CHAIRS W/PULLOUT TABLE

Key	Part Number	U/M	Description
	054552-01-J13	EA	Table Asm - Pullout - Golden Teak
	054555-01-J13	EA	Cabinet Asm - Pullout Table - w/o Countertop or Pad
	054553-01-J13	EA	Countertop Asm - Pullout Table Cabinet - Golden Teak
	054540-01-000	EA	Slide Asm - Ball Bearing
	009148-01-000	EA	Pull - Finger - 3/4" Diameter - Brass
	055252-01-J13	EA	Pad - Pullout Table Cabinet - Mushroom
	045795-01-000	EA	Holder - Glass - Brown Plastic
	035036-01-000	EA	Plate - TT Chair
	035036-02-000	EA	Base - TT Chair - w/Legs

OPTIONAL COUCH (REPLACES TT CHAIRS)

Key	Part Number	U/M	Description
	057380-01-J13	EA	Cabinet Asm - Couch
	044571-01-000	EA	Leg Asm - Glide Bed - Right
	044571-02-000	EA	Leg Asm - Glide Bed - Left

CORNER LOUNGE CHAIRS (REPLACES TT CHAIRS)

Key	Part Number	U/M	Description
	053977-01-J13	EA	Table Asm - Lounge - w/o Support or Glass Holder - Golden Teak
	053955-01-J13	EA	Support - Lounge Table
	045795-01-000	EA	Holder - Glass - Plastic
	054029-02-J13	EA	Cabinet Asm - Corner Chair - Left
	054772-02-J13	EA	Cabinet Asm - Corner Chair - Right

WATER AND SEWAGE GROUP

PLUMBING REPAIR PARTS

Key	Part Number	U/M	Description
**	040539-01-000	EA	Kit - Repair - 3/8" O.D. Plastic Tube
**	040540-01-000	EA	Kit - Repair - 1/2" O.D. Plastic Tube
**	040541-01-000	EA	Kit - Repair - 5/8" O.D. Plastic Tube
**	041279-02-000	EA	Pump - Water Flow 2.8 G.P.M. - PAR
**	039647-02-000	EA	Filter - Water Pump 1/2" MPT
**	039809-01-000	EA	Valve - Stool - Plastic 3/8" x 1/2" F.P.T.
**	039818-01-000	EA	Riser Asm - 3/8" O.D. x 24" Tube
**	039818-02-000	EA	Riser Asm - 3/8" O.D. x 36" Tube
**	039818-04-000	EA	Riser Asm - 3/8" O.D. x 72" Tube
**	041819-01-000	EA	Nut and Cone - Plastic 1/2" O.D. Tube
**	039807-01-000	EA	Valve - Drain - Brass - 1/2" MPT
**	004020-01-000	OT	Adhesive - ABS Cement
**	010201-01-000	EA	Hose - Sewer 3" x 10 FT w/Clamp
**	010235-01-000	EA	Cap - Sewage 3"
**	010236-01-000	EA	Adapter - Hose 3" Sewage
**	010234-01-000	EA	Adapter - Bayonet
**	011091-01-000	EA	Waste - Continuous - Double Sink 11 7/8"
**	011066-01-000	EA	P-Trap - Plastic - 1 1/4"
**	010205-01-000	EA	Valve - Sanitary - Thetford 3 x B
**	010210-01-000	EA	Valve - Sanitary - Thetford 3HB
**	010133-01-000	EA	Adapter - Tray - Plastic 1 1/2" H x MPT
**	010071-01-000	EA	Tee - Plastic - 1 1/2" H x H x H
**	010079-01-000	EA	Tee - Plastic - 1 1/2" H x 1 1/2" H x 1 1/4" H
**	010091-01-000	EA	Wye - Plastic - 3" x 45 H x H x H
**	010117-01-000	EA	Coupling - Plastic - 3" H x H
**	010134-01-000	EA	Adapter - Plastic - 1 1/2" M x MPT
**	050780-01-000	EA	Coupler - Rubber - 3" x 3"
**	046524-01-000	EA	Kit - Plastic Fittings - Holding Tank
**	046524-02-000	EA	Kit - Plastic Fittings - Water Tank
**	010209-05-000	EA	Handle - Extension - Sewer Valve - 36"
**	037845-01-000	FT	Tape - Butyl - 3/16" - Beau - Black

**The illustrated parts breakdown for this item is provided on the Common Items Fiche

WATER HEATER AND HOLDING TANKS

Key	Part Number	U/M	Description
	054032-03-000	EA	Tank Asm - Holding - 25 Gallon - w/Fittings
	054032-01-000	EA	Tank Asm - Holding - 25 Gallon - w/o Fittings
	054033-03-000	EA	Tank Asm - Holding - 32 Gallon - w/Fittings
	054033-01-000	EA	Tank Asm - Holding - 32 Gallon - w/o Fittings
	053520-02-000	EA	Tank Asm - Water - 20 Gallon - w/Fittings
	053520-01-000	EA	Tank Asm - Water - 20 Gallon - w/o Fittings
	053519-02-000	EA	Tank Asm - Water - 40 Gallon - w/Fittings
	053519-01-000	EA	Tank Asm - Water - 40 Gallon - w/o Fittings
**	051391-01-000	EA	Water Heater - 6 Gallon - Atwood - w/o Motor Aid - G6A3

**The illustrated parts breakdown for this item is provided on the Common Items Fiche

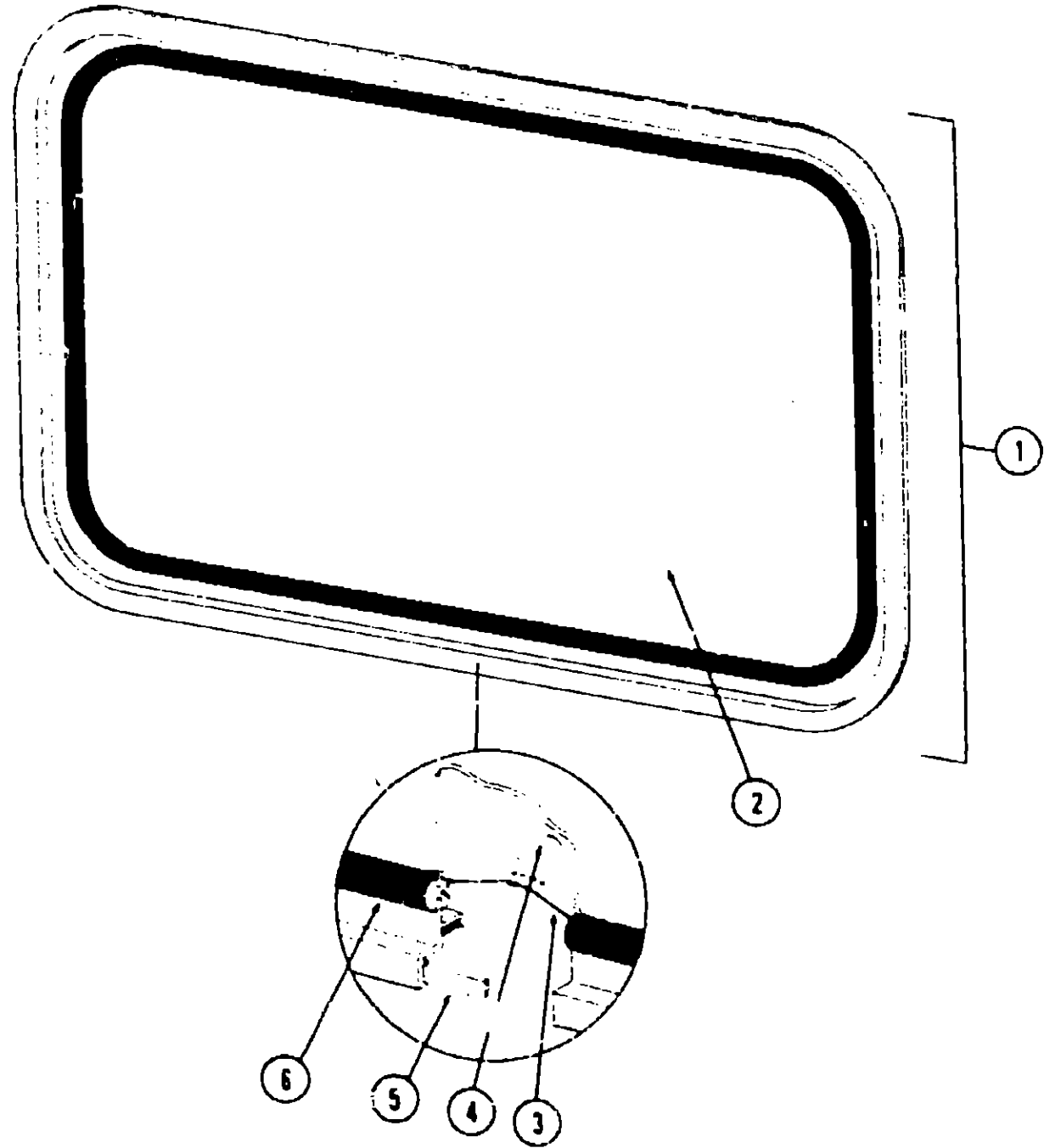
1978 ITASCA TABLE OF CONTENTS

ICP25RB	A-1 - B-12
ID424RH	B-13 - D-2
IC525DB	D-3 - E-14
ICP27RT	E-15 - G-2

1978 IC525DB INDEX

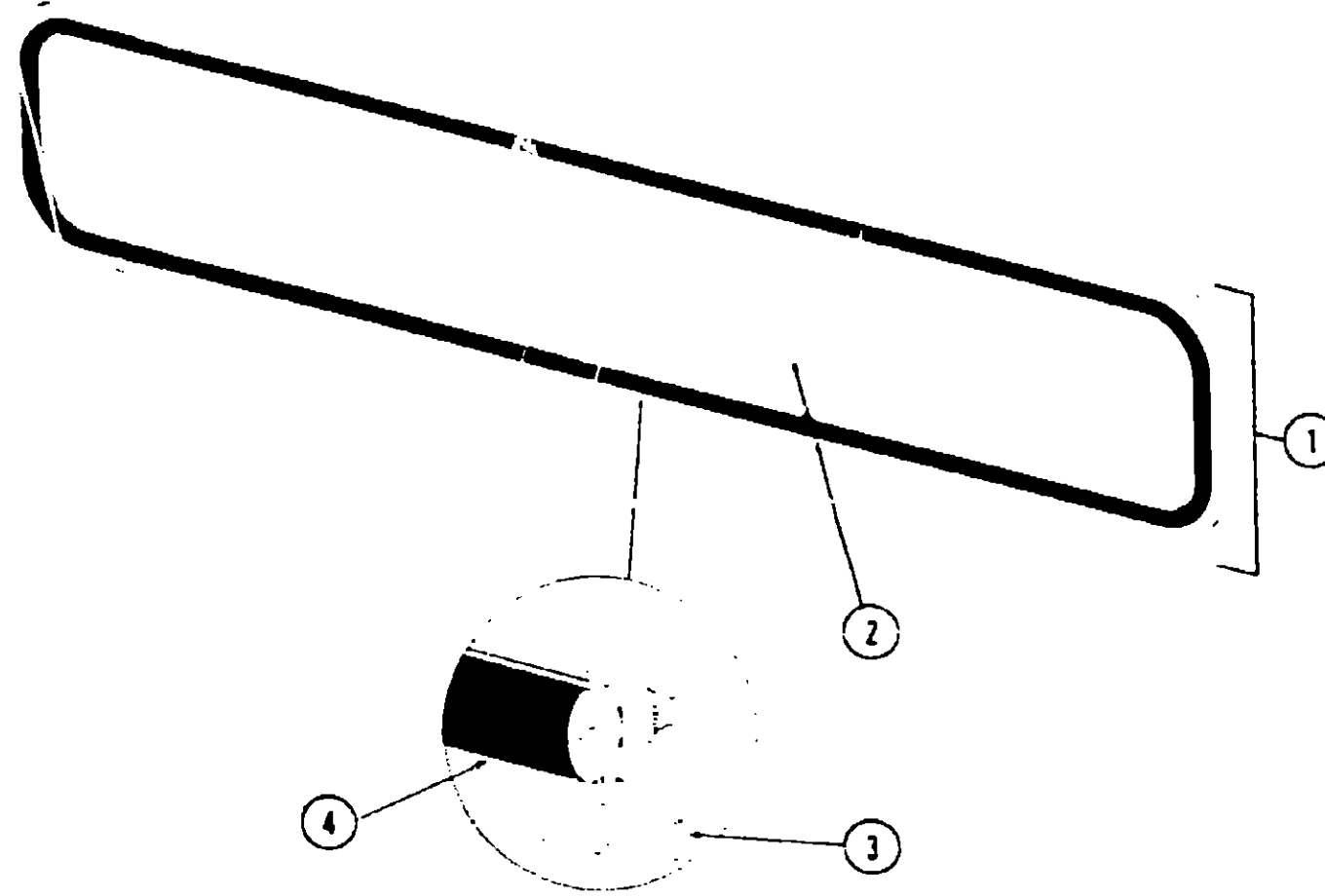
Floor Plan	D-3 - D-4
Accessories Group	D-5 - D-6
Bath Group	D-7 - D-8
Chassis Group	D-9
Curtain, Cushion & Pad Group	D-10 - D-13
Dinette Group	D-14
Driver's Compartment Group	D-15
Electrical Group	D-16 - D-17
Exterior Body Group	D-18 - D-21
Galley Group	D-22
Heating & Air Conditioning Group	D-23
Interior Finish Group	D-24 - E-1
LP Group	E-2
Lounge Group	E-3
Water & Sewage Group	E-4
Window, Vent & Exterior Door Group	E-5 - E-14

WINDOW, VENT AND EXTERIOR DOOR GROUP



Key	Part Number	U/M	Description
1	042959-01-000	EA	Window Asm - Rear Escape - 23" x 36"
2	041392-01-000	EA	Glass - 1.8" x 19.61" x 33.25"
3	002285-01-000	FT	Filler - Weatherstrip - Black
4	020395-01-000	EA	Slip - Pull Ring - Escape Window
5	004363-01-000	FT	Tape - Foam - 3/16" x 1/2" - Gray
6	002282-01-000	FT	Weatherstrip - .125" - Black
	042027-01-000	EA	Frame - Window - Inside Escape - 23" x 36" (not included in assembly)
	047731-01-000	EA	Lable - Exit - Escape Window
			Not Illustrated

WINDOW, VENT AND EXTERIOR DOOR GROUP (CONTINUED)



Key	Part Number	U/M	Description
1	041936-01-010	EA	Window Asm - Front Picture - 14" x 69" (w/o inside frame)
2	002200-02-000	EA	Glass - TP - Picture Window
3	004363-01-001	FT	Tape - Sealer - 3/16" x 1/2" - Foam
4	002281-01-001	FT	Weatherstrip - Self Seal - .06" Panel x 3/16" - Black
	037845-01-000	FT	Tape - Butyl - Window - 3/16" - Bead Black
	041938-01-000	EA	Frame - Inside - Picture Window (not included in assembly)
			Not Illustrated

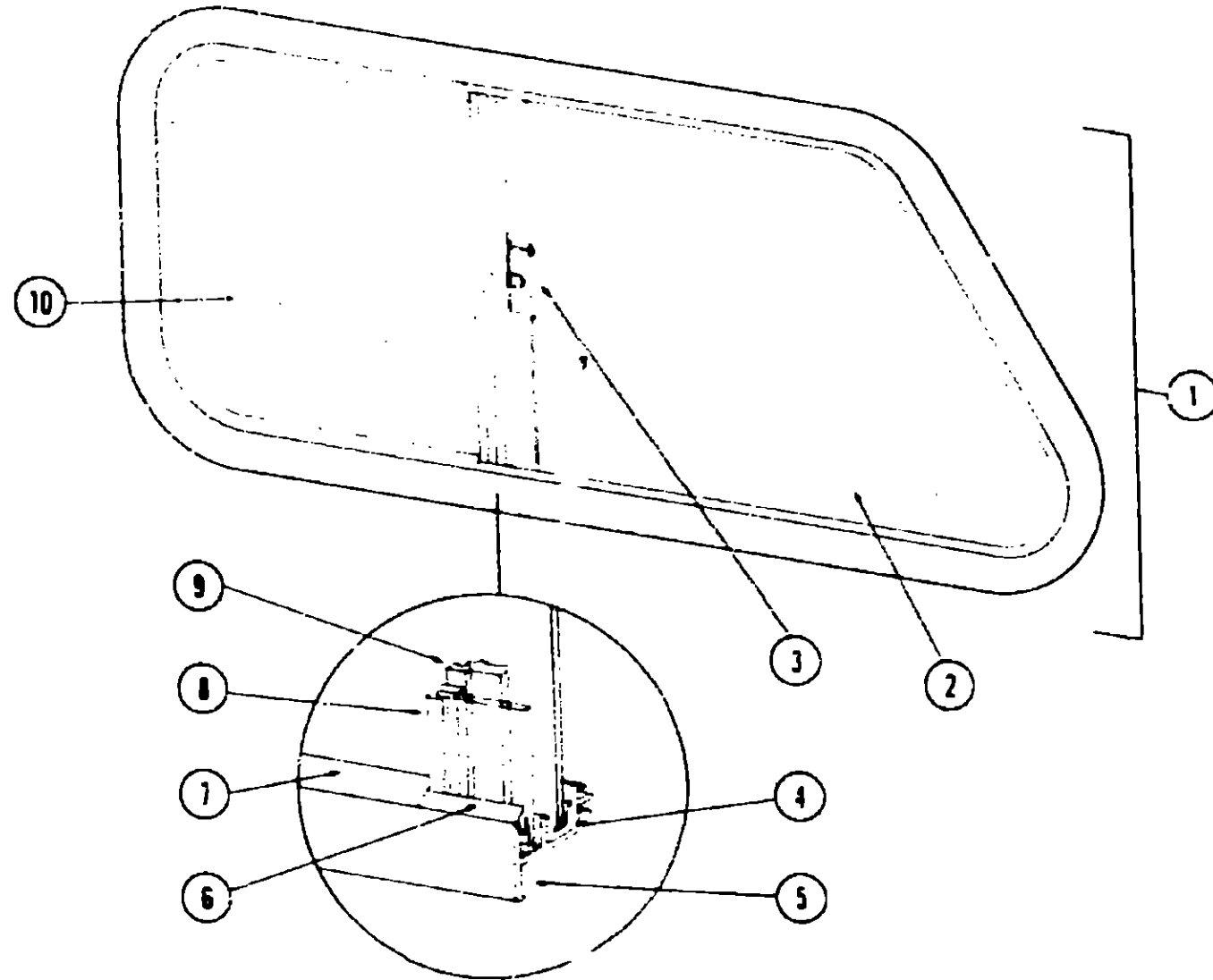
**1978 ITASCA
TABLE OF CONTENTS**

ICP25RB	A-1 - B-12
ID424RH	B-13 - D-2
IC525DB	D-3 - E-14
ICP27RT	E-15 - G-2

1978 IC525DB INDEX

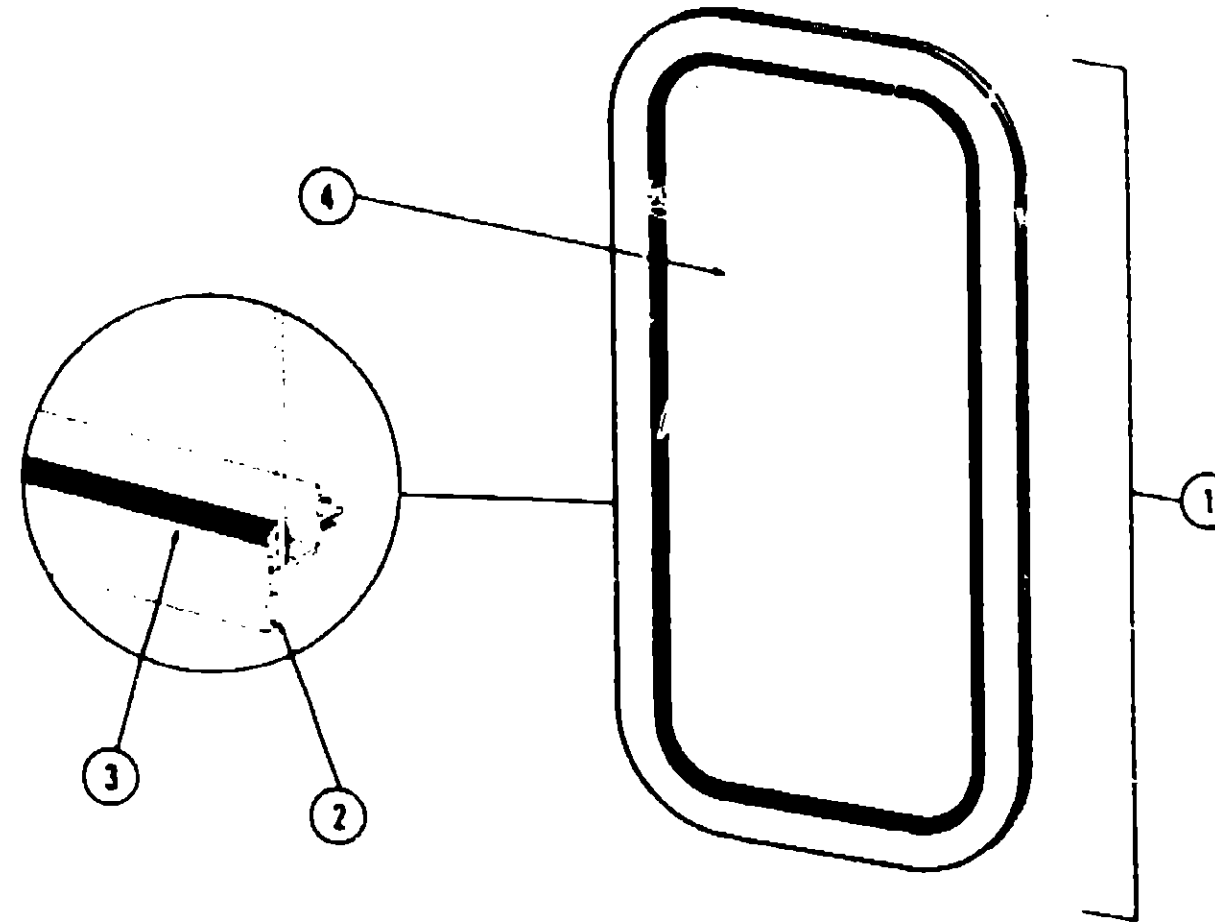
Floor Plan	D-3 - D-4
Accessories Group	D-5 - D-6
Bath Group	D-7 - D-8
Chassis Group	D-9
Curtain, Cushion & Pad Group	D-10 - D-13
Dinette Group	D-14
Driver's Compartment Group	D-15
Electrical Group	D-16 - D-17
Exterior Body Group	D-18 - D-21
Galley Group	D-22
Heating & Air Conditioning Group	D-23
Interior Finish Group	D-24 - E-1
LP Group	E-2
Lounge Group	E-3
Water & Sewage Group	E-4
Window, Vent & Exterior Door Group	E-5 - E-14

WINDOW, VENT AND EXTERIOR DOOR GROUP (CONTINUED)



Key	Part Number	U/M	Description
1	048632-03-000	EA	Window Asm - Bunk - Slanted Slider - Right (w/o inside frame)
	048632-04-000	EA	Window Asm - Bunk - Slanted Slider - Left (w/o inside frame)
2	040919-01-000	EA	Glass - 1/8" x 11.98" x 19.42" - Gray - Stationary
3	047369-01-700	EA	Latch - Window - Plastic
4	002324-01-000	FT	Channel - Weatherstrip - Glass Run - 1.8" Glass
5	004362-01-000	FT	Tape - Foam - 3/16" x 1/2" - Gray
6	002309-02-000	FT	Spline - Glass - 1/8" - Black
7	024096-02-000	FT	Seal - Window Channel - Black
8	002390-03-200	EA	Holder - Glass Seal - Extr. - Anod. Black
9	041894-07-000	EA	Mullion - 13" - Black Anod.
10	047815-01-000	EA	Glass - 1/8" x 11.98" x 11.81" - Gray - Sliding
	040916-01-000	EA	Frame - Window - Inside - Right (not included in assembly)
	040916-02-000	EA	Frame - Window - Inside - Left (not included in assembly)
	023713-02-000	EA	Cover - Weephole - Black
	002298-01-000	FT	Spline - Gray - .130" Dia. (Screen)
	002292-01-000	SF	Screen - Window - 20" - Gray
			Not Illustrated

WINDOW, VENT AND EXTERIOR DOOR GROUP (CONTINUED)



Key	Part Number	U/M	Description
1	041875-06-000	EA	Window Asm. - Picture - 13" x 20" (w/o inside frame)
2	004363-01-000	FT	Tape - Foam - 3/16" x 1/2" - Gray
3	002309-01-000	FT	Spline - Glass - 1/8" Gray
4	002203-01-000	EA	Glass - TP - 1/8" x 12" x 19"
	041696-09-000	EA	Frame - Window - Inside - 13" x 20" (not included in assembly)
			Not Illustrated

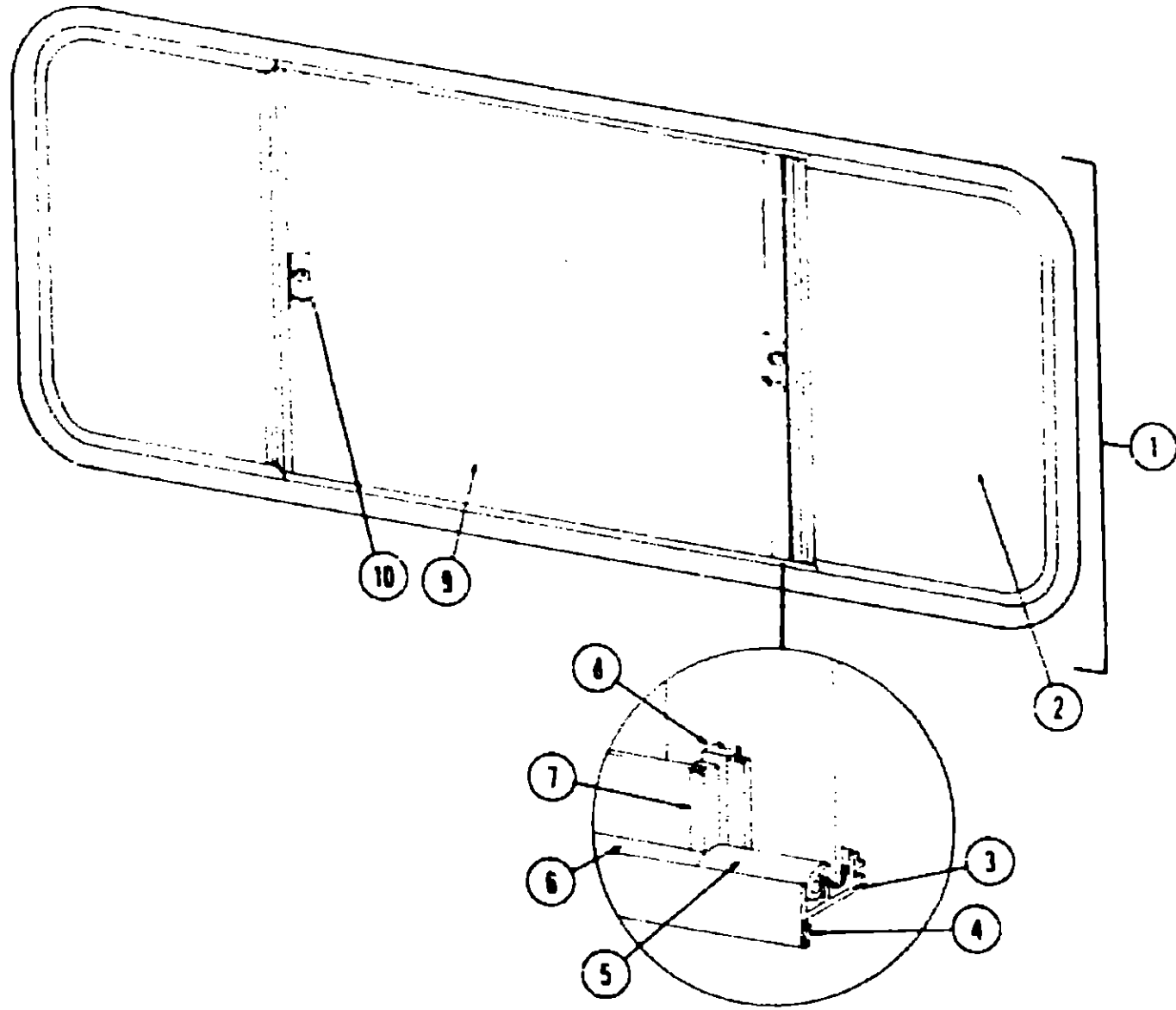
1978 ITASCA
TABLE OF CONTENTS

ICP25RB	A-1 - B-12
ID424RH	B-13 - D-2
IC525DB	D-3 - E-14
ICP27R1	E-15 - G-2

1978 IC525DB INDEX

Floor Plan	D-3 - D-4
Accessories Group	D-5 - D-6
Bath Group	D-7 - D-8
Chassis Group	D-9
Curtain, Cushion & Pad Group	D-10 - D-13
Dinette Group	D-14
Driver's Compartment Group	D-15
Electrical Group	D-16 - D-17
Exterior Body Group	D-18 - D-21
Galley Group	D-22
Heating & Air Conditioning Group	D-23
Interior Finish Group	D-24 - E-1
LP Group	E-2
Lounge Group	E-3
Water & Sewage Group	E-4
Window, Vent & Exterior Door Group	E-5 - E-14

WINDOW, VENT AND EXTERIOR DOOR GROUP (CONTINUED)



Key	Part Number	U/M	Description
1	048630-08-000	EA	Window Asm. - Double Slider - 25" x 65" - Clear Anod. (w/o inside frame)
2	047822-01-000	EA	Glass - Sliding - 3/16" x 24" x 21.03"
3	042077-01-000	FT	Channel - Glass Run - 3/16" Glass
4	004363-01-000	FT	Tape - Foam - 3/16" x 1/2" - Gray
5	041928-02-000	FT	Seal - Window Channel - Black
6	002309-02-000	FT	Spline - Glass - 1/8" - Black
7	002389-03-201	EA	Extr - Holder - Glass Seal - 23 19" - Black Anod.
8	041894-04-000	EA	Mullion - Slider Window - 25" - Black Anod
9	002188-02-000	EA	Glass - 3/16" x 24" x 25.50" - Gray
10	047366-01-700	EA	Latch - Window - Plastic
.	042133-04-000	EA	Frame - Inside - Double Slider Window (not included in assembly)
.	002298-01-000	FT	Spline - Gray - .130" Dia. - (Screen)
.	002293-01-000	SF	Screen - Window - 26" - Gray
.	023713-02-000	EA	Cover - Weephole - Plastic - Black
.			Not Illustrated

WINDOW, VENT AND EXTERIOR DOOR GROUP (CONTINUED)

ACCESS DOORS

Key	Part Number	U/M	Description
	044210-01-000	EA	Door Asm - Power Cord - 6" x 10" - Off White Plastic
	043942-01-000	EA	Latch - Quarter Turn - White Plastic (Power Cord Door)
	037804-18-000	EA	Door Asm - Battery - Off White w/Twist Type Locks
	037804-14-000	EA	Door Asm - Luggage - Off White - 12" x 19" w/Key Type Locks
	047233-01-000	EA	Door Asm - Luggage - 36" x 14" - Off White w/Key Type Locks
	054271-02-000	EA	Door Asm - Refrigerator Access - Off White w/Twist Type Lock
	057096-01-000	EA	Door Asm - Power Cord w/Hatch
	052179-02-000	EA	Door Asm - Generator Off White - w/Twist Type Lock
	052181-01-000	EA	Baffle - Generator Door
	016945-02-000	EA	Holder Asm - Battery and Luggage Door
	052950-01-700	EA	Lock Asm - Twist Type w/Clip - White
	047305-01-000	EA	Lock Asm - Key Type w/Clip

VENTS

Key	Part Number	U/M	Description
	009407-01-000	EA	Frame - Base - Refrigerator Vent (w/o cover)
	039778-01-000	EA	Cover - Vent - Refrigerator - Plastic
	049352-01-000	EA	Vent - Stove Hood - Outside - Off White

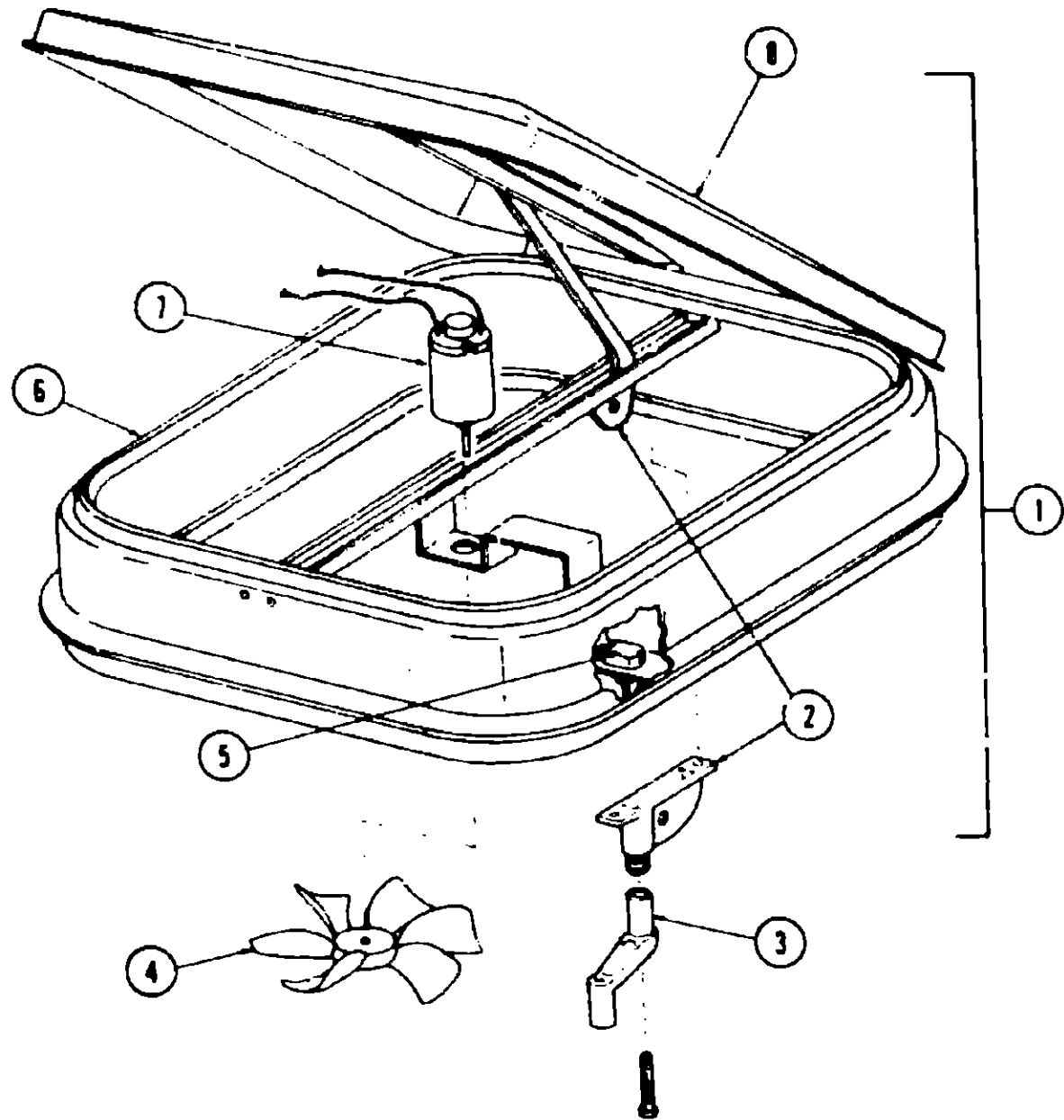
**1978 ITASCA
TABLE OF CONTENTS**

ICP25RB	A-1 - B-12
ID424RH	B-13 - D-2
IC525DB	D-3 - E-14
ICP27RT	E-15 - G-2

1978 IC525DB INDEX

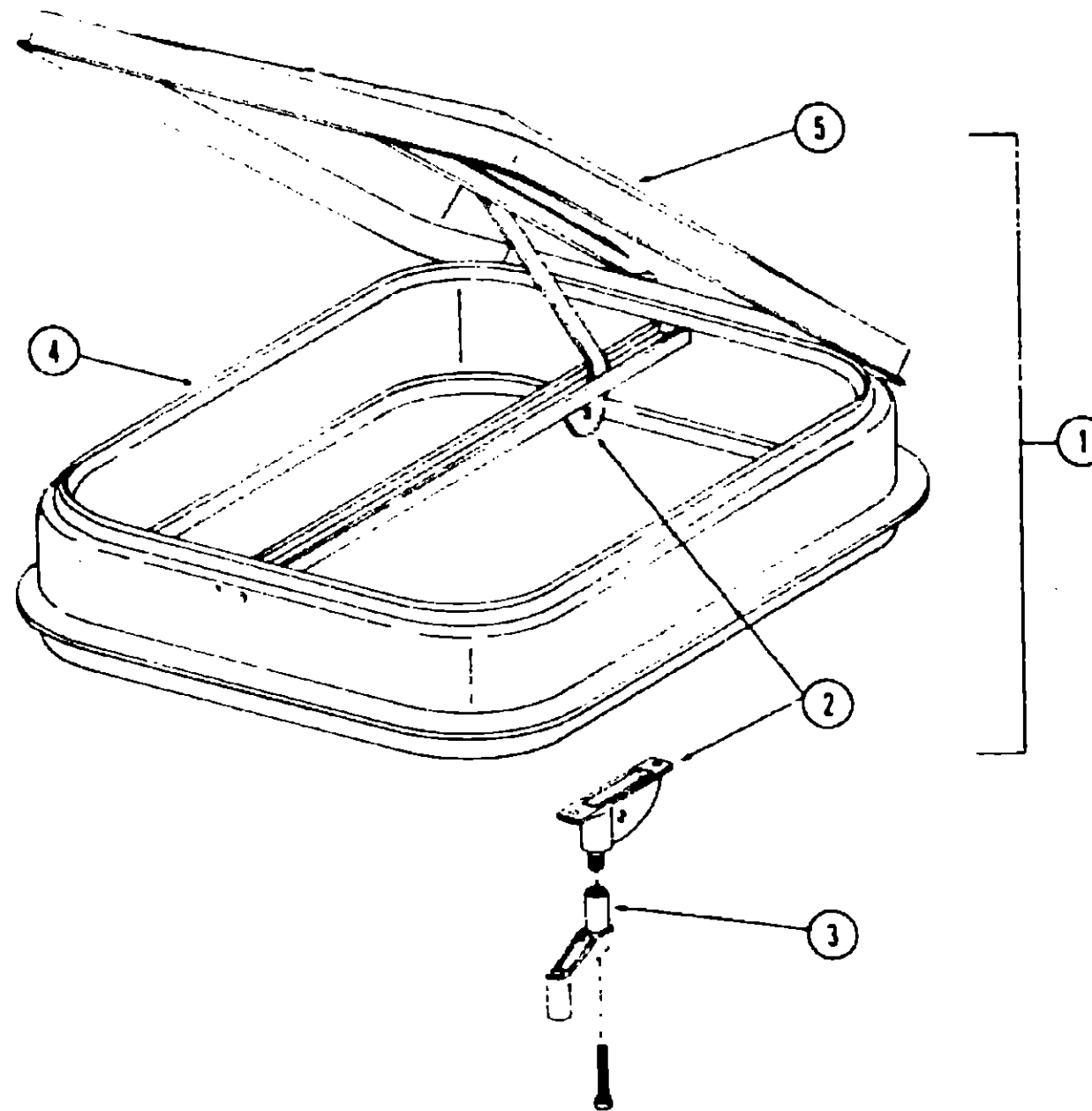
Floor Plan	D-3 - D-4
Accessories Group	D-5 - D-6
Bath Group	D-7 - D-8
Chassis Group	D-9
Curtain, Cushion & Pad Group	D-10 - D-13
Dinette Group	D-14
Driver's Compartment Group	D-15
Electrical Group	D-16 - D-17
Exterior Body Group	D-18 - D-21
Galley Group	D-22
Heating & Air Conditioning Group	D-23
Interior Finish Group	D-24 - E-1
LP Group	E-2
Lounge Group	E-3
Water & Sewage Group	E-4
Window, Vent & Exterior Door Group	E-5 - E-14

WINDOW, VENT AND EXTERIOR DOOR GROUP (CONTINUED)



Key	Part Number	U/M	Description
1	048789-01-000	EA	Vent Asm. Roof - Powered - w/o Screen
2	009440-01-000	EA	Gear - Arm - Roof Vent
3	009439-01-000	EA	Crank - Roof Vent
4	048649-01-000	EA	Fan - Blade - 6" Plastic
5	009185-01-000	EA	Switch - Push Button - 12 Volt
6	002825-01-000	FT	Weatherstrip - Roof Vent
7	048648-01-000	EA	Motor - 12 Volt
8	046825-01-000	EA	Cover - Plastic - Roof Vent
*	048695-01-000	EA	Screen Asm. - Powered Roof Vent - Clear Anod (not included in assembly)
*	048695-03-000	EA	Screen Asm. - Powered Roof Vent - Beige (not included in assembly)
*			Not Illustrated

WINDOW, VENT AND EXTERIOR DOOR GROUP (CONTINUED)



Key	Part Number	U/M	Description
1	048835-01-000	EA	Vent Asm. - Roof - Non Powered - w/o Screen)
2	009440-01-000	EA	Gear - Arm - Roof Vent
3	009439-01-000	EA	Crank - Roof Vent
4	002825-01-000	FT	Weatherstrip - Roof Vent
5	046825-01-000	EA	Cover - Plastic - Roof Vent
*	016335-01-000	EA	Screen Asm. - Non Powered Roof Vent - Clear Anod. (not included in assembly)
*	016335-03-000	EA	Screen Asm. - Non Powered Roof Vent - Beige (not included in assembly)
*			Not Illustrated

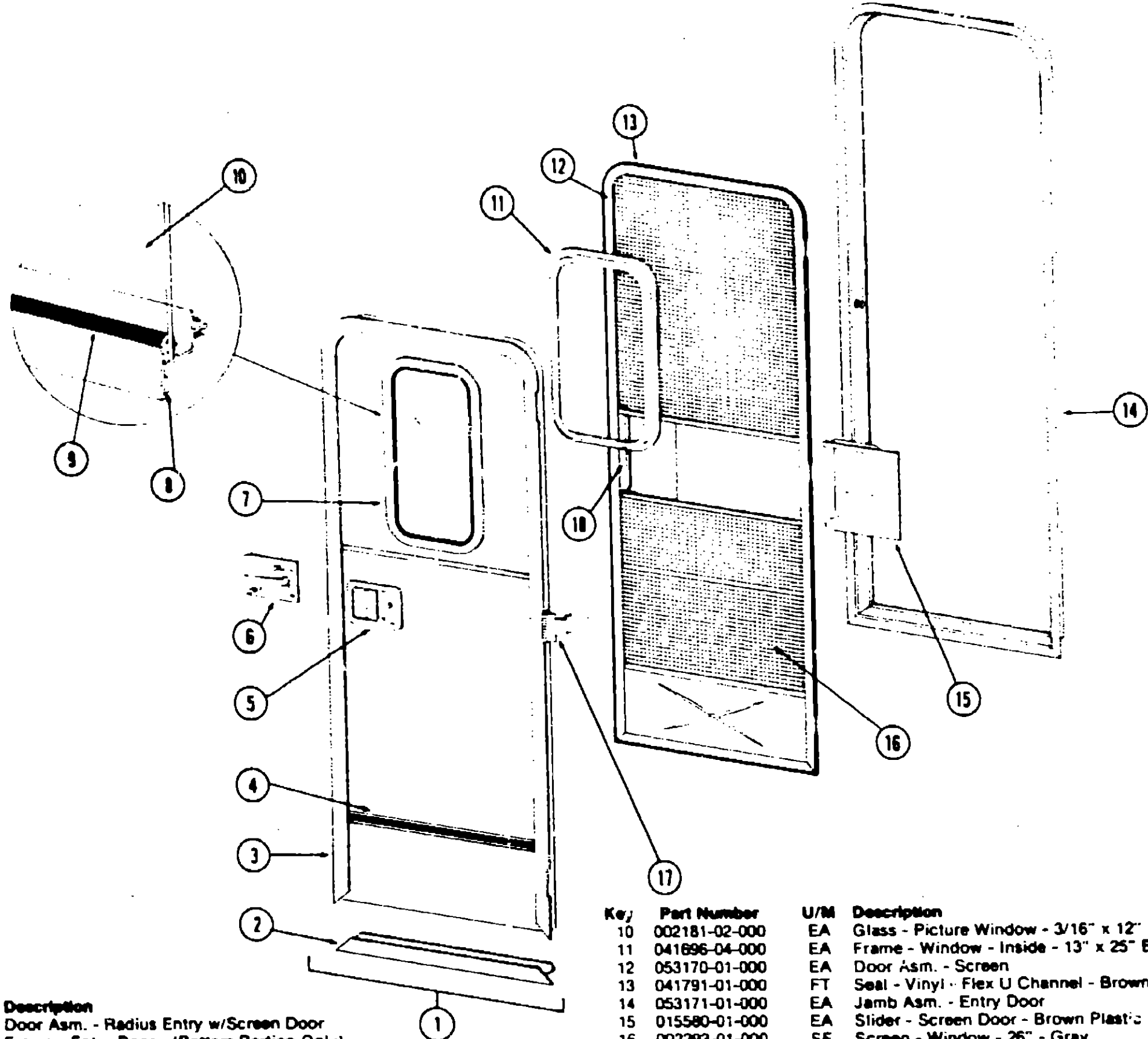
**1978 ITASCA
TABLE OF CONTENTS**

ICP25RB	A-1 - B-12
ID424RH	B-13 - D-2
IC525DB	D-3 - E-14
ICP27RT	E-15 - G-2

1978 IC525DB INDEX

Floor Plan	D-3 - D-4
Accessories Group	D-5 - D-6
Bath Group	D-7 - D-8
Chassis Group	D-9
Curtain, Cushion & Pad Group	D-10 - D-13
Dinette Group	D-14
Driver's Compartment Group	D-15
Electrical Group	D-16 - D-17
Exterior Body Group	D-18 - D-21
Galley Group	D-22
Heating & Air Conditioning Group	D-23
Interior Finish Group	D-24 - E-1
LP Group	E-2
Lounge Group	E-3
Water & Sewage Group	E-4
Window, Vent & Exterior Door Group	E-5 - E-14

WINDOW, VENT AND EXTERIOR DOOR GROUP (CONTINUED)



Key	Part Number	U/M	Description
1	053189-09-000	EA	Door Asm. - Radius Entry w/Screen Door
2	039737-01-000	EA	Frame - Entry Door - (Bottom Portion Only)
3	039736-01-000	EA	Frame - Entry Door - (Except Bottom Portion)
4	039874-01-000	EA	Holder Asm. - Entry Door
5	052186-01-000	EA	Lock Asm. - Radius Entry Door - Lynor
•	045017-01-700	EA	Lock Cylinder w/Keys - Lynor
•	039539-01-000	EA	Striker - Entry Door Lock
6	039979-01-000	EA	Plate - Lock - Interior - Including Inside Handle
7	041875-04-000	EA	Window Asm. - Picture - 13" x 25" - Black Anod. (inside frame not included in assembly)
8	004363-01-000	FT	Tape - Foam - 3/16" x 1/2" - Gray
9	002318-02-000	FT	Spline - Glass - .18" Black

Key	Part Number	U/M	Description
10	002181-02-000	EA	Glass - Picture Window - 3/16" x 12" x 24" - Gray
11	041696-04-000	EA	Frame - Window - Inside - 13" x 25" Brown
12	053170-01-000	EA	Door Asm. - Screen
13	041791-01-000	FT	Seal - Vinyl - Flex U Channel - Brown
14	053171-01-000	EA	Jamb Asm. - Entry Door
15	015580-01-000	EA	Slider - Screen Door - Brown Plastic
16	002293-01-000	SF	Screen - Window - 26" - Gray
17	039520-01-000	EA	Hinge - Entry Door (3 used per door)
18	015581-01-000	EA	Cap - Screen Door - Brown Plastic
•	049176-01-000	EA	Hadlok II - 3/4" Diameter - Screw Mount (Retains Screen Door to Entry Door)
•	049797-01-000	EA	Hadlok II - 1" - Diameter - Screw Mount (Retains Screen Door to Entry Door)
•	018019-01-000	EA	Striker - Screen Door
•	039863-01-000	EA	Catch Asm. - Single Roller w/Strike - Screen Door
•	051390-01-000	FT	Seal - Bulb - Rubber
•	039800-03-000	FT	Tubing - Polybutyl - 3/8" O.D. - Jamb
•			Not Illustrated

**1978 ITASCA
TABLE OF CONTENTS**

ICP25RB	A-1 - B-12
ID424RH	B-13 - D-2
IC525DB	D-3 - E-14
ICP27RT	E-15 - G-2

1978 IC525DB INDEX

Floor Plan	D-3 - D-4
Accessories Group	D-5 - D-6
Bath Group	D-7 - D-8
Chassis Group	D-9
Curtain, Cushion & Pad Group	D-10 - D-13
Dinette Group	D-14
Driver's Compartment Group	D-15
Electrical Group	D-16 - D-17
Exterior Body Group	D-18 - D-21
Galley Group	D-22
Heating & Air Conditioning Group	D-23
Interior Finish Group	D-24 - E-1
LP Group	E-2
Lounge Group	E-3
Water & Sewage Group	E-4
Window, Vent & Exterior Door Group	E-5 - E-14