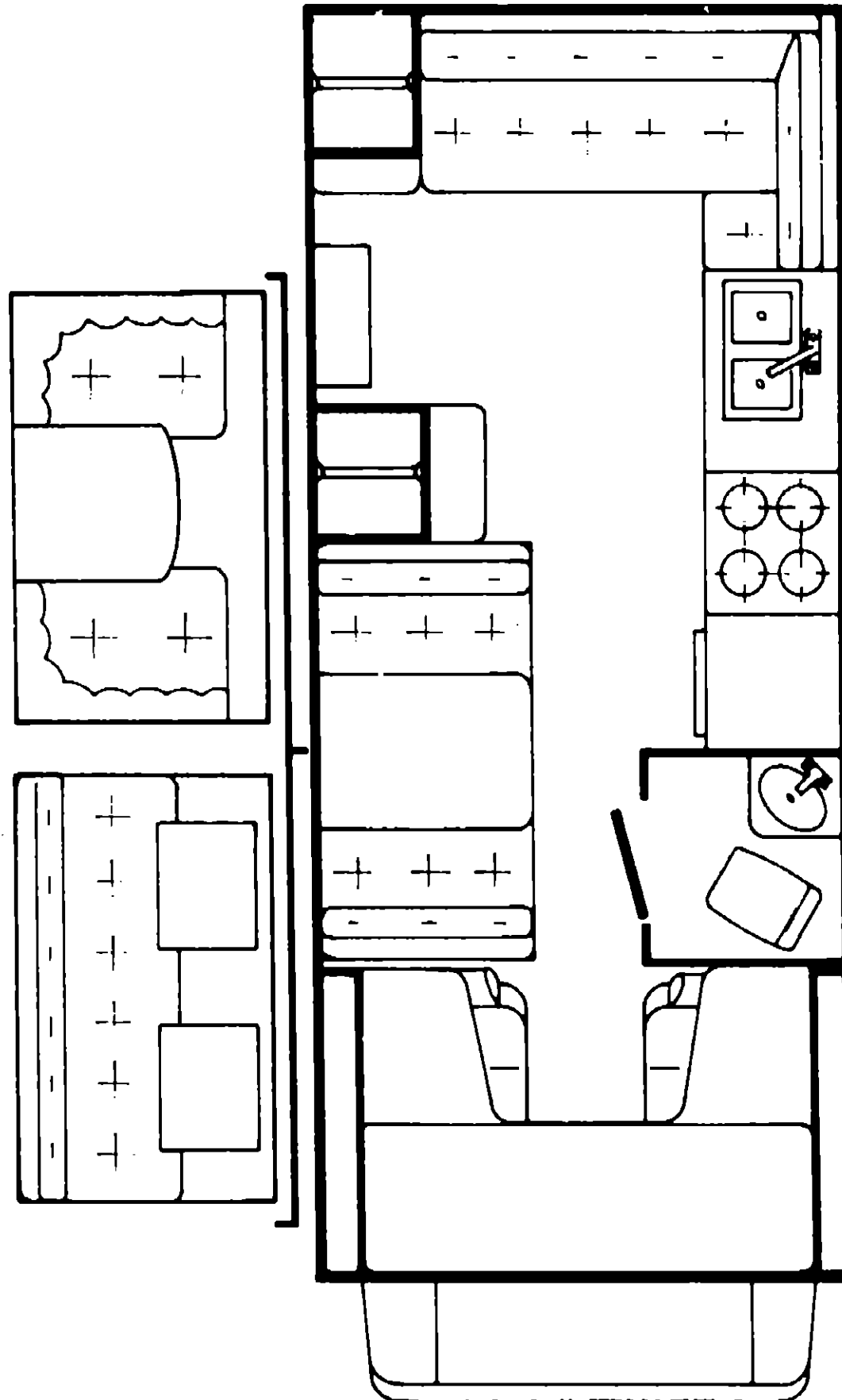


# 1978 IC420RG



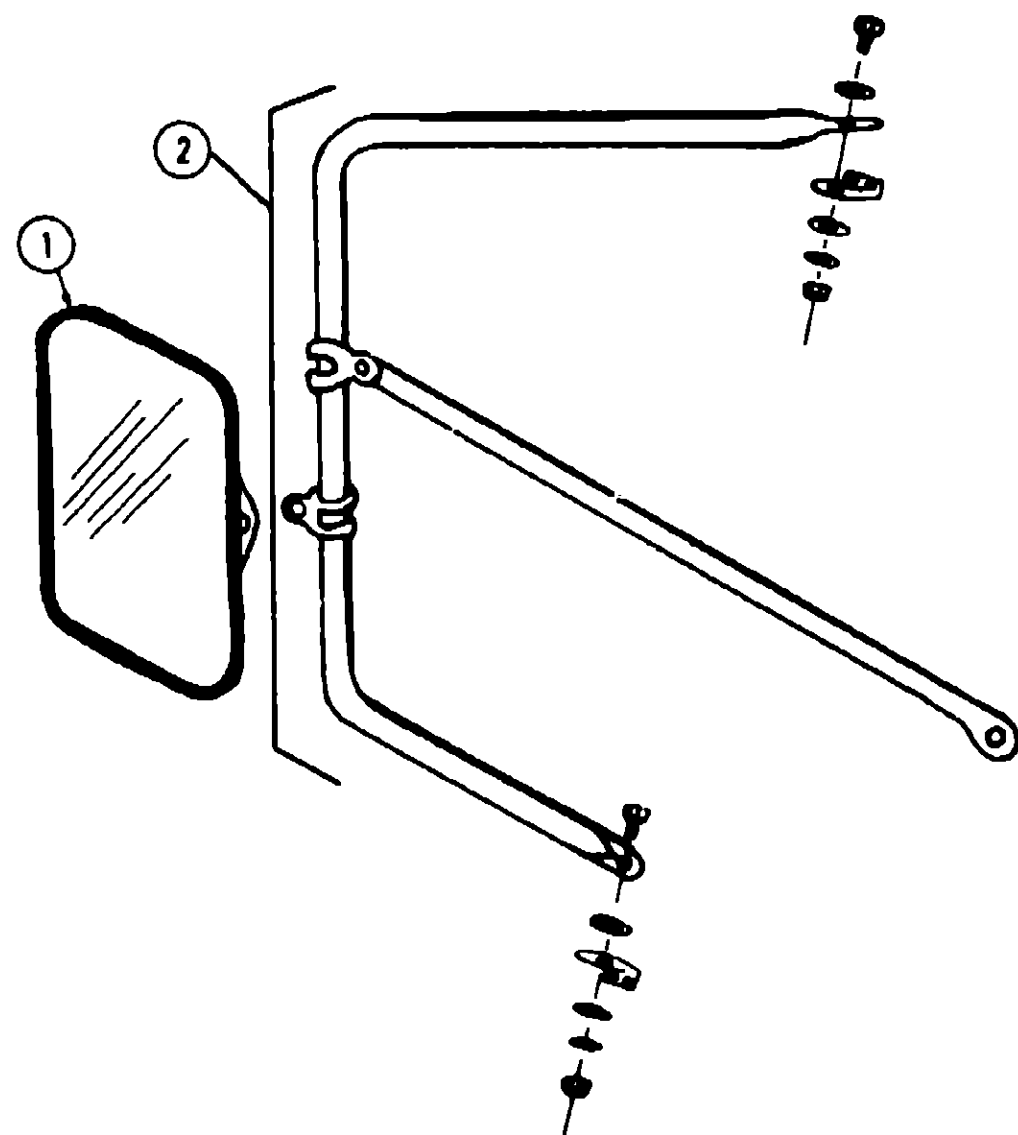
## 1978 ITASCA TABLE OF CONTENTS

Introduction	A-1
Abbreviations	A-1
Alphabetical Index	A-2 - A-4
IDF/ICF23RG	A-5 - B-16
IC420RG	B-17 - D-6
IC525RB	D-7 - E-20
IDF/ICF26RT	E-21 - G-12

## 1978 IC420RG INDEX

Floor Plan	B-17 - B-18
Accessories Group	B-19 - B-20
Bath Group	B-21
Chassis Group	B-22
Curtain, Cushion & Pad Group	B-23 - C-4
Dinette Group	C-5
Driver's Compartment Group	C-6
Electrical Group	C-7 - C-8
Exterior Body Group	C-9 - C-12
Galley Group	C-13
Heating & Air Conditioning Group	C-14
Interior Finish Group	C-15 - C-16
LP Group	C-17
Lounge Group	C-18
Water & Sewage Group	C-19
Window, Vent & Exterior Door Group	C-20 - D-6

## ACCESSORIES GROUP



Key	Part Number	U/M	Description
1	049347-01-000	EA	Mirror Head Only - 7 1/2" x 10 1/2" - Stainless Steel
2	049349-01-000	EA	Arm - West Coast Mirror - Stainless Steel

## ACCESSORIES GROUP (CONTINUED)

### RADIOS AND RELATED COMPONENTS

Key	Part Number	U/M	Description
	007004-01-000	EA	Antenna - Radio - Cab Mount
	045836-02-000	EA	Plate - Radio Cover
	049730-01-000	EA	Radio - Clarion - AM - w/Fader Switch
	049731-01-000	EA	Radio - Clarion - AM/FM/MPX - w/Fader Switch
	049732-01-700	EA	Radio - Clarion - AM/FM/MPX/8-Track - w/Fader Switch
	044545-01-100	EA	Grille - Speaker - Black Padded
	053768-01-000	EA	Speaker - Recessed - 5 1/4" - 10 oz.
	048153-01-000	EA	Antenna - CB Camper Style
	052774-01-000	EA	Radio - CB - 40 Channel - Hy Gain 9

### MISCELLANEOUS ACCESSORIES

Key	Part Number	U/M	Description
**	042713-01-000	EA	Speed Control Package - 350 C.I.D. - C-Body
	056253-01-000	EA	Luggage Rack and Ladder Asm.
	056254-02-000	EA	Ladder Asm. - w/o Luggage Rack
	008053-01-000	EA	Antenna Asm. - TV - Braund Delux
	008053-01-700	EA	Parts Kit - Repair - Braund TV Antenna
	008093-01-000	EA	Jack - TV - Brown
	040466-07-000	EA	Cover - Spare Tire - 28" - Off White
	008113-01-000	EA	Jack - Hydraulic - 5 Ton
	041944-01-700	EA	Fire Extinguisher w/Bracket
	017518-01-000	EA	Mudflap - Black Rubber - 14" x 18" w/Holes

\*\*The illustrated parts breakdown for this item is provided on the Common Items Fiche.

## 1978 ITASCA TABLE OF CONTENTS

Introduction	A-1
Abbreviations	A-1
Alphabetical Index	A-2 - A-4
IDF/ICF23RG	A-5 - B-16
IC420RG	B-17 - D-6
IC525RB	D-7 - E-20
IDF/ICF26RT	E-21 - G-12

## 1978 IC420RG INDEX

Floor Plan	B-17 - B-18
Accessories Group	B-19 - B-20
Bath Group	B-21
Chassis Group	B-22
Curtain, Cushion & Pad Group	B-23 - C-4
Dinette Group	C-5
Driver's Compartment Group	C-6
Electrical Group	C-7 - C-8
Exterior Body Group	C-9 - C-12
Galley Group	C-13
Heating & Air Conditioning Group	C-14
Interior Finish Group	C-15 - C-16
LP Group	C-17
Lounge Group	C-18
Water & Sewage Group	C-19
Window, Vent & Exterior Door Group	C-20 - D-6

## BATH GROUP

Key	Part Number	U/M	Description
	05333-01-J27	EA	Door Asm. - Shower - w/o Hardware
**	009124-01-000	EA	Lock - Door - Push Button
	052583-01-000	EA	Rack Asm. - Towel - Mounts on Bath Door
	044067-01-000	EA	Sink - Lavatory - Ivory Plastic
**	011057-01-000	EA	Faucet - Lavatory and Shower
	011083-01-000	EA	Plug - Sink - 1 1/4" - w/Chain
**	011048-01-000	EA	Shower Head - w/60" Hose
	010495-01-000	EA	Clamp - Shower Hose - 9/16"
	048112-04-000	EA	Mirror - Plastic - 1/8" x 19" x 28"
	048113-01-000	EA	Rosette - Plastic - Mirror Mounting
	009134-01-000	EA	Holder - Tissue
	020554-03-000	EA	Shower Pan - 30" x 35" - Ivory Plastic
	011086-01-000	EA	Strainer - Shower Pan
	009252-01-000	EA	Cabinet - Medicine - Gold
	009256-01-000	EA	Mirror - Medicine Cabinet Door - 9 7/8" x 14 7/8"
**	011088-01-000	EA	Tailpiece - 1 1/4" x 3" - Brass
**	039341-01-000	EA	Toilet - Marine - Aqua Magic Model SH - White
**	039341-02-000	EA	Toilet - Marine - Aqua Magic Model SH - Ivory
**	041840-01-000	EA	Toilet - Marine - Aqua Magic III - Thetford

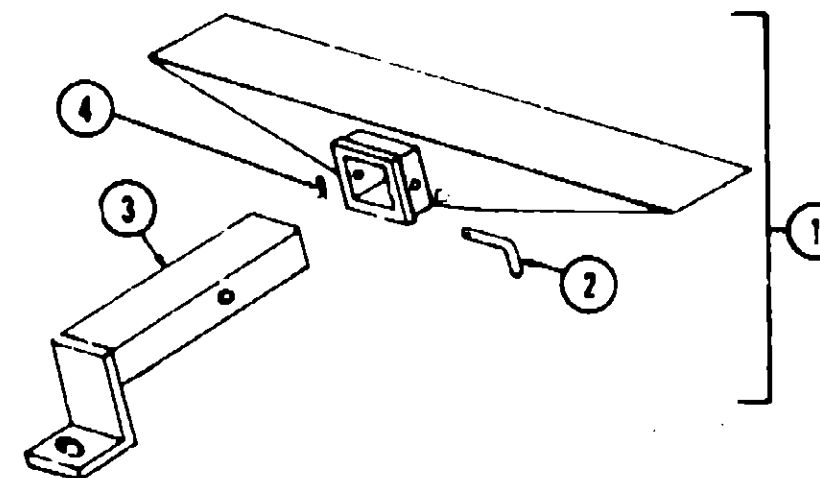
\*\* The illustrated parts breakdown for this item is provided on the Common Items Fiche.

## CHASSIS GROUP

Key	Part Number	U/M	Description
	024852-01-700	EA	Step Asm. - Entry Door
	046742-01-000	EA	Step Asm. - Assist - Cab Door
	044317-01-002	EA	Hat Section - Steel w/Lip - 84.25
	045000-03-000	EA	Heat Shield - 40"
	049751-01-000	EA	Tray - Battery - Steel
	051097-02-000	EA	Bracket - Battery - Tie Down
	044783-01-000	EA	Splash Guard - Front - Black Rubber
	017516-01-000	EA	Mud Flap - Black Rubber - 14" x 18" - w/Holes
	007180-01-000	EA	Gasket - Tire Carcass - 3/16" x 2" x 2"
	007125-08-000	EA	Clamp Asm - Muffler - 3" Diameter
	042377-01-000	EA	Tailpipe Extension - 3" O.D. x 7.5"
	051983-02-000	EA	Shroud - Fuel Fill - Interior
	041078-01-000	EA	Wheel Well - Rear - Plastic - Right or Left
	021546-01-000	EA	Bumper - Rear - Square
	039779-01-000	EA	Cap - Rubber - 4" x 4" Rear Eumper
	040974-01-000	EA	Bracket - Spare Tire Retainer
	018452-01-000	EA	Bracket - Tire Carrier - 5" x 25" U-Channel
	046043-12-000	EA	Bracket Asm. - Bumper - Bolts to Chassis

## 1978 ITASCA TABLE OF CONTENTS

Introduction	A-1
Abbreviations	A-1
Alphabetical Index	A-2 - A-4
IDF/ICF23RG	A-5 - B-16
IC420RG	B-17 - D-6
IC525RB	D-7 - E-20
IDF/ICF26RT	E-21 - G-12

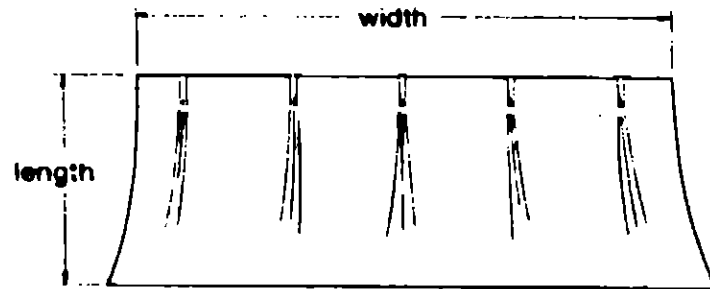


Key	Part Number	U/M	Description
1	023885-01-000	EA	Hitch Asm. - w/o Drawbar
2	034512-01-000	EA	Pin - Locking - Drawbar
3	023880-01-000	EA	Drawbar Asm. - Trailer Hitch
4	034513-01-000	EA	Pin - Hitch - 3/16" Wire Spring

## 1978 IC420RG INDEX

Floor Plan	B-17 - B-18
Accessories Group	R-19 - B-20
Bath Group	B-21
Chassis Group	B-22
Curtain, Cushion & Pad Group	B-23 - C-4
Dinette Group	C-5
Driver's Compartment Group	C-6
Electrical Group	C-7 - C-8
Exterior Body Group	C-9 - C-12
Galley Group	C-13
Heating & Air Conditioning Group	C-14
Interior Finish Group	C-15 - C-16
LP Group	C-17
Lounge Group	C-18
Water & Sewage Group	C-19
Window, Vent & Exterior Door Group	C-20 - D-6

**CURTAIN, CUSHION AND PAD GROUP**



**NOTE:**  
Use this illustration when determining length and width measurements for curtains. You will note the width measurement is taken on the top of the curtain with the curtain fully extended. The length measurement is taken from top to bottom.

**CURTAINS**

Key	Part Number	U/M	Description
	054045-03-J30	EA	Curtain w/Snap Top - 17 1/2" x 42" - Green
	054045-03-J31	EA	Curtain w/Snap Top - 17 1/2" x 42" - Gold
	054045-03-J32	EA	Curtain w/Snap Top - 17 1/2" x 42" - Beige
	054045-03-J36	EA	Curtain w/Snap Top - 17 1/2" x 42" - Brown
	054045-03-J37	EA	Curtain w/Snap Top - 17 1/2" x 42" - Rust
	054051-02-J30	EA	Curtain w/Snap Top - 34" x 37" - Green
	054051-02-J31	EA	Curtain w/Snap Top - 34" x 37" - Gold
	054051-02-J32	EA	Curtain w/Snap Top - 34" x 37" - Beige
	054051-02-J36	EA	Curtain w/Snap Top - 34" x 37" - Brown
	054051-02-J37	EA	Curtain w/Snap Top - 34" x 37" - Rust
	054103-01-J30	EA	Curtain w/Snap Top - 15 1/2" x 42" - Green
	054103-01-J31	EA	Curtain w/Snap Top - 15 1/2" x 42" - Gold
	054103-01-J32	EA	Curtain w/Snap Top - 15 1/2" x 42" - Beige
	054103-01-J36	EA	Curtain w/Snap Top - 15 1/2" x 42" - Brown
	054103-01-J37	EA	Curtain w/Snap Top - 15 1/2" x 42" - Rust
	056484-05-J30	EA	Curtain - Taped Top - 28" x 42" - Green
	056484-05-J31	EA	Curtain - Taped Top - 28" x 42" - Gold
	056484-05-J32	EA	Curtain - Taped Top - 28" x 42" - Beige
	056484-05-J36	EA	Curtain - Taped Top - 28" x 42" - Brown
	056484-05-J37	EA	Curtain - Taped Top - 28" x 42" - Rust
	056484-06-J30	EA	Curtain - Taped Top - 28 1/2" x 19 1/2" - Green
	056484-06-J31	EA	Curtain - Taped Top - 28 1/2" x 19 1/2" - Gold
	056484-06-J32	EA	Curtain - Taped Top - 28 1/2" x 19 1/2" - Beige
	056484-06-J36	EA	Curtain - Taped Top - 28 1/2" x 19 1/2" - Brown
	056484-06-J37	EA	Curtain - Taped Top - 28 1/2" x 19 1/2" - Rust
	054052-01-J30	EA	Curtain Asm. - Wraparound - 23" x 64" - Brown Vinyl
	052987-01-000	EA	Curtain Asm. - Shower - 66" x 36" - Gold
	056181-01-000	EA	Curtain - Blackout - 25" x 93" - Bostonian Brown Vinyl

**SHADES**

Key	Part Number	U/M	Description
	056915-34-000	EA	Shade - Vinyl - 69 1/4" x 34" - Straight - w/Green Trim
	056915-35-000	EA	Shade - Vinyl - 69 1/4" x 34" - Straight - w/Gold Trim
	056915-36-000	EA	Shade - Vinyl - 69 1/4" x 34" - Straight - w/Tan Trim
	056915-55-000	EA	Shade - Vinyl - 69 1/4" x 34" - Straight - w/Dark Brown Trim
	056915-56-000	EA	Shade - Vinyl - 69 1/4" x 34" - Straight - w/Rust Trim
	056915-37-000	EA	Shade - Vinyl - 72 1/4" x 34" - Straight - w/Green Trim
	056915-38-000	EA	Shade - Vinyl - 72 1/4" x 34" - Straight - w/Gold Trim
	056915-39-000	EA	Shade - Vinyl - 72 1/4" x 34" - Straight - w/Tan Trim
	056915-57-000	EA	Shade - Vinyl - 72 1/4" x 34" - Straight - w/Dark Brown
	056915-58-000	EA	Shade - Vinyl - 72 1/4" x 34" - Straight - w/Rust Trim
	054550-34-000	EA	Shade - Vinyl - 69 1/4" x 34" - Greek Key - Green Trim
	054550-35-000	EA	Shade - Vinyl - 69 1/4" x 34" - Greek Key - Gold Trim
	054550-36-000	EA	Shade - Vinyl - 69 1/4" x 34" - Greek Key - Tan Trim
	054550-37-000	EA	Shade - Vinyl - 72 1/4" x 34" - Greek Key - Green Trim
	054550-38-000	EA	Shade - Vinyl - 72 1/4" x 34" - Greek Key - Gold Trim
	054550-39-000	EA	Shade - Vinyl - 72 1/4" x 34" - Greek Key - Tan Trim

**CURTAIN, CUSHION AND PAD GROUP (CONTINUED)**

**VALANCES AND TIE BACKS**

Key	Part Number	U/M	Description
	056897-02-J30	EA	Valance Asm. - Green - 5.5" x 78"
	056897-02-J31	EA	Valance Asm. - Gold - 5.5" x 78"
	056897-02-J32	EA	Valance Asm. - Beige - 5.5" x 78"
	056897-02-J36	EA	Valance Asm. - Brown - 5.5" x 78"
	056897-02-J37	EA	Valance Asm. - Blue - 5.5" x 78"
	056897-03-J30	EA	Valance Asm. - Green - 5.5" x 81"
	056897-03-J31	EA	Valance Asm. - Gold - 5.5" x 81"
	056897-03-J32	EA	Valance Asm. - Beige - 5.5" x 81"
	056897-03-J36	EA	Valance Asm. - Brown - 5.5" x 81"
	056897-03-J37	EA	Valance Asm. - Blue - 5.5" x 81"
	054048-05-J30	EA	Tie Back Asm. - 18" - Green
	054048-05-J31	EA	Tie Back Asm. - 18" - Gold
	054048-05-J32	EA	Tie Back Asm. - 18" - Beige
	054048-05-J36	EA	Tie Back Asm. - 18" - Brown
	054048-05-J37	EA	Tie Back Asm. - 18" - Blue
	054048-06-J30	EA	Tie Back Asm. - 18" - Berkshire Brown Vinyl

**BUCKET SEATS, ARM REST AND HEADREST**

Key	Part Number	U/M	Description
	054193-02-J30	EA	Seat Asm. - Single Bucket - Green - w/o Slides, Armrest or Headrest
	054193-02-J31	EA	Seat Asm. - Single Bucket - Gold - w/o Slide, Armrest or Headrest
	054193-02-J32	EA	Seat Asm. - Single Bucket - Beige - w/o Slide, Armrest or Headrest
	054193-02-J36	EA	Seat Asm. - Single Bucket - Brown - w/o Slide, Armrest or Headrest
	054193-02-J37	EA	Seat Asm. - Single Bucket - Blue - w/o Slide, Armrest or Headrest
	053356-06-J30	EA	Cover Asm. - Single Bucket Seat - Back - Green
	053356-06-J31	EA	Cover Asm. - Single Bucket Seat - Back - Gold
	053356-06-J32	EA	Cover Asm. - Single Bucket Seat - Back - Beige
	053356-06-J36	EA	Cover Asm. - Single Bucket Seat - Back - Brown
	053356-06-J37	EA	Cover Asm. - Single Bucket Seat - Back - Blue
	053356-05-J30	EA	Cover Asm. - Single Bucket Seat - Bottom - Green
	053356-05-J31	EA	Cover Asm. - Single Bucket Seat - Bottom - Gold
	053356-05-J32	EA	Cover Asm. - Single Bucket Seat - Bottom - Beige
	053356-05-J36	EA	Cover Asm. - Single Bucket Seat - Bottom - Brown
	053356-05-J37	EA	Cover Asm. - Single Bucket Seat - Bottom - Blue
	029136-01-000	EA	Grommet - Headrest - Brown Nylon
	031133-01-000	EA	Protector - Driver Seat - 6" - Brown Plastic
	036666-03-000	EA	Screw - Shoulder - 1/2" x 1 3/4" - Hex Socket (Armrest Fastener)
	019722-01-000	EA	Headrest Asm. - Foam - w/o Cover
	053354-02-J30	EA	Headrest Cover - Green
	053354-02-J31	EA	Headrest Cover - Gold
	053354-02-J32	EA	Headrest Cover - Beige
	053354-02-J36	EA	Headrest Cover - Brown
	053354-02-J37	EA	Headrest Cover - Blue
	050275-01-700	EA	Armrest Asm. - Foam - w/o Cover - Right
	050276-01-700	EA	Armrest Asm. - Foam - w/o Cover - Left
	053357-02-J30	EA	Armrest Cover - Green
	053357-02-J31	EA	Armrest Cover - Gold
	053357-02-J32	EA	Armrest Cover - Beige
	053357-02-J36	EA	Armrest Cover - Brown
	053357-02-J37	EA	Armrest Cover - Blue

**1978 ITASCA TABLE OF CONTENTS**

Introduction	A-1
Abbreviations	A-1
Alphabetical Index	A-2 - A-4
IDF/ICF23RG	A-5 - B-16
IC420RG	B-17 - D-6
IC525RB	D-7 - E-20
IDF/ICF26RT	E-21 - G-12

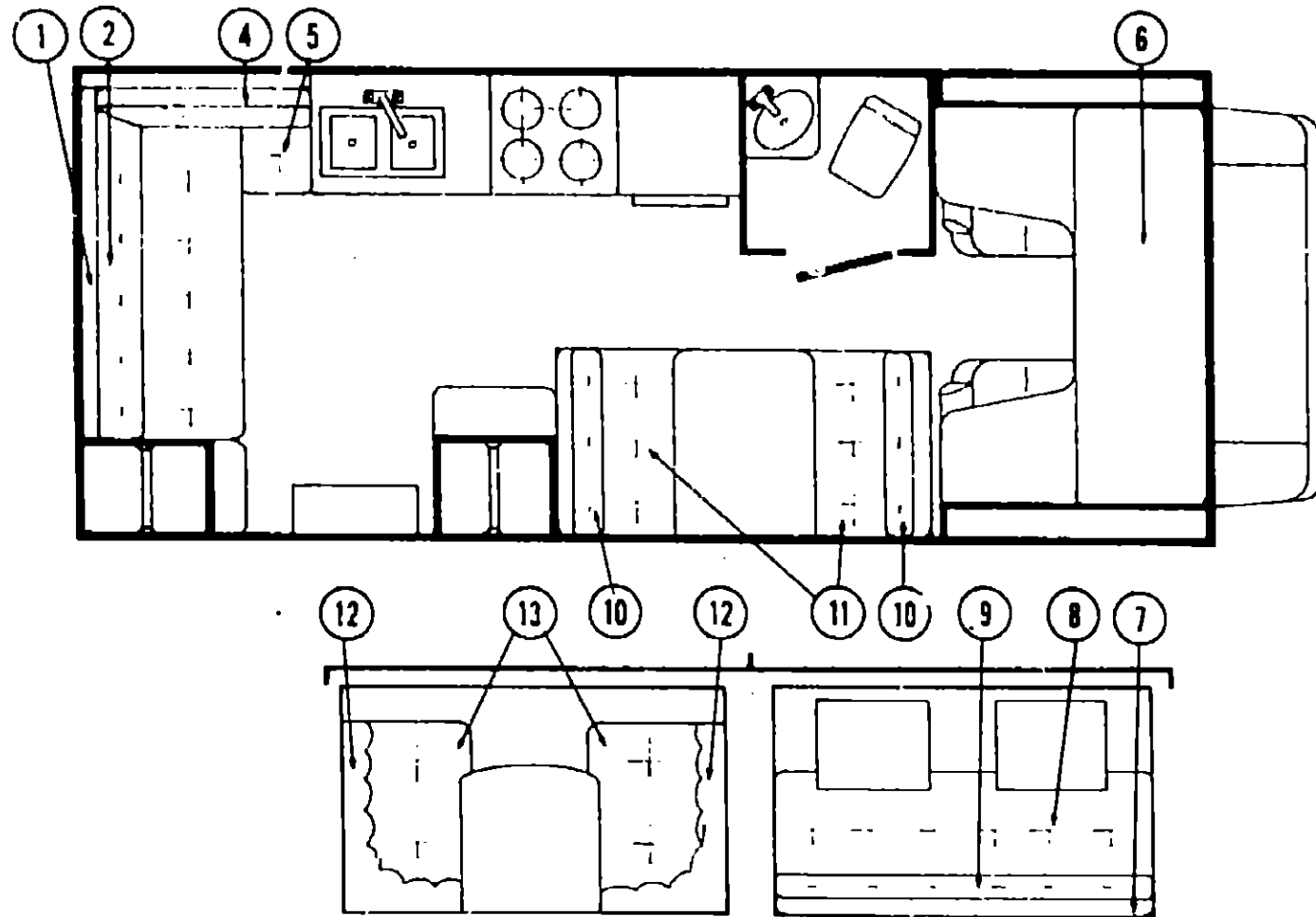
**1978 IC420RG INDEX**

Floor Plan	B-17 - B-18
Accessories Group	B-19 - B-20
Bath Group	B-21
Chassis Group	B-22
Curtain, Cushion & Pad Group	B-23 - C-4
Dinette Group	C-5
Driver's Compartment Group	C-6
Electrical Group	C-7 - C-8
Exterior Body Group	C-9 - C-12
Galley Group	C-13
Heating & Air Conditioning Group	C-14
Interior Finish Group	C-15 - C-16
LP Group	C-17
Lounge Group	C-18
Water & Sewage Group	C-19
Window, Vent & Exterior Door Group	C-20 - D-6

**CURTAIN, CUSHION AND PAD GROUP (CONTINUED)**

**FABRICS, TRIMS AND PADS**

Key	Part Number	U/M	Description
	052581-01-000	YD	Fabric - Drapery - Green
	052581-02-000	YD	Fabric - Drapery - Gold
	052581-03-000	YD	Fabric - Drapery - Beige
	057027-01-000	YD	Fabric - Drapery - Brown
	057027-02-000	YD	Fabric - Drapery - Rust
	052582-01-000	YD	Fabric - Upholstery - Green
	052582-02-000	YD	Fabric - Upholstery - Gold
	052582-03-000	YD	Fabric - Upholstery - Beige
	057028-01-000	YD	Fabric - Upholstery - Wine
	057028-02-000	YD	Fabric - Upholstery - Blue
	042411-01-000	YD	Vinyl - Nonexpanded - 27 oz. - Brown
	042411-02-000	YD	Vinyl - Expanded - 28 oz. - Brown
	042411-03-000	YD	Vinyl - Non Support - 16 Gauge - Brown
	042414-01-000	FT	Trim - Accent - Berkshire Brown Vinyl
	053719-01-J30	EA	Headliner - Cab - Berkshire Brown Vinyl
	054015-01-J30	EA	Pad - Cab Door - Left - Berkshire Brown Vinyl
	054015-02-J30	EA	Pad - Cab Door - Right - Berkshire Brown Vinyl
	054676-03-J30	EA	Button Asm. - Cloth - Green
	054676-03-J31	EA	Button Asm. - Cloth - Gold
	054676-03-J32	EA	Button Asm. - Cloth - Beige
	054676-03-J36	EA	Button Asm. - Cloth - Brown
	054676-03-J37	EA	Button Asm. - Cloth - Blue



**CURTAIN, CUSHION AND PAD GROUP (CONTINUED)**

**LOUNGE CUSHIONS**

Key	Part Number	U/M	Description
1	055021-02-J30	EA	Cushion - Rectangular - 8" x 73.5" x 5" - Green
1	055021-02-J31	EA	Cushion - Rectangular - 8" x 73.5" x 5" - Gold
1	055021-02-J32	EA	Cushion - Rectangular - 8" x 73.5" x 5" - Beige
1	055021-02-J36	EA	Cushion - Rectangular - 8" x 73.5" x 5" - Wine
1	055031-02-J37	EA	Cushion - Rectangular - 8" x 73.5" x 5" - Rust
	055022-02-J30	EA	Cover - Rectangular Cushion - 8" x 73.5" x 5" - Green
	055022-02-J31	EA	Cover - Rectangular Cushion - 8" x 73.5" x 5" - Gold
	055022-02-J32	EA	Cover - Rectangular Cushion - 8" x 73.5" x 5" - Beige
	055022-02-J36	EA	Cover - Rectangular Cushion - 8" x 73.5" x 5" - Wine
	055022-02-J37	EA	Cover - Rectangular Cushion - 8" x 73.5" x 5" - Rust
2	053984-03-J30	EA	Cushion - Two Fold - Mitered - 16" x 21" x 73.5" x 5" - Green
2	053984-03-J31	EA	Cushion - Two Fold - Mitered - 16" x 21" x 73.5" x 5" - Gold
2	053984-03-J32	EA	Cushion - Two Fold - Mitered - 16" x 21" x 73.5" x 5" - Beige
2	062215-02-J36	EA	Cushion - Two Fold - Waterfall - 16" x 21" x 73.5" x 5" - Wine
2	062215-02-J37	EA	Cushion - Two Fold - Waterfall - 16" x 21" x 73.5" x 5" - Rust
	054506-03-J30	EA	Cover - Mitered Cushion - 16" x 21" x 73.5" x 5" - Green
	054506-03-J31	EA	Cover - Mitered Cushion - 16" x 21" x 73.5" x 5" - Gold
	054506-03-J32	EA	Cover - Mitered Cushion - 16" x 21" x 73.5" x 5" - Beige
	062216-02-J36	EA	Cover - Waterfall Cushion - 16" x 21" x 73.5" x 5" - Wine
	062216-02-J37	EA	Cover - Waterfall Cushion - 16" x 21" x 73.5" x 5" - Rust
4	053966-06-J30	EA	Cushion - Mitered - 16" x 42 1/2" x 38 1/2" x 5" - Green
4	053966-06-J31	EA	Cushion - Mitered - 16" x 42 1/2" x 38 1/2" x 5" - Gold
4	053966-06-J32	EA	Cushion - Mitered - 16" x 42 1/2" x 38 1/2" x 5" - Beige
4	058130-05-J36	EA	Cushion - Wraparound - 16" x 42 1/2" x 38 1/2" x 5" - Wine
4	058130-05-J37	EA	Cushion - Wraparound - 16" x 42 1/2" x 38 1/2" x 5" - Rust
	054680-06-J30	EA	Cover - Mitered Cushion - 16" x 42 1/2" x 38 1/2" x 5" - Green
	054680-06-J31	EA	Cover - Mitered Cushion - 16" x 42 1/2" x 38 1/2" x 5" - Gold
	054680-06-J32	EA	Cover - Mitered Cushion - 16" x 42 1/2" x 38 1/2" x 5" - Beige
	058131-05-J36	EA	Cover - Wraparound Cushion - 16" x 42 1/2" x 38 1/2" x 5" - Wine
	058131-05-J37	EA	Cover - Wraparound Cushion - 16" x 42 1/2" x 38 1/2" x 5" - Rust
5	053966-05-J30	EA	Cushion - Mitered - 17 1/2" x 26" x 23" x 6" - Green
5	053966-05-J31	EA	Cushion - Mitered - 17 1/2" x 26" x 23" x 6" - Gold
5	053966-05-J32	EA	Cushion - Mitered - 17 1/2" x 26" x 23" x 6" - Beige
5	058130-06-J36	EA	Cushion - Wraparound - 17 1/2" x 26" x 23" x 6" - Wine
5	058130-06-J37	EA	Cushion - Wraparound - 17 1/2" x 26" x 23" x 6" - Rust
	054680-05-J30	EA	Cover - Mitered Cushion - 17 1/2" x 26" x 23" x 6" - Green
	054680-05-J31	EA	Cover - Mitered Cushion - 17 1/2" x 26" x 23" x 6" - Gold
	054680-05-J32	EA	Cover - Mitered Cushion - 17 1/2" x 26" x 23" x 6" - Beige
	058131-06-J36	EA	Cover - Wraparound Cushion - 17 1/2" x 26" x 23" x 6" - Wine
	058131-06-J37	EA	Cover - Wraparound Cushion - 17 1/2" x 26" x 23" x 6" - Rust

**FRONT BUNK CUSHIONS**

Key	Part Number	U/M	Description
6	054693-02-J30	EA	Cushion - Front Bunk - 29.5" x 22.5" x 76" x 5" - Green
6	054693-02-J31	EA	Cushion - Front Bunk - 29.5" x 22.5" x 76" x 5" - Gold
6	054693-02-J32	EA	Cushion - Front Bunk - 29.5" x 22.5" x 76" x 5" - Beige
6	054693-02-J36	EA	Cushion - Front Bunk - 29.5" x 22.5" x 76" x 5" - Brown
6	054693-02-J37	EA	Cushion - Front Bunk - 29.5" x 22.5" x 76" x 5" - Blue
	054694-02-J30	EA	Cover - Front Bunk Cushion - 29.5" x 22.5" x 76" x 5" - Green
	054694-02-J31	EA	Cover - Front Bunk Cushion - 29.5" x 22.5" x 76" x 5" - Gold
	054694-02-J32	EA	Cover - Front Bunk Cushion - 29.5" x 22.5" x 76" x 5" - Beige
	054694-02-J36	EA	Cover - Front Bunk Cushion - 29.5" x 22.5" x 76" x 5" - Brown
	054694-02-J37	EA	Cover - Front Bunk Cushion - 29.5" x 22.5" x 76" x 5" - Blue

**1978 ITASCA  
TABLE OF CONTENTS**

Introduction	A-1
Abbreviations	A-1
Alphabetical Index	A-2 - A-4
IDF/ICF23RG	A-5 - B-16
IC420RG	B-17 - D-6
IC525RB	D-7 - E-20
IDF/ICF26RT	E-21 - G-12

**1978 IC420RG INDEX**

Floor Plan	B-17 - B-18
Accessories Group	B-19 - B-20
Bath Group	B-21
Chassis Group	B-22
Curtain, Cushion & Pad Group	B-23 - C-4
Dinette Group	C-5
Driver's Compartment Group	C-6
Electrical Group	C-7 - C-8
Exterior Body Group	C-9 - C-12
Galley Group	C-13
Heating & Air Conditioning Group	C-14
Interior Finish Group	C-15 - C-16
LP Group	C-17
Lounge Group	C-18
Water & Sewage Group	C-19
Window, Vent & Exterior Door Group	C-20 - D-6

**CURTAIN, CUSHION AND PAD GROUP (CONTINUED)**

**DINETTE COUCH CUSHIONS**

Key	Part Number	U/M	Description
7	053965-01-J30	EA	Cushion - Mitered - 8" x 76" x 5" - Green
7	053965-01-J31	EA	Cushion - Mitered - 8" x 76" x 5" - Gold
7	053965-06-J32	EA	Cushion - Mitered - 8" x 76" x 5" - Beige
7	053965-06-J36	EA	Cushion - Mitered - 8" x 76" x 5" - Wine
7	053965-08-J37	EA	Cushion - Mitered - 8" x 76" x 5" - Rust
	054678-04-J30	EA	Cover - Mitered Cushion - 8" x 76" x 5" - Green
	054678-04-J31	EA	Cover - Mitered Cushion - 8" x 76" x 5" - Gold
	054678-04-J32	EA	Cover - Mitered Cushion - 8" x 76" x 5" - Beige
	054678-04-J36	EA	Cover - Mitered Cushion - 8" x 76" x 5" - Wine
	054678-04-J37	EA	Cover - Mitered Cushion - 8" x 76" x 5" - Rust
8	053964-02-J30	EA	Cushion - Two Fold - Mitered - 16" x 21" x 76" x 5" - Green
8	053964-02-J31	EA	Cushion - Two Fold - Mitered - 16" x 21" x 76" x 5" - Gold
8	053964-02-J32	EA	Cushion - Two Fold - Mitered - 16" x 21" x 76" x 5" - Beige
8	062215-01-J36	EA	Cushion - Two Fold - Waterfall - 16" x 21" x 76" x 5" - Wine
8	062215-01-J37	EA	Cushion - Two Fold - Waterfall - 16" x 21" x 76" x 5" - Rust
	054506-02-J30	EA	Cover - Mitered Cushion - 16" x 21" x 76" x 5" - Green
	054506-02-J31	EA	Cover - Mitered Cushion - 16" x 21" x 76" x 5" - Gold
	054506-02-J32	EA	Cover - Mitered Cushion - 16" x 21" x 76" x 5" - Beige
	062216-01-J36	EA	Cover - Waterfall Cushion - 16" x 21" x 76" x 5" - Wine
	062216-01-J37	EA	Cover - Waterfall Cushion - 16" x 21" x 76" x 5" - Rust

**CONVENTIONAL DINETTE CUSHIONS**

Key	Part Number	U/M	Description
10	053965-02-J30	EA	Cushion - Mitered - 14 1/4" x 38" x 5" - Green
10	053965-02-J31	EA	Cushion - Mitered - 14 1/4" x 38" x 5" - Gold
10	053965-02-J32	EA	Cushion - Mitered - 14 1/4" x 38" x 5" - Beige
10	058128-01-J36	EA	Cushion - Wraparound - 14 1/4" x 38" x 5" - Wine
10	058128-01-J37	EA	Cushion - Wraparound - 14 1/4" x 38" x 5" - Rust
	054678-01-J30	EA	Cover - Mitered Cushion - 14 1/4" x 38" x 5" - Green
	054678-01-J31	EA	Cover - Mitered Cushion - 14 1/4" x 38" x 5" - Gold
	054678-01-J32	EA	Cover - Mitered Cushion - 14 1/4" x 38" x 5" - Beige
	058129-01-J36	EA	Cover - Wraparound Cushion - 14 1/4" x 38" x 5" - Wine
	058129-01-J37	EA	Cover - Wraparound Cushion - 14 1/4" x 38" x 5" - Rust
11	053965-04-J30	EA	Cushion - Mitered - 22 1/2" x 38" x 5" - Green
11	053965-04-J31	EA	Cushion - Mitered - 22 1/2" x 38" x 5" - Gold
11	053965-04-J32	EA	Cushion - Mitered - 22 1/2" x 38" x 5" - Beige
11	058128-02-J36	EA	Cushion - Wraparound - 22 1/2" x 38" x 5" - Wine
11	058128-02-J37	EA	Cushion - Wraparound - 22 1/2" x 38" x 5" - Rust
	054678-02-J30	EA	Cover - Mitered Cushion - 22 1/2" x 38" x 5" - Green
	054678-02-J31	EA	Cover - Mitered Cushion - 22 1/2" x 38" x 5" - Gold
	054678-02-J32	EA	Cover - Mitered Cushion - 22 1/2" x 38" x 5" - Beige
	058129-02-J36	EA	Cover - Wraparound Cushion - 22 1/2" x 38" x 5" - Wine
	058129-02-J37	EA	Cover - Wraparound Cushion - 22 1/2" x 38" x 5" - Rust

**CURTAIN, CUSHION AND PAD GROUP (CONTINUED)**

**CORNER LOUNGE CHAIR CUSHIONS**

Key	Part Number	U/M	Description
12	056636-01-J30	EA	Back Cushion - Corner Lounge Chair - Green
12	056636-01-J31	EA	Back Cushion - Corner Lounge Chair - Gold
12	056636-01-J32	EA	Back Cushion - Corner Lounge Chair - Beige
12	056636-01-J36	EA	Back Cushion - Corner Lounge Chair - Brown
12	056636-01-J37	EA	Back Cushion - Corner Lounge Chair - Blue
13	056637-01-J30	EA	Bottom Cushion - Corner Lounge Chair - Green
13	056637-01-J31	EA	Bottom Cushion - Corner Lounge Chair - Gold
13	056637-01-J32	EA	Bottom Cushion - Corner Lounge Chair - Beige
13	056637-01-J36	EA	Bottom Cushion - Corner Lounge Chair - Brown
13	056637-01-J37	EA	Bottom Cushion - Corner Lounge Chair - Blue

**CURTAIN HARDWARE**

Key	Part Number	U/M	Description
	056784-01-000	EA	Pull - Window Shade - Antique Brass
	056001-01-000	EA	Bracket - Shade - Left
	056002-01-000	EA	Bracket - Shade - Right
	056003-01-000	EA	Bracket - Drapery - Retainer - Right
	056003-02-000	EA	Bracket - Drapery - Retainer - Left
	056116-01-000	FT	Track - Curtain - Brown Plastic
	009107-01-000	EA	Guide - Nylon Snap
	009701-01-000	EA	Carrier - Curtain - L - Rod
	009702-01-000	EA	End Stop - Curtain - L - Rod



Key	Part Number	U/M	Description
1	029130-01-000	EA	Socket - Snap Fastener (Tie Backs)
2	029155-01-000	EA	Cap - Snap - .156 Dia. x .17" Barrel (Tie Backs)
3	029156-01-000	EA	Socket - Snap Fastener (Tie Backs)
4	029092-01-000	EA	Stud - Nickel Finish (Curtains)
5	029093-01-000	EA	Eyelet - Nickel Finish (Curtains)

**1978 ITASCA  
TABLE OF CONTENTS**

Introduction	A-1
Abbreviations	A-1
Alphabetical Index	A-2 - A-4
IDF/ICF23RG	A-5 - B-16
IC420RG	B-17 - D-6
IC525RB	D-7 - E-20
IDF/ICF26RT	E-21 - G-12

**1978 IC420RG INDEX**

Floor Plan	B-17 - B-18
Accessories Group	B-19 - B-20
Bath Group	B-21
Chassis Group	B-22
Curtain, Cushion & Pad Group	B-23 - C-4
Dinette Group	C-5
Driver's Compartment Group	C-6
Electrical Group	C-7 - C-8
Exterior Body Group	C-9 - C-12
Galley Group	C-13
Heating & Air Conditioning Group	C-14
Interior Finish Group	C-15 - C-16
LP Group	C-17
Lounge Group	C-18
Water & Sewage Group	C-19
Window, Vent & Exterior Door Group	C-20 - D-6

## DINETTE GROUP

### CONVENTIONAL DINETTE W/FOLD DOWN TABLE AND OPPOSING BENCHES

Key	Part Number	U/M	Description
	053192-01-J27	EA	Table Asm - Dinette w/o Hardware - Butcher Block
	052666-01-J30	EA	Cabinet Asm - Dinette Seat - Rear
	052668-01-J30	EA	Cabinet Asm - Dinette Seat - Front
	052656-01-J27	EA	Cabinet Asm - Dinette Overhead - w/o Doors or Hardware
	052724-02-J27	EA	Door Asm - Dinette Overhead Cabinet - w/o Hardware
	047842-01-000	EA	Hardware Kit - Dinette Table Leg
	047809-02-000	EA	Hardware Kit - Dinette Table - Wall Mount

### OPTIONAL COUCH W/TWIN PEDESTAL TABLES

Key	Part Number	U/M	Description
	054525-01-J27	EA	Cabinet Asm - Couch
	053203-07-J27	EA	Table Asm - Pedestal - w/o Hardware - Butcher Block
	009040-02-000	EA	Leg - Pedestal Table - 27 5" - Chrome
	009040-03-000	EA	Base - Table Leg - Table Mount
	041194-01-000	EA	Base - Table Leg - Floor Mount

## DRIVER'S COMPARTMENT GROUP

Key	Part Number	U/M	Description
	049943-01-000	EA	Pedestal Asm - Swivel Seat
	007222-01-000	EA	Belt Asm - Seat - 2' x 60" Black
	053434-01-J27	EA	Cabinet Asm - Head Board - Right
	053441-01-J27	EA	Cabinet Asm - Head Board - Left
	053491-01-J27	EA	Door Asm - Head Board Cabinet - w/o Hardware
	049360-03-000	EA	Console - Overhead
	050015-01-000	EA	Bracket - Overhead Console
	052577-01-000	EA	Gauge - Voltmeter w/Bracket
	024462-01-000	EA	Switch - Battery Condition
	055279-01-000	EA	Control Asm - Heater and A/C

## 1978 ITASCA TABLE OF CONTENTS

Introduction	A-1
Abbreviations	A-1
Alphabetical Index	A-2 - A-4
IDF/ICF23RG	A-5 - B-16
IC420RG	B-17 - D-8
IC525RB	D-7 - E-20
IDF/ICF26RT	E-21 - G-12

## 1978 IC420RG INDEX

Floor Plan	B-17 - B-18
Accessories Group	B-19 - B-20
Bath Group	B-21
Chassis Group	B-22
Curtain, Cushion & Pad Group	B-23 - C-4
Dinette Group	C-5
Driver's Compartment Group	C-6
Electrical Group	C-7 - C-8
Exterior Body Group	C-9 - C-12
Galley Group	C-13
Heating & Air Conditioning Group	C-14
Interior Finish Group	C-15 - C-16
LP Group	C-17
Lounge Group	C-18
Water & Sewage Group	C-19
Window, Vent & Exterior Door Group	C-20 - D-6

## ELECTRICAL GROUP

### BULBS

Key	Part Number	U/M	Description
	037935-01-000	EA	Bulb - 1157
	038010-01-000	EA	Bulb - 1143
	008103-01-000	EA	Bulb 53
	008213-01-000	EA	Bulb - 57
	008214-01-000	EA	Bulb - 87
	008215-01-000	EA	Bulb - 1003
	008216-01-000	EA	Bulb - 1034
	008217-01-000	EA	Bulb - 1073
	008218-01-000	EA	Bulb - 1141
	008219-01-000	EA	Bulb - 858
	008220-01-000	EA	Bulb - 12V - 25W
	036196-01-000	EA	Bulb - 194
	700020-01-000	EA	Bulb - 12V - 20W - 1383

### EXTERIOR LIGHTS

Key	Part Number	U/M	Description
	045863-01-000	EA	Lamp Asm. - Tail - Horizontal
	045864-01-000	EA	Lamp Asm. - Tail - Horizontal - w/License Mount
	045863-01-700	EA	Lens - Tail Light - All Red
	045863-01-701	EA	Lens - Tail Light - Red w/Backup
	046125-01-000	EA	Wedge - Tail Light
	042405-03-000	EA	Base - Rectangular Clearance Light
	042405-04-000	EA	Lens - Clearance Light - Red
	042405-05-000	EA	Lens - Clearance Light - Amber

### INTERIOR LIGHTS

Key	Part Number	U/M	Description
	024418-01-000	EA	Lamp Asm. - Map/Gauge/Isle
	024473-01-000	EA	Light - Aircraft - 1 Bulb - Gold
	033508-02-000	EA	Light - Dome - Ivory - 1 Bulb
	024642-01-701	EA	Lens - Dome Light - 1 Bulb
	033509-02-000	EA	Light - Dome - Ivory - 2 Bulb
	024643-01-701	EA	Lens - Dome Light - 2 Bulb

### FUSES AND CIRCUIT BREAKERS

Key	Part Number	U/M	Description
	056473-01-000	EA	Fuse - Slow Blow - 6 1/4 Amp.
	008233-01-000	EA	Fuse - 12 Volt - 6 Amp.
	008234-01-000	EA	Fuse - 12 Volt - 10 Amp.
	008235-01-000	EA	Fuse - 12 Volt - 15 Amp.
	008236-01-000	EA	Fuse - 12 Volt - 20 Amp.
	008248-01-000	EA	Fuse - 110 Volt - 30 Amp. - AGU
	008252-01-000	EA	Fuse - 110 Volt - 50 Amp.
	008208-01-000	EA	Circuit Breaker - 12 Volt - 40 Amp.
	008211-01-000	EA	Circuit Breaker - 12 Volt - 6 Amp.
	008268-01-000	EA	Circuit Breaker - 12 Volt - 30 Amp. w/Mount
	033573-01-000	EA	Circuit Breaker - 12 Volt - 20 Amp. w/Mount
	040051-01-000	EA	Circuit Breaker - 110 Volt - 20 Amp. - TQL

## ELECTRICAL GROUP (CONTINUED)

### WIRE, SWITCHES, AND RECEPTACLES

Key	Part Number	U/M	Description
	008024-01-000	FT	Wire - 18.5 Bonded - Orange/White/Yellow/Blue/Brown
	008025-01-000	FT	Wire - 18.5 Bonded - Orange/White/Yellow/Blue/Green
	008028-01-000	FT	Wire - 18.5 Bonded - Blue/Red/Yellow/Orange/White
	008030-01-000	FT	Wire - 18.4 Bonded
	008251-01-000	EA	Holder - Fuse - Black - Screw Type
	008277-01-000	EA	Holder - Fuse - Black - Panel Mount
	008195-01-000	EA	Switch - Push Button - 12 Volt
	008077-01-000	EA	Plaque - Compressor Switch
	008054-01-000	EA	Cord - Power - 10-3 30 Amp. - 25' - UL
	034818-04-000	EA	Holder - Receptacle - Plastic
	039338-01-000	EA	Cover Plate - Receptacle - Plastic - Brown
	039342-01-000	EA	Receptacle - Duplex Brown - T Junction
	024571-01-000	EA	Cover Plate - Receptacle - Jumbo Steel Brown
	039343-01-000	EA	Cap - End - Receptacle
	008162-01-000	EA	Switch - Double Toggle - Spade Brown
	008163-01-000	EA	Switch - Toggle Brown
	008164-01-000	EA	Cover Plate - Switch - Brown
	024924-01-000	EA	Receptacle - Power Cord
	008058-01-000	EA	Adaptor - Power Cord
	047353-01-000	EA	Cover - Receptacle - Ground Fault
	047351-01-000	EA	Receptacle - Ground Fault Interrupter - 125 Volt, Black

### MISCELLANEOUS ELECTRICAL COMPONENTS

Key	Part Number	U/M	Description
	047338-01-000	EA	Isolator - Dual Battery
	047389-01-700	EA	Battery - 12 Volt - 105 Amp. Deep Cycle - Dry
	008188-01-000	EA	Solenoid - Dual Battery - Relay
	046775-01-000	EA	Valve - Gas - Change Over
	039950-02-000	EA	Control Center - 30 Amp. w/Door - UL
	039950-01-702	EA	Circuit Board - Control Center
	039950-01-701	EA	Circuit Board - Control Center - w/Light
	039950-01-700	EA	Circuit Board - Control Center - w/o Light
	054544-01-000	EA	Control Center - 37 Amp.
	024417-01-000	EA	Panel - Control - Water/Double Sewage - Wemac
	039861-01-000	EA	Sending Unit Kit - Wemac
	024459-01-000	EA	Gauge - Voltmeter
	024462-01-000	EA	Switch - Battery Condition
	031035-01-000	EA	Gauge - Hour Meter - Generator
	024976-01-000	EA	Switch - Generator w/o Circuit Board
	024460-01-000	EA	Gauge Vacuum
	036617-01-000	EA	Relay - Canister - S.P.D.T.

## 1978 ITASCA TABLE OF CONTENTS

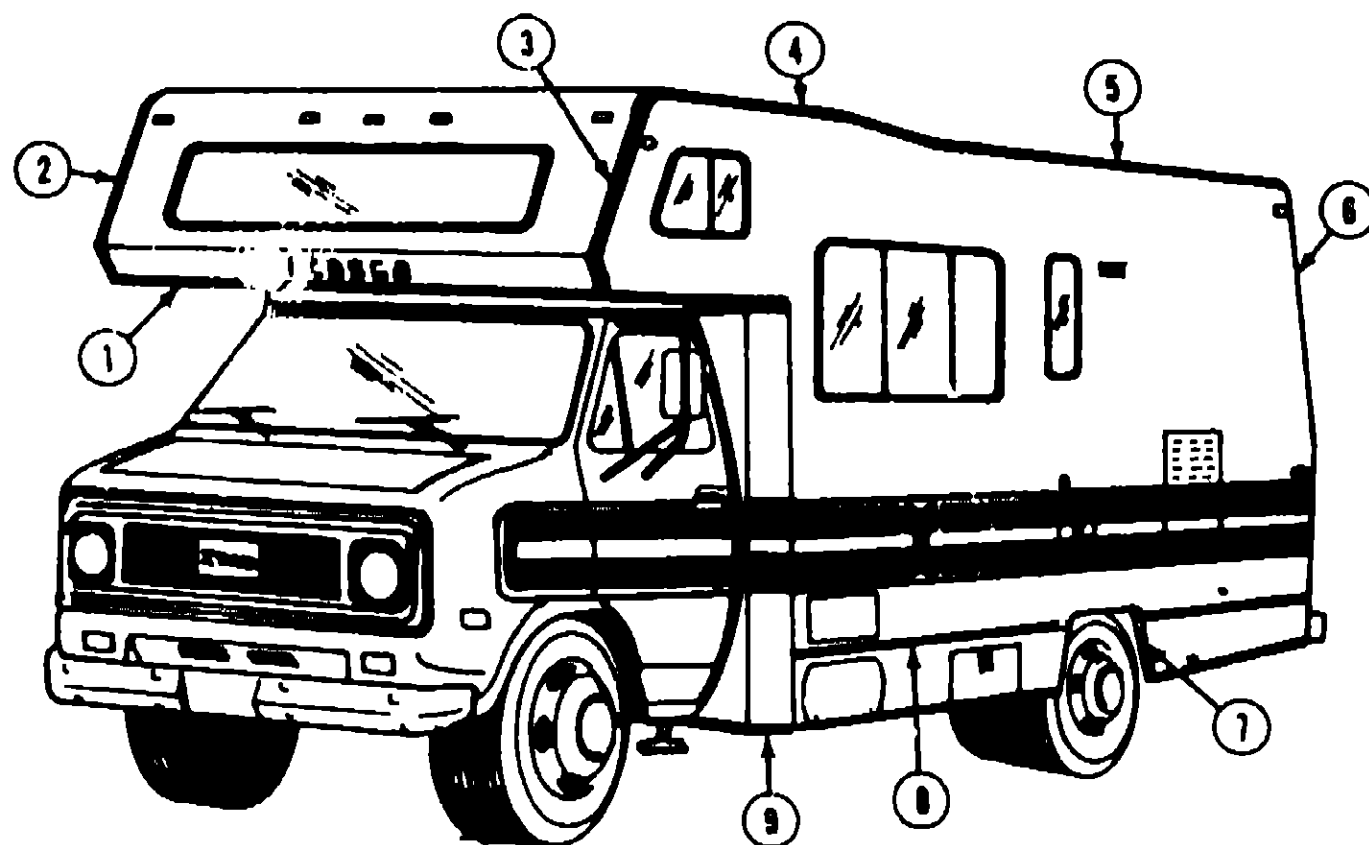
Introduction	A-1
Abbreviations	A-1
Alphabetical Index	A-2 - A-4
IDF/ICF23RG	A-5 - B-16
IC420RG	B-17 - D-6
IC525RB	D-7 - E-20
IDF/ICF26RT	E-21 - G-12

## 1978 IC420RG INDEX

Floor Plan	B-17 - B-18
Accessories Group	B-19 - B-20
Bath Group	B-21
Chassis Group	B-22
Curtain, Cushion & Pad Group	B-23 - C-4
Dinette Group	C-5
Driver's Compartment Group	C-6
Electrical Group	C-7 - C-8
Exterior Body Group	C-9 - C-12
Galley Group	C-13
Heating & Air Conditioning Group	C-14
Interior Finish Group	C-15 - C-16
LP Group	C-17
Lounge Group	C-18
Water & Sewage Group	C-19
Window, Vent & Exterior Door Group	C-20 - D-6



## EXTERIOR BODY GROUP



## 1978 ITASCA TABLE OF CONTENTS

Introduction	A-1
Abbreviations	A-1
Alphabetical Index	A-2 - A-4
IDF/ICF23RG	A-5 - B-16
IC420RG	B-17 - D-6
IC525RB	D-7 - E-20
IDF/ICF26RT	E-21 - G-12

Key	Part Number	U/M	Description
1	039844-04-000	EA	Trim - Sleeper Board - Front
2	052799-01-000	EA	Trim - Contour - Sleeper - Right - Off White
3	052799-02-000	EA	Trim - Contour - Sleeper - Left - Off White
4	056240-02-000	EA	Trim - Contour - Roof - Front Left - Off White
•	056240-01-000	EA	Trim - Contour - Roof - Front Right - Off White
5	042170-04-000	EA	Trim - Contour - Roof - Rear Left - Off White
•	042170-03-000	EA	Trim - Contour - Roof - Rear Right - Off White
6	039964-02-000	EA	Trim - Contour - Backwall - Left - Off White
•	039964-01-000	EA	Trim - Contour - Backwall - Right - Off White
7	052671-01-000	EA	Trim - Wheel Well - Rear - Right or Left
8	002444-02-001	EA	Feature Strip - Extr. Alum. - 14'
•	001030-06-100	EA	Insert - Feature Strip - Lucerne Blue - 17'
•	001030-07-100	EA	Insert - Feature Strip - Dark Green - 17'
•	001030-05-10U	EA	Insert - Feature Strip - Burnished Red - 17'
•	001030-02-100	EA	Insert - Feature Strip - Off White - 17'
•	009731-01-000	EA	End Cap - Feature Strip
9	054459-02-000	EA	Trim - Wingwall - Bottom - Left
•	054459-01-000	EA	Trim - Wingwall - Bottom - Right
•	050630-02-000	EA	Trim - Backwall - Lower
•	Not Illustrated		

## 1978 IC420RG INDEX

Floor Plan	B-17 - B-18
Accessories Group	B-19 - B-20
Bath Group	B-21
Chassis Group	B-22
Curtain, Cushion & Pad Group	B-23 - C-4
Dinette Group	C-5
Driver's Compartment Group	C-6
Electrical Group	C-7 - C-8
Exterior Body Group	C-9 - C-12
Galley Group	C-13
Heating & Air Conditioning Group	C-14
Interior Finish Group	C-15 - C-16
LP Group	C-17
Lounge Group	C-18
Water & Sewage Group	C-19
Window, Vent & Exterior Door Group	C-20 - D-6

## EXTERIOR BODY GROUP (CONTINUED)

### EXTERIOR BODY PANELS AND SHEET ALUMINUM

Key	Part Number	U/M	Description
	052828-01-J30	EA	Sleeper Board Asm.
	052904-01-J30	EA	Sidewall Asm. - Right
	052903-01-J30	EA	Sidewall Asm. - Left
	052980-01-J27	EA	Backwall Asm.
	052926-01-J27	EA	Roof Asm.
	044487-01-001	EA	Alum. - Mill Finish - No Design (Roof) - 96" x 360"
	039155-07-010	EA	Alum. - Off White - Greyhound Design - 48" x 96"
	001054-01-011	EA	Alum. - Off White - No Design - 48" x 96"
	039155-03-008	EA	Alum. - Off White - Mesa I - .024" x 36" x 60"
	039155-03-003	EA	Alum. - Off White - Mesa I - .024" x 36" x 360"
	039155-03-007	EA	Alum. - Off White - Mesa I - .024" x 48" x 60"
	039155-03-006	EA	Alum. - Off White - Mesa I - .024" x 48" x 360"
	039155-03-009	EA	Alum. - Off White - Mesa I - .024" x 12" x 360"
	039155-28-001	EA	Alum. - Off White - Mesa II - .024" x 36" x 60"
	039155-28-003	EA	Alum. - Off White - Mesa II - .024" x 36" x 360"
	039155-28-004	EA	Alum. - Off White - Mesa II - .024" x 48" x 60"
	039155-28-006	EA	Alum. - Off White - Mesa II - .024" x 48" x 360"
	039155-28-007	EA	Alum. - Off White - Mesa II - .024" x 12" x 360"
	039155-07-011	EA	Alum. - Off White - Greyhound Design - .024" x 48" x 360"
	039155-07-003	EA	Alum. - Off White - Greyhound Design - .024" x 48" x 60"
	039155-07-004	EA	Alum. - Off White - Greyhound Design - .024" x 24" x 300"
	039155-07-006	EA	Alum. - Off White - Greyhound Design - .024" x 24" x 60"
	039155-07-007	EA	Alum. - Off White - Greyhound Design - .024" x 12" x 300"

Note: The raised portion of Mesa I is 1.657" wide  
The raised portion of Mesa II is .875" wide

### SEALANTS, ADHESIVES AND FASTENERS

Key	Part Number	U/M	Description
	034552-05-000	EA	Sealant - Off White Silicone
	034552-04-000	EA	Sealant - Beige Silicone
	034552-02-000	EA	Sealant - Clear Silicone
	004342-01-000	EA	Sealant - Weatherban 202 Tube
	004346-02-000	EA	Sealant - White Silicone
	004347-01-000	EA	Sealant - Tufflex
	004357-01-000	FT	Tape - Sealer - 1/8" x 5/8" - Adhesive
	041422-01-000	FT	Tape - Sealer - 1/4" x 1/2"
	009200-01-000	EA	Tape - Furnace - 1 1/2"
	004353-01-000	FT	Tape - Gasket - 1/8" x 3/4" - White
	002825-01-000	FT	Weather Stripping - Roof Vent
	002337-01-000	EA	Adhesive - 3M - 1300 Tube
	004005-01-000	GL	Adhesive - Swifts - Green - Glue (Sidewalls)
	004012-01-000	EA	Adhesive - 3M - 4475 Tube
	004020-01-000	QT	Adhesive - ABS Cement (Plastic Fittings)
	029051-01-000	EA	Adhesive - Spray Vinyl
	042401-02-000	EA	Screw - 8 - 18 x 3/4" SDPH - Off White
	042403-02-000	EA	Screw - SF/DR - 8 - 18 x 1" SDPH - Off White
	005058-01-000	EA	Screw - Wood - 12 - 11 x 3" P.O.H. Zinc
	053786-01-000	EA	Bedding Compound - Tube Black - Schnee Morehead
	053786-02-000	EA	Bedding Compound - Tube White - Schnee Morehead
	053787-01-000	FT	Tape - 1/2" x 1/8" x 30' - Gray - Schnee Morehead
	053787-03-000	FT	Tape - 1/4" Bead x 20' - Gray - Schnee Morehead
	053787-04-000	FT	Tape - 3/4" x 1/8" x 30' - Gray - Schnee Morehead
	053787-05-000	FT	Tape - 2" x 3/32" x 45' - Gray - Schnee Morehead

## EXTERIOR BODY GROUP (CONTINUED)

### EXTERIOR PAINT

Key	Part Number	U/M	Description
	041581-01-000	EA	Paint - Off White - Acrylic Enamel - 1 Gal.
	041581-03-000	EA	Paint - Off White - Acrylic Enamel - 16 oz. Aerosol
	041581-04-000	EA	Paint - Off White - Acrylic Laquer - 1 Gal.
	045681-01-000	EA	Paint - Satin Black - Acrylic Enamel - 16 oz. Aerosol
	045681-03-000	EA	Paint - Gloss Black - Acrylic Enamel - 16 oz. Aerosol
	058008-03-000	EA	Paint - Lucerne Blue - 16 oz. Aerosol - Dupont 42858
	058007-03-000	EA	Paint - Dark Jade - 16 oz. Aerosol - Dupont 43517
	041885-03-000	EA	Paint - Rally Yellow - Acrylic Enamel - 16 oz. Aerosol
	055884-03-000	EA	Paint - Medium Gray Metallic - 16 oz. Aerosol - Dupont 44783
	043877-03-000	EA	Paint - Saddle Bronze - Acrylic Enamel - 16 oz. Aerosol
	057482-03-000	EA	Paint - Autumn Red Metallic - 16 oz. Aerosol - Dupont 43507
	055883-03-000	EA	Paint - Tan Bronze Metallic - 16 oz. Aerosol - Dupont 44181
	058912-03-000	EA	Paint - Regal Blue - 16 oz. Aerosol - Dupont 5543
	045812-03-000	EA	Paint - Orange - Acrylic Enamel - 16 oz. Aerosol

### LABELS AND DECALS

Key	Part Number	U/M	Description
	008023-01-000	EA	Label - Water Only
	008025-01-000	EA	Label - Gas
	008028-01-000	EA	Label - Drain Cap - 2" x 3"
	006031-01-000	EA	Label - Potable Water Only
	006040-01-000	EA	Tag - Gas Refueling Warning
	008082-01-000	EA	Tag - Electrical - 110 Volt Connection
	006187-01-000	EA	Label - Sewage
	006188-01-000	EA	Label - Waste Water
	008199-01-000	EA	Label - Exit - Escape Window
	039288-01-000	EA	Label - Warning Aux. Loading
	047731-01-000	EA	Label - Emergency Exit
	054531-01-000	EA	Label - LP Gas Only
	041273-02-000	FT	Decal - Stripe - Sidewall - .88" - Black
	041273-17-000	FT	Decal - Stripe .63" Black
	053343-01-000	EA	Decal - Itasca "I" 9.00" High
	058004-05-000	EA	Decal - Logo Itasca 5.25" High - Dark Jade w/White Backing
	058017-01-000	EA	Stencil - Stripe Front Side
	058018-01-000	EA	Decal - Stripe Front Side
	056250-01-000	EA	Decal - Front Side - Upper
	058004-01-000	EA	Decal - Logo Itasca 5.25" High - Orange w/White Backing
	058004-02-000	EA	Decal - Logo Itasca 5.25" High - Gray w/White Backing
	008092-01-000	EA	Reflector - Stick On - Rectangular - Red
	008093-01-000	EA	Reflector - Stick On - Rectangular - Amber
	053343-01-000	EA	Stencil - Itasca "I" - 8.5"

### MISCELLANEOUS EXTERNALLY MOUNTED PARTS

Key	Part Number	U/M	Description
	038579-03-000	EA	Fuel Fill - Recessed - Single - Off White
**	011124-01-000	EA	Plumbing Seal - Roof Vent - 1 1/4" White
**	011129-01-000	EA	Plumbing Seal - Roof Vent - 1 1/2" White
**	010230-02-000	EA	Fill - City Water - Recessed - Off White - w/Screw On Cap
**	011020-01-000	EA	Fill - Water - Recessed - Off White
	009126-01-000	EA	Handle - Assist - Metal Ext.
	009101-01-000	EA	Holder - Entry Door - Male
	009101-02-000	EA	Holder - Entry Door - Female

\*\*The illustrated parts breakdown for this item is provided on the Common Items Fiche.

## 1978 ITASCA TABLE OF CONTENTS

Introduction	A-1
Abbreviations	A-1
Alphabetical Index	A-2 - A-4
IDF/ICF23RG	A-5 - B-18
IC420RG	B-17 - D-6
IC525RB	D-7 - E-20
IDF/ICF28RT	E-21 - G-12

## 1978 IC420RG INDEX

Floor Plan	B-17 - B-18
Accessories Group	B-19 - B-20
Bath Group	B-21
Chassis Group	B-22
Curtain, Cushion & Pad Group	B-23 - C-4
Dinette Group	C-5
Driver's Compartment Group	C-6
Electrical Group	C-7 - C-8
Exterior Body Group	C-9 - C-12
Galley Group	C-13
Heating & Air Conditioning Group	C-14
Interior Finish Group	C-15 - C-16
LP Group	C-17
Lounge Group	C-18
Water & Sewage Group	C-19
Window, Vent & Exterior Door Group	C-20 - D-6

## GALLEY GROUP

### GALLEY CABINETRY

Key	Part Number	U/M	Description
	052550-01-J27	EA	Cabinet Asm. - Galley - w/o Countertop, Doors, Drawers or Hardware
	052646-01-J27	EA	Countertop Asm. - Galley Cabinet - Butcher Block
	052820-01-J27	EA	Extension Asm. - Galley Countertop - w/o Hardware - Butcher Block
	053424-01-J27	EA	Sink Cover - Large - Butcher Block
	053440-01-J27	EA	Bread Board Asm. - Butcher Block
	052719-01-J27	EA	Drawer Asm. - Cutlery - 8" x 23 5/8" x 10 3/4" Deep - w/o Hardware
	052724-12-J27	EA	Door Asm. - Galley Cabinet - 15 7/8" x 20 3/4" - w/o Hardware
	052724-11-J27	EA	Door Asm. - Galley Cabinet - 10 5/8" x 23 1/4" - Right or Left - w/o Hardware
	053435-01-J27	EA	Door Asm. - Refrigerator Cabinet - 26" x 9" - w/o Hardware
	053438-01-J27	EA	Drawer Asm. - Refrigerator Cabinet - 7 1/8" x 23" x 20" Deep - w/o Hardware
	052853-01-J27	EA	Cabinet Asm. - Galley Overhead - w/o Doors or Hardware
	052724-02-J27	EA	Door Asm. - Galley Overhead Cabinet - w/o Hardware

### GALLEY HARDWARE AND APPLIANCES

Key	Part Number	U/M	Description
	011032-01-000	EA	Sink - Stainless Steel - Double w/Bolts
**	011053-01-000	EA	Faucet - Swing Spout - 8"
**	011085-01-000	EA	Strainer - Sink
	055049-01-000	EA	Bin - Storage - Refrigerator Cabinet Door - Dark Brown Plastic
	009049-01-000	EA	Support - Galley Extension Table
	009059-01-000	EA	Hinge - 2" - Gold - Galley Extension Table
	053333-01-000	EA	Stove Hood - Non Power - Black - Jenson
**	049930-03-000	EA	Stove Hood - Powered - Black - Jenson
**	052583-01-000	EA	Range - 4 Burner - Small Oven - Black - Magic Chef
**	049175-02-000	EA	Refrigerator - AC/DC/Gas - Sibir ET 150/2

\*\*The illustrated parts breakdown for this item is provided on the Common Items Fiche.

## HEATING AND AIR CONDITIONING GROUP

Key	Part Number	U/M	Description
	056779-01-000	EA	A/C - Clutch - Magnetic - 7"
	051770-01-000	EA	A/C - Compressor - 350 C.I.D. - ARA
	056452-01-000	EA	A/C - Evaporator Asm.
	056459-01-000	EA	A/C - Compressor Mount Package - 350 C.I.D. - ARA
	056460-01-000	EA	A/C - Condenser Asm. - 350 C.I.D. - ARA
	024985-01-000	EA	Register w/Damper - 9.9" x 4.8"
	009198-01-000	EA	Duct - Flexible - 4" I.D. x 25'
	031804-01-000	EA	Bonnet - Heat Register
	035505-02-000	EA	Thermostat - Horizontal Wall Mount - Black
	009200-01-000	EA	Tape - Furnace - 1 1/2"
	055279-01-000	EA	Control Asm. - Heater and A/C
**	052396-01-000	EA	Furnace - 19,000 BTU - Coleman 4318-729
**	056113-01-000	EA	Furnace - 22,000 BTU - w/Electric Ignition - Coleman 4322-749
**	056112-01-000	EA	Furnace - 28,000 BTU - w/Electric Ignition - Coleman 4328-749
**	049777-01-000	EA	Air Conditioner - 110 Volt - Roof Mount - 11,000 BTU Ivory - Coleman (w/o Inside Shroud)
**	049778-01-000	EA	Shroud Asm. - Ceiling - Inside - Roof Air - Cool Only 11,000 BTU - Coleman
**	049774-01-000	EA	Air Conditioner - 110 Volt - Roof Mount - 13,500 BTU Ivory - Coleman (w/o Inside Shroud)
**	049775-01-000	EA	Shroud Asm. - Ceiling - Inside - Roof Air - Cool Only 13,500 BTU - Coleman
**	049776-01-000	EA	Shroud Asm. - Ceiling - Inside - Roof Air - Heat and Cool Only 13,500 BTU - Coleman

\*\*The illustrated parts breakdown for this item is provided on the Common Items Fiche.

## 1978 ITASCA TABLE OF CONTENTS

Introduction	A-1
Abbreviations	A-1
Alphabetical Index	A-2 - A-4
IDF/ICF23RG	A-5 - B-16
IC420RG	B-17 - D-6
IC525RB	D-7 - E-20
IDF/ICF26RT	E-21 - G-12

## 1978 IC420RG INDEX

Floor Plan	B-17 - B-18
Accessories Group	B-19 - B-20
Bath Group	B-21
Chassis Group	B-22
Curtain, Cushion & Pad Group	B-23 - C-4
Dinette Group	C-5
Driver's Compartment Group	C-6
Electrical Group	C-7 - C-8
Exterior Body Group	C-9 - C-12
Galley Group	C-13
Heating & Air Conditioning Group	C-14
Interior Finish Group	C-15 - C-18
LP Group	C-17
Lounge Group	C-18
Water & Sewage Group	C-19
Window, Vent & Exterior Door Group	C-20 - D-6

## INTERIOR FINISH GROUP

### PANELING AND COUNTERTOP MATERIALS

Key	Part Number	U/M	Description
	055275-01-000	SF	Paneling - Hickory - 48" x 96" (32 SF)
	052585-01-000	SF	Paneling - White Brick - 48" x 96" (32 SF)
	045983-01-000	SF	Paneling - 825 Buff - Ceiling - 48" x 96" (32 SF)
	051904-01-000	SF	Paneling - Cloud Beige - Bath - 48" x 96" (32 SF)
	045984-01-000	SF	Plastic Laminate - Butcher Block - 48" x 96" (32 SF)
	045984-01-001	EA	Plastic Laminate - Butcher Block - 48" x 48"
	045984-01-002	EA	Plastic Laminate - Butcher Block - 1.19" x 96"
	053339-01-000	SF	Plastic Laminate - Random Butcher Block - 48" x 96" (32 SF)
	037682-01-000	SF	Plastic Laminate - Wide Butcher Block - 48" x 96" (32 SF)
	037682-01-008	EA	Plastic Laminate - Wide Butcher Block - 48" x 48"
	037682-01-009	EA	Plastic Laminate - Wide Butcher Block - 1.19" x 96"

### FABRICS AND FLOOR COVERINGS

Key	Part Number	U/M	Description
	052581-01-000	YD	Fabric - Drapery - Green
	052581-02-000	YD	Fabric - Drapery - Gold
	052581-03-000	YD	Fabric - Drapery - Beige
	052582-01-000	YD	Fabric - Upholstery - Green
	052582-02-000	YD	Fabric - Upholstery - Gold
	052582-03-000	YD	Fabric - Upholstery - Beige
	042411-01-000	YD	Vinyl - Nonexpanded - 27 oz. - Brown
	042411-02-000	YD	Vinyl - Expanded - 28 oz. - Brown
	042411-03-000	YD	Vinyl - Non Support - 16 Gauge - Brown
	052580-01-000	SY	Carpet - Scottish Fancy - Green
	052580-02-000	SY	Carpet - Scottish Fancy - Gold
	052580-03-000	SY	Carpet - Scottish Fancy - Beige
	042720-03-000	SY	Vinyl - Floor Covering - 90" Wide - Tan

### INTERIOR MOLDINGS AND TRIMS

Key	Part Number	U/M	Description
	000726-07-000	EA	Batt Strip - 709 Hickory
	047354-01-000	EA	Batt Strip - 825 Buff
	024700-05-000	EA	Cover - Roll Bar - 709 Hickory - 12' Plastic
	024700-06-000	EA	Cover - Roll Bar - Ivory - 8' Plastic
	039512-03-000	EA	Cover - Hat Section - Hickory - 12' Plastic
	039512-06-000	EA	Cover - Hat Section - Ivory - 8' Plastic
	047488-01-000	EA	Cover - Corner - Hat/Hat
	047489-01-000	EA	Cover - Corner - Tube/Tube
	052859-01-J07	FT	Trim - Accent - Brown Vinyl
	009767-01-000	FT	Welting - Brown
	009778-01-000	FT	U-Channel - 1" - Dark Brown
	009813-01-000	FT	Molding - Outside Corner - .50" - Dark Pecan
	022992-03-000	FT	Molding - Reverse Cove - Sandalwood
	034689-03-000	EA	Cover - Screw - PPH 10 - Ivory
	009810-02-000	FT	Molding - Plastic Corner - Outside - 1" - Cherry
	009813-02-000	FT	Molding - Plastic Corner - Outside - .50" - Cherry
	009809-06-000	FT	Molding - Plastic Corner - Outside - 1" Antique Birch
	009812-06-000	FT	Molding - Plastic Corner - Outside - .50" Antique Birch

## INTERIOR FINISH GROUP (CONTINUED)

### CURTAIN HARDWARE

Key	Part Number	U/M	Description
	052327-04-236	EA	Track - Curtain - Brown Alum. - 89" w/Holes
	056116-01-000	EA	Track - Curtain - Brown Plastic
	056001-01-000	EA	Bracket - Shade - Left
	056002-01-000	EA	Bracket - Shade - Right
	056003-01-000	EA	Bracket - Drapery Retainer - Right
	056003-02-000	EA	Bracket - Drapery Retainer - Left
	009107-01-000	EA	Guide - Nylon Snap - Curtain
	018031-42-000	EA	Track - Curtain - "L" Rod - Alum. - Extr. - 90"
	009701-01-000	EA	Carrier - "L" Rod - Curtain
	009702-01-000	EA	End Stop - "L" Rod - Curtain
	056784-01-000	EA	Pull - Window Shade - Antique Brass

### CABINETS AND TABLE HARDWARE

Key	Part Number	U/M	Description
	052929-01-J30	EA	Latch Kit - Cabinet Door - Antique Brass
	052930-01-J30	EA	Pull Kit - Drawer - Antique Brass
	052932-01-J30	EA	Hinge Kit - Cabinet Door - Antique Brass
**	041939-01-000	FA	Hinge Kit - Double Acting
**	047744-01-000	EA	Kit - Drawer Glide
**	047809-03-000	EA	Kit - Dinette Table Hardware - Wall Mount
**	047842-01-000	EA	Kit - Hardware - Dinette Table Leg
	009040-02-000	EA	Leg - Pedestal Table - 27.5" - Chrome
	009040-03-000	EA	Base - Table Leg - Mounts on Table
	041194-01-000	EA	Base - Table Leg - Recessed in Floor

\*\*The illustrated parts breakdown for this item is provided on the Common Items Fiche.

### MISCELLANEOUS

Key	Part Number	U/M	Description
	041944-01-700	EA	Fire Extinguisher - Dry Chemical w/Bracket
	040069-01-000	EA	Door Mat - Black Rubber - Itasca
	053552-01-J07	EA	Handle - Assist - Brown
	054185-02-000	EA	Owner's Manual - Itasca 1978

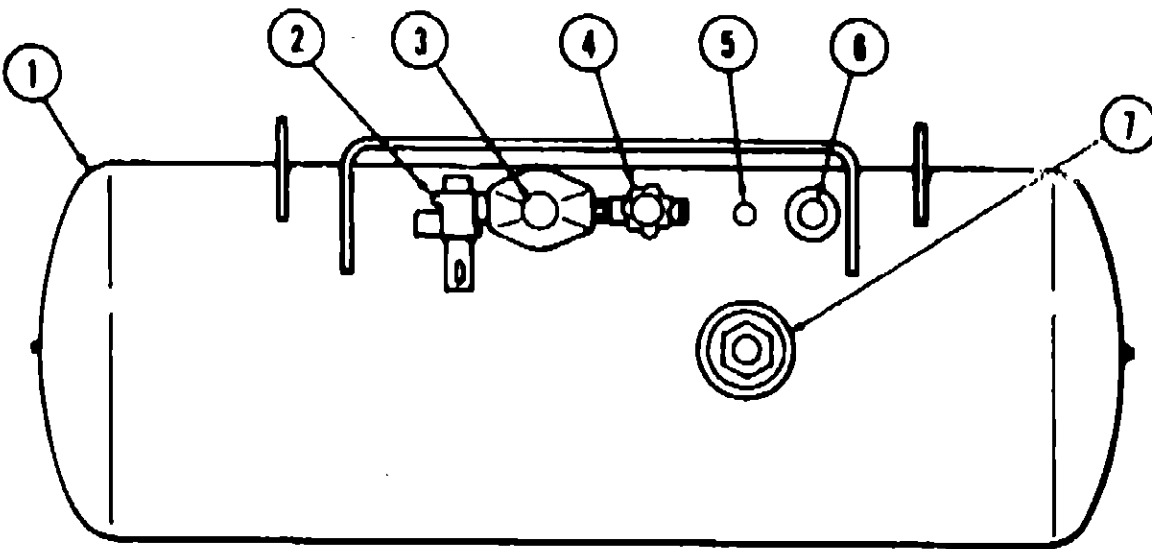
## 1978 ITASCA TABLE OF CONTENTS

Introduction	A-1
Abbreviations	A-1
Alphabetical Index	A-2 - A-4
IDF/ICF23RG	A-5 - B-18
IC420RG	B-17 - D-6
IC525RB	D-7 - E-20
IDF/ICF26RT	E-21 - G-12

## 1978 IC420RG INDEX

Floor Plan	B-17 - B-18
Accessories Group	B-19 - B-20
Bath Group	B-21
Chassis Group	B-22
Curtain, Cushion & Pad Group	B-23 - C-4
Dinette Group	C-5
Driver's Compartment Group	C-6
Electrical Group	C-7 - C-8
Exterior Body Group	C-9 - C-12
Galley Group	C-13
Heating & Air Conditioning Group	C-14
Interior Finish Group	C-15 - C-16
LP Group	C-17
Lounge Group	C-18
Water & Sewage Group	C-19
Window, Vent & Exterior Door Group	C-20 - D-6

## LP GROUP



Key	Part Number	U/M	Description
1	052769-01-000	EA	Tank Asm. - L.P. - 42 Pound - Vertical Frame Mount
2	047221-01-000	EA	Detector - LP Gas Leak
3	024712-01-000	EA	Cover - LP Regulator
4	052163-01-000	EA	Regulator - Manual - LP Gas - 2 Stage
5	040421-01-703	EA	Valve - Vapor Relief
6	040421-01-700	EA	Gauge - Liquid Level - 20% LP
7	040421-01-701	EA	Valve - Filler - LP
	040421-01-702	EA	Cap - Plastic Fill Valve
	042281-01-700	EA	Gauge - Float - w/Visible Dial - 42 Pound Tank
	040421-01-706	EA	Dial - Visible Face - Float Gauge (Tank w/o Electric Transmitter)
	040421-01-705	EA	Dial - Transmitter - 0 - 90 Ohm (Float Gauge)
	045703-03-000	EA	Hose Asm. - LP - 3/8" I.D. x 14"
	047737-02-000	EA	Support - LP Tank - 89.25"
	047737-03-000	EA	Support - LP Tank - 30.50"
			Not Illustrated

## LOUNGE GROUP

Key	Part Number	U/M	Description
	052629-01-J27	EA	Cabinet Asm. - Rear Wardrobe - Upper w/o Doors or Hardware
	052637-01-J27	EA	Cabinet Asm. - Rear Wardrobe - Lower - w/o Doors or Hardware
	052638-01-J27	EA	Countertop Asm. - Rear Wardrobe Cabinet - Butcher Block
	052724-03-J27	EA	Door Asm. - Wardrobe Cabinet - 44 3/8" x 10 9/16" - w/o Hardware
	053438-02-J27	EA	Drawer Asm. - Wardrobe Cabinet - 9 15/16" x 5 1/4" x 20" Deep - w/o Hardware
	052644-01-J27	EA	Cabinet Asm. - Furnace - w/o Countertop, Furnace Grille or Hardware
	052645-01-J27	EA	Countertop Asm. - Furnace Cabinet - Butcher Block
	052651-01-J27	EA	Cabinet Asm. - Front Wardrobe - w/o Door or Hardware
	052724-04-J27	EA	Door Asm. - Front Wardrobe Cabinet - 40 5/8" x 10 9/16" - w/o Hardware
	053404-01-J27	EA	Grille Asm. - Furnace
	047205-07-000	EA	Mesh - Grille - 11 1/4" x 13 7/8" - Brass
	009021-01-000	EA	Catch - Nylon - Grille
	009021-02-000	EA	Strike - Nylon Catch - Grille
	052663-01-J27	EA	Cabinet Asm. - Rear Overhead - w/o Doors or Hardware
	052724-01-J27	EA	Door Asm. - Rear Overhead Cabinet - w/o Hardware
	052623-01-J27	EA	Cabinet Asm. - Couch

## 1978 ITASCA TABLE OF CONTENTS

Introduction	A-1
Abbreviations	A-1
Alphabetical Index	A-2 - A-4
IDF/ICF23RG	A-5 - B-16
IC420RG	B-17 - D-6
IC525RB	D-7 - E-20
IDF/ICF26RT	E-21 - G-12

## 1978 IC420RG INDEX

Floor Plan	B-17 - B-18
Accessories Group	B-19 - B-20
Bath Group	B-21
Chassis Group	B-22
Curtain, Cushion & Pad Group	B-23 - C-4
Dinette Group	C-5
Driver's Compartment Group	C-6
Electrical Group	C-7 - C-8
Exterior Body Group	C-9 - C-12
Galley Group	C-13
Heating & Air Conditioning Group	C-14
Interior Finish Group	C-15 - C-16
LP Group	C-17
Lounge Group	C-18
Water & Sewage Group	C-19
Window, Vent & Exterior Door Group	C-20 - D-6

## WATER AND SEWAGE GROUP

### PLUMBING REPAIR PARTS

Key	Part Number	U/M	Description
**	040539-01-000	EA	Kit - Repair - 3/8" O.D. Plastic Tube
**	040540-01-000	EA	Kit - Repair - 1/2" O.D. Plastic Tube
**	040541-01-000	EA	Kit - Repair - 5/8" O.D. Plastic Tube
**	041279-02-000	EA	Pump - Water Flow 2.8 G.P.M. - PAR
**	039647-02-000	EA	Filter - Water Pump 1/2" MPT
**	039809-01-000	EA	Valve - Stool - Plastic 3/8" x 1/2" FPT
**	039818-01-000	EA	Riser Asm - 3/8" O.D. x 24" Tube
**	039818-02-000	EA	Riser Asm - 3/8" O.D. x 36" Tube
**	039818-04-000	EA	Riser Asm - 3/8" O.D. x 72" Tube
**	039818-05-000	EA	Riser Asm - 3/8" O.D. x 48" Tube
**	041819-01-000	EA	Nut and Cone - Plastic 1/2" O.D. Tube
**	046128-01-000	EA	Valve - Drain - Plastic 1/2" FPT
**	039807-01-000	EA	Valve - Drain - Brass - 1/2" MPT
**	004020-01-000	QT	Adhesive - ABS Cement
**	010201-01-000	EA	Hose - Sewer - 3" x 10 Ft. w/Clamp
**	010235-01-000	EA	Cap - Sewage - 3"
**	010236-01-000	EA	Adapter - Hose - 3" Sewage
**	010234-01-000	EA	Adapter - Bayonet
**	011091-01-000	EA	Waste - Continuous - Double Sink - 11 7/8"
**	011066-01-000	EA	P-Trap - Plastic - 1 1/4"
**	010205-01-000	EA	Valve - Sanitary - Thetford 3XB
**	010210-01-000	EA	Valve - Sanitary - Thetford 3HB
**	010133-01-000	EA	Adapter - Trap - Plastic - 1 1/2" H x MPT
**	050780-01-000	EA	Coupler - Rubber - 3" x 3"
**	047246-01-000	EA	Handle - Extension - Sewer Valve - 43"
**	047247-01-000	EA	Handle - Extension - Sewer Valve - 19"
**	046524-01-000	EA	Kit - Plastic Fittings - Holding Tank
**	046524-02-000	EA	Kit - Plastic Fittings - Water Tank
**	037845-01-000	FT	Tape - Butyl - 3/16" Bead - Black

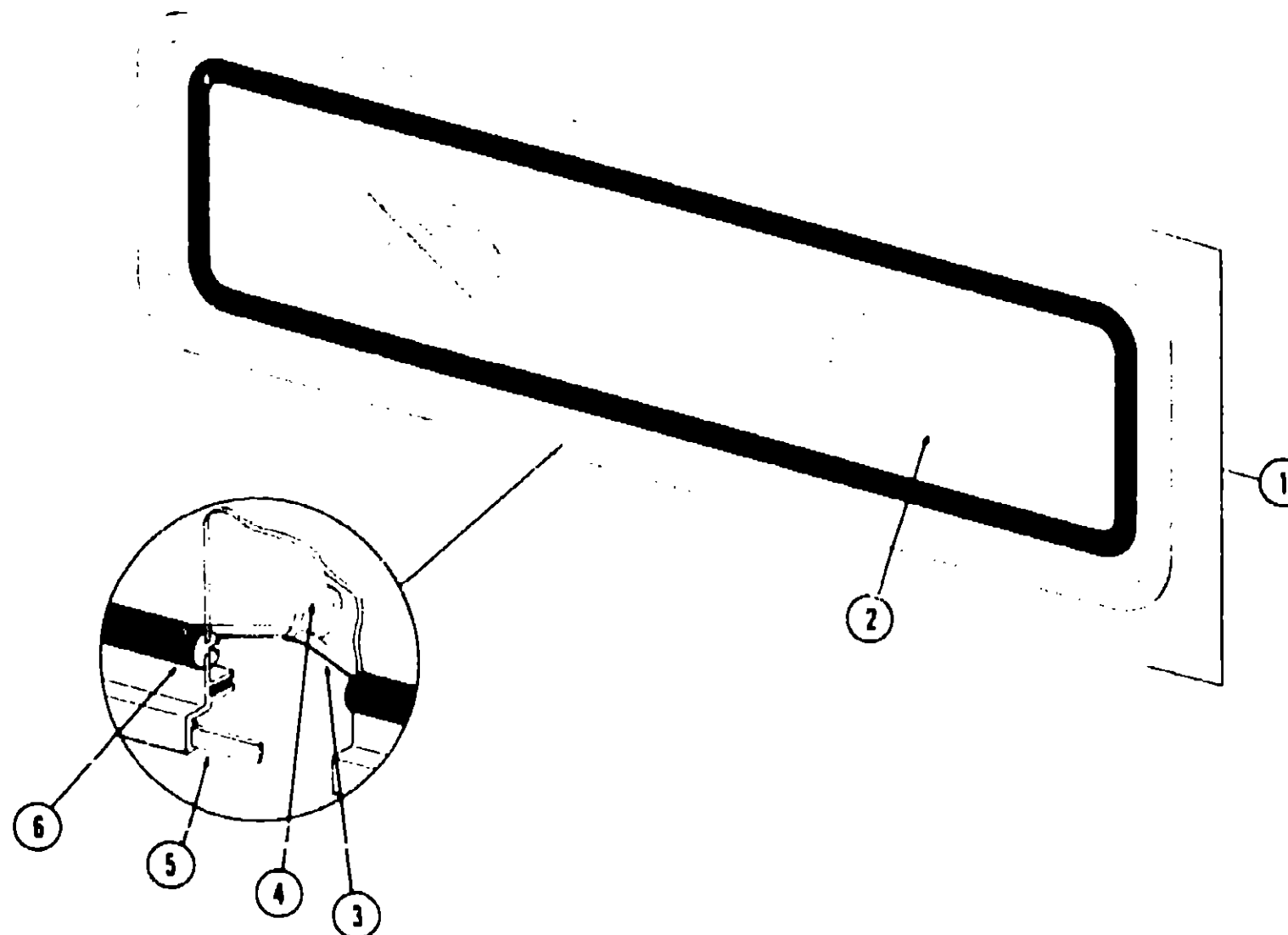
\*\* The illustrated parts breakdown for this item is provided on the Common Items Fiche

### HOLDING TANKS AND WATER HEATERS

Key	Part Number	U/M	Description
**	053366-02-000	EA	Tank Asm. - Water - 26 Gallon w/Fittings
**	053366-01-000	EA	Tank - Water - 26 Gallon w/o Fittings
**	0570F3-02-000	EA	Tank Asm. - Water - 28 Gallon w/Fittings
**	057063-01-000	EA	Tank Asm. - Water - 28 Gallon w/o Fittings
**	043835-02-000	EA	Tank Asm. - Holding - 16 Gallon w/Fittings
**	043835-01-000	EA	Tank - Holding - 16 Gallon w/o Fittings
**	053423-02-000	EA	Tank Asm. - Holding - 22 Gallon w/Fittings
**	053423-01-000	EA	Tank - Holding - 22 Gallon - w/o Fittings
**	051391-01-000	EA	Water Heater - 6 Gallon w/o Motor Aid - Atwood G6A-3

\*\* The illustrated parts breakdown for this item is provided on the Common Items Fiche.

## WINDOW, VENT AND EXTERIOR DOOR GROUP



Key	Part Number	U/M	Description
1	020754-01-000	EA	Window Asm. - Escape - 23" x 68" - Clear Anod. (w/o Inside Frame)
1	020754-03-000	EA	Window Asm. - Escape - 23" x 68" Black Anod. (w/o Inside Frame)
2	002178-01-000	EA	Glass 1/8" x 19.61" x 64.80"
3	002285-01-000	FT	Weatherstrip - Filler - Black
4	020395-01-000	EA	Slip Ring - Pull
5	004363-01-000	FT	Tape - Foam 3/16" x 1/2" Gray
6	002282-01-000	FT	Weatherstrip - Window .125" Black
*	020752-03-000	EA	Frame - Window - Inside - Escape 23" x 68" (Not included in assembly)
*	006199-01-000	EA	Label - Exit - Escape Window
*			Not Illustrated

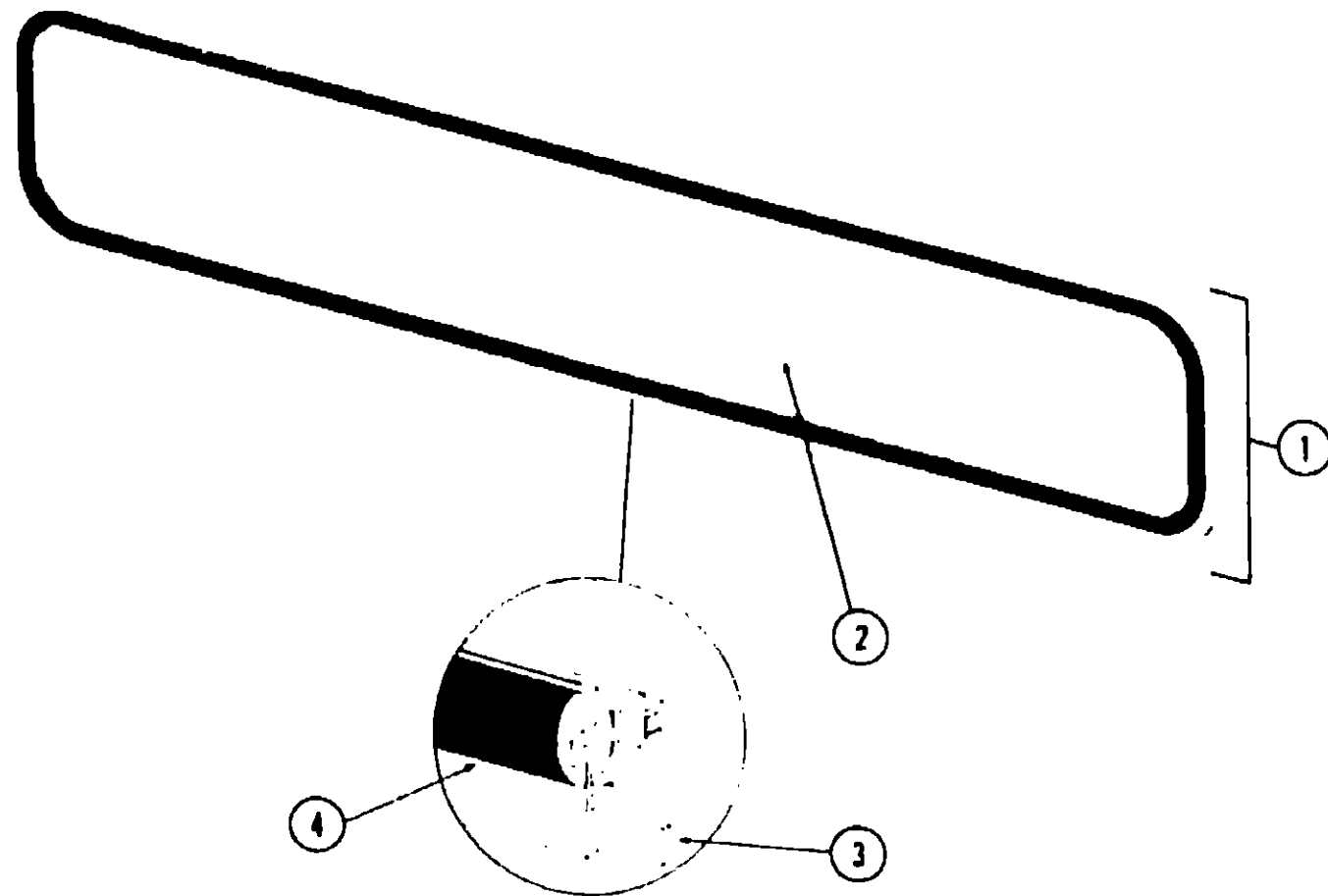
## 1978 ITASCA TABLE OF CONTENTS

Introduction	A-1
Abbreviations	A-1
Alphabetical Index	A-2 - A-4
IDF/ICF23RG	A-5 - B-16
IC420RG	B-17 - D-6
IC525RB	D-7 - E-20
IDF/ICF26RT	E-21 - G-12

## 1978 IC420RG INDEX

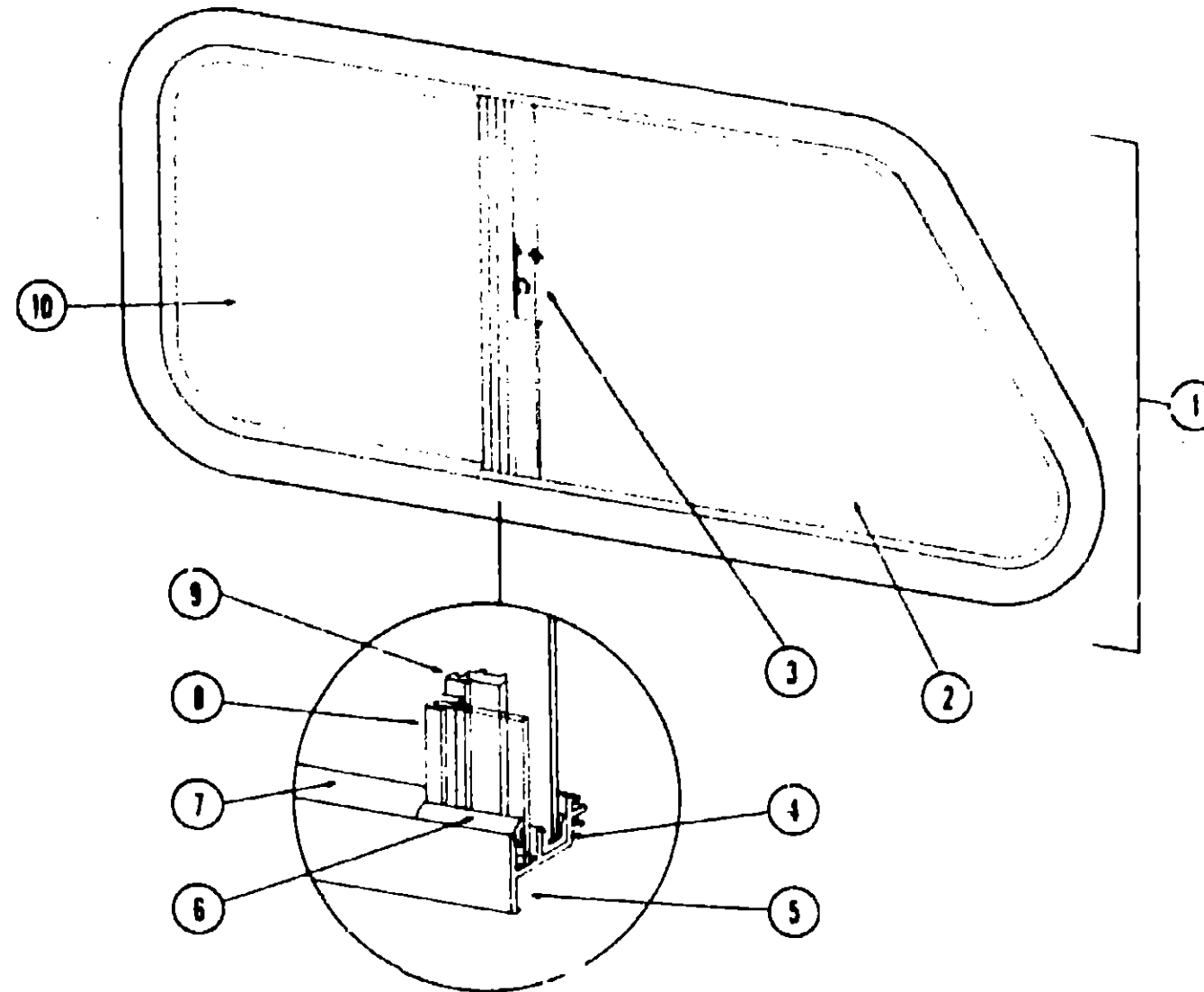
Floor Plan	B-17 - B-18
Accessories Group	B-19 - B-20
Bath Group	B-21
Chassis Group	B-22
Curtain, Cushion & Pad Group	B-23 - C-4
Dinette Group	C-5
Driver's Compartment Group	C-6
Electrical Group	C-7 - C-8
Exterior Body Group	C-9 - C-12
Galley Group	C-13
Heating & Air Conditioning Group	C-14
Interior Finish Group	C-15 - C-16
LP Group	C-17
Lounge Group	C-18
Water & Sewage Group	C-19
Window, Vent & Exterior Door Group	C-20 - D-6

**WINDOW, VENT AND EXTERIOR DOOR GROUP (CONTINUED)**



Key	Part Number	U/M	Description
1	041936-01-000	EA	Window Asm. - Front Picture - 14" x 69" - Black (w/o inside frame)
1	041936-02-000	EA	Window Asm. - Front Picture - 14" x 69" Clear (w/o inside frame)
2	002200-02-000	EA	Glass - TP - Picture Window
3	004363-01-000	FT	Tape - Sealer - 3/16" x 1/2" Foam
4	002281-01-000	FT	Weatherstrip - Self Seal - .06" Panel x 3/16" - Black
	037845-01-000	FT	Tape - Butyl - Window - 3/16" Bead - Black
	041938-01-000	EA	Frame - Inside - Picture Window (not included in assembly)
			Not Illustrated

**WINDOW, VENT AND EXTERIOR DOOR GROUP (CONTINUED)**



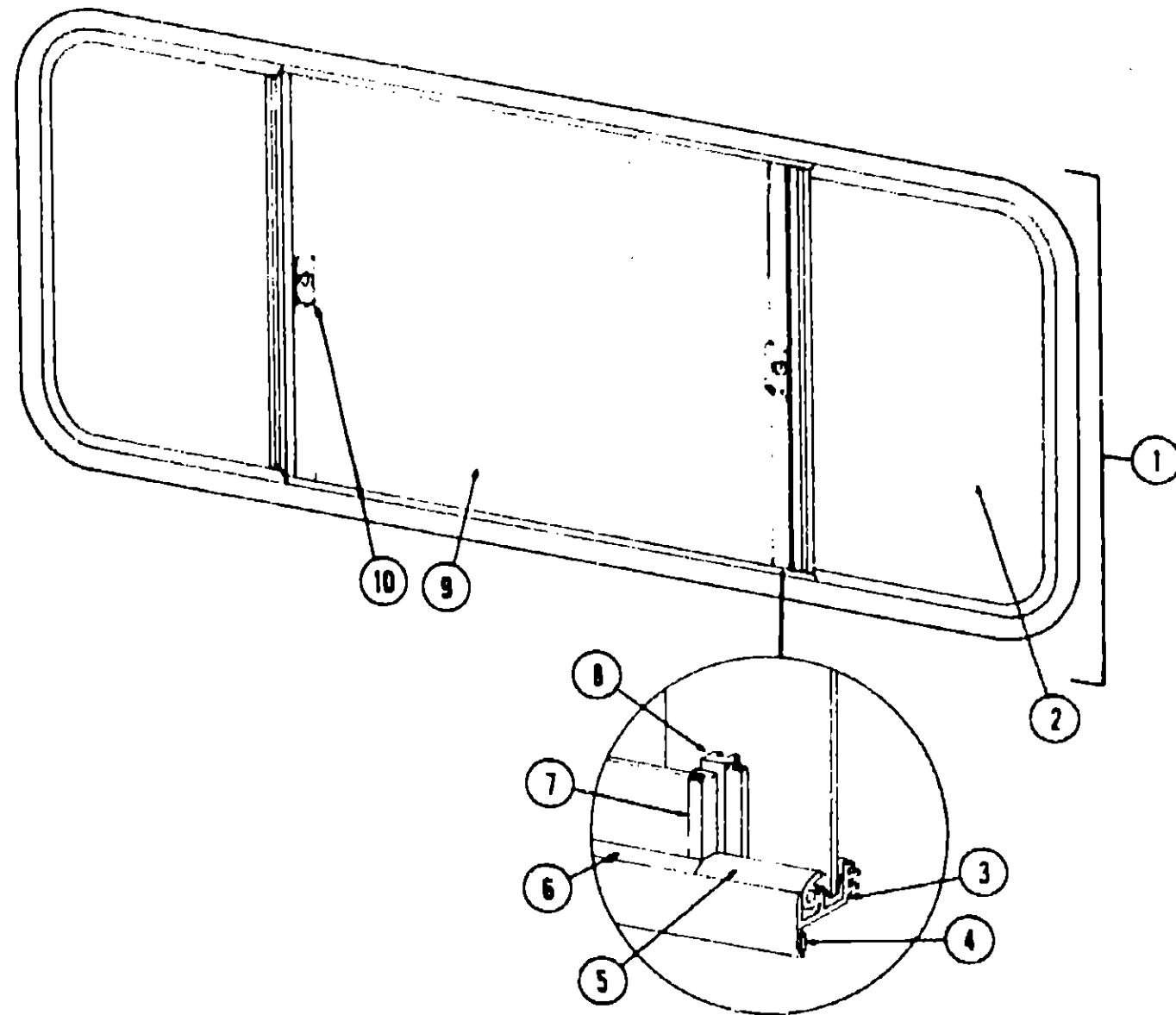
Key	Part Number	U/M	Description
1	048632-03-000	EA	Window Asm. - Bunk - Slanted Slider - Right - Black (w/o inside frame)
	048632-04-000	EA	Window Asm. - Bunk - Slanted Slider - Left - Black (w/o inside frame)
1	048632-01-000	EA	Window Asm. - Bunk - Slanted Slider - Right - Clear Anod. (w/o inside frame)
	048632-02-000	EA	Window Asm. - Bunk - Slanted Slider - Left - Clear Anod (w/o inside frame)
2	040919-01-000	EA	Glass - 1/8" x 11.98" x 19.42" - Gray - Stationary
3	047369-01-700	EA	Latch - Window - Plastic - w/Fastener
4	002324-01-000	FT	Channel - Weatherstrip - Glass Run - 1/8" Glass
5	004363-01-000	FT	Tape - Foam - 3/16" x 1/2" - Gray
6	002309-02-000	FT	Spline - Glass - 1/8" - Black
6	002309-01-000	FT	Spline - Glass - 1/8" - Gray
7	024096-02-000	FT	Seal - Window Channel - Black
7	024096-01-000	FT	Seal - Window Channel - Gray
8	002390-03-200	EA	Holder - Glass Seal - Extr. - Anod. Black - 11.23"
8	002390-02-201	EA	Holder - Glass Seal - Extr. - Anod. Clear - 11.12"
9	041894-07-000	EA	Mullion - 15" - Black Anod.
9	041894-10-000	EA	Mullion - 13" - Clear Anod.
10	047815-01-000	EA	Glass - 1/8" x 11.98" x 11.81" - Gray - Sliding
	040916-03-000	EA	Frame - Window - Inside - Bunk Slant - Left (Not included in assembly)
	040916-04-000	EA	Frame - Window - Inside - Bunk Slant - Right (Not included in assembly)
	023713-02-000	EA	Cover - Weephole - Black
	023713-01-000	EA	Cover - Weephole - White
	002298-01-000	FT	Spline - Gray - .130" Dia. (Screen)
	002291-01-000	SF	Screen - Gray - Window - 16"
			Not Illustrated

**1978 ITASCA  
TABLE OF CONTENTS**

Introduction	A-1
Abbreviations	A-1
Alphabetical Index	A-2 - A-4
IDF/ICF23RG	A-5 - B-16
IC420RG	B-17 - D-6
IC525RB	D-7 - E-20
IDF/ICF26RT	E-21 - G-12

**1978 IC420RG INDEX**

Floor Plan	B-17 - B-18
Accessories Group	B-19 - B-20
Bath Group	B-21
Chassis Group	B-22
Curtain, Cushion & Pad Group	B-23 - C-4
Dinette Group	C-5
Driver's Compartment Group	C-6
Electrical Group	C-7 - C-8
Exterior Body Group	C-9 - C-12
Galley Group	C-13
Heating & Air Conditioning Group	C-14
Interior Finish Group	C-15 - C-16
LP Group	C-17
Lounge Group	C-18
Water & Sewage Group	C-19
Window, Vent & Exterior Door Group	C-20 - D-6



Key	Part Number	U/M	Description
1	048630-04-000	EA	Window Asm - Double Slider - 23" x 65" - Black Anod (w/o inside frame)
1	048630-03-000	EA	Window Asm - Double Slider - 23" x 65" - Clear Anod (w/o inside frame)
2	047823-01-000	EA	Glass - 1/8" x 22" x 21 03" - Sliding (2 per window)
3	002324-01-000	FT	Channel - Weatherstrip - Glass Run - 1/8" Glass
4	004363-01-000	FT	Tape - Foam - 3 16" x 1/2" - Gray
5	024096-01-000	FT	Seal - Window Channel - Gray
6	002309-01-000	FT	Spline - Glass - 1/8" - Gray
7	018025-03-000	EA	Holder - Glass Seal - Black Anod
7	018025-01-000	EA	Holder - Glass Seal - Clear Anod
8	041894-02-000	EA	Mullion - Slider Window - 23" - Black Anod
8	041894-01-000	EA	Mullion - Slider Window - 23" - Clear Anod
	054336-02-000	EA	Mullion - Fixed Window (To replace forward mullion on left double slider)
9	002188-01-000	EA	Glass - 1/8" x 22" x 25 50" - Stationary
10	047369-01-700	EA	Latch - Window - Plastic w/Fastener
	042133-06-000	EA	Frame - Inside - Double Slider Window (not included in assembly)
	002298-01-000	FT	Spline - Gray - 130" Dia - (Screen)
	002293-01-000	SF	Screen - Window - 26" - Gray
	023713-02-000	EA	Cover - Weephole - Plastic - Black
	023713-01-000	EA	Cover - Weephole - Plastic - White
			Not Illustrated

1978 ITASCA  
TABLE OF CONTENTS

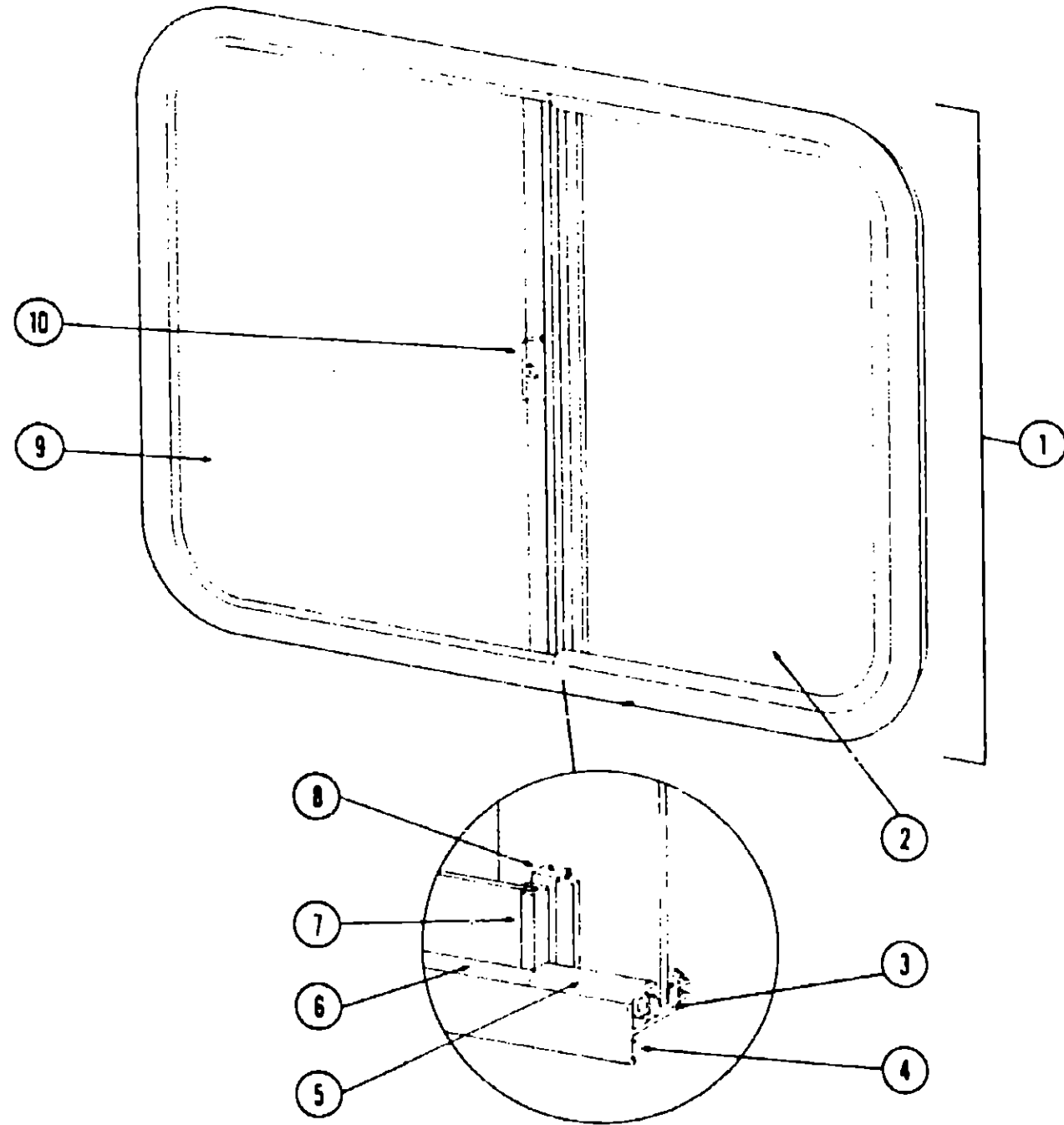
Introduction	A-1
Abbreviations	A-1
Alphabetical Index	A-2 - A-4
IDF/ICF23FG	A-5 - B-16
IC420HG	B-17 - D-6
IC525RE	D-7 - E-20
IDF/ICF26RF	E-21 - G-12

1978 IC420RG INDEX

Floor Plan	B-17 - B-18
Accessories Group	B-19 - B-20
Bath Group	B-21
Chassis Group	B-22
Curtain, Cushion & Pad Group	B-23 - C-4
Dinette Group	C-5
Driver's Compartment Group	C-6
Electrical Group	C-7 - C-8
Exterior Body Group	C-9 - C-12
Galley Group	C-13
Heating & Air Conditioning Group	C-14
Interior Finish Group	C-15 - C-16
LP Group	C-17
Lounge Group	C-18
Water & Sewage Group	C-19
Window, Vent & Exterior Door Group	C-20 - D-6



**WINDOW, VENT AND EXTERIOR DOOR GROUP (CONTINUED)**



Key	Part Number	U/M	Description
1	048631-32-000	EA	Window Asm. - Left Single Slider - 23" x 65" - Black Anod. (w/o inside frame)
2	052593-01-000	EA	Glass - Sliding - 1/8" x 22" x 31.75"
3	002324-01-000	FT	Channel - Weatherstrip - Glass Run
4	004363-01-000	FT	Tape Foam - 3/16" x 1/2" - Gray
5	024096-02-000	FT	Seal - Window Channel - Black
6	002309-02-000	FT	Spline - Glass
7	018025-03-000	EA	Holder - Glass Seal - Black Anod.
8	041894-02-000	EA	Mullion - Slider Window - Black Anod - 23"
9	052595-01-000	EA	Glass - Stationary - 1/8" x 22" x 34.18"
10	047369-01-700	EA	Latch - Window - Plastic w/Fastener
.	042133-06-000	EA	Frame Asm. - Window - Inside - 23" x 65" - Brown
.	023713-02-000	EA	Cover - Weephole - Plastic - Black
.	002298-01-000	FT	Spline - Gray - 130" Dia. (Screen)
.	002293-01-000	SF	Screen - Window - 26" - Gray
.			Not Illustrated

**WINDOW, VENT AND EXTERIOR DOOR GROUP (CONTINUED)**

**VENTS**

Key	Part Number	U/M	Description
	039778-01-000	EA	Cover - Refrigerator Vent - Plastic
	009407-01-000	EA	Base - Frame - Refrigerator Vent w/o Cover
	049352-01-000	EA	Vent - Stovehood - Outside - Off White Jensen

**ACCESS DOORS**

Key	Part Number	U/M	Description
	052009-01-000	EA	Door Asm. - Water Heater Access - Off White - Alwood
	044210-01-000	EA	Door Asm. - Power Cord - 6" x 10" - Off White Plastic w/Quarter Turn Plastic Latch
	033333-23-000	EA	Door Asm. - Battery - Off White w/Twist Type Lock
	054270-02-000	EA	Door Asm. - Refrigerator Access - Off White w/Twist Type Lock
	052776-01-000	EA	Door Asm. - Luggage - Off White w/Key Type Lock
	055370-01-000	EA	Door As. - Storage - Off White w/Key Type Lock
	043942-01-000	EA	Lock Asm. - Quarter Turn Plastic (Power Cord Door)
	047305-01-000	EA	Lock Asm. - Key Type w/Clip
	052950-01-700	EA	Lock Asm. - Twist Type - White Plastic w/Retainer Clip
	016945-02-000	EA	Holder Asm. - Battery or Luggage Door (Holds Door Open)

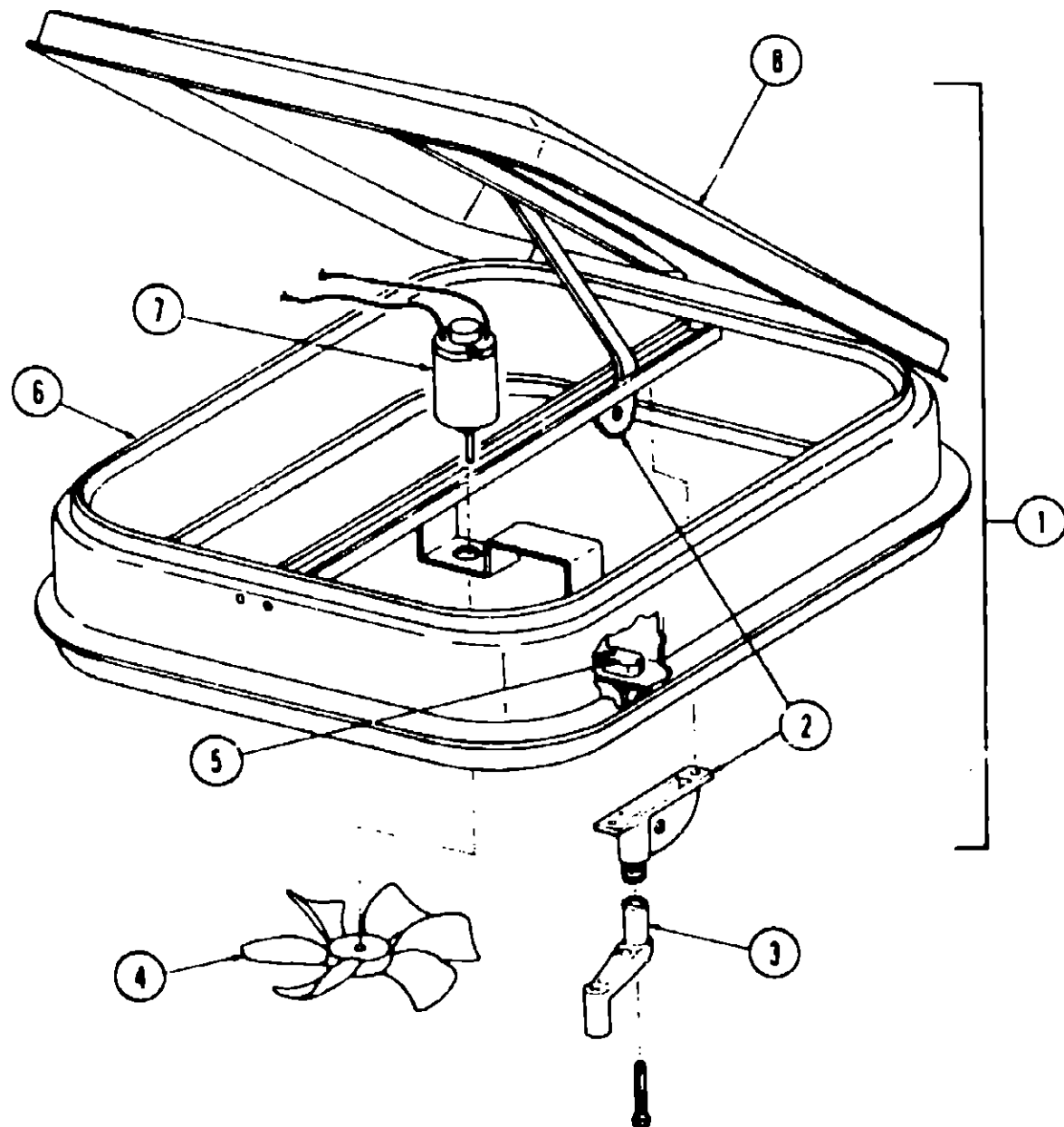
**1978 ITASCA  
TABLE OF CONTENTS**

Introduction	A-1
Abbreviations	A-1
Alphabetical Index	A-2 - A-4
IDF/ICF23RG	A-5 - B-16
IC420RG	B-17 - D-6
IC525RB	D-7 - E-20
IDF/ICF26RT	E-21 - G-12

**1978 IC420RG INDEX**

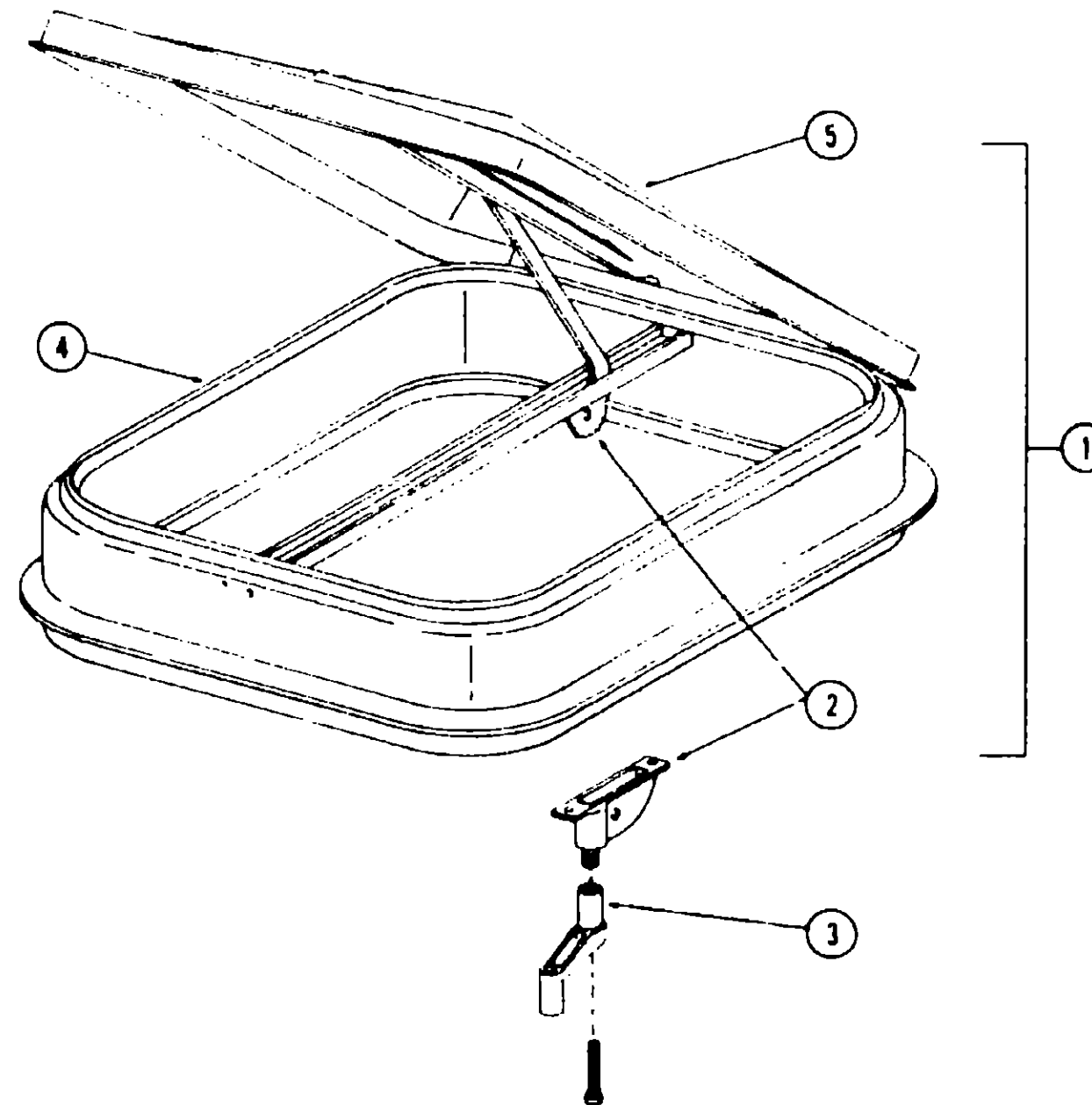
Floor Plan	B-17 - B-18
Accessories Group	B-19 - B-20
Bath Group	B-21
Chassis Group	B-22
Curtain, Cushion & Pad Group	B-23 - C-4
Dinette Group	C-5
Driver's Compartment Group	C-6
Electrical Group	C-7 - C-8
Exterior Body Group	C-9 - C-12
Galley Group	C-13
Heating & Air Conditioning Group	C-14
Interior Finish Group	C-15 - C-16
LP Group	C-17
Lounge Group	C-18
Water & Sewage Group	C-19
Window, Vent & Exterior Door Group	C-20 - D-6

WINDOW, VENT AND EXTERIOR DOOR GROUP (CONTINUED)



Key	Part Number	U/M	Description
1	048789-01-000	EA	Vent Asm. Roof - Powered - w/o Screen
2	009440-01-000	EA	Gear - Arm - Roof Vent
3	009439-01-000	EA	Crank - Roof Vent
4	048649-01-000	EA	Fan - Blade - 6" Plastic
5	009185-01-000	EA	Switch - Push Button - 12 Volt
6	002825-01-000	FT	Weatherstrip - Roof Vent
7	048648-01-000	EA	Motor - 12 Volt
8	046825-01-000	EA	Cover - Plastic - Roof Vent
•	048695-01-000	EA	Screen Asm - Powered Roof Vent - Clear Anod (not included in assembly)
•	048695-03-000	EA	Screen Asm - Powered Roof Vent - Beige (not included in assembly)
•	Not Illustrated		

WINDOW, VENT AND EXTERIOR DOOR GROUP (CONTINUED)



Key	Part Number	U/M	Description
1	048835-01-000	EA	Vent Asm. - Roof - Nonpowered - w/o Screen
2	009440-01-000	EA	Gear - Arm - Roof Vent
3	009439-01-000	EA	Crank - Roof Vent
4	002825-01-000	FT	Weatherstrip - Roof Vent
5	046825-01-000	EA	Cover - Plastic - Roof Vent
•	016335-01-000	EA	Screen Asm - Nonpowered Roof Vent - Clear Anod. (not included in assembly)
•	016335-03-000	EA	Screen Asm - Nonpowered Roof Vent - Beige (not included in assembly)
•	Not Illustrated		

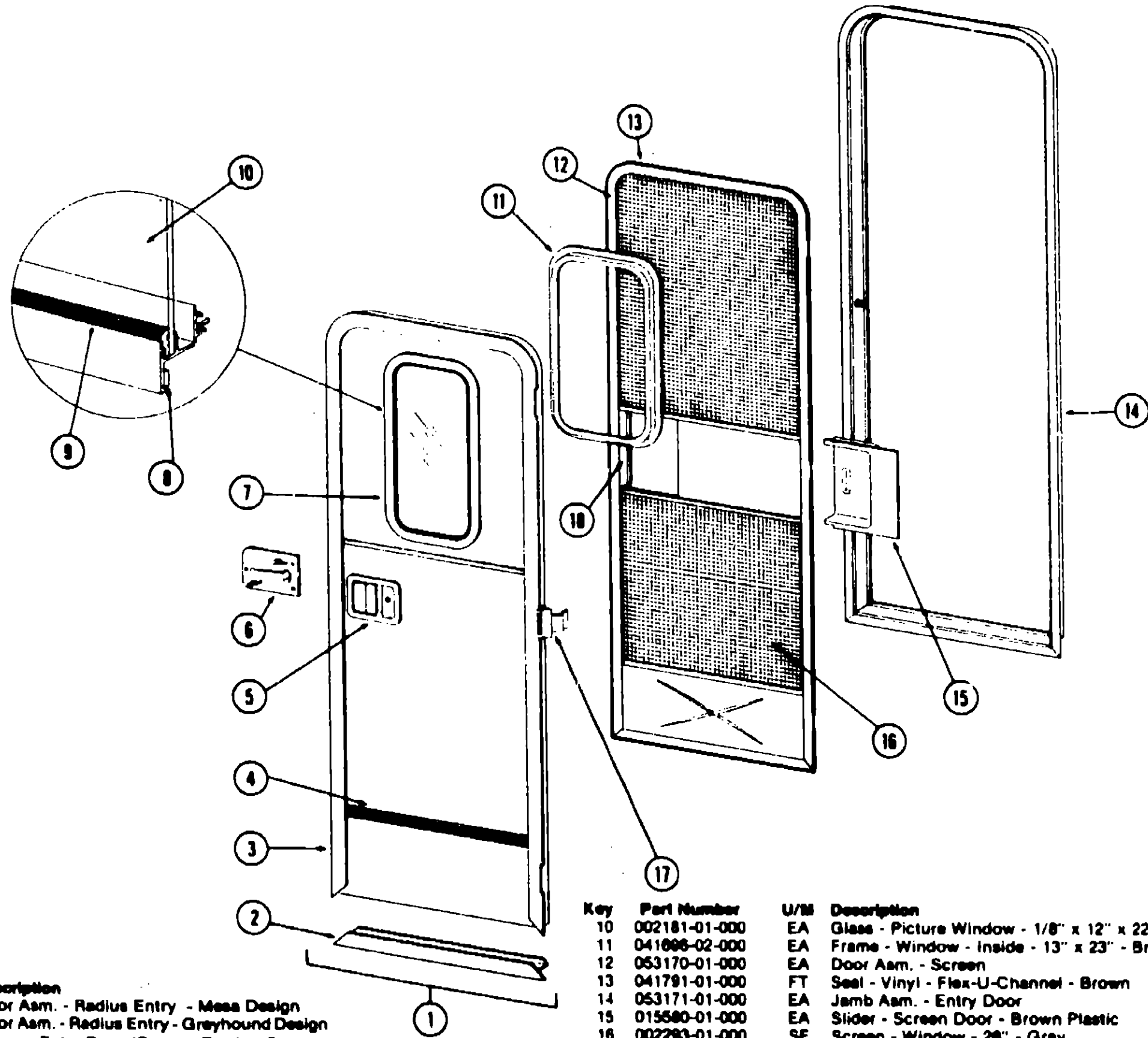
1978 ITASCA  
TABLE OF CONTENTS

Introduction	A-1
Abbreviations	A-1
Alphabetical Index	A-2 - A-4
IDF/ICF23RG	A-5 - B-16
IC420RG	B-17 - D-6
IC525RB	D-7 - E-20
IDF/ICF26RT	E-21 - G-12

1978 IC420RG INDEX

Floor Plan	B-17 - B-18
Accessories Group	B-19 - B-20
Bath Group	B-21
Chassis Group	B-22
Curtain, Cushion & Pad Group	B-23 - C-4
Dinette Group	C-5
Driver's Compartment Group	C-6
Electrical Group	C-7 - C-8
Exterior Body Group	C-9 - C-12
Galley Group	C-13
Heating & Air Conditioning Group	C-14
Interior Finish Group	C-15 - C-16
LP Group	C-17
Lounge Group	C-18
Water & Sewage Group	C-19
Window, Vent & Exterior Door Group	C-20 - D-6

**WINDOW, VENT AND EXTERIOR DOOR GROUP (CONTINUED)**



Key	Part Number	U/M	Description
1	053169-07-000	EA	Door Asm. - Radius Entry - Mesa Design
1	053169-07-700	EA	Door Asm. - Radius Entry - Greyhound Design
2	039737-01-000	EA	Frame - Entry Door (Bottom Portion Only)
3	039736-01-000	EA	Frame - Entry Door (Except Bottom Portion)
4	009101-02-000	EA	Holder - Entry Door - Female (Mounts on Coach)
4	009101-01-000	EA	Holder - Entry Door 2 1/2" Male (Mounts on Door)
5	052186-01-000	EA	Lock Asm. - Radius Entry Door - Lynor
5	045017-01-700	EA	Lock Cylinder w/Keys - Lynor
5	039539-01-000	EA	Striker - Entry Door Lock
6	039979-01-000	EA	Plate - Lock - Interior - Including Inside Handle
7	041875-02-000	EA	Window Asm. - Picture - 13" x 23" - Black Anod. (Inside frame not included in assembly)
8	004363-01-000	FT	Tape - Foam - 3/16" x 1/2" - Gray
9	002309-02-000	FT	Seal - Glass - 1/8" Black

Key	Part Number	U/M	Description
10	002181-01-000	EA	Glass - Picture Window - 1/8" x 12" x 22" Gray
11	041698-02-000	EA	Frame - Window - Inside - 13" x 23" - Brown
12	053170-01-000	EA	Door Asm. - Screen
13	041791-01-000	FT	Seal - Vinyl - Flex-U-Channel - Brown
14	053171-01-000	EA	Jamb Asm. - Entry Door
15	015580-01-000	EA	Slider - Screen Door - Brown Plastic
16	002293-01-000	SF	Screen - Window - 28" - Gray
17	039520-01-000	EA	Hinge - Entry Door (3 used per door)
18	015581-01-000	EA	Cap - Screen Door - Brown Plastic
19	049176-01-000	EA	Hedlok II - 3/4" Diameter - Screw Mount (Retains Screen Door to Entry Door)
20	049797-01-000	EA	Hedlok II - 1" Diameter - Screw Mount (Retains Screen Door to Entry Door)
21	018019-01-000	EA	Striker - Screen Door
22	039863-01-000	EA	Catch Asm. - Single Roller w/Strike - Screen Door
23	051380-01-000	FT	Seal - Bulb - Rubber
24	039800-03-000	FT	Tubing - Polybutyl - 3/8" O.D. - Jamb
25	Not Illustrated		

**1978 ITASCA  
TABLE OF CONTENTS**

Introduction	A-1
Abbreviations	A-1
Alphabetical Index	A-2 - A-4
IDF/ICF23RG	A-5 - B-16
IC420RG	B-17 - D-6
IC525RB	D-7 - E-20
IDF/ICF26RT	E-21 - G-12

**1978 IC420RG INDEX**

Floor Plan	B-17 - B-18
Accessories Group	B-19 - B-20
Bath Group	B-21
Chassis Group	B-22
Curtain, Cushion & Pad Group	B-23 - C-4
Dinette Group	C-5
Driver's Compartment Group	C-6
Electrical Group	C-7 - C-8
Exterior Body Group	C-9 - C-12
Galley Group	C-13
Heating & Air Conditioning Group	C-14
Interior Finish Group	C-15 - C-16
LP Group	C-17
Lounge Group	C-18
Water & Sewage Group	C-19
Window, Vent & Exterior Door Group	C-20 - D-6