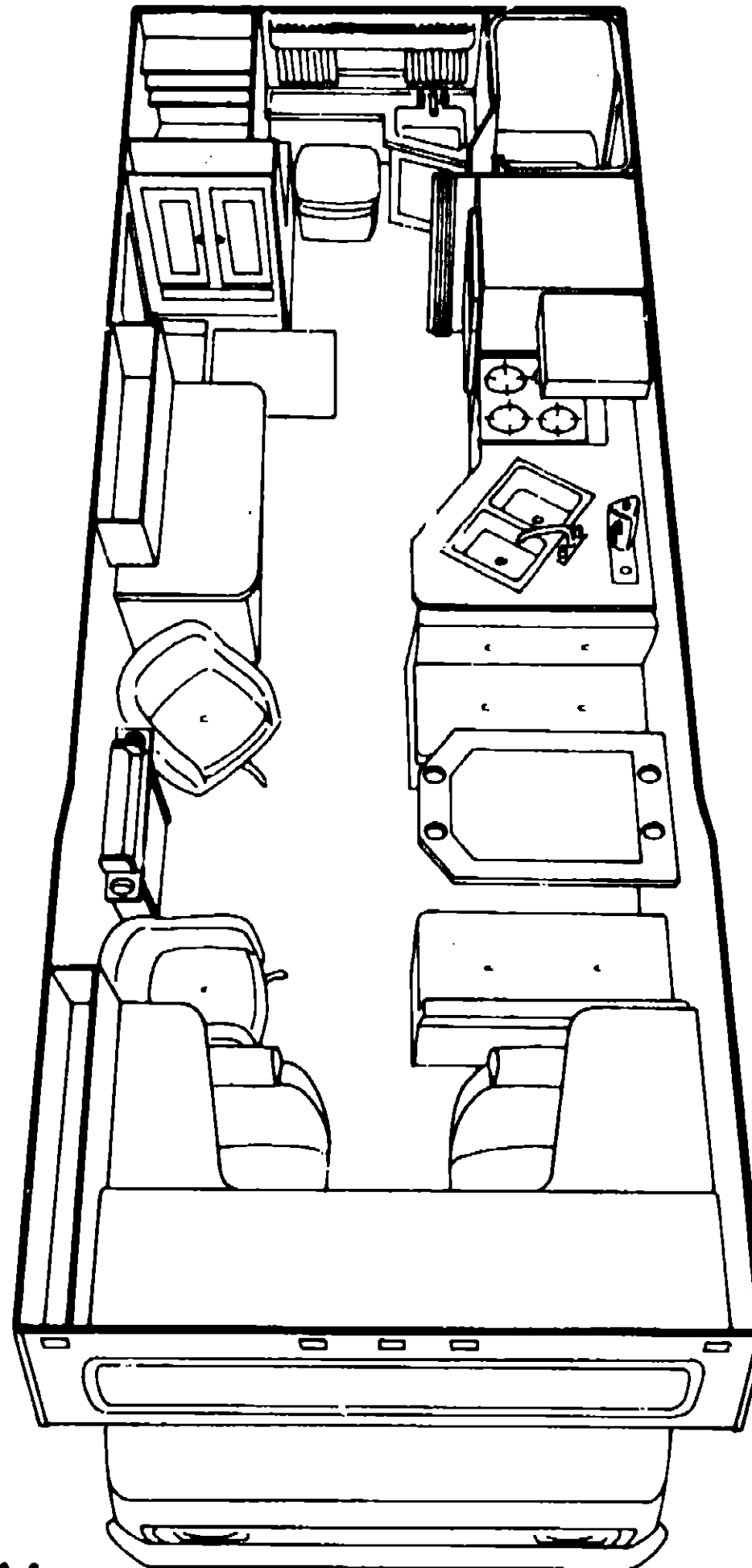


1977 MWC25D



A-5

WINNEBAGO TABLE OF CONTENTS

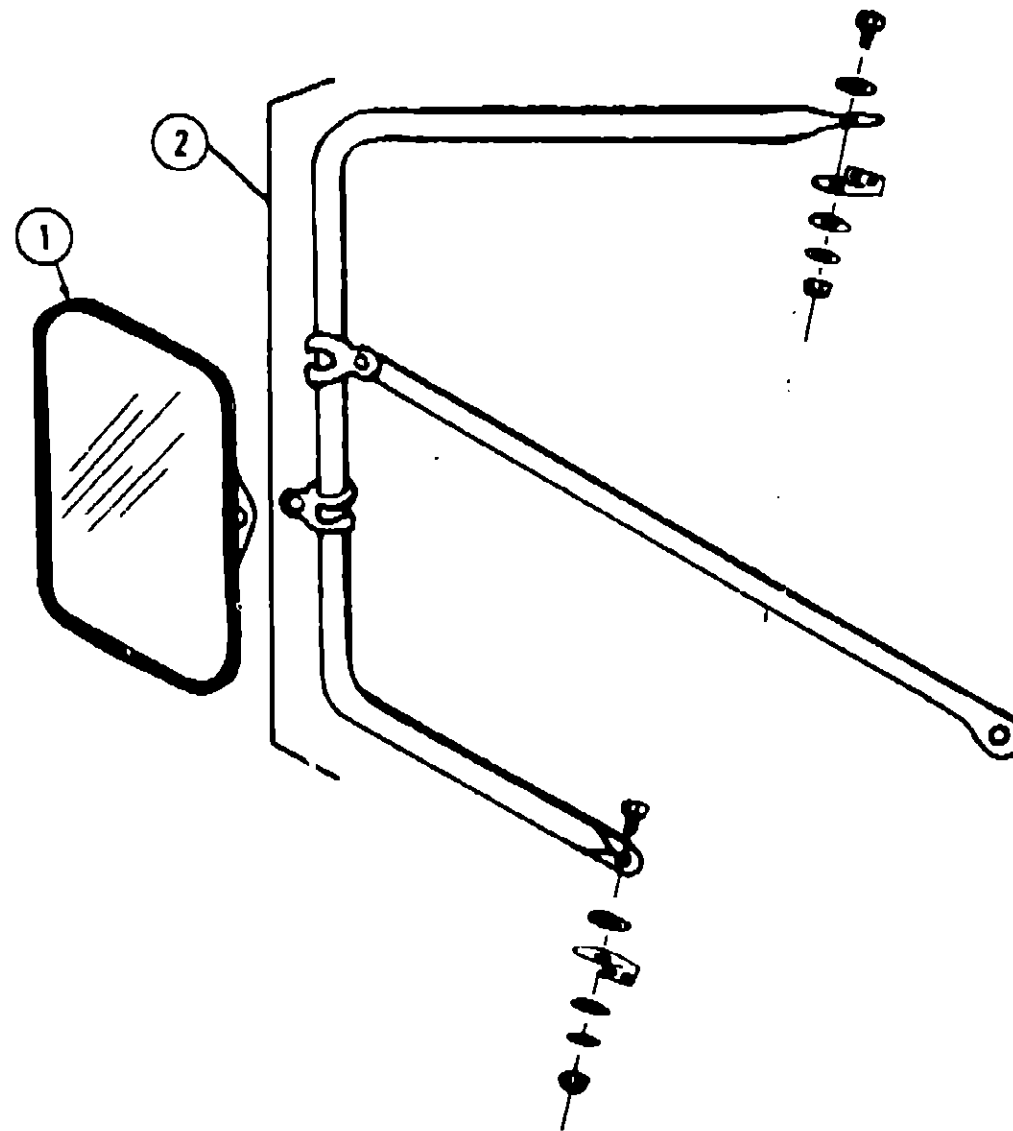
| | |
|--------------------|-------------|
| Introduction | A-1 |
| Abbreviations | A-1 |
| Alphabetical Index | A-2 - A-4 |
| 1977 MWC25D | A-5 - B-12 |
| 1977 D26CRK | B-13 - C-24 |
| 1977 MWC24D | D-1 - E-8 |
| 1977 D26CRB | E-9 - F-20 |
| 1977 D26RT | F-21 - H-6 |
| 1977 MW23RB | H-7 - I-16 |
| 1977 D21 | I-17 - K-6 |
| 1977 D23C | K-7 - L-10 |

1977 MWC25D INDEX

| | |
|------------------------------------|-------------|
| Floor Plan | A-5 - A-6 |
| Accessories Group | A-7 - A-8 |
| Bath Group | A-9 - A-10 |
| Chassis Group | A-11 |
| Curtain, Cushion & Pad Group | A-12 - A-14 |
| Dinette Group | A-14 |
| Driver's Compartment Group | A-15 |
| Electrical Group | A-16 - A-17 |
| Exterior Body Group | A-18 - A-21 |
| Galley Group | A-22 |
| Heating & Air Conditioning Group | A-23 |
| Interior Finish Group | A-23 - B-1 |
| LP Group | B-1 |
| Lounge Group | B-2 |
| Water & Sewage Group | B-2 |
| Window, Vent & Exterior Door Group | B-3 - B-11 |

A-6

ACCESSORIES GROUP



| Key | Part Number | U/M | Description |
|-----|---------------|-----|-------------------------------------|
| 1 | 049347-01-000 | EA | Mirror Head Only 7 1/2 x 10 1/2 SST |
| 2 | 049349-01-000 | EA | Arm West Coast Mirror SST |

ACCESSORIES GROUP (CONTINUED)

RADIOS AND RELATED COMPONENTS

| Key | Part Number | U/M | Description |
|-----|---------------|-----|--|
| | 049732-01-000 | EA | Radio - AM/FM/MPX/8 Track - w/Fader Switch - Clarion |
| | 007034-01-000 | EA | Antenna - Radio - Cab Mount |
| | 039879-01-000 | EA | Speaker Kit - 5 1/4" Dia. - w/Black Padded Grille |
| | 048119-01-000 | EA | Speaker - Recessed - Oval 6" x 9" |
| | 049729-01-000 | EA | Grille - Speaker - 6" x 9" |

GENERATORS AND INSTALLATION KITS

| Key | Part Number | U/M | Description |
|-----|---------------|-----|--|
| | 044036-01-000 | EA | Generator - 4.0 kw BF-Onan |
| | 701629-02-000 | EA | Onan Installation Package |
| | 050487-01-000 | EA | Bezel - Entertainment Center No. 3 - w/Cut Out for Vehicle Sensor Panel, Radio, Clock, Hourmeter and Generator Start Stop Switch |
| ** | 040504-01-000 | EA | Generator - 2.5 kw - Kohler |
| ** | 040505-01-000 | EA | Generator - 4.0 kw - Kohler |
| ** | 040506-01-000 | EA | Generator - 5.0 kw - Kohler |
| ** | 044149-01-000 | EA | Generator - 6.5 kw - Kohler |
| ** | 051908-01-000 | EA | Generator - 3.5 kw - Kohler |
| ** | 051909-01-000 | EA | Generator - 4.5 kw - Kohler |
| ** | 051910-01-000 | EA | Generator - 5.5 kw - Kohler |
| ** | 051911-01-000 | EA | Generator - 7.0 kw - Kohler |

**The illustrated parts breakdown for this item is provided on the Common Items Fiche.

MISCELLANEOUS ACCESSORIES

| Key | Part Number | U/M | Description |
|-----|---------------|-----|---|
| | 006113-01-000 | EA | Jack - Hydraulic w/Handle |
| | 041944-01-700 | EA | Fire Extinguisher - w/Bracket - Dry Chemical |
| | 047032-01-000 | EA | Holder - Fishing Rod |
| | 023111-01-000 | EA | Food Center Power Built-in w/Blender, w/o Ice Crusher |
| | 023111-02-000 | EA | Ice Crusher Attachment for Food Center |
| ** | 042713-01-000 | EA | Speed Control Package 350 Chev. C-Body |
| ** | 017516-01-000 | EA | Mud Flap - 14" x 18" - Black |
| ** | 031396-03-000 | EA | Cover - Wheel 18.5 Chrome |
| | 041646-01-000 | EA | Carrier Asm. Luggage - Roof Mount |
| | 041668-01-000 | EA | Pin Asm. - w/Retainer 1/4" x 1 3/4" |
| | 031161-01-000 | EA | Label Flying W |
| ** | 051056-01-000 | EA | Ladder Asm. w/Luggage Rack |
| ** | 041440-02-000 | EA | Ladder Only for Luggage Rack |
| | 006053-01-000 | EA | Antenna Asm. TV |
| | 006093-01-000 | EA | Jack TV Brown |
| | 047226-03-000 | EA | Cover Asm. Brown Spare Tire |
| | 050885-01-000 | EA | Owner's Manual - Winnebago |

**The illustrated parts breakdown for this item is provided on the Common Items Fiche.

WINNEBAGO

TABLE OF CONTENTS

| | |
|--------------------|-------------|
| Introduction | A-1 |
| Abbreviations | A-1 |
| Alphabetical Index | A-2 - A-4 |
| 1977 MWC25D | A-5 - B-12 |
| 1977 D26CRK | B-13 - C-24 |
| 1977 MWC24D | D-1 - E-8 |
| 1977 D26CRB | E-9 - F-20 |
| 1977 D26RT | F-21 - H-6 |
| 1977 MW23RB | H-7 - I-16 |
| 1977 D21 | I-17 - K-C |
| 1977 D23C | K-7 - L-18 |

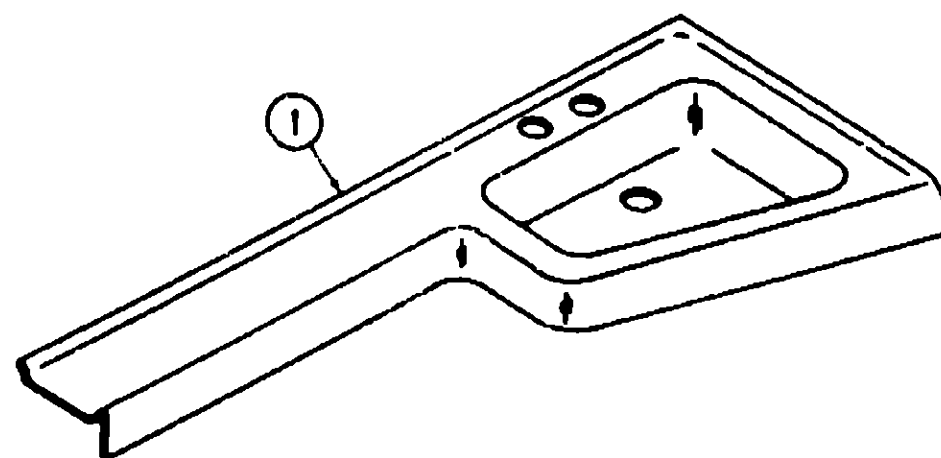
1977 MWC25D INDEX

| | |
|------------------------------------|-------------|
| Floor Plan | A-5 - A-6 |
| Accessories Group | A-7 - A-8 |
| Bath Group | A-9 - A-10 |
| Chassis Group | A-11 |
| Curtain, Cushion & Pad Group | A-12 - A-14 |
| Dinette Group | A-14 |
| Driver's Compartment Group | A-15 |
| Electrical Group | A-16 - A-17 |
| Exterior Body Group | A-18 - A-21 |
| Galley Group | A-22 |
| Heating & Air Conditioning Group | A-23 |
| Interior Finish Group | A-23 - B-1 |
| LP Group | B-1 |
| Lounge Group | B-2 |
| Water & Sewage Group | B-2 |
| Window, Vent & Exterior Door Group | B-3 - B-11 |

BATH GROUP

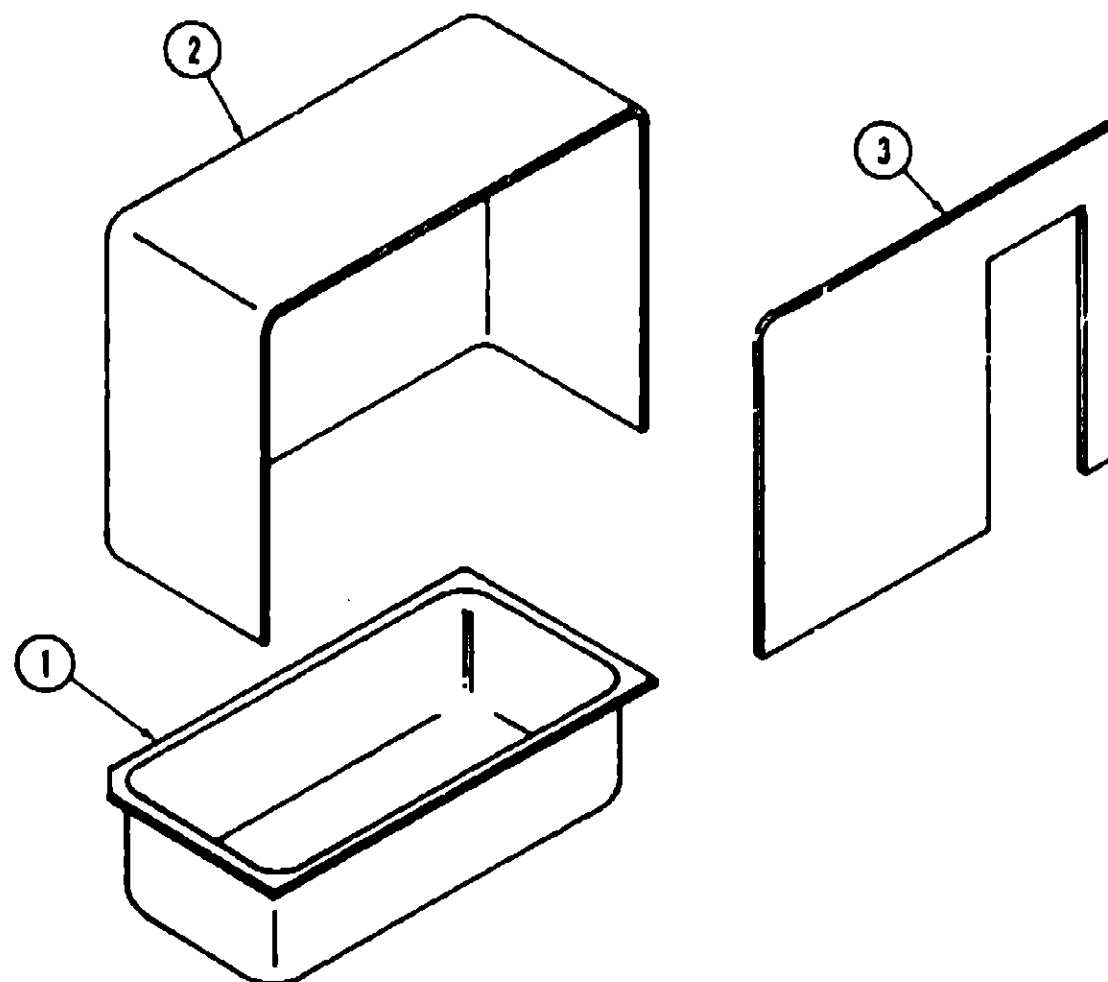
| Key | Part Number | U/M | Description |
|-----|---------------|-----|---|
| | 011048-01-000 | EA | Shower Head |
| | 011049-01-700 | EA | Vacuum Breaker - 1/8 MPT Nylon Shower Hose |
| | 011086-01-000 | EA | Strainer - Drain - Shower Pan |
| | 031558-01-000 | EA | Faucet - 4 Inch - Tub and Shower |
| | 070739-01-000 | EA | Door Asm. - Shower - Clear Anod. |
| | 070739-02-000 | EA | Door Asm. - Shower - Brown |
| | 043566-01-000 | EA | Jamb - Door Shower Bottom |
| | 043567-01-000 | EA | Jamb - Door Shower Right |
| | 043567-02-000 | EA | Jamb - Door Shower Left |
| | 009112-01-000 | EA | Flange - 1 Inch Rod Chrome |
| | 047017-15-700 | EA | Door - Asm. - Wardrobe Cabinet 14 1/2" x 53 1/2" w/o Hardware |
| | 047018-02-700 | EA | Door Asm. - Gun Cabinet w/Screen - Right or Left w/o Hardware |
| | 047019-02-700 | EA | Drawer Asm. Gun Cabinet 21" x 5" |
| | 047528-01-000 | EA | Butt Plate Gun Cabinet |
| | 047529-01-000 | EA | Barrel Plate Gun Cabinet |
| | 045422-02-000 | EA | Cabinet Medicine |
| | 045992-02-700 | EA | Door - Asm. Cabinet w/o Hardware or Mirror |
| | 045700-01-000 | EA | Mirror - 1/2" x 9" x 25" |
| | 009133-01-000 | EA | Bar Towel Rack 12" Plastic |
| | 023449-01-000 | EA | Support - Towel - Rack Chrome Left or Right |
| | 011056-01-000 | EA | Faucet - 4 Inch Lavatory |
| | 011083-01-000 | EA | Plug - Sink w/Chain |
| | 041945-04-000 | EA | Cabinet Only - Vanity w/o Door |
| | 047017-16-700 | EA | Door Asm. Cabinet 15 1/2" x 24 1/2" w/o Hardware |
| | 009134-01-000 | EA | Holder - Tissue |
| | 033580-01-000 | EA | Ring - Towel Chrome w/Plastic Ring |
| | 042488-02-000 | EA | Door - FLDG 34" x 77 1/2" Walnut |
| ** | 039341-02-000 | EA | Stool Asm. - Ivory - Aqua Magic - Model SH |

**The illustrated parts breakdown for this item is provided on the Common Items Fiche.



| Key | Part Number | U/M | Description |
|-----|---------------|-----|--------------|
| 1 | 042175-01-000 | EA | Lavatory Top |

BATH GROUP (CONTINUED)



| Key | Part Number | U/M | Description |
|-----|---------------|-----|------------------|
| 1 | 041826-01-000 | EA | Bottom - Bathtub |
| 2 | 041853-01-000 | EA | Rear - Bathtub |
| 3 | 041852-01-000 | EA | Front - Bathtub |

WINNEBAGO

TABLE OF CONTENTS

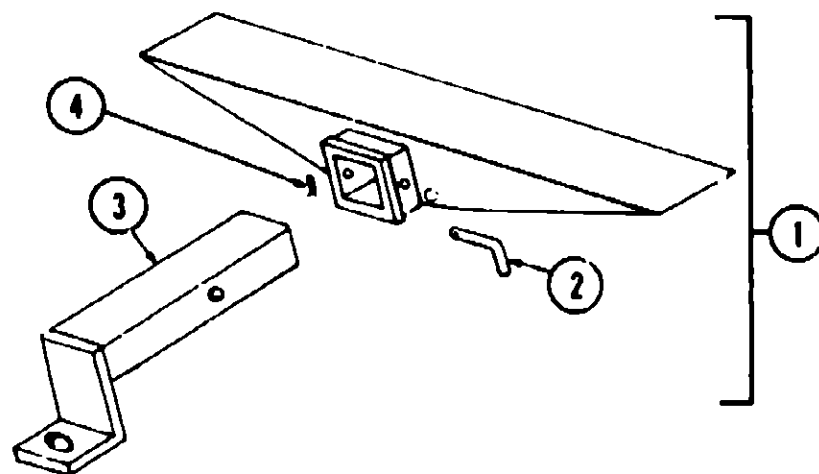
| | |
|--------------------|-------------|
| Introduction | A-1 |
| Abbreviations | A-1 |
| Alphabetical Index | A-2 - A-4 |
| 1977 MWC25D | A-5 - B-12 |
| 1977 U26CRK | B-13 - C-24 |
| 1977 MWC24D | D-1 - E-8 |
| 1977 D26CRB | F-9 - F-20 |
| 1977 D26RT | F-21 - H-6 |
| 1977 MW23RB | H-7 - I-18 |
| 1977 D21 | I-17 - K-6 |
| 1977 D23C | K-7 - L-18 |

1977 MWC25D INDEX

| | |
|------------------------------------|-------------|
| Floor Plan | A-5 - A-6 |
| Accessories Group | A-7 - A-8 |
| Bath Group | A-9 - A-10 |
| Chassis Group | A-11 |
| Curtain, Cushion & Pad Group | A-12 - A-14 |
| Dinette Group | A-14 |
| Driver's Compartment Group | A-15 |
| Electrical Group | A-16 - A-17 |
| Exterior Body Group | A-18 - A-21 |
| Galley Group | A-22 |
| Heating & Air Conditioning Group | A-23 |
| Interior Finish Group | A-23 - B-1 |
| LP Group | B-1 |
| Lounge Group | B-2 |
| Water & Sewage Group | B-2 |
| Window, Vent & Exterior Door Group | B-3 - B-11 |

CHASSIS GROUP

| Key | Part Number | U/M | Description |
|-----|---------------|-----|--|
| | 024641-02-000 | EA | Step Asm. - Entry Door |
| | 046742-01-000 | EA | Step - Asm. Assist Front Door |
| | 045000-03-000 | EA | Shield - Heat 40.00 |
| | 048594-01-000 | EA | Tray Battery Steel |
| | 048682-01-000 | EA | Rod - Battery Tie Down |
| | 048592-01-000 | EA | Hold Down Double Battery |
| | 039615-01-000 | EA | Rod - Holding Hood |
| | 046746-01-000 | EA | Support Asm. - Radiator Grille |
| | 044763-01-000 | EA | Splash Guard - Front Black Rubber |
| | 017516-01-000 | EA | Mud Flap - Rear Black |
| | 044163-01-000 | EA | Bracket Fiberglass to Wheel Well |
| | 044164-01-000 | EA | Bracket Fiberglass to Hinge Pillar |
| | 044371-01-000 | EA | Bracket Fiberglass Front Bottom Attach |
| | 044373-01-000 | EA | Bracket Fiberglass Front Top Attach |
| | 041723-01-000 | EA | Bracket - Hood - Center Bumper |
| | 045683-01-000 | EA | Pivot - Hood |
| | 040848-01-000 | EA | Bumper - Hood |
| | 007125-08-000 | EA | Clamp Asm. Muffler 3" Dia. |
| | 042377-01-000 | EA | Tail Pipe Extension 3" OD 7.50" |
| | 040634-02-000 | EA | Carrier - Spare Tire |
| | 046043-06-000 | EA | Bracket - Asm. - Bumper |
| | 046785-01-000 | EA | Bumper - Rear Chrome 93" |
| | 045226-01-000 | EA | Tray Generator 36.25" x 37.75" |
| | 039649-01-000 | EA | Wheel Well Rear Plastic Left or Right |



| Key | Part Number | U/M | Description |
|-----|---------------|-----|---------------------------------|
| 1 | 023695-01-700 | EA | Hitch Kit - w/Drawbar |
| 2 | 034512-01-000 | EA | Pin - Locking - Drawbar |
| 3 | 024876-01-000 | EA | Drawbar - Trailer Hitch |
| 4 | 034513-01-000 | EA | Pin - Hitch - 3/16" Wire Spring |

CURTAIN,CUSHION AND PAD GROUP

CURTAINS

| Key | Part Number | U/M | Description |
|-----|---------------|-----|---|
| | 048840-01-000 | EA | Curtain w/Snap Top and Bottom - 17.5" x 39" - Flax |
| | 048840-02-000 | EA | Curtain w/Snap Top and Bottom - 25.5" x 24" - Flax |
| | 048840-33-000 | EA | Curtain w/Snap Top and Bottom - 22" x 18" - Flax |
| | 049021-01-000 | EA | Curtain w/Snap Top - 33" x 30" - Flax |
| | 049486-37-000 | EA | Curtain w/Snap Top - 27" x 36" - Flax |
| | 049486-38-000 | EA | Curtain w/Snap Top - 15.5" x 39" - Flax |
| | 049487-37-000 | EA | Curtain w/Snap Top - 27" x 36" - Flax |
| | 049021-53-000 | EA | Curtain w/Snap Top - Front Bunk - 25" x 93" - Flax |
| | 045839-05-000 | EA | Curtain w/Snap Top - Wraparound - Left or Right - 21" x 62" - Brown Vinyl |

VALANCES AND TIE BACKS

| Key | Part Number | U/M | Description |
|-----|---------------|-----|-----------------------------------|
| | 041909-56-000 | EA | Valance w/Header 5.5" x 28" Brown |
| | 048831-01-000 | EA | Valance w/Header 5.5" x 50" Brown |
| | 048831-02-000 | EA | Valance w/Header 5.5" x 81" Brown |
| | 049097-01-000 | EA | Tie Back - 14" - Brown |
| | 049097-02-000 | EA | Tie Back - 10" - Brown |

CURTAIN HARDWARE

| Key | Part Number | U/M | Description |
|-----|---------------|-----|---|
| | 009136-01-000 | EA | Hook - Shower Curtain (Blackout Curtain) |
| | 009107-01-000 | EA | Guide - Nylon - Snap |
| | 052327-04-236 | EA | Curtain Track - Alum. - Brown - 89" w/Holes |
| | 009701-01-000 | EA | Roller - Curtain - "L" Rod |
| | 009702-01-000 | EA | Stop - End - Curtain - "L" Rod |
| | 018031-42-000 | EA | Track - Curtain - "L" Rod - 90" - Alum. |
| | 042439-01-000 | EA | Bracket - Curtain - Rod - Single |
| | 009223-02-000 | EA | Rod - Curtain - Flat - Extends 48" - 84" |
| | 050296-02-002 | EA | Extr. - Anod. Curtain Track - 16" |

FABRICS, TRIMS AND PADS

| Key | Part Number | U/M | Description |
|-----|---------------|-----|---|
| | 039781-01-000 | YD | Fabric - Drapes Flax w/Foam Backing |
| | 045957-01-000 | YD | Fabric - Upholstery Brown |
| | 045958-01-000 | YD | Vinyl - Non-Expanded 27 Oz. |
| | 048483-02-000 | EA | Button Asm. - Covered - Brown |
| | 048483-01-000 | EA | Button Asm. - Covered - Patchwork Vinyl |
| | 023631-09-000 | EA | Button - Nail - Patchwork |
| | 047496-01-000 | EA | Pad - Bunk Rail - Front - Brown |
| | 043321-03-000 | EA | Pad - "A Pillar" - Right - Patchwork |
| | 043322-03-000 | EA | Pad - "A Pillar" - Left - Patchwork |
| | 043323-03-000 | EA | Pad - Door Top - Right - Patchwork |
| | 043324-03-000 | EA | Pad - Door Top - Left - Patchwork |
| | 043325-05-000 | EA | Pad "B Pillar" - Left - Patchwork |
| | 043325-06-000 | EA | Pad - "B Pillar" - Right - Patchwork |
| | 043326-03-000 | EA | Headliner - Cab - Patchwork |
| | 043327-07-000 | EA | Support - Cab/Pillar Asm. - Left |
| | 043327-08-000 | EA | Support - Cab/Pillar Asm. - Right |
| | 044207-03-000 | EA | Pad - Motor Cover |
| | 048360-03-000 | EA | Pad - Sleeper Board - Left |
| | 048360-04-000 | EA | Pad - Sleeper Board - Right |
| | 047252-01-000 | EA | Pad - Trim - Cabinet - Beverage |
| | 047253-01-000 | EA | Pad - Back - Cabinet - Beverage |
| | 047497-01-000 | EA | Pad - Cabinet - Overhead - End |
| | 042950-02-000 | EA | Handle - Assist - Interior |
| | 041959-01-000 | FT | Trim - Edging - Vinyl Flex - Brown |
| | 042414-03-000 | FT | Trim - Accent - Patchwork Vinyl |
| | 050889-01-000 | EA | Cover Stool Base - Brown |
| | 050890-01-000 | EA | Cover Stool Lid Brown |

WINNEBAGO

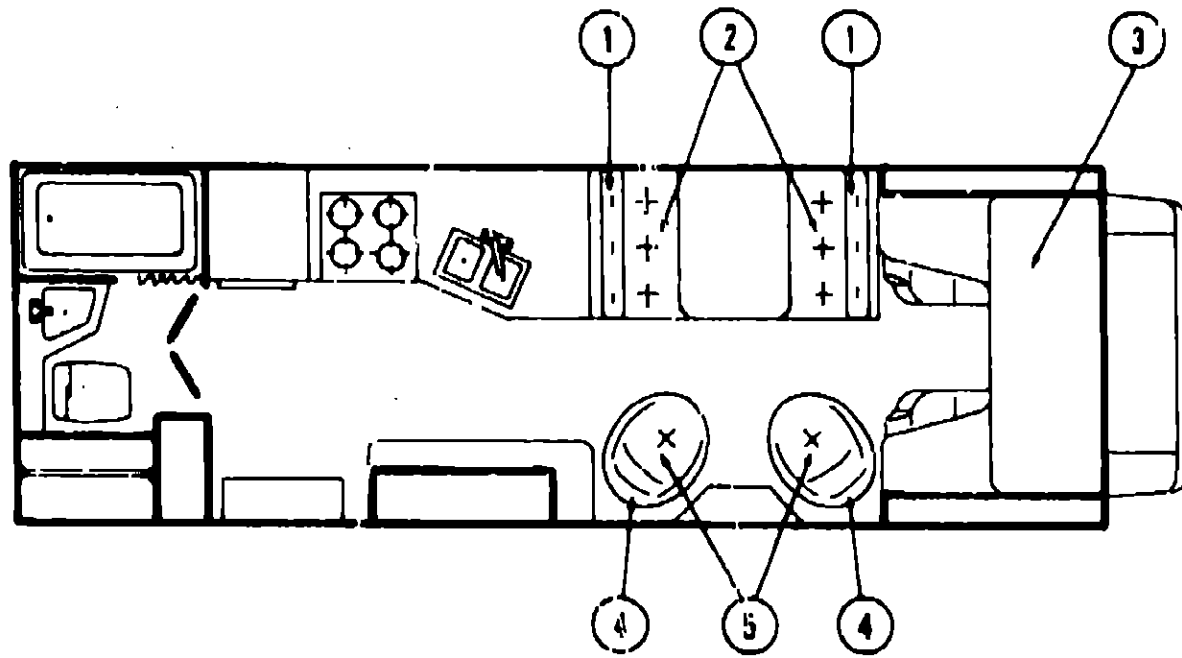
TABLE OF CONTENTS

| | |
|--------------------|-------------|
| Introduction | A-1 |
| Abbreviations | A-1 |
| Alphabetical Index | A-2 - A-4 |
| 1977 MWC25D | A-5 - B-12 |
| 1977 D26CRK | B-13 - C-24 |
| 1977 MWC24D | D-1 - E-8 |
| 1977 D26CRB | E-9 - F-20 |
| 1977 D26RT | F-21 - H-6 |
| 1977 MW23RB | H-7 - I-16 |
| 1977 D21 | I-17 - K-6 |
| 1977 D23C | K-7 - L-18 |

1977 MWC25D INDEX

| | |
|------------------------------------|-------------|
| Floor Plan | A-5 - A-6 |
| Accessories Group | A-7 - A-8 |
| Bath Group | A-9 - A-10 |
| Chassis Group | A-11 |
| Curtain, Cushion & Pad Group | A-12 - A-14 |
| Dinette Group | A-14 |
| Driver's Compartment Group | A-15 |
| Electrical Group | A-16 - A-17 |
| Exterior Body Group | A-18 - A-21 |
| Galley Group | A-22 |
| Heating & Air Conditioning Group | A-23 |
| Interior Finish Group | A-23 - J-1 |
| LP Group | J-1 |
| Lounge Group | B-2 |
| Water & Sewage Group | B-2 |
| Window, Vent & Exterior Door Group | B-3 - J-11 |

CURTAIN, CUSHION AND PAD GROUP (CONTINUED)



DINETTE CUSHIONS

| Key | Part Number | U/M | Description |
|-----|---------------|-----|---|
| 1 | 049035-01-000 | EA | Cushion - Dinette Back - 14" x 38" x 5" - Brown |
| | 049035-01-001 | EA | Cover - Cushion - Dinette Back - 14" x 38" x 5" - Brown |
| 2 | 049035-06-000 | EA | Cushion - Dinette Bottom - 23" x 38" x 5" - Brown |
| | 049035-06-008 | EA | Cover - Cushion - Dinette Bottom - 23" x 38" x 5" - Brown |

BUNK MATTRESSES

| Key | Part Number | U/M | Description |
|-----|---------------|-----|--|
| 3 | 049517-04-000 | EA | Mattress - Front Bunk - 27" x 78" x 5" - Brown |
| | 049517-04-004 | EA | Cover - Mattress - Front Bunk - 27" x 78" x 5" - Brown |
| | 049517-05-000 | EA | Mattress - Front Bunk - 24.5" x 76" x 5" - Brown |
| | 049517-05-005 | EA | Cover - Mattress - Front Bunk - 24.5" x 76" x 5" - Brown |

SWIVEL CHAIRS

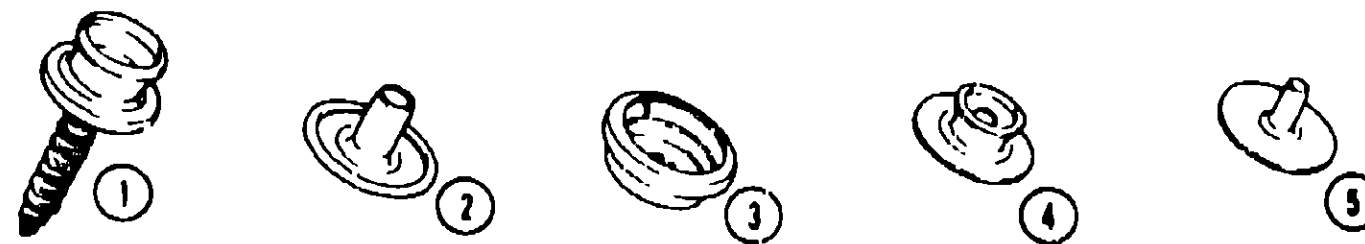
| Key | Part Number | U/M | Description |
|-----|---------------|-----|--------------------------------------|
| 4 | 042986-10-000 | EA | Swivel Chair - Complete - Brown |
| 5 | 042987-10-000 | EA | Cushion - Swivel Chair - Brown |
| | 042987-10-010 | EA | Cover - Swivel Chair Cushion - Brown |

BUCKET SEATS, ARMRESTS AND HEADRESTS

| Key | Part Number | U/M | Description |
|-----|----------------|-----|---|
| | 040516-23-000 | EA | Seat Asm. - Single Bucket w/Slides - Brown |
| | 040516-19-001 | EA | Cover - Bottom - Single Bucket - Brown |
| | 040516-23-002 | EA | Cover - Back - Single Bucket - Brown |
| | 019722-01-000 | EA | Headrest Asm. - Foam w/o Cover |
| | 022908-4/3-000 | EA | Headrest Cover - Brown |
| | 050280-10-000 | EA | Armrest Cover - Right or Left - Brown |
| | 040494-01-000 | EA | Armrest Asm. - Foam w/o Cover - Right - Style #1 |
| | 040494-02-000 | EA | Armrest Asm. - Foam w/o Cover - Left - Style #1 |
| | 050275-01-700 | EA | Armrest Asm. - Foam w/o Cover - Right - Style #2 |
| | 050276-01-700 | EA | Armrest Asm. - Foam w/o Cover - Left - Style #2 |
| | 038654-02-000 | EA | Screw - Shoulder - 3/8" x 1 1/2" Hex Socket (Armrest) |
| | 029138-01-000 | EA | Grommet - Headrest - Nylon Brown |
| | 029134-01-000 | EA | Clip - Finish - Upholstery (Bucket Seat) |

NOTE A production change was made in the armrest. When ordering you must first determine which style is required. Measure up ten inches from the bottom of the seat frame. If you feel (through the upholstery) a collar protruding outward approximately 1/2" you should order style two. Order style one if no protrusion is noted.

CURTAIN, CUSHION AND PAD GROUP (CONTINUED)

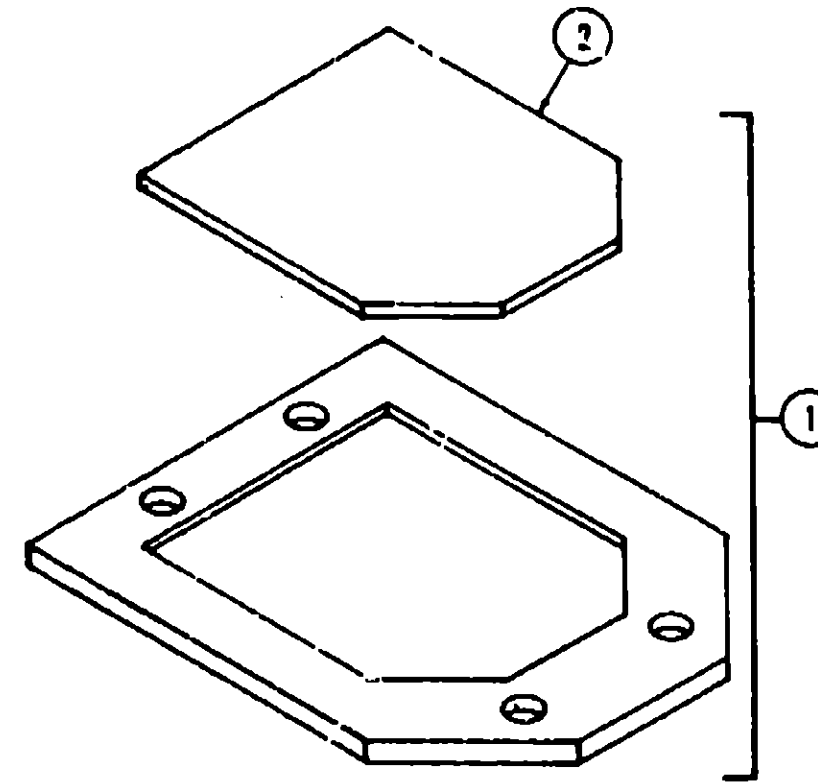


| Key | Part Number | U/M | Description |
|-----|---------------|-----|-------------------------------------|
| 1 | 029130-01-000 | EA | Socket - Snap Fastener 7 x 5/8" |
| 2 | 029155-01-000 | EA | Cap - Snap .156" Dia. x .17" Barrel |
| 3 | 029156-01-000 | EA | Socket - Snap Fastener |
| 4 | 029092-01-000 | EA | Strid Nickel Finish |
| 5 | 029093-01-000 | EA | Eyelet - Nickel Finish |

DINETTE GROUP

| Key | Part Number | U/M | Description |
|-----|---------------|-----|--|
| | 045377-02-000 | EA | Cabinet Asm. - Dinette Seat Left w/o Doors or Hardware |
| | 047017-12-700 | EA | Door Asm. Cabinet 15 3/8 x 10 3/4 w/o Hardware |
| | 048561-01-000 | EA | Cabinet - Dinette Seat Right w/o Hardware |
| | 048333-01-000 | EA | Cabinet - Dinette Overhead w/o Doors or Hardware |
| | 047017-21-700 | EA | Door Asm. Cabinet 9" x 21" w/o Hardware |
| ** | 047809-02-000 | EA | Hardware Kit - Dinette Table Wall Mount |
| ** | 047842-01-000 | EA | Kit - Table Leg Dinette |
| | 041831-01-000 | EA | Knob - 1 1/4" Dia. - Early American |
| | 041833-01-000 | EA | Spring - Conical Bal. - Pull Rod |
| | 041834-01-000 | EA | Rod - Balance - Pull 3/4" Thick |

**The illustrated parts breakdown for this item is provided on the Common Items Fiche.



| Key | Part Number | U/M | Description |
|-----|---------------|-----|---|
| 1 | 046166-01-000 | EA | Table Dinette with Insert, w/o Hardware |
| 2 | 046166-01-001 | EA | Insert Only - Dinette Table |

WINNEBAGO

TABLE OF CONTENTS

| | |
|--------------------|-------------|
| Introduction | A-1 |
| Abbreviations | A-1 |
| Alphabetical Index | A-2 - A-4 |
| 1977 MWC25D | A-5 - B-12 |
| 1977 D26CRK | B-13 - C-24 |
| 1977 MWC24D | D-1 - E-8 |
| 1977 D26CRB | E-9 - F-20 |
| 1977 D26RT | F-21 - H-8 |
| 1977 MW23RB | H-7 - I-16 |
| 1977 D21 | I-17 - K-6 |
| 1977 D23C | K-7 - L-18 |

1977 MWC25D INDEX

| | |
|------------------------------------|-------------|
| Floor Plan | A-5 - A-6 |
| Accessories Group | A-7 - A-8 |
| Bath Group | A-9 - A-10 |
| Chassis Group | A-11 |
| Curtain, Cushion & Pad Group | A-12 - A-14 |
| Dinette Group | A-14 |
| Driver's Compartment Group | A-15 |
| Electrical Group | A-16 - A-17 |
| Exterior Body Group | A-18 - A-21 |
| Galley Group | A-22 |
| Heating & Air Conditioning Group | A-23 |
| Interior Finish Group | A-23 - B-1 |
| LP Group | B-1 |
| Lounge Group | B-2 |
| Water & Sewage Group | B-2 |
| Window, Vent & Exterior Door Group | B-3 - B-11 |

DRIVER'S COMPARTMENT GROUP

| Key | Part Number | U/M | Description |
|-----|---------------|-----|--|
| | 041787-01-000 | EA | Clip - Speed Cable or Rod |
| | 038414-01-000 | EA | Ash Tray |
| | 041318-01-000 | EA | Clamp - Asm. - Eng. Cover Upper |
| | 041319-01-000 | EA | Catch - Engine Cover Upper |
| | 041320-01-000 | EA | Bracket - Engine Cover/Floor |
| | 041425-01-000 | EA | Cover Engine |
| | 048223-01-000 | EA | Bracket Motor Cover |
| | 044860-01-000 | EA | Mat. - Step Well - Rubber Black Left Hand |
| | 044860-02-000 | EA | Mat. Step Well - Rubber Black Right Hand |
| | 045206-07-000 | EA | Side Panel - Cab. Left Brown |
| | 045205-07-000 | EA | Side Panel - Cab Door Right Brown |
| | 024461-01-000 | EA | Switch Battery (Stamped) |
| | 046885-01-000 | EA | Plaque - Switch Mounting |
| | 049360-01-000 | EA | Console Overhead |
| | 007021-01-000 | EA | Belt Asm. Seat 2" x 90" Black |
| | 041322-01-000 | EA | Washer Flat 5/32" ID x 2 1/8" OD (Seat Belt) |
| | 007222-01-000 | EA | Belt Asm. - Seat 2" x 60" Black |
| | 039646-09-000 | EA | Extension Asm. - Sleeper Board - 75" |
| | 002922-01-011 | EA | Extr. Rail Bunk 10' Pc. |
| | 041476-01-000 | FT | Track Slide PVC Dark Pecan (12') |
| | 048656-01-000 | EA | Bracket Catch Bunk |
| | 049182-01-000 | EA | Hedlok II - 3/4" Dia. Snap In |
| | 049797-01-000 | EA | Hedlok II - 1" Dia. Screw Mt. |
| | 007221-01-000 | EA | Spacer - Seat Adjuster |
| | 007223-01-000 | EA | Adjuster Asm. Seat w/Lock |
| | 007224-02-000 | EA | Handle - Seat Adjuster 9" |
| | 007227-01-000 | EA | Adjuster - Asm. Seat w/o Lock |
| | 049943-01-000 | EA | Pedestal - Complete Swivel Steel |
| | 040697-03-000 | EA | Pad - Instrument Panel - Brown |

ELECTRICAL GROUP

BULBS

| Key | Part Number | U/M | Description |
|-----|---------------|-----|-----------------------|
| | 037935-01-000 | EA | Bulb - 1157 |
| | 038010-01-000 | EA | Bulb - 1143 |
| | 008103-01-000 | EA | Bulb - 53 |
| | 008213-01-000 | EA | Bulb - 57 |
| | 008214-01-000 | EA | Bulb - 67 |
| | 008215-01-000 | EA | Bulb - 1003 |
| | 008216-01-000 | EA | Bulb - 1034 |
| | 008217-01-000 | EA | Bulb - 1073 |
| | 008218-01-000 | EA | Bulb - 1141 |
| | 008219-01-000 | EA | Bulb - 656 |
| | 008220-01-000 | EA | Bulb - 12V - 25W |
| | 036196-01-000 | EA | Bulb - 194 |
| | 700020-01-000 | EA | Bulb - 12V - 20W 1383 |

EXTERIOR LIGHTS

| Key | Part Number | U/M | Description |
|-----|---------------|-----|------------------------------------|
| | 008089-01-000 | EA | Light - Porch - Recessed |
| | 031054-02-000 | EA | Lamp Asm. - Tail - Left - Beige |
| | 031054-01-701 | EA | Lens - Tail Lamp - Left |
| | 031055-02-000 | EA | Lamp Asm. - Tail - Right - Beige |
| | 031055-01-701 | EA | Lens - Tail Lamp - Right |
| | 042405-03-000 | EA | Base - Rectangular Clearance Light |
| | 042405-04-000 | EA | Lens - Rectangular Light - Red |
| | 042405-05-000 | EA | Lens - Rectangular Light - Amber |

INTERIOR LIGHTS

| Key | Part Number | U/M | Description |
|-----|---------------|-----|----------------------------------|
| | 024418-01-000 | EA | Lamp Asm. - Map/Gauge/Aisle |
| | 024473-01-000 | EA | Light - Aircraft - 1 Bulb Gold |
| | 033508-01-000 | EA | Light - Dome - White 1 Bulb |
| | 024642-01-701 | EA | Lens - Dome Light - 1 Bulb |
| | 033509-01-000 | EA | Light - Dome - White - 2 Bulb |
| | 024643-01-701 | EA | Lens - Dome Light - 2 Bulb |
| | 008102-01-000 | EA | Light - Corner Mount - Multibulb |

FUSES AND CIRCUIT BREAKERS

| Key | Part Number | U/M | Description |
|-----|---------------|-----|---|
| | 008233-01-000 | EA | Fuse - 12 Volt - 6 Amp. |
| | 008234-01-000 | EA | Fuse - 12 Volt - 10 Amp. |
| | 008235-01-000 | EA | Fuse - 12 Volt - 15 Amp. |
| | 008236-01-000 | EA | Fuse - 12 Volt - 20 Amp. |
| | 008248-01-000 | EA | Fuse - 110 Volt - 30 Amp. |
| | 008252-01-000 | EA | Fuse - 110 Volt - 50 Amp. |
| | 008208-01-000 | EA | Circuit Breaker - 12 Volt - 40 Amp. |
| | 008211-01-000 | EA | Circuit Breaker - 12 Volt - 6 Amp. |
| | 008268-01-000 | EA | Circuit Breaker - 12 Volt - 30 Amp. w/Mount |
| | 033573-01-000 | EA | Circuit Breaker - 12 Volt - 20 Amp. w/Mount |
| | 033573-02-000 | EA | Circuit Breaker - 12 Volt - 15 Amp. w/Mount |
| | 040051-01-000 | EA | Circuit Breaker - 110 Volt - 20 Amp. TOL |
| | 033484-01-000 | EA | Circuit Breaker - 30 Amp. - Air Conditioner |
| | 052012-01-000 | EA | Circuit Breaker - 50 Amp. - Air Conditioner |

WINNEBAGO

TABLE OF CONTENTS

| | |
|--------------------|-------------|
| Introduction | A-1 |
| Abbreviations | A-1 |
| Alphabetical Index | A-2 - A-4 |
| 1977 MWC25D | A-5 - B-12 |
| 1977 D26CRK | B-13 - C-24 |
| 1977 MWC24D | D-1 - E-8 |
| 1977 D26CRB | E-9 - F-20 |
| 1977 D26RT | F-21 - H-6 |
| 1977 MW23RB | H-7 - I-16 |
| 1977 D21 | I-17 - K-6 |
| 1977 D23C | K-7 - L-18 |

1977 MWC25D INDEX

| | |
|------------------------------------|-------------|
| Floor Plan | A-5 - A-6 |
| Accessories Group | A-7 - A-8 |
| Bath Group | A-9 - A-10 |
| Chassis Group | A-11 |
| Curtain, Cushion & Pad Group | A-12 - A-14 |
| Dinette Group | A-14 |
| Driver's Compartment Group | A-15 |
| Electrical Group | A-16 - A-17 |
| Exterior Body Group | A-18 - A-21 |
| Galley Group | A-22 |
| Heating & Air Conditioning Group | A-23 |
| Interior Finish Group | A-23 - B-1 |
| LP Group | B-1 |
| Lounge Group | B-2 |
| Water & Sewage Group | B-2 |
| Window, Vent & Exterior Door Group | B-3 - B-11 |

ELECTRICAL GROUP (CONTINUED)

WIRE, SWITCHES AND RECEPTACLES

| Key | Part Number | U/M | Description |
|-----|---------------|-----|--|
| | 008024-01-000 | FT | Wire - 18.5 Bonded - Orange/White/Yellow/Blue/Brown |
| | 008025-01-000 | FT | Wire - 18.5 Bonded - Orange/White/Yellow/Blue/Green |
| | 008028-01-000 | FT | Wire - 18.5 Bonded - Blue/Red/Yellow/Orange/White |
| | 008030-01-000 | FT | Wire - 18.4 Bonded |
| | 008251-01-000 | EA | Holder - Fuse - Black - Screw Type |
| | 008277-01-000 | EA | Holder - Fuse - Black - Panel Mount |
| | 008195-01-000 | EA | Switch - Push Button - 12 Volt |
| | 008077-01-000 | EA | Plaque - Compressor Switch |
| | 008054-01-000 | EA | Cord - Power - 10-3 30 Amp. - 25' - UL |
| | 034818-04-000 | EA | Holder - Receptacle - Plastic |
| | 039338-01-000 | EA | Cover Plate - Receptacle - Plastic - Brown |
| | 039339-01-000 | EA | Receptacle - Duplex Brown - End of line |
| | 039342-01-000 | EA | Receptacle - Duplex Brown - T Junction |
| | 024571-01-000 | EA | Cover Plate - Receptacle - Jumbo Steel Brown |
| | 039343-01-000 | EA | Cap - End - Receptacle |
| | 008162-01-000 | EA | Switch - Double Toggle - Spade Brown |
| | 008163-01-000 | EA | Switch - Toggle Brown |
| | 024924-01-000 | EA | Receptacle - Power Cord |
| | 008058-01-000 | EA | Adaptor - Power Cord |
| | 047353-01-000 | EA | Cover - Receptacle - Ground Fault |
| | 047351-01-000 | EA | Receptacle - Ground Fault Interrupter - 125 Volt Break |
| | 040223-01-000 | EA | Holder Asm. - Fuse - 30 Amp. |

MISCELLANEOUS ELECTRICAL COMPONENTS

| Key | Part Number | U/M | Description |
|-----|---------------|-----|---|
| | 047338-01-000 | EA | Isolator - Dual Battery |
| | 047389-01-700 | EA | Battery - 12 Volt - 105 Amp. Deep Cycle - Dry |
| | 008168-01-000 | EA | Solenoid - Dual Battery - Relay |
| | 046775-01-000 | EA | Valve - Gas - Change Over - 3 Way |
| | 036617-01-000 | EA | Relay - Canister - SPDT |
| | 039950-02-000 | EA | Control Center - 30 Amp. w/Door - UL |
| | 048812-01-000 | EA | Panel - Control - Water/Double Sewage - Wemac |
| | 039861-01-000 | EA | Sending Unit Kit - Wemac |

EXTERIOR BODY GROUP

EXTERIOR BODY PANELS AND SHEET ALUMINUM

| Key | Part Number | U/M | Description |
|-----|---------------|-----|---|
| | 050375-02-000 | EA | Backwall Asm. |
| | 045800-03-000 | EA | Sidewall Asm. - Right |
| | 046952-01-000 | EA | Sidewall Asm. - Left |
| | 049316-01-000 | EA | Roof Asm. |
| | 049316-01-700 | EA | Roof Section - Sleeper Board to First Seam |
| | 039155-02-008 | EA | Alum. - Beige Mesa Design - .024" x 36" x 60" |
| | 039155-02-002 | EA | Alum. - Beige Mesa Design - .024" x 36" x 300" |
| | 039155-02-003 | EA | Alum. - Beige Mesa Design - .024" x 36" x 360" |
| | 039155-02-007 | EA | Alum. - Beige Mesa Design - .024 x 48" x 60" |
| | 039155-02-005 | EA | Alum. - Beige Mesa Design - .024" x 48" x 300" |
| | 039155-02-008 | EA | Alum. - Beige Mesa Design - .024" x 48" x 360" |
| | 039155-02-009 | EA | Alum. - Beige Mesa Design - .024 x 12" x 360" |
| | 044487-01-001 | EA | Alum. - Mill Finish - No Design (Roof) - 96" x 360" |
| | 028545-01-000 | EA | Alum. - Beige Greyhound Design 48" x 96" |
| | 001018-01-024 | EA | Alum. - Beige - No Design - 48" x 96" |
| | 000868-01-000 | BF | Styrofoam - 3/4" x 24" x 96" |

EXTERIOR PAINT

| Key | Part Number | U/M | Description |
|-----|---------------|-----|--|
| | 044486-01-000 | EA | Paint - Beige Acrylic Enamel - 1 Gallon |
| | 044486-03-000 | EA | Paint - Beige - Acrylic Enamel - 16 oz. Aerosol |
| | 044486-04-000 | EA | Paint - Beige - Acrylic Lacquer - 1 Gallon |
| | 045881-01-000 | EA | Paint - High Gloss Black - Acrylic Enamel - 1 Gallon |
| | 045881-03-000 | EA | Paint - High Gloss Black - Acrylic Enamel - 16 oz. Aerosol |
| | 043877-01-000 | EA | Paint - Saddle Bronze Metallic - 1 Gallon |
| | 043877-03-000 | EA | Paint - Saddle Bronze Metallic - 16 oz. Aerosol |
| | 041574-01-000 | EA | Paint - Dark Ginger Metallic - 1 Gallon |
| | 041574-03-000 | EA | Paint - Dark Ginger Metallic - 16 oz. Aerosol |

MISCELLANEOUS EXTERNALLY MOUNTED PARTS

| Key | Part Number | U/M | Description |
|-----|---------------|-----|--|
| | 010230-02-000 | EA | Fill - City Water - Recessed w/Twist Cap |
| | 011020-02-000 | EA | Fill - Water - Recessed - Beige w/Snap Cap |
| | 011129-01-000 | EA | Plumbing Seal - Roof Vent - 1 1/2" |
| | 011124-01-000 | EA | Plumbing Seal - Roof Vent - 1 1/4" |
| | 009126-01-000 | EA | Handle - Assist w/o Light |
| | 048817-01-000 | EA | Handle - Assist w/Light |

WINNEBAGO

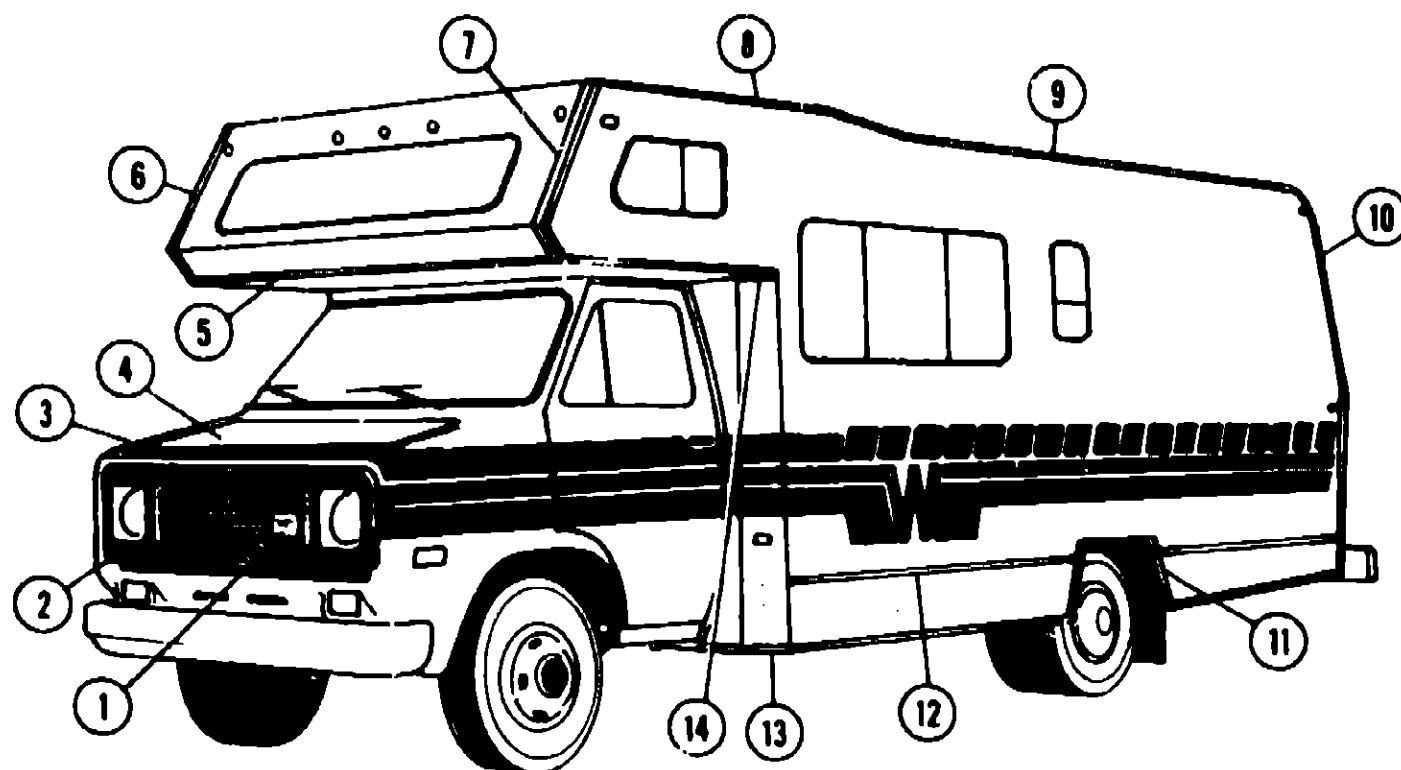
TABLE OF CONTENTS

| | |
|--------------------|-------------|
| Introduction | A-1 |
| Abbreviations | A-1 |
| Alphabetical Index | A-2 - A-4 |
| 1977 MWC25D | A-5 - B-12 |
| 1977 D26CRK | B-13 - C-24 |
| 1977 MWC24D | D-1 - E-8 |
| 1977 D26CRB | E-9 - F-20 |
| 1977 D26RT | F-21 - H-8 |
| 1977 MW23RB | H-7 - I-16 |
| 1977 D21 | I-17 - K-6 |
| 1977 D23C | K-7 - L-18 |

1977 MWC25D INDEX

| | |
|------------------------------------|-------------|
| Floor Plan | A-5 - A-6 |
| Accessories Group | A-7 - A-8 |
| Bath Group | A-9 - A-10 |
| Chassis Group | A-11 |
| Curtain, Cushion & Pad Group | A-12 - A-14 |
| Dinette Group | A-14 |
| Driver's Compartment Group | A-15 |
| Electrical Group | A-16 - A-17 |
| Exterior Body Group | A-18 - A-21 |
| Galley Group | A-22 |
| Heating & Air Conditioning Group | A-23 |
| Interior Finish Group | A-23 - B-1 |
| LP Group | B-1 |
| Lounge Group | B-2 |
| Water & Sewage Group | B-2 |
| Window, Vent & Exterior Door Group | B-3 - B-11 |

EXTERIOR BODY GROUP (CONTINUED)



| Key | Part Number | U/M | Description |
|-----|---------------|-----|--|
| 1 | 045327-01-000 | EA | Grille Asm. - Alum. |
| | 031161-01-000 | EA | Logo - Flying "W" Grille |
| 2 | 045282-02-000 | EA | Grille - Plastic - Bronze |
| 3 | 040843-02-000 | EA | Front End Asm. - Fiberglass - Beige - Includes Hood w/o Front Grille |
| 4 | 040845-02-000 | EA | Hood Asm. - Beige |
| 5 | 039644-02-000 | EA | Trim - Sleeper Board - Beige |
| | 039616-01-000 | EA | Hinge - Hood (2 used per hood) |
| | 035388-01-000 | EA | Hood Pin Kit - 7/16" x 20 3.50" Long |
| | 007180-01-000 | EA | Gasket - Tire Carcass - 3/16" x 2" x 2" |
| | 037449-01-000 | EA | Well Nut - 10 - 32 x .812" Long |
| 6 | 039635-04-000 | EA | Trim - Contour - Sleeper Section - Right - Beige |
| 7 | 039635-03-000 | EA | Trim - Contour - Sleeper Section - Left - Beige |
| 8 | 039634-03-000 | EA | Trim - Contour - Roof - Left - Beige |
| | 039634-04-000 | EA | Trim - Contour - Roof - Right - Beige |
| 9 | 034922-07-000 | EA | Trim - Sidewall/Roof - Upper - Left or Right - Beige |

| Key | Part Number | U/M | Description |
|-----|---------------|-----|--|
| 10 | 039633-03-000 | EA | Trim - Contour - Backwall - Left - Beige |
| | 039633-04-000 | EA | Trim - Contour - Backwall - Right - Beige |
| 11 | 039624-03-000 | EA | Trim - Wheel Well - Rear - Left or Right |
| 12 | 002444-02-003 | EA | Extr. - Feature Strip - Alum. - 16' w/o Insert |
| | 001030-04-002 | EA | Insert - Feature Strip - Antique Bronze Stucco - 17' |
| | 009731-01-000 | EA | End Cap - Feature Strip |
| 13 | 043442-03-000 | EA | Trim - Wingwall - Bottom - Left - Beige |
| | 043442-04-000 | EA | Trim - Wingwall - Bottom - Right - Beige |
| 14 | 048610-03-000 | EA | Trim - Corner - Wingwall - Left - Beige |
| | 048610-04-000 | EA | Trim - Corner - Wingwall - Right - Beige |
| | 002385-02-001 | EA | Extr. - U - Channel - 1" Serrated x 18' Anod. |
| | 039629-01-000 | FT | Extr. - Vinyl - Sleeper Joint |
| | 043915-01-000 | FT | Extr. - Vinyl - "B" Pillar/Wingwall |
| | | | Not Illustrated |

WINNEBAGO
TABLE OF CONTENTS

| | |
|--------------------|-------------|
| Introduction | A-1 |
| Abbreviations | A-1 |
| Alphabetical Index | A-2 - A-4 |
| 1977 MWC25D | A-5 - B-12 |
| 1977 D26CRK | B-13 - C-24 |
| 1977 MWC24D | D-1 - E-8 |
| 1977 D26CRB | E-9 - F-20 |
| 1977 D26RT | F-21 - H-6 |
| 1977 MW23RB | H-7 - I-16 |
| 1977 D21 | I-17 - K-6 |
| 1977 D23C | K-7 - L-18 |

1977 MWC25D INDEX

| | |
|------------------------------------|-------------|
| Floor Plan | A-5 - A-6 |
| Accessories Group | A-7 - A-8 |
| Bath Group | A-9 - A-10 |
| Chassis Group | A-11 |
| Curtain, Cushion & Pad Group | A-12 - A-14 |
| Dinette Group | A-14 |
| Driver's Compartment Group | A-15 |
| Electrical Group | A-16 - A-17 |
| Exterior Body Group | A-18 - A-21 |
| Galley Group | A-22 |
| Heating & Air Conditioning Group | A-23 |
| Interior Finish Group | A-23 - B-1 |
| LP Group | B-1 |
| Lounge Group | B-2 |
| Water & Sewage Group | B-2 |
| Window, Vent & Exterior Door Group | B-3 - B-11 |

EXTERIOR BODY GROUP (CONTINUED)

LABELS AND DECALS

| Key | Part Number | U/M | Description |
|-----|---------------|-----|---|
| | 006010-01-000 | EA | Decal - Winnebago - Brown/Chrome |
| | 006023-01-000 | EA | Label - Water Only |
| | 006025-01-000 | EA | Label - Gas |
| | 006028-01-000 | EA | Label - Drain Cap - 2" x 3" |
| | 006031-01-000 | EA | Label - Potable Water Only |
| | 006187-01-000 | EA | Label - Sewage |
| | 006188-81-000 | EA | Label - Waste Water |
| | 006199-01-000 | EA | Label - Exit - Escape Window |
| | 031161-01-000 | EA | Label - Flying "W" - Grille |
| | 039289-01-000 | EA | Label - Warning Aux. Loading |
| | 008092-01-000 | EA | Reflector - Stick on - Rectangular - Red |
| | 008093-01-000 | EA | Reflector - Stick on - Rectangular - Amber |
| | 050302-01-000 | EA | Decal - Flying "W" - 13.75" High |
| | 047504-01-000 | EA | Decal - "Sportsman's Den" - .82" |
| | 050313-01-000 | EA | Decal - Logo - "Winnebago - 2.80" |
| | 047508-01-000 | EA | Decal Stripe - Side Strobe - Front - Right |
| | 047508-02-000 | EA | Decal - Stripe - Side Strobe - Center - Right |
| | 047508-03-000 | EA | Decal - Stripe - Side Strobe - Rear Right |
| | 047508-04-000 | EA | Decal - Stripe - Side Strobe - Front - Left |
| | 047508-05-000 | EA | Decal - Stripe - Side Strobe - Center - Left |
| | 047508-06-000 | EA | Decal - Stripe - Side Strobe - Rear - Left |
| | 048102-01-000 | EA | Decal - Logo "Sportsman's Den" - 1.62" x 13" |
| | 041273-09-000 | FT | Decal - Stripe - Antique Bronze Metallic |
| | 048839-01-000 | EA | Decal - Grille Accent - Inside |
| | 048840-01-000 | EA | Decal - Grille Accent - Outside |
| | 041273-05-000 | FT | Decal - Stripe - .38" Alum. |
| | 043475-01-000 | EA | Stencil - Stripe - Lower Right |
| | 043475-02-000 | EA | Stencil - Stripe Lower Left |

GALLEY GROUP

| Key | Part Number | U/M | Description |
|-----|---------------|-----|---|
| | 027671-18-000 | EA | Cover - Sink - Butcher Block |
| | 011032-01-000 | EA | Sink - Stainless Steel - Double w/Bolts w/o Faucets |
| | 011053-01-000 | EA | Faucet with Swing Spout |
| | 011053-01-700 | EA | Aerator for Swivel Faucet Galley |
| | 011085-01-000 | EA | Drain Asm. Tail Piece w/Sink Strainer |
| | 047017-11-700 | EA | Door Asm. Cabinet Galley 20 9/16" x 8 1/4" w/o Hardware |
| | 047017-17-700 | EA | Door Asm. Cabinet Galley 13 1/2" x 29 1/16" w/o Hardware |
| | 049083-01-000 | EA | Counter Top Asm. Galley Cabinet |
| | 049084-01-000 | EA | Cabinet Galley w/o Top, Drawers, Doors, or Hardware |
| | 046121-02-000 | EA | Cabinet Asm. - Galley Overhead w/o Doors or Hardware |
| | 047017-24-700 | EA | Door Asm. - Cabinet 9" x 15" w/o Hardware |
| | 047017-14-700 | EA | Door Asm. Cabinet 13 1/2" x 7 3/4" w/o Hardware |
| | 047019-01-700 | EA | Drawer Asm. Cabinet 14 1/2" x 5 1/2" w/o Hardware |
| | 048562-01-000 | EA | Cabinet Asm. Buffet Base w/o Counter Top, Drawers, Doors, or Hardware |
| | 048818-01-000 | EA | Counter Top Asm. Buffet Cabinet |
| | 045953-01-000 | EA | Cabinet - Beverage w/o Doors and Hardware |
| | 047018-03-700 | EA | Door Asm. Cabinet Beverage w/Screen Left or Right w/o Hardware |
| | 046114-01-000 | EA | Cabinet Overhead Galley w/o Doors or Hardware |
| | 047017-04-700 | EA | Door Asm. - Cabinet 12 3/4" x 6 3/4" w/o Hardware |
| | 043098-02-000 | EA | Holder - Glass - Beverage |
| ** | 046955-01-000 | EA | Refrigerator - Norcold - AC/DC - 2 Door |
| ** | 049045-01-000 | EA | Range - 4 Burner - Large Oven - Chrome - Magic Chef |
| ** | 046954-01-000 | EA | Hood - Range - Power w/Spice Cabinet - Jensen |

**The illustrated parts breakdown for this item is provided on the Common Items Fiche.

WINNEBAGO

TABLE OF CONTENTS

| | |
|--------------------|-------------|
| Introduction | A-1 |
| Abbreviations | A-1 |
| Alphabetical Index | A-2 - A-4 |
| 1977 MWC25D | A-5 - B-12 |
| 1977 D26CRK | B-13 - C-24 |
| 1977 MWC24D | D-1 - E-8 |
| 1977 D26CRB | E-9 - F-20 |
| 1977 D26RT | F-21 - H-6 |
| 1977 MW23RB | H-7 - I-16 |
| 1977 D21 | I-17 - K-6 |
| 1977 D23C | K-7 - L-18 |

1977 MWC25C INDEX

| | |
|------------------------------------|-------------|
| Floor Plan | A-5 - A-6 |
| Accessories Group | A-7 - A-8 |
| Bath Group | A-9 - A-10 |
| Chassis Group | A-11 |
| Curtain, Cushion & Pad Group | A-12 - A-14 |
| Dinette Group | A-14 |
| Driver's Compartment Group | A-15 |
| Electrical Group | A-16 - A-17 |
| Exterior Body Group | A-18 - A-21 |
| Galley Group | A-22 |
| Heating & Air Conditioning Group | A-23 |
| Interior Finish Group | A-23 - B-1 |
| LP Group | B-1 |
| Lounge Group | B-2 |
| Water & Sewage Group | B-2 |
| Window, Vent & Exterior Door Group | B-3 - B-11 |

HEATING AND AIR CONDITIONING GROUP

| Key | Part Number | U/M | Description |
|-----|---------------|-----|--|
| | U48231-02-000 | EA | Auto Air - 350 ARA |
| | 048231-01-000 | EA | Auto Air - 350 AMC |
| | 041443-01-000 | EA | A/C - General Pkg. - AMC |
| | 041444-01-000 | EA | A/C - Condenser Pkg. - 350 AMC |
| | 041445-01-000 | EA | A/C - Installation Pkg. - AMC |
| | 041446-01-000 | EA | A/C - Evaporator Pkg. - 350 AMC |
| | 047036-01-000 | EA | A/C - Compressor Mt. Pkg. - 350 AMC |
| | 039505-02-000 | EA | Thermostat - Wallmount |
| | 009198-01-000 | EA | Duct - Flexible - 4" I.D. x 25' |
| | 023146-01-000 | EA | Clamp - Screw Type - 4" |
| | 024985-01-000 | EA | Heat Register - w/Damper - 9.9" x 4.8" |
| | 009175-01-000 | EA | Heat Register - Steel - 11.5" x 3.7" |
| | 031804-01-000 | EA | Bonnet - Heat Register - 4.38" x 8.43" |
| | 042152-01-000 | EA | Bonnet - Heat Register - 4.5" x 8.44" |
| ** | 009200-01-000 | EA | Tape - Furnace - 1 1/2" |
| ** | 041803-01-000 | EA | Furnace - 23,000 BTU - Under Counter Mount - Coleman - 4225 |
| ** | 041804-01-000 | EA | Furnace 28,000 BTU - Under Counter Mount |
| ** | 049777-01-000 | EA | Air Conditioner - 110 Volt - Roof Mount - 11,000 BTU - Ivory Coleman (w/o Inside Shroud) |
| ** | 049778-01-000 | EA | Shroud Asm. - Ceiling - Inside - Roof Air - Cool Only - 11,000 BTU - Coleman |
| ** | 049774-01-000 | EA | Air Conditioner - 110 Volt - Roof Mount - 13,500 BTU Ivory - Coleman (w/o Inside Shroud) |
| ** | 049775-01-000 | EA | Shroud Asm. - Ceiling - inside - Roof Air Cool Only - 13,500 BTU - Coleman |
| ** | 049776-01-000 | EA | Shroud Asm. - Ceiling - Inside - Roof Air - Heat and Cool Only - 13,500 BTU - Coleman |

**The illustrated parts breakdown for this item is provided on the Common Items Fiche.

INTERIOR FINISH GROUP

PANELING AND COUNTERTOP MATERIALS

| Key | Part Number | U/M | Description |
|-----|---------------|-----|---|
| | 045963-01-000 | SF | Paneling - Buff Ceiling - 48" x 96" (32 SF) |
| | 047401-01-000 | SF | Paneling - Monks Cloth - 48" x 96" (32 SF) |
| | 039188-04-000 | SF | Paneling - 705 Hickory - 48" x 96" (32 SF) |
| | 045962-01-000 | SF | Paneling - Deer Chateau - 48" x 96" (32 SF) |
| | 045964-01-000 | SF | Plastic Laminate - Butcherblock - 48" x 96" (32 SF) |
| | 045964-01-001 | EA | Plastic Laminate - Butcher Block - 48" x 48" |
| | 045964-01-002 | EA | Plastic Laminate - Butcher Block - 1.19" x 36" |
| | 045965-01-000 | SF | Plastic Laminate 48" x 96" Mocha Leather (32 SF) |
| | 045965-01-001 | EA | Plastic Laminate 48" x 48" Mocha Leather |
| | 045965-01-002 | EA | Plastic Laminate 1.19" x 96" Mocha Leather |
| | 047033-01-000 | SF | Cork - 1/8" x 12" x 24" - Sand Natural |
| | 047033-02-000 | SF | Cork - 1/8" x 12" x 24" - Terrazzo Natural |

FABRICS AND CARPET

| Key | Part Number | U/M | Description |
|-----|---------------|-----|--|
| | 045960-01-000 | SY | Carpet - Beige - Highland Plaid |
| | 045961-01-000 | EA | Tile - Wood 12" x 12" Old Brown Oak (Step Well) |
| | 045969-01-000 | SF | Mat - Cocoa 3/4" Thick Natural Tan (Step Wall) |
| | 047400-01-000 | SF | Felt Green 21 Oz. Wool |
| | 042414-03-000 | FT | Trim - Accent Patchwork |
| | 045957-01-000 | YD | Fabric Upholstery Brown |
| | 039781-01-000 | YD | Fabrics Drapes - Flax w/Foam Back |
| | 045958-01-000 | YD | Vinyl - Rawhide Patchwork - Non Expanded - 27 Oz. |
| | 045958-02-000 | YD | Vinyl - Rawhide Patchwork - Expanded 28 Oz. |
| | 045958-03-000 | YD | Vinyl - Rawhide Patchwork - Nonsupport 16 Gauge Film |

A-23

INTERIOR FINISH GROUP (CONTINUED)

CABINET AND TABLE HARDWARE

| Key | Part Number | U/M | Description |
|-----|---------------|-----|---|
| | 047205-02-000 | EA | Mesh Grille Brass 15 1/4" x 17 1/8" |
| ** | 041931-01-000 | EA | Kit Cabinet Door Hinge |
| | 041838-01-000 | EA | Screw 5 x 5/8 POH Antique Brass |
| ** | 046541-01-000 | EA | Kit Cabinet Door Latch Upper |
| ** | 009047-01-000 | EA | Support - Door Cabinet - Overhead |
| ** | 047809-02-000 | EA | Hardware Kit Dinette Table Wall Mount |
| ** | 047842-01-000 | EA | Hardware Kit Dinette Table Leg |
| ** | 047744-01-000 | EA | Kit Drawer Glide w/o Rail - Includes Hardware to Mount One (1) Drawer |
| ** | 037688-01-000 | FT | Rail - Drawer Guide V |
| ** | 045967-01-700 | EA | Kit Knob - 1 1/2" Dia. Rustic Early American |
| ** | 046542-01-000 | EA | Kit Cabinet Door Latch Lower |
| ** | 047008-01-000 | EA | Lock Asm. Right Door - Key Type Antique Brass (Gun Cabinet) |
| ** | 047009-01-000 | EA | Lock Asm. Left Door - Key Type Antique Brass (Gun Cabinet) |
| ** | 046543-01-000 | EA | Kit Drawer Pull |
| ** | 047007-01-000 | EA | Lock Asm. Key Type (Drawer Lock) |
| | 048149-02-700 | EA | Kit - Latch Asm. Cab Door 1.72" Stem |
| | 009059-01-000 | EA | Hinge 2" Gold (Med. Cab. Door) |
| | 039524-01-000 | EA | Strike - Plastic Overlay Door (Med. Cabinet) |

**The illustrated parts breakdown for this item is provided on the Common Items Fiche.

INTERIOR MOLDING AND TRIM

| Key | Part Number | U/M | Description |
|-----|---------------|-----|--|
| | 033535-04-000 | FT | Molding Asm. Shelf 709 Hickory |
| | 047398-01-000 | FT | Molding Wood 3/4" x 8" Quarter Round Hickory |
| | 009778-01-000 | FT | U-Channel - 1 Inch Dark Brown |
| | 009815-02-000 | FT | T-Molding 3/4 Brown |
| | 009779-01-000 | FT | Molding and Trim - U-Channel 1 1/8" Dark Brown |
| | 009812-01-000 | FT | Molding Plastic Corner O/S .50 Inch |
| | 009767-01-000 | FT | Brown Welting |
| | 009151-01-000 | EA | Warp Guard 48" |
| | 000726-07-000 | EA | Batt - Strip 709 Hickory |
| | 047354-01-000 | EA | Batt - Strip 8" - 825 Buff |
| | 047488-01-000 | EA | Cover - Corner Hat/Hat |
| | 047489-01-000 | EA | Cover - Corner - Tube - Tube |
| | 024700-04-000 | EA | Cover Sidewall Roll Bar 707 Hickory |
| | 024700-06-000 | EA | Cover Sidewall Roll Bar Ivory |
| | 034113-01-000 | EA | Cover Corner Supt. Bar Brown |
| | 039512-02-000 | EA | Cover Hat Section 707 Hickory |
| | 039512-06-000 | EA | Cover Hat Section Ivory |

CURTAIN HARDWARE

| Key | Part Number | U/M | Description |
|-----|---------------|-----|---|
| | 052327-04-236 | EA | Curtain Track - Alum. - Brown 89" w/4holes (Replaces 009108-01-000 Plastic Track) |
| | 049897-01-000 | EA | Rod - Curtain - Flat Ext. 25-45 |
| | 042439-01-000 | EA | Bracket Curtain Rod Single |
| | 039897-02-000 | EA | Rod Curtain - Flat Ext. 48" - 86" |
| | 018031-42-000 | EA | Track Curtain 90" - "L" Rod |
| | 009701-01-000 | EA | Carrier Curtain "L" Rod |
| | 009702-01-000 | EA | End - Stop Curtain "L" Rod |

MISCELLANEOUS INTERIOR COMPONENTS

| Key | Part Number | U/M | Description |
|-----|---------------|-----|--|
| | 045700-01-000 | EA | Mirror 1/8" x 9" x 25" (Med. Cabinet) |
| | 002922-01-011 | EA | Extr. Rail Bunk 10' |
| | 041476-01-000 | FT | Track Slide PVC Dark Pecan 12' |
| | 048658-01-000 | EA | Bracket - Catch Bunk |
| | 029051-01-000 | EA | Adhesive Spray 15 - 106 |
| | 042933-03-000 | EA | Paint Dark Brown - 16 Oz. Aerosol (Interior) |
| | 042933-04-000 | EA | Paint - 1 Gallon - Dark Brown (One Gallon Can) |
| | 043568-04-000 | EA | Paint - 1 Gallon - Saddle Brown Flat |

WINNEBAGO

TABLE OF CONTENTS

| | |
|--------------------|-------------|
| Introduction | A-1 |
| Abbreviations | A-1 |
| Alphabetical Index | A-2 - A-4 |
| 1977 MWC25D | A-5 - B-12 |
| 1977 D26CRK | B-13 - C-24 |
| 1977 MWC24D | D-1 - E-8 |
| 1977 D26CRB | E-9 - F-20 |
| 1977 D26RT | F-21 - H-6 |
| 1977 MW23RB | H-7 - I-16 |
| 1977 D21 | I-17 - K-6 |
| 1977 D23C | K-7 - L-18 |

1977 MWC25D INDEX

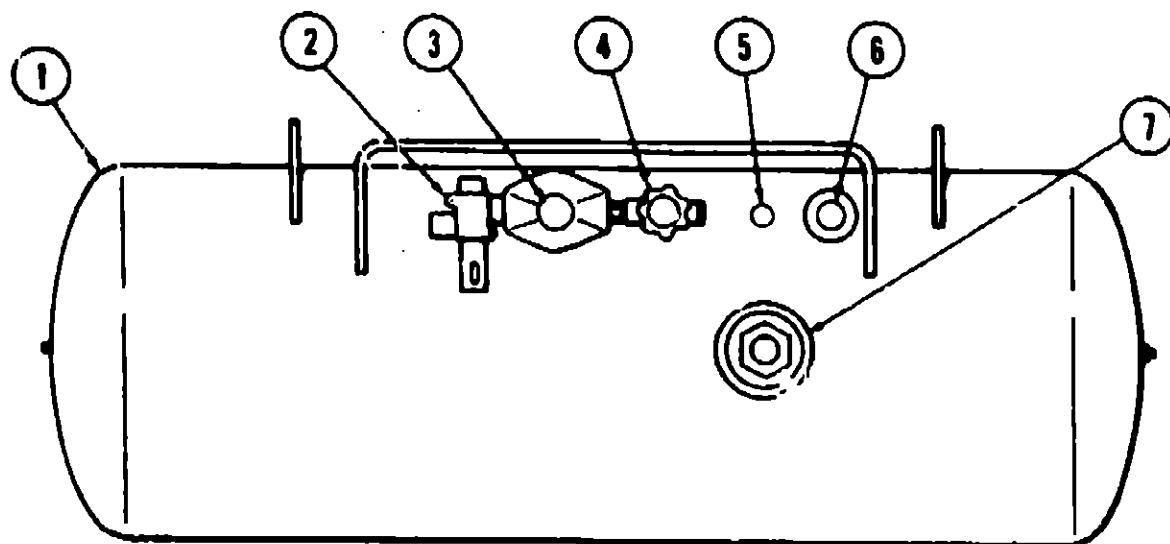
| | |
|------------------------------------|-------------|
| Floor Plan | A-5 - A-6 |
| Accessories Group | A-7 - A-8 |
| Bath Group | A-9 - A-10 |
| Chassis Group | A-11 |
| Curtain, Cushion & Pad Group | A-12 - A-14 |
| Dinette Group | A-14 |
| Driver's Compartment Group | A-15 |
| Electrical Group | A-16 - A-17 |
| Exterior Body Group | A-18 - A-21 |
| Galley Group | A-22 |
| Heating & Air Conditioning Group | A-23 |
| Interior Finish Group | A-23 - B-1 |
| LP Group | B-1 |
| Lounge Group | B-2 |
| Water & Sewage Group | B-2 |
| Window, Vent & Exterior Door Group | B-3 - B-11 |

A-24

INTERIOR FINISH GROUP (CONTINUED)

| Key | Part Number | U/M | Description |
|-----|---------------|-----|---|
| | 033535-04-000 | FT | Molding Asm. Shelf 709 Hickory |
| | 047311-01-000 | FT | Holding Wood 3/4 x 8' Quarter Round Hickory |
| | 019728-01-000 | FT | U-Channel 1-Inch Dark Brown |
| | 002015-02-000 | FT | T-Molding 3/4 Brown |
| | 045958-01-000 | YD | Vinyl Non-Expanded 27 Oz. |
| | 047400-01-000 | SF | Felt Green 21 Oz. Wool |
| | 042414-03-000 | FT | Trim - Accent Patchwork |
| | 045957-01-000 | YD | Fabric Upholstery Brown |
| | 039781-01-000 | YD | Fabric Drapes - Flax w/Foam Back |
| | 045700-01-000 | EA | Mirror 1/2" x 9" x 25" (Med. Cabinet) |
| | 002922-01-011 | EA | Extr. Rail Bunk 10' |
| | 041476-01-000 | FT | Track Slide PVC Dark Pecan 12' |
| | 048656-01-000 | EA | Bracket - Catch Bunk |
| | 029051-01-000 | EA | Adhesive Spray 15 - 106 |
| | 042933-03-000 | EA | Paint Dark Brown 16 Oz. Aerosol |

LP GROUP



| Key | Part Number | U/M | Description |
|-----|---------------|-----|---|
| 1 | 040421-01-000 | EA | Tank - LP - Frame Mount - 83 Pound |
| 2 | 047221-01-000 | EA | Detector - LP Gas Leak |
| 3 | 024712-01-000 | EA | Cover - LP Regulator |
| 4 | 052163-01-000 | EA | Regulator - Manual - LP Gas - 2 Stage |
| 5 | 040421-01-703 | EA | Valve - Vapor Relief |
| 6 | 040421-01-700 | EA | Gauge - Liquid Level - 20% LP |
| 7 | 040421-01-701 | EA | Valve - Filler - LP |
| | 040421-01-702 | EA | Cap - Plastic Fill Valve |
| | 040421-01-707 | EA | Gauge - Float w/Visible Dial |
| | 040421-01-704 | EA | Gaugn - Float w/Electrical Transmitter Dial |
| | 040421-01-706 | EA | Dial - Visible Face |
| | 040421-01-705 | EA | Dial - Transmitter - 0 - 90 Ohm |
| | 045703-03-000 | EA | Hose Asm. - LP - 3/8" I.D. x 14" |
| | 047737-02-000 | EA | Support - LP - 89.25" |
| | 047737-03-000 | EA | Support - LP Tank - 30.50" |
| | | | Not Illustrated |

LOUNGE GROUP

| Key | Part Number | U/M | Description |
|-----|---------------|-----|-----------------------------------|
| | 045796-01-000 | EA | Table - Pull Out |
| | 009148-01-000 | EA | Pull - Finger - 3/4" Dia. - Brass |
| | 045795-01-000 | EA | Holder - Glass - Plastic |
| | 045983-01-000 | EA | Brace - Foldout Table |
| | 046036-01-000 | EA | Cabinet - Rack - Fishing Pole |
| | 047032-01-000 | EA | Holder - Fishing Rod - Brown |
| | 050924-02-000 | EA | Cabinet Asm. - Gaucho Seat |
| | 041426-10-000 | EA | Bed Asm. - Glideout |
| | 044571-01-000 | EA | Leg Asm. - Glideout - Right |
| | 044571-02-000 | EA | Leg Asm. - Glideout - Left |

WATER AND SEWAGE GROUP

PLUMBING REPAIR PARTS

| Key | Part Number | U/M | Description |
|-----|---------------|-----|---|
| ** | 040539-01-000 | EA | Kit Repair 3/8" O.D. Plastic Tube |
| ** | 040540-01-000 | EA | Kit Repair 1/2" O.D. Plastic Tube |
| ** | 040541-01-000 | EA | Kit Repair 5/8" O.D. Plastic Tube |
| ** | 039818-01-000 | EA | Riser Asm. 3/8" O.D. x 24" Tube |
| ** | 039818-02-000 | EA | Riser Asm. 3/8" O.D. x 36" Tube |
| ** | 039818-04-000 | EA | Riser Asm. 3/8" O.D. x 72" Tube |
| ** | 041279-02-000 | EA | Pump - Water Flow 2.8 GPM - PAR |
| ** | 039647-02-000 | EA | Filter Water Pump - 1/2 MPT |
| ** | 041819-01-000 | EA | Nut and Cone Plastic 1/2" O.D. Tube |
| ** | 004020-01-000 | QT | Adhesive ABS Cement |
| ** | 010133-01-000 | EA | Adaptor Trap - Plastic 1 1/2" H x MPT |
| ** | 010153-01-000 | EA | Ring Closet Plastic 4 F x 3 MPT |
| ** | 010201-01-000 | EA | Hose - Sewer 3" x 10' w/Clamp |
| ** | 010209-06-000 | EA | Handle Ext. Sewer Valve 11.25" |
| ** | 010235-01-000 | EA | Cap - Sewage 3" |
| ** | 010236-01-000 | EA | Adaptor Hose 3" |
| ** | 011091-01-000 | EA | Waste - Cont. Double Sink 11 7/8" |
| ** | 010205-01-000 | EA | Valve Sanitary - Thetford 3 x B |
| ** | 010213-01-000 | EA | Elbow - Plastic Side Vent and Drain |
| ** | 010234-01-000 | EA | Adaptor Bayonet |
| ** | 011066-01-000 | EA | P-Trap - Plastic 1 1/4" |
| ** | 047246-01-000 | EA | Handle - Extension - Sewer Valve 43.00" |

**The illustrated parts breakdown for this item is provided on the Common Items Fiche.

HOLDING TANKS AND WATER HEATERS

| Key | Part Number | U/M | Description |
|-----|---------------|-----|--|
| | 043181-01-000 | EA | Tank Asm. with Fittings Plastic Water 60 Gallon |
| | 039641-01-000 | EA | Tank Water w/o Fittings Plastic 60 Gallon |
| ** | 046524-02-000 | EA | Kit Fittings Plastic Water Tank |
| ** | 014903-02-000 | EA | Tank Asm. - Holding w/Fittings - Plastic - 35 Gallon |
| ** | 014903-01-000 | EA | Tank - Holding Plastic 35 Gallon Base w/o Fittings |
| ** | 039938-02-000 | EA | Tank Asm. - Holding w/Fittings - Plastic - 22 Gallon |
| ** | 039938-01-000 | EA | Tank Holding Plastic 22 Gallon Base w/o Fittings |
| ** | 046524-01-000 | EA | Kit - Fittings Plastic for Holding Tank |
| ** | 051391-01-000 | EA | Water Heater - w/o Outside Access Door (G6A3) |
| ** | 031952-01-000 | EA | Water Heater - w/o Outside Access Door (G6A2) |

**The illustrated parts breakdown for this item is provided on the Common Items Fiche.

WINNEBAGO

TABLE OF CONTENTS

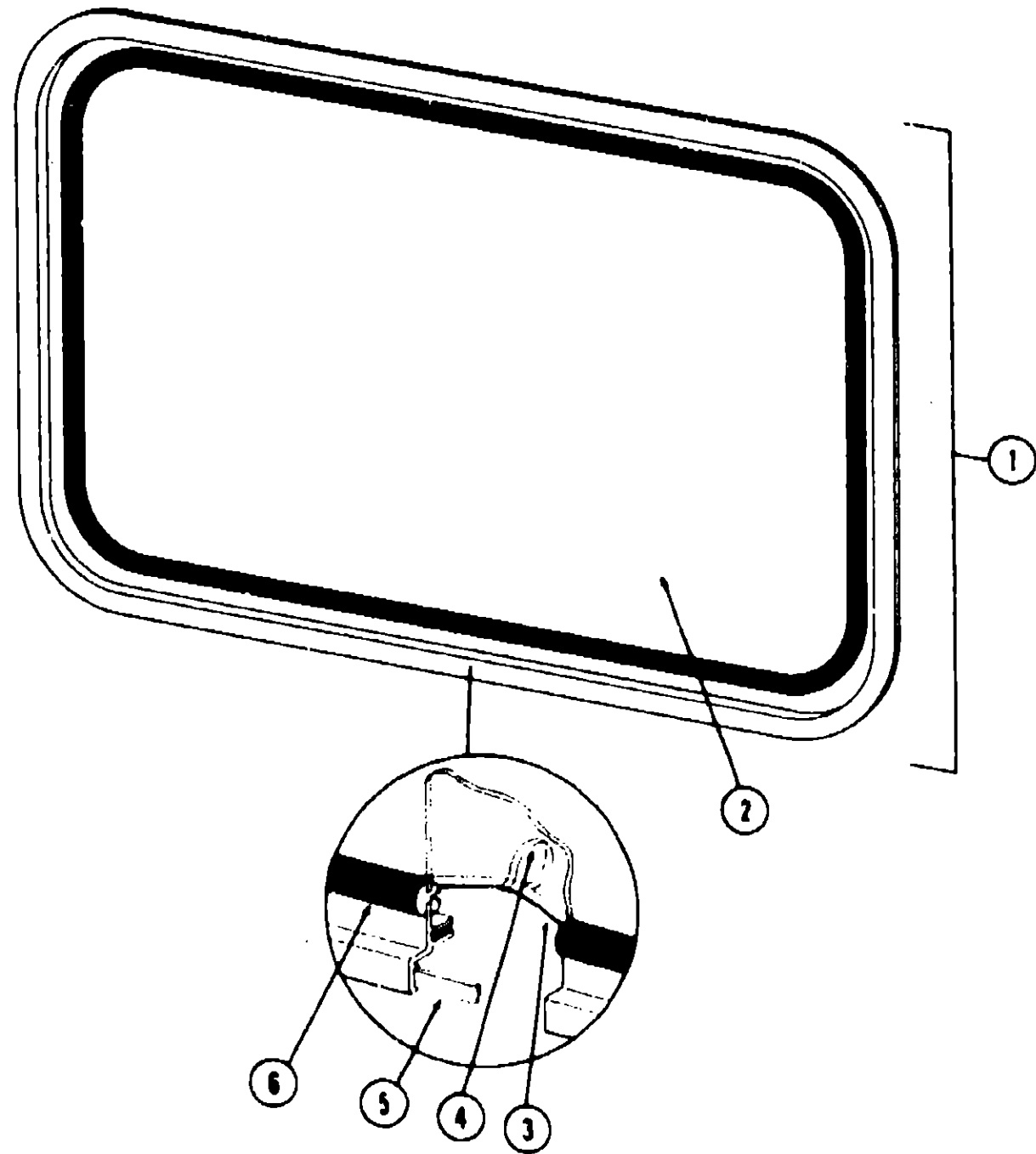
| | |
|--------------------|-------------|
| Introduction | A-1 |
| Abbreviations | A-1 |
| Alphabetical Index | A-2 - A-4 |
| 1977 MWC25D | A-5 - B-12 |
| 1977 D26CRK | B-13 - C-24 |
| 1977 MWC24D | D-1 - E-8 |
| 1977 D26CRB | E-9 - F-20 |
| 1977 D26RT | F-21 - H-6 |
| 1977 MW23RB | H-7 - I-16 |
| 1977 D21 | I-17 - K-6 |
| 1977 D23C | K-7 - L-18 |

1977 MWC25D INDEX

| | |
|------------------------------------|-------------|
| Floor Plan | A-5 - A-6 |
| Accessories Group | A-7 - A-8 |
| Bath Group | A-9 - A-10 |
| Chassis Group | A-11 |
| Curtain, Cushion & Pad Group | A-12 - A-14 |
| Dinette Group | A-14 |
| Driver's Compartment Group | A-15 |
| Electrical Group | A-16 - A-17 |
| Exterior Body Group | A-18 - A-21 |
| Galley Group | A-22 |
| Heating & Air Conditioning Group | A-23 |
| Interior Finish Group | A-23 - B-1 |
| LP Group | B-1 |
| Lounge Group | B-2 |
| Water & Sewage Group | B-2 |
| Window, Vent & Exterior Door Group | B-3 - B-11 |

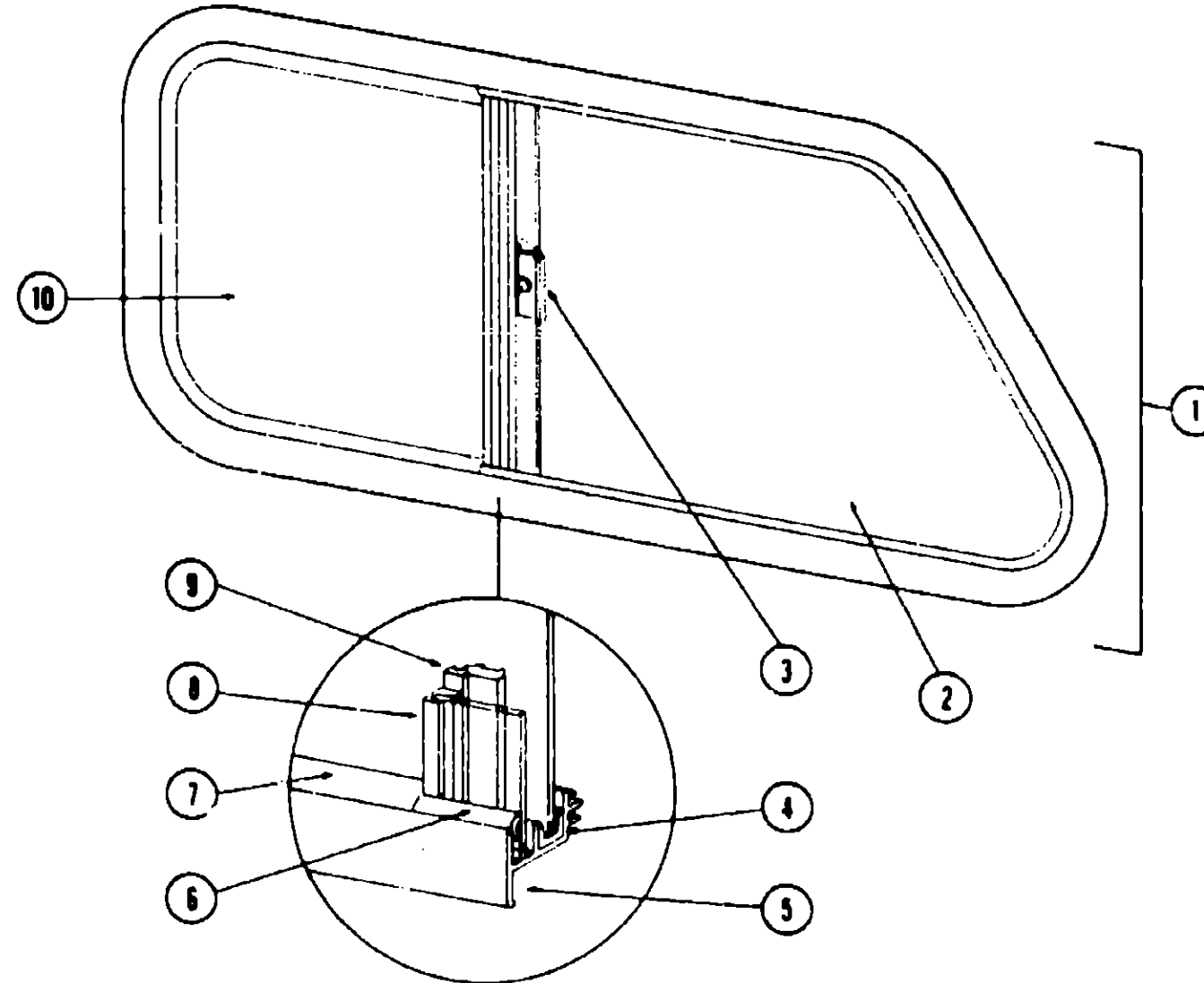
WINDOW, VENT AND EXTERIOR DOOR GROUP

WINDOW, VENT AND EXTERIOR DOOR GROUP (CONTINUED)



| Key | Part Number | U/M | Description |
|-----|---------------|-----|---|
| 1 | 042959-02-000 | EA | Window Asm. - Rear Escape - 23" x 36" (w/o inside frame) |
| 2 | 041392-01-000 | EA | Glass - 1/8" x 19.61" x 33.25" |
| 3 | 002285-01-000 | FT | Filler - Weatherstrip - Black |
| 4 | 020395-01-000 | EA | Slip - Pull Ring - Escape Window |
| 5 | 004383-01-000 | FT | Tape - Foam - 3/16" x 1/2" - Gray |
| 6 | 002282-01-000 | FT | Weatherstrip - .125" - Black |
| * | 042027-01-000 | EA | Frame - Window - Inside Escape - 23" x 36" (not included in assembly) |
| * | 006199-01-000 | EA | Label - Exit - Escape Window |

* Not Illustrated



| Key | Part Number | U/M | Description |
|-----|---------------|-----|--|
| 1 | 048632-01-000 | EA | Window Asm. - Bunk - Slanted Slider - Right (w/o inside frame) |
| | 048632-02-000 | EA | Window Asm. - Bunk - Slanted Slider - Left (w/o inside frame) |
| 2 | 040919-01-000 | EA | Glass - 1/8" x 11.98" x 19.42" - Gray - Stationary |
| 3 | 047369-01-000 | EA | Latch - Window - Plastic |
| | 049287-01-000 | EA | Washer - Nylon - .82" x .140" I.D. |
| | 049288-01-000 | EA | Screw - Machine - 6-32 x 5/16" - HWH - Black |
| 4 | 002324-01-000 | FT | Channel - Weatherstrip - Glass Run - 1/8" Glass |
| 5 | 004383-01-000 | FT | Tape - Foam - 3/16" x 1/2" - Gray |
| 6 | 002309-01-000 | FT | Spline - Glass - 1/8" - Gray |
| 7 | 024096-01-000 | FT | Seal - Window Channel - Gray |
| 8 | 002390-02-001 | EA | Holder - Glass Seal - Extr. - Anod. |
| 9 | 041894-10-000 | EA | Mullion - 13" - Clear Anod. |
| 10 | 047815-01-000 | EA | Glass - 1/8" x 11.98" x 11.81" - Gray - Sliding |
| * | 040916-01-000 | EA | Frame - Window - Inside - Right (not included in assembly) |
| * | 040916-02-000 | EA | Frame - Window - Inside - Left (not included in assembly) |
| * | 023713-01-000 | EA | Cover - Weephole - White |
| * | 002298-01-000 | FT | Spline - Gray - .130" Dia. (Screen) |
| * | 002292-01-000 | SF | Screen - Window - 20" - Gray |

* Not Illustrated

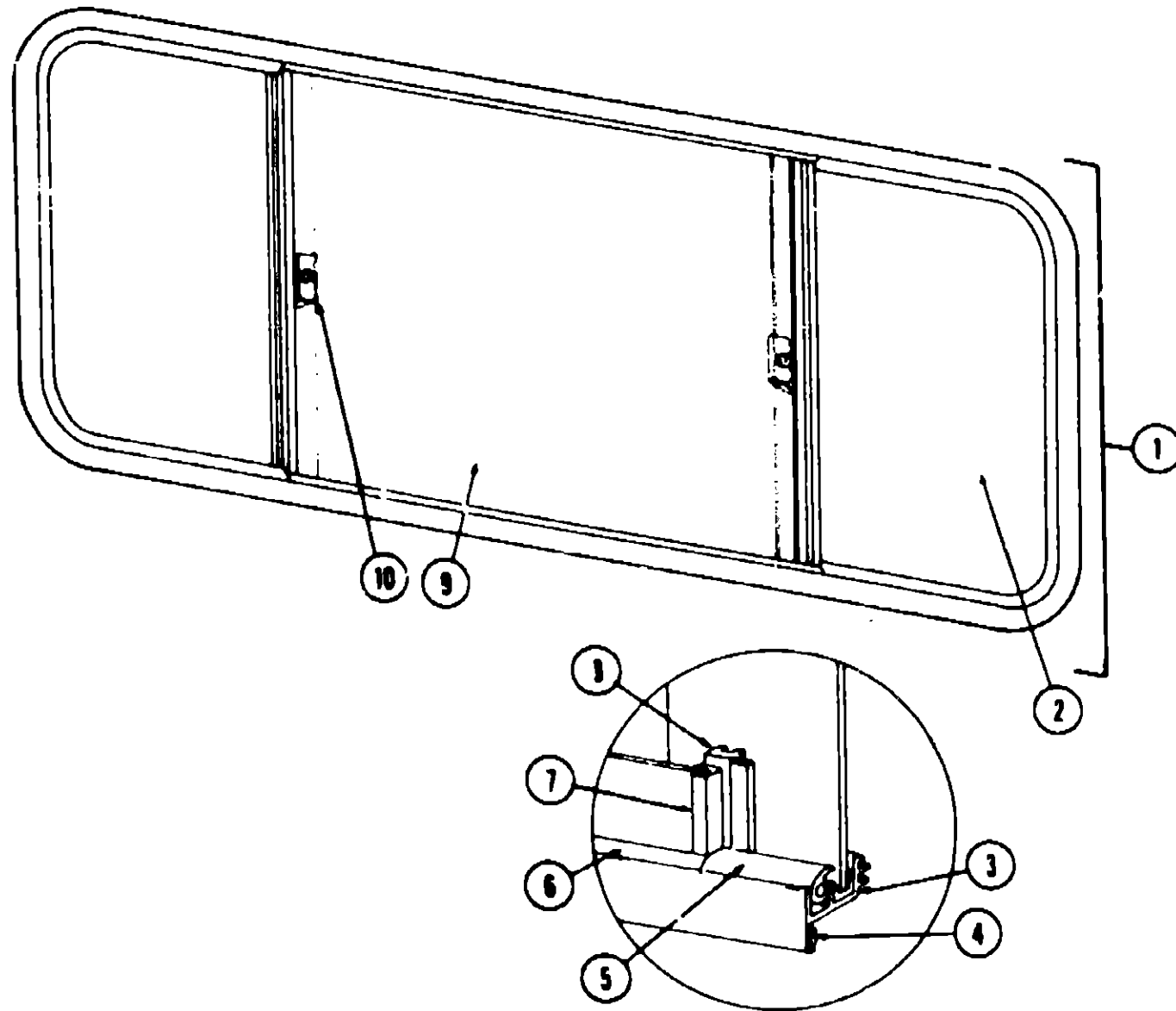
**WINNEBAGO
TABLE OF CONTENTS**

| | |
|--------------------|-------------|
| Introduction | A-1 |
| Abbreviations | A-1 |
| Alphabetical Index | A-2 - A-4 |
| 1977 MWC25D | A-5 - B-12 |
| 1977 D26CRK | B-13 - C-24 |
| 1977 MWC24D | D-1 - E-8 |
| 1977 D26CRB | E-9 - F-20 |
| 1977 D26RT | F-21 - H-6 |
| 1977 MW23RB | H-7 - I-16 |
| 1977 D21 | I-17 - K-6 |
| 1977 D23C | K-7 - L-18 |

1977 MWC25D INDEX

| | |
|------------------------------------|-------------|
| Floor Plan | A-5 - A-6 |
| Accessories Group | A-7 - A-8 |
| Bath Group | A-9 - A-10 |
| Chassis Group | A-11 |
| Curtain, Cushion & Pad Group | A-12 - A-14 |
| Dinette Group | A-14 |
| Driver's Compartment Group | A-15 |
| Electrical Group | A-16 - A-17 |
| Exterior Body Group | A-18 - A-21 |
| Galley Group | A-22 |
| Heating & Air Conditioning Group | A-23 |
| Interior Finish Group | A-23 - B-1 |
| LP Group | B-1 |
| Lounge Group | B-2 |
| Water & Sewage Group | B-2 |
| Window, Vent & Exterior Door Group | B-3 - B-11 |

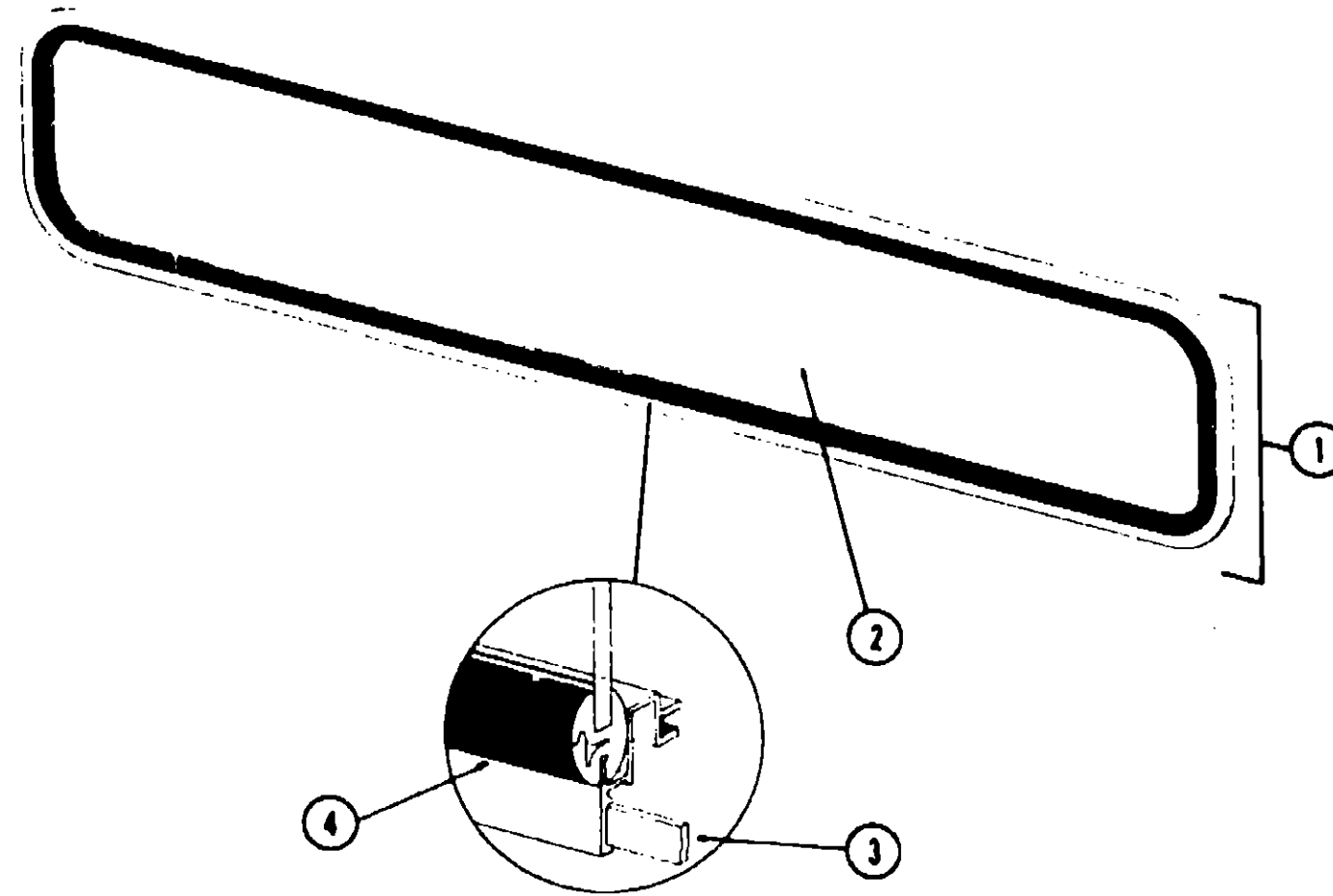
WINDOW, VENT AND EXTERIOR DOOR GROUP (CONTINUED)



| Key | Part Number | U/M | Description |
|-----|---------------|-----|--|
| 1 | 048830-04-000 | EA | Window Asm. - Double Slider - 23" x 65" - Black Anod. (w/o Inside Frame) |
| 2 | 047823-01-000 | EA | Glass - 1/8" x 22" x 21.03" - Sliding (2 per window) |
| 3 | 002324-01-000 | FT | Channel - Weatherstrip - Glass Run - 1/8" Glass |
| 4 | 004363-01-000 | FT | Tape - Foam - 3/16" x 1/2" - Gray |
| 5 | 024096-02-000 | FT | Seal - Window Channel - Black |
| 6 | 002309-02-000 | FT | Spline - Glass - 1/8" - Black |
| 7 | 018025-03-000 | EA | Holder - Glass Seal - Black Anod. |
| 8 | 041894-02-000 | EA | Mullion - Slider Window - 23" - Black Anod. |
| 9 | 002185-01-000 | EA | Glass - 1/8" x 22" x 21.03" - Stationary |
| 10 | 047369-01-000 | EA | Latch - Window - Plastic |
| * | 049287-01-000 | EA | Washer - Nylon - .62" x .140" I.D. |
| * | 049288-01-000 | EA | Screw - Machine - 6-32 x 5/16" - HWH - Black |
| * | 042133-02-000 | EA | Frame - Inside - Double Slider Window (not included in assembly) |
| * | 002298-01-000 | FT | Spline - Gray - .130" Dia. - (Screen) |
| * | 002293-01-000 | SF | Screen - Window - 28" - Gray |
| * | 023713-02-000 | EA | Cover - Weephole - Plastic - Black |

* Not Illustrated

WINDOW, VENT AND EXTERIOR DOOR GROUP (CONTINUED)



| Key | Part Number | U/M | Description |
|-----|---------------|-----|--|
| 1 | 041936-02-000 | EA | Window Asm. - Front Picture - 14" x 69" (w/o inside frame) |
| 2 | 002200-02-000 | EA | Glass - TP - Picture Window |
| 3 | 004363-01-000 | FT | Tape - Sealer - 3/16" x 1/2" - Foam |
| 4 | 002281-01-000 | FT | Weatherstrip - Self Seal - .06" Panel x 3/16" - Black |
| * | 037845-01-000 | FT | Tape - Butyl - Window - 3/16" - Bead Black |
| * | 041838-01-000 | EA | Frame - Inside - Picture Window (not included in assembly) |

* Not Illustrated

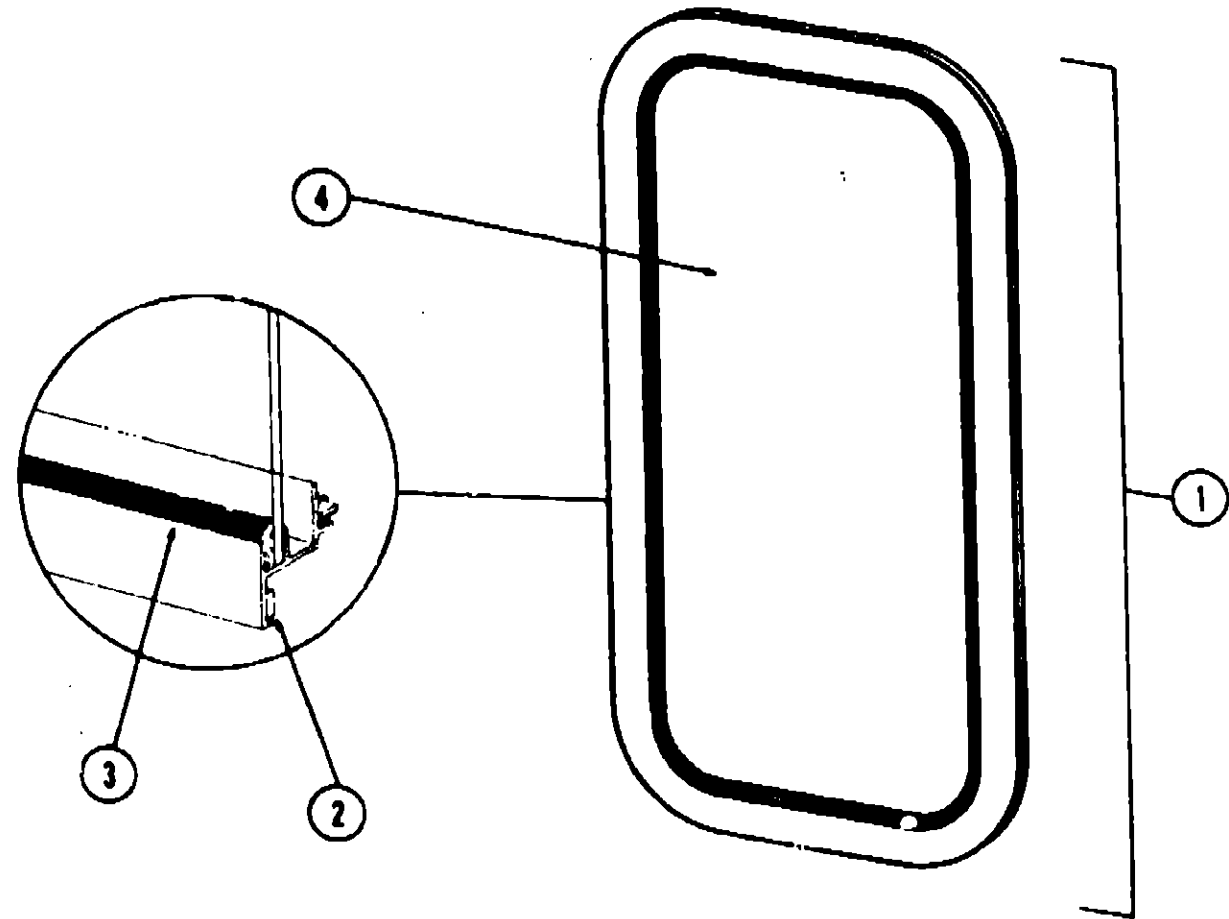
**WINNEBAGO
TABLE OF CONTENTS**

| | |
|--------------------|-------------|
| Introduction | A-1 |
| Abbreviations | A-1 |
| Alphabetical Index | A-2 - A-4 |
| 1977 MWC25D | A-5 - B-12 |
| 1977 D26CRK | B-13 - C-24 |
| 1977 MWC24D | D-1 - E-8 |
| 1977 D26CRB | E-9 - F-20 |
| 1977 D26RT | F-21 - H-6 |
| 1977 MW23RB | H-7 - I-16 |
| 1977 D21 | I-17 - K-6 |
| 1977 D23C | K-7 - L-18 |

1977 MWC25D INDEX

| | |
|------------------------------------|-------------|
| Floor Plan | A-5 - A-6 |
| Accessories Group | A-7 - A-8 |
| Bath Group | A-9 - A-10 |
| Chassis Group | A-11 |
| Curtain, Cushion & Pad Group | A-12 - A-14 |
| Dinette Group | A-14 |
| Driver's Compartment Group | A-15 |
| Electrical Group | A-16 - A-17 |
| Exterior Body Group | A-18 - A-21 |
| Galley Group | A-22 |
| Heating & Air Conditioning Group | A-23 |
| Interior Finish Group | A-23 - B-1 |
| LP Group | B-1 |
| Lounge Group | B-2 |
| Water & Sewage Group | B-2 |
| Window, Vent & Exterior Door Group | B-3 - B-11 |

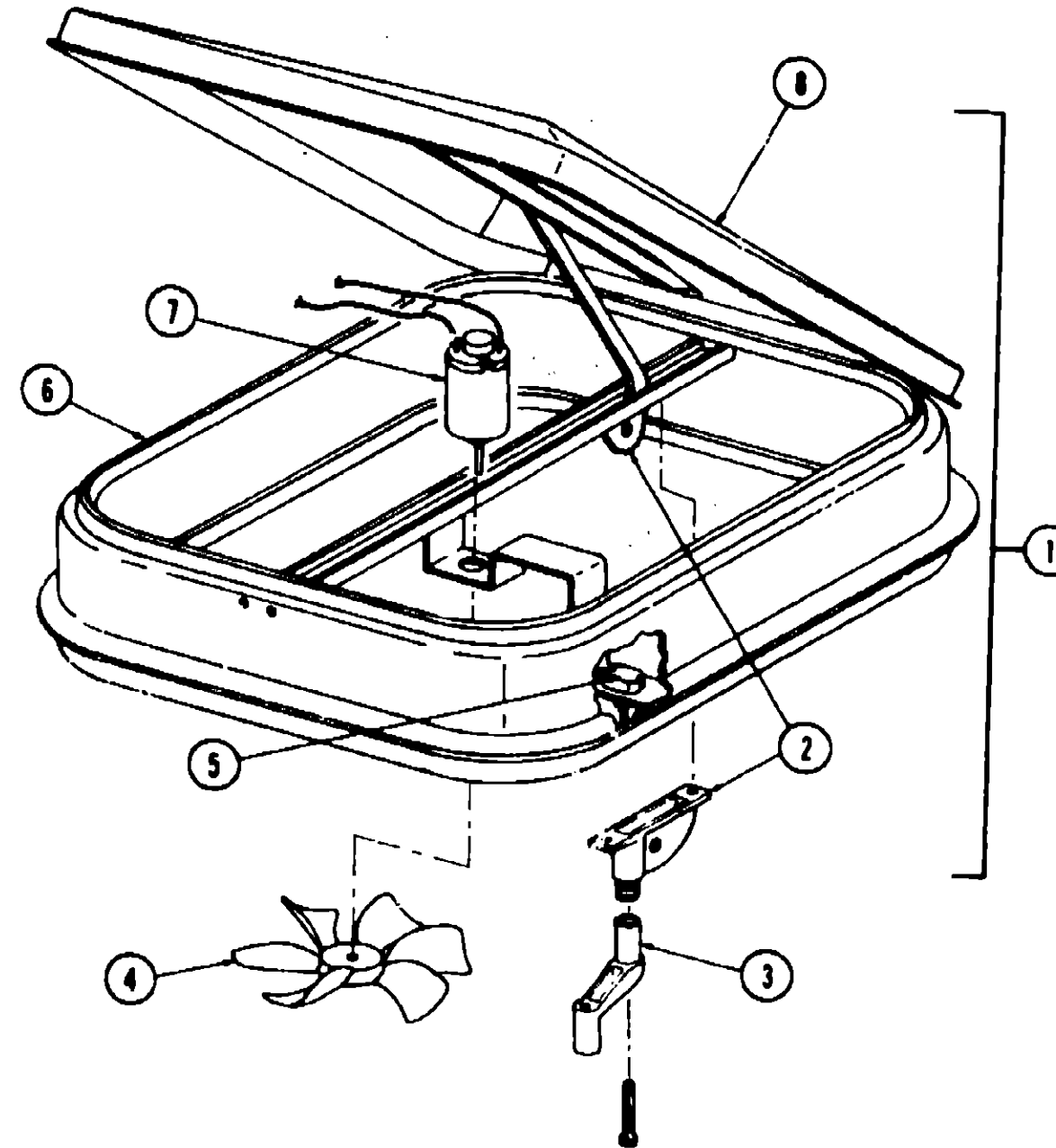
WINDOW, VENT AND EXTERIOR DOOR GROUP (CONTINUED)



| Key | Part Number | U/M | Description |
|-----|---------------|-----|--|
| 1 | 041875-05-000 | EA | Window Asm. - Picture - 13" x 20" (w/o inside frame) |
| 2 | 004383-01-000 | FT | Tape - Foam - 3/16" x 1/2" - Gray |
| 3 | 002309-01-000 | FT | Spline - Glass - 1/8" Gray |
| 4 | 002203-01-000 | EA | Glass - TP - 1/8" x 12" x 18" |
| * | 041898-09-000 | EA | Frame - Window - Inside - 13" x 20" (not included in assembly) |

* Not Illustrated

WINDOW, VENT AND EXTERIOR DOOR GROUP (CONTINUED)



| Key | Part Number | U/M | Description |
|-----|---------------|-----|--|
| 1 | 048789-01-000 | EA | Vent Asm. - Roof - Powered (w/o Screen) |
| 2 | 009440-01-000 | EA | Gear - Arm - Roof Vent |
| 3 | 009439-01-000 | EA | Crank - Roof Vent |
| 4 | 048649-01-000 | EA | Fan Blade - 8" - Plastic |
| 5 | 008195-01-000 | EA | Switch - Push Button - 12 Volt |
| 6 | 002825-01-000 | FT | Weatherstrip - Roof Vent |
| 7 | 048648-01-000 | EA | Motor - Roof Vent - 12 Volt |
| 8 | 048825-01-000 | EA | Cover - Plastic - Roof Vent |
| * | 048895-01-000 | EA | Screen Asm. - Powered Roof Vent - Clear Anod. (not included in assembly) |
| * | 048895-03-000 | EA | Screen Asm. - Powered Roof Vent - Beige (not included in assembly) |

* Not Illustrated

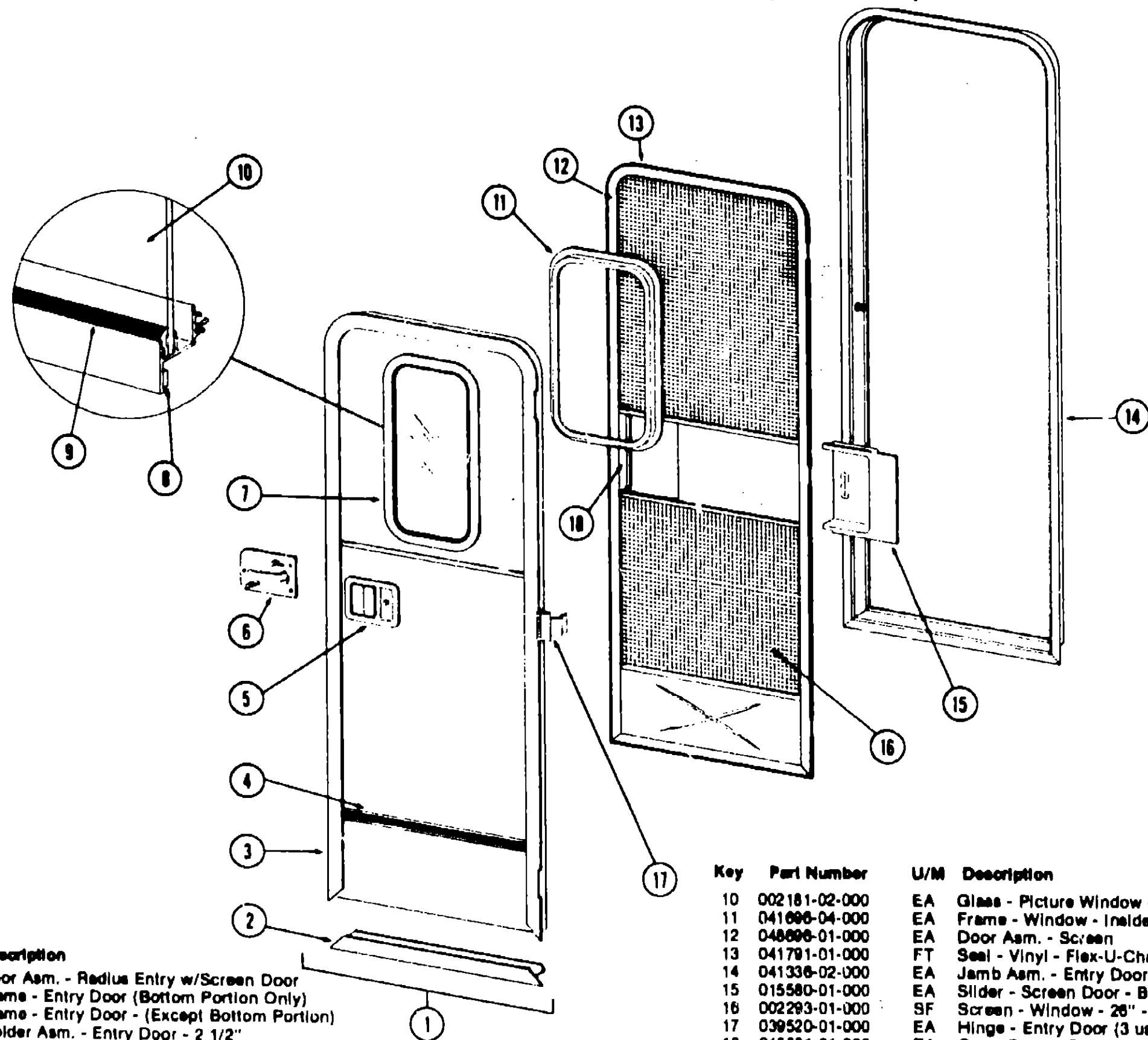
**WINNEBAGO
TABLE OF CONTENTS**

| | |
|--------------------|-------------|
| Introduction | A-1 |
| Abbreviations | A-1 |
| Alphabetical Index | A-2 - A-4 |
| 1977 MWC25D | A-5 - B-12 |
| 1977 D26CRK | B-13 - C-24 |
| 1977 MWC24D | D-1 - E-8 |
| 1977 D26CRB | E-9 - F-20 |
| 1977 D26RT | F-21 - H-8 |
| 1977 MW23RB | H-7 - I-18 |
| 1977 D21 | I-17 - K-6 |
| 1977 D23C | K-7 - L-18 |

1977 MWC25D INDEX

| | |
|------------------------------------|-------------|
| Floor Plan | A-5 - A-8 |
| Accessories Group | A-7 - A-8 |
| Bath Group | A-9 - A-10 |
| Chassis Group | A-11 |
| Curtain, Cushion & Pad Group | A-12 - A-14 |
| Dinette Group | A-14 |
| Driver's Compartment Group | A-15 |
| Electrical Group | A-16 - A-17 |
| Exterior Body Group | A-18 - A-21 |
| Galley Group | A-22 |
| Heating & Air Conditioning Group | A-23 |
| Interior Finish Group | A-23 - B-1 |
| LP Group | B-1 |
| Lounge Group | B-2 |
| Water & Sewage Group | B-2 |
| Window, Vent & Exterior Door Group | B-3 - B-11 |

WINDOW, VENT AND EXTERIOR DOOR GROUP (CONTINUED)



| Key | Part Number | U/M | Description |
|-----|---------------|-----|--|
| 1 | 050086-11-000 | EA | Door Asm. - Radius Entry w/Screen Door |
| 2 | 039737-01-000 | EA | Frame - Entry Door (Bottom Portion Only) |
| 3 | 039736-01-000 | EA | Frame - Entry Door - (Except Bottom Portion) |
| 4 | 039874-02-000 | EA | Holder Asm. - Entry Door - 2 1/2" |
| 5 | 052186-01-000 | EA | Lock Asm. - Radius Entry Door - Lynor |
| 6 | 045017-01-700 | EA | Lock Cylinder w/Keys - Lynor |
| 7 | 039541-01-000 | EA | Lock Cylinder w/Keys - Atwood |
| 8 | 039539-01-000 | EA | Striker - Entry Door Lock |
| 9 | 004383-01-000 | FT | Tape - Foam - 3/16" x 1/2" - Gray |
| 10 | 002309-01-000 | FT | Spline - Glass - 1/8" - Gray |

| Key | Part Number | U/M | Description |
|-----|---------------|-----|---|
| 10 | 002181-02-000 | EA | Glass - Picture Window - 3/16" x 12" x 24" - Gray |
| 11 | 041696-04-000 | EA | Frame - Window - Inside - 13" x 25" Brown |
| 12 | 048696-01-000 | EA | Door Asm. - Screen |
| 13 | 041791-01-000 | FT | Seal - Vinyl - Flex-U-Channel - Brown |
| 14 | 041336-02-000 | EA | Jamb Asm. - Entry Door |
| 15 | 015580-01-000 | EA | Slider - Screen Door - Brown Plastic |
| 16 | 002293-01-000 | SF | Screen - Window - 26" - Gray |
| 17 | 039520-01-000 | EA | Hinge - Entry Door (3 used per door) |
| 18 | 015581-01-000 | EA | Cap - Screen Door - Brown Plastic |
| | 049176-01-000 | EA | Hedlok II - 3/4" Diameter - Screw Mount (Retains Screen Door to Entry Door) |
| | 049797-01-000 | EA | Hedlok II - 1" Diameter - Screw Mount (Retains Screen Door to Entry Door) |
| | 018019-01-000 | EA | Striker - Screen Door |
| | 039863-01-000 | EA | Catch Asm. - Single Roller w/Strike - Screen Door |
| | 039740-01-000 | FT | Seal - Jamb - Entry Door |
| | 039800-03-000 | FT | Tubing - Polybutyl - 3/8" O.D. - Jamb |

* Not Illustrated

WINNEBAGO TABLE OF CONTENTS

| | |
|--------------------|-------------|
| Introduction | A-1 |
| Abbreviations | A-1 |
| Alphabetical Index | A-2 - A-4 |
| 1977 MWC25D | A-5 - B-12 |
| 1977 D26CRK | B-13 - C-24 |
| 1977 MWC24D | D-1 - E-8 |
| 1977 D26CRB | E-9 - F-20 |
| 1977 D26RT | F-21 - H-6 |
| 1977 MW23RB | H-7 - I-16 |
| 1977 D21 | I-17 - K-6 |
| 1977 D23C | K-7 - L-18 |

1977 MWC25D INDEX

| | |
|------------------------------------|-------------|
| Floor Plan | A-5 - A-6 |
| Accessories Group | A-7 - A-8 |
| Bath Group | A-9 - A-10 |
| Chassis Group | A-11 |
| Curtain, Cushion & Pad Group | A-12 - A-14 |
| Dinette Group | A-14 |
| Driver's Compartment Group | A-15 |
| Electrical Group | A-16 - A-17 |
| Exterior Body Group | A-18 - A-21 |
| Galley Group | A-22 |
| Heating & Air Conditioning Group | A-23 |
| Interior Finish Group | A-23 - B-1 |
| LP Group | B-1 |
| Lounge Group | B-2 |
| Water & Sewage Group | B-2 |
| Window, Vent & Exterior Door Group | B-3 - B-11 |

WINDOW, VENT AND EXTERIOR DOOR GROUP (CONTINUED)

ACCESS DOORS

| Key | Part Number | U/M | Description |
|-----|---------------|-----|---|
| | 044210-02-000 | EA | Door Asm. - 8" x 10" - Beige Plastic - Power Cord w/Plastic Latch |
| | 043942-01-000 | EA | Latch - Quarter Turn - Plastic (Power Cord Door) |
| | 037804-15-000 | EA | Door Asm. - Battery - Beige - w/Twist Type Lock |
| | 037433-07-000 | EA | Door Asm. - Generator - Beige - w/Twist Type Lock |
| | 037804-13-000 | EA | Door Asm. - Luggage - Beige - 17.56" x 10.06" |
| | 039884-01-000 | EA | Kit - Twist Type Lock w/Clip |
| | 047305-01-000 | EA | Kit - Key Type Lock w/Clip |
| | 018845-02-000 | EA | Holder Asm. - Battery and Luggage Door (Holds door open) |
| | 003182-02-000 | EA | Door Asm. - Water Heater Access - Beige |

VENTS

| Key | Part Number | U/M | Description |
|-----|---------------|-----|--|
| | 009407-01-000 | EA | Frame - Base - Refrigerator Vent (w/o Cover) |
| | 039778-01-000 | EA | Cover - Vent - Refrigerator - Plastic |
| | 049352-02-000 | EA | Vent - Stove Hood - Outside - Beige |

WINNEBAGO TABLE OF CONTENTS

| | |
|--------------------|-------------|
| Introduction | A-1 |
| Abbreviations | A-1 |
| Alphabetical Index | A-2 - A-4 |
| 1977 MWC25D | A-5 - B-12 |
| 1977 D26CRK | B-13 - C-24 |
| 1977 MWC24D | D-1 - E-8 |
| 1977 D26CRB | E-9 - F-20 |
| 1977 D26RT | F-21 - H-6 |
| 1977 MW23RB | H-7 - I-16 |
| 1977 D21 | I-17 - K-6 |
| 1977 D23C | K-7 - L-13 |

1977 MWC25D INDEX

| | |
|------------------------------------|-------------|
| Floor Plan | A-5 - A-6 |
| Accessories Group | A-7 - A-8 |
| Bath Group | A-9 - A-10 |
| Chassis Group | A-11 |
| Curtain, Cushion & Pad Group | A-12 - A-14 |
| Dinette Group | A-14 |
| Driver's Compartment Group | A-15 |
| Electrical Group | A-16 - A-17 |
| Exterior Body Group | A-18 - A-21 |
| Galley Group | A-22 |
| Heating & Air Conditioning Group | A-23 |
| Interior Finish Group | A-23 - B-1 |
| LP Group | B-1 |
| Lounge Group | B-2 |
| Water & Sewage Group | B-2 |
| Window, Vent & Exterior Door Group | B-3 - B-11 |