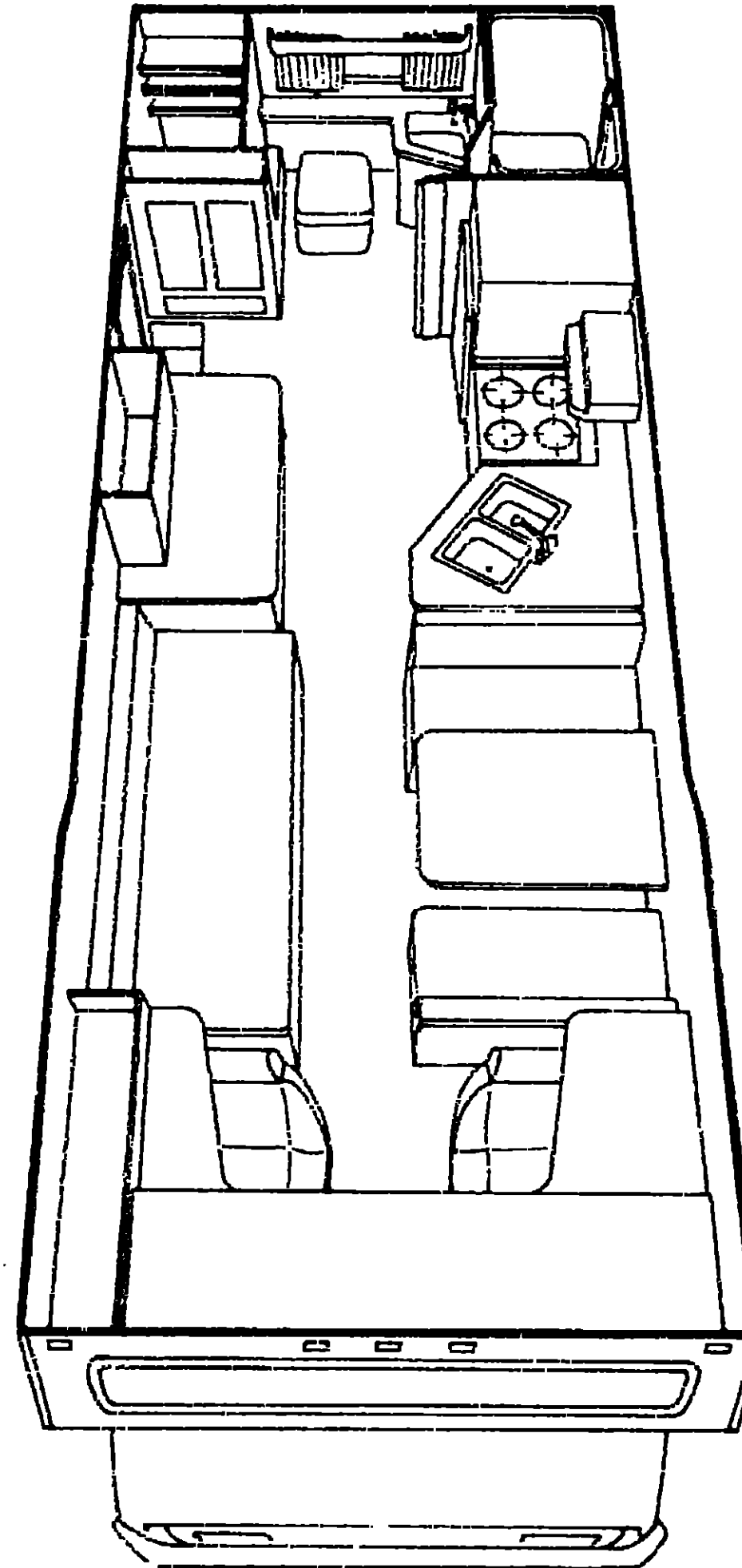


1977 MWC25

IMPORTANT

Two varieties of Antique Birch paneling were used for cabinetry in this unit. Therefore it is necessary to determine which variety was used before ordering replacement cabinetry. Refer to the Color Material Guide to aid in making the selection.



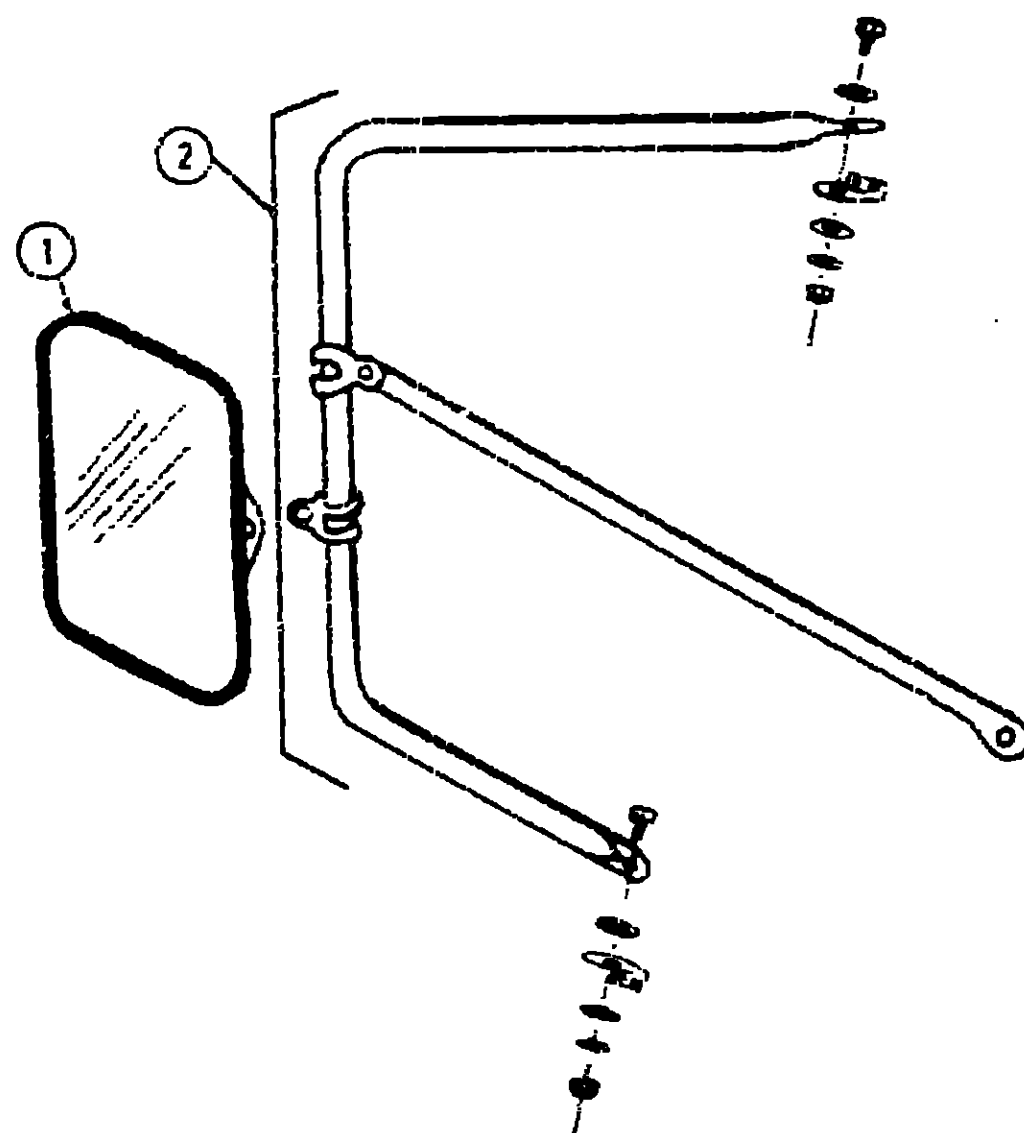
1977 WINNEBAGO TABLE OF CONTENTS

D27MI	A-1 - B-10
MW20RG	B-11 - C-16
D27S	C-17 - D-22
D23MI	D-23 - F-8
D23S	F-9 - G-14
MWC25	G-15 - I-2
D27DRK	I-3 - J-14
D29D	J-15 - L-2

1977 MWC25 INDEX

Floor Plan	G-15 - G-16
Accessories Group	G-17 - G-18
Bath Group	G-19 - G-20
Chassis Group	G-21
Curtain, Cushion & Pad Group	G-22 - H-1
Dinette Group	H-2
Driver's Compartment Group	H-2
Electrical Group	H-3 - H-4
Exterior Body Group	H-5 - H-6
Galley Group	H-9
Heating & Air Conditioning Group	H-10
Interior Finish Group	H-11 - H-12
LP Group	H-13
Lounge Group	H-14
Water & Sewage Group	H-15
Window, Vent & Exterior Door Group	H-16 - I-2

ACCESSORIES GROUP



Key	Part Number	U/M	Description
1	049347-01-000	EA	Mirror Head Only 7 1/2" x 10 1/2" Stainless Steel
2	049349-01-000	EA	Arm w/est Cross Mirror - Stainless Steel

ACCESSORIES GROUP (CONTINUED)

RADIOS AND RELATED COMPONENTS

Key	Part Number	U/M	Description
	007004-01-000	EA	Antenna - Radio - Cab Mount
	039879-01-000	EA	Speaker Kit - 5 1/4" Diameter w/Black Padded Grille
	045836-02-000	EA	Plate - Radio Cover
	049730-01-000	EA	Radio - Clarion - AM - w/Fader Switch
	049731-01-000	EA	Radio - Clarion - AM/FM/MPX - w/Fader Switch
	049732-01-000	EA	Radio - Clarion - AM/FM/MPX 8 Track - w/Fader Switch
	050751-01-000	EA	Plaque - Fader/Mic Mounting

GENERATORS AND INSTALLATION KITS

Key	Part Number	U/M	Description
	041369-01-000	EA	Tray - Generator
	042865-01-000	EA	Scoop - Generator Air
**	040504-01-000	EA	Generator - 2.5 kw - Kohler
**	040505-01-000	EA	Generator - 4.0 kw - Kohler
**	040506-01-000	EA	Generator - 5.0 kw - Kohler
**	044149-01-000	EA	Generator - 6.5 kw - Kohler
**	051908-01-000	EA	Generator - 3.5 kw - Kohler
**	051909-01-000	EA	Generator - 4.5 kw - Kohler
**	051910-01-000	EA	Generator - 5.5 kw - Kohler
**	051911-01-000	EA	Generator - 7.0 kw - Kohler

**The illustrated parts breakdown for this item is provided on the Common Items Fiche.

MISCELLANEOUS ACCESSORIES

Key	Part Number	U/M	Description
**	041440-01-000	EA	Luggage Rack and Ladder Asm
**	041440-02-000	EA	Ladder Only for Luggage Rack
	005053-01-000	EA	Antenna Asm. - TV - Braun DeLuz
	006093-01-000	EA	Jack - TV - Brown
	040465-05-000	EA	Cover - Spare Tire - 29" - Off White
	017515-01-000	EA	Mudflap - Black Rubber - 14" x 16" w/Holes
**	031396-03-000	EA	Cover - Wheel - 16.5" Chrome
	005113-01-000	EA	Jack - Hydraulic - 5 Ton
	041944-01-700	EA	Fire Extinguisher - w/Bracket
	050885-01-000	EA	Owner's Manual - Winnebago
**	042713-01-000	EA	Speed Control Package - 350 C.I.D. - C-Body

**The illustrated parts breakdown for this item is provided on the Common Items Fiche.

1977 WINNEBAGO TABLE OF CONTENTS

D27MI	A-1 - B-13
MW20RG	B-11 - C-16
D27S	C-17 - D-22
D23MI	D-23 - F-3
D23S	F-9 - G-14
MWC25	G-15 - I-2
D27DRK	I-3 - J-14
D29D	J-15 - L-2

1977 MWC25 INDEX

Floor Plan	G-15 - G-16
Accessories Group	G-17 - G-18
Bath Group	G-19 - G-20
Chassis Group	G-21
Curtain, Cushion & Pad Group	G-22 - H-1
Dinette Group	H-2
Driver's Compartment Group	H-2
Electrical Group	H-3 - H-4
Exterior Body Group	H-5 - H-8
Galley Group	H-9
Heating & Air Conditioning Group	H-10
Interior Finish Group	H-11 - H-12
LP Group	H-13
Lounge Group	H-14
Water & Sewage Group	H-15
Window, Vent & Exterior Door Group	H-16 - I-2

BATH GROUP

BATH CABINETS

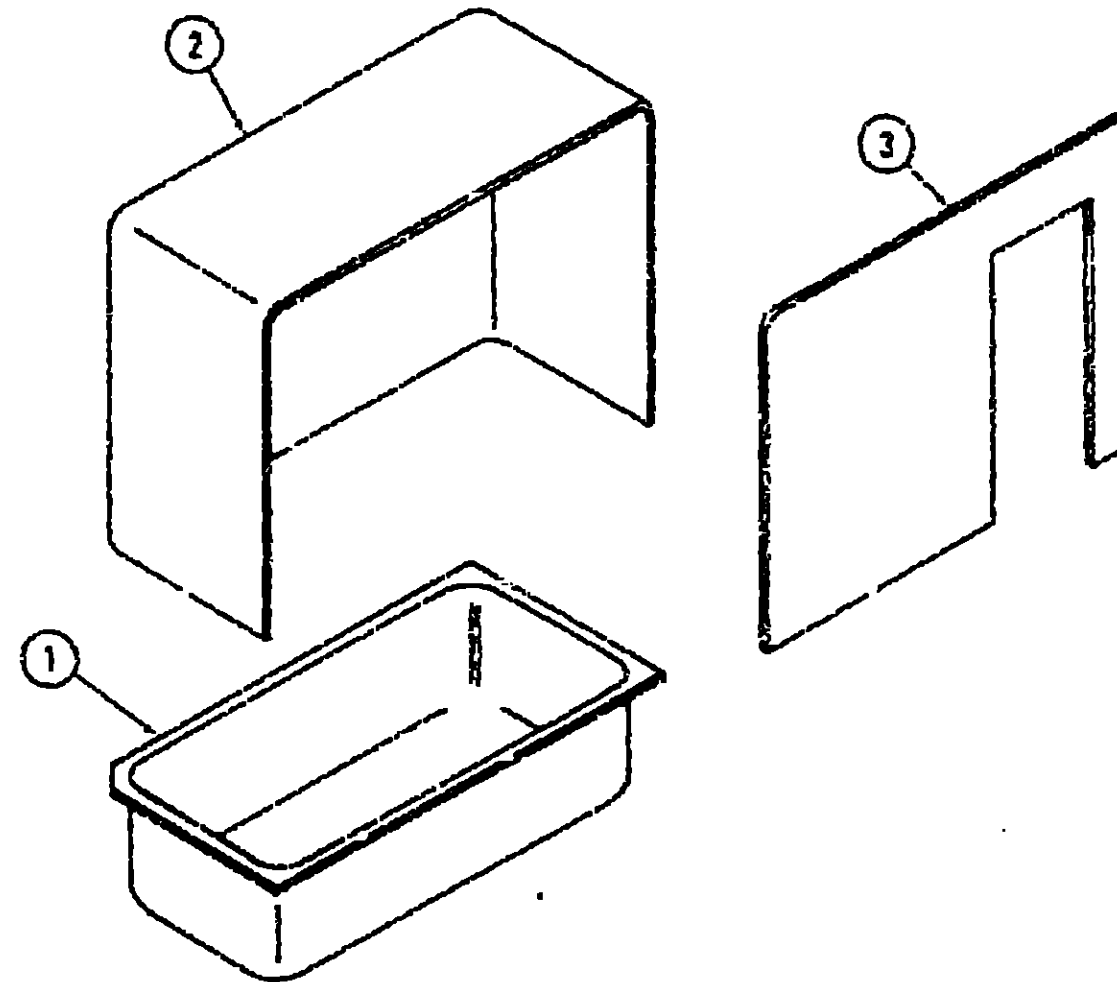
Key	Part Number	U/M	Description
	011056-01-000	EA	Faucet - Lavatory - 4"
	011083-01-000	EA	Plug - Sink w/Chain
	045700-01-000	EA	Mirror - 1.8" x 9" x 25"
	041945-05-000	EA	Cabinet Asm. Vanity w/o Doors or Top - 047939-02-000 Antique Birch
	053673-25-000	EA	Cabinet Asm. Vanity w/o Doors or Top - 047939-02-700 Antique Birch
	043236-07-700	EA	Door Asm. - Vanity Cabinet w/o Hardware - 047939-02-000 Antique Birch
	053672-20-000	EA	Door Asm. - Vanity Cabinet w/o Hardware - 047939-02-700 Antique Birch
	045422-03-000	EA	Cabinet Asm. - Medicine w/o Door - 047939-02-000 Antique Birch
	053672-61-000	EA	Cabinet Asm. - Medicine w/o Door - 047939-02-700 Antique Birch
	045932-04-700	EA	Door Asm. - Medicine Cabinet w/mirror - w/o Hardware 047939-02-000 - Antique Birch
	053672-55-000	EA	Door Asm. - Medicine Cabinet w/mirror - w/o Hardware 047939-02-700 - Antique Birch
	049236-13-700	EA	Door Asm. - Wardrobe Cabinet - 53 9/16" x 14 3/4" w/o Hardware 047939-02-000 - Antique Birch
	053672-14-000	EA	Door Asm. - Wardrobe Cabinet - 53 9/16" x 14 3/4" w/o Hardware 047939-02-700 - Antique Birch
	049236-14-700	EA	Door Asm. - Wardrobe Cabinet - 49 5/8" x 9 9/16" - w/o Hardware 047939-02-000 - Antique Birch
	053672-13-000	EA	Door Asm. - Wardrobe Cabinet - 49 5/8" x 9 9/16" - w/o Hardware 047939-02-700 - Antique Birch
	049239-02-700	EA	Drawer Asm. - Wardrobe Cabinet - w/o Hardware - 047939-02-000 Antique Birch
	053671-66-000	EA	Drawer Asm. - Wardrobe Cabinet - w/o Hardware - 047939-02-700 Antique Birch
	050739-01-000	EA	Door Asm. - Shower
	050470-01-000	EA	Plastic Styrene - 090" x 15 3/8" x 51 5/8"
	050060-01-000	FT	Glazing - Vinyl - U Shaped
	050233-01-000	EA	Striker - Jamb - Shower Door
	043566-01-000	EA	Jamb - Shower Door - Bottom
	043567-01-000	EA	Jamb - Shower Door - Right
	043567-02-000	EA	Jamb - Shower Door - Left
	050712-02-000	EA	Handle - Shower Door - Clear
	050482-01-000	EA	Catch - Spring - Roll Pin

BATH HARDWARE

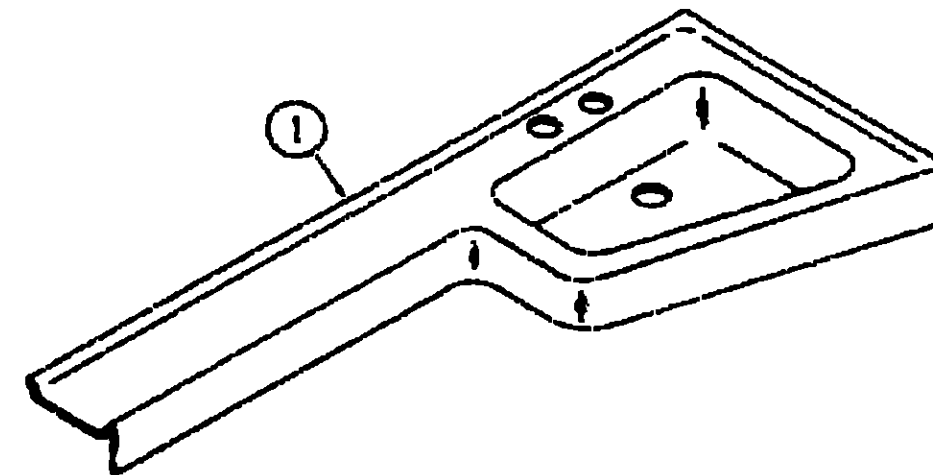
Key	Part Number	U/M	Description
	011049-01-000	EA	Shower Head - w/60" Hose
	031558-01-000	EA	Faucet - Tub and Shower
	010495-01-000	EA	Clamp - Shower Hose
	011086-01-000	EA	Strainer - Shower Pan
	011070-01-000	EA	Tailpiece - 1 1/4" x 5" - Brass
	009134-01-000	EA	Holder - Tissue
	033580-01-000	EA	Ring - Towel - Chrome w/Plastic Ring
	009133-01-000	EA	Bar - Towel Rack - 12" Plastic
	023449-01-000	EA	Support - Towel Bar - Chrome
**	039341-02-000	EA	Stool Asm. - Ivory - Aqua Magic - Model SM

**The illustrated parts breakdown for this item is provided on the Common Items Fiche

BATH GROUP (CONTINUED)



Key	Part Number	U/M	Description
1	041825-01-000	EA	Bottom - Bathtub
2	041853-01-000	EA	Rear - Bathtub
3	041852-01-000	EA	Front - Bathtub



Key	Part Number	U/M	Description
1	042175-01-000	EA	Lavatory Top - Plastic w/o Faucet

1977 WINNEBAGO TABLE OF CONTENTS

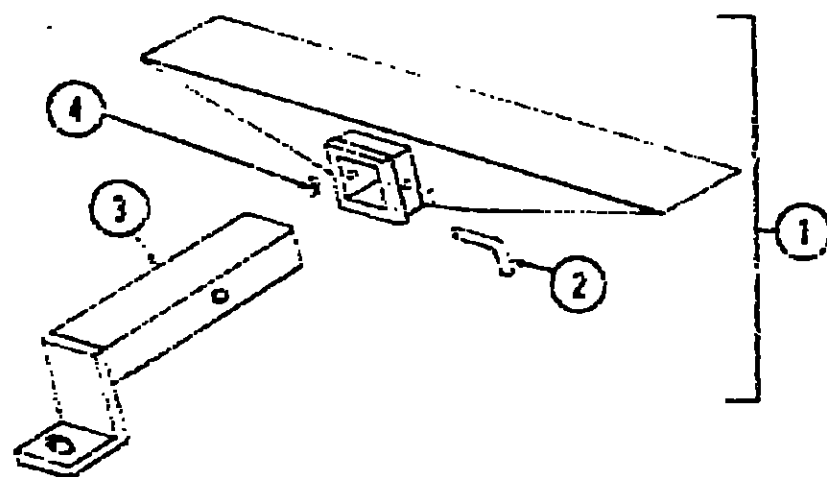
D27M1	A-1 - B-10
MW20RG	B-11 - C-16
D27S	C-17 - D-22
D23M1	D-23 - F-8
D23S	F-9 - G-14
MWC25	G-15 - I-2
D27DRK	I-3 - J-14
D29D	J-15 - L-2

1977 MWC25 INDEX

Floor Plan	G-15 - G-16
Accessories Group	G-17 - G-18
Bath Group	G-19 - G-20
Chassis Group	G-21
Curtain, Cushion & Pad Group	G-22 - H-1
Dinette Group	H-2
Driver's Compartment Group	H-2
Electrical Group	H-3 - H-4
Exterior Body Group	H-5 - H-8
Galley Group	H-9
Heating & Air Conditioning Group	H-10
Interior Finish Group	H-11 - H-12
LP Group	H-13
Lounge Group	H-14
Water & Sewage Group	H-15
Window, Vent & Exterior Door Group	H-16 - I-2

CHASSIS GROUP

Key	Part Number	U/M	Description
	024652-01-700	EA	Step Asm - Entry Door
	046742-01-000	EA	Step Asm - Front Door Assist
	045000-03-000	EA	Shield - Heat 40"
	046594-01-000	EA	Tray - Battery - Steel
	043582-01-000	EA	Rod - Battery Tie Down
	046592-01-000	EA	Hold Down - Double Battery
	039515-01-000	EA	Rod - Holding Hood
	046745-01-000	EA	Support Asm - Radiator Grille
	044763-01-000	EA	Splash Guard - Front Black Rubber
	017516-01-000	EA	Mud Flap - Black - w/Holes
	044765-01-000	EA	Bracket - Fiberglass to Wheel Well
	044164-01-000	EA	Bracket - Fiberglass to Hinge Pillar
	044371-01-000	EA	Bracket - Fiberglass Front Bottom Attach
	044373-01-000	EA	Bracket - Fiberglass Front Top Attach
	041723-01-000	EA	Bracket - Hood - Center Bumper
	045583-01-000	EA	Hood - Hood
	043548-01-000	EA	Bumper - Hood
	037125-08-000	EA	Clamp Asm - Nuttier - 3" Dia.
	042377-01-000	EA	Tail Pipe Extension - 3" O.D. 7.50"
	040634-02-000	EA	Carrier - Spare Tire
	046043-06-000	EA	Bracket - Asm - Bumper
	046785-01-000	EA	Bumper - Rear - Chrome 93"
	045226-01-000	EA	Tray - Generator - 36.25" x 37.75"
	039649-01-000	EA	Wheel Well - Rear - Plastic - Left or Right



Key	Part Number	U/M	Description
1	023695-01-700	EA	Hitch Kit - w/Drawbar
2	034512-01-000	EA	Pin - Locking - Drawbar
3	024276-01-000	EA	Drawbar - Trailer Hitch
4	034513-01-000	EA	Pin - Hitch - 3/16" Wire Spring

CURTAIN, CUSHION AND PAD GROUP

CURTAINS

Key	Part Number	U/M	Description
	055005-02-000	EA	Curtain - Front Buck Privacy - 25" x 93" - Brown Vinyl
	045632-01-000	EA	Curtain - Wraparound w. Snap Top Brown Vinyl - Left or Right
	048840-18-000	EA	Curtain w. Snap Top and Bottom - 17.5" x 39" - Rust (Cactus)
	048840-19-000	EA	Curtain w. Snap Top and Bottom - 17.5" x 39" - Gold (Inca Gold)
	048840-20-000	EA	Curtain w. Snap Top and Bottom - 17.5" x 39" - Beige (Sage)
	048840-21-000	EA	Curtain w. Snap Top and Bottom - 22.5" x 15" - Rust (Cactus)
	048840-22-000	EA	Curtain w. Snap Top and Bottom - 22.5" x 15" - Gold (Inca Gold)
	048840-23-000	EA	Curtain w. Snap Top and Bottom - 22.5" x 15" - Beige (Sage)
	048840-24-000	EA	Curtain w. Snap Top and Bottom - 25.5" x 24" - Rust (Cactus)
	045540-75-000	EA	Curtain w. Snap Top and Bottom - 25.5" x 24" - Gold (Inca Gold)
	048840-76-000	EA	Curtain w. Snap Top and Bottom - 25.5" x 24" - Beige (Sage)
	049021-04-000	EA	Curtain w. Snap Top - 33" x 33" - Rust (Cactus)
	049021-03-000	EA	Curtain w. Snap Top - 33" x 33" - Gold (Inca Gold)
	049021-05-000	EA	Curtain w. Snap Top - 33" x 33" - Beige (Sage)
	049425-04-000	EA	Curtain w. Snap Top Left - 15 1/2" x 39" - Rust (Cactus)
	049425-05-000	EA	Curtain w. Snap Top Left - 27" x 39" - Gold (Inca Gold)
	049425-06-000	EA	Curtain w. Snap Top Left - 27" x 39" - Beige (Sage)
	049425-07-000	EA	Curtain w. Snap Top Left - 27" x 33" - Rust (Cactus)
	049425-08-000	EA	Curtain w. Snap Top Left - 15 1/2" x 39" - Gold (Inca Gold)
	049425-09-000	EA	Curtain w. Snap Top Left - 15 1/2" x 39" - Beige (Sage)
	049427-01-000	EA	Curtain w. Snap Top - Right - 27" x 39" - Rust (Cactus)
	049427-02-000	EA	Curtain w. Snap Top - Right - 27" x 39" - Gold (Inca Gold)
	049427-03-000	EA	Curtain w. Snap Top - Right - 27" x 39" - Beige (Sage)

TIE BACKS

Key	Part Number	U/M	Description
	049097-15-000	EA	Tie Back - Curtain - 14" - Brown Vinyl
	049097-16-000	EA	Tie Back - Curtain - 10" - Rust (Cactus)
	049097-17-000	EA	Tie Back - Curtain - 10" - Gold (Inca Gold)
	049097-18-000	EA	Tie Back - Curtain - 11" - Beige (Sage)
	049097-19-000	EA	Tie Back - Curtain - 11" - Rust (Cactus)
	049097-20-000	EA	Tie Back - Curtain - 14" - Gold (Inca Gold)
	049097-21-000	EA	Tie Back - Curtain - 14" - Beige (Sage)

CURTAIN HARDWARE

Key	Part Number	U/M	Description
	009107-01-000	EA	Guide - Curtain - Nylon
	009223-02-000	EA	Rod - Curtain - Flat - Extends 48" x 84"
	009224-01-000	EA	Rod - Curtain - Flat - Extends 28" - 45"
	042439-01-000	EA	Bracket - Curtain Rod Single - Left or Right
	050327-04-236	EA	Curtain Track - Alum. - Brown - 83" w/Holes (Replaces 003106-01-000 Plastic Curtain Track)



Key	Part Number	U/M	Description
1	029170-01-000	EA	Socket - Snap Fastener - (Tie Backs)
2	029155-01-000	EA	Cap - Snap .156" Diameter x .17" Barrel (Tie Backs)
3	029156-01-000	EA	Socket - Snap Fastener (Tie Backs)
4	029092-01-000	EA	Stud - Nickel Finish (Curtains)
5	029093-01-000	EA	Eyelet - Nickel Finish (Curtains)

1977 WINNEBAGO TABLE OF CONTENTS

D27MI	A-1 - B-10
MW20RG	B-11 - C-16
D27S	C-17 - D-22
D23MI	D-23 - F-8
D23S	F-9 - G-14
MWC25	G-15 - I-2
D27DRK	I-3 - J-14
D29D	J-15 - L-2

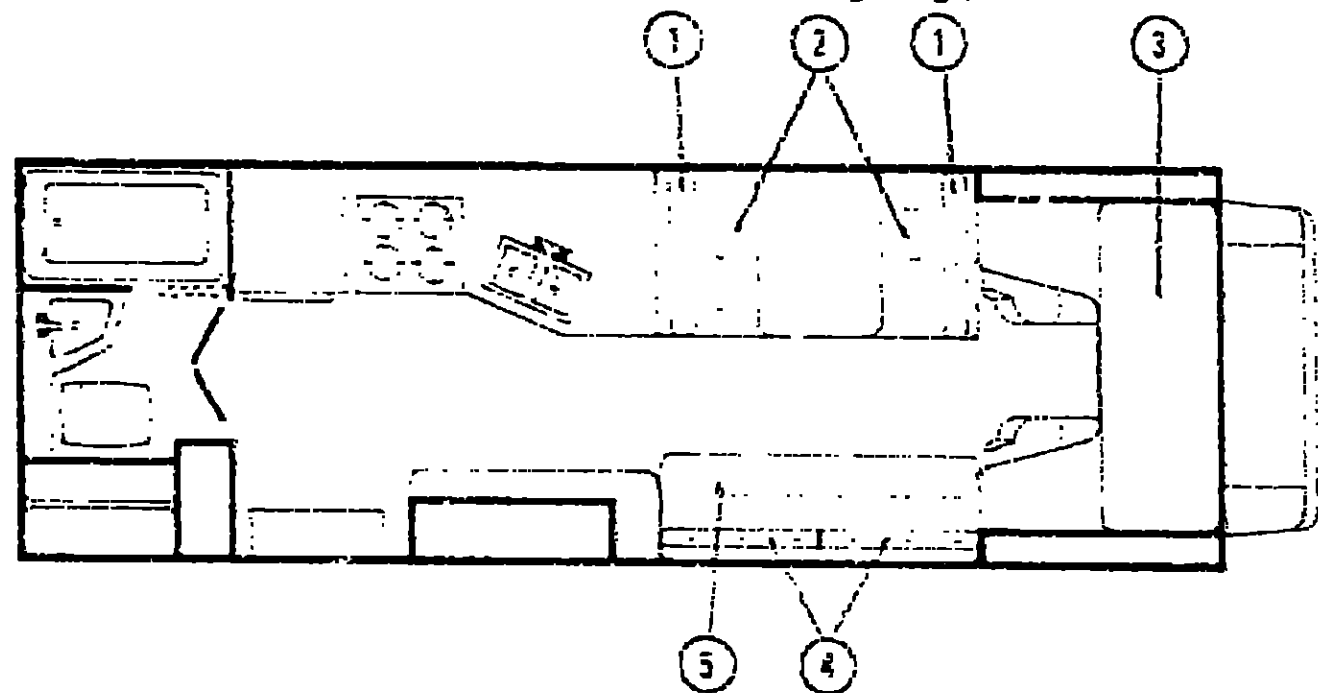
1977 MWC25 INDEX

Floor Plan	G-15 - G-16
Accessories Group	G-17 - G-18
Bath Group	G-19 - G-20
Chassis Group	G-21
Curtain, Cushion & Pad Group	G-22 - H-1
Dinette Group	H-2
Driver's Compartment Group	H-2
Electrical Group	H-3 - H-4
Exterior Body Group	H-5 - H-8
Galley Group	H-9
Heating & Air Conditioning Group	H-10
Interior Finish Group	H-11 - H-12
LP Group	H-13
Lounge Group	H-14
Water & Sewage Group	H-15
Window, Vent & Exterior Door Group	H-15 - I-2

CURTAIN, CUSHION AND PAD GROUP (CONTINUED)

VALANCES

Key	Part Number	U/M	Description
	045831-72-000	EA	Valance w Header - 55" x 83" - Rust (Cactus)
	045831-77-000	EA	Valance w Header - 55" x 83" - Gold (Inca Gold)
	045831-78-000	EA	Valance w Header - 55" x 83" - Beige (Sage)
	045831-79-000	EA	Valance w Header - 55" x 50" - Rust (Cactus)
	045831-52-000	EA	Valance w Header - 55" x 50" - Gold (Inca Gold)
	045831-51-000	EA	Valance w Header - 55" x 50" - Beige (Sage)
	051165-01-000	EA	Valance w Header - 55" x 25" - Rust (Cactus)
	051165-02-000	EA	Valance w Header - 55" x 25" - Gold (Inca Gold)
	051165-03-000	EA	Valance w Header - 55" x 25" - Beige (Sage)



DINETTE CUSHIONS

Key	Part Number	U/M	Description
1	045839-25-000	EA	Cushion - Mitered - 14" x 25" x 4" - Rust (Cactus)
1	045839-26-000	EA	Cushion - Mitered - 14" x 38" x 4" - Gold (Inca Gold)
1	045839-27-000	EA	Cushion - Mitered - 14" x 38" x 4" - Beige (Sage)
	045839-25-025	EA	Cover - Cushion - Mitered - 14" x 38" x 4" - Rust (Cactus)
	045839-26-025	EA	Cover - Cushion - Mitered - 14" x 38" x 4" - Gold (Inca Gold)
	045839-27-027	EA	Cover - Cushion - Mitered - 14" x 38" x 4" - Beige (Sage)
2	045839-22-000	EA	Cushion - Mitered - 22.5" x 38" x 4" - Rust (Cactus)
2	045839-23-000	EA	Cushion - Mitered - 22.5" x 38" x 4" - Gold (Inca Gold)
2	045839-24-000	EA	Cushion - Mitered - 22.5" x 38" x 4" - Beige (Sage)
	045839-22-022	EA	Cover - Cushion - Mitered - 22.5" x 38" x 4" - Rust (Cactus)
	045839-23-023	EA	Cover - Cushion - Mitered - 22.5" x 38" x 4" - Gold (Inca Gold)
	045839-24-024	EA	Cover - Cushion - Mitered - 22.5" x 38" x 4" - Beige (Sage)

MATTRESSES

Key	Part Number	U/M	Description
3	050102-07-000	EA	Mattress - Mitered - 24.5" x 76" x 5" - Rust (Cactus)
3	050102-08-000	EA	Mattress - Mitered - 24.5" x 76" x 5" - Gold (Inca Gold)
3	050102-09-000	EA	Mattress - Mitered - 24.5" x 76" x 5" - Beige (Sage)
	050102-07-007	EA	Cover - Mattress Mitered - 24.5" x 76" x 5" - Rust (Cactus)
	050102-08-008	EA	Cover - Mattress Mitered - 24.5" x 76" x 5" - Gold (Inca Gold)
	050102-09-009	EA	Cover - Mattress Mitered - 24.5" x 76" x 5" - Beige (Sage)
3	050102-10-000	EA	Mattress - Mitered - 28.5" x 76" x 4" - Rust (Cactus)
3	050102-11-000	EA	Mattress - Mitered - 28.5" x 76" x 4" - Gold (Inca Gold)
3	050102-12-000	EA	Mattress - Mitered - 28.5" x 76" x 4" - Beige (Sage)
	050102-10-010	EA	Cover - Mattress - Mitered - 28.5" x 76" x 4" - Rust (Cactus)
	050102-11-011	EA	Cover - Mattress - Mitered - 28.5" x 76" x 4" - Gold (Inca Gold)
	050102-12-012	EA	Cover - Mattress - Mitered - 28.5" x 76" x 4" - Beige (Sage)

CURTAIN, CUSHION AND PAD GROUP (CONTINUED)

GAUCHO CUSHIONS

Key	Part Number	U/M	Description
4	045839-16-000	EA	Cushion - Mitered - 15" x 37.5" x 4" - Rust (Cactus)
4	045839-17-000	EA	Cushion - Mitered - 15" x 37.5" x 4" - Gold (Inca Gold)
4	045839-18-000	EA	Cushion - Mitered - 15" x 37.5" x 4" - Beige (Sage)
	045839-16-016	EA	Cover - Cushion - Mitered - 15" x 37.5" x 4" - Rust (Cactus)
	045839-17-017	EA	Cover - Cushion - Mitered - 15" x 37.5" x 4" - Gold (Inca Gold)
	045839-18-018	EA	Cover - Cushion - Mitered - 15" x 37.5" x 4" - Beige (Sage)
5	045839-19-000	EA	Cushion - Mitered - 25" x 75" - Rust (Cactus)
5	045839-20-000	EA	Cushion - Mitered - 25" x 75" - Gold (Inca Gold)
5	045839-21-000	EA	Cushion - Mitered - 25" x 75" - Beige (Sage)
	045839-19-019	EA	Cover - Cushion - Mitered - 25" x 75" - Rust (Cactus)
	045839-20-020	EA	Cover - Cushion - Mitered - 25" x 75" - Gold (Inca Gold)
	045839-21-021	EA	Cover - Cushion - Mitered - 25" x 75" - Beige (Sage)

SWIVEL CHAIRS

Key	Part Number	U/M	Description
	042989-11-000	EA	Chair - TT - Rust (Cactus)
	042989-12-000	EA	Chair - TT - Gold (Inca Gold)
	042989-13-000	EA	Chair - TT - Beige (Sage)
	042987-11-000	EA	Cushion - TT Chair - Rust (Cactus)
	042987-12-000	EA	Cushion - TT Chair - Gold (Inca Gold)
	042987-13-000	EA	Cushion - TT Chair - Beige (Sage)
	035035-01-000	EA	Plate - Tilt and Swivel Chair (mounts to bottom of chair)
	035035-02-000	EA	Base - Tilt and Swivel Chair w/Holes in Legs

BUCKET SEATS, ARMRESTS, AND HEADRESTS

Key	Part Number	U/M	Description
	040516-22-000	EA	Seat Asm. - Single Bucket w/Slide and Pocket - Rust (Cactus)
	040516-30-000	EA	Seat Asm. - Single Bucket w/Slide and Pocket - Gold (Inca Gold)
	040516-31-000	EA	Seat Asm. - Single Bucket w/Slide and Pocket - Beige (Sage)
	040515-20-001	EA	Cover - Single Bucket - Bottom - Rust (Cactus)
	040515-21-001	EA	Cover - Single Bucket - Bottom - Gold (Inca Gold)
	040516-22-001	EA	Cover - Single Bucket - Bottom - Beige (Sage)
	040516-23-002	EA	Cover - Single Bucket - Back w/Pocket - Rust (Cactus)
	040516-30-002	EA	Cover - Single Bucket - Back w/Pocket - Gold (Inca Gold)
	040516-31-002	EA	Cover - Single Bucket - Back w/Pocket - Beige (Sage)
	033905-33-000	EA	Headrest Asm. - Rust (Cactus)
	033905-34-000	EA	Headrest Asm. - Gold (Inca Gold)
	033905-35-000	EA	Headrest Asm. - Beige (Sage)
	031133-01-000	EA	Protector - Driver Seat - 6" Tan Plastic
	029134-01-000	EA	Clip - Finish - Upholstery (Bucket Seat)
	025136-01-000	EA	Grommet - Headrest - Brown Nylon
	033905-33-000	EA	Headrest Cover - Rust (Cactus)
	033905-34-000	EA	Headrest Cover - Gold (Inca Gold)
	033905-35-000	EA	Headrest Cover - Beige (Sage)
	019722-01-000	EA	Headrest Asm. - Foam w/o Cover
	050250-01-000	EA	Armrest Cover - Right or Left - Rust (Cactus)
	050250-02-000	EA	Armrest Cover - Right or Left - Gold (Inca Gold)
	050250-03-000	EA	Armrest Cover - Right or Left - Beige (Sage)
	050275-01-700	EA	Armrest Asm. - Foam w/o Cover - Right
	050275-01-700	EA	Armrest Asm. - Foam w/o Cover - Left

**1977 WINNEBAGO
TABLE OF CONTENTS**

D27MI	A-1 - B-10
MW20RG	B-11 - C-16
D27S	C-17 - D-22
D23MI	D-23 - F-2
D23S	F-3 - G-14
MWC25	G-15 - I-2
D27DRK	I-3 - J-14
D29D	J-15 - L-2

1977 MWC25 INDEX

Floor Plan	C-15 - G-15
Accessories Group	G-17 - G-18
Bath Group	G-19 - G-20
Chassis Group	G-21
Curtain, Cushion & Pad Group	G-22 - H-1
Dinette Group	H-2
Driver's Compartment Group	H-2
Electrical Group	H-3 - H-4
Exterior Body Group	H-5 - H-9
Galley Group	H-3 - H-9
Heating & Air Conditioning Group	H-10
Interior Finish Group	H-11 - H-12
I/P Group	H-13
Lounge Group	H-14
Water & Sewage Group	H-15
Window, Vent & Exterior Door Group	H-16 - I-2

CURTAIN, CUSHION AND PAD GROUP (CONTINUED)

FABRICS AND TRIMS

Key	Part Number	U/M	Description
	045558-01-000	YD	Fabric - Upholster - Rust (Cactus)
	045558-02-000	YD	Fabric - Upholster - Gold (Inca Gold)
	045558-03-000	YD	Fabric - Upholster - Beige (Sage)
	043519-01-000	YD	Fabric - Drapery - Rust (Cactus)
	043519-02-000	YD	Fabric - Drapery - Gold (Inca Gold)
	043519-03-000	YD	Fabric - Drapery - Beige (Sage)
	042411-01-000	YD	Vinyl - Nonexpanded - 27 Ounce
	042411-03-000	YD	Vinyl - Non Support - 18 Gauge - Brown
	042411-02-000	YD	Vinyl - Expanded - 25 Ounce
	048454-01-000	EA	Button Asm - Brown Vinyl
	042414-01-000	FT	Trim - Accent - Brown Vinyl

PADS

Key	Part Number	U/M	Description
	043321-02-000	EA	Pad - A' Pillar - Right - Brown Vinyl
	043322-02-000	EA	Pad - A' Pillar - Left - Brown Vinyl
	043323-02-000	EA	Pad - Door - Top Right - Brown Vinyl
	043324-02-000	EA	Pad - Door - Top Left - Brown Vinyl
	043325-03-000	EA	Pad - B' Pillar - Left - Brown Vinyl
	043325-04-000	EA	Pad - B' Pillar - Right - Brown Vinyl
	043326-02-000	EA	Headliner - Cab - Brown Vinyl
	043327-02-000	EA	Pad - Support - Cab/Pillar Asm. - Left
	043327-10-000	EA	Pad - Support - Cab/Pillar Asm. - Right
	045530-01-000	EA	Pad - Sleeper Board - Left - Brown Vinyl
	045530-02-000	EA	Pad - Sleeper Board - Right - Brown Vinyl
	048456-01-000	EA	Pad Asm - Tube Cover

DINETTE GROUP

Key	Part Number	U/M	Description
	024274-21-700	EA	Table Asm - Dinette w/o Hardware - Rust (Cactus)
	024274-22-700	EA	Table Asm. - Dinette w/o Hardware - Gold (Inca Gold)
	024274-23-700	EA	Table Asm. - Dinette w/o Hardware - Beige (Sage)
**	047509-02-000	EA	Hardware Kit - Dinette Table - Wall Mount
**	047842-01-000	EA	Kit - Table Leg - Dinette
	007021-01-000	EA	Seat Asm. - Seat - 2" x 90" - Black
	041322-01-000	EA	Washer - Flat - 15/32" I.D. x 2 3/8" O.D.
	047726-02-000	EA	Cabinet Asm. - Dinette Overhead w/o Doors or Hardware - 047939-02-000 Antique Birch
	053672-47-000	EA	Cabinet Asm. - Dinette Overhead w/o Doors or Hardware - 047939-02-700 Antique Birch
	049236-03-000	EA	Door Asm. - Dinette Overhead Cabinet w/o Hardware - 047939-02-000 Antique Birch
	053672-19-000	EA	Door Asm. - Dinette Overhead Cabinet w/o Hardware - 047939-02-700 Antique Birch
	045377-03-000	EA	Cabinet Asm. - Dinette Seat - Left - 047939-02-000 Antique Birch
	053672-66-000	EA	Cabinet Asm. - Dinette Seat - Left - 047939-02-700 Antique Birch
	045551-02-000	EA	Cabinet Asm. - Dinette Seat - Right - 047939-02-000 Antique Birch
	053672-45-000	EA	Cabinet Asm. - Dinette Seat - Right - 047939-02-700 Antique Birch
	059236-01-700	EA	Door Asm. - Dinette Seat Cabinet w/o Hardware - 047939-02-000 Antique Birch
	053672-26-000	EA	Door Asm. - Dinette Seat Cabinet w/o Hardware - 047939-02-700 Antique Birch

** The illustrated parts breakdown for this item is provided on the Common Items Fiche

**1977 WINNEBAGO
TABLE OF CONTENTS**

D27MI	A-1 - B-10
MW20RG	B-11 - C-16
D27S	C-17 - D-22
D23MI	D-23 - F-8
D23S	F-9 - G-14
MWC25	G-15 - I-2
D27DRK	I-3 - J-14
D29D	J-15 - L-2

DRIVER'S COMPARTMENT GROUP

Key	Part Number	U/M	Description
	039839-01-000	EA	Bezel - Transmission Control
	036414-01-000	EA	Ashtray
	041425-01-000	EA	Cover - Engine
	041320-01-000	EA	Bracket - Engine Cover/Floor
	045223-01-000	EA	Bracket - Engine Cover
	045206-08-000	EA	Side Panel - Cab Door - Left - Rust (Cactus)
	045206-09-000	EA	Side Panel - Cab Door - Left - Gold (Inca Gold)
	045206-10-000	EA	Side Panel - Cab Door - Left - Beige (Sage)
	045205-08-000	EA	Side Panel - Cab Door - Right - Rust (Cactus)
	045205-09-000	EA	Side Panel - Cab Door - Right - Gold (Inca Gold)
	045205-10-000	EA	Side Panel - Cab Door - Right - Beige (Sage)
	049360-02-000	EA	Console - Overhead - w/o Gauges or Switches
	031035-01-000	EA	Gauge - Hourmeter - Generator
	024976-01-000	EA	Switch - Generator - w/o Circuit Board
	024461-01-000	EA	Switch - Battery
	046885-01-000	EA	Plaque - Mounting - Battery Switch
	039546-07-000	EA	Extension Asm - Sleeper Board
	023512-04-000	EA	Rail - Bunk - Brown - 75"
	041476-01-000	FT	Track - Slide - PVC Dark Fecan - 12"
	048656-01-000	EA	Bracket - Catch - Bunk
	049797-01-000	EA	Hexlock II - 1" Dia - Screw Mount - Black Plastic
	049918-01-000	EA	Pedestal Asm. - Swivel Seat
	007223-01-000	EA	Adjuster Asm. - Seat w/ Lock
	007224-02-000	EA	handle - Seat Adjuster - 9"
	007227-01-000	EA	Adjuster Asm. - Seat w/o Lock
	048636-01-000	EA	Handle - Swivel Seat
	049916-01-000	EA	Plate Asm. - Swivel Seat
	049943-01-000	EA	Pedestal - Complete - Swivel Seat
	007722-01-000	EA	Seat Asm - Seat - 2" x 60" - Black
	040697-03-000	EA	Pad - Instrument Panel - Brown

1977 MWC25 INDEX

Floor Plan	G-15 - G-16
Accessories Group	G-17 - G-18
Bath Group	G-19 - G-20
Chassis Group	G-21
Curtain, Cushion & Pad Group	G-22 - H-1
Dinette Group	H-2
Driver's Compartment Group	H-2
Electrical Group	H-3 - H-4
Exterior Body Group	H-5 - H-8
Galley Group	H-9
Heating & Air Conditioning Group	H-10
Interior Finish Group	H-11 - H-12
LP Group	H-13
Lounge Group	H-14
Water & Sewage Group	H-15
Window, Vent & Exterior Door Group	H-16 - I-2

ELECTRICAL GROUP

BULBS

Key	Part Number	U/M	Description
	037935-01-000	EA	Bulb - 1157
	038010-01-000	EA	Bulb - 1143
	008103-01-000	EA	Bulb - 53
	008213-01-000	EA	Bulb - 57
	008214-01-000	EA	Bulb - 67
	008215-01-000	EA	Bulb - 1003
	008216-01-000	EA	Bulb - 1034
	008217-01-000	EA	Bulb - 1073
	008218-01-000	EA	Bulb - 1141
	008219-01-000	EA	Bulb - 556
	008220-01-000	EA	Bulb - 12V - 25W
	036196-01-000	EA	Bulb - 194
	700020-01-000	EA	Bulb - 12V - 20W - 1383

EXTERIOR LIGHTS

Key	Part Number	U/M	Description
	008089-01-000	EA	Light - Porch - Recessed
	031054-01-000	EA	Lamp Asm. - Tail - Left - White
	031054-01-701	EA	Lens - Tail Lamp - Left
	031055-01-000	EA	Lamp Asm. - Tail - Right - White
	031055-01-701	EA	Lens - Tail Lamp - Right
	042405-03-000	EA	Base - Rectangular Clearance Light
	042405-04-000	EA	Lens - Rectangular Light - Red
	042405-05-000	EA	Lens - Rectangular Light - Amber

INTERIOR LIGHTS

Key	Part Number	U/M	Description
	024413-01-000	EA	Lamp Asm. - Map/Gauge/As's
	024473-01-000	EA	Light - Aircraft - 1 Bulb Gold
	033503-01-000	EA	Light - Dome - White - 1 Bulb
	021512-01-701	EA	Lens - Dome Light - 1 Bulb
	033503-01-000	EA	Light - Dome - White - 2 Bulb
	024543-01-701	EA	Lens - Dome Light - 2 Bulb
	008102-01-000	EA	Light - Corner Mount - Multi-bulb
	006123-01-000	EA	Light - Bullet - Miniature Brass

FUSES AND CIRCUIT BREAKERS

Key	Part Number	U/M	Description
	008233-01-000	EA	Fuse - 12 Volt - 6 Amp
	008234-01-000	EA	Fuse - 12 Volt - 10 Amp
	008235-01-000	EA	Fuse - 12 Volt - 15 Amp
	008236-01-000	EA	Fuse - 12 Volt - 20 Amp
	008248-01-000	EA	Fuse - 110 Volt - 30 Amp
	008252-01-000	EA	Fuse - 110 Volt - 50 Amp
	008253-01-000	EA	Circuit Breaker - 12 Volt - 40 Amp
	008211-01-000	EA	Circuit Breaker - 12 Volt - 6 Amp
	008258-01-000	EA	Circuit Breaker - 12 Volt - 30 Amp w/Mount
	033573-01-000	EA	Circuit Breaker - 12 Volt - 20 Amp w/Mount
	033484-01-000	EA	Circuit Breaker - 30 Amp - Air Conditioner
	052012-01-000	EA	Circuit Breaker - 50 Amp - Air Conditioner

ELECTRICAL GROUP (CONTINUED)

WIRE, SWITCHES, AND RECEPTACLES

Key	Part Number	U/M	Description
	008024-01-000	FT	Wire - 18.5 Bonded - Orange/White/Yellow/Blue/Brown
	008025-01-000	FT	Wire - 18.5 Bonded - Orange/White/Yellow/Blue/Green
	008028-01-000	FT	Wire - 18.5 Bonded - Blue/Red/Yellow/Orange/White
	008030-01-000	FT	Wire - 18.4 Bonded
	008251-01-000	EA	Holder - Fuse - Black - Screw Type
	008277-01-000	EA	Holder - Fuse - Black - Panel Mount
	008195-01-000	EA	Switch - Push Button 12 Volt
	006077-01-000	EA	Plaque - Compressor Switch
	008054-01-000	EA	Cord - Power - 10-3 30 Amp. - 25' - UL
	034818-04-000	EA	Holder - Receptacle - Plastic
	039335-01-000	EA	Cover Plate - Receptacle - Plastic - Brown
	039335-01-000	EA	Receptacle - Duplex Brown - End of Line
	039342-01-000	EA	Receptacle - Duplex Brown - T Junction
	024571-01-000	EA	Cover Plate - Receptacle - Jumbo Steel Brown
	039343-01-000	EA	Cap - End - Receptacle
	006162-01-000	EA	Switch - Double Toggle - Spade Brown
	008163-01-000	EA	Switch - Toggle Brown
	024924-01-000	EA	Receptacle - Power Cord
	008058-01-000	EA	Adaptor - Power Cord
	047353-01-000	EA	Cover - Receptacle - Ground Fault
	047351-01-000	EA	Receptacle - Ground Fault Interrupter - 125 Volt Black
	040223-01-000	EA	Holder Asm. - Fuse - 30 Amp.

MISCELLANEOUS ELECTRICAL COMPONENTS

Key	Part Number	U/M	Description
	047338-01-000	EA	Isolator - Dual Battery
	047389-01-700	EA	Battery - 12 Volt - 105 Amp Deep Cycle - Dry
	008198-01-000	EA	Solenoid - Dual Battery - Relay
	046775-01-000	EA	Valve - Gas - Change Over - 3 Way
	036617-01-000	EA	Relay - Canister - SPDT
	035950-02-000	EA	Control Center - 30 Amp w/Door - UL
	048612-01-000	EA	Panel - Control - Water/Double Sewage - Wemac
	039861-01-000	EA	Sending Unit Kit - Wemac

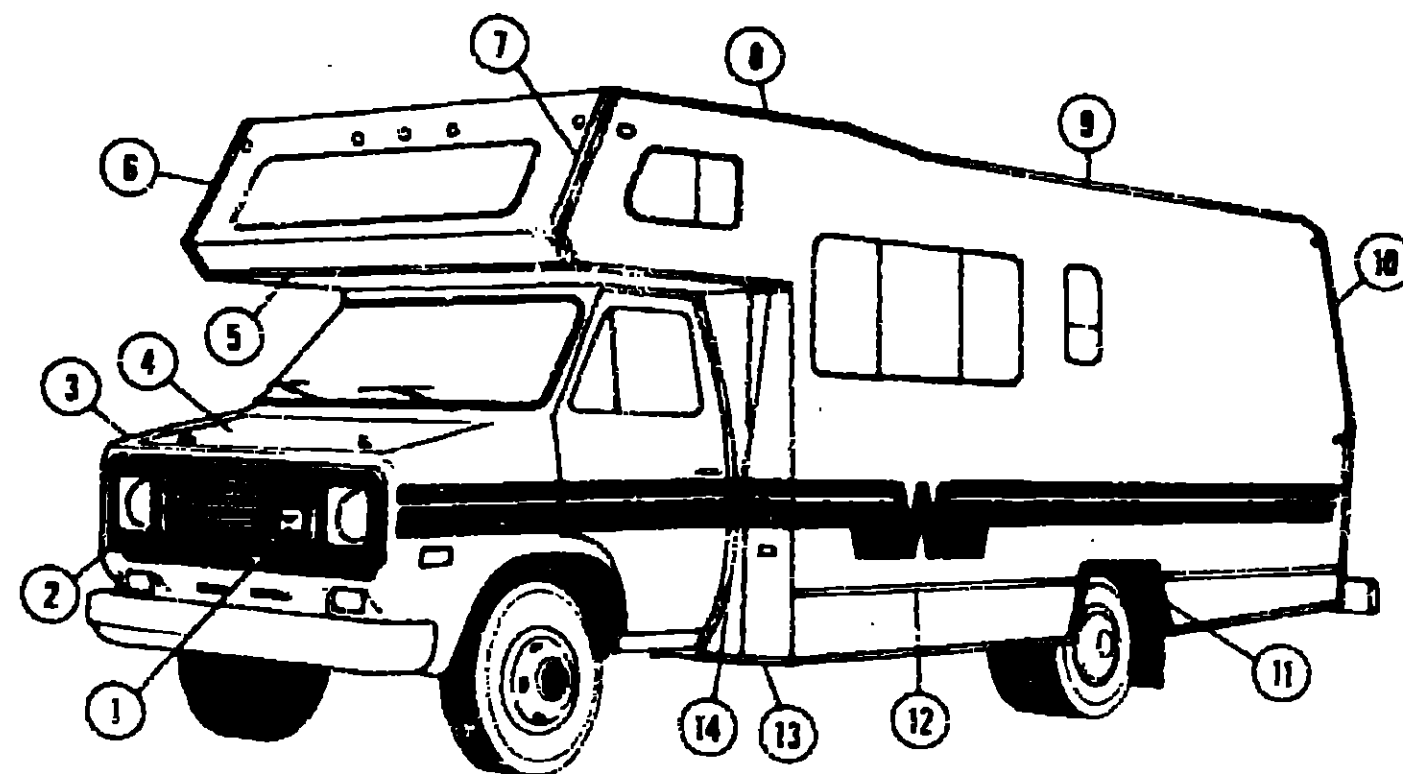
1977 WINNEBAGO TABLE OF CONTENTS

D27MI	A-1 - B-10
MW20RG	B-11 - C-16
D27S	C-17 - D-22
D23MI	D-23 - F-8
D23S	F-9 - G-14
MWC25	G-15 - J-2
D27DRK	I-3 - J-14
D290	J-15 - L-2

1977 MWC25 INDEX

Floor Plan	G-15 - G-16
Accessories Group	G-17 - G-18
Bath Group	G-19 - G-20
Chassis Group	G-21
Curtain, Cushion & Pad Group	G-22 - H-1
Dinette Group	H-2
Driver's Compartment Group	H-2
Electrical Group	H-3 - H-4
Exterior Body Group	H-5 - H-8
Galley Group	H-9
Heating & Air Conditioning Group	H-10
Interior Finish Group	H-11 - H-12
LP Group	H-13
Lounge Group	H-14
Water & Sewage Group	H-15
Window, Vent & Exterior Door Group	H-16 - I-2

EXTERIOR BODY GROUP



1977 WINNEBAGO TABLE OF CONTENTS

D27MI
MW2DRG
D27S
D23MI
D23S
MWC25
D27DRK
D29D

A-1 - B-10
B-11 - C-16
C-17 - D-22
D-23 - F-8
F-9 - G-14
G-15 - I-2
I-3 - J-14
J-15 - L-2

1977 MWC25 INDEX

Key	Part Number	U/M	Description
1	045327-01-000	EA	Grille Asm - Alum
	031161-01-000	EA	Logo - Flying "W" Grille
2	045282-01-000	EA	Grille - Plastic
3	040843-01-000	EA	Front End Asm - Fiberglass - Off White - Includes Hood w/o Front Grille
4	040845-01-000	EA	Hood Asm - Off White
5	039544-01-000	EA	Trim - Sleeper Board - Off White
	039616-01-000	EA	Hinge - Hood (2 used per hood)
	035388-01-000	EA	Hood Pin Kit - 7:16" x 20" x 3:50" Long
	037449-01-000	EA	Well Nut - 10 - 32 x 812" Long
6	039635-02-000	EA	Trim - Contour - Sleeper Section - Right - Off White
7	039635-01-000	EA	Trim - Contour - Sleeper Section - Left - Off White
8	039634-01-000	EA	Trim - Contour - Roof - Left - Off White
	039634-02-000	EA	Trim - Contour - Roof - Right - Off White
9	034922-04-000	EA	Trim - Sidewall/Roof - Upper - Left or Right - Off White

Key	Part Number	U/M	Description
10	039633-01-000	EA	Trim - Contour - Backwall - Left - Off White
	039633-02-000	EA	Trim - Contour - Backwall - Right - Off White
11	039524-03-000	EA	Trim - Wheel Well - Rear - Left or Right
12	002444-02-003	EA	Extr - Feature Strip - Alum - 15" w/o Insert
	001630-02-002	EA	Insert - Feature Strip - Off White - 21"
	009731-01-000	EA	End Cap - Feature Strip
13	043442-01-000	EA	Trim - Wingwall - Bottom - Left
	043442-02-000	EA	Trim - Wingwall - Bottom - Right
14	048610-01-000	EA	Trim - Corner - Wingwall - Left
	048610-02-000	EA	Trim - Corner - Wingwall - Right
	002365-02-001	EA	Extr - U-Channel - 1" Serrated x 18' Anod
	039629-01-000	FT	Extr - Vinyl - Sleeper Joint
	043915-01-000	FT	Extr - Vinyl - "B" Pillar/Wingwall
			Not Illustrated

Floor Plan	G-15 - G-16
Accessories Group	G-17 - G-18
Bath Group	G-19 - G-20
Chassis Group	G-21
Curtain, Cushion & Pad Group	G-22 - H-1
Dinette Group	H-2
Driver's Compartment Group	H-2
Electrical Group	H-3 - H-4
Exterior Body Group	H-5 - H-8
Galley Group	H-9
Heating & Air Conditioning Group	H-10
Interior Finish Group	H-11 - H-12
LP Group	H-13
Lounge Group	H-14
Water & Sewage Group	H-15
Window, Vent & Exterior Door Group	H-16 - I-2

EXTERIOR BODY GROUP (CONTINUED)

EXTERIOR PAINT

Key	Part Number	U/M	Description
	041561-01-000	EA	Off White - Acrylic Enamel - 1 Gallon
	041561-03-000	EA	Off White - Acrylic Enamel - 16 Oz. Aerosol
	041561-04-000	EA	Off White - Acrylic Lacquer - 1 Gallon
	041563-01-000	EA	Burnt Orange - Acrylic Enamel - 1 Gallon
	041563-03-000	EA	Burnt Orange - Acrylic Enamel - 16 Oz. Aerosol
	041565-01-000	EA	Rally Yellow - Acrylic Enamel - 1 Gallon
	041565-03-000	EA	Rally Yellow - Acrylic Enamel - 16 Oz. Aerosol
	045681-01-000	EA	High Gloss Black - Acrylic Enamel - 1 Gallon
	045681-03-000	EA	High Gloss Black - Acrylic Enamel - 16 Oz. Aerosol
	042333-03-000	EA	Dark Brown - Acrylic Enamel - 16 Oz. Aerosol

LABELS AND DECALS

Key	Part Number	U/M	Description
	006023-01-000	EA	Label - Water Only
	006025-01-000	EA	Label - Gas
	006028-01-000	EA	Label - Drain Cap - 2" x 3"
	006031-01-000	EA	Label - Potable Water Only
	006187-01-000	EA	Label - Sewage
	006188-01-000	EA	Label - Waste Water
	006199-01-000	EA	Label - Exit - Escape Window
	031161-01-000	EA	Label - Flying "W"
	038403-01-000	EA	Decal - Logo - Winnebago 2 9/32" (Front or Rear)
	039289-01-000	EA	Label - Warning Aux. Loading
	043473-03-000	EA	Decal - Flying "W" - 13 7/8" High - Bronze
	006092-01-000	EA	Reflector - Stick-On - Rectangular - Red
	006093-01-000	EA	Reflector - Stick-On - Rectangular - Amber
	039716-01-000	EA	Stencil - "Minnie Winne" - Left or Right

SEALANTS, ADHESIVES, AND FASTENERS

Key	Part Number	U/M	Description
	034552-05-000	EA	Sealant - Off White Silicone
	034552-04-000	EA	Sealant - Beige Silicone
	034552-02-000	EA	Sealant - Clear Silicone
	004345-02-000	EA	Sealant - Aluminum Silicone
	004349-01-000	EA	Sealant - Black Silicone
	004342-01-000	EA	Sealant - Weatherban 202 Tube
	004346-02-000	EA	Sealant - White Silicone
	004347-01-000	EA	Sealant - Tufflex
	002316-01-000	FT	Tape - Sealer - 3 3/2" x 1.5"
	024545-01-000	FT	Tape - Sealer - 1/8" x 5/8" - Black
	004350-01-000	FT	Tape - Sealer - 1/8" x 1" - Formaseal
	004352-01-000	FT	Tape - Sealer - 1/8" x 3/4" - Formaseal
	004355-01-000	FT	Tape - Sealer - 1/8" x 5/8" - Black
	004357-01-000	FT	Tape - Sealer - 1/8" x 5/8" - Adhesive
	002707-01-000	FT	Tape - Sealer - 5/16" x 1 1/2" - Black Foam
	002707-02-000	FT	Tape - Sealer - 5/16" x 3/4" - Black Foam
	041422-01-000	FT	Tape - Sealer - 1/4" x 1 1/2"
	004363-01-000	FT	Tape - Sealer - 3/16" x 1 1/2" - Foam
	004362-01-000	FT	Tape - Sealer - 1/8" x 5/8" - Foam
	009200-01-000	EA	Tape - Furnace - 1 1/2"
	041839-01-000	FT	Tape - Window - Latch - 3/4" - Adhesive
	041839-02-000	FT	Tape - Window - Latch - 1/2" - Adhesive
	004353-01-000	FT	Tape - Gasket - 1/8" x 3/4" - White
	002825-01-000	FT	Weather Stripping - Roof Vent
	002337-01-000	EA	Adhesive - 3M - 1300 Tube
	004005-01-000	GL	Adhesive - Swifts - Green - Glue (Sidewalls)
	004012-01-000	EA	Adhesive - 3M - 4475 Tube
	004020-01-000	QT	Adhesive - ABS Cement (Plastic Fittings)
	029051-01-000	EA	Adhesive - Spray Vinyl
	042401-02-000	EA	Screw - 8 - 18 x 3/4" SDPH Off White
	042403-02-000	EA	Screw - SF/DR - 8 - 18 x 1" SDPH Off White
	005055-01-000	EA	Screw - Wood - 12 - 11 x 3" P O H Zinc
	041746-01-000	FT	Extr. - Vinyl - Bubble Seal - Entry Door - Jamb
	021241-01-000	FT	Extr. - Vinyl - White - Wingwall

EXTERIOR BODY GROUP (CONTINUED)

MISCELLANEOUS EXTERNALLY MOUNTED PARTS

Key	Part Number	U/M	Description
	017667-04-000	EA	Fuel Fill - Recessed - Single - Off White
	016253-05-000	EA	Fuel Fill - Recessed - Single - Off White
	015587-04-000	EA	Fuel Fill - Recessed - Double - Off White
	011124-01-000	EA	Plumbing Seal - Roof Vent - 1 1/4" White
	011129-01-000	EA	Plumbing Seal - Roof Vent - 1 1/2" White
	019230-02-000	EA	Fill - City Water - Recessed - Off White w/Screw Cap
	011020-01-000	EA	Fill - Water - Recessed - Off White
	009126-01-000	EA	Handle - Assist - Metal Ext.
	049347-01-000	EA	Mirror Head - 7 1/2" x 10 1/2" Stainless Steel w/o Bracket
	049349-01-000	EA	Arm - Mirror - Brite Finish
	009101-01-000	EA	Holder - Entry Door - Male
	009101-02-000	EA	Holder - Entry Door - Female

EXTERIOR BODY PANELS AND SHEET ALUMINUM

Key	Part Number	U/M	Description
	039579-04-000	EA	Board - Sleeper
	050375-01-000	EA	Backwall Asm. - 047939-02-000 - Antique Birch
	053671-31-000	EA	Backwall Asm. - 047939-02-700 - Antique Birch
	050014-02-000	EA	Sidewall Asm. - Right - 047939-02-000 - Antique Birch
	053671-33-000	EA	Sidewall Asm. - Right - 047939-02-700 - Antique Birch
	050270-02-000	EA	Sidewall Asm. - Left - 047939-02-000 - Antique Birch
	053671-32-000	EA	Sidewall Asm. - Left - 047939-02-700 - Antique Birch
	050250-01-000	EA	Roof Asm.
	050250-01-700	EA	Roof Section - Front - Cab Overhang to First Roof Seam
	039155-03-005	EA	Alum. - Off White - Mesa Design - 024" x 36" x 60"
	039155-03-002	EA	Alum. - Off White - Mesa Design - 024" x 36" x 300"
	039155-03-003	EA	Alum. - Off White - Mesa Design - 024" x 36" x 360"
	039155-03-007	EA	Alum. - Off White - Mesa Design - 024" x 48" x 60"
	039155-03-005	EA	Alum. - Off White - Mesa Design - 024" x 48" x 300"
	039155-03-006	EA	Alum. - Off White - Mesa Design - 024" x 48" x 360"
	039155-03-009	EA	Alum. - Off White - Mesa Design - 024" x 12" x 360"
	044487-01-001	EA	Alum. - Mill Finish - No Design (Roof) - 96" x 360"
	039155-07-010	EA	Alum. - Off White - Greyhound Design 48" x 96"
	001054-01-011	EA	Alum. - Off White - No Design - 48" x 96"

1977 WINNEBAGO TABLE OF CONTENTS

D27MI	A-1 - B-10
MW20RG	B-11 - C-16
D27S	C-17 - D-22
D23MI	D-23 - F-8
D23S	F-9 - G-14
MWC25	G-15 - I-2
D27DRK	I-3 - J-14
D290	J-15 - L-2

1977 MWC25 INDEX

Floor Plan	G-15 - G-16
Accessories Group	G-17 - G-18
Bath Group	G-15 - G-20
Chassis Group	G-21
Curtain, Cushion & Pad Group	G-22 - H-1
Dinette Group	H-2
Driver's Compartment Group	D-2
Electrical Group	H-3 - H-4
Exterior Body Group	H-5 - H-8
Galley Group	H-9
Heating & Air Conditioning Group	H-10
Interior Finish Group	H-11 - H-12
LP Group	H-13
Lounge Group	H-14
Water & Sewage Group	H-15
Window, Vent & Exterior Door Group	H-16 - I-2

GALLEY GROUP

Key	Part Number	U/M	Description
	049324-01-000	EA	Cabinet Asm. - Galley w/o Countertop, Drawers, Doors or Hardware
	047939-02-000		047939-02-000 - Antique Birch
	053671-55-000	EA	Cabinet Asm. - Galley w/o Countertop, Drawers, Doors or Hardware
	047939-02-700		047939-02-700 - Antique Birch
	049236-02-700	EA	Door Asm. - Galley - 11 3/4" x 20 1/8" w/o Hardware
	047939-02-000		047939-02-000 - Antique Birch
	053672-25-000	EA	Door Asm. - Galley - 11 3/4" x 20 1/8" w/o Hardware
	047939-02-700		047939-02-700 - Antique Birch
	049236-10-700	EA	Door Asm. - Galley - 29" x 13 1/4" w/o Hardware - 047939-02-000
			Antique Birch
	053672-17-000	EA	Door Asm. - Galley - 29" x 13 1/4" w/o Hardware - 047939-02-700
			Antique Birch
	045379-02-000	EA	Cabinet Asm. - Galley Overhead w/o Doors or Hardware - 047939-02-000
			Antique Birch
	053672-65-000	EA	Cabinet Asm. - Galley Overhead w/o Doors or Hardware - 047939-02-700
			Antique Birch
	049236-09-700	EA	Door Asm. - Galley Overhead Cabinet w/o Hardware - 047939-02-000
			Antique Birch
	053672-18-000	EA	Door Asm. - Galley Overhead Cabinet w/o Hardware - 047939-02-700
			Antique Birch
	045385-02-000	EA	Cabinet Asm. - Buffet Top w/o Doors or Hardware - 047939-02-000
			Antique Birch
	053672-63-000	EA	Cabinet Asm. - Buffet Top w/o Doors or Hardware - 047939-02-700
			Antique Birch
	049236-11-700	EA	Door Asm. - Cabinet - 38" x 13 3/8" w/o Hardware - 047939-02-000 - Antique Birch
	053672-15-000	EA	Door Asm. - Cabinet - 38" x 13 3/8" w/o Hardware - 047939-02-700 - Antique Birch
	049236-03-700	EA	Door Asm. - Cabinet - 19" x 13 1/2" w/o Hardware - 047939-02-000 - Antique Birch
	053672-24-000	EA	Door Asm. - Cabinet - 19" x 13 1/2" w/o Hardware - 047939-02-700 - Antique Birch
	049565-01-000	EA	Cabinet Asm. - Buffet Bottom w/o Countertop, Drawers, Doors or Hardware
	047939-02-000		047939-02-000 - Antique Birch
	053671-37-000	EA	Cabinet Asm. - Buffet Bottom w/o Countertop, Drawers, Doors or Hardware
	047939-02-700		047939-02-700 - Antique Birch
	049236-04-700	EA	Door Asm. - Cabinet - 7 3/4" x 13 1/2" w/o Hardware - 047939-02-000
			Antique Birch
	053672-23-000	EA	Door Asm. - Cabinet - 7 3/4" x 13 1/2" w/o Hardware - 047939-02-700 -
			Antique Birch
	049239-01-700	EA	Drawer Asm. - Cabinet w/o Hardware - 047939-02-000 - Antique Birch
	053671-67-000	EA	Drawer Asm. - Cabinet w/o Hardware - 047939-02-700 - Antique Birch
	049236-35-000	EA	Door Asm. - Cabinet (False Front) 14 1/8" x 7 3/4" w/o Hardware - 047939-02-000
			Antique Birch
	053671-91-000	EA	Door Asm. - Cabinet (False Front) 14 1/8" x 7 3/4" w/o Hardware - 047939-02-700
			Antique Birch
	049236-36-000	EA	Door Asm. - Cabinet (False Front) 13 1/2" x 7 3/4" w/o Hardware - 047939-02-000
			Antique Birch
	053671-90-000	EA	Door Asm. - Cabinet (False Front) 13 1/2" x 7 3/4" w/o Hardware - 047939-02-700
			Antique Birch
	048818-03-000	EA	Countertop Asm. - Buffet Cabinet - Rust (Cactus)
	046818-04-000	EA	Countertop Asm. - Buffet Cabinet - Gold (Inca Gold)
	048818-05-000	EA	Countertop Asm. - Buffet Cabinet - Serge (Sage)
	049083-02-000	EA	Countertop Asm. - Galley Cabinet w/out cut - w/o Sink or Hardware - Wide Butcher Block
	051552-01-000	EA	Breadboard Asm. - Butcher Block Countertop
	011053-01-000	EA	Faucet - 8" Swing Spout w/Aerator
	011053-01-700	EA	Aerator - Swing Spout Faucet
	011032-01-000	EA	Sink - Double - Stainless Steel
	011085-01-000	EA	Strainer - Sink
	027671-04-000	EA	Cover Asm. - Sink - Butcher Block
**	049174-01-000	EA	Refrigerator - AC/Gas - ET 230 - 2 Door Model - Sibir
**	049044-01-000	EA	Range - 4 Burner - Small Oven - Chrome - Magic Chef
**	049930-01-000	EA	Hood - Range - Jensen - Power

**The illustrated parts breakdown for this item is provided on the Common Items Fiche

HEATING AND AIR CONDITIONING GROUP

AUTOMOTIVE HEATING AND AIR CONDITIONING

Key	Part Number	U/M	Description
	048231-02-000	EA	Auto Air - 350 - C.I.D. - ARA
	051758-01-000	EA	A/C - Compressor Mount Package - 350 - C.I.D. - ARA
	051763-01-000	EA	A/C - Evaporator Package - 350 - C.I.D. - ARA
	051770-01-000	EA	A/C - Compressor - 350 - C.I.D. - ARA
	051771-01-000	EA	A/C - Condenser Asm. - 350 - C.I.D. - ARA
	048231-01-000	EA	Auto Air - 350 - C.I.D. - AMC
	041443-01-000	EA	A/C - General Pkg. - AMC
	041444-01-000	EA	Condenser Pkg. 350 - C.I.D. - AMC
	041445-01-000	EA	A/C - Installation Pkg. - AMC
	041446-01-000	EA	A/C - Evaporator Pkg. - 350 - C.I.D. - AMC
	047036-01-000	EA	A/C - Compressor Mt. Pkg. - 350 - C.I.D. - AMC
**	049042-01-000	EA	Furnace - 22,000 BTU - Under Counter - Coleman - 4322
**	049043-01-000	EA	Furnace - 28,000 BTU - Under Counter - Coleman - 4328
	039505-02-000	EA	Thermostat - Wallmount
	009198-01-000	EA	Duct - Flexible - 4" I.D. x 25'
	023146-01-000	EA	Clamp - Screw Type - 4"
	024985-01-000	EA	Heat Register - w/Damper - 9 9" x 4 8"
	009375-01-000	EA	Heat Register - Steel - 11.5" x 3.7"
	031504-01-000	EA	Bonnet - Heat Register - 4.38" x 8.43"
	042152-01-000	EA	Bonnet - Heat Register - 4 5" x 8 44"
	009200-01-000	EA	Tape - Furnace - 1 1/2"
**	049777-01-000	EA	Air Conditioner - 110 Volt - Roof Mount - 11,000 BTU - Ivory Coleman (w/o Inside Shroud)
**	049778-01-000	EA	Shroud Asm. - Ceiling - Inside - Roof Air - Cool Only - 11,000 BTU - Coleman
**	049774-01-000	EA	Air Conditioner - 110 Volt - Roof Mount - 13,500 BTU Ivory - Coleman (w/o Inside Shroud)
**	049775-01-000	EA	Shroud Asm. - Ceiling - Inside - Roof Air - Cool Only - 13,500 BTU - Coleman
**	049776-01-000	EA	Shroud Asm. - Ceiling - Inside - Roof Air - Heat and Cool Only - 13,500 BTU - Coleman

**The illustrated parts breakdown for this item is provided on the Common Items Fiche

**1977 WINNEBAGO
TABLE OF CONTENTS**

D27MI	A-1 - B-10
MW20RG	B-11 - C-16
D27S	C-17 - D-22
D23MI	D-23 - F-8
D23S	F-9 - G-14
MWC25	G-15 - I-2
D27DRK	I-3 - J-14
D29D	J-15 - L-2

1977 MWC25 INDEX

Floor Plan	G-15 - G-16
Accessories Group	G-17 - G-18
Bath Group	G-19 - G-20
Chassis Group	G-21
Curtain, Cushion & Pad Group	G-22 - H-1
Dinette Group	H-2
Driver's Compartment Group	D-2
Electrical Group	H-3 - H-4
Exterior Body Group	H-5 - H-8
Galley Group	H-9
Heating & Air Conditioning Group	H-10
Interior Finish Group	H-11 - H-12
LP Group	H-13
Lounge Group	H-14
Water & Sewage Group	H-15
Window, Vent & Exterior Door Group	H-16 - I-2

INTERIOR FINISH GROUP

PANELING AND COUNTERTOP MATERIALS

Key	Part Number	U/M	Description
	047939-02-700	SF	Paneling - 48" x 96" - Antique Birch (32SF)
	047354-02-000	EA	Batt Strip - Antique Birch
	047354-01-000	EA	Batt Strip - 825 Buff
	045963-01-000	SF	Paneling - Buff - Ceiling 48" x 96"
	047939-02-000	SF	Paneling - 48" x 96" - Antique Birch (32SF)
	041206-01-000	SF	Tileboard - Agate Beige - 60" x 84" (35SF)
	041205-07-000	SF	Plastic Laminate - 48" x 96" - Rust Leather (Cactus)
	041205-07-001	EA	Plastic Laminate - 48" x 48" - Rust Leather (Cactus)
	041205-07-002	EA	Plastic Laminate - 1.19" x 96" - Rust Leather (Cactus)
	041205-08-000	SF	Plastic Laminate - 48" x 96" - Gold Leather (Inca Gold)
	041205-08-001	EA	Plastic Laminate - 48" x 48" - Gold Leather (Inca Gold)
	041205-08-002	EA	Plastic Laminate - 1.19" x 96" - Gold Leather (Inca Gold)
	041205-09-000	SF	Plastic Laminate - 48" x 96" - Beige Leather (Sage)
	041205-09-001	EA	Plastic Laminate - 48" x 48" - Beige Leather (Sage)
	041205-09-002	EA	Plastic Laminate - 1.19" x 96" - Beige Leather (Sage)
	037682-01-000	SF	Plastic Laminate - 48" x 96" - Butcher Block
	037682-01-008	EA	Plastic Laminate - 48" x 48" - Butcher Block
	037682-01-009	EA	Plastic Laminate - 1.19" x 96" - Butcher Block
	049673-01-000	EA	Countertop - Formed - 96" - Butcher Block

FABRICS AND CARPET

Key	Part Number	U/M	Description
	041210-03-000	SY	Carpet - Orange Morning Dew - Rust (Cactus)
	043635-02-000	SY	Carpet - Coffee Brown - Morning Dew - (Inca Gold)
	043635-02-000	SY	Carpet - Beige - Morning Dew - (Sage)
	046588-01-000	YD	Fabric - Upholstery - Rust (Cactus)
	046588-02-000	YD	Fabric - Upholstery - Gold (Inca Gold)
	046588-03-000	YD	Fabric - Upholstery - Beige (Sage)
	043619-01-000	YD	Fabric - Drapery - Rust (Cactus)
	043619-02-000	YD	Fabric - Drapery - Gold (Inca Gold)
	043619-03-000	YD	Fabric - Drapery - Beige (Sage)
	042411-01-000	YD	Vinyl - Nonexpanded - 27 Oz.
	042411-02-000	YD	Vinyl - Non-Supported - 16 Gauge Film - Brown
	042411-03-000	YD	Vinyl - Expanded - 29 Oz.

CABINETS AND TABLE HARDWARE

Key	Part Number	U/M	Description
	009065-01-000	EA	Hinge - Continuous - Aluminum - 1 1/2" x 96" Plain
	009068-01-000	EA	Hinge - Continuous - Steel - 1 1/2" x 72"
	009150-01-000	EA	Warp Guard - 64"
**	009124-01-000	EA	Lock - Door - Push Button Brass (Bath Door)
	009112-01-000	EA	Flange - 1" - Rod - Chrome
**	049332-01-000	EA	Kit - Cabinet Door Hinge - Black
**	049331-01-000	EA	Kit - Drawer Pull
**	049333-01-000	EA	Kit - Cabinet Door Latch - Black
	009047-01-000	EA	Bracket - Hold Open - Overhead Door
**	047842-01-000	EA	Kit - Dinette Table Leg
**	047809-01-000	EA	Kit - Dinette Table Hardware - Wall Mount
	039535-03-000	FT	Molding Asm - Shelf - 707 Hickory
	007021-01-000	EA	Belt Asm - Seat - 2" x 90" Black
	041322-01-000	EA	Washer - Flat - 15/32" I.D. x 2 3/8" O.D. (Seat Belt)
	041839-01-000	EA	Screw - 5 x 5/8" PPH Antique Brass
**	037698-01-000	FT	Rail - Drawer Glide
**	047744-01-000	EA	Kit - Drawer Glide

**The illustrated parts breakdown for this item is provided on the Common Items Fiche

INTERIOR FINISH GROUP (CONTINUED)

INTERIOR MOULDINGS AND TRIM

Key	Part Number	U/M	Description
	022756-01-000	EA	Cover - Air Conditioner Wire - Plastic
	024700-05-000	EA	Cover - Sidewall Roll Bar - Ivory
	024700-07-000	EA	Cover - Sidewall Roll Bar - Birch
	034133-03-000	EA	Cover - Corner Supt. Bar - Dark Brown
	039512-05-000	EA	Cover - Hat Section - Antique Birch
	039512-06-000	EA	Cover - Hat Section - Ivory
	047488-01-000	EA	Cover - Corner Hat/Hat
	047489-01-000	EA	Cover - Corner Tube/Tube
	009778-01-000	FT	U-Channel - 1" - Dark Plastic
	009777-01-000	FT	U-Channel - 3/4" - Dark Brown Plastic
	009815-02-000	FT	T Molding - 3/4" - Brown
	009812-06-000	FT	Molding - Plastic Corner - O/S - .50"
	009767-01-000	FT	Wetting - Brown
	009779-01-000	FT	U-Channel - 1 1/8" - Dark Brown
	009809-03-000	FT	Molding - Plastic Corner - O/S - 1"
	009810-01-000	FT	Corner - Outside - 1" - Dark Pecan
	034394-02-000	FT	Insert - Extruded Vinyl - Beige
	034689-03-000	EA	Cover - Screw PPH 10 - Ivory - Bathroom
	042356-01-000	EA	Plug - Button - Mahogany 3/8" Dia.
	009781-01-000	FT	Corner - Outside - .62" x .62" Dark Brown Plastic

CURTAIN HARDWARE

Key	Part Number	U/M	Description
	009223-02-000	EA	Rod - Curtain - Flat - Extends 48" x 84"
	009107-01-000	EA	Guide - Nylon - Snap - Curtain
	042439-01-000	EA	Bracket (Left or Right) - Curtain Rod Single
	009702-01-000	EA	End Stop - Curtain "L" Rod w/Rollers
	009701-01-000	EA	Carrier - "L" Rod w/Rollers
	018031-42-000	EA	Track - Curtain - "L" Rod - Alum

MISCELLANEOUS

Key	Part Number	U/M	Description
	042950-01-000	EA	Handle - Interior Assist
	041944-01-700	EA	Extinguisher - Fire - Dry Chemical w/Bracket
	007038-01-000	EA	Mat - Door - Black Rubber - 10 1/2" x 26"

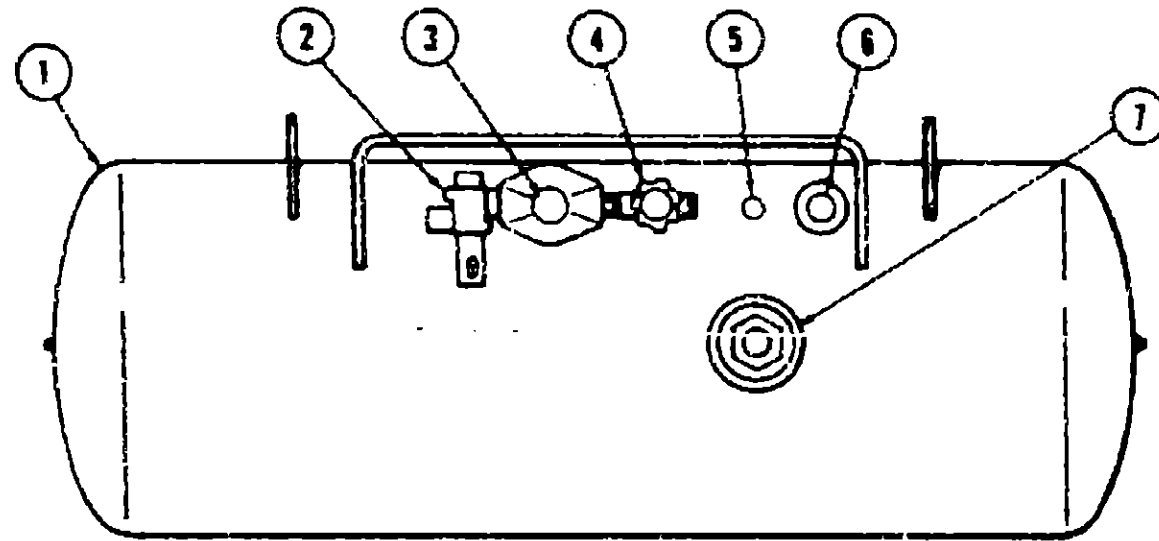
1977 WINNEBAGO TABLE OF CONTENTS

D27MI	A-1 - B-10
MW20RG	B-11 - C-16
D27S	C-17 - D-22
D23MI	D-23 - F-8
D23S	F-9 - G-14
MWC25	G-15 - I-2
D27DRK	I-3 - J-14
D29D	J-15 - L-2

1977 MWC25 INDEX

Floor Plan	G-15 - G-16
Accessories Group	G-17 - G-18
Bath Group	G-19 - G-20
Chassis Group	G-21
Curtain, Cushion & Pad Group	G-22 - H-1
Dinette Group	H-2
Driver's Compartment Group	D-2
Electrical Group	H-3 - H-4
Exterior Body Group	H-5 - H-8
Galley Group	H-9
Heating & Air Conditioning Group	H-10
Interior Finish Group	H-11 - H-12
LP Group	H-13
Lounge Group	H-14
Water & Sewage Group	H-15
Window, Vent & Exterior Door Group	H-16 - I-2

LP GROUP



Key	Part Number	U/M	Description
1	040421-01-000	EA	Tank - LP - Frame Mount - 83 Pound
	042281-01-000	EA	Tank - LP - Frame Mount - 42 Pound
2	047221-01-000	EA	Detector - LP Gas Leak
3	024712-01-000	EA	Cover - LP Regulator
	052163-01-000	EA	Regulator - Manual - LP Gas - 2 Stage
4	040421-01-703	EA	Valve - Vapor Relief
5	040421-01-700	EA	Gauge - Liquid Level - 20% LP
6	040421-01-701	EA	Valve - Filter - LP
	040421-01-702	EA	Cup - Plastic Fill Valve
7	040421-01-707	EA	Gauge - Float w/Visible Dial
	040421-01-704	EA	Gauge - Float w/Electrical Transmitter Dial
	040421-01-706	EA	Dial - Visible Face
	040421-01-705	EA	Dial - Transmitter - 0 - 90 Ohm
	045703-03-000	EA	Hose Asm. - LP - 3/8" I.D. x 14"
	047737-02-000	EA	Support - LP Tank - 89 25"
	047737-03-000	EA	Support - LP Tank - 30 50"
	Not Illustrated		

LOUNGE GROUP

Key	Part Number	U/M	Description
	039582-02-700	EA	Table Asm. - Fold Down - w/o Hardware - Rust (Cactus)
	039582-03-700	EA	Table Asm. - Fold Down - w/o Hardware - Gold (Inca Gold)
	039582-04-700	EA	Table Asm. - Fold Down - w/o Hardware - Beige (Sage)
	047842-02-000	EA	Kit - Leg Hardware - Fold Down Table
	041863-01-000	EA	Hinge - Continuous Steel - 1 1/2" x 16"
	049236-35-700	EA	Door Asm. Gaucho - Cabinet w/o Hardware - 047939-02-000 Antique Birch
	053671-91-000	EA	Door Asm. Gaucho - Cabinet w/o Hardware - 047939-02-700 Antique Birch
	047727-02-000	EA	Cabinet Asm. - Lounge Overhead w/o Doors or Hardware - 047939-02-000 Antique Birch
	053672-46-000	EA	Cabinet Asm. - Lounge Overhead w/o Doors or Hardware - 047939-02-700 Antique Birch
	049236-08-700	EA	Door Asm. - Lounge Overhead Cabinet - w/o Hardware - 047939-02-000 Antique Birch
	053672-19-000	EA	Door Asm. - Lounge Overhead Cabinet - w/o Hardware - 047939-02-700 Antique Birch
	050819-01-000	EA	Cabinet Asm. - Gaucho w/o Doors or Hardware - 047939-02-000 - Antique Birch
	053671-05-000	EA	Cabinet Asm. - Gaucho w/o Doors or Hardware - 047939-02-700 - Antique Birch

1977 WINNEBAGO TABLE OF CONTENTS

D27MI	A-1 - B-10
MW20RG	B-11 - C-16
D27S	C-17 - D-22
D23MI	D-23 - F-8
D23S	F-9 - G-14
MWC25	G-15 - I-2
D27DRK	I-3 - J-14
D29D	J-15 - L-2

1977 MWC25 INDEX

Floor Plan	G-15 - G-16
Accessories Group	G-17 - G-18
Bath Group	G-19 - G-20
Chassis Group	G-21
Curtain, Cushion & Pad Group	G-22 - H-1
Dinette Group	H-2
Driver's Compartment Group	D-2
Electrical Group	H-3 - H-4
Exterior Body Group	H-5 - H-8
Galley Group	H-9
Heating & Air Conditioning Group	H-10
Interior Finish Group	H-11 - H-12
LP Group	H-13
Lounge Group	H-14
Water & Sewage Group	H-15
Window, Vent & Exterior Door Group	H-16 - I-2

WATER AND SEWAGE GROUP

PLUMBING REPAIR KITS, PIPE FITTINGS AND WATER PUMP

Key	Part Number	U/M	Description
**	040539-01-000	EA	Kit - Repair - 3/8" O.D. Plastic Tube
**	040540-01-000	EA	Kit - Repair - 1/2" O.D. Plastic Tube
**	040541-01-000	EA	Kit - Repair - 5/8" O.D. Plastic Tube
**	039818-01-000	EA	Riser Asm. - 3/8" O.D. x 24" Tube
**	039818-02-000	EA	Riser Asm. - 3/8" O.D. x 36" Tube
**	039818-04-000	EA	Riser Asm. - 3/8" O.D. x 72" Tube
**	041279-02-000	EA	Pump - Water Flow 2.8 G.P.M. - PAR
**	039647-02-000	EA	Filter - Water Pump - 1/2 MPT
**	041819-01-000	EA	Nut and Cone - Plastic 1/2 O.D. Tube
**	046524-02-000	EA	Kit - Fittings - Plastic Water Tank
**	004020-01-000	QT	Adhesive - ABS Cement
**	010133-01-000	EA	Adaptor Trap - Plastic 1 1/2 H x MPT
**	010153-01-000	EA	Ring - Closet - Plastic - 4 F x 3 MPT
**	010201-01-000	EA	Hose - Sewer 3" x 10' w/Clamp
**	010209-06-000	EA	Handle - Ext. Sewer Valve 11.25"
**	010235-01-000	EA	Cap - Sewage 3"
**	010236-01-000	EA	Adaptor Hose 3"
**	011091-01-000	EA	Waster - Cont. Dbl. Sink 11 7/8"
**	010205-01-000	EA	Valve Sanitary - Thetford 3 x B
**	010213-01-000	EA	Elbow - Plastic Side Vent and Drain
**	010234-01-000	EA	Adaptor Bayonet
**	011066-01-000	EA	P-Trap - Plastic 1 1/4"
**	047246-01-000	EA	Handle - Extension - Sewer Valve 43.00"
**	046524-01-000	EA	Kit - Fittings Plastic for Holding Tank
**	051391-01-000	EA	Water Heater - w/o Outside Access Door (G6A3)
**	031952-01-000	EA	Water Heater - w/o Outside Access Door (G6A2)

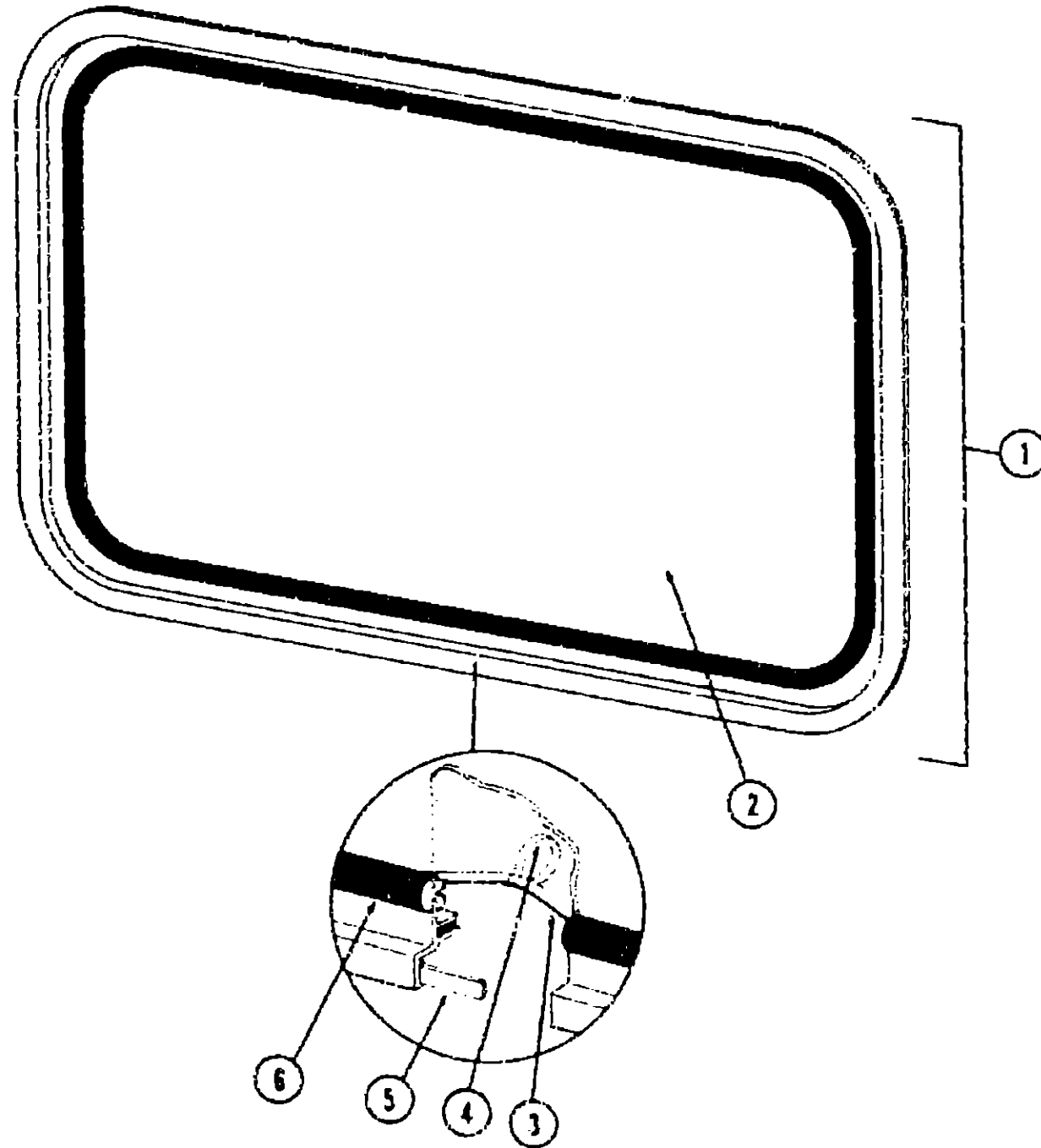
**The illustrated parts breakdown for this item is provided on the Common Items Fiche.

WATER AND SEWAGE HOLDING TANKS

Key	Part Number	U/M	Description
**	043181-01-000	EA	Tank Asm. - w/Fittings - Plastic - Water - 60 Gallon
**	039641-01-000	EA	Tank Asm. - w/o Fittings - Plastic - Water - 60 Gallon
**	014903-02-000	EA	Tank Asm. - Holding - w/Fittings - Plastic - 35 Gallon
**	014903-01-000	EA	Tank - Holding Plastic - 35 Gallon - w/o Fittings
**	039938-02-000	EA	Tank Asm. - Holding - w/Fittings - Plastic - 22 Gallon
**	039938-01-000	EA	Tank - Holding Plastic - 22 Gallon - w/o Fittings

**The illustrated parts breakdown for this item is provided on the Common Items Fiche.

WINDOW, VENT AND EXTERIOR DOOR GROUP



Key	Part Number	U/M	Description
1	042959-02-000	EA	Window Asm. - Rear Escape - 23" x 36" (w/o inside frame)
2	041292-01-000	EA	Glass - 1/8" x 19 61" x 33 25"
3	002285-01-000	FT	Filter - Weatherstrip - Black
4	020395-01-000	EA	Slip - Pull Ring - Escape Window
5	004363-01-000	FT	Tape - Foam - 3/16" x 1/4" - Gray
6	002282-01-000	FT	Weatherstrip - 125" - Black
.	042027-01-000	EA	Frame - Window - Inside Escape - 23" x 36" (not included in assembly)
.	006199-01-000	EA	Label - Exit - Escape Window
.			Not Illustrated

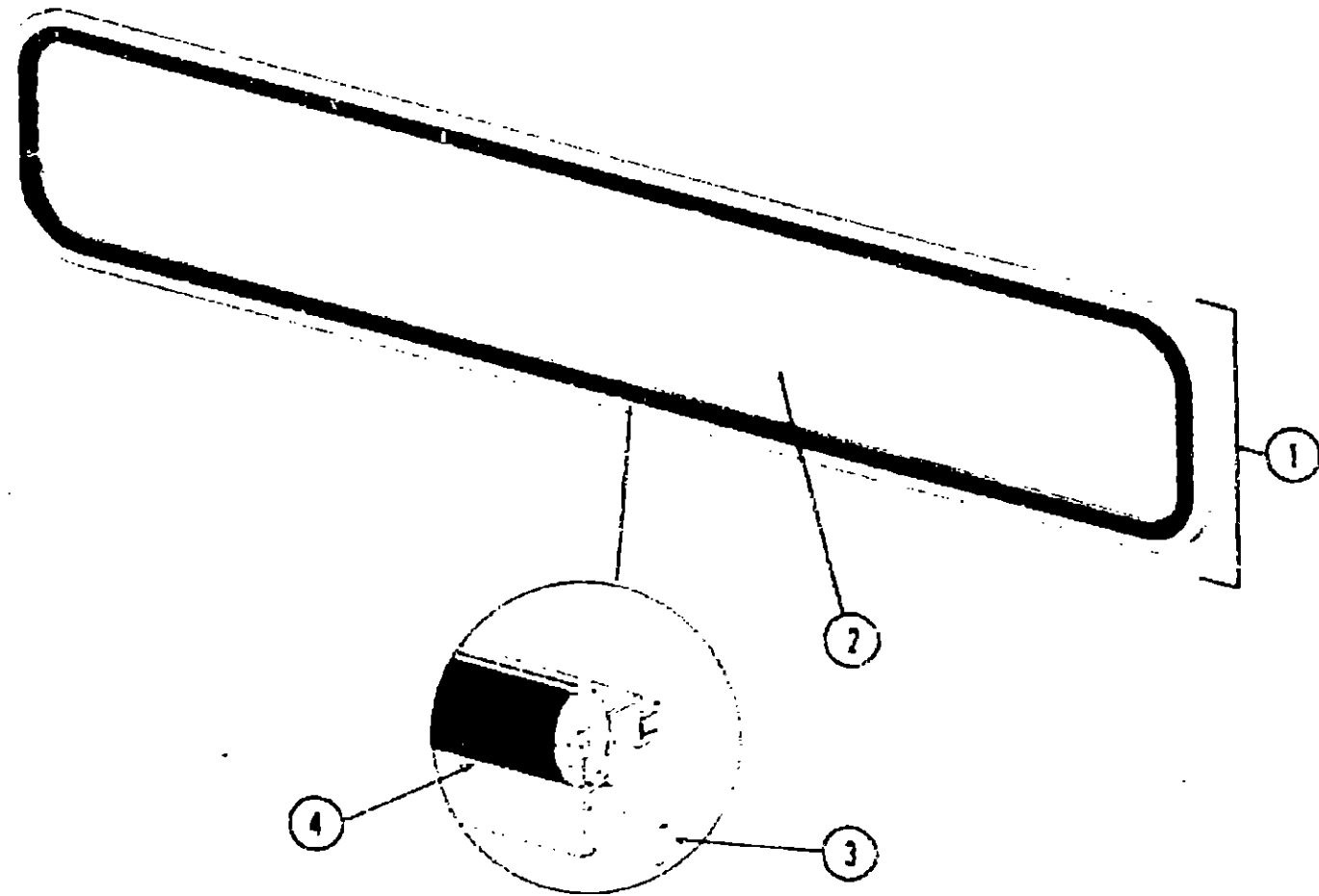
1977 WINNEBAGO TABLE OF CONTENTS

D27MI	A-1 - B-10
MW20RG	B-11 - C-16
D27S	C-17 - D-22
D23MI	D-23 - F-8
D23S	F-9 - G-14
MWC25	G-15 - I-2
D27DRK	I-3 - J-14
D290	J-15 - L-2

1977 MWC25 INDEX

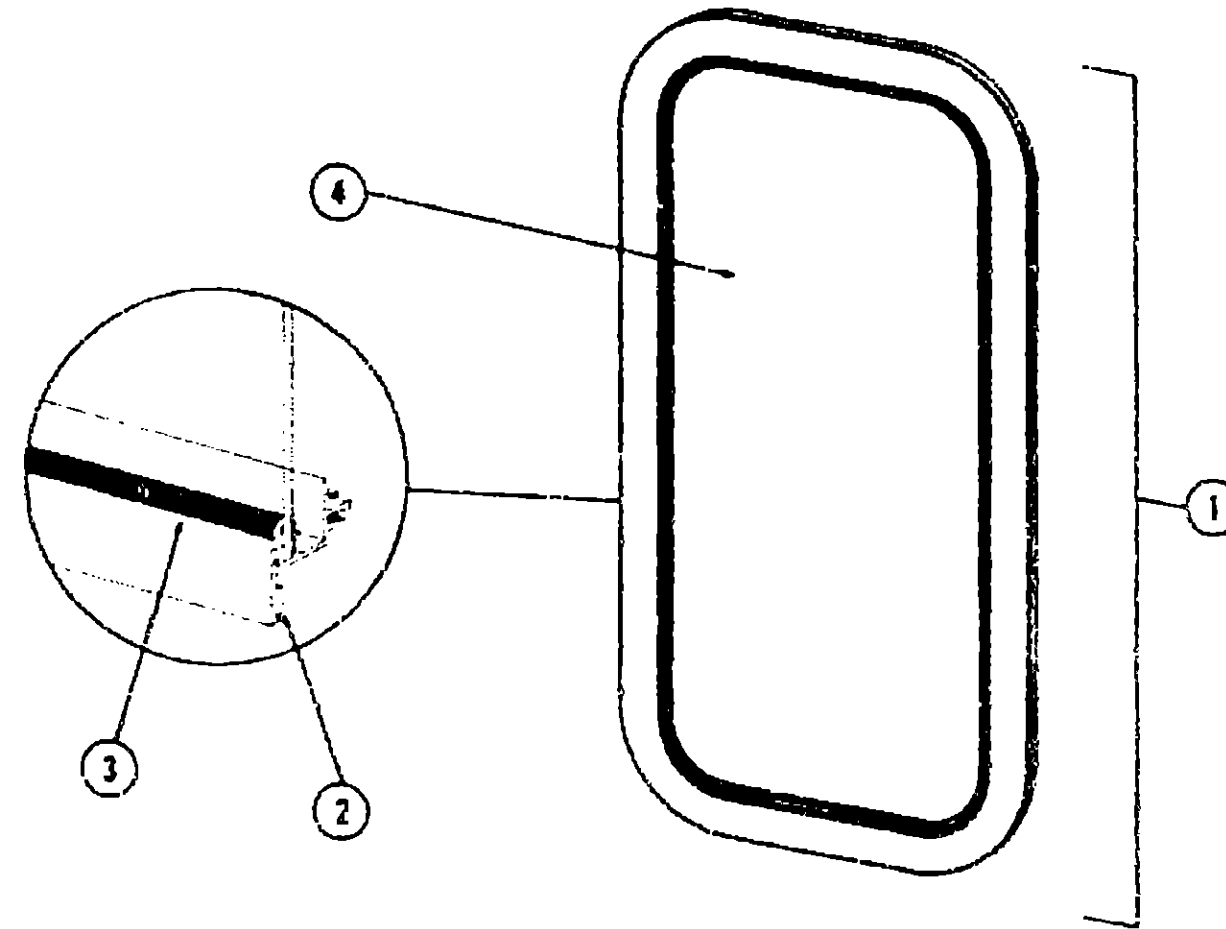
Floor Plan	G-15 - G-16
Accessories Group	G-17 - G-18
Bath Group	G-19 - G-20
Chassis Group	G-21
Curtain, Cushion & Pad Group	G-22 - H-1
Dinette Group	H-2
Driver's Compartment Group	D-2
Electrical Group	H-3 - H-4
Exterior Body Group	H-5 - H-8
Galley Group	H-9
Heating & Air Conditioning Group	H-10
Interior Finish Group	H-11 - H-12
LP Group	H-13
Lounge Group	H-14
Water & Sew. Group	H-15
Window, Vent & Exterior Door Group	H-16 - I-2

WINDOW, VENT AND EXTERIOR DCOR GROUP (CONTINUED)



Key	Part Number	U/M	Description
1	041905-02-000	EA	Window Asm - Front Picture - 14" x 89" (w/o inside frame)
2	002200-02-000	EA	Glass - TP - Picture Window
3	004363-01-000	FT	Tape - Sealer - 3/16" x 1/2" - Foam
4	002261-01-000	FT	Weatherstrip Self Seal - 06" x 3/16" - Black
-	037845-01-000	FT	Tape - Butyl - Window - 3/16" - Bead Black
-	041938-01-000	EA	Frame - Inside - Picture Window (not included in assembly)
-			Not Illustrated

WINDOW, VENT AND EXTERIOR DOOR GROUP (CONTINUED)



Key	Part Number	U/M	Description
1	041875-05-000	EA	Window Asm - Picture - 13" x 20" (w/o inside frame)
2	004363-01-000	FT	Foam - 3/16" x 1/2" - Gray
3	002309-01-000	FT	Spine - Glass - 1/8" Gray
4	002203-01-000	EA	Glass - TP - 1/8" x 12" x 19"
-	041695-05-000	EA	Frame - Window - Inside - 13" x 20" (not included in assembly)
-			Not Illustrated

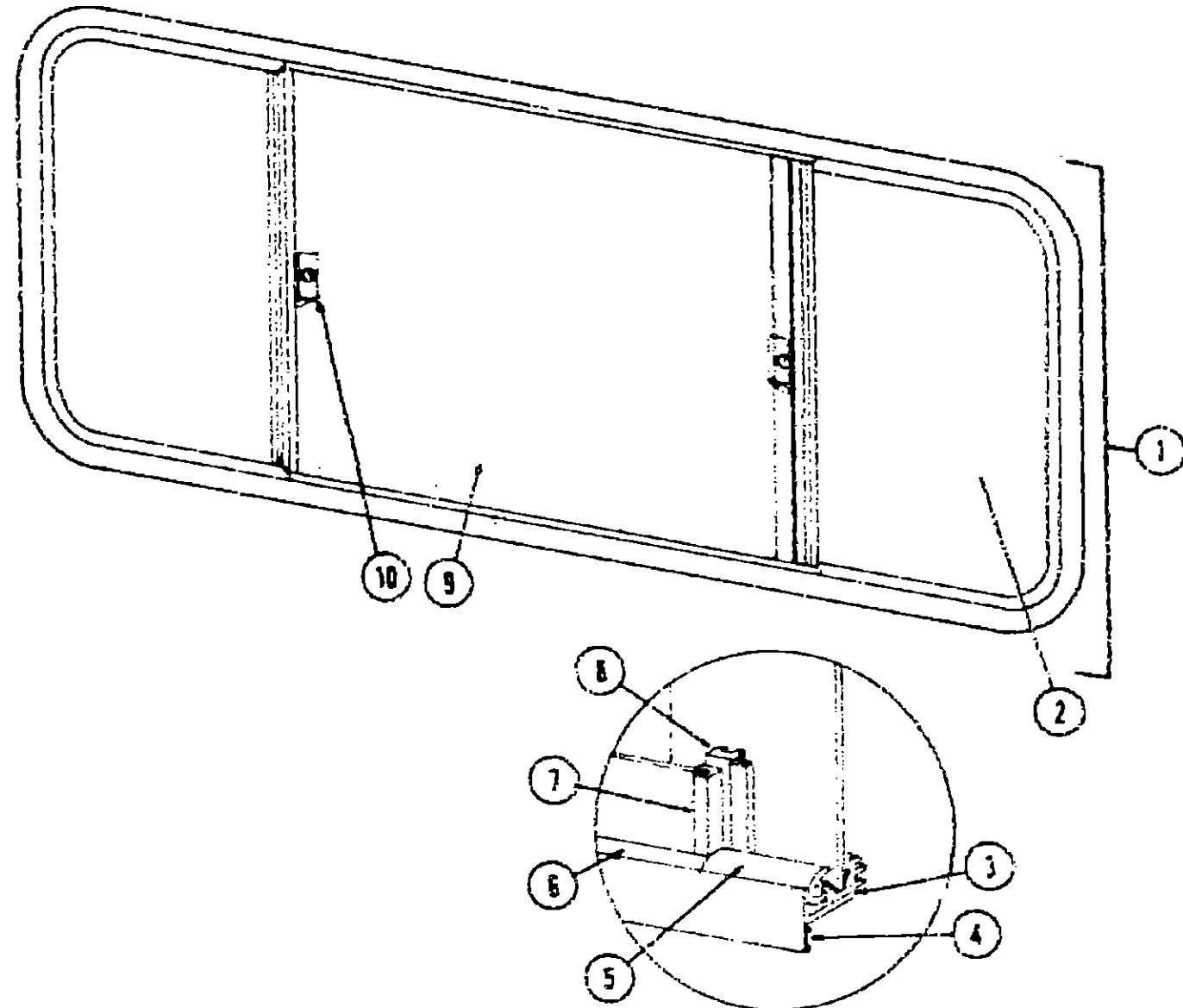
**1977 WINNEBAGO
TABLE OF CONTENTS**

D27M1	A-1 - B-10
MW20RG	B-11 - C-16
D27S	C-17 - D-22
D23M1	D-23 - F-9
D23S	F-9 - G-14
MWC25	G-15 - I-2
D27DRK	I-3 - J-14
D290	J-15 - L-2

1977 MWC25 INDEX

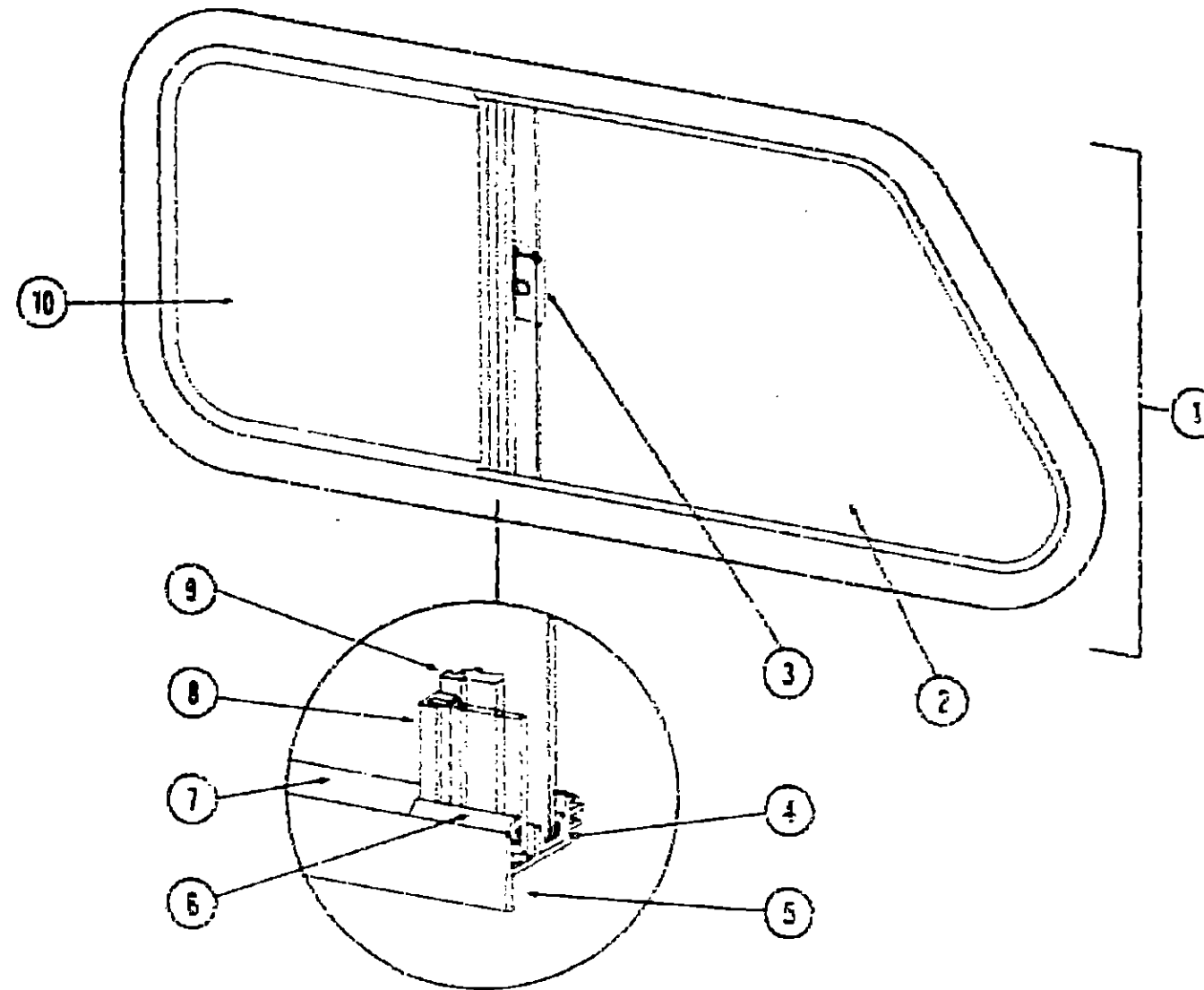
Floor Plan	G-15 - G-16
Accessories Group	G-17 - G-18
Bath Group	G-19 - G-20
Chassis Group	G-21
Curtain, Cushion & Pad Group	G-22 - H-1
Dinette Group	H-2
Driver's Compartment Group	D-2
Electrical Group	H-3 - H-4
Exterior Body Group	H-5 - H-8
Galley Group	H-9
Heating & Air Conditioning Group	H-10
Interior Finish Group	H-11 - H-12
LP Group	H-13
Lounge Group	H-14
Water & Sewage Group	H-15
Window, Vent & Exterior Door Group	H-16 - I-2

WINDOW, VENT AND EXTERIOR DOOR GROUP (CONTINUED)



Key	Part Number	U/M	Description
1	046532-07-000	EA	Window Asm. - Double - Slider - 25" x 65" Clear Anod. (w/o Inside Frame)
2	047222-01-000	EA	Glass - Sliding - 3/16" x 24" x 21 03"
3	042077-01-000	FT	Channel - Weatherstrip - Glass Run 3/16" Glass
4	004363-01-000	FT	Tape - Foam - 3/16" x 1/2" - Gray
5	041928-01-000	FT	Seal - Window Channel - 3/16" Glass - Gray
6	002309-01-000	FT	Spine - Glass - 1/8" - Gray
7	002385-03-201	EA	Extr. - Holder - Glass Seal - 23.19"
8	041894-04-000	EA	Mullion - Slider Window - 25"
9	002188-02-500	EA	Glass - 3/16" x 24" x 25.50" - Stationary
10	047369-01-700	EA	Latch - Window - Plastic w/ Fastener
	042133-04-000	EA	Frame Asm. - Window - Inside (not included in assembly)
	0023713-01-000	EA	Cover - Weephole - Plastic - White
	002298-01-000	FT	Spine - Gray - 130" Dia. (Screen)
	002293-01-000	SF	Screen - Window - 25" - Gray
			Not Illustrated

WINDOW, VENT AND EXTERIOR DOOR GROUP (CONTINUED)



Key	Part Number	U/M	Description
1	046532-01-000	EA	Window Asm. - Bunk - Slatted Slider - Right (w/o inside frame)
	046532-02-000	EA	Window Asm. - Bunk - Slatted Slider - Left (w/o inside frame)
2	040219-01-000	EA	Glass - 1/8" x 11.98" x 19.42" - Gray - Stationary
3	047369-01-700	EA	Latch - Window - Plastic w/ Fastener
4	002324-01-000	FT	Channel - Weatherstrip - Glass Run - 1/8" Glass
5	004363-01-000	FT	Tape - Foam - 3/16" x 1/2" - Gray
6	002309-01-000	FT	Spine - Glass - 1/8" - Gray
7	024096-01-000	FT	Seal - Window Channel - Gray
8	002390-02-001	EA	Holder - Glass Seal - Extr. - Anod
9	041894-10-000	EA	Mullion - 13" - Clear Anod.
10	047515-01-000	EA	Glass - 1/8" x 11.98" x 11.61" - Gray - Sliding
	040915-01-000	EA	Frame - Window - Inside - Right (not included in assembly)
	040916-02-000	EA	Frame - Window - Inside - Left (not included in assembly)
	0023713-01-000	EA	Cover - Weephole - White
	002298-01-000	FT	Spine - Gray - 130" Dia. (Screen)
	002292-01-000	SF	Screen - Window - 20" - Gray
			Not Illustrated

1977 WINNEBAGO TABLE OF CONTENTS

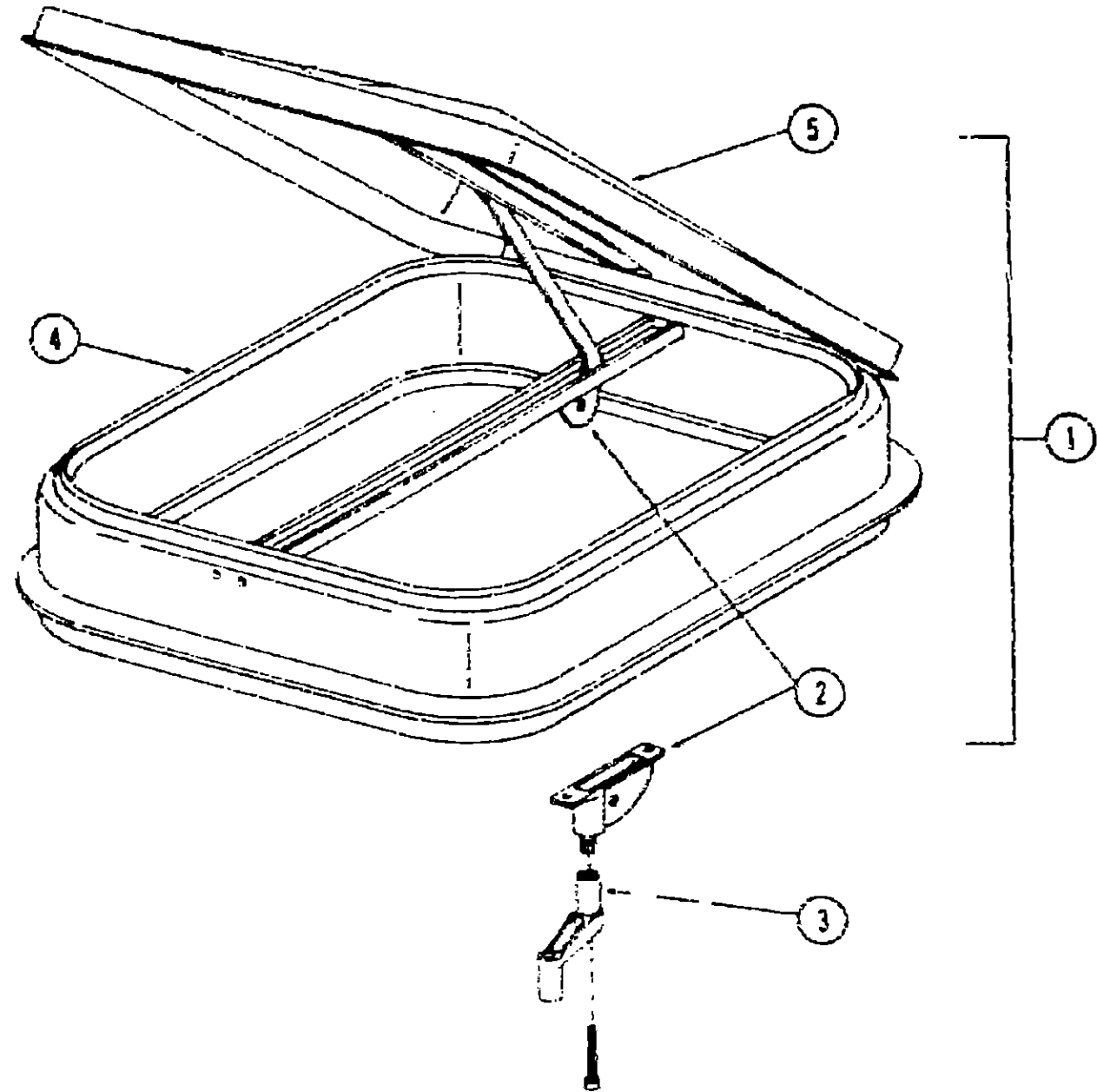
D27MI	A-1 - B-10
MW20RG	B-11 - C-16
D27S	C-17 - D-22
D23MI	D-23 - F-8
D23S	F-9 - G-14
MWC25	G-15 - I-2
D27DRK	I-3 - J-14
D29D	J-15 - L-2

1977 MWC25 INDEX

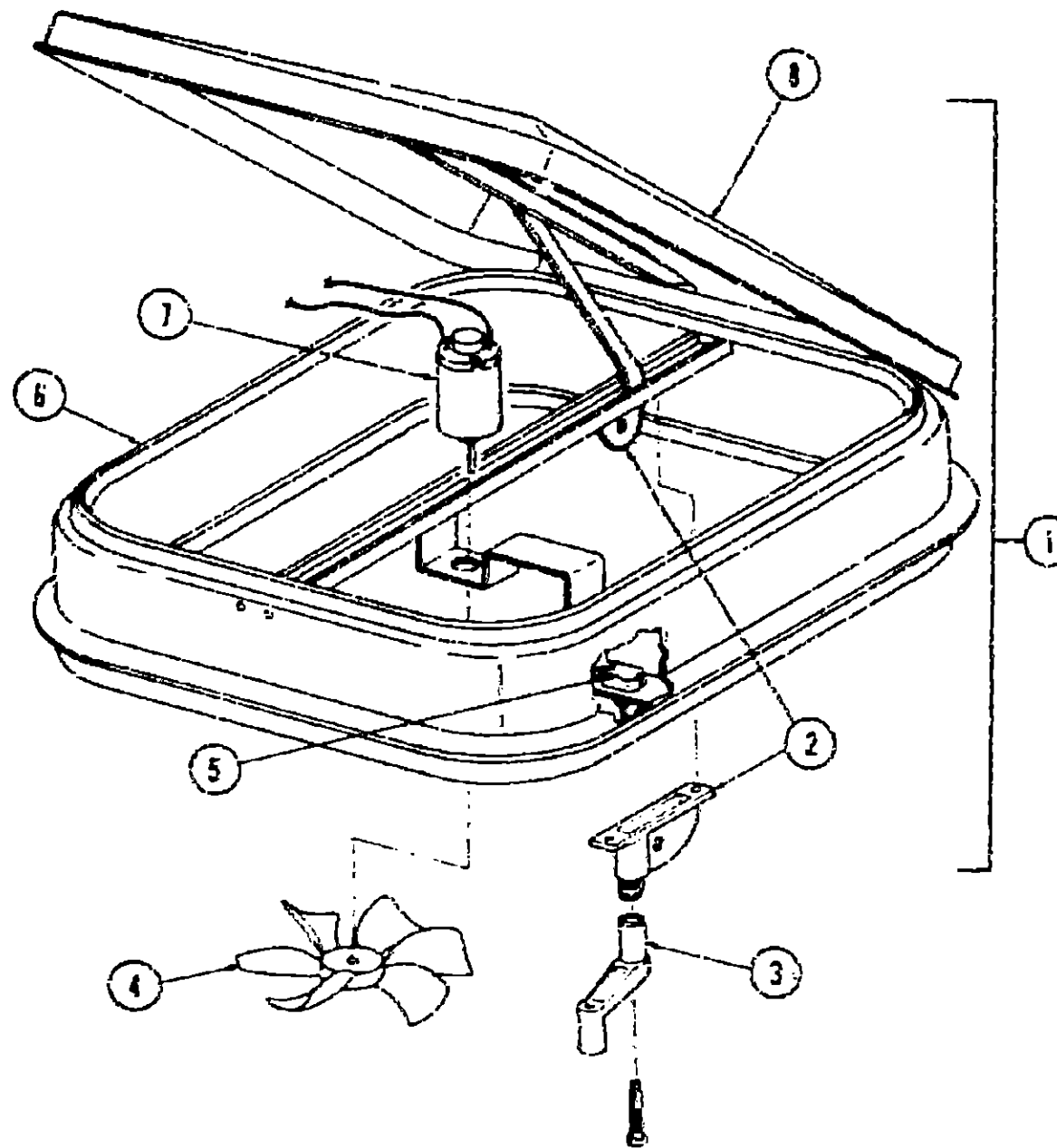
Floor Plan	G-15 - G-16
Accessories Group	G-17 - G-18
Bath Group	G-19 - G-20
Chassis Group	G-21
Curtain, Cushion & Pad Group	G-22 - H-1
Dinette Group	H-2
Driver's Compartment Group	D-2
Electrical Group	H-3 - H-4
Exterior Body Group	H-5 - H-8
Galley Group	H-9
Heating & Air Conditioning Group	H-10
Interior Finish Group	H-11 - H-12
LP Group	H-13
Lounge Group	H-14
Water & Sewage Group	H-15
Window, Vent & Exterior Door Group	H-16 - I-2

WINDOW, VENT AND EXTERIOR DOOR GROUP (CONTINUED)

WINDOW, VENT AND EXTERIOR DOOR GROUP (CONTINUED)



Key	Part Number	U/M	Description
1	048335-01-000	EA	Vent Asm. - Roof - Nonpowered - w/o Screen
2	009440-01-000	EA	Gear - Arm - Roof Vent
3	009439-01-000	EA	Crank - Roof Vent
4	002825-01-000	FT	Weatherstrip - Roof Vent
5	046825-01-000	EA	Cover - Plastic - Roof Vent
-	016335-01-000	EA	Screen Asm. - Non Powered Roof Vent - Clear Anod (not included in assembly)
-	016335-03-000	EA	Screen Asm. - Non Powered Roof Vent - Beige (not included in assembly)
-			Not Illustrated



Key	Part Number	U/M	Description
1	048729-01-000	EA	Vent Asm. - Roof - Powered
2	009440-01-000	EA	Gear - Arm - Roof Vent
3	009439-01-000	EA	Crank - Roof Vent
4	048649-01-000	EA	Fan Blade - 6" - Plastic
5	006195-01-000	EA	Switch - Push Button - 12 Volt
6	002825-01-000	FT	Weatherstrip - Roof Vent
7	048648-01-000	EA	Motor - Roof Vent 12 Volt
-	046825-01-000	EA	Cover - Plastic - Roof Vent
-	048595-01-000	EA	Screen Asm. - Powered Roof Vent - Clear Anod. (not included in assembly)
-	048695-03-000	EA	Screen Asm. - Powered Roof Vent - Beige (not included in assembly)
-			Not Illustrated

**1977 WINNEBAGO
TABLE OF CONTENTS**

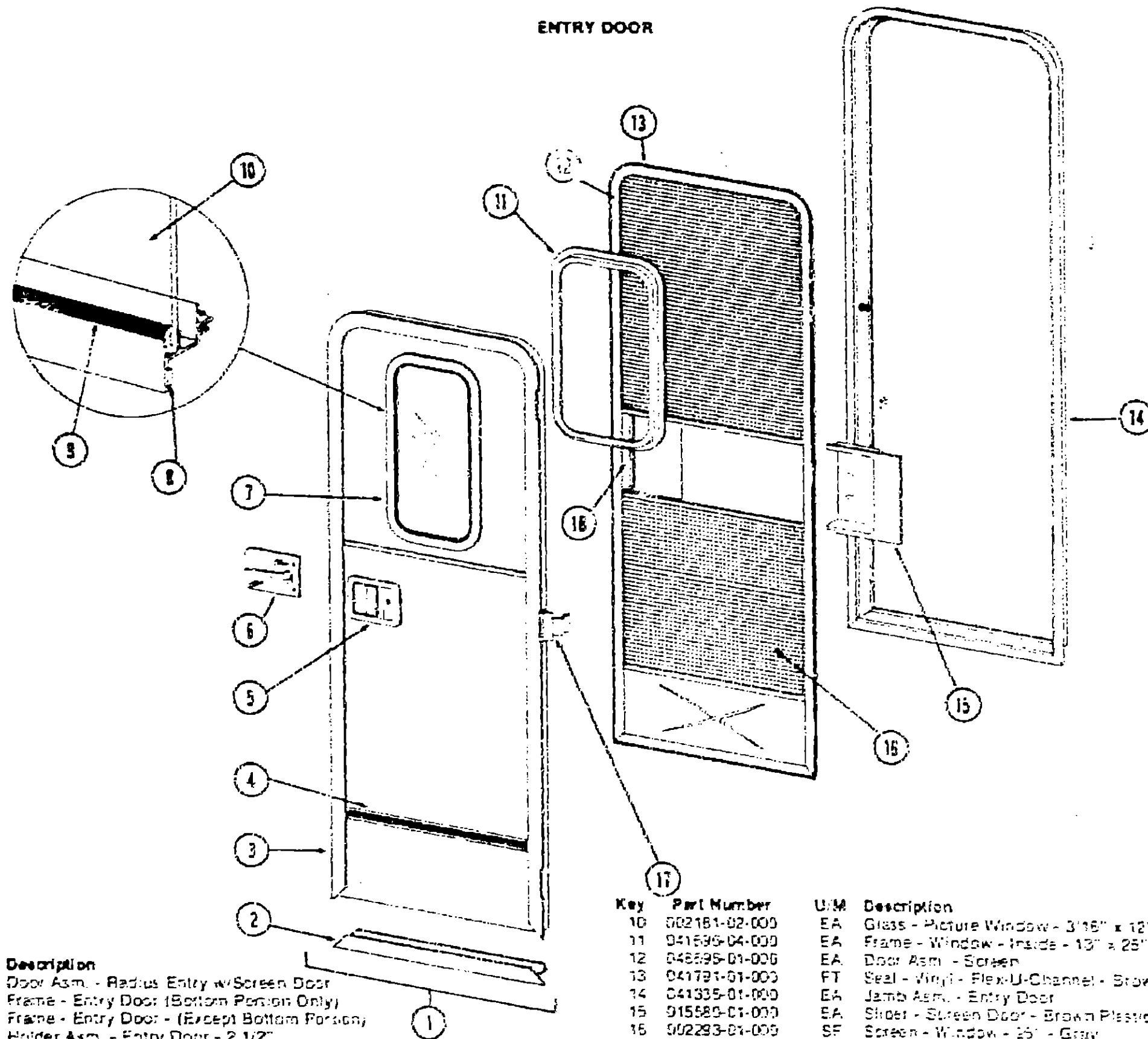
D27MI	A-1 - B-10
MW20RG	B-11 - C-16
D27S	C-17 - D-22
D23MI	D-23 - F-8
D23S	F-9 - G-14
MWC25	G-15 - I-2
D27DRK	I-3 - J-14
D29D	J-15 - L-2

1977 MWC25 INDEX

Floor Plan	G-15 - G-16
Accessories Group	G-17 - G-18
Bath Group	G-19 - G-20
Chassis Group	G-21
Curtain, Cushion & Pad Group	G-22 - H-1
Dinette Group	H-2
Driver's Compartment Group	D-2
Electrical Group	H-3 - H-4
Exterior Body Group	H-5 - H-8
Galley Group	H-9
Heating & Air Conditioning Group	H-10
Interior Finish Group	H-11 - H-12
LP Group	H-13
Lounge Group	H-14
Water & Sewage Group	H-15
Window, Vent & Exterior Door Group	H-16 - I-2

WINDOW, VENT AND EXTERIOR DOOR GROUP (CONTINUED)

ENTRY DOOR



Key	Part Number	U/M	Description
1	050095-10-000	EA	Door Asm. - Radius Entry w/Screen Door
2	039737-01-000	EA	Frame - Entry Door (Bottom Portion Only)
3	039735-01-000	EA	Frame - Entry Door - (Except Bottom Portion)
4	039574-02-000	EA	Holder Asm. - Entry Door - 2 1/2"
5	052186-01-000	EA	Lock Asm. - Radius Entry Door - Lynar
6	045017-01-000	EA	Lock Cylinder w/Keys - Lynar
7	039541-01-000	EA	Lock Cylinder w/Keys - Atwood
8	039539-01-000	EA	Striker - Entry Door Lock
9	039979-01-000	EA	Plate - Lock - Interior - Including Inside Handle
10	041577-03-000	EA	Window Asm - Picture - 13" x 25" Clear Anod (inside frame not included in assembly)
11	041577-03-000	EA	Window Asm - Picture - 13" x 25" Clear Anod (inside frame not included in assembly)
12	054363-01-000	FT	Tape - Foam - 3/16" x 1/2" - Gray
13	002309-01-000	FT	Spine - Glass - 1/8" - Gray

Key	Part Number	U/M	Description
10	002181-02-000	EA	Glass - Picture Window - 3/16" x 12" x 24" - Gray
11	041595-04-000	EA	Frame - Window - Inside - 13" x 25" Brown
12	048295-01-000	EA	Door Asm. - Screen
13	041791-01-000	FT	Seal - Vinyl - Flex-U-Channel - Brown
14	041335-01-000	EA	Jamb Asm. - Entry Door
15	015580-01-000	EA	Slider - Screen Door - Brown Plastic
16	002293-01-000	SF	Screen - Window - 25" - Gray
17	039520-01-000	EA	Hinge - Entry Door (3 used per door)
18	015581-01-000	EA	Cap - Screen Door - Brown Plastic
19	049176-01-000	EA	Headlet II - 3/4" Diameter - Screw Mount (Retains Screen Door to Entry Door)
20	049797-01-000	EA	Headlet II - 1" - Diameter - Screw Mount (Retains Screen Door to Entry Door)
21	015019-01-000	EA	Striker - Screen Door
22	039563-01-000	EA	Catch Arm - Single Roller w/Strike - Screen Door
23	051350-01-000	FT	Seal - Jamb - Entry Door - Bobble
24	039500-03-000	FT	Tubing - Polybutyl - 3/8" O.D. - Jamb
	Not Illustrated		

H-23

1977 WINNEBAGO TABLE OF CONTENTS

D27M1	A-1 - B-10
MW20RG	B-11 - C-16
D27S	C-17 - D-22
D23M1	D-23 - F-6
D23S	F-9 - G-14
MWC25	G-15 - I-2
D27DRK	I-3 - J-14
D29D	J-15 - L-2

1977 MWC25 INDEX

Floor Plan	G-15 - G-16
Accessories Group	G-17 - G-18
Bath Group	G-19 - G-20
Chassis Group	G-21
Curtain, Cushion & Pad Group	G-22 - H-1
Dinette Group	H-2
Driver's Compartment Group	D-2
Electrical Group	H-3 - H-4
Exterior Body Group	H-5 - H-8
Galley Group	H-9
Heating & Air Conditioning Group	H-10
Interior Finish Group	H-11 - H-12
LP Group	H-13
Lounge Group	H-14
Water & Sewage Group	H-15
Window, Vent & Exterior Door Group	H-16 - I-2

H-24

WINDOW, VENT AND EXTERIOR DOOR GROUP (CONTINUED)

VENTS

Key	Part Number	U/M	Description
	029407-01-000	EA	Frame - Base - Refrigerator Vent (w/o Cover)
	029778-01-000	EA	Cover - Vent - Refrigerator - Plastic
	049352-01-000	EA	Vent - Stove Hood - Outside - Off White - Jensen

ACCESS DOORS

Key	Part Number	U/M	Description
	047127-04-000	EA	Door Asm. - Refrigerator - Off White - w/Twist Type Lock
	044210-01-000	EA	Door Asm - 6" x 10" - Off White - Plastic - Power Cord w/Plastic Latch
	043942-01-000	EA	Latch - Quarter Turn - Plastic (Power Cord Door)
	037804-05-000	EA	Door Asm. - Battery - 24.56" x 10.05" - Off White - w/Twist Type Lock
	037433-05-000	EA	Door Asm. - Generator - Off White - w/Twist Type Lock
	037804-14-000	EA	Door Asm. - Luggage - 17.55" x 10.05" - Off White - w/Key Type Lock
	039567-01-000	EA	Kit - Twist Type Lock w. Clip
	047305-01-000	EA	Kit - Key Type Lock w. Clip
	016945-02-000	EA	Holder Asm. - Battery and Luggage Door (Holds Door Open)
	003152-03-000	EA	Door Asm. - Water Heater Access - Off White
	043059-02-000	EA	Door Asm. - Luggage - 19.625" x 20.69" x 22.47" - Right Hinged - w/Key Type Lock

1977 WINNEBAGO TABLE OF CONTENTS

D27MI	A-1 - B-10
MW20RG	B-11 - C-16
D27S	C-17 - D-22
D23MI	D-23 - F-8
D23S	F-9 - G-14
MWC25	G-15 - I-2
D27DPK	I-3 - J-14
D29D	J-15 - L-2

1977 MWC25 INDEX

Floor Plan	G-15 - G-16
Accessories Group	G-17 - G-18
Bath Group	G-19 - G-20
Chassis Group	G-21
Curtain, Cushion & Pad Group	G-22 - H-1
Dinette Group	H-2
Driver's Compartment Group	D-2
Electrical Group	H-3 - H-4
Exterior Body Group	H-5 - H-8
Galley Group	H-9
Heating & Air Conditioning Group	H-10
Interior Finish Group	H-11 - H-12
LP Group	H-13
Lounge Group	H-14
Water & Sewage Group	H-15
Window, Vent & Exterior Door Group	H-16 - I-2