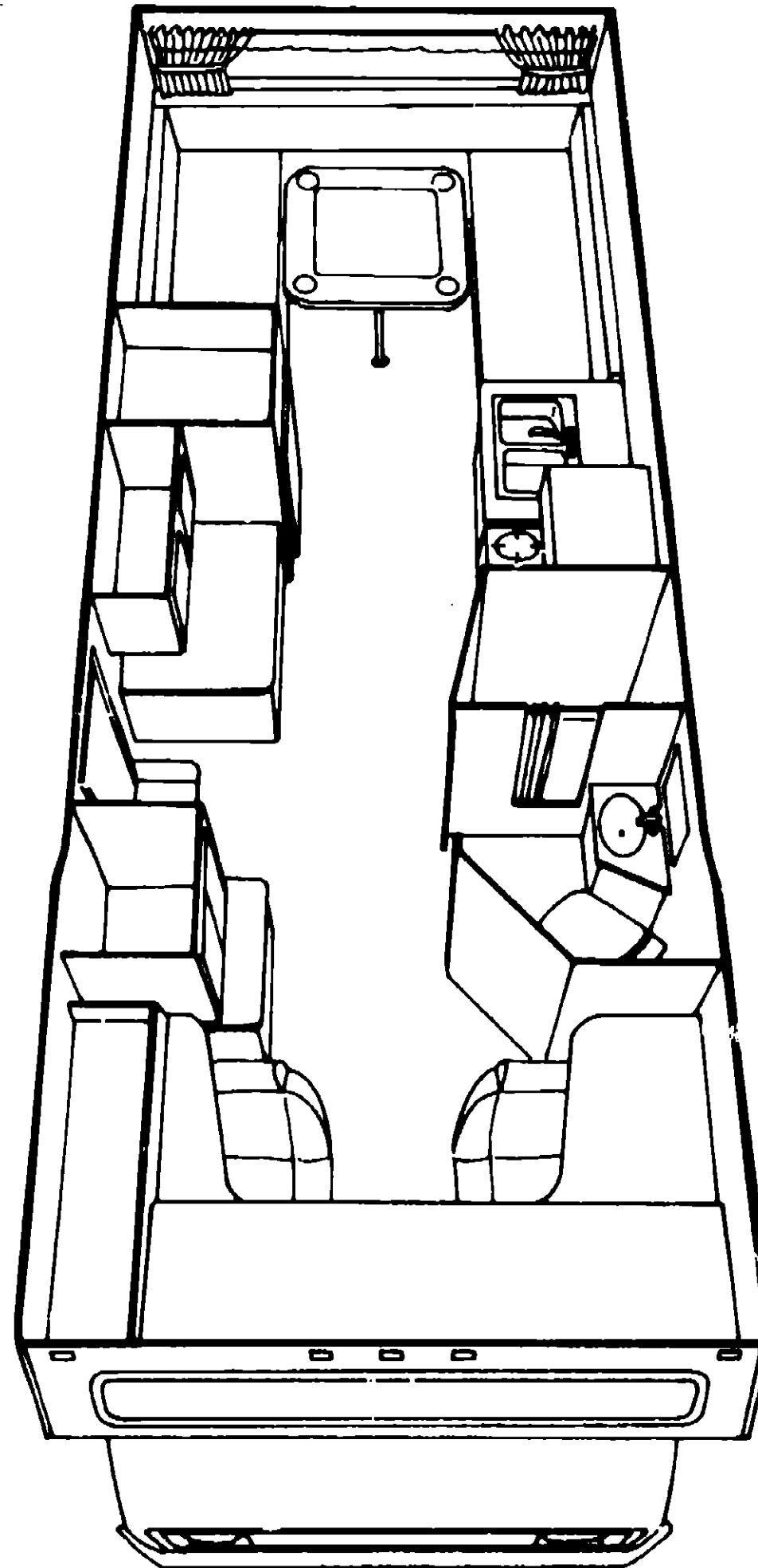


1977 MWC24D



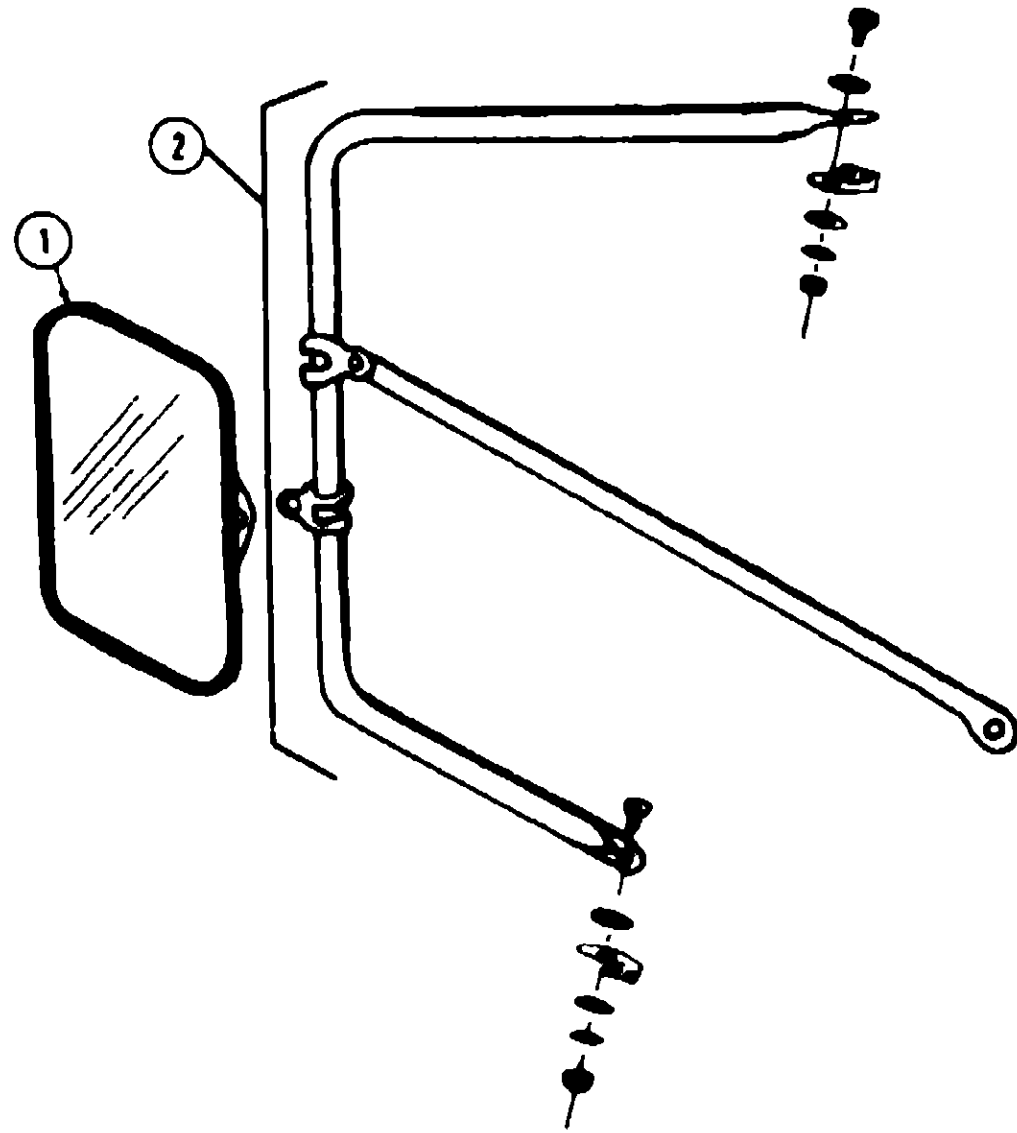
WINNEBAGO TABLE OF CONTENTS

Introduction	A-1
Abbreviations	A-1
Alphabetical Index	A-2 - A-4
1977 MWC25D	A-5 - B-12
1977 D26CRK	B-13 - C-24
1977 MWC24D	D-1 - E-8
1977 D26CRB	E-9 - F-20
1977 D26RT	F-21 - H-6
1977 MW23RB	H-7 - I-16
1977 D21	I-17 - K-6
1977 D23C	K-7 - L-18

1977 MWC24D INDEX

Floor Plan	D-1 - D-2
Accessories Group	D-3 - D-4
Bath Group	D-5
Chassis Group	D-6
Curtain, Cushion & Pad Group	D-7 - D-9
Dinette Group	D-9
Driver's Compartment Group	D-10
Electrical Group	D-11 - D-12
Exterior Body Group	D-13 - D-16
Galley Group	D-17
Heating & Air Conditioning Group	D-18
Interior Finish Group	D-19 - D-20
LP Group	D-21
Water & Sewage Group	D-22
Window, Vent & Exterior Door Group	D-23 - E-8

ACCESSORIES GROUP



Key	Part Number	U/M	Description
1	049347-01-000	EA	Mirror Head Only 7 1/2" x 10 1/2" SST
2	049349-01-000	EA	Arm West Coast Mirror SST

ACCESSORIES GROUP (CONTINUED)

RADIOS AND RELATED COMPONENTS

Key	Part Number	U/M	Description
	039879-01-030	EA	Speaker Kit 5 1/4" Dia. w/Black Padded Grille
	048119-01-000	EA	Speaker - Recessed Oval 8" x 9"
	049729-01-000	EA	Grille Speaker - 6" x 9"
	017516-01-000	EA	Mud Flap Black
	007004-01-000	EA	Antenna - Radio - Cab Mount
	049732-01-000	EA	Radio - AM/FM/MPX 8-Track w/Fader Switch - Clarion

MISCELLANEOUS ACCESSORIES

Key	Part Number	U/M	Description
	008113-01-000	EA	Jack - Hydraulic w/Handle
	041944-01-700	EA	Fire Extinguisher - w/Bracket - Dry Chemical
	047032-01-000	EA	Holder - Fishing Rod
	023111-01-000	EA	Food Center Power Built-in w/Blender w/o Ice Crusher
	023111-02-000	EA	Ice Crusher Attachment for Food Center
**	031396-03-000	EA	Cover - Wheel 16.5" Chrome
	041646-01-000	EA	Carrier Asm. Luggage - Roof Mount
	041668-01-000	EA	Pin Asm. - w/Retainer 1/4" x 1 3/4"
	031161-01-000	EA	Label Flying W
**	051058-01-000	EA	Ladder Asm. w/Luggage Rack
**	041440-02-000	EA	Ladder Only for Luggage Rack
	008053-01-000	EA	Antenna Asm. TV
	008093-01-000	EA	Jack TV Brown
	047226-03-000	EA	Cover Asm. Brown Spare Tire
	048382-04-000	EA	Bunk - Rear Overhead (w/Rails)
	023812-08-000	EA	Rail - Bunk Brown 72.50"
	042888-01-000	EA	Support Asm. - Ovhd. Bunk Dark Brown Left & Right
**	050885-01-000	EA	Owner's Manual - Winnebago
**	042713-01-000	EA	Speed Control Package 350 Chev. C-Body

**The illustrated parts breakdown for this item is provided on the Common Items Fiche.

GENERATOR AND COMPONENTS

Key	Part Number	U/M	Description
	042885-01-000	EA	Air Scoop - Generator
	044086-01-000	EA	Generator - 4000 watt - Onan BF
	047933-01-000	EA	Muffler - Generator - 4 1/4" x 19.6"
**	701629-01-000	EA	Kohler Installation Package
**	040504-01-000	EA	Generator - 2.5 kw - Kohler
**	040505-01-000	EA	Generator - 4.0 kw - Kohler
**	040506-01-000	EA	Generator - 5.0 kw - Kohler
**	044149-01-000	EA	Generator - 6.5 kw - Kohler
**	051908-01-000	EA	Generator - 3.5 kw - Kohler
**	051909-01-000	EA	Generator - 4.5 kw - Kohler
**	051910-01-000	EA	Generator - 5.5 kw - Kohler
**	051911-01-000	EA	Generator - 7.0 kw - Kohler

**The illustrated parts breakdown for this item is provided on the Common Items Fiche.

WINNEBAGO

TABLE OF CONTENTS

Introduction	A-1
Abbreviations	A-1
Alphabetical Index	A-2 - A-4
1977 MWC25D	A-5 - B-12
1977 D26CRK	B-13 - C-24
1977 MWC24D	D-1 - E-8
1977 D26CRB	E-9 - F-20
1977 D26RT	F-21 - H-6
1977 MW23RB	H-7 - I-16
1977 D21	I-17 - K-6
1977 D23C	K-7 - L-18

1977 MWC24D INDEX

Floor Plan	D-1 - D-2
Accessories Group	D-3 - D-4
Bath Group	D-5
Chassis Group	D-6
Curtain, Cushion & Pad Group	D-7 - D-9
Dinette Group	D-9
Driver's Compartment Group	D-10
Electrical Group	D-11 - D-12
Exterior Body Group	D-13 - D-16
Galley Group	D-17
Heating & Air Conditioning Group	D-18
Interior Finish Group	D-19 - D-20
LP Group	D-21
Water & Sewage Group	D-22
Window, Vent & Exterior Door Group	D-23 - E-8

BATH GROUP

Key	Part Number	U/M	Description
	045730-01-000	EA	Curtain - Shower White Plastic
	008136-01-000	EA	Pin - Curtain - Shower
	009134-01-000	EA	Holder - Tissue
	033580-01-000	EA	Ring - Towel Chrome w/Plastic Ring
	009133-01-000	EA	Bar - Towel 12" Plastic w/o Bracket
	023449-01-000	EA	Support - Towel Bar Chrome Left or Right
	009252-01-000	EA	Cabinet - Medicine Gold
	009256-01-001	EA	Mirror - Med. Cabinet Door 9 1/2" x 14 1/2"
	011048-01-000	EA	Shower Head w/58" Hose
	011059-01-000	EA	Faucet 4" Shower
	047156-02-700	EA	Door Asm. Shower w/o Hardware
	009124-01-000	EA	Lock - Door Push Button Brass (Bath Door)
	046749-01-000	EA	Pan - Shower (w/o Tail Piece)
	011048-01-700	EA	Vacuum Breaker - 1/8 MPT Nylon Shower Hose
	011086-01-000	EA	Strainer - Shower Pan
	044087-01-000	EA	Lavatory - Bath
	011056-01-000	EA	Faucet - 4" Lavatory
	011083-01-000	EA	Plug - w/Chain and Stopper
	047017-22-700	EA	Door Asm. - Cabinet Vanity 9" x 19 1/4" w/o Hardware
	034689-03-000	EA	Cover - Screw PPH 10 Ivory
	047017-23-700	EA	Door Asm. Cabinet Wardrobe (2 per unit) w/o Hardware 9 3/16" x 52"
	046899-04-000	EA	Countertop Asm. Wardrobe Front
**	039341-02-000	EA	Stool Asm. - Ivory - Aqua Magic - Model SH

**The illustrated parts breakdown for this item is provided on the Common Items Fiche.

CHASSIS GROUP

Key	Part Number	U/M	Description
	024641-02-000	EA	Step Asm. - Entry Door
	046742-01-000	EA	Step - Asm. Assist Front Door
	045000-03-000	EA	Shield - Heat 40.00"
	047885-01-000	EA	Tray Battery Steel
	048882-01-000	EA	Rod - Battery Tie Down
	048582-01-000	EA	Hold Down Double Battery
	039615-01-000	EA	Rod - Holding Hood
	046746-01-000	EA	Support Asm. - Radiator Grille
	044763-01-000	EA	Splash Guard - Front Black Rubber
	017516-01-000	EA	Mud Flap - Rear Black
	044163-01-000	EA	Bracket Fiberglass to Wheel Well
	044164-01-000	EA	Bracket Fiberglass to Hinge Pillar
	044371-01-000	EA	Bracket Fiberglass Front Bottom Attach
	044373-01-000	EA	Bracket Fiberglass Front Top Attach
	041723-01-000	EA	Bracket - Hood - Center Bumper
	045683-01-000	EA	Pivot - Hood
	040848-01-000	EA	Bumper - Hood
	007125-08-000	EA	Clamp Asm. Muffler 3" Dia.
	042377-01-000	EA	Tail Pipe Extension 3" OD x 7.50"
	040634-02-000	EA	Carrier - Spare Tire
	046043-06-000	EA	Bracket - Asm. - Bumper
	046785-01-000	EA	Bumper - Rear Chrome 93"
	045226-01-000	EA	Tray Generator 36.25" x 37.75"
	039649-01-000	EA	Wheel Well Rear Plastic Left or Right

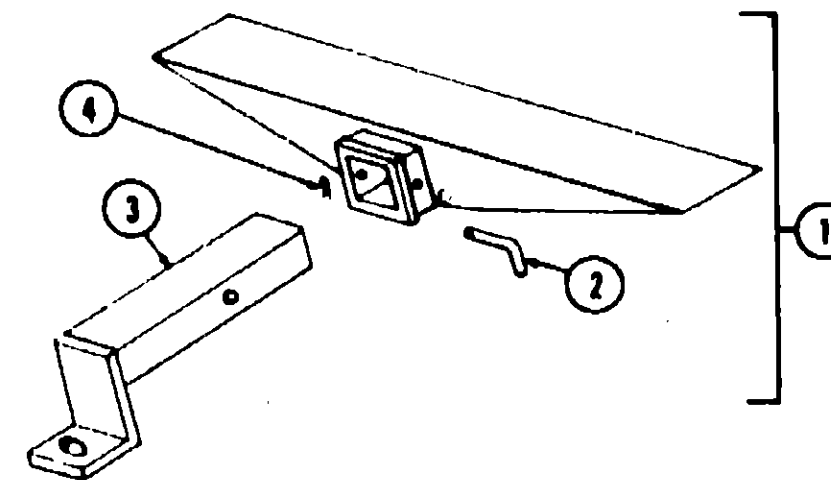
WINNEBAGO

TABLE OF CONTENTS

Introduction	A-1
Abbreviations	A-1
Alphabetical Index	A-2 - A-4
1977 MWC25D	A-5 - B-12
1977 D26CRK	B-13 - C-24
1977 MWC24D	D-1 - E-8
1977 D26CRB	E-9 - F-20
1977 D26RT	F-21 - H-6
1977 MW23RB	H-7 - I-16
1977 D21	I-17 - K-6
1977 D23C	K-7 - L-18

1977 MWC24D INDEX

Floor Plan	D-1 - D-2
Accessories Group	D-3 - D-4
Bath Group	D-5
Chassis Group	D-6
Curtain, Cushion & Pad Group	D-7 - D-9
Dinette Group	D-9
Driver's Compartment Group	D-10
Electrical Group	D-11 - D-12
Exterior Body Group	D-13 - D-18
Galley Group	D-17
Heating & Air Conditioning Group	D-18
Interior Finish Group	D-19 - D-20
LP Group	D-21
Water & Sewage Group	D-22
Window, Vent & Exterior Door Group	D-23 - E-8



Key	Part Number	U/M	Description
1	023885-01-700	EA	Hitch Kit - w/Drawbar
2	034512-01-000	EA	Pin - Locking - Drawbar
3	024876-01-000	EA	Drawbar - Trailer Hitch
4	034513-01-000	EA	Pin - Hitch - 3/16" Wire Spring

CURTAIN, CUSHION AND PAD GROUP

CURTAINS

Key	Part Number	U/M	Description
	049021-53-000	EA	Curtain w/Snap Top - Bunk Privacy - 25" x 93" - Flax
	049021-54-000	EA	Curtain w/Snap Top - Isle Divider - 75" x 90" - Flax
	045839-05-000	EA	Curtain w/Snap Top - Wrapperound - 21" x 62" - Brown Vinyl
	048840-01-000	EA	Curtain w/Snap Top and Bottom - 17.5" x 39" - Flax
	048840-70-000	EA	Curtain w/Snap Top and Bottom - 25.5" x 45" - Flax
	048840-71-000	EA	Curtain w/Snap Top and Bottom - 22.5" x 21" - Flax
	049021-01-000	EA	Curtain w/Snap Top - 33" x 30" - Flax
	049486-38-000	EA	Curtain w/Snap Top - 15.5" x 39" - Flax
	049486-51-000	EA	Curtain w/Snap Top - 27" x 21" - Left - Flax
	049487-51-000	EA	Curtain w/Snap Top - 27" x 21" - Right - Flax

CURTAIN TIE BACKS

Key	Part Number	U/M	Description
	049097-42-000	EA	Tie Back - Curtain - 14" - Brown
	049097-43-000	EA	Tie Back - Curtain - 10" - Brown

VALANCES

Key	Part Number	U/M	Description
	050757-07-000	EA	Valance w/Header - 5.5" x 43" - Brown
	050757-08-000	EA	Valance w/Header - 5.5" x 90" - Brown

BUCKET SEATS, HEADRESTS AND ARMRESTS

Key	Part Number	U/M	Description
	040516-32-000	EA	Seat Asm. - Single Bucket w/Slides - Brown
	040516-32-002	EA	Cover - Single Bucket Seat - Back w/Map Pocket - Brown
	040516-32-001	EA	Cover - Single Bucket Seat - Bottom - Brown
	033806-52-000	EA	Headrest Cover - Brown
	019722-01-000	EA	Headrest Asm. - Foam w/o Cover
	050280-21-000	EA	Armrest Cover - Right or Left - Brown
	040494-01-000	EA	Armrest Asm. - Foam w/o Cover - Right - Style #1
	040494-02-000	EA	Armrest Asm. - Foam w/o Cover - Left - Style #1
	050275-01-700	EA	Armrest Asm. - Foam w/o Cover - Right - Style #2
	050276-01-700	EA	Armrest Asm. - Foam w/o Cover - Left - Style #2
	029136-01-000	EA	Grommet - Headrest - Brown Nylon
	038658-04-000	EA	Screw - Shoulder - 3/8" x 3/8" - Hex Socket (Armrest)
	048179-01-000	EA	Screw - Shoulder - 3/8" x 5/8" - Hex Socket (Armrest)

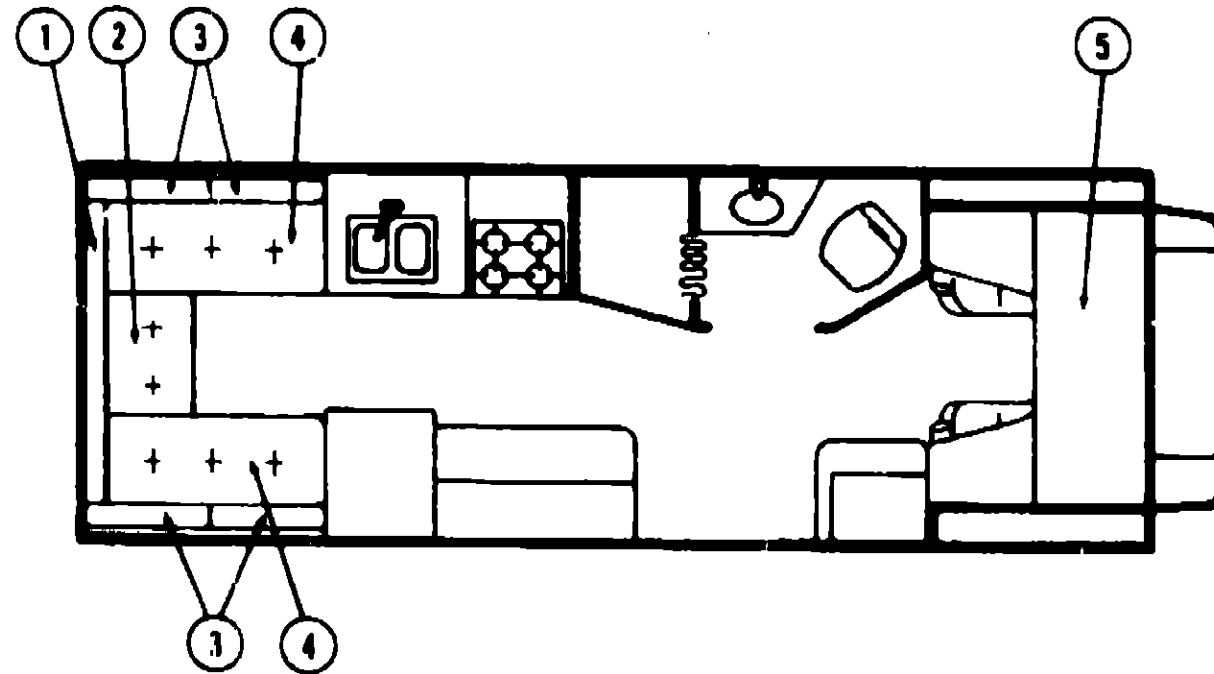
NOTE

A production change was made in the armrest. When ordering, you must first determine which style is required. Measure up ten inches from the bottom of the seat frame. If you feel (through the upholstery) a collar protruding outward approximately 1/2", you should order style two. Order style one if no protrusion is noted.

FABRICS AND TRIMS

Key	Part Number	U/M	Description
	039781-01-000	YD	Fabric - Drapes - Flax w/Foam Backing
	051379-01-000	YD	Fabric - Upholstery - Brown Corduroy - Wide Weave
	045868-01-000	YD	Vinyl - Non Expanded - 27 Ounce - Brown
	045868-02-000	YD	Vinyl - Expanded - 28 Ounce - Brown
	041958-01-000	FT	Trim - Edging - Flax Brown Vinyl
	042414-03-000	FT	Trim - Accent - Patchwork Brown Vinyl
	048483-01-000	EA	Button Asm. - Covered - Patchwork Vinyl
	048483-02-000	EA	Button Asm. - Covered - Brown Vinyl
	023831-09-000	EA	Button - Nail - Covered - Patchwork Vinyl

CURTAIN, CUSHION AND PAD GROUP (CONTINUED)



DINETTE CUSHIONS

Key	Part Number	U/M	Description
1	049035-05-000	EA	Cushion - Boxed - 13" x 79.5" - Brown
	049035-05-005	EA	Cover - Cushion - Boxed - 13" x 79.5" x 5" - Brown
2	049035-03-000	EA	Cushion - Boxed - 26.5" x 34.5" x 5" - Brown
	049035-03-003	EA	Cover - Cushion - Boxed - 26.5" x 34.5" x 5" - Brown
3	049035-04-000	EA	Cushion - Boxed - 13" x 33" x 5" - Brown
	049035-04-004	EA	Cover - Cushion - Boxed - 13" x 33" x 5" - Brown
4	049035-02-000	EA	Cushion - Boxed - 27.5" x 66" x 5" - Brown
	049035-02-002	EA	Cover - Cushion - Boxed - 27.5" x 66" x 5" - Brown

MATTRESSES

Key	Part Number	U/M	Description
5	049517-07-000	EA	Mattress - Front Bunk - 24 1/2" x 76" x 4" - Brown
	049517-07-007	EA	Cover - Mattress - Front Bunk - 24 1/2" x 76" x 4" - Brown
5	049517-08-000	EA	Mattress - Front Bunk - 27" x 76" x 5" - Brown
	049517-08-008	EA	Cover - Mattress - Front Bunk - 27" x 76" x 5" - Brown
	041914-37-000	EA	Mattress - Rear Flex Optional Bunk - 37.5" x 79" x 4" - Brown
	041914-37-037	EA	Cover - Mattress - Rear Flex Optional Bunk - 37.5" x 79" x 4" - Brown

PADS

Key	Part Number	U/M	Description
	047498-01-000	EA	Pad - Bunk Rail - Front - Brown
	043321-03-000	EA	Pad - "A" Pillar - Right - Brown Vinyl - Patchwork
	043322-03-000	EA	Pad - "A" Pillar - Left - Brown Vinyl - Patchwork
	043323-03-000	EA	Pad - Door Top - Right - Brown Vinyl - Patchwork
	043324-03-000	EA	Pad - Door Top - Left - Brown Vinyl - Patchwork
	043325-06-000	EA	Pad - "B" Pillar - Left - Brown Vinyl - Patchwork
	043326-06-000	EA	Pad - "B" Pillar - Right - Brown Vinyl - Patchwork
	043328-03-000	EA	Pad - Headliner - Cab - Brown Vinyl - Patchwork
	043327-07-000	EA	Support - Cab/Pillar Asm. - Left
	043327-08-000	EA	Support - Cab/Pillar Asm. - Right
	044207-03-000	EA	Pad - Motor Cover
	048380-03-000	EA	Pad - Sleeper Board Front - Left
	048380-04-000	EA	Pad - Sleeper Board Front - Right
	047252-01-000	EA	Pad - Beverage Cabinet Trim
	047253-01-000	EA	Pad - Beverage Cabinet - Back
	047497-01-000	EA	Pad - Overhead Cabinet - End
	042960-02-000	EA	Handle - Assist - Interior
	048456-02-000	EA	Pad - Tube Cover - Brown Vinyl

WINNEBAGO

TABLE OF CONTENTS

Introduction	A-1
Abbreviations	A-1
Alphabetical Index	A-2 - A-4
1977 MWC25D	A-5 - B-12
1977 D26CRK	B-13 - C-24
1977 MWC24D	D-1 - E-8
1977 D26CRB	E-9 - F-20
1977 D26RT	F-21 - H-6
1977 MW23RB	H-7 - I-16
1977 D21	I-17 - K-6
1977 D23C	K-7 - L-18

1977 MWC24D INDEX

Floor Plan	D-1 - D-2
Accessories Group	D-3 - D-4
Bath Group	D-5
Chassis Group	D-6
Curtain, Cushion & Pad Group	D-7 - D-9
Dinette Group	D-9
Driver's Compartment Group	D-10
Electrical Group	D-11 - D-12
Exterior Body Group	D-13 - D-16
Galley Group	D-17
Heating & Air Conditioning Group	D-18
Interior Finish Group	D-19 - D-20
LP Group	D-21
Water & Sewage Group	D-22
Window, Vent & Exterior Door Group	D-23 - E-8

CURTAIN, CUSHION AND PAD GROUP (CONTINUED)

CURTAIN HARDWARE

Key	Part Number	U/M	Description
	008136-01-000	EA	Hook - Shower Curtain (Blackout Curtain)
	008107-01-000	EA	Guide - Nylon - Snap
	052327-04-238	EA	Curtain Track - Alum. - Brown - 89" w/Holes
	008701-01-000	EA	Roller - Curtain - "L" Rod
	008702-01-000	EA	Stop - End - Curtain - "L" Rod
	018031-42-000	EA	Track - Curtain - "L" Rod - 90" - Alum.
	042438-01-000	EA	Bracket - Curtain - Rod - Single
	008223-02-000	EA	Rod - Curtain - Flat - Extends 48" - 84"
	050285-02-002	EA	Extr. - Anod. - Curtain Track - 18"



Key	Part Number	U/M	Description
1	029130-01-000	EA	Socket - Snap Fastener - 7 x 5/8" - Tie Back
2	029155-01-00J	EA	Cap - Snap - .156" Dia. x .17" Barrel - Tie Back
J	029156-01-00J	EA	Socket - Snap Fastener - Tie Back
4	029082-01-000	EA	Stud - Nickel Finish - Curtain
5	029083-01-000	EA	Eyelet - Nickel Finish - Curtain

DINETTE GROUP

Key	Part Number	U/M	Description
	007021-01-000	EA	Belt Asm. Seat 2" x 90" Blk.
	041322-01-000	EA	Washer - FL - 15/32" I.D. x 2 3/8" O.D.
	047017-19-700	EA	Door Asm. - Dinette Seat - 18" x 10 1/2" w/o Hardware
**	041831-01-000	EA	Kit - Door Hinge
**	048541-01-000	EA	Kit - Door Latch - Rustic Early American
	047048-03-000	EA	Cabinet - Dinette Seat - Left
	047049-03-000	EA	Cabinet - Dinette Seat - Right
	047050-03-000	EA	Cabinet - Dinette Seat - Center
	047017-21-700	EA	Door - Overhead Cabinet - 9" x 21" w/o Hardware
	048881-02-000	EA	Cabinet Asm. - Overhead Dinette - Left
	048882-02-000	EA	Cabinet Asm. - Overhead Dinette - Right
	048874-02-000	EA	Cabinet Shelf Asm. - Overhead - Rear
	050508-01-000	EA	Table Top Asm. - Dinette - w/Insert - w/o Legs
	050507-01-000	EA	Insert Only - Table
	008040-02-000	EA	Leg - Table
	041184-01-000	EA	Socket - Floor - Table Leg
	008040-03-000	EA	Socket - Table Top - Table Leg
	041478-01-000	EA	Track - Table Slide (4 per table)
	041831-01-000	EA	Knob - 1 1/4" Dia. - Early American
	041833-01-000	EA	Spring - Conical Balance - Pull Rod
	041834-01-000	EA	Rod - Balance - Pull 3/4" Thick

**The illustrated parts breakdown for this item is provided on the Common Items Fiche.

DRIVER'S COMPARTMENT GROUP

Key	Part Number	U/M	Description
	041787-01-000	EA	Clip - Speed Cable or Rod
	036414-01-000	EA	Asn Tray
	041318-01-000	EA	Clamp - Asm. - Engine Cover Upper
	041319-01-000	EA	Catch - Engine Cover Upper
	041320-01-000	EA	Bracket - Engine Cover/Floor
	041425-01-000	EA	Cover Engine
	018223-01-000	EA	Bracket Motor Cover
	044850-01-000	EA	Step Well - Rubber Black Left Hand
	044850-02-000	EA	Step Well - Rubber Black Right Hand
	045206-07-000	EA	Side Panel - Cab Door Left Brown
	045205-07-000	EA	Side Panel - Cab Door Right Brown
	024461-01-000	EA	Switch Battery (Stamped)
	048885-01-000	EA	Plaque - Switch Mounting
	049360-01-000	EA	Console Overhead
	007021-01-000	EA	Belt Asm. Seat 2" x 90" Black
	041322-01-000	EA	Washer Flat 5/32" ID x 2 3/8" OD (Seat Belt)
	007222-01-000	EA	Belt Asm. - Seat 2" x 60" Black
	039646-09-000	EA	Extension Asm. - Sleeper Board - 75"
	002922-01-011	EA	Extr. Rail Bunk 10' Piece
	041476-01-000	FT	Track Slide PVC Dark Pecan (2')
	048856-01-000	EA	Bracket Catch Bunk
	046132-01-000	EA	Hedlok II - 3/4" Dia. Snap In
	048767-01-000	EA	Hedlok II - 1" Dia. Screw Mount
	007221-01-000	EA	Spacer - Seat Adjuster
	007223-01-000	EA	Adjuster Asm. Seat w/Lock
	007224-01-000	EA	Handle - Seat Adjuster 3 1/2"
	007224-02-000	EA	Handle - Seat Adjuster 9"
	007227-01-000	EA	Adjuster - Asm. Seat w/o Lock
	049943-01-000	EA	Pedestal - Complete Swivel Steel
	040887-03-000	EA	Pad - Instrument Panel - Brown

WINNEBAGO

TABLE OF CONTENTS

Introduction	A-1
Abbreviations	A-1
Alphabetical Index	A-2 - A-4
1977 MWC25D	A-5 - B-12
1977 D26CRK	B-13 - C-24
1977 MWC24D	D-1 - E-8
1977 D26CRB	E-9 - F-20
1977 D26RT	F-21 - H-8
1977 MW23RB	H-7 - I-16
1977 D21	I-17 - K-8
1977 D23C	K-7 - L-18

1977 MWC24D INDEX

Floor Plan	D-1 - D-2
Accessories Group	D-3 - D-4
Bath Group	D-5
Chassis Group	D-6
Curtain, Cushion & Pad Group	D-7 - D-9
Dinette Group	D-9
Driver's Compartment Group	D-10
Electrical Group	D-11 - D-12
Exterior Body Group	D-13 - D-16
Galley Group	D-17
Heating & Air Conditioning Group	D-18
Interior Finish Group	D-19 - D-20
LP Group	D-21
Water & Sewage Group	D-22
Window, Vent & Exterior Door Group	D-23 - E-8

ELECTRICAL GROUP

BULBS

Key	Part Number	U/M	Description
	037935-01-000	EA	Bulb - 1157
	038010-01-000	EA	Bulb - 1143
	008103-01-000	EA	Bulb - 53
	008213-01-000	EA	Bulb - 57
	008214-01-000	EA	Bulb - 67
	008215-01-000	EA	Bulb - 1003
	008216-01-000	EA	Bulb - 1034
	008217-01-000	EA	Bulb - 1073
	008218-01-000	EA	Bulb - 1141
	008219-01-000	EA	Bulb - 656
	008220-01-000	EA	Bulb - 12V - 25W
	038196-01-000	EA	Bulb - 194
	700020-01-000	EA	Bulb - 12V - 20W 1383

EXTERIOR LIGHTS

Key	Part Number	U/M	Description
	008089-01-000	EA	Light - Porch - Recessed
	031054-02-000	EA	Lamp Arm. - Tail - Left - Beige
	031054-01-701	EA	Lens - Tail Lamp - Left
	031055-02-000	EA	Lamp Arm. - Tail - Right - Beige
	031055-01-701	EA	Lens - Tail Lamp - Right
	042405-03-000	EA	Base - Rectangular Clearance Light
	042405-04-000	EA	Lens - Rectangular Light - Red
	042405-05-000	EA	Lens - Rectangular Light - Amber

INTERIOR LIGHTS

Key	Part Number	U/M	Description
	024418-01-000	EA	Lamp Arm. - Map/Gauge/Aisle
	024473-01-000	EA	Light - Aircraft - 1 Bulb Gold
	033508-01-000	EA	Light - Dome - White 1 Bulb
	024842-01-701	EA	Lens - Dome Light - 1 Bulb
	033509-01-000	EA	Light - Dome - White - 2 Bulb
	024843-01-701	EA	Lens - Dome Light - 2 Bulb
	008102-01-000	EA	Light - Corner Mount - Multibulb

FUSES AND CIRCUIT BREAKERS

Key	Part Number	U/M	Description
	008233-01-000	EA	Fuse - 12 Volt - 6 Amp.
	008234-01-000	EA	Fuse - 12 Volt - 10 Amp.
	008235-01-000	EA	Fuse - 12 Volt - 15 Amp.
	008236-01-000	EA	Fuse - 12 Volt - 20 Amp.
	008248-01-000	EA	Fuse - 110 Volt - 30 Amp.
	008252-01-000	EA	Fuse - 110 Volt - 50 Amp.
	008208-01-000	EA	Circuit Breaker - 12 Volt - 40 Amp.
	008211-01-000	EA	Circuit Breaker - 12 Volt - 6 Amp.
	008268-01-000	EA	Circuit Breaker - 12 Volt - 30 Amp. w/Mount
	033573-01-000	EA	Circuit Breaker - 12 Volt - 20 Amp. w/Mount
	033573-02-000	EA	Circuit Breaker - 12 Volt - 15 Amp. w/Mount
	040051-01-000	EA	Circuit Breaker - 110 Volt - 20 Amp. TQL
	033484-01-000	EA	Circuit Breaker - 30 Amp. - Air Conditioner
	052012-01-000	EA	Circuit Breaker - 50 Amp. - Air Conditioner

ELECTRICAL GROUP (CONTINUED)

WIRE, SWITCHES AND RECEPTACLES

Key	Part Number	U/M	Description
	008024-01-000	FT	Wire - 18.5 Bonded - Orange/White/Yellow/Blue/Brown
	008025-01-000	FT	Wire - 18.5 Bonded - Orange/White/Yellow/Blue/Green
	008026-01-000	FT	Wire - 18.5 Bonded - Blue/Red/Yellow/Orange/White
	008030-01-000	FT	Wire - 18.4 Bonded
	008251-01-000	EA	Holder - Fuse - Black - Screw Type
	008277-01-000	EA	Holder - Fuse - Black - Panel Mount
	008195-01-000	EA	Switch - Push Button - 12 Volt
	008077-01-000	EA	Plaque - Compressor Switch
	008054-01-000	EA	Cord - Power - 10-3 30 Amp. - 25' - UL
	034818-04-000	EA	Holder - Receptacle - Plastic
	039338-01-000	EA	Cover Plate - Receptacle - Plastic - Brown
	039339-01-000	EA	Receptacle - Duplex Brown - End of line
	039342-01-000	EA	Receptacle - Duplex Brown - T Junction
	024571-01-000	EA	Cover Plate - Receptacle - Jumbo Steel Brown
	039343-01-000	EA	Cap - End - Receptacle
	008182-01-000	EA	Switch - Double Toggle - Spade Brown
	008183-01-000	EA	Switch - Toggle Brown
	024824-01-000	EA	Receptacle - Power Cord
	008059-01-000	EA	Adaptor - Power Cord
	047353-01-000	EA	Cover - Receptacle - Ground Fault
	047351-01-000	EA	Receptacle - Ground Fault Interrupter - 125 Volt Black
	040223-01-000	EA	Holder Arm. - Fuse - 30 Amp.

MISCELLANEOUS ELECTRICAL COMPONENTS

Key	Part Number	U/M	Description
	047338-01-000	EA	Isolator - Dual Battery
	047389-01-700	EA	Battery - 12 Volt - 105 Amp. Deep Cycle - Dry
	008188-01-000	EA	Solenoid - Dual Battery - Relay
	046775-01-000	EA	Valve - Gas - Change Over - 3 Way
	038617-01-000	EA	Relay - Canister - SPDT
	039950-02-000	EA	Control Center - 30 Amp. w/Door - UL
	048812-01-000	EA	Panel - Control - Water/Double Sewage - Wemac
	039861-01-000	EA	Sending Unit Kit - Wemac

WINNEBAGO

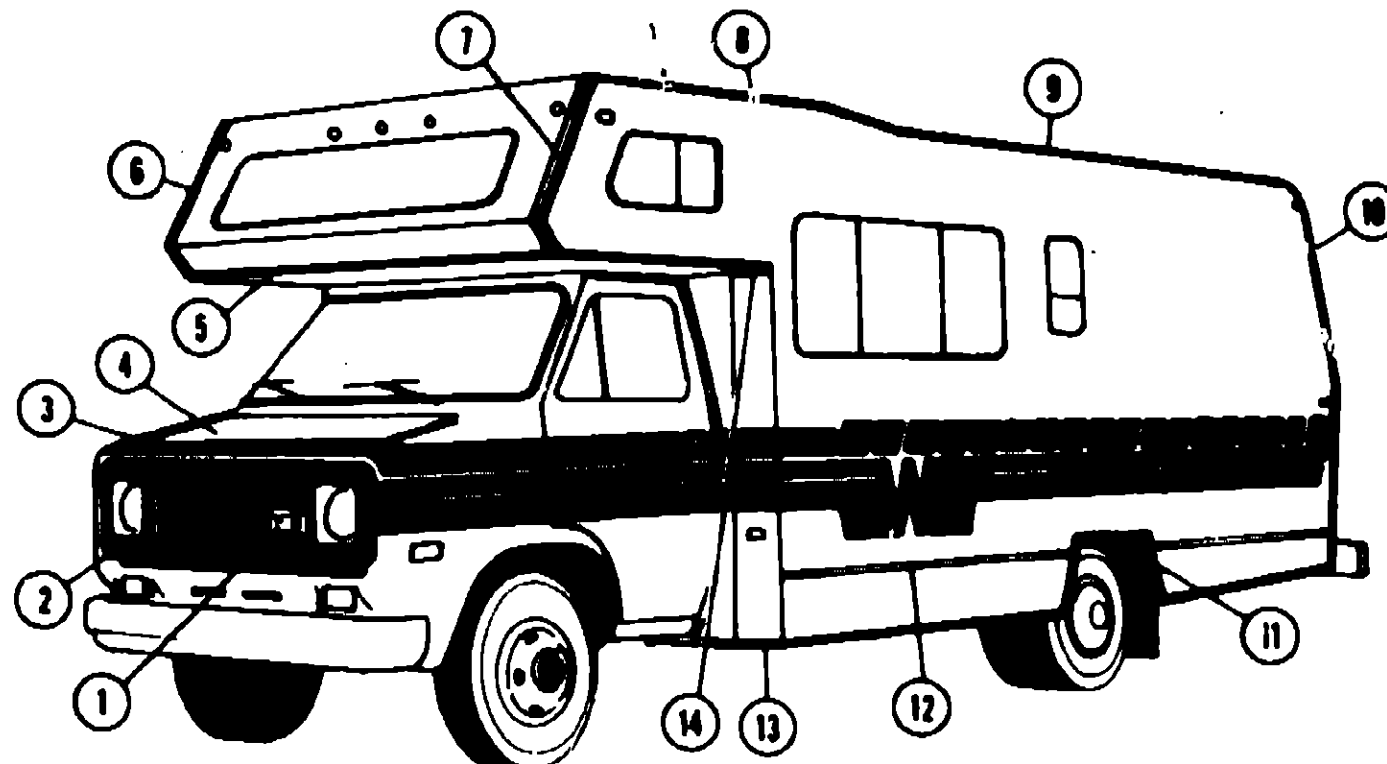
TABLE OF CONTENTS

Introduction	A-1
Abbreviations	A-1
Alphabetical Index	A-2 - A-4
1977 MWC25D	A-5 - B-12
1977 D26CRK	B-13 - C-24
1977 MWC24D	D-1 - E-8
1977 D26CRB	E-9 - F-20
1977 D26RT	F-21 - H-6
1977 MW23RB	H-7 - I-16
1977 D21	I-17 - K-6
1977 D23C	K-7 - L-18

1977 MWC24D INDEX

Floor Plan	D-1 - D-2
Accessories Group	D-3 - D-4
Bath Group	D-5
Chassis Group	D-6
Curtain, Cushion & Pad Group	D-7 - D-8
Dinette Group	D-9
Driver's Compartment Group	D-10
Electrical Group	D-11 - D-12
Exterior Body Group	D-13 - D-16
Galley Group	D-17
Heating & Air Conditioning Group	D-18
Interior Finish Group	D-19 - D-20
LP Group	D-21
Water & Sewage Group	D-22
Window, Vent & Exterior Door Group	D-23 - E-8

EXTERIOR BODY GROUP



WINNEBAGO TABLE OF CONTENTS

Introduction	A-1
Abbreviations	A-1
Alphabetical Index	A-2 - A-4
1977 MWC25D	A-5 - B-12
1977 D26CRK	B-13 - C-24
1977 MWC24D	D-1 - E-8
1977 D26CRB	E-9 - F-20
1977 D26RT	F-21 - H-6
1977 MW23RB	H-7 - I-16
1977 D21	I-17 - K-6
1977 D23C	K-7 - L-18

Key	Part Number	U/M	Description
1	045327-01-000	EA	Grille Asm. - Alum.
	031161-01-000	EA	Logo Flying "W" Grille
2	045292-02-000	EA	Grille - Plastic - Bronze
3	040843-02-000	EA	Front End Asm. - Fiberglass - Beige - Includes Hood w/o Front Grille
4	040845-02-000	EA	Hood Asm. - Beige
5	038844-02-000	EA	Trim - Sleeper Board - Beige
	038816-01-000	EA	Hinge - Hood (2 used per hood)
	035388-01-000	EA	Hood Pin Kit - 7/16" x 20 3.50" Long
	007180-01-000	EA	Gasket - Tire Carcass - 3/16" x 2" x 2"
	037448-01-000	EA	Well Nut - 10 - 32 x .812" Long
6	038835-04-000	EA	Trim - Contour - Sleeper Section - Right - Beige
7	038835-03-000	EA	Trim - Contour - Sleeper Section - Left - Beige
8	038834-03-000	EA	Trim - Contour - Roof - Left - Beige
	038834-04-000	EA	Trim - Contour - Roof - Right - Beige
9	034822-07-000	EA	Trim - Sidewall/Roof - Upper - Left or Right - Beige

Key	Part Number	U/M	Description
10	038833-03-000	EA	Trim - Contour - Backwall - Left - Beige
	038833-04-000	EA	Trim - Contour - Backwall - Right - Beige
11	038824-03-000	EA	Trim - Wheel Well - Rear - Left or Right
12	002444-02-003	EA	Extr. - Feature Strip - Alum. - 18' w/o Insert
	001030-04-002	EA	Insert - Feature Strip - Antique Bronze Stucco - 17'
	008731-01-000	EA	End Cap - Feature Strip
13	043442-03-000	EA	Trim - Wingwall - Bottom - Left - Beige
	043442-04-000	EA	Trim - Wingwall - Bottom - Right - Beige
14	048810-03-000	EA	Trim - Corner - Wingwall - Left - Beige
	048810-04-000	EA	Trim - Corner - Wingwall - Right - Beige
	002385-02-001	EA	Extr. - U - Channel - 1" Serrated x 18' Anod.
	038829-01-000	FT	Extr. - Vinyl - Sleeper Joint
	043815-01-000	FT	Extr. - Vinyl - "B" Pillar/Wingwall
			Not Illustrated

1977 MWC24D INDEX

Floor Plan	D-1 - D-2
Accessories Group	D-3 - D-4
Bath Group	D-5
Chassis Group	D-6
Curtain, Cushion & Pad Group	D-7 - D-6
Dinette Group	D-8
Driver's Compartment Group	D-10
Electrical Group	D-11 - D-12
Exterior Body Group	D-13 - D-16
Galley Group	D-17
Heating & Air Conditioning Group	D-18
Interior Finish Group	D-19 - D-20
LP Group	D-21
Water & Sewage Group	D-22
Window, Vent & Exterior Door Group	D-23 - E-8

EXTERIOR BODY GROUP (CONTINUED)

EXTERIOR BODY PANELS AND SHEET ALUMINUM

Key	Part Number	U/M	Description
	049117-02-000	EA	Backwall Asm.
	049116-02-000	EA	Sidewall Asm - Right
	049325-01-000	EA	Sidewall Asm. - Left
	049119-02-000	EA	Roof Asm.
	049316-01-700	EA	Roof Section - Sleeper Board to First Seam
	039155-02-008	EA	Alum. - Beige Mesa Design - .024" x 36" x 80"
	039155-02-002	EA	Alum. - Beige Mesa Design - .024" x 36" x 300"
	039155-02-003	EA	Alum. - Beige Mesa Design - .024" x 36" x 300"
	039155-02-007	EA	Alum. - Beige Mesa Design - .024" x 48" x 80"
	039155-02-005	EA	Alum. - Beige Mesa Design - .024" x 48" x 300"
	039155-02-008	EA	Alum. - Beige Mesa Design - .024" x 48" x 300"
	039155-02-009	EA	Alum. - Beige Mesa Design - .024" x 12" x 360"
	044467-01-001	EA	Alum. - Mill Finish - No Design (Roof) - 98" x 360"
	029545-01-000	EA	Alum. - Beige Greyhound Design 48" x 98"
	001018-01-024	EA	Alum. - Beige - No Design - 48" x 98"
	000899-01-000	BF	Styrofoam - 3/4" x 24" x 98"

EXTERIOR PAINT

Key	Part Number	U/M	Description
	044488-01-000	EA	Paint - Beige Acrylic Enamel - 1 Gallon
	044488-03-000	EA	Paint - Beige - Acrylic Enamel - 16 oz. Aerosol
	044488-04-000	EA	Paint - Beige - Acrylic Lacquer - 1 Gallon
	045881-01-000	EA	Paint - High Gloss Black - Acrylic Enamel - 1 Gallon
	045881-03-000	EA	Paint - High Gloss Black - Acrylic Enamel - 16 oz. Aerosol
	043877-01-000	EA	Paint - Saddle Bronze Metallic - 1 Gallon
	043877-03-000	EA	Paint - Saddle Bronze Metallic - 16 oz. Aerosol
	041574-01-000	EA	Paint - Dark Ginger Metallic - 1 Gallon
	041574-03-000	EA	Paint - Dark Ginger Metallic - 16 oz. Aerosol

MISCELLANEOUS EXTERNALLY MOUNTED PARTS

Key	Part Number	U/M	Description
	010230-02-000	EA	Fill - City Water - Recessed w/Twist Cap
	011020-02-000	EA	Fill - Water - Recessed - Beige w/Snap Cap
	011129-01-000	EA	Plumbing Seal - Roof Vent - 1 1/2"
	011124-01-000	EA	Plumbing Seal - Roof Vent - 1 1/4"
	009128-01-000	EA	Handle - Anslat w/o Light
	048817-01-000	EA	Handle - Anslat w/Light

EXTERIOR BODY GROUP (CONTINUED)

LABELS AND DECALS

Key	Part Number	U/M	Description
	008010-01-000	EA	Decal - Winnebago - Brown/Chrome
	008023-01-000	EA	Label - Water Only
	008025-01-000	EA	Label - Gas
	008028-01-000	EA	Label - Drain Cap - 2" x 3"
	008031-01-000	EA	Label - Potable Water Only
	008187-01-000	EA	Label - Sewage
	008188-01-000	EA	Label - Waste Water
	008199-01-000	EA	Label - Exit - Escape Window
	031161-01-000	EA	Label - Flying "W" - Grille
	038289-01-000	EA	Label - Warning Aux. Loading
	008082-01-000	EA	Reflector - Stick on - Rectangular - Red
	008083-01-000	EA	Reflector - Stick on - Rectangular - Amber
	050302-01-000	EA	Decal - Flying "W" - 13.75" High
	047504-01-000	EA	Decal - "Sportsman's Den" - .62"
	050313-01-000	EA	Decal - Logo - "Winnebago" - 2.80"
	047508-01-000	EA	Decal Stripe - Side Strobe - Front - Right
	047508-02-000	EA	Decal - Stripe - Side Strobe - Center - Right
	047508-03-000	EA	Decal - Stripe - Side Strobe - Rear Right
	047508-04-000	EA	Decal - Stripe - Side Strobe - Front - Left
	047508-05-000	EA	Decal - Stripe - Side Strobe - Center - Left
	047508-06-000	EA	Decal - Stripe - Side Strobe - Rear - Left
	046102-01-000	EA	Decal - Logo "Sportsman's Den" - 1.62" x 13"
	041273-09-000	FT	Decal - Stripe - Antique Bronze Metallic
	048839-01-000	EA	Decal - Grille Accent - Inside
	048840-01-000	EA	Decal - Grille Accent - Outside
	041273-05-000	FT	Decal - Stripe - .38" Alum.
	043475-01-000	EA	Stencil - Stripe - Lower Right
	043475-02-000	EA	Stencil - Stripe Lower Left

WINNEBAGO

TABLE OF CONTENTS

Introduction	A-1
Abbreviations	A-1
Alphabetical Index	A-2 - A-4
1977 MWC25D	A-5 - B-12
1977 D26CRK	B-13 - C-24
1977 MWC24D	D-1 - E-8
1977 D26CRB	E-9 - F-20
1977 D28RT	F-21 - H-6
1977 MW23RB	H-7 - I-16
1977 D21	I-17 - K-8
1977 D23C	K-7 - L-18

1977 MWC24D INDEX

Floor Plan	D-1 - D-2
Accessories Group	D-3 - D-4
Bath Group	D-5
Chassis Group	D-6
Curtain, Cushion & Pad Group	D-7 - D-9
Dinette Group	D-9
Driver's Compartment Group	D-10
Electrical Group	D-11 - D-12
Exterior Body Group	D-13 - D-16
Galley Group	D-17
Heating & Air Conditioning Group	D-18
Interior Finish Group	D-19 - D-20
LP Group	D-21
Water & Sewage Group	D-22
Window, Vent & Exterior Door Group	D-23 - E-8

GALLEY GROUP

Key	Part Number	U/M	Description
	027671-18-000	EA	Cover - Sink - Butcher Block
	011032-01-000	EA	Sink - Stainless Steel - Double w/Bolts w/o Faucets
	011063-01-000	EA	Faucet with Swing Spout
	011063-01-700	EA	Aerator for Swivel Faucet Galley
	011085-01-000	EA	Drain Asm. Tail Piece w/Sink Strainer
	047017-18-700	EA	Door Asm. - Galley Cab 10 1/2" x 21" w/o Hardware
	048340-02-000	EA	Shelf - Spice
	048050-02-000	EA	Countertop Asm. - Galley
	048387-01-000	EA	Cabinet - Galley - w/o Top, Doors, Drawers, Hardware, etc.
	047018-03-000	EA	Drawer Asm. - Cabinet - Buffet 14 1/2" x 8 1/2"
	043088-02-000	EA	Holder - Glass
	048008-02-000	EA	Cabinet Asm. - Buffet - w/o Doors, Drawers, Hardware, and Top
	048008-04-000	EA	Countertop Asm. - Buffet
	048057-02-000	EA	Cabinet Asm. - Pantry - w/o Doors and Hardware
	048308-01-000	EA	Door Asm. - Pantry - w/Screen w/o Hardware (2 per)
	047017-21-700	EA	Door Asm. - Overhead 9" x 21" w/o Hardware
	048844-02-000	EA	Cabinet Asm. - Overhead - w/o Doors and Hardware
	041831-01-000	EA	Kit - Hinge - Cabinet Door
	048541-01-000	EA	Kit - Latch - Door - Rustic E. American
	047744-01-000	EA	Kit - Drawer Glide
	037888-01-000	FT	Rail - Drawer Glide - V
	045888-01-000	EA	Pull - Drawer - 8 1/2" Rustic Early American
	048542-01-000	EA	Kit - Cabinet Door Latch - Pantry
**	048855-01-000	EA	Refrigerator - Norcold - AC/DC - 2 Door
**	048045-01-000	EA	Range - 4 Burner - Large Oven - Chrome - Magic Chef
**	048854-01-000	EA	Hood - Range - Power w/Spice Cabinet - Jensen

**The illustrated parts breakdown for this item is provided on the Common Items Fiche.

HEATING AND AIR CONDITIONING GROUP

Key	Part Number	U/M	Description
	048231-02-000	EA	Auto Air - 350 ARA
	048231-01-000	EA	Auto Air - 350 AMC
	041443-01-000	EA	A/C - General Pkg. - AMC
	041444-01-000	EA	A/C - Condenser Pkg. - 350 AMC
	041445-01-000	EA	A/C - Installation Pkg. - AMC
	041446-01-000	EA	A/C - Evaporator Pkg. 350 AMC
	047036-01-000	EA	A/C - Compressor Mt. Pkg. 350 AMC
	039505-02-000	EA	Thermostat - Horiz. Wall Mt. - Black
	024985-01-000	EA	Register - Heat - w/Damper 9 9 x 4 8
	031604-01-000	EA	Bonnet - Heat Register
	004352-01-000	EA	Tape - Sealer 1/2" x 3/4" Formaseal
	009198-01-000	EA	Duct - Flexible - 4" x 25 Feet
	009200-01-000	EA	Tape - Furnace
**	048042-01-000	EA	Furnace - 20,000 BTU - Under Counter - Coleman - 4322
**	048043-01-000	EA	Furnace - 20,000 BTU - Under Counter - Coleman - 4328
**	049777-01-000	EA	Air Conditioner - 110 Volt - Roof Mount - 11,000 BTU - Ivory Coleman (w/o Inside Shroud)
**	049778-01-000	EA	Shroud Asm. - Ceiling - Inside-Roof Air - Cool Only - 11,000 BTU - Coleman
**	049774-01-000	EA	Air Conditioner - 110 Volt - Roof Mount - 13,500 BTU Ivory - Coleman (w/o Inside Shroud)
**	049775-01-000	EA	Shroud Asm. - Ceiling - Inside - Roof Air Cool Only - 13,500 BTU - Coleman
**	049776-01-000	EA	Shroud Asm. - Ceiling - Inside - Roof Air - Heat and Cool Only - 13,500 BTU - Coleman

**The illustrated parts breakdown for this item is provided on the Common Items Fiche.

WINNEBAGO

TABLE OF CONTENTS

Introduction	A-1
Abbreviations	A-1
Alphabetical Index	A-2 - A-4
1977 MWC25D	A-5 - B-12
1977 D26CRK	B-13 - C-24
1977 MWC24D	D-1 - E-8
1977 D26CRB	E-9 - F-20
1977 D26RT	F-21 - H-8
1977 MW23RB	H-7 - I-16
1977 D21	I-17 - K-8
1977 D23C	K-7 - L-18

1977 MWC24D INDEX

Floor Plan	D-1 - D-2
Accessories Group	D-3 - D-4
Bath Group	D-5
Chassis Group	D-6
Curtain, Cushion & Pad Group	D-7 - D-8
Dinette Group	D-9
Driver's Compartment Group	D-10
Electrical Group	D-11 - D-12
Exterior Body Group	D-13 - D-16
Galley Group	D-17
Heating & Air Conditioning Group	D-18
Interior Finish Group	D-19 - D-20
LP Group	D-21
Water & Sewage Group	D-22
Window, Vent & Exterior Door Group	D-23 - E-8

INTERIOR FINISH GROUP

CURTAIN HARDWARE

Key	Part Number	U/M	Description
	009107-01-000	EA	Guide Nylon - Snap
	050327-04-236	EA	Curtain Track - Alum. - Brown 88" w/Holes
	049897-01-000	EA	Rod - Curtain - Flat Ext. 25" - 45"
	042439-01-000	EA	Bracket Curtain Rod Single
	049897-02-000	EA	Rod Curtain - Flat Ext. 48" - 88"
	018031-42-000	EA	Track Curtain 80" - "L" Rod
	009701-01-000	EA	Carrier Curtain "L" Rod
	009702-01-000	EA	End - Stop - Curtain "L" Rod

PANELING AND COUNTERTOP MATERIALS

Key	Part Number	U/M	Description
	045883-01-000	SF	Paneling Buff Ceiling 48" x 96" (32 SF)
	047401-01-000	SF	Paneling Monks Cloth 48" x 96" (32 SF)
	039188-04-000	SF	Paneling 705 Hickory 48" x 96" (32 SF)
	045884-01-000	SF	Plastic Laminate 48" x 96" Butcher Block (32 SF)
	045884-01-001	EA	Plastic Laminate Butcher Block 48" x 48"
	045884-01-002	EA	Plastic Laminate 1.19" x 96" Butcher Block
	045882-01-000	SF	Paneling Deer Chateau 48" x 96" (32 SF)
	045885-01-000	SF	Plastic Laminate 48" x 96" Mocha Leather
	045885-01-001	EA	Plastic Laminate 48" x 48" Mocha Leather
	045885-01-002	EA	Plastic Laminate 1.19" x 96" Mocha Leather
	047033-01-000	SF	Cork 1/8" x 12" x 24" Sand Natural
	047033-02-000	SF	Cork 1/8" x 12" x 24" - Terrazzo Natural

CABINETS AND TABLE HARDWARE

Key	Part Number	U/M	Description
**	041831-01-000	EA	Kit Cabinet Door Hinge
	041828-01-000	EA	Screw 5 x 5/8" POH Antique Brass
**	046541-01-000	EA	Kit Cabinet Door Latch Upper
	008047-01-000	EA	Support - Door Cabinet - Overhead
**	047744-01-000	EA	Kit Drawer Glide w/o Rail - Includes Hardware to Mount One (1) Drawer
**	037688-01-000	FT	Rail - Drawer Guide V
**	045887-01-700	EA	Kit Knob - 1 1/2" Dia. Rustic Early American
**	046542-01-000	EA	Kit Cabinet Door Latch Lower
**	046543-01-000	EA	Kit Drawer Pull
	048188-02-700	EA	Kit - Latch Asm. Cabinet Door 1.72" Stem
	047205-02-000	EA	Mesh Grille Brass - 15 1/4" x 17 1/8"

**The illustrated parts breakdown for this item is provided on the Common Items Fiche.

INTERIOR FINISH GROUP (CONTINUED)

FABRIC AND FLOOR COVERINGS

Key	Part Number	U/M	Description
	051379-01-000	YD	Fabric - Upholstery - Brown Corduroy
	039781-01-000	YD	Fabric Drapes - Flax w/Foam Back
	045889-01-000	SF	Mat - Cocoa 3/4" Thick Natural Tan (Step Well)
	045880-01-000	SY	Carpet - Beige - Highland Plaid
	045881-01-000	EA	Tile - Wood 12" x 12" Old Brown Oak (Step Well)
	047400-01-000	SF	Felt Green 21 Oz. Wool
	045858-01-000	YD	Vinyl - Rawhide Patchwork - Non Expanded 27 oz.
	045858-02-000	YD	Vinyl - Rawhide Patchwork - Expanded 28 oz.
	045858-03-000	YD	Vinyl - Rawhide Patchwork - Non Support 16 Gauge Film

INTERIOR MOLDINGS AND TRIM

Key	Part Number	U/M	Description
	042414-03-000	FT	Trim - Accent Patchwork
	009779-01-000	FT	Molding and Trim - U-Channel 1 1/8" Dark Brown
	009787-01-000	FT	Wetting Brown
	009812-01-000	FT	Molding Plastic Corner O/S .50"
	033535-04-000	FT	Molding Asm. Shelf 709 Hickory
	047388-01-000	FT	Molding Wood 3/4" x 8" Quarter Round Hickory
	009778-01-000	FT	U-Channel 1" Dark Brown
	009815-02-000	FT	T-Molding 3/4" Brown
	009151-01-000	EA	Warp Guard 48"
	009150-01-000	EA	Warp Guard 64"
	000726-01-000	EA	Batt Strip - Wormy Pecan
	000726-07-000	EA	Batt Strip 709 Hickory
	047354-01-000	EA	Batt - Strip 8" - 825 Buff
	047488-01-000	EA	Cover - Corner - Hat/Hat
	047489-01-000	EA	Cover - Corner - Tube/Tube
	024700-04-000	EA	Cover Sidewall Roll Bar 707 Hickory
	024700-08-000	EA	Cover Sidewall Roll Bar Ivory
	034113-01-000	EA	Cover Corner Supt. Bar Brown
	039512-02-000	EA	Cover Hat Section 707 Hickory
	039512-08-000	EA	Cover Hat Section Ivory

MISCELLANEOUS COMPONENTS

Key	Part Number	U/M	Description
	002922-01-011	EA	Extr. Rail Bunk 10'
	041476-01-000	FT	Track Slide PVC Dark Pecan 12'
	048858-01-000	EA	Bracket - Catch Bunk
	028051-01-000	EA	Adhesive Spray 15 - 108
	042833-03-000	EA	Paint Dark Brown - 16 Oz. Aerosol
	042833-04-000	EA	Paint - 1 Gallon - Dark Brown
	043588-04-000	EA	Paint - 1 Gallon - Saddle Brown Flat

WINNEBAGO

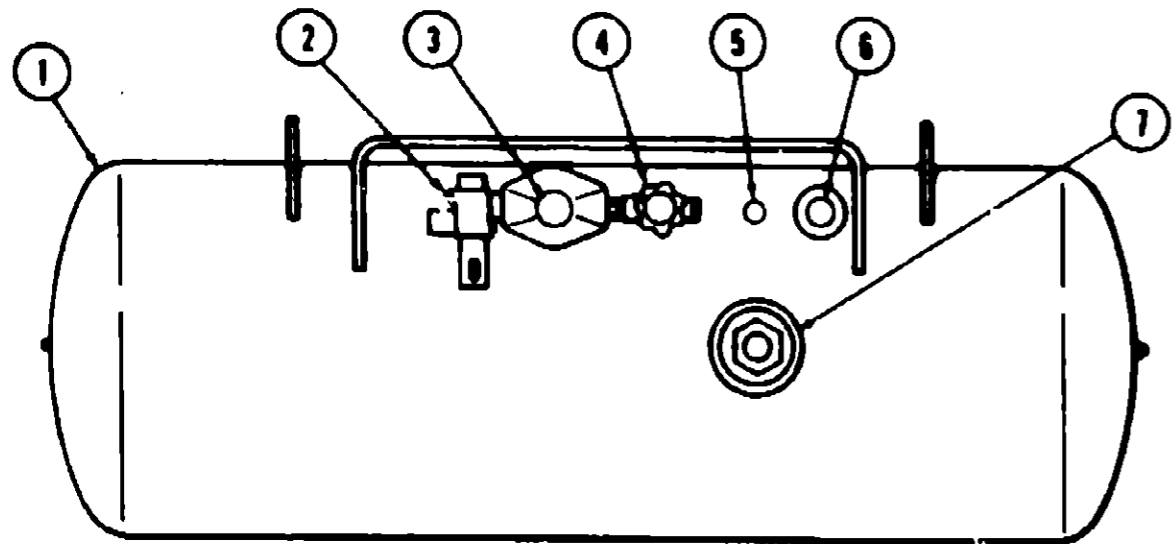
TABLE OF CONTENTS

Introduction	A-1
Abbreviations	A-1
Alphabetical Index	A-2 - A-4
1977 MWC25D	A-5 - B-12
1977 D28CRK	B-13 - C-24
1977 MWC24D	D-1 - E-8
1977 D28CRB	E-9 - F-20
1977 D28RT	F-21 - H-6
1977 MW23RB	H-7 - I-18
1977 D21	I-17 - K-6
1977 D23C	K-7 - L-18

1977 MWC24D INDEX

Floor Plan	D-1 - D-2
Accessories Group	D-3 - D-4
Bath Group	D-5
Chassis Group	D-6
Curtain, Cushion & Pad Group	D-7 - D-9
Dinette Group	D-8
Driver's Compartment Group	D-10
Electrical Group	D-11 - D-12
Exterior Body Group	D-13 - D-16
Galley Group	D-17
Heating & Air Conditioning Group	D-18
Interior Finish Group	D-19 - D-20
LP Group	D-21
Water & Sewage Group	D-22
Window, Vent & Exterior Door Group	D-23 - E-8

LP GROUP



Key	Part Number	U/M	Description
1	040421-01-000	EA	Tank - LP - Frame Mount - 83 Pound
2	047221-01-000	EA	Detector - LP Gas Leak
3	024712-01-000	EA	Cover - LP Regulator
4	052183-01-000	EA	Regulator - Manual - LP Gas - 2 Stage
5	040421-01-703	EA	Valve - Vapor Relief
6	040421-01-700	EA	Gauge - Liquid Level - 20% LP
7	040421-01-701	EA	Valve - Filler - LP
	040421-01-702	EA	Cap - Plastic Fill Valve
	040421-01-707	EA	Gauge - Float w/Visible Dial
	040421-01-704	EA	Gauge - Float w/Electrical Transmitter Dial
	040421-01-706	EA	Dial - Visible Face
	040421-01-705	EA	Dial - Transmitter - 0 - 90 Ohm
	045703-03-000	EA	Hose Asm. - LP - 3/8" I.D. x 14"
	047737-02-000	EA	Support - LP - 89.25"
	047737-03-000	EA	Support - LP Tank - 30.50"
			Not Illustrated

WATER AND SEWAGE GROUP

PLUMBING REPAIR PARTS

Key	Part Number	U/M	Description
..	040539-01-000	EA	Kit Repair 3/8" O.D. Plastic Tube
..	040540-01-000	EA	Kit Repair 1/2" O.D. Plastic Tube
..	040541-01-000	EA	Kit Repair 5/8" O.D. Plastic Tube
..	039818-02-000	EA	Riser Asm. 3/8" O.D. x 36" Tube
..	039818-05-000	EA	Riser Asm. 3/8" O.D. x 48" Tube
..	041279-02-000	EA	Pump - Water Flow 2.8 GPM - PAR
..	039847-02-000	EA	Filter Water Pump - 1/2" MPT
..	041819-01-000	EA	Nut and Cone Plastic 1/2" O.D. Tube
..	004020-01-000	QT	Adhesive ABS Cement
..	010133-01-000	EA	Adaptor Trap - Plastic 1 1/2" H x MPT
..	010201-01-000	EA	Hose - Sewer 3" x 10' w/Clamp
..	010235-01-000	EA	Cap - Sewage 3"
..	010236-01-000	EA	Adaptor Hose 3"
..	011091-01-000	EA	Waste - Continuous Double Sink 11 7/8"
..	010210-01-000	EA	Valve Sanitary - Thetford 2 H B
..	010213-01-000	EA	Elbow - Plastic Side Vent and Drain
..	010234-01-000	EA	Adaptor Bayonet
..	011066-01-000	EA	P-Trap - Plastic 1 1/4"

**The illustrated parts breakdown for this item is provided on the Common Items Fiche.

HOLDING TANKS AND WATER HEATERS

Key	Part Number	U/M	Description
	049808-02-000	EA	Tank Asm. with Fittings Plastic Water 31 Gallon
..	049808-01-000	EA	Tank Water w/o Fittings Plastic 31 Gallon
..	048524-02-000	EA	Kit Fittings Plastic Water Tank
..	039881-01-000	EA	Kit - Sending Unit Water or Sewage Tank
..	040552-02-000	EA	Tank Asm. - Holding w/Fittings - 22 Gallon
..	040552-01-000	EA	Tank Asm. - Holding w/o Fittings - 22 Gallon
..	041155-02-000	EA	Tank Asm. - Holding w/Fittings - 25 Gallon
..	041155-01-000	EA	Tank Asm. - Holding w/o Fittings - 25 Gallon
..	048524-01-000	EA	Kit - Fittings Plastic for Holding Tank
..	051391-01-000	EA	Water Heater - w/o Outside Access Door (G&A3)
..	031952-01-000	EA	Water Heater - w/o Outside Access Door (G&A2)

**The illustrated parts breakdown for this item is provided on the Common Items Fiche.

WINNEBAGO

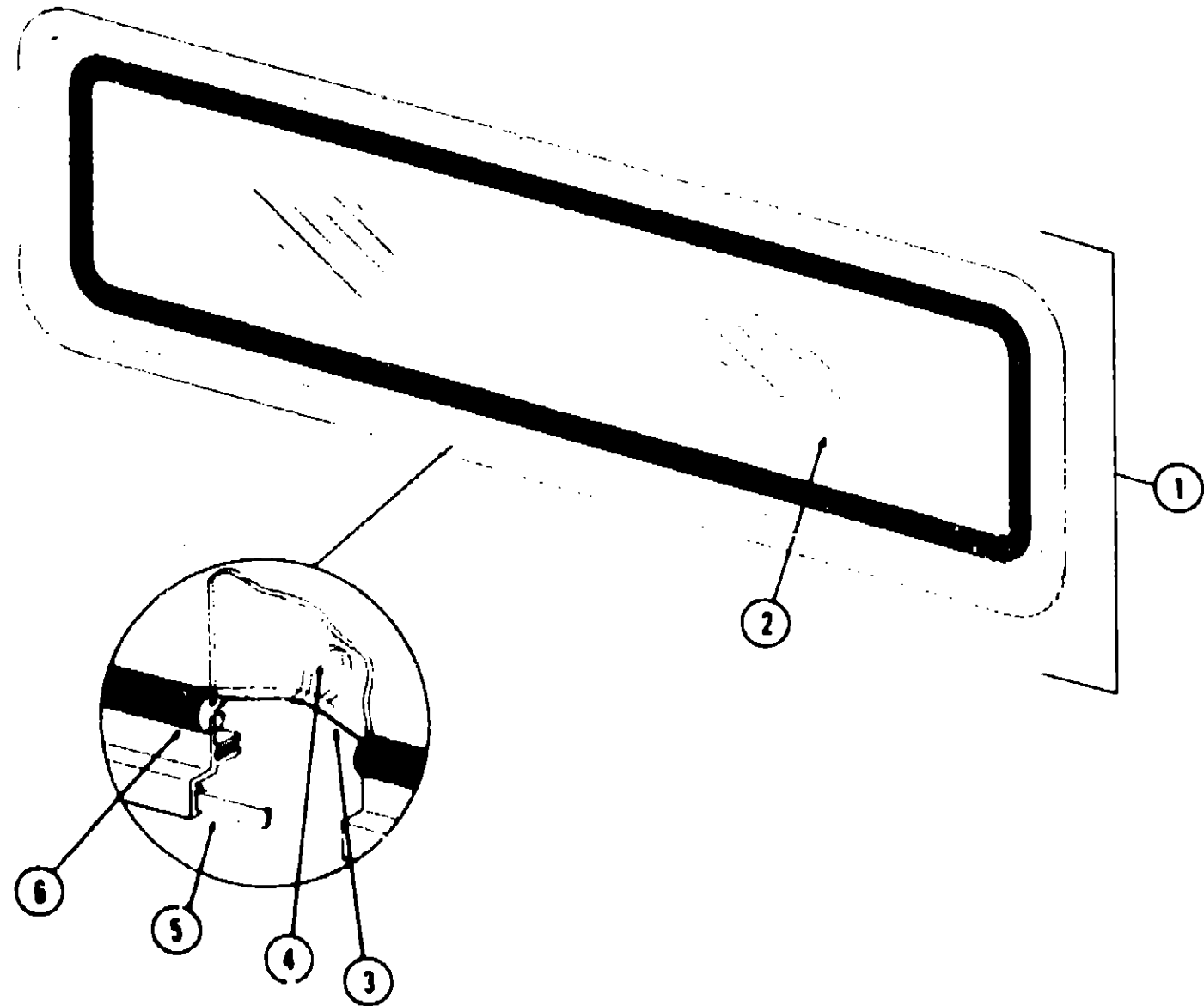
TABLE OF CONTENTS

Introduction	A-1
Abbreviations	A-1
Alphabetical Index	A-2 - A-4
1977 MWC25D	A-5 - B-12
1977 D26CRK	B-13 - C-24
1977 MWC24D	D-1 - E-8
1977 D26CRB	E-9 - F-20
1977 D26RT	F-21 - H-6
1977 MW23RB	H-7 - I-16
1977 D21	I-17 - K-6
1977 D23C	K-7 - L-16

1977 MWC24D INDEX

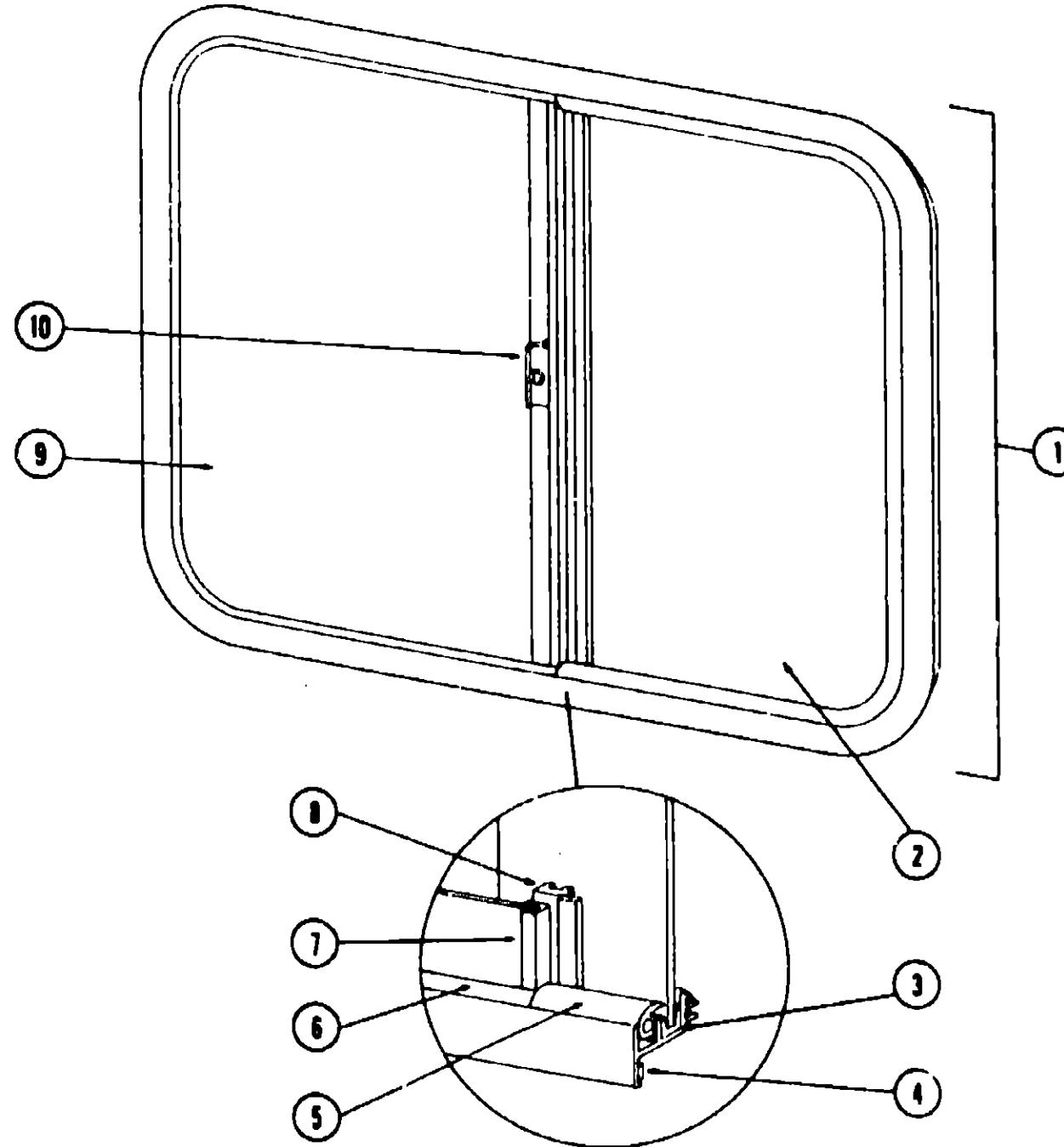
Floor Plan	D-1 - D-2
Accessories Group	D-3 - D-4
Bath Group	D-5
Chassis Group	D-6
Curtain, Cushion & Pad Group	D-7 - D-9
Dinette Group	D-9
Driver's Compartment Group	D-10
Electrical Group	D-11 - D-12
Exterior Body Group	D-13 - D-16
Galley Group	D-17
Heating & Air Conditioning Group	D-18
Interior Finish Group	D-19 - D-20
LP Group	D-21
Water & Sewage Group	D-22
Window, Vent & Exterior Door Group	D-23 - E-8

WINDOW, VENT AND EXTERIOR DOOR GROUP



Key	Part Number	U/M	Description
1	020754-01-000	EA	Window Asm. - Escape - 23" x 68" - Anod. (w/o Inside Frame)
2	002178-01-000	EA	Glass - 1/8" x 19.61" x 64.80"
3	002286-01-000	FT	Weatherstrip - Filler - Black
4	020386-01-000	EA	Slip Ring - Pull
5	004383-01-000	FT	Tape - Foam - 3/16" x 1/2" Gray
6	002282-01-000	FT	Weatherstrip - Window .125" Black
	120752-03-000	EA	Frame - Window Inside - Escape 23" x 68" (not included in assembly)
	008188-01-000	EA	Label - Exit - Escape Window

WINDOW, VENT AND EXTERIOR DOOR GROUP (CONTINUED)



Key	Part Number	U/M	Description
1	048831-02-000	EA	Window Asm. - Left - Single Slider - 20" x 25" - Clear Anod. (w/o Inside Frame)
2	047820-01-000	EA	Glass - 1/8" x 18" x 13.68" - Sliding
3	002324-01-000	FT	Channel - Weatherstrip - Glass Run - 1/8" Glass
4	004383-01-000	FT	Tape - Foam - 3/16" x 1/2" - Gray
5	024098-01-000	FT	Seal - Window Channel - Gray
6	002309-01-000	FT	Spline - Glass - 1/8" - Gray
7	018026-01-000	EA	Holder - Glass Seal - Anod.
8	041884-01-000	EA	Mullion - Slider Window - 23" x Clear Anod.
9	002241-02-000	EA	Glass - Tempered Sheet - Stationary - 1/8" x 12.30' x 18'
10	047389-01-000	EA	Latch - Window - Plastic
	048287-01-000	EA	Washer - Nylon - .62" x .140" I.D.
	048288-01-000	EA	Screw - Machine - 6-32 x 5/16" - HWH - Black
	042147-07-000	EA	Frame - Inside - Single Slider Window - Left - 23" x 29" (not included in assembly)
	023713-01-000	EA	Cover - Plastic Weephole - White
	002288-01-000	FT	Spline - Gray - .130" Dia. (Screen)
	002283-01-000	SF	Screen - Window - 28" - Gray

* Not Illustrated

WINNEBAGO

TABLE OF CONTENTS

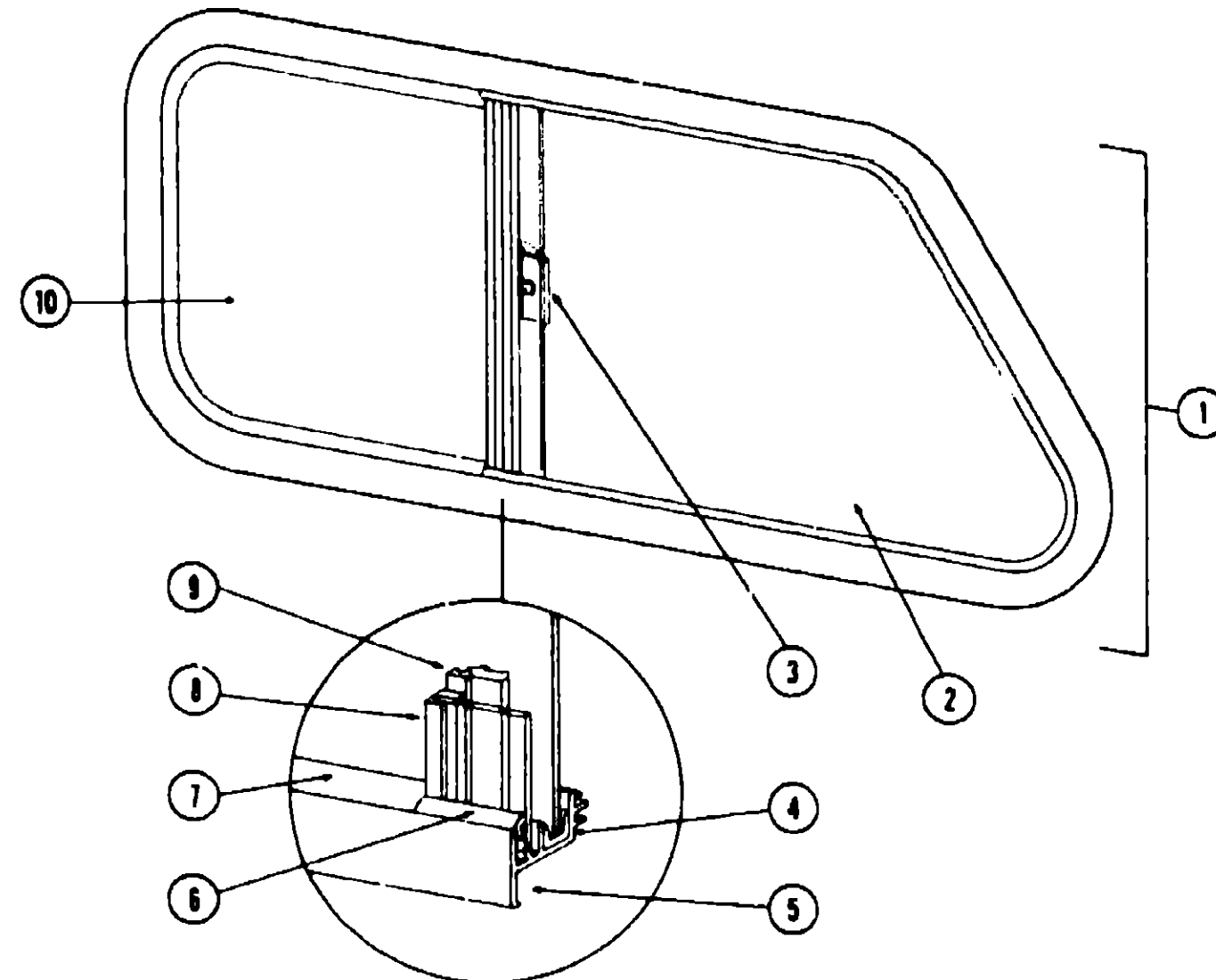
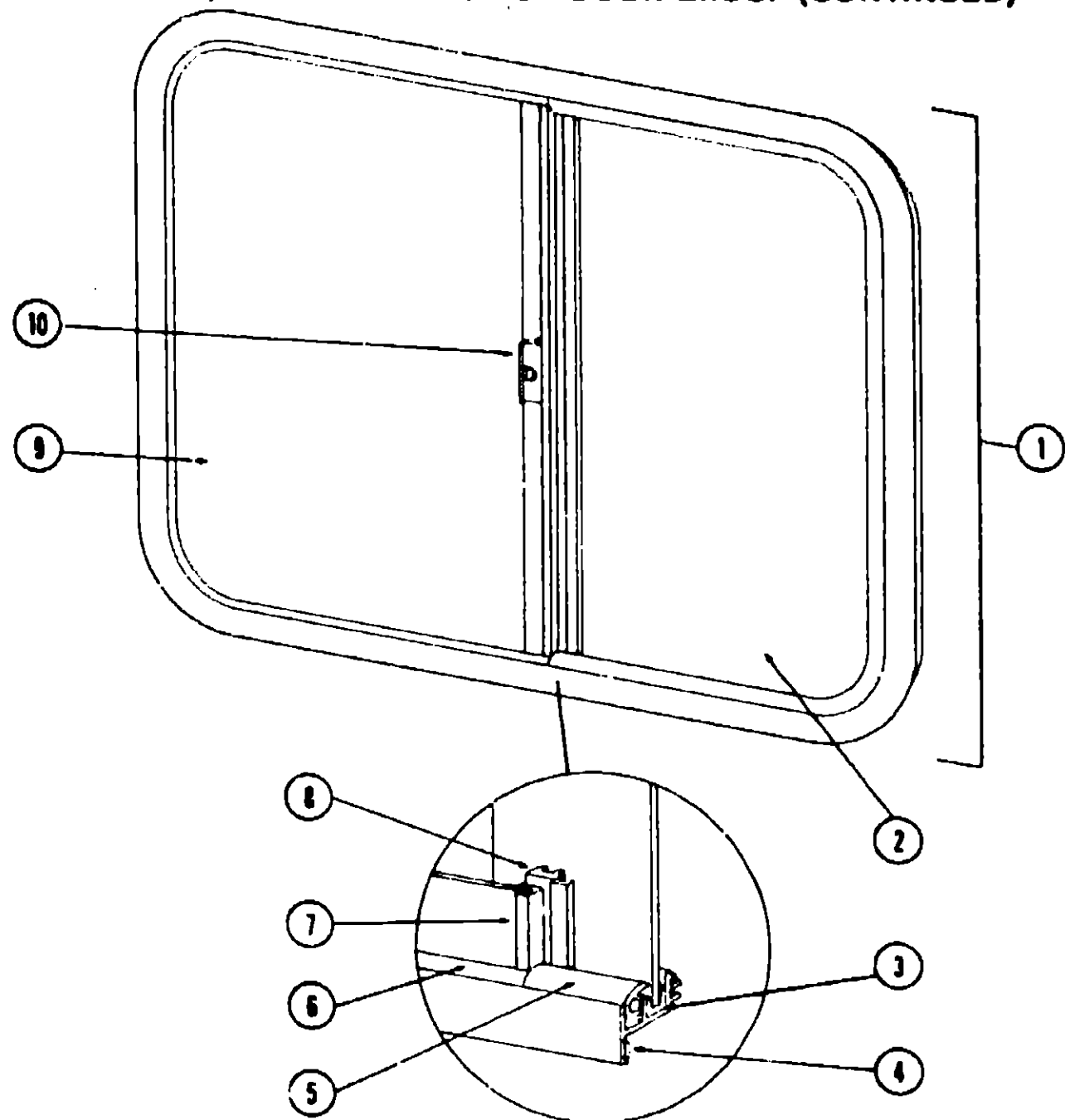
Introduction	A-1
Abbreviations	A-1
Alphabetical Index	A-2 - A-4
1977 MWC25D	A-5 - B-12
1977 D26CRK	B-13 - C-24
1977 MWC24D	D-1 - E-8
1977 D26CRB	E-9 - F-20
1977 D26RT	F-21 - H-6
1977 MW23RB	H-7 - I-16
1977 D21	I-17 - K-6
1977 D23C	K-7 - L-18

1977 MWC24D INDEX

Floor Plan	D-1 - D-2
Accessories Group	D-3 - D-4
Bath Group	D-5
Chassis Group	D-6
Curtain, Cushion & Pad Group	D-7 - D-9
Dinette Group	D-9
Driver's Compartment Group	D-10
Electrical Group	D-11 - D-12
Exterior Body Group	D-13 - D-16
Galley Group	D-17
Heating & Air Conditioning Group	D-18
Interior Finish Group	D-19 - D-20
LP Group	D-21
Water & Sewage Group	D-22
Window, Vent & Exterior Door Group	D-23 - E-8

WINDOW, VENT AND EXTERIOR DOOR GROUP (CONTINUED)

WINDOW, VENT AND EXTERIOR DOOR GROUP (CONTINUED)



Key	Part Number	U/M	Description
1	048631-09-000	EA	Window Asm. - Right - Single Slider - 25" x 29" Clear Anod. (w/o Inside Frame)
	048631-10-000	EA	Window Asm. - Left - Single Slider - 25" x 29" - Clear Anod. (w/o Inside Frame)
2	047812-01-000	EA	Glass - Sliding - 3/16" x 24" x 13.68"
3	042077-01-000	FT	Channel - Weatherstrip - Glass Run 3/16" Glass
4	004363-01-000	FT	Tape - Foam - 3/16" x 1/2" - Gray
5	050216-02-000	FT	Spline - Glass
6	041882-02-000	FT	Seal - Window Channel - 3/16" Glass
7	002399-03-201	EA	Extr. - Holder - Glass Seal - 23.19"
8	041894-04-000	EA	Mullion - Slider Window - 25"
9	002184-02-000	EA	Glass - 3/16" x 24" x 16.531" - Stationary
10	047399-01-000	EA	Latch - Window - Plastic
	049287-01-000	EA	Washer - Nylon - .82" x .140" I.D.
	049288-01-000	EA	Screw - Machine - 6-32 x 5/16" - HWH - Black
	042147-03-000	EA	Frame Asm. - Window - Inside - 25" x 29" - Brown - Left or Right (not included in assembly)
	023713-01-000	EA	Cover - Weephole - Plastic - White
	002298-01-000	FT	Spline - Gray - .130" Dia. (Screen)
	002293-01-000	SF	Screen - Window - 28" - Gray

Key	Part Number	U/M	Description
1	048632-01-000	EA	Window Asm. - Bunk - Slated Slider - Right (w/o Inside Frame)
	048632-02-000	EA	Window Asm. - Bunk - Slated Slider - Left (w/o Inside Frame)
2	040919-01-000	EA	Glass - 1/8" x 11.96" x 19.42" - Gray - Stationary
3	047399-01-000	EA	Latch - Window - Plastic
	049287-01-000	EA	Washer - Nylon - .82" x .140" I.D.
	049288-01-000	EA	Screw - Machine - 6-32 x 5/16" HWH - Black
4	002324-01-000	FT	Channel - Weatherstrip - Glass Run - 1/8" Glass
5	004363-01-000	FT	Tape - Foam - 3/16" x 1/2" - Gray
6	002309-01-000	FT	Spline - Glass - 1/8" - Gray
7	024086-01-000	FT	Seal - Window - Channel - Gray
8	002390-02-001	EA	Holder - Glass Seal - Extr. - Anod.
9	041894-10-000	EA	Mullion - 13" - Clear Anod.
10	047815-01-000	EA	Glass - 1/8" x 11.96" x 11.81" - Gray - Sliding
	040916-01-000	EA	Frame - Window - Inside - Bunk Slant - Right (not included in assembly)
	040916-02-000	EA	Frame - Window - Inside - Bunk Slant - Left (not included in assembly)
	023713-01-000	EA	Cover - Weephole - White
	002298-01-000	FT	Spline - Gray - .130" Dia. (Screen)
	002292-01-000	SF	Screen - Window - 20" - Gray

* Not Illustrated

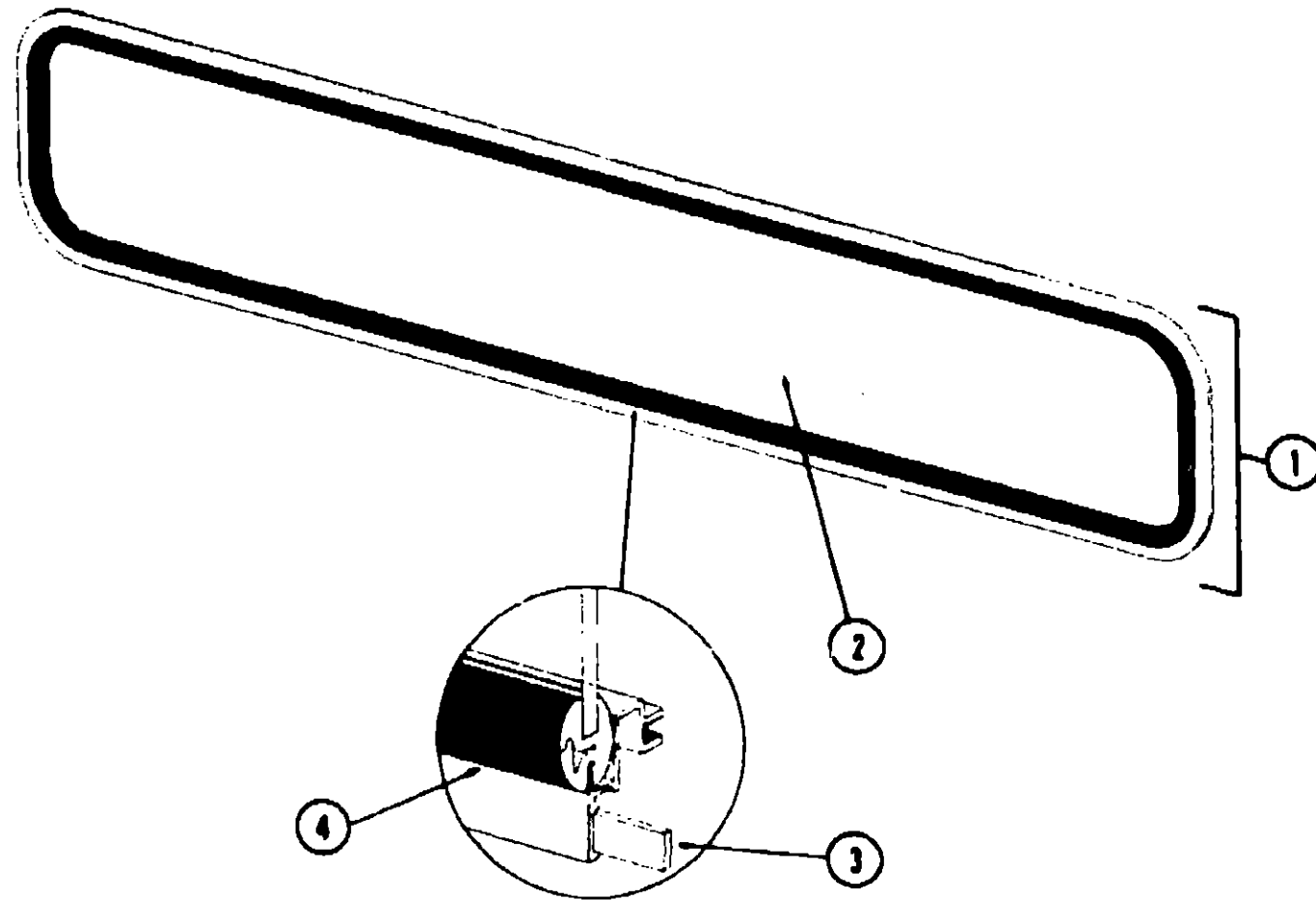
**WINNEBAGO
TABLE OF CONTENTS**

Introduction	A-1
Abbreviations	A-1
Alphabetical Index	A-2 - A-4
1977 MWC25D	A-5 - B-12
1977 D26CRK	B-13 - C-24
1977 MWC24D	D-1 - E-8
1977 D26CRB	E-9 - F-20
1977 D26RT	F-21 - H-8
1977 MW23RB	H-7 - I-16
1977 D21	I-17 - K-6
1977 D23C	K-7 - L-18

1977 MWC24D INDEX

Floor Plan	D-1 - D-2
Accessories Group	D-3 - D-4
Bath Group	D-5
Chassis Group	D-6
Curtain, Cushion & Pad Group	D-7 - D-9
Dinette Group	D-9
Driver's Compartment Group	D-10
Electrical Group	D-11 - D-12
Exterior Body Group	D-13 - D-16
Gallery Group	D-17
Heating & Air Conditioning Group	D-18
Interior Finish Group	D-19 - D-20
LP Group	D-21
Water & Sewage Group	D-22
Window, Vent & Exterior Door Group	D-23 - E-8

WINDOW, VENT AND EXTERIOR DOOR GROUP (CONTINUED)



Key	Part Number	U/M	Description
1	041938-02-000	EA	Window Asm. - Front Picture - 14" x 66" (w/o Inside Frame)
2	002200-02-000	EA	Glass - TP - Picture Window
3	004363-01-000	FT	Tape - Sealer - 3/16" x 1/2" Foam
4	002281-01-000	FT	Weatherstrip - Self Seal - .06" Panel x 3/16" Black
	037845-01-000	FT	Tape - Butyl - Window - 3/16" - Bead Black
	041938-01-000	EA	Frame - Inside - Picture Window (not included in assembly)

* Not Illustrated

WINDOW, VENT AND EXTERIOR DOOR GROUP (CONTINUED)

ACCESS DOORS

Key	Part Number	U/M	Description
	037804-15-000	EA	Door Asm. - Battery - Beige - w/Twist Type Lock
	037435-07-000	EA	Door Asm. - Generator - w/Twist Type Lock
	047238-02-000	EA	Door Asm. - Luggage - Beige - w/Key Type Lock
	003182-02-000	EA	Door - Water Heater Access - Beige
	038884-01-000	EA	Kit - Lock - Twist Type w/Clip
	047305-01-000	EA	Kit - Lock - Key Type w/Clip
	018845-02-000	EA	Holder Asm. - Battery and Luggage Door (holds door open)

VENTS

Key	Part Number	U/M	Description
	038778-01-000	EA	Cover - Plastic - Refrigerator Vent
	008407-01-000	EA	Frame - Base - Refrigerator Vent (w/o Cover)
	048352-02-000	EA	Vent - Stovehood - Outside - Beige (Jensen)

WINNEBAGO

TABLE OF CONTENTS

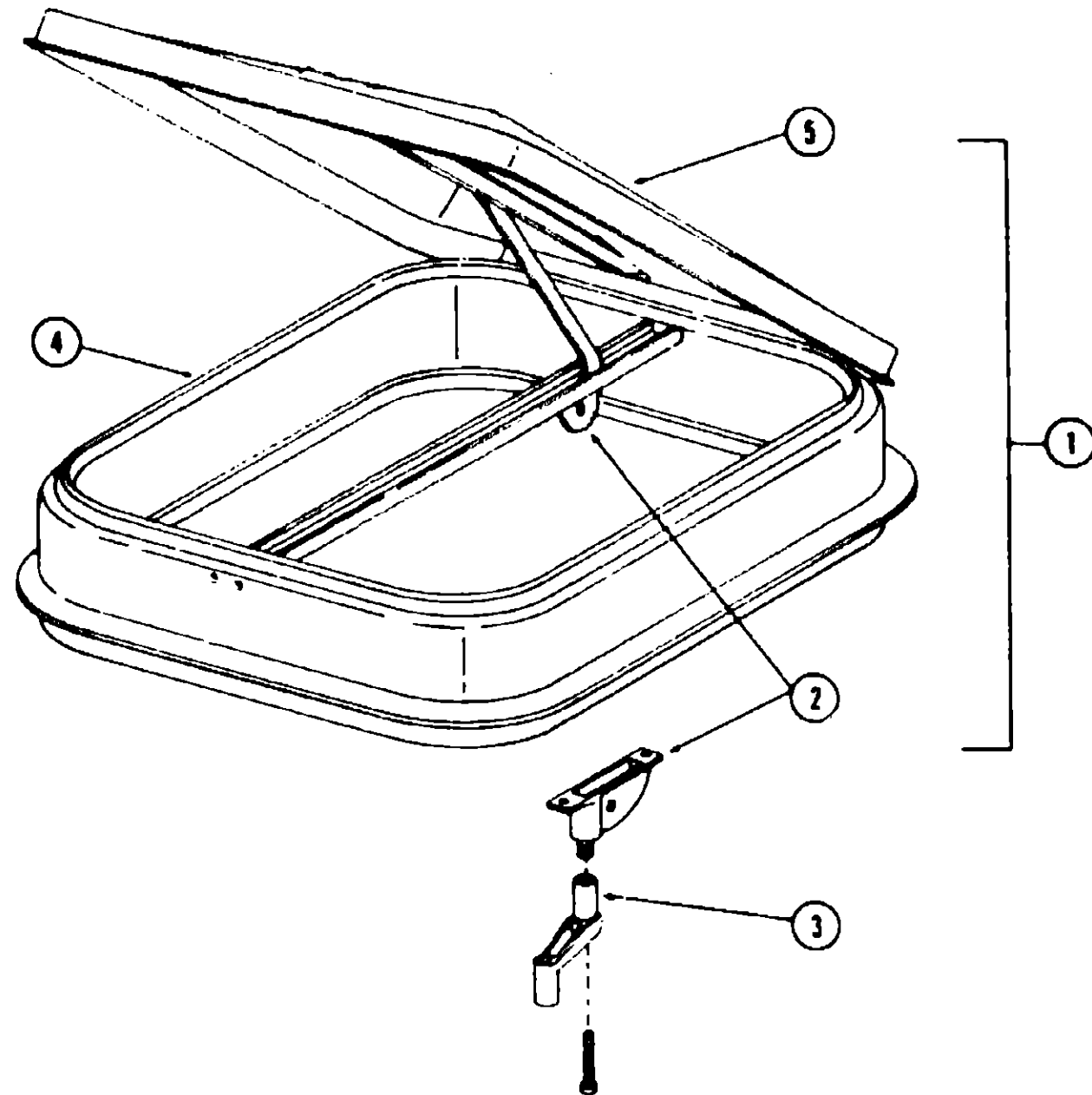
Introduction	A-1
Abbreviations	A-1
Alphabetical Index	A-2 - A-4
1977 MWC25D	A-5 - B-12
1977 D26CRK	B-13 - C-24
1977 MWC24D	D-1 - E-8
1977 D26CRB	E-9 - F-20
1977 D26RT	F-21 - H-6
1977 MW23RB	H-7 - I-16
1977 D21	I-17 - K-6
1977 D23C	K-7 - L-18

1977 MWC24D INDEX

Floor Plan	D-1 - D-2
Accessories Group	D-3 - D-4
Bath Group	D-5
Chassis Group	D-6
Curtain, Cushion & Pad Group	D-7 - D-9
Dinette Group	D-9
Driver's Compartment Group	D-10
Electrical Group	D-11 - D-12
Exterior Body Group	D-13 - D-16
Galley Group	D-17
Heating & Air Conditioning Group	D-18
Interior Finish Group	D-19 - D-20
LP Group	D-21
Water & Sewage Group	D-22
Window, Vent & Exterior Door Group	D-23 - E-8

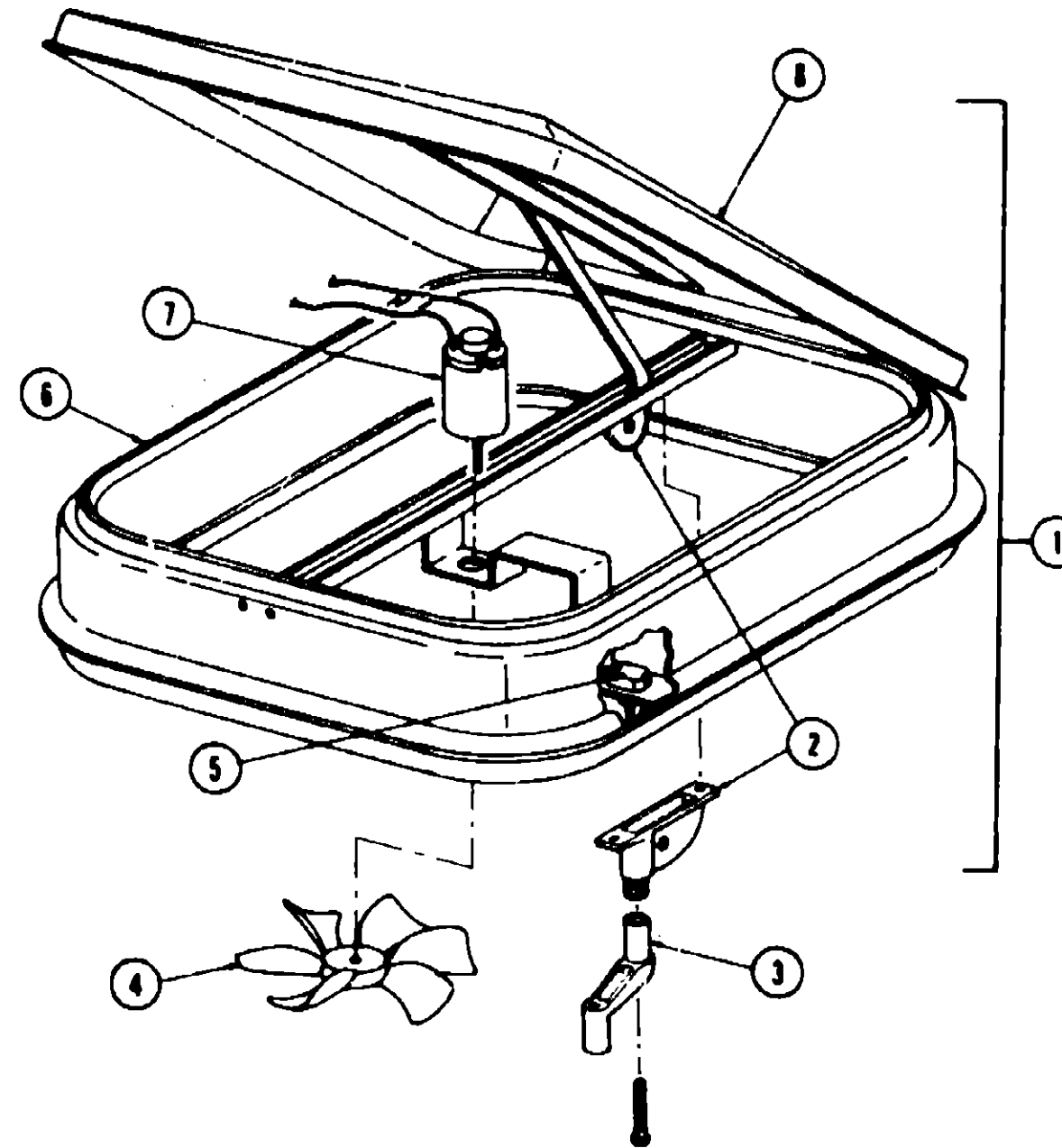
WINDOW, VENT AND EXTERIOR DOOR GROUP (CONTINUED)

WINDOW, VENT AND EXTERIOR DOOR GROUP (CONTINUED)



Key	Part Number	U/M	Description
1	048835-01-000	EA	Vent Arm. - Roof - Nonpowered - w/o Screen
2	008440-01-000	EA	Gear - Arm - Roof Vent
3	008439-01-000	EA	Crank - Roof Vent
4	002825-01-000	FT	Weatherstrip - Roof Vent
5	048825-01-000	EA	Cover - Plastic - Roof Vent
*	016335-01-000	EA	Screen Arm. - Non Powered Roof Vent - Clear Anod. (not included in assembly)
*	016335-03-000	EA	Screen Arm. - Non Powered Roof Vent - Beige (not included in assembly)

* Not Illustrated



Key	Part Number	U/M	Description
1	048789-01-000	EA	Vent Arm. Roof - Powered - w/o Screen
2	008440-01-000	EA	Gear - Arm - Roof Vent
3	008439-01-000	EA	Crank - Roof Vent
4	048848-01-000	EA	Fan Blade - 6" Plastic
5	008185-01-000	EA	Switch - Push Button - 12 Volt
6	002825-01-000	FT	Weatherstrip - Roof Vent
7	048848-01-000	EA	Motor - 12 Volt
8	048825-01-000	EA	Cover - Plastic - Roof Vent
1	048885-01-000	EA	Screen Arm. - Powered Roof Vent - Clear Anod. (not included in assembly)
*	048885-03-000	EA	Screen Arm. - Powered Roof Vent - Beige (not included in assembly)

* Not Illustrated

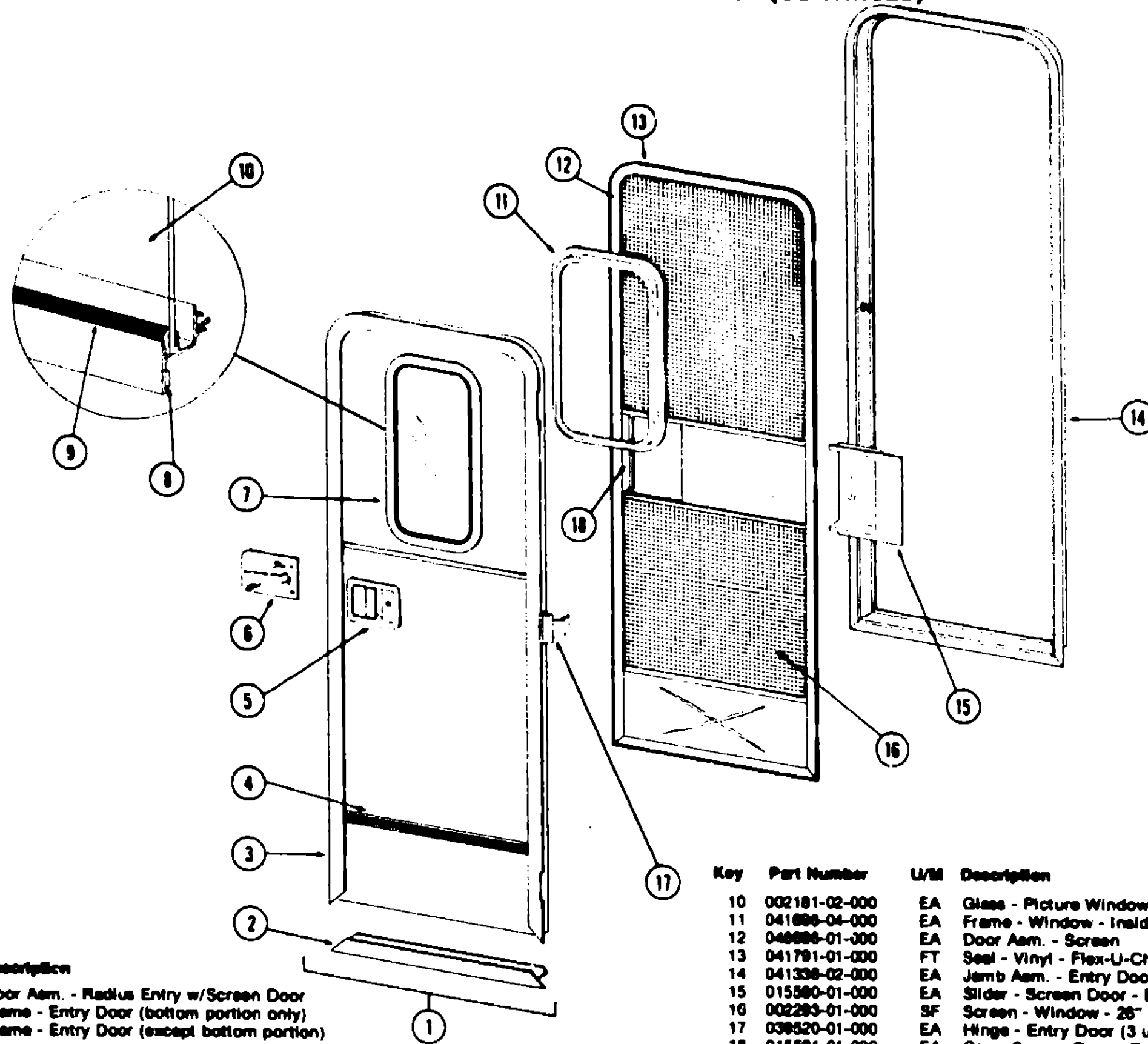
**WINNEBAGO
TABLE OF CONTENT'S**

Introduction	A-1
Abbreviations	A-1
Alphabetical Index	A-2 - A-4
1977 MWC25D	A-5 - B-12
1977 D26CRK	B-13 - C-24
1977 MWC24D	D-1 - E-8
1977 D26CRB	E-9 - F-20
1977 D26RT	F-21 - H-6
1977 MW23RB	H-7 - I-16
1977 D21	I-17 - K-6
1977 D23C	K-7 - L-18

1977 MWC24D INDEX

Floor Plan	D-1 - D-2
Accessories Group	D-3 - D-4
Bath Group	D-5
Chassis Group	D-6
Curtain, Cushion & Pad Group	D-7 - D-8
Dinette Group	D-9
Driver's Compartment Group	D-10
Electrical Group	D-11 - D-12
Exterior Body Group	D-13 - D-16
Galley Group	D-17
Heating & Air Conditioning Group	D-18
Interior Finish Group	D-19 - D-20
LP Group	D-21
Water & Sewage Group	D-22
Window, Vent & Exterior Door Group	D-23 - E-8

WINDOW, VENT AND EXTERIOR DOOR GROUP (CONTINUED)



Key	Part Number	U/M	Description
1	050099-01-000	EA	Door Arm. - Radius Entry w/Screen Door
2	039737-02-000	EA	Frame - Entry Door (bottom portion only)
3	039736-02-000	EA	Frame - Entry Door (except bottom portion)
4	039874-02-000	EA	Holder Arm. - Entry Door - 2 1/2"
5	052186-01-000	EA	Lock Arm. - Radius Entry Door - Lynor
6	045017-01-700	EA	Lock Cylinder w/Keys - Lynor
7	039541-01-000	EA	Lock Cylinder w/Keys - Atwood
8	039539-01-000	EA	Striker - Entry Door Lock
9	004363-01-000	FT	Tape - Foam - 3/16" x 1/2" Gray
10	002309-01-000	FT	Splines - Glass - 1/8" Gray

Key	Part Number	U/M	Description
10	002181-02-000	EA	Glass - Picture Window - 1/8" x 12" x 22" Gray
11	041896-04-000	EA	Frame - Window - Inside - 13" x 25" - Brown
12	048896-01-000	EA	Door Arm. - Screen
13	041791-01-000	FT	Seal - Vinyl - Flex-U-Channel - Brown
14	041336-02-000	EA	Jamb Arm. - Entry Door
15	015580-01-000	EA	Slider - Screen Door - Brown Plastic
16	002293-01-000	SF	Screen - Window - 26" - Gray
17	039520-01-000	EA	Hinge - Entry Door (3 used per door)
18	015581-01-000	EA	Cr.p - Screen Door - Brown Plastic
	049176-01-000	EA	Headlok II - 3/4" Diameter - Screw Mount (Retains Screen Door to Entry Door)
	049797-01-000	EA	Headlok II - 1" Diameter - Screw Mount (Retains Screen Door to Entry Door)
	018019-01-000	EA	Striker - Screen Door
	039863-01-000	EA	Catch Arm. - Single Roller w/Strike - Screen Door
	039740-01-000	FT	Seal - Jamb - Entry Door
	039800-03-000	FT	Tubing - Polybutyl - 3/8" O.D. - Jamb
			* Not Illustrated

E-7

WINNEBAGO

TABLE OF CONTENTS

Introduction	A-1
Abbreviations	A-1
Alphabetical Index	A-2 - A-4
1977 MWC25D	A-5 - B-12
1977 D26CRK	B-13 - C-24
1977 MWC24D	D-1 - E-8
1977 D26CRB	E-9 - F-20
1977 D26RT	F-21 - H-6
1977 MW23RB	H-7 - I-16
1977 D21	I-17 - K-6
1977 D23C	K-7 - L-18

1977 MWC24D INDEX

Floor Plan	D-1 - D-2
Accessories Group	D-3 - D-4
Bath Group	D-5
Chassis Group	D-6
Curtain, Cushion & Pad Group	D-7 - D-9
Dinette Group	D-9
Driver's Compartment Group	D-10
Electrical Group	D-11 - D-12
Exterior Body Group	D-13 - D-16
Galley Group	D-17
Heating & Air Conditioning Group	D-18
Interior Finish Group	D-19 - D-20
LP Group	D-21
Water / Sewage Group	D-22
Window, Vent & Exterior Door Group	D-23 - E-8

E-8