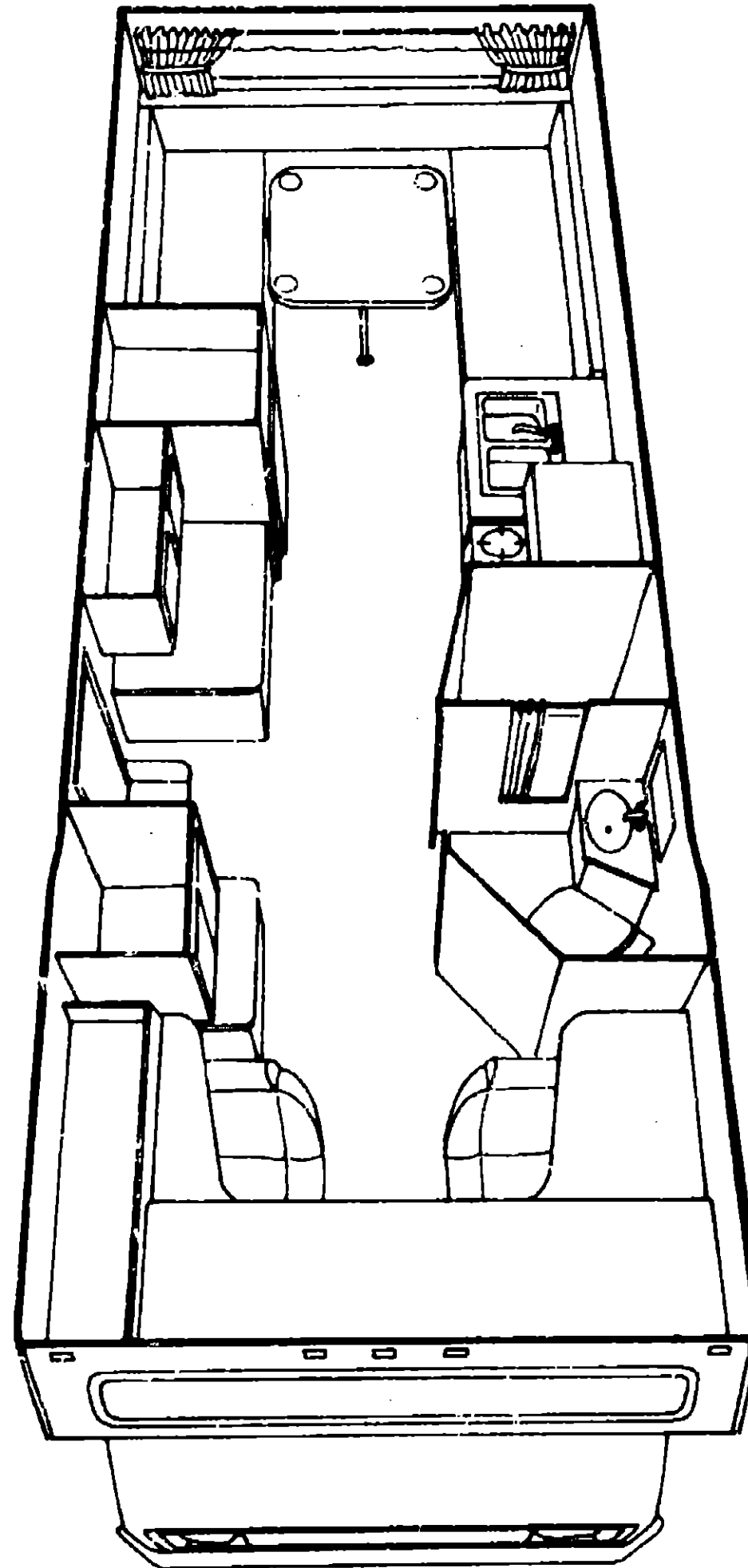


1977 MWC24

IMPORTANT

Two varieties of Antique Birch paneling were used for cabinetry in this unit. Therefore it is necessary to determine which variety was used before ordering replacement cabinetry. Refer to the Color Material Guide to aid in making the selection.



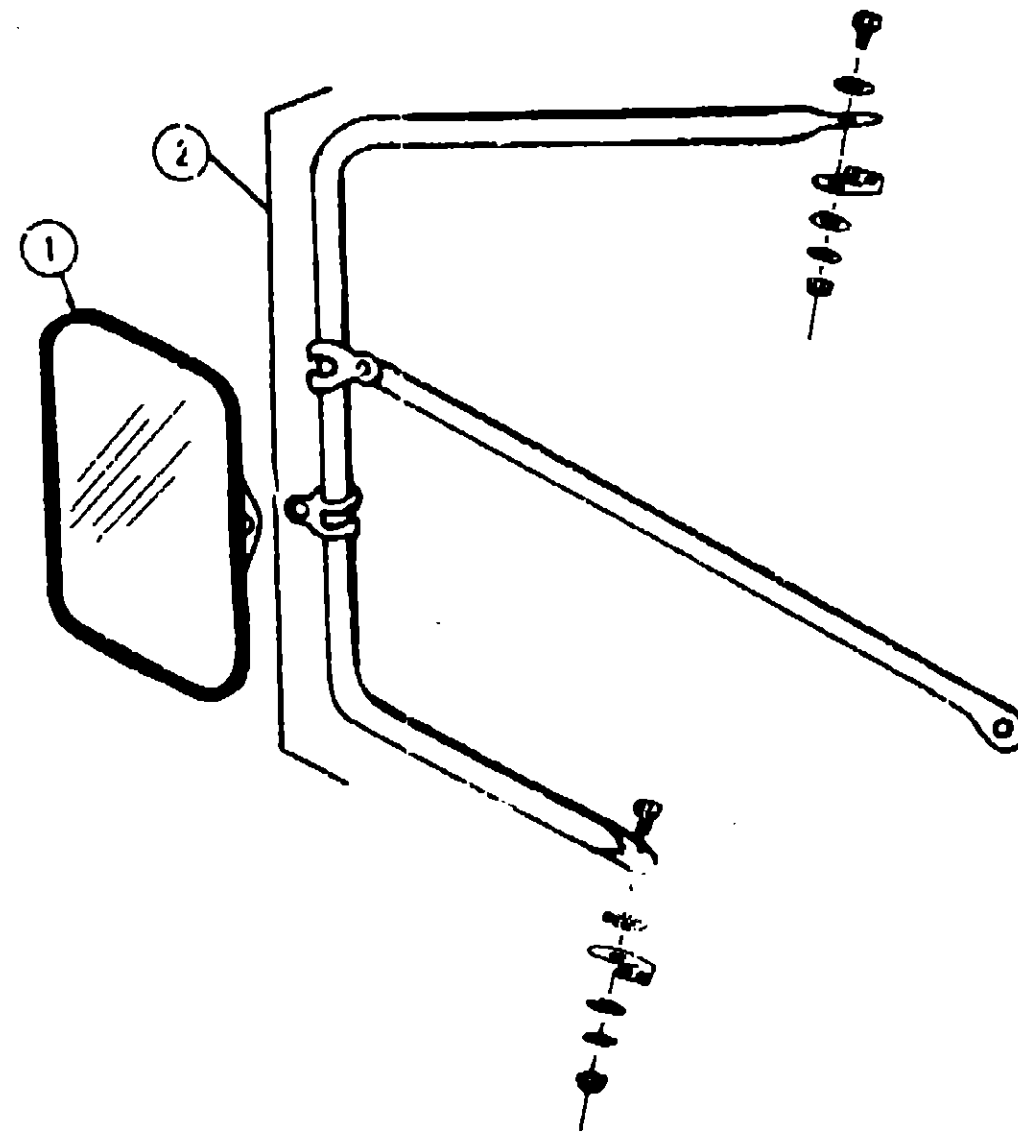
WINNEBAGO TABLE OF CONTENTS

1977 3/4 D26CRB	A-1 - B-12
1977 D27D/DL	B-13 - D-2
1977 MWC24	D-3 - E-10

1977 MWC24 INDEX

Floor Plan	D-3 - D-4
Accessories Group	D-5 - D-6
Bath Group	D-7
Chassis Group	D-8
Curtain, Cushion & Pad Group	D-9 - D-12
Dinette Group	D-13
Driver's Compartment Group	D-13
Electrical Group	D-14 - D-15
Exterior Body Group	D-16 - D-19
Galley Group	D-20
Heating & Air Conditioning Group	D-20
Interior Finish Group	D-21 - D-22
LP Group	D-23
Water & Sewage Group	D-24
Window, Vent & Exterior Door Group	E-1 - E-10

ACCESSORIES GROUP



Key	Part Number	U/M	Description
1	049347-01-000	EA	Mirror Head - 7 1/2" x 10 1/2" - Stainless Steel
2	049349-01-000	EA	Arm - West Coast Mirror - Stainless Steel

ACCESSORIES GROUP (CONTINUED)

RADIOS

Key	Part Number	U/M	Description
	007004-01-000	EA	Antenna - Radio - Cab Mount
	039879-01-000	EA	Kit - Radio Speaker - 5 1/4" w/Cover
	049730-01-000	EA	Radio - AM - w/Fader - Clarion
	049731-01-000	EA	Radio - AM/FM/MPX - w/Fader - Clarion
	049732-01-000	EA	Radio - AM/FM/MPX 8 Track - w/Fader - Clarion
	050751-01-000	EA	Plaque - Fader Switch/Mic Mounting
	050465-01-000	EA	Bezel - Entertainment Center Number 1 - (Radio Only)
	050466-01-000	EA	Bezel - Entertainment Center Number 2 - (Radio and Clock)

REAR BUNK AND HARDWARE

Key	Part Number	U/M	Description
	048390-02-700	EA	Bunk Board Asm. - Board/Rails w/o Hardware
	042988-01-000	EA	Support Asm. - Left and Right - Overhead Bunk - Dark Brown
	040071-01-700	EA	Support Kit - Overhead Bunk - Seat Belt
	006076-01-000	EA	Ladder - Bunk
	023812-06-000	EA	Rail - Bunk - 72.50" - Brown

GENERATORS AND INSTALLATION KIT

Key	Part Number	U/M	Description
	041369-01-000	EA	Tray - Generator
	042865-01-000	EA	Scoop - Generator Air
	701629-01-000	EA	Installation Package - Kohler
	049360-02-000	EA	Overhead Console
	050015-01-000	EA	Bracket - Overhead Console
**	040504-01-000	EA	Generator - 2.5 kw - Kohler
**	040505-01-000	EA	Generator - 4.0 kw - Kohler
**	040506-01-000	EA	Generator - 5.0 kw - Kohler
**	044149-01-000	EA	Generator - 6.5 kw - Kohler
**	051908-01-000	EA	Generator - 3.5 kw - Kohler
**	051909-01-000	EA	Generator - 4.5 kw - Kohler
**	051910-01-000	EA	Generator - 5.5 kw - Kohler
**	051911-01-000	EA	Generator - 7.0 kw - Kohler

**The illustrated parts breakdown for this item is provided on the Common Items Fiche.

MISCELLANEOUS ACCESSORIES

Key	Part Number	U/M	Description
	050885-01-000	EA	Owner's Manual - Winnebago
	017516-01-000	EA	Mudflap - Black - 14" x 18" w/Holes
	006069-01-000	EA	Case - Leather Key - Motor Home
	007036-01-000	EA	Mat - Door - Black Rubber - 10 1/2" x 26"
	006053-01-000	EA	Antenna - TV - Braun Delux
	006093-01-000	EA	Jack - TV - Brown (Antenna)
**	051056-01-000	EA	Ladder Asm. - w/Luggage Rack - Round
**	041440-02-000	EA	Ladder Only - For Rack and Ladder Asm.
	006113-01-000	EA	Jack - Hydraulic 5 Ton
	041944-01-700	EA	Fire Extinguisher
	040466-07-000	EA	Cover - Spare Tire - No "W" - 29"
	039779-01-000	EA	Cap - 4" Square - Rear Bumper - Rubber
**	042713-01-000	EA	Speed Control Package - 350 C.I.D. - C-Body
**	031396-03-000	EA	Wheel Cover - 16.5" - Chrome

**The illustrated parts breakdown for this item is provided on the Common Items Fiche.

WINNEBAGO TABLE OF CONTENTS

1977 3/4 D26CR8
1977 D27D/DL
1977 MWC24

A-1 - B-12
B-13 - D-2
D-3 - E-10

1977 MWC24 INDEX

Floor Plan	D-3 - D-4
Accessories Group	D-5 - D-6
Bath Group	D-7
Chassis Group	D-8
Curtain, Cushion & Pad Group	D-9 - D-12
Dinette Group	D-13
Driver's Compartment Group	D-13
Electrical Group	D-14 - D-15
Exterior Body Group	D-16 - D-19
Galley Group	D-20
Heating & Air Conditioning Group	D-20
Interior Finish Group	D-21 - D-22
LP Group	D-23
Water & Sewage Group	D-24
Window, Vent & Exterior Door Group	E-1 - E-10

BATH GROUP

Key	Part Number	U/M	Description
	1145730-01-000	EA	Curtain - Shower White Plastic
	009136-01-000	EA	Pin - Curtain - Shower
	005134-01-000	EA	Holder - Tissue
	033530-01-000	EA	Ring - Towel - Chrome w/Plastic Ring
	009133-01-000	EA	Bar - Towel - 12" - Plastic w/o Bracket
	023443-01-000	EA	Support - Towel Bar - Chrome Left or Right
	009252-01-000	EA	Cabinet - Medicine Gold
	009256-01-000	EA	Mirror - Medicine Cabinet Door - 97/8" x 14 7/8"
	011048-01-000	EA	Shower Head w/59" Hose
	011059-01-000	EA	Faucet - 4" - Shower
	010495-01-000	EA	Clamp - Shower Hose - 9/16"
	009124-01-000	EA	Lock - Door - Push Button Brass (Brass Door)
	046749-01-000	EA	Pan - Shower (w/o Tail Piece)
	011048-01-700	EA	Vacuum Breaker - 1/8 MPT Nylon Shower Hose
	011086-01-000	EA	Strainer - Shower Pan
	044067-01-000	EA	Lavatory - Bath - Plastic
	011056-01-000	EA	Faucet - 4" Lavatory
	011083-01-000	EA	Plug - w/Chain and Stopper
	049341-01-000	EA	Door Asm. - Bath - w/o Hardware - 047939-02-000 - Antique Birch
	053671-54-000	EA	Door Asm. - Bath - w/o Hardware - 047939-02-700 - Antique Birch
	049243-01-000	EA	Cabinet Asm. - Vanity - w/o Top, Door or Hardware - 047939-02-000 - Antique Birch
	053671-56-000	EA	Cabinet Asm. - Vanity - w/o Top, Door or Hardware - 047939-02-700 - Antique Birch
	049231-18-700	EA	Door Asm. - Vanity Cabinet w/o Hardware - 047939-02-000 - Antique Birch
	053672-09-000	EA	Door Asm. - Vanity Cabinet w/o Hardware - 047939-02-700 - Antique Birch
	049236-19-700	EA	Door Asm. - Front Wardrobe Cabinet - w/o Hardware - 047939-02-000 - Antique Birch
	053672-08-000	EA	Door Asm. - Front Wardrobe Cabinet - w/o Hardware - 047939-02-700 - Antique Birch
	048699-01-000	EA	Countertop Asm. - Front Wardrobe - Rust (Cactus)
	048699-02-000	EA	Countertop Asm. - Front Wardrobe - Gold (Inca Gold)
	048699-03-000	EA	Countertop Asm. - Front Wardrobe - Beige (Sage)
	023992-01-000	EA	Molding - Reverse Cove - White
	036337-20-000	EA	Trim - Inside Corner - Beige Alum. - 67.38"
	034394-02-000	FT	Insert - Vinyl - Beige
**	053341-02-000	EA	Stool Asm. - Ivory - Aqua Magic - Model SH

**The illustrated parts breakdown for this item is provided on the Common Items Fiche.

CHASSIS GROUP

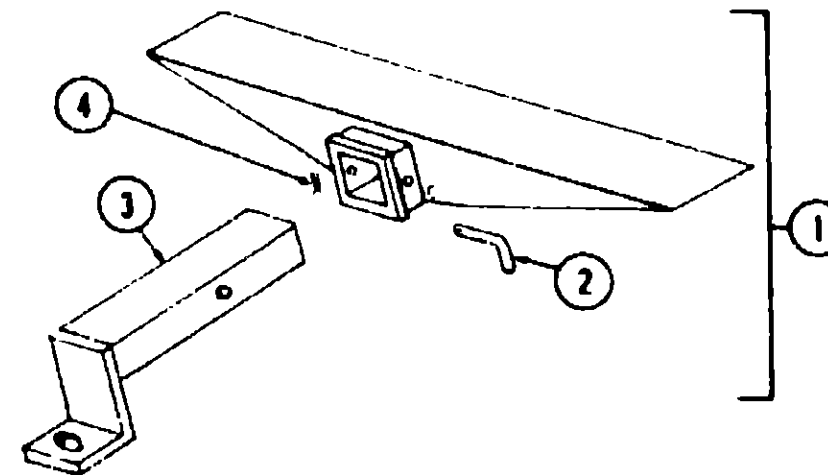
Key	Part Number	U/M	Description
	048592-01-000	EA	Hold Down - Double Battery
	047895-01-000	EA	Tray - Battery
	039615-01-000	EA	Rod - Hold Open - Hood
	046746-01-000	EA	Support Asm. - Radiator/Grille
	041787-01-000	EA	Clip - Speed Cable or Rod
	044763-01-000	EA	Splashguard - Front - Black Rubber
	046742-01-000	EA	Step Asm. - Assist - Front Door
	039640-01-000	EA	Bracket - Hood Pins
	037449-01-000	EA	Well Nut - 10-32 x .812"
	041200-01-000	EA	Pin - Clevis - 1/4" Dia. x 2.50"
	041228-01-000	EA	Pin - Hitch - 1/16" Wire
	044163-01-000	EA	Bracket - Fiberglass - to Wheelwell
	044164-01-000	EA	Bracket - Fiberglass to Hinge Pillar
	044371-01-000	EA	Bracket - Fiberglass - Front Bottom
	044373-01-000	EA	Bracket - Fiberglass - Front Top
	045683-01-000	EA	Pivot - Hood
	040848-01-000	EA	Bumper - Hood
	041723-01-000	EA	Bracket - Center Hood Bumper
	044372-01-000	EA	Bracket - Fiberglass - Parking Light
	046703-01-000	EA	Brace - Fiberglass to Upper Cowl
	042377-01-000	EA	Extension - Tail Pipe - 3" O.D. x 7.50"
	007125-08-000	EA	Clamp Asm. - Muffler - 3" Dia.
	040634-02-000	EA	Carrier - Stationary Spare Tire
	040974-01-000	EA	Bracket - Spare Tire
	046043-01-000	EA	Bracket Asm. - Rear Bumper
	046785-01-000	EA	Bumper - Rear Chrome - 93"
	017516-01-000	EA	Mud Flap - 14" x 18" - w/Holes
	049750-01-000	EA	Shroud - Fuel Fill - Inside Coach
	024141-01-000	FT	Hose - Fuel - Rubber - 1/2" I.D.
	007137-01-000	EA	Clamp - Hose - Worm Gear - 1 5/16" to 2 1/4"
	039649-01-000	EA	Wheel Well - Plastic - Left Rear or Right Rear
	024652-01-700	EA	Step Asm. - Coach Entry Door

WINNEBAGO TABLE OF CONTENTS

1977 3/4 D26CRB	A-1 - B-12
1977 D27D/DL	B-13 - D-2
1977 MWC24	D-3 - E-10

1977 MWC24 INDEX

Floor Plan	D-3 - D-4
Accessories Group	D-5 - D-6
Bath Group	D-7
Chassis Group	D-8
Curtain, Cushion & Pad Group	D-9 - D-12
Dinette Group	D-13
Driver's Compartment Group	D-13
Electrical Group	D-14 - D-15
Exterior Body Group	D-16 - D-19
Galley Group	D-20
Heating & Air Conditioning Group	D-20
Interior Finish Group	D-21 - D-22
I.P. Group	D-23
Water & Sewage Group	D-24
Window, Vent & Exterior Door Group	E-1 - E-10

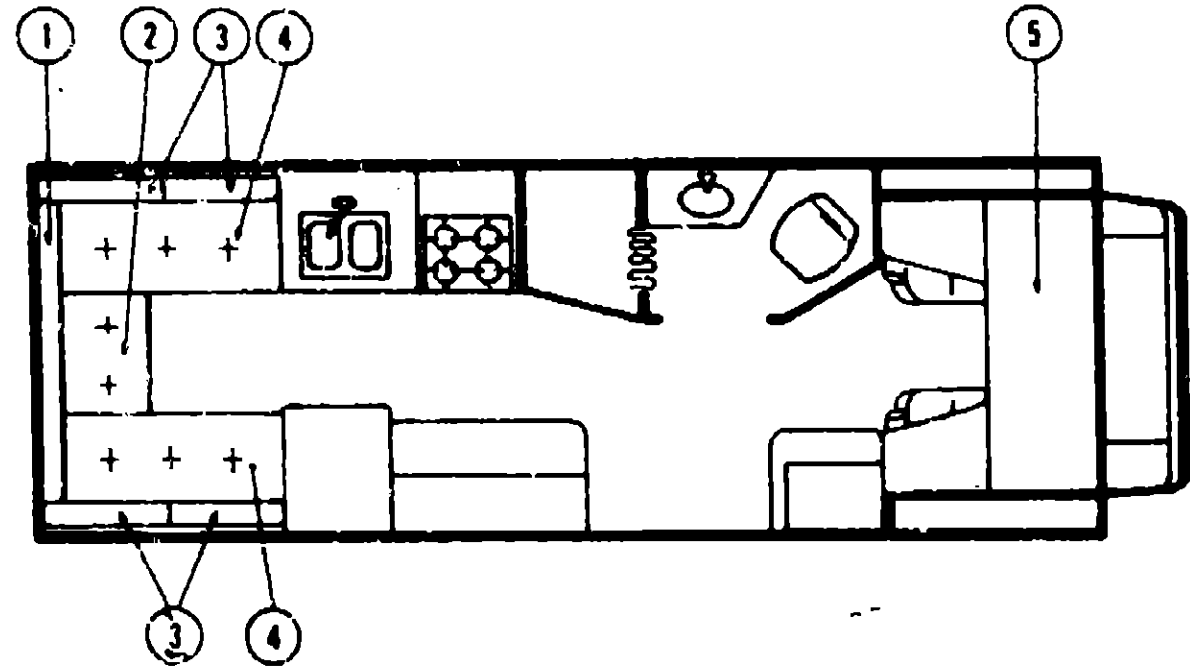


Key	Part Number	U/M	Description
1	023995-01-700	EA	Hitch Kit - w/Drawbar
2	034512-01-000	EA	Pin - Locking - Drawbar
3	024878-01-700	EA	Drawbar - Trailer Hitch
4	034513-01-000	EA	Pin - Hitch - 3/16" Wire Spring

CURTAIN,CUSHION AND PAD GROUP

CURTAIN, CUSHION AND PAD GROUP (CONTINUED)

BUNK MATTRESSES



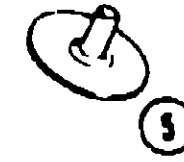
DINETTE CUSHIONS

Key	Part Number	U/M	Description
1	048839-76-000	EA	Cushion - Mitered - 13" x 81.5" x 4" - Rust (Cactus)
1	048839-77-000	EA	Cushion - Mitered - 13" x 81.5" x 4" - Gold (Inca Gold)
1	048839-78-000	EA	Cushion - Mitered - 13" x 81.5" x 4" - Beige (Sage)
	048839-76-076	EA	Cover - Cushion - Mitered - 13" x 81.5" x 4" - Rust (Cactus)
	048839-77-077	EA	Cover - Cushion - Mitered - 13" x 81.5" x 4" - Gold (Inca Gold)
	048839-78-078	EA	Cover - Cushion - Mitered - 13" x 81.5" x 4" - Beige (Sage)
2	048839-70-000	EA	Cushion - Mitered - 25.5" x 34.5" x 4" - Rust (Cactus)
2	048839-71-000	EA	Cushion - Mitered - 26.5" x 34.5" x 4" - Gold (Inca Gold)
2	048839-72-000	EA	Cushion - Mitered - 26.5" x 34.5" x 4" - Beige (Sage)
	048839-70-070	EA	Cover - Cushion - Mitered - 26.5" x 34.5" x 4" - Rust (Cactus)
	048839-71-071	EA	Cover - Cushion - Mitered - 26.5" x 34.5" x 4" - Gold (Inca Gold)
	048839-72-072	EA	Cover - Cushion - Mitered - 26.5" x 34.5" x 4" - Beige (Sage)
3	048839-73-000	EA	Cushion - Mitered - 13" x 33" x 4" - Rust (Cactus)
3	048839-74-000	EA	Cushion - Mitered - 13" x 33" x 4" - Gold (Inca Gold)
3	048839-75-000	EA	Cushion - Mitered - 13" x 33" x 4" - Beige (Sage)
	048839-73-073	EA	Cover - Cushion - Mitered - 13" x 33" x 4" - Rust (Cactus)
	048839-74-074	EA	Cover - Cushion - Mitered - 13" x 33" x 4" - Gold (Inca Gold)
	048839-75-075	EA	Cover - Cushion - Mitered - 13" x 33" x 4" - Beige (Sage)
4	048839-67-000	EA	Cushion - Mitered - 27.5" x 66" x 4" - Rust (Cactus)
4	048839-68-000	EA	Cushion - Mitered - 27.5" x 66" x 4" - Gold (Inca Gold)
4	048839-69-000	EA	Cushion - Mitered - 27.5" x 66" x 4" - Beige (Sage)
	048839-67-067	EA	Cover - Cushion - Mitered - 27.5" x 66" x 4" - Rust (Cactus)
	048839-68-068	EA	Cover - Cushion - Mitered - 27.5" x 66" x 4" - Gold (Inca Gold)
	048839-69-069	EA	Cover - Cushion - Mitered - 27.5" x 66" x 4" - Beige (Sage)

Key	Part Number	U/M	Description
3	050102-07-000	EA	Mattress - Front Bunk - 24.5" x 76" x 5" - Rust (Cactus)
5	050102-08-000	EA	Mattress - Front Bunk - 24.5" x 76" x 5" - Gold (Inca Gold)
5	050102-09-000	EA	Mattress - Front Bunk - 24.5" x 76" x 5" - Beige (Sage)
	050102-07-007	EA	Cover - Mattress - Front Bunk - 24.5" x 76" x 5" - Rust (Cactus)
	050102-08-008	EA	Cover - Mattress - Front Bunk - 24.5" x 76" x 5" - Gold (Inca Gold)
	050102-09-009	EA	Cover - Mattress - Front Bunk - 24.5" x 76" x 5" - Beige (Sage)
5	050102-10-000	EA	Mattress - Front Bunk - 28.5" x 76" x 4" - Rust (Cactus)
5	050102-11-000	EA	Mattress - Front Bunk - 28.5" x 76" x 4" - Gold (Inca Gold)
5	050102-12-000	EA	Mattress - Front Bunk - 28.5" x 76" x 4" - Beige (Sage)
	050102-10-010	EA	Cover - Mattress - Front Bunk - 28.5" x 76" x 4" - Rust (Cactus)
	050102-11-011	EA	Cover - Mattress - Front Bunk - 28.5" x 76" x 4" - Gold (Inca Gold)
	050102-12-012	EA	Cover - Mattress - Front Bunk - 28.5" x 76" x 4" - Beige (Sage)
	041914-34-000	EA	Mattress - Rear Bunk - 37.5" x 79" x 4" - Rust (Cactus)
	041914-35-000	EA	Mattress - Rear Bunk - 37.5" x 79" x 4" - Gold (Inca Gold)
	041914-36-000	EA	Mattress - Rear Bunk - 37.5" x 79" x 4" - Beige (Sage)
	041914-34-034	EA	Cover - Mattress - Rear Bunk - 37.5" x 79" x 4" - Rust (Cactus)
	041914-35-035	EA	Cover - Mattress - Rear Bunk - 37.5" x 79" x 4" - Gold (Inca Gold)
	041914-36-036	EA	Cover - Mattress - Rear Bunk - 37.5" x 79" x 4" - Beige (Sage)

CURTAIN HARDWARE

Key	Part Number	U/M	Description
	009701-01-000	EA	Carrier - Curtain w/Rollers - "L" Rod
	009702-01-000	EA	End Stop - Curtain Track - "L" Rod - 90"
	012031-42-000	EA	Curtain Track - Alum. "L" Rod - 90"
	052327-04-236	EA	Curtain Track - Alum. - Brown - 89" w/Holes
	009107-01-000	EA	Guide - Nylon Curtain Snap
	049897-01-000	EA	Rod - Curtain - Flat - Extends 25" - 45"
	049897-02-000	EA	Rod - Curtain - Flat - Extends - 48" - 86"
	042439-01-000	EA	Bracket - Curtain Rod - Left or Right



Key	Part Number	U/M	Description
1	029130-01-000	EA	Socket - Snap Fastener - 7 x 5/8"
2	029155-01-000	EA	Cap - Snap - .156" Dia. x .17" Bars!
3	029156-01-000	EA	Socket - Snap Fastener
4	029082-01-000	EA	Stud - Nickel Finish
5	029083-01-000	EA	Eyelet - Nickel Finish

**WINNEBAGO
TABLE OF CONTENTS**

1977 3/4 D26CRB
1977 D27D/DL
1977 MWC24

A-1 - B-12
B-13 - D-2
D-3 - E-10

1977 MWC24 INDEX

Floor Plan	D-3 - D-4
Accessories Group	D-5 - D-6
Bath Group	D-7
Chassis Group	D-8
Curtain, Cushion & Pad Group	D-9 - D-12
Dinette Group	D-13
Driver's Compartment Group	D-13
Electrical Group	D-14 - D-15
Exterior Body Group	D-16 - D-19
Galley Group	D-20
Heating & Air Conditioning Group	D-20
Interior Finish Group	D-21 - D-22
LP Group	D-23
Water & Sewage Group	D-24
Window, Vent & Exterior Door Group	E-1 - E-10

CURTAIN, CUSHION AND PAD GROUP (CONTINUED)

TIE BACKS AND VALANCES

Key	Part Number	U/M	Description
	049097-16-000	EA	Tie Back - Curtain - 10" - Rust (Cactus)
	049097-17-000	EA	Tie Back - Curtain - 10" - Gold (Inca Gold)
	049097-18-000	EA	Tie Back Curtain - 10" - Beige (Sage)
	049097-15-000	EA	Tie Back - Curtain - 14" - Brown Vinyl
	048831-30-000	EA	Valance w/Header - 5.5" x 44" - Rust (Cactus)
	048831-31-000	EA	Valance w/Header - 5.5" x 44" - Gold (Inca Gold)
	048831-32-000	EA	Valance w/Header - 5.5" x 44" - Beige (Sage)
	048831-63-000	EA	Valance w/Header - 5.5" x 90" - Rust (Cactus)
	048831-64-000	EA	Valance w/Header - 5.5" x 90" - Gold (Inca Gold)
	048831-65-000	EA	Valance w/Heads: - 5.5" x 90" - Beige (Sage)

CURTAINS

Key	Part Number	U/M	Description
	048840-18-000	EA	Curtain w/Snaps Top and Bottom - 17.5" x 39" - Rust (Cactus)
	048840-19-000	EA	Curtain w/Snaps Top and Bottom - 17.5" x 39" - Gold (Inca Gold)
	048840-20-000	EA	Curtain w/Snaps Top and Bottom - 17.5" x 39" - Beige (Sage)
	048840-64-000	EA	Curtain w/Snap Top and Bottom - 25.5" x 45" - Rust (Cactus)
	048840-65-000	EA	Curtain w/Snap Top and Bottom - 25.5" x 45" - Gold (Inca Gold)
	048840-66-000	EA	Curtain w/Snap Top and Bottom - 25.5" x 45" - Beige (Sage)
	048840-67-000	EA	Curtain w/Snap Top and Bottom - 22.5" x 21" - Rust (Cactus)
	048840-68-000	EA	Curtain w/Snap Top and Bottom - 22.5" x 21" - Gold (Inca Gold)
	048840-69-000	EA	Curtain w/Snap Top and Bottom - 22.5" x 21" - Beige (Sage)
	049021-04-000	EA	Curtain w/Snap Top - 33" x 30" - Rust (Cactus)
	049021-03-000	EA	Curtain w/Snap Top - 33" x 30" - Gold (Inca Gold)
	049021-05-000	EA	Curtain w/Snap Top - 33" x 30" - Beige (Sage)
	049486-04-000	EA	Curtain w/Snap Top Left - 15 1/2" x 39" - Rust (Cactus)
	049486-05-000	EA	Curtain w/Snap Top Left - 15 1/2" x 39" - Gold (Inca Gold)
	049486-08-000	EA	Curtain w/Snap Top Left - 15 1/2" x 39" - Beige (Sage)
	049486-48-000	EA	Curtain w/Snap Top - Left - 27" x 21" - Rust (Cactus)
	049486-49-000	EA	Curtain w/Snap Top - Left - 27" x 21" - Gold (Inca Gold)
	049486-50-000	EA	Curtain w/Snap Top - Left - 27" x 21" - Beige (Sage)
	049487-48-000	EA	Curtain w/Snap Top - Right - 27" x 21" - Rust (Cactus)
	049487-49-000	EA	Curtain w/Snap Top - Right - 27" x 21" - Gold (Inca Gold)
	049487-50-000	EA	Curtain w/Snap Top - Right - 27" x 21" - Beige (Sage)
	050008-04-000	EA	Curtain - Aisle Divider - 75" x 90" - Brown Vinyl
	050008-02-000	EA	Curtain - Front Bunk - Privacy - 25" x 93" - Brown Vinyl
	043120-61-000	EA	Curtain - Wraparound - w/Snap Top - 21" x 63" - Left or Right - Brown Vinyl

CURTAIN, CUSHION AND PAD GROUP (CONTINUED)

BUCKET SEATS, ARMRESTS, AND HEADRESTS

Key	Part Number	U/M	Description
	040517-17-000	EA	Seat Asm. - Single Bucket w/o Slide and Pocket - Rust (Cactus)
	040517-18-000	EA	Seat Asm. - Single Bucket w/o Slide and Pocket - Gold (Inca Gold)
	040517-19-000	EA	Seat Asm. - Single Bucket w/o Slide and Pocket - Beige (Sage)
	040416-20-001	EA	Cover - Single Bucket - Bottom - Rust (Cactus)
	040516-21-001	EA	Cover - Single Bucket - Bottom - Gold (Inca Gold)
	040516-22-001	EA	Cover - Single Bucket - Bottom - Beige (Sage)
	040516-29-002	EA	Cover - Single Bucket - Back w/Pocket - Rust (Cactus)
	040516-30-002	EA	Cover - Single Bucket - Back w/Pocket - Gold (Inca Gold)
	040516-31-002	EA	Cover - Single Bucket - Back w/Pocket - Beige (Sage)
	033906-33-000	EA	Headrest Cover - Rust (Cactus)
	033906-34-000	EA	Headrest Cover - Gold (Inca Gold)
	033906-35-000	EA	Headrest Cover - Beige (Sage)
	019722-01-000	EA	Headrest Asm. - Foam w/o Cover
	050280-01-000	EA	Armrest Cover - Right or Left - Rust (Cactus)
	050280-02-000	EA	Armrest Cover - Right or Left - Gold (Inca Gold)
	050280-03-000	EA	Armrest Cover - Right or Left - Beige (Sage)
	050275-01-700	EA	Armrest Asm. - Foam w/o Cover - Right
	050276-01-700	EA	Armrest Asm. - Foam w/o Cover - Left
	031133-01-000	EA	Protector - Driver Seat - 8" Tan Plastic
	029134-01-000	EA	Clip - Finish - Upholstery (Bucket Seat)
	029136-01-000	EA	Grommet - Headrest - Brown Nylon

PADS

Key	Part Number	U/M	Description
	043321-02-000	EA	Pad - "A" Pillar - Right - Brown Vinyl
	043322-02-000	EA	Pad - "A" Pillar - Left - Brown
	043323-02-000	EA	Pad - Door - Top Right - Brown Vinyl
	043324-02-000	EA	Pad - Door - Top Left - Brown Vinyl
	043325-03-000	EA	Pad - "B" Pillar - Left - Brown Vinyl
	043325-04-000	EA	Pad - "B" Pillar - Right - Brown Vinyl
	043326-02-000	EA	Headliner - Cab - Brown Vinyl
	043327-09-000	EA	Pad - Support - Cab/Pillar Asm. - Left
	043327-10-000	EA	Pad - Support - Cab/Pillar Asm. - Right
	043380-01-000	EA	Pad - Sleeper Board - Left - Brown Vinyl
	043380-02-000	EA	Pad - Sleeper Board - Right - Brown Vinyl
	048456-01-000	EA	Pad Asm. - Tube Cover
	044207-02-000	EA	Pad Asm. - Motor Cover

FABRICS AND TRIMS

Key	Part Number	U/M	Description
	048588-01-000	YD	Fabric - Upholstery - Rust (Cactus)
	048588-02-000	YD	Fabric - Upholstery - Gold (Inca Gold)
	048588-03-000	YD	Fabric - Upholstery - Beige (Sage)
	043619-01-000	YD	Fabric - Drapery - Rust (Cactus)
	043619-02-000	YD	Fabric - Drapery - Gold (Inca Gold)
	043619-03-000	YD	Fabric - Drapery - Beige (Sage)
	042411-01-000	YD	Vinyl - Nonexpanded - 27 Ounce - Brown
	042411-02-000	YD	Vinyl - Nonexpanded - 18 Gauge - Brown
	042411-03-000	YD	Vinyl - Expanded - 28 Ounce
	042414-01-000	FT	Trim - Accent - Bostonian Brown - Vinyl
	023631-05-000	EA	Button - Bostonian Brown - Vinyl

**WINNEBAGO
TABLE OF CONTENTS**

1977 3/4 D26CRB	A-1 - B-12
1977 D27D/DL	B-13 - D-2
1977 MWC24	D-3 - E-10

1977 MWC24 INDEX

Floor Plan	D-3 - D-4
Accessories Group	D-5 - D-6
Bath Group	D-7
Chassis Group	D-8
Curtain, Cushion & Pad Group	D-9 - D-12
Dinette Group	D-13
Driver's Compartment Group	D-13
Electrical Group	D-14 - D-15
Exterior Body Group	D-16 - D-19
Galley Group	D-20
Heating & Air Conditioning Group	D-20
Interior Finish Group	D-21 - D-22
LP Group	D-23
Water & Sewage Group	D-24
Window, Vent & Exterior Door Group	E-1 - E-10

DINETTE GROUP

Key	Part Number	U/M	Description
	043822-05-700	EA	Table Asm. - Dinette w/o Hardware - Rust (Cactus)
	043822-08-700	EA	Table Asm. - Dinette w/o Hardware - Gold (Inca Gold)
	043822-07-700	EA	Table Asm. - Dinette w/o Hardware - Beige (Sage)
	009040-02-000	EA	Leg - Table - 2 3/8" Dia. x 28" - Chrome
	009040-03-000	EA	Base - Table Leg
	009059-01-000	EA	Hinge - 2" - Gold
	041476-01-000	FT	Track - Slide - PVC - Dark Pecan
	047048-02-000	EA	Cabinet Asm. - Dinette Seat - Left - 047939-02-000 - Antique Birch
	053672-55-000	EA	Cabinet Asm. - Dinette Seat - Left - 047939-02-700 - Antique Birch
	047049-02-000	EA	Cabinet Asm. - Dinette Seat - Right - 047939-02-000 - Antique Birch
	053672-54-000	EA	Cabinet Asm. - Dinette Seat - Right - 047939-02-700 - Antique Birch
	047050-02-000	EA	Cabinet Asm. - Dinette Seat - Center - 047939-02-000 - Antique Birch
	053672-53-000	EA	Cabinet Asm. - Dinette Seat - Center - 047939-02-700 - Antique Birch
	048891-01-000	EA	Cabinet Asm. - Dinette Overhead - Left w/o Doors or Hardware 047939-02-000 - Antique Birch
	053672-43-000	EA	Cabinet Asm. - Dinette Overhead - Left w/o Doors or Hardware 047939-02-700 - Antique Birch
	048899-01-000	EA	Cabinet Asm. - Dinette Overhead - Right - w/o Doors or Hardware 047939-02-000 - Antique Birch
	053672-42-000	EA	Cabinet Asm. - Dinette Overhead - Right - w/o Doors or Hardware 047939-02-700 - Antique Birch
	048236-08-700	EA	Door Asm. - Dinette Overhead Cabinet - w/o Hardware - 047939-02-000 Antique Birch
	053672-19-000	EA	Door Asm. - Dinette Overhead Cabinet - w/o Hardware - 047939-02-700 Antique Birch
	033535-03-000	FT	Molding Asm. - Shelf - 707 Hickory
	007021-01-000	EA	Seat Belt Asm. - 2" x 90" - Black
	041322-01-000	EA	Washer - 15/32" I.D. x 2 3/8" O.D.

DRIVER'S COMPARTMENT GROUP

Key	Part Number	Description
	038639-01-000	EA Bazel - Transmission Control
	038414-01-000	EA Ashtray
	041425-01-000	EA Cover - Engine
	041320-01-000	EA Bracket - Engine Cover/Floor
	048223-01-000	EA Bracket - Engine Cover
	045206-08-000	EA Side Panel - Cab Door - Left - Rust (Cactus)
	045206-09-000	EA Side Panel - Cab Door - Left - Gold (Inca Gold)
	045206-10-000	EA Side Panel - Cab Door - Left - Beige (Sage)
	045205-08-000	EA Side Panel - Cab Door - Right - Rust (Cactus)
	045205-09-000	EA Side Panel - Cab Door - Right - Gold (Inca Gold)
	045205-10-000	EA Side Panel - Cab Door - Right - Beige (Sage)
	049380-02-000	EA Console - Overhead - w/o Gauges or Switches
	031035-01-000	EA Gauge - Hourmeter - Generator
	024976-01-000	EA Switch - Generator - w/o Circuit Board
	024461-01-000	EA Switch - Battery
	048885-01-000	EA Plaque - Mounting - Battery Switch
	038846-07-000	EA Extension Asm. - Sleeper Box'd
	023812-04-000	EA Rail - Bunk - Brown - 75"
	041476-01-000	FT Track - Slide - PVC Dark Pecan - 12'
	048856-01-000	EA Bracker - Catch - Bunk
	048797-01-000	EA Hedlock II - 1" Dia. - Screw Mount - Black Plastic
	049918-01-000	EA Pedestal Asm. - Swivel Seat
	007223-01-000	EA Adjuster Asm. - Seat w/Lock
	007224-01-000	EA Handle - Seat Adjuster - 8"
	007227-01-000	EA Adjuster Asm. - Seat w/o Lock
	048836-01-000	EA Handle - Swivel Seat
	049916-01-000	EA Plate Asm. - Swivel Seat
	049943-01-000	EA Pedestal - Complete - Swivel Seat
	007222-01-000	EA Belt Asm. - Seat - 2" x 60" - Black
	041332-01-000	EA Washer - Flat - 15/32" I.D. x 2 3/8" O.D.
	040897-03-000	EA Pad - Instrument Panel - Brown

ELECTRICAL GROUP

BULBS

Key	Part Number	U/M	Description
	037935-01-000	EA	Bulb - 1157
	038010-01-000	EA	Bulb - 1143
	008103-01-000	EA	Bulb - 53
	008213-01-000	EA	Bulb - 57
	008214-01-000	EA	Bulb - 67
	008215-01-000	EA	Bulb - 1003
	008216-01-000	EA	Bulb - 1034
	008217-01-000	EA	Bulb - 1073
	008218-01-000	EA	Bulb - 1141
	008219-01-000	EA	Bulb - 656
	008220-01-000	EA	Bulb - 12V - 25W
	036196-01-000	EA	Bulb - 194
	700020-01-000	EA	Bulb - 12V - 20W - 1383

EXTERIOR LIGHTS

Key	Part Number	U/M	Description
	008089-01-000	EA	Light -Porch - Recessed
	031054-01-000	EA	Lamp Asm. - Tail - White - Left
	031055-01-000	EA	Lamp Asm. - Tail - White - Right
	042405-03-000	EA	Base - Rectangular Clearance Light
	042405-04-000	EA	Lens - Rectangular Light - Red
	042405-05-000	EA	Lens - Rectangular Light - Amber

INTERIOR LIGHTS

Key	Part Number	U/M	Description
	024418-01-000	EA	Lamp Asm. - Map/Gauge/Aisle
	024473-01-000	EA	Light - Aircraft - 1 Bulb - Gold
	033508-02-000	EA	Light - Dome - Ivory - 1 Bulb
	024642-01-701	EA	Lens - Dome Light - 1 Bulb
	033509-02-000	EA	Light - Dome - Ivory - 2 Bulb
	024643-01-701	EA	Lens - Dome Light - 2 Bulb

FUSES AND CIRCUIT BREAKERS

Key	Part Number	U/M	Description
	008233-01-000	EA	Fuse - 12 Volt - 6 Amp.
	008234-01-000	EA	Fuse - 12 Volt - 10 Amp.
	008235-01-000	EA	Fuse - 12 Volt - 15 Amp.
	008236-01-000	EA	Fuse - 12 Volt - 20 Amp.
	008248-01-000	EA	Fuse - 110 Volt - 30 Amp. - AGU
	008252-01-000	EA	Fuse - 110 Volt - 50 Amp.
	008208-01-000	EA	Circuit Breaker - 12 Volt - 40 Amp.
	008211-01-000	EA	Circuit Breaker - 12 Volt - 6 Amp.
	008268-01-000	EA	Circuit Breaker - 12 Volt - 30 Amp. w/Mount
	033573-01-000	EA	Circuit Breaker - 12 Volt - 20 Amp. w/Mount
	040051-01-000	EA	Circuit Breaker - 110 Volt - 20 Amp. - TQL

WINNEBAGO TABLE OF CONTENTS

1977 3/4 D26CRB	A-1 - B-12
1977 D27D/DL	B-13 - D-2
1977 MWC24	D-3 - E-10

1977 MWC24 INDEX

Floor Plan	D-3 - D-4
Accessories Group	D-5 - D-6
Bath Group	D-7
Chassis Group	D-8
Curtain, Cushion & Pad Group	C-9 - D-12
Dinette Group	D-13
Driver's Compartment Group	D-13
Electrical Group	D-14 - D-15
Exterior Body Group	D-16 - D-19
Galley Group	D-20
Heating & Air Conditioning Group	D-20
Interior Finish Group	D-21 - D-22
LP Group	D-23
Water & Sewage Group	D-24
Window, Vent & Exterior Door Group	E-1 - E-10

ELECTRICAL GROUP (CONTINUED)

WIRE, SWITCHES, AND RECEPTACLES

Key	Part Number	U/M	Description
	008024-01-000	FT	Wire - 18.5 Bonded - Orange/White/Yellow/Blue/Brown
	008025-01-000	FT	Wire - 18.5 Bonded - Orange/White/Yellow/Blue/Green
	008026-01-000	FT	Wire - 18.5 Bonded - Blue/Red/Yellow/Orange/White
	008030-01-000	FT	Wire - 18.4 Bonded
	008221-01-000	EA	Holder - Fuse - Black - Screw Type
	008277-01-000	EA	Holder - Fuse - Black - Panel Mount
	008185-01-000	EA	Switch - Push Button - 12 Volt
	006077-01-000	EA	Plaque - Compressor Switch
	008054-01-000	EA	Cord - Power - 10-3 30 Amp. - 25' - UL
	034818-04-000	EA	Holder - Receptacle - Plastic
	039338-01-000	EA	Cover Plate - Receptacle - Plastic - Brown
	039339-01-000	EA	Receptacle - Duplex Brown
	039342-01-000	EA	Receptacle - Duplex Brown - T Junction
	024571-01-000	EA	Cover Plate - Receptacle - Jumbo Steel Brown
	039343-01-000	EA	Cap - End - Receptacle
	008162-01-000	EA	Switch - Double Toggle - Spade Brown
	008163-01-000	EA	Switch - Toggle Brown
	008164-01-000	EA	Cover Plate - Switch - Brown
	024924-01-000	EA	Receptacle - Power Cord
	008058-01-000	EA	Adaptor - Power Cord
	047353-01-000	EA	Cover - Receptacle - Ground Fault
	047351-01-000	EA	Receptacle - Ground Fault Interrupter - 125 Volt Black

MISCELLANEOUS ELECTRICAL COMPONENTS

Key	Part Number	U/M	Description
	047338-01-000	EA	Isolator - Dual Battery
	047399-01-700	EA	Battery - 12 Volt - 105 Amp. Deep Cycle - Dry
	008186-01-000	EA	Solenoid - Dual Battery - Relay
	046775-01-000	EA	Valve - Gas Change Over
	039950-02-000	EA	Control Center - 30 Amp. w/Door - UL
	048812-01-000	EA	Panel - Control - Water/Double Sewage - Wemac
	039861-01-000	EA	Sending Unit Kit - Wemac
	024459-01-000	EA	Gauge - Voltmeter
	024462-01-000	EA	Switch - Battery Condition
	031035-01-000	EA	Gauge - Hourmeter - Generator
	024976-01-000	EA	Switch - Generator w/o Circuit Board

EXTERIOR BODY GROUP

EXTERIOR BODY PANELS AND SHEET ALUMINUM

Key	Part Number	U/M	Description
	039579-04-000	EA	Board - Sleeper
	049117-01-000	EA	Backwall Asm. - 047939-02-000 - Antique Birch
	053672-32-000	EA	Backwall Asm. - 047939-02-700 - Antique Birch
	049116-01-000	EA	Sidewall Asm. - Right - 047939-02-000 - Antique Birch
	053672-33-000	EA	Sidewall Asm. - Right - 047939-02-700 - Antique Birch
	049115-01-000	EA	Sidewall Asm. - Right - 047939-02-000 - Antique Birch
	053672-34-000	EA	Sidewall Asm. - Right - 047939-02-700 - Antique Birch
	049119-01-000	EA	Roof Asm.
	049119-01-700	EA	Roof Section - Front Cab Overhang to First Roof Seam
	039155-03-008	EA	Alum. - Off White - Mesa Design - .024" x 36" x 60"
	039155-03-002	EA	Alum. - Off White - Mesa Design - .024" x 36" x 300"
	039155-03-003	EA	Alum. - Off White - Mesa Design - .024" x 36" x 360"
	039155-03-007	EA	Alum. - Off White - Mesa Design - .024" x 48" x 60"
	039155-03-005	EA	Alum. - Off White - Mesa Design - .024" x 48" x 300"
	039155-03-006	EA	Alum. - Off White - Mesa Design - .024" x 48" x 360"
	039155-03-009	EA	Alum. - Off White - Mesa Design - .024" x 12" x 360"
	044487-01-001	EA	Alum. - Mill Finish - No Design (Roof) - 96" x 360"
	039155-07-010	EA	Alum. - Off White - Greyhound Design - 48" x 96"
	001054-01-011	EA	Alum. - Off White - No Design - 48" x 96"

EXTERIOR PAINT

Key	Part Number	U/M	Description
	041561-01-000	EA	Off White - Acrylic Enamel - 1 Gallon
	041561-03-000	EA	Off White - Acrylic Enamel - 16 Oz. Aerosol
	041561-04-000	EA	Off White - Acrylic Lacquer - 1 Gallon
	041563-01-000	EA	Burnt Orange - Acrylic Enamel - 1 Gallon
	041563-03-000	EA	Burnt Orange - Acrylic Enamel - 16 Oz. Aerosol
	041565-01-000	EA	Rally Yellow - Acrylic Enamel - 1 Gallon
	041565-03-000	EA	Rally Yellow - Acrylic Enamel - 16 Oz. Aerosol
	045681-01-000	EA	High Gloss Black - Acrylic Enamel - 1 Gallon
	045681-03-000	EA	High Gloss Black - Acrylic Enamel - 16 Oz. Aerosol
	042933-03-000	EA	Dark Brown - Acrylic Enamel - 16 Oz. Aerosol

MISCELLANEOUS EXTERNALLY MOUNTED PARTS

Key	Part Number	U/M	Description
	016253-05-000	EA	Fuel Fill - Recessed - Single - Off White
	015587-04-000	EA	Fuel Fill - Recessed - Double - Off White
	011124-01-000	EA	Plumbing Seal - Roof - 1 1/4" White
	011129-01-000	EA	Plumbing Seal - Roof Vent - 1 1/2" White
	010230-02-000	EA	Fill - City Water - Recessed - Off White
	011020-01-000	EA	Fill - Water - Recessed - Off White
	009126-01-000	EA	Handle - Assist - Metal Ext.
	049347-01-000	EA	Mirror Head - 7 1/2" x 10 1/2" Stainless Steel w/o Bracket
	049349-01-000	EA	Arm - Mirror - Brite Finish
	009101-01-000	EA	Holder - Entry Door - Male
	009101-02-000	EA	Holder - Entry Door - Female

MISCELLANEOUS EXTERNALLY MOUNTED PARTS

Key	Part Number	U/M	Description
	036579-03-000	EA	Fuel Fill - Recessed - Single - Off White
	011124-01-000	EA	Plumbing Seal - Roof Vent - 1 1/4" White
	011129-01-000	EA	Plumbing Seal - Roof Vent - 1 1/2" White
	010230-01-000	EA	Fill - City Water - Recessed - Off White - w/Screw On Cap
	011020-01-000	EA	Fill - Water - Recessed - Off White
	009126-01-000	EA	Handle - Assist - Metal Ext.
	009101-01-000	EA	Holder - Entry Door - Male
	009101-02-000	EA	Holder - Entry Door - Female

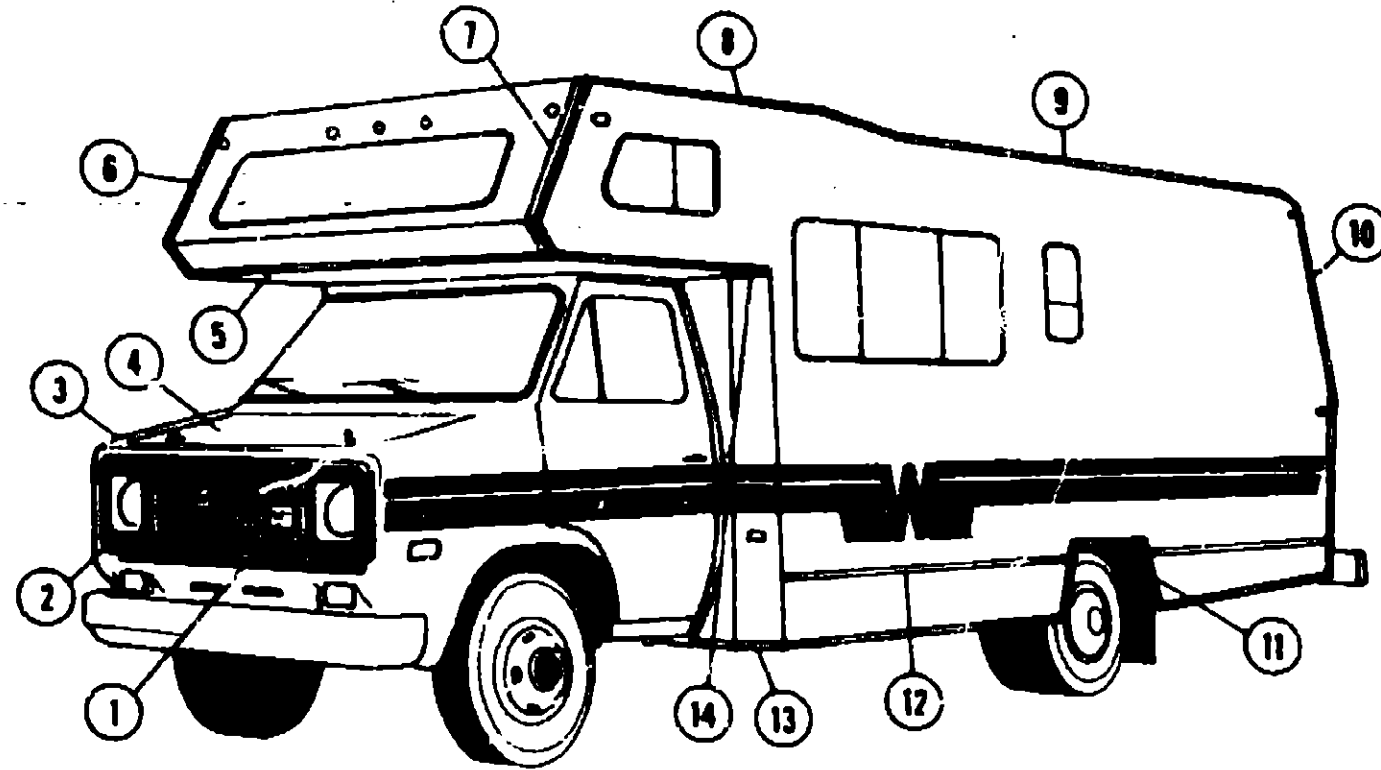
WINNEBAGO TABLE OF CONTENTS

1977 3/4 D26CRB	A-1 - B-12
1977 D27D/DL	B-13 - D-2
1977 MWC24	D-3 - E-10

1977 MWC24 INDEX

Floor Plan	D-3 - D-4
Accessories Group	D-5 - D-6
Bath Group	D-7
Chassis Group	D-8
Curtain, Cushion & Pad Group	D-9 - D-12
Dinette Group	D-13
Driver's Compartment Group	D-13
Electrical Group	D-14 - D-15
Exterior Body Group	D-15 - D-19
Galley Group	D-20
Heating & Air Conditioning Group	D-20
Interior Finish Group	D-21 - D-22
LP Group	D-23
Water & Sewage Group	D-24
Window, Vent & Exterior Door Group	E-1 - E-10

EXTERIOR BODY GROUP (CONTINUED)



WINNEBAGO
TABLE OF CONTENTS

1977 3/4 D26CRB
1977 D27D/DL
1977 MWC24

A-1 - B-12
B-13 - D-2
D-3 - E-10

Key	Part Number	U/M	Description
1	045327-01-000	EA	Grille Asm. - Alum.
	031161-01-000	EA	Logo - Flying "W" Grille
2	045282-01-000	EA	Grille - Plastic
3	040843-01-000	EA	Front End Asm. - Fiberglass - Off White - Includes Hood w/o Front Grille
4	040845-01-000	EA	Hood Asm. - Off White
5	038844-01-000	EA	Trim - Sleeper Board - Off White
	038816-01-000	EA	Hinge - Hood (2 used per hood)
	035383-01-000	EA	Hood Pin Kit - 7/16" x 20" x 3.50" Long
	037449-01-000	EA	Well Nut - 10 - 32 x .612" Long
6	038835-02-000	EA	Trim - Contour - Sleeper Section - Right - Off White
7	038835-01-000	EA	Trim - Contour - Sleeper Section - Left - Off White
8	038834-01-000	EA	Trim - Contour - Roof - Left - Off White
	038834-02-000	EA	Trim - Contour - Roof - Right - Off White
9	034822-04-000	EA	Trim - Sidewall/Root - Upper - Left or Right - Off White

Key	Part Number	U/M	Description
10	038833-01-000	EA	Trim - Contour - Backwall - Left - Off White
	038833-02-000	EA	Trim - Contour - Backwall - Right - Off White
11	038824-03-000	EA	Trim - Wheel Well - Rear - Left or Right
12	002444-02-003	EA	Extr. - Feature Strip - Alum. - 16' w/o Insert
	001030-02-002	EA	Insert - Feature Strip - Off White - 21'
	009731-01-000	EA	End Cap - Feature Strip
13	043442-01-000	EA	Trim - Wingwall - Bottom - Left
	043442-02-000	EA	Trim - Wingwall - Bottom - Right
14	048610-01-000	EA	Trim - Corner - Wingwall - Left
	048610-02-000	EA	Trim - Corner - Wingwall - Right
	002385-02-001	EA	Extr. - U-Channel - 1" Serrated x 18' Anod.
	038829-01-000	FT	Extr. - Vinyl - Sleeper Joint
	043915-01-000	FT	Extr. - Vinyl - "B" Pillar/Wingwall
			Not Illustrated

1977 MWC24 INDEX

Floor Plan	D-3 - D-4
Accessories Group	D-5 - D-6
Bath Group	D-7
Chassis Group	D-8
Curtain, Cushion & Pad Group	D-9 - D-12
Dinette Group	D-13
Driver's Compartment Group	D-13
Electrical Group	D-14 - D-15
Exterior Body Group	D-16 - D-19
Galley Group	D-20
Heating & Air Conditioning Group	D-20
Interior Finish Group	D-21 - D-22
LP Group	D-23
Water & Sewage Group	D-24
Window, Vent & Exterior Door Group	E-1 - E-10

EXTERIOR BODY GROUP (CONTINUED)

LABELS AND DECALS

Key	Part Number	U/M	Description
	006023-01-000	EA	Label - Water Only
	006025-01-000	EA	Label - Gas
	006028-01-000	EA	Label - Drain Cap - 2" x 3"
	006031-01-000	EA	Label - Potable Water Only
	006187-01-000	EA	Label - Sewage
	006188-01-000	EA	Label - Waste Water
	006199-01-000	EA	Label - Exit - Escape Window
	031161-01-000	EA	Label - Flying "W"
	038403-01-000	EA	Decal - Logo - Winnebago 2.80" (Front or Rear)
	039289-01-000	EA	Label - Warning Aux. Loading
	043473-03-000	EA	Decal - Flying "W" - 13.75" High - Bronze
	008092-01-000	EA	Reflector - Stick On - Rectangular - Red
	008093-01-000	EA	Reflector - Stick On - Rectangular - Amber
	039716-01-000	EA	Stencil - Minnie Winnie - Left or Right

SEALANTS, ADHESIVES, AND FASTENERS

Key	Part Number	U/M	Description
	034552-05-000	EA	Sealant - Off White Silicone
	034552-04-000	EA	Sealant - Beige Silicone
	034552-02-000	EA	Sealant - Clear Silicone
	004348-02-000	EA	Sealant - Aluminum Silicone
	004349-01-000	EA	Sealant - Black Silicone
	004342-01-000	EA	Sealant - Weatherban 202 Tube
	004346-02-000	EA	Sealant - White Silicone
	004347-01-000	EA	Sealant - Tuflex
	002316-01-000	FT	Tape - Sealer - 3/32" x 1/8"
	024545-01-000	FT	Tape - Sealer - 1/8" x 5/8" - Black
	004350-01-000	FT	Tape - Sealer - 1/8" x 1" - Formaseal
	004352-01-000	FT	Tape - Sealer - 1/8" x 3/4" - Formaseal
	004355-01-000	FT	Tape - Sealer - 1/8" x 5/8" - Black
	004357-01-000	FT	Tape - Sealer - 1/8" x 5/8" - Adhesive
	002707-01-000	FT	Tape - Sealer - 5/16" x 1/2" - Black Foam
	041422-01-000	FT	Tape - Sealer - 1/4" x 1/2"
	004363-01-000	FT	Tape - Sealer - 3/16" x 1/2" - Foam
	004362-01-000	FT	Tape - Sealer - 1/8" x 5/8" - Foam
	009200-01-000	EA	Tape - Furnace - 1 1/2"
	041839-01-000	FT	Tape - Window Latch - 3/4" - Adhesive
	041839-02-000	FT	Tape - Window Latch - 1/2" - Adhesive
	004353-01-000	FT	Tape - Gasket - 1/8" x 3/4" - White
	002825-01-000	FT	Weather Stripping - Roof Vent
	002337-01-000	EA	Adhesive - 3M - 1300 Tube
	004005-01-000	GL	Adhesive - Swifts - Green Glue (Sidewalls)
	004012-01-000	EA	Adhesive - 3M - 4475 Tube
	004020-01-000	QT	Adhesive - ABS Cement (Plastic Fittings)
	029051-01-000	EA	Adhesive - Spray Vinyl
	042401-02-000	EA	Screw - 8 - 18 x 3/4" SDPH Off White
	042403-02-000	EA	Screw - SF/DR - 8 - 18 x 1" SDPH Off White
	006058-01-000	EA	Screw - Wood - 12 - 11 x 3" P.O.H. Zinc
	041746-01-000	FT	Extr. - Vinyl - Bubble Seal - Entry Door Jamb
	021241-01-000	FT	Extr. - Vinyl - White - Wingwall

GALLEY GROUP

Key	Part Number	U/M	Description
	027671-04-000	EA	Sink Cover - Butcher Block
	049049-01-000	EA	Cabinet Asm. - Galley w/o Countertop, Drawers, Doors or Hardware
	049050-01-000	EA	Countertop Asm. - Galley Cabinet w/Cutout - Butcher Block
	049236-55-000	EA	Door Asm. - Cabinet - 5 1/2" x 20 13/16" w/o Hardware
	049236-20-000	EA	Door Asm. - Cabinet - 21 1/4" x 10 7/8" w/o Hardware
	049008-01-000	EA	Cabinet Asm. - Buffet w/o Countertop, Doors or Hardware
	049009-01-000	EA	Countertop Asm. - Buffet - Rust (Cactus)
	049009-02-000	EA	Countertop Asm. - Buffet - Gold (Inca Gold)
	049009-03-000	EA	Countertop Asm. - Buffet - Beige (Sage)
	049057-01-000	EA	Cabinet Asm. - Pantry w/o Doors or Hardware
	049236-54-000	EA	Door Asm. - Cabinet - 6 7/8" x 14 3/8" w/o Hardware
	049236-15-000	EA	Door Asm. - Cabinet - 23 3/16" x 13 7/8" w/o Hardware
	049229-01-000	EA	Drawer Asm. - Cabinet - 6" x 15" x 20" w/o Hardware
	049239-06-000	EA	Drawer Asm. - Cabinet - 7 1/2" x 15" x 20" w/o Hardware
	049239-10-000	EA	Drawer Asm. - Cabinet - 6" x 10 7/8" x 20" w/o Hardware
	048644-01-000	EA	Cabinet Asm. - Galley Overhead w/o Doors or Hardware
	049236-08-000	EA	Door Asm. - Cabinet - Galley Overhead w/o Hardware
	011032-01-000	EA	Sink Asm. - Stainless Steel - Double w/Bolts
	011085-01-000	EA	Strainer - Sink
	011053-01-000	EA	Faucet Asm. - Galley w/8" Swing Spout and Aerator
	011053-01-700	EA	Aerator - Swing Spout Faucet
**	049174-01-000	EA	Refrigerator - AC/Gas - ET 230 - 2 Door Model - Sibir
**	049044-01-000	EA	Range - 4 Burner - Small Oven - Chrome - Magic Chef
**	049930-01-000	EA	Hood - Range - Jensen - Power

**The illustrated parts breakdown for this item is provided on the Common Items Fiche.

HEATING AND AIR CONDITIONING GROUP

Key	Part Number	U/M	Description
	048231-02-000	EA	Auto Air - 350 - C.I.D. - ARA
	051768-01-000	EA	A/C - Compressor Mount Package - 350 - C.I.D. - ARA
	051769-01-000	EA	A/C - Evaporator Package - 350 - C.I.D. - ARA
	051770-01-000	EA	A/C - Compressor - 350 C.I.D. - ARA
	051771-01-000	EA	A/C - Condenser Asm. - 350 C.I.D. - ARA
	048221-01-000	EA	Auto Air - 350 - C.I.D. - AMC
	041443-01-000	EA	A/C - General Pkg. - AMC
	041444-01-000	EA	A/C - Condenser Pkg. 350 C.I.D. - AMC
	041445-01-000	EA	A/C - Installation Pkg. - AMC
	041446-01-000	EA	A/C - Evaporator Pkg. - 350 C.I.D. - AMC
	047036-01-000	EA	A/C - Compressor Mt. Pkg. - 350 C.I.D. - AMC
**	049042-01-000	EA	Furnace - 22,000 BTU - Under Counter - Coleman - 4322
**	049043-01-000	EA	Furnace - 28,000 BTU - Under Counter - Coleman - 4328
	039505-02-000	EA	Thermostat - Wall Mount
	009198-01-000	EA	Duct - Flexible - 4" I.D. x 25'
	023146-01-000	EA	Clamp - Screw Type - 4"
	009199-01-000	EA	Tape - Furnace - 1 1/2"
	024965-01-000	EA	Heat Register - w/Damper - 9.9" x 4.8"
	009175-01-000	EA	Heat Register - Steel - 11.5" x 3.7" - Brown
	031804-01-000	EA	Bonnet - Heat Register - 4.38" x 8.43"
	042152-01-000	EA	Bonnet - Heat Register - 4.5" x 8.44"
**	049777-01-000	EA	Air Conditioner - 110 Volt - Roof Mount - 11,000 BTU - Ivory Coleman (w/o Inside Shroud)
**	049778-01-000	EA	Shroud Asm. - Ceiling - Inside - Roof Air - Cool Only - 11,000 BTU - Coleman
**	049774-01-000	EA	Air Conditioner - 110 Volt - Roof Mount - 13,500 BTU Ivory - Coleman (w/o Inside Shroud)
**	049775-01-000	EA	Shroud Asm. - Ceiling - Inside - Roof Air - Cool Only - 13,500 BTU - Coleman
**	049776-01-000	EA	Shroud Asm. - Ceiling - Inside - Roof Air - Heat and Cool Only - 13,500 BTU - Coleman

**The illustrated parts breakdown for this item is provided on the Common Items Fiche.

WINNEBAGO TABLE OF CONTENTS

1977 3/4 D26CRB	A-1 - B-12
1977 D27D/DL	B-13 - D-2
1977 MWC24	D-3 - E-10

1977 MWC24 INDEX

Floor Plan	D-3 - D-4
Accessories Group	D-5 - D-6
Bath Group	D-7
Chassis Group	D-8
Curtain, Cushion & Pad Group	D-9 - D-12
Dinette Group	D-13
Driver's Compartment Group	D-13
Electrical Group	D-14 - D-15
Exterior Body Group	D-16 - D-19
Galley Group	D-20
Heating & Air Conditioning Group	D-20
Interior Finish Group	D-21 - D-22
LP Group	D-23
Water & Sewage Group	D-24
Window, Vent & Exterior Door Group	E-1 - E-10

INTERIOR FINISH GROUP

PANELING AND COUNTERTOP MATERIALS

Key	Part Number	U/M	Description
	047354-02-000	EA	Batt Strip - Antique Birch
	047354-01-000	EA	Batt Strip - 825 Buff
	045263-01-000	SF	Paneling - Buff - Ceiling 48" x 96" (32SF)
	047939-02-000	SF	Paneling - 48" x 96" - Antique Birch (32SF)
	041206-01-000	SF	Tileboard - Agate Beige - 60" x 84" (35SF)
	047939-02-700	SF	Paneling - 48" x 96" - Antique Birch (32SF)
	041205-07-000	SF	Plastic Laminate - 48" x 96" - Rust Leather (Cactus)
	041205-07-001	EA	Plastic Laminate - 48" x 48" - Rust Leather (Cactus)
	041205-07-002	EA	Plastic Laminate - 1.19" x 96" - Rust Leather (Cactus)
	041205-08-000	SF	Plastic Laminate - 48" x 96" Gold Leather (Inca Gold)
	041205-08-001	EA	Plastic Laminate - 48" x 48" - Gold Leather (Inca Gold)
	041205-08-002	EA	Plastic Laminate - 1.19" x 96" - Gold Leather (Inca Gold)
	04205-09-000	SF	Plastic Laminate - 48" x 96" - Beige Leather (Sage)
	041206-09-001	EA	Plastic Laminate - 48" x 48" - Beige Leather (Sage)
	041205-09-002	EA	Plastic Laminate - 1.19" x 96" - Beige Leather (Sage)
	037682-01-000	SF	Plastic Laminate - 48" x 96" - Butcher Block
	037682-01-008	EA	Plastic Laminate - 48" x 48" - Butcher Block
	037682-01-009	EA	Plastic Laminate - 1.18" x 96" - Butcher Block
	049673-01-000	EA	Countertop - Formed - 96" - Butcher Block

FABRICS AND CARPET

Key	Part Number	U/M	Description
	041210-03-000	SY	Carpet - Orange Morning Dew - Rust (Cactus)
	043635-01-000	SY	Carpet - Coffee Brown - Morning Dew - Gold (Inca Gold)
	043635-02-000	SY	Carpet - Beige - Morning Dew - Beige (Sage)
	046588-01-000	YD	Fabric - Upholstery - Rust (Cactus)
	046588-02-000	YD	Fabric - Upholstery - Gold (Inca Gold)
	046588-03-000	YD	Fabric - Upholstery - Beige (Sage)
	043619-01-000	YD	Fabric - Drapery - Rust (Cactus)
	043619-02-000	YD	Fabric - Drapery - Gold (Inca Gold)
	043619-03-000	YD	Fabric - Drapery - Beige (Sage)
	042411-01-000	YD	Vinyl - Nonexpanded - 27 Oz.
	042411-02-000	YD	Vinyl - Non-Supported - 16 Gauge Film - Brown
	042411-03-000	YD	Vinyl - Expanded - 28 Oz.

CURTAIN HARDWARE

Key	Part Number	U/M	Description
	039223-02-000	EA	Rod - Curtain - Flat - Extends 48" - 84"
	009107-01-000	EA	Guide - Nylon - Snap - Curtain
	952327-04-236	EA	Curtain Track - Alum. - Brown - 89" w/Holes (Replaces 009108-01 Plastic Track)
	042439-01-000	EA	Bracket (Left or Right) - Curtain Rod - Single
	009702-01-000	EA	End Stop - Curtain "L" Rod w/Rollers
	009701-01-000	EA	Carrier - "L" Rod w/Rollers
	012031-42-000	EA	Track - Curtain - "L" Rod - 90" Alum.

INTERIOR FINISH GROUP (CONTINUED)

INTERIOR MOLDINGS AND TRIM

Key	Part Number	U/M	Description
	022756-01-000	EA	Cover - Air Conditioner Wire - Plastic
	024700-06-000	EA	Cover - Sidewall Roll Bar - Ivory
	024700-07-000	EA	Cover - Sidewall Roll Bar - Birch
	034113-03-000	EA	Cover - Corner Supt. Bar - Dark Brown
	039512-05-000	EA	Cover - Hat Section - Antique Birch
	039512-06-000	EA	Cover - Hat Section - Ivory
	047486-01-000	EA	Cover - Corner Hat/Hat
	047489-01-000	EA	Cover - Corner Tube/Tube
	009778-01-000	FT	J-Channel - 1" - Dark Brown Plastic
	009777-01-000	FT	U-Channel - 3/4" - Dark Brown Plastic
	009815-02-000	FT	T Molding - 3/4" - Brown
	009812-06-000	FT	Molding - Plastic - Outside Corner - .50"
	009767-01-000	FT	Wetling - Brown
	009779-01-000	FT	U-Channel - 1 1/8" - Dark Brown
	009809-03-000	FT	Molding - Plastic - Outside Corner - 1"
	009810-01-000	FT	Corner - Outside - 1" - Dark Pecan
	034394-02-000	FT	Insert - Extruded Vinyl - Beige
	034689-03-000	EA	Cover - Screw PPH 10 - Ivory - Bathroom
	042356-01-000	EA	Plug - Button - Mahogany 3/8" Dia.
	009781-01-000	FT	Corner - Outside - .62" x .62" Dark Brown Plastic

CABINETS AND TABLE HARDWARE

Key	Part Number	U/M	Description
	009065-01-000	EA	Hinge - Continuous - Aluminum - 1 1/2" x 96" Plain
	009068-01-000	EA	Hinge - Continuous Steel 1 1/2" x 72"
	009150-01-000	EA	Warp Guard - 64"
**	009124-01-000	EA	Lock - Door - Push Button Brass (Bath Door)
**	009112-01-000	EA	Flange - 1" - Rod - Chrome
**	049332-01-000	EA	Kit - Cabinet Door Hinge - Black
**	049331-01-000	EA	Kit - Drawer Pull
**	049333-01-000	EA	Kit - Cabinet Door Latch - Black
**	009047-01-000	EA	Bracket - Hold Open - Overhead Door
**	047842-01-000	EA	Kit - Dinette Table Leg
**	047809-01-000	EA	Kit - Dinette Table Hardware - Wall Mount
**	033535-03-000	FT	Molding Asm. - Shelf - 707 Hickory
**	007021-01-000	EA	Belt Asm. - Seat - 2" x 90" Black
**	041322-01-000	EA	Washer - Flat - 15/32" I.D. x 2 3/8" O.D. (Seat Belts)
**	041838-01-000	EA	Screw - 5" x 5/8" POH Antique Brass
**	037688-01-000	FT	Rail - Drawer Glide
**	047744-01-000	EA	Kit - Drawer Glide

**The illustrated parts breakdown for this item is provided on the Common Items Fiche.

MISCELLANEOUS

Key	Part Number	U/M	Description
	042950-01-000	EA	Handle - Interior Assist
	041944-01-700	EA	Extinguisher - Fire - Dry Chemical w/Bracket
	007038-01-000	EA	Mat - Door - Black Rubber - 10 1/2" x 26"

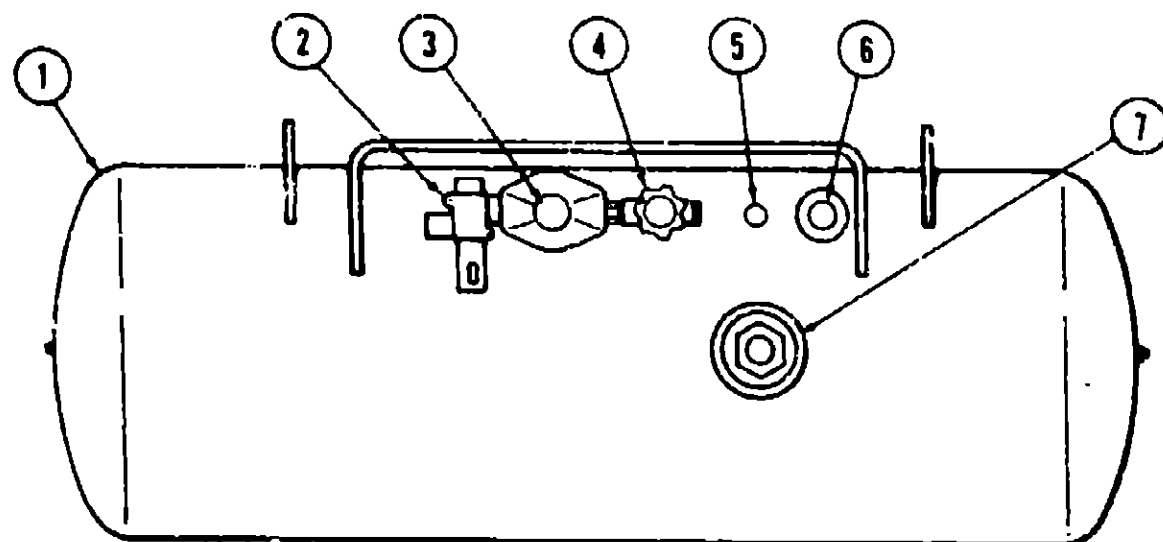
WINNEBAGO TABLE OF CONTENTS

1977 3/4 D26CRB	A-1 - B-12
1977 D27D/DL	B-13 - D-2
1977 MWC24	D-3 - E-10

1977 MWC24 INDEX

Floor Plan	D-3 - D-4
Accessories Group	D-5 - D-6
Bath Group	D-7
Chassis Group	D-8
Curtain, Cushion & Pad Group	D-9 - D-12
Dinette Group	D-13
Driver's Compartment Group	D-13
Electrical Group	D-14 - D-15
Exterior Body Group	D-16 - D-18
Galley Group	D-20
Heating & Air Conditioning Group	D-20
Interior Finish Group	D-21 - D-22
LP Group	D-23
Water & Sewage Group	D-24
Window, Vent & Exterior Door Group	E-1 - E-10

LP GROUP



Key	Part Number	U/M	Description
1	040421-01-000	EA	Tank Asm. - LP - Frame Mount - 83 Pound
2	042281-01-000	EA	Tank Asm. - LP - Frame Mount - 42 Pound
3	047221-01-000	EA	Detector - LP Gas Leak
4	024712-01-000	EA	Cover - LP Regulator
5	052163-01-000	EA	Regulator - Manual - LP Gas - 2 Stage
6	040421-01-703	EA	Valve - Vapor Relief
7	040421-01-700	EA	Gauge - Liquid Level - 20% LP
8	040421-01-701	EA	Valve - Filler - LP
9	040421-01-702	EA	Cap - Plastic Fill Valve
10	040421-01-707	EA	Gauge - Float - w/Visible Dial - 83 Pound Tank
11	042281-01-700	EA	Gauge - Float - w/Visible Dial - 42 Pound Tank
12	040421-01-706	EA	Dial - Visible Face - Float Gauge (Tank w/o Electric Transmitter)
13	040421-01-705	EA	Dial - Transmitter - 0 - 90 Ohm; (Float Gauge)
14	045703-03-000	EA	Hose Asm. - LP - 3/8" I.D. x 14"
15	047737-02-000	EA	Support - LP Tank - 89.25"
16	047737-03-000	EA	Support - LP Tank - 30.50"
17	Not Illustrated		

WATER AND SEWAGE GROUP

PLUMBING REPAIR KITS AND WATER PUMP

Key	Part Number	U/M	Description
**	046524-02-000	EA	Kit - Fittings - Plastic - Water Tank
**	046524-01-000	EA	Kit - Fittings - Plastic - Holding Tank
**	040539-01-000	EA	Kit - Repair - 3/8" O.D. Plastic Tube
**	040540-01-000	EA	Kit - Repair - 1/2" O.D. Plastic Tube
**	040541-01-000	EA	Kit - Repair - 5/8" O.D. Plastic Tube
**	041819-01-000	EA	Nut and Cone - Plastic 1/2" O.D. Tube
**	046126-01-000	EA	Valve - Drain - Plastic - 1/2" FPT
**	023807-01-000	EA	Valve - Drain - Brass - 1/2" MPT
**	039818-01-000	EA	Riser Asm. - 3/8" O.D. x 24" Tube
**	039818-05-000	EA	Riser Asm. - 3/8" O.D. x 48" Tube
**	039818-03-000	EA	Riser Asm. - 3/8" O.D. x 18" Tube
**	004020-01-000	QT	Adhesive - ABS Cement
**	010133-01-000	EA	Adaptor Trap - Plastic 1/2" H x MPT
**	010134-01-000	EA	Adaptor - Plastic 1 1/2" Male MPT
**	022316-01-000	EA	Holder - Extension Handle
**	010147-01-000	EA	Ring - Closet - Plastic 4 F x 3 FPT
**	010201-01-000	EA	Hose - Sewer - 3" x 10' w/Clamp
**	010209-02-000	EA	Handle - Extension Sewer Valve 9.50"
**	010235-01-000	EA	Cap - Sewage 3"
**	010236-01-000	EA	Adaptor - Hose 3"
**	011091-01-000	EA	Waste - Continuous Double Sink - 11 7/8"
**	010210-01-000	EA	Valve - Sanitary - Thetford 3HB
**	010234-01-000	EA	Adaptor - Bayonet
**	011066-01-000	EA	P-Trap - Plastic - 1 1/4"
**	041279-02-000	EA	Pump - Water Flow - 2.8 G.P.M. - PAR
**	039647-02-000	EA	Filter - Water Pump - 1/2" MPT
**	039809-01-000	EA	Valve - Stool - Plastic

**The illustrated parts breakdown for this item is provided on the Common Items Fiche.

WATER AND SEWAGE HOLDING TANKS

Key	Part Number	U/M	Description
	045214-01-000	EA	Tank Asm. - Holding - Main and Aux. w/Fittings
**	040552-02-000	EA	Tank Asm. - Holding w/Fittings - 22 Gallon
**	040552-01-000	EA	Tank Asm. - Holding w/o Fittings - 22 Gallon
**	041155-02-000	EA	Tank Asm. - Holding w/Fittings - 25 Gallon
**	041155-01-000	EA	Tank Asm. - Holding w/o Fittings - 25 Gallon
**	049608-02-000	EA	Tank Asm. - Water - 31 Gallon w/Fittings
**	049608-01-000	EA	Tank Asm. - Water - 31 Gallon - w/o Fittings
**	051391-01-000	EA	Water Heater - w/o Outside Access Door (G6A3)
**	031952-01-000	EA	Water Heater - w/o Outside Access Door (G6A2)

**The illustrated parts breakdown for this item is provided on the Common Items Fiche.

**WINNEBAGO
TABLE OF CONTENTS**

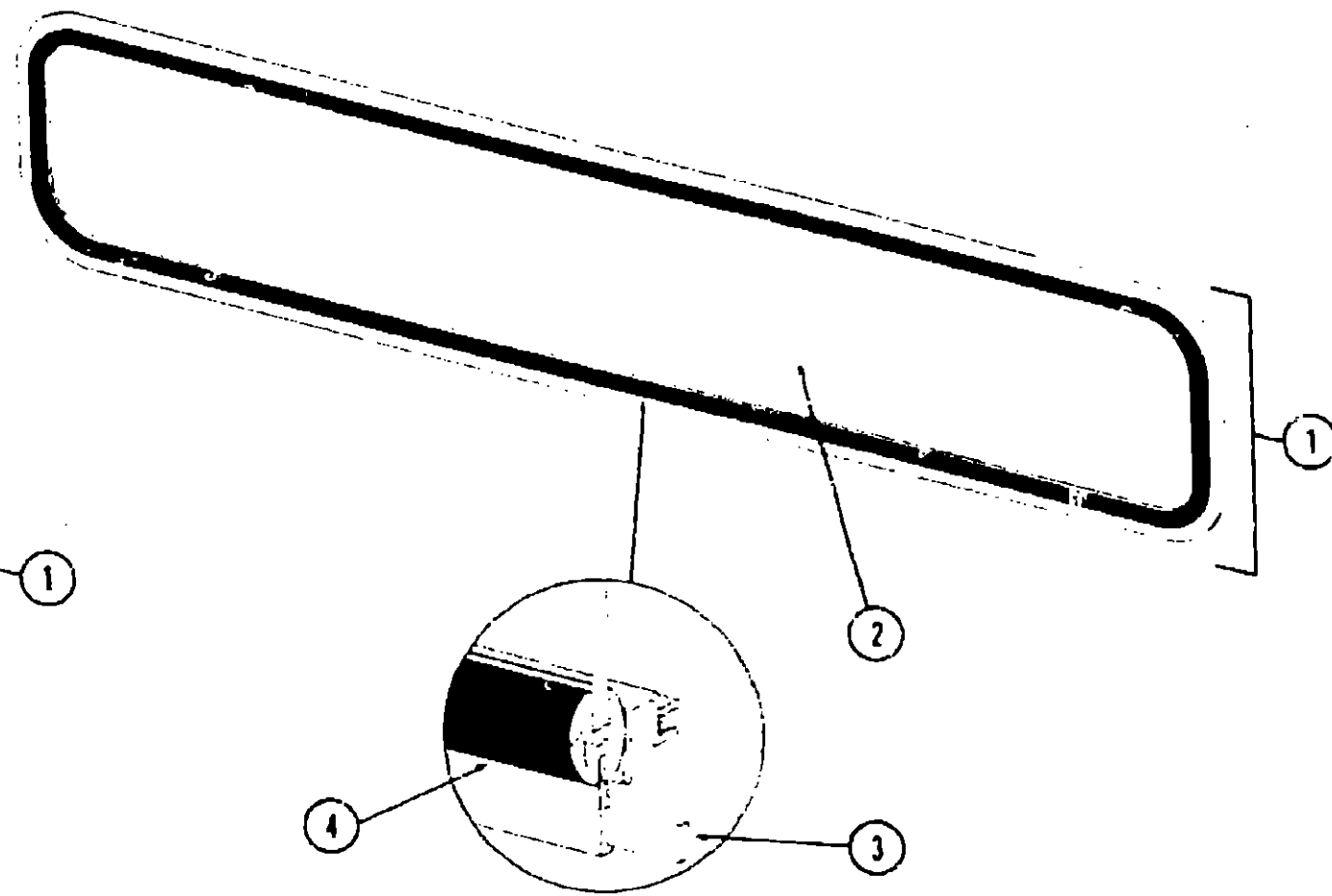
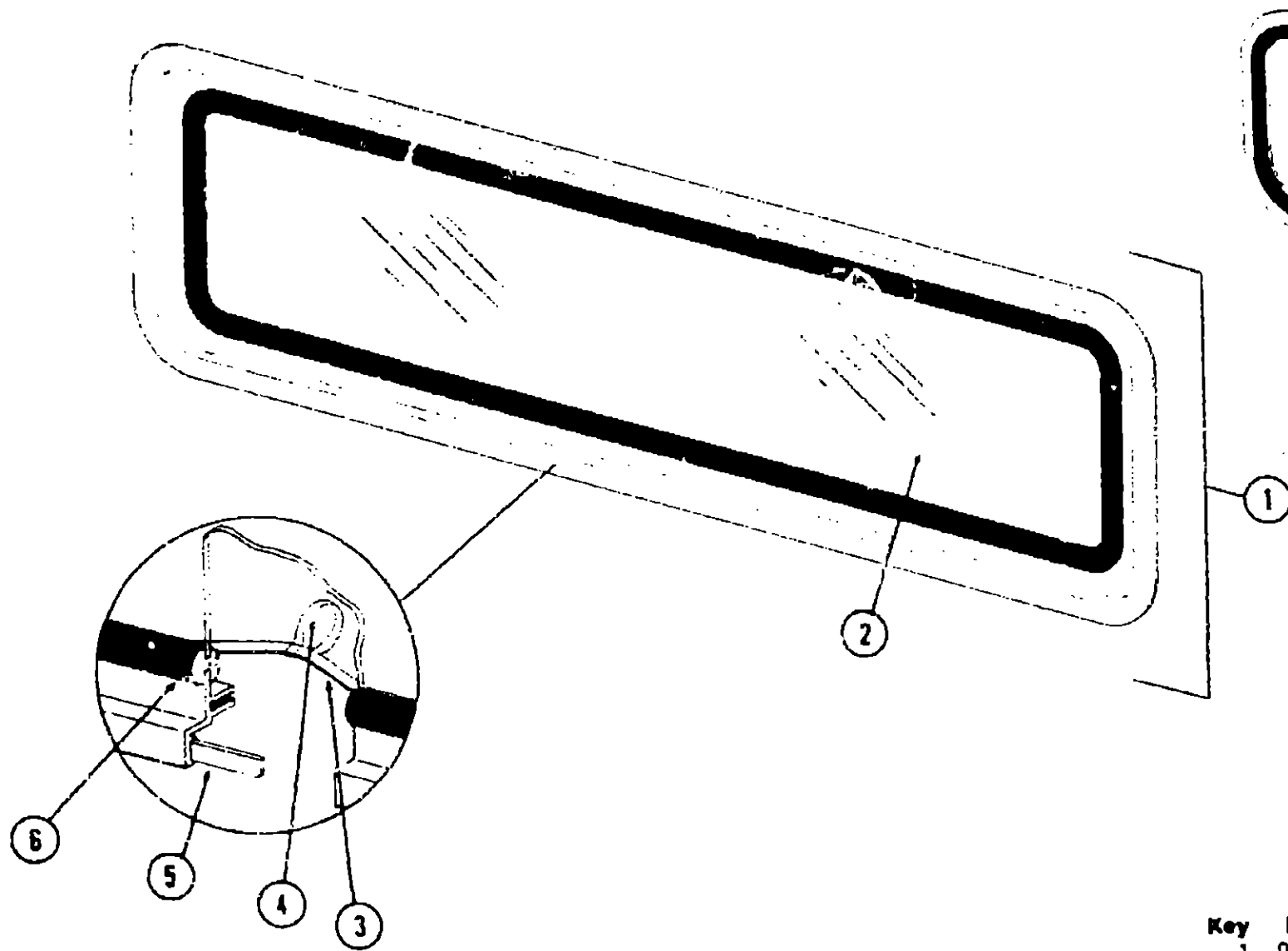
1977 3/4 D26CRB	A-1 - B-12
1977 D27D/DL	B-13 - D-2
1977 MWC24	D-3 - E-10

1977 MWC24 INDEX

Floor Plan	D-3 - D-4
Accessories Group	D-5 - D-6
Bath Group	D-7
Chassis Group	D-8
Curtain, Cushion & Pad Group	D-9 - D-12
Dinette Group	D-13
Driver's Compartment Group	D-13
Electrical Group	D-14 - D-15
Exterior Body Group	D-16 - D-19
Galley Group	D-20
Heating & Air Conditioning Group	D-20
Interior Finish Group	D-21 - D-22
LP Group	D-23
Water & Sewage Group	D-24
Window, Vent & Exterior Door Group	E-1 - E-10

WINDOW, VENT AND EXTERIOR DOOR GROUP

WINDOW, VENT AND EXTERIOR DOOR GROUP (CONTINUED)



**WINNEBAGO
TABLE OF CONTENTS**

1977 3/4 D26CR8
1977 D27D/DL
1977 MWC24

A-1 - B-12
B-13 - D-2
D-3 - E-10

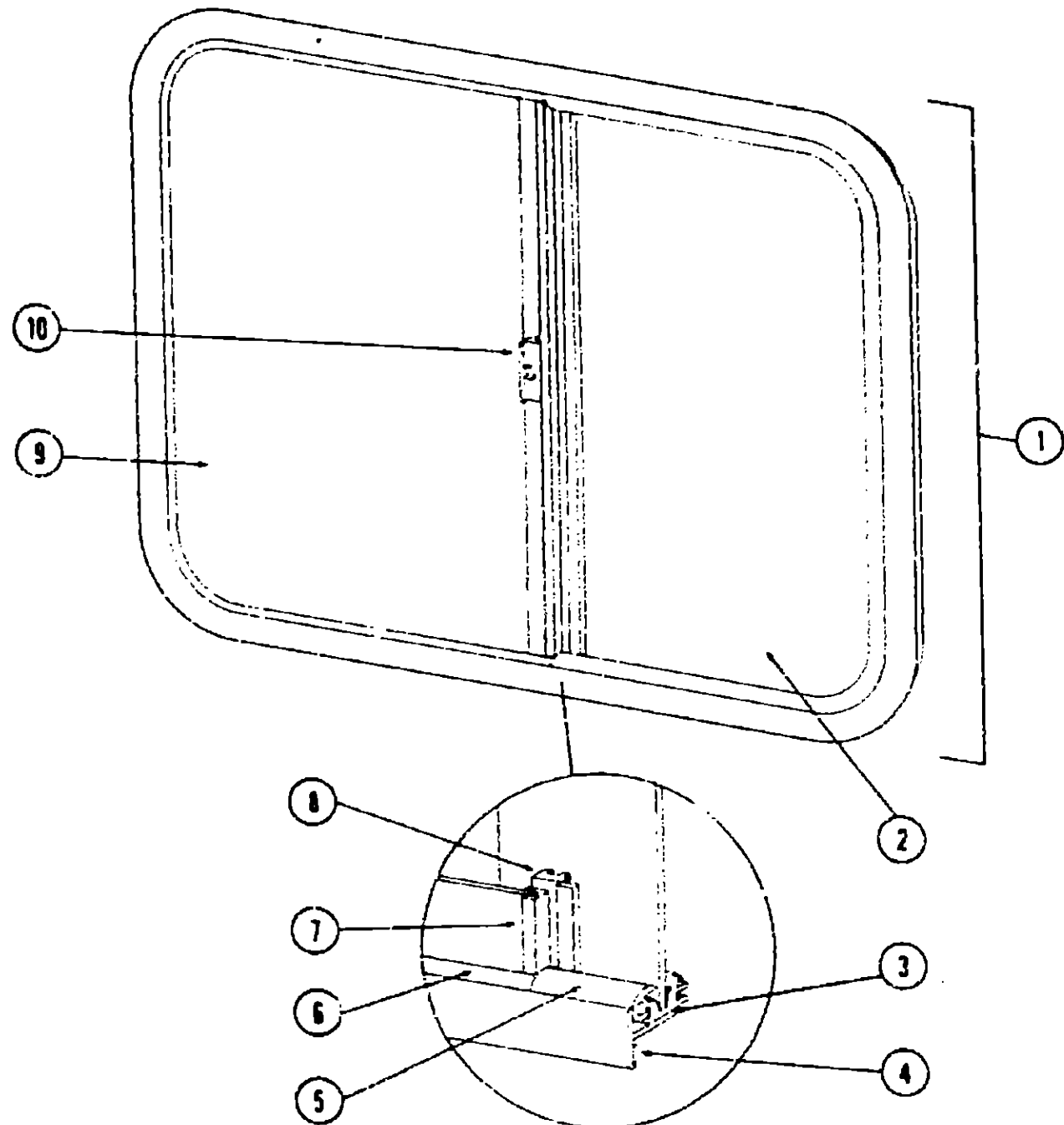
Key	Part Number	U/M	Description
1	020754-01-000	EA	Window Asm. - Escape - 23" x 68" Clear Anod. - w/o Inside Frame
2	002178-01-000	EA	Glass - 1/8" x 19.61" x 64.80"
3	002285-01-000	EA	Weatherstrip - Filler - Black
4	020395-01-000	EA	Slip Ring - Pull
5	004353-01-000	FT	Tape - Foam - 3/16" x 1/2" Gray
6	002282-01-000	FT	Weather Strip - Window - .125" Black
*	020752-03-000	EA	Frame - Window - Inside - Escape 23" x 68" (not included in assembly)
*	006179-01-000	EA	Label - Exit - Escape Window
*	Not Illustrated		

Key	Part Number	U/M	Description
1	041936-02-000	EA	Window Asm. - Front Picture - 14" x 69" (w/o Inside Frame)
2	002200-02-000	EA	Glass - TP - Picture Window
3	004353-01-000	FT	Tape - Sealer - 3/16" x 1/2" Foam
4	002281-01-000	FT	Weatherstrip - Self Seal - .06" Panel x 3/16" - Black
*	037845-01-000	FT	Tape - Butyl - Window - 3/16" Bead - Black
*	041938-01-000	EA	Frame - Inside - Picture Window (not included in assembly)

1977 MWC24 INDEX

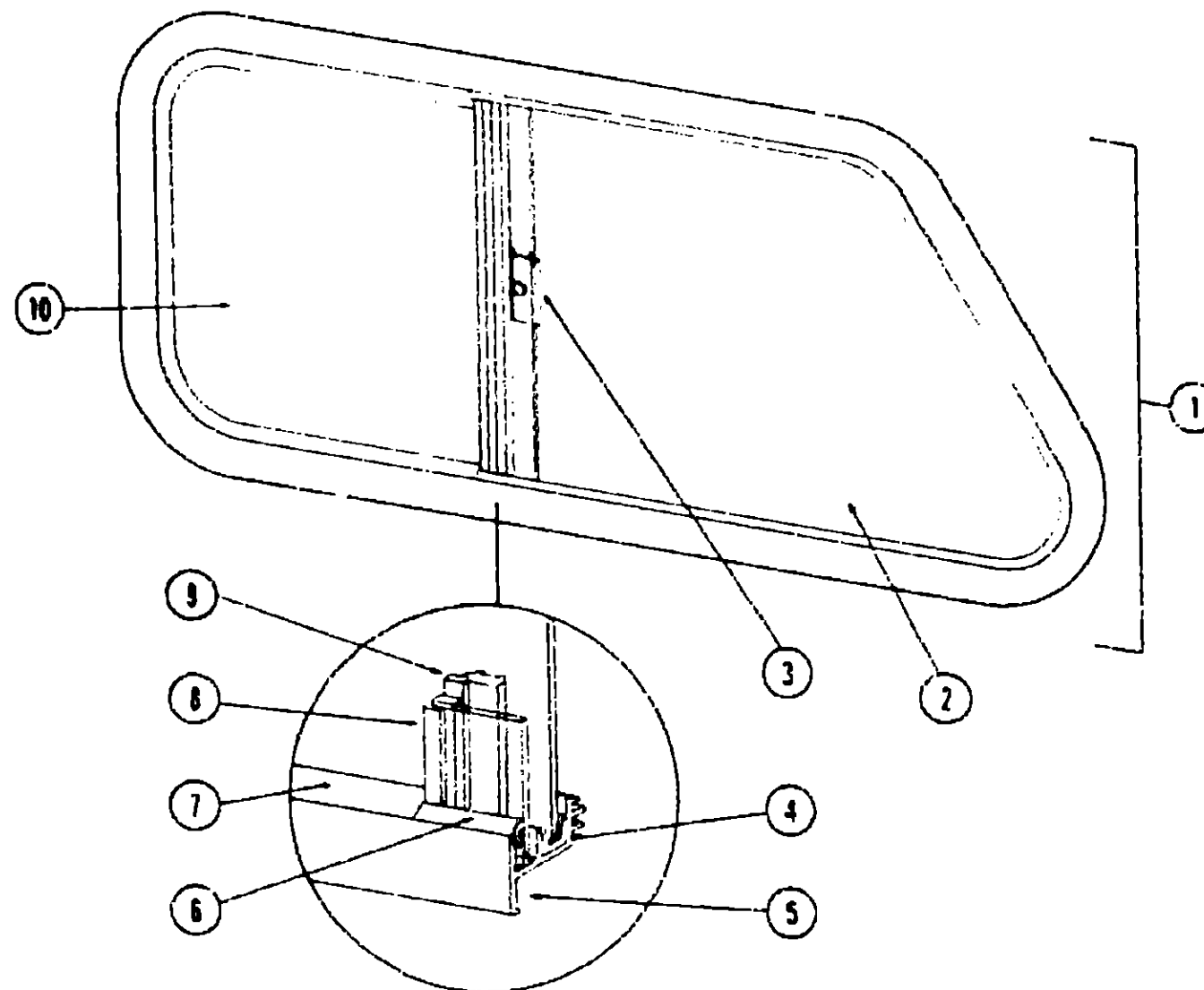
Floor Plan	D-3 - D-4
Accessories Group	D-5 - D-6
Bath Group	D-7
Chassis Group	D-8
Curtain, Cushion & Pad Group	D-9 - D-12
Dinette Group	D-13
Driver's Compartment Group	D-13
Electrical Group	D-14 - D-15
Exterior Body Group	D-16 - D-19
Galley Group	D-20
Heating & Air Conditioning Group	D-20
Interior Finish Group	D-21 - D-22
LP Group	D-23
Water & Sewage Group	D-24
Window, Vent & Exterior Door Group	E-1 - E-10

WINDOW, VENT AND EXTERIOR DOOR GROUP (CONTINUED)



Key	Part Number	U/M	Description
1	048631-09-000	EA	Window Asm. - Right - Single Slider - 25" x 29" - Clear Anod w/o Inside Frame
	048631-10-000	EA	Window Asm. - Left - Single Slider - 25" x 29" - Clear Anod. w/o Inside Frame
2	047812-01-000	EA	Glass - 3/16" x 24" x 13.68" - Sliding
3	042077-01-000	FT	Channel - Weatherstrip - Glass Run - 3/16" Glass
4	004363-01-000	FT	Tape - Foam - 3/16" x 1/2" - Gray
5	041928-02-000	FT	Seal - Window Channel - Gray
6	050216-01-000	FT	Spline - Glass - 3/16" - Gray
7	002309-03-201	EA	Holder - Glass Seal - Anod. Black - 23.19"
8	041994-04-000	EA	Mullion - Slider Window - 25" - Black Anod
9	002184-02-000	EA	Glass - Tempered - Stationary - 3/16" x 24" x 15.53"
10	047369-01-700	EA	Latch - Window - Plastic w/Fastener
	042147-03-000	EA	Frame - Inside - Single Slider Window - Left or Right 25" x 29" (not included in assembly)
	023713-01-000	EA	Cover - Plastic Weephole - White
	002298-01-000	FT	Spline - Gray - .130" Dia. (Screen)
	002293-01-000	SF	Screen - Window - 26" - Gray
			Not Illustrated

WINDOW, VENT AND EXTERIOR DOOR GROUP (CONTINUED)



Key	Part Number	U/M	Description
1	048632-01-000	EA	Window Asm. - Bunk - Slanted Slider - Right (w/o Inside Frame)
	048632-02-000	EA	Window Asm. Bunk - Slanted Slider - Left (w/o Inside Frame)
2	040919-01-000	EA	Glass - 1/8" x 11.98" x 19.42" - Gray - Stationary
3	047369-01-000	EA	Window - Plastic
	049287-01-000	EA	Washer - Nylon - .62" x .140" I.D.
	049288-01-000	EA	Screw - Machine - 6-32 x 5/16" HWH - Black
4	002324-01-000	FT	Channel - Weatherstrip - Glass Run - 1/8" Glass
5	004363-01-000	FT	Tape - Foam - 3/16" x 1/2" - Gray
6	002309-01-000	FT	Spline - Glass - 1/8" - Gray
7	023096-01-000	FT	Seal - Window - Channel - Gray
8	002390-02-001	EA	Holder - Glass Seal - Extr. - Anod.
9	041894-10-000	EA	Mullion - 13" - Clear Anod.
10	047815-01-000	EA	Glass - 1/8" x 11.98" x 11.81" - Gray - Sliding
	040916-02-000	EA	Frame - Window - Inside - Bunk Slant - Left (Not included in Assembly)
	040916-01-000	EA	Frame - Window - Inside - Bunk Slant - Right (Not included in Assembly)
	023713-01-000	EA	Cover - Weephole - White
	002298-01-000	FT	Spline - Gray - .130" Dia. (Screen)
	002292-01-000	SF	Screen - Window - 20" - Gray
			Not Illustrated

WINNEBAGO
TABLE OF CONTENTS

1977 3/4 D26CRB
1977 D27D/DL
1977 MWC24

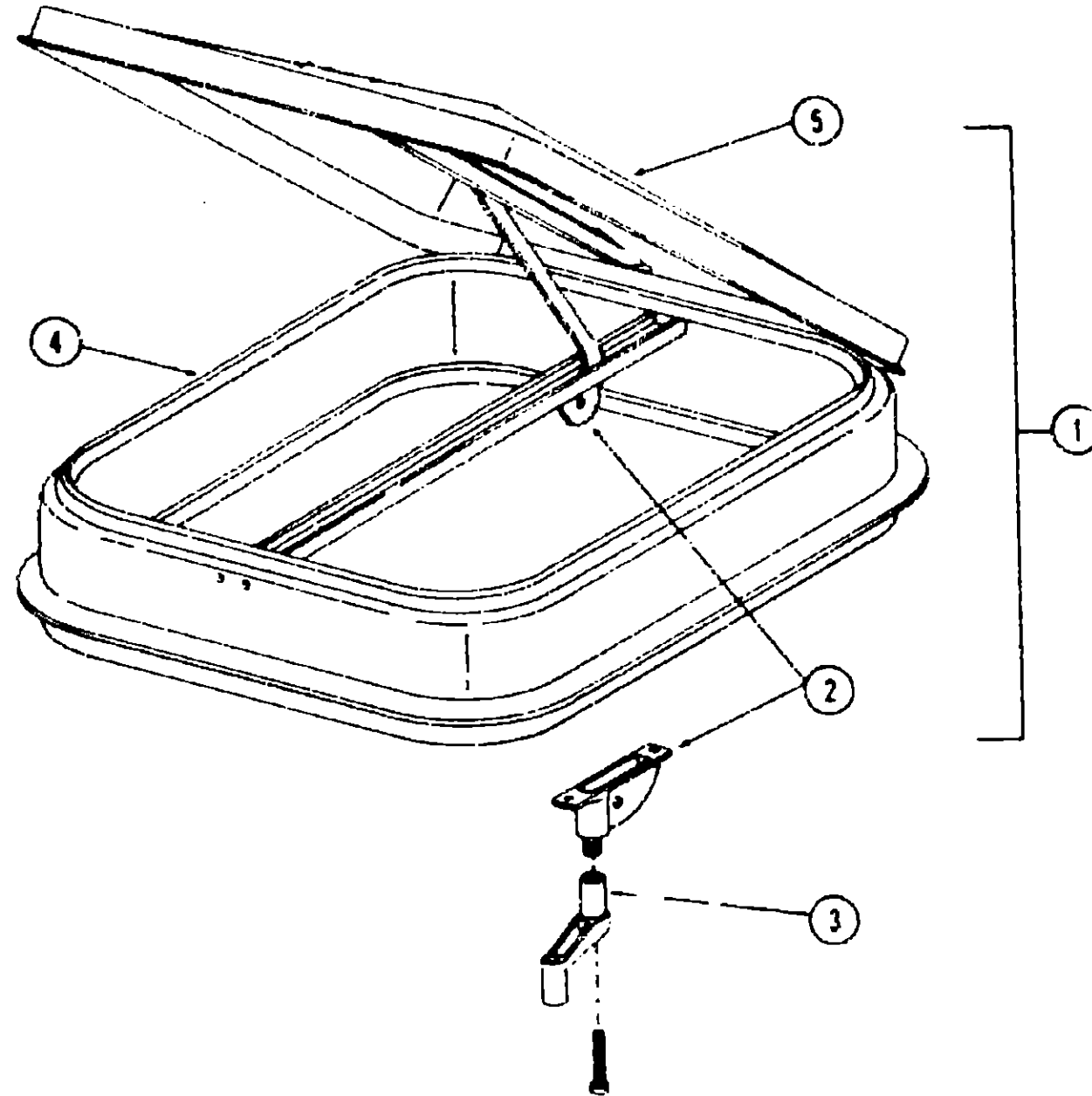
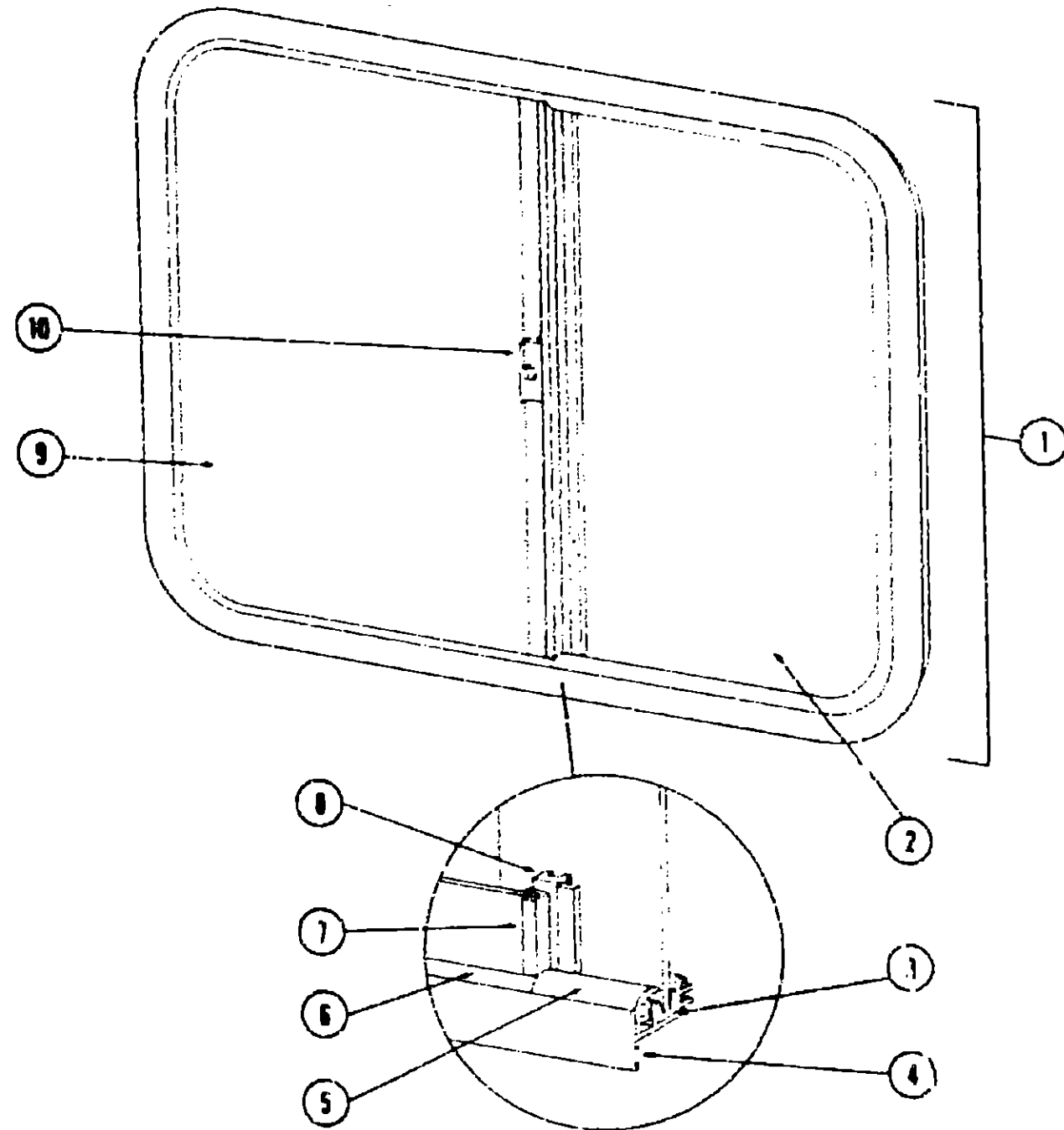
A-1 - B-12
9-13 - D-2
D-3 - E-10

1977 MWC24 INDEX

Floor Plan	D-3 - D-4
Accessories Group	D-5 - D-6
Bath Group	D-7
Chassis Group	D-8
Curtain, Cushion & Pad Group	D-9 - D-12
Dinette Group	D-13
Driver's Compartment Group	D-13
Electrical Group	D-14 - D-15
Exterior Body Group	D-16 - D-19
Galley Group	D-20
Heating & Air Conditioning Group	D-20
Interior Finish Group	D-21 - D-22
LP Group	D-23
Water & Sewage Group	D-24
Window, Vent & Exterior Door Group	E-1 - E-10

WINDOW, VENT AND EXTERIOR DOOR GROUP (CONTINUED)

WINDOW, VENT AND EXTERIOR DOOR GROUP (CONTINUED)



Key	Part Number	U/M	Description
1	048631-02-000	EA	Window Asm. - Left - Single Slider - 20" x 25" - Clear Anod. (w/o Inside Frame)
2	047820-01-000	EA	Glass - 1/8" x 19" x 13 5/8" - Sliding
3	002324-01-000	FT	Channel - Weatherstrip - Glass Run - 1/8" Glass
4	004363-01-000	FT	Tape - Foam - 3/16" x 1/2" - Gray
5	024096-01-000	FT	Seal - Window Channel - Gray
6	002379-01-000	FT	Spline - Glass - 1/8" - Gray
7	018025-01-000	EA	Holder - Glass Seal - Anod. Clear
8	041894-09-000	EA	Mullion - Slider Window - 20" - Clear Anod
9	002241-02-000	EA	Glass - Tempered Sheet - Stationary
10	047366-01-700	EA	Latch - Window - Plastic
*	042147-05-000	EA	Frame - Inside - Single Slider Window - Left - 20" x 25" (not included in assembly)
*	023713-01-000	EA	Cover - Plastic Weephole - White
*	002298-01-000	FT	Spline - Gray - .130" Dia. (Screen)
*	002293-01-000	SF	Screen - Window - 26" - Gray
*	Not Illustrated		

Key	Part Number	U/M	Description
1	048835-01-000	EA	Vent Asm. - Roof - Non Powered - w/o Screen
2	009440-01-000	EA	Gear - Arm - Roof Vent
3	009439-01-000	EA	Crank - Roof Vent
4	002825-01-000	FT	Weatherstrip - Roof Vent
5	046825-01-000	EA	Cover - Plastic - Roof Vent
*	016335-01-000	EA	Screen Asm. - Non Powered Roof Vent - Clear Anod. (not included in assembly)
*	016335-03-000	EA	Screen Asm. - Non Powered Roof Vent - Beige (not included in assembly)
*	Not Illustrated		

WINNEBAGO
TABLE OF CONTENTS

1977 3/4 D26CRE
1977 D27D/DL
1977 MWC24

A-1 - B-12
B-13 - D-2
D-3 - E-10

1977 MWC24 INDEX

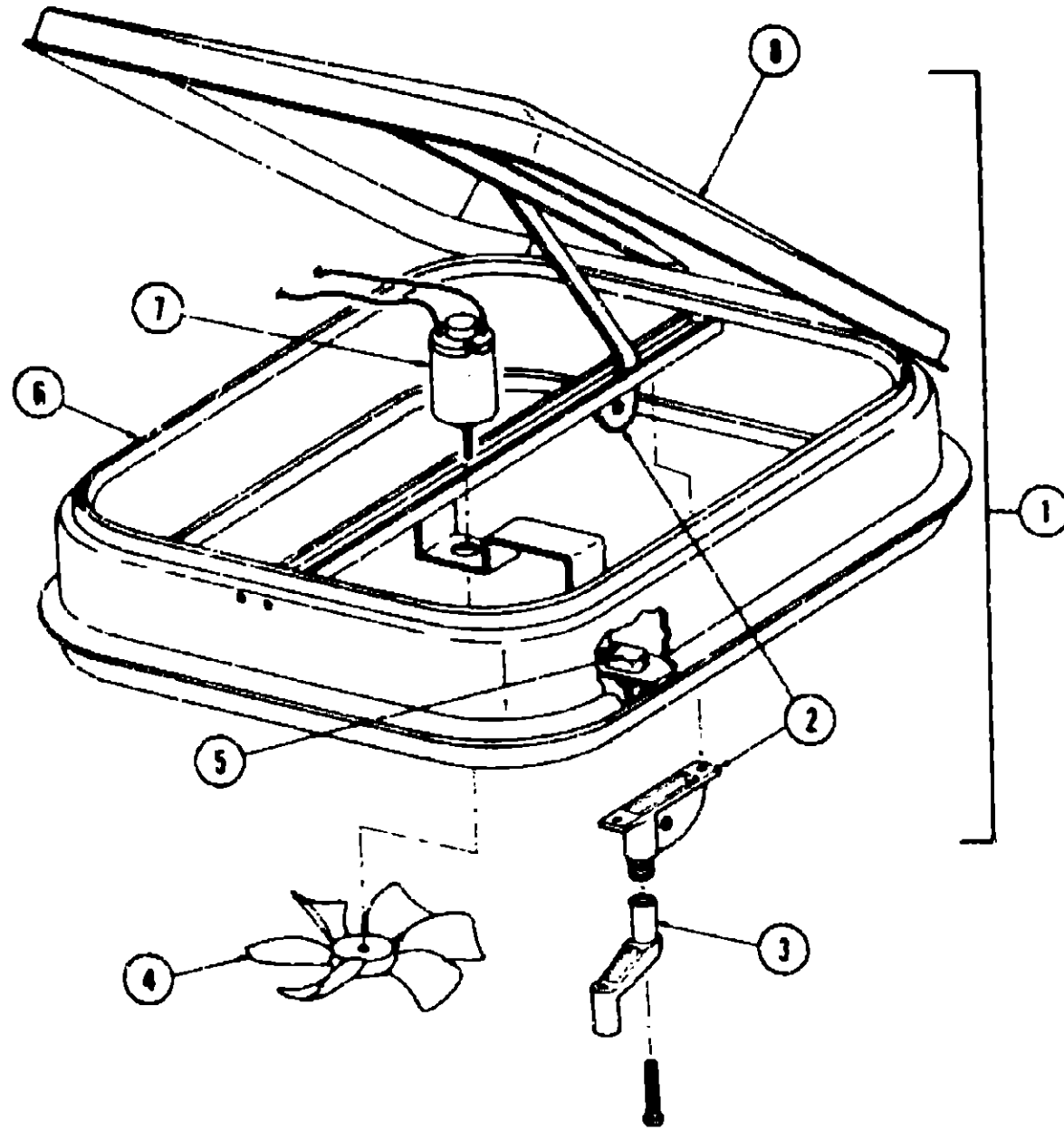
Floor Plan	D-3 - D-4
Accessories Group	D-5 - D-6
Bath Group	D-7
Chassis Group	D-8
Curtain, Cushion & Pad Group	D-9 - D-12
Dinette Group	D-13
Driver's Compartment Group	D-13
Electrical Group	D-14 - D-15
Exterior Body Group	D-16 - D-19
Galley Group	D-20
Heating & Air Conditioning Group	D-20
Interior Finish Group	D-21 - D-22
LP Group	D-23
Water & Sewage Group	D-24
Window, Vent & Exterior Door Group	E-1 - E-10

ACCESS DOORS

Key	Part Number	U/M	Description
	037804-05-000	EA	Door Asm. - Battery - Off White w/Twist Type Lock
	043059-02-000	EA	Door Asm. - Luggage - 37.15" x 20.88" x 22.47" - Off White - Right - (Replaces Generator Door)
	047187-03-000	EA	Door Asm. - Refrigerator Access - Off White Right w/Twist Type Lock
	047235-01-000	EA	Door Asm. - Luggage - 21.19" x 17.19" - Off White - Right - w/Twist Type Lock
	035324-06-000	EA	Door Asm. - Luggage - 35.25" x 9.73" - Off White - Top Hinge w/Key Type Lock
	003182-03-000	EA	Door Asm. - Water Heater Access - Off White
	043942-01-000	EA	Latch - Quarter Turn Plastic - Power Cord Door
	016945-02-000	EA	Holder Asm. - Battery or Luggage Door (Used for Top Hinged Access Doors)
	039884-01-000	EA	Kit - Lock - Twist Type w/Clip
	047305-01-000	EA	Kit - Lock - Key Type w/Clip
	037433-06-000	EA	Door Asm. - Generator - Off White w/Twist Type Lock

VENTS

Key	Part Number	U/M	Description
	009407-01-000	EA	Frame - Base - Refrigerator Vent (w/o Cover)
	039778-01-000	EA	Cover - Roof Vent - Plastic
	049352-01-000	EA	Vent - Stovehood - Outside - White



Key	Part Number	U/M	Description
1	042789-01-000	EA	Vent Asm. - Roof - Powered - w/o Screen
2	006440-01-000	EA	Gear - Arm - Roof Vent
3	009439-01-000	EA	Crank - Roof Vent
4	048849-01-000	EA	Fan Blade - 6" Plastic
5	008195-01-000	EA	Switch - Push Button - 12 Volt
6	002825-01-000	FT	Weatherstrip - Roof Vent
7	048848-01-000	EA	Motor - 12 Volt
8	048825-01-000	EA	Cover - Plastic - Roof Vent
9	042895-01-000	EA	Screen Asm. - Powered Roof Vent - Clear Anod (not included in assembly)
10	048995-03-000	EA	Screen Asm. - Powered Roof Vent - Beige (not included in assembly)
			Not Illustrated

WINNEBAGO
TABLE OF CONTENTS

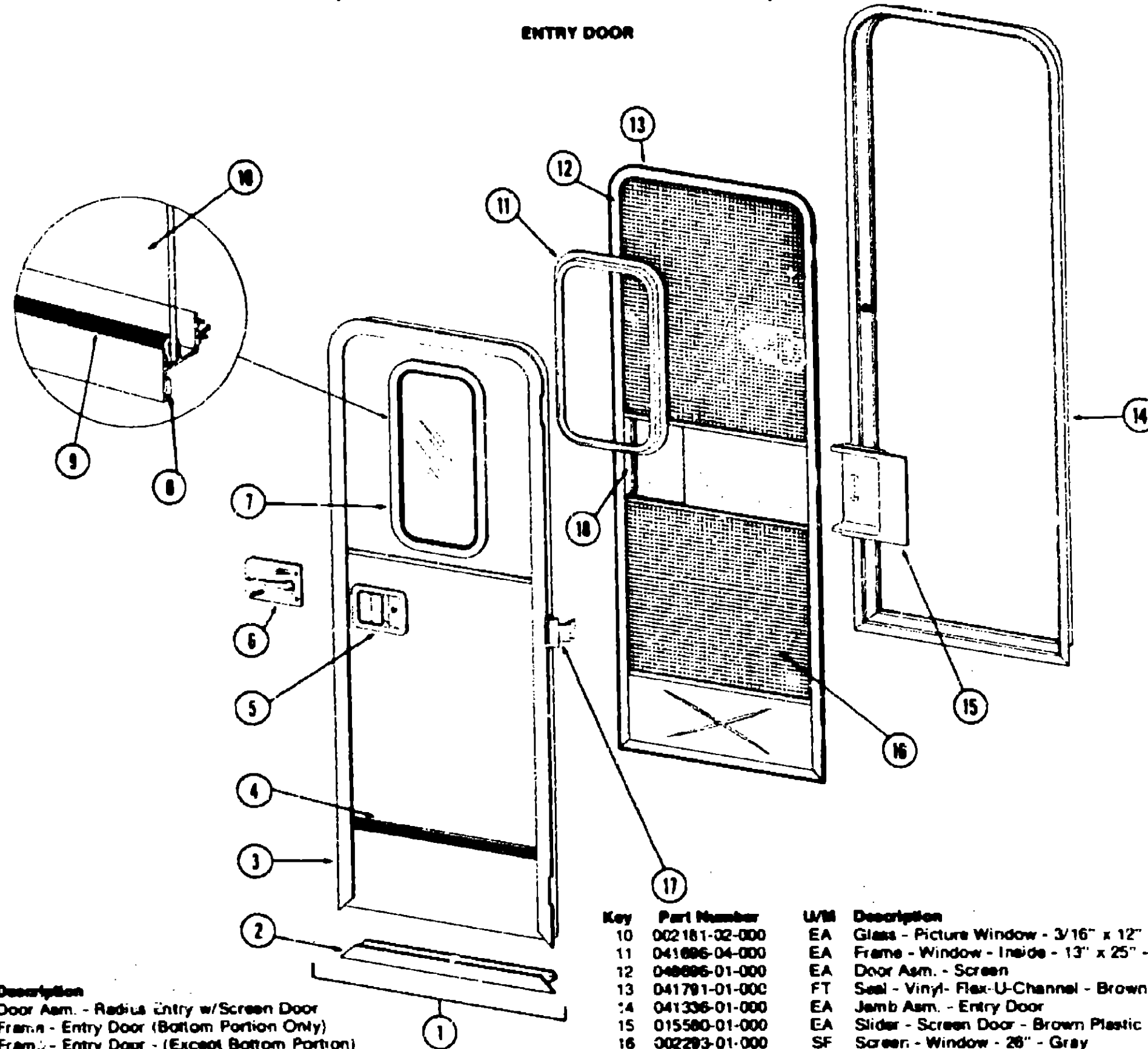
1977 3/4 D26CRB	A-1 - B-12
1977 D27D/DL	B-13 - D-2
1977 MWC24	D-3 - E-10

1977 MWC24 INDEX

Floor Plan	D-3 - D-4
Accessories Group	D-5 - D-6
Bath Group	D-7
Chassis Group	D-8
Curtain, Cushion & Pad Group	D-9 - D-12
Dinette Group	D-13
Driver's Compartment Group	D-13
Electrical Group	D-14 - D-15
Exterior Body Group	D-16 - D-19
Galley Group	D-20
Heating & Air Conditioning Group	D-20
Interior Finish Group	D-21 - D-22
LP Group	D-23
Water & Sewage Group	D-24
Window, Vent & Exterior Door Group	E-1 - E-10

WINDOW, VENT AND EXTERIOR DOOR GROUP (CONTINUED)

ENTRY DOOR



Key	Part Number	U/M	Description
1	030795-09-000	EA	Door Asm. - Radius Entry w/Screen Door
2	039737-01-000	EA	Frame - Entry Door (Bottom Portion Only)
3	039738-01-000	EA	Frame - Entry Door - (Except Bottom Portion)
4	03974-02-000	EA	Holder Asm. - Entry Door - 2 1/2"
5	052186-01-000	EA	Lock Asm. - Radius Entry Door - Lynor
6	045017-01-700	EA	Lock Cylinder w/Keys - Lynor
7	038541-01-000	EA	Lock Cylinder w/Keys - Atwood
8	039539-01-000	EA	Striker - Entry Door Lock
9	039979-01-000	EA	Plate - Lock - Interior - Including Inside Handle
10	041875-03-000	EA	Window Asm. - Picture - 13" x 25" Clear Anod. (inside frame not included in assembly)
11	004363-01-000	FT	Tape - Foam - 3/16" x 1/2" - Gray
12	002309-01-000	FT	Spine - Glass - 1/8" - Gray

Key	Part Number	U/M	Description
10	002181-02-000	EA	Glass - Picture Window - 3/16" x 12" x 24" - Gray
11	041886-04-000	EA	Frame - Window - Inside - 13" x 25" - Brown
12	048886-01-000	EA	Door Asm. - Screen
13	041791-01-000	FT	Seal - Vinyl- Flex-U-Channel - Brown
14	041306-01-000	EA	Jamb Asm. - Entry Door
15	015580-01-000	EA	Slider - Screen Door - Brown Plastic
16	002293-01-000	SF	Screen - Window - 28" - Gray
17	039520-01-000	EA	Hinge - Entry Door (3 used per door)
18	015581-01-000	EA	Cap - Screen Door - Brown Plastic
19	049176-01-000	EA	Hedlok II - 3/4" Diameter - Screw Mount (Retains Screen Door to Entry Door)
20	049797-01-000	EA	Hedlok II - 1" Diameter - Screw Mount (Retains Screen Door to Entry Door)
21	018018-01-000	EA	Striker - Screen Door
22	038863-01-000	EA	Catch Asm. - Single Roller w/Strike - Screen Door
23	051380-01-000	FT	Seal - Jamb - Entry Door - Bubble - Rubber - Black
24	038800-03-000	FT	Tubing - Polybutyl - 3/8" O.D. - Jamb
25	Not Illustrated		

E-9

WINNEBAGO TABLE OF CONTENTS

1977 3/4 D26CRB
1977 D27D/DL
1977 MWC24

A-1 - B-12
B-13 - D-2
D-3 - E-10

1977 MWC24 INDEX

Floor Plan	D-3 - D-4
Accessories Group	D-5 - D-8
Bath Group	D-7
Chassis Group	D-3
Curtain, Cushion & Pad Group	D-9 - D-12
Dinette Group	D-13
Driver's Compartment Group	D-13
Electrical Group	D-14 - D-15
Exterior Body Group	D-16 - D-18
Galley Group	D-20
Heating & Air Conditioning Group	D-20
Interior Finish Group	D-21 - D-22
LP Group	D-23
Water & Sewage Group	D-24
Window, Vent & Exterior Door Group	E-1 - E-10

E-10