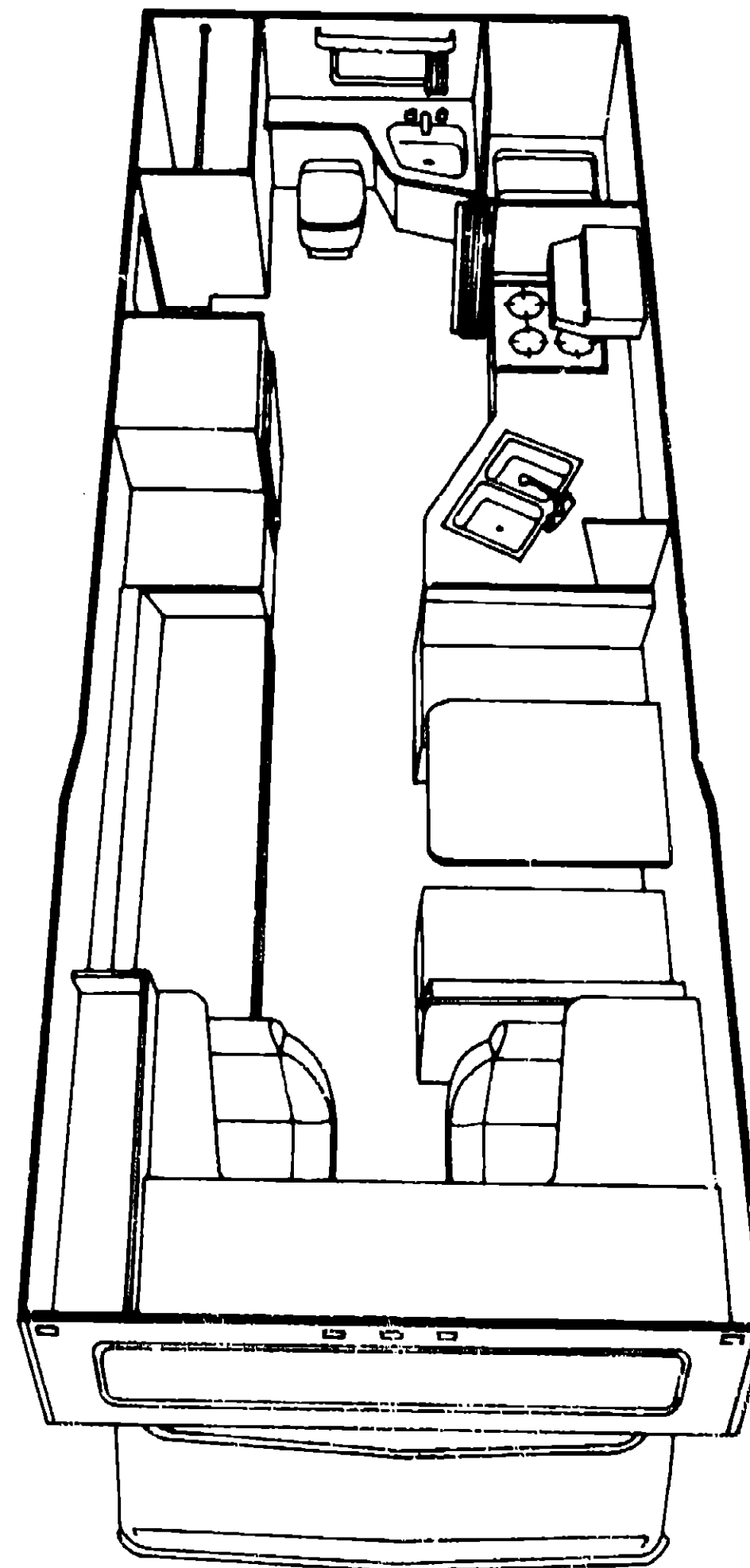


# 1977 MW23RB



### IMPORTANT

Two varieties of Antique Birch paneling were used for cabinetry in this unit. Therefore it is necessary to determine which variety was used before ordering replacement cabinetry. Refer to the Color Material Guide to aid in making the selection.

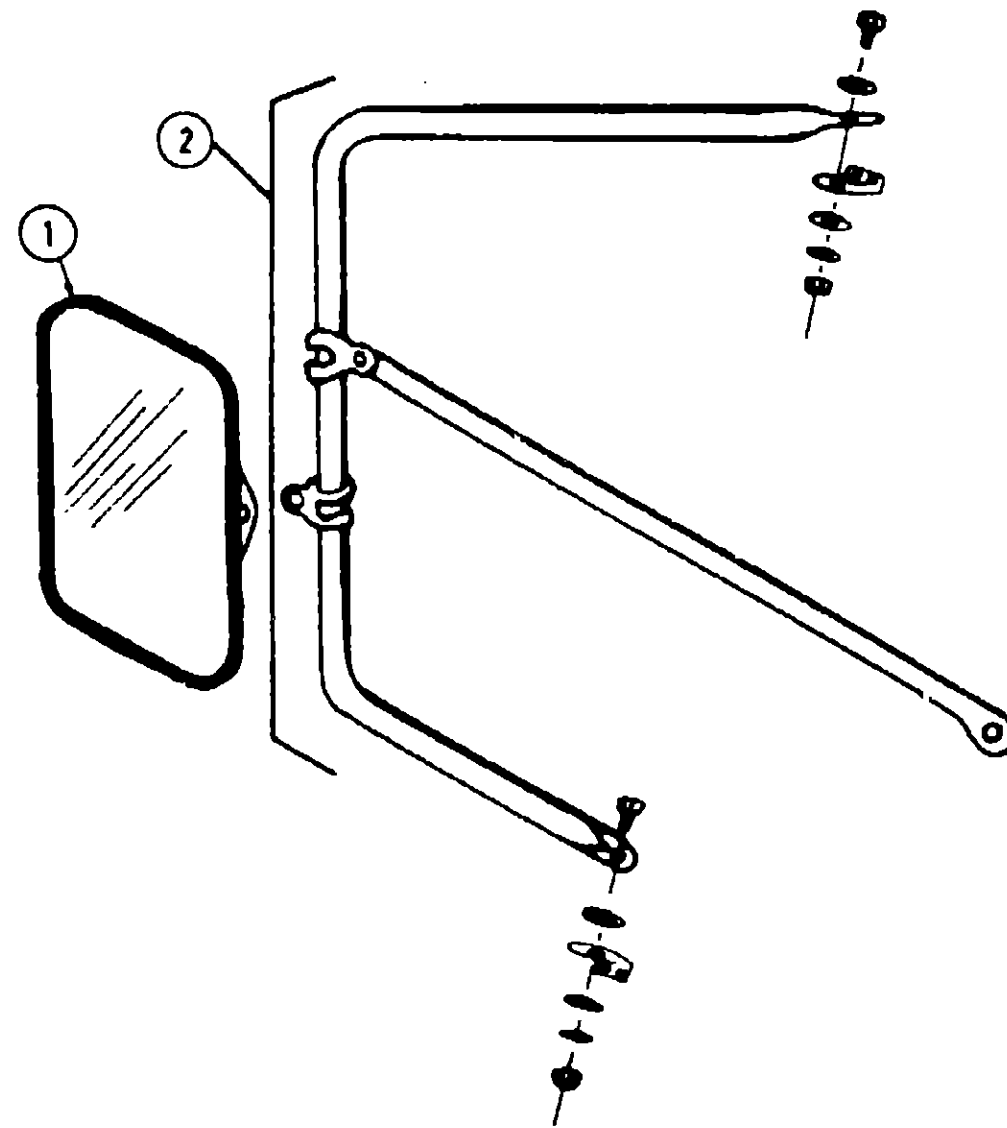
## WINNEBAGO TABLE OF CONTENTS

Introduction	A-1
Abbreviations	A-1
Alphabetical Index	A-2 - A-4
1977 MWC25D	A-5 - B-12
1977 D26CRK	B-13 - C-24
1977 MWC24D	D-1 - E-8
1977 D26CRB	E-9 - F-20
1977 D26RT	F-21 - H-6
1977 MW23RE	H-7 - I-16
1977 D21	I-17 - K-6
1977 D23C	K-7 - L-18

### 1977 MW23RB INDEX

Floor Plan	H-7 - H-8
Accessories Group	H-9 - H-10
Bath Group	H-11 - H-12
Chassis Group	H-13
Curtain, Cushion & Pad Group	H-14 - H-16
Dinette Group	H-17
Driver's Compartment Group	H-18
Electrical Group	H-19 - H-20
Exterior Body Group	H-21 - H-24
Galley Group	I-1
Heating & Air Conditioning Group	I-2
Interior Finish Group	I-3 - I-4
LP Group	I-4
Lounge Group	I-5
Water & Sewage Group	I-6
Window, Vent & Exterior Door Group	I-7 - I-16

## ACCESSORIES GROUP



Key	Part Number	U/M	Description
1	049347-01-000	EA	Mirror Head - 7 1/2" x 10 1/2" - Stainless Steel
2	049348-01-000	EA	Arm - West Coast Mirror

## ACCESSORIES GROUP (CONTINUED)

### RADIOS AND RELATED COMPONENTS

Key	Part Number	U/M	Description
	049730-01-000	EA	Radio - AM - w/Fader Switch - Clarion
	049731-01-000	EA	Radio - AM/FM/MPX - w/Fader Switch - Clarion
	049732-01-000	EA	Radio - AM/FM/MPX/8 Track w/Fader Switch - Clarion
	007004-01-000	EA	Antenna - Auto - Cab Mount
	039879-01-000	EA	Kit - Radio Speaker - 5 1/4" - w/Cover
	045836-02-000	EA	Plaid - Radio Cover (All Clarion Radios)

### GENERATORS & INSTALLATION HARDWARE

Key	Part Number	U/M	Description
	049178-01-000	EA	Generator - 2700 Watt Onan - w/Mounting Bolts & Rubber Feet
	023772-01-000	EA	Muffler - 2700 Watt - Generator
	049145-01-000	EA	Drawer Asm. - Sliding - Generator Tray
	023586-01-000	EA	Scoop - Generator Air
	701629-01-000	EA	Kohler Installation Package
**	040504-01-000	EA	Generator - 2.5 kw - Kohler
**	040505-01-000	EA	Generator - 4.0 kw - Kohler
**	040506-01-000	EA	Generator - 5.0 kw - Kohler
**	044149-01-000	EA	Generator - 6.5 kw - Kohler
**	051908-01-000	EA	Generator - 3.5 kw - Kohler
**	051909-01-000	EA	Generator - 4.5 kw - Kohler
**	051910-01-000	EA	Generator - 5.5 kw - Kohler
**	051911-01-000	EA	Generator - 7.0 kw - Kohler

\*\*The illustrated parts breakdown for this item is provided on the Common Items Fiche.

### MISCELLANEOUS ACCESSORIES

Key	Part Number	U/M	Description
**	048652-01-000	EA	Speed Control Package - 440 C.I.D. - Dodge C Body
**	007298-01-000	EA	Speed Control Package - 360 C.I.D. Dodge C Body
	008076-01-000	EA	Ladder - Bunk
	050885-01-000	EA	Owner's Manual - Winnebago
	017516-01-000	EA	Mudflap - Black - 14" x 18" w/Holes
	006089-01-000	EA	Case - Key - Leather Motor Home
	007038-01-000	EA	Mat - Door - Black Rubber - 10 1/2" x 26"
	008053-01-000	EA	Antenna - TV - Braund Delux
	008793-01-000	EA	Jack - TV - Brown (Antenna)
**	038886-01-000	EA	Ladder Asm. - w/Luggage Rack Round
**	038886-02-000	EA	Ladder Only - Rack and Ladder Asm.
	006113-01-000	EA	Jack - Hydraulic 5 Ton
	041944-01-700	EA	Fire Extinguisher - w/Bracket - Dry Chemical
	039779-01-000	EA	Cap - 4" Square Bumper
**	031386-01-000	EA	Wheel Cover - 17.5" - Chrome
	040486-07-000	EA	Cover - Spare Tire - w/No "W" - 29"

\*\*The illustrated parts breakdown for this item is provided on the Common Items Fiche.

## WINNEBAGO

### TABLE OF CONTENTS

Introduction	A-1
Abbreviations	A-1
Alphabetical Index	A-2 - A-4
1977 MWC25D	A-5 - B-12
1977 D26CRK	B-13 - C-24
1977 MWC24D	D-1 - E-8
1977 D26CRB	E-9 - F-20
1977 D26RT	F-21 - H-6
1977 MW23RB	H-7 - I-16
1977 D21	I-17 - K-6
1977 D23C	K-7 - L-16

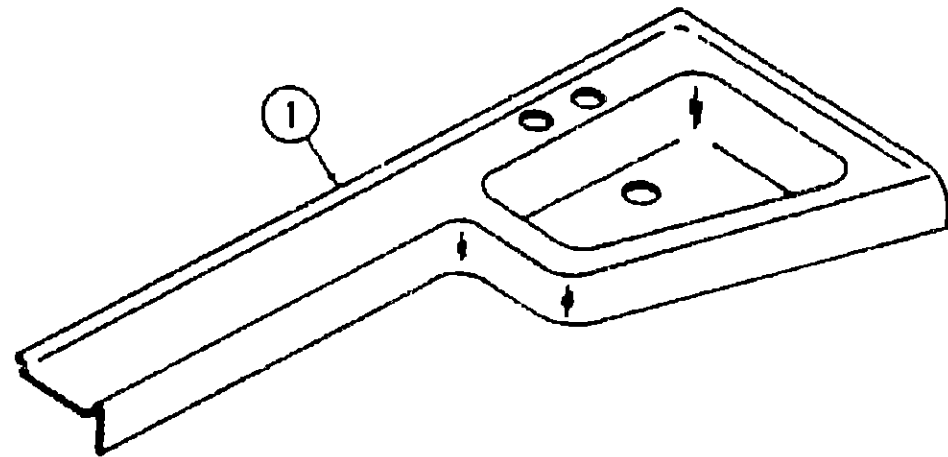
### 1977 MW23RB INDEX

Floor Plan	H-7 - H-8
Accessories Group	H-9 - H-10
Bath Group	H-11 - H-12
Chassis Group	H-13
Curtain, Cushion & Pad Group	H-14 - H-16
Dinette Group	H-17
Driver's Compartment Group	H-18
Electrical Group	H-19 - H-20
Exterior Body Group	H-21 - H-24
Galley Group	I-1
Heating & Air Conditioning Group	I-2
Interior Finish Group	I-3 - I-4
LP Group	I-4
Lounge Group	I-5
Water & Sewage Group	I-6
Window, Vent & Exterior Door Group	I-7 - I-16

## BATH GROUP

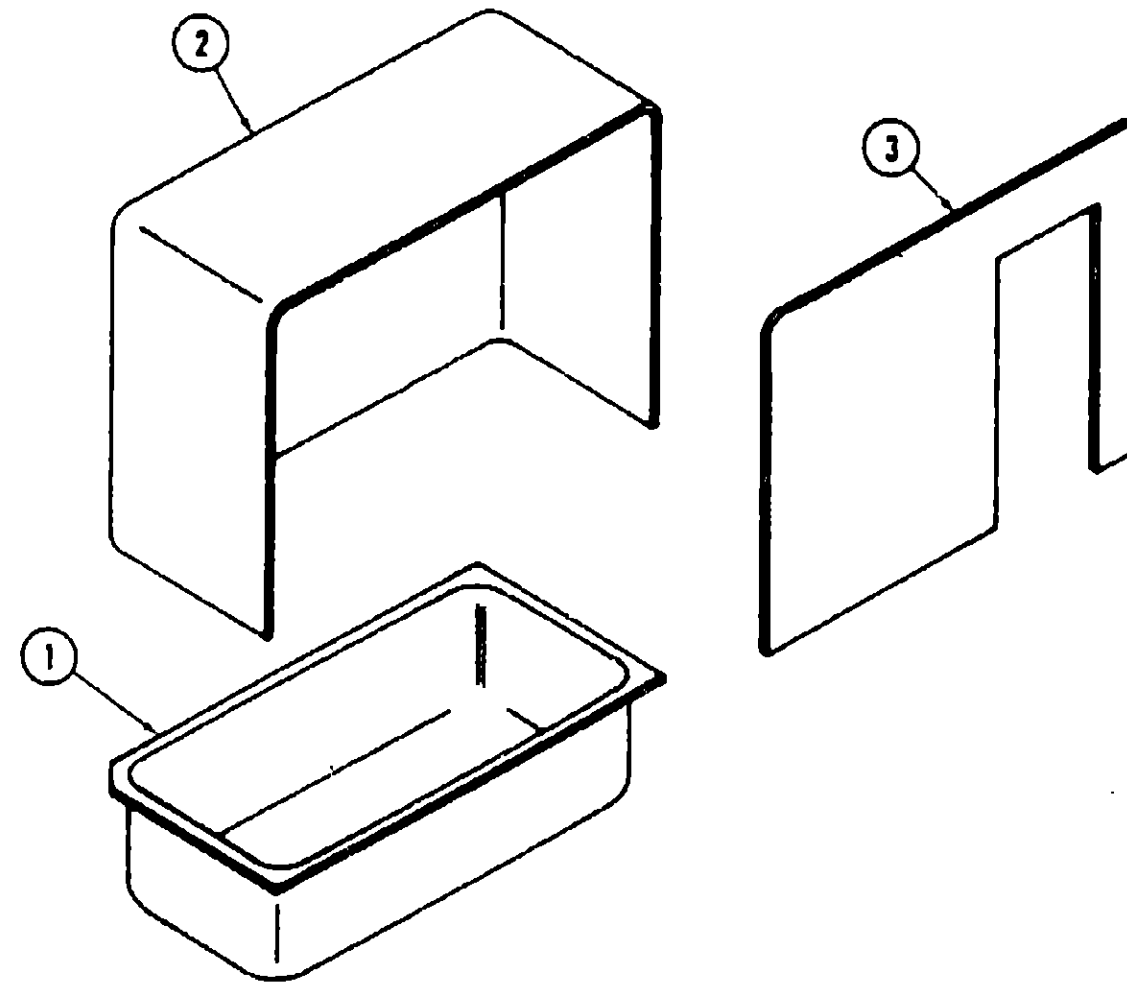
Key	Part Number	U/M	Description
	011056-01-000	EA	Faucet - Lavatory
	011083-01-000	EA	Stopper w/Chain - 1 1/4" x 5"
	034889-03-000	EA	Cover - Screw - PPH- 10 - Off White
	008134-01-000	EA	Holder - Toilet Tissue
	033580-01-000	EA	Ring - Towel - Chrome (w/Plastic Ring)
	008133-01-000	EA	Bar - Towel - 12" Plastic w/o Brackets
	023449-01-000	EA	Bracket - Towel Bar - Chrome - Left or Right
	049155-01-000	EA	Cabinet - Vanity - w/o Doors or Hardware - 047939-02-000 - Antique Birch
	053672-28-000	EA	Cabinet - Vanity - w/o Doors or Hardware - 047939-02-700 - Antique Birch
	049236-32-000	EA	Door Asm. - Vanity - w/o Hardware - 047939-02-000 - Antique Birch
	053671-87-000	EA	Door Asm. - Vanity - w/o Hardware - 047939-02-700 - Antique Birch
	041619-02-000	EA	Cabinet - Medicine - w/o Door or Hardware - 047939-02-000 - Antique Birch
	053673-34-000	EA	Cabinet - Medicine - w/o Door or Hardware - 047939-02-700 - Antique Birch
	043080-03-700	EA	Door Asm. - Medicine Cabinet w/o Hardware - 047939-02-000 - Antique Birch
	053672-81-000	EA	Door Asm. - Medicine Cabinet w/o Hardware - 047939-02-700 - Antique Birch
	049236-40-000	EA	Door Asm. - Wardrobe Cabinet w/o Hardware - Left or Right - 047939-02-000 - Antique Birch
	053671-86-000	EA	Door Asm. - Wardrobe Cabinet w/o Hardware - Left or Right - 047939-02-700 - Antique Birch
	039882-01-000	EA	Hinge Kit - 3/8" Offset - Medicine Cabinet Door
	022820-01-000	EA	Mirror - 1/8" x 12" x 30" Beveled (Medicine Cabinet Door)
	011046-01-000	EA	Head - Shower - w/50" Hose
	011086-01-000	EA	Strainer - Shower Pan
	031558-01-000	EA	Faucet - Tub and Shower
	050739-01-000	EA	Door Asm. - Plexiglass - Shower w/o Jamb
	043586-01-000	EA	Jamb - Shower Door - Bottom
	043587-01-000	EA	Jamb - Shower Door - Right
	043587-02-000	EA	Jamb - Shower Door - Left
	011048-01-700	EA	Vacuum Breaker - 1/8 MPT Nylon Shower Hose
	042488-01-000	EA	Door - Folding - 31 1/4" x 77 1/8" - Walnut
**	039341-02-000	EA	Stool Asm. - Ivory - Aqua Magic - Model SH

\*\*The illustrated parts breakdown for this item is provided on the Common Items Fiche.



Key	Part Number	U/M	Description
1	042175-01-000	EA	Lavatory - Sink - Off White - w/o Faucet or Hardware

## BATH GROUP (CONTINUED)



Key	Part Number	U/M	Description
1	041826-01-000	EA	Bathtub - Bottom
2	041853-01-000	EA	Bathtub - Rear
3	041852-01-000	EA	Bathtub - Front

## WINNEBAGO

### TABLE OF CONTENTS

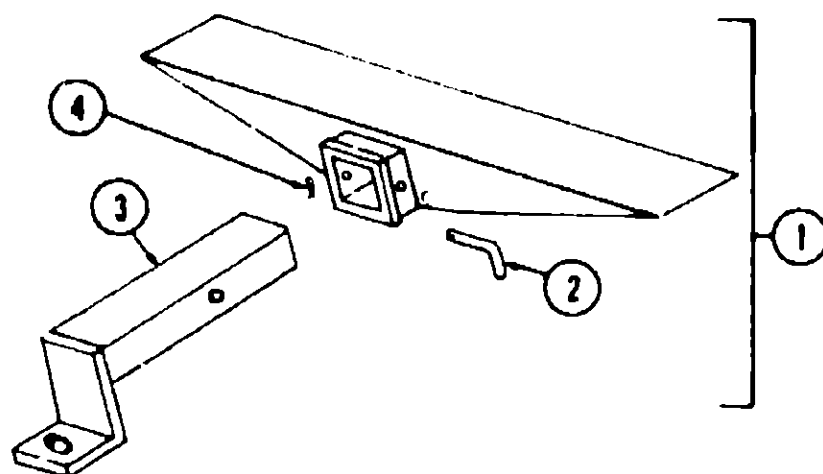
Introduction	A-1
Abbreviations	A-1
Alphabetical Index	A-2 - A-4
1977 MWC25D	A-5 - B-12
1977 D26CRK	B-13 - C-24
1977 MWC24D	D-1 - E-8
1977 D26CRB	E-9 - F-20
1977 D26RT	F-21 - H-6
1977 MW23RB	H-7 - I-16
1977 D21	I-17 - K-6
1977 D23C	K-7 - L-18

### 1977 MW23RB INDEX

Floor Plan	H-7 - H-8
Accessories Group	H-9 - H-10
Bath Group	H-11 - H-12
Chassis Group	H-13
Curtain, Cushion & Pad Group	H-14 - H-16
Dinette Group	H-17
Driver's Compartment Group	H-18
Electrical Group	H-19 - H-20
Exterior Body Group	H-21 - H-24
Galley Group	I-1
Heating & Air Conditioning Group	I-2
Interior Finish Group	I-3 - I-4
LP Group	I-4
Lounge Group	I-5
Water & Sewage Group	I-6
Window, Vent & Exterior Door Group	I-7 - I-16

## CHASSIS GROUP

Key	Part Number	U/M	Description
	024852-01-700	EA	Step Asm. - Entry Door
	044817-01-002	EA	Hat Section - Steel - w/Lip 84.25"
	048751-01-000	EA	Tray Asm. - Battery - Steel
	048882-01-000	EA	Rod - Battery - Tie Down
	017516-01-000	EA	Mud Flap - Black Rubber - 14" x 18" - w/Holes
	040998-02-000	EA	Carrier - Spare Tire
	040974-01-000	EA	Bracket - Spare Tire Retainer
	022150-01-000	EA	Bracket Asm. - Bumper - Rear
	024878-04-000	EA	Bracket - Mounting - Bumper
	021546-01-000	EA	Bumper - Rear - Square
	039779-01-000	EA	Cap - Rubber - 4" x 4" - Square - Bumper
	049145-01-000	EA	Tray - Generator - 2.7 Watt - Onan
	041078-01-000	EA	Wheel Well - Rear Plastic - Left or Right



Key	Part Number	U/M	Description
1	023895-02-700	EA	Hitch Kit - w/Drawbar
2	034512-01-000	EA	Pin - Locking - Drawbar
3	024878-01-000	EA	Drawbar - Trailer Hitch
4	034513-01-000	EA	Pin - Hitch - 3/16" Wire Spring

## CURTAIN, CUSHION AND PAD GROUP

### TIE BACKS

Key	Part Number	U/M	Description
	049097-15-000	EA	Tie Back - 14" - Vinyl
	049097-16-000	EA	Tie Back - 10" - Rust (Cactus)
	049097-17-000	EA	Tie Back - 10" - Gold (Inca Gold)
	049097-18-000	EA	Tie Back - 10" - Beige (Sage)
	049097-19-000	EA	Tie Back - 14" - Rust (Cactus)
	049097-20-000	EA	Tie Back - 14" - Gold (Inca Gold)
	049097-21-000	EA	Tie Back - 14" - Beige (Sage)

### VALANCES

Key	Part Number	U/M	Description
	048831-76-000	EA	Valance w/Header - 5.5" x 83" - Rust (Cactus)
	048831-77-000	EA	Valance w/Header - 5.5" x 83" - Gold (Inca Gold)
	048831-78-000	EA	Valance w/Header - 5.5" x 83" - Beige (Sage)
	048831-79-000	EA	Valance w/Header - 5.5" x 50" - Rust (Cactus)
	048831-80-000	EA	Valance w/Header - 5.5" x 50" - Gold (Inca Gold)
	048831-81-000	EA	Valance w/Header - 5.5" x 50" - Beige (Sage)

### CURTAINS

Key	Part Number	U/M	Description
	048840-18-000	EA	Curtain w/Snap Top and Bottom - 17.5" x 38" - Rust (Cactus)
	048840-19-000	EA	Curtain w/Snap Top and Bottom - 17.5" x 38" - Gold (Inca Gold)
	048840-20-000	EA	Curtain w/Snap Top and Bottom - 17.5" x 38" - Beige (Sage)
	048840-74-000	EA	Curtain w/Snap Top and Bottom - 25.5" x 24" - Rust (Cactus)
	048840-75-000	EA	Curtain w/Snap Top and Bottom - 25.5" x 24" - Gold (Inca Gold)
	048840-76-000	EA	Curtain w/Snap Top and Bottom - 25.5" x 24" - Beige (Sage)
	049021-04-000	EA	Curtain w/Snap Top - 33" x 30" - Rust (Cactus)
	049021-03-000	EA	Curtain w/Snap Top - 33" x 30" - Gold (Inca Gold)
	049021-05-000	EA	Curtain w/Snap Top - 33" x 30" - Beige (Sage)
	049486-04-000	EA	Curtain w/Snap Top - Left - 15 1/2" x 39" - Rust (Cactus)
	049486-05-000	EA	Curtain w/Snap Top - Left - 15 1/2" x 39" - Gold (Inca Gold)
	049486-06-000	EA	Curtain w/Snap Top - Left - 15 1/2" x 39" - Beige (Sage)
	049486-33-000	EA	Curtain w/Snap Top - Left - 25" x 42" - Rust (Cactus)
	049486-32-000	EA	Curtain w/Snap Top - Left - 25" x 42" - Gold (Inca)
	049486-65-000	EA	Curtain w/Snap Top - Left - 25" x 42" - Beige (Sage)
	049487-33-000	EA	Curtain w/Snap Top - Right - 25" x 42" - Rust (Cactus)
	049487-32-000	EA	Curtain w/Snap Top - Right - 25" x 42" - Gold (Inca Gold)
	049487-65-000	EA	Curtain w/Snap Top - Right - 25" x 42" - Beige (Sage)
	050006-02-000	EA	Curtain - Blackout - 25" x 83" - Brown Vinyl
	045839-01-000	EA	Curtain - Front Wraparound w/Snap - Top Left or Right - Brown Vinyl

### MATTRESSES

Key	Part Number	U/M	Description
	050102-07-000	EA	Mattress - Mitered - 24.5" x 76" x 5" - Rust (Cactus)
	050102-08-000	EA	Mattress - Mitered - 24.5" x 76" x 5" - Gold (Inca Gold)
	050102-09-000	EA	Mattress - Mitered - 24.5" x 76" x 5" - Beige (Sage)
	050102-07-007	EA	Cover - Mattress - Mitered - 24.5" x 76" x 5" - Rust (Cactus)
	050102-08-008	EA	Cover - Mattress - Mitered - 24.5" x 76" x 5" - Gold (Inca Gold)
	050102-09-009	EA	Cover - Mattress - Mitered - 24.5" x 76" x 5" - Beige (Sage)
	050102-10-000	EA	Mattress - Mitered - 28" x 8" x 76" x 4" - Rust (Cactus)
	050102-11-000	EA	Mattress - Mitered - 28" x 8" x 76" x 4" - Gold (Inca Gold)
	050102-12-000	EA	Mattress - Mitered - 28" x 8" x 76" x 4" - Beige (Sage)
	050102-10-010	EA	Cover - Mattress - Mitered - 28" x 8" x 76" x 4" - Rust (Cactus)
	050102-11-011	EA	Cover - Mattress - Mitered - 28" x 8" x 76" x 4" - Gold (Inca Gold)
	050102-12-012	EA	Cover - Mattress - Mitered - 28" x 8" x 76" x 4" - Beige (Sage)

H-13

## WINNEBAGO

### TABLE OF CONTENTS

Introduction	A-1
Abbreviations	A-1
Alphabetical Index	A-2 - A-4
1977 MWC25D	A-5 - B-12
1977 D28CRK	B-13 - C-24
1977 MWC24D	D-1 - E-8
1977 D26CRB	E-9 - F-20
1977 D28RT	F-21 - H-6
1977 MW23RB	H-7 - I-16
1977 D21	I-17 - K-6
1977 D23C	K-7 - L-18

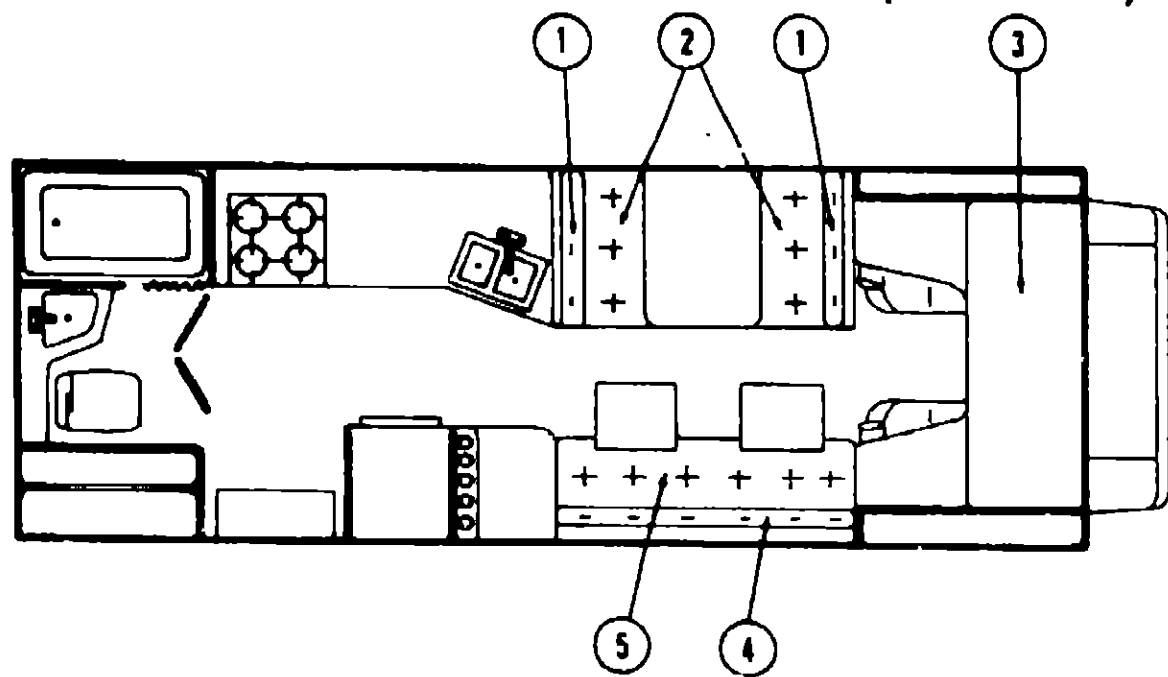
### 1977 MW23RB INDEX

Floor Plan	H-7 - H-8
Accessories Group	H-9 - H-10
Bath Group	H-11 - H-12
Chassis Group	H-13
Curtain, Cushion & Pad Group	H-14 - H-16
Dinette Group	H-17
Driver's Compartment Group	H-18
Electrical Group	H-19 - H-20
Exterior Body Group	H-21 - H-24
Galley Group	I-1
Heating & Air Conditioning Group	I-2
Interior Finish Group	I-3 - I-4
LP Group	I-4
Lounge Group	I-5
Water & Sewage Group	I-6
Window, Vent & Exterior Door Group	I-7 - I-16

H-14

**CURTAIN, CUSHION AND PAD GROUP (CONTINUED)**

**CURTAIN, CUSHION AND PAD GROUP (CONTINUED)**



**DINETTE CUSHIONS**

Key	Part Number	U/M	Description
1	048839-25-000	EA	Cushion - Mitered - 14" x 38" x 4" - Rust (Cactus)
1	048839-26-000	EA	Cushion - Mitered - 14" x 38" x 4" - Gold (Inca Gold)
1	048839-27-000	EA	Cushion - Mitered - 14" x 38" x 4" - Beige (Sage)
	048839-25-025	EA	Cover - Cushion - 14" x 38" x 4" - Rust (Cactus)
	048839-26-026	EA	Cover - Cushion - 14" x 38" x 4" - Gold (Inca Gold)
	048839-27-027	EA	Cover - Cushion - 14" x 38" x 4" - Beige (Sage)
2	048839-22-000	EA	Cushion - Mitered - 22.5" x 38" x 4" - Rust (Cactus)
2	048839-23-000	EA	Cushion - Mitered - 22.5" x 38" x 4" - Gold (Inca Gold)
2	048839-24-000	EA	Cushion - Mitered - 22.5" x 38" x 4" - Beige (Sage)
	048839-22-022	EA	Cover - Cushion - Mitered - 22.5" x 33" x 4" - Rust (Cactus)
	048839-23-023	EA	Corner - Cushion - Mitered - 22.5" x 38" x 4" - Gold (Inca Gold)
	048839-24-024	EA	Cover - Cushion - Mitered - 22.5" x 38" x 4" - Beige (Sage)

**MATTRESSES**

Key	Part Number	U/M	Description
3	050102-07-000	EA	Mattress - Mitered - 24.5" x 76" x 5" - Rust (Cactus)
3	050102-08-000	EA	Mattress - Mitered - 24.5" x 76" x 5" - Gold (Inca Gold)
3	050102-09-000	EA	Mattress - Mitered - 24.5" x 76" x 5" - Beige (Sage)
	050102-07-007	EA	Cover - Mattress - Mitered - 24.5" x 76" x 5" - Rust (Cactus)
	050102-08-008	EA	Cover - Mattress - Mitered - 24.5" x 76" x 5" - Gold (Inca Gold)
	050102-09-009	EA	Cover - Mattress - Mitered - 24.5" x 76" x 5" - Beige (Sage)
3	050102-10-000	EA	Mattress - Mitered - 28" x 76" x 4" - Rust (Cactus)
3	050102-11-000	EA	Mattress - Mitered - 28" x 76" x 4" - Gold (Inca Gold)
3	050102-12-000	EA	Mattress - Mitered - 28" x 76" x 4" - Beige (Sage)
	050102-10-010	EA	Cover - Mattress - Mitered - 28" x 76" x 4" - Rust (Cactus)
	050102-11-011	EA	Cover - Mattress - Mitered - 28" x 76" x 4" - Gold (Inca Gold)
	050102-12-012	EA	Cover - Mattress - Mitered - 28" x 76" x 4" - Beige (Sage)

**GAUCHO CUSHIONS**

Key	Part Number	U/M	Description
4	041908-33-000	EA	Cushion - 2-Fold - 12" x 16" x 74" x 4" - Rust (Cactus)
4	041908-34-000	EA	Cushion - 2-Fold - 12" x 16" x 74" x 4" - Gold (Inca Gold)
4	041908-35-000	EA	Cushion - 2-Fold - 12" x 16" x 74" x 4" - Beige (Sage)
	041908-33-033	EA	Cover - Cushion - 2-Fold - 12" x 16" x 74" x 4" - Rust (Cactus)
	041908-34-034	EA	Cover - Cushion - 2-Fold - 12" x 16" x 74" x 4" - Gold (Inca Gold)
	041908-35-035	EA	Cover - Cushion - 2-Fold - 12" x 16" x 74" x 4" - Beige (Sage)
5	048839-79-000	EA	Cushion - Mitered - 23" x 74" x 4" - Rust (Cactus)
5	048839-80-000	EA	Cushion - Mitered - 23" x 74" x 4" - Gold (Inca Gold)
5	048839-81-000	EA	Cushion - Mitered - 23" x 74" x 4" - Beige (Sage)
	048839-79-079	EA	Cover - Cushion - Mitered - 23" x 74" x 4" - Rust (Cactus)
	048839-80-080	EA	Cover - Cushion - Mitered - 23" x 74" x 4" - Gold (Inca Gold)
	048839-81-081	EA	Cover - Cushion - Mitered - 23" x 74" x 4" - Beige (Sage)

**FABRICS, TRIMS AND PADS**

Key	Part Number	U/M	Description
	046588-01-000	YD	Fabric - Upholstery - Rust (Cactus)
	046588-02-000	YD	Fabric - Upholstery - Gold (Inca Gold)
	046588-03-000	YD	Fabric - Upholstery - Beige (Sage)
	043619-01-000	YD	Fabric - Drapery - Rust (Cactus)
	043619-02-000	YD	Fabric - Drapery - Gold (Inca Gold)
	043619-03-000	YD	Fabric - Drapery - Beige (Sage)
	042411-01-000	YD	Vinyl - Nonexpanded - 27 Ounce
	042411-03-000	YD	Vinyl - Non Support - 18 Gauge - Brown
	042411-02-000	YD	Vinyl - Expanded - 28 Ounce
	048494-01-000	EA	Button Asm. - Brown Vinyl
	042414-01-000	FT	Trim - Accent - Brown Vinyl
	046478-01-000	EA	Panel Asm. - Over Cab Door - Right
	046478-02-000	EA	Panel Asm. - Over Cab Door - Left

**BUCKET SEATS, ARMRESTS, AND HEADRESTS**

Key	Part Number	U/M	Description
	040516-29-000	EA	Seat Asm. - Single Bucket w/Slide and Pocket - Rust (Cactus)
	040516-30-000	EA	Seat Asm. - Single Bucket w/Slide and Pocket - Gold (Inca Gold)
	040516-31-000	EA	Seat Asm. - Single Bucket w/Slide and Pocket - Beige (Sage)
	040516-20-001	EA	Cover - Single Bucket - Bottom - Rust (Cactus)
	040516-21-001	EA	Cover - Single Bucket - Bottom - Gold (Inca Gold)
	040516-22-001	EA	Cover - Single Bucket - Bottom - Beige (Sage)
	040516-29-002	EA	Cover - Single Bucket - Back w/Pocket - Rust (Cactus)
	040516-30-002	EA	Cover - Single Bucket - Back w/Pocket - Gold (Inca Gold)
	040516-31-002	EA	Cover - Single Bucket - Back w/Pocket - Beige (Sage)
	033906-33-000	EA	Headrest Cover - Rust (Cactus)
	033906-34-000	EA	Headrest Cover - Gold (Inca Gold)
	033906-35-000	EA	Headrest Cover - Beige (Sage)
	019722-01-000	EA	Headrest Asm. - Foam w/o Cover
	050280-01-000	EA	Armrest Cover - Right or Left - Rust (Cactus)
	050280-02-000	EA	Armrest Cover - Right or Left - Gold (Inca Gold)
	050280-03-000	EA	Armrest Cover - Right or Left - Beige (Sage)
	050275-01-700	EA	Armrest Asm. - Foam w/o Cover - Right
	050276-01-70J	EA	Armrest Asm. - Foam w/o Cover - Left
	031133-01-000	EA	Protector - Driver Seat - 6" Tan Plastic
	029134-01-000	EA	Clip - Finish - Upholstery (Bucket Seat)
	029136-01-000	EA	Grommet - Headrest - Brown Nylon

**CURTAIN HARDWARE**

Key	Part Number	U/M	Description
	009136-01-000	EA	Hook - Shower Curtain (Blackout Curtain)
	009107-01-000	EA	Guide - Nylon - Snap
	052327-04-236	EA	Curtain Track - Alum. - Brown - 89" w/Holes
	009701-01-000	EA	Roller - Curtain - "L" Rod
	009702-01-000	EA	Stop - End - Curtain - "L" Rod
	018031-42-000	EA	Track - Curtain - "L" Rod - 90" Alum.
	042439-01-000	EA	Bracket - Curtain - Rod - Single
	009223-02-000	EA	Rod - Curtain - Flat - Extends 48" - 84"
	050296-02-000	EA	Extr. - Anod. Curtain Track - 16"



Key	Part Number	U/M	Description
1	029130-01-000	EA	Socket - Snap Fastener 7 x 5/8" (Tie Back)
2	029155-01-000	EA	Cap - Snap - .156" Dia. x .17" Barrel (Tie Back)
3	029156-01-000	EA	Socket - Snap Fastener (Tie Back)
4	029092-01-000	EA	Stud - Nickel Finish (Curtain)
5	029093-01-000	EA	Eyelet - Nickel Finish (Curtain)

H-13



H-16

**WINNEBAGO**

**TABLE OF CONTENTS**

Introduction	A-1
Abbreviations	A-1
Alphabetical Index	A-2 - A-4
1977 MWC25D	A-5 - B-12
1977 D26CRK	B-13 - C-24
1977 MWC24D	D-1 - E-8
1977 D26CRB	E-9 - F-20
1977 D26RT	F-21 - H-6
1977 MW23RB	H-7 - I-16
1977 D21	I-17 - K-6
1977 D23C	K-7 - L-16

**1977 MW23RB INDEX**

Floor Plan	H-7 - H-8
Accessories Group	H-9 - H-10
Bath Group	H-11 - H-12
Chassis Group	H-13
Curtain, Cushion & Pad Group	H-14 - H-16
Dinette Group	H-17
Driver's Compartment Group	H-18
Electrical Group	H-19 - H-20
Exterior Body Group	H-21 - H-24
Galley Group	I-1
Heating & Air Conditioning Group	I-2
Interior Finish Group	I-3 - I-4
LP Group	I-4
Lounge Group	I-5
Water & Sewage Group	I-6
Window, Vent & Exterior Door Group	I-7 - I-16

## DINETTE GROUP

Key	Part Number	U/M	Description
	043629-11-700	EA	Table Asm. - Dinette w/o Hardware - Rust (Cactus)
	043629-10-700	EA	Table Asm. - Dinette w/o Hardware - Gold (Inca Gold)
	043629-12-700	EA	Table Asm. - Dinette w/o Hardware - Beige (Sage)
**	047842-01-000	EA	Kit - Hardware - Table Leg
**	047808-01-000	EA	Kit - Hardware - Table - Wall Mount
	041511-02-000	EA	Seat - Dinette - Left - 047939-02-000 - Antique Birch
	053673-36-000	EA	Seat - Dinette - Left - 047939-02-700 - Antique Birch
	041515-02-000	EA	Seat - Dinette - Right - w/o Door or Hardware - 047939-02-000 - Antique Birch
	053673-35-000	EA	Seat - Dinette - Right - w/o Door or Hardware - 047939-02-700 - Antique Birch
	048236-47-000	EA	Door Asm. - 10" x 17 1/8" - Dinette Seat Cabinet - w/o Hardware - 047939-02-000 - Antique Birch
	053671-79-000	EA	Door Asm. - 10" x 17 1/8" - Dinette Seat Cabinet - w/o Hardware - 047939-02-700 - Antique Birch
	048236-08-000	EA	Door Asm. - Overhead Cabinet - w/o Hardware - 047939-02-000 - Antique Birch
	053672-19-000	EA	Door Asm. - Overhead Cabinet - w/o Hardware - 047939-02-700 - Antique Birch
	050733-01-000	EA	Cabinet Asm. - Dinette Overhead - w/o Doors or Hardware - 047939-02-700 - Antique Birch
	053671-09-000	EA	Cabinet Asm. - Dinette Overhead - w/o Doors or Hardware - 047939-02-000 - Antique Birch

\*\*The illustrated parts breakdown for this item is provided on the Common Items Fiche.

## DRIVER'S COMPARTMENT GROUP

Key	Part Number	U/M	Description
	007223-01-000	EA	Adjuster Asm. - Seat w/Lock
	007224-02-000	EA	Handle - Seat - Adjuster 9"
	044581-01-000	EA	Plate - Adapter - Seat Forward
	038048-07-000	EA	Extension Asm. - Sleeper Board
	023812-04-000	EA	Rail - Bunk - Brown 75"
	041475-01-000	FT	Track - Sleeper Board Slide - PVC - Dark Pecan 12"
	048797-01-000	EA	Hedlock II - 1" Dia. - Screw Mount
	048858-01-000	EA	Bracket - Catch - Bunk
	050973-01-000	EA	Cabinet Asm. - Headboard - 047939-02-700 - Antique Birch
	053671-04-000	EA	Cabinet Asm. - Headboard - 047939-02-000 - Antique Birch
	043800-01-000	EA	Tray - Beverage - Black Plastic - Motor Cover
	048380-01-000	EA	Console - Overhead - Plastic (Housing Only w/o Gauges)
	050915-01-000	EA	Bracket - Overhead Console
	024459-01-000	EA	Gauge - Voltmeter
	024462-01-000	EA	Switch - Battery Condition

## WINNEBAGO

### TABLE OF CONTENTS

Introduction	A-1
Abbreviations	A-1
Alphabetical Index	A-2 - A-4
1977 MWC25D	A-5 - B-12
1977 D26CRK	B-13 - C-24
1977 MWC24D	D-1 - E-8
1977 D26CRS	E-9 - F-20
1977 D26RT	F-21 - H-6
1977 MW23RB	H-7 - I-16
1977 D21	I-17 - K-6
1977 D23C	K-7 - L-18

### 1977 MW23RB INDEX

Floor Plan	H-7 - H-8
Accessories Group	H-9 - H-10
Bath Group	H-11 - H-12
Chassis Group	H-13
Curtain, Cushion & Pad Group	H-14 - H-16
Dinette Group	H-17
Driver's Compartment Group	H-18
Electrical Group	H-19 - H-20
Exterior Body Group	H-21 - H-24
Galley Group	I-1
Heating & Air Conditioning Group	I-2
Interior Finish Group	I-3 - I-4
LP Group	I-4
Lounge Group	I-5
Water & Sewage Group	I-6
Window, Vent & Exterior Door Group	I-7 - I-16

## ELECTRICAL GROUP

### BULBS

Key	Part Number	U/M	Description
	037835-01-000	EA	Bulb - 1157
	038010-01-000	EA	Bulb - 1143
	008103-01-000	EA	Bulb - 53
	008213-01-000	EA	Bulb - 57
	008214-01-000	EA	Bulb - 67
	008215-01-000	EA	Bulb - 1003
	008216-01-000	EA	Bulb - 1034
	008217-01-000	EA	Bulb - 1073
	008218-01-000	EA	Bulb - 1141
	008219-01-000	EA	Bulb - 656
	008220-01-000	EA	Bulb - 12V - 25W
	036196-01-000	EA	Bulb - 194
	700020-01-000	EA	Bulb - 12V - 20W 1383

### EXTERIOR LIGHTS

Key	Part Number	U/M	Description
	008089-01-000	EA	Light - Porch - Recessed
	031054-01-000	EA	Lamp Asm. - Tail - Left - White
	031054-01-701	EA	Lens - Tail Lamp - Left
	031055-01-000	EA	Lamp Asm. - Tail - Right - White
	031055-01-701	EA	Lens - Tail Lamp - Right
	042405-03-000	EA	Base - Rectangular Clearance Light
	042405-04-000	EA	Lens - Rectangular Light - Red
	042405-05-000	EA	Lens - Rectangular Light - Amber

### INTERIOR LIGHTS

Key	Part Number	U/M	Description
	024418-01-000	EA	Lamp Asm. - Map/Gauge/Aisle
	024473-01-000	EA	Light - Aircraft - 1 Bulb Gold
	033508-01-000	EA	Light - Dome - White 1 Bulb
	024842-01-701	EA	Lens - Dome Light - 1 Bulb
	033509-01-000	EA	Light - Dome - White - 2 Bulb
	024843-01-701	EA	Lens - Dome Light - 2 Bulb
	008102-01-000	EA	Light - Corner Mount - Multibulb

### FUSES AND CIRCUIT BREAKERS

Key	Part Number	U/M	Description
	008233-01-000	EA	Fuse - 12 Volt - 6 Amp.
	008234-01-000	EA	Fuse - 12 Volt - 10 Amp.
	008235-01-000	EA	Fuse - 12 Volt - 15 Amp.
	008236-01-000	EA	Fuse - 12 Volt - 20 Amp.
	008248-01-000	EA	Fuse - 110 Volt - 30 Amp.
	008252-01-000	EA	Fuse - 110 Volt - 50 Amp.
	008208-01-000	EA	Circuit Breaker - 12 Volt - 40 Amp.
	008211-01-000	EA	Circuit Breaker - 12 Volt - 5 Amp.
	008298-01-000	EA	Circuit Breaker - 12 Volt - 30 Amp. w/Mount
	033573-01-000	EA	Circuit Breaker - 12 Volt - 20 Amp. w/Mount
	033573-02-000	EA	Circuit Breaker - 12 Volt - 15 Amp. w/Mount
	040051-01-000	EA	Circuit Breaker - 110 Volt - 20 Amp. TOL
	033484-01-000	EA	Circuit Breaker - 30 Amp. - Air Conditioner
	052012-01-000	EA	Circuit Breaker - 50 Amp. - Air Conditioner

## ELECTRICAL GROUP (CONTINUED)

### WIRE, SWITCHES AND RECEPTACLES

Key	Part Number	U/M	Description
	008024-01-000	FT	Wire - 18.5 Bonded - Orange/White/Yellow/Blue/Brown
	008025-01-000	FT	Wire - 18.5 Bonded - Orange/White/Yellow/Blue/Green
	008026-01-000	FT	Wire - 18.5 Bonded - Blue/Red/Yellow/Orange/White
	008030-01-000	FT	Wire - 18.4 Bonded
	008251-01-000	EA	Holder - Fuse - Black - Screw Type
	008277-01-000	EA	Holder - Fuse - Black - Panel Mount
	008195-01-000	EA	Switch - Push Button - 12 Volt
	008077-01-000	EA	Plaque - Compressor Switch
	008054-01-000	EA	Cord - Power - 10-3 30 Amp. - 25' - UL
	034818-04-000	EA	Holder - Receptacle - Plastic
	039338-01-000	EA	Cover Plate - Receptacle - Plastic - Brown
	039339-01-000	EA	Receptacle - Duplex Brown - End of line
	039342-01-000	EA	Receptacle - Duplex Brown - T Junction
	024571-01-000	EA	Cover Plate - Receptacle - Jumbo Steel Brown
	039343-01-000	EA	Cap - End - Receptacle
	008182-01-000	EA	Switch - Double Toggle - Spade Brown
	008183-01-000	EA	Switch - Toggle Brown
	024924-01-000	EA	Receptacle - Power Cord
	008058-01-000	EA	Adaptor - Power Cord
	047353-01-000	EA	Cover - Receptacle - Ground Fault
	047351-01-000	EA	Receptacle - Ground Fault Interrupter - 125 Volt Black
	040223-01-000	EA	Holder Asm. - Fuse - 30 Amp.

### MISCELLANEOUS ELECTRICAL COMPONENTS

Key	Part Number	U/M	Description
	047338-01-000	EA	Isolator - Dual Battery
	047389-01-700	EA	Battery - 12 Volt - 105 Amp. Deep Cycle - Dry
	008198-01-000	EA	Solenoid - Dual Battery - Relay
	046775-01-000	EA	Valve - Gas - Change Over - 3 Way
	038617-01-000	EA	Relay - Canister - SPDT
	039950-02-000	EA	Control Center - 30 Amp. w/Door - UL
	048812-01-000	EA	Panel - Control - Water/Double Sewage - Wemac
	039861-01-000	EA	Sending Unit Kit - Wemac

## WINNEBAGO

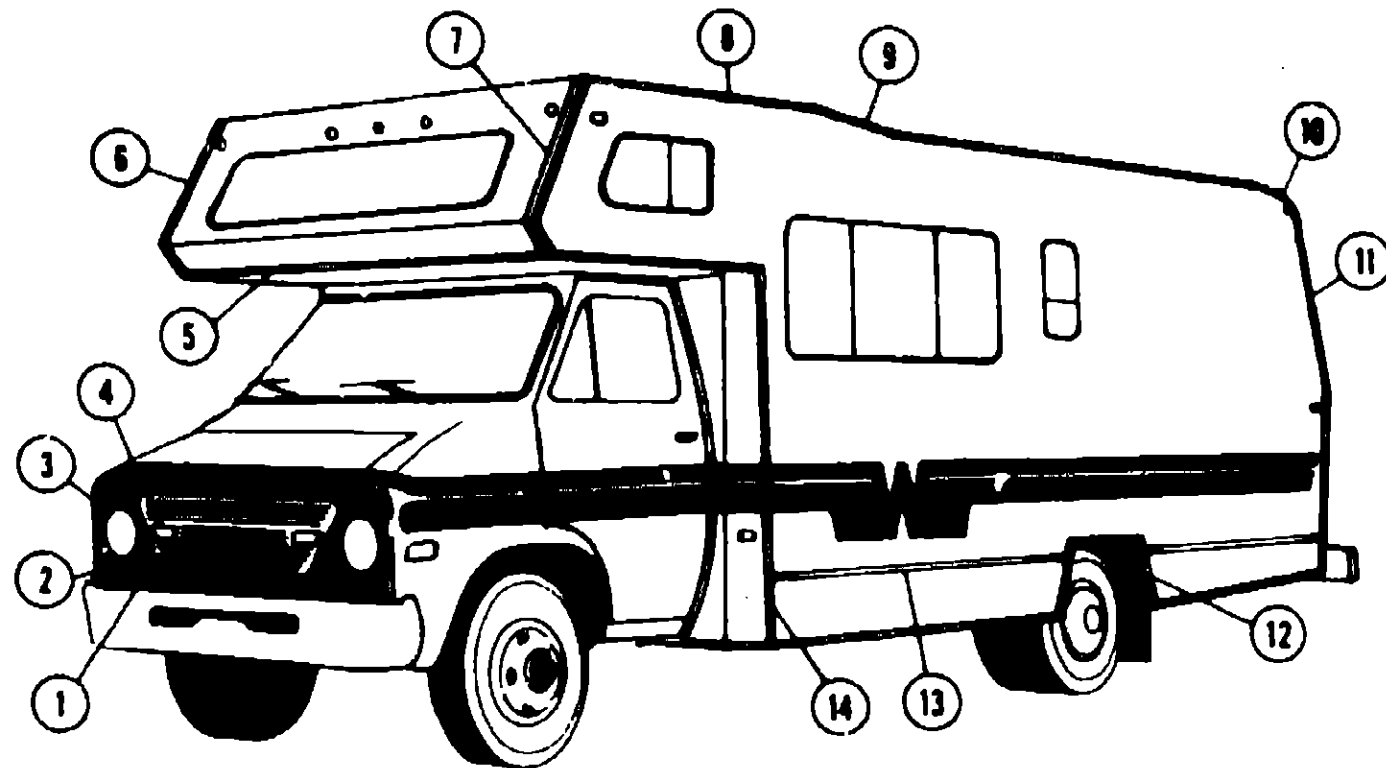
### TABLE OF CONTENTS

Introduction	A-1
Abbreviations	A-1
Alphabetical Index	A-2 - A-4
1977 MWC25D	A-5 - B-12
1977 D26CRK	B-13 - C-24
1977 MWC24D	D-1 - E-8
1977 D26CRB	E-9 - F-20
1977 D26RT	F-21 - H-6
1977 MW23RB	H-7 - I-16
1977 D21	I-17 - K-6
1977 D23C	K-7 - L-18

### 1977 MW23RB INDEX

Floor Plan	H-7 - H-8
Accessories Group	H-9 - H-10
Bath Group	H-11 - H-12
Chassis Group	H-13
Curtain, Cushion & Pad Group	H-14 - H-16
Dinette Group	H-17
Driver's Compartment Group	H-18
Electrical Group	H-19 - H-20
Exterior Body Group	H-21 - H-24
Galley Group	I-1
Heating & Air Conditioning Group	I-2
Interior Finish Group	I-3 - I-4
LP Group	I-4
Lounge Group	I-5
Water & Sewage Group	I-6
Window, Vent & Exterior Door Group	I-7 - I-16

## EXTERIOR BODY GROUP



Key	Part Number	U/M	Description
1	020850-01-000	EA	Panel - Grille - Plastic
2	020851-01-000	EA	Grille Asm. - Aluminum
.	024861-01-000	EA	Trim Asm. - Grille - Outer - Complete
3	022203-01-000	EA	Bezel - Headlight - Left or Right
4	040203-01-000	EA	Light - Turn Signal - Amber - Left or Right
5	036476-03-000	EA	Trim - Sleeper Board - Front - Off White
6	042171-01-000	EA	Trim - Contour - Sleeper Section - Right - Off White
7	042171-02-000	EA	Trim - Contour - Sleeper Section - Left - Off White
8	042172-02-000	EA	Trim - Roof - Contour - Left - Off White
.	042172-01-000	EA	Trim - Roof - Contour - Right - Off White
9	042170-02-000	EA	Trim - Roof Angle - Left - Off White
.	042170-01-000	EA	Trim - Roof Angle - Right - Off White

Key	Part Number	U/M	Description
10	036527-06-000	EA	Trim - Contour - Left - Rear Corner
.	036527-05-000	EA	Trim - Contour - Right - Rear Corner
11	034916-08-000	EA	Trim - Contour - Left Rear - Off White
.	034916-07-000	EA	Trim - Contour - Right Rear - Off White
12	042141-01-000	EA	Trim - Wheel Well - Rear - Left or Right
13	002444-02-003	EA	Extrusion - Anod. - Feature Strip - 16' - w/o Insert
.	001030-03-002	EA	Insert - Feature Strip - .019" x 13/16" x 17' - Burnt Orange
.	009731-01-000	EA	End Cap - Feature Strip
14	036476-10-000	EA	Trim - Wingwall - Left
.	036476-09-000	EA	Trim - Wingwall - Right
.	006238-01-000	EA	Nameplate - Grille - "Winnebago"
.			Not Illustrated

## WINNEBAGO TABLE OF CONTENTS

Introduction	A-1
Abbreviations	A-1
Alphabetical Index	A-2 - A-4
1977 MWC25D	A-5 - B-12
1977 D26CRK	B-13 - C-24
1977 MWC24D	D-1 - E-8
1977 D26CRS	E-9 - F-20
1977 D26RT	F-21 - H-8
1977 MW23RB	H-7 - I-16
1977 D21	I-17 - K-6
1977 D23C	K-7 - L-18

## 1977 MW23RB INDEX

Floor Plan	H-7 - H-8
Accessories Group	H-9 - H-10
Bath Group	H-11 - H-12
Chassis Group	H-13
Curtain, Cushion & Pad Group	H-14 - H-16
Dinette Group	H-17
Driver's Compartment Group	H-18
Electrical Group	H-19 - H-20
Exterior Body Group	H-21 - H-24
Galley Group	I-1
Heating & Air Conditioning Group	I-2
Interior Finish Group	I-3 - I-4
LP Group	I-4
Lounge Group	I-5
Water & Sewage Group	I-6
Window, Vent & Exterior Door Group	I-7 - I-16



## EXTERIOR BODY GROUP (CONTINUED)

### EXTERIOR BODY PANELS AND SHEET ALUMINUM

Key	Part Number	U/M	Description
	049034-01-000	EA	Sidewall Assembly - Right - 047939-02-000 - Antique Birch
	053672-38-000	EA	Sidewall Assembly - Right - 047939-02-700 - Antique Birch
	049033-01-000	EA	Sidewall Assembly - Left - 047939-02-000 - Antique Birch
	053672-40-000	EA	Sidewall Assembly - Left - 047939-02-700 - Antique Birch
	041488-02-000	EA	Backwall Assembly - 047939-02-000 - Antique Birch
	053673-38-000	EA	Backwall Assembly - 047939-02-700 - Antique Birch
	041487-03-000	EA	Roof Asm.
	041487-03-700	EA	Roof Section - Front - Cab Overhang to First Roof Seam
	041489-01-000	EA	Wingwall Asm. - Right
	041489-02-000	EA	Wingwall Asm. - Left
	041489-02-000	EA	Board Asm. - Sleeper
	039155-03-006	EA	Alum. - Off White - Mesa Design - .024" x 36" x 60"
	039155-03-002	EA	Alum. - Off White - Mesa Design - .024" x 36" x 300"
	039155-03-003	EA	Alum. - Off White - Mesa Design - .024" x 36" x 960"
	039155-03-007	EA	Alum. - Off White - Mesa Design - .024" x 48" x 60"
	039155-03-005	EA	Alum. - Off White - Mesa Design - .024" x 48" x 300"
	039155-03-006	EA	Alum. - Off White - Mesa Design - .024" x 48" x 360"
	039155-03-009	EA	Alum. - Off White - Mesa Design - .024" x 12" x 360"
	044487-01-001	EA	Alum. - Mill Finish - No Design (Roof) - 96" x 360"
	039155-07-000	EA	Alum. - Off White - Greyhound Design - 48" x 96"
	001054-01-000	EA	Alum. - Off White - No Design - 48" x 96"
	000888-01-000	BF	Styrofoam - 3/4" x 24" x 96"
	039155-07-010	EA	Alum. - Off White - Greyhound Design - 48" x 96"

### EXTERIOR PAINT

Key	Part Number	U/M	Description
	041561-01-000	EA	Off White - Acrylic Enamel - 1 Gallon
	041561-03-000	EA	Off White - Acrylic Enamel - 16 Oz. Aerosol
	041561-04-000	EA	Off White - Acrylic Lacquer - 1 Gallon
	041563-01-000	EA	Burnt Orange - Acrylic Enamel - 1 Gallon
	041563-03-000	EA	Burnt Orange - Acrylic Enamel - 16 Oz. Aerosol
	041565-01-000	EA	Rally Yellow - Acrylic Enamel - 1 Gallon
	041565-03-000	EA	Rally Yellow - Acrylic Enamel - 16 Oz. Aerosol
	045681-01-000	EA	High Gloss Black - Acrylic Enamel - 1 Gallon
	045681-03-000	EA	High Gloss Black - Acrylic Enamel - 16 Oz. Aerosol

### LABELS AND DECALS

Key	Part Number	U/M	Description
	006023-01-000	EA	Label - Water Only
	006025-01-000	EA	Label - Gas
	006028-01-000	EA	Label - Drain Cap - 2" x 3"
	006031-01-000	EA	Label - Potable Water Only
	006187-01-000	EA	Label - Sewage
	006188-01-000	EA	Label - Waste Water
	006199-01-000	EA	Label - Exit - Escape Window
	031161-01-000	EA	Label - Flying "W"
	038403-01-000	EA	Decal - Logo - Winnebago 2.80" (Front or Rear)
	039284-01-000	EA	Label - Warning Aux. Loading
	039716-01-000	EA	Stencil - Minnie Winnie
	006092-01-000	EA	Reflector - Stick On - Rectangular - Red
	006093-01-000	EA	Reflector - Stick On - Rectangular - Amber

## EXTERIOR BODY GROUP (CONTINUED)

### SEALANTS, ADHESIVES, AND FASTENERS

Key	Part Number	U/M	Description
	034552-05-000	EA	Sealant - Off White Silicone
	034552-04-000	EA	Sealant - Beige Silicone
	034552-02-000	EA	Sealant - Clear Silicone
	004348-02-000	EA	Sealant - Aluminum Silicone
	004349-01-000	EA	Sealant - Black Silicone
	004342-01-000	EA	Sealant - Weatherban 202 Tube
	004346-02-000	EA	Sealant - White Silicone
	004347-01-000	EA	Sealant - Tufflex
	002316-01-000	FT	Tape - Sealer - 3/32" x 1/8"
	024545-01-000	FT	Tape - Sealer - 1/8" x 5/8" - Black
	004350-01-000	FT	Tape - Sealer - 1/8" x 1" - Formaseal
	004352-01-000	FT	Tape - Sealer - 1/8" x 3/4" - Formaseal
	004355-01-000	FT	Tape Sealer - 1/8" x 5/8" - Black
	004357-01-000	FT	Tape - Sealer - 1/8" x 5/8" - Adhesive
	002707-02-000	FT	Tape - Sealer - 5/16" x 1/2" - Black Foam
	002707-01-000	FT	Tape - Sealer - 5/16" x 3/4" - Black Foam
	041422-01-000	FT	Tape - Sealer - 1/4" x 1/2"
	004363-01-000	FT	Tape - Sealer - 3/16" x 1/2" - Foam
	004362-01-000	FT	Tape - Sealer - 1/8" x 5/8" - Foam
	009200-01-000	EA	Tape - Furnace - 1 1/2"
	041839-01-000	FT	Tape - Window - Latch - 3/4" - Adhesive
	041839-02-000	FT	Tape - Window - Latch - 1/2" - Adhesive
	004353-01-000	FT	Tape - Gasket - 1/8" x 3/4" - White
	002825-01-000	FT	Weather Stripping - Roof Vent
	002337-01-000	EA	Adhesive - 3M - 1300 Tube
	004005-01-000	GL	Adhesive - Swifts - Green - Glue (Sidewalls)
	004012-01-000	EA	Adhesive - 3M - 4475 Tube
	004020-01-000	QT	Adhesive - ABS Cement (Plastic Fittings)
	029051-01-000	EA	Adhesive - Spray Vinyl
	042401-02-000	EA	Screw - 8-18 x 3/4" SDPH Off White
	042403-02-000	EA	Screw - SF/DR - 8-18 x 1" SDPH Off White
	005058-01-000	EA	Screw - Wood - 12 - 11 x 3" P.O.H. Zinc
	041746-01-000	FT	Extr. - Vinyl - Bubble Seal - Entry Door - Jamb
	021242-01-000	FT	Extr. - Vinyl - White - Wingwall

### MISCELLANEOUS EXTERNALLY MOUNTED PARTS

Key	Part Number	U/M	Description
	017667-04-000	EA	Fuel Fill - Recessed - Single - Off White
	015587-04-000	EA	Fuel Fill - Recessed - Double - Off White
	011124-01-000	EA	Plumbing Seal - Roof Vent - 1 1/4" White
	011129-01-000	EA	Plumbing Seal - Roof Vent - 1 1/2" White
	010230-02-000	EA	Fill - City Water - Recessed - Off White
	011020-01-000	EA	Fill - Water - Recessed - Off White
	009126-01-000	EA	Handle - Assist - Metal Ext.
	049347-01-000	EA	Mirror Head - 7 1/2" x 10 1/2" Stainless Steel w/o Bracket
	049349-01-000	EA	Arm - Mirror - Brite Finish
	009101-01-000	EA	Holder - Entry Door - Male
	009101-02-000	EA	Holder - Entry Door - Female

## WINNEBAGO

### TABLE OF CONTENTS

Introduction	A-1
Abbreviations	A-1
Alphabetical Index	A-2 - A-4
1977 MWC25D	A-5 - B-12
1977 D26CRK	B-13 - C-24
1977 MWC24D	D-1 - E-8
1977 D26CRB	E-9 - F-20
1977 D26RT	F-21 - H-8
1977 MW23RB	H-7 - I-16
1977 D21	I-17 - K-6
1977 D23C	K-7 - L-18

### 1977 MW23RB INDEX

Floor Plan	H-7 - H-8
Accessories Group	H-9 - H-10
Bath Group	H-11 - H-12
Chassis Group	H-13
Curtain, Cushion & Pad Group	H-14 - H-16
Dinette Group	H-17
Driver's Compartment Group	H-18
Electrical Group	H-19 - H-20
Exterior Body Group	H-21 - H-24
Galley Group	I-1
Heating & Air Conditioning Group	I-2
Interior Finish Group	I-3 - I-4
LP Group	I-4
Lounge Group	I-5
Water & Sewage Group	I-6
Window, Vent & Exterior Door Group	I-7 - I-16

## GALLEY GROUP

Key	Part Number	U/M	Description
	011032-01-000	EA	Sink - Stainless Steel - Double w/Bolts
	011053-01-000	EA	Faucet - 8" Swing Spout
	011053-01-700	EA	Aerator - Swing Spout Faucet
	011085-01-000	EA	Strainer - Sink
	049252-01-000	EA	Countertop Asm. - Galley Cabinet - Butcher Block
	051802-02-000	EA	Breadboard
	042549-03-000	EA	Drawer Asm. - Tiltout - Hardware (Galley Cabinet) 047939-02-000 - Antique Birch
	053673-2J-000	EA	Drawer Asm. - Tiltout - Hardware (Galley Cabinet) 047939-02-700 - Antique Birch
	049236-41-000	EA	Door Asm. - Cabinet - w/o Hardware - 13" x 20 3/4" - Galley Cabinet - 047939-02-000 - Antique Birch
	053671-85-000	EA	Door Asm. - Cabinet - w/o Hardware - 13" x 20 3/4" - Galley Cabinet - 047939-02-700 - Antique Birch
	049236-42-000	EA	Door Asm. - Cabinet - w/o Hardware - 10 5/8" x 6 7/8" - Galley Cabinet - 047939-02-000 - Antique Birch
	053671-84-000	EA	Door Asm. - Cabinet - w/o Hardware - 10 5/8" x 6 7/8" - Galley Cabinet - 047939-02-700 - Antique Birch
	049236-45-000	EA	Door Asm. - Cabinet w/o Hardware - 9 1/2" x 14 1/8" (Galley Cabinet) 047939-02-000 - Antique Birch
	053671-78-000	EA	Door Asm. - Cabinet w/o Hardware - 12 3/4" x 21 1/4" (Galley Cabinet) 047939-02-700 - Antique Birch
	049134-01-000	EA	Cabinet Asm. - Galley - w/o Sink, Countertop, Drawers, Doors or Hardware - 047939-02-000 - Antique Birch
	053672-31-000	EA	Cabinet Asm. - Galley - w/o Sink, Countertop, Drawers, Doors or Hardware - 047939-02-700 - Antique Birch
	049230-09-000	EA	Drawer Asm. - 6" x 7 1/2" x 10" Deep w/o Hardware - 047939-02-000 - Antique Birch
	053671-59-000	EA	Drawer Asm. - 6" x 7 1/2" x 10" Deep w/o Hardware - 047939-02-700 Antique Birch
	049236-44-000	EA	Door Asm. - Refrigerator Cabinet - 9 11/16" x 22 3/4" - w/o Hardware - 047939-02-000 - Antique Birch
	053671-62-000	EA	Door Asm. - Refrigerator Cabinet - 9 11/16" x 22 3/4" - w/o Hardware - 047939-02-700 - Antique Birch
	049236-45-000	EA	Door Asm. - Refrigerator Cabinet - 18 1/4" x 24" - w/o Hardware - 047939-02-000 - Antique Birch
	053671-81-000	EA	Door Asm. - Refrigerator Cabinet - 18 1/4" x 24" - w/o Hardware - 047939-02-700 - Antique Birch
	049239-07-000	EA	Drawer Asm. - Refrigerator Cabinet - 7 1/2" x 23 1/4" x 20" - w/o Hardware - 047939-02-000 - Antique Birch
	053671-61-000	EA	Drawer Asm. - Refrigerator Cabinet - 7 1/2" x 23 1/4" x 20" - w/o Hardware - 047939-02-700 - Antique Birch
	050731-01-000	EA	Cabinet Asm. - Galley Overhead w/o Door or Hardware - 047939-02-000 - Antique Birch
	053671-10-700	EA	Cabinet Asm. - Galley Overhead w/o Door or Hardware - 047939-02-700 - Antique Birch
	049236-08-000	EA	Door Asm. - Overhead Galley Cabinet - 21" x 9" w/o Hardware - 047939-02-000 - Antique Birch
	053672-19-000	EA	Door Asm. - Overhead Galley Cabinet - 21" x 9" - w/o Hardware - 047939-02-700 - Antique Birch
**	049175-01-000	EA	Refrigerator - AC/Gas - ET 150 - 1 Door Model - Sibir
**	049174-01-000	EA	Refrigerator - AC/Gas - ET 230 - 2 Door Model - Sibir
**	049044-01-000	EA	Range - 4 Burner - Small Oven - Chrome - Magic Chef
**	049930-01-000	EA	Hood - Range- Jensen - Power

\*\*The illustrated parts breakdown for this item is provided on the Common Items Fiche.

## HEATING AND AIR CONDITIONING GROUP

Key	Part Number	U/M	Description
	048228-03-000	EA	Kit - Auto Air - 360 C.I.D. ARA - C-Body
	048228-01-000	EA	Kit - Auto Air - 360 C.I.D. - AMC - C-Body (Contains all parts needed to install)
	007314-01-000	EA	A/C Compressor Mount Package - 360 C.I.D. - AMC (w/o Compressor)
	040024-01-000	EA	A/C Evaporator Package - 360 C.I.D. - AMC
	049235-01-000	EA	Compressor - A/C - AMC - w/Push on Fitting
	051765-01-000	EA	Package - Compressor Mount - 360 C.I.D. - ARA
	051757-01-000	EA	Evaporator Assembly - 360 C.I.D. - ARA
	051771-01-000	EA	Condenser Assembly - 360 C.I.D. - ARA
	051770-01-000	EA	Compressor (w/o Mounting Hardware) ARA
**	049042-01-000	EA	Furnace - 22,000 BTU - Under Counter - Coleman - 4322
**	049043-01-000	EA	Furnace - 28,000 BTU - Under Counter - Coleman - 4328
	039505-02-000	EA	Thermostat - Wallmount
	009198-01-000	EA	Duct - Flexible - 4" I.D. x 25'
	023146-01-000	EA	Clamp - Screw Type - 4"
	024985-01-000	EA	Heat Register - w/Damper - 9.9" x 4.8"
	009175-01-000	EA	Heat Register - Steel - 11.5" x 3.7"
	031604-01-000	EA	Bonnet - Heat Register - 4.38" x 8.43"
	042152-01-000	EA	Bonnet - Heat Register - 4.5" x 8.44"
	009200-01-000	EA	Tape - Furnace - 1 1/2"
**	049777-01-000	EA	Air Conditioner - 110 Volt - Roof Mount - 11,000 BTU - Ivory Coleman (w/o Inside Shroud)
**	049778-01-000	EA	Shroud Asm. - Ceiling - Inside - Roof Air - Cool Only - 11,000 BTU - Coleman
**	049774-01-000	EA	Air Conditioner - 110 Volt - Roof Mount - 13,500 BTU Ivory - Coleman (w/o Inside Shroud)
**	049775-01-000	EA	Shroud Asm. - Ceiling - Inside - Roof Air Cool Only - 13,500 BTU - Coleman
**	049776-01-000	EA	Shroud Asm. - Ceiling - Inside - Roof Air - Heat and Cool Only - 13,500 BTU - Coleman

\*\*The illustrated parts breakdown for this item is provided on the Common Items Fiche.

## WINNEBAGO

### TABLE OF CONTENTS

Introduction	A-1
Abbreviations	A-1
Alphabetical Index	A-2 - A-4
1977 MWC25D	A-5 - B-12
1977 D26CRK	B-13 - C-24
1977 MWC24D	D-1 - E-8
1977 D26CRB	E-9 - F-20
1977 D26RT	F-21 - H-6
1977 MW23RB	H-7 - I-16
1977 D21	I-17 - K-6
1977 D23C	K-7 - L-18

### 1977 MW23RB INDEX

Floor Plan	H-7 - H-8
Accessories Group	H-9 - H-10
Bath Group	H-11 - H-12
Chassis Group	H-13
Curtain, Cushion & Pad Group	H-14 - H-16
Dinette Group	H-17
Driver's Compartment Group	H-18
Electrical Group	H-19 - H-20
Exterior Body Group	H-21 - H-24
Galley Group	I-1
Heating & Air Conditioning Group	I-2
Interior Finish Group	I-3 - I-4
LP Group	I-4
Lounge Group	I-5
Water & Sewage Group	I-6
Window, Vent & Exterior Door Group	I-7 - I-16

## INTERIOR FINISH GROUP

### PANELING AND COUNTERTOP MATERIALS

Key	Part Number	U/M	Description
	041205-07-000	SF	Plastic Laminate - 48" x 96" - Rust Leather (Cactus) (32 SF)
	041205-07-001	EA	Plastic Laminate - 48" x 48" - Rust Leather (Cactus)
	041205-07-002	EA	Plastic Laminate - 1.19" x 96" - Rust Leather (Cactus)
	041205-08-000	SF	Plastic Laminate - 48" x 96" - Gold Leather (Inca Gold) (32 SF)
	041205-08-001	EA	Plastic Laminate - 48" x 48" - Gold Leather (Inca Gold)
	041205-08-002	EA	Plastic Laminate - 1.19" x 96" - Gold Leather (Inca Gold)
	041205-09-000	SF	Plastic Laminate - 48" x 96" - Beige Leather (Sage) (32 SF)
	041205-09-001	EA	Plastic Laminate - 48" x 48" - Beige Leather (Sage)
	041205-09-002	EA	Plastic Laminate - 1.19" x 96" - Beige Leather (Sage)
	037682-01-000	SF	Plastic Laminate - 48" x 96" - Butcher Block (32 SF)
	037682-01-008	EA	Plastic Laminate - 48" x 48" - Butcher Block
	037682-01-009	EA	Plastic Laminate - 1.19" x 96" - Butcher Block
	049673-01-000	EA	Countertop - Formed - 96" - Butcher Block
	047033-01-000	SF	Cork - 1/8" x 12" x 24" - Sand Natural
	047939-01-000	SF	Paneling - 48" x 96" - Antique Birch (32 SF)
	047939-02-700	SF	Paneling - 48" x 96" - Antique Birch (32 SF)
	045963-01-000	SF	Paneling - 48" x 96" - 825 Buff (32 SF)

### FABRICS AND CARPETS

Key	Part Number	U/M	Description
	041210-03-000	SY	Carpet - Orange Morning Dew - Rust (Cactus)
	043635-01-000	SY	Carpet - Coffee Brown - Morning Dew - Gold (Inca Gold)
	043635-02-000	SY	Carpet - Beige - Morning Dew - Beige (Sage)
	046588-01-000	YD	Fabric - Upholstery - Rust (Cactus)
	046588-02-000	YD	Fabric - Upholstery - Gold (Inca Gold)
	046588-03-000	YD	Fabric - Upholstery - Beige (Sage)
	043619-01-000	YD	Fabric - Drapery - Rust (Cactus)
	043619-02-000	YD	Fabric - Drapery - Gold (Inca Gold)
	043619-03-000	YD	Fabric - Drapery - Beige (Sage)
	042411-01-000	YD	Vinyl - Nonexpanded - 27 Oz. - Brown
	042411-02-000	YD	Vinyl - Non Supported - 16 Gauge Film - Brown
	042411-03-000	YD	Vinyl - Expanded - 28 Oz. Brown

### CURTAIN HARDWARE

Key	Part Number	U/M	Description
	049897-01-000	EA	Rod - Curtain - Flat Extension - 25" - 45"
	049897-02-000	EA	Rod - Curtain - Flat Extension - 48" - 86"
	042439-01-000	EA	Bracket - Curtain Rod - Single
	009107-01-000	EA	Guide - Nylon Snap
	009108-01-000	FT	Track - Curtain - Brown Plastic 3/4" x 16"
	009701-01-000	EA	Roller - Curtain - "L" Rod
	009702-01-000	EA	End Stop - Curtain Track - "L" Rod
	018031-42-000	EA	Track - Curtain - "L" Rod - 90" - Alum.

### CABINETS HARDWARE

Key	Part Number	U/M	Description
	048148-01-000	EA	Drawer Pull - 5 3/8" - Early American - Black
**	049332-01-000	EA	Kit - Hinge Cabinet Door - Black
**	049333-01-000	EA	Kit - Latch - Cabinet Door - Black
	009047-01-000	EA	Support - Door (Overhead Cabinet)
	005001-02-000	EA	Screw - 5-18 x 5/8" Phil. PYR Black

\*\*The illustrated parts breakdown for this item is provided on the Common Items Fiche.

## INTERIOR FINISH GROUP (CONTINUED)

### INTERIOR MOLDINGS AND TRIM

Key	Part Number	U/M	Description
	047354-01-000	EA	Batt Strip - 96" - Buff
	047354-02-000	EA	Batt Strip - 96" - Antique Birch
	024700-06-000	EA	Cover - Sidewall Roll Bar - Ivory
	024700-07-000	EA	Cover - Sidewall Roll Bar - Birch
	034113-03-000	EA	Cover - Corner Support Bar - Dark Brown
	039512-05-000	EA	Cover - Hat Section - Antique Birch
	039512-06-000	EA	Cover - Hat Section - Ivory
	047488-01-000	EA	Cover - Corner - Hat/Hat
	047489-01-000	EA	Cover - Corner - Tube/Tube
	009767-01-000	FT	Wellting - Brown
	009778-01-000	FT	U-Channel - 1" Dark Brown - Plastic
	009779-01-000	FT	U-Channel - 1 1/8" Dark Brown - Plastic
	009812-06-000	FT	Molding - Plastic - Outside Corner - 1/2"
	009809-06-000	FT	Molding - Plastic - Outside Corner - 1"
	042357-03-000	FT	Molding - Plastic Corner - Radius - 84"
	009615-02-000	FT	T-Molding - 3/4" Brown - Plastic
	017768-01-000	FT	U-Channel - .18" Brown - Plastic

### MISCELLANEOUS INTERIOR COMPONENTS

Key	Part Number	U/M	Description
	041944-01-700	EA	Fire Extinguisher - w/Bracket - Dry Chemical
	050885-01-000	EA	Owner's Manual - Winnebago
	007038-01-000	EA	Mat - Door - Black Rubber - 10 1/2" x 26"

### LP GROUP

Key	Part Number	U/M	Description
	008820-01-000	EA	Hose Asm. - LP - 1/4" I.D. x 10'
	045703-01-000	EA	Hose Asm. - LP - 3/8" I.D. x 24'
	045703-03-000	EA	Hose Asm. - LP - 3/8" I.D. x 14'
	008812-01-000	EA	Regulator - Manual - LP Gas
	008818-01-000	EA	Tank Asm. LP 20 Lb. - Horizontal w/Hardware
	023263-01-001	EA	Tank Asm. - LP 30 Lb. - Horizontal w/Hardware
	040046-01-000	EA	Compartment - LP - Horizontal - Plastic
	010047-01-000	EA	Bracket - LP Bottle Hold Down
	047221-01-000	EA	Detector - LP Gas Leak
	047356-01-000	EA	Bracket - LP Leak Detector
	008815-01-000	EA	Regulator - Automatic - LP Gas

## WINNEBAGO

### TABLE OF CONTENTS

Introduction	A-1
Abbreviations	A-1
Alphabetical Index	A-2 - A-4
1977 MWC25(D)	A-5 - B-12
1977 D26CRK	B-13 - C-24
1977 MWC24D	D-1 - E-6
1977 D26CRB	E-9 - F-20
1977 D26RT	F-21 - H-6
1977 MW23RB	H-7 - I-16
1977 D21	I-17 - K-6
1977 D23C	K-7 - L-18

### 1977 MW23RB INDEX

Floor Plan	H-7 - H-8
Accessories Group	H-9 - H-10
Bath Group	H-11 - H-12
Chassis Group	H-13
Curtain, Cushion & Pad Group	H-14 - H-16
Dinette Group	H-17
Driver's Compartment Group	H-18
Electrical Group	H-19 - H-20
Exterior Body Group	H-21 - H-24
Galley Group	I-1
Heating & Air Conditioning Group	I-2
Interior Finish Group	I-3 - I-4
LP Group	I-4
Lounge Group	I-5
Water & Sewage Group	I-6
Window, Vent & Exterior Door Group	I-7 - I-16

## LOUNGE GROUP

Key	Part Number	U/M	Description
	041885-02-000	EA	Seat - Gaucho
	041818-01-000	EA	Slide - Gaucho
	047091-01-000	EA	Leg Asm. - Gaucho
	048218-01-000	EA	Countertop Asm. - Furnace Cabinet - Rust (Cactus)
	048218-02-000	EA	Countertop Asm. - Furnace Cabinet - Gold (Inca Gold)
	048218-03-000	EA	Countertop Asm. - Furnace Cabinet - Beige (Sage)
	050730-01-000	EA	Cabinet Asm. - Gaucho Overhead - w/o Doors or Hardware
	048236-43-000	EA	Door Asm. - Cabinet - w/o Hardware - 047939-02-000 - Antique Birch
	053671-83-000	EA	Door Asm. - Cabinet - w/o Hardware - 047939-02-700 - Antique Birch
	049236-24-000	EA	Door Asm. - Overhead Cabinet - 9" x 26" w/o Hardware - 047939-02-000 - Antique Birch
	053672-03-000	EA	Door Asm. - Overhead Cabinet - 9" x 26" w/o Hardware - 047939-02-700 - Antique Birch
	049143-01-000	EA	Cabinet Asm. - Furnace - 22,000 BTU - w/o Doors, Countertop or Hardware - 047939-02-000 - Antique Birch
	053672-30-000	EA	Cabinet Asm. - Furnace - 22,000 BTU - w/o Doors, Countertop or Hardware - 047939-02-700 - Antique Birch
	049143-02-000	EA	Cabinet Asm. - Furnace - 28,000 BTU - w/o Doors, Countertop or Hardware - 047939-02-000 - Antique Birch
	053672-29-000	EA	Cabinet Asm. - Furnace - 28,000 BTU - w/o Doors, Countertop or Hardware - 047939-02-700 - Antique Birch

## WATER AND SEWAGE GROUP

### PLUMBING AND REPAIR PARTS

Key	Part Number	U/M	Description
**	040538-01-000	EA	Kit - Repair - 3/8" O.D. - Plastic Tube
**	040540-01-000	EA	Kit - Repair - 1/2" O.D. - Plastic Tube
**	040541-01-000	EA	Kit - Repair - 5/8" O.D. - Plastic Tube
**	039818-01-000	EA	Riser Asm. - 3/8" O.D. x 24" - Tube
**	039818-02-000	EA	Riser Asm. - 3/8" O.D. x 36" - Tube
**	041279-02-000	EA	Pump - Water Flow 2.8 G.P.M. - PAR
**	039647-02-000	EA	Filter - Water Pump - 1/2" MPT
**	041810-01-000	EA	Nut and Cone - Plastic 1/2 O.D. Tube
**	004020-01-000	QT	Adhesive - ABS Cement
**	010153-01-000	EA	Ring - Closet - Plastic - 4" F x 3" MPT
**	010201-01-000	EA	Hose - Sewer 3" x 10' w/Clamp
**	010235-01-000	EA	Cap - Sewage 3"
**	010236-01-000	EA	Adaptor - Hose 3"
**	011091-01-000	EA	Waste - Continuous Double Sink - 11 7/8"
**	010210-01-000	EA	Valve - Sanitary - Thetford 3HB
**	010234-01-000	EA	Adaptor - Bayonet
**	011066-01-000	EA	Trap - P-Plastic 1 1/4"

\*\*The illustrated parts breakdown for this item is provided on the Common Items Fiche.

### HOLDING TANKS AND WATER HEATERS

Key	Part Number	U/M	Description
	045196-03-000	EA	Tank Asm. - Plastic Water - 26 Gallon - w/Fittings
	045196-01-000	EA	Tank - Plastic Water - 26 Gallon - w/o Fittings
**	046524-02-000	EA	Kit - Fittings - Plastic Water Tank
**	036276-02-000	EA	Tank Asm. - Holding with Fittings - 8 Gallon
**	036276-01-000	EA	Tank - Holding - Plastic - 8 Gallon Base - w/o Fittings
**	043865-02-000	EA	Tank Asm. - Holding with Fittings - 21 Gallon
**	043865-01-000	EA	Tank - Holding - Plastic - 21 Gallon Base - w/o Fittings
**	046524-01-000	EA	Kit - Fittings - Plastic - for Holding Tank
**	051391-01-000	EA	Water Heater - w/o Outside Access Door (G6A3)
**	031952-01-000	EA	Water Heater - w/o Outside Access Door (G6A2)

\*\*The illustrated parts breakdown for this item is provided on the Common Items Fiche.

## WINNEBAGO

### TABLE OF CONTENTS

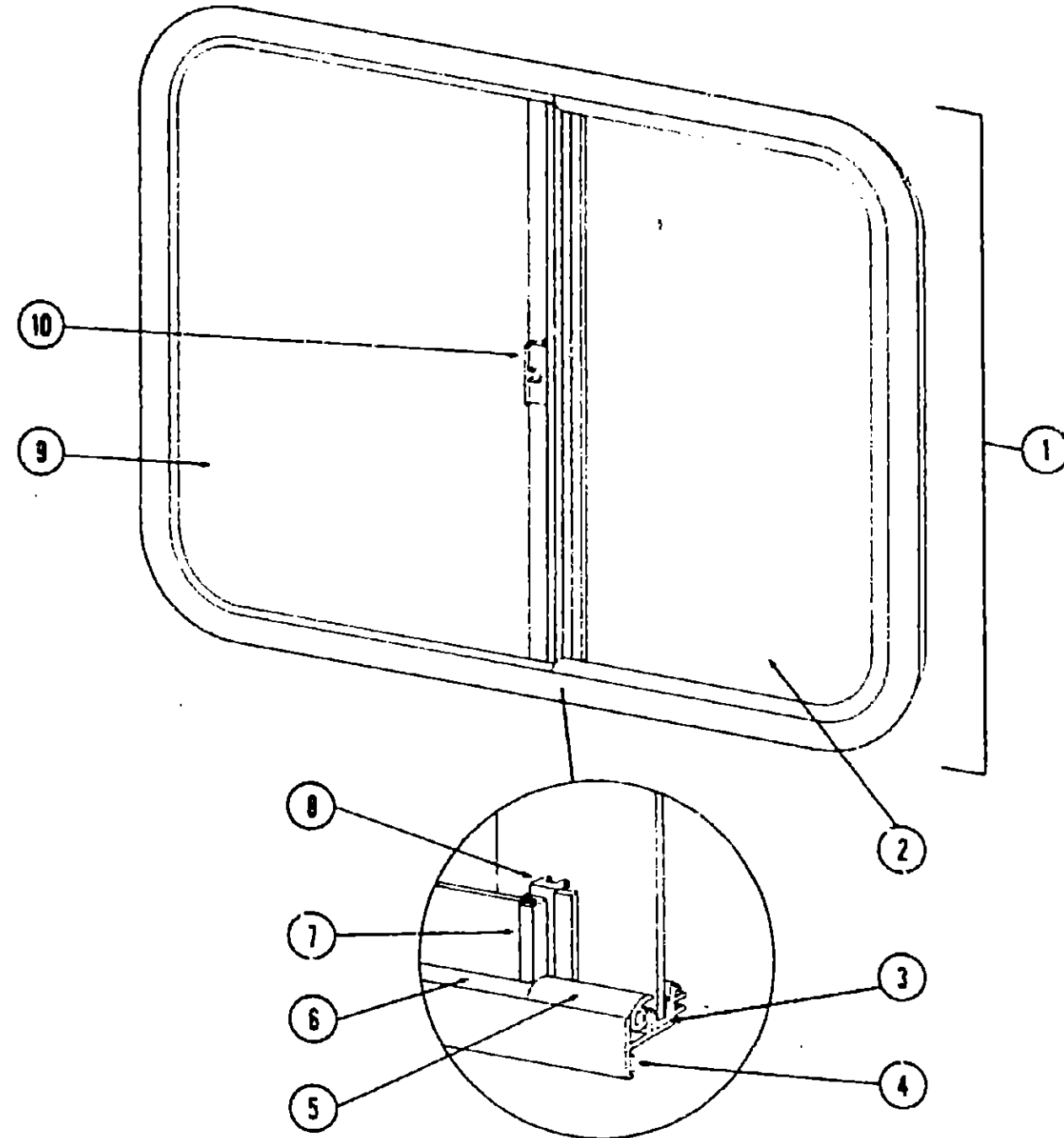
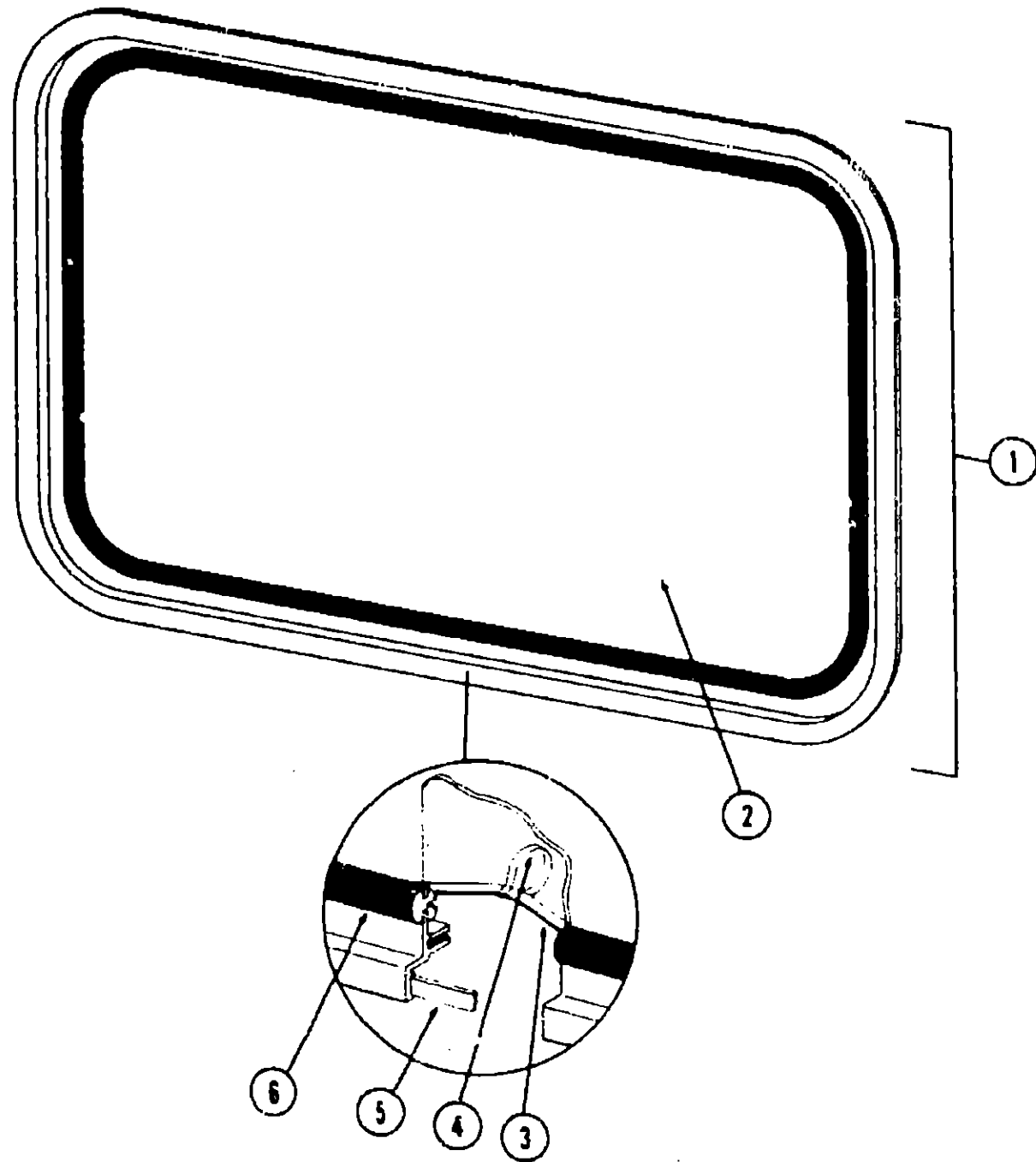
Introduction	A-1
Abbreviations	A-1
Alphabetical Index	A-2 - A-4
1977 MWC25D	A-5 - B-12
1977 D26CRK	B-13 - C-24
1977 MWC24D	D-1 - E-8
1977 D26CRB	E-9 - F-20
1977 D26RT	F-21 - H-6
1977 MW23RB	H-7 - I-16
1977 D21	I-17 - K-6
1977 D23C	K-7 - L-18

### 1977 MW23RB INDEX

Floor Plan	H-7 - H-8
Accessories Group	H-9 - H-10
Bath Group	H-11 - H-12
Chassis Group	H-13
Curtain, Cushion & Pad Group	H-14 - H-16
Dinette Group	H-17
Driver's Compartment Group	H-18
Electrical Group	H-19 - H-20
Exterior Body Group	H-21 - H-24
Galley Group	I-1
Heating & Air Conditioning Group	I-2
Interior Finish Group	I-3 - I-4
LP Group	I-4
Lounge Group	I-5
Water & Sewage Group	I-6
Window, Vent & Exterior Door Group	I-7 - I-16

**WINDOW, VENT AND EXTERIOR DOOR GROUP**

**WINDOW, VENT AND EXTERIOR DOOR GROUP (CONTINUED)**



Key	Part Number	U/M	Description
1	042859-02-000	EA	Window Asm. - Rear Escape - 23" x 36" (w/o Inside Frame)
2	041392-01-000	EA	Glass 1/8" x 19.51" x 33.25"
3	002285-01-000	EA	Filler - Weatherstrip - Black
4	020395-01-000	EA	Slip - Pull Ring - Escape Window
5	004353-01-000	FT	Tape - Foam - 3/16" x 1/2" - Gray
6	002282-01-000	FT	Weatherstrip - .125" Black
*	042047-01-000	EA	Frame - Window - Inside Escape - 23" x 36" (Not included in Assembly)
*	008199-01-000	EA	Label - Exit - Escape Window

\* Not Illustrated

Key	Part Number	U/M	Description
1	048931-06-000	EA	Window Asm. - Left - Single Slider - 23" x 29" - Clear Anod. (w/o Inside Frame)
2	047813-01-000	EA	Glass - 1/8" x 22" x 13.68" - Sliding
3	002324-01-000	FT	Channel - Weatherstrip - Glass Run - 1/8" Glass
4	004363-01-000	FT	Tape - Foam - 3/16" x 1/2" - Gray
5	024096-01-000	FT	Seal - Window Channel - Gray
6	002309-01-000	FT	Spline - Glass - 1/8" - Gray
7	018025-01-000	EA	Holder - Glass Seal - Anod.
8	041894-01-000	EA	Mullion - Slider Window - 23" - Clear Anod.
9	002184-01-000	EA	Glass - Tempered Sheet - Stationary
10	047389-01-000	EA	Latch - Window - Plastic
*	049287-01-000	EA	Washer - Nylon - .62" x .140" I.D.
*	049288-01-000	EA	Screw - Machine - 6-32 x 5/16" - HW11 - Black
*	042147-07-000	EA	Frame - Inside - Single Slider Window - Left - 23" x 29" (not included in assembly)
*	023713-01-000	EA	Cover - Plastic Weephole - White
*	002298-01-000	FT	Spline - Gray - .130" Dia. (Screen)
*	002293-01-000	SF	Screen - Window - 26" - Gray

\* Not Illustrated

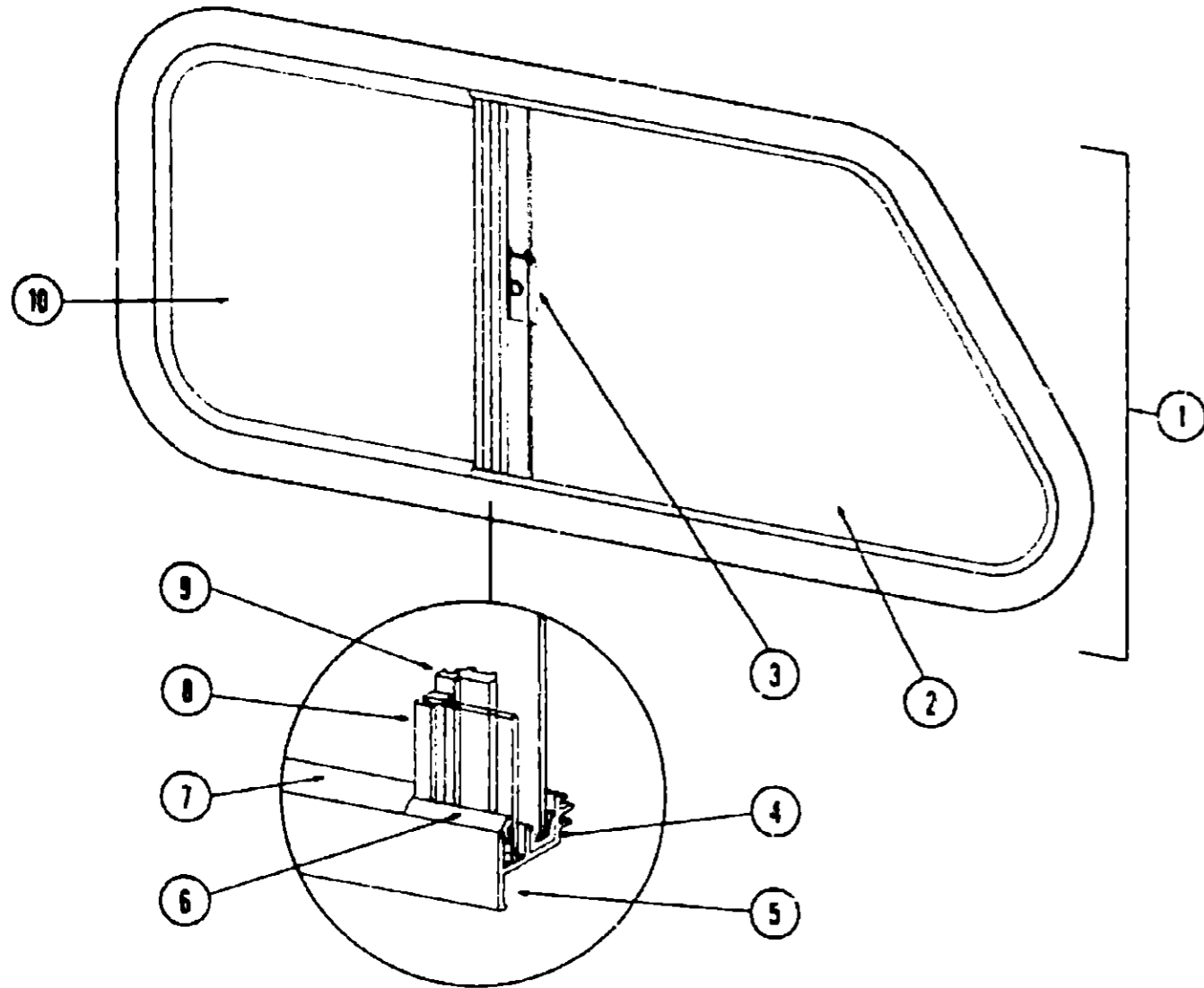
**WINNEBAGO  
TABLE OF CONTENTS**

Introduction	A-1
Abbreviations	A-1
Alphabetical Index	A-2 - A-4
1977 MWC25D	A-5 - B-12
1977 D26CRK	B-13 - C-24
1977 MWC24D	D-1 - E-8
1977 D26CRB	E-9 - F-20
1977 D26RT	F-21 - H-6
1977 MW23RB	H-7 - I-16
1977 D21	I-17 - K-6
1977 D23C	K-7 - L-18

**1977 MW23RB INDEX**

Floor Plan	H-7 - H-8
Accessories Group	H-9 - H-10
Bath Group	H-11 - H-12
Chassis Group	H-13
Curtain, Cushion & Pad Group	H-14 - H-16
Dinette Group	H-17
Driver's Compartment Group	H-18
Electrical Group	H-19 - H-20
Exterior Body Group	H-21 - H-24
Galley Group	I-1
Heating & Air Conditioning Group	I-2
Interior Finish Group	I-3 - I-4
LP Group	I-4
Lounge Group	I-5
Water & Sewage Group	I-6
Window, Vent & Exterior Door Group	I-7 - I-16

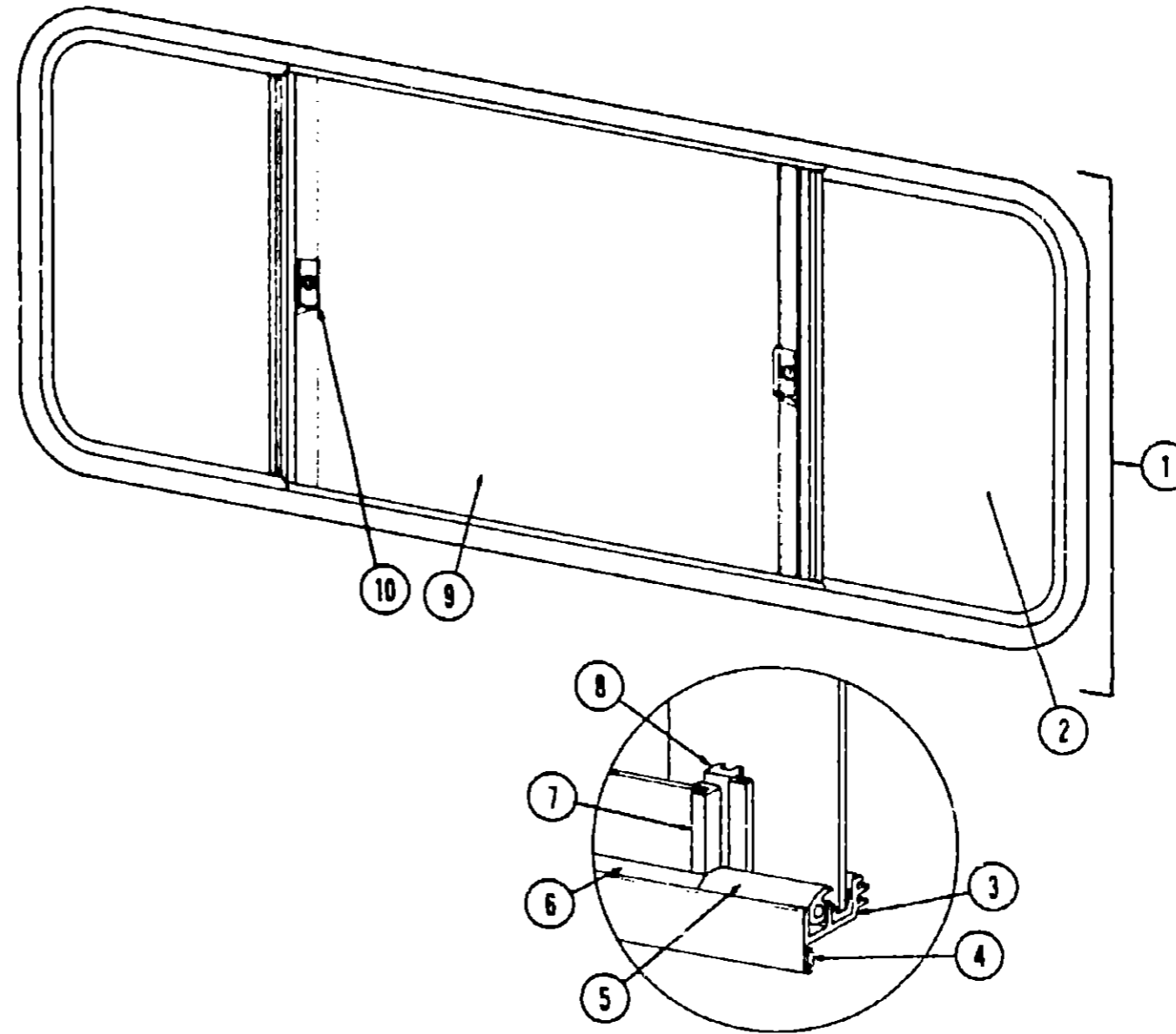
**WINDOW, VENT AND EXTERIOR DOOR GROUP (CONTINUED)**



Key	Part Number	U/M	Description
1	048632-01-000	EA	Window Asm. - Bunk - Slanted Slider - Right (w/o Inside Frame)
	048632-02-000	EA	Window Asm. - Bunk - Slanted Slider - Left (w/o Inside Frame)
2	040919-01-000	Ea	Glass - 1/8" x 11.98" x 19.42" - Gray - Stationary
3	047369-01-000	EA	Latch - Window - Plastic
	049287-01-000	EA	Washer - Nylon - .62" x .140" I.D.
	049288-01-000	EA	Screw - Machine - 6-32 x 5/16" HWH - Black
4	002324-01-000	FT	Channel - Weatherstrip - Glass Run - 1/8" Glass
5	004363-01-000	FT	Tape - Foam - 3/16" x 1/2" - Gray
6	002309-01-000	FT	Spline - Glass - 1/8" - Gray
7	023096-01-000	FT	Seal - Window - Channel - Gray
8	002390-02-001	EA	Holder - Glass Seal - Extr. - Anod.
9	041894-10-000	EA	Mullion - 13" - Clear Anod.
10	047815-01-000	EA	Glass - 1/8" x 11.98" x 11.81" - Gray - Sliding
	040916-03-000	EA	Frame - Window - Inside - Bunk Slant (Not Included in Assembly)
	023713-01-000	EA	Cover - Weephole - White
	002298-01-000	FT	Spline - Gray - .130" Dia. (Screen)
	002292-01-000	SF	Screen - Window - 20" - Gray

\* Not Illustrated

**WINDOW, VENT AND EXTERIOR DOOR GROUP (CONTINUED)**



Key	Part Number	U/M	Description
1	048630-03-000	EA	Window Asm. - Double - Slider - 23" x 65" - Clear Anod. (w/o Inside Frame)
2	047823-01-000	EA	Glass - 1/8" x 22" x 21.03" - Sliding (2 per window)
3	002324-01-000	FT	Channel - Weatherstrip - Glass Run - 1/8" Glass
4	004363-01-000	FT	Tape - Foam - 3/16" x 1/2" - Gray
5	024096-01-000	FT	Seal - Window Channel - Gray
6	002309-01-000	FT	Spline - Glass - 1/8" - Gray
7	018025-01-000	EA	Holder - Glass Seal - Anod.
8	041894-01-000	EA	Mullion - Slider Window - 23" - Clear Anod.
9	002188-01-000	EA	Glass - 1/8" x 22" x 25.5" - Stationary
10	047369-01-000	EA	Latch - Window - Plastic
	049287-01-000	EA	Washer - Nylon - .62" x .140" I.D.
	049288-01-000	EA	Screw - Machine - 6-32 x 5/16" - HWH - Black
	042133-06-000	EA	Frame - Inside - Double Slider Window (not included in assembly)
	002298-01-000	FT	Spline - Gray - .130" Dia. - (Screen)
	002293-01-000	SF	Screen - Window - 26" - Gray
	023713-01-000	EA	Cover - Plastic - Weephole - White

\* Not Illustrated

**WINNEBAGO**

**TABLE OF CONTENTS**

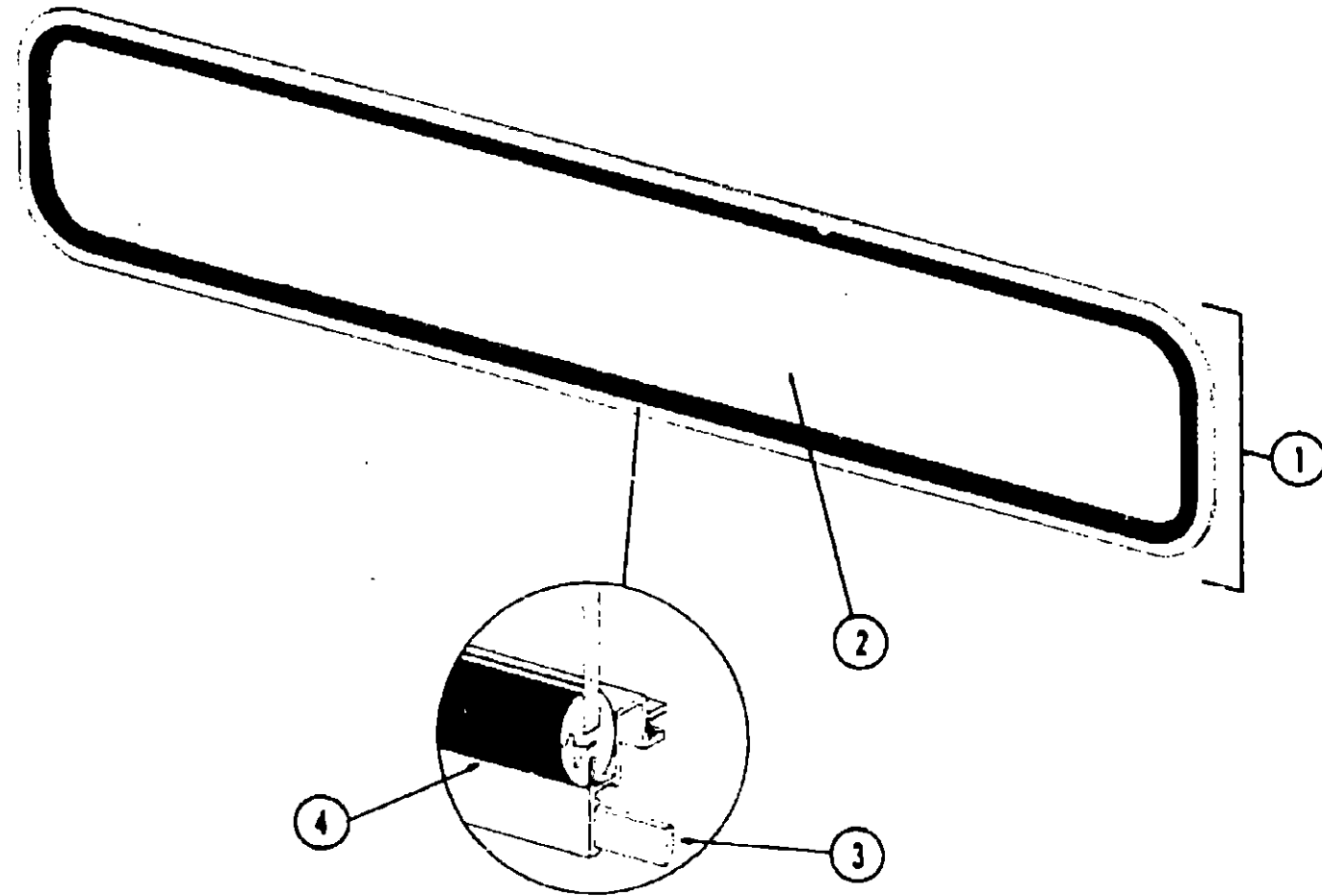
Introduction	A-1
Abbreviations	A-1
Alphabetical Index	A-2 - A-4
1977 MWC25D	A-5 - B-12
1977 D26CRK	B-13 - C-24
1977 MWC74D	D-1 - E-8
1977 D26CRK	E-9 - F-20
1977 D26RT	F-21 - H-6
1977 MW23RB	H-7 - I-16
1977 D21	I-17 - K-6
1977 D23C	K-7 - L-18

**1977 MW23RB INDEX**

Floor Plan	H-7 - H-8
Accessories Group	H-9 - H-10
Bath Group	H-11 - H-12
Chassis Group	H-13
Curtain, Cushion & Pad Group	H-14 - H-16
Dinette Group	H-17
Driver's Compartment Group	H-18
Electrical Group	H-19 - H-20
Exterior Body Group	H-21 - H-24
Galley Group	I-1
Heating & Air Conditioning Group	I-2
Interior Finish Group	I-3 - I-4
LP Group	I-4
Lounge Group	I-5
Water & Sewage Group	I-6
Window, Vent & Exterior Door Group	I-7 - I-16

**WINDOW, VENT AND EXTERIOR DOOR GROUP (CONTINUED)**

**WINDOW, VENT AND EXTERIOR DOOR GROUP (CONTINUED)**



Key	Part Number	U/M	Description
1	041936-02-000	EA	Window Asm. - Front Picture - 14" x 89" (w/o Inside Frame)
2	002200-02-000	EA	Glass - TP - Picture Window
3	004363-01-000	FT	Tape - Sealer - 3/16" x 1/2" Foam
4	002281-01-000	FT	Weatherstrip - Self Seal - .06" Panel x 3/16" Black
*	037845-01-000	FT	Tape - Butyl - Window - 3/16" - Bead Black
*	041938-01-000	EA	Frame - Inside - Picture Window (not included in assembly)

\* Not Illustrated

**ACCESS DOOR**

Key	Part Number	U/M	Description
	003182-03-000	EA	Door - Water Heater Access - Off White
	047349-03-000	EA	Door Asm. - Refrigerator Access - Off White
	039884-01-000	EA	Lock Asm. - Twist Type w/Clip
	022583-07-000	EA	Door Asm. - LP - White
	039884-01-000	EA	Lock Asm. - Twist Type w/Clip
	042584-02-000	EA	Door Asm. - Luggage - 17.19" x 22.98" - White
	047305-01-000	EA	Lock Asm. - Key Type w/Clip
	018945-02-000	EA	Holder - Battery and Luggage Door - Open
	042585-01-000	EA	Door Asm. - Generator - Off White - w/Louvers
	051793-01-000	EA	Door Asm. - Generator - w/Mesh Grille
	039884-01-000	EA	Lock Asm. - Twist Type w/Clip
	044210-01-000	EA	Door Asm. - Power Cord - Off White
	043942-01-000	EA	Latch - Quarter Turn - White - Plastic
	033333-20-000	EA	Door Asm. - Battery - 47.16" x 6.44" - White

**VENTS**

Key	Part Number	U/M	Description
	009407-01-000	EA	Frame - Base - Refrigerator - Vent (w/o Cover)
	039778-01-000	EA	Cover - Roof Vent - Plastic
	049352-01-000	EA	Vent - Stovehood - Outside - White
	003212-02-000	EA	Vent - Stovehood - Outside - Nonpower (Strawline)

**WINNEBAGO**

**TABLE OF CONTENTS**

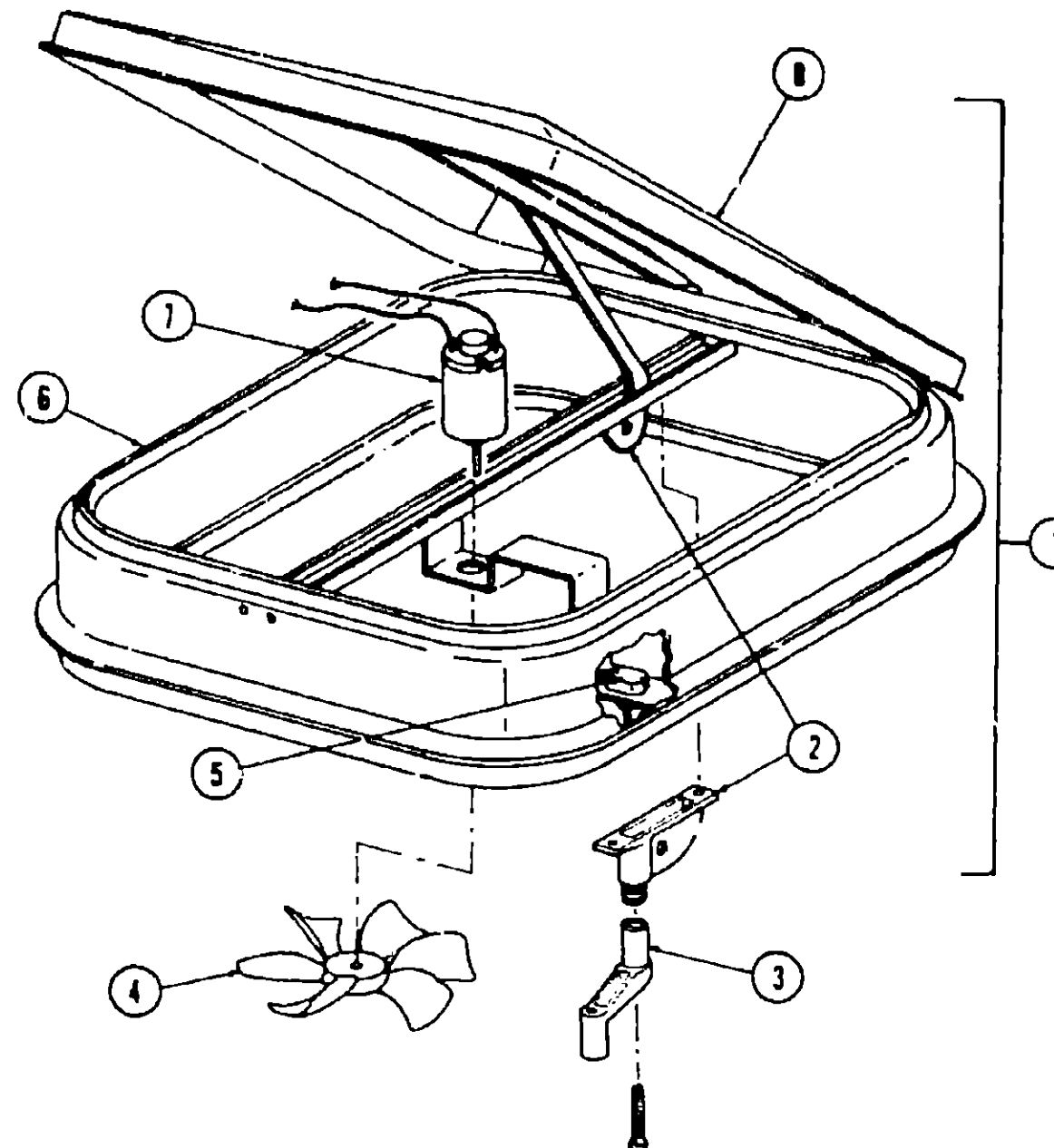
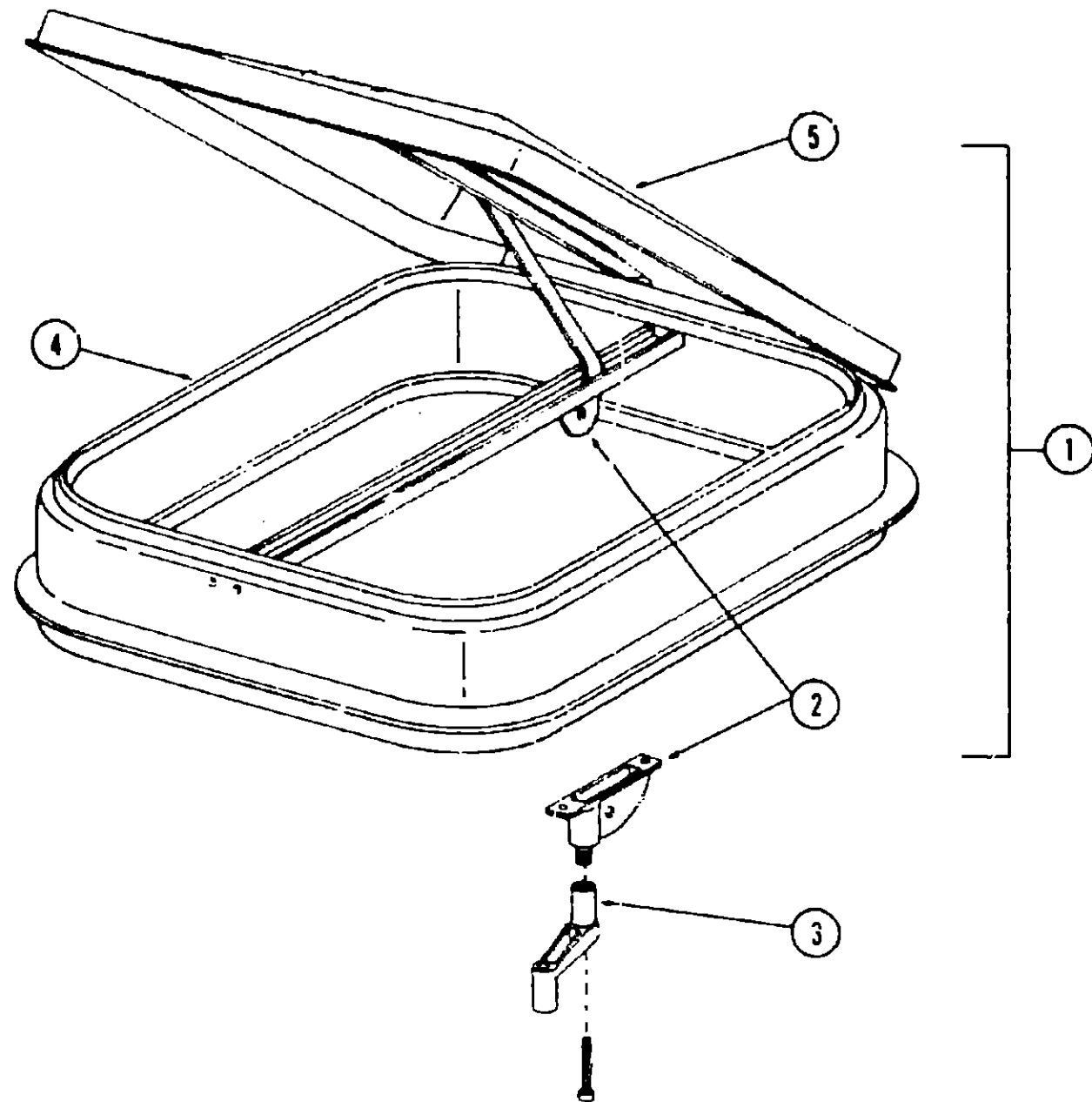
Introduction	A-1
Abbreviations	A-1
Alphabetical Index	A-2 - A-4
1977 MWC25D	A-5 - B-12
1977 D26CRK	B-13 - C-24
1977 MWC24D	D-1 - E-8
1977 D26CRB	E-9 - F-20
1977 D26RT	F-21 - H-6
1977 MW23RB	H-7 - I-16
1977 D21	I-17 - K-6
1977 D23C	K-7 - L-18

**1977 MW23RB INDEX**

Floor Plan	H-7 - H-8
Accessories Group	H-9 - H-10
Bath Group	H-11 - H-12
Chassis Group	H-13
Curtain, Cushion & Pad Group	H-14 - H-16
Dinette Group	H-17
Driver's Compartment Group	H-18
Electrical Group	H-19 - H-20
Exterior Body Group	H-21 - H-24
Galley Group	I-1
Heating & Air Conditioning Group	I-2
Interior Finish Group	I-3 - I-4
LP Group	I-4
Lounge Group	I-5
Water & Sewage Group	I-6
Window, Vent & Exterior Door Group	I-7 - I-16

**WINDOW, VENT AND EXTERIOR DOOR GROUP (CONTINUED)**

**WINDOW, VENT AND EXTERIOR DOOR GROUP (CONTINUED)**



Key	Part Number	U/M	Description
1	048835-01-000	EA	Vent Asm. - Roof - Nonpowered (w/o Screen)
2	009440-01-000	EA	Gear - Arm - Roof Vent
3	009439-01-000	EA	Crank - Roof Vent
4	002825-01-000	FT	Weatherstrip - Roof Vent
5	046825-01-000	EA	Cover - Plastic - Roof Vent
	018335-01-000	EA	Screen Asm. - Non Powered Roof Vent - Clear Anod. (not included in assembly)
	018335-03-000	EA	Screen Asm. - Non Powered Roof Vent - Beige (not included in assembly)

\* Not Illustrated

Key	Part Number	U/M	Description
1	048789-01-000	EA	Vent Asm. Roof - Powered (w/o Screens)
2	009440-01-000	EA	Gear - Arm - Roof Vent
3	009439-01-000	EA	Crank - Roof Vent
4	048648-01-000	EA	Fan - Blade - 6" Plastic
5	009195-01-000	EA	Switch - Push Button - 12 Volt
6	002825-01-000	FT	Weatherstrip - Roof Vent
7	048648-01-000	EA	Motor - 12 Volt
8	046825-01-000	EA	Cover - Plastic - Roof Vent
	048695-01-000	EA	Screen Asm. - Powered Roof Vent - Clear Anod. (not included in assembly)
	048695-03-000	EA	Screen Asm. - Powered Roof Vent - Beige (not included in assembly)

\* Not Illustrated

**WINNEBAGO  
TABLE OF CONTENTS**

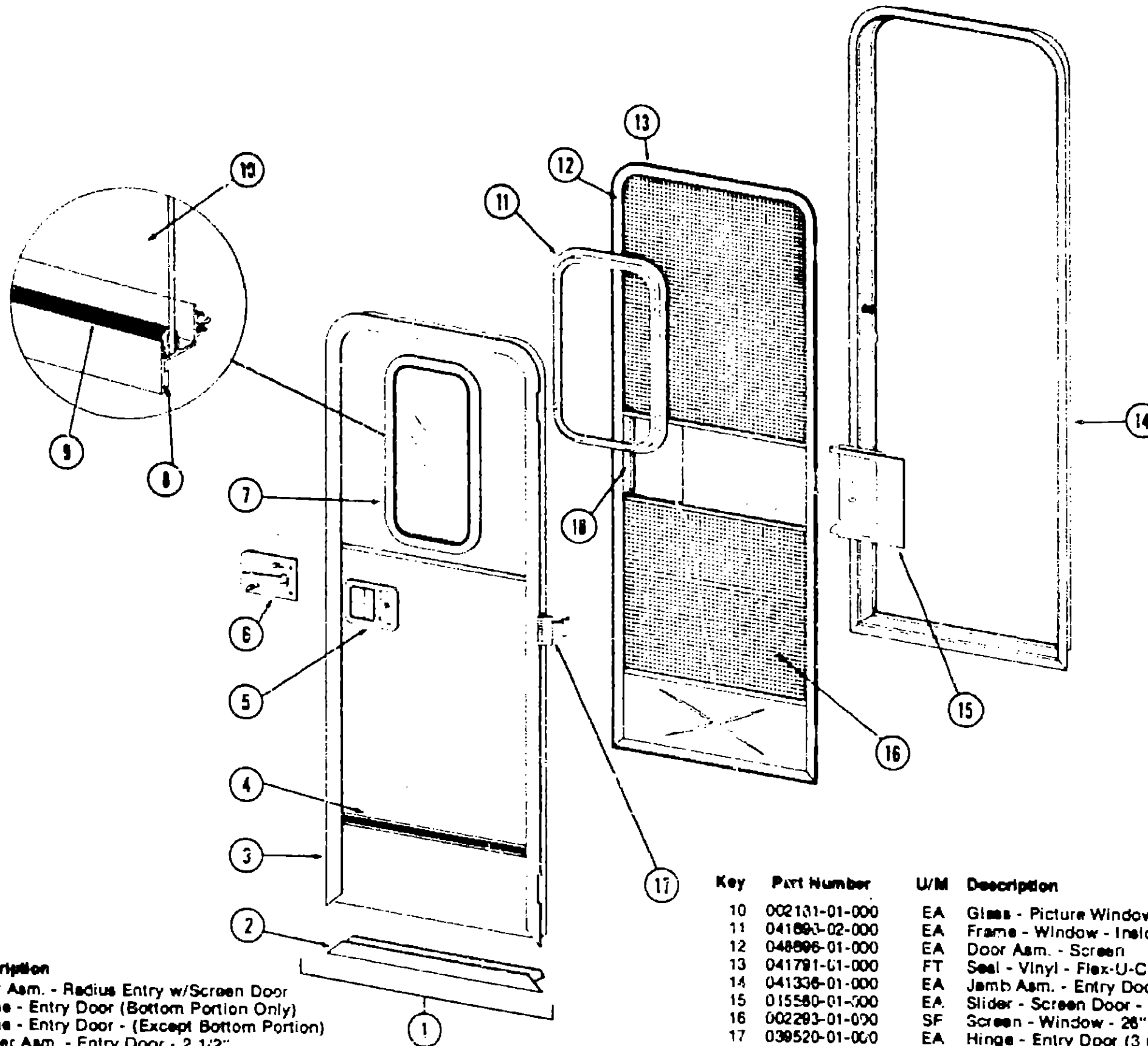
Introduction	A-1
Abbreviations	A-1
Alphabetical Index	A-2 - A-4
1977 MF/D25D	A-5 - B-12
1977 D26CRK	B-13 - C-24
1977 MWC24D	D-1 - E-8
1977 D26CRB	E-9 - F-20
1977 D26RT	F-21 - H-8
1977 MW23RB	H-7 - I-16
1977 D21	I-17 - K-6
1977 D23C	K-7 - L-18

**1977 MW23RB INDEX**

Floor Plan	H-7 - H-8
Accessories Group	H-9 - H-10
Bath Group	H-11 - H-12
Chassis Group	H-13
Curtain, Cushion & Pad Group	H-14 - H-16
Dinette Group	H-17
Driver's Compartment Group	H-18
Electrical Group	H-19 - H-20
Exterior Body Group	H-21 - H-24
Galley Group	I-1
Heating & Air Conditioning Group	I-2
Interior Finish Group	I-3 - I-4
LP Group	I-5
Lounge Group	I-6
Water & Sewage Group	I-7
Window, Vent & Exterior Door Group	I-7 - I-16



# WINDOW, VENT AND EXTERIOR DOOR GROUP (CONTINUED)



Key	Part Number	U/M	Description
1	050096-06-000	EA	Door Asm. - Radius Entry w/Screen Door
2	039737-01-000	EA	Frame - Entry Door (Bottom Portion Only)
3	039738-01-000	EA	Frame - Entry Door - (Except Bottom Portion)
4	039874-02-000	EA	Holder Asm. - Entry Door - 2 1/2"
5	052186-01-000	EA	Lock Asm. - Radius Entry Door - Lynor
	045017-01-700	EA	Lock Cylinder w/Keys - Lynor
	039541-01-000	EA	Lock Cylinder w/Keys - Atwood
	039539-01-000	EA	Striker - Entry Door Lock
6	039979-01-000	EA	Plate - Lock - Interior - Including Inside Handle
7	041875-01-000	EA	Window Asm. - Picture - 15" x 23" Clear Anod. (Inside frame not included in assembly)
8	004383-01-000	FT	Tape - Foam - 3/16" x 1/2" - Gray
9	002309-01-000	FT	Spline - Glass - 1/8" - Gray

Key	Part Number	U/M	Description
10	002131-01-000	EA	Glass - Picture Window - 1/5" x 12" x 22" - Gray
11	041893-02-000	EA	Frame - Window - Inside - 13" x 23" - Brown
12	048896-01-000	EA	Door Asm. - Screen
13	041791-01-000	FT	Seal - Vinyl - Flex-U-Channel - Brown
14	041336-01-000	EA	Jamb Asm. - Entry Door
15	015580-01-500	EA	Slider - Screen Door - Brown Plastic
16	002293-01-000	SF	Screen - Window - 26" - Gray
17	039520-01-000	EA	Hinge - Entry Door (3 used per door)
18	015581-01-000	EA	Cap - Screen Door - Brown Plastic
	049176-01-000	EA	Hedlok II - 3/4" Diameter - Screw Mount (Retains Screen Door to Entry Door)
	048797-01-000	EA	Hedlok II - 1" Diameter - Screw Mount (Retains Screen Door to Entry Door)
	018019-01-000	EA	Striker - Screen Door
	039863-01-000	EA	Catch Asm. - Single Roller w/Strike - Screen Door
	039740-01-000	FT	Seal - Jamb - Entry Door
	039800-03-000	FT	Tubing - Polybutyl - 3/8" O.D. - Jamb

\* Not Illustrated

## WINNEBAGO TABLE OF CONTENTS

Introduction	A-1
Abbreviations	A-1
Alphabetical Index	A-2 - A-4
1977 MWC25D	A-5 - B-12
1977 D26CRK	B-13 - C-24
1977 MWC24D	D-1 - E-8
1977 D26CRB	E-9 - F-20
1977 D26RT	F-21 - H-8
1977 MW23RB	H-7 - I-16
1977 D21	I-17 - K-6
1977 D23C	K-7 - L-18

## 1977 MW23RE INDEX

Floor Plan	H-7 - H-8
Accessories Group	H-9 - H-10
Bath Group	H-11 - H-12
Chassis Group	H-13
Curtain, Cushion & Pad Group	H-14 - H-16
Dinette Group	H-17
Driver's Compartment Group	H-18
Electrical Group	H-19 - H-20
Exterior Body Group	H-21 - H-24
Galley Group	I-1
Heating & Air Conditioning Group	I-2
Interior Finish Group	I-3 - I-4
LP Group	I-4
Lounge Group	I-5
Water & Sewage Group	I-6
Window, Vent & Exterior Door Group	I-7 - I-16