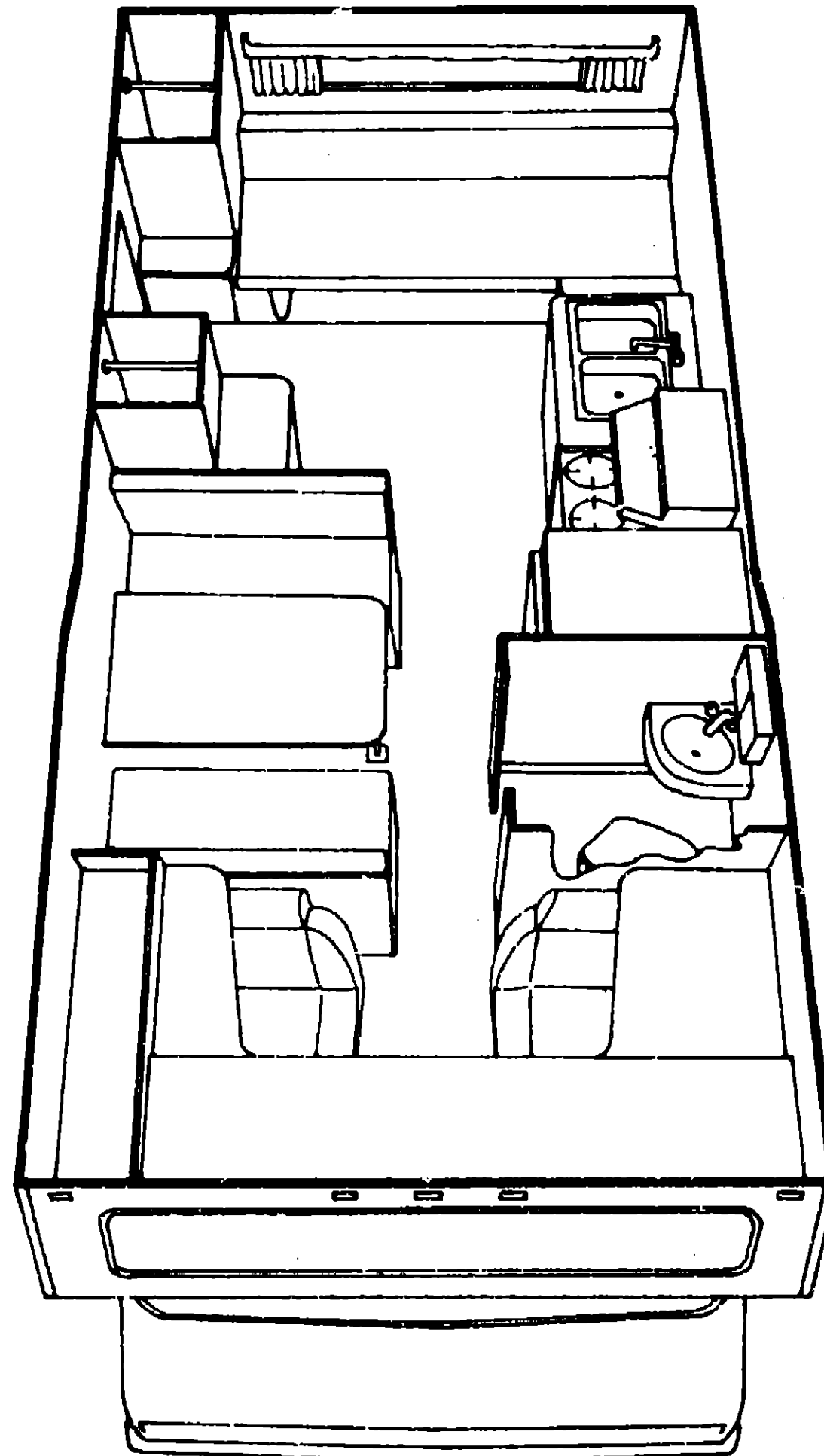


# 1977 MW20RG



### IMPORTANT

Two varieties of Antique Birch paneling were used for cabinetry in this unit. Therefore it is necessary to determine which variety was used before ordering replacement cabinetry. Refer to the Color Material Guide to aid in making the selection.

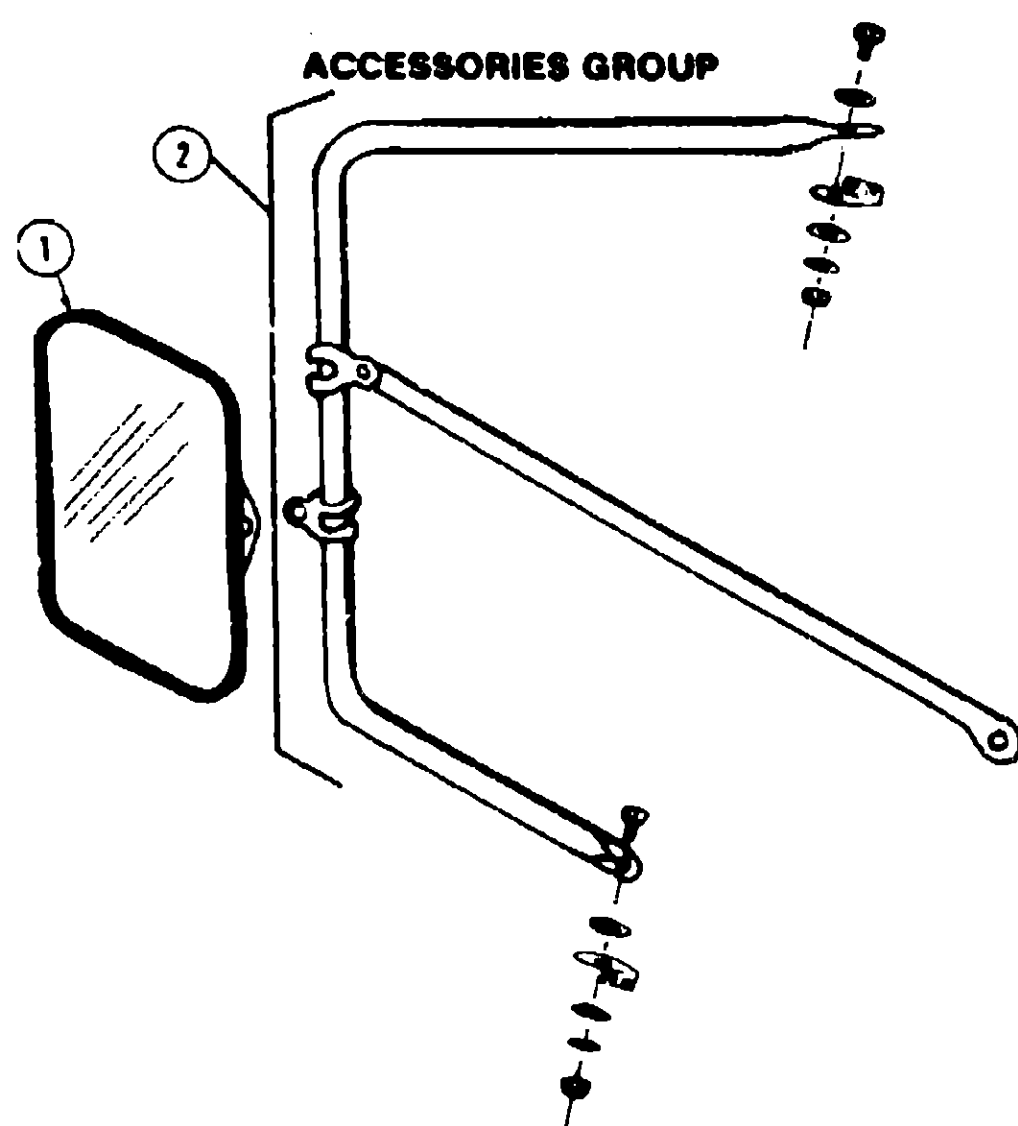
### 1977 WINNEBAGO TABLE OF CONTENTS

D27MI	A-1 - B-10
MW20RG	B-11 - C-16
D27S	C-17 - D-22
D23MI	D-23 - F-8
D23S	F-9 - G-14
MWC25	G-15 - I-2
D27DRK	I-3 - J-14
D29D	J-15 - L-2

### 1977 MW20RG INDEX

Floor Plan	B-11 - B-12
Accessories Group	B-13 - B-14
Bath Group	B-14
Chassis Group	B-15
Curtain, Cushion & Pad Group	B-15 - B-18
Dinette Group	B-19
Driver's Compartment Group	B-19
Electrical Group	B-20 - B-21
Exterior Body Group	B-22 - B-24
	C-1
Galley Group	C-2
Heating & Air Conditioning Group	C-2
Interior Finish Group	C-3 - C-4
LP Group	C-5
Lounge Group	C-6
Water & Sewage Group	C-7
Window, Vent & Exterior Door Group	C-8 - C-16

### ACCESSORIES GROUP



Key	Part Number	U/M	Description
1	049347-01-000	EA	Mirror Head - 7 1/2" x 10 1/2" - Stainless Steel
2	048349-01-000	EA	Arm - West Coast Mirror - Stainless Steel

### MISCELLANEOUS ACCESSORIES

Key	Part Number	U/M	Description
	050885-01-000	EA	Owner's Manual - Winnebago
	017516-01-000	EA	Mudflap - Black - 14" x 18" w/Holes
	006069-01-000	EA	Case - Leather Key - Motor Home
	007038-01-000	EA	Mat - Door - Black Rubber 10 1/2" x 26"
	005053-01-000	EA	Antenna - TV - Braund Delux
	006093-01-000	EA	Jack - TV - Brown (Antenna)
**	039686-01-000	EA	Ladder Asm w/Luggage Rack - Round
**	038686-02-000	EA	Ladder Only - For Rack and Ladder Asm
	006113-01-000	EA	Jack - Hydraulic 5 Ton
	011944-01-700	EA	Fire Extinguisher
	040466-07-000	EA	Cover - Spare Tire - No "W" - 29"
	039773-01-000	EA	Cap - 4" Square - Rear Bumper - Rubber
**	007298-01-000	EA	Speed Control Package - 360 CID Dodge C Body
**	031396-03-000	EA	Wheel Cover - 16 5" - Chrome

\*\*The illustrated parts breakdown for this item is provided on the Common Items Fiche.

### ACCESSORIES GROUP (CONTINUED)

#### RADIOS AND RELATED COMPONENTS

Key	Part Number	U/M	Description
	007004-01-000	EA	Antenna - Radio - Cab Mount
	039879-01-000	EA	Kit - Radio Speaker - 5 1/4" w/Cover
	049730-01-000	EA	Radio - AM - w/Fader - Clarion
	049731-01-000	EA	Radio - AM/FM/MPX - w/Fader - Clarion
	049732-01-000	EA	Radio - AM/FM/MPX 8 Track - w/Fader - Clarion
	050751-01-000	EA	Plate - Fader Switch/Mic Mounting
	050465-01-000	EA	Bezel - Entertainment Center Number 1 - (Radio Only)
	050466-01-000	EA	Bezel - Entertainment Center Number 2 - (Radio and Clock)

#### GENERATORS AND INSTALLATION HARDWARE

Key	Part Number	U/M	Description
	048178-01-000	EA	Generator - 2700 Watt Onan
	701629-02-000	EA	Onan Installation Package
	701629-01-000	EA	Kohler Installation Package
	049360-02-000	EA	Overhead Console
	050015-01-000	EA	Bracket Overhead Console
	023586-01-000	EA	Scoop - Generator - Air
**	040504-01-000	EA	Generator - 2.5 kw - Kohler
**	051908-01-000	EA	Generator - 3.5 kw - Kohler

\*\*The illustrated parts breakdown for this item is provided on the Common Items Fiche.

### BATH GROUP

Key	Part Number	U/M	Description
	006098-01-000	EA	Mirror - 1/8" x 9" x 16" - Beveled
	009089-01-000	EA	Clip - Mirror - Plastic w/Screw
	044067-01-000	EA	Lavatory Top - Plastic
	011057-01-000	EA	Faucet - 4" Lavatory and Shower
	011083-01-000	EA	Plug - Sink - w/Chain
	009134-01-000	EA	Holder - Tissue
	033580-01-000	EA	Ring - Towel - Chrome w/Plastic Ring
	009133-02-000	EA	Bar - Towel - 18" Plastic
	023449-01-000	EA	Support - Towel Bar - Chrome Left or Right
	009252-01-001	EA	Cabinet - Medicine - 20" x 24" - Off White
	009256-01-000	EA	Mirror - Medicine Cabinet - 9 7/8" x 14 7/8"
	031878-01-000	EA	Shower Head - w/40" Hose
	011048-01-700	EA	Vacuum Breaker - 1/8 MPT Nylon Shower Hose
	011083-01-000	EA	Strainer - Drain - Shower Pan
	037581-01-000	EA	Back Flow Preventer
	020554-03-000	EA	Shower Pan - 30" x 33" - Ivory Plastic
	049341-02-000	EA	Door Asm - Bathroom w/o Hardware or Warp Guard
	047939-02-000	EA	Antique Birch
	009124-01-000	EA	Lock - Door - Push Button Brass
	009150-01-000	EA	Warp Guard - 64"
	034394-02-000	FT	Vinyl Insert - Extruded - Beige
	034889-01-000	EA	Cover - Screw - PPH - 10 - White
	034889-02-000	EA	Cover - Screw - PPH - 10 - Ivory
	009727-01-000	FT	Cap - End - 3/16" Aluminum - Sink Trim
**	041840-01-000	EA	Stool Asm - Aqua Magic III
**	033341-02-000	EA	Stool Asm - Ivory - Aqua Magic - Model SH

\*\*The illustrated parts breakdown for this item is provided on the Common Items Fiche.

### 1977 WINNEBAGO TABLE OF CONTENTS

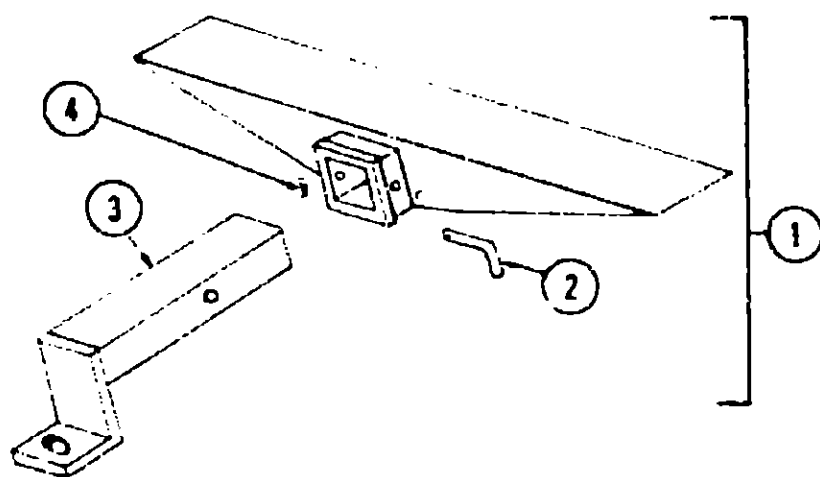
D27MI	A-1 - B-10
MW20RG	B-11 - C-16
D27S	C-17 - D22
D23MI	D-23 - F-8
D23S	F-9 - G-14
MWC25	G-15 - I-2
D27DRK	I-3 - J-14
D29D	J-15 - L2

### 1977 MW20RG INDEX

Floor Plan	B-11 - B-12
Accessories Group	B-13 - B-14
Bath Group	B-14
Chassis Group	B-15
Curtain, Cushion & Pad Group	B-15 - B-18
Dinette Group	B-19
Driver's Compartment Group	B-19
Electrical Group	B-20 - B-21
Exterior Body Group	B-22 - B-24
	C-1
Galley Group	C-2
Heating & Air Conditioning Group	C-2
Interior Finish Group	C-3 - C-4
LP Group	C-5
Lounge Group	C-6
Water & Sewage Group	C-7
Window, Vent & Exterior Door Group	C-8 - C-16

## CHASSIS GROUP

Key	Part Number	U/M	Description
	024652-01-700	EA	Step Asm. - Entry Door
	044817-01-002	EA	Mat Section - Steel - w/Lip 84.25"
	049751-01-000	EA	Tray Asm. - Battery - Steel
	048882-01-000	EA	Rod - Battery - Tie-Down
	017516-01-000	EA	Mud Flap - Black Rubber - 14" x 18" w/Holes
	040588-02-000	EA	Carrier - Spare Tire
	040974-01-000	EA	Bracket - Spare Tire Retainer
	046043-08-000	EA	Bracket Asm. - Bumper - Rear
	021546-01-000	EA	Bumper - Rear - Square
	039778-01-000	EA	Cap - Rubber - 4" x 4" Square Bumper
	051713-01-000	EA	Tray Asm. - Luggage
	049145-01-000	EA	Tray - Generator - 2.7 Watt Orion
	041078-01-000	EA	Wheel Well - Rear Plastic - Left or Right



Key	Part Number	U/M	Description
1	023652-02-700	EA	Hitch Kit - w/Drawbar
2	034512-01-000	EA	Pin - Locking - Drawbar
3	024876-01-000	EA	Drawbar - Trailer Hitch
4	034513-01-000	EA	Pin - Hitch - 3/16" Wire Spring

## CURTAIN, CUSHION AND PAD GROUP

### VALANCES

Key	Part Number	U/M	Description
	048831-33-000	EA	Valance w/Header - 5.5" x 79" - Rust (Cactus)
	048831-34-000	EA	Valance w/Header - 5.5" x 79" - Gold (Inca Gold)
	048831-35-000	EA	Valance w/Header - 5.5" x 79" - Beige (Sage)
	048831-76-000	EA	Valance w/Header - 5.5" x 83" - Rust (Cactus)
	048831-77-000	EA	Valance w/Header - 5.5" x 83" - Gold (Inca Gold)
	048831-78-000	EA	Valance w/Header - 5.5" x 83" - Beige (Sage)

## CURTAIN, CUSHION AND PAD GROUP (CONTINUED)

### CURTAINS

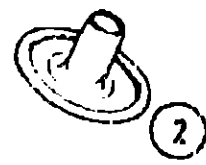
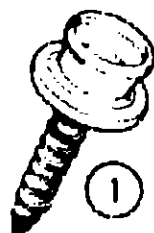
Key	Part Number	U/M	Description
	050026-02-000	EA	Curtain - Blackout - 25" x 83" - Brown Vinyl - Front Bunk Privacy
	045809-01-000	EA	Curtain - Wraparound w/Snap Top - Left or Right - Brown Vinyl
	048840-15-000	EA	Curtain w/Snap Top and Bottom - 25.5" x 89" - Rust (Cactus)
	048840-16-000	EA	Curtain w/Snap Top and Bottom - 25.5" x 89" - Gold (Inca Gold)
	048840-17-000	EA	Curtain w/Snap Top and Bottom - 25.5" x 89" - Beige (Sage)
	048840-18-000	EA	Curtain w/Snap Top and Bottom - 17.5" x 39" - Rust (Cactus)
	048840-19-000	EA	Curtain w/Snap Top and Bottom - 17.5" x 39" - Gold (Inca Gold)
	048840-20-000	EA	Curtain w/Snap Top and Bottom - 17.5" x 39" - Beige (Sage)
	049021-04-000	EA	Curtain w/Snap Top - 33" x 30" - Rust (Cactus)
	049021-03-000	EA	Curtain w/Snap Top - 33" x 30" - Gold (Inca Gold)
	049021-05-000	EA	Curtain w/Snap Top - 33" x 30" - Beige (Sage)
	049486-04-000	EA	Curtain w/Snap Top - Left - 15 1/2" x 39" - Rust (Cactus)
	049486-05-000	EA	Curtain w/Snap Top - Left - 15 1/2" x 39" - Gold (Inca Gold)
	049486-06-000	EA	Curtain w/Snap Top - Left - 15 1/2" x 39" - Beige (Sage)
	049486-07-000	EA	Curtain w/Snap Top - Left - 27" x 39" - Rust (Cactus)
	049486-08-000	EA	Curtain w/Snap Top - Left - 27" x 39" - Gold (Inca Gold)
	049486-09-000	EA	Curtain w/Snap Top - Left - 27" x 39" - Beige (Sage)
	049487-01-000	EA	Curtain w/Snap Top - Right - 27" x 39" - Rust (Cactus)
	049487-02-000	EA	Curtain w/Snap Top - Right - 27" x 39" - Gold (Inca Gold)
	049487-03-000	EA	Curtain w/Snap Top - Right - 27" x 39" - Beige (Sage)

### CURTAIN TIE BACKS

Key	Part Number	U/M	Description
	049097-15-000	EA	Tie Back - Curtain - 14" - Brown Vinyl
	049097-16-000	EA	Tie Back - Curtain - 10" - Rust (Cactus)
	049097-17-000	EA	Tie Back - Curtain - 10" - Gold (Inca Gold)
	049097-18-000	EA	Tie Back - Curtain - 10" - Beige (Sage)
	049097-19-000	EA	Tie Back - Curtain - 14" - Rust (Cactus)
	049097-20-000	EA	Tie Back - Curtain - 14" - Gold (Inca Gold)
	049097-21-000	EA	Tie Back - Curtain - 14" - Beige (Sage)

### CURTAIN HARDWARE

Key	Part Number	U/M	Description
	009135-01-000	EA	Hook - Shower Curtain (Blackout Curtain)
	009107-01-000	EA	Guide - Nylon - Snap
	052327-04-236	EA	Curtain Track - Alum. - Brown - 89" w/Holes
	008701-01-000	EA	Roller - Curtain - "L" Rod
	009702-01-000	EA	Stop - End - Curtain - "L" Rod
	018031-42-700	EA	Track - Curtain - "L" Rod - 90" - Alum.
	042439-01-000	EA	Bracket - Curtain - Rod - Single
	009223-02-000	EA	Rod - Curtain - Flat - Extends 48" - 84"
	050296-02-002	EA	Extr. - Anod. Curtain Track - 16"



Key	Part Number	U/M	Description
1	029130-01-000	EA	Socket - Snap Fastener - 7 x 5/8" (Tie Backs)
2	029155-01-000	EA	Cap - Snap - .158" Dia. x .17" Barrel (Tie Backs)
3	029156-01-000	EA	Socket - Snap fastener (Tie Backs)
4	029082-01-000	EA	Stud - Nickel Finish (Curtain)
5	029083-01-000	EA	Eyelet - Nickel Finish (Curtain)

B-15

B-15

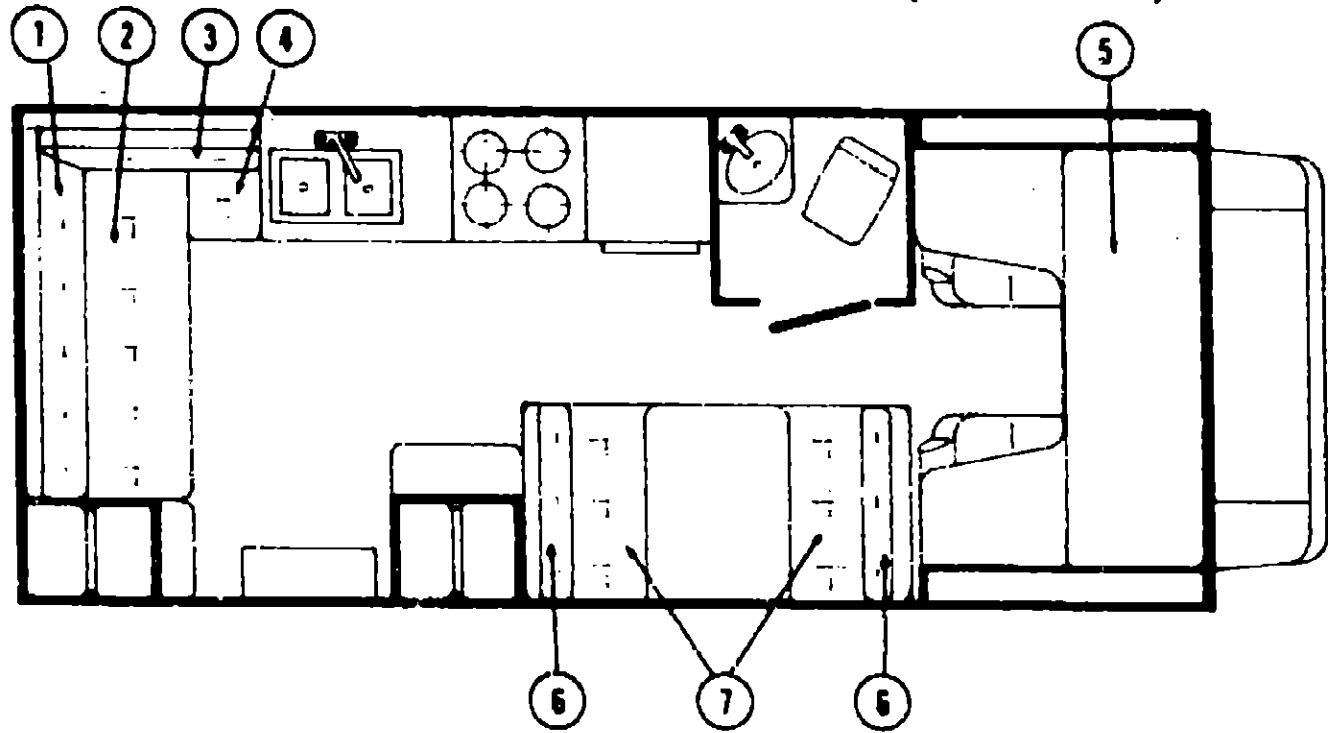
## 1977 WINNEBAGO TABLE OF CONTENTS

D27MI	A-1 - B-10
MW20RG	B-11 - C-16
D27S	C-17 - D22
D23MI	D-23 - F-8
D23S	F-9 - G-14
MWC25	G-15 - I-2
D27DRK	I-3 - J-14
D29D	J-15 - L2

## 1977 MW20RG INDEX

Floor Plan	B-11 - B-12
Accessories Group	B-13 - B-14
Bath Group	B-14
Chassis Group	B-15
Curtain, Cushion & Pad Group	B-15 - B-18
Dinette Group	B-19
Driver's Compartment Group	B-19
Electrical Group	B-20 - B-21
Exterior Body Group	B-22 - B-24
	C-1
Galley Group	C-2
Heating & Air Conditioning Group	C-2
Interior Finish Group	C-3 - C-4
LP Group	C-5
Lounge Group	C-6
Water & Sewage Group	C-7
Window, Vent & Exterior Door Group	C-8 - C-16

**CURTAIN, CUSHION AND PAD GROUP (CONTINUED)**



**LOUNGE CUSHIONS**

Key	Part Number	U/M	Description
1	041908-36-000	EA	Cushion - 2 Fold - 10" x 14" x 75" x 4" - Rust (Cactus)
1	041908-37-000	EA	Cushion - 2 Fold - 10" x 14" x 75" x 4" - Gold (Inca Gold)
1	041908-38-000	EA	Cushion - 2 Fold - 10" x 14" x 75" x 4" - Beige (Sage)
	041908-36-036	EA	Cover - Cushion - 2 Fold - 10" x 14" x 75" x 4" - Rust (Cactus)
	041908-37-037	EA	Cover - Cushion - 2 Fold - 10" x 14" x 75" x 4" - Gold (Inca Gold)
	041908-38-038	EA	Cover - Cushion - 2 Fold - 10" x 14" x 75" x 4" - Beige (Sage)
2	048839-88-000	EA	Cushion - Mitered - 23.5" x 75" x 4" - Rust (Cactus)
2	048839-89-000	EA	Cushion - Mitered - 23.5" x 75" x 4" - Gold (Inca Gold)
2	048839-90-000	EA	Cushion - Mitered - 23.5" x 75" x 4" - Beige (Sage)
	048839-88-088	EA	Cover - Cushion - Mitered - 23.5" x 75" x 4" - Rust (Cactus)
	048839-89-089	EA	Cover - Cushion - Mitered - 23.5" x 75" x 4" - Gold (Inca Gold)
	048839-90-090	EA	Cover - Cushion - Mitered - 23.5" x 75" x 4" - Beige (Sage)
3	048839-91-000	EA	Cushion - Mitered - 10" x 40" x 4" - Rust (Cactus)
3	048839-92-000	EA	Cushion - Mitered - 10" x 40" x 4" - Gold (Inca Gold)
3	048839-93-000	EA	Cushion - Mitered - 10" x 40" x 4" - Beige (Sage)
	048839-91-091	EA	Cover - Cushion - Mitered - 10" x 40" x 4" - Rust (Cactus)
	048839-92-092	EA	Cover - Cushion - Mitered - 10" x 40" x 4" - Gold (Inca Gold)
	048839-93-093	EA	Cover - Cushion - Mitered - 10" x 40" x 4" - Beige (Sage)
4	051110-01-000	EA	Cushion - Mitered w/Slant - 23" x 21" x 26" x 5" - Rust (Cactus)
4	051110-02-000	EA	Cushion - Mitered w/Slant - 23" x 21" x 26" x 5" - Gold (Inca Gold)
4	051110-03-000	EA	Cushion - Mitered w/Slant - 23" x 21" x 26" x 5" - Beige (Sage)
	051110-01-001	EA	Cover - Cushion - Mitered w/Slant - 23" x 21" x 26" x 5" - Rust (Cactus)
	051110-02-002	EA	Cover - Cushion - Mitered w/Slant - 23" x 21" x 26" x 5" - Gold (Inca Gold)
	051110-03-003	EA	Cover - Cushion - Mitered w/Slant - 23" x 21" x 26" x 5" - Beige (Sage)

**MATTRESSES**

Key	Part Number	U/M	Description
5	050102-07-000	EA	Mattress - Mitered - 24.5" x 76" x 5" - Rust (Cactus)
5	050102-08-000	EA	Mattress - Mitered - 24.5" x 76" x 5" - Gold (Inca Gold)
5	050102-09-000	EA	Mattress - Mitered - 24.5" x 76" x 5" - Beige (Sage)
	050102-07-037	EA	Cover - Mattress - Mitered - 24.5" x 76" x 5" - Rust (Cactus)
	050102-08-008	EA	Cover - Mattress - Mitered - 24.5" x 76" x 5" - Gold (Inca Gold)
	050102-09-009	EA	Cover - Mattress - Mitered - 24.5" x 76" x 5" - Beige (Sage)
5	050102-10-000	EA	Mattress - Mitered - 28.5" x 76" x 4" - Rust (Cactus)
5	050102-11-000	EA	Mattress - Mitered - 28.5" x 76" x 4" - Gold (Inca Gold)
5	050102-12-000	EA	Mattress - Mitered - 28.5" x 76" x 4" - Beige (Sage)
	050102-10-010	EA	Cover - Mattress - Mitered - 28.5" x 76" x 4" - Rust (Cactus)
	050102-11-011	EA	Cover - Mattress - Mitered - 28.5" x 76" x 4" - Gold (Inca Gold)
	050102-12-012	EA	Cover - Mattress - Mitered - 28.5" x 76" x 4" - Beige (Sage)

**CURTAIN, CUSHION AND PAD GROUP (CONTINUED)**

**DINETTE CUSHIONS**

Key	Part Number	U/M	Description
6	048839-16-000	EA	Cushion - Mitered - 15" x 37.5" x 4" - Rust (Cactus)
6	048839-17-000	EA	Cushion - Mitered - 15" x 37.5" x 4" - Gold (Inca Gold)
6	048839-18-000	EA	Cushion - Mitered - 15" x 37.5" x 4" - Beige (Sage)
	048839-16-016	EA	Cover - Cushion - Mitered - 15" x 37.5" x 4" - Rust (Cactus)
	048839-17-017	EA	Cover - Cushion - Mitered - 15" x 37.5" x 4" - Gold (Inca Gold)
	048839-18-018	EA	Cover - Cushion - Mitered - 15" x 37.5" x 4" - Beige (Sage)
7	048839-22-000	EA	Cushion - Mitered - 22.5" x 38" x 4" - Rust (Cactus)
7	048839-23-000	EA	Cushion - Mitered - 22.5" x 38" x 4" - Gold (Inca Gold)
7	048839-24-000	EA	Cushion - Mitered - 22.5" x 38" x 4" - Beige (Sage)
	048839-22-022	EA	Cover - Cushion - Mitered - 22.5" x 38" x 4" - Rust (Cactus)
	048839-23-023	EA	Cover - Cushion - Mitered - 22.5" x 38" x 4" - Gold (Inca Gold)
	048839-24-024	EA	Cover - Cushion - Mitered - 22.5" x 38" x 4" - Beige (Sage)

**BUCKET SEATS, ARMRESTS, AND HEADRESTS**

Key	Part Number	U/M	Description
	040517-17-000	EA	Seat Asm. - Single Bucket w/o Slide and Pocket - Rust (Cactus)
	040517-18-000	EA	Seat Asm. - Single Bucket w/o Slide and Pocket - Gold (Inca Gold)
	040517-19-000	EA	Seat Asm. - Single Bucket w/o Slide and Pocket - Beige (Sage)
	040516-20-001	EA	Cover - Single Bucket - Bottom - Rust (Cactus)
	040516-21-001	EA	Cover - Single Bucket - Bottom - Gold (Inca Gold)
	040516-22-001	EA	Cover - Single Bucket - Bottom - Beige (Sage)
	040516-29-002	EA	Cover - Single Bucket - Back w/Pocket - Rust (Cactus)
	040516-30-002	EA	Cover - Single Bucket - Back w/Pocket - Gold (Inca Gold)
	040516-31-002	EA	Cover - Single Bucket - Back w/Pocket - Beige (Sage)
	033905-33-000	EA	Headrest Asm. - Rust (Cactus)
	033905-34-000	EA	Headrest Asm. - Gold (Inca Gold)
	033905-35-000	EA	Headrest Asm. - Beige (Sage)
	031133-01-000	EA	Protector - Driver Seat - 6" Tan Plastic
	029134-01-000	EA	Clip - Finish - Upholstery (Bucket Seat)
	029136-01-000	EA	Grommet - Headrest - Brown Nylon
	033906-33-000	EA	Headrest Cover - Rust (Cactus)
	033906-34-000	EA	Headrest Cover - Gold (Inca Gold)
	033906-35-000	EA	Headrest Cover - Beige (Sage)
	019722-01-000	EA	Headrest Asm. - Foam w/o Cover
	050280-01-000	EA	Armrest Cover - Right or Left - Rust (Cactus)
	050280-02-000	EA	Armrest Cover - Right or Left - Gold (Inca Gold)
	050280-03-000	EA	Armrest Cover - Right or Left - Beige (Sage)
	050275-01-700	EA	Armrest Asm. - Foam w/o Cover - Right
	050276-01-700	EA	Armrest Asm. - Foam w/o Cover - Left

**FABRIC AND TRIMS**

Key	Part Number	U/M	Description
	046588-01-000	YD	Fabric - Upholstery - Rust (Cactus)
	046588-02-000	YD	Fabric - Upholstery - Gold (Inca Gold)
	046588-03-000	YD	Fabric - Upholstery - Beige (Sage)
	043619-01-000	YD	Fabric - Drapery - Rust (Cactus)
	043619-02-000	YD	Fabric - Drapery - Gold (Inca Gold)
	043619-03-000	YD	Fabric - Drapery - Beige (Sage)
	042411-01-000	YD	Vinyl - Nonexpanded - 27 Ounce - Brown
	042411-02-000	YD	Vinyl - Nonexpanded - 16 Gauge - Brown
	042411-03-000	YD	Vinyl - Expanded - 28 Ounce
	042414-01-000	FT	Trim - Accent - Bostonian Brown - Vinyl
	023631-05-000	EA	Button - Bostonian Brown - Vinyl

**PADS**

Key	Part Number	U/M	Description
	042822-01-000	EA	Pad - Headliner - Cab - Brown Vinyl
	046478-01-000	EA	Pad - Panel Asm. - Over Cab Door Right - Brown Vinyl
	046478-02-000	EA	Pad - Panel Asm. - Over Cab Door Left - Brown Vinyl

**1977 WINNEBAGO TABLE OF CONTENTS**

D27MI	A-1 - B-10
MW20RG	B-11 - C-16
D27S	C-17 - D22
D23MI	D-23 - F-8
D23S	F-9 - G-14
MWC25	G-15 - I-2
D27DRK	I-3 - J-14
D290	J-15 - L2

**1977 MW20RG INDEX**

Floor Plan	B-11 - B-12
Accessories Group	B-13 - B-14
Bath Group	B-14
Chassis Group	B-15
Curtain, Cushion & Pad Group	B-15 - B-18
Dinette Group	B-19
Driver's Compartment Group	B-19
Electrical Group	B-20 - B-21
Exterior Body Group	B-22 - B-24
	C-1
Galley Group	C-2
Heating & Air Conditioning Group	C-2
Interior Finish Group	C-3 - C-4
LP Group	C-5
Lounge Group	C-6
Water & Sewage Group	C-7
Window, Vent & Exterior Door Group	C-8 - C-16

## DINETTE GROUP

Key	Part Number	U/M	Description
	024274-21-700	EA	Table Asm. - Dinette w/o Hardware - Rust (Cactus)
	024274-22-700	EA	Table Asm. - Dinette w/o Hardware - Gold (Inca Gold)
	024274-23-700	EA	Table Asm. - Dinette w/o Hardware - Beige (Sage)
..	047842-01-000	EA	Kit - Table Leg - Dinette - Brown
..	047809-01-000	EA	Kit - Hardware - Dinette Table - Wall Mount
	050735-02-000	EA	Cabinet Asm. - Overhead End - Left
	050772-01-000	EA	Cabinet Asm. - Overhead Dinette w/o Doors or Hardware 047939-02-000 - Antique Birch
	053671-06-000	EA	Cabinet Asm. - Overhead Dinette w/o Doors or Hardware 047939-02-700 - Antique Birch
	049236-08-000	EA	Door - Overhead Cabinet w/o Hardware - 047939-02-000 - Antique Birch
	053672-19-000	EA	Door - Overhead Cabinet w/o Hardware - 047939-02-700 - Antique Birch
	043172-02-000	EA	Cabinet - Dinette Seat - Rear - 047939-02-000 - Antique Birch
	053672-77-000	EA	Cabinet - Dinette Seat - Rear - 047939-02-700 - Antique Birch
	043173-02-000	EA	Cabinet - Dinette Seat - Front - 047939-02-000 - Antique Birch
	053672-76-000	EA	Cabinet - Dinette Seat - Front - 47939-02-700 - Antique Birch
	049236-35-000	EA	Door Asm. - Dinette Seat w/o Hardware - 047939-02-000 - Antique Birch
	053671-91-000	EA	Door Asm. - Dinette Seat w/o Hardware - 047939-02-700 - Antique Birch

\*\*The illustrated parts breakdown for this item is provided on the Common Items Fiche.

## DRIVER'S COMPARTMENT GROUP

Key	Part Number	U/M	Description
	007223-01-000	EA	Adjuster Asm. - Seat w/Lock
	007224-02-000	EA	Handle - Seat - Adjuster 9"
	044581-01-000	EA	Plate - Adapter - Seat Pedestal
	039646-07-000	EA	Extension Asm. - Sleeper Board
	023812-04-000	EA	Rail - Bunk - Brown 75"
	041476-01-000	FT	Track - Sleeper Board Slide - PVC - Dark Pecan 12'
	049797-01-000	EA	Hedlock II - 1" Dia. - Screw Mount
	050973-01-000	EA	Cabinet Asm. - Headboard - 047939-02-000 - Antique Birch
	053671-04-000	EA	Cabinet Asm. - Headboard - 047939-02-700 - Antique Birch
	043800-01-000	EA	Tray - Beverage - Black Plastic
	049360-03-000	EA	Console - Overhead - Plastic (Housing Only w/o Gauges)
	024459-01-000	EA	Gauge - Voltmeter
	024462-01-000	EA	Switch - Battery Condition

## ELECTRICAL GROUP

### BULBS

Key	Part Number	U/M	Description
	037935-01-000	EA	Bulb - 1157
	038010-01-000	EA	Bulb - 1143
	008103-01-000	EA	Bulb - 53
	008213-01-000	EA	Bulb - 57
	008214-01-000	EA	Bulb - 67
	008215-01-000	EA	Bulb - 1003
	008216-01-000	EA	Bulb - 1034
	008217-01-000	EA	Bulb - 1073
	008218-01-000	EA	Bulb - 1141
	008219-01-000	EA	Bulb - 656
	008220-01-000	EA	Bulb - 12V - 25W
	036196-01-000	EA	Bulb - 194
	700020-01-000	EA	Bulb - 12V - 20W - 1383

### EXTERIOR LIGHTS

Key	Part Number	U/M	Description
	008089-01-000	EA	Light - Porch - Recessed
	031054-01-000	EA	Lamp Asm. - Tail - Left - White
	031054-01-701	EA	Lens - Tail Lamp - Left
	031055-01-000	EA	Lamp Asm. - Tail - Right - White
	031055-01-701	EA	Lens - Tail Lamp - Right
	042405-03-000	EA	Base - Rectangular Clearance Light
	042405-04-000	EA	Lens - Rectangular Light - Red
	042405-05-000	EA	Lens - Rectangular Light - Amber

### INTERIOR LIGHTS

Key	Part Number	U/M	Description
	024418-01-000	EA	Lamp Asm. - Map/Gauge/Aisle
	024473-01-000	EA	Light - Aircraft - 1 Bulb Gold
	033508-01-000	EA	Light - Dome - White - 1 Bulb
	024642-01-701	EA	Lens - Dome Light - 1 Bulb
	033509-01-000	EA	Light - Dome - White - 2 Bulb
	024643-01-701	EA	Lens - Dome Light - 2 Bulb
	008102-01-000	EA	Light - Corner Mount - Multibulb
	008129-01-000	EA	Light - Bullet - Miniature Brass

### FUSES AND CIRCUIT BREAKERS

Key	Part Number	U/M	Description
	008233-01-000	EA	Fuse - 12 Volt - 6 Amp.
	008234-01-000	EA	Fuse - 12 Volt - 10 Amp.
	008235-01-000	EA	Fuse - 12 Volt - 15 Amp.
	008236-01-000	EA	Fuse - 12 Volt - 20 Amp.
	008248-01-000	EA	Fuse - 110 Volt - 30 Amp.
	008252-01-000	EA	Fuse - 110 Volt - 50 Amp.
	008208-01-000	EA	Circuit Breaker - 12 Volt - 40 Amp.
	008211-01-000	EA	Circuit Breaker - 12 Volt - 6 Amp.
	008268-01-000	EA	Circuit Breaker - 12 Volt - 30 Amp. w/Mount
	033573-01-000	EA	Circuit Breaker - 12 Volt - 20 Amp. w/Mount
	033484-01-000	EA	Circuit Breaker - 30 Amp. - Air Conditioner
	052012-01-000	EA	Circuit Breaker - 50 Amp. - Air Conditioner

## 1977 WINNEBAGO TABLE OF CONTENTS

D27MI	A-1 - B-10
MW20RG	B-11 - C-16
D27S	C-17 - D22
D23MI	D-23 - F-8
D23S	F-9 - G-14
MWC25	G-15 - I-2
D27DRK	I-3 - J-14
D29D	J-15 - L2

## 1977 MW20RG INDEX

Floor Plan	B-11 - B-12
Accessories Group	B-13 - B-14
Bath Group	B-14
Chassis Group	B-15
Curtain, Cushion & Pad Group	B-15 - B-18
Dinette Group	B-19
Driver's Compartment Group	B-19
Electrical Group	B-20 - B-21
Exterior Body Group	B-22 - B-24
	C-1
Galley Group	C-2
Heating & Air Conditioning Group	C-2
Interior Finish Group	C-3 - C-4
LP Group	C-5
Lounge Group	C-6
Water & Sewage Group	C-7
Window, Vent & Exterior Door Group	C-8 - C-16

## ELECTRICAL GROUP (CONTINUED)

### WIRE, SWITCHES, AND RECEPTACLES

Key	Part Number	U/M	Description
	008024-01-000	FT	Wire - 18.5 Bonded - Orange/White/Yellow/Blue/Brown
	008025-01-000	FT	Wire - 18.5 Bonded - Orange/White/Yellow/Blue/Green
	008028-01-000	FT	Wire - 18.5 Bonded - Blue/Red/Yellow/Orange/White
	008030-01-000	FT	Wire - 18.4 Bonded
	008251-01-000	EA	Holder - Fuse - Black - Screw Type
	008277-01-000	EA	Holder - Fuse - Black - Panel Mount
	008195-01-000	EA	Switch - Push Button 12 Volt
	006077-01-000	EA	Plaque - Compressor Switch
	008054-01-000	EA	Cord - Power - 10-3 30 Amp. - 25' - IJL
	034818-04-000	EA	Holder - Receptacle - Plastic
	039338-01-000	EA	Cover Plate - Receptacle - Plastic - Brown
	039339-01-000	EA	Receptacle - Duplex Brown - End of Line
	039342-01-000	EA	Receptacle - Duplex Brown - T Junction
	024571-01-000	EA	Cover Plate - Receptacle - Jumbo Steel Brown
	039347-01-000	EA	Cap - End - Receptacle
	008162-01-000	EA	Switch - Double Toggle - Spade Brown
	008163-01-000	EA	Switch - Toggle Brown
	024924-01-000	EA	Receptacle - Power Cord
	008058-01-000	EA	Adaptor - Power Cord
	047353-01-000	EA	Cover - Receptacle - Ground Fault
	047351-01-000	EA	Receptacle - Ground Fault Interrupter - 125 Volt Black
	040223-01-000	EA	Holder Asm. - Fuse - 30 Amp.

### MISCELLANEOUS ELECTRICAL COMPONENTS

Key	Part Number	U/M	Description
	047338-01-000	EA	Isolator - Dual Battery
	047389-01-700	EA	Battery - 12 Volt - 105 Amp. Deep Cycle - Dry
	008188-01-000	EA	Solenoid - Dual Battery - Relay
	046775-01-000	EA	Valve - Gas - Change Over - 3 Way
	036617-01-000	EA	Relay - Carister - SPDT
	039350-02-000	EA	Control Center - 30 Amp w/Door - UL
	048812-01-000	EA	Panel - Control - Water/Double Sewage - Wemac
	039861-01-000	EA	Sending Unit Kit - Wemac

## EXTERIOR BODY GROUP

### EXTERIOR BODY PANELS AND SHEET ALUMINUM

Key	Part Number	U/M	Description
	050631-01-000	EA	Backwall Asm. - 047939-02-000 - Antique Birch
	053671-13-000	EA	Backwall Asm. - 047939-02-700 - Antique Birch
	050436-01-000	EA	Sidewall Asm. - Right - 047939-02-000 - Antique Birch
	053671-19-000	EA	Sidewall Asm. - Right - 047939-02-700 - Antique Birch
	050435-01-000	EA	Sidewall Asm. - Left - 047939-02-000 - Antique Birch
	053671-21-000	EA	Sidewall Asm. - Left - 047939-02-700 - Antique Birch
	350434-01-000	EA	Roof Asm.
	050434-01-700	EA	Roof Section - Front - Cab Overhang to First Roof Seam
	041489-01-000	EA	Wingwall Asm. - Right
	041489-02-000	EA	Wingwall Asm. - Left
	041490-02-000	EA	Board Asm. - Steeper
	039155-07-001	EA	Alum. - Off White - Greyhound Design - .024" x 48" x 300"
	039155-07-002	EA	Alum. - Off White - Greyhound Design - .024" x 48" x 120"
	039155-07-003	EA	Alum. - Off White - Greyhound Design - .024" x 48" x 60"
	039155-07-004	EA	Alum. - Off White - Greyhound Design - .024" x 24" x 300"
	039155-07-005	EA	Alum. - Off White - Greyhound Design - .024" x 24" x 120"
	039155-07-006	EA	Alum. - Off White - Greyhound Design - .024" x 24" x 60"
	039155-07-007	EA	Alum. - Off White - Greyhound Design - .024" x 12" x 300"
	039155-07-008	EA	Alum. - Off White - Greyhound Design - .024" x 12" x 120"
	039155-07-009	EA	Alum. - Off White - Greyhound Design - .024" x 12" x 60"
	044487-01-001	EA	Alum. - Mill Finish - No Design (Roof) - 96" x 360"
	039155-07-010	EA	Alum. - Off White - Greyhound Design 48" x 96"
	001054-01-001	EA	Alum. - Off White - No Design - 48" x 96"
	000868-01-000	BF	Styrofoam - 3/4" x 24" x 96"

### EXTERIOR PAINT

Key	Part Number	U/M	Description
	041561-01-000	EA	Off White - Acrylic Enamel - 1 Gallon
	041561-03-000	EA	Off White - Acrylic Enamel - 16 Oz. Aerosol
	041561-04-000	EA	Off White - Acrylic Lacquer - 1 Gallon
	041563-01-000	EA	Burnt Orange - Acrylic Enamel - 1 Gallon
	041563-03-000	EA	Burnt Orange - Acrylic Enamel - 16 Oz. Aerosol
	041565-01-000	EA	Rally Yellow - Acrylic Enamel - 1 Gallon
	041565-03-000	EA	Rally Yellow - Acrylic Enamel - 16 Oz. Aerosol
	045681-01-000	EA	High Gloss Black - Acrylic Enamel - 1 Gallon
	045681-03-000	EA	High Gloss Black - Acrylic Enamel - 16 Oz. Aerosol
	042933-03-000	EA	Dark Brown - Acrylic Enamel - 16 Oz. Aerosol

### MISCELLANEOUS EXTERNALLY MOUNTED PARTS

Key	Part Number	Description
	017867-04-000	EA Fuel Fill - Recessed - Single - Off White
	016253-05-000	EA Fuel Fill - Recessed - Single - Off White
	015567-04-000	EA Fuel Fill - Recessed - Double - Off White
	011124-01-000	EA Plumbing Seal - Roof Vent - 1 1/4" White
	011129-01-000	EA Plumbing Seal - Roof Vent - 1 1/2" White
	010230-02-000	EA Fill - City Water - Recessed - Off White
	011020-01-000	EA Fill - Water - Recessed - Off White
	009126-01-000	EA Handle - Assist - Metal Ext.
	049347-01-000	EA Mirror Head - 7 1/2" x 10 1/2" Stainless Steel w/o Bracket
	049349-01-000	EA Arm - Mirror - Brite Finish
	009101-01-000	EA Holder - Entry Door - Male
	009101-02-000	EA Holder - Entry Door - Female

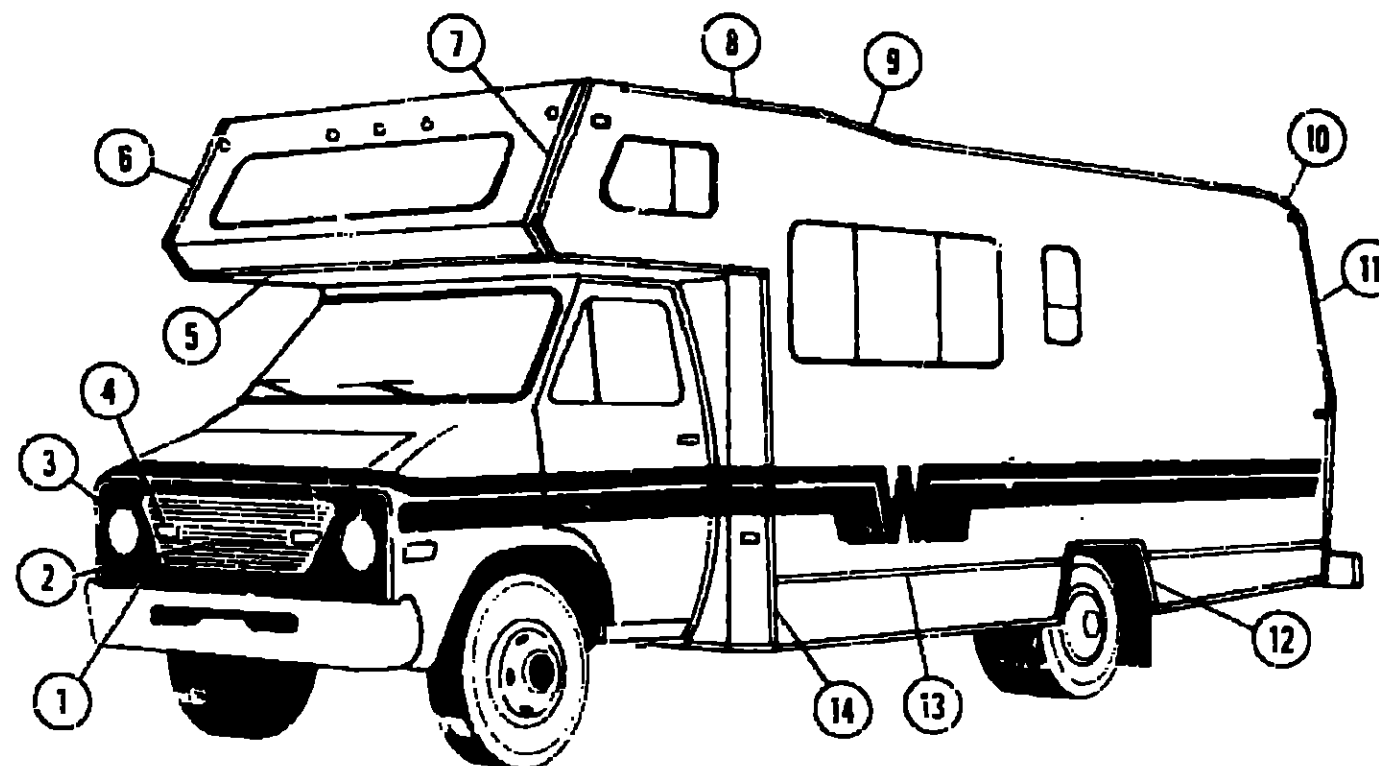
## 1977 WINNEBAGO TABLE OF CONTENTS

D27MI	A-1 - B-10
MW20RG	B-11 - C-16
D27S	C-17 - D22
D23MI	D-23 - F-8
D23S	F-9 - G-14
MWC25	G-15 - I-2
D27DRK	I-3 - J-14
D29D	J-15 - L2

## 1977 MW20RG INDEX

Floor Plan	B-11 - B-12
Accessories Group	B-13 - B-14
Bath Group	B-14
Chassis Group	B-15
Curtain, Cushion & Pad Group	B-15 - B-18
Dinette Group	B-19
Driver's Compartment Group	B-19
Electrical Group	B-20 - B-21
Exterior Body Group	B-22 - B-24
	C-1
Galley Group	C-2
Heating & Air Conditioning Group	C-2
Interior Finish Group	C-3 - C-4
LP Group	C-5
Lounge Group	C-6
Water & Sewage Group	C-7
Window, Vent & Exterior Door Group	C-8 - C-16

**EXTERIOR BODY GROUP (CONTINUED)**



**1977 WINNEBAGO  
TABLE OF CONTENTS**

D27MI  
MW20RG  
D27S  
D23MI  
D23S  
MWC25  
D27DRK  
D23D

A-1 - B-10  
B-11 - C-16  
C-17 - D22  
D-23 - F-8  
F-9 - G-14  
G-15 - I-2  
I-3 - J-14  
J-15 - L2

Key	Part Number	U/M	Description
1	020650-01-000	EA	Panel - Grille - Plastic
2	020651-01-000	EA	Grille Asm. - Aluminum
-	024661-01-000	EA	Trim Asm. - Grille - Outer - Complete
3	022203-01-000	EA	Bezel - Headlight - Left or Right
4	040203-01-000	EA	Light - Turn Signal - Amber - Left or Right
5	035478-03-000	EA	Trim - Sleeper Board - Front - Off White
6	042171-01-000	EA	Trim - Contour - Sleeper Section - Right - Off White
7	042171-02-000	EA	Trim - Contour - Sleeper Section - Left - Off White
8	042172-02-000	EA	Trim - Roof - Contour - Left - Off White
-	042172-01-000	EA	Trim - Roof - Contour - Right - Off White
9	042170-02-000	EA	Trim - Roof Angle - Left - Off White
-	042170-01-000	EA	Trim - Roof Angle - Right - Off White

Key	Part Number	U/M	Description
10	036527-06-000	EA	Trim - Contour - Left - Rear Corner
-	036527-05-000	EA	Trim - Contour - Right - Rear Corner
11	034916-08-000	EA	Trim - Contour - Left Rear - Off White
-	034916-07-000	EA	Trim - Contour - Right Rear - Off White
12	042141-01-000	EA	Trim - Wheel Well - Rear - Left or Right
13	002444-02-003	EA	Extension - Anod. - Feature Strip - 16" - w/o Insert
-	001030-03-002	EA	Insert - Feature Strip - 19" x 13,16" x 17" - Burnt Orange
-	009731-01-000	EA	End Cap - Feature Strip
14	036476-10-000	EA	Trim - Wingwall - Left
-	036476-09-000	EA	Trim - Wingwall - Right
-	006238-01-000	EA	Nameplate - Grille - "Winnebago"
-			Not Illustrated

**1977 MW20RG INDEX**

Floor Plan	B-11 - B-12
Accessories Group	B-13 - B-14
Bath Group	B-14
Chassis Group	B-15
Curtain, Cushion & Pad Group	B-15 - B-19
Dinette Group	B-19
Driver's Compartment Group	B-19
Electrical Group	B-20 - B-21
Exterior Body Group	B-22 - B-24
	C-1
Galley Group	C-2
Heating & Air Conditioning Group	C-2
Interior Finish Group	C-3 - C-4
LP Group	C-5
Lounge Group	C-6
Water & Sewage Group	C-7
Window, Vent & Exterior Door Group	C-8 - C-16

**EXTERIOR BODY GROUP (CONTINUED)**

**LABELS AND DECALS**

Key	Part Number	U/M	Description
	006023-01-000	EA	Label - Water Only
	006025-01-000	EA	Label - Gas
	006028-01-000	EA	Label - Drain Cap - 2" x 3"
	006031-01-000	EA	Label - Potable Water Only
	006187-01-000	EA	Label - Sewage
	006188-01-000	EA	Label - Waste Water
	006199-01-000	EA	Label - Exit - Escape Window
	031161-01-000	EA	Label - Flying "W"
	038403-01-000	EA	Decal - Logo - Winnebago 2.50" (Front or Rear)
	039289-01-000	EA	Label - Warning Aux. Loading
	043473-03-000	EA	Decal - Flying "W" - 13.75" High - Bronze
	039716-01-000	EA	Stencil - Minnie Winnie
	000092-01-000	EA	Reflector - Stick On - Rectangular - Red
	006093-01-000	EA	Reflector - Stick On - Rectangular - Amber

**SEALANTS, ADHESIVES, AND FASTENERS**

Key	Part Number	U/M	Description
	034552-05-000	EA	Sealant - Off White Silicone
	034552-04-000	EA	Sealant - Beige Silicone
	034552-02-000	EA	Sealant - Clear Silicone
	004348-02-000	EA	Sealant - Aluminum Silicone
	004349-01-000	EA	Sealant - Black Silicone
	004342-01-000	EA	Sealant - Weatherben 202 Tube
	004346-02-000	EA	Sealant - White Silicone
	004347-01-000	EA	Sealant - Tufflex
	002316-01-000	FT	Tape - Sealer - 3/32" x 1/8"
	024545-01-000	FT	Tape - Sealer - 1/8" x 5/8" - Black
	004350-01-000	FT	Tape - Sealer - 1/8" x 1" - Formaseal
	004352-01-000	FT	Tape - Sealer - 1/8" x 3/4" - Formaseal
	004355-01-000	FT	Tape - Sealer - 1/8" x 5/8" - Black
	004357-01-000	FT	Tape - Sealer - 1/8" x 5/8" - Adhesive
	002707-01-000	FT	Tape - Sealer - 5/16" x 1/2" - Black Foam
	002707-01-000	FT	Tape - Sealer - 5/16" x 3/4" - Black Foam
	041422-01-000	FT	Tape - Sealer - 1/4" x 1/2"
	004363-01-000	FT	Tape - Sealer - 3/16" x 1/2" - Foam
	004362-01-000	FT	Tape - Sealer - 1/8" x 5/8" - Foam
	009200-01-000	EA	Tape - Furnace - 1 1/2"
	041839-01-000	FT	Tape - Window - Latch - 3/4" - Adhesive
	041839-02-000	FT	Tape - Window - Latch - 1/2" - Adhesive
	004353-01-000	FT	Tape - Gasket - 1/8" x 3/4" - White
	002825-01-000	FT	Weather Stripping - Roof Vent
	002337-01-000	EA	Adhesive - 3M - 1300 Tube
	004005-01-000	GL	Adhesive - Swits - Green - Gile (Sidewalls)
	004012-01-000	EA	Adhesive - 3M - 4475 Tube
	004020-01-000	CT	Adhesive - ABS Cement (Plastic Fittings)
	029051-01-000	EA	Adhesive - Spray Vinyl
	042401-02-000	EA	Screw - 5 - 18 x 3/4" SDPH Off White
	042403-02-000	EA	Screw - SF/DR - 8-18 x 1" SDPH Off White
	005058-01-000	EA	Screw - Wood - 12 - 11 x 3" P.O.H. Zinc
	041746-01-000	FT	Extr. - Vinyl - Bubbie Seal - Entry Door - Jamb
	021241-01-000	FT	Extr. - Vinyl - White - Wingwall

**GALLEY GROUP**

Key	Part Number	U/M	Description
	050440-01-000	EA	Cabinet Asm. - Galley w/o Top, Doors, Drawers or Hardware
	047939-02-000	EA	047939-02-000 - Antique Birch
	053671-15-000	EA	Cabinet Asm. - Galley w/o Top, Doors, Drawers or Hardware
	047939-02-700	EA	047939-02-700 - Antique Birch
	049236-49-000	EA	Door Asm. - Galley Cabinet w/o Hardware - 047939-02-000 - Antique Birch
	053671-77-000	EA	Door Asm. - Galley Cabinet w/c Hardware - 047939-02-700 - Antique Birch
	049236-48-000	EA	Door Asm. - Galley Cabinet - 9 3/4" x 14 3/8" w/c Hardware - 047939-02-000 - Antique Birch
	053671-78-000	EA	Door Asm. - Galley Cabinet - 9 3/4" x 14 3/8" w/o Hardware - 047939-02-700 - Antique Birch
	049236-50-000	EA	Door Asm. - Galley Cabinet - 13 3/4" x 22 1/2" w/o Hardware - 047939-02-000 - Antique Birch
	053671-76-000	EA	Door Asm. - Galley Cabinet - 13 3/4" x 22 1/2" w/o Hardware - 047939-02-700 - Antique Birch
	049239-01-000	EA	Drawer Asm. - Galley Cabinet - 6" x 15" x 20" - Deep w/o Hardware
	047939-02-000	EA	047939-02-000 - Antique Birch
	053671-67-000	EA	Drawer Asm. - Galley Cabinet - 6" x 15" x 20" - Deep w/o Hardware
	047939-02-700	EA	047939-02-700 - Antique Birch
	042549-03-700	EA	Drawer - Tiltout w/o Hardware - 047939-02-000 - Antique Birch
	053673-26-000	EA	Drawer - Tiltout w/o Hardware - 047939-02-700 - Antique Birch
	049239-07-000	EA	Drawer Asm. - Refrigerator Cabinet - 7 1/2" x 24 5/8" x 20" - Deep w/o Hardware - 047939-02-000
	053671-61-000	EA	Drawer Asm. - Refrigerator Cabinet - 7 1/2" x 24 5/8" x 20" - Deep w/o Hardware - 047939-02-700
	050770-01-000	EA	Cabinet Asm. - Galley Overhead w/o Doors or Hardware
	047939-02-000	EA	047939-02-000 - Antique Birch
	053671-08-000	EA	Cabinet Asm. - Galley Overhead w/c Doors or Hardware
	047939-02-700	EA	047939-02-700 - Antique Birch
	049236-24-000	EA	Door Asm. - Galley Overhead - w/o Hardware - 047939-02-000 - Antique Birch
	053672-03-000	EA	Door Asm. - Galley Overhead - w/o Hardware - 047939-02-700 - Antique Birch
	050441-01-000	EA	Countertop Asm. - Butcher Block w/o Sink - Faucet or Hardware
	051602-02-000	EA	Breadboard Asm. - Butcher Block
	050456-01-000	EA	Countertop Asm. - Galley Extension - Butcher Block
	011032-01-000	EA	Sink - Stainless Steel - Double w/Bolts
	011055-01-000	EA	Faucet - 8" - Swing Spout
	011085-01-000	EA	Strainer - Sink
	003212-01-000	EA	Hood - Range - Non Power - Chrome
**	049175-01-000	EA	Refrigerator - AC/Gas - ET 150 - 1 Door Model - Sibir
**	049044-01-000	EA	Range - 4 Burner - Small Oven - Chrome - Magic Chef
**	031649-01-000	EA	Range - Coleman - 3 Burner
**	044195-01-000	EA	Range - Coleman - 4 Burner - Small Oven
**	049930-01-000	EA	Hood - Range - Jensen - Power

\*\*The illustrated parts breakdown for this item is provided on the Common Items Fiche

**HEATING AND AIR CONDITIONING GROUP**

Key	Part Number	U/M	Description
	048228-03-000	EA	Kit - Auto Air - 360 C.I.D. ARA - C-Body
	048228-01-000	EA	Kit - Auto Air - 360 C.I.D. - AMC - C-Body (Contains all parts needed to install)
	007314-01-000	EA	A/C Compressor Mount Package - 360 C.I.D. - AMC (w/o Compressor)
	040024-01-000	EA	A/C Evaporator Package - 360 C.I.D. - AMC
**	049042-01-000	EA	Furnace - 22,000 BTU - Under Counter - Coleman - 4322
**	049043-01-000	EA	Furnace - 28,000 BTU - Under Counter - Coleman - 4326
**	049777-01-000	EA	Air Conditioner - 110 Volt - Roof Mount - 11,000 BTU - Ivory Coleman (w/o Inside Shroud)
**	049778-01-000	EA	Shroud Asm. - Ceiling - Inside - Roof Air - Cool Only - 11,000 BTU - Coleman
**	049774-01-000	EA	Air Conditioner - 110 Volt - Roof Mount - 13,500 BTU Ivory - Coleman (w/o Inside Shroud)
**	049775-01-000	EA	Shroud Asm. - Ceiling - Inside - Roof Air - Cool Only - 13,500 BTU - Coleman
**	049776-01-000	EA	Shroud Asm. - Ceiling - Inside - Roof Air - Heat and Cool Only - 13,500 BTU - Coleman

\*\*The illustrated parts breakdown for this item is provided on the Common Items Fiche

**1977 WINNEBAGO TABLE OF CONTENTS**

D27MI	A-1 - B-10
MW20RG	B-11 - C-16
D27S	C-17 - D22
D23MI	D-23 - F-8
D23S	F-9 - G-14
MWC25	G-15 - I-2
D27DRK	I-3 - J-14
D29D	J-15 - L2

**1977 MW20RG INDEX**

Floor Plan	B-11 - B-12
Accessories Group	B-13 - B-14
Bath Group	B-14
Chassis Group	B-15
Curtain, Cushion & Pad Group	B-15 - B-18
Dinette Group	B-19
Driver's Compartment Group	B-19
Electrical Group	B-20 - B-21
Exterior Body Group	B-22 - B-24
Galley Group	C-1
Heating & Air Conditioning Group	C-2
Interior Finish Group	C-3 - C-4
LP Group	C-5
Lounge Group	C-6
Water & Sewage Group	C-7
Window, Vent & Exterior Door Group	C-8 - C-16



## INTERIOR FINISH GROUP

### PANELING AND COUNTERTOP MATERIALS

Key	Part Number	U/M	Description
	047354-02-000	EA	Batt Strip - Antique Birch
	047354-01-000	EA	Batt Strip - 82S Buff
	045963-01-000	SF	Paneling - Buff - Ceiling 48" x 96" (32SF)
	047939-01-000	SF	Paneling - Antique Birch - 48" x 96" (32SF)
	041206-01-000	SF	Tileboard - Agate Beige - 60" x 84" (35SF)
	041205-07-000	SF	Plastic Laminate - 48" x 96" - Rust Leather (Cactus)
	041205-07-001	EA	Plastic Laminate - 48" x 48" - Rust Leather (Cactus)
	041205-07-002	EA	Plastic Laminate - 1 19" x 96" - Rust Leather (Cactus)
	041205-08-000	SF	Plastic Laminate - 48" x 96" Gold Leather (Inca Gold)
	041205-08-001	EA	Plastic Laminate - 48" x 48" - Gold Leather (Inca Gold)
	041205-08-002	EA	Plastic Laminate - 1 19" x 96" - Gold Leather (Inca Gold)
	041205-09-000	SF	Plastic Laminate - 48" x 96" - Beige Leather (Sage)
	041205-09-001	EA	Plastic Laminate - 48" x 48" - Beige Leather (Sage)
	041205-09-002	EA	Plastic Laminate - 1 19" x 96" - Beige Leather (Sage)
	037682-01-000	SF	Plastic Laminate - 48" x 96" - Butcher Block
	037682-01-008	EA	Plastic Laminate - 48" x 48" - Butcher Block
	037682-01-009	EA	Plastic Laminate - 1 19" x 96" - Butcher Block
	049673-01-000	EA	Countertop - Formed - 96" - Butcher Block

### FABRICS AND CARPET

Key	Part Number	U/M	Description
	041210-03-000	SY	Carpet - Orange Morning Dew - Rust (Cactus)
	043635-01-000	SY	Carpet - Coffee Brown - Morning Dew - Gold (Inca Gold)
	043635-02-000	SY	Carpet - Beige - Morning Dew - Beige (Sage)
	046588-01-000	YD	Fabric - Upholstery - Rust (Cactus)
	046588-02-000	YD	Fabric - Upholstery - Gold (Inca Gold)
	046588-03-000	YD	Fabric - Upholstery - Beige (Sage)
	043619-01-000	YD	Fabric - Drapery - Rust (Cactus)
	043619-02-000	YD	Fabric - Drapery - Gold (Inca Gold)
	043619-03-000	YD	Fabric - Drapery - Beige (Sage)
	042411-01-000	YD	Vinyl - Nonexpanded - 27 Oz
	042411-02-000	YD	Vinyl - Non-Supported - 16 Gauge Film - Brown
	042411-03-000	YD	Vinyl - Expanded - 28 Oz

### INTERIOR MOULDINGS AND TRIM

Key	Part Number	U/M	Description
	022756-01-000	EA	Cover - Air Conditioner Wire - Plastic
	024700-06-000	EA	Cover - Sidewall Roll Bar - Ivory
	024700-07-000	EA	Cover - Sidewall Roll Bar - Birch
	034113-03-000	EA	Cover - Corner Supt. Bar - Dark Brown
	039512-05-000	EA	Cover - Hat Section - Antique Birch
	039512-06-000	EA	Cover - Hat Section - Ivory
	047488-01-000	EA	Cover - Corner Hat/Hat
	047489-01-000	EA	Cover - Corner Tube/Tube
	008778-01-000	FT	U-Channel - 1" - Dark Brown Plastic
	008777-01-000	FT	U-Channel - 3/4" - Dark Brown Plastic
	009815-02-000	FT	T Molding - 3/4" - Brown
	008812-06-000	FT	Molding - Plastic Corner - O/S - 50"
	008767-01-000	FT	Wetling - Brown
	008779-01-000	FT	U-Channel - 1 1/8" - Dark Brown
	009809-03-000	FT	Molding - Plastic Corner - O/S - 1"
	008810-01-000	FT	Corner - Outside - 1" - Dark Pecan
	034384-02-000	FT	Insert - Extruded Vinyl - Beige
	034889-03-000	EA	Cover - Screw PPH 10 - Ivory - Bathroom
	042366-01-000	EA	Plug - Button - Mahogany 3/8" Dia.
	008781-01-000	FT	Corner - Outside - 62" x 62" Dark Brown Plastic

## INTERIOR FINISH GROUP (CONTINUED)

### CABINERY AND TABLE HARDWARE

Key	Part Number	U/M	Description
	009065-01-000	EA	Hinge - Continuous - Aluminum - 1 1/2" x 96" Plain
	009068-01-000	EA	Hinge - Continuous Steel 1 1/2" x 72"
	009150-01-000	EA	Warp Guard - 64"
	009124-01-000	EA	Lock - Door - Push Button Brass (Bath Door)
	009112-01-000	EA	Flange - 1" - Rod - Chrome
	049332-01-000	EA	Kit - Cabinet Door Hinge - Black
	049331-01-000	EA	Kit - Drawer Pull
	049333-01-000	EA	Kit - Cabinet Door Latch - Black
	009047-01-000	EA	Bracket - Hold Open - Overhead Door
	047842-01-000	EA	Kit - Dinette Table Leg
	047809-01-000	EA	Kit - Dinette Table Hardware - Wall Mount
	033535-03-000	FT	Molding Asm - Shelf - 707 Hickory
	007021-01-000	EA	Belt Asm - Seat - 2" x 90" Black
	041322-01-000	EA	Washer - Flat - 15/32 ID x 2 3/8" O D (Seat Belts)
	041838-01-000	EA	Screw - 5" x 5/8" POH Antique Brass
	037688-01-000	FT	Rail - Drawer Glide
	047744-01-000	EA	Kit - Drawer Glide

\*\*The illustrated parts breakdown for this item is provided on the Common Items Fiche.

### CURTAIN HARDWARE

Key	Part Number	U/M	Description
	009223-02-000	EA	Rod - Curtain - Flat - Extends 48" - 84"
	009107-01-000	EA	Guide - Nylon - Snap - Curtain
	052327-04-236	EA	Curtain Track - Alum. - Brown - 89" w/ Holes
	042439-01-000	EA	Bracket (Left or Right) - Curtain Rod - Single
	009702-01-000	EA	End Stop - Curtain "L" Rod w/Rollers
	009701-01-000	EA	Carrier - "L" Rod w/Rollers
	016031-42-000	EA	Track - Curtain - "L" Rod - 90" Alum

### MISCELLANEOUS

Key	Part Number	U/M	Description
	042950-01-000	EA	Handle - Interior Assist
	041944-01-007	EA	Extinguisher - Fire - Dry Chemical w/Bracket
	007038-01-000	EA	Mat - Door - Black Rubber - 10 1/2" x 26"

## 1977 WINNEBAGO TABLE OF CONTENTS

D27MI	A-1 - B-10
MW20RG	B-11 - C-16
D27S	C-17 - D22
D23MI	D-23 - F-8
D23S	F-9 - G-14
MWC25	G-15 - I-2
D27DRK	I-3 - J-14
D29D	J-15 - L2

## 1977 MW20RG INDEX

Floor Plan	B-11 - B-12
Accessories Group	B-13 - B-14
Bath Group	9-14
Chassis Group	B-15
Curtain Cushion & Pad Group	B-15 - B-18
Dinette Group	B-19
Driver's Compartment Group	B-19
Electrical Group	B-20 - B-21
Exterior Body Group	B-22 - B-24
	C-1
Galley Group	C-2
Heating & Air Conditioning Group	C-2
Interior Finish Group	C-3 - C-4
LP Group	C-5
Lounge Group	C-6
Water & Sewage Group	C-7
Window, Vent & Exterior Door Group	C-8 - C-16

## LP GROUP

Key	Part Number	U/M	Description
	008820-01-000	EA	Hose Asm. - LP - 1/4" I.D. x 16"
	045703-01-000	EA	Hose Asm. - LP - 3/8" I.D. x 24"
	045703-03-000	EA	Hose Asm. - LP - 3/8" I.D. x 14"
	008812-01-000	EA	Regulator - Manual LP Gas
	008815-01-000	EA	Regulator - Automatic - LP
	008818-01-000	EA	Tank Asm. - LP - 20 Pound Horizontal w/Hardware
	023263-01-001	EA	Tank Asm. - LP - 30 Pound Horizontal w/Hardware
	040046-01-000	EA	Compartment - LP - Horizontal Plastic
	040047-01-000	EA	Bracket - LP Bottle Hold Down
	047221-01-000	EA	Detector - LP Gas Leak
	047356-01-000	EA	Bracket - LP Leak Detector

## LOUNGE GROUP

Key	Part Number	U/M	Description
	009112-01-000	EA	Flange - 1" Rod - Chrome
	050503-01-000	EA	Countertop Asm. - Furnace Cabinet - Rust (Cactus)
	050503-02-000	EA	Countertop Asm. - Furnace Cabinet - Gold (Inca Gold)
	050503-03-000	EA	Countertop Asm. - Furnace Cabinet - Beige (Sage)
	050442-01-000	EA	Countertop Asm. - Generator Cabinet - Rust (Cactus)
	050442-02-000	EA	Countertop Asm. - Generator Cabinet - Gold (Inca Gold)
	050442-03-000	EA	Countertop Asm. - Generator Cabinet - Beige (Sage)
	049236-51-000	EA	Door Asm. - Front Wardrobe Cabinet w/o Hardware - 047939-02-000 Antique Birch
	053671-75-000	EA	Door Asm. - Front Wardrobe Cabinet w/o Hardware - 047939-02-700 Antique Birch
	050438-01-000	EA	Cabinet Asm. - Furnace - 22,000 BTU w/o Countertop - 047939-02-000 Antique Birch
	053671-17-000	EA	Cabinet Asm. - Furnace - 22,000 BTU w/o Countertop - 047939-02-700 Antique Birch
	050438-02-000	EA	Cabinet Asm. - Furnace - 22,000 BTU w/o Countertop - 047939-02-000 Antique Birch
	053671-16-000	EA	Cabinet Asm. - Furnace - 28,000 BTU w/o Countertop - 047939-02-700 Antique Birch
	049239-10-000	EA	Drawer Asm. - Rear Wardrobe Cabinet w/o Hardware - 047939-02-000 Antique Birch
	053671-58-000	EA	Drawer Asm. - Rear Wardrobe Cabinet w/o Hardware - 047939-02-700 Antique Birch
	049236-52-000	EA	Door Asm. - Rear Wardrobe Cabinet w/o Hardware - 047939-02-000 Antique Birch
	053671-74-000	EA	Door Asm. - Rear Wardrobe Cabinet w/o Hardware - 047939-02-700 Antique Birch
	051028-01-000	EA	Cabinet Asm. - Gaucho - 047939-02-000 - Antique Birch
	053671-02-000	EA	Cabinet Asm. - Gaucho - 047939-02-700 - Antique Birch
	050771-01-000	EA	Cabinet Asm. - Rear Overhead w/o Doors or Hardware - 047939-02-000 Antique Birch
	053671-07-000	EA	Cabinet Asm. - Rear Overhead w/o Doors or Hardware - 047939-02-700 Antique Birch
	049236-24-000	EA	Door Asm. - Overhead Cabinet - w/o Hardware - 047939-02-000 Antique Birch
	053672-03-000	EA	Door Asm. - Overhead Cabinet - w/o Hardware - 047939-02-700 Antique Birch

## 1977 WINNEBAGO TABLE OF CONTENTS

D27MI	A-1 - B-10
MW20RG	B-11 - C-16
D27S	C-17 - D22
D23MI	D-23 - F-8
D23S	F-9 - G-14
MWC25	G-15 - I-2
D27DRK	I-3 - J-14
D29D	J-15 - L2

## 1977 MW20RG INDEX

Floor Plan	B-11 - B-12
Accessories Group	B-13 - B-14
Bath Group	B-14
Chassis Group	B-15
Curtain, Cushion & Pad Group	B-15 - B-18
Dinette Group	B-19
Driver's Compartment Group	B-19
Electrical Group	B-20 - B-21
Exterior Body Group	B-22 - B-24
	C-1
Galley Group	C-2
Heating & Air Conditioning Group	C-2
Interior Finish Group	C-3 - C-4
LP Group	C-5
Lounge Group	C-6
Water & Sewage Group	C-7
Window, Vent & Exterior Door Group	C-8 - C-16

## WATER AND SEWAGE GROUP

### PLUMBING REPAIR KITS, PIPE FITTINGS, AND WATER PUMP

Key	Part Number	U/M	Description
**	040539-01-000	EA	Kit Repair - 3/8" O D Plastic Tube
**	040540-01-000	EA	Kit Repair - 1/2" O D Plastic Tube
**	040541-01-000	EA	Kit Repair - 5/8" O D. - Plastic Tube
**	039818-02-000	EA	Riser Asm - 3/8" O D. x 36" Tube
**	039818-04-000	EA	Riser Asm - 3/8" O D x 72" Tube
**	039818-05-000	EA	Riser Asm - 3/8" O D x 48" Tube
**	050780-01-000	EA	Coupler - Rubber 3" x 3" - NOM
**	046128-01-000	EA	Valve - Plastic Water Tank Drain - 1/2" FPT
**	011091-01-000	EA	Waste - Continuous - Double Sink - 11 7/8"
**	004020-01-000	QT	Adhesive - ABS Cement
**	010133-01-000	EA	Adaptor - Trap - Plastic 1 1/2" H x MPT
**	010201-01-000	EA	Hose - Sewer 3" x 10' w/Clamp
**	010235-01-000	EA	Cap - Sewage 3"
**	010236-01-000	EA	Adaptor - Hose 3"
**	010210-01-000	EA	Valve - Sanitary - Therford 3 HB
**	010234-01-000	EA	Adaptor Bayonet
**	011066-01-000	EA	P-Trap - Plastic 1 1/4"
**	039809-01-000	EA	Valve - Stool - Plastic 3/8" C x 1/2" FPT
**	046128-01-000	EA	Valve - Drain - Plastic 1/2" FPT
**	039807-01-000	EA	Valve - Drain - Brass 1/2" MPT
**	041279-02-000	EA	Pump - Water Flow 2.8 GPM - PAR
**	039647-02-000	EA	Filter - Water Pump - 1/2" MPT
**	041819-01-000	EA	Nut and Cone - Plastic 1/2" O D. Tube
**	010153-01-000	EA	Ring - Closet - Plastic - 4F x 3" - MPT

\*\*The illustrated parts breakdown for this item is provided on the Common Items Fiche

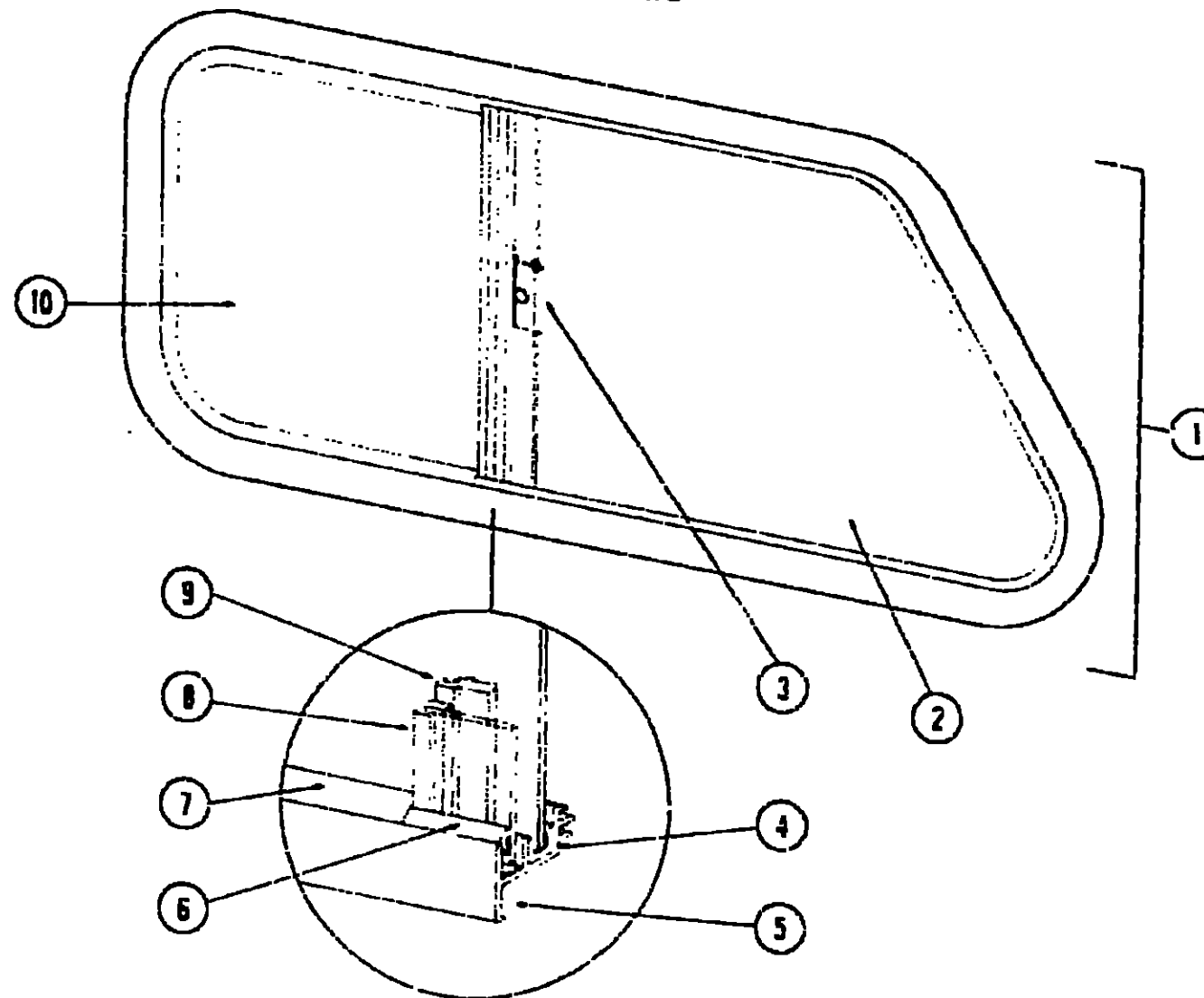
### WATER AND SEWAGE TANKS

Key	Part Number	U/M	Description
**	045196-04-000	EA	Tank Asm - Water - Plastic 26 Gallon w/Fittings
**	045196-01-000	EA	Tank - Water - Plastic 26 Gallon w/o Fittings
**	046524-02-000	EA	Kit - Plastic Fittings - For Water Tanks
**	043835-02-000	EA	Tank Asm - Holding - Plastic 16 Gallon w/Fittings
**	043835-01-000	EA	Tank - Holding - Plastic 16 Gallon w/o Fittings
**	043836-03-000	EA	Tank Asm - Holding - Plastic 24 Gallon w/Fittings
**	043836-01-000	EA	Tank - Holding - Plastic 24 Gallon w/o Fittings
**	046524-01-000	EA	Kit - Plastic Fittings - For Holding Tanks
**	051391-01-000	EA	Water Heater - w/o Outside Access Door (G6A3)
**	031952-01-000	EA	Water Heater - w/o Outside Access Door - (G6A2)

\*\*The illustrated parts breakdown for this item is provided on the the Common Items Fiche

## WINDOW, VENT AND EXTERIOR DOOR GROUP

### WINDOWS



Key	Part Number	U/M	Description
1	048632-01-000	EA	Window Asm - Bunk - Slanted Slider - Right (w/o Inside Frame)
	048632-02-000	EA	Window Asm - Bunk - Slanted Slider - Left (w/o Inside Frame)
2	040919-01-000	EA	Glass - 1/8" x 11.98" x 12.42" - Gray - Stationary
3	047369-01-000	EA	Latch - Window - Plastic
	049287-01-000	EA	Washer - Nylon - .82" x .140" I.D.
	049288-01-000	EA	Screw - Machine - 8-32 x 5/16" HWH - Black
4	002324-01-000	FT	Channel - Weatherstrip - Glass Run - 1/8" Glass
5	004363-01-000	FT	Tape - Foam - 3/16" x 1/2" - Gray
6	002309-01-000	FT	Spline - Glass - 1/8" - Gray
7	023096-01-000	FT	Seal - Window - Channel - Gray
8	002390-02-001	EA	Holder - Glass Seal - Extr. - Anod.
9	041884-10-000	EA	Mullion - 13" - Clear Anod.
10	047815-01-000	EA	Glass - 1/8" x 11.98" x 11.81" - Gray - Sliding
*	040916-03-000	EA	Frame - Window - Inside - Bunk Slant - Left (Not Included in Assembly)
*	040916-04-000	EA	Frame - Window - Inside - Bunk Slant - Right (Not Included in Assembly)
*	023713-01-000	EA	Cover - Weephole - White
*	002298-01-000	FT	Spline - Gray - .130" Dia. (Screen)
*	002292-01-000	SF	Screen - Window - 20" - Gray

C-7

\* Not Illustrated

## 1977 WINNEBAGO TABLE OF CONTENTS

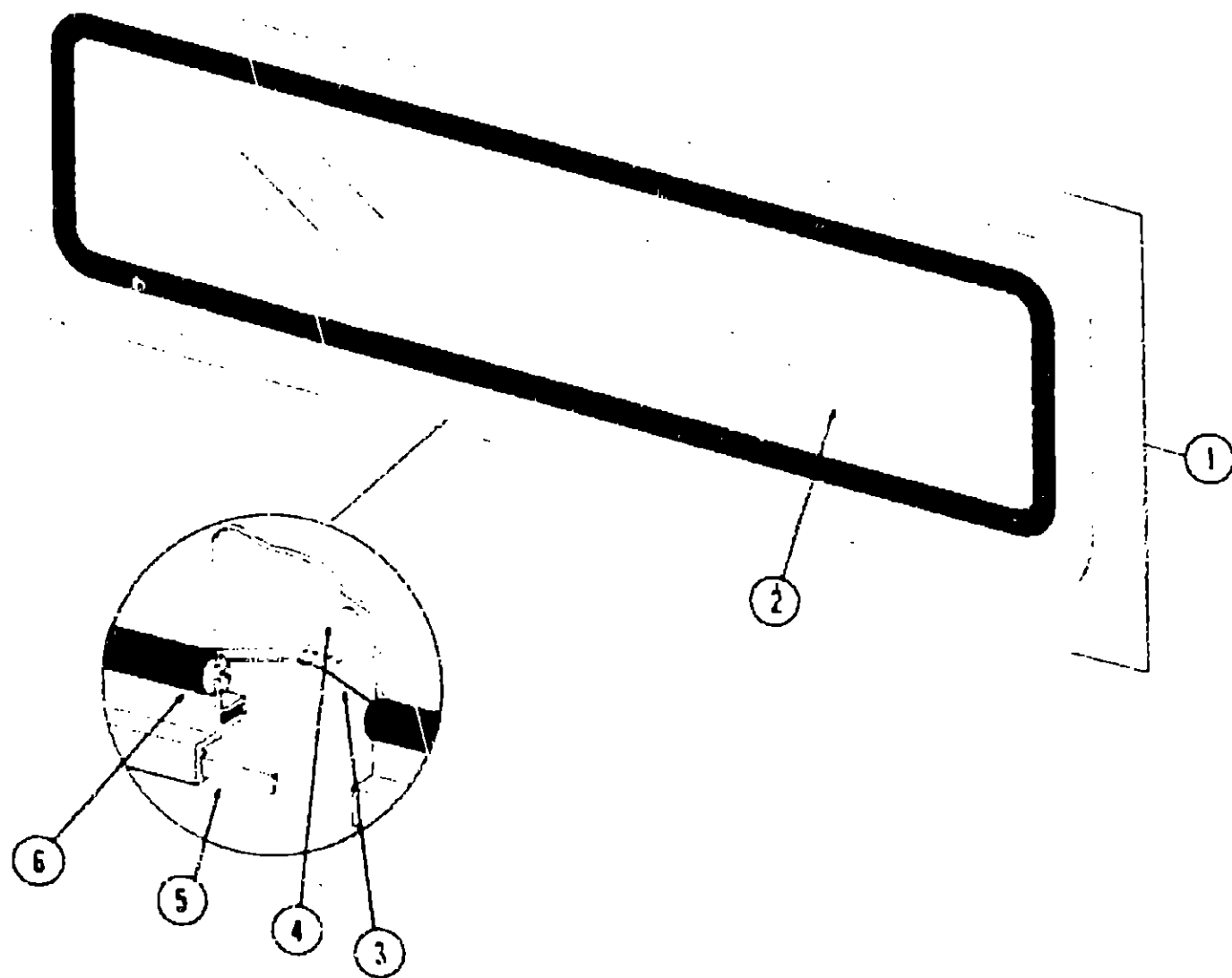
D27MI	A-1 - B-10
MW20RG	B-11 - C-16
D27S	C-17 - D22
D23MI	D-23 - F-8
D23S	F-9 - G-14
MWC25	G-15 - I-2
D27DRK	I-3 - J-14
D29D	J-15 - L2

## 1977 MW20RG INDEX

Floor Plan	B-11 - B-12
Accessories Group	B-13 - B-14
Bath Group	B-14
Chassis Group	B-15
Curtain, Cushion & Pad Group	B-15 - B-18
Dinette Group	B-19
Driver's Compartment Group	B-19
Electrical Group	B-20 - B-21
Exterior Body Group	B-22 - B-24
	C-1
Galley Group	C-2
Heating & Air Conditioning Group	C-2
Interior Finish Group	C-3 - C-4
LP Group	C-5
Lounge Group	C-6
Water & Sewage Group	C-7
Window, Vent & Exterior Door Group	C-8 - C-16

C-8

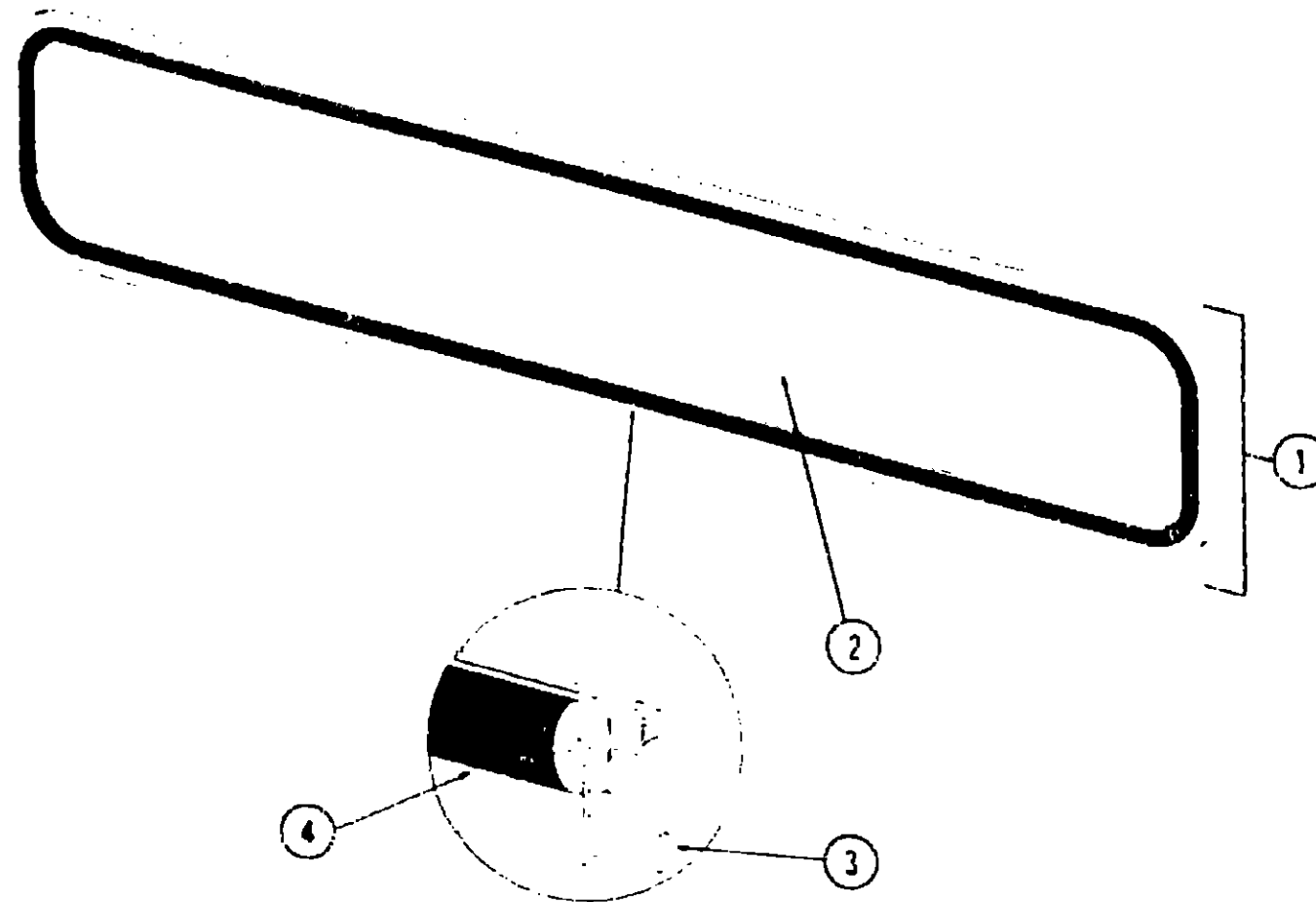
**WINDOW, VENT AND EXTERIOR DOOR GROUP (CONTINUED)**



Key	Part Number	U/M	Description
1	029754-01-000	EA	Window Asm. - Escape - 23" x 68" - Clear Anod. (w/o Inside Frame)
2	002178-01-000	EA	Glass 1/8" x 26' 51" x 64' 60"
3	002285-01-000	FT	Weatherstrip - Filler - Black
4	029395-01-000	EA	Slip Ring - Pull
5	004363-01-000	FT	Tape - Foam 3/16" x 1/2" Gray
6	002282-01-000	FT	Weatherstrip - Window - 125" Black
*	029752-03-000	EA	Frame - Window Inside - Escape 23" x 68" (Not included in Assembly)
	008199-01-000	EA	Label - Exit - Escape Window

\* Not Illustrated

**WINDOW, VENT AND EXTERIOR DOOR GROUP (CONTINUED)**



Key	Part Number	U/M	Description
1	041936-02-000	EA	Window Asm. - Front Picture - 14" x 68" (w/o Inside Frame)
2	002200-02-000	EA	Glass - TP - Picture Window
3	004363-01-000	FT	Tape - Sealer - 3/16" x 1/2" Foam
4	002281-01-000	FT	Weatherstrip - Self Seal - .06" Panel x 3/16" Black
*	037845-01-000	FT	Tape - Butyl - Window - 3/16" - Bead Black
*	041938-01-000	EA	Frame - Inside - Picture Window (not included in assembly)

\* Not Illustrated

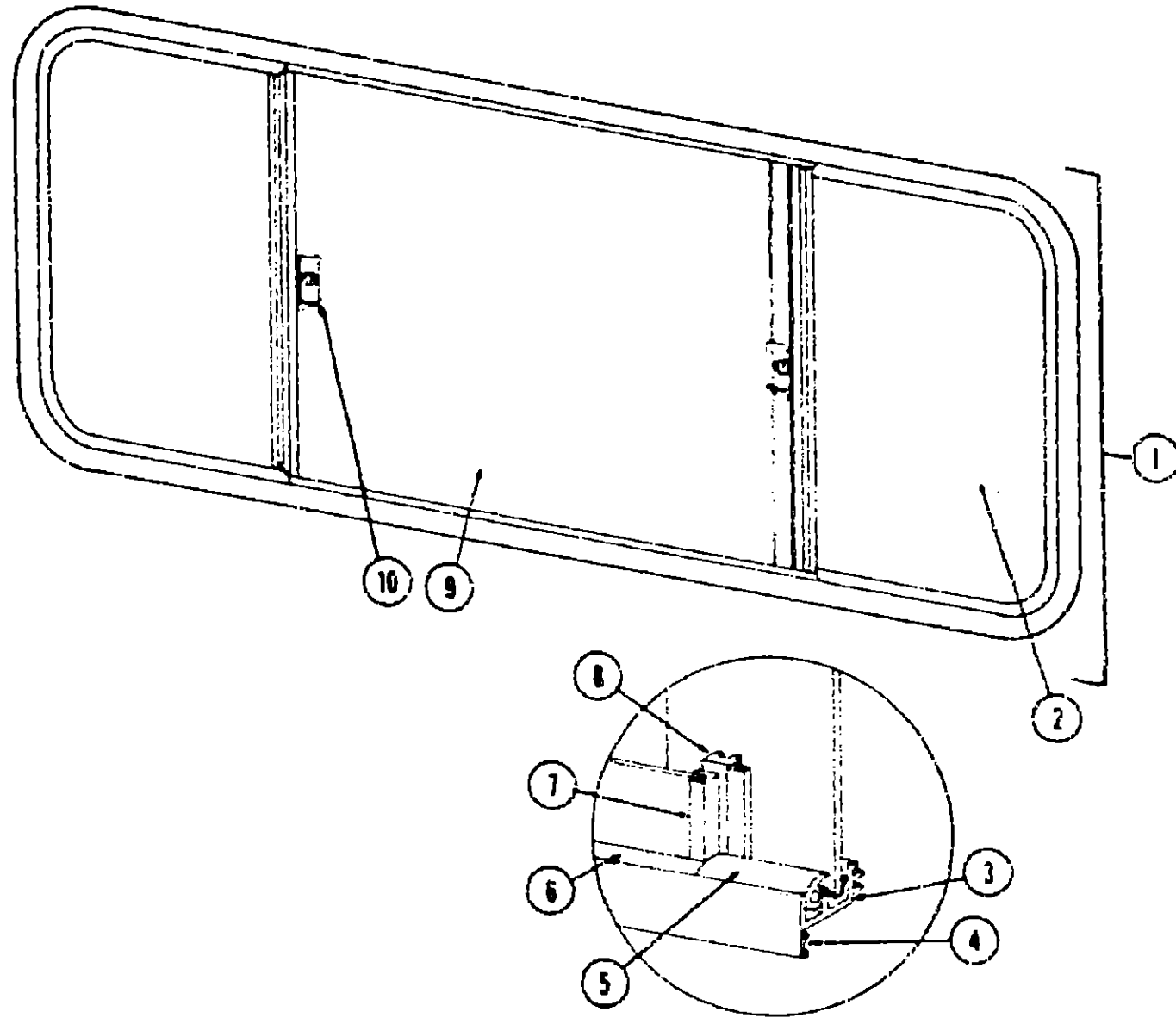
**1977 WINNEBAGO  
TABLE OF CONTENTS**

D27MI	A-1 - B-10
MW20RG	B-11 - C-16
D27S	C-17 - D-22
D23MI	D-23 - F-8
D23S	F-9 - G-14
MWC25	G-15 - I-2
D27DRK	I-3 - J-14
D29D	J-15 - L-2

**1977 MW20RG INDEX**

Floor Plan	B-11 - B-12
Accessories Group	B-13 - B-14
Bath Group	B-14
Chassis Group	B-15
Curtain, Cushion & Pad Group	B-15 - B-18
Dinette Group	B-19
Driver's Compartment Group	B-19
Electrical Group	B-20 - B-21
Exterior Body Group	B-22 - B-24
	C-1
Galley Group	C-2
Heating & Air Conditioning Group	C-2
Interior Finish Group	C-3 - C-4
LP Group	C-5
Lounge Group	C-6
Water & Sewage Group	C-7
Window, Vent & Exterior Door Group	C-8 - C-16

**WINDOW, VENT AND EXTERIOR DOOR GROUP (CONTINUED)**



Key	Part Number	U/M	Description
1	048630-03-000	EA	Window Asm. - Double Slider - 23" x 65" - Clear Anod. (w/6 Inside Frame)
2	047823-01-000	EA	Glass - 1/8" x 22" x 21.03" - Sliding (2 per window)
3	002324-01-000	FT	Channel - Weatherstrip - Glass Run - 1/8" Glass
4	004363-01-000	FT	Tape - Foam - 3/16" x 1/2" - Gray
5	024096-01-000	FT	Seal - Window Channel - Gray
6	002309-01-000	FT	Spline - Glass - 1/8" - Gray
7	018025-01-000	EA	Holder - Glass Seal - Anod.
8	041884-01-000	EA	Multron - Slider Window - 23" - Clear Anod
9	002188-01-000	EA	Glass - 1/8" x 22" x 25.5" - Stationary
10	047389-01-000	EA	Latch - Window - Plastic
	049287-01-000	EA	Washer - Nylon - .82" x .140" I.D.
	049288-01-000	EA	Screw - Machine - 6-32 x 5/16" - HWH - Black
	042133-08-000	EA	Frame - Inside - Double Slider Window (not included in assembly)
	002286-01-000	FT	Spline - Gray - .130" Dia. - (Screen)
	002283-01-000	SF	Screen - Window - 26" - Gray
	025713-01-000	EA	Cover - Plastic - Weephole - White

\* Not Illustrated

**WINDOW, VENT AND EXTERIOR DOOR GROUP (CONTINUED)**

**ACCESS DOORS**

Key	Part Number	U/M	Description
	022583-07-000	EA	Door Asm. - LP - Off White w/Twist Type Lock
	033333-20-000	EA	Door Asm. Battery - Off White w/Twist Type Lock
	042584-02-000	EA	Door Asm. - Luggage - Off White w/Key Type Lock
	044216-01-000	EA	Door Asm. - Power Cord Access - 6" x 10" Off White Plastic w/Quarter Turn Plastic Latch
	047349-04-000	EA	Door Asm. - Refrigerator Access - Off White w/Twist Type Lock
	042585-01-000	EA	Door Asm. - Generator - Off White w/Twist Type Lock
	003182-03-000	EA	Door Asm. - Water Heater Access - Off White
	043942-01-000	EA	Latch - Quarter Turn Plastic - Power Cord Door
	016345-02-000	EA	Holder Asm. - Battery or Luggage Door (Used for Top Hinged Access Doors)
	039884-01-000	EA	Kit - Lock - Twist Type w/Clip
	047305-01-000	EA	Kit - Lock - Key Type w/Clip
	051793-01-000	EA	Door Asm. - Generator - w/Mesh Grille (Use with 3500 Watt Kohler)

**VENTS**

Key	Part Number	U/M	Description
	008407-01-000	EA	Frame - Base - Refrigerator Vent (w/o Cover)
	039778-01-000	EA	Cover - Roof Vent - Plastic
	049352-01-000	EA	Vent - Stovehood - Outside - White

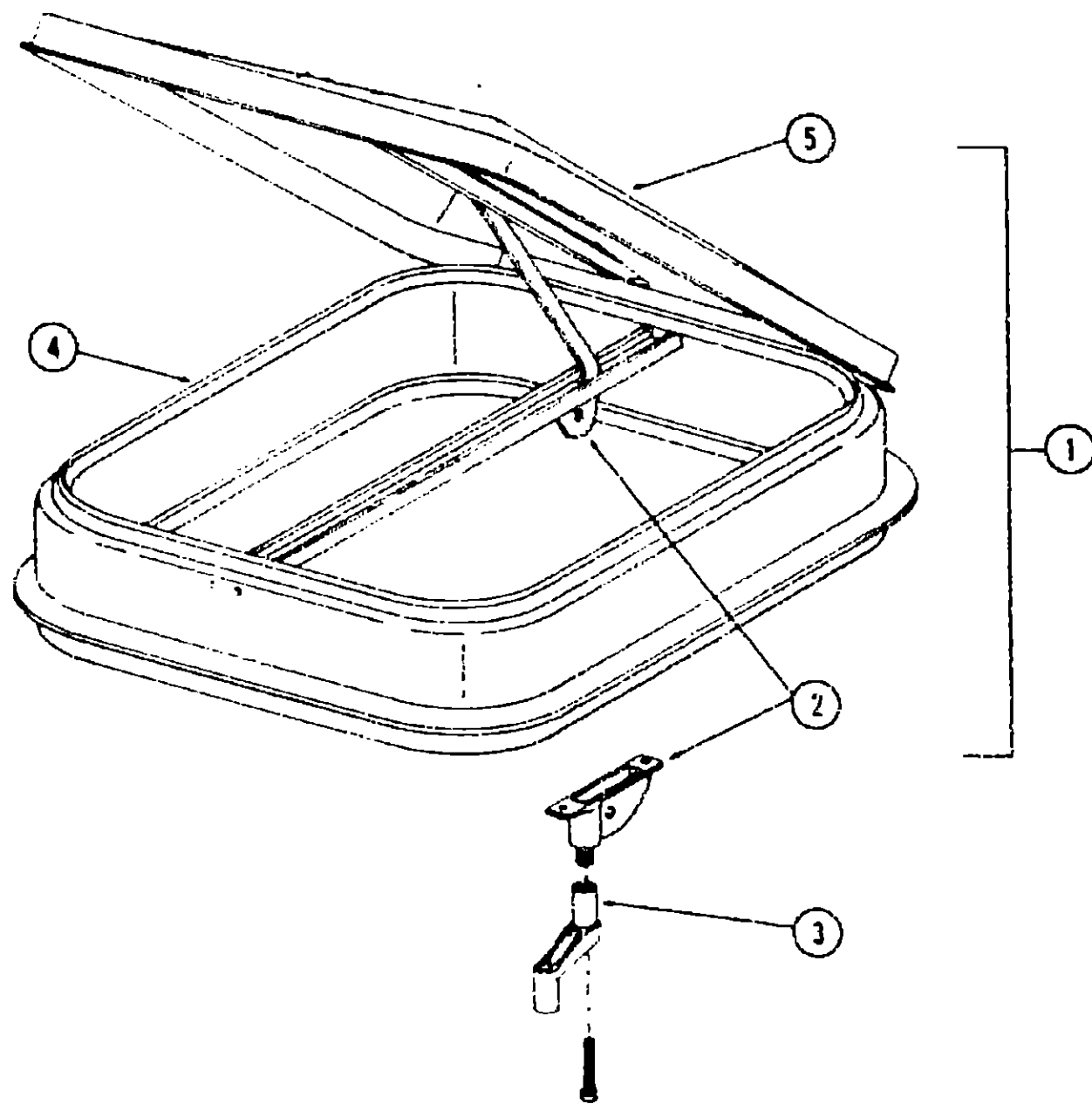
**1977 WINNEBAGO TABLE OF CONTENTS**

D27MI	A-1 - B-10
MW20RG	B-11 - C-16
D27S	C-17 - D-22
D23MI	D-23 - F-8
D23S	F-9 - G-14
MWC25	G-15 - I-2
D27DRK	I-3 - J-14
D29D	J-15 - L-2

**1977 MW20RG INDEX**

Floor Plan	B-11 - B-12
Accessories Group	B-13 - B-14
Bath Group	B-14
Chassis Group	B-15
Curtain, Cushion & Pad Group	B-15 - B-18
Dinette Group	B-19
Driver's Compartment Group	B-19
Electrical Group	B-20 - B-21
Exterior Body Group	B-22 - B-24
	C-1
Galley Group	C-2
Heating & Air Conditioning Group	C-2
Interior Finish Group	C-3 - C-4
LP Group	C-5
Lounge Group	C-6
Water & Sewage Group	C-7
Window, Vent & Exterior Door Group	C-8 - C-16

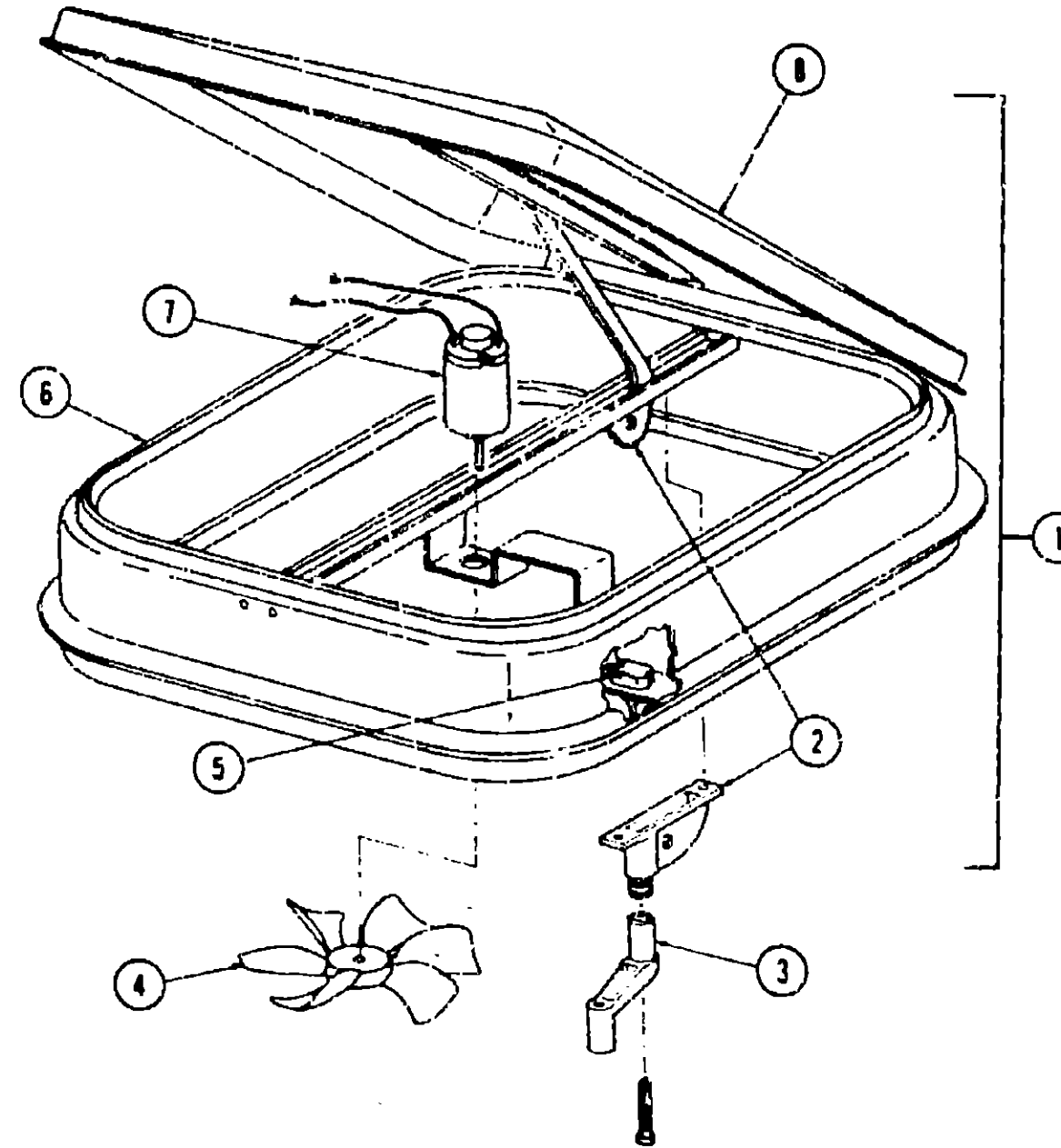
**WINDOW, VENT AND EXTERIOR DOOR GROUP (CONTINUED)**



Key	Part Number	U/M	Description
1	046835-01-000	EA	Vent Asm. - Roof - Nonpowered (w/o Screen)
2	009440-01-000	EA	Gear - Arm - Roof Vent
3	009439-01-000	EA	Crank - Roof Vent
4	002825-01-000	FT	Weatherstrip - Roof Vent
5	046825-01-000	EA	Cover - Plastic - Roof Vent
*	016335-01-000	EA	Screen Asm. - Non Powered Roof Vent - Clear Anod. (not included in assembly)
*	016335-03-000	EA	Screen Asm. - Non Powered Roof Vent - Beige (not included in assembly)

\* Not Illustrated

**WINDOW, VENT AND EXTERIOR DOOR GROUP (CONTINUED)**



Key	Part Number	U/M	Description
1	046789-01-000	EA	Vent Asm. Roof - Powered (w/o Screen)
2	009440-01-000	EA	Gear - Arm - Roof Vent
3	009439-01-000	EA	Crank - Roof Vent
4	046649-01-000	EA	Fan - Blade - 8" Plastic
5	008195-01-000	EA	Switch - Push Button - 12 Volt
6	002825-01-000	FT	Weatherstrip - Roof Vent
7	046648-01-000	EA	Motor - 1/2 Volt
8	046825-01-000	EA	Cover - Plastic - Roof Vent
*	046695-01-000	EA	Screen Asm. - Powered Roof Vent - Clear Anod. (not included in assembly)
*	046695-03-000	EA	Screen Asm. - Powered Roof Vent - Beige (not included in assembly)

\* Not Illustrated

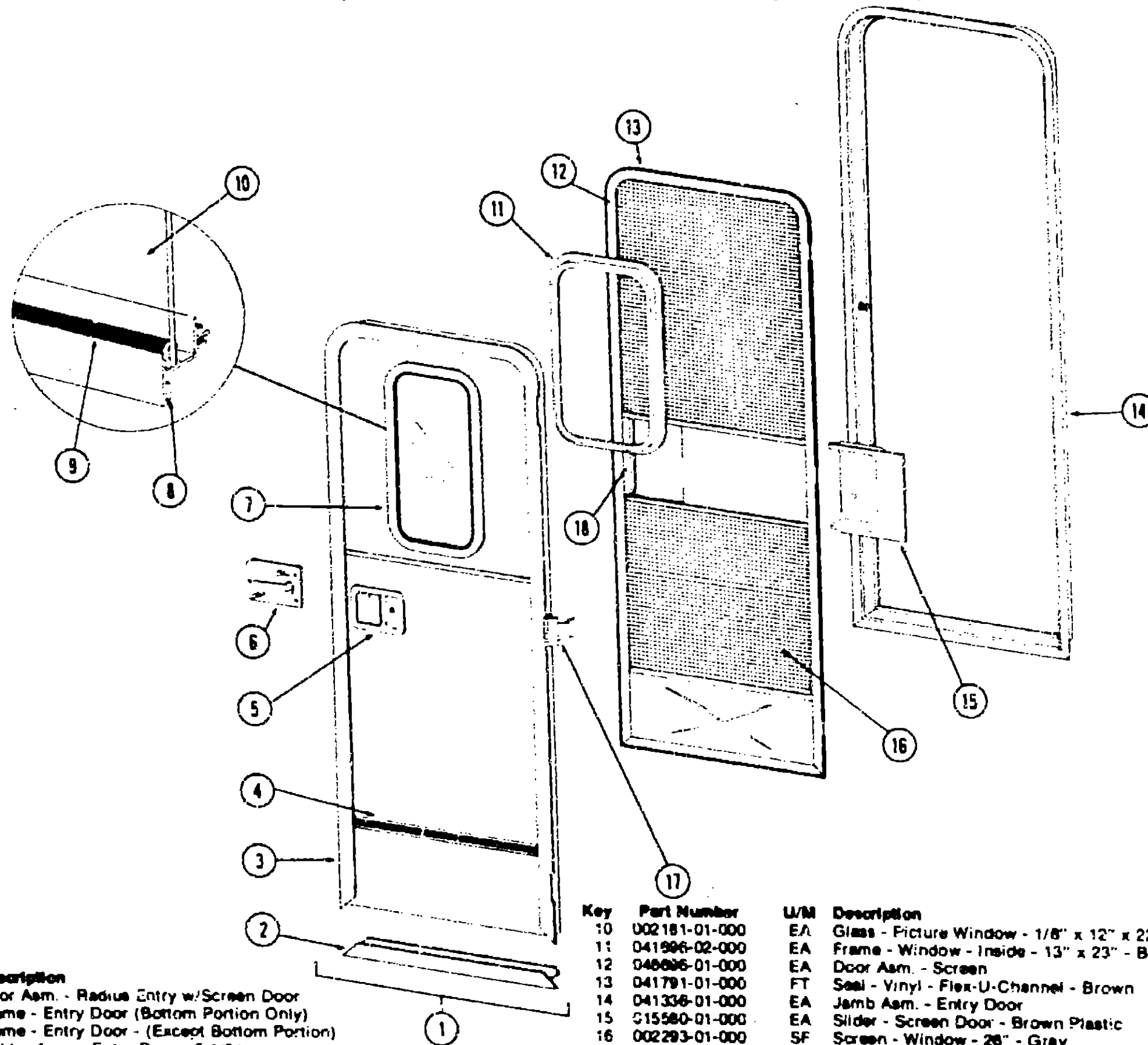
**1977 WINNEBAGO  
TABLE OF CONTENTS**

D27MI	A-1 - B-10
MW20RG	B-11 - C-16
D27S	C-17 - D-22
D23MI	D-23 - F-8
D23S	F-9 - G-14
MWC25	G-15 - I-2
D27DRK	I-3 - J-14
D29D	J-15 - L-2

**1977 MW20RG INDEX**

Floor Plan	B-11 - B-12
Accessories Group	B-13 - B-14
Bath Group	B-14
Chassis Group	B-15
Curtain, Cushion & Pad Group	B-15 - B-18
Dinette Group	B-19
Driver's Compartment Group	B-19
Electrical Group	B-20 - B-21
Exterior Body Group	B-22 - B-24
	C-1
Galley Group	C-2
Heating & Air Conditioning Group	C-2
Interior Finish Group	C-3 - C-4
LP Group	C-5
Lounge Group	C-6
Water & Sewage Group	C-7
Window, Vent & Exterior Door Group	C-8 - C-16

WINDOW, VENT AND EXTERIOR DOOR GROUP (CONTINUED)



Key	Part Number	U/M	Description
1	050086-05-000	EA	Door Asm. - Radius Entry w/Screen Door
2	018737-01-000	EA	Frame - Entry Door (Bottom Portion Only)
3	038736-01-000	EA	Frame - Entry Door - (Except Bottom Portion)
4	038874-02-000	EA	Holder Asm. - Entry Door - 2 1/2"
5	052186-01-000	EA	Lock Asm. - Radius Entry Door - Lynor
	045017-01-700	EA	Lock Cylinder w/Keys - Lynor
	039541-01-000	EA	Lock Cylinder w/Keys - Atwood
	038538-01-000	EA	Striker - Entry Door Lock
6	038879-01-000	EA	Plate - Lock - Interior - Including Inside Handle
7	041275-01-000	EA	Window Asm. - Picture - 13" x 23" Clear Anod (Inside frame not included in assembly)
8	004383-01-000	FT	Tape - Foam - 3/16" x 1/2" - Gray
9	002309-01-000	FT	Spine - Glass - 1/8" - Gray

Key	Part Number	U/M	Description
10	002181-01-000	EA	Glass - Picture Window - 1/8" x 12" x 22" - Gray
11	041996-02-000	EA	Frame - Window - Inside - 13" x 23" - Brown
12	048836-01-000	EA	Door Asm. - Screen
13	041791-01-000	FT	Seal - Vinyl - Flex-U-Channel - Brown
14	041336-01-000	EA	Jamb Asm. - Entry Door
15	015580-01-000	EA	Slider - Screen Door - Brown Plastic
16	002293-01-000	SF	Screen - Window - 26" - Gray
17	038520-01-000	EA	Hinge - Entry Door (3 used per door)
	015581-01-000	EA	Cap - Screen Door - Brown Plastic
	048176-01-000	EA	Hedlok II - 3/4" Diameter - Screw Mount (Retains Screen Door to Entry Door)
	048797-01-000	EA	Hedlok II - 1" Diameter - Screw Mount (Retains Screen Door to Entry Door)
	018019-01-000	EA	Striker - Screen Door
	038863-01-000	EA	Catch Asm. - Single Roller w/Strike - Screen Door
	038740-01-000	FT	Seal - Jamb - Entry Door
	038800-03-000	FT	Tubing - Polybutyl - 3/8" O.D. - Jamb

\* Not Illustrated

1977 WINNEBAGO  
TABLE OF CONTENTS

D27MI	A-1 - B-10
MW20RG	B-11 - C-16
D27S	C-17 - D-22
D23MI	D-23 - F-8
D23S	F-9 - G-14
MWC25	G-15 - I-2
D27D:P	I-3 - J-14
D29C	J-15 - L-2

1977 MW20RG INDEX

Floor Plan	B-11 - B-12
Accessories Group	B-13 - B-14
Bath Group	B-14
Chassis Group	B-15
Curtain, Cushion & Pad Group	B-15 - B-18
Dinette Group	B-19
Driver's Compartment Group	B-19
Electrical Group	B-20 - B-21
Exterior Body Group	B-22 - B-24
	C-1
Galley Group	C-2
Heating & Air Conditioning Group	C-2
Interior Finish Group	C-3 - C-4
LP Group	C-5
Lounge Group	C-6
Water & Sewage Group	C-7
Window, Vent & Exterior Door Group	C-8 - C-16