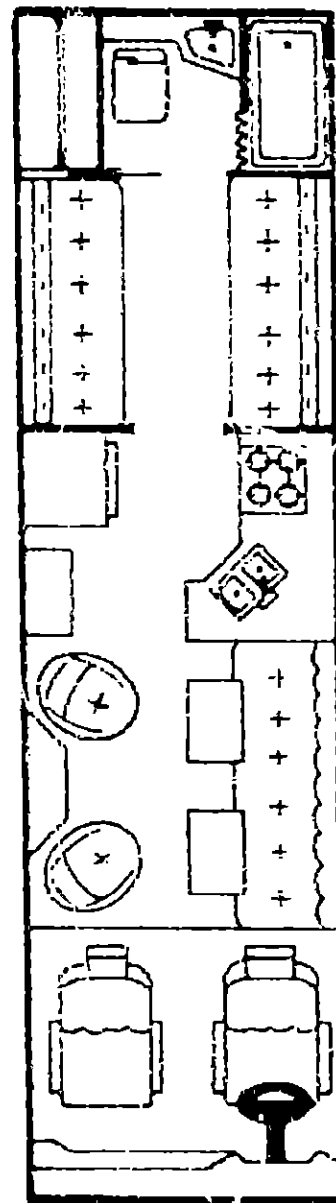


1977 D29D



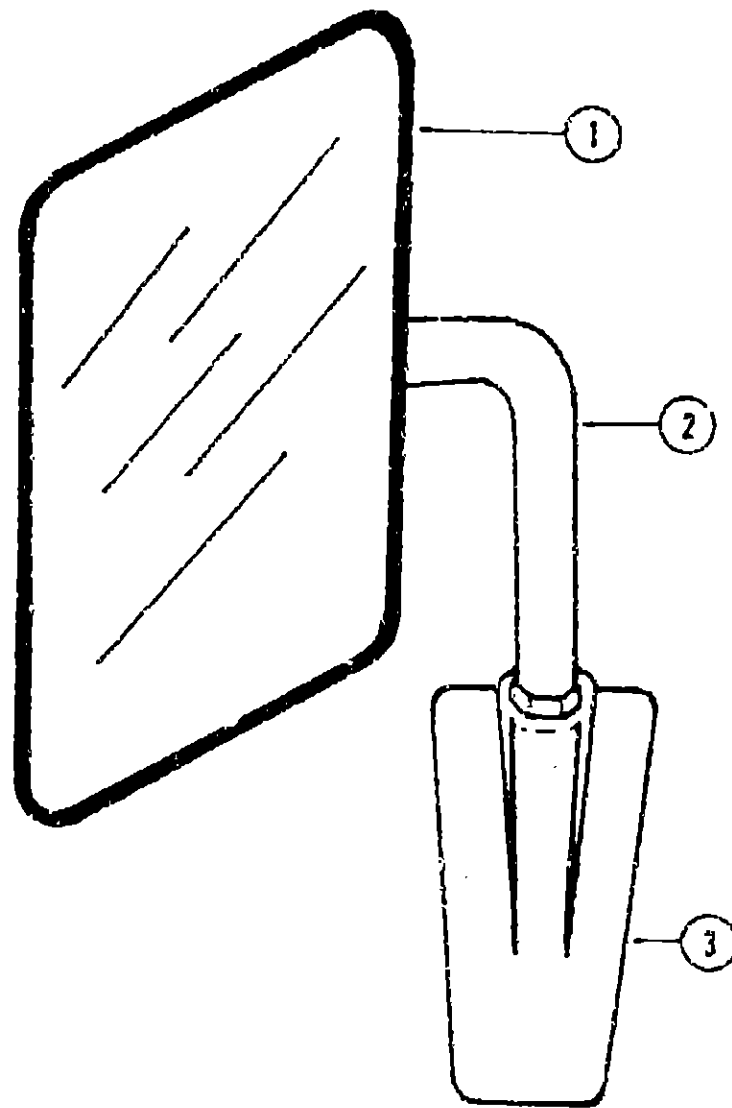
1977 WINNEBAGO TABLE OF CONTENTS

D27Mi	A-1 - B-10
MW20FG	B-11 - C-16
D27S	C-17 - D22
D23Mi	D-23 - F-8
D23S	F-9 - G-14
MWC25	G-15 - I-2
D27DRK	I-3 - J-14
D29D	J-15 - L2

1977 D29D INDEX

Floor Plan	J-15 - J-16
Accessories Group	J-17 - J-18
Bath Group	J-19 - J-20
Chassis Group	J-21
Curtain, Cushion & Pad Group	J-22 - K-1
Dinette Group	K-2
Driver's Compartment Group	K-3 - K-4
Electrical Group	K-5 - K-6
Exterior Body Group	K-7 - K-10
Galley Group	K-11
Heating & Air Conditioning Group	K-12
Interior Finish Group	K-13 - K-14
LP Group	K-15
Lounge Group	K-15
Water & Sewage Group	K-16
Window, Vent & Exterior Door Group	K-17 - L-2

ACCESSORIES GROUP



Key	Part Number	U/M	Description
1	049347-01-000	EA	Mirror - Head - 7 1/2" x 10 1/2" - Stainless Steel
2	049348-01-000	EA	Arm - Low Mount Mirror - Bright Finish
3	049944-01-000	EA	Bracket - Mirror - Beige

RADIOS AND RELATED COMPONENTS

Key	Part Number	U/M	Description
	051907-01-000	EA	Radio - AM/FM/MPX/8 Track w/Fader - Motorola
	051923-01-700	EA	Speaker Kit - 5 3/4" Motorola
	050751-01-000	EA	Bracket - Mounting - Fader Switch and Microphone
	051105-01-000	EA	Antenna - Side Mounted Radio
	031105-01-700	EA	Clip - Radio Antenna - Side Mounted - Upper

ACCESSORIES GROUP (CONTINUED)

FRONT BUNK AND HARDWARE

Key	Part Number	U/M	Description
	042820-01-000	EA	Bunk Asm. - Front Overhead w/Carpet
	039516-02-000	EA	Catch - Bunk - Safety - Brown
	040071-01-000	EA	Support - Bunk - Seat Belt
	042201-01-000	EA	Support Asm. - Overhead Bunk - Beige

GENERATORS AND INSTALLATION KITS

Key	Part Number	U/M	Description
	701629-01-000	EA	Kohler Installation Package
	050467-01-000	EA	Bezel - Entertainment Center - No. 3
	050279-01-000	EA	Tray - Generator - Kohler
	042865-01-000	EA	Scoop - Generator Air
**	040505-01-000	EA	Generator - 4.0 kw - Kohler
**	040506-01-000	EA	Generator - 5.0 kw - Kohler
**	044149-01-000	EA	Generator - 6.5 kw - Kohler
**	051938-01-000	EA	Generator - 3.5 kw - Kohler
**	051909-01-000	EA	Generator - 4.5 kw - Kohler
**	051910-01-000	EA	Generator - 5.5 kw - Kohler
**	051911-01-000	EA	Generator - 7.0 kw - Kohler

**The illustrated parts breakdown for this item is provided on the Common Items Fiche.

MISCELLANEOUS ACCESSORIES

Key	Part Number	U/M	Description
	044148-01-000	EA	TV - 13" Color - Sharp
	006053-01-000	EA	Antenna - TV - Braun Delux
	006093-01-000	EA	Jack - TV - Brown
	052771-01-000	EA	Oven - Microwave - Magic Chef - 207-4
**	042344-01-000	EA	Luggage Rack Asm. - w/Ladder
**	042344-02-000	EA	Ladder Only - For Rack and Ladder Asm.
	006113-01-000	EA	Jack - Hydraulic - 5 Ton
	041944-01-700	EA	Fire Extinguisher - Dry Chemical - w/Bracket
	054185-01-000	EA	Owner's Manual - 1978 - Winnebago
	017516-01-000	EA	Mudflap - Black - 14" x 18" - w/Holes
	006069-01-000	EA	Case - Leather Key - Motor Home
	007038-01-000	EA	Mat - Door - Black Rubber - 10 1/2" x 26"
**	031396-02-000	EA	Cover - Wheel - 19.5" Chrome
	044399-01-000	EA	Thermometer - Outside - Chrome
	047226-01-000	EA	Tire Cover - Black - w/Zipper
	048813-01-000	EA	Weather Center - 5 1/2" x 15" - Gold
	003174-01-000	EA	Vacuum Cleaner - w/o Attachments
	003174-02-000	EA	Attachment Package - Vacuum Cleaner
	700108-01-000	EA	Eag - Vacuum - Disposable
	042562-01-000	EA	Slide Asm. - Vacuum - 22" - Right
	042562-02-000	EA	Slide Asm. - Vacuum - 22" - Left
	052003-01-000	EA	Trim Plate - Motorola Radio
	036470-01-000	EA	Fan - 12 Volt Defroster
**	024746-01-000	EA	Speed Control Package 440 - C.I.D. - Dodge Lever Type A Body

**The illustrated parts breakdown for this item is provided on the Common Items Fiche.

1977 WINNEBAGO TABLE OF CONTENTS

D27M1	A-1 - B-10
MW2DRG	B-11 - C-16
D27S	C-17 - D22
D23M1	D-23 - F-8
D23S	F-9 - G-14
MWC25	G-15 - I-2
D27DRK	I-3 - J-14
D29D	J-15 - L2

1977 D29D INDEX

Floor Plan	J-15 - J-16
Accessories Group	J-17 - J-18
Bath Group	J-19 - J-20
Chassis Group	J-21
Curtain, Cushion & Pad Group	J-22 - K-1
Dinette Group	K-2
Driver's Compartment Group	K-3 - K-4
Electrical Group	K-5 - K-6
Exterior Body Group	K-7 - K-10
Galley Group	K-11
Heating & Air Conditioning Group	K-12
Interior Finish Group	K-13 - K-14
LP Group	K-15
Lounge Group	K-15
Water & Sewage Group	K-16
Window, Vent & Exterior Door Group	K-17 - L-2

BATH GROUP

Key	Part Number	U/M	Description
	042498-01-000	EA	Door Asm. - Folding - 31.2" x 77 1/8" - Walnut
	041474-01-000	EA	Cabinet Asm. - Vanity w/o Top, Doors or Hardware
	048103-15-700	EA	Door /asm. - Vanity - 20 9/16" x 6 1/4" w/o Hardware
	048103-17-700	EA	Door Asm. - Vanity - 15 1/4" x 23" w/o Hardware
	042175-01-000	EA	Lavatory Top - Plastic - w/o Faucet
	011056-01-000	EA	Faucet - Bath Lavatory
	011063-02-000	EA	Plug - 1 1/2" x 12" w/Chain and Stopper
	051022-01-000	EA	Cabinet Asm. - Medicine w/o Door, Mirror or Hardware
	042523-01-000	EA	Door Asm. - Medicine Cabinet w/Mirror
	038836-01-000	EA	Mirror - Medicine Cabinet Door - 9" x 30"
	052532-01-700	EA	Door Asm. - Wardrobe Cabinet - 15" x 56 1/2" - w/o Hardware
	009091-01-000	EA	Mirror - Wardrobe Cabinet Door - 10" x 42"

MISCELLANEOUS HARDWARE

Key	Part Number	U/M	Description
	009134-01-000	EA	Holder - Tissue
	048169-01-000	EA	Ring - Towel - Antique Brass
	042171-01-000	EA	Bar - Towel Rack - 21" - Antique Brass
	043749-01-000	EA	Soap Dish - Wall Mount Brass
	032535-03-000	FT	Molding Asm. - Shelf - 707 Hickory
	009021-01-000	EA	Catch - Nylon Grille - Medicine Cabinet Door
	009021-02-000	EA	Strike - Nylon Catch - Medicine Cabinet Door
	009047-01-000	EA	Support - Door Cabinet
**	039341-02-000	EA	Stool Asm. - Ivory - Aqua Magic - Model SH

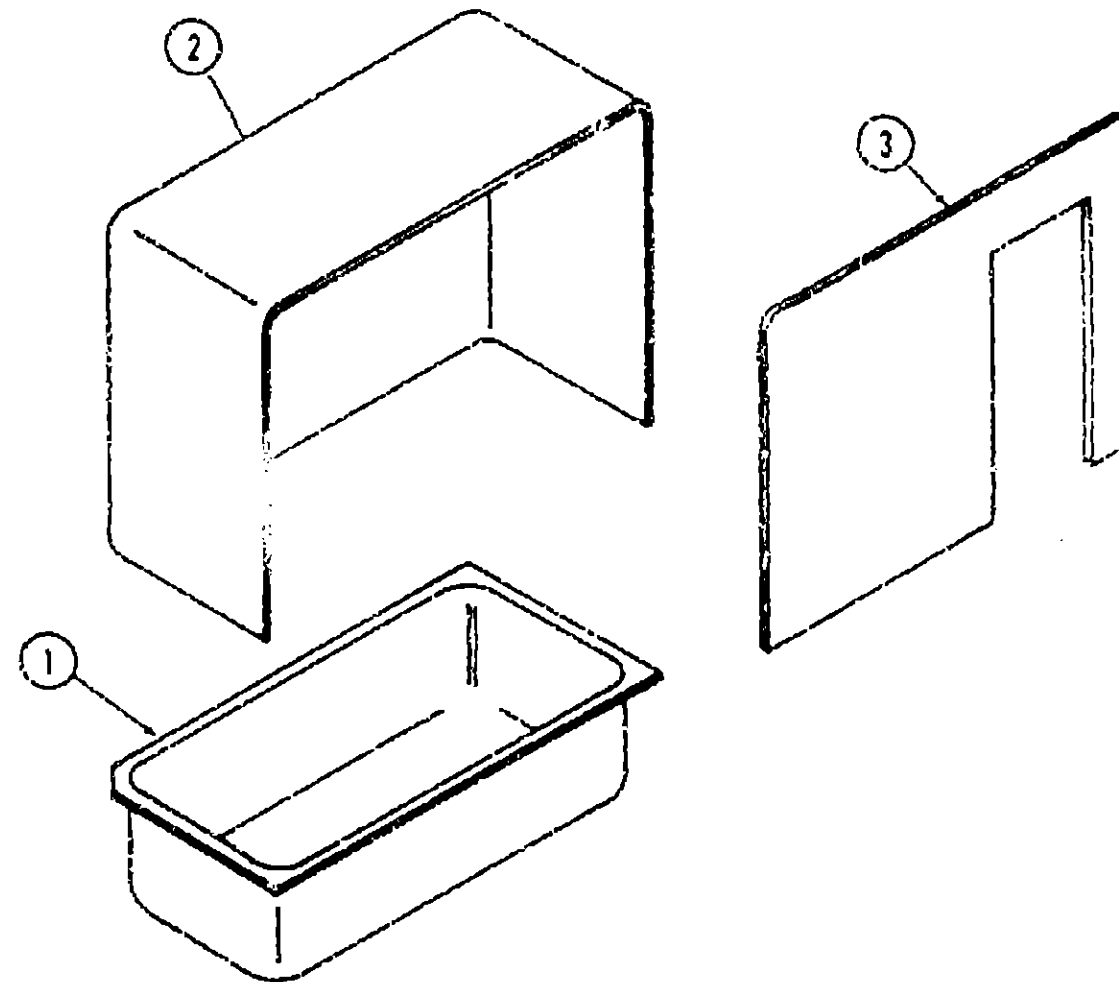
**The illustrated parts breakdown for this item is provided on the Common Items Fiche.

BATHTUB AND RELATED HARDWARE

Key	Part Number	U/M	Description
**	031558-01-000	EA	Faucet - Tub and Shower
**	011045-01-000	EA	Shower Head - w/59" Hose
	010495-01-000	EA	Clamp - Shower Hose - 9/16"
**	011086-01-000	EA	Strainer - Shower Pan
**	011069-01-000	EA	Tailpiece - 1 1/4" x 4" - Brass
	050739-02-000	EA	Door Asm. - Shower - Brown
	050470-01-000	EA	Plastic Styrene - .090" x 15 3/8" x 51 5/8"
	050080-01-000	FT	Glazing - Ext. Vinyl - U Shaped
	050482-01-000	EA	Catch - Spring - Roll Point
	050712-02-000	EA	Handle - Shower Door - Brown
	043565-05-000	EA	Jamb - Shower Door Bottom - Brown
	043567-03-000	EA	Jamb - Shower Door Right - Brown
	043567-04-000	EA	Jamb - Shower Door Left - Brown
	050233-02-000	EA	Striker - Shower Door Jamb - Brown

**The illustrated parts breakdown for this item is provided on the Common Items Fiche.

BATH GROUP (CONTINUED)



Key	Part Number	U/M	Description
1	041626-01-000	EA	Bathtub Bottom
2	041853-01-000	EA	Bathtub Rear
3	041352-01-000	EA	Bathtub Front

1977 WINNEBA 30 TABLE OF CONTENTS

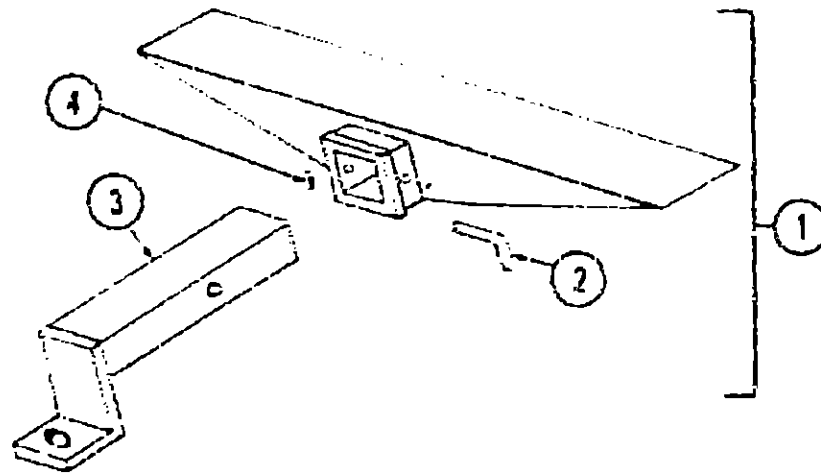
D27MI	A-1 - B-10
MW20RG	B-11 - C-16
D27S	C-17 - D-22
D23MI	D-23 - F-8
D23S	F-9 - G-14
MWC25	G-15 - I-2
D27DRK	I-3 - J-14
D29D	J-15 - L-2

1977 D29D INDEX

Floor Plan	J-15 - J-16
Accessories Group	J-17 - J-18
Bath Group	J-19 - J-20
Chassis Group	J-21
Curtain, Cushion & Pad Group	J-22 - K-1
Dinette Group	K-2
Driver's Compartment Group	K-3 - K-4
Electrical Group	K-5 - K-6
Exterior Body Group	K-7 - K-10
Galley Group	K-11
Heating & Air Conditioning Group	K-12
Interior Finish Group	K-13 - K-14
LP Group	K-15
Lounge Group	K-15
Water & Sewage Group	K-16
Window, Vent & Exterior Door Group	K-17 - L-2

CHASSIS GROUP

Key	Part Number	U/M	Description
	041233-01-000	EA	Bumper - Contoured - Front or Rear
	042510-01-000	EA	Reinforcement - Bumper - Front or Rear
	042515-01-000	EA	Bracket - Bumper - Front
	050305-01-000	EA	Bracket - Splash Guard Mount - Front
	037933-01-000	EA	Bracket - License Plate - Front or Rear
	050703-01-000	EA	Bracket - Bumper - Rear
	042522-01-000	EA	Support Asm. - Tire Carrier
	042963-02-000	EA	Power Step Asm. - Entrance Door w/o Control Unit
	047375-01-000	EA	Control Unit - Power Step
	041248-01-000	EA	Light - Warning - Step
	041249-01-000	EA	Switch - Toggle - On/Off - Power Step
	041250-01-000	EA	Switch - Push Button - Power Step
	048594-01-000	EA	Tray - Battery - Steel
	035104-02-000	EA	Cover - Asm. - Radiator - Rear
	037468-02-000	EA	Hoodboard - Steel - Front - Left
	037468-03-000	EA	Hoodboard - Steel - Front - Right
	007134-01-000	EA	Clamp - Hose - Spring Type - 9/16"
	007137-01-000	EA	Clamp - Worm Gear - 1 5/16" to 2 1/4"
	007138-01-000	EA	Clamp - Hose - 1/4" to 3/4" Dia.
	024138-01-000	FT	Hose - Fuel - 5/16" I.D.
	024141-01-000	FT	Hose - Rubber - 1/2" I.D.
	024547-01-000	EA	Hose - Gas - 2 1/4" I.D.
	045514-01-000	EA	Fill - Gas w/Vent - 5.44" Long
	024611-03-000	EA	Cap - Gas - Pressure - 1.325" - Chrome
	024611-04-000	EA	Cap - Gas - Pressure - 1.503" - Chrome
	040078-01-000	EA	Tank - Fuel - 27.3 Gallon
	043586-01-000	EA	Strap - Mounting - Fuel Tank
	007165-01-000	EA	Gasket - 3/16" x 2" x 2" - Tire Carcass
	036983-01-000	EA	Sending Unit - Fuel - 75 Ohm



Key	Part Number	U/M	Description
1	023695-01-700	EA	Hitch Kit - w/Drawbar
2	034512-01-000	EA	Pin - Locking - Drawbar
3	024875-01-700	EA	Drawbar - Trailer Hitch
4	034513-01-500	EA	Pin - Hitch - 3/16" Wire Spring

CURTAIN, CUSHION AND PAD GROUP

CURTAINS

Key	Part Number	U/M	Description
	045842-17-000	EA	Curtain - Pleated w/Hooks - 26" x 40" - Green (Martini Mist)
	045842-18-000	EA	Curtain - Pleated w/Hooks - 26" x 40" - Beige (Champagne Velvet)
	045842-19-000	EA	Curtain - Pleated w/Hooks - 26" x 40" - Rust (Sierra Sunset)
	045842-29-000	EA	Curtain - Pleated w/Hooks - 26" x 25" - Green (Martini Mist)
	045842-30-000	EA	Curtain - Pleated w/Hooks - 26" x 25" - Beige (Champagne Velvet)
	045842-31-000	EA	Curtain - Pleated w/Hooks - 26" x 25" - Rust (Sierra Sunset)
	049728-13-000	EA	Curtain w/Snap Top - 72" x 39" - Green (Martini Mist)
	049728-14-000	EA	Curtain w/Snap Top - 72" x 39" - Beige (Champagne Velvet)
	049728-15-000	EA	Curtain w/Snap Top - 72" x 35" - Rust (Sierra Sunset)
	051836-16-000	EA	Curtain w/Snap Top and Bottom - 26" x 16" - Green (Martini Mist)
	051836-17-000	EA	Curtain w/Snap Top and Bottom - 26" x 18" - Beige (Champagne Velvet)
	051836-18-000	EA	Curtain w/Snap Top and Bottom - 25" x 18" - Rust (Sierra Sunset)
	049728-07-000	EA	Curtain w/Snap Top - 30" x 30" - Left - Green (Martini Mist)
	049728-08-000	EA	Curtain w/Snap Top - 30" x 30" - Left - Beige (Champagne Velvet)
	049728-09-000	EA	Curtain w/Snap Top - 30" x 30" - Left - Rust (Sierra Sunset)
	049728-10-000	EA	Curtain w/Snap Top - 30" x 30" - Right - Green (Martini Mist)
	049728-11-000	EA	Curtain w/Snap Top - 30" x 30" - Right - Beige (Champagne Velvet)
	049728-12-000	EA	Curtain w/Snap Top - 30" x 30" - Right - Rust (Sierra Sunset)
	052414-01-000	EA	Curtain w/Snap Top - 38" x 77" - Green (Martini Mist)
	052414-02-000	EA	Curtain w/Snap Top - 38" x 77" - Beige (Champagne Velvet)
	052414-03-000	EA	Curtain w/Snap Top - 38" x 77" - Rust (Sierra Sunset)
	051832-06-000	EA	Curtain w/Snap Top - 33" x 33" - Green (Martini Mist)
	051832-07-000	EA	Curtain w/Snap Top - 33" x 33" - Beige (Champagne Velvet)
	051832-08-000	EA	Curtain w/Snap Top - 33" x 33" - Rust (Sierra Sunset)

VALANCES

Key	Part Number	U/M	Description
	041906-37-000	EA	Valance - Pleated w/Hooks - 6 1/2" x 78" - Green (Martini Mist)
	041906-38-000	EA	Valance - Pleated w/Hooks - 6 1/2" x 78" - Beige (Champagne Velvet)
	041906-39-000	EA	Valance - Pleated w/Hooks - 6 1/2" x 78" - Rust (Sierra Sunset)
	041906-43-000	EA	Valance - Pleated w/Hooks - 6 1/2" x 39" - Green (Martini Mist)
	041906-44-000	EA	Valance - Pleated w/Hooks - 6 1/2" x 39" - Beige (Champagne Velvet)
	041906-45-000	EA	Valance - Pleated w/Hooks - 6 1/2" x 39" - Rust (Sierra Sunset)
	041906-55-000	EA	Valance - Pleated w/Hooks - 6 1/2" x 37 1/2" - Green (Martini Mist)
	041906-56-000	EA	Valance - Pleated w/Hooks - 6 1/2" x 37 1/2" - Beige (Champagne Velvet)
	041906-57-000	EA	Valance - Pleated w/Hooks - 6 1/2" x 37 1/2" - Rust (Sierra Sunset)
	041906-58-000	EA	Valance - Pleated w/Hooks - 6 1/2" x 48 1/2" - Green (Martini Mist)
	041906-59-000	EA	Valance - Pleated w/Hooks - 6 1/2" x 48 1/2" - Beige (Champagne Velvet)
	041906-60-000	EA	Valance - Pleated w/Hooks - 6 1/2" x 48 1/2" - Rust (Sierra Sunset)

SHADES

Key	Part Number	U/M	Description
	052763-01-000	EA	Shade Asm. - Woven Wood - 71" x 28.5" - Green (Martini Mist)
	052763-02-000	EA	Shade Asm. - Woven Wood - 71" x 28.5" - Beige (Champagne Velvet)
	052763-03-000	EA	Shade Asm. - Woven Wood - 71" x 28.5" - Rust (Sierra Sunset)
	052764-01-000	EA	Shade Asm. - Woven Wood - 68 1/4" x 28 1/2" - Green (Martini Mist)
	052764-02-000	EA	Shade Asm. - Woven Wood - 68 1/4" x 28 1/2" - Beige (Champagne Velvet)
	052764-03-000	EA	Shade Asm. - Woven Wood - 68 1/4" x 28 1/2" - Rust (Sierra Sunset)
	052765-01-000	EA	Shade Asm. - Woven Wood - 45" x 28.5" - Green (Martini Mist)
	052765-02-000	EA	Shade Asm. - Woven Wood - 45" x 28.5" - Beige (Champagne Velvet)
	052765-03-000	EA	Shade Asm. - Woven Wood - 45" x 28.5" - Rust (Sierra Sunset)
	052766-01-000	EA	Shade Asm. - Woven Wood - 39" x 27" - Green (Martini Mist)
	052766-02-000	EA	Shade Asm. - Woven Wood - 39" x 27" - Beige (Champagne Velvet)
	052766-03-000	EA	Shade Asm. - Woven Wood - 39" x 27" - Rust (Sierra Sunset)
	052767-01-000	EA	Shade Asm. - Woven - 31" x 28.5" - Green (Martini Mist)
	052767-02-000	EA	Shade Asm. - Woven Wood - 31" x 28.5" - Beige (Champagne Velvet)
	052767-03-000	EA	Shade Asm. - Woven Wood - 31" x 28.5" - Rust (Sierra Sunset)

1977 WINNEBAGO TABLE OF CONTENTS

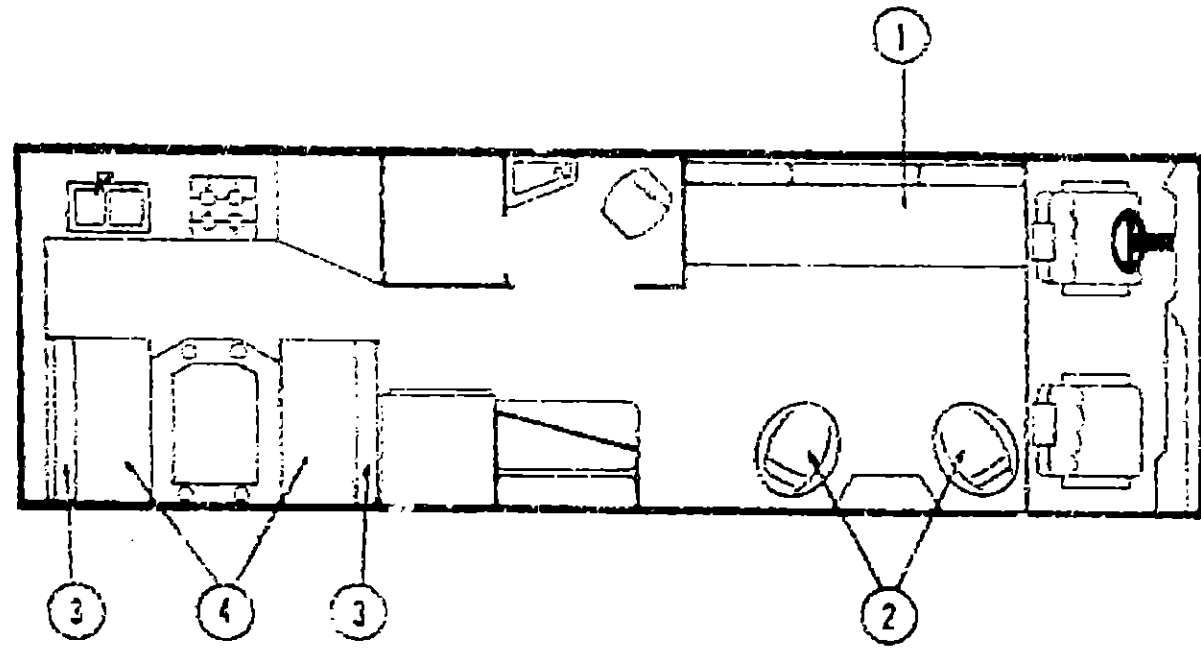
D271M1	A-1 - B-10
MW20RG	B-11 - C-15
D27S	C-17 - D-22
D22V1	D-23 - F-8
D23S	F-9 - G-14
MWC25	G-15 - I-2
D27DRK	I-3 - J-14
D29D	J-15 - L-2

1977 D29D INDEX

Floor Plan	J-15 - J-16
Accessories Group	J-17 - J-18
Bath Group	J-19 - J-20
Chassis Group	J-21
Curtain, Cushion & Pad Group	J-22 - K-1
Dinette Group	K-2
Driver's Compartment Group	K-3 - K-4
Electrical Group	K-5 - K-6
Exterior Body Group	K-7 - K-10
Galley Group	K-11
Heating & Air Conditioning Group	K-12
Interior Finish Group	K-13 - K-14
LP Group	K-15
Lounge Group	K-15
Water & Sewage Group	K-16
Window, Vent & Exterior Door Group	K-17 - L-2

CURTAIN, CUSHION AND PAD GROUP (CONTINUED)

CURTAIN, CUSHION AND PAD GROUP (CONTINUED)



REAR LOUNGE CUSHIONS

Key	Part Number	U/M	Description
1	041428-07-000	EA	Presto Bed Asm. - Lounge - Left or Right w/o Skirt or Bolsters Green (Martini Mist)
1	041428-08-000	EA	Presto Bed Asm. - Lounge - Left or Right w/o Skirt or Bolsters Beige (Champagne Velvet)
1	041428-09-000	EA	Presto Bed Asm. - Lounge - Left or Right w/o Skirt or Bolsters Rust (Sierra Sunset)
	042384-42-000	EA	Skirt - Lounge - 9 1/2" x 14 3/4" - Green (Martini Mist)
	042384-43-000	EA	Skirt - Lounge - 9 1/2" x 14 3/4" - Beige (Champagne Velvet)
	042384-44-000	EA	Skirt - Lounge - 9 1/2" x 14 3/4" - Rust (Sierra Sunset)
2	049598-16-000	EA	Cushion - Bolster - 8" x 12" x 38" x 12" - Green (Martini Mist)
2	049598-17-000	EA	Cushion - Bolster - 8" x 12" x 38" x 12" - Beige (Champagne Velvet)
2	049598-18-000	EA	Cushion - Bolster - 8" x 12" x 38" x 12" - Rust (Sierra Sunset)
	049598-16-016	EA	Cover - Cushion - Bolster - 8" x 12" x 38" x 12" - Green (Martini Mist)
	049598-17-017	EA	Cover - Cushion - Bolster - 8" x 12" x 38" x 12" - Beige (Champagne Velvet)
	049598-18-018	EA	Cover - Cushion - Bolster - 8" x 12" x 38" x 12" - Rust (Sierra Sunset)

DINETTE MAGIC BED

Key	Part Number	U/M	Description
3	052374-01-000	EA	Magic Bed (Flexsteel) - Green (Martini Mist)
3	052374-02-000	EA	Magic Bed (Flexsteel) - Beige (Champagne Velvet)
3	052374-03-000	EA	Magic Bed (Flexsteel) - Rust (Sierra Sunset)

SWIVEL CHAIRS

Key	Part Number	U/M	Description
4	052155-01-000	EA	Chair - Swivel (Flexsteel) - Green (Martini Mist)
4	052155-02-000	EA	Chair - Swivel (Flexsteel) - Beige (Champagne Velvet)
4	052155-03-000	EA	Chair - Swivel (Flexsteel) - Rust (Sierra Sunset)

MATRESSES

Key	Part Number	U/M	Description
	041914-28-000	EA	Mattress - Flexsteel Bunk - 38 3/4" x 76 1/2" x 4" Green (Martini Mist)
	041914-29-000	EA	Mattress - Flexsteel Bunk - 38 3/4" x 76 1/2" x 4" Beige (Champagne Velvet)
	041914-30-000	EA	Mattress - Flexsteel Bunk - 38 3/4" x 76 1/2" x 4" Rust (Sierra Sunset)

FABRICS

Key	Part Number	U/M	Description
	041423-01-000	YD	Fabric - Valance - Green (Martini Mist)
	041423-02-000	YD	Fabric - Valance - Beige (Champagne Velvet)
	041423-03-000	YD	Fabric - Valance - Rust (Sierra Sunset)
	051772-01-000	YD	Fabric - Floral Drapery - Green (Martini Mist)
	051772-02-000	YD	Fabric - Floral Drapery - Beige (Champagne Velvet)
	051772-03-000	YD	Fabric - Floral Drapery - Rust (Sierra Sunset)
	043523-01-000	YU	Fabric - Upholstery - Green (Martini Mist)
	043523-02-000	YU	Fabric - Upholstery - Beige (Champagne Velvet)
	043523-03-000	YU	Fabric - Upholstery - Rust (Sierra Sunset)
	042411-01-000	YD	Vinyl - Nonexpanded - 27 Dupee - Brown
	042411-03-000	YD	Vinyl - Nonsupport - 16 Gauge - Brown
	042414-01-000	FT	Trim - Accent - Bostonian Brown Vinyl
	023531-05-000	EA	Button - Nail - Brown Vinyl

PADS

Key	Part Number	U/M	Description
	049571-01-000	EA	Pad - End Panel - Galley Overhead Cabinet
	049747-01-000	EA	Pad - End Panel - Overhead T.V. Cabinet - Left
	049747-02-000	EA	Pad - End Panel - Overhead T.V. Cabinet - Right or Dinette Overhead Cabinet
	042330-01-000	EA	Armrest Asm. - Wall Mount - Left - Brown Vinyl
	042331-01-000	EA	Armrest Asm. - Wall Mount - Right - Brown Vinyl
	042950-01-000	EA	Handle - Interior Assist Strap - Brown Vinyl
	051101-01-000	EA	Armrest Asm. - Lounge - Green (Martini Mist)
	051109-02-000	EA	Armrest Asm. - Lounge - Beige (Champagne Velvet)
	051109-03-000	EA	Armrest Asm. - Lounge - Rust (Sierra Sunset)
	055539-03-000	EA	Base Asm. - Stool Cover - Brown Vinyl
	055944-03-000	EA	Skirt Asm. - Stool - Front - Brown Vinyl
	050890-03-000	EA	Lid Asm. - Stool - Covered - Green (Martini Mist)
	050890-04-000	EA	Lid Asm. - Stool - Covered - Beige (Champagne Velvet)
	050890-05-000	EA	Lid Asm. - Stool - Covered - Rust (Sierra Sunset)

TIE BACKS

Key	Part Number	U/M	Description
	049097-46-000	EA	Tie Back - Curtain - 14" - Green (Martini Mist)
	049097-49-000	EA	Tie Back - Curtain - 14" - Beige (Champagne Velvet)
	049097-50-000	EA	Tie Back - Curtain - 14" - Rust (Sierra Sunset)
	049097-45-000	EA	Tie Back - Curtain - 10" - Green (Martini Mist)
	049097-46-000	EA	Tie Back - Curtain - 10" - Beige (Champagne Velvet)
	049097-47-000	EA	Tie Back - Curtain - 10" - Rust (Sierra Sunset)

1977 WINNEBAGO TABLE OF CONTENTS

D27M1	A-1 - B-10
MW20RG	B-11 - C-16
D27S	C-17 - D-22
D23M1	D-23 - F-8
D23S	F-9 - G-14
MWC25	G-15 - I-2
D27DRK	I-3 - J-14
D29D	J-15 - L-2

1977 D20D INDEX

Floor Plan	J-15 - J-15
Accessories Group	J-17 - J-18
Bath Group	J-19 - J-20
Chassis Group	J-21
Curtain, Cushion & Pad Group	J-22 - K-1
Dinette Group	K-2
Driver's Compartment Group	K-3 - K-4
Electrical Group	K-5 - K-6
Exterior Body Group	K-7 - K-10
Galley Group	K-11
Heating & Air Conditioning Group	K-12
Interior Finish Group	K-13 - K-14
LP Group	K-15
Lounge Group	K-16
Water & Sewage Group	K-17
Window, Vent & Exterior Door Group	K-17 - L-2

CURTAIN, CUSHION AND PAD GROUP (CONTINUED)

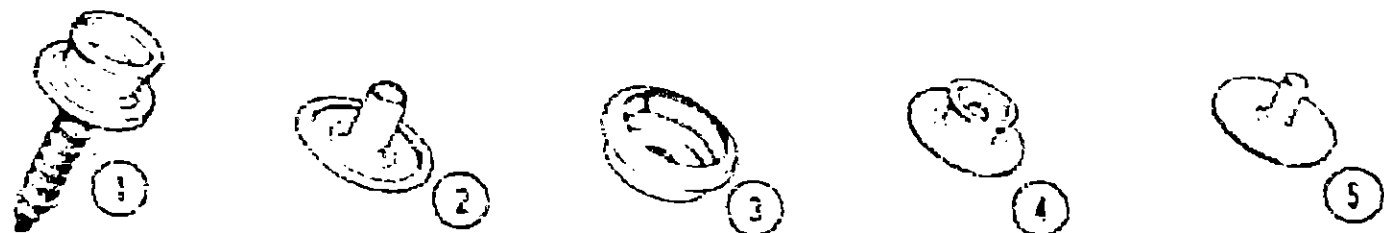
DINETTE GROUP

BUCKET SEATS, ARMRESTS AND HEADRESTS

Key	Part Number	U/M	Description
	052150-01-000	EA	Seat Asm. - Single Bucket (Flexsteel) - Green (Martini Mist)
	052150-02-000	EA	Seat Asm. - Single Bucket (Flexsteel) - Beige (Champagne Velvet)
	052150-03-000	EA	Seat Asm. - Single Bucket (Flexsteel) - Rust (Sierra Sunset)
	049160-17-000	EA	Seat Asm. - Double Bucket - w Skirt - w/o Armrests or Headrests - Green (Martini Mist)
	049160-18-000	EA	Seat Asm. - Double Bucket - w Skirt - w/o Armrests or Headrests - Beige (Champagne Velvet)
	049160-19-000	EA	Seat Asm. - Double Bucket - w Skirt - w/o Armrests or Headrests - Rust (Sierra Sunset)
	049160-17-001	EA	Cover - Double Bucket - Bottom - Green (Martini Mist)
	049160-18-001	EA	Cover - Double Bucket - Bottom - Beige (Champagne Velvet)
	049160-19-001	EA	Cover - Double Bucket - Bottom - Rust (Sierra Sunset)
	049160-17-002	EA	Cover - Double Bucket - Back - Green (Martini Mist)
	049160-18-002	EA	Cover - Double Bucket - Back - Beige (Champagne Velvet)
	049160-19-002	EA	Cover - Double Bucket - Back - Rust (Sierra Sunset)
	049160-17-003	EA	Skirt - Double Bucket Seat - Green (Martini Mist)
	049160-18-003	EA	Skirt - Double Bucket Seat - Beige (Champagne Velvet)
	049160-19-003	EA	Skirt - Double Bucket - Rust (Sierra Sunset)
	044911-01-000	EA	Headrest Asm. - Foam w/o Cover
	033906-69-000	EA	Cover - Headrest - Green (Martini Mist)
	033906-70-000	EA	Cover - Headrest - Beige (Champagne Velvet)
	033906-71-000	EA	Cover - Headrest - Rust (Sierra Sunset)
	050275-01-700	EA	Armrest Asm. - Foam w/o Cover - Right
	050275-01-700	EA	Armrest Asm. - Foam w/o Cover - Left
	050250-04-000	EA	Cover - Armrest - Right or Left - Green (Martini Mist)
	050250-05-000	EA	Cover - Armrest - Right or Left - Beige (Champagne Velvet)
	050250-06-000	EA	Cover - Armrest - Right or Left - Rust (Sierra Sunset)

CURTAIN HARDWARE

Key	Part Number	U/M	Description
	052327-04-000	EA	Curtain Track - Alum. - Brown - 89" w/ Holes (Replaces 009106-01 Plastic Track)
	009107-01-000	EA	Guide - Nylon Snap
	009136-01-000	EA	Pin - Snow Curtain
	009701-01-000	EA	Carrier - Curtain w/ Rollers - TL Rod
	009702-01-000	EA	End Stop - Curtain - TL Rod
	018001-42-000	EA	Extr. - TL Rod - 90"
	049737-01-000	EA	End Cap - Plastic - Brown (Blackout Curtain)
	049738-01-000	EA	Snap Carrier - White Plastic (Blackout Curtain)
	051355-14-000	EA	Track - Curtain - Alum. - 89" (Blackout Curtain)
	047291-01-000	EA	Rod - Curtain - Traverse w/ Valance
	049837-01-000	EA	Rod - Curtain - Flat - Extends 25" - 45"
	049837-02-000	EA	Rod - Curtain - Flat - Extends 45" - 55"
	049836-01-000	EA	Pulley - Tension - Traverse Rod
	049837-01-000	EA	Kit - Conversion - Traverse Valance Rods
	050629-03-000	EA	Track - Wraparound Curtain - Right - Brown
	050629-04-000	EA	Track - Wraparound Curtain - Left - Brown



Key	Part Number	U/M	Description
1	029100-01-000	EA	Socket - Snap Fastener (Tie Backs)
2	029155-01-000	EA	Cap - Snap - 1.56" Diameter x .17" Barrel (Tie Backs)
3	029156-01-000	EA	Socket - Snap Fastener (Tie Backs)
4	029092-01-000	EA	Stud - Nickel Finish (Curtains)
5	029093-01-000	EA	Eyelet - Nickel Finish (Curtains)

K-1

Key	Part Number	U/M	Description
	046732-01-000	EA	Cabinet Asm. - Television - w/o Top, Doors, Hardware
	048756-01-000	EA	Countertop Asm. - Television Cabinet - Brown Mocha Leather
	048103-19-700	EA	Door Asm. - Television Cabinet - 10" x 15" - w/o Hardware
	048726-01-000	EA	Cabinet Asm. - Overhead - Television - w/o Doors or End Pads
	048103-02-700	EA	Door Asm. - Overhead Cabinet - 22" x 9" - w/o Hardware
	043669-01-000	EA	Cabinet - Asm. - Overhead - Magic Bed - w/o Doors or End Pads
	043514-01-700	EA	Table Asm. - Dinette w/o Leg or Base - Brown Mocha Leather
	009040-02-000	EA	Leg - Table - 2.3 5" Dia. x 25" - Chrome
	009040-03-000	EA	Base - Table Leg - Mounts on Table
	041194-01-000	EA	Base - Table Leg - Mounts on Floor

**1977 WINNEBAGO
TABLE OF CONTENTS**

D27MI	A-1 - B-10
MW20RG	B-11 - C-16
D27S	C-17 - D-22
D23MI	D-23 - F-8
D23S	F-9 - G-14
MWC25	G-15 - I-2
D27DRK	I-3 - J-14
D29D	J-15 - L-2

1977 D29D INDEX

Floor Plan	J-15 - J-16
Accessories Group	J-17 - J-18
Bath Group	J-19 - J-20
Chassis Group	J-21
Curtain, Cushion & Pad Group	J-22 - K-1
Dinette Group	K-2
Driver's Compartment Group	K-3 - K-4
Electrical Group	K-5 - K-6
Exterior Body Group	K-7 - K-10
Galley Group	K-11
Heating & Air Conditioning Group	K-12
Interior Finish Group	K-13 - K-14
LP Group	K-15
Lounge Group	K-15
Water & Sewage Group	K-16
Window, Vent & Exterior Door Group	K-17 - L-2

K-2

DRIVER'S COMPARTMENT GROUP

DASH PANEL AND COMPONENTS

Key	Part Number	U/M	Description
	050582-01-000	EA	Dash Asm. - Elandan II - Complete
	022548-03-000	EA	Pad - Dash - Foam - Right - Dark Brown
	023242-05-000	EA	Pad - Dash - Foam - Left - Dark Brown
	024418-01-000	EA	Lamp Asm. - Map/Gauge
	023020-01-000	EA	Lamp Asm. - Tell Tale
	039044-01-000	EA	Louver Asm. - A/C - Adjustable
	043771-01-000	EA	Nameplate - Elandan II - Brown/Gold
	007037-01-000	EA	Lighter Asm. - Cigarette - 12V
	007041-01-000	EA	Bezel - Cigarette Lighter
	007071-01-000	EA	Louver - Chrome - w/Chrome Wheel
	024906-01-000	EA	Diffuser Case - A/C - 2 1/2" Black
	050299-01-000	EA	Bezel - Instrument Panel
	050465-01-000	EA	Bezel - Entertainment Center - No. 1
	022219-01-000	EA	Door - Glove Box
	009116-01-000	EA	Lock - Twist w/Nut
	023392-01-000	EA	Box - Glove Compartment - Black Fiberboard
	024596-01-000	EA	Hinge - Continuous Aluminum - 1 1/16" x 19"
	024309-01-000	EA	Chain - Bead - Glove Box Door
	023834-01-000	EA	Panel - Knee Kick
	024390-02-000	EA	Outlet - Defroster - 2" w/Swivel - Dark Brown
	040636-01-000	EA	Bracket Asm. - Shift Lever

DASH SWITCHES AND GAUGES

Key	Part Number	U/M	Description
	024907-01-000	EA	Control Asm. - Heater and A/C
	031035-01-000	EA	Gauge - Hourmeter - Generator
	024459-01-000	EA	Gauge - Voltmeter
	024460-01-000	EA	Gauge - Vacuum
	007308-01-000	EA	Clock - Dash
	024975-01-000	EA	Switch - Generator - w/o Circuit Board
	024462-01-000	EA	Switch - Battery Condition
	024461-01-000	EA	Switch - Battery Charge - ver
	024464-01-000	EA	Switch - Washer
	024465-01-000	EA	Switch - Fuel
	024466-01-000	EA	Switch - Rear Wiper
	024467-01-000	EA	Switch - Wiper
	029785-01-000	EA	Switch - Aux Light
	050031-01-000	EA	Switch - Step
	051750-01-000	EA	Switch - Dash Electric LP Gas Shut Off

BUCKET SEAT PEDESTAL AND SEAT BELTS

Key	Part Number	U/M	Description
	050447-01-000	EA	Pedestal Asm. - Tilt Seat - Driver
	050447-02-000	EA	Pedestal Asm. - Tilt Seat - Passenger
	007019-01-000	EA	Belt Asm. - Seat - 2" x 84" - Black
	041322-01-000	EA	Washer - Flat - 15/32" ID x 2 3/8" O D
	052151-01-000	EA	Pedestal Asm. - Flexsteel Bucket Seat
	052154-01-000	EA	Slide Asm. - Flexsteel Bucket Seat

DRIVER'S COMPARTMENT GROUP (CONTINUED)

MISCELLANEOUS DRIVER'S COMPARTMENT COMPONENTS

Key	Part Number	U/M	Description
	049583-01-000	EA	Tray Asm. - Beverage
	048670-01-000	EA	Track Asm. - Beverage Tray (2 per Tray)
	034499-01-000	EA	Support - Dimmer Switch
	007278-01-000	EA	Mirror - 4 1/2" x 9" - Rear View
	036414-01-000	EA	Ashtray - Wall Mount
	042434-01-000	EA	Sunvisor Asm. - 6" x 26" - Dark Brown Vinyl - Right or Left
	040519-01-000	EA	Soot - Rubber - Steering Column
	040520-01-000	EA	Retainer - Boot - Steering Column
	039857-01-000	EA	Latch - Rubber - Draw Handle - 5 3/4" w/Strike
	039856-01-000	EA	Latch - Rubber - Draw Handle - 3" w/Strike
	055368-02-000	EA	Seal - Motor Cover - Extr. Aluminum
	042378-03-000	EA	Sidepanel - Left
	050761-01-000	EA	Sidepanel - Right
	042332-01-000	EA	Pouch - Vinyl - Sidepanel - Left
	042333-01-000	EA	Pouch - Vinyl - Sidepanel - Right
	042337-01-000	EA	Trim - Brown Plastic - Over Driver Window
	042337-02-000	EA	Trim - Brown Plastic - Over Passenger Window
	042341-01-000	EA	Trim - A Post - Brown Plastic - Left
	042341-02-000	EA	Trim - A Post - Brown Plastic - Right

1977 WINNEBAGO TABLE OF CONTENTS

D27MI	A-1 - B-10
MW20RG	B-11 - C-16
D27S	C-17 - D-22
D23MI	D-23 - F-8
D23S	F-9 - G-14
MWC25	G-15 - I-2
D27DRK	I-3 - J-14
D29D	J-15 - L-2

1977 D29D INDEX

Floor Plan	J-15 - J-16
Accessories Group	J-17 - J-18
Bath Group	J-19 - J-20
Chassis Group	J-21
Curtain, Cushion & Pad Group	J-22 - K-1
Dinette Group	K-2
Driver's Compartment Group	K-3 - K-4
Electrical Group	K-5 - K-6
Exterior Body Group	K-7 - K-10
Galley Group	K-11
Heating & Air Conditioning Group	K-12
Interior Finish Group	K-13 - K-14
LP Group	K-15
Lounge Group	K-16
Water & Sewage Group	K-16
Window, Vent & Exterior Door Group	K-17 - L-2

ELECTRICAL GROUP

BULB

Key	Part Number	U/M	Description
	037936-01-000	EA	Bulb - 1157-A
	037937-01-000	EA	Bulb - 1295
	037934-01-000	EA	Bulb - 1156
	037935-01-000	EA	Bulb - 1157
	036010-01-000	EA	Bulb - 1143
	002103-01-000	EA	Bulb - 53
	008213-01-000	EA	Bulb - 57
	008214-01-000	EA	Bulb - 67
	008215-01-000	EA	Bulb - 1003
	008216-01-000	EA	Bulb - 1034
	008217-01-000	EA	Bulb - 1073
	008218-01-000	EA	Bulb - 1141
	008219-01-000	EA	Bulb - 656
	006220-01-000	EA	Bulb - 12V - 25W
	036196-01-000	EA	Bulb - 194
	700020-01-000	EA	Bulb - 12V - 20W - 1322

EXTERIOR LIGHTS

Key	Part Number	U/M	Description
	037586-01-000	EA	Lamp Asm. - Front Right
	037586-02-000	EA	Lamp Asm. - Front Left
	037585-01-000	EA	Lamp Asm. - Tail - Rear Right
	037585-03-000	EA	Lens - Tail Lamp - Right
	037585-02-000	EA	Lamp Asm. - Tail - Rear Left
	037585-04-000	EA	Lens - Tail Lamp - Left
	048811-01-000	EA	Lamp Asm. - Fog Light
	042405-03-000	EA	Base - Rectangular Clearance Light
	042405-04-000	EA	Lens - Clearance Light - Red w/o Reflector
	042405-05-000	EA	Lens - Clearance Light - Amber w/o Reflector
	049185-01-000	EA	Headlamp Capsule Asm. - Rectangular - Left - High/Low Beam
	049186-01-000	EA	Headlamp Capsule Asm. - Rectangular - Right - High/Low Beam
	049187-01-000	EA	Headlamp Capsule Asm. - Rectangular - Left - High Beam
	049186-01-000	EA	Headlamp Capsule Asm. - Rectangular - Right - High Beam
	048817-01-000	EA	Handle - Assmt w/ Light

INTERIOR LIGHTS

Key	Part Number	U/M	Description
	023070-01-000	EA	Lamp Asm. - Tail/Tail
	024418-01-000	EA	Lamp Asm. - Map Gauge/Asste
	024473-01-000	EA	Light - Aircraft - 1 Bulb - Gold
	033506-02-000	EA	Light - Dome - Ivory - 1 Bulb
	024642-01-701	EA	Lens - Dome Light - 1 Bulb
	033505-02-000	EA	Light - Dome - Ivory - 2 Bulb
	024643-01-701	EA	Lens - Dome Light - 2 Bulb
	007309-01-000	EA	Light - Step Well
	049412-01-000	EA	Light Asm. - Overhead Recessed - 10" x 30"
	008114-01-000	EA	Light - Dome - 12 Volt
	008101-01-000	EA	Light - Aircraft - 2 Bulb - Gold

FUSES AND CIRCUIT BREAKERS

Key	Part Number	U/M	Description
	008233-01-000	EA	Fuse - 12 Volt - 6 Amp
	008234-01-000	EA	Fuse - 12 Volt - 10 Amp
	008235-01-000	EA	Fuse - 12 Volt - 15 Amp
	008236-01-000	EA	Fuse - 12 Volt - 20 Amp
	008248-01-000	EA	Fuse - 12 Volt - 30 Amp
	008252-01-000	EA	Fuse - 110 Volt - 50 Amp
	008206-01-000	EA	Circuit Breaker - 12 Volt - 40 Amp
	008211-01-000	EA	Circuit Breaker - 12 Volt - 6 Amp
	008268-01-000	EA	Circuit Breaker - 12 Volt - 30 Amp w/ Mount
	033573-01-000	EA	Circuit Breaker - 12 Volt - 20 Amp w/ Mount
	008273-03-000	EA	Circuit Breaker - 15/20 Amp TOL
	036517-01-000	EA	Relay - Canister - SPDT

ELECTRICAL GROUP (CONTINUED)

WINDSHIELD WIPE & WASHER

Key	Part Number	U/M	Description
**	037998-01-000	EA	Link Asm. - Connecting - 23.40" Long
**	037999-01-000	EA	Motor Asm. - Windshield Wiper - Front
**	038001-01-000	EA	Shaft and Pivot Asm. - 2.25" Arm
**	049453-01-000	EA	Arm - Windshield Wiper - 15" Black
**	049464-01-000	EA	Blade - Windshield Wiper - 16" Black
**	007029-01-000	EA	Washer Asm. - Windshield Power Jet Electric - Front
	700073-05-000	EA	Pump and Cover Asm. - for Windshield Washer - Front or Rear
	700073-04-000	EA	Reservoir Only - Water - Windshield Washer - Front or Rear
	700073-02-000	EA	Washer Nozzle Hardware Package - Front
	700073-03-000	EA	Washer Nozzle Hardware Package - Rear
	038000-03-000	EA	Blade - Windshield Wiper - 14"
**	039756-01-000	EA	Motor - Rear Window Wiper
**	039757-01-000	EA	Arm - Rear Window Wiper - 16"

**The illustrated parts breakdown for this item is provided on the Common Items Fiche.

WIRE, SWITCHES AND RECEPTACLES

Key	Part Number	U/M	Description
	006024-01-000	FT	Wire - 18.5 Bonded - Orange/White/Yellow/Blue/Brown
	006025-01-000	FT	Wire - 18.5 Bonded - Orange/White/Yellow/Blue/Green
	006026-01-000	FT	Wire - 18.5 Bonded - Blue/Red/Yellow/Orange/White
	006030-01-000	FT	Wire - 18.4 Bonded
	006251-01-000	EA	Holder - Fuse - Black - Screw Type
	006277-01-000	EA	Holder - Fuse - Black - Panel Mount
	008195-01-000	EA	Switch - Push Button - 12 Volt
	006077-01-000	EA	Plaque - Compressor Switch
	005054-01-000	EA	Cord - Power - 10-3 30 Amp. - 25' - UL
	034812-04-000	EA	Holder - Receptacle - Plastic
	039338-01-000	EA	Cover Plate - Receptacle - Plastic - Brown
	039339-01-000	EA	Receptacle - Duplex Brown - End of Line
	039342-01-000	EA	Receptacle - Duplex Brown - T Junction
	024571-01-000	EA	Cover Plate - Receptacle - Jumbo Steel Brown
	048172-01-000	EA	Cover Plate - Receptacle - Antique Brass
	048173-01-000	EA	Cover Plate - Double Switch - Antique Brass
	048174-01-000	EA	Cover Plate - Single Switch - Antique Brass
	039343-01-000	EA	Cap - End - Receptacle
	008162-01-000	EA	Switch - Double Toggle - Spade Brown
	008163-01-000	EA	Switch - Toggle Brown
	024924-01-000	EA	Receptacle - Power Cord
	008058-01-000	EA	Adapter - Power Cord
	047353-01-000	EA	Cover - Receptacle - Ground Fault
	047351-01-000	EA	Receptacle - Ground Fault Interrupter - 125 Volt Black

MISCELLANEOUS ELECTRICAL COMPONENTS

Key	Part Number	U/M	Description
	047338-01-000	EA	Isolator - Dual Battery
	047289-01-700	EA	Battery - 12 Volt - 105 Amp - Deep Cycle - Dry
	008185-01-000	EA	Solenoid - Dual Battery - Relay
	046775-01-000	EA	Valve - Gas - Change Over
	041079-01-000	EA	Control Center - 50 Amp w/ Door UL
	048812-01-000	EA	Panel - Control - Water/Double Sewage - Wemac
	039861-01-000	EA	Sending Unit Kit - Wemac
	036400-01-000	EA	Fan - Defroster
	047375-01-000	EA	Control Unit - Power Step
	041245-01-000	EA	Light - Warning - Power Step
	041249-01-000	EA	Switch - Toggle - On/Off - Power Step
	041250-01-000	EA	Switch - Push Button - Power Step

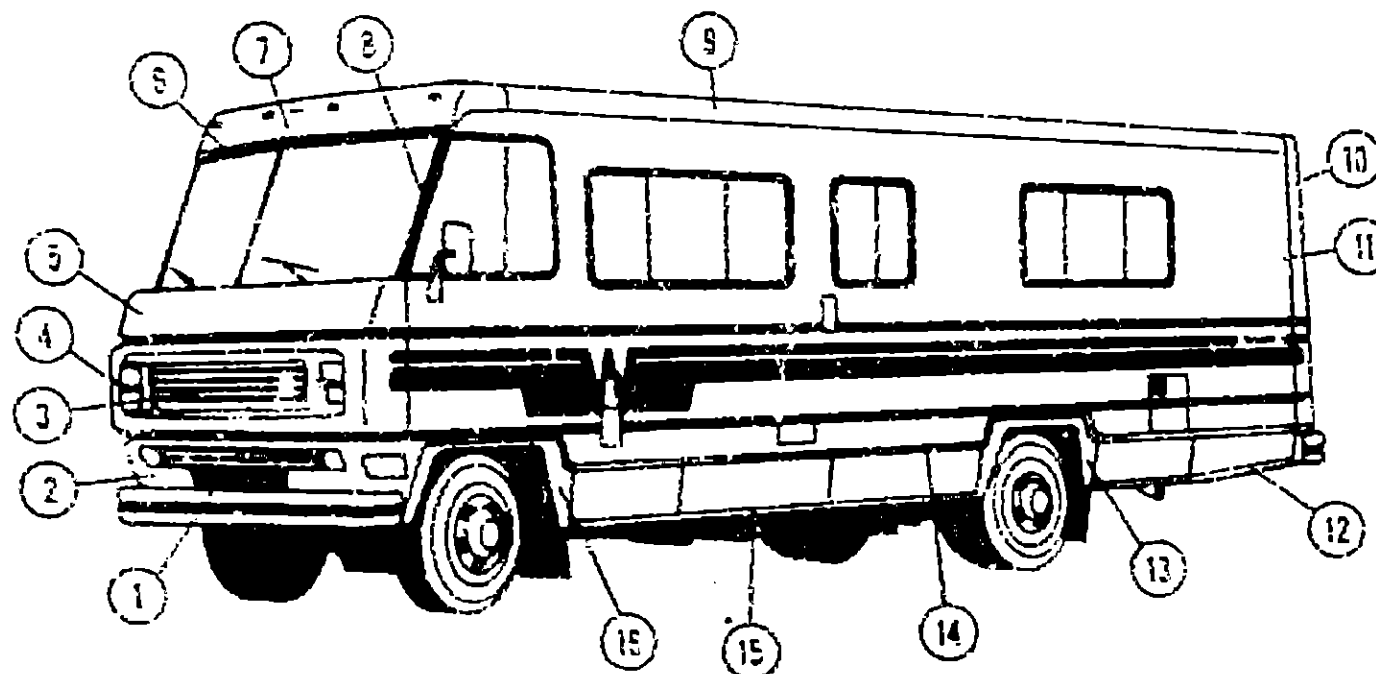
**1977 WINNEBAGO
TABLE OF CONTENTS**

D27M1	A-1 - B-10
MW20RG	B-11 - C-16
D27S	C-17 - D22
D23M1	D-23 - F-8
D23S	F-9 - G-14
MWC25	G-15 - I-2
D27DRK	I-3 - J-14
D29D	J-15 - L2

1977 D29D INDEX

Floor Plan	J-15 - J-16
Accessories Group	J-17 - J-18
Bath Group	J-19 - J-20
Chassis Group	J-21
Curtain, Cushion & Pad Group	J-22 - K-1
Dinette Group	K-2
Driver's Compartment Group	K-3 - K-4
Electrical Group	K-5 - K-6
Exterior Body Group	K-7 - K-10
Galley Group	K-11
Heating & Air Conditioning Group	K-12
Interior Finish Group	K-13 - K-14
LP Group	K-15
Lounge Group	K-16
Water & Sewage Group	K-16
Window, Vent & Exterior Door Group	K-17 - L-2

EXTERIOR BODY GROUP



1977 WINNEBAGO TABLE OF CONTENTS

D27M1	A-1 - B-10
MW20RG	B-11 - C-15
D27S	C-17 - D22
D23M1	D-23 - F-8
D23S	F-9 - G-14
MWC25	G-15 - I-2
D27DRK	I-3 - J-14
D29D	J-15 - L2

Key	Part Number	U/M	Description
1	050666-01-000	EA	Grille Asm - Lower - Complete
2	045132-01-000	EA	Panel - Wheelhouse - Front - Outer - Right
3	050665-01-000	EA	Grille Asm - Upper - Complete
4	021497-01-000	EA	Latch Asm - Grip
5	049165-01-000	EA	Capsule Asm - Headlamp - Rectangular - Left - High Low Beam
6	049166-01-000	EA	Capsule Asm - Headlamp - Rectangular - Right - High Low Beam
7	049167-01-000	EA	Capsule Asm - Headlamp - Rectangular - Left - High Beam
8	049168-01-000	EA	Capsule Asm - Headlamp - Rectangular - Right - High Beam
9	049358-01-000	EA	Bezel Asm - Headlamp - Chrome - Left
10	049358-02-000	EA	Bezel Asm - Headlamp - Chrome - Right
11	049359-01-000	EA	Spring - Headlamp - Retainer
12	050030-01-000	EA	Housing Asm - Headlamp - Left or Right
13	048952-01-000	EA	Panel - Front End - Fiberglass - Beige
14	035453-07-000	EA	Trim - Windshield - Right - Black
15	035453-08-000	EA	Trim - Windshield - Left - Black
16	035454-04-000	EA	Trim - Windshield - Center - 31 1/2" - Black
17	056200-04-000	EA	Cap - Windshield Top - "T" - Black Plastic
18	047979-01-000	EA	Cap - Front Upper - Beige Fiberglass (active windshield)

Key	Part Number	U/M	Description
8	042348-02-000	EA	Trim - "A" Post - Exterior - Left
9	042348-01-000	EA	Trim - "A" Post - Exterior - Right
10	051853-01-000	EA	Extrusion - Roof/Sidewall Joint - Beige - 263"
11	050977-01-000	EA	Cap - Rear Fiberglass - Beige
12	047975-02-000	EA	Trim - Extrusion - "J" Molding - Radius Left
13	047978-01-000	EA	Trim - Extrusion - "J" Molding - Radius Right
14	042314-02-000	EA	Trim - Valance Panel - Left Rear
15	042314-01-000	EA	Trim - Valance Panel - Right Rear
16	047980-01-000	EA	Panel - Wheelhouse - Rear - Left or Right
17	044504-05-000	EA	Feature Strip - 133" - Beige
18	042310-01-000	EA	End Cap - Feature Strip - Beige
19	049015-01-000	EA	Trim - Valance Panel - Left Front
20	044561-02-000	EA	Trim - Valance Panel - Right Front
21	045132-02-000	EA	Panel - Wheelhouse - Front - Left or Right
22	048159-01-000	EA	Splash Guard - Front Bumper - Black Plastic
23	044975-01-000	EA	Trim - Extrusion - 100 25" - "J" Molding - Beige
	Not Illustrated		

1977 D29D INDEX

Floor Plan	J-15 - J-16
Accessories Group	J-17 - J-18
Bath Group	J-19 - J-20
Chassis Group	J-21
Curtain, Cushion & Pad Group	J-22 - K-1
Dinette Group	K-2
Driver's Compartment Group	K-3 - K-4
Electrical Group	K-5 - K-6
Exterior Body Group	K-7 - K-10
Galley Group	K-11
Heating & Air Conditioning Group	K-12
Interior Finish Group	K-13 - K-14
LP Group	K-15
Lounge Group	K-15
Water & Sewage Group	K-16
Window, Vent & Exterior Door Group	K-17 - L-2

EXTERIOR BODY GROUP (CONTINUED)

LABELS AND DECALS

Key	Part Number	U/M	Description
	049289-01-000	EA	Decal - Logo - Elandan II - Antique Bronze Metallic
	049289-02-000	EA	Decal - Logo - Elandan II - Dark Green Metallic
	049289-03-000	EA	Decal - Logo - Elandan II - Dark Ginger Metallic
	044477-01-000	EA	Decal - 1" Dia. - Black Satin Finish
	050313-01-000	EA	Decal - Logo - Winnebago - 2.80" - Antique Bronze Metallic
	050313-02-000	EA	Decal - Logo - Winnebago - 2.80" - Dark Green Metallic
	050313-03-000	EA	Decal - Logo - Winnebago - 2.80" - Dark Ginger - Metallic
	038284-01-000	EA	Decal - Grill - "Flying W"
	038403-02-000	EA	Decal - Logo "W" - Trunk Door
	006028-01-000	EA	Label - Drain Cap - 2" x 3"
	006031-07-000	EA	Label - Potable Water Only
	006187-01-000	EA	Label - Sewage
	006188-01-000	EA	Label - Waste Water
	006199-01-000	EA	Label - Exit - Escape Window
	031161-01-000	EA	Label - Flying "W"
	039285-01-000	EA	Label - Warning Aux. Loading

SEALANTS, ADHESIVES AND FASTENERS

Key	Part Number	U/M	Description
	034552-05-000	EA	Sealant - Off White Silicone
	034552-04-000	EA	Sealant - Beige Silicone
	034552-02-000	EA	Sealant - Clear Silicone
	004348-02-000	EA	Sealant - Aluminum Silicone
	004343-01-000	EA	Sealant - Black Silicone
	004342-01-000	EA	Sealant - Weatherban 202 Tube
	004345-02-000	EA	Sealant - White Silicone
	004347-01-000	EA	Sealant - Tuliex
	002316-01-000	FT	Sealer Tape - 3/32" x 1/8"
	024545-01-000	FT	Sealer Tape - 1/8" x 5/8" - Black
	004350-01-000	FT	Sealer Tape - 1/8" x 1" - Formaseal
	004352-01-000	FT	Sealer Tape - 1/8" x 3/4" - Formaseal
	004355-01-000	FT	Sealer Tape - 1/8" x 5/8" - Black
	004357-01-000	FT	Sealer Tape - 1/8" x 3/8" - Adhesive
	002707-02-000	FT	Sealer Tape - 5/16" x 1/2" - Foam
	002707-01-000	FT	Sealer Tape - 5/16" x 3/4" - Black Foam
	041422-01-000	FT	Sealer Tape - 1/4" x 1/2"
	004363-01-000	FT	Sealer Tape - 3/16" x 1/2" - Foam
	004362-01-000	FT	Sealer Tape - 1/8" x 5/8" - Foam
	009200-01-000	EA	Tape - Furnace - 1 1/2"
	041839-01-000	FT	Tape - Window - Latch - 3/4" - Adhesive
	041839-02-000	FT	Tape - Window - Latch - 1/2" - Adhesive
	004353-01-000	FT	Tape - Gasket - 1/8" x 3/4" - White
	002825-01-000	FT	Weather Stripping - Roof Vent
	002337-01-000	EA	Adhesive - 3M - 1300 Tube
	004005-01-000	GL	Adhesive - Swifts - Green - Glue (Sidewalls)
	004012-01-000	EA	Adhesive - 3M - 4475 Tube
	004020-01-000	OT	Adhesive - ABS Cement (Plastic Fittings)
	029051-01-000	EA	Adhesive - Spray Vinyl
	042401-01-000	EA	Screw - 8-18 x 3/4" SDPH Beige
	042403-01-000	EA	Screw - SF/DR - 8-18 x 1" SDPH Beige
	025058-01-000	EA	Screw - Wood - 12-11 x 3" P.O.H. Zinc

MISCELLANEOUS EXTERNALLY MOUNTED PARTS

Key	Part Number	U/M	Description
	011124-01-000	EA	Plumbing Seal - Roof Vent - 1 1/4" White
	011129-01-000	EA	Plumbing Seal - Roof Vent - 1 1/2" White
	010230-02-000	EA	Fill - City Water - Recessed - Off White
	048817-01-000	EA	Handle - Assist w/ Light
	049347-01-000	EA	Mirror Head - 7 1/2" x 10 1/2" Stainless Steel w/o Bracket
	040318-01-000	EA	Arm - Low Mount Mirror - Drive Coach
	049944-01-000	EA	Bracket - Mirror - Outside - Beige - Mounts to Coach
	044399-01-000	EA	Thermometer - Outside Chrome

K-9

EXTERIOR BODY GROUP (CONTINUED)

EXTERIOR PAINT

Key	Part Number	U/M	Description
	044436-07-000	EA	Paint - Beige - Acrylic Enamel - 1 Gallon
	044456-03-000	EA	Paint - Beige - Acrylic Enamel - 16 Oz. Aerosol
	044456-04-000	EA	Paint - Beige - Acrylic Lacquer - 1 Gallon
	041561-01-000	EA	Paint - Off White - Acrylic Enamel - 1 Gallon
	041561-03-000	EA	Paint - Off White - Acrylic Enamel - 16 Oz. Aerosol
	041561-04-000	EA	Paint - Off White - Acrylic Lacquer - 1 Gallon
	045681-01-000	EA	Paint - High Gloss Black - Acrylic Enamel - 1 Gallon
	045681-02-000	EA	Paint - High Gloss Black - Acrylic Enamel - 16 Oz. Aerosol
	041558-01-000	EA	Paint - Antique Bronze Metallic - Acrylic Enamel - 1 Gallon
	041558-03-000	EA	Paint - Antique Bronze Metallic - Acrylic Enamel - 16 Oz. Aerosol
	043877-01-000	EA	Paint - Saddle Bronze Metallic - Acrylic Enamel - 1 Gallon
	043877-03-000	EA	Paint - Saddle Bronze Metallic - Acrylic Enamel - 16 Oz. Aerosol
	041575-01-000	EA	Paint - Dark Green Metallic - Acrylic Enamel - 1 Gallon
	041575-03-000	EA	Paint - Dark Green Metallic - Acrylic Enamel - 16 Oz. Aerosol
	043476-01-000	EA	Paint - Lime Metallic - Acrylic Enamel - 1 Gallon
	043476-03-000	EA	Paint - Lime Metallic - Acrylic Enamel - 16 Oz. Aerosol
	041574-01-000	EA	Paint - Dark Ginger Metallic - Acrylic Enamel - 1 Gallon
	041574-03-000	EA	Paint - Dark Ginger Metallic - Acrylic Enamel - 16 Oz. Aerosol
	043876-01-000	EA	Paint - Chestnut Metallic - Acrylic Enamel - 1 Gallon
	043876-03-000	EA	Paint - Chestnut Metallic - Acrylic Enamel - 16 Oz. Aerosol

EXTERIOR BODY PANELS AND SHEET ALUMINUM

Key	Part Number	U/M	Description
	052027-01-000	EA	Valance Panel Asm. - Right Front - Beige Fiberglass
	052025-01-000	EA	Valance Panel Asm. - Right Rear - Beige Fiberglass
	052025-01-000	EA	Valance Panel Asm. - Left Front - Beige Fiberglass
	031999-01-000	EA	Valance Panel Asm. - Left Rear - Beige Fiberglass
	046311-02-000	EA	Valance Panel Asm. - Right Front - Beige Plastic
	046159-02-000	EA	Valance Panel Asm. - Left Rear - Beige Plastic
	046158-02-000	EA	Valance Panel Asm. - Right Rear - Louvered - Beige Plastic
	046161-11-000	EA	Valance Panel Asm. - 54 9/4" - Beige Plastic
	046161-21-000	EA	Valance Panel Asm. - 46 1/2" - Beige Plastic
	044612-01-000	EA	Backwall Asm. w/o Fiberglass Cap
	049572-01-000	EA	Sidewall Asm. - Left
	049573-01-000	EA	Sidewall Asm. - Right
	045680-01-000	EA	Roof Asm.
	039155-02-008	EA	Alum. - Beige - Mesa I Design - 024" x 36" x 60"
	039155-02-003	EA	Alum. - Beige - Mesa I Design - 024" x 36" x 360"
	039155-02-007	EA	Alum. - Beige - Mesa I Design - 024" x 48" x 60"
	039155-02-006	EA	Alum. - Beige - Mesa I Design - 024" x 48" x 360"
	039155-02-000	EA	Alum. - Beige - Mesa I Design - 024" x 12" x 360"
	044427-01-001	EA	Alum. - Mill Finish - No Design (Roof) - 96" x 360"
	028545-01-000	EA	Alum. - Beige Greyhound Design 48" x 96"
	001018-01-024	EA	Alum. - Beige - No Design - 48" x 96"
	000868-01-000	SF	Styrofoam - 3/4" x 24" x 96"
	039155-30-001	EA	Alum. - Beige - Mesa II Design - 024" x 36" x 60"
	039155-30-004	EA	Alum. - Beige - Mesa II Design - 024" x 36" x 384"
	039155-30-005	EA	Alum. - Beige - Mesa II Design - 024" x 48" x 60"
	039155-30-008	EA	Alum. - Beige - Mesa II Design - 024" x 48" x 384"
	039155-30-009	EA	Alum. - Beige - Mesa II Design - 024" x 12" x 360"
	039155-78-008	EA	Alum. - Off White - Mesa II Design - 024" x 36" x 384"

NOTE: The raised portion of Mesa I aluminum is .657" wide
The raised portion of Mesa II aluminum is .657" wide.

**1977 WINNEBAGO
TABLE OF CONTENTS**

D27M1	A-7 - B-10
MW20RG	B-11 - C-18
D27S	C-17 - D22
D27M1	D-23 - F-8
D25S	F-9 - G-14
MWC2S	G-15 - I-2
D27DRK	I-3 - J-14
D29D	J-15 - L2

1977 D29D INDEX

Floor Plan	J-15 - J-16
Accessories Group	J-17 - J-18
Bath Group	J-19 - J-20
Chassis Group	J-21
Curtain, Cushion & Pad Group	J-22 - K-1
Dinette Group	K-2
Driver's Compartment Group	K-3 - K-4
Electrical Group	K-5 - K-6
Exterior Body Group	K-7 - K-10
Galley Group	K-11
Heating & Air Conditioning Group	K-12
Interior Finish Group	K-13 - K-14
LP Group	K-15
Lounge Group	K-15
Water & Sewage Group	K-16
Window, Vent & Exterior Door Group	K-17 - L-2

K-10

GALLEY GROUP

CABINETS AND HARDWARE

Key	Part Number	U/M	Description
	049440-01-000	EA	Cabinet Asm. - Galley w/o countertop, Drawers, Doors or Hardware
	049436-01-000	EA	Countertop Asm. - Galley Cabinet w/ Cutout - Green (Martini Mist)
	049436-02-000	EA	Countertop Asm. - Galley Cabinet w/ Cutout - Beige (Champagne Velvet or Sierra Sunset)
	048103-15-700	EA	Door Asm. - Galley Cabinet - 20 9/16" x 6 1/4" w/o Hardware
	048103-13-700	EA	Door Asm. - Galley Cabinet - 13 3/4" x 23" w/o Hardware
	049074-04-700	EA	Drawer Asm. - Galley Cabinet w/o Hardware (4 used per Galley Cabinet)
	049065-01-700	EA	Drawer Asm. - Pantry Cabinet w/o Hardware
	042562-01-000	EA	Slide Asm. Roller - Pantry Drawer - 22" - Right
	042562-02-000	EA	Slide Asm. Roller - Pantry Drawer - 22" - Left
	048103-29-700	EA	Door Asm. - Refrigerator Cabinet w/o Hardware
	049074-03-700	EA	Drawer Asm. - Refrigerator Cabinet w/o Hardware
	049491-01-000	EA	Cabinet Asm. - Galley Overhead w/o Door or Hardware
	048103-02-700	EA	Door Asm. - Galley Overhead Cabinet - 22" x 9" w/o Hardware
	049568-01-000	EA	Cabinet Asm. - Extending Galley Overhead w/o Doors, Hardware or End Pad
	048103-15-700	EA	Door Asm. - Extending Galley Overhead Cabinet - 20 9/16" x 6 1/4"
	049366-01-000	EA	Cabinet Asm. - Microwave Oven
	048103-06-700	EA	Door Asm. - Microwave Oven Cabinet w/o Hardware (2 used per cabinet when Microwave Oven is not installed)
	051120-01-000	EA	Cabinet Asm. - Beverage w/o Countertop, Door or Hardware
	051124-01-000	EA	Countertop Asm. - Beverage Cabinet
	048103-17-700	EA	Door Asm. - Beverage Cabinet 15 1/4" x 23" w/o Hardware
	044529-05-000	EA	Cover - Sink - Small - Green (Martini Mist)
	044529-06-000	EA	Cover - Sink - Small - Beige (Champagne Velvet or Sierra Sunset)
	044530-05-000	EA	Cover - Sink - Large - Green (Martini Mist)
	044530-06-000	EA	Cover - Sink - Large - Beige (Champagne Velvet or Sierra Sunset)
	011033-01-000	EA	Sink - Double Stainless Steel - Large/Small w/ Bolts
	011054-01-000	EA	Faucet Asm. - Swivel - Single Handle w/ Aerator
	011053-01-700	EA	Aerator - Swivel Faucet
	011035-01-000	EA	Strainer - Sink
	024564-01-000	EA	Towel Rack - Disappearing - 18"
	023111-01-000	EA	Blender - Food Center w/o Ice Crusher Attachment
	023111-02-000	EA	Ice Crusher Attachment - Food Center
	049593-01-000	EA	Magazine Rack Asm.
**	046965-01-000	EA	Refrigerator - Norcold - AC DC - 2 Door
**	049045-01-000	EA	Range - 4 Burner - Large Oven - Chrome - Magic Chef
**	046964-01-000	EA	Hood - Range - Power w/ Spice Cabinet - Jensen

**The illustrated parts breakdown for this item is provided on the Common Items Fiche

HEATING AND AIR CONDITIONING GROUP

Key	Part Number	U/M	Description
	049229-02-000	EA	Auto Air Kit - 440 C.I.D. - Winnebago
	039044-01-000	EA	Louver Asm. - A/C Adjustable
	047046-01-000	EA	Motor - 12 Volt - 3 Speed - Heater - Air Conditioner
	031043-01-000	EA	Valve - Heater - Water Flow Control
	031163-01-000	EA	Cable - Control - Flexible - 53"
	031163-02-000	EA	Cable - Control - Flexible - 45"
	031170-01-000	EA	Clamp - Cable - 3/16" Dia.
	024996-01-000	EA	Clutch - Magnetic - Compressor
	024999-01-000	EA	Compressor - Auto Air - 10.3 Cubic Inch
	033295-01-000	EA	Package - Air Conditioner - Compressor Mount - 440 C.I.D.
	031394-01-000	EA	Condenser - Radiator Mount
	008267-01-000	EA	Switch - Air Conditioner
	024967-01-000	EA	Valve - Thermostatic Expansion
	024997-01-000	EA	Core - Heater
	024996-01-000	EA	Wheel - Blower - 4.72" O.D.
	031393-01-000	EA	Coil - Evaporator
	033258-01-000	EA	Hose - Refrigerant - 50" I.D. x 34.50"
	054222-01-000	EA	Hose - Refrigerant - 31" I.D. x 25"
	031960-01-000	EA	Hose - Refrigerant - 34" I.D. x 30"
	031961-01-000	EA	Hose - Refrigerant - 37" x I.D. x 14.75"
	024658-01-000	EA	Receiver - Dehydrator
	031044-01-000	EA	Clamp - Receiver Dehydrator
	031962-01-000	EA	Bracket - Receiver Dehydrator
	031975-01-000	EA	Belt - Drive - 50" I.D. x 54" - 440 C.I.D.
**	049041-01-000	EA	Furnace - Coleman - 16,000 BTU - Under Counter Mount - 4316
	039505-02-000	EA	Thermostat - Wallmount
	029196-01-000	EA	Duct - Flexible - 4" I.D. x 25"
	023146-01-000	EA	Clamp - Screw Type - 4"
	024965-01-000	EA	Heat Register - w/ Damper - 9 9/16" x 4 5/8"
	009175-01-000	EA	Heat Register - Steel - 11 5/8" x 3 7/8"
	031604-01-000	EA	Bonnet - Heat Register - 4 3/8" x 8 43/64"
	042152-01-000	EA	Bonnet - Heat Register - 4 5/8" x 8 44/64"
	009200-01-000	EA	Tape - Furnace - 1 1/2"
**	049777-01-000	EA	Air Conditioner - 110 Volt - Roof Mount - 11,000 BTU - Ivory Coleman (w/o inside shroud)
**	049776-01-000	EA	Shroud Asm. - Ceiling - Inside - Roof Air Cool Only - 11,000 BTU - Coleman
**	049774-01-000	EA	Air Conditioner - 110 Volt - Roof Mount - 13,500 BTU Ivory - Coleman (w/o inside shroud)
**	049775-01-000	EA	Shroud Asm. - Ceiling - Inside - Roof Air Cool Only - 13,500 BTU - Coleman
**	049776-01-000	EA	Shroud Asm. - Ceiling - Inside - Roof Air - Heat and Cool Only - 13,500 BTU - Coleman

**The illustrated parts breakdown for this item is provided on the Common Items Fiche

1977 WINNEBAGO TABLE OF CONTENTS

D27M1	A-1 - B-10
MW20RG	B-11 - C-16
D27S	C-17 - D-22
D23M1	D-23 - F-6
D23S	F-7 - G-14
MWC25	G-15 - I-2
D27DRK	I-3 - J-14
D29D	J-15 - L-2

1977 D29D INDEX

Floor Plan	J-15 - J-16
Accessories Group	J-17 - J-18
Bath Group	J-19 - J-20
Chassis Group	J-21
Curtain, Cushion & Pad Group	J-22 - K-1
Dinette Group	K-2
Driver's Compartment Group	K-3 - K-4
Electrical Group	K-5 - K-8
Exterior Body Group	K-7 - K-10
Galley Group	K-11
Heating & Air Conditioning Group	K-12
Interior Finish Group	K-13 - K-14
LP Group	K-15
Lounge Group	K-15
Water & Sewage Group	K-16
Window, Vent & Exterior Door Group	K-17 - L-2

INTERIOR FINISH GROUP

PANELING AND COUNTERTOP MATERIALS

Key	Part Number	U/M	Description
	003725-05-000	EA	Batt Strip - 707 Hickory
	047254-01-000	EA	Batt Strip - 925 Buff
	043953-01-000	SF	Paneling - Buff - Ceiling - 48" x 96" (32 SF)
	009136-01-000	SF	Paneling - 707 Hickory - 48" x 96" (32 SF)
	041206-01-000	SF	Tileboard - 60" x 64" - Agate Beige (35 SF)
	041206-05-000	SF	Plastic Laminate - 48" x 96" - Burlwood Green (Martini Mist) (32 SF)
	041205-05-001	EA	Plastic Laminate - 48" x 48" - Burlwood Green (Martini Mist)
	041205-05-002	EA	Plastic Laminate - 1.19" x 96" - Burlwood Green (Martini Mist)
	041205-05-000	SF	Plastic Laminate - 48" x 96" - Burlwood Beige (Champagne Velvet or Sierra Sunset) (32 SF)
	041205-05-001	EA	Plastic Laminate - 48" x 48" - Burlwood Beige (Champagne Velvet or Sierra Sunset)
	041205-05-002	EA	Plastic Laminate - 1.19" x 96" - Burlwood Beige (Champagne Velvet or Sierra Sunset)
	045965-01-000	SF	Plastic Laminate - 48" x 96" - Brown Mocha Leather (32 SF)
	045965-01-001	EA	Plastic Laminate - 48" x 48" - Brown Mocha Leather
	045965-01-002	EA	Plastic Laminate - 1.19" x 96" - Brown Mocha Leather

FABRICS AND CARPET

Key	Part Number	U/M	Description
	041429-01-000	YD	Fabric - Valance - Green (Martini Mist)
	041429-02-000	YD	Fabric - Valance - Beige (Champagne Velvet)
	041429-03-000	YD	Fabric - Valance - Rust (Sierra Sunset)
	051772-01-000	YD	Fabric - Floral Drapery - Green (Martini Mist)
	051772-02-000	YD	Fabric - Floral Drapery - Beige (Champagne Velvet)
	051772-03-000	YD	Fabric - Floral Drapery - Rust (Sierra Sunset)
	043623-01-000	YD	Fabric - Upholstery - Green (Martini Mist)
	043623-02-000	YD	Fabric - Upholstery - Beige (Champagne Velvet)
	042623-03-000	YD	Fabric - Upholstery - Rust (Sierra Sunset)
	042411-01-000	YD	Vinyl - Nonexpanded - 27 Ounce - Brown
	042411-03-000	YD	Vinyl - Nonsupport - 15 Gauge - Brown
	042414-01-000	FT	Trim - Accent - Bostonian Brown Vinyl
	023631-05-000	EA	Button - Nail - Brown Vinyl
	041432-01-000	SY	Carpet - Olive Inspiration - Green (Martini Mist)
	041432-02-000	SY	Carpet - Van Dyke Brown Inspiration - Beige (Champagne Velvet)
	041432-03-000	SY	Carpet - Russet Inspiration - Rust (Sierra Sunset)

INTERIOR MOLDING AND TRIMS

Key	Part Number	U/M	Description
	022756-01-000	EA	Cover - Air Conditioner Wire - Plastic
	009778-01-000	FT	U-Channel - 3" Dark Brown Plastic
	009777-01-000	FT	U-Channel - 3.4" Dark Brown Plastic
	009815-02-000	FT	T Molding 3/4" Brown
	009812-03-000	FT	Molding - Plastic - Outside Corner - 50"
	009767-01-000	FT	Waling - Brown
	009779-01-000	FT	U-Channel - 1.18" - Dark Brown Plastic
	009609-03-000	FT	Molding - Plastic - Outside Corner - 1"
	034394-02-000	FT	Base - Vinyl - Insert Beige - Bath Trim
	034669-03-000	EA	Cover - Screw PPH 10 - Ivory - Bathroom
	042356-01-000	EA	Plug - Button - Mahogany 3/8" Dia
	029781-01-000	FT	Cover - Outside - 52" x 62" Dark Brown Plastic
	042321-01-000	FT	Molding - Cover - Pine/Vinyl - 1 3/4"
	043586-01-000	EA	Molding - Cover - Pine/Vinyl - 3 1/2" x 89"
	044556-01-000	EA	Trim - Brown Plastic - Over Entrance Door
	045416-01-000	EA	Trim - Brown Plastic - Entrance Door Bottom - Front
	042340-01-000	EA	Trim - Brown Plastic - Entrance Door Bottom - Rear
	048890-01-000	EA	Panel - Overhead Entrance Door w/Carpet
	041665-01-000	EA	Extr. - Alum. - Interior Cabinet Joint - 77"
	042357-01-000	FT	Molding - Outside Cabinet Corner - 707 Hickory - 7"
	033516-03-000	FT	Molding Asm. - Shell - 707 Hickory
	050761-01-000	EA	Panel - Side - Interior Right

INTERIOR FINISH GROUP (CONTINUED)

CURTAIN HARDWARE

Key	Part Number	U/M	Description
	009107-01-000	EA	Guide - Nylon Snap
	009136-01-000	EA	Pin - Shower Curtain
	009701-01-000	EA	Carrier - Curtain w/Rollers - "LT" Rod
	009702-01-000	EA	End Stop - Curtain - "LT" Rod
	015031-42-000	EA	Extr. - "LT" Rod - 90" - Aluminum
	049737-01-000	EA	End Cap - Plastic - Brown (Blackout Curtain)
	049738-01-000	EA	Snap Carrier - White Plastic (Blackout Curtain)
	051355-14-000	EA	Track - Curtain - Alum. - 89" (Blackout)
	047291-01-000	EA	Rod - Curtain - Traverse w/Valance
	049897-01-000	EA	Rod - Curtain - Flat - Extends 25" - 45"
	049938-01-000	EA	Pulley - Tension - Traverse Rod
	049937-01-000	EA	Kit - Conversion - Traverse/Valance Rods
	049897-02-000	EA	Rod - Curtain - Flat - Extends - 48" - 86"
	050629-03-000	EA	Track - Wraparound Curtain - Left - Brown
	050629-04-000	EA	Track - Wraparound Curtain - Right - Brown
	052327-04-236	EA	Curtain Track - Alum. - Brown - 89" w/Holes (Replaces 009108-01 Plastic)

1977 WINNEBAGO TABLE OF CONTENTS

D27MI	A-1 - B-10
MW20RG	B-11 - C-16
D27S	C-17 - D22
D23MI	D-23 - F-5
D23S	F-9 - G-14
MWC25	G-15 - I-2
D27DRK	I-3 - J-14
D29D	J-15 - L2

CABINETRY AND INTERIOR HARDWARE

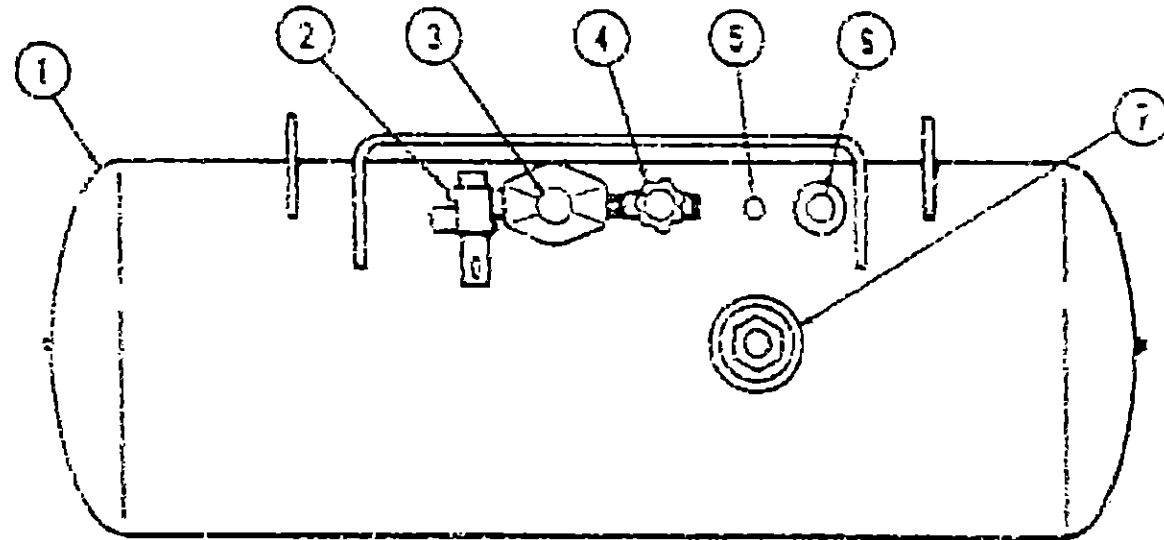
Key	Part Number	U/M	Description
	041638-01-000	EA	Screw - 5 x 5/8" PGH - Antique Brass
**	041923-01-000	EA	Kit - Lower Door Pull
	041799-01-000	EA	Drawer Pull
	051714-01-000	EA	Kit - Overhead Door - Pull and Latch
**	041939-01-000	EA	Hinge - Double Acting - Overhead Cabinet
**	047744-02-000	EA	Kit - Drawer Glide - 22" x 23.36"
**	047744-03-000	EA	Kit - Drawer Glide - 11" x 12.36"
**	047744-04-000	EA	Kit - Drawer Glide - 25" x 26.36"
**	041931-01-000	EA	Kit - Cabinet Door Hinge
	009150-01-000	EA	Warp Guard - 54"
	009151-01-000	EA	Warp Guard - 45"
**	009124-01-000	EA	Lock - Bath Door - Push Button Brass
	009112-01-000	EA	Flange 1" Rod - Chrome
	007019-01-000	EA	Ball Asm. - Seat 2" x 64" - Black
	007021-01-000	EA	Ball Asm. - Seat 2" x 90" - Black
	041322-01-000	EA	Washer - Flat - 15/32" I.D. x 2 3/8" O.D. (Seat Ball)
	042950-01-000	EA	Handle - Interior Assist

**The illustrated parts breakdown for this item is provided on the Common Items Fiche

1977 D29D INDEX

Floor Plan	J-15 - J-16
Accessories Group	J-17 - J-18
Bath Group	J-19 - J-20
Chassis Group	J-21
Curtain, Cushion & Pad Group	J-22 - K-1
Emette Group	K-2
Driver's Compartment Group	K-3 - K-4
Electrical Group	K-5 - K-6
Exterior Body Group	K-7 - K-10
Galley Group	K-11
Heating & Air Conditioning Group	K-12
Interior Finish Group	K-13 - K-14
LP Group	K-15
Lounge Group	K-16
Water & Sewage Group	K-16
Window, Vent & Exterior Door Group	K-17 - L-2

LP GROUP



Key	Part Number	U/M	Description
1	040421-01-002	EA	Tank - LP - Frame Mount - 80 Pound
2	047221-01-000	EA	Detector - LP Gas Leak
3	024712-01-000	EA	Cover - LP Regulator
4	012163-01-000	EA	Regulator - Manual - LP Gas - 2 Stage
5	040421-01-703	EA	Valve - Vapor Relief
6	040421-01-700	EA	Gauge - Liquid Level - 20% LP
7	040421-01-701	EA	Valve - Filter - LP
	040421-01-702	EA	Cap - Plastic Fill Valve
	040421-01-707	EA	Gauge - Float - w Visible Dial - 50 Pound Tank
	040421-01-705	EA	Dial - Visible Face - Float Gauge (Tank w/o Electric Transmitter)
	040421-01-705	EA	Dial - Transmitter - 0 - 90 Ohm (Float Gauge)
	045703-03-007	EA	Hose Asm - LP - 3/8" I.D. x 14'
	047737-02-000	EA	Support - LP Tank - 89.25"
	047737-03-000	EA	Support - LP Tank - 39.50"
	050799-01-000	EA	Valve - Automatic LP Gas Flow - 3/8" FPT
			Not Illustrated

LOUNGE GROUP

Key	Part Number	U/M	Description
	042438-01-000	EA	Cabinet Asm - Presto Bed - w/o Door - Right
	042439-01-000	EA	Cabinet Asm - Presto Bed - Left
	048103-04-700	EA	Door Asm - Presto Bed Cabinet - 193.8" x 191.4" - w/o Hardware
	049356-01-000	EA	Cabinet Asm - Overhead - Lounge - w/o Doors
	049103-01-700	EA	Door Asm - Overhead Lounge Cabinet - 30" x 9" - w/o Hardware
	049969-01-000	EA	Cabinet Asm - Lounge Chair - Rear
	049970-01-000	EA	Cabinet Asm - Lounge Chair - Front
	049969-01-700	EA	Table Asm - Lounge - w/o Support or Glass Holder - Brown Mocha Leather
	045795-01-000	EA	Holder - Glass
	049968-01-000	EA	Support - Lounge Table
	042488-01-000	EA	Door Asm - Folding w Hardware
	044571-01-000	EA	Leg Asm - Glider Bed - Right
	044571-02-000	EA	Leg Asm - Glider Bed - Left

WATER AND SEWAGE GROUP

PLUMBING REPAIR KITS, PIPE FITTINGS AND WATER PUMP

Key	Part Number	U/M	Description
**	048524-02-000	EA	Kit - Fittings - Plastic - Water Tank
**	048524-01-000	EA	Kit - Fittings - Plastic - Holding Tank
**	041539-01-000	EA	Kit - Repair - 3/8" O.D. Plastic Tube
**	042540-01-000	EA	Kit - Repair - 1/2" O.D. Plastic Tube
**	042541-01-000	EA	Kit - Repair - 5/8" O.D. Plastic Tube
**	041819-01-000	EA	Nut and Cone - Plastic 1/2" O.D. Tube
**	046128-01-000	EA	Valve - Drain - Plastic - 1/2 FPT
**	009507-01-000	EA	Valve - Drain - Brass 1/2 MPT
**	009918-01-000	EA	Riser Asm. - 3/8" O.D. x 24" Tube
**	009918-02-000	EA	Riser Asm. - 3/8" O.D. x 35" Tube
**	009918-04-000	EA	Riser Asm. - 3/8" O.D. x 72" Tube
**	004020-01-000	QT	Adhesive - ABS Cement
**	010133-01-000	EA	Adaptor Trap - Plastic 1 1/2 H x MPT
**	010134-01-000	EA	Adaptor - Plastic 1 1/2" MPT
**	010153-01-000	EA	Ring - Closet - Plastic 4 F x 3 MPT
**	010201-01-000	EA	Hose - Sewer - 3" x 10' w/ Clamp
**	010235-01-000	EA	Cap - Sewage 3"
**	010235-01-000	EA	Adaptor - Hose 3"
**	011091-01-000	EA	Waste - Continuous Double Sink 11 7/8"
**	010210-01-000	EA	Valve - Sanitary - Theford 3/8"
**	010234-01-000	EA	Adaptor - Bayonet
**	011066-01-000	EA	P-Trap - Plastic 2 1/4"
**	041276-02-000	EA	Pump - Water Flow 3.7 G.P.M. - PAR
**	009647-02-000	EA	Filter - Water Pump - 1/2 MPT
**	009609-01-000	EA	Valve - Stool - Plastic - 3/8" O x 1/2" FPT
**	042839-01-000	FT	Hose - Non Pressure - PVC - 1/2" I.D.
**	010230-01-000	EA	Fill - City Water - Recessed - Off White w/ Screw-on Cap
**	011020-01-000	EA	Fill - City Water - Recessed - Off White - w/ Snap Cap

**The illustrated parts breakdown for this item is provided on the Common Items Fiche

HOLDING TANKS AND WATER HEATERS

Key	Part Number	U/M	Description
	043575-01-000	EA	Tank Asm - Water - Plastic - 55 Gallon w/ Fittings
	040464-01-000	EA	Tank Asm - Water - Plastic - 55 Gallon w/o Fittings
	041625-02-000	EA	Tank Asm - Holding - Main - Plastic - 55 Gallon - w/ Fittings
**	041625-01-000	EA	Tank - Holding - Main - Plastic - 55 Gallon - w/o Fittings
**	043611-02-000	EA	Tank Asm - Holding - Auxiliary - Plastic - 22 Gallon w/ Fittings
**	043611-01-000	EA	Tank - Holding - Auxiliary - Plastic - 22 Gallon w/o Fittings
**	051393-01-000	EA	Water Heater - GH53E - Electric Ignition w/ Motor Aid
**	051365-01-000	EA	Water Heater - GH5E - Electric Ignition w/ Motor Aid

**The illustrated parts breakdown for this item is provided on the Common Items Fiche

1977 WINNEBAGO TABLE OF CONTENTS

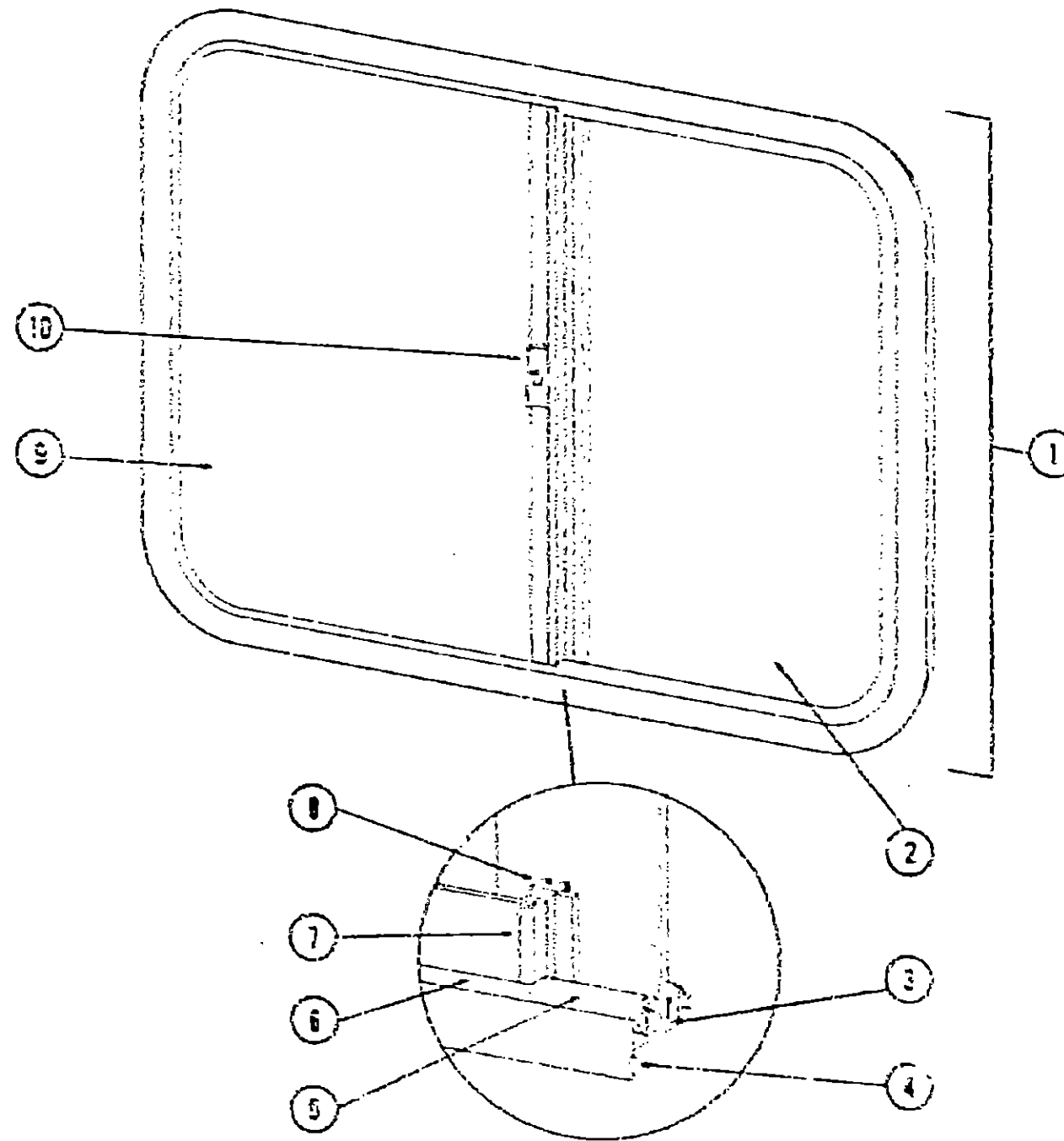
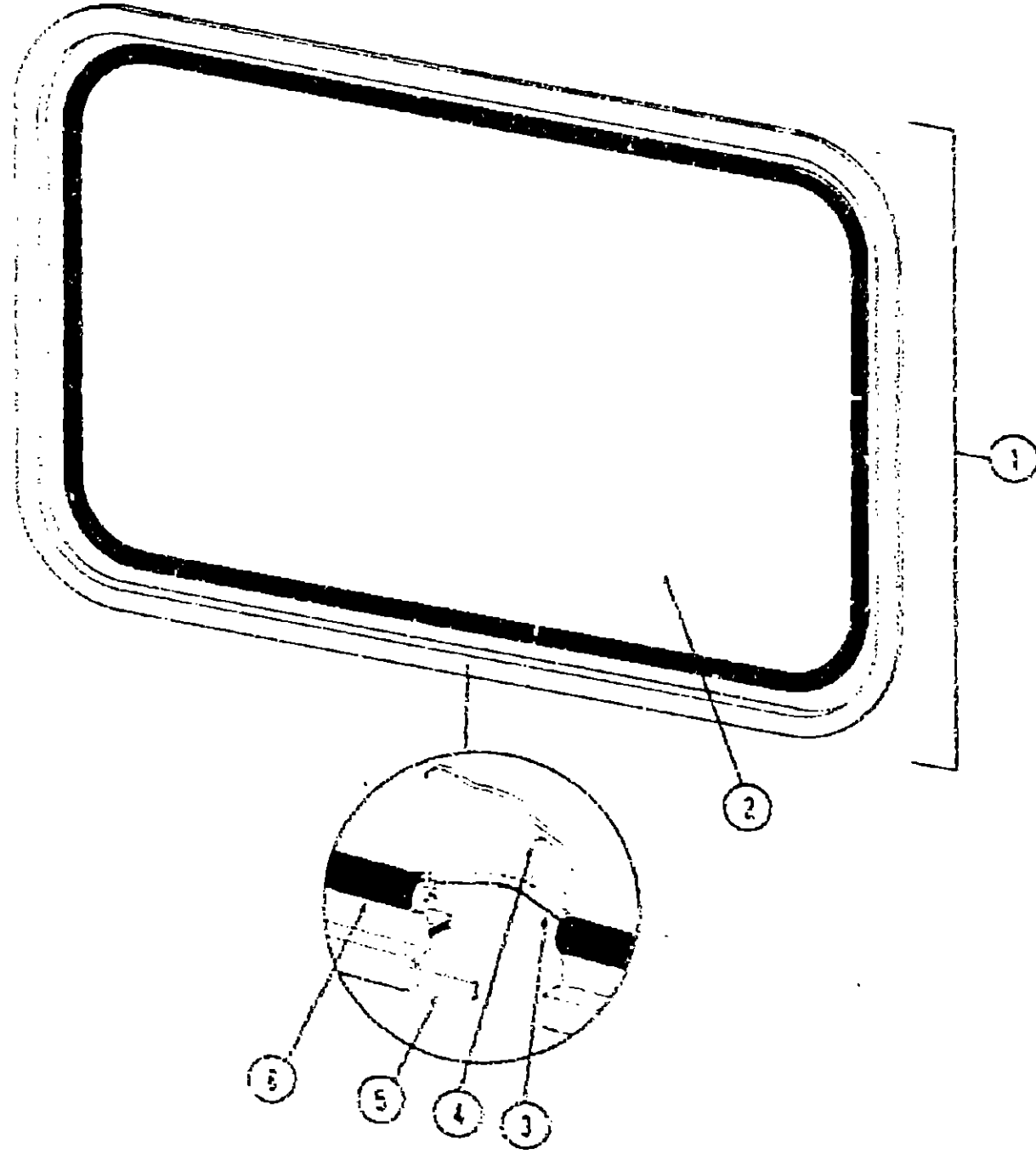
D27MI	A-1 - B-10
MW20RG	B-11 - C-16
D27S	C-17 - D22
D23MI	D-23 - F-8
D23S	F-9 - G-14
MWC25	G-15 - I-2
D27DRK	I-3 - J-14
D29D	J-15 - L2

1977 D29D INDEX

Floor Plan	J-15 - J-15
Accessories Group	J-17 - J-15
Bath Group	J-19 - J-20
Chassis Group	J-21
Curtain, Cushion & Pad Group	J-22 - K-1
Dinette Group	K-2
Driver's Compartment Group	K-3 - K-4
Electrical Group	K-5 - K-6
Exterior Body Group	K-7 - K-10
Galley Group	K-11
Heating & Air Conditioning Group	K-12
Interior Finish Group	K-13 - K-14
LP Group	K-15
Lounge Group	K-15
Water & Sewage Group	K-16
Window, Vent & Exterior Door Group	K-17 - L-2

WINDOW, VENT AND EXTERIOR DOOR GROUP

WINDOW, VENT AND EXTERIOR DOOR GROUP (CONTINUED)



1977 WINNEBAGO
TABLE OF CONTENTS

D27M	A-7 - B-10
MW2CRG	B-11 - C-16
D27S	C-17 - D-22
D23M	D-23 - F-8
D23S	F-9 - G-14
MW2C25	G-15 - I-2
D27DRK	I-3 - J-14
D29D	J-15 - L-2

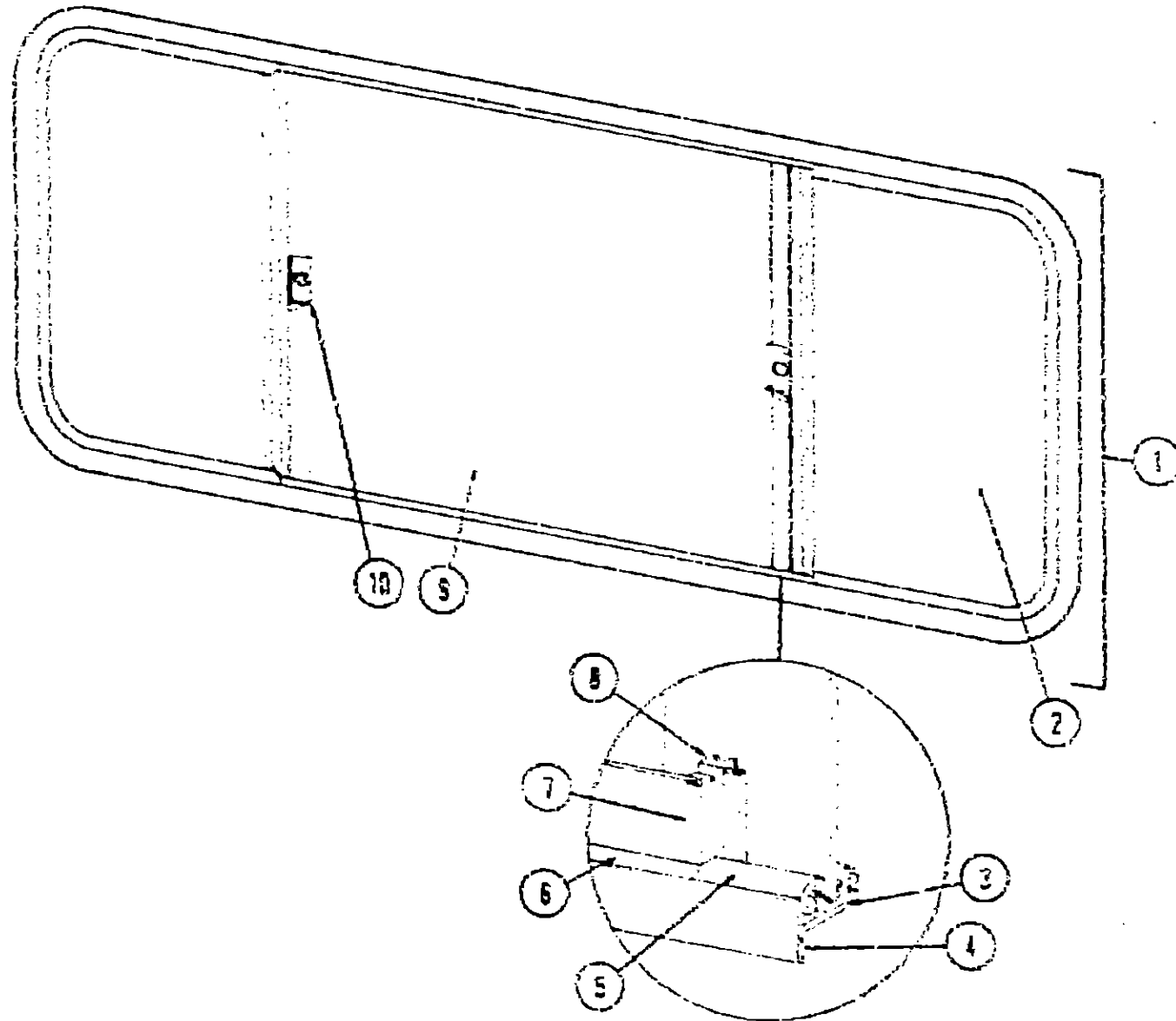
1977 D29D INDEX

Floor Plan	J-15 - J-15
Accessories Group	J-17 - J-18
Bath Group	J-19 - J-20
Chassis Group	J-21
Curtain, Cushion & Pad Group	J-22 - K-1
Dinette Group	K-2
Driver's Compartment Group	K-3 - K-4
Electrical Group	K-5 - K-8
Exterior Body Group	K-7 - K-10
Galley Group	K-11
Heating & Air Conditioning Group	K-12
Interior Finish Group	K-13 - K-14
LP Group	K-15
Lounge Group	K-16
Water & Sewage Group	K-16
Window, Vent & Exterior Door Group	K-17 - L-2

Key	Part Number	U/M	Description
1	044867-03-000	EA	Window Asm. - Rear Escape - 23" x 36" - Black Anod (w/o inside frame)
2	041393-01-000	EA	Glass - 1.5" x 19.5" x 3/32"
3	002285-01-000	FT	Filter - Weatherstrip - Black
4	020095-01-000	EA	Slip - Pull Ring - Escape Window
5	004063-01-000	FT	Tape - Foam - 3/16" x 1/2" - Gray
6	002282-01-000	FT	Weatherstrip - .125" - Black
*	041393-01-000	EA	Frame - Inside - Escape Window - 23" x 36" (not included in assembly)

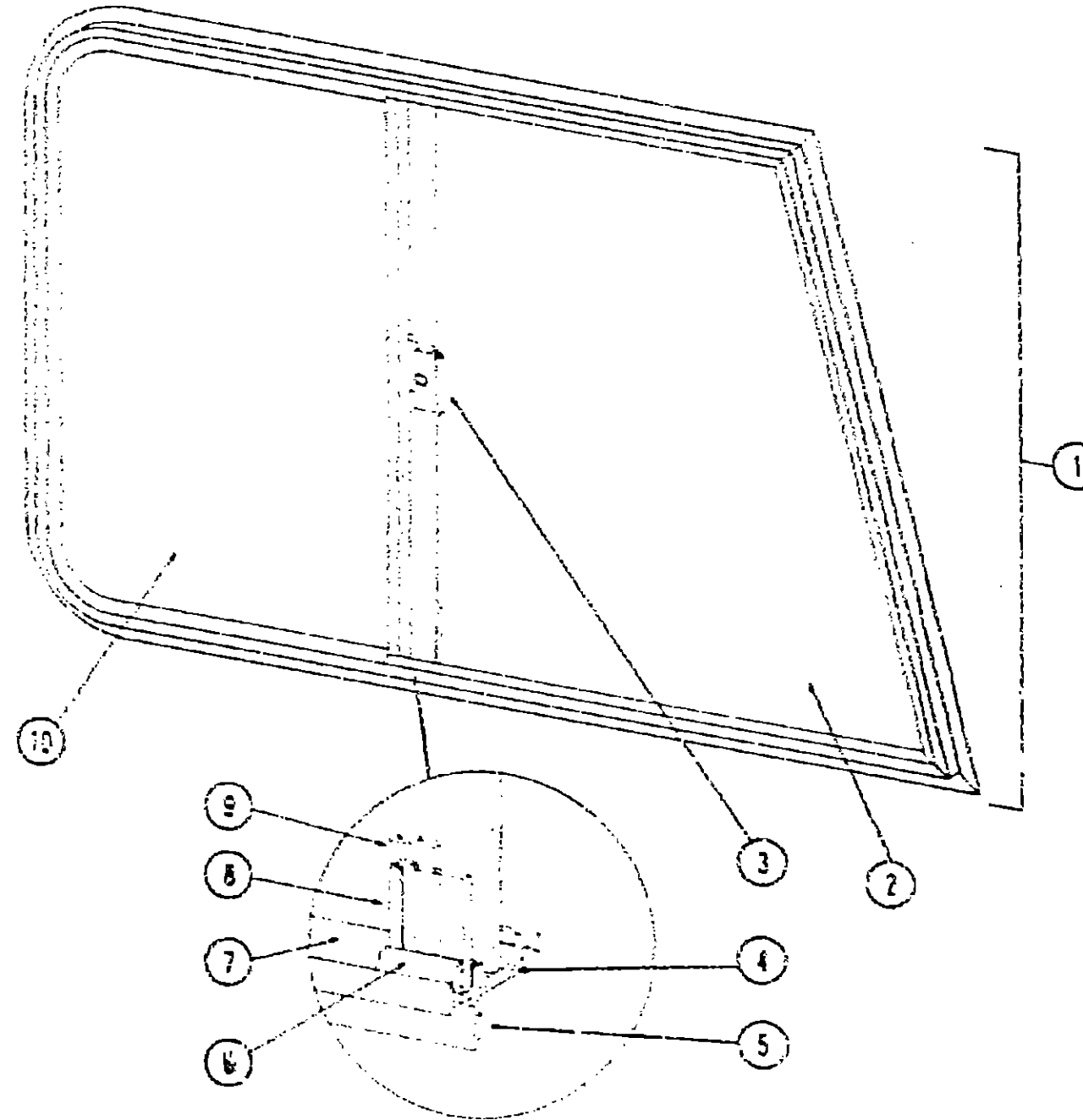
Key	Part Number	U/M	Description
1	048631-12-000	EA	Window Asm. - Left - Single Slider - 25" x 29" - Black Anod (w/o inside frame)
2	047812-01-000	EA	Glass - 3'16" x 24" x 1/32"
3	042077-01-000	FT	Channel - Weatherstrip - Glass Run - 3'16" Glass
4	004063-01-000	FT	Tape - Foam - 3/16" x 1/2" - Gray
5	041582-02-000	FT	Seal - Window Channel - Black
6	050216-02-000	FT	Spline - Glass - 3'16" - Black
7	002389-03-201	EA	Holder - Glass Seal - Anod. Black
8	041894-04-000	EA	Mullion - Slider Window - 25" - Black Anod
9	002184-02-000	EA	Glass - TP - 3'16" x 24" x 1/32"
10	047059-01-700	EA	Latch - Window - Plastic w/Fastener
*	042147-03-000	EA	Frame - Inside - Single Slider Window - 25" x 29" (not included in assembly)
*	000710-02-000	EA	Corner - Plastic Weep Hole - Black
*	002298-01-000	FT	Spline - Gray - .130" Dia. (Screen)
*	002293-01-000	SF	Screen - Window - 26" - Gray
*			Not Illustrated

WINDOW, VENT AND EXTERIOR DOOR GROUP (CONTINUED)



Key	Part Number	U/M	Description
1	043600-06-000	EA	Window Asm. - Double Slider - 25" x 55" Black Anod (w/o inside frame)
2	047822-01-000	EA	Glass - Sliding - 3/16" x 24" x 21.03"
3	042077-01-000	FT	Channel - Weatherstrip - Glass Run - 3/16" Glass
4	004360-01-000	FT	Tape - Foam - 3/16" x 1/2" - Gray
5	041962-01-000	FT	Seal - Window Channel - 3/16" Glass - Black
6	050216-02-000	FT	Spline - Glass - Black
7	002389-03-203	EA	Extr. - Holder - Glass Seal - 27.125"
8	041894-04-000	EA	Mullion - Slider Window - 25"
9	002188-01-000	EA	Glass - 3/16" x 24" x 25.50" - Stationary
10	047369-01-700	EA	Latch - Window - Plastic w/Fastener
	042133-04-000	EA	Frame Asm. - Window - Inside (not included in assembly)
	023713-02-000	EA	Cover - Weepole - Plastic - Black
	002298-01-000	FT	Spline - Gray - 130" Dia (Screen)
	002293-01-000	SF	Screen - Window - 26" - Gray
			Not Illustrated

WINDOW, VENT AND EXTERIOR DOOR GROUP (CONTINUED)



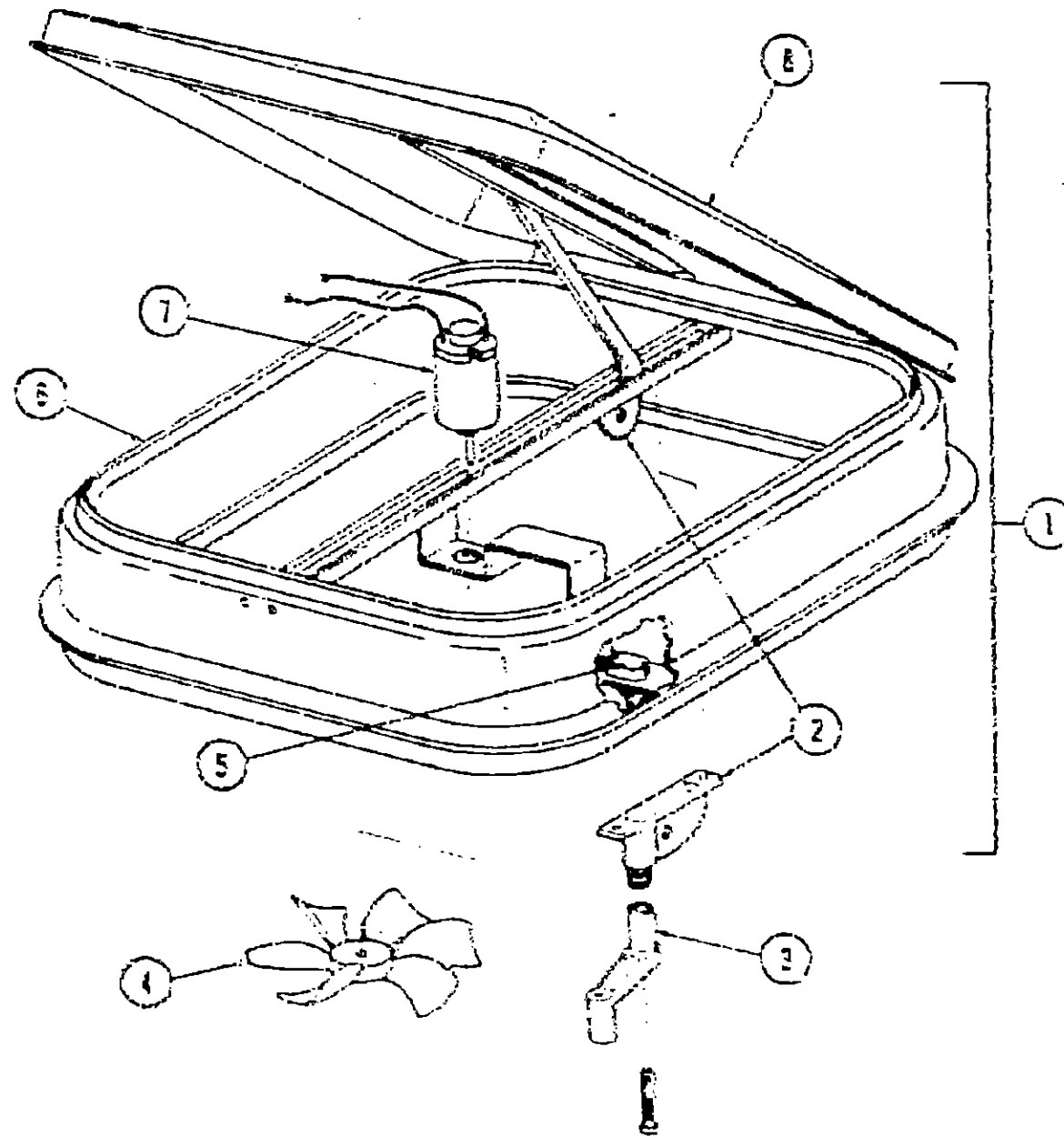
Key	Part Number	U/M	Description
1	048628-06-000	EA	Window Asm. - Right - Slant Slider - 29" x 48" Black Anod (w/o inside frame)
	045626-06-000	EA	Window Asm. - Left Slant Slider - 29" x 40" Black Anod (w/o inside frame)
2	042265-01-000	EA	Glass - 3/16" x 27.91" x 13.94" x 26.35" - Stationary
3	047369-01-700	EA	Latch - Window - Plastic w/Fastener
4	042077-01-000	FT	Channel - Weatherstrip - Glass Run - 3/16" Glass
5	004360-01-000	FT	Tape - Foam - 3/16" x 1/2" - Gray
6	050216-02-000	FT	Spline - 3/16" Glass - Black
7	041928-02-000	FT	Seal - Window Channel - Black
8	002389-03-203	EA	Holder - Glass Seal - Black Anod. - 27.125"
9	041894-04-000	EA	Mullion - Slider Window - 25" - Black Anod.
10	047814-01-000	EA	Glass - 3/16" x 27.91" x 14.03" - Sliding
	041962-04-000	EA	Frame - Inside - Right Front Slant Slider Window (not included in assembly)
	041962-03-000	EA	Frame - Inside - Left Front Slant Slider Window (not included in assembly)
	023713-02-000	EA	Cover - Plastic Weepole - Black
			Not Illustrated

1977 WINNEBAGO TABLE OF CONTENTS

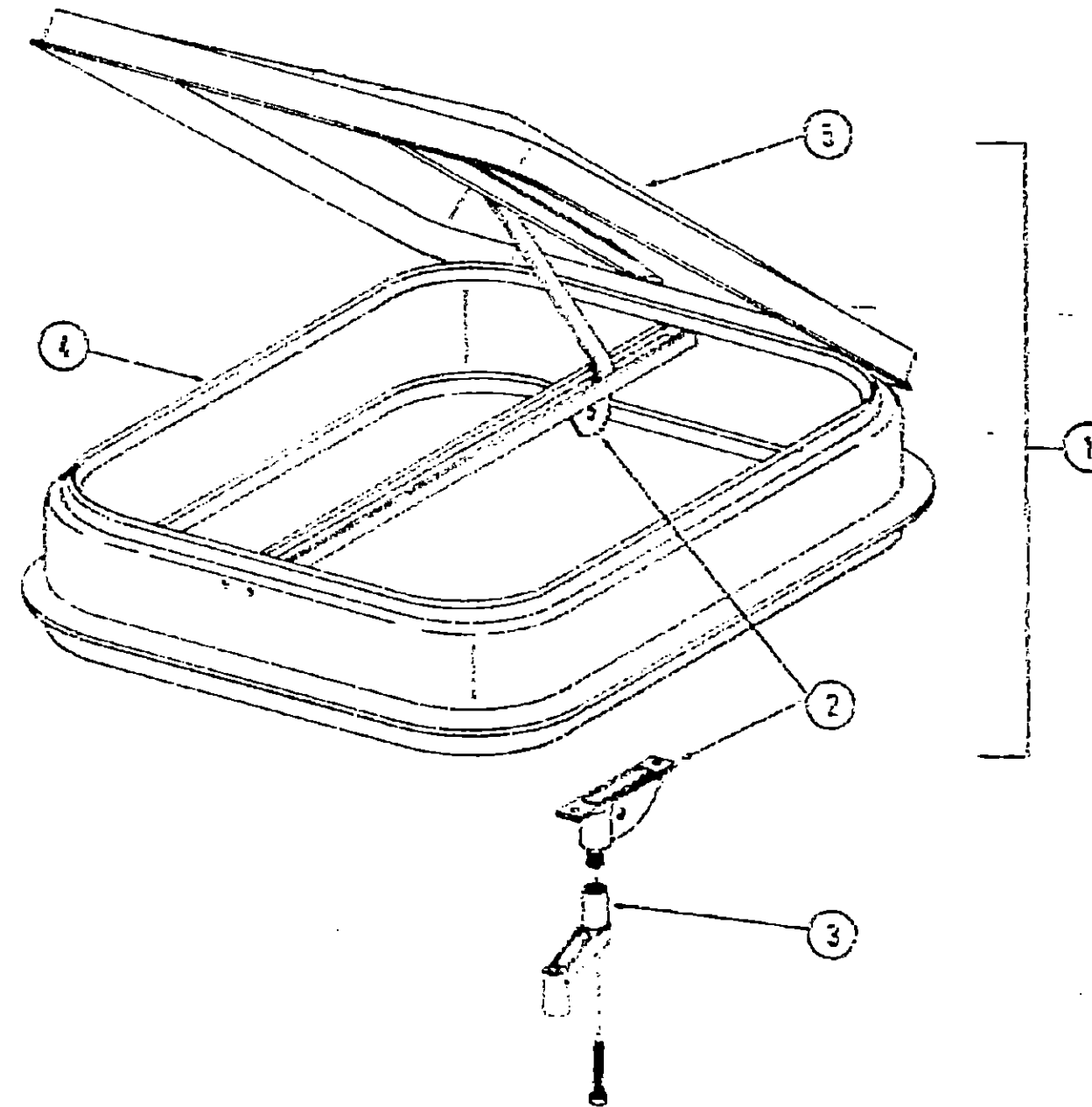
D27M1	A-1 - B-10
MW2CRG	B-11 - C-15
D27S	C-17 - D-22
D23M1	D-23 - F-8
D23S	F-9 - G-14
MWC25	G-15 - I-2
D27DRK	I-3 - J-14
D29D	J-15 - L-2

1977 D29D INDEX

Floor Plan	J-15 - J-16
Accessories Group	J-17 - J-18
Bath Group	J-19 - J-20
Chassis Group	J-21
Curtain, Cushion & Pad Group	J-22 - K-1
Dinette Group	K-2
Driver's Compartment Group	K-3 - K-4
Electrical Group	K-5 - K-6
Exterior Body Group	K-7 - K-10
Galley Group	K-11
Heating & Air Conditioning Group	K-12
Interior Finish Group	K-13 - K-14
LP Group	K-15
Lounge Group	K-15
Water & Sewage Group	K-16
Window, Vent & Exterior Door Group	K-17 - L-2



Key	Part Number	U. M.	Description
1	045759-01-000	EA	Vent Asm. - Roof - Powered - w/o Screen
2	009440-01-000	EA	Gear - Arm - Roof Vent
3	009439-01-000	EA	Crank - Roof Vent
4	045649-01-000	EA	Fan - Blade - 8" Plastic
5	008195-01-000	EA	Switch - Push Button - 12 Volt
6	007525-01-000	FT	Weatherstrip - Roof Vent
7	045648-01-000	EA	Motor - 12 Volt
8	045825-01-000	EA	Cover - Plastic - Roof Vent
*	046595-01-000	EA	Screen Asm. - Powered Roof Vent - Clear Anod (not included in assembly)
*	046595-03-000	EA	Screen Asm. - Powered Roof Vent - Beige (not included in assembly)
*			Not Illustrated



Key	Part Number	U. M.	Description
1	046535-01-000	EA	Vent Asm. - Roof - Non Powered - w/o Screen
2	009440-01-000	EA	Gear - Arm - Roof Vent
3	009439-01-000	EA	Crank - Roof Vent
4	002825-01-000	FT	Weatherstrip - Roof Vent
5	046525-01-000	EA	Cover - Plastic - Roof Vent
*	016335-01-000	EA	Screen Asm. - Non Powered Roof Vent - Clear Anod (not included in assembly)
*	016335-03-000	EA	Screen Asm. - Non Powered Roof Vent - Beige (not included in assembly)
*			Not Illustrated

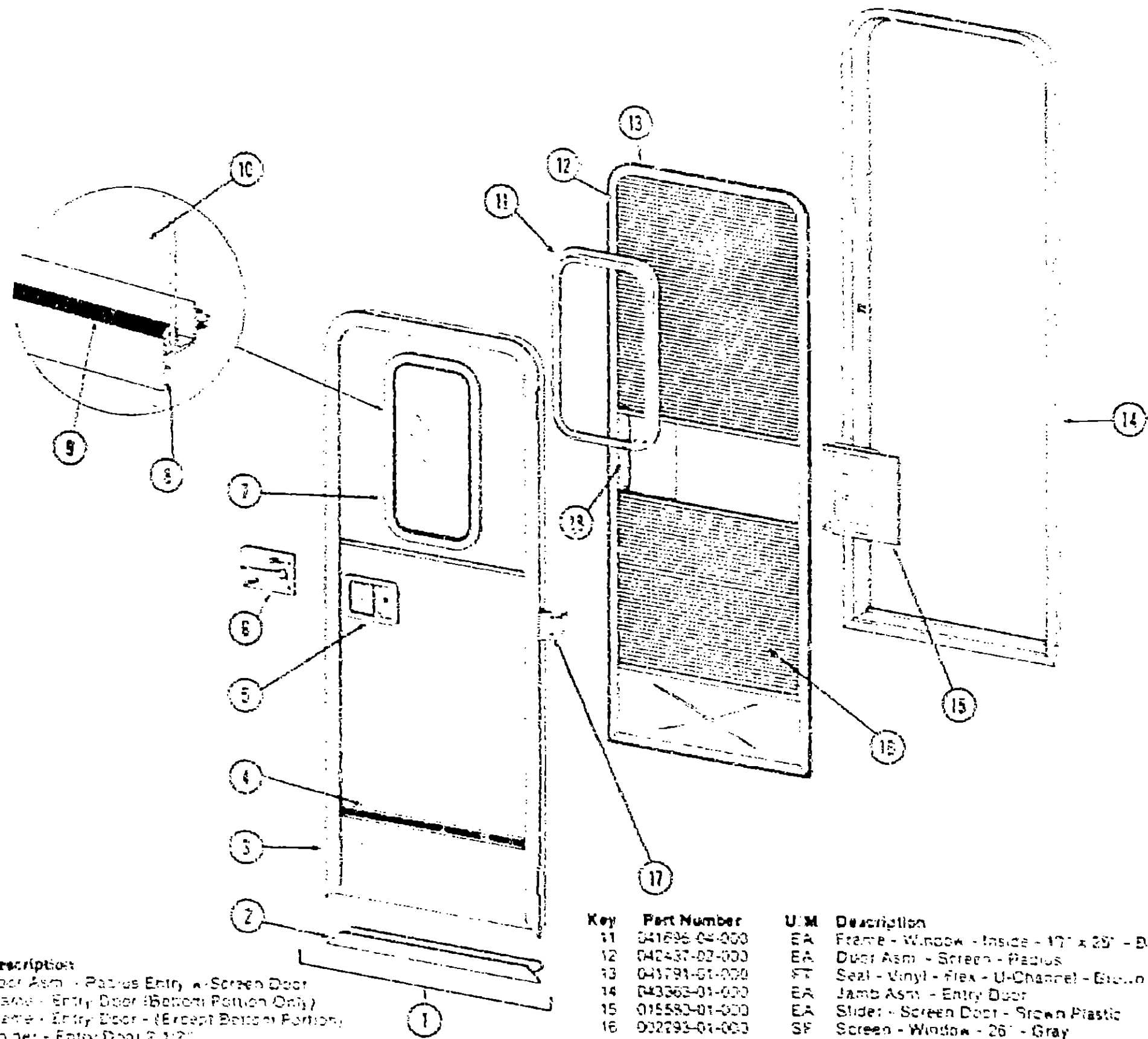
1977 WINNEBAGO
TABLE OF CONTENTS

D27MI	A-1 - E-10
MW2ERG	B-11 - G-16
D27S	C-17 - D-22
D23MI	D-23 - F-5
D23S	F-6 - G-14
MWC25	G-15 - I-2
D27DRK	I-3 - J-14
D29D	J-15 - L-2

1977 D29D INDEX

Floor Plan	J-15 - J-16
Accessories Group	J-17 - J-18
Bath Group	J-19 - J-20
Chassis Group	J-21
Curtain, Cushion & Pad Group	J-22 - K-1
Dinette Group	K-2
Driver's Compartment Group	K-3 - K-4
Electrical Group	K-5 - K-6
Exterior Body Group	K-7 - K-10
Galley Group	K-11
Heating & Air Conditioning Group	K-12
Interior Finish Group	K-13 - K-14
LP Group	K-15
Lounge Group	K-15
Water & Sewage Group	K-16
Window, Vent & Exterior Door Group	K-17 - L-2

WINDOW, VENT AND EXTERIOR DOOR GROUP (CONTINUED)



Key	Part Number	U/M	Description
1	042418-02-000	EA	Door Asm - Radius Entry w/Screen Door
2	039737-02-000	EA	Frame - Entry Door (Bottom Portion Only)
3	041373-01-000	EA	Frame - Entry Door - (Except Bottom Portion)
4	039674-02-000	EA	Holder - Entry Door 2 1/2"
5	052156-01-000	EA	Lock Asm - Radius Entry Door - Lynor
6	045017-01-000	EA	Lock Cylinder w/Keys - Lynor
7	039541-01-000	EA	Lock Cylinder w/Keys - Atwood
8	039509-01-000	EA	Stoker - Entry Door Lock
9	039679-01-000	EA	Plate - Lock - Interior - Including Inside Handle
10	041875-04-000	EA	Window Jam - Picture - 13" x 25" - Black Anod (Inside frame not included in assembly)
11	044953-01-000	FT	Tap - Foam - 3/16" x 1/2" - Gray
12	002318-02-000	FT	Spine - Glass - 3/16" - Black
13	002161-02-000	EA	Glass - Picture Window - 3 1/2" x 22" x 24" - Gray

Key	Part Number	U/M	Description
11	041696-04-000	EA	Frame - Window - Inside - 17" x 29" - Brown
12	042437-02-000	EA	Door Asm - Screen - Radius
13	041791-01-000	FT	Seal - Vinyl - Flex - U-Channel - Brown
14	043363-01-000	EA	Jamb Asm - Entry Door
15	015583-01-000	EA	Slider - Screen Door - Brown Plastic
16	032293-01-000	SF	Screen - Window - 26" - Gray
17	042435-01-000	EA	Hinge - Entry Door (3 used per door)
18	015581-01-000	EA	Cap - Screen Door - Brown Plastic
	043176-01-000	EA	Headok II - 3/4" Diameter - Screw Mount (Retains Screen Door to Entry Door)
	049737-01-000	EA	Headok II - 1" Diameter - Screw Mount (Retains Screen Door to Entry Door)
	010019-01-000	EA	Sticker - Screen Door
	039463-01-000	EA	Catch Asm - Single Roller w/Stroke - Screen Door
	051390-01-000	FT	Seal - Jamb - Entry Door
	032510-03-000	FT	Top Lip - Polybutyl - 3.5" O.D. - Jamb
			Not Illustrated

K-23

1977 WINNEBAGO
TABLE OF CONTENTS

D27MI	A-1 - B-10
MW00RG	B-11 - C-15
D27S	C-17 - D-22
D23MI	D-23 - F-5
D23S	F-6 - G-14
MW025	G-15 - I-2
D27DRK	I-3 - J-14
D29D	J-15 - L-2

1977 D29D INDEX

Floor Plan	J-15 - J-16
Accessories Group	J-17 - J-18
Bath Group	J-19 - J-20
Chassis Group	J-21
Curtain, Cushion & Pad Group	J-22 - K-1
Dinette Group	K-2
Driver's Compartment Group	K-3 - K-4
Electrical Group	K-5 - K-6
Exterior Body Group	K-7 - K-10
Galley Group	K-11
Heating & Air Conditioning Group	K-12
Interior Finish Group	K-13 - K-14
LP Group	K-15
Lounge Group	K-16
Water & Sewage Group	K-18
Window, Vent & Exterior Door Group	K-17 - L-2

K-24

WINDOW, VENT AND EXTERIOR DOOR GROUP (CONTINUED)

VENTS

Key	Part Number	U/M	Description
	009407-01-000	EA	Vent Asm. - Base - Refrigerator Vent w/ Cover
	039776-01-000	EA	Cover - Plastic - Refrigerator Vent
	049352-02-000	EA	Vent - Stovehood - Outside - Beige (Jensen)

WINDSHIELD

Key	Part Number	U/M	Description
	042744-01-000	EA	Frame Asm. - Windshield w/ Glass
	034975-02-000	EA	Glass - Windshield - Safety Plate w/Tinted Band - Left or Right
	035886-02-000	EA	Tape - Butyl - 31" x 31" x 160" Long

ACCESS DOORS

Key	Part Number	U/M	Description
	042459-02-000	EA	Door Asm. - Valance Panel - LP Utility - Beige Plastic
	049734-01-000	EA	Door Asm. - Valance Panel - Battery - Beige Plastic
	049733-01-000	EA	Door Asm. - Valance Panel - 31" x 10.59" - Luggage - Beige Plastic
	042453-02-000	EA	Door Asm. - Valance Panel - 46.12" x 10.29" - Luggage - Beige Plastic
	052086-02-000	EA	Door Asm. - Valance Panel - 23" - Beige Fiberglass
	052086-03-000	EA	Door Asm. - Valance Panel - 42" - Beige Fiberglass
	052179-01-000	EA	Door Asm. - Generator (used with Kohler generator)
	042451-01-000	EA	Door Asm. - Generator (used with Onan generator)
	039924-01-000	EA	Lock Asm. - Twist Type w/Clip (generator door)
	044210-01-000	EA	Door Asm. - 6" x 10" - Off White Plastic
	044210-02-000	EA	Door Asm. - 6" x 10" - Beige Plastic
	043942-01-000	EA	Latch Asm. - Quarter Turn - Plastic
	042416-01-000	EA	Door Asm. - Trunk - Black Plastic
	042441-01-000	EA	Lock Asm. - Key Type - Valance Panel Door or Trunk Door
	042442-01-000	EA	Lock Asm. - Twist Type - Valance Panel Door
	042454-01-000	EA	Hinge - Continuous Aluminum - Valance Panel Door

1977 WINNEBAGO TABLE OF CONTENTS

D27MI	A-1 - B-10
MW20RG	B-11 - C-16
D27S	C-17 - D22
D23MI	D-23 - F-8
D23S	F-9 - G-14
MWC25	G-15 - I-2
D27DRK	I-3 - J-14
D29D	J-15 - L2

1977 D29D INDEX

Floor Plan	J-15 - J-16
Accessories Group	J-17 - J-18
Bath Group	J-19 - J-20
Chassis Group	J-21
Curtain, Cushion & Pad Group	J-22 - K-1
Dinette Group	K-2
Driver's Compartment Group	K-3 - K-4
Electrical Group	K-5 - K-6
Exterior Body Group	K-7 - K-10
Galley Group	K-11
Heating & Air Conditioning Group	K-12
Interior Finish Group	K-13 - K-14
LP Group	K-15
Lounge Group	K-15
Water & Sewage Group	K-16
Window, Vent & Exterior Door Group	K-17 - L-2