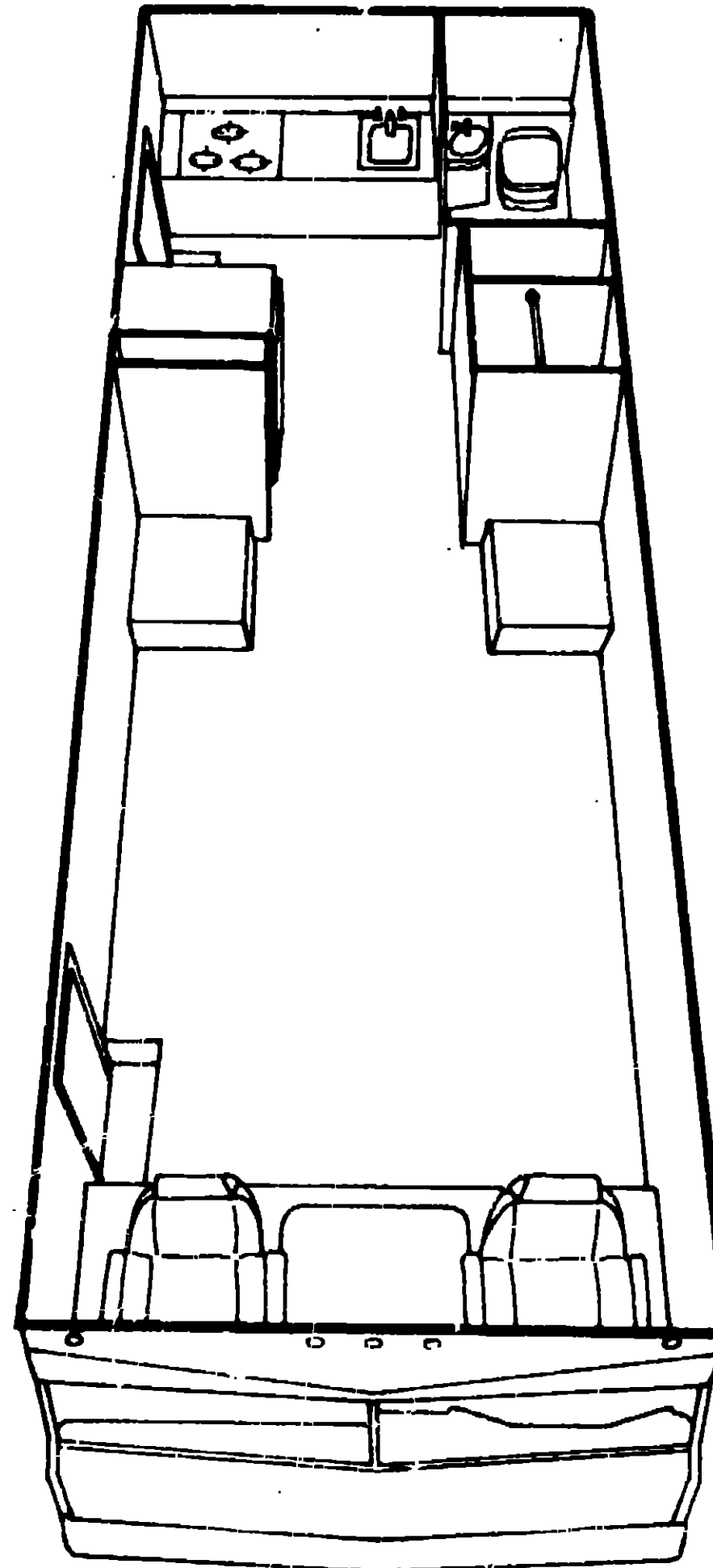


1977 D27MI



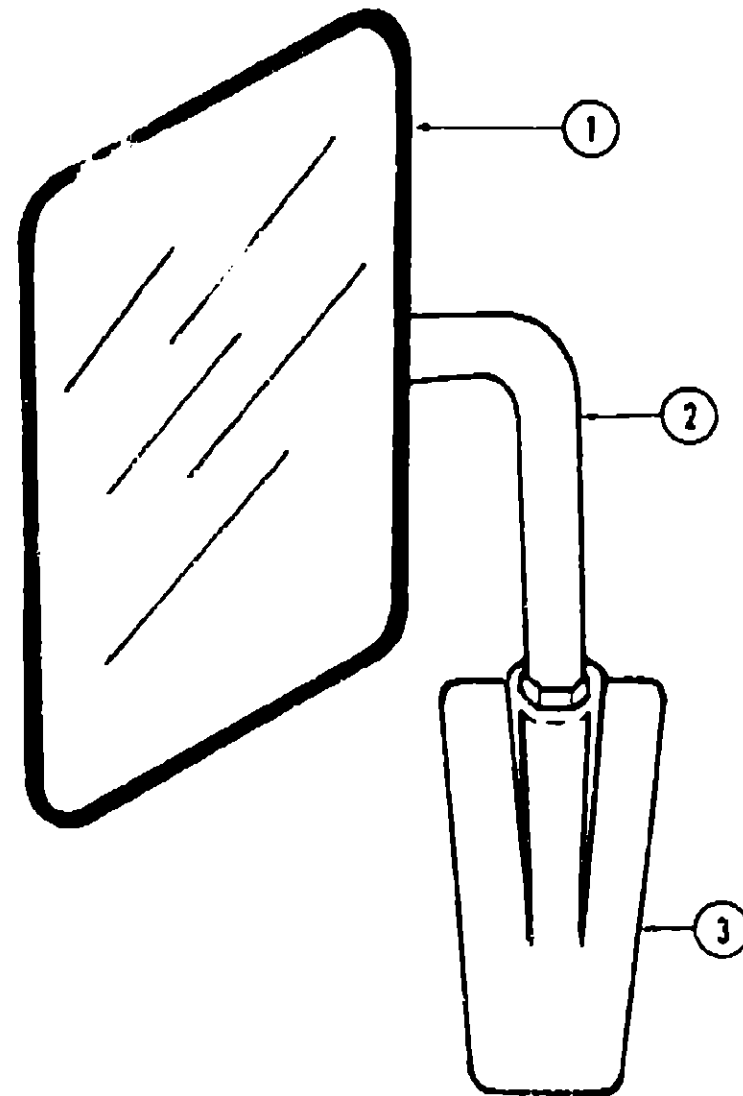
1977 WINNEBAGO TABLE OF CONTENTS

D27MI	A-1 - B-10
MW20RG	B-11 - C-16
D27S	C-17 - D22
D23MI	D-23 - F-8
D23S	F-9 - G-14
MWC25	G-15 - I-2
D27DRK	I-3 - J-14
D29D	J-15 - L2

1977 D27MI INDEX

Floor Plan	A-1 - A-2
Accessories Group	A-3 - A-5
Bath Group	A-6
Chassis Group	A-7 - A-8
Curtain, Cushion & Pad Group	A-9 - A-11
Driver's Compartment Group	A-11 - A-12
Electrical Group	A-13 - A-14
Exterior Body Group	A-15 - A-18
Galley Group	A-19
Heating & Air Conditioning Group	A-20
Interior Finish Group	A-21 - A-22
LP Group	A-23
Water & Sewage Group	A-24
Window, Vent & Exterior Door Group	B-1 - B-10

ACCESSORIES GROUP



Key	Part Number	U/M	Description
1	049347-01-000	EA	Mirror Head - 7 1/2" x 10 1/2" Stainless Steel w/o Bracket
2	049348-01-000	EA	Arm - Low Mount Mirror - Brite Finish
3	049944-01-000	EA	Bracket - Mirror - Outside - Beige - Mounts to Coach

ACCESSORIES GROUP (CONTINUED)

RADIOS AND RELATED COMPONENTS

Key	Part Number	U/M	Description
	031105-01-700	EA	Clip - Retaining - Side Mount Antenna
	031105-01-000	EA	Antenna - Radio - Side Mount
	039879-01-000	EA	Kit - Radio Speaker - 5 1/4" w/Cover
	049730-01-000	EA	Radio - AM - w/Fader - Clarion
	049731-01-000	EA	Radio - AM/FM/MPX - w/Fader - Clarion
	049732-01-000	EA	Radio - AM/FM/MPX - 8 Track - w/Fader - Clarion
	050751-01-000	EA	Plaque - Fader Switch/Mic Mounting
	050465-01-000	EA	Bezel - Entertainment Center - Number 1 - (Radio Only)
	050466-01-000	EA	Bezel - Entertainment Center - Number 2 - (Radio and Clock)

GENERATORS AND INSTALLATION KITS

Key	Part Number	U/M	Description
	007059-01-000	EA	Generator - Onan - 2500 Watt LK
	044066-01-000	EA	Generator - 4000 Watt - Onan - BF
	007058-01-000	EA	Generator - 5000 Watt - Onan
	007230-01-000	EA	Generator - 5500 Watt - Onan
**	040504-01-000	EA	Generator - 2.5 kw - Kohler
**	040505-01-000	EA	Generator - 4.0 kw - Kohler
**	040506-01-000	EA	Generator - 5.0 kw - Kohler
**	044149-01-000	EA	Generator - 6.5 kw - Kohler
**	051908-01-000	EA	Generator - 3.5 kw - Kohler
**	051909-01-000	EA	Generator - 4.5 kw - Kohler
**	051910-01-000	EA	Generator - 5.5 kw - Kohler
**	051911-01-000	EA	Generator - 7.0 kw - Kohler
	042865-01-000	EA	Scoop - Generator Air
	050467-01-000	EA	Bezel - Dash - Entertainment Center #3
	701629-02-000	EA	Onan - Installation Package
	701629-01-000	EA	Kohler - Installation Package

** The illustrated parts breakdown for this item is provided on the Common Items Fiche.

1977 WINNEBAGO TABLE OF CONTENTS

D27MI	A-1 - B-10
MW20RG	B-11 - C-16
D27S	C-17 - D-22
D23MI	D-23 - F-8
D23S	F-9 - G-14
MWC25	G-15 - I-2
D27DRK	I-3 - J-14
D29D	J-15 - L-2

1977 D27MI INDEX

Floor Plan	A-1 - A-2
Accessories Group	A-3 - A-5
Bath Group	A-6
Chassis Group	A-7 - A-8
Curtain, Cushion & Pad Group	A-9 - A-11
Driver's Compartment Group	A-11 - A-12
Electrical Group	A-13 - A-14
Exterior Body Group	A-15 - A-18
Galley Group	A-19
Heating & Air Conditioning Group	A-20
Interior Finish Group	A-21 - A-22
LP Group	A-23
Water & Sewage Group	A-24
Window, Vent & Exterior Door Group	B-1 - B-10

ACCESSORIES GROUP (CONTINUED)

FRONT BUNK, CABINET AND HARDWARE

Key	Part Number	U/M	Description
	048392-07-000	EA	Bunk - Front - Overhead - (Board w/Rails)
	042988-01-000	EA	Support Asm - Left and Right - Overhead Bunk - Dark Brown
	040071-01-700	EA	Support Kit - Overhead Bunk - Seat Belt
	006076-01-000	EA	Ladder - Bunk
	048391-01-000	EA	Cabinet - Front Overhead w/o Doors or Hardware
	042964-01-000	EA	Door Asm. - Sliding - Front Overhead Bunk Cabinet
	009148-01-000	EA	Pull - Finger - 3/4" Brass (Sliding Cabinet Door)
	009785-01-000	FT	Track - Sliding Door - Upper - Dark Brown Plastic
	009786-01-000	FT	Track - Sliding Door - Lower - Dark Brown Plastic

MISCELLANEOUS ACCESSORIES

Key	Part Number	U/M	Description
	050885-01-000	EA	Owner's Manual - Winnebago
	017516-01-000	EA	Mudflap - Black - 14" x 18" w/Holes
	006069-01-000	EA	Case - Leather Key - Motor Home
	008038-01-000	EA	Mat - Door - Black Rubber - 10 1/2" x 25"
	006053-01-000	EA	Antenna - TV - Braun Delux
	006093-01-000	EA	Jack - TV - Brown (Antenna)
**	040899-01-000	EA	Ladder Asm w/Luggage Rack - Round
**	040899-02-000	EA	Ladder Only - For Rack and Ladder Asm.
	006113-01-000	EA	Jack - Hydraulic - 5 Ton
	041944-01-700	EA	Fire Extinguisher - w/Bracket
	034410-13-000	EA	Cover - Spare Tire w/Bronze "W" - 34"
**	024746-01-000	EA	Speed Control Package - 440 CID - Dodge - Lever - Type - A Body - Dana
**	031396-01-000	EA	Wheel Covers - 17.5" - Chrome

* The illustrated parts breakdown for this item is provided on the Common Items Fiche.

BATH GROUP

CABINETRY AND HARDWARE

Key	Part Number	U/M	Description
	044498-01-000	EA	Cabinet Asm. - Medicine - 20" x 24" - Off White
	009134-01-000	EA	Holder - Toilet Tissue
	009133-02-000	EA	Bar - Towel - 18" Plastic w/o Brackets
	023449-01-000	EA	Bracket - Towel Bar - Chrome - left or Right
	045358-03-700	EA	Door Asm. - Bathroom w/o Hardware
	009124-01-000	EA	Lock - Push Button Brass - Bath Door
	009150-01-000	EA	Warp Guard - 64"
	049601-30-700	EA	Door Asm. - Wardrobe Cabinet - 17 1/16" x 46 5/8" - w/o Hardware
	049601-31-700	EA	Door Asm. - Wardrobe Cabinet - 20 1/8" x 35 3/4" - w/o Hardware
	009112-01-000	EA	Flange - 1" Rod - Chrome
	016855-03-000	EA	Shower Pan - w/o Strainer or Tailpiece
	011086-01-000	EA	Strainer - Shower Pan
	011048-01-700	EA	Vacuum Breaker - 1/8 MPT Nylon Shower Hose
	011048-01-000	EA	Shower Head with 59" Hose
	011060-01-000	EA	Shower Head with 40" Hose
	010495-01-000	EA	Clamp - Cable - 9/16" - Shower Hose
	011057-01-000	EA	Faucet - Lavatory and Shower
	011083-01-000	EA	Stopper w/Chain - Lavatory Sink
	016857-03-000	EA	Lavatory - Small Corner - 11" x 15" - Ivory - w/o Faucet or Drain
	033217-01-000	FT	Seal - Shower Pan - Vinyl - Neutral
**	022992-03-000	FT	Molding - Reverse Cover - Sandalwood
**	039341-02-000	EA	Stool Asm. - Ivory - Aqua Magic - Model Srl

**The illustrated parts breakdown for this item is provided on the Common Items Fiche.

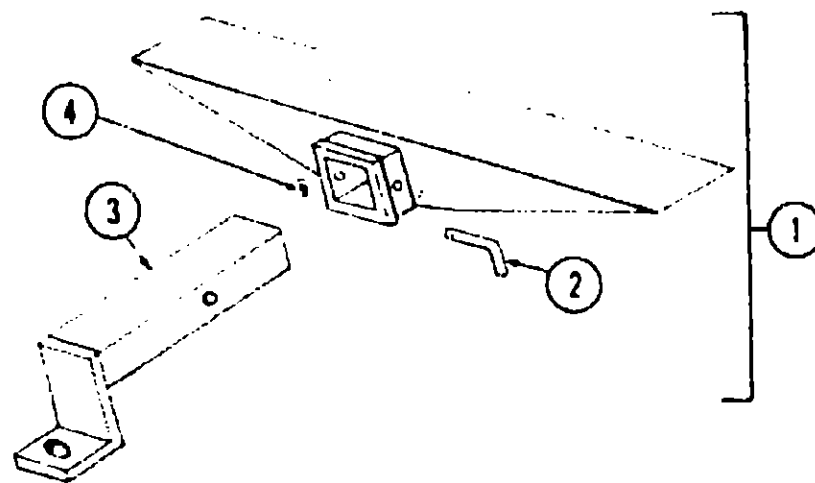
1977 WINNEBAGO TABLE OF CONTENTS

D27MI	A-1 - B-10
MW20RG	B-11 - C-16
D27S	C-17 - D-22
D23MI	D-23 - F-8
D23S	F-9 - G-14
MWC25	G-15 - I-2
D27DRK	I-3 - J-14
D29D	J-15 - L-2

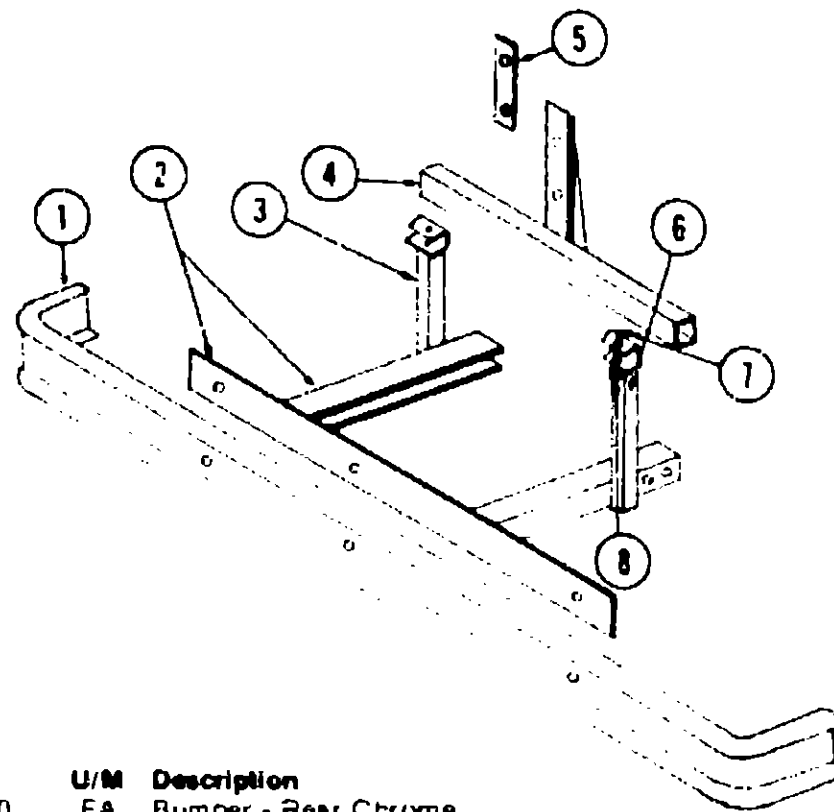
1977 D27MI INDEX

Floor Plan	A-1 - A-2
Accessories Group	A-3 - A-5
Bath Group	A-6
Chassis Group	A-7 - A-8
Curtain, Cushion & Pad Group	A-9 - A-11
Driver's Compartment Group	A-11 - A-12
Electrical Group	A-13 - A-14
Exterior Body Group	A-15 - A-18
Galley Group	A-19
Heating & Air Conditioning Group	A-20
Interior Finish Group	A-21 - A-22
LP Group	A-23
Water & Sewage Group	A-24
Window, Vent & Exterior Door Group	B-1 - B-10

CHASSIS GROUP

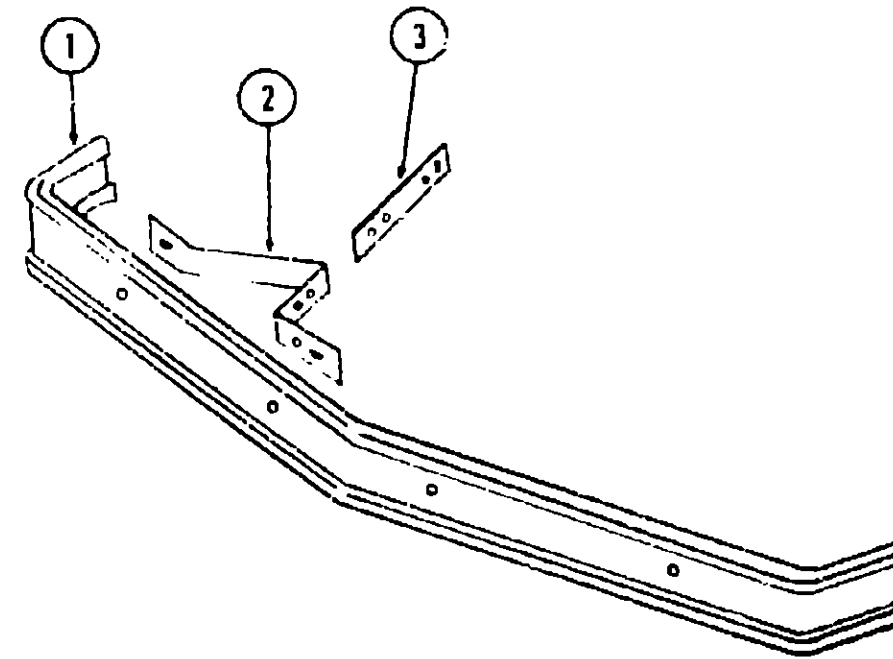


Key	Part Number	U/M	Description
1	023695-01-700	EA	Hitch Kit - w/Drawbar
2	034512-01-000	EA	Pin - Locking - Drawbar
3	024876-01-000	EA	Drawbar - Trailer Hitch
4	034513-01-000	EA	Pin - Hitch - 3/16" Wire Spring



Key	Part Number	U/M	Description
1	048474-01-000	EA	Bumper - Rear Chrome
2	046043-05-000	EA	Bracket Asm - Rear Bumper
3	022445-01-000	EA	Bracket - Tire Carrier - Left
4	016924-02-000	EA	Bracket - Tire Carrier
5	040974-01-000	EA	Retainer - Spare Tire
6	021356-01-000	EA	Bracket - Tire Carrier - Right
7	015365-01-000	EA	Pin - Tire Carrier
8	005522-01-000	EA	Pin - Hitch - 5/32" Wire

CHASSIS GROUP (CONTINUED)



Key	Part Number	U/M	Description
1	048473-01-000	EA	Bumper - Front Chrome
2	023496-04-000	EA	Bracket - Bumper - Front - Left or Right
3	023520-04-000	EA	Bar - Bumper Bracket - Black - Left or Right

Key	Part Number	U/M	Description
	024652-01-700	EA	Step Asm. - Pull-Out - Entry Door
	045602-01-000	EA	Panel - Headlight - Right
	045603-01-000	EA	Panel - Headlight - Left
	045611-01-000	EA	Hoodboard - Steel - Right
	045611-02-000	EA	Hoodboard - Steel - Left
	007134-01-000	EA	Clamp - Hose - Spring Type - 9/16"
	024138-01-000	FT	Hose - Fuel - 5/16" I.D. SAE30R
	033699-01-000	EA	Hose - Fuel - 2" I.D. x 45.50"
	007140-01-000	EA	Clamp - Hose - 2" to 3" Dia
	007136-01-000	EA	Clamp 1/4" to 3/4" Dia.
	007160-01-000	EA	Gasket 3/16" x 2" x 2" Tire Carcass
	038882-01-000	EA	Tank - Fuel - Aux. - 27.8 Gallon
	043986-01-000	EA	Strap - Fuel Tank Mount
	017571-02-000	EA	Support Asm. - Auxiliary Fuel Tank
	031374-01-000	EA	Sending Unit - Engine Oil Pressure
	031375-01-000	EA	Sending Unit - Engine Water Temperature
	038883-01-000	EA	Sending Unit - Fuel 7.8 Ohm - Auxiliary Fuel Tank
	045814-01-000	EA	Fill - Gas - w/Vent 4.5"
	024611-04-000	EA	Cap - Gas Pressure 1.50" Black
	048595-01-000	EA	Tray Asm. - Battery - Steel
	035102-01-000	EA	Cover - Rear Radiator
	007131-01-000	EA	Hanger - Tailpipe
	023770-01-000	EA	Wheel Well - Plastic - Black - Left or Right
	007125-07-000	EA	Clamp Asm. - Muffler - 2.5" Dia
	007143-01-000	EA	Tailpipe - Curved - 2 1/2" x 16"
	013362-01-000	EA	Compartment - Power Cord - Plastic
	015145-01-000	EA	Compartment - Luggage - Black Plastic

1977 WINNEBAGO TABLE OF CONTENTS

D27MI	A-1 - B-10
MW20RG	B-11 - C-16
D27S	C-17 - D-22
D23MI	D-23 - F-8
D23S	F-9 - G-14
MWC25	G-15 - I-2
D27DRK	I-3 - J-14
D29D	J-15 - L-2

1977 D27MI INDEX

Floor Plan	A-1 - A-2
Accessories Group	A-3 - A-5
Bath Group	A-6
Chassis Group	A-7 - A-8
Curtain, Cushion & Pad Group	A-9 - A-11
Driver's Compartment Group	A-11 - A-12
Electrical Group	A-13 - A-14
Exterior Body Group	A-15 - A-18
Galley Group	A-19
Heating & Air Conditioning Group	A-20
Interior Finish Group	A-21 - A-22
LP Group	A-23
Water & Sewage Group	A-24
Window, Vent & Exterior Door Group	B-1 - B-10

CURTAIN, CUSHION AND PAD GROUP

CURTAINS, VALANCES AND TIE BACKS

Key	Part Number	U/M	Description
	049021-38-000	EA	Curtain w/Snap Top - Blackout - 38" x 84" - Green (Martini Mist)
	049021-39-000	EA	Curtain w/Snap Top - Blackout - 38" x 84" - Beige (Champagne Velvet)
	049021-40-000	EA	Curtain w/Snap Top - Blackout - 38" x 84" - Rust (Sierra Sunset)
	048840-81-000	EA	Curtain w/Snap Top and Bottom - 25" x 24" - Green (Martini Mist)
	048840-82-000	EA	Curtain w/Snap Top and Bottom - 25" x 24" - Beige (Champagne Velvet)
	048840-83-000	EA	Curtain w/Snap Top and Bottom - 25" x 24" - Rust (Sierra Sunset)
	049021-13-000	EA	Curtain w/Snap Top - 33" x 42" - Green (Martini Mist)
	049021-14-000	EA	Curtain w/Snap Top - 33" x 42" - Beige (Champagne Velvet)
	049021-15-000	EA	Curtain w/Snap Top - 33" x 42" - Rust (Sierra Sunset)
	049021-25-000	EA	Curtain w/Snap Top - 33" x 36" - Green (Martini Mist)
	049021-26-000	EA	Curtain w/Snap Top - 33" x 36" - Beige (Champagne Velvet)
	049021-27-000	EA	Curtain w/Snap Top - 33" x 36" - Rust (Sierra Sunset)
	049021-47-000	EA	Curtain - Wraparound - w/Snap Top - Right 25" x 80" - Green (Martini Mist)
	049021-48-000	EA	Curtain - Wraparound - w/Snap Top - Right 25" x 80" - Beige (Champagne Velvet)
	049021-49-000	EA	Curtain - Wraparound - w/Snap Top - Right 25" x 80" - Rust (Sierra Sunset)
	049485-14-000	EA	Curtain - Wraparound - w/Snap Top - Left - 25" x 80" Green (Martini Mist)
	049485-15-000	EA	Curtain - Wraparound - w/Snap Top - Left - 25" x 80" Beige (Champagne Velvet)
	049485-16-000	EA	Curtain - Wraparound - w/Snap Top - Left - 25" x 80" Rust (Sierra Sunset)
	049486-63-000	EA	Curtain w/Snap Top - 27" x 24" - Left - Green (Martini Mist)
	049486-64-000	EA	Curtain w/Snap Top - 27" x 24" - Left - Beige (Champagne Velvet)
	049486-65-000	EA	Curtain w/Snap Top - 27" x 24" - Left - Rust (Sierra Sunset)
	049487-62-000	EA	Curtain w/Snap Top - 27" x 24" - Right - Green (Martini Mist)
	049487-63-000	EA	Curtain w/Snap Top - 27" x 24" - Right - Beige (Champagne Velvet)
	049487-64-000	EA	Curtain w/Snap Top - 27" x 24" - Right - Rust (Sierra Sunset)
	041906-22-000	EA	Valance - Pleated w/Hook - 6.5" x 44" - Green (Martini Mist)
	041906-23-000	EA	Valance - Pleated w/Hook - 6.5" x 44" - Beige (Champagne Velvet)
	041906-24-000	EA	Valance - Pleated w/Hook - 6.5" x 44" - Rust (Sierra Sunset)
	049097-22-000	EA	Tie Back - Curtain - 14" - Green (Martini Mist)
	049097-23-000	EA	Tie Back - Curtain - 14" - Beige (Champagne Velvet)
	049097-24-000	EA	Tie Back - Curtain - 14" - Rust (Sierra Sunset)

CURTAIN HARDWARE



Key	Part Number	U/M	Description
1	029130-01-000	EA	Socket - Snap Fastener - (Tie Backs)
2	029155-01-000	EA	Cap - Snap (1.50" Diameter x .17" Barrel) (Tie Backs)
3	029156-01-000	EA	Socket - Snap Fastener (Tie Backs)
4	029092-01-000	EA	Stud - Nickel Finish (Curtains)
5	029093-01-000	EA	Eyelet - Nickel Finish (Curtains)
	009107-01-000	EA	Guide - Nylon - Snap (used with 009108-01-000 Brown Curtain Track)

CURTAIN, CUSHION AND PAD GROUP (CONTINUED)

Key	Part Number	U/M	Description
	009701-01-000	EA	Carrier - Curtain w/Rollers (used with "L" Rod)
	009702-01-000	EA	End Stop - Curtain Track (used with "L" Rod)
	029100-01-000	EA	Hook - Curtain (Privacy Curtain)
	009136-01-000	EA	Hook - Shower Curtain
	050826-01-000	EA	Track - Wraparound Curtain - Right
	050826-02-000	EA	Track - Wraparound Curtain - Left
	009223-01-000	EA	Rod - Curtain Flat - Extends 32" - 51"
	018031-42-000	EA	Track Curtain "L" Rod 90" Alum.
	050296-02-001	EA	Extr. - Curtain Track Anod. - 14"
	052327-04-236	EA	Curtain Track - Alum. - Brown - 89" w/Holes

MATTRESSES

Key	Part Number	U/M	Description
	041914-42-000	EA	Mattress - Front Bunk - 42" x 79" x 4" - Green (Martini Mist)
	041914-43-000	EA	Mattress - Front Bunk - 42" x 79" x 4" - Beige (Champagne Velvet)
	041914-44-000	EA	Mattress - Front Bunk - 42" x 79" x 4" - Rust (Sierra Sunset)

BUCKET SEATS, ARMREST AND HEADRESTS

Key	Part Number	U/M	Description
	049159-04-000	EA	Seat Asm. - Single Bucket - w/Skirt - w/o Slides, Armrests or Headrest - Green (Martini Mist)
	049159-05-000	EA	Seat Asm. - Single Bucket - w/Skirt - w/o Slides, Armrests or Headrest - Beige (Champagne Velvet)
	049159-06-000	EA	Seat Asm. - Single Bucket w/Skirt - w/o Slides, Armrest or Headrest - Rust (Sierra Sunset)
	049158-04-001	EA	Cover - Single Bucket Seat - Bottom - Green (Martini Mist)
	049158-05-001	EA	Cover - Single Bucket Seat - Bottom - Beige (Champagne Velvet)
	049158-06-001	EA	Cover - Single Bucket Seat - Bottom - Rust (Sierra Sunset)
	049158-04-002	EA	Cover - Single Bucket Seat - Back - Green (Martini Mist)
	049158-05-002	EA	Cover - Single Bucket Seat - Back - Beige (Champagne Velvet)
	049158-06-002	EA	Cover - Single Bucket Seat - Back - Rust (Sierra Sunset)
	049158-04-003	EA	Skirt - Single Bucket Seat - Green (Martini Mist)
	049158-05-003	EA	Skirt - Single Bucket Seat - Beige (Champagne Velvet)
	049158-06-003	EA	Skirt - Single Bucket Seat - Rust (Sierra Sunset)
	049160-04-000	EA	Seat Asm. - Double Bucket - w/Skirt - w/o Armrests or Headrests - Green (Martini Mist)
	049160-05-000	EA	Seat Asm. - Double Bucket - w/Skirt - w/o Armrests, or Headrests - Beige (Champagne Velvet)
	049160-06-000	EA	Seat Asm. - Double Bucket - w/Skirt - w/o Armrests or Headrests - Rust (Sierra Sunset)
	049160-04-001	EA	Cover - Double Bucket Seat - Bottom - Green (Martini Mist)
	049160-05-001	EA	Cover - Double Bucket Seat - Bottom - Beige (Champagne Velvet)
	049160-06-001	EA	Cover - Double Bucket Seat - Bottom - Rust (Sierra Sunset)
	049160-04-002	EA	Cover - Double Bucket Seat - Back - Green (Martini Mist)
	049160-05-002	EA	Cover - Double Bucket Seat - Back - Beige (Champagne Velvet)
	049160-06-002	EA	Cover - Double Bucket Seat - Back - Rust (Sierra Sunset)
	049160-04-003	EA	Skirt - Double Bucket Seat - Green (Martini Mist)
	049160-05-003	EA	Skirt - Double Bucket Seat - Beige (Champagne Velvet)
	049160-06-003	EA	Skirt - Double Bucket Seat - Rust (Sierra Sunset)
	033906-39-000	EA	Headrest Cover - Green (Martini Mist)
	033906-40-000	EA	Headrest Cover - Beige (Champagne Velvet)
	033906-41-000	EA	Headrest Cover - Rust (Sierra Sunset)
	019722-01-000	EA	Headrest Asm. - Foam w/o Cover
	050280-07-000	EA	Armrest Cover - Right or Left - Green (Martini Mist)
	050280-08-000	EA	Armrest Cover - Right or Left - Beige (Champagne Velvet)
	050280-09-000	EA	Armrest Cover - Right or Left - Rust (Sierra Sunset)
	050275-01-700	EA	Armrest Asm. - Foam w/o Cover - Right
	050276-01-700	EA	Armrest Asm. - Foam w/o Cover - Left
	042330-01-000	EA	Armrest Asm. - Wall Mount Left - Brown Vinyl
	042331-01-000	EA	Armrest Asm. - Wall Mount Right - Brown Vinyl
	028136-01-000	EA	Grommet - Headrest - Brown Nylon
	031133-01-000	EA	Protector - Driver Seat - 6" Brown Plastic

1977 WINNEBAGO TABLE OF CONTENTS

D27MI	A-1 - B-10
MW20RG	B-11 - C-16
D27S	C-17 - D-22
D23MI	D-23 - F-8
D23S	F-9 - G-14
MWC25	G-15 - I-2
D27DRK	I-3 - J-14
D29D	J-15 - L-2

1977 D27MI INDEX

Floor Plan	A-1 - A-2
Accessories Group	A-3 - A-5
Bath Group	A-6
Chassis Group	A-7 - A-8
Curtain, Cushion & Pad Group	A-9 - A-11
Driver's Compartment Group	A-11 - A-12
Electrical Group	A-13 - A-14
Exterior Body Group	A-15 - A-18
Galley Group	A-19
Heating & Air Conditioning Group	A-20
Interior Finish Group	A-21 - A-22
LP Group	A-23
Water & Sewage Group	A-24
Window, Vent & Exterior Door Group	B-1 - B-10

CURTAIN, CUSHION AND PAD GROUP (CONTINUED)

PADS			
Key	Part Number	U/M	Description
	042945-03-000	EA	Pad - Trim - "A" Post - Right - Brown Vinyl
	042945-04-000	EA	Pad - Trim - "A" Post - Left - Brown Vinyl

FABRICS AND TRIMS			
Key	Part Number	U/M	Description
	041429-01-000	YD	Fabric - Drapery - Green (Martini Mist)
	041429-02-000	YD	Fabric - Drapery - Beige (Champagne Velvet)
	041429-03-000	YD	Fabric - Drapery - Rust (Sierra Sunset)
	043623-01-000	YD	Fabric - Upholstery - Green (Martini Mist)
	043623-02-000	YD	Fabric - Upholstery - Beige (Champagne Velvet)
	043623-03-000	YD	Fabric - Upholstery - Rust (Sierra Sunset)
	042411-01-000	YD	Vinyl - Nonexpanded - 27 Ounce - Brown
	042411-03-000	YD	Vinyl - Nonsupport - 16 Gauge - Brown
	042414-01-000	FT	Trim - Accent - Bostonian Brown Vinyl
	023531-05-000	EA	Button - Nail - Brown Vinyl

DRIVER'S COMPARTMENT GROUP

DASH PANEL AND COMPONENTS

Key	Part Number	U/M	Description
	031623-07-000	EA	Dash Asm. - Complete w/Gauges and Switches
	022548-03-000	EA	Pad - Dash - Foam - Right - Dark Brown
	023242-04-000	EA	Pad - Dash - Foam - Left - Dark Brown
	022219-01-000	EA	Door - Glove Compartment
	009118-01-000	EA	Lock - Twist w/Nut - Glove Compartment Door
	023892-01-000	EA	Box - Glove Compartment - Black Fiberboard
	009066-01-000	EA	Hinge - Continuous - Alum. 1 1/16" x 72" - Plain
	034309-01-000	EA	Chain - Bead - Glove Box Door
	023834-01-000	EA	Panel - Knee Kick - (Bottom of Dash)
	024418-01-000	EA	Lamp - Asm. - Map/Gauge
	007308-01-000	EA	Clock - Dash
	007037-01-000	EA	Lighter - Asm. - Cigarette 12-Volt
	007041-01-000	EA	Bezel Cigarette Lighter
	024979-01-000	EA	Bezel - Entertainment Center
	007071-01-000	EA	Louver - Chrome - w/Chrome Wheel
	022547-01-000	EA	Bezel - Panel - Control
	023020-01-000	EA	Lamp Asm. - Tell Tale
	039044-01-000	EA	Louver Asm. - A/C Adjustable
	040636-01-000	EA	Bracket Asm. - Shift Lever
	042961-01-000	EA	Nameplate - Chieftain - Brown/Silver

DASH SWITCHES AND GAUGES

Key	Part Number	U/M	Description
	024907-01-000	EA	Control Asm. - Heater - A/C - 3 Speed
	024461-01-000	EA	Switch - Battery
	024463-01-000	EA	Switch - Blinker
	024464-01-000	EA	Switch - Washer
	024465-01-000	EA	Switch - Fuel
	024467-01-000	EA	Switch - Wiper
	024459-01-000	EA	Gauge Asm. - Voltmeter
	024460-01-000	EA	Gauge - Vacuum Dash
	024462-01-000	EA	Switch - Battery Condition
	031035-01-000	EA	Gauge - Hourmeter - Generator
	024976-01-000	EA	Switch - Generator w/o Circuit Board
	037387-01-000	EA	Switch - Generator w/Circuit Board
	024930-02-000	EA	Outlet - Defroster - w/Swivel - 2" - Dark Brown
	031376-01-000	EA	Heater - Control Asm. 3-Speed

DRIVER'S COMPARTMENT GROUP (CONTINUED)

BUCKET SEAT PEDESTAL AND SEAT BELTS

Key	Part Number	U/M	Description
	038837-01-000	EA	Pedestal Asm. - Seat Bottom w/Tightener
	036832-01-000	EA	Rod - Seat Adjuster
	041654-01-000	EA	Pedestal - Base - Single and Double Seat
	007223-01-000	EA	Adjuster Asm. - Seat w/Lock
	007227-01-000	EA	Adjuster - Seat - w/o Lock
	041459-01-000	EA	Pedestal - Top - Single Seat
	007019-01-000	EA	Belt Asm. - Seat - 2" x 84" Black
	041322-01-000	EA	Washer - Flat - 15/32" I.D. x 2 3/8" O.D. - Seat Belt

FRONT OVERHEAD BUNK CABINET

Key	Part Number	U/M	Description
	048391-04-000	EA	Cabinet - Front Overhead - w/o Doors
	042964-15-000	EA	Door Asm. - Sliding - (Front Overhead Cabinet)
	009148-01-000	EA	Pull - Finger 3/4" Dia. Brass
	009785-01-000	FT	Track - Door Upper - Dark Brown Plastic
	009785-01-000	FT	Track - Door - Lower - Dark Brown Plastic

MISCELLANEOUS DRIVER'S COMPARTMENT COMPONENTS

Key	Part Number	U/M	Description
	048583-01-000	EA	Tray - Beverage
	048670-01-000	EA	Track Asm. - Beverage (2 Per Tray)
	034800-01-000	EA	Cover - Motor - Plastic
	039857-01-000	EA	Latch - Rubber - Draw Handle - 5 3/4" w/Strike (Motor Cover)
	039856-01-000	EA	Latch - Rubber - Draw Handle - 3" W/Strike (Motor Cover)
	035368-02-000	EA	Seal - Motor Cover - (Aluminum Extr.)
	040519-01-000	EA	Boot - Rubber - Steering Column
	040520-01-000	EA	Boot - Retainer - Steering Column
	034499-01-000	EA	Support - Dimmer Switch
	042434-02-000	EA	Sunvisor Asm. - Bostonian Brown - Left or Right
	041842-01-000	EA	Clip - Sunvisor Rod - Brown Plastic
	009143-01-000	EA	Mirror - Sunvisor
	007278-01-000	EA	Mirror - Rear View
	036414-01-000	EA	Ashtray
	044663-01-000	EA	Panel - Side - Interior - Left - Plastic
	044700-01-000	EA	Panel - Side - Interior - Right - Plastic

**1977 WINNEBAGO
TABLE OF CONTENTS**

D27MI	A-1 - B-10
MW20RG	B-11 - C-16
D27S	C-17 - D-22
D23MI	D-23 - F-8
D23S	F-9 - G-14
MWC25	G-15 - I-2
D27DRK	I-3 - J-14
D29D	J-15 - L-2

1977 D27MI INDEX

Floor Plan	A-1 - A-2
Accessories Group	A-3 - A-5
Bath Group	A-6
Chassis Group	A-7 - A-8
Curtain, Cushion & Pad Group	A-9 - A-11
Driver's Compartment Group	A-11 - A-12
Electrical Group	A-13 - A-14
Exterior Body Group	A-15 - A-18
Galley Group	A-19
Heating & Air Conditioning Group	A-20
Interior Finish Group	A-21 - A-22
LP Group	A-23
Water & Sewage Group	A-24
Window, Vent & Exterior Door Group	B-1 - B-10

ELECTRICAL GROUP

BULBS

Key	Part Number	U/M	Description
	037935-01-000	EA	Bulb - 1157
	038010-01-000	EA	Bulb - 1143
	008103-01-000	EA	Bulb - 53
	008213-01-000	EA	Bulb - 57
	008214-01-000	EA	Bulb - 67
	008215-01-000	EA	Bulb - 1003
	008216-01-000	EA	Bulb - 1034
	008217-01-000	EA	Bulb - 1073
	008218-01-000	EA	Bulb - 1141
	008219-01-000	EA	Bulb - 656
	008220-01-000	EA	Bulb - 12V - 25W
	036196-01-000	EA	Bulb - 194
	700020-01-000	EA	Bulb - 12V - 20 W 1383

EXTERIOR LIGHTS

Key	Part Number	U/M	Description
	008009-01-000	EA	Light - Porch - Recessed
	031054-02-000	EA	Lamp Asm. - Tail - Left - Beige
	031054-01-701	EA	Lens - Tail Lamp - Left
	031055-02-000	EA	Lamp Asm. - Tail - Right - Beige
	031055-01-701	EA	Lens - Tail Lamp - Right
	042405-03-000	EA	Base - Rectangular Clearance Light
	042405-04-000	EA	Lens - Rectangular Light - Red
	042405-05-000	EA	Lens - Rectangular Light - Amber

INTERIOR LIGHTS

Key	Part Number	U/M	Description
	024418-01-000	EA	Lamp Asm. - Map/Gauge/Aisle
	024473-01-000	EA	Light - Aircraft - 1 Bulb - Gold
	033508-02-000	EA	Light - Dome - Ivory - 1 Bulb
	024642-01-701	EA	Lens - Dome Light - 1 Bulb
	033509-02-000	EA	Light - Dome - Ivory - 2 Bulb
	024643-01-701	EA	Lens - Dome Light - 2 Bulb
	008102-01-000	EA	Light - Corner Mount - Multibulb

FUSES AND CIRCUIT BREAKERS

Key	Part Number	U/M	Description
	008233-01-000	EA	Fuse - 12 Volt - 6 Amp.
	008234-01-000	EA	Fuse - 12 Volt - 10 Amp
	008235-01-000	EA	Fuse - 12 Volt - 15 Amp
	008236-01-000	EA	Fuse - 12 Volt - 20 Amp
	008252-01-000	EA	Fuse - 110 Volt - 50 Amp
	008208-01-000	EA	Circuit Breaker - 12 Volt - 40 Amp
	008211-01-000	EA	Circuit Breaker - 12 Volt - 6 Amp
	008269-01-000	EA	Circuit Breaker - 12 Volt - 30 Amp w/Mount
	033573-01-000	EA	Circuit Breaker - 12 Volt - 20 Amp. w/Mount
	033484-01-000	EA	Circuit Breaker - 30 Amp - Air Conditioner
	052012-01-000	EA	Circuit Breaker - 50 Amp - Air Conditioner

ELECTRICAL GROUP (CONTINUED)

WINDSHIELD WIPER & WASHER

Key	Part Number	U/M	Description
**	037998-01-000	EA	Link Asm. - Connecting - 22.40" Long
**	037999-01-000	EA	Motor Asm. - Windshield Wiper
**	038001-01-000	EA	Shaft and Pivot Asm. - 2.25" Arm
**	049463-01-000	EA	Arm - Windshield Wiper - 15" Black
**	049464-01-000	EA	Blade - Windshield Wiper - 16" Black
**	007029-01-000	EA	Washer Asm. - Windshield Power Jet Electric - Front
	700073-05-000	EA	Pump and Cover Asm. - For Windshield Washer
	700073-04-000	EA	Reservoir Only - Water - Windshield Washer
	700073-02-000	EA	Washer Nozzle Hardware Package - Front

**The illustrated parts breakdown for this item is provided on the Common Items Fiche.

WIRE, SWITCHES, AND RECEPTACLES

Key	Part Number	U/M	Description
	008024-01-000	FT	Wire - 18.5 Bonded - Orange/White/Yellow/Blue/Brown
	008025-01-000	FT	Wire - 18.5 Bonded - Orange/White/Yellow/Blue/Green
	008028-01-000	FT	Wire - 18.5 Bonded - Blue/Red/Yellow/Orange/White
	008030-01-000	FT	Wire - 18.4 Bonded
	008251-01-000	EA	Holder - Fuse - Black - Screw Type
	008277-01-000	EA	Holder - Fuse - Black - Panel Mount
	008195-01-000	EA	Switch - Push Button - 12 Volt
	006077-01-000	EA	Plaque - Compressor Switch
	008054-01-000	EA	Cord - Power - 10-3 30 Amp. - 25' - UL
	034818-04-000	EA	Holder - Receptacle - Plastic
	039338-01-000	EA	Cover Plate - Receptacle - Plastic - Brown
	039339-01-000	EA	Receptacle - Duplex Brown - End of Line
	039342-01-000	EA	Receptacle - Duplex Brown - T Junction
	024571-01-000	EA	Cover Plate - Receptacle - Jumbo Steel Brown
	039343-01-000	EA	Cap - End - Receptacle
	008162-01-000	EA	Switch - Double Toggle - Spade Brown
	008163-01-000	EA	Switch - Toggle Brown
	024924-01-000	EA	Receptacle - Power Cord
	008058-01-000	EA	Adaptor - Power Cord
	047353-01-000	EA	Cover - Receptacle - Ground Fault
	047351-01-000	EA	Receptacle - Ground Fault Interrupter - 125 Volt - Black

MISCELLANEOUS ELECTRICAL COMPONENTS

Key	Part Number	U/M	Description
	047338-01-000	EA	Isolatrix - Dual Battery
	047389-01-700	EA	Battery - 12 Volt - 105 Amp. Deep Cycle - Dry
	008188-01-000	EA	Solenoid - Dual Battery - Relay
	046775-01-000	EA	Valve - Gas - Change Over
	039950-02-000	EA	Control Center - 30 Amp w/Door - UL
	041079-01-000	EA	Control Center - 50 Amp. w/Door - U.L.
	011155-01-000	EA	Panel - Control - Water/Single Sewage - Wemac
	039861-01-000	EA	Sending Unit Kit - Wemac

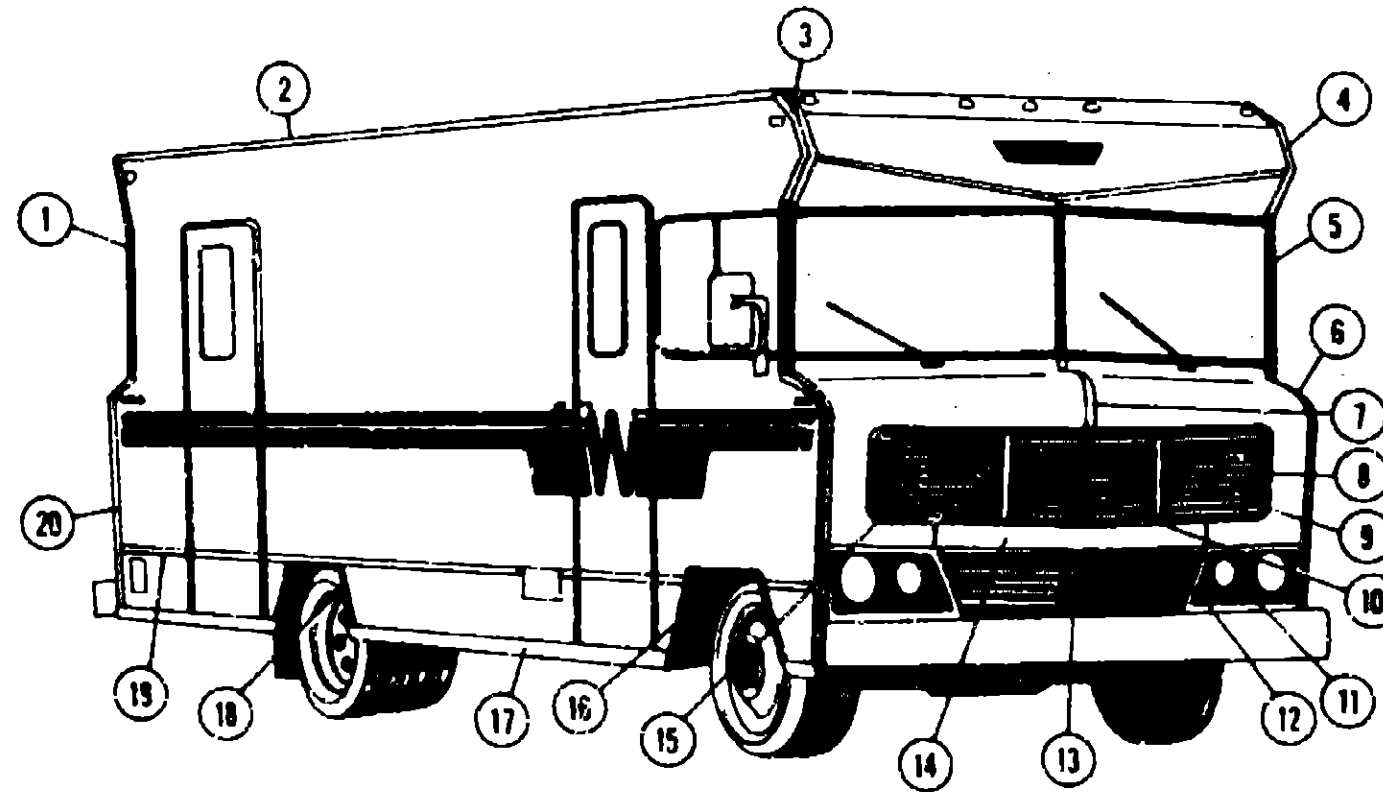
**1977 WINNEBAGO
TABLE OF CONTENTS**

D27MI	A-1 - B-10
MW20RG	B-11 - C-16
D27S	C-17 - D-22
D23MI	D-23 - F-8
D23S	F-9 - G-14
MWC25	G-15 - I-2
D27DRK	I-3 - J-14
D29D	J-15 - L-2

1977 D27MI INDEX

Floor Plan	A-1 - A-2
Accessories Group	A-3 - A-5
Bath Group	A-6
Chassis Group	A-7 - A-8
Curtain, Cushion & Pad Group	A-9 - A-11
Driver's Compartment Group	A-11 - A-12
Electrical Group	A-13 - A-14
Exterior Body Group	A-15 - A-18
Galley Group	A-19
Heating & Air Conditioning Group	A-20
Interior Finish Group	A-21 - A-22
LP Group	A-23
Water & Sewage Group	A-24
Window, Vent & Exterior Door Group	B-1 - B-10

EXTERIOR BODY GROUP



1977 WINNEBAGO TABLE OF CONTENTS

D27MI	A-1 - B-10
MW20RG	B-11 - C-16
D27S	C-17 - D-22
D23MI	D-23 - F-8
D23S	F-9 - G-14
MWC25	G-15 - I-2
D27DRK	I-3 - J-14
D29D	J-15 - L-2

Key	Part Number	U/M	Description
1	021213-03-000	EA	Trim - Contour - Right Rear Upper - Beige
•	020965-03-000	EA	Trim - Contour - Left Rear Upper - Beige
2	044771-01-000	EA	Extr. - Awning Rail w/Holes - 16' - Beige
•	044770-01-000	EA	Extr. - Drip Rail w/Holes - 16' - Beige
3	042901-03-000	EA	Trim - Contour - Right Front Upper - Beige
4	042801-01-000	EA	Trim - Contour - Left Front Upper - Beige
5	042894-01-000	EA	Trim - Contour - Windshield - Left - Black
•	042894-03-000	EA	Trim - Contour - Windshield - Right - Black
6	042730-01-000	EA	Trim - Contour - Left Front Lower - Beige
•	042730-03-000	EA	Trim - Contour - Right Front Lower - Beige
7	024581-05-000	EA	Trim - Center - Front Wall - Beige
8	024763-01-000	EA	Trim - Anod. - Upper Grille - Side - Left or Right
•	024764-01-000	EA	Trim - Anod. - Upper Grille - Center Top
•	002754-02-001	EA	Extr. - Anod. Angle - 3/4" x 3/8" x 18"
9	033365-01-000	EA	Grille Asm. - Left - Upper
10	033366-01-000	EA	Grille Asm. - Center - Upper
•	021497-01-000	EA	Latch Asm. - Center Grille
•	024585-01-000	EA	Stop Asm. - Upper Grille
11	048421-01-000	EA	Bezel - Headlight - Left - Wrought Iron Black
•	048422-01-000	EA	Bezel - Headlight - Right - Wrought Iron Black

Key	Part Number	U/M	Description
12	048419-01-000	EA	Trim - Headlight - U-Channel - Left or Right
•	048417-02-000	EA	Trim - Headlight/Grille - Left
•	048417-01-000	EA	Trim - Headlight/Grille - Right
13	048418-01-000	EA	Grille Asm. - Lower
14	048542-01-000	EA	Center Asm. - Grille - Between Top and Bottom Grille w/Beige Inset
15	040876-01-000	EA	Grille Asm. - Upper Right
16	042467-01-000	EA	Trim - Wheel Well - Front - Left or Right
17	036908-02-001	EA	Extr. - Anod. - Rocker Panel - 18"
•	040420-01-000	EA	Cap - Rocker Panel - End - 3/4 Miter - Right
•	040420-02-000	EA	Cap - Rocker Panel - End - 3/4 Miter - Left
18	042466-01-000	EA	Trim - Wheel Well - Rear - Left or Right
19	002444-02-001	EA	Extr. - Anod. - Feature Strip - 14' w/o Inset
•	001030-04-002	EA	Insert - Feature Strip - 13/16" x 17' - Antique Bronze Metallic
•	009731-01-000	EA	End Cap - Feature Strip
20	015251-04-000	EA	Trim - Contour - Right Rear Lower - Beige
•	015252-04-000	EA	Trim - Contour - Left Rear Lower - Beige
•	002365-02-001	EA	Extr. - U-Channel - 1" Serrated - 18' (Lower Backwall Trim)
•	048416-01-000	EA	Hoodboard - Front Right - Beige
•	048416-02-000	EA	Hoodboard - Front Left - Beige
•			Not Illustrated

1977 D27MI INDEX

Floor Plan	A-1 - A-2
Accessories Group	A-3 - A-5
Bath Group	A-6
Chassis Group	A-7 - A-8
Curtain, Cushion & Pad Group	A-9 - A-11
Driver's Compartment Group	A-11 - A-12
Electrical Group	A-13 - A-14
Exterior Body Group	A-15 - A-18
Galley Group	A-19
Heating & Air Conditioning Group	A-20
Interior Finish Group	A-21 - A-22
LP Group	A-23
Water & Sewage Group	A-24
Window, Vent & Exterior Door Group	B-1 - B-10

EXTERIOR BODY GROUP (CONTINUED)

EXTERIOR BODY PANELS AND SHEET ALUMINUM

Key	Part Number	U/M	Description
	050659-01-000	EA	Backwall Asm.
	050660-01-000	EA	Sidewall Asm. - Right
	050661-01-000	EA	Sidewall Asm. - Left
	050665-01-000	EA	Roof Asm.
	050655-01-700	EA	Roof Section - Windshield to First Seam
	039155-02-008	EA	Alum. - Beige Mesa Design - .024" x 38" x 60"
	039155-02-002	EA	Alum. - Beige Mesa Design - .024" x 35" x 300"
	039155-02-003	EA	Alum. - Beige Mesa Design - .024" x 36" x 360"
	039155-02-007	EA	Alum. - Beige Mesa Design - .024" x 48" x 60"
	039155-02-005	EA	Alum. - Beige Mesa Design - .024" x 48" x 300"
	039155-02-006	EA	Alum. - Beige Mesa Design - .024" x 48" x 360"
	039155-02-009	EA	Alum. - Beige Mesa Design - .024" x 12" x 360"
	044487-01-001	EA	Alum. - Mill Finish - No Design (Roof) - 96" x 360"
	028545-01-000	EA	Alum. - Beige Greyhound Design 48" x 96"
	001018-01-024	EA	Alum. - Beige - No Design - 48" x 96"
	006868-01-000	BF	Styrofoam - 3/4" x 2-1/2" x 96"

EXTERIOR PAINT

Key	Part Number	U/M	Description
	044486-04-000	EA	Paint - Beige Acrylic Lacquer - 1 Gallon
	044486-01-000	EA	Paint - Beige - Acrylic Enamel - 1 Gallon
	044486-03-000	EA	Paint - Beige - Acrylic Enamel - 16 Oz. Aerosol
	041567-01-000	EA	Paint - Rally Gold - Acrylic Enamel - 1 Gallon (Lower Stripe)
	041567-03-000	EA	Paint - Rally Gold - Acrylic Enamel - 16 Oz. Aerosol (Lower Stripe)
	041568-01-000	EA	Paint - Antique Bronze Metallic - Acrylic Enamel - 1 Gallon (Upper Stripe)
	041568-03-000	EA	Paint - Antique Bronze Metallic - Acrylic Enamel - 16 Oz. Aerosol (Upper Stripe)
	045681-01-000	EA	Paint - High Gloss Black - Acrylic Enamel - 1 Gallon
	045681-03-000	EA	Paint - High Gloss Black - Acrylic Enamel - 16 Oz. Aerosol

LABELS AND DECALS

Key	Part Number	U/M	Description
	006010-01-000	EA	Decal - Winnebago - Brown/Chrome
	006023-01-000	EA	Label - Water Only
	006025-01-000	EA	Label - Gas
	006028-01-000	EA	Label - Drain Cap - 2" x 3"
	006031-01-000	EA	Label - Potable Water Only
	006187-01-000	EA	Label - Sewage
	006188-01-000	EA	Label - Waste Water
	006195-01-000	EA	Label - Exit - Escape Window
	031161-01-000	EA	Label - Flying "W"
	039403-01-000	EA	Decal - Logo - Winnebago 2.80" (Front or Rear)
	039289-01-000	EA	Label - Warning Aux. Loading
	043473-03-000	EA	Decal - Flying "W" - 13.75" High - Bronze
	045374-01-000	EA	Stencil - Chieftain 2.28" High - Right
	045374-02-000	EA	Stencil - Chieftain 2.28" High - Left
	008092-01-000	EA	Reflector - Stick on - Rectangular - Red
	008093-01-000	EA	Reflector - Stick on - Rectangular - Amber

EXTERIOR BODY GROUP (CONTINUED)

SEALANTS, ADHESIVES, AND FASTENERS

Key	Part Number	U/M	Description
	034552-05-000	EA	Sealant - Off White Silicone
	034552-04-000	EA	Sealant - Beige Silicone
	034552-02-000	EA	Sealant - Clear Silicone
	004348-02-000	EA	Sealant - Aluminum Silicone
	004349-01-000	EA	Sealant - Black Silicone
	004342-01-000	EA	Sealant - Weatherban 202 Tube
	004346-02-000	EA	Sealant - White Silicone
	004347-01-000	EA	Sealant - Tuflex
	002316-01-000	FT	Sealer Tape - 3/32" x 1/8"
	024545-01-000	FT	Sealer Tape - 1/8" x 5/8" - Black
	004350-01-000	FT	Sealer Tape - 1/8" x 1" - Formaseal
	004352-01-000	FT	Sealer Tape - 1/8" x 3/4" - Formaseal
	004355-01-000	FT	Sealer Tape - 1/8" x 5/8" - Black
	004357-01-000	FT	Sealer Tape - 1/8" x 5/8" - Adhesive
	002707-02-000	FT	Sealer Tape - 5/16" x 1/2" - Black Foam
	002707-01-000	FT	Sealer Tape - 5/16" x 3/4" - Black Foam
	041422-01-000	FT	Sealer Tape - 1/4" x 1/2"
	004363-01-000	FT	Sealer Tape - 3/16" x 1/2" - Foam
	004362-01-000	FT	Sealer Tape - 3/16" x 1/2" - Foam
	004362-01-000	FT	Sealer Tape - 1/8" x 5/8" - Foam
	009200-01-000	EA	Tape - Furnace - 1 1/2"
	041839-01-000	FT	Tape - Window - Latch - 3/4" - Adhesive
	041839-02-000	FT	Tape - Window - Latch - 1/2" - Adhesive
	004353-01-000	FT	Tape - Gasket - 1/8" x 3/4" - White
	002825-01-000	FT	Weather Stripping - Roof Vent
	002337-01-000	EA	Adhesive - 3M - 1000 Tube
	004005-01-000	GL	Adhesive - Swifts - Green - Glue (Sidewalls)
	004012-01-000	EA	Adhesive - 3M - 4475 Tube
	004020-01-000	QT	Adhesive - ABS Cement (Plastic Fittings)
	029051-01-000	EA	Adhesive - Spray Vinyl
	042401-01-000	FA	Screw - 8-18 x 3/4" SDPH Beige
	042403-01-000	EA	Screw - SF/DR - 8-18 x 1" SDPH Beige
	005058-01-000	EA	Screw - Wood - 12-11" x 3" P.O.H. Zinc

MISCELLANEOUS EXTERNALLY MOUNTED PARTS

Key	Part Number	U/M	Description
	010253-01-000	EA	Fuel Fill - Recessed - Single - Beige
	015587-05-000	EA	Fuel Fill - Recessed - Double - Beige
	011124-01-000	EA	Plumbing Seal - Roof Vent - 1 1/4" White
	011129-01-000	EA	Plumbing Seal - Roof Vent - 1 1/2" White
	010230-02-000	EA	Fill - City Water - Recessed - Off White
	011020-01-000	EA	Fill - Water - Recessed - Off White
	009126-01-000	EA	Handle - Assist - Metal - Exterior

**1977 WINNEBAGO
TABLE OF CONTENTS**

D27MI	A-1 - B-10
MW20RG	B-11 - C-16
D27S	C-17 - D-22
D23MI	D-23 - F-8
D23S	F-9 - G-14
MWC25	G-15 - I-2
D27DRK	I-3 - J-14
D29D	J-15 - L-2

1977 D27MI INDEX

Floor Plan	A-1 - A-2
Accessories Group	A-3 - A-5
Bath Group	A-6
Chassis Group	A-7 - A-8
Curtain, Cushion & Pad Group	A-9 - A-11
Driver's Compartment Group	A-11 - A-12
Electrical Group	A-13 - A-14
Exterior Body Group	A-15 - A-18
Galley Group	A-19
Heating & Air Conditioning Group	A-20
Interior Finish Group	A-21 - A-22
LP Group	A-23
Water & Sewage Group	A-24
Window, Vent & Exterior Door Group	B-1 - B-10

GALLEY GROUP

Key	Part Number	U/M	Description
	050572-01-000	EA	Cabinet Asm. - Galley w/o Countertop, Drawers, Doors or Hardware
	050677-01-000	EA	Countertop Asm. - Galley Cabinet - Green (Martini Mist)
	050677-02-000	EA	Countertop Asm. - Galley Cabinet - Beige (Champagne Velvet) or Rust (Sierra Sunset)
	050728-01-000	EA	Splashboard Asm. - Sink - Right - Green (Martini Mist)
	050728-03-000	EA	Splashboard Asm. - Sink - Right - Beige (Champagne Velvet) or Rust (Sierra Sunset)
	050728-02-000	EA	Splashboard Asm. - Sink - Left - Green (Martini Mist)
	050728-04-000	EA	Splashboard Asm. - Sink - Left - Beige (Champagne Velvet) or Rust (Sierra Sunset)
	042709-15-000	EA	Drawer Asm. - Cabinet - Notch Up - 5 1/4" x 20 1/2" x 17" w/o Hardware
	049601-25-700	EA	Door Asm. - Cabinet - 16" x 29" w/o Hardware
	049601-26-700	EA	Door Asm. - Cabinet - 23 1/2" x 17 3/8" w/o Hardware
	049601-27-700	EA	Door Asm. - Cabinet - 22" x 15 1/8" w/o Hardware
	049601-28-700	EA	Door Asm. - Cabinet - 8 5/8" x 54 3/8" w/o Hardware
	049601-29-700	EA	Door Asm. - Cabinet - 8 5/8" x 15 1/8" w/o Hardware
	050673-01-000	EA	Cabinet Asm. - Galley Overhead w/o Doors or Hardware
	042800-28-700	EA	Door Asm. - Galley Overhead Cabinet w/o Hardware
	011029-01-000	EA	Sink - Stainless Steel Single - w/Bolts
	011053-01-000	EA	Faucet - 8" Swing Spout
	011053-01-700	EA	Aerator - Swing Spout Faucet
	011072-01-000	EA	Tail Piece - 1 1/4" x 8" - Brass
	011085-01-000	EA	Strainer - Sink
	027671-20-000	EA	Cover - Sink - Green (Martini Mist)
	027671-21-000	EA	Cover - Sink - Beige (Champagne Velvet) or Rust (Sierra Sunset)
**	049175-01-000	EA	Refrigerator - AC/Gas - ET 150 - 1 Door Model - Sibir
**	049174-01-000	EA	Refrigerator - AC/Gas - ET 230 - 2 Door Model - Sibir
**	031043-01-000	EA	Range - Coleman - 3 Burner
**	044195-01-000	EA	Range - Coleman - 4 Burner - Small Oven
**	049930-01-000	EA	Hood - Range - Jensen - Power

**The illustrated parts breakdown for this item is provided on the Common Items Fiche.

HEATING AND AIR CONDITIONING GROUP

Key	Part Number	U/M	Description
	048223-02-000	EA	Auto Air Kit - 440 C.I.D. - Winnebago
	039044-01-000	EA	Louver Asm. - A/C Adjustable
	047046-01-000	EA	Motor - 12 Volt - 3 Speed - Heater - Air Conditioner
	031043-01-000	EA	Valve - Heater - Water Flow Control
	031169-01-000	EA	Cable - Control - Flexible - 53"
	031169-02-000	EA	Cable - Control - Flexible - 48"
	031170-01-000	EA	Clamp - Cable - 3/16" Dia.
	024996-01-000	EA	Clutch - Magnetic - Compressor
	024999-01-000	EA	Compressor - Auto Air - 10.3 Cubic Inch
	033295-01-000	EA	Package - Air Conditioner - Compressor Mount - 440 C.I.D.
	031394-01-000	EA	Condenser - Radiator Mount
	008267-01-000	EA	Switch - Air Conditioner
	024867-01-000	EA	Valve - Thermostatic Expansion
	024987-01-000	EA	Core - Heater
	024988-01-000	EA	Wheel - Blower - 4.72" C.D.
	031393-01-000	EA	Coil - Evaporator
	033258-01-000	EA	Hose - Refrigerant - .50" I.D. x 34.50"
	034222-01-000	EA	Hose - Refrigerant - .31" I.D. x 26"
	031960-01-000	EA	Hose - Refrigerant - .34" I.D. x 30"
	031961-01-000	EA	Hose - Refrigerant - .31" I.D. x 14.75"
	024868-01-000	EA	Receiver - Dehydrator
	031044-01-000	EA	Clamp - Receiver Dehydrator
	031962-01-000	EA	Bracket - Receiver Dehydrator
	031976-01-000	EA	Belt - Drive - .50" I.D. x 54" - 440 C.I.D.
**	041604-01-000	EA	Furnace - 28,000 BTU - Under Counter Mount - Coleman - 4230
	039505-02-000	EA	Thermostat - Wallmount
	009198-01-000	EA	Duct - Flexible - 4" I.D. x 25'
	023148-01-000	EA	Clamp - Screw Type - 4"
	024985-01-000	EA	Heat Register - w/Damper - 9.9" x 4.8"
	009175-01-000	EA	Heat Register - Steel - 11.5" x 3.7"
	031604-01-000	EA	Bonnet - Heat Register - 4.38" x 8.43"
	042152-01-000	EA	Bonnet - Heat Register - 4.5" x 8.44"
	009200-01-000	EA	Tape - Furnace - 1 1/2"
**	049777-01-000	EA	Air Conditioner - 110 Volt - Roof Mount - 11,000 BTU - Ivory Coleman (w/o Inside Shroud)
**	049778-01-000	EA	Shroud Asm. - Ceiling - Inside - Roof Air - Cool Only - 11,000 BTU - Coleman
**	049774-01-000	EA	Air Conditioner - 110 Volt - Roof Mount - 13,500 BTU Ivory - Coleman (w/o Inside Shroud)
**	049775-01-000	EA	Shroud Asm. - Ceiling - Inside - Roof Air - Cool Only - 13,500 BTU - Coleman
**	049776-01-000	EA	Shroud Asm. - Ceiling - Inside - Roof Air - Heat and Cool Only - 13,500 BTU - Coleman

**The illustrated parts breakdown for this item is provided on the Common Items Fiche.

1977 WINNEBAGO TABLE OF CONTENTS

D27MI	A-1 - B-10
MW20RG	B-11 - C-16
D27S	C-17 - D-22
D23MI	D-23 - F-8
I23S	F-9 - G-14
MWC25	G-15 - I-2
D27DRK	I-3 - J-14
D29D	J-15 - L-2

1977 D27MI INDEX

Floor Plan	A-1 - A-2
Accessories Group	A-3 - A-5
Bath Group	A-6
Chassis Group	A-7 - A-8
Curtain, Cushion & Pad Group	A-9 - A-11
Driver's Compartment Group	A-11 - A-12
Electrical Group	A-13 - A-14
Exterior Body Group	A-15 - A-18
Galley Group	A-19
Heating & Air Conditioning Group	A-20
Interior Finish Group	A-21 - A-22
LP Group	A-23
Water & Sewage Group	A-24
Window, Vent & Exterior Door Group	B-1 - B-10

INTERIOR FINISH GROUP

PANELING AND COUNTERTOP MATERIALS

Key	Part Number	U/M	Description
	000726-06-000	EA	Batt. Strip - 707 Hickory
	047354-01-000	EA	Batt. Strip - 825 Buff
	045963-01-000	SF	Paneling - Buff - Ceiling - 48" x 96" (32SF)
	039188-01-000	SF	Paneling - 707 Hickory - 48" x 96" (32SF)
	041206-01-000	SF	Tileboard - 60" x 84" - Agate Beige (35 SF)
	041205-05-000	SF	Plastic Laminate - 48" x 96" - Burlwood Green - (Martini Mist) (32 SF)
	041205-05-001	EA	Plastic Laminate - 48" x 48" - Burlwood Green (Martini Mist)
	041205-05-002	EA	Plastic Laminate - 1.19" x 96" - Burlwood Green (Martini Mist)
	041205-06-000	SF	Plastic Laminate - 48" x 96" - Burlwood Beige (Champagne Velvet or Sierra Sunset) (32 SF)
	041205-06-001	EA	Plastic Laminate - 48" x 48" - Burlwood Beige (Champagne Velvet or Sierra Sunset)
	041205-06-002	EA	Plastic Laminate - 1.19" x 96" - Burlwood Beige (Champagne Velvet or Sierra Sunset)

FABRICS AND CARPET

Key	Part Number	U/M	Description
	041429-01-000	YD	Fabric - Drapery - Green (Martini Mist)
	041429-02-000	YD	Fabric - Drapery - Beige (Champagne Velvet)
	041429-03-000	YD	Fabric - Drapery - Rust (Sierra Sunset)
	043623-01-000	YD	Fabric - Upholstery - Green (Martini Mist)
	043623-02-000	YD	Fabric - Upholstery - Beige (Champagne Velvet)
	043623-03-000	YD	Fabric - Upholstery - Rust (Sierra Sunset)
	042411-01-000	YD	Vinyl - Nonexpanded - 27 Ounce - Brown
	042411-03-000	YD	Vinyl - Nonsupport - 16 Gauge - Brown
	042414-01-000	FT	Trim - Accent - Bostonian Brown Vinyl
	023631-06-000	EA	Button - Nail - Brown Vinyl
	041430-01-000	SY	Carpet - Olive Inspiration - Green (Martini Mist)
	041430-02-000	SY	Carpet - Van Dyke Brown Inspiration - Beige (Champagne Velvet)
	041430-03-000	SY	Carpet - Russet Inspiration - Rust (Sierra Sunset)

INTERIOR MOLDINGS AND TRIMS

Key	Part Number	U/M	Description
	022756-01-000	EA	Cover - Air Conditioner Wire - Plastic
	024700-04-000	EA	Cover - Sidewall Roll Bar - 707 Hickory
	024700-06-000	EA	Cover - Sidewall Roll Bar - Ivory
	034113-03-000	EA	Cover - Corner Support Bar - Dark Brown
	039512-02-000	EA	Cover - Hat - Section - 707 Hickory
	039512-06-000	EA	Cover - Hat - Section - Ivory
	047488-01-000	EA	Cover - Corner Hat/Hat
	047489-01-000	EA	Cover - Corner Tube/Tube
	009778-01-000	FT	U-Channel - 1" Dark Brown Plastic
	009777-01-000	FT	U-Channel - 3/4" Dark Brown Plastic
	009813-02-000	FT	T Molding 3/4" Brown
	009812-03-000	FT	Molding - Plastic Corner O/S .50"
	009767-01-000	FT	Wetling - Brown
	009779-01-000	FT	U-Channel - 1 1/8" - Dark Brown Plastic
	009809-03-000	FT	Molding - Plastic - Corner - O/S 1"
	034394-02-000	FT	Extr. - Vinyl - Insul. Beige - Bath Trim
	034689-03-000	EA	Cover - Scissor PPH 10 - Ivory - Bathroom
	042356-01-000	EA	Plug - Button - Mahogany 3/8" Dia.
	009781-01-000	FT	Cover - Outside - 62" x 62" Dark Brown Plastic

INTERIOR FINISH GROUP (CONTINUED)

CURTAIN HARDWARE

Key	Part Number	U/M	Description
	009107-01-000	EA	Guide - Nylon - Snap (Used With 009106-01-000 Brown Curtain Track)
	009701-01-000	EA	Carrier - Curtain w/Rollers (used with "L" Rod)
	009702-01-000	EA	End Stop - Curtain Track (used with "L" Rod)
	029100-01-000	EA	Hook - Curtain (Privacy Curtain)
	009136-01-000	EA	Hook - Shower Curtain
	050826-01-000	EA	Track - Wraparound Curtain - Right
	050826-02-000	EA	Track - Wraparound Curtain - Left
	009223-01-000	EA	Rod - Curtain Flat - Extends 32" - 51"
	018031-42-000	EA	Track Curtain "L" Rod 90" Alum.

CABINETRY AND INTERIOR HARDWARE

Key	Part Number	U/M	Description
	009058-01-000	EA	Hinge - Continuous Steel - 1 1/2" x 72"
	009150-01-000	EA	Warp Guard - 64"
**	009124-01-000	EA	Lock - Door - Push Button Brass (Bath Door)
	009112-01-000	EA	Flange 1" Rod Chrome
**	041931-01-000	EA	Kit - Cabinet Door Hinge
**	041942-01-000	EA	Kit - Drawer Pull
**	041917-01-000	EA	Kit - Latch Overhead Cabinet Door Jamestown
**	041918-01-000	EA	Kit - Latch Lower Cabinet Door
	009047-01-000	EA	Hold Open - Overhead Door
	009089-01-000	EA	Clip - Mirror - Plastic w/Screw
	007021-01-000	EA	Bell Asm. - Seat - 2" x 90" Black
	041322-01-000	EA	Washer - Flat 15/32" I.D. x 2 3/8" O.D. (Seat Belt)
	041838-01-000	EA	Screw - 5 x 5/8" POH Antique Brass
**	037688-01-000	FT	Rail - Drawer Glide
**	047744-01-000	EA	Kit - Drawer Glide
	042950-01-000	EA	Handle - Interior Assist
	041944-01-700	EA	Extinguisher - Fire - Dry Chemical w/Bracket
	007036-01-000	EA	Mat - Door - Black Rubber - 10 1/2" x 26"

**The illustrated parts breakdown for this item is provided on the Common Items Fiche.

1977 WINNEBAGO TABLE OF CONTENTS

D27MI	A-1 - B-10
MW20RG	B-11 - C-16
D27S	C-17 - D-22
D23MI	D-23 - F-8
D23S	F-9 - G-14
MWC25	G-15 - I-2
D27DRK	I-3 - J-14
D29U	J-15 - L-2

1977 D27MI INDEX

Floor Plan	A-1 - A-2
Accessories Group	A-3 - A-5
Bath Group	A-6
Chassis Group	A-7 - A-8
Curtain, Cushion & Pad Group	A-9 - A-11
Driver's Compartment Group	A-11 - A-12
Electrical Group	A-13 - A-14
Exterior Body Group	A-15 - A-18
Galley Group	A-19
Heating & Air Conditioning Group	A-20
Interior Finish Group	A-21 - A-22
LP Group	A-23
Water & Sewage Group	A-24
Window, Vent & Exterior Door Group	B-1 - B-10

LP GROUP

Key	Part Number	U/M	Description
	008820-01-000	EA	Hose Asm. - LP - 1/4" I.D. x 16"
	045703-01-000	EA	Hose Asm. - LP - 3/8" I.D. x 24"
	045703-03-000	EA	Hose Asm. - LP - 3/8" I.D. x 14"
	008813-01-000	EA	Regulator - Manual LP Gas
	008815-01-000	EA	Regulator - Automatic - LP - Double Tank
	008816-01-000	EA	Tank Asm. - LP - 20 Pound Horizontal w/Hardware
	023263-01-001	EA	Tank Asm. - LP - 30 Pound Horizontal w/Hardware
	040046-01-000	EA	Compartment - LP - Horizontal Plastic
	040047-01-000	EA	Bracket - LP Bottle Hold Down
	047221-01-000	EA	Detector - LP Gas Leak
	047356-01-000	EA	Bracket - LP Leak Detector

WATER AND SEWAGE GROUP

PLUMBING REPAIR KITS, PIPE FITTINGS, AND WATER PUMP

Key	Part Number	U/M	Description
**	046524-02-000	EA	Kit - Fittings - Plastic - Water Tank
**	046524-01-000	EA	Kit - Fittings - Plastic - Holding Tank
**	040539-01-000	EA	Kit - Repair - 3/8" O.D. Plastic Tube
**	040540-01-000	EA	Kit - Repair - 1/2" O.D. Plastic Tube
**	040541-01-000	EA	Kit - Repair - 5/8" O.D. Plastic Tube
**	041819-01-000	EA	Nut and Core - Plastic 1/2" O.D. Tube
**	046128-01-000	EA	Valve - Drain - Plastic 1/2 FPT
**	039807-01-000	EA	Valve - Drain - Brass 1/2 MPT
**	039818-01-000	EA	Riser Asm. - 3/8" O.D. x 24" Tube
**	039818-02-000	EA	Riser Asm. - 3/8" O.D. x 36" Tube
**	039818-03-000	EA	Riser Asm. - 3/8" O.D. x 18" Tube
**	004020-01-000	QT	Adhesive ABS Cement
**	010133-01-000	EA	Adaptor Trap - Plastic 1 1/2 H x MPT
**	010134-01-000	EA	Adaptor - Plastic - 1 1/2" Male MPT
**	010153-01-000	EA	Ring - Closet - Plastic 4 F x 3 MPT
**	010201-01-000	EA	Hose - Sewer - 3" x 10' w/Clamp
**	010235-01-000	EA	Cap - Sewage 3"
**	010236-01-000	EA	Adaptor - Hose 3"
**	011091-01-000	EA	Waste - Continuous Double Sink 11 7/8"
**	010210-01-000	EA	Valve - Sanitary - Thetford 3HS
**	010234-01-000	EA	Adaptor - Bayonet
**	011066-01-000	EA	P-Trap - Plastic 1 1/4"
**	041279-02-000	EA	Pump - Water Flow 2.8 G.P.M. - PAR
**	039647-02-000	EA	Filter - Water Pump - 1/2 MPT
**	039809-01-000	EA	Valve - Stool - Plastic - 3/8" C x 1/2" FPT

**The illustrated parts breakdown for this item is provided on the Common Items Fiche.

WATER AND SEWAGE HOLDING TANKS

Key	Part Number	U/M	Description
**	049837-01-000	EA	Tank Asm. - Holding with Fittings 24 Gallon
**	043836-01-000	EA	Tank - Holding - Plastic - 24 Gallon - Base w/o Fittings
**	049833-01-000	EA	Tank Asm. - Water - w/Fittings Plastic - 26 Gallon
**	045196-01-000	EA	Tank - Water - Plastic w/o Fittings - 26 Gallon
**	051391-01-000	EA	Water Heater - w/o Outside Access Door (G6A3)
**	031952-01-000	EA	Water Heater - w/o Outside Access Door (G5A2)

**The illustrated parts breakdown for this item is provided on the Common Items Fiche.

1977 WINNEBAGO TABLE OF CONTENTS

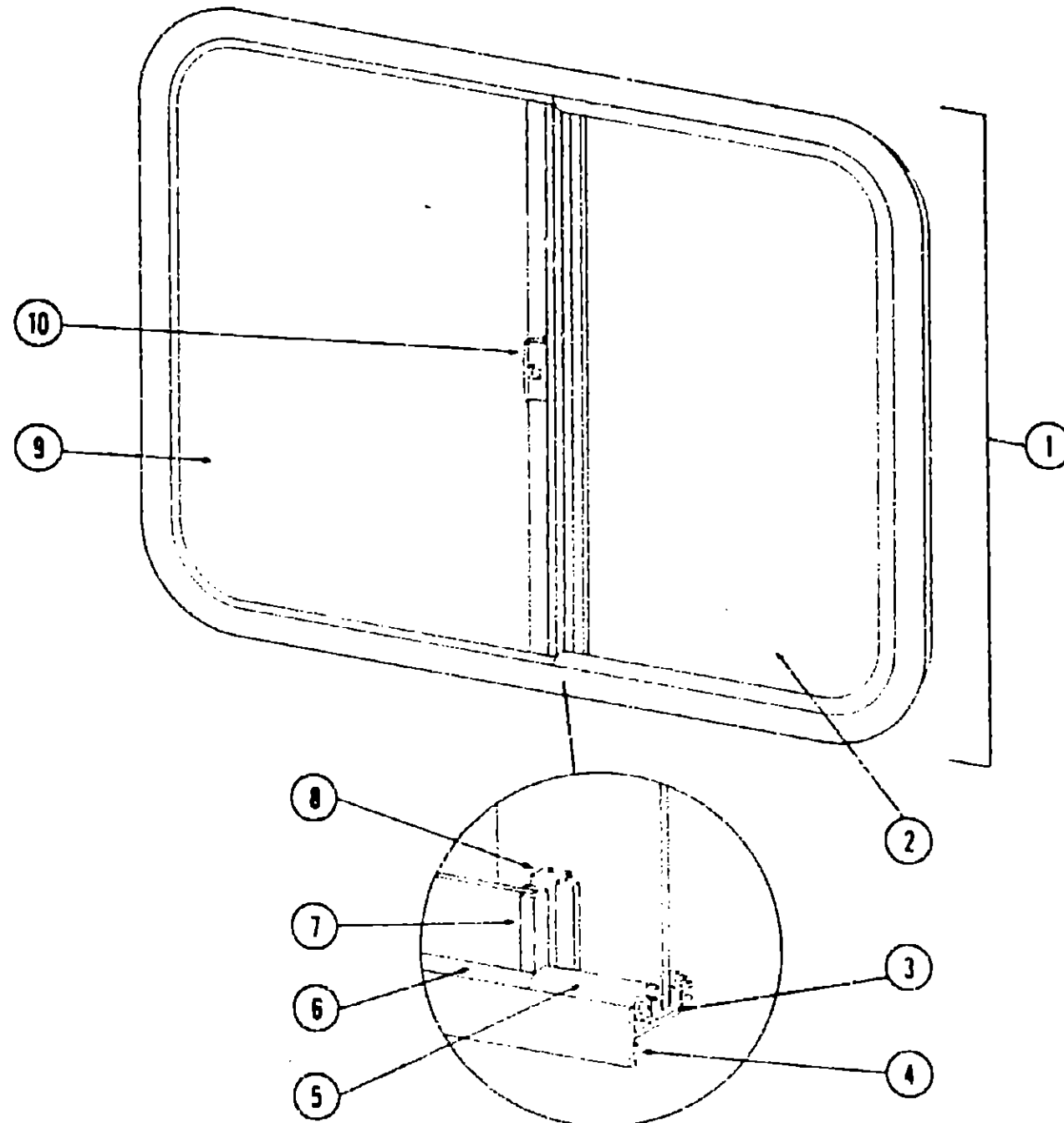
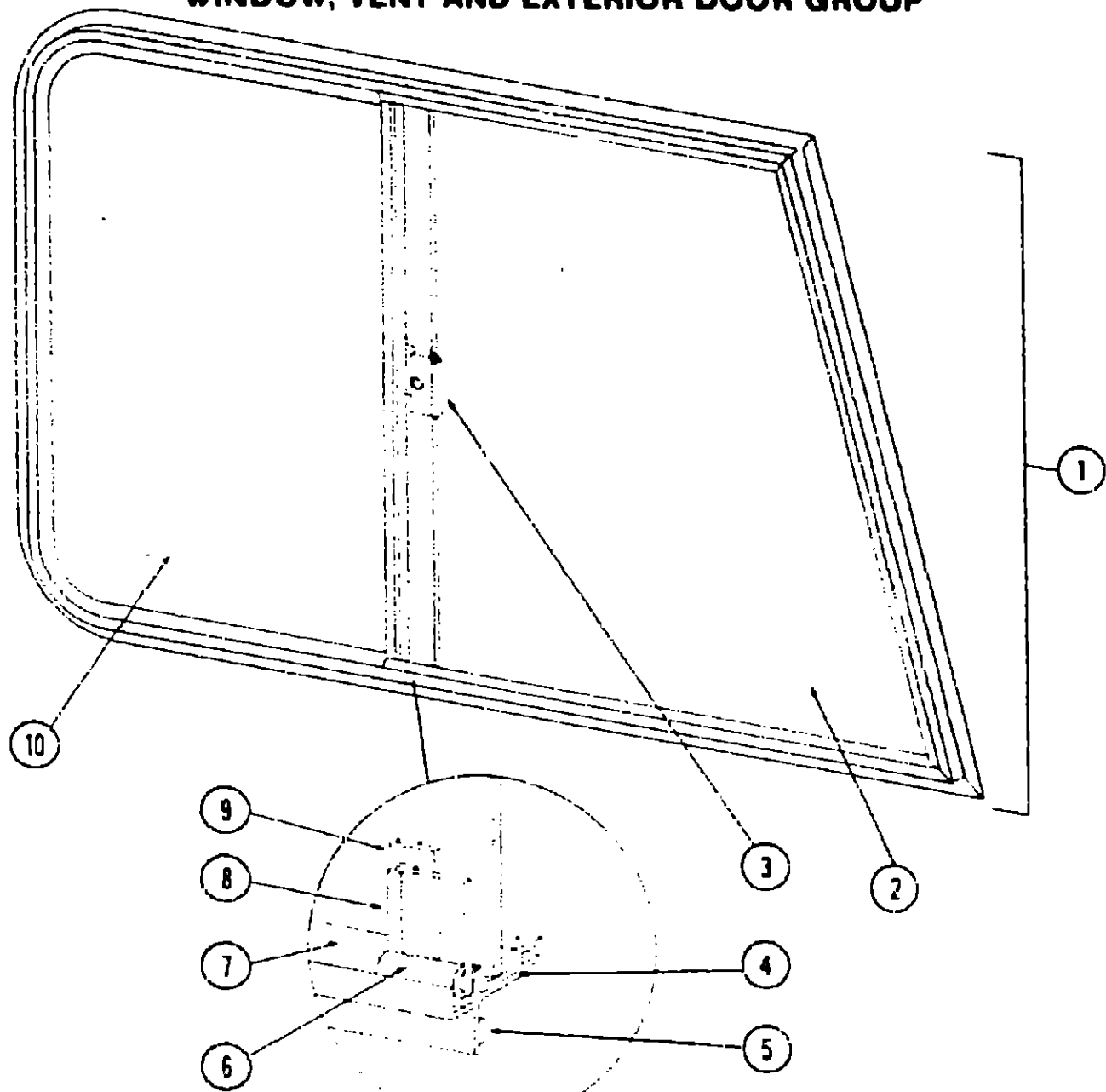
D27MI	A-1 - B-10
MW20RG	B-11 - C-16
D27S	C-17 - D-22
D23MI	D-23 - F-9
D23S	F-9 - G-14
MWC25	G-15 - I-2
D27DRK	I-3 - J-14
D29D	J-15 - L-2

1977 D27MI INDEX

Floor Plan	A-1 - A-2
Accessories Group	A-3 - A-5
Bath Group	A-6
Chassis Group	A-7 - A-8
Curtain, Cushion & Pad Group	A-9 - A-11
Driver's Compartment Group	A-11 - A-12
Electrical Group	A-13 - A-14
Exterior Body Group	A-15 - A-18
Galley Group	A-19
Heating & Air Conditioning Group	A-20
Interior Finish Group	A-21 - A-22
LP Group	A-23
Water & Sewage Group	A-24
Window, Vent & Exterior Door Group	B-1 - B-10

WINDOW, VENT AND EXTERIOR DOOR GROUP

WINDOW, VENT AND EXTERIOR DOOR GROUP (CONTINUED)



Key	Part Number	U/M	Description
1	048629-01-000	EA	Window Asm. - Right Front Slant Slider - 23" x 29" - Black Anod (w/o Inside Frame)
	048529-02-000	EA	Window Asm. - Left Front Slant Slider - 23" x 29" - Black Anod (w/o Inside Frame)
2	041897-01-000	EA	Glass - 1/8" x 22.06" x 19.91" x 21.22" - Stationary
3	047369-01-000	EA	Latch - Window - Plastic
4	002324-01-000	FT	Channel - Weatherstrip - Glass Run - 1/8" Glass
5	004363-01-000	FT	Tape - Foam - 3/16" x 1/2" - Gray
6	002309-02-000	FT	Spline - Glass - 1/8" - Black
7	024096-02-000	FT	Seal - Window Channel - Black
8	018025-03-000	EA	Holder - Glass Seal - Black Anod
9	041894-11-000	EA	Mullion - Slider Window - 23" - Black Anod.
10	047824-01-000	EA	Glass - 1/8" x 22.06" x 19.06" - Sliding
	049287-01-000	EA	Washer - Nylon - .62" x .140" I.D.
	049288-01-000	EA	Screw - Machine - 6-32 x 5/16" - HWH - Black
	043753-02-000	EA	Frame - Inside - Right Front Slant Slider - Window - 23" x 29" (not included in assembly)
	043753-01-000	EA	Frame - Inside - Left Front Slant Slider - Window - 23" x 29" (not included in assembly)
	023713-02-000	EA	Cover - Plastic - Weephole - Black
	002298-01-000	FT	Spline - Gray - .130" Dia. (Screen)
	002293-01-000	SF	Screen - Window - 26" - Gray

Key	Part Number	U/M	Description
1	048631-07-000	EA	Window Asm. - Right Single Slider - 23" x 29" Black Anod (w/o Inside Frame)
	048631-08-000	EA	Window Asm. - Left Single Slider - 23" x 29" Black Anod (w/o Inside Frame)
2	047813-01-000	EA	Glass - 1/8" x 22" x 13.68" - Sliding
3	002324-01-000	FT	Channel - Weatherstrip - Glass Run - 1/8" Glass
4	004363-01-000	FT	Tape - Foam - 3/16" x 1/2" - Gray
5	024096-02-000	FT	Seal - Window Channel - Black
6	002309-02-000	FT	Spline - Glass - 1/8" - Black
7	018025-03-000	EA	Holder - Glass Seal - Anod Black
8	041894-02-000	EA	Mullion - Slider Window - 23" - Black Anod.
9	002184-01-000	EA	Glass - Tempered Sheet - Stationary
10	047369-01-000	EA	Latch - Window - Plastic
	049287-01-000	EA	Washer - Nylon - .62" x .140" I.D.
	049288-01-000	EA	Screw - Machine - 6-32 x 5/16" - HWH - Black
	042147-07-000	EA	Frame - Inside - Single Slider Window - Left or Right - 23" x 29" (not included in assembly)
	023713-02-000	EA	Cover - Plastic Weephole - Black
	002298-01-000	FT	Spline - Gray - .130" Dia. (Screen)
	002293-01-000	SF	Screen - Window - 26" - Gray

**1977 WINNEBAGO
TABLE OF CONTENTS**

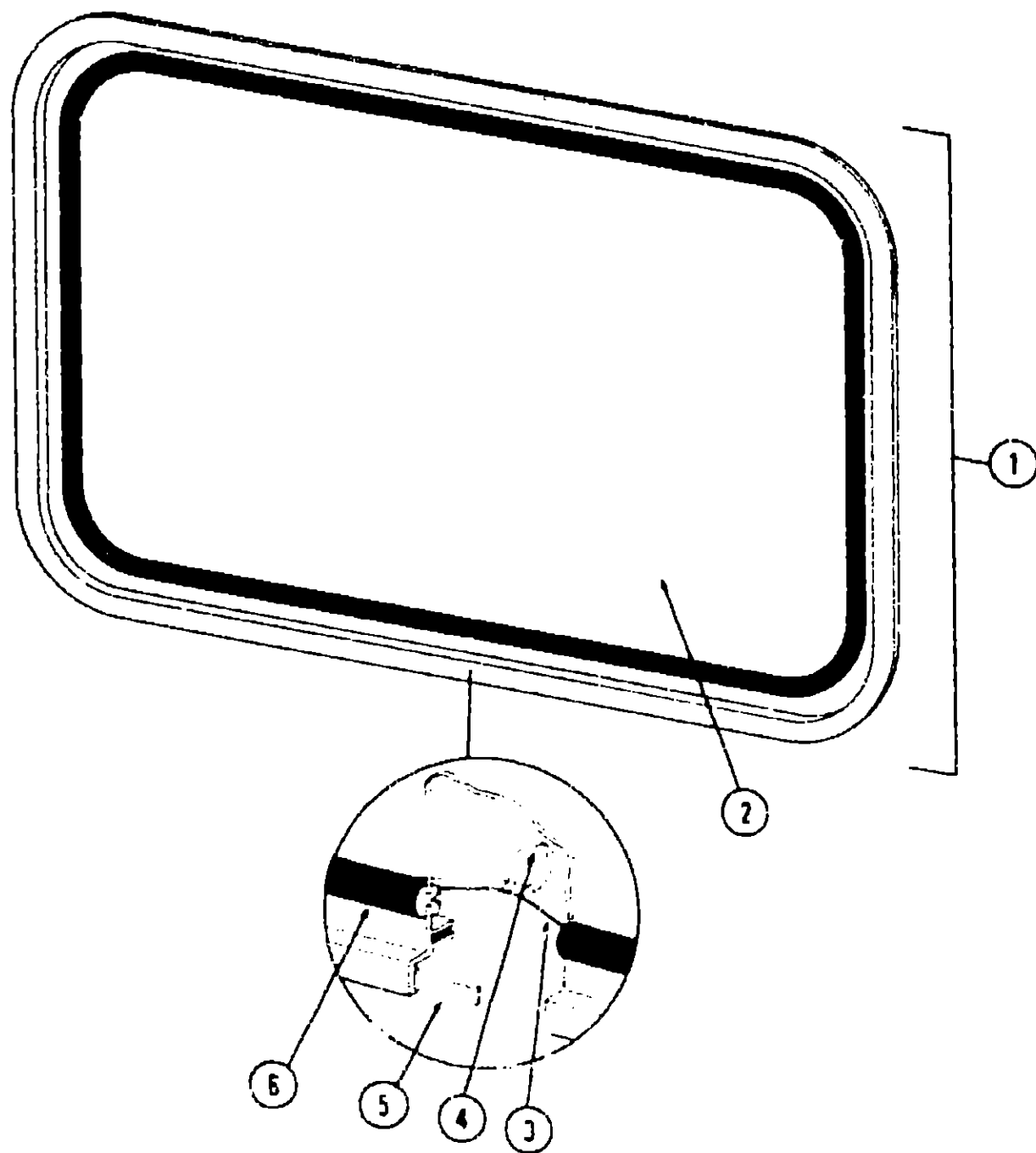
D27MI	A-1 - B-10
MW20RG	B-11 - C-16
D27S	C-17 - D-22
D23MI	D-23 - F-8
D23S	F-9 - G-14
MWC25	G-15 - I-2
D27DRK	I-3 - J-14
C29D	J-15 - L-2

1977 D27MI INDEX

Floor Plan	A-1 - A-2
Accessories Group	A-3 - A-5
Bath Group	A-6
Chassis Group	A-7 - A-8
Curtain, Cushion & Pad Group	A-9 - A-11
Driver's Compartment Group	A-11 - A-12
Electrical Group	A-13 - A-14
Exterior Body Group	A-15 - A-18
Galley Group	A-19
Heating & Air Conditioning Group	A-20
Interior Finish Group	A-21 - A-22
LP Group	A-23
Water & Sewage Group	A-24
Window, Vent & Exterior Door Group	B-1 - B-10

WINDOW, VENT AND EXTERIOR DOOR GROUP (CONTINUED)

WINDOW, VENT AND EXTERIOR DOOR GROUP (CONTINUED)



Key	Part Number	U/M	Description
1	020751-03-000	EA	Window Asm - Rear Escape - 23" x 29" - Black Anod (w/o Inside Frame)
2	002174-01-000	EA	Glass - 1/8" x 19 61" x 25 92"
3	002265-01-000	FT	Filler - Weatherstrip - Black
4	020355-01-000	EA	Slip - Pull Ring - Escape Window
5	004363-01-000	FT	Tape - Foam - 3/16" x 1/2" - Gray
6	002282-01-000	FT	Weatherstrip - 125" - Black
*	020749-03-000	EA	Frame - Inside - Escape Window - 23" x 29" (not included in assembly)
*	005199-01-000	EA	Label - Exit - Escape Window

* Not Illustrated

VENTS

Key	Part Number	U/M	Description
	039778-01-000	EA	Cover - Plastic Refrigerator Vent
	009407-01-000	EA	Frame - Base - Refrigerator Vent w/o Cover
	049352-02-000	EA	Vent - Stovehood - Outside - Beige (Jensen)

WINDSHIELD

Key	Part Number	U/M	Description
	034975-04-000	EA	Glass - Windshield - 1/4" x 22.12" x 45.45" - Right or Left
	036764-03-200	EA	Extr. - Windshield Trim Anod. Black - 22.38"
	042744-03-000	EA	Frame - Asm. - Windshield w/o Glass
	038886-01-000	EA	Tape - Butyl .31" x .31" x 148"
	043988-01-000	EA	Trim - Windshield

ACCESS DOORS

Key	Part Number	U/M	Description
	003182-02-000	EA	Door Asm. - Water Heater Access - Beige
	023280-05-000	EA	Door Asm. - LP - Beige w/Twist Type Lock
	033333-18-000	EA	Door Asm. - Battery - Beige w/Twist Type Lock
	033333-19-000	EA	Door Asm. - Luggage - Beige w/Key Type Lock
	023254-03-000	EA	Door Asm. - Generator - Left Beige w/Twist Type Lock
	047803-01-000	EA	Baffle - Generator Door - 19.75" x 30"
	044210-02-000	EA	Door Asm. - Power Cord Access - 6" x 10" Beige w/Quarter Turn Plastic Latch
	047349-01-000	EA	Door Asm. - Refrigerator Access - Beige w/Twist Type Lock
	039884-01-000	EA	Lock Asm. - Twist Type w/Clip
	047305-01-000	EA	Lock Asm. - Key Type w/Clip
	043942-01-000	EA	Lock Asm. - Plastic Quarter Turn - Power Cord Door
	041330-03-000	EA	Door Asm. - Rear Trunk - Beige
	009009-01-000	EA	Lock - T Handle - Bent Cam - Trunk Door

CARGO DOOR

Key	Part Number	U/M	Description
	051790-01-000	EA	Door Asm. - Radius Cargo - Beige
	039520-01-000	EA	Hinge Entrance Door
	041948-01-000	EA	Lock Kit - Entry Door - Complete
	039541-01-000	EA	Lock Cylinder w/Keys - Door Lock
	039539-01-000	EA	Striker - Entry Door Lock
	039979-01-000	EA	Plate - Lock - Interior - Includes Inside Handle
	051630-01-000	EA	Frame - Cargo Door Bottom - Beige
	051631-01-000	EA	Frame - Cargo Door Except Bottom
	051789-01-000	EA	Jamb Asm. - Cargo Door - Beige
	009101-01-000	EA	Holder - Door - Male
	009101-02-000	EA	Holder - Door - Female
	044582-05-000	EA	Cap - Drip - Jamb - Beige
	047203-02-000	EA	Extr. - Garnish Inside Door - Side - Left or Right
	051629-01-000	EA	Garnish - Left or Right - Cargo Door Inside - Top Only

1977 WINNEBAGO TABLE OF CONTENTS

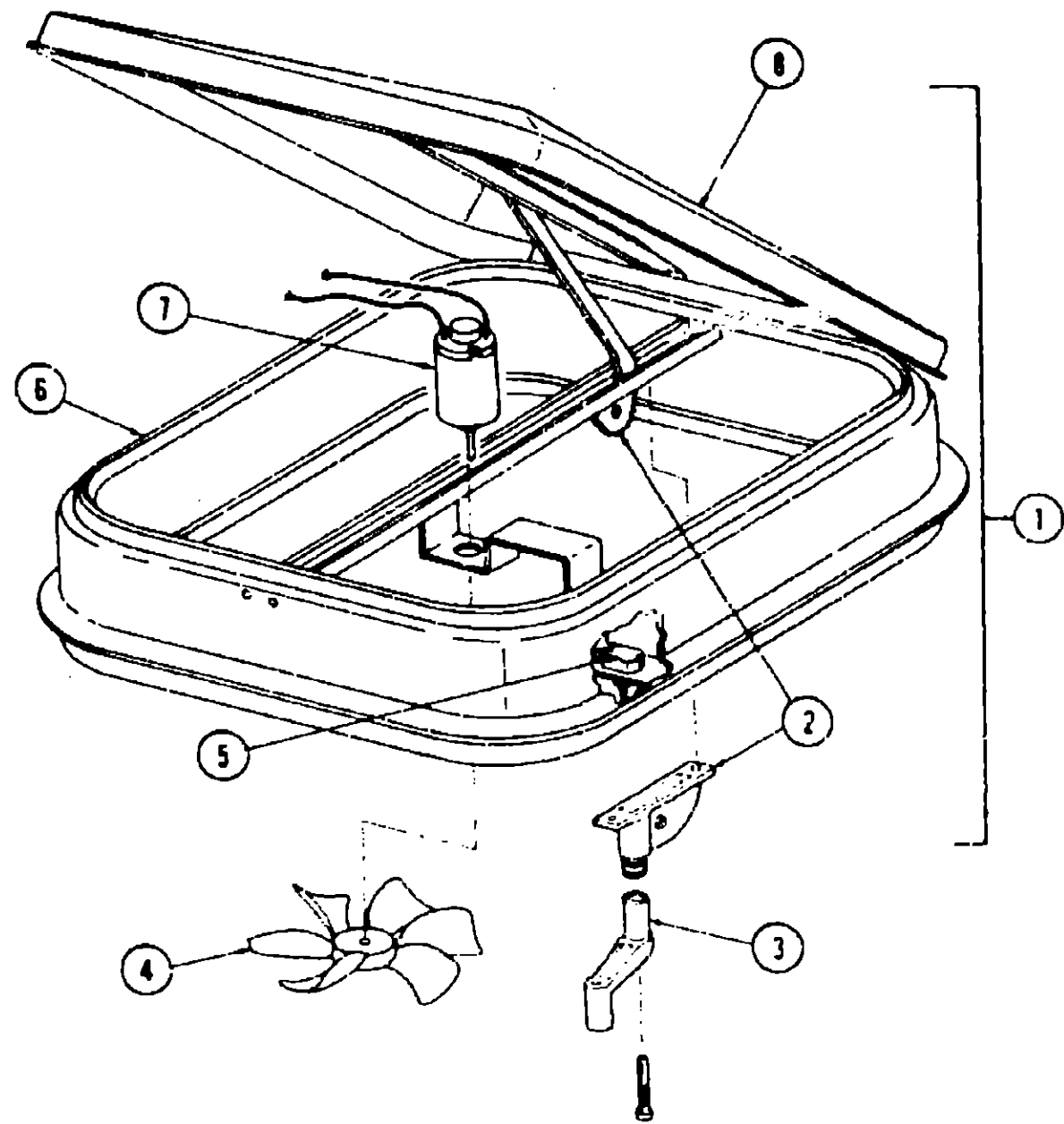
D27MI	A-1 - B-10
MW20RG	B-11 - C-16
D27S	C-17 - D-22
D23MI	D-23 - F-8
D23S	F-9 - G-14
MWC25	G-15 - I-2
D27DRK	I-3 - J-14
D290	J-15 - L-2

1977 D27MI INDEX

Floor Plan	A-1 - A-2
Accessories Group	A-3 - A-5
Bath Group	A-6
Chassis Group	A-7 - A-8
Curtain, Cushion & Pad Group	A-9 - A-11
Driver's Compartment Group	A-11 - A-12
Electrical Group	A-13 - A-14
Exterior Body Group	A-15 - A-18
Galley Group	A-19
Heating & Air Conditioning Group	A-20
Interior Finish Group	A-21 - A-22
LP Group	A-23
Water & Sewage Group	A-24
Window, Vent & Exterior Door Group	B-1 - B-10

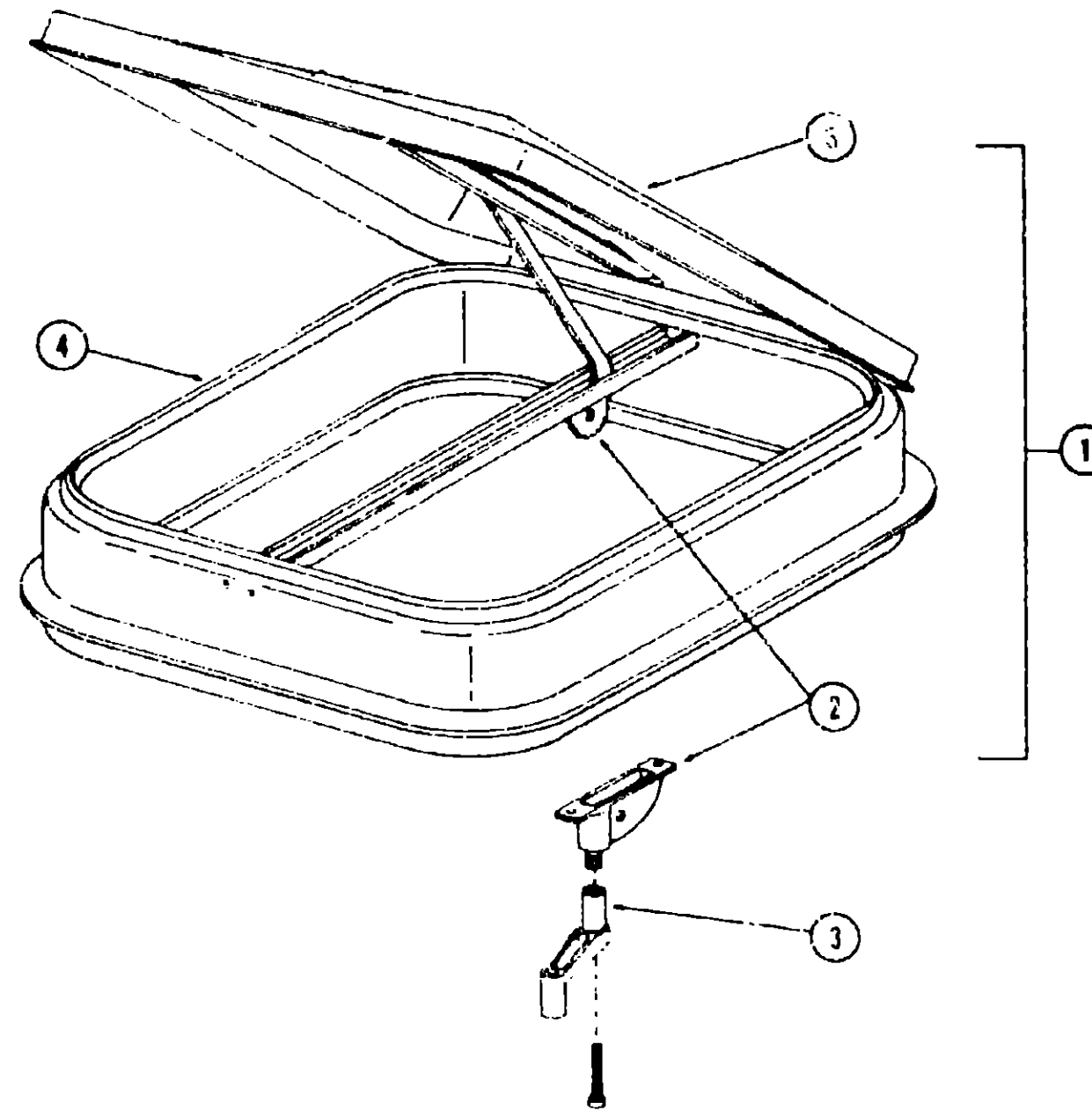
WINDOW, VENT AND EXTERIOR VENT GROUP (CONTINUED)

WINDOW, VENT AND EXTERIOR VENT GROUP (CONTINUED)



Key	Part Number	U/M	Description
1	048789-01-000	EA	Vent Asm - Roof - Powered - w/o Screen
2	009440-01-000	EA	Gear - Arm - Roof Vent
3	009439-01-000	EA	Crank - Roof vent
4	048649-01-000	EA	Fan - Blade - 6" Plastic
5	005195-01-000	EA	Switch - Push Button 12 Volt
6	002825-01-000	FT	Weatherstrip - Roof Vent
7	048648-01-000	EA	Motor - 12 Volt
8	046825-01-000	EA	Cover - Plastic - Roof Vent
*	048695-01-000	EA	Screen Asm - Powered Roof Vent - Clear Anod (not included in assembly)
*	048695-03-000	EA	Screen Asm - Powered Roof Vent - Beige (not included in assembly)

* Not Illustrated



Key	Part Number	U/M	Description
1	048835-01-000	EA	Vent Asm - Roof - Nonpowered - w/o Screen
2	009440-01-000	EA	Gear - Arm - Roof Vent
3	009439-01-000	EA	Crank - Roof Vent
4	002825-01-000	FT	Weatherstrip - Roof Vent
5	046825-01-000	EA	Cover - Plastic - Roof Vent
*	016335-01-000	EA	Screen Asm - Non Powered Roof Vent - Clear Anod (not included in assembly)
*	016335-03-000	EA	Screen Asm - Non Powered Roof Vent - Beige (not included in assembly)

* Not Illustrated

**1977 WINNEBAGO
TABLE OF CONTENTS**

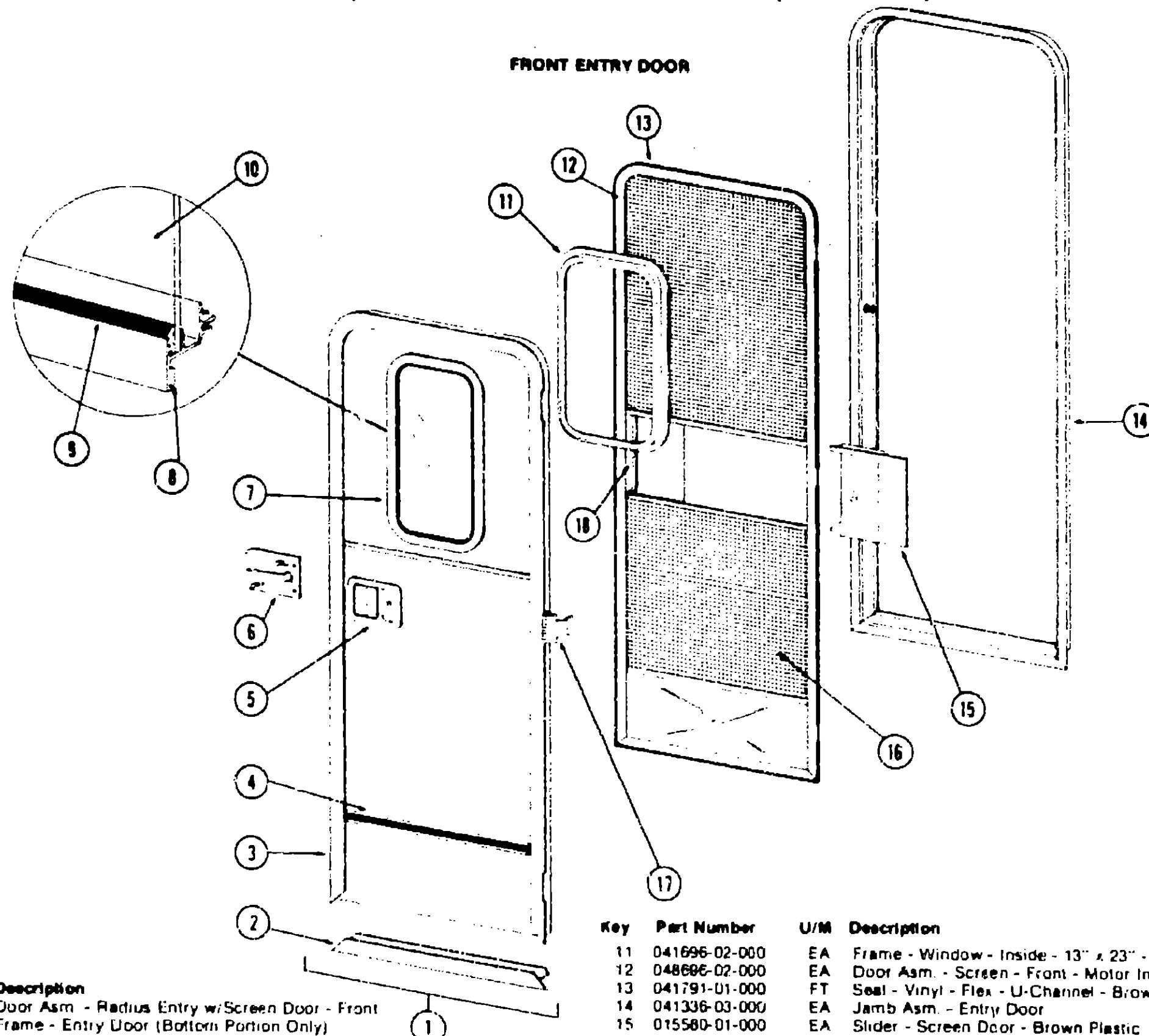
D27MI
MW20RG
D27S
D23MI
D23S
MWC25
D27DRK
D29D

A-1 - B-10
B-11 - C-16
C-17 - D-22
D-23 - F-8
F-9 - G-14
G-15 - I-2
I-3 - J-14
J-15 - L-2

1977 D27MI INDEX

Floor Plan	A-1 - A-2
Accessories Group	A-3 - A-5
Bath Group	A-6
Chassis Group	A-7 - A-8
Curtain, Cushion & Pad Group	A-9 - A-11
Driver's Compartment Group	A-11 - A-12
Electrical Group	A-13 - A-14
Exterior Body Group	A-15 - A-18
Galley Group	A-19
Heating & Air Conditioning Group	A-20
Interior Finish Group	A-21 - A-22
LP Group	A-23
Water & Sewage Group	A-24
Window, Vent & Exterior Door Group	B-1 - B-10

WINDOW, VENT AND EXTERIOR VENT GROUP (CONTINUED)



Key	Part Number	U/M	Description
1	050096-06-000	EA	Door Asm - Radius Entry w/Screen Door - Front
2	039737-03-000	EA	Frame - Entry Door (Bottom Portion Only)
3	039736-03-000	EA	Frame - Entry Door - (Except Bottom Portion)
4	039874-02-000	EA	Holder Asm. - Entry Door - 2 1/2"
5	052185-01-000	EA	Lock Asm - Radius Entry Door - Lynor
6	045017-01-700	EA	Lock Cylinder w/Keys - Lynor
7	039541-01-000	EA	Lock Cylinder w/Keys - Atwood
8	039539-01-000	EA	Striker - Entry Door Lock
9	039979-01-000	EA	Plate - Lock - Interior - Including Inside Handle
10	041875-02-000	EA	Window Asm. - Picture - 13" x 23" - Black Anod (inside frame not included in assembly)
11	004363-01-000	FT	Tape - Foam - 3/16" x 1/2" - Gray
12	002309-02-000	FT	Spline - Glass - 1/8" - Black
13	002181-01-000	EA	Glass - Picture Window - 1/8" x 12" x 22" Gray

Key	Part Number	U/M	Description
11	041696-02-000	EA	Frame - Window - Inside - 13" x 23" - Brown
12	048696-02-000	EA	Door Asm. - Screen - Front - Motor Inn
13	041791-01-000	FT	Seal - Vinyl - Flex - U-Channel - Brown
14	041336-03-000	EA	Jamb Asm. - Entry Door
15	015580-01-000	EA	Slider - Screen Door - Brown Plastic
16	002293-01-000	SF	Screen - Window - 26" - Gray
17	039520-01-000	EA	Hinge - Entry Door (3 used per door)
18	015581-01-000	EA	Cap - Screen Door - Brown Plastic
	049176-01-000	EA	Hedlok II - 3/4" Diameter - Screw Mount (Retains Screen Door to Entry Door)
	049797-01-000	EA	Hedlok II - 1" Diameter - Screw Mount (Retains Screen Door to Entry Door)
	018019-01-000	EA	Striker - Screen Door
	039863-01-000	EA	Catch Asm. - Single Roller w/Strike - Screen Door
	039740-01-000	FT	Seal - Jamb - Entry Door
	039600-03-000	FT	Tubing - Polybutyl - 3/8" O D - Jamb

B-7

* Not Illustrated

1977 WINNEBAGO TABLE OF CONTENTS

D27MI
MW20RG
D27S
D23MI
D23S
MWC25
D27DRK
D29D

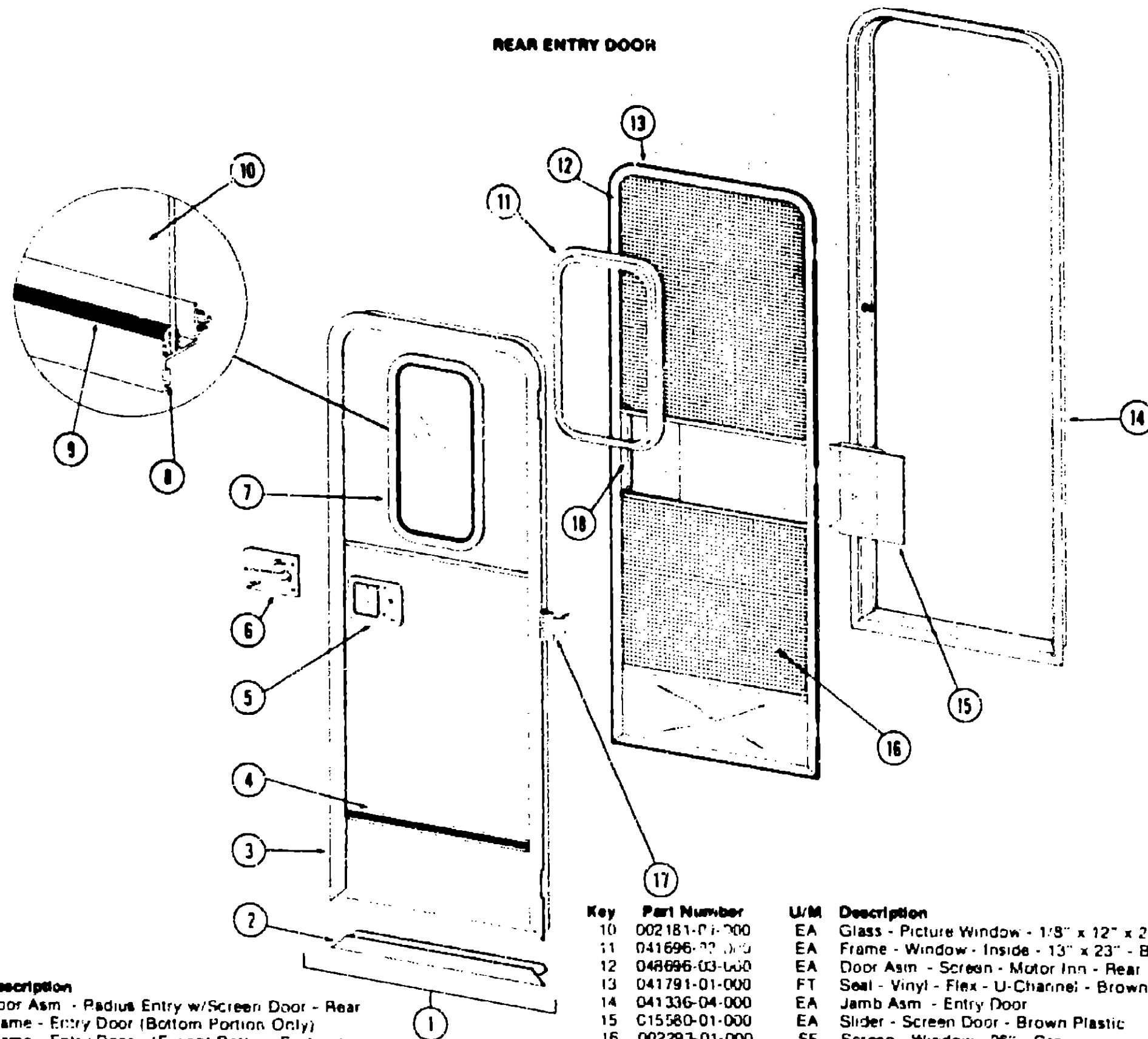
A-1 - B-10
B-11 - C-16
C-17 - D-22
D-23 - F-8
F-9 - G-14
G-15 - I-2
I-3 - J-14
J-15 - L-2

1977 D27MI INDEX

Floor Plan	A-1 - A-2
Accessories Group	A-3 - A-5
Bath Group	A-6
Chassis Group	A-7 - A-8
Curtain, Cushion & Pad Group	A-9 - A-11
Driver's Compartment Group	A-11 - A-12
Electrical Group	A-13 - A-14
Exterior Body Group	A-15 - A-18
Galley Group	A-19
Heating & Air Conditioning Group	A-20
Interior Finish Group	A-21 - A-22
LP Group	A-23
Water & Sewage Group	A-24
Window, Vent & Exterior Door Group	B-1 - B-10

WINDOW, VENT AND EXTERIOR VENT GROUP (CONTINUED)

REAR ENTRY DOOR



Key	Part Number	U/M	Description
1	050096-07-000	EA	Door Asm - Radius Entry w/Screen Door - Rear
2	039737-04-000	EA	Frame - Entry Door (Bottom Portion Only)
3	029736-04-000	EA	Frame - Entry Door - (Except Bottom Portion)
4	039874-02-000	EA	Holder Asm - Entry Door - 2 1/2"
5	052186-01-000	EA	Lock Asm - Radius Entry Door - Lynor
6	045017-01-700	EA	Lock Cylinder w/Keys - Lynor
7	039541-01-000	EA	Lock Cylinder w/Keys - Atwood
8	039539-01-000	EA	Striker - Entry Door Lock
9	064363-01-000	FT	Tape - Foam - 3/16" x 1/2" - Gray
10	041875-02-000	EA	Window Asm - Picture - 13" x 23" - Black Anod (inside frame not included in assembly)
11			
12			
13			
14			
15			
16			
17			
18			

Key	Part Number	U/M	Description
10	002181-01-000	EA	Glass - Picture Window - 13" x 22" - Gray
11	041696-03-000	EA	Frame - Window - Inside - 13" x 23" - Brown
12	048696-03-000	EA	Door Asm - Screen - Motor Inn - Rear
13	041791-01-000	FT	Seal - Vinyl - Flex - U-Channel - Brown
14	041336-04-000	EA	Jamb Asm - Entry Door
15	015580-01-000	EA	Slider - Screen Door - Brown Plastic
16	002293-01-000	SF	Screen - Window - 26" - Gray
17	039520-01-000	EA	Hinge - Entry Door (3 used per door)
18	015581-01-000	EA	Cap - Screen Door - Brown Plastic
	049176-01-000	EA	Hedlok II - 3/4" Diameter - Screw Mount (Retains Screen Door to Entry Door)
	049797-01-000	EA	Hedlok II - 1" Diameter - Screw Mount (Retains Screen Door to Entry Door)
	018019-01-000	EA	Striker - Screen Door
	039863-01-000	EA	Catch Asm - Single Roller w/Strike - Screen Door
	039740-01-000	FT	Seal - Jamb - Entry Door
	039800-03-000	FT	Tubing - Polybutyl - 3/8" O.D. - Jamb

B-9

* Not Illustrated

1977 WINNEBAGO TABLE OF CONTENTS

D27MI	A-1 - B-10
MW20RG	B-11 - C-16
D27S	C-17 - D-22
D23MI	D-23 - F-8
D23S	F-9 - G-14
MWC25	G-15 - I-2
D27DRK	I-3 - J-14
D29D	J-15 - L-2

1977 D27MI INDEX

Floor Plan	A-1 - A-2
Accessories Group	A-3 - A-5
Bath Group	A-6
Chassis Group	A-7 - A-8
Curtain, Cushion & Pad Group	A-9 - A-11
Driver's Compartment Group	A-11 - A-12
Electrical Group	A-13 - A-14
Exterior Body Group	A-15 - A-18
Galley Group	A-19
Heating & Air Conditioning Group	A-20
Interior Finish Group	A-21 - A-22
LP Group	A-23
Water & Sewage Group	A-24
Window, Vent & Exterior Door Group	B-1 - B-10

B-10