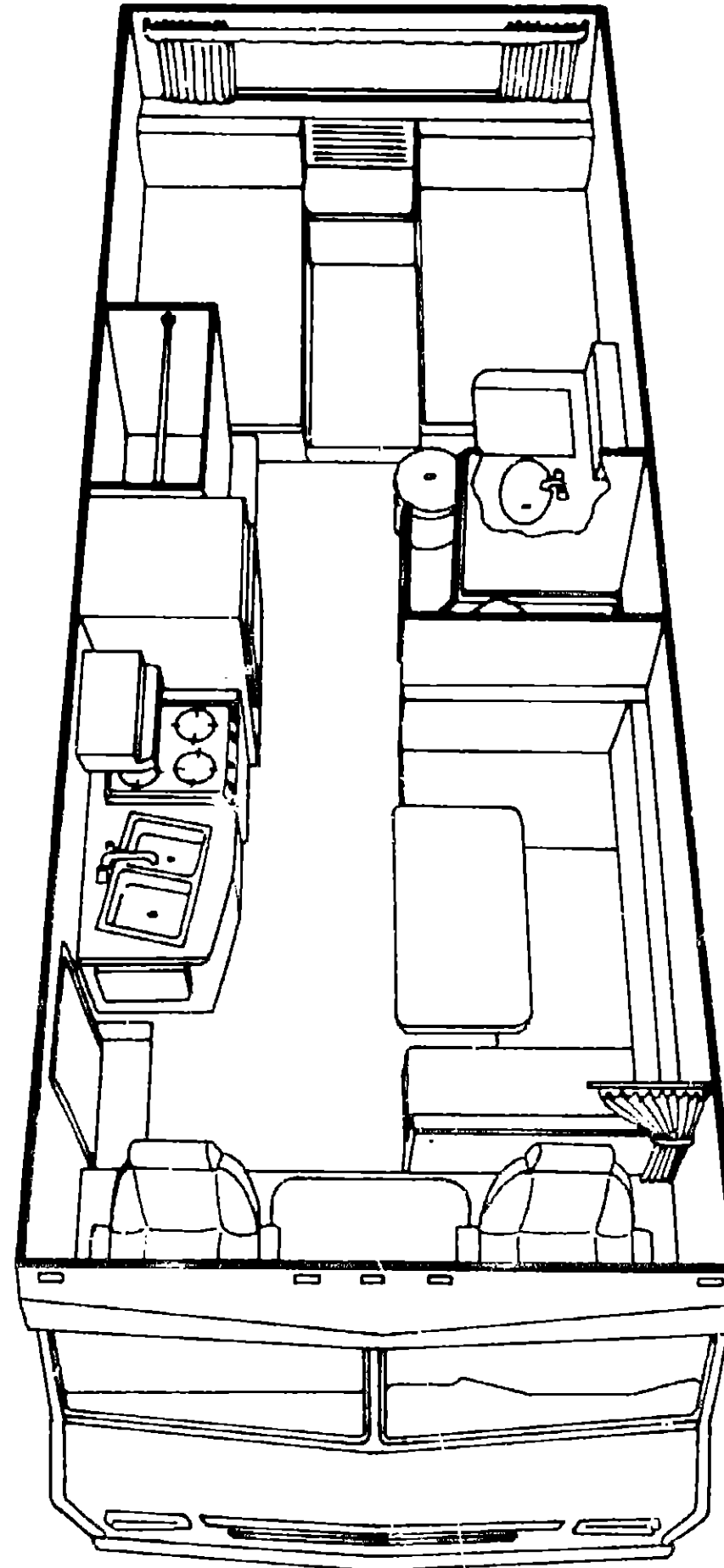


1977 D26RT



IMPORTANT

Two varieties of Antique Birch paneling were used for cabinetry in this unit. Therefore it is necessary to determine which variety was used before ordering replacement cabinetry. Refer to the Color Material Guide to aid in making the selection.

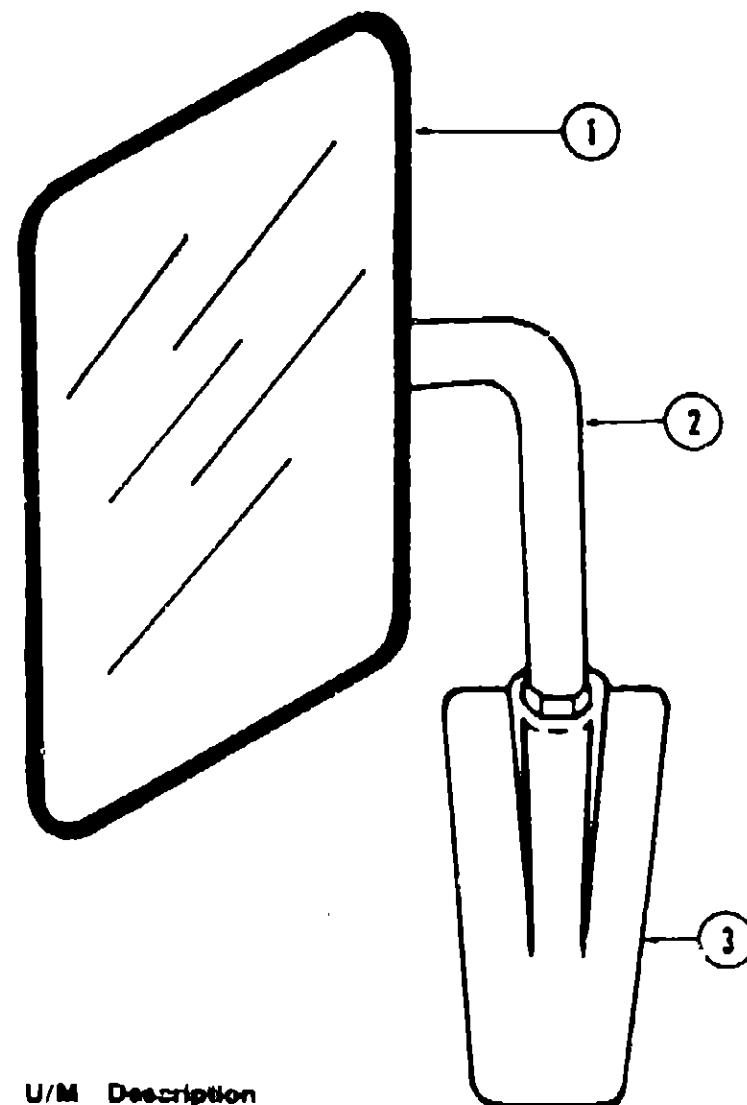
WINNEBAGO TABLE OF CONTENTS

Introduction	A-1
Abbreviations	A-1
Alphabetical Index	A-2 - A-4
1977 MWC25D	A-5 - B-12
1977 D26CRK	B-13 - C-24
1977 MWC24D	D-1 - E-8
1977 D26CRB	E-9 - F-20
1977 D26RT	F-21 - H-6
1977 MW23RB	H-7 - I-16
1977 D21	I-17 - K-6
1977 D23C	K-7 - L-18

1977 D26RT INDEX

Floor Plan	F-21 - F-22
Accessories Group	F-23 - F-24
Bath Group	G-1
Chassis Group	G-2 - G-3
Curtain, Cushion & Pad Group	G-3 - G-6
Dinette Group	G-7
Driver's Compartment Group	G-7 - G-8
Electrical Group	G-9 - G-10
Exterior Body Group	G-11 - G-14
Galley Group	G-15
Heating & Air Conditioning Group	G-16
Interior Finish Group	G-17 - G-18
LP Group	G-18
Lounge Group	G-19 - G-20
Water & Sewage Group	G-20
Window, Vent & Exterior Door Group	G-21 - H-6

ACCESSORIES GROUP



Key	Part Number	U/M	Description
1	049347-01-000	EA	Mirror Head - 7 1/2" x 10 1/2" - SST
2	049348-01-000	EA	Arm - Low Mount Mirror - Bright Finish
3	049944-02-000	EA	Bracket - Mirror - Outside - Off-White

RADIOS AND RELATED COMPONENTS

Key	Part Number	U/M	Description
	031105-01-000	EA	Antenna - Radio - Side Mount
	031105-01-700	EA	Holder - Antenna - Radio - Upper
	039879-01-000	EA	Kit - Radio Speaker 5 1/4" w/Cover
	049730-01-000	EA	Radio - AM - w/Fader Switch - Clarion
	049731-01-000	EA	Radio - AM/FM/MPX Clarion w/Fader Switch
	049732-01-000	EA	Radio - Clarion AM/FM/MPX/8 Track w/Fader Switch
	044328-01-000	EA	Switch - Fader - Speaker - Balance

ACCESSORIES GROUP (CONTINUED)

GENERATORS AND COMPONENTS

Key	Part Number	U/M	Description
	007059-01-000	EA	Generator Onan 2500 Watt LK w/Mounting Bolts & Rubber Feet
	039235-01-000	EA	Kit 2500 Watt Onan LK w/Mounting Bolts & Rubber Feet
	044066-01-000	EA	Generator - 4000 Watt Onan BF
	007135-01-000	EA	Muffler - Generator Screw On Type
	039237-01-000	EA	Kit 4000, 5000 & 6500 Onan Installation w/o Bolt Package and Rubber Feet
	007058-01-000	EA	Generator 5000 Watt Onan w/Mounting Bolts and Rubber Feet
	007292-01-000	EA	Muffler - Generator
	007230-01-000	EA	Generator 6500 Watt Onan w/Mounting Bolts and Rubber Feet
	042865-01-000	EA	Scoop - Generator Air
	045226-01-000	EA	Tray Generator 36.25" x 37.75"
	701629-01-000	EA	Kohler Installation Package
**	040504-01-000	EA	Generator - 2.5 kw - Kohler
**	040505-01-000	EA	Generator - 4.0 kw - Kohler
**	040506-01-000	EA	Generator - 5.0 kw - Kohler
**	044149-01-000	EA	Generator - 6.5 kw - Kohler
**	051908-01-000	EA	Generator - 3.5 kw - Kohler
**	051909-01-000	EA	Generator - 4.5 kw - Kohler
**	051910-01-000	EA	Generator - 5.5 kw - Kohler
**	051911-01-000	EA	Generator - 7.0 kw - Kohler

**The illustrated parts breakdown for this item is provided on the Common Items Fiche.

OVERHEAD BUNK AND CABINETS

Key	Part Number	U/M	Description
	042964-14-000	EA	Door Asm. - Sliding - Rear Overhead Bunk Cabinet
	047939-02-000	EA	Door Asm. - Sliding - Rear Overhead Bunk Cabinet
	053672-84-000	EA	Door Asm. - Sliding - Rear Overhead Bunk Cabinet
	047939-02-700	EA	Door Asm. - Sliding - Rear Overhead Bunk Cabinet
	009785-01-000	FT	Track - Door Upper Dark Brown
	009786-01-000	FT	Track - Door Lower Dark Brown
	048392-01-000	EA	Bunk - Overhead - Board w/Rails Front or Rear
	042988-01-000	EA	Support Asm. Left & Right Overhead Bunk Dark Brown
	042414-01-000	FT	Trim Accent Brown - Bostonian
	038996-01-000	EA	Bunk - Strap Support

MISCELLANEOUS ACCESSORIES

Key	Part Number	U/M	Description
	006076-01-000	EA	Ladder - Bunk
	050885-01-000	EA	Owner's Manual - Winnebago
	017516-01-000	EA	Mudflap - Black - 14" x 18" w/Holes
	006069-01-000	EA	Case - Key Leather Motor Home
	007038-01-000	EA	Mat - Door - Black Rubber 10 1/2" x 26"
	006053-01-000	EA	Antenna TV - Braund Delux
	006093-01-000	EA	Jack - TV - Brown (Antenna)
**	040899-01-000	EA	Ladder Asm. w/Luggage Rack Round
**	040899-02-000	EA	Ladder Only for Rack and Ladder Asm
	006113-01-000	EA	Jack - Hydraulic 5 Ton
	041944-01-700	EA	Fire Extinguisher - w/Bracket - Dry Chemical
	034410-12-000	EA	Cover - Spare Tire - w/No "W" 32"
	039779-01-000	EA	Cap - 4" Square - Bumper
**	024746-01-000	EA	Speed Control Package 440 Dodge Lever Type A-Body
**	047841-01-000	EA	Speed Control Package 360 Dodge Lever Type A Body
**	031396-01-000	EA	Wheel Cover - 17.5" - Chrome

**The illustrated parts breakdown for this item is provided on the Common Items Fiche.

WINNEBAGO

TABLE OF CONTENTS

Introduction	A-1
Abbreviations	A-1
Alphabetical Index	A-2 - A-4
1977 MWC25D	A-5 - B-12
1977 D26CRK	B-13 - C-24
1977 MWC24D	D-1 - E-8
1977 D26CRB	E-9 - F-20
1977 D26RT	F-21 - H-6
1977 MW23RB	H-7 - I-16
1977 D21	I-17 - K-6
1977 D23C	K-7 - L-18

1977 D26RT INDEX

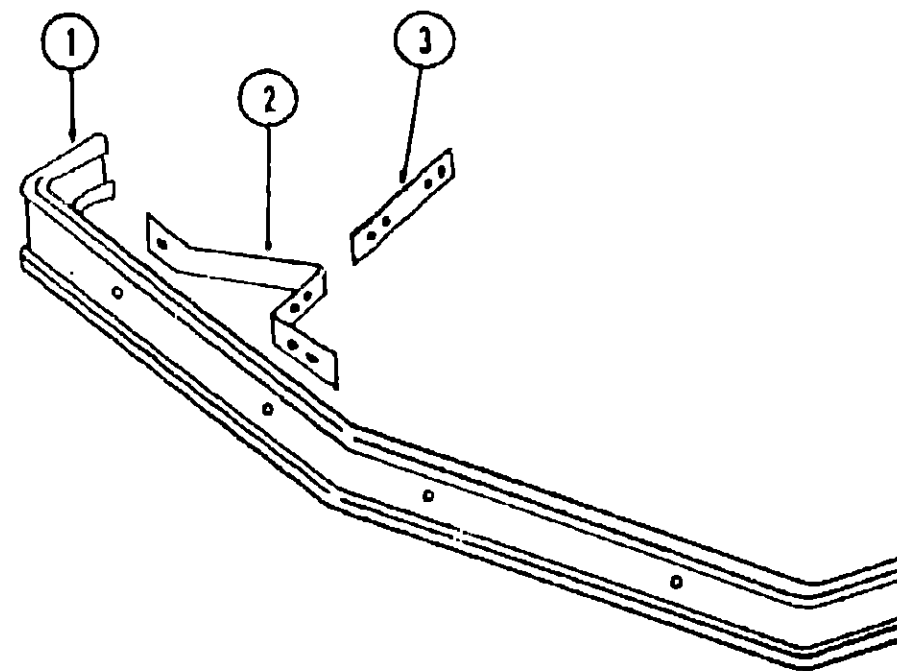
Floor Plan	F-21 - F-22
Accessories Group	F-23 - F-24
Bath Group	G-1
Chassis Group	G-2 - G-3
Curtain, Cushion & Pad Group	G-3 - G-6
Dinette Group	G-7
Driver's Compartment Group	G-7 - G-8
Electrical Group	G-9 - G-10
Exterior Body Group	G-11 - G-14
Galley Group	G-15
Heating & Air Conditioning Group	G-16
Interior Finish Group	G-17 - G-18
LP Group	G-18
Lounge Group	G-19 - G-20
Water & Sewage Group	G-20
Window, Vent & Exterior Door Group	G-21 - H-6

BATH GROUP

Key	Part Number	U/M	Description
	011086-01-000	EA	Strainer - Shower Pan
	011049-01-000	EA	Shower Head w/59" Hose
	011059-01-000	EA	Faucet - 4" Shower
	034889-03-000	EA	Cover - Screw PPH - 10 Ivory
	043861-04-700	EA	Door Asm. Bathroom w/o Hdw.
	009124-01-000	EA	Lock - Door - Push Button Brass Bathroom
	042364-04-000	EA	Door Asm. - Sliding Med. Cabinet
	009148-01-000	EA	Pull - Finger 3/4" Dia. Brass
	009785-01-000	FT	Track - Door - Upper - Dark Brown
	009786-01-000	FT	Track - Door - Lower - Dark Brown
	046112-01-000	EA	Mirror Plastic 1/4" x 31" x 33"
	046113-01-000	EA	Rosette - Plast. - Mirror Mfg.
	009134-01-000	EA	Holder Tissue
	009133-02-000	EA	Bar - Towel Rack 18" Plastic w/o Brkts.
	023449-01-000	EA	Support Towel Rack Chrome Left or Right
	049500-01-000	EA	Countertop - Lavatory w/Flip Top and Mirror Rust (Cactus)
	049500-02-000	EA	Countertop - Lavatory w/Flip Top and Mirror Gold (Inca Gold)
	049503-03-000	EA	Countertop - Lavatory w/Flip Top Mirror Beige (Sage)
	050269-01-000	EA	Door - Asm. Lavatory Countertop Only w/Mirror Rust (Cactus)
	050269-02-000	EA	Door Asm. Lavatory Countertop only w/Mirror Gold (Inca Gold)
	050269-03-000	EA	Door Asm. Lavatory Countertop only w/Mirror Beige (Sage)
	009089-01-000	EA	Clip Mirror - Plastic w/Screw
	043630-01-000	EA	Mirror 1/4" x 11" x 13"
	047107-01-000	EA	Hinge - Cont. - 14" w/Hole
	011029-01-000	EA	Sink - SST - Single Oval w-Bolts
	011051-01-000	EA	Faucet 4" Lavatory
	011081-01-000	EA	Plug 1 1/2" x 5" w/Chain
	042071-01-000	EA	Shower Pan - Plastic Ivory w/o Drain
	011041-01-700	EA	Vacuum Breaker - 1/8 MPT Nylon Shower Hose
	017063-11-000	EA	Threshold - Shower Opening - 1 3/8" x 17 3/16" - Alum.
	049501-L-000	EA	Cabinet - Medicine w/o Doors - Rust (Cactus) 047939-02-000 - Antique Birch
	053671-48-00	EA	Cabinet - Medicine w/o Doors - Rust (Cactus) 047939-02-700 - Antique Birch
	049501-02-000	EA	Cabinet - Medicine w/o Doors - Gold (Inca Gold) 047939-02-000 - Antique Birch
	053671-47-000	EA	Cabinet - Medicine w/o Doors Gold - (Inca Gold) 047939-02-700 - Antique Birch
	049501-03-000	EA	Cabinet - Medicine w/o Doors Beige (Sage) 047939-02-000 - Antique Birch
	053671-46-000	EA	Cabinet - Medicine w/o Doors Beige (Sage) 047939-02-700 - Antique Birch
	049239-01-000	EA	Drawer Asm. - Cabinet w/c Hdw. - Vanity - 047939-02-000 - Antique Birch
	053671-67-000	EA	Drawer Asm. - Cabinet w/o Hdw. - Vanity - 047939-02-700 - Antique Birch
	049236-22-000	EA	Door Asm. - Cabinet w/o Hdw. - Vanity - 047939-02-000 - Antique Birch
	053672-05-000	EA	Door Asm. Cabinet w/o Hdw. - Vanity - 047939-02-700 - Antique Birch
	049433-01-000	EA	Cabinet Lavatory w/o Door, Drawer, Countertop w/o Hdw. - 047939-02-000 - Antique Birch
	053671-51-000	EA	Cabinet Lavatory w/o Door, Drawer, Countertop or Hdw. - 047939-02-700 - Antique Birch
**	039341-02-000	EA	Stool Asm. - Ivory - Aqua Magic - Model SH

**The illustrated parts breakdown for this item is provided on the Common Items Fiche.

CHASSIS GROUP



Key	Part Number	U/M	Description
1	020959-02-000	EA	Bumper - Front - Off-White
2	023496-02-000	EA	Bracket - Bumper - Off-White
3	023520-02-000	EA	Bar - Bumper - Off-White
Key	Part Number	U/M	Description
	017568-01-000	EA	Strap - Fuel Tank Mtg.
	038883-01-000	EA	Sending Unit - Fuel - 7.8 Ohm
	024591-02-000	EA	Fill - Gas - w/Vent - 4.50" Long
	024611-01-000	EA	Cap - Gas - Pressure - 1.50" Black
	048594-01-000	EA	Tray - Battery - Steel
	005183-01-000	EA	Rod - Threaded - 5/16 - 18 x 36" Long
	040046-01-000	EA	Compartment - LP - Horizontal Plastic
	040047-01-000	EA	Bracket - LP Holddown
	035102-01-000	EA	Cover - Rear Radiator
	035280-01-000	EA	Cover - Rear Radiator
	035260-01-000	EA	Wheel Well - Plastic - Black
	007131-01-000	EA	Hanger - Tailpipe
	007125-07-000	EA	Clamp Asm. - Muffler - 2.50" Dia.
	007249-01-000	EA	Tailpipe Curved - 2 1/2" x 58"
	024841-03-000	EA	Step Asst. - Pullout
	045802-02-000	EA	Panel Asm. - Headlight - Right Off-White
	045803-02-000	EA	Panel Asm. - Headlight - Left Off-White
	045611-01-000	EA	Hoodboard - Steel - Front Right
	045611-02-000	EA	Hoodboard - Steel - Front - Left
	007062-01-000	FT	Tubing - 5/16" OD - Generator Fuel
	007134-01-000	EA	Clamp - Hose - Spring Type - 9/16"
	024138-01-000	FT	Hose - Fuel 5/16" ID
	007111-01-000	FT	Hose - Fuel 2 1/4" ID
	007137-01-000	EA	Clamp - Worm Gear 1 5/16" to 2 1/4"
	045814-01-000	EA	Fill - Gas - w/Vent 5.44" Long
	007138-01-000	EA	Clamp - 1/2" to 3/4" Dia.
	007180-01-000	EA	Gasket - 3/16" x 2" x 2" - Tire Carcass
	038882-01-000	EA	Tank - Fuel - Aux. - 27.8 Gallon
	021546-01-000	EA	Bumper Asm. - Rear - Square
	039779-01-000	EA	Cap - Bumper 4" x 4" for Square Bumper
	046043-06-000	EA	Bracket - Asm. - Rear Bumper
	016452-01-000	EA	Bracket - Tire Carrier
	040974-01-000	EA	Bracket - Retainer - Spare Tire

WINNEBAGO

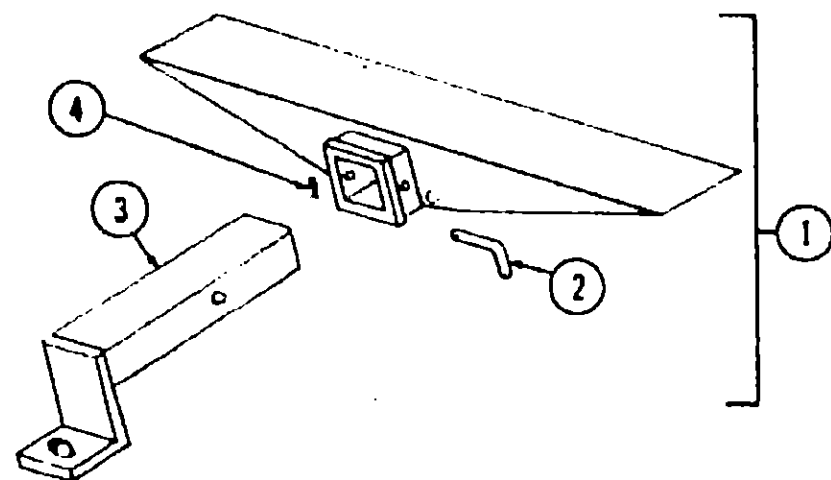
TABLE OF CONTENTS

Introduction	A-1
Abbreviations	A-1
Alphabetical Index	A-2 - A-4
1977 MWC25D	A-5 - B-12
1977 D26CRK	B-13 - C-24
1977 MWC24D	D-1 - E-8
1977 D26CRB	E-9 - F-20
1977 D26RT	F-21 - H-6
1977 MW23RB	H-7 - I-16
1977 D21	I-17 - K-6
1977 D23C	K-7 - L-18

1977 D26RT INDEX

Floor Plan	F-21 - F-22
Accessories Group	F-23 - F-24
Bath Group	G-1
Chassis Group	G-2 - G-3
Curtain, Cushion & Pad Group	G-3 - G-6
Dinette Group	G-7
Driver's Compartment Group	G-7 - G-8
Electrical Group	G-9 - G-10
Exterior Body Group	G-11 - G-14
Galley Group	G-15
Heating & Air Conditioning Group	G-16
Interior Finish Group	G-17 - G-18
LP Group	G-18
Lounge Group	G-19 - G-20
Water & Sewage Group	G-20
Window, Vent & Exterior Door Group	G-21 - H-6

CHASSIS GROUP (CONTINUED)



Key	Part Number	U/M	Description
1	023695-01-700	EA	Hitch Kit - w/Drawbar
2	034512-01-000	EA	Pin - Locking - Drawbar
3	024876-01-000	EA	Drawbar - Trailer Hitch
4	034513-01-000	EA	Pin - Hitch - 3/16" Wire Spring

CURTAIN, CUSHION AND PAD GROUP

CURTAINS

Key	Part Number	U/M	Description
	048840-21-000	EA	Curtain w/Snap Top and Bottom - 22.5" x 18" - Rust (Cactus)
	048840-22-000	EA	Curtain w/Snap Top and Bottom - 22.5" x 18" - Gold (Inca Gold)
	048840-23-000	EA	Curtain w/Snap Top and Bottom - 22.5" x 18" - Beige (Sage)
	049021-19-000	EA	Curtain - Snap Top - 33" x 36" x 6" - Rust (Cactus)
	049021-20-000	EA	Curtain - Snap Top - 33" x 36" x 6" - Gold (Inca Gold)
	049021-21-000	EA	Curtain - Snap Top - 33" x 36" x 6" - Beige (Sage)
	049487-21-000	EA	Curtain - Snap Top - Left - 25" x 39" - Rust (Cactus)
	049486-20-000	EA	Curtain - Snap Top - Left - 25" x 39" - Gold (Inca Gold)
	049486-52-000	EA	Curtain - Snap Top - Left - 25" x 39" - Beige (Sage)
	049486-53-000	EA	Curtain - Snap Top - 25" x 48" - Left - Rust (Cactus)
	049486-54-000	EA	Curtain - Snap Top - 25" x 48" - Left - Gold (Inca Gold)
	049486-55-000	EA	Curtain - Snap Top - 25" x 48" - Left - Beige (Sage)
	049488-21-000	EA	Curtain - Snap Top - Right - 25" x 39" - Rust (Cactus)
	049487-20-000	EA	Curtain - Snap Top - Right - 25" x 39" - Gold (Inca Gold)
	049487-52-000	EA	Curtain - Snap Top - Right - 25" x 39" - Beige (Sage)
	049487-53-000	EA	Curtain - Snap Top - 25" x 48" - Right - Rust (Cactus)
	049487-54-000	EA	Curtain - Snap Top - 25" x 48" - Right - Gold (Inca Gold)
	049487-55-000	EA	Curtain - Snap Top - 25" x 48" - Right - Beige (Sage)
	045730-01-000	EA	Curtain - Shower - Plastic
	050006-02-000	EA	Curtain - Blackout - 25" x 83" Brown Vinyl
	049021-06-000	EA	Curtain - Snap Top - Front Wrap - 25" x 80" - Right - Rust (Cactus)
	049021-07-000	EA	Curtain - Snap Top - Front Wrap - 25" x 80" - Right - Gold (Inca Gold)
	049021-08-000	EA	Curtain - Snap Top - Front Wrap - 25" x 80" - Right - Beige (Sage)
	049485-01-000	EA	Curtain - Snap Top - Front Wrap - 25" x 80" - Left - Rust (Cactus)
	049485-02-000	EA	Curtain - Snap Top - Front Wrap - 25" x 80" - Left - Gold (Inca Gold)
	049485-03-000	EA	Curtain - Snap Top - Front Wrap - 25" x 80" - Left - Beige (Sage)

TIE BACKS

Key	Part Number	U/M	Description
	049097-19-000	EA	Tie Back - 14" - Rust (Cactus)
	049097-20-000	EA	Tie Back - 14" - Gold (Inca Gold)
	049097-21-000	EA	Tie Back - 14" - Beige (Sage)
	049097-15-000	EA	Tie Back - 14" - Vinyl Brown
	049097-16-000	EA	Tie Back - 10" - Rust (Cactus)
	049097-17-000	EA	Tie Back - 10" - Gold (Inca Gold)
	049097-18-000	EA	Tie Back - 10" - Beige (Sage)
	031843-32-000	EA	Tie Back - 18" - Brown Vinyl (Sliding Door)

CURTAIN, CUSHION AND PAD GROUP (CONTINUED)

VALANCES

Key	Part Number	U/M	Description
	048831-63-000	EA	Valance w/Header - 5.5" x 90" - Rust (Cactus)
	048831-64-000	EA	Valance w/Header - 5.5" x 90" - Gold (Inca Gold)
	048831-65-000	EA	Valance w/Header - 5.5" x 90" - Beige (Sage)
	048831-67-000	EA	Valance w/Header - 5.5" x 34" - Rust (Cactus)
	048831-68-000	EA	Valance w/Header - 5.5" x 34" - Gold (Inca Gold)
	048831-69-000	EA	Valance w/Header - 5.5" x 34" - Beige (Sage)
	048831-70-000	EA	Valance w/Header - 5.5" x 71" - Rust (Cactus)
	048831-71-000	EA	Valance w/Header - 5.5" x 71" - Gold (Inca Gold)
	048831-72-000	EA	Valance w/Header - 5.5" x 71" - Beige (Sage)
	048831-73-000	EA	Valance w/Header - 5.5" x 76" - Rust (Cactus)
	048831-74-000	EA	Valance w/Header - 5.5" x 76" - Gold (Inca Gold)
	048831-75-000	EA	Valance w/Header - 5.5" x 76" - Beige (Sage)

FABRICS, TRIMS AND PADS

Key	Part Number	U/M	Description
	046588-01-000	YD	Fabric Upholstery Rust (Cactus)
	046588-02-000	YD	Fabric Upholstery Gold (Inca Gold)
	046588-03-000	YD	Fabric Upholstery Beige (Sage)
	043619-01-000	YD	Fabric Drapery Rust (Cactus)
	043619-02-000	YD	Fabric Drapery Gold (Inca Gold)
	043619-03-000	YD	Fabric Drapery Beige (Sage)
	042411-01-000	YD	Vinyl - Nonexpanded 27 Oz. - Bostonian Brown
	042411-03-000	YD	Vinyl - Non Support 16 Ga. Film - Bostonian Brown
	042411-02-000	YD	Vinyl - Expanded 28 Oz. - Bostonian Brown
	043481-01-000	EA	Button Asm. - Brown Vinyl
	042414-01-000	FT	Trim - Accent Brown Vinyl
	045575-01-000	EA	Lid - Stool - Vanity - Brown Vinyl
	045575-02-000	EA	Base - Stool - Vanity - Brown Vinyl

CURTAIN HARDWARE

Key	Part Number	U/M	Description
	009136-01-000	EA	Hook - Shower Curtain (Blackout Curtain)
	009107-01-000	EA	Guide - Nylon Snap
	050327-04-236	EA	Curtain Track - Alum. - Brown 89" w/Holes
	009701-01-000	EA	Roller - Curtain - "L" Rod
	009702-01-000	EA	Stop - End - Curtain - "L" Rod
	018031-42-000	EA	Track - Curtain - "L" Rod - 90" - Alum.
	042439-01-000	EA	Bracket - Curtain - Rod - Single
	049897-02-000	EA	Rod - Curtain - Flat - Extends 48" - 86"
	049897-01-000	EA	Rod - Curtain - Flat - Extends 25" - 45"
	049736-01-000	FT	Track - Curtain - Plastic - 3' - Brown
	049737-01-000	EA	Cap - End - Brown Plastic Curtain Track (use with 049736-01-000 Track)
	049738-01-000	EA	Carrier - Curtain Snap - White Plastic (use with 049736-01-000 Track)
	050826-01-000	EA	Track - Curtain - Wraparound - Left
	050826-02-000	EA	Track - Curtain - Wraparound - Right



Key	Part Number	U/M	Description
1	029130-01-000	EA	Socket - Snap Fastener 7 x 5/8" (Tie Back)
2	028155-01-000	EA	Cap - Snap - .153" Dia. x .17" Barrel (Tie Back)
3	029156-01-000	EA	Socket - Snap Fastener (Tie Back)
4	029092-01-000	EA	Stud Nickel Finish (Curtain)
5	029093-01-000	EA	Eyelet - Nickel Finish (Curtain)

WINNEBAGO

TABLE OF CONTENTS

Introduction	A-1
Abbreviations	A-1
Alphabetical Index	A-2 - A-4
1977 MWC25D	A-5 - B-12
1977 D26CRK	B-13 - C-24
1977 MWC24D	D-1 - E-8
1977 D26CRB	E-9 - F-20
1977 D26RT	F-21 - H-6
1977 MW23RB	H-7 - I-18
1977 D21	I-17 - K-6
1977 D23C	K-7 - L-18

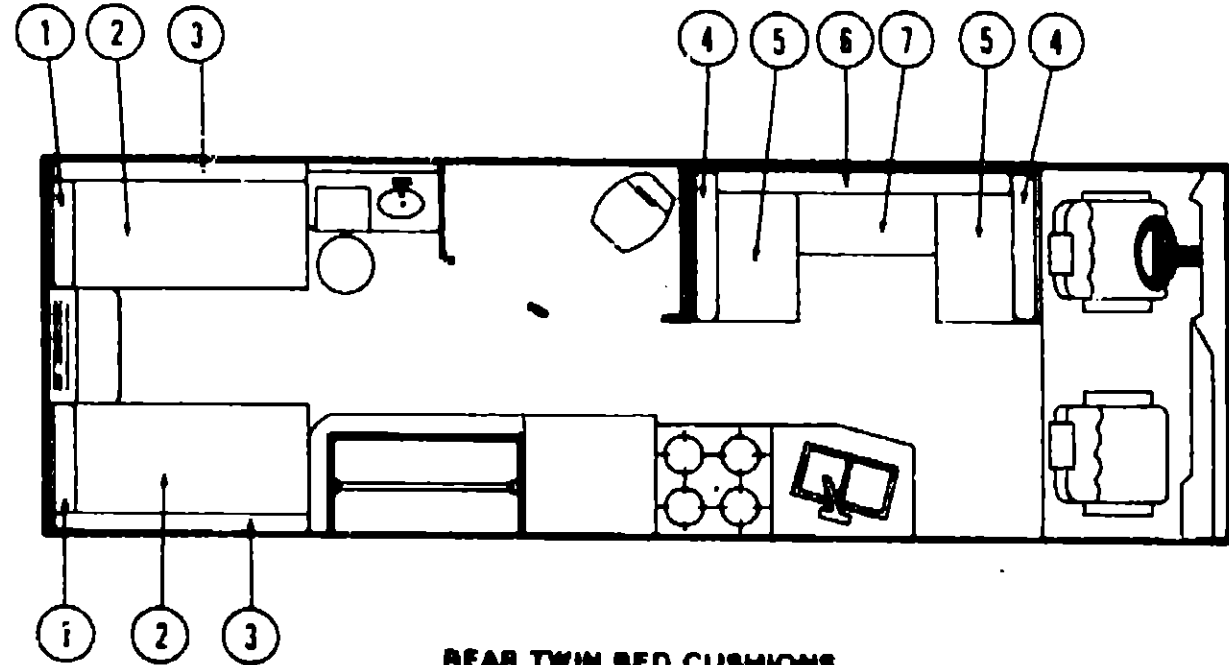
1977 D26RT INDEX

Floor Plan	F-21 - F-22
Accessories Group	F-23 - F-24
Bath Group	G-1
Chassis Group	G-2 - G-3
Curtain, Cushion & Pad Group	G-3 - G-6
Dinette Group	G-7
Driver's Compartment Group	G-7 - G-8
Electrical Group	G-9 - G-10
Exterior Body Group	G-11 - G-14
Galley Group	G-15
Heating & Air Conditioning Group	G-16
Interior Finish Group	G-17 - G-18
LP Group	G-18
Lounge Group	G-19 - G-20
Water & Sewage Group	G-20
Window, Vent & Exterior Door Group	G-21 - H-6

CURTAIN, CUSHION AND PAD GROUP (CONTINUED)

OPTIONAL REAR HORSESHOE LOUNGE CUSHIONS

Key	Part Number	U/M	Description
	048839-58-000	EA	Cushion - Mitered - 13" x 76" x 4" - Rust (Cactus)
	048839-59-000	EA	Cushion - Mitered - 13" x 76" x 4" - Gold (Inca Gold)
	048839-60-000	EA	Cushion - Mitered - 13" x 76" x 4" - Beige (Sage)
	048839-58-058	EA	Cover - Cushion - 13" x 76" x 4" - Rust (Cactus)
	048839-59-059	EA	Cover - Cushion - 13" x 76" x 4" - Gold (Inca Gold)
	048839-60-060	EA	Cover - Cushion - 13" x 76" x 4" - Beige (Sage)
	048839-61-000	EA	Cushion - Mitered - 28.5" x 25.5" x 4" - Rust (Cactus)
	048839-62-000	EA	Cushion - Mitered - 28.5" x 25.5" x 4" - Gold (Inca Gold)
	048839-63-000	EA	Cushion - Mitered - 28.5" x 25.5" x 4" - Beige (Sage)
	048839-61-061	EA	Cover - Cushion - Mitered - 28.5" x 25.5" x 4" - Rust (Cactus)
	048839-62-062	EA	Cover - Cushion - Mitered - 28.5" x 25.5" x 4" - Gold (Inca Gold)
	048839-63-063	EA	Cover - Cushion - Mitered - 28.5" x 25.5" x 4" - Beige (Sage)
	048839-64-000	EA	Cushion - Mitered - 25.25" x 76" x 4" - Rust (Cactus)
	048839-65-000	EA	Cushion - Mitered - 25.25" x 76" x 4" - Gold (Inca Gold)
	048839-66-000	EA	Cushion - Mitered - 25.25" x 76" x 4" - Beige (Sage)
	048839-64-064	EA	Cover - Cushion - Mitered - 25.25" x 76" x 4" - Rust (Cactus)
	048839-65-065	EA	Cover - Cushion - Mitered - 25.25" x 76" x 4" - Gold (Inca Gold)
	048839-66-066	EA	Cover - Cushion - Mitered - 25.25" x 76" x 4" - Beige (Sage)
	049598-13-000	EA	Cushion - Bolster - 4" x 7" x 13" x 22.75" - Rust (Cactus)
	049598-14-000	EA	Cushion - Bolster - 4" x 7" x 13" x 22.75" - Gold (Inca Gold)
	049598-15-000	EA	Cushion - Bolster - 4" x 7" x 13" x 22.75" - Beige (Sage)
	049598-13-013	EA	Cover - Cushion - Bolster - 4" x 7" x 13" x 22.75" - Rust (Cactus)
	049598-14-014	EA	Cover - Cushion - Bolster - 4" x 7" x 13" x 22.75" - Gold (Inca Gold)
	049598-15-015	EA	Cover - Cushion - Bolster - 4" x 7" x 13" x 22.75" - Beige (Sage)



REAR TWIN BED CUSHIONS

Key	Part Number	U/M	Description
1	049598-10-000	EA	Cushion - Bolster - 7" x 12" x 28" x 13.5" - Rust (Cactus)
1	049598-11-000	EA	Cushion - Bolster - 7" x 12" x 28" x 13.5" - Gold (Inca Gold)
1	049598-12-000	EA	Cushion - Bolster - 7" x 12" x 28" x 13.5" - Beige (Sage)
	049598-10-010	EA	Cover - Cushion - 7" x 12" x 28" x 13.5" - Rust (Cactus)
	049598-11-011	EA	Cover - Cushion - 7" x 12" x 28" x 13.5" - Gold (Inca Gold)
	049598-12-012	EA	Cover - Cushion - 7" x 12" x 28" x 13.5" - Beige (Sage)
2	049968-07-000	EA	Cushion - Mitered - 13.5" x 76" x 5" - Rust (Cactus)
2	049968-08-000	EA	Cushion - Mitered - 13.5" x 76" x 5" - Gold (Inca Gold)
2	049968-09-000	EA	Cushion - Mitered - 13.5" x 76" x 5" - Beige (Sage)
	049968-07-007	EA	Cover - Cushion - Mitered - 13.5" x 76" x 5" - Rust (Cactus)
	049968-08-008	EA	Cover - Cushion - Mitered - 13.5" x 76" x 5" - Gold (Inca Gold)
	049968-09-009	EA	Cover - Cushion - Mitered - 13.5" x 76" x 5" - Beige (Sage)
3	048839-55-000	EA	Cushion - Mitered - 33" x 76" x 4" - Rust (Cactus)
3	048839-56-000	EA	Cushion - Mitered - 33" x 76" x 4" - Gold (Inca Gold)
3	048839-57-000	EA	Cushion - Mitered - 33" x 76" x 4" - Beige (Sage)
	048839-55-055	EA	Cover - Cushion - 33" x 76" x 4" - Rust (Cactus)
	048839-56-056	EA	Cover - Cushion - 33" x 76" x 4" - Gold (Inca Gold)
	048839-57-057	EA	Cover - Cushion - 33" x 76" x 4" - Beige (Sage)

CURTAIN, CUSHION AND PAD GROUP (CONTINUED)

DINETTE CUSHIONS

Key	Part Number	U/M	Description
4	048839-25-000	EA	Cushion - Mitered - 14" x 38" x 4" - Rust (Cactus)
4	048839-26-000	EA	Cushion - Mitered - 14" x 38" x 4" - Gold (Inca Gold)
4	048839-27-000	EA	Cushion - Mitered - 14" x 38" x 4" - Beige (Sage)
	048839-25-025	EA	Cover - Cushion - 14" x 38" x 4" - Rust (Cactus)
	048839-26-026	EA	Cover - Cushion - 14" x 38" x 4" - Gold (Inca Gold)
	048839-27-027	EA	Cover - Cushion - 14" x 38" x 4" - Beige (Sage)
5	048839-22-000	EA	Cushion - Mitered - 22.5" x 38" x 4" - Rust (Cactus)
5	048839-23-000	EA	Cushion - Mitered - 22.5" x 38" x 4" - Gold (Inca Gold)
5	048839-24-000	EA	Cushion - Mitered - 22.5" x 38" x 4" - Beige (Sage)
	048839-22-022	EA	Cover - Cushion - 22.5" x 38" x 4" - Rust (Cactus)
	048839-23-023	EA	Cover - Cushion - 22.5" x 38" x 4" - Gold (Inca Gold)
	048839-24-024	EA	Cover - Cushion - 22.5" x 38" x 4" - Beige (Sage)
6	049968-04-000	EA	Cushion - Mitered - 14" x 68" x 2" - Rust (Cactus)
6	049968-05-000	EA	Cushion - Mitered - 14" x 68" x 2" - Gold (Inca Gold)
6	049968-06-000	EA	Cushion - Mitered - 14" x 68" x 2" - Beige (Sage)
	049968-04-004	EA	Cover - Cushion - 14" x 68" x 2" - Rust (Cactus)
	049968-05-005	EA	Cover - Cushion - 14" x 68" x 2" - Gold (Inca Gold)
	049968-06-006	EA	Cover - Cushion - 14" x 68" x 2" - Beige (Sage)
7	048839-52-000	EA	Cushion - Mitered - 21" x 31" x 4" - Rust (Cactus)
7	048839-53-000	EA	Cushion - Mitered - 21" x 31" x 4" - Gold (Inca Gold)
7	048839-54-000	EA	Cushion - Mitered - 21" x 31" x 4" - Beige (Sage)
	048839-52-052	EA	Cover - Cushion - 21" x 31" x 4" - Rust (Cactus)
	048839-53-053	EA	Cover - Cushion - 21" x 31" x 4" - Gold (Inca Gold)
	048839-54-054	EA	Cover - Cushion - 21" x 31" x 4" - Beige (Sage)

MATTRESS

Key	Part Number	U/M	Description
	041914-38-000	EA	Mattress - Flex - Front or Rear - 42" x 79" x 4" - Rust (Cactus)
	041914-39-000	EA	Mattress - Flex - Front or Rear - 42" x 79" x 4" - Gold (Inca Gold)
	041914-40-000	EA	Mattress - Flex - Front or Rear - 42" x 79" x 4" - Beige (Sage)
	041914-38-038	EA	Cover - Flex Mattress - Front or Rear - 42" x 79" x 4" - Rust (Cactus)
	041914-39-039	EA	Cover - Flex Mattress - Front or Rear - 42" x 79" x 4" - Gold (Inca Gold)
	041914-40-040	EA	Cover - Flex Mattress - Front or Rear - 42" x 79" x 4" - Beige (Sage)

BUCKET SEATS, ARMRESTS AND HEADRESTS

Key	Part Number	U/M	Description
	040517-10-000	EA	Seat Asm. - Single Bucket w/o Slide - Rust (Cactus)
	040517-11-000	EA	Seat Asm. - Single Bucket w/o Slide - Gold (Inca Gold)
	040517-12-000	EA	Seat Asm. - Single Bucket w/o Slide - Beige (Sage)
	040516-20-001	EA	Cover - Single Bucket - Bottom - Rust (Cactus)
	040516-21-001	EA	Cover - Single Bucket - Bottom - Gold (Inca Gold)
	040516-22-001	EA	Cover - Single Bucket - Bottom - Beige (Sage)
	040516-20-002	EA	Cover - Single Bucket - Back - Rust (Cactus)
	040516-21-002	EA	Cover - Single Bucket - Back - Gold (Inca Gold)
	040516-22-002	EA	Cover - Single Bucket - Back - Beige (Sage)
	033902-10-000	EA	Seat Asm. - Double Bucket - Rust (Cactus)
	033902-11-000	EA	Seat Asm. - Double Bucket - Gold (Inca Gold)
	033902-12-000	EA	Seat Asm. - Double Bucket - Beige (Sage)
	033902-10-001	EA	Cover - Double Bucket - Bottom - Rust (Cactus)
	033902-11-001	EA	Cover - Double Bucket - Bottom - Gold (Inca Gold)
	033902-12-001	EA	Cover - Double Bucket - Bottom - Beige (Sage)
	033902-10-002	EA	Cover - Double Bucket - Back - Rust (Cactus)
	033902-11-002	EA	Cover - Double Bucket - Back - Gold (Inca Gold)
	033902-12-002	EA	Cover - Double Bucket - Back - Beige (Sage)
	033906-33-000	EA	Headrest Cover - Rust (Cactus)
	033906-34-000	EA	Headrest Cover - Gold (Inca Gold)
	033906-35-000	EA	Headrest Cover - Beige (Sage)
	019722-01-000	EA	Headrest Asm. - Foam w/o Cover
	050280-01-000	EA	Armrest Cover - Right or Left - Rust (Cactus)
	050280-02-000	EA	Armrest Cover - Right or Left - Gold (Inca Gold)
	050290-03-000	EA	Armrest Cover - Right or Left - Beige (Sage)
	050275-01-700	EA	Armrest Asm. - Foam w/o Cover - Right
	050276-01-700	EA	Armrest Asm. - Foam w/o Cover - Left
	031133-01-000	EA	Protector - Driver Seat 6" Tan Plastic
	029134-01-000	EA	Clip Finish - Upholstery
	029136-01-000	EA	Grommet - Headrest Nylon
	036858-04-000	EA	Screw Shoulder 3/8" x 3/8" Hex Socket (Armrest)
	046179-01-000	EA	Screw Shoulder 3/8" x 5/8" Hex Socket (Armrest)

WINNEBAGO

TABLE OF CONTENTS

Introduction	A-1
Abbreviations	A-1
Alphabetical Index	A-2 - A-4
1977 MWC25D	A-5 - B-12
1977 D26CRK	B-13 - C-24
1977 MWC24D	D-1 - E-8
1977 D26CRB	E-9 - F-20
1977 D26RT	F-21 - H-6
1977 MW23RB	H-7 - I-16
1977 D21	I-17 - K-6
1977 D23C	K-7 - L-18

1977 D26RT INDEX

Floor Plan	F-21 - F-22
Accessories Group	F-23 - F-24
Bath Group	G-1
Chassis Group	G-2 - G-3
Curtain, Cushion & Pad Group	G-3 - G-6
Dinette Group	G-7
Driver's Compartment Group	G-7 - G-8
Electrical Group	G-9 - G-10
Exterior Body Group	G-11 - G-14
Galley Group	G-15
Heating & Air Conditioning Group	G-16
Interior Finish Group	G-17 - G-18
LP Group	G-18
Lounge Group	G-19 - G-20
Water & Sewage Group	G-20
Window, Vent & Exterior Door Group	G-21 - H-6

DINETTE GROUP

Key	Part Number	U/M	Description
	042770-04-700	EA	Table Asm. - Dinette w/o Hdw. Rust (Cactus)
	042770-05-700	EA	Table Asm. - Dinette w/o Hdw. Gold (Inca Gold)
	042770-06-700	EA	Table Asm. - Dinette w/o Hdw. Beige (Sage)
	009040-02-000	EA	Leg - Table 2 1/2" Dia. x 28" Chrome
	009040-03-000	EA	Base - Table Leg
	041194-01-000	EA	Base - Table Leg Recessed
	042773-02-000	EA	Seat Asm. - Back Dinette - 049174-02-000 - Antique Birch
	053673-02-000	EA	Seat Asm. - Back Dinette - 049174-02-700 - Antique Birch
	049236-23-000	EA	Door Asm. - Dinette Seat w/o Hdw. - 049174-02-000 - Antique Birch
	053672-04-000	EA	Door Asm. - Dinette Seat w/o Hdw. - 049174-02-700 - Antique Birch
	048518-01-000	EA	Cabinet Ovhd. - Dinette w/o Doors or Hardware - 047939-02-000 - Antique Birch
	053671-41-000	EA	Cabinet Ovhd. - Dinette w/o Doors or Hardware - 047939-02-700 - Antique Birch
	048236-24-000	EA	Door Asm. - Ovhd. Cabinet w/o Hdw. - 047939-02-000 - Antique Birch
	053672-03-000	EA	Door Asm. - Ovhd. Cabinet w/o Hdw. - 047939-02-700 - Antique Birch

DRIVER'S COMPARTMENT GROUP

DASH PANELS AND COMPONENTS

Key	Part Number	U/M	Description
	031623-08-000	EA	Dash Asm. - w/Pads, Gauges and Switches
	022548-03-000	EA	Pad - Dash - Foam Right Dark Brown
	023242-04-000	EA	Pad - Dash - Foam Left Dark Brown
	022219-01-000	EA	Door - Glove Compartment
	009110-01-000	EA	Lock - Twist w/Nut
	023892-01-000	EA	Box - Glove Compartment - Black Fiberboard
	009016-01-000	EA	Hinge - Continuous - Alum. 1 1/16" x 72" Plain
	034309-01-000	EA	Chain - Bead - Glove Box Door
	024418-01-000	EA	Lamp - Asm. - Map/Gauge
	031047-01-000	EA	Plate - Cover - Gauges
	031048-01-000	EA	Plate - Cover - Switches
	007308-01-000	EA	Clock - Dash
	007037-01-000	EA	Lighter - Asm. - Cigarette 12V
	007041-01-000	EA	Bezel - Cigarette Lighter
	024979-01-000	EA	Bezel - Entertainment Center
	007071-01-000	EA	Louver - Chrome - w/Chrome Wheel
	022547-01-000	EA	Bezel - Panel - Control
	023020-01-000	EA	Lamp Asm. - Tell Tale
	024990-02-000	EA	Outlet - Defroster - w/Swivel - 2" Dark Brown
	039044-01-000	EA	Louver Asm. - A/C Adjustable
	040636-01-000	EA	Bracket Asm. - Shift Lever
	042980-01-000	EA	Nameplate Brave - Brown/Silver

BUCKET SEAT PEDESTAL AND SEAT BELTS

Key	Part Number	U/M	Description
	038832-01-000	EA	Rod - Seat Adjuster
	041654-01-000	EA	Pedestal - Base - Single & Double Seat
	007223-01-000	EA	Adjuster - Asm. - Seat w/Lock
	007227-01-000	EA	Adjuster - Seat - w/o Lock
	041459-01-000	EA	Pedestal - Top - Single Seat
	007019-01-000	EA	Welt Asm. - Seat - 2" x 64" Black
	041322-01-000	EA	Washer - Flat 15/32" I.D. x 2 3/8" O.D. - Seat Belt

DRIVER'S COMPARTMENT GROUP (CONTINUED)

DASH SWITCHES AND GAUGES

Key	Part Number	U/M	Description
	031376-02-000	EA	Heater - Control Asm. - 2 Speed
	024907-01-000	EA	Control Asm. - Heater - A/C - 3 Speed
	024461-01-000	EA	Switch - Battery
	024463-01-000	EA	Switch - Blinker
	024464-01-000	EA	Switch - Washer
	024465-01-000	EA	Switch - Fuel
	024467-01-000	EA	Switch - Wiper
	024459-01-000	EA	Gauge Asm. - Voltmeter
	024460-01-000	EA	Gauge Vacuum Dash
	024462-01-000	EA	Switch - Battery Condition
	031035-01-000	EA	Gauge - Hourmeter Generator
	024976-01-000	EA	Switch - Generator 2500 LK Onan
	037387-01-000	EA	Switch - Generator w/Circuit Board

MISCELLANEOUS DRIVER'S COMPARTMENT COMPONENTS

Key	Part Number	U/M	Description
	048583-01-000	EA	Tray - Beverage
	048670-01-000	EA	Track Asm. - Beverage (2 per tray)
	034800-01-000	EA	Cover - Motor - Plastic
	039857-01-000	EA	Latch - Rubber - Draw Handle 5 3/4" w/Strike
	039856-01-000	EA	Latch - Rubber - Draw Handle 3" w/Strike
	040519-01-000	EA	Boot - Rubber - Steering Column
	040520-01-000	EA	Boot - Retainer - Steering Column
	034499-01-000	EA	Support - Dimmer Switch
	036414-01-000	EA	Ashtray
	044699-01-000	EA	Panel - Side - Interior - Left
	044700-01-000	EA	Panel - Side - Interior - Right
	022758-04-000	EA	Sunvisor Asm. - Right Bostonian
	022759-06-000	EA	Sunvisor Asm. - Left Bostonian
	041842-01-000	EA	Clip - Sunvisor Rod - Brown Plastic
	009143-01-000	EA	Mirror - Sunvisor
	007278-01-000	EA	Mirror - Rear View
	048391-02-000	EA	Cabinet - Front Overhead - w/o Doors
	042964-14-000	EA	Door Asm. - Sliding - Front Overhead - 047939-02-000 - Antique Birch
	053672-64-000	EA	Door Asm. - Sliding - Front Overhead - 047939-02-700 - Antique Birch

WINNEBAGO

TABLE OF CONTENTS

Introduction	A-1
Abbreviations	A-1
Alphabetical Index	A-2 - A-4
1977 MWC25D	A-5 - B-12
1977 D26CRK	B-13 - C-24
1977 MWC24D	D-1 - E-8
1977 D26CRB	E-9 - F-20
1977 D26RT	F-21 - H-8
1977 MW23RB	H-7 - I-16
1977 D21	I-17 - K-6
1977 D23C	K-7 - L-18

1977 D26RT INDEX

Floor Plan	F-21 - F-22
Accessories Group	F-23 - F-24
Bath Group	G-1
Chassis Group	G-2 - G-3
Curtain, Cushion & Pad Group	G-3 - G-8
Dinette Group	G-7
Driver's Compartment Group	G-7 - G-8
Electrical Group	G-9 - G-10
Exterior Body Group	G-11 - G-14
Galley Group	G-15
Heating & Air Conditioning Group	G-16
Interior Finish Group	G-17 - G-18
LP Group	G-18
Lounge Group	G-19 - G-20
Water & Sewage Group	G-20
Window, Vent & Exterior Door Group	G-21 - H-8

ELECTRICAL GROUP

BULBS

Key	Part Number	U/M	Description
	037935-01-000	EA	Bulb - 1157
	038010-01-000	EA	Bulb - 1143
	008103-01-000	EA	Bulb - 53
	008213-01-000	EA	Bulb - 57
	008214-01-000	EA	Bulb - 57
	008215-01-000	EA	Bulb - 1003
	008216-01-000	EA	Bulb - 1034
	008217-01-000	EA	Bulb - 1173
	008218-01-000	EA	Bulb - 1141
	008219-01-000	EA	Bulb - 656
	008220-01-000	EA	Bulb - 12V - 25W
	036196-01-000	EA	Bulb - 194
	700020-01-000	EA	Bulb - 12V - 20W 1383

EXTERIOR LIGHTS

Key	Part Number	U/M	Description
	008089-01-000	EA	Light - Porch - Recessed
	031054-01-000	EA	Lamp Asm. - Tail - Left - White
	031054-01-701	EA	Lens - Tail Lamp - Left
	031055-01-000	EA	Lamp Asm. - Tail - Right - White
	031055-01-701	EA	Lens - Tail Lamp - Right
	042405-03-000	EA	Base - Rectangular Clearance Light
	042405-04-000	EA	Lens - Rectangular Light - Red
	042405-05-000	EA	Lens - Rectangular Light - Amber

INTERIOR LIGHTS

Key	Part Number	U/M	Description
	024418-01-000	EA	Lamp Asm. - Map/Gzage/Aisle
	024473-01-000	EA	Light - Aircraft - 1 Bulb Gold
	033508-01-000	EA	Light - Dome - White 1 Bulb
	024842-01-701	EA	Lens - Dome Light - 1 Bulb
	033509-01-000	EA	Light - Dome - White - 2 Bulb
	024843-01-701	EA	Lens - Dome Light - 2 Bulb
	008102-01-000	EA	Light - Corner Mount - Multibulb

FUSES AND CIRCUIT BREAKERS

Key	Part Number	U/M	Description
	008233-01-000	EA	Fuse - 12 Volt - 6 Amp.
	008234-01-000	EA	Fuse - 12 Volt - 10 Amp.
	008235-01-000	EA	Fuse - 12 Volt - 15 Amp.
	008236-01-000	EA	Fuse - 12 Volt - 20 Amp.
	008248-01-000	EA	Fuse - 110 Volt - 30 Amp.
	008252-01-000	EA	Fuse - 110 Volt - 50 Amp.
	008209-01-000	EA	Circuit Breaker - 12 Volt - 40 Amp.
	008211-01-000	EA	Circuit Breaker - 12 Volt - 6 Amp.
	008238-01-000	EA	Circuit Breaker - 12 Volt - 30 Amp. w/Mount
	033573-01-000	EA	Circuit Breaker - 12 Volt - 20 Amp. w/Mount
	033573-02-000	EA	Circuit Breaker - 12 Volt - 15 Amp. w/Mount
	040051-01-000	EA	Circuit Breaker - 110 Volt - 20 Amp. TQL
	033484-01-000	EA	Circuit Breaker - 30 Amp. - Air Conditioner
	052012-01-000	EA	Circuit Breaker - 50 Amp. - Air Conditioner

ELECTRICAL GROUP (CONTINUED)

WINDSHIELD WIPER & WASHER

Key	Part Number	U/M	Description
**	037998-01-000	EA	Link Asm. - Connecting - 22.40" Long
**	037999-01-000	EA	Motor Asm. - Windshield Wiper - Front
**	038001-01-000	EA	Shaft and Pivot Asm. - 2.25" Arm
**	049463-01-000	EA	Arm - Windshield Wiper - 15" Black
**	049464-01-000	EA	Blade - Windshield Wiper - 16" Black
**	007029-01-000	EA	Washer Asm. - Windshield Power Jet Electric - Front
**	700073-05-000	EA	Pump and Cover Asm. - for Windshield Washer - Front or Rear
**	700073-04-000	EA	Reservoir Only - Water - Windshield Washer - Front or Rear
**	700073-02-000	EA	Washer Nozzle Hardware Package - Front

**The illustrated parts breakdown for this item is provided on the Common Items Fiche.

WIRE, SWITCHES AND RECEPTACLES

Key	Part Number	U/M	Description
	008024-01-000	FT	Wire - 18.5 Bonded - Orange/White/Yellow/Blue/Brown
	008025-01-000	FT	Wire - 18.5 Bonded - Orange/White/Yellow/Blue/Green
	008028-01-000	FT	Wire - 18.5 Bonded - Blue/Red/Yellow/Orange/White
	008030-01-000	FT	Wire - 18.4 Bonded
	008251-01-000	EA	Holder - Fuse - Black - Screw Type
	008277-01-000	EA	Holder - Fuse - Black - Panel Mount
	008195-01-000	EA	Switch - Push Button - 12 Volt
	008077-01-000	EA	Plaque - Compressor Switch
	008054-01-000	EA	Cord - Power - 10-3 30 Amp. - 25' - UL
	034818-04-000	EA	Holder - Receptacle - Plastic
	039338-01-000	EA	Cover Plate - Receptacle - Plastic - Brown
	039339-01-000	EA	Receptacle - Duplex Brown - End of line
	039342-01-000	EA	Receptacle - Duplex Brown - T Junction
	024571-01-000	EA	Cover Plate - Receptacle - Jumbo Steel Brown
	039343-01-000	EA	Cap - End - Receptacle
	008162-01-000	EA	Switch - Double Toggle - Spade Brown
	008163-01-000	EA	Switch - Toggle Brown
	024924-01-000	EA	Receptacle - Power Cord
	008058-01-000	EA	Adaptor - Power Cord
	047353-01-000	EA	Cover - Receptacle - Ground Fault
	047351-01-000	EA	Receptacle - Ground Fault Interrupter - 125 Volt Black
	040223-01-000	EA	Holder Asm. - Fuse - 30 Amp.

MISCELLANEOUS ELECTRICAL COMPONENTS

Key	Part Number	U/M	Description
	047338-01-000	EA	Isolator - Dual Battery
	047389-01-700	EA	Battery - 12 Volt - 105 Amp. Deep Cycle - Dry
	008188-01-000	EA	Solenoid - Dual Battery - Relay
	046775-01-000	EA	Valve - Gas - Change Over - 3 Way
	036617-01-000	EA	Relay - Canister - SPDT
	039950-02-000	EA	Control Center - 30 Amp. w/Door - UL
	048812-01-000	EA	Panel - Control - Water/Double Sewage - Wemac
	039861-01-000	EA	Sanding Unit Kit - Wemac

WINNEBAGO

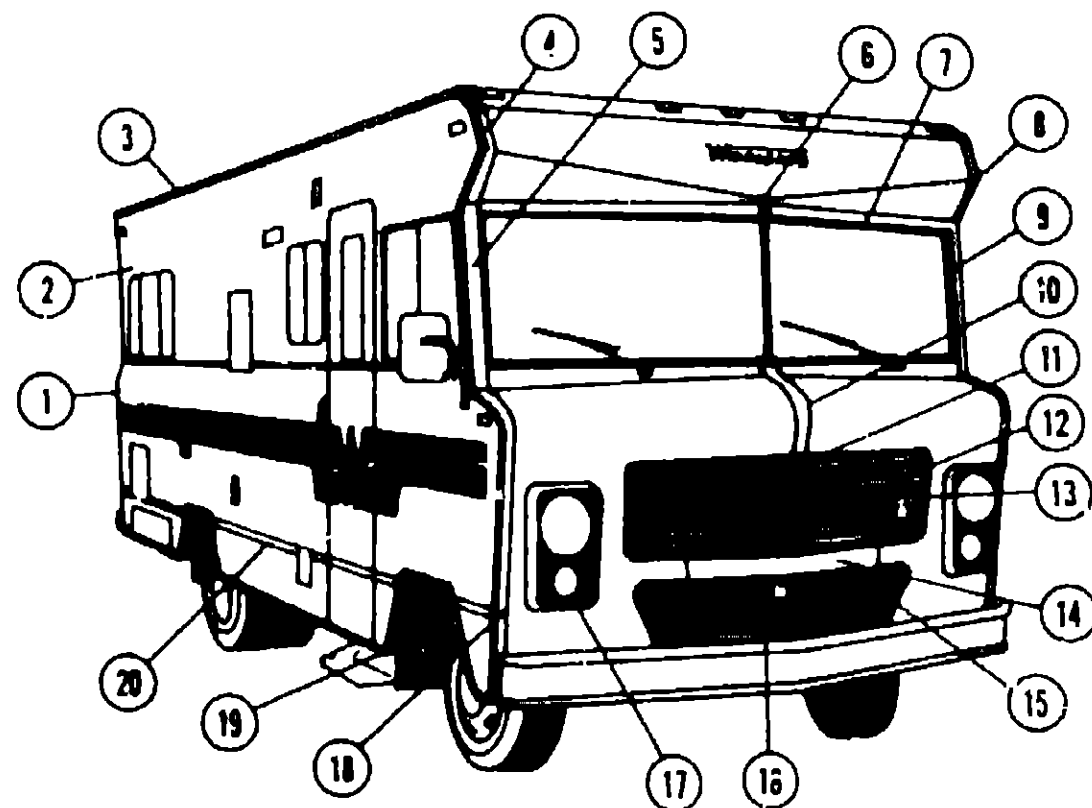
TABLE OF CONTENTS

Introduction	A-1
Abbreviations	A-1
Alphabetical Index	A-2 - A-4
1977 MWC25D	A-5 - B-12
1977 D26CRK	B-13 - C-24
1977 MWC24D	D-1 - E-8
1977 D26CRB	E-9 - F-20
1977 D26RT	F-21 - H-6
1977 MW23RB	H-7 - I-16
1977 D21	I-17 - K-6
1977 D23C	K-7 - L-16

1977 D26RT INDEX

Floor Plan	F-21 - F-22
Accessories Group	F-23 - F-24
Bath Group	G-1
Chassis Group	G-2 - G-3
Curtain, Cushion & Pad Group	G-3 - G-6
Dinette Group	G-7
Driver's Compartment Group	G-7 - G-8
Electrical Group	G-9 - G-10
Exterior Body Group	G-11 - G-14
Galley Group	G-15
Heating & Air Conditioning Group	G-16
Interior Finish Group	G-17 - G-18
LP Group	G-18
Lounge Group	G-19 - G-20
Water & Sewage Group	G-20
Window, Vent & Exterior Door Group	G-21 - H-6

EXTERIOR BODY GROUP



Key	Part Number	U/M	Description
1	015251-03-000	EA	Trim - Contour - Right Rear Lower
•	015252-03-000	EA	Trim - Contour - Left Rear Lower
2	021213-02-000	EA	Trim - Contour - Right Rear Upper
•	020985-02-000	EA	Trim - Contour - Left Rear Upper
3	044381-02-001	EA	Extrusion - Anodized Awning Rail - 16'
4	042801-04-000	EA	Trim - Contour - Right Front Upper
5	042894-04-000	EA	Trim - Contour - Right - Windshield
6	024582-03-000	EA	Trim - Roof - Center Front
7	043988-01-000	EA	Trim - Windshield - 91"
8	042801-02-000	EA	Trim - Contour - Left Front Upper
9	042894-02-000	EA	Trim - Contour - Left - Windshield
10	024581-04-000	EA	Trim - Center - Front Wall
11	024764-01-000	EA	Trim - Anodized - Upper Grille - Top Center
12	043251-01-000	EA	Grille Asm. - Upper
•	035388-01-000	EA	Hood Pin Kit - 7/16" - 20 x 3.5" Long
•	044188-01-000	EA	Rod - Grille
13	044155-01-000	EA	Trim - Upper Grille - Side - Left or Right
14	048542-03-000	EA	Center Asm. - Grille - Between Upper and Lower Grille
15	043253-02-000	EA	Trim - Lower Grille - Side - Left
•	043253-01-000	EA	Trim Lower Grille Side - Right

Key	Part Number	U/M	Description
16	043254-01-000	EA	Grille Asm. - Lower
17	046774-02-000	EA	Bezel - Headlight - Off White Plastic - Right
•	046774-01-000	EA	Bezel-Headlight - Off White Plastic - Left
•	045239-01-000	EA	Headlight Cup - Plastic - Left or Right
•	045553-01-000	EA	Bracket - Headlight Bezel
•	045840-01-000	EA	Decal - Headlight Bezel - Black
18	042730-04-000	EA	Trim - Contour - Right Front Lower
•	042730-02-000	EA	Trim - Contour - Left Front Lower
19	042821-01-000	EA	Trim - Wheel Well - Left or Right - Front or Rear
20	002444-02-003	EA	Extrusion - Feature Strip w/o Insert - 18"
•	001030-03-002	EA	Insert - Feature Strip - .019" x 13/16" x 17'
•	009731-01-000	EA	End Cap - Feature Strip
•	043252-01-000	EA	Trim - Lower Hoodboard - Right
•	043252-02-000	EA	Trim - Lower Hoodboard - Left
•	043752-01-000	EA	Hoodboard - Front Right
•	043752-02-000	EA	Hoodboard - Front Left
•	002796-02-002	EA	Extrusion - U Channel - Serrated - 16'
•	002365-02-001	EA	Extrusion - U Channel - Serrated - 1" x 18'
•	044582-02-000	EA	Drip Cap - Entrance Door Jamb - Off White
•			Not Illustrated

WINNEBAGO TABLE OF CONTENTS

Introduction	A-1
Abbreviations	A-1
Alphabetical Index	A-2 - A-4
1977 MWC25D	A-5 - B-12
1977 D26CRK	B-13 - C-24
1977 MWC24D	D-1 - E-8
1977 D26CRB	E-9 - F-20
1977 D26RT	F-21 - H-6
1977 MW23RB	H-7 - I-16
1977 D21	I-17 - K-6
1977 D23C	K-7 - L-18

1977 D26RT INDEX

Floor Plan	F-21 - F-22
Accessories Group	F-23 - F-24
Bath Group	G-1
Chassis Group	G-2 - G-3
Curtain, Cushion & Pad Group	G-3 - G-6
Dinette Group	G-7
Driver's Compartment Group	G-7 - G-8
Electrical Group	G-9 - G-10
Exterior Body Group	G-11 - G-14
Galley Group	G-15
Heating & Air Conditioning Group	G-16
Interior Finish Group	G-17 - G-18
LP Group	G-18
Lounge Group	G-19 - G-20
Water & Sewage Group	G-20
Window, Vent & Exterior Door Group	G-21 - H-6

EXTERIOR BODY GROUP (CONTINUED)

EXTERIOR BODY PANELS AND SHEET ALUMINUM

Key	Part Number	U/M	Description
	049663-01-000	EA	Backwall Asm. - 047939-02-000 - Antique Birch
	053671-36-000	EA	Backwall Asm. - 047939-02-700 - Antique Birch
	049466-01-000	EA	Sidewall Asm. - Right - 047939-02-000 - Antique Birch
	053671-50-000	EA	Sidewall Asm. - Right - 047939-02-700 - Antique Birch
	049503-01-000	EA	Sidewall Asm. - Left - 047939-02-000 - Antique Birch
	053671-45-000	EA	Sidewall Asm. - Left - 047939-02-700 - Antique Birch
	049515-01-000	EA	Roof Asm.
	049515-01-700	EA	Roof Section - Windshield to First Seam
	039155-03-008	EA	Alum. - Off White - Mesa Design - .024" x 36" x 60"
	039155-03-002	EA	Alum. - Off White - Mesa Design - .024" x 36" x 300"
	039155-03-003	EA	Alum. - Off White - Mesa Design - .024" x 36" x 360"
	039155-03-007	EA	Alum. - Off White - Mesa Design - .024" x 48" x 80"
	039155-03-005	EA	Alum. - Off White - Mesa Design - .024" x 48" x 300"
	039155-03-006	EA	Alum. - Off White - Mesa Design - .024" x 48" x 360"
	039155-03-009	EA	Alum. - Off White - Mesa Design - .024" x 12" x 360"
	044487-01-001	EA	Alum. - Mill Finish - No Design (Roof) - 96" x 360"
	039155-07-000	EA	Alum. - Off White - Greyhound Design - 48" x 96"
	001054-01-000	EA	Alum. - Off White - No Design - 48" x 96"
	000668-01-000	BF	Styrofoam - 3/4" x 24" x 96"
	039155-07-010	EA	Alum. - Off White - Greyhound Design - 48" x 96"

EXTERIOR PAINT

Key	Part Number	U/M	Description
	041561-01-000	EA	Off White - Acrylic Enamel - 1 Gallon
	041561-03-000	EA	Off White - Acrylic Enamel - 16 Oz. Aerosol
	041561-04-000	EA	Off White - Acrylic Lacquer - 1 Gallon
	041563-01-000	EA	Burnt Orange - Acrylic Enamel - 1 Gallon
	041563-03-000	EA	Burnt Orange - Acrylic Enamel - 16 Oz. Aerosol
	041565-01-000	EA	Rally Yellow - Acrylic Enamel - 1 Gallon
	041565-03-000	EA	Rally Yellow - Acrylic Enamel - 16 Oz. Aerosol
	045681-01-000	EA	High Gloss Black - Acrylic Enamel - 1 Gallon
	045681-03-000	EA	High Gloss Black - Acrylic Enamel - 16 Oz. Aerosol

LABELS AND DECALS

Key	Part Number	U/M	Description
	006023-01-000	EA	Label - Water Only
	006025-01-000	EA	Label - Gas
	006026-01-000	EA	Label - Drain Cap - 2" x 3"
	006031-01-000	EA	Label - Potable Water Only
	006187-01-000	EA	Label - Sewage
	006188-01-000	EA	Label - Waste Water
	006199-01-000	EA	Label - Exit - Escape Window
	031161-01-000	EA	Label - Flying "W"
	036403-01-000	EA	Decal - Logo - Winnebago 2.80" (Front or Rear)
	036289-01-000	EA	Label - Warning Aux. Loading
	043473-03-000	EA	Decal - Flying "W" - 13.75" High - Bronze
	039716-01-000	EA	Stencil - Minnie Winnie
	006092-01-000	EA	Reflector - Stick On - Rectangular - Red
	006093-01-000	EA	Reflector - Stick On - Rectangular - Amber

EXTERIOR BODY GROUP (CONTINUED)

SEALANTS, ADHESIVES, AND FASTENERS

Key	Part Number	U/M	Description
	034552-05-000	EA	Sealant - Off White Silicone
	034552-04-000	EA	Sealant - Beige Silicone
	034552-02-000	EA	Sealant - Clear Silicone
	004348-02-000	EA	Sealant - Aluminum Silicone
	004349-01-000	EA	Sealant - Black Silicone
	004342-01-000	EA	Sealant - Weatherban 202 Tube
	004348-02-000	EA	Sealant - White Silicone
	004347-01-000	EA	Sealant - Tufflex
	002316-01-000	FT	Tape - Sealer - 3/32" x 1/8"
	024545-01-000	FT	Tape - Sealer - 1/8" x 5/8" - Black
	004350-01-000	FT	Tape - Sealer - 1/8" x 1" - Formaseal
	004352-01-000	FT	Tape - Sealer - 1/8" x 3/4" - Formaseal
	004355-01-000	FT	Tape Sealer - 1/8" x 5/8" - Black
	004357-01-000	FT	Tape - Sealer - 1/8" x 5/8" - Adhesive
	002707-02-000	FT	Tape - Sealer - 5/16" x 1/2" - Black Foam
	002707-01-000	FT	Tape - Sealer - 5/16" x 3/4" - Black Foam
	041422-01-000	FT	Tape - Sealer - 1/4" x 1/2"
	004363-01-000	FT	Tape - Sealer - 3/16" x 1/2" - Foam
	004362-01-000	FT	Tape - Sealer - 1/8" x 5/8" - Foam
	009200-01-000	EA	Tape - Furnace - 1 1/2"
	041839-01-000	FT	Tape - Window - Latch - 3/4" - Adhesive
	041839-02-000	FT	Tape - Window - Latch - 1/2" - Adhesive
	004353-01-000	FT	Tape - Gasket - 1/8" x 3/4" - White
	002825-01-000	FT	Weather Stripping - Roof Vent
	002337-01-000	EA	Adhesive - 3M - 1300 Tube
	004005-01-000	GL	Adhesive - Swifts - Green - Glue (Sidewalls)
	004012-01-000	EA	Adhesive - 3M - 4475 Tube
	004020-01-000	QT	Adhesive - ABS Cement (Plastic Fittings)
	029051-01-000	EA	Adhesive - Spray Vinyl
	042401-02-000	EA	Screw - 8-18 x 3/4" SDPH Off White
	042403-02-000	EA	Screw - SF/DR - 8-18 x 1" SDPH Off White
	005058-01-000	EA	Screw - Wood - 12 - 11 x 3" P.O.H. Zinc
	041746-01-000	FT	Extr. - Vinyl - Bubble Seal - Entry Door - Jamb
	021242-01-000	FT	Extr. - Vinyl - White - Wingwall

MISCELLANEOUS EXTERNALLY MOUNTED PARTS

Key	Part Number	U/M	Description
	017667-04-000	EA	Fuel Fill - Recessed - Single - Off White
	015587-04-000	EA	Fuel Fill - Recessed - Double - Off White
	011124-01-000	EA	Plumbing Seal - Roof Vent - 1 1/4" White
	011129-01-000	EA	Plumbing Seal - Roof Vent - 1 1/2" White
	010230-02-000	EA	Fill - City Water - Recessed - Off White
	011020-01-000	EA	Fill - Water - Recessed - Off White
	009126-01-000	EA	Handle - Assist - Metal Ext.
	049347-01-000	EA	Mirror Head - 7 1/2" x 10 1/2" Stainless Steel w/o Bracket
	049349-01-000	EA	Arm - Mirror - Brite Finish
	009101-01-000	EA	Holder - Entry Door - Male
	009101-02-000	EA	Holder - Entry Door - Female

WINNEBAGO

TABLE OF CONTENTS

Introduction	A-1
Abbreviations	A-1
Alphabetical Index	A-2 - A-4
1977 MWC25D	A-5 - B-12
1977 D26CRK	B-13 - C-24
1977 MWC24D	D-1 - E-8
1977 D26CRB	E-9 - F-20
1977 D26RT	F-21 - H-6
1977 MW23RB	H-7 - I-18
1977 D21	I-17 - K-6
1977 D23C	K-7 - L-18

1977 D26RT INDEX

Floor Plan	F-21 - F-22
Accessories Group	F-23 - F-24
Bath Group	G-1
Chassis Group	G-2 - G-3
Curtain, Cushion & Pad Group	G-3 - G-6
Dinette Group	G-7
Driver's Compartment Group	G-7 - G-8
Electrical Group	G-9 - G-10
Exterior Body Group	G-11 - G-14
Galley Group	G-15
Heating & Air Conditioning Group	G-16
Interior Finish Group	G-17 - G-18
LP Group	G-18
Lounge Group	G-19 - G-20
Water & Sewage Group	G-20
Window, Vent & Exterior Door Group	G-21 - H-6

GALLEY GROUP

Key	Part Number	U/M	Description
	049547-01-000	EA	Cabinet Asm. - Galley w/o Door, Drawers, or Hdw. - 047939-02-000 - Antique Birch
	053671-39-000	EA	Cabinet Asm. - Galley w/o Door, Drawers, or Hdw. - 047939-02-700 - Antique Birch
	049239-03-000	EA	Drawer Asm. - Galley - 5 1/4" x 12" x 10" w/o Hdw. - 047939-02-000 - Antique Birch
	053671-65-000	EA	Drawer Asm. - Galley - 5 1/4" x 12" x 10" w/o Hdw. - 047939-02-700 - Antique Birch
	049239-04-000	EA	Drawer Asm. - Galley - 5 1/4" x 12" x 17" w/o Hdw. - 047939-02-000 - Antique Birch
	053671-64-000	EA	Drawer Asm. - Galley - 5 1/4" x 12" x 17" w/o Hdw. - 047939-02-700 - Antique Birch
	049236-25-000	EA	Door Asm. - Galley - 26 1/8" x 10 13/16" w/o Hdw. - 047939-02-000 - Antique Birch
	053672-02-000	EA	Door Asm. - Galley - 26 1/8" x 10 13/16" w/o Hdw. - 047939-02-700 - Antique Birch
	049236-26-000	EA	Door Asm. - Galley - 12 1/4" x 20 13/16" w/o Hdw. - 047939-02-000 - Antique Birch
	053672-01-000	EA	Door Asm. - Galley - 12 1/4" x 20 13/16" w/o Hdw. - 047939-02-700 - Antique Birch
	049505-01-000	EA	Cabinet - Overhead Galley - 047939-02-000 - Antique Birch
	053671-44-000	EA	Cabinet - Overhead Galley - 047939-02-700 - Antique Birch
	049236-27-000	EA	Door Asm. - Galley Overhead w/o Hdw. - 047939-02-000 - Antique Birch
	053671-99-000	EA	Door Asm. - Galley Overhead w/o Hdw. - 047939-02-700 - Antique Birch
	049526-01-000	EA	Countertop - Galley - Butcher Block
	049747-01-000	EA	Cap - End - Ovhd. - Padded
	046990-05-000	EA	Galley Extension - Butcher Block
	011032-01-000	EA	Sink - SST - Double w/Bolts
	011503-01-000	EA	Faucet - Swing Spouts
	011053-01-700	EA	Aerator - Swing Spout - Faucet
	044830-07-000	EA	Sink Cover - Large - Butcher Block
	003212-01-000	EA	Stove Hood - Non-Powered
**	049175-01-000	EA	Refrigerator - AC/Gas - ET 150 - 1 Door Model - Sibir
**	049174-01-000	EA	Refrigerator - AC/Gas - ET 230 - 2 Door Model - Sibir
**	049044-01-000	EA	Range - 4 Burner - Small Oven - Chrome - Magic Chef
**	049830-01-000	EA	Hood - Range - Jensen - Power

**The illustrated parts breakdown for this item is provided on the Common Items Fiche.

HEATING AND AIR CONDITIONING GROUP

Key	Part Number	U/M	Description
	039044-01-000	EA	Louver Asm. - A/C Adjustable
	047046-01-000	EA	Motor - 12 Volt - 3 Speed - Heater - Air Conditioner
	031043-01-000	EA	Valve - Heater - Water Flow Control
	031169-01-000	EA	Cable - Control - Flexible - 53"
	031169-02-000	EA	Cable - Control - Flexible - 48"
	031170-01-000	EA	Clamp - Cable - 3/16" Dia.
	024378-01-000	EA	Clutch - Magnetic - Compressor
	024999-01-000	EA	Compressor - Auto Air - 10.3 Cubic Inch
	048721-01-000	EA	Package - Air Conditioner - Compressor Mount 360 C.I.D.
	033295-01-000	EA	Package - Air Conditioner - Compressor Mount - 440 C.I.D.
	031394-01-000	EA	Condenser - Radiator Mount
	008267-01-000	EA	Switch - Air Conditioner
	024867-01-000	EA	Valve - Thermostatic Expansion
	024997-01-000	EA	Core - Heater
	024998-01-000	EA	Wheel - Blower - 4.72" O.D.
	031393-01-000	EA	Coil - Evaporator
	033258-01-000	EA	Hose - Refrigerant - .50" I.D. x 34.50"
	034222-01-000	EA	Hose - Refrigerant - .31" I.D. x 26"
	031960-01-000	EA	Hose - Refrigerant - .34" I.D. x 30"
	031961-01-000	EA	Hose - Refrigerant - .31" I.D. x 14.75"
	024868-01-000	EA	Receiver - Dehydrator
	031044-01-000	EA	Clamp - Receiver Dehydrator
	031962-01-000	EA	Bracket - Receiver Dehydrator
	031976-01-000	EA	Belt - Drive - .50" I.D. x 54" - 360 C.I.D. or 440 C.I.D.
	048228-02-000	EA	Kit - Auto Air - 360 A-Body/Winnebago Htr.
	048229-02-000	EA	Kit - Auto Air - 440 A-Body/Winnebago Htr.
**	049042-01-000	EA	Furnace - 22,000 BTU - Under Counter - Coleman - 4322
**	049043-01-000	EA	Furnace - 28,000 BTU - Under Counter - Coleman - 4328
	039505-02-000	EA	Thermostat - Wallmount
	009198-01-000	EA	Duct - Flexible - 4" I.D. x 25"
	023140-01-000	EA	Clamp - Screw Type - 4"
	024985-01-000	EA	Heat Register - w/Damper - 9.9" x 4.8"
	009175-01-000	EA	Heat Register - Steel - 11.5" x 3.7"
	031604-01-000	EA	Bonnet - Heat Register - 4.38" x 8.43"
	042152-01-000	EA	Bonnet - Heat Register - 4.5" x 8.44"
	009200-01-000	EA	Tape - Furnace - 1 1/2"
**	049777-01-000	EA	Air Conditioner - 110 Volt - Roof Mount - 11,000 BTU - Ivory Coleman (w/o Inside Shroud)
**	049778-01-000	EA	Shroud Asm. - Ceiling - Inside - Roof Air - Cool Only - 11,000 BTU - Coleman
**	049774-01-000	EA	Air Conditioner - 110 Volt - Roof Mount - 13,500 BTU Ivory - Coleman (w/o Inside Shroud)
**	049775-01-000	EA	Shroud Asm. - Ceiling - Inside - Roof Air - Cool Only - 13,500 BTU - Coleman
**	049776-01-000	EA	Shroud Asm. - Ceiling - Inside - Roof Air - Heat and Cool Only - 13,500 BTU - Coleman

**The illustrated parts breakdown for this item is provided on the Common Items Fiche.

WINNEBAGO

TABLE OF CONTENTS

Introduction	A-1
Abbreviations	A-1
Alphabetical Index	A-2 - A-4
1977 MWC25D	A-5 - B-12
1977 D26CRK	B-13 - C-24
1977 MWC24D	D-1 - E-8
1977 D26CRB	E-9 - F-20
1977 D26RT	F-21 - H-6
1977 MW23RB	H-7 - I-16
1977 D21	I-17 - K-6
1977 D23C	K-7 - L-18

1977 D26RT INDEX

Floor Plan	F-21 - F-22
Accessories Group	F-23 - F-24
Bath Group	G-1
Chassis Group	G-2 - G-3
Curtain, Cushion & Pad Group	G-3 - G-6
Dinette Group	G-7
Driver's Compartment Group	G-7 - G-8
Electrical Group	G-9 - G-10
Exterior Body Group	G-11 - G-14
Galley Group	G-15
Heating & Air Conditioning Group	G-16
Interior Finish Group	G-17 - G-18
LP Group	G-18
Lounge Group	G-19 - G-20
Water & Sewage Group	G-20
Window, Vent & Exterior Door Group	G-21 - H-6

INTERIOR FINISH GROUP

PANELING AND COUNTERTOP MATERIALS

Key	Part Number	U/M	Description
	041205-07-000	SF	Plastic Laminate - 48" x 96" - Rust Leather (Cactus)
	041205-07-001	EA	Plastic Laminate - 48" x 48" - Rust Leather (Cactus)
	041205-07-002	EA	Plastic Laminate - 1.19" x 96" - Rust Leather (Cactus)
	041205-08-000	SF	Plastic Laminate - 48" x 96" - Gold Leather (Inca Gold)
	041205-08-001	EA	Plastic Laminate - 48" x 48" - Gold Leather (Inca Gold)
	041205-08-002	EA	Plastic Laminate - 1.19" x 96" - Gold Leather (Inca Gold)
	041205-09-000	SF	Plastic Laminate - 48" x 96" - Beige Leather (Sage)
	041205-09-001	EA	Plastic Laminate - 48" x 48" - Beige Leather (Sage)
	041205-09-002	EA	Plastic Laminate - 1.19" x 96" - Beige Leather (Sage)
	037682-01-000	SF	Plastic Laminate - 48" x 96" - Butcher Block
	037682-01-008	EA	Plastic Laminate - 48" x 48" - Butcher Block
	037682-01-009	EA	Plastic Laminate - 1.19" x 96" - Butcher Block
	049673-01-000	EA	Countertop - Formed - 96" - Butcher Block
	041206-01-000	SF	Tileboard - 60" x 84" - Agate Beige (35 SF)
	047939-01-000	SF	Paneling - 48" x 96" - Antique Birch (32 SF)
	047939-02-000	SF	Paneling - 48" x 96" - Antique Birch (32 SF)
	045963-01-000	SF	Paneling - 48" x 96" - 825 Buff (32 SF)

INTERIOR MOLDING AND TRIM

Key	Part Number	U/M	Description
	047354-01-000	EA	Batt Strip - 8 Ft. Buff
	047354-02-000	EA	Batt Strip - 8 Ft. Antique Birch
	024700-06-000	EA	Cover - Sidewall Roll Bar - Ivory
	024700-07-000	EA	Cover - Sidewall Roll Bar - Birch
	034113-03-000	EA	Cover - Corner Support Bar - Dark Brown
	039512-05-000	EA	Cover - Hat Section - Antique Birch
	039512-06-000	EA	Cover - Hat Section - Ivory
	047488-01-000	EA	Cover - Corner - Hat/Hat
	047489-01-000	EA	Cover - Corner - Tube/Tube
	009767-01-000	FT	Welting - Brown
	009779-01-000	FT	U-Channel - 1 1/8" Dark Brown
	009812-06-000	FT	Molding - Plastic Corner O/S - 1/2"
	009809-06-000	FT	Molding - Plastic Corner - O/S - 1"
	012357-03-000	FT	Molding - Plastic Corner - Radius - 7 Feet
	017768-01-000	FT	U-Channel - .18" Brown

FABRICS AND FLOOR COVERINGS

Key	Part Number	U/M	Description
	041210-03-000	SY	Carpet - Orange Morning Dew - (Cactus)
	043635-01-000	SY	Carpet - Beige - Morning Dew - (Inca Gold)
	043635-02-000	SY	Carpet - Beige - Morning Dew (Sage)
	046588-01-000	YD	Fabric Upholstery - Rust (Cactus)
	046588-02-000	YD	Fabric Upholstery - Gold (Inca Gold)
	046588-03-000	YD	Fabric Upholstery Beige (Sage)
	043619-01-000	YD	Fabric Drapery - Rust (Cactus)
	043619-02-000	YD	Fabric Drapery - Gold (Inca Gold)
	043619-03-000	YD	Fabric Drapery - Beige (Sage)
	042411-01-000	YD	Vinyl - Nonexpanded - 27 Oz. Bostonian Brown
	042411-02-000	YD	Vinyl - Nonsupport - 16 Gauge Film - Bostonian Brown
	042411-03-000	YD	Vinyl - Expanded - 28 Oz. Bostonian Brown

INTERIOR FINISH GROUP (CONTINUED)

CABINETS AND TABLE HARDWARE

Key	Part Number	U/M	Description
	047744-01-000	EA	Kit - Drawer Glide
	037688-01-000	FT	Rail - Drawer Glide
	048148-01-000	EA	Drawer Pull - 5 3/8" Early American - Black
	049332-01-000	EA	Kit - Hinge Cabinet Door - Black
	049333-01-000	EA	Kit - Latch - Cabinet Door - Black
	009047-01-000	EA	Support - Door - Overhead
	005001-02-000	EA	Screw - 5 - 18 x 5/8" Phil. PYR Black
	024932-01-000	EA	Hinge - Offset Early American - Hammered Black Finish
	048150-01-000	EA	Hinge - Offset Early American - Smooth Black Finish

**The illustrated parts breakdown for this item is provided on the Common Items Fiche

CURTAIN HARDWARE

Key	Part Number	U/M	Description
	050826-01-000	EA	Track - Curtain - Wraparound - Right
	050826-02-000	EA	Track - Curtain - Wraparound - Left
	049897-01-000	EA	Rod - Curtain - Flat Extension - 25" - 45"
	049897-02-000	EA	Rod - Curtain - Flat Extension - 48" - 86"
	042439-01-000	EA	Bracket - Curtain Rod - Single
	009107-01-000	EA	Gulde - Nylon Snap - White
	052327-04-236	EA	Curtain Track - Alum. - Brown - 89" w/Holes
	043087-01-000	EA	Track - Shower Curtain
	009701-01-000	EA	Roller - Curtain - "L" Rod
	009702-01-000	EA	End Stop - Curtain Track - "L" Rod
	018031-42-000	EA	Track - Curtain "L" Rod 90"

MISCELLANEOUS INTERIOR COMPONENTS

Key	Part Number	U/M	Description
	007038-01-000	EA	Mat - Door - Black Rubber - 10 1/2" x 26"
	041944-01-700	EA	Fire Extinguisher - w/Bracket - Dry Chemical
	050885-01-000	EA	Owner's Manual - Winnebago
	042950-01-000	EA	Handle Interior Assist - Brown Vinyl

LP GROUP

Key	Part Number	U/M	Description
	008811-01-000	EA	Hose - Asm. LP 3/4" ID x 24"
	008820-01-000	EA	Hose - Asm. LP 1/2" ID x 16" Flex
	045703-01-000	EA	Hose - Asm. LP 3/4" ID x 24"
	045703-03-000	EA	Hose - Asm. LP 1/2" ID x 14"
	008814-01-000	EA	Regulator - Manual LP Gas Dbl. Tank
	006818-01-000	EA	Tank Asm. LP 20 Lb. Horizontal w/Hdw.
	040046-01-000	EA	Compartment LP Horizontal Plastic
	040047-01-000	EA	Bracket - LP Bottle Hold Down
	047221-01-000	EA	Detector - LP Gas Leak
	047356-01-000	EA	Bracket - LP Leak Detector
	023283-01-001	EA	Tank Asm. - LP 30 lb. - Horizontal w/Hardware
	046524-01-000	EA	Kit - Fittings Plastic for Holding Tank

WINNEBAGO

TABLE OF CONTENTS

Introduction	A-1
Abbreviations	A-1
Alphabetical Index	A-2 - A-4
1977 MWC25D	A-5 - B-12
1977 D26CRK	B-13 - C-24
1977 MWC24D	D-1 - E-8
1977 D26CRB	E-9 - F-20
1977 D26RT	F-21 - H-8
1977 MW23RB	H-7 - I-16
1977 D21	I-17 - K-6
1977 D23C	K-7 - L-18

1977 D26RT INDEX

Floor Plan	F-21 - F-22
Accessories Group	F-23 - F-24
Bath Group	G-1
Chassis Group	G-2 - G-3
Curtain, Cushion & Pad Group	G-3 - G-6
Dinette Group	G-7
Driver's Compartment Group	G-7 - G-8
Electrical Group	G-9 - G-10
Exterior Body Group	G-11 - G-14
Galley Group	G-15
Heating & Air Conditioning Group	G-16
Interior Finish Group	G-17 - G-18
LP Group	G-18
Lounge Group	G-19 - G-20
Water & Sewage Group	G-20
Window, Vent & Exterior Door Group	G-21 - H-6

LOUNGE GROUP

Key	Part Number	U/M	Description
	049236-30-000	EA	Door Asm. - Cabinet Wardrobe w/o Hardware - 047939-02-000 - Antique Birch
	053671-96-000	EA	Door Asm. - Cabinet Wardrobe w/o Hardware - 047939-02-700 - Antique Birch
	049239-01-000	EA	Drawer Asm. - Cabinet - Wardrobe w/o Hdw. - 047939-02-000 - Antique Birch
	053671-67-000	EA	Drawer Asm. - Cabinet - Wardrobe w/o Hdw. - 047939-02-700 - Antique Birch
	049236-29-000	EA	Door Asm. - Cabinet w/o Hardware - 047939-02-000 - Antique Birch
	053671-97-000	EA	Door Asm. - Cabinet w/o Hardware - 047939-02-700 - Antique Birch
	049519-01-000	EA	Cabinet Bed Rear Left (Lounge w/o Table) 047939-02-000 - Antique Birch
	053671-40-000	EA	Cabinet Bed Rear Left (Lounge w/o Table) 047939-02-700 - Antique Birch
	049516-01-000	EA	Cabinet - Ovhd. Lounge w/o Door or Hardware 047939-02-000 - Antique Birch
	053671-42-000	EA	Cabinet - Ovhd. Lounge w/o Door or Hardware - 047939-02-700 - Antique Birch
	049236-24-000	EA	Door Asm. - Overhead w/o Hdw. - 047939-02-000 - Antique Birch
	053672-03-000	EA	Door Asm. - Overhead w/o Hdw. - 047939-02-700 - Antique Birch
	042797-04-000	EA	Cabinet Asm. - Night Stand Base Lounge Rust (Cactus) - 047939-02-000 - Antique Birch
	053672-99-000	EA	Cabinet Asm. - Night Stand Base Lounge Rust (Cactus) - 047939-02-700 - Antique Birch
	042797-05-000	EA	Cabinet Asm. - Night Stand Base Lounge Gold (Inca Gold) - 047939-02-000 - Antique Birch
	053672-98-000	EA	Cabinet Asm. - Night Stand Base Lounge Gold (Inca Gold) - 047939-02-700 - Antique Birch
	042797-06-000	EA	Cabinet Asm. - Night Stand Base Lounge Beige (Sage) - 047939-02-000 - Antique Birch
	053672-97-000	EA	Cabinet Asm. - Night Stand Base Lounge Beige (Sage) - 047939-02-700 - Antique Birch
	042798-03-000	EA	Cabinet Asm. - Night Stand Top - 047939-02-000 - Antique Birch
	053672-96-000	EA	Cabinet Asm. - Night Stand Top - 047939-02-700 - Antique Birch
	049239-05-000	EA	Drawer Asm. - Night Stand - 6 3/8" x 17 3/4" x 17" w/o Hdw. - 047939-02-000 - Antique Birch
	053671-63-000	EA	Drawer Asm. - Night Stand - 6 3/8" x 17 3/4" x 17" w/o Hdw. - 047939-02-700 - Antique Birch
	042799-03-000	EA	Door - Sliding w/o Hdw. - 047939-02-000 - Antique Birch
	053672-95-000	EA	Door - Sliding w/o Hdw. - 047939-02-700 - Antique Birch
	047433-02-000	EA	Cabinet - Bed Rear Right (For Lounge w/Table) 047939-02-000 - Antique Birch
	053672-52-000	EA	Cabinet - Bed Rear Right (For Lounge w/Table) 047939-02-700 - Antique Birch
	047435-02-000	EA	Cabinet - Bed Rear Left (For Lounge w/Table) 047939-02-000 - Antique Birch
	053672-50-000	EA	Cabinet - Bed Rear Left (For Lounge w/Table) 047939-02-700 - Antique Birch
	047437-02-000	EA	Cabinet - Bed Rear (For Lounge w/Table) - 047939-02-000 - Antique Birch
	053672-48-000	EA	Cabinet - Bed Rear (For Lounge w/Table) - 047939-02-700 - Antique Birch
	047434-02-000	EA	Hamper Rear Right (For Lounge w/Table) - 047939-02-000 - Antique Birch
	053672-51-000	EA	Hamper Rear Right (For Lounge w/Table) - 047939-02-700 - Antique Birch

LOUNGE GROUP (CONTINUED)

Key	Part Number	U/M	Description
	047436-02-000	EA	Hamper Rear Left (For Lounge w/Table) - 047939-02-000 - Antique Birch
	053672-49-000	EA	Hamper Rear Left (For Lounge w/Table) - 047939-02-700 - Antique Birch
	009155-01-000	EA	Track - Sliding Door
	009156-01-000	EA	Hanger - Sliding Door
	047432-04-700	EA	Table Asm. Lounge w/o Hardware Rust (Cactus)
	047432-05-700	EA	Table Asm. Lounge w/o Hardware Gold (Inca Gold)
	047432-06-700	EA	Table Asm. Lounge w/o Hardware Beige (Sage)
	009040-01-000	EA	Leg Table 24" Dia x 26" Chrome
	041476-01-000	FT	Track Sliding PVC Dk. Pecan 12 Ft.
	009112-01-000	EA	Flange 1" Rod Chrome
	043316-01-700	EA	Door - Rollup - Nite Stand w/o Handle
	043257-01-000	EA	Handle - Wood Roll Up Door
	043256-01-000	EA	Spiral - Plastic For Roll Up Door Right
	043256-02-000	EA	Spiral - Plastic For Roll Up Door Left
	042795-04-000	EA	Head Asm. Night Stand Lounge Rust (Cactus)
	041795-05-000	EA	Head Asm. Night Stand Lounge Gold (Inca Gold)
	042795-06-000	EA	Head Asm. Night Stand Lounge Beige (Sage)

WATER AND SEWAGE GROUP

PLUMBING REPAIR PARTS

Key	Part Number	U/M	Description
**	040539-01-000	EA	Kit Repair 3/8" O.D. Plastic Tube
**	040540-01-000	EA	Kit Repair 1/2" O.D. Plastic Tube
**	040541-01-000	EA	Kit Repair 5/8" O.D. Plastic Tube
**	039818-03-000	EA	Riser Asm. 3/8" O.D. x 18" Tube
**	039818-05-000	EA	Riser Asm. 3/8" O.D. x 48" Tube
**	041279-02-000	EA	Pump - Water Flow 2.8 GPM - PAR
**	039547-02-000	EA	Filter Water Pump - 1/2" MPT
**	041819-01-000	EA	Nut and Cone Plastic 1/2" O.D. Tube
**	010205-01-000	EA	Valve - Sanitary - Telford 3 x 8
**	004020-01-000	QT	Adhesive ABS Cement
**	010133-01-000	EA	Apaptor Trap - Plastic 1 1/2" H x MPT
**	010147-01-000	EA	Ring Closet Plastic 4" F x 3" FPT
**	010201-01-000	EA	Hose - Sewer 3" x 10' w/Clamp
**	010209-06-000	EA	Handle Ext. Sewer Valve 11.25"
**	010235-01-000	EA	Cap - Sewer 3"
**	010236-01-000	EA	Adaptor Hose 3"
**	011091-01-000	EA	Waste - Cont. Double Sink 11 7/8"
**	010210-01-000	EA	Valve Sanitary - Telford 3HB
**	010234-01-000	EA	Adaptor Bayonet
**	011066-01-000	EA	P-Trap - Plastic 1 1/4"
**	010166-01-000	EA	Plug - Plastic 1 1/4"

**The illustrated parts breakdown for this item is provided on the Common Items Fiche.

HOLDING TANKS AND WATER HEATERS

Key	Part Number	U/M	Description
	043181-02-000	EA	Tank Asm. w/Fittings Plastic Water 60 Gallon
**	039641-01-000	EA	Tank Water w/o Fittings Plastic 60 Gallon
**	046524-02-000	EA	Kit Fittings Plastic Water Tank
**	040552-02-000	EA	Tank Asm. - Holding with Fittings 22 Gallon Plastic
**	040552-01-000	EA	Tank Asm. - Holding w/o Fittings - 22 Gallon
**	041155-09-000	EA	Tank Asm. - Holding w/Fittings - 25 Gallon
**	041155-01-000	EA	Tank - Holding w/o Fittings - 25 Gallon
**	046524-01-000	EA	Kit Fittings Holding Tank
**	051391-01-000	EA	Water Heater - w/o Outside Access Door (G6A3)
**	031952-01-000	EA	Water Heater - w/o Outside Access Door (G6A2)

**The illustrated parts breakdown for this item is provided on the Common Items Fiche.

WINNEBAGO

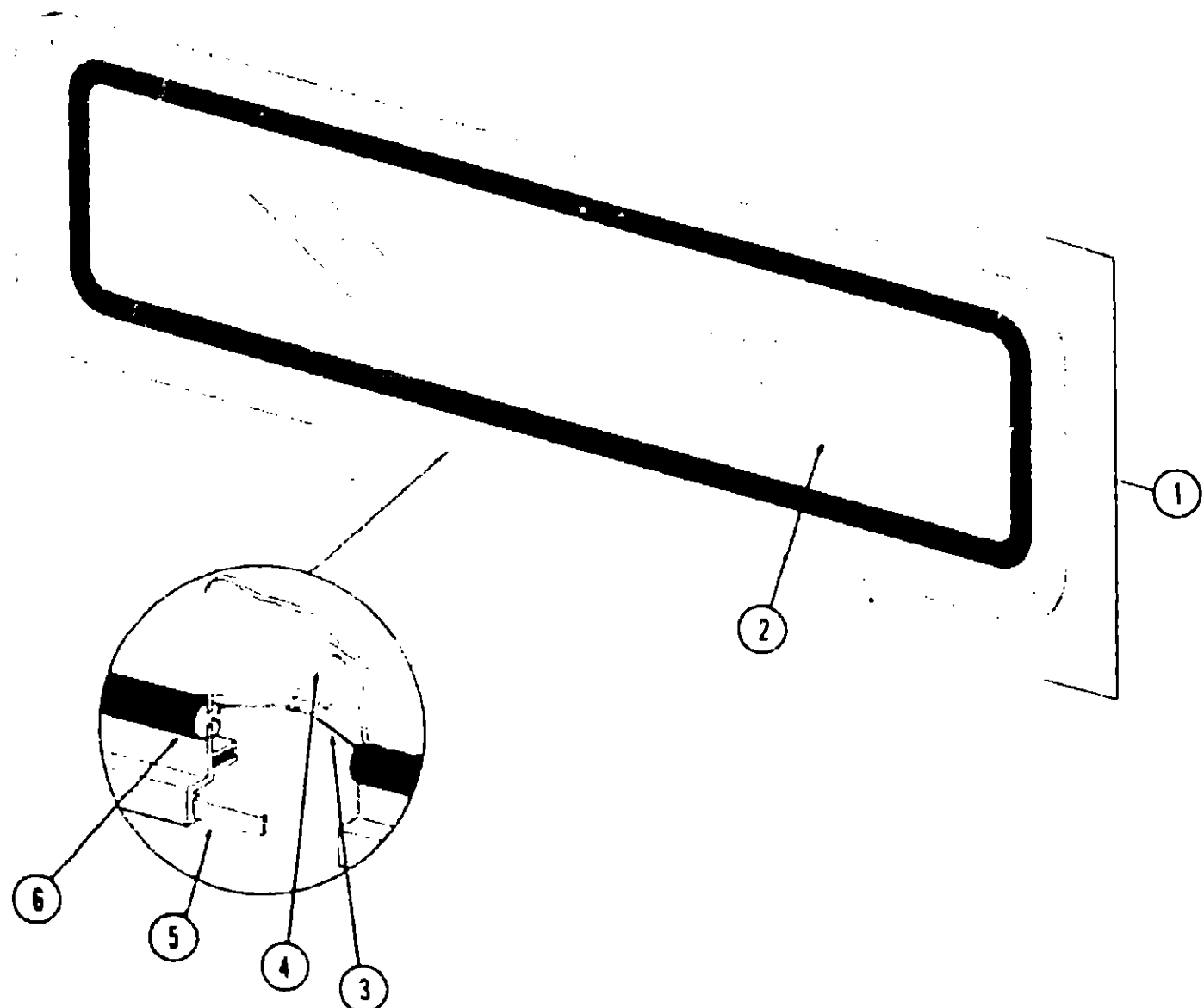
TABLE OF CONTENTS

Introduction	A-1
Abbreviations	A-1
Alphabetical Index	A-2 - A-4
1977 MWC25D	A-5 - B-12
1977 D26CRK	B-13 - C-24
1977 MWC24D	D-1 - E-8
1977 D26CRB	E-9 - F-20
1977 D26RT	F-21 - H-6
1977 MW23RB	H-7 - I-15
1977 D21	I-17 - K-6
1977 D23C	K-7 - L-10

1977 D26RT INDEX

Floor Plan	F-21 - F-22
Accessories Group	F-23 - F-24
Bath Group	G-1
Chassis Group	G-2 - G-3
Curtain, Cushion & Pad Group	G-3 - G-6
Dinette Group	G-7
Driver's Compartment Group	G-7 - G-8
Electrical Group	G-9 - G-10
Exterior Body Group	G-11 - G-14
Galley Group	G-15
Heating & Air Conditioning Group	G-16
Interior Finish Group	G-17 - G-18
LP Group	G-18
Lounge Group	G-19 - G-20
Water & Sewage Group	G-20
Window, Vent & Exterior Door Group	G-21 - H-6

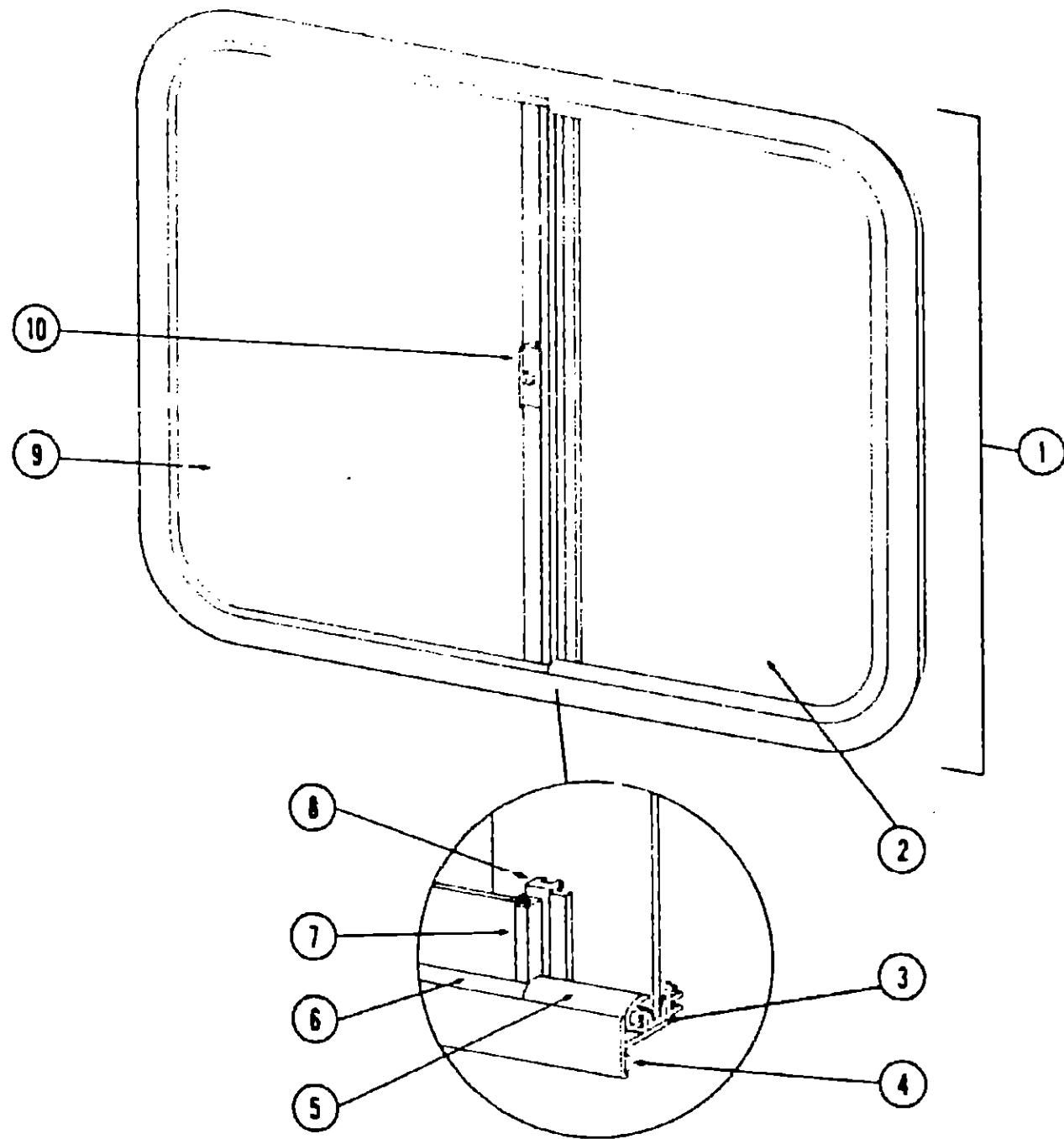
WINDOW, VENT AND EXTERIOR DOOR GROUP



Key	Part Number	U/M	Description
1	020754-01-000	EA	Window Asm. Escape - 23" x 88" - Clear Anod. (w/o Inside Frame)
2	002176-01-000	EA	Glass 1/8" x 19.61" x 64.80"
3	002285-01-000	FT	Weatherstrip - Filler - Black
4	020395-01-000	EA	Slip Ring - Pull
5	004363-01-000	FT	Tape - Foam 3/16" x 1/2" Gray
6	002282-01-000	FT	Weatherstrip - Window .125" Black
*	020752-03-000	EA	Frame - Window Inside - Escape 23" x 88" (not included in assembly)
*	008199-01-000	EA	Label - Exit - Escape Window

* Not Illustrated

WINDOW, VENT AND EXTERIOR DOOR GROUP (CONTINUED)



Key	Part Number	U/M	Description
1	046631-01-000	EA	Window Asm. - Right - Single Slider - 20" x 25" - Clear Anod. (w/o Inside Frame)
2	047820-01-000	EA	Glass - 1/8" x 19" x 13.68" - Sliding
3	002324-01-000	FT	Channel - Weatherstrip - Glass Run - 1/8" Glass
4	004363-01-000	FT	Tape - Foam - 3/16" x 1/2" - Gray
5	024098-01-000	FT	Seal - Window Channel - Gray
6	002309-01-000	FT	Spline - Glass - 1/8" - Gray
7	019025-01-000	EA	Holder - Glass Seal - Clear Anod.
8	041894-09-000	EA	Mullion - Slider Window - 20" - Clear Anod.
9	002241-02-000	EA	Glass - Tempered Plate - Stationary - 1/8" - 12.30" x 19"
10	047399-01-000	EA	Latch - Window - Plastic
*	049287-01-000	EA	Washer - Nylon - .82" x .140" I.D.
*	049288-01-000	EA	Screw - Machine - 6-32 x 5/16" - HWH - Black
*	042147-05-000	EA	Frame - Inside - Single Slider Window - Right - 20" x 25" (not included in assembly)
*	023713-01-000	EA	Cover - Plastic Weephole - White
*	002298-01-000	FT	Spline - Gray - .130" Dia. (Screen)
*	002283-01-000	SF	Screen - Window - 28" - Gray

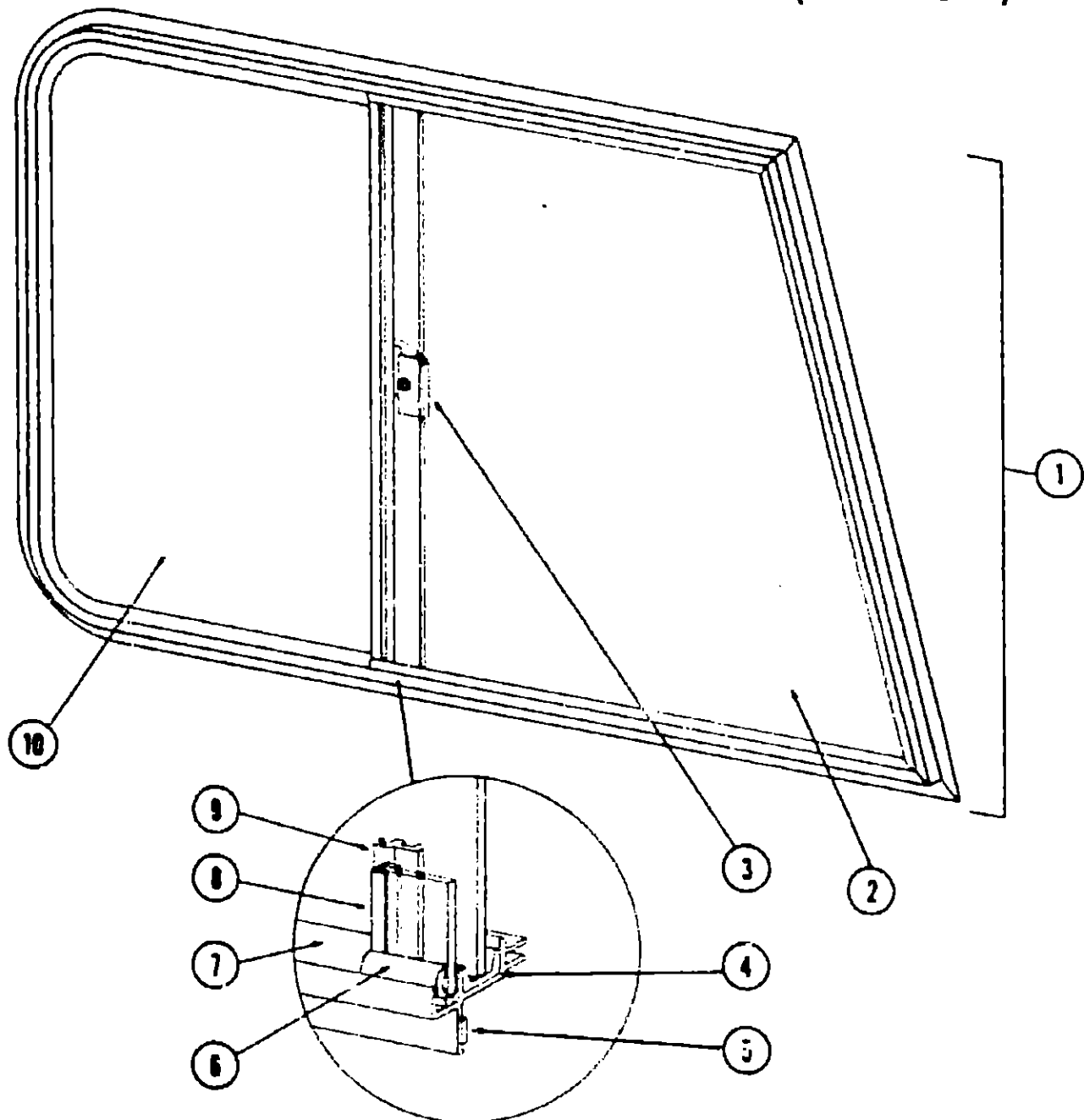
* Not Illustrated

WINNEBAGO
TABLE OF CONTENTS

Introduction	A-1
Abbreviations	A-1
Alphabetical Index	A-2 - A-4
1977 MWC25D	A-5 - B-12
1977 D26CRK	B-13 - C-24
1977 MWC24D	D-1 - E-8
1977 D26CRB	E-9 - F-20
1977 D26RT	F-21 - H-6
1977 MW23RB	H-7 - I-15
1977 D21	I-17 - K-6
1977 D23C	K-7 - L-18

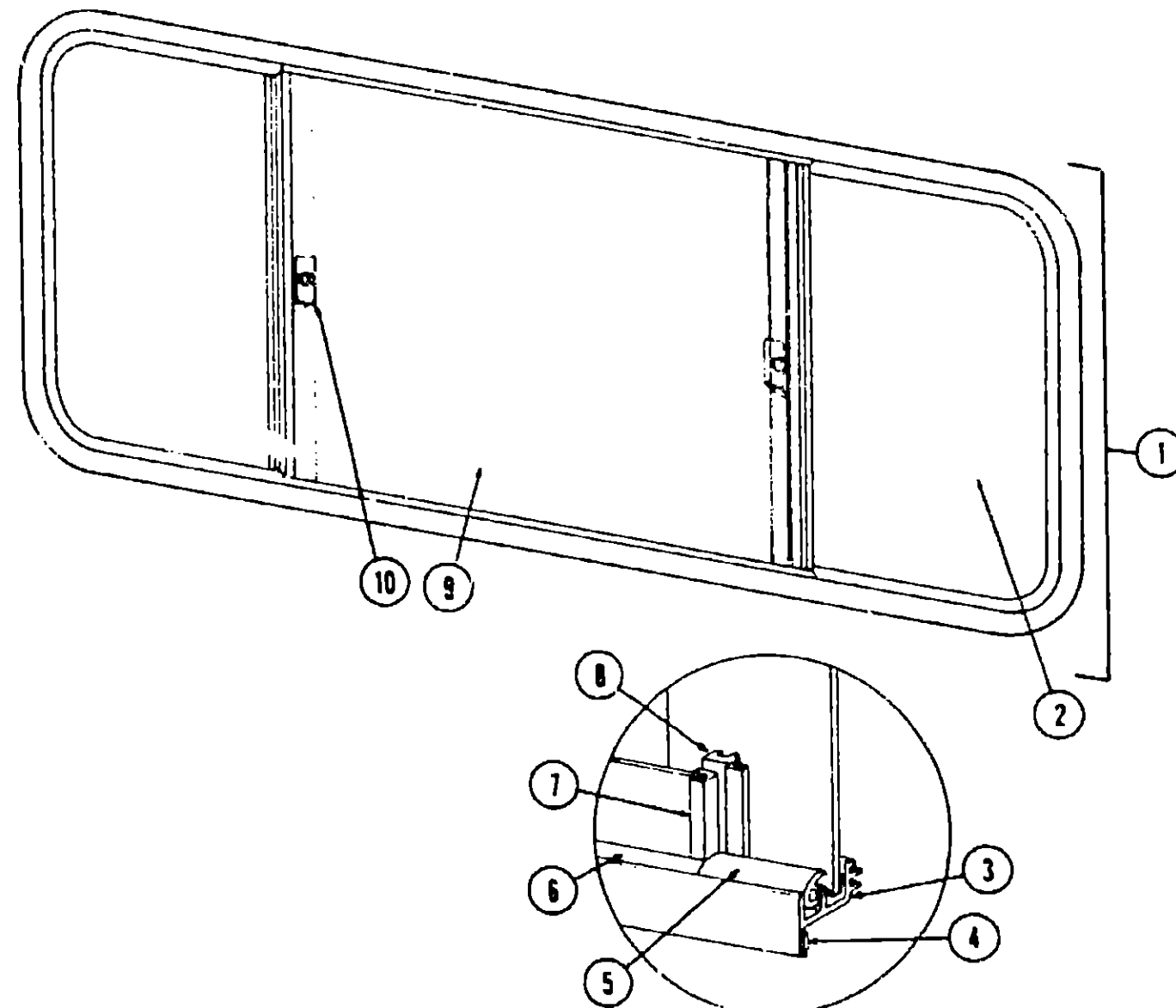
1977 D26RT INDEX

Floor Plan	F-21 - F-22
Accessories Group	F-23 - F-24
Bath Group	G-1
Chassis Group	G-2 - G-3
Curtain, Cushion & Pad Group	G-3 - G-6
Dinette Group	G-7
Driver's Compartment Group	G-7 - G-8
Electrical Group	G-9 - G-10
Exterior Body Group	G-11 - G-14
Galley Group	G-15
Heating & Air Conditioning Group	G-16
Interior Finish Group	G-17 - G-18
LP Group	G-18
Lounge Group	G-19 - G-20
Water & Sewage Group	G-20
Window, Vent & Exterior Door Group	G-21 - H-6



Key	Part Number	U/M	Description
1	048828-01-000	EA	Window Arm. - Right Front Slant Slider - 23" x 39" - Clear Anod. (w/o Inside Frame)
	048928-02-000	EA	Window Arm. - Left Front Slant Slider - 23" x 39" - Clear Anod. (w/o Inside Frame)
2	041897-01-000	EA	Glass - 1/8" x 22.06" x 18.91" x 21.22" - Stationary
3	047389-01-000	EA	Latch - Window - Plastic
4	002324-01-000	FT	Channel - Weatherstrip - Glass Run - 1/8" Glass
5	004383-01-000	FT	Tape - Foam - 3/16" x 1/2" - Gray
6	002309-01-000	FT	Spline - Glass - 1/8" - Gray
7	024096-01-000	FT	Seal - Window Channel - Gray
8	018025-01-000	EA	Holder - Glass Seal - Clear Anod.
9	041894-03-000	EA	Mullion - Slider Window - 23" - Clear Anod.
10	047824-01-000	EA	Glass - 1/8" x 22.06" x 19.06" - Sliding
	048287-01-000	EA	Washer - Nylon - .82" x .140" I.D.
	048288-01-000	EA	Screw - Machine - 6-32 x 5/16" - HWH - Black
	041982-02-000	EA	Frame - Inside - Right Front Slant Slider Window - 23" x 39" (not included in assembly)
	041982-01-000	EA	Frame - Inside - Left Front Slant Slider Window - 23" x 39" (not included in assembly)
	023713-01-000	EA	Cover - Plastic Weephole - White

* Not Illustrated



Key	Part Number	U/M	Description
1	048830-03-000	EA	Window Arm. - Double - Slider - 23" x 65" - Clear Anod. (w/o Inside Frame)
2	047823-01-000	EA	Glass - 1/8" x 22" x 21.03" - Sliding (2 per window)
3	002324-01-000	FT	Channel - Weatherstrip - Glass Run - 1/8" Glass
4	004383-01-000	FT	Tape - Foam - 3/16" x 1/2" - Gray
5	024096-01-000	FT	Seal - Window Channel - Gray
6	002309-01-000	FT	Spline - Glass - 1/8" - Gray
7	018025-01-000	EA	Holder - Glass Seal - Clear Anod.
8	041894-03-000	EA	Mullion - Slider Window - 23" - Clear Anod.
9	002188-01-000	EA	Glass - 1/8" x 22" x 21.03" - Stationary
10	047389-01-000	EA	Latch - Window - Plastic
	048287-01-000	EA	Washer - Nylon - .82" x .140" I.D.
	048288-01-000	EA	Screw - Machine - 6-32 x 5/16" - HWH - Black
	042133-02-000	EA	Frame - Inside - Double Slider Window - 23" x 65" (not included in assembly)
	002298-01-000	FT	Spline - Gray - .130" Dia. - (Screen)
	002293-01-000	SF	Screen - Window - 26" - Gray
	023713-01-000	EA	Cover - Weephole - Plastic - White

* Not Illustrated

WINNEBAGO TABLE OF CONTENTS

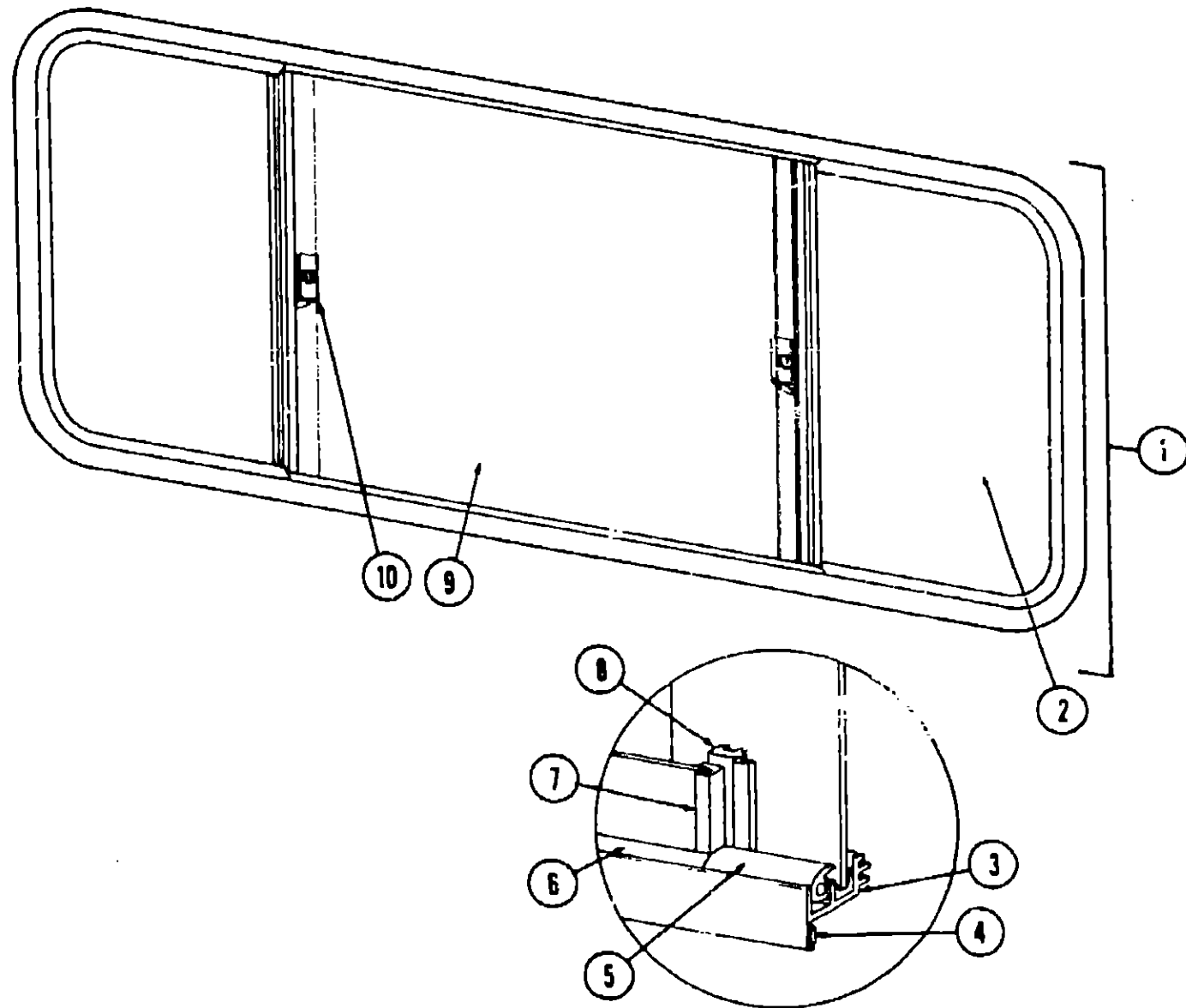
Introduction	A-1
Abbreviations	A-1
Alphabetical Index	A-2 - A-4
1977 MWC25D	A-5 - B-12
1977 D26CRK	B-13 - C-24
1977 MWC24D	D-1 - E-8
1977 D26CRB	E-9 - F-20
1977 D26RT	F-21 - H-6
1977 MW23RB	H-7 - I-16
1977 D21	I-17 - K-6
1977 D23C	K-7 - L-18

1977 D26RT INDEX

Floor Plan	F-21 - F-22
Accessories Group	F-23 - F-24
Bath Group	G-1
Chassis Group	G-2 - G-3
Curtain, Cushion & Pad Group	G-3 - G-6
Dinette Group	G-7
Driver's Compartment Group	G-7 - G-8
Electrical Group	G-9 - G-10
Exterior Body Group	G-11 - G-14
Galley Group	G-15
Heating & Air Conditioning Group	G-16
Interior Finish Group	G-17 - G-18
LP Group	G-18
Lounge Group	G-19 - G-20
Water & Sewage Group	G-20
Window, Vent & Exterior Door Group	G-21 - H-6

WINDOW, VENT AND EXTERIOR DOOR GROUP (CONTINUED)

WINDOW, VENT AND EXTERIOR DOOR GROUP (CONTINUED)



Key	Part Number	U/M	Description
1	048630-01-000	EA	Window Asm. - Double Slider - 23" x 58" - Clear Anod. (w/o Inside Frame)
2	047816-01-000	EA	Glass - 1/8" x 22" x 16.53" - Sliding (2 per window)
3	002324-01-000	FT	Channel - Weatherstrip - Glass Run - 1/8" Glass
4	004363-01-000	FT	Tape - Foam - 3/16" x 1/2" - Gray
5	024086-01-000	FT	Seal - Window Channel - Gray
6	002309-01-000	FT	Spline - Glass - 1/8" - Gray
7	018025-01-000	EA	Holder - Glass Seal - Clear Anod.
8	041884-03-000	EA	Mullion - Slider Window - 23" Clear Anod.
9	002188-01-000	EA	Glass - 1/8" x 22" x 21.03" - Stationary
10	047369-01-000	EA	Latch - Window - Plastic
	048287-01-000	EA	Washer - Nylon - .62" x .140" I.D.
	048288-01-000	EA	Screw - Machine - 6-32 x 5/16" - HWH - Black
	042133-05-000	EA	Frame - Inside - Double Slider Window (Not Included in Assembly) (not included in assembly)
	002292-01-000	FT	Spline - Gray - .130" Dia. - (Screen)
	002293-01-000	SF	Screen - Window - 26" - Gray
	023713-01-000	EA	Cover - Weephole - Plastic - White

* Not Illustrated

WINDSHIELD

Key	Part Number	U/M	Description
	034975-04-000	EA	Glass - Windshield - 1/4" x 22.12" x 45.45" - Right or Left
	036784-03-200	EA	Extr. - Windshield Trim - Anod. Black - 22.38"
	042744-03-000	EA	Frame Asm. - Windshield - w/o Glass
	038886-01-000	EA	Tape - Butyl - .31" x .31" x 148"
	043988-01-000	EA	Trim - Windshield

ACCESS DOORS

Key	Part Number	U/M	Description
	037807-03-000	EA	Door Asm. - Refrigerator Access - Off White - w/Twist Type Lock
	043053-01-000	EA	Door Asm. - LP - Off White - w/Twist Type Lock
	037804-08-000	EA	Door Asm. - Luggage - Off White - 47.31" x 10.06" - w/Key Type Lock
	043883-02-000	EA	Door Asm. - Generator - Off White - Left Hand Hinge w/Twist Type Lock
	037804-05-000	EA	Door Asm. - Battery - Off White - w/Twist Type Lock
	035324-03-000	EA	Door Asm. - Luggage - Off White - 38 1/2" x 10 1/4" w/Key Type Lock
	038884-01-000	EA	Kit - Lock - Twist w/Clip
	047305-01-000	EA	Kit - Lock - Key Type w/Clip
	018845-02-000	EA	Holder Asm. - Battery and Luggage Door (holds door open)
	051655-02-000	EA	Door Asm. - Storage - 37.31" x 23.38" - Left - w/Key Type Lock

VENTS

Key	Part Number	U/M	Description
	039778-01-000	EA	Cover - Plastic Refrigerator Vent
	009407-01-000	EA	Frame - Base - Refrigerator Vent w/o Cover
	048352-01-000	EA	Vent - Stovehood - Outside - Off White (Jensen)
	003212-02-000	EA	Vent - Stovehood - Outside - Nonpower (Strawline)

WINNEBAGO

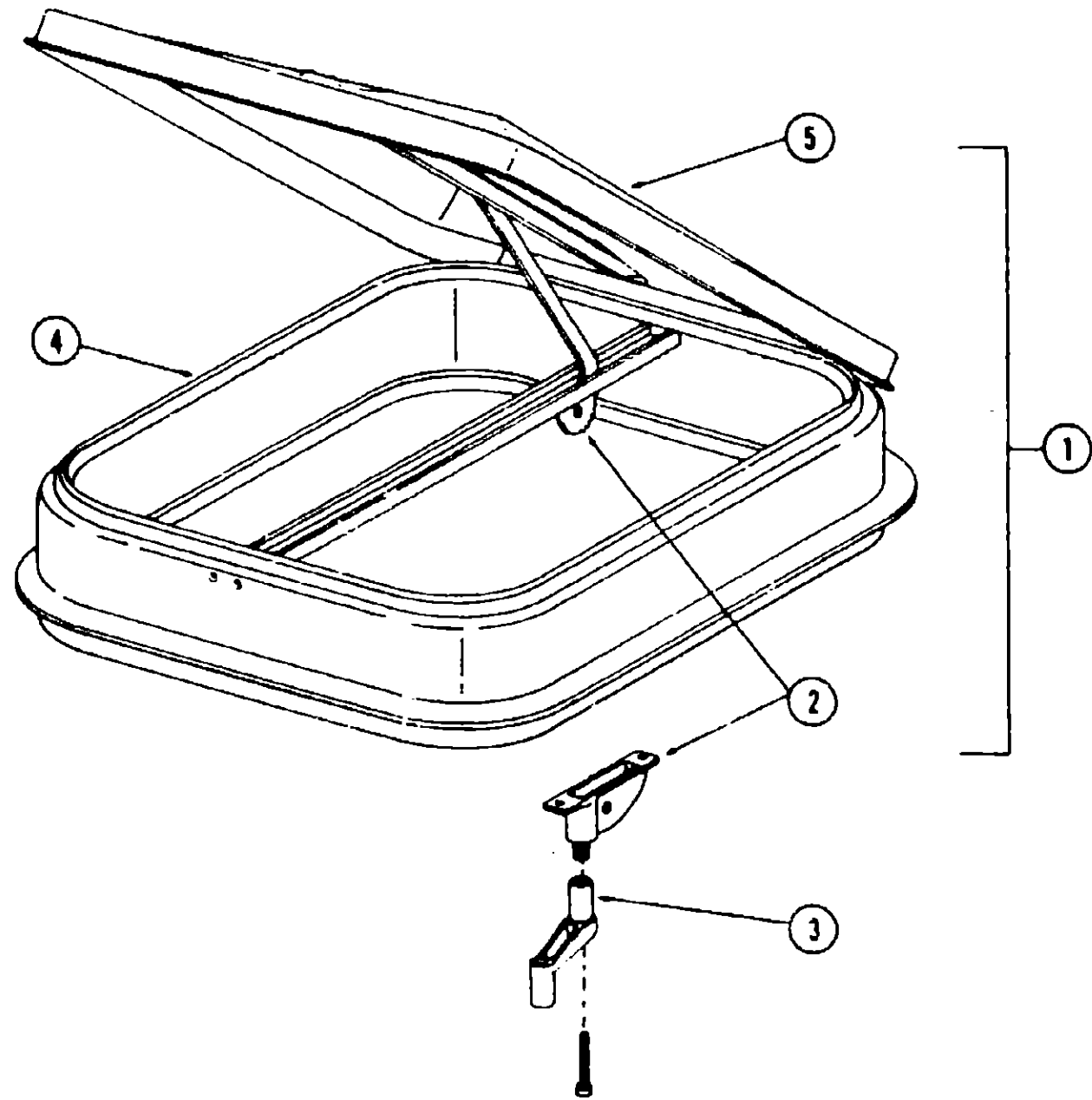
TABLE OF CONTENTS

Introduction	A-1
Abbreviations	A-1
Alphabetical Index	A-2 - A-4
1977 MWC25D	A-5 - B-12
1977 D26CRK	B-13 - C-24
1977 MWC24D	D-1 - E-8
1977 D26CRB	E-9 - F-20
1977 D26RT	F-21 - H-6
1977 MW23RB	H-7 - I-16
1977 D21	I-17 - K-8
1977 D23C	K-7 - L-18

1977 D26RT INDEX

Floor Plan	F-21 - F-22
Accessories Group	F-23 - F-24
Bath Group	G-1
Chassis Group	G-2 - G-3
Curtain, Cushion & Pad Group	G-3 - G-8
Dinette Group	G-7
Driver's Compartment Group	G-7 - G-8
Electrical Group	G-9 - G-10
Exterior Body Group	G-11 - G-14
Galley Group	G-15
Heating & Air Conditioning Group	G-16
Interior Finish Group	G-17 - G-18
LP Group	G-18
Lounge Group	G-19 - G-20
Water & Sewage Group	G-20
Window, Vent & Exterior Door Group	G-21 - H-8

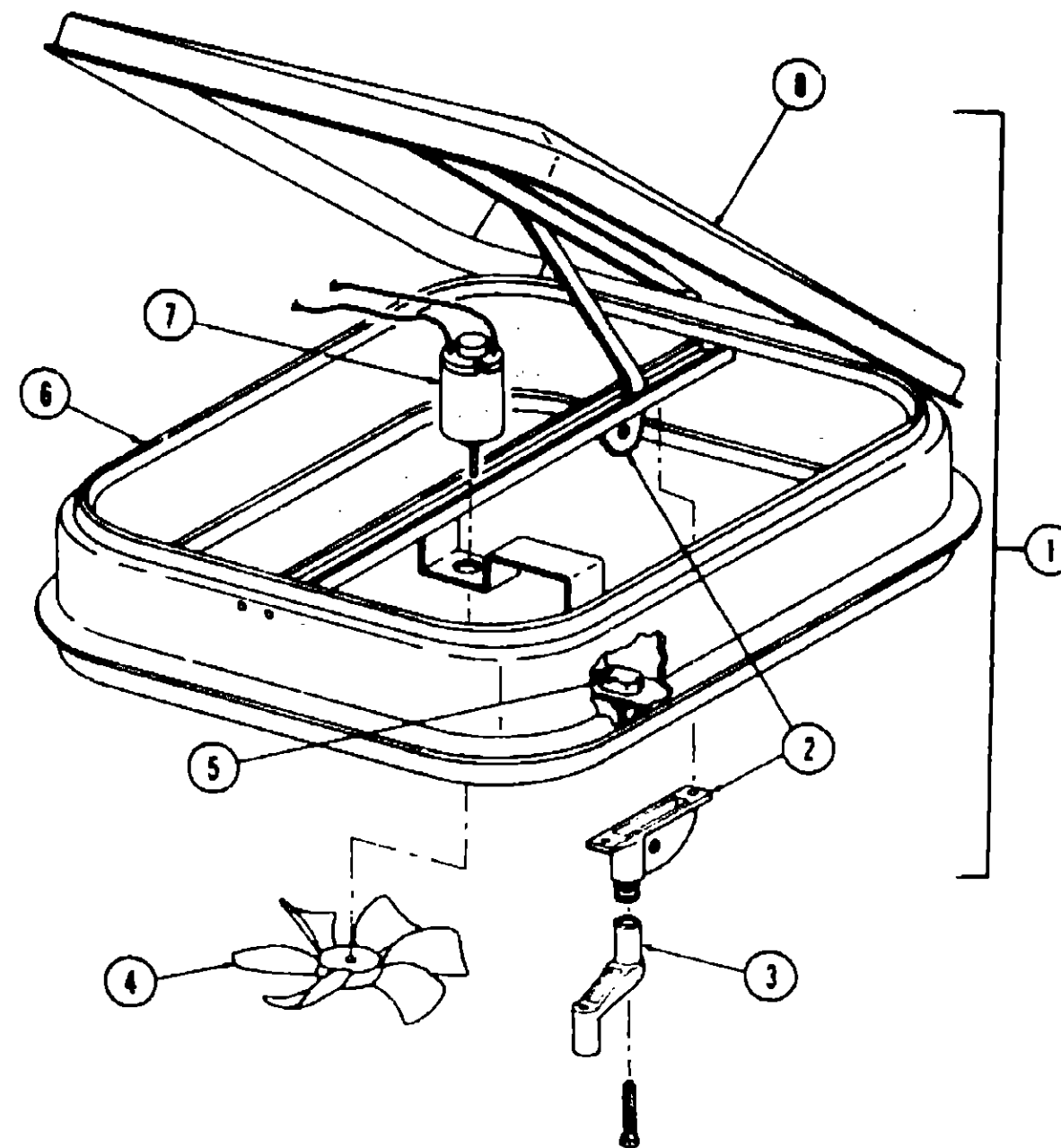
WINDOW, VENT AND EXTERIOR DOOR GROUP (CONTINUED)



Key	Part Number	U/M	Description
1	048835-01-000	EA	Vent Asm. - Roof - Nonpowered - w/o Screen
2	008440-01-070	EA	Gear - Arm - Roof Vent
3	008439-01-000	EA	Crank - Roof Vent
4	012825-01-000	FT	Weatherstrip - Roof Vent
5	016825-01-000	EA	Cover - Plastic - Roof Vent
*	016335-01-000	EA	Screen Asm. - Nonpowered Roof Vent - Clear Anod. (not included in assembly)
*	016335-03-000	EA	Screen Asm. - Nonpowered Roof Vent - Beige (not included in assembly)

* Not Illustrated

WINDOW, VENT AND EXTERIOR DOOR GROUP (CONTINUED)



Key	Part Number	U/M	Description
1	048789-01-000	EA	Vent Asm. - Roof - Powered - w/o Screen
2	008440-01-000	EA	Gear - Arm - Roof Vent
3	008439-01-000	EA	Crank - Roof Vent
4	048849-01-000	EA	Fan - Blade - 8" Plastic
5	008195-01-000	EA	Switch - Push Button - 12 Volt
6	002825-01-000	FT	Weatherstrip - Roof Vent
7	048848-01-000	EA	Motor - 12 Volt
8	048825-01-000	EA	Cover - Plastic - Roof Vent
*	048895-01-000	EA	Screen Asm. - Powered Roof Vent - Clear Anod. (not included in assembly)
*	048895-03-000	EA	Screen Asm. - Powered Roof Vent - Beige (not included in assembly)

* Not Illustrated

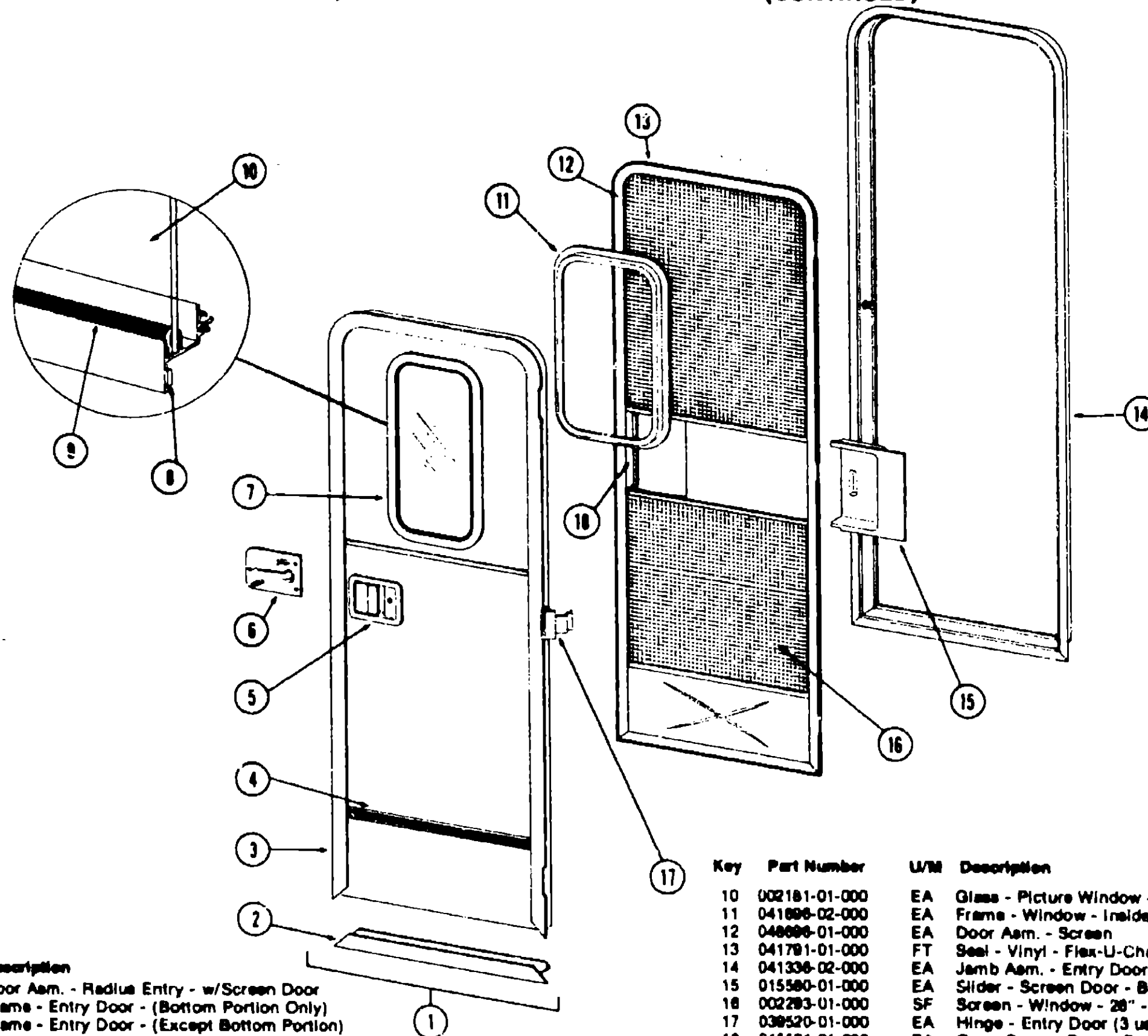
WINNEBAGO TABLE OF CONTENTS

Introduction	A-1
Abbreviations	A-1
Alphabetical Index	A-2 - A-4
1977 MWC25D	A-5 - B-12
1977 D26CRK	B-13 - C-24
1977 MWC24D	D-1 - E-8
1977 D26CRB	E-9 - F-20
1977 D26RT	F-21 - H-8
1977 MW23RB	H-7 - I-16
1977 D21	I-17 - K-6
1977 D23C	K-7 - L-18

1977 D26RT INDEX

Floor Plan	F-21 - F-22
Accessories Group	F-23 - F-24
Bath Group	G-1
Chassis Group	G-2 - G-3
Curtain, Cushion & Pad Group	G-3 - G-8
Dinette Group	G-7
Driver's Compartment Group	G-7 - G-8
Electrical Group	G-9 - G-10
Exterior Body Group	G-11 - G-14
Galley Group	G-15
Heating & Air Conditioning Group	G-16
Interior Finish Group	G-17 - G-18
LP Group	G-18
Lounge Group	G-19 - G-20
Water & Sewage Group	G-20
Window, Vent & Exterior Door Group	G-21 - H-8

WINDOW, VENT AND EXTERIOR DOOR GROUP (CONTINUED)



Key	Part Number	U/M	Description
1	050096-02-000	EA	Door Asm. - Radius Entry - w/Screen Door
2	039737-01-000	EA	Frame - Entry Door - (Bottom Portion Only)
3	039736-01-000	EA	Frame - Entry Door - (Except Bottom Portion)
4	039874-02-000	EA	Holder Asm. - Entry Door - 2 1/2"
5	052186-01-000	EA	Lock Asm. - Radius Entry Door - Lynor
6	045017-01-700	EA	Lock Cylinder w/Keys - Lynor
6	039541-01-000	EA	Lock Cylinder w/Keys - Atwood
6	039539-01-000	EA	Striker - Entry Door Lock
7	041875-01-000	EA	Window Asm. - Picture - 13" x 23" - Clear Anod. (Inside frame not included in assembly)
8	004363-01-000	FT	Tape - Foam - 3/16" x 1/2" Gray
9	002309-01-000	FT	Spline - Glass - 1/8" Gray

Key	Part Number	U/M	Description
10	002181-01-000	EA	Glass - Picture Window - 1/8" x 12" x 22" - Gray
11	041896-02-000	EA	Frame - Window - Inside - 13" x 23" - Brown
12	048696-01-000	EA	Door Asm. - Screen
13	041791-01-000	FT	Seal - Vinyl - Flex-U-Channel - Brown
14	041336-02-000	EA	Jamb Asm. - Entry Door
15	015580-01-000	EA	Slider - Screen Door - Brown Plastic
16	002293-01-000	SF	Screen - Window - 26" - Gray
17	039520-01-000	EA	Hinge - Entry Door (3 used per door)
18	015581-01-000	EA	Cap - Screen Door - Brown Plastic
18	049176-01-000	EA	Hedlok II - 3/4" Diameter - Screw Mount (Retains Screen Door to Entry Door)
18	049797-01-000	EA	Hedlok II - 1" Diameter - Screw Mount (Retains Screen Door to Entry Door)
18	018019-01-000	EA	Striker - Screen Door
18	039863-01-000	EA	Catch Asm. - Single Roller w/Strike - Screen Door
18	039740-01-000	FT	Seal - Jamb - Entry Door
18	039800-03-000	FT	Tubing - Polybutyl - 3/8" O.D. - Jamb

H-5

WINNEBAGO TABLE OF CONTENTS

Introduction	A-1
Abbreviations	A-1
Alphabetical Index	A-2 - A-4
1977 MWC25D	A-5 - B-12
1977 D26CRK	B-13 - C-24
1977 MWC24D	D-1 - E-8
1977 D26CRB	E-9 - F-20
1977 D26RT	F-21 - H-6
1977 MW23RB	H-7 - I-16
1977 D21	I-17 - K-6
1977 D23C	K-7 - L-18

1977 D26RT INDEX

Floor Plan	F-21 - F-22
Accessories Group	F-23 - F-24
Bath Group	G-1
Chassis Group	G-2 - G-3
Curtain, Cushion & Pad Group	G-3 - G-6
Dinette Group	G-7
Driver's Compartment Group	G-7 - G-8
Electrical Group	G-9 - G-10
Exterior Body Group	G-11 - G-14
Galley Group	G-15
Heating & Air Conditioning Group	G-16
Interior Finish Group	G-17 - G-18
LP Group	G-18
Lounge Group	G-19 - G-20
Water & Sewage Group	G-20
Window, Vent & Exterior Door Group	G-21 - H-6

H-6