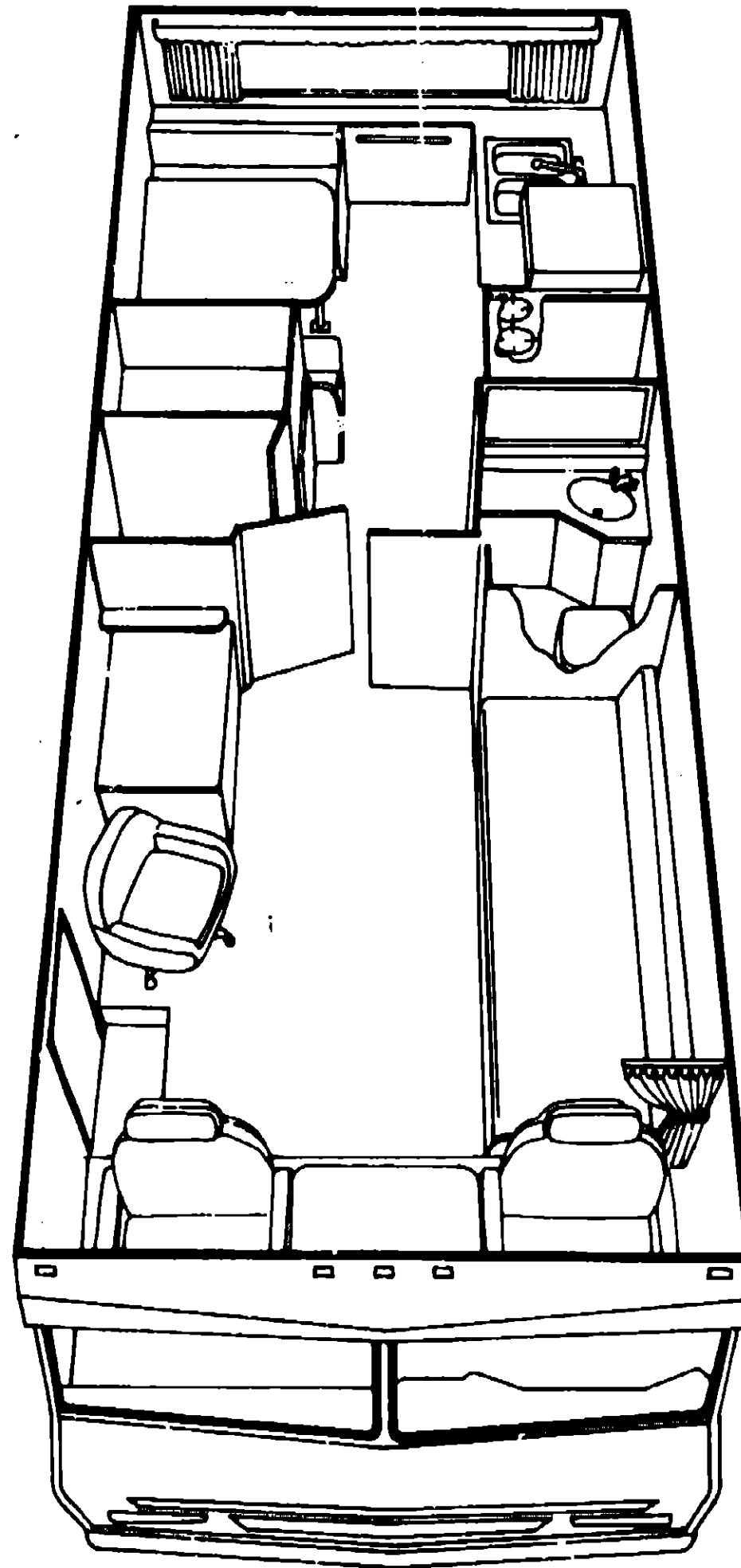


# 1977 D26CRK



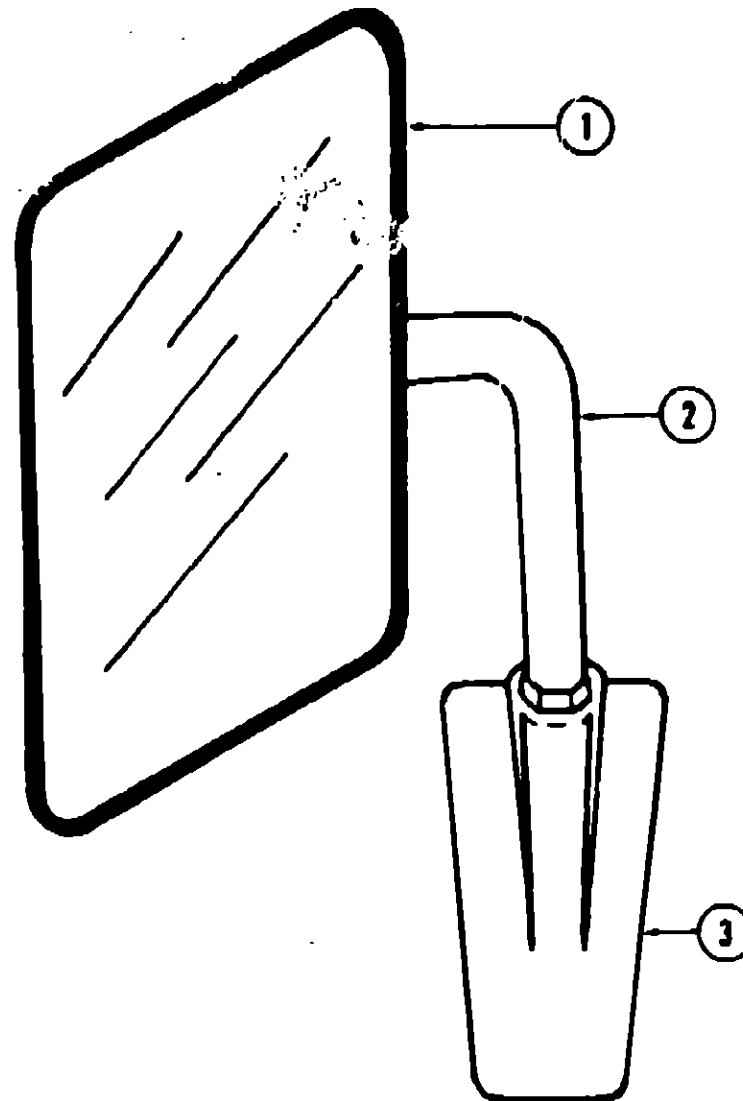
## WINNEBAGO TABLE OF CONTENTS

Introduction	A-1
Abbreviations	A-1
Alphabetical Index	A-2 - A-4
1977 MWC25D	A-5 - B-12
1977 D26CRK	B-13 - C-24
1977 MWC24D	D-1 - E-8
1977 D26CRB	E-9 - F-20
1977 D26RT	F-21 - H-6
1977 MW23RB	H-7 - I-16
1977 D21	I-17 - K-6
1977 D23C	K-7 - L-18

## 1977 D26CRK INDEX

Floor Plan	B-13 - B-14
Accessories Group	B-15 - B-16
Bath Group	B-17
Chassis Group	B-18 - B-19
Curtain, Cushion & Pad Group	B-20 - B-24
Dinette Group	C-1
Driver's Compartment Group	C-1 - C-2
Electrical Group	C-3 - C-4
Exterior Body Group	C-5 - C-8
Galley Group	C-9
Heating & Air Conditioning Group	C-10
Interior Finish Group	C-11 - C-12
LP Group	C-12
Lounge Group	C-13
Water & Sewage Group	C-13
Window, Vent & Exterior Door Group	C-14 - C-24

## ACCESSORIES GROUP



Key	Part Number	U/M	Description
1	049347-01-000	EA	Mirror Head - 7 1/2" x 10 1/2" SST w/o Brkt.
2	049348-01-000	EA	Arm - Low Mount Mirror - Brtte Finish
3	049944-01-000	EA	Bracket - Mirror - o/s - Beige

### RADIOS AND RELATED COMPONENTS

Key	Part Number	U/M	Description
	031105-01-000	EA	Antenna - Radio - Side Mount
	031105-01-700	EA	Holder Antenna Upper
	039879-01-000	EA	Kit - Radio Speaker 5 1/4" w/Cover
	049731-01-000	EA	Radio - AM/FM/MPX Clarion w/Fader Switch
	049732-01-000	EA	Radio - Clarion AM/FM/MPX/B-Track w/Fader Switch
	044328-01-000	EA	Switch - Fader - Speaker - Balance

## ACCESSORIES GROUP (CONTINUED)

### FRONT BUNK AND HARDWARE

Key	Part Number	U/M	Description
	048392-01-000	EA	Bunk Front - Overhead - (Board w/Rails)
	042988-01-000	EA	Support Asm. Left and Right Ovhd. Bunk Dark Brown
	042414-01-000	FT	Trim Accent Brown - Bostonian
	038986-01-000	EA	Bunk - Strap Support

### GENERATORS AND COMPONENTS

Key	Part Number	U/M	Description
	007059-01-000	EA	Generator Onan 2500 Watt LK
	007135-01-000	EA	Muffler 2500 LK
	039235-01-000	EA	Kit 2500 Watt Onan LK Installation
	044066-01-000	EA	Generator 4000 Watt BF
	039237-01-000	EA	Kit 4000, 5000, & 6500 Onan Installation
	007058-01-000	EA	Generator 5000 Watt Onan
	007292-01-000	EA	Muffler - Generator
	007230-01-000	EA	Generator 6500 Watt Onan
	042865-01-000	EA	Scoop - Generator Air
	045226-01-000	EA	Tray Generator 36.25" x 37.75"
	701629-01-000	EA	Kohler Installation Pac..age
**	040504-01-000	EA	Generator - 2.5 kw - Kohler
**	040505-01-000	EA	Generator - 4.0 kw - Kohler
**	040508-01-000	EA	Generator - 5.0 kw - Kohler
**	044149-01-000	EA	Generator - 6.5 kw - Kohler
**	051908-01-000	EA	Generator - 3.5 kw - Kohler
**	051909-01-000	EA	Generator - 4.5 kw - Kohler
**	051910-01-000	EA	Generator - 5.5 kw - Kohler
**	051911-01-000	EA	Generator - 7.0 kw - Kohler

\*\*The illustrated parts breakdown for this item is provided on the Common Items Fiche.

### MISCELLANEOUS ACCESSORIES

Key	Part Number	U/M	Description
	008076-01-000	EA	Ladder - Bunk
	050885-01-000	EA	Owner's Manual - Winnebago
	017516-01-000	EA	Mudflap - Black - 14" x 18" w/Holes
	008089-01-000	EA	Case - Key Leather Motor Home
	007038-01-000	EA	Mat - Door - Blk. Rubber 10 1/2" x 26"
	008053-01-000	EA	Antenna TV - Braund Deluxe
	008080-01-000	EA	Jack TV Brown (Ant.)
**	040899-01-000	EA	Ladder Asm. w/Luggage Rack Round
**	040899-02-000	EA	Ladder Only for Rack and Ladder Asm.
	008113-01-000	EA	Jack - Hydraulic 5 Ton
	041944-01-700	EA	Fire Extinguisher - w/Bracket - Dry Chemical
	034410-14-000	EA	Cover Spare Tire w/Brown W 32"
**	024748-01-000	EA	Speed Control Package 440 Dodge Lever Type A Body
**	047841-01-000	EA	Speed Control Package 360 Dodge Lever Type A Body
**	031396-01-000	EA	Wheel Cover - 17.5" - Chrome

\*\*The illustrated parts breakdown for this item is provided on the Common Items Fiche.

## WINNEBAGO

### TABLE OF CONTENTS

Introduction	A-1
Abbreviations	A-1
Alphabetical Index	A-2 - A-4
1977 MWC25D	A-5 - B-12
1977 D26CRK	B-13 - C-24
1977 MWC24D	D-1 - E-6
1977 D26CRB	E-9 - F-20
1977 D26RT	F-21 - H-6
1977 MW23RB	H-7 - I-16
1977 D21	I-17 - K-6
1977 D23C	K-7 - L-18

### 1977 D26CRK INDEX

Floor Plan	B-13 - B-14
Accessories Group	B-15 - B-16
Bath Group	B-17
Chassis Group	B-18 - B-19
Curtain, Cushion & Pad Group	B-20 - B-24
Dinette Group	C-1
Driver's Compartment Group	C-1 - C-2
Electrical Group	C-3 - C-4
Exterior Body Group	C-5 - C-8
Galley Group	C-9
Heating & Air Conditioning Group	C-10
Interior Finish Group	C-11 - C-12
LP Group	C-12
Lounge Group	C-13
Water & Sewage Group	C-13
Window, Vent & Exterior Door Group	C-14 - C-24

## BATH GROUP

Key	Part Number	U/M	Description
	042601-01-700	EA	Door Asm. Bathroom (2 Used Per Unit)
	042709-01-700	EA	Drawer Asm. - Cabinet - Notch Up w/o Hardware - Vanity
	011056-01-000	EA	Faucet 4" - Lavatory
	011063-01-000	EA	Plug 1 1/2" x 5" w/Chain and Stopper
	045390-01-000	EA	Sink - Oval - Plastic Ivory
	048402-01-000	EA	Countertop Asm. - Vanity Green
	048402-02-000	EA	Countertop Asm. - Vanity Gold
	048402-03-000	EA	Countertop Asm. - Vanity Rust
	048405-01-000	EA	Cabinet Vanity w/o Door or Hardware
	049601-01-700	EA	Door Asm. Cabinet w/o Hardware Vanity
	011048-01-000	EA	Shower Head w/59" Hose
	011059-01-000	EA	Faucet 4" Shower
	037581-01-000	EA	Back - Flow - Preventer - Vac Breaker
	011048-01-700	EA	Vacuum Breaker - 1/8 MPT Nylon Shower Hose
	011086-01-000	EA	Strainer Shower Pan
	046749-01-000	EA	Pan - Shower Ivory w/o Drain Asm.
	009134-01-000	EA	Holder - Tissue
	009133-02-000	EA	Bar - Only - Towel Rack 18" Plastic
	023449-01-000	EA	Support - Towel Rack Chrome (2 Req. per bar.)
	033580-01-000	EA	Ring - Towel Chrome w/Plastic Ring
	043579-01-000	EA	Mirror 1/2" x 19" x 26"
	043218-01-000	EA	Cabinet Medicine w/o Doors
	042864-01-000	EA	Sliding Door Asm. Med. Cabinet (2 used per Cabinet)
	009148-01-000	EA	Pull - Finger 3/4" Dia. Brass
	009785-01-000	FT	Track Door Upper Dark Brown
	009786-01-000	FT	Track Door Lower Dark Brown
	045730-01-000	EA	Shower Curtain White Plastic
	009136-01-000	EA	Pin - Shower Curtain
**	039341-02-000	EA	Stool Asm. - Ivory - Aqua Magic - Model SH

\*\*The illustrated parts breakdown for this item is provided on the Common Items Fiche.

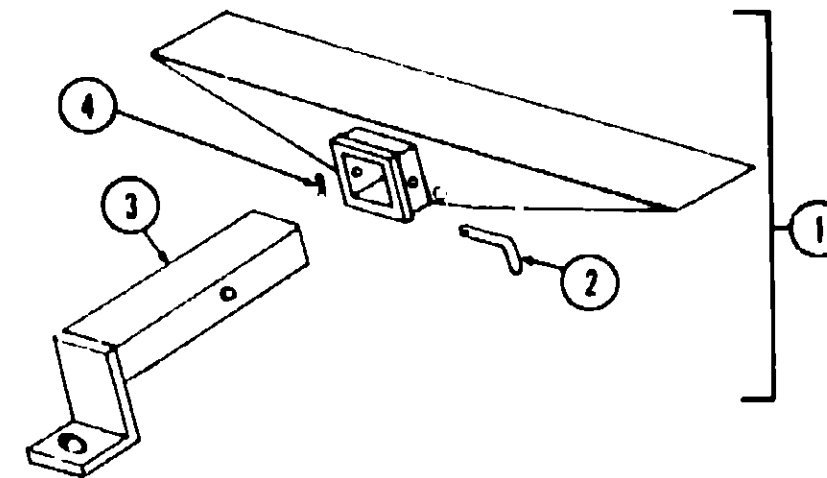
## CHASSIS GROUP

Key	Part Number	U/M	Description
	024641-03-000	EA	Step Asm. - Pull-Out
	045602-01-000	EA	Panel - Headlight - Right Hand
	045603-01-000	EA	Panel - Headlight - Left Hand
	045611-01-000	EA	Hoodboard - Steel - Right
	045611-02-000	EA	Hoodboard - Steel - Left
	007062-01-000	EA	Tubing - 5/16" OD Generator Fuel
	007134-01-000	EA	Clamp - Hose - Spring Type 9/16"
	024136-01-000	FT	Hose - Fuel - 5/16" ID SAE30R1
	007111-01-000	FT	Hose - Fuel - 2 1/2" ID SAE30R1
	007137-01-000	EA	Clamp - Worm Gear 1 5/16" to 2 1/2"
	045814-01-000	EA	Fill - Gas - w/Vent 5.44" Lg.
	007138-01-000	EA	Clamp 1/4" to 3/4" Dia.
	007160-01-000	EA	Gasket 3/16" x 2" x 2" Tire Carcass
	038882-01-000	EA	Tank - Fuel Aux. - 27.8 Gal.
	017568-01-000	EA	Strap Fuel Tank Mtg.
	038883-01-000	EA	Sending Unit - Fuel 7.8 OHM
	024591-01-000	EA	Fill - Gas - w/Vent 4.50" long
	024611-01-000	EA	Cap-Gas Pressure 1.50" Black
	048594-01-000	EA	Tray - Battery - Steel
	005183-01-000	EA	Rod-Threaded-5/16" - 18" x 36" Long
	035102-01-000	EA	Cover - Rear Radiator
	007131-01-000	EA	Hanger - Tailpipe
	035260-01-000	EA	V/heel Well - Plastic - Black
	007125-07-000	EA	Clamp Asm. - Muffler - 2 50" Dia.
	007249-01-000	EA	Tailpipe - Curved - 2 1/2" x 58"

## WINNEBAGO

### TABLE OF CONTENTS

Introduction	A-1
Abbreviations	A-1
Alphabetical Index	A-2 - A-4
1977 MWC25D	A-5 - B-12
1977 D26CRK	B-13 - C-24
1977 MWC24D	D-1 - E-8
1977 D26CRB	E-9 - F-20
1977 D26RT	F-21 - H-6
1977 MW23RB	H-7 - I-16
1977 D21	I-17 - K-6
1977 D23C	K-7 - L-18

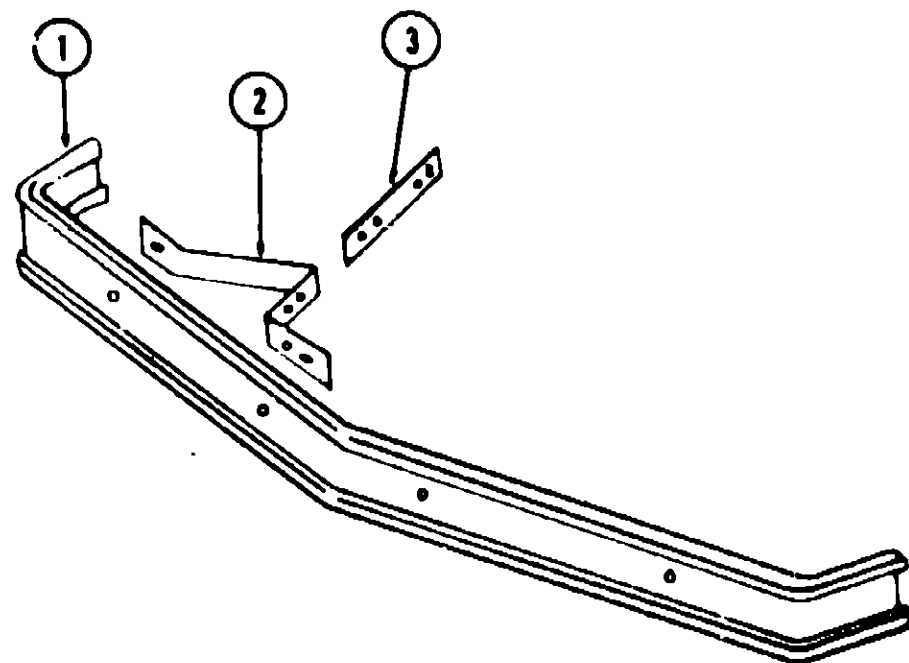


Key	Part Number	U/M	Description
1	023895-01-700	EA	Hitch Kit - w/Drawbar
2	034512-01-000	EA	Pin - Locking - Drawbar
3	024876-01-000	EA	Drawbar - Trailer Hitch
4	034513-01-000	EA	Pin - Hitch - 3/16" Wire Spring

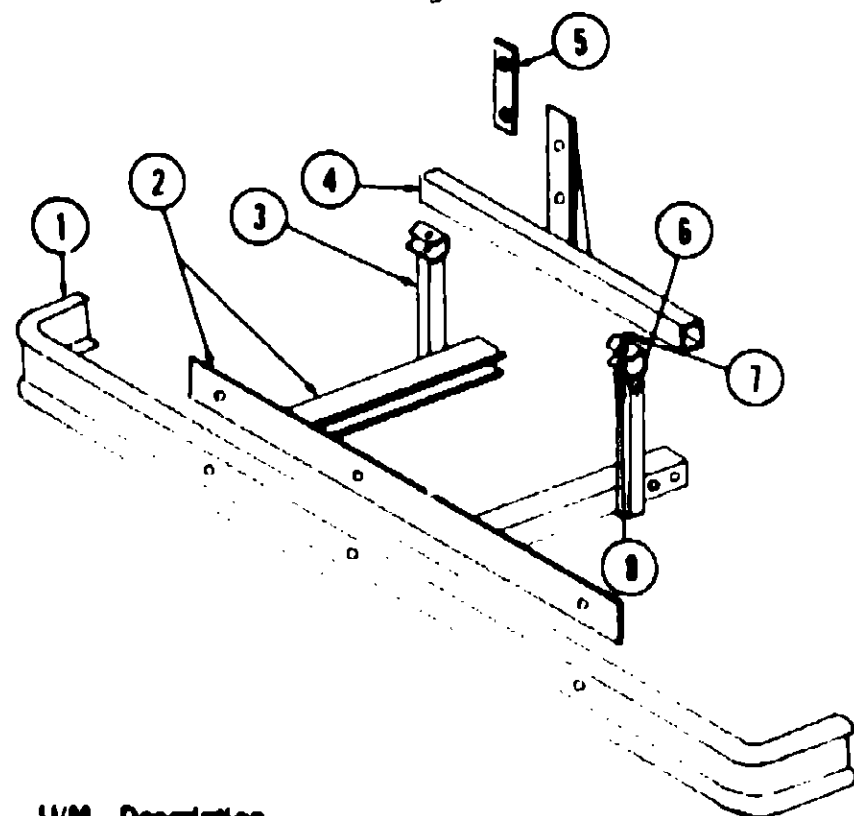
### 1977 D26CRK INDEX

Floor Plan	B-13 - B-14
Accessories Group	B-15 - B-16
Bath Group	B-17
Chassis Group	B-18 - B-19
Curtain, Cushion & Pad Group	B-20 - B-24
Dinette Group	C-1
Driver's Compartment Group	C-1 - C-2
Electrical Group	C-3 - C-4
Exterior Body Group	C-5 - C-5
Galley Group	C-9
Heating & Air Conditioning Group	C-10
Interior Finish Group	C-11 - C-12
LP Group	C-12
Lounge Group	C-13
Water & Sewage Group	C-13
Window, Vent & Exterior Door Group	C-14 - C-24

## CHASSIS GROUP (CONTINUED)



Key	Part Number	U/M	Description
1	048473-01-000	EA	Bumper - Front Chrome
2	023496-04-000	EA	Bracket - Bumper - Black Right or Left
3	023520-04-000	EA	Bar - Bumper - Black Right or Left



Key	Part Number	U/M	Description
1	048474-01-000	EA	Bumper - Rear Chrome
2	046043-05-000	EA	Bracket Asm. - Rear Bumper
3	022445-01-000	EA	Bracket - Tire Carrier - Left
4	016924-02-000	EA	Bracket - Tire Carrier
5	040974-01-000	EA	Retainer - Spare Tire
6	021356-01-000	EA	Bracket - Tire Carrier - Right
7	015385-01-000	EA	Pin - Tire Carrier
8	005522-01-000	EA	Pin - Hitch - 5/32" Wire

## CURTAIN, CUSHION AND PAD GROUP

### SNAP TOP UNDERDRAPE

Key	Part Number	U/M	Description
	049486-69-000	EA	Curtain - 25" x 27" - Underdrape - Left - Green (Moss)
	049486-70-000	EA	Curtain - 25" x 27" - Underdrape - Left - Gold (Topaz)
	049486-71-000	EA	Curtain - 25" x 27" - Underdrape - Left - Rust (Terra Cotta)
	049487-68-000	EA	Curtain - 25" x 27" - Underdrape - Right - Green (Moss)
	049487-69-000	EA	Curtain - 25" x 27" - Underdrape - Right - Gold (Topaz)
	049487-70-000	EA	Curtain - 25" x 27" - Underdrape - Right - Rust (Terra Cotta)
	049486-16-000	EA	Curtain - 25" x 36" - Underdrape - Left - Green (Moss)
	049386-17-000	EA	Curtain - 25" x 36" - Underdrape - Left - Gold (Topaz)
	049486-18-000	EA	Curtain - 25" x 36" - Underdrape - Left - Rust (Terra Cotta)
	049487-16-000	EA	Curtain - 25" x 36" - Underdrape - Right - Green (Moss)
	049487-17-000	EA	Curtain - 25" x 36" - Underdrape - Right - Gold (Topaz)
	049487-18-000	EA	Curtain - 25" x 36" - Underdrape - Right - Rust (Terra Cotta)
	049486-72-000	EA	Curtain - 25" x 45" - Underdrape - Left - Green (Moss)
	049486-73-000	EA	Curtain - 25" x 45" - Underdrape - Left - Gold (Topaz)
	049486-74-000	EA	Curtain - 25" x 45" - Underdrape - Left - Rust (Terra Cotta)
	049487-71-000	EA	Curtain - 25" x 45" - Underdrape - Right - Green (Moss)
	049487-72-000	EA	Curtain - 25" x 45" - Underdrape - Right - Gold (Topaz)
	049487-73-000	EA	Curtain - 25" x 45" - Underdrape - Right - Rust (Terra Cotta)
	049486-75-000	EA	Curtain - 25" x 39" - Underdrape - Left - Green (Moss)
	049486-76-000	EA	Curtain - 25" x 39" - Underdrape - Left - Gold (Topaz)
	049486-77-000	EA	Curtain - 25" x 39" - Underdrape - Left - Rust (Terra Cotta)
	049487-74-000	EA	Curtain - 25" x 39" - Underdrape - Right - Green (Moss)
	049487-75-000	EA	Curtain - 25" x 39" - Underdrape - Right - Gold (Topaz)
	049487-76-000	EA	Curtain - 25" x 39" - Underdrape - Right - Rust (Terra Cotta)

### SNAP TOP OVERDRAPE

Key	Part Number	U/M	Description
	048840-27-000	EA	Curtain - 25 1/2" x 21" - Overdrape - Green (Moss)
	048840-25-000	EA	Curtain - 25 1/2" x 21" - Overdrape - Gold (Topaz)
	048840-84-000	EA	Curtain - 25 1/2" x 21" - Overdrape - Rust (Terra Cotta)
	049021-22-000	EA	Curtain - 33 x 36" - Overdrape - Green (Moss)
	049021-20-000	EA	Curtain - 33" x 36" - Overdrape - Gold (Topaz)
	049021-34-000	EA	Curtain - 33" x 36" - Overdrape - Rust (Terra Cotta)

### ROD MOUNT OVERDRAPE

Key	Part Number	U/M	Description
	050645-07-000	EA	Curtain - 27" x 30" - Overdrape - Right - Green (Moss)
	050645-08-000	EA	Curtain - 27" x 30" - Overdrape - Right - Gold (Topaz)
	050645-09-000	EA	Curtain - 27" x 30" - Overdrape - Right - Rust (Terra Cotta)
	050646-07-000	EA	Curtain - 27" x 30" - Overdrape - Left - Green (Moss)
	050646-08-000	EA	Curtain - 27" x 30" - Overdrape - Left - Gold (Topaz)
	050646-09-000	EA	Curtain - 27" x 30" - Overdrape - Left - Rust (Terra Cotta)
	050646-01-000	EA	Curtain - 27" x 39" - Overdrape - Left - Green (Moss)
	050646-02-000	EA	Curtain - 27" x 39" - Overdrape - Left - Gold (Topaz)
	050646-03-000	EA	Curtain - 27" x 39" - Overdrape - Left - Rust (Terra Cotta)
	050645-01-000	EA	Curtain - 27" x 39" - Overdrape - Right - Green (Moss)
	050645-02-000	EA	Curtain - 27" x 39" - Overdrape - Right - Gold (Topaz)
	050645-03-000	EA	Curtain - 27" x 39" - Overdrape - Right - Rust (Terra Cotta)
	050646-10-000	EA	Curtain - 27" x 51" - Overdrape - Left - Green (Moss)
	050646-11-000	EA	Curtain - 27" x 51" - Overdrape - Left - Gold (Topaz)
	050646-12-000	EA	Curtain - 27" x 51" - Overdrape - Left - Rust (Terra Cotta)
	050645-10-000	EA	Curtain - 27" x 51" - Overdrape - Right - Green (Moss)
	050645-11-000	EA	Curtain - 27" x 51" - Overdrape - Right - Gold (Topaz)
	050645-12-000	EA	Curtain - 27" x 51" - Overdrape - Right - Rust (Terra Cotta)
	050646-04-000	EA	Curtain - 27" x 45" - Overdrape - Left - Green (Moss)
	050646-05-000	EA	Curtain - 27" x 45" - Overdrape - Left - Gold (Topaz)
	050646-06-000	EA	Curtain - 27" x 45" - Overdrape - Left - Rust (Terra Cotta)
	050645-04-000	EA	Curtain - 27" x 45" - Overdrape - Right - Green (Moss)
	050645-05-000	EA	Curtain - 27" x 45" - Overdrape - Right - Gold (Topaz)
	050645-06-000	EA	Curtain - 27" x 45" - Overdrape - Right - Rust (Terra Cotta)

## WINNEBAGO

### TABLE OF CONTENTS

Introduction	A-1
Abbreviations	A-1
Alphabetical Index	A-2 - A-4
1977 MWC25D	A-5 - B-12
1977 D26CRK	B-13 - C-24
1977 MWC24D	D-1 - E-8
1977 D26CRB	E-9 - F-20
1977 D26RT	F-21 - H-6
1977 MW23RB	H-7 - I-16
1977 D21	I-17 - K-6
1977 D23C	K-7 - L-18

### 1977 D26CRK INDEX

Floor Plan	B-13 - B-14
Accessories Group	B-15 - B-16
Bath Group	B-17
Chassis Group	B-18 - B-19
Curtain, Cushion & Pad Group	B-20 - B-24
Dinette Group	C-1
Driver's Compartment Group	C-1 - C-2
Electrical Group	C-3 - C-4
Exterior Body Group	C-5 - C-8
Galley Group	C-9
Heating & Air Conditioning Group	C-10
Interior Finish Group	C-11 - C-12
LP Group	C-12
Lounge Group	C-13
Water & Sewage Group	C-13
Window, Vent & Exterior Door Group	C-14 - C-24

**CURTAIN, CUSHION AND PAD GROUP (CONTINUED)**

**OPTIONAL CURTAINS**

Key	Part Number	U/M	Description
	048841-02-000	EA	Privacy Curtain - 72" x 36" - Green (Moss) - Hook Top
	048841-03-000	EA	Privacy Curtain - 72" x 36" - Gold (Topaz) - Hook Top
	048841-04-000	EA	Privacy Curtain - 72" x 36" - Rust (Terra Cotta) - Hook Top
	049021-55-000	EA	Privacy Curtain - 72" x 36" - Green (Moss) - Snap Top
	049021-56-000	EA	Privacy Curtain - 72" x 36" - Gold (Topaz) - Snap Top
	049021-57-000	EA	Privacy Curtain - 72" x 36" - Rust (Terra Cotta) - Snap Top
	050006-01-000	EA	Curtain - Blackout - Vinyl - 36" x 64"
	049021-31-000	EA	Curtain - 25" x 80" - Wraparound - Right - Green (Moss)
	049021-32-000	EA	Curtain - 25" x 80" - Wraparound - Right - Gold (Topaz)
	049021-33-000	EA	Curtain - 25" x 80" - Wraparound - Right - Rust (Terra Cotta)
	049485-08-000	EA	Curtain - 25" x 80" - Wraparound - Left - Green (Moss)
	049485-09-000	EA	Curtain - 25" x 80" - Wraparound - Left - Gold (Topaz)
	049485-10-000	EA	Curtain - 25" x 80" - Wraparound - Left - Rust (Terra Cotta)

**VALANCES**

Key	Part Number	U/M	Description
	048831-97-000	EA	Valance 5 1/2" x 55" Green (Moss)
	048831-98-000	EA	Valance 5 1/2" x 55" Gold (Topaz)
	048831-99-000	EA	Valance 5 1/2" x 55" - Rust (Terra Cotta)
	048831-92-000	EA	Valance 5 1/2" x 70" Green (Moss)
	048831-93-000	EA	Valance 5 1/2" x 70" Gold (Topaz)
	048831-94-000	EA	Valance 5 1/2" x 70" Rust (Terra Cotta)
	048831-85-000	EA	Valance 5 1/2" x 91" Green (Moss)
	048831-86-000	EA	Valance 5 1/2" x 91" Gold (Topaz)
	048831-87-000	EA	Valance 5 1/2" x 91" Rust (Terra Cotta)
	048831-45-000	EA	Valance 5 1/2" x 44" Green (Moss)
	048831-46-000	EA	Valance - 5 1/2" x 44" Gold (Topaz)
	048831-47-000	EA	Valance - 5 1/2" x 44" - Rust (Terra Cotta)
	048831-51-000	EA	Valance 5 1/2" x 79" Green (Moss)
	048831-52-000	EA	Valance 5 1/2" x 79" Gold (Topaz)
	048831-53-000	EA	Valance 5 1/2" x 79" Rust (Terra Cotta)

**CURTAIN TIE BACKS**

Key	Part Number	U/M	Description
	049097-03-000	EA	Tie Back - Curtain - 10" - Green (Moss)
	049097-04-000	EA	Tie Back - Curtain - 10" - Gold (Topaz)
	049097-05-000	EA	Tie Back - Curtain - 10" - Rust (Terra Cotta)
	049097-37-000	EA	Tie Back - Curtain - 16" - Green (Moss)
	049097-38-000	EA	Tie Back - Curtain - 16" - Gold (Topaz)
	049097-39-000	EA	Tie Back - Curtain - 16" - Rust (Terra Cotta)
	049097-06-000	EA	Tie Back - Curtain - 14" - Green (Moss)
	049097-07-000	EA	Tie Back - Curtain - 14" - Gold (Topaz)
	049097-08-000	EA	Tie Back - Curtain - 14" - Rust (Terra Cotta)

**MATTRESSES**

Key	Part Number	U/M	Description
	041914-22-000	EA	Mattress - Front Bunk - Flexsteel - Green (Moss)
	041914-23-000	EA	Mattress - Front Bunk - Flexsteel - Gold (Topaz)
	041914-24-000	EA	Mattress - Front Bunk - Flexsteel - Rust (Terra Cotta)

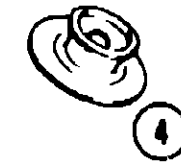
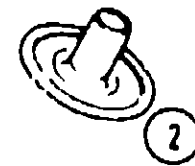
**CURTAIN, CUSHION AND PAD GROUP (CONTINUED)**

**FABRICS, TRIMS AND PADS**

Key	Part Number	U/M	Description
	048534-01-000	YD	Fabric - Upholstery - Green (Moss)
	048534-02-000	YD	Fabric - Upholstery - Gold (Topaz)
	048534-03-000	YD	Fabric - Upholstery - Rust (Terra Cotta)
	043619-04-000	YD	Fabric - Drapery - Overdrape - Green (Moss)
	043619-02-000	YD	Fabric - Drapery - Overdrape - Gold (Topaz)
	043619-05-000	YD	Fabric - Drapery - Overdrape - Rust (Terra Cotta)
	050622-01-000	YD	Fabric - Drapery - Underdrape - Green (Moss)
	050622-02-000	YD	Fabric - Drapery - Underdrape - Gold (Topaz)
	050622-03-000	YD	Fabric - Drapery - Underdrape - Rust (Terra Cotta)
	042411-01-000	YD	Vinyl - Nonexpanded 27 Oz.
	042411-03-000	YD	Vinyl - Nonsupport - 16 Ga. Film Brown
	023631-05-000	EA	Button - Bostonian - Brookshire
	042414-01-000	FT	Trim - Accent - Bostonian
	023486-09-000	EA	Pad - Frame Dinette Bostonian Brookshire
	048208-03-000	EA	Cap - End - Gaucho Overhead - Padded
	048209-01-000	EA	Cap - End - Desk Overhead - Padded

**CURTAIN HARDWARE**

Key	Part Number	U/M	Description
	050327-04-238	EA	Curtain Track - Alum. - Brown 89" w/Holes (Replaces 009106-01-000 Plastic Track)
	009107-01-000	EA	Guide Nylon Snap for Curtain Track
	009701-01-000	EA	Carrier - Curtain "L" Rod w/Rollers
	009702-01-000	EA	End Stop - Curtain "L" Rod
	018031-42-000	EA	Track - Curtain "L" Rod 90" Alum.
	029100-01-000	EA	Hook - Curtain - Privacy
	049736-01-000	EA	Snap Carrier Plastic White (Blackout Curtain)
	049737-01-000	EA	End Cap Plastic Curtain Track (Blackout Curtain)



Key	Part Number	U/M	Description
	1	029130-01-000	EA Socket - Snap Fastener 7" x 5/8"
	2	029155-01-000	EA Cap - Snap .156" Dia. x .17" Barrel
	3	029156-01-000	EA Socket - Snap Fastener
	4	029092-01-000	EA Stud Nickel Finish
	5	029093-01-000	EA Eyelet - Nickel Finish

**WINNEBAGO**

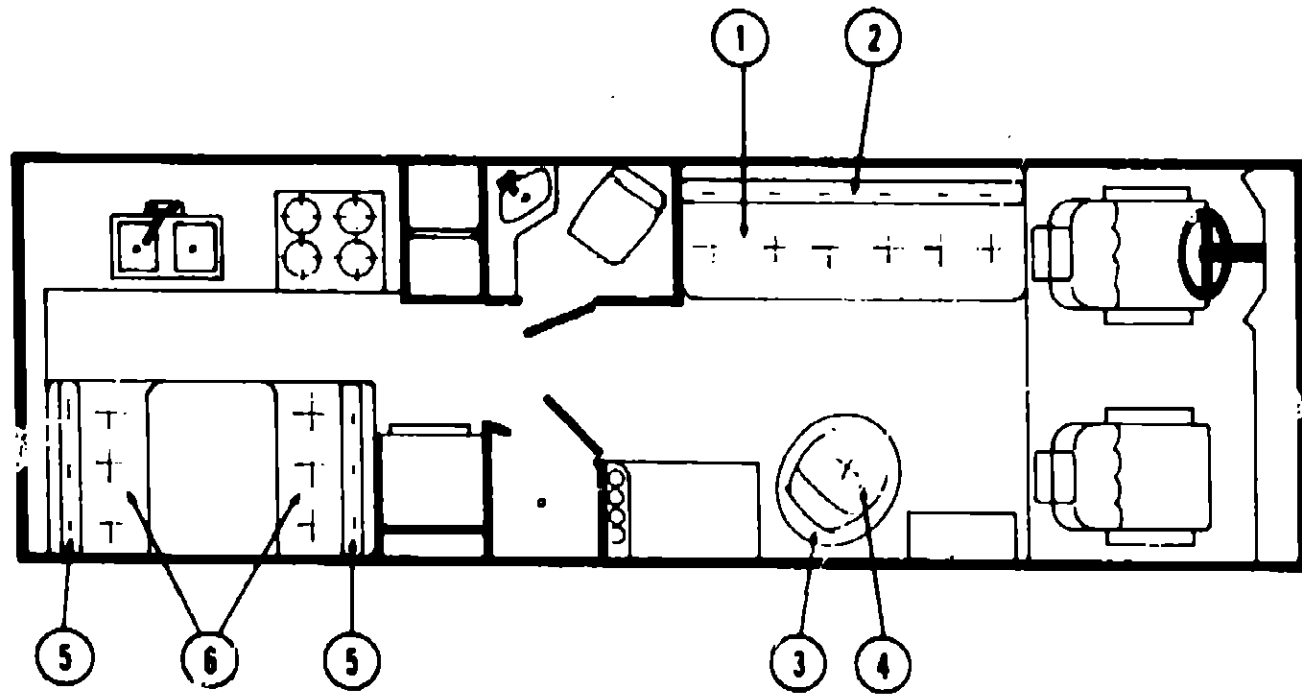
**TABLE OF CONTENTS**

Introduction	A-1
Abbreviations	A-1
Alphabetical Index	A-2 - A-4
1977 MWC25D	A-5 - B-12
1977 D26CRK	B-13 - C-24
1977 MWC24D	D-1 - E-8
1977 D26CRB	E-9 - F-20
1977 D26RT	F-21 - H-6
1977 MW23RB	H-7 - I-16
1977 D21	I-17 - K-6
1977 D23C	K-7 - L-18

**1977 D26CRK INDEX**

Floor Plan	B-13 - B-14
Accessories Group	B-15 - B-16
Bath Group	B-17
Chassis Group	B-18 - B-19
Curtain, Cushion & Pad Group	B-20 - B-24
Dinette Group	C-1
Driver's Compartment Group	C-1 - C-2
Electrical Group	C-3 - C-4
Exterior Body Group	C-5 - C-8
Galley Group	C-9
Heating & Air Conditioning Group	C-10
Interior Finish Group	C-11 - C-12
LP Group	C-12
Lounge Group	C-13
Water & Sewage Group	C-13
Window, Vent & Exterior Door Group	C-14 - C-24

**CURTAIN, CUSHION AND PAD GROUP (CONTINUED)**



**GAUCHO CUSHIONS**

Key	Part Number	U/M	Description
1	048830-07-000	EA	Cushion - Gaucho Seat - 29" x 79" x 6" - Green (Moss)
1	048830-08-000	EA	Cushion - Gaucho Seat - 29" x 79" x 6" - Gold (Topaz)
1	048830-09-000	EA	Cushion - Gaucho Seat - 29" x 79" x 6" - Rust (Terra Cotta)
	048830-07-007	EA	Cover - Gaucho Seat Cushion - 29" x 79" x 6" - Green (Moss)
	048830-08-008	EA	Cover - Gaucho Seat Cushion - 29" x 79" x 6" - Gold (Topaz)
	048830-09-009	EA	Cover - Gaucho Seat Cushion - 29" x 79" x 6" - Rust (Terra Cotta)
2	050741-07-001	EA	Cushion - Gaucho Back - 16" x 79" x 6" - Green (Moss)
2	050741-08-000	EA	Cushion - Gaucho Back - 16" x 79" x 6" - Gold (Topaz)
2	050741-09-000	EA	Cushion - Gaucho Back - 16" x 79" x 6" - Rust (Terra Cotta)
	050741-07-007	EA	Cover - Gaucho Back Cushion - 16" x 79" x 6" - Green (Moss)
	050741-08-008	EA	Cover - Gaucho Back Cushion - 16" x 79" x 6" - Gold (Topaz)
	050741-09-009	EA	Cover - Gaucho Back Cushion - 16" x 79" x 6" - Rust (Terra Cotta)
	042384-34-000	EA	Skirt - Gaucho - 13" x 84" - Green (Moss)
	042384-35-000	EA	Skirt - Gaucho - 13" x 84" - Gold (Topaz)
	042384-36-000	EA	Skirt - Gaucho - 13" x 84" - Rust (Terra Cotta)

**TT CHAIRS**

Key	Part Number	U/M	Description
3	042986-14-000	EA	TT Chair - Complete - Green (Moss)
3	042986-15-000	EA	TT Chair - Complete - Gold (Topaz)
3	042986-16-000	EA	TT Chair - Complete - Rust (Terra Cotta)
4	042987-14-000	EA	Cushion - TT Chair - Green (Moss)
4	042987-15-000	EA	Cushion - TT Chair - Gold (Topaz)
4	042987-16-000	EA	Cushion - TT Chair - Rust (Terra Cotta)
	042987-14-014	EA	Cover - TT Chair Cushion - Green (Moss)
	042987-15-015	EA	Cover - TT Chair Cushion - Gold (Topaz)
	042987-16-016	EA	Cover - TT Chair Cushion - Rust (Terra Cotta)
	035036-01-000	EA	Plate - TT Chair
	035036-02-000	EA	Base w/Legs - TT Chair

**CURTAIN, CUSHION AND PAD GROUP (CONTINUED)**

**DINETTE CUSHIONS**

Key	Part Number	U/M	Description
5	048830-04-000	EA	Cushion - Dinette Back - 14" x 38" - Green (Moss)
5	048830-05-000	EA	Cushion - Dinette Back - 14" x 38" - Gold (Topaz)
5	048830-06-000	EA	Cushion - Dinette Back - 14" x 38" - Rust (Terra Cotta)
	048830-04-004	EA	Cover - Dinette Back Cushion - 14" x 38" - Green (Moss)
	048830-05-005	EA	Cover - Dinette Back Cushion - 14" x 38" - Gold (Topaz)
	048830-06-006	EA	Cover - Dinette Back Cushion - 14" x 38" - Rust (Terra Cotta)
6	048830-01-000	EA	Cushion - Dinette Seat - 24" x 38" - Green (Moss)
6	048830-02-000	EA	Cushion - Dinette Seat - 24" x 38" - Gold (Topaz)
6	048830-03-000	EA	Cushion - Dinette Seat - 24" x 38" - Rust (Terra Cotta)
	048830-01-001	EA	Cover - Dinette Seat Cushion - 24" x 38" - Green (Moss)
	048830-02-002	EA	Cover - Dinette Seat Cushion - 24" x 38" - Gold (Topaz)
	048830-03-003	EA	Cover - Dinette Seat Cushion - 24" x 38" - Rust (Terra Cotta)

**BUCKET SEATS, ARMRESTS AND HEADRESTS**

Key	Part Number	U/M	Description
	049159-01-000	EA	Seat Asm. - Single Bucket w/o Slides, Armrests and Headrests - Green (Moss)
	049159-02-000	EA	Seat Asm. - Single Bucket - w/o Slides, Armrests and Headrests - Gold (Topaz)
	049159-03-000	EA	Seat Asm. - Single Bucket - w/o Slides, Armrests and Headrests - Rust (Terra Cotta)
	049159-01-001	EA	Cover - Bottom - Single Bucket - Green (Moss)
	049159-02-001	EA	Cover - Bottom - Single Bucket - Gold (Topaz)
	049159-03-001	EA	Cover - Bottom - Single Bucket - Rust (Terra Cotta)
	049159-01-002	EA	Cover - Back - Single Bucket - Green (Moss)
	049159-02-002	EA	Cover - Back - Single Bucket - Gold (Topaz)
	049159-03-002	EA	Cover - Back - Single Bucket - Rust (Terra Cotta)
	049159-01-003	EA	Skirt - Bucket Seat - Single - Green (Moss)
	049159-02-003	EA	Skirt - Bucket Seat - Single - Gold (Topaz)
	049159-03-003	EA	Skirt - Bucket Seat - Single - Rust (Terra Cotta)
	049160-01-000	EA	Seat Asm. - Double Bucket - w/o Slides, Armrests or Headrests - Green (Moss)
	049160-02-000	EA	Seat Asm. - Double Bucket - w/o Slides, Armrests or Headrests - Gold (Topaz)
	049160-03-000	EA	Seat Asm. - Double Bucket - w/o Slides, Armrests or Headrests - Rust (Terra Cotta)
	049160-01-001	EA	Cover - Bottom - Double Bucket - Green (Moss)
	049160-02-001	EA	Cover - Bottom - Double Bucket - Gold (Topaz)
	049160-03-001	EA	Cover - Bottom - Double Bucket - Rust (Terra Cotta)
	049160-01-002	EA	Cover - Back - Double Bucket - Green (Moss)
	049160-02-002	EA	Cover - Back - Double Bucket - Gold (Topaz)
	049160-03-002	EA	Cover - Back - Double Bucket - Rust (Terra Cotta)
	049160-01-003	EA	Skirt - Double Bucket - Green (Moss)
	049160-02-003	EA	Skirt - Double Bucket - Gold (Topaz)
	049160-03-003	EA	Skirt - Double Bucket - Rust (Terra Cotta)
	033908-36-000	EA	Headrest Cover - Green (Moss)
	033908-37-000	EA	Headrest Cover - Gold (Topaz)
	033908-38-000	EA	Headrest Cover - Rust (Terra Cotta)
	019722-01-000	EA	Headrest Asm. - Foam w/o Cover
	050280-04-000	EA	Armrest Cover - Right or Left - Green (Moss)
	050280-05-000	EA	Armrest Cover - Right or Left - Gold (Topaz)
	050280-06-000	EA	Armrest Cover - Right or Left - Rust (Terra Cotta)
	040494-01-000	EA	Armrest Asm. - Foam w/o Cover - Right - Style #1
	040494-02-000	EA	Armrest Asm. - Foam w/o Cover - Left - Style #1
	050275-01-700	EA	Armrest Asm. - Foam w/o Cover - Right - Style #2
	050276-01-700	EA	Armrest Asm. - Foam w/o Cover - Left - Style #2
	036658-02-000	EA	Screw - Shoulder 3/8" x 1 1/2" Hex Socket (Armrest Fastener)
	029136-01-000	EA	Grommet - Headrest - Nylon Brown
	029134-01-000	EA	Clip - Finish (Bucket Seat Cover)

**NOTE**

A production change was made in the armrest. When ordering, you must first determine which style is required. Measure up ten inches from the bottom of the seat frame. If you feel (through the upholstery) a collar protruding outward approximately 1/2", you should order style two. Order style one if no protrusion is noted.

**WINNEBAGO**

**TABLE OF CONTENTS**

Introduction	A-1
Abbreviations	A-1
Alphabetical Index	A-2 - A-4
1977 MWC25D	A-5 - B-12
1977 D26CRK	B-13 - C-24
1977 MWC24D	D-1 - E-8
1977 D26CRB	E-9 - F-20
1977 D26RT	F-21 - H-6
1977 MW23RB	H-7 - I-16
1977 D21	I-17 - K-6
1977 D23C	K-7 - L-18

**1977 D26CRK INDEX**

Floor Plan	B-13 - B-14
Accessories Group	B-15 - B-16
Bath Group	B-17
Chassis Group	B-18 - B-19
Curtain, Cushion & Pad Group	B-20 - B-24
Dinette Group	C-1
Driver's Compartment Group	C-1 - C-2
Electrical Group	C-3 - C-4
Exterior Body Group	C-5 - C-8
Galley Group	C-9
Heating & Air Conditioning Group	C-10
Interior Finish Group	C-11 - C-12
LP Group	C-12
Lounge Group	C-13
Water & Sewage Group	C-13
Window, Vent & Exterior Door Group	C-14 - C-24

## DINETTE GROUP

Key	Part Number	U/M	Description
	042600-14-700	EA	Door Asm. Overhead Cabinet w/o Hardware
	048361-01-000	EA	Cabinet - Overhead Dinette w/o Doors or Hardware
	043629-01-000	EA	Table Asm. Dinette w/o Hardware - Green (Moss)
	043629-02-000	EA	Table Asm. - Dinette w/o Hardware - Gold (Topaz)
	043629-03-000	EA	Table Asm. Dinette w/o Hardware - Rust (Terra Cotta)
**	047842-01-000	EA	Kit - Table Leg - Brown Dinette
**	047809-01-000	EA	Kit - Hardware - Dinette Table - Wall Mount
	042097-01-000	EA	Counter - Rear - Green (Moss)
	042097-02-000	EA	Counter - Rear - Gold (Topaz)
	042097-04-000	EA	Counter - Rear - Rust (Terra Cotta)
	042104-01-000	EA	Back - Front Dinette Seat
	042105-01-000	EA	Seat - Front Seat Dinette
	042107-01-000	EA	Back - Rear Dinette Seat
	042108-01-000	EA	Seat - Rear Seat Dinette

\*\*The illustrated parts breakdown for this item is provided on the Common Items Fiche.

## DRIVER'S COMPARTMENT GROUP

### DASH PANEL AND COMPONENTS

Key	Part Number	U/M	Description
	031623-07-000	EA	Dash Asm. w/Pads - Switches and Gauges
	022548-03-000	EA	Pad - Dash - Foam Right Dark Brown
	023242-04-000	EA	Pad - Dash - Foam Left Dark Brown
	022219-01-000	EA	Door - Glove Compartment
	009118-01-000	EA	Lock - Twist w/Nut
	023692-01-000	EA	Box - Glove Compartment - Black Fiberboard
	009086-01-000	EA	Hinge - Continuous - Alum. 11/16" x 72" Plain
	034309-01-000	EA	Chain - Bead - Glove Box Door
	024418-01-000	EA	Lamp Asm. - Map/Gauge
	031047-01-000	EA	Plate - Cover - Gauges
	031048-01-000	EA	Plate - Cover - Switches
	007308-01-000	EA	Clock - Dash
	007037-01-000	EA	Lighter Asm. - Cigarette 12V
	024979-01-000	EA	Bezel - Entertainment Center
	007071-01-000	EA	Louver - Chrome - w/Chrome Wheel
	022547-01-000	EA	Bezel - Panel - Control
	023020-01-000	EA	Lamp Asm. - Tell Tale
	039044-01-000	EA	Louver Asm. - A/C Adjustable
	040636-01-000	EA	Bracket Asm. - Shift Lever
	042961-01-000	EA	Nameplate - Chieftain - Brown/Silver

### DASH SWITCHES AND GAUGES

Key	Part Number	U/M	Description
	024907-01-000	EA	Control Asm. - Heater - A/C - 3 Speed
	024461-01-000	EA	Switch - Battery
	024463-01-000	EA	Switch - Blinker
	024464-01-000	EA	Switch - Washer
	024465-01-000	EA	Switch - Fuel
	024467-01-000	EA	Switch - Wiper
	024459-01-000	EA	Gauge Asm. Voltmeter
	024480-01-000	EA	Gauge Vacuum Dash
	024482-01-000	EA	Switch - Battery Condition
	031035-01-000	EA	Gauge - Hourmeter Generator
	024976-01-000	EA	Switch - Generator 2500 LK Onan
	037387-01-000	EA	Switch - Generator w/Circuit Board
	024990-02-000	EA	Outlet - Defroster - w/Swivel - 2" Dark Brown
	031376-02-000	EA	Heater - Control Asm. 2-Speed

## DRIVER'S COMPARTMENT GROUP (CONTINUED)

### BUCKET SEAT PEDESTALS AND SEAT BELT

Key	Part Number	U/M	Description
	038837-01-000	EA	Pedestal Asm. - Seat Bottom w/Tightener
	038832-01-000	EA	Rod - Seat Adjuster
	041654-01-000	EA	Pedestal - Base - Single & Double Seat
	007223-01-000	EA	Adjuster Asm. - Seat w/Lock
	007227-01-000	EA	Adjuster - Seat - w/o Lock
	041459-01-000	EA	Pedestal - Top - Single Seat
	007019-01-000	EA	Belt Asm. - Seat - 2" x 84" Black
	041322-01-000	EA	Washer - Flat 15/32" I.D. x 2 3/8" O.D. - Seat Belt

### MISCELLANEOUS DRIVER'S COMPARTMENT COMPONENTS

Key	Part Number	U/M	Description
	022758-04-000	EA	Sunvisor Asm. - Right Bostonian
	022759-06-000	EA	Sunvisor Asm. - Left Bostonian
	041842-01-000	EA	Clip - Sunvisor Rod - Brown Plastic
	009143-01-000	EA	Mirror - Sunvisor
	007278-01-000	EA	Mirror - Rear View
	048391-01-000	EA	Cabinet - Front Overhead - w/o Doors
	042984-13-000	EA	Door Asm. - Sliding - Front Overhead
	009148-01-000	EA	Pull - Finger 3/4" Dia. Brass
	048583-01-000	EA	Tray - Beverage
	048670-01-000	EA	Track Asm. - Beverage (2 per tray)
	034800-01-000	EA	Cover - Motor - Plastic
	039857-01-000	EA	Latch - Rubber - Draw Handle 5 3/4" w/Strike
	039856-01-000	EA	Latch - Rubber - Draw Handle 3" w/Strike
	040519-01-000	EA	Boot - Rubber - Steering Column
	040520-01-000	EA	Boot - Retainer - Steering Column
	034498-01-000	EA	Support - Dimmer Switch
	036414-01-000	EA	Ashtray
	044699-01-000	EA	Panel - Side - Interior - Left
	044700-01-000	EA	Panel - Side - Interior - Right

## WINNEBAGO

### TABLE OF CONTENTS

Introduction	A-1
Abbreviations	A-1
Alphabetical Index	A-2 - A-4
1977 MWC25D	A-5 - B-12
1977 D26CRK	B-13 - C-24
1977 MWC24D	D-1 - E-8
1977 D26CRB	E-9 - F-20
1977 D26RT	F-21 - H-8
1977 MW23RB	H-7 - I-16
1977 D21	I-17 - K-6
1977 D23C	K-7 - L-18

### 1977 D26CRK INDEX

Floor Plan	B-13 - B-14
Accessories Group	B-15 - B-16
Bath Group	B-17
Chassis Group	B-18 - B-19
Curtain, Cushion & Pad Group	E-20 - B-24
Dinette Group	C-1
Driver's Compartment Group	C-1 - C-2
Electrical Group	C-3 - C-4
Exterior Body Group	C-5 - C-8
Galley Group	C-9
Heating & Air Conditioning Group	C-10
Interior Finish Group	C-11 - C-12
LP Group	C-12
Lounge Group	C-13
Water & Sewage Group	C-13
Window, Vent & Exterior Door Group	C-14 - C-24

## ELECTRICAL GROUP

### BULBS

Key	Part Number	U/M	Description
	037936-01-000	EA	Bulb - 1157
	038010-01-000	EA	Bulb - 1143
	008103-01-000	EA	Bulb - 53
	008213-01-000	EA	Bulb - 57
	008214-01-000	EA	Bulb - 87
	008215-01-000	EA	Bulb - 1003
	008216-01-000	EA	Bulb - 1034
	008217-01-000	EA	Bulb - 1073
	008218-01-000	EA	Bulb - 1141
	008219-01-000	EA	Bulb - 856
	008220-01-000	EA	Bulb - 12V - 25W
	038188-01-000	EA	Bulb - 1P4
	700020-01-000	EA	Bulb - 12V - 20 W 1383

### EXTERIOR LIGHTS

Key	Part Number	U/M	Description
	008089-01-000	EA	Light - Porch - Recessed
	031054-02-000	EA	Lamp Asm. - Tail - Left - Beige
	031054-01-701	EA	Lens - Tail Lamp - Left
	031055-02-000	EA	Lamp Asm. - Tail - Right - Beige
	031055-01-701	EA	Lens - Tail Lamp - Right
	042405-03-000	EA	Base - Rectangular Clearance Light
	042405-04-000	EA	Lens - Rectangular Light - Red
	042405-05-000	EA	Lens - Rectangular Light - Amber

### INTERIOR LIGHTS

Key	Part Number	U/M	Description
	024418-01-000	EA	Lamp Asm. - Map/Gauge/Aisle
	024473-01-000	EA	Light - Aircraft - 1 Bulb - Gold
	033508-02-000	EA	Light - Dome - Ivory - 1 Bulb
	024842-01-701	EA	Lens - Dome Light - 1 Bulb
	033509-02-000	EA	Light - Dome - Ivory - 2 Bulb
	024843-01-701	EA	Lens - Dome Light - 2 Bulb
	008103-01-000	EA	Light - Corner Mount - Multibulb

### FUSES AND CIRCUIT BREAKERS

Key	Part Number	U/M	Description
	008233-01-000	EA	Fuse - 12 Volt - 6 Amp.
	008234-01-000	EA	Fuse - 12 Volt - 10 Amp.
	008235-01-000	EA	Fuse - 12 Volt - 15 Amp.
	008238-01-000	EA	Fuse - 12 Volt - 20 Amp.
	008252-01-000	EA	Fuse - 110 Volt - 50 Amp.
	008208-01-000	EA	Circuit Breaker - 12 Volt - 40 Amp.
	008211-01-000	EA	Circuit Breaker - 12 Volt - 8 Amp.
	008288-01-000	EA	Circuit Breaker - 12 Volt - 30 Amp. w/Mount
	033573-01-000	EA	Circuit Breaker - 12 Volt - 20 Amp. w/Mount
	033484-01-000	EA	Circuit Breaker - 30 Amp. - Air Conditioner
	052012-01-000	EA	Circuit Breaker - 50 Amp. - Air Conditioner

## ELECTRICAL GROUP (CONTINUED)

### WINDSHIELD WIPER AND WASHER

Key	Part Number	U/M	Description
**	037998-01-000	EA	Link Asm. - Connecting - 22 40" Long
**	037999-01-000	EA	Motor Asm. - Windshield Wiper - Front
**	038001-01-000	EA	Shaft and Pivot Asm. - 2 25" Arm
**	049463-01-000	EA	Arm - Windshield Wiper - 15" Black
**	049464-01-000	EA	Blade - Windshield Wiper - 16" Black
**	007029-01-000	EA	Washer Asm. - Windshield Power Jet Electric - Front
	700073-05-000	EA	Pump and Cover Asm. - for Windshield Washer - Front or Rear
	700073-04-000	EA	Reservoir Only - Water - Windshield Washer - Front or Rear
	700073-02-000	EA	Washer Nozzle Hardware Package - Front

\*\*The illustrated parts breakdown for this item is provided on the Common Items Fiche

### WIRE, SWITCHES AND RECEPTACLES

Key	Part Number	U/M	Description
	008024-01-000	FT	Wire - 18 5 Bonded - Orange/White/Yellow/Blue/Brown
	008025-01-000	FT	Wire - 18 5 Bonded - Orange/White/Yellow/Blue/Green
	008028-01-000	FT	Wire - 18 5 Bonded - Blue/Red/Yellow/Orange/White
	008030-01-000	FT	Wire - 18 4 Bonded
	008251-01-000	EA	Holder - Fuse - Black - Screw Type
	008277-01-000	EA	Holder - Fuse - Black - Panel Mount
	008195-01-000	EA	Switch - Push Button 12 Volt
	008077-01-000	EA	Plaque - Compressor Switch
	008054-01-000	EA	Cord - Power - 10-3 30 Amp. - 25' - UL
	034818-04-000	EA	Holder - Receptacle - Plastic
	039338-01-000	EA	Cover Plate - Receptacle - Plastic - Brown
	039339-01-000	EA	Receptacle - Duplex Brown - End of Line
	039342-01-000	EA	Receptacle - Duplex Brown - T Junction
	024571-01-000	EA	Cover Plate - Receptacle - Jumbo Steel - Brown
	039343-01-000	EA	Cap - End - Receptacle
	008182-01-000	EA	Switch - Double Toggle - Spade Brown
	008183-01-000	EA	Switch - Toggle Brown
	024924-01-000	EA	Receptacle - Power Cord
	008058-01-000	EA	Adaptor - Power Cord
	047353-01-000	EA	Cover - Receptacle - Ground Fault
	047351-01-000	EA	Receptacle - Ground Fault Interrupter - 125 Volt - Black

### MISCELLANEOUS ELECTRICAL COMPONENTS

Key	Part Number	U/M	Description
	047338-01-000	EA	Isolator - Dual Battery
	047389-01-700	EA	Battery - 12 Volt - 105 Amp. Deep Cycle - Dry
	008188-01-000	EA	Solenoid - Dual Battery - Relay
	046775-01-000	EA	Valve - Gas - Change Over
	039950-02-000	EA	Control Center - 30 Amp. w/Door UL
	048812-01-000	EA	Panel - Control - Water/Double Sewage - Wemac
	039861-01-000	EA	Sending Unit Kit - Wemac

## WINNEBAGO

### TABLE OF CONTENTS

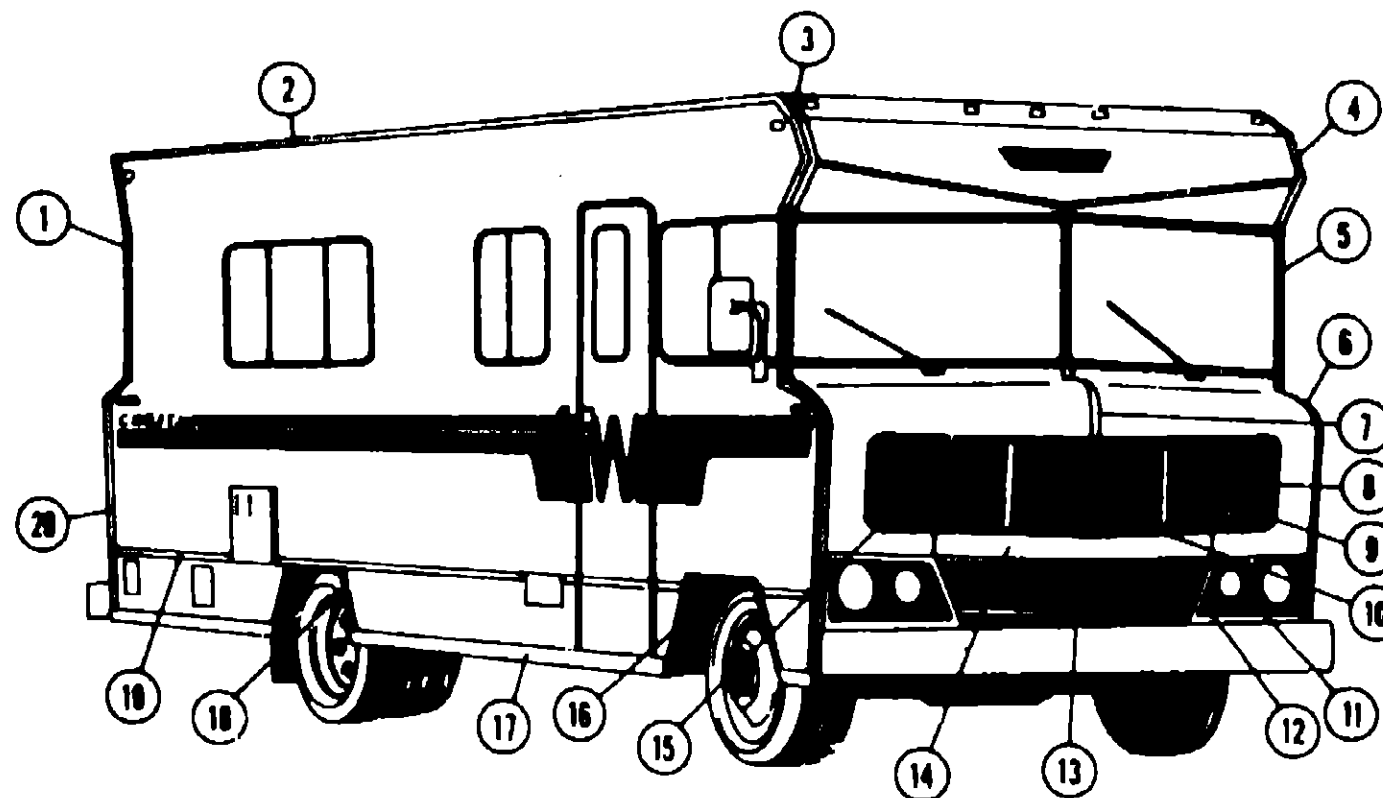
Introduction	A-1
Abbreviations	A-1
Alphabetical Index	A-2 - A-4
1977 MWC25D	A-5 - B-12
1977 D26CRK	B-13 - C-24
1977 MWC24D	D-1 - E-8
1977 D26CRB	E-9 - F-20
1977 D26RT	F-21 - H-8
1977 MW23RB	H-7 - I-16
1977 D21	I-17 - K-6
1977 D23C	K-7 - L-18

### 1977 D26CRK INDEX

Floor Plan	B-13 - B-14
Accessories Group	B-15 - B-16
Bath Group	B-17
Chassis Group	B-18 - B-19
Curtain, Cushion & Pad Group	B-20 - B-24
Dinette Group	C-1
Driver's Compartment Group	C-1 - C-2
Electrical Group	C-3 - C-4
Exterior Body Group	C-5 - C-8
Galley Group	C-9
Heating & Air Conditioning Group	C-10
Interior Finish Group	C-11 - C-12
LP Group	C-12
Lounge Group	C-13
Water & Sewage Group	C-13
Window, Vent & Exterior Door Group	C-14 - C-24



## EXTERIOR BODY GROUP



## WINNEBAGO TABLE OF CONTENTS

Introduction	A-1
Abbreviations	A-1
Alphabetical Index	A-2 - A-4
1977 MWC25D	A-5 - B-12
1977 D26CRK	B-13 - C-24
1977 MWC24D	D-1 - E-8
1977 D26CRB	E-9 - F-20
1977 D26RT	F-21 - H-6
1977 MW23RB	H-7 - I-16
1977 D21	I-17 - K-6
1977 D23C	K-7 - L-18

Key	Part Number	U/M	Description
1	021213-03-000	EA	Trim - Contour - Right Rear Upper - Beige
•	020965-03-000	EA	Trim - Contour - Left Rear Upper - Beige
2	044771-01-000	EA	Extr. - Awning Rail w/Holes - 16' - Beige
•	044770-01-000	EA	Extr. - Drip Rail w/Holes - 18' - Beige
3	042801-03-000	EA	Trim - Contour - Right Front Upper - Beige
4	042801-01-000	EA	Trim - Contour - Left Front Upper - Beige
5	042894-01-000	EA	Trim - Contour - Windshield - Left - Black
•	042894-03-000	EA	Trim - Contour - Windshield - Right - Black
6	042730-01-000	EA	Trim - Contour - Left Front Lower - Beige
•	042730-03-000	EA	Trim - Contour - Right Front Lower - Beige
7	024581-05-000	EA	Trim - Center - Front Wall - Beige
8	024763-01-000	EA	Trim - Anod. - Upper Grille - Side - Left or Right
•	024764-01-000	EA	Trim - Anod. - Upper Grille - Center Top
•	002754-02-001	EA	Extr. - Anod. Angle - 3/4" x 3/8" x 18'
9	033365-01-000	EA	Grille Asm. - Left - Upper
10	033366-01-000	EA	Grille Asm. - Center - Upper
•	021497-01-000	EA	Latch Asm. - Center Grille
•	024585-01-000	EA	Stop Asm. - Upper Grille
11	048421-01-000	EA	Bezel - Headlight - Left - Wrought Iron Black
•	048422-01-000	EA	Bezel - Headlight - Right - Wrought Iron Black

Key	Part Number	U/M	Description
12	018419-01-000	EA	Trim - Headlight - U-Channel - Left or Right
•	048417-02-000	EA	Trim - Headlight/Grille - Left
•	048417-01-000	EA	Trim - Headlight/Grille - Right
13	048418-01-000	EA	Grille Asm. - Lower
14	048542-01-000	EA	Center Asm. - Grille - Between Top and Bottom Grille w/Beige Inset
15	040876-01-000	EA	Grille Asm. - Upper Right
16	042467-01-000	EA	Trim - Wheel Well - Front - Left or Right
17	036908-02-001	EA	Extr. - Anod. - Rocker Panel - 18'
•	040420-01-000	EA	Cap - Rocker Panel - End - 3/4 Miter - Right
•	040420-02-000	EA	Cap - Rocker Panel - End - 3/4 Miter - Left
18	042466-01-000	EA	Trim - Wheel Well - Rear - Left or Right
19	002444-02-001	EA	Extr. - Anod. - Feature Strip - 14' w/o Inset
•	001030-04-002	EA	Insert - Feature Strip - 13/16" x 17' - Antique Bronze Metallic
•	009731-01-000	EA	End Cap - Feature Strip
20	015251-04-000	EA	Trim - Contour - Right Rear Lower - Beige
•	015252-04-000	EA	Trim - Contour - Left Rear Lower - Beige
•	002365-02-001	EA	Extr. - U-Channel - 1" Serrated - 18' (Lower Backwall Trim)
•	048416-01-000	EA	Hoodboard - Front Right - Beige
•	048416-02-000	EA	Hoodboard - Front Left - Beige
•			Not Illustrated

## 1977 D26CRK INDEX

Floor Plan	B-13 - B-14
Accessories Group	B-15 - B-16
Bath Group	B-17
Chassis Group	B-18 - B-19
Curtain, Cushion & Pad Group	B-20 - B-24
Dinette Group	C-1
Driver's Compartment Group	C-1 - C-2
Electrical Group	C-3 - C-4
Exterior Body Group	C-5 - C-8
Galley Group	C-9
Heating & Air Conditioning Group	C-10
Interior Finish Group	C-11 - C-12
LP Group	C-12
Lounge Group	C-13
Water & Sewage Group	C-13
Window, Vent & Exterior Door Group	C-14 - C-24

## EXTERIOR BODY GROUP (CONTINUED)

### EXTERIOR BODY PANELS - 60 SHEET ALUMINUM

Key	Part Number	U/M	Description
	049808-01-000	EA	Backwall Asm.
	047894-01-000	EA	Sidewall Asm. - Right
	048208-01-000	EA	Sidewall Asm. - Left
	047908-01-000	EA	Roof Asm.
	047908-01-700	EA	Roof Section - Windshield to First Seam
	039155-02-008	EA	Alum. - Beige Mesa Design - .024" x 36" x 60"
	039155-02-002	EA	Alum. - Beige Mesa Design - .024" x 36" x 300"
	039155-02-003	EA	Alum. - Beige Mesa Design - .024" x 36" x 360"
	039155-02-007	EA	Alum. - Beige Mesa Design - .024" x 48" x 60"
	039155-02-006	EA	Alum. - Beige Mesa Design - .024" x 48" x 300"
	039155-02-008	EA	Alum. - Beige Mesa Design - .024" x 48" x 360"
	039155-02-009	EA	Alum. - Beige Mesa Design - .024" x 12" x 360"
	044467-01-001	EA	Alum. - Mill Finish - No Design (Roof) - 96" x 360"
	028545-01-000	EA	Alum. - Beige Greyhound Design 48" x 96"
	001018-01-024	EA	Alum. - Beige - No Design - 48" x 96"
	000868-01-000	BF	Styrofoam - 3/4" x 24" x 96"

### EXTERIOR PAINT

Key	Part Number	U/M	Description
	044486-01-000	EA	Paint - Beige - Acrylic Enamel - 1 Gallon
	044486-03-000	EA	Paint - Beige - Acrylic Enamel - 16 Oz. Aerosol
	044486-04-000	EA	Paint - Beige - Acrylic Lacquer - 1 Gallon
	041567-01-000	EA	Paint - Rally Gold - Acrylic Enamel - Gallon (Lower Stripe)
	041567-03-000	EA	Paint - Rally Gold - Acrylic Enamel - 16 Oz. Aerosol (Lower Stripe)
	041568-01-000	EA	Paint - Antique Bronze Metallic - Acrylic Enamel 1 Gallon (Upper Stripe)
	041568-03-000	EA	Paint - Antique Bronze Metallic - Acrylic Enamel 16 Oz. Aerosol (Upper Stripe)
	045881-01-000	EA	Paint - High Gloss Black - Acrylic Enamel - 1 Gallon
	045881-03-000	EA	Paint - High Gloss Black - Acrylic Enamel - 16 Oz. Aerosol

### LABELS AND DECALS

Key	Part Number	U/M	Description
	008010-01-000	EA	Decal - Winnebago - Brown/Chrome
	008023-01-000	EA	Label - Water Only
	008025-01-000	EA	Label - Gas
	008028-01-000	EA	Label - Drain Cap - 2" x 3"
	008031-01-000	EA	Label - Potable Water Only
	006187-01-000	EA	Label - Sewage
	006188-01-000	EA	Label - Waste Water
	006199-01-000	EA	Label - Exit - Escape Window
	031161-01-000	EA	Label - Flying "W"
	038403-01-000	EA	Decal - Logo - Winnebago 2.80" (Front or Rear)
	039289-01-000	EA	Label - Warning Aux. Loading
	043473-03-000	EA	Decal - Flying "W" - 13.75" High - Bronze
	045374-01-000	EA	Stencil - Chieftain 2.28" High - Right
	045374-02-000	EA	Stencil - Chieftain 2.28" High - Left
	008092-01-000	EA	Reflector - Stick on - Rectangular - Red
	008093-01-000	EA	Reflector - Stick on - Rectangular - Amber

## EXTERIOR BODY GROUP (CONTINUED)

### SEALANTS, ADHESIVES AND FASTENERS

Key	Part Number	U/M	Description
	034552-05-000	EA	Sealant - Off White Silicone
	034552-04-000	EA	Sealant - Beige Silicone
	034552-02-000	EA	Sealant - Clear Silicone
	004348-02-000	EA	Sealant - Aluminum Silicone
	004349-01-000	EA	Sealant - Black Silicone
	004342-01-000	EA	Sealant - Weatherban 202 Tube
	004348-02-000	EA	Sealant - White Silicone
	004347-01-000	EA	Sealant - Tufflex
	002316-01-000	FT	Sealer Tape - 3/32" x 1/8"
	024545-01-000	FT	Sealer Tape - 1/8" x 5/8" - Black
	004350-01-000	FT	Sealer Tape - 1/8" x 1" - Formaseal
	004352-01-000	FT	Sealer Tape - 1/8" x 3/4" - Formaseal
	004355-01-000	FT	Sealer Tape - 1/8" x 5/8" - Black
	004357-01-000	FT	Sealer Tape - 1/8" x 5/8" - Adhesive
	002707-02-000	FT	Sealer Tape - 5/16" x 1/2"
	002707-01-000	FT	Sealer Tape - 5/16" x 3/4" - Black Foam
	002708-01-000	FT	Sealer Tape - 5/16" x 1/2"
	004363-01-000	FT	Sealer Tape - 3/16" x 1/2" - Foam
	004362-01-000	FT	Sealer Tape - 1/8" x 5/8" - Foam
	009200-01-000	EA	Tape - Furnace - 1 1/2"
	041839-01-000	FT	Tape - Window - Latch - 3/4" - Adhesive
	041839-02-000	FT	Tape - Window - Latch - 1/2" - Adhesive
	004353-01-000	FT	Tape - Gasket - 1/8" x 3/4" - White
	002825-01-000	FT	Weather Stripping - Roof Vent
	002337-01-000	EA	Adhesive - 3M - 1300 Tube
	004005-01-000	GL	Adhesive - Swifts - Green - Glue (Sidewalls)
	004012-01-000	EA	Adhesive - 3M - 4475 Tube
	004020-01-000	QT	Adhesive - ABS Cement (Plastic Fittings)
	029051-01-000	EA	Adhesive - Spray Vinyl
	042401-01-000	EA	Screw - 8-18 x 3/4" SDPH - Beige
	042403-01-000	EA	Screw - SF/DR - 8-18 x 1" SDPH - Beige
	005081-01-000	EA	Screw - Wood - 12-11 x 3" P.O.H. Zinc

### MISCELLANEOUS EXTERNALLY MOUNTED PARTS

Key	Part Number	U/M	Description
	016253-01-000	EA	Fuel Fill - Recessed - Single - Beige
	015587-05-000	EA	Fuel Fill - Recessed - Double - Beige
	011124-01-000	EA	Plumbing Seal - Roof Vent - 1 1/4" White
	011129-01-000	EA	Plumbing Seal - Roof Vent - 1 1/2" White
	010230-02-000	EA	Fill - City Water - Recessed - Off White
	011020-01-000	EA	Fill - Water - Recessed - Off White
	009126-01-000	EA	Handle - Assist - Metal - Exterior
	049347-01-000	EA	Mirror Head - 7 1/2" x 10 1/2" Stainless Steel w/o Bracket
	049348-01-000	EA	Arm - Low Mount Mirror - Brite Finish
	049944-01-000	EA	Bracket - Mirror - Outside - Beige - Mounts to Coach

## WINNEBAGO

### TABLE OF CONTENTS

Introduction	A-1
Abbreviations	A-1
Alphabetical Index	A-2 - A-4
1977 MWC25D	A-5 - B-12
1977 D26CRK	B-13 - C-24
1977 MWC24D	D-1 - E-8
1977 D26CRB	E-9 - F-20
1977 D26RT	F-21 - H-6
1977 MW23RB	H-7 - I-16
1977 D21	I-17 - K-6
1977 D23C	K-7 - L-18

### 1977 D26CRK INDEX

Floor Plan	B-13 - B-14
Accessories Group	B-15 - B-16
Bath Group	B-17
Chassis Group	B-18 - B-19
Curtain, Cushion & Pad Group	B-20 - B-24
Dinette Group	C-1
Driver's Compartment Group	C-1 - C-2
Electrical Group	C-3 - C-4
Exterior Body Group	C-5 - C-8
Galley Group	C-9
Heating & Air Conditioning Group	C-10
Interior Finish Group	C-11 - C-12
LP Group	C-12
Lounge Group	C-13
Water & Sewage Group	C-13
Window, Vent & Exterior Door Group	C-14 - C-24

## GALLEY GROUP

Key	Part Number	U/M	Description
	009133-01-000	EA	Bar - Towel 12" Plastic
	023449-01-000	EA	Brkt. - Towel Bar Left or Right
	042602-06-700	EA	Door - Cabinet 10 1/2" x 18" Left w/o Hardware - Galley
	042602-49-700	EA	Door Cabinet 20 1/2" x 8 11/16" Right w/o Hardware-Galley
	011032-01-000	EA	Sink - Stainless Steel double w/holts
	011053-01-000	EA	Faucet - Swing Spout
	011053-01-700	EA	Aerator - Swing Spout Faucet
	011066-01-000	EA	Strainer - Sink
	048367-01-000	EA	Cabinet - Galley Bottom w/o Drawer, Doors, Hardware or Countertop
	048368-01-000	EA	Countertop Asm. Galley Green (Moss)
	048369-02-000	EA	Countertop Asm. Galley Gold (Topaz)
	048369-03-000	EA	Countertop Asm. Galley Rust (Terra Cotta)
	048801-13-700	EA	Door Asm. Cabinet w/o Hardware
	042600-20-700	EA	Door Asm. Cabinet Overhead Galley w/o Hardware
	042600-11-700	EA	Door Asm. Cabinet Overhead w/o Hardware
	049366-01-000	EA	Cabinet Overhead Galley w/o Doors or Hardware
	048413-01-000	EA	Shelf Cabinet Overhead Galley
	048366-01-000	EA	Cabinet Overhead Rear w/o Hardware or Door
	044830-01-000	EA	Cover Asm. Sink Large Green (Moss)
	044830-02-000	EA	Cover Asm. Sink Large Gold (Topaz)
	044830-04-000	EA	Cover Asm. Sink Large Rust (Terra Cotta)
	042709-02-700	EA	Drawer Asm. - Galley Cabinet - Notch Up
**	003337-01-000	EA	Refrigerator - Dometic - 2 Door - RM76
**	034544-01-000	EA	Refrigerator - Winnebago - 2 Door - W7EG
**	034542-01-000	EA	Refrigerator - Winnebago - 2 Door - W8EG
**	049174-01-000	EA	Refrigerator - AC/Gas - ET230 - 2 Door Model - Sibir
**	049045-01-000	EA	Range - 4 Burner - Large Oven - Chrome - Magic Chef
**	046954-01-000	EA	Hood - Range Power w/Spice Cabinet - Jensen

\*\*The illustrated parts breakdown for this item is provided on the Common Items Fiche.

## HEATING AND AIR CONDITIONING GROUP

Key	Part Number	U/M	Description
	038044-01-000	EA	Louver Asm. - A/C Adjustable
	047046-01-000	EA	Motor - 12 Volt - 3 Speed - Heater - Air Conditioner
	031043-01-000	EA	Valve - Heater - Water Flow Control
	031169-01-000	EA	Cable - Control - Flexible - 53"
	031169-02-000	EA	Cable - Control - Flexible - 48"
	031170-01-000	EA	Clamp - Cable - 3/16" Dia.
	024999-01-000	EA	Clutch - Magnetic - Compressor
	024999-01-000	EA	Compressor - Auto A/C - 10.3 Cubic Inch
	048721-01-000	EA	Package - Air Conditioner - Compressor Mount - 360 C.I.D.
	033295-01-000	EA	Package - Air Conditioner - Compressor Mount - 410 C.I.D.
	031394-01-000	EA	Condenser - Radiator Mount
	008267-01-000	EA	Switch - Air Conditioner
	024887-01-000	EA	Valve - Thermostatic Expansion
	024997-01-000	EA	Core - Heater
	024998-01-000	EA	Wheel - Blower - 4.72" O.D.
	031393-01-000	EA	Coil - Evaporator
	033256-01-000	EA	Hose - Refrigerant - .50" I.D. x 34.50"
	034222-01-000	EA	Hose - Refrigerant - .31" I.D. x 26"
	031980-01-000	EA	Hose - Refrigerant - .34" I.D. x 30"
	031981-01-000	EA	Hose - Refrigerant - .31" I.D. x 14.75"
	024886-01-000	EA	Receiver - Dehydrator
	031044-01-000	EA	Clamp - Receiver Dehydrator
	031982-01-000	EA	Bracket - Receiver Dehydrator
	031976-01-000	EA	Belt - Drive - .50" I.D. x 54" - 360 C.I.D. or 440 C.I.D.
	039505-02-000	EA	Thermostat - Wallmount
	009196-01-000	EA	Duct - Flexible - 4" I.D. x 25'
	023146-01-000	EA	Clamp - Screw Type - 4"
	024985-01-000	EA	Heat Register - w/Damper - 9.9" x 4.8"
	009175-01-000	EA	Heat Register - Steel - 11.5" x 3.7"
	031604-01-000	EA	Bonnet - Heat Register - 4.38" x 8.43"
	042152-01-000	EA	Bonnet - Heat Register - 4.5" x 8.44"
	009200-01-000	EA	Tape - Furnace - 1 1/2"
**	041603-01-000	EA	Furnace - 23,000 BTU - Under Counter Mount - Coleman - 4225
**	041604-01-000	EA	Furnace - 26,000 BTU - Under Counter Mount - Coleman - 4230
**	049042-01-000	EA	Furnace - 22,000 BTU - Under Counter - Coleman - 4322
**	049043-01-000	EA	Furnace - 26,000 BTU - Under Counter - Coleman - 4326
**	049777-01-000	EA	Air Conditioner - 110 Volt - Roof Mount - 11,000 BTU - Ivory Coleman (w/o Inside Shroud)
**	049778-01-000	EA	Shroud Asm. - Ceiling - Inside-Roof Air - Cool Only - 11,000 BTU - Coleman
**	049774-01-000	EA	Air Conditioner - 110 Volt - Roof Mount - 13,500 BTU Ivory - Coleman (w/o Inside Shroud)
**	049775-01-000	EA	Shroud Asm. - Ceiling - Inside - Roof Air - Cool Only - 13,500 BTU - Coleman
**	049776-01-000	EA	Shroud Asm. - Ceiling - Inside - Roof Air - Heat and Cool Only - 13,500 BTU - Coleman

\*\*The illustrated parts breakdown for this item is provided on the Common Items Fiche.

## WINNEBAGO

### TABLE OF CONTENTS

Introduction	A-1
Abbreviations	A-1
Alphabetical Index	A-2 - A-4
1977 MWC25D	A-5 - B-12
1977 D26CRK	B-13 - C-24
1977 MWC24D	D-1 - E-8
1977 D26CRB	E-9 - F-20
1977 D26RT	F-21 - H-6
1977 MW23RB	H-7 - I-16
1977 D21	I-17 - K-6
1977 D23C	K-7 - L-18

### 1977 D26CRK INDEX

Floor Plan	B-13 - B-14
Accessories Group	B-15 - B-16
Bath Group	B-17
Chassis Group	B-18 - B-19
Curtain, Cushion & Pad Group	B-20 - B-24
Dinette Group	C-1
Driver's Compartment Group	C-1 - C-2
Electrical Group	C-3 - C-4
Exterior Body Group	C-5 - C-8
Galley Group	C-9
Heating & Air Conditioning Group	C-10
Interior Finish Group	C-11 - C-12
LP Group	C-12
Lounge Group	C-13
Water & Sewage Group	C-13
Window, Vent & Exterior Door Group	C-14 - C-24

## INTERIOR FINISH GROUP

### PANELING AND COUNTERTOP MATERIALS

Key	Part Number	U/M	Description
	041201-01-000	EA	Countertop - Formed Green 8 Ft. (Moss)
	041202-01-000	EA	Countertop - Formed Gold 8 Ft. (Topaz)
	041204-01-000	EA	Countertop - Formed Rust 8 Ft. (Terra Cotta)
	041205-01-000	SF	Plastic Laminate 48" x 96" Green (32 SF) (Moss)
	041205-01-001	EA	Plastic Laminate 48" x 48" Green (Moss)
	041205-01-002	EA	Plastic Laminate 1.19" x 96" Green (Moss)
	041205-02-000	SF	Plastic Laminate 48" x 96" Gold (32 SF) (Topaz)
	041205-02-001	EA	Plastic Laminate 48" x 48" Gold (Topaz)
	041205-02-002	EA	Plastic Laminate 1.19" x 96" Gold (Topaz)
	041205-04-000	SF	Plastic Laminate 48" x 96" Rust (32 SF) (Terra Cotta)
	041205-04-001	EA	Plastic Laminate 48" x 48" Rust (Terra Cotta)
	041205-04-002	EA	Plastic Laminate 1.19" x 96" (Terra Cotta)
	039188-03-000	SF	Paneling - Walnut - 48" x 96" (32 SF)
	041208-01-000	SF	Tileboard - 60" x 84" - Agate Beige (35 SF)
	045963-01-000	SF	Paneling - Buff Ceiling - 48" x 96" (32 SF)

### CURTAIN HARDWARE

Key	Part Number	U/M	Description
	052327-04-236	EA	Curtain Track - Alum. - Brown - 89" w/Holes
	042439-01-000	EA	Bracket (Left or Right) Curtain Rod Single
	049897-02-000	EA	Rod - Curtain Flat Ext. 48" - 86"
	049897-01-000	EA	Rod - Curtain - Flat Ext. - 25" - 45"
	009702-01-000	EA	End Stop Curtain "L" Rod
	009701-01-000	EA	Carrier "L" Rod White w/Rollers
	018031-42-000	EA	Track Curtain "L" Rod 90" Alum.
	049736-01-000	FT	Track Curtain Plastic 3 Ft. Pcs. Brown (Blackout Curtain)
	049737-01-000	EA	End Cap Plastic Curtain Track Brown (Blackout Curtain)
	049738-01-000	EA	Snap - Carrier Plastic White (Blackout Curtain)

### FABRICS AND CARPET

Key	Part Number	U/M	Description
	048534-01-000	YD	Fabric - Upholstery Green (Moss)
	048534-02-000	YD	Fabric - Upholstery Gold (Topaz)
	048534-03-000	YD	Fabric - Upholstery Rust (Terra Cotta)
	043619-04-000	YD	Fabric - Drapery Green Overdrape (Moss)
	043619-02-000	YD	Fabric - Drapery Gold Overdrape (Topaz)
	043619-05-000	YD	Fabric - Drapery Rust Overdrape (Terra Cotta)
	050622-01-000	YD	Fabric - Drapery Green Underdrape (Moss)
	050622-02-000	YD	Fabric - Drapery Gold Underdrape (Topaz)
	050622-03-000	YD	Fabric - Drapery Rust Underdrape (Terra Cotta)
	042411-01-000	YD	Vinyl - Nonexpanded 27 Oz.
	042411-03-000	YD	Vinyl - Nonsupport 16 Ga. Film Brown
	041210-01-000	SY	Carpet Green Morning Dew (Moss)
	041210-02-000	SY	Carpet Gold Morning Dew (Topaz)
	041210-03-000	SY	Carpet Rust Morning Dew (Terra Cotta)

### CABINETRY AND TABLE HARDWARE

Key	Part Number	U/M	Description
	009124-01-000	EA	Lock - Door - Push Button Brass (Bath Door)
	009112-01-000	EA	Flange 1" Rod Chrome
	041831-01-000	EA	Kit Cabinet Door Hinge
	041842-01-000	EA	Kit Drawer Pull
	041829-01-700	EA	Kit Latch Overhead Cab Door Jamestown
	041918-01-000	EA	Kit - Latch Lower Cab Door
	009047-01-000	EA	Hold Open - Overhead Door
**	047842-01-000	EA	Kit - Dinette Table Leg
**	047809-01-000	EA	Kit - Dinette Table Hardware - Wall Mount
**	037888-01-000	FT	Rail - Drawer Glide
**	047744-01-000	EA	Kit Drawer Glide

\*\*The illustrated parts breakdown for this item is provided on the Common Items Fiche.

## INTERIOR FINISH GROUP (CONTINUED)

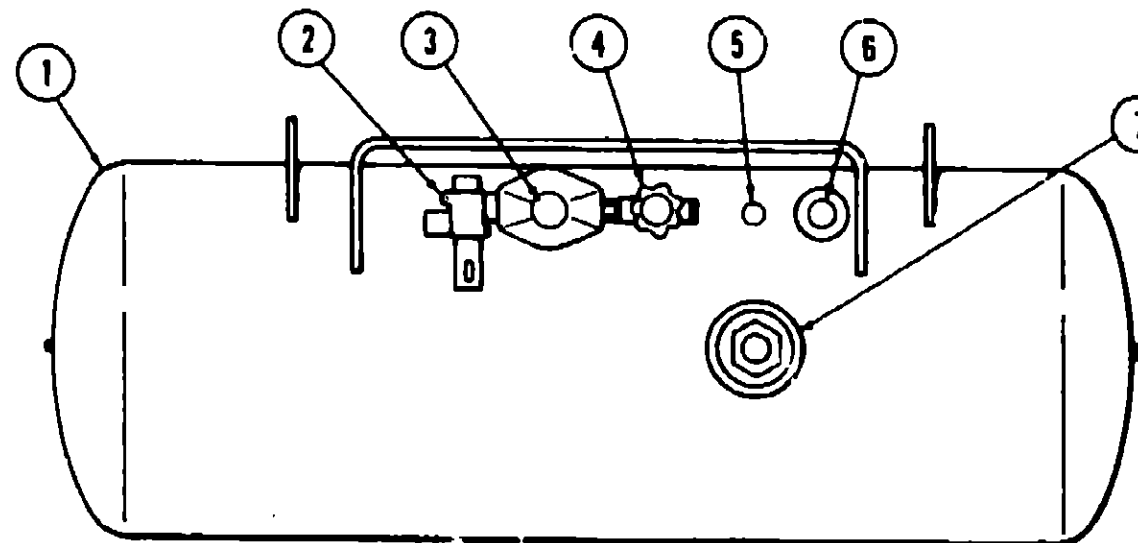
### INTERIOR MOLDINGS AND TRIM

Key	Part Number	U/M	Description
	022756-01-000	EA	Cover Wire A/C Plastic
	024700-04-000	EA	Cover Sidewall Roll Bar 707 Hickory
	024700-06-000	EA	Cover Sidewall Roll Bar Ivory
	034113-01-000	EA	Cover - Corner Supt. Bar Brown
	039512-02-000	EA	Cover - Hat - Section 707 Hickory
	039512-06-000	EA	Cover - Hat - Section Ivory
	047488-01-000	EA	Cover - Corner Hat/Hat
	047489-01-000	EA	Cover - Corner Tube/Tube
	047354-01-000	EA	Batt Strip - 96" - 825 Buff
	000726-06-000	EA	Batt Strip Walnut
	009812-03-000	FT	Molding - Plastic Corner O/S .50"
	009787-01-000	FT	Walling Brown
	009779-01-000	FT	U-Channel 1 1/8" Dark Brown
	009809-03-000	FT	Molding Plastic Corner O/S 1"
	034394-02-020	FT	Extr. - Vinyl - Insert Beige
	034689-03-000	EA	Cover - Screw PPH 10 - Ivory
	009778-01-000	FT	U-Channel 1" Dark Brown
	009068-01-000	EA	Hinge - Cont. Steel 1 1/2" x 72"
	009150-01-000	EA	Warp Guard 64"

### MISCELLANEOUS INTERIOR COMPONENTS

Key	Part Number	U/M	Description
	042356-01-000	EA	Plug Button Mahogany 3/8" Dia.
	007021-01-000	EA	Belt Asm. Seat 2" x 90" Black
	041322-01-000	EA	Washer - Flat 15/32" I.D. x 2 3/8" O.D. - Seat Belt
	041838-01-000	EA	Screw - 5 x 5/8" POH Antique Brass
	009089-01-000	EA	Clip - Mirror - Plastic w/Screw

### LP GROUP



Key	Part Number	U/M	Description
1	040421-01-000	EA	Tank - LP - Frame Mount - 83 Pound
2	047221-01-000	EA	Detector - LP Gas Leak
3	024712-01-000	EA	Cover - LP Regulator
•	052163-01-000	EA	Regulator - Manual - LP Gas - 2 Stage
4	040421-01-703	EA	Valve - Vapor Relief
5	040421-01-700	EA	Gauge - Liquid Level - 20% LP
6	040421-01-701	EA	Valve - Filler - LP
•	040421-01-702	EA	Cap - Plastic Fill Valve
7	040421-01-707	EA	Gauge - Float w/Visible Dial
•	040421-01-704	EA	Gauge - Float w/Electrical Transmitter Dial
•	040421-01-706	EA	Dial - Visible Face
•	040421-01-705	EA	Dial - Transmitter - 0 - 90 Ohm
•	045702-03-000	EA	Hose Asm. - LP - 3/8" I.D. x 14"
•	047737-02-000	EA	Support - LP - 89.25"
•	047737-03-000	EA	Support - LP Tank - 30.50"
•			Not Illustrated

C-11

## WINNEBAGO

### TABLE OF CONTENTS

Introduction	A-1
Abbreviations	A-1
Alphabetical Index	A-2 - A-4
1977 MWC25D	A-5 - B-12
1977 D26CRK	B-13 - C-24
1977 MWC24D	D-1 - E-8
1977 D26CRB	E-9 - F-20
1977 D26RT	F-21 - H-6
1977 MW23RB	H-7 - I-16
1977 D21	I-17 - K-6
1977 D23C	K-7 - L-18

### 1977 D26CRK INDEX

Floor Plan	B-13 - B-14
Accessories Group	B-15 - B-16
Bath Group	B-17
Chassis Group	B-18 - B-19
Curtain, Cushion & Pad Group	B-20 - B-24
Dinette Group	C-1
Driver's Compartment Group	C-1 - C-2
Electrical Group	C-3 - C-4
Exterior Body Group	C-5 - C-8
Galley Group	C-9
Heating & Air Conditioning Group	C-10
Interior Finish Group	C-11 - C-12
LP Group	C-12
Lounge Group	C-13
Water & Sewage Group	C-13
Window, Vent & Exterior Door Group	C-14 - C-24

C-12

## LOUNGE GROUP

Key	Part Number	U/M	Description
	042092-01-000	EA	Cabinet Asm. Gaucho
	042091-02-000	EA	Leg Asm. Gaucho
	042847-01-000	EA	Guide Strap
	042800-14-700	EA	Door Asm. Overhead Cabinet w/o Hardware
	048207-01-000	EA	Cabinet - Gaucho - Overhead w/o Doors or Hardware
	048415-01-000	EA	Shelf - Cabinet - Gaucho
	042709-12-700	EA	Drawer Asm. - Cabinet - Notch Up
	048355-01-000	EA	Cabinet - Desk - Bottom w/o Countertop Drawers - Doors - Doors or Hardware
	048358-01-000	EA	Countertop - Asm. Desk - Green (Moss)
	048358-02-000	EA	Countertop - Asm. Desk - Gold (Topaz)
	048358-03-000	EA	Countertop - Asm. Desk - Rust (Terra Cotta)
	048400-01-000	EA	Holder - Glass
	047033-01-000	SF	Cork 1/4" x 12" x 24" Sand Natural
	048404-01-000	EA	Cabinet - Cover - Vent
	049601-12-700	EA	Door Asm. - Cabinet w/o Hardware
	042600-11-700	EA	Door Asm. Cabinet - Overhead w/o Hardware
	048210-01-000	EA	Cabinet - Overhead - Desk

## WATER AND SEWAGE GROUP

### PLUMBING REPAIR PARTS

Key	Part Number	U/M	Description
**	040539-01-000	EA	Kit Repair 3/8" O.D. Plastic Tube
**	040540-01-000	EA	Kit Repair 1/2" O.D. Plastic Tube
**	040541-01-000	EA	Kit Repair 5/3" O.D. Plastic Tube
**	039818-01-000	EA	Riser Asm. - 3/8" O.D. x 24" Tube
**	039818-02-000	EA	Riser Asm. 3/8" O.D. x 36" Tube
**	039818-04-000	EA	Riser Asm. 3/8" O.D. x 72" Tube
**	041279-02-000	EA	Pump - Water Flow 2.8 GPM - PAR
**	039847-02-000	EA	Filter Water Pump - 1/2 MPT
**	010147-01-000	EA	Ring - Closet - Plastic 4 F x 3 FPT (Stool)
**	004020-01-000	QT	Adhesive ABS Cement
**	010133-01-000	EA	Adaptor Trap - Plastic 1 1/2" H x MPT
**	010201-01-000	EA	Hose - Sewer 3" x 10' w/Clamp
**	010209-06-000	EA	Handle Ext. Sewer Valve 11.25"
**	010235-01-000	EA	Cap - Sewage 3"
**	010236-01-000	EA	Adaptor Hose 3"
**	011091-01-000	EA	Waste - Cont. Double Sink 11 7/8"
**	010205-01-000	EA	Valve Sanitary - Thetford 3 x B
**	010213-01-000	EA	Elbow - Plastic Side Vent and Drain
**	010234-01-000	EA	Adaptor Bayonet
**	011066-01-000	EA	P-Trap - Plastic 1 1/4"

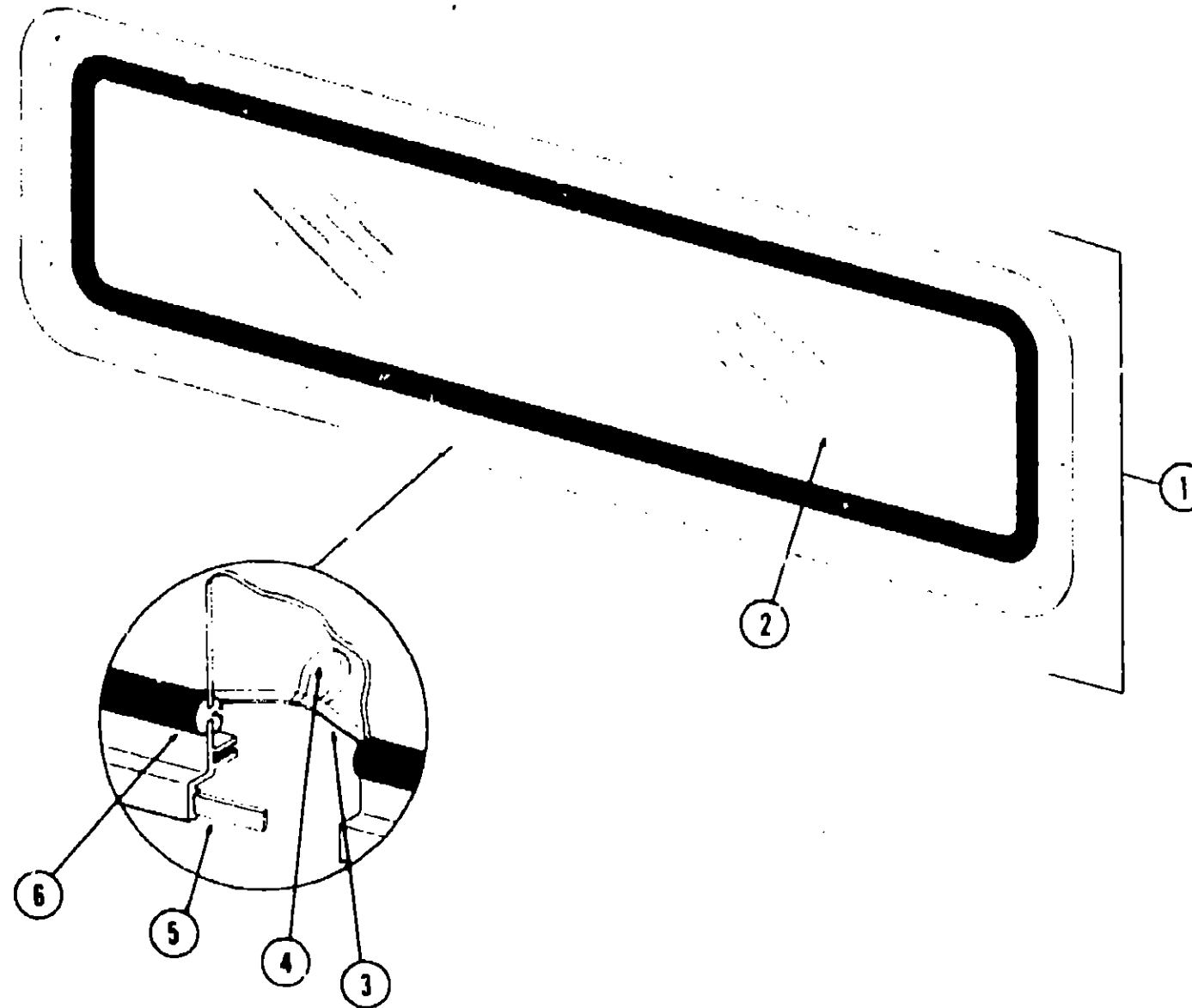
\*\*The illustrated parts breakdown for this item is provided on the Common Items Fiche.

### HOLDING TANKS AND WATER HEATERS

Key	Part Number	U/M	Description
	045706-01-000	EA	Tank Asm. - Water - 26 Gallon w/Fittings - 2 per unit
	045196-01-000	EA	Tank - Water - 26 Gallon w/o Fittings
**	046524-02-000	EA	Kit Fittings Plastic for Blank Water Tank
**	045214-01-000	EA	Tank Asm. - Holding, Main and Auxiliary Combo Tank w/Fittings
**	041155-02-000	EA	Tank Asm. - Holding - 25 Gallon w/Fittings
**	041155-01-000	EA	Tank - Holding - 25 Gallon w/o Fittings
**	040552-02-000	EA	Tank Asm. - Holding - 19 Gallon w/Fittings
**	040552-01-000	EA	Tank - Holding - 19 Gallon w/o Fittings
**	046524-01-000	EA	Kit - Fittings Plastic for Blank Holding Tank
**	039861-01-000	EA	Kit - Sending Unit - Holding Tank
**	051391-01-000	EA	Water Heater - w/o Outside Access Door (G6A3)
**	031952-01-000	EA	Water Heater - w/o Outside Access Door (G6A2)

\*\*The illustrated parts breakdown for this item is provided on the Common Items Fiche.

## WINDOW, VENT AND EXTERIOR DOOR GROUP



Key	Part Number	U/M	Description
	1 020754-03-000	EA	Window Asm. Escape - 23" x 68" Black Anod. (w/o Inside Frame)
	2 002178-01-000	EA	Glass 1/8" x 19.81" x 64.80"
	3 002285-01-000	FT	Weatherstrip - Filler - Black
	4 020395-01-000	EA	Slip Ring - Pull
	5 004363-01-000	FT	Tape - Foam - 3/16" x 1/2" - Gray
	6 002282-01-000	FT	Weatherstrip - Window .125" Black
*	020753-04-000	EA	Frame - Window Inside - Escape 23" x 68" (not included in assembly)
*	006199-01-000	EA	Label - Exit - Escape Window

\* Not Illustrated

## WINNEBAGO

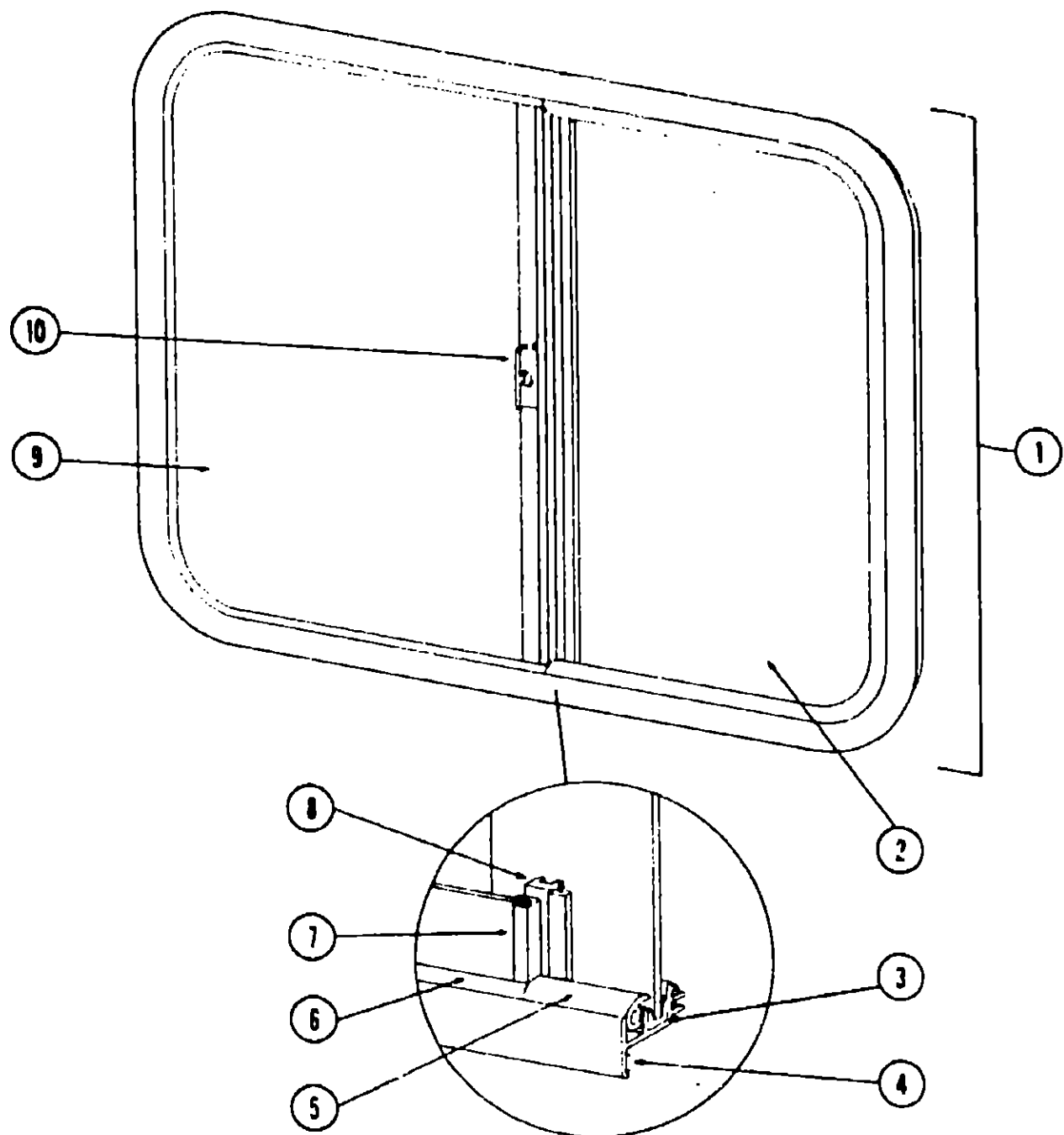
### TABLE OF CONTENTS

Introduction	A-1
Abbreviations	A-1
Alphabetical Index	A-2 - A-4
1977 MWC25D	A-5 - B-12
1977 D26CRK	B-13 - C-24
1977 MWC24D	D-1 - E-8
1977 D26CRB	E-9 - F-20
1977 D26RT	F-21 - H-6
1977 MW23RB	H-7 - I-16
1977 D21	I-17 - K-6
1977 D23C	K-7 - L-18

### 1977 D26CRK INDEX

Floor Plan	B-13 - B-14
Accessories Group	B-15 - B-16
Bath Group	B-17
Chassis Group	B-18 - B-19
Curtain, Cushion & Pad Group	B-20 - B-24
Dinette Group	C-1
Driver's Compartment Group	C-1 - C-2
Electrical Group	C-3 - C-4
Exterior Body Group	C-5 - C-8
Galley Group	C-9
Heating & Air Conditioning Group	C-10
Interior Finish Group	C-11 - C-12
LP Group	C-12
Lounge Group	C-13
Water & Sewage Group	C-13
Window, Vent & Exterior Door Group	C-14 - C-24

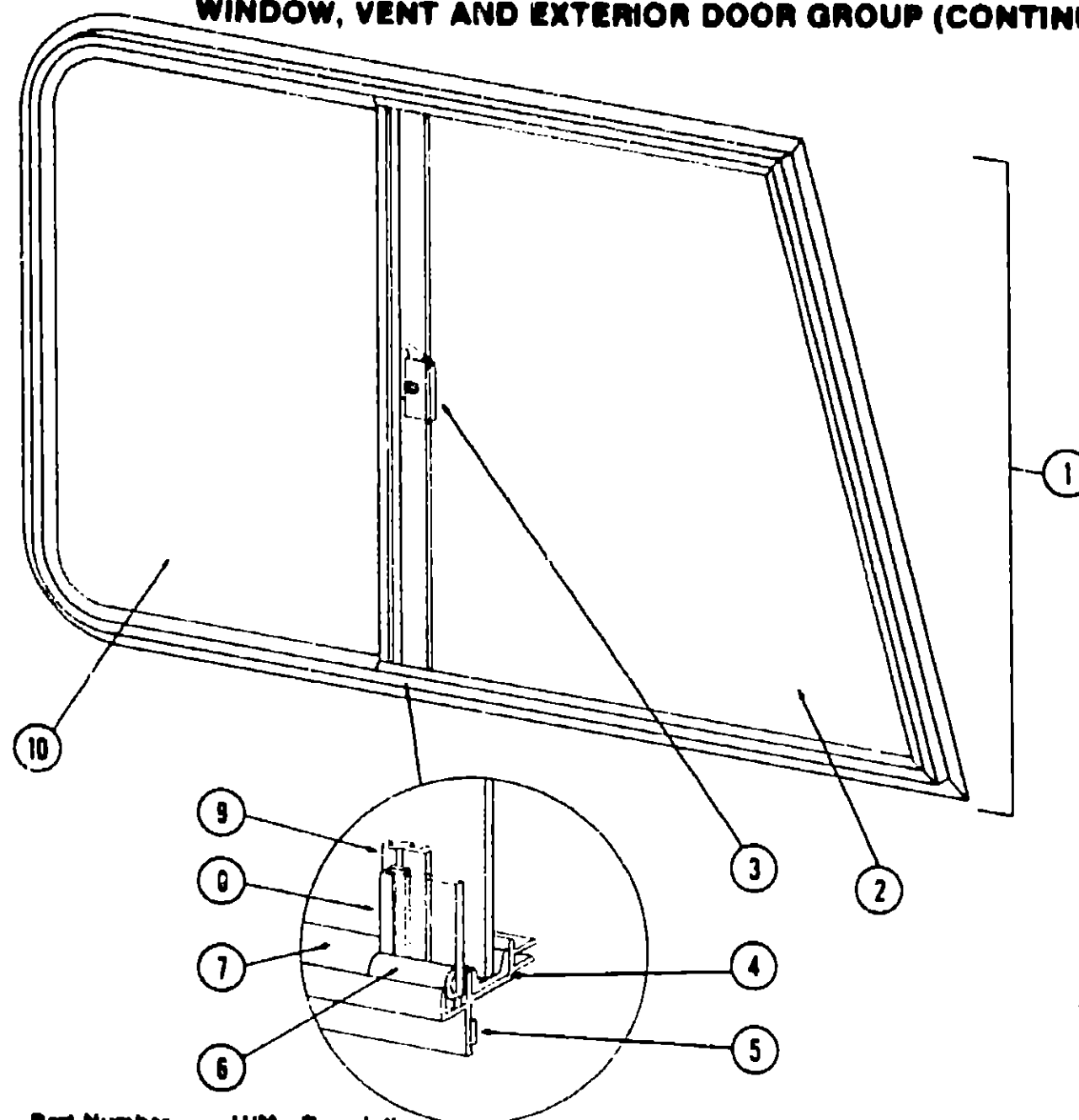
**WINDOW, VENT AND EXTERIOR DOOR GROUP (CONTINUED)**



Key	Part Number	U/M	Description
1	048628-07-000	EA	Window Asm. - Right - Single Slider - 23" x 29" - Black Anod. w/o Inside Frame
2	047813-01-000	EA	Glass - 1/8" x 22" x 13.68" - Sliding
3	002324-01-000	FT	Channel - Weatherstrip - Glass Run - 1/8" Glass
4	004383-01-000	FT	Tape - Foam - 3/16" x 1/2" - Gray
5	024096-02-000	FT	Seal - Window Channel - Black
6	002309-02-000	FT	Spline - Glass - 1/8" - Black
7	018025-03-000	EA	Holder - Glass Seal - Anod. Black
8	041894-02-000	EA	Mullion - Slider Window - 23" - Black Anod.
9	002184-01-000	EA	Glass - Tempered Sheet - Stationary
10	047389-01-000	EA	Latch - Window - Plastic
	048287-01-000	EA	Washer - Nylon - .62" x .140" I.D.
	049288-01-000	EA	Screw - Machine - 6-32 x 5/16" - HWH - Black
	042147-01-000	EA	Frame - Inside - Single Slider Window - Left - 23" x 29" (not included in assembly)
	023713-02-000	EA	Cover - Plastic Weephole - Black

\* Not Illustrated

**WINDOW, VENT AND EXTERIOR DOOR GROUP (CONTINUED)**



Key	Part Number	U/M	Description
1	048628-03-000	EA	Window Asm. - Right - Front Slant Slider - 23" x 39" - Black Anod. w/o Inside Frame
	048628-04-000	EA	Window Asm. - Left Slant Slider - 23" x 39" - Black Anod. w/o Inside Frame
2	041897-01-000	EA	Glass - 1/8" x 22.06" x 18.91" x 21.22" - Stationary
3	047389-01-000	EA	Latch - Window - Plastic
4	002324-01-000	FT	Channel - Weatherstrip - Glass Run - 1/8" Glass
5	004383-01-000	FT	Tape - Foam - 3/16" x 1/2" - Gray
6	002309-01-000	FT	Spline - Glass - 1/8" - Gray
7	024096-01-000	FT	Seal - Window Channel - Gray
8	018025-03-000	EA	Holder - Glass Seal - Black Anod.
9	041894-11-000	EA	Mullion - Slider Window - 23" - Black Anod.
10	047824-01-000	EA	Glass - 1/8" x 22.06" x 19.06" - Sliding
	049287-01-000	EA	Washer - Nylon - .62" x .140" I.D.
	049288-01-000	EA	Screw - Machine - 6-32 x 5/16" - HWH - Black
	041962-02-000	EA	Frame - Inside - Right Front Slant Slider Window - 23" x 39" (not included in assembly)
	041962-01-000	EA	Frame - Inside - Left Front Slant Slider Window - 23" x 39" (not included in assembly)
	023713-02-000	EA	Cover - Plastic Weephole - Black

\* Not Illustrated

**WINNEBAGO  
TABLE OF CONTENTS**

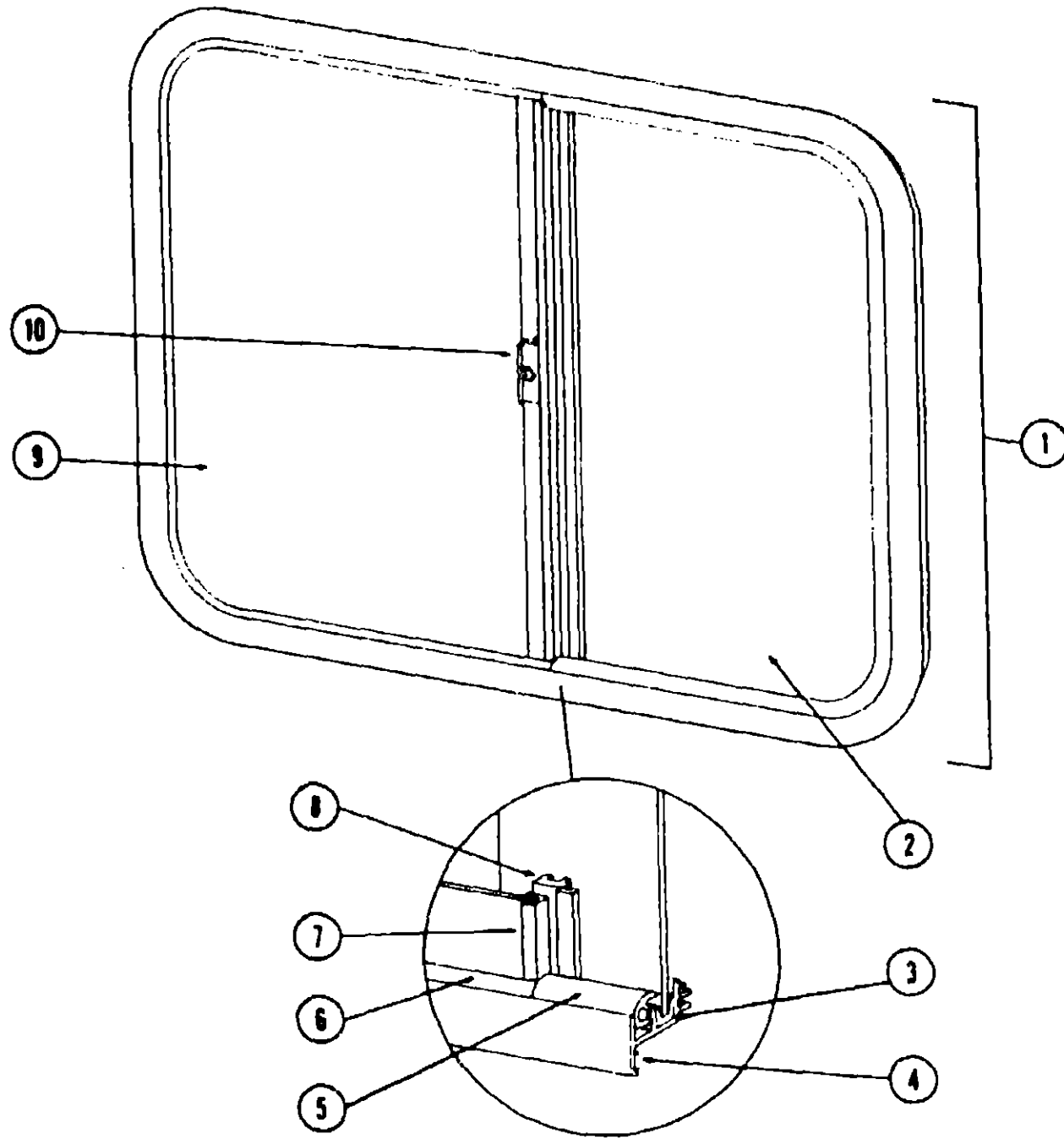
Introduction	A-1
Abbreviations	A-1
Alphabetical Index	A-2 - A-4
1977 MWC25D	A-5 - B-12
1977 D26CRK	B-13 - C-24
1977 MWC24D	D-1 - E-8
1977 D26CRB	E-9 - F-20
1977 D26RT	F-21 - H-6
1977 MW23RB	H-7 - I-16
1977 D21	I-17 - K-6
1977 D23C	K-7 - L-18

**1977 D26CRK INDEX**

Floor Plan	B-13 - B-14
Accessories Group	B-15 - B-16
Bath Group	B-17
Chassis Group	B-18 - B-19
Curtain, Cushion & Pad Group	B-20 - B-24
Dinette Group	C-1
Driver's Compartment Group	C-1 - C-2
Electrical Group	C-3 - C-4
Exterior Body Group	C-5 - C-8
Galley Group	C-9
Heating & Air Conditioning Group	C-10
Interior Finish Group	C-11 - C-12
LP Group	C-12
Lounge Group	C-13
Water & Sewage Group	C-13
Window, Vent & Exterior Door Group	C-14 - C-24

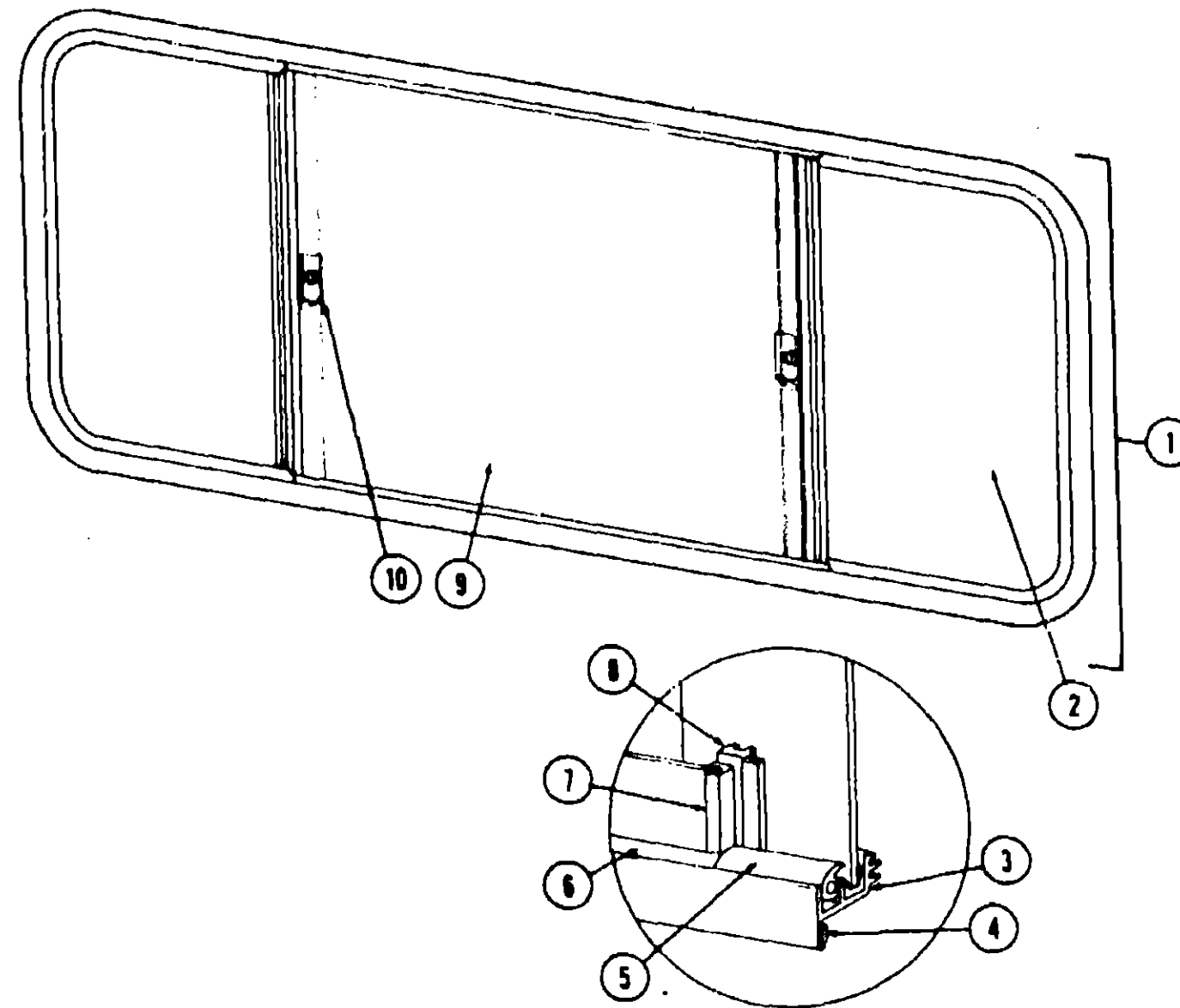
WINDOW, VENT AND EXTERIOR DOOR GROUP (CONTINUED)

WINDOW, VENT AND EXTERIOR DOOR GROUP (CONTINUED)



Key	Part Number	U/M	Description
1	048631-15-000	EA	Window Asm. - Right - Single Slider - 23" x 44" - Black Anod. w/o Inside Frame)
2	047823-01-000	EA	Glass - 1/8" x 22" x 13.49" - Sliding
3	002324-01-000	FT	Channel - Weatherstrip - Glass Run - 1/8" Glass
4	004363-01-000	FT	Tape - Foam - 3/16" x 1/2" - Gray
5	024096-02-000	FT	Seal - Window Channel - Black
6	002309-02-000	FT	Spline - Glass - 1/8" - Black
7	018025-03-000	EA	Holder - Glass Seal - Anod. Black
8	041894-02-000	EA	Mullion - Slider Window - 23" - Black Anod.
9	002183-01-000	EA	Glass - Tempered Sheet - Stationary
10	047369-01-000	EA	Latch - Window - Plastic
	049287-01-000	EA	Washer - Nylon - .62" x .140" I.D.
	049288-01-000	EA	Screw - Machine - 6-32 x 5/16" - HWH - Black
	042147-01-000	EA	Frame - Inside - Single Slider Window - Left - 23" x 29" (not included in assembly)
	0023713-02-000	EA	Cover - Plastic Weephole - Black
	002298-01-000	FT	Spline - Gray - .130" Dia. (Screen)
	002293-01-000	SF	Screen - Window - 28" - Gray

\* Not Illustrated



Key	Part Number	U/M	Description
1	048630-02-000	EA	Window Asm. - Double - Slider - 23" x 56" Black Anod (w/o Inside Frame)
2	047816-01-000	EA	Glass - 1/8" x 22" x 18.53" - Sliding (2 per window)
3	002324-01-000	FT	Channel - Weatherstrip - Glass Run - 1/8" Glass
4	004363-01-000	FT	Tape - Foam - 3/16" x 1/2" - Gray
5	024096-02-000	FT	Seal - Window Channel - Black
6	002309-02-000	FT	Spline - Glass - 1/8" - Black
7	018025-03-000	EA	Holder - Glass Seal - Black Anod.
8	041894-02-000	EA	Mullion - Slider Window - 23" Black Anod.
9	002188-01-000	EA	Glass - 1/8" x 22" x 21.03" - Stationary
10	047369-01-000	EA	Latch - Window - Plastic
	049287-01-000	EA	Washer - Nylon - .62" x .140" I.D.
	049288-01-000	EA	Screw - Machine - 6-32 x 5/16" - HWH - Black
	042133-02-000	EA	Frame - Inside - Double Slider Window (not included in assembly)
	002298-01-000	FT	Spline - Gray - .130" Dia. - (Screen)
	002293-01-000	SF	Screen - Window - 28" - Gray
	0023713-02-000	EA	Cover - Weephole - Plastic - Black

\* Not Illustrated

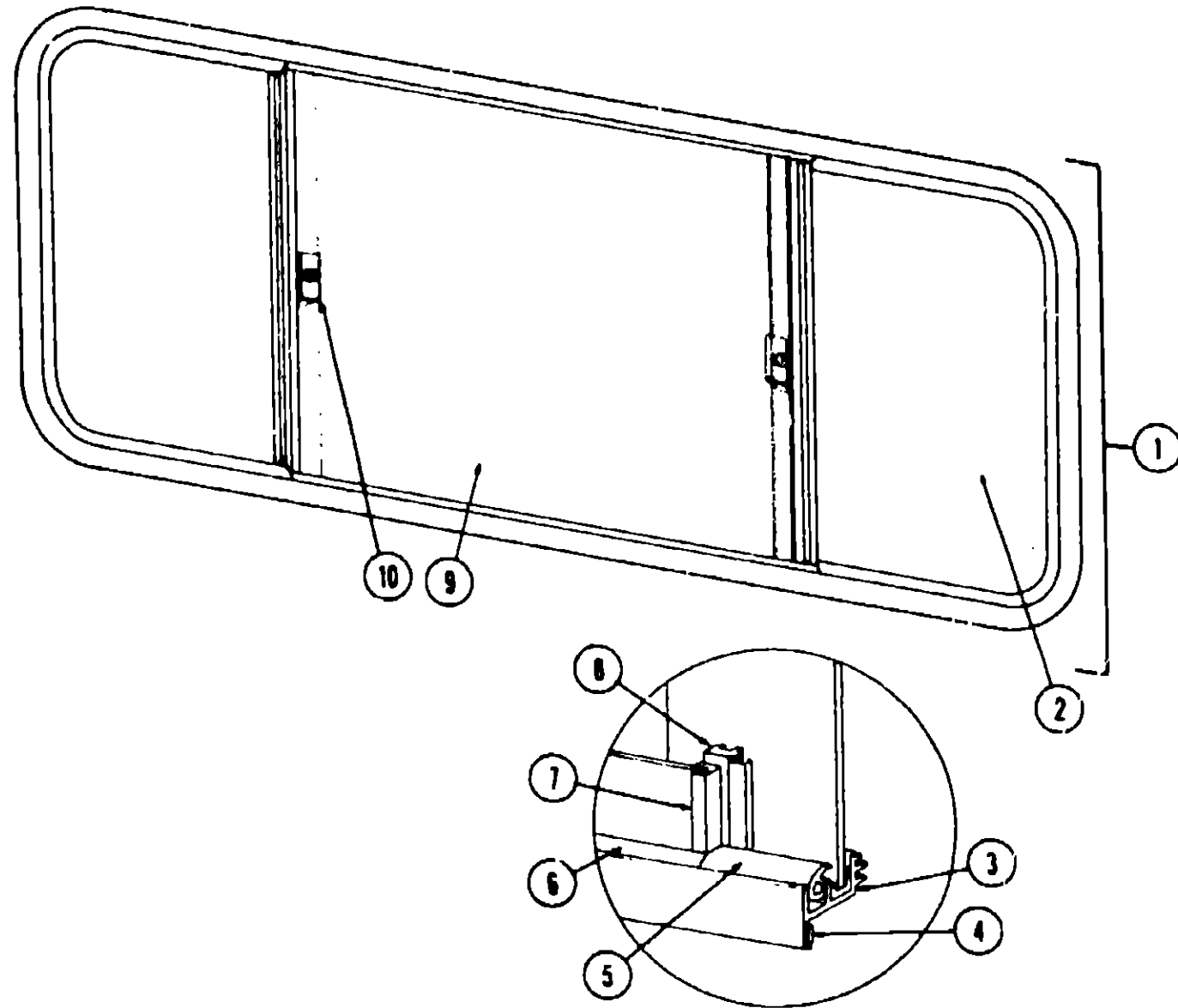
WINNEBAGO  
TABLE OF CONTENTS

Introduction	A-1
Abbreviations	A-1
Alphabetical Index	A-2 - A-4
1977 MWC25D	A-5 - B-12
1977 D26CRK	B-13 - C-24
1977 MWC24D	D-1 - E-8
1977 D26CRB	E-9 - F-20
1977 D26RT	F-21 - H-6
1977 MW23RB	H-7 - I-16
1977 D21	I-17 - K-6
1977 D23C	K-7 - L-16

1977 D26CRK INDEX

Floor Plan	B-13 - B-14
Accessories Group	B-15 - B-16
Bath Group	B-17
Chassis Group	B-18 - B-19
Curtain, Cushion & Pad Group	B-20 - B-24
Dinette Group	C-1
Driver's Compartment Group	C-1 - C-2
Electrical Group	C-3 - C-4
Exterior Body Group	C-5 - C-8
Galley Group	C-9
Heating & Air Conditioning Group	C-10
Interior Finish Group	C-11 - C-12
LP Group	C-12
Lounge Group	C-13
Water & Sewage Group	C-13
Window, Vent & Exterior Door Group	C-14 - C-24

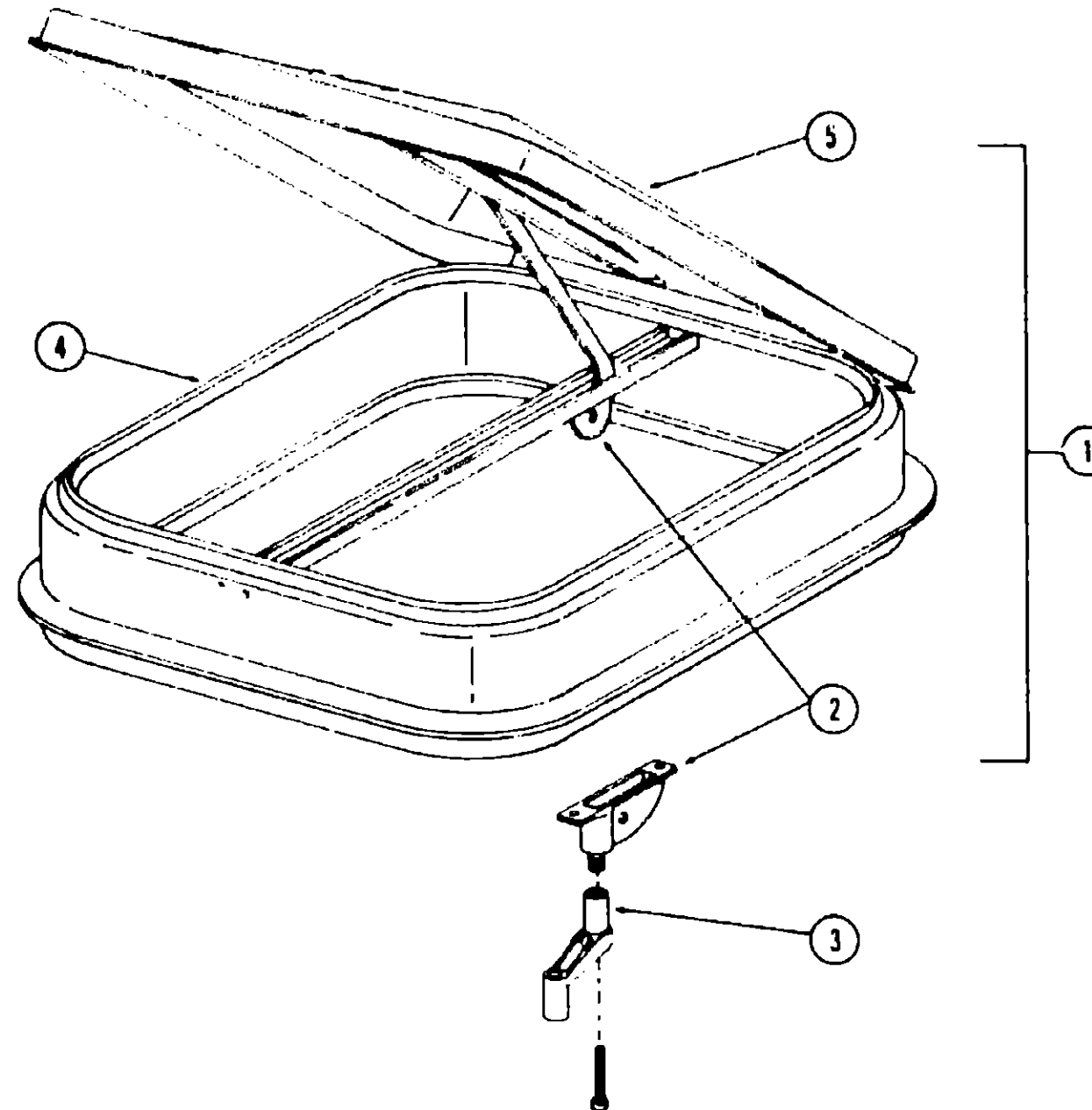
WINDOW, VENT AND EXTERIOR DOOR GROUP (CONTINUED)



Key	Part Number	U/M	Description
1	048630-04-000	EA	Window Asm. - Double - Slider - 23" x 65" Black Anod. w/o Inside Frame
2	047823-01-000	EA	Glass - 1/8" x 22" x 21.03" - Sliding (2 per window)
3	002324-01-000	FT	Channel - Weatherstrip - Glass Run - 1/8" Glass
4	004363-01-000	FT	Tape - Foam - 3/16" x 1/2" - Gray
5	024096-02-000	FT	Seal - Window Channel - Black
6	002309-02-000	FT	Spline - Glass - 1/8" - Black
7	018025-03-000	EA	Holder - Glass Seal - Black Anod.
8	041884-02-000	EA	Mullion - Slider Window - 23" Black Anod.
9	002186-01-000	EA	Glass - 1/8" x 22" x 21.03" - Stationary
10	047369-01-000	EA	Latch - Window - Plastic
	049287-01-000	EA	Washer - Nylon - .82" x .140" I.D.
	049288-01-000	EA	Screw - Machine - 6-32 x 5/16" - HWH - Black
	042133-02-000	EA	Frame - Inside - Double Slider Window (not included in assembly)
	002296-01-000	FT	Spline - Gray - .130" Dia. - (Screen)
	002293-01-000	SF	Screen - Window - 28" - Gray
	023713-02-000	EA	Cover - Weephole - Plastic - Black

\* Not Illustrated

WINDOW, VENT AND EXTERIOR DOOR GROUP (CONTINUED)



Key	Part Number	U/M	Description
1	048635-01-000	EA	Vent Asm. - Roof - Nonpowered - w/o Screen
2	009440-01-000	EA	Gear - Arm - Roof Vent
3	009439-01-000	EA	Crank - Roof Vent
4	002825-01-000	FT	Weatherstrip - Roof Vent
5	048625-01-000	EA	Cover - Plastic - Roof Vent
	016335-01-000	EA	Screen Asm. - Non Powered Roof Vent - Clear Anod. (not included in assembly)
	016335-03-000	EA	Screen Asm. - Non Powered Roof Vent - Beige (not included in assembly)

\* Not Illustrated

WINNEBAGO  
TABLE OF CONTENTS

Introduction	A-1
Abbreviations	A-1
Alphabetical Index	A-2 - A-4
1977 MWC25D	A-5 - B-12
1977 D26CRK	B-13 - C-24
1977 MWC24D	D-1 - E-8
1977 D26CRB	E-9 - F-20
1977 D26RT	F-21 - H-6
1977 MW23RB	H-7 - I-18
1977 D21	I-17 - K-6
1977 D23C	K-7 - L-18

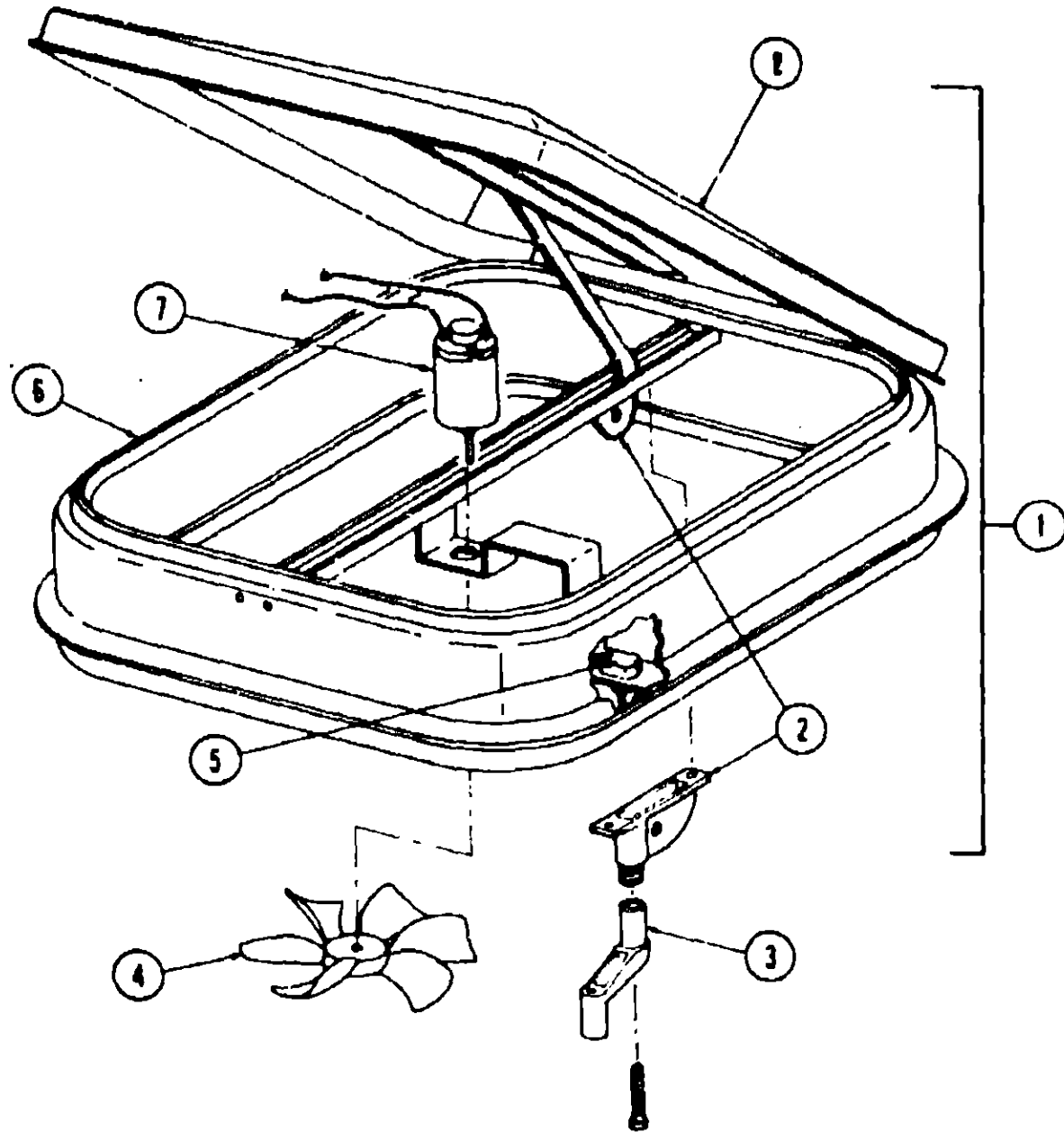
1977 D26CRK INDEX

Floor Plan	B-13 - B-14
Accessories Group	B-15 - B-16
Bath Group	B-17
Chassis Group	B-18 - B-19
Curtain, Cushion & Pad Group	B-20 - B-24
Dinette Group	C-1
Driver's Compartment Group	C-1 - C-2
Electrical Group	C-3 - C-4
Exterior Body Group	C-5 - C-8
Galley Group	C-9
Heating & Air Conditioning Group	C-10
Interior Finish Group	C-11 - C-12
LP Group	C-12
Lounge Group	C-13
Water & Sewage Group	C-13
Window, Vent & Exterior Door Group	C-14 - C-24



WINDOW, VENT AND EXTERIOR DOOR GROUP (CONTINUED)

WINDOW, VENT AND EXTERIOR DOOR GROUP (CONTINUED)



Key	Part Number	U/M	Description
1	048789-01-000	EA	Vent Asm. Roof - Powered - w/o Screen
2	008440-01-000	EA	Gear - Arm - Roof Vent
3	008439-01-000	EA	Crank - ROOF Vent
4	048648-01-000	EA	Fan - Blade - 8" Plastic
5	008195-01-000	EA	Switch - Push Button - 12 VOLT
6	002825-01-000	FT	Weatherstrip - Roof Vent
7	048648-01-000	EA	Motor - 12 Volt
8	048825-01-000	EA	Cover - Plastic - Roof Vent
*	048885-01-000	EA	Screen Asm. - Powered Roof Vent - Clear Anod. (not included in assembly)
*	048895-03-000	EA	Screen Asm. - Powered Roof Vent - Beige (not included in assembly)

\* Not Illustrated

VENTS

Key	Part Number	U/M	Description
	038778-01-000	EA	Cover - Plastic Refrigerator Vent
	008407-01-000	EA	Frame - Base - Refrigerator Vent w/o Cover
	049352-02-000	EA	Vent - Stovehood - Outside - Beige (Jensen)

WINDSHIELD

Key	Part Number	U/M	Description
	034975-04-000	EA	Glass - Windshield 1/4" x 22.12" x 45.45" - Right or Left
	038784-03-200	EA	Extr. - Windshield Trim - Anod. Black - 22.38"
	042744-03-000	EA	Frame Asm. - Windshield w/o Glass
	038886-01-000	EA	Tape - Butyl - .31" x .31" x 148"
	043988-01-000	EA	Trim - Windshield

ACCESS DOORS

Key	Part Number	U/M	Description
	035324-04-000	EA	Door Asm. - Luggage - Beige - w/Key Type Lock - 25.75" x 10.25"
	037804-07-000	EA	Door Asm. - Luggage - Beige - w/Key Type Lock - 48" x 10"
	037804-08-000	EA	Door Asm. - Battery - Beige - w/Twist Type Lock - 25.05" x 10.48"
	037804-12-000	EA	Door Asm. - Battery and LP - Beige - 47.81" x 9.77" w/Twist Type Lock
	037807-05-000	EA	Door Asm. - Refrigerator Access - Beige - w/Twist Type Lock
	039884-01-000	EA	Kit - Twist Type Lock w/Clip
	047305-01-000	EA	Kit - Lock - Key Type w/Clip
	018945-02-000	EA	Holder Asm. - Battery and Luggage Door (holds door open)
	041330-03-000	EA	Door Asm. - Radius Trunk - Rear - Beige - w/Bent Cam Lock
	009009-01-000	EA	Lock - Bent Cam - Trunk Door
	009161-01-000	EA	Chain - Retaining - Trunk Door
	043883-01-000	EA	Door Asm. - Generator - Beige
	007067-01-000	SF	Insulation - Fiberglass
	003182-02-000	EA	Door Asm. - Water Heater Access - Beige
	051780-01-000	EA	Door Asm. - Storage - Right w/Key Type Lock

WINNEBAGO

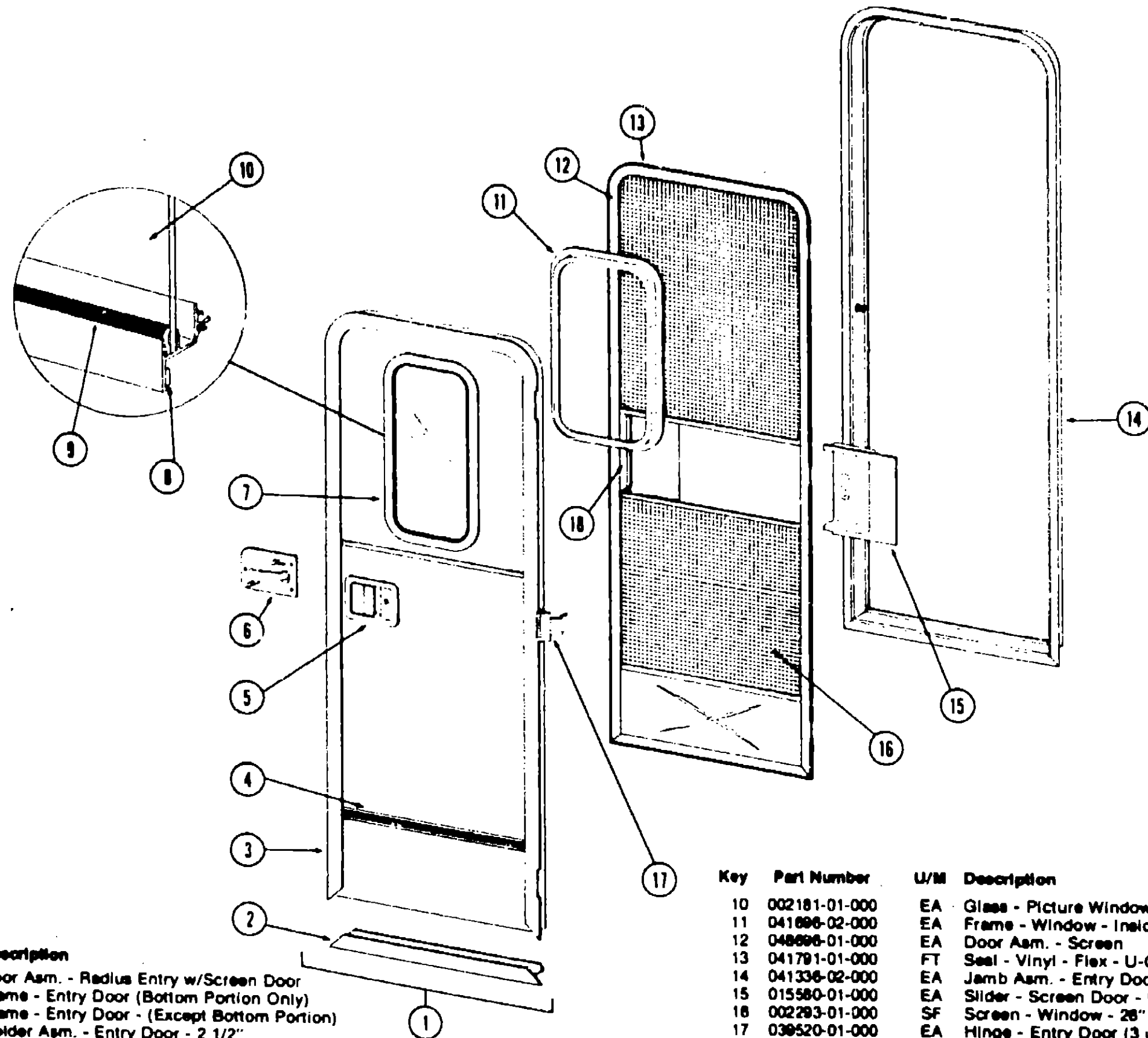
TABLE OF CONTENTS

Introduction	A-1
Abbreviations	A-1
Alphabetical Index	A-2 - A-4
1977 MWC25D	A-5 - B-12
1977 D26CRK	B-13 - C-24
1977 MWC24D	D-1 - E-8
1977 D26CRB	E-9 - F-20
1977 D26RT	F-21 - H-6
1977 MW23RB	H-7 - I-16
1977 D21	I-17 - K-6
1977 D23C	K-7 - L-18

1977 D26CRK INDEX

Floor Plan	B-13 - B-14
Accessories Group	B-15 - B-16
Bath Group	B-17
Chassis Group	B-18 - B-19
Curtain, Cushion & Pad Group	B-20 - B-24
Dinette Group	C-1
Driver's Compartment Group	C-1 - C-2
Electrical Group	C-3 - C-4
Exterior Body Group	C-5 - C-8
Galley Group	C-9
Heating & Air Conditioning Group	C-10
Interior Finish Group	C-11 - C-12
LP Group	C-12
Lounge Group	C-13
Water & Sewage Group	C-13
Window, Vent & Exterior Door Group	C-14 - C-24

# WINDOW, VENT AND EXTERIOR DOOR GROUP (CONTINUED)



Key	Part Number	U/M	Description
1	050096-01-000	EA	Door Asm. - Radius Entry w/Screen Door
2	039737-02-000	EA	Frame - Entry Door (Bottom Portion Only)
3	039736-02-000	EA	Frame - Entry Door - (Except Bottom Portion)
4	039874-02-000	EA	Holder Asm. - Entry Door - 2 1/2"
5	052186-01-000	EA	Lock Asm. - Radius Entry Door - Lynor
6	045017-01-700	EA	Lock Cylinder w/Keys - Lynor
7	039541-01-000	EA	Lock Cylinder w/Keys - Atwood
8	039539-01-000	EA	Striker - Entry Door Lock
9	039879-01-000	EA	Plate - Lock - Interior - Including Inside Handle
10	041875-02-000	EA	Window Asm. - Picture - 13" x 23" - Black Anod. (Inside frame not included in assembly)
11	041896-02-000	EA	Frame - Window - Inside - 13" x 23" - Brown
12	048896-01-000	EA	Door Asm. - Screen
13	041791-01-000	FT	Seal - Vinyl - Flex - U-Channel - Brown
14	041336-02-000	EA	Jamb Asm. - Entry Door
15	015580-01-000	EA	Slider - Screen Door - Brown Plastic
16	002293-01-000	SF	Screen - Window - 28" - Gray
17	039520-01-000	EA	Hinge - Entry Door (3 used per door)
18	015581-01-000	EA	Cap - Screen Door - Brown Plastic

C-23

Key	Part Number	U/M	Description
10	002181-01-000	EA	Glass - Picture Window - 1/8" x 12" x 22" Gray
11	041896-02-000	EA	Frame - Window - Inside - 13" x 23" - Brown
12	048896-01-000	EA	Door Asm. - Screen
13	041791-01-000	FT	Seal - Vinyl - Flex - U-Channel - Brown
14	041336-02-000	EA	Jamb Asm. - Entry Door
15	015580-01-000	EA	Slider - Screen Door - Brown Plastic
16	002293-01-000	SF	Screen - Window - 28" - Gray
17	039520-01-000	EA	Hinge - Entry Door (3 used per door)
18	015581-01-000	EA	Cap - Screen Door - Brown Plastic
	049176-01-000	EA	Hedlok II - 3/4" Diameter - Screw Mount (Retains Screen Door to Entry Door)
	049797-01-000	EA	Hedlok II - 1" Diameter - Screw Mount (Retains Screen Door to Entry Door)
	018019-01-000	EA	Striker - Screen Door
	039863-01-000	EA	Catch Asm. - Single Roller w/Strike - Screen Door
	039740-01-000	FT	Seal - Jamb - Entry Door
	039600-03-000	FT	Tubing - Polybutyl - 3/8" O.D. - Jamb
			* Not Illustrated

C-24

## WINNEBAGO TABLE OF CONTENTS

Introduction	A-1
Abbreviations	A-1
Alphabetical Index	A-2 - A-4
1977 MWC25D	A-5 - B-12
1977 D26CRK	B-13 - C-24
1977 I1WC24D	D-1 - E-6
1977 D26CRB	E-9 - F-20
1977 D26RT	F-21 - H-6
1977 MW23RB	H-7 - I-18
1977 D21	I-17 - K-6
1977 D23C	K-7 - L-18

## 1977 D26CRK INDEX

Floor Plan	B-13 - B-14
Accessories Group	R-15 - B-16
Bath Group	B-17
Chassis Group	B-18 - B-19
Curtain, Cushion & Pad Group	B-20 - B-24
Dinette Group	C-1
Driver's Compartment Group	C-1 - C-2
Electrical Group	C-3 - C-4
Exterior Body Group	C-5 - C-8
Galley Group	C-9
Heating & Air Conditioning Group	C-10
Interior Finish Group	C-11 - C-12
LP Group	C-12
Lounge Group	C-13
Water & Sewage Group	C-13
Window, Vent & Exterior Door Group	C-14 - C-24