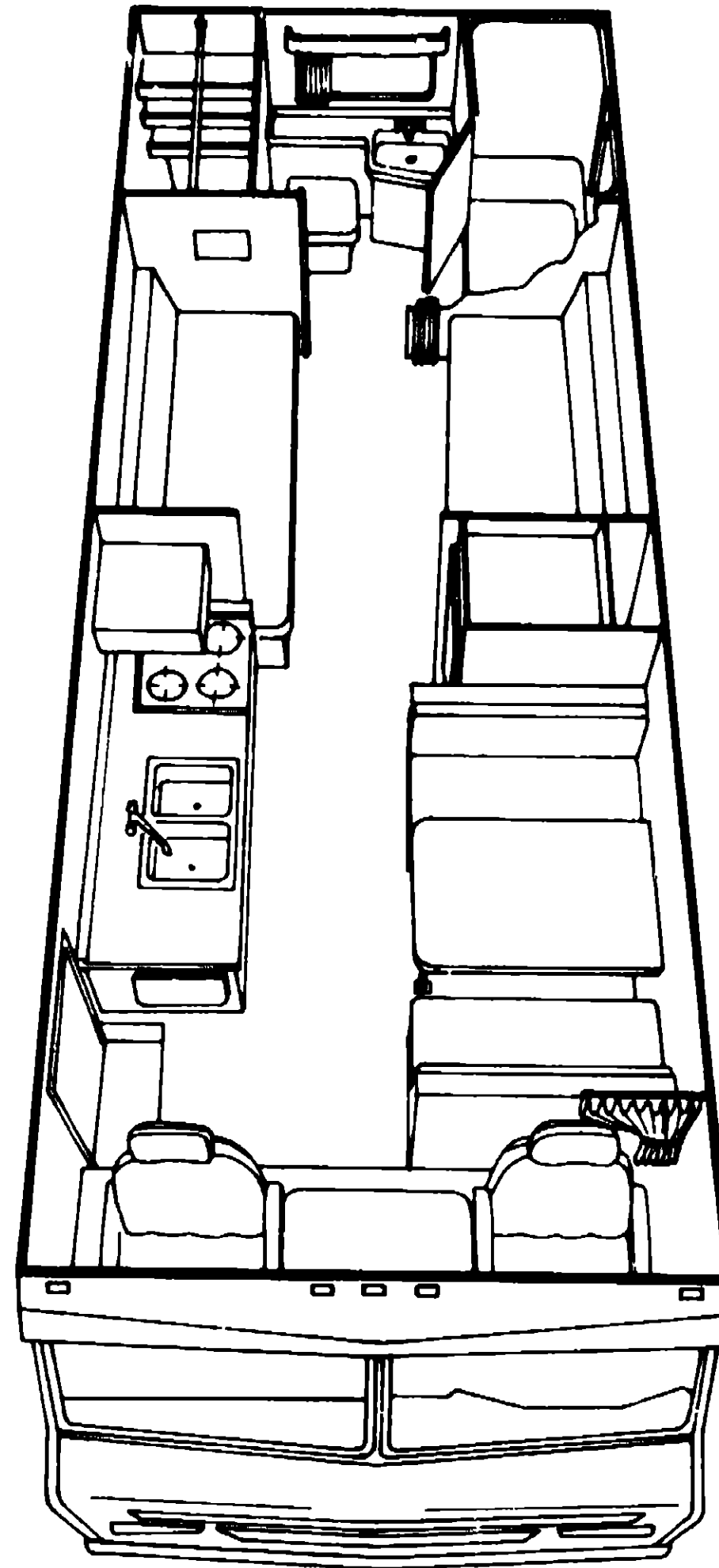


# 1977 D26CRB



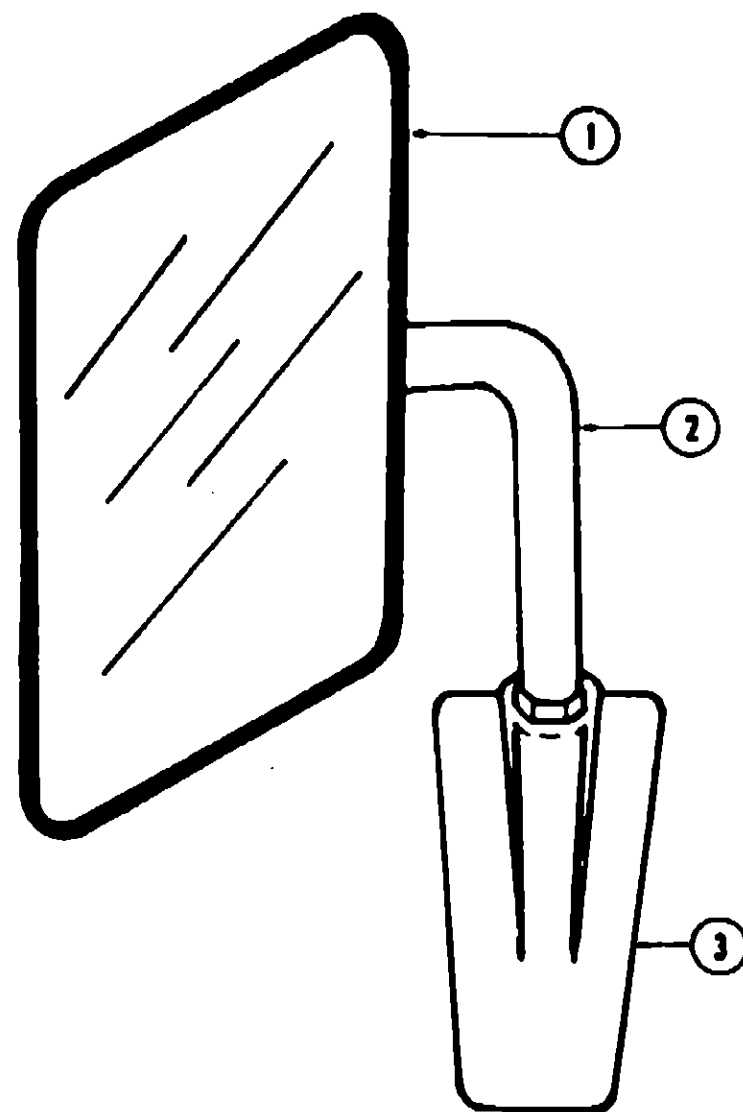
## WINNEBAGO TABLE OF CONTENTS

Introduction	A-1
Abbreviations	A-1
Alphabetical Index	A-2 - A-4
1977 MWC25D	A-5 - B-12
1977 D26CRK	B-13 - C-24
1977 MWC24D	D-1 - E-8
1977 D26CRB	E-9 - F-20
1977 D28RT	F-21 - H-8
1977 MW23RB	H-7 - I-18
1977 D21	I-17 - K-6
1977 D23C	K-7 - L-18

## 1977 D26CRB INDEX

Floor Plan	E-9 - E-10
Accessories Group	E-11 - E-12
Bath Group	E-13 - E-14
Chassis Group	E-14 - E-18
Curtain, Cushion & Pad Group	E-18 - E-19
Dinette Group	E-20
Driver's Compartment Group	E-20 - E-21
Electrical Group	E-22 - E-23
Exterior Body Group	E-24 - F-3
Galley Group	F-4
Heating & Air Conditioning Group	F-5
Interior Finish Group	F-6 - F-7
LP Group	F-8
Lounge Group	F-8
Water & Sewage Group	F-9
Window, Vent & Exterior Door Group	F-10 - F-20

## ACCESSORIES GROUP



Key	Part Number	U/M	Description
1	049347-01-000	EA	Mirror Head - 7 1/2" x 10 1/2" SST w/o Brkt.
2	049348-01-000	EA	Arm - Low Mount Mirror - Brite Finish
3	044994-01-000	EA	Bracket - Mirror - o/s - Beige

## ACCESSORIES GROUP (CONTINUED)

### RADIOS AND RELATED COMPONENTS

Key	Part Number	U/M	Description
	031105-01-000	EA	Antenna - Radio - Side Mount
	031105-01-700	EA	Holder - Antenna Upper
	039879-01-000	EA	Kit - Radio Speaker 5 1/4" w/Cover
	049731-01-000	EA	Radio - AM/FM/MPX Clarion w/Fader Switch
	049732-01-000	EA	Radio - Clarion AM/FM/MPX/8-Track w/Fader Switch
	044328-01-000	EA	Switch - Fader - Speaker - Balance

### GENERATORS AND COMPONENTS

Key	Part Number	U/M	Description
	007059-01-000	EA	Generator Onan 2500 Watt LK
	007135-01-000	EA	Muffler 2500 LK
	039235-01-000	EA	Kit 2500 Watt Onan LK Installation
	044088-01-000	EA	Generator 4000 Watt Onan BF
	007135-01-000	EA	Muffler - Generator Screw On Type
	039237-01-000	EA	Kit 4000, 5000, & 6500 Onan Installation
	007058-01-000	EA	Generator 5000 Watt Onan
	007292-01-000	EA	Muffler - Generator
	007230-01-000	EA	Generator 6500 Watt Onan
	042885-01-000	EA	Scoop - Generator Air
	045226-01-000	EA	Tray Generator 36.25" x 37.75"
	701629-01-000	EA	Kohler Installation Package
**	040504-01-000	EA	Generator - 2.5 KW - Kohler
**	040505-01-000	EA	Generator - 4.0 KW - Kohler
**	040508-01-000	EA	Generator - 5.0 KW - Kohler
**	044149-01-000	EA	Generator - 6.5 KW - Kohler
**	051908-01-000	EA	Generator - 3.5 KW - Kohler
**	051909-01-000	EA	Generator - 4.5 KW - Kohler
**	051910-01-000	EA	Generator - 5.5 KW - Kohler
**	051911-01-000	EA	Generator - 7.0 KW - Kohler

\*\*The illustrated parts breakdown for this item is provided on the Common Items Fiche.

### MISCELLANEOUS ACCESSORIES

Key	Part Number	U/M	Description
**	024748-01-000	EA	Speed Control Package 440 Dodge Lever Type A Body
**	047841-01-000	EA	Speed Control Package 380 Dodge Lever Type A Body
	008076-01-000	EA	Ladder - Bunk
	050885-01-000	EA	Owner's Manual - Winnebago
	017516-01-000	EA	Mudflap - Black - 14" x 18" w/Holes
	008099-01-000	EA	Case - Key Leather Motor Home
	007038-01-000	EA	Mat - Door - Black Rubber 10 1/2" x 26"
	008053-01-000	EA	Antenna TV - Braun; Delux
	008093-01-000	EA	Jack TV Brown (Ant.)
**	040899-01-000	EA	Ladder Asm. w/Luggage Rack Round
**	040899-02-000	EA	Ladder only for Rack and Ladder Asm.
	008113-01-000	EA	Jack - Hydraulic 5 Ton
	041944-01-700	EA	Fire Extinguisher
	048392-01-000	EA	Bunk Front - Overhead - (Board w/Rail)
	042988-01-000	EA	Support Asm. Left & Right Ovhd. Bunk Dark Brown
	042414-01-000	FT	Trim Accent Brown - Bostonian
	038986-01-000	EA	Bunk - Strap Support
	034410-14-000	EA	Cover Spare Tire w/Brown "W" 32"

\*\*The illustrated parts breakdown for this item is provided on the Common Items Fiche.

## WINNEBAGO

### TABLE OF CONTENTS

Introduction	A-1
Abbreviations	A-1
Alphabetical Index	A-2 - A-4
1977 MWC25D	A-5 - B-12
1977 D26CRK	B-13 - C-24
1977 MWC24D	D-1 - E-8
1977 D26CRB	E-9 - F-2J
1977 D26RT	F-21 - H-6
1977 MW23RB	H-7 - I-16
1977 D21	I-17 - K-8
1977 D23C	K-7 - L-10

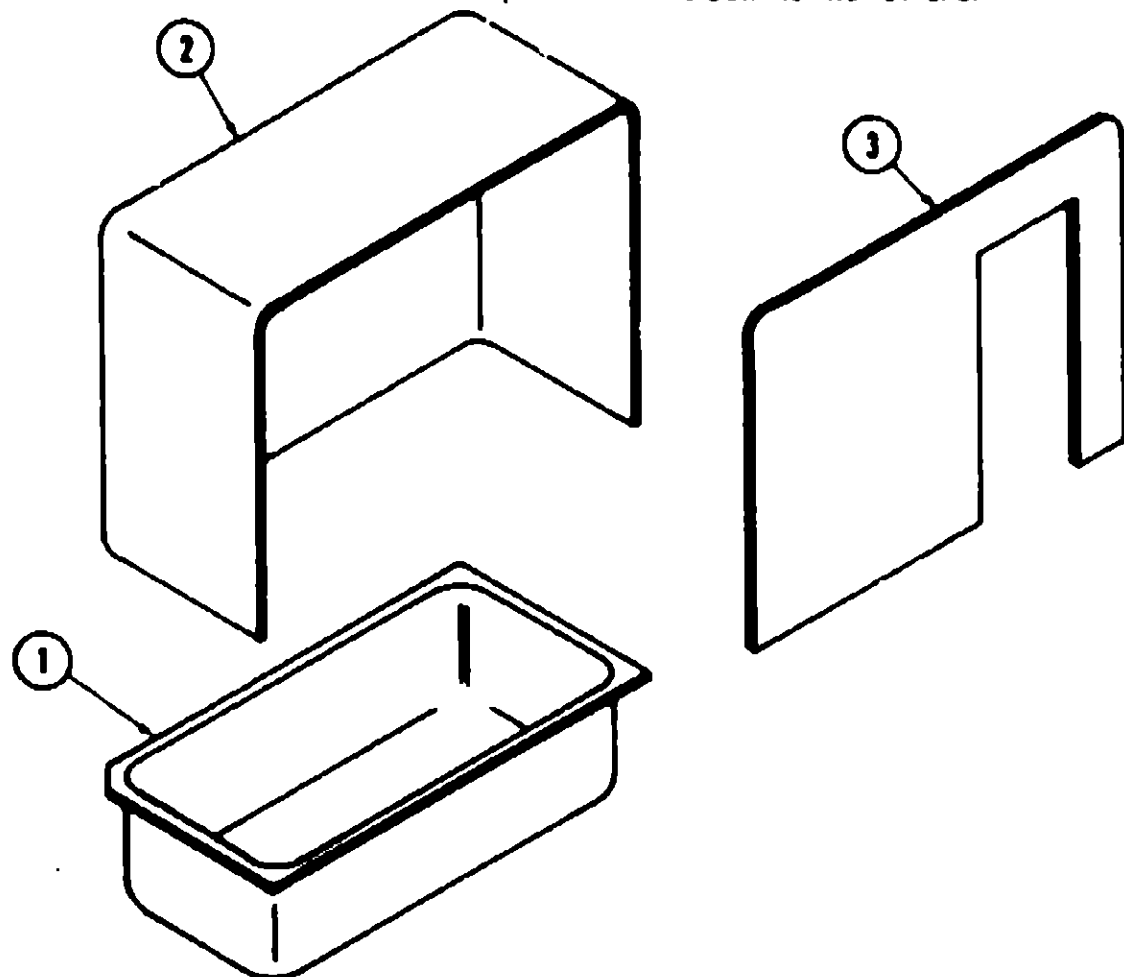
### 1977 D26CRB INDEX

Floor Plan	E-9 - E-10
Accessories Group	E-11 - E-12
Bath Group	E-13 - E-14
Chair's Group	E-14 - E-16
Curtain, Cushion & Pad Group	E-16 - E-19
Dinette Group	E-20
Driver's Compartment Group	E-20 - E-21
Electrical Group	E-22 - E-23
Exterior Body Group	E-24 - F-3
Galley Group	F-4
Heating & Air Conditioning Group	F-5
Interior Finish Group	F-6 - F-7
LP Group	F-8
Lounge Group	F-8
Water & Sewage Group	F-9
Window, Vent & Exterior Door Group	F-10 - F-20

## BATH GROUP

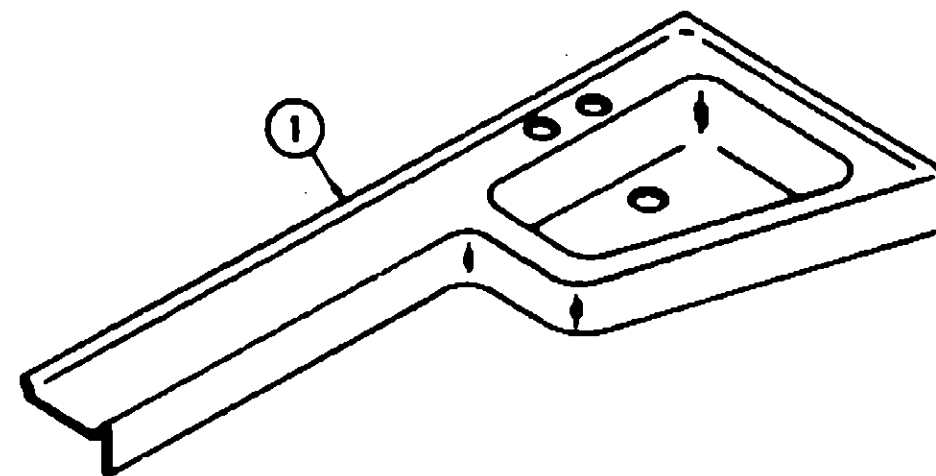
Key	Part Number	U/M	Description
	042488-01-000	EA	Door - FLDG 31.2" x 77 1/8" Walnut
	011066-01-000	EA	Faucet - 4" Lavatory
	011083-02-000	EA	Plug - Sink w/Chain
	048337-01-000	EA	Cabinet Only - Vanity w/o Door
	048801-06-700	EA	Door Asm. Vanity Cabinet w/o Hdw.
	042800-25-700	EA	Door - Cabinet Under Vanity OVHD Type w/o Hdw
	008134-01-000	EA	Holder - Tissue
	033880-01-000	EA	Ring - Towel Chrome
	011048-01-000	EA	Shower Head
	011048-01-700	EA	Vacuum Breaker - 1/8 MPT Nylon Shower Hose
	011086-01-000	EA	Strainer - Drain - Shower Pan
	031568-01-000	EA	Faucet - 4" Tub and Shower
	050738-01-000	EA	Door Asm. - Shower - Clear Anod.
	050738-01-000	EA	Door Asm. - Shower - Brown
	043586-01-000	EA	Jamb - Door Shower Bottom
	043587-01-000	EA	Jamb - Door Shower Right
	043587-02-000	EA	Jamb - Door Shower Left
	008112-01-000	EA	Flange - 1" Rod Chrome
	048801-08-700	EA	Door - Asm. - Wardrobe Cabinet Left or Right w/o Hdw.
	050886-01-000	EA	Cabinet Medicine Overhead
	045882-08-700	EA	Door - Asm. Cabinet w/o Hdw. or Mirror
	045700-01-000	EA	Mirror - 1/8" x 8" x 25"
	008133-02-000	EA	Bar Towel Rack 18" Plastic
	023448-01-000	EA	Support - Towel - Rack Chrome Left or Right
**	038341-02-000	EA	Stool Asm. - Ivory - Aqua Magic - Model SH

\*\*The illustrated parts breakdown for this item is provided on the Common Items Fiche.



Key	Part Number	U/M	Description
1	041828-01-000	EA	Bathtub Bottom
2	041853-01-000	EA	Bathtub Rear
3	041852-01-000	EA	Bathtub Front

## BATH GROUP (CONTINUED)



Key	Part Number	U/M	Description
1	042175-01-000	EA	Lavatory Top

## WINNEBAGO

### TABLE OF CONTENTS

Introduction	A-1
Abbreviations	A-1
Alphabetical Index	A-2 - A-4
1977 MWC25D	A-5 - B-12
1977 D26CRK	B-13 - C-24
1977 MWC24D	D-1 - E-8
1977 D26CRB	E-9 - F-20
1977 D26RT	F-21 - H-8
1977 MW23RB	H-7 - I-16
1977 D21	I-17 - K-6

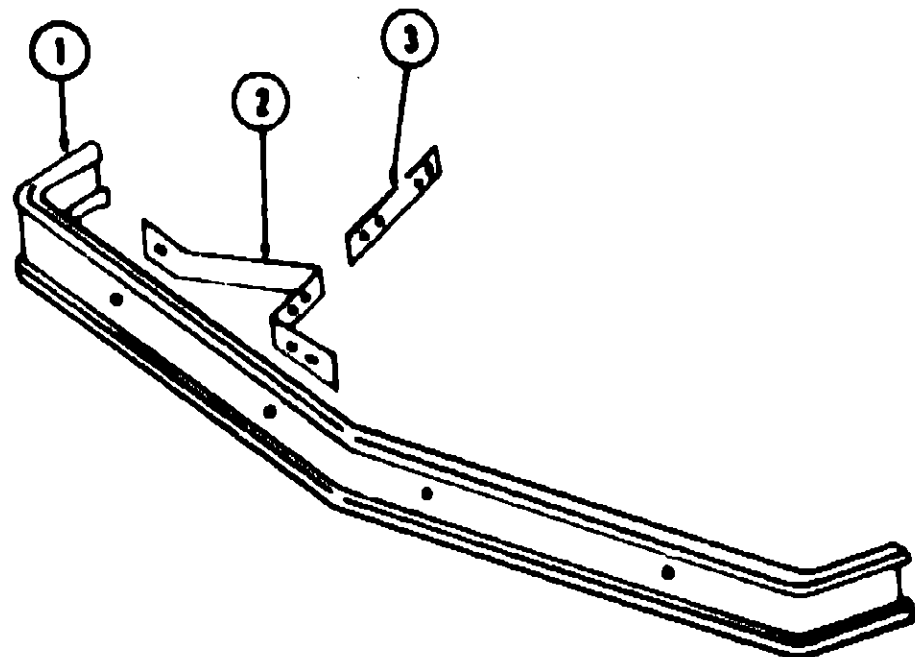
## CHASSIS GROUP

Key	Part Number	U/M	Description
	024641-03-000	EA	Step Asm. - Pull-Out
	045802-01-000	EA	Panel - Headlight - Right Hand Beige
	045803-01-000	EA	Panel - Headlight - Left Hand Beige
	045811-01-000	EA	Hoodboard - Steel - Right
	045811-02-000	EA	Hoodboard - Steel - Left
	007082-01-000	FT	Tubing - 5/16" OD Generator Fuel
	007134-01-000	EA	Clamp - Hose - Spring Type 9/16"
	024138-01-000	FT	Hose - Fuel - 5/16" ID SAE30R1
	007111-01-000	FT	Hose - Fuel - 2 1/4" ID SAE30R1
	007137-01-000	EA	Clamp - Worm Gear 1 5/16" to 2 1/4"
	045814-01-000	EA	Fill - Gas - w/Vent 5.44" Long
	007138-01-000	EA	Clamp 1/4" to 3/4" Dia.
	007160-01-000	EA	Gasket 3/16" x 2" x 2" Tire Carcass
	038882-01-000	EA	Tank - Fuel - Aux. 27.8 Gallon
	017388-01-000	EA	Strap - Fuel Tank Mt.
	038883-01-000	EA	Sending Unit - Fuel 7.8 OHM
	024581-02-000	EA	Fill - Gas - w/Vent 4.50" Long
	024811-01-000	EA	Cap - Gas Pressure 1.50" Black
	048584-01-000	EA	Tray - Battery - Steel
	005183-01-000	EA	Rod - Threaded - 5/16 - 18 x 36" Long
	035102-01-000	EA	Cover - Rear Radiator
	007131-01-000	EA	Hanger - Tailpipe
	035280-01-000	EA	Wheel Well - Plastic - Black
	007125-07-000	EA	Clamp Asm. - Muffler - 2.50" Dia.
	007248-01-000	EA	Tailpipe - Curved - 2 1/2" x 58"

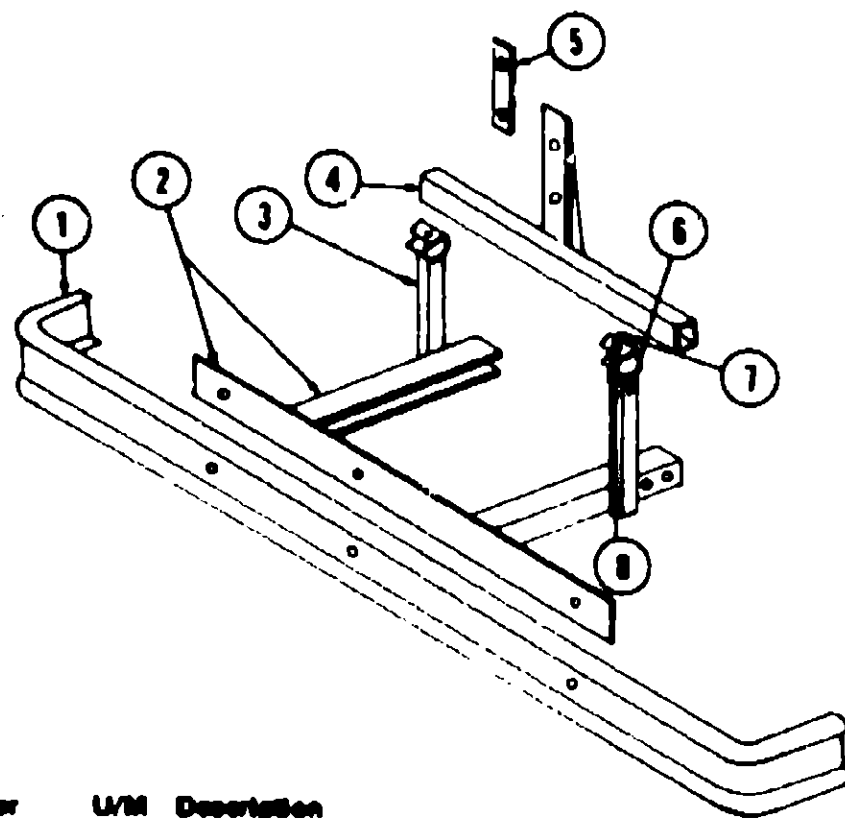
### 1977 D26CRB INDEX

Floor Plan	E-8 - E-10
Accessories Group	E-11 - E-12
Bath Group	E-13 - E-14
Chassis Group	E-14 - E-16
Curtain, Cushion & Pad Group	E-16 - E-19
Dinette Group	E-20
Driver's Compartment Group	E-20 - E-21
Electrical Group	E-22 - E-23
Exterior Body Group	E-24 - F-3
Galley Group	F-4
Heating & Air Conditioning Group	F-5
Interior Finish Group	F-6 - F-7
LP Group	F-8
Lounge Group	F-8
Water & Sewage Group	F-9
Window, Vent & Exterior Door Group	F-10 - F-20

### CHASSIS GROUP (CONTINUED)

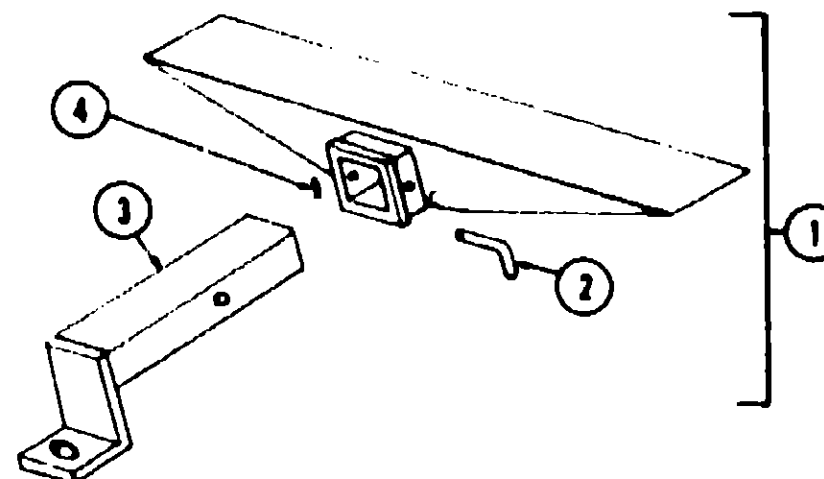


Key	Part Number	U/M	Description
1	048473-01-000	EA	Bumper - Front Chrome
2	023486-04-000	EA	Bracket - Bumper - Black Right or Left
3	023520-04-000	EA	Bar - Bumper - Black Right or Left



Key	Part Number	U/M	Description
1	048474-01-000	EA	Bumper - Rear Chrome
2	048043-05-000	EA	Bracket Arm - Rear Bumper
3	022445-01-000	EA	Bracket - Tire Carrier - Left
4	016924-02-000	EA	Bracket - Tire Carrier
5	040974-01-000	EA	Retainer - Spare Tire
6	021356-01-000	EA	Bracket - Tire Carrier - Right
7	015385-01-000	EA	Pin - Tire Carrier
8	006522-01-000	EA	Pin - Hitch - 5/32" Wire

### CHASSIS GROUP (CONTINUED)



Key	Part Number	U/M	Description
1	023885-01-700	EA	Hitch Kit - w/Drawbar
2	034512-01-000	EA	Pin - Locking - Drawbar
3	024876-01-000	EA	Drawbar - Trailer Hitch
4	034513-01-000	EA	Pin - Hitch - 3/16" Wire Spring

### CURTAIN, CUSHION AND PAD GROUP

#### OVERDRAPE CURTAINS

Key	Part Number	U/M	Description
	049486-34-000	EA	Curtain - 25" x 24" - Left - Overdrape - Green (Moss)
	049486-35-000	EA	Curtain - 25" x 24" - Left - Overdrape - Gold (Topaz)
	049486-36-000	EA	Curtain - 25" x 24" - Left - Overdrape - Rust (Terra Cotta)
	049487-34-000	EA	Curtain - 25" x 24" - Right - Overdrape - Green (Moss)
	049487-35-000	EA	Curtain - 25" x 24" - Right - Overdrape - Gold (Topaz)
	049487-36-000	EA	Curtain - 25" x 24" - Right - Overdrape - Rust (Terra Cotta)
	050846-01-000	EA	Curtain - 27" x 39" - Overdrape - Left - Green (Moss)
	050846-02-000	EA	Curtain - 27" x 39" - Overdrape - Left - Gold (Topaz)
	050846-03-000	EA	Curtain - 27" x 39" - Overdrape - Left - Rust (Terra Cotta)
	050845-01-000	EA	Curtain - 27" x 39" - Overdrape - Right - Green (Moss)
	050845-02-000	EA	Curtain - 27" x 39" - Overdrape - Right - Gold (Topaz)
	050845-03-000	EA	Curtain - 27" x 39" - Overdrape - Right - Rust (Terra Cotta)
	050846-04-000	EA	Curtain - 27" x 45" - Overdrape - Left - Green (Moss)
	050846-05-000	EA	Curtain - 27" x 45" - Overdrape - Left - Gold (Topaz)
	050846-06-000	EA	Curtain - 27" x 45" - Overdrape - Left - Rust (Terra Cotta)
	050845-04-000	EA	Curtain - 27" x 45" - Overdrape - Right - Green (Moss)
	050845-05-000	EA	Curtain - 27" x 45" - Overdrape - Right - Gold (Topaz)
	050845-06-000	EA	Curtain - 27" x 45" - Overdrape - Right - Rust (Terra Cotta)

#### UNDERDRAPE CURTAINS

Key	Part Number	U/M	Description
	049486-16-000	EA	Curtain - 25" x 38" - Underdrape - Left - Green (Moss)
	049486-17-000	EA	Curtain - 25" x 38" - Underdrape - Left - Gold (Topaz)
	049486-18-000	EA	Curtain - 25" x 38" - Underdrape - Left - Rust (Terra Cotta)
	049487-16-000	EA	Curtain - 25" x 38" - Underdrape - Right - Green (Moss)
	049487-17-000	EA	Curtain - 25" x 38" - Underdrape - Right - Gold (Topaz)
	049487-18-000	EA	Curtain - 25" x 38" - Underdrape - Right - Rust (Terra Cotta)
	049486-81-000	EA	Curtain - 25" x 42" - Underdrape - Left - Green (Moss)
	049486-87-000	EA	Curtain - 25" x 42" - Underdrape - Left - Gold (Topaz)
	049486-88-000	EA	Curtain - 25" x 42" - Underdrape - Left - Rust (Terra Cotta)
	049487-80-000	EA	Curtain - 25" x 42" - Underdrape - Right - Green (Moss)
	049487-86-000	EA	Curtain - 25" x 42" - Underdrape - Right - Gold (Topaz)
	049487-87-000	EA	Curtain - 25" x 42" - Underdrape - Right - Rust (Terra Cotta)

### WINNEBAGO TABLE OF CONTENTS

Introduction	A-1
Abbreviations	A-1
Alphabetical Index	A-2 - A-4
1977 MWC25D	A-5 - B-12
1977 D26CRK	B-13 - C-24
1977 MWC24D	D-1 - E-8
1977 D26CRB	E-9 - F-20
1977 D26RT	F-21 - H-6
1977 MW23RB	H-7 - I-16
1977 D21	I-17 - K-6
1977 D23C	K-7 - L-16

### 1977 D26CRB INDEX

Floor Plan	E-9 - E-10
Accessories Group	E-11 - E-12
Bath Group	E-13 - E-14
Chassis Group	E-14 - E-16
Curtain, Cushion & Pad Group	E-16 - E-19
Dinette Group	E-20
Driver's Compartment Group	E-20 - E-21
Electrical Group	E-22 - E-23
Exterior Body Group	E-24 - F-3
Galley Group	F-4
Heating & Air Conditioning Group	F-5
Interior Finish Group	F-6 - F-7
LP Group	F-8
Lounge Group	F-8
Water & Sewage Group	F-9
Window, Vent & Exterior Door Group	F-10 - F-20

**CURTAIN, CUSHION AND PAD GROUP (CONTINUED)**

**OPTIONAL CURTAINS**

Key	Part Number	U/M	Description
	048021-50-000	EA	Curtain - Privacy - 72" x 42" - Snap Top - Green (Moss)
	048021-51-000	EA	Curtain - Privacy - 72" x 42" - Snap Top - Gold (Topaz)
	048021-52-000	EA	Curtain - Privacy - 72" x 42" - Snap Top - Rust (Terra Cotta)
	048841-10-000	EA	Curtain - Privacy - 72" x 42" - Hook Top - Green (Moss)
	048841-11-000	EA	Curtain - Privacy - 72" x 42" - Hook Top - Gold (Topaz)
	048841-12-000	EA	Curtain - Privacy - 72" x 42" - Hook Top - Rust (Terra Cotta)
	049485-08-000	EA	Curtain - Front Wrap - 25" x 80" - Left - Green (Moss)
	049485-09-000	EA	Curtain - Front Wrap - 25" x 80" - Left - Gold (Topaz)
	049485-10-000	EA	Curtain - Front Wrap - 25" x 80" - Left - Rust (Terra Cotta)
	048021-31-000	EA	Curtain - Front Wrap - 25" x 80" - Right - Green (Moss)
	048021-32-000	EA	Curtain - Front Wrap - 25" x 80" - Right - Gold (Topaz)
	048021-33-000	EA	Curtain - Front Wrap - 25" x 80" - Right - Rust (Terra Cotta)

**CURTAIN TIE BACKS**

Key	Part Number	U/M	Description
	048097-06-000	EA	Tie Back - 14" - Green (Moss)
	048097-07-000	EA	Tie Back - 14" - Gold (Topaz)
	048097-08-000	EA	Tie Back - 14" - Rust (Terra Cotta)
	048097-03-000	EA	Tie Back - 10" - Green (Moss)
	048097-04-000	EA	Tie Back - 10" - Gold (Topaz)
	048097-05-000	EA	Tie Back - 10" - Rust (Terra Cotta)
	048097-37-000	EA	Tie Back - 18" - Green (Moss)
	048097-38-000	EA	Tie Back - 18" - Gold (Topaz)
	048097-39-000	EA	Tie Back - 18" - Rust (Terra Cotta)

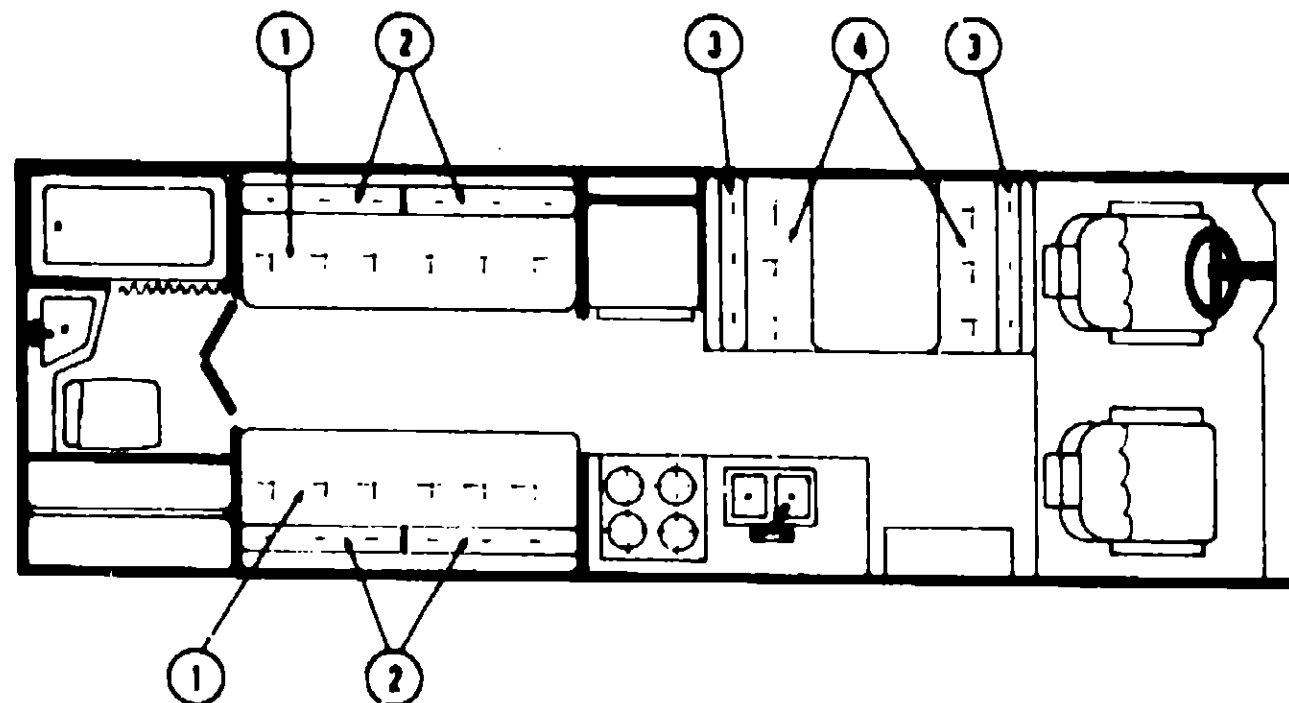
**VALANCES**

Key	Part Number	U/M	Description
	048831-45-000	EA	Valance - 5.5" x 44" - Green (Moss)
	048831-46-000	EA	Valance - 5.5" x 44" - Gold (Topaz)
	048831-47-000	EA	Valance - 5.5" x 44" - Rust (Terra Cotta)
	048831-09-000	EA	Valance - 5.5" x 51" - Green (Moss)
	048831-10-000	EA	Valance - 5.5" x 51" - Gold (Topaz)
	048831-11-000	EA	Valance - 5.5" x 51" - Rust (Terra Cotta)
	048831-51-000	EA	Valance - 5.5" x 79" - Green (Moss)
	048831-52-000	EA	Valance - 5.5" x 79" - Gold (Topaz)
	048831-53-000	EA	Valance - 5.5" x 79" - Rust (Terra Cotta)
	048831-94-000	EA	Valance - 5.5" x 72" - Green (Moss)
	048831-95-000	EA	Valance - 5.5" x 72" - Gold (Topaz)
	048831-96-000	EA	Valance - 5.5" x 72" - Rust (Terra Cotta)

**FABRICS, TRIMS AND PADS**

Key	Part Number	U/M	Description
	048534-01-000	YD	Fabric - Upholstery - Green (Moss)
	048534-02-000	YD	Fabric - Upholstery - Gold (Topaz)
	048534-03-000	YD	Fabric - Upholstery - Rust (Terra Cotta)
	043619-04-000	YD	Fabric - Drapery - Green Overdrapes - (Moss)
	043619-02-000	YD	Fabric - Drapery - Gold Overdrapes (Topaz)
	043619-05-000	YD	Fabric - Drapery - Rust - Overdrapes (Terra Cotta)
	050822-01-000	YD	Fabric - Drapery - Green Underdrapes - (Moss)
	050822-02-000	YD	Fabric - Drapery - Gold Underdrapes (Topaz)
	050822-03-000	YD	Fabric - Drapery - Rust Underdrapes (Terra Cotta)
	042411-01-000	YD	Vinyl - Nonexpanded 27 Oz.
	042411-03-000	YD	Vinyl - Nonsupport 16 Ga. Film Brown
	023486-13-000	EA	Pad - Frame Dinette Brown Vinyl
	048208-03-000	EA	Cap - End - Dinette Overhead - Padded

**CURTAIN, CUSHION AND PAD GROUP (CONTINUED)**



**LOUNGE CUSHIONS**

Key	Part Number	U/M	Description
1	048830-10-000	EA	Cushion - Waterfall - 32" x 75" x 5" - Green (Moss)
1	048830-11-000	EA	Cushion - Waterfall - 32" x 75" x 5" - Gold (Topaz)
1	048830-12-000	EA	Cushion - Waterfall - 32" x 75" x 5" - Rust (Terra Cotta)
	048830-10-010	EA	Cover - Cushion - Waterfall - 32" x 75" x 5" - Green (Moss)
	048830-11-011	EA	Cover - Cushion - Waterfall - 32" x 75" x 5" - Gold (Topaz)
	048830-12-012	EA	Cover - Cushion - Waterfall - 32" x 75" x 5" - Rust (Terra Cotta)
2	049598-01-000	EA	Cushion - Bolster - 7" x 10" x 12" x 37.5" - Green (Moss)
2	049598-02-000	EA	Cushion - Bolster - 7" x 10" x 12" x 37.5" - Gold (Topaz)
2	049598-03-000	EA	Cushion - Bolster - 7" x 10" x 12" x 37.5" - Rust (Terra Cotta)
	049598-01-001	EA	Cover - Cushion - Bolster - 7" x 10" x 12" x 37.5" - Green (Moss)
	049598-02-002	EA	Cover - Cushion - Bolster - 7" x 10" x 12" x 37.5" - Gold (Topaz)
	049598-03-003	EA	Cover - Cushion - Bolster - 7" x 10" x 12" x 37.5" - Rust (Terra Cotta)

**DINETTE CUSHIONS**

Key	Part Number	U/M	Description
3	048330-16-000	EA	Cushion - Waterfall - 13.5" x 38" x 5" - Green (Moss)
3	048330-17-000	EA	Cushion - Waterfall - 13.5" x 38" x 5" - Gold (Topaz)
3	048330-18-000	EA	Cushion - Waterfall - 13.5" x 38" x 5" - Rust (Terra Cotta)
	048830-16-016	EA	Cover - Cushion - Waterfall - 13.5" x 38" x 5" - Green (Moss)
	048830-17-017	EA	Cover - Cushion - Waterfall - 13.5" x 38" x 5" - Gold (Topaz)
	048830-18-018	EA	Cover - Cushion - Waterfall - 13.5" x 38" x 5" - Rust (Terra Cotta)
4	048830-13-000	EA	Cushion - Waterfall - 23" x 38" x 5" - Green (Moss)
4	048830-14-000	EA	Cushion - Waterfall - 23" x 38" x 5" - Gold (Topaz)
4	048830-15-000	EA	Cushion - Waterfall - 23" x 38" x 5" - Rust (Terra Cotta)
	048830-13-013	EA	Cover - Cushion - Waterfall - 23" x 38" x 5" - Green (Moss)
	048830-14-014	EA	Cover - Cushion - Waterfall - 23" x 38" x 5" - Gold (Topaz)
	048830-15-015	EA	Cover - Cushion - Waterfall - 23" x 38" x 5" - Rust (Terra Cotta)

**CURTAIN HARDWARE**

Key	Part Number	U/M	Description
	009107-01-000	EA	Guide - Nylon - Snap
	009701-01-000	EA	Carrier - Curtain w/Rollers (used with "L" Rod)
	009702-01-000	EA	End Stop - Curtain Track (used with "L" Rod)
	029100-01-000	EA	Hook - Curtain (Privacy Curtain)
	009136-01-000	EA	Hook - Shower Curtain
	050826-01-000	EA	Track - Wraparound Curtain - Right
	050826-02-000	EA	Track - Wraparound Curtain - Left
	037872-01-000	EA	Rod - Double Curtain Flat - Extends 48" - 84"
	037872-03-000	EA	Rod - Double Curtain Flat - Extends 28" - 48"
	018031-42-000	EA	Track - Curtain - "L" Rod - 90" Alum.
	052327-04-238	EA	Curtain Track - Alum. - Brown - 89" w/Holes

**WINNEBAGO**

**TABLE OF CONTENTS**

Introduction	A-1
Abbreviations	A-1
Alphabetical Index	A-2 - A-4
1977 MWC25D	A-5 - B-12
1977 D26CRK	B-13 - C-24
1977 MWC24D	D-1 - E-8
1977 D26CRB	E-9 - F-20
1977 D26RT	F-21 - H-6
1977 MW23RB	H-7 - I-16
1977 D21	I-17 - K-6
1977 D23C	K-7 - L-18

**1977 D26CRB INDEX**

Floor Plan	E-9 - E-10
Accessories Group	E-11 - E-12
Bath Group	E-13 - E-14
Chassis Group	E-14 - E-16
Curtain, Cushion & Pad Group	E-16 - E-19
Dinette Group	E-20
Driver's Compartment Group	E-20 - E-21
Electrical Group	E-22 - E-23
Exterior Body Group	E-24 - F-3
Galley Group	F-4
Heating & Air Conditioning Group	F-5
Interior Finish Group	F-6 - F-7
LP Group	F-8
Lounge Group	F-8
Water & Sewage Group	F-9
Window, Vent & Exterior Door Group	F-10 - F-20

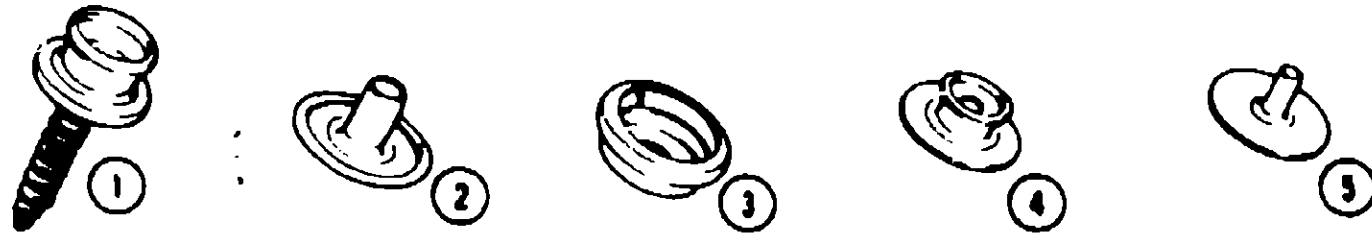
## CURTAIN, CUSHION AND PAD GROUP (CONTINUED)

### BUCKET SEATS, ARMRESTS AND HEADRESTS

Key	Part Number	U/M	Description
049150-01-000	EA	Seat Asm. - Single Bucket - w/o Slide - Green (Moss)	
049150-02-000	EA	Seat Asm. - Single Bucket - w/o Slide - Gold (Topaz)	
049150-03-000	EA	Seat Asm. - Single Bucket - w/o Slide - Rust (Terra Cotta)	
049150-01-001	EA	Cover - Bottom - Single Bucket - Green (Moss)	
049150-02-001	EA	Cover - Bottom - Single Bucket - Gold (Topaz)	
049150-03-001	EA	Cover - Bottom - Single Bucket - Rust (Terra Cotta)	
049150-01-002	EA	Cover - Back - Single Bucket - Green (Moss)	
049150-02-002	EA	Cover - Back - Single Bucket - Gold (Topaz)	
049150-03-002	EA	Cover - Back - Single Bucket - Rust (Terra Cotta)	
049150-01-003	EA	Skirt - Single Bucket - Green (Moss)	
049150-02-003	EA	Skirt - Single Bucket - Gold (Topaz)	
049150-03-003	EA	Skirt - Single Bucket - Rust (Terra Cotta)	
049160-01-000	EA	Seat Asm. - Double Bucket - w/o Slide - Green (Moss)	
049160-02-000	EA	Seat Asm. - Double Bucket - w/o Slide - Gold (Topaz)	
049160-03-000	EA	Seat Asm. - Double Bucket - w/o Slides - Rust (Terra Cotta)	
049160-01-001	EA	Cover - Bottom - Double Bucket - Green (Moss)	
049160-02-001	EA	Cover - Bottom - Double Bucket - Gold (Topaz)	
049160-03-001	EA	Cover - Bottom - Double Bucket - Rust (Terra Cotta)	
049160-01-002	EA	Cover - Back - Double Bucket - Green (Moss)	
049160-02-002	EA	Cover - Back - Double Bucket - Gold (Topaz)	
049160-03-002	EA	Cover - Back - Double Bucket - Rust (Terra Cotta)	
049160-01-003	EA	Skirt - Double Bucket - Green (Moss)	
049160-02-003	EA	Skirt - Double Bucket - Gold (Topaz)	
049160-03-003	EA	Skirt - Double Bucket - Rust (Terra Cotta)	
033858-02-000	EA	Screw - Shoulder 3/8" x 1 1/2" Hex Socket (Armrest Fastener)	
029136-01-000	EA	Grommet - Headrest - Nylon Brown	
029134-01-000	EA	Clip - Finish (Bucket Seat Cover)	
033806-36-000	EA	Headrest Cover - Green (Moss)	
033806-37-000	EA	Headrest Cover - Gold (Topaz)	
033806-38-000	EA	Headrest Cover - Rust (Terra Cotta)	
019722-01-000	EA	Headrest Asm. - Foam w/o Cover	
050280-04-000	EA	Armrest Cover - Right or Left - Green (Moss)	
050280-05-000	EA	Armrest Cover - Right or Left - Gold (Topaz)	
050280-06-000	EA	Armrest Cover - Right or Left - Rust (Terra Cotta)	
040494-01-000	EA	Armrest Asm. - Foam w/o Cover - Right - Style #1	
040494-02-000	EA	Armrest Asm. - Foam w/o Cover - Left - Style #1	
050275-01-700	EA	Armrest Asm. - Foam w/o Cover - Right - Style #2	
050276-01-700	EA	Armrest Asm. - Foam w/o Cover - Left - Style #2	

#### NOTE

A production change was made in the armrest. When ordering, you must first determine which style is required. Measure up ten inches from the bottom of the seat frame. If you feel (through the upholstery) a collar protruding outward approximately 1/2", you should order style two. Order style one if no protrusion is noted.



Key	Part Number	U/M	Description
1	029130-01-000	EA	Socket - Snap Fastener 7 x 5/8"
2	029155-01-000	EA	Cap - Snap .156" Dia. x .17" Barrel
3	029156-01-000	EA	Socket - Snap Fastener
4	029082-01-000	EA	Stud Nickel Finish
5	029093-01-000	EA	Eyelet - Nickel Finish

## DINETTE GROUP

Key	Part Number	U/M	Description
043829-01-700	EA	Table Asm. Dinette w/o Hardware - Green (Moss)	
043829-02-700	EA	Table Asm. Dinette w/o Hardware - Gold (Topaz)	
043829-03-700	EA	Table Asm. Dinette w/o Hardware - Rust (Terra Cotta)	
047842-01-000	EA	Kit - Table Leg - Dinette - Brown	
047808-01-000	EA	Kit - Hardware Dinette Table Wall Mount	
048723-01-000	EA	Cab. - Asm. Overhead Dinette w/o Doors or Hardware	
042600-19-700	EA	Door - Cabinet OVHD w/o Hardware	
044047-01-000	EA	Back - Front Dinette Seat	
044759-01-000	EA	Seat - Rear Dinette	
043780-01-000	EA	Seat - Front Dinette	
043035-01-000	EA	Back - Rear Dinette Seat	
048801-13-700	EA	Door Asm. Cabinet w/o Hardware Dinette Seat	

\*\*The illustrated parts breakdown for this item is provided on the Common Items Fiche.

### DRIVER'S COMPARTMENT GROUP

#### DASH PANEL AND COMPONENTS

Key	Part Number	U/M	Description
031623-07-000	EA	Dash Asm. - Chieftain - Complete w/Gauges and Switches	
022548-03-000	EA	Pad - Dash - Foam - Right - Dark Brown	
023242-04-000	EA	Pad - Dash - Foam - Left - Dark Brown	
022219-01-000	EA	Door - Glove Compartment	
009118-01-000	EA	Lock - Twist w/Nut	
023892-01-000	EA	Box - Glove Compartment - Black Fiberboard	
009088-01-000	EA	Hinge - Continuous - Alum. 11/16" x 72" - Plain	
034308-01-000	EA	Chain - Bead - Glove Box Door	
023834-01-000	EA	Panel - Knee Kick - (Bottom of Dash)	
024418-01-000	EA	Lamp Asm. - Map/Gauge	
007308-01-000	EA	Clock - Dash	
007037-01-000	EA	Lighter Asm. - Cigarette - 12 Volt	
007041-01-000	EA	Bezel - Cigarette Lighter	
024979-01-000	EA	Bezel - Entertainment Center	
007071-01-000	EA	Louver - Chrome - w/Chrome Wheel	
022547-01-000	EA	Bezel - Panel - Control	
023020-01-000	EA	Lamp Asm. - Tell Tale	
039044-01-000	EA	Louver Asm. - A/C Adjustable	
040636-01-000	EA	Bracket Asm. - Shift Lever	
042921-01-000	EA	Nameplate - Chieftain - Brown/Silver	

#### DASH SWITCHES AND GAUGES

Key	Part Number	U/M	Description
024907-01-000	EA	Control Asm. - Heater - A/C - 3 Speed	
024461-01-000	EA	Switch - Battery	
024463-01-000	EA	Switch - Bliker	
024464-01-000	EA	Switch - Washer	
024465-01-000	EA	Switch - Fuel	
024467-01-000	EA	Switch - Wiper	
024459-01-000	EA	Gauge Asm. - Voltmeter	
024460-01-000	EA	Gauge - Vacuum Dash	
024462-01-000	EA	Switch - Battery Condition	
031035-01-000	EA	Gauge - Hourmeter - Generator	
024976-01-000	EA	Switch - Generator w/o Circuit Board	
037387-01-000	EA	Switch - Generator w/Circuit Board	
024990-02-000	EA	Outlet - Defroster - w/Swivel - 2" - Dark Brown	
031376-01-000	EA	Heater - Control Asm. - 3 Speed	

## WINNEBAGO

### TABLE OF CONTENTS

Introduction	A-1
Abbreviations	A-1
Alphabetical Index	A-2 - A-4
1977 MWC25D	A-5 - B-12
1977 D26CRK	B-13 - C-24
1977 MWC24D	D-1 - E-8
1977 D26CRB	E-9 - F-20
1977 D26RT	F-21 - H-6
1977 MW23RB	H-7 - I-16
1977 D21	I-17 - K-6
1977 D23C	K-7 - L-18

### 1977 D26CRB INDEX

Floor Plan	E-9 - E-10
Accessories Group	E-11 - E-12
Bath Group	E-13 - E-14
Chassis Group	E-14 - E-16
Curtain, Cushion & Pad Group	E-16 - E-19
Dinette Group	E-20
Driver's Compartment Group	E-20 - E-21
Electrical Group	E-22 - E-23
Exterior Body Group	E-24 - F-3
Galley Group	F-4
Heating & Air Conditioning Group	F-5
Interior Finish Group	F-6 - F-7
LP Group	F-8
Lounge Group	F-8
Water & Sewage Group	F-9
Window, Vent & Exterior Door Group	F-10 - F-20

## DRIVER'S COMPARTMENT GROUP (CONTINUED)

### BUCKET SEAT PEDESTAL AND SEAT BELTS

Key	Part Number	U/M	Description
	050447-01-000	EA	Pedestal Asm. - Tilt Seat - Left
	050447-02-000	EA	Pedestal Asm. - Tilt Seat - Right - Single Seat
	030447-03-000	EA	Pedestal Asm. - Tilt Seat - Right - Double Seat
	007019-01-000	EA	Belt Asm. - Seat - 2" x 84" - Black
	041322-01-000	EA	Washer - Flat - 15.32" I.D. x 2 3/8" O.D. - Seat Belt

### FRONT OVERHEAD BUNK CABINET

Key	Part Number	U/M	Description
	048391-04-000	EA	Cabinet - Front Overhead - w/o Doors
	042984-17-000	EA	Door Asm. - Sliding - (Front Overhead Cabinet)
	009148-01-000	EA	Pull - Finger - 3/4" Dia. - Brass

### MISCELLANEOUS DRIVER'S COMPARTMENT COMPONENTS

Key	Part Number	U/M	Description
	048583-01-000	EA	Tray - Beverage
	048870-01-000	EA	Track Asm. - Beverage (2 per tray)
	034800-01-000	EA	Cover - Motor - Plastic
	038857-01-000	EA	Latch - Rubber - Draw Handle - 5 3/4" w/Strike (Motor Cover)
	038856-01-000	EA	Latch - Rubber - Draw Handle - 3" w/Strike (Motor Cover)
	035388-02-000	EA	Seal - Motor Cover - (Aluminum Extr.)
	040519-01-000	EA	Boot - Rubber - Steering Column
	040520-01-000	EA	Boot - Retainer - Steering Column
	034489-01-000	EA	Support - Dimmer Switch
	022758-04-000	EA	Sunvisor Asm. - Right Bostonian
	022759-06-000	EA	Sunvisor Asm. - Left Bostonian
	041842-01-000	EA	Clip - Sunvisor Rod - Brown Plastic
	009143-01-000	EA	Mirror - Sunvisor
	007278-01-000	EA	Mirror - Rear View
	036414-01-000	EA	Ashtray
	044899-01-000	EA	Panel - Side - Interior - Left - Plastic
	044700-01-000	EA	Panel - Side - Interior - Right - Plastic

## ELECTRICAL GROUP

### BULBS

Key	Part Number	U/M	Description
	037836-01-000	EA	Bulb - 1157
	038010-01-000	EA	Bulb - 1143
	008103-01-000	EA	Bulb - 53
	008213-01-000	EA	Bulb - 57
	008214-01-000	EA	Bulb - 67
	008215-01-000	EA	Bulb - 1003
	008216-01-000	EA	Bulb - 1034
	008217-01-000	EA	Bulb - 1073
	008218-01-000	EA	Bulb - 1141
	008219-01-000	EA	Bulb - 668
	008220-01-000	EA	Bulb - 12V - 25W
	038198-01-000	EA	Bulb - 184
	700020-01-000	EA	Bulb - 12V - 20 W 1383

### EXTERIOR LIGHTS

Key	Part Number	U/M	Description
	008089-01-000	EA	Light - Porch - Recessed
	031054-02-000	EA	Lamp Asm. - Tail - Left - Beige
	031054-01-701	EA	Lens - Tail Lamp - Left
	031055-02-000	EA	Lamp Asm. - Tail - Right - Beige
	031055-01-701	EA	Lens - Tail Lamp - Right
	042405-03-000	EA	Base - Rectangular Clearance Light
	042405-04-000	EA	Lens - Rectangular Light - Red
	042405-05-000	EA	Lens - Rectangular Light - Amber

### INTERIOR LIGHTS

Key	Part Number	U/M	Description
	024418-01-000	EA	Lamp Asm. - Map/Gauge/Aisle
	024473-01-000	EA	Light - Aircraft - 1 Bulb - Gold
	033508-02-000	EA	Light - Dome - Ivory - 1 Bulb
	024842-01-701	EA	Lens - Dome Light - 1 Bulb
	033508-02-000	EA	Light - Dome - Ivory - 2 Bulb
	024843-01-701	EA	Lens - Dome Light - 2 Bulb
	008103-01-000	EA	Light - Corner Mount - Multibulb

### FUSES AND CIRCUIT BREAKERS

Key	Part Number	U/M	Description
	008233-01-000	EA	Fuse - 12 Volt - 6 Amp.
	008234-01-000	EA	Fuse - 12 Volt - 10 Amp.
	008235-01-000	EA	Fuse - 12 Volt - 15 Amp.
	008238-01-000	EA	Fuse - 12 Volt - 20 Amp.
	008252-01-000	EA	Fuse - 110 Volt - 50 Amp.
	008208-01-000	EA	Circuit Breaker - 12 Volt - 40 Amp.
	008211-01-000	EA	Circuit Breaker - 12 Volt - 6 Amp.
	008268-01-000	EA	Circuit Breaker - 12 Volt - 30 Amp. w/Mount
	033573-01-000	EA	Circuit Breaker - 12 Volt - 20 Amp. w/Mount
	033484-01-000	EA	Circuit Breaker - 30 Amp. - Air Conditioner
	052012-01-000	EA	Circuit Breaker - 50 Amp. - Air Conditioner

## WINNEBAGO

### TABLE OF CONTENTS

Introduction	A-1
Abbreviations	A-1
Alphabetical Index	A-2 - A-4
1977 MWC25D	A-5 - B-12
1977 D26CRK	B-13 - C-24
1977 MWC24D	D-1 - E-8
1977 D26CRB	E-9 - F-20
1977 D26RT	F-21 - H-6
1977 MW23RB	H-7 - I-16
1977 D21	I-17 - K-6
1977 D23C	K-7 - L-18

### 1977 D26CRB INDEX

Floor Plan	E-9 - E-10
Accessories Group	E-11 - E-12
Bath Group	E-13 - E-14
Chassis Group	E-14 - E-16
Curtain, Cushion & Pad Group	E-16 - E-19
Dinette Group	E-20
Driver's Compartment Group	E-20 - E-21
Electrical Group	E-22 - E-23
Exterior Body Group	E-24 - F-3
Galley Group	F-4
Heating & Air Conditioning Group	F-5
Interior Finish Group	F-6 - F-7
LP Group	F-8
Lounge Group	F-8
Water & Sewage Group	F-9
Window, Vent & Exterior Door Group	F-10 - F-20

## ELECTRICAL GROUP (CONTINUED)

### WINDSHIELD WIPER AND WASHER

Key	Part Number	U/M	Description
**	037998-01-000	EA	Link Asm. - Connecting - 22.0" Long
**	037999-01-000	EA	Motor Asm. - Windshield Wiper - Front
**	038001-01-000	EA	Shaft and Pivot Asm. - 2.25" Arm
**	048483-01-000	EA	Arm - Windshield Wiper - 15" Black
**	048484-01-000	EA	Blade - Windshield Wiper - 15" Black
**	007029-01-000	EA	Washer Asm. - Windshield Power Jet Electric - Front
**	700073-05-000	EA	Pump and Cover Asm. - for Windshield Washer - Front or Rear
**	700073-04-000	EA	Reservoir Only - Water - Windshield Washer - Front or Rear
**	700073-02-000	EA	Washer Nozzle Hardware Package - Front

\*\*The illustrated parts breakdown for this item is provided on the Common Items Fiche.

### WIRE, SWITCHES AND RECEPTACLES

Key	Part Number	U/M	Description
	008024-01-000	FT	Wire - 18.5 Bonded - Orange/White/Yellow/Blue/Brown
	008025-01-000	FT	Wire - 18.5 Bonded - Orange/White/Yellow/Blue/Green
	008028-01-000	FT	Wire - 18.5 Bonded - Blue/Red/Yellow/Orange/White
	008030-01-000	FT	Wire - 18.4 Bonded
	008251-01-000	EA	Holder - Fuse - Black - Screw Type
	008277-01-000	EA	Holder - Fuse - Black - Panel Mount
	008185-01-000	EA	Switch - Push Button 12 Volt
	008077-01-000	EA	Plaque - Compressor Switch
	008054-01-000	EA	Cord - Power - 10-3 30 Amp. - 25' - UL
	034818-04-000	EA	Holder - Receptacle - Plastic
	038338-01-000	EA	Cover Plate - Receptacle - Plastic - Brown
	038339-01-000	EA	Receptacle - Duplex Brown - End of Line
	038342-01-000	EA	Receptacle - Duplex Brown - T Junction
	024571-01-000	EA	Cover Plate - Receptacle - Jumbo Steel - Brown
	038343-01-000	EA	Cap - End - Receptacle
	008162-01-000	EA	Switch - Double Toggle - Spade Brown
	008163-01-000	EA	Switch - Toggle Brown
	024824-01-000	EA	Receptacle - Power Cord
	008058-01-000	EA	Adaptor - Power Cord
	047353-01-000	EA	Cover - Receptacle - Ground Fault
	047351-01-000	EA	Receptacle - Ground Fault Interrupter - 125 Volt - Black

### MISCELLANEOUS ELECTRICAL COMPONENTS

Key	Part Number	U/M	Description
	047338-01-000	EA	Isolator - Dual Battery
	047389-01-700	EA	Battery - 12 Volt - 105 Amp. Deep Cycle - Dry
	008188-01-000	EA	Solenoid - Dual Battery - Felely
	048775-01-000	EA	Valve - Gas - Change Over
	038850-02-000	EA	Control Center - 30 Amp. w/Door UL
	048812-01-000	EA	Panel - Control - Water/Double Sewage - Wemac
	038861-01-000	EA	Sending Unit Kit - Wemac

## EXTERIOR BODY GROUP

### EXTERIOR BODY PANELS AND SHEET ALUMINUM

Key	Part Number	U/M	Description
	048857-01-000	EA	Backwall Asm.
	048582-01-000	EA	Sidewall Asm. - Right
	048581-01-000	EA	Sidewall Asm. - Left
	048590-01-000	EA	Roof Asm.
	047908-01-000	EA	Roof Section - Windshield to First Seam
	039155-02-008	EA	Alum. - Beige Mesa Design - .024" x 36" x 60"
	039155-02-002	EA	Alum. - Beige Mesa Design - .024" x 36" x 300"
	039155-02-003	EA	Alum. - Beige Mesa Design - .024" x 36" x 360"
	039155-02-007	EA	Alum. - Beige Mesa Design - .024" x 48" x 60"
	039155-02-005	EA	Alum. - Beige Mesa Design - .024" x 48" x 300"
	039155-02-008	EA	Alum. - Beige Mesa Design - .024" x 48" x 360"
	039155-02-009	EA	Alum. - Beige Mesa Design - .024" x 12" x 360"
	044487-01-001	EA	Alum. - Mill Finish - No Design (Roof) - 98" x 360"
	028545-01-000	EA	Alum. - Beige Grayhound Design 48" x 98"
	001018-01-024	EA	Alum. - Beige - No Design - 48" x 98"
	000886-01-000	BF	Styrofoam - 3/4" x 24" x 98"

### EXTERIOR PAINT

Key	Part Number	U/M	Description
	044486-01-000	EA	Paint - Beige - Acrylic Enamel - 1 Gallon
	044486-03-000	EA	Paint - Beige - Acrylic Enamel - 16 Oz. Aerosol
	044486-04-000	EA	Paint - Beige - Acrylic Lacquer - 1 Gallon
	041567-01-000	EA	Paint - Rally Gold - Acrylic Enamel - Gallon (Lower Stripes)
	041567-03-000	EA	Paint - Rally Gold - Acrylic Enamel - 16 Oz. Aerosol (Lower Stripes)
	041568-01-000	EA	Paint - Antique Bronze Metallic - Acrylic Enamel 1 Gallon (Upper Stripes)
	041568-03-000	EA	Paint - Antique Bronze Metallic - Acrylic Enamel 16 Oz. Aerosol (Upper Stripes)
	045881-01-000	EA	Paint - High Gloss Black - Acrylic Enamel - 1 Gallon
	045881-03-000	EA	Paint - High Gloss Black - Acrylic Enamel - 16 Oz. Aerosol

### LABELS AND DECALS

Key	Part Number	U/M	Description
	008010-01-000	EA	Decal - Winnebago - Brown/Chrome
	008023-01-000	EA	Label - Water Only
	008025-01-000	EA	Label - Gas
	008028-01-000	EA	Label - Drain Cap - 2" x 3"
	008031-01-000	EA	Label - Potable Water Only
	008187-01-000	EA	Label - Sewage
	008188-01-000	EA	Label - Waste Water
	008199-01-000	EA	Label - Exit - Escape Window
	031191-01-000	EA	Label - Flying "W"
	038403-01-000	EA	Decal - Logo - Winnebago 2.80" (Front or Rear)
	039289-01-000	EA	Label - Warning Aux. Loading
	043473-03-000	EA	Decal - Flying "W" - 13.75" High - Bronze
	045374-01-000	EA	Stencil - Chieftain 2.28" High - Right
	045374-02-000	EA	Stencil - Chieftain 2.28" High - Left
	008082-01-000	EA	Reflector - Stick on - Rectangular - Red
	008093-01-000	EA	Reflector - Stick on - Rectangular - Amber

## WINNEBAGO

### TABLE OF CONTENTS

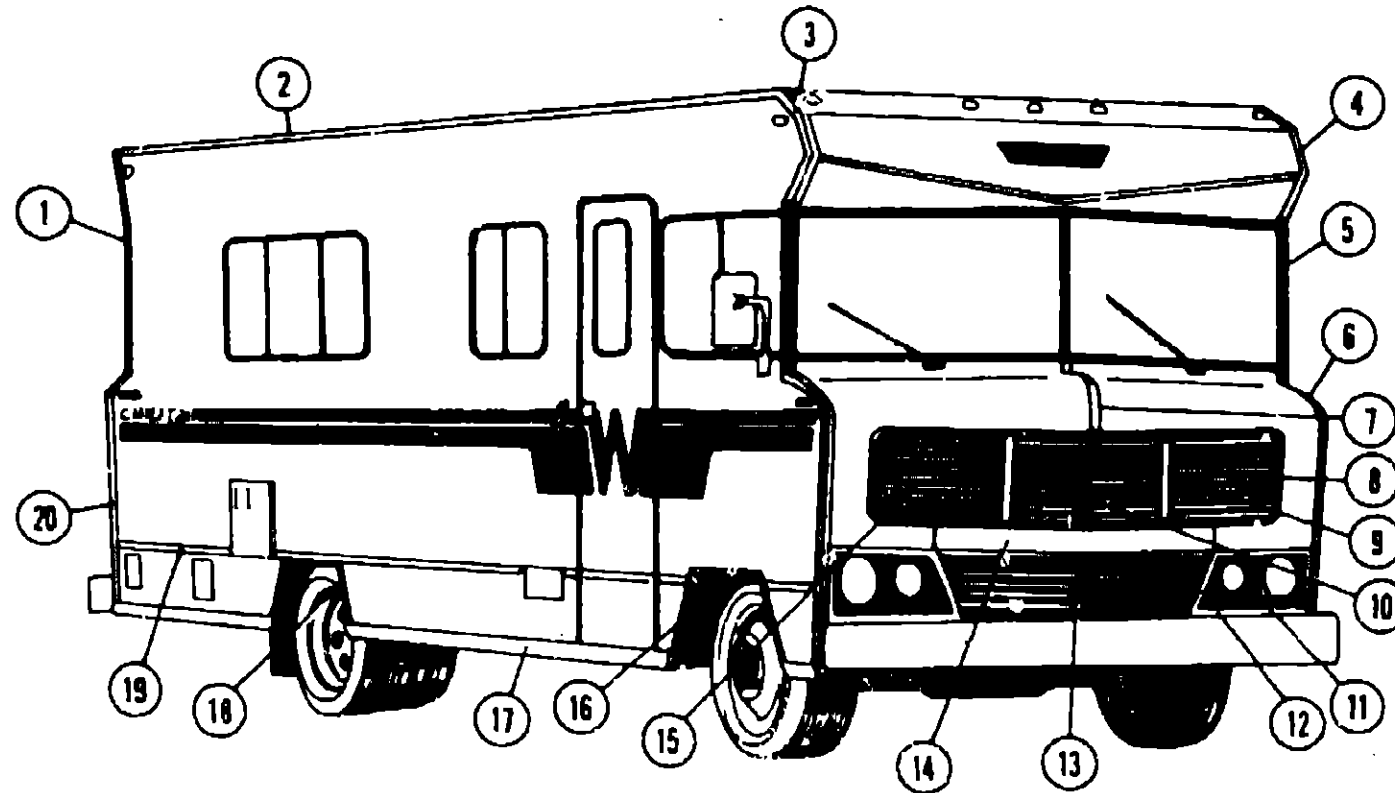
Introduction	A-1
Abbreviations	A-1
Alphabetical Index	A-2 - A-4
1977 MWC25D	A-5 - B-12
1977 D26CRK	B-13 - C-24
1977 MWC24D	D-1 - E-8
1977 D26CRB	E-9 - F-20
1977 D26RT	F-21 - H-8
1977 MW23RB	H-7 - I-18
1977 D21	I-17 - K-6
1977 D23C	K-7 - L-18

### 1977 D26CRB INDEX

Floor Plan	E-9 - E-10
Accessories Group	E-11 - E-12
Bath Group	E-13 - E-14
Chassis Group	E-14 - E-18
Curtain, Cushion & Pad Group	E-18 - E-19
Dinette Group	E-20
Driver's Compartment Group	E-20 - E-21
Electrical Group	E-22 - E-23
Exterior Body Group	E-24 - F-3
Galley Group	F-4
Heating & Air Conditioning Group	F-5
Interior Finish Group	F-6 - F-7
LP Group	F-8
Lounge Group	F-8
Water & Sewage Group	F-9
Window, Vent & Exterior Door Group	F-10 - F-20



## EXTERIOR BODY GROUP (CONTINUED)



## WINNEBAGO TABLE OF CONTENTS

Introduction	A-1
Abbreviations	A-1
Alphabetical Index	A-2 - A-4
1977 MWC25D	A-5 - B-12
1977 D26CRK	B-13 - C-24
1977 MWC24D	D-1 - E-8
1977 D26CRB	E-9 - F-20
1977 D26RT	F-21 - H-6
1977 MW23RB	H-7 - I-16
1977 D21	I-17 - K-6
1977 D23C	K-7 - L-18

Key	Part Number	U/M	Description
1	021213-03-000	EA	Trim - Contour - Right Rear Upper - Beige
•	020965-03-000	EA	Trim - Contour - Left Rear Upper - Beige
2	044771-01-000	EA	Extr. - Awning Rail w/Holes - 16' - Beige
•	044770-01-000	EA	Extr. - Drip Rail w/Holes - 16' - Beige
3	042801-03-000	EA	Trim - Contour - Right Front Upper - Beige
4	042801-01-000	EA	Trim - Contour - Left Front Upper - Beige
5	042894-01-000	EA	Trim - Contour - Windshield - Left - Black
•	042894-03-000	EA	Trim - Contour - Windshield - Right - Black
6	042730-01-000	EA	Trim - Contour - Left Front Lower - Beige
•	042730-03-000	EA	Trim - Contour - Right Front Lower - Beige
7	024581-05-000	EA	Trim - Center - Front Wall - Beige
8	024763-01-000	EA	Trim - Anod. - Upper Grille - Side - Left or Right
•	024764-01-000	EA	Trim - Anod. - Upper Grille - Center Top
•	002754-02-001	EA	Extr. - Anod. Angle - 3/4" x 3/8" x 18"
9	033365-01-000	EA	Grille Asm. - Left - Upper
10	033366-01-000	EA	Grille Asm. - Center - Upper
•	021497-01-000	EA	Latch Asm. - Center Grille
•	024585-01-000	EA	Stop Asm. - Upper Grille
11	048421-01-000	EA	Bezel - Headlight - Left - Wrought Iron Black
•	048422-01-000	EA	Bezel - Headlight - Right - Wrought Iron Black

Key	Part Number	U/M	Description
12	048419-01-000	EA	Trim - Headlight - U-Channel - Left or Right
•	048417-02-000	EA	Trim - Headlight/Grille - Left
•	048417-01-000	EA	Trim - Headlight/Grille - Right
13	048418-01-000	EA	Grille Asm. - Lower
14	048542-01-000	EA	Center Asm. - Grille - Between Top and Bottom Grille w/Beige Inset
15	042876-01-000	EA	Grille Asm. - Upper Right
16	042467-01-000	EA	Trim - Wheel Well - Front - Left or Right
17	036908-02-001	EA	Extr. - Anod. - Rocker Panel - 18"
•	040420-01-000	EA	Cap - Rocker Panel - End - 3/4 Miter - Right
•	040420-02-000	EA	Cap - Rocker Panel - End - 3/4 Miter - Left
18	042468-01-000	EA	Trim - Wheel Well - Rear - Left or Right
19	002444-02-001	EA	Extr. - Anod. - Feature Strip - 14' w/o Insert
•	001030-04-002	EA	Insert - Feature Strip - 13/16" x 17' - Antique Bronze Metallic
•	009731-01-000	EA	End Cap - Feature Strip
20	015251-04-000	EA	Trim - Contour - Right Rear Lower - Beige
•	015252-04-000	EA	Trim - Contour - Left Rear Lower - Beige
•	002365-02-001	EA	Extr. - U-Channel - 1" Serrated - 18" (Lower Backwall Trim)
•	048416-01-000	EA	Hoodboard - Front Right - Beige
•	048416-02-000	EA	Hoodboard - Front Left - Beige
•			Not Illustrated

## 1977 D26CRB INDEX

Floor Plan	E-9 - E-10
Accessories Group	E-11 - E-12
Bath Group	E-13 - E-14
Chassis Group	E-14 - E-16
Curtain, Cushion & Pad Group	E-16 - E-19
Dinette Group	E-20
Driver's Compartment Group	E-20 - E-21
Electrical Group	E-22 - E-23
Exterior Body Group	E-24 - F-3
Galley Group	F-4
Heating & Air Conditioning Group	F-5
Interior Finish Group	F-6 - F-7
LP Group	F-8
Lounge Group	F-8
Water & Sewage Group	F-9
Window, Vent & Exterior Door Group	F-10 - F-20

## EXTERIOR BODY GROUP (CONTINUED)

### SEALANTS, ADHESIVES AND FASTENERS

Key	Part Number	U/M	Description
	034552-05-000	EA	Sealant - Off White Silicone
	034552-04-000	EA	Sealant - Beige Silicone
	034552-02-000	EA	Sealant - Clear Silicone
	004348-02-000	EA	Sealant - Aluminum Silicone
	004348-01-000	EA	Sealant - Black Silicone
	004342-01-000	EA	Sealant - Weatherban 202 Tube
	004346-02-000	EA	Sealant - White Silicone
	004347-01-000	EA	Sealant - Tuflex
	002316-01-000	FT	Sealer Tape - 3/32" x 1/8"
	024545-01-000	FT	Sealer Tape - 1/8" x 5/8" - Black
	004350-01-000	FT	Sealer Tape - 1/8" x 1" - Formaseal
	004352-01-000	FT	Sealer Tape 1/8" x 3/4" - Formaseal
	004355-01-000	FT	Sealer Tape - 1/8" x 5/8" - Black
	004357-01-000	FT	Sealer Tape - 1/8" x 5/8" - Adhesive
	002707-02-000	FT	Sealer Tape - 5/16" x 1/2"
	002707-01-000	FT	Sealer Tape - 5/16" x 3/4" - Black Foam
	002708-01-000	FT	Sealer Tape - 5/16" x 1/2"
	004363-01-000	FT	Sealer Tape - 3/16" x 1/2" - Foam
	004362-01-000	FT	Sealer Tape - 1/8" x 5/8" - Foam
	009200-01-000	EA	Tape - Furnace - 1 1/2"
	041839-01-000	FT	Tape Window - Latch - 3/4" - Adhesive
	041839-02-000	FT	Tape Window - Latch - 1/2" - Adhesive
	004353-01-000	FT	Tape - Gasket - 1/8" x 3/4" - White
	002825-01-000	FT	Weather Stripping - Roof Vent
	002337-01-000	EA	Adhesive - 3M - 1300 Tube
	004005-01-000	GL	Adhesive - Swifts - Green - Glue (Sidewalls)
	004012-01-000	EA	Adhesive - 3M - 4475 Tube
	004020-01-000	QT	Adhesive - ABS Cement (Plastic Fittings)
	029051-01-000	EA	Adhesive - Spray Vinyl
	042401-01-000	EA	Screw - 8-18 x 3/4" SDPH - Beige
	042403-01-000	EA	Screw - SF/DR - 8-18 x 1" SDPH - Beige
	005061-01-000	EA	Screw - Wood - 12-11 x 3" P.O.H. Zinc

### MISCELLANEOUS EXTERNALLY MOUNTED PARTS

Key	Part Number	U/M	Description
	016253-01-000	EA	Fuel Fill - Recessed - Single - Beige
	015587-05-000	EA	Fuel Fill - Recessed - Double - Beige
	011124-01-000	EA	Plumbing Seal - Roof Vent - 1 1/4" White
	011129-01-000	EA	Plumbing Seal - Roof Vent - 1 1/2" White
	010230-02-000	EA	Fill - City Water - Recessed - Off White
	011020-01-000	EA	Fill - Water - Recessed - Off White
	009126-01-000	EA	Handle - Assist - Metal - Exterior
	049347-01-000	EA	Mirror Head - 7 1/2" x 10 1/2" Stainless Steel w/o Bracket
	049348-01-000	EA	Arm - Low Mount Mirror - Brite Finish
	049944-01-000	EA	Bracket - Mirror - Outside - Beige - Mounts to Coach

## GALLEY GROUP

Key	Part Number	U/M	Description
	009047-01-000	EA	Support - Overhead Door
	047744-01-000	EA	Kit - Drawer Glide
	037688-01-000	FT	Rail - Drawer Glide
	041828-01-000	EA	Pull - Drawer - 3 1/2" Jamestown
	044830-01-000	EA	Cover Asm. Sink Large Green (Moss)
	044830-02-000	EA	Cover Asm. Sink Large Gold (Topaz)
	044830-04-000	EA	Cover Asm. Sink Large Rust (Terra Cotta)
	011032-01-000	EA	Sink - Stainless Steel double w/Bolts
	011053-01-000	EA	Faucet - Swing Spout
	011053-01-700	EA	Aerator - Swing Spout Faucet
	011085-01-000	EA	Strainer - Sink
	048720-01-000	EA	Cabinet Asm. Galley w/o Top, Doors, Drawers, Hdw.
	048755-01-000	EA	Counter Top Asm. - Green (Moss)
	048755-02-000	EA	Counter Top Asm. - Gold (Topaz)
	048755-03-000	EA	Counter Top Asm. - Rust (Terra Cotta)
	042709-03-000	EA	Drawer Asm. - Galley Cabinet w/o hardware
	049601-09-700	EA	Door Asm. - Galley Cab. - Right or Left - 10 1/2" x 25 1/2"
	048753-01-000	EA	Cabinet Asm. Overhead Galley w/o Doors, Cap. or hardware
	048209-01-000	EA	Cap - End - Overhead Cabinet
	042600-19-700	EA	Door Asm. - Overhead Cabinet
	041917-01-000	EA	Kit - Cabinet Door Latch - Jamestown
	041931-01-000	EA	Kit - Cabinet Door Hinge
	046990-01-000	EA	Countertop Asm. - Galley Extension - Green (Moss)
	046990-02-000	EA	Countertop Asm. - Galley Extension - Gold (Topaz)
	046990-03-000	EA	Countertop Asm. - Galley Extension - Rust (Terra Cotta)
**	003337-01-000	EA	Refrigerator - Dometic - 2 Door - RM76
**	034544-01-000	EA	Refrigerator - Winnebago - 2 Door - W7EG
**	034542-01-000	EA	Refrigerator - Winnebago - 2 Door - W8EG
**	049174-01-000	EA	Refrigerator - AC/Gas - ET230 - 2 Door Model - Sibir
**	049045-01-000	EA	Range - 4 Burner - Large Oven - Chrome - Magic Chef
**	046954-01-000	EA	Hood - Range - Power w/Spice Cabinet - Jensen

\*\*The illustrated parts breakdown for this item is provided on the Common Items Fiche.

## WINNEBAGO

### TABLE OF CONTENTS

Introduction	A-1
Abbreviations	A-1
Alphabetical Index	A-2 - A-4
1977 MWC25D	A-5 - B-12
1977 D26CRK	B-13 - C-24
1977 MWC24C	D-1 - E-8
1977 D26CRB	E-9 - F-20
1977 D26RT	F-21 - H-6
1977 MW23RB	H-7 - I-16
1977 D21	I-17 - K-6
1977 D23C	K-7 - L-18

### 1977 D26CRB INDEX

Floor Plan	E-9 - E-10
Accessories Group	E-11 - E-12
Bath Group	E-13 - E-14
Chassis Group	E-14 - E-16
Curtain, Cushion & Pad Group	E-16 - E-19
Dinette Group	E-20
Driver's Compartment Group	E-20 - E-21
Electrical Group	E-22 - E-23
Exterior Body Group	E-24 - F-3
Galley Group	F-4
Heating & Air Conditioning Group	F-5
Interior Finish Group	F-6 - F-7
LP Group	F-8
Lounge Group	F-8
Water & Sewage Group	F-9
Window, Vent & Exterior Door Group	F-10 - F-20

## HEATING AND AIR CONDITIONING GROUP

Key	Part Number	U/M	Description
	039044-01-000	EA	Louver Asm. - A/C Adjustable
	047046-01-000	EA	Motor - 12 Volt - 3 Speed - Heater - Air Conditioner
	031043-01-000	EA	Valve - Heater - Water Flow Control
	031169-01-000	EA	Cable - Control - Flexible - 53"
	031169-02-000	EA	Cable - Control - Flexible - 48"
	031170-01-000	EA	Clamp - Cable - 3/16" Dia.
	024996-01-000	EA	Clutch - Magnetic - Compressor
	024999-01-000	EA	Compressor - Auto Air - 10.3 Cubic Inch
	048721-01-000	EA	Package - Air Conditioner - Compressor Mount 360 C.I.D.
	033295-01-000	EA	Package - Air Conditioner - Compressor Mount - 440 C.I.D.
	031394-01-000	EA	Condenser - Radiator Mount
	009267-01-000	EA	Switch - Air Conditioner
	024867-01-000	EA	Valve - Thermostatic Expansion
	024997-01-000	EA	Core - Heater
	024998-01-000	EA	Wheel - Blower - 4.72" O.D.
	031393-01-000	EA	Coil - Evaporator
	033258-01-000	EA	Hose - Refrigerant - .50" I.D. x 34.50"
	034222-01-000	EA	Hose - Refrigerant - .31" I.D. x 26"
	031980-01-000	EA	Hose - Refrigerant - .34" I.D. x 30"
	031981-01-000	EA	Hose - Refrigerant - .31" I.D. x 14.75"
	024868-01-000	EA	Receiver - Dehydrator
	031044-01-000	EA	Clamp - Receiver Dehydrator
	031982-01-000	EA	Bracket - Receiver Dehydrator
	031976-01-000	EA	Belt - Drive - .50" I.D. x 54" - 360 C.I.D. or 440 C.I.D.
**	049042-01-000	EA	Furnace - 22,000 BTU - Under Counter - Coleman - 4322
**	049043-01-000	EA	Furnace - 28,000 BTU - Under Counter - Coleman - 4328
	039505-02-000	EA	Thermostat - Wallmount
	009198-01-000	EA	Duct - Flexible - 4" I.D. x 25'
	023146-01-000	EA	Clamp - Screw Type - 4"
	024985-01-000	EA	Heat Register - w/Damper - 9.9" x 4.8"
	009175-01-000	EA	Heat Register - Steel - 11.5" x 3.7"
	031804-01-000	EA	Bonnet - Heat Register - 4.38" x 8.43"
	042152-01-000	EA	Bonnet - Heat Register - 4.5" x 8.44"
	009200-01-000	EA	Tape - Furnace - 1 1/2"
**	049777-01-000	EA	Air Conditioner - 110 Volt - Roof Mount - 11,000 BTU - Ivory Coleman (w/o Inside Shroud)
**	049778-01-000	EA	Shroud Asm. - Ceiling - Inside - Roof Air - Cool Only - 11,000 BTU - Coleman
**	049774-01-000	EA	Air Conditioner - 110 Volt - Roof Mount - 13,500 BTU Ivory - Coleman (w/o Inside Shroud)
**	049775-01-000	EA	Shroud Asm. - Ceiling - Inside - Roof Air - Cool Only - 13,500 BTU - Coleman
**	049776-01-000	EA	Shroud Asm. - Ceiling - Inside - Roof Air - Heat and Cool Only - 13,500 BTU - Coleman

\*\*The illustrated parts breakdown for this item is provided on the Common Items Fiche.

## INTERIOR FINISH GROUP

### PANELING AND COUNTERTOP MATERIAL

Key	Part Number	U/M	Description
	041205-01-000	SF	Plastic Laminate 48" x 96" Green (32 SF) (Moss)
	041205-01-001	EA	Plastic Laminate 48" x 48" Green (Moss)
	041205-01-002	EA	Plastic Laminate 1.19" x 96" Green (Moss)
	041205-02-000	SF	Plastic Laminate 48" x 96" Gold (32 SF) (Topaz)
	041205-02-001	EA	Plastic Laminate 48" x 48" Gold (Topaz)
	041205-02-002	EA	Plastic Laminate 1.19" x 96" Gold (Topaz)
	041205-04-000	SF	Plastic Laminate 48" x 96" Rust (32 SF) (Terra Cotta)
	041205-04-001	EA	Plastic Laminate 48" x 48" Rust (Terra Cotta)
	041205-04-002	EA	Plastic Laminate 1.19" x 96" Rust (Terra Cotta)
	041201-01-000	EA	Countertop - Formed Green 8 Ft. (Moss)
	041202-01-000	EA	Countertop - Formed Gold 8 Ft. (Topaz)
	041204-01-000	EA	Countertop - Formed Rust 8 Ft. (Terra Cotta)
	045963-01-000	SF	Paneling - Buff Ceiling - 48" x 96" (32 SF)
	039188-03-000	SF	Paneling - Walnut - 48" x 96" (32 SF)
	041206-01-000	SF	Tileboard - 60" x 84" (35 SF) Agate Beige

### CABINERY AND TABLE HARDWARE

Key	Part Number	U/M	Description
**	047842-01-000	EA	Kit - Dinette Table Leg
**	047809-01-000	EA	Kit - Dinette Table Leg Hardware - Wall Mount
**	042950-01-000	EA	Handle - Interior Assist - Brown Vinyl
**	041931-01-000	EA	Kit Cabinet Door Hinge
**	041942-01-000	EA	Kit Drawer Pull
**	041917-01-000	EA	Kit - Latch - Overhead Cabinet Door - Jamestown
**	041918-01-000	EA	Kit - Latch Lower Cab Door
**	009047-01-000	EA	Hold Open - Overhead Door
**	009124-01-000	EA	Lock - Door - Push Button Brass (Bath Door)
**	009112-01-000	EA	Flange 1" Rod Chrome
**	041838-01-000	EA	Screw - 5 x 5/8" POH Antique Brass
**	037688-01-000	FT	Rail - Drawer Glide
**	047744-01-000	EA	Kit Drawer Glide

\*\*The illustrated parts breakdown for this item is provided on the Common Items Fiche.

### CURTAIN HARDWARE

Key	Part Number	U/M	Description
	009107-01-000	EA	Guide Nylon - Snap - Curtain
	050327-04-236	EA	Curtain Track - Alum. - Brown - 89" w/Holes
	042439-01-000	EA	Bracket (Left or Right) Curtain Rod Single
	049897-02-000	EA	Rod - Curtain Flat Ext. 48" - 86"
	049897-01-000	EA	Rod - Curtain - Flat Ext. - 25" - 45"
	009702-01-000	EA	End Stop Curtain "L" Rod
	009701-01-000	EA	Carrier "L" Rod w/Rollers - Curtain
	018031-42-000	EA	Track Curtain "L" Rod 90" Alum.
	049736-01-000	FT	Track Curtain Plastic 3 Ft. Piece Brown (Blackout Curtain)
	049737-01-000	EA	End Cap Plastic Curtain Track Brown (Blackout Curtain)
	049738-01-000	EA	Snap - Carrier Plastic White (Blackout Curtain)

## WINNEBAGO

### TABLE OF CONTENTS

Introduction	A-1
Abbreviations	A-1
Alphabetical Index	A-2 - A-4
1977 MWC25D	A-5 - B-12
1977 D26CRK	B-13 - C-24
1977 MWC24D	D-1 - E-8
1977 D26CRB	E-9 - F-20
1977 D26RT	F-21 - H-6
1977 MW23RB	H-7 - I-16
1977 D21	I-17 - K-6
1977 D23C	K-7 - L-18

### 1977 D26CRB INDEX

Floor Plan	E-9 - E-10
Accessories Group	E-11 - E-12
Bath Group	E-13 - E-14
Chassis Group	E-14 - E-16
Curtain, Cushion & Pad Group	E-16 - E-19
Dinette Group	E-20
Driver's Compartment Group	E-20 - E-21
Electrical Group	E-22 - E-23
Exterior Body Group	E-24 - F-3
Galley Group	F-4
Heating & Air Conditioning Group	F-5
Interior Finish Group	F-6 - F-7
LP Group	F-8
Lounge Group	F-8
Water & Sewage Group	F-9
Window, Vent & Exterior Door Group	F-10 - F-20

# INTERIOR FINISH GROUP (CONTINUED)

## INTERIOR MOLDINGS AND TRIMS

Key	Part Number	U/M	Description
	022756-01-000	EA	Cover A/C Plastic - Wire
	024700-04-000	EA	Cover Sidewall Roll Bar 707 Hickory
	024700-06-000	EA	Cover Sidewall Roll Bar Ivory
	034113-01-000	EA	Cover - Corner Supt. Bar Brown
	039512-02-000	EA	Cover - Hat - Section 707 Hickory
	039512-06-000	EA	Cover - Hat - Section Ivory
	047488-01-000	EA	Cover - Corner Hat/Hat
	047489-01-000	EA	Cover - Corner Tube/Tube
	009815-02-000	FT	T Molding 3/4" Brown
	000726-06-000	EA	Batt. Strip Walnut
	047354-01-000	EA	Batt. Strip - 96" - 825 Buff
	009812-03-000	FT	Molding - Plastic Corner O/S .50"
	009767-01-000	FT	Welting Brown
	009779-01-000	FT	U-Channel 1 1/8" Brown
	009809-03-000	FT	Molding Plastic Corner O/S 1"
	034394-02-000	FT	Extr. - Vinyl - Insert Beige
	034689-03-000	EA	Cover - Screw PPH 10 - Ivory
	009778-01-000	FT	U-Channel 1" Dark Brown
	009068-01-000	EA	Hinge - Cornt. Steel 1 1/2" x 72"
	009150-01-000	EA	Warp Guard 64"

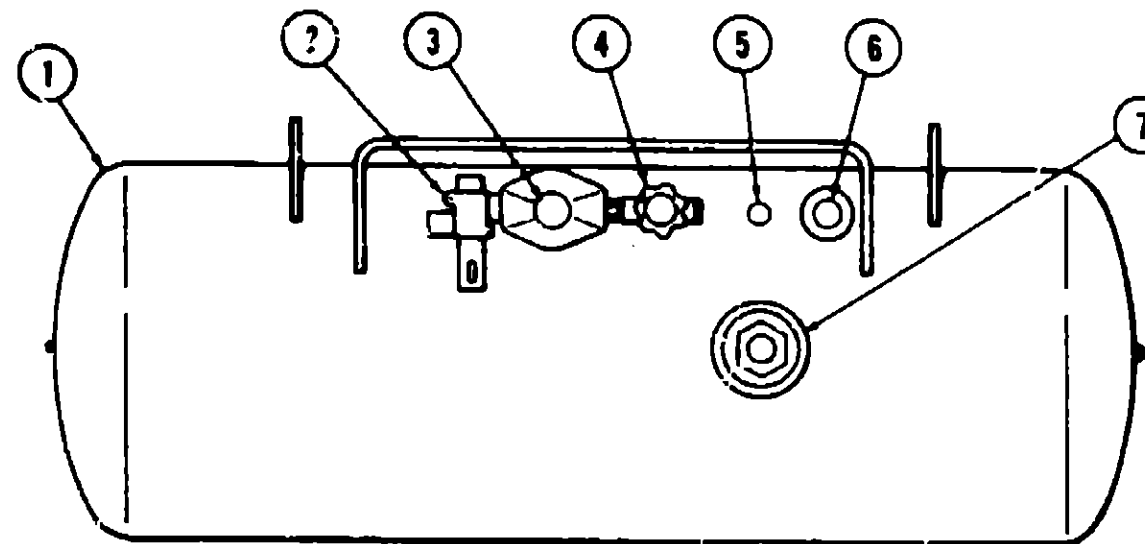
## FABRICS AND CARPETS

Key	Part Number	U/M	Description
	048534-01-000	YD	Fabric - Upholstery - Green (Moss)
	048534-02-000	YD	Fabric - Upholstery - Gold (Topaz)
	048534-03-000	YD	Fabric - Upholstery - Rust (Terra Cotta)
	043619-04-000	YD	Fabric - Drapery - Green - Overdrape (Moss)
	043619-02-000	YD	Fabric - Drapery - Gold Overdrape (Topaz)
	043619-05-000	YD	Fabric - Drapery - Rust - Overdrape (Terra Cotta)
	050622-01-000	YD	Fabric - Drapery - Green - Underdrape (Moss)
	050622-02-000	YD	Fabric - Drapery - Gold - Underdrape (Topaz)
	050622-03-000	YD	Fabric - Drapery - Rust - Underdrape (Terra Cotta)
	042411-01-000	YD	Vinyl - Nonexpanded 27 Oz. - Bostonian Brown
	042411-03-000	YD	Vinyl - Non-support 16 Ga. Film Brown - Bostonian Brown
	041210-01-000	SY	Carpet - Green Morning Dew (Moss)
	041210-02-000	SY	Carpet - Gold - Morning Dew (Topaz)
	041210-03-000	SY	Carpet - Rust - Morning Dew (Terra Cotta)

## MISCELLANEOUS INTERIOR COMPONENTS

Key	Part Number	U/M	Description
	042356-01-000	EA	Plug Button Mahogany 3/8" Dia.
	007021-01-000	EA	Bell Asm. Seat 2" x 90" Black
	041322-01-000	EA	Washer - Flat 15/32" I.D. x 2 3/8" O.D. (Seat Belt)
	009089-01-000	EA	Clip - Mirror - Plastic w/Screw

## LP GROUP



Key	Part Number	U/M	Description
1	040421-01-000	EA	Tank - LP - Frame Mount - 83 Pound
2	047221-01-000	EA	Detector - LP Gas Leak
3	024712-01-000	EA	Cover - LP Regulator
*	052163-01-000	EA	Regulator - Manual - LP Gas - 2 Stage
4	040421-01-703	EA	Valve - Vapor Relief
5	040421-01-700	EA	Gauge - Liquid Level - 20% LP
6	040421-01-701	EA	Valve - Filler - LP
*	040421-01-702	EA	Cap - Plastic Fill Valve
*	040421-01-707	EA	Gauge - Float w/Visible Dial
*	040421-01-704	EA	Gauge - Float w/Electrical Transmitter Dial
*	040421-01-706	EA	Dial - Visible Face
*	040421-01-705	EA	Dial - Transmitter - 0 - 90 Ohm
*	045703-03-000	EA	Hose Asm. - LP - 3/8" I.D. x 14"
*	047737-02-000	EA	Support - LP - 39.25"
*	047737-03-000	EA	Support - LP Tank - 30.50"
*			Not Illustrated

## LOUNGE GROUP

Key	Part Number	U/M	Description
	048761-01-000	EA	Cabinet Gauchn Left
	049101-01-000	EA	Cabinet Asm. Gauchn OVHD Left w/o Doors or Hardware
	049100-01-000	EA	Cabinet Asm. Gauchn OVHD Right w/o Doors or Hardware
	042600-19-700	EA	Door - Cabinet OVHD w/o Hardware
	044057-01-000	EA	Cabinet Asm. Gauchn Right w/o Doors or Hardware
	049601-11-700	EA	Door - Gauchn w/o Hardware

## WINNEBAGO

### TABLE OF CONTENTS

Introduction	A-1
Abbreviations	A-1
Alphabetical Index	A-2 - A-4
1977 MWC25D	A-5 - B-12
1977 D26CRK	B-13 - C-24
1977 MWC24D	D-1 - E-8
1977 D26CRB	E-9 - F-20
1977 D26RT	F-21 - H-6
1977 MW23RB	H-7 - I-16
1977 D21	I-17 - K-6
1977 D23C	K-7 - L-18

### 1977 D26CRB INDEX

Floor Plan	E-9 - E-10
Accessories Group	E-11 - E-12
Bath Group	E-13 - E-14
Chassis Group	E-14 - E-16
Curtain, Cushion & Pad Group	E-16 - E-19
Dinette Group	E-20
Driver's Compartment Group	E-20 - E-21
Electrical Group	E-22 - E-23
Exterior Body Group	E-24 - F-3
Galley Group	F-4
Heating & Air Conditioning Group	F-5
Interior Finish Group	F-6 - F-7
LP Group	F-8
Lounge Group	F-8
Water & Sewage Group	F-9
Window, Vent & Exterior Door Group	F-10 - F-20

## WATER AND SEWAGE GROUP

### PLUMBING REPAIR PARTS

Key	Part Number	U/M	Description
**	040539-01-000	EA	Kit Repair 3/8" O.D. Plastic Tube
**	040540-01-000	EA	Kit Repair 1/2" O.D. Plastic Tube
**	040541-01-000	EA	Kit Repair 5/8" O.D. Plastic Tube
**	039818-01-000	EA	Riser Asm. 3/8" O.D. x 24" Tube
**	039818-02-000	EA	Riser Asm. 3/8" O.D. x 36" Tube
**	039818-04-000	EA	Riser Asm. 3/8" O.D. x 72" Tube
**	041279-02-000	EA	Pump - Water Flow 2.8 GPM - PAR
**	039647-02-000	EA	Filter Water Pump - 1/2" MPT
**	041819-01-000	EA	Nut and Cone Plastic 1/2" O.D. Tube
**	004020-01-000	QT	Adhesive ABS Cemeril
**	010133-01-000	EA	Adaptor Trap - Plastic 1 1/2" H x MPT
**	010153-01-000	EA	Ring Closet Plastic 4" F x 3" MPT
**	010201-01-000	EA	Hose - Sewer 3" x 10' w/Clamp
**	010209-06-000	EA	Handle Ext. Sewer Valve 11.25"
**	010235-01-000	EA	Cap - Sewage 3"
**	010236-01-000	EA	Adaptor Hose 3"
**	011091-01-000	EA	Waste - Cont. Double Sink 11 7/8"
**	010210-01-000	EA	Valve Sanitary - Thetford 3 HB
**	010234-01-000	EA	Adaptor Bayonet
**	011066-01-000	EA	P-Trap - Plastic 1 1/4"

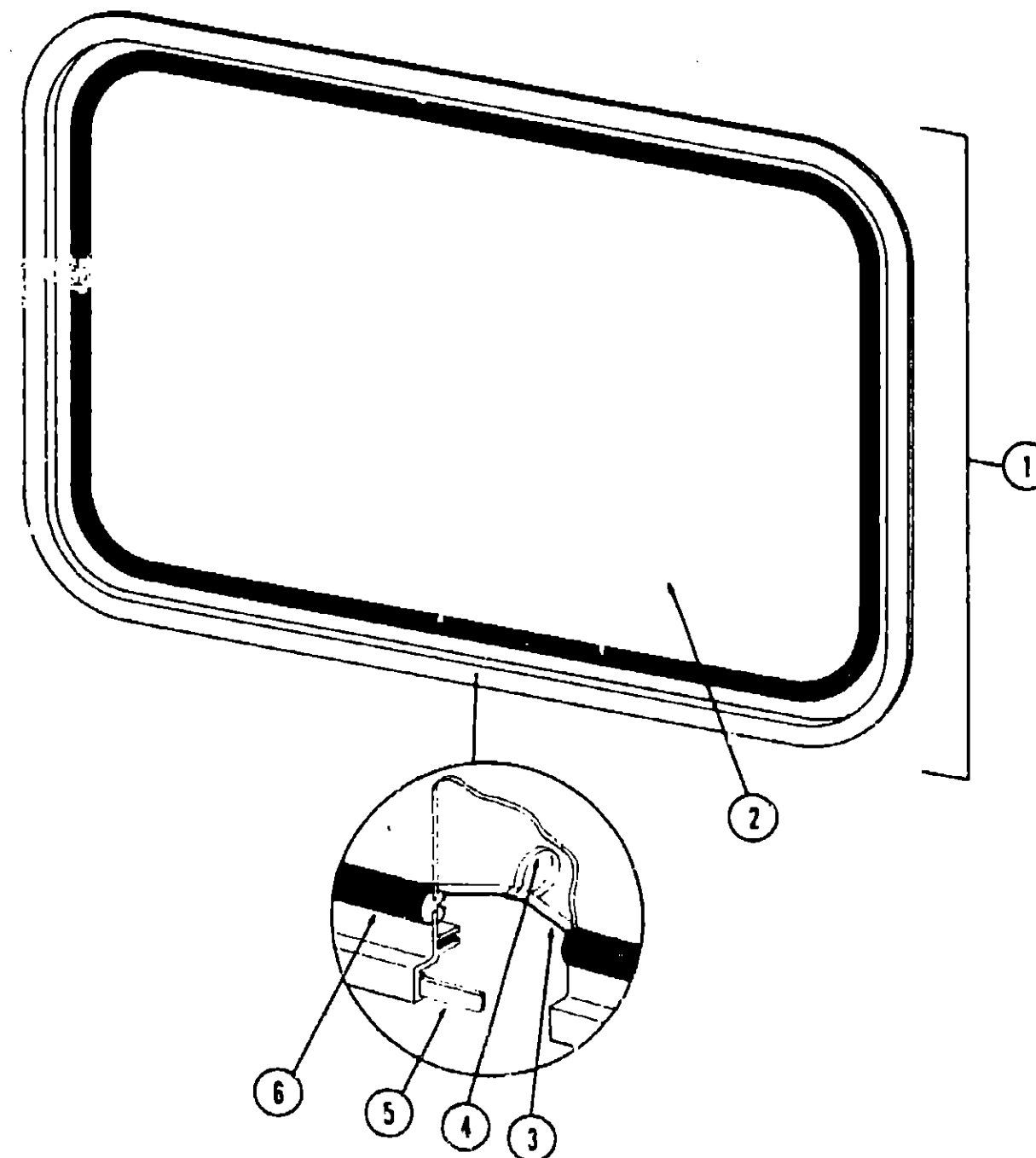
\*\*The illustrated parts breakdown for this item is provided on the Common Items Fiche.

### HOLDING TANKS AND WATER HEATERS

Key	Part Number	U/M	Description
**	049075-01-000	EA	Tank Asm. with Fittings Plastic Water 59 Gallon
**	042132-02-000	EA	Tank Water w/o Fittings Plastic 59 Gallon
**	046524-02-000	EA	Kit Fittings Plastic Water Tank
**	041625-04-000	EA	Tank Asm. - Holding w/Fittings - 56 Gallon
**	041625-01-000	EA	Tank - Holding Plastic 56 Gallon Base w/o Fittings
**	041627-03-000	EA	Tank Asm. - Holding w/Fittings - 18 Gallon
**	041627-01-000	EA	Tank Holding Plastic 18 Gallon Base w/o Fittings
**	046524-01-000	EA	Kit - Fittings Plastic for Holding Tank
**	051391-01-000	EA	Water Heater - w/o Outside Access Door (G6A3)
**	031952-01-000	EA	Water Heater - w/o Outside Access Door (G6A2)

\*\*The illustrated parts breakdown for this item is provided on the Common Items Fiche.

## WINDOW, VENT AND EXTERIOR DOOR GROUP



Key	Part Number	U/M	Description
1	042959-01-000	EA	Window Asm. - Rear Escape - 23" x 36" - Black Anod. (w/o Inside Frame)
2	041392-01-000	EA	Glass - 1/8" x 19.61" x 33.25"
3	002265-01-000	FT	Filler - Weatherstrip - Black
4	020395-01-000	EA	Slip - Pull Ring - Escape Window
5	004363-01-000	FT	Tape - Foam - 3/16" x 1/2" - Gray
6	002262-01-000	FT	Weatherstrip - .125" - Black
*	042027-01-000	EA	Frame - Inside - Escape Window - 23" x 36" (not included in assembly)
*	006198-01-000	EA	Label - Exit - Escape Window

F-9

\* Not Illustrated

## WINNEBAGO

### TABLE OF CONTENTS

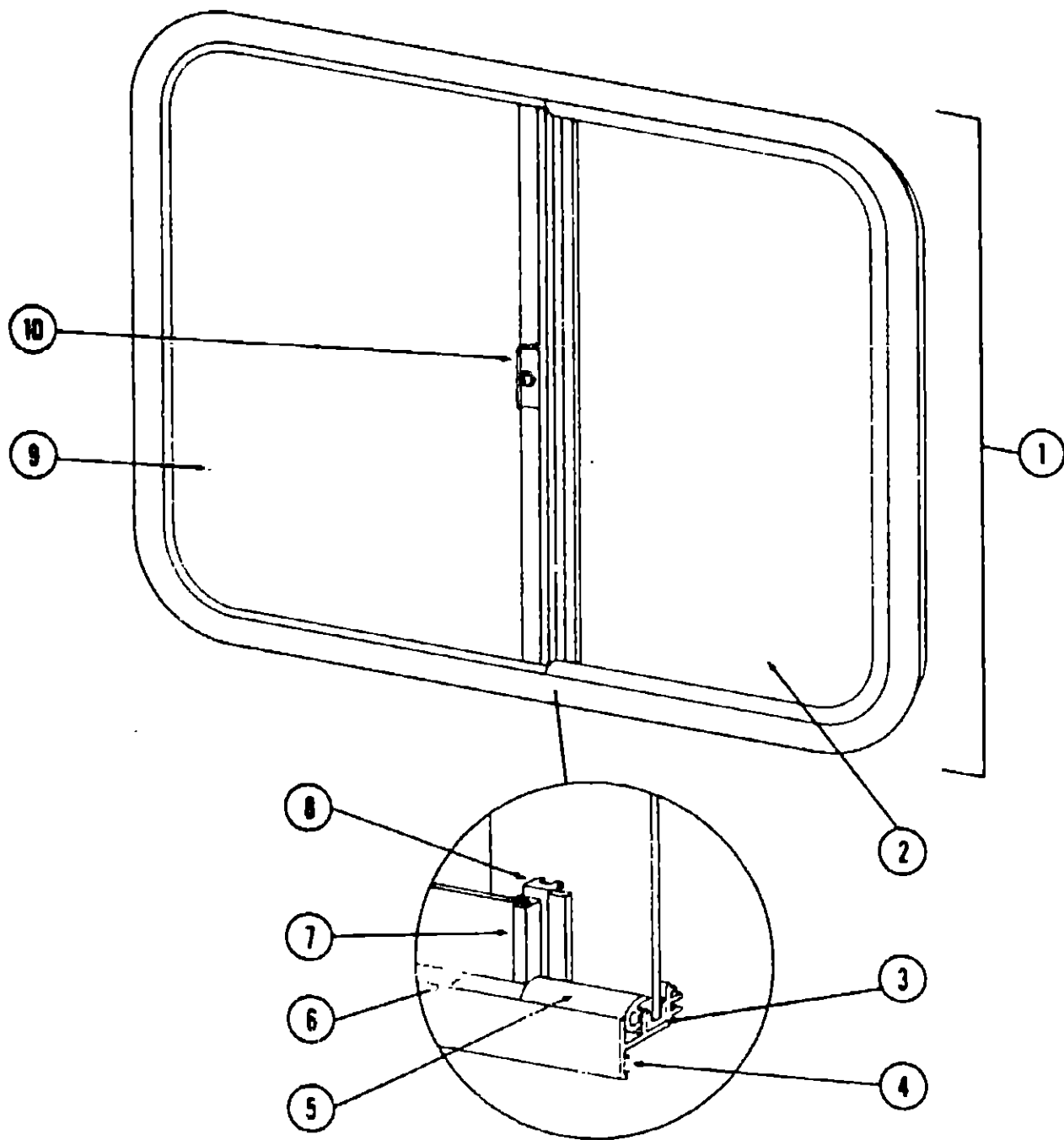
Introduction	A-1
Abbreviations	A-1
Alphabetical Index	A-2 - A-4
1977 MWC25D	A-5 - B-12
1977 D26CRK	B-13 - C-24
1977 MWC24D	D-1 - E-8
1977 D26CRB	E-9 - F-20
1977 D26RT	F-21 - H-6
1977 MW23RB	H-7 - I-16
1977 D21	I-17 - K-6
1977 D23C	K-7 - L-18

### 1977 D26CRB INDEX

Floor Plan	E-9 - E-10
Accessories Group	E-11 - E-12
Bath Group	E-13 - E-14
Chassis Group	E-14 - E-16
Curtain, Cushion & Pad Group	E-16 - E-19
Dinette Group	E-20
Driver's Compartment Group	E-20 - E-21
Electrical Group	E-22 - E-23
Exterior Body Group	E-24 - F-3
Galley Group	F-4
Heating & Air Conditioning Group	F-5
Interior Finish Group	F-6 - F-7
LP Group	F-8
Lounge Group	F-8
Water & Sewage Group	F-9
Window, Vent & Exterior Door Group	F-10 - F-20

F-10

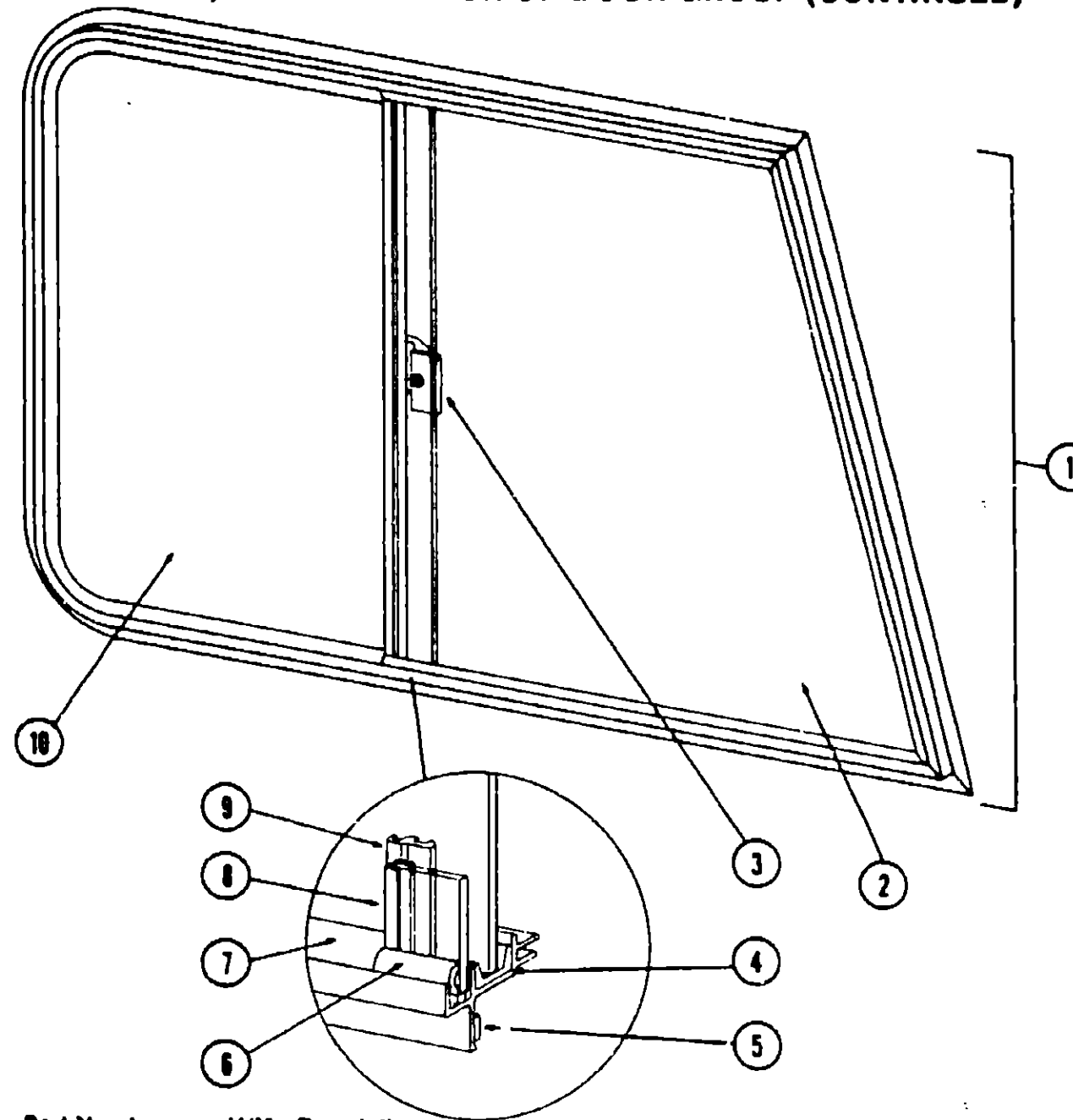
**WINDOW, VENT AND EXTERIOR DOOR GROUP (CONTINUED)**



Key	Part Number	U/M	Description
1	048631-07-000	EA	Window Asm. - Right - Single Slider - 23" x 29" - Black Anod. (w/o Inside Frame)
2	047813-01-000	EA	Glass - 1/8" x 22" x 13.66" - Sliding
3	002324-01-000	FT	Channel - Weatherstrip - Glass Run - 1/8" Glass
4	004383-01-000	FT	Tape - Foam - 3/16" x 1/2" - Gray
5	024096-02-000	FT	Seal - Window Channel - Black
6	002309-02-000	FT	Spline - Glass - 1/8" - Black
7	018025-03-000	EA	Holder - Glass Seal - Anod. Black
8	041894-02-000	EA	Mullion - Slider Window - 23" - Black Anod.
9	002184-01-000	EA	Glass - Tempered Sheet - Stationary
10	047389-01-000	EA	Latch - Window - Plastic
	049287-01-000	EA	Washer - Nylon - .62" x .140" I.D.
	049288-01-000	EA	Screw - Machine - 6-32 x 5/16" - HWH - Black
	042147-01-000	EA	Frame - Inside - Single Slider Window - Right - 23" x 29" (not included in assembly)
	023713-02-000	EA	Cover - Plastic Weephole - Black
	002298-01-000	FT	Spline - Gray - .130" Dia. (Screen)
	002293-01-000	SF	Screen - Window - 26" - Gray

\* Not Illustrated

**WINDOW, VENT AND EXTERIOR DOOR GROUP (CONTINUED)**



Key	Part Number	U/M	Description
1	048628-03-000	EA	Window Asm. - Right Front Slant Slider - 23" x 39" - Black Anod. (w/o Inside Frame)
	048628-04-000	EA	Window Asm. - Left Front Slant Slider - 23" x 39" - Black Anod. (w/o Inside Frame)
2	041897-01-000	EA	Glass - 1/8" x 22.06" x 18.91" x 21.22" - Stationary
3	047389-01-000	EA	Latch - Window - Plastic
4	002324-01-000	FT	Channel - Weatherstrip - Glass Run - 1/8" Glass
5	004383-01-000	FT	Tape - Foam - 3/16" x 1/2" - Gray
6	002309-01-000	FT	Spline - Glass - 1/8" - Gray
7	024096-01-000	FT	Seal - Window Channel - Gray
8	018025-03-000	EA	Holder - Glass Seal - Black Anod.
9	041894-11-000	EA	Mullion - Slider Window - 23" - Black Anod.
10	047824-01-000	EA	Glass - 1/8" x 22.06" x 19.06" - Sliding
	049287-01-000	EA	Washer - Nylon - .62" x .140" I.D.
	049288-01-000	EA	Screw - Machine - 6-32 x 5/16" - HWH - Black
	041962-02-000	EA	Frame - Inside - Right Front Slant Slider - Window - 23" x 39" (not included in assembly)
	041962-01-000	EA	Frame - Inside - Left Front Slant Slider - Window - 23" x 39" (not included in assembly)
	023713-02-000	EA	Cover - Plastic - Weephole - Black

\* Not Illustrated

**WINNEBAGO**

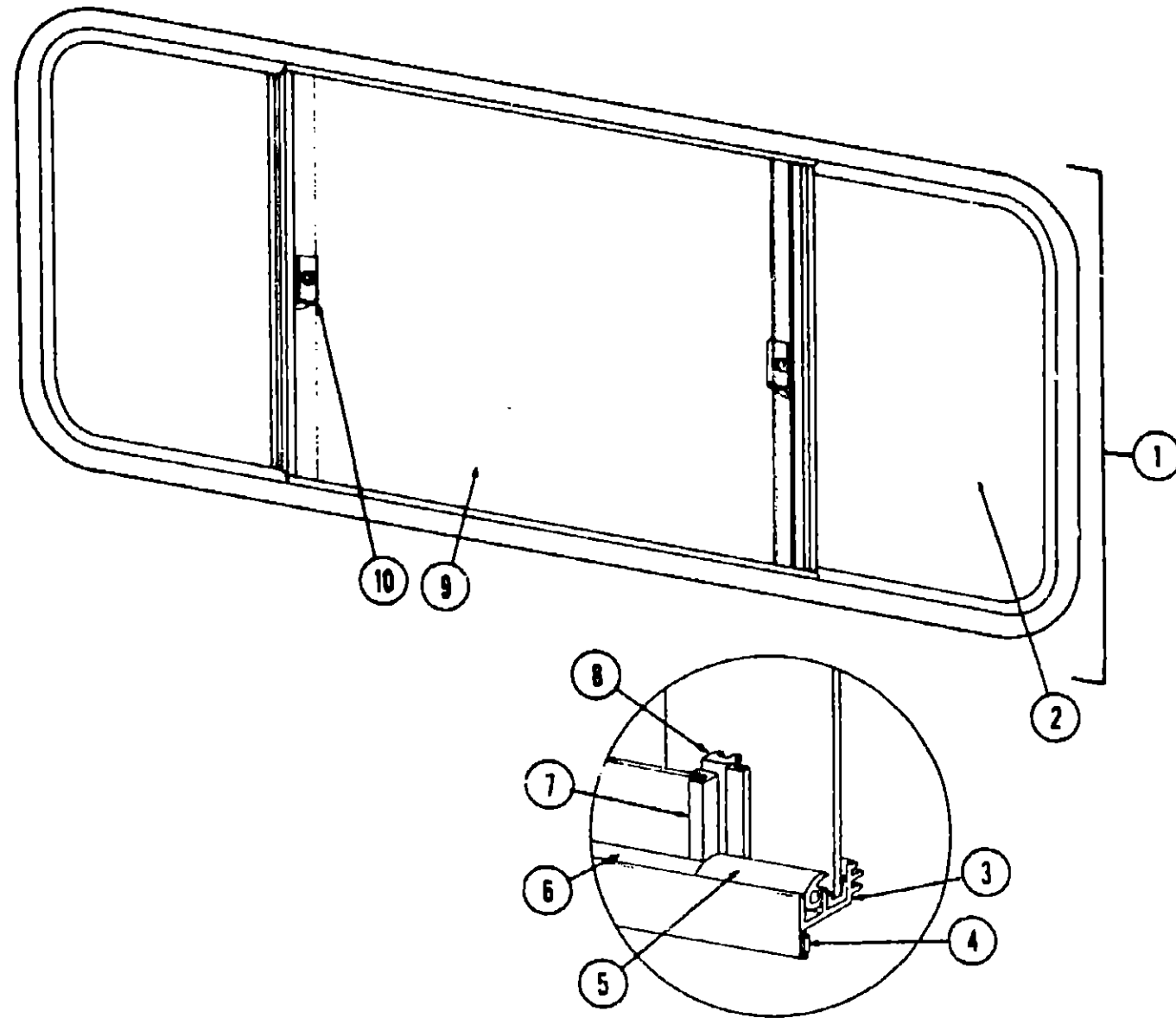
**TABLE OF CONTENTS**

Introduction	A-1
Abbreviations	A-1
Alphabetical Index	A-2 - A-4
1977 MWC25D	A-5 - B-12
1977 D26CRK	B-13 - C-24
1977 MWC24D	D-1 - E-8
1977 D26CRB	E-9 - F-20
1977 D26RT	F-21 - H-6
1977 MW23RB	H-7 - I-16
1977 D21	I-17 - K-6
1977 D23C	K-7 - L-18

**1977 D26CRB INDEX**

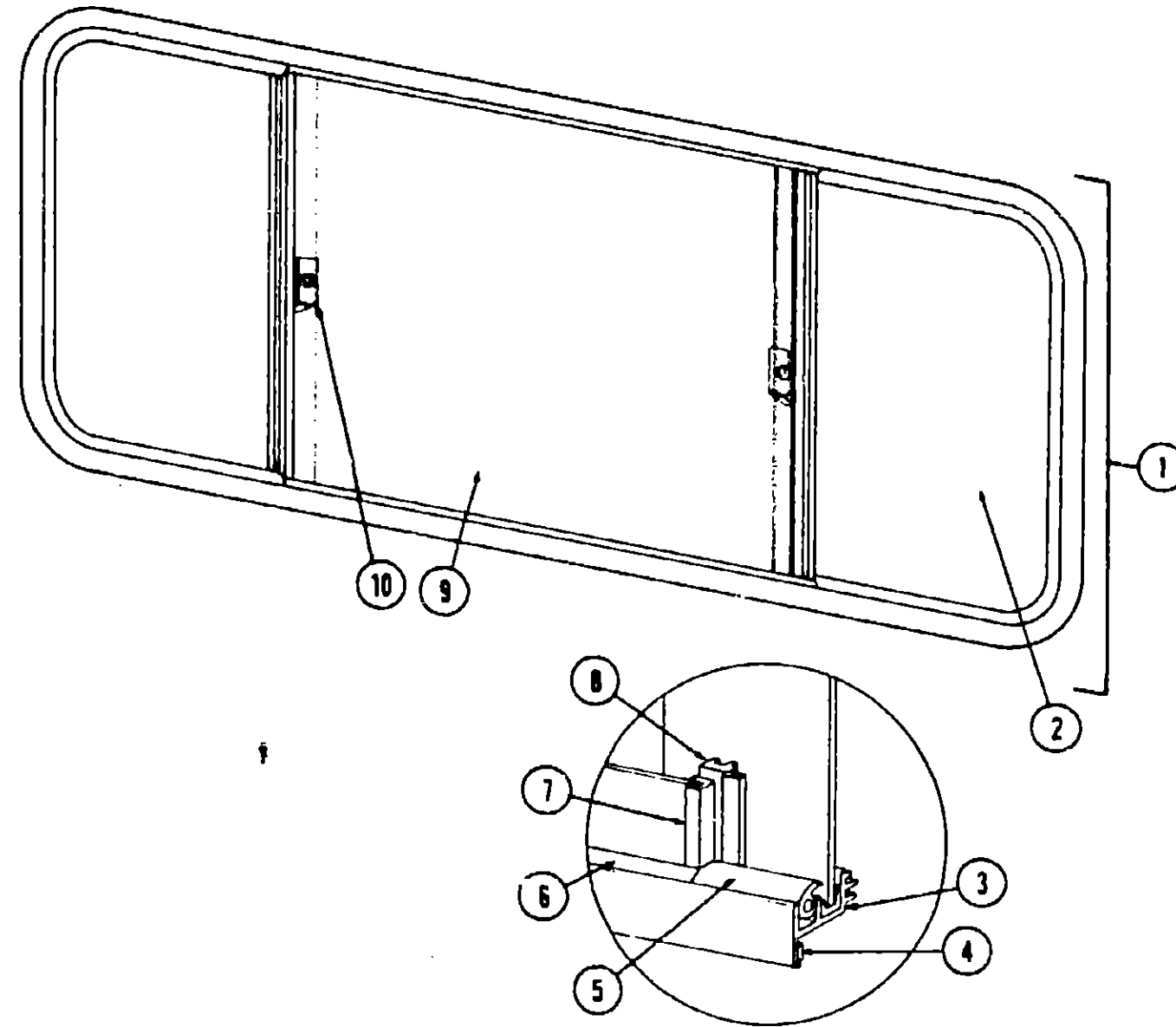
Floor Plan	E-9 - E-10
Accessories Group	E-11 - E-12
Bath Group	E-13 - E-14
Chassis Group	E-14 - E-16
Curtain, Cushion & Pad Group	E-16 - E-19
Dinette Group	E-20
Driver's Compartment Group	E-20 - E-21
Electrical Group	E-22 - E-23
Exterior Body Group	E-24 - F-3
Galley Group	F-4
Heating & Air Conditioning Group	F-5
Interior Finish Group	F-6 - F-7
LP Group	F-8
Lounge Group	F-8
Water & Sewage Group	F-9
Window, Vent & Exterior Door Group	F-10 - F-20

**WINDOW, VENT AND EXTERIOR DOOR GROUP (CONTINUED)**



Key	Part Number	U/M	Description
1	048630-02-000	EA	Window Asm. - Double - Slider - 23" x 56" - Black Anod. (w/o Inside Frame)
2	047816-01-000	EA	Glass - 1/8" x 22" x 18.53" - Sliding (2 per window)
3	002324-01-000	FT	Channel - Weatherstrip - Glass Run - 1/8" Glass
4	004363-01-000	FT	Tape - Foam - 3/16" x 1/2" - Gray
5	024096-02-000	FT	Seal - Window Channel - Black
6	002309-02-000	FT	Spline - Glass - 1/8" - Black
7	018025-03-000	EA	Holder - Glass Seal - Black Anod.
8	041894-02-000	EA	Mullion - Slider Window - 23" Black Anod.
9	002188-01-000	EA	Glass - 1/8" x 22" x 21.03" - Stationary
10	047369-01-000	EA	Latch - Window - Plastic
*	048287-01-000	EA	Washer - Nylon - .82" x .140" I.D.
*	048286-01-000	EA	Screw - Machine - 6-32 x 5/16" - HWH - Black
*	042133-02-000	EA	Frame - Inside - Double Slider Window (not included in assembly)
*	002298-01-000	FT	Spline - Gray - .130" Dia. - (Screen)
*	002293-01-000	SF	Screen - Window - 26" - Gray
*	023713-02-000	EA	Cover - Weephole - Plastic - Black

**WINDOW, VENT AND EXTERIOR DOOR GROUP (CONTINUED)**



Key	Part Number	U/M	Description
1	048630-04-000	EA	Window Asm. - Double - Slider - 23" x 65" Black Anod. w/o Inside Frame
2	047823-01-000	EA	Glass - 1/8" x 22" x 21.03" - Sliding (2 per window)
3	002324-01-000	FT	Channel - Weatherstrip - Glass Run - 1/8" Glass
4	004363-01-000	FT	Tape - Foam - 3/16" x 1/2" - Gray
5	024096-02-000	FT	Seal - Window Channel - Black
6	002309-02-000	FT	Spline - Glass - 1/8" - Black
7	018025-03-000	EA	Holder - Glass Seal - Black Anod.
8	041894-02-000	EA	Mullion - Slider Window - 23" Black Anod.
9	002188-01-000	EA	Glass - 1/8" x 22" x 21.03" - Stationary
10	047369-01-700	EA	Latch - Window - Plastic w/Fastener
*	042133-02-000	EA	Frame - Inside - Double Slider Window (not included in assembly)
*	002298-01-000	FT	Spline - Gray - .130" Dia. - (Screen)
*	002293-01-000	SF	Screen - Window - 26" - Gray
*	023713-02-000	EA	Cover - Weephole - Plastic - Black
*			Not Illustrated

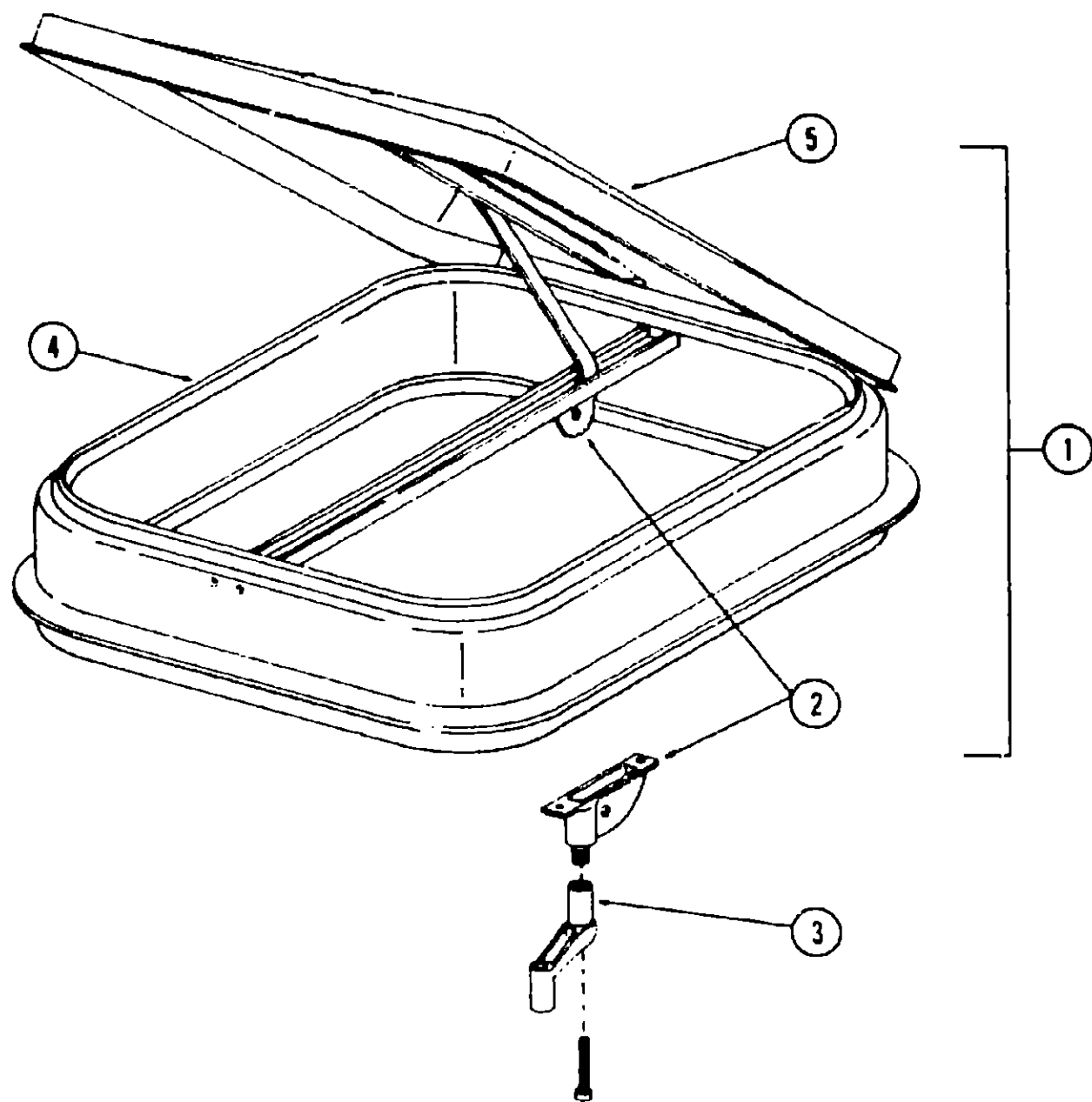
**WINNEBAGO**

**TABLE OF CONTENTS**

Introduction	A-1
Abbreviations	A-1
Alphabetical Index	A-2 - A-4
1977 MWC25D	A-5 - B-12
1977 D26CRK	B-13 - C-24
1977 MWC24D	D-1 - E-8
1977 D26CRB	E-9 - F-20
1977 D26RT	F-21 - H-6
1977 MW23RB	H-7 - I-16
1977 D21	I-17 - K-6
1977 D23C	K-7 - L-18

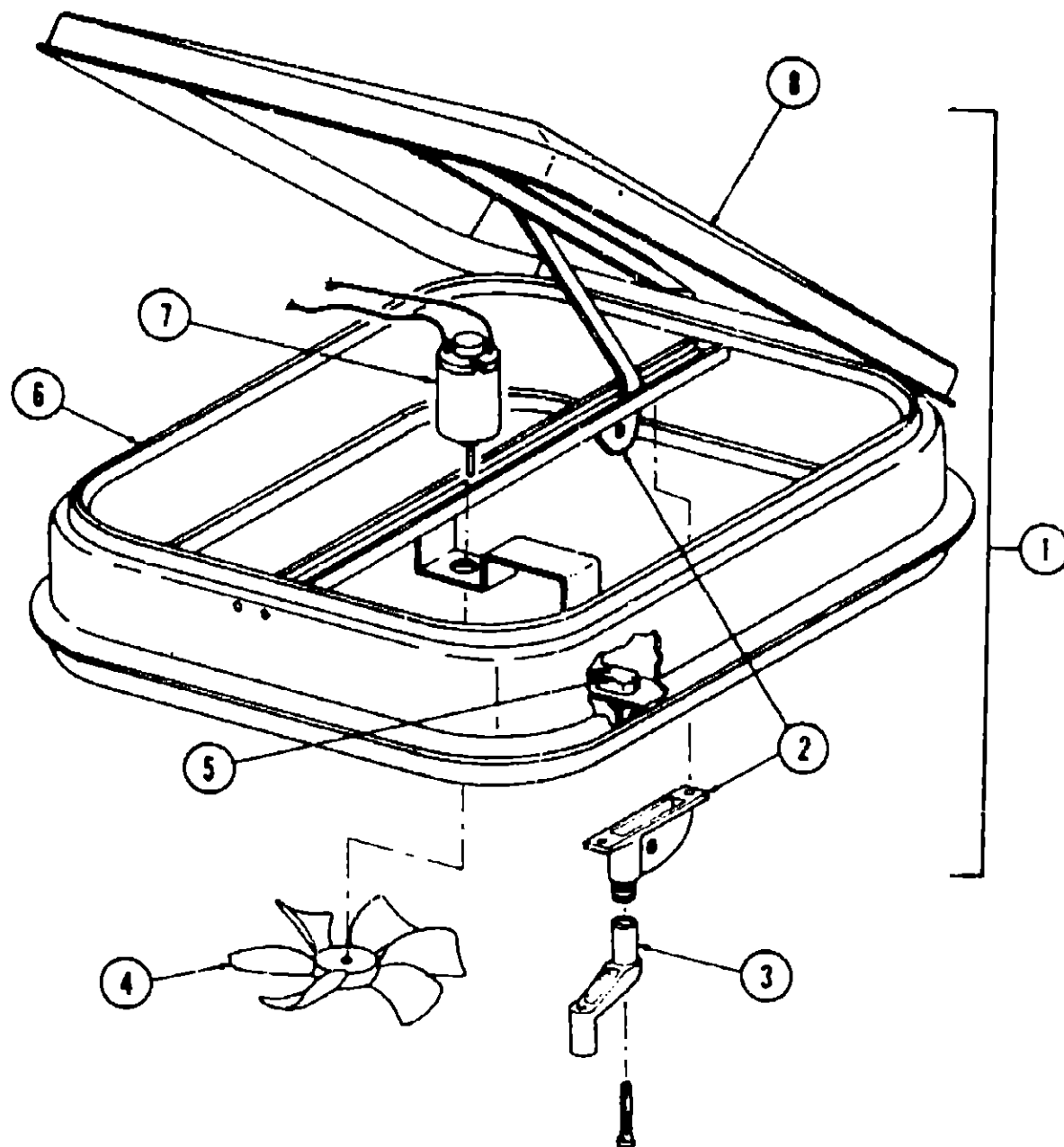
**1977 D26CRB INDEX**

Floor Plan	E-9 - E-10
Accessories Group	E-11 - E-12
Bath Group	E-13 - E-14
Chassis Group	E-14 - E-16
Curtain, Cushion & Pad Group	E-16 - E-19
Dinette Group	E-20
Driver's Compartment Group	E-20 - E-21
Electrical Group	E-22 - E-23
Exterior Body Group	E-24 - F-3
Galley Group	F-4
Heating & Air Conditioning Group	F-5
Interior Finish Group	F-6 - F-7
LP Group	F-8
Lounge Group	F-8
Water & Sewage Group	F-9
Window, Vent & Exterior Door Group	F-10 - F-20



Key	Part Number	U/M	Description
1	048835-01-000	EA	Vent Asm. - Roof - Nonpowered - w/o Screen
2	009440-01-000	EA	Gear - Arm - Roof Vent
3	009439-01-000	EA	Crank - Roof Vent
4	002825-01-000	FT	Weatherstrip - Roof Vent
5	048825-01-000	EA	Cover - Plastic - Roof Vent
*	016335-01-000	EA	Screen Asm. - Nonpowered Roof Vent - Clear Anod. (not Included in assembly)
*	016335-03-000	EA	Screen Asm. - Nonpowered Roof Vent - Beige (not Included in assembly)

\* Not Illustrated



Key	Part Number	U/M	Description
1	048789-01-000	EA	Vent Asm. - Roof - Powered - w/o Screen
2	009440-01-000	EA	Gear - Arm - Roof Vent
3	009439-01-000	EA	Crank - Roof Vent
4	048649-01-000	EA	Fan - 8" Plastic
5	008195-01-000	EA	Switch - Push Button - 12 Volt
6	002825-01-000	FT	Weatherstrip - Roof Vent
7	048648-01-000	EA	Motor - 12 Volt
8	048825-01-000	EA	Cover - Plastic - Roof Vent
*	048895-01-000	EA	Screen Asm. - Powered Roof Vent - Clear Anod. (not Included in assembly)
*	048895-03-000	EA	Screen Asm. - Powered Roof Vent - Beige (not Included in assembly)

\* Not Illustrated

WINNEBAGO

TABLE OF CONTENTS

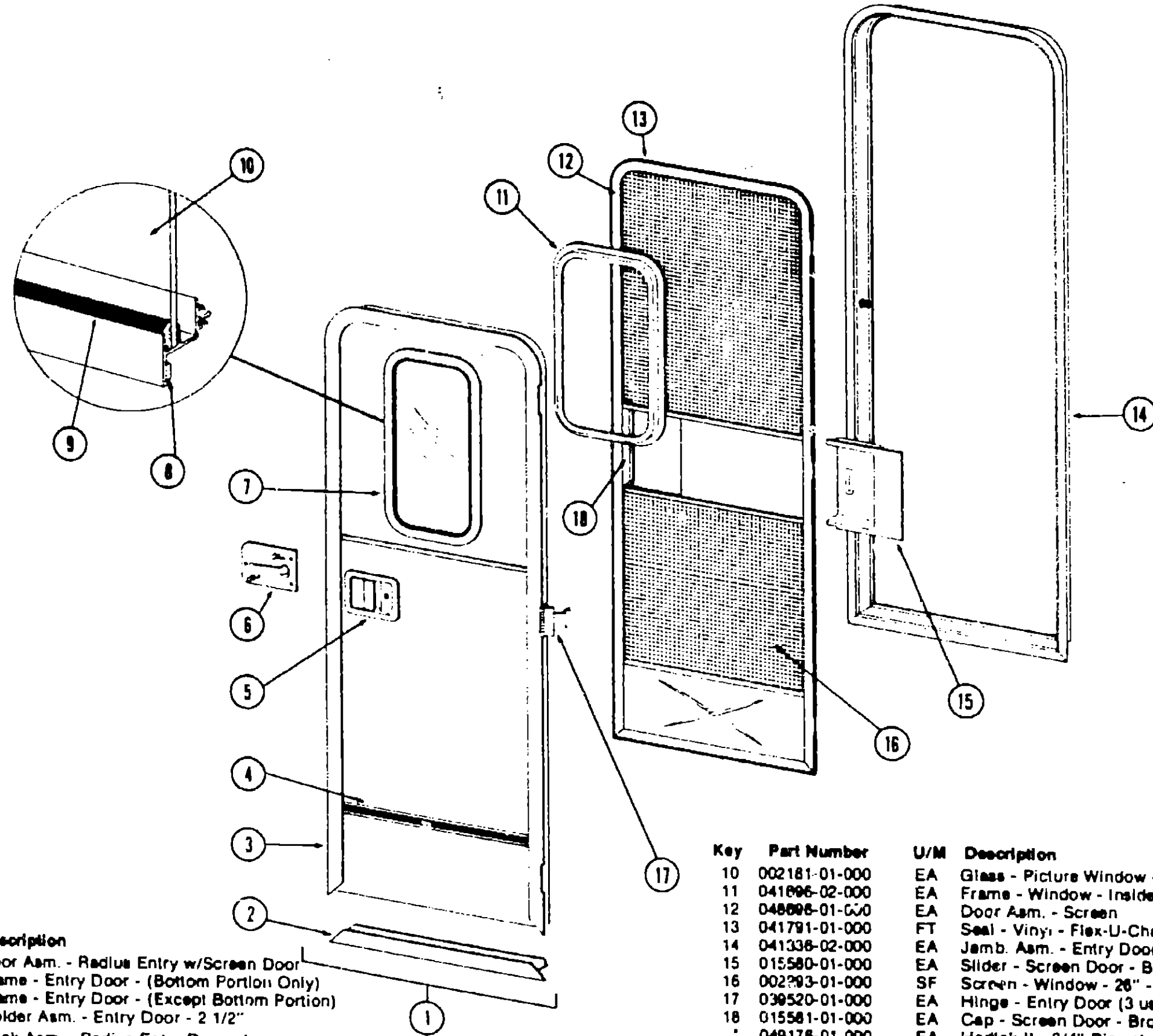
Introduction	A-1
Abbreviations	A-1
Alphabetical Index	A-2 - A-4
1977 MWC25D	A-5 - B-12
1977 D26CRK	B-13 - C-24
1977 MWC24D	D-1 - E-8
1977 D26CRB	E-9 - F-20
1977 D26RT	F-21 - H-6
1977 MW23RB	H-7 - I-16
1977 D21	I-17 - K-6
1977 D23C	K-7 - L-18

1977 D26CRB INDEX

Floor Plan	E-9 - E-10
Accessories Group	E-11 - E-12
Bath Group	E-13 - E-14
Chassis Group	E-14 - E-16
Curtain, Cushion & Pad Group	E-16 - E-19
Dinette Group	E-20
Driver's Compartment Group	E-20 - E-21
Electrical Group	E-22 - E-23
Exterior Body Group	E-24 - F-3
Galley Group	F-4
Heating & Air Conditioning Group	F-5
Interior Finish Group	F-6 - F-7
LP Group	F-8
Lounge Group	F-8
Water & Sewage Group	F-9
Window, Vent & Exterior Door Group	F-10 - F-20



# WINDOW, VENT AND EXTERIOR DOOR GROUP (CONTINUED)



Key	Part Number	U/M	Description
1	050096-01-000	EA	Door Asm. - Radius Entry w/Screen Door
2	039737-02-000	EA	Frame - Entry Door - (Bottom Portion Only)
3	039736-02-000	EA	Frame - Entry Door - (Except Bottom Portion)
4	039874-02-000	EA	Holder Asm. - Entry Door - 2 1/2"
5	052186-01-000	EA	Lock Asm. - Radius Entry Door - Lynor
	045017-01-700	EA	Lock Cylinder w/Keys - Lynor
	039541-01-000	EA	Lock Cylinder w/Keys - Atwood
	039539-01-000	EA	Striker - Entry Door Lock
6	039979-01-000	EA	Plate - Lock - Interior - Including Inside Handle
7	041875-02-000	EA	Window Asm. - Picture - 13" x 23" Black Anod. (Inside frame not included in assembly)
8	004363-01-000	FT	Tape - Foam - 3/16" x 1/2" Gray
9	002309-01-000	FT	Spline - Glass - 1/8" Gray

Key	Part Number	U/M	Description
10	002181-01-000	EA	Glass - Picture Window - 1/8" x 12" x 22" Gray
11	041896-02-000	EA	Frame - Window - Inside - 13" x 23" - Brown
12	048896-01-000	EA	Door Asm. - Screen
13	041791-01-000	FT	Seal - Vinyl - Flex-U-Channel - Brown
14	041336-02-000	EA	Jamb. Asm. - Entry Door
15	015580-01-000	EA	Slider - Screen Door - Brown Plastic
16	002293-01-000	SF	Screen - Window - 26" - Gray
17	039520-01-000	EA	Hinge - Entry Door (3 used per door)
18	015581-01-000	EA	Cap - Screen Door - Brown Plastic
	049176-01-000	EA	Hedlok II - 3/4" Diameter - Screw Mount (Retains Screen Door to Entry Door)
	049797-01-000	EA	Hedlok II - 1" Diameter - Screw Mount (Retains Screen Door to Entry Door)
	018019-01-000	EA	Striker - Screen Door
	039863-01-000	EA	Catch Asm. - Single Roller w/Strikes - Screen Door
	039740-01-000	FT	Seal - Jamb - Entry Door
	039800-03-000	FT	Tubing - Polybutyl - 3/8" O.D. - Jamb

\* Not Illustrated

## WINNEBAGO

### TABLE OF CONTENTS

Introduction	A-1
Abbreviations	A-1
Alphabetical Index	A-2 - A-4
1977 MWC25D	A-5 - B-12
1977 D26CRK	B-13 - C-24
1977 MWC24D	D-1 - E-8
1977 D25CRB	E-9 - F-20
1977 D26RT	F-21 - H-6
1977 MW23RB	H-7 - I-16
1977 D21	I-17 - K-6
1977 D23C	K-7 - L-16

### 1977 D26CRB INDEX

Floor Plan	E-9 - E-10
Accessories Group	E-11 - E-12
Bath Group	E-13 - E-14
Chassis Group	E-14 - E-16
Curtain, Cushion & Pad Group	E-16 - E-19
Dinette Group	E-20
Driver's Compartment Group	E-20 - E-21
Electrical Group	E-22 - E-23
Exterior Body Group	E-24 - F-3
Galley Group	F-4
Heating & Air Conditioning Group	F-5
Interior Finish Group	F-6 - F-7
LP Group	F-8
Lounge Group	F-8
Water & Sewage Group	F-9
Window, Vent & Exterior Door Group	F-10 - F-20

# WINDOW, VENT AND EXTERIOR DOOR GROUP (CONTINUED)

## WINDSHIELD

Key	Part Number	U/M	Description
	034875-04-000	EA	Glass - Windshield - 1/4" x22.12" x 45.45" - Right or Left
	038784-03-200	EA	Extr. - Windshield Trim - Anod. Black - 22.38"
	042744-03-000	EA	Frame Asm. - Windshield w/o Glass
	038886-01-000	EA	Tape - Butyl - .31" x .31" x 148"
	043888-01-000	EA	Trim - Windshield

## ACCESS DOORS

Key	Part Number	U/M	Description
	003182-02-000	EA	Door - Water Heater Access - Beige
	037807-05-000	EA	Door Asm. - Refrigerator Access - w/Twist Type Lock
	037804-12-000	EA	Door Asm. - Battery/LP - Beige - w/Twist Type Lock
	043884-02-000	EA	Door Asm. - Generator - Right Hand Hinge - Beige w/Twist Type Lock
	037804-10-000	EA	Door Asm. - Luggage - Beige - w/Key Type Lock
	041330-03-000	EA	Door Asm. - Radius Trunk - Beige - Rear w/Bent Cam - T-Handle Lock
	009009-01-000	EA	Lock - T-Handle - Bent Cam - Rear Trunk Door
	039884-01-000	EA	Kit - Lock - Twist Type w/Clip
	047305-01-000	EA	Kit - Lock - Key Type w/Clip
	044210-02-000	EA	Door Asm. - Power Cord - 6" x 10" Beige Plastic w/Quarter Turn Plastic Latch
	043942-01-000	EA	Latch - Power Cord Door - Quarter Turn Plastic
	051780-02-000	EA	Door Asm. - Storage - Right w/Key Type Lock

## VENTS

Key	Part Number	U/M	Description
	038778-01-000	EA	Cover - Plastic - Refrigerator Vent
	009407-01-000	EA	Frame - Base - Refrigerator Vent (w/o Cover)
	049352-02-000	EA	Vent - Stovehood - Outside - Beige (Jensen)

## WINNEBAGO

### TABLE OF CONTENTS

Introduction	A-1
Abbreviations	A-1
Alphabetical Index	A-2 - A-4
1977 MWC25D	A-5 - B-12
1977 D26CRK	B-13 - C-24
1977 MWC24D	D-1 - E-8
1977 D26CRB	E-9 - F-20
1977 D26RT	F-21 - H-6
1977 MW23RB	H-7 - I-16
1977 D21	I-17 - K-6
1977 D23C	K-7 - L-18

### 1977 D26CRB INDEX

Floor Plan	E-9 - E-10
Accessories Group	E-11 - E-12
Bath Group	E-13 - E-14
Chassis Group	E-14 - E-16
Curtain, Cushion & Pad Group	E-16 - E-19
Dinette Group	E-20
Driver's Compartment Group	E-20 - E-21
Electrical Group	E-22 - E-23
Exterior Body Group	E-24 - F-3
Galley Group	F-4
Heating & Air Conditioning Group	F-5
Interior Finish Group	F-6 - F-7
LP Group	F-8
Lounge Group	F-8
Water & Sewage Group	F-9
Window, Vent & Exterior Door Group	F-10 - F-20