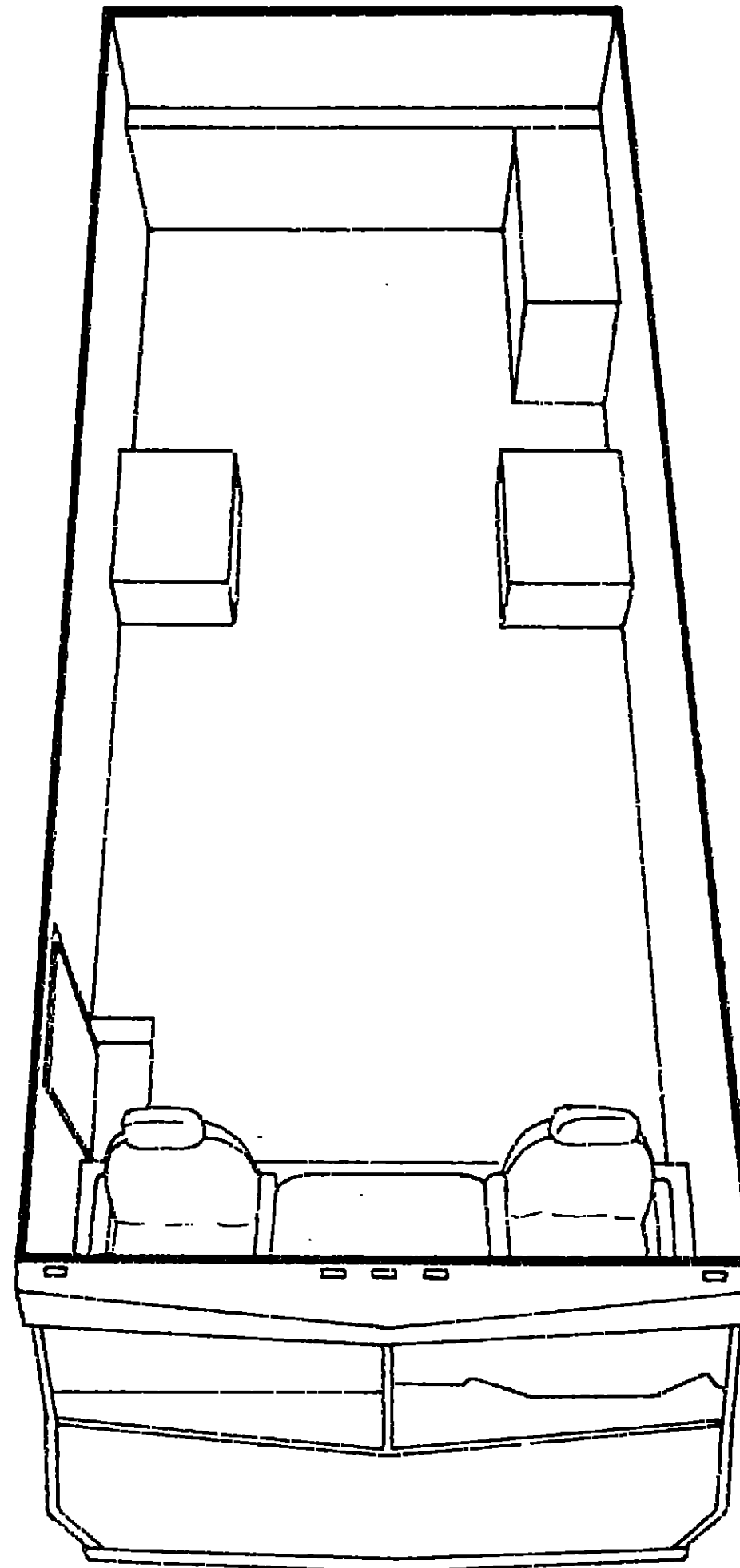


1977 D23S



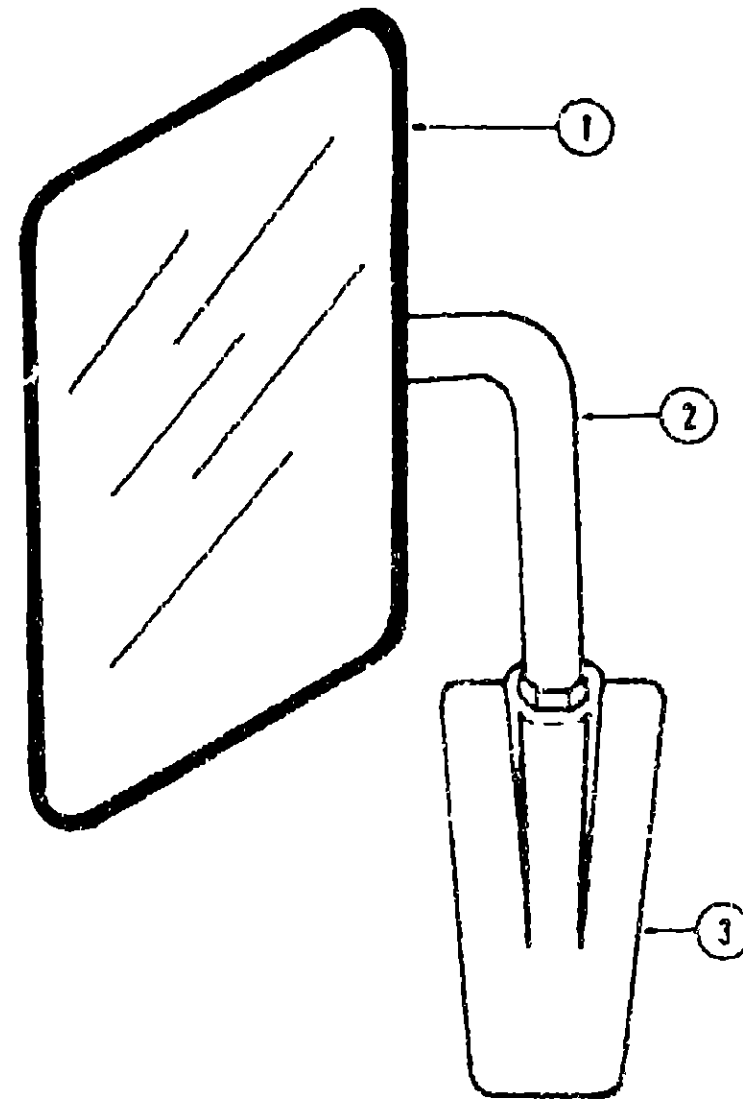
1977 WINNEBAGO TABLE OF CONTENTS

D27MI	A-1 - B-10
MW20RG	B-11 - C-16
D27S	C-17 - D-22
D23MI	D-23 - F-8
D23S	F-9 - G-14
MWC25	G-15 - I-2
D27DRK	I-3 - J-14
D29D	J-15 - L-2

1977 D23S INDEX

Floor Plan	F-9 - F-10
Accessories Group	F-11 - F-13
Chassis Group	F-14 - F-15
Curtain, Cushion & Pad Group	F-16 - F-18
Driver's Compartment Group	F-19 - F-20
Electrical Group	F-21 - F-22
Exterior Body Group	F-23 - F-24
	G-1 - G-2
Heating & Air Conditioning Group	G-3
Interior Finish Group	G-3 - G-4
Window, Vent & Exterior Door Group	G-5 - G-14

ACCESSORIES GROUP



Key	Part Number	U/M	Description
1	049347-01-000	EA	Mirror Head - 7 1/2" x 10 1/2" Stainless Steel w/o Bracket
2	049348-01-000	EA	Arm - Low Mount Mirror - Brite Finish
3	049344-01-000	EA	Bracket - Mirror - Outside - Beige - Mounts to Coach

ACCESSORIES GROUP (CONTINUED)

RADIOS AND RELATED COMPONENTS

Key	Part Number	U/M	Description
	031105-01-700	EA	Clip - Retaining - Side Mount Antenna
	031195-01-000	EA	Antenna - Radio - Side Mount
	039679-01-000	EA	Kit - Radio Speaker - 5 1/4" w/Cover
	043730-01-000	EA	Radio - AM - w/Fader - Clarion
	049731-01-000	EA	Radio - AM/FM/MPX - w/Fader - Clarion
	049732-01-000	EA	Radio - AM/FM/MPX - 8 Track - w/Fader - Clarion
	050751-01-000	EA	Plaque - Fader Switch/Mic Mounting
	050465-01-000	EA	Bezel - Entertainment Center - Number 1 - (Radio Only)
	050466-01-000	EA	Bezel - Entertainment Center - Number 2 - (Radio and Clock)

FRONT BUNK, CABINET AND HARDWARE

Key	Part Number	U/M	Description
	048392-07-000	EA	Bunk - Front - Overhead - (Board w/Rails)
	042988-01-000	EA	Support Asm. - Left and Right - Overhead Bunk - Dark Brown
	040071-01-700	EA	Support Kit - Overhead Bunk - Seat Belt
	006076-01-000	EA	Ladder - Bunk
	048391-01-000	EA	Cabinet - Front Overhead w/o Doors or Hardware
	042964-01-000	EA	Door Asm. - Sliding - Front Overhead Bunk Cabinet
	009148-01-000	EA	Pull - Finger - 3/4" Brass (Sliding Cabinet Door)
	009765-01-000	FT	Track - Sliding Door - Upper - Dark Brown Plastic
	009786-01-000	FT	Track - Sliding Door - Lower - Dark Brown Plastic

GENERATORS AND INSTALLATION KITS

Key	Part Number	U/M	Description
	007059-01-000	EA	Generator - Onan - 2500 Watt LK
	044056-01-000	EA	Generator - 4000 Watt - Onan - BF
	007058-01-000	EA	Generator - 5000 Watt - Onan
	007230-01-000	EA	Generator - 6500 Watt - Onan
**	040504-01-000	EA	Generator - 2.5 kw - Kohler
**	040505-01-000	EA	Generator - 4.0 kw - Kohler
**	040506-01-000	EA	Generator - 5.0 kw - Kohler
**	044149-01-000	EA	Generator - 6.5 kw - Kohler
**	051908-01-000	EA	Generator - 3.5 kw - Kohler
**	051909-01-000	EA	Generator - 4.5 kw - Kohler
**	051910-01-000	EA	Generator - 5.5 kw - Kohler
**	051911-01-000	EA	Generator - 7.0 kw - Kohler
	042865-01-000	EA	Scoop - Generator Air
	050467-01-000	EA	Bezel - Dash - Entertainment Center #3
	701629-02-000	EA	Onan - Installation Package
	701629-01-000	EA	Kohler - Installation Package

** The illustrated parts breakdown for this item is provided on the Common Items Fiche

1977 WINNEBAGO TABLE OF CONTENTS

D27MI	A-1 - B-10
MW20RG	B-11 - C-16
D27S	C-17 - D-22
D23MI	D-23 - F-8
D23S	F-9 - G-14
MWC25	G-15 - J-2
D27DRK	I-3 - J-14
D29D	J-15 - L-2

1977 D23S INDEX

Floor Plan	F-9 - F-10
Accessories Group	F-11 - F-13
Chassis Group	F-14 - F-15
Curtain, Cushion & Pad Group	F-16 - F-19
Driver's Compartment Group	F-19 - F-20
Electrical Group	F-21 - F-22
Exterior Body Group	F-23 - F-24
	G-1 - G-2
Heating & Air Conditioning Group	G-3
Interior Finish Group	G-3 - G-4
Window, Vent & Exterior Door Group	G-5 - G-14

ACCESSORIES GROUP (CONTINUED)

MISCELLANEOUS ACCESSORIES

Key	Part Number	U/M	Description
	050885-01-000	EA	Owner's Manual - Winnebago
	017516-01-000	EA	Mudflap - Black - 14" x 18" w/Holes
	906069-01-000	EA	Case - Leather Key - Motor Home
	008038-01-000	EA	Mat - Door - Black Rubber - 10 1/2" x 26"
	006053-01-000	EA	Antenna - TV - Braun's Delux
	006093-01-000	EA	Jack - TV - Brown (Antenna)
**	040899-01-000	EA	Ladder Asm. w/Luggage Rack - Round
**	040899-02-000	EA	Ladder Only - For Rack and Ladder Asm.
	006713-01-000	EA	Jack - Hydraulic - 5 Ton
	041944-01-700	EA	Fire Extinguisher - w/Bracket
	034410-13-000	EA	Cover - Spare Tire w/Bronze "W" - 34"
**	024746-01-000	EA	Speed Control Package - 440 C.I.D. - Dodge - Lever - Type - A Body - Dana
**	031396-01-000	EA	Wheel Covers - 17 5" - Chrome

**The illustrated parts breakdown for this item is provided on the Common Items Fiche.

CHASSIS GROUP

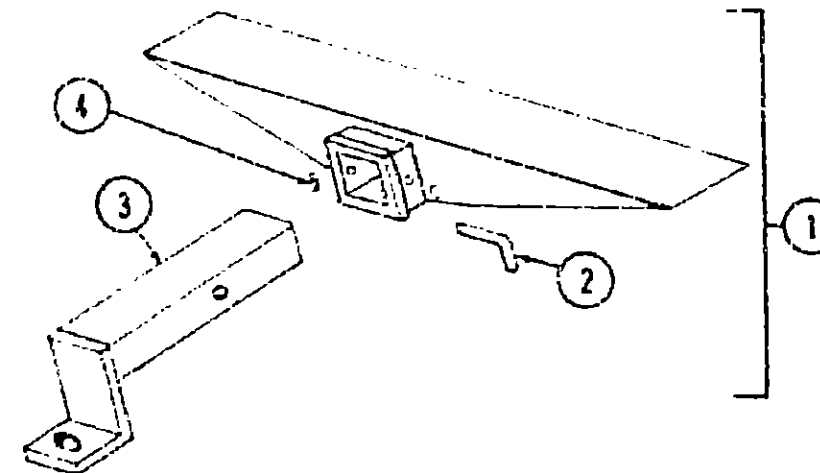
Key	Part Number	U/M	Description
	024652-01-700	EA	Step Asm. - Pull-Out - Entry Door
	045602-01-000	EA	Panel - Headlight - Right
	045603-01-000	EA	Panel - Headlight - Left
	045611-01-000	EA	Hoodboard - Steel - Right
	045611-02-000	EA	Hoodboard - Steel - Left
	007134-01-000	EA	Clamp - Hose - Spring Type - 9/16"
	024138-01-000	FT	Hose - Fuel - 5/16" I.D. SAE30R
	033699-01-000	EA	Hose - Fuel - 2" I.D. x 45.50"
	007140-01-000	EA	Clamp - Hose - 2" to 3" Dia.
	007138-01-000	EA	Clamp 1/4" to 3/4" Dia.
	007160-01-000	EA	Gasket 3/16" x 2" x 2" Tire Carcass
	038882-01-000	EA	Tank - Fuel - Aux. - 27.8 Gallon
	043986-01-000	EA	Strap - Fuel Tank Mount
	017571-02-000	EA	Support Asm. - Auxiliary Fuel Tank
	031374-01-000	EA	Sending Unit - Engine Oil Pressure
	031375-01-000	EA	Sending Unit - Engine Water Temperature
	038883-01-000	EA	Sending Unit - Fuel 7.8 Chm. - Auxiliary Fuel Tank
	045814-01-000	EA	Fill - Gas - w/Vent 4.5"
	024611-04-000	EA	Cap - Gas Pressure 1.50" Black
	048595-01-000	EA	Tray Asm. - Battery - Steel
	035102-01-000	EA	Cover - Rear Radiator
	007131-01-000	EA	Hanger - Tailpipe
	023770-01-000	EA	Wheel Well - Plastic - Black - Left or Right
	007125-07-000	EA	Clamp Asm. - Muffler - 2.5" Dia.
	007143-01-000	EA	Tailpipe - Curved - 2 1/2" x 16"
	013362-01-000	EA	Compartment - Power Cord - Plastic
	015146-01-000	EA	Compartment - Luggage - Black Plastic

1977 WINNEBAGO TABLE OF CONTENTS

D27MI	A-1 - B-10
MW20RG	B-11 - C-15
D27S	C-17 - D-22
D23MI	D-23 - F-8
D23S	F-9 - G-14
MWC25	G-15 - I-2
D27DRK	I-3 - J-14
D29D	J-15 - L-2

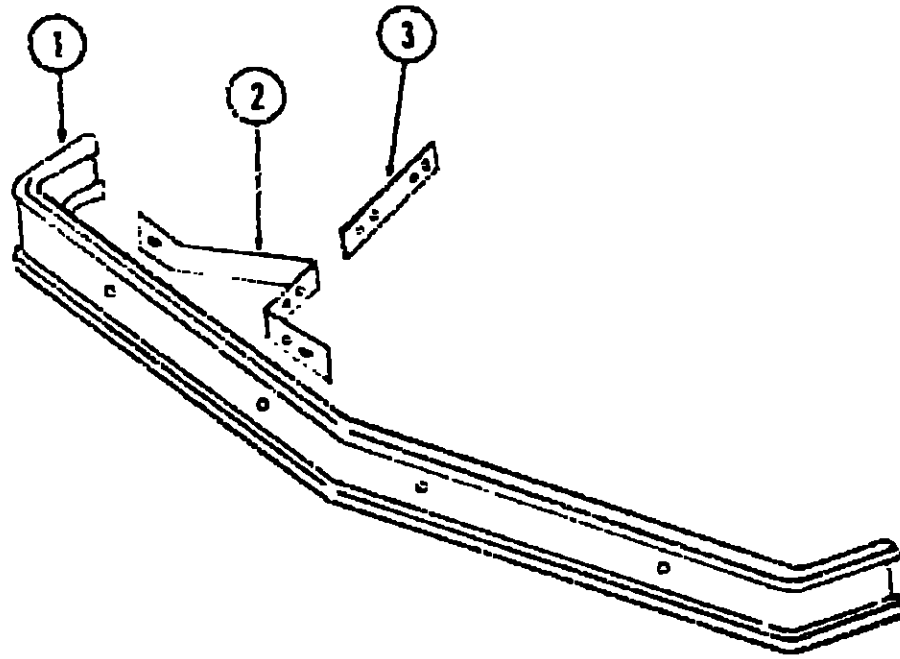
1977 D23S INDEX

Floor Plan	F-9 - F-10
Accessories Group	F-11 - F-13
Chassis Group	F-14 - F-15
Curtain, Cushion & Pad Group	F-16 - F-18
Driver's Compartment Group	F-19 - F-20
Electrical Group	F-21 - F-22
Exterior Body Group	F-23 - F-24
	G-1 - G-2
Heating & Air Conditioning Group	G-3
Interior Finish Group	G-3 - G-4
Window, Vent & Exterior Door Group	G-5 - G-14

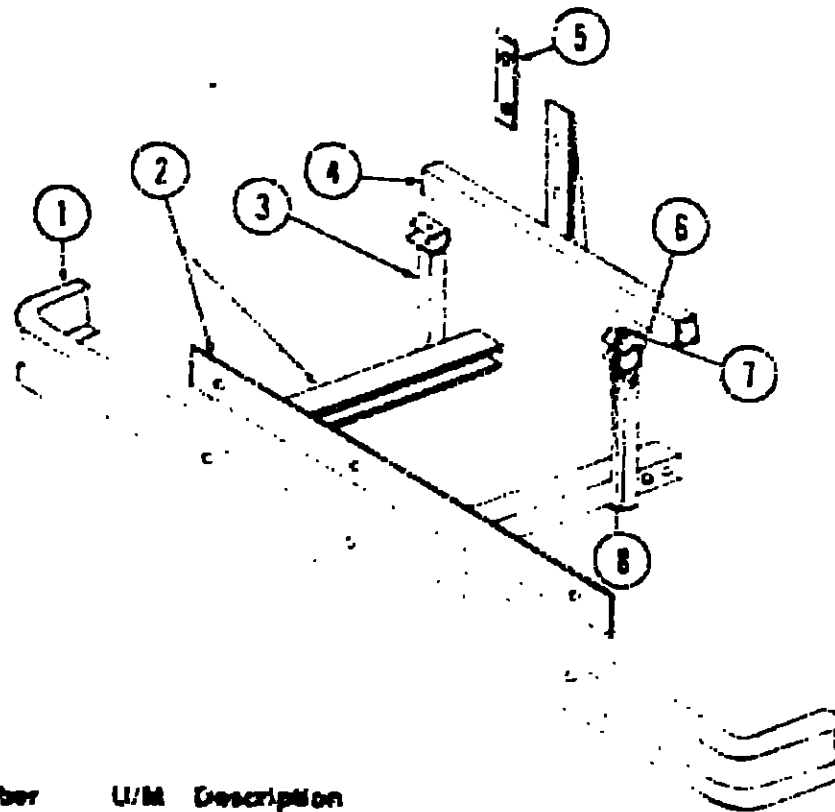


Key	Part Number	U/M	Description
1	023685-01-700	EA	Hitch Kit - w/Drawbar
2	034512-01-000	EA	Pin - Locking - Drawbar
3	024876-01-000	EA	Drawbar - Trailer Hitch
4	034513-01-000	EA	Pin - Hitch - 3/16" Wire Spring

CHASSIS GROUP (CONTINUED)



Key	Part Number	U/M	Description
1	048473-01-000	EA	Bumper - Front Chrome
2	023495-04-000	EA	Bracket - Bumper - Front - Left or Right
3	023520-04-000	EA	Bar - Bumper Bracket - Black - Left or Right



Key	Part Number	U/M	Description
1	048474-01-000	EA	Bumper - Rear Chrome
2	045043-05-000	EA	Bracket Assm - Rear Bumper
3	022445-01-000	EA	Bracket - Tire Carrier - Left
4	016924-02-000	EA	Bracket - Tire Carrier
5	040974-01-000	EA	Carrier - Spare Tire
6	021356-01-000	EA	Bracket - Tire Carrier - Right
7	015365-01-000	EA	Pin - Tire Carrier
8	075522-01-000	EA	Pin - Hitch - 5/32" Wire

CURTAIN, CUSHION AND PAD GROUP

CURTAINS, VALANCES AND TIE BACKS

Key	Part Number	U/M	Description
	049021-38-000	EA	Curtain w/Snap Top - Blackout - 36" x 84" - Green (Martini Mist)
	049021-39-000	EA	Curtain w/Snap Top - Blackout - 36" x 84" - Beige (Champagne Velvet)
	049021-40-000	EA	Curtain w/Snap Top - Blackout - 36" x 84" - Rust (Sierra Sunset)
	048849-81-000	EA	Curtain w/Snap Top and Bottom - 25" x 24" - Green (Martini Mist)
	048840-82-000	EA	Curtain w/Snap Top and Bottom - 25" x 24" - Beige (Champagne Velvet)
	048840-83-000	EA	Curtain w/Snap Top and Bottom - 25" x 24" - Rust (Sierra Sunset)
	049021-13-000	EA	Curtain w/Snap Top - 33" x 42" - Green (Martini Mist)
	049021-14-000	EA	Curtain w/Snap Top - 33" x 42" - Beige (Champagne Velvet)
	049021-15-000	EA	Curtain w/Snap Top - 33" x 42" - Rust (Sierra Sunset)
	049021-25-000	EA	Curtain w/Snap Top - 33" x 36" - Green (Martini Mist)
	049021-26-000	EA	Curtain w/Snap Top - 33" x 36" - Beige (Champagne Velvet)
	049021-27-000	EA	Curtain w/Snap Top - 33" x 36" - Rust (Sierra Sunset)
	049021-47-000	EA	Curtain - Wraparound - w/Snap Top - Right 25" x 80" - Green (Martini Mist)
	049021-48-000	EA	Curtain - Wraparound - w/Snap Top - Right 25" x 80" - Beige (Champagne Velvet)
	049021-49-000	EA	Curtain - Wraparound - w/Snap Top - Right 25" x 80" - Rust (Sierra Sunset)
	049485-14-000	EA	Curtain - Wraparound - w/Snap Top - Left - 25" x 80" - Green (Martini Mist)
	049485-15-000	EA	Curtain - Wraparound - w/Snap Top - Left - 25" x 80" - Beige (Champagne Velvet)
	049485-16-000	EA	Curtain - Wraparound - w/Snap Top - Left - 25" x 80" - Rust (Sierra Sunset)
	049486-63-000	EA	Curtain w/Snap Top - 27" x 24" - Left - Green (Martini Mist)
	049486-64-000	EA	Curtain w/Snap Top - 27" x 24" - Left - Beige (Champagne Velvet)
	049486-65-000	EA	Curtain w/Snap Top - 27" x 24" - Left - Rust (Sierra Sunset)
	049487-62-000	EA	Curtain w/Snap Top - 27" x 24" - Right - Green (Martini Mist)
	049487-63-000	EA	Curtain w/Snap Top - 27" x 24" - Right - Beige (Champagne Velvet)
	049487-64-000	EA	Curtain w/Snap Top - 27" x 24" - Right - Rust (Sierra Sunset)
	041906-22-000	EA	Valance - Pleated w/Hook - 6.5" x 44" - Green (Martini Mist)
	041906-23-000	EA	Valance - Pleated w/Hook - 6.5" x 44" - Beige (Champagne Velvet)
	041906-24-000	EA	Valance - Pleated w/Hook - 6.5" x 44" - Rust (Sierra Sunset)
	041906-34-000	EA	Valance - Pleated - 6.5" x 50" - Green (Martini Mist)
	041906-35-000	EA	Valance - Pleated - 6.5" x 50" - Beige (Champagne Velvet)
	041906-36-000	EA	Valance - Pleated - 6.5" x 50" - Rust (Sierra Sunset)
	049097-22-000	EA	Tie Back - Curtain - 14" - Green (Martini Mist)
	049097-23-000	EA	Tie Back - Curtain - 14" - Beige (Champagne Velvet)
	049097-24-000	EA	Tie Back - Curtain - 14" - Rust (Sierra Sunset)

MATTRESSES

Key	Part Number	U/M	Description
	041914-42-000	EA	Mattress - Front Bunk - 42" x 79" x 4" - Green (Martini Mist)
	041914-43-000	EA	Mattress - Front Bunk - 42" x 79" x 4" - Beige (Champagne Velvet)
	041914-44-000	EA	Mattress - Front Bunk - 42" x 79" x 4" - Rust (Sierra Sunset)

1977 WINNEBAGO TABLE OF CONTENTS

D27MI	A-1 - B-10
1W20RG	B-11 - C-16
D27S	C-17 - D-22
D23MI	D-23 - F-8
D23S	F-9 - G-14
MWC25	G-15 - I-2
D27DRK	I-3 - J-14
D29D	J-15 - L-2

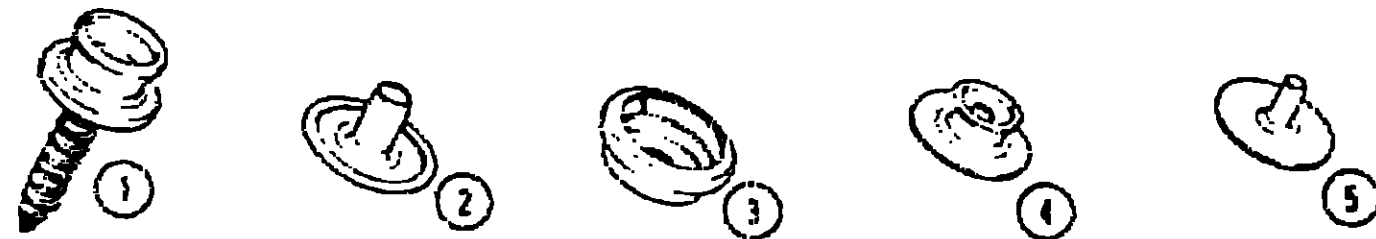
1977 D23S INDEX

Floor Plan	F-9 - F-10
Accessories Group	F-11 - F-13
Chassis Group	F-14 - F-15
Curtain, Cushion & Pad Group	F-16 - F-18
Driver's Compartment Group	F-19 - F-20
Electrical Group	F-21 - F-22
Exterior Body Group	F-23 - F-24
	G-1 - G-2
Heating & Air Conditioning Group	G-3
Interior Finish Group	G-3 - G-4
Window, Vent & Exterior Door Group	G-5 - G-14

CURTAIN, CUSHION AND PAD GROUP (CONTINUED)

CURTAIN HARDWARE

Key	Part Number	U/M	Description
	009107-01-000	EA	Guide - Nylon - Snap (used with 009106-01-000 Brown Curtain Track)
	009701-01-000	EA	Carrier - Curtain w/Rollers (used with "L" Rod)
	009702-01-000	EA	End Stop - Curtain Track (used with "L" Rod)
	029100-01-000	EA	Hook - Curtain (Privacy Curtain)
	009136-01-000	EA	Hook - Shower Curtain
	050626-01-000	EA	Track - Wraparound Curtain - Right
	050626-02-000	EA	Track - Wraparound Curtain - Left
	009223-01-000	EA	Rod - Curtain Flat - Extends 32" - 51"
	018031-42-000	EA	Track Curtain "L" Rod 90" Alum.
	052296-02-001	EA	Extr. - Curtain Track Anod. - 14'
	052327-04-236	EA	Curtain Track - Alum. - Brown - 89" w/Holes (Replaces 009106-01 Plastic Track)



Key	Part Number	U/M	Description
1	029133-01-000	EA	Socket - Snap Fastener - (Tie Backs)
2	029155-01-000	EA	Cap - Snap 155" Diameter x 17" Barrel (Tie Backs)
3	029156-01-000	EA	Socket - Snap Fastener (Tie Backs)
4	029092-01-000	EA	Stud - Nickel Finish (Curtains)
5	029093-01-000	EA	Eyelet - Nickel Finish (Curtains)

PADS

Key	Part Number	U/M	Description
	042945-03-000	EA	Pad - Trim - "A" Post - Right - Brown Vinyl
	042945-04-000	EA	Pad - Trim - "A" Post - Left - Brown Vinyl

CURTAIN, CUSHION AND PAD GROUP (CONTINUED)

BUCKET SEATS, ARMREST AND HEADRESTS

Key	Part Number	U/M	Description
	049159-04-000	EA	Seat Asm. - Single Bucket - w/Skirt - w/o Slides, Armrests or Headrest - Green (Martini Mist)
	049159-05-000	EA	Seat Asm. - Single Bucket - w/Skirt - w/o Slides, Armrests or Headrest - Beige (Champagne Velvet)
	049159-06-000	EA	Seat Asm. - Single Bucket w/Skirt - w/o Slides, Armrest or Headrest - Rust (Sierra Sunset)
	049156-04-001	EA	Cover - Single Bucket Seat - Bottom - Green (Martini Mist)
	049158-05-001	EA	Cover - Single Bucket Seat - Bottom - Beige (Champagne Velvet)
	049158-06-001	EA	Cover - Single Bucket Seat - Bottom - Rust (Sierra Sunset)
	049158-04-002	EA	Cover - Single Bucket Seat - Back - Green (Martini Mist)
	049158-05-002	EA	Cover - Single Bucket Seat - Back - Beige (Champagne Velvet)
	049158-06-002	EA	Cover - Single Bucket Seat - Back - Rust (Sierra Sunset)
	049158-04-003	EA	Skirt - Single Bucket Seat - Green (Martini Mist)
	049158-05-003	EA	Skirt - Single Bucket Seat - Beige (Champagne Velvet)
	049158-06-003	EA	Skirt - Single Bucket Seat - Rust (Sierra Sunset)
	049160-04-000	EA	Seat Asm. - Double Bucket - w/Skirt - w/o Armrests or Headrests - Green (Martini Mist)
	049160-05-000	EA	Seat Asm. - Double Bucket - w/Skirt - w/o Armrests or Headrests - Beige (Champagne Velvet)
	049160-06-000	EA	Seat Asm. - Double Bucket - w/Skirt - w/o Armrests or Headrests - Rust (Sierra Sunset)
	049160-04-001	EA	Cover - Double Bucket Seat - Bottom - Green (Martini Mist)
	049160-05-001	EA	Cover - Double Bucket Seat - Bottom - Beige (Champagne Velvet)
	049160-06-001	EA	Cover - Double Bucket Seat - Bottom - Rust (Sierra Sunset)
	049160-04-002	EA	Cover - Double Bucket Seat - Back - Green (Martini Mist)
	049160-05-002	EA	Cover - Double Bucket Seat - Back - Beige (Champagne Velvet)
	049160-06-002	EA	Cover - Double Bucket Seat - Back - Rust (Sierra Sunset)
	049160-04-003	EA	Skirt - Double Bucket Seat - Green (Martini Mist)
	049160-05-003	EA	Skirt - Double Bucket Seat - Beige (Champagne Velvet)
	049160-06-003	EA	Skirt - Double Bucket Seat - Rust (Sierra Sunset)
	033905-36-000	EA	Headrest Cover - Green (Moss)
	033906-37-000	EA	Headrest Cover - Gold (Topaz)
	033906-38-000	EA	Headrest Cover - Rust (Terra Cotta)
	019722-01-000	EA	Headrest Asm. - Foam w/ Cover
	050290-04-000	EA	Armrest Cover - Right or Left - Green (Moss)
	050250-05-000	EA	Armrest Cover - Right or Left - Gold (Topaz)
	050250-06-000	EA	Armrest Cover - Right or Left - Rust (Terra Cotta)
	040494-01-000	EA	Armrest Asm. - Foam w/o Cover - Right - Style #1
	040494-02-000	EA	Armrest Asm. - Foam w/o Cover - Left - Style #1
	050275-01-700	EA	Armrest Asm. - Foam w/o Cover - Right - Style #2
	050276-01-700	EA	Armrest Asm. - Foam w/o Cover - Left - Style #2
	029136-01-000	EA	Grommet - Headrest - Brown Nylon
	031137-01-000	EA	Protector - Driver Seat - 6" Brown Plastic

FABRICS AND TRIMS

Key	Part Number	U/M	Description
	041429-01-000	YD	Fabric - Drapery - Green (Martini Mist)
	041429-02-000	YD	Fabric - Drapery - Beige (Champagne Velvet)
	041429-03-000	YD	Fabric - Drapery - Rust (Sierra Sunset)
	043623-01-000	YD	Fabric - Upholstery - Green (Martini Mist)
	043623-02-000	YD	Fabric - Upholstery - Beige (Champagne Velvet)
	043623-03-000	YD	Fabric - Upholstery - Rust (Sierra Sunset)
	042411-01-000	YD	Vinyl - Nonexpanded - 27 Ounce - Brown
	042411-03-000	YD	Vinyl - Nonexpand - 16 Gauge - Brown
	042414-01-000	FT	Trim - Accent - Bostonian Brown Vinyl
	023631-05-000	EA	Button - Nail - Brown Vinyl

**1977 WINNEBAGO
TABLE OF CONTENTS**

D27MI	A-1 - B-10
MW20RG	B-11 - C-16
D27S	C-17 - D-22
D23MI	D-23 - F-8
D23S	F-9 - G-14
MWC25	G-15 - I-2
D27DRK	I-3 - J-14
D29D	J-15 - L-2

1977 D23S INDEX

Floor Plan	F-9 - F-10
Accessories Group	F-11 - F-13
Chassis Group	F-14 - F-15
Curtain, Cushion & Pad Group	F-16 - F-18
Driver's Compartment Group	F-19 - F-20
Electrical Group	F-21 - F-22
Exterior Body Group	F-23 - F-24
	G-1 - G-2
Heating & Air Conditioning Group	G-3
Interior Finish Group	G-3 - G-4
Window, Vent & Exterior Door Group	G-5 - G-14

DRIVER'S COMPARTMENT GROUP

DASH PANEL AND COMPONENTS

Key	Part Number	U/M	Description
	031623-07-000	EA	Dash Asm. - Complete w/Gauges and Switches
	022548-03-000	EA	Pad - Dash - Foam - Right - Dark Brown
	023242-04-000	EA	Pad - Dash - Foam - Left - Dark Brown
	022219-01-000	EA	Door - Glove Compartment
	008118-01-000	EA	Lock - Twist w/Nut - Glove Compartment Door
	023892-01-000	EA	Box - Glove Compartment - Black Fiberboard
	009066-01-000	EA	Hinge - Continuous - Alum 1 1/16" x 72" - Plain
	034309-01-000	EA	Chain - Bead - Glove Box Door
	023834-01-000	EA	Panel - Knee Kick - (Bottom of Dash)
	024418-01-000	EA	Lamp - Asm. - Map/Gauge
	007508-01-000	EA	Clock - Dash
	007037-01-000	EA	Lighter - Asm. - Cigarette 12-Volt
	007041-01-000	EA	Bezel - Cigarette Lighter
	024979-01-000	EA	Bezel - Entertainment Center
	007071-01-000	EA	Louver - Chrome - w/Chrome Wheel
	022547-01-000	EA	Seize! - Panel - Control
	023020-01-000	EA	Lamp Asm. - Tail Tail
	039044-01-000	EA	Louver Asm. - A/C Adjustable
	040636-01-000	EA	Bracket Asm. - Shift Lever
	042961-01-000	EA	Nameplate - Chain - Brown/Silver

DASH SWITCHES AND GAUGES

Key	Part Number	U/M	Description
	024907-01-000	EA	Control Asm. - Heater - A/C - 3 Speed
	024461-01-000	EA	Switch - Battery
	024463-01-000	EA	Switch - Blinker
	024464-01-000	EA	Switch - Washer
	024465-01-000	EA	Switch - Fuel
	024467-01-000	EA	Switch - Wiper
	024453-01-000	EA	Gauge Asm. - Voltmeter
	024460-01-000	EA	Gauge - Vacuum Dash
	024462-01-000	EA	Switch - Battery Condition
	031025-01-000	EA	Gauge - Hourmeter - Generator
	024976-01-000	EA	Switch - Generator w/o Circuit Board
	037367-01-000	EA	Switch - Generator w/Circuit Board
	024990-02-000	EA	Outlet - Defroster - w/Swivel - 2" - Dark Brown
	031376-01-000	EA	Heater - Control Asm. 3-Speed

BUCKET SEAT PEDESTAL AND SEAT BELTS

Key	Part Number	U/M	Description
	036837-01-000	EA	Pedestal Asm. - Seat Bottom w/Tightener
	036832-01-000	EA	Rod - Seat Adjuster
	041654-01-000	EA	Pedestal - Base - Single and Double Seat
	007223-01-000	EA	Adjuster Asm. - Seat w/Lock
	007227-01-000	EA	Adjuster - Seat - w/o Lock
	041459-01-000	EA	Pedestal - Top - Single Seat
	007019-01-000	EA	Belt Asm. - Seat - 2" x 84" Black
	041322-01-000	EA	Washer - Flat - 15/32" I.D. x 2.3.8" O.D. - Seat Belt

DRIVER'S COMPARTMENT GROUP (CONTINUED)

FRONT OVERHEAD BUNK CABINET

Key	Part Number	U/M	Description
	048391-04-000	EA	Cabinet - Front Overhead - w/o Doors
	042964-15-000	EA	Door Asm. - Sliding - (Front Overhead Cabinet)
	009148-01-000	EA	Pull - Finger 3/4" Dia. Brass
	009785-01-000	FT	Track - Door Upper - Dark Brown Plastic
	009786-01-000	FT	Track - Door - Lower - Dark Brown Plastic

MISCELLANEOUS DRIVER'S COMPARTMENT COMPONENTS

Key	Part Number	U/M	Description
	048583-01-000	EA	Tray - Beverage
	048670-01-000	EA	Track Asm. - Beverage (2 Per Tray)
	034830-01-000	EA	Cover - Motor - Plastic
	039857-01-000	EA	Latch - Rubber - Draw Handle - 5 3/4" w/Strike (Motor Cover)
	039856-01-000	EA	Latch - Rubber - Draw Handle - 3" w/Strike (Motor Cover)
	035358-02-000	EA	Seal - Motor Cover - (Aluminum Extr.)
	040519-01-000	EA	Boot - Rubber - Steering Column
	040520-01-000	EA	Boot - Retainer - Steering Column
	034439-01-000	EA	Support - Dimmer Switch
	042434-02-000	EA	Sunvisor Asm. - Bostonian Brown - Left or Right
	041342-01-000	EA	Clip - Sunvisor Rod - Brown Plastic
	009143-01-000	EA	Mirror - Sunvisor
	007278-01-000	EA	Mirror - Rear View
	036414-01-000	EA	Ashtray
	044699-01-000	EA	Panel - Side - Interior - Left - Plastic
	044700-01-000	EA	Panel - Side - Interior - Right - Plastic

1977 WINNEBAGO TABLE OF CONTENTS

D27M1	A-1 - B-10
M1V20RG	B-11 - C-16
D27S	C-17 - D-22
D23M1	D-23 - F-8
D23S	F-9 - G-14
MWC25	G-15 - I-2
D27DRK	I-3 - J-14
D29D	J-15 - L-2

1977 D23S INDEX

Floor Plan	F-9 - F-10
Accessories Group	F-11 - F-13
Chassis Group	F-14 - F-15
Curtain, Cushion & Pad Group	F-16 - F-18
Driver's Compartment Group	F-19 - F-20
Electrical Group	F-21 - F-22
Exterior Body Group	F-23 - F-24
	G-1 - G-2
Heating & Air Conditioning Group	G-3
Interior Finish Group	G-3 - G-4
Window, Vent & Exterior Door Group	G-5 - G-14

ELECTRICAL GROUP

BULBS

Key	Part Number	U/M	Description
	037935-01-000	EA	Bulb - 1157
	036010-01-000	EA	Bulb - 1143
	008103-01-000	EA	Bulb - 53
	008213-01-000	EA	Bulb - 57
	008214-01-000	EA	Bulb - 57
	008215-01-000	EA	Bulb - 1003
	008216-01-000	EA	Bulb - 1034
	008217-01-000	EA	Bulb - 1073
	008218-01-000	EA	Bulb - 1141
	008219-01-000	EA	Bulb - 556
	008220-01-000	EA	Bulb - 12V - 25W
	036136-01-000	EA	Bulb - 194
	700020-01-000	EA	Bulb - 12V - 20 W 1383

EXTERIOR LIGHTS

Key	Part Number	U/M	Description
	008089-01-000	EA	Light - Porch - Recessed
	031054-02-000	EA	Lamp Asm. - Tail - Left - Beige
	031054-01-701	EA	Lens - Tail Lamp - Left
	031055-02-000	EA	Lamp Asm. - Tail - Right - Beige
	031055-01-701	EA	Lens - Tail Lamp - Right
	042405-03-000	EA	Base - Rectangular Clearance Light
	042405-04-000	EA	Lens - Rectangular Light - Red
	042405-05-000	EA	Lens - Rectangular Light - Amber

INTERIOR LIGHTS

Key	Part Number	U/M	Description
	024412-01-000	EA	Lamp Asm. - Map/Gauge/Asst
	024473-01-000	EA	Light - Aircraft - 1 Bulb - Gold
	033503-02-000	EA	Light - Dome - Ivory - 1 Bulb
	024542-01-701	EA	Lens - Dome Light - 1 Bulb
	033503-02-000	EA	Light - Dome - Ivory - 2 Bulb
	024543-01-701	EA	Lens - Dome Light - 2 Bulb
	008102-01-000	EA	Light - Corner Mount - Multibulb

FUSES AND CIRCUIT BREAKERS

Key	Part Number	U/M	Description
	008233-01-000	EA	Fuse - 12 Volt - 5 Amp.
	008234-01-000	EA	Fuse - 12 Volt - 10 Amp
	008235-01-000	EA	Fuse - 12 Volt - 15 Amp
	008236-01-000	EA	Fuse - 12 Volt - 20 Amp
	008252-01-000	EA	Fuse - 110 Volt - 50 Amp.
	008208-01-000	EA	Circuit Breaker - 12 Volt - 40 Amp.
	008211-01-000	EA	Circuit Breaker - 12 Volt - 6 Amp
	008262-01-000	EA	Circuit Breaker - 12 Volt - 30 Amp w/Mount
	033573-01-000	EA	Circuit Breaker - 12 Volt - 20 Amp w/Mount
	033484-01-000	EA	Circuit Breaker - 30 Amp - Air Conditioner
	052012-01-000	EA	Circuit Breaker - 50 Amp. - Air Conditioner

ELECTRICAL GROUP (CONTINUED)

WINDSHIELD WIPER & WASHER

Key	Part Number	U/M	Description
**	037998-01-000	EA	Link Asm. - Connecting - 22 40" Long
**	037999-01-000	EA	Motor Asm. - Windshield Wiper
**	038001-01-000	EA	Shaft and Pivot Asm. - 2 25" Arm
**	049453-01-000	EA	Arm - Windshield Wiper - 15" Black
**	049464-01-000	EA	Blade - Windshield Wiper - 16" Black
**	007029-01-000	EA	Washer Asm. - Windshield Power Jet Electric - Front
	700073-05-000	EA	Pump and Cover Asm. - For Windshield Washer
	700073-04-000	EA	Reservoir Only - Water - Windshield Washer
	700073-02-000	EA	Washer Nozzle Hardware Package - Front

**The illustrated parts breakdown for this item is provided on the Common Items Fiche.

WIRE, SWITCHES, AND RECEPTACLES

Key	Part Number	U/M	Description
	006024-01-000	FT	Wire - 18.5 Bonded - Orange/White/Yellow/Blue/Brown
	006025-01-000	FT	Wire - 18.5 Bonded - Orange/White/Yellow/Blue/Green
	006029-01-000	FT	Wire - 18.5 Bonded - Blue/Red/Yellow/Orange/White
	006030-01-000	FT	Wire - 18.4 Bonded
	008251-01-000	EA	Holder - Fuse - Black - Screw Type
	008277-01-000	EA	Holder - Fuse - Black - Panel Mount
	008195-01-000	EA	Switch - Push Button - 12 Volt
	006077-01-000	EA	Plaque - Compressor Switch
	006054-01-000	EA	Cord - Power - 10-3 30 Amp. - 25' - UL
	034818-04-000	EA	Holder - Receptacle - Plastic
	039335-01-000	EA	Cover Plate - Receptacle - Plastic - Brown
	029339-01-000	EA	Receptacle - Duplex Brown - End of Line
	039342-01-000	EA	Receptacle - Duplex Brown - T Junction
	024571-01-000	EA	Cover Plate - Receptacle - Jumbo Steel Brown
	039343-01-000	EA	Cap - End - Receptacle
	008162-01-000	EA	Switch - Double Toggle - Spade Brown
	008163-01-000	EA	Switch - Toggle Brown
	024924-01-000	EA	Receptacle - Power Cord
	008052-01-000	EA	Adaptor - Power Cord
	047353-01-000	EA	Cover - Receptacle - Ground Fault
	047351-01-000	EA	Receptacle - Ground Fault Interrupter - 125 Volt - Black

MISCELLANEOUS ELECTRICAL COMPONENTS

Key	Part Number	U/M	Description
	047335-01-000	EA	Isolator - Dual Battery
	047389-01-700	EA	Battery - 12 Volt - 105 Amp Deep Cycle - Dry
	008189-01-000	EA	Solenoid - Dual Battery - Relay
	046715-01-000	EA	Valve - Gas - Change Over
	039950-02-000	EA	Control Center - 30 Amp w/Door - UL
	011155-01-000	EA	Panel - Control - Water/Single Sewage - Wemac
	039861-01-000	EA	Sending Unit Kit - Wemac

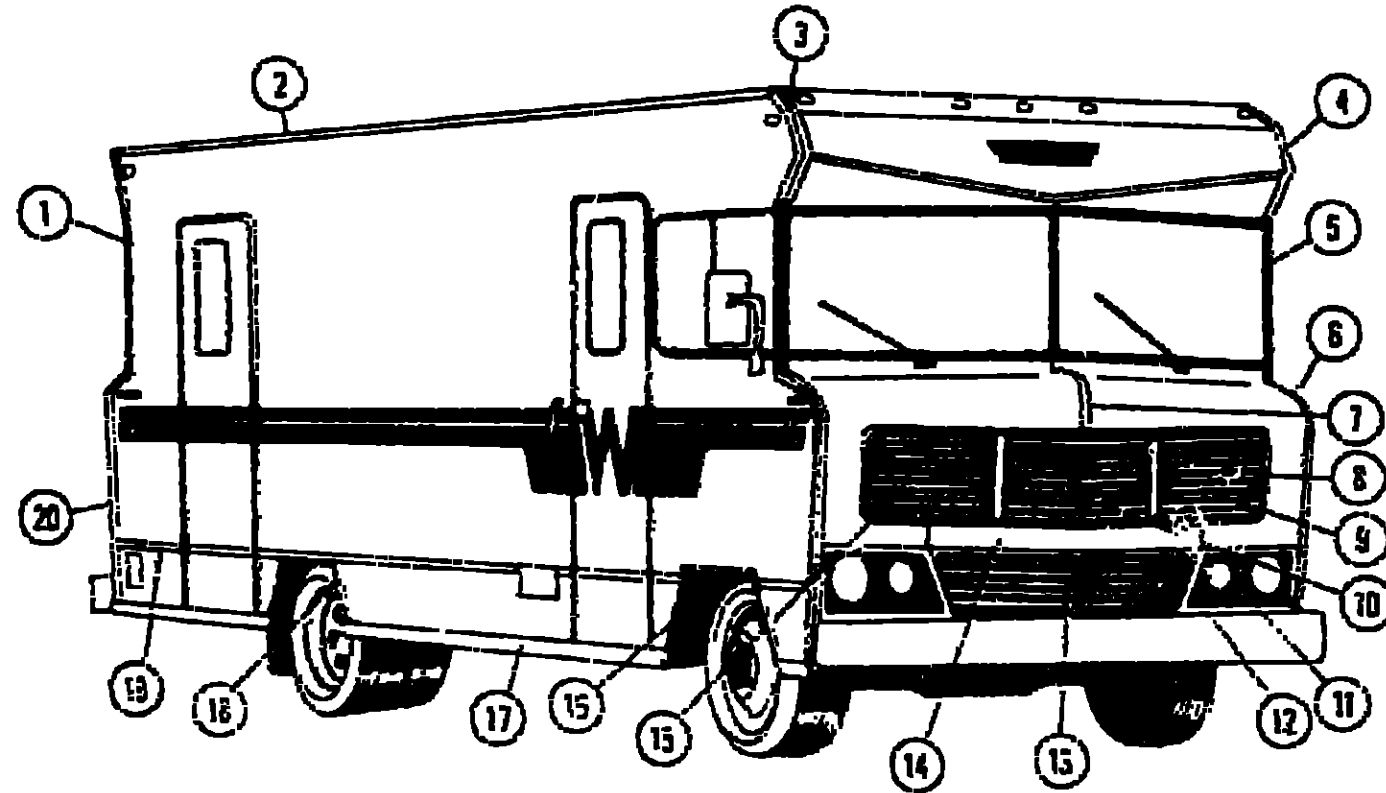
1977 WINNEBAGO TABLE OF CONTENTS

D27MI	A-1 - B-10
MW20RG	B-11 - C-15
D27S	C-17 - D22
D23MI	D-23 - F-8
D23S	F-9 - G-14
MWC25	G-15 - I-2
D27DRK	I-3 - J-14
D25D	J-15 - L2

1977 D23S INDEX

Floor Plan	F-9 - F-10
Accessories Group	F-11 - F-13
Chassis Group	F-14 - F-15
Curtain, Cushion & Pad Group	F-16 - F-15
Driver's Compartment Group	F-19 - F-20
Electrical Group	F-21 - F-22
Exterior Body Group	F-23 - F-24
	G-1 - G-2
Heating & Air Conditioning Group	G-3
Interior Finish Group	G-3 - G-4
Window, Vent & Exterior Door Group	G-5 - G-14

EXTERIOR BODY GROUP



1977 WINNEBAGO TABLE OF CONTENTS

D27MI
MW20RG
D27S
D23MI
D23S
MWC25
D27DRK
D29D

A-1 - B-10
B-11 - C-16
C-17 - D22
D-23 - F-8
F-9 - G-14
G-15 - I-2
I-3 - J-14
J-15 - L2

Key	Part Number	U/M	Description
1	021213-03-000	EA	Trim - Contour - Right Rear Upper - Beige
2	020965-03-000	EA	Trim - Contour - Left Rear Upper - Beige
3	044771-01-000	EA	Extr. - Awning Rail w/Holes - 16' - Beige
4	044770-01-000	EA	Extr. - Drop Rail w/Holes - 16' - Beige
5	042801-03-000	EA	Trim - Contour - Right Front Upper - Beige
6	042801-01-000	EA	Trim - Contour - Left Front Upper - Beige
7	042834-01-000	EA	Trim - Contour - Windshield - Left - Black
8	042894-03-000	EA	Trim - Contour - Windshield - Right - Black
9	042733-01-000	EA	Trim - Contour - Left Front Lower - Beige
10	042730-03-000	EA	Trim - Contour - Right Front Lower - Beige
11	024581-05-000	EA	Trim - Center - Front Wall - Beige
12	024783-01-000	EA	Trim - Anod - Upper Grille - Side - Left or Right
13	024764-01-000	EA	Trim - Anod - Upper Grille - Center Top
14	002754-02-001	EA	Extr. - Anod Angle - 3/4" x 3/8" x 18"
15	033525-01-000	EA	Grille Asm. - Left - Upper
16	033525-01-000	EA	Grille Asm. - Center - Upper
17	021497-01-000	EA	Latch Asm. - Center Grille
18	024585-01-000	EA	Step Asm. - Upper Grille
19	045421-01-000	EA	Bezel - Headlight - Left - Wrought Iron Black
20	045422-01-000	EA	Bezel - Headlight - Right - Wrought Iron Black

Key	Part Number	U/M	Description
12	049419-01-000	EA	Trim - Headlight - U-Channel - Left or Right
13	045417-02-000	EA	Trim - Headlight/Grille - Left
14	045417-01-000	EA	Trim - Headlight/Grille - Right
15	043418-01-000	EA	Grille Asm. - Lower
16	042542-01-000	EA	Center Asm. - Grille - Between Top and Bottom Grille w/Beige Inset
17	040876-01-000	EA	Grille Asm. - Upper Right
18	042467-01-000	EA	Trim - Wheel Well - Front - Left or Right
19	036908-02-001	EA	Extr. - Anod - Rocker Panel - 16'
20	040420-01-000	EA	Cap - Rocker Panel - End - 3/4 Miter - Right
21	040420-02-000	EA	Cap - Rocker Panel - End - 3/4 Miter - Left
22	042465-01-000	EA	Trim - Wheel Well - Rear - Left or Right
23	002444-02-001	EA	Extr. - Anod - Feature Strip - 14' w/o Inset
24	001030-04-002	EA	Insert - Feature Strip - 13/16" x 17' - Antique Bronze Metallic
25	009731-01-000	EA	End Cap - Feature Strip
26	015251-04-000	EA	Trim - Contour - Right Rear Lower - Beige
27	015252-04-000	EA	Trim - Contour - Left Rear Lower - Beige
28	002365-02-001	EA	Extr. - U-Channel - 1" Serrated - 15' (Lower Backwall Trim)
29	045416-01-000	EA	Hoodboard - Front Right - Beige
30	043416-02-000	EA	Hoodboard - Front Left - Beige
31	Not Illustrated		

1977 D23S INDEX

Floor Plan	F-9 - F-10
Accessories Group	F-11 - F-13
Chassis Group	F-14 - F-15
Curtain, Cushion & Pad Group	F-16 - F-18
Driver's Compartment Group	F-19 - F-20
Electrical Group	F-21 - F-22
Exterior Body Group	F-23 - F-24
	G-1 - G-2
Heating & Air Conditioning Group	G-3
Interior Finish Group	G-3 - G-4
Window, Vent & Exterior Door Group	G-5 - G-14

EXTERIOR BODY GROUP (CONTINUED)

EXTERIOR BODY PANELS AND SHEET ALUMINUM

Key	Part Number	U/M	Description
	030519-01-000	EA	Backwall Asm
	047925-01-000	EA	Sidewall Asm - Right
	047927-01-000	EA	Sidewall Asm - Left
	047923-01-000	EA	Roof Asm
	047923-01-700	EA	Roof Section - Windshield to First Seam
	039155-02-008	EA	Alum. - Beige Mesa Design - .024" x 32" x 60"
	039155-02-002	EA	Alum. - Beige Mesa Design - .024" x 35" x 300"
	039155-02-003	EA	Alum. - Beige Mesa Design - .024" x 36" x 350"
	039155-02-007	EA	Alum. - Beige Mesa Design - .024" x 49" x 60"
	039155-02-005	EA	Alum. - Beige Mesa Design - .024" x 48" x 300"
	039155-02-006	EA	Alum. - Beige Mesa Design - .024" x 48" x 350"
	039155-02-009	EA	Alum. - Beige Mesa Design - .024" x 12" x 350"
	044487-01-000	EA	Alum. - M 1 Finish - No Design (Roof) - 96" x 350"
	023345-01-000	EA	Alum. - Beige Greyhound Design 45" x 95"
	001019-01-024	EA	Alum. - Beige - No Design - 48" x 95"
	000868-01-000	EF	Styrofoam - 3/4" x 24" x 95"

EXTERIOR PAINT

Key	Part Number	U/M	Description
	044486-04-000	EA	Paint - Beige Acrylic Lacquer - 1 Gallon
	044485-01-000	EA	Paint - Beige - Acrylic Enamel - 1 Gallon
	044485-03-000	EA	Paint - Beige - Acrylic Enamel - 16 Oz. Aerosol
	041567-01-000	EA	Paint - Rally Gold - Acrylic Enamel - 1 Gallon (Lower Stripes)
	041567-03-000	EA	Paint - Rally Gold - Acrylic Enamel - 16 Oz. Aerosol (Lower Stripes)
	041566-01-000	EA	Paint - Antique Bronze Metallic - Acrylic Enamel - 1 Gallon (Upper Stripes)
	041566-03-000	EA	Paint - Antique Bronze Metallic - Acrylic Enamel - 16 Oz. Aerosol (Upper Stripes)
	045581-01-000	EA	Paint - High Gloss Black - Acrylic Enamel - 1 Gallon
	045581-03-000	EA	Paint - High Gloss Black - Acrylic Enamel - 16 Oz. Aerosol

LABELS AND DECALS

Key	Part Number	U/M	Description
	006010-01-000	EA	Decal - Winnebago - Brown Chrome
	006023-01-000	EA	Label - Water Only
	006025-01-000	EA	Label - Gas
	006029-01-000	EA	Label - Drain Cap - 2 1/2"
	006031-01-000	EA	Label - Potable Water Only
	006157-01-000	EA	Label - Sewage
	006159-01-000	EA	Label - Waste Water
	006129-01-000	EA	Label - Exit - Escape Window
	031161-01-000	EA	Label - Flying W
	038403-01-000	EA	Decal - Logo - Winnebago 2 1/2" (Front or Rear)
	039289-01-000	EA	Label - Warning Aux. Loading
	043473-03-000	EA	Decal - Flying "W" - 13 7/8" High - Bronze
	045374-01-000	EA	Stencil - Chieftain 2 25" High - Right
	045374-02-000	EA	Stencil - Chieftain 2 25" High - Left
	006092-01-000	EA	Reflector - Station - Rectangular - Red
	006093-01-000	EA	Reflector - Station - Rectangular - Amber

EXTERIOR BODY GROUP (CONTINUED)

SEALANTS, ADHESIVES, AND FASTENERS

Key	Part Number	U/M	Description
	034552-05-000	EA	Sealant - Off White Silicone
	034552-04-000	EA	Sealant - Beige Silicone
	034552-02-000	EA	Sealant - Clear Silicone
	004348-02-000	EA	Sealant - Aluminum Silicone
	004349-01-000	EA	Sealant - Black Silicone
	004342-01-000	EA	Sealant - Weatherban 202 Tube
	004346-01-000	EA	Sealant - White Silicone
	004347-01-000	EA	Sealant - Tuiflex
	002316-01-000	FT	Sealer Tape - 3/32" x 1/8"
	024545-01-000	FT	Sealer Tape - 1/8" x 5/8" - Black
	004350-01-000	FT	Sealer Tape - 1/8" x 1" - Formaseal
	004352-01-000	FT	Sealer Tape - 1/8" x 3/4" - Formaseal
	004355-01-000	FT	Sealer Tape - 1/8" x 5/8" - Black
	004357-01-000	FT	Sealer Tape - 1/8" x 5/8" - Adhesive
	002707-02-000	FT	Sealer Tape - 5/16" x 1/2" - Black Foam
	002707-01-000	FT	Sealer Tape - 5/16" x 3/4" - Black Foam
	041422-01-000	FT	Sealer Tape - 1/4" x 1/2"
	004353-01-000	FT	Sealer Tape - 3/16" x 1/2" - Foam
	004352-01-000	FT	Sealer Tape - 3/16" x 1/2" - Foam
	004352-01-000	FT	Sealer Tape - 1/8" x 5/8" - Foam
	009200-01-000	EA	Tape - Furnace - 1 1/2"
	041839-01-000	FT	Tape - Window - Latch - 3/4" - Adhesive
	041839-02-000	FT	Tape - Window - Latch - 1/2" - Adhesive
	004353-01-000	FT	Tape - Gasket - 1/8" x 3/4" - White
	002825-01-000	FT	Weather Stripping - Roof Vent
	002337-01-000	EA	Adhesive - 3M - 1300 Tube
	004005-01-000	GL	Adhesive - Swirls - Green - Glue (Sidewalls)
	004012-01-000	EA	Adhesive - 3M - 4475 Tube
	004020-01-000	CT	Adhesive - ABS Cement (Plastic fittings)
	029051-01-000	EA	Adhesive - Spray Vinyl
	042401-01-000	EA	Screw - 5-15 - 3/4" SDPH Beige
	042403-01-000	EA	Screw - SF DR - 3-18 x 1" SDPH Beige
	005028-01-000	EA	Screw - Wood - 12-11" x 3" P.C.H. Zinc

MISCELLANEOUS EXTERNALLY MOUNTED PARTS

Key	Part Number	U/M	Description
	016060-01-000	EA	Fuel Fill - Recessed - Single - Beige
	015587-05-000	EA	Fuel Fill - Recessed - Double - Beige
	011124-01-000	EA	Plumbing Seal - Roof Vent - 1 1/4" White
	011129-01-000	EA	Plumbing Seal - Roof Vent - 1 1/2" White
	010230-02-000	EA	Fill - City Water - Recessed - Off White
	011020-01-000	EA	Fill - Water - Recessed - Off White
	009126-01-000	EA	Handle - Assist - Metal - Exterior

1977 WINNEBAGO TABLE OF CONTENTS

D27111	A-1 - B-10
M5V20RG	B-11 - C-16
D27S	C-17 - D22
D23MI	D-23 - F-8
D23S	F-9 - G-14
MWC25	G-15 - I-2
D27DRK	I-3 - J-14
D29D	J-15 - L2

1977 D23S INDEX

Floor Plan	F-9 - F-10
Accessories Group	F-11 - F-13
Chassis Group	F-14 - F-15
Curtain, Cushion & Pad Group	F-16 - F-18
Driver's Compartment Group	F-19 - F-20
Electrical Group	F-21 - F-22
Exterior Body Group	F-23 - F-24
	G-1 - G-2
Heating & Air Conditioning Group	G-3
Interior Finish Group	G-3 - G-4
Window, Vent & Exterior Door Group	G-5 - G-14

HEATING AND AIR CONDITIONING GROUP

AUTOMOTIVE HEATING AND AIR CONDITIONING

Key	Part Number	U/M	Description
	048228-02-000	EA	Auto Air Kit - 440 C.I.D. - Winnebago
	039044-01-000	EA	Louver Asm - A/C Adjustable
	047046-01-000	EA	Motor - 12 Volt - 3 Speed - Heater - Air Conditioner
	031043-01-000	EA	Valve - Heater - Water Flow Control
	031169-01-000	EA	Cable - Control - Flexible - 53"
	031169-02-000	EA	Cable - Control - Flexible - 45"
	031170-01-000	EA	Clamp - Cable - 3/16" Dia.
	024995-01-000	EA	Clutch - Magnetic - Compressor
	024999-01-000	EA	Compressor - Auto Air - 19.3 Cubic Inch
	033295-01-000	EA	Package - Air Conditioner - Compressor Mount - 440 C.I.D.
	031394-01-000	EA	Condenser - Radiator Mount
	008267-01-000	EA	Switch - Air Conditioner
	024867-01-000	EA	Valve - Thermostatic Expansion
	024997-01-000	EA	Core - Heater
	024995-01-000	EA	Wheel - Blower - 4.72" O.D.
	031393-01-000	EA	Coil - Evaporator
	033258-01-000	EA	Hose - Refrigerant - 50" I.D. x 34.50"
	034222-01-000	EA	Hose - Refrigerant - .31" I.D. x 26"
	031960-01-000	EA	Hose - Refrigerant - .34" I.D. x 30"
	031961-01-000	EA	Hose - Refrigerant - 31" I.D. x 14.75"
	024868-01-000	EA	Receiver - Dehydrator
	031044-01-000	EA	Clamp - Receiver Dehydrator
	031962-01-000	EA	Bracket - Receiver Dehydrator
	031976-01-000	EA	Belt - Drive - .50" I.D. x 54" - 440 C.I.D.
	039505-02-000	EA	Thermostat - Wallmount
	009198-01-000	EA	Duct - Flexible - 4" I.D. x 25"
	023145-01-000	EA	Clamp - Screw Type - 4"
	024965-01-000	EA	Heat Register - w/Damper - 9 9/16" x 4 8/16"
	009175-01-000	EA	Heat Register - Steel - 11 5/8" x 3 7/8"
	031604-01-000	EA	Bonnet - Heat Register - 4 3/8" x 8 4/8"
	042152-01-000	EA	Bonnet - Heat Register - 4 5/8" x 8 4/8"
	009200-01-000	EA	Tape - Furnace - 1 1/2"
**	049777-01-000	EA	Air Conditioner - 110 Volt - Roof Mount - 11,000 BTU - Ivory Coleman (w/o inside Shroud)
**	049775-01-000	EA	Shroud Asm. - Ceiling - Inside - Roof Air - Cool Only - 11,000 BTU - Coleman
**	049774-01-000	EA	Air Conditioner - 110 Volt - Roof Mount - 13,500 BTU Ivory - Coleman (w/o inside Shroud)
**	049775-01-000	EA	Shroud Asm. - Ceiling - Inside - Roof Air - Cool Only - 13,500 BTU - Coleman
**	049775-01-000	EA	Shroud Asm. - Ceiling - Inside - Roof Air - Heat and Cool Only - 13,500 BTU - Coleman

**The illustrated parts breakdown for this item is provided on the Common Items Fiche

INTERIOR FINISH GROUP

PANELING

Key	Part Number	U/M	Description
	000726-06-000	EA	Back Strip - 707 Hickory
	047364-01-000	EA	Back Strip - 825 Buff
	045963-01-000	SF	Paneling - Buff - Ceiling - 48" x 96" (32SF)
	039188-01-000	SF	Paneling - 707 Hickory - 48" x 96" (32SF)
	041206-01-000	SF	Tileboard - 60" x 84" - Agate Beige (35 SF)

6-3

INTERIOR FINISH GROUP (CONTINUED)

CURTAIN HARDWARE

Key	Part Number	U/M	Description
	009107-01-000	EA	Guide - Nylon - Snap (Used With 009108-01-000 Brown Curtain Track)
	009701-01-000	EA	Carrier - Curtain w/Rollers (used with "L" Rod)
	009702-01-000	EA	End Stop - Curtain Track (used with "L" Rod)
	029100-01-000	EA	Hook - Curtain (Privacy Curtain)
	009136-01-000	EA	Hook - Shower Curtain
	050826-01-000	EA	Track - Wraparound Curtain - Right
	050826-02-000	EA	Track - Wraparound Curtain - Left
	009223-01-000	EA	Rod - Curtain Flat - Extends 32" - 51"
	018001-42-000	EA	Track Curtain "L" Rod 90" Alum.

INTERIOR FINISH GROUP MISCELLANEOUS

Key	Part Number	U/M	Description
	007021-01-000	EA	Belt Asm. - Seat - 2" x 50" Black
	041322-01-000	EA	Washer - Flat 15/32" I.D. x 2.3.5" O D (Seat Belt)
	042950-01-000	EA	Handle - Interior Assist
	041944-01-700	EA	Extinguisher - Fire - Dry Chemical w/Bracket
	007035-01-000	EA	Mat - Door - Black Rubber - 10 1/2" x 25"

INTERIOR MOLDINGS AND TRIMS

Key	Part Number	U/M	Description
	022756-01-000	EA	Cover - Air Conditioner Wire - Plastic
	024700-04-000	EA	Cover - Sidewall Roll Bar - 707 Hickory
	024700-06-000	EA	Cover - Sidewall Roll Bar - Ivory
	034113-03-000	EA	Cover - Corner Support Bar - Dark Brown
	039512-02-000	EA	Cover - Hat - Section - 707 Hickory
	039512-06-000	EA	Cover - Hat - Section - Ivory
	047488-01-000	EA	Cover - Corner Hat/Hat
	047489-01-000	EA	Cover - Corner Tube/Tube
	009778-01-000	FT	U-Channel - 1" Dark Brown Plastic
	009777-01-000	FT	U-Channel - 3/4" Dark Brown Plastic
	009815-02-000	FT	T Molding 3/4" Brown
	009812-03-000	FT	Molding - Plastic Corner O/S 50"
	009767-01-000	FT	Wetling - Brown
	009779-01-000	FT	U-Channel - 1 1/8" - Dark Brown Plastic
	009809-03-000	FT	Molding - Plastic - Corner - O/S 1"
	034394-02-000	FT	Extr - Vinyl - Inset Beige - Bath Trim
	034689-03-000	EA	Cover - Screw PPH 10 - Ivory - Bathroom
	042356-01-000	EA	Plug - Button - Mahogany 3/8" Dia.
	009761-01-000	FT	Cover - Outside - .62" x .62" Dark Brown Plastic

FABRICS AND CARPET

Key	Part Number	U/M	Description
	041429-01-000	YD	Fabric - Drapery - Green (Martini Mist)
	041429-02-000	YD	Fabric - Drapery - Beige (Champagne Velvet)
	041429-03-000	YD	Fabric - Drapery - Rust (Sierra Sunset)
	043623-01-000	YD	Fabric - Upholstery - Green (Martini Mist)
	043623-02-000	YD	Fabric - Upholstery - Beige (Champagne Velvet)
	043623-03-000	YD	Fabric - Upholstery - Rust (Sierra Sunset)
	042411-01-000	YD	Vinyl - Nonexpanded - 27 Ounce - Brown
	042411-03-000	YD	Vinyl - Nonexpand - 18 Gauge - Brown
	042414-01-000	FT	Trim - Accent - Bostonian Brown Vinyl
	023631-05-000	EA	Button - Nail - Brown Vinyl
	041430-01-000	SY	Carpet - Olive Inspiration - Green (Martini Mist)
	041430-02-000	SY	Carpet - Van Dyke Brown Inspiration - Beige (Champagne Velvet)
	041430-03-000	SY	Carpet - Rust Inspiration - Rust (Sierra Sunset)

6-3

1977 WINNEBAGO TABLE OF CONTENTS

D27MI	A-1 - B-10
MW20RG	B-11 - C-16
D27S	C-17 - D22
D23MI	D-23 - F-8
D23S	F-9 - G-14
MWC25	G-15 - I-2
D27DRK	I-3 - J-14
D29D	J-15 - L2

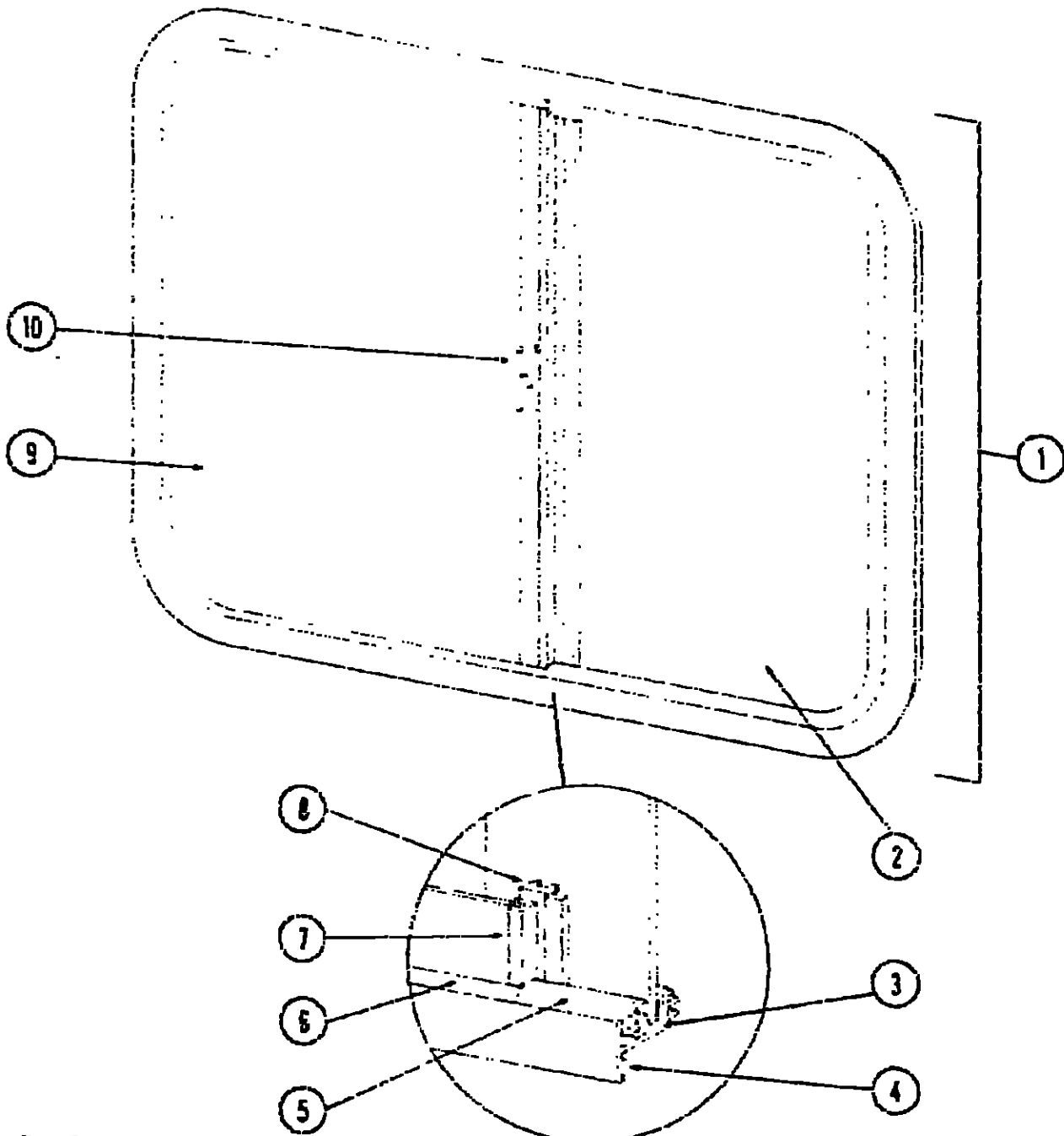
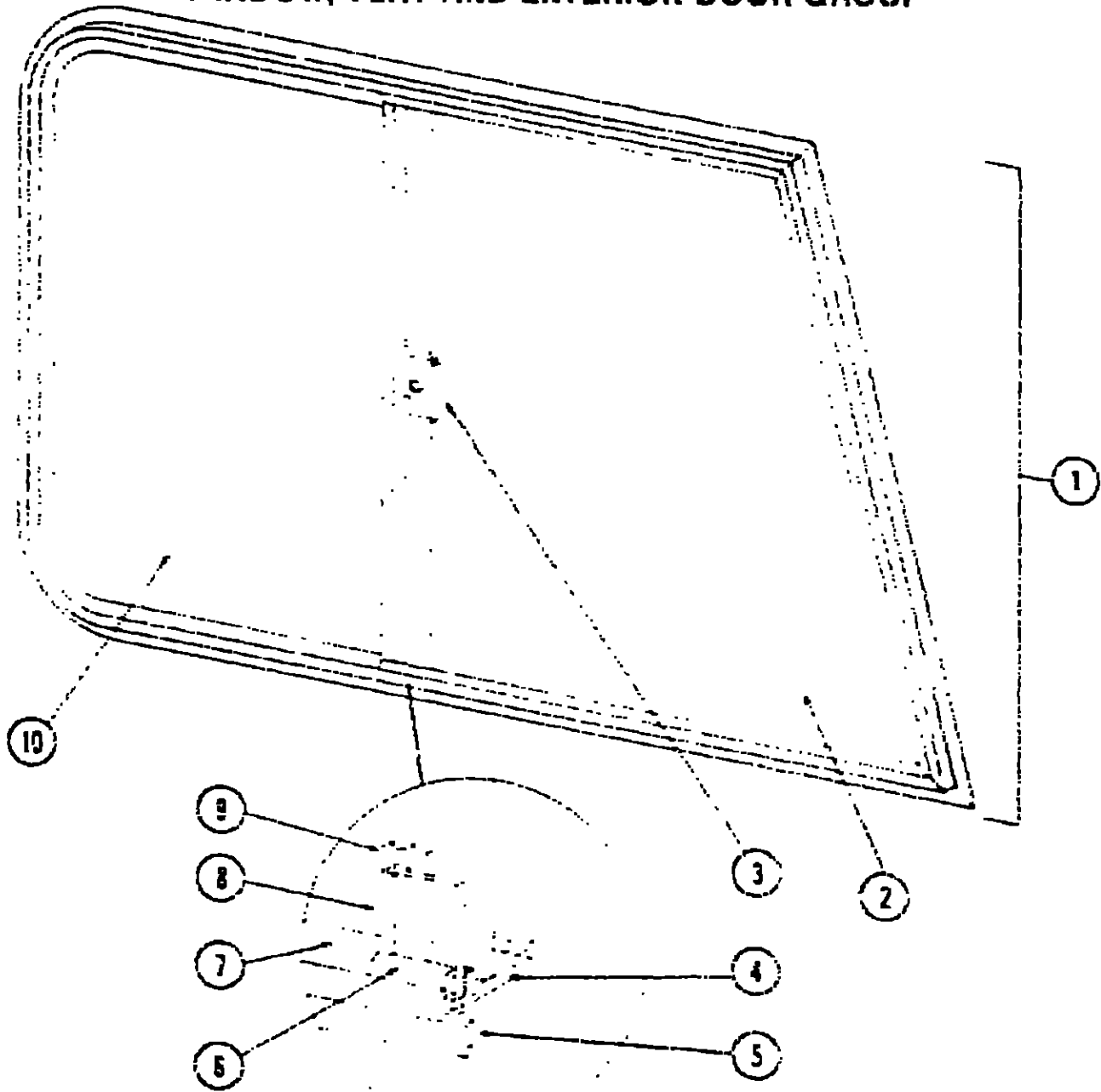
1977 D23S INDEX

Floor Plan	F-9 - F-10
Accessories Group	F-11 - F-13
Chassis Group	F-14 - F-15
Curtain, Cushion & Pad Group	F-16 - F-18
Driver's Compartment Group	F-19 - F-20
Electrical Group	F-21 - F-22
Exterior Body Group	F-23 - F-24
	G-1 - G-2
Heating & Air Conditioning Group	G-3
Interior Finish Group	G-3 - G-4
Window, Vent & Exterior Door Group	G-5 - G-14

6-4

WINDOW, VENT AND EXTERIOR DOOR GROUP

WINDOW, VENT AND EXTERIOR DOOR GROUP (CONTINUED)



Key	Part Number	U/M	Description
1	046529-01-000	EA	Window Asm - Right Front Slant Slider - 23" x 29" - Black Anod (w/o Inside Frame)
	046529-02-000	EA	Window Asm - Left Front Slant Slider - 23" x 29" - Black Anod (w/o Inside Frame)
2	041897-01-000	EA	Glass - 1/8" x 22.06" x 18.91" x 21.22" - Stationary
3	047363-01-000	EA	Latch - Window - Plastic
4	002324-01-000	FT	Channel - Weatherstrip - Glass Run - 1/8" Glass
5	004363-01-000	FT	Tape - Foam - 3/16" x 1/2" - Gray
6	002309-02-000	FT	Spine - Glass - 1/8" - Black
7	024096-02-000	FT	Seal - Window Channel - Black
8	018025-03-000	EA	Holder - Glass Seal - Black Anod
9	041894-11-000	EA	Mullion - Slider Window - 23" - Black Anod
10	047924-01-000	EA	Glass - 1/8" x 22.06" x 19.06" - Sliding
	049287-01-000	EA	Washer - Nylon - .62" x .140" I.D.
	049288-01-000	EA	Screw - Machine - 6-32 x 5/16" - HWH - Black
	043753-02-000	EA	Frame - Inside - Right Front Slant Slider - Window - 23" x 29" (not included in assembly)
	043753-01-000	EA	Frame - Inside - Left Front Slant Slider - Window - 23" x 29" (not included in assembly)
	023713-02-000	EA	Cover - Plastic - Weephole - black

* Not Illustrated

Key	Part Number	U/M	Description
1	046631-07-000	EA	Window Asm - Right Single Slider - 23" x 23" Black Anod. (w/o Inside Frame)
	046631-08-000	EA	Window Asm - Left Single Slider - 23" x 29" Black Anod. (w/o Inside Frame)
2	047513-01-000	EA	Glass - 1/8" x 22" x 13.68" - Sliding
3	002324-01-000	FT	Channel - Weatherstrip - Glass Run - 1/8" Glass
4	004363-01-000	FT	Tape - Foam - 3/16" x 1/2" - Gray
5	024096-02-000	FT	Seal - Window Channel - Black
6	002309-02-000	FT	Spine - Glass - 1/8" - Black
7	018025-03-000	EA	Holder - Glass Seal - Anod Black
8	041894-02-000	EA	Mullion - Slider Window - 23" - Black Anod
9	002184-01-000	EA	Glass - Tempered Sheet - Stationary
10	047369-01-000	EA	Latch - Window - Plastic
	049287-01-000	EA	Washer - Nylon - .62" x .140" I.D.
	049288-01-000	EA	Screw - Machine - 6-32 x 5/16" - HWH - Black
	042147-07-000	EA	Frame - Inside - Single Slider Window - Left or Right - 23" x 29" (not included in assembly)
	023713-02-000	EA	Cover - Plastic Weephole - Black
	002298-01-000	FT	Spine - Gray - .130" Dia. (Screen)
	002293-01-000	SF	Screen - Window - 26" - Gray

* Not Illustrated

1977 WINNEBAGO TABLE OF CONTENTS

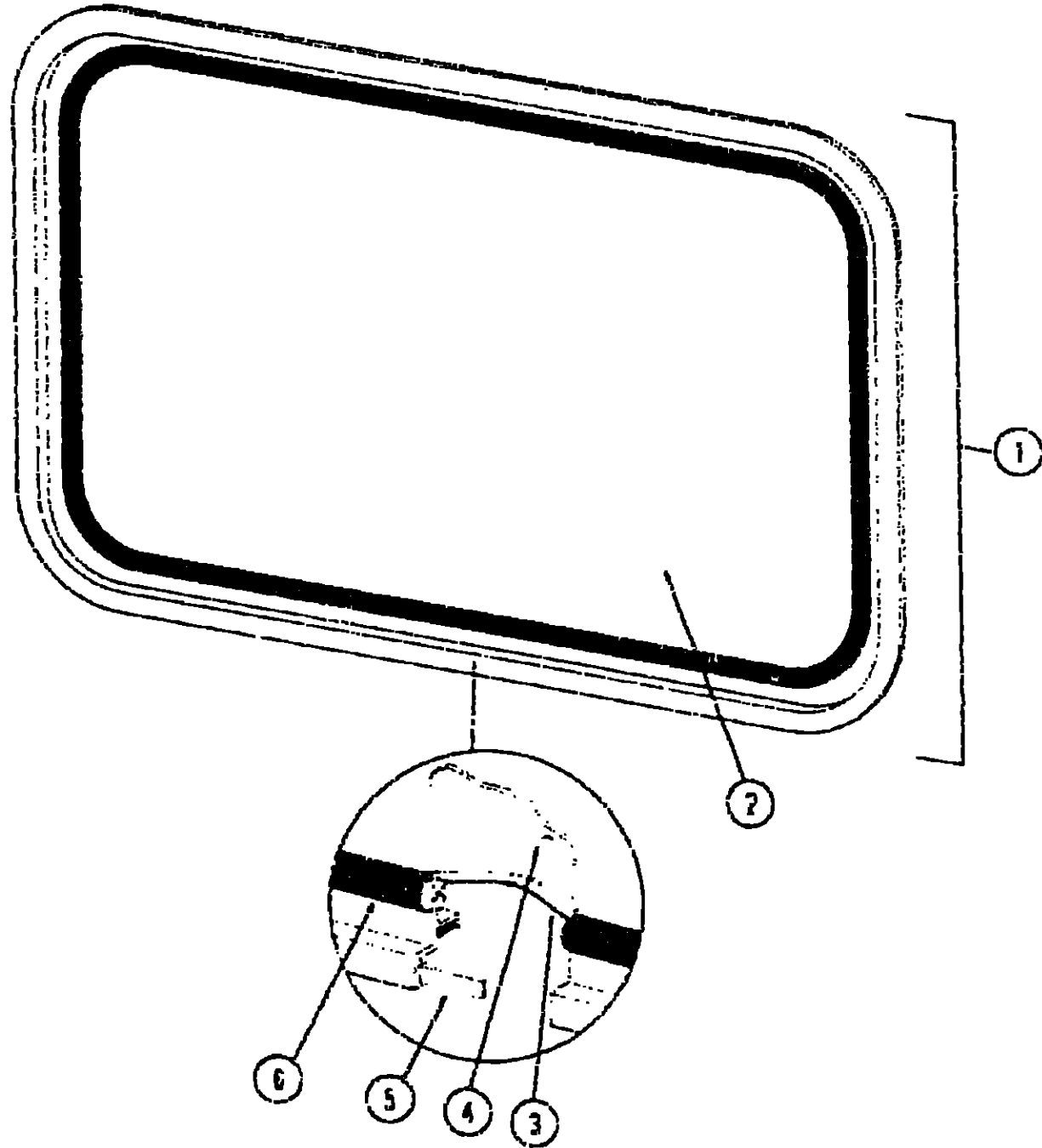
D27MI	A-1 - B-10
MW20RG	B-11 - C-16
D27S	C-17 - D-22
D23MI	D-23 - F-3
D23S	F-9 - G-14
MVC25	G-15 - I-2
D27DRK	I-3 - J-14
D29D	J-15 - L-2

1977 D23S INDEX

Floor Plan	F-9 - F-10
Accessories Group	F-11 - F-13
Chassis Group	F-14 - F-15
Curtain, Cushion & Pad Group	F-16 - F-18
Driver's Compartment Group	F-19 - F-20
Electrical Group	F-21 - F-22
Exterior Body Group	F-23 - F-24
	G-1 - G-2
Heat & Air Conditioning Group	G-3
Interior Finish Group	G-3 - G-4
Window, Vent & Exterior Door Group	G-5 - G-14

WINDOW, VENT AND EXTERIOR DOOR GROUP (CONTINUED)

WINDOW, VENT AND EXTERIOR DOOR GROUP (CONTINUED)



Key	Part Number	U/M	Description
1	042259-01-000	EA	Window Asm - Rear Escape - 23" x 36" - Black Anod (w/o Inside Frame)
2	041392-01-000	EA	Glass - 1/8" x 19 5/8" x 33 25"
3	002285-01-000	FT	Filler - Weatherstrip - Black
4	020395-01-000	EA	Slip - Pull Ring - Escape Window
5	004363-01-000	FT	Tape - Foam - 3/16" x 1/2" - Gray
6	002282-01-000	FT	Weatherstrip - .125" - Black
*	042027-01-000	EA	Frame - Inside - Escape Window - 23" x 36" (not included in assembly)
*	006190-01-000	EA	Label - Exit - Escape Window

* Not Illustrated

WINDSHIELD

Key	Part Number	U/M	Description
	034975-04-000	EA	Glass - Windshield - 1/4" x 22.12" x 45.45" - Right or Left
	035764-03-200	EA	Extr. - Windshield Trim Anod. Black - 22 3/8"
	042744-03-000	EA	Frame - Asm - Windshield w/o Glass
	038866-01-000	EA	Tape - Butyl .31" x 31" x 148"
	043369-01-000	EA	Trim - Windshield

ACCESS DOORS

Key	Part Number	U/M	Description
	023280-05-000	EA	Door Asm - LP - Beige w/Twist Type Lock
	033333-19-000	EA	Door Asm. - Battery - Beige w/Twist Type Lock
	023290-05-000	EA	Door Asm. - Luggage - LP Type
	031007-10-000	EA	Door Asm. - Generator - Left - Beige
	023254-03-000	EA	Door Asm. - Generator - Left Beige w/Twist Type Lock
	047803-01-000	EA	Baffle - Generator Door - 19 7/8" x 30"
	044210-02-000	EA	Door Asm - Power Cord Access - 6" x 10" Beige w/Quarter Turn Plastic Latch
	039884-01-000	EA	Lock Asm. - Twist Type w/Clip
	047305-01-000	EA	Lock Asm - Key Type w/Clip
	043942-01-000	EA	Lock Asm - Plastic Quarter Turn - Power Cord Door
	041330-03-000	EA	Door Asm. - Rear Trunk - Beige
	009009-01-000	EA	Lock - T Handle - Bent Cam - Trunk Door

CARGO DOOR

Key	Part Number	U/M	Description
	051790-01-000	EA	Door Asm - Radius Cargo - Beige
	039520-01-000	EA	Hinge Entrance Door
	041948-01-000	EA	Lock Kit - Entry Door - Complete
	039541-01-000	EA	Lock Cylinder w/Keys - Door Lock
	039539-01-000	EA	Striker - Entry Door Lock
	039379-01-000	EA	Plate - Lock - Interior - Includes Inside Handle
	051630-01-000	EA	Frame - Cargo Door Bottom - Beige
	051621-01-000	EA	Frame - Cargo Door Except Bottom
	051789-01-000	EA	Jamb Asm - Cargo Door - Beige
	009101-01-000	EA	Holder - Door - Male
	009101-02-000	EA	Holder - Door Female
	044582-05-000	EA	Cap - Drip - Jamb - Beige
	047203-02-000	EA	Extr. - Garnish Inside Door - Side - Left or Right
	051629-01-000	EA	Garnish - Left or Right - Cargo Door Inside - Top Only

1977 WINNEBAGO TABLE OF CONTENTS

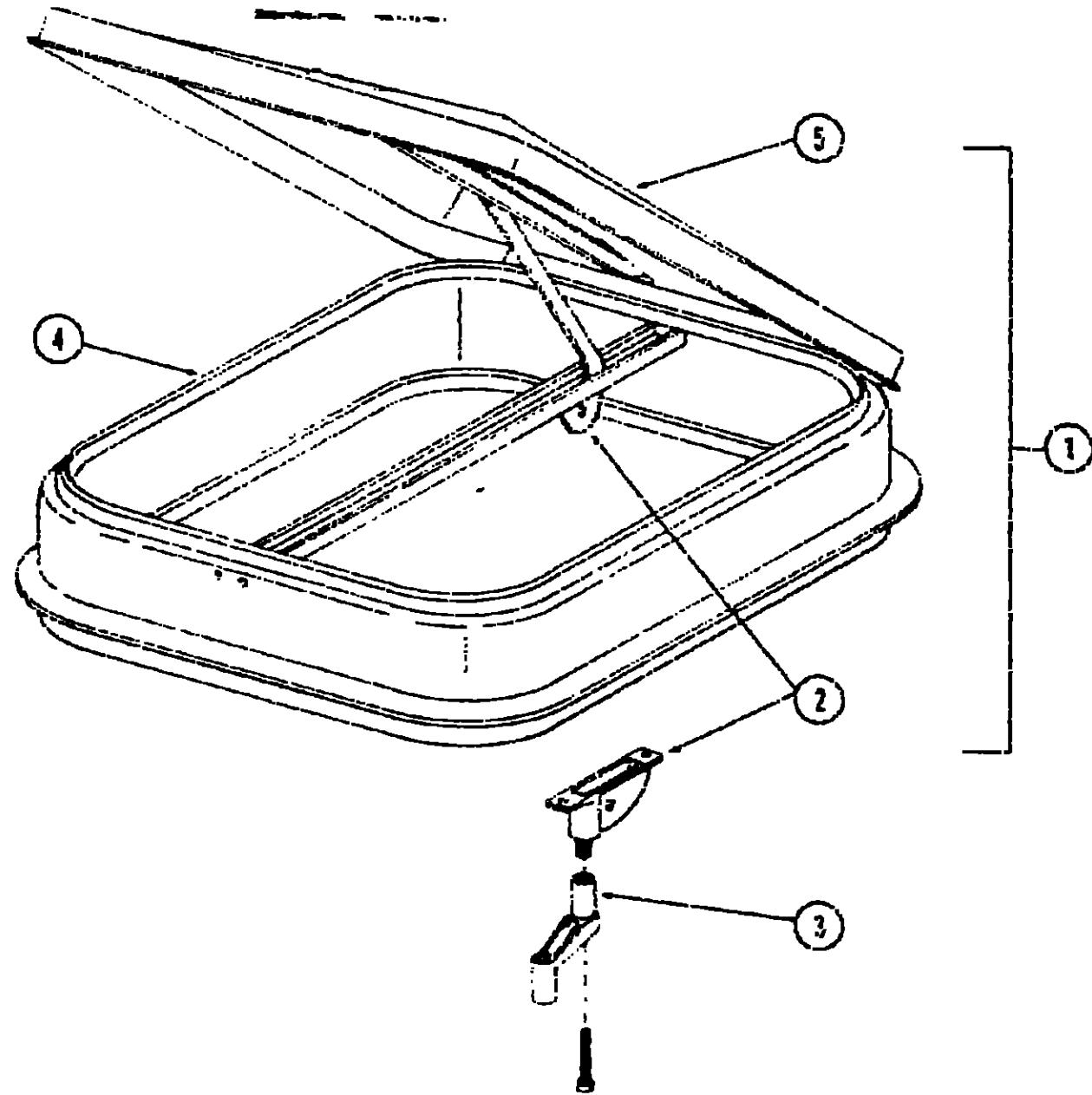
D27MI	A-1 - B-10
MW20RG	B-11 - C-16
D27S	C-17 - D22
D23MI	D-23 - F-8
D23S	F-9 - G-14
MWC25	G-15 - I-2
D27DRK	I-3 - J-14
D29D	J-15 - L2

1977 D23S INDEX

Floor Plan	F-9 - F-10
Accessories Group	F-11 - F-13
Chassis Group	F-14 - F-15
Curtain, Cushion & Pad Group	F-16 - F-18
Driver's Compartment Group	F-19 - F-20
Electrical Group	F-21 - F-22
Exterior Body Group	F-23 - F-24
	G-1 - G-2
Heating & Air Conditioning Group	G-3
Interior Finish Group	G-3 - G-4
Window, Vent & Exterior Door Group	G-5 - G-14

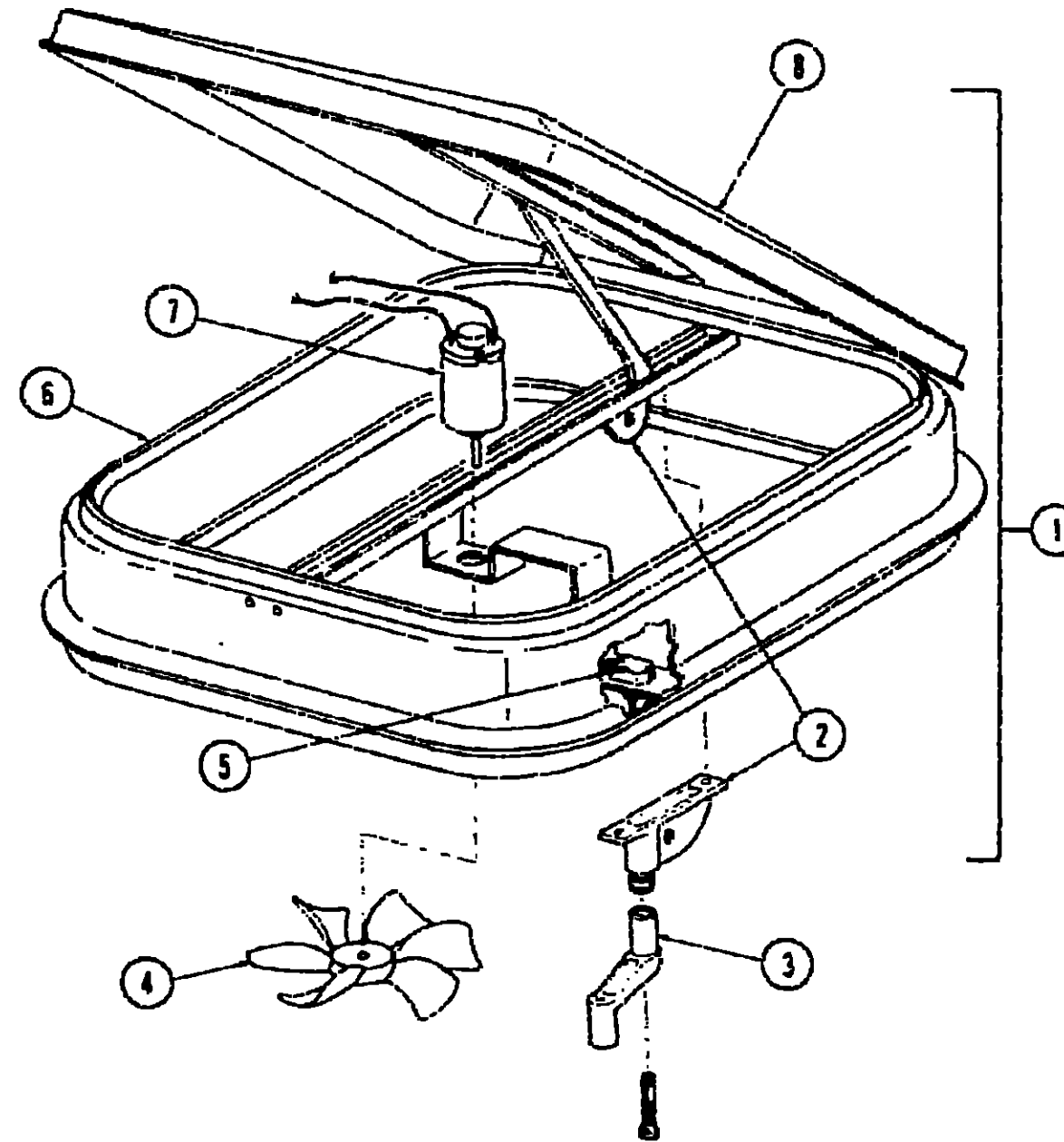
WINDOW, VENT AND EXTERIOR DOOR GROUP (CONTINUED)

WINDOW, VENT AND EXTERIOR DOOR GROUP (CONTINUED)



Key	Part Number	U/M	Description
1	048835-01-000	EA	Vent Asm - Roof - Nonpowered - w/o Screen
2	008440-01-000	EA	Gear - Arm - Roof Vent
3	008439-01-000	EA	Crank - Roof Vent
4	002825-01-000	FT	Weatherstrip - Roof Vent
5	048825-01-000	EA	Cover - Plastic - Roof Vent
	016335-01-000	EA	Screen Asm - Non Powered Roof Vent - Clear Anod. (not included in assembly)
	016335-03-000	EA	Screen Asm - Non Powered Roof Vent - Beige (not included in assembly)

* Not Illustrated



Key	Part Number	U/M	Description
1	048789-01-000	EA	Vent Asm. Roof - Powered - w/o Screen
2	008440-01-000	EA	Gear - Arm - Roof Vent
3	008439-01-000	EA	Crank - Roof vent
4	048648-01-000	EA	Fan - Blade - 6" Plastic
5	008195-01-000	EA	Switch - Push Button 12 Volt
6	002825-01-000	FT	Weatherstrip - Roof Vent
7	048648-01-000	EA	Motor - 12 Volt
8	048825-01-000	EA	Cover - Plastic - Roof Vent
	048895-01-000	EA	Screen Asm. - Powered Roof Vent - Clear Anod. (not included in assembly)
	048895-03-000	EA	Screen Asm. - Powered Roof Vent - Beige (not included in assembly)

* Not Illustrated

1977 WINNEBAGO
TABLE OF CONTENTS

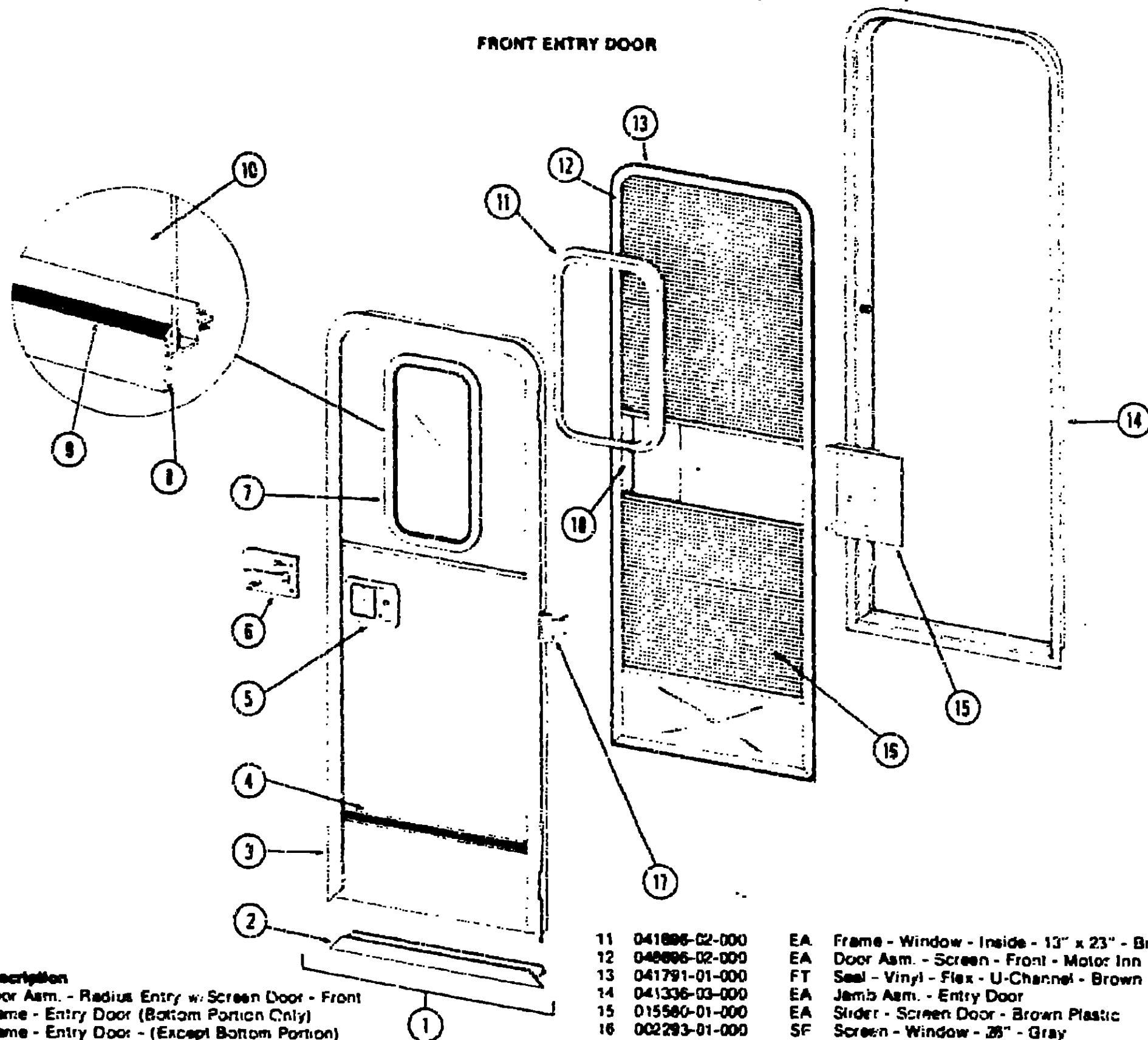
D27MI	A-1 - B-10
1/W20RG	B-11 - C-15
D27S	C-17 - D22
D23MI	D-23 - F-8
D23S	F-9 - G-14
MWC25	G-15 - I-2
D27DRK	I-3 - J-14
D29D	J-15 - L2

1977 D23S INDEX

Floor Plan	F-9 - F-10
Accessories Group	F-11 - F-13
Chassis Group	F-14 - F-15
Curtain, Cushion & Pad Group	F-16 - F-18
Driver's Compartment Group	F-19 - F-20
Electrical Group	F-21 - F-22
Exterior Body Group	F-23 - F-24
	G-1 - G-2
Heating & Air Conditioning Group	G-3
Interior Finish Group	G-3 - G-4
Window, Vent & Exterior Door Group	G-5 - G-14

WINDOW, VENT AND EXTERIOR DOOR GROUP (CONTINUED)

FRONT ENTRY DOOR



Key	Part Number	U/M	Description
1	050096-01-000	EA	Door Asm. - Radius Entry w/Screen Door - Front
2	036737-03-060	EA	Frame - Entry Door (Bottom Portion Only)
3	036735-03-000	EA	Frame - Entry Door - (Except Bottom Portion)
4	036874-02-000	EA	Holder Asm. - Entry Door - 2 1/2"
5	052186-01-000	EA	Lock Asm. - Radius Entry Door - Lynor
6	045017-01-700	EA	Lock Cylinder w/Keys - Lynor
7	039541-01-000	EA	Lock Cylinder w/Keys - Atwood
8	039530-01-000	EA	Striker - Entry Door Lock
9	039979-01-000	EA	Plate - Lock - Interior - Including Inside Handle (inside frame not included in assembly)
10	041875-02-000	EA	Window Asm. - Picture - 13" x 23" - Black Anod.
11	041896-02-000	EA	Frame - Window - Inside - 13" x 23" - Brown
12	048896-02-000	EA	Door Asm. - Screen - Front - Motor Inn
13	041791-01-000	FT	Seal - Vinyl - Flex - U-Channel - Brown
14	041336-03-000	EA	Jamb Asm. - Entry Door
15	015580-01-000	EA	Slider - Screen Door - Brown Plastic
16	002293-01-000	SF	Screen - Window - 28" - Gray
17	039520-01-000	EA	Hinge - Entry Door (3 used per door)
18	015581-01-000	EA	Cap - Screen Door - Brown Plastic
	048176-01-000	EA	Hedlok II - 3/4" Diameter - Screw Mount (Retains Screen Door to Entry Door)
	048797-01-000	EA	Hedlok II - 1" Diameter - Screw Mount (Retains Screen Door to Entry Door)
	018019-01-000	EA	Striker - Screen Door
	039863-01-000	EA	Catch Asm. - Single Roller w/Strike - Screen Door
	039740-01-000	FT	Seal - Jamb - Entry Door
	039800-03-000	FT	Tubing - Polybutyl - 3/8" O.D. - Jamb

G-11

11	041896-02-000	EA	Frame - Window - Inside - 13" x 23" - Brown
12	048896-02-000	EA	Door Asm. - Screen - Front - Motor Inn
13	041791-01-000	FT	Seal - Vinyl - Flex - U-Channel - Brown
14	041336-03-000	EA	Jamb Asm. - Entry Door
15	015580-01-000	EA	Slider - Screen Door - Brown Plastic
16	002293-01-000	SF	Screen - Window - 28" - Gray
17	039520-01-000	EA	Hinge - Entry Door (3 used per door)
18	015581-01-000	EA	Cap - Screen Door - Brown Plastic
	048176-01-000	EA	Hedlok II - 3/4" Diameter - Screw Mount (Retains Screen Door to Entry Door)
	048797-01-000	EA	Hedlok II - 1" Diameter - Screw Mount (Retains Screen Door to Entry Door)
	018019-01-000	EA	Striker - Screen Door
	039863-01-000	EA	Catch Asm. - Single Roller w/Strike - Screen Door
	039740-01-000	FT	Seal - Jamb - Entry Door
	039800-03-000	FT	Tubing - Polybutyl - 3/8" O.D. - Jamb

* Not Illustrated

1977 WINNEBAGO TABLE OF CONTENTS

D27MI
MW20RG
D27S
D23MI
D23S
MWC25
D27DRK
D29D

A-1 - B-10
B-11 - C-16
C-17 - D22
D-23 - F-8
F-9 - G-14
G-15 - I-2
I-3 - J-14
J-15 - L2

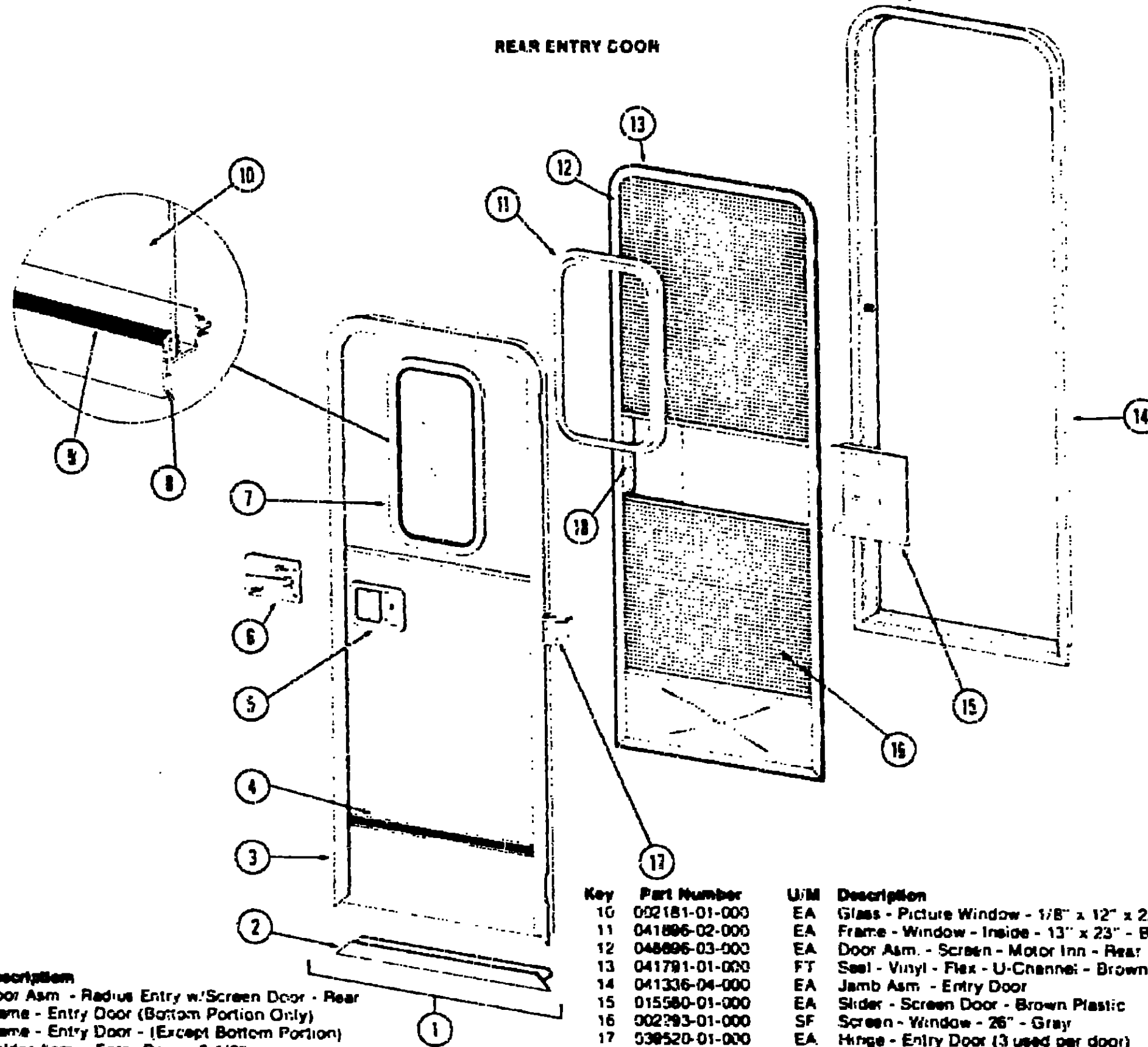
1977 D23S INDEX

Floor Plan	F-9 - F-10
Accessories Group	F-11 - F-13
Chassis Group	F-14 - F-15
Curtain, Cushion & Pad Group	F-16 - F-18
Driver's Compartment Group	F-19 - F-20
Electrical Group	F-21 - F-22
Exterior Body Group	F-23 - F-24
	G-1 - G-2
Heating & Air Conditioning Group	G-3
Interior Finish Group	G-3 - G-4
Window, Vent & Exterior Door Group	G-5 - G-14

G-12

WINDOW, VENT AND EXTERIOR DOOR GROUP (CONTINUED)

REAR ENTRY DOOR



Key	Part Number	U/M	Description
1	050086-07-000	EA	Door Asm - Radius Entry w/Screen Door - Rear
2	038737-04-000	EA	Frame - Entry Door (Bottom Portion Only)
3	038736-04-000	EA	Frame - Entry Door - (Except Bottom Portion)
4	038874-02-000	EA	Holder Asm. - Entry Door - 2 1/2"
5	052186-01-000	EA	Lock Asm. - Radius Entry Door - Lynor
6	045617-01-700	EA	Lock Cylinder w/Keys - Lynor
7	038541-01-000	EA	Lock Cylinder w/Keys - Atwood
8	038538-01-000	EA	Striker - Entry Door Lock
9	038875-01-000	EA	Plate - Lock - Interior - Including Inside Handle
10	041875-02-000	EA	Window Asm - Picture - 13" x 23" - Black Anod (inside frame not included in assembly)
11	004363-01-000	FT	Tape - Foam - 3/16" x 1/2" - Gray
12	002308-02-000	FT	Spktr - Glass - 1/8" - Black

Key	Part Number	U/M	Description
10	002181-01-000	EA	Glass - Picture Window - 1/8" x 12" x 22" Gray
11	041886-02-000	EA	Frame - Window - Inside - 13" x 23" - Brown
12	048896-03-000	EA	Door Asm. - Screen - Motor Inn - Rear
13	041791-01-000	FT	Seal - Vinyl - Flex - U-Channel - Brown
14	041336-04-000	EA	Jamb Asm. - Entry Door
15	015580-01-000	EA	Slider - Screen Door - Brown Plastic
16	002393-01-000	SF	Screen - Window - 26" - Gray
17	038520-01-000	EA	Hinge - Entry Door (3 used per door)
18	015581-01-000	EA	Cap - Screen Door - Brown Plastic
	049176-01-000	EA	Hedlok II - 3/4" Diameter - Screw Mount (Retains Screen Door to Entry Door)
	049797-01-000	EA	Hedlok II - 1" Diameter - Screw Mount (Retains Screen Door to Entry Door)
	016019-01-000	EA	Striker - Screen Door
	038863-01-000	EA	Catch Asm. - Single Roller w/Strike - Screen Door
	038740-01-000	FT	Seal - Jamb - Entry Door
	038800-03-000	FT	Tubing - Polybutyl - 3/8" O.D. - Jamb
			* Not Illustrated

G-13

1977 WINNEBAGO TABLE OF CONTENTS

D27MI	A-1 - B-10
MW20RG	B-11 - C-16
D27S	C-17 - D22
D23MI	D-23 - F-8
D23S	F-9 - G-14
MWC25	G-15 - I-2
D27DRK	I-3 - J-14
D29D	J-15 - L2

1977 D23S INDEX

Floor Plan	F-9 - F-10
Accessories Group	F-11 - F-13
Chassis Group	F-14 - F-15
Curtain, Cushion & Pad Group	F-16 - F-18
Driver's Compartment Group	F-19 - F-20
Electrical Group	F-21 - F-22
Exterior Body Group	F-23 - F-24
	G-1 - G-2
Heating & Air Conditioning Group	G-3
Interior Finish Group	G-3 - G-4
Window, Vent & Exterior Door Group	G-5 - G-14

G-14