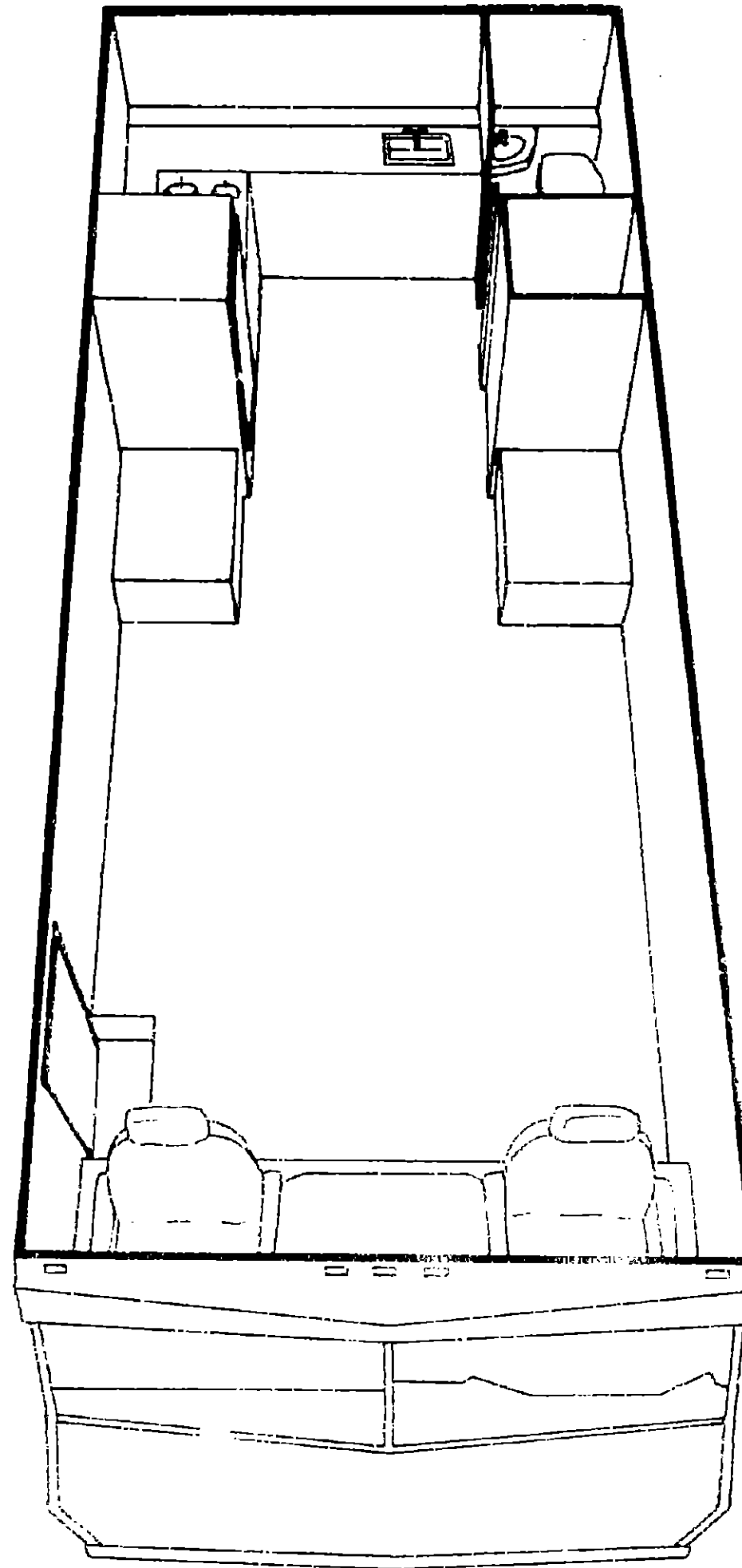


# 1977 D23MI



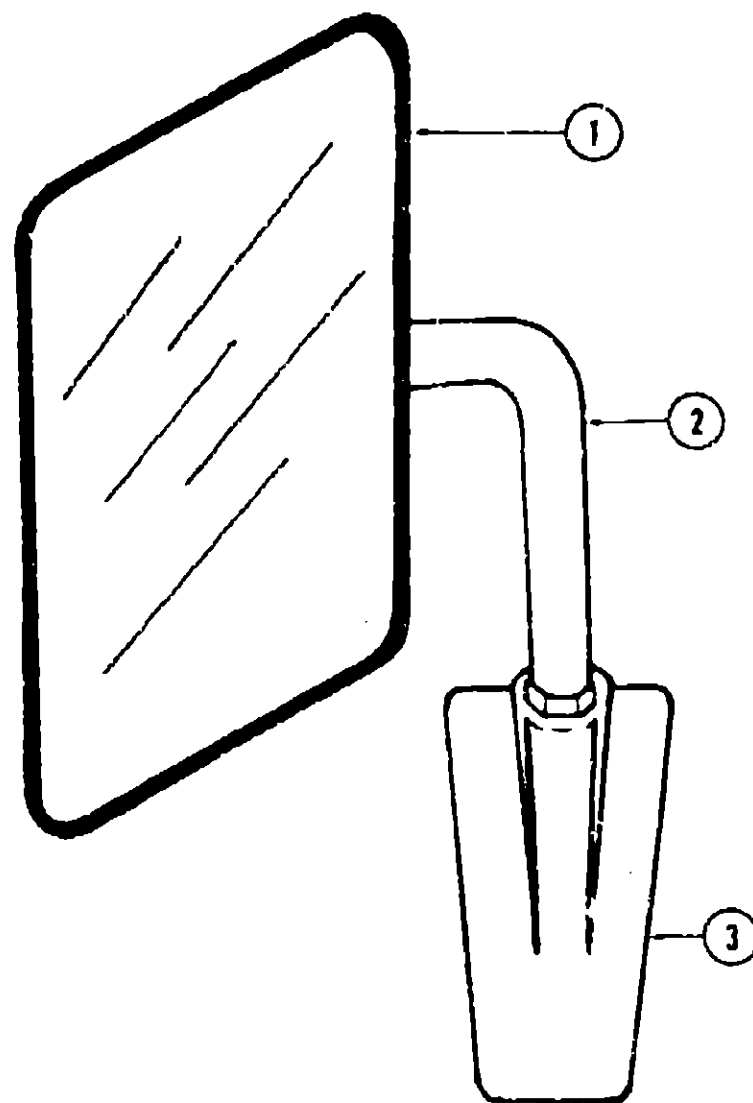
## 1977 WINNEBAGO TABLE OF CONTENTS

D27MI	A-1 - B-10
MW20RG	B-11 - C-16
D27S	C-17 - D-22
D23MI	D-23 - F-8
D23S	F-9 - G-14
MWC25	G-15 - I-2
D27DRK	I-3 - J-14
D29D	J-15 - L-2

## 1977 D23MI INDEX

Floor Plan	D-23 - D-24
Accessories Group	E-1 - E-3
Bath Group	E-4
Chassis Group	E-5 - E-6
Curtain, Cushion & Pad Group	E-7 - E-9
Driver's Compartment Group	E-9 - E-10
Electrical Group	E-11 - E-12
Exterior Body Group	E-13 - E-16
Galley Group	E-17
Heating & Air Conditioning Group	E-18
Interior Finish Group	E-19 - E-20
LP Group	E-21
Water & Sewage Group	E-22
Window, Vent & Exterior Door Group	E-23 - E-24
	F-1 - F-8

## ACCESSORIES GROUP



Key	Part Number	U/M	Description
1	048347-01-000	EA	Mirror Head - 7 1/2" x 10 1/2" Stainless Steel w/o Bracket
2	048348-01-000	EA	Arm - Low Mount Mirror - Brite Finish
3	049944-01-000	EA	Bracket - Mirror - Outside - Beige - Mounts to Coach

## ACCESSORIES GROUP (CONTINUED)

### RADIOS AND RELATED COMPONENTS

Key	Part Number	U/M	Description
	031105-01-700	EA	Clip - Retaining - Side Mount Antenna
	031105-01-000	EA	Antenna - Radio - Side Mount
	039879-01-000	EA	Kit - Radio Speaker - 5 1/4" w/Cover
	049730-01-000	EA	Radio - AM - w/Fader - Clarion
	049731-01-000	EA	Radio - AM/FM/MPX - w/Fader - Clarion
	049732-01-000	EA	Radio - AM/FM/MPX - 8 Track - w/Fader - Clarion
	050751-01-000	EA	Plaque - Fader Switch/Mic Mounting
	050465-01-000	EA	Bezel - Entertainment Center - Number 1 - (Radio Only)
	050466-01-000	EA	Bezel - Entertainment Center - Number 2 - (Radio and Clock)

### GENERATORS AND INSTALLATION KITS

Key	Part Number	U/M	Description
	007059-01-000	EA	Generator - Onan - 2500 Watt LK
	044066-01-000	EA	Generator - 4000 Watt - Onan - BF
	007058-01-000	EA	Generator - 5000 Watt - Onan
	007230-01-000	EA	Generator - 6500 Watt - Onan
**	040504-01-000	EA	Generator - 2.5 kw - Kohler
**	040505-01-000	EA	Generator - 4.0 kw - Kohler
**	040506-01-000	EA	Generator - 5.0 kw - Kohler
**	044149-01-000	EA	Generator - 6.5 kw - Kohler
**	051908-01-000	EA	Generator - 3.5 kw - Kohler
**	051909-01-000	EA	Generator - 4.5 kw - Kohler
**	051910-01-000	EA	Generator - 5.5 kw - Kohler
**	051911-01-000	EA	Generator - 7.0 kw - Kohler
	042865-01-000	EA	Scoop - Generator Air
	050467-01-000	EA	Bezel - Dash - Entertainment Center #3
	701629-02-000	EA	Onan - Installation Package
	701629-01-000	EA	Kohler - Installation Package

\*\*The illustrated parts breakdown for this item is provided on the Common Items Fiche.

### FRONT BUNK, CABINET AND HARDWARE

Key	Part Number	U/M	Description
	048392-07-000	EA	Bunk - Front - Overhead - (Board w/Rails)
	042988-01-000	EA	Support Asm. - Left and Right - Overhead Bunk - Dark Brown
	040071-01-700	EA	Support Kit - Overhead Bunk - Seat Belt
	006076-01-000	EA	Ladder - Bunk
	048391-01-000	EA	Cabinet - Front Overhead w/o Doors or Hardware
	042964-01-000	EA	Door Asm. - Sliding - Front Overhead Bunk Cabinet
	009148-01-000	EA	Pull - Finger - 3/4" Brass (Sliding Cabinet Door)
	009785-01-000	FT	Track - Sliding Door - Upper - Dark Brown Plastic
	009786-01-000	FT	Track - Sliding Door - Lower - Dark Brown Plastic

## 1977 WINNEBAGO TABLE OF CONTENTS

D27MI	A-1 - B-10
MW20RG	B-11 - C-15
D27S	C-17 - D22
D23MI	D-23 - F-8
D23S	F-9 - G-14
MWC25	G-15 - I-2
D27DRK	I-3 - J-14
D29D	J-15 - L2

## 1977 D23MI INDEX

Floor Plan	D-23 - D-24
Accessories Group	E-1 - E-3
Bath Group	E-4
Chassis Group	E-5 - E-6
Curtain, Cushion & Pad Group	E-7 - E-9
Driver's Compartment Group	E-9 - E-10
Electrical Group	E-11 - E-12
Exterior Body Group	E-13 - E-16
Galley Group	E-17
Heating & Air Conditioning Group	E-18
Interior Finish Group	E-19 - E-20
LP Group	E-21
Water & Sewage Group	E-22
Window, Vent & Exterior Door Group	E-23 - E-24
	F-1 - F-8

## ACCESSORIES GROUP (CONTINUED)

### MISCELLANEOUS ACCESSORIES

Key	Part Number	U/M	Description
	050885-01-000	EA	Owner's Manual - Winnabago
	017516-01-000	EA	Mudflap - Black - 14" x 18" w/ Holes
	006069-01-000	EA	Case - Leather Key - Motor Home
	008038-01-000	EA	Mat - Door - Black Rubber - 10 1/2" x 26"
	006053-01-000	EA	Antenna - TV - Braun Delux
	006093-01-000	EA	Jack - TV - Brown (Arlienna)
**	040899-01-000	EA	Ladder Asm. w/ Luggage Rack - Round
**	040899-02-000	EA	Ladder Only - For Rack and Ladder Asm.
	006113-01-000	EA	Jack - Hydraulic - 5 Ton
	041944-01-700	EA	Fire Extinguisher - w/ Bracket
	034410-13-000	EA	Cover - Spare Tire w/ Bronze "W" - 34"
**	024746-01-000	EA	Speed Control Package - 440 C.I.D. - Dodge - Lever - Type - A Body - Dana
**	031396-01-000	EA	Wheel Covers - 17 5" - Chrome

\*\*The illustrated parts breakdown for this item is provided on the Common Items Fiche

## BATH GROUP

### CABINETS AND HARDWARE

Key	Part Number	U/M	Description
	044488-01-000	EA	Cabinet - Medicine - 20" x 24" - Off White
	009134-01-000	EA	Holder - Toilet Tissue
	009133-02-000	EA	Bar - Towel - 18" Plastic w/o Brackets
	023449-01-000	EA	Bracket - Towel Bar - Chrome - left or Right
	045358-03-700	EA	Door Asm. - Bathroom w/o Hardware
	009124-01-000	EA	Lock - Push Button Brass - Bath Door
	009150-01-000	EA	Warp Guard - 64"
	049801-24-700	EA	Door Asm. - Bath w/ Hardware - 19 3/4" x 53 3/4" w/o Hardware
	009151-01-000	EA	Warp - Guard - 48"
	009112-01-000	EA	Flange - 1" Rod - Chrome
	016855-03-000	EA	Shower Pan - w/o Strainer or Tailpiece
	011086-01-000	EA	Strainer - Shower Pan
	011048-01-700	EA	Vacuum Breaker - 1/8 MPT Nylon Shower Hose
	011048-01-000	EA	Shower Head with 59" Hose
	011060-01-000	EA	Shower Head with 40" Hose
	010495-01-000	EA	Clamp - Cable - 9/16" - Shower Hose
	011057-01-000	EA	Faucet - Lavatory and Shower
	011083-01-000	EA	Stopper w/ Chain - Lavatory Sink
	016857-03-000	EA	Lavatory - Small Corner - 11" x 15" - Ivory - w/o Faucet or Drain
	033217-01-000	FT	Seal - Shower Pan - Vinyl - Neutral
	022992-03-000	FT	Molding - Reverse Cover - Sandalwood
**	039341-02-000	EA	Stool Asm. - Ivory - Aqua Magic - Model SH

\*\*The illustrated parts breakdown for this item is provided on the Common Items Fiche

## 1977 WINNEBAGO TABLE OF CONTENTS

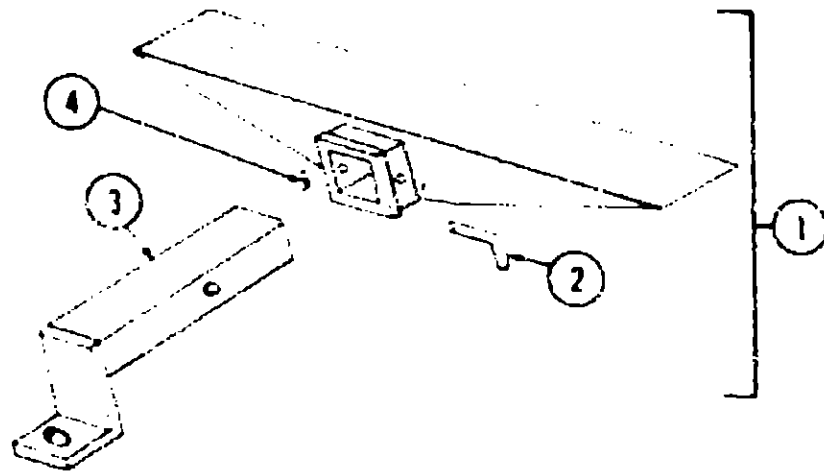
D27MI	A-1 - B-10
MW20RG	B-11 - C-16
D27S	C-17 - D22
D23MI	D-23 - F-8
D23S	F-9 - G-14
MWC25	G-15 - I-2
D27DRK	I-3 - J-14
D29D	J-15 - L2

## 1977 D23MI INDEX

Floor Plan	D-23 - D-24
Accessories Group	E-1 - E-3
Bath Group	E-4
Chassis Group	E-5 - E-6
Curtain, Cushion & Pad Group	E-7 - E-9
Driver's Compartment Group	E-9 - E-10
Electrical Group	E-11 - E-12
Exterior Body Group	E-13 - E-16
Galley Group	E-17
Heating & Air Conditioning Group	E-18
Interior Finish Group	E-19 - E-20
LP Group	E-21
Water & Sewage Group	E-22
Window, Vent & Exterior Door Group	E-23 - E-24
	F-1 - F-8

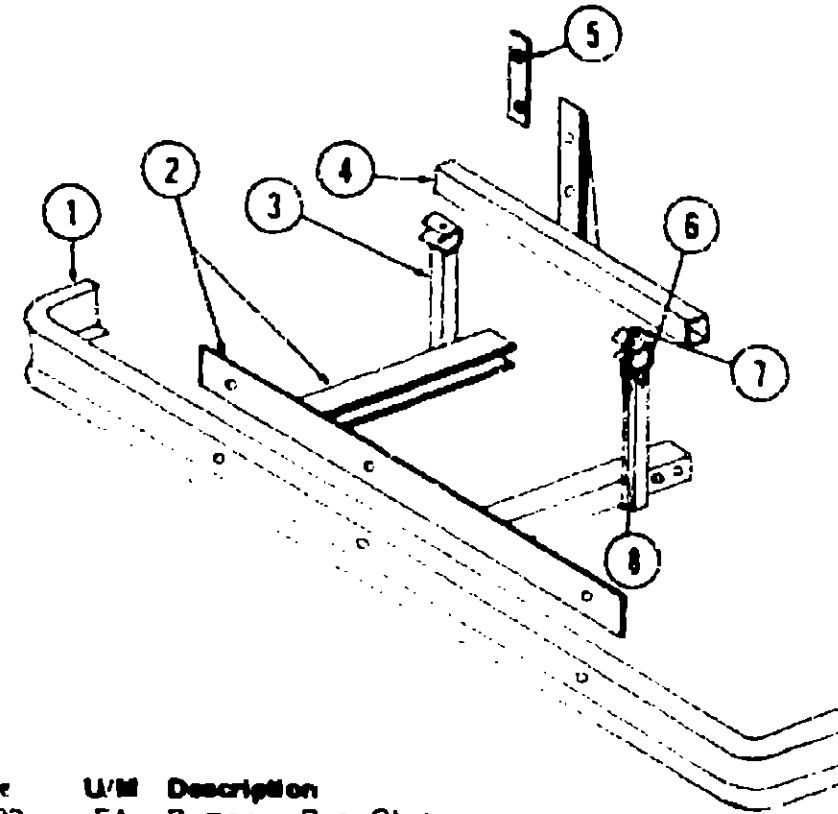
## CHASSIS GROUP

Key	Part Number	U/M	Description
	024652-01-700	EA	Step Asm - Pull-Out - Entry Door
	045602-01-000	EA	Panel - Headlight - Right
	045603-01-000	EA	Panel - Headlight - Left
	045611-01-000	EA	Hoodboard - Steel - Right
	045611-02-000	EA	Hoodboard - Steel - Left
	007134-01-000	EA	Clamp - Hose - Spring Type - 9/16"
	024138-01-000	FT	Hose - Fuel - 5/16" I.D. SAE30R
	033688-01-000	EA	Hose - Fuel - 2" I.D. x 45.50'
	007140-01-000	EA	Clamp - Hose - 2" to 3" Dia
	007138-01-000	EA	Clamp 1/4" to 3/4" Dia
	007160-01-000	EA	Gasket 3/16" x 2" x 2" Tire Carcass
	030882-01-000	EA	Tank - Fuel - Aux. - 27.8 Gallon
	043986-01-000	EA	Strap - Fuel Tank Mount
	G17571-02-000	EA	Support Asm. - Auxiliary Fuel Tank
	031374-01-000	EA	Sending Unit - Engine Oil Pressure
	031375-01-000	EA	Sending Unit - Engine Water Temperature
	030883-01-000	EA	Sending Unit - Fuel 7.8 Ohm - Auxiliary Fuel Tank
	045814-01-000	EA	Fill - Gas - w/Vent 4.5"
	024611-04-000	EA	Cap - Gas Pressure 1.50" Black
	048595-01-000	EA	Tray Asm. - Battery - Steel
	035102-01-000	EA	Cover - Rear Radiator
	007131-01-000	EA	Hanger - Tailpipe
	023770-01-000	EA	Wheel Well - Plastic - Black - Left or Right
	007125-07-000	EA	Clamp Asm. - Muffler - 2.5" Dia
	007143-01-000	EA	Tailpipe - Curved - 2 1/2" x 16"
	013362-01-000	EA	Compartment - Power Cord - Plastic
	015148-01-000	EA	Compartment - Luggage - Black Plastic

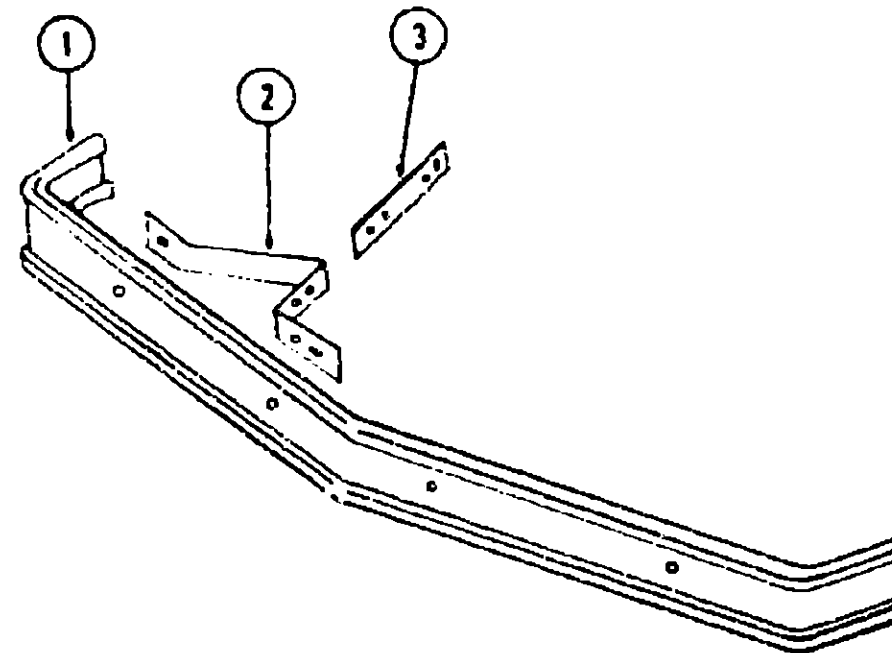


Key	Part Number	U/M	Description
1	023695-01-700	EA	Hitch Kit - w/Drawbar
2	034512-01-000	EA	Pin - Locking - Drawbar
3	024876-01-000	EA	Drawbar - Trailer Hitch
4	034513-01-000	EA	Pin - Hitch - 3/16" Wire Spring

## CHASSIS GROUP (CONTINUED)



Key	Part Number	U/M	Description
1	046474-01-000	EA	Bumper - Rear Chrome
2	046043-05-000	EA	Bracket Asm. - Rear Bumper
3	022445-01-000	EA	Bracket - Tire Carrier - Left
4	016924-02-000	EA	Bracket - Tire Carrier
5	G40974-01-000	EA	Retainer - Spare Tire
6	021356-01-000	EA	Bracket - Tire Carrier - Right
7	015365-01-000	EA	Pin - Tire Carrier
8	005522-01-000	EA	Pin - Hitch - 5/32" Wire



Key	Part Number	U/M	Description
1	046473-01-000	EA	Bumper - Front Chrome
2	023496-04-000	EA	Bracket - Bumper - Front - Left or Right
3	023520-04-000	EA	Bar - Bumper Bracket - Black - Left or Right

## 1977 WINNEBAGO TABLE OF CONTENTS

D27MI	A-1 - B-10
MW20RG	B-11 - C-16
D27S	C-17 - D-22
D23MI	D-23 - F-8
D23S	F-9 - G-14
MWC25	G-15 - I-2
D27DRK	I-3 - J-14
D29D	J-15 - L-2

## 1977 D23MI INDEX

Floor Plan	D-23 - D-24
Accessories Group	E-1 - E-3
Bath Group	E-4
Chassis Group	E-5 - E-6
Curtain, Cushion & Pad Group	E-7 - E-9
Driver's Compartment Group	E-9 - E-10
Electrical Group	E-11 - E-12
Exterior Body Group	E-13 - E-16
Galley Group	E-17
Heating & Air Conditioning Group	E-18
Interior Finish Group	E-19 - E-20
LP Group	E-21
Water & Sewage Group	E-22
Window, Vent & Exterior Door Group	E-23 - E-24
	F-1 - F-8

**CURTAIN, CUSHION AND PAD GROUP**

**CURTAIN, CUSHION AND PAD GROUP (CONTINUED)**

**CURTAINS, VALANCES AND TIE BACKS**

Key	Part Number	U/M	Description
	049021-38-000	EA	Curtain w/Snap Top - Blackout - 38" x 84" - Green (Martini Mist)
	049021-39-000	EA	Curtain w/Snap Top - Blackout - 38" x 84" - Beige (Champagne Velvet)
	049021-40-000	EA	Curtain w/Snap Top - Blackout - 38" x 84" - Rust (Sierra Sunset)
	043840-81-000	EA	Curtain w/Snap Top and Bottom - 25" x 24" - Green (Martini Mist)
	048840-82-000	EA	Curtain w/Snap Top and Bottom - 25" x 24" - Beige (Champagne Velvet)
	048940-83-000	EA	Curtain w/Snap Top and Bottom - 25" x 24" - Rust (Sierra Sunset)
	049021-13-000	EA	Curtain w/Snap Top - 33" x 42" - Green (Martini Mist)
	049021-14-000	EA	Curtain w/Snap Top - 33" x 42" - Beige (Champagne Velvet)
	049021-15-000	EA	Curtain w/Snap Top - 33" x 42" - Rust (Sierra Sunset)
	049021-25-000	EA	Curtain w/Snap Top - 33" x 36" - Green (Martini Mist)
	049021-26-000	EA	Curtain w/Snap Top - 33" x 36" - Beige (Champagne Velvet)
	049021-27-000	EA	Curtain w/Snap Top - 33" x 36" - Rust (Sierra Sunset)
	049021-47-000	EA	Curtain - Wraparound - w/Snap Top - Right 25" x 80" - Green (Martini Mist)
	049021-48-000	EA	Curtain - Wraparound - w/Snap Top - Right 25" x 80" - Beige (Champagne Velvet)
	049021-49-000	EA	Curtain - Wraparound - w/Snap Top - Right 25" x 80" - Rust (Sierra Sunset)
	049485-14-000	EA	Curtain - Wraparound - w/Snap Top - Left - 25" x 80" Green (Martini Mist)
	049485-15-000	EA	Curtain - Wraparound - w/Snap Top - Left - 25" x 80" Beige (Champagne Velvet)
	049485-16-000	EA	Curtain - Wraparound - w/Snap Top - Left - 25" x 80" Rust (Sierra Sunset)
	049486-63-000	EA	Curtain w/Snap Top - 27" x 24" - Left - Green (Martini Mist)
	049486-64-000	EA	Curtain w/Snap Top - 27" x 24" - Left - Beige (Champagne Velvet)
	049486-65-000	EA	Curtain w/Snap Top - 27" x 24" - Left - Rust (Sierra Sunset)
	049487-62-000	EA	Curtain w/Snap Top - 27" x 24" - Right - Green (Martini Mist)
	049487-63-000	EA	Curtain w/Snap Top - 27" x 24" - Right - Beige (Champagne Velvet)
	049487-64-000	EA	Curtain w/Snap Top - 27" x 24" - Right - Rust (Sierra Sunset)
	041906-22-000	EA	Valance - Pleated w/Hook - 6.5" x 44" - Green (Martini Mist)
	041906-23-000	EA	Valance - Pleated w/Hook - 6.5" x 44" - Beige (Champagne Velvet)
	041906-24-000	EA	Valance - Pleated w/Hook - 5" x 44" - Rust (Sierra Sunset)
	041906-34-000	EA	Valance - Pleated - 6.5" x 50" - Green (Martini Mist)
	041906-35-000	EA	Valance - Pleated - 6.5" x 50" - Beige (Champagne Velvet)
	041906-36-000	EA	Valance - Pleated - 6.5" x 50" - Rust (Sierra Sunset)
	049097-22-000	EA	Tie Back - Curtain - 14" - Green (Martini Mist)
	049097-23-000	EA	Tie Back - Curtain - 14" - Beige (Champagne Velvet)
	049097-24-000	EA	Tie Back - Curtain - 14" - Rust (Sierra Sunset)

**CURTAIN HARDWARE**



Key	Part Number	U/M	Description
1	029130-01-000	EA	Socket - Snap Fastener - (Tie Backs)
2	029155-01-000	EA	Cap - Snap - 1.56" Diameter x .17" Barrel (Tie Backs)
3	029156-01-000	EA	Socket - Snap Fastener (Tie Backs)
4	029092-01-000	EA	Stud - Nickel Finish (Curtains)
5	029093-01-000	EA	Eyelet - Nickel Finish (Curtains)
	009107-01-000	EA	Guide - Nylon - Snap (used with 006108-01-000 Brown Curtain Track)

Key	Part Number	U/M	Description
	009701-01-000	EA	Carrier - Curtain w/Rollers (used with "L" Rod)
	009702-01-000	EA	End Stop - Curtain Track (used with "L" Rod)
	029100-01-000	EA	Hook - Curtain (Privacy Curtain)
	009136-01-000	EA	Hook - Shower Curtain
	050826-01-000	EA	Track - Wraparound Curtain - Right
	050826-02-000	EA	Track - Wraparound Curtain - Left
	009223-01-000	EA	Rod - Curtain Flat - Extends 32" - 51"
	018031-42-000	EA	Track Curtain "L" Rod 30" Alum.
	050296-02-001	EA	Extr. - Curtain Track Anod. - 14"

**MATTRESSES**

Key	Part Number	U/M	Description
	041914-42-000	EA	Mattress - Front Bunk - 42" x 79" x 4" - Green (Martini Mist)
	041914-43-000	EA	Mattress - Front Bunk - 42" x 79" x 4" - Beige (Champagne Velvet)
	041914-44-000	EA	Mattress - Front Bunk - 42" x 79" x 4" - Rust (Sierra Sunset)

**BUCKET SEATS, ARMREST AND HEADRESTS**

Key	Part Number	U/M	Description
	049159-04-000	EA	Seat Asm. - Single Bucket - w/Skirt - w/o Slides, Armrests or Headrest - Green (Martini Mist)
	049159-05-000	EA	Seat Asm. - Single Bucket - w/Skirt - w/o Slides, Armrests or Headrest - Beige (Champagne Velvet)
	049159-06-000	EA	Seat Asm. - Single Bucket w/Skirt - w/o Slides, Armrest or Headrest - Rust (Sierra Sunset)
	049158-04-001	EA	Cover - Single Bucket Seat - Bottom - Green (Martini Mist)
	049158-05-001	EA	Cover - Single Bucket Seat - Bottom - Beige (Champagne Velvet)
	049158-06-001	EA	Cover - Single Bucket Seat - Bottom - Rust (Sierra Sunset)
	049158-04-002	EA	Cover - Single Bucket Seat - Back - Green (Martini Mist)
	049158-05-002	EA	Cover - Single Bucket Seat - Back - Beige (Champagne Velvet)
	049158-06-002	EA	Cover - Single Bucket Seat - Back - Rust (Sierra Sunset)
	049158-04-003	EA	Skirt - Single Bucket Seat - Green (Martini Mist)
	049158-05-003	EA	Skirt - Single Bucket Seat - Beige (Champagne Velvet)
	049158-06-003	EA	Skirt - Single Bucket Seat - Rust (Sierra Sunset)
	049160-04-000	EA	Seat Asm. - Double Bucket - w/Skirt - w/o Armrests or Headrests - Green (Martini Mist)
	049160-05-000	EA	Seat Asm. - Double Bucket - w/Skirt - w/o Armrests, or Headrests - Beige (Champagne Velvet)
	049160-06-000	EA	Seat Asm. - Double Bucket - w/Skirt - w/o Armrests or Headrests - Rust (Sierra Sunset)
	049160-04-001	EA	Cover - Double Bucket Seat - Bottom - Green (Martini Mist)
	049160-05-001	EA	Cover - Double Bucket Seat - Bottom - Beige (Champagne Velvet)
	049160-06-001	EA	Cover - Double Bucket Seat - Bottom - Rust (Sierra Sunset)
	049160-04-002	EA	Cover - Double Bucket Seat - Back - Green (Martini Mist)
	049160-05-002	EA	Cover - Double Bucket Seat - Back - Beige (Champagne Velvet)
	049160-06-002	EA	Cover - Double Bucket Seat - Back - Rust (Sierra Sunset)
	049160-04-003	EA	Skirt - Double Bucket Seat - Green (Martini Mist)
	049160-05-003	EA	Skirt - Double Bucket Seat - Beige (Champagne Velvet)
	049160-06-003	EA	Skirt - Double Bucket Seat - Rust (Sierra Sunset)
	033906-39-000	EA	Headrest Cover - Green (Martini Mist)
	033906-40-000	EA	Headrest Cover - Beige (Champagne Velvet)
	033906-41-000	EA	Headrest Cover - Rust (Sierra Sunset)
	019722-01-000	EA	Headrest Arm - Foam w/o Cover
	050280-07-000	EA	Armrest Cover - Right or Left - Green (Martini Mist)
	050280-08-000	EA	Armrest Cover - Right or Left - Beige (Champagne Velvet)
	050280-09-000	EA	Armrest Cover - Right or Left - Rust (Sierra Sunset)
	050275-01-700	EA	Armrest Asm. - Foam w/o Cover - Right
	050276-01-700	EA	Armrest Asm. - Foam w/o Cover - Left
	029135-01-000	EA	Grounded - Headrest - Brown Nylon
	031133-01-000	EA	Protector - Driver Seat - 8" Brown Plastic

**1977 WINNEBAGO  
TABLE OF CONTENTS**

D27MI	A-1 - B-10
MW20RG	B-11 - C-16
D27S	C-17 - D22
D23MI	D-23 - F-8
D23S	F-9 - G-14
MWC25	G-15 - I-2
D27DRK	I-3 - J-14
D29D	J-15 - L2

**1977 D23MI INDEX**

Floor Plan	D-23 - D-24
Accessories Group	E-1 - E-3
Bath Group	E-4
Chassis Group	E-5 - E-6
Curtain, Cushion & Pad Group	E-7 - E-9
Driver's Compartment Group	E-9 - E-10
Electrical Group	E-11 - E-12
Exterior Body Group	E-13 - E-16
Galley Group	E-17
Heating & Air Conditioning Group	E-18
Interior Finish Group	E-19 - E-20
LP Group	E-21
Water & Sewage Group	E-22
Window, Vent & Exterior Door Group	E-23 - E-24
	F-1 - F-8

**CURTAIN, CUSHION AND PAD GROUP (CONTINUED)**

**PADS**

Key	Part Number	U/M	Description
	042945-03-000	EA	Pad - Trim - "A" Post - Right - Brown Vinyl
	042945-04-000	EA	Pad - Trim - "A" Post - Left - Brown Vinyl

**FABRICS AND TRIMS**

Key	Part Number	U/M	Description
	041429-01-000	YD	Fabric - Drapery - Green (Martini Mist)
	041429-02-000	YD	Fabric - Drapery - Beige (Champagne Velvet)
	041429-03-000	YD	Fabric - Drapery - Rust (Sierra Sunset)
	043623-01-000	YD	Fabric - Upholstery - Green (Martini Mist)
	043623-02-000	YD	Fabric - Upholstery - Beige (Champagne Velvet)
	043623-03-000	YD	Fabric - Upholstery - Rust (Sierra Sunset)
	042411-01-000	YD	Vinyl - Nonexpanded - 27 Ounce - Brown
	042411-03-000	YD	Vinyl - Nonsupport - 16 Gauge - Brown
	042414-01-000	FT	Trim - Accent - Bostonian Brown Vinyl
	023631-05-000	EA	Button - Nail - Brown Vinyl

**DRIVER'S COMPARTMENT GROUP**

**DASH PANEL AND COMPONENTS**

Key	Part Number	U/M	Description
	031623-07-000	EA	Dash Asm. - Complete w/Gauges and Switches
	022548-03-000	EA	Pad - Dash - Foam - Right - Dark Brown
	023242-04-000	EA	Pad - Dash - Foam - Left - Dark Brown
	022219-01-000	EA	Door - Glove Compartment
	009118-01-000	EA	Lock - Twist w/Nut - Glove Compartment Door
	023882-01-000	EA	Box - Glove Compartment - Black Fiberboard
	009056-01-000	EA	Hinge - Continuous - Alum 11/16" x 72" - Plain
	034309-01-000	EA	Chain - Bead - Glove Box Door
	027834-01-000	EA	Panel - Knee Kick - (Bottom of Dash)
	024418-01-000	EA	Lamp - Asm. - Map/Gauge
	007308-01-000	EA	Glock - Dash
	007037-01-000	EA	Lighter - Asm. - Cigarette 12-Volt
	007041-01-000	EA	Bezel Cigarette Lighter
	024979-01-000	EA	Bezel - Entertainment Center
	007071-01-000	EA	Louver - Chrome - w/Chrome Wheel
	022547-01-000	EA	Bezel - Panel - Control
	023020-01-000	EA	Lamp Asm. - Tell Tale
	039044-01-000	EA	Louver Asm. - A/C Adjustable
	040836-01-000	EA	Bracket Asm. - Shift Lever
	042951-01-000	EA	Nameplate - Chauffeur - Brown/Silver

**DASH SWITCHES AND GAUGES**

Key	Part Number	U/M	Description
	024807-01-000	EA	Control Asm. - Heater - A/C - 3 Speed
	024451-01-000	EA	Switch - Battery
	024453-01-000	EA	Switch - Blinker
	024454-01-000	EA	Switch - Washer
	024455-01-000	EA	Switch - Fuel
	024457-01-000	EA	Switch - Wiper
	024459-01-000	EA	Gauge Asm. - Voltmeter
	024460-01-000	EA	Gauge - Vacuum Dash
	024462-01-000	EA	Switch - Battery Condition
	031035-01-000	EA	Gauge - Voltmeter - Generator
	024876-01-000	EA	Switch - Generator w/o Circuit Board
	037387-01-000	EA	Switch - Generator w/Circuit Board
	024880-02-000	EA	Outlet - Defroster - w/Swivel - 2" - Dark Brown
	031376-01-000	EA	Heater - Control Asm. 3-Speed

**DRIVER'S COMPARTMENT GROUP (CONTINUED)**

**BUCKET SEAT PEDESTAL AND SEAT BELTS**

Key	Part Number	U/M	Description
	038837-01-000	EA	Pedestal Asm. - Seat Bottom w/Tightener
	038832-01-000	EA	Rod - Seat Adjuster
	041854-01-000	EA	Pedestal - Base - Single and Double Seat
	007223-01-000	EA	Adjuster Asm. - Seat w/Lock
	007227-01-000	EA	Adjuster - Seat - w/o Lock
	041459-01-000	EA	Pedestal - Top - Single Seat
	007019-01-000	EA	Belt Asm. - Seat - 2" x 84" Black
	041322-01-000	EA	Washer - Flat - 15/32" I.D. x 2 3/8" O.D. - Seat Belt

**FRONT OVERHEAD BUNK CABINET**

Key	Part Number	U/M	Description
	048391-14-000	EA	Cabinet - Front Overhead - w/o Doors
	042964-15-000	EA	Door Asm. - Sliding - (Front Overhead Cabinet)
	009148-01-000	EA	Pull - Finger 3/4" Dia. Brass
	009785-01-000	FT	Track - Door Upper - Dark Brown Plastic
	009786-01-000	FT	Track - Door - Lower - Dark Brown Plastic

**MISCELLANEOUS DRIVER'S COMPARTMENT COMPONENTS**

Key	Part Number	U/M	Description
	048583-01-000	EA	Tray - Beverage
	048670-01-000	EA	Track Asm. - Beverage (2 Per Tray)
	034800-01-000	EA	Cover - Motor - Plastic
	039857-01-000	EA	Latch - Rubber - Draw Handle - 5 3/4" w/Strike (Motor Cover)
	039856-01-000	EA	Latch - Rubber - Draw Handle - 3" W/Strike (Motor Cover)
	035368-02-000	EA	Seal - Motor Cover - (Aluminum Extr)
	040519-01-000	EA	Boot - Rubber - Steering Column
	040520-01-000	EA	Boot - Retainer - Steering Column
	034499-01-000	EA	Support - Dimmer Switch
	042434-02-000	EA	Sunvisor Asm. - Bostonian Brown - Left or Right
	041842-01-000	EA	Clip - Sunvisor Rod - Brown Plastic
	029143-01-000	EA	Mirror - Sunvisor
	007275-01-000	EA	Mirror - Rear View
	038414-01-000	EA	Ashtray
	044699-01-000	EA	Panel - Side - Interior - Left - Plastic
	044700-01-000	EA	Panel - Side - Interior - Right - Plastic

**1977 WINNEBAGO  
TABLE OF CONTENTS**

D27MI	A-1 - B-10
MW20RG	B-11 - C-16
D27S	C-17 - D22
D23MI	D-23 - F-8
D23S	F-9 - G-14
MWC25	G-15 - I-2
D27DRK	I-3 - J-14
D29D	J-15 - L2

**1977 D23MI INDEX**

Floor Plan	D-23 - D-24
Accessories Group	E-1 - E-3
Bath Group	E-4
Chassis Group	E-5 - E-6
Curtain, Cushion & Pad Group	E-7 - E-9
Driver's Compartment Group	E-9 - E-10
Electrical Group	E-11 - E-12
Exterior Body Group	E-13 - E-16
Galley Group	E-17
Heating & Air Conditioning Group	E-18
Interior Finish Group	E-19 - E-20
LP Group	E-21
Water & Sewage Group	E-22
Window, Vent & Exterior Door Group	E-23 - E-24
	F-1 - F-8

## ELECTRICAL GROUP

### BULBS

Key	Part Number	U/M	Description
	037905-01-000	EA	Bulb - 1157
	038010-01-000	EA	Bulb - 1143
	008103-01-000	EA	Bulb - 53
	008213-01-000	EA	Bulb - 57
	008214-01-000	EA	Bulb - 67
	008215-01-000	EA	Bulb - 1003
	008216-01-000	EA	Bulb - 1034
	008217-01-000	EA	Bulb - 1073
	008218-01-000	EA	Bulb - 1141
	008219-01-000	EA	Bulb - 856
	008220-01-000	EA	Bulb - 12V - 25W
	036196-01-000	EA	Bulb - 194
	700020-01-000	EA	Bulb - 12V - 20 W 1383

### EXTERIOR LIGHTS

Key	Part Number	U/M	Description
	008089-01-000	EA	Light - Porch - Recessed
	031054-02-007	EA	Lamp Asm. - Tail - Left - Beige
	031054-01-701	EA	Lens - Tail Lamp - Left
	031055-02-000	EA	Lamp Asm. - Tail - Right - Beige
	031055-01-701	EA	Lens - Tail Lamp - Right
	042405-03-000	EA	Base - Rectangular Clearance Light
	042405-04-000	EA	Lens - Rectangular Light - Red
	042405-05-000	EA	Lens - Rectangular Light - Amber

### INTERIOR LIGHTS

Key	Part Number	U/M	Description
	024418-01-000	EA	Lamp Asm - Map/Gauge/Aside
	224473-01-000	EA	Light - Aircraft - 1 Bulb - Gold
	033508-02-000	EA	Light - Dome - Ivory - 1 Bulb
	024642-01-701	EA	Lens - Dome Light - 1 Bulb
	033509-02-000	EA	Light - Dome - Ivory - 2 Bulb
	024643-01-701	EA	Lens - Dome Light - 2 Bulb
	008102-01-000	EA	Light - Corner Mount - Multibulb

### FUSES AND CIRCUIT BREAKERS

Key	Part Number	U/M	Description
	008233-01-000	EA	Fuse - 12 Volt - 6 Amp.
	008234-01-000	EA	Fuse - 12 Volt - 10 Amp.
	008235-01-000	EA	Fuse - 12 Volt - 15 Amp.
	008236-01-000	EA	Fuse - 12 Volt - 20 Amp.
	008252-01-000	EA	Fuse - 110 Volt - 50 Amp
	008209-01-000	EA	Circuit Breaker - 12 Volt - 40 Amp
	008211-01-000	EA	Circuit Breaker - 12 Volt - 6 Amp
	008268-01-000	EA	Circuit Breaker - 12 Volt - 30 Amp w/Mount
	033573-01-000	EA	Circuit Breaker - 12 Volt - 20 Amp. w/Mount
	033484-01-000	EA	Circuit Breaker - 30 Amp - Air Conditioner
	052072-01-000	EA	Circuit Breaker - 50 Amp - Air Conditioner

## ELECTRICAL GROUP (CONTINUED)

### WINDSHIELD WIPER & WASHER

Key	Part Number	U/M	Description
**	037998-01-000	EA	Link Asm. - Connecting - 22.40" Long
**	037999-01-000	EA	Motor Asm. - Windshield Wiper
**	038001-01-000	EA	Shaft and Pivot Asm. - 2.25" Arm
**	049463-01-000	EA	Arm - Windshield Wiper - 15" Black
**	049464-01-000	EA	Blade - Windshield Wiper - 16" Black
**	007029-01-000	EA	Washer Asm. - Windshield Power Jet Electric - Front
	700073-05-000	EA	Pump and Cover Asm. - For Windshield Washer
	700073-04-000	EA	Reservoir Only - Water - Windshield Washer
	700073-02-000	EA	Washer Nozzle Hardware Package - Front

\*\*The illustrated parts breakdown for this item is provided on the Common Items Fiche.

### WIRE, SWITCHES, AND RECEPTACLES

Key	Part Number	U/M	Description
	008024-01-000	FT	Wire - 18.5 Bonded - Orange/White/Yellow/Blue/Brown
	008025-01-000	FT	Wire - 18.5 Bonded - Orange/White/Yellow/Blue/Green
	008028-01-000	FT	Wire - 18.5 Bonded - Blue/Red/Yellow/Orange/White
	008030-01-000	FT	Wire - 18.4 Bonded
	008251-01-000	EA	Holder - Fuse - Black - Screw Type
	008277-01-000	EA	Holder - Fuse - Black - Panel Mount
	008195-01-000	EA	Switch - Push Button - 12 Volt
	006077-01-000	EA	Plaque - Compressor Switch
	008054-01-000	EA	Cord - Power - 10-3 30 Amp. - 25' - UL
	034818-04-000	EA	Holder - Receptacle - Plastic
	038338-01-000	EA	Cover Plate - Receptacle - Plastic - Brown
	038339-01-000	EA	Receptacle - Duplex Brown - End of Line
	038342-01-000	EA	Receptacle - Duplex Brown - T Junction
	024571-01-000	EA	Cover Plate - Receptacle - Jumbo Steel Brown
	038343-01-000	EA	Cap - End - Receptacle
	008162-01-000	EA	Switch - Double Toggle - Spade Brown
	008163-01-000	EA	Switch - Toggle Brown
	024924-01-000	EA	Receptacle - Power Cord
	008058-01-000	EA	Adaptor - Power Cord
	047353-01-000	EA	Cover - Receptacle - Ground Fault
	047351-01-000	EA	Receptacle - Ground Fault Interrupter - 125 Volt - Black

### MISCELLANEOUS ELECTRICAL COMPONENTS

Key	Part Number	U/M	Description
	047338-01-000	EA	Isolator - Dual Battery
	047389-01-700	EA	Battery - 12 Volt - 105 Amp. Deep Cycle - Dry
	008188-01-000	EA	Solenoid - Dual Battery - Relay
	048775-01-000	EA	Valve - Gas - Charge Over
	038950-02-000	EA	Control Center - 30 Amp w/Door - UL
	041079-01-000	EA	Control Center - 50 Amp. w/Door - U.L.
	011155-01-000	EA	Panel - Control - Water/Single Sewage - Wemac
	008981-01-000	EA	Sending Unit Kit - Wemac

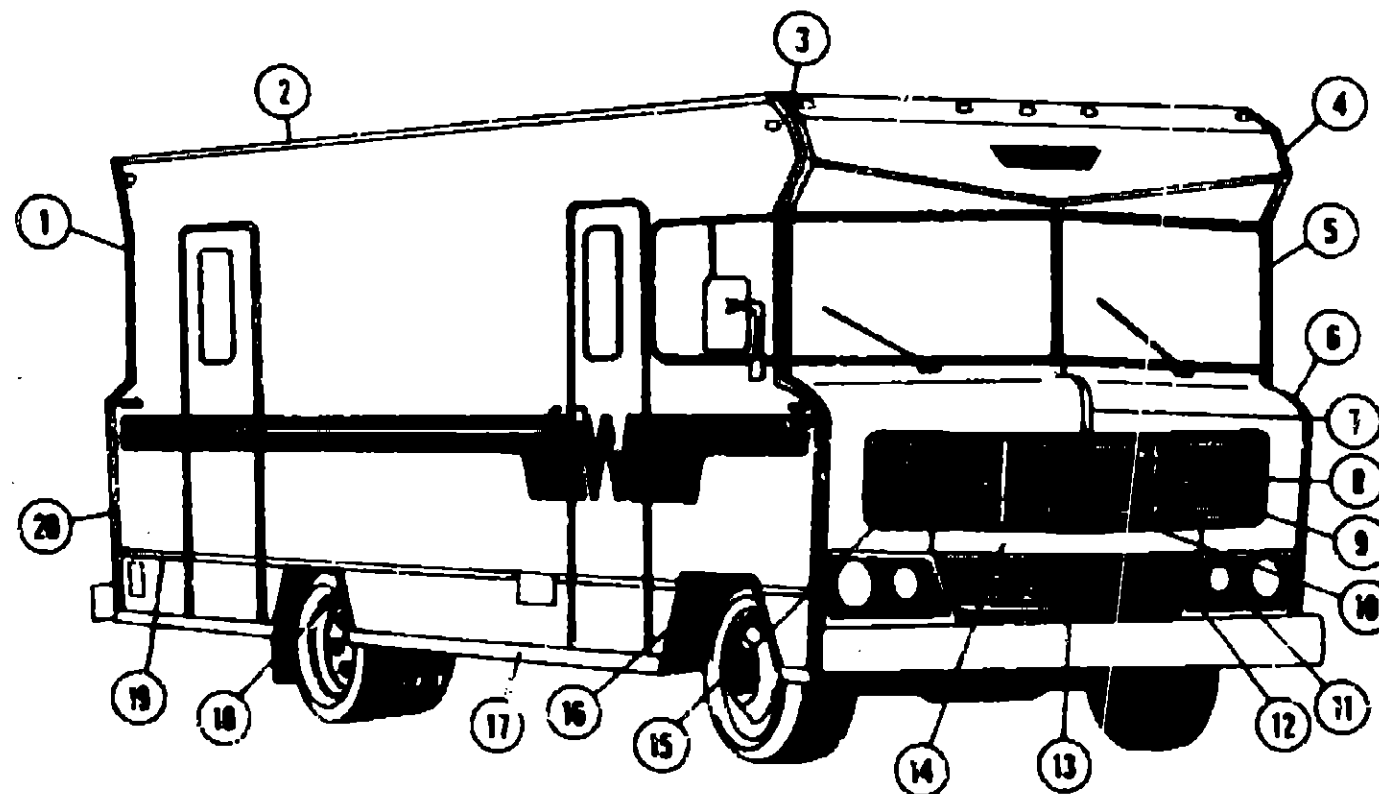
## 1977 WINNEBAGO TABLE OF CONTENTS

D27MI	A-1 - B-10
MW20RG	B-11 - C-16
D27S	C-17 - D-22
D23MI	D-23 - F-8
D23S	F-9 - G-14
MWC25	G-15 - I-2
D27DRK	I-3 - J-14
D29D	J-15 - L-2

## 1977 D23MI INDEX

Floor Plan	D-23 - D-24
Accessories Group	E-1 - E-3
Bath Group	E-4
Chassis Group	E-5 - E-6
Curtain, Cushion & Pad Group	E-7 - E-9
Driver's Compartment Group	E-9 - E-10
Electrical Group	E-11 - E-12
Exterior Body Group	E-13 - E-16
Galley Group	E-17
Heating & Air Conditioning Group	E-18
Interior Finish Group	E-19 - E-20
LP Group	E-21
Water & Sewage Group	E-22
Window, Vent & Exterior Door Group	E-23 - E-24
	F-1 - F-8

## EXTERIOR BODY GROUP



### 1977 WINNEBAGO TABLE OF CONTENTS

D27MI	A-1 - B-10
MW20RG	B-11 - C-16
D27S	C-17 - D-22
D23MI	D-23 - F-8
D23S	F-9 - G-14
MWC2S	G-15 - I-2
D27DRK	I-3 - J-14
D23D	J-15 - L-2

Key	Part Number	U/M	Description
1	021213-03-000	EA	Trim - Contour - Right Rear Upper - Beige
·	020865-03-000	EA	Trim - Contour - Left Rear Upper - Beige
2	044771-01-000	EA	Extr. - Aiming Rail w/Holes - 16' - Beige
·	044770-01-000	EA	Extr. - Drip Rail w/Holes - 16' - Beige
3	042801-03-000	EA	Trim - Contour - Right Front Upper - Beige
4	042801-01-000	EA	Trim - Contour - Left Front Upper - Beige
5	042894-01-000	EA	Trim - Contour - Windshield - Left - Black
·	042894-03-000	EA	Trim - Contour - Windshield - Right - Black
6	042730-01-000	EA	Trim - Contour - Left Front Lower - Beige
·	042730-03-000	EA	Trim - Contour - Right Front Lower - Beige
7	024581-05-000	EA	Trim - Center - Front Wall - Beige
8	024763-01-000	EA	Trim - Anod. - Upper Grille - Side - Left or Right
·	024764-01-000	EA	Trim - Anod. - Upper Grille - Center Top
·	002754-02-001	EA	Extr. - Anod. Angle - 3/4" x 3/8" x 18'
9	033385-01-000	EA	Grille Asm. - Left - Upper
10	033386-01-000	EA	Grille Asm. - Center - Upper
·	021467-01-000	EA	Latch Asm. - Center Grille
·	024585-01-000	EA	Stop Asm. - Upper Grille
11	048421-01-000	EA	Bezel - Headlight - Left - Wrought Iron Black
·	048422-01-000	EA	Bezel - Headlight - Right - Wrought Iron Black

Key	Part Number	U/M	Description
12	048419-01-000	EA	Trim - Headlight - U-Channel - Left or Right
·	048417-02-000	EA	Trim - Headlight/Grille - Left
·	048417-01-000	EA	Trim - Headlight/Grille - Right
13	048418-01-000	EA	Grille Asm. - Lower
14	048542-01-000	EA	Center Asm. - Grille - Between Top and Bottom Grille w/Beige Inset
15	040876-01-000	EA	Grille Asm. - Upper Right
16	042467-01-000	EA	Trim - Wheel Well - Front - Left or Right
17	036908-02-001	EA	Extr. - Anod. - Rocker Panel - 18'
·	040420-01-000	EA	Cap - Rocker Panel - End - 3/4 Miter - Right
·	040420-02-000	EA	Cap - Rocker Panel - End - 3/4 Miter - Left
18	042466-01-000	EA	Trim - Wheel Well - Rear - Left or Right
19	002444-02-001	EA	Extr. - Anod. - Feature Strip - 14' w/o Insert
·	001030-04-002	EA	Insert - Feature Strip - 13/16" x 17' - Antique Bronze Metallic
·	009731-01-000	EA	End Cap - Feature Strip
20	015251-04-000	EA	Trim - Contour - Right Rear Lower - Beige
·	015252-04-000	EA	Trim - Contour - Left Rear Lower - Beige
·	002385-02-001	EA	Extr. - U-Channel - 1" Serrated - 18' (Lower Backwall Trim)
·	048416-01-000	EA	Hoodboard - Front Right - Beige
·	048416-02-000	EA	Hoodboard - Front Left - Beige
·			Not Illustrated

### 1977 D23MI INDEX

Floor Plan	D-23 - D-24
Accessories Group	E-1 - E-3
Bath Group	E-4
Chassis Group	E-5 - E-6
Curtain, Cushion & Pad Group	E-7 - E-9
Driver's Compartment Group	E-8 - E-10
Electrical Group	E-11 - E-12
Exterior Body Group	E-13 - E-16
Galley Group	E-17
Heating & Air Conditioning Group	E-18
Interior Finish Group	E-19 - E-20
LP Group	E-21
Water & Sewage Group	E-22
Window, Vent & Exterior Door Group	E-23 - E-24
	F-1 - F-8



## EXTERIOR BODY GROUP (CONTINUED)

### EXTERIOR BODY PANELS AND SHEET ALUMINUM

Key	Part Number	U/M	Description
	048935-01-000	EA	Backwall Asm.
	048937-01-000	EA	Sidewall Asm. - Right
	048936-01-000	EA	Sidewall Asm. - Left
	048934-01-000	EA	Roof Asm.
	048934-01-700	EA	Roof Section - Windshield to First Seam
	039155-02-008	EA	Alum. - Beige Mesa Design - .024" x 39" x 60"
	039155-02-002	EA	Alum. - Beige Mesa Design - .024" x 36" x 300"
	039155-02-003	EA	Alum. - Beige Mesa Design - .024" x 39" x 360"
	039155-02-007	EA	Alum. - Beige Mesa Design - .024" x 48" x 60"
	039155-02-005	EA	Alum. - Beige Mesa Design - .024" x 48" x 300"
	039155-02-006	EA	Alum. - Beige Mesa Design - .024" x 48" x 360"
	039155-02-008	EA	Alum. - Beige Mesa Design - .024" x 12" x 360"
	044487-01-001	EA	Alum. - Mill Finish - No Design (Roof) - 96" x 360"
	028545-01-000	EA	Alum. - Beige Grayhound Design 48" x 96"
	001018-01-024	EA	Alum. - Beige - No Design - 48" x 96"
	000868-01-000	BF	Styrofoam - 3/4" x 24" x 96"

### SEALANTS, ADHESIVES, AND FASTENERS

Key	Part Number	U/M	Description
	034552-05-000	EA	Sealant - Off White Silicone
	034552-04-000	EA	Sealant - Beige Silicone
	034552-02-000	EA	Sealant - Clear Silicone
	004348-02-000	EA	Sealant - Aluminum Silicone
	004349-01-000	EA	Sealant - Black Silicone
	004342-01-000	EA	Sealant - Weatherban 202 Tube
	004346-02-000	EA	Sealant - White Silicone
	004347-01-000	EA	Sealant - Tufflex
	002316-01-000	FT	Sealer Tape - 3/32" x 1/8"
	024545-01-000	FT	Sealer Tape - 1/8" x 5/8" - Black
	004350-01-000	FT	Sealer Tape - 1/8" x 1" - Formaseal
	004352-01-000	FT	Sealer Tape - 1/8" x 3/4" - Formaseal
	004355-01-000	FT	Sealer Tape - 1/8" x 5/8" - Black
	004357-01-000	FT	Sealer Tape - 1/8" x 5/8" - Adhesive
	002707-02-000	FT	Sealer Tape - 5/16" x 1/2" - Black Foam
	002707-01-000	FT	Sealer Tape - 5/16" x 3/4" - Black Foam
	041422-01-000	FT	Sealer Tape - 1/4" x 1/2"
	004353-01-000	FT	Sealer Tape - 3/16" x 1/2" - Foam
	004382-01-000	FT	Sealer Tape - 3/16" x 1/2" - Foam
	004382-01-000	FT	Sealer Tape - 1/8" x 5/8" - Foam
	008200-01-000	EA	Tape - Furnace - 1 1/2"
	041838-01-000	FT	Tape - Window - Latch - 3/4" - Adhesive
	041838-02-000	FT	Tape - Window - Latch - 1/2" - Adhesive
	004353-01-000	FT	Tape - Gasket - 1/8" x 3/4" - White
	002825-01-000	FT	Weather Stripping - Roof Vent
	002337-01-000	EA	Adhesive - 3M - 1300 Tube
	004005-01-000	GL	Adhesive - Swifts - Green - Glue (Sidewalls)
	004012-01-000	EA	Adhesive - 3M - 4475 Tube
	004029-01-000	QT	Adhesive - ABS Cement (Plastic Fittings)
	028051-01-000	EA	Adhesive - Spray Vinyl
	042401-01-000	EA	Screw - 8-18 x 3/4" SOPH Beige
	042403-01-000	EA	Screw - SF/DR - 8-18 x 1" SOPH Beige
	005058-01-000	EA	Screw - Wood - 12-11" x 3" P.O.H. Zinc

## EXTERIOR BODY GROUP (CONTINUED)

### LABELS AND DECALS

Key	Part Number	U/M	Description
	008010-01-000	EA	Decal - Winnebago - Brown/Chrome
	008023-01-000	EA	Label - Water Only
	006025-01-000	EA	Label - Gas
	006026-01-000	EA	Label - Drain Cap - 2" x 3"
	006031-01-000	EA	Label - Potable Water Only
	008187-01-000	EA	Label - Sewage
	008188-01-000	EA	Label - Waste Water
	008199-01-000	EA	Label - Exit - Escape Window
	031161-01-000	EA	Label - Flying "W"
	038403-01-000	EA	Decal - Logo - Winnebago 2.80" (Front or Rear)
	038289-01-000	EA	Label - Warning Aux. Loading
	043473-03-000	EA	Decal - Flying "W" - 13.75" High - Bronze
	045374-01-000	EA	Stencil - Chieftain 2.28" High - Right
	045374-02-000	EA	Stencil - Chieftain 2.28" High - Left
	008092-01-000	EA	Reflector - Stick on - Rectangular - Red
	008093-01-000	EA	Reflector - Stick on - Rectangular - Amber

### MISCELLANEOUS EXTERNALLY MOUNTED PARTS

Key	Part Number	U/M	Description
	018253-01-000	EA	Fuel Fill - Recessed - Single - Beige
	015597-05-000	EA	Fuel Fill - Recessed - Double - Beige
	011124-01-000	EA	Plumbing Seal - Roof Vent - 1 1/4" White
	011128-01-000	EA	Plumbing Seal - Roof Vent - 1 1/2" White
	010230-02-000	EA	Fill - City Water - Recessed - Off White
	011020-01-000	EA	Fill - Water - Recessed - Off White
	008126-01-000	EA	Handle - Assist - Metal - Exterior

### EXTERIOR PAINT

Key	Part Number	U/M	Description
	044486-04-000	EA	Paint - Beige Acrylic Lacquer - 1 Gallon
	044486-01-000	EA	Paint - Beige - Acrylic Enamel - 1 Gallon
	044486-03-000	EA	Paint - Beige - Acrylic Enamel - 16 Oz. Aerosol
	041567-01-000	EA	Paint - Rally Gold - Acrylic Enamel - 1 Gallon (Lower Stripe)
	041567-03-000	EA	Paint - Rally Gold - Acrylic Enamel - 16 Oz. Aerosol (Lower Stripe)
	041568-01-000	EA	Paint - Antique Bronze Metallic - Acrylic Enamel - 1 Gallon (Upper Stripe)
	041568-03-000	EA	Paint - Antique Bronze Metallic - Acrylic Enamel - 16 Oz. Aerosol (Upper Stripe)
	045881-01-000	EA	Paint - High Gloss Black - Acrylic Enamel - 1 Gallon
	045881-03-000	EA	Paint - High Gloss Black - Acrylic Enamel - 16 Oz. Aerosol

## 1977 WINNEBAGO TABLE OF CONTENTS

D27MI	A-1 - B-10
MW20RG	B-11 - C-16
D27S	C-17 - D-22
D23MI	D-23 - F-8
D23S	F-9 - G-14
MWC25	G-15 - I-2
D27DRK	I-3 - J-14
D29D	J-15 - L-2

## 1977 D23MI INDEX

Floor Plan	D-23 - D-24
Accessories Group	E-1 - E-3
Bath Group	E-4
Chassis Group	E-5 - E-6
Curtain, Cushion & Pad Group	E-7 - E-9
Driver's Compartment Group	E-9 - E-10
Electrical Group	E-11 - E-12
Exterior Body Group	E-13 - E-16
Galley Group	E-17
Heating & Air Conditioning Group	E-18
Interior Finish Group	E-19 - E-20
LP Group	E-21
Water & Sewage Group	E-22
Window, Vent & Exterior Door Group	E-23 - E-24
	F-1 - F-8

## GALLEY GROUP

Key	Part Number	U/M	Description
	049834-01-000	EA	Cabinet Asm. - Galley w/o Countertop, Drawers, Doors or Hardware
	049836-01-000	EA	Countertop Asm. - Galley Cabinet - Green (Martini Mist)
	049836-02-000	EA	Countertop Asm. - Galley Cabinet - Beige (Champagne Velvet) or Rust (Sierra Sunset)
	011029-01-000	EA	Sink - Stainless Steel Single - w/Bolts
	011053-01-000	EA	Faucet - 8" Swing Spout
	011053-01-700	EA	Aerator - Swing Spout Faucet
	011072-01-000	EA	Tail Piece - 1 1/4" x 5" - Brass
	011085-01-000	EA	Strainer - Sink
	027671-20-000	EA	Cover - Sink - Green (Martini Mist)
	027671-21-000	EA	Cover - Sink - Beige (Champagne Velvet) or (Sierra Sunset)
	042709-14-000	EA	Drawer Asm. - Galley Cabinet - Notch Up w/o Hardware
	049801-22-700	EA	Door Asm. - Galley Cabinet - Left - 14 1/8" x 29 1/8" w/o Hardware
	049801-36-700	EA	Door Asm. - Galley Cabinet - 14 1/8" x 22" w/o Hardware
	049801-23-000	EA	Door Asm. - Refrigerator Cabinet - 22" x 19" w/o Hardware
	042800-26-700	EA	Door Asm. - Overhead Cabinet - 15 13/16" x 11 3/8" w/o Hardware
	042800-27-700	EA	Door Asm. - Overhead Cabinet - 16" x 11 3/8" w/o Hardware
	049832-01-000	EA	Cabinet Asm. - Rear Overhead w/o Doors or Hardware
	049833-01-000	EA	Cabinet Asm. - Side Overhead w/o Doors or Hardware
**	049175-01-000	EA	Refrigerator - AC/Gas - ET 150 - 1 Door Model - Sibir
**	049174-01-000	EA	Refrigerator - AC/Gas - ET 230 - 2 Door Model - Sibir
**	031646-01-000	EA	Range - Coleman - 3 Burner
**	044195-01-000	EA	Range - Coleman - 4 Burner - Small Oven
**	049830-01-000	EA	Hood - Range - Jensen - Power

\*\*The illustrated parts breakdown for this item is provided on the Common Items Fiche.

## HEATING AND AIR CONDITIONING GROUP

### AUTOMOTIVE HEATING AND AIR CONDITIONING

Key	Part Number	U/M	Description
	048226-02-000	EA	Auto Air Kit - 440 C.I.D. - Winnebago
	038044-01-000	EA	Louver Asm. - A/C Adjustable
	047048-01-000	EA	Motor - 12 Volt - 3 Speed - Heater - Air Conditioner
	031043-01-000	EA	Valve - Heater - Water Flow Control
	031169-01-000	EA	Cable - Control - Flexible - 53"
	031169-02-000	EA	Cable - Control - Flexible - 48"
	031170-01-000	EA	Clamp - Cable - 3/16" Dia.
	024896-01-000	EA	Clutch - Magnetic - Compressor
	024899-01-000	EA	Compressor - Auto Air - 10.3 Cubic Inch
	033285-01-000	EA	Package - Air Conditioner - Compressor Mount - 440 C.I.D.
	031384-01-000	EA	Condenser - Radiator Mount
	008287-01-000	EA	Switch - Air Conditioner
	024887-01-000	EA	Valve - Thermostatic Expansion
	024887-01-000	EA	Core - Heater
	024888-01-000	EA	Wheel - Blower - 4.72" O.D.
	031383-01-000	EA	Coil - Evaporator
	033258-01-000	EA	Hose - Refrigerant - .50" I.D. x 34.50"
	034222-01-000	EA	Hose - Refrigerant - .31" I.D. x 28"
	031880-01-000	EA	Hose - Refrigerant - .34" I.D. x 30"
	031881-01-000	EA	Hose - Refrigerant - .31" I.D. x 14.75"
	024886-01-000	EA	Receiver - Dehydrator
	031044-01-000	EA	Clamp - Receiver Dehydrator
	031882-01-000	EA	Bracket - Receiver Dehydrator
	031876-01-000	EA	Belt - Drive - .50" I.D. x 54" - 440 C.I.D.
**	049042-01-000	EA	Furnace - 22,000 BTU - Under Counter - Coleman - 4322
**	049043-01-000	EA	Furnace - 28,000 BTU - Under Counter - Coleman - 4328
	039505-02-000	EA	Thermostat - Wallmount
	009198-01-000	EA	Duct - Flexible - 4" I.D. x 25"
	023146-01-000	EA	Clamp - Screw Type - 4"
	024885-01-000	EA	Heat Register - w/Damper - 9.9" x 4.8"
	002175-01-000	EA	Heat Register - Steel - 11.5" x 3.7"
	031804-01-000	EA	Bonnet - Heat Register - 4.38" x 8.43"
	042152-01-000	EA	Bonnet - Heat Register - 4.5" x 8.44"
	009200-01-000	EA	Tape - Furnace - 1 1/2"
**	049777-01-000	EA	Air Conditioner - 110 Volt - Roof Mount - 11,000 BTU - Ivory Coleman (w/o Inside Shroud)
**	049778-01-000	EA	Shroud Asm. - Ceiling - Inside - Roof Air - Cool Only - 11,000 BTU - Coleman
**	049774-01-000	EA	Air Conditioner - 110 Volt - Roof Mount - 13,500 BTU Ivory - Coleman (w/o Inside Shroud)
**	049775-01-000	EA	Shroud Asm. - Ceiling - Inside - Roof Air - Cool Only - 13,500 BTU - Coleman
**	049776-01-000	EA	Shroud Asm. - Ceiling - Inside - Roof Air - Heat and Cool Only - 13,500 BTU - Coleman

\*\*The illustrated parts breakdown for this item is provided on the Common Items Fiche.

## 1977 WINNEBAGO TABLE OF CONTENTS

D27MI	A-1 - B-10
MW20PG	B-11 - C-16
D27S	C-17 - D-22
D23MI	D-23 - F-8
D23S	F-9 - G-14
MWC25	G-15 - I-2
D27DRK	I-3 - J-14
D29D	J-15 - L-2

## 1977 D23MI INDEX

Floor Plan	D-23 - D-24
Accessories Group	E-1 - E-3
Bath Group	E-4
Chassis Group	E-5 - E-6
Curtain, Cushion & Pad Group	E-7 - E-9
Driver's Compartment Group	E-9 - E-10
Electrical Group	E-11 - E-12
Exterior Body Group	E-13 - E-16
Galley Group	E-17
Heating & Air Conditioning Group	E-18
Interior Finish Group	E-19 - E-20
LP Group	E-21
Water & Sewage Group	E-22
Window, Vent & Exterior Door Group	E-23 - E-24
	F-1 - F-8

## INTERIOR FINISH GROUP

### PANELING AND COUNTERTOP MATERIALS

Key	Part Number	U/M	Description
	000726-05-000	EA	Batt. Strip - 707 Hickory
	047354-01-000	EA	Batt. Strip - 825 Buff
	045863-01-000	SF	Paneling - Buff - Ceiling - 48" x 96" (32SF)
	039188-01-000	SF	Paneling - 707 Hickory - 48" x 96" (32SF)
	041208-01-000	SF	Tileboard - 80" x 84" - Agate Beige (35 SF)
	041205-05-000	SF	Plastic Laminate - 48" x 96" - Burlwood Green - (Martini Mist) (32 SF)
	041205-05-001	EA	Plastic Laminate - 48" x 48" - Burlwood Green (Martini Mist)
	041205-05-002	EA	Plastic Laminate - 1.19" x 96" - Burlwood Green (Martini Mist)
	041205-06-000	SF	Plastic Laminate - 48" x 96" - Burlwood Beige (Champagne Velvet or Sierra Sunset) (32 SF)
	041205-06-001	EA	Plastic Laminate - 48" x 48" - Burlwood Beige (Champagne Velvet or Sierra Sunset)
	041205-06-002	EA	Plastic Laminate - 1.19" x 96" - Burlwood Beige (Champagne Velvet or Sierra Sunset)

### FABRICS AND CARPET

Key	Part Number	U/M	Description
	041429-01-000	YD	Fabric - Drapery - Green (Martini Mist)
	041429-02-000	YD	Fabric - Drapery - Beige (Champagne Velvet)
	041429-03-000	YD	Fabric - Drapery - Rust (Sierra Sunset)
	043823-01-000	YD	Fabric - Upholstery - Green (Martini Mist)
	043823-02-000	YD	Fabric - Upholstery - Beige (Champagne Velvet)
	043823-03-000	YD	Fabric - Upholstery - Rust (Sierra Sunset)
	042411-01-000	YD	Vinyl - Nonsupport - 27 Ounce - Brown
	042411-03-000	YD	Vinyl - Nonsupport - 16 Gauge - Brown
	042414-01-000	FT	Trim - Accent - Bretonian Brown Vinyl
	023831-05-000	EA	Button - Nail - Brown Vinyl
	041430-01-000	SY	Carpet - Olive Inspiration - Green (Martini Mist)
	041430-02-000	SY	Carpet - Van Dyke Brown Inspiration - Beige (Champagne Velvet)
	041430-03-000	SY	Carpet - Russet Inspiration - Rust (Sierra Sunset)

### INTERIOR MOLDINGS AND TRIMS

Key	Part Number	U/M	Description
	022756-01-000	EA	Cover - Air Conditioner Wire - Plastic
	024700-04-000	EA	Cover - Sidewall Roll Bar - 707 Hickory
	024700-08-000	EA	Cover - Sidewall Roll Bar - Ivory
	034113-03-000	EA	Cover - Corner Support Bar - Dark Brown
	039512-02-000	EA	Cover - Hat - Section - 707 Hickory
	039512-08-000	EA	Cover - Hat - Section - Ivory
	047486-01-000	EA	Cover - Corner Hat/Hat
	047489-01-000	EA	Cover - Corner Tube/Tube
	008776-01-000	FT	U-Channel - 1" Dark Brown Plastic
	008777-01-000	FT	U-Channel - 3/4" Dark Brown Plastic
	008815-02-000	FT	T Molding 3/4" Brown
	008812-03-000	FT	Molding - Plastic Corner O/S .50"
	008767-01-000	FT	Walling - Brown
	008779-01-000	FT	U-Channel - 1 1/8" - Dark Brown Plastic
	008809-03-000	FT	Molding - Plastic - Corner - O/S 1"
	034384-02-000	FT	Extr. - Vinyl - Insert Beige - Bath Trim
	034889-03-000	EA	Cover - Screw PPH 10 - Ivory - Bathroom
	042366-01-000	EA	Plug - Button - Mahogany 3/8" Dia.
	008781-01-000	FT	Cover - Outside - .62" x .62" Dark Brown Plastic

## INTERIOR FINISH GROUP (CONTINUED)

### CURTAIN HARDWARE

Key	Part Number	U/M	Description
	009107-01-000	EA	Guide - Nylon - Snap (Used With 009108-01-000 Brown Curtain Track)
	009701-01-000	EA	Carrier - Curtain w/Rollers (used with "L" Rod)
	009702-01-000	EA	End Stop - Curtain Track (used with "L" Rod)
	029100-01-000	EA	Hook - Curtain (Privacy Curtain)
	009136-01-000	EA	Hook - Shower Curtain
	050826-01-000	EA	Track - Wraparound Curtain - Right
	050826-02-000	EA	Track - Wraparound Curtain - Left
	008223-01-000	EA	Rod - Curtain Flat - Extends 32" - 51"
	018031-42-000	EA	Track Curtain "L" Rod 96" Alum.

### CABINETS AND INTERIOR HARDWARE

Key	Part Number	U/M	Description
	009068-01-000	EA	Hinge - Continuous Steel - 1 1/2" x 72"
	009150-01-000	EA	Warp Guard - 64"
**	009124-01-000	EA	Lock - Door - Push Button Brass (Bath Door)
	009112-01-000	EA	Flange 1" Rod Chrome
**	041931-01-000	EA	Kit - Cabinet Door Hinge
**	041942-01-000	EA	Kit - Drawer Pull
**	041917-01-000	EA	Kit - Latch Overhead Cabinet Door Jamestown
**	041918-01-000	EA	Kit - Latch Lower Cabinet Door
	009047-01-000	EA	Hold Open - Overhead Door
	009088-01-000	EA	Clip - Mirror - Plastic w/Screw
	007021-01-000	EA	Belt Asm. - Seat - 2" x 90" Black
	041322-01-000	EA	Washer - Flat 15/32" I.D. x 2 3/8" O.D. (Seat Belt)
	041838-01-000	EA	Screw - 5 x 5/8" POH Antique Brass
**	037688-01-000	FT	Rail - Drawer Glide
**	047744-01-000	EA	Kit - Drawer Glide
	042950-01-000	EA	Handle - Interior Assist
	041944-01-700	EA	Extinguisher - Fire - Dry Chemical w/Bracket
	007038-01-000	EA	Mat - Door - Black Rubber - 10 1/2" x 26"

\*\*The illustrated parts breakdown for this item is provided on the Common Items Fiche.

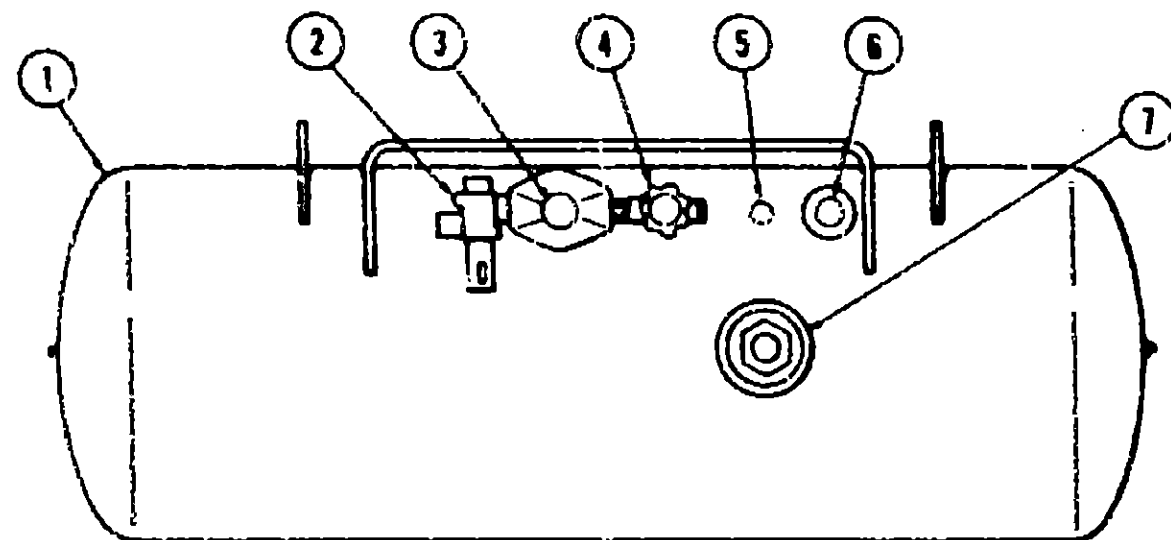
## 1977 WINNEBAGO TABLE OF CONTENTS

D27MI	A-1 - B-10
MW20RG	B-11 - C-16
D27S	C-17 - D-22
D23MI	D-23 - F-8
D23S	F-9 - G-14
MWC2S	G-15 - I-2
D27DRK	I-3 - J-14
D29D	J-15 - L-2

## 1977 D23MI INDEX

Floor Plan	D-23 - D-24
Accessories Group	E-1 - E-3
Bath Group	E-4
Chassis Group	E-5 - E-6
Curtain, Cushion & Pad Group	E-7 - E-9
Driver's Compartment Group	E-9 - E-10
Electrical Group	E-11 - E-12
Exterior Body Group	E-13 - E-16
Galley Group	E-17
Heating & Air Conditioning Group	E-18
Interior Finish Group	E-19 - E-20
LP Group	E-21
Water & Sewage Group	E-22
Window, Vent & Exterior Door Group	E-23 - E-24
	F-1 - F-8

## LP GROUP



Key	Part Number	U/M	Description
1	042281-01-000	EA	Tank - LP - Frame Mount - 42 Pound
2	047221-01-000	EA	Detector - LP Gas Leak
3	024712-01-000	EA	Cover - LP Regulator
4	052163-01-000	EA	Regulator - Manual - LP Gas - 2 Stage
5	040421-01-703	EA	Valve - Vapor Relief
6	040421-01-706	EA	Gauge - Liquid Level - 20% LP
7	040421-01-701	EA	Valve - Filler - LP
	040421-01-702	EA	Cap - Plastic Fill Valve
	040421-01-707	EA	Gauge - Float w/Visible Dial
	040421-01-704	EA	Gauge - Float w/Electrical Transmitter Dial
	040421-01-706	EA	Dial - Visible Face
	040421-01-705	EA	Dial - Transmitter - 0 - 99 Ohm
	045703-03-000	EA	Hose Asm - LP - 3/8" I.D. x 14"
	047737-02-000	EA	Support - LP Tank - 39 25"
	047737-03-000	EA	Support - LP Tank - 30 50"
	Not Illustrated		

## WATER AND SEWAGE GROUP

### PLUMBING REPAIR KITS, PIPE FITTINGS, AND WATER PUMP

Key	Part Number	U/M	Description
**	046524-02-000	EA	Kit - Fittings - Plastic - Water Tank
**	046524-01-000	EA	Kit - Fittings - Plastic - Holding Tank
**	040539-01-000	EA	Kit - Repair - 3/8" O.D. Plastic Tube
**	040540-01-000	EA	Kit - Repair - 1/2" O.D. Plastic Tube
**	040541-01-000	EA	Kit - Repair - 5/8" O.D. Plastic Tube
**	041819-01-000	EA	Nut and Cone - Plastic 1/2" O.D. Tube
**	045128-01-000	EA	Valve - Drain - Plastic 1/2 FPT
**	039807-01-000	EA	Valve - Drain - Brass 1/2 MPT
**	039818-01-000	EA	Riser Asm. - 3/8" O.D. x 24" Tube
**	039818-02-000	EA	Riser Asm. - 3/8" O.D. x 36" Tube
**	039818-03-000	EA	Riser Asm. - 3/8" O.D. x 18" Tube
**	004020-01-000	OT	Adhesive ABS Cement
**	010133-01-000	EA	Adaptor Trap - Plastic 1 1/2 H x MPT
**	010134-01-000	EA	Adaptor - Plastic - 1 1/2" Male MPT
**	010153-01-000	EA	Ring - Closet - Plastic 1 F x 3 MPT
**	010201-01-000	EA	Hose - Sewer - 3" x 10' w/Clamp
**	010235-01-000	EA	Cup - Sewage 3"
**	010236-01-000	EA	Adaptor - Hose 3"
**	011091-01-000	EA	Waste - Continuous Double Sink 11 7/8"
**	010210-01-000	EA	Valve - Sanitary - Thetford 3HB
**	010234-01-000	EA	Adaptor - Bayonet
**	011066-01-000	EA	P-Trap - Plastic 1 1/4"
**	041279-02-000	EA	Pump - Water Flow 2.8 G.P.M. - FAR
**	039647-02-000	EA	Filter - Water Pump - 1/2 MPT
**	039609-01-000	EA	Valve - Stool - Plastic - 3/8" C x 1/2" FPT

\*\*The illustrated parts breakdown for this item is provided on the Common Items Fiche.

### WATER AND SEWAGE HOLDING TANKS

Key	Part Number	U/M	Description
	049837-01-000	EA	Tank Asm. - Holding with Fittings 24 Gallon
**	043636-01-000	EA	Tank - Holding - Plastic - 24 Gallon - Base w/o Fittings
	049836-01-000	EA	Tank Asm. - Water - w/Fittings Plastic - 26 Gallon
	045196-01-000	EA	Tank - Water - Plastic w/o Fittings - 26 Gallon
**	051391-01-000	EA	Water Heater - w/o Outside Access Door (G6A3)
**	031952-01-000	EA	Water Heater - w/o Outside Access Door (G6A2)

\*\*The illustrated parts breakdown for this item is provided on the Common Items Fiche.

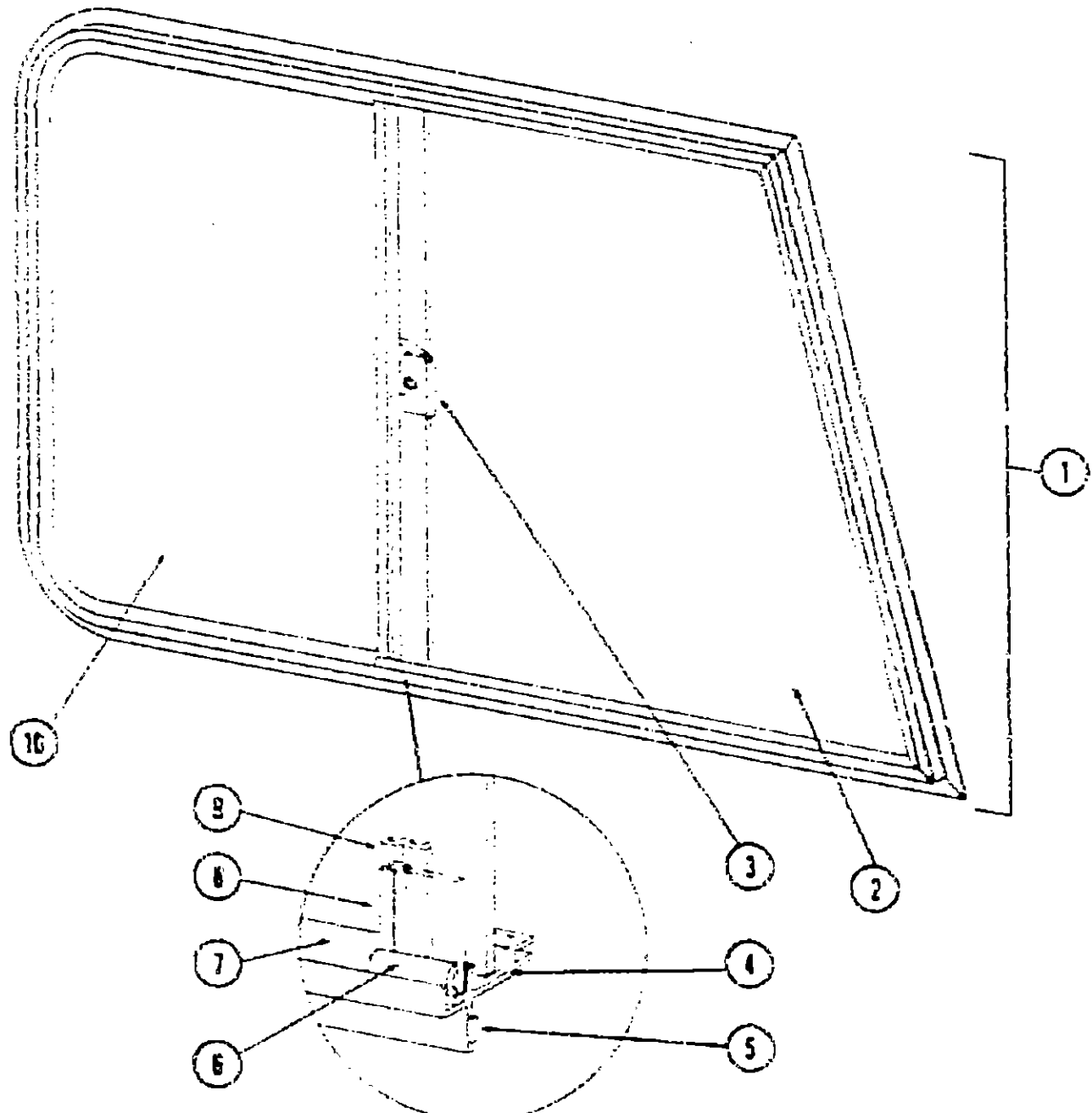
## 1977 WINNEBAGO TABLE OF CONTENTS

D27MI	A-1 - B-10
MW20RG	B-11 - C-16
D27S	C-17 - D-22
D23MI	D-23 - F-8
D23S	F-9 - G-14
MWC25	G-15 - I-2
D27DRK	I-3 - J-14
D29D	J-15 - L-2

## 1977 D23MI INDEX

Floor Plan	D-23 - D-24
Accessories Group	E-1 - E-3
Bath Group	E-4
Chassis Group	E-5 - E-6
Curtain, Cushion & Pad Group	E-7 - E-9
Driver's Compartment Group	E-9 - E-10
Electrical Group	E-11 - E-12
Exterior Body Group	E-13 - E-16
Galley Group	E-17
Heating & Air Conditioning Group	E-18
Interior Finish Group	E-19 - E-20
LP Group	E-21
Water & Sewage Group	E-22
Window, Vent & Exterior Door Group	E-23 - E-24
	F-1 - F-8

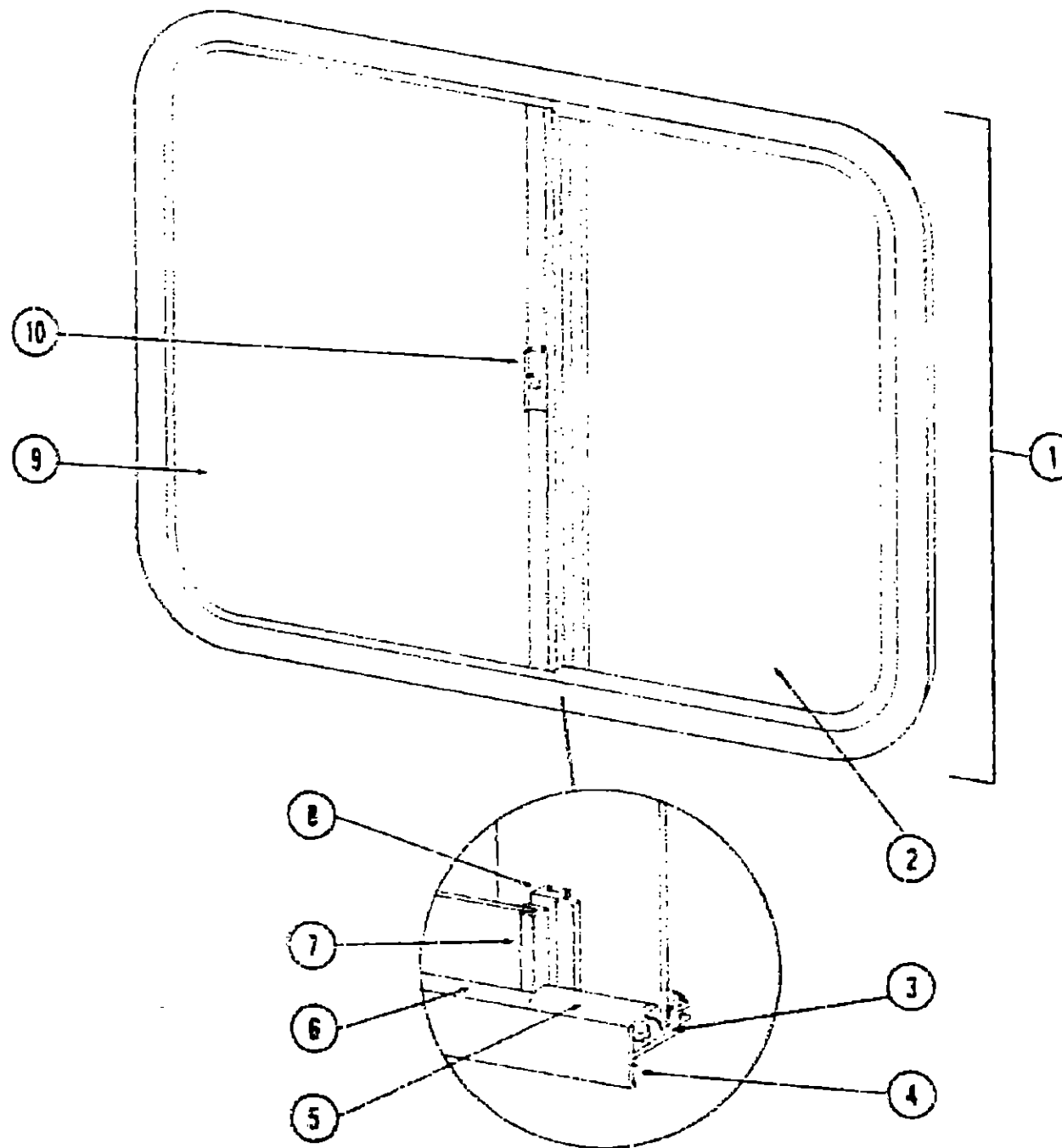
WINDOW, VENT AND EXTERIOR DOOR GROUP



Key	Part Number	U/M	Description
1	048629-01-000	EA	Window Arm - Right Front Slant Slider - 23" x 29" - Black Anod. (w/o Inside Frame)
	048529-02-000	EA	Window Arm - Left Front Slant Slider - 23" x 29" - Black Anod. (w/o Inside Frame)
2	041897-01-000	EA	Glass - 1/8" x 22.06" x 19.91" x 21.22" - Stationary
3	047359-01-000	EA	Latch - Window - Plastic
4	002324-01-000	FT	Channel - Weatherstrip - Glass Run - 1/8" Glass
5	004363-01-000	FT	Tape - Foam - 3/16" x 1/2" - Gray
6	002309-02-000	FT	Spline - Glass - 1/8" - Black
7	024095-02-000	FT	Seal - Window Channel - Black
8	018025-03-000	EA	Holder - Glass Seal - Black Anod.
9	041894-11-000	EA	Mullion - Slider Window - 23" - Black Anod.
10	047524-01-000	EA	Glass - 1/8" x 22.06" x 19.06" - Sliding
	049287-01-000	EA	Washer - Nylon - .62" x .140" I.D.
	049288-01-000	EA	Screw - Machine - 5-32 x 5/16" - HWH - Black
	043753-02-000	EA	Frame - Inside - Right Front Slant Slider - Window - 23" x 29" (not included in assembly)
	043753-01-000	EA	Frame - Inside - Left Front Slant Slider - Window - 23" x 29" (not included in assembly)
	022713-02-000	EA	Cover - Plastic - Weephole - Black

\* Not Illustrated

WINDOW, VENT AND EXTERIOR DOOR GROUP (CONTINUED)



Key	Part Number	U/M	Description
1	048631-07-000	EA	Window Arm - Right Single Slider - 23" x 29" Black Anod. (w/o Inside Frame)
	048631-08-000	EA	Window Arm - Left Single Slider - 23" x 29" Black Anod. (w/o Inside Frame)
2	047813-01-000	EA	Glass - 1/8" x 22" x 13.68" - Sliding
3	002324-01-000	FT	Channel - Weatherstrip - Glass Run - 1/8" Glass
4	004363-01-000	FT	Tape - Foam - 3/16" x 1/2" - Gray
5	024095-02-000	FT	Seal - Window Channel - Black
6	002309-02-000	FT	Spline - Glass - 1/8" - Black
7	018025-03-000	EA	Holder - Glass Seal - Anod. Black
8	041894-02-000	EA	Mullion - Slider Window - 23" - Black Anod.
9	002184-01-000	EA	Glass - Tempered Sheet - Stationary
10	047359-01-000	EA	Latch - Window - Plastic
	049287-01-000	EA	Washer - Nylon - .62" x .140" I.D.
	049288-01-000	EA	Screw - Machine - 5-32 x 5/16" - HWH - Black
	042147-07-000	EA	Frame - Inside - Single Slider Window - Left or Right - 23" x 29" (not included in assembly)
	022713-02-000	EA	Cover - Plastic Weephole - Black
	002298-01-000	FT	Spline - Gray - .130" Dia. (Screen)
	002293-01-000	SF	Screen - Window - 26" - Gray

\* Not Illustrated

1977 WINNEBAGO TABLE OF CONTENTS

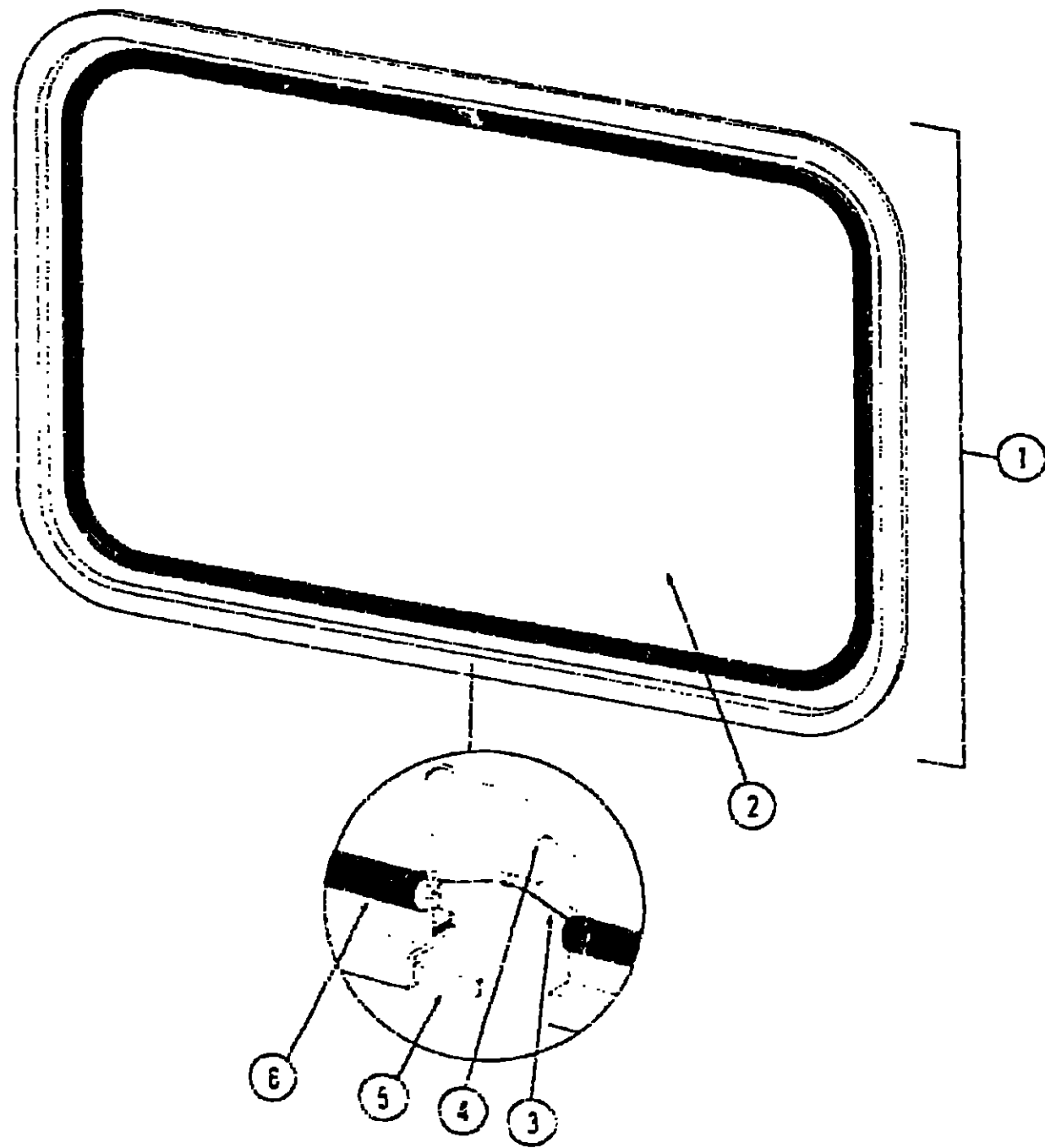
D27MI	A-1 - B-10
MW20RG	B-11 - C-16
D27S	C-17 - D-22
D23MI	D-23 - F-8
D23S	F-9 - G-14
MWC25	G-15 - I-2
D27DRK	I-3 - J-14
D29D	J-15 - L-2

1977 D23MI INDEX

Floor Plan	D-23 - D-24
Accessories Group	E-1 - E-3
Bath Group	E-4
Chassis Group	E-5 - E-6
Curtain, Cushion & Pad Group	E-7 - E-9
Driver's Compartment Group	E-9 - E-10
Electrical Group	E-11 - E-12
Exterior Body Group	E-13 - E-16
Galley Group	E-17
Heating & Air Conditioning Group	E-18
Interior Finish Group	E-19 - E-20
LP Group	E-21
Water & Sewage Group	E-22
Window, Vent & Exterior Door Group	E-23 - E-24
	F-1 - F-8

**WINDOW, VENT AND EXTERIOR DOOR GROUP (CONTINUED)**

**WINDOW, VENT AND EXTERIOR DOOR GROUP (CONTINUED)**



Key	Part Number	U/M	Description
1	042959-01-000	EA	Window Asm - Rear Escape - 23" x 36" - Black Anod (w/o Inside Frame)
2	041392-01-000	EA	Glass - 1/8" x 19.61" x 33.25"
3	002295-01-000	FT	Filler - Weatherstrip - Black
4	020395-01-000	EA	Slip - Pull Ring - Escape Window
5	004363-01-000	FT	Tape - Foam - 3/16" x 1/2" - Gray
6	002282-01-000	FT	Weatherstrip - 125" - Black
	042027-01-000	EA	Frame - Inside - Escape Window - 23" x 36" (not included in assembly)
	005199-01-000	EA	Label - Exit - Escape Window

\* Not Illustrated

**WINDSHIELD**

Key	Part Number	U/M	Description
	034975-04-000	EA	Glass - Windshield - 1/4" x 22.12" x 45.45" - Right or Left
	036764-03-200	EA	Extr. - Windshield Trim Anod. Black - 22.38"
	042744-03-000	EA	Frame - Asm. - Windshield w/o Glass
	036886-01-000	EA	Tape - Butyl .31" x .31" x 148"
	043968-01-000	EA	Trim - Windshield

**VENTS**

Key	Part Number	U/M	Description
	039778-01-000	EA	Cover - Plastic Refrigerator Vent
	009407-01-000	EA	Frame - Base - Refrigerator Vent w/o Cover
	049352-02-000	EA	Vent - Stovehood - Outside - Beige (Jensen)

**ACCESS DOORS**

Key	Part Number	U/M	Description
	003182-02-000	EA	Door Asm. - Water Heater Access - Beige
	033333-18-000	EA	Door Asm. - Battery - Beige w/Twist Type Lock
	031007-09-000	EA	Door Asm. - Generator - Right - Beige
	047803-01-000	EA	Baffle - Generator Door - 19.75" x 30"
	044210-02-000	EA	Door Asm. - Power Cord Access - 6" x 10" Beige w/Quarter Turn Plastic Latch
	047349-01-000	EA	Door Asm. - Refrigerator Access - Beige w/Twist Type Lock
	039884-01-000	EA	Lock Asm. - Twist Type w/Clip
	047305-01-000	EA	Lock Asm. - Key Type w/Clip
	043942-01-000	EA	Lock Asm. - Plastic Quarter Turn - Power Cord Door
	041330-03-000	EA	Door Asm. - Rear Trunk - Beige
	009009-01-000	EA	Lock - T Handle - Bent Cam - Trunk Door

**CARGO DOOR**

Key	Part Number	U/M	Description
	051790-01-000	EA	Door Asm. - Radius Cargo - Beige
	029520-01-000	EA	Hinge Entrance Door
	041948-01-000	EA	Lock Kit - Entry Door - Complete
	039541-01-000	EA	Lock Cylinder w/Keys - Door Lock
	039539-01-000	EA	Striker - Entry Door Lock
	039979-01-000	EA	Plate - Lock - Interior - Includes Inside Handle
	051630-01-000	EA	Frame - Cargo Door Bottom - Beige
	051631-01-000	EA	Frame - Cargo Door Except Bottom
	051769-01-000	EA	Jamb Asm. - Cargo Door - Beige
	009101-01-000	EA	Holder - Door - Male
	009101-02-000	EA	Holder - Door - Female
	044582-05-000	EA	Cap - Drip - Jamb - Beige
	047203-02-000	EA	Extr. - Garnish Inside Door - Side - Left or Right
	051629-01-000	EA	Garnish - Left or Right - Cargo Door Inside - Top Only

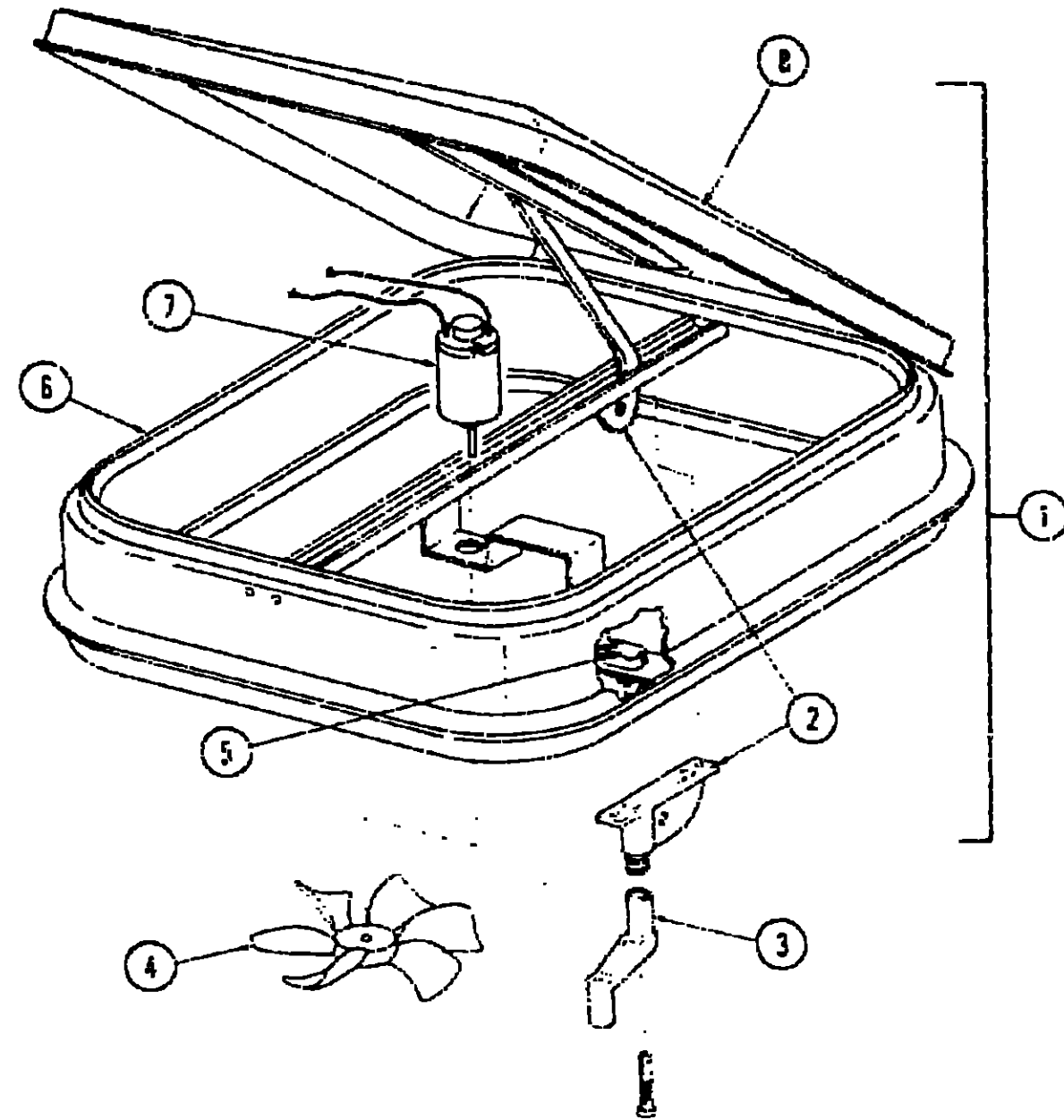
**1977 WINNEBAGO TABLE OF CONTENTS**

D27MI	A-1 - B-10
MW20RG	B-11 - C-16
D27S	C-17 - D-22
D23MI	D-23 - F-8
D23S	F-9 - G-14
MWC25	G-15 - I-2
D27DRK	I-3 - J-14
D25D	J-15 - L-2

**1977 D23MI INDEX**

Floor Plan	D-23 - D-24
Accessories Group	E-1 - E-3
Bath Group	E-4
Chassis Group	E-5 - E-6
Curtain, Cushion & Pad Group	E-7 - E-9
Driver's Compartment Group	E-9 - E-10
Electrical Group	E-11 - E-12
Exterior Body Group	E-13 - E-16
Galley Group	E-17
Heating & Air Conditioning Group	E-18
Interior Finish Group	E-19 - E-20
LP Group	E-21
Water & Sewage Group	E-22
Window, Vent & Exterior Door Group	E-23 - E-24
	F-1 - F-8

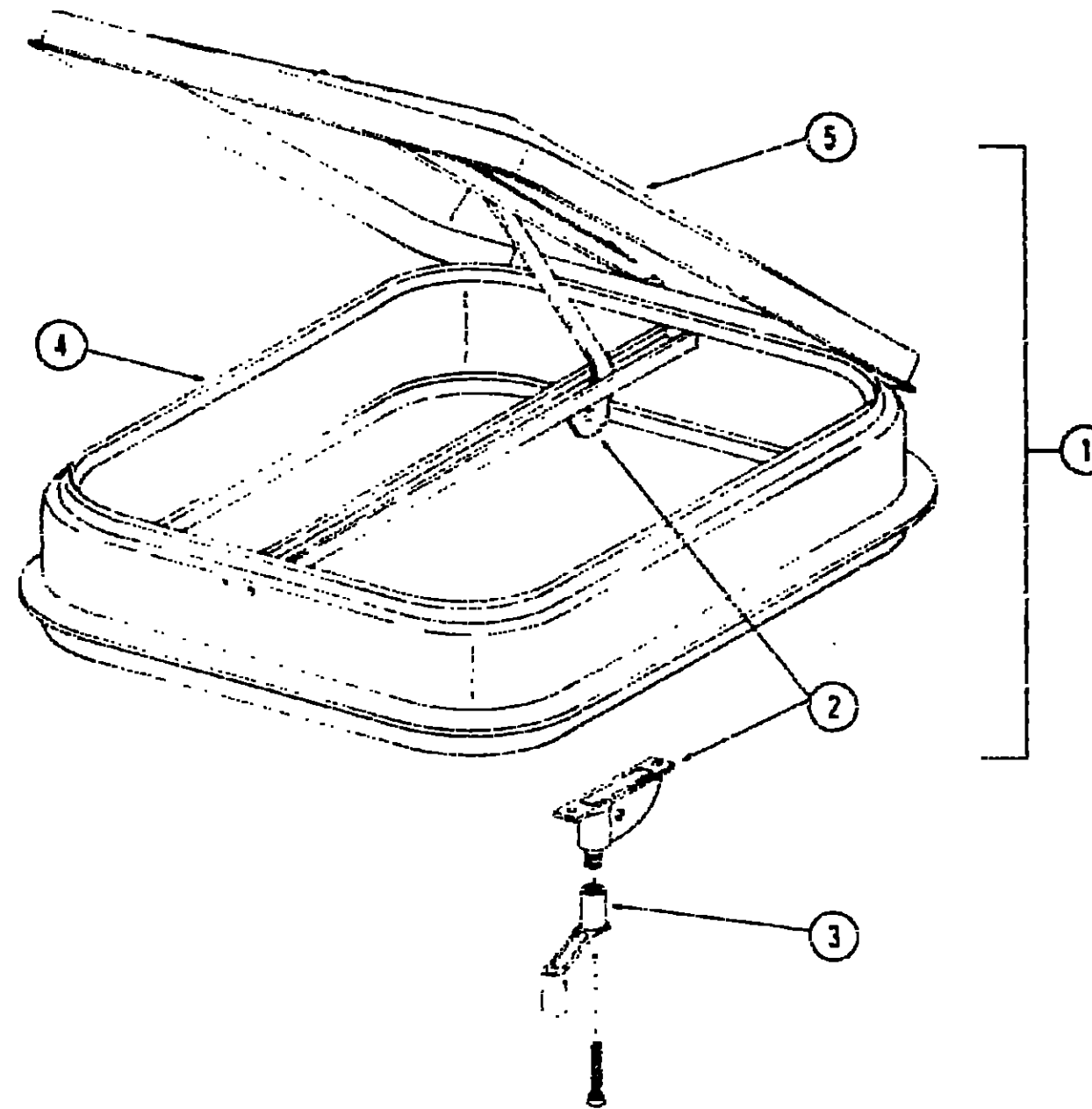
WINDOW, VENT AND EXTERIOR DOOR GROUP (CONTINUED)



Key	Part Number	U/M	Description
1	048789-01-000	EA	Vent Asm - Roof - Powered - w/o Screen
2	009440-01-000	EA	Gear - Arm - Roof Vent
3	009439-01-000	EA	Crank - Roof Vent
4	048549-01-000	EA	Fan - Blade - 6" Plastic
5	008195-01-000	FA	Switch - Push Button 12 Volt
6	002825-01-000	FT	Weatherstrip - Roof Vent
7	046548-01-000	EA	Motor - 12 Volt
8	046925-01-000	EA	Cover - Plastic - Roof Vent
*	048365-01-000	EA	Screen Asm - Powered Roof Vent - Clear Anod (not included in assembly)
*	048595-03-000	EA	Screen Asm - Powered Roof Vent - Beige (not included in assembly)

\* Not Illustrated

WINDOW, VENT AND EXTERIOR DOOR GROUP (CONTINUED)



Key	Part Number	U/M	Description
1	048835-01-000	EA	Vent Asm - Roof - Nonpowered - w/o Screen
2	009440-01-000	EA	Gear - Arm - Roof Vent
3	009439-01-000	EA	Crank - Roof Vent
4	002825-01-000	FT	Weatherstrip - Roof Vent
5	046925-01-000	EA	Cover - Plastic - Roof Vent
*	016335-01-000	EA	Screen Asm - Non Powered Roof Vent - Clear Anod (not included in assembly)
*	016335-03-000	EA	Screen Asm - Non Powered Roof Vent - Beige (not included in assembly)

\* Not Illustrated

1977 WINNEBAGO  
TABLE OF CONTENTS

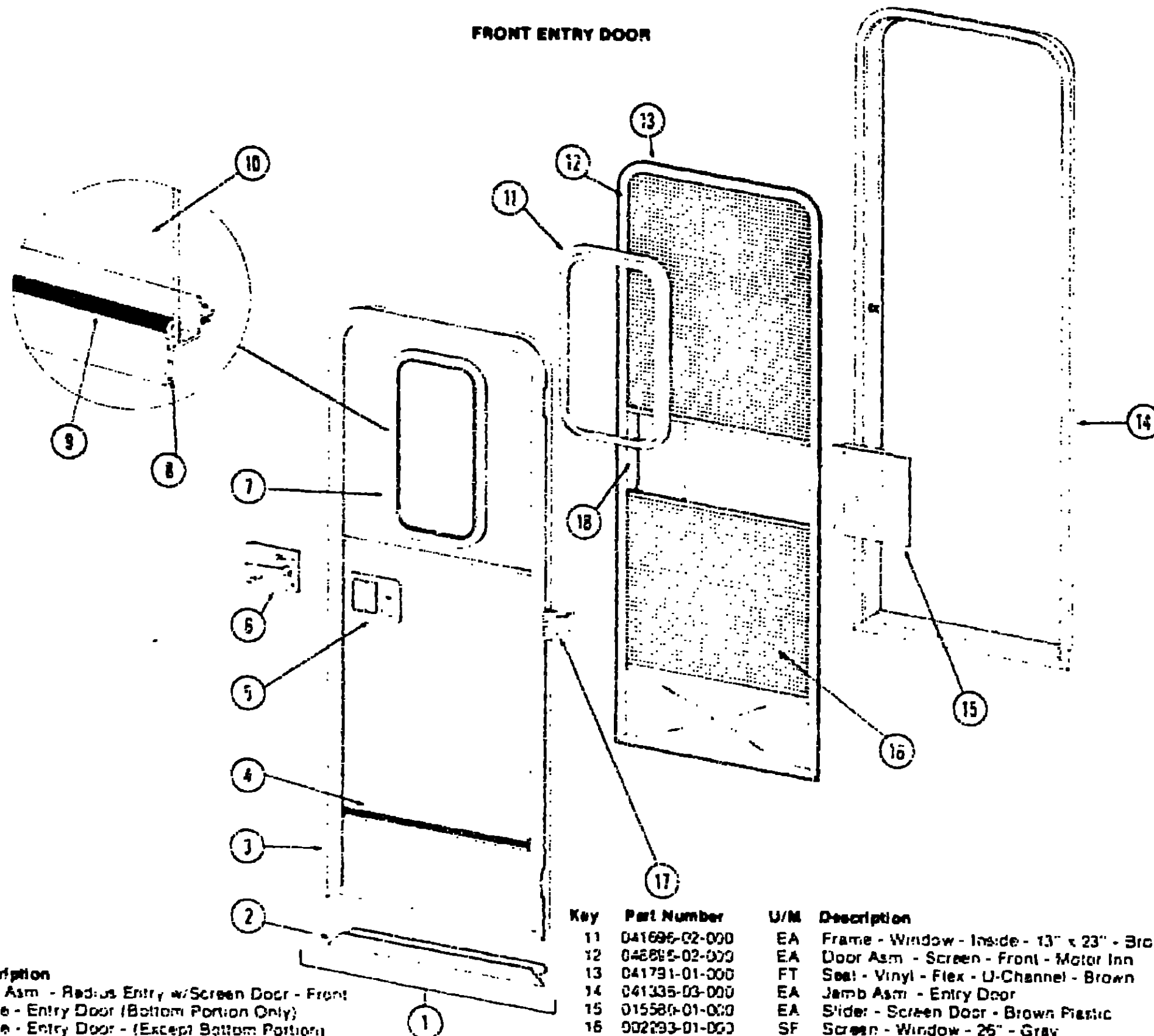
D27MI	A-1 - B-10
MW20RG	B-11 - C-16
D27S	C-17 - D-22
D23MI	D-23 - F-8
D23S	F-9 - G-14
MWC25	G-15 - I-2
D27DRK	I-3 - J-11
D29D	J-15 - L-2

1977 D23MI INDEX

Floor Plan	D-23 - D-24
Accessories Group	E-1 - E-3
Bath Group	E-4
Chassis Group	E-5 - E-6
Curtain, Cushion & Pad Group	E-7 - E-9
Driver's Compartment Group	E-9 - E-10
Electrical Group	E-11 - E-12
Exterior Body Group	E-13 - E-16
Galley Group	E-17
Heating & Air Conditioning Group	E-18
Interior Finish Group	E-19 - E-20
LP Group	E-21
Water & Sewage Group	E-22
Window, Vent & Exterior Door Group	E-23 - E-24
	F-1 - F-8

# WINDOW, VENT AND EXTERIOR DOOR GROUP (CONTINUED)

## FRONT ENTRY DOOR



Key	Part Number	U/M	Description
1	050095-05-000	EA	Door Asm - Radius Entry w/Screen Door - Front
2	039737-03-000	EA	Frame - Entry Door (Bottom Portion Only)
3	039735-03-000	EA	Frame - Entry Door - (Except Bottom Portion)
4	039274-02-000	EA	Holder Asm - Entry Door - 2 1/2"
5	052185-01-000	EA	Lock Asm - Radius Entry Door - Lynor
6	045017-01-000	EA	Lock Cylinder w/Keys - Lynor
7	039541-01-000	EA	Lock Cylinder w/Keys - Atwood
8	039539-01-000	EA	Striker - Entry Door Lock
9	039979-01-000	EA	Plate - Lock - Interior - Including Inside Handle
10	041875-02-000	EA	Window Asm - Picture - 13" x 23" - Black Anod (Inside frame not included in assembly)
11	044363-01-000	FT	Tape - Foam - 3/16" x 1/2" - Gray
12	002309-02-000	FT	Spine - Glass - 1/8" - Black
13	002181-01-000	EA	Glass - Picture Window - 1/8" x 12" x 22" Gray

Key	Part Number	U/M	Description
11	041695-02-000	EA	Frame - Window - Inside - 13" x 23" - Brown
12	042895-02-000	EA	Door Asm - Screen - Front - Motor Inn
13	041791-01-000	FT	Seal - Vinyl - Flex - U-Channel - Brown
14	041335-03-000	EA	Jamb Asm - Entry Door
15	015580-01-000	EA	Slider - Screen Door - Brown Plastic
16	002293-01-000	SF	Screen - Window - 25" - Gray
17	039520-01-000	EA	Hinge - Entry Door (3 used per door)
18	015581-01-000	EA	Cap - Screen Door - Brown Plastic
*	049175-01-000	EA	Hedlok II - 3/4" Diameter - Screw Mount (Retains Screen Door to Entry Door)
*	049797-01-000	EA	Hedlok II - 1" Diameter - Screw Mount (Retains Screen Door to Entry Door)
*	015019-01-000	EA	Striker - Screen Door
*	039853-01-000	EA	Catch Asm. - Single Roller w/Strike - Screen Door
*	030740-01-000	FT	Seal - Jamb - Entry Door
*	039900-03-000	FT	Tubing - Polybutyl - 3/8" O D - Jamb
*			Not Illustrated

F-5

## 1977 WINNEBAGO TABLE OF CONTENTS

D27MI	A-1 - B-10
MW20RG	B-11 - C-16
D27S	C-17 - D-22
D23MI	D-23 - F-8
D23S	F-9 - G-14
MWC25	G-15 - I-2
D27DRK	I-3 - J-14
D29D	J-15 - L-2

## 1977 D23MI INDEX

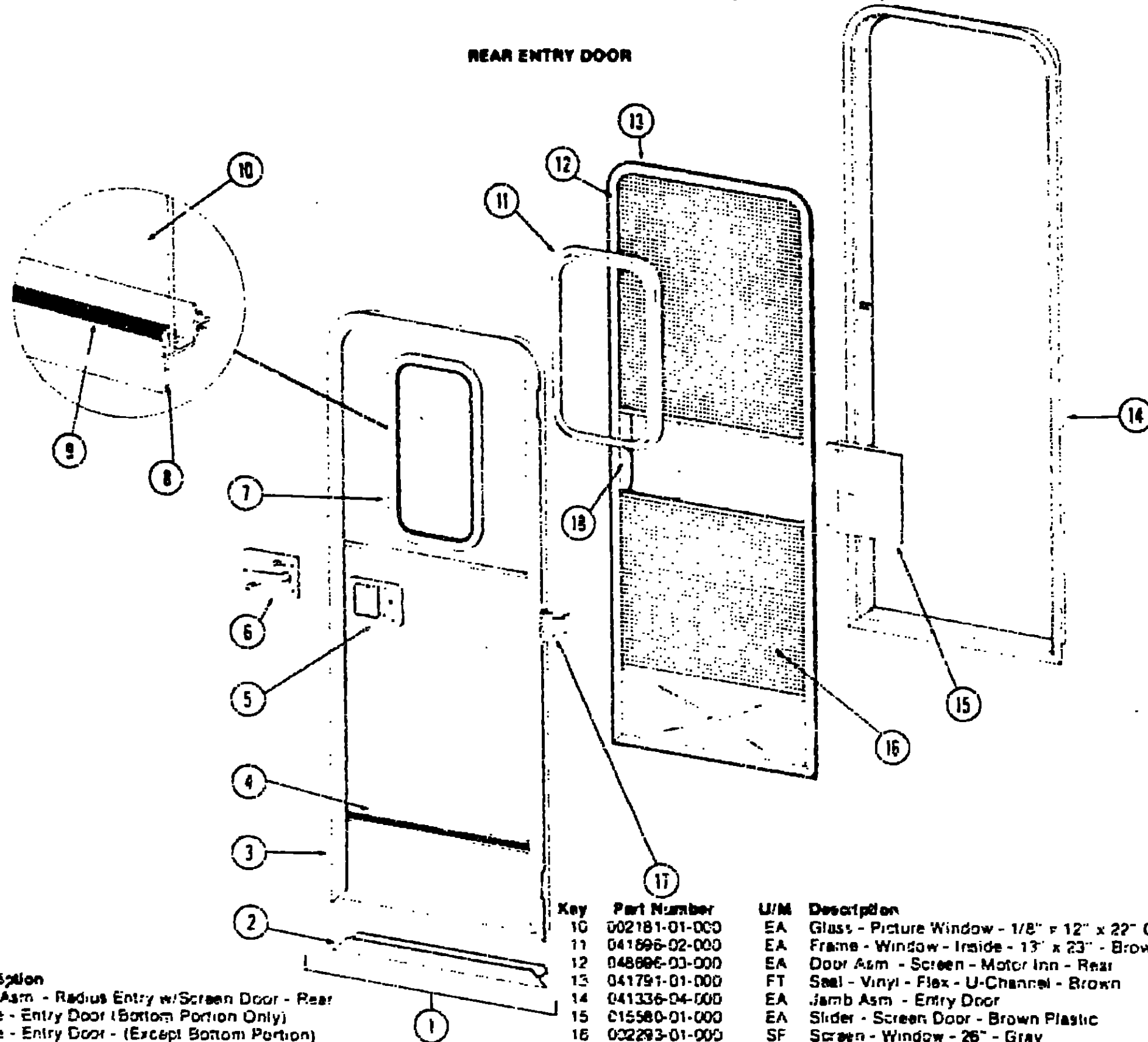
Floor Plan	D-23 - D-24
Accessories Group	E-1 - E-3
Bath Group	E-4
Chassis Group	E-5 - E-6
Curtain, Cushion & Pad Group	E-7 - E-9
Driver's Compartment Group	E-9 - E-10
Electrical Group	E-11 - E-12
Exterior Body Group	E-13 - E-16
Galley Group	E-17
Heating & Air Conditioning Group	E-19
Interior Finish Group	E-19 - E-20
LP Group	E-21
Water & Sewage Group	E-22
Window, Vent & Exterior Door Group	E-23 - E-24
	F-1 - F-3

F-6



**WINDOW, VENT AND EXTERIOR DOOR GROUP (CONTINUED)**

**REAR ENTRY DOOR**



Key	Part Number	U/M	Description
1	050096-07-000	EA	Door Asm - Radius Entry w/Screen Door - Rear
2	030737-04-000	EA	Frame - Entry Door (Bottom Portion Only)
3	030736-04-000	EA	Frame - Entry Door - (Except Bottom Portion)
4	033674-02-000	EA	Holder Asm - Entry Door - 2 1/2"
5	052166-01-000	EA	Lock Asm - Radius Entry Door - Lynor
6	045017-01-700	EA	Lock Cylinder w/Keys - Lynor
7	039541-01-000	EA	Lock Cylinder w/Keys - Atwood
8	039539-01-000	EA	Striker - Entry Door Lock
9	014363-01-000	FT	Tap - Foam - 3/16" x 1/2" - Gray
10	002309-02-000	FT	Spine - Glass - 1/8" - Black

Key	Part Number	U/M	Description
10	002181-01-000	EA	Glass - Picture Window - 1/8" x 12" x 22" Gray
11	041696-02-000	EA	Frame - Window - Inside - 13" x 23" - Brown
12	048696-03-000	EA	Door Asm - Screen - Motor Inn - Rear
13	041791-01-000	FT	Seal - Vinyl - Flex - U-Channel - Brown
14	041336-04-000	EA	Jamb Asm - Entry Door
15	015580-01-000	EA	Slider - Screen Door - Brown Plastic
16	002293-01-000	SF	Screen - Window - 26" - Gray
17	039520-01-000	EA	Hinge - Entry Door (3 used per door)
18	015581-01-000	EA	Cap - Screen Door - Brown Plastic
	043176-01-000	EA	Hedlok II - 3/4" Diameter - Screw Mount (Retains Screen Door to Entry Door)
	049797-01-000	EA	Hedlok II - 1" Diameter - Screw Mount (Retains Screen Door to Entry Door)
	015019-01-000	EA	Striker - Screen Door
	036863-01-000	EA	Catch Asm. - Single Roller w/Strike - Screen Door
	039740-01-000	FT	Seal - Jamb - Entry Door
	039800-03-000	FT	Tubing - Polybutyl - 3/8" O.D. - Jamb

F-7

\* Not Illustrated

**1977 WINNEBAGO TABLE OF CONTENTS**

D27MI	A-1 - B-10
MW20RG	B-11 - C-16
D27S	C-17 - D-22
D23MI	D-23 - F-8
D23S	F-9 - G-14
MWC25	G-15 - I-2
D27DRK	I-3 - J-14
D29D	J-15 - L-2

**1977 D23MI INDEX**

Floor Plan	D-23 - D-24
Accessories Group	E-1 - E-3
Bath Group	E-4
Chassis Group	E-5 - E-6
Curtain, Cushion & Pad Group	E-7 - E-9
Driver's Compartment Group	E-9 - E-10
Electrical Group	E-11 - E-12
Exterior Body Group	E-13 - E-16
Galley Group	E-17
Heating & Air Conditioning Group	E-18
Interior Finish Group	E-19 - E-20
LP Group	E-21
Water & Sewage Group	E-22
Window, Vent & Exterior Door Group	E-23 - E-24
	F-1 - F-8

F-8