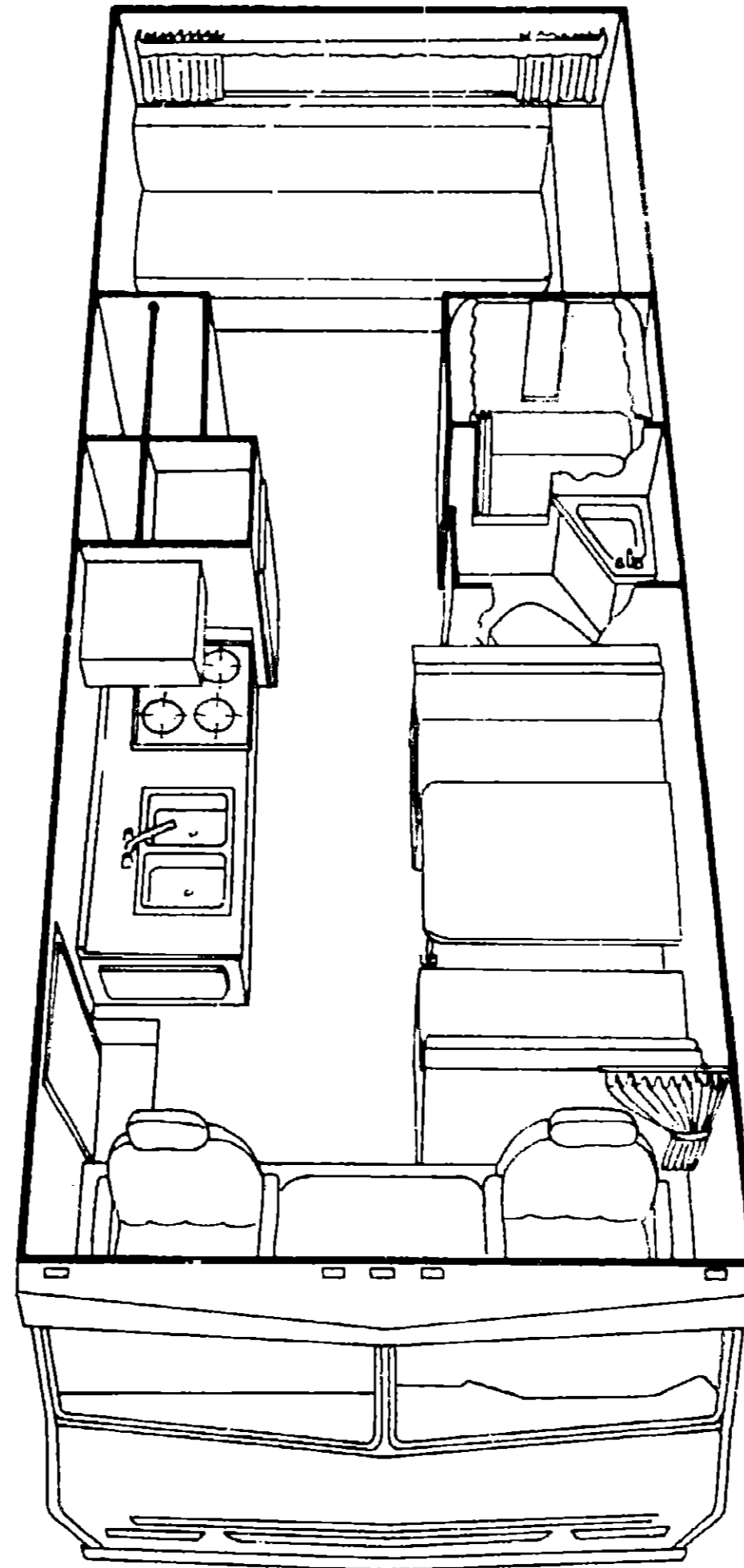


# 1977 D23C



K-7

## WINNEBAGO TABLE OF CONTENTS

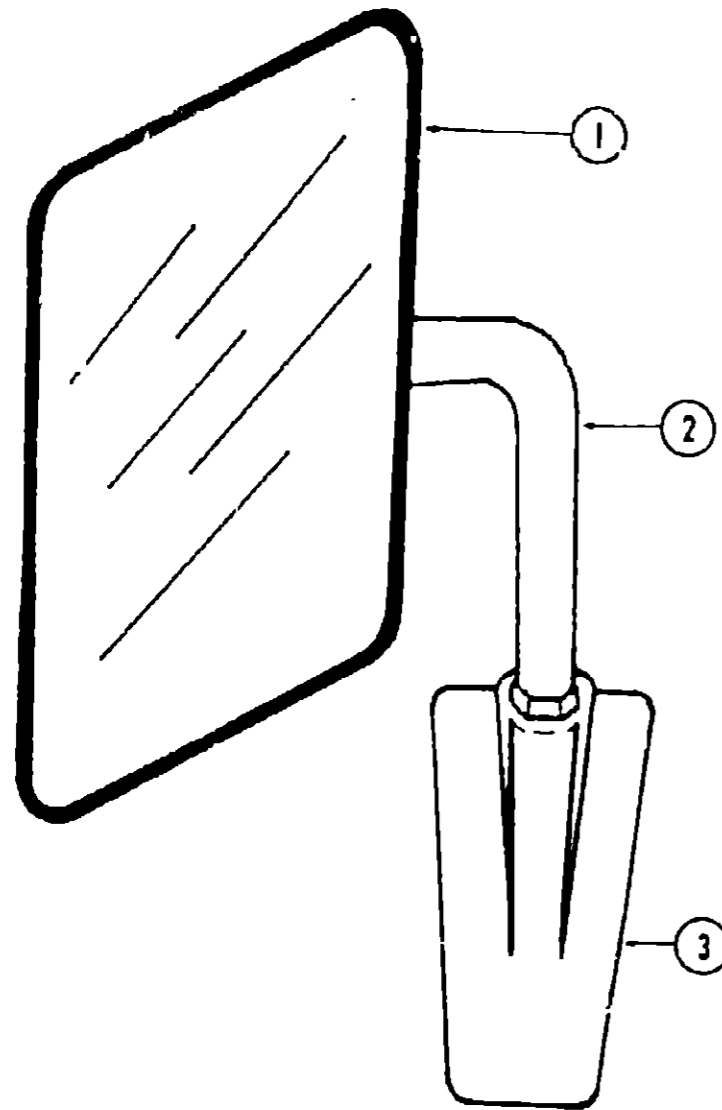
Introduction	A-1
Abbreviations	A-1
Alphabetical Index	A-2 - A-4
1977 MWC25D	A-5 - B-12
1977 D26CRK	B-13 - C-24
1977 MWC24D	D-1 - E-8
1977 D26CRB	E-9 - F-20
1977 D26RT	F-21 - H-6
1977 MW23RB	H-7 - I-16
1977 D21	I-17 - K-6
1977 D23C	K-7 - L-18

## 1977 D23C INDEX

Floor Plan	K-7 - K-8
Accessories Group	K-9 - K-11
Bath Group	K-12
Chassis Group	K-13
Curtain, Cushion & Pad Group	K-14 - K-18
Dinette Group	K-18
Driver's Compartment Group	K-18 - K-20
Electrical Group	K-20 - K-21
Exterior Body Group	K-22 - L-1
Galley Group	L-2
Heating & Air Conditioning Group	L-3
Interior Finish Group	L-4 - L-5
LP Group	L-6
Lounge Group	L-7
Water & Sewage Group	L-8
Window, Vent & Exterior Door Group	L-9 - L-16

K-8

## ACCESSORIES GROUP



Key	Part Number	U/M	Description
1	049347-01-000	EA	Mirror Head - 7 1/2" x 10 1/2" - Stainless Steel
2	049348-01-000	EA	Arm. - Low Mount Mirror - Bright Finish
3	049944-01-000	EA	Bracket - Mirror - Outside - Beige

## ACCESSORIES GROUP (CONTINUED)

### RADIOS AND RELATED COMPONENTS

Key	Part Number	U/M	Description
	031105-01-700	EA	Clip - Retaining - Side Mount Antenna
	031105-01-000	EA	Antenna - Radio - Side Mount
	039879-01-000	EA	Kit - Radio Speaker - 5 1/4" w/Cover
	049730-01-000	EA	Radio - AM - w/Fader - Clarion
	049731-01-000	EA	Radio - AM/FM/MPX - w/Fader - Clarion
	049732-01-000	EA	Radio - AM/FM/MPX - 8 Track - w/Fader - Clarion
	050751-01-000	EA	Plaque - Fader Switch/Mic Mounting
	050465-01-000	EA	Bezel - Entertainment Center - Number 1 - (Radio Only)
	050466-01-000	EA	Bezel - Entertainment Center - Number 2 - (Radio and Clock)

### FRONT BUNK, CABINET AND HARDWARE

Key	Part Number	U/M	Description
	048392-01-000	EA	Bunk - Front - Overhead - (Board w/Rails)
	042988-01-000	EA	Support Asm. - Left and Right - Overhead Bunk - Dark Brown
	040071-01-700	EA	Support Kit - Overhead Bunk - Seat Belt
	006076-01-000	EA	Ladder - Bunk
	048391-01-000	EA	Cabinet - Front Overhead w/o Doors or Hardware
	042964-01-000	EA	Door Asm. - Sliding - Front Overhead Bunk Cabinet
	009148-01-000	EA	Pull - Finger - 3/4" Brass (Sliding Cabinet Door)
	009785-01-000	FT	Track - Sliding Door - Upper - Dark Brown Plastic
	009786-01-000	FT	Track - Sliding Door - Lower - Dark Brown Plastic

### GENERATOR AND INSTALLATION KITS

Key	Part Number	U/M	Description
	007059-01-000	EA	Generator - Onan - 2500 Watt LK - w/Mounting Bolts and Rubber Feet
	007135-01-000	EA	Muffler - 2500 LK
	039235-01-000	EA	Kit - 2500 Watt - Onan - LK Installation - w/o Bolt Package and Rubber Feet
	044066-01-000	EA	Generator - 4000 Watt Onan BF - w/Mounting Bolts and Rubber Feet
	039237-01-000	EA	Kit - 4000, 5000 and 6500 Onan Installation w/o Bolt Package and Rubber Feet
	007292-01-000	EA	Muffler - Generator
	045226-01-000	EA	Drawer Asm. - Sliding Generator Tray
	007059-02-000	EA	Bolt Package - Generator Mounting
	007059-03-000	EA	Foot - Rubber - Generator Mounting
	042865-01-000	EA	Scoop - Generator Air
	701629-01-000	EA	Kohler Installation Package
**	040504-01-000	EA	Generator - 2.5 kw - Kohler
**	040505-01-000	EA	Generator - 4.0 kw - Kohler
**	040506-01-000	EA	Generator - 5.0 kw - Kohler
**	044149-01-000	EA	Generator - 6.5 kw - Kohler
**	051908-01-000	EA	Generator - 3.5 kw - Kohler
**	051909-01-000	EA	Generator - 4.5 kw - Kohler
**	051910-01-000	EA	Generator - 5.5 kw - Kohler
**	051911-01-000	EA	Generator - 7.0 kw - Kohler

\*\*The illustrated parts breakdown for this item is provided on the Cor. non Items Fiche.

## WINNEBAGO

### TABLE OF CONTENTS

Introduction	A-1
Abbreviations	A-1
Alphabetical Index	A-2 - A-4
1977 MWC25D	A-5 - B-12
1977 D26CRK	B-13 - C-24
1977 MWC24D	D-1 - E-8
1977 D26CRB	E-9 - F-20
1977 D26RT	F-21 - H-6
1977 MW23RB	H-7 - I-16
1977 D21	I-17 - K-6
1977 D23C	K-7 - L-15

### 1977 D23C INDEX

Floor Plan	K-7 - K-8
Accessories Group	K-9 - K-11
Bath Group	K-12
Chassis Group	K-13
Curtain, Cushion & Pad Group	K-14 - K-18
Dinette Group	K-18
Driver's Compartment Group	K-18 - K-20
Electrical Group	K-20 - K-21
Exterior Body Group	K-22 - L-1
Galley Group	L-2
Heating & Air Conditioning Group	L-3
Interior Finish Group	L-4 - L-5
LP Group	L-6
Lounge Group	L-7
Water & Sewage Group	L-8
Window, Vent & Exterior Door Group	L-9 - L-18

## ACCESSORIES GROUP (CONTINUED)

### MISCELLANEOUS ACCESSORIES

Key	Part Number	U/M	Description
	050885-01-000	EA	Owner's Manual - Winnebago
	017516-01-000	EA	Mudflap - Black - 14" x 18" w Holes
	006069-01-000	EA	Case - Leather Key - Motor Home
	007038-01-000	EA	Mat - Door - Black Rubber - 10 1/2" x 26"
	006053-01-000	EA	Antenna - TV - Braun Delux
**	006093-01-000	EA	Jack - TV - Brown (Antenna)
**	040899-01-000	EA	Ladder Asm. w/ Luggage Rack - Round
**	040899-02-000	EA	Ladder Only - For Rack and Ladder Asm.
	006113-01-000	EA	Jack - Hydraulic - 5 Ton
	041944-01-700	EA	Fire Extinguisher - w/ Bracket - Dry Chemical
	034410-14-000	EA	Cover - Spare Tire w/ Brown "W" - 32"
**	024746-01-000	EA	Speed Control Package - 440 C.I.D. - Dodge - Lever Type - A Body - Dana
**	047841-01-000	EA	Speed Control Package - 360 C.I.D. - Dodge - Lever Type - A Body - Dana
**	031396-01-000	EA	Wheel Cover - 17 5/8" - Chrome

\*\*The illustrated parts breakdown for this item is provided on the Common Items Fiche.

## BATH GROUP

### BATH CABINETS

Key	Part Number	U/M	Description
	044633-01-000	EA	Cabinet Only - Vanity - w/o Door or Top
	043601-16-700	EA	Door Asm. - Vanity Cabinet w/o Hardware
	044007-01-000	EA	Lavatory Top - Plastic - w/o Faucet
	011056-01-000	EA	Faucet - 4" Lavatory
	011083-01-000	EA	Plug - Sink w/Chain
	050111-01-000	EA	Cabinet - Overhead - Bath - w/o Door or Hardware
	045992-07-700	EA	Door Asm. - Cabinet Overhead - w/o Mirror or Hardware
	045700-01-000	EA	Mirror - 1/8" x 9" x 25"
	009021-01-000	EA	Catch - Nylon - Overhead Cabinet
	009021-02-000	EA	Strike - Nylon Catch - Overhead Cabinet
	009059-01-000	EA	Hinge - 2" - Gold - Overhead Cabinet
	039524-01-000	EA	Strike - Nylon Catch - Overhead Cabinet
	041838-01-000	EA	Screw - 5" x 5/8" P.O.H. Antique Brass

### BATHTUB AND RELATED HARDWARE

Key	Part Number	U/M	Description
	045730-01-000	EA	Curtain - Shower - White Plastic
	009136-01-000	EA	Pin - Shower Curtain
	043727-01-000	EA	Bathtub - Bottom
	043729-01-000	EA	Bathtub - Front
	043730-01-000	EA	Bathtub - Rear
	011060-01-000	EA	Shower Head - w/40" Hose
	011048-01-700	EA	Vacuum Breaker - 1/8 MPT Nylon Shower Hose
	011066-01-000	EA	Strainer - Drain - Shower Pan
	031558-01-000	EA	Faucet - 4" - Tub and Shower
	037581-01-000	EA	Back Flow Preventer
	002726-02-001	EA	Garnish - Anodized - 1 3/8" x 19" - Shower Opening
	009779-01-000	FT	U-Channel - 1 1/8" Plastic - Dark Brown
	009134-01-000	EA	Holder - Toilet Tissue
	033580-01-000	EA	Ring - Towel - Chrome w/Plastic Ring
	009133-02-000	EA	Bar - Towel Rack - 16" - Plastic
	023449-01-000	EA	Support - Towel Rack - Chrome - Left or Right
	042601-02-700	EA	Door Asm. - Bathroom - w/o Hardware or Warp Guard
	009124-01-000	EA	Lock - Door - Push Button Brass
	009150-01-000	EA	Warp Guard - 64"
**	039341-02-000	EA	Stool Asm. - Ivory - Aqua Magic - Model SH

\*\*The illustrated parts breakdown for this item is provided on the Common Items Fiche.

## WINNEBAGO

### TABLE OF CONTENTS

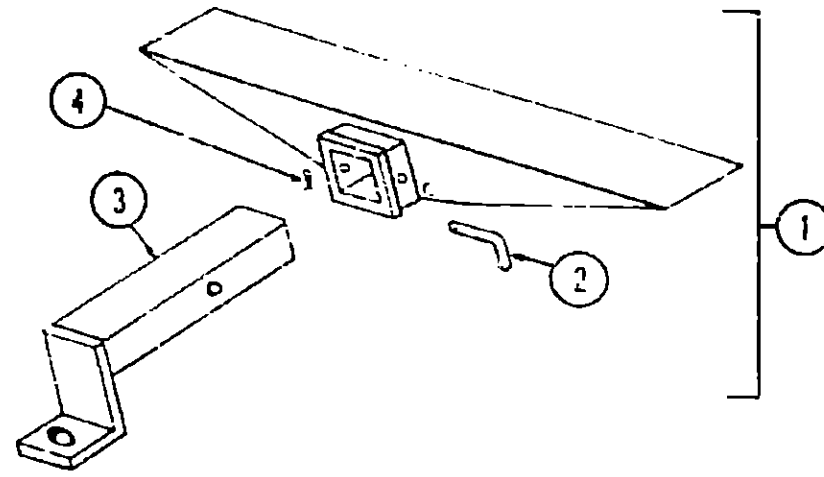
Introduction	A-1
Abbreviations	A-1
Alphabetical Index	A-2 - A-4
1977 MWC25D	A-5 - B-12
1977 D26CRK	B-13 - C-24
1977 MWC24D	D-1 - E-8
1977 D26CRB	E-9 - F-20
1977 D26RT	F-21 - H-6
1977 MW23RB	H-7 - I-16
1977 D21	I-17 - K-6
1977 D23C	K-7 - L-18

### 1977 D23C INDEX

Floor Plan	K-7 - K-8
Accessories Group	K-9 - K-11
Bath Group	K-12
Chassis Group	K-13
Curtain, Cushion & Pad Group	K-14 - K-18
Dinette Group	K-18
Driver's Compartment Group	K-18 - K-20
Electrical Group	K-20 - K-21
Exterior Body Group	K-22 - L-1
Galley Group	L-2
Heating & Air Conditioning Group	L-3
Interior Finish Group	L-4 - L-5
LP Group	L-6
Lounge Group	L-7
Water & Sewage Group	L-8
Window, Vent & Exterior Door Group	L-9 - L-18

**CHASSIS GROUP**

Key	Part Number	U/M	Description
	048473-01-000	EA	Bumper - Front - Chrome
	023496-04-000	EA	Bracket - Bumper - Black
	023520-04-000	EA	Bar - Bumper - Black
	048474-01-000	EA	Bumper - Rear - Chrome
	046043-05-000	EA	Bracket - Asm. - Bumper
	040974-01-000	EA	Bracket - Spare Tire
	016924-02-000	EA	Mounting Asm. - Tube - Tire Carrier
	016923-01-000	EA	Bracket - Retaining - Tire Carrier
	016922-01-000	EA	Bracket - Pivot - Tire Carrier
	005522-01-000	EA	Pin - Hitch - 5/32" Wire
	015365-01-000	EA	Pin - Tire Carrier
	024852-01-700	EA	Step Asm. - Pull-Out - Entry Door
	045802-01-000	EA	Panel - Headlight - Right
	045803-01-000	EA	Panel - Headlight - Left
	045611-01-000	EA	Hoodboard - Steel - Right
	045611-02-000	EA	Hoodboard - Steel - Left
	007134-01-000	EA	Clamp - Hose - Spring Type - 9/16"
	024138-01-000	FT	Hose - Fuel - 5/16" I.D. SAE30R1
	033899-01-000	EA	Hose - Fuel - 2" I.D. x 45.50"
	007140-01-000	EA	Clamp - Hose - 2" to 3" Dia.
	016253-02-000	EA	Fill - Gas - Single - Beige
	007138-01-000	EA	Clamp 1/4" to 3/4" Dia.
	007160-01-000	EA	Gasket 3/16" x 2" x 2" Tire Carcass
	038882-01-000	EA	Tank - Fuel - Aux. - 27.8 Gallon
	043986-01-000	EA	Strap - Fuel Tank Mount
	017571-02-000	EA	Support Asm. - Auxiliary Fuel Tank
	031374-01-000	EA	Sending Unit - Engine Oil Pressure
	031375-01-000	EA	Sending Unit - Engine Water Temperature
	038883-01-000	EA	Sending Unit - Fuel 7.8 Ohm - Auxiliary Fuel Tank
	045814-01-000	EA	Fill - Gas - w/Vent 4.5"
	024611-04-000	EA	Cap - Gas Pressure 1.50" Black
	048595-01-000	EA	Tray Asm. - Battery - Steel
	005183-01-000	EA	Rod - Threaded - 5/16" - 18 x 35" Long
	035102-01-000	EA	Cover - Rear Radiator
	007131-01-000	EA	Hanger - Tailpipe
	035260-01-000	EA	Wheel Well - Plastic - Black - Left or Right
	007125-01-000	EA	Clamp Asm. - Muffler - 1.62" Dia.
	007249-01-000	EA	Tailpipe - Curved - 2 1/2" x 56"



Key	Part Number	U/M	Description
1	023695-01-700	EA	Hitch Kit - w/Drawbar
2	034512-01-000	EA	Pin - Locking - Drawbar
3	024876-01-000	EA	Drawbar - Trailer Hitch
4	034513-01-000	EA	Pin - Hitch - 3/16" Wire Spring

**K-13**

**CURTAIN, CUSHION AND PAD GROUP**

**CURTAINS**

Key	Part Number	U/M	Description
	049021-28-000	EA	Curtain - Blackout - Snap Top - 38" x 34" - Green (Moss)
	049021-29-000	EA	Curtain - Blackout - Snap Top - 38" x 34" - Gold (Topaz)
	049021-30-000	EA	Curtain - Blackout - Snap Top - 38" x 34" - Rust (Terra Cotta)
	048840-04-000	EA	Curtain w/Snap Top and Bottom - Overdrape - 25.5" x 18" - Green (Moss)
	048840-05-000	EA	Curtain w/Snap Top and Bottom - Overdrape - 25.5" x 18" - Gold (Topaz)
	048840-85-000	EA	Curtain w/Snap Top and Bottom - Overdrape - 25.5" x 18" - Rust (Terra Cotta)
	049021-22-000	EA	Curtain w/Snap Top - Overdrape - 33" x 36" - Green (Moss)
	049021-20-000	EA	Curtain w/Snap Top - Overdrape - 33" x 36" - Gold (Topaz)
	049021-34-000	EA	Curtain w/Snap Top - Overdrape - 33" x 36" - Rust (Terra Cotta)
	049486-72-000	EA	Curtain w/Snap Top - Left - Overdrape - 25" x 45" - Green (Moss)
	049486-73-000	EA	Curtain w/Snap Top - Left - Overdrape - 25" x 45" - Gold (Topaz)
	049486-68-000	EA	Curtain w/Snap Top - Left - Overdrape - 25" x 45" - Rust (Terra Cotta)
	049486-78-000	EA	Curtain w/Snap Top - Left - Underdrape - 25" x 24" - Green (Moss)
	049486-79-000	EA	Curtain w/Snap Top - Left - Underdrape - 25" x 24" - Gold (Topaz)
	049486-80-000	EA	Curtain w/Snap Top - Left - Underdrape - 25" x 24" - Rust (Terra Cotta)
	049486-81-000	EA	Curtain w/Snap Top - Left - Underdrape - 25" x 42" - Green (Moss)
	049486-67-000	EA	Curtain w/Snap Top - Left - Underdrape - 25" x 42" - Gold (Topaz)
	049486-66-000	EA	Curtain w/Snap Top - Left - Underdrape - 25" x 42" - Rust (Terra Cotta)
	049487-71-000	EA	Curtain w/Snap Top - Right - Underdrape - 25" x 45" - Green (Moss)
	049487-72-000	EA	Curtain w/Snap Top - Right - Underdrape - 25" x 45" - Gold (Topaz)
	049487-73-000	EA	Curtain w/Snap Top - Right - Underdrape - 25" x 45" - Rust (Terra Cotta)
	049487-77-000	EA	Curtain w/Snap Top - Right - Underdrape - 25" x 24" - Green (Moss)
	049487-78-000	EA	Curtain w/Snap Top - Right - Underdrape - 25" x 24" - Gold (Topaz)
	049487-79-000	EA	Curtain w/Snap Top - Right - Underdrape - 25" x 24" - Rust (Terra Cotta)
	049487-80-000	EA	Curtain w/Snap Top - Right - Underdrape - 25" x 42" - Green (Moss)
	049487-66-000	EA	Curtain w/Snap Top - Right - Underdrape - 25" x 42" - Gold (Topaz)
	049487-67-000	EA	Curtain w/Snap Top - Right - Underdrape - 25" x 42" - Rust (Terra Cotta)
	050645-04-000	EA	Curtain - Rod Mount - Right - Overdrape - 27" x 45" - Green (Moss)
	050645-05-000	EA	Curtain - Rod Mount - Right - Overdrape - 27" x 45" - Gold (Topaz)
	050645-06-000	EA	Curtain - Rod Mount - Right - Overdrape - 27" x 45" - Rust (Terra Cotta)
	050645-07-000	EA	Curtain - Rod Mount - Right - Overdrape - 27" x 30" - Green (Moss)
	050645-08-000	EA	Curtain - Rod Mount - Right - Overdrape - 27" x 30" - Gold (Topaz)
	050645-09-000	EA	Curtain - Rod Mount - Right - Overdrape - 27" x 30" - Rust (Terra Cotta)
	050645-13-000	EA	Curtain - Rod Mount - Right - Overdrape - 27" x 54" - Green (Moss)
	050645-14-000	EA	Curtain - Rod Mount - Right - Overdrape - 27" x 54" - Gold (Topaz)
	050645-15-000	EA	Curtain - Rod Mount - Right - Overdrape - 27" x 54" - Rust (Terra Cotta)
	050646-04-000	EA	Curtain - Rod Mount - Left - Overdrape - 27" x 45" - Green (Moss)
	050646-05-000	EA	Curtain - Rod Mount - Left - Overdrape - 27" x 45" - Gold (Topaz)
	050646-06-000	EA	Curtain - Rod Mount - Left - Overdrape - 27" x 45" - Rust (Terra Cotta)
	050646-07-000	EA	Curtain - Rod Mount - Left - Overdrape - 27" x 30" - Green (Moss)
	050646-08-000	EA	Curtain - Rod Mount - Left - Overdrape - 27" x 30" - Gold (Topaz)
	050646-09-000	EA	Curtain - Rod Mount - Left - Overdrape - 27" x 30" - Rust (Terra Cotta)
	050646-13-000	EA	Curtain - Rod Mount - Left - Overdrape - 27" x 54" - Green (Moss)
	050646-14-000	EA	Curtain - Rod Mount - Left - Overdrape - 27" x 54" - Gold (Topaz)
	050646-15-000	EA	Curtain - Rod Mount - Left - Overdrape - 27" x 54" - Rust (Terra Cotta)
	049021-31-000	EA	Curtain - Wraparound - w/Snap Top - Right - 25" x 80" - Green (Moss)
	049021-32-000	EA	Curtain - Wraparound - w/Snap Top - Right - 25" x 80" - Gold (Topaz)
	049021-33-000	EA	Curtain - Wraparound - w/Snap Top - Right - 25" x 80" - Rust (Terra Cotta)
	049485-08-000	EA	Curtain - Wraparound - w/Snap Top - Left - 25" x 80" - Green (Moss)
	049485-09-000	EA	Curtain - Wraparound - w/Snap Top - Left - 25" x 80" - Gold (Topaz)
	049485-10-000	EA	Curtain - Wraparound - w/Snap Top - Left - 25" x 80" - Rust (Terra Cotta)
	049021-55-000	EA	Curtain - Privacy - 72" x 36" - Green (Moss)
	049021-56-000	EA	Curtain - Privacy - 72" x 36" - Gold (Topaz)
	049021-57-000	EA	Curtain - Privacy - 72" x 36" - Rust (Terra Cotta)
	045730-01-000	EA	Curtain - Shower - White Plastic

**BUNK MATTRESSES**

Key	Part Number	U/M	Description
	041914-22-000	EA	Mattress - Flexsteel Bunk - Green (Moss)
	041914-23-000	EA	Mattress - Flexsteel Bunk - Gold (Topaz)
	041914-24-000	EA	Mattress - Flexsteel Bunk - Rust (Terra Cotta)

**K-13**

**WINNEBAGO**

**TABLE OF CONTENTS**

Introduction	A-1
Abbreviations	A-1
Alphabetical Index	A-2 - A-4
1977 MWC25D	A-5 - B-12
1977 D26CRK	B-13 - C-24
1977 MWC24D	D-1 - E-8
1977 D26CRB	E-9 - F-20
1977 D26RT	F-21 - H-6
1977 MW23RB	H-7 - I-16
1977 D21	I-17 - K-6
1977 D23C	K-7 - L-18

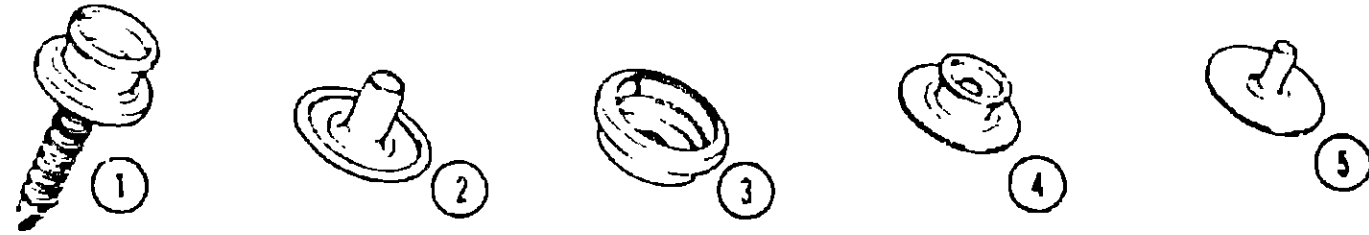
**1977 D23C INDEX**

Floor Plan	K-7 - K-8
Accessories Group	K-9 - K-11
Bath Group	K-12
Chassis Group	K-13
Curtain, Cushion & Pad Group	K-14 - K-18
Dinette Group	K-18
Driver's Compartment Group	K-18 - K-20
Electrical Group	K-20 - K-21
Exterior Body Group	K-22 - L-1
Galley Group	L-2
Heating & Air Conditioning Group	L-3
Interior Finish Group	L-4 - L-5
LP Group	L-6
Lounge Group	L-7
Water & Sewage Group	L-8
Window, Vent & Exterior Door Group	L-9 - L-18

**K-14**

**CURTAIN, CUSHION AND PAD GROUP (CONTINUED)**

**CURTAIN HARDWARE**



Key	Part Number	U/M	Description
1	029130-01-000	EA	Socket - Snap Fastener (Tie Backs)
2	029155-01-000	EA	Cap - Snap .156" Dia. x .17" Barrel (Tie Backs)
3	029156-01-000	EA	Socket - Snap Fastener (Tie Backs)
4	029092-01-000	EA	Stud - Nickel Finish (Curtains)
5	029093-01-000	EA	Eyelet - Nickel Finish (Curtains)
	009107-01-000	EA	Guide - Nylon - Snap (used with 009108-01-000 - Brown Curtain Track)
	009701-01-000	EA	Carrier - Curtain w/Rollers (used with "L" Rod)
	009702-01-000	EA	End Stop - Curtain Track (used with "L" Rod)
	029100-01-000	EA	Hook - Curtain (Privacy Curtain)
	009136-01-000	EA	Hook - Shower Curtain
	050826-01-000	EA	Track - Wraparound Curtain - Right
	050826-02-000	EA	Track - Wraparound Curtain - Left
	037872-01-000	EA	Rod - Double Curtain Flat - Extends 48" - 84"
	038782-03-000	EA	Rod - Double Curtain Flat - Extends 28" - 48"
	018031-42-000	EA	Track - Curtain - "L" Rod - 90" Alum.
	052327-04-235	EA	Curtain Track - Alum. - Brown - 89" w/Holes

**VALANCES**

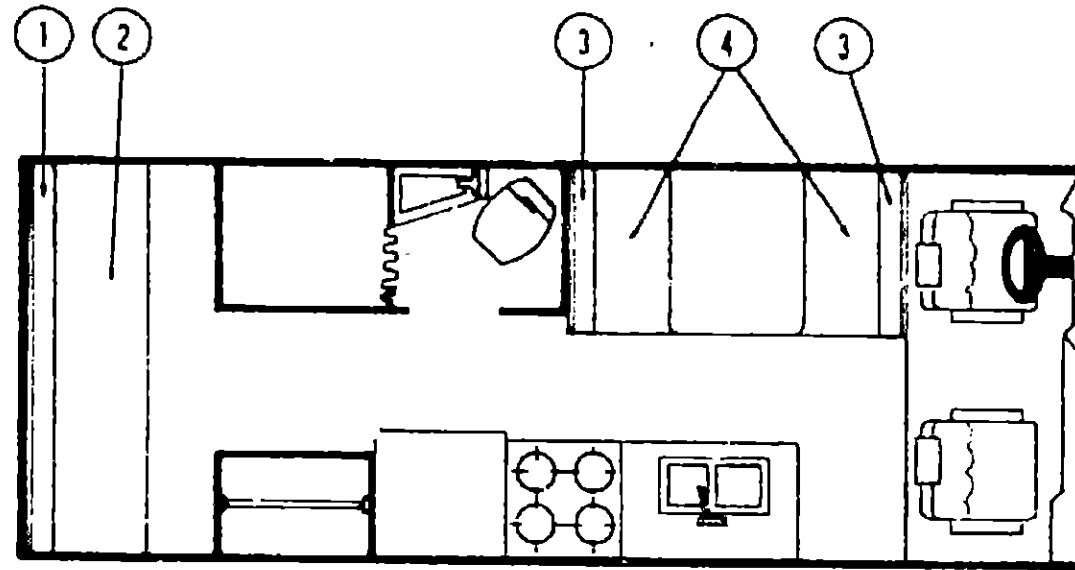
Key	Part Number	U/M	Description
	048831-09-000	EA	Valance w/Header - 5.5" x 51" - Green (Moss)
	048831-10-000	EA	Valance w/Header - 5.5" x 51" - Gold (Topaz)
	048831-11-000	EA	Valance w/Header - 5.5" x 51" - Rust (Terra Cotta)
	048831-85-000	EA	Valance w/Header - 5.5" x 91" - Green (Moss)
	048831-86-000	EA	Valance w/Header - 5.5" x 91" - Gold (Topaz)
	048831-87-000	EA	Valance w/Header - 5.5" x 91" - Rust (Terra Cotta)
	048831-88-000	EA	Valance w/Header - 5.5" x 41" - Green (Moss)
	048831-89-000	EA	Valance w/Header - 5.5" x 41" - Gold (Topaz)
	048831-90-000	EA	Valance w/Header - 5.5" x 41" - Rust (Terra Cotta)
	048831-91-000	EA	Valance w/Header - 5.5" x 81" - Green (Moss)
	048831-92-000	EA	Valance w/Header - 5.5" x 81" - Gold (Topaz)
	048831-93-000	EA	Valance w/Header - 5.5" x 81" - Rust (Terra Cotta)

**CURTAIN TIE BACKS**

Key	Part Number	U/M	Description
	049097-03-000	EA	Tie Back - 10" - Green (Moss)
	049097-04-000	EA	Tie Back - 10" - Gold (Topaz)
	049097-05-000	EA	Tie Back - 10" - Rust (Terra Cotta)
	049097-06-000	EA	Tie Back - 14" - Green (Moss)
	049097-07-000	EA	Tie Back - 14" - Gold (Topaz)
	049097-08-000	EA	Tie Back - 14" - Rust (Terra Cotta)
	049097-37-000	EA	Tie Back - 16" - Green (Moss)
	049097-38-000	EA	Tie Back - 16" - Gold (Topaz)
	049097-33-000	EA	Tie Back - 16" - Rust (Terra Cotta)

**K-15**

**CURTAIN, CUSHION AND PAD GROUP (CONTINUED)**



**LOUNGE CUSHIONS**

Key	Part Number	U/M	Description
1	051403-01-000	EA	Cushion - Waterfall - 2 Fold - 13" x 6" x 77.5" x 5" - Green (Moss)
1	051403-02-000	EA	Cushion - Waterfall - 2 Fold - 13" x 6" x 77.5" x 5" - Gold (Topaz)
1	051403-03-000	EA	Cushion - Waterfall - 2 Fold - 13" x 6" x 77.5" x 5" - Rust (Terra Cotta)
	051403-01-001	EA	Cover - Cushion - Waterfall - 2 Fold - 13" x 6" x 77.5" x 5" - Green (Moss)
	051403-02-002	EA	Cover - Cushion - Waterfall - 2 Fold - 13" x 6" x 77.5" x 5" - Gold (Topaz)
	051403-03-003	EA	Cover - Cushion - Waterfall - 2 Fold - 13" x 6" x 77.5" x 5" - Rust (Terra Cotta)
2	048830-07-000	EA	Cushion - Waterfall - 29" x 79" x 5" - Green (Moss)
2	048830-08-000	EA	Cushion - Waterfall - 29" x 79" x 5" - Gold (Topaz)
2	048830-09-000	EA	Cushion - Waterfall - 29" x 79" x 5" - Rust (Terra Cotta)
	048830-07-007	EA	Cover - Cushion - Waterfall - 29" x 79" x 5" - Green (Moss)
	048830-08-008	EA	Cover - Cushion - Waterfall - 29" x 79" x 5" - Gold (Topaz)
	048830-09-009	EA	Cover - Cushion - Waterfall - 29" x 79" x 5" - Rust (Terra Cotta)
	048830-23-000	EA	Cushion - Waterfall - Bolster - 17" x 18.5" x 5" - Green (Moss)
	048830-24-000	EA	Cushion - Waterfall - Bolster - 17" x 18.5" x 5" - Gold (Topaz)
	048830-25-000	EA	Cushion - Waterfall - Bolster - 17" x 18.5" x 5" - Rust (Terra Cotta)
	048830-23-023	EA	Cover - Waterfall Cushion - Bolster - 17" x 18.5" x 5" - Green (Moss)
	048830-24-024	EA	Cover - Waterfall Cushion - Bolster - 17" x 18.5" x 5" - Gold (Topaz)
	048830-25-025	EA	Cover - Waterfall Cushion - Bolster - 17" x 18.5" x 5" - Rust (Terra Cotta)

**DINETTE CUSHIONS**

Key	Part Number	U/M	Description
3	048830-04-000	EA	Cushion - Waterfall - 14" x 38" x 5" - Green (Moss)
3	048830-05-000	EA	Cushion - Waterfall - 14" x 38" x 5" - Gold (Topaz)
3	048830-05-000	EA	Cushion - Waterfall - 14" x 38" x 5" - Rust (Terra Cotta)
	048830-04-004	EA	Cover - Cushion - Waterfall - 14" x 38" x 5" - Green (Moss)
	048830-05-005	EA	Cover - Cushion - Waterfall - 14" x 38" x 5" - Gold (Topaz)
	048830-06-006	EA	Cover - Cushion - Waterfall - 14" x 38" x 5" - Rust (Terra Cotta)
4	048830-13-000	EA	Cushion - Waterfall - 23" x 38" x 5" - Green (Moss)
4	048830-14-000	EA	Cushion - Waterfall - 23" x 38" x 5" - Gold (Topaz)
4	048830-15-000	EA	Cushion - Waterfall - 23" x 38" x 5" - Rust (Terra Cotta)
	048830-13-013	EA	Cover - Cushion - Waterfall - 23" x 38" x 5" - Green (Moss)
	048830-14-014	EA	Cover - Cushion - Waterfall - 23" x 38" x 5" - Gold (Topaz)
	048830-15-015	EA	Cover - Cushion - Waterfall - 23" x 38" x 5" - Rust (Terra Cotta)

**K-16**

**WINNEBAGO  
TABLE OF CONTENTS**

Introduction	A-1
Abbreviations	A-1
Alphabetical Index	A-2 - A-4
1977 MWC25D	A-5 - 9-12
1977 D26CRK	B-13 - C-24
1977 MWC24D	D-1 - E-8
1977 D26CRB	E-9 - F-20
1977 D26RT	F-21 - H-6
1977 MW23RB	H-7 - I-16
1977 D21	I-17 - K-6
1977 D23C	K-7 - L-18

**1977 D23C INDEX**

Floor Plan	K-7 - K-8
Accessories Group	K-9 - K-11
Bath Group	K-12
Chassis Group	K-13
Curtain, Cushion & Pad Group	K-14 - K-18
Dinette Group	K-19
Driver's Compartment Group	K-18 - K-20
Electrical Group	K-20 - K-21
Exterior Body Group	K-22 - L-1
Galley Group	L-2
Heating & Air Conditioning Group	L-3
Interior Finish Group	L-4 - L-5
LP Group	L-6
Lounge Group	L-7
Water & Sewage Group	L-8
Window, Vent & Exterior Door Group	L-9 - L-18

**CURTAIN, CUSHION AND PAD GROUP (CONTINUED)**

**BUCKET SEATS, ARMRESTS, AND HEADRESTS**

Key	Part Number	U/M	Description
	049159-01-000	EA	Seat Asm. - Single Bucket - w/Skirt - w/o Slides, Armrests or Headrests - Green (Moss)
	049159-02-000	EA	Seat Asm. - Single Bucket - w/Skirt - w/o Slides, Armrests or Headrests - Gold (Topaz)
	049159-03-000	EA	Seat Asm. - Single Bucket - w/Skirt - w/o Slides, Armrests or Headrests - Rust (Terra Cotta)
	049158-01-001	EA	Cover - Single Bucket Seat - Bottom - Green (Moss)
	049158-02-001	EA	Cover - Single Bucket Seat - Bottom - Gold (Topaz)
	049158-03-001	EA	Cover - Single Bucket Seat - Bottom - Rust (Terra Cotta)
	049158-01-002	EA	Cover - Single Bucket Seat - Back - Green (Moss)
	049158-02-002	EA	Cover - Single Bucket Seat - Back - Gold (Topaz)
	049158-03-002	EA	Cover - Single Bucket Seat - Back - Rust (Terra Cotta)
	049158-01-003	EA	Skirt - Single Bucket Seat - Green (Moss)
	049158-02-003	EA	Skirt - Single Bucket Seat - Gold (Topaz)
	049158-03-003	EA	Skirt - Single Bucket Seat - Rust (Terra Cotta)
	049160-01-000	EA	Seat Asm. - Double Bucket - w/Skirt, w/o Armrests or Headrests - Green (Moss)
	049160-02-000	EA	Seat Asm. - Double Bucket - w/Skirt, w/o Armrest or Headrests - Gold (Topaz)
	049160-03-000	EA	Seat Asm. - Double Bucket - w/Skirt, w/o Armrests or Headrests - Rust (Terra Cotta)
	049160-01-001	EA	Cover - Double Bucket Seat - Bottom - Green (Moss)
	049160-02-001	EA	Cover - Double Bucket Seat - Bottom - Gold (Topaz)
	049160-03-001	EA	Cover - Double Bucket Seat - Bottom - Rust (Terra Cotta)
	049160-01-002	EA	Cover - Double Bucket Seat - Back - Green (Moss)
	049160-02-002	EA	Cover - Double Bucket Seat - Back - Gold (Topaz)
	049160-03-002	EA	Cover - Double Bucket Seat - Back - Rust (Terra Cotta)
	049160-01-003	EA	Skirt - Double Bucket Seat - Green (Moss)
	049160-02-003	EA	Skirt - Double Bucket Seat - Gold (Topaz)
	049160-03-003	EA	Skirt - Double Bucket Seat - Rust (Terra Cotta)
	033905-36-000	EA	Headrest Asm. - Green (Moss)
	033905-37-000	EA	Headrest Asm. - Gold (Topaz)
	033905-38-000	EA	Headrest Asm. - Rust (Terra Cotta)
	033906-36-000	EA	Headrest Cover - Green (Moss)
	033906-37-000	EA	Headrest Cover - Gold (Topaz)
	033906-38-000	EA	Headrest Cover - Rust (Terra Cotta)
	019722-01-000	EA	Headrest Asm. - Foam w/o Cover
	050280-04-000	EA	Armrest Cover - Right or Left - Green (Moss)
	050280-05-000	EA	Armrest Cover - Right or Left - Gold (Topaz)
	050280-06-000	EA	Armrest Cover - Right or Left - Rust (Terra Cotta)
	040494-01-000	EA	Armrest Asm. - Foam w/o Cover - Right - Style #1
	040494-02-000	EA	Armrest Asm. - Foam w/o Cover - Left - Style #1
	050275-01-700	EA	Armrest Asm. - Foam w/o Cover - Right - Style #2
	050276-01-700	EA	Armrest Asm. - Foam w/o Cover - Left - Style #2

**NOTE**

A production change was made in the armrest. When ordering, you must first determine which style is required. Measure up ten inches from the bottom of the seat frame. If you feel (through the upholstery) a collar protruding outward approximately 1/2", you should order style two. Order style one if no protrusion is noted.

036658-02-000	EA	Screw - Shoulder - 3/8" x 1 1/2" - Hex Socket (Armrest Fastener)
029136-01-000	EA	Grommet - Headrest - Brown Nylon
031133-01-000	EA	Protector - Driver Seat - 6" Brown Plastic

**CURTAIN, CUSHION AND PAD GROUP (CONTINUED)**

**FABRICS AND TRIMS**

Key	Part Number	U/M	Description
	048534-01-000	YD	Fabric - Upholstery - Green (Moss)
	048534-02-000	YD	Fabric - Upholstery - Gold (Topaz)
	048534-03-000	YD	Fabric - Upholstery - Rust (Terra Cotta)
	043619-04-000	YD	Fabric - Drapery - Overdrape - Green (Moss)
	043619-02-000	YD	Fabric - Drapery - Overdrape - Gold (Topaz)
	043619-05-000	YD	Fabric - Drapery - Overdrape - Rust (Terra Cotta)
	050622-01-000	YD	Fabric - Drapery - Underdrape - Green (Moss)
	050622-02-000	YD	Fabric - Drapery - Underdrape - Gold (Topaz)
	050622-03-000	YD	Fabric - Drapery - Underdrape - Rust (Terra Cotta)
	042411-01-000	YD	Vinyl - Nonexpanded - 27 Ounce
	042411-03-000	YD	Vinyl - Nonsupported - 16 Gauge - Brown
	042414-01-000	FT	Trim - Accent - Bostonian Brown Vinyl
	023631-05-000	EA	Button - Bostonian Brown

**PADS**

Key	Part Number	U/M	Description
	048208-03-000	EA	Cap - End - Dinette Overhead Cabinet - Padded Walnut
	049747-02-000	EA	Cap - End - Galley Overhead Cabinet - Padded Walnut
	023486-05-000	EA	Pad - Dinette Frame (Mounts on Dinette Back) Bostonian Brown
	042945-03-000	EA	Trim - "A" Post - Right (Driver's Compartment)
	042945-04-000	EA	Trim - "A" Post - Left (Driver's Compartment)

**DINETTE GROUP**

Key	Part Number	U/M	Description
	043629-01-700	EA	Table Asm. Dinette w/o Hardware - Green (Moss)
	043629-02-700	EA	Table Asm. Dinette w/o Hardware - Gold (Topaz)
	043629-03-700	EA	Table Asm. Dinette w/o Hardware - Rust (Terra Cotta)
**	047842-01-000	EA	Kit - Table Leg - Dinette - Brown
**	047809-01-000	EA	Kit - Hardware - Dinette Table - Wall Mount
	033818-02-000	EA	Catch - Table Leg - Brown
	048723-01-000	EA	Cabinet Asm. - Overhead Dinette w/o Doors or Hardware
	042600-19-700	EA	Door - Overhead Cabinet - w/o Hardware
	044629-01-000	EA	Cabinet Asm. - Dinette Seat and Back - Right
	044630-01-000	EA	Cabinet Asm. - Dinette Seat and Back - Left
	049601-17-700	EA	Door Asm. - Dinette Seat w/o Hardware

\*\*The illustrated parts breakdown for this item is provided on the Common Items Fiche.

**DRIVER'S COMPARTMENT GROUP**

**BUCKET SEAT PEDESTAL AND SEAT BELTS**

Key	Part Number	U/M	Description
	036837-01-000	EA	Pedestal Asm. - Seat Bottom w/Tightener
	036832-01-000	EA	Rod - Seat Adjuster
	041654-01-000	EA	Pedestal - Base - Single and Double Seat
	007223-01-000	EA	Adjuster Asm. - Seat w/Lock
	007227-01-000	EA	Adjuster - Seat - w/o Lock
	041459-01-000	EA	Pedestal - Top - Single Seat
	037019-01-000	EA	Belt Asm. - Seat - 2" x 84" - Black
	041322-01-000	EA	Washer - Flat - 15/32" I.D. x 2 3/8" O.D. - Seat Belt

**WINNEBAGO**

**TABLE OF CONTENTS**

Introduction	A-1
Abbreviations	A-1
Alphabetical Index	A-2 - A-4
1977 MWC25D	A-5 - B-12
1977 D26CRK	B-13 - C-24
1977 MWC24D	D-1 - E-8
1977 D26CRB	E-9 - F-20
1977 D26RT	F-21 - H-6
1977 MW23RB	H-7 - I-16
1977 D21	I-17 - K-6
1977 D23C	K-7 - L-18

**1977 D23C INDEX**

Floor Plan	K-7 - K-8
Accessories Group	K-9 - K-11
Bath Group	K-12
Chassis Group	K-13
Curtain, Cushion & Pad Group	K-14 - K-18
Dinette Group	K-18
Driver's Compartment Group	K-18 - K-20
Electrical Group	K-20 - K-21
Exterior Body Group	K-22 - L-1
Galley Group	L-2
Heating & Air Conditioning Group	L-3
Interior Finish Group	L-4 - L-5
LP Group	L-6
Lounge Group	L-7
Water & Sewage Group	L-8
Window, Vent & Exterior Door Group	L-9 - L-18

**DRIVER'S COMPARTMENT GROUP (CONTINUED)**

**DASH PANEL AND COMPONENTS**

Key	Part Number	U/M	Description
	031623-07-000	EA	Dash Asm. - Chieftain - Complete w/Gauges and Switches
	022548-03-000	EA	Pad - Dash - Foam - RIGHT   Dark Brown
	023242-04-000	EA	Pad - Dash - Foam - Left - Dark Brown
	022219-01-000	EA	Door - Glove Compartment
	009118-01-000	EA	Lock - Twist w/Nut
	023892-07-000	EA	Box - Glove Compartment - Black Fiberboard
	009066-07-000	EA	Hinge - Continuous - Alum. 11/16" x 72" - Plain
	034309-01-000	EA	Chain - Bead - Glove Box Door
	023834-01-000	EA	Panel - Knee Kick - (Bottom of Dash)
	024417-01-000	EA	Lamp - Asm. - Map/Gauge
	007308-01-000	EA	Clock - Dash
	007037-01-000	EA	Lighter - Asm. - Cigarette 12-Volt
	007041-01-000	EA	Bezel Cigarette Lighter
	024979-01-000	EA	Bezel - Entertainment Center
	007071-01-000	EA	Louver - Chrome - w/Chrome Wheel
	022547-01-000	EA	Bezel - Panel - Control
	023020-01-000	EA	Lamp Asm. - Toll Tafe
	039044-01-000	EA	Louver Asm. - A/C Adjustable
	040636-01-000	EA	Bracket Asm. - Shift Lever
	042961-01-000	EA	Nameplate - Chieftain - Brown/Silver

**DASH SWITCHES AND GAUGES**

Key	Part Number	U/M	Description
	024907-01-000	EA	Control Asm. - Heater - A/C - 3 Speed
	024461-01-000	EA	Switch - Battery
	024463-01-000	EA	Switch - Blinker
	024464-01-000	EA	Switch - Washer
	024465-01-000	EA	Switch - Fuel
	024467-01-000	EA	Switch - Wiper
	024459-01-000	EA	Gauge Asm. - Voltmeter
	024460-01-000	EA	Gauge - Vacuum Dash
	024462-01-000	EA	Switch - Battery Condition
	031035-01-000	EA	Gauge - Hourmeter - Generator
	024976-01-000	EA	Switch - Generator w/o Circuit Board
	037387-01-000	EA	Switch - Generator w/Circuit Board
	024990-02-000	EA	Outlet - Defroster - w/Swivel - 2" - Dark Brown
	031376-01-000	EA	Heater - Control Asm. 3-Speed

**FRONT OVERHEAD BUNK CABINET**

Key	Part Number	U/M	Description
	048391-01-000	EA	Cabinet - Front Overhead - w/o Doors
	042964-13-000	EA	Door Asm. - Sliding - (Front Overhead Cabinet)
	009148-01-000	EA	Pull - Finger 3/4" Dia. Brass

**MISCELLANEOUS DRIVER'S COMPARTMENT COMPONENTS**

Key	Part Number	U/M	Description
	048583-01-000	EA	Tray - Beverage
	048670-01-000	EA	Track Asm. - Beverage (2 Per Tray)
	034800-01-000	EA	Cover - Motor - Plastic
	039857-01-000	EA	Latch - Rubber - Draw Handle - 5 3/4" w/Strike (Motor Cover)
	039856-01-000	EA	Latch - Rubber - Draw Handle - 3" w/Strike (Motor Cover)
	035368-02-000	EA	Seal - Motor Cover - (Aluminum Extr.)
	040519-01-000	EA	Boot - Rubber - Steering Column
	040520-01-000	EA	Boot - Retainer - Steering Column

**DRIVER'S COMPARTMENT GROUP (CONTINUED)**

Key	Part Number	U/M	Description
	034499-01-000	EA	Support - Dimmer Switch
	022758-04-000	EA	Sunvisor Asm. - Right Bostonian
	022759-06-000	EA	Sunvisor Asm. - Left Bostonian
	041842-01-000	EA	Clip - Sunvisor Rod - Brown Plastic
	009143-01-000	EA	Mirror - Sunvisor
	007278-01-000	EA	Mirror - Rear View
	036414-01-000	EA	Ashtray
	044809-01-000	EA	Panel - Side - Interior - Left - Plastic
	044700-01-000	EA	Panel - Side - Interior - Right - Plastic

**ELECTRICAL GROUP**

**BULBS**

Key	Part Number	U/M	Description
	037935-01-000	EA	Bulb - 1157
	038010-01-000	EA	Bulb - 1143
	008103-01-000	EA	Bulb - 53
	008213-01-000	EA	Bulb - 57
	008214-01-000	EA	Bulb - 67
	008215-01-000	EA	Bulb - 1003
	008216-01-000	EA	Bulb - 1034
	008217-01-000	EA	Bulb - 1073
	008218-01-000	EA	Bulb - 1141
	008219-01-000	EA	Bulb - 656
	008220-01-000	EA	Bulb - 12V - 25W
	036196-01-000	EA	Bulb - 194
	700020-01-000	EA	Bulb - 12V - 20 W 1383

**EXTERIOR LIGHTS**

Key	Part Number	U/M	Description
	008089-01-000	EA	Light - Porch - Recessed
	031054-02-000	EA	Lamp Asm. - Tail - Left - Beige
	031054-01-701	EA	Lens - Tail Lamp - Left
	031055-02-000	EA	Lamp Asm. - Tail - Right - Beige
	031055-01-701	EA	Lens - Tail Lamp - Right
	042405-03-000	EA	Base - Rectangular Clearance Light
	042405-04-000	EA	Lens - Rectangular Light - Red
	042405-05-000	EA	Lens - Rectangular Light - Amber

**INTERIOR LIGHTS**

Key	Part Number	U/M	Description
	024418-01-000	EA	Lamp Asm. - Map/Gauge/Aisle
	024473-01-000	EA	Light - Aircraft - 1 Bulb - Gold
	033508-02-000	EA	Light - Dome - Ivory - 1 Bulb
	024642-01-701	EA	Lens - Dome Light - 1 Bulb
	033509-02-000	EA	Light - Dome - Ivory - 2 Bulb
	024643-01-701	EA	Lens - Dome Light - 2 Bulb
	008102-01-000	EA	Light - Corner Mount - Multibulb

**WINNEBAGO**

**TABLE OF CONTENTS**

Introduction	A-1
Abbreviations	A-1
Alphabetical Index	A-2 - A-4
1977 MWC25D	A-5 - B-12
1977 D26CRK	B-13 - C-24
1977 MWC24D	D-1 - E-8
1977 D26CRB	E-9 - F-20
1977 D26RT	F-21 - H-6
1977 MW23RB	H-7 - I-16
1977 D21	I-17 - K-6
1977 D23C	K-7 - L-18

**1977 D23C INDEX**

Floor Plan	K-7 - K-8
Accessories Group	K-9 - K-11
Bath Group	K-12
Chassis Group	K-13
Curtain, Cushion & Pad Group	K-14 - K-18
Dinette Group	K-18
Driver's Compartment Group	K-18 - K-20
Electrical Group	K-20 - K-21
Exterior Body Group	K-22 - L-1
Galley Group	L-2
Heating & Air Conditioning Group	L-3
Interior Finish Group	L-4 - L-5
LP Group	L-6
Lounge Group	L-7
Water & Sewage Group	L-8
Window, Vent & Exterior Door Group	L-9 - L-18

## ELECTRICAL GROUP (CONTINUED)

### FUSES AND CIRCUIT BREAKERS

Key	Part Number	U/M	Description
	008233-01-000	EA	Fuse - 12 Volt - 6 Amp
	008234-01-000	EA	Fuse - 12 Volt - 10 Amp
	008235-01-000	EA	Fuse - 12 Volt - 15 Amp
	008236-01-000	EA	Fuse - 12 Volt - 20 Amp
	008252-01-000	EA	Fuse - 110 Volt - 50 Amp
	038208-01-000	EA	Circuit Breaker - 12 Volt - 40 Amp
	008211-01-000	EA	Circuit Breaker - 12 Volt - 6 Amp
	008268-01-000	EA	Circuit Breaker - 12 Volt - 30 Amp w/Mount
	033573-01-000	EA	Circuit Breaker - 12 Volt - 20 Amp w/Mount
	033484-01-000	EA	Circuit Breaker - 30 Amp - Air Conditioner
	052012-01-000	EA	Circuit Breaker - 50 Amp - Air Conditioner

### WINDSHIELD WIPER AND WASHER

Key	Part Number	U/M	Description
**	037998-01-000	EA	Link Asm. - Connecting - 22.40" Long
**	037999-01-000	EA	Motor Asm. - Windshield Wiper - Front
**	038001-01-000	EA	Shaft and Pivot Asm. - 2.25" Arm
**	049463-01-000	EA	Arm - Windshield Wiper - 15" Black
**	049464-01-000	EA	Blade - Windshield Wiper - 16" Black
**	007029-01-000	EA	Washer Asm. - Windshield Power Jet Electric - Front
	700073-05-000	EA	Pump and Cover Asm. - for Windshield Washer - Front or Rear
	700073-04-000	EA	Reservoir Only - Water - Windshield Washer - Front or Rear
	700073-02-000	EA	Washer Nozzle Hardware Package - Front

\*\*The illustrated parts breakdown for this item is provided on the Common Items Fiche

### WIRE, SWITCHES AND RECEPTACLES

Key	Part Number	U/M	Description
	008024-01-000	FT	Wire - 18.5 Bonded - Orange/White/Yellow/Blue/Brown
	008025-01-000	FT	Wire - 18.5 Bonded - Orange/White/Yellow/Blue/Green
	008028-01-000	FT	Wire - 18.5 Bonded - Blue/Red/Yellow/Orange/White
	006030-01-000	FT	Wire - 18.4 Bonded
	008251-01-000	EA	Holder - Fuse - Black - Screw Type
	008277-01-000	EA	Holder - Fuse - Black - Panel Mount
	008105-01-000	EA	Switch - Push Button 12 Volt
	006077-01-000	EA	Plaque - Compressor Switch
	008034-01-000	EA	Cord - Power - 10-3 30 Amp. - 25' - UL
	034818-04-000	EA	Holder - Receptacle - Plastic
	039338-01-000	EA	Cover Plate - Receptacle - Plastic - Brown
	039339-01-000	EA	Receptacle - Duplex Brown - End of Line
	039342-01-000	EA	Receptacle - Duplex Brown - T Junction
	024571-01-000	EA	Cover Plate - Receptacle - Jumbo Steel Brown
	039343-01-000	EA	Cap - End - Receptacle
	008152-01-000	EA	Switch - Double Toggle - Spade Brown
	008163-01-000	EA	Switch - Toggle Brown
	024924-01-000	EA	Receptacle - Power Cord
	008068-01-000	EA	Adaptor - Power Cord
	047353-01-000	EA	Cover - Receptacle - Ground Fault
	047351-01-000	EA	Receptacle - Ground Fault Interrupter - 125 Volt - Black

### MISCELLANEOUS ELECTRICAL COMPONENTS

Key	Part Number	U/M	Description
	047338-01-000	EA	Isolator - Dist. Battery
	047389-01-700	EA	Battery - 12 Volt - 135 Amp. Deep Cycle - Dry
	008188-01-000	EA	Solenoid - Dual Battery - Relay
	046775-01-000	EA	Valve - Gas - Charge Over
	039950-02-000	EA	Control Center - 3J Amp w/Door UL
	048812-01-000	EA	Panel - Control - Water/Double Sewage - Wemar
	039861-01-000	EA	Sending Unit Kit - Wemar

## EXTERIOR BODY GROUP

### EXTERIOR BODY PANELS AND SHEET ALUMINUM

Key	Part Number	U/M	Description
	049909-01-000	EA	Backwall Asm
	049809-01-000	EA	Sidewall Asm - Right
	049870-01-000	EA	Sidewall Asm - Left
	049898-01-000	EA	Roof Asm.
	049898-01-700	EA	Roof Section - Windshield to First Seam
	039155-02-008	EA	Alum. - Beige Mesa Design - .024" x 36" x 50"
	039155-02-002	EA	Alum. - Beige Mesa Design - .024" x 36" x 360"
	039155-02-003	EA	Alum. - Beige Mesa Design - .024" x 36" x 360"
	039155-02-007	EA	Alum. - Beige Mesa Design - .024" x 48" x 50"
	039155-02-005	EA	Alum. - Beige Mesa Design - .024" x 48" x 300"
	039155-02-006	EA	Alum. - Beige Mesa Design - .024" x 48" x 360"
	039155-02-009	EA	Alum. - Beige Mesa Design - .024" x 12" x 360"
	044487-01-001	EA	Alum. - Mill Finish - No Design (Roof) - 96" x 360"
	028545-01-000	EA	Alum. - Beige Greyhound Design 48" x 96"
	001018-01-024	EA	Alum. - Beige - No Design - 48" x 96"
	000868-01-000	BF	Styrofoam - 3/4" x 24" x 96"

### EXTERIOR PAINT

Key	Part Number	U/M	Description
	044486-01-000	EA	Paint - Beige Acrylic Enamel - 1 Gallon
	044486-03-000	EA	Paint - Beige - Acrylic Enamel - 16 Oz. Aerosol
	044486-04-000	EA	Paint - Beige - Acrylic Lacquer - 1 Gallon
	041567-01-000	EA	Paint - Rally Gold - Acrylic Enamel - 1 Gallon (Lower Stripe)
	041567-03-000	EA	Paint - Rally Gold - Acrylic Enamel - 16 Oz. Aerosol (Lower Stripe)
	041568-01-000	EA	Paint - Antique Bronze Metallic - Acrylic Enamel - 1 Gallon (Upper Stripe)
	041568-03-000	EA	Paint - Antique Bronze Metallic - Acrylic Enamel - 16 Oz. Aerosol (Upper Stripe)
	045681-01-000	EA	Paint - High Gloss Black - Acrylic Enamel - 1 Gallon
	045681-03-000	EA	Paint - High Gloss Black - Acrylic Enamel - 16 Oz. Aerosol

### LABELS AND DECALS

Key	Part Number	U/M	Description
	006010-01-000	EA	Decal - Winnebago - Brown/Chrome
	006023-01-000	EA	Label - Water Only
	006025-01-000	EA	Label - Gas
	006028-01-000	EA	Label - Drain Cap - 2" x 3"
	006031-01-000	EA	Label - Potable Water Only
	006187-01-000	EA	Label - Sewage
	006188-01-000	EA	Label - Waste Water
	006199-01-000	EA	Label - Exit - Escape Window
	031161-01-000	EA	Label - Flying "W"
	038403-01-000	EA	Decal - Logo - Winnebago 2.80' (Front or Rear)
	039289-01-000	EA	Label - Warning Aux. Loading
	043473-03-000	EA	Decal - Flying "W" - 13.75" High - Bronze
	045374-01-000	EA	Stencil - Chieftain 2.28" High - Right
	045374-02-000	EA	Stencil - Chieftain 2.28" High - Left
	008092-01-000	EA	Reflector - Stick on - Rectangular - Red
	008093-01-000	EA	Reflector - Stick on - Rectangular - Amber

## WINNEBAGO

### TABLE OF CONTENTS

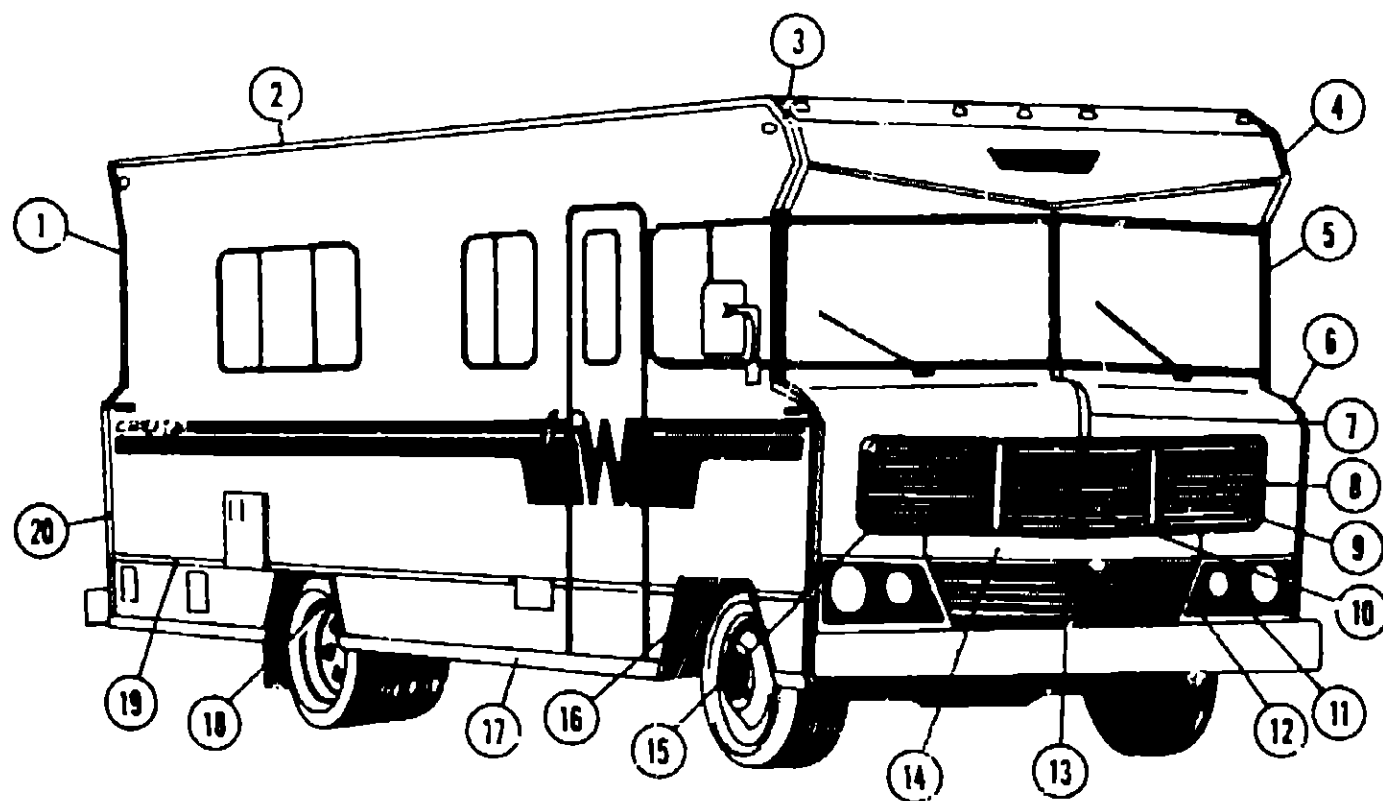
Introduction	A-1
Abbreviations	A-1
Alphabetical Index	A-2 - A-4
1977 MWC25D	A-5 - B-12
1977 D26CRK	B-13 - C-24
1977 MWC24D	D-1 - E-8
1977 D26CRB	E-9 - F-20
1977 D26RT	F-21 - H-8
1977 MW23RB	H-7 - I-16
1977 D21	I-17 - K-6
1977 D23C	K-7 - L-18

### 1977 D23C INDEX

Floor Plan	K-7 - K-8
Accessories Group	K-9 - K-11
Bath Group	K-12
Chassis Group	K-13
Curtain, Cushion & Pad Group	K-14 - K-18
Dinette Group	K-18
Driver's Compartment Group	K-18 - K-20
Electrical Group	K-20 - K-21
Exterior Body Group	K-22 - L-1
Galley Group	L-2
Heating & Air Conditioning Group	L-3
Interior Finish Group	L-4 - L-5
LP Group	L-6
Lounge Group	L-7
Water & Sewage Group	L-8
Window, Vent & Exterior Door Group	L-9 - L-18



EXTERIOR BODY GROUP (CONTINUED)



WINNEBAGO

TABLE OF CONTENTS

Introduction	A-1
Abbreviations	A-1
Alphabetical Index	A-2 - A-4
1977 MWC25D	A-5 - B-12
1977 D26CRK	C-13 - C-24
1977 MWC24D	D-1 - E-8
1977 D26CRB	E-9 - F-20
1977 D2GRT	F-21 - H-6
1977 MW23RB	H-7 - I-16
1977 D21	I-17 - K-6
1977 D23C	K-7 - L-18

Key	Part Number	U/M	Description
1	021213-03-000	EA	Trim - Contour - Right Rear Upper - Beige
	020965-03-000	EA	Trim - Contour - Left Rear Upper - Beige
2	044771-01-000	EA	Extr. - Awning Rail w/Holes - 16' - Beige
	044770-01-000	EA	Extr. - Drip Rail w/Holes - 16' - Beige
3	042801-03-000	EA	Trim - Contour - Right Front Upper - Beige
4	042801-01-000	EA	Trim - Contour - Left Front Upper - Beige
5	042894-01-000	EA	Trim - Contour - Windshield - Left - Black
	042894-03-000	EA	Trim - Contour - Windshield - Right - Black
6	042730-01-000	EA	Trim - Contour - Left Front Lower - Beige
	042730-03-000	EA	Trim - Contour - Right Front Lower - Beige
7	024581-05-000	EA	Trim - Center - Front Wall - Beige
8	024763-01-000	EA	Trim - Anod. - Upper Grille - Side - Left or Right
	024764-01-000	EA	Trim - Anod. - Upper Grille - Center Top
	002754-02-001	EA	Extr. - Anod. Angle - 3/4" x 3/8" x 18'
9	033365-01-000	EA	Grille Asm. - Left - Upper
10	033366-01-000	EA	Grille Asm. - Center - Upper
	021497-01-000	EA	Latch Asm. - Center Grille
	024585-01-000	EA	Stop Asm. - Upper Grille
11	048421-01-000	EA	Bezel - Headlight - Left - Wrought Iron Black
	048422-01-000	EA	Bezel - Headlight - Right - Wrought Iron Black

Key	Part Number	U/M	Description
12	048419-01-000	EA	Trim - Headlight - U-Channel - Left or Right
	048417-02-000	EA	Trim - Headlight/Grille - Left
	048417-01-000	EA	Trim - Headlight/Grille - Right
13	048418-01-000	EA	Grille Asm. - Lower
14	048542-01-000	EA	Center Asm. - Grille - Between Top and Bottom Grille w/Beige Inset
15	040876-01-000	EA	Grille Asm. - Upper Right
16	042467-01-000	EA	Trim - Wheel Well - Front - Left or Right
17	036908-02-001	EA	Extr. - Anod. - Rocker Panel - 18'
	040420-01-000	EA	Cap - Rocker Panel - End - 3/4 Miter - Right
	040420-02-000	EA	Cap - Rocker Panel - End - 3/4 Miter - Left
18	042466-01-000	EA	Trim - Wheel Well - Rear - Left or Right
19	002444-02-001	EA	Extr. - Anod. - Feature Strip - 14' w/o Inset
	001030-04-002	EA	Insert - Feature Strip - 14' x 17' - Antique Bronze Metallic
	009731-01-000	EA	End Cap - Feature Strip
20	015251-04-000	EA	Trim - Contour - Right Rear Lower - Beige
	015252-04-000	EA	Trim - Contour - Left Rear Lower - Beige
	002365-02-001	EA	Extr. - U-Channel - 1" Serrated - 18' (Lower Backwall Trim)
	048416-01-000	EA	Hoodboard - Front Right - Beige
	048416-02-000	EA	Hoodboard - Front Left - Beige
			Not Illustrated

1977 D23C INDEX

Floor Plan	K-7 - K-8
Accessories Group	K-9 - K-11
Bath Group	K-12
Chassis Group	K-13
Curtain, Cushion & Pad Group	K-14 - K-15
Dinette Group	K-16
Driver's Compartment Group	K-18 - K-20
Electrical Group	K-20 - K-21
Exterior Body Group	K-22 - L-1
Galley Group	L-2
Heating & Air Conditioning Group	L-3
Interior Finish Group	L-4 - L-5
LP Group	L-6
Lounge Group	L-7
Water & Sewage Group	L-8
Window, Vent & Exterior Door Group	L-9 - L-18

## EXTERIOR BODY GROUP (CONTINUED)

### SEALANTS, ADHESIVES AND FASTENERS

Key	Part Number	U/M	Description
	034552-05-000	EA	Sealant - Off White Silicone
	034552-04-000	EA	Sealant - Beige Silicone
	034552-02-000	EA	Sealant - Clear Silicone
	004348-02-000	EA	Sealant - Aluminum Silicone
	004349-01-000	EA	Sealant - Black Silicone
	004342-01-000	EA	Sealant - Weatherban 202 Tube
	004346-02-000	EA	Sealant - White Silicone
	004347-01-000	EA	Sealant - Tufflex
	002316-01-000	FT	Sealer Tape - 3/32" x 1/8"
	024545-01-000	FT	Sealer Tape - 1/8" x 5/8" - Black
	004350-01-000	FT	Sealer Tape - 1/8" x 1" - Formaseal
	004352-01-000	FT	Sealer Tape - 1/8" x 3/4" - Formaseal
	004355-01-000	FT	Sealer Tape - 1/8" x 5/8" - Black
	004357-01-000	FT	Sealer Tape - 1/8" x 5/8" - Adhesive
	002707-02-000	FT	Sealer Tape - 5/16" x 1/2"
	002707-01-000	FT	Sealer Tape - 5/16" x 3/4" - Black Foam
	002708-01-000	FT	Sealer Tape - 5/16" x 1/2"
	004363-01-000	FT	Sealer Tape - 3/16" x 1/2" - Foam
	004362-01-000	FT	Sealer Tape - 3/16" x 1/2" - Foam
	004362-01-000	FT	Sealer Tape - 1/8" x 5/8" - Foam
	009200-01-000	EA	Tape - Furnace - 1 1/2"
	041839-01-000	FT	Tape - Window - Latch - 3/4" - Adhesive
	041839-02-000	FT	Tape - Window - Latch - 1/2" - Adhesive
	004353-01-000	FT	Tape - Gasket - 1/8" x 3/4" - White
	002825-01-000	FT	Weather Stripping - Roof Vent
	002337-01-000	EA	Adhesive - 3M - 1300 Tube
	004305-01-000	GL	Adhesive - Swifts - Green - Glue (Sidewalls)
	004012-01-000	EA	Adhesive - 3M - 4475 Tube
	004020-01-000	OT	Adhesive - ABS Cement (Plastic Fittings)
	029051-01-000	EA	Adhesive - Spray Vinyl
	042401-01-000	EA	Screw - 8-18 x 3/4" SDPH - Beige
	042403-01-000	EA	Screw - SF/DR - 8-18 x 1" SDPH - Beige
	005081-01-000	EA	Screw - Wood - 12-11 x 3" P.O.H. Zinc

### MISCELLANEOUS EXTERNALLY MOUNTED PARTS

Key	Part Number	U/M	Description
	016253-01-000	EA	Fuel Fill - Recessed - Single - Beige
	015597-05-000	EA	Fuel Fill - Recessed - Double - Beige
	011124-01-000	EA	Plumbing Seal - Roof Vent - 1 1/4" White
	011129-01-000	EA	Plumbing Seal - Roof Vent - 1 1/2" White
	010230-02-000	EA	Fill - City Water - Recessed - Off White
	011020-01-000	EA	Fill - Water - Recessed - Off White
	009126-01-000	EA	Handle - Assist - Metal - Exterior
	049347-01-000	EA	Mirror Head - 7 1/2" x 10 1/2" Stainless Steel w/o Bracket
	049348-01-000	EA	Arm - Low Mount Mirror - Brite Finish
	049944-01-000	EA	Bracket - Mirror - Outside - Beige - Mounts to Coach

## GALLEY GROUP

### GALLEY CABINET AND COMPONENTS

Key	Part Number	U/M	Description
	011032-01-000	EA	Sink - Stainless Steel - Double - w/Bolts
	011053-01-000	EA	Faucet - Swing Spout - 8"
	011053-01-700	EA	Aerator - Swing Spout Faucet
	011085-01-000	EA	Strainer - Sink
	044830-01-000	EA	Cover Asm. - Sink - Large - Green (Moss)
	044830-02-000	EA	Cover Asm. - Sink - Large - Gold (Topaz)
	044830-04-000	EA	Cover Asm. - Sink - Large - Rust (Terra Cotta)
	049985-01-000	EA	Cabinet Asm. - Galley w/o Top, Doors, Drawers, or Hardware
	042709-01-700	EA	Drawer Asm. - Galley Cabinet - w/o Hardware - 5 1/4" x 14 1/8" x 10" Deep
	043709-03-700	EA	Drawer Asm. - Galley Cabinet - w/o Hardware - 5 1/4" x 14 1/8" x 20" Deep
	049601-18-700	EA	Door Asm. - Galley Cabinet - Right - w/o Hardware - 11 1/4" x 25"
	049601-21-700	EA	Door Asm. - Galley Cabinet - Right - w/o Hardware - 20 5/8" x 55 1/8"
	049601-14-700	EA	Door Asm. - Galley Cabinet - Left - w/o Hardware - 20 1/4" x 11 5/8"
	050005-01-000	EA	Countertop Asm. - Green (Moss)
	050005-02-000	EA	Countertop Asm. - Gold (Topaz)
	050005-03-000	EA	Countertop Asm. - Rust (Terra Cotta)
	046990-01-000	EA	Extension - Countertop - Green (Moss)
	046990-02-000	EA	Extension - Countertop - Gold (Topaz)
	046990-03-000	EA	Extension - Countertop - Rust (Terra Cotta)
	009052-01-000	EA	Bracket - Extension - Support
	009059-01-000	EA	Hinge - 2" Gold
	050126-01-000	EA	Cabinet Asm. - Overhead Galley w/o Door Pad or Hardware
	033535-05-000	EA	Molding Asm. - Shell
	042600-26-700	EA	Door Asm. - Overhead Cabinet - w/o Hardware
**	003337-01-000	EA	Refrigerator - Dometic - 2 Door - RM76
**	034544-01-000	EA	Refrigerator - Winnebago - 2 Door - W7EG
**	034542-01-000	EA	Refrigerator - Winnebago - 2 Door - W8EG
**	049174-01-000	EA	Refrigerator - AC/Gas - ET 230 - 2 Door Model - Sibir
**	045045-01-000	EA	Range - 4 Burner - Large Oven - Chrome - Magic Chef
**	046954-01-000	EA	Hood - Range - Power w/Spice Cabinet - Jensen

\*\*The illustrated parts breakdown for this item is provided on the Common Items Fiche.

## WINNEBAGO

### TABLE OF CONTENTS

Introduction	A-1
Abbreviations	A-1
Alphabetical Index	A-2 - A-4
1977 MWC25D	A-5 - B-12
1977 D26CRK	B-13 - C-24
1977 MWC24D	D-1 - E-8
1977 D26CRB	E-9 - F-20
1977 D26RT	F-21 - H-6
1977 MW23RB	H-7 - I-16
1977 D21	I-17 - K-6
1977 D23C	K-7 - L-18

### 1977 D23C INDEX

Floor Plan	K-7 - K-8
Accessories Group	K-9 - K-11
Bath Group	K-12
Chassis Group	K-13
Curtain, Cushion & Pad Group	K-14 - K-18
Dinette Group	K-18
Driver's Compartment Group	K-18 - K-20
Electrical Group	K-20 - K-21
Exterior Body Group	K-22 - L-1
Galley Group	L-2
Heating & Air Conditioning Group	L-3
Interior Finish Group	L-4 - L-5
LP Group	L-6
Lounge Group	L-7
Water & Sewage Group	L-8
Window, Vent & Exterior Door Group	L-9 - L-15

## HEATING AND AIR CONDITIONING GROUP

Key	Part Number	U/M	Description
	039044-01-000	EA	Louver Asm. - A/C Adjustable
	047046-01-000	EA	Motor - 12 Volt - 3 Speed - Heater - Air Conditioner
	031043-01-000	EA	Valve - Heater - Water Flow Control
	031169-01-000	EA	Cable - Control - Flexible - 53"
	031169-02-000	EA	Cable - Control - Flexible - 48"
	031170-01-000	EA	Clamp - Cable - 3/16" Dia.
	024996-01-000	EA	Clutch - Magnetic - Compressor
	024999-01-000	EA	Compressor - Auto Air - 10.3 Cubic Inch
	048721-01-000	EA	Package - Air Conditioner - Compressor Mount 360 C.I.D.
	033295-01-000	EA	Package - Air Conditioner - Compressor Mount - 440 C.I.D.
	031394-01-000	EA	Condenser - Radiator Mount
	008267-01-000	EA	Switch - Air Conditioner
	024867-01-000	EA	Valve - Thermostatic Expansion
	024997-01-000	EA	Core - Heater
	024998-01-000	EA	Wheel - Blower - 4.72" O.D.
	031393-01-000	EA	Coil - Evaporator
	033258-01-000	EA	Hose - Refrigerant - .50" I.D. x 34.50"
	034222-01-000	EA	Hose - Refrigerant - .31" I.D. x 26"
	031960-01-000	EA	Hose - Refrigerant - .34" I.D. x 30"
	031961-01-000	EA	Hose - Refrigerant - .31" I.D. x 14.75"
	024868-01-000	EA	Receiver - Dehydrator
	031044-01-000	EA	Clamp - Receiver Dehydrator
	031962-01-000	EA	Bracket - Receiver Dehydrator
	031976-01-000	EA	Belt - Drive - .50" I.D. x 54" - 360 C.I.D. or 440 C.I.D.
	048228-02-000	EA	Kit - Auto Air - 360 C.I.D. A Body - Winnebago Heater
	048229-02-000	EA	Kit - Auto Air - 440 C.I.D. A Body - Winnebago Heater
**	049042-01-000	EA	Furnace - 22,000 BTU - Under Counter - Coleman - 4322
**	049043-01-000	EA	Furnace - 28,000 BTU - Under Counter - Coleman - 4328
	039505-02-000	EA	Thermostat - Wallmount
	009198-01-000	EA	Duct - Flexible - 4" I.D. x 25"
	023146-01-000	EA	Clamp - Screw Type - 4"
	024985-01-000	EA	Heat Register - w/Damper - 9.9" x 4.8"
	009175-01-000	EA	Heat Register - Steel - 11.5" x 3.7"
	031604-01-000	EA	Bonnet - Heat Register - 4.38" x 8.43"
	042152-01-000	EA	Bonnet - Heat Register - 4.5" x 8.44"
	009200-01-000	EA	Tape - Furnace - 1 1/2"
**	049777-01-000	EA	Air Conditioner - 110 Volt - Roof Mount - 11,000 BTU - Ivory Coleman (w/o Inside Shroud)
**	049778-01-000	EA	Shroud Asm. - Ceiling - Inside - Roof Air - Cool Only - 11,000 BTU - Coleman
**	049774-01-000	EA	Air Conditioner - 110 Volt - Roof Mount - 13,500 BTU Ivory - Coleman (w/o Inside Shroud)
**	049775-01-000	EA	Shroud Asm. - Ceiling - Inside - Roof Air - Cool Only - 13,500 BTU - Coleman
**	049776-01-000	EA	Shroud Asm. - Ceiling - Inside - Roof Air - Heat and Cool Only - 13,500 BTU - Coleman

\*\*The illustrated parts breakdown for this item is provided on the Common Items Fiche

## INTERIOR FINISH GROUP

### PANELING AND BATT STRIPS

Key	Part Number	U/M	Description
	000726-08-000	EA	Batt. Strip - Walnut
	047354-01-000	EA	Batt. Strip - 825 Buff
	045963-01-000	SF	Paneling - Buff - Ceiling 48" x 96" (32SF)
	039188-03-000	SF	Paneling - Walnut - 48" x 96" (32SF)
	041206-01-000	SF	Tileboard - 60" x 84" Agate Beige (35SF)

### COUNTERTOP MATERIALS

Key	Part Number	U/M	Description
	041201-01-000	EA	Countertop - Formed - 96" - Green (Moss)
	041202-01-000	EA	Countertop - Formed - 96" - Gold (Topaz)
	041204-01-000	EA	Countertop - Formed - 96" - Rust (Terra Cotta)
	041205-01-000	SF	Plastic Laminate - 48" x 96" - Green (Moss)
	041205-01-001	EA	Plastic Laminate - 48" x 48" - Green (Moss)
	041205-01-002	EA	Plastic Laminate - 1.19" x 96" - Green (Moss)
	041205-02-000	SF	Plastic Laminate - 48" x 96" - Gold (Topaz)
	041205-02-001	EA	Plastic Laminate - 48" x 48" - Gold (Topaz)
	041205-02-002	EA	Plastic Laminate - 1.19" x 96" - Gold (Topaz)
	041205-04-000	SF	Plastic Laminate - 48" x 96" - Rust (Terra Cotta)
	041205-04-001	EA	Plastic Laminate - 48" x 48" - Rust (Terra Cotta)
	041205-04-002	EA	Plastic Laminate - 1.19" x 96" - Rust (Terra Cotta)

### FABRICS AND CARPET

Key	Part Number	U/M	Description
	048534-01-000	YD	Fabric - Upholstery - Green (Moss)
	048534-02-000	YD	Fabric - Upholstery - Gold (Topaz)
	048534-03-000	YD	Fabric - Upholstery - Rust (Terra Cotta)
	043619-04-000	YD	Fabric - Drapery - Overdrape - Green (Moss)
	043619-02-000	YD	Fabric - Drapery - Overdrape - Gold (Topaz)
	043619-05-000	YD	Fabric - Drapery - Overdrape - Rust (Terra Cotta)
	050622-01-000	YD	Fabric - Drapery - Underdrape - Green (Moss)
	050622-02-000	YD	Fabric - Drapery - Underdrape - Gold (Topaz)
	050622-03-000	YD	Fabric - Drapery - Underdrape - Rust (Terra Cotta)
	042411-01-000	YD	Vinyl - Nonexpanded 27 Oz.
	042411-03-000	YD	Vinyl - Nonsupport 16 Ga. Film - Brown
	041210-01-000	SY	Carpet - Morning Dew - Green (Moss)
	041210-02-000	SY	Carpet - Morning Dew - Gold (Topaz)
	041210-03-000	SY	Carpet - Morning Dew - Rust (Terra Cotta)

### INTERIOR MOULDINGS AND TRIMS

Key	Part Number	U/M	Description
	022756-01-000	EA	Cover - Air Conditioner Wire - Plastic
	024700-04-000	EA	Cover - Sidewall Roll Bar - 707 Hickory
	024700-03-000	EA	Cover - Sidewall Roll Bar - White
	034113-03-000	EA	Cover - Corner Support Bar - Dark Brown
	039512-02-000	EA	Cover - Hat - Section - 707 Hickory
	039512-06-000	EA	Cover - Hat - Section - Ivory
	047488-01-000	EA	Cover - Corner Hat/Hat
	047488-01-000	EA	Cover - Corner Tube/Tube
	009778-01-000	FT	U-Channel - 1" - Dark Brown Plastic
	009777-01-000	FT	U-Channel - 3/4" - Dark Brown Plastic
	009815-02-000	FT	T Molding - 3/4" Brown
	009812-03-000	FT	Molding - Plastic Corner - O/S - .50"

## WINNEBAGO

### TABLE OF CONTENTS

Introduction	A-1
Abbreviations	A-1
Alphabetical Index	A-2 - A-4
1977 MWC25D	A-5 - B-12
1977 D26CRK	B-13 - C-24
1977 MWC24D	D-1 - E-8
1977 D26CRB	E-9 - F-20
1977 D26RT	F-21 - H-6
1977 MW23RB	H-7 - I-16
1977 D21	I-17 - K-6
1977 D23C	K-7 - L-18

### 1977 D23C INDEX

Floor Plan	K-7 - K-8
Accessories Group	K-9 - K-11
Bath Group	K-12
Chassis Group	K-13
Curtain, Cushion & Pad Group	K-14 - K-18
Dinette Group	K-18
Driver's Compartment Group	K-18 - K-20
Electrical Group	K-20 - K-21
Exterior Body Group	K-22 - L-1
Galley Group	L-2
Heating & Air Conditioning Group	L-3
Interior Finish Group	L-4 - L-5
LP Group	L-6
Lounge Group	L-7
Water & Sewage Group	L-8
Window, Vent & Exterior Door Group	L-9 - L-18

## INTERIOR FINISH GROUP (CONTINUED)

Key	Part Number	U/M	Description
	009767-01-000	FT	Wetling - Brown
	009779-01-000	FT	U-Channel - 1 1/8" - Dark Brown
	009809-03-000	FT	Molding - Plastic Corner - O/S 1"
	034394-02-000	FT	Extr. - Vinyl - Insert Beige
	034669-03-000	EA	Cover - Screw - PPH 10 - Ivory - Bathroom
	042356-01-000	EA	Plug - Button - Mahogany 3/8" Dia.
	009781-01-000	FT	Cover - Outside - .62" x .62" - Dark Brown Plastic

### CURTAIN HARDWARE

Key	Part Number	U/M	Description
	009107-01-000	EA	Guide - Nylon - Snap - Curtain
	052327-04-236	EA	Curtain Track - Alum. - Brown - 89" w/Holes
	042439-01-000	EA	Bracket (Left or Right) Curtain Rod - Single
	049897-01-000	EA	Rod - Curtain - Flat Extension - 25" - 45"
	037872-01-000	EA	Rod - Curtain - Double Flat Extension - 48" - 84"
	037872-02-000	EA	Bracket - Curtain Rod - Double Flat Extension
	049897-02-000	EA	Rod - Curtain Flat Extension 48" - 86"
	049897-01-000	EA	Rod - Curtain - Flat Extension 25" - 45"
	009702-01-000	EA	End Stop - Curtain "L" Rod w/Rollers
	009701-01-000	EA	Carrier - "L" Rod w/Rollers
	018031-42-000	EA	Track - Curtain - "L" Rod 90" Alum.
	049736-01-000	FT	Track - Curtain - Plastic 3' Brown (Blackout Curtain)
	049737-01-000	EA	End Cap - Plastic - Curtain Track Brown (Blackout Curtain)
	049738-01-000	EA	Snap - Carrier - White Plastic (Blackout Curtain)

### CABINETY AND TABLE HARDWARE

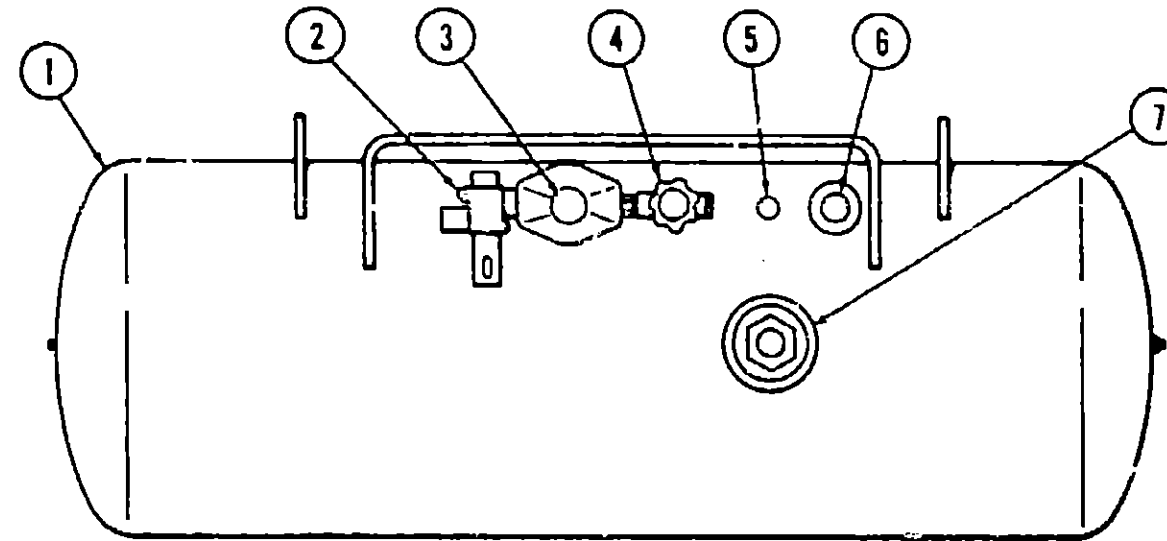
Key	Part Number	U/M	Description
	009068-01-000	EA	Hinge - Continuous Steel - 1 1/2" x 72"
	009150-01-000	EA	Warp Guard - 64"
..	009124-01-000	EA	Lock - Door - Push Button Brass (Bath Door)
	009112-01-000	EA	Flange - 1" Rod - Chrome
..	041931-01-000	EA	Kit - Cabinet Door Hinge
..	041942-01-000	EA	Kit - Drawer Pull
..	041917-01-000	EA	Kit - Latch - Overhead Cabinet Door - Jamestown
..	041918-01-000	EA	Kit - Latch - Lower Cab Door
	009047-01-000	EA	Hold Open - Overhead Door
..	009089-01-000	EA	Clip - Mirror - Plastic w/Screw
..	047842-01-000	EA	Kit - Dinette Table Leg
..	047809-01-000	EA	Kit - Dinette Table Hardware - Wall Mount
..	041838-01-000	EA	Screw - 5 x 5/8" POH - Antique Brass
..	037688-01-000	FT	Rail - Drawer Glide
..	047744-01-000	EA	Kit - Drawer Glide

\*\*The illustrated parts breakdown for this item is provided on the Common Items Fiche

### MISCELLANEOUS PARTS

Key	Part Number	U/M	Description
	042950-01-000	EA	Handle - Interior Assist
	041944-01-000	EA	Extinguisher - Fire - Dry Chemical
	007038-01-000	EA	Mat - Door - Black Rubber - 10 1/2" x 26"

## LP GROUP



Key	Part Number	U/M	Description
1	040421-01-000	EA	Tank - LP - Frame Mount - 83 Pound
2	047221-01-000	EA	Detector - LP Gas Leak
3	024712-01-000	EA	Cover - LP Regulator
.	052163-01-000	EA	Regulator - Manual - LP Gas - 2 Stage
4	040421-01-703	EA	Valve - Vapor Relief
5	040421-01-700	EA	Gauge - Liquid Level - 20% LP
6	040421-01-701	EA	Valve - Filler - LP
.	040421-01-702	EA	Cap - Plastic Fill Valve
7	040421-01-707	EA	Gauge - Float w/Visible Dial
.	040421-01-704	EA	Gauge - Float w/Electrical Transmitter Dial
.	040421-01-706	EA	Dial - Visible Face
.	040421-01-705	EA	Dial - Transmitter - 0 - 90 Ohm
.	045703-03-000	EA	Hose Asm. - LP - 3/8" I.D. x 14"
.	047737-02-000	EA	Support - LP - 69 25"
.	047737-03-000	EA	Support - LP Tank - 30 50"
.			Not Illustrated

## WINNEBAGO

### TABLE OF CONTENTS

Introduction	A-1
Abbreviations	A-1
Alphabetical Index	A-2 - A-4
1977 MWC25D	A-5 - B-12
1977 D26CRK	B-13 - C-24
1977 MWC24D	D-1 - E-8
1977 D26CRB	E-9 - F-20
1977 D26RT	F-21 - H-6
1977 MW23RB	H-7 - I-16
1977 D21	I-17 - K-6
1977 D23C	K-7 - L-18

### 1977 D23C INDEX

Floor Plan	K-7 - K-8
Accessories Group	K-9 - K-11
Bath Group	K-12
Chassis Group	K-13
Curtain, Cushion & Pad Group	K-14 - K-18
Dinette Group	K-18
Driver's Compartment Group	K-18 - K-20
Electrical Group	K-20 - K-21
Exterior Body Group	K-22 - L-1
Galley Group	L-2
Heating & Air Conditioning Group	L-3
Interior Finish Group	L-4 - L-5
LP Group	L-6
Lounge Group	L-7
Water & Sewage Group	L-8
Window, Vent & Exterior Door Group	L-9 - L-18

## LOUNGE GROUP

Key	Part Number	U/M	Description
	045111-01-700	EA	Door Asm. - Hamper - 20 1/4" x 7 1/4" w/o Hardware
	049601-15-700	EA	Door Asm. - Wardrobe - Left - 7 3/4" x 15 1/2" w/o Hardware
	049601-19-700	EA	Door Asm. - Wardrobe - Right - 12 5/8" x 47 1/16" w/o Hardware
	049601-20-700	EA	Door Asm. - Wardrobe - Left - 12 5/8" x 47 1/16" w/o Hardware
	009150-01-000	EA	Warp Guard - 64"
	009112-01-000	EA	Flange - 1" - Chrome Rod
	050048-01-000	EA	Countertop Asm. - Furnace - Green (Moss)
	050048-02-000	EA	Countertop Asm. - Furnace - Gold (Topaz)
	050048-03-000	EA	Countertop Asm. - Furnace - Rust (Terra Cotta)
	033535-05-000	FT	Molding Asm. - Wardrobe Shelf - Walnut
	002922-01-014	EA	Rail - Extr. Bunk
	050138-01-000	EA	Cabinet - Rear Overhead - w/o Doors or Hardware
	042600-19-700	EA	Door Asm. - Rear Overhead - w/o Hardware - 26" x 19"
	009047-01-000	EA	Support - Overhead Cabinet Door
	050300-01-000	EA	Cabinet Asm. - Rear Gauché

## WATER AND SEWAGE GROUP

### PLUMBING REPAIR KITS, PIPE FITTINGS, AND WATER PUMP

Key	Part Number	U/M	Description
..	046524-02-000	EA	Kit - Fittings - Plastic - Water Tank
..	046524-01-000	EA	Kit - Fittings - Plastic - Holding Tank
..	040539-01-000	EA	Kit - Repair - 3/8" O.D. Plastic Tube
..	040540-01-000	EA	Kit - Repair - 1/2" O.D. Plastic Tube
..	040541-01-000	EA	Kit - Repair - 5/8" O.D. Plastic Tube
..	041819-01-000	EA	Nut and Cone - Plastic 1/2" O.D. Tube
..	046126-01-000	EA	Valve - Drain - Plastic 1/2 FPT
..	039907-01-000	EA	Valve - Drain - Brass 1/2 MPT
..	039818-01-000	EA	Riser Asm. - 3/8" O.D. x 24" Tube
..	039818-02-000	EA	Riser Asm. - 3/8" O.D. x 36" Tube
..	039818-03-000	EA	Riser Asm. - 3/8" O.D. x 18" Tube
..	004020-01-000	QT	Adhesive - ABS Cement
..	010133-01-000	EA	Adaptor Trap - Plastic 1 1/2" H x MPT
..	010134-01-000	EA	Adaptor - Plastic 1 1/2" Male MPT
..	022316-01-000	EA	Holder - Extension Handle
..	010153-01-000	EA	Ring - Closet - Plastic 4 F x 3 MPT
..	010201-01-000	EA	Hose - Sewer - 3" x 10' w/Clamp
..	010209-02-000	EA	Handle - Extension Sewer Valve 9.50
..	010235-01-000	EA	Cap - Sewage 3"
..	010236-01-000	EA	Adaptor - Hose 3"
..	011091-01-000	EA	Waste - Continuous Double Sink 11 7/8
..	010210-01-000	EA	Valve - Sanitary - Theiford 3HB
..	010234-01-000	EA	Adaptor - Bayonet
..	011066-01-000	EA	P-Trap - Plastic 1 1/4"
..	041279-02-000	EA	Pump - Water - Flow 2 8 G.P.M. - PAR
..	039647-02-000	EA	Filter - Water Pump - 1/2 MPT

\*\*The illustrated parts breakdown for this item is provided on the Common Items Fiche.

## WINNEBAGO

### TABLE OF CONTENTS

Introduction	A-1
Abbreviations	A-1
Alphabetical Index	A-2 - A-4
1977 MWC25D	A-5 - B-12
1977 D26CRK	B-13 - C-24
1977 MWC24D	D-1 - E-8
1977 D26CRB	E-9 - F-20
1977 D26RT	F-21 - H-6
1977 MW23RB	H-7 - I-16
1977 D21	I-17 - K-6
1977 D23C	K-7 - L-18

### WATER AND SEWAGE HOLDING TANKS

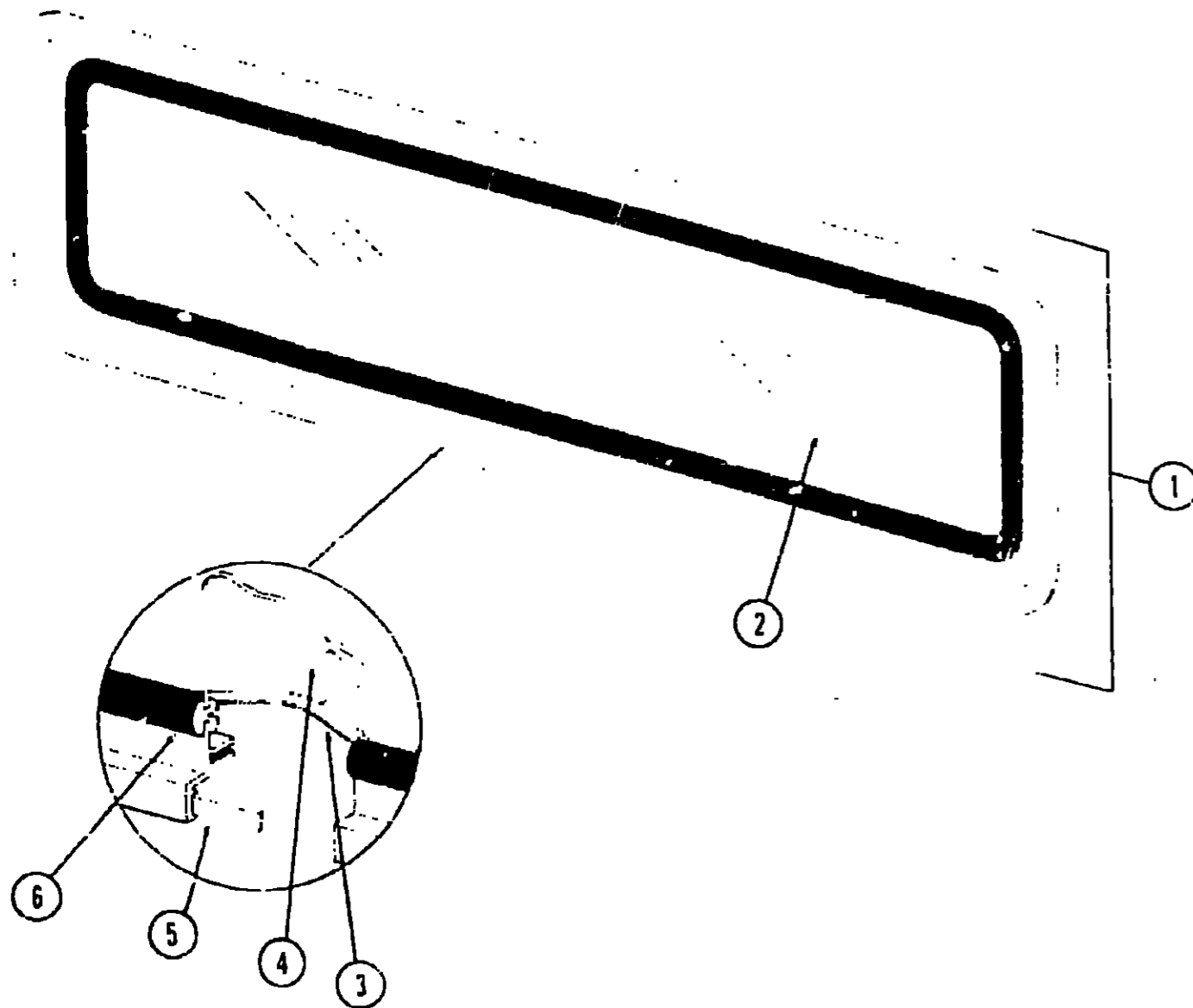
Key	Part Number	U/M	Description
	045214-09-000	EA	Tank Asm. - Holding - Main and Aux. w/Fittings
	041155-03-000	EA	Tank Asm. - Holding with Fittings - 25 Gallon
..	041155-01-000	EA	Tank - Holding - Plastic 25 Gallon Base w/o Fittings
..	040552-10-000	EA	Tank Asm. - Holding with Fittings - 20 Gallon
..	040552-01-000	EA	Tank - Holding - Plastic 18 Gallon Base w/o Fittings
..	042031-01-000	EA	Tank - Water - w/o Fittings Plastic 38 Gallon
..	042031-02-000	EA	Tank Asm. - Water w/Fittings - Plastic 38 Gallon
..	051391-01-000	EA	Water Heater - w/o Outside Access Door (G6A3)
..	031952-01-000	EA	Water Heater - w/o Outside Access Door - (G6A2)

\*\*The illustrated parts breakdown for this item is provided on the Common Items Fiche.

### 1977 D23C INDEX

Floor Plan	K-7 - K-8
Accessories Group	K-9 - K-11
Bath Group	K-12
Chassis Group	K-13
Curtain, Cushion & Pad Group	K-14 - K-18
Dinette Group	K-19
Driver's Compartment Group	K-18 - K-20
Electrical Group	K-20 - K-21
Exterior Body Group	K-22 - L-1
Galley Group	L-2
Heating & Air Conditioning Group	L-3
Interior Finish Group	L-4 - L-5
LP Group	L-6
Lounge Group	L-7
Water & Sewage Group	L-8
Window, Vent & Exterior Door Group	L-9 - L-10

# WINDOW, VENT AND EXTERIOR DOOR GROUP

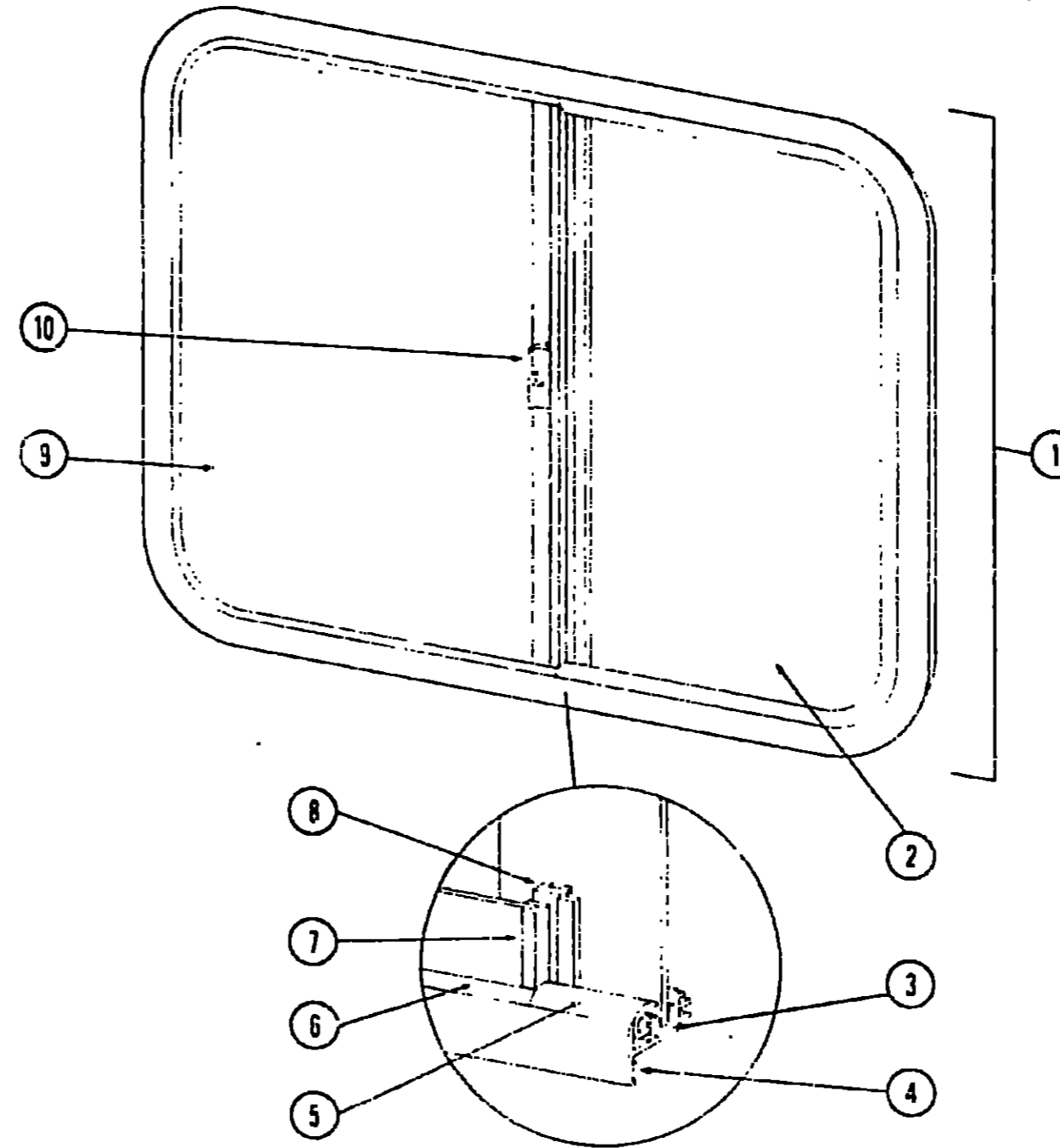


Key	Part Number	U/M	Description
1	020754-03-000	EA	Window Asm - Escape - 23" x 69" - Black Anod. w/o Inside Frame
2	002178-01-000	EA	Glass 1/8" x 19 61" x 64.80"
3	002285-01-000	FT	Weatherstrip - Filler - Black
4	020395-01-000	EA	Slip Ring - Pull
5	004363-01-000	FT	Tape - Foam - 3/16" x 1/2" Gray
6	002282-01-000	FT	Weather Strip - Window - .125" Black
	020753-04-000	EA	Frame - Window - Inside - Escape 23" x 68" (Not included in Asm)
	006199-01-000	EA	Label - Exit - Escape Window

\* Not Illustrated

L-9

# WINDOW, VENT AND EXTERIOR DOOR GROUP (CONTINUED)



Key	Part Number	U/M	Description
1	048631-07-000	EA	Window Asm. - Right - Single Slider - 23" x 29" - Black Anod (w/o Inside Frame)
2	047813-01-000	EA	Glass - 1/8" x 22" x 13 69" - Sliding
3	002324-01-000	FT	Channel - Weatherstrip - Glass Run - 1/8" Glass
4	004363-01-000	FT	Tape - Foam - 3/16" x 1/2" - Gray
5	024098-02-000	FT	Seal - Window Channel - Black
6	002303-02-000	FT	Spline - Glass - 1/8" - Black
7	018025-03-000	EA	Holder - Glass Seal - Anod. Black
8	041894-02-000	EA	Mullion - Slider Window - 23" - Black Anod
9	002184-01-000	EA	Glass - Tempered Sheet - Stationary
10	047369-01-000	EA	Latch - Window - Plastic
	049287-01-000	EA	Washer - Nylon - .62" x .140" I.D
	049288-01-000	EA	Screw - Machine - 6-32 x 5/16" - HWH - Black
	042147-01-000	EA	Frame - Inside - Single Slider Window - Left - 23" x 29" (not included in assembly)
	023713-02-000	EA	Cover - Plastic Weephole - Black
	002298-01-000	FT	Spline - Gray - 130" Dia (Screen)
	002293-01-000	SF	Screen - Window - 25" - Gray

\* Not Illustrated

L-10

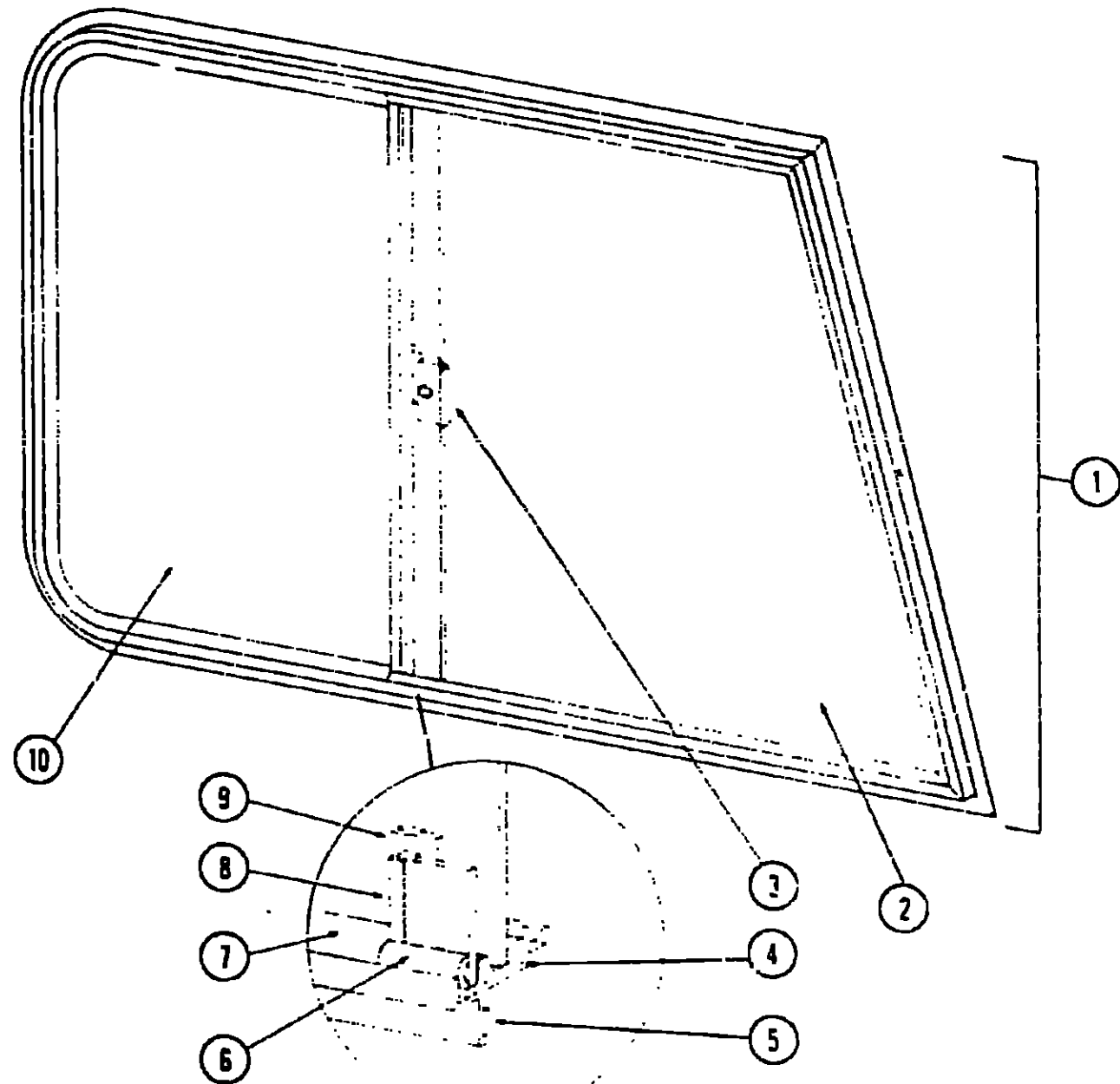
## WINNEBAGO TABLE OF CONTENTS

Introduction	A-1
Abbreviations	A-1
Alphabetical Index	A-2 - A-4
1977 MWC25D	A-5 - B-12
1977 D26CRK	B-13 - C-24
1977 MWC24D	D-1 - E-8
1977 D26CRB	E-9 - F-20
1977 D26RT	F-21 - H-6
1977 MV23RB	H-7 - I-16
1977 D21	I-17 - K-6
1977 D23C	K-7 - L-18

## 1977 D23C INDEX

Floor Plan	K-7 - K-8
Accessories Group	K-9 - K-11
Bath Group	K-12
Chassis Group	K-13
Curtain, Cushion & Pad Group	K-14 - K-18
Dinette Group	K-18
Driver's Compartment Group	K-18 - K-20
Electrical Group	K-20 - K-21
Exterior Body Group	K-22 - L-1
Galley Group	L-2
Heating & Air Conditioning Group	L-3
Interior Finish Group	L-4 - L-5
LP Group	L-6
Lounge Group	L-7
Water & Sewage Group	L-8
Window, Vent & Exterior Door Group	L-9 - L-18

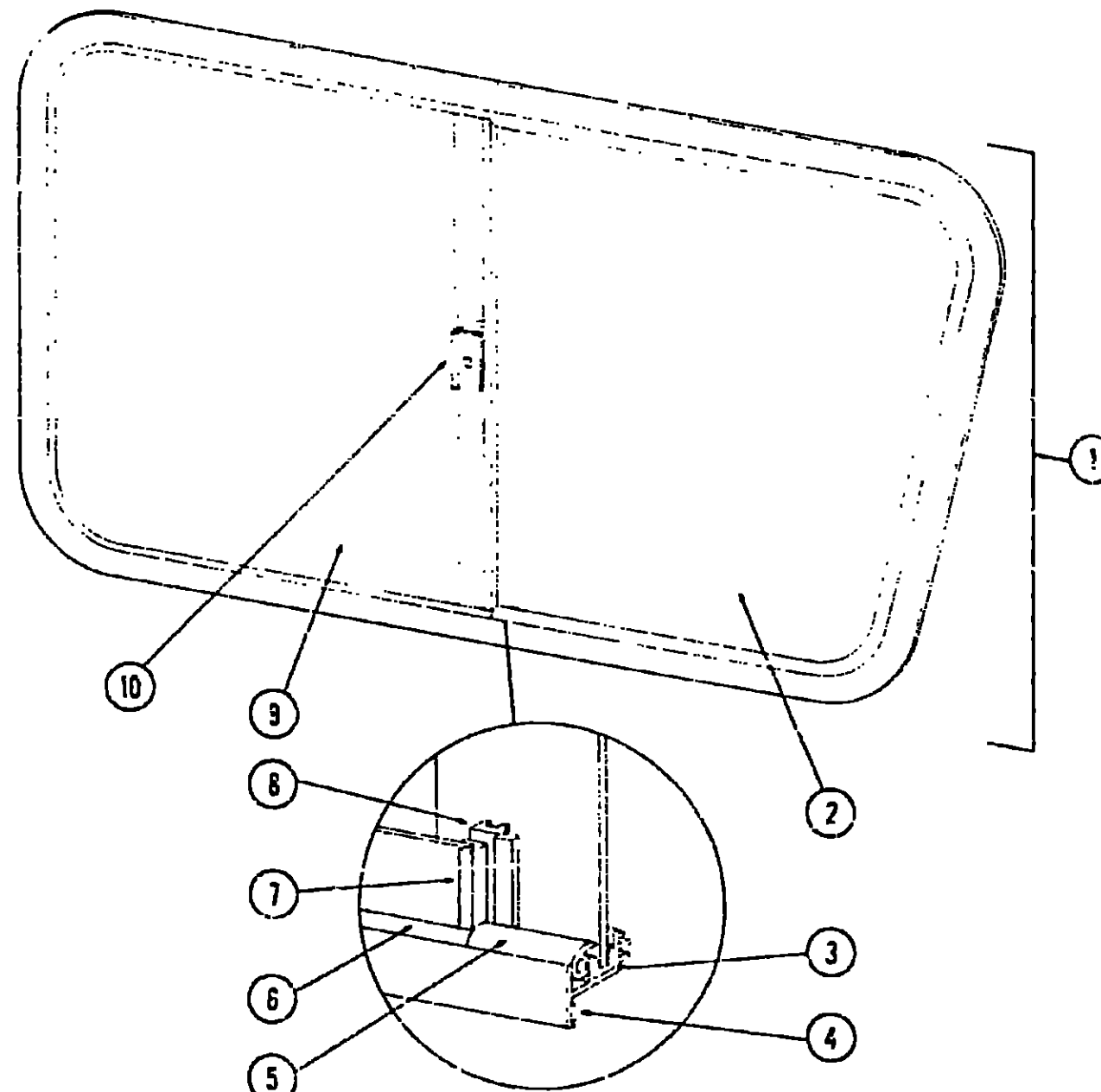
**WINDOW, VENT AND EXTERIOR DOOR GROUP (CONTINUED)**



Key	Part Number	U/M	Description
1	048628-03-000	EA	Window Asm. - Right Front Slant Slider - 23" x 39" - Black Anod (w/o Inside Frame)
	048628-04-000	EA	Window Asm. - Left Front Slant Slider - 23" x 39" - Black Anod (w/o Inside Frame)
2	041897-01-000	EA	Glass - 1/8" x 22 06" x 18 91" x 21 22" - Stationary
3	047359-01-000	EA	Latch - Window - Plastic
4	002324-01-000	FT	Channel - Weatherstrip - Glass Run - 1/8" Glass
5	004363-01-000	FT	Tape - Foam - 3/16" x 1/2" - Gray
6	002309-01-000	FT	Spline - Glass - 1/8" - Gray
7	024095-01-000	FT	Seal - Window Channel - Gray
8	018025-03-000	EA	Holder - Glass Seal - Black Anod.
9	041894-11-000	EA	Mullion - Slider Window - 23" - Black Anod
10	047824-01-000	EA	Glass - 1/8" x 22 06" x 19 06" - Sliding
	049287-01-000	EA	Washer - Nylon - .62" x .140" I.D.
	049288-01-000	EA	Screw - Machine - 6-32 x 5/16" - HWH - Black
	041962-02-000	EA	Frame - Inside - Right Front Slant Slider - Window - 23" x 39" (not included in assembly)
	041962-01-000	EA	Frame - Inside - Left Front Slant Slider - Window - 23" x 39" (not included in assembly)
	023713-02-000	EA	Cover - Plastic Weaphole - Black
	002298-01-000	FT	Spline - Gray - .130" Dia. (Screen)
	002293-01-000	SF	Screen - Window - 26" - Gray

\* Not Illustrated

**WINDOW, VENT AND EXTERIOR DOOR GROUP (CONTINUED)**



Key	Part Number	U/M	Description
1	048633-01-000	EA	Window Asm. - Right - Rear - Slant - 23" x 42" - Black Anod. (w/o Inside Frame)
	048633-02-000	EA	Window Asm. - Left - Rear - Slant - 23" x 42" - Black Anod. (w/o Inside Frame)
2	047817-01-000	EA	Glass - 1/8" x 22" x 20 59" - Slant - Sliding
3	002324-01-000	FT	Channel - Weatherstrip - Glass Run - 1/8" Glass
4	004363-01-000	FT	Tape - Foam - 3/16" x 1/2" - Gray
5	024096-01-000	FT	Seal - Window Channel - Gray
6	002309-01-000	FT	Spline - Glass - 1/8" - Gray
7	018025-01-000	EA	Holder - Glass Seal - Anod
8	041894-01-000	EA	Mullion - Slider Window - 23" - Clear Anod
9	038091-01-000	EA	Glass - 1/8" x 22" x 22 03" - Stationary
10	047339-01-000	EA	Latch - Window - Plastic
	049287-01-000	EA	Washer - Nylon - .62" x .140" I.D.
	049288-01-000	EA	Screw - Machine - 6-32 x 5/16" - HWH - Black
	044592-01-000	EA	Frame - Inside - Rear Slant Slider Window - Right (not included in assembly)
	044592-02-000	EA	Frame - Inside - Rear Slant Slider Window - Left (not included in assembly)
	023713-02-000	EA	Cover - Plastic - Weaphole - Black
	002298-01-000	FT	Spline - Gray - .130" Dia. (Screen)
	002293-01-000	SF	Screen - Window - 26" - Gray

\* Not Illustrated

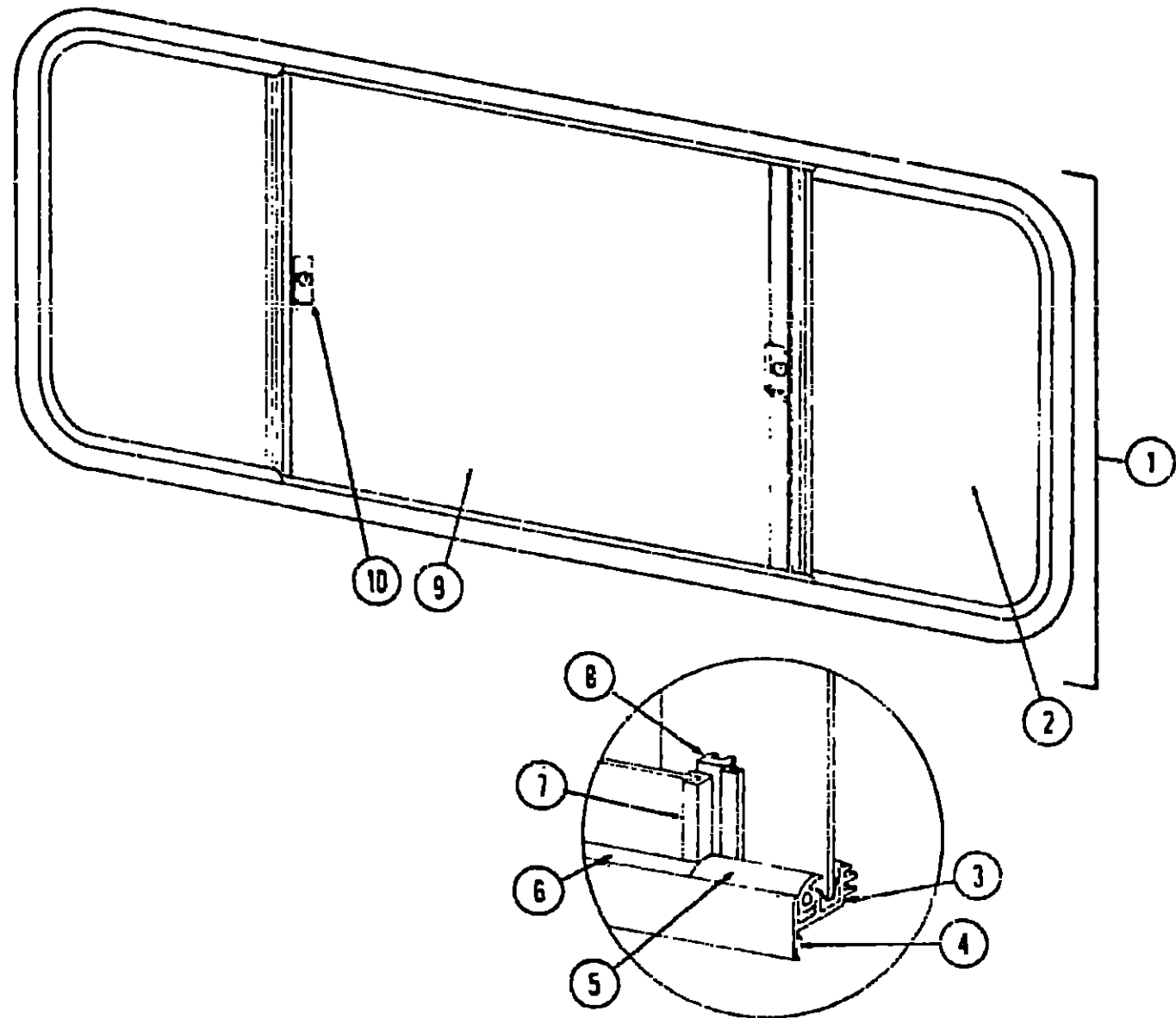
**WINNEBAGO  
TABLE OF CONTENTS**

Introduction	A-1
Abbreviations	A-1
Alphabetical Index	A-2 - A-4
1977 MWC25D	A-5 - B-12
1977 D26CRK	B-13 - C-24
1977 MWC24D	D-1 - E-8
1977 D26CRB	E-9 - F-20
1977 D26RT	F-21 - H-6
1977 MW23RB	H-7 - I-16
1977 D21	I-17 - K-6
1977 D23C	K-7 - L-18

**1977 D23C INDEX**

Floor Plan	K-7 - K-8
Accessories Group	K-9 - K-11
Bath Group	K-12
Chassis Group	K-13
Curtain, Cushion & Pad Group	K-14 - K-18
Dinette Group	K-18
Driver's Compartment Group	K-18 - K-20
Electrical Group	K-20 - K-21
Exterior Body Group	K-22 - L-1
Galley Group	L-2
Heating & Air Conditioning Group	L-3
Interior Finish Group	L-4 - L-5
LP Group	L-6
Lounge Group	L-7
Water & Sewage Group	L-8
Window, Vent & Exterior Door Group	L-9 - L-18

**WINDOW, VENT AND EXTERIOR DOOR GROUP (CONTINUED)**



Key	Part Number	U/M	Description
1	048630-04-000	EA	Window Asm. - Double - Slider - 23" x 65" - Black Anod (w/o Inside Frame)
2	047823-01-000	EA	Glass - 1/8" x 22" x 21.03" - Sliding (2 per window)
3	002324-01-000	FT	Channel - Weatherstrip - Glass Run - 1/8" Glass
4	004385-01-000	FT	Tape - Foam - 3/16" x 1/2" - Gray
5	024096-02-000	FT	Seal - Window - Channel - Black
6	002309-02-000	FT	Spline - Glass - 1/8" - Black
7	018025-03-000	EA	Holder - Glass Seal - Black Anod
8	041894-02-000	EA	Mullion - Slider Window - 23" Black Anod
9	002183-01-000	EA	Glass - 1/8" x 22" x 21.03" - Stationary
10	047389-01-000	EA	Latch - Window - Plastic
	049287-01-000	EA	Washer - Nylon - .62" x 1.40" I.D.
	049283-01-000	EA	Screw - Machine - 6-32 x 5-16" - FWH - Black
	042133-02-000	EA	Frame - Inside - Double Slider Window (not included in assembly)
	002298-01-000	FT	Spline - Gray - .130" Dia - (Screen)
	002293-01-000	SF	Screen - Window - 26" - Gray
	023713-02-000	EA	Cover - Weephole - Plastic - Black

\* Not Illustrated

**WINDOW, VENT AND EXTERIOR DOOR GROUP (CONTINUED)**

**WINDSHIELD**

Key	Part Number	U/M	Description
	034975-04-000	EA	Glass - Windshield - 1/4" x 22.12" x 45.45" - Right or Left
	036764-03-200	EA	Extr. - Windshield Trim - Anod. Black - 22.35"
	042744-03-000	EA	Frame - Asm. Windshield
	038886-01-000	EA	Tape - Butyl .31" x .31" x 148"
	043988-01-000	EA	Trim - Windshield

**ACCESS DOORS**

Key	Part Number	U/M	Description
	037804-10-000	EA	Door Asm. - Luggage - 24.56" x 10.06" - Beige
	047305-01-000	EA	Lock Asm. - Key Type w/Clip
	041312-01-000	EA	Seal - Luggage Door
	003182-02-000	EA	Door Asm. - Access - Water Heater - Beige
	041330-03-000	EA	Door Asm. - Radius Trunk
	009009-01-000	EA	Lock - T-Handle Bent Cam
	009161-01-000	EA	Chain - Trunk
	005064-01-000	EA	Hinge - Continuous Aluminum - 2" x 95" Plain
	043863-01-000	EA	Door Asm. - Generator - Left
	007067-01-000	EA	Insulation - Fiberglass 1"
	037804-06-000	EA	Door Asm. - Battery - 24.56" x 10.06" - Beige
	039884-01-000	EA	Lock Asm. - Twist Type w/Clip
	016945-02-000	EA	Holder Asm. - Battery and Luggage Door
	037804-12-000	EA	Door Asm. - Battery/LP - 47.313" x 10.062" - Beige
	047187-01-000	EA	Door Asm. - Refrigerator Access - Beige
	039884-01-000	EA	Lock Asm. - Twist Type w/Clip
	003065-01-000	EA	Hinge - Continuous Aluminum - 1 1/2" x 95" Plain
	051780-01-000	EA	Door Asm. - Storage - 23.38" x 37.31" - Left - w/Key Type Lock

**VENTS**

Key	Part Number	U/M	Description
	039778-01-000	EA	Cover - Plastic Refrigerator Vent
	009407-01-000	EA	Frame - Base - Refrigerator Vent w/o Cover
	049352-02-000	EA	Vent - Stovehood - Outside - Beige (Jensen)
	039346-01-000	EA	Vent Asm. - Roof Escape - Complete
	039638-01-000	EA	Cover - Escape Vent - 26" x 26"
	039325-01-000	EA	Seal - Extruded Vinyl - Escape Vent
	032842-01-000	EA	Track - Escape Vent
	002344-01-000	EA	Spring - Window Latch
	009439-01-000	EA	Crank - Roof Vent
	009440-01-000	EA	Gear - Arm - Roof Vent
	039884-01-000	EA	Handle - Escape Vent
	046613-01-000	EA	Retainer - Spring - Roof Vent
	039841-01-000	EA	Frame - Screen Escape Vent
	042614-01-000	EA	Garnish - Inside - Escape Vent

**WINNEBAGO**

**TABLE OF CONTENTS**

Introduction	A-1
Abbreviations	A-1
Alphabetical Index	A-2 - A-4
1977 MWC25D	A-5 - B-12
1977 D26CRK	B-13 - C-24
1977 MWC24D	D-1 - E-6
1977 D26CRB	E-9 - F-20
1977 D26RT	F-21 - H-6
1977 MW23RB	H-7 - I-16
1977 D21	I-17 - K-6
1977 D23C	K-7 - L-18

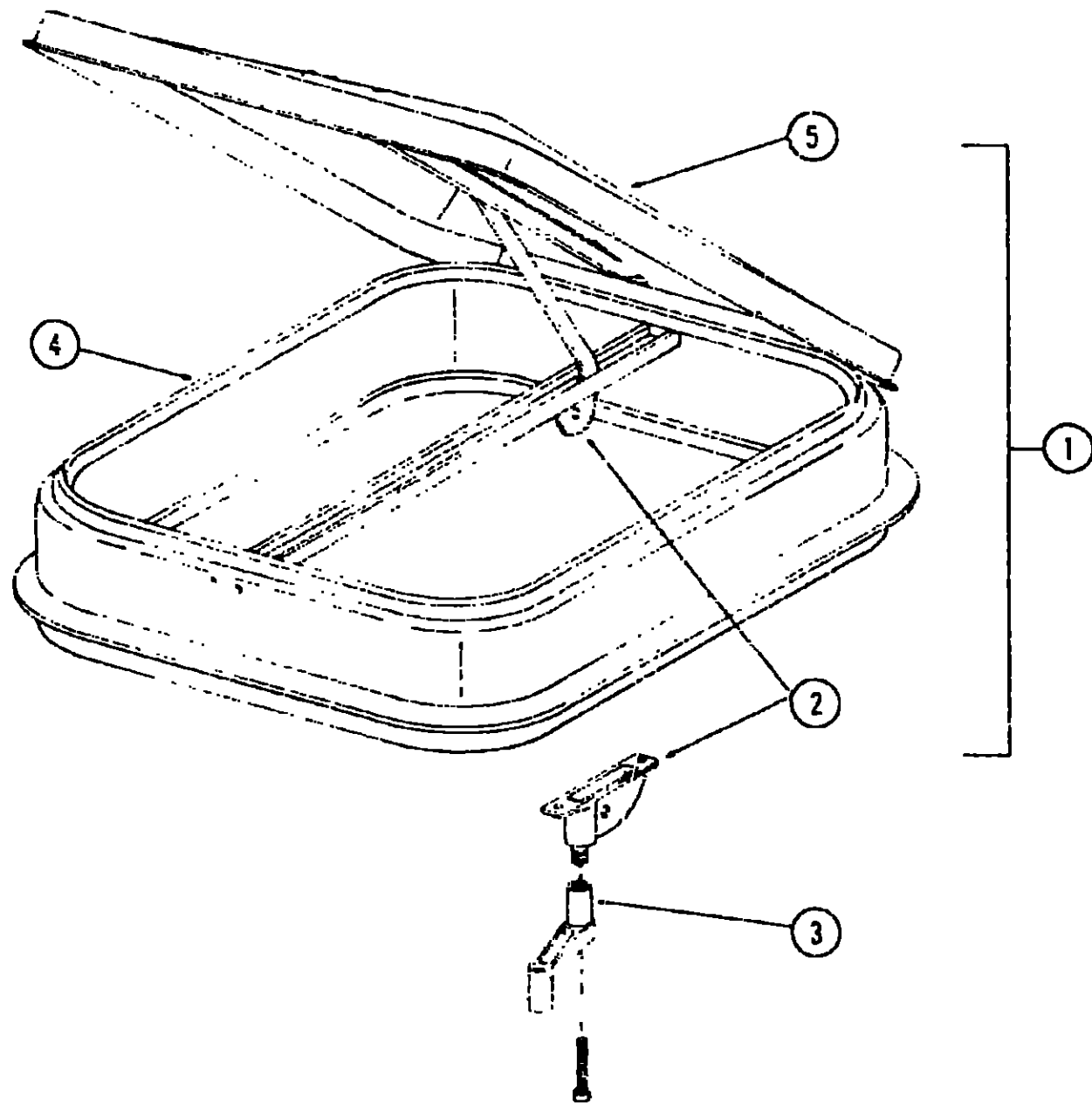
**1977 D23C INDEX**

Floor Plan	K-7 - K-8
Accessories Group	K-9 - K-11
Bath Group	K-12
Chassis Group	K-13
Curtain, Cushion & Pad Group	K-14 - K-18
Dinette Group	K-18
Driver's Compartment Group	K-18 - K-20
Electrical Group	K-20 - K-21
Exterior Body Group	K-22 - L-1
Galley Group	L-2
Heating & Air Conditioning Group	L-3
Interior Finish Group	L-4 - L-5
LP Group	L-6
Lounge Group	L-7
Water & Sewage Group	L-8
Window, Vent & Exterior Door Group	L-9 - L-18



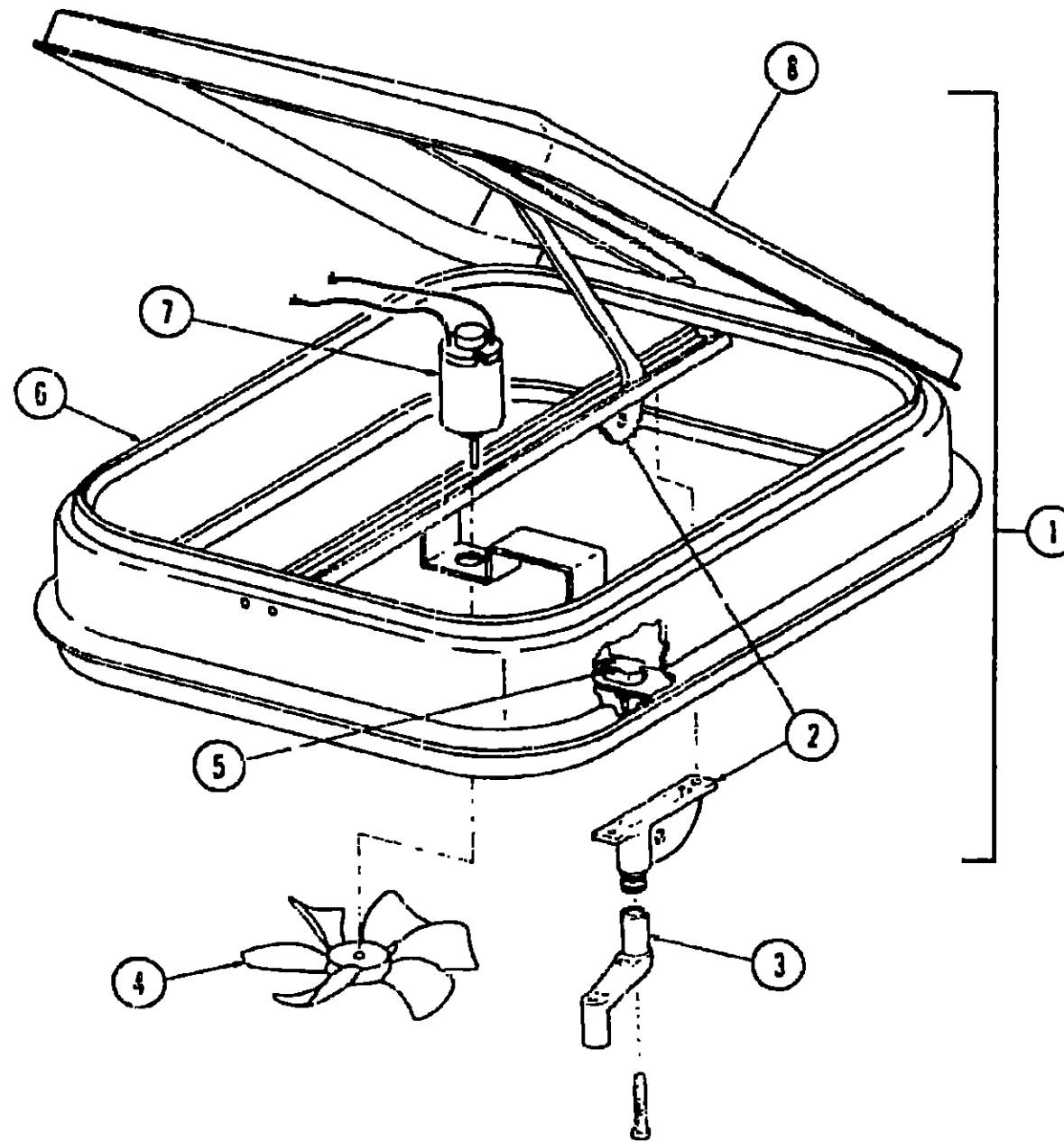
WINDOW, VENT AND EXTERIOR DOOR GROUP (CONTINUED)

WINDOW, VENT AND EXTERIOR DOOR GROUP (CONTINUED)



Key	Part Number	U/M	Description
1	048835-01-000	EA	Vent Asm - Roof - Nonpowered - w/o Screen
2	009440-01-000	EA	Gear - Arm - Roof Vent
3	009439-01-000	EA	Crank - Roof Vent
4	002825-01-000	FT	Weatherstrip - Roof Vent
5	046825-01-000	EA	Cover - Plastic - Roof Vent
*	016335-01-000	EA	Screen Asm - Non Powered Roof Vent - Clear Anod. (not included in assembly)
*	016335-03-000	EA	Screen Asm - Non Powered Roof Vent - Beige (not included in assembly)

\* Not Illustrated



Key	Part Number	U/M	Description
1	048789-01-000	EA	Vent Asm - Roof - Powered - w/o Screens
2	009440-01-000	EA	Gear - Arm - Roof Vent
3	009439-01-000	EA	Crank - Roof Vent
4	048649-01-000	EA	Fan - Blade - 6" Plastic
5	008195-01-000	EA	Switch - Push Button - 12 Volt
6	002825-01-000	FT	Weatherstrip - Roof Vent
7	048648-01-000	EA	Motor - 12 Volt
8	046825-01-000	EA	Cover - Plastic - Roof Vent
*	046895-01-000	EA	Screen Asm - Powered Roof Vent - Clear Anod (not included in assembly)
*	048695-01-000	EA	Screen Asm - Powered Roof Vent - Clear Anod (not included in assembly)

\* Not Illustrated

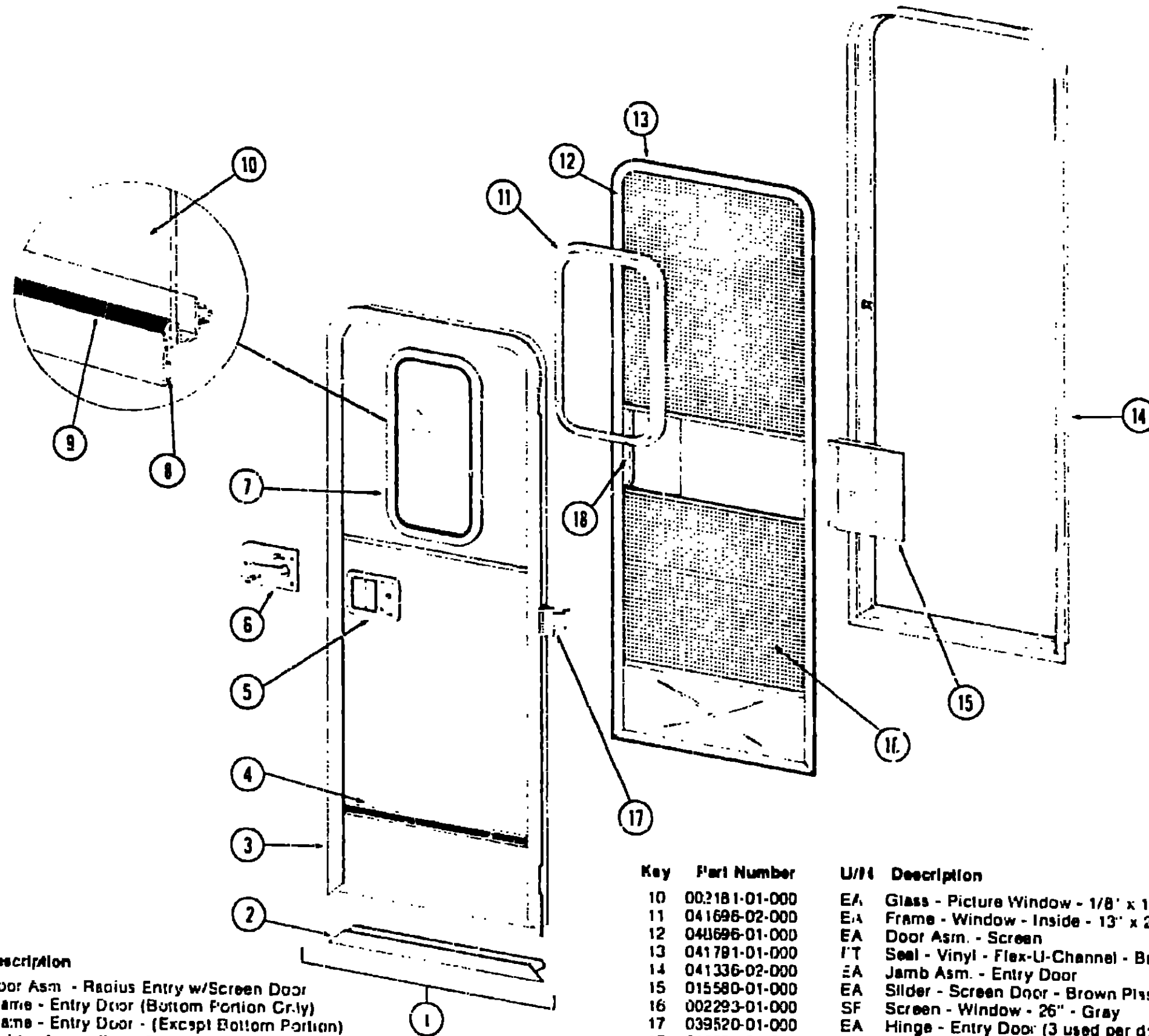
WINNEBAGO  
TABLE OF CONTENTS

Introduction	A-1
Abbreviations	A-1
Alphabetical Index	A-2 - A-4
1977 MWC25D	A-5 - B-12
1977 D26CRK	B-13 - C-24
1977 MWC24D	D-1 - E-8
1977 D26CRB	E-9 - F-20
1977 D26RT	F-21 - H-6
1977 MW23RB	H-7 - I-16
1977 D21	I-17 - K-6
1977 D23C	K-7 - L-18

1977 D23C INDEX

Floor Plan	K-7 - K-8
Accessories Group	K-9 - K-11
Bath Group	K-12
Chassis Group	K-13
Curtain, Cushion & Pad Group	K-14 - K-13
Dinette Group	K-18
Driver's Compartment Group	K-18 - K-20
Electrical Group	K-20 - K-21
Exterior Body Group	K-22 - L-1
Galley Group	L-2
Heating & Air Conditioning Group	L-3
Interior Finish Group	L-4 - L-5
LP Group	L-6
Lounge Group	L-7
Water & Sewage Group	L-8
Window, Vent & Exterior Door Group	L-9 - L-18

WINDOW, VENT AND EXTERIOR DOOR GROUP (CONTINUED)



Key	Part Number	U/I	Description
1	050096-01-000	EA	Door Asm - Radius Entry w/Screen Door
2	039737-02-000	EA	Frame - Entry Door (Bottom Portion Crly)
3	039730-02-000	EA	Frame - Entry Door - (Except Bottom Portion)
4	039974-02-000	EA	Holder Asm. - Entry Door - 2 1/2"
5	052186-01-000	EA	Lock Asm. - Radius Entry Door - Lynor
	045017-01-700	EA	Lock Cylinder w/Keys - Lynor
	039541-01-000	EA	Lock Cylinder w/Keys - Atwood
	039539-01-000	EA	Striker - Entry Door Lock
6	039979-01-000	EA	Plate - Lock - Interior - Including Inside Handle
7	041875-02-000	EA	Window Asm - Picture - 13" x 23" Black Anod (inside frame not included in assembly)
8	004363-01-000	FT	Tape - Foam - 3/16" x 1/2" Gray
9	002308-01-000	FT	Solins - Glass - 1/8" Gray

Key	Part Number	U/I	Description
10	002181-01-000	EA	Glass - Picture Window - 1/8" x 12" x 22" Gray
11	041696-02-000	EA	Frame - Window - Inside - 13" x 23" - Brown
12	040696-01-000	EA	Door Asm. - Screen
13	041791-01-000	FT	Seal - Vinyl - Flex-U-Channel - Brown
14	041336-02-000	EA	Jamb Asm. - Entry Door
15	015580-01-000	EA	Slider - Screen Door - Brown Plastic
16	002293-01-000	SF	Screen - Window - 26" - Gray
17	039520-01-000	EA	Hinge - Entry Door (3 used per door)
18	015581-01-000	EA	Cap - Screen Door - Brown Plastic
	049176-01-000	EA	Hadlok II - 3/4" Diameter - Screw Mount (Retains Screen Door to Entry Door)
	049797-01-000	EA	Hadlok II - 1" Diameter - Screw Mount (Retains Screen Door to Entry Door)
	018019-01-000	EA	Striker - Screen Door
	039863-01-000	EA	Catch Asm. - Single Roller w/Strike - Screen Door
	039740-01-000	FT	Seal - Jamb - Entry Door
	039800-03-000	FT	Tubing - Polybutyl - 3/8" O.D. - Jamb
	039748-01-000	EA	Garish - Radius (top portion of door inside coach)

\* Not Illustrated

WINNEBAGO  
TABLE OF CONTENTS

Introduction	A-1
Abbreviations	A-1
Alphabetical Index	A-2 - A-4
1977 MWC25D	A-5 - B-12
1977 D26CRK	B-13 - C-24
1977 MWC24D	D-1 - E-8
1977 D26CRB	E-9 - F-20
1977 D26RT	F-21 - H-6
1977 MW23RB	H-7 - I-16
1977 D21	I-17 - K-6
1977 D23C	K-7 - L-18

1977 D23C INDEX

Floor Plan	K-7 - K-8
Accessories Group	K-9 - K-11
Bath Group	K-12
Chassis Group	K-13
Curtain, Cushion & Pad Group	K-14 - K-15
Dinette Group	K-16
Driver's Compartment Group	K-18 - K-20
Electrical Group	K-20 - K-21
Exterior Body Group	K-22 - L-1
Galley Group	L-2
Heating & Air Conditioning Group	L-3
Interior Finish Group	L-4 - L-5
LP Group	L-6
Lounge Group	L-7
Water & Sewage Group	L-8
Window, Vent & Exterior Door Group	L-9 - L-18