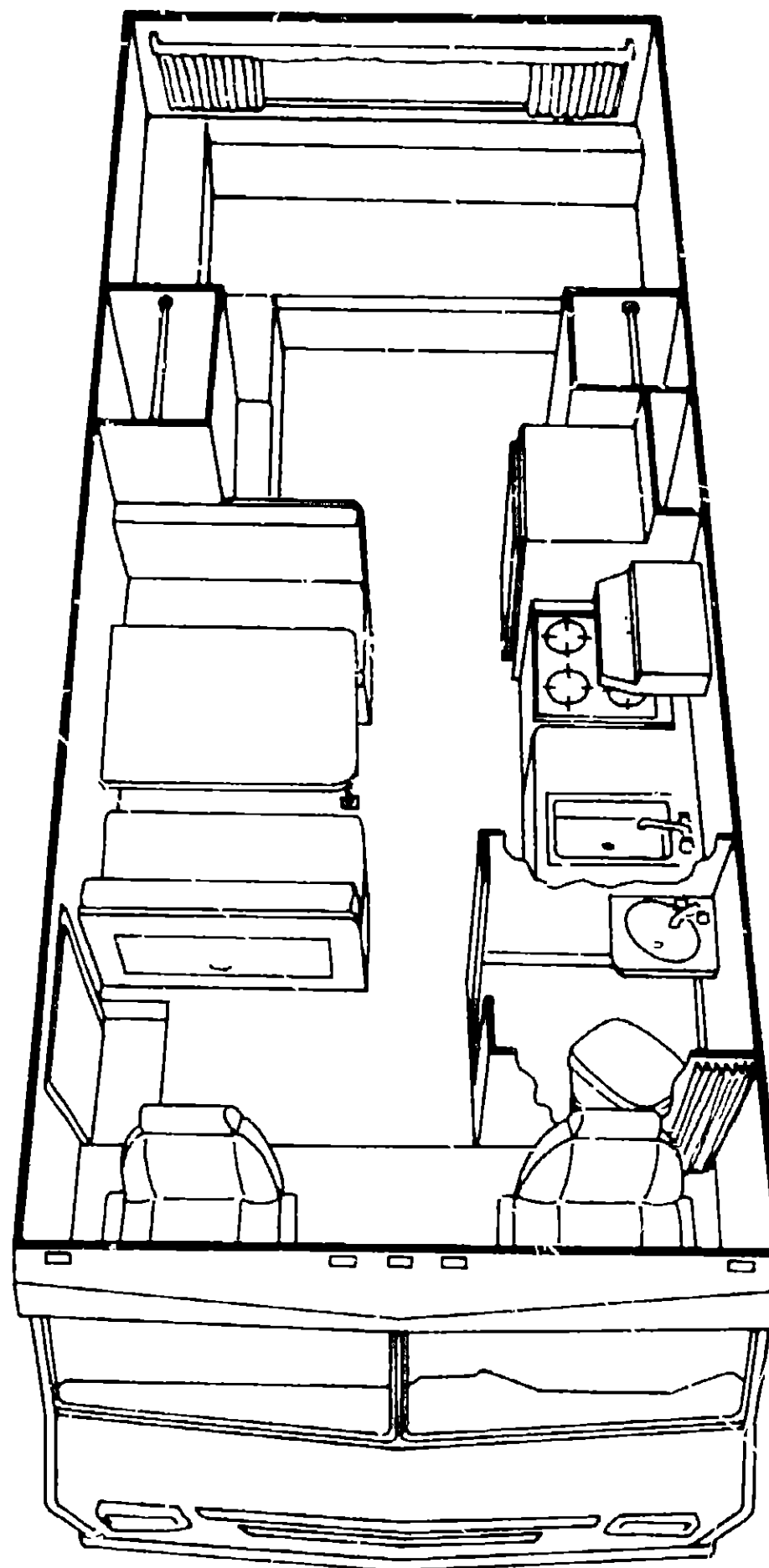


1977

D21

IMPORTANT

Two varieties of Antique Birch paneling were used for cabinetry in this unit. Therefore it is necessary to determine which variety was used before ordering replacement cabinetry. Refer to the Color Material Guide to aid in making the selection.



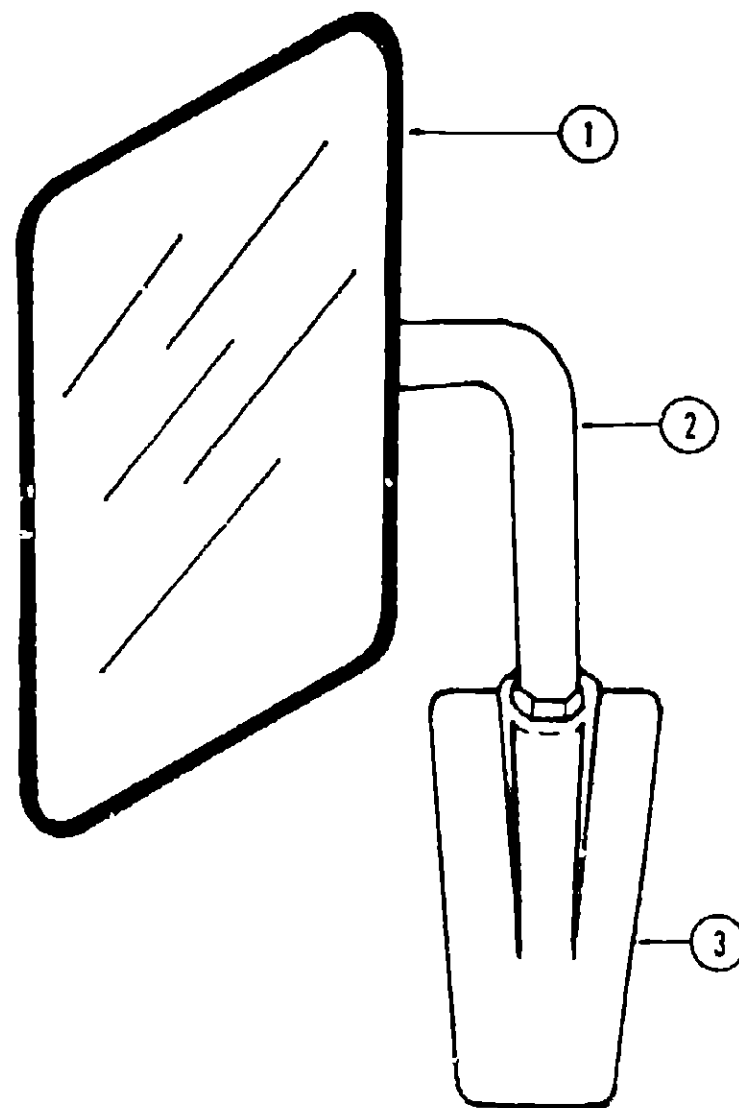
WINNEBAGO TABLE OF CONTENTS

Introduction	A-1
Abbreviations	A-1
Alphabetical Index	A-2 - A-4
1977 MWC25D	A-5 - B-12
1977 D26CRK	B-13 - C-24
1977 MWC24D	D-1 - E-9
1977 D26CRB	E-9 - F-20
1977 D26RT	F-21 - H-6
1977 MW23RB	H-7 - I-16
1977 D21	I-17 - K-6
1977 D23C	K-7 - L-18

1977 D21 INDEX

Floor Plan	I-17 - I-18
Accessories Group	I-19 - I-21
Bath Group	I-22
Chassis Group	I-23 - I-24
Curtain, Cushion & Pad Group	J-1 - J-4
Dinette Group	J-5
Driver's Compartment Group	J-5 - J-6
Electrical Group	J-7 - J-8
Exterior Body Group	J-9 - J-12
Galley Group	J-13
Heating & Air Conditioning Group	J-14
Interior Finish Group	J-15 - J-16
L.P. Group	J-17
Lounge Group	J-18
Water & Sewage Group	J-19
Window, Vent & Exterior Door Group	J-20 - K-5

ACCESSORIES GROUP



Key	Part Number	U/M	Description
1	049347-01-000	EA	Mirror Head - 7 1/2" x 10 1/2" - Stainless Steel
2	049348-01-000	EA	Arm - Low Mount Mirror - Bright Finish
3	049944-02-000	EA	Bracket - Mirror - Outside - Off White

ACCESSORIES GROUP (CONTINUED)

RADIOS AND RELATED COMPONENTS

Key	Part Number	U/M	Description
	031105-01-000	EA	Antenna - Radio - Side Mount
	031105-01-700	EA	Clip - Radio Antenna Holder
	039879-01-000	EA	Kit - Radio Speaker - 5 1/4" w/Cover
	049730-01-000	EA	Radio - AM - w/Fader - Clarion
	049731-01-000	EA	Radio - AM/FM/MPX - w/Fader - Clarion
	049732-01-000	EA	Radio - AM/FM/MPX B Track - w/Fader - Clarion
	050751-01-000	EA	Plaque - Fader Switch/Mic Mounting
	050465-01-000	EA	Bezel - Entertainment Center Number 1 - (Radio Only)
	050466-01-000	EA	Bezel - Entertainment Center Number 2 - (Radio and Clock)

BUNK, CABINET AND HARDWARE

Key	Part Number	U/M	Description
	048392-02-000	EA	Bunk - Front or Rear - Overhead - (Board w/Rails)
	042988-01-000	EA	Support Asm. - Left or Right - Overhead Bunk - Dark Brown
	040071-01-700	EA	Support Kit - Overhead Bunk - Seat Belt
	006076-01-000	EA	Ladder - Bunk
	048391-03-000	EA	Cabinet Asm. - Front Overhead w/o Doors or Hardware
	042964-14-000	EA	Door Asm. - Rear Overhead Cabinet - Sliding - 047939-02-000 Antique Birch
	053672-84-000	EA	Door Asm. - Rear Overhead Cabinet - Sliding - 047939-02-700 Antique Birch
	009148-01-000	EA	Pull - Finger - 3/4" Brass (Sliding Cabinet Door)
	009785-01-000	FT	Track - Sliding Door - Upper - Dark Brown Plastic
	009786-01-000	FT	Track - Sliding Door - Lower - Dark Brown Plastic

GENERATOR & INSTALLATION KITS

Key	Part Number	U/M	Description
	007059-01-000	EA	Generator - Onan 2500 Watt LK
	007135-01-000	EA	Muffler - 2500 LK
	039235-01-000	EA	Kit - 2500 Watt Onan LK Installation
	044066-01-000	EA	Generator - 4000 Watt Onan BF
	039237-01-000	EA	Kit - 4000, 5000 and 5500 Onan Installation
	007292-01-000	EA	Muffler - Generator - Onan
	007059-02-000	EA	Bolt Package - Generator Mounting - Onan
	007059-03-000	EA	Feet - Rubber - Generator Mounting - Onan
	042865-01-000	EA	Scoop - Generator Air
	701629-01-000	EA	Kohler Installation Package
**	040504-01-000	EA	Generator - 2.5 kw - Kohler
**	040505-01-000	EA	Generator - 4.0 kw - Kohler
**	040506-01-000	EA	Generator - 5.0 kw - Kohler
**	044149-01-000	EA	Generator - 6.5 kw - Kohler
**	051908-01-000	EA	Generator - 3.5 kw - Kohler
**	051909-01-000	EA	Generator - 4.5 kw - Kohler
**	051910-01-000	EA	Generator - 5.5 kw - Kohler
**	051911-01-000	EA	Generator - 7.0 kw - Kohler

**The illustrated parts breakdown for this item is provided on the Common Items Fiche.

WINNEBAGO

TABLE OF CONTENTS

Introduction	A-1
Abbreviations	A-1
Alphabetical Index	A-2 - A-4
1977 MWC25D	A-5 - B-12
1977 D26CRK	B-13 - C-24
1977 MWC24D	D-1 - E-8
1977 D26CRB	E-9 - F-20
1977 D26RT	F-21 - H-6
1977 MW23RB	H-7 - I-16
1977 D21	I-17 - K-6
1977 D23C	K-7 - L-18

1977 D21 INDEX

Floor Plan	I-17 - I-18
Accessories Group	I-19 - I-21
Bath Group	I-22
Chassis Group	I-23 - I-24
Curtain, Cushion & Pad Group	J-1 - J-4
Dinette Group	J-5
Driver's Compartment Group	J-5 - J-6
Electrical Group	J-7 - J-8
Exterior Body Group	J-9 - J-12
Galley Group	J-13
Heating & Air Conditioning Group	J-14
Interior Finish Group	J-15 - J-16
LP Group	J-17
Lounge Group	J-18
Water & Sewage Group	J-19
Window, Vent & Exterior Door Group	J-20 - K-5

ACCESSORIES GROUP (CONTINUED)

MISCELLANEOUS ACCESSORIES

Key	Part Number	U/M	Description
	050885-01-000	EA	Owner's Manual - Winnebago
	017516-01-000	EA	Mudflap - Black - 14" x 18" w/Holes
	006069-01-000	EA	Case - Leather Key - Motor Home
	007038-01-000	EA	Mat - Door - Black Rubber 10 1/2" x 26"
	006053-01-000	EA	Antenna - TV - Braun Delux
	006093-01-000	EA	Jack - TV - Brown (Antenna)
**	040899-01-000	EA	Ladder Asm. w/Luggage Rack - Round
**	040899-02-000	EA	Ladder Only - For Rack and Ladder Asm.
	006113-01-000	EA	Jack - Hydraulic 5 Ton
	041944-01-700	EA	Fire Extinguisher - w/Bracket - Dry Chemical
	034410-12-000	EA	Cover - Spare Tire - No "W" - 32
	039779-01-000	EA	Cap - 4" Square - Rear Bumper - Rubber
**	024746-01-000	EA	Speed Control Package - 440 C.I.D. - Dodge Lever Type A Body - Dana
**	047841-01-000	EA	Speed Control Package - 360 C.I.D. - Dodge Lever Type A Body - Dana
**	031396-01-000	EA	Wheel Cover - 17 5" - Chrome

**The illustrated parts breakdown for this item is provided on the Common Items Fiche.

BATH GROUP

Key	Part Number	U/M	Description
	044067-01-000	EA	Lavatory Top - Plastic
	011057-01-000	EA	Faucet - 4" Lavatory and Shower
	011083-01-000	EA	Plug - Sink - w/Chain
	009134-01-000	EA	Holder - Tissue
	033580-01-000	EA	Ring - Towel - Chrome w/Plastic Ring
	009133-02-000	EA	Bar - Towel - 18" Plastic
	023449-01-000	EA	Support - Towel Bar - Chrome Left or Right
	044499-01-000	EA	Cabinet - Medicine - 20" x 24" - Off White
	011080-01-000	EA	Shower Head - w/40" Hose
	011048-01-700	EA	Vacuum Breaker - 1/8 MPT Nylon Shower Hose
	011086-01-000	EA	Strainer - Drain - Shower Pan
	037581-01-000	EA	Back Flow Preventer
	031574-03-000	EA	Shower Pan - 30" x 35" - Ivory Plastic
	043861-04-700	EA	Door Asm. - Bathroom - w/o Hardware or Warp Guard
	009124-01-000	EA	Lock - Door - Push Button Brass
	008150-01-000	EA	Warp Guard - 64"
	034394-02-000	FT	Vinyl Insert - Extruded - Beige
	034889-01-000	EA	Cover - Screw - PPH - 10 - White
	034889-03-000	EA	Cover - Screw - PPH - 10 - Ivory
	009727-01-000	FT	Cap - End - 3/16" Aluminum - Sink Trim
	009726-01-000	EA	Molding - J - .19" - Aluminum - Sink Trim
	009779-01-000	FT	U-Channel - 1 1/8" Plastic - Dark Brown
**	039341-02-000	EA	Stool Asm. - Ivory - Aqua Magic - Model SH

**The illustrated parts breakdown for this item is provided on the Common Items Fiche

WINNEBAGO

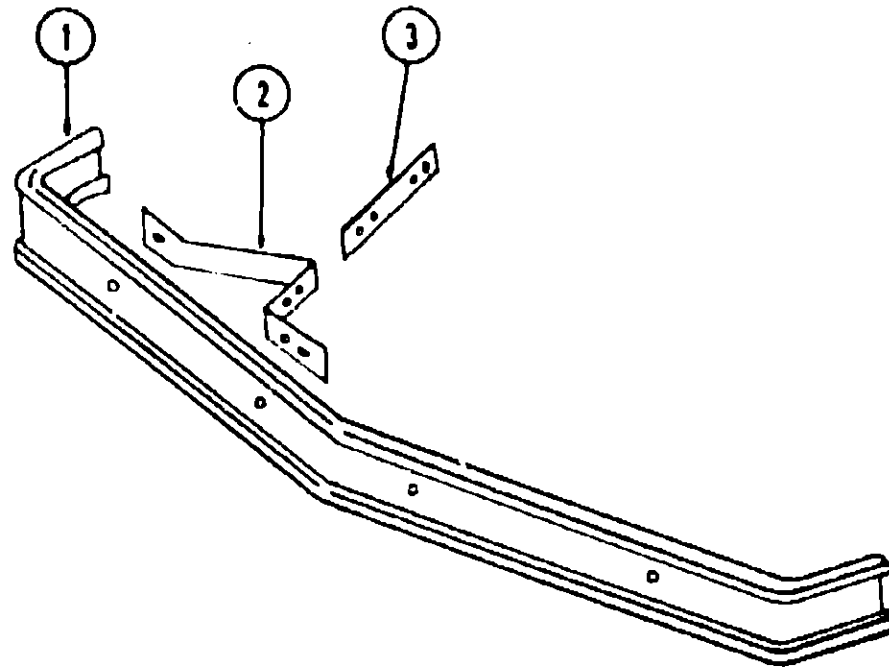
TABLE OF CONTENTS

Introduction	A-1
Abbreviations	A-1
Alphabetical Index	A-2 - A-4
1977 MWC25D	A-5 - B-12
1977 D26CRK	B-13 - C-24
1977 MWC24U	D-1 - E-8
1977 D26CRB	E-9 - F-20
1977 D26RT	F-21 - H-6
1977 MW23RB	H-7 - I-16
1977 D21	I-17 - K-6
1977 D23C	K-7 - L-18

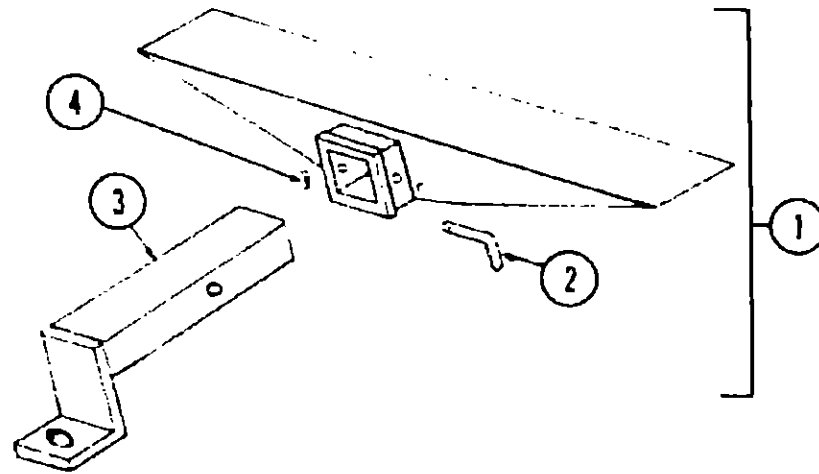
1977 D21 INDEX

Floor Plan	I-17 - I-18
Accessories Group	I-19 - I-21
Bath Group	I-22
Chassis Group	I-23 - I-24
Curtain, Cushion & Pad Group	J-1 - J-4
Dinette Group	J-5
Driver's Compartment Group	J-5 - J-6
Electrical Group	J-7 - J-8
Exterior Body Group	J-9 - J-12
Galley Group	J-13
Heating & Air Conditioning Group	J-14
Interior Finish Group	J-15 - J-16
LP Group	J-17
Lounge Group	J-18
Water & Sewage Group	J-19
Window, Vent & Exterior Door Group	J-20 - K-6

CHASSIS GROUP



Key	Part Number	U/M	Description
1	020859-02-000	EA	Bumper - Front - Off White
2	023496-02-000	EA	Bracket - Bumper - Off White
3	023520-02-000	EA	Bar - Bumper - Off White



Key	Part Number	U/M	Description
1	023695-01-700	EA	Hitch Kit - w/Drawbar
2	034512-01-000	EA	Pin - Locking - Drawbar
3	024876-01-000	EA	Drawbar - Trailer Hitch
4	034513-01-000	EA	Pin - Hitch - 3/16" Wire Spring

CHASSIS GROUP (CONTINUED)

Key	Part Number	U/M	Description
	024652-01-700	EA	Kit - Step Asm. - Pullout
	045802-02-000	EA	Panel Asm. - Headlight - Right - Brave
	045803-02-000	EA	Panel Asm. - Headlight - Left - Brave
	045811-01-000	EA	Hoodboard - Steel - Front - Right
	045811-02-000	EA	Hoodboard - Steel - Front - Left
	007082-01-000	FT	Tubing - 5/16" O.D. - Generator Fuel
	007134-01-000	EA	Clamp - Hose - Spring Type - 9/16"
	024138-01-000	FT	Hose - Fuel 5/16" I.D.
	024647-01-000	FT	Hose - Fuel 2 1/4" I.D.
	007137-01-000	EA	Clamp - Worm Gear 1 5/16" to 2 1/4"
	045814-01-000	EA	Fill - Gas - w/Vent 5.44" Long
	007138-01-000	EA	Clamp - 1/4" to 3/4" Dia.
	007160-01-000	EA	Gasket - 3/16" x 2" x 2" - Tire Carcass
	038882-01-000	EA	Tank - Fuel - Aux. - 27.8 Gallon
	017568-01-000	EA	Strap - Fuel Tank Mount
	038883-01-000	EA	Sending Unit - Fuel - 7.8 Ohm
	024581-01-000	EA	Fill - Gas - w/Vent - 5.50" Long
	024465-01-000	EA	Switch - Fuel
	024611-01-000	EA	Cap - Gas - Pressure - 1.50" Black
	024611-04-000	EA	Cap - Gas - Pressure - 1.50" Chrome
	048564-01-000	EA	Tray - Battery - Steel
	015365-01-000	EA	Pin - Tire Carrier
	005183-01-000	EA	Rod - Threaded - 5/16 - 18 x 36" Long
	040046-01-000	EA	Compartment - LP - Horizontal Plastic
	040047-01-000	EA	Bracket - LP Holddown
	035102-01-000	EA	Cover - Rear Radiator
	035260-01-000	EA	Cover - Rear Radiator
	035260-02-000	EA	Wheel Well - Plastic - Black
	007131-01-000	EA	Hanger - Tailpipe - 8" Universal
	007125-07-000	EA	Clamp Asm. - Muffler - 2.50" Dia.
	007258-01-000	EA	Tailpipe Curved - 2 1/2" x 48"
	007122-01-000	EA	Tailpipe - 2" x 48"
	007249-01-000	EA	Tailpipe - 2" x 58"
	021545-01-000	EA	Bumper Asm. - Rear - Square
	039779-01-000	EA	Cap - Bumper - 4" x 4" for Square Bumper
	046043-06-000	EA	Bracket Asm. - Rear Bumper
	016452-01-000	EA	Bracket - Tire Carrier
	040974-01-000	EA	Bracket - Retainer - Spare Tire

WINNEBAGO

TABLE OF CONTENTS

Introduction	A-1
Abbreviations	A-1
Alphabetical Index	A-2 - A-4
1977 MWC25D	A-5 - B-12
1977 D26CRK	B-13 - C-24
1977 MWC24D	D-1 - E-3
1977 D26CRB	E-9 - F-20
1977 D26RT	F-21 - H-6
1977 MW23RB	H-7 - I-16
1977 D21	I-17 - K-6
1977 D23C	K-7 - L-18

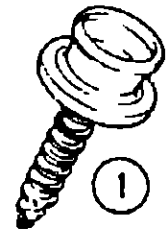
1977 D21 INDEX

Floor Plan	I-17 - I-18
Accessories Group	I-19 - I-21
Bath Group	I-22
Chassis Group	I-23 - I-24
Curtain, Cushion & Pad Group	J-1 - J-4
Dinette Group	J-5
Driver's Compartment Group	J-5 - J-6
Electrical Group	J-7 - J-8
Exterior Body Group	J-9 - J-12
Galley Group	J-13
Heating & Air Conditioning Group	J-14
Interior Finish Group	J-15 - J-16
LP Group	J-17
Lounge Group	J-18
Water & Sewage Group	J-19
Window, Vent & Exterior Door Group	J-20 - K-6

CURTAIN, CUSHION AND PAD GROUP

CURTAINS

Key	Part Number	U/M	Description
	048840-86-000	EA	Curtain - w/Snap - Top and Bottom - 24.5" x 15" - Rust (Cactus)
	048840-87-000	EA	Curtain - w/Snap - Top and Bottom - 24.5" x 15" - Gold (Inca Gold)
	048840-88-000	EA	Curtain - w/Snap - Top and Bottom - 24.5" x 15" - Beige (Sage)
	049021-19-000	EA	Curtain - w/Snap - Top - 33" x 36" - Rust (Cactus)
	049021-20-000	EA	Curtain - w/Snap - Top - 33" x 36" - Gold (Inca Gold)
	049021-21-000	EA	Curtain - w/Snap - Top - 33" x 36" - Beige (Sage)
	049486-15-000	EA	Curtain - w/Snap - Top - Left - 25" x 21" - Rust (Cactus)
	049486-14-000	EA	Curtain - w/Snap - Top - Left - 25" x 21" - Gold (Inca Gold)
	049486-82-000	EA	Curtain - w/Snap - Top - Left - 25" x 21" - Beige (Sage)
	049486-33-000	EA	Curtain - w/Snap - Top - Left - 25" x 42" - Rust (Cactus)
	049486-32-000	EA	Curtain - w/Snap - Top - Left - 25" x 42" - Gold (Inca Gold)
	049486-66-000	EA	Curtain - w/Snap - Top - Left - 25" x 42" - Beige (Sage)
	049426-53-000	EA	Curtain - w/Snap - Top - Left - 25" x 48" - Rust (Cactus)
	049486-54-000	EA	Curtain - w/Snap - Top - Left - 25" x 48" - Gold (Inca Gold)
	049486-55-000	EA	Curtain - w/Snap - Top - Left - 25" x 48" - Beige (Sage)
	049487-15-000	EA	Curtain - w/Snap - Top - Right - 25" x 21" - Rust (Cactus)
	049487-14-000	EA	Curtain - w/Snap - Top - Right - 25" x 21" - Gold (Inca Gold)
	049487-81-000	EA	Curtain - w/Snap - Top - Right - 25" x 21" - Beige (Sage)
	049487-33-000	EA	Curtain - w/Snap - Top - Right - 25" x 42" - Rust (Cactus)
	049487-32-000	EA	Curtain - w/Snap - Top - Right - 25" x 42" - Gold (Inca Gold)
	049487-65-000	EA	Curtain - w/Snap - Top - Right - 25" x 42" - Beige (Sage)
	049487-53-000	EA	Curtain - w/Snap - Top - Right - 25" x 48" - Rust (Cactus)
	049487-54-000	EA	Curtain - w/Snap - Top - Right - 25" x 48" - Gold (Inca Gold)
	049487-55-000	EA	Curtain - w/Snap - Top - Right - 25" x 48" - Beige (Sage)
	049021-08-000	EA	Curtain - Wraparound - w/Snap Top - Right - 25" x 80" - Rust (Cactus)
	049021-07-000	EA	Curtain - Wraparound - w/Snap Top - Right - 25" x 80" - Gold (Inca Gold)
	049021-06-000	EA	Curtain - Wraparound - w/Snap Top - Right - 25" x 80" - Beige (Sage)
	049485-01-000	EA	Curtain - Wraparound - w/Snap Top - Left - 25" x 80" - Rust (Cactus)
	049485-02-000	EA	Curtain - Wraparound - w/Snap Top - Left - 25" x 80" - Gold (Inca Gold)
	049485-03-000	EA	Curtain - Wraparound - w/Snap Top - Left - 25" x 80" - Beige (Sage)
	050006-01-000	EA	Curtain - Blackout - 38" x 84" - Brown Vinyl
	050006-03-000	EA	Curtain - Blackout - 58" x 54" - Brown Vinyl



Key	Part Number	U/M	Description
1	029130-01-000	EA	Socket - Snap Fastener - 7 x 5/8" (Tie Backs)
2	029155-01-000	EA	Cap - Snap - .156" Dia. x .17" Barrel (Tie Backs)
3	029156-01-000	EA	Socket - Snap Fastener (Tie Backs)
4	029092-01-000	EA	Stud - Nickel Finish (Curtain)
5	029093-01-000	EA	Eyelet - Nickel Finish (Curtain)

CURTAIN TIE BACKS

Key	Part Number	U/M	Description
	049097-15-000	EA	Tie Back - 14" - Brown Vinyl
	049097-16-000	EA	Tie Back - 10" - Rust (Cactus)
	049097-17-000	EA	Tie Back - 10" - Gold (Inca Gold)
	049097-18-000	EA	Tie Back - 10" - Beige (Sage)
	049097-19-000	EA	Tie Back - 14" - Rust (Cactus)
	049097-20-000	EA	Tie Back - 14" - Gold (Inca Gold)
	049097-21-000	EA	Tie Back - 14" - Beige (Sage)

CURTAIN, CUSHION AND PAD GROUP (CONTINUED)

CURTAIN HARDWARE

Key	Part Number	U/M	Description
	009136-01-000	EA	Hook - Shower Curtain (Blackout Curtain)
	009107-01-000	EA	Guide - Nylon - Snap
	050327-04-236	EA	Curtain Track - Alum. - Brown 89" w/Holes
	009701-01-000	EA	Roller - Curtain - "L" Rod
	009702-01-000	EA	Stop - End - Curtain - "L" Rod
	018031-42-000	EA	Track - Curtain - "L" Rod - 90" - Alum.
	042439-01-000	EA	Bracket - Curtain - Rod - Single
	049897-02-000	EA	Rod - Curtain - Flat - Extends 48" - 86"
	049897-01-000	EA	Rod - Curtain - Flat - Extends 25" - 45"
	049733-01-000	FT	Track - Curtain - Plastic - 3' - Brown
	049737-01-000	EA	Cap - End - Brown Plastic Curtain Track (use with 049736-01-000 Track)
	049738-01-000	EA	Carrier - Curtain Snap - White Plastic (use with 049736-01-000 Track)
	050826-01-000	EA	Track - Curtain - Wraparound - Left
	050826-02-000	EA	Track - Curtain - Wraparound - Right

VALANCES

Key	Part Number	U/M	Description
	048831-30-000	EA	Valance - w/Header - 5.5" x 44" - Rust (Cactus)
	048831-31-000	EA	Valance - w/Header - 5.5" x 44" - Gold (Inca Gold)
	048831-32-000	EA	Valance - w/Header - 5.5" x 44" - Beige (Sage)
	048831-36-000	EA	Valance - w/Header - 5.5" x 24" - Rust (Cactus)
	048831-37-000	EA	Valance - w/Header - 5.5" x 24" - Gold (Inca Gold)
	048831-38-000	EA	Valance - w/Header - 5.5" x 24" - Beige (Sage)
	048831-63-000	EA	Valance - w/Header - 5.5" x 90" - Rust (Cactus)
	048831-64-000	EA	Valance - w/Header - 5.5" x 90" - Gold (Inca Gold)
	048831-65-000	EA	Valance - w/Header - 5.5" x 90" - Beige (Sage)
	048831-76-000	EA	Valance - w/Header - 5.5" x 83" - Rust (Cactus)
	048831-77-000	EA	Valance - w/Header - 5.5" x 83" - Gold (Inca Gold)
	048831-78-000	EA	Valance - w/Header - 5.5" x 83" - Beige (Sage)

MATTRESSES

Key	Part Number	U/M	Description
	041914-31-000	EA	Mattress - Front or Rear Flex Bunk - 37.5" x 79" x 4" - Rust (Cactus)
	041914-32-000	EA	Mattress - Front or Rear Flex Bunk - 37.5" x 79" x 4" - Gold (Inca Gold)
	041914-33-000	EA	Mattress - Front or Rear Flex Bunk - 37.5" x 79" x 4" - Beige (Sage)

FABRIC AND TRIMS

Key	Part Number	U/M	Description
	046588-01-000	YD	Fabric - Upholstery - Rust (Cactus)
	046588-02-000	YD	Fabric - Upholstery - Gold (Inca Gold)
	046588-03-000	YD	Fabric - Upholstery - Beige (Sage)
	043619-01-000	YD	Fabric - Drapery - Rust (Cactus)
	043619-02-000	YD	Fabric - Drapery - Gold (Inca Gold)
	043619-03-000	YD	Fabric - Drapery - Beige (Sage)
	042411-01-000	YD	Vinyl - Nonexpanded - 27 Ounce - Brown
	042411-02-000	YD	Vinyl - Nonsupport - 16 Gauge - Brown
	042411-03-000	YD	Vinyl - Expanded - 28 Ounce
	042414-01-000	FT	Trim - Accent - Bostonian Brown - Vinyl
	023631-05-000	EA	Button - Bostonian Brown - Vinyl

WINNEBAGO

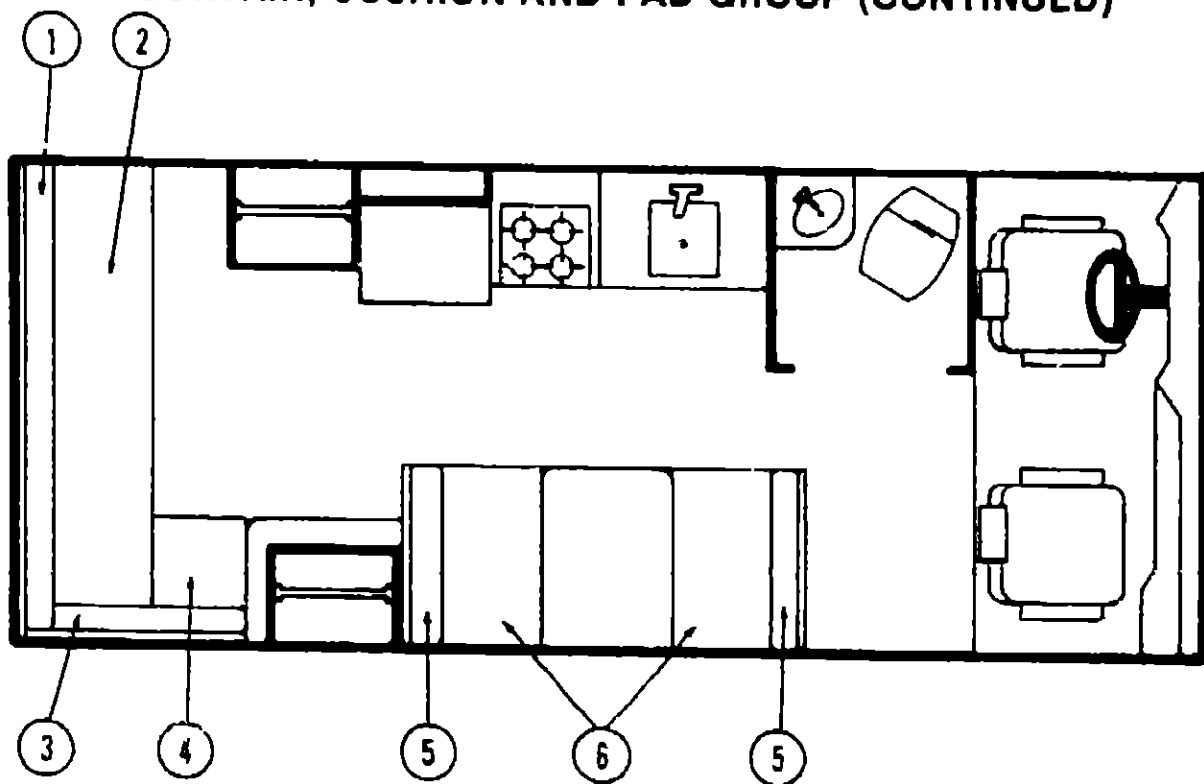
TABLE OF CONTENTS

Introduction	A-1
Abbreviations	A-1
Alphabetical Index	A-2 - A-4
1977 MWC25D	A-5 - B-12
1977 D26CRK	B-13 - C-24
1977 MWC24D	D-1 - E-8
1977 D26CRB	E-9 - F-20
1977 D26RT	F-21 - H-6
1977 MW23RB	H-7 - I-16
1977 D21	I-17 - K-6
1977 D23C	K-7 - L-18

1977 D21 INDEX

Floor Plan	I-17 - I-18
Accessories Group	I-19 - I-21
Bath Group	I-22
Chassis Group	I-23 - I-24
Curtain, Cushion & Pad Group	J-1 - J-4
Dinette Group	J-5
Driver's Compartment Group	J-5 - J-6
Electrical Group	J-7 - J-8
Exterior Body Group	J-9 - J-12
Galley Group	J-13
Heating & Air Conditioning Group	J-14
Interior Finish Group	J-15 - J-16
LP Group	J-17
Lounge Group	J-18
Water & Sewage Group	J-19
Window, Vent & Exterior Door Group	J-20 - K-6

CURTAIN, CUSHION AND PAD GROUP (CONTINUED)



LOUNGE CUSHIONS

Key	Part Number	U/M	Description
1	040500-30-000	EA	Cushion - 2-Fold - 11" x 15" x 76" x 4" - Rust (Cactus)
1	040500-31-000	EA	Cushion - 2-Fold - 11" x 15" x 76" x 4" - Gold (Inca Gold)
1	040500-32-000	EA	Cushion - 2-Fold - 11" x 15" x 76" x 4" - Beige (Sage)
	040500-30-030	EA	Cover - Cushion - 2-Fold - 11" x 15" x 76" x 4" - Rust (Cactus)
	040500-31-031	EA	Cover - Cushion - 2-Fold - 11" x 15" x 76" x 4" - Gold (Inca Gold)
	040500-32-032	EA	Cover - Cushion - 2-Fold - 11" x 15" x 76" x 4" - Beige (Sage)
2	048839-64-000	EA	Cushion - Mitered - 22.25" x 76" x 4" - Rust (Cactus)
2	048839-65-000	EA	Cushion - Mitered - 22.25" x 76" x 4" - Gold (Inca Gold)
2	048839-66-000	EA	Cushion - Mitered - 22.25" x 76" x 4" - Beige (Sage)
	048839-64-064	EA	Cover - Cushion - Mitered - 22.25" x 76" x 4" - Rust (Cactus)
	048839-65-065	EA	Cover - Cushion - Mitered - 22.25" x 76" x 4" - Gold (Inca Gold)
	048839-66-066	EA	Cover - Cushion - Mitered - 22.25" x 76" x 4" - Beige (Sage)
3	049968-10-000	EA	Cushion - Mitered - 11" x 44" x 5" - Rust (Cactus)
3	049968-11-000	EA	Cushion - Mitered - 11" x 44" x 5" - Gold (Inca Gold)
3	049968-12-000	EA	Cushion - Mitered - 11" x 44" x 5" - Beige (Sage)
	049968-10-010	EA	Cover - Cushion - Mitered - 11" x 44" x 5" - Rust (Cactus)
	049978-11-011	EA	Cover - Cushion - Mitered - 11" x 44" x 5" - Gold (Inca Gold)
	049968-12-012	EA	Cover - Cushion - Mitered - 11" x 44" x 5" - Beige (Sage)
4	048839-85-000	EA	Cushion - Mitered - 13.5" x 22" x 4" - Rust (Cactus)
4	048839-86-000	EA	Cushion - Mitered - 13.5" x 22" x 4" - Gold (Inca Gold)
4	048839-87-000	EA	Cushion - Mitered - 13.5" x 22" x 4" - Beige (Sage)
	048839-85-085	EA	Cover - Cushion - Mitered - 13.5" x 22" x 4" - Rust (Cactus)
	048839-86-086	EA	Cover - Cushion - Mitered - 13.5" x 22" x 4" - Gold (Inca Gold)
	048839-87-087	EA	Cover - Cushion - Mitered - 13.5" x 22" x 4" - Beige (Sage)
	048839-82-000	EA	Cushion - Mitered - 22" x 26.5" x 4" - Rust (Cactus)
	048839-83-000	EA	Cushion - Mitered - 22" x 26.5" x 4" - Gold (Inca Gold)
	048839-84-000	EA	Cushion - Mitered - 22" x 26.5" x 4" - Beige (Sage)
	048839-82-082	EA	Cover - Cushion - Mitered - 22" x 26.5" x 4" - Rust (Cactus)
	048839-83-083	EA	Cover - Cushion - Mitered - 22" x 26.5" x 4" - Gold (Inca Gold)
	048839-84-084	EA	Cover - Cushion - Mitered - 22" x 26.5" x 4" - Beige (Sage)

CURTAIN, CUSHION AND PAD GROUP (CONTINUED)

DINETTE CUSHIONS

Key	Part Number	U/M	Description
5	048839-25-000	EA	Cushion - Mitered - 14" x 38" x 4" - Rust (Cactus)
5	048839-26-000	EA	Cushion - Mitered - 14" x 38" x 4" - Gold (Inca Gold)
5	048839-27-000	EA	Cushion - Mitered - 14" x 38" x 4" - Beige (Sage)
	048839-25-025	EA	Cover - Cushion - Mitered - 14" x 38" x 4" - Rust (Cactus)
	048839-26-026	EA	Cover - Cushion - Mitered - 14" x 38" x 4" - Gold (Inca Gold)
	048839-27-027	EA	Cover - Cushion - Mitered - 14" x 38" x 4" - Beige (Sage)
6	048839-22-000	EA	Cushion - Mitered - 22.5" x 38" x 4" - Rust (Cactus)
6	048839-23-000	EA	Cushion - Mitered - 22.5" x 38" x 4" - Gold (Inca Gold)
6	048839-24-000	EA	Cushion - Mitered - 22.5" x 38" x 4" - Beige (Sage)
	048839-22-022	EA	Cover - Cushion - Mitered - 22.5" x 38" x 4" - Rust (Cactus)
	048839-23-023	EA	Cover - Cushion - Mitered - 22.5" x 38" x 4" - Gold (Inca Gold)
	048839-24-024	EA	Cover - Cushion - Mitered - 22.5" x 38" x 4" - Beige (Sage)

BUCKET SEATS, HEADRESTS AND ARMRESTS

Key	Part Number	U/M	Description
	040517-10-000	EA	Seat Asm. - Single Bucket - w/o Slide - Rust (Cactus)
	040517-11-000	EA	Seat Asm. - Single Bucket - w/o Slide - Gold (Inca Gold)
	040517-12-000	EA	Seat Asm. - Single Bucket - w/o Slide - Beige (Sage)
	040516-20-001	EA	Cover - Single Bucket - Bottom - Rust (Cactus)
	040516-21-001	EA	Cover - Single Bucket - Bottom - Gold (Inca Gold)
	040516-22-001	EA	Cover - Single Bucket - Bottom - Beige (Sage)
	040516-20-002	EA	Cover - Single Bucket - Back - Rust (Cactus)
	040516-21-002	EA	Cover - Single Bucket - Back - Gold (Inca Gold)
	040516-22-002	EA	Cover - Single Bucket - Back - Beige (Sage)
	033902-10-000	EA	Seat Asm. - Double Bucket - Rust (Cactus)
	033902-11-000	EA	Seat Asm. - Double Bucket - Gold (Inca Gold)
	033902-12-000	EA	Seat Asm. - Double Bucket - Beige (Sage)
	033902-10-001	EA	Cover - Double Bucket - Bottom - Rust (Cactus)
	033902-11-001	EA	Cover - Double Bucket - Bottom - Gold (Inca Gold)
	033902-12-001	EA	Cover - Double Bucket - Bottom - Beige (Sage)
	033902-10-002	EA	Cover - Double Bucket - Back - Rust (Cactus)
	033902-11-002	EA	Cover - Double Bucket - Back - Gold (Inca Gold)
	033902-12-002	EA	Cover - Double Bucket - Back - Beige (Sage)
	033905-33-000	EA	Headrest Asm. - Rust (Cactus)
	033905-34-000	EA	Headrest Asm. - Gold (Inca Gold)
	033905-35-000	EA	Headrest Asm. - Beige (Sage)
	031133-01-000	EA	Protector - Driver Seat - 6" Tan Plastic
	029134-01-000	EA	Clip Finish - Upholstery (B. Seat)
	029136-01-000	EA	Grommet - Headrest - Brown Nylon
	033906-33-000	EA	Headrest Cover - Rust (Cactus)
	033906-24-000	EA	Headrest Cover - Gold (Inca Gold)
	033906-35-000	EA	Headrest Cover - Beige (Sage)
	019722-01-000	EA	Headrest Asm. - Foam w/o Cover
	050280-01-000	EA	Armrest Cover - Right or Left - Rust (Cactus)
	050280-02-000	EA	Armrest Cover - Right or Left - Gold (Inca Gold)
	050280-03-000	EA	Armrest Cover - Right or Left - Beige (Sage)
	050275-01-700	EA	Armrest Asm. - Foam w/o Cover - Right
	050276-01-700	EA	Armrest Asm. - Foam w/o Cover - Left

PADS

Key	Part Number	U/M	Description
	023486-09-000	EA	Pad - Frame - Dinette - Bostonian Brown Vinyl
	049747-01-000	EA	Cap - End (Overhead Dinette Cabinet) Padded
	048208-04-000	EA	Cap - End (Overhead Galley Cabinet) Padded

WINNEBAGO

TABLE OF CONTENTS

Introduction	A-1
Abbreviations	A-1
Alphabetical Index	A-2 - A-4
1977 MWC25D	A-5 - B-12
1977 D26CRK	B-13 - C-24
1977 MWC24D	D-1 - E-8
1977 D26CRB	E-9 - F-20
1977 D26RT	F-21 - H-6
1977 MW23RR	H-7 - I-16
1977 D21	I-17 - K-6
1977 D23C	K-7 - L-18

1977 D21 INDEX

Floor Plan	I-17 - I-18
Accessories Group	I-19 - I-21
Bath Group	I-22
Chassis Group	I-23 - I-24
Curtain, Cushion & Pad Group	J-1 - J-4
Dinette Group	J-5
Driver's Compartment Group	J-5 - J-6
Electrical Group	J-7 - J-8
Exterior Body Group	J-9 - J-12
Galley Group	J-13
Heating & Air Conditioning Group	J-14
Interior Finish Group	J-15 - J-16
LP Group	J-17
Lounge Group	J-18
Water & Sewage Group	J-19
Window, Vent & Exterior Door Group	J-20 - K-6

DINETTE GROUP

Key	Part Number	U/M	Description
	043629-03-700	EA	Table Asm. - Dinette w/o Hardware - Rust (Cactus)
	043629-02-700	EA	Table Asm. - Dinette w/o Hardware - Gold (Incl. Gold)
	043629-09-700	EA	Table Asm. - Dinette w/o Hardware - Beige (Sage)
--	047842-01-000	EA	Kit - Table Leg - Dinette - Brown
--	047809-01-000	EA	Kit - Hardware - Dinette Table - Wall Mount
	033817-01-000	EA	End Cap - Table Leg
	033818-02-000	EA	Catch - Table Leg - Brown
	049747-01-000	EA	Cap - End - Overhead Cabinet
	050420-01-000	EA	Seat Back Asm. - Dinette Front
	044245-02-000	EA	Seat Back Asm. - Dinette Rear
	050600-01-000	EA	Cabinet Asm. - Overhead Dinette w/o Doors or Hardware - 047939-02-000 - Antique Birch
	053671-14-000	EA	Cabinet Asm. - Overhead Dinette w/o Doors or Hardware - 047939-02-700 - Antique Birch
	049236-24-000	EA	Door - Overhead Cabinet w/o Hardware - 047939-02-000 - Antique Birch
	053672-03-000	EA	Door - Overhead Cabinet w/o Hardware - 047939-02-700 - Antique Birch
	044243-02-000	EA	Cabinet - Dinette Seat - Front - 047939-02-000 - Antique Birch
	053672-73-000	EA	Cabinet - Dinette Seat - Front - 047939-02-700 - Antique Birch
	050423-01-000	EA	Cabinet - Dinette Seat - Rear - 047939-02-000 - Antique Birch
	053671-22-000	EA	Cabinet - Dinette Seat - Rear - 047939-02-700 - Antique Birch
	049236-32-000	EA	Door Asm. - Dinette Seat - w/o Hardware - 047939-02-000 - Antique Birch
	053671-81-000	EA	Door Asm. - Dinette Seat - w/o Hardware - 047939-02-700 - Antique Birch

**The illustrated parts breakdown for this item is provided on the Common Items Fiche.

DRIVER'S COMPARTMENT GROUP

DASH PANEL AND COMPONENTS

Key	Part Number	U/M	Description
	031623-08-000	EA	Dash Asm. - Brave - Complete w/Gauges and Switches
	022548-03-000	EA	Pad - Dash - Foam - Right - Dark Brown
	023242-05-000	EA	Pad - Dash - Foam - Left - Dark Brown
	022219-01-000	EA	Door - Glove Compartment
	009118-01-000	EA	Lock - Twist w/Nut
	023892-01-000	EA	Box - Glove Compartment - Black Fiberboard
	009066-01-000	EA	Hinge - Continuous Alum. - 11/16" x 72" - Plain
	034309-01-000	EA	Chain - Bead - Glove Box Door
	023834-01-000	EA	Panel - Knee Kick - (Bottom of Dash)
	024418-01-000	EA	Lamp Asm. - Map/Gauge
	007308-01-000	EA	Clock - Dash
	007037-01-000	EA	Lighter Asm. - Cigarette 12-Volt
	007041-01-000	EA	Bezel - Cigarette Lighter
	024979-01-000	EA	Bezel - Entertainment Center
	007071-01-000	EA	Louwer - Chrome - w/Chrome Wheel
	022547-01-000	EA	Bezel - Panel - Control
	023020-01-000	EA	Lamp Asm. - Tell Tale
	039044-01-000	EA	Louwer Asm. - A/C Adjustable
	040638-01-000	EA	Bracket Asm. - Shift Lever
	042960-01-000	EA	Nameplate - Brave - Brown/Silver
	031973-01-000	EA	Angle - Bezel - Shift Lever - Black

DRIVER'S COMPARTMENT GROUP (CONTINUED)

Key	Part Number	U/M	Description
	024976-01-000	EA	Switch - Generator w/o Circuit Board
	037387-01-000	EA	Switch - Generator w/Circuit Board
	024990-02-000	EA	Outlet - Defroster - w/Swivel - 2" - Dark Brown
	031376-01-000	EA	Heater Control Asm. - 3-Speed
	024907-01-000	EA	Control Asm. - Heater - A/C - 3 Speed
	024461-01-000	EA	Switch - Battery
	024463-01-000	EA	Switch - Blinker
	024464-01-000	EA	Switch - Washer
	024465-01-000	EA	Switch - Fuel
	024467-01-000	EA	Switch - Wiper
	024459-01-000	EA	Gauge Asm. - Voltmeter
	024460-01-000	EA	Gauge Asm. - Vacuum
	024462-01-000	EA	Switch - Battery Condition
	031035-01-000	EA	Gauge - Hourmeter - Generator

FRONT OVERHEAD BUNK CABINET

Key	Part Number	U/M	Description
	048391-03-000	EA	Cabinet - Front Overhead w/o Doors
	042964-13-000	EA	Door Asm. - Sliding - (Front Overhead Cabinet)
	009148-01-000	EA	Pull - Finger - 3/4" Diameter - Brass
	009785-01-000	FT	Track - Door - Upper - Dark Brown
	009786-01-000	FT	Track - Door - Lower - Dark Brown

MISCELLANEOUS DRIVER'S COMPARTMENT COMPONENTS

Key	Part Number	U/M	Description
	048583-01-000	EA	Tray Asm. - Beverage
	048670-01-000	EA	Track Asm. - Beverage (2 Per Tray)
	034800-01-000	EA	Cover - Motor - Plastic
	009149-01-000	EA	Latch - Rubber - Draw Handle - 5 3/4" w/Strike (Motor Cover)
	023303-01-000	EA	Latch - Rubber - Draw Handle - 3" w/Strike (Motor Cover)
	035368-02-000	EA	Seal - Motor Cover - (Aluminum Extr.)
	040519-01-000	EA	Boot - Rubber - Steering Column
	040520-01-000	EA	Boot - Retainer - Steering Column
	034499-01-000	EA	Support - Dimmer Switch
	022758-04-000	EA	Sunvisor Asm. - Right Bostonian
	022759-06-000	EA	Sunvisor Asm. - Left Bostonian
	041842-01-000	EA	Clip - Sunvisor Rod - Brown Bostonian
	009143-01-000	EA	Mirror - Sunvisor
	007278-01-000	EA	Mirror - Rear View
	036414-01-000	EA	Ashtray

BUCKET SEAT PEDESTAL AND SEAT BELTS

Key	Part Number	U/M	Description
	038837-01-000	EA	Pedestal Asm. - Seat Bottom w/Tightener
	038832-01-000	EA	Rod - Seat Adjuster
	041654-01-000	EA	Pedestal - Base - Single and Double Seat
	007223-01-000	EA	Adjuster Asm. - Seat w/Lock
	007224-02-000	EA	Handle - Seat Adjuster - 8"
	007227-01-000	EA	Adjuster Asm. - Seat - w/o Lock
	041458-01-000	EA	Pedestal - Top - Single Seat
	007019-01-000	EA	Belt Asm. - Seat - 2" x 84" - Black
	041322-01-000	EA	Washer - Flat - 15/32" I.D. x 2 3/8" O.D. - Seat Bolt

WINNEBAGO

TABLE OF CONTENTS

Introduction	A-1
Abbreviations	A-1
Alphabetical Index	A-2 - A-4
1977 MWC25D	A-5 - B-12
1977 D26CRK	B-13 - C-24
1977 MWC24D	D-1 - E-8
1977 D26CRB	E-9 - F-20
1977 D26RT	F-21 - H-6
1977 MW23RB	H-7 - I-16
1977 D21	I-17 - K-6
1977 D23C	K-7 - L-18

1977 D21 INDEX

Floor Plan	I-17 - I-18
Accessories Group	I-19 - I-21
Bath Group	I-22
Chassis Group	I-23 - I-24
Curtain, Cushion & Pad Group	J-1 - J-4
Dinette Group	J-5
Driver's Compartment Group	J-5 - J-6
Electrical Group	J-7 - J-8
Exterior Body Group	J-9 - J-12
Galley Group	J-13
Heating & Air Conditioning Group	J-14
Interior Finish Group	J-15 - J-16
LP Group	J-17
Lounge Group	J-18
Water & Sewage Group	J-19
Window, Vent & Exterior Door Group	J-20 - K-6

ELECTRICAL GROUP

BULBS

Key	Part Number	U/M	Description
	037935-01-000	EA	Bulb - 1157
	038010-01-000	EA	Bulb - 1143
	008103-01-000	EA	Bulb - 53
	008213-01-000	EA	Bulb - 57
	008214-01-000	EA	Bulb - 67
	008215-01-000	EA	Bulb - 1003
	008216-01-000	EA	Bulb - 1034
	008217-01-000	EA	Bulb - 1073
	008218-01-000	EA	Bulb - 1141
	008219-01-000	EA	Bulb - 656
	008220-01-000	EA	Bulb - 12V - 25W
	038196-01-000	EA	Bulb - 194
	700020-01-000	EA	Bulb - 12V - 20W 1383

EXTERIOR LIGHTS

Key	Part Number	U/M	Description
	003080-01-000	EA	Light - Porch - Recessed
	031054-01-000	EA	Lamp Asm. - Tail - Left - White
	031054-01-701	EA	Lens - Tail Lamp - Left
	031055-01-000	EA	Lamp Asm. - Tail - Right - White
	031055-01-701	EA	Lens - Tail Lamp - Right
	042405-03-000	EA	Base - Rectangular Clearance Light
	042405-04-000	EA	Lens - Rectangular Light - Red
	042405-05-000	EA	Lens - Rectangular Light - Amber

INTERIOR LIGHTS

Key	Part Number	U/M	Description
	024418-01-000	EA	Lamp Asm. - Map/Gauge/Aisle
	024473-01-000	EA	Light - Aircraft - 1 Bulb Gold
	033508-01-000	EA	Light - Dome - White 1 Bulb
	024642-01-701	EA	Lens - Dome Light - 1 Bulb
	033509-01-000	EA	Light - Dome - White - 2 Bulb
	024643-01-701	EA	Lens - Dome Light - 2 Bulb
	008102-01-000	EA	Light - Corner Mount - Multibulb

FUSES AND CIRCUIT BREAKERS

Key	Part Number	U/M	Description
	008233-01-000	EA	Fuse - 12 Volt - 6 Amp.
	008234-01-000	EA	Fuse - 12 Volt - 10 Amp.
	008235-01-000	EA	Fuse - 12 Volt - 15 Amp.
	008236-01-000	EA	Fuse - 12 Volt - 20 Amp.
	008248-01-000	EA	Fuse - 110 Volt - 30 Amp.
	008252-01-000	EA	Fuse - 110 Volt - 50 Amp.
	008208-01-000	EA	Circuit Breaker - 12 Volt - 40 Amp.
	008211-01-000	EA	Circuit Breaker - 12 Volt - 6 Amp.
	008268-01-000	EA	Circuit Breaker - 12 Volt - 30 Amp. w/Mount
	033573-01-000	EA	Circuit Breaker - 12 Volt - 20 Amp. w/Mount
	033573-02-000	EA	Circuit Breaker - 12 Volt - 15 Amp. w/Mount
	040051-01-000	EA	Circuit Breaker - 110 Volt - 20 Amp. TQL
	033484-01-000	EA	Circuit Breaker - 30 Amp. - Air Conditioner
	052012-01-000	EA	Circuit Breaker - 50 Amp. - Air Conditioner

ELECTRICAL GROUP (CONTINUED)

WINDSHIELD WIPER & WASHER

Key	Part Number	U/M	Description
**	037998-01-000	EA	Link Asm. - Connecting - 22.40" Long
**	037999-01-000	EA	Motor Asm. - Windshield Wiper - Front
**	038001-01-000	EA	Shaft and Pivot Asm. - 2.25" Arm
**	049463-01-000	EA	Arm - Windshield Wiper - 15" Black
**	049464-01-000	EA	Blade - Windshield Wiper - 16" Black
**	007029-01-000	EA	Washer Asm. - Windshield Power Jet Electric - Front
	700073-05-000	EA	Pump and Cover Asm. - for Windshield Washer - Front or Rear
	700073-04-000	EA	Reservoir Only - Water - Windshield Washer - Front or Rear
	700073-02-000	EA	Washer Nozzle Hardware Package - Front

**The illustrated parts breakdown for this item is provided on the Common Items Fiche.

WIRE, SWITCHES AND RECEPTACLES

Key	Part Number	U/M	Description
	008024-01-000	FT	Wire - 18.5 Bonded - Orange/White/Yellow/Blue/Brown
	008025-01-000	FT	Wire - 18.5 Bonded - Orange/White/Yellow/Blue/Green
	008028-01-000	FT	Wire - 18.5 Bonded - Blue/Red/Yellow/Orange/White
	008030-01-000	FT	Wire - 18.4 Bonded
	008251-01-000	EA	Holder - Fuse - Black - Screw Type
	008277-01-000	EA	Holder - Fuse - Black - Panel Mount
	008195-01-000	EA	Switch - Push Button - 12 Volt
	008077-01-000	EA	Plaque - Compressor Switch
	008054-01-000	EA	Cord - Power - 10-3 30 Amp. - 25' - UL
	034818-04-000	EA	Holder - Receptacle - Plastic
	038338-01-000	EA	Cover Plate - Receptacle - Plastic - Brown
	038339-01-000	EA	Receptacle - Duplex Brown - End of line
	038342-01-000	EA	Receptacle - Duplex Brown - T Junction
	024571-01-000	EA	Cover Plate - Receptacle - Jumbo Steel Brown
	038343-01-000	EA	Cap - End - Receptacle
	008182-01-000	EA	Switch - Double Toggle - Spade Brown
	008183-01-000	EA	Switch - Toggle Brown
	024824-01-000	EA	Receptacle - Power Cord
	008058-01-000	EA	Adaptor - Power Cord
	047353-01-000	EA	Cover - Receptacle - Ground Fault
	047351-01-000	EA	Receptacle - Ground Fault Interrupter - 125 Volt Black
	040223-01-000	EA	Holder Asm. - Fuse - 30 Amp.

MISCELLANEOUS ELECTRICAL COMPONENTS

Key	Part Number	U/M	Description
	047338-01-000	EA	Isolator - Dual Battery
	047388-01-700	EA	Battery - 12 Volt - 105 Amp. Deep Cycle - Dry
	008188-01-000	EA	Solenoid - Dual Battery - Relay
	046775-01-000	EA	Valve - Gas - Change Over - 3 Way
	036817-01-000	EA	Relay - Canister - SPDT
	039950-02-000	EA	Control Center - 30 Amp w/Door - UL
	048812-01-000	EA	Panel - Control - Water/Double Sewage - Wamac
	039861-01-000	EA	Sending Unit Kit - Wamac

WINNEBAGO

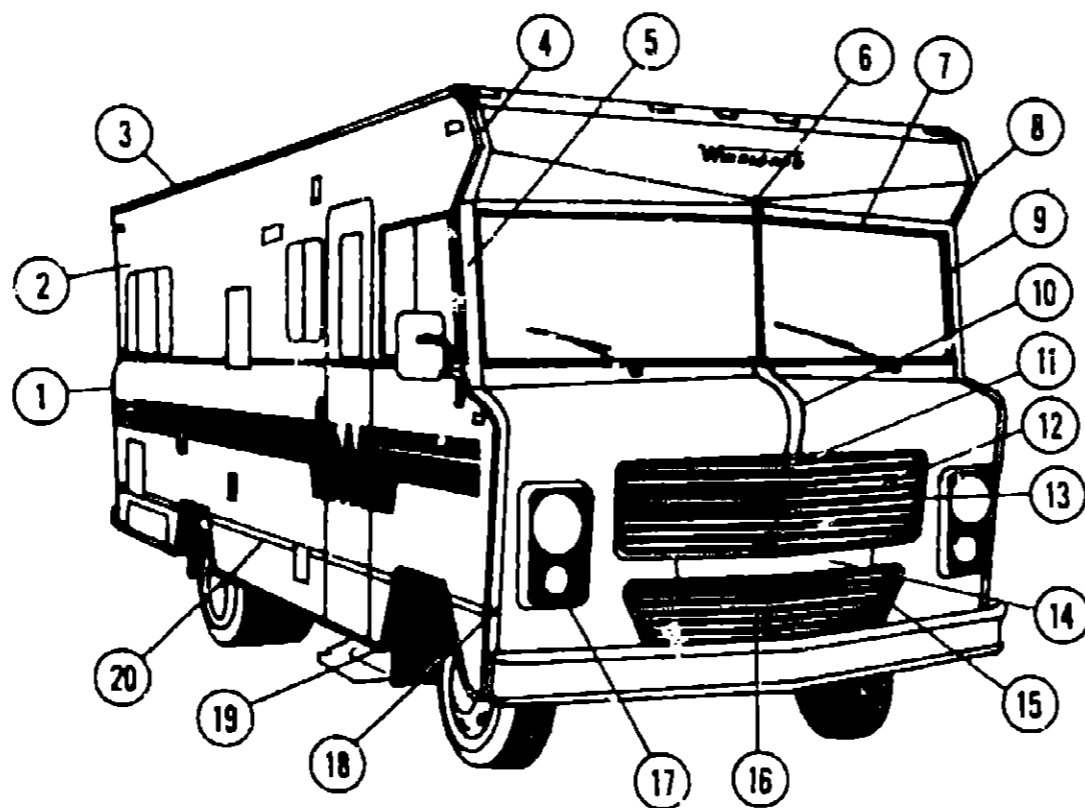
TABLE OF CONTENTS

Introduction	A-1
Abbreviations	A-1
Alphabetical Index	A-2 - A-4
1977 MWC25D	A-5 - B-12
1977 D26CRK	B-13 - C-24
1977 MWC24D	D-1 - E-8
1977 D26CRB	E-9 - F-20
1977 D26RT	F-21 - H-6
1977 MW23RB	H-7 - I-16
1977 D21	I-17 - K-5
1977 D23C	K-7 - L-18

1977 D21 INDEX

Floor Plan	I-17 - I-18
Accessories Group	I-19 - I-21
Bath Group	I-22
Chassis Group	I-23 - I-24
Curtain, Cushion & Pad Group	J-1 - J-4
Dinette Group	J-5
Driver's Compartment Group	J-5 - J-6
Electrical Group	J-7 - J-8
Exterior Body Group	J-9 - J-12
Galley Group	J-13
Heating & Air Conditioning Group	J-14
Interior Finish Group	J-15 - J-16
LP Group	J-17
Lounge Group	J-18
Water & Sewage Group	J-19
Window, Vent & Exterior Door Group	J-20 - K-6

EXTERIOR BODY GROUP



WINNEBAGO TABLE OF CONTENTS

Introduction	A-1
Abbreviations	A-1
Alphabetical Index	A-2 - A-4
1977 MWC25D	A-5 - B-12
1977 D26CRK	B-13 - C-24
1977 MWC24D	D-1 - E-8
1977 D26CRB	E-9 - F-20
1977 D26RT	F-21 - H-6
1977 MW23RB	H-7 - I-16
1977 D21	I-17 - K-6
1977 D23C	K-7 - L-18

Key	Part Number	U/M	Description
1	015251-03-000	EA	Trim - Contour - Right Rear Lower
•	015252-03-000	EA	Trim - Contour - Left Rear Lower
2	021213-02-000	EA	Trim - Contour - Right Rear Upper
•	020965-02-000	EA	Trim - Contour - Left Rear Upper
3	044381-02-001	EA	Extrusion - Anodized Awning Rail - 16'
4	042801-04-000	EA	Trim - Contour - Right Front Upper
5	042894-04-000	EA	Trim - Contour - Right - Windshield
6	024582-03-000	EA	Trim - Roof - Center Front
7	043988-01-000	EA	Trim - Windshield - 91"
8	042801-02-000	EA	Trim - Contour - Left Front Upper
9	042894-02-000	EA	Trim - Contour - Left - Windshield
10	024581-04-000	EA	Trim - Center - Front Wall
11	024764-01-000	EA	Trim - Anodized - Upper Grille - Top Center
12	043251-01-000	EA	Grille Asm. - Upper
•	035388-01-000	EA	Hood Pin Kit - 7/16" - 20 x 3 5" Long
•	044186-01-000	EA	Roof - Grille
13	044155-01-000	EA	Trim - Upper Grille - Side - Left or Right
14	048542-03-000	EA	Center Asm. - Grille - Between Upper and Lower Grille
15	043253-02-000	EA	Trim - Lower Grille - Side - Left
•	043253-01-000	EA	Trim Lower Grille Side - Right

Key	Part Number	U/M	Description
16	043254-01-000	EA	Grille Asm. - Lower
17	046774-02-000	EA	Bezel - Headlight - Off White Plastic - Right
•	046774-01-000	EA	Bezel-Headlight - Off White Plastic - Left
•	045239-01-000	EA	Headlight Cup - Plastic - Left or Right
•	045553-01-000	EA	Bracket - Headlight Bezel
•	045640-01-000	EA	Decal - Headlight Bezel - Black
18	042730-04-000	EA	Trim - Contour - Right Front Lower
•	042730-0?-000	EA	Trim - Contour - Left Front Lower
19	042821-01-000	EA	Trim - Wheel Well - Left or Right - Front or Rear
20	002444-02-003	EA	Extrusion - Feature Strip w/o Insert - 18"
•	001030-03-002	EA	Insert - Feature Strip - .019" x 13/16" x 17"
•	009731-01-000	EA	End Cap - Feature Strip
•	043252-01-000	EA	Trim - Lower Hoodboard - Right
•	043252-02-000	EA	Trim - Lower Hoodboard - Left
•	043752-01-000	EA	Hoodboard - Front Right
•	043752-02-000	EA	Hoodboard - Front Left
•	002796-02-002	EA	Extrusion - U Channel - Serrated - 16"
•	002365-02-001	EA	Extrusion - U Channel - Serrated - 1" x 18"
•	044582-02-000	EA	Drip Cap - Entrance Door Jamb - Off White
•			Not Illustrated

1977 D21 INDEX

Floor Plan	I-17 - I-18
Accessories Group	I-19 - I-21
Bath Group	I-22
Chassis Group	I-23 - I-24
Curtain, Cushion & Pad Group	J-1 - J-4
Dinette Group	J-5
Driver's Compartment Group	J-5 - J-6
Electrical Group	J-7 - J-8
Exterior Body Group	J-9 - J-12
Galley Group	J-13
Heating & Air Conditioning Group	J-14
Interior Finish Group	J-15 - J-16
LP Group	J-17
Lounge Group	J-18
Water & Sewage Group	J-19
Window, Vent & Exterior Door Group	J-20 - K-6

EXTERIOR BODY GROUP (CONTINUED)

EXTERIOR BODY PANELS AND SHEET ALUMINUM

Key	Part Number	U/M	Description
	044292-02-000	EA	Sidewall Asm. - Right - 047939-02-000 - Antique Birch
	053672-69-000	EA	Sidewall Asm. - Right - 047939-02-700 - Antique Birch
	050419-01-000	EA	Backwall Asm. - 047939-02-000 - Antique Birch
	053671-23-000	EA	Backwall Asm. - 047939-02-700 - Antique Birch
	044290-02-000	EA	Sidewall Asm. - Left - 047939-02-000 - Antique Birch
	053672-70-000	EA	Sidewall Asm. - Left - 047939-02-700 - Antique Birch
	050468-01-000	EA	Roof Asm.
	039155-03-008	EA	Alum. - Off White - Mesa Design - .024" x 36" x 80"
	039155-03-002	EA	Alum. - Off White - Mesa Design - .024" x 36" x 300"
	039155-03-003	EA	Alum. - Off White - Mesa Design - .024" x 36" x 360"
	039155-03-007	EA	Alum. - Off White - Mesa Design - .024" x 48" x 80"
	039155-03-005	EA	Alum. - Off White - Mesa Design - .024" x 48" x 300"
	039155-03-008	EA	Alum. - Off White - Mesa Design - .024" x 48" x 360"
	039155-03-009	EA	Alum. - Off White - Mesa Design - .024" x 12" x 360"
	014487-01-001	EA	Alum. - Mill Finish - No Design (Roof) - 96" x 360"
	039155-07-000	EA	Alum. - Off White - Greyhound Design - 48" x 96"
	001054-01-000	EA	Alum. - Off White - No Design - 48" x 96"

EXTERIOR PAINT

Key	Part Number	U/M	Description
	041561-01-000	EA	Off White - Acrylic Enamel - 1 Gal.
	041561-03-000	EA	Off White - Acrylic Enamel - 16 Oz. Aer.
	041561-04-000	EA	Off White - Acrylic Lacquer - 1 Gal.
	041563-01-000	EA	Burnt Orange - Acrylic Enamel - 1 Gal.
	041563-03-000	EA	Burnt Orange - Acrylic Enamel - 16 Oz. Aer.
	041565-01-000	EA	Rally Yellow - Acrylic Enamel - 1 Gal.
	041565-03-000	EA	Rally Yellow - Acrylic Enamel - 16 Oz. Aer.
	045881-01-000	EA	High Gloss Black - Acrylic Enamel - 1 Gal.
	045881-03-000	EA	High Gloss Black - Acrylic Enamel - 16 Oz. Aer.
	042833-03-000	EA	Dark Brown - Acrylic Enamel - 16 Oz. Aer.

LABELS AND DECALS

Key	Part Number	U/M	Description
	008023-01-000	EA	Label - Water Only
	008025-01-000	EA	Label - Gas
	008028-01-000	EA	Label - Drain Cap - 2" x 3"
	008031-01-000	EA	Label - Potable Water Only
	008187-01-000	EA	Label - Sewage
	008128-01-000	EA	Label - Waste Water
	008199-01-000	EA	Label - Exit - Escape Window
	031161-01-000	EA	Label - Flying "W"
	038403-01-000	EA	Decal - Logo - Winnebago 2.80" (Front or Rear)
	039289-01-000	EA	Label - Warning Aux. Loading
	043473-03-000	EA	Decal - Flying "W" - 13.75" High - Bronze
	045373-01-000	EA	Stencil - Brave - 2.28" High - Right
	045373-02-000	EA	Stencil - Brave - 2.28" High - Left
	008092-01-000	EA	Reflector - Stick on - Rectangular - Red
	008093-01-000	EA	Reflector - Stick on - Rectangular - Amber

EXTERIOR BODY GROUP (CONTINUED)

SEALANTS, ADHESIVES AND FASTENERS

Key	Part Number	U/M	Description
	034552-05-000	EA	Sealant - Off White Silicone
	034552-04-000	EA	Sealant - Beige Silicone
	034552-02-000	EA	Sealant - Clear Silicone
	004348-02-000	EA	Sealant - Aluminum Silicone
	004349-01-000	EA	Sealant - Black Silicone
	004342-01-000	EA	Sealant - Weatherban 202 Tube
	004346-02-000	EA	Sealant - White Silicone
	004347-01-000	EA	Sealant - Tuflex
	002316-01-000	FT	Sealer Tape - 3/32" x 1/8"
	024545-01-000	FT	Sealer Tape - 1/8" x 5/8" - Black
	004350-01-000	FT	Sealer Tape - 1/8" x 1" - Formaseal
	004352-01-000	FT	Sealer Tape - 1/8" x 3/4" - Formaseal
	004355-01-000	FT	Sealer Tape - 1/8" x 5/8" - Black
	004357-01-000	FT	Sealer Tape - 1/8" x 5/8" - Adhesive
	002707-02-000	FT	Sealer Tape - 5/16" x 1/2" - Black Foam
	002707-01-000	FT	Sealer Tape - 5/16" x 3/4" - Black Foam
	002708-01-000	FT	Sealer Tape - 5/16" x 1/2"
	004363-01-000	FT	Sealer Tape - 3/16" x 1/2" - Foam
	004362-01-000	FT	Sealer Tape - 3/16" x 1/2" - Foam
	009200-01-000	EA	Tape - Furnace - 1 1/2"
	041839-01-000	FT	Tape - Window - Latch - 3/4" - Adhesive
	041839-02-000	FT	Tape - Window - Latch - 1/2" - Adhesive
	004353-01-000	FT	Tape - Gasket - 1/8" x 3/4" - White
	002825-01-000	FT	Weather Stripping - Roof Vent
	002337-01-000	EA	Adhesive - 3M - 1300 Tube
	004005-01-000	GL	Adhesive - Swifts - Green - Glue (Sidewalls)
	004012-01-000	EA	Adhesive - 3M - 4475 Tube
	004020-01-000	QT	Adhesive - ABS Cement (Plastic Fittings)
	029051-01-000	EA	Adhesive - Spray Vinyl
	042401-02-000	EA	Screw - 8-18 x 3/4" SDPH - Off White
	042403-02-000	EA	Screw - SF/DR - 8-18 x 1" SDPH Off White
	005081-01-000	EA	Screw - Wood - 12-11" X 3" P.O.H. Zinc

MISCELLANEOUS EXTERNALLY MOUNTED PARTS

Key	Part Number	U/M	Description
	018253-05-000	EA	Fuel Fill - Recessed - Single - Off White
	015587-04-000	EA	Fuel Fill - Recessed - Double - Off White
	011124-01-000	EA	Plumbing Seal - Roof Vent - 1 1/4" White
	011129-01-000	EA	Plumbing Seal - Roof Vent - 1 1/2" White
	010230-02-000	EA	Fill - City Water - Recessed - Off White
	011020-01-000	EA	Fill - Water - Recessed - Off White
	009126-01-000	EA	Handle - Assist - Metal Exterior
	049347-01-000	EA	Mirror Head - 7 1/2" x 10 1/2" - Stainless Steel w/o Bracket
	048348-01-000	EA	Arm - Low Mount Mirror - Brtte Finish
	049944-02-000	EA	Bracket - Mirror - Outside - Off-White
	009101-01-000	EA	Holder - Entry Door - Male
	009101-02-000	EA	Holder - Entry Door - Female

WINNEBAGO

TABLE OF CONTENTS

Introduction	A-1
Abbreviations	A-1
Alphabetical Index	A-2 - A-4
1977 MWC25D	A-5 - B-12
1977 D26CRK	B-13 - C-24
1977 MWC24D	D-1 - E-8
1977 D26CRB	E-9 - F-20
1977 D26RT	F-21 - H-6
1977 MW23RB	H-7 - I-16
1977 D21	I-17 - K-6
1977 D23C	K-7 - L-18

1977 D21 INDEX

Floor Plan	I-17 - I-18
Accessories Group	I-19 - I-21
Bath Group	I-22
Chassis Group	I-23 - I-24
Curtain, Cushion & Pad Group	J-1 - J-4
Dinette Group	J-5
Driver's Compartment Group	J-5 - J-6
Electrical Group	J-7 - J-8
Exterior Body Group	J-9 - J-12
Galley Group	J-13
Heating & Air Conditioning Group	J-14
Interior Finish Group	J-15 - J-16
LP Group	J-17
Lounge Group	J-18
Water & Sewage Group	J-19
Window, Vent & Exterior Door Group	J-20 - K-6

GALLEY GROUP

Key	Part Number	U/M	Description
	011029-01-000	EA	Sink - Stainless Steel - Single w/Bolts
	011053-01-000	EA	Faucet - 8" - Swing Spout
	011053-01-700	EA	Aerator - Swing Spout Faucet
	011083-01-000	EA	Strainer - 1 1/4" x 5"
	048208-04-000	EA	Cap - End - Galley Overhead
	050395-01-000	EA	Cover Asm. - Vent Pipe
	049673-01-000	EA	Countertop - Formed - Butcherblock - 8'
	037688-01-000	FT	Rail - Drawer Guide - V
	047744-02-000	EA	Kit - Drawer Glide
	050393-01-000	EA	Cabinet Asm. - Galley - 047939-02-000 - Antique Birch
	053671-30-000	EA	Cabinet Asm. - Galley - 047939-02-700 - Antique Birch
	049236-31-000	EA	Door Asm. - Galley Cabinet - 047939-02-000 - Antique Birch
	053671-95-000	EA	Door Asm. - Galley Cabinet - 047939-02-700 - Antique Birch
	049239-01-000	EA	Drawer Asm. - Galley Cabinet - 6" x 15" x 20" - Deep 047939-02-000 - Antique Birch
	053671-67-000	EA	Drawer Asm. - Galley Cabinet - 6" x 15" x 20" - Deep 047939-02-700 - Antique Birch
	049239-08-000	EA	Drawer Asm. - Galley Cabinet - 6" x 15" x 10" - Deep 047939-02-000 - Antique Birch
	053671-60-000	EA	Drawer Asm. - Galley Cabinet - 6" x 15" x 10" - Deep 047939-02-700 - Antique Birch
	049239-07-000	EA	Drawer Asm. - Refrigerator Cabinet - 7 1/2" x 23 1/4" x 20" - Deep 047939-02-000 - Antique Birch
	053671-61-000	EA	Drawer Asm. - Refrigerator Cabinet - 7 1/2" x 23 1/4" x 20" - Deep 047939-02-700 - Antique Birch
	050394-01-000	EA	Cabinet Asm. - Galley Overhead - 047939-02-000 - Antique Birch
	053671-29-000	EA	Cabinet Asm. - Galley Overhead - 047939-02-700 - Antique Birch
	049236-27-000	EA	Door Asm. - Galley Overhead - 047939-02-000 - Antique Birch
	053671-99-000	EA	Door Asm. - Galley Overhead - 047939-02-700 - Antique Birch
**	049175-01-000	EA	Refrigerator - AC/Gas - ET 150 - 1 Door Model - Sibir
**	049044-01-000	EA	Range - 4 Burner - Small Oven - Chrome - Magic Chef
**	049930-01-000	EA	Hood - Range - Jensen - Power

**The illustrated parts breakdown for this item is provided on the Common Items Fiche.

HEATING AND AIR CONDITIONING GROUP

Key	Part Number	U/M	Description
	048228-02-000	EA	Kit - Auto Air - 360 C.I.D. A Body - Winnebago Heater
	048229-02-000	EA	Kit - Auto Air - 440 C.I.D. A Body - Winnebago Heater
	039044-01-000	EA	Louver Asm. - A/C Adjustable
	047046-01-000	EA	Motor - 12 Volt - 3 Speed - Heater - Air Conditioner
	031043-01-000	EA	Valve - Heater - Water Flow Control
	031169-01-000	EA	Cable - Control - Flexible - 53"
	031169-02-000	EA	Cable - Control - Flexible - 48"
	031170-01-000	EA	Clamp - Cable - 3/16" Dia.
	024996-01-000	EA	Clutch - Magnetic - Compressor
	024999-01-000	EA	Compressor - Auto Air - 10.3 Cubic Inch
	048721-01-000	EA	Package - Air Conditioner - Compressor Mount 360 C.I.D.
	033295-01-000	EA	Package - Air Conditioner - Compressor Mount - 440 C.I.D.
	031394-01-000	EA	Condenser - Radiator Mount
	008267-01-000	EA	Switch - Air Conditioner
	024867-01-000	EA	Valve - Thermostatic Expansion
	024997-01-000	EA	Core - Heater
	024998-01-000	EA	Wheel - Blower - 4.72" O.D.
	031393-01-000	EA	Coil - Evaporator
	033258-01-000	EA	Hose - Refrigerant - .50" I.D. x 34.50"
	034222-01-000	EA	Hose - Refrigerant - .31" I.D. x 26"
	031960-01-000	EA	Hose - Refrigerant - .34" I.D. x 20"
	031981-01-000	EA	Hose - Refrigerant - .31" I.D. x 14.75"
	024868-01-000	EA	Receiver - Dehydrator
	031044-01-000	EA	Clamp - Receiver Dehydrator
	031982-01-000	EA	Bracket - Receiver Dehydrator
	031976-01-000	EA	Bolt - Drive - .50" I.D. x 54" - 360 C.I.D. or 440 C.I.D.
**	049042-01-000	EA	Furnace - 22,000 BTU - Under Counter - Coleman - 4322
**	049043-01-000	EA	Furnace - 28,000 BTU - Under Counter - Coleman - 4328
	039505-02-000	EA	Thermostat - Wallmount
	009198-01-000	EA	Duct - Flexible - 4" I.D. x 25'
	023146-01-000	EA	Clamp - Screw Type - 4"
	024965-01-000	EA	Heat Register - w/Damper - 9.9" x 4.8"
	009175-01-000	EA	Heat Register - Steel - 11.5" x 3.7"
	031604-01-000	EA	Bonnet - Heat Register - 4.38" x 8.43"
	042152-01-000	EA	Bonnet - Heat Register - 4.5" x 8.44"
	009200-01-000	EA	Tape - Furnace - 1 1/2"
**	049777-01-000	EA	Air Conditioner - 110 Volt - Roof Mount - 11,000 BTU - Ivory Coleman (w/o Inside Shroud)
**	049778-01-000	EA	Shroud Asm. - Ceiling - Inside- Roof Air - Cool Only - 11,000 BTU - Coleman
**	049774-01-000	EA	Air Conditioner - 110 Volt - Roof Mount - 13,500 BTU Ivory - Coleman (w/o Inside Shroud)
**	049775-01-000	EA	Shroud Asm. - Ceiling - Inside - Roof Air Cool Only - 13,500 BTU - Coleman
**	049776-01-000	EA	Shroud Asm. - Ceiling - Inside - Roof Air - Heat and Cool Only - 13,500 BTU - Coleman

**The illustrated parts breakdown for this item is provided on the Common Items Fiche.

WINNEBAGO

TABLE OF CONTENTS

Introduction	A-1
Abbreviations	A-1
Alphabetical Index	A-2 - A-4
1977 MWC25D	A-5 - B-12
1977 D26CRK	B-13 - C-24
1977 MWC24D	D-1 - E-8
1977 D26CRB	E-9 - F-20
1977 D26RT	F-21 - H-6
1977 MW23RB	I-7 - I-16
1977 D21	I-17 - K-6
1977 D23C	K-7 - L-18

1977 D21 INDEX

Floor Plan	I-17 - I-18
Accessories Group	I-19 - I-21
Bath Group	I-22
Chassis Group	I-23 - I-24
Curtain, Cushion & Pad Group	J-1 - J-4
Dinette Group	J-5
Driver's Compartment Group	J-5 - J-6
Electrical Group	J-7 - J-8
Exterior Body Group	J-9 - J-12
Galley Group	J-13
Heating & Air Conditioning Group	J-14
Interior Finish Group	J-15 - J-16
LP Group	J-17
Lounge Group	J-18
Water & Sewage Group	J-19
Window, Vent & Exterior Door Group	J-20 - K-6

INTERIOR FINISH GROUP

PANELING AND BATT STRIPS

Key	Part Number	U/M	Description
	047354-02-000	EA	Batt Strip - Antique Birch
	047354-01-000	EA	Batt Strip - 825 Buff
	045883-01-000	SF	Paneling - Buil - Ceiling 48" x 96" (32SF)
	047939-02-000	SF	Paneling - 48" x 96" - Antique Birch (32SF)
	041206-01-000	SF	Tileboard - Agate Beige - 60" x 84" (35SF)
	047939-02-700	SF	Paneling - 48" x 96" - Antique Birch (32SF)

COUNTERTOP MATERIALS

Key	Part Number	U/M	Description
	041205-07-000	SF	Plastic Laminate - 48" x 96" - Rust Leather (Cactus)
	041205-07-001	EA	Plastic Laminate - 48" x 48" - Rust Leather (Cactus)
	041205-07-002	EA	Plastic Laminate - 1.19" x 96" - Rust Leather (Cactus)
	041205-08-000	SF	Plastic Laminate - 48" x 96" Gold Leather (Inca Gold)
	041205-08-001	EA	Plastic Laminate - 48" x 48" - Gold Leather (Inca Gold)
	041205-08-002	EA	Plastic Laminate - 1.19" x 96" - Gold Leather (Inca Gold)
	041205-09-000	SF	Plastic Laminate - 48" x 96" - Beige Leather (Sage)
	041205-09-001	EA	Plastic Laminate - 48" x 48" - Beige Leather (Sage)
	041205-09-002	EA	Plastic Laminate - 1.19" x 96" - Beige Leather (Sage)
	037882-01-000	SF	Plastic Laminate - 48" x 96" - Butcher Block
	037882-01-008	EA	Plastic Laminate - 48" x 48" - Butcher Block
	037882-01-009	EA	Plastic Laminate - 1.19" x 96" - Butcher Block
	049873-01-000	EA	Countertop - Formed - 96" - Butcher Block

INTERIOR MOLDINGS AND TRIM

Key	Part Number	U/M	Description
	022756-01-000	EA	Cover - Air Conditioner Wire - Plastic
	024700-06-000	EA	Cover - Sidewall Roll Bar - Ivory
	024700-07-000	EA	Cover - Sidewall Roll Bar - Birch
	034113-03-000	EA	Cover - Corner Support Bar - Dark Brown
	039512-06-000	EA	Cover - Hat Section - Antique Birch
	039512-08-000	EA	Cover - Hat Section - Ivory
	047488-01-000	EA	Cover - Corner Hat/Hat
	047489-01-000	EA	Cover - Corner Tube/Tube
	009778-01-000	FT	U-Channel - 1" Dark Brown Plastic
	009777-01-000	FT	U-Channel - 3/4" Dark Brown Plastic
	009815-02-000	FT	T Molding - 3/4" Brown
	009812-06-000	FT	Molding - Plastic - Outside Corner - 1/2"
	009767-01-000	FT	Welling - Brown
	009779-01-000	FT	U-Channel - 1 1/8" Dark Brown
	009809-03-000	FT	Molding - Plastic - Outside Corner - 1"
	009810-01-000	FT	Corner - Outside - 1" - Dark Pecan
	034394-02-000	FT	Insert - Extruded Vinyl - Beige
	034889-03-000	EA	Cover - Screw PPH 10 - Ivory - Bathroom
	042366-01-000	EA	Plug Button - Magogany - 3/8" Dia.
	009781-01-000	FT	Corner - Outside - .62" x .62" - Dark Brown Plastic

INTERIOR FINISH GROUP (CONTINUED)

FABRICS AND CARPET

Key	Part Number	U/M	Description
	041210-03-000	SY	Carpet - Orange Morning Dew - Rust (Cactus)
	043635-01-000	SY	Carpet - Coffee Brown - Morning Dew - Gold (Inca Gold)
	043635-02-000	SY	Carpet - Beige - Morning Dew - Beige (Sage)
	046588-01-000	YD	Fabric - Upholstery - Rust (Cactus)
	046588-02-000	YD	Fabric - Upholstery - Gold (Inca Gold)
	046588-03-000	YD	Fabric - Upholstery - Beige (Sage)
	043619-01-000	YD	Fabric - Drapery - Rust (Cactus)
	043619-02-000	YD	Fabric - Drapery - Gold (Inca Gold)
	043619-03-000	YD	Fabric - Drapery - Beige (Sage)
	042411-01-000	YD	Vinyl - Nonexpanded - 27 oz.
	042411-02-000	YD	Vinyl - Non-Supported - 16 Gauge Film - Brown
	042411-03-000	YD	Vinyl - Expanded - 28 oz.

CURTAIN HARDWARE

Key	Part Number	U/M	Description
	009107-01-000	EA	Guide - Nylon - Snap - Curtain
	052327-04-236	EA	Curtain Track - Alum. - Brown - 89" w/Holes
	042439-01-000	EA	Bracket (Left or Right) Curtain Rod Single
	049897-01-000	EA	Rod - Curtain - Flat Extension 25" - 45"
	049897-02-000	EA	Rod - Curtain - Flat Extension 48" - 86"
	009702-01-000	EA	End Stop - Curtain "L" Rod w/Rollers
	009701-01-000	EA	Carrier - "L" Rod w/Rollers
	018031-42-000	EA	Track - Curtain - "L" Rod 90" Alum.
	049736-01-000	FT	Track - Curtain - Plastic 3' Brown (Blackout Curtain)
	049737-01-000	EA	End Cap - Plastic - Curtain Track - Brown (Blackout Curtain)
	050826-01-000	EA	Track - Curtain Wraparound - Left
	050826-02-000	EA	Track - Curtain Wraparound - Right

CABINETS AND TABLE HARDWARE

Key	Part Number	U/M	Description
	009065-01-000	EA	Hinge - Continuous Aluminum - 1 1/2" x 96" Plain
	009068-01-000	EA	Hinge - Continuous Steel - 1 1/2" x 72"
	009150-01-000	EA	Warp Guard - 64"
**	009124-01-000	EA	Lock - Door - Push Button Brass (Bath Door)
	009112-01-000	EA	Flange - 1" - Rod - Chrome
	049332-01-000	EA	Kit - Cabinet Door Hinge - Black
	049331-01-000	EA	Kit - Drawer Pull
	049333-01-000	EA	Kit - Cabinet Door Latch - Black
	009047-01-000	EA	Hold Open - Overhead Door
**	047842-01-000	EA	Kit - Dinette Table Leg
**	047809-01-000	EA	Kit - Dinette Table Hardware - Wall Mount
	033535-03-000	EA	Molding Asm. - Shelf - 707 Hickory
	007021-01-000	EA	Belt Asm - Seat - 2" x 8" Black
	041322-01-000	EA	Washer - Flat - 15/32" I.D. x 2 3/8" O.D. (Seat Belt)
	041838-01-000	EA	Screw - 5 x 5/8" POH - Antique Brass
**	037688-01-000	FT	Rail - Drawer Glide
**	047744-01-000	EA	Kit - Drawer Glide

**The illustrated parts breakdown for this item is provided on the Common Items Fiche

MISCELLANEOUS PARTS

Key	Part Number	U/M	Description
J-15	042950-01-000	EA	Handle - Interior Assial
	041944-01-000	EA	Extinguisher - Fire - Dry Chemical
	007038-01-000	EA	Mat - Door - Black Rubber - 10 1/2" x 26"

WINNEBAGO

TABLE OF CONTENTS

Introduction	A-1
Abbreviations	A-1
Alphabetical Index	A-2 - A-4
1977 MWC25D	A-5 - B-12
1977 D26CRK	B-13 - C-24
1977 MWC24D	D-1 - E-8
1977 D26CRB	E-9 - F-20
1977 D26RT	F-21 - H-6
1977 MW23RB	H-7 - I-16
1977 D21	I-17 - K-6
1977 D23C	K-7 - L-18

1977 D21 INDEX

Floor Plan	I-17 - I-18
Accessories Group	I-19 - I-21
Bath Group	I-22
Chassis Group	I-23 - I-24
Curtain, Cushion & Pad Group	J-1 - J-4
Dinette Group	J-5
Driver's Compartment Group	J-5 - J-6
Electrical Group	J-7 - J-8
Exterior Body Group	J-9 - J-12
Galley Group	J-13
Heating & Air Conditioning Group	J-14
Interior Finish Group	J-15 - J-16
LP Group	J-17
Lounge Group	J-18
Water & Sewage Group	J-19
Window, Vent & Exterior Door Group	J-20 - K-6

LP GROUP

Key	Part Number	U/M	Description
	008811-01-000	EA	Hose Asm. - LP - 3/8" I.D. x 24"
	008820-01-000	EA	Hose Asm. - LP - 1/4" I.D. x 16"
	045703-01-000	EA	Hose Asm. - LP - 3/8" I.D. x 24"
	045703-03-000	EA	Hose Asm. - LP - 3/8" I.D. x 14"
	008814-01-000	EA	Regulator - Manual LP Gas - Double Tank
	008815-01-000	EA	Regulator - Automatic LP Gas - Double Tank
	008818-01-000	EA	Tank Asm. - LP - 20 Pound Horizontal w/Hardware
	023263-01-001	EA	Tank Asm. - LP - 30 Pound Horizontal w/Hardware
	040046-01-000	EA	Compartment - LP - Horizontal Plastic
	040047-01-000	EA	Bracket - LP Bottle Hold Down
	047221-01-000	EA	Detector - LP Gas Leak
	047356-01-000	EA	Bracket - LP Leak Detector

LOUNGE GROUP

Key	Part Number	U/M	Description
	049236-30-000	EA	Door Asm. - Wardrobe Cabinet - Left w/o Hardware - 047939-02-000 Antique Birch
	053671-96-000	EA	Door Asm. - Wardrobe Cabinet - Left w/o Hardware - 047939-02-700 Antique Birch
	049236-38-000	EA	Door Asm. - Wardrobe Cabinet - Right w/o Hardware - 047939-02-000 Antique Birch
	053671-88-000	EA	Door Asm. - Wardrobe Cabinet - Right w/o Hardware - 047939-02-700 Antique Birch
	049239-01-000	EA	Drawer Asm. - Wardrobe Cabinet - Right w/o Hardware - 047939-02-000 Antique Birch
	053671-67-000	EA	Drawer Asm. - Wardrobe Cabinet - Right w/o Hardware - 047939-02-700 Antique Birch
	050399-01-000	EA	Cabinet Asm. - Hamper - 047939-02-000 - Antique Birch
	053671-25-000	EA	Cabinet Asm. - Hamper - 047939-02-700 - Antique Birch
	049236-34-000	EA	Door Asm. - Hamper Cabinet - w/o Hardware - 047939-02-000 - Antique Birch
	053671-92-000	EA	Door Asm. - Hamper Cabinet - w/o Hardware - 047939-02-700 - Antique Birch
	044285-03-000	EA	Cabinet Asm. - Rear Gaucho - 047939-02-000 - Antique Birch
	053672-71-000	EA	Cabinet Asm. - Rear Gaucho - 047939-02-700 - Antique Birch
	050401-01-000	EA	Cabinet Asm. - Rear Overhead - 047939-02-000 - Antique Birch
	053671-24-000	EA	Cabinet Asm. - Rear Overhead - 047939-02-700 - Antique Birch
	049236-24-000	EA	Door Asm. - Rear Overhead Cabinet w/o Hardware - 047939-02-000 Antique Birch
	053672-03-000	EA	Door Asm. - Rear Overhead Cabinet w/o Hardware - 047939-02-700 Antique Birch
	044281-02-000	EA	Cover Asm. LP Cabinet
	044283-02-000	EA	Cover Asm. - Generator Cabinet - Full
	009151-01-000	EA	Warp Guard - 48"
	033535-04-000	FT	Molding Asm. - Shelf - 709 Hickory
	009112-01-000	EA	Flange - 1" - Clothes Rod

WINNEBAGO TABLE OF CONTENTS

Introduction	A-1
Abbreviations	A-1
Alphabetical Index	A-2 - A-4
1977 MWC25D	A-5 - B-12
1977 D26CRK	B-13 - C-24
1977 MWC24D	D-1 - E-8
1977 D26CRB	E-9 - F-20
1977 D26RT	F-21 - H-6
1977 MW23RB	H-7 - I-16
1977 D21	I-17 - K-6
1977 D23C	K-7 - L-18

1977 D21 INDEX

Floor Plan	I-17 - I-18
Accessories Group	I-19 - I-21
Bath Group	I-22
Chassis Group	I-23 - I-24
Curtain, Cushion & Pad Group	J-1 - J-4
Dinette Group	J-5
Driver's Compartment Group	J-5 - J-6
Electrical Group	J-7 - J-8
Exterior Body Group	J-9 - J-12
Galley Group	J-13
Heating & Air Conditioning Group	J-14
Interior Finish Group	J-15 - J-16
LP Group	J-17
Lounge Group	J-18
Water & Sewage Group	J-19
Window, Vent & Exterior Door Group	J-20 - K-6

WATER AND SEWAGE GROUP

WINDOW, VENT AND EXTERIOR DOOR GROUP

PLUMBING REPAIR KITS, PIPE FITTINGS AND WATER PUMP

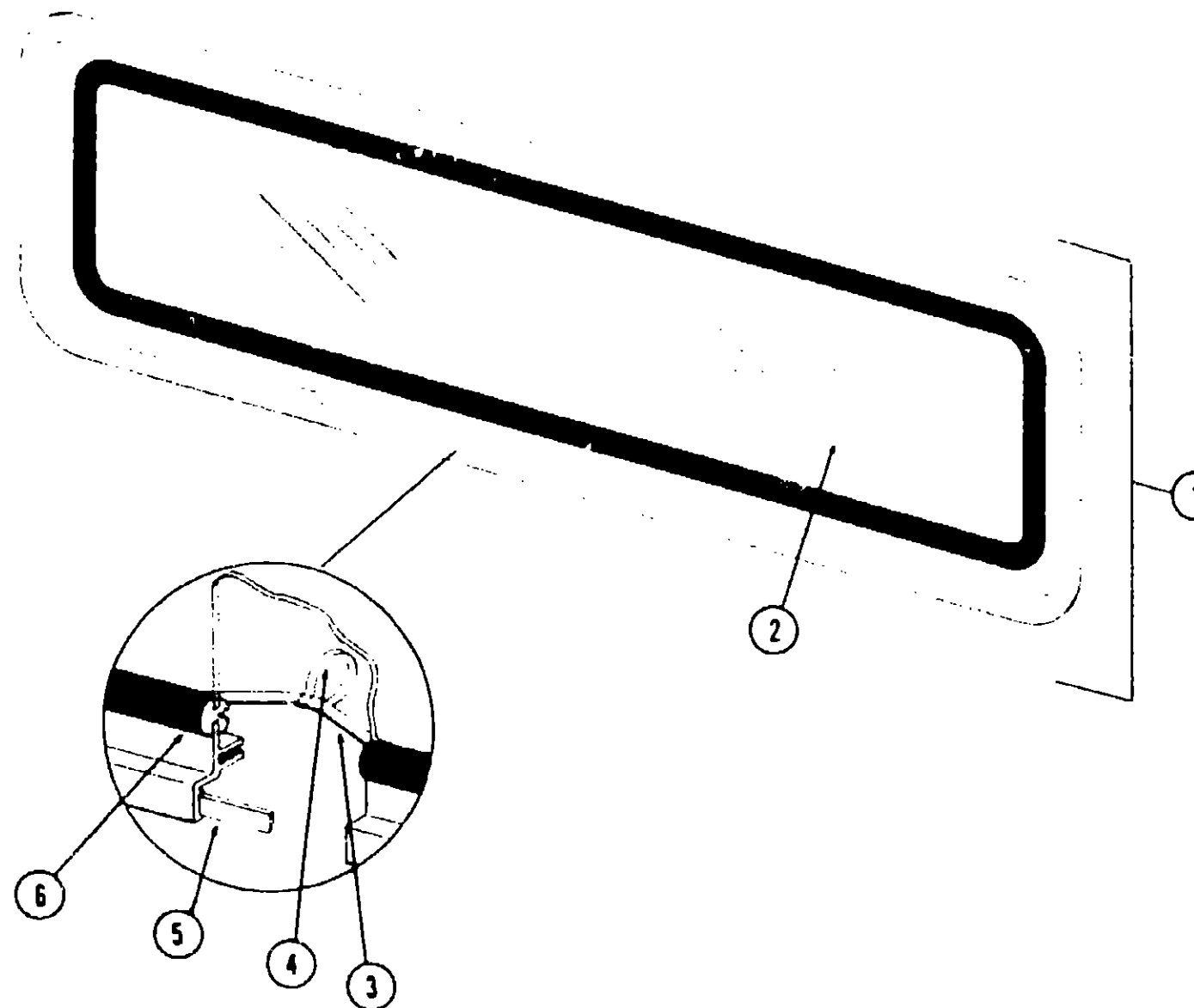
Key	Part Number	U/M	Description
..	040539-01-000	EA	Kit Repair - 3/8" O.D. Plastic Tube
..	040540-01-000	EA	Kit Repair - 1/2" O.D. Plastic Tube
..	040541-01-000	EA	Kit Repair - 5/8" O.D. Plastic Tube
..	039818-01-000	EA	Riser Asm - 3/8" O.D. x 24" Tube
..	039818-02-000	EA	Riser Asm - 3/8" O.D. x 36" Tube
..	039818-04-000	EA	Riser Asm - 3/8" O.D. x 72" Tube
..	039818-05-000	EA	Riser Asm - 3/8" O.D. x 48" Tube
..	004020-01-000	QT	Adhesive - ABS Cement
..	010133-01-000	EA	Adaptor - Trap - Plastic 1 1/2" H x MPT
..	010201-01-000	EA	Hose - Sewer - 3" x 10' w/Clamp
..	010235-01-000	EA	Cap - Sewage 3"
..	010236-01-000	EA	Adaptor - Hose 3"
..	010210-01-000	EA	Valve - Sanitary - Thetford 3HB
..	010234-01-000	EA	Adaptor Bayonet
..	011066-01-000	EA	P - Trap - Plastic 1 1/4"
..	042151-01-000	EA	Handle - Extension - Sewer Valve 14.25"
..	010209-05-000	EA	Handle - Extension - Sewer Valve 11.25"
..	022316-01-000	EA	Holder - Extension Handle
..	039809-01-000	EA	Valve - Stool - Plastic 3/8" C x 1/2" FPT
..	046128-01-000	EA	Valve - Drain - Plastic 1/2" FPT
..	039807-01-000	EA	Valve - Drain - Brass 1/2" MPT
..	041278-02-000	EA	Pump - Water Flow - 2.8 G.P.M. - PAR
..	039647-02-000	EA	Filter - Water Pump - 1/2" MPT
..	041819-01-000	EA	Nut and Cone - Plastic 1/2" O.D. Tube
..	010153-01-000	EA	Ring - Closet - Plastic - 4F x 3" - MPT

..The illustrated parts breakdown for this item is provided on the Common Items Fiche.

WATER AND SEWAGE TANKS

Key	Part Number	U/M	Description
..	046942-03-000	EA	Tank Asm. - Water - Plastic 45 Gallon w/Fittings
..	046942-01-000	EA	Tank - Water - Plastic 45 Gallon w/o Fittings
..	046524-02-000	EA	Kit - Plastic Fittings - For Water Tanks
..	040552-05-000	EA	Tank Asm. - Holding - Plastic 20 Gallon w/Fittings
..	040552-01-000	EA	Tank - Holding - Plastic 20 Gallon w/o Fittings
..	041155-05-000	EA	Tank Asm. - Holding - Plastic 29 Gallon w/Fittings
..	041155-01-000	EA	Tank - Holding - Plastic 29 Gallon w/o Fittings
..	046524-01-000	EA	Kit - Plastic Fittings - For Holding Tanks
..	051391-01-000	EA	Water Heater - w/o Outside Access Door (G6A3)
..	031952-01-000	EA	Water Heater - w/o Outside Access Door - (G6A2)

..The illustrated parts breakdown for this item is provided on the Common Items Fiche.



Key	Part Number	U/M	Description
1	020754-01-000	EA	Window Asm. Escape - 23" x 68" Clear Anod - w/o Inside Frame
2	032178-01-000	EA	Glass 1/8" x 19.61" x 64.80"
3	002285-01-000	FT	Weatherstrip - Filler - Black
4	020395-01-000	EA	Slip Ring - Pull
5	004363-01-000	FT	Tape - Foam - 3/16" x 1/2" Gray
6	002282-01-000	FT	Weather Strip - Window .125" Black
*	020752-03-000	EA	Frame - Window Inside - Escape 23" x 68" (not included in assembly)
*	006199-01-000	EA	Label - Exit - Escape Window

* Not Illustrated

WINNEBAGO TABLE OF CONTENTS

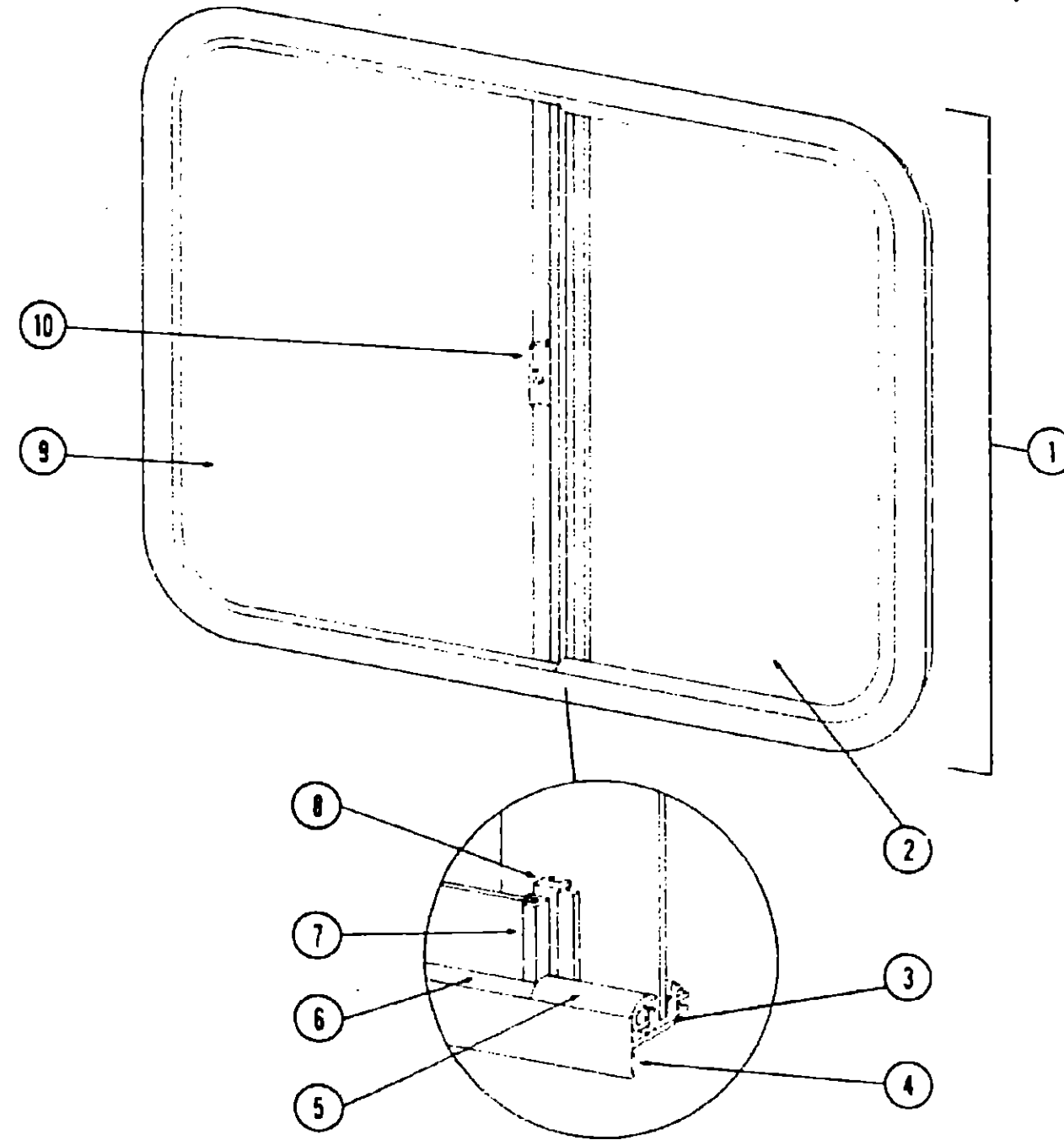
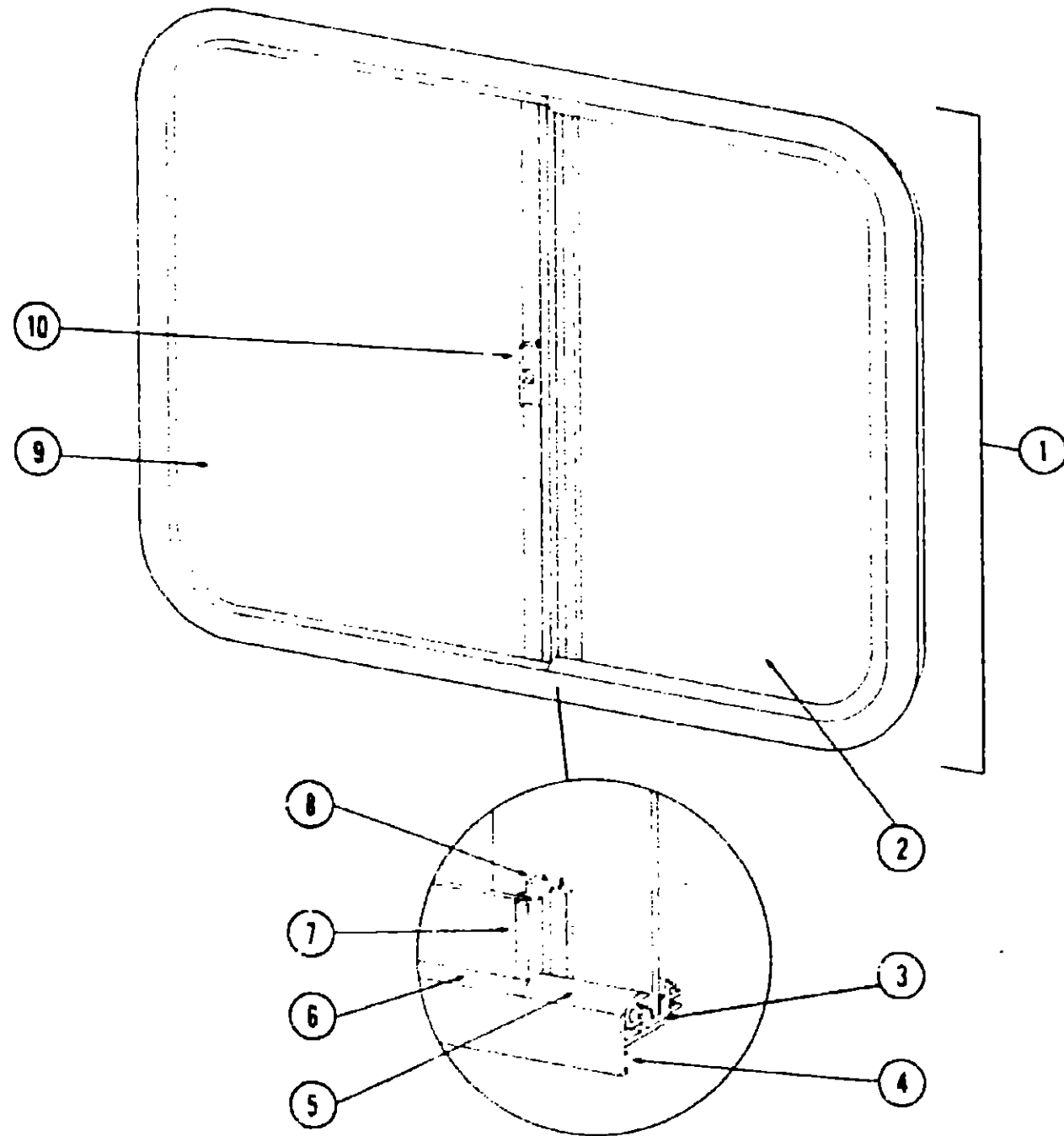
Introduction	A-1
Abbreviations	A-1
Alphabetical Index	A-2 - A-4
1977 MWC25D	A-5 - B-12
1977 D26CRK	B-13 - C-24
1977 MWC24D	D-1 - E-8
1977 D26CRB	E-9 - F-20
1977 D26RT	F-21 - H-6
1977 MW23RB	H-7 - I-16
1977 D21	I-17 - K-6
1977 D23C	K-7 - L-18

1977 D21 INDEX

Floor Plan	I-17 - I-18
Accessories Group	I-19 - I-21
Bath Group	I-22
Chassis Group	I-23 - I-24
Curtain, Cushion & Pad Group	J-1 - J-4
Dinette Group	J-5
Driver's Compartment Group	J-5 - J-6
Electrical Group	J-7 - J-8
Exterior Body Group	J-9 - J-12
Galley Group	J-13
Heating & Air Conditioning Group	J-14
Interior Finish Group	J-15 - J-16
LP Group	J-17
Lounge Group	J-18
Water & Sewage Group	J-19
Window, Vent & Exterior Door Group	J-20 - K-6

WINDOW, VENT AND EXTERIOR DOOR GROUP (CONTINUED)

WINDOW, VENT AND EXTERIOR DOOR GROUP (CONTINUED)



Key	Part Number	U/M	Description
1	048631-06-000	EA	Window Asm. - Left - Single Slider - 23" x 29" - Clear Anod (w/o Inside Frame)
2	047813-01-000	EA	Glass - 1/8" x 22" x 13.68" - Sliding
3	002324-01-000	FT	Channel - Weatherstrip - Glass Run - 1/8" Glass
4	004363-01-000	FT	Tape - Foam - 3/16" x 1/2" - Gray
5	024096-01-000	FT	Seal - Window Channel - Gray
6	002309-01-000	FT	Spline - Glass - 1/8" - Gray
7	018025-01-000	EA	Holder - Glass Seal - Anod. Clear
8	041884-01-000	EA	Mullion - Slider Window - 23" - Clear Anod.
9	002184-01-000	EA	Glass - Tempered Sheet - Stationary
10	047389-01-000	EA	Latch - Window - Plastic
	049287-01-000	EA	Washer - Nylon - .82" x .140" I.D.
	049288-01-000	EA	Screw - Machine - 6-32 x 5/16" - HWH - Black
	042147-01-000	EA	Frame - Inside - Single Slider Window - Left - 23" x 29" (not included in assembly)
	023713-01-000	EA	Cover - Plastic Weephole - White
	002298-01-000	FT	Spline - Gray - .130" Dia. (Screen)
	002293-01-000	SF	Screen - Window - 26" - Gray

* Not Illustrated

Key	Part Number	U/M	Description
1	048631-05-000	EA	Window Asm. - Right - Single Slider - 23" x 29" - Clear Anod (w/o Inside Frame)
2	047813-01-000	EA	Glass - 1/8" x 22" x 13.68" - Sliding
3	002324-01-000	FT	Channel - Weatherstrip - Glass Run - 1/8" Glass
4	004363-01-000	FT	Tape - Foam - 3/16" x 1/2" - Gray
5	024096-01-000	FT	Seal - Window Channel - Gray
6	002309-01-000	FT	Spline - Glass - 1/8" - Gray
7	018025-01-000	EA	Holder - Glass Seal - Clear Anod.
8	041884-01-000	EA	Mullion - Slider Window - 23" - Clear Anod.
9	002184-01-000	EA	Glass - Tempered Sheet - Stationary
10	047389-01-000	EA	Latch - Window - Plastic
	049287-01-000	EA	Washer - Nylon - .82" x .140" I.D.
	049288-01-000	EA	Screw - Machine - 6-32 x 5/16" - HWH - Black
	042147-01-000	EA	Frame - Inside - Single Slider Window - Left - 23" x 29" (not included in assembly)
	023713-02-000	EA	Cover - Plastic Weephole - White
	002298-01-000	FT	Spline - Gray - .130" Dia. (Screen)
	002293-01-000	SF	Screen - Window - 26" - Gray

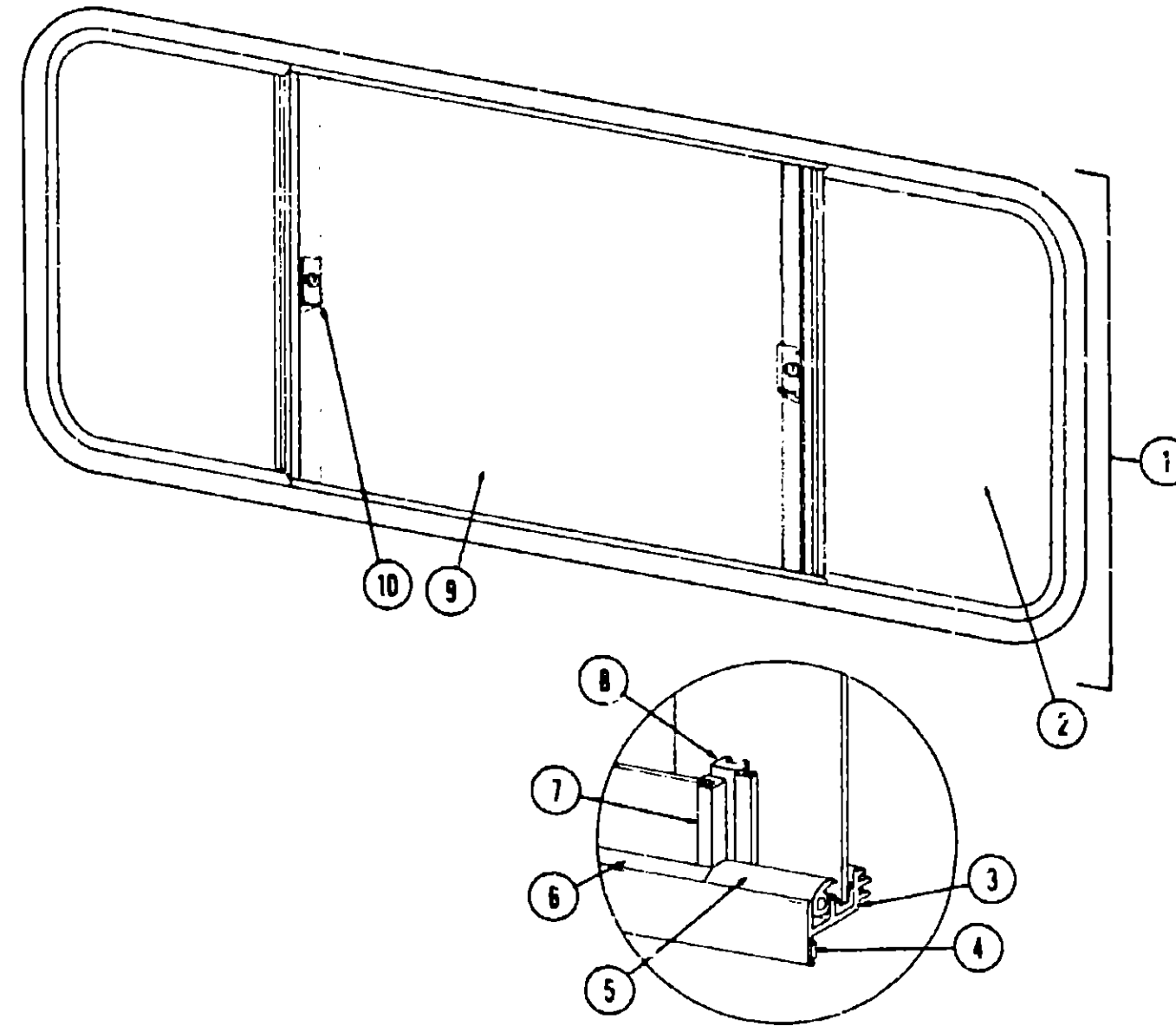
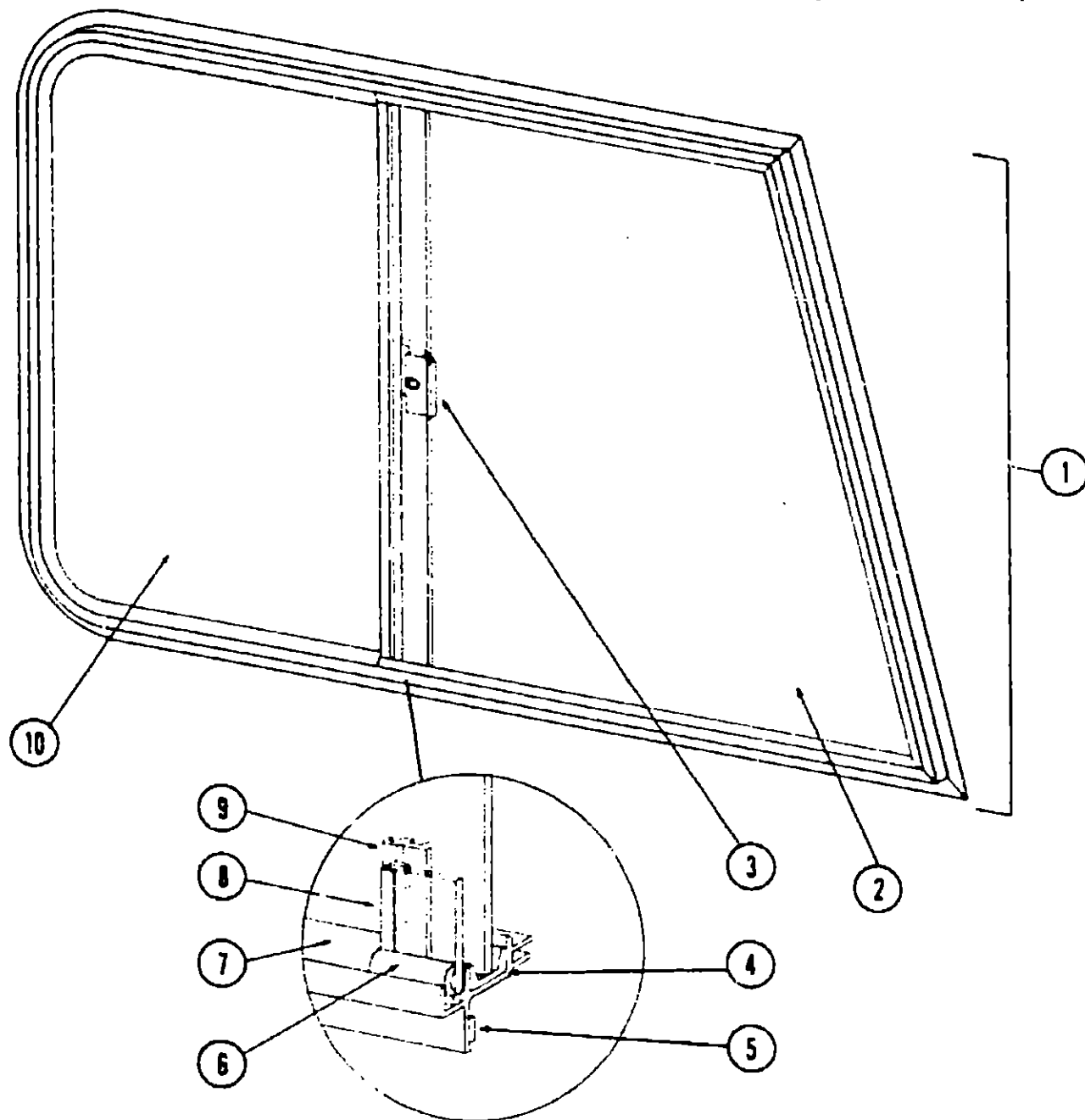
* Not Illustrated

**WINNEBAGO
TABLE OF CONTENTS**

Introduction	A-1
Abbreviations	A-1
Alphabetical Index	A-2 - A-4
1977 MWC25D	A-5 - B-12
1977 D26CRK	B-13 - C-24
1977 MWC24D	D-1 - E-8
1977 D26CRB	E-9 - F-20
1977 D26RT	F-21 - H-6
1977 MW23RB	H-7 - I-16
1977 D21	I-17 - K-6
1977 D25C	K-7 - L-18

1977 D21 INDEX

Floor Plan	I-17 - I-18
Accessories Group	I-19 - I-21
Bath Group	I-22
Chassis Group	I-23 - I-24
Curtain, Cushion & Pad Group	J-1 - J-4
Dinette Group	J-5
Driver's Compartment Group	J-5 - J-6
Electrical Group	J-7 - J-8
Exterior Body Group	J-9 - J-12
Galley Group	J-13
Heating & Air Conditioning Group	J-14
Interior Finish Group	J-15 - J-16
LP Group	J-17
Lounge Group	J-18
Water & Sewage Group	J-19
Window, Vent & Exterior Door Group	J-20 - K-6



Key	Part Number	U/M	Description
1	048628-01-000	EA	Window Asm. - Right Front Slant Slider - 23" x 39" - Clear Anod. (w/o Inside Frame)
	048628-04-000	EA	Window Asm. - Left Slant Slider - 23" x 39" - Black Anod. (w/o Inside Frame)
2	041897-01-000	EA	Glass - 1/8" x 22.06" x 18.91" x 21.22" - Stationary
3	047369-01-000	EA	Latch - Window Plastic
4	002324-01-000	FT	Channel - Weatherstrip - Glass Run - 1/8" Glass
5	004363-01-000	FT	Tape - Foam - 3/16" x 1/2" - Gray
6	002309-01-000	FT	Spline - Glass - 1/8" - Gray
7	024096-01-000	FT	Seal - Window Channel - Gray
8	018025-01-000	EA	Holder - Glass Seal - Clear Anod.
9	041894-11-000	EA	Mullion - Slider Window - 23" - Black Anod.
10	047824-01-000	EA	Glass - 1/8" x 22.06" x 19.06" - Sliding
	049287-01-000	EA	Washer - Nylon - .82" x .140" I.D.
	049288-01-000	EA	Screw - Machine - 6-32 x 5/16" - HWH - Black
	041962-02-000	EA	Frame - Inside - Right Front Slant Slider Window - 23" x 39" (not included in assembly)
	041962-01-000	EA	Frame - Inside - Left Front Slant Slider Window - 23" x 39" (not included in assembly)
	023713-01-000	EA	Cover - Plastic Weephole - White

* Not Illustrated

Key	Part Number	U/M	Description
1	048630-03-000	EA	Window Asm. - Double - Slider - 23" x 65" - Clear Anod. (w/o Inside Frame)
2	047823-01-000	EA	Glass - 1/8" x 22" x 21.03" - Sliding (2 per window)
3	002324-01-000	FT	Channel - Weatherstrip - Glass Run - 1/8" Glass
4	004363-01-000	FT	Tape - Foam - 3/16" x 1/2" - Gray
5	024096-01-000	FT	Seal - Window Channel - Gray
6	002309-01-000	FT	Spline - Glass - 1/8" - Gray
7	018025-01-000	EA	Holder - Glass Seal - Clear Anod.
8	04894-01-000	EA	Mullion - Slider Window - 23" Clear Anod.
9	002188-01-000	EA	Glass - 1/8" x 22" x 21.03" - Stationary
10	047369-01-000	EA	Latch - Window - Plastic
	049287-01-000	EA	Washer - Nylon - .82" x .140" I.D.
	049288-01-000	EA	Screw - Machine - 6-32 x 5/16" - HWH - Black
	042133-02-000	EA	Frame - Inside - Double Slider Window (not included in assembly)
	002298-01-000	FT	Spline - Gray - .130" Dia. - (Screen)
	002293-01-000	SF	Screen - Window - 26" - Gray
	023713-01-000	EA	Cover - Weephole - Plastic - White

* Not Illustrated

WINNEBAGO
TABLE OF CONTENTS

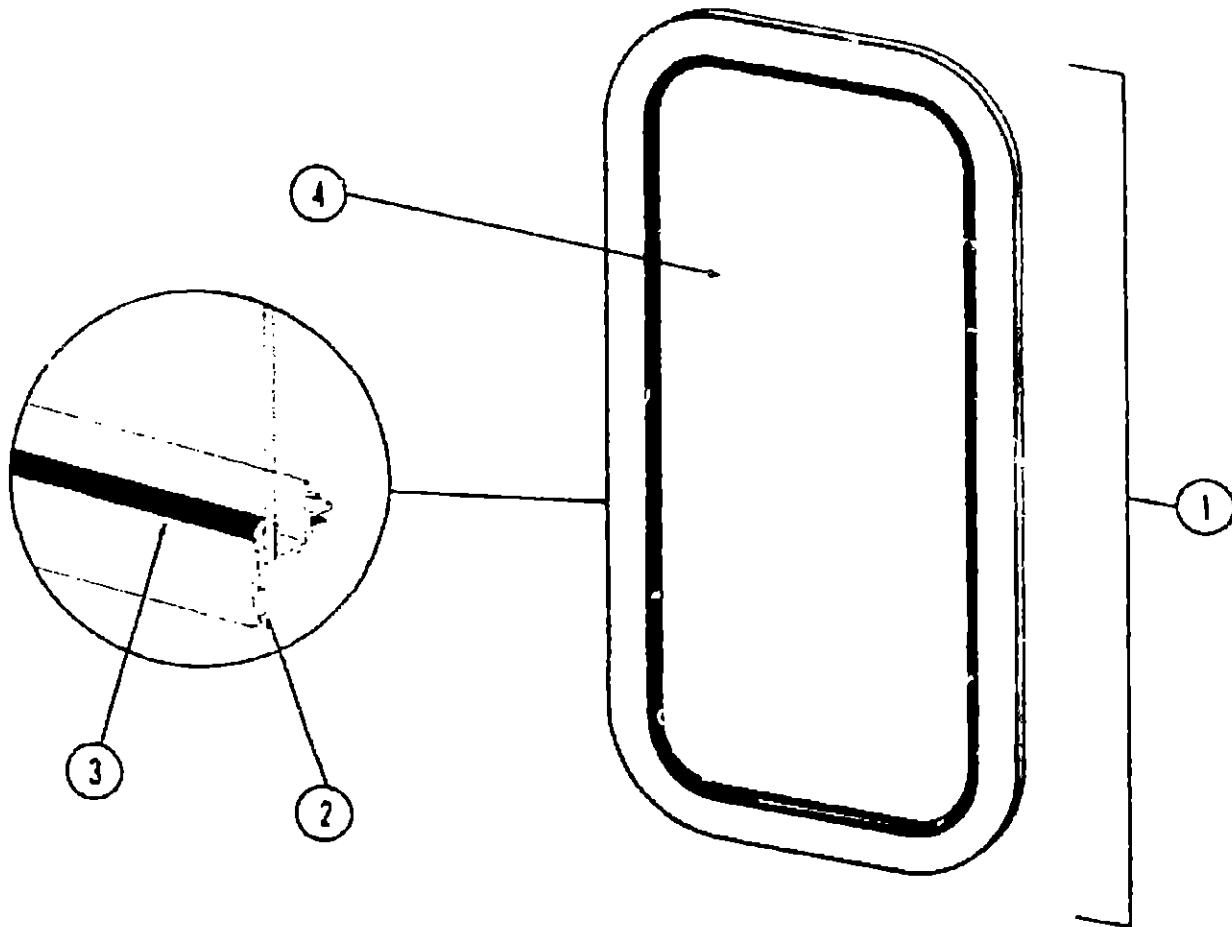
Introduction	A-1
Abbreviations	A-1
Alphabetical Index	A-2 - A-4
1977 MWC25D	A-5 - B-12
1977 D26CRK	B-13 - C-24
1977 MWC24D	D-1 - E-8
1977 D26CRB	E-9 - F-20
1977 D26RT	F-21 - H-6
1977 MW23RB	H-7 - I-16
1977 D21	I-17 - K-6
1977 D23C	K-7 - L-18

1977 D21 INDEX

Floor Plan	I-17 - I-18
Accessories Group	I-19 - I-21
Bath Group	I-22
Chassis Group	I-23 - I-24
Curtain, Cushion & Pad Group	J-1 - J-4
Dinette Group	J-5
Driver's Compartment Group	J-5 - J-6
Electrical Group	J-7 - J-8
Exterior Body Group	J-9 - J-12
Galley Group	J-13
Heating & Air Conditioning Group	J-14
Interior Finish Group	J-15 - J-16
LP Group	J-17
Lounge Group	J-18
Water & Sewage Group	J-19
Window, Vent & Exterior Door Group	J-20 - K-6

WINDOW, VENT AND EXTERIOR DOOR GROUP (CONTINUED)

WINDOW, VENT AND EXTERIOR DOOR GROUP (CONTINUED)



Key	Part Number	U/M	Description
1	041875-01-000	EA	Window Asm. - Picture - 13" x 23" Clear Anod.
2	004363-01-000	FT	Tape - Foam - 3/16" x 1/2" - Gray
3	002309-01-000	FT	Spline - Glass - 1/8" Gray
4	002181-01-000	EA	Glass - 1/8" x 12" x 22" - Gray
*	041696-02-000	EA	Frame - Inside - 13" x 23" (not included in assembly)

* Not Illustrated

WINDSHIELD

Key	Part Number	U/M	Description
	034975-04-000	EA	Glass - Windshield 144" x 22.12" x 45.45" - Right or Left
	036764-03-200	EA	Extr. - Windshield Trim Anod - Black - 22.35"
	042744-03-000	EA	Frame - Asm. Windshield w/o Glass
	038636-01-000	EA	Tape - Butyl 31" x 31" x 148"
	043938-01-000	EA	Trim - Windshield

ACCESS DOORS

Key	Part Number	U/M	Description
	044210-01-000	EA	Door Asm. - 6" x 10" Off White - Plastic (Power Cord)
	043942-01-000	EA	Latch - Quarter Turn - Plastic (Used With Power Cord Door)
	003182-01-000	EA	Door - Water Heater Access - Off White
	043053-01-000	EA	Door Asm. - LP - Off White w/Twist Type Lock
	037804-05-000	EA	Door Asm. - Battery - Off White w/Twist Type Lock
	047187-04-000	EA	Door Asm. - Refrigerator Access - Off White w/Twist Type Lock
	037804-11-000	EA	Door Asm. - Luggage - 10.05" x 24.55" - Off White - w/Key Type Lock
	051653-02-000	EA	Door Asm. - Storage - 37.91" x 23.38" - Off White - Left w/Key Type Lock
	016345-02-000	EA	Holder Asm. - Battery or Luggage Door (Used for Top Hinged Access Doors)
	029884-01-000	EA	Kit - Lock - Twist Type w/Clip
	047305-01-000	EA	Kit - Lock - Key Type w/Clip
	043864-01-000	EA	Door Asm. - Generator - Off White - Right w/Twist Type Lock
	051653-01-000	EA	Door Asm. - Storage - 37.91" x 23.38" - Off White - Right w/Key Type Lock

VENTS

Key	Part Number	U/M	Description
	039778-01-000	EA	Cover - Plastic Refrigerator Vent
	009407-01-000	EA	Frame - Base - Refrigerator Vent w/o Cover
	049352-01-000	EA	Vent - Stovehood - Outside - Off White (Jensen)
	003212-02-000	EA	Vent - Stovehood - Outside - Nonpower (Strawsine)

WINNEBAGO

TABLE OF CONTENTS

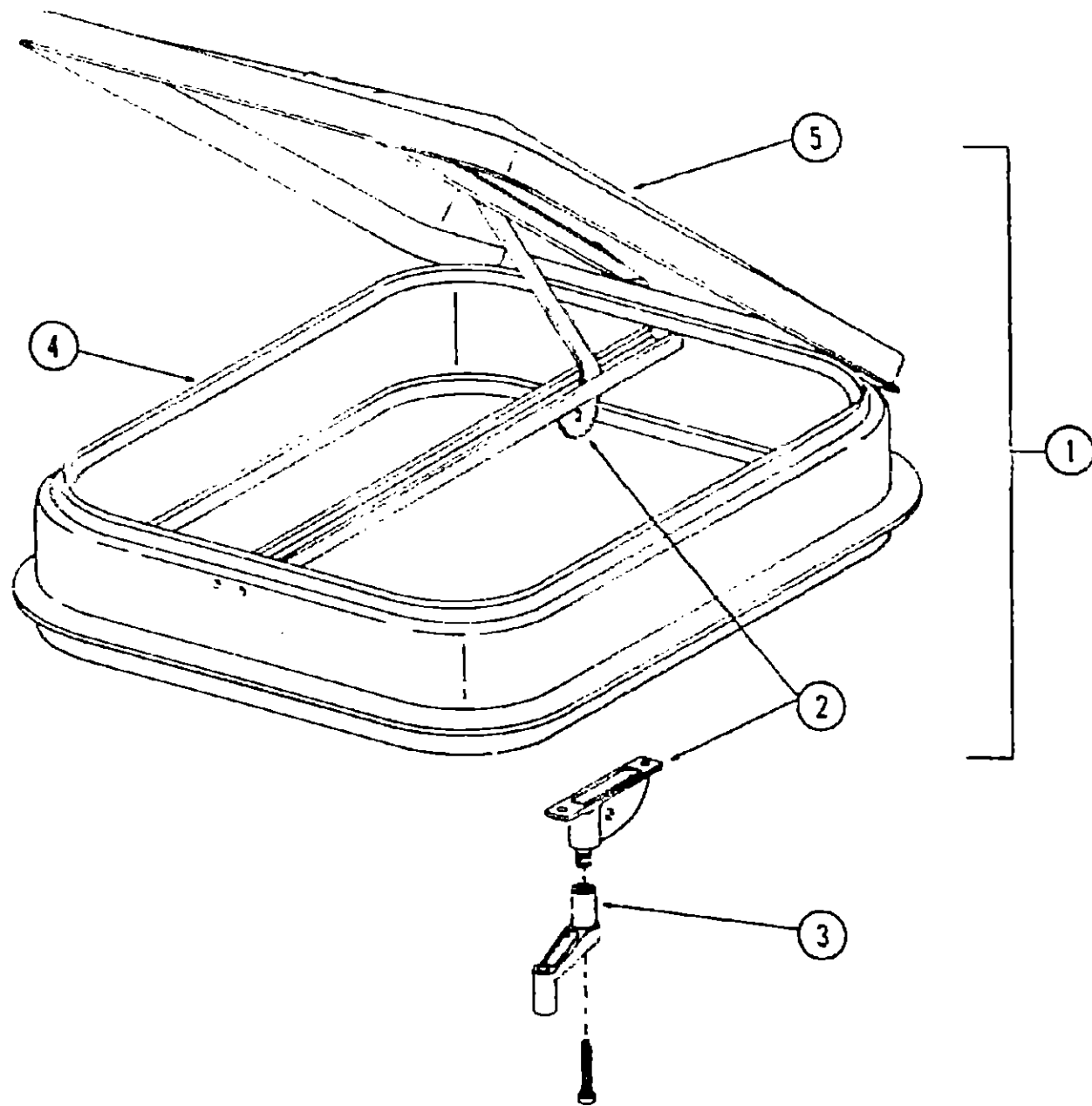
Introduction	A-1
Abbreviations	A-1
Alphabetical Index	A-2 - A-4
1977 MWC25D	A-5 - B-12
1977 D26CRK	B-13 - C-24
1977 MWC24D	D-1 - E-8
1977 D26CRB	E-9 - F-20
1977 D26RT	F-21 - H-6
1977 MW23RB	H-7 - I-16
1977 D21	I-17 - K-6
1977 D23C	K-7 - L-18

1977 D21 INDEX

Floor Plan	I-17 - I-18
Accessories Group	I-19 - I-21
Bath Group	I-22
Chassis Group	I-23 - I-24
Curtain, Cushion & Pad Group	J-1 - J-4
Dinette Group	J-5
Driver's Compartment Group	J-5 - J-6
Electrical Group	J-7 - J-8
Exterior Body Group	J-9 - J-12
Galley Group	J-13
Heating & Air Conditioning Group	J-14
Interior Finish Group	J-15 - J-16
LP Group	J-17
Lounge Group	J-18
Water & Sewage Group	J-19
Window, Vent & Exterior Door Group	J-20 - K-6

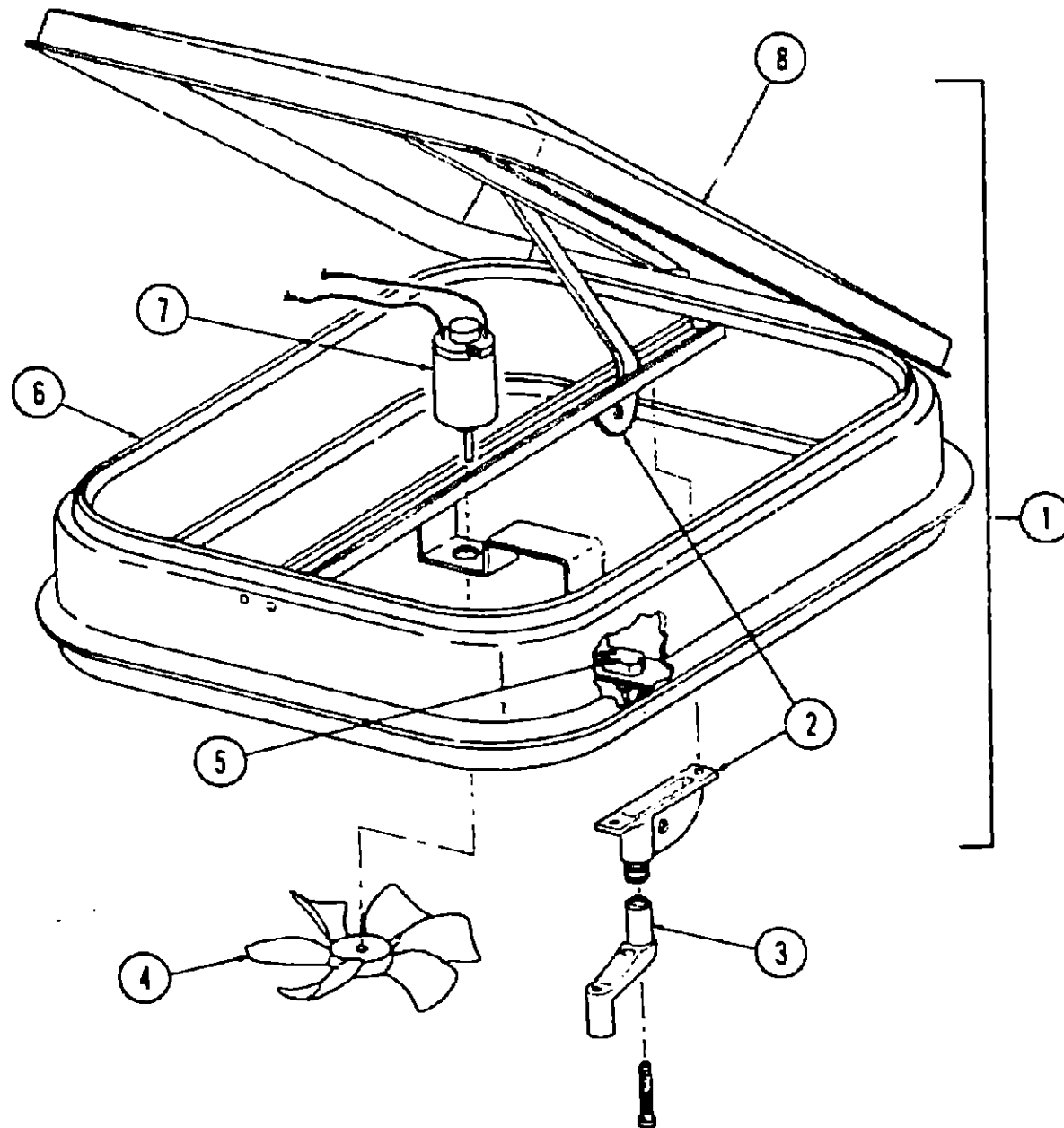
WINDOW, VENT AND EXTERIOR DOOR GROUP (CONTINUED)

WINDOW, VENT AND EXTERIOR DOOR GROUP (CONTINUED)



Key	Part Number	U/M	Description
1	048835-01-000	EA	Vent Asm. - Roof - Non Powered - w/o Screen
2	009440-01-000	EA	Gear - Arm - Roof Vent
3	009439-01-000	EA	Crank - Roof Vent
4	002825-01-000	FT	Weatherstrip - Roof Vent
5	046825-01-000	EA	Cover - Plastic - Roof Vent
*	016335-01-000	EA	Screen Asm. - Non Powered Roof Vent - Clear Anod. (not included in assembly)
*	016335-03-000	EA	Screen Asm. - Non Powered Roof Vent - Beige (not included in assembly)

* Not Illustrated



Key	Part Number	U/M	Description
1	048789-01-000	EA	Vent Asm. Roof - Powered - w/o Screen
2	009440-01-000	EA	Gear - Arm - Roof Vent
3	009439-01-000	EA	Crank - Roof Vent
4	048649-01-000	EA	Fan Blade - 6" Plastic
5	008195-01-000	EA	Switch - Push Button - 12 Volt
6	002825-01-000	FT	Weatherstrip - Roof Vent
7	048648-01-000	EA	Motor - 12 Volt
8	046825-01-000	EA	Cover - Plastic - Roof Vent
*	048695-01-000	EA	Screen Asm. - Powered Roof Vent - Clear Anod. (not included in assembly)
*	048695-03-000	EA	Screen Asm. - Powered Roof Vent - Beige (not included in assembly)

* Not Illustrated

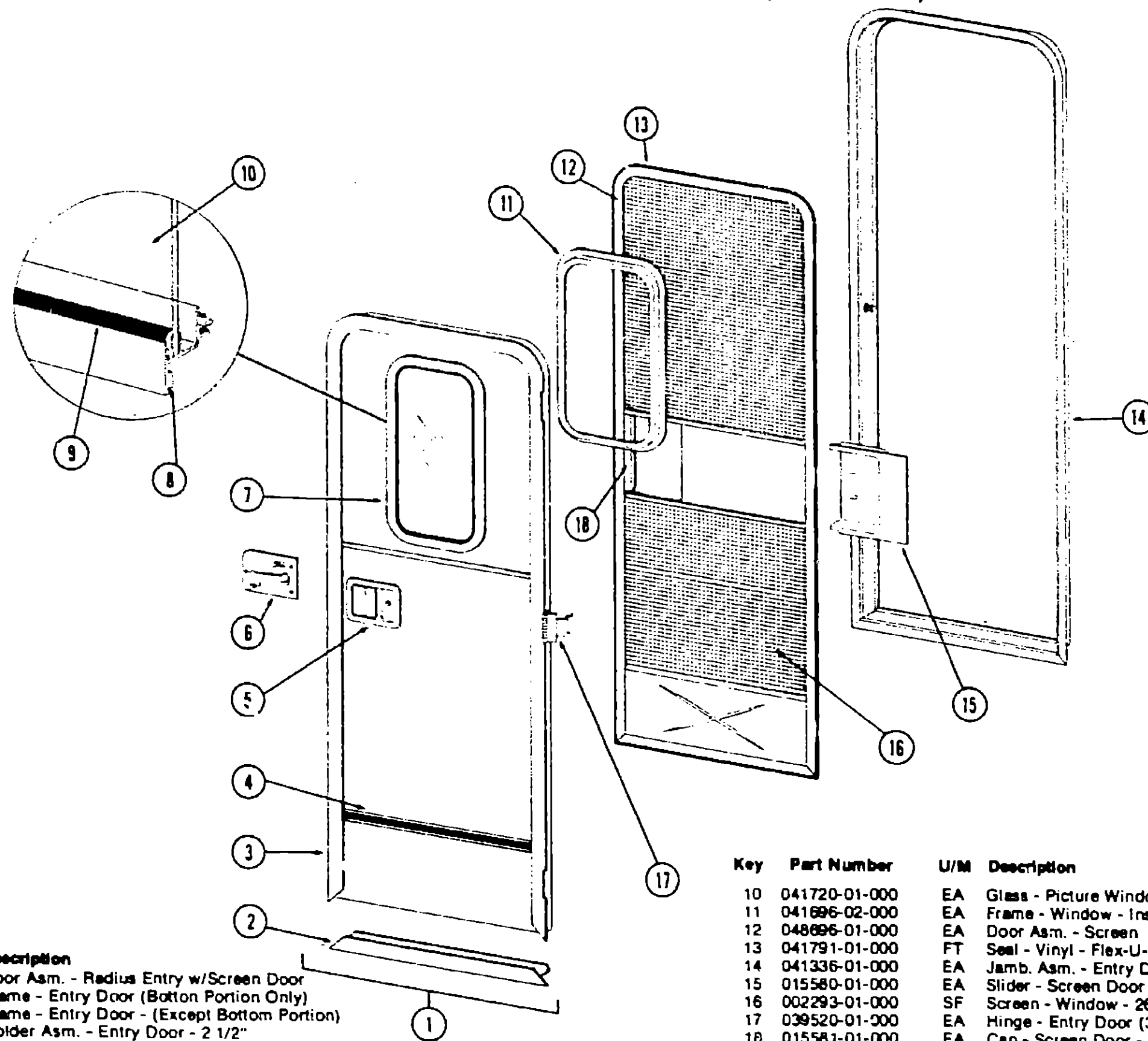
WINNEBAGO
TABLE OF CONTENTS

Introduction	A-1
Abbreviations	A-1
Alphabetical Index	A-2 - A-4
1977 MWC25D	A-5 - B-12
1977 D26CRK	B-13 - C-24
1977 MWC24D	D-1 - E-8
1977 D26CRB	E-9 - F-20
1977 D26RT	F-21 - H-6
1977 MW23RB	H-7 - I-16
1977 D21	I-17 - K-6
1977 D23C	K-7 - L-18

1977 D21 INDEX

Floor Plan	I-17 - I-18
Accessories Group	I-19 - I-21
Bath Group	I-22
Chassis Group	I-23 - I-24
Curtain, Cushion & Pad Group	J-1 - J-4
Dinette Group	J-5
Driver's Compartment Group	J-5 - J-6
Electrical Group	J-7 - J-8
Exterior Body Group	J-9 - J-12
Galley Group	J-13
Heating & Air Conditioning Group	J-14
Interior Finish Group	J-15 - J-16
LP Group	J-17
Lounge Group	J-18
Water & Sewage Group	J-19
Window, Vent & Exterior Door Group	J-20 - K-6

WINDOW, VENT AND EXTERIOR DOOR GROUP (CONTINUED)



Key	Part Number	U/M	Description
1	050096-02-000	EA	Door Asm. - Radius Entry w/Screen Door
2	039737-01-000	EA	Frame - Entry Door (Bottom Portion Only)
3	039736-01-000	EA	Frame - Entry Door - (Except Bottom Portion)
4	039874-02-000	EA	Holder Asm. - Entry Door - 2 1/2"
5	052186-01-000	EA	Lock Asm. - Radius Entry Door - Lynor
	045017-01-700	EA	Lock Cylinder w/Keys - Lynor
	039541-01-000	EA	Lock Cylinder w/Keys - Atwood
	039539-01-000	EA	Striker - Entry Door Lock
6	039979-01-000	EA	Plate - Lock - Interior - Including Inside Handle
7	041875-01-000	EA	Window Asm. - Picture - 13" x 23" Clear Anod. (Inside Frame not included in assembly)
8	004364-01-000	FT	Tape - Foam - 3/16" x 1/2" Gray
9	002309-01-000	FT	Spline - Glass - 1/8" Gray

Key	Part Number	U/M	Description
10	041720-01-000	EA	Glass - Picture Window - 1/8" x 12" x 22" Gray
11	041696-02-000	EA	Frame - Window - Inside - 13" x 23" - Brown
12	048896-01-000	EA	Door Asm. - Screen
13	041791-01-000	FT	Seal - Vinyl - Flex-U-Channel - Brown
14	041336-01-000	EA	Jamb. Asm. - Entry Door
15	015580-01-000	EA	Slider - Screen Door - Brown Plastic
16	002293-01-000	SF	Screen - Window - 26" - Gray
17	039520-01-000	EA	Hinge - Entry Door (3 used per door)
18	015581-01-000	EA	Cap - Screen Door - Brown Plastic
	049176-01-000	EA	Hedlok II - 3/4" Diameter - Screw Mount (Retains Screen Door to Entry Door)
	049797-01-000	EA	Hedlok II - 3/4" Diameter - Screw Mount (Retains Screen Door to Entry Door)
	018019-01-000	EA	Striker - Screen Door
	039863-01-000	EA	Catch Asm. - Single Roller w/Strike - Screen Door
	039740-01-000	FT	Seal - Jamb - Entry Door
	039800-03-000	FT	Tubing - Polybutyl - 3/8" O.D. - Jamb
	039748-01-000	EA	Garnish - Radius (Top portion of door inside coach)
			Not Illustrated

K-5

WINNEBAGO TABLE OF CONTENTS

Introduction	A-1
Abbreviations	A-1
Alphabetical Index	A-2 - A-4
1977 MWC25D	A-5 - B-12
1977 D26CRK	B-13 - C-24
1977 MWC24D	D-1 - E-8
1977 D26CRB	E-9 - F-20
1977 D26RT	F-21 - H-6
1977 MW23RB	H-7 - I-16
1977 D21	I-17 - K-6
1977 D23C	K-7 - L-18

1977 D21 INDEX

Floor Plan	I-17 - I-18
Accessories Group	I-19 - I-21
Bath Group	I-22
Chassis Group	I-23 - I-24
Curtain, Cushion & Pad Group	J-1 - J-4
Dinette Group	J-5
Driver's Compartment Group	J-5 - J-6
Electrical Group	J-7 - J-8
Exterior Body Group	J-9 - J-12
Galley Group	J-13
Heating & Air Conditioning Group	J-14
Interior Finish Group	J-15 - J-16
LP Group	J-17
Lounge Group	J-18
Water & Sewage Group	J-19
Window, Vent & Exterior Door Group	J-20 - K-6

K-6