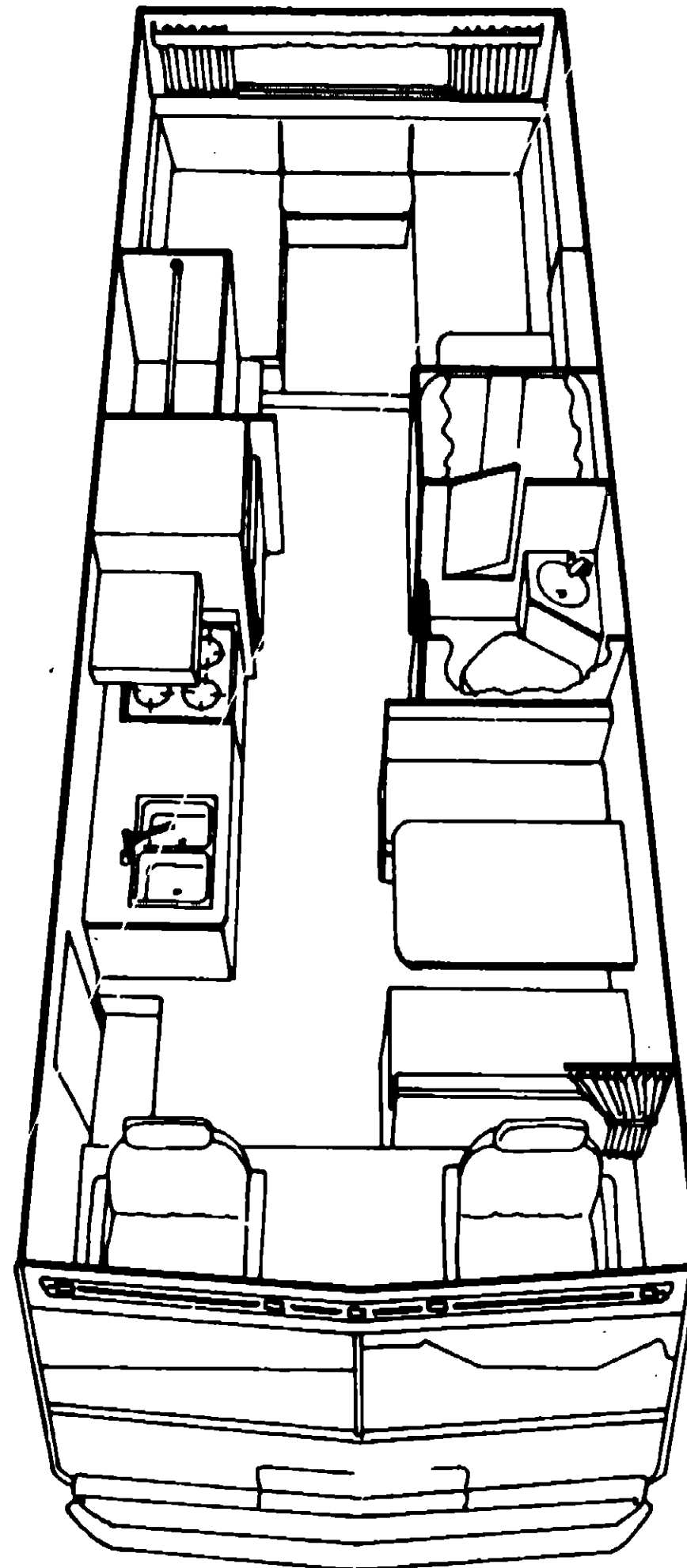


1977 C27A



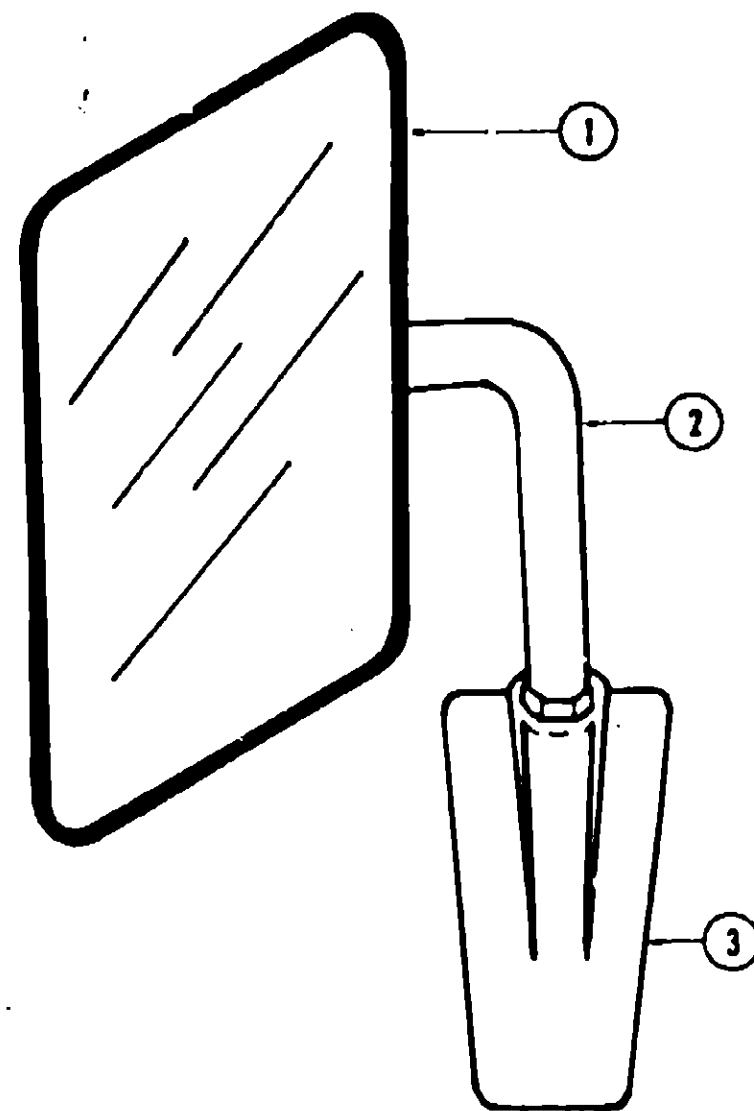
1977 ITASCA TABLE OF CONTENTS

Introduction	A-1
Abbreviations	A-1
Alphabetical Index	A-2 - A-4
C25A	A-5 - B-4
C27AL	B-15 - C-24
C22C	D-1 - E-10
C27A	E-11 - F-20
C25C	F-21 - H-4
C25CD	H-5 - I-14
C24C	I-15 - J-22
C25AD	J-23 - L-14

1977 C27A INDEX

Floor Plan	E-11 - E-12
Accessories Group	E-13 - E-14
Bath Group	E-15
Chassis Group	E-16 - E-17
Curtain, Cushion & Pad Group	E-18 - E-21
Dinette Group	E-22
Driver's Compartment Group	E-22
Electrical Group	E-23 - E-24
Exterior Body Group	F-1 - F-4
Galley Group	F-5
Heating & Air Conditioning Group	F-5
Interior Finish Group	F-6 - F-7
LP Group	F-7
Lounge Group	F-8
Water & Sewage Group	F-9
Window, Vent & Exterior Door Group	F-10 - F-20

ACCESSORIES GROUP



Key	Part Number	U/M	Description
1	049347-01-000	EA	Mirror Head - 7 1/2" x 10 1/2" - SST
2	049348-01-000	EA	Arm - Low Mount Mirror - Bright Finish
3	049344-02-000	EA	Bracket - Mirror - Outside - Off White

ACCESSORIES GROUP (CONTINUED)

Key	Part Number	U/M	Description
	040071-01-000	EA	Bunk - Support Strap
	039516-01-000	EA	Catch - Bunk - Overhead Safety
	040466-04-000	EA	Cover - Spare Tire - 34"
	031396-02-000	EA	Cover - Wheel
	040568-01-000	EA	Speed Control Package - 454 C.I.D. - A Body
	007255-01-700	EA	Regulator Asm.
	047841-01-701	EA	Servo Asm. - 454 C.I.D.
	007255-01-702	EA	Engage Switch - Clamp On
	007298-01-702	EA	Harness Asm.
	007255-01-703	EA	Cable Asm. - Transmission
	007255-01-704	EA	Switch Asm. Decelerate
	024746-01-700	EA	Relay - Speed Control
	040504-01-000	EA	Generator - 2500 Watt - Tray Mount - Kohler
	040505-01-000	EA	Generator - 4000 Watt - Tray Mount - Kohler
	040506-01-000	EA	Generator - 5000 Watt - Tray Mount - Kohler
	044149-01-000	EA	Generator - 6500 Watt - Tray Mount - Kohler
	040507-01-000	EA	Exhaust System - Generator 2500/4000 W
	040612-01-000	EA	Muffler - Generator - 2500/4000W
	040662-01-000	EA	Exhaust System - Generator 5000W
	047343-01-000	EA	Exhaust System - Generator 5000/6500W
	046317-01-000	EA	Tailpipe - Exhaust - Generator 1 1/2" x 5'
	041261-01-000	EA	Wiring Asm. - Remote Generator Switch
	041743-01-000	EA	Switch - Generator - w/o Circuit Board
	007067-01-000	SF	Insulation - Fiberglass - 1"
	050279-01-000	EA	Tray - Generator
	041420-01-000	EA	Elbow - Stl. - 1/2" MPT x 3/16" Barb
	042865-01-000	EA	Scoop - Generator Air
	008076-01-000	EA	Ladder - Bunk
	050865-02-000	EA	Owner's Manual - Itasca
	017516-01-000	EA	Mudflap - Black - 14" x 18" w/Holes
	008069-01-000	EA	Case - Key Leather Motor Home
	040089-01-000	EA	Mat - Door - Black Rubber - 10 1/2" x 26" - Itasca
	008063-01-000	EA	Antenna - TV Braund Delux
	008093-01-000	EA	Jack - TV - Brown (Antenna)
	041086-01-000	EA	Ladder Asm. - w/Luggage Rack
	041086-02-000	EA	Ladder Only for Rack and Ladder Asm.
	008113-01-000	EA	Jack - Hydraulic 5 Ton
	041944-01-000	EA	Fire Extinguisher
	031105-01-000	EA	Antenna - Radio - Side Mount
	031105-01-700	EA	Holder - Antenna - Radio - Upper
	039879-01-000	EA	Kit - Radio Speaker 5 1/2" w/Cover
	049730-01-000	EA	Radio - Clarion - AM w/Fader Switch
	049731-01-000	EA	Radio - Clarion - AM/FM/MPX - w/Fader Switch
	049732-01-000	EA	Radio - Clarion - AM/FM/MPX/8-Track w/Fader Switch
	050044-01-000	EA	Radio - J.I.L. - AM/FM/MPX/8-Track/CB
	050785-01-000	EA	Switch - Rear Volume Control
	050751-01-000	EA	Plaque - Fader/Mic Mounting
	047805-02-700	EA	Bunk Board Asm. - w/Rails - w/o Hardware
	042966-01-000	EA	Support Asm. Left & Right Overhead Bunk Dark Brown
	042414-01-000	FT	Trim Accent Brown - Bostonian
**	040504-01-000	EA	Generator - 2.5 KW - Kohler
**	040505-01-000	EA	Generator - 4.0 KW - Kohler
**	040506-01-000	EA	Generator - 5.0 KW - Kohler
**	044149-01-000	EA	Generator - 6.5 KW - Kohler
**	051906-01-000	EA	Generator - 3.5 KW - Kohler
**	051909-01-000	EA	Generator - 4.5 KW - Kohler
**	051910-01-000	EA	Generator - 5.5 KW - Kohler
**	051911-01-000	EA	Generator - 7.0 KW - Kohler

** The illustrated parts breakdown for this item is provided on the Common Items Fiche.

**1977 ITASCA
TABLE OF CONTENTS**

Introduction	A-1
Abbreviations	A-1
Alphabetical Index	A-2 - A-4
C25A	A-5 - B-4
C27AL	B-15 - C-24
C22C	D-1 - E-10
C27A	E-11 - F-20
C25C	F-21 - H-4
C25CD	H-5 - I-14
C24C	I-15 - J-22
C25AD	J-23 - L-14

1977 C27A INDEX

Floor Plan	E-11 - E-12
Accessories Group	E-13 - E-14
Bath Group	E-15
Chassis Group	E-16 - E-17
Curtain, Cushion & Pad Group	E-18 - E-21
Dinette Group	E-22
Driver's Compartment Group	E-22
Electrical Group	E-23 - E-24
Exterior Body Group	F-1 - F-4
Galley Group	F-5
Heating & Air Conditioning Group	F-5
Interior Finish Group	F-6 - F-7
LP Group	F-7
Lounge Group	F-8
Water & Sewage Group	F-9
Window, Vent & Exterior Door Group	F-10 - F-20

BATH GROUP

Key	Part Number	U/M	Description
	009089-01-000	EA	Clip - Mirror - Plastic w/Screw
	043579-01-000	EA	Mirror - 1/4" x 18" x 26"
	033580-01-000	EA	Ring - Towel Chrome w/Plastic Ring
	009133-01-000	EA	Bar - Towel Rack 12" Plastic w/o Brackets
	023449-01-000	EA	Bracket - Left or Right Chrome - Towel Bar
	044562-02-000	EA	Cabinet - Lavatory w/o Sink
	011056-01-000	EA	Faucet - Lavatory
	011083-01-000	EA	Plug - c/o 1 1/4" x 5" w/Chain and Stopper
	044087-01-000	EA	Lavatory - Bathroom
	045042-01-000	EA	Cabinet Asm. - Medicine - Sidewall w/o Doors
	045043-01-700	EA	Cabinet - Medicine - Front Wall w/o Doors
	009785-01-000	FT	Track - Door Upper Dark Brown
	009786-01-000	FT	Track - Door Lower Dark Brown
	042984-11-000	EA	Door Asm. Sliding (Med. Cabinet)
	045992-03-700	EA	Door Asm. w/o Mirror (Med. Cabinet) or Hardware
	039873-01-000	EA	Kit - Catch & Strike Cabinet Door (w/Mirror)
	009059-01-000	EA	Hinge 2" Gold
	045700-01-000	EA	Mirror - 1/4" x 9" x 25"
	010495-01-000	EA	Clamp - Cable - 9/16" for Shower Hose
	011048-01-000	EA	Shower Head w/59" Hose
	011089-01-000	EA	Tail Piece 1 1/4" x 4" Brass
	011086-01-000	EA	Strainer - Shower Pan
	031568-01-000	EA	Faucet Tub & Shower
	037581-01-000	EA	Back Flow Preventer - Vacuum Breaker
	043728-01-000	EA	Bathtub - Front
	043727-01-000	EA	Bathtub - Bottom
	043728-01-000	EA	Bathtub - Back
	048604-01-700	EA	Door Asm. - Bathroom w/o Hardware
	009150-01-000	EA	Warp Guard 64"
	009124-01-000	EA	Lock - Push Button Brass
	053417-02-000	EA	Door Asm. - Shower - Alum. - Brown
	043588-05-000	EA	Jamb - Shower Door - Bottom - Brown
	043587-03-000	EA	Jamb - Shower Door - Right - Brown
	043587-04-000	EA	Jamb - Shower Door - Left - Brown
	050482-01-000	EA	Catch - Spring - Roll Point
	050712-02-000	EA	Handle - Door Shower Brown
	009134-01-000	EA	Holder - Toilet Tissue
**	039341-02-000	EA	Stool Asm. - Ivory - Aqua Magic - Model SH

** The illustrated parts breakdown for this item is provided on the Common Items Fiche.

CHASSIS GROUP

Key	Part Number	U/M	Description
	047013-01-000	EA	Bumper - Front - Off White
	045254-01-000	EA	Bracket Asm. Bumper - Front Left
	045254-02-000	EA	Bracket Asm. Bumper - Front Right
	020858-02-000	EA	Bumper - Rear - Off White
	022150-01-000	EA	Bracket - Rear Bumper
	024879-01-000	EA	Bracket - Bumper Mount - Rear (2 Per)
	021358-01-000	EA	Support Asm. - Tire Carrier - Right
	022445-01-000	EA	Support Asm. - Tire Carrier - Left
	018924-01-000	EA	Tire Carrier Asm. w/o Supports
	005522-01-000	EA	Pin - Hitch/Carrier - 5/32" Wire
	015385-01-000	EA	Pin - Tire Carrier
	018930-01-000	EA	Bar - Tire Retaining
	045427-01-000	EA	Hoodboard - Steel Top - Right
	045428-01-000	EA	Hoodboard - Steel Bottom - Right
	045429-01-000	EA	Hoodboard - Steel Top - Left
	045430-01-000	EA	Hoodboard - Steel Bottom - Left
	039197-01-000	EA	Cover - Radiator Rear
	024652-01-700	EA	Step - Entry
	024611-04-000	EA	Cap - Gas - Pressure 1.5" Chrome Main or Auxillary Fill
	007111-01-000	FT	Hose - Fuel 2 1/4" I.D. SAE 30R1
	041341-01-000	EA	Fill Pipe Aux. Fuel - Lower
	041342-01-000	EA	Fill Pipe Aux. Fuel - Upper
	045814-01-000	EA	Fill - Gas w/Vent 5.44" Long
	042552-01-000	EA	Tank - Fuel 40.4 Gallon
	043718-01-000	EA	Sending Unit - Fuel 90 OHM
	043478-01-000	EA	Canister - Asm. - Vapor
	043477-01-000	EA	Valve - Asm. - 6-Way Fuel Selector
	047509-01-000	EA	Fuel Fill Plastic Recessed Single Off White - Exterior
	022855-02-000	EA	Tail Pipe 2 1/4" x 8"
	021276-01-000	EA	Battery Tray
	044987-01-000	EA	Heat Shield - Muffler
	047811-01-000	EA	Compartment - Sewer Hose
	040413-01-000	EA	Vent Asm. - Aux. Fuel Tank

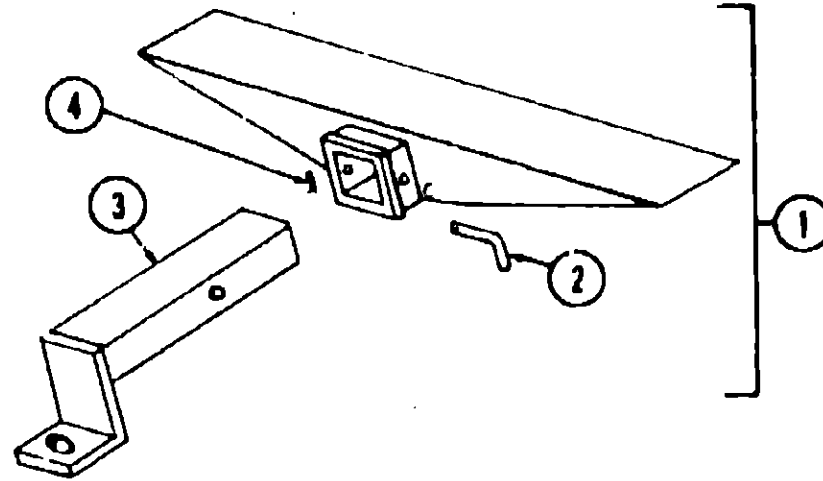
1977 ITASCA TABLE OF CONTENTS

Introduction	A-1
Abbreviations	A-1
Alphabetical Index	A-2 - A-4
C25A	A-5 - B-4
C27AL	B-15 - C-24
C22C	D-1 - E-10
C27A	E-11 - F-20
C25C	F-21 - H-4
C25CD	H-5 - I-14
C24C	I-15 - J-22
C25AD	J-23 - L-14

1977 C27A INDEX

Floor Plan	E-11 - E-12
Accessories Group	E-13 - E-14
Bath Group	E-15
Chassis Group	E-16 - E-17
Curtain, Cushion & Pad Group	E-18 - E-21
Dinette Group	E-22
Driver's Compartment Group	E-22
Electrical Group	E-23 - E-24
Exterior Body Group	F-1 - F-4
Galley Group	F-5
Heating & Air Conditioning Group	F-5
Interior Finish Group	F-6 - F-7
LP Group	F-7
Lounge Group	F-8
Water & Sewage Group	F-9
Window, Vent & Exterior Door Group	F-10 - F-20

CHASSIS GROUP (CONTINUED)



Key	Part Number	U/M	Description
1	023695-01-700	EA	Hitch Kit - w/Drawbar
2	034512-01-000	EA	Pin - Locking - Drawbar
3	024876-01-700	EA	Drawbar Asm. - Trailer Hitch
4	034513-01-000	EA	Pin - Hitch - 3/16" Wire Spring

CURTAIN, CUSHION AND PAD GROUP

TIEBACKS

Key	Part Number	U/M	Description
	049097-09-000	EA	Tie Back - 14" - Rust (Fire and Grass)
	049097-10-000	EA	Tie Back - 14" - Gold (Aztec Gold)
	049097-11-000	EA	Tie Back - 14" - Beige (Saddle)
	049097-12-000	EA	Tie Back - 10" - Rust (Fire and Grass)
	049097-13-000	EA	Tie Back - 10" - Gold (Aztec Gold)
	049097-14-000	EA	Tie Back - 10" - Beige (Saddle)
	049097-15-000	EA	Tie Back - 14" - Vinyl
	049097-32-000	EA	Tie Back - 8" - Rust (Fire and Grass)
	049097-33-000	EA	Tie Back - 8" - Gold (Aztec Gold)
	049097-34-000	EA	Tie Back - 8" - Beige (Saddle)

VALANCES

Key	Part Number	U/M	Description
	048831-24-000	EA	Valance w/Header - 5.5" x 44" - Rust (Fire and Grass)
	048831-25-000	EA	Valance w/Header - 5.5" x 44" - Gold (Aztec Gold)
	048831-26-000	EA	Valance w/Header 5.5" x 44" - Beige (Saddle)
	048831-54-000	EA	Valance w/Header - 5.5" x 78" - Rust (Fire and Grass)
	048831-55-000	EA	Valance w/Header - 5.5" x 78" - Gold (Aztec Gold)
	048831-56-000	EA	Valance w/Header - 5.5" x 78" - Beige (Saddle)
	048831-57-000	EA	Valance w/Header - 5.5" x 90" - Rust (Fire and Grass)
	048831-58-000	EA	Valance w/Header - 5.5" x 90" - Gold (Aztec Gold)
	048831-59-000	EA	Valance w/Header 5.5" x 90" - Beige (Saddle)
	048831-60-000	EA	Valance w/Header - 5.5" x 81" - Rust (Fire and Grass)
	048831-61-000	EA	Valance w/Header - 5.5" x 81" - Gold (Aztec Gold)
	048831-62-000	EA	Valance w/Header - 5.5" x 81" - Beige (Saddle)

CURTAINS

Key	Part Number	U/M	Description
	049021-06-000	EA	Curtain - Wraparound - Right - 25" x 80" Rust (Fire and Grass)
	049021-07-000	EA	Curtain - Wraparound - Right - 25" x 80" Gold (Aztec Gold)
	049021-08-000	EA	Curtain - Wraparound - Right - 25" x 80" Beige (Saddle)
	049485-01-000	EA	Curtain - Wraparound - Left - 25" x 80" Rust (Fire and Grass)
	049485-02-000	EA	Curtain - Wraparound - Left - 25" x 80" Gold (Aztec Gold)
	049485-03-000	EA	Curtain - Wraparound - Left - 25" x 80" Beige (Saddle)
	050006-01-000	EA	Curtain - Blackout - Vinyl - 38" x 84"
	048840-64-000	EA	Curtain Snap Top and Bottom 25.5" x 45" Rust (Fire and Grass)
	048840-65-000	EA	Curtain Snap Top and Bottom 25.5" x 45" Gold (Aztec Gold)
	048840-66-000	EA	Curtain Snap Top and Bottom 25.5" x 45" Beige (Saddle)
	049021-19-000	EA	Curtain Snap Top 33" x 36" Rust (Fire and Grass)
	049021-20-000	EA	Curtain Snap Top 33" x 36" Gold (Aztec Gold)
	049021-21-000	EA	Curtain Snap Top 33" x 36" Beige (Saddle)
	049486-39-000	EA	Curtain w/Snap Top 27" x 30" Rust (Fire and Grass)
	049486-40-000	EA	Curtain w/Snap Top 27" x 30" Gold (Aztec Gold)
	049486-41-000	EA	Curtain w/Snap Top 27" x 30" Beige (Saddle)
	049486-42-000	EA	Curtain w/Snap Top Left Hand 27" x 36" Rust (Fire and Grass)
	049486-43-000	EA	Curtain w/Snap Top Left Hand 27" x 36" Gold (Aztec Gold)
	049486-44-000	EA	Curtain w/Snap Top Left Hand 27" x 36" Beige (Saddle)
	049486-45-000	EA	Curtain w/Snap Top 22.5" x 21" Rust (Fire and Grass)
	049486-46-000	EA	Curtain w/Snap Top 22.5" x 21" Gold (Aztec Gold)
	049486-47-000	EA	Curtain w/Snap Top 22.5" x 21" Beige (Saddle)
	049487-39-000	EA	Curtain w/Snap Top 27" x 30" Rust (Fire and Grass)
	049487-40-000	EA	Curtain w/Snap Top 27" x 30" Gold (Aztec Gold)
	049487-41-000	EA	Curtain w/Snap Top 27" x 30" Beige (Saddle)
	049487-42-000	EA	Curtain w/Snap Top Right Hand 27" x 36" Rust (Fire and Grass)
	049487-43-000	EA	Curtain w/Snap Top Right Hand 27" x 36" Gold (Aztec Gold)
	049487-44-000	EA	Curtain w/Snap Top Right Hand 27" x 36" Beige (Saddle)
	049487-45-000	EA	Curtain w/Snap Top 22.5" x 21" Rust (Fire and Grass)
	049487-46-000	EA	Curtain w/Snap Top 22.5" x 21" Gold (Aztec Gold)
	049487-47-000	EA	Curtain w/Snap Top 22.5" x 21" Beige (Saddle)
	009107-01-000	EA	Guide - Nylon Snap
	029100-01-000	EA	Hook - Pin - Curtain
	009701-01-000	EA	Carrier - Curtain - "L" Rod
	009702-01-000	EA	End Stop - Curtain - "L" Rod

**1977 ITASCA
TABLE OF CONTENTS**

Introduction	A-1
Abbreviations	A-1
Alphabetical Index	A-2 - A-4
C25A	A-5 - B-4
C27AL	B-15 - C-24
C22C	D-1 - E-10
C27A	E-11 - F-20
C25C	F-21 - H-4
C25CD	H-5 - I-14
C24C	I-15 - J-22
C25AD	J-23 - L-14

1977 C27A INDEX

Floor Plan	E-11 - E-12
Accessories Group	E-13 - E-14
Bath Group	E-15
Chassis Group	E-16 - E-17
Curtain, Cushion & Pad Group	E-18 - E-21
Dinette Group	E-22
Driver's Compartment Group	E-22
Electrical Group	E-23 - E-24
Exterior Body Group	F-1 - F-4
Galley Group	F-5
Heating & Air Conditioning Group	F-5
Interior Finish Group	F-6 - F-7
LP Group	F-7
Lounge Group	F-8
Water & Sewage Group	F-9
Window, Vent & Exterior Door Group	F-10 - F-20

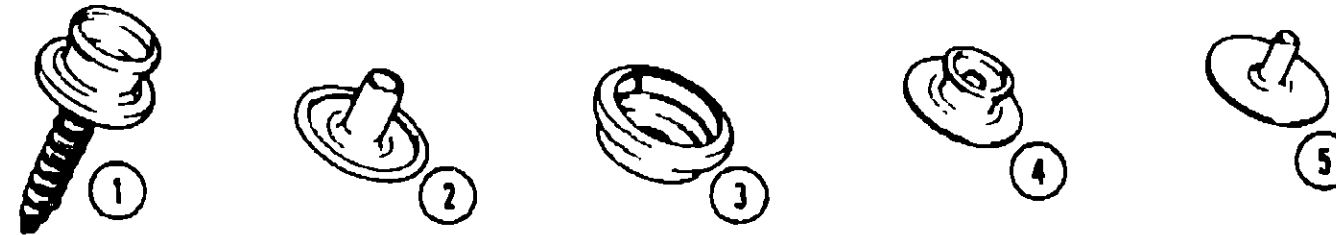
CURTAIN, CUSHION AND PAD GROUP (CONTINUED)

Key	Part Number	U/M	Description
	049158-07-000	EA	Seat Asm. - Single Bucket w/o Slides - Rust (Fire and Grass)
	049158-08-000	EA	Seat Asm. - Single Bucket w/o Slides - Gold (Aztec Gold)
	049158-09-000	EA	Seat Asm. - Single Bucket w/o Slides - Beige (Saddle)
	049158-07-001	EA	Cover - Single Bucket Seat Bottom - Rust (Fire and Grass)
	049158-08-001	EA	Cover - Single Bucket Seat Bottom - Gold (Aztec Gold)
	049158-09-001	EA	Cover - Single Bucket Seat Bottom - Beige (Saddle)
	049158-07-002	EA	Cover - Single Bucket Seat Back - Rust (Fire and Grass)
	049158-08-002	EA	Cover - Single Bucket Seat Back - Gold (Aztec Gold)
	049158-09-002	EA	Cover - Single Bucket Seat Back - Beige (Saddle)
	049158-07-003	EA	Skirt - Single Bucket Seat - Rust (Fire and Grass)
	049158-08-003	EA	Skirt - Single Bucket Seat - Gold (Aztec Gold)
	049158-09-003	EA	Skirt - Single Bucket Seat - Beige (Saddle)
	049160-07-000	EA	Seat Asm. - Double Bucket - Rust (Fire and Grass)
	049160-08-000	EA	Seat Asm. - Double Bucket - Gold (Aztec Gold)
	049160-09-000	EA	Seat Asm. - Double Bucket - Beige (Saddle)
	049160-07-001	EA	Cover - Double Bucket Seat Bottom - Rust (Fire and Grass)
	049160-08-001	EA	Cover - Double Bucket Seat Bottom - Gold (Aztec Gold)
	049160-09-001	EA	Cover - Double Bucket Seat Bottom - Beige (Saddle)
	049160-07-002	EA	Cover - Double Bucket Seat Back - Rust (Fire and Grass)
	049160-08-002	EA	Cover - Double Bucket Seat Back - Gold (Aztec Gold)
	049160-09-002	EA	Cover - Double Bucket Seat Back - Beige (Saddle)
	049160-07-003	EA	Skirt - Double Bucket Seat - Rust (Fire and Grass)
	049160-08-003	EA	Skirt - Double Bucket Seat - Gold (Aztec Gold)
	049160-09-003	EA	Skirt - Double Bucket Seat - Beige (Saddle)
	033906-58-000	EA	Headrest Cover - Rust (Fire and Grass)
	033906-59-000	EA	Headrest Cover - Gold (Aztec Gold)
	033906-60-000	EA	Headrest - Beige (Saddle)
	019722-01-000	EA	Headrest Asm. - Foam w/o Cover
	050280-16-000	EA	Armrest Cover - Rust (Fire and Grass)
	050280-17-000	EA	Armrest Cover - Gold (Aztec Gold)
	050280-18-000	EA	Armrest Cover - Beige (Saddle)
	040494-01-000	EA	Armrest Asm. - Foam w/o Cover - Right - Style #1
	040494-02-000	EA	Armrest Asm. - Foam w/o Cover - Left - Style #1
	050275-01-700	EA	Armrest Asm. - Foam w/o Cover - Right - Style #2
	050276-01-700	EA	Armrest Asm. - Foam w/o Cover - Left - Style #2

NOTE

A production change was made in the armrest. When ordering, you must first determine which style is required. Measure up ten inches from the bottom of the seat frame. If you feel (through the upholstery) a collar protruding outward approximately 1/2", you should order style two. Order style one if no protrusion is noted.

CURTAIN, CUSHION AND PAD GROUP (CONTINUED)



Key	Part Number	U/M	Description
1	029130-01-000	EA	Socket - Snap Fastener
2	029155-01-000	EA	Cap - Snap - .156" Diameter x 17" Barrel
3	029156-01-000	EA	Socket - Snap Fastener
4	029092-01-000	EA	Stud - Nickel Finish
5	029093-01-000	EA	Eyelet - Nickel Finish

CUSHIONS

Key	Part Number	U/M	Description
	041914-16-000	EA	Mattress - Flexsteel - 4" x 42" x 78" Rust (Fire and Grass)
	041914-17-000	EA	Mattress - Flexsteel - 4" x 42" x 78" Gold (Aztec Gold)
	041914-18-000	EA	Mattress - Flexsteel - 4" x 42" x 78" Beige (Saddle)
	048839-07-000	EA	Cushion - Mitered - 22.5" x 38" x 4" Rust (Fire and Grass)
	048839-08-000	EA	Cushion - Mitered - 22.5" x 38" x 4" Gold (Aztec Gold)
	048839-09-000	EA	Cushion - Mitered - 22.5" x 38" x 4" Beige (Saddle)
	048839-07-007	EA	Cover - Cushion - 22.5" x 38" x 4" Rust (Fire and Grass)
	048839-08-008	EA	Cover - Cushion - 22.5" x 38" x 4" Gold (Aztec Gold)
	048839-09-009	EA	Cover - Cushion - 22.5" x 38" x 4" Beige (Saddle)
	048839-10-000	EA	Cushion - Mitered - 14" x 38" x 4" Rust (Fire and Grass)
	048839-11-000	EA	Cushion - Mitered - 14" x 38" x 4" Gold (Aztec Gold)
	048839-12-000	EA	Cushion - Mitered - 14" x 38" x 4" Beige (Saddle)
	048839-10-010	EA	Cover - Cushion - 14" x 38" x 4" Rust (Fire and Grass)
	048839-11-011	EA	Cover - Cushion - 14" x 38" x 4" Gold (Aztec Gold)
	048839-12-012	EA	Cover - Cushion - 14" x 38" x 4" Beige (Saddle)
	045824-01-000	EA	Cushion - Slanted 6" x 10" x 33" x 37" Rust (Fire and Grass)
	045824-02-000	EA	Cushion - Slanted 6" x 10" x 33" x 37" Gold (Aztec Gold)
	045824-03-000	EA	Cushion - Slanted 6" x 10" x 33" x 37" Beige (Saddle)
	045824-01-001	EA	Cover - Cushion - Slanted 6" x 10" x 33" x 37" Rust (Fire and Grass)
	045824-02-002	EA	Cover - Cushion - Slanted 6" x 10" x 33" x 37" Gold (Aztec Gold)
	045824-03-003	EA	Cover - Cushion - Slanted 6" x 10" x 33" x 37" Beige (Saddle)
	048839-31-000	EA	Cushion Mitered 28" x 75" x 4" Rust (Fire and Grass)
	048839-32-000	EA	Cushion Mitered 28" x 75" x 4" Gold (Aztec Gold)
	048839-33-000	EA	Cushion Mitered 28" x 75" x 4" Beige (Saddle)
	048839-31-031	EA	Cover - Cushion Mitered 28" x 75" x 4" Rust (Fire and Grass)
	048839-32-032	EA	Cover - Cushion Mitered 28" x 75" x 4" Gold (Aztec Gold)
	048839-33-033	EA	Cover - Cushion Mitered 28" x 75" x 4" Beige (Saddle)
	049968-01-000	EA	Cushion Mitered 10" x 30" x 6" Rust (Fire and Grass)
	049968-02-000	EA	Cushion Mitered 10" x 30" x 6" Gold (Aztec Gold)
	049968-03-000	EA	Cushion Mitered 10" x 30" x 6" Beige (Saddle)
	049968-01-001	EA	Cover Cushion 10" x 30" x 6" Rust (Fire and Grass)
	049968-02-002	EA	Cover Cushion 10" x 30" x 6" Gold (Aztec Gold)
	049968-03-003	EA	Cover Cushion 10" x 30" x 6" Beige (Saddle)

**1977 ITASCA
TABLE OF CONTENTS**

Introduction	A-1
Abbreviations	A-1
Alphabetical Index	A-2 - A-4
C25A	A-5 - B-4
C27AL	B-15 - C-24
C22C	D-1 - E-10
C27A	E-11 - F-20
C25C	F-21 - H-4
C25CD	H-5 - I-14
C24C	I-15 - J-22
C25AD	J-23 - L-14

1977 C27A INDEX

Floor Plan	E-11 - E-12
Accessories Group	E-13 - E-14
Bath Group	E-15
Chassis Group	E-16 - E-17
Curtain, Cushion & Pad Group	E-18 - E-21
Dinette Group	E-22
Driver's Compartment Group	E-22
Electrical Group	E-23 - E-24
Exterior Body Group	F-1 - F-4
Galley Group	F-5
Heating & Air Conditioning Group	F-5
Interior Finish Group	F-6 - F-7
LP Group	F-7
Lounge Group	F-8
Water & Sewage Group	F-9
Window, Vent & Exterior Door Group	F-10 - F-20

CURTAIN, CUSHION AND PAD GROUP (CONTINUED)

CUSHIONS (CONTINUED)

Key	Part Number	U/M	Description
048839-10-000	EA	Cushion Mitered 14" x 38" x 4" Rust (Fire and Grass)	
048839-11-000	EA	Cushion Mitered 14" x 38" x 4" Gold (Aztec Gold)	
048839-12-000	EA	Cushion Mitered 14" x 38" x 4" Beige (Saddle)	
048839-10-010	EA	Cover - Cushion Mitered 14" x 38" x 4" Rust (Fire and Grass)	
048839-11-011	EA	Cover - Cushion Mitered 14" x 38" x 4" Gold (Aztec Gold)	
048839-12-012	EA	Cover - Cushion Mitered 14" x 38" x 4" Beige (Saddle)	
049598-07-000	EA	Cushion - Bolster 10" x 12" x 28" x 10" Rust (Fire and Grass)	
049598-08-000	EA	Cushion - Bolster 10" x 12" x 28" x 10" Gold (Aztec Gold)	
049598-09-000	EA	Cushion - Bolster 10" x 12" x 28" x 10" Beige (Saddle)	
049598-07-007	EA	Cover - Cushion Bolster 10" x 12" x 28" x 10" Rust (Fire and Grass)	
049598-08-008	EA	Cover - Cushion Bolster 10" x 12" x 28" x 10" Gold (Aztec Gold)	
049598-09-009	EA	Cover - Cushion Bolster 10" x 12" x 28" x 10" Beige (Saddle)	
029136-01-000	EA	Grommet - Headrest - Nylon	
029134-01-000	EA	Clip - Finish	

FABRICS

Key	Part Number	U/M	Description
043818-01-000	YD	Fabric - Upholstery - Rust (Fire and Grass)	
043818-02-000	YD	Fabric - Upholstery - Gold (Aztec Gold)	
043818-03-000	YD	Fabric - Upholstery - Beige (Saddle)	
043819-01-000	YD	Fabric - Drapery - Rust (Fire and Grass)	
043819-02-000	YD	Fabric - Drapery - Gold (Aztec Gold)	
043819-03-000	YD	Fabric - Drapery - Beige (Saddle)	
042411-01-000	YD	Vinyl - Non-Expanded - 27 Oz. - Brown (Bostonian)	
042411-02-000	YD	Vinyl - Expanded - 28 Oz. - Brown (Bostonian)	
042373-10-000	EA	Button Asm. - Covered - Rust (Fire and Grass)	
042373-11-000	EA	Button Asm. - Covered - Gold (Aztec Gold)	
042373-12-000	EA	Button Asm. - Covered - Beige (Saddle)	
042414-01-000	FT	Trim - Accent - Brown (Bostonian)	
046584-01-000	EA	Pad - Sidewall - Front Left - (Bostonian)	
046767-01-000	EA	Armrest Asm. - Driver - Sidewall	
046593-01-000	EA	Pad - Sidewall - Front Right - (Bostonian)	
046766-01-000	EA	Armrest Asm. - Passenger - Sidewall	
048165-01-000	EA	Panel Asm. - Overhead Bunk - Padded - Right	
048165-02-000	EA	Panel Asm. - Overhead Bunk - Padded - Left	
048837-01-000	EA	Panel Asm. - End - Overhead Cabinet - Padded - Dinette	
023831-05-000	EA	Button - Bostonian Brookshire	
048837-02-000	EA	Panel Asm. - End - Overhead Cabinet - Padded - Lounge	

DINETTE GROUP

Key	Part Number	U/M	Description
024274-21-000	EA	Table - Dinette w/o Hardware Rust (Fire and Grass)	
024274-22-000	EA	Table - Dinette w/o Hardware Gold (Aztec Gold)	
024274-23-000	EA	Table - Dinette w/o Hardware Beige (Saddle)	
047809-02-000	EA	Kit - Dinette Table Wall Mount Hardware	
047842-01-000	EA	Kit - Dinette Table Leg - Brown	
046000-01-000	EA	Seat - Dinette Front	
046003-01-000	EA	Back - Dinette Seat Front or Rear	
049748-13-700	EA	Door Asm. Cabinet w/o Hardware 15 1/2" x 14 1/2" Right or Left	
046002-01-000	EA	Seat Dinette Rear	
048715-01-000	EA	Cabinet Asm. - Overhead Dinette w/o Doors or Hardware	
049771-01-700	EA	Door Asm. - Cabinet Dinette Overhead 17" x 9" w/o Hardware	

DRIVER'S COMPARTMENT GROUP

Key	Part Number	U/M	Description
031623-09-000	EA	Dash Asm. - w/Pads, Gauges, and Switches	
022548-03-000	EA	Pad - Dash - Foam Right Hand Dark Brown	
023242-05-000	EA	Pad - Dash - Foam Left Hand Dark Brown	
024418-01-000	EA	Lamp - Asm. - Map/Gauge	
007308-01-000	EA	Clock - Dash	
007037-01-000	EA	Lighter - Asm. - Cigarette 12V	
007041-01-000	EA	Bezel - Cigarette Lighter	
024979-01-000	EA	Bezel - Entertainment Center	
007071-01-000	EA	Louver - Chrome - w/Chrome Wheel	
022547-01-000	EA	Bezel - Panel - Control	
023020-01-000	EA	Lamp Asm. - Tell Tale	
024907-01-000	EA	Control Asm. - Heater - A/C - 3 Speed	
024461-01-000	EA	Switch - Battery	
024463-01-000	EA	Switch - Blinker	
024464-01-000	EA	Switch - Washer	
024465-01-000	EA	Switch - Fuel	
024467-01-000	EA	Switch - Wiper	
024459-01-000	EA	Gauge - Voltmeter	
024460-01-000	EA	Gauge - Vacuum	
024462-01-000	EA	Switch - Battery Condition	
031035-01-000	EA	Gauge - Hourmeter Generator	
024990-02-000	EA	Outlet - Defroster - w/Swiv. - 2" Dark Brown	
039044-01-000	EA	Louver Asm. - A/C Adjustable	
048583-01-000	EA	Tray - Beverage - Sliding	
041476-01-000	FT	Track - Slide FVC Brown	
039333-01-000	EA	Cover - Motor - Plastic	
039857-01-000	EA	Latch - Rubber - Draw Handle 5 1/2" w/Strike	
039856-01-000	EA	Latch - Rubber - Draw Handle 3" w/Strike	
047515-03-000	EA	Tray - Asm. Beverage - Stationary Mounted to Dash	
040519-01-000	EA	Boot - Rubber - Steering Column	
040520-01-000	EA	Boot - Retainer - Steering Column	
034499-01-000	EA	Support - Dimmer Switch	
007019-01-000	EA	Belt Asm. - Seat - 2" x 84" Black	
041322-01-000	EA	Washer - Flat 15/32" I.D. x 2 1/2" O.D. - Seat Belt	
042434-02-000	EA	Sunvisor Asm. - 8" x 28" Dark Brown Left or Right	
035368-02-000	EA	Seal - Motor Cover - Alum.	
048826-01-000	EA	Cabinet - Front Overhead - w/o Doors	
007221-01-000	EA	Spacer - Seat Adjuster	
038837-01-000	EA	Pedestal Asm. - Seat Bottom w/Tightener	
038832-01-000	EA	Rod - Seat Adjuster	
041854-01-000	EA	Pedestal - Base - Single & Double Seat	
007223-01-000	EA	Adjuster Asm. - Seat w/Lock	
007227-01-000	EA	Adjuster - Seat - w/o Lock	
041459-01-000	EA	Pedestal - Top - Single Seat	
007224-01-000	EA	Handle - Seat Adjuster 3 1/2"	
048886-01-000	EA	Ashtray - Asm. - Flush Mount Chrome	
042341-03-000	EA	Trim - Interior "A" Post Left Hand Brown Plastic	
042341-04-000	EA	Trim - Interior "A" Post Right Hand Brown Plastic	
007278-01-000	EA	Mirror - Inside Rear View 4 1/2" x 9"	

**1977 ITASCA
TABLE OF CONTENTS**

Introduction	A-1
Abbreviations	A-1
Alphabetical Index	A-2 - A-4
C25A	A-5 - B-4
C27AL	B-15 - C-24
C22C	D-1 - E-10
C27A	E-11 - F-20
C25C	F-21 - H-4
C25CD	H-5 - I-14
C24C	I-15 - J-22
C25AD	J-23 - L-14

1977 C27A INDEX

Floor Plan	E-11 - E-12
Accessories Group	E-13 - E-14
Bath Group	E-15
Chassis Group	E-16 - E-17
Curtain, Cushion & Pad Group	E-18 - E-21
Dinette Group	E-22
Driver's Compartment Group	E-22
Electrical Group	E-23 - E-24
Exterior Body Group	F-1 - F-4
Galley Group	F-5
Heating & Air Conditioning Group	F-5
Interior Finish Group	F-6 - F-7
LP Group	F-7
Lounge Group	F-8
Water & Sewage Group	F-9
Window, Vent & Exterior Door Group	F-10 - F-20

ELECTRICAL GROUP

Key	Part Number	U/M	Description
	008195-01-070	EA	Switch - Push Button 12V
	008077-01-00L	EA	Plaque - Compressor Switch
	008064-01-000	EA	Cord - Power - 10-3 30A - 25" - UL
	034818-04-000	EA	Holder - Receptacle - Plastic
	039338-01-000	EA	Cover Plate - Receptacle - Plastic - Brown
	039339-01-000	EA	Receptacle - Duplex Brown - End of Line
	039342-01-000	EA	Receptacle - Duplex Brown - T Junction
	024571-01-000	EA	Cover Plate - Receptacle - Jumbo Steel Brown
	039343-01-000	EA	Cap - End - Receptacle
	008162-01-000	EA	Switch - Double Toggle - Spade Brown
	008163-01-000	EA	Switch - Toggle Brown
	024924-01-000	EA	Receptacle - Power Cord
	008058-01-000	EA	Adaptor - Power Cord
	008234-01-000	EA	Fuse 12V - 10 Amp.
	008235-01-000	EA	Fuse - 12V - 15 Amp.
	008236-01-000	EA	Fuse - 12V - 20 Amp.
	039950-02-000	EA	Control Center - 30 Amp w/Door UL
	048812-01-000	EA	Panel - Control - Water/Double Sewage - Wemac
	039881-01-000	EA	Sending Unit Kit - Wemac
	008024-01-000	FT	Wire 18.5 Bonded Orange/White/Yellow/Blue/Brown
	008025-01-000	FT	Wire 18.5 Bonded Orange/White/Yellow/Blue/Green
	008028-01-000	FT	Wire 18.5 Bonded Blue/Red/Yellow/Orange/White
	008030-01-000	FT	Wire 18.4 Bonded
	008251-01-000	EA	Fuse Holder - Black - Screw Type
	008252-01-000	EA	Fuse 110V - 50 Amp
	024418-01-000	EA	Lamp Asm. - Map/Gauge/Alt
	024473-01-000	EA	Light - Aircraft - 1 Bulb Gold
	033508-02-000	EA	Light - Dome - Ivory 1 Bulb
	024642-01-701	EA	Lens - Dome - 1 Bulb
	033509-02-000	EA	Light - Dome - Ivory 2 Bulb
	024643-01-701	EA	Lens - Dome - 2 Bulb
	008089-01-000	EA	Light - Porch - Recessed
	045863-01-000	EA	Lamp Asm. - Tail - Horizontal
	045864-01-000	EA	Lamp Asm. - Tail - Horizontal - w/License Mount
	046125-01-000	EA	Wedge - Tail Light
	042405-03-000	EA	Base - Rectangular Clearance Light
	042405-04-000	EA	Lens - Rectangular Light - Red
	042405-05-000	EA	Lens - Rectangular Light - Amber
	037935-01-000	EA	Bulb - 1157
	038010-01-000	EA	Bulb - 1143
	008103-01-000	EA	Bulb - 53
	008213-01-000	EA	Bulb - 57
	008214-01-000	EA	Bulb - 67
	008215-01-000	EA	Bulb - 1003
	008216-01-000	EA	Bulb - 1034
	008217-01-000	EA	Bulb - 1073
	008218-01-000	EA	Bulb - 1141
	008219-01-000	EA	Bulb - 656
	008520-01-000	EA	Bulb - 12V - 25W
	008528-01-000	EA	Bulb - 194
	7C M 01-000	EA	Bulb - 12V - 20W 1383
	008188-01-000	EA	Solenoid - Dual Battery - Relay
	047351-01-000	EA	Receptacle - Ground Fault Int. - 125V Black
	047353-01-000	EA	Cover Receptacle Ground Fault
	008208-01-000	EA	Circuit Breaker - 12V - 40 Amp
	008211-01-000	EA	Circuit Breaker - 12V - 6 Amp
	008268-01-000	EA	Circuit Breaker - 12V - 30 Amp w/Mount
	033573-01-000	EA	Circuit Breaker - 12V - 20 Amp w/Mount
	047338-01-000	EA	Isolator - Dual Battery
	047389-01-000	EA	Battery - 12V - 105 Amp Deep Cycle - Dry
	008233-01-000	EA	Fuse 12V - 6 Amp
	008277-01-000	EA	Holder - Fuse - Panel Mount - Black
	024459-01-000	EA	Gauge Asm. - Voltmeter
	031035-01-000	EA	Gauge Asm. - Hourmeter - Generator
	024462-01-000	EA	Switch - Battery Condition
	045863-01-700	EA	Lens - Tail Light - All Red
	045863-01-701	EA	Lens - Tail Light - Red w/Backup

ELECTRICAL GROUP (CONTINUED)

Key	Part Number	U/M	Description
	037998-01-000	EA	Link Asm. - Connecting 22.40" Long
	037999-01-000	EA	Motor Asm. Windshield
	038001-01-000	EA	Shaft & Pivot Asm. 2.25" Arm
	049463-01-000	EA	Arm Windshield Wiper 15" Black
	049464-01-000	EA	Blade Windshield Wiper 16" Black
	007029-01-000	EA	Washer Asm. Windshield Power Jet Elec. Front
	700073-05-000	EA	Pump & Cover Asm. for Windshield Washer
	700073-04-000	EA	Reservoir Only Water w/Washer
	700073-02-000	EA	Washer Nozzle Hardware Pkg. - Front

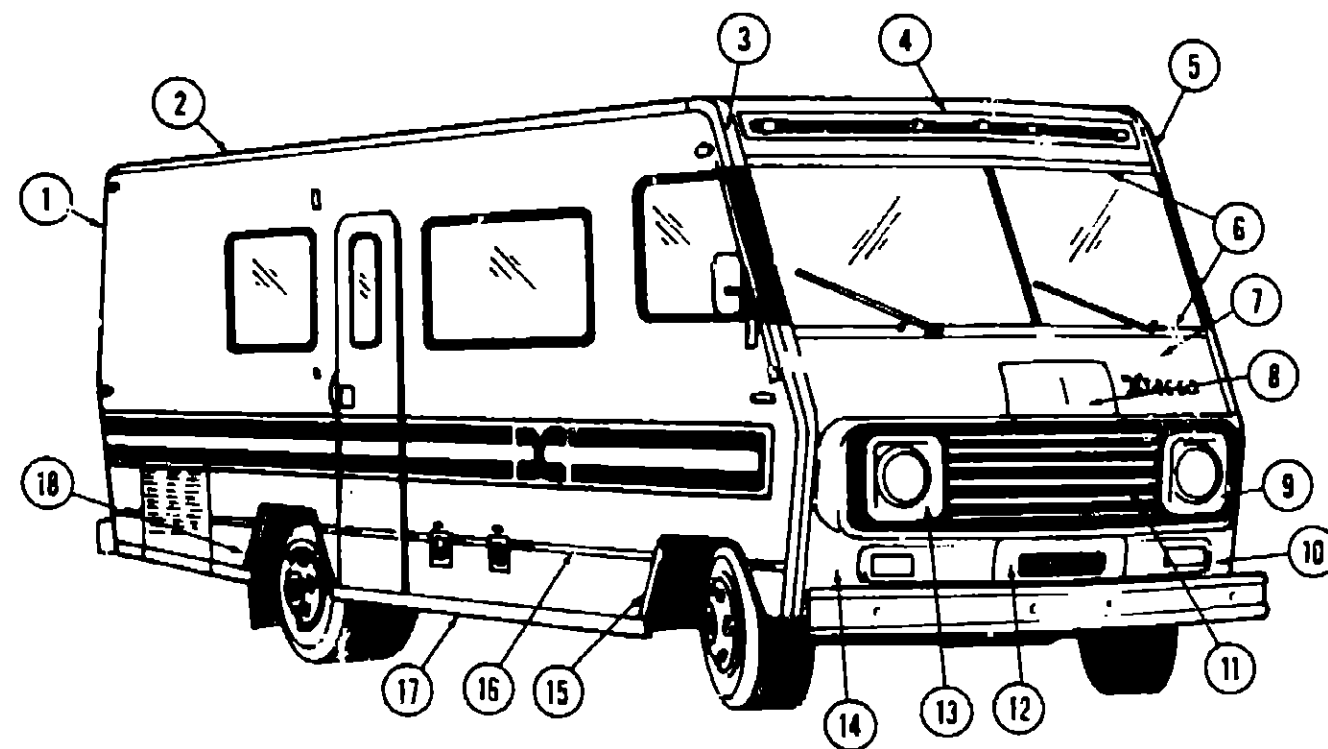
1977 ITASCA TABLE OF CONTENTS

Introduction	A-1
Abbreviations	A-1
Alphabetical Index	A-2 - A-4
C25A	A-5 - B-4
C27AL	B-15 - C-24
C22C	D-1 - E-10
C27A	E-11 - F-20
C25C	F-21 - H-4
C25CD	H-5 - I-14
C24C	I-15 - J-22
C25AD	J-23 - L-14

1977 C27A INDEX

Floor Plan	E-11 - E-12
Accessories Group	E-13 - E-14
Bath Group	E-15
Chassis Group	E-16 - E-17
Curtain, Cushion & Pad Group	E-18 - E-21
Dinette Group	E-22
Driver's Compartment Group	E-22
Electrical Group	E-23 - E-24
Exterior Body Group	F-1 - F-4
Galley Group	F-5
Heating & Air Conditioning Group	F-5
Interior Finish Group	F-6 - F-7
LP Group	F-7
Lounge Group	F-8
Water & Sewage Group	F-9
Window, Vent & Exterior Door Group	F-10 - F-20

EXTERIOR BODY GROUP



1977 ITASCA TABLE OF CONTENTS

Introduction	A-1
Abbreviations	A-1
Alphabetical Index	A-2 - A-4
C25A	A-5 - E-4
C27AL	B-15 - C-24
C22C	D-1 - E-10
C27A	E-11 - F-20
C25C	F-21 - H-4
C25CD	H-5 - I-14
C24C	I-15 - J-22
C25AD	J-23 - L-14

1977 C27A INDEX

Floor Plan	E-11 - E-12
Accessories Group	E-13 - E-14
Bath Group	E-15
Chassis Group	E-16 - E-17
Curtain, Cushion & Pad Group	E-18 - E-21
Dinette Group	E-22
Driver's Compartment Group	E-22
Electrical Group	E-23 - E-24
Exterior Body Group	F-1 - F-4
Galley Group	F-5
Heating & Air Conditioning Group	F-5
Interior Finish Group	F-6 - F-7
LP Group	F-7
Lounge Group	F-8
Water & Sewage Group	F-9
Window, Vent & Exterior Door Group	F-10 - F-20

Key	Part Number	U/M	Description
1	039964-01-000	EA	Trim - Contour - Right Rear - Off White
2	039964-02-000	EA	Trim - Contour - Left Rear - Off White
3	034922-03-000	EA	Trim - Sidewall - Upper - Left or Right - Off White
4	039963-01-000	EA	Trim - Contour - Right Front - Off White
5	040357-01-000	EA	Cap Asm. - Fiberglass - Over Windshield - Off White
6	039963-02-000	EA	Trim - Contour - Left Front - Off White
7	043988-02-000	EA	Trim - Windshield - 91" - Off White
8	046142-01-000	EA	Shroud - Front End - Upper - Off White
9	046145-01-000	EA	Door - Access - Front End - Off White Plastic
10	047336-01-000	EA	Catch - Magnetic (Access Door) Surface Mount
11	039615-01-000	EA	Holding Rod - Hood
12	046141-01-000	EA	Bezel - Headlamp - Plastic - Left
13	046144-01-000	EA	Shroud - Front End - Lower Left - Off White
14	047196-01-000	EA	Grille Asm. - Front End - Alum. w/Orange Striping Decal
15	046146-01-000	EA	Shroud - Front End Center - Off White
16	046140-01-000	EA	Bezel - Headlamp - Plastic - Right
17	046143-01-000	EA	Shroud - Front End - Lower Right - Off White
18	035628-01-000	EA	Fastener - Blind Well Nut - Fiberglass to Chassis

Key	Part Number	U/M	Description
15	039962-01-000	EA	Trim - Wheel Well - Front - Left or Right
16	002444-02-003	EA	Extr. - Feature Strip w/o Insert - Alum. - 16'
17	001030-02-002	EA	Insert - Feature Strip - Off White Alum. - 21'
18	009731-01-000	EA	End Cap - Feature Strip
19	036908-02-001	EA	Ext. - Anod. - Rocker Panel - 18'
20	040632-01-000	EA	Plug - Rocker Panel - Mitered - Wheel Well Opening Used for Left Side of All Wheel Well Openings
21	040631-01-000	EA	Plug - Rocker Panel - Mitered - Wheel Well Opening Used for Right Side of All Wheel Well Openings
22	040420-01-000	EA	Plug - Rocker Panel End - Right
23	040420-02-000	EA	Plug - Rocker Panel End - Left
24	039961-01-000	EA	Trim - Wheel Well Rear - Right or Left
25	038494-04-000	EA	Trim - Windshield - Center - 31.42" - Black
26	002365-02-001	EA	Extr. - Anod. U-Channel - 18' (Lower Backwall)
27	044582-02-000	EA	Drip Cap - Over Entry Door - Off White
28	009717-02-002	EA	Extr. - Drip Rail - Alum. - 19'
29	Not Illustrated		

EXTERIOR BODY GROUP (CONTINUED)

EXTERIOR BODY PANELS AND SHEET ALUMINUM

Key	Part Number	U/M	Description
	049796-01-000	EA	Backwall Asm. - Off White
	048711-01-000	EA	Sidewall Asm. - Right - Off White
	044815-01-000	EA	Sidewall Asm. - Left - Off White
	048710-01-000	EA	Roof Asm. - Plain Finish
	039155-03-008	EA	Off White Mesa Alum. - .024" x 36" x 60"
	039155-03-002	EA	Off White Mesa Alum. - .024" x 36" x 300"
	039155-03-003	EA	Off White Mesa Alum. - .024" x 36" x 360"
	039155-03-007	EA	Off White Mesa Alum. - .024" x 46" x 60"
	039155-03-005	EA	Off White Mesa Alum. - .024" x 48" x 300"
	039155-03-006	EA	Off White Mesa Alum. - .024" x 48" x 360"
	039155-03-009	EA	Off White Mesa Alum. - .024" x 12" x 360"
	044487-01-001	EA	Plain Roof Metal - 96" x 360"
	039155-07-010	EA	Off White Greyhound Alum. - 48" x 96"
	001054-01-011	EA	Off White Plain Alum. - 48" x 96"
	000868-01-000	BF	Styrofoam - 3/4" x 24" x 96"
	000870-01-000	BF	Styrofoam - 1 1/2" x 24" x 96"
	046817-01-000	EA	Panel Asm. - Valance - Off White

EXTERIOR PAINT

Key	Part Number	U/M	Description
	041561-01-000	EA	Paint - Off White - Acrylic Enamel - 1 Gal.
	041561-03-000	EA	Paint - Off White - Acrylic Enamel - 16 Oz. Aerosol
	041561-04-000	EA	Paint - Off White - Acrylic Lacquer - 1 Gal.
	045812-01-000	EA	Paint - Orange - Acrylic Enamel - 1 Gal.
	045812-03-000	EA	Paint - Orange - Acrylic Enamel - 16 oz. Aerosol
	041565-01-000	EA	Paint - Rally Yellow - Acrylic Enamel - 1 Gal.
	041565-03-000	EA	Paint - Rally Yellow - Acrylic Enamel - 16 Oz. Aerosol
	045681-01-000	EA	Paint - High Gloss Black - Acrylic Enamel - 1 Gal.
	045681-03-000	EA	Paint - High Gloss Black - Acrylic Enamel - 16 Oz. Aerosol
	042933-04-000	EA	Paint - Dark Brown - Acrylic Enamel - 1 Gal.
	042933-03-000	EA	Paint - Dark Brown - Acrylic Enamel - 16 Oz. Aerosol

LABELS AND DECALS

Key	Part Number	U/M	Description
	006031-01-000	EA	Label - Potable Water Only
	006187-01-000	EA	Label - Sewage
	006188-01-000	EA	Label - Waste Water
	006199-01-000	EA	Label - Exit - Escape Window
	039289-01-000	EA	Label - Warning Aux. Loading
	006023-01-000	EA	Label - Water Only
	006025-01-000	EA	Label - Gas
	005028-01-000	EA	Label - Drain Cap - 2" x 3"
	008092-01-000	EA	Reflector - Stick on - Rectangular - Red
	008093-01-000	EA	Reflector - Stick on - Rectangular - Amber
	046325-01-000	EA	Decal - Logo - Itasca - Grille
	046764-01-000	EA	Decal - Grille Accent - Left - Orange
	046764-02-000	EA	Decal - Grille Accent - Right - Orange
	040055-01-000	EA	Decal - Clearance Light Stripe - Right
	040055-02-000	EA	Decal - Clearance Light Stripe - Left
	041273-02-000	FT	Decal - Stripe - 88" Black
	046320-01-000	EA	Stencil - Stripe - Front Side - Right
	046320-02-000	EA	Stencil - Stripe - Front Side - Left
	041273-04-000	FT	Decal - Stripe - .64" Orange - Grille
	046322-01-000	EA	Decal - Stripe - Front Side - Right - Black
	046322-02-000	EA	Decal - Stripe - Front Side - Left - Black
	046323-01-000	EA	Stencil - Logo - Itasca "I"
	046400-01-000	EA	Decal - Logo - Itasca 5.25" High

EXTERIOR BODY GROUP (CONTINUED)

SEALANTS, ADHESIVES AND FASTENERS

Key	Part Number	U/M	Description
	034552-05-000	EA	Sealant - Off White Silicone
	034552-04-000	EA	Sealant - Beige Silicone
	034552-02-000	EA	Sealant - Clear Silicone
	004348-02-000	EA	Sealant - Aluminum Silicone
	004349-01-000	EA	Sealant - Black Silicone
	004342-01-000	EA	Sealant - Weatherban 202 Tube
	004346-02-000	EA	Sealant - White Silicone
	004347-01-000	EA	Sealant - Tuflex
	002316-01-000	FT	Sealer Tape - 3/32" x 1/8"
	024545-01-000	FT	Sealer Tape - 1/8" x 5/8" - Black
	004350-01-000	FT	Sealer Tape - 1/8" x 1" - Formaseal
	004352-01-000	FT	Sealer Tape - 1/8" x 3/4" - Formaseal
	004355-01-000	FT	Sealer Tape - 1/8" x 5/8" - Black
	004357-01-000	FT	Sealer Tape - 1/8" x 5/8" - Adhesive
	002707-01-000	FT	Sealer Tape - 5/16" x 3/4" - Black Foam
	004363-01-000	FT	Sealer Tape - 3/16" x 1/2" - Foam
	004362-01-000	FT	Sealer Tape - 1/4" x 5/8" - Foam
	009200-01-000	EA	Tape - Furnace - 1 1/2"
	041839-01-000	FT	Tape - Window Latch - 3/4" - Adhesive
	041839-02-000	FT	Tape - Window Latch - 1/2" - Adhesive
	004353-01-000	FT	Tape - Gasket - 1/8" x 3/4" - White
	002825-01-000	FT	Weather Stripping - Roof Vent
	002337-01-000	EA	Adhesive - 3M - 1300 Tube
	004005-01-000	GL	Adhesive - Swifts - Green - Glue (Sidewalls)
	004012-01-000	EA	Adhesive - 3M - 4475 Tube
	004020-01-000	QT	Adhesive - ABS Cement (Plastic Fittings)
	029051-01-000	EA	Adhesive - Spray Vinyl
	042401-01-000	EA	Screw - 8 - 18 x 3/4" SDPH Beige
	042403-01-000	EA	Screw - SF/DR - 8 - 18 x 1" SDPH Beige
	005058-01-000	EA	Screw - Wood - 12 - 11 x 3" P.O.H. Zinc

MISCELLANEOUS EXTERNALLY MOUNTED PARTS

Key	Part Number	U/M	Description
	016253-06-000	EA	Fuel Fill - Recessed - Single - Off White
	010230-02-000	EA	Fill - City Water - Recessed - Off White
	011020-01-000	EA	Fill - Water - Recessed - Off White
	011124-01-000	EA	Plumbing Seal - Roof Vent - 1 1/4" White
	011129-01-000	EA	Plumbing Seal - Roof Vent - 1 1/2" White
	049347-01-000	EA	Mirror Head - 7 1/2" x 10 1/2" Stainless Steel w/o Bracket
	049348-01-000	EA	Arm - Low Mount Mirror - Brite Finish
	049944-01-000	EA	Bracket - Mirror - Outside - Beige - Mounts to Coach
	009126-01-000	EA	Handle - Assist - Metal

1977 ITASCA TABLE OF CONTENTS

Introduction	A-1
Abbreviations	A-1
Alphabetical Index	A 2 - A-4
C25A	A-5 - B-4
C27AL	P-15 - C-24
C22C	D-1 - E-10
C27A	E-11 - F-20
C25C	F-21 - H-4
C25CD	H-5 - I-14
C24C	I-15 - J-22
C25AD	J-23 - L-14

1977 C27A INDEX

Floor Plan	E-11 - E-12
Accessories Group	E-13 - E-14
Bath Group	E-15
Chassis Group	E-16 - E-17
Curtain, Cushion & Pad Group	E-18 - E-21
Dinette Group	E-22
Driver's Compartment Group	E-22
Electrical Group	E-23 - E-24
Exterior Body Group	F-1 - F-4
Galley Group	F-5
Heating & Air Conditioning Group	F-5
Interior Finish Group	F-6 - F-7
LP Group	F-7
Lounge Group	F-8
Water & Sewage Group	F-9
Window, Vent & Exterior Door Group	F-10 - F-20

GALLEY GROUP

Key	Part Number	U/M	Description
	011053-01-000	EA	Faucet - Swing Spout
	011053-01-700	EA	Aerator - Swing Spout
	042709-06-700	EA	Drawer Asm. Galley Cabinet - Notch Up - w/o Hardware
	049586-01-000	EA	Cabinet Asm. Galley w/o Countertop Drawers Doors or Hardware
	049587-01-000	EA	Countertop Cabinet Galley Rust (Fire and Grass)
	049587-02-000	EA	Countertop Cabinet Galley Gold (Aztec Gold)
	049587-03-000	EA	Countertop Cabinet Galley Beige (Saddle)
	049746-03-700	EA	Door Asm. Galley 15 1/4" x 25 1/4" w/o Hardware
	045061-01-700	EA	Drawer Asm. - Pantry w/o Hardware
	011085-01-000	EA	Strainer - Sink
	011032-01-000	EA	Sink - Stainless Steel w/Bolts
	049746-06-700	EA	Door Asm. Refrigerator Cabinet 23 5/16" x 12 1/4" Right Hand
	049771-01-700	EA	Door Asm. Cabinet Overhead 17" x 9" w/o Hardware
	048718-01-000	EA	Cabinet Asm. Galley Overhead w/o Doors or Hardware
**	049045-01-000	EA	Range - 4 Burner - Large Oven - Chrome - Magic Chef
**	046954-01-000	EA	Hood - Range - Power w/Spice Rack - Jensen
**	049174-01-000	EA	Refrigerator - A/C/Gas - ET 230 - 2 Door Model - Sibir

** The illustrated parts breakdown for this item is provided on the Common Items Fiche.

HEATING AND AIR CONDITIONING GROUP

Key	Part Number	U/M	Description
	048100-01-000	EA	A/C Compressor Mount Package - 454 C.I.D.
	007076-01-000	FT	Hose - Flex - 2" Diameter
	007108-01-000	FT	Hose - Heater - 3/4" Diameter
	007139-01-000	EA	Clamp - Hose 3/4" - 1 1/16" Diameter
	007140-01-000	EA	Clamp - Hose - 2" - 3" Diameter
	007281-01-000	FT	Hose - Flex - 2 1/2" Diameter
	024868-01-000	EA	Receiver - Dehydrator
	024906-01-000	EA	Clutch - Magnetic - Compressor
	024999-01-000	EA	Compressor - Auto Air - 10.3 Cu. In.
	031043-01-000	EA	Valve - Flow Control - Heater
	031044-01-000	EA	Clamp - Receiver Drier
	031169-02-000	EA	Cable - Control - Flexible - 48"
	031170-01-000	EA	Clamp - Cable - 3/16" Diameter
	031960-01-000	EA	Hose - Refrigerant - .34" I.D. x 30"
	031961-01-000	EA	Hose - Refrigerant - .31" I.D. x 14.75"
	033258-01-000	EA	Hose - Refrigerant - .50" I.D. x 34.5"
	034222-01-000	EA	Hose - Refrigerant - .31" I.D. x 26"
	033860-02-000	EA	Cable - Bowden - 46"
	048232-02-000	EA	Kit - Auto Air - 454 C.I.D. - A-Body
	024860-01-000	EA	Panel - Front - Heater - A/C
	024997-01-000	EA	Core - Heater
	024998-01-000	EA	Wheel - Blower - 4 7/2" O.D.
	047046-01-000	EA	Motor - 12V - 3 Speed
	039044-01-000	EA	Louver Asm. - A/C Adjustable
	008267-01-000	EA	Switch - A/C Temperature
	024907-01-000	EA	Switch - Fan - 3 Speed
**	049042-01-000	EA	Furnace - 22,000 BTU - Under Counter - Coleman - 4322
**	049043-01-000	EA	Furnace - 28,000 BTU - Under Counter - Coleman - 4328
**	049777-01-000	EA	Air Conditioner - 110 Volt - Roof Mount - 11,000 BTU - Ivory Coleman (w/o Inside Shroud)
**	049778-01-000	EA	Shroud Asm. - Ceiling - Inside - Roof Air - Cool Only - 11,000 BTU - Coleman
**	049774-01-000	EA	Air Conditioner - 110 Volt - Roof Mount - 13,500 BTU Ivory - Coleman (w/o Inside Shroud)
**	049775-01-000	EA	Shroud Asm. - Ceiling - Inside - Roof Air - Cool Only - 13,500 BTU - Coleman
**	049776-01-000	EA	Shroud Asm. - Ceiling - Inside - Roof Air - Heat and Cool Only - 13,500 BTU - Coleman

** The illustrated parts breakdown for this item is provided on the Common Items Fiche.

INTERIOR FINISH GROUP

Key	Part Number	U/M	Description
	041205-07-000	SF	Plastic Laminate - 48" x 96" Rust Leather (Fire and Grass)
	041205-07-001	EA	Plastic Laminate - 48" x 48" Rust Leather (Fire and Grass)
	041205-07-002	EA	Plastic Laminate - 1.19" x 96" Rust Leather (Fire and Grass)
	041205-08-000	SF	Plastic Laminate - 48" x 96" Gold Leather (Aztec Gold)
	041205-08-001	EA	Plastic Laminate - 48" x 48" Gold Leather (Aztec Gold)
	041205-08-002	EA	Plastic Laminate - 1.19" x 96" Gold Leather (Aztec Gold)
	041205-09-000	SF	Plastic Laminate - 48" x 96" - Beige Leather (Saddle)
	041205-09-001	EA	Plastic Laminate - 48" x 48" - Beige Leather (Saddle)
	041205-09-002	EA	Plastic Laminate - 1.19" x 96" - Beige Leather (Saddle)
	039188-01-000	SF	Paneling - 707 Hickory - 48" x 96" (32 SF)
	045963-01-000	SF	Paneling - 825 Buff - 48" x 96" (32 SF)
	000868-01-000	BF	Styrofoam - 3/4" x 24" x 96"
	000726-06-000	EA	Batt Strip - 707 Hickory
	047354-01-000	EA	Batt Strip - 825 Buff
	024700-04-000	EA	Cover - Sidewall Roll Bar - 707 Hickory
	024700-06-000	EA	Cover - Sidewall Roll Bar - Ivory
	039512-02-000	EA	Cover - Hat Section - 707 Hickory
	039512-06-000	EA	Cover - Hat Section - Ivory
	047488-01-000	EA	Cover - Corner - Hat/Hat
	047489-01-000	EA	Cover - Corner - Tube/Tube
	047490-01-000	EA	Cover - Corner - Hat/Tube
	002830-01-002	EA	Extr. - U-Channel - Pipe Cover - 16"
	040069-01-000	EA	Mat - Door - Black Rubber 20 1/2" x 26"
	049654-01-000	EA	Kit - Pull Asm. - Drawer
	049655-01-000	EA	Kit - Knob Asm. - Door
	041931-01-000	EA	Kit - Cabinet Door Hinge
	039873-01-000	EA	Kit - Latch - Medicine Cabinet
	009047-01-000	EA	Support - Overhead Door
	047744-01-000	EA	Kit - Drawer Glide
	037688-01-000	FT	Rail - Drawer Glide - V
	033535-03-000	FT	Molding Asm. - Shelf - 707 Hickory
	009812-03-000	FT	Molding - Plastic - Corner - O/S .5"
	009767-01-000	FT	Walling - Brown
	009815-02-000	FT	T-Molding - 3/4" Brown
	041838-01-000	EA	Screw - 5" x 1/4" POH - Antique Brass
	009778-01-000	FT	U-Channel - 1" - Dark Brown
	009779-01-000	FT	U-Channel - 1 1/2" Dark Brown
	034689-03-000	EA	Cover - Screw - PPH - 10 - Ivory
	009112-01-000	EA	Flange - 1" Rod - Chrome - Wardrobe
	002766-02-000	EA	Extr - Angle - 1" x 1 1/2" x 17" - Stiffener
	009151-01-000	EA	Warp Guard - 48"
	042414-01-000	FT	Trim - Accent - Brown Bostonian
	047842-01-000	EA	Kit - Hardware - Dinette Table Leg
	047809-02-000	EA	Kit - Hardware - Dinette Table Wall Mount
	009040-03-000	EA	Base - Pedestal Table Leg
	009041-01-000	EA	Leg - Pedestal Table - 30" Chrome
	041194-01-000	EA	Base - Pedestal Table Leg - Recessed
	050826-01-000	EA	Track - Curtain - Wraparound - Right
	050826-02-000	EA	Track - Curtain - Wraparound - Left
	009108-01-000	FT	Track - Curtain - Brown Plastic 3/4" x 16"
	009701-01-000	EA	Roller - Curtain - "L" Rod
	009702-01-000	EA	End Stop - Curtain Track - "L" Rod
	018031-42-000	EA	Track - Curtain - "L" Rod 90"
	009223-01-000	EA	Rod - Curtain - Flat Extension - 32" - 51"
	049897-01-000	EA	Rod - Curtain - Flat Extension 25" - 45"
	049897-02-000	EA	Rod - Curtain - Flat Extension - 48" - 86"
	042439-01-000	EA	Bracket - Curtain Rod - Single
	009107-01-000	EA	Guide - Nylon Snap - White
	041864-01-000	EA	Hinge - 1 1/2" x 16" w/Holes - Folding Table Option
	024283-01-000	EA	Clip - 1" - 1.125" O.D. Tube - Black
	009049-01-000	EA	Table Support - Drop Leaf - Galley Extension
	009059-01-000	EA	Hinge - 2" - Gold - Galley Extension
	004346-02-000	EA	Silicone Sealant - White
	004348-02-000	EA	Silicone Sealant - Aluminum

F-5

1977 ITASCA TABLE OF CONTENTS

Introduction	A-1
Abbreviations	A-1
Alphabetical Index	A-2 - A-4
C25A	A-5 - B-4
C27AL	B-15 - C-24
C22C	D-1 - E-10
C27A	E-11 - F-20
C25C	F-21 - H-4
C25CD	H-5 - I-14
C24C	I-15 - J-22
C25AD	J-23 - L-14

1977 C27A INDEX

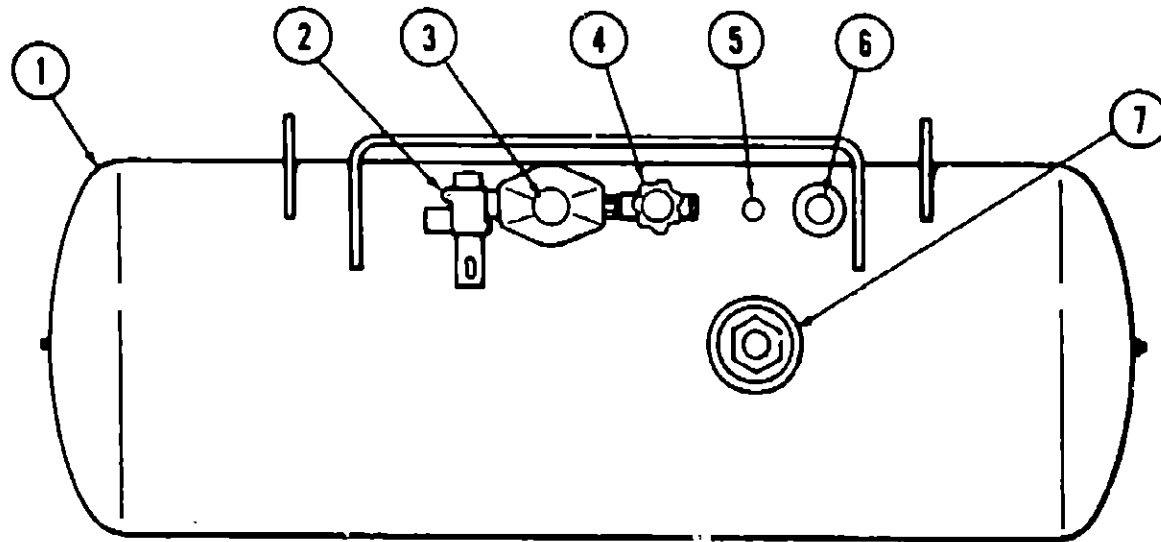
Floor Plan	E-11 - E-12
Accessories Group	E-13 - E-14
Bath Group	E-15
Chassis Group	E-16 - E-17
Curtain, Cushion & Pad Group	E-18 - E-21
Dinette Group	E-22
Driver's Compartment Group	E-22
Electrical Group	E-23 - E-24
Exterior Body Group	F-1 - F-4
Galley Group	F-5
Heating & Air Conditioning Group	F-5
Interior Finish Group	F-6 - F-7
LP Group	F-7
Lounge Group	F-8
Water & Sewage Group	F-9
Window, Vent & Exterior Door Group	F-10 - F-20

F-6

INTERIOR FINISH GROUP (CONTINUED)

Key	Part Number	U/M	Description
	041210-03-000	SY	Carpet - Orange Morning Dew - Rust - (Fire and Grass)
	043635-01-000	SY	Carpet - Coffee Brown Morning Dew - Gold - (Aztec Gold)
	043635-02-000	SY	Carpet - Beige Morning Dew - Beige - (Saddle)
	043618-01-000	YD	Fabric - Upholstery - Rust - (Fire and Grass)
	043618-02-000	YD	Fabric - Upholstery - Gold - (Aztec Gold)
	043618-03-000	YD	Fabric - Upholstery - Beige - (Saddle)
	043619-01-000	YD	Fabric - Drapery - Rust - (Fire and Grass)
	043619-02-000	YD	Fabric - Drapery - Gold - (Aztec Gold)
	043619-03-000	YD	Fabric - Drapery - Beige - (Saddle)
	042411-01-000	YD	Vinyl - Non Expanded - 27 Oz. - Brown - Bostonian
	042411-02-000	YD	Vinyl - Expanded - 28 Oz. Brown - Bostonian

LP GROUP



Key	Part Number	U/M	Description
1	040421-01-000	EA	Tank - LP - Frame Mount - 83 Pound
2	047221-01-000	EA	Detector - LP Gas Leak
3	024712-01-000	EA	Cover - LP Regulator
	052163-01-000	EA	Regulator - Manual - LP Gas - 2 Stage
4	040421-01-703	EA	Valve - Vapor Relief
5	040421-01-700	EA	Gauge - Liquid Level - 20% LP
6	040421-01-701	EA	Valve - Filler - LP
	040421-01-702	EA	Cap - Plastic Fill Valve
7	040421-01-707	EA	Gauge - Flat - w/Visible Dial - 83 Pound Tank
	040421-01-706	EA	Dial - Visible Face - Float Gauge (Tank w/o Electric Transmitter)
	040421-01-705	EA	Dial - Transmitter - O - 90 Ohm (Float Gauge)
	045703-03-000	EA	Hose Asm. - LP - 3/8" I.D. x 14"
	047737-02-000	EA	Support - LP Tank - 89.25"
	047737-03-000	EA	Support - LP Tank - 30.50"
			Not Illustrated

LOUNGE GROUP

Key	Part Number	U/M	Description
	040924-01-700	EA	Door - Sliding - Divider w/o Hardware
	009148-01-000	EA	Pull - Finger 3/4" Brass
	009156-01-000	EA	Track - Sliding Door
	009156-01-000	EA	Hanger - Sliding Door
	011028-01-000	EA	Sink - Stainless Steel Oval w/Bolts
	011083-01-000	EA	Plug - c/o 1/4" x 5" w/Chain & Stopper
	041027-01-000	EA	Faucet - Bar-8" Spout
	044966-01-000	EA	Panel - Entertainment Center
	046112-02-000	EA	Mirror - Plastic 1/4" x 24" x 30"
	046113-01-000	EA	Rosette - Plastic - Mirror Mounting
	047843-01-000	EA	Cabinet - Entertainment Center Rust (Fire and Grass)
	047843-02-000	EA	Cabinet - Entertainment Center Gold (Aztec Gold)
	047843-03-000	EA	Cabinet - Entertainment Center Beige (Saddle)
	048716-01-000	EA	Cabinet Asm. Overhead Entertainment Center w/o Door or Hardware
	049771-02-700	EA	Door Asm. Cabinet Overhead Rear (w/o Bunk) w/o Door or Hardware
	048872-01-000	EA	Baffle - Speaker - Rear Overhead Left
	048872-02-000	EA	Baffle - Speaker - Rear Overhead Right
	049971-02-700	EA	Door Asm. Cabinet Overhead 26" x 9" w/o Hardware
	040868-01-000	EA	Cabinet - Twin Bed - Left
	040869-01-000	EA	Cabinet - Twin Bed - Right
	048714-01-000	EA	Cabinet Asm. - Side Overhead Left w/o Doors or Hardware
	049771-01-700	EA	Door Asm. Left or Right Cabinet Overhead 17" x 9" w/o Hardware
	048714-02-000	EA	Cabinet Asm. - Side Overhead Right w/o Doors or Hardware
	049589-01-000	EA	Countertop - Cabinet - Wardrobe Rust (Fire and Grass)
	049589-02-000	EA	Countertop - Cabinet - Wardrobe Gold (Aztec Gold)
	049589-03-000	EA	Countertop - Cabinet - Wardrobe Beige (Saddle)
	009112-01-000	EA	Flange - 1" Rod - Chrome
	049746-04-700	EA	Door Asm. Wardrobe - Left or Right w/o Hardware
	041193-02-700	EA	Table - Rear Lounge w/o Hardware Rust (Fire and Grass)
	041193-03-700	EA	Table - Rear Lounge w/o Hardware Gold (Aztec Gold)
	041193-04-700	EA	Table - Rear Lounge w/o Hardware Beige (Saddle)
	009040-03-000	EA	Base - Table Leg
	009041-01-000	EA	Table - Leg 30" Chrome (Ped. Type)
	041194-01-000	EA	Base - Table Leg Recessed
	048713-01-000	EA	Cabinet - Overhead w/o Bunk w/o Doors or Hardware
	044820-02-000	EA	Cabinet - Nightstand - Top Section Gold (Aztec Gold)
	044820-03-000	EA	Cabinet - Nightstand - Top Section Beige (Saddle)
	048820-03-000	EA	Cabinet - Nightstand - Top Section Beige (Saddle)
	043255-01-000	FT	Track - Plastic - Roll Up Cabinet Door Dark Brown
	043256-01-000	EA	Spiral - Plastic - Roll Up Cabinet Door Right Hand
	043256-02-000	EA	Spiral - Plastic - Roll Up Cabinet Door Left Hand
	044820-01-700	EA	Door - Roll Up - 1/8" x 18" x 21"
	043257-01-000	FT	Handle - Wood - Roll Up Cabinet Door
	044821-01-000	EA	Cabinet - Nightstand - Lower Section

1977 ITASCA TABLE OF CONTENTS

Introduction	A-1
Abbreviations	A-1
Alphabetical Index	A-2 - A-4
C25A	A-5 - B-4
C27AL	B-15 - C-24
C22C	D-1 - E-10
C27A	E-11 - F-20
C25C	F-21 - H-4
C25CD	H-5 - I-14
C24C	I-15 - J-22
C25AD	J-23 - L-14

1977 C27A INDEX

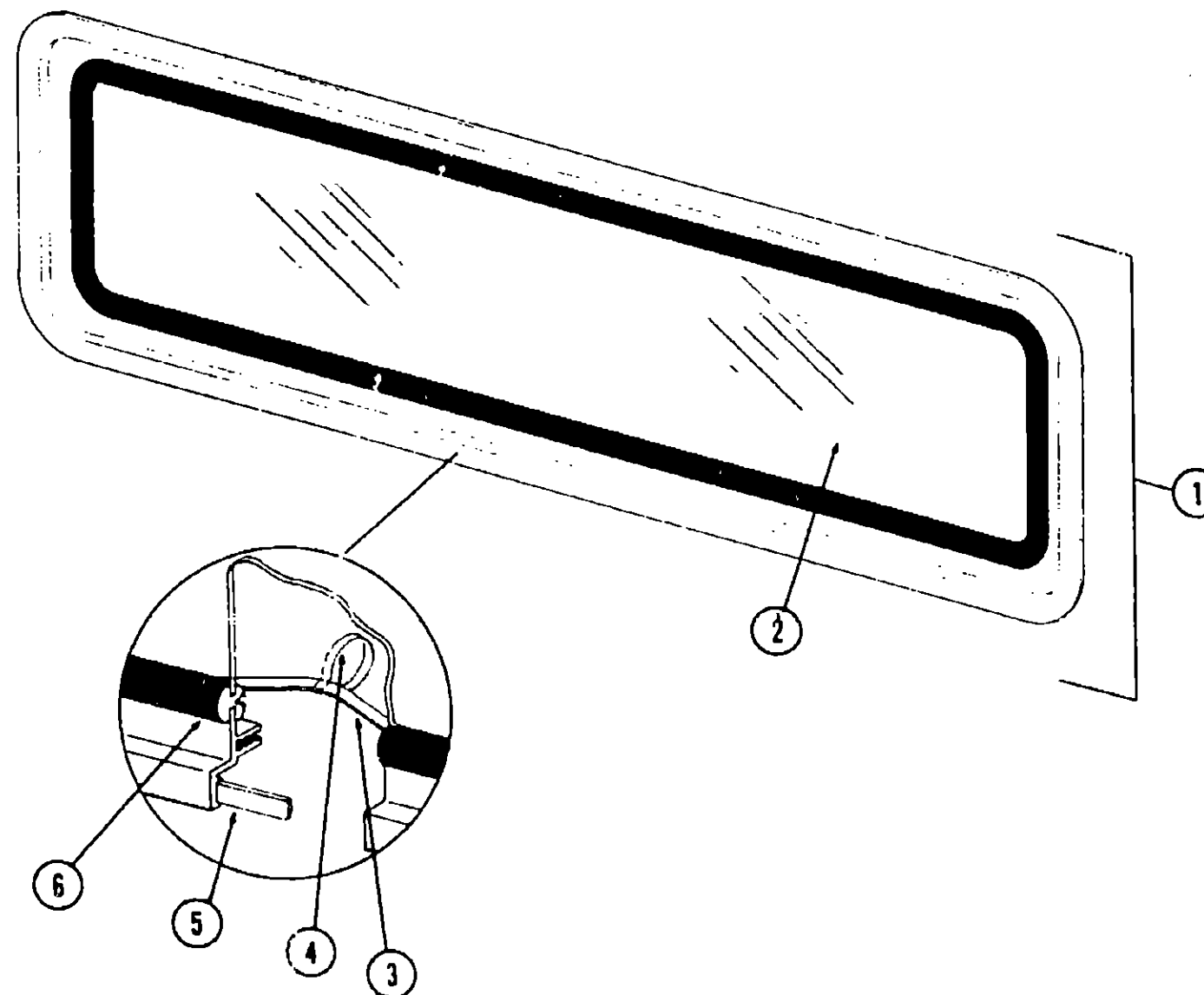
Floor Plan	E-11 - E-12
Accessories Group	E-13 - E-14
Bath Group	E-15
Chassis Group	E-16 - E-17
Curtain, Cushion & Pad Group	E-18 - E-21
Dinette Group	E-22
Driver's Compartment Group	E-22
Electrical Group	E-23 - E-24
Exterior Body Group	F-1 - F-4
Galley Group	F-5
Heating & Air Conditioning Group	F-5
Interior Finish Group	F-6 - F-7
LP Group	F-7
Lounge Group	F-8
Water & Sewage Group	F-9
Window, Vent & Exterior Door Group	F-10 - F-20

WATER AND SEWAGE GROUP

Key	Part Number	U/M	Description
	040539-01-000	EA	Kit - Repair - 3/4" O.D. Plastic Tube
	040540-01-000	EA	Kit - Repair - 1/2" O.D. Plastic Tube
	040541-01-000	EA	Kit - Repair - 3/8" O.D. Plastic Tube
	041279-02-000	EA	Pump - Water Flow 2.8 G.P.M. - PAR
	039647-02-000	EA	Filter - Water Pump 1/2" MPT
	039809-01-000	EA	Valve - Stool - Plastic 3/4" x 1/2" FPT
	039818-01-000	EA	Riser Asm. - 3/4" O.D. x 24" Tube
	039818-02-000	EA	Riser Asm. - 3/4" O.D. x 36" Tube
	039818-04-000	EA	Riser Asm. - 3/4" O.D. x 72" Tube
	039818-05-000	EA	Riser Asm. - 3/4" O.D. x 48" Tube
	041819-01-000	EA	Nut and Cone - Plastic 1/2" O.D. Tube
	046128-01-000	EA	Valve - Drain - Plastic 1/2" FPT
	039807-01-000	EA	Valve - Drain - Brass - 1/2" MPT
	007137-01-000	EA	Clamp - Worm Gear - 1 5/16" - 2 1/2"
	007161-01-000	EA	Clamp - Spring Type - 1 1/2"
	011091-01-000	EA	Waste - Continuous - Double Sink 11 1/2"
	011066-01-000	EA	P-Trap - Plastic - 1 1/2"
	010205-01-000	EA	Valve - Sanitary Thetford 3XB
	047246-01-000	EA	Handle - Extension - Sewer Valve 43"
	047247-01-000	EA	Handle - Extension - Sewer Valve 19"
	045121-01-000	EA	Tank Asm. Complete - Piggy - Back Holding
	044588-03-000	EA	Tank - Holding 37 1/2 Gallon w/Fittings
	044588-01-000	EA	Tank - Holding Plastic 37 1/2 Gallon w/o Fittings
	044589-03-000	EA	Tank Asm. Holding 31 1/2 Gallon w/Fittings
	044589-01-000	EA	Tank - Holding Plastic 31 1/2 Gallon w/o Fittings
	046524-01-000	EA	Kit - Plastic Fittings - Holding Tank (For Use with Blank Holding Tank or Tank Repairs)
	050780-01-000	EA	Coupler - Rubber 3" Dia. x 3"
	045249-01-000	EA	Tank Asm. - Water - Plastic 36 Gallon w/Fittings
	045194-01-000	EA	Tank - Water - Plastic 36 Gallon w/o Fittings
	045250-01-000	EA	Tank Asm. - Water - Plastic - 30 Gallon - w/Fittings
	045195-01-000	EA	Tank - Water - Plastic - 30 Gallon w/o Fittings
	046524-02-000	EA	Kit - Plastic Fittings - Water Tank (For use with blank water tank or tank repairs)
	004020-01-000	QT	Adhesive - ABS Cement
	010201-01-000	EA	Hose - Sewer 3" x 10 Ft. w/Clamp
	010235-01-000	EA	Cap - Sewage 3"
	010236-01-000	EA	Adapter - Hose 3" Sewage
	010234-01-000	EA	Adapter - Bayonet
**	031962-01-000	EA	Water Heater - 6 Gallon - w/Motor Aid - Atwood - GH6
**	051392-01-000	EA	Water Heater - 6 Gallon w/Motor Aid - Atwood - GH63

** The illustrated parts breakdown for this item is provided on the Common Items Fiche.

WINDOW, VENT AND EXTERIOR DOOR GROUP



Key	Part Number	U/M	Description
1	020754-03-000	EA	Window Asm. Escape - 23" x 68" Black Anod. (w/o Inside Frame)
2	002178-01-000	EA	Glass 1/8" x 19.61" x 64.80"
3	002285-01-000	FT	Weatherstrip - Filler - Black
4	020395-01-000	EA	Sill Ring - Pull
5	004363-01-000	FT	Tape - Foam - 3/16" x 1/2" - Gray
6	002282-01-000	FT	Weatherstrip - Window .125" Black
*	020753-04-000	EA	Frame - Window - Inside - Escape 23" x 68" (not included in assembly)
*	006199-01-000	EA	Label - Exit - Escape Window
*			Not Illustrated

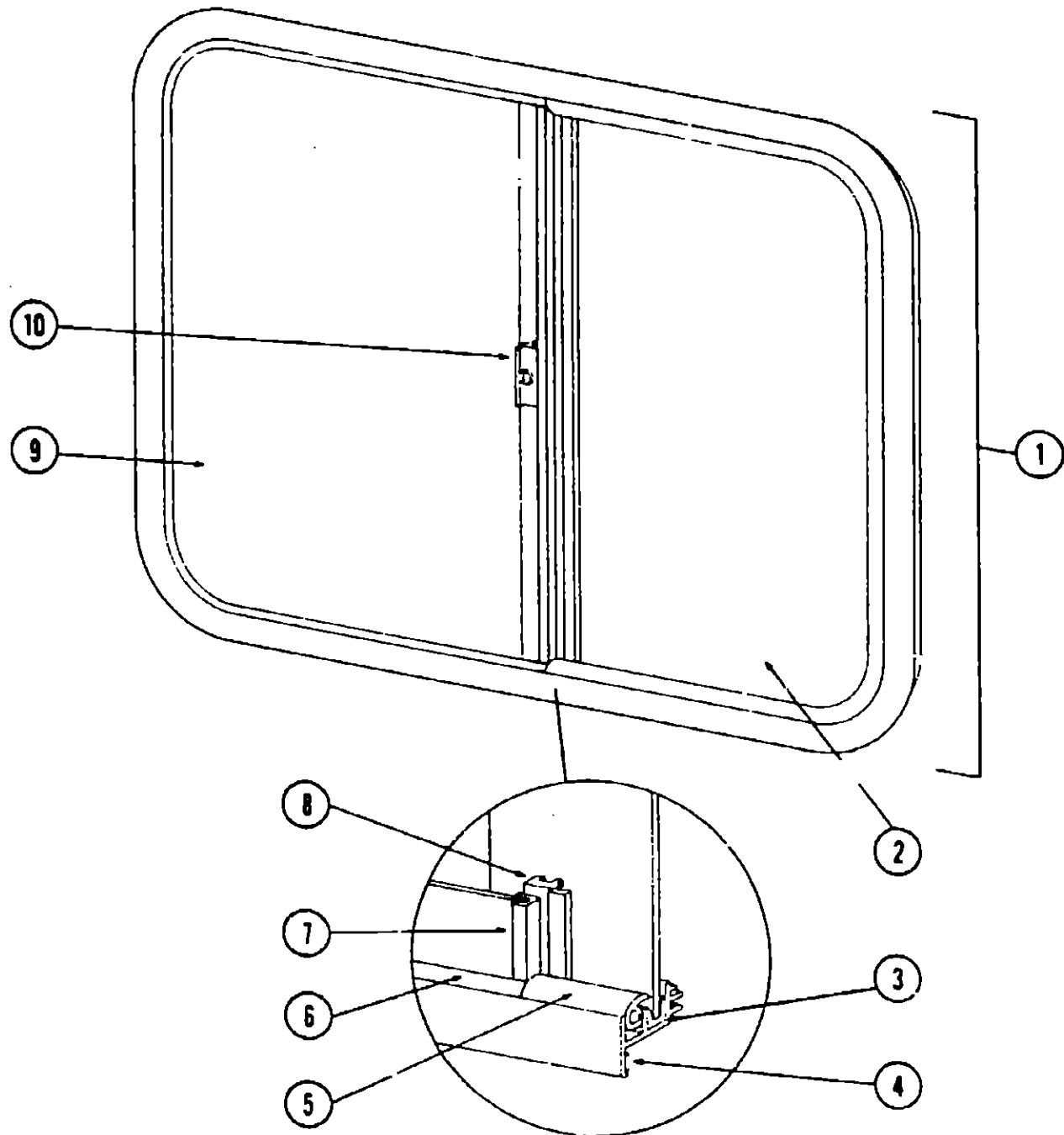
1977 ITASCA TABLE OF CONTENTS

Introduction	A-1
Abbreviations	A-1
Alphabetical Index	A-2 - A-4
C25A	A-5 - B-4
C27AL	B-15 - C-24
C22C	D-1 - E-10
C27A	E-11 - F-20
C25C	F-21 - H-4
C25CD	H-5 - I-14
C24C	I-15 - J-22
C25AD	J-23 - L-14

1977 C27A INDEX

Floor Plan	E-11 - E-12
Accessories Group	E-13 - E-14
Bath Group	E-15
Chassis Group	E-16 - E-17
Curtain, Cushion & Pad Group	E-18 - E-21
Dinette Group	E-22
Driver's Compartment Group	E-22
Electrical Group	E-23 - E-24
Exterior Body Group	F-1 - F-4
Galley Group	F-5
Heating & Air Conditioning Group	F-5
Interior Finish Group	F-6 - F-7
LP Group	F-7
Lounge Group	F-8
Water & Sewage Group	F-9
Window, Vent & Exterior Door Group	F-10 - F-20

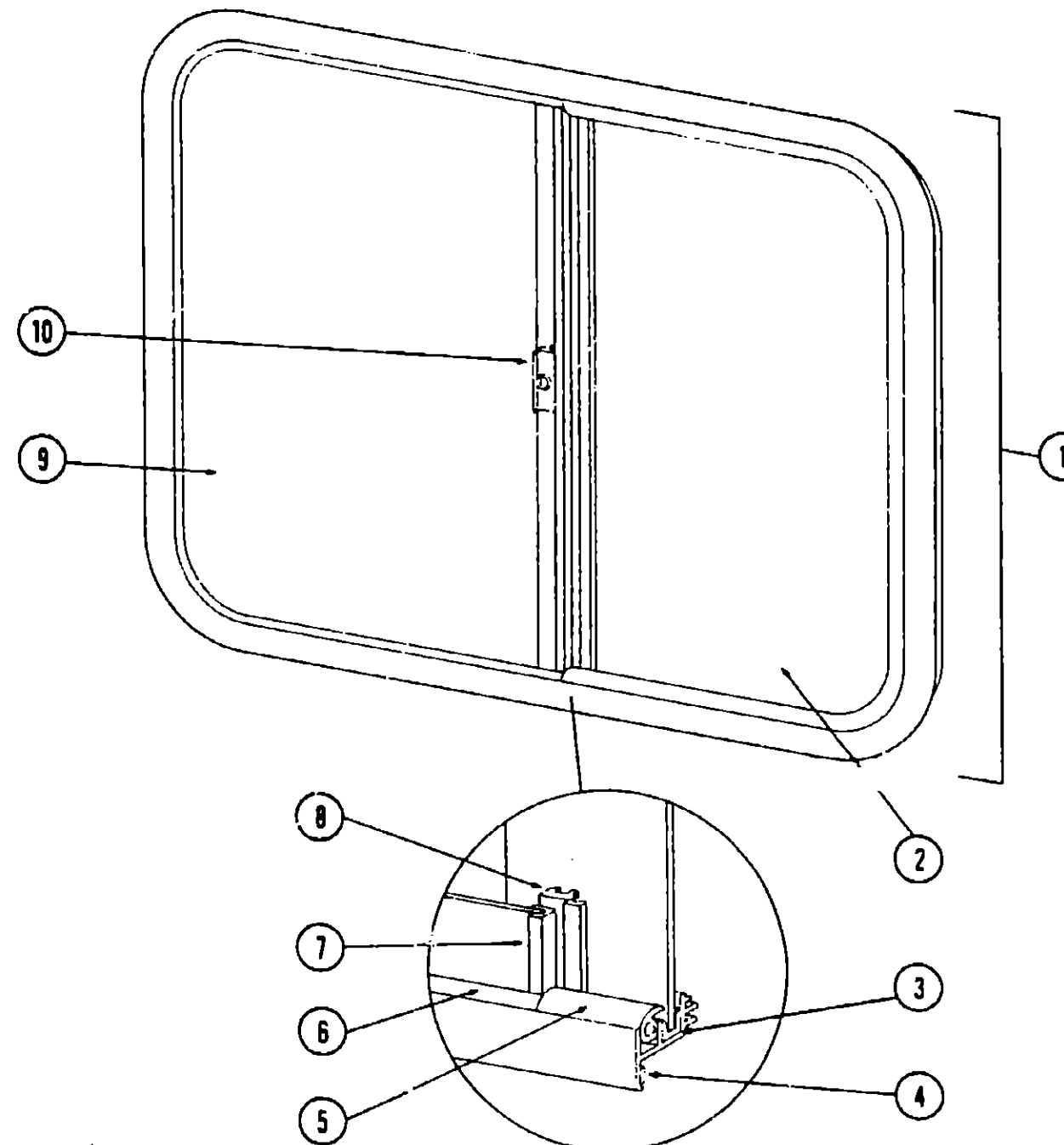
WINDOW, VENT AND EXTERIOR DOOR GROUP (CONTINUED)



Key	Part Number	U/M	Description
1	048631-03-000	EA	Window Asm. - Right - Single Slider - 20" x 25" - Black Anod. (w/o Inside Frame)
2	047820-01-000	EA	Glass - 1/8" x 19" x 13.68" - Sliding
3	002324-01-000	FT	Channel - Weatherstrip - Glass Run - 1/8" Glass
4	004363-01-000	FT	Tape - Foam - 3/16" x 1/2" - Gray
5	024096-02-000	FT	Seal - Window Channel - Black
6	002309-02-000	FT	Spline - Glass - 1/8" - Black
7	002389-03-201	EA	Holder - Glass Seal - Anod. Black
8	041894-04-000	EA	Mullion - Slider Window - 25" - Black Anod
9	002241-02-000	EA	Glass - TP - 1/8" x 12.30" x 19" - Stationary
10	047369-01-000	EA	Latch - Window - Plastic
.	049287-01-000	EA	Washer - Nylon - .62" x .140" I.D.
.	049288-01-000	EA	Screw - Machine - 6-32 x 5/16" - HWH - Black
.	042147-05-000	EA	Frame - Inside - Single Slider Window - 20" x 25" (not included in assembly)
.	023713-02-000	EA	Cover - Plastic Weephole - Black
.	002298-01-000	FT	Spline - Gray - .130" Dia. (Screen)
.	002293-01-000	SF	Screen - Window - 26" - Gray

* Not Illustrated

WINDOW, VENT AND EXTERIOR DOOR GROUP (CONTINUED)



Key	Part Number	U/M	Description
1	048631-19-000	EA	Window Asm. - Right - Single Slider - 25" x 44" - Black Anod. (w/o Inside Frame)
2	047822-01-000	EA	Glass - Sliding - 3/16" x 24" x 21.03"
3	042077-01-000	FT	Channel - Weatherstrip - Glass Run - 3/16" Glass
4	004363-01-000	FT	Tape - Foam - 3/16" x 1/2" - Gray
5	041928-02-000	FT	Seal - Window Channel - Black
6	050216-02-000	FT	Spline - Glass
7	002389-03-201	EA	Extr. - Holder - Glass Seal - 23.19"
8	041894-04-000	EA	Mullion - Slider Window - 25"
9	002183-02-000	EA	Glass - 3/16" x 24" x 23.49" - Stationary
10	047369-01-000	EA	Latch - Window - Plastic
.	049287-01-000	EA	Washer - Nylon - .62" x .140" I.D.
.	049288-01-000	EA	Screw - Machine - 6-32 x 5/16" - HWH - Black
.	042147-04-000	EA	Frame Asm. - Window - Inside - 25" x 44" - Brown (not included in assembly)
.	023713-02-000	EA	Cover - Weephole - Plastic - Black
.	002298-01-000	FT	Spline - Gray - .130" Dia. (Screen)
.	002293-01-000	SF	Screen - Window - 26" - Gray

* Not Illustrated

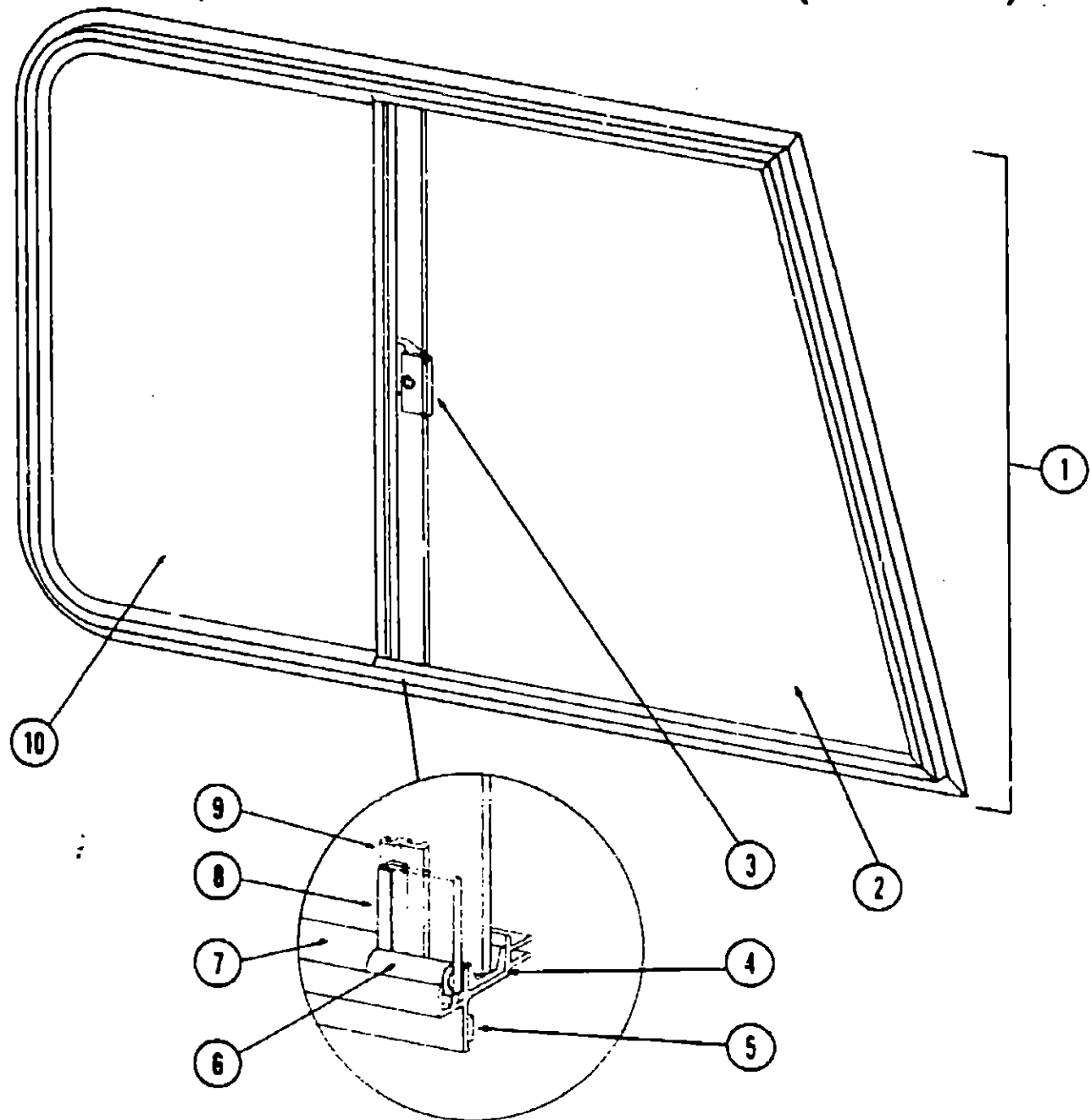
**1977 ITASCA
TABLE OF CONTENTS**

Introduction	A-1
Abbreviations	A-1
Alphabetical Index	A-2 - A-4
C25A	A-5 - B-4
C27AL	B-15 - C-24
C22C	D-1 - E-10
C27A	E-11 - F-20
C25C	F-21 - H-4
C25CD	H-5 - I-14
C24C	I-15 - J-22
C25AD	J-23 - L-14

1977 C27A INDEX

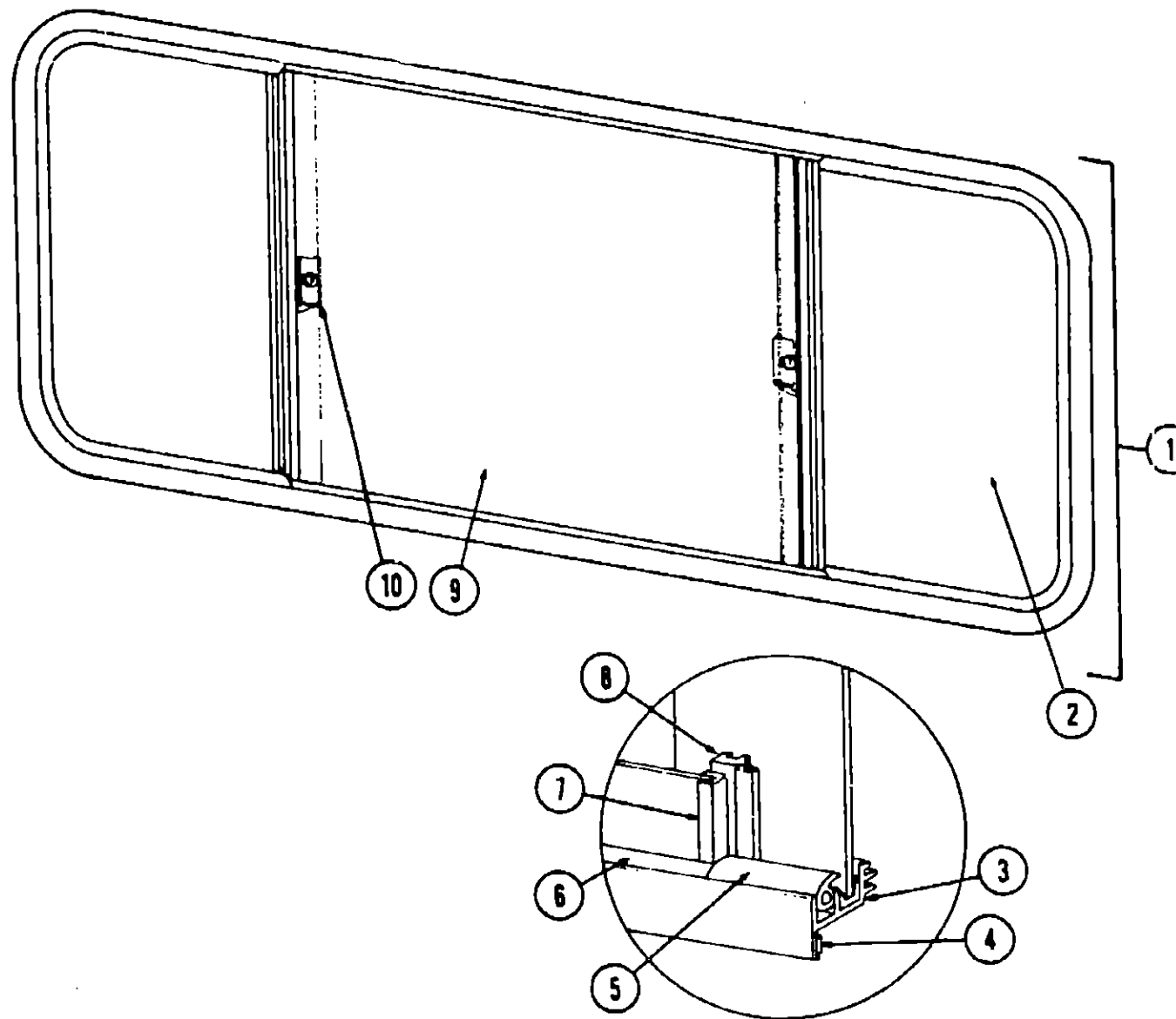
Floor Plan	E-11 - E-12
Accessories Group	E-13 - E-14
Bath Group	E-15
Chassis Group	E-16 - E-17
Curtain, Cushion & Pad Group	E-18 - E-21
Dinette Group	E-22
Driver's Compartment Group	E-22
Electrical Group	E-23 - E-24
Exterior Body Group	F-1 - F-4
Galley Group	F-5
Heating & Air Conditioning Group	F-5
Interior Finish Group	F-6 - F-7
LP Group	F-7
Lounge Group	F-8
Water & Sewage Group	F-9
Window, Vent & Exterior Door Group	F-10 - F-20

WINDOW, VENT AND EXTERIOR DOOR GROUP (CONTINUED)



Key	Part Number	U/M	Description
1	048628-07-000	EA	Window Asm. - Right - Front Slant Slider - 25" x 38" - Black Anod (w/° Inside Frame)
	048628-08-000	EA	Window Asm. - Left Slant Slider - 25" x 38" - Black Anod. (w/o Inside Frame)
2	039190-01-000	EA	Glass - 3/16" x 24" x 14.12" x 25" - Stationary
3	047369-01-000	EA	Latch - Window - Plastic
4	042077-01-000	FT	Channel - Weatherstrip - Glass Run - 3/16" Glass
5	004363-01-000	FT	Tape - Foam - 3/16" x 1/2" - Gray
6	050216-02-000	FT	Spline - 3/16" Glass - Black
7	041928-02-000	FT	Seal - Window Channel - Black
8	002389-03-201	EA	Holder - Glass Seal - Black Anod.
9	041894-04-000	EA	Mullion - Slider Window - 25" - Black Anod.
10	047818-01-000	EA	Glass - 3/16" x 24" x 15" - Sliding
	049287-01-000	EA	Washer - Nylon - .62" x .140" I.D.
	049288-01-000	EA	Screw - Machine - 6-32 x 5/16" - HWH - Black
	049162-06-000	EA	Frame - Inside - Right Front Slant Slider Window (not included in assembly)
	049162-05-000	EA	Frame - Inside - Left Front Slant Slider Window (not included in assembly)
	023713-02-000	EA	Cover - Plastic Weephole - Black
	002298-01-000	FT	Spline - Gray - .130" Dia. (SCREEN)
	002293-01-000	SF	Screen - Window - 26" - Gray
			• Not Illustrated

WINDOW, VENT AND EXTERIOR DOOR GROUP (CONTINUED)



Key	Part Number	U/M	Description
1	048630-08-000	EA	Window Asm. - Double - Slider - 25" x 65" Black Anod. (w/o Inside Frame)
2	047822-01-000	EA	Glass - Sliding - 3/16" x 24" x 21.03"
3	042077-01-000	FT	Channel - Weatherstrip - Glass Run - 3/16" Glass
4	004363-01-000	FT	Tape - Foam - 3/16" x 1/2" - Gray
5	041928-02-000	FT	Seal - Window Channel - Black
6	050216-02-000	FT	Spline - Glass
7	002389-03-201	EA	Extr. - Holder - Glass Seal - 23.19"
8	041894-04-000	EA	Mullion - Slider Window - 25"
9	002188-01-000	EA	Glass - 3/16" x 24" x 25.50" - Stationary
10	047369-01-000	EA	Latch - Window - Plastic
	049287-01-000	EA	Washer - Nylon - .62" x .140" I.D.
	049288-01-000	EA	Screw - Machine - 6-32 x 5/16" - HWH - Black
	042147-03-000	EA	Frame Asm. - Window - Inside (not included in assembly)
	023713-02-000	EA	Cover - Weephole - Plastic - Black
	002298-01-000	FT	Spline - Gray - .130" Dia. (Screen)
	002293-01-000	SF	Screen - Window - 26" - Gray
			• Not Illustrated

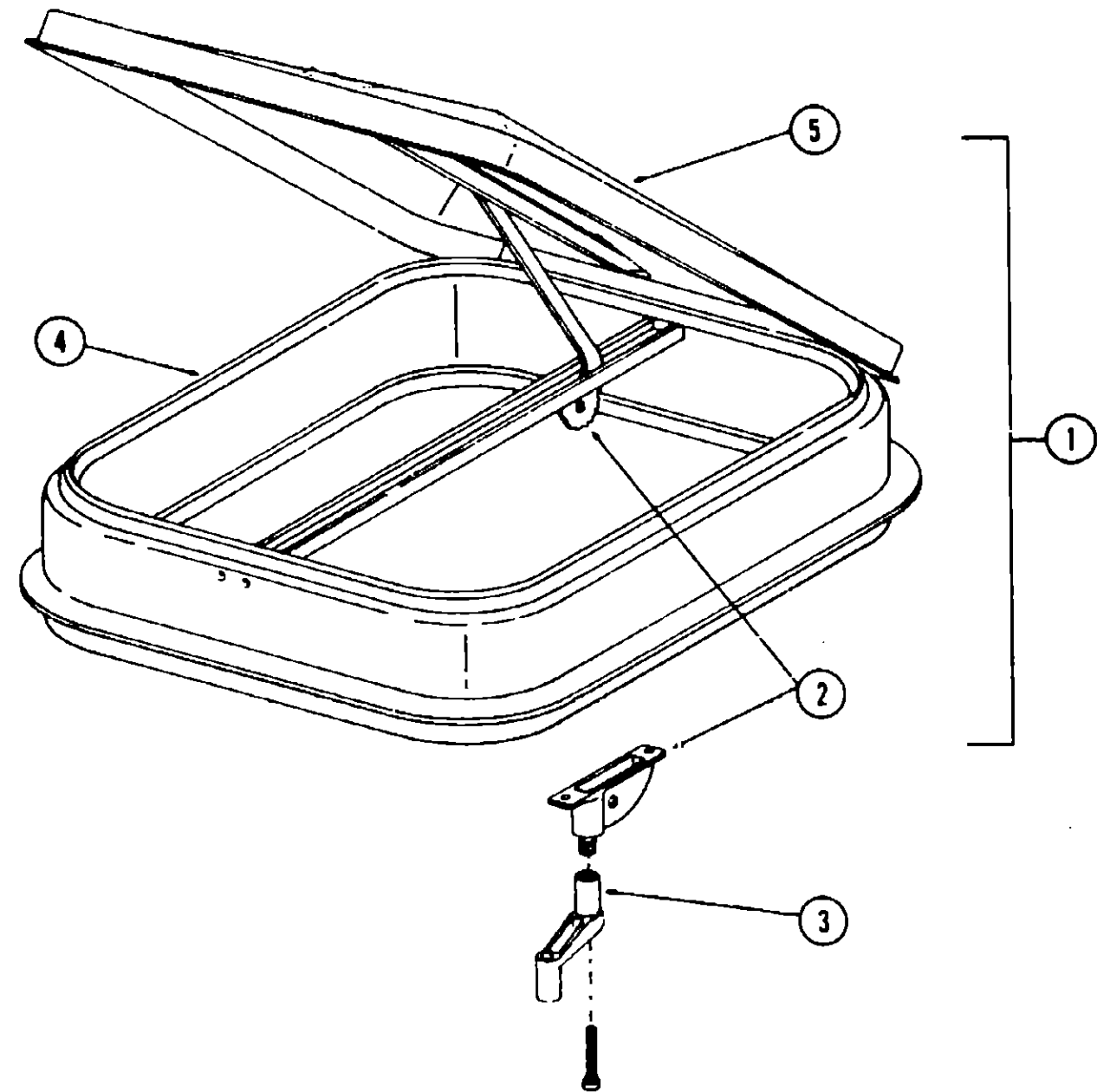
**1977 ITASCA
TABLE OF CONTENTS**

Introduction	A-1
Abbreviations	A-1
Alphabetical Index	A-2 - A-4
C25A	A-5 - B-4
C27AL	B-15 - C-24
C22C	D-1 - E-10
C27A	E-11 - F-20
C25C	F-21 - H-4
C25CD	H-5 - I-14
C24C	I-15 - J-22
C25AD	J-23 - L-14

1977 C27A INDEX

Floor Plan	E-11 - E-12
Accessories Group	E-13 - E-14
Bath Group	E-15
Chassis Group	E-16 - E-17
Curtain, Cushion & Pad Group	E-18 - E-21
Dinette Group	E-22
Driver's Compartment Group	E-22
Electrical Group	E-23 - E-24
Exterior Body Group	F-1 - F-4
Galley Group	F-5
Heating & Air Conditioning Group	F-5
Interior Finish Group	F-6 - F-7
LP Group	F-7
Lounge Group	F-8
Water & Sewage Group	F-9
Window, Vent & Exterior Door Group	F-10 - F-20

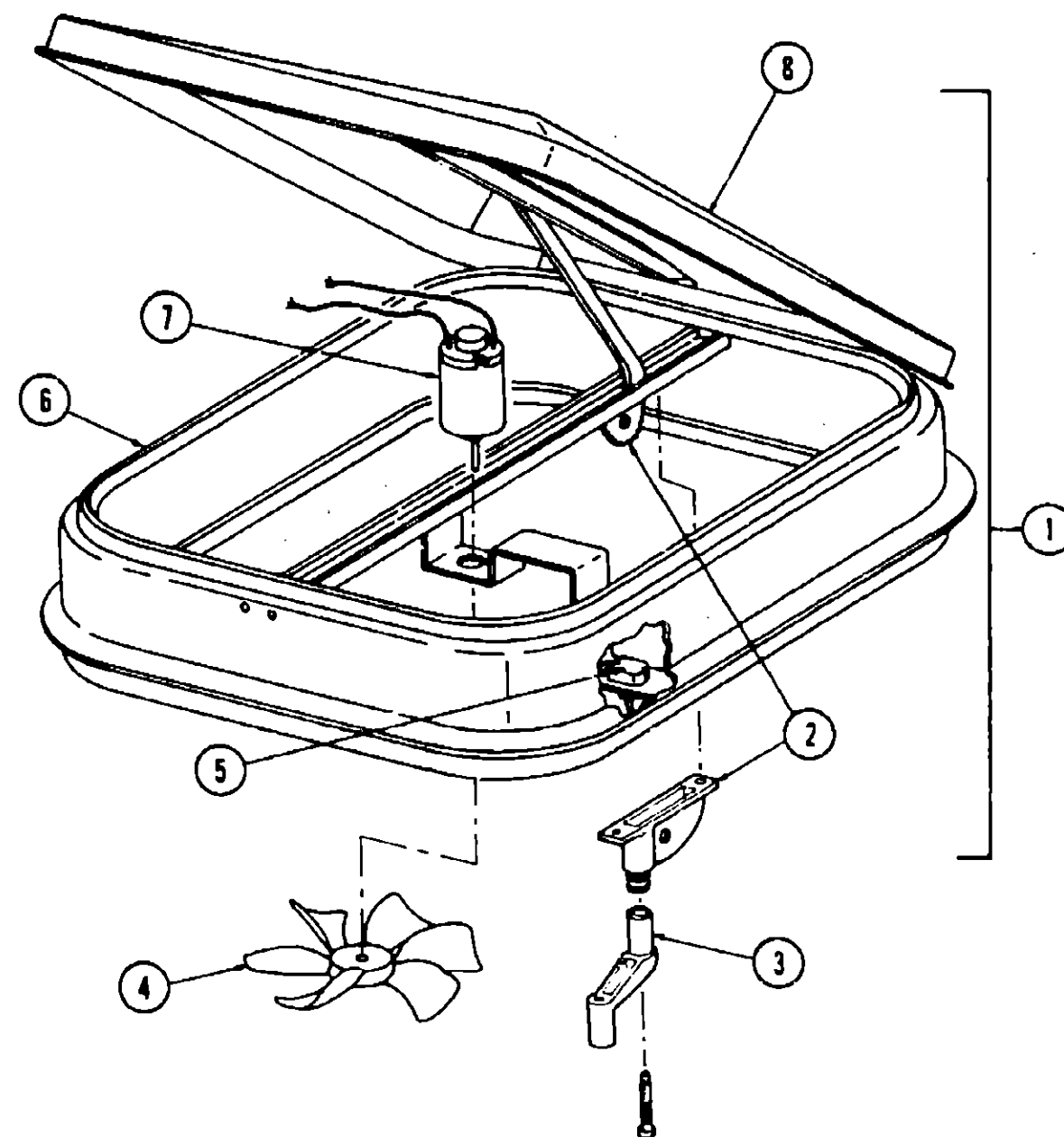
WINDOW, VENT AND EXTERIOR DOOR GROUP (CONTINUED)



Key	Part Number	U/M	Description
1	048835-01-000	EA	Vent Asm. - Roof - Non powered - w/o Screen
2	009440-01-000	EA	Gear - Arm - Roof Vent
3	009439-01-000	EA	Crank - Roof Vent
4	002825-01-000	FT	Weatherstrip - Roof Vent
5	046825-01-000	EA	Cover - Plastic - Roof Vent
*	016335-01-000	EA	Screen Asm. - Non Powered Roof Vent - Clear Anod. (not included in assembly)
*	016335-03-000	EA	Screen Asm. - Non Powered Roof Vent - Beige (not included in assembly)

* Not Illustrated

WINDOW, VENT AND EXTERIOR DOOR GROUP (CONTINUED)



Key	Part Number	U/M	Description
1	048789-01-000	EA	Vent Asm. Roof - Powered - w/o Screen
2	009440-01-000	EA	Gear - Arm - Roof Vent
3	009439-01-000	EA	Crank - Roof Vent
4	048649-01-000	EA	Fan - Blade - 6" Plastic
5	008195-01-000	EA	Switch - Push Button - 12 Volt
6	002825-01-000	FT	Weatherstrip - Roof Vent
7	048648-01-000	EA	Motor - 12 Volt
8	046825-01-000	EA	Cover - Plastic - Roof Vent
*	048695-01-000	EA	Screen Asm. - Powered Roof Vent - Clear Anod. (not included in assembly)
*	048695-03-000	EA	Screen Asm. - Powered Roof Vent - Beige (not included in assembly)

* Not Illustrated

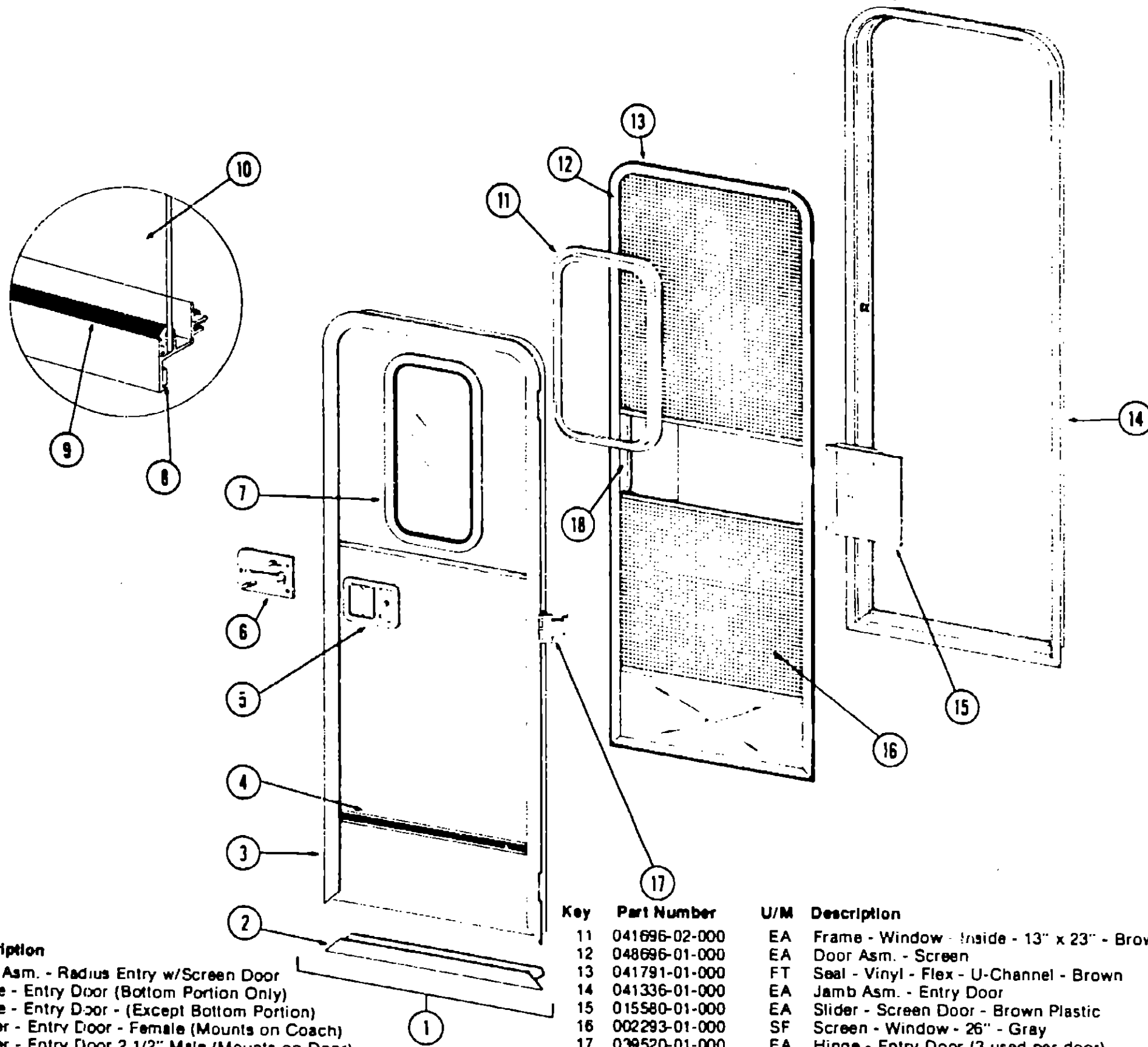
**1977 ITASCA
TABLE OF CONTENTS**

Introduction	A-1
Abbreviations	A-1
Alphabetical Index	A-2 - A-4
C25A	A-5 - B-4
C27AL	B-15 - C-24
C22C	D-1 - E-10
C27A	E-11 - F-20
C25C	F-21 - H-4
C25CD	H-5 - I-14
C24C	I-15 - J-22
C25AD	J-23 - L-14

1977 C27A INDEX

Floor Plan	E-11 - E-12
Accessories Group	E-13 - E-14
Bath Group	E-15
Chassis Group	E-16 - E-17
Curtain, Cushion & Pad Group	E-18 - E-21
Dinette Group	E-22
Driver's Compartment Group	E-22
Electrical Group	E-23 - E-24
Exterior Body Group	F-1 - F-4
Galley Group	F-5
Heating & Air Conditioning Group	F-5
Interior Finish Group	F-6 - F-7
LP Group	F-7
Lounge Group	F-8
Water & Sewage Group	F-9
Window, Vent & Exterior Door Group	F-10 - F-20

WINDOW, VENT AND EXTERIOR DOOR GROUP (CONTINUED)



Key	Part Number	U/M	Description
1	050096-03-000	EA	Door Asm. - Radius Entry w/Screen Door
2	039737-01-000	EA	Frame - Entry Door (Bottom Portion Only)
3	039736-01-000	EA	Frame - Entry Door - (Except Bottom Portion)
4	009101-02-000	EA	Holder - Entry Door - Female (Mounts on Coach)
5	009102-01-000	EA	Holder - Entry Door 2 1/2" Male (Mounts on Door)
6	041948-01-000	EA	Lock Asm. - Radius Entry Door - Atwood
7	039541-01-000	EA	Lock Cylinder w/Keys - Atwood
8	052186-01-000	EA	Lock Asm. - Radius Entry Door - Lynor
9	045017-01-700	EA	Lock Cylinder w/Keys - Lynor
10	039539-01-000	EA	Striker - Entry Door Lock
11	041696-02-000	EA	Frame - Window - Inside - 13" x 23" - Brown
12	048696-01-000	EA	Door Asm. - Screen
13	041791-01-000	FT	Seal - Vinyl - Flex - U-Channel - Brown
14	041336-01-000	EA	Jamb Asm. - Entry Door
15	015580-01-000	EA	Slider - Screen Door - Brown Plastic
16	002293-01-000	SF	Screen - Window - 26" - Gray
17	039520-01-000	EA	Hinge - Entry Door (3 used per door)
18	015581-01-000	EA	Cap - Screen Door - Brown Plastic
19	049176-01-000	EA	Hedlok II - 3/4" Diameter - Screw Mount (Retains Screen Door to Entry Door)
20	049797-01-000	EA	Hedlok II - 1" Diameter - Screw Mount (Retains Screen Door to Entry Door)
21	015019-01-000	EA	Striker - Screen Door
22	039863-01-000	EA	Catch Asm. - Single Roller w/Strike - Screen Door
23	051390-01-000	FT	Seal - Bulb - Rubber
24	039800-03-000	FT	Tubing - Polybutyl- 3/8" O.D. - Jamb

F-17

Key	Part Number	U/M	Description
11	041696-02-000	EA	Frame - Window - Inside - 13" x 23" - Brown
12	048696-01-000	EA	Door Asm. - Screen
13	041791-01-000	FT	Seal - Vinyl - Flex - U-Channel - Brown
14	041336-01-000	EA	Jamb Asm. - Entry Door
15	015580-01-000	EA	Slider - Screen Door - Brown Plastic
16	002293-01-000	SF	Screen - Window - 26" - Gray
17	039520-01-000	EA	Hinge - Entry Door (3 used per door)
18	015581-01-000	EA	Cap - Screen Door - Brown Plastic
19	049176-01-000	EA	Hedlok II - 3/4" Diameter - Screw Mount (Retains Screen Door to Entry Door)
20	049797-01-000	EA	Hedlok II - 1" Diameter - Screw Mount (Retains Screen Door to Entry Door)
21	015019-01-000	EA	Striker - Screen Door
22	039863-01-000	EA	Catch Asm. - Single Roller w/Strike - Screen Door
23	051390-01-000	FT	Seal - Bulb - Rubber
24	039800-03-000	FT	Tubing - Polybutyl- 3/8" O.D. - Jamb

* Not Illustrated

1977 ITASCA TABLE OF CONTENTS

Introduction	A-1
Abbreviations	A-1
Alphabetical Index	A-2 - A-4
C25A	A-5 - B-4
C27AL	B-15 - C-24
C22C	D-1 - E-10
C27A	E-11 - F-20
C25C	F-21 - H-4
C25CD	H-5 - I-14
C24C	I-15 - J-22
C25AD	J-23 - L-14

1977 C27A INDEX

Floor Plan	E-11 - E-12
Accessories Group	E-13 - E-14
Bath Group	E-15
Chassis Group	E-16 - E-17
Curtain, Cushion & Pad Group	E-16 - E-21
Dinette Group	E-22
Driver's Compartment Group	E-22
Electrical Group	E-23 - E-24
Exterior Body Group	F-1 - F-4
Galley Group	F-5
Heating & Air Conditioning Group	F-5
Interior Finish Group	F-6 - F-7
LP Group	F-7
Lounge Group	F-8
Water & Sewage Group	F-9
Window, Vent & Exterior Door Group	F-10 - F-20

F-18

WINDOW, VENT AND EXTERIOR DOOR GROUP (CONTINUED)

WINDSHIELD

Key	Part Number	U/M	Description
	037455-02-000	EA	Frame Asm. - Windshield w/o Glass
	034975-03-000	EA	Glass - Windshield - 1/4" x 28.25" x 47.38"
	038886-01-000	EA	Tape - Butyl - .31" x .31" x 148" Long

VENTS

Key	Part Number	U/M	Description
	039778-01-000	EA	Cover - Refrigerator Vent - Plastic
	009407-01-000	EA	Base - Frame - Refrigerator Vent w/o Cover
	049352-01-000	EA	Vent - Stovehood - Outside - Off White - Jensen

ACCESS DOORS

Key	Part Number	U/M	Description
	003182-03-000	EA	Door Asm. - Water Heater Access - Off White
	037804-03-000	EA	Door Asm. - Battery - Off White w/ Twist Type Lock
	037433-05-000	EA	Door Asm. - Generator - Off White - w/Twist Type Lock
	047802-01-000	EA	Baffle - Generator Door - 16.75" x 30"
	045674-01-000	EA	Door Asm. - Luggage - Off White w/ Key Type Lock
	047187-03-000	EA	Door Asm. - Refrigerator Access - Off White w/Twist Type Lock
	039884-01-000	EA	Lock Asm. - Twist Type w/Clip
	047305-01-000	EA	Lock Asm. - Key Type w/Clip
	016945-02-000	EA	Holder Asm. - Luggage and Battery Door (Holds Door Open)

1977 ITASCA TABLE OF CONTENTS

Introduction	A-1
Abbreviations	A-1
Alphabetical Index	A-2 - A-4
C25A	A-5 - B-4
C27AL	B-15 - C-24
C22C	D-1 - E-10
C27A	E-11 - F-20
C25C	F-21 - H-4
C25CD	H-5 - I-14
C24C	I-15 - J-22
C25AD	J-23 - L-14

1977 C27A INDEX

Floor Plan	E-11 - E-12
Accessories Group	E-13 - E-14
Bath Group	E-15
Chassis Group	E-16 - E-17
Curtain, Cushion & Pad Group	E-18 - E-21
Dinette Group	E-22
Driver's Compartment Group	E-22
Electrical Group	E-23 - E-24
Exterior Body Group	F-1 - F-4
Galley Group	F-5
Heating & Air Conditioning Group	F-5
Interior Finish Group	F-6 - F-7
LP Group	F-7
Lounge Group	F-8
Water & Sewage Group	F-9
Window, Vent & Exterior Door Group	F-10 - F-20