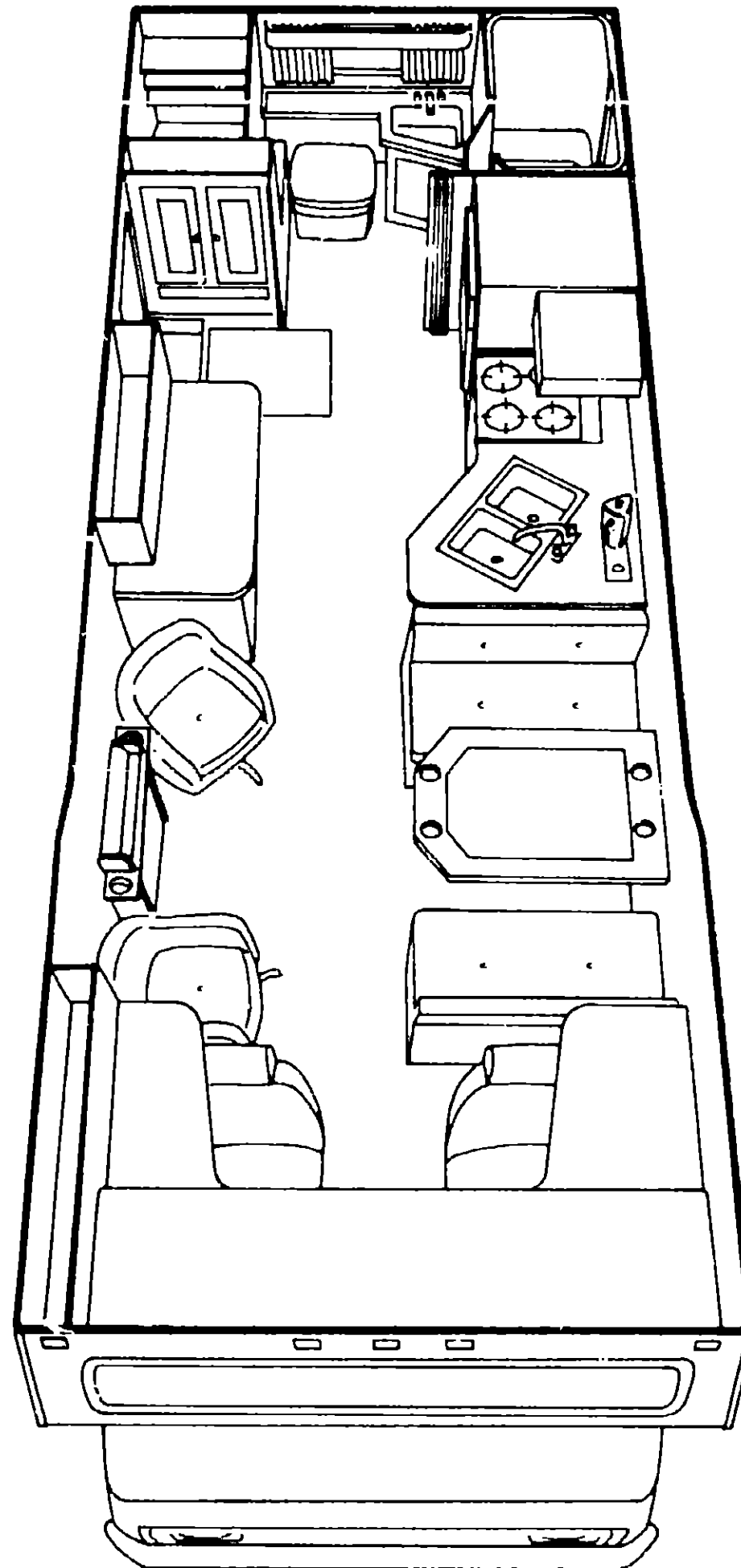


1977 C25CD



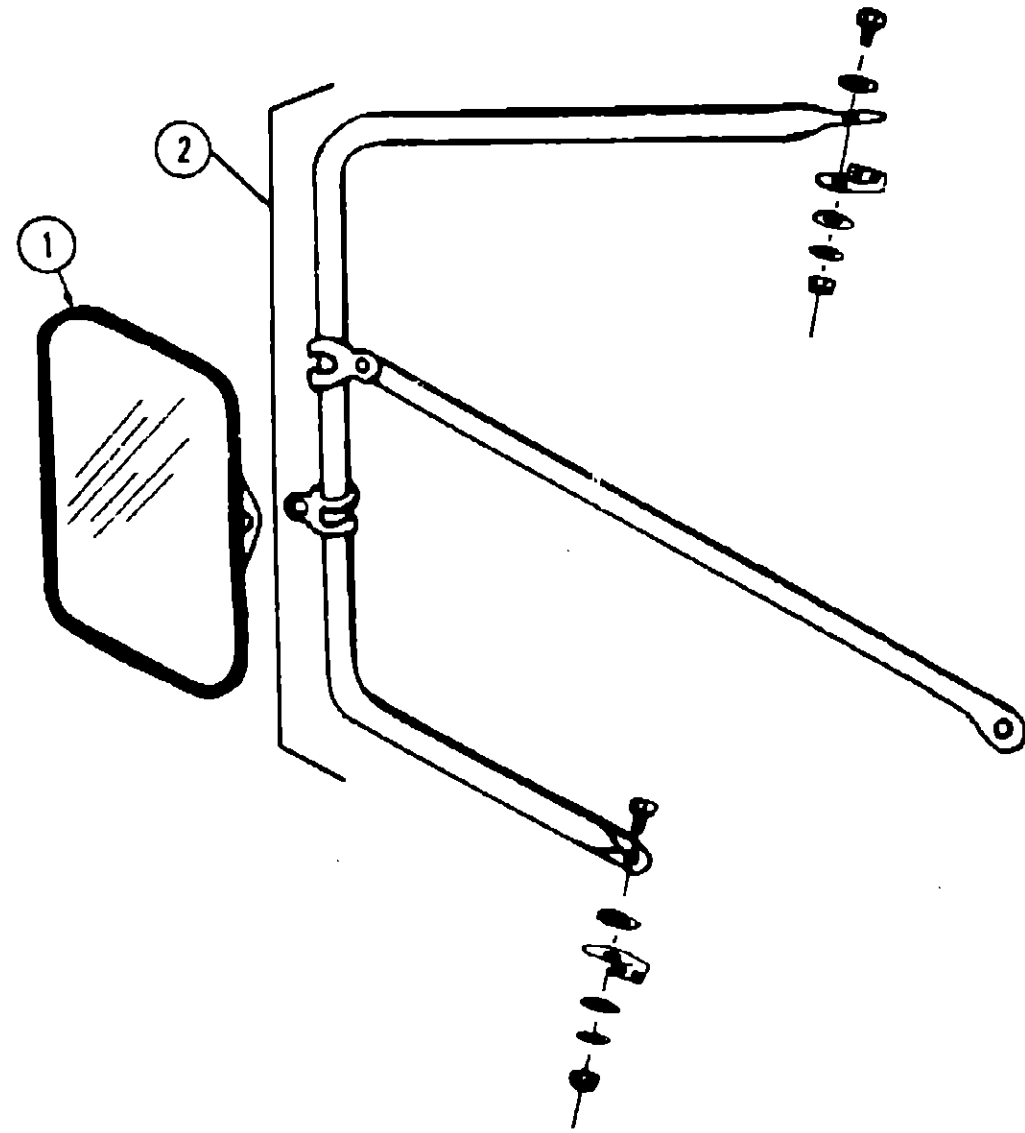
1977 ITASCA TABLE OF CONTENTS

Introduction	A-1
Abbreviations	A-1
Alphabetical Index	A-2 - A-4
C25A	A-5 - B-4
C27AL	B-15 - C-24
C27C	D-1 - E-10
C27A	E-11 - F-20
C25C	F-21 - H-4
C25CD	H-5 - I-14
C24C	I-15 - J-22
C25AD	J-23 - L-14

1977 C25CD INDEX

Floor Plan	H-5 - H-6
Accessories Group	H-7 - H-8
Bath Group	H-9 - H-10
Chassis Group	H-11
Curtain, Cushion & Pad Group	H-12 - H-15
Dinette Group	H-15
Driver's Compartment Group	H-16
Electrical Group	H-16 - H-18
Exterior Body Group	H-19 - H-22
Galley Group	H-23
Heating & Air Conditioning Group	H-24
Interior Finish Group	I-1 - I-2
LP Group	I-3
Lounge Group	I-4
Water & Sewage Group	I-5
Window, Vent & Exterior Door Group	I-6 - I-14

ACCESSORIES GROUP



Key	Part Number	U/M	Description
1	049347-01-000	EA	Mirror Head - 7 1/2" x 10 1/2" - Stainless Steel
2	049349-01-000	EA	Arm - West Coast Mirror - Stainless Steel

ACCESSORIES GROUP (CONTINUED)

RADIOS AND RELATED COMPONENTS

Key	Part Number	U/M	Description
	049732-01-000	EA	Radio - AM - FM/MPX/8-Track w/Fader
	045836-02-000	EA	Plate - Radio Cover
	039879-01-000	EA	Speaker Kit - 5 1/4" Diameter w/Black Padded Grille
	007004-01-000	EA	Antenna - Auto
	050044-01-000	EA	Radio - AM/FM/8-Track w/CB - J.I.L.
	045836-01-000	EA	Plate - Radio Cover - J.I.L. Radio
	048153-01-000	EA	Antenna - CB Camper Style - J.I.L. Radio
	050785-01-000	EA	Switch - Rear Volume Control - J.I.L.

SPEED CONTROL AND COMPONENTS

Key	Part Number	U/M	Description
	042713-01-000	EA	Speed Control Package - 350 C.I.D. - C-Body
	007255-01-700	EA	Regulator Asm.
	047841-01-701	EA	Servo Asm.
	007255-01-702	EA	Engage Switch - Clamp On
	007298-01-702	EA	Harness Asm.
	007298-01-700	EA	Cable Asm. - Transmission
	007255-01-704	EA	Switch - Decelerate
	024746-01-700	EA	Relay - Speed Control

MISCELLANEOUS ACCESSORIES

Key	Part Number	U/M	Description
**	040505-01-000	EA	Generator - 4.0 KW - Kohler
**	051909-01-000	EA	Generator - 4.5 KW - Kohler
	040507-01-000	EA	Exhaust System - Generator - 4000 Watt
	040612-01-000	EA	Muffler - Generator - 4000 Watt
	046317-01-000	EA	Tailpipe - Exhaust - Generator - 1 3/8" x 5'
	041420-01-000	EA	Elbow - Steel - 1/8" MPT x 3/16" Barb
	041369-01-000	EA	Tray - Generator - 4000 Watt
	042865-01-000	EA	Scoop - Generator Air
	007067-01-000	SF	Insulation - Fiberglass - 1"
	007063-01-000	FT	Hose - Gas - 1/4" I.D. x 1/2" O.D.
	007131-01-000	EA	Hanger - Tailpipe
	031035-01-000	EA	Gauge - Hourmeter - Generator
	024976-01-000	EA	Switch - Generator - w/o Circuit Board
	041261-01-000	EA	Wiring Asm. - Remote Generator Switch
	023111-01-000	EA	Food Center - Blender and Power unit w/o Ice Crusher Attachment
	023111-02-000	EA	Ice Crusher Attachment for Blender
	041646-01-000	EA	Carrier Assembly - Luggage - Roof
	039881-01-000	EA	Catch - Draw Type - Luggage Carrier w/Strike
	031161-01-000	EA	Label - Flying "W" - Luggage Carrier
	041668-01-000	EA	Pin Asm. - w/Retainer - 1/4" X 3/4" - Luggage Carrier
	051056-01-000	EA	Ladder Asm. - w/Luggage Rack
	041440-02-000	EA	Ladder Asm. - Only
	006053-01-000	EA	Antenna - TV - Braun Delux
	006093-01-000	EA	Jack - TV - Brown
	031396-03-000	EA	Cover - Wheel - 16.5" Chrome
	047226-04-000	EA	Cover - Spare Tire - 29" - Off White
	050411-01-000	EA	Horn - Dual Trumpet - 12 Volt - Chrome
	006113-01-000	EA	Jack - Hydraulic - 5 Ton
	041944-01-700	EA	Fire Extinguisher w/Bracket
	050855-02-000	EA	Owners Manual - Itasca
	017516-01-000	EA	Mud Flap - Black - 14" x 18" w/Holes

H-7

1977 ITASCA TABLE OF CONTENTS

Introduction	A-1
Abbreviations	A-1
Alphabetical Index	A-2 - A-4
C25A	A-5 - B-4
C27AL	B-15 - C-24
C22C	D-1 - E-10
C27A	E-11 - F-20
C25C	F-21 - H-4
C25CD	H-5 - I-14
C24C	I-15 - J-22
C25AD	J-23 - L-14

1977 C25CD INDEX

Floor Plan	H-5 - H-6
Accessories Group	H-7 - H-8
Bath Group	H-9 - H-10
Chassis Group	H-11
Curtain, Cushion & Pad Group	H-12 - H-15
Dinette Group	H-15
Driver's Compartment Group	H-16
Electrical Group	H-16 - H-18
Exterior Body Group	H-19 - H-22
Galley Group	H-23
Heating & Air Conditioning Group	H-24
Interior Finish Group	I-1 - I-2
LP Group	I-3
Lounge Group	I-4
Water & Sewage Group	I-5
Window, Vent & Exterior Door Group	I-6 - I-14

H-8

BATH GROUP

Key	Part Number	U/M	Description
	011056-01-000	EA	Faucet - Lavatory
	011063-01-000	EA	Plug - Sink - 1 1/4" x 5" w/Chain and Stop
	045422-04-000	EA	Cabinet - Medicine w/o Door
	045982-08-000	EA	Door Asm. - Medicine Cabinet w/Mirror
	045700-01-000	EA	Mirror - 1/8" x 9" x 25"
	047019-04-700	EA	Drawer Asm. - Wardrobe Cabinet - 21" x 5" - w/o Hardware
	033535-03-000	FT	Molding Asm. - Wardrobe Shelf
	050196-05-000	EA	Door Asm. - Wardrobe Cabinet - 15" x 54 5/16" w/o Hardware
	050198-01-000	EA	Door Asm. - Cabinet w/Glass - 9 3/4" x 49 3/16" - Right w/o Hardware
	050196-05-000	EA	Door Asm. - Cabinet w/Glass - 9 3/4" x 49 3/16" - Left w/o Hardware
	047008-01-000	EA	Lock Asm. - Key Type - Antique Brass - Right Door
	047009-01-000	EA	Lock Asm. - Key Type - Antique Brass - Left Door
	047398-01-000	FT	Molding - Wood - Quarter Round - 3/4" x 8" - Hickory
	042188-02-000	EA	Door - Folding - 34" x 77 1/8" - Walnut
	041945-06-000	EA	Cabinet - Vanity - w/o Doors, Top or Hardware
	050196-06-000	EA	Door Asm. - Vanity Cabinet w/o Hardware
	050416-01-000	EA	Nameplate - Captains Head
**	039311-02-000	EA	Stool Asm. - Ivory - Aqua Magic - Model SH

** The illustrated parts breakdown for this item is provided on the Common Items Fiche.

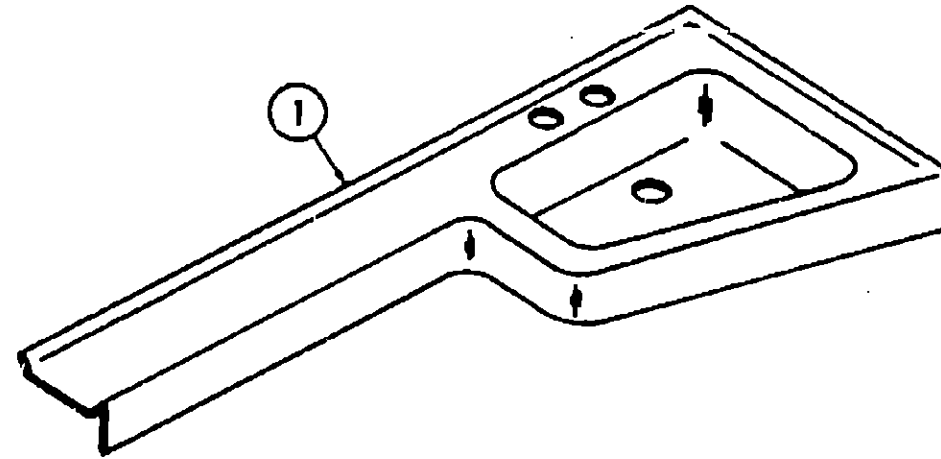
BATH CABINETS

Key	Part Number	U/M	Description
	031553-01-000	EA	Faucet - Tub and Shower
	011043-01-000	EA	Shower Head - w/59" Hose
	010483-01-000	EA	Clamp - Hose - 9/16"
	011083-01-000	EA	Strainer - Shower Pan
	011070-01-000	EA	Tailpiece - 1 1/4" x 6" - Brass
	050739-02-000	EA	Door Asm. - Shower w/Brown Frame
	050470-01-000	EA	Plastic - Styrene - .090" x 15 3/8" x 51 5/8"
	050482-01-000	EA	Catch - Spring - Roll Point
	050712-02-000	EA	Handle - Shower Door - Brown
	050233-02-000	EA	Striker - Shower Door - Brown
	050060-01-000	FT	Glazing - Vinyl - Shower Door
	043566-05-000	EA	Jamb - Shower Door - Bottom - Brown
	043567-03-000	EA	Jamb - Shower Door - Right - Brown
	043567-04-000	EA	Jamb - Shower Door - Left - Brown

MISCELLANEOUS HARDWARE

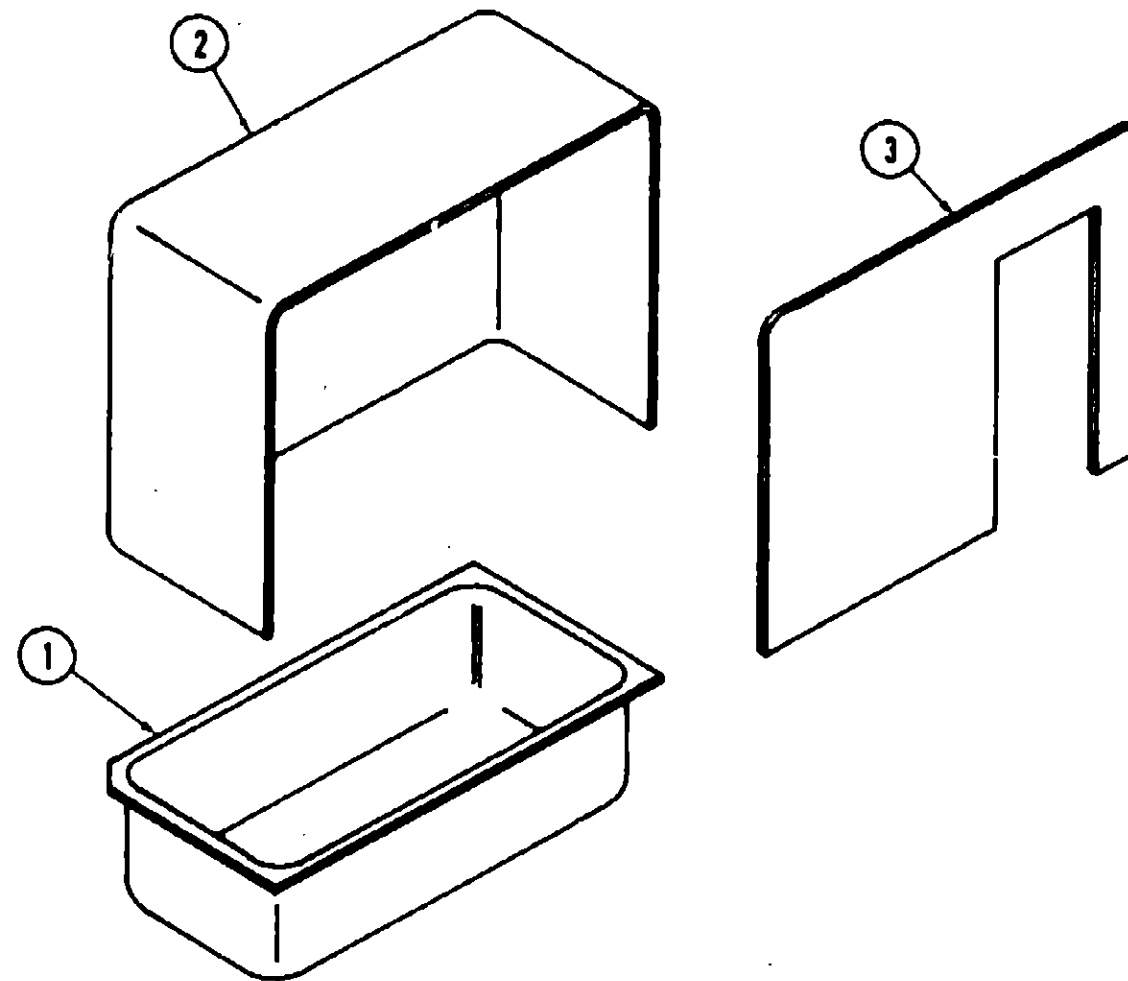
Key	Part Number	U/M	Description
	009134-01-000	EA	Holder - Tissue
	033580-01-000	EA	Ring - Towel - Chrome w/Plastic Ring
	009133-01-000	EA	Bar - Towel Rack - 12" Plastic
	023449-01-000	EA	Support - Towel Rack - Chrome - Left or Right
	009112-01-000	EA	Flange - 1" Rod - Chrome
	034689-03-000	EA	Cover - Screw - PPH - 10 - Ivory

BATH GROUP (CONTINUED)



Key	Part Number	U/M	Description
	042175-01-000	EA	Lavatory Top

BATHTUB AND RELATED HARDWARE



Key	Part Number	U/M	Description
H-9	1	041826-01-000	EA Bathtub Bottom
	2	041853-01-000	EA Bathtub Rear
	3	041852-01-000	EA Bathtub Front

1977 ITASCA TABLE OF CONTENTS

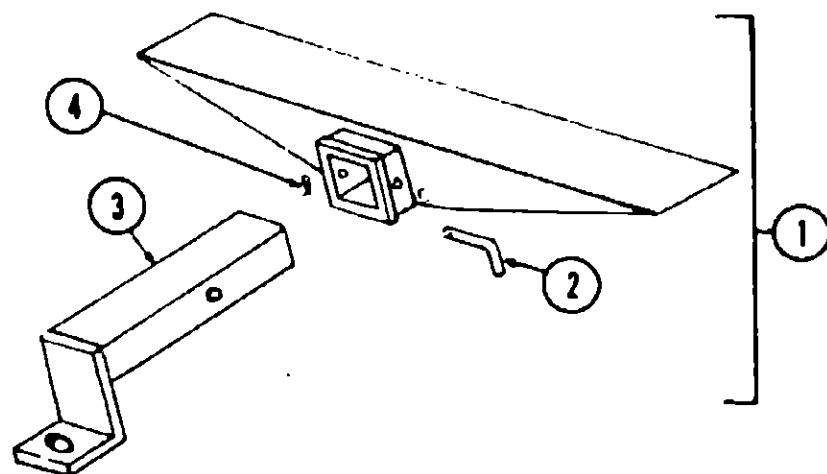
Introduction	A-1
Abbreviations	A-1
Alphabetical Index	A-2 - A-4
C25A	A-5 - B-4
C27AL	B-15 - C-24
C22C	D-1 - E-10
C27A	E-11 - F-20
C25C	F-21 - H-4
C25CD	H-5 - I-14
C24C	I-15 - J-22
C25AD	J-23 - L-14

1977 C25CD INDEX

Floor Plan	H-5 - H-6
Accessories Group	H-7 - H-8
Bath Group	H-9 - H-10
Chassis Group	H-11
Curtain, Cushion & Pad Group	H-12 - H-15
Dinette Group	H-15
Driver's Compartment Group	H-16
Electrical Group	H-16 - H-18
Exterior Body Group	H-19 - I-22
Galley Group	H-23
Heating & Air Conditioning Group	H-24
Interior Finish Group	I-1 - I-2
LP Group	I-3
Lounge Group	I-4
Water & Sewage Group	I-5
Window, Vent & Exterior Door Group	I-6 - I-14

CHASSIS GROUP

Key	Part Number	U/M	Description
	048592-01-000	EA	Hold Down - Double Battery
	048594-01-000	EA	Tray - Battery
	048682-01-000	EA	Rod - Battery Tie Down
	039615-01-000	EA	Rod - Hold Open - Hood
	046746-01-000	EA	Support Asm. - Radiator/Grille
	041787-01-000	EA	Clip - Speed Cable or Rod
	044763-01-000	EA	Splashguard - Front - Black Rubber
	046742-01-000	EA	Step Asm. - Assist - Front Door
	039640-01-000	EA	Bracket - Hood Pins
	037449-01-000	EA	Well Nut - 10 - 32 x .812"
	041200-01-000	EA	Pin - Clevis - 1/4" Dia. x 2.50"
	041228-01-000	EA	Pin - Hitch - 1/16" Wire
	044163-01-000	EA	Bracket - Fiberglass to Wheelwell
	044164-01-000	EA	Bracket - Fiberglass to Hinge Pillar
	044371-01-000	EA	Bracket - Fiberglass - Front Bottom
	044373-01-000	EA	Bracket - Fiberglass - Front Top
	045683-01-000	EA	Pivot - Hood
	040848-01-000	EA	Bumper - Hood
	041723-01-000	EA	Bracket - Center Hood Bumper
	044372-01-000	EA	Bracket - Fiberglass - Parking Light
	046703-01-000	EA	Brace - Fiberglass to Upper Cowl
	042377-01-000	EA	Extension - Tailpipe - 3" O.D. x 7.50"
	007125-08-000	EA	Clamp Asm. - Muffler 3" Dia.
	040634-01-000	EA	Carrier - Stationary Spare Tire
	040974-01-000	EA	Bracket - Spare Tire
	046043-06-000	EA	Bracket Asm. - Rear Bumper
	046785-01-000	EA	Bumper - Rear Chrome - 93"
	017516-01-000	EA	Mud Flap - 14" x 18" w/Holes
	049750-01-000	EA	Shroud - Fuel Fill - Inside Coach
	024141-01-000	FT	Hose - Fuel - Rubber - 1/2" I.D.
	007137-01-000	EA	Clamp - Hose - Worm Gear - 1 5/16" to 2 1/4"
	039849-01-000	EA	Wheel Well - Plastic - Left Rear or Right Rear
	024652-01-700	EA	Step Asm. - Coach Entry Door



Key	Part Number	U/M	Description
1	023895-01-700	EA	Hitch Kit - w/Drawbar
2	034512-01-000	EA	Pin - Locking - Drawbar
3	024876-01-700	EA	Drawbar Asm. - Trailer Hitch
4	034513-01-000	EA	Pin - Hitch - 3/16" Wire Spring

H-11

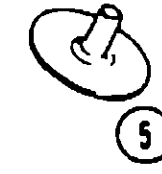
CURTAIN, CUSHION AND PAD GROUP

CURTAINS

Key	Part Number	U/M	Description
	049728-05-000	EA	Curtain - Blackout - Front Bunk Privacy - 25" x 93" Natural Fabric w/Brown Trim - Brown (Black Forest Chocolate)
	049728-06-000	EA	Curtain - Blackout - Front Bunk Privacy - 25" x 93" Natural Fabric w/Blue Trim - Blue (Teal Blue)
	045839-06-000	EA	Curtain - Wraparound - Snap Top - 21" x 62" Left or Right - Mushroom Vinyl
	048840-72-000	EA	Curtain - w/Snap Top and Bottom - Natural w/o Trim 22" x 18" (Brown or Blue Interior)
	048840-73-000	EA	Curtain - w/Snap Top and Bottom - Natural w/o Trim 17.5" x 39" (Brown or Blue Interior)
	048840-77-000	EA	Curtain - w/Snap Top and Bottom - Natural w/o Trim 25.5" x 24" (Brown or Blue Interior)
	049021-23-000	EA	Curtain w/Snap Top - Natural w/Brown Trim 33" x 30" - Brown (Black Forest Chocolate)
	049021-24-000	EA	Curtain - w/Snap Top - Natural w/Blue Trim 33" x 30" - Blue (Teal Blue)
	049486-56-000	EA	Curtain - w/Snap Top - Natural w/o Trim 15.5" x 39" (Brown or Blue Interior)
	050369-01-000	EA	Curtain - w/Snap Top - Natural w/Brown Trim - Left 27" x 39" - Brown (Black Forest Chocolate)
	050369-02-000	EA	Curtain - w/Snap Top - Natural w/Blue Trim - Left 27" x 39" - Blue (Teal Blue)
	050370-01-000	EA	Curtain - w/Snap Top - Natural w/Brown Trim - Right 27" x 39" - Brown (Black Forest Chocolate)
	050370-02-000	EA	Curtain - w/Snap Top - Natural w/Blue Trim - Right 27" x 39" - Blue (Teal Blue)

CURTAIN HARDWARE

Key	Part Number	U/M	Description
	050296-02-002	EA	Extr. - Anod. Curtain Track - 16'
	009107-01-000	EA	Guide - Nylon Snap - Curtains
	009108-01-000	FT	Track - Curtain - Brown Plastic - 16'
	042439-01-000	EA	Bracket - Single Curtain Rod - Left or Right
	009223-02-000	EA	Rod - Curtain - Flat - Extends 48" - 84"
	009224-01-000	EA	Rod - Curtain - Flat - Extends 24" - 48"



Key	Part Number	U/M	Description
1	029130-01-000	EA	Socket - Snap Fastener - 7 x 5/8" (Tie Backs)
2	029155-01-000	EA	Cap - Snap - .156" Dia. x .17" Barrel (Tie Backs)
3	029156-01-000	EA	Socket - Snap Fastener (Tie Backs)
4	029092-01-000	EA	Slud - Nickel Finish (Curtain)
5	029093-01-000	EA	Eyelet - Nickel Finish (Curtain)

H-12

1977 ITASCA TABLE OF CONTENTS

Introduction	A-1
Abbreviations	A-1
Alphabetical Index	A-2 - A-4
C25A	A-5 - B-4
C27AL	B-15 - C-24
C22C	D-1 - E-10
C27A	E-11 - F-20
C25C	F-21 - H-4
C25CD	H-5 - I-14
C24C	I-15 - J-22
C25AD	J-23 - L-14

1977 C25CD INDEX

Floor Plan	H-5 - H-6
Accessories Group	H-7 - H-8
Bath Group	H-9 - H-10
Chassis Group	H-11
Curtain, Cushion & Pad Group	H-12 - H-15
Dinette Group	H-15
Driver's Compartment Group	H-16
Electrical Group	H-16 - H-18
Exterior Body Group	H-19 - H-22
Galley Group	H-23
Heating & Air Conditioning Group	H-24
Interior Finish Group	I-1 - I-2
LP Group	I-3
Lounge Group	I-4
Water & Sewage Group	I-5
Window, Vent & Exterior Door Group	I-6 - I-14

CURTAIN, CUSHION AND PAD GROUP (CONTINUED)

CURTAIN TIE BACKS

Key	Part Number	U/M	Description
	049097-35-000	EA	Tie Back - 10" - Natural
	049097-36-000	EA	Tie Back - 14" - Natural

VALANCES

Key	Part Number	U/M	Description
	050367-02-000	EA	Valance - w/Header - Natural w/Brown Trim 5.5" x 26" - Brown (Black Forest Chocolate)
	050367-01-000	EA	Valance - w/Header - Natural w/Blue Trim 5.5" x 26" - Blue (Teal Blue)
	050367-04-000	EA	Valance - w/Header - Natural w/Brown Trim 5.5" x 81" - Brown (Black Forest Chocolate)
	050367-03-000	EA	Valance - w/Header - Natural w/Blue Trim 5.5" x 81" - Blue (Teal Blue)
	050367-06-000	EA	Valance - w/Header - Natural w/Brown Trim 5.5" x 50" - Brown (Black Forest Chocolate)
	050367-05-000	EA	Valance - w/Header - Natural w/Blue Trim 5.5" x 50" - Blue (Teal Blue)

SWIVEL CHAIRS

Key	Part Number	U/M	Description
	042986-21-000	EA	Chair - TT - Brown (Black Forest Chocolate)
	042986-20-000	EA	Chair - TT - Blue (Teal Blue)
	042987-21-000	EA	Cushion - TT Chair - Brown (Black Forest Chocolate)
	042987-20-000	EA	Cushion - TT Chair - Blue (Teal Blue)
	035036-01-000	EA	Plate - Tilt and Swivel Chair
	035036-02-000	EA	Base - Chair w/Holes in Legs

MATTRESSES

Key	Part Number	U/M	Description
	050102-14-000	EA	Mattress - Mitered - 24.5" x 76" x 4" - Brown (Black Forest Chocolate)
	050102-13-000	EA	Mattress - Mitered - 24.5" x 76" x 4" - Blue (Teal Blue)
	050102-14-014	EA	Cover - Mattress - Mitered - 24.5" x 76" x 4" - Brown (Black Forest Chocolate)
	050102-13-013	EA	Cover - Mattress - Mitered - 24.5" x 76" x 4" - Blue (Teal Blue)
	050102-16-000	EA	Mattress - Mitered - 27" x 80" x 5" - Brown (Black Forest Chocolate)
	050102-15-000	EA	Mattress - Mitered - 27" x 80" x 5" - Blue (Teal Blue)
	050102-16-016	EA	Cover - Mattress - Mitered - 27" x 80" x 5" - Brown (Black Forest Chocolate)
	050102-15-015	EA	Cover - Mattress - Mitered - 27" x 80" x 5" - Blue (Teal Blue)

DINETTE CUSHIONS

Key	Part Number	U/M	Description
	048830-19-000	EA	Cushion - Waterfall - 14" x 38" x 5" - Brown (Black Forest Chocolate)
	048830-20-000	EA	Cushion - Waterfall - 14" x 38" x 5" - Blue (Teal Blue)
	048830-19-019	EA	Cover - Cushion - Waterfall - 14" x 38" x 5" - Brown (Black Forest Chocolate)
	048830-20-020	EA	Cover - Cushion - Waterfall - 14" x 38" x 5" - Blue (Teal Blue)
	048830-21-000	EA	Cushion - Waterfall - 23" x 38" x 5" - Brown (Black Forest Chocolate)
	048830-22-000	EA	Cushion - Waterfall - 23" x 38" x 5" - Blue (Teal Blue)
	048830-21-021	EA	Cover - Cushion - Waterfall - 23" x 38" x 5" - Brown (Black Forest Chocolate)
	048830-22-022	EA	Cover - Cushion - Waterfall - 23" x 38" x 5" - Blue (Teal Blue)

CURTAIN, CUSHION AND PAD GROUP (CONTINUED)

LOUNGE CUSHIONS

Key	Part Number	U/M	Description
	041428-11-000	EA	Bed Asm. - Lounge - Flexsteel - Brown (Black Forest Chocolate)
	041428-12-000	EA	Bed Asm. - Lounge - Flexsteel - Blue (Teal Blue)
	042384-50-000	EA	Skirt - Lounge - 9.5" x 74 3/4" - Brown (Black Forest Chocolate)
	042384-51-000	EA	Skirt - Lounge - 9.5" x 74 3/4" - Blue (Teal Blue)
	049598-19-000	EA	Cushion - Bolster - 7" x 10" x 36" x 15" - Brown (Black Forest Chocolate)
	049598-20-000	EA	Cushion - Bolster - 7" x 10" x 36" x 15" - Blue (Teal Blue)
	049598-19-019	EA	Cover - Cushion - Bolster - 7" x 10" x 36" x 15" - Brown (Black Forest Chocolate)
	049598-20-020	EA	Cover - Cushion - Bolster - 7" x 10" x 36" x 15" - Blue (Teal Blue)

BUCKET SEATS, HEADRESTS AND ARMRESTS

Key	Part Number	U/M	Description
	040516-27-000	EA	Seat Asm. - Single Bucket w/Slides - Brown (Black Forest Chocolate)
	040516-28-000	EA	Seat Asm. - Single Bucket w/Slides - Blue (Teal Blue)
	040516-27-001	EA	Cover - Single Bucket Seat - Back - w/Pocket - Brown (Black Forest Chocolate)
	040516-28-001	EA	Cover - Single Bucket Seat - Back - w/Pocket - Blue (Teal Blue)
	040516-27-002	EA	Cover - Single Bucket Seat - Bottom - Brown (Black Forest Chocolate)
	040516-28-002	EA	Cover - Single Bucket Seat - Bottom - Blue (Teal Blue)
	033906-49-000	EA	Headrest Cover - Brown (Black Forest Chocolate)
	033906-47-000	EA	Headrest Cover - Blue (Teal Blue)
	019722-01-000	EA	Headrest Asm. - Foam w/o Cover
	050280-11-000	EA	Armrest Cover - Brown (Black Forest Chocolate)
	050280-12-000	EA	Armrest Cover - Blue - (Teal Blue)
	050275-01-700	EA	Armrest Asm. - Foam w/o Cover - Right
	050276-01-700	EA	Armrest Asm. - Foam w/o Cover - Left
	029134-01-000	EA	Clip - Finish - Upholstery - Bucket Seat
	031133-01-000	EA	Protector - Driver Seat - 6" - Tan Plastic
	029136-01-000	EA	Grommet - Headrest - Brown Nylon

PADS

Key	Part Number	U/M	Description
	047496-02-000	EA	Pad - Bunk Rail - Front - Mushroom Vinyl
	043321-04-000	EA	Pad - "A" Pillar - Right - Mushroom Vinyl
	043322-04-000	EA	Pad - "A" Pillar - Left - Mushroom Vinyl
	043323-04-000	EA	Pad - Door Top - Right - Mushroom Vinyl
	043324-04-000	EA	Pad - Door Top - Left - Mushroom
	043325-07-000	EA	Pad - "B" Pillar - Left - Mushroom Vinyl
	043325-08-000	EA	Pad - "B" Pillar - Right - Mushroom Vinyl
	043326-04-000	EA	Pad - Cab Headliner - Mushroom Vinyl
	043327-11-000	EA	Support - Cab/Pillar Asm. - Left - Mushroom Vinyl
	043327-12-000	EA	Support - Cab/Pillar Asm. - Right - Mushroom Vinyl
	048360-05-000	EA	Pad - Sleeper Board - Left - Mushroom Vinyl
	048360-06-000	EA	Pad - Sleeper Board - Right - Mushroom Vinyl
	050512-01-000	EA	Pad Asm. - Pullout Table
	047497-02-000	EA	Pad Asm. - Galley Overhead Cabinet
	050889-02-000	EA	Base Asm. - Stool - Mushroom Vinyl
	050890-02-000	EA	Lid Asm. - Stool Cover - Mushroom Vinyl
	050944-02-000	EA	Skirt Asm. - Stool - Front - Mushroom
	047252-02-000	EA	Pad - Trim - Beverage Cabinet - Mushroom Vinyl

**1977 ITASCA
TABLE OF CONTENTS**

Introduction	A-1
Abbreviations	A-1
Alphabetical Index	A-2 - A-4
C25A	A-5 - B-4
C27AL	B-15 - C-24
C22C	D-1 - E-10
C27A	E-11 - F-20
C25C	F-21 - H-4
C25CD	H-5 - I-14
C24C	I-15 - J-22
C25AD	J-23 - L-14

1977 C25CD INDEX

Floor Plan	H-5 - H-6
Accessories Group	H-7 - H-8
Bath Group	H-9 - H-10
Chassis Group	H-11
Curtain, Cushion & Pad Group	H-12 - H-15
Dinette Group	H-15
Driver's Compartment Group	H-16
Electrical Group	H-16 - H-18
Exterior Body Group	H-19 - H-22
Galley Group	H-23
Heating & Air Conditioning Group	H-24
Interior Finish Group	I-1 - I-2
LP Group	I-3
Lounge Group	I-4
Water & Sewage Group	I-5
Window, Vent & Exterior Door Group	I-6 - I-14

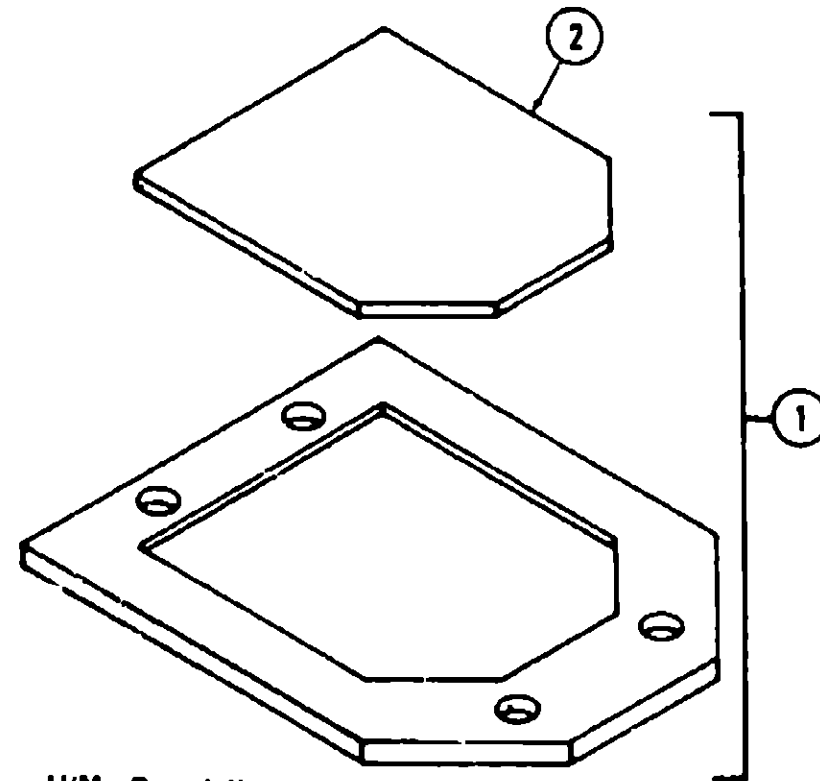
CURTAIN, CUSHION AND PAD GROUP (CONTINUED)

FABRICS AND TRIMS

Key	Part Number	U/M	Description
	049313-02-000	YD	Fabric - Upholstery - Brown (Black Forest Chocolate)
	049313-01-000	YD	Fabric - Upholstery - Blue (Teal Blue)
	049328-01-000	YD	Fabric - Drapery - Natural
	049312-02-000	YD	Fabric - Drapery Trim - Brown (Black Forest Chocolate)
	049312-01-000	YD	Fabric - Drapery Trim - Blue (Teal Blue)
	049310-01-000	YD	Vinyl - Non Expanded - 27 Ounce - Mushroom Vinyl
	042414-04-000	FT	Trim - Accent - Mushroom Vinyl
	023631-10-000	EA	Button - Nail - Mushroom Vinyl
	049310-03-000	YD	Vinyl - Non Support - 16 Gauge - Mushroom

DINETTE GROUP

Key	Part Number	U/M	Description
	045795-01-000	EA	Holder - Glass - Plastic
	004354-01-000	EA	Bumper - 1/8" x 1/2" Dia. - White
	047809-02-000	EA	Hardware Kit - Dinette Table - Wall Mount
	047842-01-000	EA	Kit - Table Leg - Dinette
	041833-01-000	EA	Spring - Conical Balance - Pull Rod
	041834-01-000	EA	Rod - Balance - Pull 3/4" Thick
	045377-04-000	EA	Cabinet Asm. - Dinette Seat - Left w/o Doors or Hardware
	048561-04-000	EA	Cabinet Asm. - Dinette Seat - Right w/o Doors or Hardware
	050196-02-000	EA	Door Asm. - Dinette Seat Cabinet w/o Hardware
	046333-02-000	EA	Cabinet Asm. - Dinette Overhead w/o Doors or Hardware
	050196-08-000	EA	Door Asm. - Dinette Overhead Cabinet - w/o Hardware



Key	Part Number	U/M	Description
1	046166-02-000	EA	Table - Asm. - Dinette w/Blue Insert (Teal Blue)
	046166-03-000	EA	Table Asm. - Dinette w/Green Insert (Black Forest Chocolate)
2	046166-02-001	EA	Insert - Dinette Table - Blue Felt (Teal Blue)
	046166-03-001	EA	Insert - Dinette Table - Green Felt (Black Forest Chocolate)

H-15

DRIVER'S COMPARTMENT GROUP

Key	Part Number	U/M	Description
	039639-01-000	EA	Bezel - Transmission Control
	036414-01-000	EA	Ashtray
	041425-01-000	EA	Cover - Engine
	041320-01-000	EA	Bracket - Engine Cover/Floor
	048223-01-000	EA	Bracket - Engine Cover
	044469-01-000	EA	Nameplate - Itasca - Brown/Silver
	045205-18-000	EA	Side Panel - Cab Door - Right - Mushroom
	045206-18-000	EA	Side Panel - Cab Door - Left - Mushroom
	050199-01-000	EA	Cabinet Asm. - Headboard
	049360-01-000	EA	Console - Overhead w/o Gauges or Switches
	024461-01-000	EA	Switch - Battery
	046885-01-000	EA	Plaque - Mounting - Battery Switch
	039645-08-000	EA	Extension Asm. - Sizer Board
	023812-04-000	EA	Rail - Bunk - Brown - 75"
	041476-01-000	FT	Track - Slide - PVC Dark Pecan - 12'
	048656-01-000	EA	Bracket - Catch - Bunk
	049797-01-000	EA	Hedlok II - 1" Dia. - Screw Mount - Black Plastic
	049918-01-000	EA	Pedestal Asm. - Swivel Seat
	007223-01-000	EA	Adjuster Asm. - Seat w/Lock
	007224-02-000	EA	Handle - Seat Adjuster - 9"
	007227-01-000	EA	Adjuster Asm. - Seat w/o Lock
	048436-01-000	EA	Handle - Swivel Seat
	049916-01-000	EA	Plate Asm. - Swivel Seat
	049943-01-000	EA	Pedestal - Complete - Swivel Seat
	007222-01-000	EA	Belt Asm. - Seat - 2" x 60" - Black
	041332-01-000	EA	Washer - Flat - 15/32" I.D. x 2 3/8" O.D.
	040697-03-000	EA	Pad - Instrument Panel - Brown

ELECTRICAL GROUP

BULBS

Key	Part Number	U/M	Description
	037935-01-000	EA	Bulb - 1157
	038010-01-000	EA	Bulb - 1143
	008103-01-000	EA	Bulb - 53
	008213-01-000	EA	Bulb - 57
	008214-01-000	EA	Bulb - 67
	008215-01-000	EA	Bulb - 1003
	008216-01-000	EA	Bulb - 1034
	008217-01-000	EA	Bulb - 1073
	008218-01-000	EA	Bulb - 1141
	008219-01-000	EA	Bulb - 656
	008220-01-000	EA	Bulb - 12V - 25W
	036196-01-000	EA	Bulb - 194
	700020-01-000	EA	Bulb - 12V - 20 W - 1383

EXTERIOR LIGHTS

Key	Part Number	U/M	Description
	008089-01-000	EA	Light - Porch - Recessed
	045863-01-000	EA	Lamp Asm. - Tail - Horizontal
	045864-01-000	EA	Lamp Asm. - Tail - Horizontal w/License Mount
	042405-03-000	EA	Base - Rectangular Clearance Light
	042405-04-000	EA	Lens - Rectangular Light - Red
	042405-05-000	EA	Lens - Rectangular Light - Amber
	048817-01-000	EA	Handle Assist w/Light

H-16

1977 ITASCA TABLE OF CONTENTS

Introduction	A-1
Abbreviations	A-1
Alphabetical Index	A-2 - A-11
C25A	A-5 - B-4
C27AL	B-15 - C-20
C22C	D-1 - E-10
C27A	E-11 - F-20
C25C	F-21 - H-4
C25CD	H-5 - I-14
C24C	I-15 - J-22
C25AD	J-23 - L-14

1977 C25CD INDEX

Floor Plan	H-5 - H-6
Accessories Group	H-7 - H-8
Bath Group	H-9 - H-10
Chassis Group	H-11
Curtain, Cushion & Pad Group	H-12 - H-15
Dinette Group	H-15
Driver's Compartment Group	H-16
Electrical Group	H-16 - H-18
Exterior Body Group	H-19 - H-22
Galley Group	H-23
Heating & Air Conditioning Group	H-24
Interior Finish Group	I-1 - I-2
LP Group	I-3
Lounge Group	I-4
Water & Sewage Group	I-5
Window, Vent & Exterior Door Group	I-6 - I-14

ELECTRICAL GROUP (CONTINUED)

INTERIOR LIGHTS

Key	Part Number	U/M	Description
	024418-01-000	EA	Lamp Asm. - Map/Gauge/Aisle
	024473-01-000	EA	Light - Aircraft - 1 Bulb - Gold
	033508-02-000	EA	Light - Dome - Ivory - 1 Bulb
	024642-01-701	EA	Lens - Dome Light - 1 Bulb
	033509-02-000	EA	Light - Dome - Ivory - 2 Bulb
	024643-01-701	EA	Lens - Dome Light - 2 Bulb
	008102-01-000	EA	Light - Corner Mount - Multibulb

FUSES AND CIRCUIT BREAKERS

Key	Part Number	U/M	Description
	008233-01-000	EA	Fuse - 12 Volt - 6 Amp.
	008234-01-000	EA	Fuse - 12 Volt - 10 Amp.
	008235-01-000	EA	Fuse - 12 Volt - 15 Amp.
	008236-01-000	EA	Fuse - 12 Volt - 20 Amp.
	008248-01-000	EA	Fuse - 110 Volt - 30 Amp.
	008252-01-000	EA	Fuse - 110 Volt - 50 Amp.
	008208-01-000	EA	Circuit Breaker - 12 Volt - 40 Amp.
	008211-01-000	EA	Circuit Breaker - 12 Volt - 6 Amp.
	008268-01-000	EA	Circuit Breaker - 12 Volt - 30 Amp. w/Mount
	033573-01-000	EA	Circuit Breaker - 12 Volt - 20 Amp. w/Mount

WIRE, SWITCHES AND RECEPTACLES

Key	Part Number	U/M	Description
	008024-01-000	FT	Wire - 18.5 Bonded - Orange/White/Yellow/Blue/Brown
	008025-01-000	FT	Wire - 18.5 Bonded - Orange/White/Yellow/Blue/Green
	008028-01-000	FT	Wire - 18.5 Bonded - Blue/Red/Yellow/Orange/White
	008030-01-000	FT	Wire - 18.4 Bonded
	008251-01-000	EA	Holder - Fuse - Black - Screw Type
	008277-01-000	EA	Holder - Fuse - Black - Panel Mount
	008195-01-000	EA	Switch - Push Button - 12 Volt
	008077-01-000	EA	Plaque - Compressor Switch
	008054-01-000	EA	Cord - Power - 10-3 30 Amp. - 25' - UL
	034818-04-000	EA	Holder - Receptacle - Plastic
	039338-01-000	EA	Cover Plate - Receptacle - Plastic - Brown
	039339-01-000	EA	Receptacle - Duplex Brown - End Of Line
	039342-01-000	EA	Receptacle - Duplex Brown - T Junction
	024571-01-000	EA	Cover Plate - Receptacle - Jumbo Steel Brown
	039343-01-000	EA	Cap - End - Receptacle
	008162-01-000	EA	Switch - Double Toggle - Spade Brown
	008163-01-000	EA	Switch - Toggle Brown
	008164-01-000	EA	Cover Plate - Switch - Brown Plastic
	024924-01-000	EA	Receptacle - Power Cord
	008058-01-000	EA	Adaptor - Power Cord
	047353-01-000	EA	Cover - Receptacle - Ground Fault
	047351-01-000	EA	Receptacle - Ground Fault Interrupter - 125 Volt - Black
	024482-01-000	EA	Switch - Battery Condition
	024976-01-000	EA	Switch - Generator - w/o Circuit Board

ELECTRICAL GROUP (CONTINUED)

MISCELLANEOUS ELECTRICAL COMPONENTS

Key	Part Number	U/M	Description
	047338-01-000	EA	Isolator - Dual Battery
	047389-01-700	EA	Battery - 12 Volt - 105 Amp. Deep Cycle - Dry
	008188-01-000	EA	Solenoid - Dual Battery - Relay
	046775-01-000	EA	Valve - Gas - Change Over
	039950-02-000	EA	Control Center - 30 Amp. w/Door - UL
	048812-01-000	EA	Panel - Control - Water/Double Sewage - Wamac
	039861-01-000	EA	Sending Unit Kit - Wamac
	024459-01-000	EA	Gauge - Voltmeter
	031035-01-000	EA	Gauge - Hourmeter - Generator

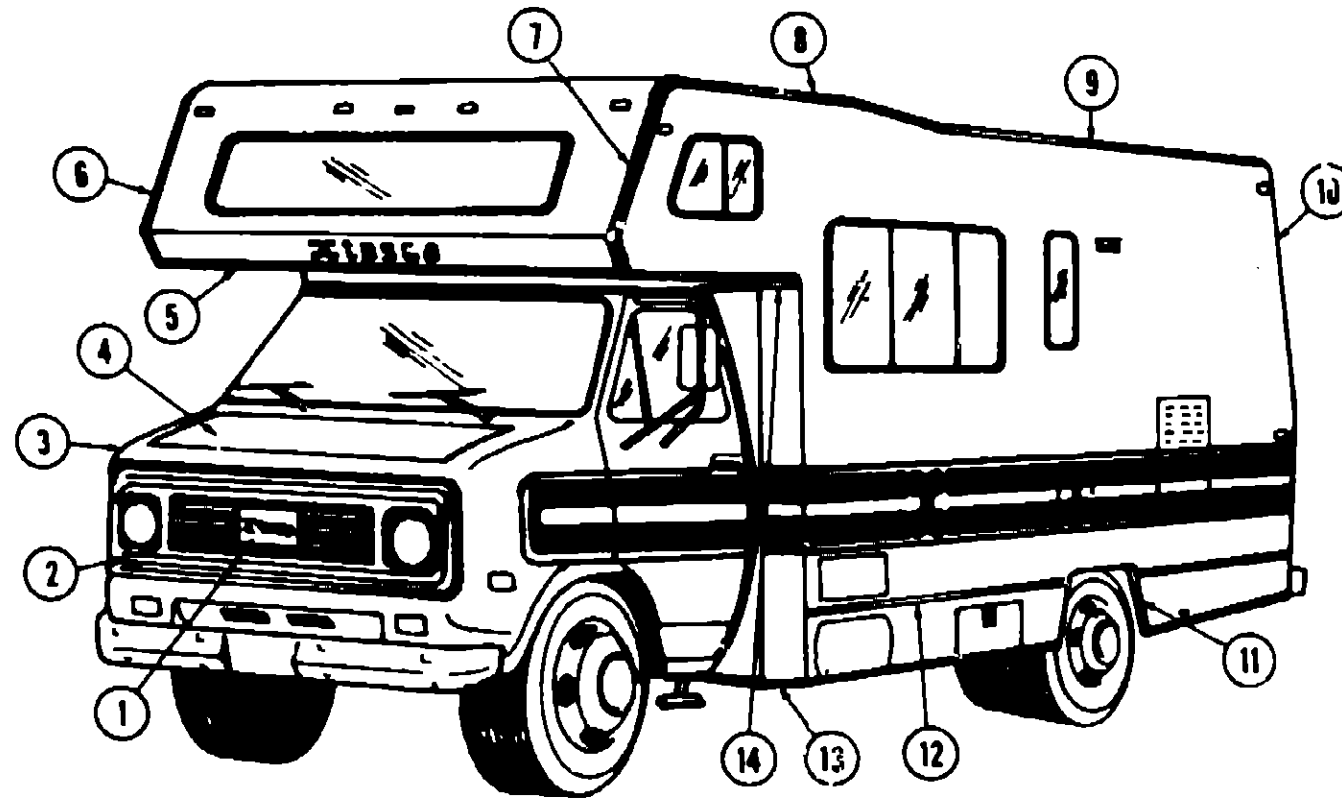
1977 ITASCA TABLE OF CONTENTS

Introduction	A-1
Abbreviations	A-1
Alphabetical Index	A-2 - A-4
C25A	A-5 - B-4
C27AL	B-15 - C-24
C22C	D-1 - E-10
C27A	E-11 - F-20
C25C	F-21 - H-4
C25CD	H-5 - I-14
C24C	I-15 - J-22
C25AD	J-23 - L-14

1977 C25CD INDEX

Floor Plan	H-5 - H-6
Accessories Group	H-7 - H-8
Bath Group	H-9 - H-10
Chassis Group	H-11
Curtain, Cushion & Pad Group	H-12 - H-15
Dinette Group	H-15
Driver's Compartment Group	H-16
Electrical Group	H-16 - H-18
Exterior Body Group	H-19 - H-22
Galley Group	H-23
Heating & Air Conditioning Group	H-24
Interior Finish Group	I-1 - I-2
LP Group	I-3
Lounge Group	I-4
Water & Sewage Group	I-5
Window, Vent & Exterior Door Group	I-6 - I-14

EXTERIOR BODY GROUP



1977 ITASCA TABLE OF CONTENTS

Introduction	A-1
Abbreviations	A-1
Alphabetical Index	A-2 - A-4
C25A	A-5 - B-4
C27AL	B-15 - C-24
C22C	D-1 - E-10
C27A	E-11 - F-20
C25C	F-21 - H-4
C25CD	H-5 - I-14
C24C	I-15 - J-22
C25AD	J-23 - L-14

Key	Part Number	U/M	Description
1	046619-01-000	EA	Plate - Grille Cover - Logo
2	046741-01-000	EA	Grille - Plastic Chrome w/o Decal Striping
3	040843-01-000	EA	Front End Asm. - Fiberglass - Off White - Includes Hood w/o Front Grille
4	040845-01-000	EA	Hood Asm. - Off White
5	039644-01-000	EA	Trim - Sleeper Board - Off White
	039616-01-000	EA	Hinge - Hood (2 used per hood)
	035388-01-000	EA	Hood Pin Kit - 7/16" x 20 x 3.50" Long
	007160-01-000	EA	Gasket - Tire Carcass - 3/16" x 2" x 2"
	037449-01-000	EA	Well Nut - 10 - 32 x .812" Long
6	039635-02-000	EA	Trim - Contour - Sleeper Section - Right - Off White
7	039635-01-000	EA	Trim - Contour - Sleeper Section - Left - Off White
8	039634-01-000	EA	Trim - Contour - Roof - Left - Off White
	039634-02-000	EA	Trim - Contour - Roof - Right - Off White
9	034922-04-000	EA	Trim - Sidewall/Roof - Upper - Left or Right - Off White

Key	Part Number	U/M	Description
10	039633-01-000	EA	Trim - Contour - Backwall - Left - Off White
	039633-02-000	EA	Trim - Contour - Backwall - Right - Off White
11	039624-03-000	EA	Trim - Wheel Well - Rear - Left or Right
12	002444-02-003	EA	Extr. - Feature Strip - Alum. - 16' w/o Insert
	001030-02-002	EA	Insert - Feature Strip - Off White - 21'
	009731-01-000	EA	End Cap - Feature Strip
13	043442-01-000	EA	Trim - Wingwall - Bottom Left
	043442-02-000	EA	Trim - Wingwall - Bottom - Right
14	048610-01-000	EA	Trim - Corner - Wingwall - Left
	048610-02-000	EA	Trim - Corner - Wingwall - Right
	002365-02-001	EA	Extr. - U-Channel - 1" Serrated x 18' Anod.
	039629-01-000	FT	Extr. - Vinyl - Sleeper Joint
	043915-01-000	FT	Extr. - Vinyl - "B" Pillar/Wingwall
			Not Illustrated

1977 C25CD INDEX

Floor Plan	H-5 - H-6
Accessories Group	H-7 - H-8
Bath Group	H-9 - H-10
Chassis Group	H-11
Curtain, Cushion & Pad Group	H-12 - H-15
Dinette Group	H-15
Driver's Compartment Group	H-16
Electrical Group	H-16 - H-18
Exterior Body Group	H-19 - H-22
Galley Group	H-23
Heating & Air Conditioning Group	H-24
Interior Finish Group	I-1 - I-2
LP Group	I-3
Lounge Group	I-4
Water & Sewage Group	I-5
Window, Vent & Exterior Door Group	I-6 - I-14

EXTERIOR BODY GROUP (CONTINUED)

EXTERIOR BODY PANELS AND SHEET ALUMINUM

Key	Part Number	U/M	Description
	039579-05-000	EA	Board - Sleeper
	050375-04-000	EA	Backwall Asm.
	051821-02-000	EA	Sidewall Asm. - Right
	046952-02-000	EA	Sidewall Asm. - Left
	049316-03-000	EA	Roof Asm.
	049316-03-700	EA	Roof Section - Front - Cab Overhang to First Roof Seam
	039155-03-008	EA	Alum. - Off White - Mesa Design - .024" x 36" x 80"
	039155-03-002	EA	Alum. - Off White - Mesa Design - .024" x 36" x 300"
	039155-03-003	EA	Alum. - Off White - Mesa Design - .024" x 36" x 360"
	039155-03-007	EA	Alum. - Off White - Mesa Design - .024" x 48" x 80"
	039155-03-005	EA	Alum. - Off White - Mesa Design - .024" x 48" x 300"
	039155-03-006	EA	Alum. - Off White - Mesa Design - .024" x 48" x 360"
	039155-03-009	EA	Alum. - Off White - Mesa Design - .024" x 12" x 360"
	044487-01-001	EA	Alum. - Mill Finish - No Design (Roof) - 96" x 360"
	039155-07-010	EA	Alum. - Off White - Greyhound Design 48" x 96"
	001054-01-011	EA	Alum. - Off White - No Design - 48" x 96"

EXTERIOR PAINT

Key	Part Number	U/M	Description
	041561-01-000	EA	Paint - Off White - Acrylic Enamel - 1 Gallon
	041561-03-000	EA	Paint - Off White - Acrylic Enamel - 16 Oz. Aerosol
	041561-04-000	EA	Paint - Off White - Acrylic Lacquer - 1 Gallon
	050037-01-000	EA	Paint - Astro Blue Metallic - Acrylic Enamel - 1 Gallon
	050037-03-000	EA	Paint - Astro Blue Metallic - Acrylic Enamel - 16 Oz. Aerosol
	050038-01-000	EA	Paint - Tan Metallic - Acrylic Enamel - 1 Gallon
	050038-03-000	EA	Paint - Tan Metallic - Acrylic Enamel - 16 Oz. Aerosol
	045681-01-000	EA	Paint - High Gloss Black - Acrylic Enamel - 1 Gallon
	045681-03-000	EA	Paint - High Gloss Black - Acrylic Enamel - 16 Oz. Aerosol
	042833-03-000	EA	Paint - Dark Brown - Acrylic Enamel - 16 Oz. Aerosol

LABELS AND DECALS

Key	Part Number	U/M	Description
	006023-01-000	EA	Label - Water Only
	006025-01-000	EA	Label - Gas
	006026-01-000	EA	Label - Drain Cap - 2" x 3"
	006031-01-000	EA	Label - Potable Water Only
	006040-01-000	EA	Tag - Gas Refueling Warning
	006061-01-000	EA	Tag - LP Gas Only
	006062-01-000	EA	Tag - Electrical - 110 Volt Connection
	006187-01-000	EA	Label - Sewage
	006188-01-000	EA	Label - Waste Water
	006199-01-000	EA	Label - Exit - Escape Window
	046400-02-000	EA	Decal - Logo - Itasca - 5.25" High
	050425-01-000	EA	Decal - Logo - "Seafarer"
	050426-01-000	EA	Decal - Logo - Itasca "I"
	039288-01-000	EA	Label - Warning Aux. Loading
	041273-12-000	FT	Decal - Stripes - Sidewall - .88" - Dark Blue
	046321-01-000	EA	Stencil - Stripes - Front Side
	046324-02-000	EA	Decal - Stripes - Front Side - Dark Blue
	041273-07-000	FT	Decal - Stripes - 1" - Light Blue
	046325-02-000	EA	Decal - Logo - Itasca Grille
	046764-03-000	EA	Decal - Grille - Accent - Left Hand - Blue
	046764-04-000	EA	Decal - Grille - Accent - Right Hand - Blue
	008092-01-000	EA	Reflector - Stick On - Rectangular - Red
	008093-01-000	EA	Reflector - Stick On - Rectangular - Amber

EXTERIOR BODY GROUP (CONTINUED)

SEALANTS, ADHESIVES AND FASTENERS

Key	Part Number	U/M	Description
	034552-05-000	EA	Sealant - Off White Silicone
	034552-04-000	EA	Sealant - Beige Silicone
	034552-02-000	EA	Sealant - Clear Silicone
	004348-02-000	EA	Sealant - Aluminum Silicone
	004349-01-000	EA	Sealant - Black Silicone
	004342-01-000	EA	Sealant - Weatherban 202 Tube
	004346-02-000	EA	Sealant - White Silicone
	004347-01-000	EA	Sealant - Tufflex
	002316-01-000	FT	Tape - Sealer - 3/32" x 1/8"
	024545-01-000	FT	Tape - Sealer - 1/8" x 5/8" - Black
	004350-01-000	FT	Tape - Sealer - 1/8" x 1" - Formaseal
	004352-01-000	FT	Tape - Sealer - 1/8" x 3/4" - Formaseal
	004355-01-000	FT	Tape - Sealer - 1/8" x 5/8" - Black
	004357-01-000	FT	Tape - Sealer - 1/8" x 5/8" - Adhesive
	002707-02-000	FT	Tape - Sealer - 5/16" x 1/2" - Black Foam
	002707-01-000	FT	Tape - Sealer - 5/16" x 3/4" - Black Foam
	041422-01-000	FT	Tape - Sealer - 1/4" x 1/2"
	004363-01-000	FT	Tape - Sealer - 3/16" x 1/2" - Foam
	004362-01-000	FT	Tape - Sealer - 1/8" x 5/8" - Foam
	009200-01-000	EA	Tape - Furnace - 1 1/2"
	041839-01-000	FT	Tape - Window - Latch - 3/4" - Adhesive
	041839-02-000	FT	Tape - Window - Latch - 1/2" - Adhesive
	004353-01-000	FT	Tape - Gasket - 1/8" x 3/4" - White
	002825-01-000	FT	Weatherstripping - Roof Vent
	002337-01-000	EA	Adhesive - 3M - 1300 Tube
	004005-01-000	GL	Adhesive - Swifts - Green - Glue (Sidewalls)
	004012-01-000	EA	Adhesive - 3M - 4475 Tube
	004020-01-000	QT	Adhesive - ABS Cement (Plastic Fittings)
	029051-01-000	EA	Adhesive - Spray Vinyl
	042401-02-000	EA	Screw - 8-18 x 3/4" SDPH Off White
	042403-02-000	EA	Screw - SF/DR - 8-18 x 1" SDPH Off White
	005058-01-000	EA	Screw - Wood - 12-11 x 3" P.O.H. Zinc

MISCELLANEOUS EXTERNALLY MOUNTED PARTS

Key	Part Number	U/M	Description
	036579-03-000	EA	Fuel Fill - Recessed - Single - Off White
	011124-01-000	EA	Plumbing Seal - Roof Vent - 1 1/4" White
	011129-01-000	EA	Plumbing Seal - Roof Vent - 1 1/2" White
	010230-02-000	EA	Fill - City Water - Recessed - Off White
	011020-01-000	EA	Fill - Water - Recessed - Off White
	009126-01-000	EA	Handle - Assist - Metal
	009101-01-000	EA	Holder - Entry Door - Male
	009101-02-000	EA	Holder - Entry Door - Female
	051105-01-000	EA	Cover - Shower Drain
	048817-01-000	EA	Handle Assist w/Light

1977 ITASCA TABLE OF CONTENTS

Introduction	A-1
Abbreviations	A-1
Alphabetical Index	A-2 - A-4
C25A	A-5 - B-4
C27AL	B-15 - C-24
C22C	D-1 - E-10
C27A	E-11 - F-20
C25C	F-21 - H-4
C25CD	H-5 - I-14
C24C	I-15 - J-22
C25AD	J-23 - L-14

1977 C25CD INDEX

Floor Plan	H-5 - H-6
Accessories Group	H-7 - H-8
Bath Group	H-9 - H-10
Chassis Group	H-11
Curtain, Cushion & Pad Group	H-12 - H-15
Dinette Group	H-15
Driver's Compartment Group	H-16
Electrical Group	H-16 - H-18
Exterior Body Group	H-19 - H-22
Galley Group	H-23
Heating & Air Conditioning Group	H-24
Interior Finish Group	I-1 - I-2
LP Group	I-3
Lounge Group	I-4
Water & Sewage Group	I-5
Window, Vent & Exterior Door Group	I-6 - I-14

GALLEY GROUP

Key	Part Number	U/M	Description
	049084-02-000	EA	Cabinet - Galley w/o Top, Doors, or Hardware
	049083-03-000	EA	Countertop - Galley Cabinet - Golden Teak
	050196-01-000	EA	Door Asm. - Galley Cabinet - 9 5/16" x 21" - w/o Hardware
	050196-07-000	EA	Door Asm. - Galley Cabinet - 13 3/4" x 29 1/2" - w/o Hardware
	046121-03-000	EA	Cabinet - Galley Overhead w/o Doors or Hardware
	050196-09-000	EA	Door Asm. - Galley Overhead - 23/8" x 15 7/16" - w/o Hardware
	048562-02-000	EA	Cabinet - Buffet - Base - w/o Countertop or Doors
	048818-06-000	EA	Countertop - Buffet Cabinet - Golden Teak
	047019-05-700	EA	Drawer Asm. - Buffet Cabinet - 14 1/8" x 5 1/4" - w/o Hardware
	050196-03-000	EA	Door Asm. - Buffet Cabinet - 9 7/16" x 14" - w/o Hardware
	050196-04-000	EA	Door Asm. - Buffet Cabinet - 8 3/16" x 14" - w/o Hardware
	050581-01-000	EA	Hand Rail - Teak - 1 Loop - 13"
	050408-01-000	EA	Hand Rail - Teak - 2 Loop - 23"
	045953-02-000	EA	Cabinet - Beverage - w/o Doors
	050198-03-000	EA	Door Asm. - Beverage Cabinet w/Glass - 20" x 22" - w/o Hardware
	046114-02-000	EA	Cabinet - Overhead Galley Extension - w/o Doors or Pad
	050196-10-000	EA	Door Asm. - Galley Extension Cabinet - w/o Hardware
	043098-05-000	EA	Holder - Glass
	011032-01-000	EA	Sink - Stainless Steel - Double w/Bolts
	011053-01-000	EA	Faucet - 8" - Swing Spout
	011053-01-700	EA	Aerator - Swing Spout Faucet
	011085-01-000	EA	Strainer - Sink
	027671-19-000	EA	Cover - Sink - Golden Teak
**	046955-01-000	EA	Refrigerator AC/DC - 2 Door - Norcold
**	049045-01-000	EA	Range - 4 Burner - Large Oven - Chrome - Magic Chef
**	045954-01-000	EA	Hood - Range - Power w/Spice Rack

** The illustrated parts breakdown for this item is provided on the Common Items Fiche.

HEATING AND AIR CONDITIONING GROUP

Key	Part Number	U/M	Description
	048231-01-000	EA	Auto Air - 350 C.I.D. - AMC
	041443-01-000	EA	A/C General Package - AMC
	041444-01-000	EA	A/C Condenser Package - 350 C.I.D. - AMC
	041445-01-000	EA	A/C Installation Package - AMC
	041446-01-000	EA	A/C Evaporator Package - 350 C.I.D. - AMC
	047036-01-000	EA	A/C Compressor Mount Package - 350 C.I.D. - AMC
	048231-02-000	EA	Auto Air - 350 C.I.D. ARA
	009198-01-000	FT	Duct - Flexible - 4" x 25' (Furnace)
	024985-01-000	EA	Register - Heat w/Damper - 9.9" x 4.8"
	031804-01-000	EA	Bonnet - Heat Register
	050783-01-000	EA	Vent Package - Furnace - 4200 Series
	041806-01-000	EA	Vent Package - Furnace - 4200 Series
	009200-01-000	EA	Tape - Furnace - 1 1/2"
	039505-02-000	EA	Thermostat - Wall Mount - Coleman
	051768-01-000	EA	A/C - Compressor Mount Package - 350 C.I.D. ARA
	051769-01-000	EA	A/C - Evaporator Package - 350 C.I.D. - ARA
	051770-01-000	EA	A/C - Compressor - 350 C.I.D. - ARA
	051771-01-000	EA	A/C - Condenser Asm. - 350 C.I.D. - ARA
**	041604-01-000	EA	Furnace - 28,000 BTU - Under Counter Mount - Coleman - 4230
**	041605-01-000	EA	Furnace - 31,000 BTU - Under Counter Mount - Coleman - 4235
**	049774-01-000	EA	Air Conditioner - 110 Volt - Roof Mount - 13,500 BTU Ivory - Coleman (w/o Inside Shroud)
**	049775-01-000	EA	Shroud Asm. - Ceiling - Inside - Roof Air - Cool Only 13,500 BTU - Coleman
**	049776-01-000	EA	Shroud Asm. - Ceiling - Inside - Roof Air - Heat and Cool Only 13,500 BTU - Coleman

** The illustrated parts breakdown for this item is provided on the Common Items Fiche.

1977 ITASCA TABLE OF CONTENTS

Introduction	A-1
Abbreviations	A-1
Alphabetical Index	A-2 - A-4
C25A	A-5 - B-4
C27AL	B-15 - C-24
C22C	D-1 - E-19
C27A	E-11 - F-20
C25C	F-21 - H-4
C25CD	H-5 - I-14
C24C	I-15 - J-22
C25AD	J-23 - L-14

1977 C25CD INDEX

Floor Plan	H-5 - H-6
Accessories Group	H-7 - H-8
Bath Group	H-9 - H-10
Chassis Group	H-11
Curtain, Cushion & Pad Group	H-12 - H-15
Dinette Group	H-15
Driver's Compartment Group	H-16
Electrical Group	H-16 - H-18
Exterior Body Group	H-19 - H-22
Galley Group	H-23
Heating & Air Conditioning Group	H-24
Interior Finish Group	I-1 - I-2
LP Group	I-3
Lounge Group	I-4
Water & Sewage Group	I-5
Window, Vent & Exterior Door Group	I-6 - I-14

INTERIOR FINISH GROUP

PANELING AND COUNTERTOP MATERIALS

Key	Part Number	U/M	Description
	049314-01-000	SF	Paneling - Pine - Plain - 48" x 96" (32SF)
	049314-02-000	SF	Paneling - Pine - V Groove - 48" x 96" (32SF)
	047401-02-000	SF	Paneling - Ship Ahoy - Brown - 48" x 96" (32SF)
	047401-03-000	SF	Paneling - Ship Ahoy - Blue - 48" x 96" (32SF)
	045963-01-000	SF	Paneling - Buff - Ceiling - 48" x 96" (32 SF)
	000726-01-000	EA	Batt Strip - Wormy Pecan
	047354-01-000	EA	Batt Strip - Buff
	000868-01-000	BF	Styrofoam - 3/4" x 24" x 96"
	045964-02-000	SF	Plastic Laminate - Golden Teak - 48" x 96" (32SF)
	045964-02-001	EA	Plastic Laminate - Golden Teak - 48" x 45"
	045964-02-002	EA	Plastic Laminate - Golden Teak - 1.19" x 96"

FABRICS AND FLOOR COVERINGS

Key	Part Number	U/M	Description
	049313-02-000	YD	Fabric - Upholstery - Brown (Black Forest Chocolate)
	049313-01-000	YD	Fabric - Upholstery - Blue (Teal Blue)
	049328-01-000	YD	Fabric - Drapery - Natural
	049312-02-000	YD	Fabric - Drapery Trim - Brown (Black Forest Chocolate)
	049312-01-000	YD	Fabric - Drapery Trim - Blue (Teal Blue)
	049310-01-000	YD	Vinyl - Non Expanded - 27 Ounce - Mushroom
	049310-03-000	YD	Vinyl - Non Support - 16 Gauge - Mushroom
	049311-01-000	SY	Carpet - Irish Linen
	045961-01-000	EA	Tile - Wood - 12" x 12" - Old Brown Oak
	045969-01-000	SF	Mat - Cocoa - 3/4" Thick - Natural Tan
	047400-01-000	YD	Felt - 21 Oz. Wool - Green
	047400-02-000	YD	Felt - 21 Oz. Wool - Blue

INTERIOR MOLDINGS AND TRIMS

Key	Part Number	U/M	Description
	024700-04-000	EA	Cover - Sidewall Roll Bar - Hickory
	024700-06-000	EA	Cover - Sidewall Roll Bar - Ivory
	034113-03-000	EA	Cover - Corner - Support Bar - Dark Brown
	039512-02-000	EA	Cover - Hat Section - Hickory
	039512-06-000	EA	Cover - Hat Section - Ivory
	047488-01-000	EA	Cover - Corner - Hat/Hat
	047489-01-000	EA	Cover - Corner - Tube/Tube
	009767-01-000	FT	Welting - Brown
	009786-01-000	FT	Track - Door - Lower - Dark Brown
	009812-01-000	FT	Molding - Plastic - Outside Corner - .50"
	017768-01-000	FT	U-Channel - Plastic - .18" Brown
	047398-01-000	FT	Molding - Wood - 3/4" x 8" - Quarter Round
	050513-02-000	EA	Plastic - Sheet - 2' x 6' Amber
	009815-02-000	FT	T-Molding - 3/4" Brown
	042414-04-000	FT	Trim - Accent - Vinyl - Mushroom
	034689-03-000	EA	Cover - Screw - PPH - 10 - Ivory
	009779-01-000	FT	U-Channel - 1 1/8" Dark Brown

INTERIOR FINISH GROUP (CONTINUED)

CURTAIN HARDWARE

Key	Part Number	U/M	Description
	050296-02-002	EA	Extr. - Anod. Curtain Track - 16'
	009107-01-000	EA	Guide - Nylon Snap - Curtain
	009108-01-000	FT	Track - Curtain - Brown Plastic - 16'
	042439-01-000	EA	Bracket - Single Curtain Rod - Left or Right
	009223-02-000	EA	Rod - Curtain - Flat - Extends 48" - 84"
	009224-01-000	EA	Rod - Curtain - Flat - Extends 24" - 48"

CABINETS AND TABLE HARDWARE

Key	Part Number	U/M	Description
	041931-01-000	EA	Kit - Cabinet Door Hinge
	046541-01-000	EA	Kit - Cabinet Door Latch
	046543-01-000	EA	Kit - Drawer Pull
	009047-01-000	EA	Support - Door Cabinet
	047744-01-000	EA	Kit - Drawer Glide
	037688-01-000	FT	Rail - Drawer Guide V
	050274-01-000	EA	Screw - 6-20 x 3/4" PFH - Dark Brown
	009151-01-000	EA	Warp Guard - 48"
	041808-01-000	EA	Screw - 5 x 5/8" POH - Antique Brass
	047008-01-000	EA	Lock Asm. - Key Type - Antique Brass - Right Door
	047009-01-000	EA	Lock Asm. - Key Type - Antique Brass - Left Door
	009021-01-000	EA	Catch - Nylon - Medicine Cabinet
	009021-02-000	EA	Strike - Nylon Catch - Medicine Cabinet
	009059-01-000	EA	Hinge - 2" - Gold
	009524-01-000	EA	Strike - Plastic - Door Overlay
	009112-01-000	EA	Flange - 1" Rod - Chrome

MISCELLANEOUS

Key	Part Number	U/M	Description
	050412-01-000	EA	Mirror - Ships Wheel - 13"
	047033-01-000	SF	Cork - 1/8" x 12" x 24" - Sand Natural
	047033-02-000	SF	Cork - 1/8" x 12" x 24" - Terrazzo Natural
	050410-01-000	EA	Transom Board - Teak - 24" Long
	050417-01-000	EA	Nameplate - Brass - Property of
	050526-01-000	EA	Nameplate - Seafarer
	050413-01-000	EA	Barometer - Ships Wheel
	050414-01-000	EA	Thermometer - Ships Wheel
	050415-01-000	EA	Humidity Meter - Ships Wheel
	050782-01-000	EA	Clock - Brass - 5 1/2" Diameter
	042950-03-000	EA	Handle - Interior Assist
	040069-01-000	EA	Mat - Door - Black Rubber - 10 1/2" x 26" - Itasca

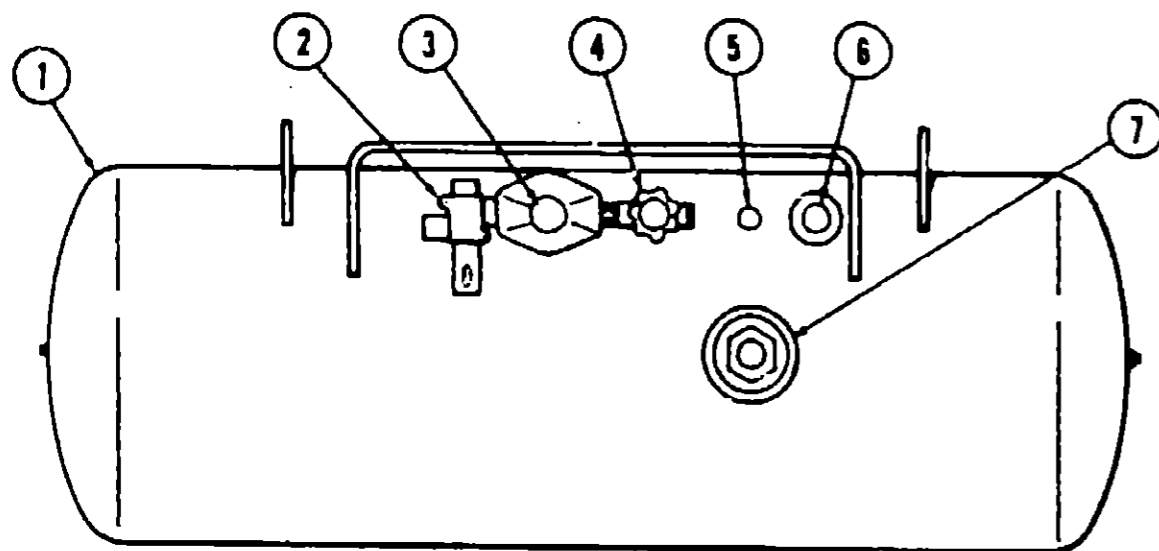
1977 ITASCA TABLE OF CONTENTS

Introduction	A-1
Abbreviations	A-1
Alphabetical Index	A-2 - A-4
C25A	A-5 - B-4
C27AL	B-15 - C-24
C22C	D-1 - E-10
C27A	E-11 - F-20
C25C	F-21 - H-4
C25CD	H-5 - I-14
C24C	I-15 - J-22
C25AD	J-23 - L-14

1977 C25CD INDEX

Floor Plan	H-5 - H-6
Accessories Group	H-7 - H-8
Bath Group	H-9 - H-10
Chassis Group	H-11
Curtain, Cushion & Pad Group	H-12 - H-15
Dinette Group	H-15
Driver's Compartment Group	H-16
Electrical Group	H-16 - H-18
Exterior Body Group	H-19 - H-22
Galley Group	H-23
Heating & Air Conditioning Group	H-24
Interior Finish Group	I-1 - I-2
LP Group	I-3
Lounge Group	I-4
Water & Sewage Group	I-5
Window, Vent & Exterior Door Group	I-6 - I-14

LP GROUP



Key	Part Number	U/M	Description
1	040421-01-000	EA	Tank - LP - Frame Mount - 83 Pound
2	047221-01-000	EA	Detector - LP Gas Leak
3	024712-01-000	EA	Cover - LP Regulator
4	052163-01-000	EA	Regulator - Manual - LP Gas - 2 Stage
5	040421-01-703	EA	Valve - Vapor Relief
6	040421-01-700	EA	Gauge - Liquid Level - 20% LP
7	040421-01-701	EA	Valve - Filler - LP
	040421-01-702	EA	Cap - Plastic Fill Valve
	040421-01-707	EA	Gauge - Flat - w/Visible Dial - 83 Pound Tank
	040421-01-706	EA	Dial - Visible Face - Float Gauge (Tank w/o Electric Transmitter)
	040421-01-705	EA	Dial - Transmitter - 0 - 90 Ohm (Float Gauge)
	045703-03-000	EA	Hose Asm. - LP - 3/8" I.D. x 14"
	047737-02-000	EA	Support - LP Tank - 89.25"
	047737-03-000	EA	Support - LP Tank - 30.50"
			Not Illustrated

LOUNGE GROUP

Key	Part Number	U/M	Description
	050509-01-000	EA	Countertop Asm. - Table Cabinet
	050511-01-000	EA	Countertop Asm. - Table - Pullout
	045795-01-000	EA	Holder - Glass - Plastic
	009148-01-000	EA	Pull - Finger - 3/4" Dia. Brass
	046038-02-000	EA	Cabinet Asm. - Fishing Pole Rack
	047002-01-000	EA	Holder - Fishing Pole - Brown
	050924-02-000	EA	Cabinet Asm. - Gaucho Seat
	039587-08-000	EA	Cabinet - Table - Fold Down - Rust (Fire and Grass)
	039587-09-000	EA	Cabinet - Table - Fold Down - Gold (Aztec Gold)
	039587-10-000	EA	Cabinet - Table - Fold Down - Beige (Saddle)

1977 ITASCA TABLE OF CONTENTS

Introduction	A-1
Abbreviations	A-1
Alphabetical Index	A-2 - A-4
C25A	A-5 - B-4
C27AL	B-15 - C-24
C22C	D-1 - E-10
C27A	E-11 - F-20
C25C	F-21 - H-4
C25CD	H-5 - I-14
C24C	I-15 - J-22
C25AD	J-23 - L-14

1977 C25CD INDEX

Floor Plan	H-5 - H-6
Accessories Group	H-7 - H-8
Bath Group	H-9 - H-10
Chassis Group	H-11
Curtain, Cushion & Pad Group	H-12 - H-15
Dinette Group	H-15
Driver's Compartment Group	H-16
Electrical Group	H-16 - H-18
Exterior Body Group	H-19 - H-22
Galley Group	H-23
Heating & Air Conditioning Group	H-24
Interior Finish Group	I-1 - I-2
LP Group	I-3
Lounge Group	I-4
Water & Sewage Group	I-5
Window, Vent & Exterior Door Group	I-6 - I-14

WATER AND SEWAGE GROUP

PLUMBING REPAIR KITS, PIPE FITTINGS AND WATER PUMP

Key	Part Number	U/M	Description
	040539-01-000	EA	Kit Repair - 3/8" O.D. Plastic Tube
	040540-01-000	EA	Kit Repair - 1/2" O.D. Plastic Tube
	040541-01-000	EA	Kit Repair - 5/8" O.D. Plastic Tube
	030818-01-000	EA	Riser Asm. - 3/8" O.D. x 24" Tube
	030818-02-000	EA	Riser Asm. - 3/8" O.D. x 36" Tube
	030818-04-000	EA	Riser Asm. - 3/8" O.D. x 72" Tube
	030818-05-000	EA	Riser Asm. - 3/8" O.D. x 48" Tube
	011091-01-000	EA	Waste - Continuous - Double Sink - 11 7/8"
	004020-01-000	QT	Adhesive - ABS Cement
	010133-01-000	EA	Adaptor - Trap - Plastic 1 1/2" H x MPT
	010201-01-000	EA	Hose - Sewer 3" x 10' w/Clamp
	010235-01-000	EA	Cap - Sewage 3"
	010236-01-000	EA	Adaptor - Hose 3"
	010205-01-000	EA	Valve - Sanitary - Thetford 3 X B
	010234-01-000	EA	Adaptor Bayonet
	011056-01-000	EA	P-Trap - Plastic 1 1/4"
	047246-01-000	EA	Handle - Extension - Sewer Valve - 43"
	010209-05-000	EA	Handle - Extension - Sewer Valve - 11 25"
	030809-01-000	EA	Valve - Stool - Plastic 3/8" C x 1/2" FPT
	046128-01-000	EA	Valve - Drain - Plastic 1/2" FPT
	030807-01-000	EA	Valve - Drain - Brass 1/2" MPT
	041279-02-000	EA	Pump - Water Flow 2.5" G.P.M. - PAR
	030647-02-000	EA	Filter - Water Pump - 1/2" MPT
	041819-01-000	EA	Nut and Cone - Plastic 1/2" O.D. Tube
	010153-01-000	EA	Ring - Closet - Plastic - 4F x 3" - MPT

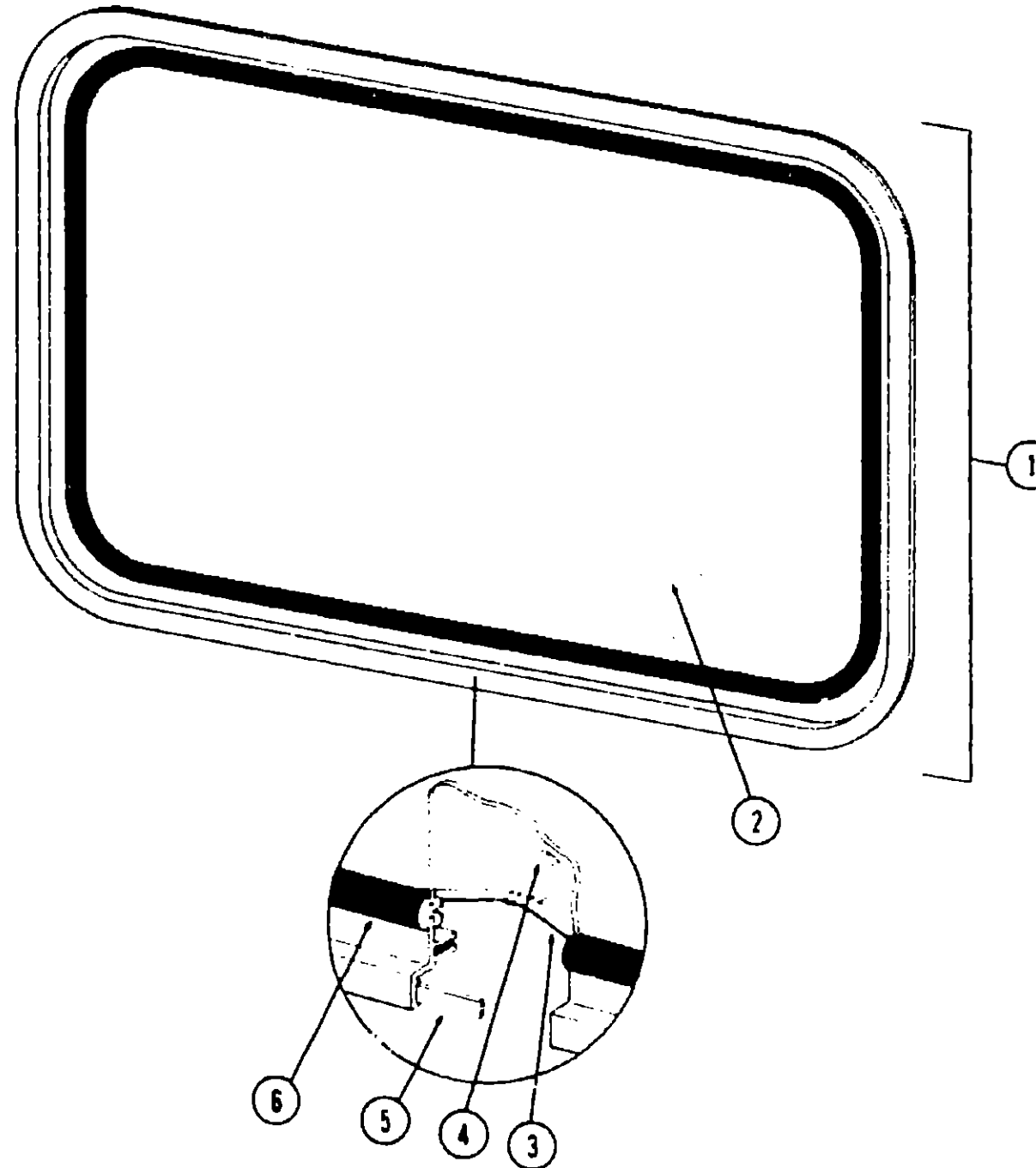
WATER AND SEWAGE TANKS

Key	Part Number	U/M	Description
	043181-01-000	EA	Tank Asm. - Water - Plastic 60 Gallon w/Fittings
	030641-01-000	EA	Tank - Water - Plastic 60 Gallon w/o Fittings
	046524-02-000	EA	Kit - Plastic Fittings - For Water Tanks
	014903-05-000	EA	Tank Asm. - Holding - Plastic 35 Gallon w/Fittings
	014903-01-000	EA	Tank - Holding - Plastic 35 Gallon w/o Fittings
	030838-02-000	EA	Tank Asm. - Holding - Plastic 21 Gallon w/Fittings
	030835-01-000	EA	Tank - Holding - Plastic 21 Gallon w/o Fittings
	046524-01-000	EA	Kit - Plastic Fittings - For Holding Tanks
**	031952-01-000	EA	Water Heater - 6 Gallon - Atwood - w/o Motor Aid - G6A2
**	051391-01-000	EA	Water Heater - 6 Gallon - Atwood - w/o Motor Aid - G6A3

** The illustrated parts breakdown for this item is provided on the Common Items Fiche

WINDOW, VENT AND EXTERIOR DOOR GROUP

WINDOWS



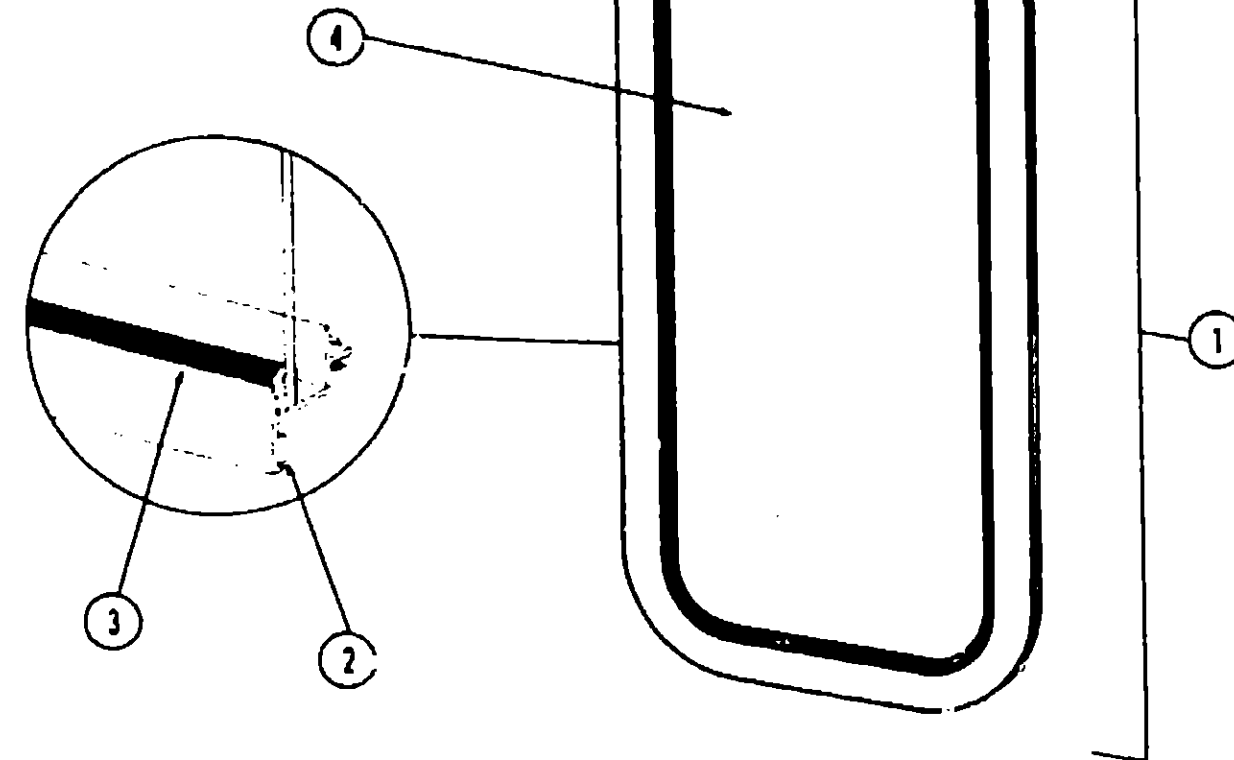
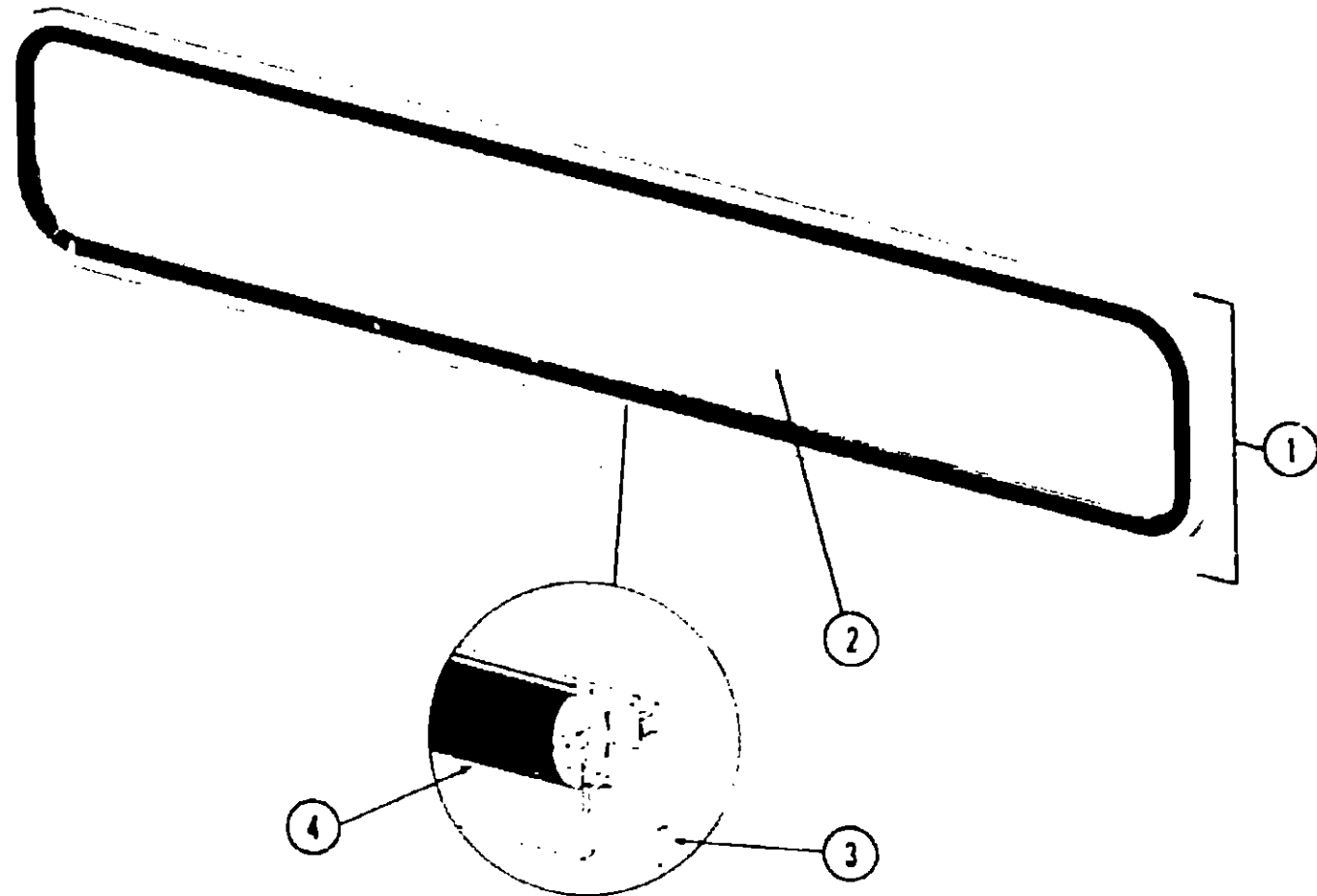
Key	Part Number	U/M	Description
1	042959-02-000	EA	Window Asm. - Rear Escape - 23" x 36"
2	041392-01-000	EA	Glass - 1/8" x 19.61" x 33.25"
3	002285-01-000	FT	Filler - Weatherstrip - Black
4	020395-01-000	EA	Slip - Pull Ring - Escape Window
5	004363-01-000	FT	Tape - Foam - 3/16" x 1/2" - Gray
6	002282-01-000	FT	Weatherstrip - .125" - Black
*	042027-01-000	EA	Frame - Window - Inside Escape - 23" x 36" (not included in assembly)
*	047731-01-000	EA	Label - Exit - Escape Window
* Not Illustrated			

1977 ITASCA TABLE OF CONTENTS

Introduction	A-1
Abbreviations	A-1
Alphabetical Index	A-2 - A-4
C25A	A-5 - B-4
C27AL	B-15 - C-24
C22C	D-1 - E-10
C27A	E-11 - F-20
C25C	F-21 - H-4
C25CD	H-5 - I-14
C24C	I-15 - J-22
C25AD	J-23 - L-14

1977 C25CD INDEX

Floor Plan	H-5 - H-6
Accessories Group	H-7 - H-8
Bath Group	H-9 - H-10
Chassis Group	H-11
Curtain, Cushion & Pad Group	H-12 - H-15
Dinette Group	H-15
Driver's Compartment Group	H-16
Electrical Group	H-16 - H-18
Exterior Body Group	H-19 - H-22
Galley Group	H-23
Heating & Air Conditioning Group	H-24
Interior Finish Group	I-1 - I-2
LP Group	I-3
Lounge Group	I-4
Water & Sewage Group	I-5
Window, Vent & Exterior Door Group	I-6 - I-14



Key	Part Number	U/M	Description
1	041936-02-000	EA	Window Asm - Front Picture - 14" x 69" (w/o inside frame)
2	002200-02-000	EA	Glass - TP - Picture Window
3	004363-01-000	FT	Tape - Sealer - 3/16" x 1/2" - Foam
4	002281-01-000	FT	Weatherstrip - Self Seal - .06" Panel x 3/16" - Black
*	037845-01-000	FT	Tape - Butyl - Window - 3/16" - Bead Black
*	041938-01-000	EA	Frame - Inside - Picture Window (not included in assembly)

* Not Illustrated

Key	Part Number	U/M	Description
1	041875-05-000	EA	Window Asm - Picture - 13" x 20" (w/o inside frame)
2	004363-01-000	FT	Tape - Foam - 3/16" x 1/2" - Gray
3	002309-01-000	FT	Spline - Glass - 1/8" Gray
4	002203-01-000	EA	Glass - TP - 1/8" x 12" x 19"
*	041696-09-000	EA	Frame - Window - Inside - 13" x 20" (not included in assembly)

* Not Illustrated

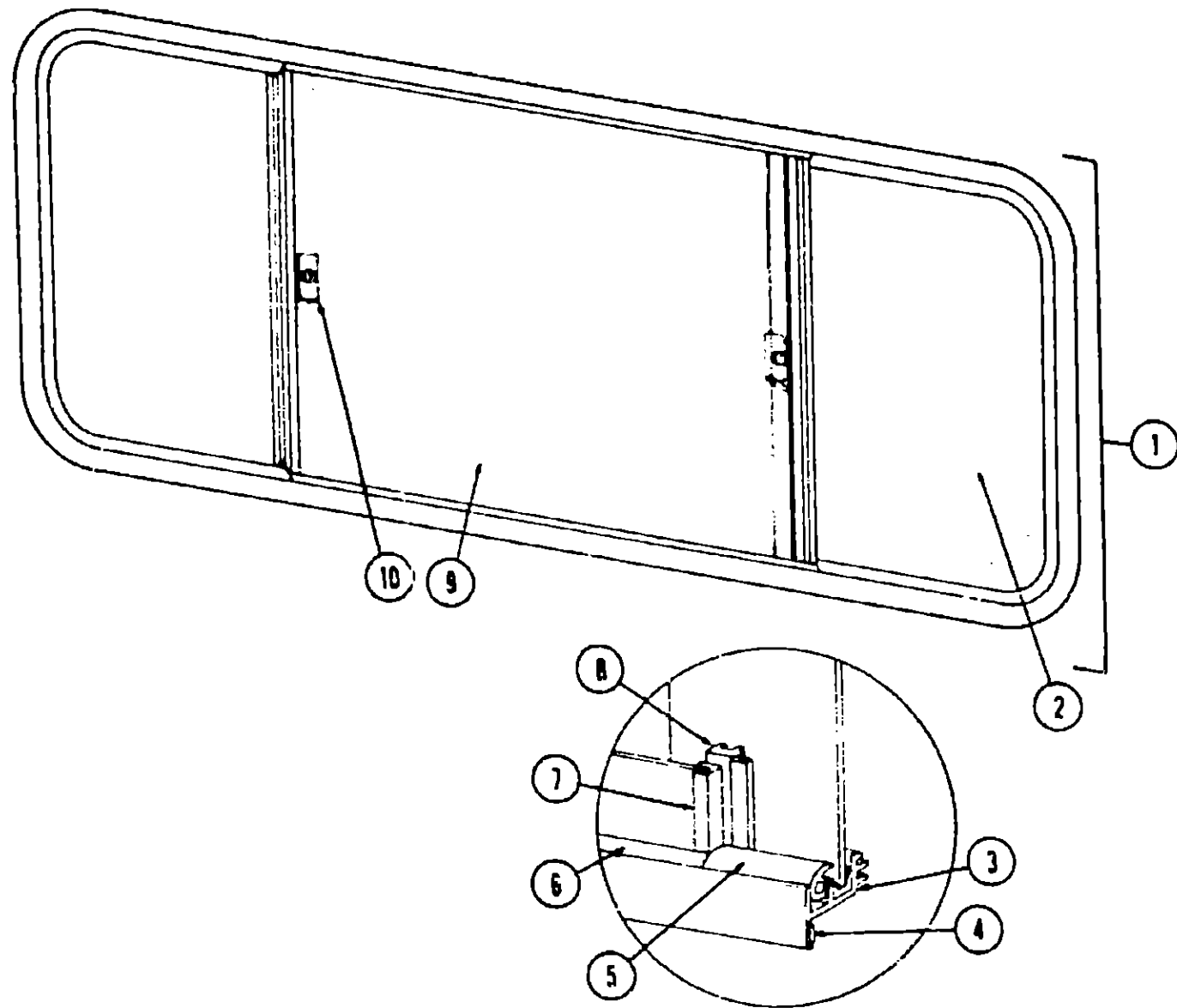
1977 ITASCA
TABLE OF CONTENTS

Introduction	A-1
Abbreviations	A-1
Alphabetical Index	A-2 - A-4
C25A	A-5 - B-4
C27AL	B-15 - C-24
C22C	D-1 - E-10
C27A	E-11 - F-20
C25C	F-21 - H-4
C25CD	H-5 - I-14
C24C	I-15 - J-22
C25AD	J-23 - L-14

1977 C25CD INDEX

Floor Plan	H-5 - H-6
Accessories Group	H-7 - H-8
Bath Group	H-9 - H-10
Chassis Group	H-11
Curtain, Cushion & Pad Group	H-12 - H-15
Dinette Group	H-15
Driver's Compartment Group	H-16
Electrical Group	H-16 - H-18
Exterior Body Group	H-19 - H-22
Galley Group	H-23
Heating & Air Conditioning Group	H-24
Interior Finish Group	I-1 - I-2
LP Group	I-3
Lounge Group	I-4
Water & Sewage Group	I-5
Window, Vent & Exterior Door Group	I-6 - I-14

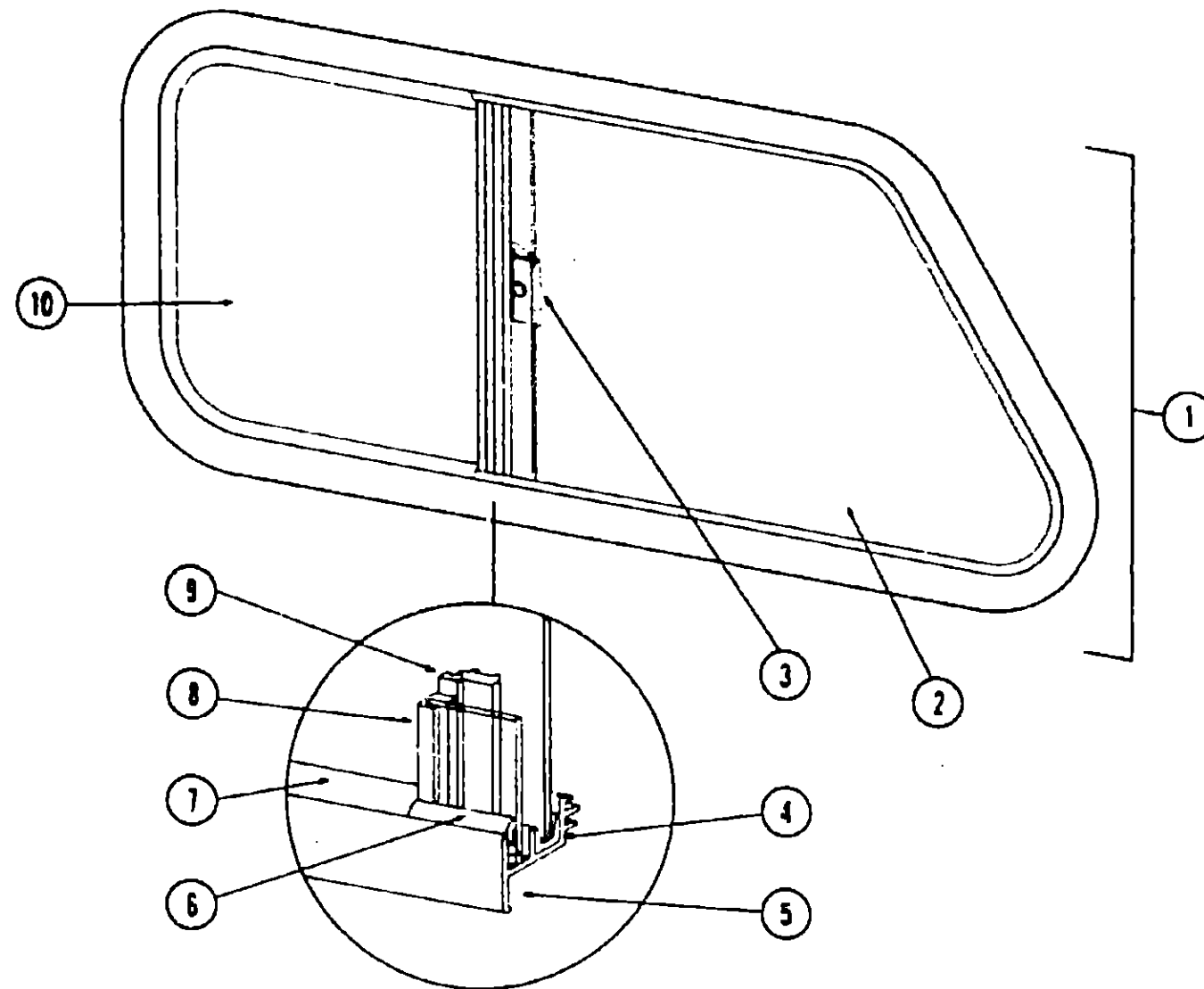
WINDOW, VENT AND EXTERIOR DOOR GROUP (CONTINUED)



Key	Part Number	U/M	Description
1	048630-07-000	EA	Window Asm. - Double Slider - 25" x 65" - Clear Anod (w/o inside frame)
2	047822-01-000	EA	Glass - Sliding - 3/16" x 24" x 21.03"
3	042077-01-000	FT	Channel - Glass Run - 3/16" Glass
4	004363-01-000	FT	Tape - Foam - 3/16" x 1/2" - Gray
5	041928-02-000	FT	Seal - Window Channel - Black
6	002309-01-000	FT	Spline - Glass - 1/8" - Gray
7	002369-02-200	EA	Extr. - Holder - Glass Seal - 23.19" - Clear Anod
8	041894-03-000	EA	Mullion - Slider Window - 25" Clear Anod
9	002188-02-000	EA	Glass - 3/16" x 24" x 25.50" - Gray
10	047369-01-000	EA	Latch - Window - Plastic
.	042133-04-000	EA	Frame - Inside - Double Slider Window (not included in assembly)
.	002298-01-000	FT	Spline - Gray - .130" Dia. - (Screen)
.	002293-01-000	SF	Screen - Window - 26" - Gray
.	023713-01-000	EA	Cover - Weephole - Plastic - White

* Not Illustrated.

WINDOW, VENT AND EXTERIOR DOOR GROUP (CONTINUED)



Key	Part Number	U/M	Description
1	048632-01-000	EA	Window Asm. - Bunk - Slanted Slider - Right (w/o inside frame)
	048632-02-000	EA	Window Asm. - Bunk - Slanted Slider - Left (w/o inside frame)
2	040919-01-000	EA	Glass - 1/8" x 11.98" x 19.42" - Gray - Stationary
3	047369-01-000	EA	Latch - Window - Plastic
.	049287-01-000	EA	Washer - Nylon - .62" x .140" I.D.
.	049288-01-000	EA	Screw - Machine - 6-32 x 5/16" - HWH - Black
4	002324-01-000	FT	Channel - Weatherstrip - Glass Run - 1/8" Glass
5	004363-01-000	FT	Tape - Foam - 3/16" x 1/2" - Gray
6	002309-01-000	FT	Spline - Glass - 1/8" - Gray
7	024096-01-000	FT	Seal - Window Channel - Gray
8	002390-02-001	EA	Holder - Glass Seal - Extr. - Anod.
9	041894-10-000	EA	Mullion - 13" - Clear Anod.
10	047815-01-000	EA	Glass - 1/8" x 11.98" x 11.81" - Gray - Sliding
.	040916-01-000	EA	Frame - Window - Inside - Right (not included in assembly)
.	040916-02-000	EA	Frame - Window - Inside - Left (not included in assembly)
.	023713-01-000	EA	Cover - Weephole - White
.	002298-01-000	FT	Spline - Gray - .130" Dia. (Screen)
.	002292-01-000	SF	Screen - Window - 20" - Gray

* Not Illustrated

**1977 ITASCA
TABLE OF CONTENTS**

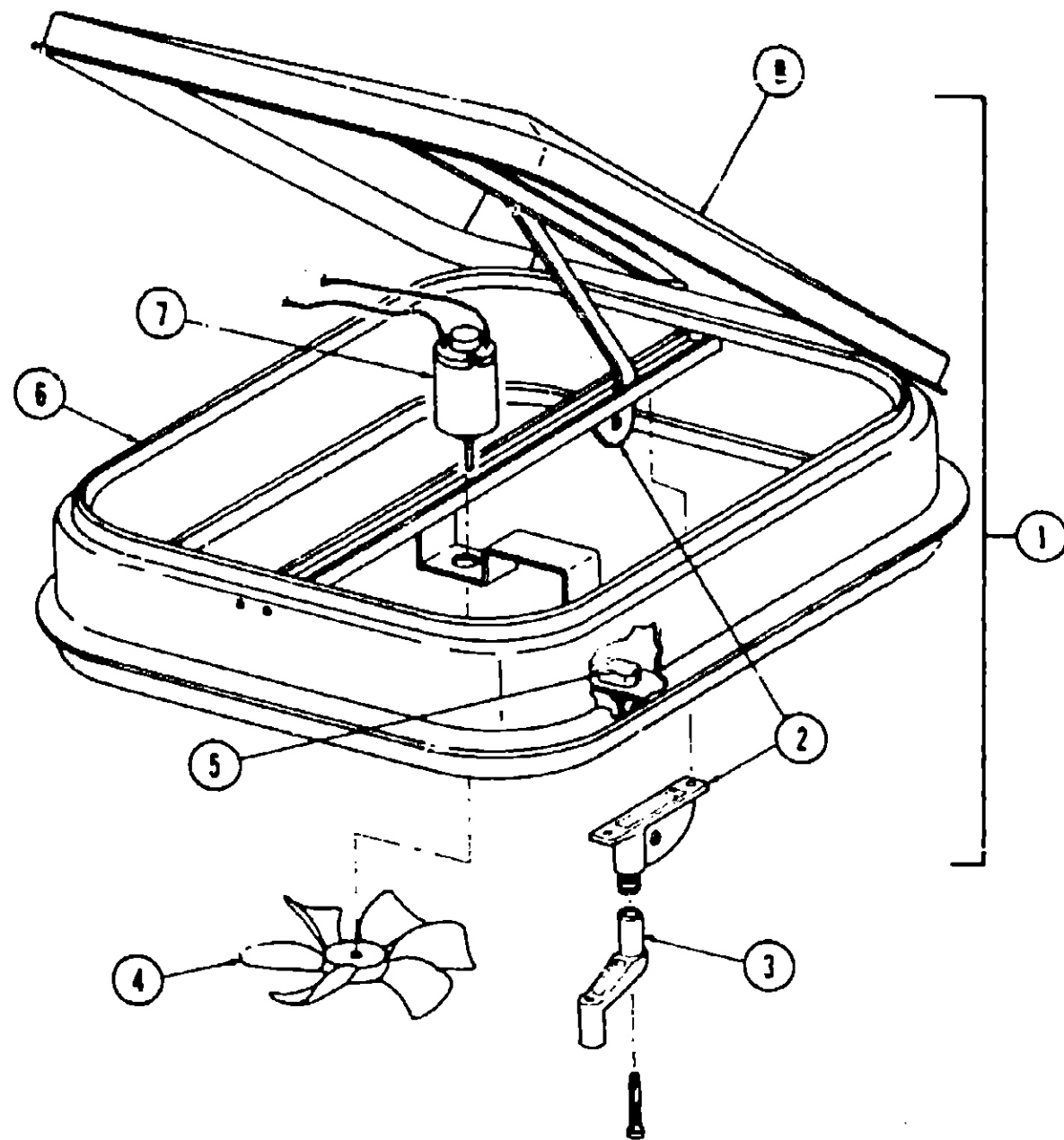
Introduction	A-1
Abbreviations	A-1
Alphabetical Index	A-2 - A-4
C25A	A-5 - B-4
C27AL	B-15 - C-24
C22C	D-1 - E-10
C27A	E-11 - F-20
C25C	F-21 - H-4
C25CD	H-5 - I-14
C24C	I-15 - J-22
C25AD	J-23 - L-14

1977 C25CD INDEX

Floor Plan	H-5 - H-6
Accessories Group	H-7 - H-8
Bath Group	H-9 - H-10
Chassis Group	H-11
Curtain, Cushion & Pad Group	H-12 - H-15
Dinette Group	H-15
Driver's Compartment Group	H-16
Electrical Group	H-16 - H-18
Exterior Body Group	H-19 - H-22
Galley Group	H-23
Heating & Air Conditioning Group	H-24
Interior Finish Group	I-1 - I-2
LP Group	I-3
Lounge Group	I-4
Water & Sewage Group	I-5
Window, Vent & Exterior Door Group	I-6 - I-14

WINDOW, VENT AND EXTERIOR DOOR GROUP (CONTINUED)

WINDOW, VENT AND EXTERIOR DOOR GROUP (CONTINUED)



Key	Part Number	U/M	Description
1	048789-01-000	EA	Vent Asm. Roof - Powered - w/o Screen
2	009440-01-000	EA	Gear - Arm - Roof Vent
3	009439-01-000	EA	Crank - Roof Vent
4	048649-01-000	EA	Fan Blade - 6" Plastic
5	008195-01-000	EA	Switch - Push Button - 12 Volt
6	002825-01-000	FT	Weatherstrip - Roof Vent
7	048648-01-000	EA	Motor - 12 Volt
8	046825-01-000	EA	Cover - Plastic - Roof Vent
*	048695-01-000	EA	Screen Asm. - Powered Roof Vent - Clear Anod. (not included in assembly)
*	048695-03-000	EA	Screen Asm. - Powered Roof Vent - Beige (not included in assembly)

* Not Illustrated

VENTS

Key	Part Number	U/M	Description
	009407-01-000	EA	Frame - Base - Refrigerator Vent (w/o cover)
	039778-01-000	EA	Cover - Vent - Refrigerator - Plastic
	049352-02-000	EA	Vent - Stove Hood - Outside - Off White

ACCESS DOORS

Key	Part Number	U/M	Description
	003182-03-000	EA	Door Asm. - Water Heater Access - Off White
	037433-06-000	EA	Door Asm. - Generator - Off White - w/Twist Type Lock
	044210-01-000	EA	Door Asm. - 6" x 10" - Off White Plastic w/Quarter Turn Plastic Twist Lock
	037804-05-000	EA	Door Asm. - Battery - Off White w/Twist Type Lock
	037804-14-000	EA	Door Asm. - Luggage - Off White w/Key Type Lock
	043942-01-000	EA	Lock - Quarter Turn Plastic - Power Cord Door
	039884-01-000	EA	Lock - Twist Type w/Clip
	047305-01-000	EA	Lock - Key Type w/Clip
	016945-02-000	EA	Holder Asm. - Luggage or Battery Door

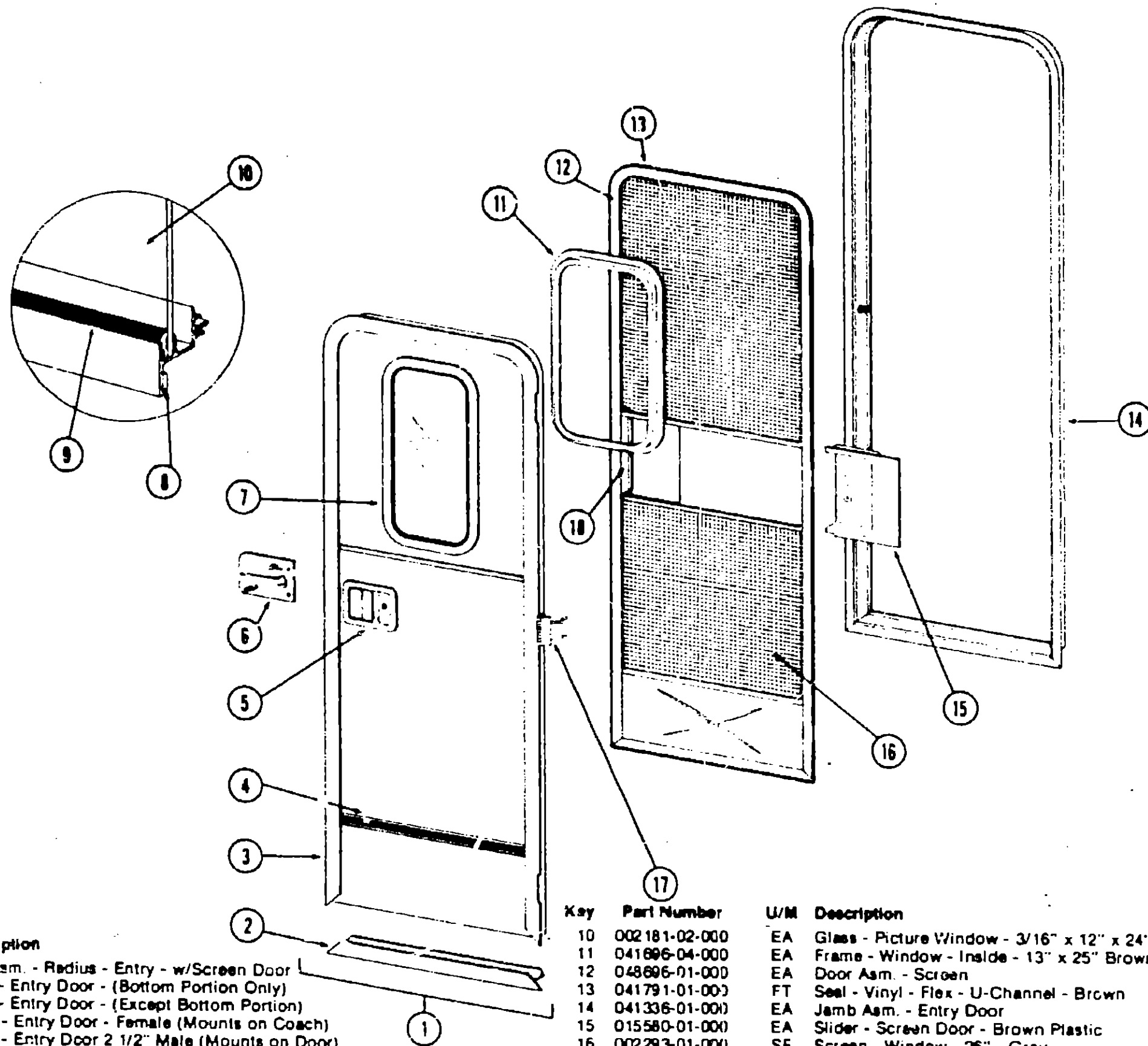
**1977 ITASCA
TABLE OF CONTENTS**

Introduction	A-1
Abbreviations	A-1
Alphabetical Index	A-2 - A-4
C25A	A-5 - B-4
C27AL	B-15 - C-24
C22C	D-1 - E-10
C27A	E-11 - F-20
C25C	F-21 - H-4
C25CD	H-5 - I-14
C24C	I-15 - J-22
C25AD	J-23 - L-14

1977 C25CD INDEX

Floor Plan	H-5 - H-6
Accessories Group	H-7 - H-8
Bath Group	H-9 - H-10
Chassis Group	H-11
Curtain, Cushion & Pad Group	H-12 - H-15
Dinette Group	H-15
Driver's Compartment Group	H-16
Electrical Group	H-16 - H-18
Exterior Body Group	H-19 - H-22
Galley Group	H-23
Heating & Air Conditioning Group	H-24
Interior Finish Group	I-1 - I-2
LP Group	I-3
Lounge Group	I-4
Water & Sewage Group	I-5
Window, Vent & Exterior Door Group	I-6 - I-14

WINDOW, VENT AND EXTERIOR DOOR GROUP (CONTINUED)



Key	Part Number	U/M	Description
1	050096-12-000	EA	Door Asm. - Radius - Entry - w/Screen Door
2	030737-01-000	EA	Frame - Entry Door - (Bottom Portion Only)
3	039736-01-000	EA	Frame - Entry Door - (Except Bottom Portion)
4	009101-02-000	EA	Holder - Entry Door - Female (Mounts on Coach)
5	009102-01-000	EA	Holder - Entry Door 2 1/2" Male (Mounts on Door)
6	041948-01-000	EA	Lock Asm. - Radius Entry Door - Atwood
7	039541-01-000	EA	Lock Cylinder w/Keys - Atwood
8	052186-01-000	EA	Lock Asm. - Radius Entry Door - Lynor
9	045017-01-700	EA	Lock Cylinder w/Keys - Lynor
10	039539-01-000	EA	Striker - Entry Door Lock
11	039979-01-070	EA	Plate - Lock - Interior - Including Inside Handle
12	041875-03-000	EA	Window Asm. - Picture - 13" x 25" Clear Anod. (inside frame not included in assembly)
13	004363-01-000	FT	Tape - Foam - 3/16" x 1/2" - Gray
14	002309-01-000	FT	Spline - Glass - 1/8" - Gray

Key	Part Number	U/M	Description
10	002181-02-000	EA	Glass - Picture Window - 3/16" x 12" x 24" - Gray
11	041896-04-000	EA	Frame - Window - Inside - 13" x 25" Brown
12	048696-01-000	EA	Door Asm. - Screen
13	041791-01-000	FT	Seal - Vinyl - Flex - U-Channel - Brown
14	041336-01-000	EA	Jamb Asm. - Entry Door
15	015580-01-000	EA	Slider - Screen Door - Brown Plastic
16	002293-01-000	SF	Screen - Window - 26" - Gray
17	039520-01-000	EA	Hinge - Entry Door (3 used per door)
18	015581-01-000	EA	Cap - Screen Door - Brown Plastic
	049176-01-000	EA	Hedlok II - 3/4" Diameter - Screw Mount (Retains Screen Door to Entry Door)
	049797-01-000	EA	Hedlok II - 1" Diameter - Screw Mount (Retains Screen Door to Entry Door)
	018019-01-000	EA	Striker - Screen Door
	039863-01-000	EA	Catch Asm. - Single Roller w/Strike - Screen Door
	051390-01-000	FT	Seal - Bulb - Rubber
	039800-03-000	FT	Tubing - Polybutyl - 3/8" O.D. - Jamb

I-13

* Not Illustrated

1977 ITASCA TABLE OF CONTENTS

Introduction	A-1
Abbreviations	A-1
Alphabetical Index	A-2 - A-4
C25A	A-5 - B-4
C27AL	B-15 - C-24
C22C	D-1 - E-10
C27A	E-11 - F-20
C25C	F-21 - H-4
C25CD	H-5 - I-14
C24C	I-15 - J-22
C25AD	J-23 - L-14

1977 C25CD INDEX

Floor Plan	H-5 - H-6
Accessories Group	H-7 - H-8
Bath Group	H-9 - H-10
Chassis Group	H-11
Curtain, Cushion & Pad Group	H-12 - H-15
Dinette Group	H-15
Driver's Compartment Group	H-16
Electrical Group	H-16 - H-18
Exterior Body Group	H-19 - H-22
Galley Group	H-23
Heating & Air Conditioning Group	H-24
Interior Finish Group	I-1 - I-2
LP Group	I-3
Lounge Group	I-4
Water & Sewage Group	I-5
Window, Vent & Exterior Door Group	I-6 - I-14

I-14