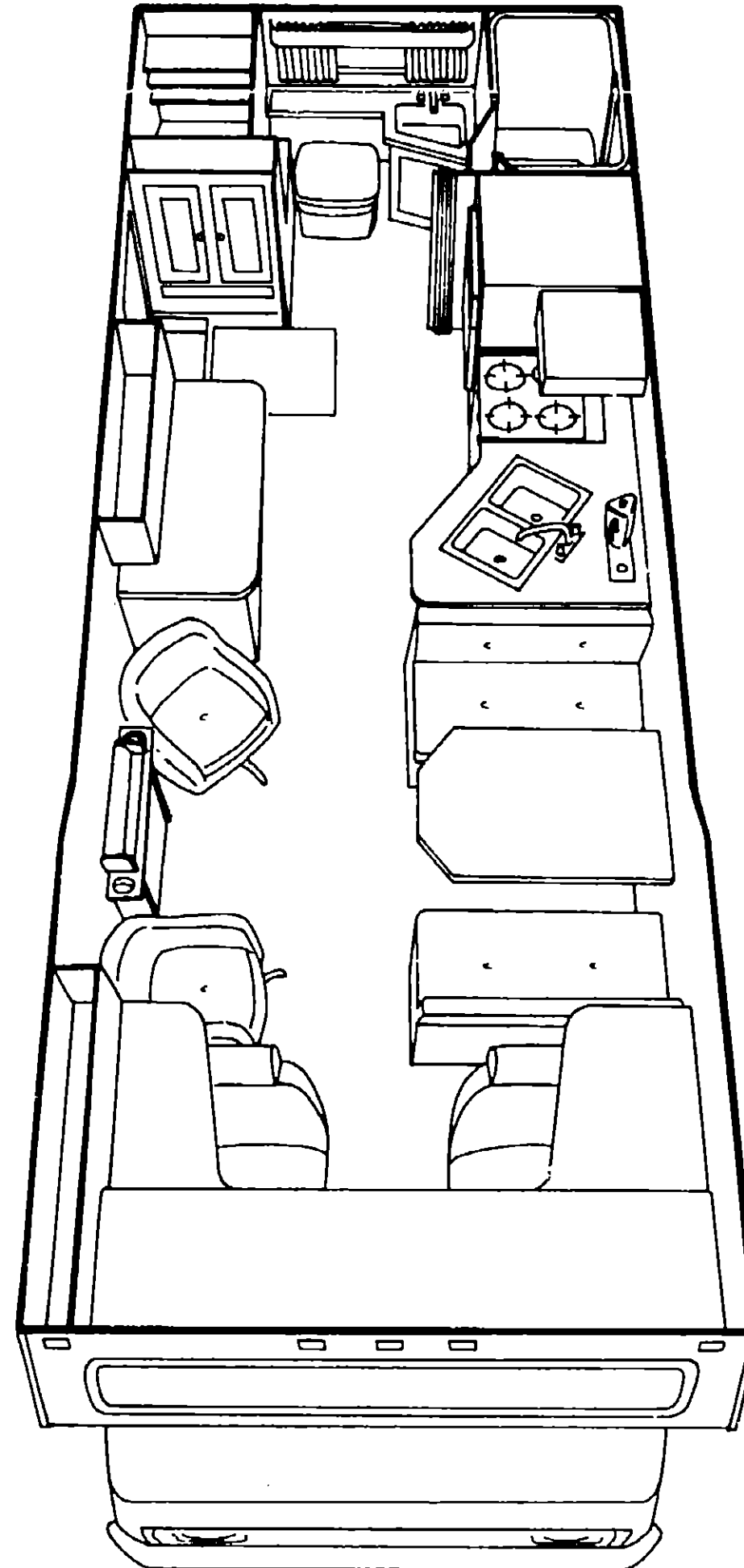


1977 C25C



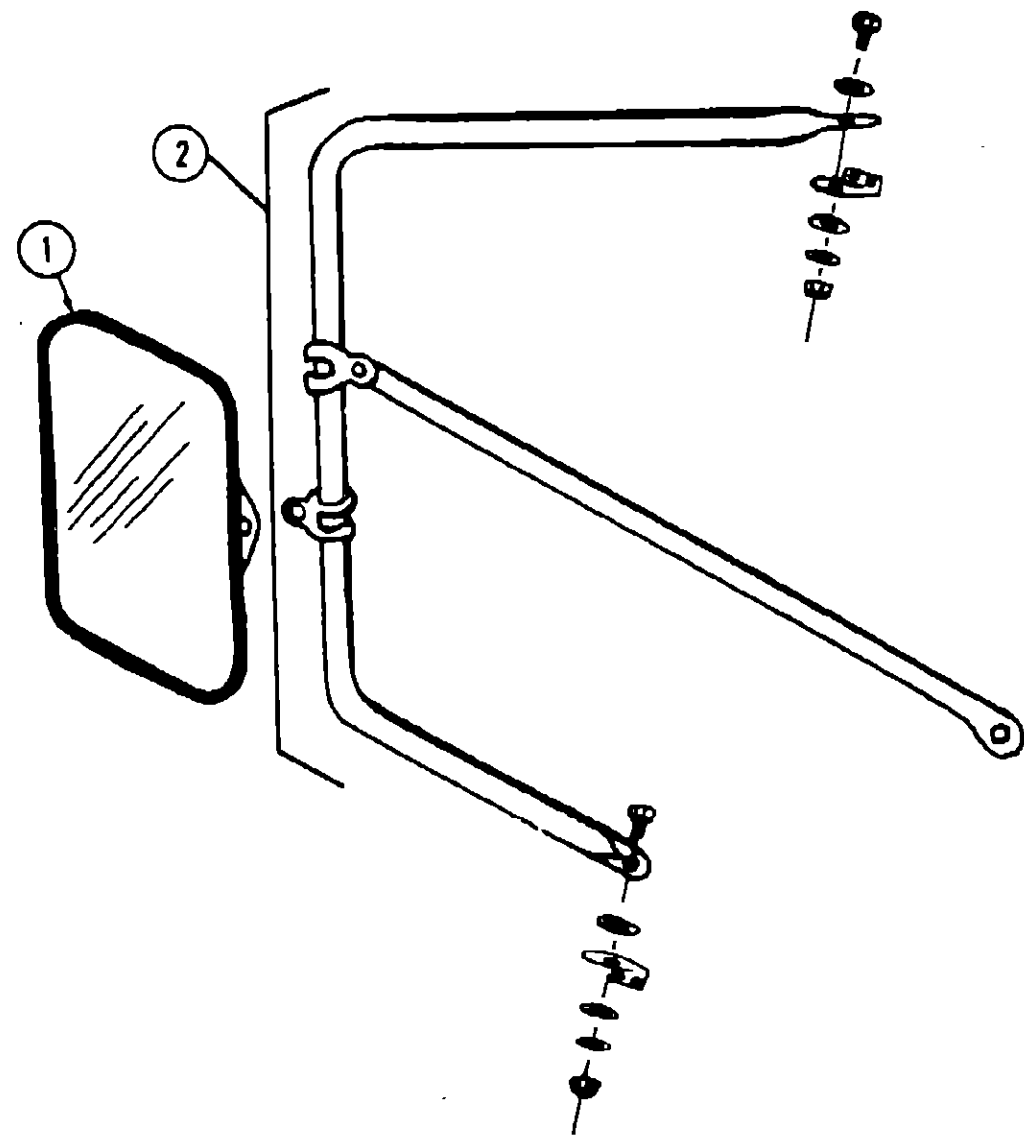
1977 ITASCA TABLE OF CONTENTS

Introduction	A-1
Abbreviations	A-1
Alphabetical Index	A-2 - A-4
C25A	A-5 - B-4
C27AL	B-15 - C-24
C22C	D-1 - E-10
C27A	E-11 - F-20
C25C	F-21 - H-4
C25CD	H-5 - I-14
C24C	I-15 - J-22
C25AD	J-23 - L-14

1977 C25C INDEX

Floor Plan	F-21 - F-22
Accessories Group	F-23 - F-24
Bath Group	G-1
Chassis Group	G-2
Curtain, Cushion & Pad Group	G-3 - G-6
Dinette Group	G-7
Driver's Compartment Group	G-7
Electrical Group	G-8
Exterior Body Group	G-9 - G-12
Galley Group	G-13
Heating & Air Conditioning Group	G-14
Interior Finish Group	G-15
LP Group	G-16
Lounge Group	G-17
Water & Sewage Group	G-18
Window, Vent & Exterior Door Group	G-19 - G-24
	H-1 - H-4

ACCESSORIES GROUP



Key	Part Number	U/M	Description
1	049347-01-000	EA	Mirror Head Only - 7 1/2" x 10 1/2" - SST
2	049349-01-000	EA	Arm - West Coast Mirror - SST

ACCESSORIES GROUP (CONTINUED)

Key	Part Number	U/M	Description
	041440-01-000	EA	Luggage Rack & Ladder Asm.
	041440-02-000	EA	Ladder Only - for Luggage Rack
	006053-01-000	EA	Antenna Asm. - TV
	006093-01-000	EA	Jack - TV - Brown
	007004-01-000	EA	Antenna - Radio - Cab Mount
	039879-01-000	EA	Speaker Kit - 5 1/4" Diameter w/Black Padded Grille
	049730-01-000	EA	Radio - Clarion - AM - w/Fader Switch
	049731-01-000	EA	Radio - Clarion - AM/FM/MPX - w/Fader Switch
	049732-01-000	EA	Radio - Clarion - AM/FM/MPX/B-Track - w/Fader Switch
	050044-01-000	EA	Radio - J.I.L. - AM/FM/MPX/B-Track/CB
	050785-01-000	EA	Switch - Rear Volume Control
	050751-01-000	EA	Plaque - Fader/Mic Mounting
	040466-06-000	EA	Cover - Spare Tire - 29" - Off White
	017516-01-000	EA	Mudflap - Black Rubber - 14" x 18" w/Holes
	044763-01-000	EA	Splash Guard - Front - Black Rubber
	046742-01-000	EA	Step Asm. - Assist - Front Door
	031396-03-000	EA	Cover - Wheel - 16.5" Chrome
	006113-01-000	EA	Jack - Hydraulic - 5 Ton
	041944-01-000	EA	Fire Extinguisher
	050855-02-000	EA	Owner's Manual - Itasca
	042713-01-000	EA	Speed Control Package - 350 C.I.D. - C-Body
	007255-01-700	EA	Regulator Asm.
	047841-01-701	EA	Servo Asm.
	007255-01-702	EA	Engage Switch - Clamp On
	007298-01-702	EA	Harness Asm.
	007298-01-700	EA	Cable Asm. - Transmission
	007255-01-704	EA	Switch Asm. - Decelerate
	024746-01-700	EA	Relay - Speed Control
	040504-01-000	EA	Generator - 2500 Watt - Tray Mount - Kohler
	040505-01-000	EA	Generator - 4000 Watt - Tray Mount - Kohler
	040507-01-000	EA	Exhaust System - Generator 2500/4000W
	040612-01-000	EA	Muffler - Generator - 2500/4000W
	046317-01-000	EA	Tailpipe - Exhaust - Generator 1 1/2" x 5'
	041261-01-000	EA	Wiring Asm. - Remote Generator Switch
	024976-01-000	EA	Switch - Generator - w/o Circuit Board
	007067-01-000	SF	Insulation - Fiberglass - 1"
	041369-01-000	EA	Tray - Generator
	041420-01-000	EA	Elbow - Steel - 1/2 MPT x 3/16 Barb
	042865-01-000	EA	Scoop - Generator Air
**	040504-01-000	EA	Generator - 2.5 KW - Kohler
**	051908-01-000	EA	Generator - 3.5 KW - Kohler

** The illustrated parts breakdown for this item is provided on the Common Items Fiche.

1977 ITASCA TABLE OF CONTENTS

Introduction	A-1
Abbreviations	A-1
Alphabetical Index	A-2 - A-4
C25A	A-5 - B-4
C27AL	B-15 - C-24
C22C	D-1 - E-10
C27A	E-11 - F-20
C25C	F-21 - H-4
C25CD	H-5 - I-14
C24C	I-15 - J-22
C25AD	J-23 - L-14

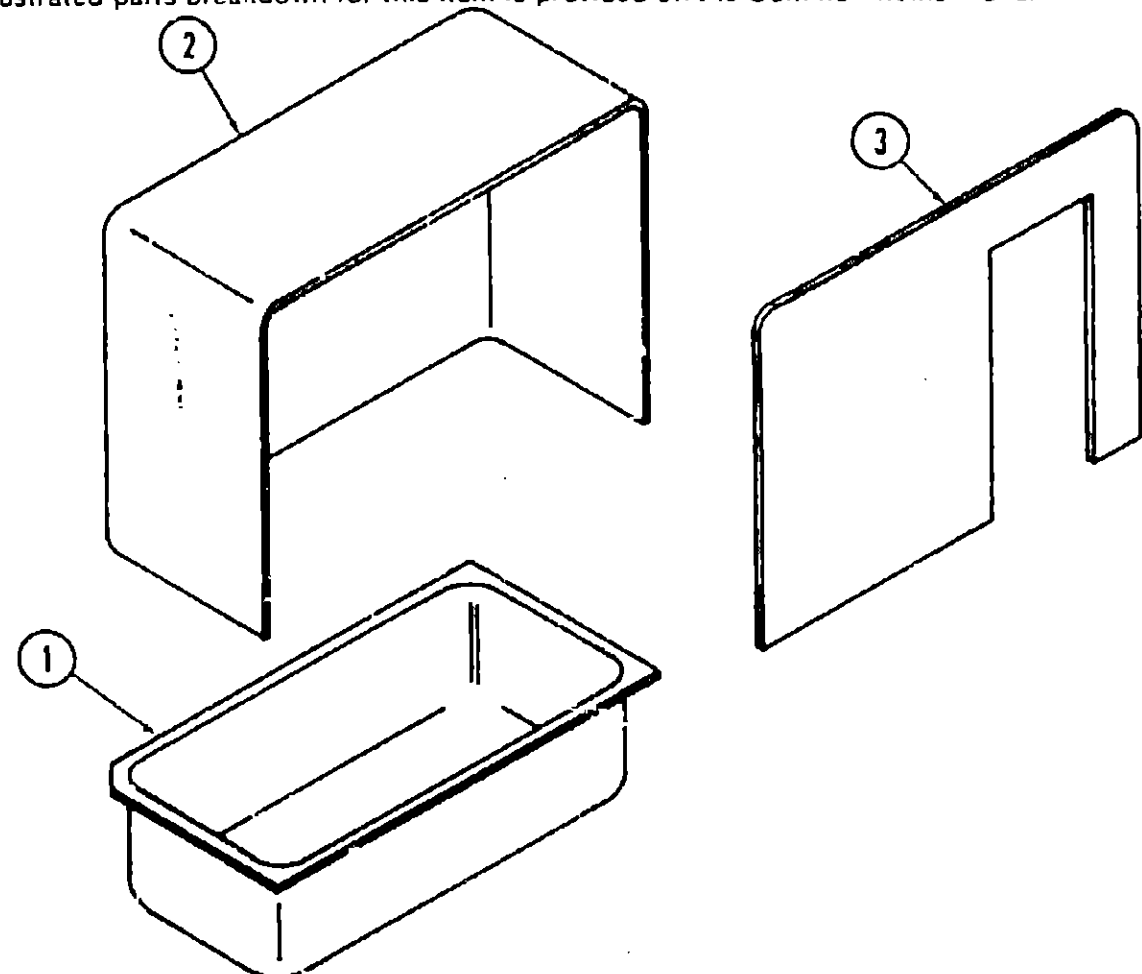
1977 C25C INDEX

Floor Plan	F-21 - F-22
Accessories Group	F-23 - F-24
Front Group	G-1
Chassis Group	G-2
Curtain, Cushion & Pad Group	G-3 - G-6
Dinette Group	G-7
Driver's Compartment Group	G-7
Electrical Group	G-8
Exterior Body Group	G-9 - G-12
Galley Group	G-13
Heating & Air Conditioning Group	G-14
Interior Finish Group	G-15
LP Group	G-16
Lounge Group	G-17
Water & Sewage Group	G-18
Window, Vent & Exterior Door Group	G-19 - G-24
	H-1 - H-4

BATH GROUP

Key	Part Number	U/M	Description
	011069-01-000	EA	Tailpiece - 1 1/2" x 4" Brass
	011066-01-000	EA	Strainer - Shower Pan
	031559-01-000	EA	Faucet - 4" - Tub & Shower
	037581-01-000	EA	Back Flow Preventer - Vacuum Breaker
	011048-01-000	EA	Shower Head - w/59" Hose
	050739-01-000	EA	Door Asm. - Shower - Clear Anod.
	043566-01-000	EA	Jamb - Door - Shower - Bottom
	043567-01-000	EA	Jamb - Door - Shower - Right
	043567-02-000	EA	Jamb - Door - Shower - Left
	049799-04-000	EA	Door Asm. - Wardrobe Cabinet - 53 9/16" x 14 1/2"
	049799-05-000	EA	Door Asm. - Wardrobe Cabinet - 19 1/2" x 9 9/16"
	042488-02-000	EA	Door - Folding - 34" x 77 1/2" - Walnut
	011056-01-000	EA	Faucet - 4" - Lavatory
	011083-01-000	EA	Plug w/Chain - Lavatory - Bathtub - 1 1/2"
	034689-03-000	EA	Cover - Screw - PPH #10 - Ivory
	009134-01-000	EA	Holder - Tissue
	041945-02-000	EA	Cabinet - Vanity - 707 Hickory
	047155-10-700	EA	Door Asm. - Vanity Cabinet - w/o Hardware
	045422-01-000	EA	Cabinet - Medicine
	045992-01-700	EA	Door Asm. - Medicine Cabinet - w/o Hardware or Mirror
	045700-01-000	EA	Mirror - Medicine Cabinet Door
	033587-01-000	EA	Ring - Towel - Chrome and Plastic
	009133-01-000	EA	Bar - Towel - 12" Plastic
	023449-01-000	EA	Support - Towel Bar - (Left or Right)
	042175-01-000	EA	Lavatory Top
**	039341-02-000	EA	Stool Asm. - Ivory - Aqua Magic - Model SH

** The illustrated parts breakdown for this item is provided on the Common Items Fiche.

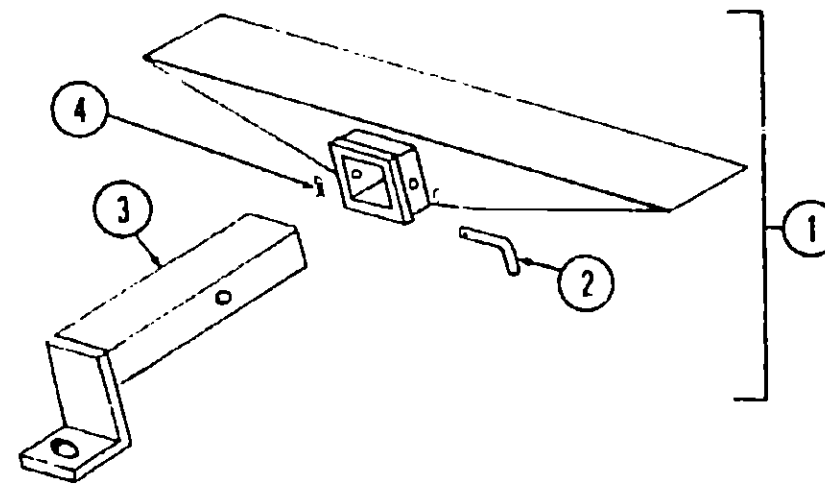


Key	Part Number	U/M	Description
1	041826-01-000	EA	Bathtub - Bottom
2	041853-01-000	EA	Bathtub - Rear
3	041852-01-000	EA	Bathtub - Front

G-1

CHASSIS GROUP

Key	Part Number	U/M	Description
	024041-02-000	EA	Step Asm. - Entry Door
	046742-01-000	EA	Step Asm. - Assist - Cab Door
	044817-01-002	EA	Hat Section - Steel - w/Lip 84.25"
	045000-03-000	EA	Shield - Heat - 40"
	048594-01-000	EA	Tray - Battery - Steel
	048662-01-000	EA	Rod - Battery - Tie Down
	046746-01-000	EA	Support Asm. - Radiator - Grille
	044763-01-000	EA	Splashguard - Front - Black Rubber
	017516-01-000	EA	Mud Flap - Black Rubber - 14" x 18" w/Holes
	007160-01-000	EA	Gasket - Tire Carcass - 3/16" x 2" x 2"
	040848-01-000	EA	Bumper - Hood
	007125-08-000	EA	Clamp Asm. - Muller - 3" Diameter
	042377-01-000	EA	Tailpipe Extension - 3" O.D. x 7.50"
	040634-01-000	EA	Carrier - Spare Tire
	040974-01-000	EA	Bracket - Spare Tire Retainer
	046043-06-000	EA	Bracket Asm. - Bumper - Rear
	046785-01-000	EA	Bumper - Rear - Chrome
	041369-01-000	EA	Tray - Generator
	039649-01-000	EA	Wheel Well - Rear Plastic - Left or Right



Key	Part Number	U/M	Description
1	023693-01-700	EA	Hitch Kit - w/Drawbar
2	034512-01-000	EA	Pin - Locking - Drawbar
3	024876-01-700	EA	Drawbar Asm. - Trailer Hitch
4	034513-01-000	EA	Pin - Hitch - 3/16" Wire Spring

G-2

1977 ITASCA TABLE OF CONTENTS

Introduction	A-1
Abbreviations	A-1
Alphabetical Index	A-2 - A-4
C25A	A-5 - B-4
C27AL	B-15 - C-24
C22C	D-1 - E-10
C27A	E-11 - F-20
C25C	F-21 - H-4
C25CD	H-5 - I-14
C24C	I-15 - J-22
C25AD	J-23 - L-14

1977 C25C INDEX

Floor Plan	F-21 - F-22
Accessories Group	F-23 - F-24
Bath Group	G-1
Chassis Group	G-2
Curtain, Cushion & Pad Group	G-3 - G-6
Dinette Group	G-7
Driver's Compartment Group	G-7
Electrical Group	G-8
Exterior Body Group	G-9 - G-12
Galley Group	G-13
Heating & Air Conditioning Group	G-14
Interior Finish Group	G-15
LP Group	G-16
Lounge Group	G-17
Water & Sewage Group	G-18
Window, Vent & Exterior Door Group	G-19 - G-24
	H-1 - H-4

CURTAIN, CUSHION AND PAD GROUP

Key	Part Number	U/M	Description
048841-05-000	EA	Curtain - Privacy - 25" x 93" Bostonian	
045839-01-000	EA	Curtain - Wraparound - w/Snap Top (2 Per Unit) Vinyl	
048840-18-000	EA	Curtain - w/Snaps - Top & Bottom - 17.5" x 39" - Rust (Fire and Grass)	
048840-19-000	EA	Curtain - w/Snaps - Top & Bottom - 17.5" x 39" - Gold (Aztec Gold)	
048840-20-000	EA	Curtain - w/Snaps - Top & Bottom - 17.5" x 39" - Beige (Saddle)	
048840-21-000	EA	Curtain - w/Snaps - Top & Bottom - 22.5" x 18" - Rust (Fire and Grass)	
048840-22-000	EA	Curtain - w/Snaps - Top & Bottom - 22.5" x 18" - Gold (Aztec Gold)	
048840-23-000	EA	Curtain - w/Snaps - Top & Bottom - 22.5" x 18" - Beige (Saddle)	
048840-74-000	EA	Curtain - w/Snaps - Top & Bottom - 25.5" x 24" - Rust (Fire and Grass)	
048840-75-000	EA	Curtain - w/Snaps - Top & Bottom - 25.5" x 24" - Gold (Aztec Gold)	
048840-76-000	EA	Curtain - w/Snaps - Top & Bottom - 25.5" x 24" - Beige (Saddle)	
049021-04-000	EA	Curtain - w/Snaps - Top - 33" x 30" - Rust (Fire and Grass)	
049021-03-000	EA	Curtain - w/Snaps - Top - 33" x 30" - Gold (Aztec Gold)	
049021-05-000	EA	Curtain - w/Snaps - Top - 33" x 30" - Beige (Saddle)	
049486-04-000	EA	Curtain - w/Snaps - Top - Left - 15.5" x 39" - Rust (Fire and Grass)	
049486-05-000	EA	Curtain - w/Snaps - Top - Left - 15.5" x 39" - Gold (Aztec Gold)	
049486-06-000	EA	Curtain - w/Snaps - Top - Left - 15.5" x 39" - Beige (Saddle)	
049486-07-000	EA	Curtain - w/Snaps - Top - Left - 27" x 36" - Rust (Fire and Grass)	
049486-08-000	EA	Curtain - w/Snaps - Top - Left - 27" x 36" - Gold (Aztec Gold)	
049486-09-000	EA	Curtain - w/Snaps - Top - Left - 27" x 36" - Beige (Saddle)	
049487-01-000	EA	Curtain - w/Snaps - Top - Right - 27" x 36" - Rust (Fire and Grass)	
049487-02-000	EA	Curtain - w/Snaps - Top - Right - 27" x 36" - Gold (Aztec Gold)	

VALANCES

Key	Part Number	U/M	Description
048831-21-000	EA	Valance - w/Header - 5.5" x 81" - Rust (Fire and Grass)	
048831-22-000	EA	Valance - w/Header - 5.5" x 81" - Gold (Aztec Gold)	
048831-23-000	EA	Valance - w/Header - 5.5" x 81" - Beige (Saddle)	
048831-24-000	EA	Valance - w/Header - 5.5" x 44" - Rust (Fire and Grass)	
048831-25-000	EA	Valance - w/Header - 5.5" x 44" - Gold (Aztec Gold)	
048831-26-000	EA	Valance - w/Header - 5.5" x 44" - Beige (Saddle)	
048831-27-000	EA	Valance - w/Header - 5.5" x 24" - Rust (Fire and Grass)	
048831-28-000	EA	Valance - w/Header - 5.5" x 24" - Gold (Aztec)	
048831-29-000	EA	Valance - w/Header - 5.5" x 24" - Beige (Saddle)	

TIE BACKS

Key	Part Number	U/M	Description
049097-09-000	EA	Tie Back - 14" - Rust (Fire and Grass)	
049097-10-000	EA	Tie Back - 14" - Gold (Aztec Gold)	
049097-11-000	EA	Tie Back - 14" - Beige (Saddle)	
049097-12-000	EA	Tie Back - 10" - Rust (Fire and Grass)	
049097-13-000	EA	Tie Back - 10" - Gold (Aztec Gold)	
049097-14-000	EA	Tie Back - 10" - Beige (Saddle)	
049097-15-000	EA	Tie Back - 14" - Vinyl (Brown)	

CURTAIN, CUSHION AND PAD GROUP (CONTINUED)

HARDWARE

Key	Part Number	U/M	Description
009107-01-000	EA	Guide - Nylon Snap	
009108-01-000	FT	Track - Curtain - Brown - 1/2"	
009224-01-000	EA	Rod - Curtain - Flat Extension - 28" - 48"	
009223-02-000	EA	Rod - Curtain - Flat Extension - 48" - 84"	
042439-01-000	EA	Bracket - Curtain Rod - Single	
029100-01-000	EA	Hook - Pin - Curtain	
009701-01-000	EA	Carrier - Curtain - "L" Rod	
009702-01-000	EA	End Stop - Curtain - "L" Rod	



Key	Part Number	U/M	Description
1	029130-01-000	EA	Socket - Snap Fastener
2	029155-01-000	EA	Cap - Snap - .156" Diameter x 17" Barrel
3	029156-01-000	EA	Socket - Snap Fastener
4	029092-01-000	EA	Stud - Nickel Finish
5	029093-01-000	EA	Eyelet - Nickel Finish

CUSHIONS

Key	Part Number	U/M	Description
048839-07-000	EA	Cushion - Dinette - Mitered - 22.5" x 38" x 4" - Rust (Fire and Grass)	
048839-08-000	EA	Cushion - Dinette - Mitered - 22.5" x 38" x 4" - Gold (Aztec Gold)	
048839-09-000	EA	Cushion - Dinette - Mitered - 22.5" x 38" x 4" - Beige (Saddle)	
048839-07-007	EA	Cover - Dinette Cushion - 22.5" x 38" x 4" - Rust (Fire and Grass)	
048839-08-008	EA	Cover - Dinette Cushion - 22.5" x 38" x 4" - Gold (Aztec Gold)	
048839-09-009	EA	Cover - Dinette Cushion - 22.5" x 38" x 4" - Beige (Saddle)	
048839-10-000	EA	Cushion - Dinette - Mitered - 14" x 38" x 4" - Rust (Fire and Grass)	
048839-11-000	EA	Cushion - Dinette - Mitered - 14" x 38" x 4" - Gold (Aztec Gold)	
048839-12-000	EA	Cushion - Dinette - Mitered - 14" x 38" x 4" - Beige (Saddle)	
048839-10-010	EA	Cover - Dinette Cushion - 14" x 38" x 4" - Rust (Fire and Grass)	
048839-11-011	EA	Cover - Dinette Cushion - 14" x 38" x 4" - Gold (Aztec Gold)	
048839-12-012	EA	Cover - Dinette Cushion - 14" x 38" x 4" - Beige (Saddle)	
048839-28-000	EA	Cushion - Gaucho Mitered - 15" x 37.5" x 4" - Rust (Fire and Grass)	
048839-29-000	EA	Cushion - Gaucho Mitered - 15" x 37.5" x 4" - Gold (Aztec Gold)	
048839-30-000	EA	Cushion - Gaucho Mitered - 15" x 37.5" x 4" - Beige (Saddle)	
048839-28-028	EA	Cover - Gaucho Cushion - 15" x 37.5" x 4" - Rust (Fire and Grass)	
048839-29-029	EA	Cover - Gaucho Cushion - 15" x 37.5" x 4" - Gold (Aztec Gold)	
048839-30-030	EA	Cover - Gaucho Cushion - 15" x 37.5" x 4" - Beige (Saddle)	
048839-31-000	EA	Cushion - Gaucho Mitered - 28" x 75" x 4" - Rust (Fire and Grass)	
048839-32-000	EA	Cushion - Gaucho Mitered - 28" x 75" x 4" - Gold (Aztec Gold)	
048839-33-000	EA	Cushion - Gaucho Mitered - 28" x 75" x 4" - Beige (Saddle)	
048839-31-031	EA	Cover - Gaucho Cushion - 28" x 75" x 4" - Rust (Fire and Grass)	
048839-32-032	EA	Cover - Gaucho Cushion - 28" x 75" x 4" - Gold (Aztec Gold)	
048839-33-033	EA	Cover - Gaucho Cushion - 28" x 75" x 4" - Beige (Saddle)	

**1977 ITASCA
TABLE OF CONTENTS**

Introduction	A-1
Abbreviations	A-1
Alphabetical Index	A-2 - A-4
C25A	A-5 - B-4
C27AL	B-15 - C-24
C22C	D-1 - E-10
C27A	E-11 - F-20
C25C	F-21 - H-4
C25CD	H-5 - I-14
C24C	I-15 - J-22
C25AD	J-23 - K-14

1977 C25C INDEX

Floor Plan	F-21 - F-22
Accessories Group	F-23 - F-24
Bath Group	G-1
Chassis Group	G-2
Curtain, Cushion & Pad Group	G-3 - G-6
Dinette Group	G-7
Driver's Compartment Group	G-7
Electrical Group	G-8
Exterior Body Group	G-9 - G-12
Galley Group	G-13
Heating & Air Conditioning Group	G-14
Interior Finish Group	G-15
LP Group	G-16
Lounge Group	G-17
Water & Sewage Group	G-18
Window, Vent & Exterior Door Group	G-19 - G-24
	H-1 - H-4

CURTAIN, CUSHION AND PAD GROUP (CONTINUED)

Key	Part Number	U/M	Description
050102-01-000	EA	Mattress - Mitered - 24.5" x 76" x 4" - Rust (Fire and Grass)	
050102-02-000	EA	Mattress - Mitered - 24.5" x 76" x 4" - Gold (Aztec Gold)	
050102-03-000	EA	Mattress - Mitered - 24.5" x 76" x 4" - Beige (Saddle)	
050102-01-001	EA	Cover - Mattress - 24.5" x 76" x 4" - Rust (Fire and Grass)	
050102-02-002	EA	Cover - Mattress - 24.5" x 76" x 4" - Gold (Aztec Gold)	
050102-03-003	EA	Cover - Mattress - 24.5" x 76" x 4" - Beige (Saddle)	
050102-04-000	EA	Mattress - Mitered - 27" x 76" x 5" - Rust (Fire and Grass)	
050102-05-000	EA	Mattress - Mitered - 27" x 76" x 5" - Gold (Aztec Gold)	
050102-06-000	EA	Mattress - Mitered - 27" x 76" x 5" - Beige (Saddle)	
050102-04-004	EA	Cover - Mattress - 27" x 76" x 5" - Rust (Fire and Grass)	
050102-05-005	EA	Cover - Mattress - 27" x 76" x 5" - Gold (Aztec Gold)	
050102-06-006	EA	Cover - Mattress - 27" x 76" x 5" - Beige (Saddle)	

SEATS, ARMRESTS, AND HEADRESTS

Key	Part Number	U/M	Description
042986-07-000	EA	Chair - TT - Rust (Fire and Grass)	
042986-08-000	EA	Chair - TT - Gold (Aztec Gold)	
042986-09-000	EA	Chair - TT - Beige (Saddle)	
042987-07-000	EA	Cushion - TT Chair - Rust (Fire and Grass)	
042987-08-000	EA	Cushion - TT Chair - Gold (Aztec Gold)	
042987-09-000	EA	Cushion - TT Chair - Beige (Saddle)	
040516-24-000	EA	Seat - Bucket - Single w/Slides - Rust (Fire and Grass)	
040516-25-000	EA	Seat - Bucket - Single w/Slides - Gold (Aztec Gold)	
040516-26-000	EA	Seat - Bucket - Single w/Slides - Beige (Saddle)	
040516-16-001	EA	Cover - Single Bucket Seat - Bottom - Rust (Fire and Grass)	
040516-17-001	EA	Cover - Single Bucket Seat - Bottom - Gold (Aztec Gold)	
040516-18-001	EA	Cover - Single Bucket Seat - Bottom - Beige (Saddle)	
040516-24-002	EA	Cover - Single Bucket Seat - Back - Rust (Fire and Grass)	
040516-25-002	EA	Cover - Single Bucket Seat - Back - Gold (Aztec Gold)	
040516-26-002	EA	Cover - Single Bucket Seat - Back - Beige (Saddle)	
029136-01-000	EA	Grommet Headrest - Nylon	
029134-01-000	EA	Clip - Finish	
033906-26-000	EA	Headrest Cover - Rust (Fire and Grass)	
033906-27-000	EA	Headrest Cover - Gold (Aztec Gold)	
033906-28-000	EA	Headrest Cover - Beige (Saddle)	
019722-01-000	EA	Headrest Asm - Foam w/o Cover	
050280-13-000	EA	Armrest Cover - Rust (Fire and Grass)	
050280-14-000	EA	Armrest Cover - Gold (Aztec Gold)	
050280-15-000	EA	Armrest Cover - Beige (Saddle)	
040494-01-000	EA	Armrest Asm - Foam w/o Cover - Right Style #1	
040494-02-000	EA	Armrest Asm - Foam w/o Cover - Left Style #1	
050275-01-700	EA	Armrest Asm - Foam w/o Cover - Right Style #2	
050276-01-700	EA	Armrest Asm - Foam w/o Cover - Left Style #2	

NOTE

A production change was made in the armrest. When ordering, you must first determine which style is required. Measure up ten inches from the bottom of the seat frame. If you feel (through the upholstery) a collar protruding outward at approximately 1/2", you should order style two. Order style one if no protrusion is noted.

CURTAIN, CUSHION AND PAD GROUP (CONTINUED)

FABRICS

Key	Part Number	U/M	Description
043618-01-000	YD	Fabric - Upholstery - Rust (Fire and Grass)	
043618-02-000	YD	Fabric - Upholstery - Gold (Aztec Gold)	
043618-03-000	YD	Fabric - Upholstery - Beige (Saddle)	
043619-01-000	YD	Fabric - Drapery - Rust (Fire and Grass)	
043619-02-000	YD	Fabric - Drapery - Gold (Aztec Gold)	
043619-03-000	YD	Fabric - Drapery - Beige (Saddle)	
042411-01-000	YD	Vinyl - Non-Expanded - 27 Oz. - Brown - Bostonian	
042411-02-000	YD	Vinyl - Expanded - 20 Oz. - Brown - Bostonian	

TRIMS AND PADS

Key	Part Number	U/M	Description
042414-01-000	FT	Trim - Accent - Brown - Bostonian	
043321-02-000	EA	Pad - "A" Pillar - Right	
043322-02-000	EA	Pad - "A" Pillar - Left	
043323-02-000	EA	Pad - Door Top - Right	
043324-02-000	EA	Pad - Door - Top - Left	
043325-03-000	EA	Pad - "B" Pillar - Left	
043325-04-000	EA	Pad - "B" Pillar - Right	
043326-02-000	EA	Headliner - Cab	
043327-09-000	EA	Support - Cab/Pillar Asm. - Left	
043327-10-000	EA	Support - Cab/Pillar Asm. - Right	
044207-02-000	EA	Pad - Engine Cover	
048360-01-000	EA	Pad - Sleeper Board - Left	
048360-02-000	EA	Pad - Sleeper Board - Right	
042950-01-000	EA	Handle - Assist - Interior	

**1977 ITASCA
TABLE OF CONTENTS**

Introduction	A-1
Abbreviations	A-1
Alphabetical Index	A-2 - A-4
C25A	A-5 - B-4
C27AL	B-15 - C-24
C22C	D-1 - E-10
C27A	E-11 - F-20
C25C	F-21 - H-4
C25CD	H-5 - I-14
C24C	I-15 - J-22
C25AD	J-23 - L-14

1977 C25C INDEX

Floor Plan	F-21 - F-22
Accessories Group	F-23 - F-24
Bath Group	G-1
Chassis Group	G-2
Curtain, Cushion & Pad Group	G-3 - G-6
Dinette Group	G-7
Driver's Compartment Group	G-7
Electrical Group	G-8
Exterior Body Group	G-9 - G-12
Galley Group	G-13
Heating & Air Conditioning Group	G-14
Interior Finish Group	G-15
LP Group	G-16
Lounge Group	G-17
Water & Sewage Group	G-18
Window, Vent & Exterior Door Group	G-19 - G-24
	H-1 - H-4

DINETTE GROUP

Key	Part Number	U/M	Description
	024274-25-700	EA	Table Asm. - Dinette - w/o Hardware - Butcher Block
	047809-02-000	EA	Kit - Dinette Table Wall Mount Hardware
	047842-01-000	EA	Kit - Dinette Table Leg - Crown
	004354-01-000	EA	Bumper - 1/2" x 1/2" Diameter - White
	047726-01-000	EA	Cabinet Asm. - Overhead - Dinette w/o Door and Hardware
	047155-01-700	EA	Door Asm. - Dinette Overhead - w/o Hardware
	045377-01-000	EA	Cabinet Asm. - Dinette Seat - Left
	048561-03-000	EA	Cabinet Asm. - Dinette Seat - Right - w/o Seat Board

DRIVER'S COMPARTMENT GROUP

Key	Part Number	U/M	Description
	041787-01-000	EA	Clip - Speed Cable or Rod
	036414-01-000	EA	Ash Tray
	011318-01-000	EA	Clamp - Asm. - Engine Cover Upper
	041319-01-000	EA	Catch - Engine Cover Upper
	041320-01-000	EA	Bracket - Engine Cover/Floor
	041425-01-000	EA	Cover Engine
	048223-01-000	EA	Bracket Motor Cover
	044860-01-000	EA	Mat - Step Well - Rubber Black Left
	044860-02-000	EA	Mat - Step Well - Rubber Black Right
	044469-01-000	EA	Nameplate - Itasca - Brown/Silver
	039639-01-000	EA	Bezel - Transmission Control
	049360-01-000	EA	Console Overhead
	007021-01-000	EA	Belt Asm. Seat 2" x 90" Black
	041322-01-000	EA	Washer Flat 5/32" I.D. x 2 1/2" O.D. (Seat Belt)
	037222-01-000	EA	Belt Asm. - Seat 2" x 60" Black
	039646-06-000	EA	Extension Asm. Sleeper Board
	002922-01-011	EA	Extr. Rail Bunk 10" Piece
	041476-01-000	FT	Track Slide PVC Dark Pecan (12')
	048656-01-000	EA	Bracket Catch Bunk
	049182-01-000	EA	Hedlok II - 3/4" Dia. Snap In
	049797-01-000	EA	Hedlok II - 1" Dia. Screw Mount
	007221-01-000	EA	Spacer - Seat Adjuster
	007223-01-000	EA	Adjuster Asm. Seat w/Lock
	007224-02-000	EA	Handle - Seat Adjuster 9"
	007227-01-000	EA	Adjuster - Asm. Seat w/o Lock
	049943-01-000	EA	Pedestal - Complete Swivel Steel
	045205-04-000	EA	Side Panel - Cab Door - Right - Rust (Fire and Grass)
	045205-05-000	EA	Side Panel - Cab Door - Right - Gold (Aztec Gold)
	045205-06-000	EA	Side Panel - Cab Door - Right - Beige (Saddle)
	045206-04-000	EA	Side Panel - Cab Door - Left - Rust (Fire and Grass)
	045206-05-000	EA	Side Panel - Cab Door - Left - Gold (Aztec Gold)
	045206-06-000	EA	Side Panel - Cab Door - Left - Beige (Saddle)
	040697-03-000	EA	Pad - Instrument Panel - Brown

ELECTRICAL GROUP

Key	Part Number	U/M	Description
	008195-01-000	EA	Switch - Push Button 12V
	006077-01-000	EA	Plaque - Compressor Switch
	008054-01-000	EA	Cord - Power - 10-3 30A - 25' - UL
	034918-04-000	EA	Holder - Receptacle - Plastic
	039338-01-000	EA	Cover Plate - Receptacle - Plastic - Brown
	039339-01-000	EA	Receptacle - Duplex Brown - End of Line
	039342-01-000	EA	Receptacle - Duplex Brown - T Junction
	024571-01-000	EA	Cover Plate - Receptacle - Jumbo Steel Brown
	039343-01-000	EA	Cap - End - Receptacle
	006162-01-000	EA	Switch - Double Toggle - Spade Brown
	008163-01-000	EA	Switch - Toggle Brown
	024824-01-000	EA	Receptacle - Power Cord
	008058-01-000	EA	Adaptor - Power Cord
	008234-01-000	EA	Fuse - 12V - 10 Amp
	008235-01-000	EA	Fuse - 12V - 15 Amp
	008236-01-000	EA	Fuse - 12V - 20 Amp
	039950-02-000	EA	Control Center - 30 Amp w/Door UL
	048812-01-000	EA	Panel - Control - Water/Double Sewage - Wemac
	039861-01-000	EA	Sending Unit Kit - Wemac
	008024-01-000	FT	Wire 18.5 Bonded Orange/White/Yellow/Blue/Brown
	008025-01-000	FT	Wire 18.5 Bonded Orange/White/Yellow/Blue/Green
	008028-01-000	FT	Wire 18.5 Bonded Blue/Red/Yellow/Orange/White
	008030-01-000	FT	Wire 18.4 Bonded
	008251-01-000	EA	Fuse Holder - Black - Screw Type
	008252-01-000	EA	Fuse 110V - 50 Amp
	024418-01-000	EA	Lamp Asm. - Map/Gauge/Aisle
	024473-01-000	EA	Light - Aircraft - 1 Bulb Gold
	033508-02-000	EA	Light - Dome - Ivory 1 Bulb
	024642-01-701	EA	Lens - Dome - 1 Bulb
	033509-02-000	EA	Light - Dome - Ivory 2 Bulb
	024643-01-701	EA	Lens - Dome - 2 Bulb
	008089-01-000	EA	Light - Porch - Recessed
	045863-01-000	EA	Lamp Asm. - Tail - Horizontal
	045864-01-000	EA	Lamp Asm. - Tail - Horizontal - w/License Mount
	046125-01-000	EA	Wedge - Tail Light
	042405-03-000	EA	Base - Rectangular Clearance Light
	042405-04-000	EA	Lens - Rectangular Light - Red
	042405-05-000	EA	Lens - Rectangular Light - Amber
	037935-01-000	EA	Bulb - 1157
	038010-01-000	EA	Bulb - 1143
	008103-01-000	EA	Bulb - 53
	008213-01-000	EA	Bulb - 57
	008214-01-000	EA	Bulb - 67
	008215-01-000	EA	Bulb - 1003
	008216-01-000	EA	Bulb - 1034
	008217-01-000	EA	Bulb - 1073
	008218-01-000	EA	Bulb - 1141
	008219-01-000	EA	Bulb - 353
	008220-01-000	EA	Bulb - 12V - 25W
	036196-01-000	EA	Bulb - 194
	700020-01-000	EA	Bulb - 12V - 2LW 1383
	008188-01-000	EA	Solenoid - Dual Battery - Relay
	047351-01-000	EA	Receptacle - Ground Fault Int. - 125V Black
	047353-01-000	EA	Cover - Receptacle - Ground Fault
	008208-01-000	EA	Circuit Breaker - 12V - 40 Amp
	008211-01-000	EA	Circuit Breaker - 12V - 6 Amp
	008268-01-000	EA	Circuit Breaker - 12V - 30 Amp w/Mount
	033573-01-000	EA	Circuit Breaker - 12V - 20 Amp w/Mount
	047338-01-000	EA	Isolator - Dual Battery
	047389-01-700	EA	Battery - 12V - 105 Amp Deep Cycle - Dry
	008233-01-000	EA	Fuse - 12V - 6 Amp
	008277-01-000	EA	Holder - Fuse - Black - Panel Mount
	024459-01-000	EA	Gauge Asm. - Voltmeter
	031035-01-000	EA	Gauge Asm. - Hourmeter - Generator
	024462-01-000	EA	Switch - Battery Condition - Stamped

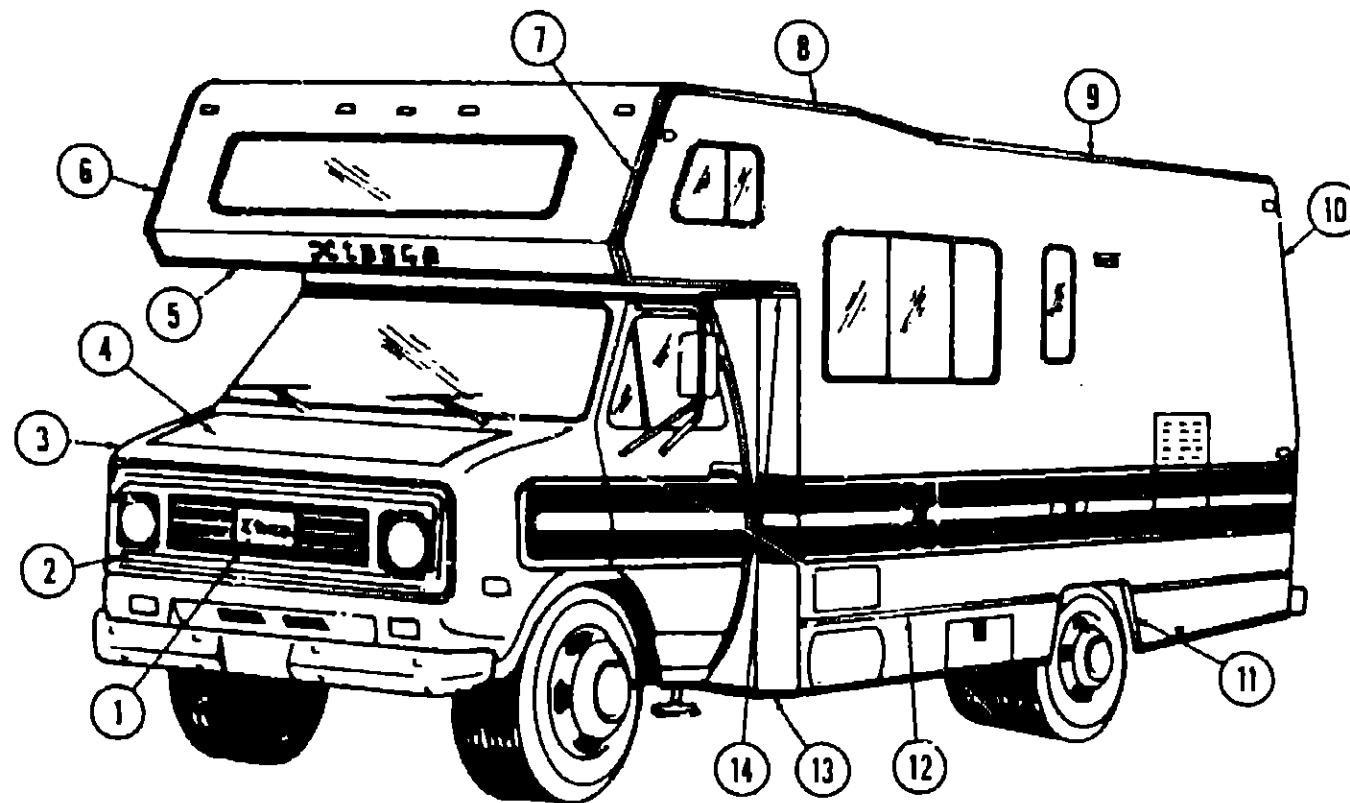
1977 ITASCA TABLE OF CONTENTS

Introduction	A-1
Abbreviations	A-1
Alphabetical Index	A-2 - A-4
C25A	A-5 B-4
C27AL	B-10 - C-24
C22C	D-1 - E-10
C27A	E-11 - F-20
C25C	F-21 - H-4
C25CD	H-5 - I-14
C24C	I-15 - J-22
C25AD	J-23 - L-14

1977 C25C INDEX

Floor Plan	F-21 - F-22
Accessories Group	F-23 - F-24
Bath Group	G-1
Chassis Group	G-2
Curtain, Cushion & Pad Group	G-3 - G-6
Dinette Group	G-7
Driver's Compartment Group	G-7
Electrical Group	G-8
Exterior Body Group	G-9 - G-12
Galley Group	G-13
Heating & Air Conditioning Group	G-14
Interior Finish Group	G-15
LP Group	G-16
Lounge Group	G-17
Water & Sewage Group	G-18
Window, Vent & Exterior Door Group	G-19 - G-24
	H-1 - H-4

EXTERIOR BODY GROUP



Key	Part Number	U/M	Description
1	046619-01-000	EA	Plate - Grille Cover - Logo
2	046741-01-000	EA	Grille - Plastic Chrome w/o Decal Striping
3	040843-01-000	EA	Front End Asm. - Fiberglass - Off White - Includes Hood w/o Front Grille
4	040845-01-000	EA	Hood Asm. - Off White
5	039644-01-000	EA	Trim - Sleeper Board - Off White
•	039616-01-000	EA	Hinge - Hood (2 used per hood)
•	035388-01-000	EA	Hood Pin Kit - 7/16" x 20 x 3.50" Long
•	007160-01-000	EA	Gasket - Tire Carcass - 3/16" x 2" x 2"
•	037449-01-000	EA	Well Nut - 10 - 32 x .812" Long
6	039635-02-000	EA	Trim - Contour - Sleeper Section - Right - Off White
7	039635-01-000	EA	Trim - Contour - Sleeper Section - Left - Off White
8	039634-01-000	EA	Trim - Contour - Roof - Left - Off White
•	039634-02-000	EA	Trim - Contour - Roof - Right - Off White
9	034922-04-000	EA	Trim - Sidewall/Roof - Upper - Left or Right - Off White

Key	Part Number	U/M	Description
10	039633-01-000	EA	Trim - Contour - Backwall - Left - Off White
•	039633-02-000	EA	Trim - Contour - Backwall - Right - Off White
11	039624-03-000	EA	Trim - Wheel Well - Rear - Left or Right
12	002444-02-003	EA	Extr. - Feature Strip - Alum. - 16' w/o Insert
•	001030-02-002	EA	Insert - Feature Strip - Off White - 21'
•	009731-01-000	EA	End Cap - Feature Strip
13	043442-01-000	EA	Trim - Wingwall - Bottom Left
•	043442-02-000	EA	Trim - Wingwall - Bottom - Right
14	048610-01-000	EA	Trim - Corner - Wingwall - Left
•	048610-02-000	EA	Trim - Corner - Wingwall - Right
•	002365-02-001	EA	Extr. - U-Channel - 1" Serrated x 18' Anod
•	039629-01-000	FT	Extr. - Vinyl - Sleeper Joint
•	043915-01-000	FT	Extr. - Vinyl - "B" Pillar/Wingwall
•			Not Illustrated

1977 ITASCA TABLE OF CONTENTS

Introduction	A-1
Abbreviations	A-1
Alphabetical Index	A-2 - A-4
C25A	A-5 - B-4
C27AL	B-15 - C-24
C22C	D-1 - E-10
C27A	E-11 - F-20
C25C	F-21 - H-4
C25CD	H-5 - I-14
C24C	I-15 - J-22
C25AD	J-23 - L-14

1977 C25C INDEX

Floor Plan	F-21 - F-22
Accessories Group	F-23 - F-24
Bath Group	G-1
Chassis Group	G-2
Curtain, Cushion & Pad Group	G-3 - G-6
Dinette Group	G-7
Driver's Compartment Group	G-7
Electrical Group	G-8
Exterior Body Group	G-9 - G-12
Galley Group	G-13
Heating & Air Conditioning Group	G-14
Interior Finish Group	G-15
LP Group	G-16
Lounge Group	G-17
Water & Sewage Group	G-18
Window, Vent & Exterior Door Group	G-19 - G-24
	H-1 - H-4

EXTERIOR BODY GROUP (CONTINUED)

EXTERIOR BODY PANELS AND SHEET ALUMINUM

Key	Part Number	U/M	Description
	039579-01-000	EA	Board - Sleeper
	050250-01-000	EA	Roof Asm.
	050250-01-700	EA	Roof Section - Front - To First Seam
	050270-01-000	EA	Sidewall Asm. - Left
	050014-01-000	EA	Sidewall Asm. - Right
	050375-03-000	EA	Backwall Asm.
	039155-03-008	EA	Alum. - Off White - Mesa Design - .024" x 36" x 60"
	039155-03-002	EA	Alum. - Off White - Mesa Design - .024" x 36" x 300"
	039155-03-003	EA	Alum. - Off White - Mesa Design - .024" x 36" x 360"
	039155-03-007	EA	Alum. - Off White - Mesa Design - .024" x 48" x 60"
	039155-03-005	EA	Alum. - Off White - Mesa Design - .024" x 48" x 300"
	039155-03-006	EA	Alum. - Off White - Mesa Design - .024" x 48" x 360"
	039155-03-009	EA	Alum. - Off White - Mesa Design - .024" x 12" x 360"
	044487-01-001	EA	Alum. - Mill Finish - No Design (Roof) - 96" x 360"
	039155-07-010	EA	Alum. - Off White - Greyhound Design - 48" x 96"
	001054-01-011	EA	Alum. - Off White - No Design - 48" x 96"

EXTERIOR PAINT

Key	Part Number	U/M	Description
	041561-01-000	EA	Paint - Off White - Acrylic Enamel - 1 Gallon
	041561-03-000	EA	Paint - Off White - Acrylic Enamel - 16 Oz. Aerosol
	041561-04-000	EA	Paint - Off White - Acrylic Lacquer - 1 Gallon
	041563-01-000	EA	Paint - Burnt Orange - Acrylic Enamel - 1 Gallon
	041563-03-000	EA	Paint - Burnt Orange - Acrylic Enamel - 16 Oz. Aerosol
	041565-01-000	EA	Paint - Rally Yellow - Acrylic Enamel - 1 Gallon
	041565-03-000	EA	Paint - Rally Yellow - Acrylic Enamel - 16 Oz. Aerosol
	045681-01-000	EA	Paint - High Gloss Black - Acrylic Enamel - 1 Gallon
	045681-03-000	EA	Paint - High Gloss Black - Acrylic Enamel - 16 Oz. Aerosol
	042933-03-000	EA	Paint - Dark Brown - Acrylic Enamel - 16 Oz. Aerosol
	045812-01-000	EA	Paint - Orange - Acrylic Enamel - 1 Gallon
	045812-03-000	EA	Paint - Orange - Acrylic Enamel - 16 Oz. Aerosol

LABELS AND DECALS

Key	Part Number	U/M	Description
	006023-01-000	EA	Label - Water Only
	006025-01-000	EA	Label - Gas
	006028-01-000	EA	Label - Drain Cap - 2" x 3"
	006031-01-000	EA	Label - Potable Water Only
	006040-01-000	EA	Tag - Gas Refueling Warning
	006061-01-000	EA	Tag - LP Gas Only
	006062-01-000	EA	Tag - Electrical - 110 Volt Connection
	006187-01-000	EA	Label - Sewage
	006188-01-000	EA	Label - Waste Water
	006199-01-000	EA	Label - Exit - Escape Window
	039288-01-000	EA	Label - Warning Aux. Loading
	041273-02-000	FT	Decal - Stripe - Sidewall - .88" - Black
	046321-01-000	EA	Stencil - Stripe - Front Side
	046323-01-000	EA	Stencil - Logo - Itasca "I"
	046324-01-000	EA	Decal - Stripe - Front Side - Black
	041273-03-000	FT	Decal - Stripe - 1" - Orange
	046325-01-000	EA	Decal - Logo - Itasca Grille
	046764-01-000	EA	Decal - Grille - Accent - Left Hand - Orange
	046764-02-000	EA	Decal - Grille - Accent - Right Hand - Orange
	008092-01-000	EA	Reflector - Stick on - Rectangular - Red
	008093-01-000	EA	Reflector - Stick on - Rectangular - Amber

EXTERIOR BODY GROUP (CONTINUED)

SEALANTS, ADHESIVES AND FASTENERS

Key	Part Number	U/M	Description
	034552-05-000	EA	Sealant - Off White Silicone
	034552-04-000	EA	Sealant - Beige Silicone
	034552-02-000	EA	Sealant - Clear Silicone
	004348-02-000	EA	Sealant - Aluminum Silicone
	004349-01-000	EA	Sealant - Black Silicone
	004342-01-000	EA	Sealant - Wreatherban 202 Tube
	004346-02-000	EA	Sealant - White Silicone
	004347-01-000	EA	Sealant - Tufflex
	002316-01-000	FT	Tape - Sealer - 3/32" x 1/8"
	024545-01-000	FT	Tape - Sealer - 1/8" x 5/8" - Black
	004350-01-000	FT	Tape - Sealer - 1/8" x 1" - Formaseal
	004352-01-000	FT	Tape - Sealer - 1/8" x 3/4" - Formaseal
	004355-01-000	FT	Tape - Sealer - 1/8" x 5/8" - Black
	004357-01-000	FT	Tape - Sealer - 1/8" x 5/8" - Adhesive
	002707-02-000	FT	Tape - Sealer - 5/16" x 1/2" - Black Foam
	002707-01-000	FT	Tape - Sealer - 5/16" x 3/4" - Black Foam
	041422-01-000	FT	Tape - Sealer - 1/4" x 1/2"
	004363-01-000	FT	Tape - Sealer - 3/16" x 1/2" - Foam
	004362-01-000	FT	Tape - Sealer - 1/8" x 5/8" - Foam
	009200-01-000	EA	Tape - Furnace - 1 1/2"
	041839-01-000	FT	Tape - Window Latch - 3/4" - Adhesive
	041839-02-000	FT	Tape - Window Latch - 1/2" - Adhesive
	004353-01-000	FT	Tape - Gasket - 1/8" x 3/4" - White
	002825-01-000	FT	Weather Stripping - Roof Vent
	002337-01-000	EA	Adhesive - 3M - 1300 Tube
	004005-01-000	GL	Adhesive - Swifts - Green - Glue (Sidewalls)
	004012-01-000	EA	Adhesive - 3M - 4475 Tube
	004020-01-000	QT	Adhesive - ABS Cement (Plastic Fittings)
	029051-01-000	EA	Adhesive - Spray Vinyl
	042401-02-000	EA	Screw - 8 - 18 x 3/4" SDPH Off White
	042403-02-000	EA	Screw - SF/DR - 8 - 18 x 1" SDPH Off White
	005058-01-000	EA	Screw - Wood - 12 - 11 x 3" P.O.H. Zinc

MISCELLANEOUS EXTERNALLY MOUNTED PARTS

Key	Part Number	U/M	Description
	036579-03-000	EA	Fuel Fill - Recessed - Single - Off White
	011124-01-000	EA	Plumbing Seal - Roof Vent - 1 1/4" White
	011129-01-000	EA	Plumbing Seal - Roof Vent - 1 1/2" White
	010230-02-000	EA	Fill - City Water - Recessed - Off White - w/Screw On Cap
	011020-01-000	EA	Fill - Water - Recessed - Off White
	009126-01-000	EA	Handle - Assist - Metal Ext
	009101-01-000	EA	Holder - Entry Door - Male
	009101-02-000	EA	Holder - Entry Door - Female

1977 ITASCA TABLE OF CONTENTS

Introduction	A-1
Abbreviations	A-1
Alphabetical Index	A-2 - A-4
C25A	A-5 - B-4
C27AL	B-15 - C-24
C22C	D-1 - E-10
C27A	E-11 - F-20
C25C	F-21 - H-4
C25CD	H-5 - I-14
C24C	I-15 - J-22
C25AD	J-23 - L-14

1977 C25C INDEX

Floor Plan	F-21 - F-22
Accessories Group	F-23 - F-24
Bath Group	G-1
Chassis Group	G-2
Curtain, Cushion & Pad Group	G-3 - G-6
Dinette Group	G-7
Driver's Compartment Group	G-7
Electrical Group	G-8
Exterior Body Group	G-9 - G-12
Galley Group	G-13
Heating & Air Conditioning Group	G-14
Interior Finish Group	G-15
LP Group	G-16
Lounge Group	G-17
Water & Sewage Group	G-18
Window, Vent & Exterior Door Group	G-19 - G-24
	H-1 - H-4

GALLEY GROUP

Key	Part Number	U/M	Description
	027671-04-000	EA	Cover - Sink - Butcher Block
	011032-01-000	EA	Sink - Stainless Steel - Double - w/Bolts
	011053-01-000	EA	Faucet - Swing Spout
	011053-01-700	EA	Aerator - Swing Spout Faucet
	011085-01-000	EA	Drain Asm. - Tailpiece w/Strainer
	049324-02-000	EA	Cabinet Asm. - Galley - w/o Top, Doors, Drawers, Hardware
	049083-02-000	EA	Countertop - Galley Cabinet - Butcher Block
	047155-16-700	EA	Door Asm. - Galley Cabinet - 11 11/16" x 209/16" Cutout - w/o Hdw.
	049799-02-000	EA	Door Asm. Galley Cabinet 29 5/16" x 13 1/2" w/o Hdw.
	047155-26-700	EA	Door Asm. - Galley Cabinet 23" x 11" Cutout - w/o Hdw.
	045379-01-000	EA	Cabinet Asm. - Galley Ovhd. - w/o Doors, Hdw.
	047155-02-700	EA	Door Asm. - Galley Ovhd. 9" x 15" Cutout - w/o Hdw.
	045385-01-000	EA	Cabinet Asm. - Buffet Top - w/o Doors, Hdw.
	049565-02-000	EA	Cabinet Asm. - Buffet - w/o Doors, Drawers, Hdw.
	048818-02-000	EA	Countertop - Buffet Cabinet
	045851-01-700	EA	Drawer Asm. - Buffet - 5 1/2" x 14 1/2" Cutout - w/o Hdw.
	047155-06-700	EA	Door Asm. - Buffet - 19" x 13 1/2" Cutout - w/o Hdw.
	047155-07-700	EA	Door Asm. - Buffet - 7 1/2" x 13 1/2" Cutout - w/o Hdw.
	049799-03-000	EA	Door Asm. - Top Buffet - 38 1/2" x 13 1/2" w/o Hdw.
	049799-06-000	EA	Door Asm. - Buffet - False - 14 1/2" x 8"
	049799-07-000	EA	Door Asm. - Buffet - False - 13 1/2" x 8"
	051602-01-000	EA	Breadboard Asm.
**	049175-01-000	EA	Refrigerator - A/C Gas - ET150 - 1 Door Model - Sibir
**	049174-01-000	EA	Refrigerator - A/C/Gas - ET150 - 2 Door Model - Sibir
**	049930-01-000	EA	Hood - Range - Power - Chrome w/o Spice Rack - Jansen
**	049044-01-000	EA	Range - 4 Burner - Large Oven - Chrome - Magic Chef

** The illustrated parts breakdown for this item is provided on the Common Items Fiche.

HEATING AND AIR CONDITIONING GROUP

Key	Part Number	U/M	Description
	048231-01-000	EA	Auto Air - 350 C.I.D. - AMC
	044443-01-000	EA	A/C - General Package - AMC
	041444-01-000	EA	A/C - Condenser Package - 350 C.I.D. - AMC
	041445-01-000	EA	A/C - Installation Package - AMC
	041446-01-000	EA	A/C - Evaporator Package - 340 C.I.D. - AMC
	047036-01-000	EA	A/C - Compressor Mount Package - 350 C.I.D. - AMC
	048231-02-000	EA	Auto Air - 350 C.I.D. - ARA
	051768-01-000	EA	A/C - Compressor Mount Package - 350 C.I.B. - ARA
	051769-01-000	EA	A/C - Evaporator Package - 350 C.I.D. - ARA
	051770-01-000	EA	A/C - Compressor - 350 C.I.D. - ARA
	051771-01-000	EA	A/C - Condenser Package - 350 C.I.D. - ARA
	024985-01-000	EA	Register w/Damper - 9 9" x 4 8"
	009198-01-000	EA	Duct - Flexible - 4" I.D. x 25'
	031604-01-000	EA	Bonnet - Heat Register
	039505-02-000	EA	Thermostat - Horizontal Wall Mount - Black
	009200-01-000	EA	Tape - Furnace - 1 1/2"
**	049042-01-000	EA	Furnace - 22,000 BTU - Under Counter Mount - Coleman - 4322
**	049043-01-000	EA	Furnace - 28,000 BTU - Under Counter Mount - Coleman - 4328
**	049777-01-000	EA	Air Conditioner - 110 Volt - Roof Mount - 11,000 BTU Ivory - Coleman (w/o Inside Shroud)
**	049778-01-000	EA	Shroud Asm. - Ceiling - Inside - Roof Air - Cool Only 11,000 BTU - Coleman
**	049774-01-000	EA	Air Conditioner - 110 Volt - Roof Mount - 13,500 BTU Ivory - Coleman (w/o Inside Shroud)
**	049775-01-000	EA	Shroud Asm. - Ceiling - Inside - Roof Air - Cool Only 13,500 BTU - Coleman
**	049776-01-000	EA	Shroud Asm. - Ceiling - Inside - Roof Air - Heat and Cool Only 13,500 BTU - Coleman

** The illustrated parts breakdown for this item is provided on the Common Items Fiche.

1977 ITASCA TABLE OF CONTENTS

Introduction	A-1
Abbreviations	A-1
Alphabetical Index	A-2 - A-4
C25A	A-5 - B-4
C27AL	B-15 - C-24
C22C	D-1 - E-10
C27A	E-11 - F-20
C25C	F-21 - H-4
C25CD	H-5 - I-14
C24C	I-15 - J-22
C25AD	J-23 - L-14

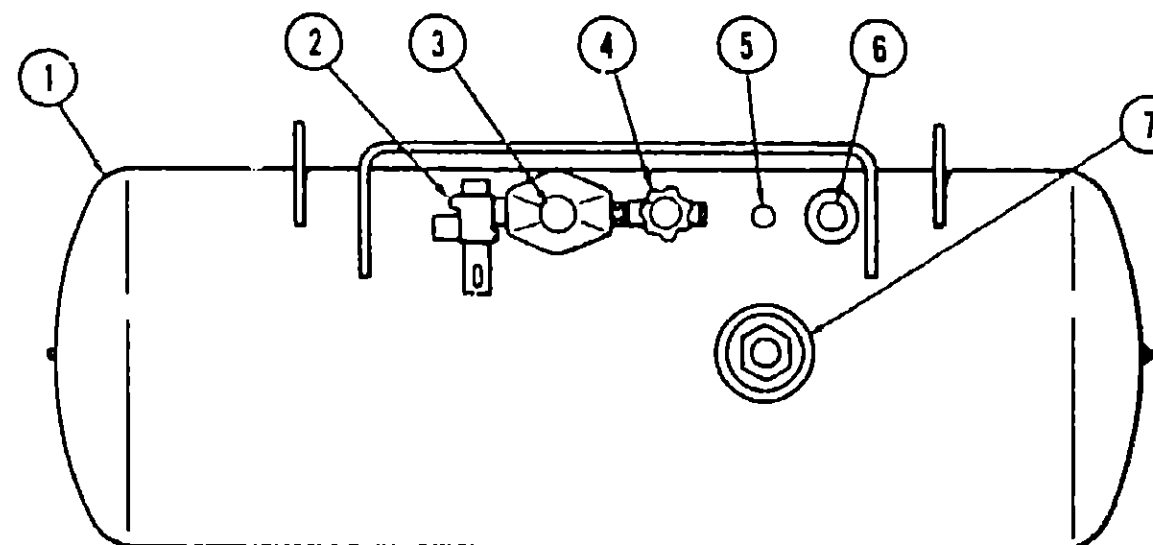
1977 C25C INDEX

Floor Plan	F-21 - F-22
Accessories Group	F-23 - F-24
Bath Group	G-1
Chassis Group	G-2
Curtain, Cushion & Pad Group	G-3 - G-6
Dinette Group	G-7
Driver's Compartment Group	G-7
Electrical Group	G-8
Exterior Body Group	G-9 - G-12
Galley Group	G-13
Heating & Air Conditioning Group	G-14
Interior Finish Group	G-15
LP Group	G-16
Lounge Group	G-17
Water & Sewage Group	G-18
Window, Vent & Exterior Door Group	G-19 - G-24
	H-1 - H-4

INTERIOR FINISH GROUP

Key	Part Number	U/M	Description
037682-01-000	SF	Plastic Laminate - 48" x 96" - Butcher Block (2? SF)	
037682-01-008	EA	Plastic Laminate - 48" x 48" - Butcher Block	
039682-01-009	EA	Plastic Laminate - 1.19" x 96" - Butcher Block	
039188-01-000	SF	Paneling - 707 Hickory - 48" x 96" (32 SF)	
045963-01-000	SF	Paneling - 825 Buff - 48" x 96" (32 SF)	
000868-01-000	BF	Styrofoam - 3/4" x 24" x 96"	
000726-06-000	EA	Batt Strip - 707 Hickory	
047354-01-000	EA	Batt Strip - 825 Buff	
024700-04-000	EA	Cover - Sidewall Roll Bar - 707 Hickory	
024700-06-000	EA	Cover - Sidewall Roll Bar - Ivory	
039512-02-000	EA	Cover - Hat Section - 707 Hickory	
039512-06-000	EA	Cover - Hat Section - Ivory	
047488-01-000	EA	Cover - Corner - Hat/Hat	
047489-01-000	EA	Cover - Corner - Tube/Tube	
002830-01-002	EA	Extr. - U-Channel - Pipe Cover - 18 Feet	
040069-01-000	EA	Mat - Door - Black Rubber 10 1/2" x .26"	
041828-01-000	EA	Pull - Drawer - 3 1/2" - Jamestown	
041917-01-000	EA	Kit - Cabinet Door Latch - Jamestown	
041931-01-000	EA	Kit - Cabinet Door Hinge	
009047-01-000	EA	Support - Overhead Door	
047744-01-000	EA	Kit - Drawer Glide	
037688-01-000	FT	Rail - Drawer Glide - V	
033535-03-000	FT	Molding Asm. - Shelf - 707 Hickory	
009812-03-000	FT	Molding - Plastic - Corner - O/S .5"	
009767-01-000	FT	Welling - Brown	
009815-02-000	FT	T-Molding - 3/4" Brown	
009814-06-000	FT	T-Molding - Tan Butcher Block	
041838-01-000	EA	Screw - 5 x 3/4" POH - Antique Brass	
009778-01-000	FT	U-Channel - 1" - Dark Brown	
009779-01-000	FT	U-Channel - 1 1/4" Dark Brown	
034689-03-000	EA	Cover - Screw - PPH - 10 - Ivory	
009112-01-000	EA	Flange - 1" Rod - Chrome - Wardrobe	
002766-02-001	EA	Extr. - Angle - 1" x 1 1/2" x 17 Feet - Stiffener	
009151-01-000	EA	Warp Guard - 48"	
042414-01-000	FT	Trim - Accent - Brown Bostonian	
018031-42-000	EA	Track - Curtain - "L" Rod - 90"	
049897-01-000	EA	Rod - Curtain - Flat Extension - 25" - 45"	
049897-02-000	EA	Rod - Curtain - Flat Extension - 48" - 86"	
042439-01-000	EA	Bracket - Curtain Rod - Single	
009108-01-000	FT	Track - Curtain - Brown Plastic - 1/2" x 16 Feet	
002922-01-011	EA	Extr. - Bunk Rail - 10 Feet	
041476-01-000	EA	Track - Slide - PVC - 12 Feet	
041864-01-000	EA	Hinge - 1 1/2" x 16" w/Holes - Folding Table Option	
024283-01-000	EA	Clip - 1" 1.125" O.D. Tube - Black	
009107-01-000	EA	Guide - Nylon Snap (Curtain)	
009701-01-000	EA	Carrier - Curtain (Roller Type) "L" Rod	
009702-01-000	EA	End Stop - Curtain "L" Rod	
047842-01-000	EA	Kit - Dinette Table Leg	
047809-02-000	EA	Kit - Dinette Hardware - Wall Mount	
041210-03-000	SY	Carpet - Orange Morning Dew - Rust - (Fire and Grass)	
043635-01-000	SY	Carpet - Coffee Brown Morning Dew - Gold - (Aztec Gold)	
043635-02-000	SY	Carpet - Beige Morning Dew - Beige - (Saddle)	
043618-01-000	YD	Fabric - Upholstery - Rust - (Fire and Grass)	
043618-02-000	YD	Fabric - Upholstery - Gold - (Aztec Gold)	
043618-03-000	YD	Fabric - Upholstery - Beige - (Saddle)	
043619-01-000	YD	Fabric - Drapery - Rust - (Fire and Grass)	
043619-02-000	YD	Fabric - Drapery - Gold - (Aztec Gold)	
043619-03-000	YD	Fabric - Drapery - Beige - (Saddle)	
042411-01-000	YD	Vinyl - Non-Expanded - 27 Oz. - Brown - (Bostonian)	
042411-02-000	YD	Vinyl - Expanded - 28 Oz. - Brown - (Bostonian)	
042833-03-000	EA	Paint - Dark Brown - 16 Oz. Aerosol	
042833-04-000	EA	Paint - Dark Brown - 1 Gallon	
043568-04-000	EA	Paint - Saddle Brown Flat - 1 Gallon	

LP GROUP



Key	Part Number	U/M	Description
1	040421-01-000	EA	Tank Asm. - LP - Frame Mount - 83 Pound
2	042281-01-000	EA	Tank Asm. - LP - Frame Mount - 42 Pound
3	047221-01-000	EA	Detector - LP Gas Leak
3	024712-01-000	EA	Cover - LP Regulator
4	052163-01-000	EA	Regulator - Manual - LP Gas - 2 Stage
4	040421-01-703	EA	Valve - Vapor Relief
5	040421-01-700	EA	Gauge - Liquid Level - 20% LP
6	040421-01-701	EA	Valve - Filler - LP
6	040421-01-702	EA	Cap - Plastic Fill Valve
7	040421-01-707	EA	Gauge - Float - w/Visible Dial - 83 Pound Tank
7	042281-01-700	EA	Gauge - Float - w/Visible Dial - 42 Pound Tank
7	040421-01-705	EA	Dial - Visible Face - Float Gauge (Tank w/o Electric Transmitter)
7	040421-01-705	EA	Dial - Transmitter - 0 - 90 Ohm (Float Gauge)
7	045703-03-000	EA	Hose Asm. - LP - 3/8" I.D. x 14"
7	047737-02-000	EA	Support - LP Tank - 89.25"
7	047737-03-000	EA	Support - LP Tank - 30.50"
	Not Illustrated		

1977 ITASCA TABLE OF CONTENTS

Introduction	A-1
Abbreviations	A-1
Alphabetical Index	A-2 - A-4
C25A	A-5 - B-4
C27AL	B-15 - C-24
C22C	D-1 - E-10
C27A	E-11 - F-20
C25C	F-21 - H-4
C25CD	H-5 - I-14
C24C	I-15 - J-22
C25AD	J-23 - L-14

1977 C25C INDEX

Floor Plan	F-21 - F-22
Accessories Group	F-23 - F-24
Bath Group	G-1
Chassis Group	G-2
Curtain, Cushion & Pad Group	G-3 - G-6
Dinette Group	G-7
Driver's Compartment Group	G-7
Electrical Group	G-8
Exterior Body Group	G-9 - G-12
Galley Group	G-13
Heating & Air Conditioning Group	G-14
Interior Finish Group	G-15
LP Group	G-16
Lounge Group	G-17
Water & Sewage Group	G-18
Window, Vent & Exterior Door Group	G-19 - G-24
	H-1 - H-4

LOUNGE GROUP

Key	Part Number	U/M	Description
	050819-01-000	EA	Cabinet - Gaucho
	047155-17-700	EA	Door Asm. - Gaucho Cabinet - w/o Hdw.
	047727-01-000	EA	Cabinet - Overhead Gaucho
	047155-01-700	EA	Door Asm. - Gaucho Ovhd. w/o Hdw.
	039582-01-700	EA	Table Asm. Fold Down Butcher Block w/o Hdw.
	039587-01-000	EA	Cabinet - Table - Entertainment
	047842-02-000	EA	Kit - Dinette Table Leg

WATER AND SEWAGE GROUP

Key	Part Number	U/M	Description
	040539-01-000	EA	Kit - Repair - 3/4" O.D. Plastic Tube
	040540-01-000	EA	Kit - Repair - 1/2" O.D. Plastic Tube
	040541-01-000	EA	Kit - Repair - 3/8" O.D. Plastic Tube
	043181-01-000	EA	Tank Asm. - Water - 60 Gallon Plastic
	039641-01-000	EA	Tank - Water - Plastic - 60 Gallon - Less Fittings
	046524-02-000	EA	Kit - Fittings - Plastic Water Tank
	007134-01-000	EA	Clamp - Hose - Spring Type - 9/16"
	007137-01-000	EA	Clamp - Worm Gear - 1 5/16" - 2 1/4"
	007181-01-000	EA	Clamp - Hose - Spring Type - 1/2"
	039647-02-000	EA	Filter - Water - 1/2" MPT
	039819-01-000	EA	Riser Asm. - 3/4" O.D. x 24" Tube
	039818-02-000	EA	Riser Asm. - 3/4" O.D. x 36" Tube
	041279-02-000	EA	Pump Asm. - Water - 2.8 GPM - PAR
	039809-01-000	EA	Valve - Stool - Plastic - 3/4" x 1/2" FPT
	046128-01-000	EA	Valve - Drain - Plastic - 1/2" FPT
	039807-01-000	EA	Valve - Drain - Brass - 1/2" MPT
	004020-01-000	QT	Adhesive - ABS Cement
	010201-01-000	EA	Hose - Sewer - 3" x 10 Feet - w/Clamp
	010209-06-000	EA	Handle - Extension - Sewer Valve - 11.25"
	010233-01-000	EA	Cap - Sewage - 3"
	010236-01-000	EA	Adapter - Hose - 3"
	011091-01-000	EA	Waste - Continuous - Double Sink - 11 1/2"
	047246-01-000	EA	Handle - Extension - Sewer Valve - 43"
	010205-01-000	EA	Valve - Sanitary - Thetford 3XB
	010213-01-000	EA	Elbow - Plastic - Side Vent and Drain
	010234-01-000	EA	Adapter - Bayonet
	011066-01-000	EA	P-Trap - Plastic - 1 1/2"
	045782-01-000	EA	Tank Asm. - Holding - 35 Gallon - Main
	014903-01-000	EA	Tank - Holding - 35 Gallon - Less Fittings
	045783-01-000	EA	Tank Asm. - Holding - 22 Gallon - Auxiliary
	039938-01-000	EA	Tank - Holding - 22 Gallon - Less Fittings
	046524-01-000	EA	Kit - Fittings - Plastic Holding Tank
**	031952-01-000	EA	Water Heater - 6 Gallon - Atwood w/o Motor Aid - G6A2
**	051391-01-000	EA	Water Heater - 6 Gallon - Atwood w/o Motor Aid - G6A3

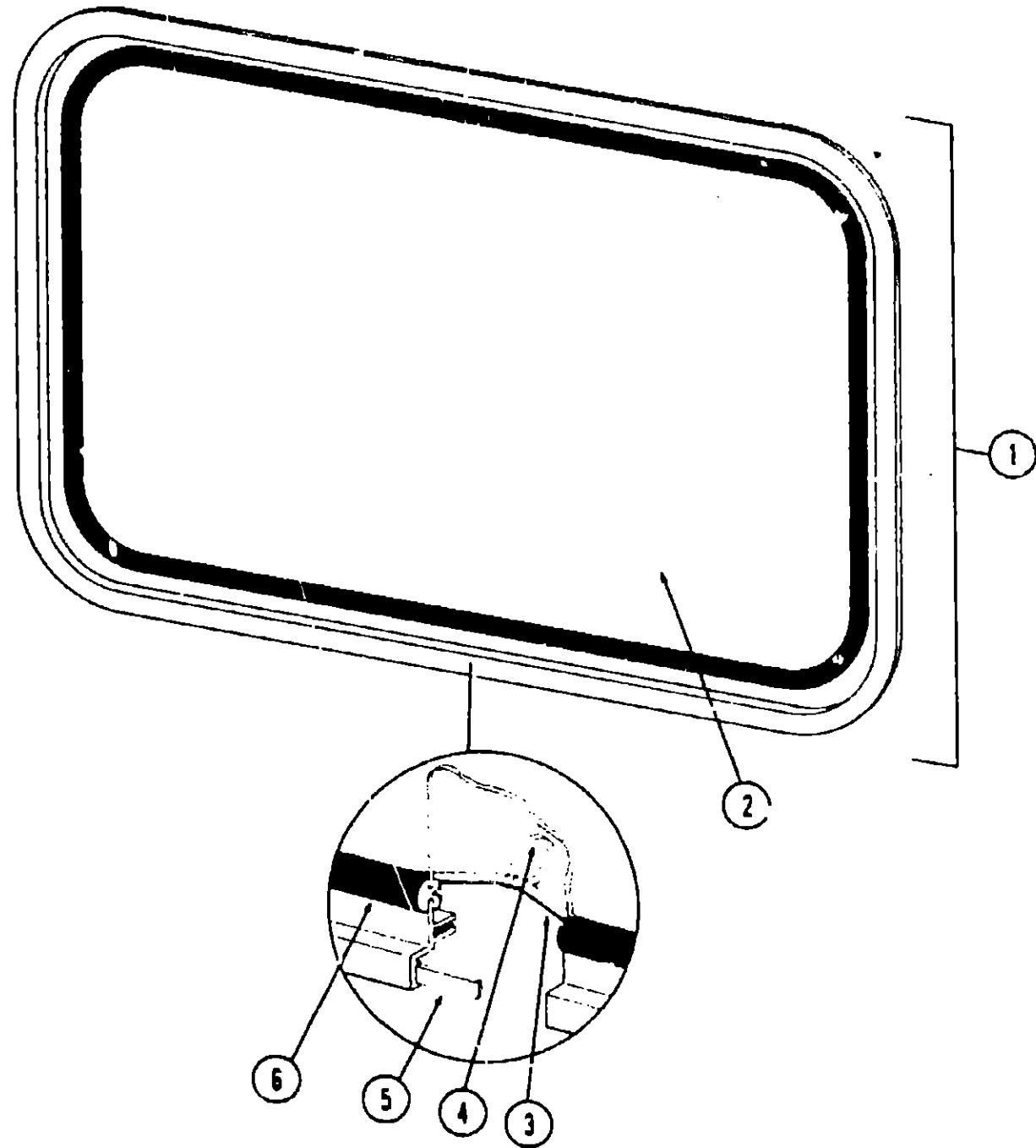
** The illustrated parts breakdown for this item is provided on the Common Items Fiche.

1977 ITASCA TABLE OF CONTENTS

Introduction	A-1
Abbreviations	A-1
Alphabetical Index	A-2 - A-4
C25A	A-5 - B-4
C27AL	B-15 - C-24
C22C	D-1 - E-10
C27A	E-11 - F-20
C25C	F-21 - H-4
C25CD	H-5 - I-14
C24C	I-15 - J-22
C25AD	J-23 - L-14

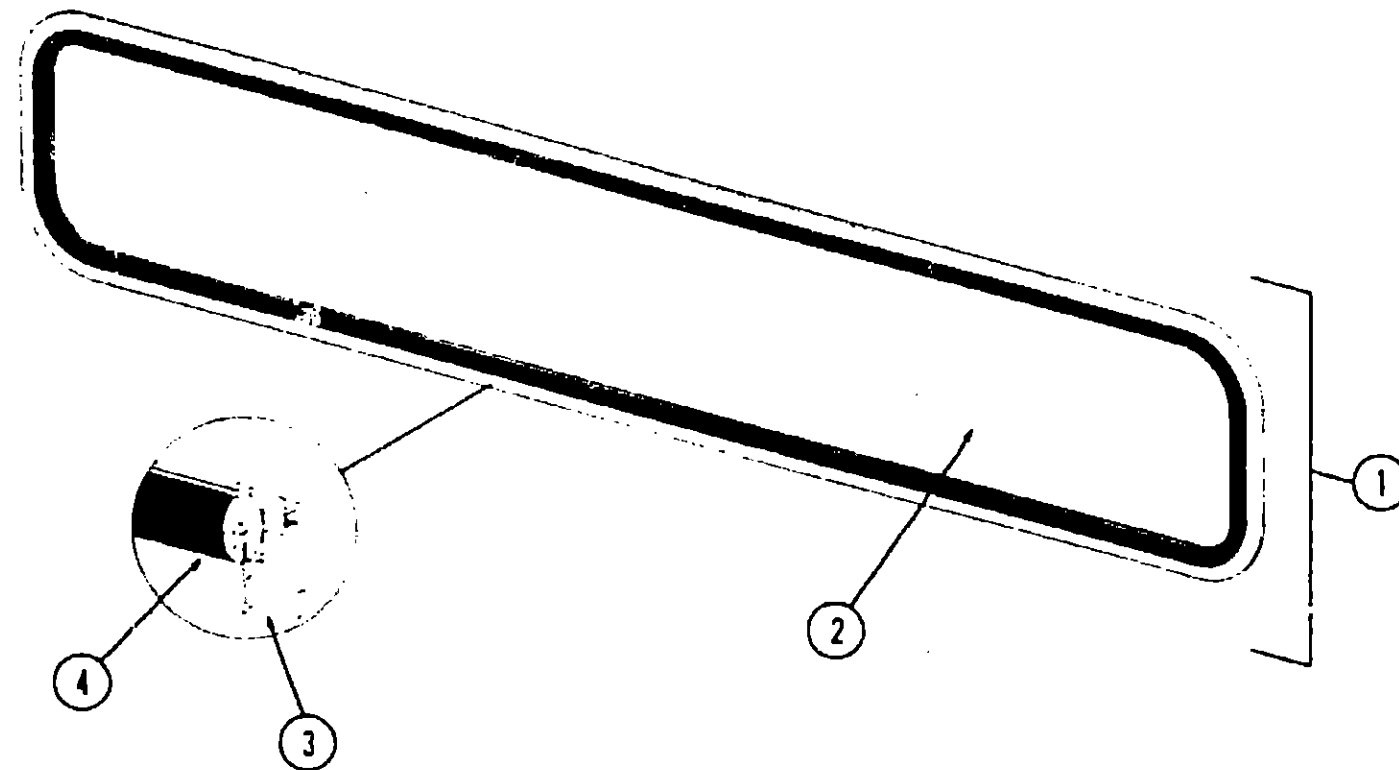
1977 C25C INDEX

Floor Plan	F-21 - F-22
Accessories Group	F-23 - F-24
Bath Group	G-1
Chassis Group	G-2
Curtain, Cushion & Pad Group	G-3 - G-6
Dinette Group	G-7
Driver's Compartment Group	G-7
Electrical Group	G-8
Exterior Body Group	G-9 - G-12
Galley Group	G-13
Heating & Air Conditioning Group	G-14
Interior Finish Group	G-15
LP Group	G-16
Lounge Group	G-17
Water & Sewage Group	G-18
Window, Vent & Exterior Door Group	G-19 - G-24
	H-1 - H-4



Key	Part Number	U/M	Description
1	042959-01-000	EA	Window Asm. - Rear Escape - 23" x 36" - Black Anod. (w/o Inside Frame)
2	041392-01-000	EA	Glass - 1/8" x 19.61" x 33.25"
3	002285-01-000	FT	Filler - Weatherstrip - Black
4	020795-01-000	EA	Slip - Pull Ring - Escape Window
5	004363-01-000	FT	Tape - Foam - 3/16" x 1/2" - Gray
6	002282-01-000	FT	Weatherstrip - .125" - Black
*	042027-01-000	EA	Frame - Inside - Escape Window - 23" x 36" (not included in assembly)
*	006199-01-000	EA	Label - Exit - Escape Window

* Not Illustrated



Key	Part Number	U/M	Description
1	041936-01-000	EA	Window Asm. - Front Picture - 14" x 69" (w/o Inside Frame) - Black Anod.
2	002200-02-000	EA	Glass - TP - Picture Window
3	004363-01-000	FT	Tape - Seal - 3/16" x 1/2" Foam
4	002281-01-000	FT	Weatherstrip - Self Seal - .06" Panel x 3/16" Black
*	037845-01-000	FT	Tape - Butyl - Window - 3/16" - Bead Black
*	041938-01-000	EA	Frame - Inside - Picture Window (Not Included in Assembly)

* Not Illustrated

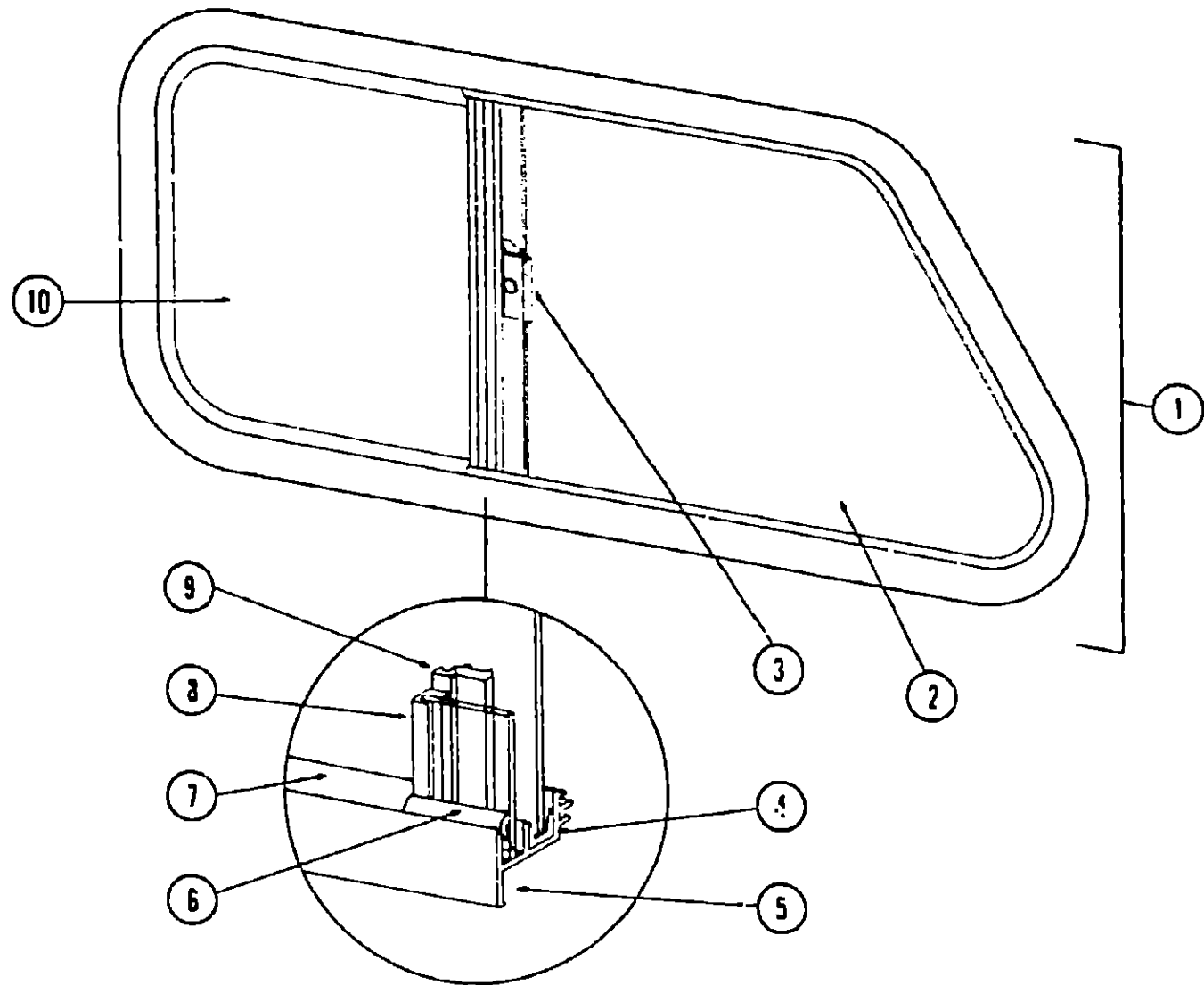
1977 ITASCA
TABLE OF CONTENTS

Introduction	A-1
Abbreviations	A-1
Alphabetical Index	A-2 - A-4
C25A	A-5 - B-4
C27AL	B-15 - C-24
C22C	D-1 - E-10
C27A	E-11 - F-20
C25C	F-21 - H-4
C25CD	H-5 - I-14
C24C	I-15 - J-22
C25AD	J-23 - L-14

1977 C25C INDEX

Floor Plan	F-21 - F-22
Accessories Group	F-23 - F-24
Bath Group	G-1
Chassis Group	G-2
Curtain, Cushion & Pad Group	G-3 - G-6
Dinette Group	G-7
Driver's Compartment Group	G-7
Electrical Group	G-8
Exterior Body Group	G-9 - G-12
Galley Group	G-13
Heating & Air Conditioning Group	G-14
Interior Finish Group	G-15
LP Group	G-16
Lounge Group	G-17
Water & Sewage Group	G-18
Window, Vent & Exterior Door Group	G-19 - G-24
	H-1 - H-4

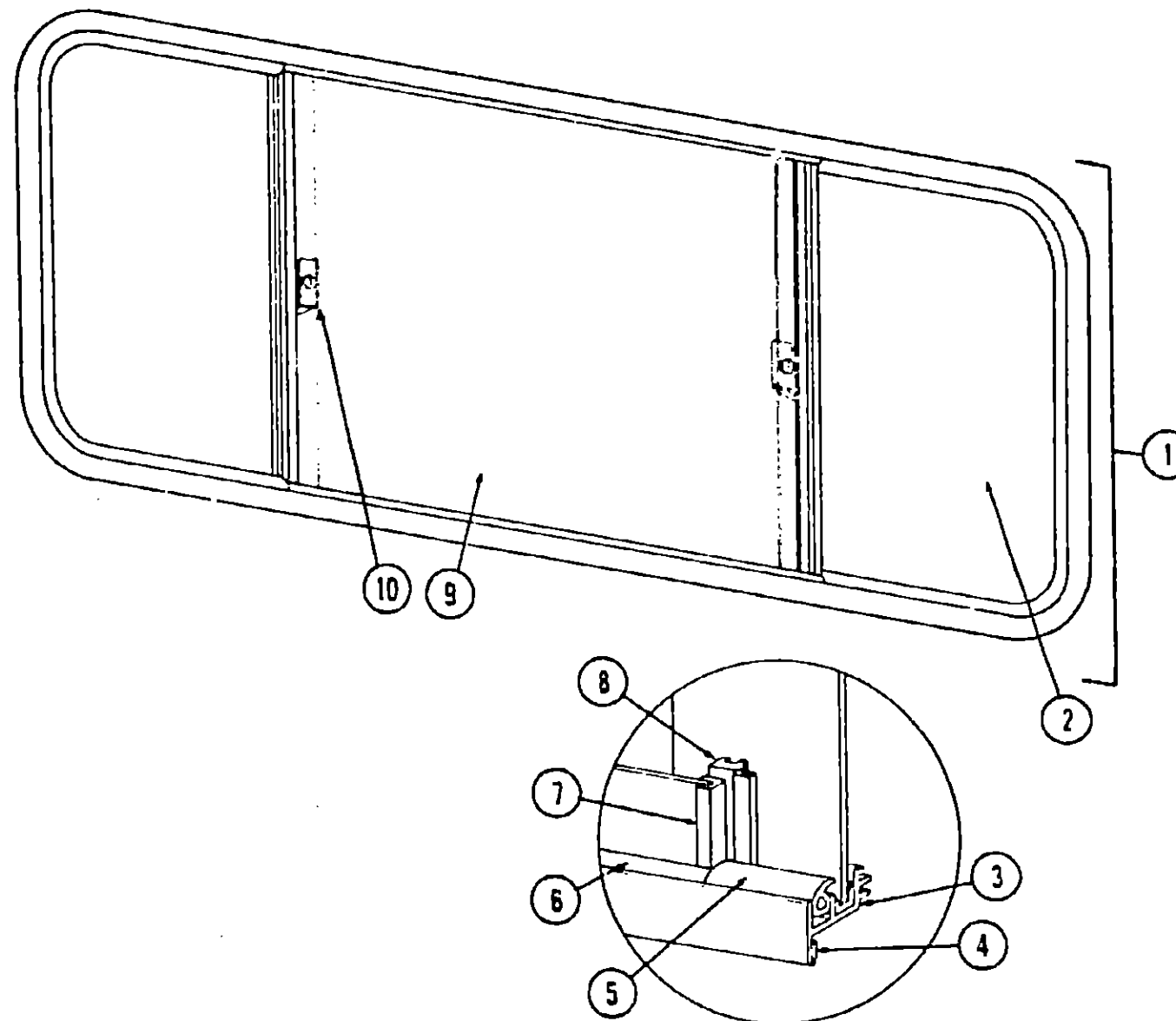
WINDOW, VENT AND EXTERIOR DOOR GROUP (CONTINUED)



Key	Part Number	U/M	Description
1	048632-03-000	EA	Window Asm. - Bunk - Slanted Slider - Right - Black Anod. (w/o Inside Frame)
	048632-04-000	EA	Window Asm. - Bunk - Slanted Slider - Left - Black Anod. (w/o Inside Frame)
2	040919-01-000	EA	Glass - 1/8" x 11.98" x 19.42" - Gray - Stationary
3	047369-01-000	EA	Latch - Window - Plastic
	049287-01-000	EA	Washer - Nylon - .62" x .140" I.D.
	049288-01-000	EA	Screw - Machine - 6-32 x 5/16" HWH - Black
4	002324-01-000	FT	Channel - Weatherstrip - Glass Run - 1/8" Glass
5	004363-01-000	FT	Tape - Foam - 3/16" x 1/2" - Gray
6	002309-02-000	FT	Spline - Glass - 1/8" - Black
7	024096-02-000	FT	Seal - Window - Channel - Black
8	002390-02-001	EA	Holder - Glass Seal - Extr. - Anod.
9	041894-10-000	EA	Mullion - 13" - Clear Anod.
10	047815-01-000	EA	Glass - 1/8" x 11.98" x 11.81" - Gray - Sliding
	040916-01-000	EA	Frame - Window - Inside - Bunk Slant - Right (not included in assembly)
	040916-02-000	EA	Frame - Window - Inside - Bunk Slant - Left (not included in assembly)
	023713-02-000	EA	Cover - Weephole - Black
	002298-01-000	FT	Spline - Gray - .130" Dia. (Screen)
	002292-01-000	SF	Screen - Window - 20" - Gray

* Not Illustrated

WINDOW, VENT AND EXTERIOR DOOR GROUP (CONTINUED)



Key	Part Number	U/M	Description
1	048630-08-000	EA	Window Asm. - Double - Slider - 25" x 65" Black Anod. (w/o Inside Frame)
2	047822-01-000	EA	Glass - 3/16" x 24" x 21.03" - Sliding (2 per window)
3	042077-01-000	FT	Channel - Weatherstrip - Glass Run - 3/16" Glass
4	004363-01-000	FT	Tape - Foam - 3/16" x 1/2" - Gray
5	041928-02-000	FT	Seal - Window Channel - Black
6	050216-01-000	FT	Spline - Glass - 3/16" - Black
7	002389-02-200	EA	Holder - Glass Seal - Black Anod.
8	041894-03-000	EA	Mullion - Slider Window - 23" Black Anod.
9	002188-02-000	EA	Glass - 3/16" x 24" x 25.50" - Stationary
10	047369-01-000	EA	Latch - Window - Plastic
	049287-01-000	EA	Washer - Nylon - .62" x .140" I.D.
	049288-01-000	EA	Screw - Machine - 6-32 x 5/16" - HWH - Black
	042133-04-000	EA	Frame - Inside - Double Slider Window (not included in assembly)
	002298-01-000	FT	Spline - Gray - .130" Dia. - (Screen)
	002293-01-000	SF	Screen - Window - 26" - Gray
	023713-02-000	EA	Cover - Weephole - Plastic - Black

* Not Illustrated

1977 ITASCA
TABLE OF CONTENTS

Introduction	A-1
Abbreviations	A-1
Alphabetical Index	A-2 - A-4
C25A	A-5 - B-4
C27AL	B-15 - C-24
C22C	D-1 - E-10
C27A	E-11 - F-20
C25C	F-21 - H-4
C25CD	H-5 - I-14
C24C	I-15 - J-22
C25AD	J-23 - L-14

1977 C25C INDEX

Floor Plan	F-21 - F-22
Accessories Group	F-23 - F-24
Bath Group	G-1
Chassis Group	G-2
Curtain, Cushion & Pad Group	G-3 - G-6
Dinette Group	G-7
Driver's Compartment Group	G-7
Electrical Group	G-8
Exterior Body Group	G-9 - G-12
Galley Group	G-13
Heating & Air Conditioning Group	G-14
Interior Finish Group	G-15
LP Group	G-16
Lounge Group	G-17
Water & Sewage Group	G-18
Window, Vent & Exterior Door Group	G-19 - G-24
	H-1 - H-4

WINDOW, VENT AND EXTERIOR DOOR GROUP (CONTINUED)

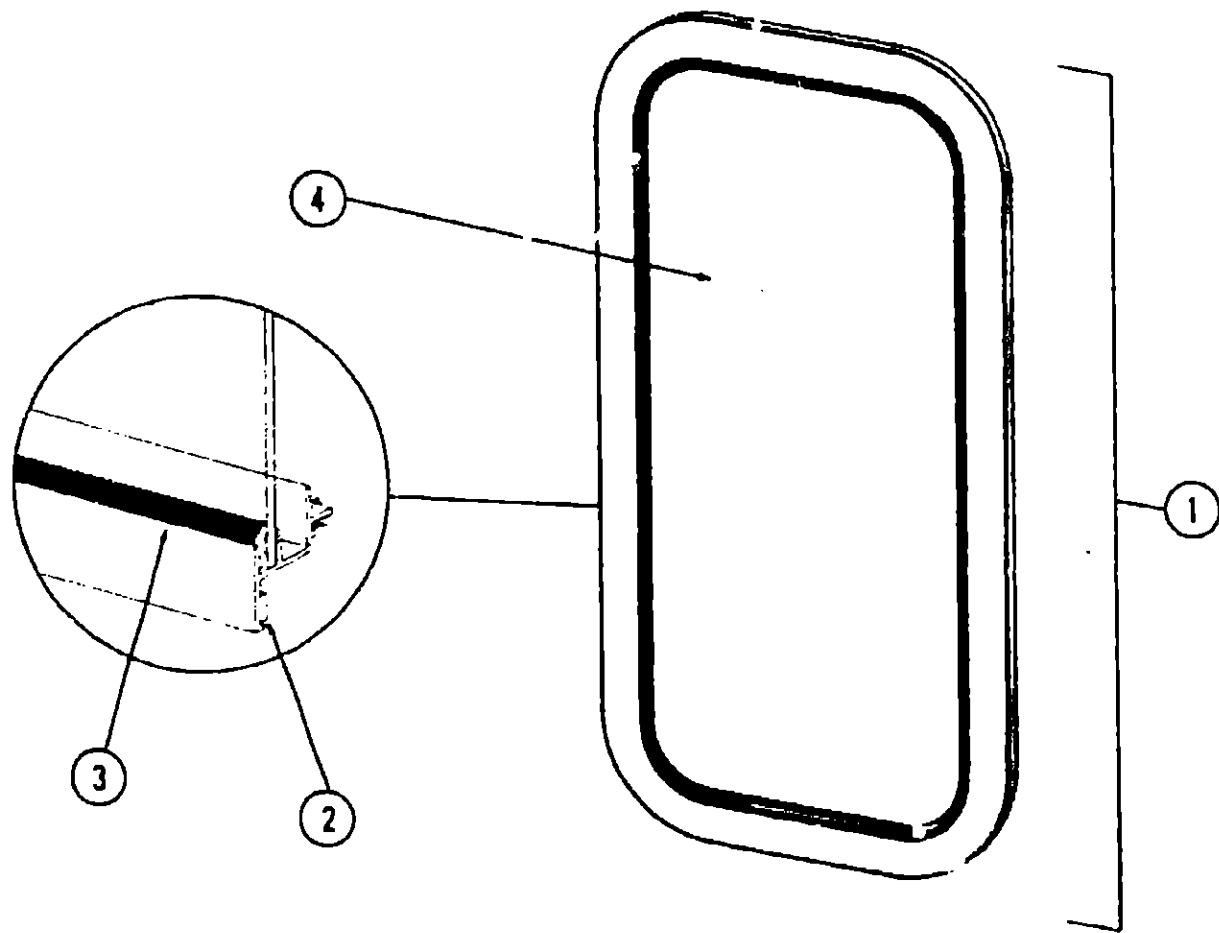
WINDOW, VENT AND EXTERIOR DOOR GROUP (CONTINUED)

VENTS

Key	Part Number	U/M	Description
	039778-01-000	EA	Cover - Refrigerator Vent - Plastic
	009407-01-000	EA	Base - Frame - Refrigerator Vent w/o Cover
	049352-01-000	EA	Vent - Stovehood - Outside - Off White (Jensen)

ACCESS DOOR

Key	Part Number	U/M	Description
	044210-01-000	EA	Door Asm. - Power Cord Access - 6" x 10" Off White Plastic w/Quarter Turn Plastic Latch
	037804-05-000	EA	Door Asm. - Battery - Off White w/Twist Type Lock
	043059-02-000	EA	Door Asm. - Luggage - Right Hinged - Off White w/Key Type Lock
	047187-04-000	EA	Door Asm. - Refrigerator Access - Off White w/Twist Type Lock
	037804-14-000	EA	Door Asm. - Luggage - Top Hinged - Off White w/Key Type Lock
	037433-06-000	EA	Door Asm. - Generator - Off White w/Twist Type Lock
	007067-01-000	SF	Insulation - Fiberglass - 1"
	039884-01-000	EA	Lock Asm. - Twist Type w/Clip
	047305-01-000	EA	Lock Asm. - Key Type w/Clip
	043942-01-000	EA	Latch Asm. - Quarter Turn Plastic - Power Cord Door
	016945-02-000	EA	Holder Asm. - Battery and Luggage Doors (Holds Door Open)
	003182-03-000	EA	Door Asm. - Water Heater Access - Off White



Key	Part Number	U/M	Description
1	041875-06-000	EA	Window Asm. - Picture - 13" x 20" - Black (w/o Inside Frame)
2	004363-01-000	FT	Tape - Foam - 3/16" x 1/2" - Gray
3	002309-02-000	FT	Spline - Glass - 1/8" - Black
4	002203-01-000	EA	Glass - TP - 1/8" x 12" x 19"
*	041695-09-000	EA	Frame - Window - Inside - 13" x 20" (Not Included in Assembly)

* Not Illustrated

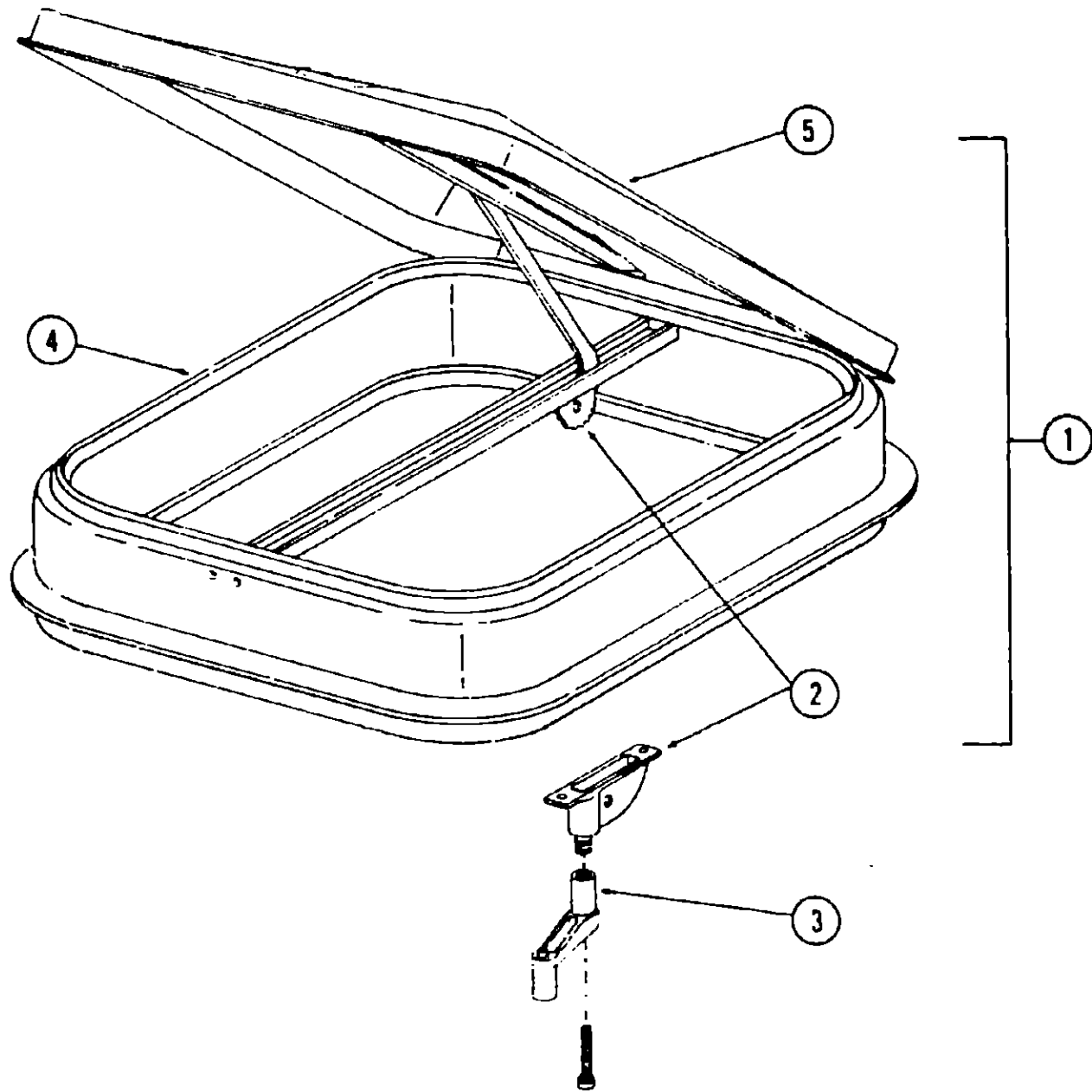
1977 ITASCA
TABLE OF CONTENTS

Introduction	A-1
Abbreviations	A-1
Alphabetical Index	A-2 - A-4
C25A	A-5 - B-4
C27AL	B-15 - C-24
C22C	D-1 - E-10
C27A	E-11 - F-20
C25C	F-21 - H-4
C25CD	H-5 - I-14
C24C	I-15 - J-22
C25AD	J-23 - L-14

1977 C25C INDEX

Floor Plan	F-21 - F-22
Accessories Group	F-23 - F-24
Bath Group	G-1
Chassis Group	G-2
Curtain, Cushion & Pad Group	G-3 - G-6
Dinette Group	G-7
Driver's Compartment Group	G-7
Electrical Group	G-8
Exterior Body Group	G-9 - G-12
Galley Group	G-13
Heating & Air Conditioning Group	G-14
Interior Finish Group	G-15
LP Group	G-16
Lounge Group	G-17
Water & Sewage Group	G-18
Window, Vent & Exterior Door Group	G-19 - G-24
	H-1 - H-4

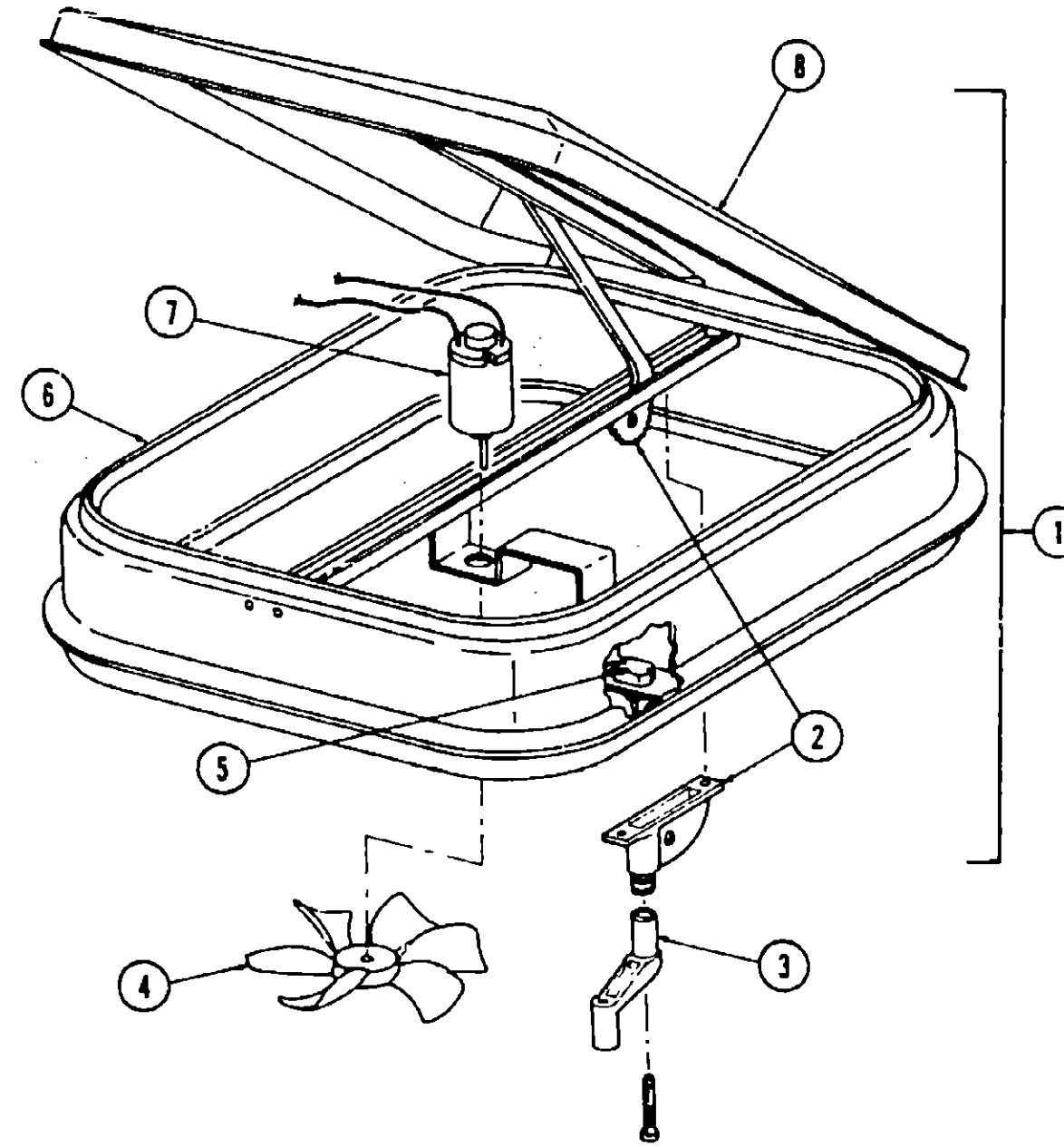
WINDOW, VENT AND EXTERIOR DOOR GROUP (CONTINUED)



Key	Part Number	U/M	Description
1	048835-01-000	EA	Vent Asm. - Roof - Nonpowered - w/o Screen
2	009440-01-000	EA	Gear - Arm - Roof Vent
3	009439-01-000	EA	Crank - Roof Vent
4	002825-01-000	FT	Weatherstrip - Roof Vent
5	046825-01-000	EA	Cover - Plastic - Roof Vent
	016335-01-000	EA	Screen Asm. - Non Powered Roof Vent - Clear Anod. (not included in assembly)
	016335-03-000	EA	Screen Asm. - Non Powered Roof Vent - Beige (not included in assembly)

* Not Illustrated

WINDOW, VENT AND EXTERIOR DOOR GROUP (CONTINUED)



Key	Part Number	U/M	Description
1	048789-01-000	EA	Vent Asm. Roof - Powered - w/o Screen
2	009440-01-000	EA	Gear - Arm - Roof Vent
3	009439-01-000	EA	Crank - Roof Vent
4	048649-01-000	EA	Fan - Blade - 6" Plastic
5	008195-01-000	EA	Switch - Push Button - 12 Volt
6	002825-01-000	FT	Weatherstrip - Roof Vent
7	048648-01-000	EA	Motor - 12 Volt
8	046825-01-000	EA	Cover - Plastic - Roof Vent
	048695-01-000	EA	Screen Asm. - Powered Roof Vent - Clear Anod. (not included in assembly)
	048695-03-000	EA	Screen Asm. - Powered Roof Vent - Beige (not included in assembly)

* Not Illustrated

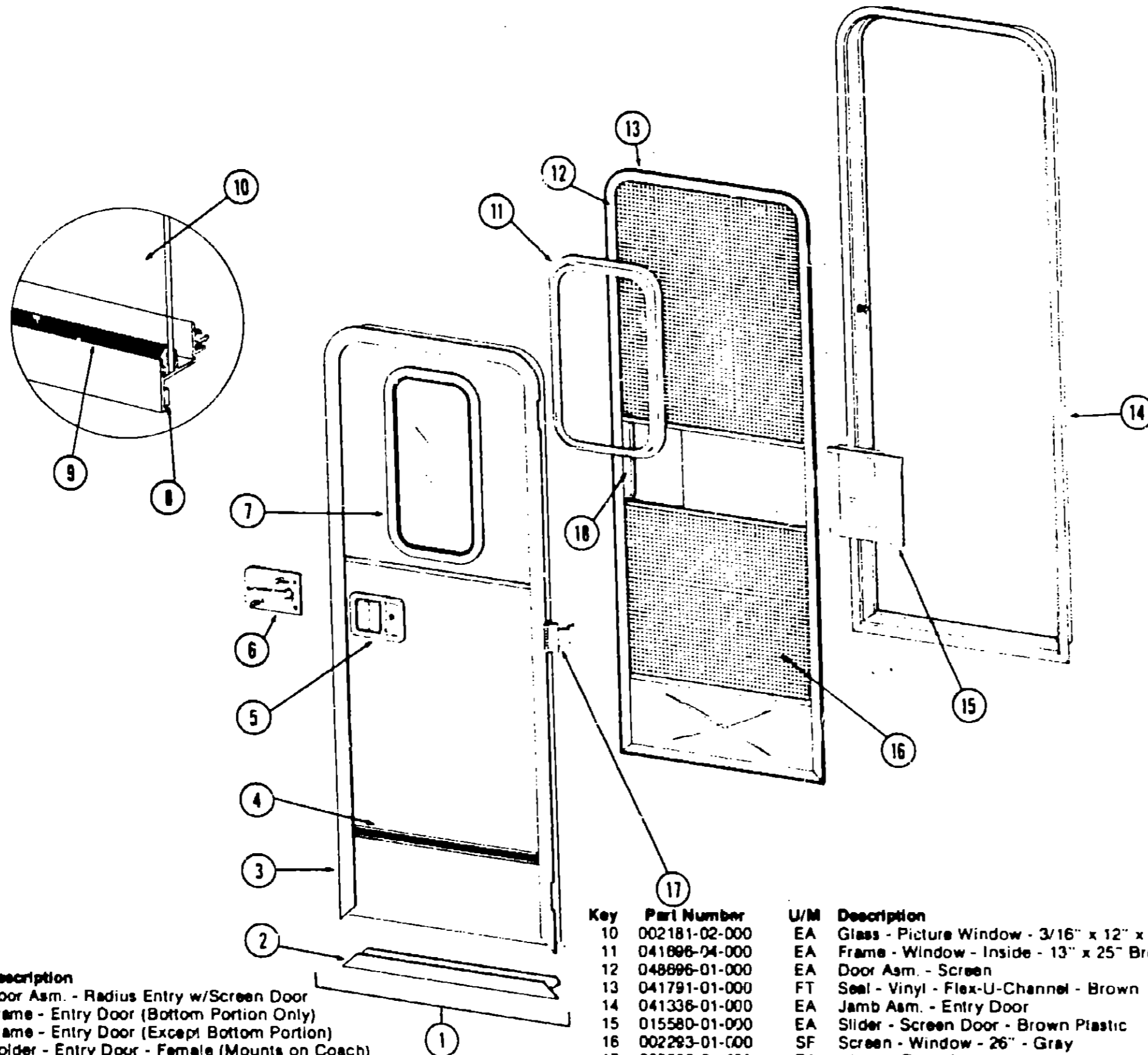
1977 ITASCA
TABLE OF CONTENTS

Introduction	A-1
Abbreviations	A-1
Alphabetical Index	A-2 - A-4
C25A	A-5 - B-4
C27AL	B-15 - C-24
C22C	D-1 - E-10
C27A	E-11 - F-20
C25C	F-21 - H-4
C25CD	H-5 - I-14
C24C	I-15 - J-22
C25AD	J-23 - L-14

1977 C25C INDEX

Floor Plan	F-21 - F-22
Accessories Group	F-23 - F-24
Bath Group	G-1
Chassis Group	G-2
Curtain, Cushion & Pad Group	G-3 - G-6
Dinette Group	G-7
Driver's Compartment Group	G-7
Electrical Group	G-8
Exterior Body Group	G-9 - G-12
Galley Group	G-13
Heating & Air Conditioning Group	G-14
Interior Finish Group	G-15
LP Group	G-16
Lounge Group	G-17
Water & Sewage Group	G-18
Window, Vent & Exterior Door Group	G-19 - G-24
	H-1 - H-4

WINDOW, VENT AND EXTERIOR DOOR GROUP (CONTINUED)



Key	Part Number	U/M	Description
1	050096-08-000	EA	Door Asm. - Radius Entry w/Screen Door
2	039737-01-000	EA	Frame - Entry Door (Bottom Portion Only)
3	039736-01-000	EA	Frame - Entry Door (Except Bottom Portion)
4	009101-02-000	EA	Holder - Entry Door - Female (Mounts on Coach)
	009102-01-000	EA	Holder - Entry Door 2 1/2" Male (Mounts on Door)
5	041948-01-000	EA	Lock Asm. - Radius Entry Door - Atwood
	039541-01-000	EA	Lock Cylinder w/Keys - Atwood
	052186-01-000	EA	Lock Asm. - Radius Entry Door - Lynor
	045017-01-700	EA	Lock Cylinder w/Keys - Lynor
	039539-01-000	EA	Striker - Entry Door Lock
6	039979-01-000	EA	Plate - Lock - Interior - Including Inside Handle
7	041875-04-000	EA	Window Asm. - Picture - 13" x 25" Black Anod. (inside frame not included in assembly)
8	004363-01-000	FT	Tape - Foam - 3/16" x 1/2" - Gray
9	002303-02-000	FT	Spline - Glass - 1/8" - Black

Key	Part Number	U/M	Description
10	002181-02-000	EA	Glass - Picture Window - 3/16" x 12" x 24" - Gray
11	041896-04-000	EA	Frame - Window - Inside - 13" x 25" Brown
12	048896-01-000	EA	Door Asm. - Screen
13	041791-01-000	FT	Seal - Vinyl - Flex-U-Channel - Brown
14	041336-01-000	EA	Jamb Asm. - Entry Door
15	015580-01-000	EA	Slider - Screen Door - Brown Plastic
16	002293-01-000	SF	Screen - Window - 26" - Gray
17	039520-01-000	EA	Hinge - Entry Door (3 used per door)
18	015581-01-000	EA	Cap - Screen Door - Brown Plastic
	049176-01-000	EA	Hedlok II - 3/4" Diameter - Screw Mount (Retains Screen Door to Entry Door)
	049797-01-000	EA	Hedlok II - 1" - Diameter - Screw Mount (Retains Screen Door to Entry Door)
	018019-01-000	EA	Striker - Screen Door
	039863-01-000	EA	Catch Asm. - Single Roller w/Strike - Screen Door
	051310-01-000	FT	Seal - Bulb - Rubber
	039890-03-000	FT	Tubing - Polybutyl - 3/8" O.D. - Jamb
			Not Illustrated

H-3

1977 ITASCA
TABLE OF CONTENTS

Introduction	A-1
Abbreviations	A-1
Alphabetical Index	A-2 - A-4
C25A	A-5 - B-4
C27AL	B-15 - C-24
C22C	D-1 - E-10
C27A	E-11 - F-20
C25C	F-21 - H-4
C25CD	H-5 - I-14
C24C	I-15 - J-22
C25AD	J-23 - L-14

1977 C25C INDEX

Floor Plan	F-21 - F-22
Accessories Group	F-23 - F-24
Bath Group	G-1
Chassis Group	G-2
Curtain, Cushion & Pad Group	G-3 - G-6
Dinette Group	G-7
Driver's Compartment Group	G-7
Electrical Group	G-8
Exterior Body Group	G-9 - G-12
Galley Group	G-13
Heating & Air Conditioning Group	G-14
Interior Finish Group	G-15
LP Group	G-16
Lounge Group	G-17
Water & Sewage Group	G-18
Window, Vent & Exterior Door Group	G-19 - G-24
	H-1 - H-4

H-4