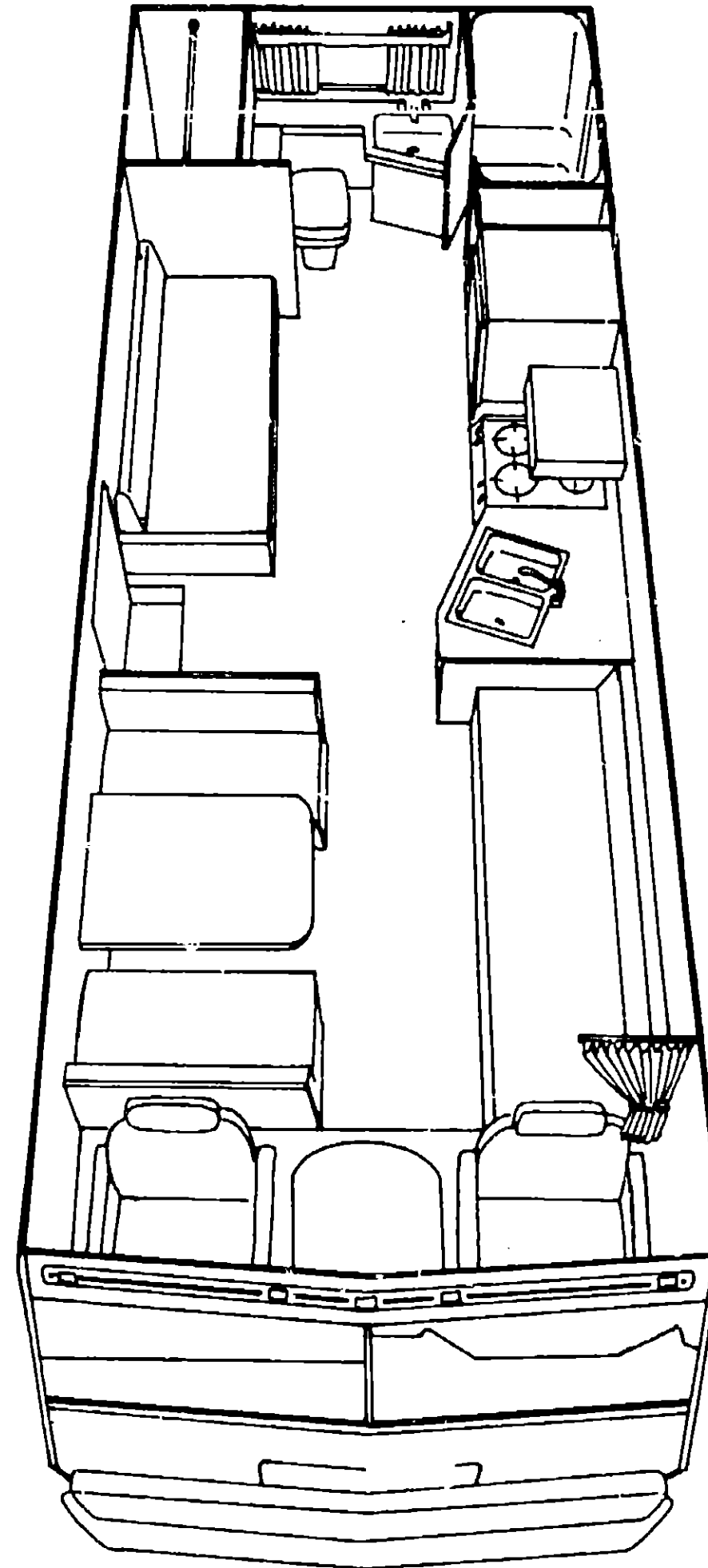


# 1977 C25AD



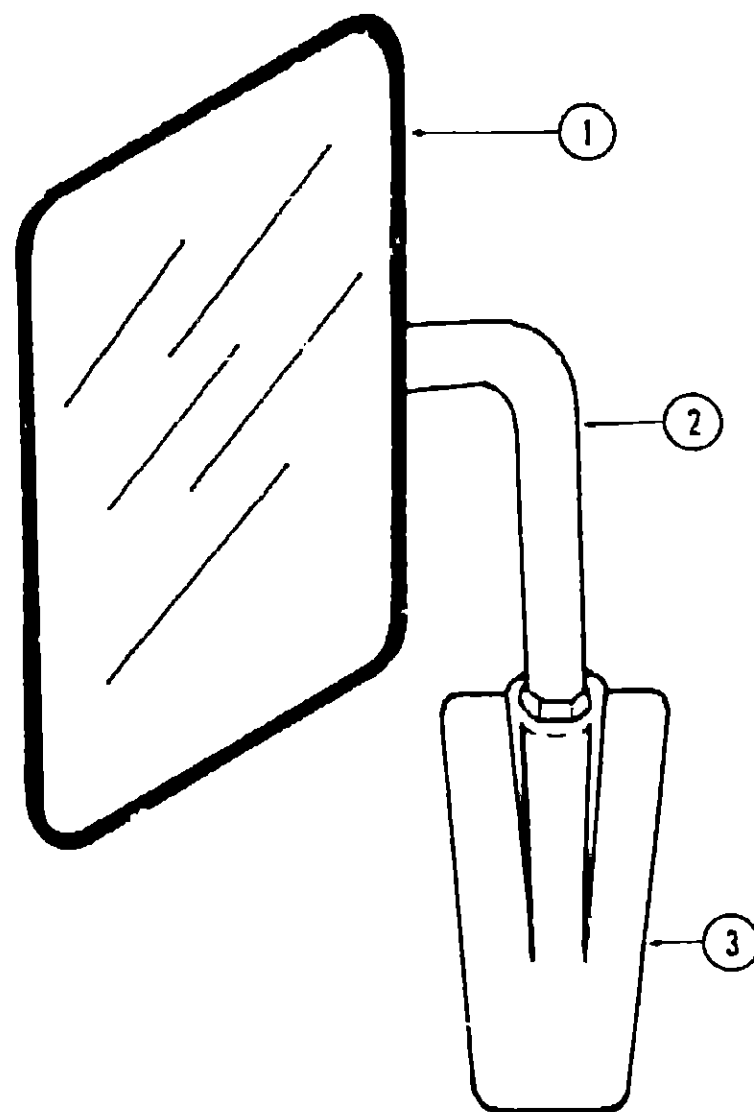
## 1977 ITASCA TABLE OF CONTENTS

Introduction	A-1
Abbreviations	A-1
Alphabetical Index	A-2 - A-4
C25A	A-5 - B-4
C27AL	B-15 - C-24
C22C	D-1 - E-10
C27A	E-11 - F-20
C25C	F-21 - H-4
C25CD	H-5 - I-14
C24C	I-15 - J-22
C25AD	J-23 - L-14

## 1977 C25AD INDEX

Floor Plan	J-23 - J-24
Accessories Group	K-1 - K-2
Bath Group	K-3 - K-4
Chassis Group	K-5
Curtain, Cushion & Pad Group	K-6 - K-11
Dinette Group	K-12
Driver's Compartment Group	K-13 - K-14
Electrical Group	K-15 - K-16
Exterior Body Group	K-17 - K-20
Galley Group	K-21
Heating & Air Conditioning Group	K-22
Interior Finish Group	K-23 - K-24
LP Group	L-1
Lounge Group	L-2
Water & Sewage Group	L-3
Window, Vent & Exterior Door Group	L-4 - L-14

**ACCESSORIES GROUP**



Key	Part Number	U/M	Description
1	049347-01-000	EA	Mirror Head - 7 1/2" x 10 1/2" - Stainless Steel w/o Bracket
2	049348-01-000	EA	Arm - Low Mount Mirror - Brite Finish
3	049944-01-000	EA	Bracket - Mirror - Outside - Beige

**ACCESSORIES GROUP (CONTINUED)**

**RADIOS AND RELATED COMPONENTS**

Key	Part Number	U/M	Description
	031105-01-700	EA	Clip - Retaining - Side Mount Antenna
	031105-01-000	EA	Antenna - Radio - Side Mount
	039879-01-000	EA	Kit - Radio Speaker - 5 1/4" w/Cover
	049732-01-000	EA	Radio - AM/FM/MPX - 8 Track - w/Fader - Clarion
	050044-01-000	EA	Radio - AM/FM/MPX - 8 Track - w/CB - J.I.L.
	048153-01-000	EA	Antenna - CB Camper Style - J.I.L. Radio
	050795-01-000	EA	Switch - Rear Volume Control - J.I.L. Radio
	050751-01-000	EA	Plaque - Fader Switch/Mic Mounting
	050466-01-000	EA	Bezel - Entertainment Center - Number 2 - (Radio and Clock)
	048119-01-000	EA	Speaker - Recessed - Oval - 6" x 9"
	051854-01-000	EA	Grille - Speaker - 6" x 9" - Brown
	049729-01-000	EA	Grille - Speaker - 6" x 9" Black

**SPEED CONTROL AND COMPONENTS**

Key	Part Number	U/M	Description
	040562-01-000	EA	Speed Control - 454 C.I.D. - A Body
	007255-01-700	EA	Regulator Asm.
	047841-01-701	EA	Servo Asm.
	007255-01-702	EA	Switch - Engage - Clamps On Turn Signal Lever
	007255-01-703	EA	Cable Asm. - Transmission
	007255-01-704	EA	Switch Asm. - Decelerate
	024746-01-700	EA	Relay - Speed Control - Under Dash

**MISCELLANEOUS ACCESSORIES**

Key	Part Number	U/M	Description
	050411-01-000	EA	Horn - Dual Trumpet - 12 Volt - Chrome
	023111-01-000	EA	Food Center - Blender and Power Unit w/o Ice Crusher Attachment
	023111-02-000	EA	Ice Crusher Attachment for Blender
	041086-01-000	EA	Ladder Asm. - w/Luggage Rack
	041086-02-000	EA	Ladder Asm. - Only
	006053-01-000	EA	Antenna - TV - Braund Delux
	006093-01-000	EA	Jack - TV - Brown
	046926-01-000	EA	Cover - Wheel - 16 5" Chrome
	052242-01-000	EA	Cover Asm. - Spare Tire - Rigid Plastic w/Decal
	051753-01-000	EA	Decal - Spare Tire Cover
	006113-01-000	EA	Jack - Hydraulic - 5 Ton
	041944-01-700	EA	Fire Extinguisher w/Bracket
	050865-02-000	EA	Owners Manual - Itasca
	017516-01-000	EA	Mud Flap - Black - 14" x 18" w/Holes
	044399-01-000	EA	Thermometer - Outside - Chrome
	048813-01-000	EA	Weather Center - 5 1/2" x 15" - Gold
	050429-01-000	EA	Bell - Ship - Brass - Wall Mount
	050782-01-000	EA	Clock - Brass - 5 1/2" Diameter
	052771-01-000	EA	Oven - Microwave - Magic Chef - 207-4
	040852-01-000	EA	Muffler - Generator - 5000 Watt - Kohler
	047343-01-000	EA	Exhaust System - 5000 Watt and 6500 Watt - Kohler
	042161-01-000	EA	Tailpipe - Generator - 90° - 1 3/8" O.D.
	024732-01-001	EA	Tubing - Steel - 1.5" O.D. (18 Gauge) x 23" Long
	040507-01-000	EA	Exhaust System - 2500 Watt or 4000 Watt - Kohler (w/o Muffler)
	040812-01-000	EA	Muffler - Generator - 2500 Watt or 4000 Watt - Kohler
	042865-01-000	EA	Air Scoop - Generator - Plastic
	050279-01-000	EA	Tray - Generator - 4000, 5000, 6500 Watt Kohler
	040505-01-000	EA	Generator - 4.0 KW - Kohler
	040506-01-000	EA	Generator - 5.0 KW - Kohler
	044149-01-000	EA	Generator - 6.5 KW - Kohler
	051909-01-000	EA	Generator - 4.5 KW - Kohler
	051910-01-000	EA	Generator - 5.5 KW - Kohler
	051911-01-000	EA	Generator - 7.0 KW - Kohler

K-1

K-2

\*\* The illustrated parts breakdown for this item is provided on the Common Items Fiche.

**1977 ITASCA  
TABLE OF CONTENTS**

Introduction	A-1
Abbreviations	A-1
Alphabetical Index	A-2 - A-4
C25A	A-5 - B-4
C27AL	B-15 - C-24
C22C	D-1 - E-10
C27A	E-11 - F-20
C25C	F-21 - H-2
C25CD	H-5 - I-14
C24C	I-15 - J-22
C25AD	J-23 - L-14

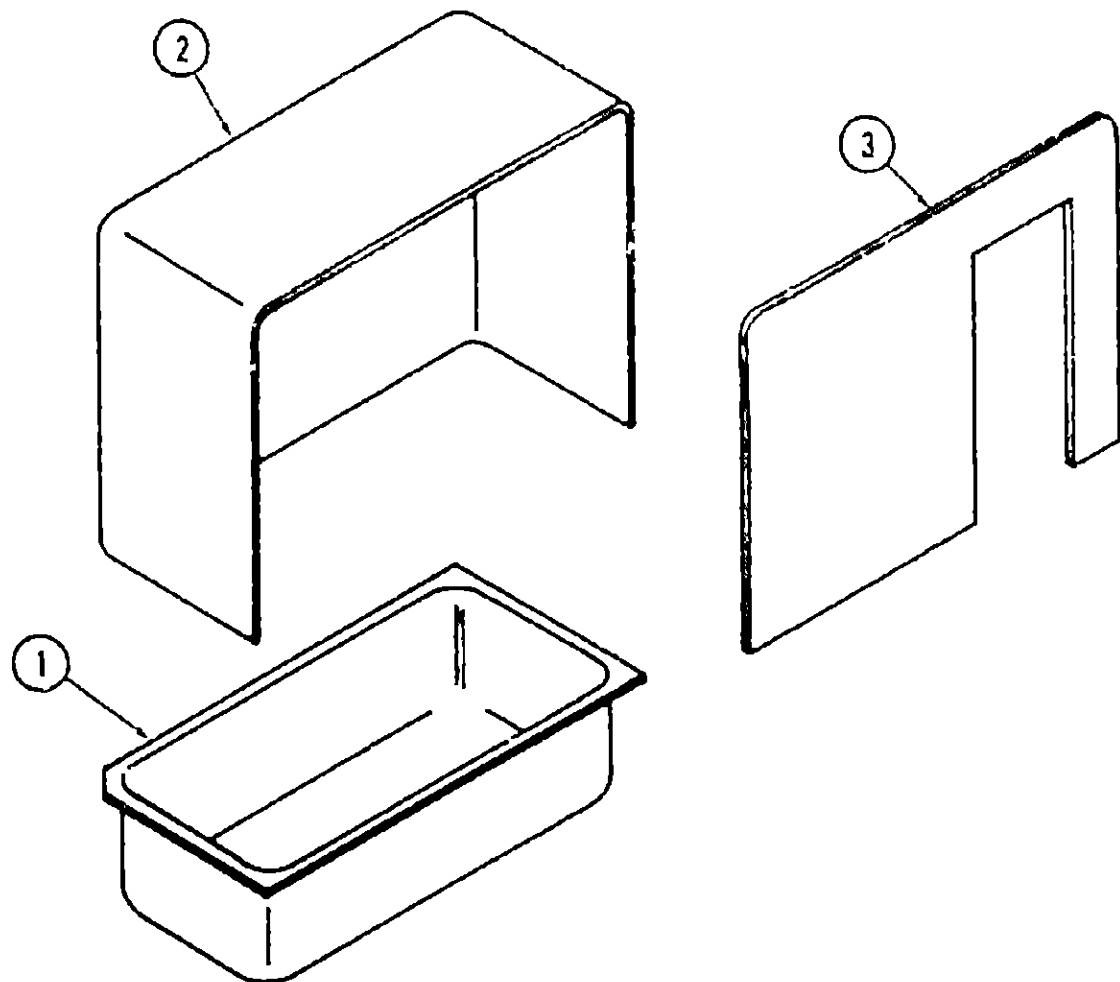
**1977 C25AD INDEX**

Floor Plan	J-23 - J-24
Accessories Group	K-1 - K-2
Bath Group	K-3 - K-4
Chassis Group	K-5
Curtain, Cushion & Pad Group	K-6 - K-11
Dinette Group	K-12
Driver's Compartment Group	K-13 - K-14
Electrical Group	K-15 - K-16
Exterior Body Group	K-17 - K-20
Galley Group	K-21
Heating & Air Conditioning Group	K-22
Interior Finish Group	K-23 - K-24
LP Group	L-1
Lounge Group	L-2
Water & Sewage Group	L-3
Window, Vent & Exterior Door Group	L-4 - L-14

## BATH GROUP

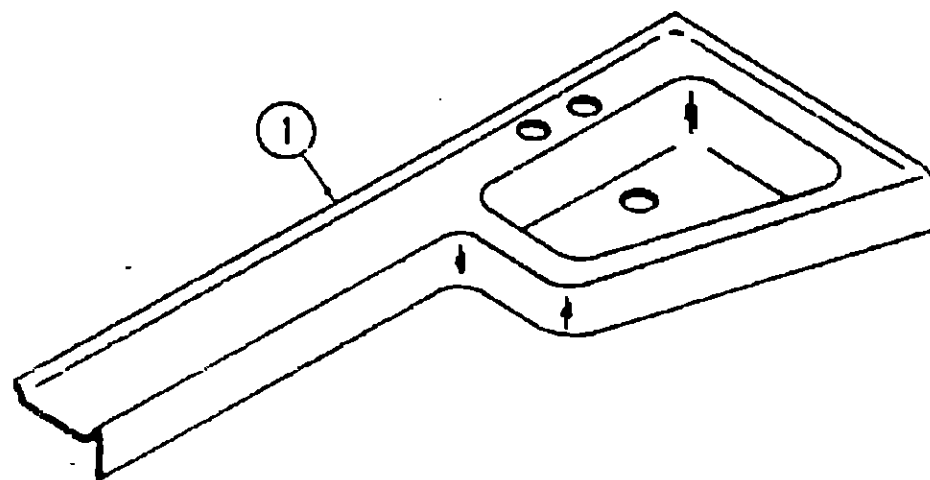
### BATHTUB AND RELATED HARDWARE

Key	Part Number	U/M	Description
	031558-01-000	EA	Faucet - Tub and Shower
	011048-01-000	EA	Shower Head - w/59" hose
	010495-01-000	EA	Clamp - Cable - 9/16" - Shower Hose
	011086-01-000	EA	Strainer - Shower Pan
	011070-01-000	EA	Tailpiece - 1 1/4" x 5" - Brass
	050739-02-000	EA	Door Asm. - Shower - Brown
	050233-02-000	EA	Striker - Door Jamb - Brown
	050712-02-000	EA	Handle - Shower Door - Brown
	050462-01-000	EA	Catch - Spring - Roll Point
	050470-01-000	EA	Plastic - Styrene - .090" x 15 3/8" x 51 5/8"
	043566-05-000	EA	Jamb - Shower Door - Bottom - Brown
	043567-03-000	EA	Jamb - Shower Door - Right - Brown
	043567-04-000	EA	Jamb - Shower Door - Left - Brown
	052441-01-000	EA	Cabinet Asm. - Medicine w/o Doors or Hardware
	052430-01-000	EA	Door Asm. - Medicine Cabinet w. Mirror
	050790-01-000	EA	Light - Medicine Cabinet - Make-Up - Dark Brown (2 used per cabinet)



Key	Part Number	U/M	Description
1	041826-01-000	EA	Bathtub - Bottom
2	041853-01-000	EA	Bathtub - Rear
3	041852-01-000	EA	Bathtub - Front

## BATH GROUP (CONTINUED)



Key	Part Number	U/M	Description
1	042175-01-000	EA	Lavatory Top - w/o Hardware

### BATH CABINETRY

Key	Part Number	U/M	Description
	042488-02-000	EA	Door - Folding - 34" x 77 1/8" - Walnut
	031563-03-000	EA	Track - Folding Door - 77 3/8"
	052389-01-000	EA	Cabinet Asm. - Vanity w/o Door or Hardware
	052387-01-700	EA	Door Asm. - Vanity Cabinet w/o Hardware
	051736-09-700	EA	Door Asm. - Bath Wardrobe w/o Hardware
	033535-03-000	FT	Molding Asm. - Shelf - Hickory

### MISCELLANEOUS HARDWARE

Key	Part Number	U/M	Description
	048169-01-000	EA	Ring - Towel - Antique Brass
	048171-01-000	EA	Bar - Towel Rack - 21" - Antique Brass
	045700-01-000	EA	Mirror - 1/8" x 9" x 25"
	049749-01-000	EA	Soap Dish - Wall Mount - Brass
	008134-01-000	EA	Holder - Tissue
	045682-01-000	EA	Hinge - Horizontal - Toilet Cover - Brass
	011056-01-000	EA	Faucet - Lavatory
	011083-02-000	EA	Plug - 1 1/4" x 12 w/Chain
	051924-01-000	EA	Faucet - Lavatory - Bronze
	052389-01-000	EA	Bag Asm. - Laundry - Vinyl
**	039341-02-000	EA	Stool Asm. - Ivory - Aqua Magic - Model SH

\*\* The illustrated parts breakdown for this item is provided on the Common Items Fiche

## 1977 ITASCA TABLE OF CONTENTS

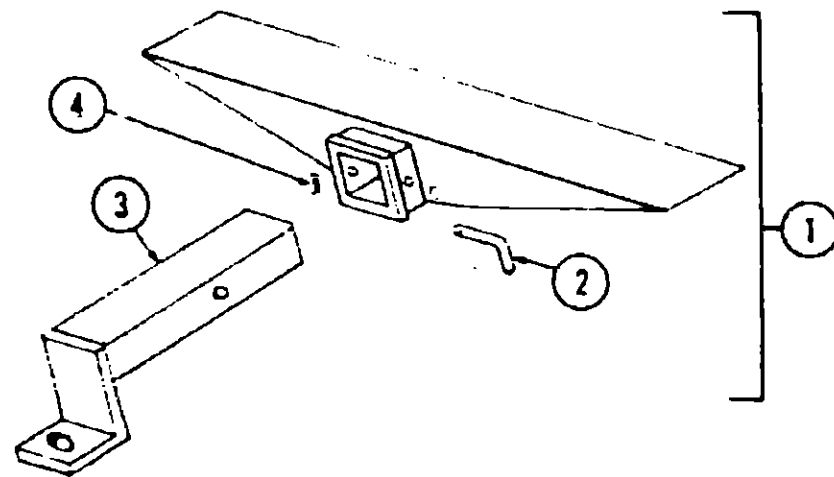
Introduction	A-1
Abbreviations	A-1
Alphabetical Index	A-2 - A-4
C25A	A-5 - B-4
C27AL	B-15 - C-24
C22C	D-1 - E-10
C27A	E-11 - F-20
C25C	F-21 - H-4
C25CD	H-5 - I-14
C24C	I-15 - J-22
C25AD	J-23 - L-14

## 1977 C25AD INDEX

Floor Plan	J-23 - J-24
Accessories Group	K-1 - K-2
Bath Group	K-3 - K-4
Chassis Group	K-5
Curtain, Cushion & Pad Group	K-6 - K-11
Dinette Group	K-12
Driver's Compartment Group	K-13 - K-14
Electrical Group	K-15 - K-16
Exterior Body Group	K-17 - K-20
Galley Group	K-21
Heating & Air Conditioning Group	K-22
Interior Finish Group	K-23 - K-24
LP Group	L-1
Lounge Group	L-2
Water & Sewage Group	L-3
Window, Vent & Exterior Door Group	L-4 - L-14

## CHASSIS GROUP

Key	Part Number	U/M	Description
	024611-04-000	EA	Cap - Gas - Pressure 1.5" Chrome Main or Auxiliary Fill
	007111-01-000	FT	Hose - Fuel 2 1/4" I.D. SAE 30R
	041341-01-000	EA	Fill Pipe Aux. Fuel - Lower
	041342-01-000	EA	Fill Pipe Aux. Fuel - Upper
	045814-01-000	EA	Fill - Gas w/Vent 5.44" Long
	042552-01-000	EA	Tank - Fuel 40.4 Gallon
	043718-01-000	EA	Sending Unit - Fuel 90 Ohm
	043478-01-000	EA	Canister - Asm. - Vapor
	043477-01-000	EA	Valve - Asm. - 6-Way Fuel Selector
	047509-01-000	EA	Fuel Fill Plastic Recessed Single Off-White - Exterior
	022655-02-000	EA	Tail Pipe 2 1/4" x 8"
	021275-01-000	EA	Battery Tray Asm. 70 - 220 Amp.
	044967-01-000	EA	Heat Shield - Muffler
	047811-01-000	EA	Compartment - Sewer Hose
	040078-01-000	EA	Tank - Fuel 27.8 Gallon Aux.
	040079-01-000	EA	Sending Unit - Fuel 30 Ohm Aux. Tank
	040413-01-000	EA	Vent Asm. - Aux. Fuel Tank
	048474-01-000	EA	Bumper - Rear Chrome w/o Brackets
	040634-01-000	EA	Carrier - Spare Tire
	040974-01-000	EA	Bracket - Retaining - Spare Tire
	045043-06-000	EA	Bracket Asm. - Bumper - Rear
	051380-01-000	EA	Bumper - Front - Chrome w/o Brackets
	023496-04-000	EA	Bracket - Front Bumper - Black (2 Used Per Bumper)
	045254-01-000	EA	Bracket Asm. - Front Bumper - Left - "L" Shape
	045254-02-000	EA	Bracket Asm. - Front Bumper - Right - "L" Shape
	045427-01-000	EA	Hoodboard - Steel Top - Right
	045428-01-000	EA	Hoodboard - Steel Bottom - Right
	045429-01-000	EA	Hoodboard - Steel Top - Left
	045430-01-000	EA	Hoodboard - Steel Bottom - Left
	030197-01-000	EA	Cover - Radiator Rear
	024652-01-700	EA	Step - Entry



Key	Part Number	U/M	Description
1	023695-01-700	EA	Hitch Kit - w/Drawbar
2	034512-01-000	EA	Pin - Locking - Drawbar
3	024876-01-700	EA	Drawbar Asm. - Trail's Hitch
4	034513-01-000	EA	Pin - Hitch - 3/16" Wire Spring

## CURTAIN, CUSHION AND PAD GROUP

### CURTAINS

Key	Part Number	U/M	Description
	049485-17-000	EA	Curtain w/Snap Top - 38" x 84" - Blackout - Gold (Aqua Marine or Strawberry Red)
	049485-18-000	EA	Curtain w/Snap Top - 29" x 36" - Room Divider - Left - Gold (Aqua Marine or Strawberry Red)
	051837-04-000	EA	Curtain w/Snap Top - 64" x 68" - Room Divider - Right Gold (Aqua Marine or Strawberry Red)
	049485-19-000	EA	Curtain - Wraparound w/Snap Top - 25" x 80" - Left Blue (Aqua Marine)
	049485-20-000	EA	Curtain - Wraparound w/Snap Top - 25" x 80" - Left Red (Strawberry Red)
	051837-02-000	EA	Curtain - Wraparound w/Snap Top - 25" x 30" - Right Blue (Aqua Marine)
	051837-03-000	EA	Curtain - Wraparound w/Snap Top - 25" x 80" Right Red (Strawberry Red)
	048842-15-000	EA	Curtain - Pleated w/Hook - 26" x 40" - Gold (Aqua Marine or Strawberry Red)
	048842-16-000	EA	Curtain - Pleated w/Hook - 26" x 32" - Gold (Aqua Marine or Strawberry Red)
	048843-15-000	EA	Curtain - Pleated w/Hook - 26" x 40" - Gold (Aqua Marine or Strawberry Red)
	048843-16-000	EA	Curtain - Pleated w/Hook - 26" x 32" - Gold (Aqua Marine or Strawberry Red)
	051831-01-000	EA	Curtain w/Snap Top - 27" x 39" - Left - Blue Underdrape (Aqua Marine)
	051831-02-000	EA	Curtain w/Snap Top - 27" x 39" - Left Red Underdrape (Strawberry Red)
	051831-02-000	EA	Curtain w/Snap Top - 27" x 27" - Left - Blue Underdrape (Aqua Marine)
	051831-03-000	EA	Curtain w/Snap Top - 27" x 27" - Left - Red Underdrape (Strawberry Red)
	051832-01-000	EA	Curtain w/Snap Top - 27" x 39" - Right Blue Underdrape (Aqua Marine)
	051832-02-000	EA	Curtain w/Snap Top - 27" x 39" Right - Red Underdrape (Strawberry Red)
	051832-03-000	EA	Curtain w/Snap Top - 27" x 27" - Right - Blue Underdrape (Aqua Marine)
	051832-04-000	EA	Curtain w/Snap Top - 27" x 27" - Right - Red Underdrape (Strawberry Red)
	051836-01-000	EA	Curtain w/Snap Top and Bottom - 25.5" x 27" - Gold Left or Right (Aqua Marine or Strawberry Red)
	051836-02-000	EA	Curtain w/Snap Top and Bottom - 22.5" x 18" - Gold - Left or Right (Aqua Marine or Strawberry Red)
	051837-01-000	EA	Curtain w/Snap Top - 33" x 30" - Gold (Aqua Marine or Strawberry Red)

### VALANCES

Key	Part Number	U/M	Description
	051830-01-000	EA	Valance - Scalloped w/Blue Trim - 6" x 58" (Aqua Marine)
	051830-02-000	EA	Valance - Scalloped w/Red Trim - 6" x 58" (Strawberry Red)
	051830-03-000	EA	Valance - Scalloped w/Blue Trim - 6" x 80" (Aqua Marine)
	051830-04-000	EA	Valance - Scalloped w/Red Trim - 6" x 80" (Strawberry Red)
	051830-05-000	EA	Valance - Scalloped w/Blue Trim - 6" x 34" (Aqua Marine)
	051830-06-000	EA	Valance - Scalloped w/Red Trim - 6" x 34" (Strawberry Red)

## 1977 ITASCA TABLE OF CONTENTS

Introduction	A-1
Abbreviations	A-1
Alphabetical Index	A-2 - A-4
C25A	A-5 - B-4
C27AL	B-15 - C-24
C22C	D-1 - E-10
C27A	E-11 - F-20
C25C	F-21 - H-4
C25CD	H-5 - I-14
C24C	I-15 - J-22
C25AD	J-23 - L-14

## 1977 C25AD INDEX

Floor Plan	J-23 - J-24
Accessories Group	K-1 - K-2
Bath Group	K-3 - K-4
Chassis Group	K-5
Curtain, Cushion & Pad Group	K-6 - K-11
Dinette Group	K-12
Driver's Compartment Group	K-13 - K-14
Electrical Group	K-15 - K-16
Exterior Body Group	K-17 - K-20
Galley Group	K-21
Heating & Air Conditioning Group	K-22
Interior Finish Group	K-23 - K-24
LP Group	L-1
Lounge Group	L-2
Water & Sewage Group	L-3
Window, Vent & Exterior Door Group	L-4 - L-14

**CURTAIN, CUSHION AND PAD GROUP (CONTINUED)**

**CURTAIN HARDWARE**

Key	Part Number	U/M	Description
	051355-14-000	EA	Track - Curtain - 89" - Brown Alum.
	050525-01-000	EA	Track - Curtain - Wraparound - Right
	050826-02-000	EA	Track - Curtain - Wraparound - Left
	049897-01-000	EA	Rod - Curtain - Flat - Extends - 25" - 45"
	049897-02-000	EA	Rod - Curtain - Flat - Extends - 48" - 86"
	042439-01-000	EA	Bracket - Curtain Rod - Single - Left or Right
	047291-02-000	EA	Rod - Curtain - Traverse w/Valance - Extends 48" - 86"
	047291-01-000	EA	Rod - Curtain - Traverse w/Valance - Extends 30" - 48"
	049936-01-000	EA	Pulley - Tension - Traverse Rod
	049937-01-000	EA	Conversion Kit - Traverse/Valance Rods
	009107-01-000	EA	Guide - Nylon Curtain Snap



Key	Part Number	U/M	Description
1	029130-01-000	EA	Socket - Snap Fastener
2	029155-01-000	EA	Cap - Snap - .156" x .17" Barrel
3	029156-01-000	EA	Socket - Snap Fastener
4	029092-01-000	EA	Stud - Nickel Finish
5	029093-01-000	EA	Eyelet - Nickel Finish

**CURTAIN TIE BACKS**

Key	Part Number	U/M	Description
	051829-01-000	EA	Tie Back - Curtain - w/Trim - 14" - Left Blue (Aqua Marine)
	051829-02-000	EA	Tie Back - Curtain - w/Trim - 14" - Left Red (Strawberry Red)
	051829-03-000	EA	Tie Back - Curtain - w/Trim - 14" - Right Blue (Aqua Marine)
	051829-04-000	EA	Tie Back - Curtain - w/Trim - 14" - Right Red (Strawberry Red)
	051829-05-000	EA	Tie Back - Curtain - w/Trim - 16" - Left Blue (Aqua Marine)
	051829-06-000	EA	Tie Back - Curtain - w/Trim - 16" - Left Red (Strawberry Red)
	051829-07-000	EA	Tie Back - Curtain - w/Trim - 16" - Right Blue (Aqua Marine)
	051829-08-000	EA	Tie Back - Curtain - w/Trim - 16" - Right Red (Strawberry Red)

**CURTAIN, CUSHION AND PAD GROUP (CONTINUED)**

**FRONT GAUCHO CUSHIONS**

Key	Part Number	U/M	Description
	051717-09-000	EA	Cushion - Boxed - Quilted - 30.5" x 75" x 4" - Gold w/Blue Trim (Aqua Marine)
	051717-10-000	EA	Cushion - Boxed - Quilted - 30.5" x 75" x 4" - Gold w/Red Trim (Strawberry Red)
	051717-09-009	EA	Cover - Cushion - Boxed - Quilted - 30.5" x 75" x 4" - Gold w/Blue Trim (Aqua Marine)
	051717-10-010	EA	Cover - Cushion - Boxed - Quilted - 30.5" x 75" x 4" - Gold w/Red Trim (Strawberry Red)
	051718-03-000	EA	Cushion - Boxed - Quilted - 2 Fold - 12.5" x 75" x 5" - Gold w/Blue Trim (Aqua Marine)
	051718-04-000	EA	Cushion - Boxed - Quilted - 2 Fold - 12.5" x 75" x 5" - Gold w/Red Trim (Strawberry Red)
	051719-03-003	EA	Cover - Cushion - Boxed - Quilted - 2 Fold - 12.5" x 75" x 5" - Gold w/Blue Trim (Aqua Marine)
	050718-04-004	EA	Cover - Cushion - Boxed - Quilted - 2 Fold - 12.5" x 75" x 5" - Gold w/Red Trim (Strawberry Red)
	042384-60-000	EA	Skirt - Front Gaucho - 10 75" x 76" - Gold w/Blue Trim (Aqua Marine)
	042384-61-000	EA	Skirt - Front Gaucho - 10 75" x 76" - Gold w/Red Trim (Strawberry Red)

**FRONT DINETTE BENCH CUSHIONS**

Key	Part Number	U/M	Description
	051717-01-000	EA	Cushion - Boxed - Quilted - 28" x 75" x 4" - Gold w/Blue Trim (Aqua Marine)
	051717-02-000	EA	Cushion - Boxed - Quilted - 28" x 75" x 4" - Gold w/Red Trim (Strawberry Red)
	051717-01-001	EA	Cover - Cushion - Boxed - Quilted - 28" x 75" x 4" - Gold w/Blue Trim (Aqua Marine)
	051717-02-002	EA	Cover - Cushion - Boxed - Quilted - 28" x 75" x 4" - Gold w/Red Trim (Strawberry Red)
	051719-01-000	EA	Cushion - Bolster - Quilted - 13.5" x 36.5" x 6" x 7" - Gold w/Blue Trim (Aqua Marine)
	051719-02-000	EA	Cushion - Bolster - Quilted - 13.5" x 36.5" x 6" x 7" - Gold w/Red Trim (Strawberry Red)
	051719-01-001	EA	Cover - Cushion - Bolster - Quilted - 13.5" x 36.5" x 6" x 7" - Gold w/Blue Trim (Aqua Marine)
	051719-02-002	EA	Cover - Cushion - Bolster - Quilted - 13.5" x 36.5" x 6" x 7" - Gold w/Red Trim (Strawberry Red)

**SWIVEL CHAIRS**

Key	Part Number	U/M	Description
	042986-22-000	EA	Chair - TT - Gold w/Blue Trim (Aqua Marine)
	042986-23-000	EA	Chair - TT - Gold w/Red Trim (Strawberry Red)
	042987-22-000	EA	Cushion - TT Chair - Gold w/Blue Trim (Aqua Marine)
	042987-23-000	EA	Cushion - TT Chair - Gold w/Red Trim (Strawberry Red)
	036036-01-000	EA	Plate - Tilt and Swivel - TT Chair
	036036-02-000	EA	Base - TT Chair - w/Holes in Legs for Mounting

**1977 ITASCA TABLE OF CONTENTS**

Introduction	A-1
Abbreviations	A-1
Alphabetical Index	A-2 - A-4
C25A	A-5 - B-4
C27AL	B-15 - C-24
C22C	D-1 - E-10
C27A	E-11 - F-20
C25C	F-21 - H-4
C25CD	H-5 - I-14
C24C	I-15 - J-22
C25AD	J-23 - L-14

**1977 C25AD INDEX**

Floor Plan	J-23 - J-24
Accessories Group	K-1 - K-2
Bath Group	K-3 - K-4
Chassis Group	K-5
Curtain, Cushion & Pad Group	K-6 - K-11
Dinette Group	K-12
Driver's Compartment Group	K-13 - K-14
Electrical Group	K-15 - K-16
Exterior Body Group	K-17 - K-20
Galley Group	K-21
Heating & Air Conditioning Group	K-22
Interior Finish Group	K-23 - K-24
LP Group	L-1
Lounge Group	L-2
Water & Sewage Group	L-3
Window, Vent & Exterior Door Group	L-4 - L-14

**CURTAIN, CUSHION AND PAD GROUP (CONTINUED)**

**DINETTE CUSHIONS**

Key	Part Number	U/M	Description
	051717-05-000	EA	Cushion - Boxed - Quilted - Dinette Back - 14" x 38" x 4" - Gold w/Blue Trim (Aqua Marine)
	051717-06-000	EA	Cushion - Boxed - Quilted - Dinette Back - 14" x 38" x 4" - Gold w/Red Trim (Strawberry Red)
	051717-05-005	EA	Cover - Cushion - Boxed - Quilted - Dinette Back - 14" x 38" x 4" - Gold w/Blue Trim (Aqua Marine)
	051717-06-006	EA	Cover - Cushion - Boxed - Quilted - Dinette Back - 14" x 38" x 4" - Gold w/Red Trim (Strawberry Red)
	051717-07-000	EA	Cushion - Boxed - Quilted - Dinette Bottom - 22.5" x 38" x 4" - Gold w/Blue Trim (Aqua Marine)
	051717-08-000	EA	Cushion - Boxed - Quilted - Dinette Bottom - 22.5" x 38" x 4" - Gold w/Red Trim (Strawberry Red)
	051717-07-007	EA	Cover - Cushion - Boxed - Quilted - Dinette Bottom - 22.5" x 38" x 4" - Gold w/Blue Trim (Aqua Marine)
	051717-08-008	EA	Cover - Cushion - Boxed - Quilted - Dinette Bottom - 22.5" x 38" x 4" - Gold w/Red Trim (Strawberry Red)

**REAR GAUCHO CUSHIONS**

Key	Part Number	U/M	Description
	051717-03-000	EA	Cushion - Boxed - Quilted - 29" x 73" x 4" - Gold w/Blue Trim (Aqua Marine)
	051717-04-000	EA	Cushion - Boxed - Quilted - 29" x 73" x 4" - Gold w/Red Trim (Strawberry Red)
	051717-03-003	EA	Cover - Cushion - Boxed - Quilted - 29" x 73" x 4" - Gold w/Blue Trim (Aqua Marine)
	051717-04-004	EA	Cover - Cushion - Boxed - Quilted - 29" x 73" x 4" - Gold w/Red Trim (Strawberry Red)
	051718-01-000	EA	Cushion - 2 Fold - Boxed - Quilted - 10.5" x 73" x 5" - Gold w/Blue Trim (Aqua Marine)
	051718-02-000	EA	Cushion - 2 Fold - Boxed - Quilted - 10.5" x 73" x 5" - Gold w/Red Trim (Strawberry Red)
	051718-01-001	EA	Cover - Cushion - 2 Fold - Boxed - Quilted - 10.5" x 73" x 5" - Gold w/Blue Trim (Aqua Marine)
	051718-02-002	EA	Cover - Cushion - 2 Fold - Boxed - Quilted - 10.5" x 73" x 5" - Gold w/Red Trim (Strawberry Red)
	042384-58-000	EA	Skirt - Rear Gaucho 10 75" x 76" Gold w/Blue Trim (Aqua Marine)
	042384-59-000	EA	Skirt - Rear Gaucho 10 75" x 76" Gold w/Red Trim (Strawberry Red)

**CURTAIN, CUSHION AND PAD GROUP (CONTINUED)**

**BUCKET SEATS, ARMRESTS AND HEADRESTS**

Key	Part Number	U/M	Description
	049159-10-000	EA	Seat Asm. - Single Bucket w/o Slides or Skirt - Gold w/Blue Trim (Aqua Marine)
	049159-11-000	EA	Seat Asm. - Single Bucket w/o Slides or Skirt - Gold w/Red Trim (Strawberry Red)
	049158-10-001	EA	Cover - Single Bucket Seat Bottom - Gold w/Blue Trim (Aqua Marine)
	049158-11-001	EA	Cover - Single Bucket Seat Bottom - Gold w/Red Trim (Strawberry Red)
	049158-10-002	EA	Cover - Single Bucket Seat Back - Gold w/Blue Trim (Aqua Marine)
	049158-11-002	EA	Cover - Single Bucket Seat Back - Gold w/Red Trim (Strawberry Red)
	049158-10-003	EA	Skirt - Single Bucket Seat - Gold w/Blue Trim (Aqua Marine)
	049158-11-003	EA	Skirt - Single Bucket Seat - Gold w/Red Trim (Strawberry Red)
	049160-11-000	EA	Seat Asm. - Double Bucket w/o Skirt - Gold w/Blue Trim (Aqua Marine)
	049160-10-000	EA	Seat Asm. - Double Bucket w/o Skirt - Gold w/Red Trim (Strawberry Red)
	049160-11-001	EA	Cover - Double Bucket Seat Bottom - Gold w/Blue Trim (Aqua Marine)
	049160-10-001	EA	Cover - Double Bucket Seat - Bottom - Gold w/Red Trim (Strawberry Red)
	049160-11-002	EA	Cover - Double Bucket Seat Back - Gold w/Blue Trim (Aqua Marine)
	049160-10-002	EA	Cover - Double Bucket Seat Back - Gold w/Red Trim (Strawberry Red)
	049160-11-003	EA	Skirt - Double Bucket Seat - Gold w/Blue Trim (Aqua Marine)
	049160-10-003	EA	Skirt - Double Bucket Seat - Gold w/Red Trim (Strawberry Red)
	033906-50-000	EA	Headrest Cover - Blue (Aqua Marine)
	033906-51-000	EA	Headrest Cover - Red (Strawberry Red)
	019722-01-000	EA	Headrest Asm - Foam w/o Cover
	050280-19-000	EA	Armrest Cover - Blue (Aqua Marine)
	050280-20-000	EA	Armrest Cover - Red (Strawberry Red)
	050275-01-700	EA	Armrest Asm - Foam w/o Cover - Right
	050276-01-700	EA	Armrest Asm - Foam w/o Cover - Left

**1977 ITASCA  
TABLE OF CONTENTS**

Introduction	A-1
Abbreviations	A-1
Alphabetical Index	A-2 - A-4
C25A	A-5 - B-4
C27AL	B-15 - C-24
C22C	D-1 - E-10
C27A	E-11 - F-20
C25C	F-21 - H-4
C25CD	H-5 - I-14
C24C	I-15 - J-22
C25AD	J-23 - L-14

**1977 C25AD INDEX**

Floor Plan	J-23 - J-24
Accessories Group	K-1 - K-2
Bath Group	K-3 - K-4
Chassis Group	K-5
Curtain, Cushion & Pad Group	K-6 - K-11
Dinette Group	K-12
Driver's Compartment Group	K-13 - K-14
Electrical Group	K-15 - K-16
Exterior Body Group	K-17 - K-20
Galley Group	K-21
Heating & Air Conditioning Group	K-22
Interior Finish Group	K-23 - K-24
LP Group	L-1
Lounge Group	L-2
Water & Sewage Group	L-3
Window, Vent & Exterior Door Group	L-4 - L-14

**CURTAIN, CUSHION AND PAD GROUP (CONTINUED)**

**PADS**

Key	Part Number	U/M	Description
	050889-03-000	EA	Base Asm. - Vinyl Stool Cover - Brown
	050890-06-000	EA	Lid Asm. - Vinyl Stool Cover - Brown
	050944-03-000	EA	Skirt Asm. - Vinyl Stool Cover - Brown
	046767-01-000	EA	Armrest Asm. - Driver Side - Wall Mount - Brown Vinyl
	046766-01-000	EA	Armrest Asm. - Passenger Side - Wall Mount - Brown Vinyl
	046594-01-000	EA	Pad - Sidewall - Front Left - Brown Vinyl
	046593-01-000	EA	Pad - Sidewall - Front Right - Brown Vinyl
	051423-01-000	EA	Pad - Galley Extending Overhead Cabinet
	050512-03-000	EA	Pad Asm. - Pull Out Table - Brown Vinyl
	050854-01-000	EA	Pad - Asm. - Pull Out Table - Back - Brown Vinyl
	048837-01-000	EA	Pad - Dinette Overhead Cabinet - Brown Vinyl - Right
	048837-02-000	EA	Pad - Dinette Overhead Cabinet - Brown Vinyl - Left

**FABRICS AND TRIMS**

Key	Part Number	U/M	Description
	051375-01-000	YD	Fabric - Drapery (Overdrapes) Gold (Aqua Marine or Strawberry Red)
	051066-02-000	YD	Fabric - Drapery (Underdrapes) Blue (Aqua Marine)
	051066-01-000	YD	Fabric - Drapery (Underdrapes) Red (Strawberry Red)
	051376-01-000	YD	Fabric - Drapery Trim - Blue (Aqua Marine)
	051376-02-000	YD	Fabric - Drapery Trim - Red (Strawberry Red)
	051067-01-000	YD	Fabric - Upholstery - Gold (Aqua Marine or Strawberry Red)
	051067-02-000	YD	Fabric - Trim - Upholstery - Blue (Aqua Marine)
	051066-01-000	YD	Fabric - Trim - Upholstery - Red (Strawberry Red)
	042411-01-000	YD	Vinyl - Nonexpanded - 27 Ounce - Brown
	042411-02-000	YD	Vinyl - Expanded - 28 Ounce - Brown
	023631-05-000	EA	Button - Nail - Brown Vinyl
	042414-01-000	FT	Trim - Accent - Brown Vinyl
	042950-01-000	EA	Handle - Interior Assist. - Brown Vinyl

**DINETTE GROUP**

**TT CHAIR CONFIGURATION**

Key	Part Number	U/M	Description
	049514-03-700	EA	Table Asm. - Dinette - 17" x 24" - w/o Hardware
	009040-02-000	EA	Leg - Table - 2 3/8" x 28" - Chrome
	009040-03-000	EA	Base - Table Leg - Mounts Under Table
	041194-01-000	EA	Base - Table Leg - Recessed In Floor
	050511-03-000	EA	Countertop Asm. - Table - Pullout
	050509-03-000	EA	Countertop Asm. - Table Cabinet
	045795-01-000	EA	Holder - Glass - Plastic
	009148-01-000	EA	Pull - Finger - 3/4" Dia. - Brass
	050553-01-000	EA	Support Strap - Table
	051576-01-000	EA	Cabinet Asm. - Gaucho - w/Slides and Legs
	042091-05-000	EA	Leg Asm. - Gaucho
	035036-01-000	EA	Plate - Tilt and Swivel Chair
	035036-02-000	EA	Base

**DINETTE SEAT CONFIGURATION**

Key	Part Number	U/M	Description
	024274-22-700	EA	Table Asm. - Dinette - Conventional - w/o Hardware
	047842-01-000	EA	Kit - Hardware - Table Leg
	047809-01-000	EA	Kit - Hardware - Table - Wall Mount
	045999-01-000	EA	Seat - Dinette - Rear
	046000-01-000	EA	Seat - Dinette - Front - w/o Door
	046002-03-000	EA	Seat Back - Dinette - Rear - w/o Door
	046003-03-000	EA	Seat Back - Dinette - Front
	051735-11-700	EA	Door Asm. - Dinette Cabinet - 11 1/8" x 17 5/8" - w/o Hardware
	051735-12-700	EA	Door Asm. - Dinette Cabinet - 8" x 23 3/4" - w/o Hardware
	051849-01-000	EA	Cabinet Asm. - Dinette Bench - 78"
	051736-01-700	EA	Door Asm. - Dinette Bench Cabinet - 12 5/8" x 17 1/2" w/o Hardware

**OVERHEAD CABINERY**

Key	Part Number	U/M	Description
	051065-01-000	EA	Cabinet Asm. - Dinette Overhead - w/o Doors or Hardware
	051735-02-700	EA	Door Asm. - Overhead Cabinet - 9" x 21" - w/o Hardware
	051576-01-000	EA	Cabinet Asm. - Front Gaucho Overhead - w/o Doors or Hardware

**1977 ITASCA  
TABLE OF CONTENTS**

Introduction	A-1
Abbreviations	A-1
Alphabetical Index	A-2 - A-4
C25A	A-5 - B-4
C27AL	B-15 - C-24
C22C	D-1 - E-10
C27A	E-11 - F-20
C25C	F-21 - H-4
C25CD	H-5 - I-14
C24C	I-15 - J-22
C25AD	J-23 - L-14

**1977 C25AD INDEX**

Floor Plan	J-23 - J-24
Accessories Group	K-1 - K-2
Bath Group	K-3 - K-4
Chassis Group	K-5
Curtain, Cushion & Pad Group	K-6 - K-11
Dinette Group	K-12
Driver's Compartment Group	K-13 - K-14
Electrical Group	K-15 - K-16
Exterior Body Group	K-17 - K-20
Galley Group	K-21
Heating & Air Conditioning Group	K-22
Interior Finish Group	K-23 - K-24
LP Group	L-1
Lounge Group	L-2
Water & Sewage Group	L-3
Window, Vent & Exterior Door Group	L-4 - L-14

**DRIVER'S COMPARTMENT GROUP**

**DASH PANEL AND COMPONENTS**

Key	Part Number	U/M	Description
	031823-09-000	EA	Dash Asm. - Itasca - Complete w/Gauges and Switches
	022548-03-000	EA	Pad - Dash - Foam - Right - Dark Brown
	023242-05-000	EA	Pad - Dash - Foam - Left - Dark Brown
	022219-01-000	EA	Door - Glove Compartment
	009118-01-000	EA	Lock - Twist w/Nut
	023892-01-000	EA	Box - Glove Compartment - Black Fiberboard
	009056-01-000	EA	Hinge - Continuous - Alum. 11/15" x 72" - Plain
	034309-01-000	EA	Chain - Bead - Glove Box Door
	023834-01-000	EA	Panel - Knee Kick - (Bottom of Dash)
	024415-01-000	EA	Lamp - Asm. - Map/Gauge
	007306-01-000	EA	Clock - Dash
	007037-01-000	EA	Lighter - Asm. - Cigarette 12-Volt
	007041-01-000	EA	Bezel Cigarette Lighter
	024979-01-000	EA	Bezel - Entertainment Center
	007071-01-000	EA	Louver - Chrome - w/Chrome Wheel
	022547-01-000	EA	Bezel - Panel - Control
	023020-01-000	EA	Lamp Asm. - Tail Tale
	039044-01-000	EA	Louver Asm. - A/C Adjustable
	040636-01-000	EA	Bracket Asm. - Shift Lever

**DASH SWITCHES AND GAUGES**

Key	Part Number	U/M	Description
	024907-01-000	EA	Control Asm. - Heater - A/C - 3 Speed
	024461-01-000	EA	Switch - Battery
	024463-01-000	EA	Switch - Blinker
	024464-01-000	EA	Switch - Washer
	024465-01-000	EA	Switch - Fuel
	024467-01-000	EA	Switch - Wiper
	024459-01-000	EA	Gauge Asm. - Voltmeter
	024460-01-000	EA	Gauge - Vacuum Dash
	024462-01-000	EA	Switch - Battery Condition
	031035-01-000	EA	Gauge - Hourmeter - Generator
	024976-01-000	EA	Switch - Generator w/o Circuit Board
	037387-01-000	EA	Switch - Generator w/Circuit Board
	024990-02-000	EA	Outlet - Defroster - w/Swivel - 2" - Dark Brown
	031376-01-000	EA	Heater - Control Asm. - 3-Speed

**BUCKET SEAT PEDESTAL AND SEAT BELTS**

Key	Part Number	U/M	Description
	038837-01-000	EA	Pedestal Asm. - Seat Bottom w/Tightener
	038832-01-000	EA	Rod - Seat Adjuster
	041854-01-000	EA	Pedestal - Base - Single and Double Seat
	007223-01-000	EA	Adjuster Asm. - Seat w/Lock
	007227-01-000	EA	Adjuster - Seat - w/o Lock
	041459-01-000	EA	Pedestal - Top - Single Seat
	007016-01-000	EA	Belt Asm. - Seat - 2" x 84" Black
	041322-01-000	EA	Washer - Flat - 15/32" I.D. x 2 3/8" O.D. - Seat Belt
	050447-01-000	EA	Pedestal Asm. - Tilt Seat - Driver
	050447-02-000	EA	Pedestal Asm. - Tilt Seat - Passenger

**DRIVER'S COMPARTMENT GROUP (CONTINUED)**

**MISCELLANEOUS DRIVER'S COMPARTMENT COMPONENTS**

Key	Part Number	U/M	Description
	051402-01-000	EA	Cabinet - Front Overhead - w/o Doors
	051736-04-700	EA	Door Asm. - Front Overhead Cabinet - w/o Hardware
	048583-01-000	EA	Tray - Beverage
	048670-01-000	EA	Track Asm. - Beverage (2 Per Tray)
	039333-01-000	EA	Cover - Motor - Plastic
	039857-01-000	EA	Latch - Rubber - Draw Handle - 5 3/4" w/Strike (Motor Cover)
	039856-01-000	EA	Latch - Rubber - Draw Handle - 3" w/Strike (Motor Cover)
	035368-02-000	EA	Seal - Motor Cover - (Aluminum Extr.)
	040519-01-000	EA	Boot - Rubber - Steering Column
	040520-01-000	EA	Boot - Retainer - Steering Column
	034499-01-000	EA	Support - Dimmer Switch
	042434-02-000	EA	Sunvisor Asm. - Right or Left - Brown Vinyl
	041842-01-000	EA	Clip - Sunvisor Rod - Brown Plastic
	009143-01-000	EA	Mirror - Sunvisor
	007278-01-000	EA	Mirror - Rear View
	046886-01-000	EA	Ash Tray - Flush Mount - Chrome
	036414-01-000	EA	Ash Tray - Wall Mount - Brown
	042341-03-000	EA	Trim - Interior - "A" Post - Left - Brown - Plastic
	042341-04-000	EA	Trim - Interior - "A" Post - Right - Brown - Plastic

**1977 ITASCA  
TABLE OF CONTENTS**

Introduction	A-1
Abbreviations	A-1
Alphabetical Index	A-2 - A-4
C25A	A-5 - B-4
C27AL	B-15 - C-24
C22C	D-1 - E-10
C27A	E-11 - F-20
C25C	F-21 - H-4
C25CC	H-5 - I-14
C24C	I-15 - J-22
C25AD	J-23 - L-14

**1977 C:25AD INDEX**

Floor Plan	J-23 - J-24
Accessories Group	K-1 - K-2
Bath Group	K-3 - K-4
Chassis Group	K-5
Curtain, Cushion & Pad Group	K-6 - K-11
Dinette Group	K-12
Driver's Compartment Group	K-13 - K-14
Electrical Group	K-15 - K-16
Exterior Body Group	K-17 - K-20
Galley Group	K-21
Heating & Air Conditioning Group	K-22
Interior Finish Group	K-23 - K-24
LP Group	L-1
Lounge Group	L-2
Water & Sewage Group	L-3
Window, Vent & Exterior Door Group	L-4 - L-14



## ELECTRICAL GROUP

### BULBS

Key	Part Number	U/M	Description
	037935-01-000	-EA	Bulb - 1157
	038010-01-000	EA	Bulb - 1143
	008103-01-000	EA	Bulb - 53
	008213-01-000	EA	Bulb - 57
	008214-01-000	EA	Bulb - 67
	008215-01-000	EA	Bulb - 1003
	008216-01-000	EA	Bulb - 1034
	008217-01-000	EA	Bulb - 1073
	008218-01-000	EA	Bulb - 1141
	008219-01-000	EA	Bulb - 656
	008220-01-000	EA	Bulb - 12V - 25W
	036196-01-000	EA	Bulb - 194
	700020-01-000	EA	Bulb - 12V - 20W - 1383

### EXTERIOR LIGHTS

Key	Part Number	U/M	Description
	045863-01-000	EA	Lamp Asm. - Tail - Horizontal
	045864-01-000	EA	Lamp Asm. - Tail - Horizontal w/License Mount
	045863-01-700	EA	Lens - Tail Light - All Red
	045863-01-701	EA	Lens - Tail Light - Red w/Backup
	042405-03-000	EA	Base - Rectangular Clearance Light
	042405-01-000	EA	Lens - Rectangular Light - Red
	042405-02-000	EA	Lens - Rectangular Light - Amber
	048817-01-000	EA	Handle Assist w/Light
	051057-01-000	EA	Searchlight - Electric - Power Driven w/Switch

### INTERIOR LIGHTS

Key	Part Number	U/M	Description
	008114-01-000	EA	Light - Dome - 12 Volt
	024418-01-000	EA	Lamp Asm. - Map/Gauge/Aisle
	024473-01-000	EA	Light - Aircraft - 1 Bulb - Gold
	033508-02-000	EA	Light - Dome - Ivory - 1 Bulb
	024642-01-701	EA	Lens - Dome Light - 1 Bulb
	033509-02-000	EA	Light - Dome - Ivory - 2 Bulb
	024643-01-701	EA	Lens - Dome Light - 2 Bulb
	051058-01-000	EA	Chandelier - 4 Arm - Fluted Shade
	051059-01-000	EA	Light - Wall - 2 Arm - Fluted Shade
	051060-01-000	EA	Light - Wall - 1 Arm - Fluted Shade
	051058-01-700	EA	Fluted Shade - For Chandelier
	051059-01-700	EA	Fluted Shade - For Wall Mount Light

## ELECTRICAL GROUP (CONTINUED)

### FUSES AND CIRCUIT BREAKERS

Key	Part Number	U/M	Description
	008233-01-000	EA	Fuse - 12 Volt - 6 Amp.
	008234-01-000	EA	Fuse - 12 Volt - 10 Amp.
	008235-01-000	EA	Fuse - 12 Volt - 15 Amp.
	008236-01-000	EA	Fuse - 12 Volt - 20 Amp.
	008248-01-000	EA	Fuse - 110 Volt - 30 Amp.
	008252-01-000	EA	Fuse - 110 Volt - 50 Amp.
	008208-01-000	EA	Circuit Breaker - 12 Volt - 40 Amp.
	008211-01-000	EA	Circuit Breaker - 12 Volt - 6 Amp.
	008268-01-000	EA	Circuit Breaker - 12 Volt - 30 Amp. w/Mount
	033573-01-000	EA	Circuit Breaker - 12 Volt - 20 Amp. w/Mount
	040051-01-000	EA	Circuit Breaker - 20 Amp. - TQL
	040052-01-000	EA	Circuit Breaker - 20 Amp. - Feed Through

### WIRE, SWITCHES AND RECEPTACLES

Key	Part Number	U/M	Description
	008024-01-000	FT	Wire - 18.5 Bonded - Orange/White/Yellow/Blue/Brown
	008025-01-000	FT	Wire - 18.5 Bonded - Orange/White/Yellow/Blue/Green
	008028-01-000	FT	Wire - 18.5 Bonded - Blue/Red/Yellow/Orange/White
	008030-01-000	FT	Wire - 18.4 Bonded
	008251-01-000	EA	Holder - Fuse - Black - Screw Type
	008277-01-000	EA	Holder - Fuse - Black - Panel Mount
	008195-01-000	EA	Switch - Push Button - 12 Volt
	008077-01-000	EA	Plaque - Compressor Switch
	008054-01-000	EA	Cord - Power - 10-3 30 Amp. - 25' - UL
	034818-04-000	EA	Holder - Receptacle - Plastic
	039338-01-000	EA	Cover Plate - Receptacle - Plastic - Brown
	039339-01-000	EA	Receptacle - Duplex Brown - End Or Line
	039342-01-000	EA	Receptacle - Duplex Brown - T Junction
	024571-01-000	EA	Cover Plate - Receptacle - Jumbo Steel Brown
	039343-01-000	EA	Cap - End - Receptacle
	008162-01-000	EA	Switch - Double Toggle - Spade Brown
	008163-01-000	EA	Switch - Toggle Brown
	008164-01-000	EA	Cover Plate - Switch - Brown Plastic
	024924-01-000	EA	Receptacle - Power Cord
	008058-01-000	EA	Adeptor - Power Cord
	047353-01-000	EA	Cover - Receptacle - Ground Fault
	047351-01-000	EA	Receptacle - Ground Fault Interrupter - 125 Volt - Black

### MISCELLANEOUS ELECTRICAL COMPONENTS

Key	Part Number	U/M	Description
	047338-01-000	EA	Isolator - Dual Battery
	047389-01-700	EA	Battery - 12 Volt - 105 Amp. Deep Cycle - Dry
	008188-01-000	EA	Solenoid - Dual Battery - Relay
	046775-01-000	EA	Valve - Gas - Change Over
	039950-02-000	EA	Control Center - 30 Amp. w/Door - UL
	048812-01-000	EA	Panel - Control - Water/Double Sewage - Wamac
	038861-01-000	EA	Sending Unit Kit - Wamac

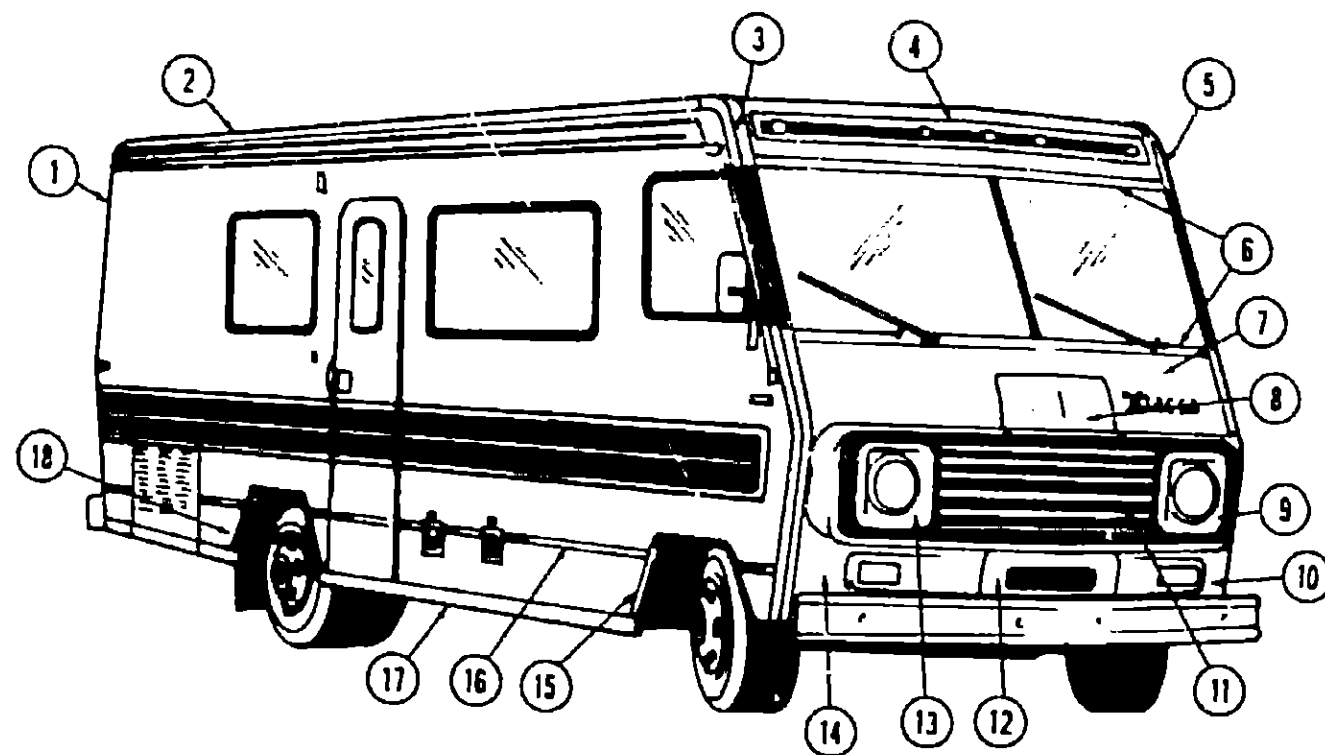
## 1977 ITASCA TABLE OF CONTENTS

Introduction	A-1
Abbreviations	A-1
Alphabetical Index	A-2 - A-4
C25A	A-5 - B-4
C27AL	B-15 - C-24
C22C	D-1 - E-10
C27A	E-11 - F-20
C25C	F-21 - H-4
C25CD	H-5 - I-14
C24C	I-15 - J-22
C25AD	J-23 - L-14

## 1977 C25AD INDEX

Floor Plan	J-23 - J-24
Accessories Group	K-1 - K-2
Bath Group	K-3 - K-4
Chassis Group	K-5
Curtain, Cushion & Pad Group	K-6 - K-11
Dinette Group	K-12
Driver's Compartment Group	K-13 - K-14
Electrical Group	K-15 - K-16
Exterior Body Group	K-17 - K-20
Galley Group	K-21
Heating & Air Conditioning Group	K-22
Interior Finish Group	K-23 - K-24
LP Group	L-1
Lounge Group	L-2
Water & Sewage Group	L-3
Window, Vent & Exterior Door Group	L-4 - L-14

## EXTERIOR BODY GROUP



## 1977 ITASCA TABLE OF CONTENTS

Introduction	A-1
Abbreviations	A-1
Alphabetical Index	A-2 - A-4
C25A	A-5 - B-4
C27AL	B-15 - C-24
C22C	D-1 - E-10
C27A	E-11 - F-20
C25C	F-21 - H-4
C25CD	H-5 - I-14
C24C	I-15 - J-22
C25AD	J-23 - L-14

Key	Part Number	U/M	Description
1	039964-03-000	EA	Trim - Contour - Right Rear - Beige
•	039964-04-000	EA	Trim - Contour - Left Rear - Beige
2	034922-07-000	EA	Trim - Sidewall - Upper - Left or Right - Beige
3	039963-03-000	EA	Trim - Contour - Right Front - Beige
4	051862-01-000	EA	Cap Asm - Fiberglass - Over Windshield - Beige
5	039963-04-000	EA	Trim - Contour - Left Front - Beige
6	043988-03-000	EA	Trim - Windshield - 91" - Beige
7	046142-02-000	EA	Shroud - Front End - Upper - Beige
8	046145-02-000	EA	Door - Access - Front End - Beige - Plastic
•	047336-01-000	EA	Catch - Magnetic (Access Door) Surface Mount
•	039615-01-000	EA	Holding Rod - Hood
9	046141-01-000	EA	Bezel - Headlamp - Plastic - Left
10	046144-02-000	EA	Shroud - Front End - Lower Left - Beige
11	051872-01-000	EA	Grille Asm. - Front End - Alum. w/Orange Striping Decal
12	046146-02-000	EA	Shroud - Front End Center - Beige
13	046140-01-000	EA	Bezel - Headlamp - Plastic - Right

Key	Part Number	U/M	Description
14	046143-03-000	EA	Shroud - Front End - Lower Right - Beige
•	035628-01-000	EA	Fastener - Blind Well Nut - Fiberglass to Chassis
15	039962-01-000	EA	Trim - Wheel Well - Front - Left or Right
16	002444-02-003	EA	Extr. - Feature Strip w/o Insert - Alum. - 16"
•	001030-03-002	EA	Insert - Feature Strip - Burnt Orange
•	009731-01-000	EA	End Cap - Feature Strip
17	036908-02-001	EA	Extr. - Anod. - Rocker Panel - 18"
•	040632-01-000	EA	Plug - Rocker Panel - Mitered - Wheel Well Opening Used For Left Side Of All Wheel Well Openings
•	040631-01-000	EA	Plug - Rocker Panel - Mitered - Wheel Well Opening Used For Right Side Of All Wheel Well Openings
•	040420-01-000	EA	Plug - Rocker Panel End - Right
•	040420-02-000	EA	Plug - Rocker Panel End - Left
18	039961-01-000	EA	Trim - Wheel Well - Rear - Right or Left
•	038494-04-000	EA	Trim - Windshield - Center - 31.42" - Black
•	002365-02-001	EA	Extr. - Anod. U Channel - 18" (Lower Backwall)
•	044582-01-000	EA	Drip Cap - Over Entry Door - Beige
•	009717-02-002	EA	Ext. - Drip Rail - Alum. - 19"

## 1977 C25AD INDEX

Floor Plan	J-23 - J-24
Accessories Group	K-1 - K-2
Bath Group	K-3 - K-4
Chassis Group	K-5
Curtain, Cushion & Pad Group	K-6 - K-11
Dinette Group	K-12
Driver's Compartment Group	K-13 - K-14
Electrical Group	K-15 - K-16
Exterior Body Group	K-17 - K-20
Galley Group	K-21
Heating & Air Conditioning Group	K-22
Interior Finish Group	K-23 - K-24
LP Group	L-1
Lounge Group	L-2
Water & Sewage Group	L-3
Window, Vent & Exterior Door Group	L-4 - L-14

## EXTERIOR BODY GROUP (CONTINUED)

### EXTERIOR BODY PANELS AND SHEET ALUMINUM

Key	Part Number	U/M	Description
	051595-01-000	EA	Backwall Asm.
	051597-01-000	EA	Sidewall Asm. - Right
	051598-01-000	EA	Sidewall Asm. - Left
	051596-01-000	EA	Roof Asm.
	039155-02-008	EA	Alum. - Beige Mesa Design - .024" x 36" x 60"
	039155-02-002	EA	Alum. - Beige Mesa Design - .024" x 36" x 300"
	039155-02-003	EA	Alum. - Beige Mesa Design - .024" x 48" x 360"
	039155-02-007	EA	Alum. - Beige Mesa Design - .024" x 48" x 60"
	039155-02-005	EA	Alum. - Beige Mesa Design - .024" x 48" x 300"
	039155-02-006	EA	Alum. - Beige Mesa Design - .024" x 48" x 360"
	039155-02-009	EA	Alum. - Beige Mesa Design - .024" x 12" x 360"
	044487-01-001	EA	Alum. - Mill Finish - No Design (Roof) - 96" x 360"
	028545-01-000	EA	Alum. - Beige Grayhound Design - 48" x 96"
	001018-01-024	EA	Alum. - Beige - No Design - 48" x 96"
	000868-01-000	BF	Styrofoam - 3/4" x 24" x 96"

### EXTERIOR PAINT

Key	Part Number	U/M	Description
	044485-01-000	EA	Paint - Beige - Acrylic Enamel - 1 Gallon
	044486-03-000	EA	Paint - Beige - Acrylic Enamel - 16 Oz. Aerosol
	044486-04-000	EA	Paint - Beige - Acrylic Lacquer - 1 Gallon
	045681-01-000	EA	Paint - High Gloss Black - Acrylic Enamel - 1 Gallon
	045681-03-000	EA	Paint - High Gloss Black - Acrylic Enamel - 16 Oz. Aerosol
	045812-01-000	EA	Paint - Orange - Acrylic Enamel - 1 Gallon
	045812-03-000	EA	Paint - Orange - Acrylic Enamel - 16 Oz. Aerosol

### LABELS AND DECALS

Key	Part Number	U/M	Description
	006023-01-000	EA	Label - Water Only
	006025-01-000	EA	Label - Gas
	006028-01-000	EA	Label - Drain Cap - 2" x 3"
	006031-01-000	EA	Label - Potable Water Only
	006187-01-000	EA	Label - Sewage
	006188-01-000	EA	Label - Waste Water
	006199-01-000	EA	Label - Exit - Escape Window
	031161-01-000	EA	Label - Flying "W"
	008092-01-000	EA	Reflector - Stick On - Rectangular - Red
	008093-01-000	EA	Reflector - Stick On - Rectangular - Amber
	046400-01-000	EA	Decal - Logo - Itasca - 5.25" High
	051063-01-000	EA	Decal - Sunflyer Limited
	051064-01-000	FT	Decal - Stripe - 4.50" x 150"
	051065-01-000	FT	Decal - Stripe - 5.88" x 150"
	051753-01-000	EA	Decal - Spare Tire Cover
	051754-01-000	EA	Decal - End Section - 4.50" - Right Upper
	051754-02-000	EA	Decal - End Section - 4.50" - Left Upper
	051757-01-000	EA	Decal - End Section - 4.50" - Left Front
	051757-02-000	EA	Decal - End Section - Slanted
	051758-01-000	EA	Decal - End Section - 5.88" - Right
	051758-02-000	EA	Decal - End Section - Slanted - 5.88"
	052171-01-000	EA	Decal - Front Top Cap - Red - Right
	052171-02-000	EA	Decal - Front Top Cap - Red - Left
	052172-01-000	EA	Decal - Side Bottom Cap - Red - Left
	052172-02-000	EA	Decal - Side Bottom Cap - Orange - Right
	051063-02-000	EA	Decal - Sunburst
	051063-03-000	EA	Decal - Limited

## EXTERIOR BODY GROUP (CONTINUED)

### SEALANTS, ADHESIVES, AND FASTENERS

Key	Part Number	U/M	Description
	034552-05-000	EA	Sealant - Off White Silicone
	034552-04-000	EA	Sealant - Beige Silicone
	034552-02-000	EA	Sealant - Clear Silicone
	004348-02-000	EA	Sealant - Aluminum Silicone
	004349-01-000	EA	Sealant - Black Silicone
	004342-01-000	EA	Sealant - Weatherban 202 Tube
	004346-02-000	EA	Sealant - White Silicone
	004347-01-000	EA	Sealant - Tufflex
	002316-01-000	FT	Sealer Tape - 3/32" x 1/8"
	024545-01-000	FT	Sealer Tape - 1/8" x 5/8" - Black
	004350-01-000	FT	Sealer Tape - 1/4" x 1" - Formaseal
	004352-01-000	FT	Sealer Tape - 1/8" x 3/4" - Formaseal
	004355-01-000	FT	Sealer Tape - 1/8" x 5/8" - Black
	004357-01-000	FT	Sealer Tape - 1/8" x 5/8" - Adhesive
	002707-01-000	FT	Sealer Tape - 5/16" x 3/4" - Black Foam
	004363-01-000	FT	Sealer Tape - 3/16" x 1/2" - Foam
	004362-01-000	FT	Sealer Tape - 1/4" x 5/8" - Foam
	008200-01-000	EA	Tape - Furnace - 1 1/2"
	041839-01-000	FT	Tape - Window - Latch - 3/4" - Adhesive
	041839-02-000	FT	Tape - Window - Latch - 1/2" - Adhesive
	004353-01-000	FT	Tape - Gasket - 1/8" x 3/4" - White
	002825-01-000	FT	Weather Stripping - Roof Vent
	002337-01-000	EA	Adhesive - 3M - 1300 Tube
	004005-01-000	GL	Adhesive - Swifts - Green - Glue (Sidewalls)
	004012-01-000	EA	Adhesive - 3M - 4475 Tube
	004020-01-000	QT	Adhesive - ABS Cement (Plastic Fittings)
	029051-01-000	EA	Adhesive - Spray Vinyl
	042401-01-000	EA	Screw - 8-18 x 3/4" SDPH Beige
	042403-01-000	EA	Screw - SF/DR - 8-18 x 1" SDPH Beige
	005058-01-000	EA	Screw - Wood - 12-11 x 3" P.O.H. Zinc

### MISCELLANEOUS EXTERNALLY MOUNTED PARTS

Key	Part Number	U/M	Description
	047730-01-000	EA	Fuel Fill Shroud - Single
	016253-01-000	EA	Fuel Fill - Recessed - Single
	015587-05-000	EA	Fuel Fill - Recessed - Double - Beige
	011124-01-000	EA	Plumbing Seal - Roof Vent - 1 1/4" White
	011129-01-000	EA	Plumbing Seal - Roof Vent - 1 1/2" White
	010230-02-000	EA	Fill - City Water - Recessed - Off White
	011020-02-000	EA	Fill - Water - Recessed - Off White
	049347-01-000	EA	Mirror Head - 7 1/2" x 10 1/2" Stainless Steel w/o Bracket
	049348-01-000	EA	Arm - Low Mount Mirror - Brite Finish
	049944-01-000	EA	Bracket - Mirror - Outside - Beige
			Mounts to Coach

## 1977 ITASCA TABLE OF CONTENTS

Introduction	A-1
Abbreviations	A-1
Alphabetical Index	A-2 - A-4
C25A	A-5 - B-4
C27AL	B-15 - C-24
C22C	D-1 - E-10
C27A	E-11 - F-20
C25C	F-21 - H-4
C25CD	H-5 - I-14
C24C	I-15 - J-22
C25AD	J-23 - L-14

## 1977 C25AD INDEX

Floor Plan	J-23 - J-24
Accessories Group	K-1 - K-2
Bath Group	K-3 - K-4
Chassis Group	K-5
Curtain, Cushion & Pad Group	K-6 - K-11
Dinette Group	K-12
Driver's Compartment Group	K-13 - K-14
Electrical Group	K-15 - K-16
Exterior Body Group	K-17 - K-20
Galley Group	K-21
Heating & Air Conditioning Group	K-22
Interior Finish Group	K-23 - K-24
LP Group	L-1
Lounge Group	L-2
Water & Sewage Group	L-3
Window, Vent & Exterior Door Group	L-4 - L-14

## GALLEY GROUP

Key	Part Number	U/M	Description
	051580-01-000	EA	Cabinet Asm. - Galley w/o Countertop, Drawers, Doors or Hardware
	049247-04-000	EA	Countertop Asm. - Galley Cabinet - Gold Leather
	027671-06-000	EA	Cover - Sink - Gold Leather
	040435-03-000	EA	Galley Extension Table - Gold w/Hardware
	009049-01-000	EA	Support - Drop Leaf Table
	009059-01-000	EA	Hinge - 2" Gold (Drop Leaf Table Extension)
	023111-01-000	EA	Food Center - Power Unit and Blender w/o Ice Crusher Attachment
	023111-02-000	EA	Ice Crusher - Attachment for Food Center
	011032-01-000	EA	Sink - Stainless Steel - Double w/Bolts
	011065-01-000	EA	Strainer - Sink
	051736-03-700	EA	Door Asm. - Galley Cabinet - 9.31" x 23" - w/o Hardware
	051575-01-000	EA	Cabinet Asm. - Extending Galley Overhead w/o Doors or Hardware
	051736-05-700	EA	Door Asm. - Extending Galley Overhead Cabinet 7 5/8" x 9" - w/o Hardware
	051577-01-000	EA	Cabinet Asm. - Galley Overhead w/o Doors or Hardware
	051736-02-700	EA	Door Asm. - Galley Overhead Cabinet 9" x 21" w/o Hardware
	051673-01-700	EA	Drawer Asm. - Refrigerator Cabinet - w/o Hardware
	051736-0C-700	EA	Door Asm. - Wardrobe Cabinet 10.38" x 44.50" w/o Hardware
	011053-01-000	EA	Faucet - 8" - Swing Spout w/Aerator
	011053-01-700	EA	Aerator - Swing Spout Faucet
**	049045-01-000	EA	Range - 4 Burner - Large Oven - Chrome - Magic Chef
**	046954-01-000	EA	Hood - Range - Power w/Spice Rack - Jensen
**	046955-01-000	EA	Refrigerator - A/C/DC - 2 Door - Norcold

\*\* The illustrated parts breakdown for this item is provided on the Common Items Fiche

## HEATING AND AIR CONDITIONING GROUP

### AUTOMOTIVE HEATER AND AUTO AIR

Key	Part Number	U/M	Description
	048100-01-000	EA	A/C Compressor Mount Package - 454 C.I.D.
	007076-01-000	FT	Hose - Flex - 2" Diameter
	007108-01-000	FT	Hose - Heater - 5/8" Diameter
	007139-01-000	EA	Clamp - Hose 5/8" - 1 1/16" Diameter
	007140-01-000	EA	Clamp - Hose - 2" - 3" Diameter
	007281-01-000	FT	Hose - Flex - 2 1/2" Diameter
	024868-01-000	EA	Receiver - Dehydrator
	024996-01-000	EA	Clutch - Magnetic - Compressor
	024999-01-000	EA	Compressor - Auto Air - 10.3 Cu. In.
	031043-01-000	EA	Valve - Flow Control - Heater
	031044-01-000	EA	Clamp - Receiver Drier
	031169-02-000	EA	Cable - Control - Flexible - 48"
	031170-01-000	EA	Clamp - Cable - 3/16" Diameter
	031960-01-000	EA	Hose - Refrigerant - .34" I.D. x 30"
	031961-01-000	EA	Hose - Refrigerant - .31" I.D. x 14.75"
	033258-01-000	EA	Hose - Refrigerant - .50" I.D. x 34.5"
	034222-01-000	EA	Hose - Refrigerant - .31" I.D. x 26"
	033860-02-000	EA	Cable - Bowden - 46"
	048232-02-000	EA	Kit - Auto Air - 454 - C.I.D. A-Body
	024860-01-000	EA	Panel - Front - Heater - A/C
	024997-01-000	EA	Core - Heater
	024998-01-000	EA	Wheel - Elower - 4 7/2" O.D.
	047046-01-000	EA	Motor - 12V - 3 Speed
	029044-01-000	EA	Louver Asm. - A/C Adjustable
	008267-01-000	EA	Switch - A/C Temperature
	024907-01-000	EA	Switch - Fan - 3 Speed
	024985-01-000	EA	Register w/Damper - 9.9" x 4.6"
	009198-01-000	EA	Duct - Flexible - 4" I.D. x 25'
	031604-01-000	EA	Bonnet - Heat Register
	039505-02-000	EA	Thermostat - Horizontal Wall Mount - Black
	009200-01-000	EA	Tape - Furnace - 1 1/2"
**	049043-01-000	EA	Furnace - 28,000 BTU - Under Counter - Coleman - 4328
**	049777-01-000	EA	Air Conditioner - 110 Volt - Roof Mount - 11,000 BTU Ivory - Coleman (w/o Inside Shroud)
**	049778-01-000	EA	Shroud Asm. - Ceiling - Inside - Roof Air - Cool Only 11,000 BTU - Coleman
**	049774-01-000	EA	Air Conditioner - 110 Volt - Roof Mount - 13,500 BTU Ivory - Coleman (w/o Inside Shroud)
**	049775-01-000	EA	Shroud Asm. - Ceiling - Inside - Roof Air - Cool Only 13,500 BTU - Coleman
**	049776-01-000	EA	Shroud Asm. - Ceiling - Inside - Roof Air - Heat and Cool Only 13,500 BTU - Coleman

\*\* The illustrated parts breakdown for this item is provided on the Common Items Fiche.

## 1977 ITASCA TABLE OF CONTENTS

Introduction	A-1
Abbreviations	A-1
Alphabetical Index	A-2 - A-4
C25A	A-5 - B-4
C27AL	B-15 - C-24
C22C	D-1 - E-10
C27A	E-11 - F-20
C25C	F-21 - H-4
C25CD	H-5 - I-14
C24C	I-15 - J-22
C25AD	J-23 - L-14

## 1977 C25AD INDEX

Floor Plan	J-23 - J-24
Accessories Group	K-1 - K-2
Bath Group	K-3 - K-4
Chassis Group	K-5
Curtain, Cushion & Pad Group	K-6 - K-11
Dinette Group	K-12
Driver's Compartment Group	K-13 - K-14
Electrical Group	K-15 - K-16
Exterior Body Group	K-17 - K-20
Galley Group	K-21
Heating & Air Conditioning Group	K-22
Interior Finish Group	K-23 - K-24
LP Group	L-1
Lounge Group	L-2
Water & Sewage Group	L-3
Window, Vent & Exterior Door Group	L-4 - L-14

## INTERIOR FINISH GROUP

### PANELING AND COUNTERTOP MATERIALS

Key	Part Number	U/M	Description
	000726-06-000	EA	Batt Strip - 707 Hickory - 1 1/8" x 96"
	047354-01-000	EA	Batt Strip - 825 Buff
	045963-01-000	SF	Paneling - Buff - Ceiling - 48" x 96" (32SF)
	039188-01-000	SF	Paneling - 707 Hickory - 48" x 96" (32SF)
	041205-08-000	SF	Plastic Laminate - 48" x 96" - Gold Leather (32SF)
	041205-08-001	EA	Plastic Laminate - 49" x 48" - Gold Leather
	041205-08-002	EA	Plastic Laminate - 1.19" x 96" - Gold Leather

### FABRICS AND CARPET

Key	Part Number	U/M	Description
	051375-01-000	YD	Fabric - Drapery (Overdrape) Gold (Aqua Marine or Strawberry Red)
	051068-02-000	YD	Fabric - Drapery (Underdrape) Blue (Aqua Marine)
	051068-01-000	YD	Fabric - Drapery (Underdrape) Red (Strawberry Red)
	051378-01-000	YD	Fabric - Drapery Trim - Blue (Aqua Marine)
	051378-02-000	YD	Fabric - Drapery Trim - Red (Strawberry Red)
	051067-01-000	YD	Fabric - Upholstery - Gold (Aqua Marine or Strawberry Red)
	051067-02-000	YD	Fabric - Trim - Upholstery - Blue (Aqua Marine)
	051066-01-000	YD	Fabric - Trim - Upholstery - Red (Strawberry Red)
	042411-01-000	YD	Vinyl - Nonexpanded - 27 Ounce - Brown
	042411-02-000	YD	Vinyl - Expanded - 28 Ounce - Brown
	023631-05-000	EA	Button - Nail - Brown Vinyl
	042414-01-000	FT	Trim - Accent - Brown Vinyl
	042950-01-000	EA	Handle - Interior Assist - Brown Vinyl
	051069-02-000	SY	Carpet - Royal Legacy Blue (Aqua Marine)
	051069-01-000	SY	Carpet - Royal Legacy - Red (Strawberry Red)
	037680-01-000	SY	Carpet - Cascade Beige - Ceiling

### INTERIOR MOLDINGS AND TRIMS

Key	Part Number	U/M	Description
	024700-04-000	EA	Cover - Sidewall - Roll Bar - 707 Hickory
	024700-06-000	EA	Cover - Sidewall - Roll Bar - Ivory
	039512-02-000	EA	Cover - Hat Section - 707 Hickory
	039512-06-000	EA	Cover - Hat Section - Ivory
	047488-01-000	EA	Cover - Corner - Hat/Hat
	047490-01-000	EA	Cover - Corner - Hat/Tube
	009778-01-000	FT	U-Channel - 1" - Dark Brown Plastic
	009777-01-000	FT	U-Channel - 3/4" - Dark Brown Plastic
	009815-02-000	FT	T-Molding - 3/4" - Brown
	009812-03-000	FT	Molding - 1/2" - Outside Cabinet Corner - Brown Plastic
	009767-01-000	FT	Wetling - Brown
	009779-01-000	FT	U-Channel - 1 1/8" - Dark Brown
	009809-03-000	FT	Molding - 1" - Outside Cabinet Corner - Brown Plastic
	009781-01-000	FT	Cover - Outside Corner - .62" x .62" - Dark Brown Plastic

## INTERIOR FINISH GROUP (CONTINUED)

### CURTAIN HARDWARE

Key	Part Number	U/M	Description
	051355-14-000	EA	Track - Curtain - 89" - Brown / Aluminum
	050826-01-000	EA	Track - Curtain - Wraparound - Right
	050826-02-000	EA	Track - Curtain - Wraparound - Left
	049897-01-000	EA	Rod - Curtain - Flat - Extends - 25" - 45"
	049897-02-000	EA	Rod - Curtain - Flat - Extends - 48" - 86"
	042439-01-000	EA	Bracket - Curtain Rod - Single - Left or Right
	047291-02-000	EA	Rod - Curtain - Traverse w/Valance Extends 48" - 86"
	047291-01-000	EA	Rod - Curtain - Traverse w/Valance Extends 30" - 48"
	049936-01-000	EA	Pulley - Tension - Traverse Rod
	049937-01-000	EA	Conversion Kit - Traverse/Valance Rods
	009107-01-000	EA	Guide - Nylon Curtain Snap

### CABINETS AND TABLE HARDWARE

Key	Part Number	U/M	Description
	047842-01-000	EA	Kit - Dinette Table Leg
	047809-02-000	EA	Kit - Dinette Table - Wall Mount
	045975-01-000	EA	Holder - Glass - Plastic
	045983-01-000	EA	Brace - Pull Up Table
	009112-01-000	EA	Flange - 1" Rod - Chrome (Clothes Rod)
	009150-01-000	EA	Warp Guard - 64"
	009068-01-000	EA	Hinge - Continuous Steel - 1 1/2" x 72"
	037688-01-000	FT	Rail - Drawer Glide
	047744-01-000	EA	Kit - Drawer Glide Hardware w/o Rail
	009089-01-000	EA	Clip - Mirror - Plastic w/Screw
	051634-01-000	EA	Kit - Overhead Door Hardware (Includes 2 Hinges, Latch Strike, Brass Backplate, Screws and Ceramic Knob)
	041434-01-000	EA	Hinge - Double Acting - Overhead Cabinet Door
	051061-01-000	EA	Knob - Ceramic - w/Gold Eagle - Cabinet Door
	051635-01-000	EA	Kit - Lower Door Hardware (Includes 2 Hinges, Inset, Door Catch and Strike, Latch, Screws, Ceramic Knob and Backplate)
	039873-01-000	EA	Kit - Nylon - Cabinet Door w/Strike
	041838-01-000	EA	Screw - 5 x 5/8" POH - Antique Brass

### MISCELLANEOUS PARTS

Key	Part Number	U/M	Description
	042950-01-000	EA	Handle - Interior Assist - Brown Vinyl
	041944-01-700	EA	Fire Extinguisher - Dry Chemical w/Bracket
	040069-01-000	EA	Mat - Door - Black Rubber - Itasca
	007021-01-000	EA	Belt Asm. - Seat - 2" x 90" - Black

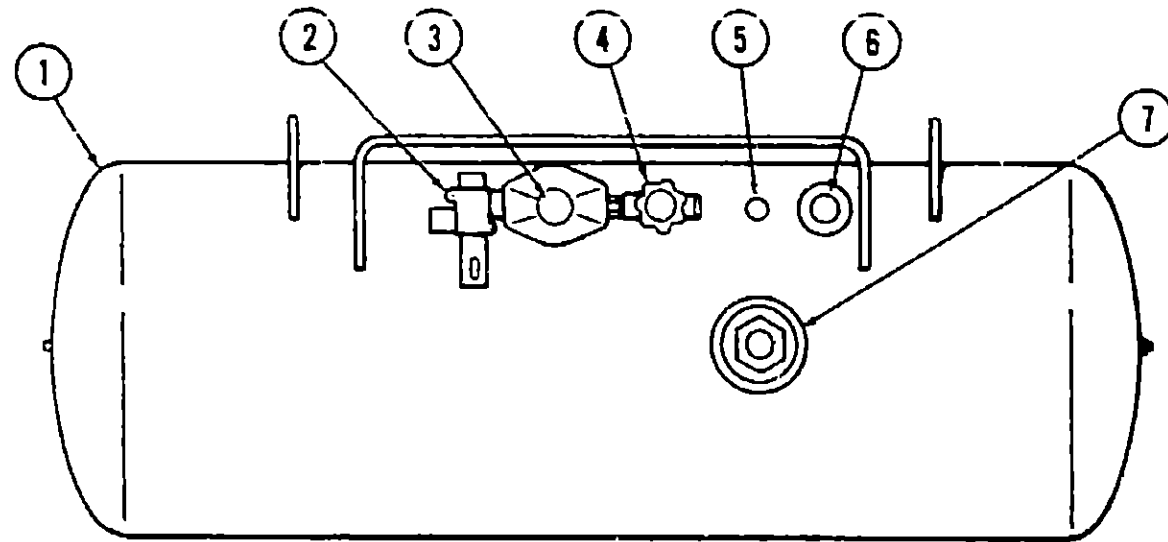
## 1977 ITASCA TABLE OF CONTENTS

Introduction	A-1
Abbreviations	A-1
Alphabetical Index	A-2 - A-4
C25A	A-5 - B-4
C27AL	B-15 - C-24
C22C	D-1 - E-10
C27A	E-11 - F-20
C25C	F-21 - H-4
C25CD	H-5 - I-14
C24C	I-15 - J-22
C25AD	J-23 - L-14

## 1977 C25AD INDEX

Floor Plan	J-23 - J-24
Accessories Group	K-1 - K-2
Bath Group	K-3 - K-4
Chassis Group	K-5
Curtain, Cushion & Pad Group	K-6 - K-11
Dinette Group	K-12
Driver's Compartment Group	K-13 - K-14
Electrical Group	K-15 - K-16
Exterior Body Group	K-17 - K-20
Galley Group	K-21
Heating & Air Conditioning Group	K-22
Interior Finish Group	K-23 - K-24
LP Group	L-1
Lounge Group	L-2
Water & Sewage Group	L-3
Window, Vent & Exterior Door Group	L-4 - L-14

## I.P GROUP



Key	Part Number	U/M	Description
1	040421-01-000	EA	Tank - LP - Frame Mount - 83 Pound
2	047221-01-000	EA	Detector - LP Gas Leak
3	024712-01-000	EA	Cover - LP Regulator
4	052163-01-000	EA	Regulator - Manual - LP Gas - 2 Stage
5	040421-01-703	EA	Valve - Vapor Relief
6	040421-01-700	EA	Gauge - Liquid Level - 20% LP
7	040421-01-701	EA	Valve - Filler - LP
	040421-01-702	EA	Cap - Plastic Filler Valve
	040421-01-707	EA	Gauge - Flat - w/Visible Dial - 83 Pound Tank
	040421-01-706	EA	Dial - Visible Face - Float Gauge (Tank w/o Electric Transmitter)
	040421-01-705	EA	Dial - Transmitter - 0 - 90 Ohm (Float Gauge)
	045703-03-000	EA	Hose Asm - LP - 3/8" I.D. x 14"
	047737-02-000	EA	Support - LP Tank - 89 25"
	047737-03-000	EA	Support - LP Tank - 30 53"
			Not Illustrated

## LOUNGE GROUP

Key	Part Number	U/M	Description
	045986-01-000	EA	Cabinet Asm. - Gaucho - w/Slide and Legs
	042091-05-000	EA	Leg Asm. - Gaucho
	051736-10-700	EA	Door Asm. - Gaucho Cabinet - w/o Hardware
	051412-01-000	EA	Cabinet Asm. - Rear Gaucho Overhead - w/o Doors or Hardware
	051736-02-700	EA	Door Asm. - Overhead Cabinet - w/o Hardware

## 1977 ITASCA TABLE OF CONTENTS

Introduction	A-1
Abbreviations	A-1
Alphabetical Index	A-2 - A-4
C25A	A-5 - B-4
C27AL	B-15 - C-24
C22C	D-1 - E-10
C27A	E-11 - F-20
C25C	F-21 - H-4
C25CD	H-5 - I-14
C24C	I-15 - J-22
C25AD	J-23 - L-14

## 1977 C25AD INDEX

Floor Plan	J-23 - J-24
Accessories Group	K-1 - K-2
Bath Group	K-3 - K-4
Chassis Group	K-5
Curtain, Cushion & Pad Group	K-6 - K-11
Dinette Group	K-12
Driver's Compartment Group	K-13 - K-14
Electrical Group	K-15 - K-16
Exterior Body Group	K-17 - K-20
Galley Group	K-21
Heating & Air Conditioning Group	K-22
Interior Finish Group	K-23 - K-24
LP Group	L-1
Lounge Group	L-2
Water & Sewage Group	L-3
Window, Vent & Exterior Door Group	L-4 - L-14

## WATER AND SEWAGE GROUP

## WINDOW, VENT AND EXTERIOR DOOR GROUP

### PLUMBING REPAIR KITS, PIPE FITTINGS AND WATER PUMP

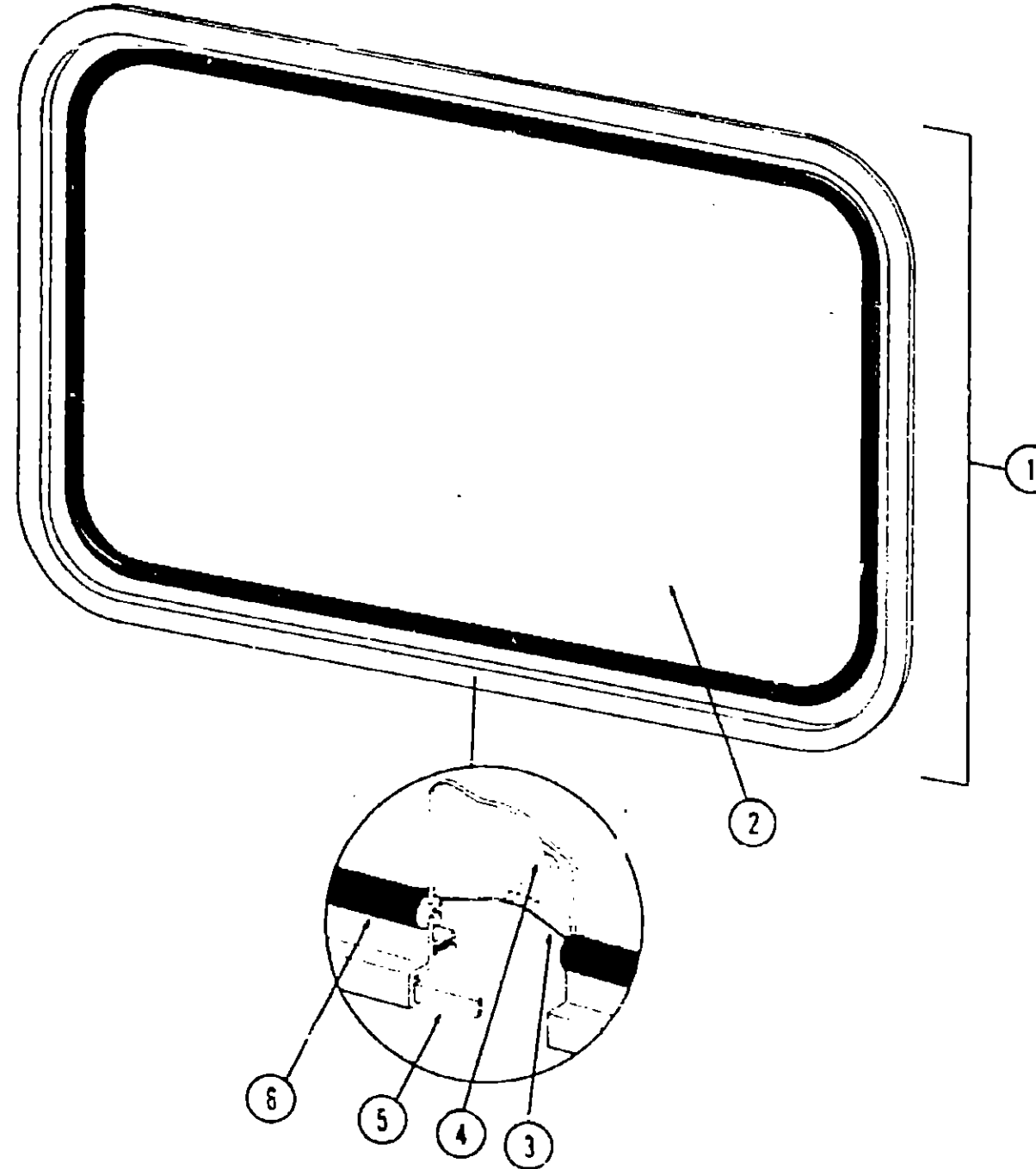
Key	Part Number	U/M	Description
	040539-01-000	EA	Kit Repair - 3/8" O.D. Plastic Tube
	040540-01-000	EA	Kit Repair - 1/2" O.D. Plastic Tube
	040541-01-000	EA	Kit Repair - 5/8" O.D. Plastic Tube
	039818-01-000	EA	Riser Asm. - 3/8" O.D. x 24" Tube
	039818-02-000	EA	Riser Asm. - 3/8" O.D. x 36" Tube
	039818-04-000	EA	Riser Asm. - 3/8" O.D. x 72" Tube
	039818-05-000	EA	Riser Asm. - 3/8" O.D. x 48" Tube
	011091-01-000	EA	Waste - Continuous - Double Sink - 11 7/8"
	004020-01-000	QT	Adhesive - ABS Cement
	010133-01-000	EA	Adapter - Trap - Plastic 1 1/2" H x MPT
	010201-01-000	EA	Hose - Sewer 3" x 10' w/Clamp
	010235-01-000	EA	Cap - Sewage 3"
	010236-01-000	EA	Adaptor - Hose 3"
	010205-01-000	EA	Valve - Sanitary - Thetford 3 X B
	010234-01-000	EA	Adaptor Bayonet
	011066-01-000	EA	P-Trap - Plastic 1 1/4"
	047246-01-000	EA	Handle - Extension - Sewer Valve - 43"
	047247-01-000	EA	Handle - Extension - Sewer Valve - 19"
	039809-01-000	EA	Valve - Stool - Plastic 3/8" C x 1/2" FPT
	046128-01-000	EA	Valve - Drain - Plastic 1/2" FPT
	039807-01-000	EA	Valve - Drain - Brass 1/2" MPT
	041279-02-000	EA	Pump - Water Flow 2.8" G.P.M. - PAR
	039647-02-000	EA	Filter - Water Pump - 1/2" MPT
	041819-01-000	EA	Nut and Cone - Plastic 1/2" O.D. Tube
	010153-01-000	EA	Ring - Closet - Plastic - 4F x 3" - MPT

### WATER AND SEWAGE TANKS

Key	Part Number	U/M	Description
	052542-02-000	EA	Tank Asm. - Water - 54 Gallon w/Fittings
	052542-01-000	EA	Tank Asm. - Water - 54 Gallon w/o Fittings
	046524-02-000	EA	Kit - Plastic Fittings - For Water Tanks
	014903-03-000	EA	Tank Asm. - Holding - Plastic 35 Gallon w/Fittings
	014903-01-000	EA	Tank - Holding - Plastic 35 Gallon w/o Fittings
	039938-03-000	EA	Tank Asm. - Holding - Plastic 21 Gallon w/Fittings
	039938-01-000	EA	Tank - Holding - Plastic 21 Gallon w/o Fittings
	046524-01-000	EA	Kit - Plastic Fittings - For Holding Tanks
	050780-01-000	EA	Coupler - Rubber - 3" x 3"
**	031992-01-000	EA	Water Heater - 6 Gallon - w/Motor Aid - Atwood - GH6
**	051392-01-000	EA	Water Heater - 6 Gallon - w/Motor Aid - Atwood - GH63

\*\* The illustrated parts breakdown for this item is provided on the Common Items Fiche

### WINDOWS



Key	Part Number	U/M	Description
1	042959-02-000	EA	Window Asm - Rear Escape - 23" x 36" - Clear Anod (w/o Inside Frame)
2	041392-01-000	EA	Glass - 1/8" x 19 61" x 33 25"
3	002285-01-000	FT	Filler - Weatherstrip - Black
4	020395-01-000	EA	Slip - Pull Ring - Escape Window
5	004363-01-000	FT	Tape - Foam - 3/16" x 1/2" - Gray
6	002282-01-000	FT	Weatherstrip - 125" - Black
*	042027-01-000	EA	Frame - Inside - Escape Window - 23" x 36" (not included in assembly)
*	047731-01-000	EA	Label - Exit - Escape Window

\* Not Illustrated

## 1977 ITASCA TABLE OF CONTENTS

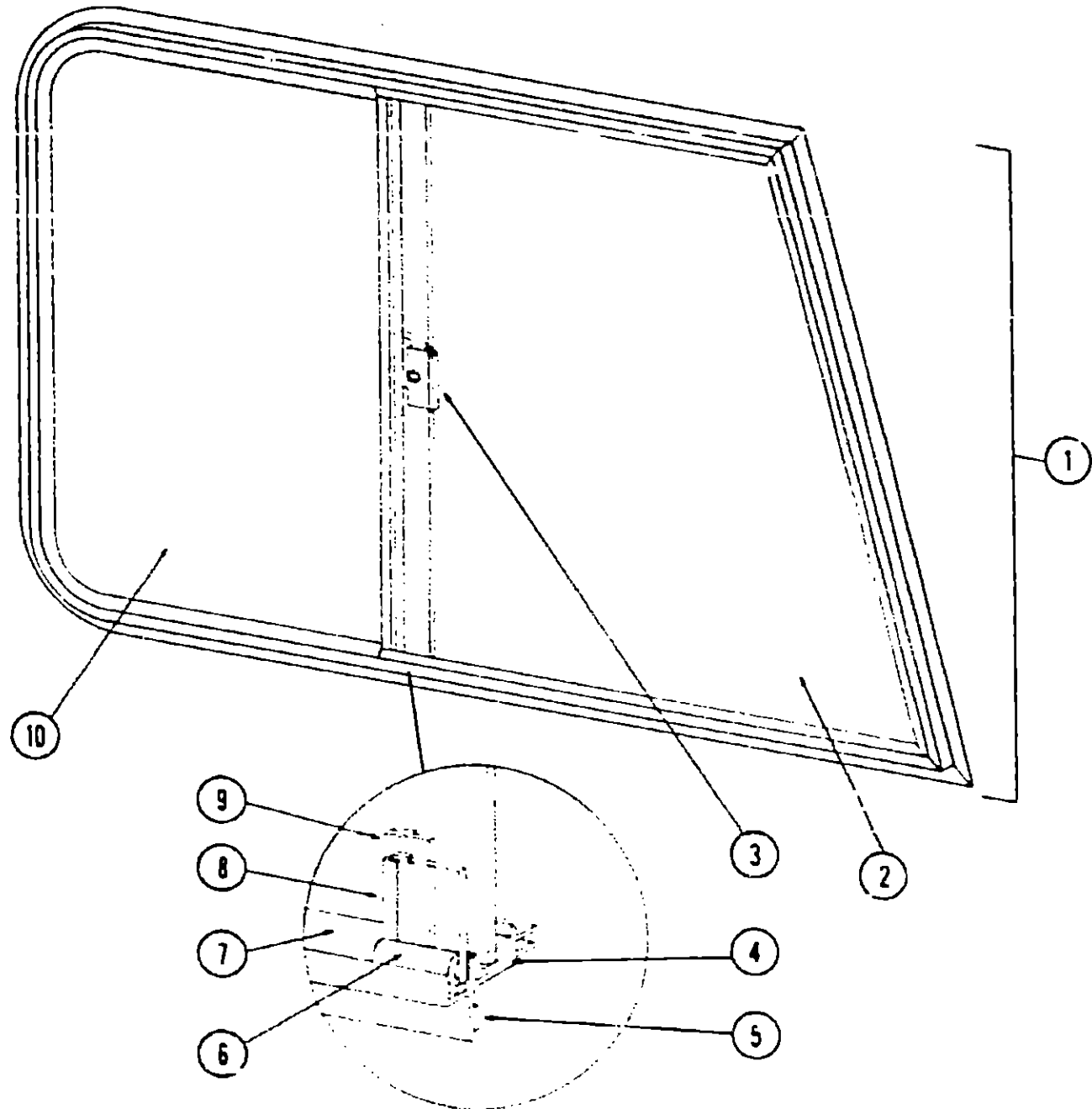
Introduction	A-1
Abbreviations	A-1
Alphabetical Index	A-2 - A-4
C25A	A-5 - B-4
C27AL	B-15 - C-24
C22C	D-1 - E-10
C27A	E-11 - F-20
C25C	F-21 - H-4
C25CD	H-5 - I-14
C24C	I-15 - J-22
C25AD	J-23 - L-14

## 1977 C25AD INDEX

Floor Plan	J-23 - J-24
Accessories Group	K-1 - K-2
Bath Group	K-3 - K-4
Chassis Group	K-5
Curtain, Cushion & Pad Group	K-6 - K-11
Dinette Group	K-12
Driver's Compartment Group	K-13 - K-14
Electrical Group	K-15 - K-16
Exterior Body Group	K-17 - K-20
Galley Group	K-21
Heating & Air Conditioning Group	K-22
Interior Finish Group	K-23 - K-24
LP Group	L-1
Lounge Group	L-2
Water & Sewage Group	L-3
Window, Vent & Exterior Door Group	L-4 - L-14

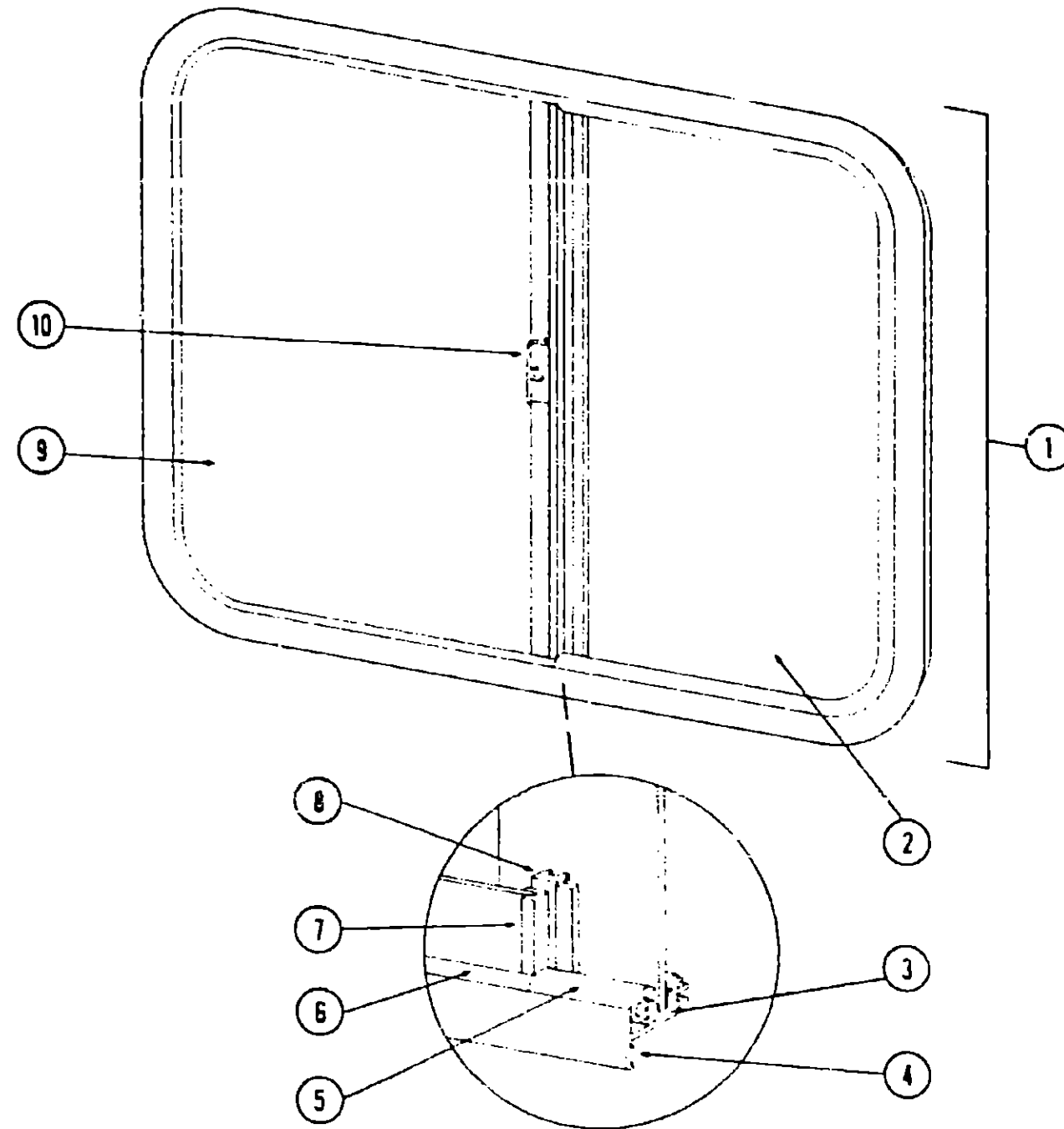
**WINDOW, VENT AND EXTERIOR DOOR GROUP (CONTINUED)**

**WINDOW, VENT AND EXTERIOR DOOR GROUP (CONTINUED)**



Key	Part Number	U/M	Description
1	048628-09-000	EA	Window Asm - Right - Front Slant Slider - 25" x 38" Clear Anod (w/o Inside Frame)
	048628-10-000	EA	Window Asm - Left Slant Slider 25" x 38" Clear Anod (w/o Inside Frame)
2	039190-01-000	EA	Glass - 3/16" x 24" x 14 1/2" x 25" - Stationary
3	047369-01-000	EA	Latch - Window - Plastic
4	049287-01-000	EA	Washer - Nylon - 62" x 140" I D
5	042077-01-000	FT	Channel - Weatherstrip - Glass Run - 3/16" Glass
6	004363-01-000	FT	Tape - Foam - 3/16" x 1/2" - Gray
7	050216-01-000	FT	Spline - 3/16" Glass - Gray
8	041928-02-000	FT	Seal - Window Channel - Black
9	002389-03-201	EA	Holder - Glass Seal - Black Anod
10	041894-04-000	EA	Mullion - Slider Window - 25" - Black Anod
	047818-01-000	EA	Glass - 3/16" x 24" x 15" - Sliding
	049162-06-000	EA	Frame - Inside - Right Front Slant Slider Window (not included in assembly)
	049162-05-000	EA	Frame - Inside - Left Front Slant Slider Window (not included in assembly)
	023713-01-000	EA	Cover - Plastic Weephole - White

\* Not Illustrated



Key	Part Number	U/M	Description
1	048631-23-000	EA	Window Asm - Right - Single Slider - 25" x 44" - Clear Anod (w/o Inside Frame)
2	047822-01-000	EA	Glass - Sliding - 3/16" x 24" x 21 03"
3	042077-01-000	FT	Channel - Weatherstrip - Glass Run 3/16" Glass
4	004363-01-000	FT	Tape - Foam - 3/16" x 1/2" - Gray
5	041928-01-000	FT	Seal - Window Channel - 3/16" Glass - Gray
6	050216-01-000	FT	Spline - Glass - Gray
7	002389-03-201	EA	Extr - Holder - Glass Seal - 23 19
8	041894-04-000	EA	Mullion - Slider Window - 25"
9	002183-02-000	EA	Glass - 3/16" x 24 00" x 23 49" - Stationary
10	047369-01-000	EA	Latch - Window Plastic
	049287-01-000	EA	Washer - Nylon - 62" x 140" I D
	042147-04-000	EA	Frame Asm - Window - Inside - Brown (not included in assembly)
	023713-01-000	EA	Cover - Weephole - Plastic - White
	002298-01-000	FT	Spline - Gray - 130" Dia (Screen)
	002293-01-000	SF	Screen - Window - 26" - Gray

\* Not Illustrated

**1977 ITASCA  
TABLE OF CONTENTS**

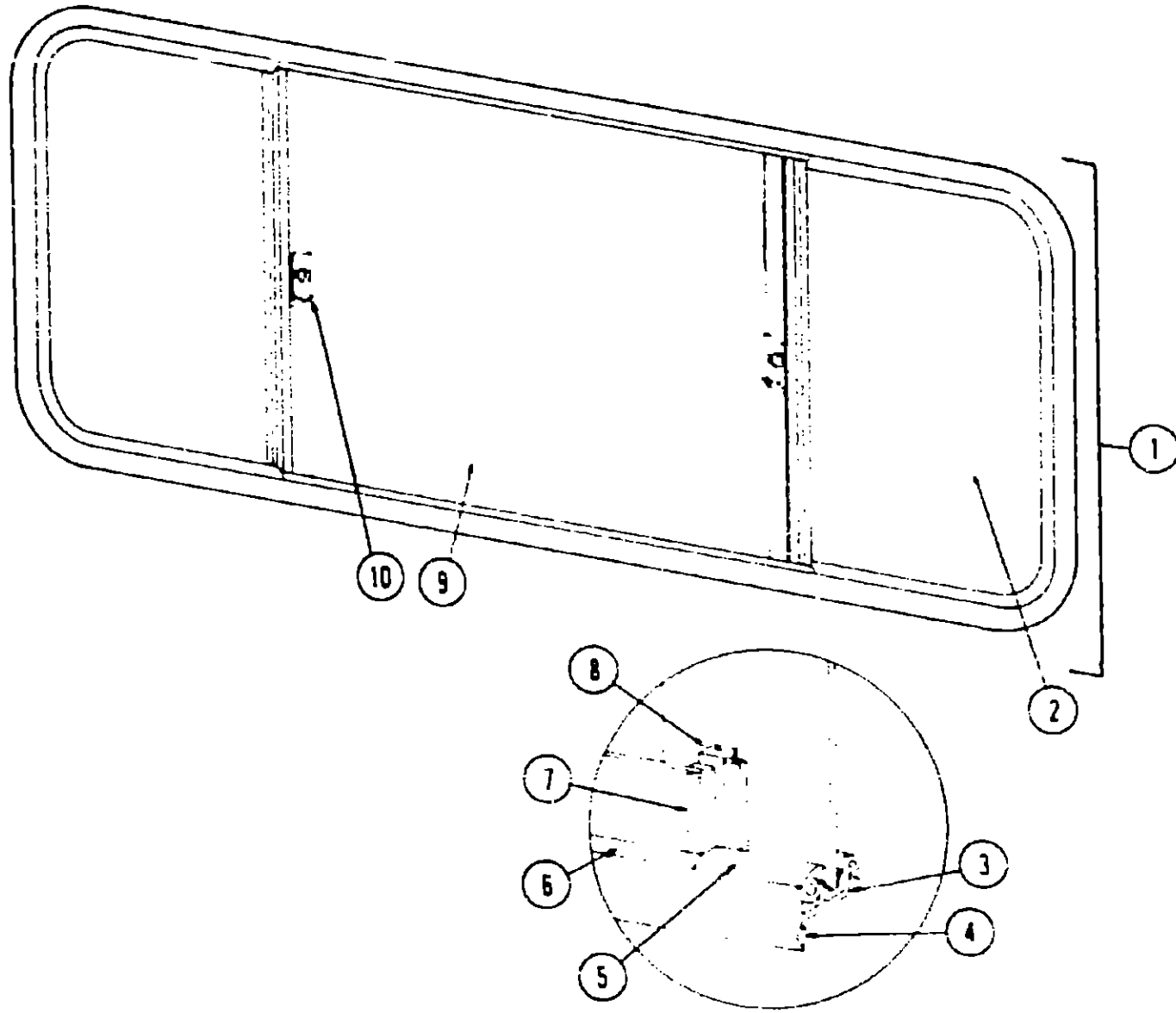
Introduction	A-1
Abbreviations	A-1
Alphabetical Index	A-2 - A-4
C25A	A-5 - B-4
C27AL	B-15 - C-24
C22C	D-1 - E-10
C27A	E-11 - F-20
C25C	F-21 - H-4
C25CD	H-5 - I-14
C24C	I-15 - J-22
C25AD	J-23 - L-14

**1977 C25AD INDEX**

Floor Plan	J-23 - J-24
Accessories Group	K-1 - K-2
Bath Group	K-3 - K-4
Chassis Group	K-5
Curtain, Cushion & Pad Group	K-6 - K-11
Dinette Group	K-12
Driver's Compartment Group	K-13 - K-14
Electrical Group	K-15 - K-16
Exterior Body Group	K-17 - K-20
Galley Group	K-21
Heating & Air Conditioning Group	K-22
Interior Finish Group	K-23 - K-24
LP Group	L-1
Lounge Group	L-2
Water & Sewage Group	L-3
Window, Vent & Exterior Door Group	L-4 - L-14



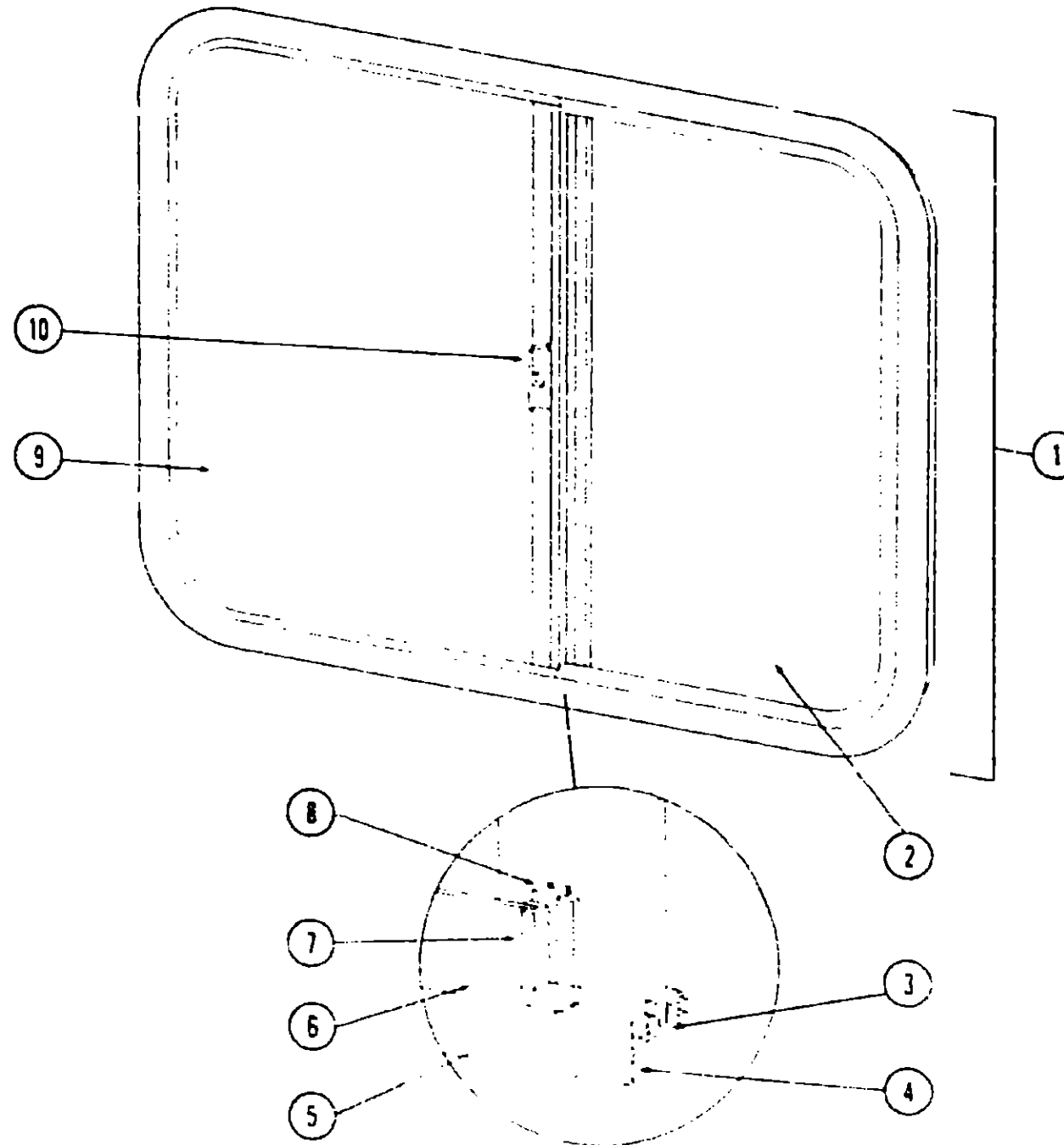
**WINDOW, VENT AND EXTERIOR DOOR GROUP (CONTINUED)**



Key	Part Number	U/M	Description
1	048630-09-000	EA	Window Asm - Double - Slider - 25" x 65" Clear Anod (w/o Inside Frame)
2	047822-01-000	EA	Glass - Sliding - 3'16" x 24" x 21'03"
3	042077-01-000	FT	Channel - Weatherstrip - Glass Run 3'16" Glass
4	004363-01-000	FT	Tape - Foam - 3'16" x 1'2" - Gray
5	041928-01-000	FT	Seal - Window Channel - 3" Glass - Gray
6	050216-01-000	FT	Spline - Glass - Gray
7	002389-03-201	EA	Extr - Holder - Glass Seal - 23 19
8	041894-04-000	EA	Mullion - Slider Window - 25"
9	002188-02-000	EA	Glass - 3'16" x 24" x 25'50" - Stationary
10	047369-01-000	EA	Latch - Window - Plastic
*	049287-01-000	EA	Washer - Nylon - 62" x 140" I.D.
*	042133-04-000	EA	Frame Asm - Window - Inside (not included in assembly)
*	023713-01-000	EA	Cover - Weephole - Plastic - White
*	002295-01-000	FT	Spline - Gray - 130 Dia (Screen)
*	002293-01-000	SF	Screen - Window - 26" - Gray

\* Not Illustrated

**WINDOW, VENT AND EXTERIOR DOOR GROUP (CONTINUED)**



Key	Part Number	U/M	Description
1	048631-22-000	EA	Window Asm - Right - Single Slider - 20" x 25" - Clear Anod (w/o Inside Frame)
2	047820-01-000	EA	Glass - Sliding - 1'8" x 19" x 13'68"
3	002324-01-000	FT	Channel - Weatherstrip - Glass Run - 1'8" Glass
4	004363-01-000	FT	Tape - Foam - 3'16" x 1'2" - Gray
5	024096-01-000	FT	Seal - Window Channel - Glass - Gray
6	002309-01-000	FT	Spline - Glass - Gray
7	002389-03-201	EA	Extr - Holder - Glass Seal - 23 19
8	041894-04-000	EA	Mullion - Slider Window - 25"
9	002241-02-000	EA	Glass - 1'8" x 12'30" x 19" - Stationary
10	047369-01-000	EA	Latch - Window Plastic
*	049287-01-000	EA	Washer - Nylon - 62" x 140" I.D.
*	042147-05-000	EA	Frame Asm - Window - Inside - 20" x 25" - Brown (not included in assembly)
*	023713-01-000	EA	Cover - Weephole - Plastic - White
*	002295-01-000	FT	Spline - Gray - 130 Dia (Screen)
*	002293-01-000	SF	Screen - Window - 26" - Gray

\* Not Illustrated

**1977 ITASCA  
TABLE OF CONTENTS**

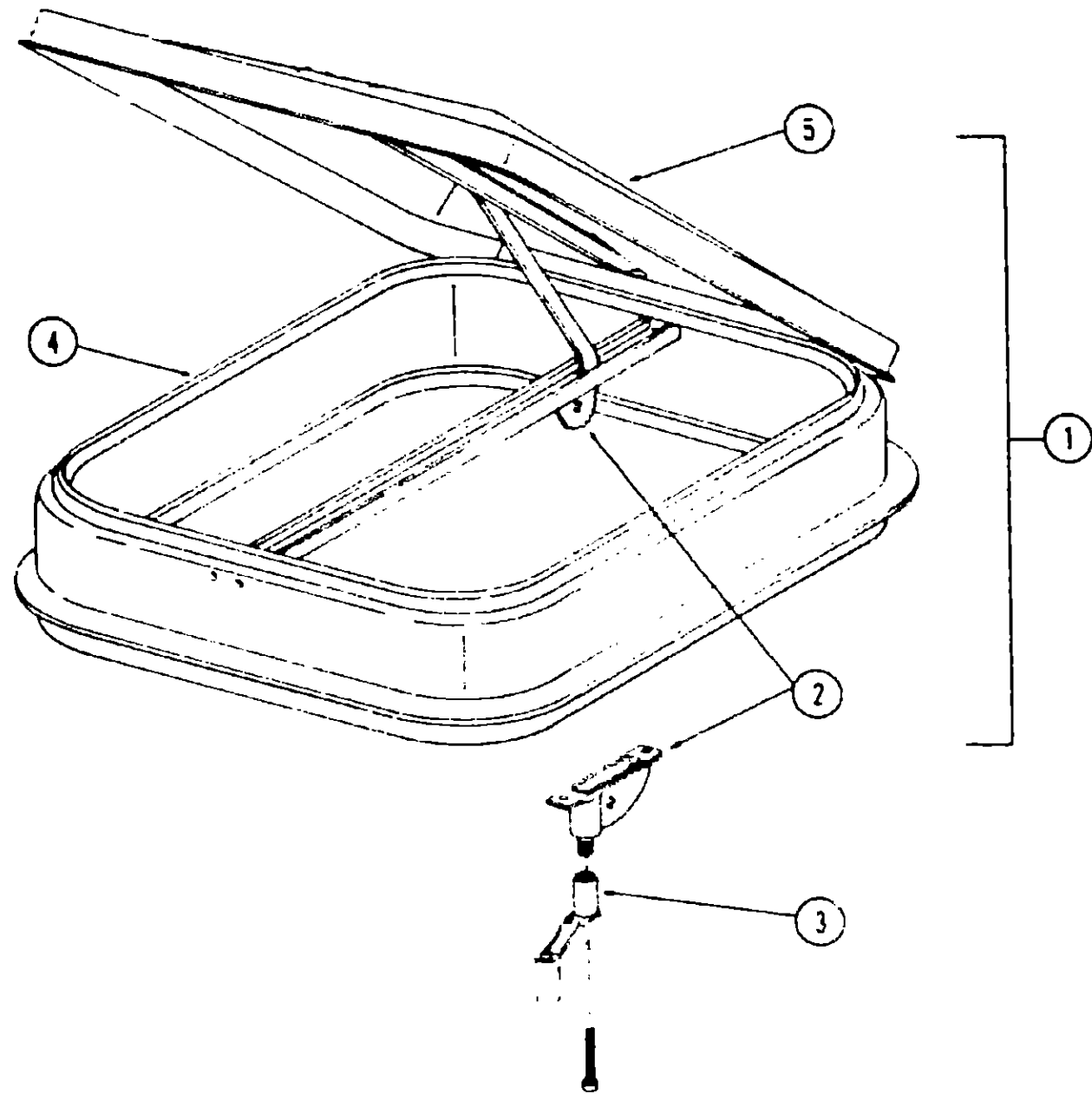
Introduction	A-1
Abbreviations	A-1
Alphabetical Index	A-2 - A-4
C25A	A-5 - B-4
C27AL	B-15 - C-24
C22C	D-1 - E-10
C27A	E-11 - F-20
C25C	F-21 - H-4
C25CD	H-5 - I-14
C24C	I-15 - J-22
C25AD	J-23 - L-14

**1977 C25AD INDEX**

Floor Plan	J-23 - J-24
Accessories Group	K-1 - K-2
Bath Group	K-3 - K-4
Chassis Group	K-5
Curtain, Cushion & Pad Group	K-6 - K-11
Dinette Group	K-12
Driver's Compartment Group	K-13 - K-14
Electrical Group	K-15 - K-16
Exterior Body Group	K-17 - K-20
Galley Group	K-21
Heating & Air Conditioning Group	K-22
Interior Finish Group	K-23 - K-24
LP Group	L-1
Lounge Group	L-2
Water & Sewage Group	L-3
Window, Vent & Exterior Door Group	L-4 - L-14

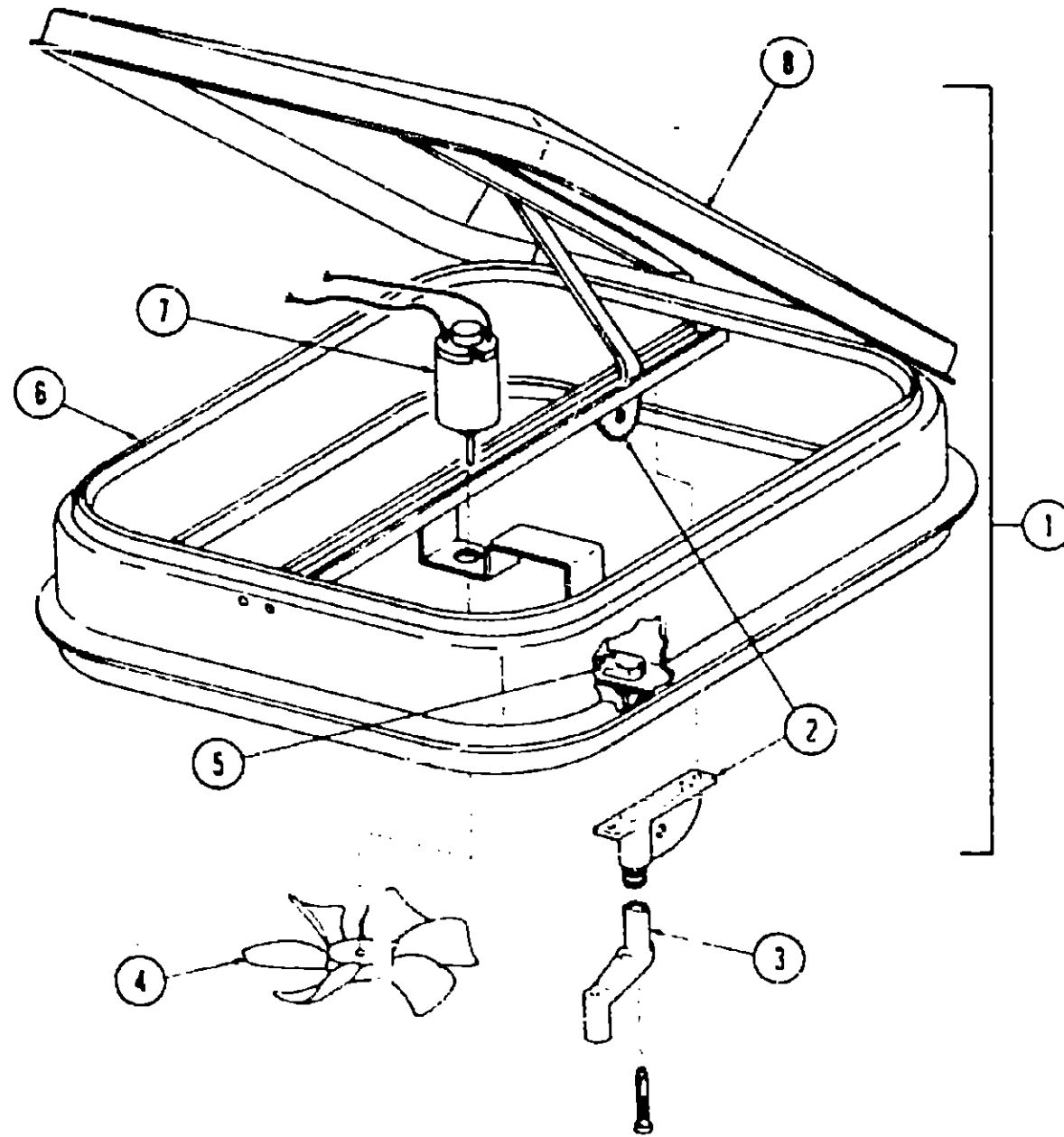
WINDOW, VENT AND EXTERIOR DOOR GROUP (CONTINUED)

WINDOW, VENT AND EXTERIOR DOOR GROUP (CONTINUED)



Key	Part Number	U/M	Description
1	048835-01-000	EA	Vent Asm - Roof - Nonpowered - w/o Screen
2	009440-01-000	EA	Gear - Arm - Roof Vent
3	009439-01-000	EA	Crank - Roof Vent
4	002825-01-000	FT	Weatherstrip - Roof Vent
5	046825-01-000	EA	Cover - Plastic - Roof Vent
	016335-01-000	EA	Screen Asm - Non Powered Roof Vent - Clear Anod (not included in assembly)
	016335-03-000	EA	Screen Asm - Non Powered Roof Vent - Beige (not included in assembly)

\* Not Illustrated



Key	Part Number	U/M	Description
1	046739-01-000	EA	Vent Asm - Roof - Powered - w/o Screen
2	009440-01-000	EA	Gear - Arm - Roof Vent
3	009439-01-000	EA	Crank - Roof Vent
4	048649-01-000	EA	Fan - Blade - 6" Plastic
5	008195-01-000	EA	Switch - Push Button - 12 Volt
6	002825-01-000	FT	Weatherstrip - Roof Vent
7	048648-01-000	EA	Motor - 12 Volt
8	046825-01-000	EA	Cover - Plastic - Roof Vent
	048695-01-000	EA	Screen Asm - Powered Roof Vent - Clear Anod (not included in assembly)
	048695-03-000	EA	Screen Asm - Powered Roof Vent - Beige (not included in assembly)

\* Not Illustrated

1977 ITASCA  
TABLE OF CONTENTS

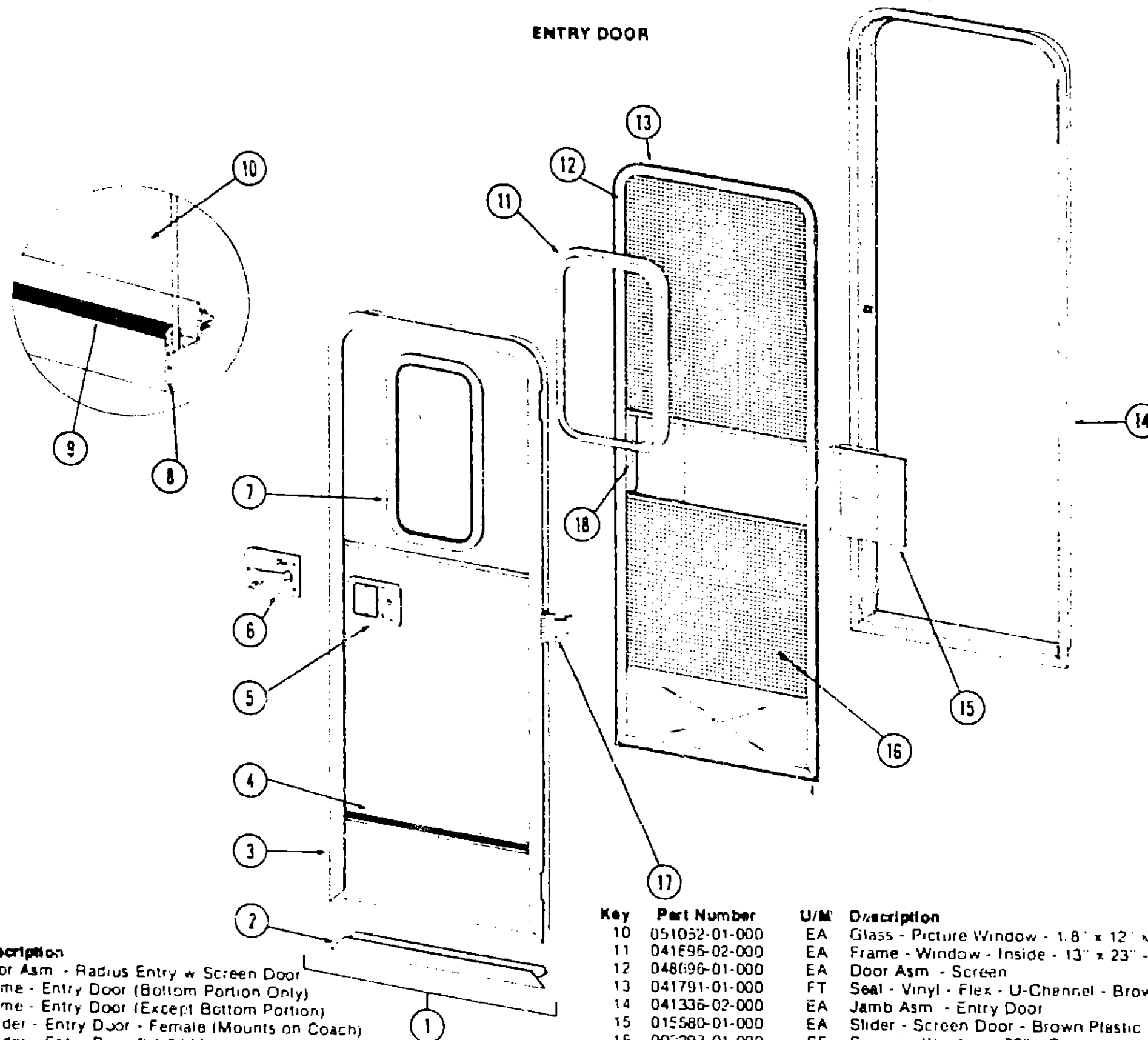
Introduction	A-1
Abbreviations	A-1
Alphabetical Index	A-2 - A-4
C25A	A-5 - B-4
C27AL	B-15 - C-24
C22C	D-1 - E-10
C27A	E-11 - F-20
C25C	F-21 - H-4
C25CD	H-5 - I-14
C24C	I-15 - J-22
C25AD	J-23 - L-14

1977 C25AD INDEX

Floor Plan	J-23 - J-24
Accessories Group	K-1 - K-2
Bath Group	K-3 - K-4
Chassis Group	K-5
Curtain Cushion & Pad Group	K-6 - K-11
Dinette Group	K-12
Driver's Compartment Group	K-13 - K-14
Electrical Group	K-15 - K-16
Exterior Body Group	K-17 - K-20
Galley Group	K-21
Heating & Air Conditioning Group	K-22
Interior Finish Group	K-23 - K-24
LP Group	L-1
Lounge Group	L-2
Water & Sewage Group	L-3
Window, Vent & Exterior Door Group	L-4 - L-14

# WINDOW, VENT AND EXTERIOR DOOR GROUP (CONTINUED)

## ENTRY DOOR



Key	Part Number	U/M	Description
1	050095-13-000	EA	Door Asm - Radius Entry w Screen Door
2	039737-02-000	EA	Frame - Entry Door (Bottom Portion Only)
3	039736-02-000	EA	Frame - Entry Door (Except Bottom Portion)
4	009101-02-000	EA	Holder - Entry Door - Female (Mounts on Coach)
5	009102-01-000	EA	Holder - Entry Door 2 1/2" Male (Mounts on Door)
6	041948-01-000	EA	Lock Asm - Radius Entry Door - Atwood
7	039541-01-000	EA	Lock Cylinder w Keys - Atwood
8	052186-01-000	EA	Lock Asm - Radius Entry Door - Lynor
9	045017-01-700	EA	Lock Cylinder w Keys - Lynor
10	039539-01-000	EA	Striker - Entry Door Lock
11	039979-01-000	EA	Plate - Lock - Interior - Including Inside Handle
12	041875-07-000	EA	Window Asm - Picture - 13" x 23" - Clear Anod (Inside frame not included in assembly)
13	004363-01-000	FT	Tape - Foam - 3/16" x 1/4" - Gray
14	002309-01-000	FT	Spline - Glass - 7/8" - Gray

Key	Part Number	U/M	Description
10	051032-01-000	EA	Glass - Picture Window - 1.8" x 12" x 22" - Etched
11	041696-02-000	EA	Frame - Window - Inside - 13" x 23" - Brown
12	048696-01-000	EA	Door Asm - Screen
13	041791-01-000	FT	Seal - Vinyl - Flex - U-Channel - Brown
14	041336-02-000	EA	Jamb Asm - Entry Door
15	015580-01-000	EA	Slider - Screen Door - Brown Plastic
16	007293-01-000	SF	Screen - Window - 26" - Gray
17	039520-01-000	EA	Hinge - Entry Door (3 used per door)
18	015581-01-000	EA	Cap - Screen Door - Brown Plastic
19	049176-01-000	EA	Hedlok II - 3/4" Diameter - Screw Mount (Retains Screen Door to Entry Door)
20	049797-01-000	EA	Hedlok II - 1" Diameter - Screw Mount (Retains Screen Door to Entry Door)
21	018019-01-000	EA	Striker - Screen Door
22	039863-01-000	EA	Catch asm - Single Roller w Strike - Screen Door
23	051390-01-000	FT	Seal - Bulb - Rubber
24	039800-03-000	FT	Tubing - Polybutyl - 3/8" O D - Jamb

\* Not Illustrated

## 1977 ITASCA TABLE OF CONTENTS

Introduction	A-1
Abbreviations	A-1
Alphabetical Index	A-2 - A-4
C25A	A-5 - 9-4
C27AL	B-15 - C-24
C22C	D-1 - E-10
C27A	E-11 - F-20
C25C	F-21 - H-4
C25CD	H-5 - I-14
C24C	I-15 - J-22
C25AD	J-23 - L-14

## 1977 C25AD INDEX

Floor Plan	J-23 - J-24
Accessories Group	K-1 - K-2
Bath Group	K-3 - K-4
Chassis Group	K-5
Curtain, Cushion & Pad Group	K-6 - K-11
Dinette Group	K-12
Driver's Compartment Group	K-13 - K-14
Electrical Group	K-15 - K-16
Exterior Body Group	K-17 - K-20
Galley Group	K-21
Heating & Air Conditioning Group	K-22
Interior Finish Group	K-23 - K-24
LP Group	L-1
Lounge Group	L-2
Water & Sewage Group	L-3
Window, Vent & Exterior Door Group	L-4 - L-14

## WINDOW, VENT AND EXTERIOR DOOR GROUP (CONTINUED)

### WINDSHIELD

Key	Part Number	U/M	Description
	042344-02-000	EA	Frame Asm - Windshield w/o Glass
	036886-01-000	EA	Tape - Butyl - 31" x 31" x 148" Long
	034975-03-000	EA	Glass - Windshield - 1/4" x 23 25" x 47 38" Left or Right
	038407-01-000	EA	Clip - Retainer - Windshield

### VENTS

Key	Part Number	U/M	Description
	039778-01-000	EA	Cover - Refrigerator Vent - Plastic
	009407-01-000	EA	Base - Frame - Refrigerator Vent w/o Cover
	049352-02-000	EA	Vent - Stovehood - Outside - Jensen - Beige

### ACCESS DOORS

Key	Part Number	U/M	Description
	003182-02-000	EA	Door Asm - Water Heater Access - Beige
	044210-02-000	EA	Door Asm - Power Cord - 6" x 10" - Beige Plastic w/Quarter Turn Plastic Latch
	037804-06-000	EA	Door Asm - Battery - Beige - w/Twist Type Lock
	037433-07-000	EA	Door Asm - Generator - Beige - w/Twist Type Lock
	037904-10-000	EA	Door Asm - Luggage - Beige - w/Key Type Lock
	047187-02-000	EA	Door Asm - Refrigerator Access - Beige - w/Twist Type Lock
	043942-01-000	EA	Lock Asm - Quarter Turn Plastic (Power Cord Door)
	039884-01-000	EA	Lock Asm - Twist Type w/Clip
	047305-01-000	EA	Lock Asm - Key Type w/Clip
	016945-02-000	EA	Holder Asm - Battery or Luggage Door (Holds Door Open)

## 1977 ITASCA TABLE OF CONTENTS

Introduction	A-1
Abbreviations	A-1
Alphabetical Index	A-2 - A-4
C25A	A-5 - B-4
C27AL	B-15 - C-24
C22C	D-1 - E-10
C27A	E-11 - F-20
C25C	F-21 - H-4
C25CD	H-5 - I-14
C24C	I-15 - J-22
C25AD	J-23 - L-14

## 1977 C25AD INDEX

Floor Plan	J-23 - J-24
Accessories Group	K-1 - K-2
Bath Group	K-3 - K-4
Chassis Group	K-5
Curtain, Cushion & Pad Group	K-6 - K-11
Dinette Group	K-12
Driver's Compartment Group	K-13 - K-14
Electrical Group	K-15 - K-16
Exterior Body Group	K-17 - K-20
Galley Group	K-21
Heating & Air Conditioning Group	K-22
Interior Finish Group	K-23 - K-24
LP Group	L-1
Lounge Group	L-2
Water & Sewage Group	L-3
Window, Vent & Exterior Door Group	L-4 - L-14