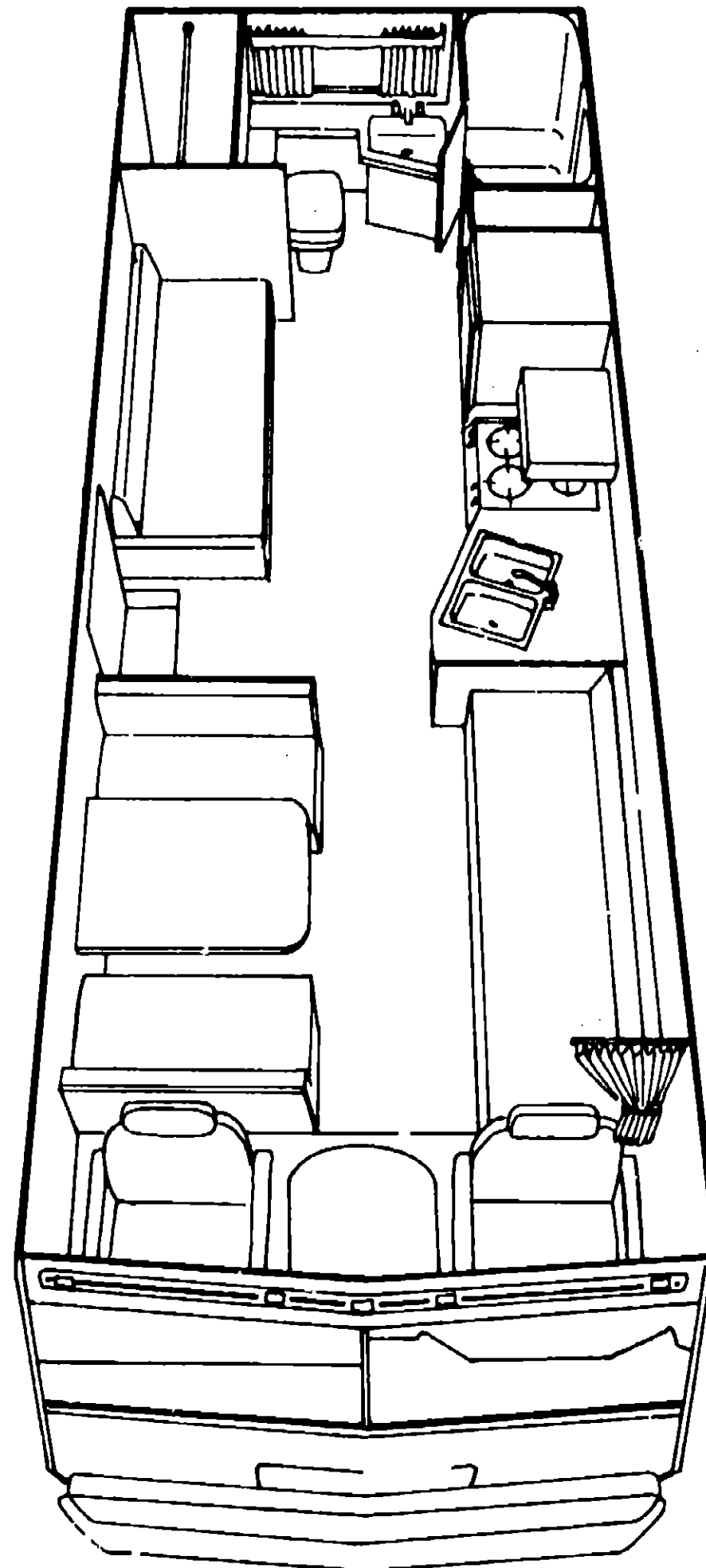


1977 C25A



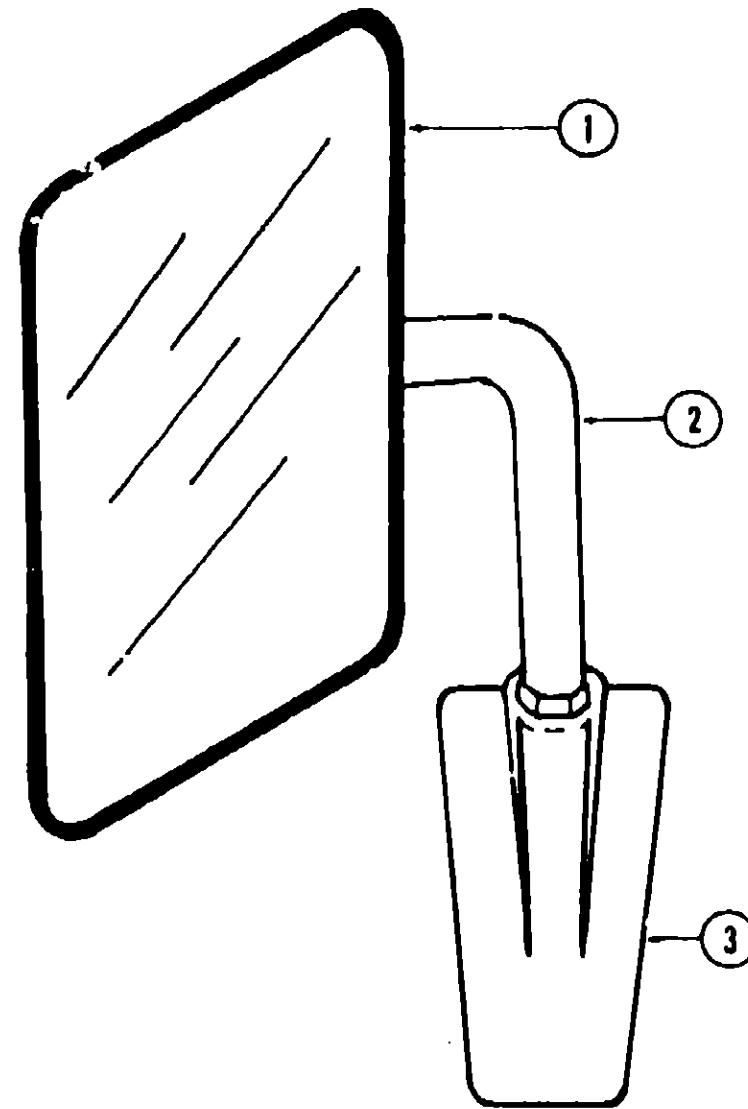
1977 ITASCA TABLE OF CONTENTS

Introduction	A-1
Abbreviations	A-1
Alphabetical Index	A-2 - A-4
C25A	A-5 - B-4
C27AL	B-15 - C-24
C22C	D-1 - E-10
C27A	E-11 - F-20
C25C	F-21 - H-4
C25CD	H-5 - I-14
C24C	I-15 - J-22
C25AD	J-23 - L-14

1977 C25A INDEX

Floor Plan	A-5 - A-6
Accessories Group	A-7 - A-8
Bath Group	A-9 - A-10
Chassis Group	A-11
Curtain, Cushion & Pad Group	A-11 - A-15
Dinette Group	A-15
Driver's Compartment Group	A-16
Electrical Group	A-17 - A-18
Exterior Body Group	A-19 - A-22
Galley Group	A-23
Heating & Air Conditioning Group	A-24
Interior Finish Group	B-1 - B-2
LP Group	B-3
Lounge Group	B-4
Water & Sewage Group	B-4
Window, Vent & Exterior Door Group	B-5 - B-14

ACCESSORIES GROUP



Key	Part Number	U/M	Description
1	049347-01-000	EA	Mirror Head - 7 1/2" x 10 1/2" - SST
2	049348-01-000	EA	Arm - Low Mount Mirror - Bright Finish
3	049944-02-000	EA	Bracket - Mirror - Outside - Off White

ACCESSORIES GROUP (CONTINUED)

Key	Part Number	U/M	Description
	006076-01-000	EA	Ladder - Bunk
	050855-02-000	EA	Owner's Manual - Itasca
	017518-01-000	EA	Mudflap - Black - 14" x 18" w/Holes
	006069-01-000	EA	Case - Key Leather Motor Home
	007038-01-000	EA	Mat - Door - Black Rubber 10 1/2" x 26"
	006053-01-000	EA	Antenna - TV - Braund Deluxe
	006093-01-000	EA	Jack - TV - Brown (Antenna)
	041086-01-000	EA	Ladder Asm. - w/Luggage Rack
	041086-02-000	EA	Ladder Only for Rack and Ladder Asm.
	006113-01-000	EA	Jack - Hydraulic 5 Ton
	041944-01-000	EA	Fire Extinguisher
	031105-01-000	EA	Antenna - Radio - Side Mount
	031105-01-700	EA	Holder - Antenna - Radio - Upper
	039879-01-000	EA	Kit - Radio Speaker 5 1/2" w/Cover
	049730-01-000	EA	Radio - Clarion - AM w/Fader Switch
	049731-01-000	EA	Radio - Clarion - AM/FM/MPX - w/Fader Switch
	049732-01-000	EA	Radio - Clarion - AM/FM/MPX/ 8-track w/Fader Switch
	050044-01-000	EA	Radio - J.I.L. - AM/FM/MPX/8-Track/CB
	044328-01-000	EA	Switch - Fader - Speaker Balance
	050785-01-000	EA	Switch - Rear Volume Control
	050751-01-000	EA	Plaque - Fader/Mic Mounting
	047805-02-700	EA	Bunk Board Asm. - w/Rails - w/o Hardware
	042988-01-000	EA	Support Asm. Left & Right Overhead Bunk Dark Brown
	042414-01-000	FT	Trim Accent Brown - Bostonian
	040071-01-000	EA	Bunk - Support Strap
	039516-01-000	EA	Catch - Bunk - Overhead Safety
	040466-03-000	EA	Cover - Spare Tire - 32"
	031396-04-000	EA	Cover Wheel
	048577-01-000	EA	Speed Control Package - 350 C.I.D. - A Body
	040568-01-000	EA	Speed Control Package - 454 C.I.D. - A Body
	007255-01-700	EA	Regulator Asm.
	007298-01-701	EA	Servo Asm. - 350 C.I.D.
	047841-01-701	EA	Servo Asm. - 454 C.I.D.
	007255-01-702	EA	Engage Switch - Clamp On
	007298-01-702	EA	Harness Asm.
	007255-01-703	EA	Cable Asm. - Transmission
	007255-01-704	EA	Switch Asm. - Decelerate
	024746-01-700	EA	Relay - Speed Control
	040504-01-000	EA	Generator - 2500 Watt - Tray Mount - Kohler
	040505-01-000	EA	Generator - 4000 Watt - Tray Mount - Kohler
	040506-01-000	EA	Generator - 5000 Watt - Tray Mount - Kohler
	044149-01-000	EA	Generator - 6500 Watt - Tray Mount - Kohler
	040507-01-000	EA	Exhaust System - Generator 2500/4000W
	040612-01-000	EA	Muffler - Generator - 2500/4000W
	040852-01-000	EA	Exhaust System - Generator 5000W
	047343-01-000	EA	Exhaust System - Generator 5000/6500W
	046317-01-000	EA	Tailpipe - Exhaust - Generator 1 1/2" x 5"
	041261-01-000	EA	Wiring Asm. - Remote Generator Switch
	041743-01-000	EA	Switch - Generator - w/m Circuit Board
	007067-01-000	SF	Insulation - Fiberglass - 1"
	050279-01-000	EA	Tray - Generator
	041420-01-000	EA	Elbow - Stl. - 1/2" MPT x 3/16" Barb
	042865-01-000	EA	Scoop - Generator Air
	.. 040504-01-000	EA	Generator - 2.5 KW - Kohler
	.. 040505-01-000	EA	Generator - 4.0 KW - Kohler
	.. 040506-01-000	EA	Generator - 5.0 KW - Kohler
	.. 044149-01-000	EA	Generator - 6.5 KW - Kohler
	.. 051908-01-000	EA	Generator - 3.5 KW - Kohler
	.. 051909-01-000	EA	Generator - 4.5 KW - Kohler
	.. 051910-01-000	EA	Generator - 5.5 KW - Kohler
	.. 051911-01-000	EA	Generator - 7.0 KW - Kohler

.. The illustrated parts breakdown for this item is provided on the Common Items Fiche.

**1977 ITASCA
TABLE OF CONTENTS**

Introduction	A-1
Abbreviations	A-1
Alphabetical Index	A-2 - A-4
C25A	A-5 - B-4
C27AL	B-15 - C-24
C22C	D-1 - E-10
C27A	E-11 - F-20
C25C	F-21 - H-4
C25CD	I-5 - I-14
C24C	I-15 - J-22
C25AD	J-23 - L-14

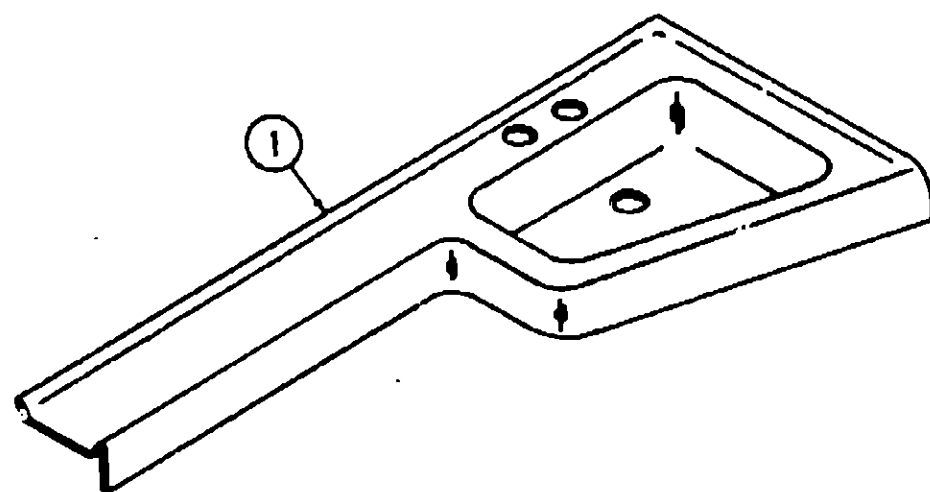
1977 C25A INDEX

Floor Plan	A-5 - A-6
Accessories Group	A-7 - A-8
Bath Group	A-9 - A-10
Chassis Group	A-11
Curtain, Cushion & Pad Group	A-11 - A-15
Dinette Group	A-15
Driver's Compartment Group	A-16
Electrical Group	A-17 - A-18
Exterior Body Group	A-19 - A-22
Galley Group	A-23
Heating & Air Conditioning Group	A-24
Interior Finish Group	B-1 - B-2
LP Group	B-3
Lounge Group	B-4
Water & Sewage Group	B-4
Window, Vent & Exterior Door Group	B-5 - B-14

BATH GROUP

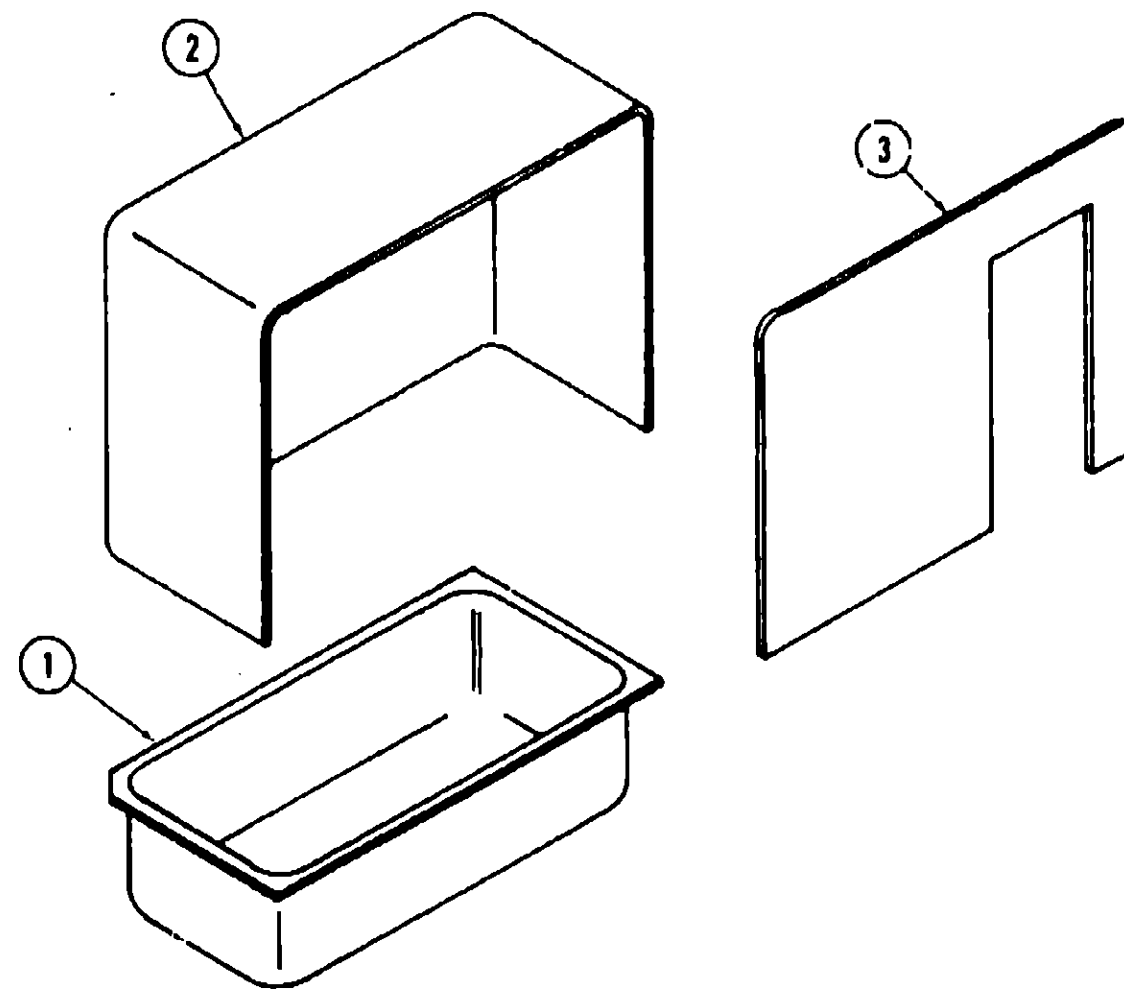
Key	Part Number	U/M	Description
	049746-12-700	EA	Door Asm. - Cabinet w/o Hardware - Vanity 16 1/2" x 24 1/2" Right Hand
	048046-02-000	EA	Cabinet - Overhead - Medicine w/o Shelf - Door or Hardware
	045992-05-700	EA	Door Asm. Medicine Cabinet Overhead w/o Hardware or Mirror
	045700-01-000	EA	Mirror 1/2" x 9" x 25" for Overhead Medicine Cabinet Door
	039873-01-000	EA	Kit. - Catch - Nylon and Strike - Medicine Cabinet
	009059-01-000	EA	Hinge 2" Gold - Medicine Cabinet
	053417-01-000	EA	Door Asm. - Shower - Clear Anod. w/Handle and Roll Point Catch
	043566-01-000	EA	Jamb - Door - Shower bottom
	043567-01-000	EA	Jamb - Door Shower Right
	043567-02-000	EA	Jamb - Door Shower Left
	010495-01-000	EA	Clamp - Cable 9/16" (for Shower Hose)
	011048-01-000	EA	Shower Head - with 59" Hose
	011086-01-000	EA	Strainer - Shower Pan
	031558-01-000	EA	Faucet 4" Tub and Shower
	042488-02-000	EA	Door - Folding 34" x 77 1/2" Walnut w/o Track
	031563-03-000	EA	Track - Folding Door 77 1/2" Opening
	048820-01-000	EA	Cabinet Asm. Vanity w/o Door or Hardware
	011056-01-000	EA	Faucet - 4" Lavatory
	011083-02-000	EA	Plug - 1 1/4" with 12" Chain
	009112-01-000	EA	Flange - 1" Rod Chrome
	049746-11-700	EA	Door Asm. Cabinet 18" x 55 1/2" Right Hand w/o Hardware Wardrobe
	009151-01-000	EA	Warp Guard 48" (Wardrobe Door)
	009134-01-000	EA	Holder - Toilet Tissue
	009133-01-000	EA	Bar - Towel 12" Plastic w/o Brackets
	023449-01-000	EA	Bracket - Towel Bar Chrome Left or Right
	039341-02-000	EA	Stool Asm. - Ivory - Aqua Magic - Model SH

** The illustrated parts breakdown for this item is provided on the Common Items Fiche.



Key	Part Number	U/M	Description
1	042175-01-000	EA	Lavatory - Top w/o Faucets

BATH GROUP (CONTINUED)



Key	Part Number	U/M	Description
1	041826-01-000	EA	Bathtub - Bottom
2	041853-01-000	EA	Bathtub - Rear
3	041852-01-000	EA	Bathtub - Front

1977 ITASCA TABLE OF CONTENTS

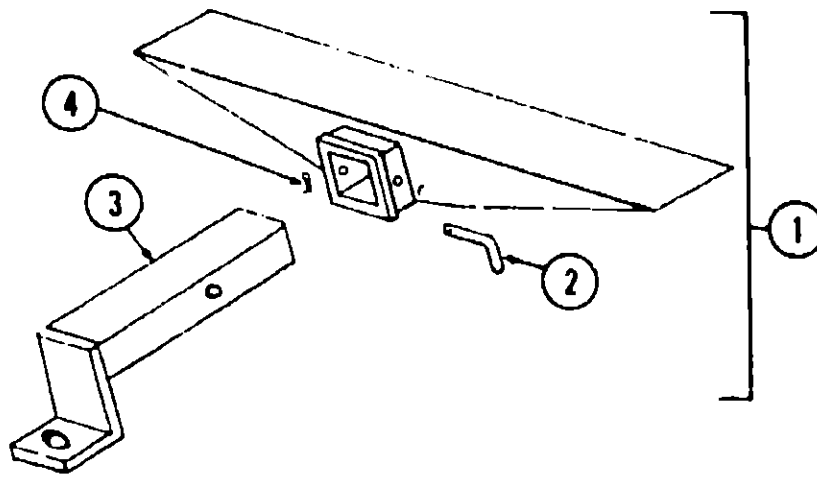
Introduction	A-1
Abbreviations	A-1
Alphabetical Index	A-2 - A-4
C25A	A-5 - B-4
C27AL	B-15 - C-24
C22C	D-1 - E-10
C27A	E-11 - F-20
C25C	F-21 - H-4
C25CD	H-5 - I-14
C24C	I-15 - J-22
C25AD	J-23 - L-14

1977 C25A INDEX

Floor Plan	A-5 - A-6
Accessories Group	A-7 - A-8
Bath Group	A-9 - A-10
Chassis Group	A-11
Curtain, Cushion & Pad Group	A-11 - A-15
Dinette Group	A-15
Driver's Compartment Group	A-16
Electrical Group	A-17 - A-18
Exterior Body Group	A-19 - A-22
Galley Group	A-23
Heating & Air Conditioning Group	A-24
Interior Finish Group	B-1 - B-2
LP Group	B-3
Lounge Group	B-4
Water & Sewage Group	B-4
Window, Vent & Exterior Door Group	B-5 - B-14

CHASSIS GROUP

Key	Part Number	U/M	Description
	024611-04-000	EA	Cap - Gas - Pressure 1.5" Chrome Main or Auxiliary Fill
	007111-01-000	FT	Hose - Fuel 2 1/4" I.D. SAE 30R1
	041341-01-000	EA	Fill Pipe Aux. Fuel - Lower
	041342-01-000	EA	Fill Pipe Aux. Fuel - Upper
	045814-01-000	EA	Fill - Gas w/Vent 5.44" Long
	042552-01-000	EA	Tank - Fuel 40.4 Gallon
	043718-01-000	EA	Sending Unit - Fuel 90 OHM
	043478-01-000	EA	Canister - Asm. - Vapor
	043477-01-000	EA	Valve - Asm. - 6-Way Fuel Selector
	047509-01-000	EA	Fuel Fill Plastic Recessed Single Off White - Exterior
	022655-02-000	EA	Tail Pipe 2 1/2" x 8"
	021275-01-000	EA	Battery Tray Asm. 70 220 Amp
	044907-01-000	EA	Heat Shield - Muffler
	047811-01-000	EA	Compartment - Sewer Hose
	040078-01-000	EA	Tank - Fuel 27.8 Gallon Aux.
	040079-01-000	EA	Sending Unit - Fuel 90 OHM Aux. Tank
	040413-01-000	EA	Vent Asm. - Aux. Fuel Tank
	045427-01-000	EA	Hoodboard - Steel Top - Right
	045428-01-000	EA	Hoodboard - Steel Bottom - Right
	045429-01-000	EA	Hoodboard - Steel Top - Left
	045430-01-000	EA	Hoodboard - Steel Bottom - Left
	039197-01-000	EA	Cover - Radiator Rear
	024542-01-700	EA	Step - Entry
	045254-01-000	EA	Bracket Asm. - Bumper - Front Left
	045254-02-000	EA	Bracket Asm. - Bumper - Front Right
	020858-02-000	EA	Bumper - Rear Off White
	040634-01-000	EA	Carrier - Spare Tire
	040974-02-000	EA	Bracket - Retaining - Spare Tire
	046043-06-000	EA	Bracket Asm. - Bumper
	047013-01-000	EA	Bumper - Front - Off White



Key	Part Number	U/M	Description
1	023695-01-700	EA	Hitch Kit - w/Drawbar
2	034512-01-000	EA	Pin - Locking - Drawbar
2	024876-01-700	EA	Drawbar Asm. - Trailer Hitch
4	034513-01-000	EA	Pin - Hitch - 3/16" Wire Spring

CURTAIN, CUSHION AND PAD GROUP
CURTAINS

Key	Part Number	U/M	Description
	033315-78-000	EA	Curtain - Privacy - Rust - 64" x 62" (Fire and Grass)
	033315-79-000	EA	Curtain - Privacy - Gold - 64" x 62" (Aztec Gold)
	033315-80-000	EA	Curtain - Privacy - Beige - 64" x 62" (Saddle)
	033315-81-000	EA	Curtain - Privacy - Rust - 42" x 33" (Fire and Grass)
	033315-82-000	EA	Curtain - Privacy - Gold - 42" x 33" (Aztec Gold)

CURTAIN, CUSHION AND PAD GROUP (CONTINUED)

CURTAINS (CONTINUED)

Key	Part Number	U/M	Description
	033315-78-000	EA	Curtain - Privacy - 64" x 62" - Rust (Fire and Grass)
	033315-79-000	EA	Curtain - Privacy - 64" x 62" - Gold (Aztec Gold)
	033315-80-000	EA	Curtain - Privacy - 64" x 62" - Beige (Saddle)
	033315-81-000	EA	Curtain - Privacy - 42" x 33" - Rust (Fire and Grass)
	033315-82-000	EA	Curtain - Privacy - 42" x 33" - Gold (Aztec Gold)
	033315-83-000	EA	Curtain - Privacy - 42" x 33" - Beige (Saddle)
	049021-00-000	EA	Curtain - Wraparound - Right - 25" x 80" Rust (Fire and Grass)
	049021-07-000	EA	Curtain - Wraparound - Right - 25" x 80" - Gold (Aztec Gold)
	049021-08-000	EA	Curtain - Wraparound - Right - 25" x 80" - Beige (Saddle)
	049485-01-000	EA	Curtain - Wraparound - Left - 25" x 80" - Rust (Fire and Grass)
	049485-02-000	EA	Curtain - Wraparound - Left - 25" x 80" - Gold (Aztec Gold)
	049485-03-000	EA	Curtain - Wraparound - Left - 25" x 80" - Beige (Saddle)
	050006-01-000	EA	Curtain - Blackout - Vinyl - 38" x 84"
	048840-21-000	EA	Curtain - Snap Top and Bottom - 22.5" x 18" Rust (Fire and Grass)
	048840-22-000	EA	Curtain - Snap Top and Bottom - 22.5" x 18" Gold (Aztec Gold)
	048840-23-000	EA	Curtain - Snap Top and Bottom - 22.5" x 18" Beige (Saddle)
	048840-24-000	EA	Curtain - Snap Top and Bottom - 25.5" x 21" Rust (Fire and Grass)
	048840-25-000	EA	Curtain - Snap Top and Bottom - 25.5" x 21" Gold (Aztec Gold)
	048840-26-000	EA	Curtain - Snap Top and Bottom - 25.5" x 21" Beige (Saddle)
	049021-04-000	EA	Curtain - Snap Top and Bottom - 33" x 30" Rust (Fire and Grass)
	049021-03-000	EA	Curtain - Snap Top and Bottom - 33" x 30" Gold (Aztec Gold)
	049021-05-000	EA	Curtain - Snap Top and Bottom - 33" x 30" Beige (Saddle)
	049486-07-000	EA	Curtain - Snap Top - Left - 27" x 36" Rust (Fire and Grass)
	049486-08-000	EA	Curtain - Snap Top - Left - 27" x 36" Gold (Aztec Gold)
	049486-09-000	EA	Curtain - Snap Top - Left - 27" x 36" Beige (Saddle)
	049486-10-000	EA	Curtain - Snap Top - Left - 27" x 27" Rust (Fire and Grass)
	049486-11-000	EA	Curtain - Snap Top - Left - 27" x 27" Gold (Aztec Gold)
	049486-12-000	EA	Curtain - Snap Top - Left - 27" x 27" Beige (Saddle)
	049487-01-000	EA	Curtain - Snap Top - Right - 27" x 36" Rust (Fire and Grass)
	049487-02-000	EA	Curtain - Snap Top - Right - 27" x 36" Gold (Aztec Gold)
	049487-03-000	EA	Curtain - Snap Top - Right - 27" x 36" Beige (Saddle)
	049487-10-000	EA	Curtain - Snap Top - Right - 27" x 27" Rust (Fire and Grass)
	049487-11-000	EA	Curtain - Snap Top - Right - 27" x 27" Gold (Aztec Gold)
	049487-12-000	EA	Curtain - Snap Top - Right - 27" x 27" Beige (Saddle)

VALANCES

Key	Part Number	U/M	Description
	048831-21-000	EA	Valance w/Header - 5.5" x 81" - Rust (Fire and Grass)
	048831-22-000	EA	Valance w/Header - 5.5" x 81" - Gold (Aztec Gold)
	048831-23-000	EA	Valance w/Header - 5.5" x 81" - Beige (Saddle)
	048831-24-000	EA	Valance w/Header - 5.5" x 44" - Rust (Fire and Grass)
	048831-25-000	EA	Valance w/Header - 5.5" x 44" - Gold (Aztec Gold)
	048831-26-000	EA	Valance w/Header - 5.5" x 44" - Beige (Saddle)
	048831-39-000	EA	Valance w/Header - 5.5" x 57" - Rust (Fire and Grass)
	048831-40-000	EA	Valance w/Header - 5.5" x 57" - Gold (Aztec Gold)
	048831-41-000	EA	Valance w/Header - 5.5" x 57" - Beige (Saddle)
	048831-42-000	EA	Valance w/Header - 5.5" x 36" - Rust (Fire and Grass)
	048831-43-000	EA	Valance w/Header - 5.5" x 36" - Gold (Aztec Gold)
	048831-44-000	EA	Valance w/Header - 5.5" x 36" - Beige (Saddle)

TIE BACKS

Key	Part Number	U/M	Description
	049097-09-000	EA	Tie Back - 14" - Rust (Fire and Grass)
	049097-10-000	EA	Tie Back - 14" - Gold (Aztec Gold)
	049097-11-000	EA	Tie Back - 14" - Beige (Saddle)
	049097-12-000	EA	Tie Back - 10" - Rust (Fire and Grass)
	049097-13-000	EA	Tie Back - 10" - Gold (Aztec Gold)
	049097-14-000	EA	Tie Back - 10" - Beige (Saddle)
	049097-15-000	EA	Tie Back - 14" - Vinyl

1977 ITASCA
TABLE OF CONTENTS

Introduction	A-1
Abbreviations	A-1
Alphabetical Index	A-2 - A-4
C25A	A-5 - B-4
C27AL	B-15 - C-24
C22C	D-1 - E-10
C27A	E-11 - F-20
C25C	F-21 - H-4
C25CD	H-5 - I-14
C24C	I-15 - J-22
C25AD	J-23 - L-14

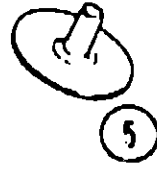
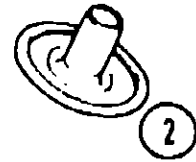
1977 C25A INDEX

Floor Plan	A-5 - A-6
Accessories Group	A-7 - A-8
Bath Group	A-9 - A-10
Chassis Group	A-11
Curtain, Cushion & Pad Group	A-11 - A-15
Dinette Group	A-15
Driver's Compartment Group	A-16
Electrical Group	A-17 - A-18
Exterior Body Group	A-19 - A-22
Galley Group	A-23
Heating & Air Conditioning Group	A-24
Interior Finish Group	B-1 - B-2
LP Group	B-3
Lounge Group	B-4
Water & Sewage Group	B-4
Window, Vent & Exterior Door Group	B-5 - B-14

CURTAIN, CUSHION AND PAD GROUP (CONTINUED)

HARDWARE

Key	Part Number	U/M	Description
	009107-01-000	EA	Guide - Nylon Snap
	029100-01-000	EA	Hook - Pin - Curtain
	009701-01-000	EA	Carrier - Curtain - "L" Rod
	009702-01-000	EA	End Stop - Curtain - "L" Rod



Key	Part Number	U/M	Description
1	029130-01-000	EA	Socket - Snap Fastener
2	029155-01-000	EA	Cap - Snap - .156" Diameter x .17" Barrel
3	029156-01-000	EA	Socket - Snap Fastener
4	029092-01-000	EA	Stud - Nickel Finish
5	029093-01-000	EA	Eyelet - Nickel Finish

CUSHIONS

Key	Part Number	U/M	Description
	041914-16-000	EA	Mattress - Flexsteel - 4" x 42" x 78" - Rust (Fire and Grass)
	041914-17-000	EA	Mattress - Flexsteel - 4" x 42" x 78" - Gold (Aztec Gold)
	041914-18-000	EA	Mattress - Flexsteel - 4" x 42" x 78" - Beige (Saddle)
	041908-30-000	EA	Cushion - 2 Fold - 10.5" x 10.5" x 73" - Rust (Fire and Grass)
	041908-31-000	EA	Cushion - 2 Fold - 10.5" x 10.5" x 73" - Gold (Aztec Gold)
	041908-32-000	EA	Cushion - 2 Fold - 10.5" x 10.5" x 73" - Beige (Saddle)
	041908-30-030	EA	Cover - Cushion - 2 Fold - Rust (Fire and Grass)
	041908-31-031	EA	Cover - Cushion - 2 Fold - Gold (Aztec Gold)
	041908-32-032	EA	Cover - Cushion - 2 Fold - Beige (Saddle)
	046831-01-000	EA	Skirt - Lounge - Plain - 15" x 76" - Rust (Fire and Grass)
	046831-02-000	EA	Skirt - Lounge - Plain - 15" x 76" - Gold (Aztec Gold)
	046831-03-000	EA	Skirt - Lounge - Plain - 15" x 76" - Beige (Saddle)
	048839-34-000	EA	Cushion - Mitered - 29" x 73" x 4" - Rust (Fire and Grass)
	048839-35-000	EA	Cushion - Mitered - 29" x 73" x 4" - Gold (Aztec Gold)
	048839-36-000	EA	Cushion - Mitered - 29" x 73" x 4" - Beige (Saddle)
	048839-34-034	EA	Cover - Cushion - 29" x 73" x 4" - Rust (Fire and Grass)
	048839-35-035	EA	Cover - Cushion - 29" x 73" x 4" - Gold (Aztec Gold)
	048839-36-036	EA	Cover - Cushion - 29" x 73" x 4" - Beige (Saddle)
	041913-21-000	EA	Cushion - Bolster - Rust (Fire and Grass)
	041913-22-000	EA	Cushion - Bolster - Gold (Aztec Gold)
	041913-23-000	EA	Cushion - Bolster - Beige (Saddle)
	041913-21-021	EA	Cover - Cushion - Bolster - Rust (Fire and Grass)
	041913-22-022	EA	Cover - Cushion - Bolster - Gold (Aztec Gold)
	041913-23-023	EA	Cover - Cushion - Bolster - Beige (Saddle)
	048839-31-000	EA	Cushion - Mitered - 28" x 75" x 4" - Rust (Fire and Grass)
	048839-32-000	EA	Cushion - Mitered - 28" x 75" x 4" - Gold (Aztec Gold)
	048839-33-000	EA	Cushion - Mitered - 28" x 75" x 4" - Beige (Saddle)
	048839-31-031	EA	Cover - Cushion - 28" x 75" x 4" - Rust (Fire and Grass)
	048839-32-032	EA	Cover - Cushion - 28" x 75" x 4" - Gold (Aztec Gold)
	048839-33-033	EA	Cover - Cushion - 28" x 75" x 4" - Beige (Saddle)
	048839-07-000	EA	Cushion - Mitered - 22.5" x 38" x 4" - Rust (Fire and Grass)
	048839-08-000	EA	Cushion - Mitered - 22.5" x 38" x 4" - Gold (Aztec Gold)
	048839-09-000	EA	Cushion - Mitered - 22.5" x 38" x 4" - Beige (Saddle)
	048839-07-007	EA	Cover - Cushion - 22.5" x 38" x 4" - Rust (Fire and Grass)
	048839-08-008	EA	Cover - Cushion - 22.5" x 38" x 4" - Gold (Aztec Gold)

CURTAIN, CUSHION AND PAD GROUP (CONTINUED)

Key	Part Number	U/M	Description
	048839-09-009	EA	Cover - Cushion - 22.5" x 38" x 4" - Beige (Saddle)
	048839-10-000	EA	Cushion - Mitered - 14" x 38" x 4" - Rust (Fire and Grass)
	048839-11-000	EA	Cushion - Mitered - 14" x 38" x 4" - Gold (Aztec Gold)
	048839-12-000	EA	Cushion - Mitered - 14" x 38" x 4" - Beige (Saddle)
	048839-10-010	EA	Cover - Cushion - 14" x 38" x 4" - Rust (Fire and Grass)
	048839-11-011	EA	Cover - Cushion - 14" x 38" x 4" - Gold (Aztec Gold)
	048839-12-012	EA	Cover - Cushion - 14" x 38" x 4" - Beige (Saddle)
	042988-07-000	EA	Chair - TT - Rust (Fire and Grass)
	042988-08-000	EA	Chair - TT - Gold (Aztec Gold)
	042988-09-000	EA	Chair - TT - Beige (Saddle)
	042987-07-000	EA	Cushion - TT Chair - Rust (Fire and Grass)
	042987-08-000	EA	Cushion - TT Chair - Gold (Aztec Gold)
	042987-09-000	EA	Cushion - TT Chair - Beige (Saddle)
	049158-07-000	EA	Seat Asm. - Single Bucket w/o Slides - Rust (Fire and Grass)
	049158-08-000	EA	Seat Asm. - Single Bucket w/o Slides - Gold (Aztec Gold)
	049158-09-000	EA	Seat Asm. - Single Bucket w/o Slides - Beige (Saddle)
	049158-07-001	EA	Cover - Single Bucket Seat Bottom - Rust (Fire and Grass)
	049158-08-001	EA	Cover - Single Bucket Seat Bottom - Gold (Aztec Gold)
	049158-09-001	EA	Cover - Single Bucket Seat Bottom - Beige (Saddle)
	049158-07-002	EA	Cover - Single Bucket Seat Back - Rust (Fire and Grass)
	049158-08-002	EA	Cover - Single Bucket Seat Back - Gold (Aztec Gold)
	049158-09-002	EA	Cover - Single Bucket Seat Back - Beige (Saddle)
	049158-07-003	EA	Skirt - Single Bucket Seat - Rust (Fire and Grass)
	049158-08-003	EA	Skirt - Single Bucket Seat - Gold (Aztec Gold)
	049158-09-003	EA	Skirt - Single Bucket Seat - Beige (Saddle)
	049160-07-000	EA	Seat Asm. - Double Bucket - Rust (Fire and Grass)
	049160-08-000	EA	Seat Asm. - Double Bucket - Gold (Aztec Gold)
	049160-09-000	EA	Seat Asm. - Double Bucket - Beige (Saddle)
	049160-07-001	EA	Cover - Double Bucket Seat Bottom - Rust (Fire and Grass)
	049160-08-001	EA	Cover - Double Bucket Seat Bottom - Gold (Aztec Gold)
	049160-09-001	EA	Cover - Double Bucket Seat Bottom - Beige (Saddle)
	049160-07-002	EA	Cover - Double Bucket Seat Back - Rust (Fire and Grass)
	049160-08-002	EA	Cover - Double Bucket Seat Back - Gold (Aztec Gold)
	049160-09-002	EA	Cover - Double Bucket Seat Back - Beige (Saddle)
	049160-07-003	EA	Skirt - Double Bucket Seat - Rust (Fire and Grass)
	049160-08-003	EA	Skirt - Double Bucket Seat - Gold (Aztec Gold)
	049160-09-003	EA	Skirt - Double Bucket Seat - Beige (Saddle)
	029136-01-000	EA	Grommet - Headrest - Nylon
	029134-01-000	EA	Clip - Finish
	033906-58-000	EA	Headrest Cover - Rust (Fire and Grass)
	033906-59-000	EA	Headrest Cover - Gold (Aztec Gold)
	033906-60-000	EA	Headrest - Beige (Saddle)
	019722-01-000	EA	Headrest Asm. - Foam w/o Cover
	050280-16-000	EA	Armrest Cover - Rust (Fire and Grass)
	050280-17-000	EA	Armrest Cover - Gold (Aztec Gold)
	050280-18-000	EA	Armrest Cover - Beige (Saddle)
	040494-01-000	EA	Armrest Asm. - Foam w/o Cover - Right - Style #1
	040494-02-000	EA	Armrest Asm. - Foam w/o Cover - Left - Style #1
	050275-01-700	EA	Armrest Asm. - Foam w/o Cover - Right - Style #2
	050276-01-700	EA	Armrest Asm. - Foam w/o Cover - Left - Style #2

NOTE

A production change was made in the armrest. When ordering, you must first determine which style is required. Measure up ten inches from the bottom of the seat frame. If you feel (through the upholstery) a collar protruding outward approximately 1/2", you should order style two. Order style one if no protrusion is noted.

**1977 ITASCA
TABLE OF CONTENTS**

Introduction	A-1
Abbreviations	A-1
Alphabetical Index	A-2 - A-4
C25A	A-5 - B-4
C27AL	B-15 - C-24
C22C	D-1 - E-10
C27A	E-11 - F-20
C25C	F-21 - H-4
C25CD	H-5 - I-14
C24C	I-15 - J-22
C25AD	J-23 - L-14

1977 C25A INDEX

Floor Plan	A-5 - A-6
Accessories Group	A-7 - A-8
Bath Group	A-9 - A-10
Chassis Group	A-11
Curtain, Cushion & Pad Group	A-11 - A-15
Dinette Group	A-15
Driver's Compartment Group	A-16
Electrical Group	A-17 - A-18
Exterior Body Group	A-19 - A-22
Galley Group	A-23
Heating & Air Conditioning Group	A-24
Interior Finish Group	B-1 - B-2
LP Group	B-3
Lounge Group	B-4
Water & Sewage Group	B-4
Window, Vent & Exterior Door Group	B-5 - B-14

CURTAIN, CUSHION AND PAD GROUP (CONTINUED)

Key	Part Number	U/M	Description
	FABRICS		
043618-01-000	YD	Fabric - Upholstery - Rust (Fire and Grass)	
043618-02-000	YD	Fabric - Upholstery - Gold (Aztec Gold)	
043618-03-000	YD	Fabric - Upholstery - Beige (Saddle)	
043619-01-000	YD	Fabric - Drapery - Rust (Fire and Grass)	
043619-02-000	YD	Fabric - Drapery - Gold (Aztec Gold)	
043619-03-000	YD	Fabric - Drapery - Beige (Saddle)	
042411-01-000	YD	Vinyl - Non-Expanded - 27 Oz. - Brown (Bostonian)	
042411-02-000	YD	Vinyl - Expanded - 28 Oz. - Brown (Bostonian)	
042373-10-000	EA	Button Asm. - Covered - Rust (Fire and Grass)	
042373-11-000	EA	Button Asm. - Covered - Gold (Aztec Gold)	
042373-12-000	EA	Button Asm. - Covered - Beige (Saddle)	
042414-01-000	FT	Trim - Accent - Brown (Bostonian)	
046594-01-000	EA	Pad - Sidewall - Front Left - Bostonian	
046767-01-000	EA	Armrest Asm. - Driver - Sidewall	
046593-01-000	EA	Pad - Sidewall - Front Right - Bostonian	
046766-01-000	EA	Armrest Asm. - Passenger - Sidewall	
048165-01-000	EA	Panel Asm. - Overhead Bunk - Padded - Right	
048165-02-000	EA	Panel Asm. - Overhead Bunk - Padded - Left	
048837-01-000	EA	Panel Asm. - End - Overhead Cabinet - Padded - Dinette	
023631-05-000	EA	Button - Bostonian Brookshire	
048837-02-000	EA	Panel Asm. - End - Overhead Cabinet - Padded - Lounge	

DINETTE GROUP

Key	Part Number	U/M	Description
024274-21-700	EA	Table - Dinette w/o Hardware - Rust (Fire and Grass)	
024274-22-700	EA	Table - Dinette w/o Hardware - Gold (Aztec Gold)	
024274-23-700	EA	Table - Dinette w/o Hardware - Beige (Saddle)	
047842-01-000	EA	Kit Hardware - Dinette Table Leg	
047809-02-000	EA	Kit Hardware - Dinette Table Wall Mount	
043997-01-000	EA	Cabinet - Dinette Bench (Opposite Table)	
048768-03-700	EA	Cabinet Asm. - Dinette Overhead - Right - w/o Doors, End Pad or Hardware	
049771-02-700	EA	Door Asm. Cabinet Overhead Dinette 21" x 9" Left or Right	
048768-01-000	EA	Cabinet Asm. Overhead Dinette Left w/o Doors or Hardware	
049771-02-700	EA	Door Asm. Cabinet Overhead Dinette 21" x 9" w/o Hardware Left or Right	
046000-01-000	EA	Seat - Dinette Front Right	
046003-01-000	EA	Back - Dinette Seat Front Right	
049746-13-700	EA	Door Asm. Dinette Cabinet 15 1/2" x 14 1/2" Left Hand w/o Hardware	
045999-01-000	EA	Seat - Dinette Rear Right	
046002-01-000	EA	Back - Dinette Seat Rear Right	
049771-04-700	EA	Door Asm. Cabinet Overhead 23 1/2" x 8" w/o Hardware	
039582-02-700	EA	Table Dinette Fold Down One Piece w/o Hardware Rust (Fire and Grass)	
039582-03-700	EA	Table Dinette Fold Down One Piece w/o Hardware Gold (Aztec Gold)	
039582-04-700	EA	Table Dinette Fold Down One Piece w/o Hardware Beige (Saddle)	
039587-02-000	EA	Cabinet - Table - Fold Down Rust (Fire and Grass)	
039587-03-000	EA	Cabinet - Table - Fold Down Gold (Aztec Gold)	
039787-04-000	EA	Cabinet - Table - Fold Down Beige (Saddle)	
041864-01-000	EA	Hinge - Continuous Steel 1 1/2" x 16" with Holes	
047842-02-000	EA	Kit - Leg - Fold Down Dinette Table	
042718-01-000	EA	Cover - Cabinet Standpipe	

DRIVER'S COMPARTMENT GROUP

Key	Part Number	U/M	Description
	FABRICS		
	031823-09-000	EA	Dash Asm. - w/Pads, Gauges, and Switches
	022548-03-000	EA	Pad - Dash - Foam Right Hand Dark Brown
	023242-05-000	EA	Pad - Dash - Foam Left Hand Dark Brown
	024418-01-000	EA	Lamp - Asm. - Map/Gauge
	007308-01-000	EA	Clock - Dash
	007037-01-000	EA	Lighter - Asm. - Cigarette 12V
	007041-01-000	EA	Bezel - Cigarette Lighter
	024979-01-000	EA	Bezel - Entertainment Center
	007071-01-000	EA	Louver - Chrome - w/Chrome Wheel
	022547-01-000	EA	Bezel - Panel - Control
	023020-01-000	EA	Lamp Asm. - Tell Tale
	024907-01-000	EA	Control Asm. - Heater - A/C - 3 Speed
	024461-01-000	EA	Switch - Battery
	024463-01-000	EA	Switch - Blinker
	024484-01-000	EA	Switch - Washer
	024485-01-000	EA	Switch - Fuel
	024467-01-000	EA	Switch - Wiper
	024459-01-000	EA	Gauge - Voltmeter
	024460-01-000	EA	Gauge - Vacuum
	024462-01-000	EA	Switch - Battery Condition
	031035-01-000	EA	Gauge - Hourmeter Generator
	024990-02-000	EA	Outlet - Defroster - w/Swivel - 2" Dark Brown
	039044-01-000	EA	Louver Asm. - A/C Adjustable
	048583-01-000	EA	Tray - Beverage - Sliding
	041476-01-000	FT	Track - Slide PVC Brown
	039333-01-000	EA	Cover - Motor - Plastic
	039857-01-000	EA	Latch - Rubber - Draw Handle 5 1/2" w/Strike
	039856-01-000	EA	Latch - Rubber - Draw Handle 3" w/Strike
	047515-03-000	EA	Tray - Asm. Beverage - Stationary Mounted to Dash
	040519-01-000	EA	Boot - Rubber Steering Column
	040520-01-000	EA	Boot - Retainer - Steering Column
	034499-01-000	EA	Support - Dimmer Switch
	007019-01-000	EA	Belt Asm. - Seat - 2" x 84" Black
	041322-01-000	EA	Washer - Flat 15/32" I.D. x 2 3/8" O.D. - Seat Bolt
	042434-02-000	EA	Sunvisor Asm. - 8" x 28" Dark Brown Left or Right
	035368-02-000	EA	Seal - Motor Cover - Alum.
	048828-01-000	EA	Cabinet - Front Overhead - w/o Doors
	007221-01-000	EA	Spacer - Seat Adjuster
	038837-01-000	EA	Pedestal Asm. - Seat Bottom w/Tightener
	038832-01-000	EA	Rod - Seat Adjuster
	041654-01-000	EA	Pedestal - Base - Single & Double Seat
	007223-01-000	EA	Adjuster Asm. - Seat w/Lock
	007227-01-000	EA	Adjuster - Seat - w/o Lock
	041459-01-000	EA	Pedestal - Top - Single Seat
	007224-01-000	EA	Handle - Seat Adjuster 3 1/2"
	046886-01-000	EA	Ashtray - Asm. - Flush Mount Chrome
	042341-03-000	EA	Trim - Interior "A" Post Left Hand Brown Plastic
	042341-04-000	EA	Trim - Interior "A" Post Right Hand Brown Plastic
	007278-01-000	EA	Mirror - Inside Rear View 4 1/2" x 9"

**1977 ITASCA
TABLE OF CONTENTS**

Introduction	A-1
Abbreviations	A-1
Alphabetical Index	A-2 - A-4
C25A	A-5 - B-4
C27AL	B-15 - C-24
C22C	D-1 - E-10
C27A	E-11 - F-20
C25C	F-21 - H-4
C25CD	H-5 - I-14
C24C	I-1 - J-22
C25AD	J-23 - L-14

1977 C25A INDEX

Floor Plan	A-5 - A-6
Accessories Group	A-7 - A-8
Bath Group	A-9 - A-10
Chassis Group	A-11
Curtain, Cushion & Pad Group	A-11 - A-15
Dinette Group	A-15
Driver's Compartment Group	A-16
Electrical Group	A-17 - A-18
Exterior Body Group	A-19 - A-22
Galley Group	A-23
Heating & Air Conditioning Group	A-24
Interior Finish Group	B-1 - B-2
LP Group	B-3
Lounge Group	B-4
Water & Sewage Group	B-4
Window, Vent & Exterior Door Group	B-5 - B-14

ELECTRICAL GROUP

Key	Part Number	U/M	Description
	008195-01-000	EA	Switch - Push Button 12V
	006077-01-000	EA	Plaque - Compressor Switch
	008054-01-000	EA	Cord - Power - 10-3 30A - 25 Ft. - UL
	034818-04-000	EA	Holder - Receptacle - Plastic
	039338-01-000	EA	Cover Plate - Receptacle - Plastic - Brown
	039339-01-000	EA	Receptacle - Duplex Brown - End of Line
	039342-01-000	EA	Receptacle - Duplex Brown - T Junction
	024571-01-000	EA	Cover Plate - Receptacle - Jumbo Steel Brown
	039343-01-000	EA	Cap - End - Receptacle
	008162-01-000	EA	Switch - Dbl. Toggle - Spade Brown
	008163-01-000	EA	Switch - Toggle Brown
	024924-01-000	EA	Receptacle - Power Cord
	008058-01-000	EA	Adaptor - Power Cord
	008234-01-000	EA	Fuse - 12V - 10 Amp
	008235-01-000	EA	Fuse - 12V - 15 Amp
	008236-01-000	EA	Fuse - 12V - 20 Amp
	039950-02-000	EA	Control Center - 20 Amp w/Door UL
	048812-01-000	EA	Panel - Control - Water/Dbl. Sewage - Wemac
	039861-01-000	EA	Sending Unit Kit - Wemac
	008024-01-000	FT	Wire 18.5 Bonded Orange/White/Yellow/Blue/Brown
	008025-01-000	FT	Wire 18.5 Bonded Orange/White/Yellow/Blue/Green
	008028-01-000	FT	Wire 18.5 Bonded Blue/Red/Yellow/Orange/White
	008030-01-000	FT	Wire 18.4 Bonded
	008251-01-000	EA	Fuse Holder - Black - Screw Type
	008252-01-000	EA	Fuse 110V - 50 Amp
	024418-01-000	EA	Lamp Asm. - Map/Gauge/Aisle
	024473-01-000	EA	Light - Aircraft - 1 Bulb Gold
	033508-02-000	EA	Light - Dome - Ivory 1 Bulb
	024642-01-701	EA	Lens - Dome - 1 Bulb
	033509-02-000	EA	Light - Dome - Ivory 2 Bulb
	024643-01-701	EA	Lens - Dome - 2 Bulb
	008089-01-000	EA	Light - Porch - Recessed
	045863-01-000	EA	Lamp Asm. - Tail - Horizontal
	045864-01-000	EA	Lamp Asm. - Tail - Horizontal - w/License Mount
	046125-01-000	EA	Wedge - Tail Light
	042405-03-000	EA	Base - Rectangular Clearance Light
	042405-04-000	EA	Lens - Rectangular Light - Red
	042405-05-000	EA	Lens - Rectangular Light - Amber
	037935-01-000	EA	Bulb - 1157
	038010-01-000	EA	Bulb - 1143
	008103-01-000	EA	Bulb - 1153
	008213-01-000	EA	Bulb - 1157
	008214-01-000	EA	Bulb - 1167
	008215-01-000	EA	Bulb - 1003
	008216-01-000	EA	Bulb - 1034
	008217-01-000	EA	Bulb - 1073
	008218-01-000	EA	Bulb - 1141
	008219-01-000	EA	Bulb - 656
	008220-01-000	EA	Bulb - 12V - 25W
	036196-01-000	EA	Bulb - 194
	700020-01-000	EA	Bulb - 12V - 20W 1383
	008188-01-000	EA	Solenoid - Dual Battery - Relay
	047351-01-000	EA	Receptacle - Ground Fault Int. - 125V Black
	047353-01-000	EA	Cover - Receptacle - Ground Fault
	008208-01-000	EA	Circuit Breaker - 12V - 40 Amp
	008211-01-000	EA	Circuit Breaker - 12V - 6 Amp
	008268-01-000	EA	Circuit Breaker - 12V - 30 Amp w/Mount
	033573-01-000	EA	Circuit Breaker - 12V - 20 Amp w/Mount
	047338-01-000	EA	Isolator - Dual Battery
	047389-01-000	EA	Battery - 12V - 105 Amp Deep Cycle - Dry
	008233-01-000	EA	Fuse 12V - 6 Amp
	008277-01-000	EA	Holder - Fuse - Panel Mount - Black
	024459-01-000	EA	Gauge Asm. - Voltmeter
	031035-01-000	EA	Gauge Asm. - Hourmeter - Generator
	024462-01-000	EA	Switch - Battery Condition - Stamped
	045863-01-700	EA	Lens - Tail Light - All Red
	045863-01-701	EA	Lens - Tail Light - Red w/Backup

ELECTRICAL GROUP (CONTINUED)

Key	Part Number	U/M	Description
	037998-01-000	EA	Link Asm. - Connecting 22.40" Long
	037999-01-000	EA	Motor Asm. Windshield
	038001-01-000	EA	Shaft & Pivot Asm. 2.25" Arm
	049483-01-000	EA	Arm Windshield Wiper 15" Black
	049484-01-000	EA	Blade Windshield Wiper 16" Black
	007029-01-000	EA	Washer Asm. Windshield Power Ject Elec. Front
	700073-05-000	EA	Pump & Cover Asm. for Windshield Washer
	700073-04-000	EA	Reservoir Only Water Windshield Washer
	700073-02-000	EA	Washer Nozzle Hardware Pkg. - Front

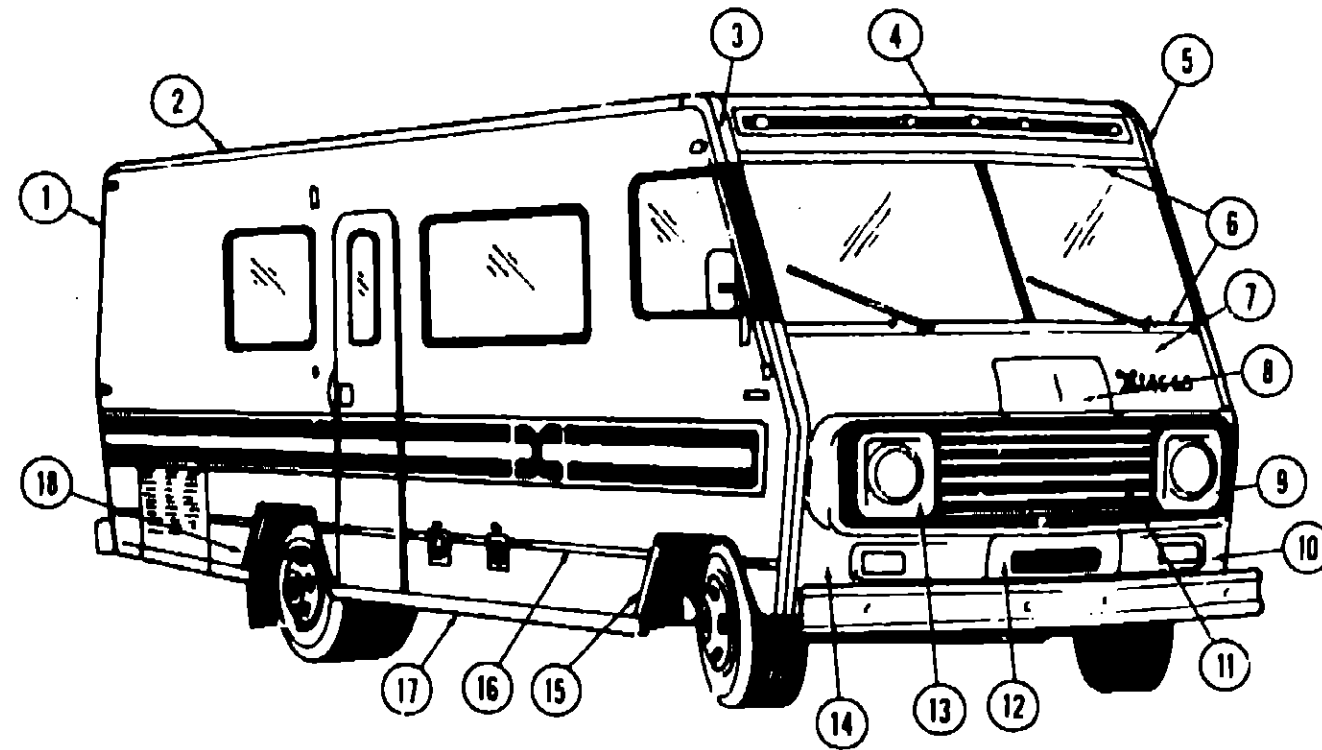
1977 ITASCA TABLE OF CONTENTS

Introduction	A-1
Abbreviations	A-1
Alphabetical Index	A-2 - A-4
C25A	A-5 - B-4
C27AL	B-15 - C-24
C22C	D-1 - E-10
C27A	E-11 - F-20
C25C	F-21 - H-4
C25CD	H-5 - I-14
C24C	I-15 - J-22
C25AD	J-23 - L-14

1977 C25A INDEX

Floor Plan	A-5 - A-6
Accessories Group	A-7 - A-8
Bath Group	A-9 - A-10
Chassis Group	A-11
Curtain, Cushion & Pad Group	A-11 - A-15
Dinette Group	A-15
Driver's Compartment Group	A-16
Electrical Group	A-17 - A-18
Exterior Body Group	A-19 - A-22
Galley Group	A-23
Heating & Air Conditioning Group	A-24
Interior Finish Group	B-1 - B-2
LP Group	B-3
Lounge Group	B-4
Water & Sewage Group	B-4
Window, Vent & Exterior Door Group	B-5 - B-14

EXTERIOR BODY GROUP



Key	Part Number	U/M	Description
1	039964-01-000	EA	Trim - Contour - Right Rear - Off White
2	039964-02-000	EA	Trim - Contour - Left Rear - Off White
3	034922-03-000	EA	Trim - Sidewall - Upper - Left or Right - Off White
4	039963-01-000	EA	Trim - Contour - Right Front - Off White
5	040357-01-000	EA	Cap Asm. - Fiberglass - Over Windshield - Off White
6	039963-02-000	EA	Trim - Contour - Left Front - Off White
7	043988-02-000	EA	Trim - Windshield - 91" - Off White
8	046142-01-000	EA	Shroud - Front End - Upper - Off White
9	046145-01-000	EA	Door - Access - Front End - Off White Plastic
10	047336-01-000	EA	Catch - Magnetic (Access Door) Surface Mount
11	039615-01-000	EA	Holding Rod - Hood
12	046141-01-000	EA	Bezel - Headlamp - Plastic - Left
13	046144-01-000	EA	Shroud - Front End - Lower Left - Off White
14	047196-01-000	EA	Grille Asm. - Front End - Alum. w/Orange Striping Decal
15	046146-01-000	EA	Shroud - Front End Center - Off White
16	046140-01-000	EA	Bezel - Headlamp - Plastic - Right

Key	Part Number	U/M	Description
14	046143-01-000	EA	Shroud - Front End - Lower Right - Off White
15	035628-01-000	EA	Fastener - Blind Well Nut - Fiberglass to Chassis
16	039962-01-000	EA	Trim - Wheel Well - Front - Left or Right
17	002444-02-003	EA	Extr. - Feature Strip w/o Insert - Alum. - 16'
18	001030-02-002	EA	Insert - Feature Strip - Off White Alum. - 21'
	009731-01-000	EA	End Cap - Feature Strip
	036908-02-001	EA	Extr. - Anod. - Rocker Panel - 18'
	040632-01-000	EA	Plug - Rocker Panel - Mitered - Wheel Well Opening Used for Left Side of All Wheel Well Openings
	040631-01-000	EA	Plug - Rocker Panel - Mitered - Wheel Well Opening Used for Right Side of All Wheel Well Openings
	040420-01-000	EA	Plug - Rocker Panel End - Right
	040420-02-000	EA	Plug - Rocker Panel End - Left
18	039961-01-000	EA	Trim - Wheel Well Rear - Right or Left
	038494-04-000	EA	Trim - Windshield - Center - 31.42" - Black
	002365-02-001	EA	Extr. - Anod. U-Channel - 18' (Lower Backwall)
	044582-02-000	EA	Drip Cap - Over Entry Door - Off White
	009717-02-002	EA	Extr. - Drip Rail - Alum. - 19'
			Not Illustrated

1977 ITASCA TABLE OF CONTENTS

Introduction	A-1
Abbreviations	A-1
Alphabetical Index	A-2 - A-4
C25A	A-5 - B-4
C27AL	B-15 - C-24
C22C	D-1 - E-10
C27A	E-11 - F-20
C25C	F-21 - H-4
C25CD	H-5 - I-14
C24C	I-15 - J-22
C25AD	J-23 - L-14

1977 C25A INDEX

Floor Plan	A-5 - A-6
Accessories Group	A-7 - A-8
Bath Group	A-9 - A-10
Chassis Group	A-11
Curtain, Cushion & Pad Group	A-11 - A-15
Dinette Group	A-15
Driver's Compartment Group	A-16
Electrical Group	A-17 - A-18
Exterior Body Group	A-19 - A-22
Galley Group	A-23
Heating & Air Conditioning Group	A-24
Interior Finish Group	B-1 - B-2
LP Group	B-3
Lounge Group	B-4
Water & Sewage Group	B-4
Window, Vent & Exterior Door Group	B-5 - B-14

EXTERIOR BODY GROUP (CONTINUED)

EXTERIOR BODY PANELS AND SHEET ALUMINUM

Key	Part Number	U/M	Description
	049038-01-000	EA	Backwall Asm.
	049039-01-000	EA	Sidewall Asm. - Right
	049040-01-000	EA	Sidewall Asm. - Left
	049038-01-000	EA	Roof Asm. - Plain Finish
	039155-03-008	EA	Off White Mesa Alum. - .024" x 36" x 60"
	039155-03-002	EA	Off White Mesa Alum. - .024" x 36" x 300"
	039155-03-003	EA	Off White Mesa Alum. - .024" x 36" x 360"
	039155-03-007	EA	Off White Mesa Alum. - .024" x 48" x 60"
	039155-03-005	EA	Off White Mesa Alum. - .024" x 48" x 300"
	039155-03-006	EA	Off White Mesa Alum. - .024" x 48" x 360"
	039155-03-009	EA	Off White Mesa Alum. - .024" x 12" x 360"
	044487-01-001	EA	Plain Roof Metal - 96" x 360"
	039155-07-010	EA	Off White Greyhound Alum. - 48" x 96"
	001054-01-011	EA	Off White Plain Alum. - 48" x 96"
	000868-01-000	BF	Styrofoam - 3/4" x 24" x 96"
	000870-01-000	BF	Styrofoam - 1 1/2" x 24" x 96"
	046817-01-000	EA	Panel Asm. - Valance - Off White

EXTERIOR PAINT

Key	Part Number	U/M	Description
	041561-01-000	EA	Paint - Off White - Acrylic Enamel - 1 Gal.
	041561-03-000	EA	Paint - Off White - Acrylic Enamel - 16 Oz. Aerosol
	041561-04-000	EA	Paint - Off White - Acrylic Lacquer - 1 Gal.
	045812-01-000	EA	Paint - Orange - Acrylic Enamel - 1 Gal.
	045812-03-000	EA	Paint - Orange - Acrylic Enamel - 16 Oz. Aerosol
	041565-01-000	EA	Paint - Rally Yellow - Acrylic Enamel - 1 Gal.
	041565-03-000	EA	Paint - Rally Yellow - Acrylic Enamel - 16 Oz. Aerosol
	045681-01-000	EA	Paint - High Gloss Black - Acrylic Enamel - 1 Gal.
	045681-03-000	EA	Paint - High Gloss Black - Acrylic Enamel - 16 Oz. Aerosol
	042933-04-000	EA	Paint - Dark Brown - Acrylic Enamel - 1 Gal.
	042933-03-000	EA	Paint - Dark Brown - Acrylic Enamel - 16 Oz. Aerosol

LABELS AND DECALS

Key	Part Number	U/M	Description
	006031-01-000	EA	Label - Potable Water Only
	006187-01-000	EA	Label - Sewage
	006188-01-000	EA	Label - Waste Water
	006199-01-000	EA	Label - Exit - Escape Window
	039289-01-000	EA	Label - Warning Aux. Loading
	006023-01-000	EA	Label - Water Only
	006025-01-000	EA	Label - Gas
	006028-01-000	EA	Label - Drain Cap - 2" x 3"
	008092-01-000	EA	Reflector - Stick on - Rectangular - Red
	008093-01-000	EA	Reflector - Stick on - Rectangular - Amber
	046325-01-000	EA	Decal - Logo - Itasca - Grille
	046764-01-000	EA	Decal - Grille Accent - Left - Orange
	046764-02-000	EA	Decal - Grille Accent - Right - Orange
	040055-01-000	EA	Decal - Clearance Light Stripe - Right
	040055-02-000	EA	Decal - Clearance Light Stripe - Left
	041273-02-000	FT	Decal - Stripe .88" Black
	046320-01-000	EA	Stencil - Stripe - Front Side - Right
	046320-02-000	EA	Stencil - Stripe - Front Side - Left
	041273-04-000	FT	Decal - Stripe - .64" Orange - Grille
	046322-01-000	EA	Decal - Stripe - Front Side - Right - Black
	046322-02-000	EA	Decal - Stripe - Front Side - Left - Black
	046323-01-000	EA	Stencil - Logo - Itasca "I"
	046400-01-000	EA	Decal - Logo - Itasca 5.25" High

EXTERIOR BODY GROUP (CONTINUED)

SEALANTS, ADHESIVES AND FASTENERS

Key	Part Number	U/M	Description
	034552-05-000	EA	Sealant - Off White Silicone
	034552-04-000	EA	Sealant - Beige Silicone
	034552-02-000	EA	Sealant - Clear Silicone
	004348-02-000	EA	Sealant - Aluminum Silicone
	004349-01-000	EA	Sealant - Black Silicone
	004342-01-000	EA	Sealant - Weatherban 202 Tube
	004346-02-000	EA	Sealant - White Silicone
	004347-01-000	EA	Sealant - Tullex
	002316-01-000	FT	Sealer Tape - 3/32" x 1/8"
	024545-01-000	FT	Sealer Tape - 1/8" x 5/8" - Black
	004350-01-000	FT	Sealer Tape - 1/8" x 1" - Formaseal
	004352-01-000	FT	Sealer Tape - 1/8" x 3/4" - Formaseal
	004355-01-000	FT	Sealer Tape - 1/8" x 5/8" - Black
	004357-01-000	FT	Sealer Tape - 1/8" x 5/8" - Adhesive
	002707-01-000	FT	Sealer Tape - 5/16" x 3/4" - Black Foam
	001363-01-000	FT	Sealer Tape - 3/16" x 1/2" - Foam
	004362-01-000	FT	Sealer Tape - 1/4" x 5/8" - Foam
	009200-01-000	EA	Tape - Furnace - 1 1/2"
	041839-01-000	FT	Tape - Window Latch - 3/4" - Adhesive
	041839-02-000	FT	Tape - Window Latch - 1/2" - Adhesive
	004353-01-000	FT	Tape - Gasket - 1/8" x 3/4" - White
	002825-01-000	FT	Weather Stripping - Roof Vent
	002337-01-000	EA	Adhesive - 3M - 1300 Tube
	004005-01-000	GL	Adhesive - Swifts - Green - Glue (Sidewalls)
	004012-01-000	EA	Adhesive - 3M - 4475 Tube
	004020-01-000	QT	Adhesive - ABS Cement (Plastic Fittings)
	029051-01-000	EA	Adhesive - Spray Vinyl
	042401-01-000	EA	Screw - 8 - 18 x 3/4" SDPH Beige
	042403-01-000	EA	Screw - SF/DR - 8-18 x 1" SDPH Beige

MISCELLANEOUS EXTERNALLY MOUNTED PARTS

Key	Part Number	U/M	Description
	016253-06-000	EA	Fuel Fill - Recessed - Single - Off White
	010230-02-000	EA	Fill - City Water - Recessed - Off White
	011020-01-000	EA	Fill - Water - Recessed - Off White
	011124-01-000	EA	Plumbing Seal - Roof Vent - 1 1/4" White
	011129-01-000	EA	Plumbing Seal - Roof Vent - 1 1/2" White
	049347-01-000	EA	Mirror Head - 7 1/2" x 10 1/2" Stainless Steel w/o Bracket
	049348-01-000	EA	Arm - Low Mount Mirror - Brite Finish
	049944-01-000	EA	Bracket - Mirror - Outside - Beige - Mounts to Coach

1977 ITASCA TABLE OF CONTENTS

Introduction	A-1
Abbreviations	A-1
Alphabetical Index	A-2 - A-4
C25A	A-5 - B-4
C27AL	B-15 - C-24
C22C	E-1 - E-10
C27A	E-11 - F-20
C25C	F-21 - H-4
C25CD	H-5 - I-14
C24C	I-15 - J-22
C25AD	J-23 - L-14

1977 C25A INDEX

Floor Plan	A-5 - A-6
Accessories Group	A-7 - A-8
Bath Group	A-9 - A-10
Chassis Group	A-11
Curtain, Cushion & Pad Group	A-11 - A-15
Dinette Group	A-15
Driver's Compartment Group	A-16
Electrical Group	A-17 - A-18
Exterior Body Group	A-19 - A-22
Galley Group	A-23
Heating & Air Conditioning Group	A-24
Interior Finish Group	B-1 - B-2
LP Group	B-3
Lounge Group	B-4
Water & Sewage Group	B-4
Window, Vent & Exterior Door Group	B-5 - B-14

GALLEY GROUP

Key	Part Number	U/M	Description
	011053-01-000	EA	Faucet - Galley - Swing Spout
	011053-01-700	EA	Aerator - Swing Spout - Faucet
	040435-02-000	EA	Galley Extension - Rust (Fire and Grass)
	040435-03-000	EA	Galley Extension - Gold (Aztec Gold)
	040435-06-000	EA	Galley Extension - Beige (Saddle)
	009049-01-000	EA	Support - Drop Leaf - Galley Extension
	009059-01-000	EA	Hinge - 2" Gold - Galley Extension
	027671-05-000	EA	Cover - Sink - Rust (Fire and Grass)
	027671-06-000	EA	Cover - Sink - Gold (Aztec Gold)
	027671-07-000	EA	Cover - Sink - Beige (Saddle)
	011032-01-000	EA	Sink - Stainless Steel - Double w/Bolts w/o Faucet
	011085-01-000	EA	Strainer - Sink
	049246-01-000	EA	Cabinet - Galley w/o Countertop, Drawers, Doors, Sink or Hardware
	049247-01-000	EA	Countertop - Galley Cabinet Rust (Fire and Grass)
	049247-02-000	EA	Countertop - Galley Cabinet Gold (Aztec Gold)
	049247-03-000	EA	Countertop - Galley Cabinet Beige (Saddle)
	049746-01-700	EA	Door Asm. Galley Cabinet 9 5/16" x 18 1/2" Right Hand or Left Hand w/o Hardware
	048767-01-000	EA	Cabinet - Asm. Galley - Overhead w/o Door or Hardware
	049771-02-700	EA	Door Asm. Galley Overhead Cabinet 21" x 9" w/o Hardware
	042709-13-700	EA	Drawer Asm. Galley Cabinet Notch-Up w/o Hardware
	049746-02-700	EA	Door Asm. Galley Cabinet 10 3/8" x 44 1/2" Left Hand w/o Hardware
**	049045-01-000	EA	Range - 4 Burner - Large Oven - Chrome - Magic Chef
**	046954-01-000	EA	Hood - Range - Power w/Spice Rack - Jensen
**	049174-01-000	EA	Refrigerator - A/C/Gas - ET 230 - 2 Door Model - Sibir

** The illustrated parts breakdown for this item is provided on the Common Items Fiche

HEATING AND AIR CONDITIONING GROUP

Key	Part Number	U/M	Description
	047036-01-000	EA	A/C Compressor Mount Package - 350 C.I.D.
	048100-01-000	EA	A/C Compressor Mount Package - 454 C.I.D.
	007076-01-000	FT	Hose - Flex - 2" Diameter
	007108-01-000	FT	Hose - Heater - 5/8" Diameter
	007139-01-000	EA	Clamp - Hose 3/4" - 1 1/16" Diameter
	007140-01-000	EA	Clamp - Hose - 2" - 3" Diameter
	007281-01-000	FT	Hose - Flex - 2 1/2" Diameter
	024868-01-000	EA	Receiver - Dehydrator
	024996-01-000	EA	Clutch - Magnetic - Compressor
	024999-01-000	EA	Compressor - Auto Air - 10.3 Cu. In.
	031043-01-000	EA	Valve - Flow Control - Heater
	031044-01-000	EA	Clamp - Receiver Drier
	031169-02-000	EA	Cable - Control - Flexible - 48"
	031170-01-000	EA	Clamp - Cable - 3/16" Diameter
	031960-01-000	EA	Hose - Refrigerant - .34" I.D. x 30"
	031961-01-000	EA	Hose - Refrigerant - .31" I.D. x 14.75"
	033258-01-000	EA	Hose - Refrigerant - .50" I.D. x 34.5"
	034222-01-000	EA	Hose - Refrigerant - .31" I.D. x 26"
	033860-02-000	EA	Cable - Bowden - 48"
	048801-01-000	EA	Condenser - A/C - 350
	048230-02-000	EA	Kit - Auto Air - 350 - C.I.D. A-Body
	048232-02-000	EA	Kit - Auto Air - 454 - C.I.D. A-Body
	024860-01-000	EA	Panel - Front - Heater - A/C
	024997-01-000	EA	Core - Heater
	024998-01-000	EA	Wheel - Blower - 4.72" O.D.
	047046-01-000	EA	Motor - 12V - 3 Speed
	039044-01-000	EA	Louver Asm. - A/C Adjustable
	008267-01-000	EA	Switch - A/C Temperature
	024907-01-000	EA	Switch - Fan - 3 Speed
	024955-01-000	EA	Register w/Damper - 9.9" x 4.8"
	009198-01-000	EA	Duct - Flexible - 4" I.D. x 25'
	031604-01-000	EA	Bonnet - Heat Register
	039505-02-000	EA	Thermostat - Horizontal Wall Mount - Black
	009200-01-000	EA	Tape - Furnace - 1 1/2"
**	049042-01-000	EA	Furnace - 22,000 BTU - Under Counter - Coleman - 4322
**	049043-01-000	EA	Furnace - 28,000 BTU - Under Counter - Coleman - 4328
**	049777-01-000	EA	Air Conditioner - 110 Volt - Roof Mount - 11,000 BTU - Ivory Coleman (w/o Inside Shroud)
**	049778-01-000	EA	Shroud Asm. - Ceiling - Inside - Roof Air - Cool Only - 11,000 BTU - Coleman
**	049774-01-000	EA	Air Conditioner - 110 Volt - Roof Mount - 13,500 BTU Ivory - Coleman (w/o Inside Shroud)
**	049775-01-000	EA	Shroud Asm. - Ceiling - Inside - Roof Air - Cool Only - 13,500 BTU - Coleman
**	049776-01-000	EA	Shroud Asm. - Ceiling - Inside - Roof Air - Heat and Cool Only - 13,500 BTU - Coleman

** The illustrated parts breakdown for this item is provided on the Common Items Fiche.

1977 ITASCA TABLE OF CONTENTS

Introduction	A-1
Abbreviations	A-1
Alphabetical Index	A-2 - A-4
C25A	A-5 - B-4
C27AL	B-15 - C-24
C22C	D-1 - E-10
C27A	E-11 - F-20
C25C	F-21 - H-4
C25CD	H-5 - I-14
C24C	I-15 - J-22
C25AD	J-23 - L-14

1977 C25A INDEX

Floor Plan	A-5 - A-6
Accessories Group	A-7 - A-8
Bath Group	A-9 - A-10
Chassis Group	A-11
Curtain, Cushion & Pad Group	A-11 - A-15
Dinette Group	A-15
Driver's Compartment Group	A-16
Electrical Group	A-17 - A-18
Exterior Body Group	A-19 - A-22
Galley Group	A-23
Heating & Air Conditioning Group	A-24
Interior Finish Group	B-1 - B-2
LP Group	B-3
Lounge Group	B-4
Water & Sewage Group	B-4
Window, Vent & Exterior Door Group	B-5 - B-14

INTERIOR FINISH GROUP

Key	Part Number	U/M	Description
	041205-07-000	SF	Plastic Laminate - 48" x 96" Rust Leather (Fire and Grass)
	041205-07-002	EA	Plastic Laminate - 48" x 48" Rust Leather (Fire and Grass)
	041205-07-002	EA	Plastic Laminate - 1.19" x 96" Rust Leather (Fire and Grass)
	041205-08-000	SF	Plastic Laminate - 48" x 96" Gold Leather (Aztec Gold)
	041205-08-001	EA	Plastic Laminate - 48" x 48" Gold Leather (Aztec Gold)
	041205-08-002	EA	Plastic Laminate - 1.19" x 96" Gold Leather (Aztec Gold)
	041205-09-000	SF	Plastic Laminate - 48" x 96" - Beige Leather (Saddle)
	041205-09-001	EA	Plastic Laminate - 48" x 48" - Beige Leather (Saddle)
	041205-09-002	EA	Plastic Laminate - 1.19" x 96" - Beige Leather (Saddle)
	039188-01-000	SF	Paneling - 707 Hickory - 43" x 96" (32 SF)
	045963-01-000	SF	Paneling - 825 Buff - 48" x 96" (32 SF)
	000868-01-000	BF	Styrofoam - 3/4" x 24" x 96"
	000726-06-000	EA	Batt Strip - 707 Hickory
	047354-01-000	EA	Batt Strip - 825 Buff
	024700-04-000	EA	Cover - Sidewall Roll Bar - 707 Hickory
	024700-06-000	EA	Cover - Sidewall Roll Bar - Ivory
	039512-02-000	EA	Cover - Hat Section - 707 Hickory
	039512-06-000	EA	Cover - Hat Section - Ivory
	047488-01-000	EA	Cover - Corner - Hat/Hat
	047489-01-000	EA	Cover - Corner - Tube/Tube
	047490-01-000	EA	Cover - Corner - Hat/Tube
	002830-01-002	EA	Extr. - U-Channel - Pipe Cover - 16 Feet
	040069-01-000	EA	Mat - Door - Black Rubber - 10 1/2" x 26" - Itasca
	049654-01-000	EA	Kit - Pull Asm. - Lower Door
	049655-01-000	EA	Kit - Knob Asm. - Upper Door
	041931-01-000	EA	Kit - Cabinet Door Hinge
	039873-01-000	EA	Kit - Latch - Medicine Cabinet
	009047-01-000	EA	Support - Overhead Door
	047744-01-000	EA	Kit - Drawer Glide
	037688-01-000	FT	Rail - Drawer Glide - V
	033535-03-000	FT	Molding Asm. - Shelf - 707 Hickory
	009812-03-000	FT	Molding - Plastic - Corner O/S .5"
	009767-01-000	FT	Welting - Brown
	009615-02-000	FT	T-Molding - 3/4" Brown
	041838-01-000	EA	Screw - 5 x 3/4" POH - Antique Brass
	009778-01-000	FT	U-Channel - 1" - Dark Brown
	009779-01-000	FT	U-Channel - 1 1/2" Dark Brown
	034689-03-000	EA	Cover - Screw - PPH - 10 - Ivory
	009112-01-000	EA	Flange - 1" Rod - Chrome - Wardrobe
	002766-02-001	EA	Extr - Angle - 1" x 1 1/2" x 17 Feet - Stiffener
	009151-01-000	EA	Warp Guard - 48"
	042414-01-000	FT	Trim - Accent - Brown Bostonian
	047842-01-000	EA	Kit - Hardware - Dinette Table Leg
	047809-02-000	EA	Kit - Hardware - Dinette Table Wall Mount
	050826-01-000	EA	Track - Curtain - Wraparound - Right
	050826-02-000	EA	Track - Curtain - Wraparound - Left
	009108-01-000	FT	Track - Curtain - Brown Plastic 3/4" x 16 Feet
	043087-01-000	EA	Track - Shower Curtain
	009701-01-000	EA	Roller - Curtain - "L" Rod
	009702-01-000	EA	End Stop - Curtain Track - "L" Rod
	018031-42-000	EA	Track - Curtain - "L" Rod 90"
	009223-01-000	EA	Rod - Curtain - Flat Extension
	049897-01-000	EA	Rod - Curtain - Flat Extension - 25" - 45"
	049897-02-000	EA	Rod - Curtain - Flat Extension - 48" - 86"
	042439-01-000	EA	Bracket - Curtain Rod - Single
	009107-01-000	EA	Gulde - Nylon Snap - White
	041804-01-000	EA	Hinge - 1 1/2" x 16" w/Holes - Folding Table Option
	024283-01-000	EA	Clip - 1" - 1.125" O.D. Tube - Black
	009049-01-000	EA	Table Support - Drop Leaf - Galley Extension
	009059-01-000	EA	Hinge - 2" - Gold - Galley Extension
	004346-02-000	EA	Silicone Sealant - White
	004348-02-000	EA	Silicone Sealant - Aluminum
	004349-01-000	EA	Silicone Sealant - Black

INTERIOR FINISH GROUP (CONTINUED)

Key	Part Number	U/M	Description
	034552-02-000	EA	Silicone Sealant - Clear
	034552-04-000	EA	Silicone Sealant - Beige
	034552-05-000	EA	Silicone Sealant - Off White
	042933-03-000	EA	Paint - Dark Brown - 16 Oz. Aerosol
	042933-04-000	EA	Paint - Dark Brown - 1 Gallon
	043568-04-000	EA	Paint - Saddle Brown Flat - 1 Gallon
	041210-03-000	SY	Carpet - Orange Morning Dew - Rust - (Fire and Grass)
	043635-01-000	SY	Carpet - Coffee Brown Morning Dew - Gold - (Aztec Gold)
	043635-02-000	SY	Carpet - Beige Morning Dew - Beige - (Saddle)
	043618-01-000	YD	Fabric - Upholstery - Rust - (Fire and Grass)
	043618-02-000	YD	Fabric - Upholstery - Gold - (Aztec Gold)
	043618-03-000	YD	Fabric - Upholstery - Beige - (Saddle)
	043619-01-000	YD	Fabric - Drapery - Rust - (Fire and Grass)
	043619-02-000	YD	Fabric - Drapery - Gold - (Aztec Gold)
	043619-03-000	YD	Fabric - Drapery - Beige - (Saddle)
	042411-01-000	YD	Vinyl - Non-Expanded - 27 Oz. - Brown - Bostonian
	042411-02-000	YD	Vinyl - Expanded - 28 Oz. Brown - Bostonian

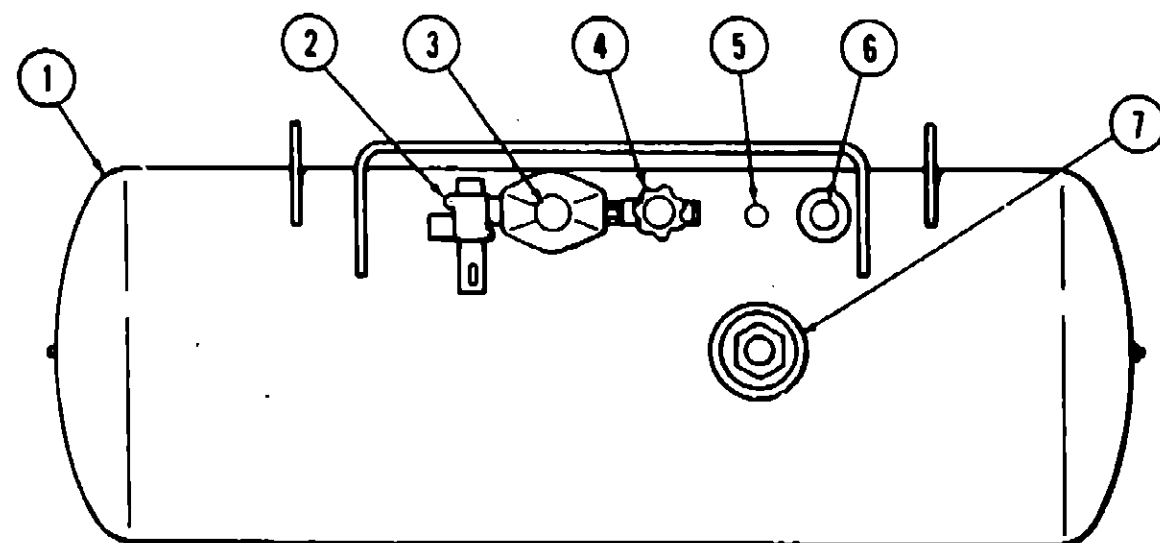
1977 ITASCA TABLE OF CONTENTS

Introduction	A-1
Abbreviations	A-1
Alphabetical Index	A-2 - A-4
C25A	A-5 - B-4
C27AL	B-15 - C-24
C22C	D-1 - E-10
C27A	E-11 - F-20
C25C	F-21 - H-4
C25CD	H-5 - I-14
C24C	I-15 - J-22
C25AD	J-23 - L-14

1977 C25A INDEX

Floor Plan	A-5 - A-6
Accessories Group	A-7 - A-8
Bath Group	A-9 - A-10
Chassis Group	A-11
Curtain, Cushion & Pad Group	A-11 - A-15
Dinette Group	A-15
Driver's Compartment Group	A-16
Electrical Group	A-17 - A-18
Exterior Body Group	A-19 - A-22
Galley Group	A-23
Heating & Air Conditioning Group	A-24
Interior Finish Group	B-1 - B-2
LP Group	B-3
Lounge Group	B-4
Water & Sewage Group	B-4
Window, Vent & Exterior Door Group	B-5 - B-14

LP GROUP



Key	Part Number	U/M	Description
1	040421-01-000	EA	Tank - LP - Frame Mount - 83 Pound
2	047221-01-000	EA	Detector - LP Gas Leak
3	024712-01-000	EA	Cover - LP Regulator
•	052163-01-000	EA	Regulator - Manual - LP Gas - 2 Stage
4	040421-01-703	EA	Valve - Vapor Relief
5	040421-01-700	EA	Gauge - Liquid Level - 20% LP
6	040421-01-701	EA	Valve - Filler - LP
•	040421-01-702	EA	Cap - Plastic Fill Valve
7	040421-01-707	EA	Gauge - Flat - w/Visible Dial - 83 Pound Tank
•	040421-01-706	EA	Dial - Visible Face - Float Gauge (Tank w/o Electric Transmitter)
•	040421-01-705	EA	Dial - Transmitter - O - 90 Ohm (Float Gauge)
•	045703-03-000	EA	Hose Asm. - LP - 3/8" I.D. x 14"
•	047737-02-000	EA	Support - LP Tank - 89.25"
•	047737-03-000	EA	Support - LP Tank - 30.50"
•	Not Illustrated		

LOUNGE GROUP

Key	Part Number	U/M	Description
	045986-01-700	EA	Cabinet - Gaucho Base w/o Slider
	042091-01-000	EA	Leg Asm. - Gaucho
	048766-01-000	EA	Cabinet Asm. Overhead Rear Lounge w/o Door or Hardware
	049771-02-700	EA	Door Asm. Cabinet Overhead 21" x 9" w/o Hardware

WATER AND SEWAGE GROUP

Key	Part Number	U/M	Description
	040539-01-000	EA	Kit - Repair - 3/8" O.D. Plastic Tube
	040540-01-000	EA	Kit - Repair - 1/2" O.D. Plastic Tube
	040541-01-000	EA	Kit - Repair - 3/4" O.D. Plastic Tube
	041279-02-000	EA	Pump - Water Flow 2.8 G.P.M. - PAR
	039647-02-000	EA	Filter - Water Pump 1/2" M.P.T.
	039809-01-000	EA	Valve - Stool - Plastic 3/8" x 1/2" FPT
	039818-01-000	EA	Riser Asm. - 1/2" O.D. x 24" Tube
	039818-02-000	EA	Riser Asm. - 1/2" O.D. x 36" Tube
	039818-04-000	EA	Riser Asm. - 1/2" O.D. x 72" Tube
	039818-05-000	EA	Riser Asm. - 1/2" O.D. x 48" Tube
	041819-01-000	EA	Nut and Cone - Plastic 1/2" O.D. Tube
	046128-01-000	EA	Valve - Drain - Plastic 1/2" F.P.T.
	039807-01-000	EA	Valve - Drain - Brass - 1/2" M.P.T.
	052542-02-000	EA	Tank Asm. - Water - 54 Gallon w/Fittings
	052542-01-000	EA	Tank Asm. - Water - 54 Gallon w/o Fittings
	046524-02-000	EA	Kit - Plastic Fittings - Water Tank (For Use with Blank Water Tank or Tank Repairs)
	004020-01-000	QT	Adhesive - ABS Cement
	010201-01-000	EA	Hose - Sewer 3" x 10 Ft. w/Clamp
	010235-01-000	EA	Cap - Sewage 3"
	010236-01-000	EA	Adapter - Hose 3" Sewage
	010234-01-000	EA	Adapter - Bayonet
	011091-01-000	EA	Waste - Continuous - Double Sink 11 1/2"
	011066-01-000	EA	P-Trap - Plastic - 1/2"
	010205-01-000	EA	Valve - Sanitary Thetford 3XB
	047246-01-000	EA	Handle - Extension - Sewer Valve 43"
	047247-01-000	EA	Handle - Extension - Sewer Valve 19"
	045980-01-000	EA	Tank Asm. - Holding 35 Gallon w/Fittings
	014903-01-000	EA	Tank - Holding Plastic 35 Gallon w/o Fittings
	045981-01-000	EA	Tank Asm. Holding 22 Gallon w/Fittings
	039938-01-000	EA	Tank - Holding Plastic 22 Gallon w/o Fittings
	046524-01-000	EA	Kit - Plastic Fittings - Holding Tank (For use with blank holding tank or tank repairs)
**	031992-01-000	EA	Water Heater - 6 Gallon - w/Motor Aid - Atwood - GH6
**	051392-01-000	EA	Water Heater - 6 Gallon w/Motor Aid - Atwood - GH63

** The illustrated parts breakdown for this item is provided on the Common Items Fiche.

1977 ITASCA TABLE OF CONTENTS

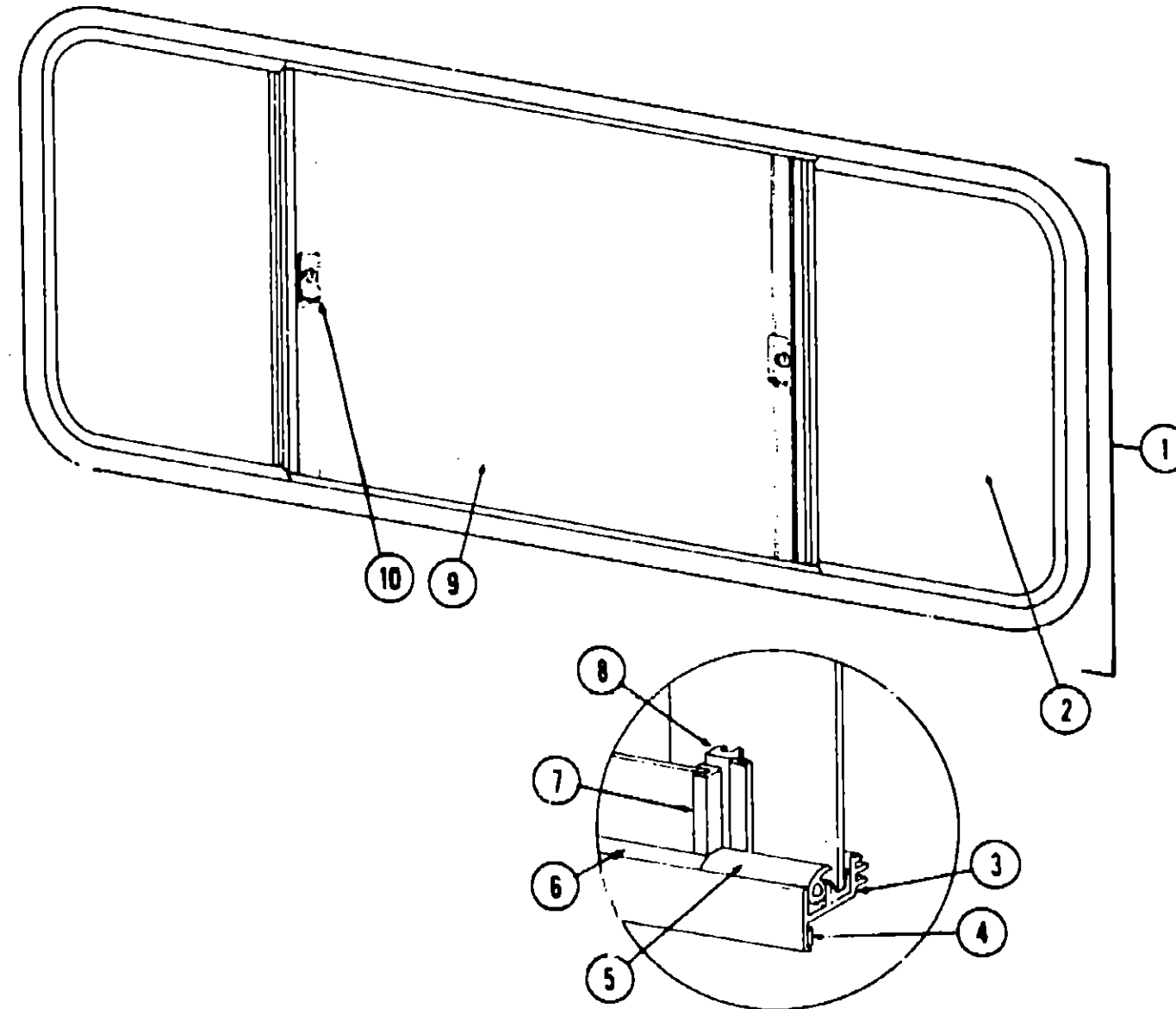
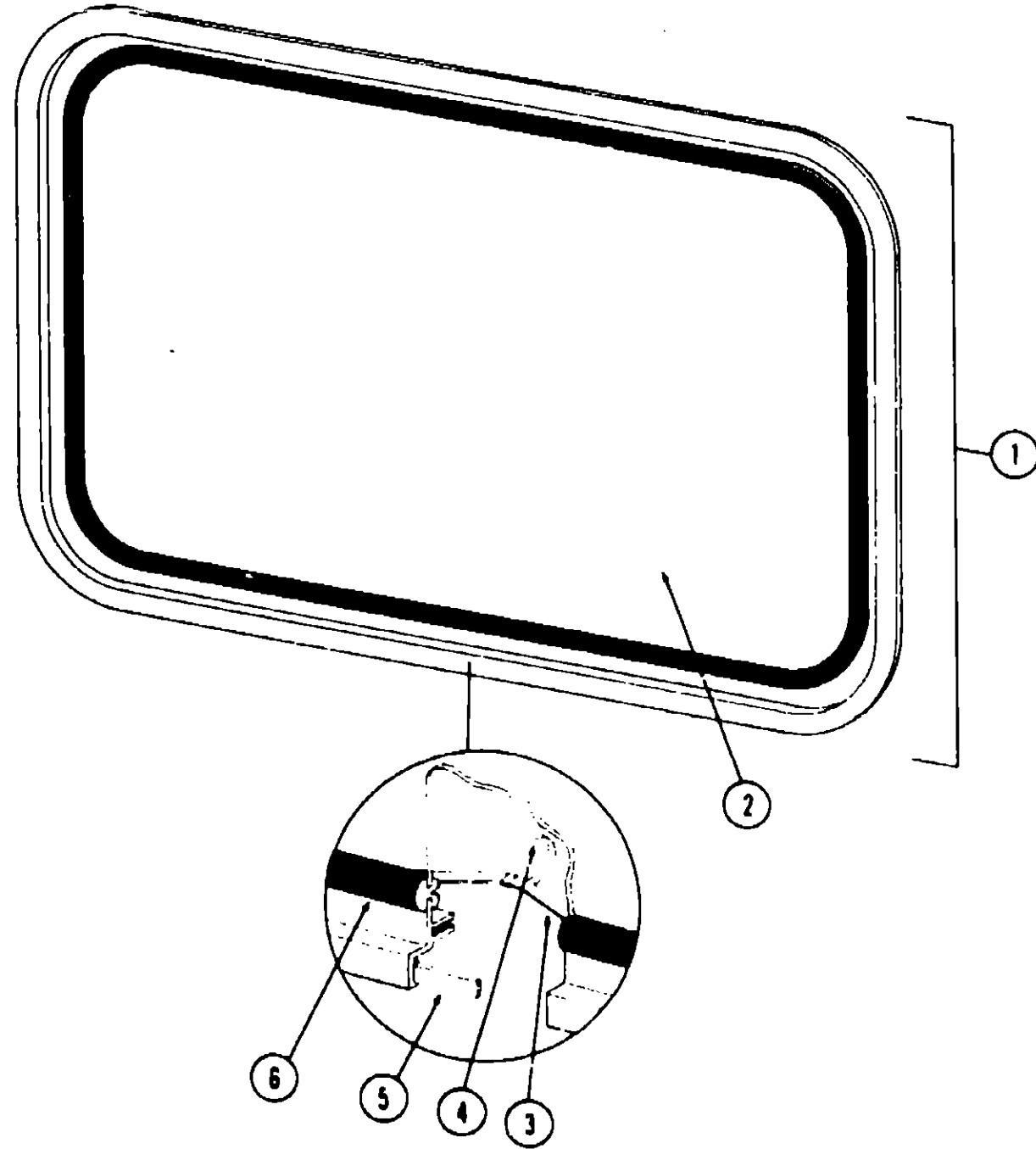
Introduction	A-1
Abbreviations	A-1
Alphabetical Index	A-2 - A-4
C25A	A-5 - B-4
C27AL	B-15 - C-24
C22C	D-1 - E-10
C27A	E-11 - F-20
C25C	F-21 - H-4
C25CD	H-5 - I-14
C24C	I-15 - J-22
C25AD	J-23 - L-14

1977 C25A INDEX

Floor Plan	A-5 - A-6
Accessories Group	A-7 - A-8
Bath Group	A-9 - A-10
Chassis Group	A-11
Curtain, Cushion & Pad Group	A-11 - A-15
Dinette Group	A-15
Driver's Compartment Group	A-16
Electrical Group	A-17 - A-18
Exterior Body Group	A-19 - A-22
Galley Group	A-23
Heating & Air Conditioning Group	A-24
Interior Finish Group	B-1 - B-2
LP Group	B-3
Lounge Group	B-4
Water & Sewage Group	B-4
Window, Vent & Exterior Door Group	B-5 - B-14

WINDOW, VENT AND EXTERIOR DOOR GROUP

WINDOW, VENT AND EXTERIOR DOOR GROUP (CONTINUED)



**1977 ITASCA
TABLE OF CONTENTS**

Introduction	A-1
Abbreviations	A-1
Alphabetical Index	A-2 - A-4
C25A	A-5 - B-4
C27AL	B-15 - C-24
C22C	D-1 - E-10
C27A	E-11 - F-20
C25C	F-21 - H-4
C25CD	H-5 - I-14
C24C	I-15 - J-22
C25AD	J-23 - L-14

1977 C25A INDEX

Floor Plan	A-5 - A-6
Accessories Group	A-7 - A-8
Bath Group	A-9 - A-10
Chassis Group	A-11
Curtain, Cushion & Pad Group	A-11 - A-15
Dinette Group	A-15
Driver's Compartment Group	A-16
Electrical Group	A-17 - A-18
Exterior Body Group	A-19 - A-22
Galley Group	A-23
Heating & Air Conditioning Group	A-24
Interior Finish Group	B-1 - B-2
LP Group	B-3
Lounge Group	B-4
Water & Sewage Group	B-4
Window, Vent & Exterior Door Group	B-5 - B-14

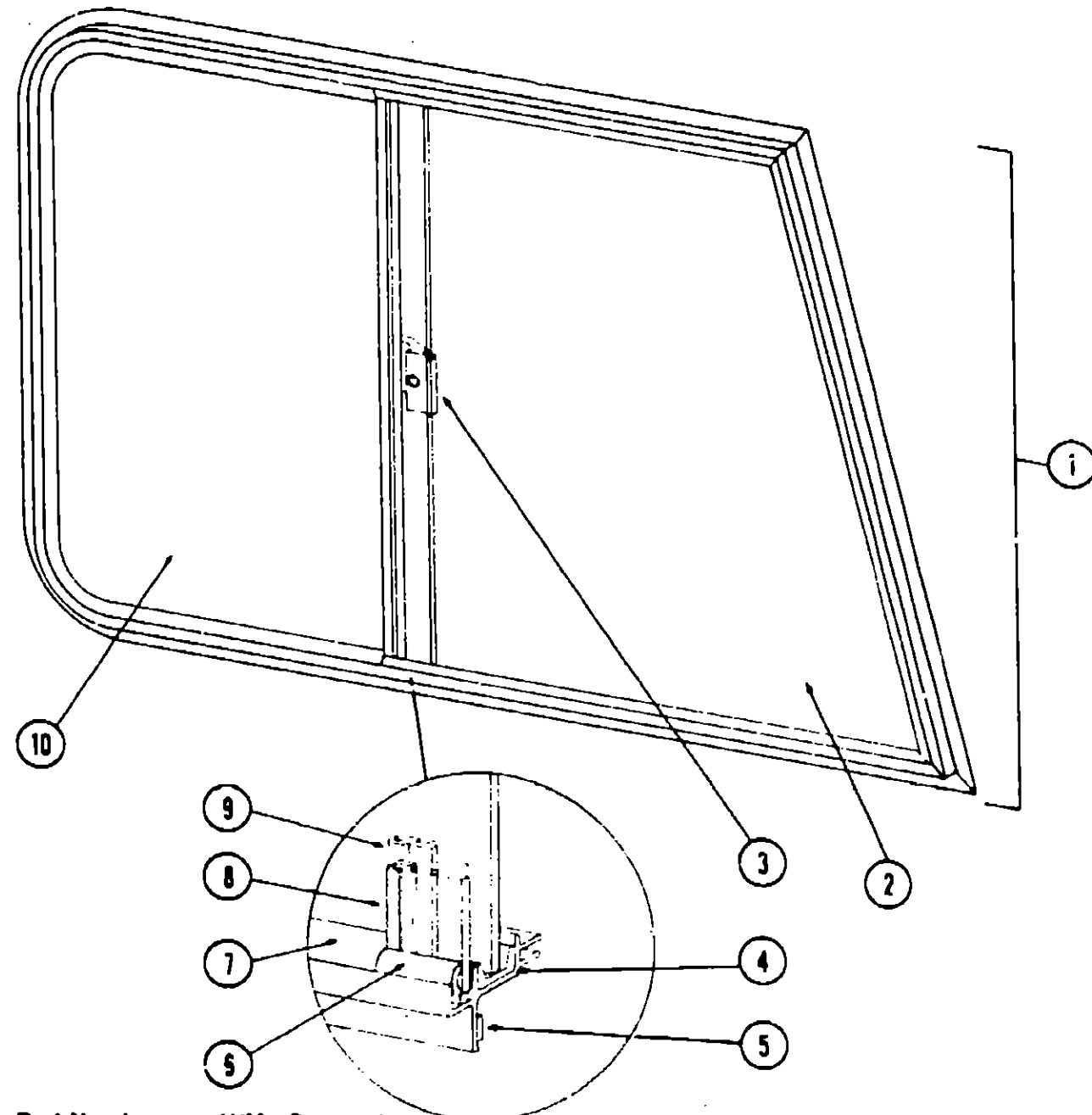
Key	Part Number	U/M	Description
1	042959-01-000	EA	Window Asm. - Rear Escape - 23" x 36" - Black Anod. (w/o Inside Frame)
2	041392-01-000	EA	Glass - 1/8" x 19.61" x 33.25"
3	002285-01-000	FT	Filler - Weatherstrip - Black
4	020395-01-000	EA	Slip - Pull Ring - Escape Window
5	004363-01-000	FT	Tape - Foam - 3/16" x 1/2" - Gray
6	002282-01-000	FT	Weatherstrip - .125" - Black
*	042027-01-000	EA	Frame - Inside - Escape Window - 23" x 36" (not included in assembly)
*	006199-01-000	EA	Label - Exit - Escape Window

* Not Illustrated

Key	Part Number	U/M	Description
1	048630-08-000	EA	Window Asm. - Double - Slider - 25" x 65" Black Anod. (w/o Inside Frame)
2	047822-01-000	EA	Glass - Sliding - 3/16" x 24" x 21.03"
3	042077-01-000	FT	Channel - Weatherstrip - Glass Run 3/16" Glass
4	004363-01-000	FT	Tape - Foam - 3/16" x 1/2" - Gray
5	041928-02-000	FT	Seal - Window Channel - Black
6	050216-02-000	FT	Spline - Glass
7	002389-03-201	EA	Extr. - Holder - Glass Seal - 23.19"
8	041894-04-000	EA	Mullion - Slider Window - 25"
9	002188-01-000	EA	Glass - 3/16" x 24" x 25.50" - Stationary
10	047369-01-000	EA	Latch - Window - Plastic
*	049287-01-000	EA	Washer - Nylon - .62" x .140" I.D.
*	049288-01-000	EA	Screw - Machine - 6-32 x 5/16" - HWH - Black
*	042147-03-000	EA	Frame Asm. - Window - Inside (not included in assembly)
*	023713-02-000	EA	Cover - Weephole - Plastic - Black
*	002298-01-000	FT	Spline - Gray - 130" Dia. (Screen)
*	002293-01-000	SF	Screen - Window - 26" - Gray

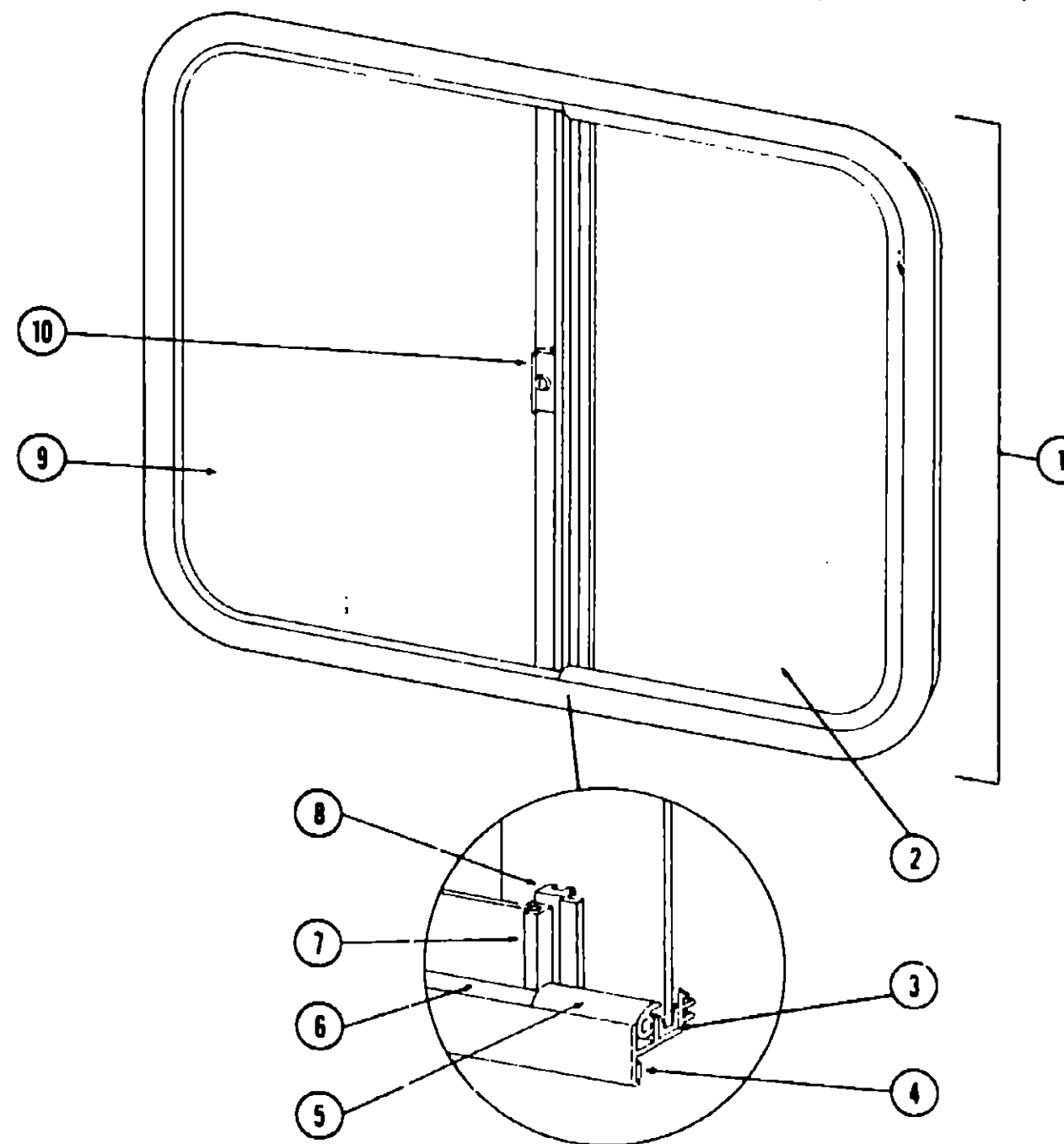
* Not Illustrated

WINDOW, VENT AND EXTERIOR DOOR GROUP (CONTINUED)



Key	Part Number	U/M	Description
1	048628-07-000	EA	Window Asm. - Right - Front Slant Slider - 25" x 38" - Black Anod. (w/o Inside Frame)
	048628-08-000	EA	Window Asm. - Left Slant Slider - 25" x 38" - Black Anod. (w/o Inside Frame)
2	039190-01-000	EA	Glass - 3/16" x 24" x 14.12" x 25" - Stationary
3	047369-01-000	EA	Latch - Window - Plastic
	049287-01-000	EA	Washer - Nylon - .62" x .140" I.D.
4	042077-01-000	FT	Channel - Weatherstrip - Glass Run - 3/16" Glass
5	004363-01-000	FT	Tape - Foam - 3/16" x 1/2" - Gray
6	050216-02-000	FT	Spline - 3/16" Glass - Black
7	041928-02-000	FT	Seal - Window Channel - Black
8	002389-03-201	EA	Holder - Glass Seal - Black Anod.
9	041894-04-000	EA	Mullion - Slider Window - 25" - Black Anod.
10	047818-01-000	EA	Glass - 3/16" x 24" x 15" - Sliding
	049162-06-000	EA	Frame - Inside - Right Front Slant Slider Window - (not included in assembly)
	049162-05-000	EA	Frame - Inside - Left Front Slant Slider Window - (not included in assembly)
	023713-02-000	EA	Cover - Plastic Weephole - Black
	002298-01-000	FT	Spline - Gray - .130" Dia. (Screen)
	002293-01-000	SF	Screen - Window - 28" - Gray
			Not Illustrated

WINDOW, VENT AND EXTERIOR DOOR GROUP (CONTINUED)



Key	Part Number	U/M	Description
1	048631-19-000	EA	Window Asm. - Right - Single Slider - 25" x 14" Black Anod. (w/o Inside Frame)
2	047822-01-000	EA	Glass - Sliding - 3/16" x 24" x 21.03"
3	042077-01-000	FT	Channel - Weatherstrip - Glass Run 3/16" Glass
4	004363-01-000	FT	Tape - Foam - 3/16" x 1/2" - Gray
5	041928-02-000	FT	Seal - Window Channel - Black
6	050216-02-000	FT	Spline - Glass
7	002389-03-201	EA	Extr. - Holder - Glass Seal - 23.19"
8	041894-04-000	EA	Mullion - Slider Window - 25"
9	002183-02-000	EA	Glass - 3/16" x 24" x 23.49" - Stationary
10	047369-01-000	EA	Latch - Window Plastic
	049287-01-000	EA	Washer - Nylon - .62" x .140" I.D.
	049288-01-000	EA	Screw - Machine - 8-32 x 5/16" - HWH - Black
	042147-04-000	EA	Frame Asm. - Window - Inside - 25" x 44" Brown (not included in assembly)
	023713-02-000	EA	Cover - Weephole - Plastic - Black
	002298-01-000	FT	Spline - Gray - .130" Dia. (Screen)
	002293-01-000	SF	Screen - Window - 28" - Gray
			Not Illustrated

**1977 ITASCA
TABLE OF CONTENTS**

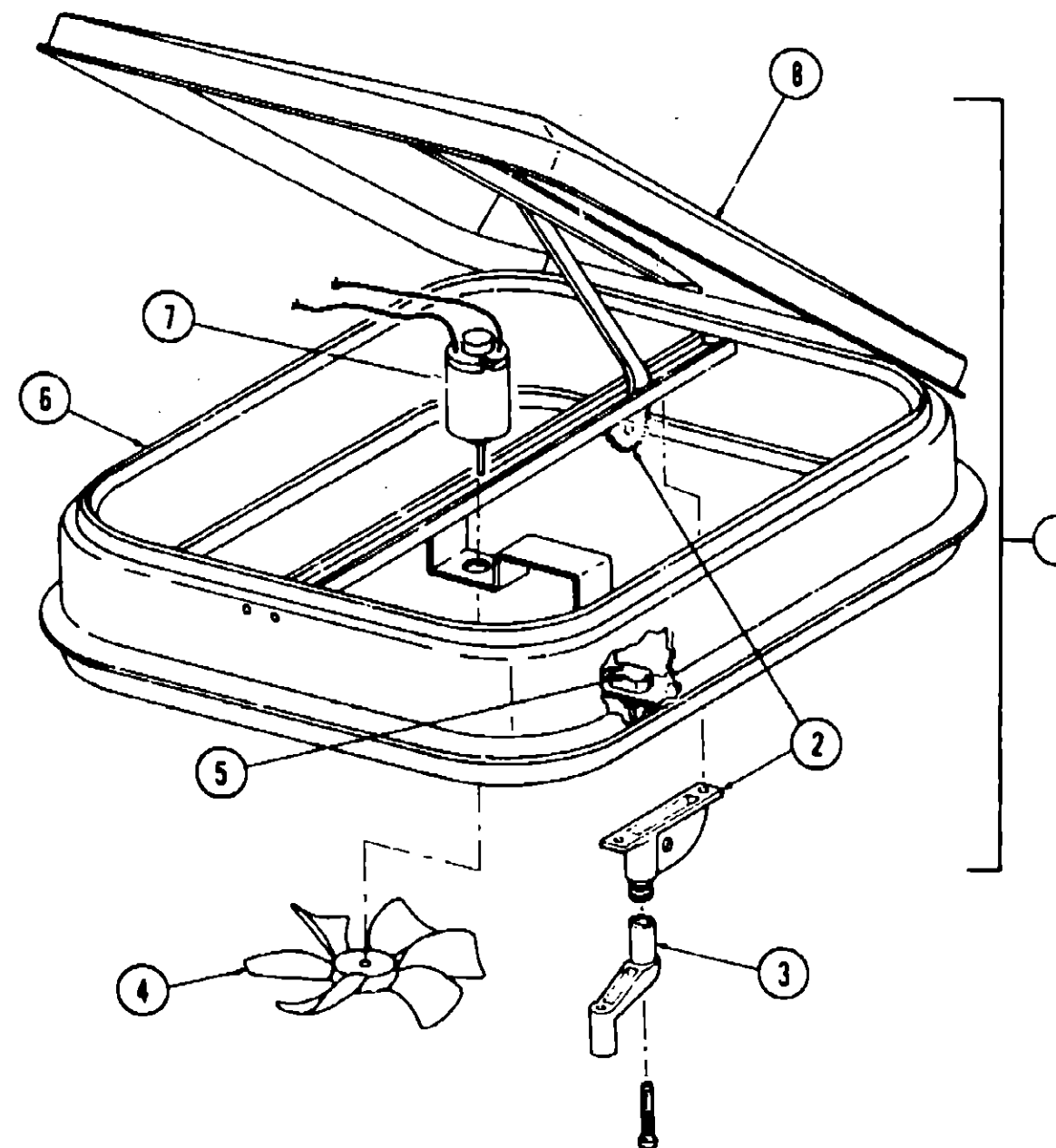
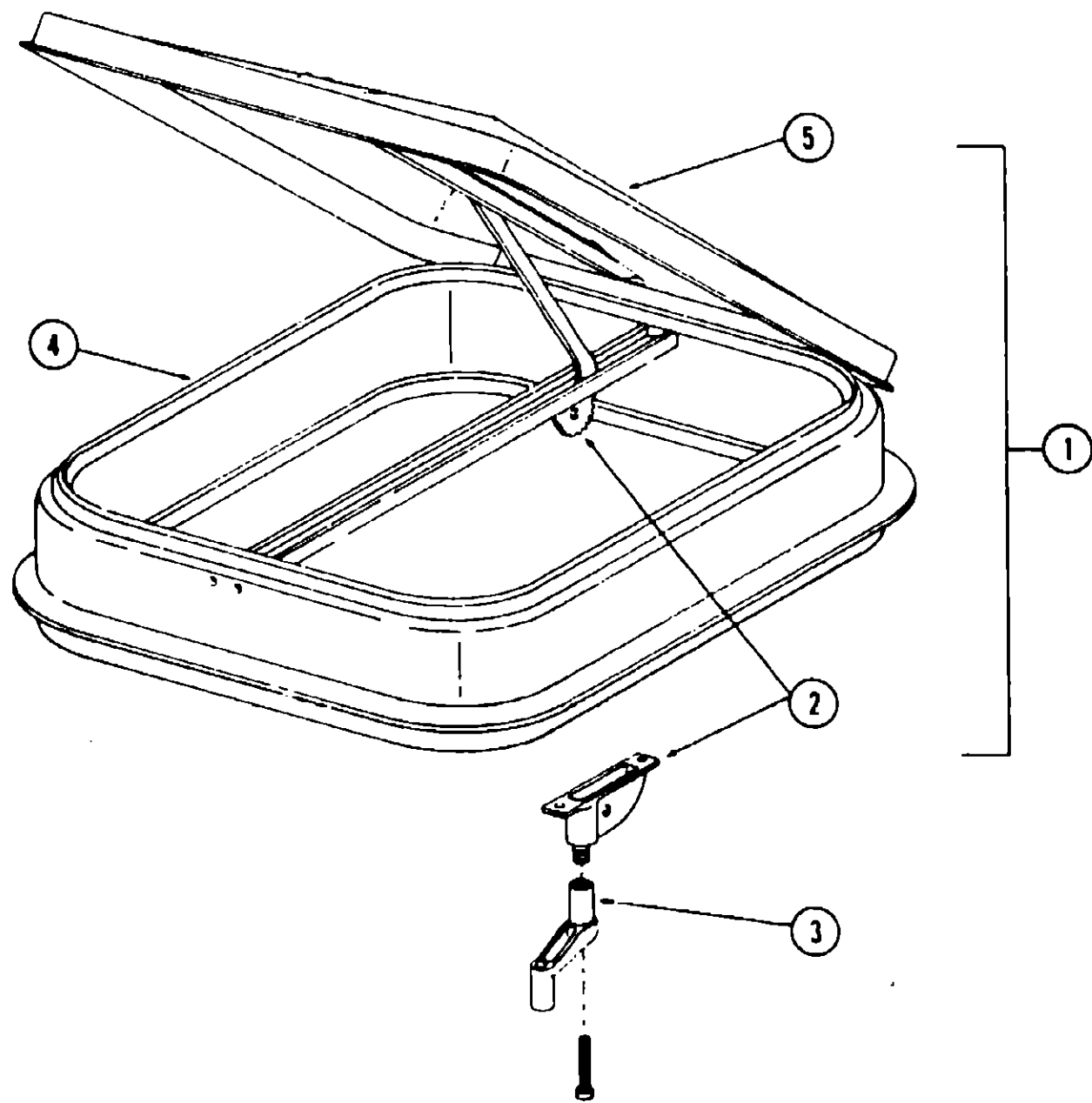
Introduction	A-1
Abbreviations	A-1
Alphabetical Index	A-2 - A-4
C25A	A-5 - B-4
C27AL	B-15 - C-24
C22C	D-1 - E-10
C27A	E-11 - F-20
C25C	F-21 - H-4
C25CD	H-5 - I-14
C24C	I-15 - J-22
C25AD	J-23 - L-14

1977 C25A INDEX

Floor Plan	A-5 - A-6
Accessories Group	A-7 - A-8
Bath Group	A-9 - A-10
Chassis Group	A-11
Curtain, Cushion & Pad Group	A-11 - A-15
Dinette Group	A-15
Driver's Compartment Group	A-16
Electrical Group	A-17 - A-18
Exterior Body Group	A-19 - A-22
Galley Group	A-23
Heating & Air Conditioning Group	A-24
Interior Finish Group	B-1 - B-2
LP Group	B-3
Lounge Group	B-4
Water & Sewage Group	B-4
Window, Vent & Exterior Door Group	B-5 - B-14

WINDOW, VENT AND EXTERIOR DOOR GROUP (CONTINUED)

WINDOW, VENT AND EXTERIOR DOOR GROUP (CONTINUED)



Key	Part Number	U/M	Description
1	048835-01-000	EA	Vent Asm. - Roof - Nonpowered - w/o Screen
2	009440-01-000	EA	Gear - Arm - Roof Vent
3	009439-01-000	EA	Crank - Roof Vent
4	002825-01-000	FT	Weatherstrip - Roof Vent
5	046825-01-000	EA	Cover - Plastic - Roof Vent
*	016335-01-000	EA	Screen Asm. - Non Powered Roof Vent - Clear Anod. (not included in assembly)
*	016335-03-000	EA	Screen Asm. - Non Powered Roof Vent - Beige (not included in assembly)

* Not Illustrated

Key	Part Number	U/M	Description
1	048789-01-000	EA	Vent Asm. Roof - Powered - w/o Screen
2	009440-01-000	EA	Gear - Arm - Roof Vent
3	009439-01-000	EA	Crank - Roof Vent
4	048649-01-000	EA	Fan - Blade - 8" Plastic
5	008195-01-000	EA	Switch - Push Button - 12 Volt
6	002825-01-000	FT	Weatherstrip - Roof Vent
7	048648-01-000	EA	Motor - 12 Volt
8	046825-01-000	EA	Cover - Plastic - Roof Vent
*	048695-01-000	EA	Screen Asm. - Powered Roof Vent - Clear Anod. (not included in assembly)
*	048695-03-000	EA	Screen Asm. - Powered Roof Vent - Beige (not included in assembly)

* Not Illustrated

1977 ITASCA
TABLE OF CONTENTS

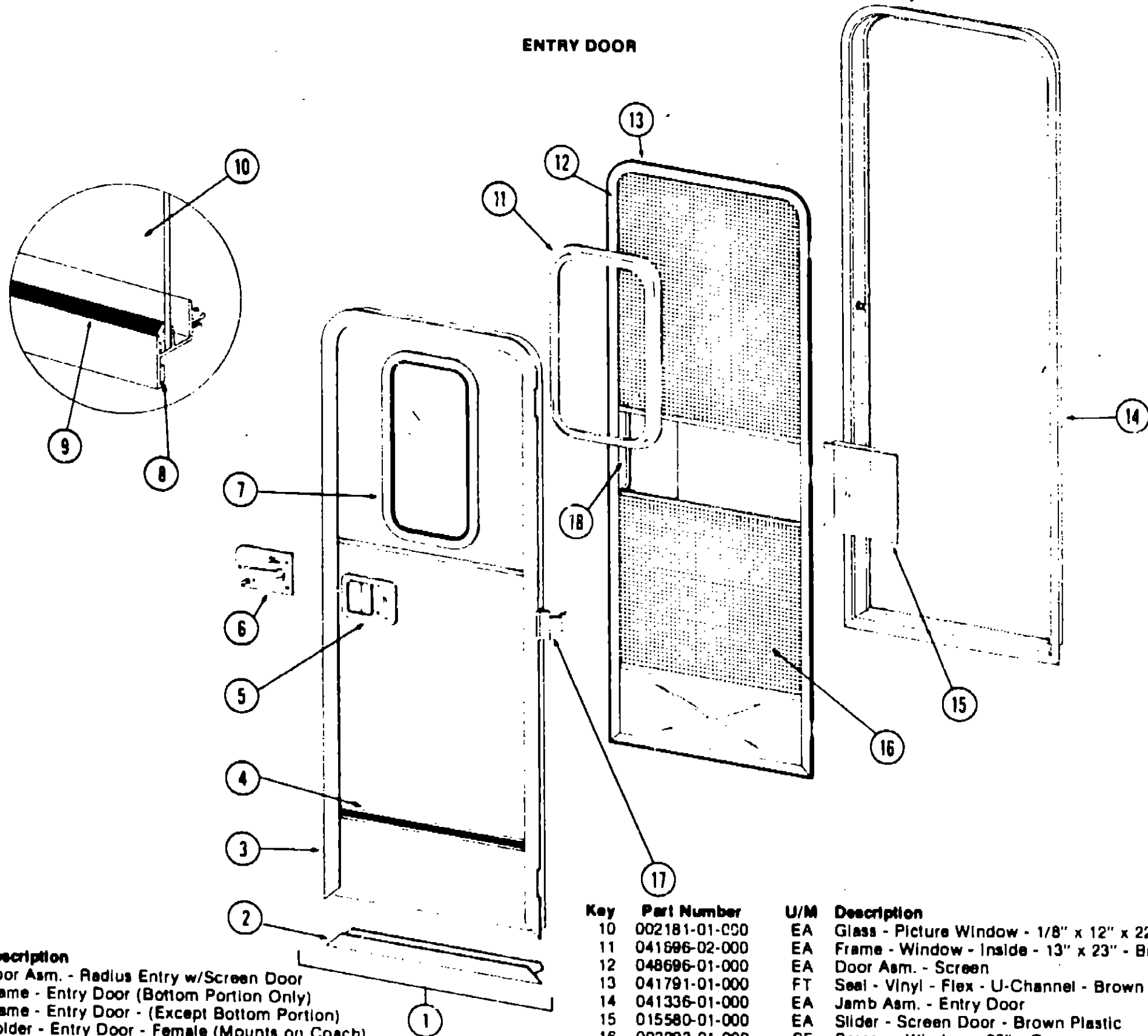
Introduction	A-1
Abbreviations	A-1
Alphabetical Index	A-2 - A-4
C25A	A-5 - B-4
C27AL	B-15 - C-24
C22C	D-1 - E-10
C27A	E-11 - F-20
C25C	F-21 - H-4
C25CD	H-5 - I-14
C24C	I-15 - J-22
C25AD	J-23 - L-14

1977 C25A INDEX

Floor Plan	A-5 - A-6
Accessories Group	A-7 - A-8
Bath Group	A-9 - A-10
Chassis Group	A-11
Curtain, Cushion & Pad Group	A-11 - A-15
Dinette Group	A-15
Driver's Compartment Group	A-16
Electrical Group	A-17 - A-18
Exterior Body Group	A-19 - A-22
Galley Group	A-23
Heating & Air Conditioning Group	A-24
Interior Finish Group	B-1 - B-2
LP Group	B-3
Lounge Group	B-4
Water & Sewage Group	B-4
Window Vent & Exterior Door Group	B-5 - B-14

WINDOW, VENT AND EXTERIOR DOOR GROUP (CONTINUED)

ENTRY DOOR



Key	Part Number	U/M	Description
1	050096-03-000	EA	Door Asm. - Radius Entry w/Screen Door
2	039737-01-000	EA	Frame - Entry Door (Bottom Portion Only)
3	039736-01-000	EA	Frame - Entry Door - (Except Bottom Portion)
4	009101-02-000	EA	Holder - Entry Door - Female (Mounts on Coach)
5	009102-01-000	EA	Holder - Entry Door 2 1/2" Male (Mounts on Door)
6	041948-01-000	EA	Lock Asm. - Radius Entry Door - Atwood
7	039541-01-000	EA	Lock Cylinder w/Keys - Atwood
8	052186-01-000	EA	Lock Asm. - Radius Entry Door - Lynor
9	045017-01-700	EA	Lock Cylinder w/Keys - Lynor
10	039539-01-000	EA	Striker - Entry Door Lock
11	039979-01-000	EA	Plate - Lock - Interior - Including Inside Handle
12	041875-02-000	EA	Window Asm. - Picture - 13" x 23" - Black Anod. (inside frame not included in assembly)
13	004363-01-000	FT	Tape - Foam - 3/16" x 1/2" - Gray
14	002309-02-000	FT	Spline - Glass - 1/8" Black

Key	Part Number	U/M	Description
10	002181-01-000	EA	Glass - Picture Window - 1/8" x 12" x 22" Gray
11	041696-02-000	EA	Frame - Window - Inside - 13" x 23" - Brown
12	048696-01-000	EA	Door Asm. - Screen
13	041791-01-000	FT	Seal - Vinyl - Flex - U-Channel - Brown
14	041336-01-000	EA	Jamb Asm. - Entry Door
15	015580-01-000	EA	Slider - Screen Door - Brown Plastic
16	002293-01-000	SF	Screen - Window - 26" - Gray
17	039520-01-000	EA	Hinge - Entry Door (3 used per door)
18	015581-01-000	EA	Cap - Screen Door - Brown Plastic
	049176-01-000	EA	Hedlok II - 3/4" Diameter - Screw Mount (Retains Screen Door to Entry Door)
	049797-01-000	EA	Hedlok II - 1" Diameter - Screw Mount (Retains Screen Door to Entry Door)
	018019-01-000	EA	Striker - Screen Door
	039863-01-000	EA	Catch Asm. - Single Roller w/Strike - Screen Door
	051390-01-000	FT	Seal - Bulb - Rubber
	039800-03-000	FT	Tubing - Polybutyl - 3/8" O.D. - Jamb

B-11

* Not Illustrated

1977 ITASCA
TABLE OF CONTENTS

Introduction	A-1
Abbreviations	A-1
Alphabetical Index	A-2 - A-4
C25A	A-5 - B-4
C27AL	B-15 - C-24
C22C	D-1 - E-10
C27A	E-11 - F-20
C25C	F-21 - H-4
C25CD	H-5 - I-14
C24C	I-15 - J-22
C25AD	J-23 - L-14

1977 C25A INDEX

Floor Plan	A-5 - A-6
Accessories Group	A-7 - A-8
Bath Group	A-9 - A-10
Chassis Group	A-11
Curtain, Cushion & Pad Group	A-11 - A-15
Dinette Group	A-15
Driver's Compartment Group	A-16
Electrical Group	A-17 - A-18
Exterior Body Group	A-19 - A-22
Galley Group	A-23
Heating & Air Conditioning Group	A-24
Interior Finish Group	B-1 - B-2
LP Group	B-3
Lounge Group	B-4
Water & Sewage Group	B-4
Window, Vent & Exterior Door Group	B-5 - B-14

B-12

WINDOW, VENT AND EXTERIOR DOOR GROUP (CONTINUED)

WINDSHIELD

Key	Part Number	U/M	Description
	037455-02-000	EA	Frame Asm. - Windshield w/o Glass
	038886-01-000	EA	Tape - Butyl - .31" x .31" x 148" Long
	034975-03-000	EA	Glass - Windshield - 1/4" x 28.25" x 47.38" Left or Right
	038407-01-000	EA	Clip - Retainer - Windshield

VENTS

Key	Part Number	U/M	Description
	039778-01-000	EA	Cover - Refrigerator Vent - Plastic
	009407-01-000	EA	Base - Frame - Refrigerator Vent w/o Cover
	049352-01-000	EA	Vent - Stovehood - Outside - Off White Jensen

ACCESS DOOR

Key	Part Number	U/M	Description
	003182-03-000	EA	Door Asm. - Water Heater Access - Off White
	044210-01-000	EA	Door Asm. - Power Cord - 6" x 10" Off White Plastic w/Quarter Turn Plastic Latch
	037804-03-000	EA	Door Asm. - Battery Off White w/Twist Type Lock
	037433-05-000	EA	Door Asm. - Generator - Off White w/Twist Type Lock
	037804-04-000	EA	Door Asm. - Luggage - Off White w/Key Type Lock
	047187-03-000	EA	Door Asm. - Refrigerator Access - Off White w/Twist Type Lock
	043942-01-000	EA	Lock Asm. - Quarter Turn Plastic (Power Cord Door)
	039884-01-000	EA	Lock Asm. - Twist Type w/Clip
	047305-01-000	EA	Lock Asm. - Key Type w/Clip
	016945-02-000	EA	Holder Asm. - Battery or Luggage Door (Holds Door Open)

1977 ITASCA TABLE OF CONTENTS

Introduction:	A-1
Abbreviations	A-1
Alphabetical Index	A-2 - A-4
C25A	A-5 - B-4
C27AL	B-15 - C-24
C22C	D-1 - E-10
C27A	E-11 - F-20
C25C	F-21 - H-4
C25CD	H-5 - I-14
C24C	I-15 - J-22
C25AD	J-23 - L-14

1977 C25A INDEX

Floor Plan	A-5 - A-6
Accessories Group	A-7 - A-8
Bath Group	A-9 - A-10
Chassis Group	A-11
Curtain, Cushion & Pad Group	A-11 - A-15
Dinette Group	A-15
Driver's Compartment Group	A-16
Electrical Group	A-17 - A-18
Exterior Body Group	A-19 - A-22
Galley Group	A-23
Heating & Air Conditioning Group	A-24
Interior Finish Group	B-1 - B-2
LP Group	B-3
Lounge Group	B-4
Water & Sewage Group	B-4
Window, Vent & Exterior Door Group	B-5 - B-14