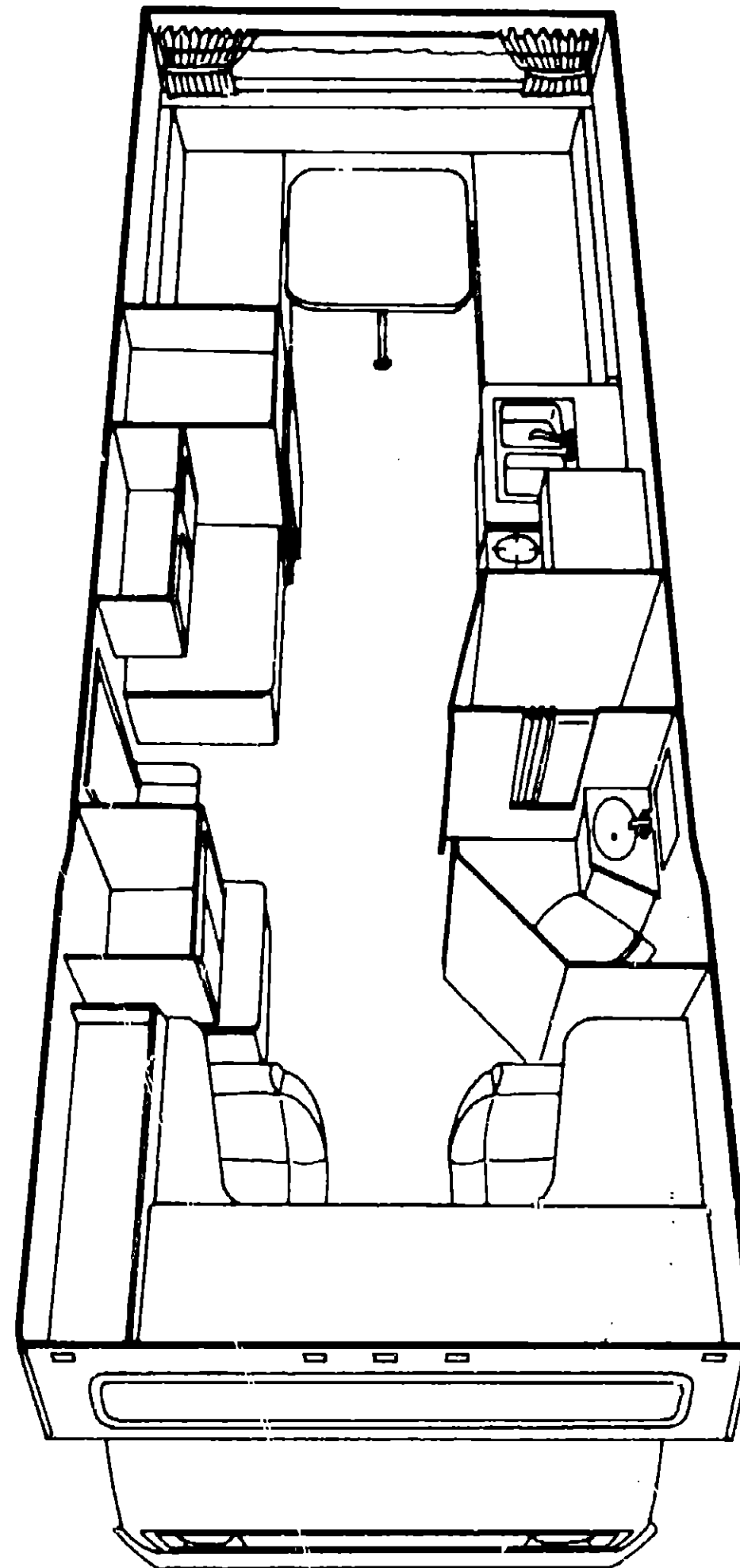


1977 C24C



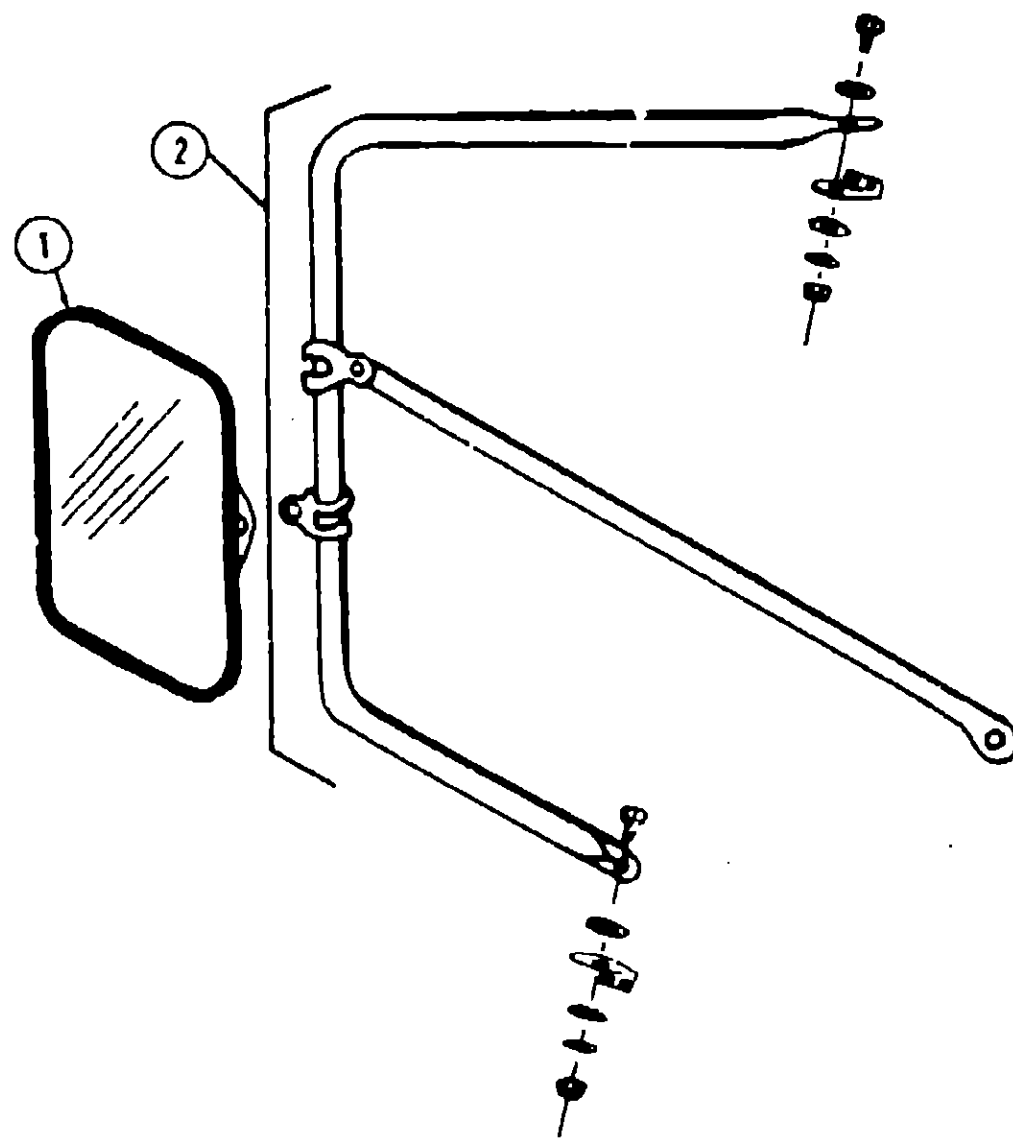
1977 ITASCA TABLE OF CONTENTS

Introduction	A-1
Abbreviations	A-1
Alphabetical Index	A-2 - A-4
C25A	A-5 - B-4
C27AL	B-15 - C-24
C22C	D-1 - E-10
C27A	E-11 - F-20
C25C	F-21 - H-4
C25CD	H-5 - I-14
C24C	I-15 - J-22
C25AD	J-23 - L-14

1977 C24C INDEX

Floor Plan	I-15 - I-16
Accessories Group	I-17 - I-18
Bath Group	I-19
Chassis Group	I-20
Curtain, Cushion & Pad Group	I-21 - I-23
Dinette Group	I-24
Driver's Compartment Group	I-24
Electrical Group	J-1 - J-2
Exterior Body Group	J-3 - J-6
Galley Group	J-7
Heating & Air Conditioning Group	J-8
Interior Finish Group	J-9 - J-10
LP Group	J-10
Water & Sewage Group	J-11
Window, Vent & Exterior Door Group	J-12 - J-22

ACCESSORIES GROUP



Key	Part Number	U/M	Description
1	049347-01-000	EA	Mirror Head Only - 7 1/2" x 10 1/2" - Stainless Steel
2	049349-01-000	EA	Arm - West Coast Mirror - Stainless Steel

ACCESSORIES GROUP (CONTINUED)

RADIOS AND RELATED COMPONENTS

Key	Part Number	U/M	Description
	007004-01-000	EA	Antenna - Radio - Cab Mount
	039879-01-000	EA	Speaker Kit - 5 1/4" Diameter w/Black Padded Grille
	045836-02-000	EA	Plate - Radio Cover
	049730-01-000	EA	Radio - Clarion - AM - w/Fader Switch
	049731-01-000	EA	Radio - Clarion - AM/FM/MPX - w/Fader Switch
	049732-01-000	EA	Radio - Clarion - AM/FM/MPX/8-Track - w/Fader Switch
	050044-01-000	EA	Radio - J.I.L. - AM/FM/MPX/8-Track/CB
	045836-01-000	EA	Plate - Radio Cover for J.I.L.
	050785-01-000	EA	Switch - Rear Volume Control
	050751-01-000	EA	Plaque - Fader/Mic Mounting

SPEED CONTROL AND COMPONENTS

Key	Part Number	U/M	Description
	042713-01-000	EA	Speed Control Package - 350 C.I.D. - C-Body
	007255-01-700	EA	Regulator Asm.
	047841-01-701	EA	Servo Asm.
	007255-01-702	EA	Engage Switch - Clamp On
	007298-01-702	EA	Harness Asm.
	007298-01-700	EA	Cable Asm. - Transmission
	007255-01-704	EA	Switch Asm. - Decelerate
	024746-01-700	EA	Relay - Speed Control

GENERATORS AND INSTALLATION KITS

Key	Part Number	U/M	Description
**	040504-01-000	EA	Generator - 2.5 KW - Kohler
**	040505-01-000	EA	Generator - 4.0 KW - Kohler
**	051909-01-000	EA	Generator - 4.5 KW - Kohler
	040507-01-000	EA	Exhaust System - Generator 2500/4000 Watt
	040612-01-000	EA	Muffler - Generator - 2500/4000 Watt
	046317-01-000	EA	Tailpipe - Exhaust - Generator 1 3/8" x 5'
	007131-01-000	EA	Hanger - Tailpipe
	024976-01-000	EA	Switch - Generator - w/o Circuit Board
	009251-01-000	EA	Fuse Holder - Black Screw Type
	007067-01-000	SF	Insulation - Fiberglass - 1"
	041389-01-000	EA	Tray - Generator
	041420-01-000	EA	Elbow - Steel - 1/8" MPT x 3/16" Barb
	042865-01-000	EA	Scoop - Generator Air
	007083-01-000	FT	Hose - Gas - 1/4" I.D. x 1/2" O.D.
	010351-01-000	EA	Valve - Needle - 1/8" MPT x 5/16" C

REAR BUNK AND HARDWARE

Key	Part Number	U/M	Description
	048390-02-700	EA	Bunk Board Asm. Board/Rails w/o Hardware
	042988-01-000	EA	Support Asm. - Left and Right - Overhead Bunk - Dark Brown
	039516-02-000	EA	Catch - Bunk Safety - Overhead - Brown
	040071-01-000	EA	Support - Bunk - Seat Belt
	006076-01-000	EA	Ladder - Bunk

MISCELLANEOUS ACCESSORIES

Key	Part Number	U/M	Description
	041440-01-000	EA	Luggage Rack - and Ladder Asm.
	041440-02-000	EA	Ladder Only - for Luggage Rack
	006053-01-000	EA	Antenna Asm. - TV - Braund Delux
	006093-01-000	EA	Jack - TV - Brown
	040486-06-000	EA	Cover - Spare Tire - 29" - Off-White

1977 ITASCA TABLE OF CONTENTS

Introduction	A-1
Abbreviations	A-1
Alphabetical Index	A-2 - A-4
C25A	A-5 - B-4
C27A1	B-15 - C-24
C22	D-1 - E-10
C27A	E-11 - F-20
C25C	F-21 - H-4
C25CD	H-5 - I-14
C24C	I-15 - J-22
C25AD	J-23 - L-14

1977 C24C INDEX

Floor Plan	I-15 - I-16
Accessories Group	I-17 - I-18
Bath Group	I-19
Chassis Group	I-20
Curtain, Cushion & Pad Group	I-21 - I-23
Dinette Group	I-24
Driver's Compartment Group	I-24
Electrical Group	J-1 - J-2
Exterior Body Group	J-3 - J-6
Galley Group	J-7
Heating & Air Conditioning Group	J-8
Interior Finish Group	J-9 - J-10
LP Group	J-10
Water & Sewage Group	J-11
Window, Vent & Exterior Door Group	J-12 - J-22

BATH GROUP

BATH CABINETRY

Key	Part Number	U/M	Description
	049243-03-000	EA	Cabinet Asm. - Vanity - w/o Door or Top
	047155-13-700	EA	Door Asm. - Vanity Cabinet w/o Hardware
	044067-01-000	EA	Lavatory Top - Plastic - w/o Faucet
	011056-01-000	EA	Faucet - 4" Lavatory
	011083-01-000	EA	Plug - Sink w/Chain
	009252-01-000	EA	Cabinet - Medicine - Gold
	009256-01-000	EA	Mirror - Medicine Cabinet - 9 7/8" x 14 7/8"
	049799-01-000	EA	Door Asm. - Wardrobe Cabinet - w/o Hardware
	009151-01-000	EA	Warp - Guard - 48"
	048899-05-000	EA	Countertop Asm. - Wardrobe - Front - Butcher Block
	033535-04-000	FT	Molding Asm. - Shelf - 709 Hickory
	009112-01-000	EA	Flange - 1" Rod - Chrome

SHOWER AND RELATED HARDWARE

Key	Part Number	U/M	Description
	045730-01-000	EA	Curtain - Shower - White Plastic
	009136-01-000	EA	Pin - Shower Curtain
	046749-01-000	EA	Pan - Shower
	011048-01-000	EA	Shower Head - w/59" Hose
	011069-01-000	EA	Tail Piece - Drain - 1 1/4" x 4" - Brass
	011066-01-000	EA	Strainer - Drain - Shower Pan
	011068-01-000	EA	Faucet - Shower
	037581-01-000	EA	Back Flow Preventer
	002728-02-001	EA	Garnish - Anodized - 1 3/8" x 19" - Shower Opening
	009779-01-000	FT	U-Channel - 1 1/8" Plastic - Dark Brown
	017063-01-000	EA	Threshold - Shower Door

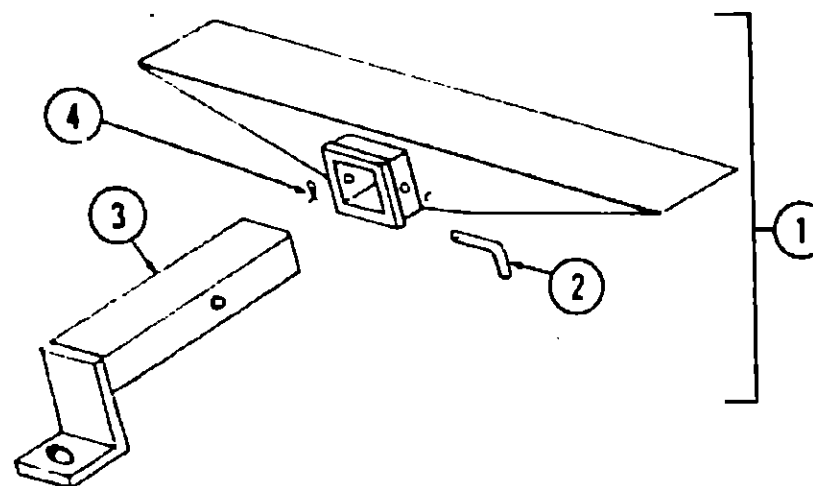
MISCELLANEOUS HARDWARE

Key	Part Number	U/M	Description
	009134-01-000	EA	Holder - Toilet Tissue
	033580-01-000	EA	Ring - Towel - Chrome w/Plastic Ring
	009133-01-000	EA	Bar - Towel Rack - 12" - Plastic
	023449-01-000	EA	Support - Towel Rack - Chrome - Left or Right
	047156-03-700	EA	Door Asm. - Bathroom - w/o Hardware or Warp Guard
	009124-01-000	EA	Lock - Door - Push Button Brass
	009150-01-000	EA	Warp Guard - 64"
	034394-02-000	EA	Extr. - Vinyl Insert - Beige
	034689-03-000	EA	Cover - Screw - PPH 10 - Ivory
**	039341-02-000	EA	Stool Asm. - Ivory - Aqua Magic - Model SH

** The illustrated parts breakdown for this item is provided on the Common Items Fiche.

CHASSIS GROUP

Key	Part Number	U/M	Description
	048592-01-000	EA	Fold Down - Double Battery
	047895-01-000	EA	Tray - Battery
	039615-01-000	EA	Rod - Hold Open - Hood
	046746-01-000	EA	Support Asm. - Radiator/Grille
	041787-01-000	EA	Clip - Speed Cable or Rod
	044763-01-000	EA	Splashguard - Front - Black Rubber
	046742-01-000	EA	Step Asm. - Assist - Front Door
	039640-01-000	EA	Bracket - Hood Pins
	037449-01-000	EA	Well Nut - 10-32 x .812"
	041200-01-000	EA	Pin - Clevis - 1/4" Dia. x 2.50"
	041228-01-000	EA	Pin - Hitch - 1/16" Wire
	044163-01-000	EA	Bracket - Fiberglass to Wheelwell
	044164-01-000	EA	Bracket - Fiberglass to Hinge Pillar
	044371-01-000	EA	Bracket - Fiberglass - Front Bottom
	044373-01-000	EA	Bracket - Fiberglass - Front Top
	045683-01-000	EA	Pivot - Hood
	040848-01-000	EA	Bumper - Hood
	041723-01-000	EA	Bracket - Center Hood Bumper
	044372-01-000	EA	Bracket - Fiberglass - Parking Light
	046703-01-000	EA	Brace - Fiberglass to Upper Cowl
	042377-01-000	EA	Extension - Tail Pipe - 3" O.D. x 7.50"
	007125-08-000	EA	Clamp Asm. - Muffler - 3" Dia.
	040634-01-000	EA	Carrier - Stationary Spare Tire
	040974-01-000	EA	Bracket - Spare Tire
	046043-06-000	EA	Bracket Asm. - Rear Bumper
	046785-01-000	EA	Bumper - Rear Chrome - 93"
	017516-01-000	EA	Mud Flap - 14" x 18" - w/Holes
	049750-01-000	EA	Shroud - Fuel Fill - Inside Coach
	024141-01-000	FT	Hose - Fuel - Rubber - 1/2" I.D.
	007137-01-000	EA	Clamp - Hose - Worm Gear - 1 5/16" to 2 1/4"
	039649-01-000	EA	Wheel Well - Plastic - Left Rear or Right Rear
	024652-01-700	EA	Step Asm. - Coach Entry Door



Key	Part Number	U/M	Description
1	023695-01-700	EA	Hitch Kit - w/Drawbar
2	034512-01-000	EA	Pin - Locking - Drawbar
3	024876-01-700	EA	Drawbar Asm. - Trailer Hitch
4	034513-01-000	EA	Pin - Hitch - 3/16" Wire Spring

1977 ITASCA TABLE OF CONTENTS

Introduction	A-1
Abbreviations	A-1
Alphabetical Index	A-2 - A-4
C25A	A-5 - B-4
C27AL	B-15 - C-24
C22C	C-1 - E-10
C27A	E-11 - F-20
C25C	F-21 - H-4
C25CD	H-5 - I-14
C24C	I-15 - J-22
C25AD	J-23 - L-14

1977 C24C INDEX

Floor Plan	I-15 - I-16
Accessories Group	I-17 - I-18
Bath Group	I-19
Chassis Group	I-20
Curtain, Cushion & Pad Group	I-21 - I-23
Dinette Group	I-24
Driver's Compartment Group	I-24
Electrical Group	J-1 - J-2
Exterior Body Group	J-3 - J-6
Galley Group	J-7
Heating & Air Conditioning Group	J-8
Interior Finish Group	J-9 - J-10
LP Group	J-10
Water & Sewage Group	J-11
Window, Vent & Exterior Door Group	J-12 - J-22

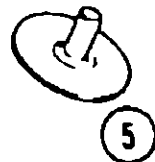
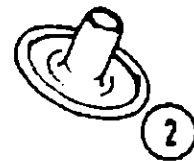
CURTAIN, CUSHION AND PAD GROUP

CURTAINS

Key	Part Number	U/M	Description
	048840-18-000	EA	Curtain - w/Snap Top and Bottom - 17.5" x 39" - Rust (Fire and Grass)
	048840-19-000	EA	Curtain - w/Snap Top and Bottom - 17.5" x 39" - Gold (Aztec Gold)
	048840-20-000	EA	Curtain - w/Snap Top and Bottom - 17.5" x 39" - Beige (Saddle)
	048840-64-000	EA	Curtain - w/Snap Top and Bottom - 25.5" x 45" - Rust (Fire and Grass)
	048840-65-000	EA	Curtain - w/Snap Top and Bottom - 25.5" x 45" - Gold (Aztec Gold)
	048840-66-000	EA	Curtain - w/Snap Top and Bottom - 25.5" x 45" - Beige (Saddle)
	048840-67-000	EA	Curtain - w/Snap Top and Bottom - 22.5" x 21" - Rust (Fire and Grass)
	048840-68-000	EA	Curtain - w/Snap Top and Bottom - 22.5" x 21" - Gold (Aztec Gold)
	048840-69-000	EA	Curtain - w/Snap Top and Bottom - 22.5" x 21" - Beige (Saddle)
	049021-04-000	EA	Curtain - w/Snap Top - 33" x 30" - Rust (Fire and Grass)
	049021-03-000	EA	Curtain - w/Snap Top - 33" x 30" - Gold (Aztec Gold)
	049021-05-000	EA	Curtain - w/Snap Top - 33" x 30" - Beige (Saddle)
	049486-04-000	EA	Curtain - w/Snap Top - 15 1/2" x 39" - Left - Rust (Fire and Grass)
	049486-05-000	EA	Curtain - w/Snap Top - 15 1/2" x 39" - Left - Gold (Aztec Gold)
	049486-06-000	EA	Curtain - w/Snap Top - 15 1/2" x 39" - Left - Beige (Saddle)
	049486-48-000	EA	Curtain - w/Snap Top - 27" x 21" - Left - Rust (Fire and Grass)
	049486-49-000	EA	Curtain - w/Snap Top - 27" x 21" - Left - Gold (Aztec Gold)
	049486-50-000	EA	Curtain - w/Snap Top - 27" x 21" - Left - Beige (Saddle)
	049487-48-000	EA	Curtain - w/Snap Top - 27" x 21" - Right - Rust (Fire and Grass)
	049487-49-000	EA	Curtain - w/Snap Top - 27" x 21" - Right - Gold (Aztec Gold)
	049487-50-000	EA	Curtain - w/Snap Top - 27" x 21" - Right - Beige (Saddle)
	049021-58-000	EA	Curtain - w/Snap Top - 75" x 90" - Aisle Divider - Rust (Fire and Grass)
	049021-59-000	EA	Curtain - w/Snap Top - 75" x 90" - Aisle Divider - Gold (Aztec Gold)
	049021-60-000	EA	Curtain - w/Snap Top - 75" x 90" - Aisle Divider - Beige (Saddle)
	050006-02-000	EA	Curtain - Blackout - Bunk Privacy - 25" x 93" - Brown Vinyl
	045839-01-000	EA	Curtain - Front Wraparound - w/Snap Top - Left or Right - Brown Vinyl

CURTAIN HARDWARE

Key	Part Number	U/M	Description
	008107-01-000	EA	Guide - Nylon Snap - Curtain
	009108-01-000	FT	Track - Curtain - Brown - 3/4" x 16'
	018031-42-000	EA	Track - Curtain - "L" Rod - Alum. Extr. - 90"
	008701-01-000	EA	Carrier - "L" Rod - Curtain
	008702-01-000	EA	End Stop - "L" Rod - Curtain
	050296-02-002	EA	Track - Curtain - Alum. Extr. - 16' (front bunk privacy)



Key	Part Number	U/M	Description
1	029130-01-000	EA	Socket - Snap Fastener
2	029155-01-000	EA	Cap - Snap - .156" Dia. x .17" Barrel
3	029156-01-000	EA	Socket - Snap Fastener
4	029092-01-000	EA	Stud - Nickel Finish
5	029093-01-000	EA	Eyelet - Nickel Finish

CURTAIN, CUSHION AND PAD GROUP (CONTINUED)

CURTAIN TIE BACKS

Key	Part Number	U/M	Description
	049097-12-000	EA	Tie Back - Curtain - 10" - Rust (Fire and Grass)
	049097-13-000	EA	Tie Back - Curtain - 10" - Gold (Aztec Gold)
	049097-14-000	EA	Tie Back - Curtain - 10" - Beige (Saddle)
	049097-15-000	EA	Tie Back - Curtain - 14" - Brown Vinyl

VALANCES

Key	Part Number	U/M	Description
	048831-24-000	EA	Valance - w/Header - 5.5" x 44" - Rust (Fire and Grass)
	048831-25-000	EA	Valance - w/Header - 5.5" x 44" - Gold (Aztec Gold)
	048831-26-000	EA	Valance - w/Header - 5.5" x 44" - Beige (Saddle)
	048831-57-000	EA	Valance - w/Header - 5.5" x 90" - Rust (Fire and Grass)
	048831-58-000	EA	Valance - w/Header - 5.5" x 90" - Gold (Aztec Gold)
	048831-59-000	EA	Valance - w/Header - 5.5" x 90" - Beige (Saddle)

DINETTE CUSHIONS

Key	Part Number	U/M	Description
	048839-40-000	EA	Cushion - Mitered - 27.5" x 86" x 4" - Rust (Fire and Grass)
	048839-41-000	EA	Cushion - Mitered - 27.5" x 86" x 4" - Gold (Aztec Gold)
	048839-42-000	EA	Cushion - Mitered - 27.5" x 86" x 4" - Beige (Saddle)
	048839-40-040	EA	Cover - Cushion - Mitered - 27.5" x 86" x 4" - Rust (Fire and Grass)
	048839-41-041	EA	Cover - Cushion - Mitered - 27.5" x 86" x 4" - Gold (Aztec Gold)
	048839-42-042	EA	Cover - Cushion - Mitered - 27.5" x 86" x 4" - Beige (Saddle)
	048839-43-000	EA	Cushion - Mitered - 26.5" x 34.5" x 4" - Rust (Fire and Grass)
	048839-44-000	EA	Cushion - Mitered - 26.5" x 34.5" x 4" - Gold (Aztec Gold)
	048839-45-000	EA	Cushion - Mitered - 26.5" x 34.5" x 4" - Beige (Saddle)
	048839-43-043	EA	Cover - Cushion - Mitered - 26.5" x 34.5" x 4" - Rust (Fire and Grass)
	048839-44-044	EA	Cover - Cushion - Mitered - 26.5" x 34.5" x 4" - Gold (Aztec Gold)
	048839-45-045	EA	Cover - Cushion - Mitered - 26.5" x 34.5" x 4" - Beige (Saddle)
	048839-46-000	EA	Cushion - Mitered - 13" x 33" x 4" - Rust (Fire and Grass)
	048839-47-000	EA	Cushion - Mitered - 13" x 33" x 4" - Gold (Aztec Gold)
	048839-48-000	EA	Cushion - Mitered - 13" x 33" x 4" - Beige (Saddle)
	048839-46-046	EA	Cover - Cushion - Mitered - 13" x 33" x 4" - Rust (Fire and Grass)
	048839-47-047	EA	Cover - Cushion - Mitered - 13" x 33" x 4" - Gold (Aztec Gold)
	048839-48-048	EA	Cover - Cushion - Mitered - 13" x 33" x 4" - Beige (Saddle)
	048839-49-000	EA	Cushion - Mitered - 13" x 81.5" x 4" - Rust (Fire and Grass)
	048839-50-000	EA	Cushion - Mitered - 13" x 81.5" x 4" - Gold (Aztec Gold)
	048839-51-000	EA	Cushion - Mitered - 13" x 81.5" x 4" - Beige (Saddle)
	048839-49-049	EA	Cover - Cushion - Mitered - 13" x 81.5" x 4" - Rust (Fire and Grass)
	048839-50-050	EA	Cover - Cushion - Mitered - 13" x 81.5" x 4" - Gold (Aztec Gold)
	048839-51-051	EA	Cover - Cushion - Mitered - 13" x 81.5" x 4" - Beige (Saddle)

MATTRESSES

Key	Part Number	U/M	Description
	050102-01-000	EA	Mattress - Mitered - 24.5" x 76" x 4" - Rust (Fire and Grass)
	050102-02-000	EA	Mattress - Mitered - 24.5" x 76" x 4" - Gold (Aztec Gold)
	050102-03-000	EA	Mattress - Mitered - 24.5" x 76" x 4" - Beige (Saddle)
	050102-01-001	EA	Cover - Mattress - Mitered - 24.5" x 76" x 4" - Rust (Fire and Grass)
	050102-02-002	EA	Cover - Mattress - Mitered - 24.5" x 76" x 4" - Gold (Aztec Gold)
	050102-03-003	EA	Cover - Mattress - Mitered - 24.5" x 76" x 4" - Beige (Saddle)
	050102-04-000	EA	Mattress - Mitered - 27" x 76" x 5" - Rust (Fire and Grass)
	050102-05-000	EA	Mattress - Mitered - 27" x 76" x 5" - Gold (Aztec Gold)
	050102-06-000	EA	Mattress - Mitered - 27" x 76" x 5" - Beige (Saddle)
	050102-04-004	EA	Cover - Mattress - Mitered - 27" x 76" x 5" - Rust (Fire and Grass)
	050102-05-005	EA	Cover - Mattress - Mitered - 27" x 76" x 5" - Gold (Aztec Gold)
	050102-06-006	EA	Cover - Mattress - Mitered - 27" x 76" x 5" - Beige (Saddle)
	041914-31-000	EA	Mattress - Flex - Optional Rear Bunk - 37.5" x 79" x 4" - Rust (Fire and Grass)
	041914-32-000	EA	Mattress - Flex - Optional Rear Bunk - 37.5" x 79" x 4" - Gold (Aztec Gold)
	041914-33-000	EA	Mattress - Flex - Optional Rear Bunk - 37.5" x 79" x 4" - Beige (Saddle)

1977 ITASCA TABLE OF CONTENTS

Introduction	A-1
Abbreviations	A-1
Alphabetical Index	A-2 - A-4
C25A	A-5 - B-4
C27AL	B-15 - C-24
C22C	D-1 - E-10
C27A	E-11 - F-20
C25C	F-21 - H-4
C25CD	H-5 - I-14
C24C	I-15 - J-22
C25AD	J-23 - L-14

1977 C24C INDEX

Floor Plan	I-15 - I-16
Accessories Group	I-17 - I-18
Bath Group	I-19
Chassis Group	I-20
Curtain, Cushion & Pad Group	I-21 - I-23
Dinette Group	I-24
Driver's Compartment Group	I-24
Electrical Group	J-1 - J-2
Exterior Body Group	J-3 - J-6
Galley Group	J-7
Heating & Air Conditioning Group	J-8
Interior Finish Group	J-9 - J-10
LP Group	J-10
Water & Sewage Group	J-11
Window, Vent & Exterior Door Group	J-12 - J-22

CURTAIN, CUSHION AND PAD GROUP (CONTINUED)

BUCKET SEATS, ARMRESTS AND HEADRESTS

Key	Part Number	U/M	Description
	040516-24-000	EA	Seat - Single Bucket w/Slides - Rust (Fire and Grass)
	040516-25-000	EA	Seat - Single Bucket w/Slides - Gold (Aztec Gold)
	040516-26-000	EA	Seat - Single Bucket w/Slides - Beige (Saddle)
	040516-16-001	EA	Cover - Single Bucket Seat - Bottom - Rust (Fire and Grass)
	040516-17-001	EA	Cover - Single Bucket Seat - Bottom - Gold (Aztec Gold)
	040516-18-001	EA	Cover - Single Bucket Seat - Bottom - Beige (Saddle)
	040516-24-002	EA	Cover - Single Bucket Seat - Back - Rust (Fire and Grass)
	040516-25-002	EA	Cover - Single Bucket Seat - Back - Gold (Aztec Gold)
	040516-26-002	EA	Cover - Single Bucket Seat - Back - Beige (Saddle)
	033906-26-000	EA	Headrest Cover - Rust (Fire and Grass)
	033906-27-000	EA	Headrest Cover - Gold (Aztec Gold)
	033906-28-000	EA	Headrest Cover - Beige (Saddle)
	019722-01-000	EA	Headrest Asm. - Foam w/o Cover
	050280-13-000	EA	Armrest Cover - Rust (Fire and Grass)
	050280-14-000	EA	Armrest Cover - Gold (Aztec Gold)
	050280-15-000	EA	Armrest Cover - Beige (Saddle)
	050275-01-700	EA	Armrest Asm. - Foam w/o Cover - Right
	050276-01-700	EA	Armrest Asm. - Foam w/o Cover - Left
	029134-01-000	EA	Clip - Finishing - Upholstery - Bucket Seat
	029136-01-000	EA	Grommet - Headrest - Brown Nylon

PADS

Key	Part Number	U/M	Description
	043321-02-000	EA	Pad - "A" Pillar - Right - Brown Vinyl
	043322-02-000	EA	Pad - "A" Pillar - Left - Brown Vinyl
	043323-02-000	EA	Pad - Door - Top Right - Brown Vinyl
	043324-02-000	EA	Pad - Door - Top Left - Brown Vinyl
	043325-03-000	EA	Pad - "B" Pillar - Left - Brown Vinyl
	043325-04-000	EA	Pad - "B" Pillar - Right - Brown Vinyl
	043326-02-000	EA	Headliner - Cab - Brown Vinyl
	043327-09-000	EA	Pad - Support - Cab/Pillar Asm. - Left
	043327-10-000	EA	Pad - Support - Cab/Pillar Asm. - Right
	048630-01-000	EA	Pad - Sleeper Board - Left - Brown Vinyl
	048630-02-000	EA	Pad - Sleeper Board - Right - Brown Vinyl
	048456-01-000	EA	Pad Asm. - Tube Cover

FABRICS AND TRIMS

Key	Part Number	U/M	Description
	043618-01-000	YD	Fabric - Upholstery - Rust (Fire and Grass)
	043618-02-000	YD	Fabric - Upholstery - Gold (Aztec Gold)
	043618-03-000	YD	Fabric - Upholstery - Beige (Saddle)
	043619-01-000	YD	Fabric - Drapery - Rust (Fire and Grass)
	043619-02-000	YD	Fabric - Drapery - Gold (Aztec Gold)
	043619-03-000	YD	Fabric - Drapery - Beige (Saddle)
	042411-01-000	YD	Vinyl - Nonexpanded - 27 Ounce - Brown
	042411-02-000	YD	Vinyl - Expanded - 28 Ounce - Brown
	042373-10-000	EA	Button Asm. - Covered - Rust (Fire and Grass)
	042373-11-000	EA	Button Asm. - Covered - Gold (Aztec Gold)
	042373-12-000	EA	Button Asm. - Covered - Beige (Saddle)
	042414-01-000	FT	Trim - Accent - Brown Vinyl
	023631-05-000	EA	Button - Nail - Brown Vinyl

DINETTE GROUP

TABLE AND RELATED HARDWARE

Key	Part Number	U/M	Description
	043822-04-700	EA	Table - Dinette - Butcher Block w/o Hardware
	009040-02-000	EA	Leg - Table - 2 3/8" Dia. x 28" - Chrome
	009040-03-000	EA	Base - Table Leg
	009059-01-000	EA	Hinge - 2" - Gold
	041194-01-000	EA	Base - Table Leg - Recessed
	041476-01-000	EA	Track - Slide - PVC Dark Pecan - 12'

DINETTE CABINETRY

Key	Part Number	U/M	Description
	047048-01-000	EA	Cabinet - Dinette Seat - left w/o Doors or Hardware
	047048-01-000	EA	Cabinet - Dinette Seat - Right w/o Doors or Hardware
	047050-01-000	EA	Cabinet - Dinette Seat - Center w/o Doors or Hardware
	047155-11-700	EA	Door Asm. - Cabinet - Dinette Seat w/o Hardware
	048681-03-000	EA	Cabinet Asm. - Dinette Overhead - Left - w/o Doors or Hardware
	048685-03-000	EA	Cabinet Asm. - Dinette Overhead - Right - w/o Doors or Hardware
	048874-03-000	EA	Shelf Asm. - Dinette Overhead - Rear - Center
	033535-03-000	FT	Molding Asm. - Shelf
	047155-01-700	EA	Door Asm. - Overhead Cabinet - 9" x 21" Cutout - w/o Hardware

DRIVER'S COMPARTMENT GROUP

Key	Part Number	U/M	Description
	039639-01-000	EA	Bezel - Transmission Control
	036414-01-000	EA	Ashtray
	041425-01-000	EA	Cover - Engine
	041320-01-000	EA	Bracket - Engine Cover/Floor
	048223-01-000	EA	Bracket - Engine Cover
	044469-01-000	EA	Nameplate - Itasca - Brown/Silver
	045206-13-000	EA	Side Panel - Cab Door - Left - Rust (Fire and Grass)
	045206-14-000	EA	Side Panel - Cab Door - Left - Gold (Aztec Gold)
	045206-15-000	EA	Side Panel - Cab Door - Left - Beige (Saddle)
	045205-13-000	EA	Side Panel - Cab Door - Right - Rust (Fire and Grass)
	045205-14-000	EA	Side Panel - Cab Door - Right - Gold (Aztec Gold)
	045205-15-000	EA	Side Panel - Cab Door - Right - Beige (Saddle)
	049360-02-000	EA	Console - Overhead - w/o Gauges or Switches
	031035-01-000	EA	Gauge - Hourmeter - Generator
	024976-01-000	EA	Switch - Generator - w/o Circuit Board
	024461-01-000	EA	Switch - Battery
	046885-01-000	EA	Plaque - Mounting - Battery Switch
	039646-06-000	EA	Extension Asm. - Sleeper Board
	023812-04-000	EA	Rail - Bunk - Brown - 75"
	041476-01-000	FT	Track - Slide - PVC Dark Pecan - 12'
	048656-01-000	EA	Bracket - Catch - Bunk
	049797-01-000	EA	Hedlok II - 1" Dia. - Screw Mount - Black Plastic
	049918-01-000	EA	Pedestal Asm. - Swivel Seat
	007223-01-000	EA	Adjuster Asm. - Seat w/Lock
	007224-02-000	EA	Handle - Seat Adjuster - 9"
	007227-01-000	EA	Adjuster Asm. - Seat w/o Lock
	048636-01-000	EA	Handle - Swivel Seat
	049916-01-000	EA	Plate Asm. - Swivel Seat
	049943-01-000	EA	Pedestal - Complete - Swivel Seat
	007222-01-000	EA	Belt Asm. - Seat - 2" x 60" - Black
	041332-01-000	EA	Washer - Flat - 15/32" I.D. x 2 3/8" O.D.
	040697-03-000	EA	Pad - Instrument Panel - Brown

1977 ITASCA TABLE OF CONTENTS

Introduction	A-1
Abbreviations	A-1
Alphabetical Index	A-2 - A-4
C25A	A-5 - B-4
C27AL	B-15 - C-24
C22C	D-1 - E-10
C27A	E-11 - F-20
C25C	F-21 - H-4
C25CD	H-5 - I-14
C24C	I-15 - J-22
C25AD	J-23 - L-14

1977 C24C INDEX

Floor Plan	I-15 - I-16
Accessories Group	I-17 - I-18
Bath Group	I-19
Chassis Group	I-20
Curtain, Cushion & Pad Group	I-21 - I-23
Dinette Group	I-24
Driver's Compartment Group	I-24
Electrical Group	J-1 - J-2
Exterior Body Group	J-3 - J-6
Galley Group	J-7
Heating & Air Conditioning Group	J-8
Interior Finish Group	J-9 - J-10
LP Group	J-10
Water & Sewage Group	J-11
Window, Vent & Exterior Door Group	J-12 - J-22

ELECTRICAL GROUP

BULBS

Key	Part Number	U/M	Description
	037935-01-000	EA	Bulb - 1157
	038010-01-000	EA	Bulb - 1143
	008103-01-000	EA	Bulb - 53
	008213-01-000	EA	Bulb - 57
	008214-01-000	EA	Bulb - 67
	008215-01-000	EA	Bulb - 1003
	008216-01-000	EA	Bulb - 1034
	008217-01-000	EA	Bulb - 1073
	008218-01-000	EA	Bulb - 1141
	008219-01-000	EA	Bulb - 656
	008220-01-000	EA	Bulb - 12V - 25W
	036196-01-000	EA	Bulb - 194
	700020-01-000	EA	Bulb - 12V - 20 W - 1383

EXTERIOR LIGHTS

Key	Part Number	U/M	Description
	008089-01-000	EA	Light - Porch - Recessed
	045863-01-000	EA	Lamp Asm. - Tail - Horizontal
	045664-01-000	EA	Lamp Asm. - Tail - Horizontal w/License Mount
	046125-01-000	EA	Wedge - Tail Light
	042405-03-000	EA	Base - Rectangular Clearance Light
	042405-04-000	EA	Lens - Rectangular Light - Red
	042405-05-000	EA	Lens - Rectangular Light - Amber

INTERIOR LIGHTS

Key	Part Number	U/M	Description
	024418-01-000	EA	Lamp Asm. - Map/Gauge/Aisle
	024473-01-000	EA	Light - Aircraft - 1 Bulb - Gold
	033508-02-000	EA	Light - Dome - Ivory - 1 Bulb
	024642-01-701	EA	Lens - Dome - Light - 1 Bulb
	033509-02-000	EA	Light - Dome - Ivory - 2 Bulb
	024643-01-701	EA	Lens - Dome Light - 2 Bulb

FUSES AND CIRCUIT BREAKERS

Key	Part Number	U/M	Description
	008233-01-000	EA	Fuse - 12 Volt - 6 Amp.
	008234-01-000	EA	Fuse - 12 Volt - 10 Amp.
	008235-01-000	EA	Fuse - 12 Volt - 15 Amp.
	008236-01-000	EA	Fuse - 12 Volt - 20 Amp.
	008248-01-000	EA	Fuse - 110 Volt - 30 Amp. - AGU
	008252-01-000	EA	Fuse - 110 Volt - 50 Amp.
	008208-01-000	EA	Circuit Breaker - 12 Volt - 40 Amp
	008211-01-000	EA	Circuit Breaker - 12 Volt - 6 Amp.
	008268-01-000	EA	Circuit Breaker - 12 Volt - 30 Amp. w/Mount
	033573-01-000	EA	Circuit Breaker - 12 Volt - 20 Amp. w/Mount
	040011-01-000	EA	Circuit Breaker - 110 Volt - 20 Amp. - TQL

ELECTRICAL GROUP (CONTINUED)

WIRE, SWITCHES, AND RECEPTACLES

Key	Part Number	U/M	Description
	008024-01-000	FT	Wire - 18.5 Bonded - Orange/White/Yellow/Blue/Brown
	008025-01-000	FT	Wire - 18.5 Bonded - Orange/White/Yellow/Blue/Green
	008028-01-000	FT	Wire - 18.5 Bonded - Blue/Red/Yellow/Orange/White
	008030-01-000	FT	Wire - 18.4 Bonded
	008251-01-000	EA	Holder - Fuse - Black - Screw Type
	009277-01-000	EA	Holder - Fuse - Black - Panel Mount
	008195-01-000	EA	Switch - Push Button - 12 Volt
	006077-01-000	EA	Plaque - Compressor Switch
	008054-01-000	EA	Cord - Power - 10-3 30 Amp. - 25' - UL
	034818-04-000	EA	Holder - Receptacle - Plastic
	039338-01-000	EA	Cover Plate - Receptacle - Plastic - Brown
	039339-01-000	EA	Receptacle - Duplex Brown
	039342-01-000	EA	Receptacle - Duplex Brown - T Junction
	024571-01-000	EA	Cover Plate - Receptacle - Jumbo Steel Brown
	039343-01-000	EA	Cap - End - Receptacle
	008162-01-000	EA	Switch - Double Toggle - Spade Brown
	008163-01-000	EA	Switch - Toggle Brown
	008164-01-000	EA	Cover Plate - Switch - Brown
	024924-01-000	EA	Receptacle - Power Cord
	008058-01-000	EA	Adaptor - Power Cord
	047353-01-000	EA	Cover - Receptacle - Ground Fault
	047351-01-000	EA	Receptacle - Ground Fault Interrupter - 125 Volt, Black

MISCELLANEOUS ELECTRICAL COMPONENTS

Key	Part Number	U/M	Description
	047338-01-000	EA	Isolator - Dual Battery
	047389-01-700	EA	Battery - 12 Volt - 105 Amp. Deep Cycle - Dry
	008188-01-000	EA	Solenoid - Dual Battery - Relay
	046775-01-000	EA	Valve - Gas - Change Over
	039950-02-000	EA	Control Center - 30 Amp. w/Door - UL
	048812-01-000	EA	Panel - Control - Water/Double Sewage - Wemac
	039861-01-000	EA	Sending Unit Kit - Wemac
	024459-01-000	EA	Gauge - Voltmeter
	024462-01-000	EA	Switch - Battery Condition
	031035-01-000	EA	Gauge - Hour Meter - Generator
	024976-01-000	EA	Switch - Generator w/o Circuit Board

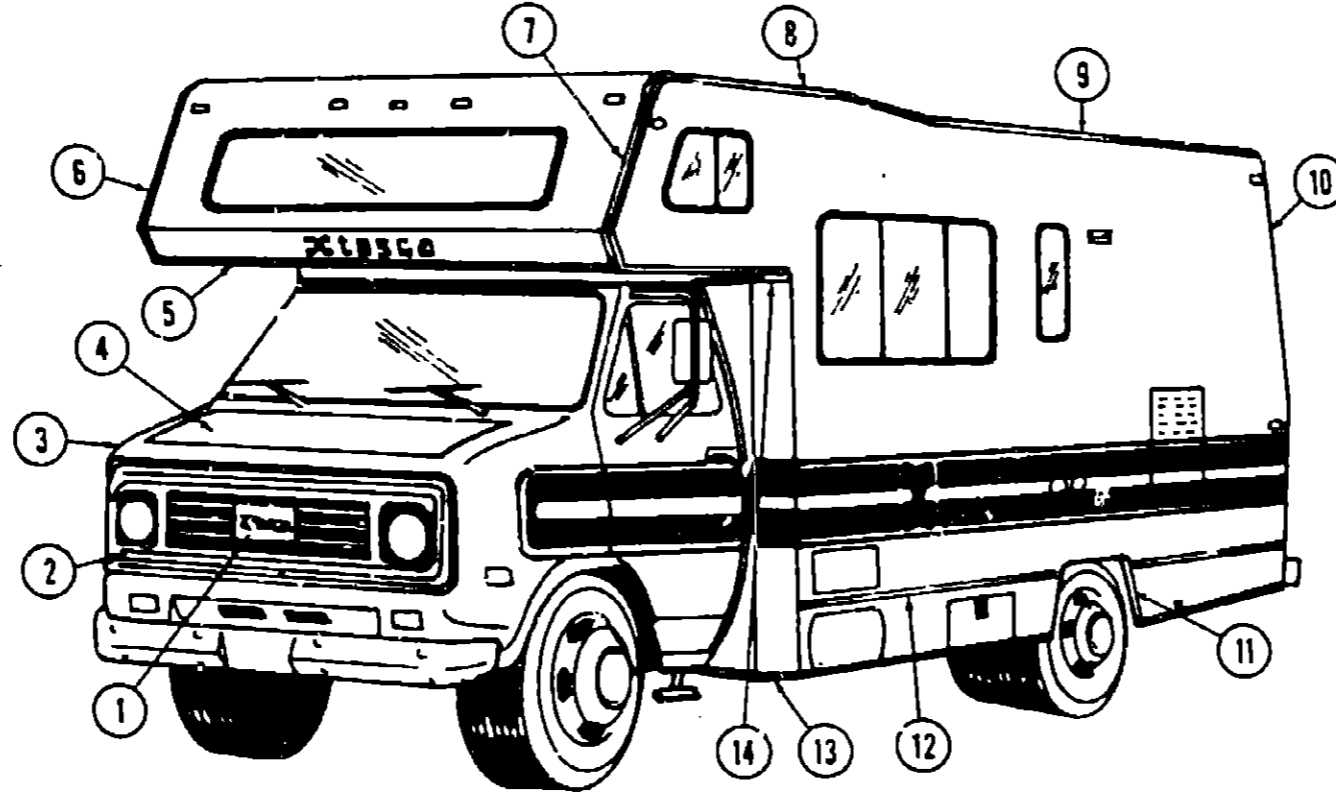
1977 ITASCA TABLE OF CONTENTS

Introduction	A-1
Abbreviations	A-1
Alphabetical Index	A-2 - A-4
C25A	A-5 - B-4
C27AL	B-15 - C-24
C22C	D-1 - E-10
C27A	E-11 - F-20
C25C	F-21 - H-4
C25CD	H-5 - I-14
C24C	I-15 - J-22
C25AD	J-23 - L-14

1977 C24C INDEX

Floor Plan	I-15 - I-16
Accessories Group	I-17 - I-18
Bath Group	I-19
Chassis Group	I-20
Curtain, Cushion & Pad Group	I-21 - I-23
Dinette Group	I-24
Driver's Compartment Group	I-24
Electrical Group	J-1 - J-2
Exterior Body Group	J-3 - J-6
Galley Group	J-7
Heating & Air Conditioning Group	J-8
Interior Finish Group	J-9 - J-10
LP Group	J-10
Water & Sewage Group	J-11
Window, Vent & Exterior Door Group	J-12 - J-22

EXTERIOR BODY GROUP



1977 ITASCA TABLE OF CONTENTS

Introduction	A-1
Abbreviations	A-1
Alphabetical Index	A-2 - A-4
C25A	A-5 - B-4
C27AL	B-15 - C-24
C22C	D-1 - E-10
C27A	E-11 - F-20
C25C	F-21 - H-4
C25CD	H-5 - I-14
C24C	I-15 - J-22
C25AD	J-23 - L-14

Key	Part Number	U/M	Description
1	046619-01-000	EA	Plate - Grille Cover - Logo
2	046741-01-000	EA	Grille - Plastic Chrome w/o Decal Striping
3	040843-01-000	EA	Front End Asm. - Fiberglass - Off White - Includes Hood w/o Front Grille
4	040845-01-000	EA	Hood Asm. - Off White
5	039644-01-000	EA	Trim - Sleeper Board - Off White
	039616-01-000	EA	Hinge - Hood (2 used per hood)
	035389-01-000	EA	Hood Pin Kit - 7/16" x 20 x 3.50" Long
	007160-01-000	EA	Gasket - Tire Carcass - 3/16" x 2" x 2"
	037449-01-000	EA	Well Nut - 10 - 32 x .812" Long
6	039635-02-000	EA	Trim - Contour - Sleeper Section - Right - Off White
7	039635-01-000	EA	Trim - Contour - Sleeper Section - Left - Off White
8	039634-01-000	EA	Trim - Contour - Roof - Left - Off White
	039634-02-000	EA	Trim - Contour - Roof - Right - Off White
9	034922-04-000	EA	Trim - Sidewall/Roof - Upper - Left or Right - Off White

Key	Part Number	U/M	Description
10	039633-01-000	EA	Trim - Contour - Backwall - Left - Off White
	039633-02-000	EA	Trim - Contour - Backwall - Right - Off White
11	039624-03-000	EA	Trim - Wheel Well - Rear - Left or Right
12	002444-02-003	EA	Extr. - Feature Strip - Alum. - 16' w/o Insert
	001030-02-002	EA	Insert - Feature Strip - Off White - 21'
	009731-01-000	EA	End Cap - Feature Strip
13	043442-01-000	EA	Trim - Wingwall - Bottom Left
	043442-02-000	EA	Trim - Wingwall - Bottom - Right
14	048610-01-000	EA	Trim - Corner - Wingwall - Left
	048610-02-000	EA	Trim - Corner - Wingwall - Right
	002365-02-001	EA	Extr. - U-Channel - 1" Serrated x 18' Anod.
	039629-01-000	FT	Extr. - Vinyl - Sleeper Joint
	043915-01-000	FT	Extr. - Vinyl - "B" Pillar/Wingwall
			Not Illustrated

1977 C24C INDEX

Floor Plan	I-15 - I-16
Accessories Group	I-17 - I-18
Bath Group	I-19
Chassis Group	I-20
Curtain, Cushion & Pad Group	I-21 - I-23
Dinette Group	I-24
Driver's Compartment Group	I-24
Electrical Group	J-1 - J-2
Exterior Body Group	J-3 - J-6
Galley Group	J-7
Heating & Air Conditioning Group	J-8
Interior Finish Group	J-9 - J-10
LP Group	J-10
Water & Sewage Group	J-11
Window, Vent & Exterior Door Group	J-12 - J-22

EXTERIOR BODY GROUP

EXTERIOR BODY PANELS AND SHEET ALUMINUM

Key	Part Number	U/M	Description
	030570-01-000	EA	Board - Sloop
	049117-03-000	EA	Backwall Asm.
	049116-02-000	EA	Sidewall Asm. - Right
	049115-02-000	EA	Sidewall Asm. - Left
	049119-01-000	EA	Roof Asm.
	049119-01-700	EA	Roof Section - Front - Cab Overhang to First Roof Seam
	030155-03-008	EA	Alum. - Off White - Mesa Design - .024" x 36" x 60"
	030155-03-002	EA	Alum. - Off White - Mesa Design - .024" x 36" x 300"
	030155-03-003	EA	Alum. - Off White - Mesa Design - .024" x 36" x 360"
	030155-03-007	EA	Alum. - Off White - Mesa Design - .024" x 48" x 60"
	030155-03-005	EA	Alum. - Off White - Mesa Design - .024" x 48" x 300"
	030155-03-006	EA	Alum. - Off White - Mesa Design - .024" x 48" x 360"
	030155-03-009	EA	Alum. - Off White - Mesa Design - .024" x 12" x 360"
	044487-01-001	EA	Alum. - Mill Finish - No Design (Roof) - 96" x 360"
	030155-07-010	EA	Alum. - Off White - Greyhound Design 48" x 96"
	001054-01-011	EA	Alum. - Off White - No Design - 48" x 96"

EXTERIOR PAINT

Key	Part Number	U/M	Description
	041561-01-000	EA	Paint - Off White - Acrylic Enamel - 1 Gallon
	041561-03-000	EA	Paint - Off White - Acrylic Enamel - 16 Oz. Aerosol
	041561-04-000	EA	Paint - Off White - Acrylic Lacquer - 1 Gallon
	041563-01-000	EA	Paint - Burnt Orange - Acrylic Enamel - 1 Gallon
	041563-03-000	EA	Paint - Burnt Orange - Acrylic Enamel - 16 Oz. Aerosol
	041565-01-000	EA	Paint - Rally Yellow - Acrylic Enamel - 1 Gallon
	041565-03-000	EA	Paint - Rally Yellow - Acrylic Enamel - 16 Oz. Aerosol
	045881-01-000	EA	Paint - High Gloss Black - Acrylic Enamel - 1 Gallon
	045881-03-000	EA	Paint - High Gloss Black - Acrylic Enamel - 16 Oz. Aerosol
	042933-03-000	EA	Paint - Dark Brown - Acrylic Enamel - 16 Oz. Aerosol
	045812-01-000	EA	Paint - Orange - Acrylic Enamel - 1 Gallon
	045812-03-000	EA	Paint - Orange - Acrylic Enamel - 16 Oz. Aerosol

MISCELLANEOUS EXTERNALLY MOUNTED PARTS

Key	Part Number	U/M	Description
	036579-03-000	EA	Fuel Fill - Recessed - Single - Off White
	011124-01-000	EA	Plumbing Seal - Roof Vent - 1 1/4" White
	011129-01-000	EA	Plumbing Seal - Roof Vent - 1 1/2" White
	010230-02-000	EA	Fill - City Water - Recessed - Off White - w/Screw On Cap
	011020-01-000	EA	Fill - Water - Recessed - Off White
	009126-01-000	EA	Handle - Assist - Metal Ext.
	009101-01-000	EA	Holder - Entry Door - Male
	009101-02-000	EA	Holder - Entry Door - Female

EXTERIOR BODY GROUP (CONTINUED)

LABELS AND DECALS

Key	Part Number	U/M	Description
	000023-01-000	EA	Label - Water Only
	006025-01-000	EA	Label - Gas
	006028-01-000	EA	Label - Drain Caps - 2" x 3"
	006031-01-000	EA	Label - Potable Water Only
	006040-01-000	EA	Tag - Gas Refueling Warning
	006061-01-000	EA	Tag - LP Gas Only
	006062-01-000	EA	Tag - Electrical - 110 Volt Connection
	006187-01-000	EA	Label - Sewage
	006188-01-000	EA	Label - Waste Water
	006199-01-000	EA	Label - Exit - Escape Window
	030288-01-000	EA	Label - Warning Aux. Loading
	041273-02-000	FT	Decal - Stripe - Sidewall - .88" - Black
	046321-01-000	EA	Stencil - Stripe - Front Side
	046323-01-000	EA	Stencil - Logo - Itasca "I"
	046324-01-000	EA	Decal - Stripe - Front Side - Black
	041273-03-000	FT	Decal - Stripe - 1" - Orange
	046325-01-000	EA	Decal - Logo - Itasca Grille
	046764-01-000	EA	Decal - Grille - Accent - Left Hand - Orange
	046754-02-000	EA	Decal - Grille - Accent - Right Hand - Orange
	008092-01-000	EA	Reflector - Stick on - Rectangular - Red
	008093-01-000	EA	Reflector - Stick on - Rectangular - Amber

SEALANTS, ADHESIVES, AND FASTENERS

Key	Part Number	U/M	Description
	034552-05-000	EA	Sealant - Off White Silicone
	034552-04-000	EA	Sealant - Beige Silicone
	034552-02-000	EA	Sealant - Clear Silicone
	004348-02-000	EA	Sealant - Aluminum Silicone
	004349-01-000	EA	Sealant - Black Silicone
	004342-01-000	EA	Sealant - Weatherban 202 Tube
	004346-02-000	EA	Sealant - White Silicone
	004347-01-000	EA	Sealant - Tufflex
	002316-01-000	FT	Tape - Sealer - 3/32" x 1/8"
	024545-01-000	FT	Tape - Sealer - 1/8" x 5/8" - Black
	004350-01-000	FT	Tape - Sealer - 1/8" x 1" - Formaseal
	004352-01-000	FT	Tape - Sealer - 1/8" x 3/4" - Formaseal
	004355-01-000	FT	Tape - Sealer - 1/8" x 5/8" - Black
	004357-01-000	FT	Tape - Sealer - 1/8" x 5/8" - Adhesive
	002707-02-000	FT	Tape - Sealer - 5/16" x 1/2" - Black Foam
	002707-01-000	FT	Tape - Sealer - 5/16" x 3/4" - Black Foam
	041422-01-000	FT	Tape - Sealer - 1/4" x 1/2"
	004363-01-000	FT	Tape - Sealer - 3/16" x 1/2" - Foam
	004362-01-000	FT	Tape - Sealer - 1/8" x 5/8" - Foam
	009200-01-000	EA	Tape - Furnace - 1 1/2"
	041839-01-000	FT	Tape - Window - Latch - 3/4" - Adhesive
	041839-02-000	FT	Tape - Window - Latch - 1/2" - Adhesive
	004363-01-000	FT	Tape - Gasket - 1/8" x 3/4" - White
	002825-01-000	FT	Weather Stripping - Roof Vent
	002337-01-000	EA	Adhesive - 3M - 1300 Tube
	004005-01-000	GL	Adhesive - Swifts - Green - Glue (Sidewalls)
	004012-01-000	EA	Adhesive - 3M - 4475 Tube
	004020-01-000	QT	Adhesive - ABS Cement (Plastic Fittings)
	029051-01-000	EA	Adhesive - Spray Vinyl
	042401-02-000	EA	Screw - 8-18x3/4" SDPH Off White
	042403-02-000	EA	Screw - SF/DR - 8-18 x 1" SDPH Off White
	005058-01-000	EA	Screw - Wood - 12-11 x 3" P.O.H. Zinc

1977 ITASCA TABLE OF CONTENTS

Introduction	A-1
Abbreviations	A-1
Alphabetical Index	A-2 - A-4
C25A	A-5 - B-4
C27AL	B-15 - C-24
C22C	D-1 - E-10
C27A	E-11 - F-20
C25C	F-21 - H-4
C25CD	H-5 - I-14
C24C	I-15 - J-22
C25AD	J-23 - L-14

1977 C24C INDEX

Floor Plan	I-15 - I-16
Accessories Group	I-17 - I-18
Bath Group	I-19
Chassis Group	I-20
Curtain, Cushion & Pad Group	I-21 - I-23
Dinette Group	I-24
Driver's Compartment Group	I-24
Electrical Group	J-1 - J-2
Exterior Body Group	J-3 - J-6
Galley Group	J-7
Heating & Air Conditioning Group	J-8
Interior Finish Group	J-9 - J-10
LP Group	J-10
Water & Sewage Group	J-11
Window, Vent & Exterior Door Group	J-12 - J-22

GALLEY GROUP

CABINETS AND HARDWARE

Key	Part Number	U/M	Description
	049049-02-000	EA	Cabinet Asm. - Galley w/o Doors or Hardware
	047155-14-700	EA	Door Asm. - Galley Cabinet - 21" x 10 5/8" - w/o Hardware
	049799-10-000	EA	Door Asm. - Galley Cabinet - 20 3/4" x 5 1/2" - w/o Hardware
	049050-01-000	EA	Countertop Asm. - Galley Cabinet - Butcher Block
	049008-03-000	EA	Cabinet Asm. - Buffet - w/o Doors, Hardware or Countertop
	049009-05-000	EA	Countertop Asm. - Buffet - Butcher Block
	047155-12-700	EA	Door Asm. - Buffet Cabinet - 23" x 13 5/8" - w/o Hardware
	045851-01-700	EA	Drawer Asm. - 5 1/4" x 14 1/8" Cutout - w/o Hardware
	045851-04-700	EA	Drawer Asm. - 6 3/8" x 14 1/8" Cutout - w/o Hardware
	049057-03-000	EA	Cabinet Asm. - Pantry w/o Doors or Hardware
	049799-09-000	EA	Door Asm. - Pantry Cabinet - 14 3/8" x 6 7/8" w/o Hardware
	033535-04-000	FT	Molding Asm. - Pantry Shelf
	047155-25-700	EA	Door Asm. - Refrigerator Cabinet - 22 5/8" x 11 1/16" w/o Hardware
	027671-04-000	EA	Sink Cover - Butcher Block
	048644-03-000	EA	Cabinet - Galley Overhead w/o Doors or Hardware
	047155-01-700	EA	Door Asm. - Galley Overhead - 9" x 21" - w/o Hardware
	011032-01-000	EA	Sink - Stainless Steel - Single w/Bolts
	011053-01-000	EA	Faucet - 8" - Swing Spout
	011053-01-700	EA	Aerator - Swing Spout Faucet
**	011085-01-000	EA	Strainer - 1 1/4" x 5"
**	049174-01-000	EA	Refrigerator - AC/Gas - ET230 - 2 Door Model - Sibir
**	049044-01-000	EA	Range - 4 Burner - Small Oven - Chrome - Magic Chef
**	049930-01-000	EA	Hood - Range - Power - Chrome w/o Spice Rack - Jensen
	003212-01-000	EA	Hood - Range - Non Power - Chrome - Strawsine

** The illustrated parts breakdown for this item is provided on the Common Items Fiche

HEATING AND AIR CONDITIONING GROUP

Key	Part Number	U/M	Description
	048231-02-000	EA	Auto Air - 350 - C.I.D. - ARA
	051768-01-000	EA	A/C - Compressor Mount Package - 350 - C.I.D. - ARA
	051769-01-000	EA	A/C - Evaporator Package - 350 - C.I.D. - ARA
	051770-01-000	EA	A/C - Compressor - 350 - C.I.D. - ARA
	051771-01-000	EA	A/C - Condenser Asm. - 350 - C.I.D. - ARA
	048231-01-000	EA	Auto Air - 350 - C.I.D. - AMC
	041443-01-000	EA	A/C - General Pkg. - AMC
	041444-01-000	EA	A/C - Condenser Pkg. 350 - C.I.D. - AMC
	041445-01-000	EA	A/C - Installation Pkg. - AMC
	041446-01-000	EA	A/C - Evaporator Pkg. - 350 - C.I.D. - AMC
	047036-01-000	EA	A/C - Compressor Mt. Pkg. - 350 - C.I.D. - AMC
	030505-02-000	EA	Thermostat - Horizontal Wall Mount - Black
	024985-01-000	EA	Register - Heat - w/Damper 9.9" x 4.8"
	031804-01-000	EA	Bonnet - Heat Register
	004352-01-000	FT	Tape - Sealer 1/8" x 3/4" Foamseal
	009193-01-000	FT	Duct - Flexible - 4" - #10 x 25"
	009200-01-000	EA	Tape - Furnace - 1 1/2"
	050784-01-000	EA	Vent Package - Furnace - 3" - 6" - Wall - 4300 Series - Coleman
**	049042-01-000	EA	Furnace - 22,000 BTU - Under Counter Mount - Coleman - 4322
**	049043-01-000	EA	Furnace - 28,000 BTU - Under Counter Mount - Coleman - 4328
**	049777-01-000	EA	Air Conditioner - 110 Volt - Roof Mount - 11,000 BTU Ivory - Coleman (w/o Inside Shroud)
**	049778-01-000	EA	Shroud Asm. - Ceiling - Inside - Roof Air - Cool Only 11,000 BTU - Coleman
**	049774-01-000	EA	Air Conditioner - 110 Volt - Roof Mount - 13,500 BTU Ivory - Coleman (w/o Inside Shroud)
**	049775-01-000	EA	Shroud Asm. - Ceiling - Inside - Roof Air - Cool Only 13,500 BTU - Coleman
**	049776-01-000	EA	Shroud Asm. - Ceiling - Inside - Roof Air - Heat and Cool Only 13,500 BTU - Coleman

** The illustrated parts breakdown for this item is provided on the Common Items Fiche

1977 ITASCA TABLE OF CONTENTS

Introduction	A-1
Abbreviations	A-1
Alphabetical Index	A-2 - A-4
C25A	A-5 - B-4
C27AL	B-15 - C-24
C22C	D-1 - E-10
C27A	E-11 - F-20
C25C	F-21 - H-4
C25CD	H-5 - I-14
C24C	I-15 - J-22
C25AD	J-23 - L-14

1977 C24C INDEX

Floor Plan	I-15 - I-16
Accessories Group	I-17 - I-18
Bath Group	I-19
Chassis Group	I-20
Curtain, Cushion & Pad Group	I-21 - I-23
Dinette Group	I-24
Driver's Compartment Group	I-24
Electrical Group	J-1 - J-2
Exterior Body Group	J-3 - J-6
Galley Group	J-7
Heating & Air Conditioning Group	J-8
Interior Finish Group	J-9 - J-10
LP Group	J-10
Water & Sewage Group	J-11
Window, Vent & Exterior Door Group	J-12 - J-22

INTERIOR FINISH GROUP

PANELING AND COUNTERTOP MATERIALS

Key	Part Number	U/M	Description
	000726-05-000	EA	Batt Strip - 707 Hickory
	047354-01-000	EA	Batt Strip - 825 Buff
	039188-01-000	SF	Paneling - 707 Hickory - 48" x 96" (32SF)
	045963-01-000	SF	Paneling - 825 Buff - 48" x 96" (32 SF)
	041206-01-000	SF	Tileboard - 80" x 84" - Agate Beige (35SF)
	000868-01-000	BF	Styrofoam - 3/4" x 24" x 96"
	037682-01-000	SF	Plastic Laminate - 48" x 96" - Butcherblock (32SF)
	037682-01-008	EA	Plastic Laminate - 48" x 48" - Butcherblock
	037682-01-009	EA	Plastic Laminate - 1.19" x 96" - Butcherblock
	049673-01-000	EA	Countertop - Formed 96" - Butcherblock

FABRICS AND CARPETS

Key	Part Number	U/M	Description
	041210-03-000	SY	Carpet - Orange Morning Dew - Rust (Fire and Grass)
	043635-01-000	SY	Carpet - Coffee Brown Morning Dew - Gold (Aztec Gold)
	043635-02-000	SY	Carpet - Beige Morning Dew - Beige (Saddle)
	043618-01-000	YD	Fabric - Upholstery - Rust (Fire and Grass)
	043618-02-000	YD	Fabric - Upholstery - Gold (Aztec Gold)
	043618-03-000	YD	Fabric - Upholstery - Beige (Saddle)
	043619-01-000	YD	Fabric - Drapery - Rust (Fire and Grass)
	043619-02-000	YD	Fabric - Drapery - Gold (Aztec Gold)
	043519-03-000	YD	Fabric - Drapery - Beige (Saddle)
	042411-01-000	YD	Vinyl - Non-Expanded - 27 Oz. - Brown - Bostonian
	042411-02-000	YD	Vinyl - Expanded - 26 Oz. Brown - Bostonian

INTERIOR MOLDINGS AND TRIMS

Key	Part Number	U/M	Description
	024700-04-000	EA	Cover - Sidewall Roll Bar - 707 Hickory
	024700-06-000	EA	Cover - Sidewall Roll Bar - Ivory
	039512-02-000	EA	Cover - Hat Section - 707 Hickory
	039512-06-000	EA	Cover - Hat Section - Ivory
	047488-01-000	EA	Cover - Corner - Hat/Hat
	047489-01-000	EA	Cover - Corner - Tube/Tube
	009778-01-000	FT	U-Channel - 1" - Dark Brown
	009779-01-000	FT	U-Channel - 1 1/8" - Dark Brown
	002839-01-002	EA	U-Channel - Extr. - Pipe Cover - 16'
	009815-02-000	FT	T-Molding - 3/4" - Brown
	009814-06-000	FT	T-Molding - Tan Butcher Block
	033535-03-000	FT	Molding Asm. - Shelf - 707 Hickory
	009812-03-000	FT	Molding - Plastic - Outside Corner - 1/2"
	009767-01-000	FT	Walling - Brown
	041958-01-000	FT	Trim - Vinyl Flex Edging - Brown (Drivers Compartment)
	042414-01-000	FT	Trim - Accent - Brown Bostonian
	034689-03-000	EA	Cover - Screw - PPH - 10 - Ivory

CURTAIN HARDWARE

Key	Part Number	U/M	Description
	018031-42-000	EA	Track - Curtain - "L" Rod - 90"
	049897-01-000	EA	Rod - Curtain - Flat Extension - 25" - 45"
	049897-02-000	EA	Rod - Curtain - Flat Extension - 48" - 86"
	042439-01-000	EA	Bracket - Curtain Rod - Single
	009108-01-000	FT	Track - Curtain - Brown Plastic - 3/4" x 16'
	009107-01-000	EA	Guide - Nylon Snap (Curtain)
	009701-01-000	EA	Carrier - Curtain "L" Rod
	009702-01-000	EA	End Stop - Curtain "L" Rod

INTERIOR FINISH GROUP (CONTINUED)

CABINETY AND TABLE HARDWARE

Key	Part Number	U/M	Description
	041917-01-000	EA	Kit - Cabinet Door Latch - Jamestown
	041931-01-000	EA	Kit - Cabinet Door Hinge
	041942-01-000	EA	Kit - Drawer Pull
	047744-01-000	EA	Kit - Drawer Glide w/o Rail
	037688-01-000	FT	Rail - Drawer Glide - V
	009124-01-000	EA	Lock - Bath Door - Push Button - Brass
	009047-01-000	EA	Support - Overhead Door
	009112-01-000	EA	Flange - 1" Rod - Chrome - Wardrobe
	009150-01-000	EA	Warp Guard - 64"
	009151-01-000	EA	Warp Guard - 48"
	009156-02-001	EA	Extr. - Angle - 1" x 1 1/2" x 17" - Stiffener
	009164-01-000	EA	Kit - Dinette Table Leg
	047509-02-000	EA	Kit - Dinette Hardware - Wall Mount
	041838-01-000	EA	Screw - 5 x 5/8" POH - Antique Brass

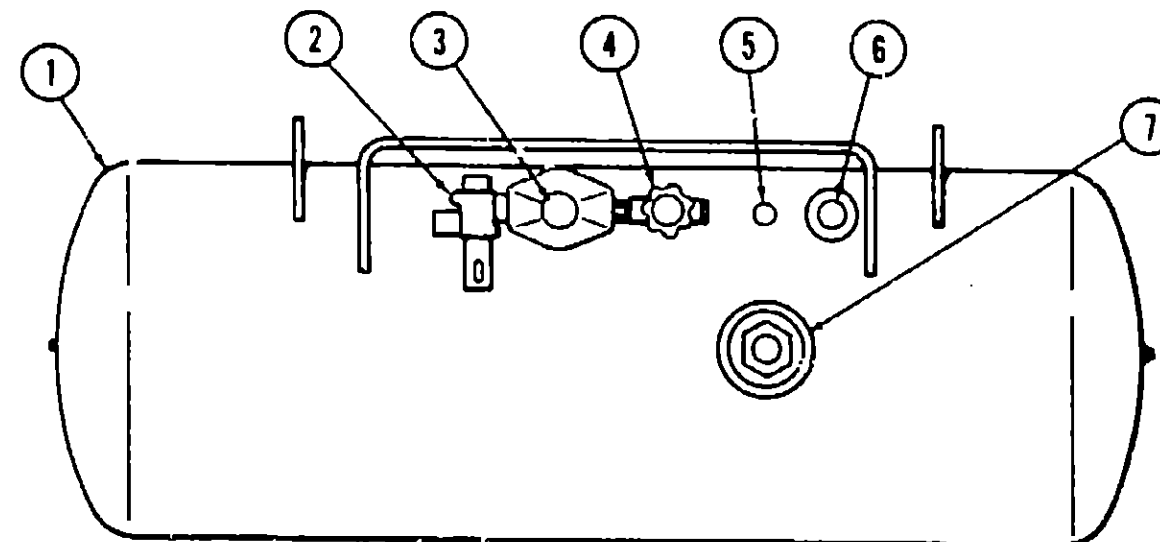
MISCELLANEOUS PARTS

Key	Part Number	U/M	Description
	042950-01-000	EA	Handle - Interior Assist
	041944-01-000	EA	Extinguisher - Fire - Dry Chemical
	040069-01-000	EA	Mat - Door - Black Rubber - 10 1/2" x 26" - Itasca
	044860-01-000	EA	Mat - Stepwell - Rubber - Black - Left
	044860-02-000	EA	Mat - Stepwell - Rubber - Black - Right

1977 ITASCA TABLE OF CONTENTS

Introduction	A-1
Abbreviations	A-1
Alphabetical Index	A-2 - A-4
C25A	A-5 - B-4
C27AL	B-15 - C-24
C22C	D-1 - E-10
C27A	E-11 - F-20
C25C	F-21 - H-4
C25CD	H-5 - I-14
C24C	I-15 - J-22
C25AD	J-23 - L-14

LP GROUP



Key	Part Number	U/M	Description
1	040421-01-000	EA	Tank Asm. - LP - Frame Mount - 83 Pound
2	042281-01-000	EA	Tank Asm. - LP - Frame Mount - 42 Pound
3	047221-01-000	EA	Detector - LP Gas Leak
4	024712-01-000	EA	Cover - LP Regulator
5	052163-01-000	EA	Regulator - Manual - LP Gas - 2 Stage
6	040421-01-703	EA	Valve - Vapor Relief
7	040421-01-700	EA	Gauge - Liquid Level - 20% LP
8	040421-01-701	EA	Valve - Filler - LP
9	040421-01-702	EA	Cap - Plastic Fill Valve
10	040421-01-707	EA	Gauge - Float - w/Visible Dial - 83 Pound Tank
11	042281-01-700	EA	Gauge - Float - w/Visible Dial - 42 Pound Tank
12	040421-01-706	EA	Dial - Visible Face - Float Gauge (Tank w/o Electric Transmitter)
13	040421-01-705	EA	Dial - Transmitter - 0 - 90 Ohm (Float Gauge)
14	045703-03-000	EA	Hose Asm. - LP - 3/8" I.D. x 14"
15	047737-02-000	EA	Support - LP Tank - 89 25"
16	047737-03-000	EA	Support - LP Tank - 30 50"
	Not Illustrated		

1977 C24C INDEX

Floor Plan	I-15 - I-16
Accessories Group	I-17 - I-18
Bath Group	I-19
Chassis Group	I-20
Curtain, Cushion & Pad Group	I-21 - I-23
Dinette Group	I-24
Driver's Compartment Group	I-24
Electrical Group	J-1 - J-2
Exterior Body Group	J-3 - J-6
Galley Group	J-7
Heating & Air Conditioning Group	J-8
Interior Finish Group	J-9 - J-10
LP Group	J-10
Water & Sewage Group	J-11
Window, Vent & Exterior Door Group	J-12 - J-22

WATER AND SEWAGE GROUP

PLUMBING REPAIR KITS AND WATER PUMP

Key	Part Number	U/M	Description
	046524-02-000	EA	Kit - Fittings - Plastic - Water Tank
	046524-01-000	EA	Kit - Fittings - Plastic - Holding Tank
	040539-01-000	EA	Kit - Repair - 3/8" O.D. Plastic Tube
	040540-01-000	EA	Kit - Repair - 1/2" O.D. Plastic Tube
	040541-01-000	EA	Kit - Repair - 5/8" O.D. Plastic Tube
	041819-01-000	EA	Nut and Cone - Plastic 1/2" O.D. Tube
	046128-01-000	EA	Valve - Drain - Plastic - 1/2" FPT
	039807-01-000	EA	Valve - Drain - Brass - 1/2" MPT
	039818-01-000	EA	Riser Asm. - 3/8" O.D. x 24" Tube
	039818-02-000	EA	Riser Asm. - 3/8" O.D. x 36" Tube
	039818-03-000	EA	Riser Asm. - 3/8" O.D. x 18" Tube
	004020-01-000	QT	Adhesive - ABS Cement
	010133-01-000	EA	Adaptor Trap - Plastic 1 1/2" H x MPT
	010134-01-000	EA	Adaptor - Plastic 1 1/2" Male MPT
	022316-01-000	EA	Holder - Extension Handle
	010147-01-000	EA	Ring - Closet - Plastic 4 F x 3 FPT
	010201-01-000	EA	Hose - Sewer - 3" x 10' w/Clamp
	010209-02-000	EA	Handle - Extension Sewer Valve 9.50"
	010235-01-000	EA	Cap - Sewage 3"
	010236-01-000	EA	Adaptor - Hose 3"
	011091-01-000	EA	Waste - Continuous Double Sink 11 7/8"
	010210-01-000	EA	Valve - Sanitary - Therford 3HB
	010234-01-000	EA	Adaptor - Bayonet
	011066-01-000	EA	P-Trap - Plastic 1 1/4"
	041279-02-000	EA	Pump - Water Flow 2.8 G.P.M. - PAR
	039647-02-000	EA	Filter - Water Pump - 1/2" MPT
	046128-01-000	EA	Valve - Drain - Plastic 1/2" FPT
	039809-01-000	EA	Valve - Stool - Plastic

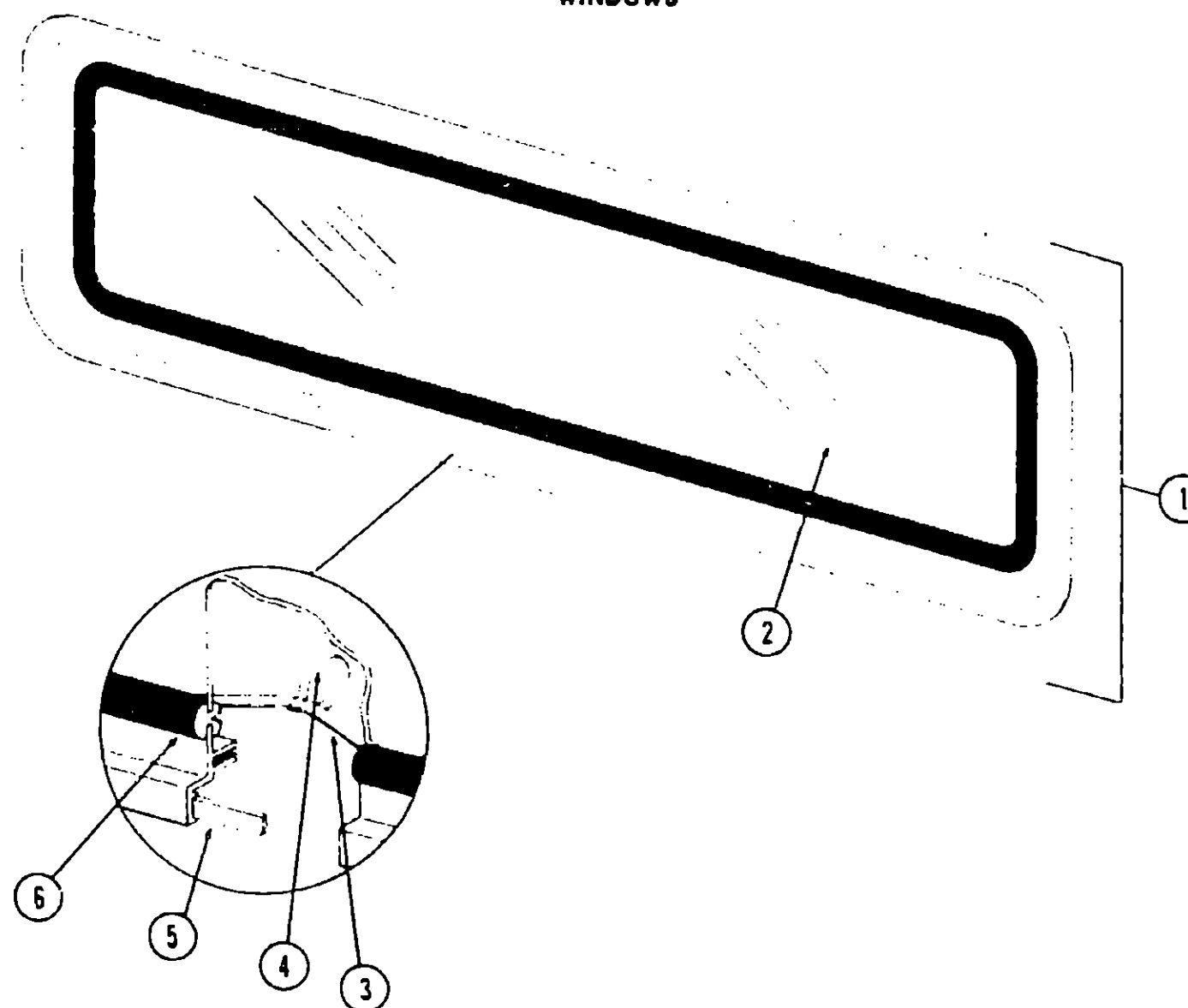
WATER AND SEWAGE HOLDING TANKS

Key	Part Number	U/M	Description
	045214-01-000	EA	Tank Asm. - Main and Auxiliary - Holding
	040552-02-000	EA	Tank Asm. - Holding - 20 Gallon w/Fittings
	040552-01-000	EA	Tank Asm. - Holding - 20 Gallon w/o Fittings
	041155-02-000	EA	Tank Asm. - Holding - 25 Gallon w/Fittings
	041155-01-000	EA	Tank Asm. - Holding - 25 Gallon w/o Fittings
	049608-02-000	EA	Tank Asm. - Water - 31 Gallon w/Fittings
	049608-01-000	EA	Tank Asm. - Water - 31 Gallon - w/o Fittings
**	031952-01-000	EA	Water Heater - 6 Gallon - Atwood w/o Motor Aid - G6A2
**	051391-01-000	EA	Water Heater - 6 Gallon - Atwood w/o Motor Aid - G6A3

** The illustrated parts breakdown for this item is provided on the Common Items Fiche.

WINDOW, VENT AND EXTERIOR DOOR GROUP

WINDOWS



Key	Part Number	U/M	Description
1	020754-03-000	EA	Window Asm. - Escape - 23" x 68" Black Anod. (w/o Inside Frame)
2	002178-01-000	EA	Glass 1/8" x 19.61" x 64.80"
3	002285-01-000	FT	Weatherstrip - Filter - Black
4	020395-01-000	EA	Slip Ring - Pull
5	004363-01-000	FT	Tape - Foam - 3/16" x 1/2" Gray
6	002282-01-000	FT	Weather Strip - Window - .125" Black
*	020753-04-000	EA	Frame - Window Inside - Escape - 23" x 68" (not included in assembly)
*	006199-01-000	EA	Label - Exit - Escape Window
*			Not Illustrated

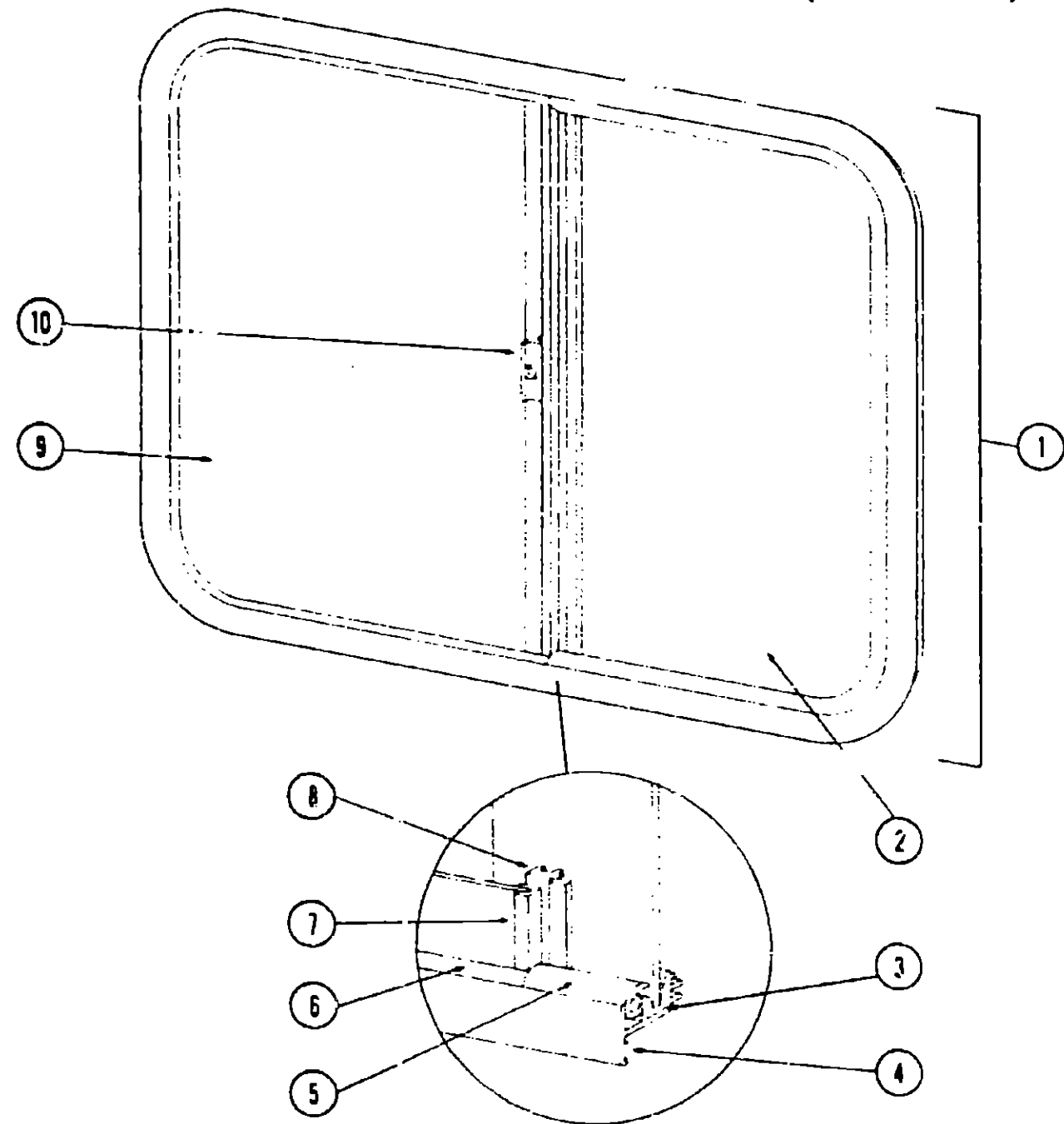
1977 ITASCA TABLE OF CONTENTS

Introduction	A-1
Abbreviations	A-1
Alphabetical Index	A-2 - A-4
C25A	A-5 - B-4
C27AL	B-15 - C-24
C22C	D-1 - E-10
C27A	E-11 - F-20
C25C	F-21 - H-4
C25CD	H-5 - I-14
C24C	I-15 - J-22
C25AD	J-23 - L-14

1977 C24C INDEX

Floor Plan	I-15 - I-16
Accessories Group	I-17 - I-18
Bath Group	I-19
Chassis Group	I-20
Curtain, Cushion & Pad Group	I-21 - I-23
Dinette Group	I-24
Driver's Compartment Group	I-24
Electrical Group	J-1 - J-2
Exterior Body Group	J-3 - J-6
Galley Group	J-7
Heating & Air Conditioning Group	J-8
Interior Finish Group	J-9 - J-10
LP Group	J-10
Water & Sewage Group	J-11
Window, Vent & Exterior Door Group	J-12 - J-22

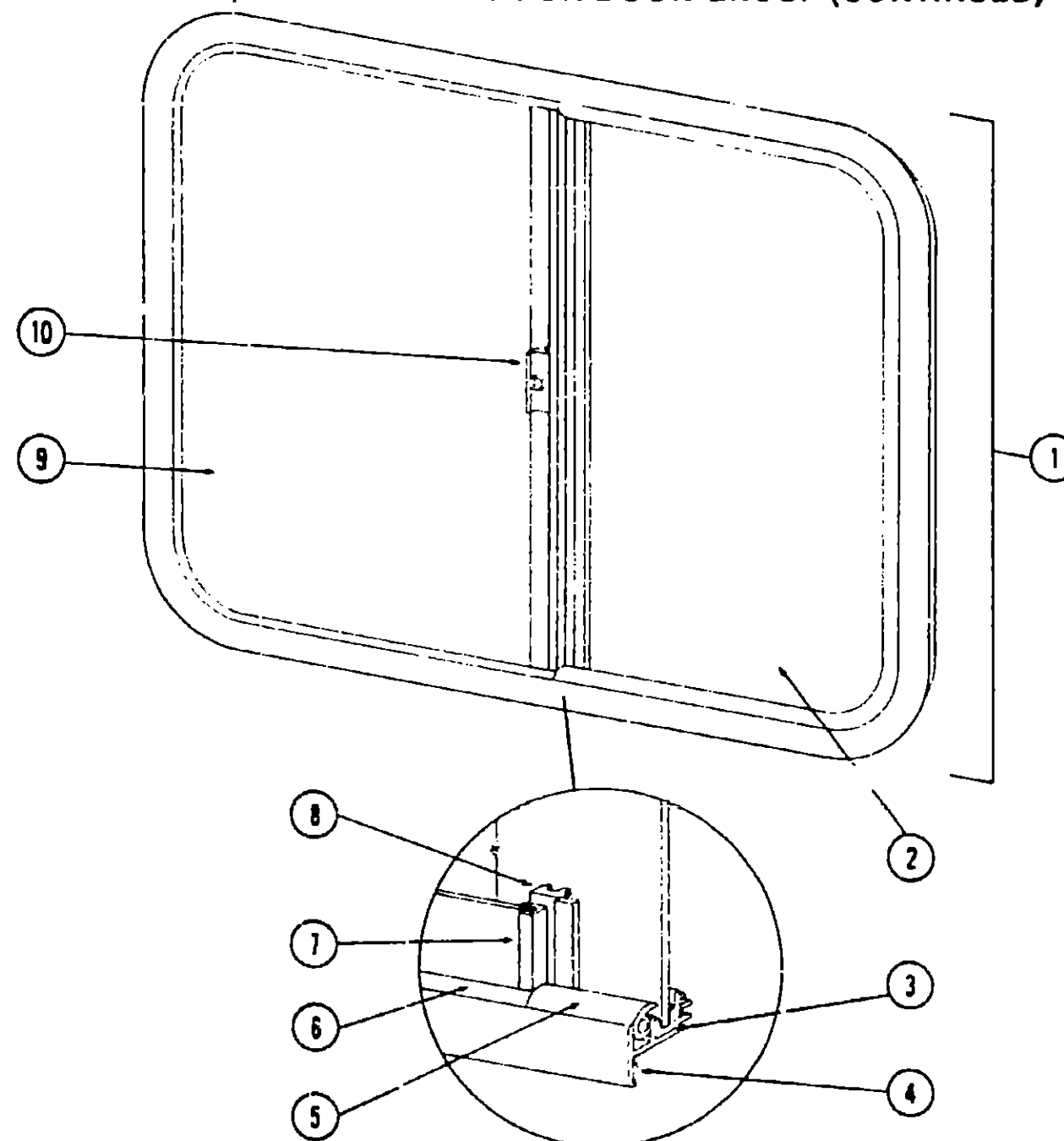
WINDOW, VENT AND EXTERIOR DOOR GROUP (CONTINUED)



Key	Part Number	U/M	Description
1	048631-04-000	EA	Window Asm. - Left - Single Slider - 20" x 25" - Black Anod. w/o Inside Frame
2	047820-01-000	EA	Glass - 1/8" x 19" x 13.68" - Sliding
3	002324-01-000	FT	Channel - Weatherstrip - Glass Run - 1/8" Glass
4	004363-01-000	FT	Tape - Foam - 3/16" x 1/2" - Gray
5	024096-02-000	FT	Seal - Window Channel - Black
6	002309-02-000	FT	Spline - Glass - 1/8" - Black
7	002390-03-201	EA	Holder - Glass Seal - Anod. Black - 18.19"
8	041894-12-000	EA	Mullion - Slider Window - 20" - Black Anod.
9	002241-02-000	EA	Glass - Tempered - Stationary - 1/8" x 12.30" x 19"
10	047369-01-000	EA	Latch - Window - Plastic
	049287-01-000	EA	Washer - Nylon - .62" x .140" I.D.
	049288-01-000	EA	Screw - Machine - 6-32x5/16" - HWH - Black
	042147-05-000	EA	Frame - Inside - Single Slider Window - Left - 20" x 25" (not included in assembly)
	023713-02-000	EA	Cover - Plastic Weephole - Black
	002298-01-000	FT	Spline - Gray - .130" Dia. (Screen)
	002293-01-000	SF	Screen - Window - 26" - Gray

* Not Illustrated

WINDOW, VENT AND EXTERIOR DOOR GROUP (CONTINUED)



Key	Part Number	U/M	Description
1	048631-11-000	EA	Window Asm. - Right - Single Slider - 25" x 29" - Black Anod. w/o Inside Frame
	048631-12-000	EA	Window Asm. - Left - Single Slider - 25" x 29" - Black Anod. w/o Inside Frame
2	047812-01-000	EA	Glass - 3/16" x 24" x 13.68" - Sliding
3	042077-01-000	FT	Channel - Weatherstrip - Glass Run - 3/16" Glass
4	004363-01-000	FT	Tape - Foam - 3/16" x 1/2" - Gray
5	024096-02-000	FT	Seal - Window Channel - Black
6	050216-02-000	FT	Spline - Glass - 3/16" - Black
7	002390-03-201	EA	Holder - Glass Seal - Anod. Black - 23.19"
8	041894-04-000	EA	Mullion - Slider Window - 25" - Black Anod.
9	002184-02-000	EA	Glass - Tempered - Stationary - 3/16" x 24" x 16.53"
10	047369-01-000	EA	Latch - Window - Plastic
	049287-01-000	EA	Washer - Nylon - .62" x .140" I.D.
	049288-01-000	EA	Screw - Machine - 6-32x5/16" - HWH - Black
	042147-03-000	EA	Frame - Inside - Single Slider Window - Left or Right 25" x 29" (not included in assembly)
	023713-02-000	EA	Cover - Plastic Weephole - Black
	002298-01-000	FT	Spline - Gray - .130" Dia. (Screen)
	002293-01-000	SF	Screen - Window - 26" - Gray

* Not Illustrated

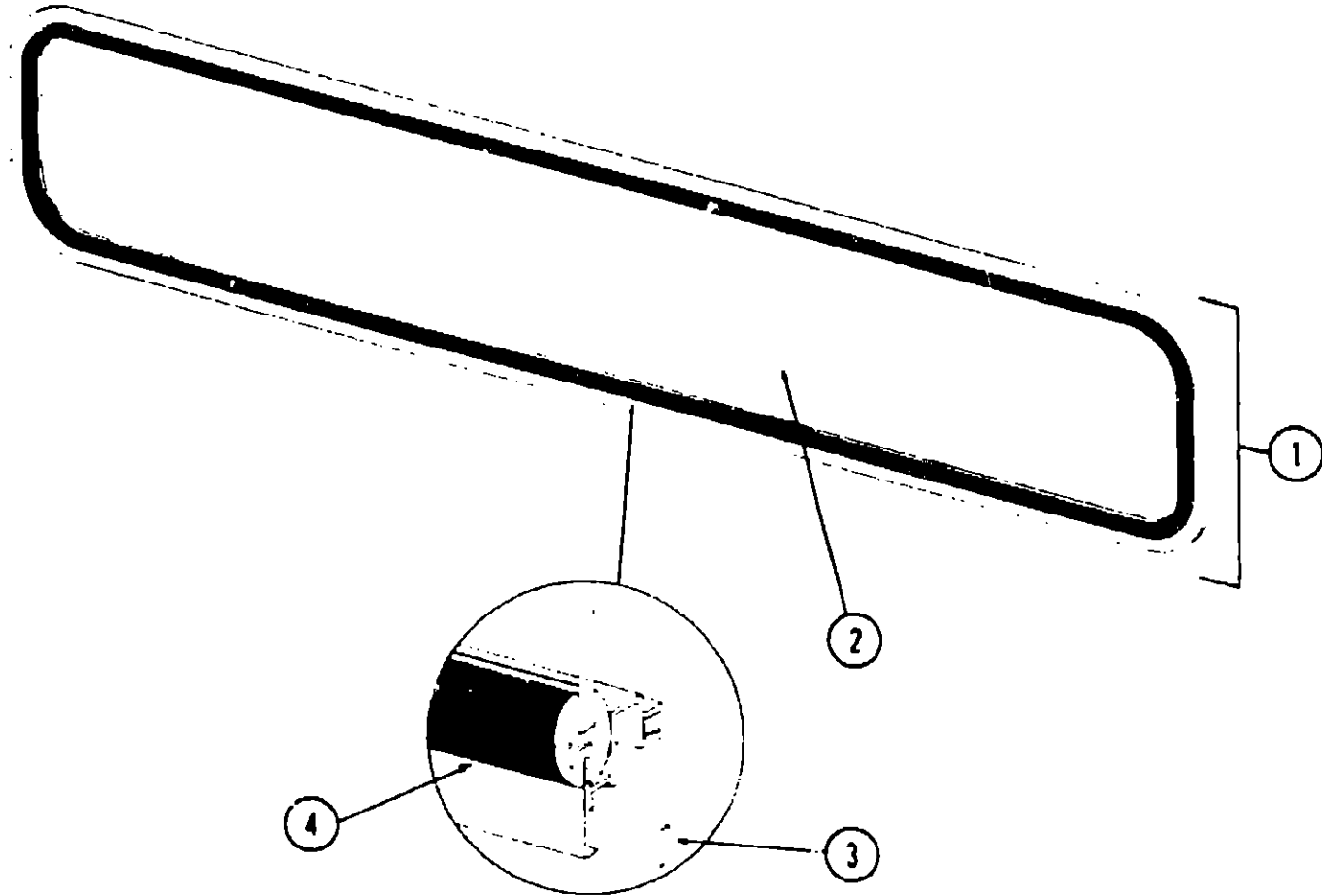
1977 ITASCA
TABLE OF CONTENTS

Introduction	A-1
Abbreviations	A-1
Alphabetical Index	A-2 - A-4
C25A	A-5 - B-4
C27AL	B-15 - C-24
C22C	D-1 - E-10
C27A	E-11 - F-20
C25C	F-21 - H-4
C25CD	H-5 - I-14
C24C	I-15 - J-22
C25AD	J-23 - L-14

1977 C24C INDEX

Floor Plan	I-15 - I-16
Accessories Group	I-17 - I-18
Bath Group	I-19
Chassis Group	I-20
Curtain, Cushion & Pad Group	I-21 - I-23
Dinette Group	I-24
Driver's Compartment Group	I-24
Electrical Group	J-1 - J-2
Exterior Body Group	J-3 - J-6
Galley Group	J-7
Heating & Air Conditioning Group	J-8
Interior Finish Group	J-9 - J-10
LP Group	J-10
Water & Sewage Group	J-11
Window, Vent & Exterior Door Group	J-12 - J-22

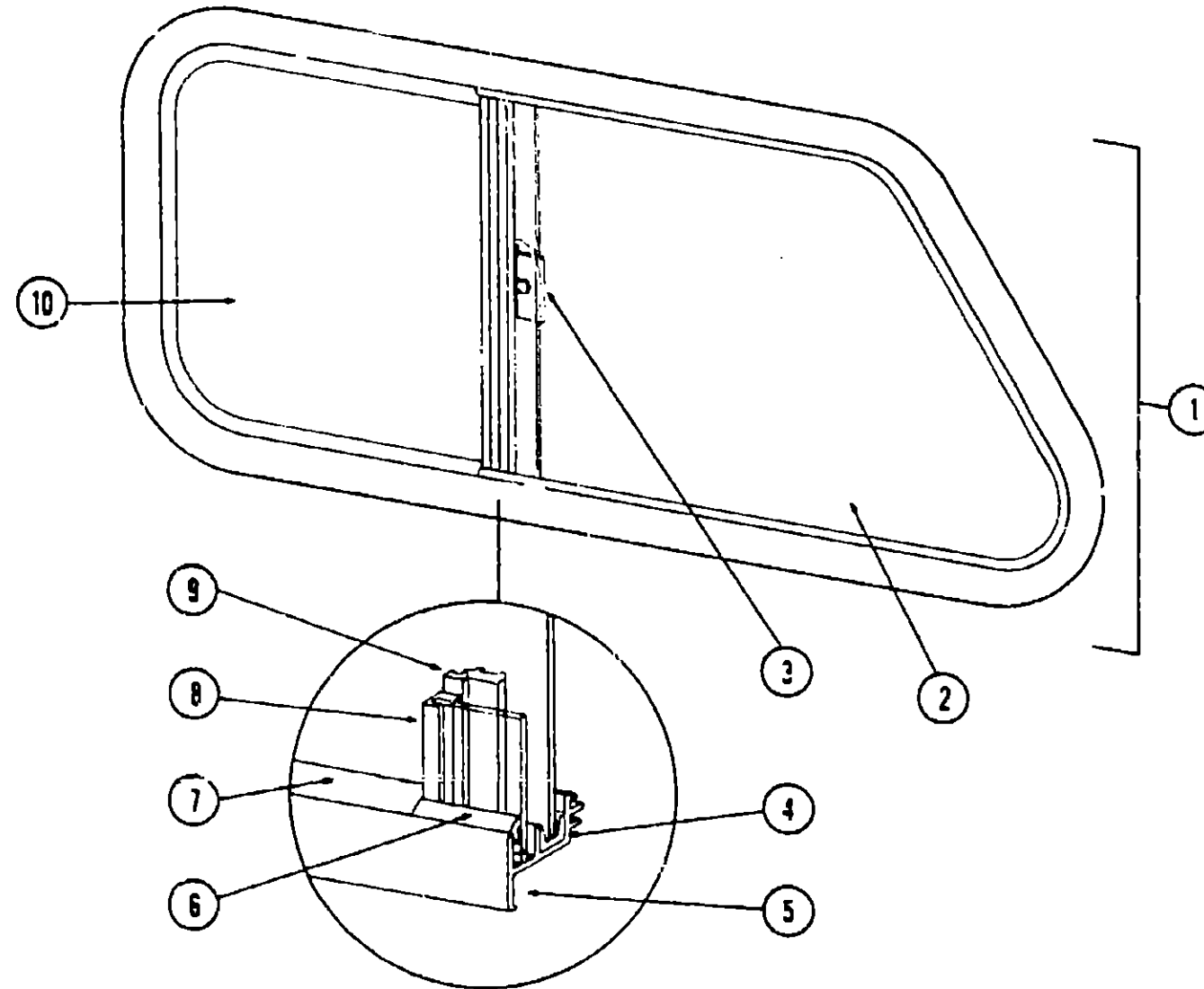
WINDOW, VENT AND EXTERIOR DOOR GROUP (CONTINUED)



Key	Part Number	U/M	Description
1	041936-01-000	EA	Window Asm. - Front Picture - 14" x 69" - Black (w/o inside frame)
2	002200-02-000	EA	Glass - TP - Picture Window
3	004363-01-000	FT	Tape - Sealer - 3/18" x 1/2" - Foam
4	002281-01-000	FT	Weatherstrip - Self Seal - .06" Panel x 3/16" Black
	037845-01-000	FT	Tape - Butyl - Window - 3/16" - Bead Black
	041938-01-000	EA	Frame - Inside - Picture Window (not included in assembly)

* Not Illustrated

WINDOW, VENT AND EXTERIOR DOOR GROUP (CONTINUED)



Key	Part Number	U/M	Description
1	048632-03-000	EA	Window Asm. - Bunk - Slanted Slider - Right - Black (w/o Inside Frame)
	048632-04-000	EA	Window Asm. - Bunk - Slanted Slider - Left - Black (w/o Inside Frame)
2	040919-01-000	EA	Glass - 1/8" x 11.98" x 19.42" - Gray - Stationary
3	047369-01-000	EA	Latch - Window - Plastic
	049287-01-000	EA	Washer - Nylon - .62" x .140" I.D.
	049288-01-000	EA	Screw - Machine - 6-32 x 5/16" - HWH - Black
4	002324-01-000	FT	Channel - Weatherstrip - Glass Run - 1/8" Glass
5	004363-01-000	FT	Tape - Foam - 3/16" x 1/2" - Gray
6	002309-02-000	FT	Spline - Glass - 1/8" - Black
7	024086-02-000	FT	Seal - Window Channel - Black
8	002390-02-001	EA	Holder - Glass Seal - Extr. - Anod.
9	041894-07-000	EA	Mullion - 13" - Clear Anod.
10	047815-01-000	EA	Glass - 1/8" x 11.98" x 11.81" - Gray - Sliding
	040916-01-000	EA	Frame - Window - Inside - Right (not included with assembly)
	040916-02-000	EA	Frame - Window - Inside - Left (not included with assembly)
	023713-02-000	EA	Cover - Weephole - Black
	002298-01-000	FT	Spline - Gray - .130" Dia. (Screen)
	002291-01-000	SF	Screen - Gray - Window - 16"

* Not Illustrated

1977 ITASCA
TABLE OF CONTENTS

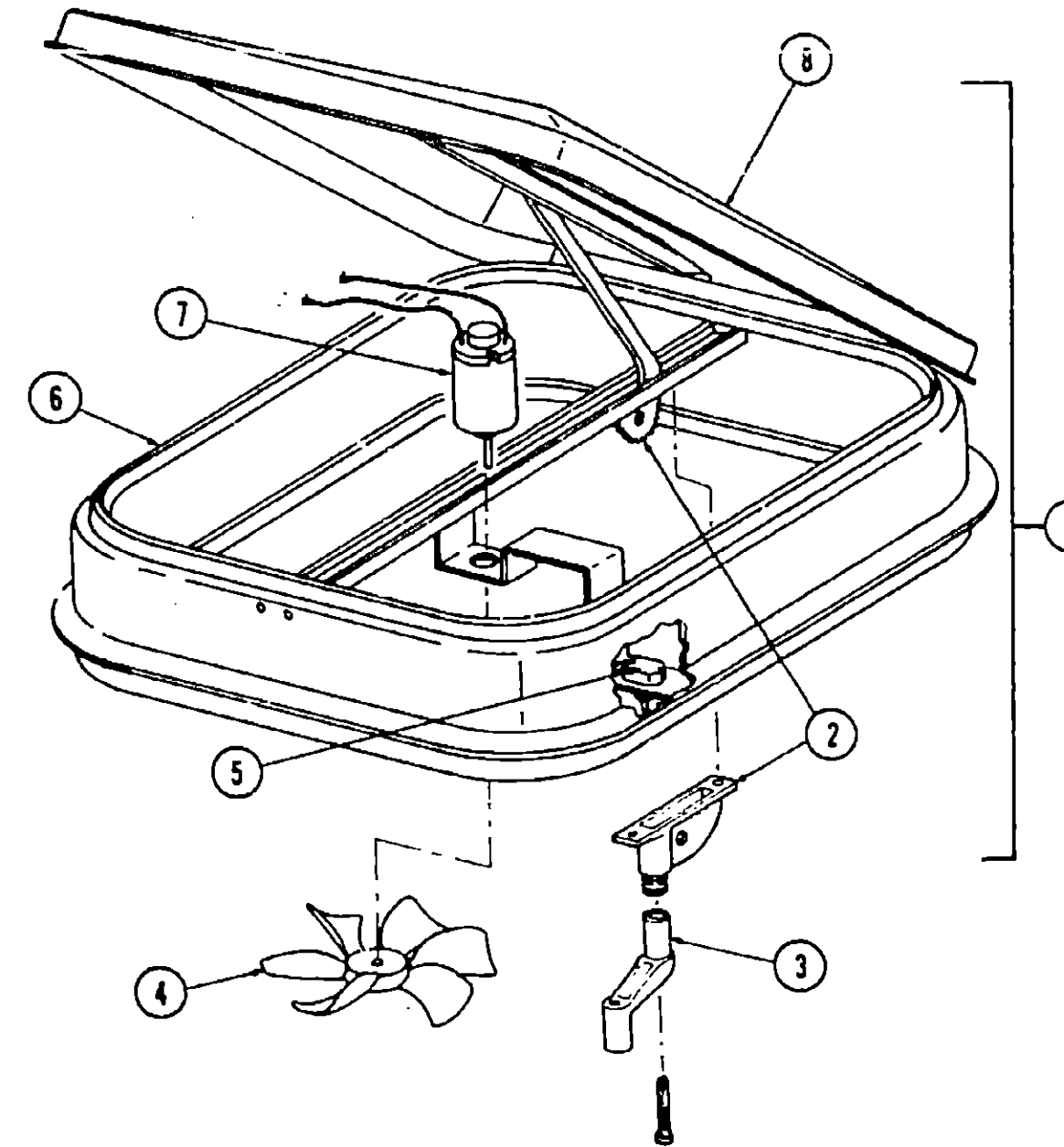
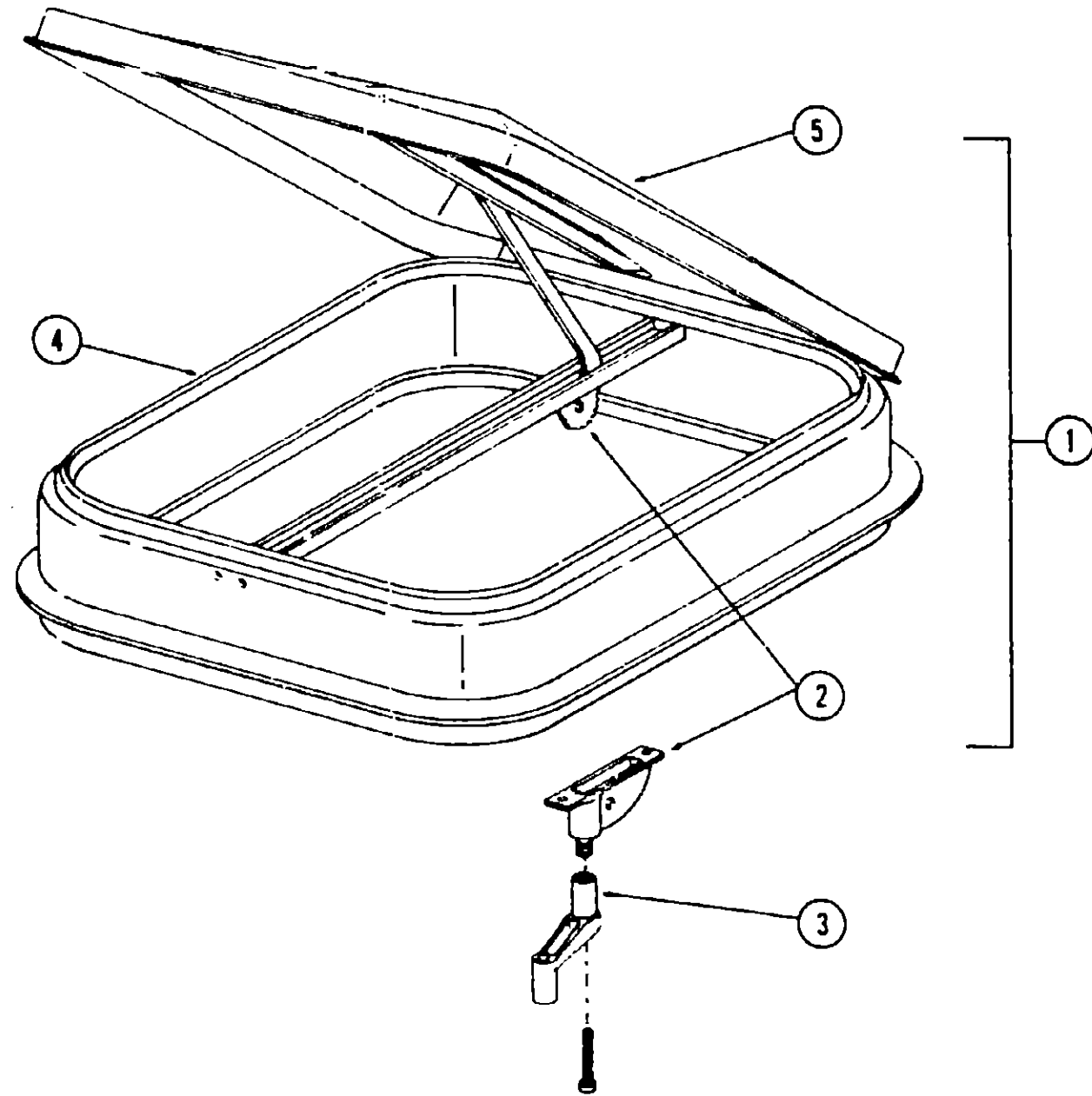
Introduction	A-1
Abbreviations	A-1
Alphabetical Index	A-2 - A-4
C25A	A-5 - B-4
C27AL	B-15 - C-24
C22C	D-1 - E-10
C27A	E-11 - F-20
C25C	F-21 - H-4
C25CD	H-5 - I-14
C24C	I-15 - J-22
C25AD	J-23 - L-14

1977 C24C INDEX

Floor Plan	I-15 - I-16
Accessories Group	I-17 - I-18
Bath Group	I-19
Chassis Group	I-20
Curtain, Cushion & Pad Group	I-21 - I-23
Dinette Group	I-24
Driver's Compartment Group	I-24
Electrical Group	J-1 - J-2
Exterior Body Group	J-3 - J-6
Galley Group	J-7
Heating & Air Conditioning Group	J-8
Interior Finish Group	J-9 - J-10
LP Group	J-10
Water & Sewage Group	J-11
Window, Vent. & Exterior Door Group	J-12 - J-22

WINDOW, VENT AND EXTERIOR DOOR GROUP (CONTINUED)

WINDOW, VENT AND EXTERIOR DOOR GROUP (CONTINUED)



Key	Part Number	U/M	Description
1	048835-01-000	EA	Vent Asm. - Roof - Nonpowered - w/o Screen
2	009440-01-000	EA	Gear - Arm - Roof Vent
3	009439-01-000	EA	Crank - Roof Vent
4	002825-01-000	FT	Weatherstrip - Roof Vent
5	046825-01-000	EA	Cover - Plastic - Roof Vent
*	016335-01-000	EA	Screen Asm. - Non Powered Roof Vent - Clear Anod. (not included in assembly)
*	016335-03-000	EA	Screen Asm. - Non Powered Roof Vent - Beige (not included in assembly)

* Not Illustrated

Key	Part Number	U/M	Description
1	048789-01-000	EA	Vent Asm. Roof - Powered - w/o Screen
2	009440-01-000	EA	Gear - Arm - Roof Vent
3	009439-01-000	EA	Crank - Roof Vent
4	048649-01-000	EA	Fan - Blade - 6" Plastic
5	008195-01-000	EA	Switch - Push Button 12 Volt
6	002825-01-000	FT	Weatherstrip - Roof Vent
7	048648-01-000	EA	Motor - 12 Volt
8	046825-01-000	EA	Cover - Plastic - Roof Vent
*	048695-01-000	EA	Screen Asm. - Powered Roof Vent - Clear Anod. (not included in assembly)
*	048695-03-000	EA	Screen Asm. - Powered Roof Vent - Beige (not included in assembly)

* Not Illustrated

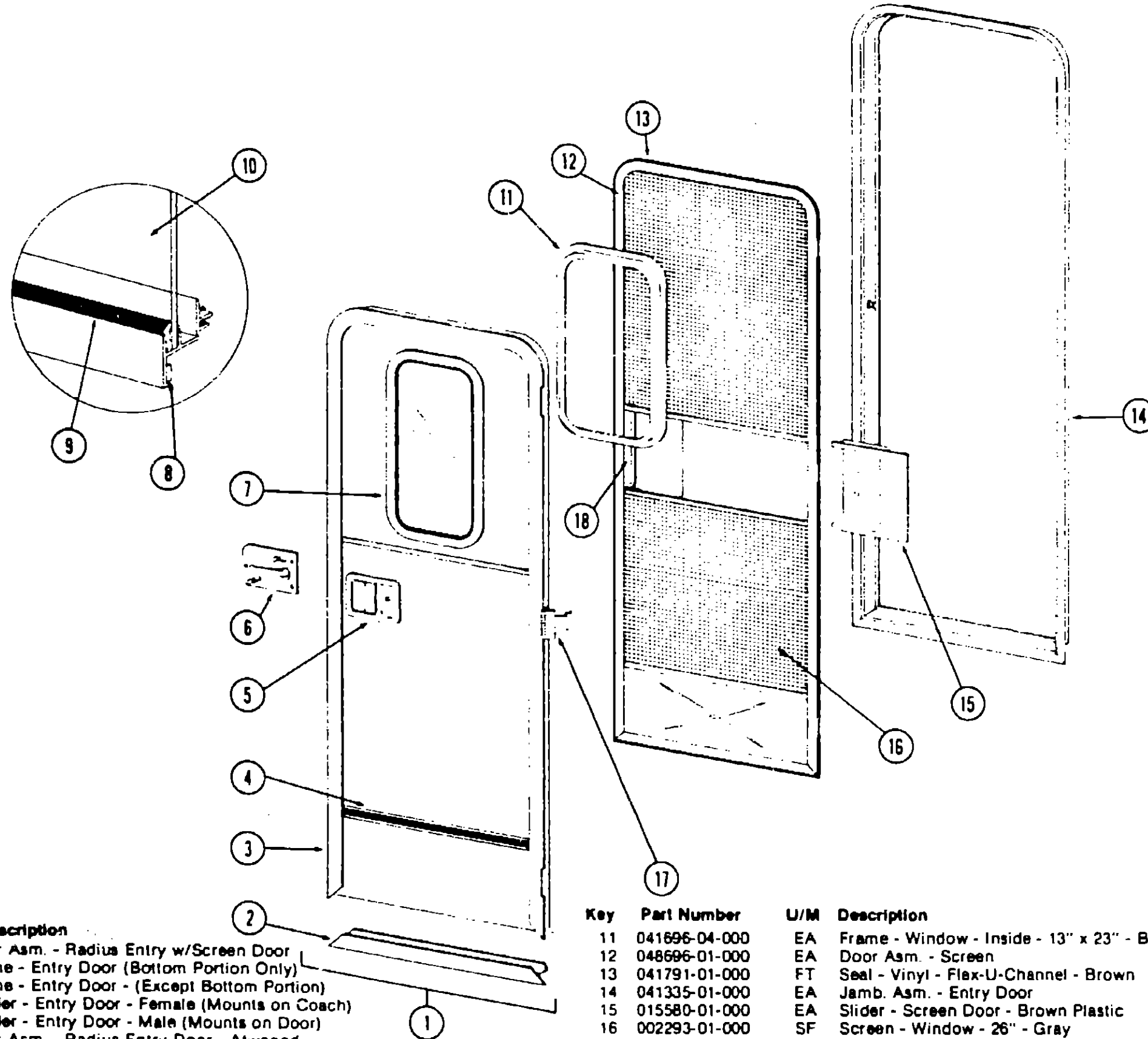
1977 ITASCA
TABLE OF CONTENTS

Introduction	A-1
Abbreviations	A-1
Alphabetical Index	A-2 - A-4
C25A	A-5 - B-4
C27AL	B-15 - C-24
C22C	D-1 - E-10
C27A	E-11 - F-20
C25C	F-21 - H-4
C25CD	H-5 - I-14
C24C	I-15 - J-22
C25AD	J-23 - L-14

1977 C24C INDEX

Floor Plan	I-15 - I-16
Accessories Group	I-17 - I-18
Bath Group	I-19
Chassis Group	I-20
Curtain, Cushion & Pad Group	I-21 - I-23
Dinette Group	I-24
Driver's Compartment Group	I-24
Electrical Group	J-1 - J-2
Exterior Body Group	J-3 - J-6
Galley Group	J-7
Heating & Air Conditioning Group	J-8
Interior Finish Group	J-9 - J-10
LP Group	J-10
Water & Sewage Group	J-11
Window, Vent & Exterior Door Group	J-12 - J-22

WINDOW, VENT AND EXTERIOR DOOR GROUP' (CONTINUED)



Key	Part Number	U/M	Description
1	050096-08-000	EA	Door Asm. - Radius Entry w/Screen Door
2	039737-01-000	EA	Frame - Entry Door (Bottom Portion Only)
3	039736-01-000	EA	Frame - Entry Door - (Except Bottom Portion)
4	009101-02-000	EA	Holder - Entry Door - Female (Mounts on Coach)
	009101-01-000	EA	Holder - Entry Door - Male (Mounts on Door)
5	041948-01-000	EA	Lock Asm. - Radius Entry Door - Atwood
	039541-01-000	EA	Lock Cylinder w/Keys - Atwood
	052186-01-000	EA	Lock Asm. - Radius Entry Door - Lynor
	045017-01-700	EA	Lock Cylinder w/Keys - Lynor
	039539-01-000	EA	Striker - Entry Door Lock
6	039979-01-000	EA	Plate - Lock - Interior - Including Inside Handle
7	041875-04-000	EA	Window Asm. - Picture - 13" x 25" Black Anod. (Inside Frame not included in assembly)
8	004363-01-000	FT	Tape - Foam - 3/16" x 1/2" Gray
9	002344-01-000	FT	Spline - Glass - 1/8" Gray
10	002181-02-000	EA	Glass - Picture Window - 3/16" x 12" x 24" Gray

J-19

Key	Part Number	U/M	Description
11	041696-04-000	EA	Frame - Window - Inside - 13" x 23" - Brown
12	048696-01-000	EA	Door Asm. - Screen
13	041791-01-000	FT	Seal - Vinyl - Flex-U-Channel - Brown
14	041335-01-000	EA	Jamb. Asm. - Entry Door
15	015580-01-000	EA	Slider - Screen Door - Brown Plastic
16	002293-01-000	SF	Screen - Window - 26" - Gray
17	039520-01-000	EA	Hinge - Entry Door 3 used per door)
18	015581-01-000	EA	Cap - Screen Door - Brown Plastic
	049176-01-000	EA	Hedlok II - 3/4" Diameter - Screw Mount (Retains Screen Door to Entry Door)
	049797-01-000	EA	Hedlok II - 1" Diameter - Screw Mount (Retains Screen Door to Entry Door)
	018019-01-000	EA	Striker - Screen Door
	039863-01-000	EA	Catch Asm. - Single Roller w/Strike - Screen Door
	051390-01-000	FT	Seal - Bulb - Rubber
	039800-01-000	FT	Tubing - Polybutyl - 3/8" O.D. - Jamb

* Not Illustrated

1977 ITASCA TABLE OF CONTENTS

Introduction	A-1
Abbreviations	A-1
Alphabetical Index	A-2 - A-4
C25A	A-5 - B-4
C27AL	B-15 - C-24
C22C	D-1 - E-10
C27A	E-11 - F-20
C25C	F-21 - H-4
C25CD	H-5 - I-14
C24C	I-15 - J-22
C25AD	J-23 - L-14

1977 C24C INDEX

Floor Plan	I-15 - I-16
Accessories Group	I-17 - I-18
Bath Group	I-19
Chassis Group	I-20
Curtain, Cushion & Pad Group	I-21 - I-23
Dinette Group	I-24
Driver's Compartment Group	I-24
Electrical Group	J-1 - J-2
Exterior Body Group	J-3 - J-6
Galley Group	J-7
Heating & Air Conditioning Group	J-8
Interior Finish Group	J-9 - J-10
LP Group	J-10
Water & Sewage Group	J-11
Window, Vent & Exterior Door Group	J-12 - J-22

J-20

WINDOW, VENT AND EXTERIOR DOOR GROUP (CONTINUED)

VENTS

Key	Part Number	U/M	Description
	039778-01-000	EA	Cover - Plastic Refrigerator Vent
	009407-01-000	EA	Frame - Base - Refrigerator Vent w/o Cover
	049352-01-000	EA	Vent - Stovehood - Outside - Off White (Jensen)

ACCESS DOORS

Key	Part Number	U/M	Description
	043059-02-000	EA	Door Asm. - Luggage - Right - Off White - w/Key Type Lock 20" x 37 1/2"
	047235-01-000	EA	Door Asm. - Luggage - Right - Off White w/Key Type Lock 21 3/4" x 17 3/4"
	035324-06-000	EA	Door Asm. - Luggage - Off White - w/Key Type Lock 35 3/4" x 10 1/4"
	037804-05-000	EA	Door Asm. - Battery - Off White - w/Twist Type Lock 25.05" x 10.46"
	037804-12-000	EA	Door Asm. - Battery and LP - Beige 47.81" x 9.77" - w/Twist Type Lock
	047187-03-000	EA	Door Asm. - Refrigerator Access - Off White w/Twist Type Lock
	039884-01-000	EA	Kit - Twist Type Lock w/Clip
	047303-01-000	EA	Kit - Lock - Key Type w/Clip
	016945-02-000	EA	Holder Asm. - Battery and Luggage Door (holds door open)
	047802-01-000	EA	Baffle - Generator Door - 16 3/4" x 30"
	037433-06-000	EA	Door Asm. - Generator - Off White
	007067-01-000	SF	Insulation - Fiberglass
	003182-03-000	EA	Door Asm. - Water Heater Access - Off White
	009426-02-000	EA	Hatch - Power Cord - Off White

1977 ITASCA TABLE OF CONTENTS

Introduction	A-1
Abbreviations	A-1
Alphabetical Index	A-2 - A-4
C25A	A-5 - B-4
C27AL	B-15 - C-24
C22C	D-1 - E-10
C27A	E-11 - F-20
C25C	F-21 - H-4
C25CD	H-5 - I-14
C24C	I-15 - J-22
C25AD	J-23 - L-14

1977 C24C INDEX

Floor Plan	I-15 - I-16
Accessories Group	I-17 - I-18
Bath Group	I-19
Chassis Group	I-20
Curtain, Cushion & Pad Group	I-21 - I-23
Dinette Group	I-24
Driver's Compartment Group	I-24
Electrical Group	J-1 - J-2
Exterior Body Group	J-3 - J-6
Galley Group	J-7
Heating & Air Conditioning Group	J-8
Interior Finish Group	J-9 - J-10
LP Group	J-10
Water & Sewage Group	J-11
Window, Vent & Exterior Door Group	J-12 - J-22