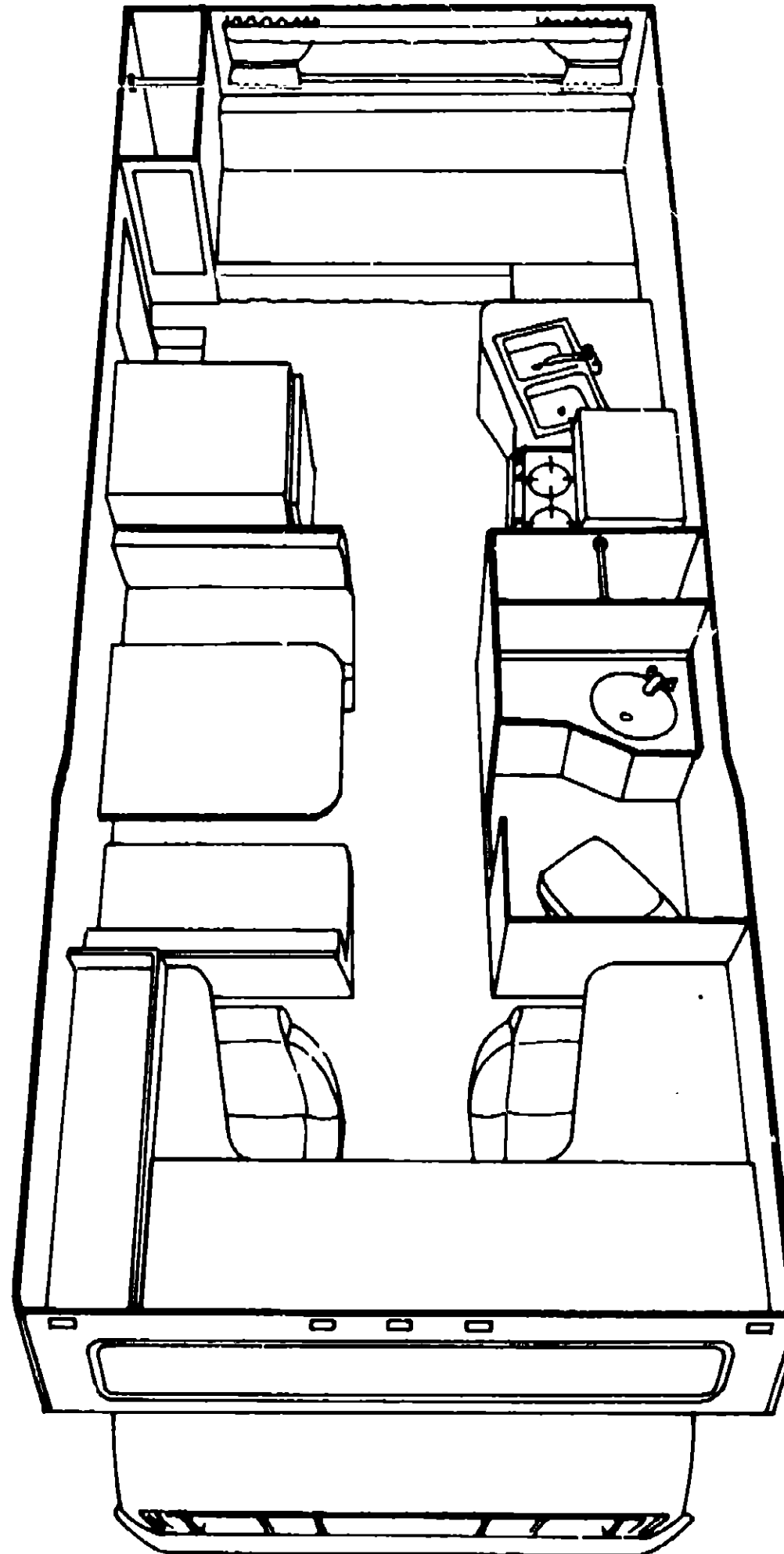


# 1977 C22C



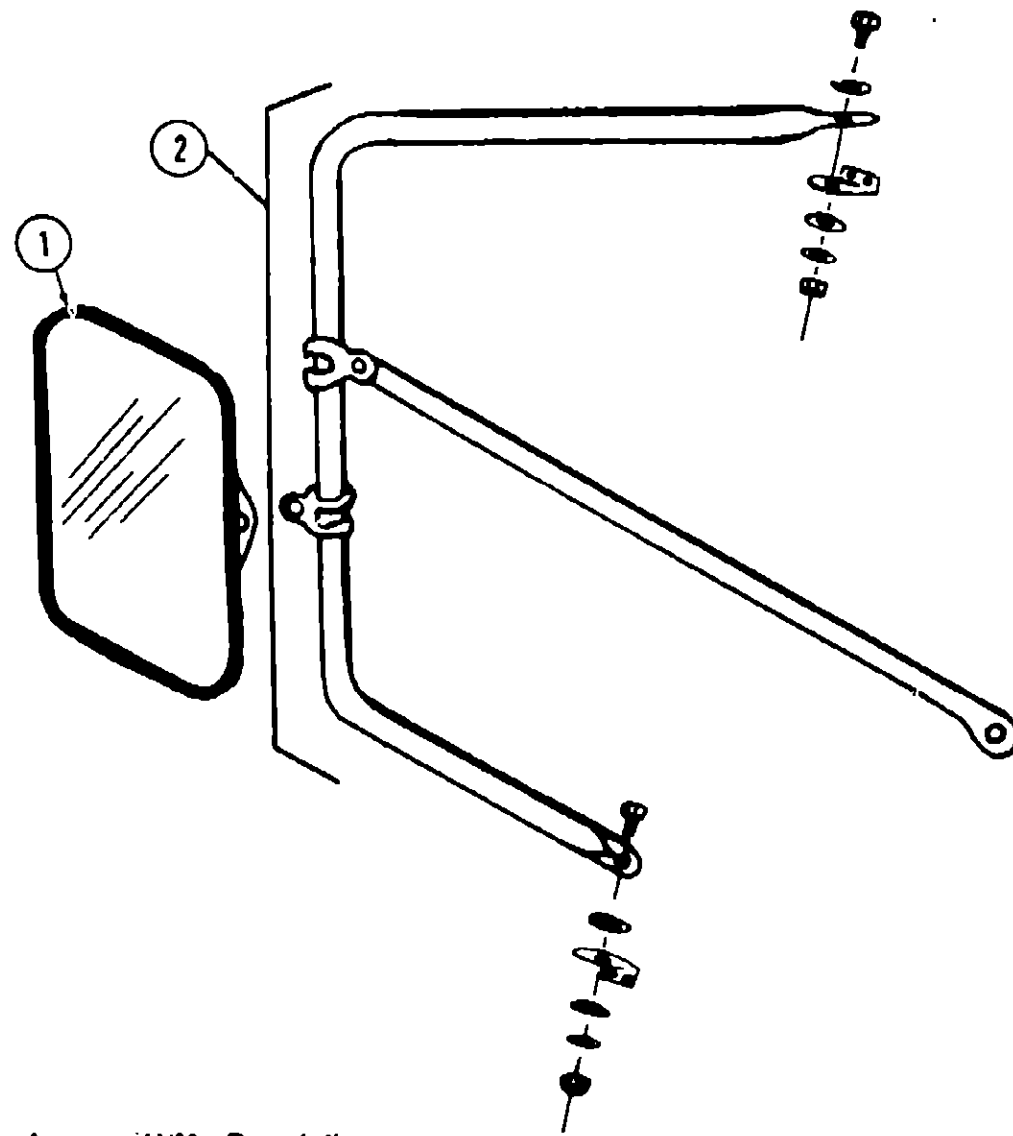
## 1977 ITASCA TABLE OF CONTENTS

Introduction	A-1
Abbreviations	A-1
Alphabetical Index	A-2 - A-4
C25A	A-5 - B-4
C27AL	B-15 - C-24
C22C	D-1 - E-10
C27A	E-11 - F-20
C25C	F-21 - H-4
C25CD	H-5 - I-14
C24C	I-15 - J-22
C25AD	J-23 - L-14

## 1977 C22C INDEX

Floor Plan	D-1 - D-2
Accessories Group	D-3 - D-4
Bath Group	D-5
Chassis Group	D-6
Curtain, Cushion & Pad Group	D-7 - D-10
Dinette Group	D-10
Driver's Compartment Group	D-11
Electrical Group	D-11 - D-12
Exterior Body Group	D-13 - D-16
Galley Group	D-17
Heating & Air Conditioning Group	D-19
Interior Finish Group	D-19 - D-20
LP Group	D-21
Lounge Group	D-22
Water & Sewage Group	D-22
Window, Vent & Exterior Door Group	D-23 - D-24
	E-1 - E-10

## ACCESSORIES GROUP



Key	Part Number	U/M	Description
1	049347-01-000	EA	Mirror Head Only - 7 1/2" x 10 1/2" - SST
2	049349-01-000	EA	Arm - West Coast Mirror - SST

## ACCESSORIES GROUP (CONTINUED)

Key	Part Number	U/M	Description
	041440-01-000	EA	Luggage Rack & Ladder Asm.
	041440-02-000	EA	Ladder Only - for Luggage Rack
	006053-01-000	EA	Antenna Asm. - TV
	006093-01-000	EA	Jack - TV - Brown
	007004-01-000	EA	Antenna - Radio - Cab Mount
	039879-01-000	EA	Speaker Kit - 5 1/2" Diameter w/Black Padded Grille
	049730-01-000	EA	Radio - Clarion - AM - w/Fader Switch
	049731-01-000	EA	Radio - Clarion - AM/FM/MPX - w/Fader Switch
	049732-01-000	EA	Radio - Clarion - AM/FM/MPX/8-Track - w/Fader Switch
	050044-01-000	EA	Radio - J.I.L. - AM/FM/MPX/8-Track/CB
	050785-01-000	EA	Switch - Rear Volume Control
	050751-01-000	EA	Plaque - Fader/Mic Mounting
	040466-06-000	EA	Cover - Spare Tire - 29" - Off White
	017516-01-000	EA	Mudflap - Black Rubber - 14" x 18" w/Holes
	044763-01-000	EA	Splash Guard - Front - Black Rubber
	046742-01-000	EA	Step Asm. - Assist - Front Door
	031396-03-000	EA	Cover - Wheel - 16.5" Chrome
	006113-01-000	EA	Jack - Hydraulic - 5 Ton
	041944-01-000	EA	Fire Extinguisher
	050855-02-000	EA	Owner's Manual - Itasca
	042713-01-000	EA	Speed Control Package - 350 Chev. - C-Body
	007255-01-700	EA	Regulator Asm.
	047841-01-701	EA	Servo Asm.
	007255-01-702	EA	Engage Switch - Clamp On
	007298-01-702	EA	Harness Asm.
	007298-01-700	EA	Cable Asm. - Transmission
	007255-01-704	EA	Switch Asm. - Decelerate
	024746-01-700	EA	Relay - Speed Control
	040504-01-000	EA	Generator - 2500 Watt - Tray Mount - Kohler
	040507-01-000	EA	Exhaust System - Generator 2500/4000W
	040612-01-000	EA	Muffler - Generator - 2500/4000W
	046317-01-000	EA	Tailpipe - Exhaust - Generator 1 1/2" x 5"
	041261-01-000	EA	Wiring Asm. - Remote Generator Switch
	024976-01-000	EA	Switch - Generator - w/o Circuit Board
	007087-01-000	SF	Insulation - Fiberglass - 1"
	041369-01-000	EA	Tray - Generator
	041420-01-000	EA	Elbow - Stil. - 1/2 MPT x 3/16 Barb
	042865-01-000	EA	Scoop - Generator Air
**	040504-01-000	EA	Generator - 2.5 KW - Kohler
**	051908-01-000	EA	Generator - 3.5 KW - Kohler

\*\* The illustrated parts breakdown for this item is provided on the Common Items Fiche.

## 1977 ITASCA TABLE OF CONTENTS

Introduction	A-1
Abbreviations	A-1
Alphabetical Index	A-2 - A-4
C25A	A-5 - B-4
C27AL	B-15 - C-24
C22C	D-1 - E-10
C27A	E-11 - F-20
C25C	F-21 - H-4
C25CD	H-5 - I-14
C24C	I-15 - J-22
C25AD	J-23 - L-14

## 1977 C22C INDEX

Floor Plan	D-1 - D-2
Accessories Group	D-3 - D-4
Bath Group	D-5
Chassis Group	D-6
Curtain, Cushion & Pad Group	D-7 - D-10
Dinette Group	D-10
Driver's Compartment Group	D-11
Electrical Group	D-11 - D-12
Exterior Body Group	D-13 - D-16
Galley Group	D-17
Heating & Air Conditioning Group	D-18
Interior Finish Group	D-19 - D-20
LP Group	D-21
Lounge Group	D-22
Water & Sewage Group	D-22
Window, Vent & Exterior Door Group	D-23 - D-24
	E-1 - E-10

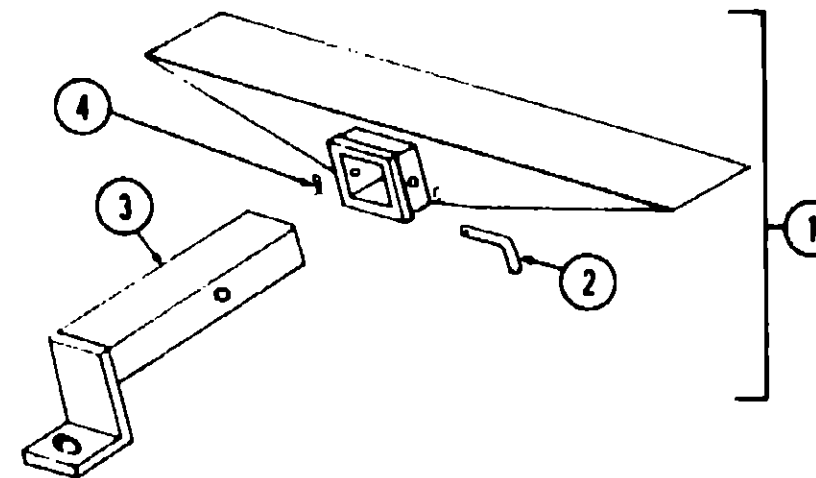
## BATH GROUP

Key	Part Number	U/M	Description
	045730-01-000	EA	Curtain - Shower - White Plastic
	035481-03-000	EA	Track Curtain Shower
	009134-01-000	EA	Holder - Toilet Tissue
	009133-02-000	EA	Bar - Plastic 18" Towel Rack w/o Brackets
	023449-01-000	EA	Bracket - Towel Rack Left or Right
	033580-01-000	EA	Ring - Towel - Chrome Bracket w/Plastic Ring
	043579-01-000	EA	Mirror 1/2" x 19" x 26"
	009089-01-000	EA	Clip - Mirror Plastic w/Screw
	009112-01-000	EA	Flange - 1" Rod - Chrome
	011048-01-000	EA	Shower Head w/59" Hose
	042711-02-000	EA	Shower Pan 33.5" x 28" w/o Drain or Tail Piece
	011069-01-000	EA	Tail Piece 1 1/2" x 4" Brass (Shower Pan)
	011086-01-000	EA	Strainer - Shower Pan
	045851-05-000	EA	Drawer Asm. w/o Hardware
	047155-18-700	EA	Door Asm. - Cabinet w/o Hardware
	047156-01-700	EA	Door Asm. - Shower w/o Hardware
	009150-01-000	EA	Warp Guard 64"
	009124-01-000	EA	Lock - Door - Push Button Brass
	037581-01-000	EA	Back - Flow Preventer Vacuum Breaker
	011057-01-000	EA	Faucet - Lavatory and Shower
	045390-01-000	EA	Sink - Oval - Ivory Plastic
	011083-01-000	EA	Plug - c/o 1 1/2" x 5" w/Chain and Stopper
	045851-02-700	EA	Drawer Asm. 5 1/2" x 12" (Cutout) w/o Hardware
	046988-04-000	EA	Cabinet - Lavatory - w/o Door or Hardware Rust (Fire and Grass)
	046988-05-000	EA	Cabinet Lavatory w/o Door or Hardware Gold (Aztec Gold)
	046988-06-000	EA	Cabinet Lavatory w/o Door or Hardware Beige (Saddle)
	047155-19-700	EA	Door Asm. Lavatory Cabinet w/o Hardware
	043216-04-700	EA	Cabinet - Medicine w/o Doors Rust (Fire and Grass)
	043216-05-700	EA	Cabinet - Medicine w/o Doors Gold (Aztec Gold)
	043216-06-700	EA	Cabinet - Medicine w/o Doors Beige (Saddle)
	042984-06-000	EA	Door Asm. Sliding (Med. Cabinet) 2 Used Per Unit
	009148-01-000	EA	Pull - Finger 3/4" Dia. Brass (Sliding Door)
	009785-01-000	FT	Track - Door Upper Dark Brown
	009786-01-000	FT	Track - Door Lower Dark Brown
**	039341-02-000	EA	Stool Asm. - Ivory - Aqua Magic - Model SH

\*\* The illustrated parts breakdown for this item is provided on the Common Items Fiche

## CHASSIS GROUP

Key	Part Number	U/M	Description
	024652-01-700	EA	Step Asm. - Entry Door
	046742-01-000	EA	Step Asm. - Assist - Cab Door
	044817-01-002	EA	Hat Section - Sil. - w/Lip 84.25"
	045000-03-000	EA	Shield - Heat - 40"
	044153-01-000	EA	Tray - Battery - Steel
	044159-01-000	EA	Bracket - Battery - Tie-Down
	046746-01-000	EA	Support Asm. - Radiator - Grille
	044763-01-000	EA	Splashguard - Front - Black Rubber
	017516-01-000	EA	Mud Flap - Black Rubber - 14' x 18" w/Holes
	007160-01-000	EA	Gasket - Tire Carcass - 3/16" x 2" x 2"
	040848-01-000	EA	Bumper - Hood
	007125-08-000	EA	Clamp Asm. - Muffler - 3" Diameter
	042377-01-000	EA	Tailpipe Extension - 3" O.D. x 7.50"
	040634-01-000	EA	Carrier - Spare Tire
	040974-01-000	EA	Bracket - Spare Tire Retainer
	022150-01-000	EA	Bracket Asm. - Bumper - Rear
	024879-04-000	EA	Bracket - Mounting - Bumper
	021546-01-000	EA	Bumper - Rear - Square
	039779-01-000	EA	Cap - Rubber - 4" x 4" Square
	041369-01-000	EA	Tray - Generator
	039649-01-000	EA	Wheel Well - Rear Plastic - Left or Right



Key	Part Number	U/M	Description
1	023695-01-700	EA	Hitch Kit - w/Drawbar
2	034512-01-000	EA	Pin - Locking - Drawbar
3	024876-01-700	EA	Drawbar Asm. - Trailer Hitch
4	034513-01-000	EA	Pin - Hitch - 3/16" Wire Spring

## 1977 ITASCA TABLE OF CONTENTS

Introduction	A-1
Abbreviations	A-1
Alphabetical Index	A-2 - A-4
C25A	A-5 - B-4
C27AL	B-15 - C-24
C22C	D-1 - E-10
C27A	E-11 - F-20
C25C	F-21 - H-4
C25CD	H-5 - I-14
C24C	I-15 - J-22
C25AD	J-23 - L-14

## 1977 C22C INDEX

Floor Plan	D-1 - D-2
Accessories Group	D-3 - D-4
Bath Group	D-5
Chassis Group	D-6
Curtain, Cushion & Pad Group	D-7 - D-10
Dinette Group	D-10
Driver's Compartment Group	D-11
Electrical Group	D-11 - D-12
Exterior Body Group	D-13 - D-16
Galley Group	D-17
Heating & Air Conditioning Group	D-18
Interior Finish Group	D-19 - D-20
LP Group	D-21
Lounge Group	D-22
Water & Sewage Group	D-22
Window, Vent & Exterior Door Group	D-23 - D-24
	E-1 - E-10

**CURTAIN, CUSHION AND PAD GROUP**

**CURTAINS**

Key	Part Number	U/M	Description
045730-01-000	EA	Curtain - Shower - Bathroom - White Plastic	
048841-05-000	EA	Curtain - Privacy 25" x 93" Brown Vinyl	
045839-01-000	EA	Curtain - Wraparound w/Snap Top Brown Vinyl (2 used per unit)	
048840-15-000	EA	Curtain w/Snaps Top and Bottom 25.5" x 39" Rust (Fire and Grass)	
048840-16-000	EA	Curtain w/Snaps Top and Bottom 25.5" x 39" Gold (Aztec Gold)	
048840-17-000	EA	Curtain w/Snaps Top and Bottom 25.5" x 39" Beige (Saddle)	
048840-18-000	EA	Curtain w/Snaps Top and Bottom 17.5" x 39" Rust (Fire and Grass)	
048840-19-000	EA	Curtain w/Snaps Top and Bottom 17.5" x 39" Gold (Aztec Gold)	
048840-20-000	EA	Curtain w/Snaps Top and Bottom 17.5" x 39" Beige (Saddle)	
048840-21-000	EA	Curtain w/Snaps Top and Bottom 22.5" x 18" Rust (Fire and Grass)	
048840-22-000	EA	Curtain w/Snaps Top and Bottom 22.5" x 18" Gold (Aztec Gold)	
048840-23-000	EA	Curtain w/Snaps Top and Bottom 22.5" x 18" Beige (Saddle)	
049021-04-000	EA	Curtain w/Snaps Top 33" x 30" Rust (Fire and Grass)	
049021-03-000	EA	Curtain w/Snaps Top 33" x 30" Gold (Aztec Gold)	
049021-06-000	EA	Curtain w/Snaps Top 33" x 30" Beige (Saddle)	
049486-01-000	EA	Curtain Snap Top Left Hand 27" x 18" Rust (Fire and Grass)	
049486-02-000	EA	Curtain Snap Top Left Hand 27" x 18" Gold (Aztec Gold)	
049486-03-000	EA	Curtain Snap Top Left Hand 27" x 18" Beige (Saddle)	
049486-04-000	EA	Curtain Snap Top Left Hand 15 1/2" x 39" Rust (Fire and Grass)	
049486-05-000	EA	Curtain Snap Top Left Hand 15 1/2" x 39" Gold (Aztec Gold)	
049486-06-000	EA	Curtain Snap Top Left Hand 15 1/2" x 39" Beige (Saddle)	
049486-07-000	EA	Curtain Snap Top Left Hand 27" x 36" Rust (Fire and Grass)	
049486-08-000	EA	Curtain Snap Top Left Hand 27" x 36" Gold (Aztec Gold)	
049486-09-000	EA	Curtain Snap Top Left Hand 27" x 36" Beige (Saddle)	
049487-01-000	EA	Curtain Snap Top Right Hand 27" x 36" Rust (Fire and Grass)	
049487-02-000	EA	Curtain Snap Top Right Hand 27" x 36" Gold (Aztec Gold)	
049487-03-000	EA	Curtain Snap Top Right Hand 27" x 36" Beige (Saddle)	
049487-04-000	EA	Curtain Snap Top Right Hand 27" x 18" Rust (Fire and Grass)	
049487-02-000	EA	Curtain Snap Top Right Hand 27" x 18" Gold (Aztec Gold)	
049487-03-000	EA	Curtain Snap Top Right Hand 27" x 18" Beige (Saddle)	
049487-04-000	EA	Curtain Snap Top Right Hand 27" x 18" Rust (Fire and Grass)	
049487-05-000	EA	Curtain Snap Top Right Hand 27" x 18" Gold (Aztec Gold)	
049487-06-000	EA	Curtain Snap Top Right Hand 27" x 18" Beige (Saddle)	

**VALANCES**

Key	Part Number	U/M	Description
048831-18-000	EA	Valance w/Header 5.5" x 79" Rust (Fire and Grass)	
048831-19-000	EA	Valance w/Header 5.5" x 79" Gold (Aztec Gold)	
048831-20-000	EA	Valance w/Header 5.5" x 79" Beige (Saddle)	
048831-21-000	EA	Valance w/Header 5.5" x 81" Rust (Fire and Grass)	
048831-22-000	EA	Valance w/Header 5.5" x 81" Gold (Aztec Gold)	
048831-23-000	EA	Valance w/Header 5.5" x 81" Beige (Saddle)	
048831-24-000	EA	Valance w/Header 5.5" x 44" Rust (Fire and Grass)	
048831-25-000	EA	Valance w/Header 5.5" x 44" Gold (Aztec Gold)	
048831-26-000	EA	Valance w/Header 5.5" x 44" Beige (Saddle)	
048831-27-000	EA	Valance w/Header 5.5" x 24" Rust (Fire and Grass)	
048831-28-000	EA	Valance w/Header 5.5" x 24" Gold (Aztec Gold)	
048831-29-000	EA	Valance w/Header 5.5" x 24" Beige (Saddle)	

**TIE BACKS**

Key	Part Number	U/M	Description
049097-09-000	EA	Tie Back 14" Rust (Fire and Grass)	
049097-10-000	EA	Tie Back 14" Gold (Aztec Gold)	
049097-11-000	EA	Tie Back 14" Beige (Saddle)	
049097-12-000	EA	Tie Back 10" Rust (Fire and Grass)	
049097-13-000	EA	Tie Back 10" Gold (Aztec Gold)	
049097-14-000	EA	Tie Back 10" Beige (Saddle)	
049097-15-000	EA	Tie Back 14" Brown Vinyl	

**CURTAIN, CUSHION AND PAD GROUP (CONTINUED)**

**CUSHIONS**

Key	Part Number	U/M	Description
048839-07-000	EA	Cushion - Mitered 22.5" x 38" x 4" Rust (Fire and Grass)	
048839-08-000	EA	Cushion - Mitered 22.5" x 38" x 4" Gold (Aztec Gold)	
048839-09-000	EA	Cushion - Mitered 22.5" x 38" x 4" Beige (Saddle)	
048839-07-007	EA	Cover - Cushion Mitered 22.5" x 38" x 4" Rust (Fire and Grass)	
048839-08-008	EA	Cover - Cushion Mitered 22.5" x 38" x 4" Gold (Aztec Gold)	
048839-09-009	EA	Cover - Cushion Mitered 22.5" x 38" x 4" Beige (Saddle)	
048839-10-000	EA	Cushion Mitered 14" x 38" x 4" Rust (Fire and Grass)	
048839-11-000	EA	Cushion Mitered 14" x 38" x 4" Gold (Aztec Gold)	
048839-12-000	EA	Cushion Mitered 14" x 38" x 4" Beige (Saddle)	
048839-10-010	EA	Cover - Cushion - Mitered 14" x 38" x 4" Rust (Fire and Grass)	
048839-11-011	EA	Cover - Cushion - Mitered 14" x 38" x 4" Gold (Aztec Gold)	
048839-12-012	EA	Cover - Cushion - Mitered 14" x 38" x 4" Beige (Saddle)	
041908-27-000	EA	Cushion Mitered 10" x 14" x 76" x 4" Rust (Fire and Grass)	
041908-28-000	EA	Cushion Mitered 10" x 14" x 76" x 4" Gold (Aztec Gold)	
041908-29-000	EA	Cushion Mitered 10" x 14" x 76" x 4" Beige (Saddle)	
041908-27-027	EA	Cover Cushion Mitered 10" x 14" x 76" x 4" Rust (Fire and Grass)	
041908-28-028	EA	Cover Cushion Mitered 10" x 14" x 76" x 4" Gold (Aztec Gold)	
041908-29-029	EA	Cover Cushion Mitered 10" x 14" x 76" x 4" Beige (Saddle)	
042384-37-000	EA	Skirt - Lounge 4.5" x 50" Rust (Fire and Grass)	
042384-38-000	EA	Skirt - Lounge 4.5" x 50" Gold (Aztec Gold)	
042384-39-000	EA	Skirt - Lounge 4.5" x 50" Beige (Saddle)	
048839-01-000	EA	Cushion - Mitered 10" x 40" Rust (Fire and Grass)	
048839-02-000	EA	Cushion - Mitered 10" x 40" Gold (Aztec Gold)	
048803-03-000	EA	Cushion - Mitered 10" x 40" Beige (Saddle)	
048839-01-001	EA	Cover - Cushion - Mitered 10" x 40" Rust (Fire and Grass)	
048839-02-002	EA	Cover - Cushion - Mitered 10" x 40" Gold (Aztec Gold)	
048839-03-003	EA	Cover - Cushion - Mitered 10" x 40" Beige (Saddle)	
048839-04-000	EA	Cushion - Mitered 24" x 76" x 4" Rust (Fire and Grass)	
048839-05-000	EA	Cushion - Mitered 24" x 76" x 4" Gold (Aztec Gold)	
048839-06-000	EA	Cushion - Mitered 24" x 76" x 4" Beige (Saddle)	
048839-04-004	EA	Cover - Cushion Mitered 24" x 76" x 4" Rust (Fire and Grass)	
048839-05-005	EA	Cover - Cushion Mitered 24" x 76" x 4" Gold (Aztec Gold)	
048839-06-006	EA	Cover - Cushion Mitered 24" x 76" x 4" Beige (Saddle)	
048839-13-000	EA	Cushion Mitered 30" x 20" x 4" Rust (Fire and Grass)	
048839-14-000	EA	Cushion Mitered 30" x 20" x 4" Gold (Aztec Gold)	
048839-15-000	EA	Cushion Mitered 30" x 20" x 4" Beige (Saddle)	
048839-13-013	EA	Cover - Cushion Mitered 30" x 20" x 4" Rust (Fire and Grass)	
048839-14-014	EA	Cover Cushion Mitered 30" x 20" x 4" Gold (Aztec Gold)	
048839-15-015	EA	Cover - Cushion Mitered 30" x 20" x 4" Beige (Saddle)	
050102-01-000	EA	Mattress - Mitered 24.5" x 76" x 4" Rust (Fire and Grass)	
050102-02-000	EA	Mattress - Mitered 24.5" x 76" x 4" Gold (Aztec Gold)	
050102-03-000	EA	Mattress - Mitered 24.5" x 76" x 4" Beige (Saddle)	
050102-01-001	EA	Cover - Mattress Mitered 24.5" x 76" x 4" Rust (Fire and Grass)	
050102-02-002	EA	Cover - Mattress Mitered 24.5" x 76" x 4" Gold (Aztec Gold)	
050102-03-003	EA	Cover - Mattress Mitered 24.5" x 76" x 4" Beige (Saddle)	
050102-04-000	EA	Mattress Mitered 27" x 76" x 5" Rust (Fire and Grass)	
050102-05-000	EA	Mattress Mitered 27" x 76" x 5" Gold (Aztec Gold)	
050102-06-000	EA	Mattress Mitered 27" x 76" x 5" Beige (Saddle)	
050102-04-004	EA	Cover Mattress - Mitered 27" x 76" x 5" Rust (Fire and Grass)	
050102-05-005	EA	Cover Mattress - Mitered 27" x 76" x 5" Gold (Aztec Gold)	
050102-06-006	EA	Cover Mattress - Mitered 27" x 76" x 5" Beige (Saddle)	

**FABRICS**

Key	Part Number	U/M	Description
042618-01-000	YD	Fabric - Upholstery - Rust (Fire and Grass)	
042618-02-000	YD	Fabric - Upholstery - Gold (Aztec Gold)	
043618-03-000	YD	Fabric - Upholstery - Beige (Saddle)	
043619-01-000	YD	Fabric - Drapery - Rust (Fire and Grass)	
043619-02-000	YD	Fabric - Drapery - Gold (Aztec Gold)	
043619-03-000	YD	Fabric - Drapery - Beige (Saddle)	
042411-01-000	YD	Vinyl - Non-Expanded - 27 Oz. - Brown - Bostonian	
042411-02-000	YD	Vinyl - Expanded - 28 Oz. - Brown - Bostonian	

**1977 ITASCA  
TABLE OF CONTENTS**

Introduction	A-1
Abbreviations	A-1
Alphabetical Index	A-2 - A-4
C25A	A-5 - B-4
C27AL	B-15 - C-24
C22C	D-1 - E-10
C27A	E-11 - F-20
C25C	F-21 - H-4
C25CD	H-5 - I-14
C24C	I-15 - J-22
C25AD	J-23 - L-14

**1977 C22C INDEX**

Floor Plan	D-1 - D-2
Accessories Group	D-3 - D-4
Bath Group	D-5
Chassis Group	D-6
Curtain, Cushion & Pad Group	D-7 - D-10
Dinette Group	D-10
Driver's Compartment Group	D-11
Electrical Group	D-11 - D-12
Exterior Body Group	D-13 - D-16
Galley Group	D-17
Heating & Air Conditioning Group	D-18
Interior Finish Group	D-19 - D-20
LP Group	D-21
Lounge Group	D-22
Water & Sewage Group	D-22
Window, Vent & Exterior Door Group	D-23 - D-24
	E-1 - E-10

**CURTAIN, CUSHION AND PAD GROUP (CONTINUED)**



Key	Part Number	U/M	Description
1	029130-01-000	EA	Socket - Snap Fastener
2	029155-01-000	EA	Cap - Snap - .156" Diameter x .17" Barrel
3	029156-01-000	EA	Socket - Snap Fastener
4	029092-01-000	EA	Stud - Nickel Finish
5	029093-01-000	EA	Eyelet - Nickel Finish

**BUCKET SEATS AND COMPONENTS**

Key	Part Number	U/M	Description
	040516-24-000	EA	Seat - Bucket - Single w/Slides - Rust (Fire and Grass)
	040516-25-000	EA	Seat - Bucket - Single w/Slides - Gold (Aztec Gold)
	040516-26-000	EA	Seat - Bucket - Single w/Slides - Beige (Saddle)
	040516-16-001	EA	Cover - Single Bucket Seat - Cushion Rust (Fire and Grass)
	040516-17-001	EA	Cover - Single Bucket Seat - Cushion Gold (Aztec Gold)
	040516-18-001	EA	Cover - Single Bucket Seat - Cushion Beige (Saddle)
	040516-24-002	EA	Cover - Single Bucket Seat - Back Rust (Fire and Grass)
	040516-25-002	EA	Cover - Single Bucket Seat - Back Gold (Aztec Gold)
	040516-26-002	EA	Cover - Single Bucket Seat - Back Beige (Saddle)
	029136-01-000	EA	Grommet - Headrest - Nylon
	029134-01-000	EA	Clip - Finish
	033906-26-000	EA	Headrest Cover - Rust (Fire and Grass)
	033906-27-000	EA	Headrest Cover - Gold (Aztec Gold)
	033906-28-000	EA	Headrest Cover - Beige (Saddle)
	019722-01-000	EA	Headrest Asm. - Foam w/o Cover
	050280-13-000	EA	Armrest Cover - Rust (Fire and Grass)
	050280-14-000	EA	Armrest Cover - Gold (Aztec Gold)
	050280-15-000	EA	Armrest Cover - Beige (Saddle)
	040494-01-000	EA	Armrest Asm. - Foam w/o Cover - Right - Style #1
	040494-02-000	EA	Armrest Asm. - Foam w/o Cover - Left - Style #1
	050275-01-700	EA	Armrest Asm. - Foam w/o Cover - Right - Style #2
	050276-01-700	EA	Armrest Asm. - Foam w/o Cover - Left - Style #2

**NOTE**

A production change was made in the armrest. When ordering, you must first determine which style is required. Measure up ten inches from the bottom of the seat frame. If you feel (through the upholstery) a collar protruding outward approximately 1/2", you should order style two. Order style one if no protrusion is noted.

**CURTAIN, CUSHION AND PAD GROUP (CONTINUED)**

**TRIMS AND PADS**

Key	Part Number	U/M	Description
	042414-01-000	FT	Trim - Accent - Brown - Bostonian
	043321-02-000	EA	Pad - "A" Pillar - Right
	043322-02-000	EA	Pad - "A" Pillar - Left
	043323-02-000	EA	Pad - Door Top - Right
	043324-02-000	EA	Pad - Door - Top - Left
	043325-03-000	EA	Pad - "B" Pillar - Left
	043325-04-000	EA	Pad - "B" Pillar - Right
	043326-02-000	EA	Headliner - Cab
	043327-09-000	EA	Support - Cab/Pillar Asm. - Left
	043327-10-000	EA	Support - Cab/Pillar Asm. - Right
	044207-02-000	EA	Pad - Motor Cover
	048360-01-000	EA	Pad - Sleeper Board - Left
	048360-02-000	EA	Pad - Sleeper Board - Right
	042950-01-000	EA	Handle - Assist - Interior

**DINETTE GROUP**

Key	Part Number	U/M	Description
	024274-25-700	EA	Table - Dinette w/o Hardware Butcher Block
	042117-01-000	EA	Cabinet - Dinette Seat - Right
	042118-01-000	EA	Cabinet - Dinette Seat - Left
	042119-01-000	EA	Cabinet - Dinette Overhead w/o Doors or Hardware
	047155-01-700	EA	Door Asm. Cabinet 9' x 21" (Cut Out) Dinette Overhead w/o Hardware

**1977 ITASCA  
TABLE OF CONTENTS**

Introduction	A-1
Abbreviations	A-1
Alphabetical Index	A-2 - A-4
C25A	A-5 - B-4
C27AL	B-15 - C-24
C22C	D-1 - E-10
C27A	E-11 - F-20
C25C	F-21 - H-4
C25CD	H-5 - I-14
C24C	I-15 - J-22
C25AD	J-23 - L-14

**1977 C22C INDEX**

Floor Plan	D-1 - D-2
Accessories Group	D-3 - D-4
Bath Group	D-5
Chassis Group	D-6
Curtain, Cushion & Pad Group	D-7 - D-10
Dinette Group	D-10
Driver's Compartment Group	D-11
Electrical Group	D-11 - D-12
Exterior Body Group	D-13 - D-16
Galley Group	D-17
Heating & Air Conditioning Group	D-18
Interior Finish Group	D-19 - D-20
LP Group	D-21
Lounge Group	D-22
Water & Sewage Group	D-22
Window, Vent & Exterior Door Group	D-23 - D-24
	E-1 - E-10

## DRIVER'S COMPARTMENT GROUP

Key	Part Number	U/M	Description
	041787-01-000	EA	Clip - Speed Cable or Rod
	036414-01-000	EA	Ash Tray
	041318-01-000	EA	Clamp - Asm. - Engine Cover Upper
	041319-01-000	EA	Catch - Engine Cover Upper
	041320-01-000	EA	Bracket - Engine Cover/Floor
	041425-01-000	EA	Cover Engine
	048223-01-000	EA	Bracket Engine Cover
	044860-01-000	EA	Mat - Step Well - Rubber Black Left
	044860-02-000	EA	Mat - Step Well - Rubber Black Right
	044469-01-000	EA	Nameplate - Itasca - Brown/Silver
	039639-01-000	EA	Bezel - Transmission Control
	049360-01-000	EA	Console Overhead
	007021-01-000	EA	Belt Asm. Seat 2" x 90" Black
	041322-01-000	EA	Washer Flat 5/32" ID x 2 1/4" OD (Seat Belt)
	007222-01-000	EA	Belt Asm. - Seat 2" x 60" Black
	039646-06-000	EA	Extension Asm. Sleeper Board.
	002922-01-011	EA	Extr. Rail Bunk 10' Pc.
	041476-01-000	FT	Track Slide PVC Dark Pecan (12')
	048656-01-000	EA	Bracket Catch Bunk
	049182-01-000	EA	Hedlok II - 3/4" Dia. Snap In
	049797-01-000	EA	Hedlok II - 1" Dia. Screw Mt.
	007221-01-000	EA	Spacer - Seat Adjuster
	007223-01-000	EA	Adjuster Asm. Seat w/Lock
	007224-01-000	EA	Handle - Seat Adjuster 3 1/2"
	007224-02-000	EA	Handle - Seat Adjuster 9"
	007227-01-000	EA	Adjuster - Asm. Seat w/o Lock
	049943-01-000	EA	Pedestal - Complete Swivel Steel
	045205-04-000	EA	Side Panel - Cab Door - Right - Rust (Fire and Grass)
	045205-05-000	EA	Side Panel - Cab Door - Right - Gold (Aztec Gold)
	045205-06-000	EA	Side Panel - Cab Door - Right - Beige (Saddle)
	045206-04-000	EA	Side Panel - Cab Door - Left - Rust (Fire and Grass)
	045206-05-000	EA	Side Panel - Cab Door - Left - Gold (Aztec Gold)
	045206-06-000	EA	Side Panel - Cab Door - Left - Beige (Saddle)
	040897-03-000	EA	Pad - Instrument Panel - Brown

## ELECTRICAL GROUP

Key	Part Number	U/M	Description
	008195-01-000	EA	Switch - Push Button 12V
	006077-01-000	EA	Plaque - Compressor Switch
	008054-01-000	EA	Cord - Power - 10-3 30A - 25' - UL
	034818-04-000	EA	Holder - Receptacle - Plastic
	039338-01-000	EA	Cover Plate - Receptacle - Plastic - Brown
	039339-01-000	EA	Receptacle - Duplex Brown - End of Line
	039342-01-000	EA	Receptacle - Duplex Brown - T Junction
	024571-01-000	EA	Cover Plate - Receptacle - Jumbo Steel Brown
	039343-01-000	EA	Cap - End - Receptacle
	008182-01-000	EA	Switch -Dbl. Toggle - Spade Brown
	008183-01-000	EA	Switch - Toggle Brown
	024824-01-000	EA	Receptacle - Power Cord
	008058-01-000	EA	Adaptor - Power Cord
	008234-01-000	EA	Fuse - 12V - 10 Amp

## ELECTRICAL GROUP (CONTINUED)

Key	Part Number	U/M	Description
	008235-01-000	EA	Fuse - 12V - 15 Amp
	008236-01-000	EA	Fuse - 12V - 20 Amp
	039950-02-000	EA	Control Center - 30 Amp w/ Door UL
	048812-01-000	EA	Panel - Control - Water/Dbl. Sewage - Wemac
	039861-01-000	EA	Sending Unit Kit - Wemac
	008024-01-000	FT	Wire 18.5 Bonded Orange/White/Yellow/Blue/Brown
	008025-01-000	FT	Wire 18.5 Bonded Orange/White/Yellow/Blue/Green
	008028-01-000	FT	Wire 18.5 Bonded Blue/Red/Yellow/Orange/White
	008030-01-000	FT	Wire 18.4 Bonded
	008251-01-000	EA	Fuse Holder - Black - Screw Type
	008252-01-000	EA	Fuse 110V - 50 Amp
	024416-01-000	EA	Lamp Asm. - Map/Gauge/Aisle
	024473-01-000	EA	Light - Aircraft - 1 Bulb Gold
	033508-02-000	EA	Light - Dome - Ivory 1 Bulb
	024642-01-701	EA	Lens - Dome - 1 Bulb
	033509-02-000	EA	Light - Dome - Ivory 2 Bulb
	024643-01-701	EA	Lens - Dome - 2 Bulb
	008089-01-000	EA	Light - Porch - Recessed
	045863-01-000	EA	Lamp Asm. - Tail - Horizontal
	045864-01-000	EA	Lamp Asm. - Tail - Horizontal - w/License Mount
	046125-01-000	EA	Wedge - Tail Light
	042405-03-000	EA	Base - Rectangular Clearance Light
	042405-04-000	EA	Lens - Rectangular Light - Red
	042405-05-000	EA	Lens - Rectangular Light - Amber
	037935-01-000	EA	Bulb - 1157
	038010-01-000	EA	Bulb - 1143
	008103-01-000	EA	Bulb - 53
	008213-01-000	EA	Bulb - 57
	008214-01-000	EA	Bulb - 67
	008215-01-000	EA	Bulb - 1003
	008216-01-000	EA	Bulb - 1034
	008217-01-000	EA	Bulb - 1073
	008218-01-000	EA	Bulb - 1141
	008219-01-000	EA	Bulb - 656
	008220-01-000	EA	Bulb - 12V - 25W
	036196-01-000	EA	Bulb - 194
	700020-01-000	EA	Bulb - 12V - 20W 1383
	008188-01-000	EA	Solenoid - Dual Battery - Relay
	047351-01-000	EA	Receptacle - Ground Fault Int. - 125V Black
	047353-01-000	EA	Cover - Receptacle - Ground Fault
	008208-01-000	EA	Circuit Breaker - 12V - 40 Amp
	008211-01-000	EA	Circuit Breaker - 12V - 6 Amp
	008268-01-000	EA	Circuit Breaker - 12V - 30 Amp w/Mount
	033573-01-000	EA	Circuit Breaker - 12V - 20 Amp w/Mount
	047338-01-000	EA	Isolator - Dual battery
	047369-01-700	EA	Battery - 12V - 105 Amp Deep Cycle - Dry
	008233-01-000	EA	Fuse - 12V - 6 Amp
	008277-01-000	EA	Holder - Fuse - Panel Mount - Black
	024459-01-000	EA	Gauge Asm. - Voltmeter
	031035-01-000	EA	Gauge Asm. - Hourmeter - Generator
	024462-01-000	EA	Switch - Battery Condition - Stamped

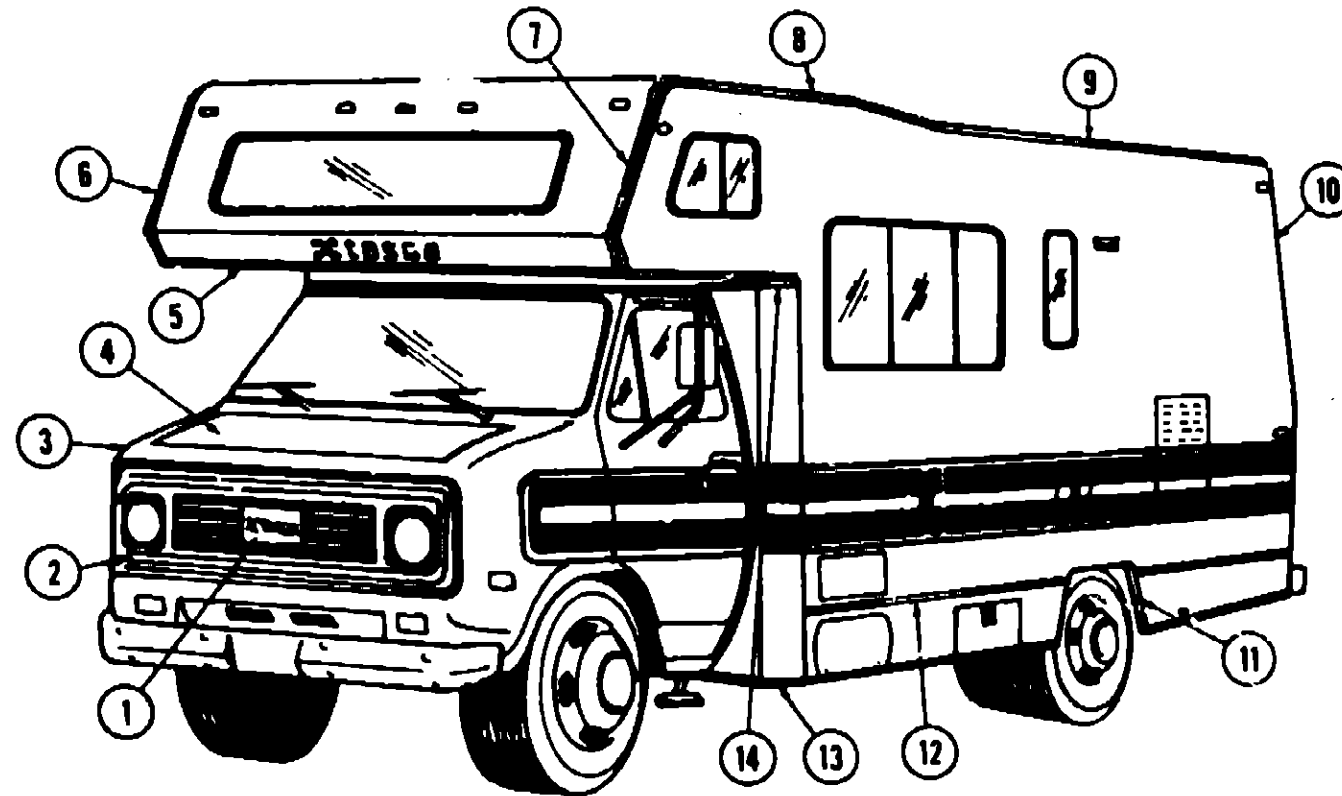
## 1977 ITASCA TABLE OF CONTENTS

Introduction	A-1
Abbreviations	A-1
Alphabetical Index	A-2 - A-4
C25A	A-5 - B-4
C27AL	B-15 - C-24
C22C	D-1 - E-10
C27A	E-11 - F-20
C25C	F-21 - H-4
C25CD	H-5 - I-14
C24C	I-15 - J-22
C25AD	J-23 - L-14

## 1977 C22C INDEX

Floor Plan	D-1 - D-2
Accessories Group	D-3 - D-4
Bath Group	D-5
Chassis Group	D-6
Curtain, Cushion & Pad Group	D-7 - D-10
Dinette Group	D-10
Driver's Compartment Group	D-11
Electrical Group	D-11 - D-12
Exterior Body Group	D-13 - D-16
Galley Group	D-17
Heating & Air Conditioning Group	D-18
Interior Finish Group	D-19 - D-20
LP Group	D-21
Lounge Group	D-22
Water & Sewage Group	D-22
Window, Vent & Exterior Door Group	D-23 - D-24
	E-1 - E-10

## EXTERIOR BODY GROUP



Key	Part Number	U/M	Description
1	046619-01-000	EA	Plate - Grille Cover - Logo
2	046741-01-000	EA	Grille - Plastic Chrome w/o Decal Striping
3	040843-01-000	EA	Front End Asm. - Fiberglass - Off White - Includes Hood w/o Front Grille
4	040845-01-000	EA	Hood Asm. - Off White
5	039644-01-000	EA	Trim - Sleeper Board - Off White
	039816-01-000	EA	Hinge - Hood (2 used per hood)
	035388-01-000	EA	Hood Pin Kit - 7/16" x 20 x 3.50" Long
	007160-01-000	EA	Gasket - Tire Carcass - 3/16" x 2" x 2"
	037449-01-000	EA	Well Nut - 10 - 32 x .812" Long
6	039835-02-000	EA	Trim - Contour - Sleeper Section - Right - Off White
7	039835-01-000	EA	Trim - Contour - Sleeper Section - Left - Off White
8	039834-01-000	EA	Trim - Contour - Roof - Left - Off White
	039834-02-000	EA	Trim - Contour - Roof - Right - Off White
9	034922-04-000	EA	Trim - Sidewall/Roof - Upper - Left or Right - Off White

Key	Part Number	U/M	Description
10	039633-01-000	EA	Trim - Contour - Backwall - Left - Off White
	039633-02-000	EA	Trim - Contour - Backwall - Right - Off White
11	039624-03-000	EA	Trim - Wheel Well - Rear - Left or Right
12	002444-02-003	EA	Extr. - Feature Strip - Alum. - 16' w/o Insert
	001030-02-002	EA	Insert - Feature Strip - Off White - 21'
	009731-01-000	EA	End Cap - Feature Strip
13	043442-01-000	EA	Trim - Wingwall - Bottom Left
	043442-02-000	EA	Trim - Wingwall - Bottom Right
14	048610-01-000	EA	Trim - Corner - Wingwall - Left
	048610-02-000	EA	Trim - Corner - Wingwall - Right
	002365-02-001	EA	Extr. - U-Channel - 1" Serrated x 18' Anod.
	039629-01-000	FT	Extr. - Vinyl - Sleeper Joint
	043915-01-000	FT	Extr. - Vinyl - "B" Pillar/Wingwall
			Not Illustrated

## 1977 ITASCA TABLE OF CONTENTS

Introduction	A-1
Abbreviations	A-1
Alphabetical Index	A-2 - A-4
C25A	A-5 - B-4
C27AL	B-15 - C-24
C22C	D-1 - E-10
C27A	E-11 - F-20
C25C	F-21 - H-4
C25CD	H-5 - I-14
C24C	I-15 - J-22
C25AD	J-23 - L-14

## 1977 C22C INDEX

Floor Plan	D-1 - D-2
Accessories Group	D-3 - D-4
Bath Group	D-5
Chassis Group	D-6
Curtain, Cushion & Pad Group	D-7 - D-10
Dinette Group	D-10
Driver's Compartment Group	D-11
Electrical Group	D-11 - D-12
Exterior Body Group	D-13 - D-16
Galley Group	D-17
Heating & Air Conditioning Group	D-18
Interior Finish Group	D-19 - D-20
LP Group	D-21
Lounge Group	D-22
Water & Sewage Group	D-22
Window, Vent & Exterior Door Group	D-23 - D-24
	E-1 - E-10

## EXTERIOR BODY GROUP (CONTINUED)

### EXTERIOR BODY PANELS AND SHEET ALUMINUM

Key	Part Number	U/M	Description
	039579-01-000	EA	Board - Sleeper
	047030-02-000	EA	Roof Asm.
	047030-02-700	EA	Roof Section - Front - To First Seam
	049395-01-000	EA	Sidewall Asm. - Left
	047029-02-000	EA	Sidewall Asm. - Right
	050633-01-000	EA	Backwall Asm.
	039155-03-008	EA	Alum. - Off White - Mesa Design - .024" x 36" x 60"
	039155-03-002	EA	Alum. - Off White - Mesa Design - .024" x 36" x 300"
	039155-03-003	EA	Alum. - Off White - Mesa Design - .024" x 36" x 360"
	039155-03-007	EA	Alum. - Off White - Mesa Design - .024" x 48" x 60"
	039155-03-005	EA	Alum. - Off White - Mesa Design - .024" x 48" x 300"
	039155-03-006	EA	Alum. - Off White - Mesa Design - .024" x 48" x 360"
	039155-03-009	EA	Alum. - Off White - Mesa Design - .024" x 12" x 360"
	044487-01-001	EA	Alum. - Mill Finish - No Design (Roof) - 96" x 360"
	039155-07-010	EA	Alum. - Off White - Greyhound Design - 48" x 96"
	001054-01-011	EA	Alum. - Off White - No Design - 48" x 96"

### EXTERIOR PAINT

Key	Part Number	U/M	Description
	041561-01-000	EA	Paint - Off White - Acrylic Enamel - 1 Gallon
	041561-03-000	EA	Paint - Off White - Acrylic Enamel - 16 Oz. Aerosol
	041561-04-000	EA	Paint - Off White - Acrylic Lacquer - 1 Gallon
	041563-01-000	EA	Paint - Burnt Orange - Acrylic Enamel - 1 Gallon
	041563-03-000	EA	Paint - Burnt Orange - Acrylic Enamel - 16 Oz. Aerosol
	041565-01-000	EA	Paint - Rally Yellow - Acrylic Enamel - 1 Gallon
	041565-03-000	EA	Paint - Rally Yellow - Acrylic Enamel - 16 Oz. Aerosol
	045681-01-000	EA	Paint - High Gloss Black - Acrylic Enamel - 1 Gallon
	045681-03-000	EA	Paint - High Gloss Black - Acrylic Enamel - 16 Oz. Aerosol
	042933-03-000	EA	Paint - Dark Brown - Acrylic Enamel - 16 Oz. Aerosol
	045812-01-000	EA	Paint - Orange - Acrylic Enamel - 1 Gallon
	045812-03-000	EA	Paint - Orange - Acrylic Enamel - 16 Oz. Aerosol

### LABELS AND DECALS

Key	Part Number	U/M	Description
	006023-01-000	EA	Label - Water Only
	006025-01-000	EA	Label - Gas
	006028-01-000	EA	Label - Drain Cap - 2" x 3"
	008031-01-000	EA	Label - Potable Water Only
	006040-01-000	EA	Tag - Gas Refueling Warning
	008081-01-000	EA	Tag - LP Gas Only
	008082-01-000	EA	Tag - Electrical - 110 Volt Connection
	008187-01-000	EA	Label - Sewage
	008188-01-000	EA	Label - Waste Water
	008199-01-000	EA	Label - Exit - Escape Window
	039288-01-000	EA	Label - Warning Aux. Loading
	041273-02-000	FT	Decal - Stripe - Sidewall - .88" - Black
	048321-01-000	EA	Stencil - Stripe - Front Side
	048323-01-000	EA	Stencil - Logo - Itasca "I"
	048324-01-000	EA	Decal - Stripe - Front Side - Black
	041273-03-000	FT	Decal - Stripe - 1" - Orange
	048325-01-000	EA	Decal - Logo - Itasca Grille
	048784-01-000	EA	Decal - Grille - Accent - Left Hand - Orange
	048784-02-000	EA	Decal - Grille - Accent - Right Hand - Orange
	008092-01-000	EA	Reflector - Stick On - Rectangular - Red
	008093-01-000	EA	Reflector - Stick On - Rectangular - Amber

## EXTERIOR BODY GROUP (CONTINUED)

### SEALANTS, ADHESIVES AND FASTENERS

Key	Part Number	U/M	Description
	034552-05-000	EA	Sealant - Off White Silicone
	034552-04-000	EA	Sealant - Beige Silicone
	034552-02-000	EA	Sealant - Clear Silicone
	004348-02-000	EA	Sealant - Aluminum Silicone
	004349-01-000	EA	Sealant - Black Silicone
	004342-01-000	EA	Sealant - Weatherban 202 Tube
	004346-02-000	EA	Sealant - White Silicone
	004347-01-000	EA	Sealant - Tuflex
	002316-01-000	FT	Tape - Sealer - 3/32" x 1/8"
	024545-01-000	FT	Tape - Sealer - 1/8" x 5/8" - Black
	004350-01-000	FT	Tape - Sealer - 1/8" x 1" - Formaseal
	004352-01-000	FT	Tape - Sealer - 1/8" x 3/4" - Formaseal
	004355-01-000	FT	Tape - Sealer - 1/8" x 5/8" - Black
	004357-01-000	FT	Tape - Sealer - 1/8" x 5/8" - Adhesive
	002707-02-000	FT	Tape - Sealer - 5/16" x 1/2" - Black Foam
	002707-01-000	FT	Tape - Sealer - 5/16" x 3/4" - Black Foam
	041422-01-000	FT	Tape - Sealer - 1/4" x 1/2"
	004363-01-000	FT	Tape - Sealer - 3/16" x 1/2" - Foam
	004362-01-000	FT	Tape - Sealer - 1/8" x 5/8" - Foam
	009200-01-000	EA	Tape - Furnace - 1 1/2"
	041839-01-000	FT	Tape - Window Latch - 3/4" - Adhesive
	041839-02-000	FT	Tape - Window Latch - 1/2" - Adhesive
	004353-01-000	FT	Tape - Gasket - 1/8" x 3/4" - White
	002825-01-000	FT	Weather Stripping - Roof Vent
	002337-01-000	EA	Adhesive - 3M - 1300 Tube
	004005-01-000	GL	Adhesive - Swifts - Green - Glue (Sidewalls)
	004012-01-000	EA	Adhesive - 3M - 4475 Tube
	004020-01-000	QT	Adhesive - ABS Cement (Plastic Fittings)
	029051-01-000	EA	Adhesive - Spray Vinyl
	042401-02-000	EA	Screw - 8 - 18 x 3/4" SDPH - Off White
	042403-02-000	EA	Screw - SF/DR - 8 - 18 x 1" SDPH - Off White
	005058-01-000	EA	Screw - Wood - 12 - 11 x 3" P.O.H. Zinc

### MISCELLANEOUS EXTERNALLY MOUNTED PARTS

Key	Part Number	U/M	Description
	036579-03-000	EA	Fuel Fill - Recessed - Single - Off White
	011124-01-000	EA	Plumbing Seal - Roof Vent - 1 1/4" White
	011129-01-000	EA	Plumbing Seal - Roof Vent - 1 1/2" White
	010230-02-000	EA	Fill - City Water - Recessed - Off White - w/Screw On Cap
	011020-01-000	EA	Fill - Water - Recessed - Off White
	009126-01-000	EA	Handle - Assist - Metal Ext.
	009101-01-000	EA	Holder - Entry Door - Male
	009101-02-000	EA	Holder - Entry Door - Female

## 1977 ITASCA TABLE OF CONTENTS

Introduction	A-1
Abbreviations	A-1
Alphabetical Index	A-2 - A-4
C25A	A-5 - B-4
C27AL	B-15 - C-24
C22C	D-1 - E-10
C27A	E-11 - F-20
C25C	F-21 - H-4
C25CD	H-5 - I-14
C24C	I-15 - J-22
C25AD	J-23 - L-14

## 1977 C22C INDEX

Floor Plan	D-1 - D-2
Accessories Group	D-3 - D-4
Bath Group	D-5
Chassis Group	D-6
Curtain, Cushion & Pad Group	D-7 - D-10
Dinette Group	D-10
Driver's Compartment Group	D-11
Electrical Group	D-11 - D-12
Exterior Body Group	D-13 - D-16
Galley Group	D-17
Heating & Air Conditioning Group	D-18
Interior Finish Group	D-19 - D-20
LP Group	D-21
Lounge Group	D-22
Water & Sewage Group	D-22
Window, Vent & Exterior Door Group	D-23 - D-24
	E-1 - E-10



## GALLEY GROUP

Key	Part Number	U/M	Description
	027571-04-000	EA	Sink Cover - Butcher Block
	011053-01-000	EA	Faucet - Galley 8" Swing Spout
	011053-01-700	EA	Aerator - Swing Faucet
	011032-01-000	EA	Sink - Stainless Steel - Double w/Bolts
	011065-01-000	EA	Strainer - Sink
	045851-03-700	EA	Drawer Asm. 5 1/4" x 20 1/4" (Cut Out) Galley w/o Hardware
	047155-20-700	EA	Door Asm. - Galley Cabinet (2 Per Unit) w/o Hardware
	049275-01-000	EA	Cabinet - Galley Asm. w/o Countertop Drawer, Doors, or Hardware
	047155-21-700	EA	Door Asm. - Cabinet w/o Hardware
	049381-01-000	EA	Galley Countertop - Butcher Block
	049381-02-000	EA	Galley Extension - Butcher Block
**	049045-01-000	EA	Range - 4 Burner - Large Oven - Chrome - Magic Chef
**	049175-01-000	EA	Refrigerator - A/C/Gas - ET150 - 1 Door Model - Sibir
**	049930-01-000	EA	Hood - Range Power - Chrome w/o Spice Rack - Jensen
**	003336-01-000	EA	Refrigerator - A/C/Gas - RM66 - 1 Door Model - Dometic

\*\* The illustrated parts breakdown for this item is provided on the Common Items Fiche.

## HEATING AND AIR CONDITIONING GROUP

Key	Part Number	U/M	Description
	048231-01-000	EA	Auto Air - 350 C.I.D. - AMC
	044443-01-000	EA	A/C - General Package - AMC
	041444-01-000	EA	A/C - Condenser Package - 350 (I.D. - AMC)
	041445-01-000	EA	A/C - Installation Package - AMC
	041446-01-000	EA	A/C - Evaporator Package - 350 C.I.D. - AMC
	047036-01-000	EA	A/C Compressor Mount Package - 350 C.I.D. - AMC
	048231-02-000	EA	Auto Air - 350 C.I.D. - ARA
	051768-01-000	EA	A/C - Compressor Mount Package - 350 C.I.D. - ARA
	051769-01-000	EA	A/C - Evaporator Package - 350 C.I.D. - ARA
	051770-01-000	EA	A/C - Compressor - 350 C.I.D. - ARA
	051771-01-000	EA	A/C - Condenser Package - 350 C.I.D. - ARA
	039505-02-000	EA	Thermostat - Horiz. Wall Mt. - Black
	024985-01-000	EA	Register - Heat - w/Damper 9.9" x 4.8"
	031804-01-000	EA	Bonnet - Heat Register
	004352-01-000	EA	Tape - Sealer 1/4" x 3/4" Formaseal
	009198-01-000	EA	Duct - Flexible - 4" I.D. x 25 Ft.
	009200-01-000	EA	Tape - Furnace
	050783-01-000	EA	Vent Package - 4300 Series
**	049041-01-000	EA	Furnace - 16,000 BTU - Under Counter Mount - Coleman - 4316
**	049042-01-000	EA	Furnace - 22,000 BTU - Under Counter Mount - Coleman - 4322
**	049043-01-000	EA	Furnace - 28,000 BTU - Under Counter Mount - Coleman - 4328
**	049777-01-000	EA	Air Conditioner - 110 Volt - Roof Mount - 11,000 BTU Ivory - Coleman (w/o Inside Shroud)
**	049778-01-000	EA	Shroud Asm. - Ceiling - Inside - Roof Air - Cool Only 11,000 BTU - Coleman

\*\* The illustrated parts breakdown for this item is provided on the Common Items Fiche.

## 1977 ITASCA TABLE OF CONTENTS

Introduction	A-1
Abbreviations	A-1
Alphabetical Index	A-2 - A-4
C25A	A-5 - B-4
C27AL	B-15 - C-24
C22C	D-1 - E-10
C27A	E-11 - F-20
C25C	F-21 - H-4
C25CD	H-5 - I-14
C24C	I-15 - J-22
C25AD	J-23 - L-14

## 1977 C22C INDEX

Floor Plan	D-1 - D-2
Accessories Group	D-3 - D-4
Bath Group	D-5
Chassis Group	D-6
Curtain, Cushion & Pad Group	D-7 - D-10
Dinette Group	D-10
Driver's Compartment Group	D-11
Electrical Group	D-11 - D-12
Exterior Body Group	D-13 - D-16
Galley Group	D-17
Heating & Air Conditioning Group	D-18
Interior Finish Group	D-19 - D-20
LP Group	D-21
Lounge Group	D-22
Water & Sewage Group	D-22
Window, Vent & Exterior Door Group	D-23 - D-24
	E-1 - E-10

## INTERIOR FINISH GROUP

Key	Part Number	U/M	Description
	041206-01-000	SF	Tile Board 60" x 84" Agate Beige (32SF)
	037682-01-000	SF	Plastic Laminate - 48" x 96" - Butcher Block (32SF)
	037682-01-008	EA	Plastic Laminate - 48" x 48" - Butcher Block
	037682-01-009	EA	Plastic Laminate - 1.19" x 96" - Butcher Block
	041205-07-000	SF	Plastic Laminate - 48" x 96" Rust Leather (Fire and Grass) (32SF)
	041205-07-001	EA	Plastic Laminate - 48" x 48" Rust Leather (Fire and Grass)
	041205-07-002	EA	Plastic Laminate - 1.19" x 96" Rust Leather (Fire and Grass)
	041205-08-000	SF	Plastic Laminate - 48" x 96" Gold Leather (Aztec Gold) (32SF)
	041205-08-001	EA	Plastic Laminate - 48" x 48" Gold Leather (Aztec Gold)
	041205-08-002	EA	Plastic Laminate - 1.19" x 96" Gold Leather (Aztec Gold)
	041205-09-000	SF	Plastic Laminate - 48" x 96" - Beige Leather (Saddle) (32SF)
	041205-09-001	EA	Plastic Laminate - 48" x 48" - Beige Leather (Saddle)
	041205-09-002	EA	Plastic Laminate - 1.19" x 96" - Beige Leather (Saddle)
	041210-03-000	SY	Carpet - Orange Morning Dew - Rust (Fire and Grass)
	043635-01-000	SY	Carpet - Coffee Brown Morning Dew - Gold (Aztec Gold)
	043635-02-000	SY	Carpet - Beige Morning Dew - Beige (Saddle)
	043618-01-000	YD	Fabric - Upholstery - Rust (Fire and Grass)
	043618-02-000	YD	Fabric - Upholstery - Gold (Aztec Gold)
	043618-03-000	YD	Fabric - Upholstery - Beige (Saddle)
	043619-01-000	YD	Fabric - Drapery - Rust (Fire and Grass)
	043619-02-000	YD	Fabric - Drapery - Gold (Aztec Gold)
	043619-03-000	YD	Fabric - Drapery - Beige (Saddle)
	042411-01-000	YD	Vinyl - Non-Expanded - 27 Oz. - Brown - Bostonian
	042411-02-000	YD	Vinyl - Expanded - 28 Oz. Brown - Bostonian
	039188-01-000	SF	Paneling - 707 Hickory - 48" x 96" (32SF)
	045963-01-000	SF	Paneling - 825 Buff - 48" x 96" (32SF)
	000888-01-000	BF	Styrofoam - 3/4" x 24" x 96"
	000726-08-000	EA	Batt Strip - 707 Hickory
	047354-01-000	EA	Batt Strip - 825 Buff
	024700-04-000	EA	Cover - Sidewall Roll Bar - 707 Hickory
	024700-06-000	EA	Cover - Sidewall Roll Bar - Ivory
	039512-02-000	EA	Cover - Hat Section - 707 Hickory
	039512-08-000	EA	Cover - Hat Section - Ivory
	047488-01-000	EA	Cover - Corner - Hat/Hat
	047489-01-000	EA	Cover - Corner - Tube/Tube - White
	024700-03-000	EA	Cover - Sidewall - Roll Bar - White
	034113-01-000	EA	Cover - Corner - Support Bar Brown
	039512-01-000	EA	Cover - Hat - Section - White
	040026-01-000	EA	Cover - Corner - Hat Section/Tube
	042886-01-000	EA	Cover - Corner - Plastic - Tube/Tube
	002830-01-002	EA	Extr. - U-Channel - Pipe Cover - 16 Feet
	040069-01-000	EA	Mat - Door - Black Rubber 10 1/2" x 26"
	041828-01-000	EA	Pull - Drawer - 3/8" - Jamestown
	041917-01-000	EA	Kit - Cabinet Door Latch - Jamestown
	041931-01-000	EA	Kit - Cabinet Door Hinge
	009047-01-000	EA	Support - Overhead Door
	047744-01-000	EA	Kit - Drawer Glide
	037688-01-000	FT	Rail - Drawer Glide - V
	033535-03-000	FT	Molding Asm. - Shelf - 707 Hickory
	009812-03-000	FT	Molding - Plastic - Corner - O/S .5"
	009767-01-000	FT	Wetling - Brown
	009815-02-000	FT	T-Molding - 1/2" Brown
	009814-08-000	FT	T-Molding - Tan Butcher Block
	041838-01-000	EA	Screw - 5 x 3/8" POH - Antique Brass
	009778-01-000	FT	U-Channel - 1" - Dark Brown
	009779-01-000	FT	U-Channel - 1 1/4" Dark Brown
	034669-03-000	EA	Cover - Screw - PPH - 10 - Ivory
	009112-01-000	EA	Flange - 1" Rod - Chrome - Wardrobe
	002766-02-001	EA	Extr. - Angle - 1" x 1 1/2" x 17 Feet - Stiffener
	009151-01-000	EA	Warp Guard - 48"
	042414-01-000	FT	Trim - Accent - Brown Bostonian
	018031-42-000	EA	Track - Curtain - "L" Rod - 90"
	029100-01-000	EA	Hook - Pin - Curtain (Privacy Curtain)

## INTERIOR FINISH GROUP (CONTINUED)

Key	Part Number	U/M	Description
	009107-01-000	EA	Guide - Nylon - Snap (Curtain)
	009701-01-000	EA	Carrier Curtain (Roller Type) "L" Rod
	009702-01-000	EA	End Stop Curtain "L" Rod
	009223-02-000	EA	Rod - Curtain - Flat - Ext. 48" - 84"
	009221-01-000	EA	Rod - Curtain - Flat - Ext. 11" - 14"
	009224-01-000	EA	Rod - Curtain - Flat - Ext. 28" - 48"
	042439-01-000	EA	Bracket - Curtain Rod - Single
	009108-01-000	FT	Track - Curtain - Brown Plastic - 3/4" x 16 Feet
	002922-01-011	EA	Extr. - Bunk Rail - 10 Feet
	009777-01-000	FT	U-Channel - 3/4" Dark Brown
	047842-01-000	EA	Kit Hardware - Dinette Table Leg
	047809-02-000	EA	Kit Hardware - Dinette Table - Wall Mount
	004346-02-000	EA	Silicone Sealant - White
	004348-02-000	EA	Silicone Sealant - Aluminum
	004349-01-000	EA	Silicone Sealant - Black
	034552-02-000	EA	Silicone Sealant - Clear
	034552-04-000	EA	Silicone Sealant - Beige
	034552-05-000	EA	Silicone Sealant - Off-White
	042933-03-000	EA	Paint - Dark Brown - 16 Oz. Aerosol
	042933-04-000	EA	Paint - Dark Brown - 1 Gallon
	043568-04-000	EA	Paint - Saddle Brown Flat - 1 Gallon

### 1977 ITASCA TABLE OF CONTENTS

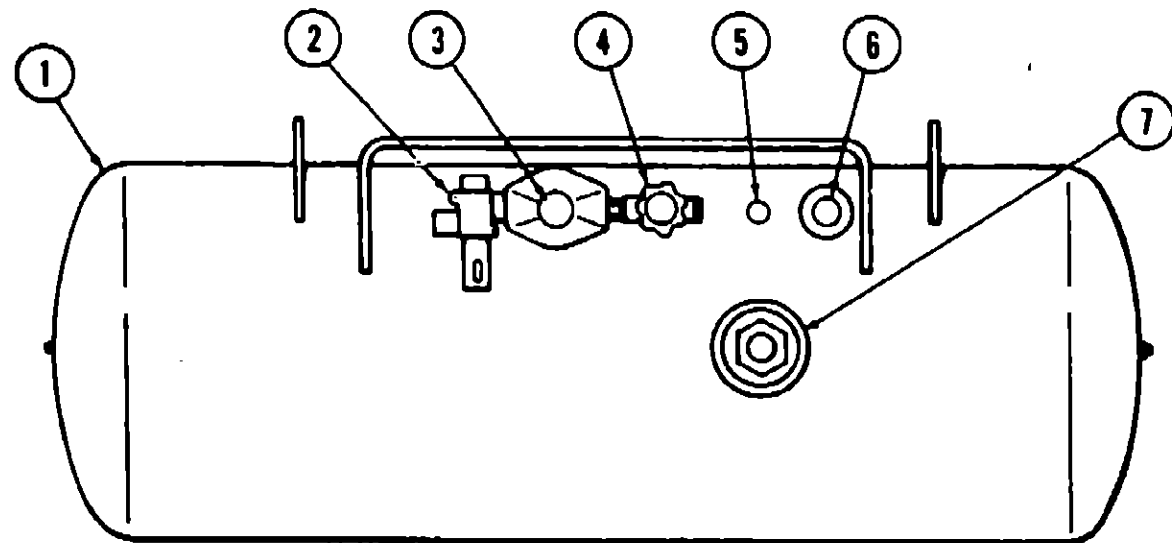
Introduction	A-1
Abbreviations	A-1
Alphabetical Index	A-2 - A-4
C25A	A-5 - B-4
C27AL	B-15 - C-24
C22C	D-1 - E-10
C27A	E-11 - F-20
C25C	F-21 - H-4
C25CD	H-5 - I-14
C24C	I-15 - J-22
C25AD	J-23 - L-14

### 1977 C22C INDEX

Floor Plan	D-1 - D-2
Accessories Group	D-3 - D-4
Bath Group	D-5
Chassis Group	D-6
Curtain, Cushion & Pad Group	D-7 - D-10
Dinette Group	D-10
Driver's Compartment Group	D-11
Electrical Group	D-11 - D-12
Exterior Body Group	D-13 - D-16
Galley Group	D-17
Heating & Air Conditioning Group	D-18
Interior Finish Group	D-19 - D-20
LP Group	D-21
Lounge Group	D-22
Water & Sewage Group	D-22
Window, Vent & Exterior Door Group	D-23 - D-24
E-1 - E-10	

**LP GROUP**

**LOUNGE GROUP**



Key	Part Number	U/M	Description
1	042281-01-000	EA	Tank Asm. - LP - Frame Mount - 42 Pound
2	047221-01-000	EA	Detector - LP Gas Leak
3	024712-01-000	EA	Cover - LP Regulator
	052163-01-000	EA	Regulator - Manual - LP Gas - 2 Stage
4	040421-01-703	EA	Valve - Vapor Relief
5	040421-01-700	EA	Gauge - Liquid Level - 20% LP
6	040421-01-701	EA	Valve - Filler - LP
	040421-01-702	EA	Cap - Plastic Fill Valve
7	042281-01-700	EA	Gauge - Float - w/Visible Dial - 42 Pound Tank
	040421-01-706	EA	Dial - Visible Face - Float Gauge (Tank w/o Electric Transmitter)
	040421-01-705	EA	Dial - Transmitter - 0 - 90 Ohm (Float Gauge)
	045703-03-000	EA	Hose Asm. - LP - 3/8" I.D. x 14"
	047737-02-000	EA	Support - LP Tank - 89.25"
	047737-03-000	EA	Support - LP Tank - 30.50"
			Not Illustrated

Key	Part Number	U/M	Description
	007021-01-000	EA	Belt Asm. - Seat - 2" x 90" Black
	041322-01-000	EA	Washer - Flat - 15/32" I.D. x 2 3/8" O.D.
	042114-01-000	EA	Cabinet - Wardrobe w/o Doors or Hardware
	047155-22-700	EA	Door Asm. - Wardrobe Cabinet - 54 1/2" x 9" w/o Hardware
	047155-23-700	EA	Door Asm. - Wardrobe Cabinet - 16 3/8" x 9" w/o Hardware
	046988-02-700	EA	Cabinet - Gaucho Base - w/o Slider
	042091-01-000	EA	Leg Asm. - Gaucho
	047155-24-700	EA	Door Asm. - Cabinet - Gaucho Bench w/o Hardware
	047155-01-700	EA	Door Asm. - Cabinet - Gaucho Overhead w/o Hardware
	042121-01-000	EA	Cabinet - Gaucho Overhead w/o Doors or Hardware

**WATER AND SEWAGE GROUP**

Key	Part Number	U/M	Description
	040539-01-000	EA	Kit - Repair - 3/8" OD Plastic Tube
	040540-01-000	EA	Kit - Repair - 1/2" OD Plastic Tube
	040541-01-000	EA	Kit - Repair - 3/4" OD Plastic Tube
	045251-01-000	EA	Tank Asm. - Water - 26 Gallon - Plastic
	045196-01-000	EA	Tank - Water - Plastic - 26 Gallon - Less Fittings
	045524-02-000	EA	Kit - Fittings - Plastic Water Tank
	007134-01-000	EA	Clamp - Hose - Spring Type - 9/16"
	007137-01-000	EA	Clamp - Worm Gear - 1 5/16" - 2 1/4"
	007161-01-000	EA	Clamp - Hose - Spring Type - 1/2"
	039647-02-000	EA	Filter - Water - 1/2" MPT
	039818-04-000	EA	Riser Asm. - 3/4" OD x 72" Tube
	039818-05-000	EA	Riser Asm. - 3/4" OD x 48" Tube
	039818-02-000	EA	Riser Asm. - 3/4" OD x 36" Tube
	041279-02-000	EA	Pump Asm. - Water - 2.8 GPM - PAR
	039809-01-000	EA	Valve - Stool - Plastic - 3/4" x 1/2" FPT
	046128-01-000	EA	Valve - Drain - Plastic - 1/2" FPT
	039807-01-000	EA	Valve - Drain - Brass - 1/2" MPT
	039648-01-000	EA	Valve - Check - Water Heater
	004020-01-000	QT	Adhesive - ABS Cement
	010201-01-000	EA	Hose - Sewer - 3" x 10 Feet - w/Clamp
	010209-06-000	EA	Handle - Extension - Sewer Valve - 11.25"
	010235-01-000	EA	Cap - Sewage - 3"
	010236-01-000	EA	Adapter - Hose - 3"
	011091-01-000	EA	Waste - Continuous - Double Sink - 11 1/2"
	047246-01-000	EA	Handle - Extension - Sewer Valve - 43"
	010205-01-000	EA	Valve - Sanitary - Thetford 3XB
	010213-01-000	EA	Elbow - Plastic - Side Vent and Drain
	010234-01-000	EA	Adapter - Bayonet
	011066-01-000	EA	P-Trap - Plastic - 1 1/4"
	041155-10-000	EA	Tank Asm. - Holding 29 Gallon - Main
	041155-01-000	EA	Tank - Holding - 29 Gallon - Less Fittings
	040552-11-000	EA	Tank Asm. - Holding 19 Gallon - Auxiliary
	040552-01-000	EA	Tank - Holding - 19 Gallon - Less Fittings
	046524-01-000	EA	Kit - Fittings - Plastic Holding Tank
**	031952-01-000	EA	Water Heater - 8 Gallon Atwood w/o Motor Aid - G6A2
**	051391-01-000	EA	Water Heater - 8 Gallon - Atwood w/o Motor Aid - G6A3

**1977 ITASCA  
TABLE OF CONTENTS**

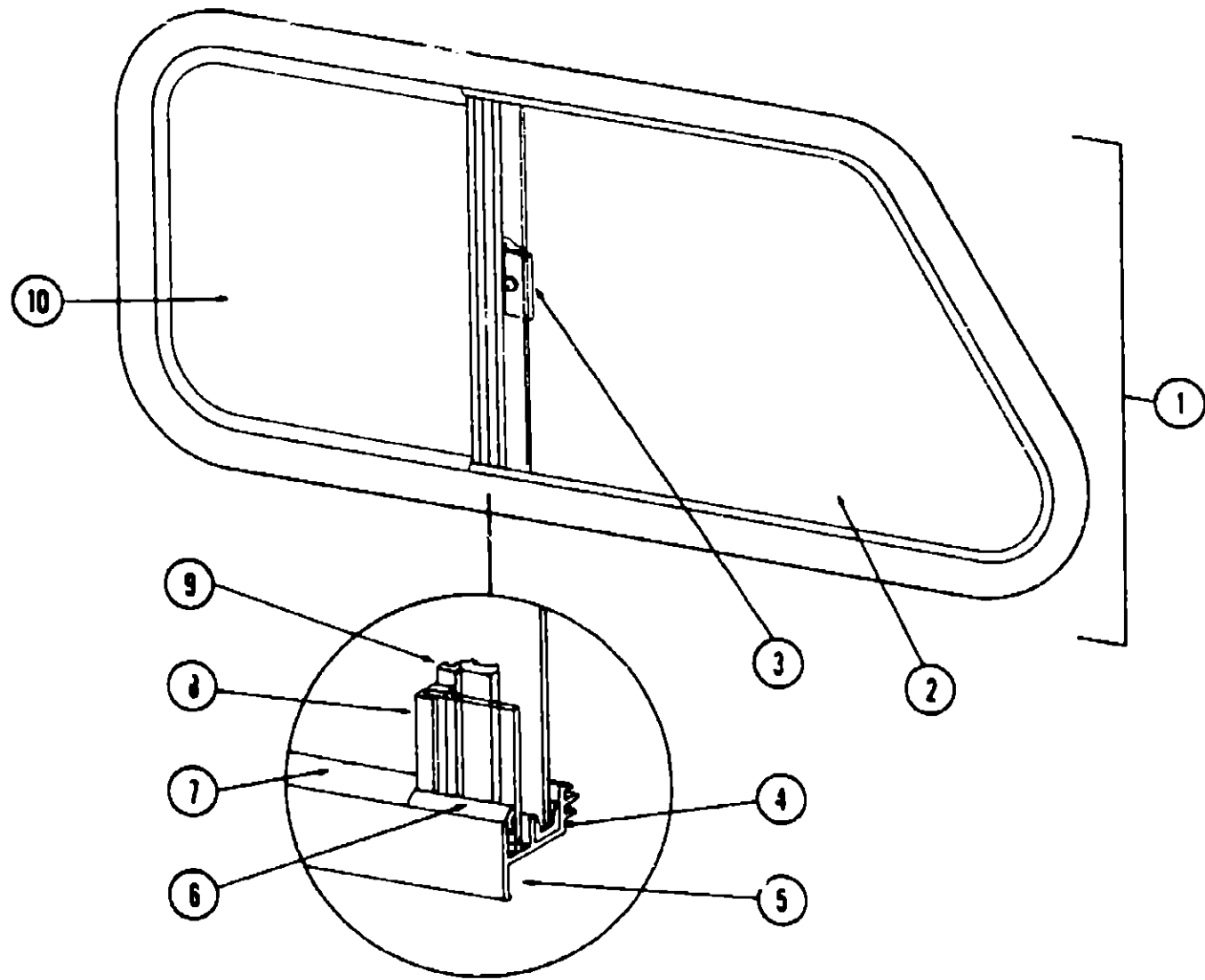
Introduction	A-1
Abbreviations	A-1
Alphabetical Index	A-2 - A-4
C25A	A-5 - B-4
C27AL	B-15 - C-24
C22C	D-1 - E-10
C27A	E-11 - F-20
C25C	F-21 - H-4
C25CD	H-5 - I-14
C24C	I-15 - J-22
C25AD	J-23 - L-14

**1977 C22C INDEX**

Floor Plan	D-1 - D-2
Accessories Group	D-3 - D-4
Bath Group	D-5
Chassis Group	D-6
Curtain, Cushion & Pad Group	D-7 - D-10
Dinette Group	D-10
Driver's Compartment Group	D-11
Electrical Group	D-11 - D-12
Exterior Body Group	D-13 - D-16
Galley Group	D-17
Heating & Air Conditioning Group	D-18
Interior Finish Group	D-19 - D-20
LP Group	D-21
Lounge Group	D-22
Water & Sewage Group	D-22
Window, Vent & Exterior Door Group	D-23 - D-24
	E-1 - E-10

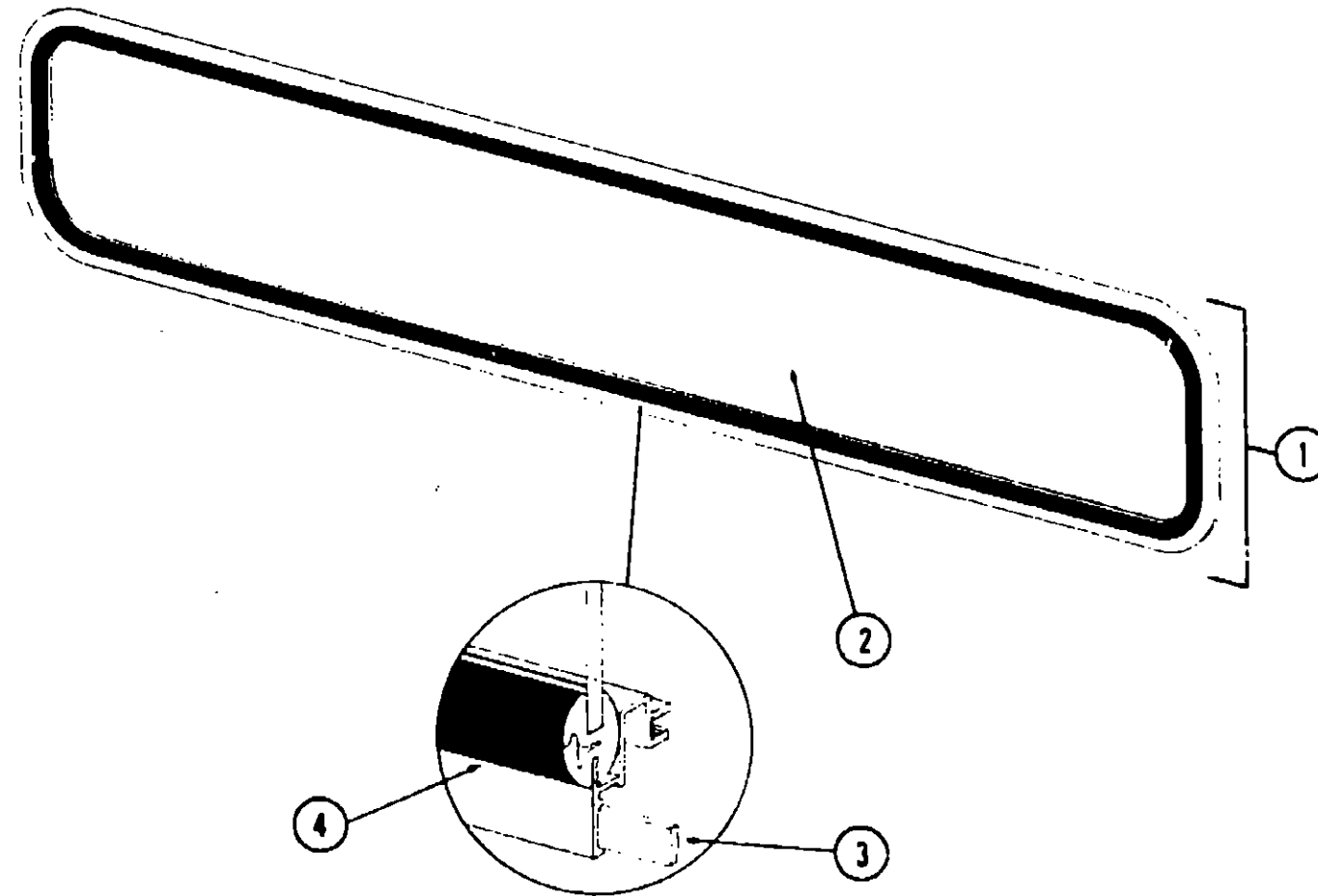
\*\* The illustrated parts breakdown for this item is provided on the Common Items Fiche.

WINDOW, VENT AND EXTERIOR DOOR GROUP



Key	Part Number	U/M	Description
1	048632-01-000	EA	Window Asm. - Bunk - Slanted Slider - Right (w/o Inside Frame)
	048632-02-000	EA	Window Asm. - Bunk - Slanted Slider - Left (w/o Inside Frame)
2	040919-01-000	EA	Glass - 1/8" x 11.98" x 19.42" - Gray - Stationary
3	047369-01-000	EA	Latch - Window - Plastic
	049287-01-000	EA	Washer - Nylon - .62" x .140" I.D.
	049288-01-000	EA	Screw - Machine - 6-32 x 5/16" HWH - Black
4	002324-01-000	FT	Channel - Weatherstrip - Glass Run - 1/8" Glass
5	004363-01-000	FT	Tape - Foam - 3/16" x 1/2" - Gray
6	002309-01-000	FT	Spline - Glass - 1/8" - Gray
7	024096-01-000	FT	Seal - Window - Channel - Gray
8	002390-02-001	EA	Holder - Glass Seal - Extr. - Anod.
9	041894-10-000	EA	Mullion - 13" - Clear Anod.
10	047815-01-000	EA	Glass - 1/8" x 11.98" x 11.81" - Gray - Sliding
	040916-01-000	EA	Frame - Window - Inside - Bunk Slant - Right (not included in assembly)
	040916-02-000	EA	Frame - Window - Inside - Bunk Slant - Left (not included in assembly)
	023713-01-000	EA	Cover - Weephole - White
	002298-01-000	FT	Spline - Gray - .130" Dia. (Screen)
	002292-01-000	SF	Screen - Window - 20" - Gray
			• Not Illustrated

WINDOW, VENT AND EXTERIOR DOOR GROUP (CONTINUED)



Key	Part Number	U/M	Description
1	041936-02-000	EA	Window Asm. - Front Picture - 14" x 69" (w/o Inside Frame)
2	002200-02-000	EA	Glass - TP - Picture Window
3	004363-01-000	FT	Tape - Sealer - 3/16" x 1/2" Foam
4	002281-01-000	FT	Weatherstrip - Self Seal - .06" Panel x 3/16" Black
	037815-01-000	FT	Tape - Butyl - Window - 3/16" - Bead Black
	041938-01-000	EA	Frame - Inside - Picture Window (not included in assembly)
			• Not Illustrated

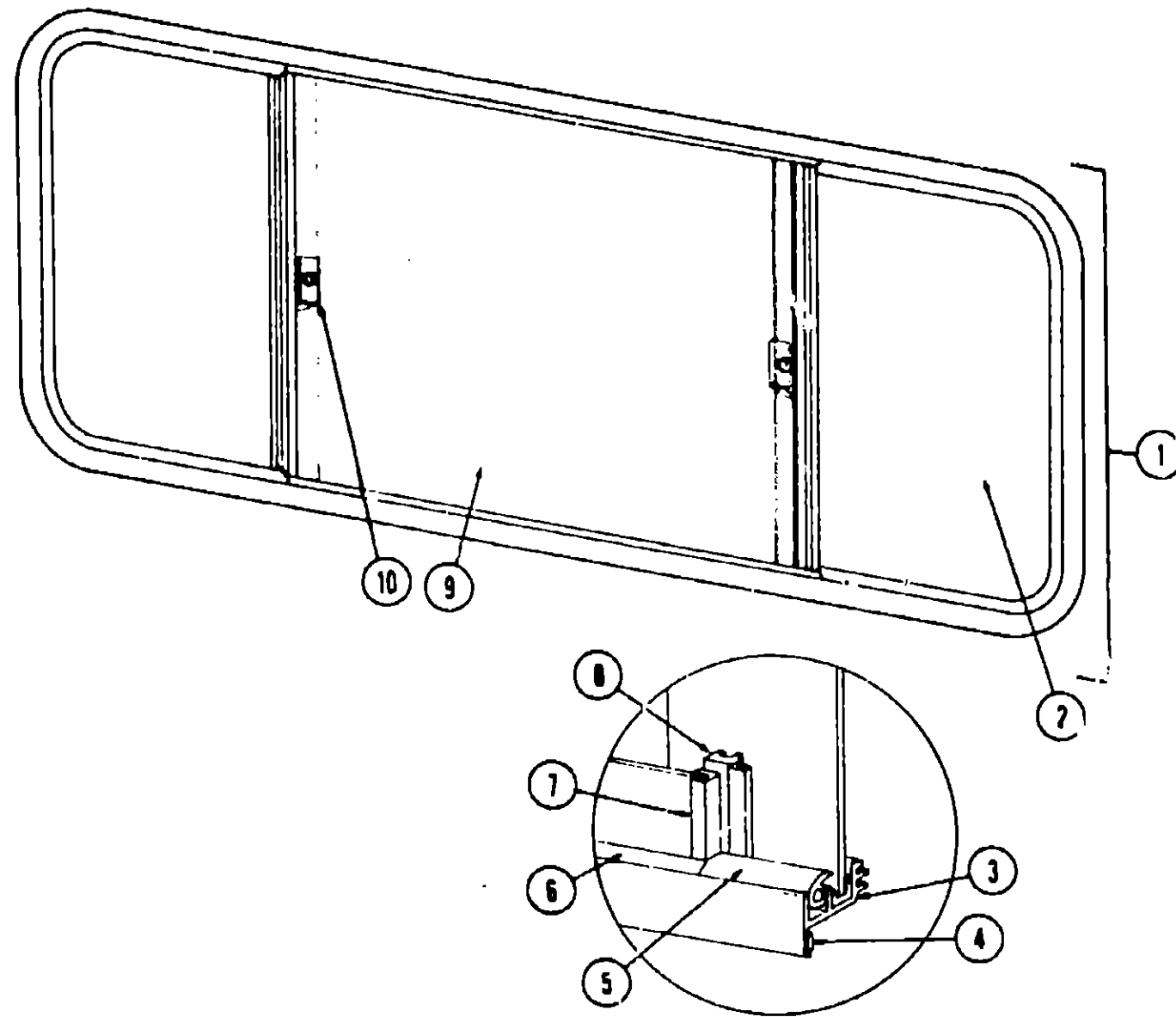
1977 ITASCA  
TABLE OF CONTENTS

Introduction	A-1
Abbreviations	A-1
Alphabetical Index	A-2 - A-4
C25A	A-5 - B-4
C27AL	B-15 - C-24
C22C	D-1 - E-10
C27A	E-11 - F-20
C25C	F-21 - H-4
C25CD	H-5 - I-14
C24C	I-15 - J-22
C25AD	J-23 - L-14

1977 C22C INDEX

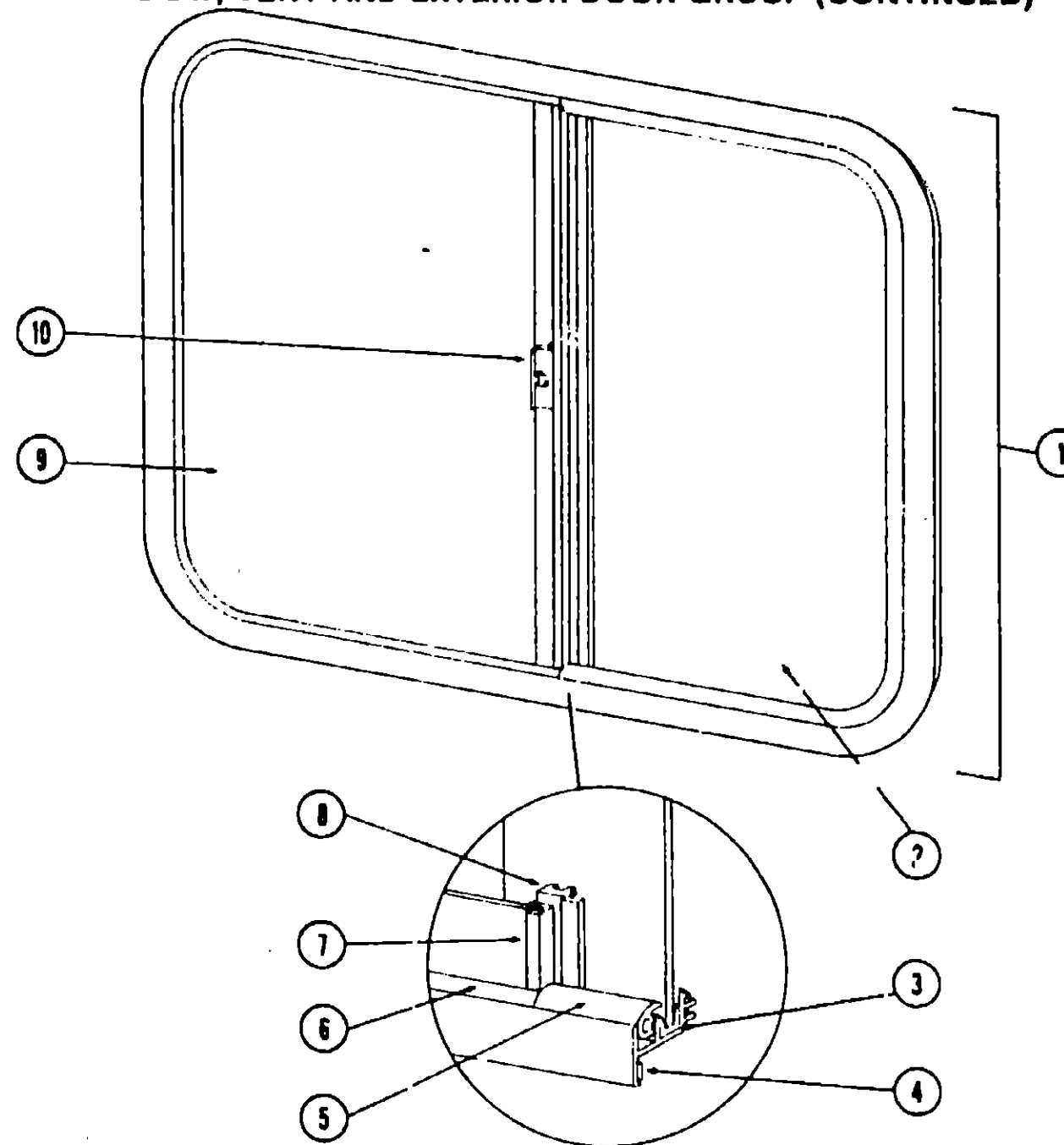
Floor Plan	D-1 - D-2
Accessories Group	D-3 - D-4
Bath Group	D-5
Chassis Group	D-6
Curtain, Cushion & Pad Group	D-7 - D-10
Dinette Group	D-10
Driver's Compartment Group	D-11
Electrical Group	D-11 - D-12
Exterior Body Group	D-13 - D-16
Galley Group	D-17
Heating & Air Conditioning Group	D-18
Interior Finish Group	D-19 - D-20
LP Group	D-21
Lounge Group	D-22
Water & Sewage Group	D-22
Window, Vent & Exterior Door Group	D-23 - D-24
	E-1 - E-10

**WINDOW, VENT AND EXTERIOR DOOR GROUP (CONTINUED)**



Key	Part Number	U/M	Description
1	048630-07-000	EA	Window Asm. - Double - Slider - 25" x 65" - Clear Anod. (w/o Inside Frame)
2	047822-01-000	EA	Glass - Sliding - 3/16" x 24" x 21.03"
3	042077-01-000	FT	Channel - Weatherstrip - Glass Run 3/16" Glass
4	004363-01-000	FT	Tape - Foam - 3/16" x 1/2" - Gray
5	041928-02-000	FT	Seal - Window Channel - Black
6	050216-02-000	FT	Spline - Glass
7	002389-02-200	EA	Extr. - Holder - Glass Seal - 23.19"
8	041894-03-000	EA	Mullion - Slider Window - 25"
9	002188-02-000	EA	Glass - 3/16" x 24" x 25.50" - Stationary
10	047369-01-000	EA	Latch - Window - Plastic
	049287-01-000	EA	Washer - Nylon - .62" x .140" I.D.
	049288-01-000	EA	Screw - Machine - 6-32 x 5/16" - HWH - Black
	042133-04-000	EA	Frame Asm. - Window - Inside (not included in assembly)
	023713-01-000	EA	Cover - Weephole - Plastic - White
	002298-01-000	FT	Spline - Gray - .130" Dia. (Screen)
	002293-01-000	SF	Screen - Window - 26" - Gray
			* Not Illustrated

**WINDOW, VENT AND EXTERIOR DOOR GROUP (CONTINUED)**



Key	Part Number	U/M	Description
1	048631-10-000	EA	Window Asm. - Right - Single Slider - 25" x 29" - Clear Anod. (w/o Inside Frame)
2	047812-01-000	EA	Glass - Sliding - 3/16" x 24" x 13.68"
3	042077-01-000	FT	Channel - Weatherstrip - Glass Run 3/16" Glass
4	004363-01-000	FT	Tape - Foam - 3/16" x 1/2" - Gray
5	041928-02-000	FT	Seal - Window Channel - Black
6	050216-02-000	FT	Spline - Glass
7	002389-03-201	EA	Extr. - Holder - Glass Seal - 23.19"
8	041894-04-000	EA	Mullion - Slider Window - 25"
9	002184-02-000	EA	Glass - 3/16" x 24" x 16.531" - Stationary
10	047369-01-000	EA	Latch - Window - Plastic
	049287-01-000	EA	Washer - Nylon - .62" x .140" I.D.
	049288-01-000	EA	Screw - Machine - 6-32 x 5/16" - HWH - Black
	042147-03-000	EA	Frame Asm. - Window - Inside - 25" x 29" Brown (not included in assembly)
	023713-01-000	EA	Cover - Weephole - Plastic - White
	002298-01-000	FT	Spline - Gray - .130" Dia. (Screen)
	002293-01-000	SF	Screen - Window - 26" - Gray
			* Not Illustrated

**1977 ITASCA  
TABLE OF CONTENTS**

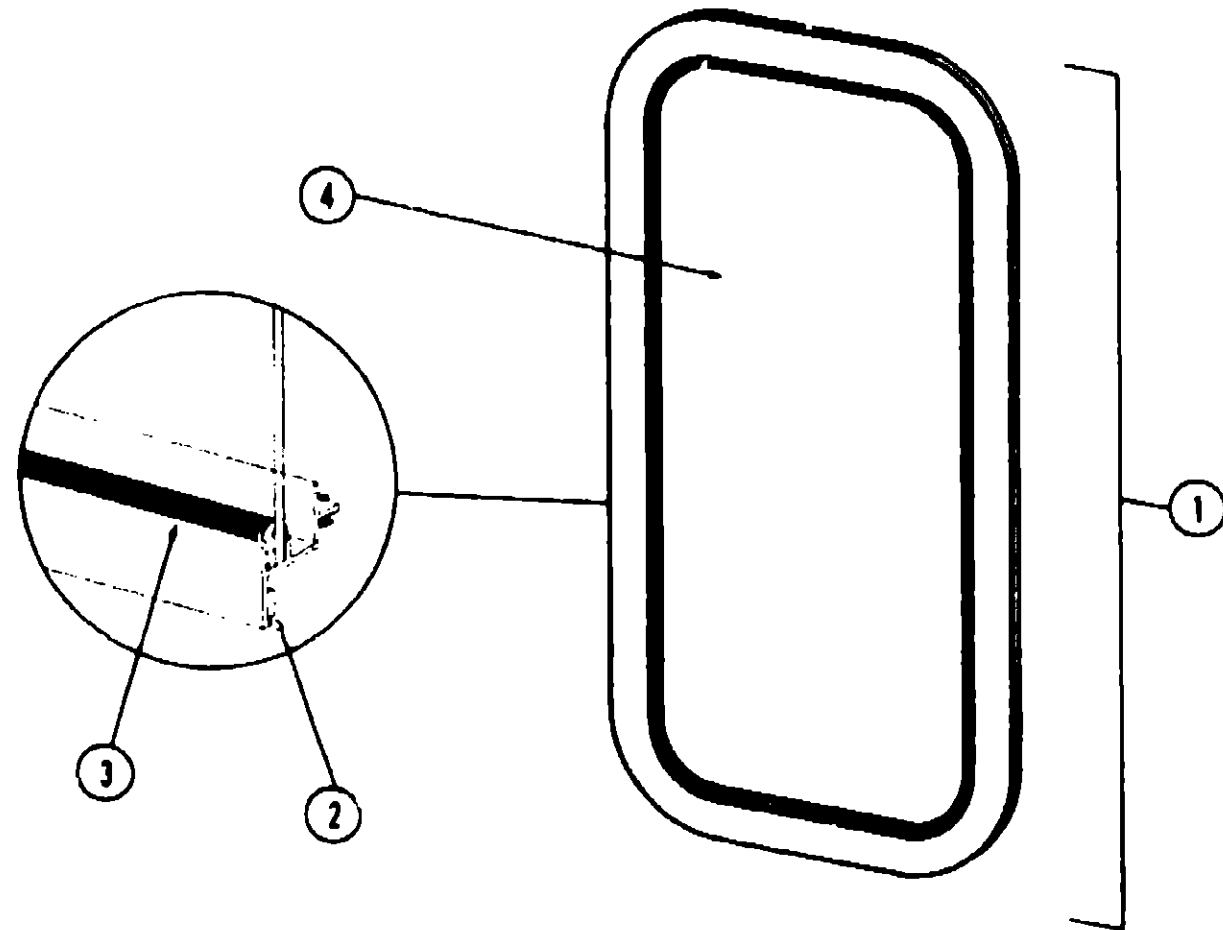
Introduction	A-1
Abbreviations	A-1
Alphabetical Index	A-2 - A-4
C25A	A-5 - B-4
C27AL	B-15 - C-24
C22C	D-1 - E-10
C27A	E-11 - F-20
C25C	F-21 - H-4
C25CD	H-5 - I-14
C24C	I-15 - J-22
C25AD	J-23 - L-14

**1977 C22C INDEX**

Floor Plan	D-1 - D-2
Accessories Group	D-3 - D-4
Bath Group	D-5
Chassis Group	D-6
Curtain, Cushion & Pad Group	D-7 - D-10
Dinette Group	D-10
Driver's Compartment Group	D-11
Electrical Group	D-11 - D-12
Exterior Body Group	D-13 - D-16
Galley Group	D-17
Heating & Air Conditioning Group	D-18
Interior Finish Group	D-19 - D-20
LP Group	D-21
Lounge Group	D-22
Water & Sewage Group	D-22
Window, Vent & Exterior Door Group	D-23 - D-24
	E-1 - E-10

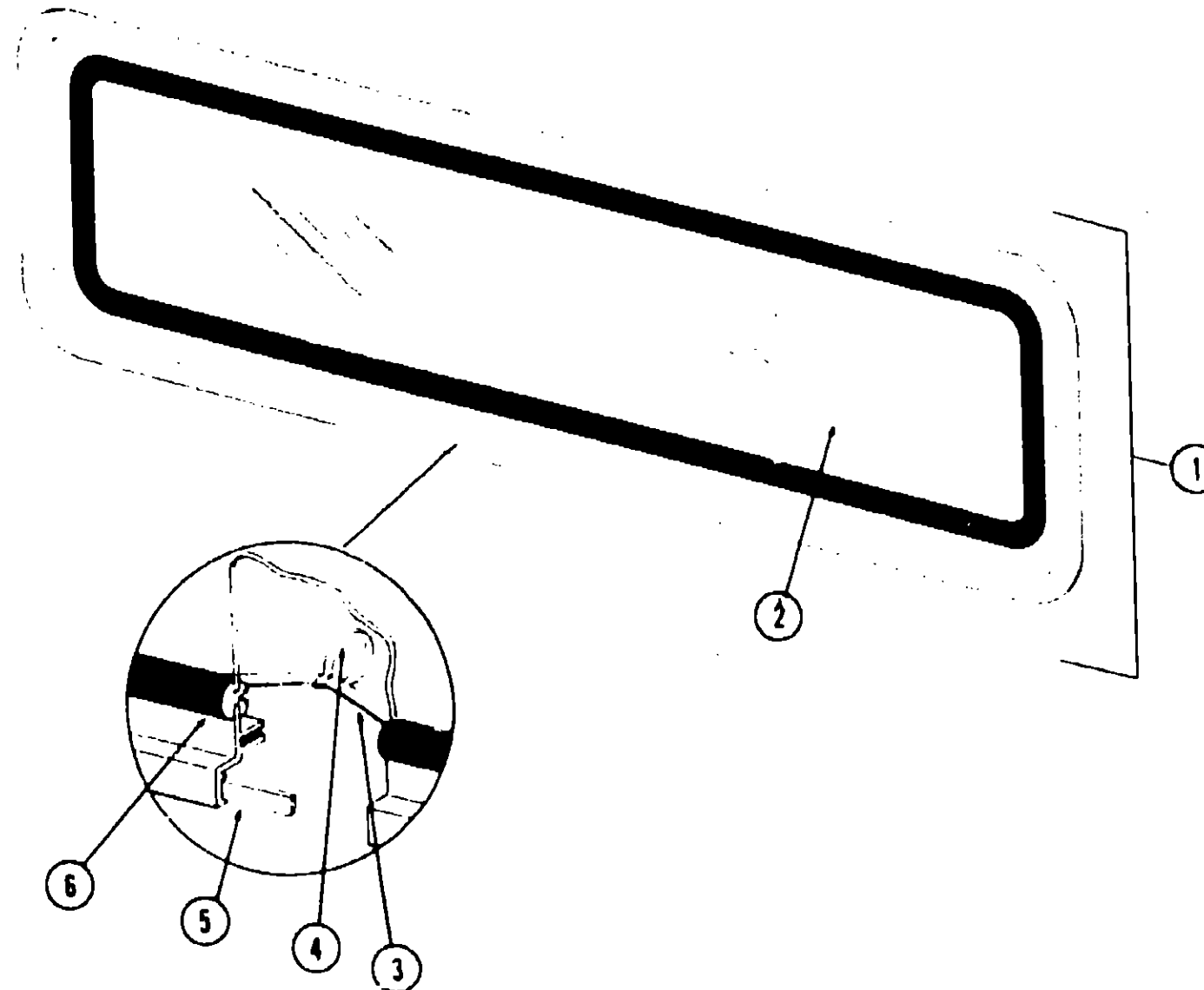
**WINDOW, VENT AND EXTERIOR DOOR GROUP (CONTINUED)**

**WINDOW, VENT AND EXTERIOR DOOR GROUP**



Key	Part Number	U/M	Description
1	041875-05-000	EA	Window Asm. - Picture - 13" x 20" (w/o Inside frame)
2	004363-01-000	FT	Tape - Foam - 3/16" x 1/2" - Gray
3	002303-01-000	FT	Spline - Glass - 1/8" Gray
4	002203-01-000	EA	Glass - TP - 1/8" x 12" x 19"
*	041896-09-000	EA	Frame - Window - Inside - 13" x 20" (not included in assembly)

\* Not Illustrated



Key	Part Number	U/M	Description
1	020754-01-000	EA	Window Asm. - Escape - 23" x 68" - Anod. (w/o Inside Frame)
2	002178-01-000	EA	Glass - 1/8" x 19.61" x 64.80"
3	002285-01-000	FT	Weatherstrip - Filler - Black
4	020395-01-000	EA	Slip Ring - Pull
5	004363-01-000	FT	Tape - Foam - 3/16" x 1/2" Gray
6	002282-01-000	FT	Weatherstrip - Window .125" Black
*	020752-03-000	EA	Frame - Window Inside - Escape 23" x 68" (not included in assembly)
*	006199-01-000	EA	Label - Exit - Escape Window

\* Not Illustrated

**1977 ITASCA  
TABLE OF CONTENTS**

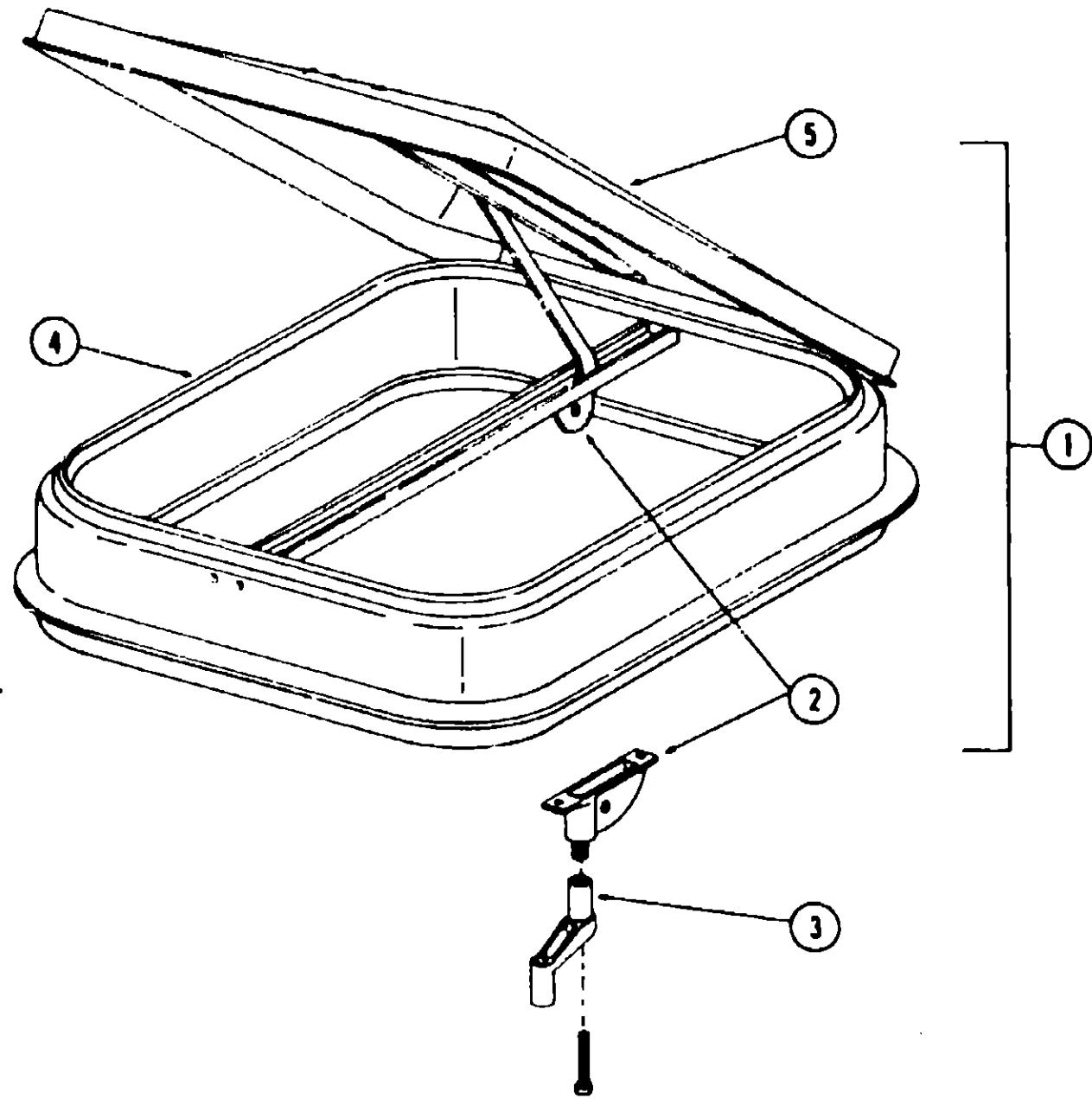
Introduction	A-1
Abbreviations	A-1
Alphabetical Index	A-2 - A-4
C25A	A-5 - B-4
C27AL	B-15 - C-24
C22C	D-1 - E-10
C27A	E-11 - F-20
C25C	F-21 - H-4
C25CD	H-5 - I-14
C24C	I-15 - J-22
C25AD	J-23 - L-14

**1977 C22C INDEX**

Floor Plan	D-1 - D-2
Accessories Group	D-3 - D-4
Bath Group	D-5
Chassis Group	D-6
Curtain, Cushion & Pad Group	D-7 - D-10
Dinette Group	D-10
Driver's Compartment Group	D-11
Electrical Group	D-11 - D-12
Exterior Body Group	D-13 - D-16
Galley Group	D-17
Heating & Air Conditioning Group	D-18
Interior Finish Group	D-19 - D-20
LP Group	D-21
Lounge Group	D-22
Water & Sewage Group	D-22
Window, Vent & Exterior Door Group	D-23 - D-24
	E-1 - E-10

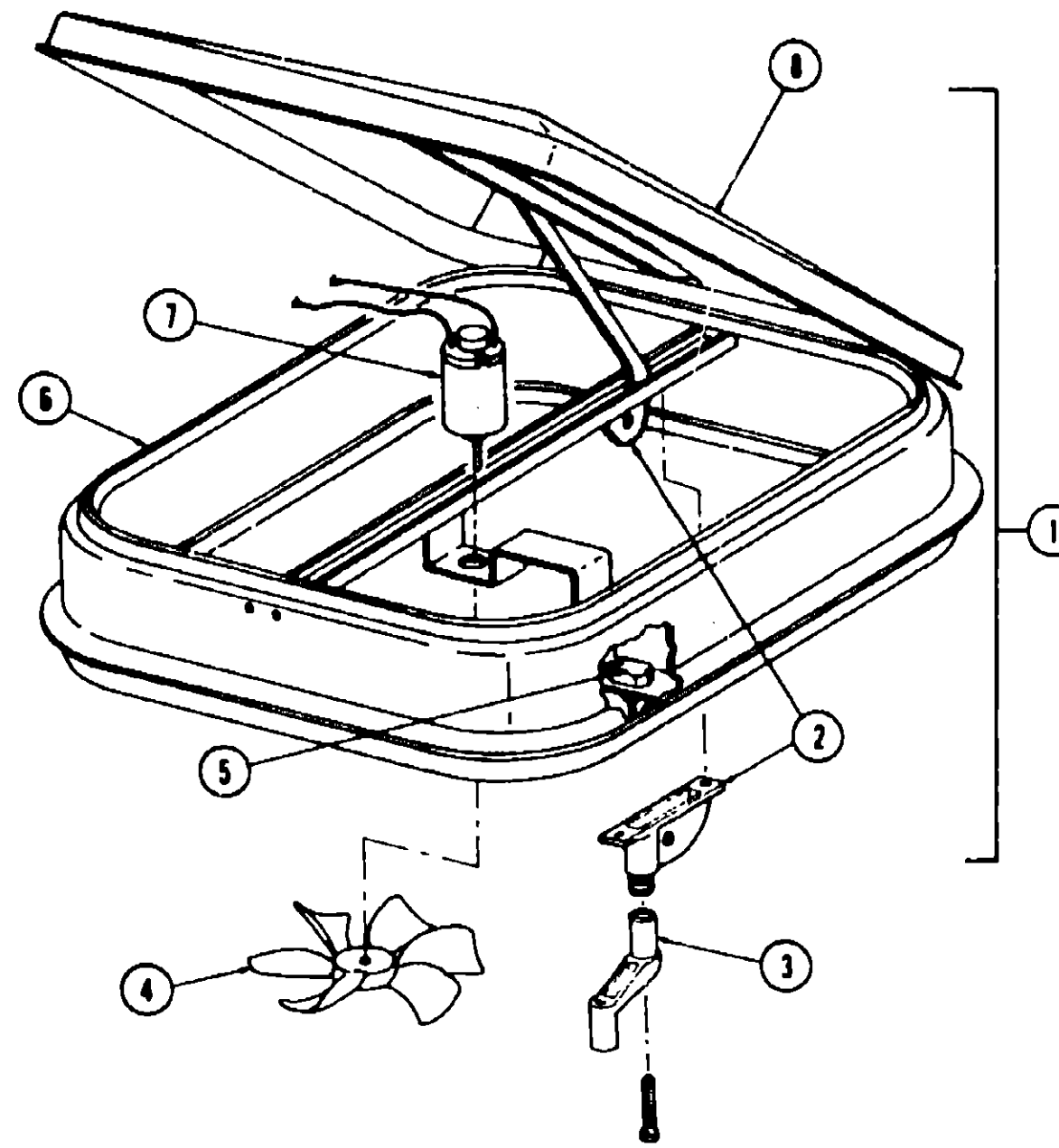
**WINDOW, VENT AND EXTERIOR DOOR GROUP (CONTINUED)**

**WINDOW, VENT AND EXTERIOR DOOR GROUP (CONTINUED)**



Key	Part Number	U/M	Description
1	048635-01-000	EA	Vent Asm. - Roof - Nonpowered - w/o Screen
2	009440-01-000	EA	Gear - Arm - Roof Vent
3	009439-01-000	EA	Crank - Roof Vent
4	002825-01-000	FT	Weatherstrip - Roof Vent
5	048625-01-000	EA	Cover - Plastic - Roof Vent
	016335-01-000	EA	Screen Asm. - Non Powered Roof Vent - Clear Anod. (not included in assembly)
	016335-03-000	EA	Screen Asm. - Non Powered Roof Vent - Beige (not included in assembly)

\* Not Illustrated



Key	Part Number	U/M	Description
1	048789-01-000	EA	Vent Asm. Roof - Powered - w/o Screen
2	009440-01-000	EA	Gear - Arm - Roof Vent
3	009439-01-000	EA	Crank - Roof Vent
4	048649-01-000	EA	Fan - Blade - 6" Plastic
5	008195-01-000	EA	Switch - Push Button - 12 Volt
6	002825-01-000	FT	Weatherstrip - Roof Vent
7	048648-01-000	EA	Motor - 12 Volt
8	048625-01-000	EA	Cover - Plastic - Roof Vent
	048695-01-000	EA	Screen Asm. - Powered Roof Vent - Clear Anod. (not included in assembly)
	048695-03-000	EA	Screen Asm. - Powered Roof Vent - Beige (not included in assembly)

\* Not Illustrated

**1977 ITASCA  
TABLE OF CONTENTS**

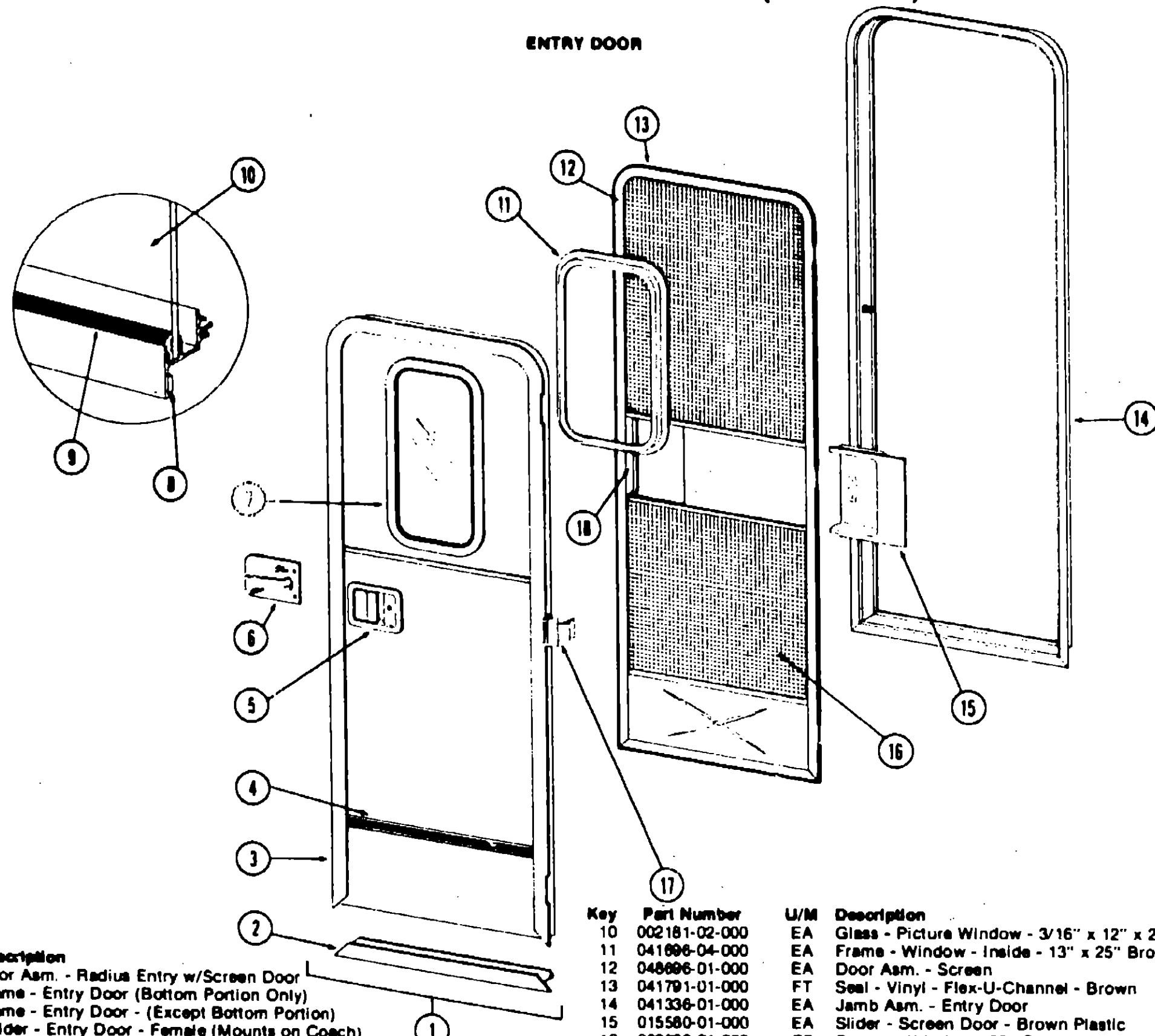
Introduction	A-1
Abbreviations	A-1
Alphabetical Index	A-2 - A-4
C25A	A-5 - B-4
C27AL	B-15 - C-24
C22C	D-1 - E-10
C27A	E-11 - F-20
C25C	F-21 - H-4
C25CD	H-5 - I-14
C24C	I-15 - J-22
C25AD	J-23 - L-14

**1977 C22C INDEX**

Floor Plan	D-1 - D-2
Accessories Group	D-3 - D-4
Bath Group	D-5
Chassis Group	D-6
Curtain, Cushion & Pad Group	D-7 - D-10
Dinette Group	D-10
Driver's Compartment Group	D-11
Electrical Group	D-11 - D-12
Exterior Body Group	D-13 - D-16
Galley Group	D-17
Heating & Air Conditioning Group	D-18
Interior Finish Group	D-19 - D-20
LP Group	D-21
Lounge Group	D-22
Water & Sewage Group	D-22
Window, Vent & Exterior Door Group	D-23 - D-24
	E-1 - E-10

# WINDOW, VENT AND EXTERIOR DOOR GROUP (CONTINUED)

## ENTRY DOOR



Key	Part Number	U/M	Description
1	050096-04-000	EA	Door Asm. - Radius Entry w/Screen Door
2	039737-01-000	EA	Frame - Entry Door (Bottom Portion Only)
3	039736-01-000	EA	Frame - Entry Door - (Except Bottom Portion)
4	009101-02-000	EA	Holder - Entry Door - Female (Mounts on Coach)
	009102-01-000	EA	Holder - Entry Door 2 1/2" Male (Mounts on Door)
5	041948-01-000	EA	Lock Asm. - Radius Entry Door - Atwood
	039541-01-000	EA	Lock Cylinder w/Keys - Atwood
	052186-01-000	EA	Lock Asm. - Radius Entry Door - Lynor
	045017-01-700	EA	Lock Cylinder w/Keys - Lynor
	039539-01-000	EA	Striker - Entry Door Lock
6	039979-01-000	EA	Plate - Lock - Interior - Including Inside Handle
7	041875-03-000	EA	Window Asm. - Picture - 13" x 25" Clear Anod. (inside frame not included in assembly)
8	004363-01-000	FT	Tape - Foam - 3/16" x 1/2" - Gray
9	002309-01-000	FT	Spline - Glass - 1/8" - Gray

Key	Part Number	U/M	Description
10	002181-02-000	EA	Glass - Picture Window - 3/16" x 12" x 24" - Gray
11	041996-04-000	EA	Frame - Window - Inside - 13" x 25" Brown
12	048696-01-000	EA	Door Asm. - Screen
13	041791-01-000	FT	Seal - Vinyl - Flex-U-Channel - Brown
14	041336-01-000	EA	Jamb Asm. - Entry Door
15	015580-01-000	EA	Slider - Screen Door - Brown Plastic
16	002293-01-000	SF	Screen - Window - 28" Gray
17	039520-01-000	EA	Hinge - Entry Door (3 used per door)
18	015581-01-000	EA	Cap - Screen Door - Brown Plastic
	049176-01-000	EA	Hedlok II - 3/4" Diameter - Screw Mount (Retains Screen Door to Entry Door)
	049797-01-000	EA	Hedlok II - 1" Dia. - Screw Mount (Retains Screen Door to Entry Door)
	018019-01-000	EA	Striker - Screen Door
	039863-01-000	EA	Catch Asm. - Single Roller w/Strike - Screen door
	051390-01-000	FT	Seal - Bulb - Rubber
	039800-03-000	FT	Tubing - Polybutyl - 3/8" O.D. - Jamb
			• Not Illustrated

E-7

## 1977 ITASCA TABLE OF CONTENTS

Introduction	A-1
Abbreviations	A-1
Alphabetical Index	A-2 - A-4
C25A	A-5 - B-4
C27AL	B-15 - C-24
C22C	D-1 - E-10
C27A	E-11 - F-20
C25C	F-21 - H-4
C25CD	H-5 - I-14
C24C	I-15 - J-22
C25AD	J-23 - L-14

## 1977 C22C INDEX

Floor Plan	D-1 - D-2
Accessories Group	D-3 - D-4
Bath Group	D-5
Chassis Group	D-6
Curtain, Cushion & Pad Group	D-7 - D-10
Dinette Group	D-10
Driver's Compartment Group	D-11
Electrical Group	D-11 - D-12
Exterior Body Group	D-13 - D-16
Galley Group	D-17
Heating & Air Conditioning Group	D-18
Interior Finish Group	D-19 - D-20
LP Group	D-21
Lounge Group	D-22
Water & Sewage Group	D-22
Window, Vent & Exterior Door Group	D-23 - D-24
	E-1 - E-10

E-8



# WINDOW, VENT AND EXTERIOR DOOR GROUP (CONTINUED)

## VENTS

Key	Part Number	U/M	Description
	039778-01-000	EA	Cover - Refrigerator Vent - Plastic
	009407-01-000	EA	Base - Frame - Refrigerator Vent w/o Cover
	003212-02-000	EA	Vent - Stovehood - Outside - Non Power Vent
	040352-01-000	EA	Vent - Stovehood - Outside - Powered Vent - Off White

## ACCESS DOORS

Key	Part Number	U/M	Description
	044210-01-000	EA	Door Asm. - Power Cord w/Quarter Turn Plastic Latch
	037804-05-000	EA	Door Asm. - Battery - Off White w/Twist Type Lock
	037804-11-000	EA	Door Asm. - Luggage - Off White w/Key Type Lock
	043059-03-000	EA	Door Asm. Luggage - Off White w/Power Cord Hatch
	009426-02-000	EA	Hatch - Power Cord - Off White Plastic
	047187-04-000	EA	Door Asm. - Refrigerator Access - Off White w/Twist Type Lock
	043080-01-000	EA	Door Asm. - Generator - Off White w/Twist Type Lock
	047802-01-000	EA	Baffle - Generator Door
	039894-01-000	EA	Lock Asm. - Twist Type w/Clip
	047305-01-000	EA	Lock Asm. - Key Type w/Clip
	018945-02-000	EA	Holder Asm. - Battery or Luggage Door (Holds Door Open)
	043942-01-000	EA	Latch - Quarter Turn Plastic - Power Cord Door
	003182-03-000	EA	Door Asm. - Water Heater Access - Off White
	044210-01-000	EA	Door Asm. 8" x 10" Plastic Off White
	043942-01-000	EA	Latch - Quarter Turn Plastic

## 1977 ITASCA TABLE OF CONTENTS

Introduction	A-1
Abbreviations	A-1
Alphabetical Index	A-2 - A-4
C25A	A-5 - B-4
C27AL	B-15 - C-24
C22C	D-1 - E-10
C27A	E-11 - F-20
C25C	F-21 - H-4
C25CD	H-5 - I-14
C24C	I-15 - J-22
C25AD	J-23 - L-14

## 1977 C22C INDEX

Floor Plan	D-1 - D-2
Accessories Group	D-3 - D-4
Bath Group	D-5
Chassis Group	D-6
Curtain, Cushion & Pad Group	D-7 - D-10
Dinette Group	D-10
Driver's Compartment Group	D-11
Electrical Group	D-11 - D-12
Exterior Body Group	D-13 - D-16
Galley Group	D-17
Heating & Air Conditioning Group	D-18
Interior Finish Group	D-19 - D-20
LP Group	D-21
Lounge Group	D-22
Water & Sewage Group	D-22
Window, Vent & Exterior Door Group	D-23 - D-24
	E-1 - E-10