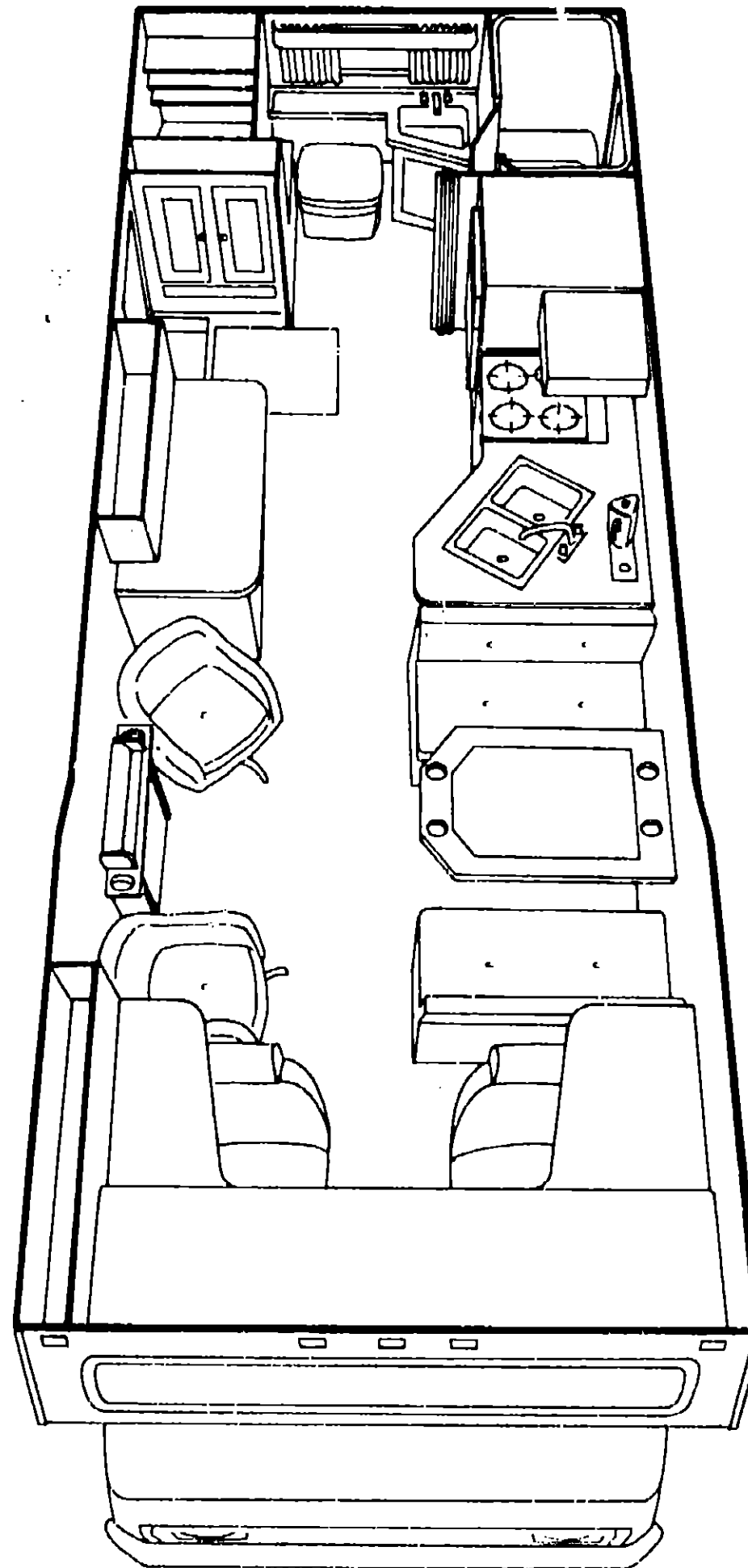


1976 MW25CD



1976 WINNEBAGO TABLE OF CONTENTS

MW25C	A-1 - B-10
MW25CD	B-11 - C-18
MW20RG	C-19 - D-24
MW23RB	E-1 - F-8
MW23RD	F-9 - G-16
D23C	G-17 - I-8
D26CPB	I-7 - J-20
D26CRK	J-21 - L-10

1976 MW25CD INDEX

Floor Plan	B-11 - B-12
Accessories Group	B-13
Bath Group	B-14 - B-15
Chassis Group	B-16
Curtain, Cushion & Pad Group	B-17 - B-18
Dinette Group	B-19
Driver's Compartment Group	B-20
Electrical Group	B-21 - B-22
Exterior Body Group	B-23 - B-24
	C-1 - C-2
Galley Group	C-3
Heating & Air Conditioning Group	C-4
Interior Finish Group	C-5 - C-6
LP Group	C-7
Lounge Group	C-7
Water & Sewage Group	C-8
Window, Vent & Exterior Door Group	C-9 - C-18

ACCESSORIES GROUP

RADIOS AND RELATED ACCESSORIES

Key	Part Number	U/M	Description
	007004-01-000	EA	Antenna - Radio - Cab Mount
	050044-01-000	EA	Radio - J.I.L. AM/FM/MPX/8-Track/CB Combination
	049732-01-000	EA	Radio - AM/FM/MPX/8-Track w/Fader Switch - Clarion
	047339-01-000	EA	Speaker - Coaxial - Radio - 8"
	047889-01-000	EA	Grille - Coaxial Speaker - 8"

SPEED CONTROL

Key	Part Number	U/M	Description
	042713-01-000	EA	Speed Control Pkg. 350 Chevrolet C-Body
	007225-01-700	EA	Regulator Asm.
	047841-01-701	EA	Servo Asm.
	007255-01-702	EA	Engage Switch - Clamp On
	007298-01-702	EA	Harness Asm.
	007298-01-700	EA	Transmission Cable Asm. 22"
	007255-01-704	EA	Switch Asm. - Decelerate
	024746-01-700	EA	Relay - Speed Control

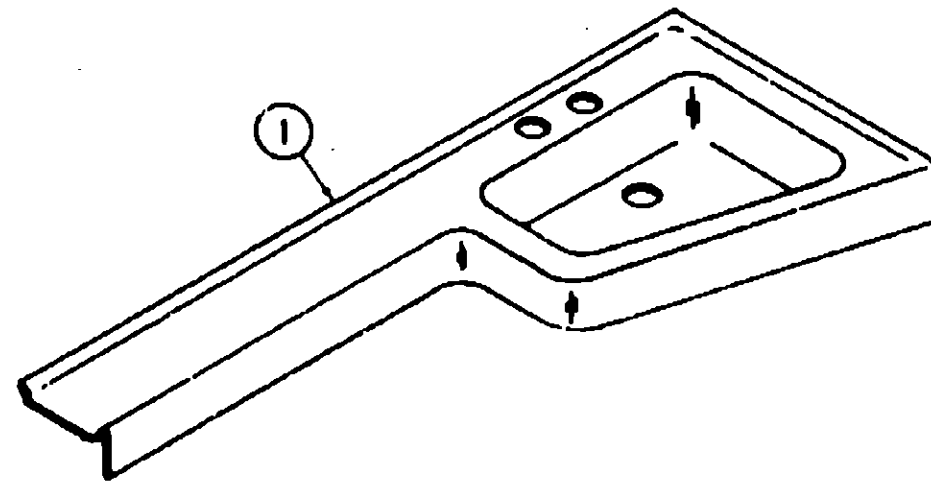
GENERATORS

Key	Part Number	U/M	Description
	044066-01-000	EA	Generator - 4000 Watt - Onan 4BF
	007067-01-000	SF	Insulation - Fiberglass - 1"
	047933-01-000	EA	Muffler - Generator - 4.25" x 19.6"
	007290-01-000	EA	Tailpipe - Generator Exhaust 1.62" x 17"
	007131-01-000	EA	Hanger - Tailpipe - Universal Mount
	046953-01-000	EA	Hanger - Tailpipe
	007125-01-000	EA	Clamp Asm. - Muffler 1.62" Dia.
	007125-03-000	EA	Clamp Asm. - Muffler 1.50" Dia.
	007125-09-000	EA	Clamp Asm. - Muffler 4.00" Dia.

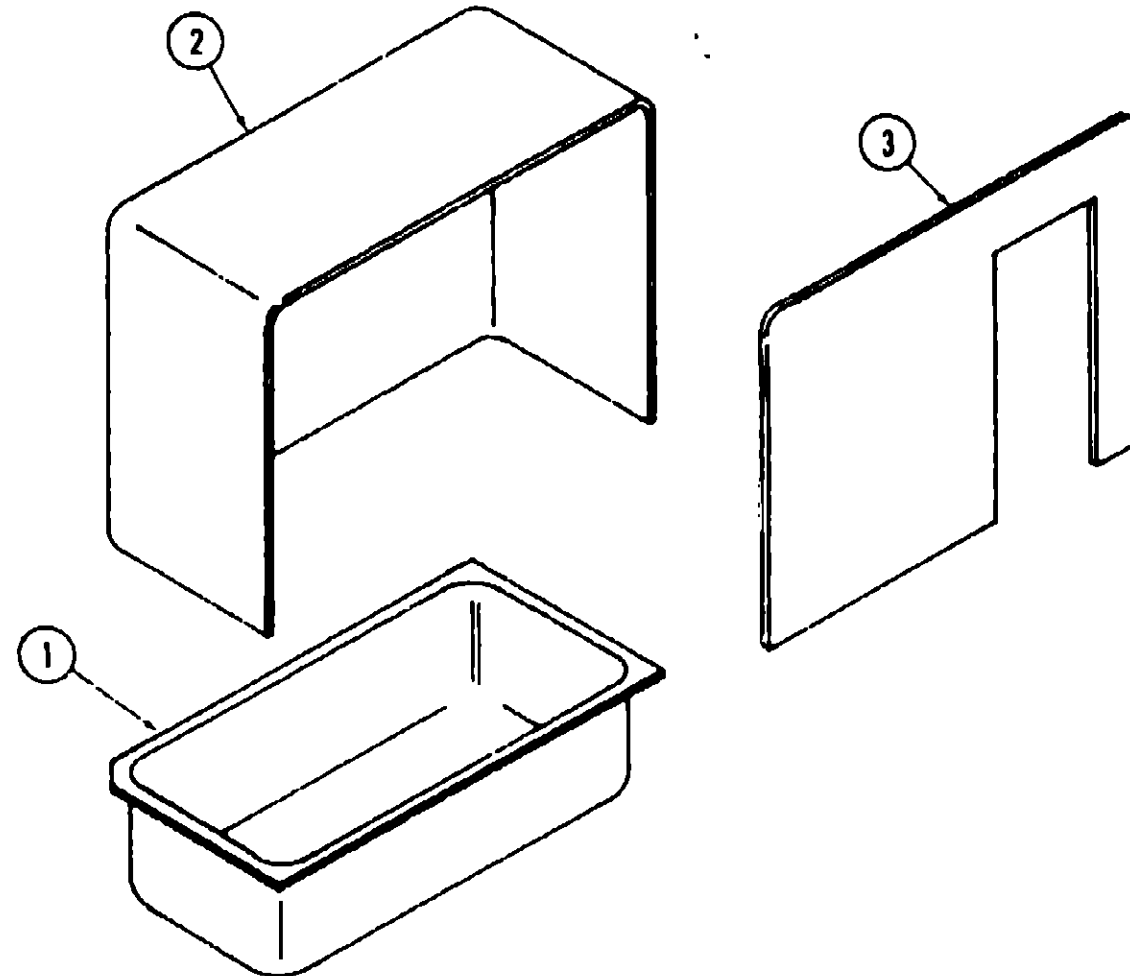
MISCELLANEOUS ACCESSORIES

Key	Part Number	U/M	Description
	031396-03-000	EA	Cover - Wheel 16.5 Chrome
	041646-01-000	EA	Carrier Asm. Luggage - Roof Mount
	041668-01-000	EA	Pin Asm. - w/Retainer 1/4 x 1 3/4"
	031161-01-000	EA	Label Flying "W"
	041440-01-000	EA	Ladder Asm. w/Luggage Rack
	041440-02-000	EA	Ladder Only for Luggage Rack
	006053-01-000	EA	Antenna Asm. TV
	006093-01-000	EA	Jack - TV Brown
	047226-03-000	EA	Cover Asm. - Brown Spare Tire
	023111-01-000	EA	Food Center Power Built-in w/Blender, w/o Ice Crusher
	023111-02-000	EA	Ice Crusher Attachment for Food Center
	006113-01-000	EA	Jack - Hydraulic w/Handle
	041944-01-700	EA	Fire Extinguisher w/Bracket
	047032-01-000	EA	Holder - Fishing Rod

BATH GROUP



Key	Part Number	U/M	Description
1	042175-01-000	EA	Lavatory Top w/o Hardware



Key	Part Number	U/M	Description
1	041826-01-000	EA	Bottom - Bathtub
2	041853-01-000	EA	Rear - Bathtub
3	041852-01-000	EA	Front - Bathtub

1976 WINNEBAGO TABLE OF CONTENTS

MW25C	A-1 - B-10
MW25CD	B-11 - C-18
MW20RG	C-19 - D-24
MW23RB	E-1 - F-8
MW23RD	F-9 - G-16
D23C	G-17 - I-6
D26CRB	I-7 - J-20
D26CRK	J-21 - L-10

1976 MW25CD INDEX

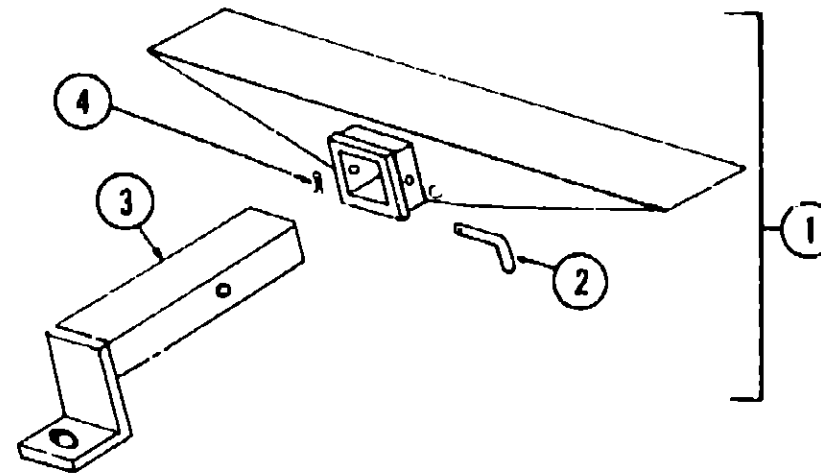
Floor Plan	B-11 - B-12
Accessories Group	B-13
Bath Group	B-14 - B-15
Chassis Group	B-16
Curtain, Cushion & Pad Group	B-17 - B-18
Dinette Group	B-19
Driver's Compartment Group	B-20
Electrical Group	B-21 - B-22
Exterior Body Group	B-23 - B-24
	C-1 - C-2
Galley Group	C-3
Heating & Air Conditioning Group	C-4
Interior Finish Group	C-5 - C-6
LP Group	C-7
Lounge Group	C-7
Water & Sewage Group	C-8
Window, Vent & Exterior Door Group	C-9 - C-18

BATH GROUP (CONTINUED)

Key	Part Number	U/M	Description
	011048-01-000	EA	Shower Head
	011048-01-700	EA	Vacuum Breaker - 1/8 MPT Nylon Shower Hose
	011086-01-000	EA	Strainer - Drain - Shower Pan
	031558-01-000	EA	Faucet - 4 Inch - Tub and Shower
	053417-01-000	EA	Door Asm. - Shower - Clear Anod.
	053417-02-000	EA	Door Asm. - Shower - Brown
	043566-01-000	EA	Jamb - Door Shower Bottom
	043566-01-000	EA	Jamb - Door Shower Right
	043567-02-000	EA	Jamb - Door Shower Left
	009112-01-000	EA	Flange - 1 Inch Rod Chrome
	047017-15-700	EA	Door - Asm. - Wardrobe Cabinet 14 1/2" x 53 7/8" w/o Hardware
	047018-02-700	EA	Door Asm. - Gun Cabinet w/Screen - Right or Left w/o Hardware
	047019-02-700	EA	Drawer Asm. Gun Cabinet 21" x 5"
	047528-01-000	EA	Butt Plate Gun Cabinet
	047529-01-000	EA	Barrel Plate Gun Cabinet
	045422-02-000	EA	Cabinet Medicine
	045992-02-700	EA	Door Asm. - Cabinet w/o Hardware or Mirror
	045700-01-000	EA	Mirror - 1/8" x 9" x 25"
	009133-01-000	EA	Bar Towel Rack 12" Plastic
	023449-01-000	EA	Support - Towel - Rack Chrome Left or Right
	011056-01-000	EA	Faucet - 4 Inch Lavatory
	011083-01-000	EA	Plug - Sink w/Chain
	041945-04-000	EA	Cabinet Only - Vanity w/o Door
	047017-16-700	EA	Door Asm. Cabinet 15 3/4" x 24 3/4" w/o Hardware
	009134-01-000	EA	Holder - Tissue
	033580-01-000	EA	Ring - Towel Chrome w/Plastic Ring
	042488-02-000	EA	Door - Folding - 34" x 77 1/8" - Walnut
**	039341-02-000	EA	Stool Asm. - Ivory - Aqua Magic - Model SH
**	041840-01-000	EA	Toilet - Marine - Aqua Magic - III - Thetford

**The illustrated parts breakdown for this item is provided on the Common Items Fiche.

CHASSIS GROUP



Key	Part Number	U/M	Description
1	023695-01-700	EA	Hitch Kit - w/Drawbar
2	034512-01-000	EA	Pin - Locking - Drawbar
3	024876-01-700	EA	Drawbar - Trailer Hitch - Primed
4	034513-01-000	EA	Pin - Hitch - 3/16" Wire Spring

Key	Part Number	U/M	Description
	024652-01-700	EA	Step Asm. - Entry Door
	046742-01-000	EA	Step Asm. - Asslt Front Door
	045000-03-000	EA	Shield - Heat 40.00
	048594-01-000	EA	Tray Battery Steel
	048682-01-000	EA	Rod - Battery Tie Down
	048592-01-000	EA	Hold Down Double Battery
	039615-01-000	EA	Rod - Holding Hood
	046746-01-000	EA	Support Asm. - Radiator Grille
	044763-01-000	EA	Splash Guard - Front Black Rubber
	017516-01-000	EA	Mud Flap - Black
	044163-01-000	EA	Bracket Fiberglass to Wheel Well
	044164-01-000	EA	Bracket Fiberglass to Hinge Pillar
	044371-01-000	EA	Bracket Fiberglass Front Bottom Attach
	044373-01-000	EA	Bracket Fiberglass Front Top Attach
	041723-01-000	EA	Bracket - Hood - Center Bumper
	045683-01-000	EA	Pivot - Hood
	040848-01-000	EA	Bumper - Hood
	007125-08-000	EA	Clamp Asm. Muffler 3" Dia.
	042377-01-000	EA	Tail Pipe Extension 3" O.D. 7.50" Long
	040634-02-000	EA	Carrier - Spare Tire
	046043-08-000	EA	Bracket - Asm. - Bumper
	046785-01-000	EA	Bumper - Rear Chrome 93"
	045226-01-000	EA	Tray Generator 36.25" x 37.75"
	039649-01-000	EA	Wheel Well Rear Plastic Left or Right
	021598-01-000	EA	Bumper - Center Section - Rear Chrome
	007265-01-000	EA	Bumper - Outer Section - Rear Chrome

1976 WINNEBAGO TABLE OF CONTENTS

MW25C	A-1 - B-10
MW25CD	B-11 - C-18
MW20RG	C-19 - D-24
MW23RB	E-1 - F-8
MW23RD	F-9 - G-16
D23C	G-17 - I-6
D26CRB	I-7 - J-20
D26CRK	J-21 - L-10

1976 MW25CD INDEX

Floor Plan	B-11 - B-12
Accessories Group	B-13
Bath Group	B-14 - B-15
Chassis Group	B-16
Curtain, Cushion & Pad Group	B-17 - B-18
Dinette Group	B-19
Driver's Compartment Group	B-20
Electrical Group	B-21 - B-22
Exterior Body Group	B-23 - B-24
	C-1 - C-2
Galley Group	C-3
Heating & Air Conditioning Group	C-4
Interior Finish Group	C-5 - C-6
LP Group	C-7
Lounge Group	C-7
Water & Sewage Group	C-8
Window, Vent & Exterior Door Group	C-9 - C-18

CURTAIN, CUSHION AND PAD GROUP

CURTAINS

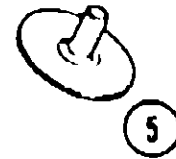
Key	Part Number	U/M	Description
	039928-62-000	EA	Curtain w/Snap Top - 33" x 37" - Flax
	039928-64-000	EA	Curtain w/Snap Top - 25" x 22" - Flax
	039928-65-000	EA	Curtain w/Snap Top - 20.5" x 21" - Flax
	041904-46-000	EA	Curtain - Pleated w/Snap - Right - 26.5" x 35" - Flax
	041505-46-000	EA	Curtain - Pleated w/Snap - Left - 26.5" x 35" - Flax
	043120-81-000	EA	Curtain w/Snap Top - 15" x 37" - Flax
	039928-63-000	EA	Curtain w/Snap Top - 17" x 54" - Flax
	033311-24-000	EA	Curtain - Blackout - 42" x 96" - Patchwork Vinyl
	045839-05-000	EA	Curtain - Wraparound w/Snap Top - 21" x 62" - Left or Right - Patchwork Vinyl

VALANCES AND TIE BACKS

Key	Part Number	U/M	Description
	048831-01-000	EA	Valance w/Header - 5.5" x 50" - Brown
	041909-56-000	EA	Valance w/Header - 5.5" x 26" - Brown
	048831-02-000	EA	Valance w/Header - 5.5" x 81" - Brown
	031843-71-000	EA	Tie Back Asm. - 16" - Patchwork Vinyl
	049097-01-000	EA	Tie Back Asm. - 14" - Brown
	049097-02-000	EA	Tie Back Asm. - 10" - Brown

CURTAIN HARDWARE

Key	Part Number	U/M	Description
	009224-01-000	EA	Rod - Curtain - Flat - Extends - 28" - 48"
	009221-01-000	EA	Rod - Curtain - Flat - Extends - 11" - 14"
	009223-02-000	EA	Rod - Curtain - Flat - Extends - 48" - 84"
	042439-01-000	EA	Bracket - Curtain Rod - Single
	052327-04-236	EA	Track - Curtain - Alum. - 89" w/Holdes
	018031-42-000	EA	Curtain Track - "L" Rod - Alum. - 90"
	009702-01-000	EA	End Stop - "L" Rod Curtain Track
	009107-01-000	EA	Guide - Nylon Curtain Snap



Key	Part Number	U/M	Description
1	029130-01-000	EA	Socket - Snap Fastener 7 x 5/8"
2	029155-01-000	EA	Cap - Snap .156" x .17" Barrel
3	029156-01-000	EA	Socket - Snap Fastener
4	029092-01-000	EA	Stud - Nickel Finish
5	029093-01-000	EA	Eyelet - Nickel Finish

CUSHIONS AND SWIVEL CHAIRS

Key	Part Number	U/M	Description
	046944-01-000	EA	Cushion - Dinette Bottom - 22" x 38" x 5" - Brown
	046944-01-001	EA	Cover - Dinette Bottom Cushion - 22" x 38" x 5" - Brown
	046944-02-000	EA	Cushion - Dinette Back - 15" x 38" x 5" - Brown
	046944-02-002	EA	Cover - Dinette Back Cushion - 15" x 38" x 5" - Brown
	048483-01-000	EA	Button Asm. - Patchwork Vinyl
	049517-04-000	EA	Mattress - 27" x 80" x 5" - Brown
	041014-41-000	EA	Mattress - 24.5" x 80" x 4" - Brown
	042986-10-000	EA	Chair - TT - Brown
	042987-10-000	EA	Cushion - TT Chair - Brown
	035036-01-000	EA	Plate - Tilt and Swivel Chair
	035036-02-000	EA	Base - TT Chair - w/Holes in Legs

CURTAIN, CUSHION AND PAD GROUP (CONTINUED)

BUCKET SEATS, ARMRESTS AND HEADRESTS

Key	Part Number	U/M	Description
	040516-23-000	EA	Seat - Bucket Single w/Slides - Brown
	040516-19-001	EA	Cover - Single Bucket Seat Cushion - Brown
	040516-23-002	EA	Cover - Single Bucket Seat Back - Brown
	033906-48-000	EA	Headrest Cover - Brown
	019722-01-000	EA	Headrest Asm. - Foam w/o Cover
	050280-10-000	EA	Armrest Cover - Right or Left - Brown
	040494-01-000	EA	Armrest Asm. - Foam w/c Cover - Right - Style #1
	040494-02-000	EA	Armrest Asm. - Foam w/o Cover - Left - Style #1
	050275-01-700	EA	Armrest Asm. - Foam w/o Cover - Right - Style #2
	050276-01-700	EA	Armrest Asm. - Foam w/o Cover - Left - Style #2

NOTE

A production change was made in the armrest. When ordering, you must first determine which style is required. Measure up ten inches from the bottom of the seat frame. If you feel (through the upholstery) a collar protruding outward approximately 1/2", you should order style two. Order style one if no protrusion is noted.

PADS AND FABRICS

Key	Part Number	U/M	Description
	048483-02-000	EA	Button Asm. Covered Brown
	048483-01-000	EA	Button Asm. Covered Patchwork Vinyl
	023631-09-000	EA	Button - Nail - Patchwork
	047496-01-000	EA	Pad Bunk Rail Front - Brown
	043321-03-000	EA	Pad - "A Pillar" Right Patchwork
	043322-03-000	EA	Pad - "A Pillar" Left Patchwork
	043323-03-000	EA	Pad - Door Top Right Patchwork
	043324-03-000	EA	Pad - Door Top Left Patchwork
	043325-05-000	EA	Pad "B Pillar" Left Patchwork
	04325-06-000	EA	Pad "B Pillar" Right Patchwork
	043326-03-000	EA	Headliner Cab. Patchwork
	043327-07-000	EA	Support Cab/Pillar Asm. Left
	043327-08-000	EA	Support Cab/Pillar Asm. Right
	044207-03-000	EA	Pad Motor Cover
	048360-03-000	EA	Pad - Sleeper Board Left
	048360-04-000	EA	Pad - Sleeper Board Right
	047252-01-000	EA	Pad - Trim - Cabinet Beverage
	047253-01-000	EA	Pad - Back Cabinet Beverage
	047497-01-000	EA	Pad - Cabinet Overhead End
	042950-02-000	EA	Handle - Asslt Interior
	041958-01-000	FT	Trim Edging Vinyl Flex Brown
	042414-03-000	FT	Trim Accent Patchwork Vinyl
	042406-02-000	EA	Cover - Stool Base - Brown - Aqua Magic III
	042407-04-000	EA	Cover - Stool Lid - Brown - Aqua Magic III
	050889-01-000	EA	Cover - Stool Base - Brown - Aqua Magic - SH
	050890-01-000	EA	Cover - Stool Lid - Brown - Aqua Magic - SH
	039781-01-000	YD	Fabric - Drapery - Flax w/Foam Back
	045957-01-000	YD	Fabric - Upholstery - Brown Cord
	045958-01-000	YD	Vinyl - 27 Ounce - Patchwork Brown

1976 WINNEBAGO TABLE OF CONTENTS

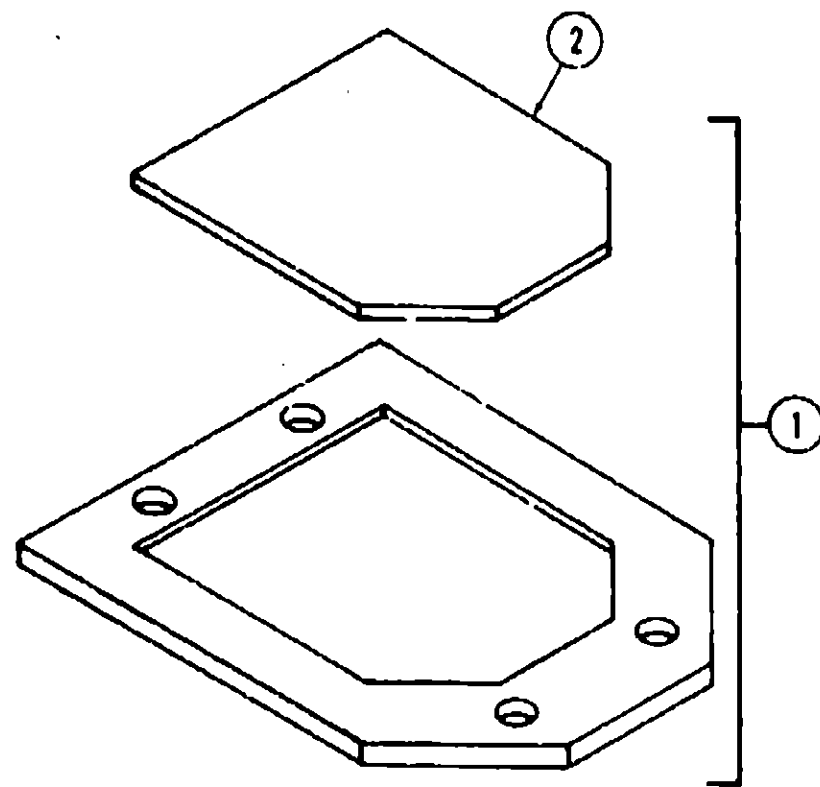
MW25C	A-1 - B-10
MW25CD	B-11 - C-18
MW20RG	C-19 - D-24
MW23RB	E-1 - F-8
MW23RD	F-9 - G-16
D23C	G-17 - I-6
D26CRB	I-7 - J-20
D26CRK	J-21 - L-10

1976 MW25CD INDEX

Floor Plan	B-11 - B-12
Accessories Group	B-13
Bath Group	B-14 - B-15
Chassis Group	B-16
Curtain, Cushion & Pad Group	B-17 - B-18
Dinette Group	B-19
Driver's Compartment Group	B-20
Electrical Group	B-21 - B-22
Exterior Body Group	B-23 - B-24
	C-1 - C-2
Galley Group	C-3
Heating & Air Conditioning Group	C-4
Interior Finish Group	C-5 - C-6
LP Group	C-7
Lounge Group	C-7
Water & Sewage Group	C-8
Window, Vent & Exterior Door Group	C-9 - C-18

DINETTE GROUP

Key	Part Number	U/M	Description
	045377-02-000	EA	Cabinet Asm. - Dinette Seat - Left w/o Doors or Hardware
	047017-12-700	EA	Door Asm. - Cabinet - 15 3/8" x 10 3/4" w/o Hardware
	047479-02-000	EA	Cabinet - Dinette Seat - Right w/o Hardware
	046333-01-000	EA	Cabinet - Dinette Overhead w/o Doors or Hardware
	047017-21-700	EA	Door Asm. - Cabinet 9" x 21" w/o Hardware
	047809-02-000	EA	Hardware Kit - Dinette Table Wall Mount
	047842-01-000	EA	Kit - Table Leg - Dinette
	041831-01-000	EA	Knob - 1 1/4" Dia. - Early American
	041833-01-000	EA	Spring - Conical Balance - Pull Rod
	041834-01-000	EA	Rod - Balance - Pull 3/4" Thick
	045795-01-000	EA	Holder - Glass - Plastic



Key	Part Number	U/M	Description
1	046166-01-000	EA	Table Dinette with Insert, w/o Hardware
2	046166-01-001	EA	Insert Only - Dinette Table

DRIVER'S COMPARTMENT GROUP

Key	Part Number	U/M	Description
	041787-01-000	EA	Clip - Speed Cable or Rod
	036414-01-000	EA	Ash Tray
	041318-01-000	EA	Clamp - Asm. - Engine Cover - Upper
	041319-01-000	EA	Catch - Engine Cover - Upper
	041320-01-000	EA	Bracket - Engine Cover/Floor
	041425-01-000	EA	Cover Engine
	048223-01-000	EA	Bracket Motor Cover
	044860-01-000	EA	Mat - Step Well - Rubber Black - Left
	044860-02-000	EA	Mat - Step Well - Rubber Black - Right
	045206-07-000	EA	Side Panel - Cab Door - Left - Brown
	045205-07-000	EA	Side Panel - Cab Door - Right - Brown
	024461-01-000	EA	Switch Battery (Stamped)
	046885-01-000	EA	Plaque - Switch Mounting
	049360-01-000	EA	Console Overhead
	007021-01-000	EA	Belt Asm. Seat 2" x 90" Black
	041322-01-000	EA	Washer - Flat 15/32" I.D. x 2 3/8" O.D. (Seat Belt)
	007222-01-000	EA	Belt Asm. - Seat - 2" x 60" - Black
	039646-09-000	EA	Extension Asm. - Sleepor Board - 75"
	002922-01-011	EA	Extr. - Rail Bunk 10' Piece
	041476-01-000	FT	Track - Slide - PVC Dark Pecan (12')
	048656-01-000	EA	Bracket - Catch - Bunk
	049182-01-000	EA	Hedlok II - 3/4" Dia. Snap In
	049797-01-000	EA	Hedlok II - 1" Dia. Screw Mount
	007221-01-000	EA	Spacer - Seat Adjuster
	007223-01-000	EA	Adjuster Asm. - Seat w/Lock
	007224-02-000	EA	Handle - Seat Adjuster 9"
	007227-01-000	EA	Adjuster - Asm. Seat w/o Lock
	049943-01-000	EA	Pedestal - Complete Swivel Seat
	040697-03-000	EA	Pad - Instrument Panel - Brown

1976 WINNEBAGO TABLE OF CONTENTS

MW25C	A-1 - B-10
MW25CD	B-11 - C-18
MW20RG	C-19 - D-24
MW23RB	E-1 - F-8
MW23RD	F-9 - G-16
D23C	G-17 - I-6
D26CRB	I-7 - J-20
D26CRK	J-21 - L-10

1976 MW25CD INDEX

Floor Plan	B-11 - B-12
Accessories Group	B-13
Bath Group	B-14 - B-15
Chassis Group	B-16
Curtain, Cushion & Pad Group	B-17 - B-18
Dinette Group	B-19
Driver's Compartment Group	B-20
Electrical Group	B-21 - B-22
Exterior Body Group	B-23 - B-24
	C-1 - C-2
Galley Group	C-3
Heating & Air Conditioning Group	C-4
Interior Finish Group	C-5 - C-6
LP Group	C-7
Lounge Group	C-7
Water & Sewage Group	C-8
Window, Vent. & Exterior Door Group	C-9 - C-18

ELECTRICAL GROUP

BULBS

Key	Part Number	U/M	Description
	037935-01-000	EA	Bulb - 1157
	038010-01-000	EA	Bulb - 1143
	008103-01-000	EA	Bulb 53
	008213-01-000	EA	Bulb - 57
	008214-01-000	EA	Bulb - 67
	008215-01-000	EA	Bulb - 1003
	008216-01-000	EA	Bulb - 1034
	008217-01-000	EA	Bulb - 1073
	008218-01-000	EA	Bulb - 1141
	008219-01-000	EA	Bulb - 656
	008220-01-000	EA	Bulb - 12V - 25W
	036196-01-000	EA	Bulb - 194
	700020-01-000	EA	Bulb - 12V - 20W - 1383

EXTERIOR LIGHTS

Key	Part Number	U/M	Description
	031054-02-000	EA	Lamp Asm. - Tail - Left - Beige
	031055-02-000	EA	Lamp Asm. - Tail - Right - Beige
	039865-01-000	EA	Clearance Light - Round - Red
	039866-01-000	EA	Clearance Light - Round - Amber
	033748-01-000	EA	Light - Clearance - Oval - Amber
	033748-02-000	EA	Light - Clearance - Oval - Red

INTERIOR LIGHTS

Key	Part Number	U/M	Description
	024418-01-000	EA	Lamp Asm. - Map/Gauge/Aisle
	024473-01-000	EA	Light - Aircraft - 1 Bulb - Gold
	033508-01-000	EA	Light - Dome - Ivory - 1 Bulb
	024642-01-701	EA	Lens - Dome - Light - 1 Bulb
	033509-01-000	EA	Light - Dome - Ivory - 2 Bulb
	024643-01-701	EA	Lens - Dome Light - 2 Bulb

FUSES AND CIRCUIT BREAKERS

Key	Part Number	U/M	Description
	008233-01-000	EA	Fuse - 12 Volt - 6 Amp.
	008234-01-000	EA	Fuse - 12 Volt - 10 Amp.
	008235-01-000	EA	Fuse - 12 Volt - 15 Amp.
	008236-01-000	EA	Fuse - 12 Volt - 20 Amp.
	008248-01-000	EA	Fuse - 110 Volt - 30 Amp. - AGU
	008252-01-000	EA	Fuse - 110 Volt - 50 Amp.
	008208-01-000	EA	Circuit Breaker - 12 Volt - 40 Amp.
	008211-01-000	EA	Circuit Breaker - 12 Volt - 6 Amp.
	008268-01-000	EA	Circuit Breaker - 12 Volt - 30 Amp. w/Mount
	033573-01-000	EA	Circuit Breaker - 12 Volt - 20 Amp. w/Mount
	040051-01-000	EA	Circuit Breaker - 110 Volt - 20 Amp. - TQL

ELECTRICAL GROUP (CONTINUED)

WIRE, SWITCHES, AND RECEPTACLES

Key	Part Number	U/M	Description
	008024-01-000	FT	Wire - 18.5 Bonded - Orange/White/Yellow/Blue/Brown
	008025-01-000	FT	Wire - 18.5 Bonded - Orange/White/Yellow/Blue/Green
	008028-01-000	FT	Wire - 18.5 Bonded - Blue/Red/Yellow/Orange/White
	008030-01-000	FT	Wire - 18.4 Bonded
	008251-01-000	EA	Holder - Fuse - Black - Screw Type
	068277-01-000	EA	Holder - Fuse - Black - Panel Mount
	008195-01-000	EA	Switch - Push Button - 12 Volt
	006077-01-000	EA	Plaque - Compressor Switch
	008054-01-000	EA	Cord - Power - 10-3 30 Arnp. - 25' - UL
	034818-04-000	EA	Holder - Receptacle - Plastic
	039338-01-000	EA	Cover Plate - Receptacle - Plastic - Brown
	039342-01-000	EA	Receptacle - Duplex Brown - T Junction
	024571-01-000	EA	Cover Plate - Receptacle - Jumbo Steel Brown
	039343-01-000	EA	Cap - End - Receptacle
	008162-01-000	EA	Switch - Double Toggle - Spade Brown
	008163-01-000	EA	Switch - Toggle Brown
	008164-01-000	EA	Cover Plate - Switch - Brown
	024924-01-000	EA	Receptacle - Power Cord
	008058-01-000	EA	Adaptor - Power Cord
	047353-01-000	EA	Cover - Receptacle - Ground Fault
	047351-01-000	EA	Receptacle - Ground Fault Interrupter - 125 Volt, Black

MISCELLANEOUS ELECTRICAL COMPONENTS

Key	Part Number	U/M	Description
	047338-01-000	EA	Isolator - Dual Battery
	047389-01-700	EA	Battery - 12 Volt - 105 Amp. Deep Cycle - Dry
	008188-01-000	EA	Solenoid - Dual Battery - Relay
	046775-01-000	EA	Valve - Gas - Change Over
	039950-02-000	EA	Control Center - 30 Amp. w/Door - UL
	024417-01-000	EA	Panel - Control - Water/Double Sewage - Wemac
	039861-01-000	EA	Sending Unit Kit - Wemac
	024459-01-000	EA	Gauge - Voltmeter
	024462-01-000	EA	Switch - Battery Condition
	031035-01-000	EA	Gauge - Hour Meter - Generator
	024976-01-000	EA	Switch - Generator w/o Circuit Board
	024460-01-000	EA	Gauge - Vacuum

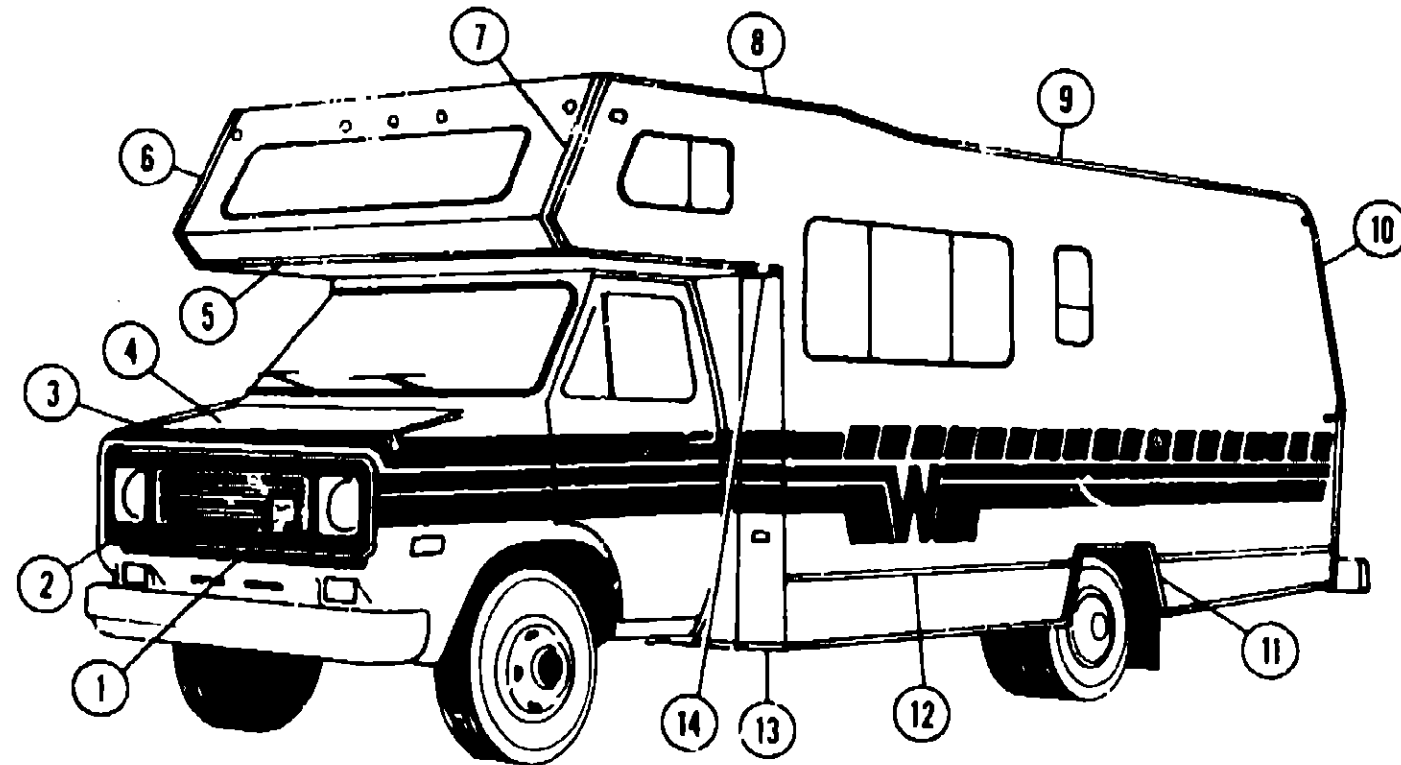
1976 WINNEBAGO TABLE OF CONTENTS

MW25C	A-1 - B-10
MW25CD	B-11 - C-16
MW20RG	C-19 - D-24
MW23RB	E-1 - F-8
MW23RD	F-9 - G-16
D23C	G-17 - I-6
D26CRB	I-7 - J-20
D26CRK	J-21 - L-10

1976 MW25CD INDEX

Floor Plan	B-11 - B-12
Accessories Group	B-13
Bath Group	B-14 - B-15
Chassis Group	B-16
Curtain, Cushion & Pad Group	B-17 - B-18
Dinette Group	B-19
Driver's Compartment Group	B-20
Electrical Group	B-21 - B-22
Exterior Body Group	B-23 - B-24
	C-1 - C-2
Galley Group	C-3
Heating & Air Conditioning Group	C-4
Interior Finish Group	C-5 - C-6
LP Group	C-7
Lounge Group	C-7
Water & Sewage Group	C-8
Window, Vent & Exterior Door Group	C-9 - C-18

EXTERIOR BODY GROUP



1976 WINNEBAGO TABLE OF CONTENTS

MW25C	A-1 - B-10
MW25CD	B-11 - C-18
MW20RG	C-19 - D-24
MW23RB	E-1 - F-8
MW23RD	F-9 - G-16
D23C	G-17 - I-6
D26CRB	I-7 - J-20
D26CRK	J-21 - L-10

Key	Part Number	U/M	Description
1	031161-01-000	EA	Label - Grille - Flying "W"
2	045282-02-000	EA	Grille - Plastic - Bronze
3	040843-02-000	EA	Front End Asm. - Fiberglass - Beige - Includes Hood w/o Front Grille
4	040845-02-000	EA	Hood Asm. - Beige
5	039644-02-000	EA	Trim - Sleeper Board - Beige
	039616-01-000	EA	Hinge - Hood (2 used per hood)
	035388-01-000	EA	Hood Pin Kit - 7/16" x 20 x 3.50" Long
	007160-01-000	EA	Gasket - Tire Carcass - 3/16" x 2" x 2"
	037449-01-000	EA	Well Nut - 10 - 32 x .812" Long
6	039635-04-000	EA	Trim - Contour - Sleeper Section - Right - Beige
7	039635-03-000	EA	Trim - Contour - Sleeper Section - Left - Beige
8	039634-03-000	EA	Trim - Contour - Roof - Left - Beige
	039634-04-000	EA	Trim - Contour - Roof - Right - Beige
9	034922-07-000	EA	Trim - Sidewall/Roof - Upper - Left or Right - Beige

Key	Part Number	U/M	Description
10	039633-03-000	EA	Trim - Contour - Backwall - Left - Beige
	039633-04-000	EA	Trim - Contour - Backwall - Right - Beige
11	039624-03-000	EA	Trim - Wheel Well - Rear - Left or Right
12	002444-02-003	EA	Extr. - Feature Strip - Alum. - 16' w/o Insert
	001030-04-002	EA	Insert - Feature Strip - Antique Bronze Stucco - 17'
	009731-01-000	EA	End Cap - Feature Strip
13	043442-03-000	EA	Trim - Wingwall - Bottom - Left - Beige
	043442-04-000	EA	Trim - Wingwall - Bottom - Right - Beige
14	048810-03-000	EA	Trim - Corner - Wingwall - Left - Beige
	048810-04-000	EA	Trim - Corner - Wingwall - Right - Beige
	002365-02-001	EA	Extr. - U-Channel - 1" Serrated x 18' Anod.
	039629-01-000	FT	Extr. - Vinyl - Sleeper Joint
	043915-01-000	FT	Extr. - Vinyl - "B" Pillar/Wingwall
			Not Illustrated

1976 MW25CD INDEX

Floor Plan	B-11 - B-12
Accessories Group	B-13
Bath Group	B-14 - B-15
Chassis Group	B-16
Curtain, Cushion & Pad Group	B-17 - B-18
Dinette Group	B-19
Driver's Compartment Group	B-20
Electrical Group	B-21 - B-22
Exterior Body Group	B-23 - B-24
	C-1 - C-2
Galley Group	C-3
Heating & Air Conditioning Group	C-4
Interior Finish Group	C-5 - C-6
LP Group	C-7
Lounge Group	C-7
Water & Sewage Group	C-8
Window, Vent & Exterior Door Group	C-9 - C-18

EXTERIOR BODY GROUP (CONTINUED)

LABELS AND DECALS

Key	Part Number	U/M	Description
	006010-01-000	EA	Decal - Winnebago - Brown/Chrome
	006023-01-000	EA	Label - Water Only
	006025-01-000	EA	Label - Gas
	006028-01-000	EA	Label - Drain Cap - 2" x 3"
	006031-01-000	EA	Label - Potable Water Only
	006187-01-000	EA	Label - Sewage
	006188-01-000	EA	Label - Waste Water
	006199-01-000	EA	Label - Exit - Escape Window
	031181-01-000	EA	Label - Flying "W" - Grille
	039289-01-000	EA	Label - Warning Aux. Loading
	008092-01-000	EA	Reflector - Stick On - Rectangular - Red
	008093-01-000	EA	Reflector - Stick On - Rectangular - Amber
	050302-01-000	EA	Decal - Flying "W" - 13.75" High
	047504-01-000	EA	Decal - "Sportsman's Den" - .62"
	050313-01-000	EA	Decal - Logo - "Winnebago" - 2.80"
	047508-01-000	EA	Decal Stripe - Side Strobe - Front - Right
	047508-02-000	EA	Decal - Stripe - Side Strobe - Center - Right
	047508-03-000	EA	Decal - Stripe - Side Strobe - Rear - Right
	047508-04-000	EA	Decal - Stripe - Side Strobe - Front - Left
	047508-05-000	EA	Decal - Stripe - Side Strobe - Center - Left
	047508-06-000	EA	Decal - Stripe - Side Strobe - Rear - Left
	046102-01-000	EA	Decal - Logo "Sportsman's Den" - 1.62" x 13"
	041273-09-000	FT	Decal - Stripe - Antique Bronze Metallic
	048639-01-000	EA	Decal - Grille Accent - Inside
	048640-01-000	EA	Decal - Grille Accent - Outside
	041273-05-000	FT	Decal - Stripe - 38" Alum.
	043475-01-000	EA	Stencil - Stripe - Lower Right
	043475-02-000	EA	Stencil - Stripe - Lower Left

EXTERIOR BODY PANELS AND SHEET ALUMINUM

Key	Part Number	U/M	Description
	045801-02-000	EA	Backwall Asm
	051821-01-000	EA	Sidewall Asm - Right
	046952-01-000	EA	Sidewall Asm - Left
	047747-01-000	EA	Roof Asm.
	047747-01-700	EA	Roof Section - Sleeper Board to First Seam
	039155-02-008	EA	Alum. - Beige Mesa Design - .024" x 36" x 60"
	039155-02-002	EA	Alum. - Beige Mesa Design - .024" x 36" x 300"
	039155-02-003	EA	Alum. - Beige Mesa Design - .024" x 36" x 360"
	039155-02-007	EA	Alum. - Beige Mesa Design - .024" x 48" x 60"
	039155-02-005	EA	Alum. - Beige Mesa Design - .024" x 48" x 300"
	039155-02-006	EA	Alum. - Beige Mesa Design - .024" x 48" x 360"
	039155-02-009	EA	Alum. - Beige Mesa Design - .024" x 12" x 360"
	044467-01-001	EA	Alum. - Mill Finish - No Design (Roof) - 96" x 360"
	028545-01-000	EA	Alum. - Beige Greyhound Design 48" x 96"
	001018-01-024	EA	Alum. - Beige - No Design - 48" x 96"
	000868-01-000	BF	Styrofoam - 3/4" x 24" x 96"

EXTERIOR BODY GROUP (CONTINUED)

EXTERIOR PAINT

Key	Part Number	U/M	Description
	044488-01-000	EA	Paint - Beige Acrylic Enamel - 1 Gallon
	044488-03-000	EA	Paint - Beige - Acrylic Enamel - 16 Ounce Aerosol
	044488-04-000	EA	Paint - Beige - Acrylic Lacquer - 1 Gallon
	045881-01-000	EA	Paint - High Gloss Black - Acrylic Enamel - 1 Gallon
	045881-03-000	EA	Paint - High Gloss Black - Acrylic Enamel - 16 Ounce Aerosol
	043877-01-000	EA	Paint - Saddle Bronze Metallic - 1 Gallon
	043877-03-000	EA	Paint - Saddle Bronze Metallic - 16 Ounce Aerosol
	041574-01-000	EA	Paint - Dark Ginger Metallic - 1 Gallon
	041574-03-000	EA	Paint - Dark Ginger Metallic - 16 Ounce Aerosol

MISCELLANEOUS EXTERNALLY MOUNTED PARTS

Key	Part Number	U/M	Description
	010230-02-000	EA	Fill - City Water - Recessed w/Twist Cap
	011020-02-000	EA	Fill - Water - Recessed - Beige w/Snap Cap
	011129-01-000	EA	Plumbing Seal - Roof Vent - 1 1/2"
	011124-01-000	EA	Plumbing Seal - Roof Vent - 1 1/4"
	009126-01-000	EA	Handle - Assist w/o Light
	048817-01-000	EA	Handle - Assist w/Light

SEALANTS, ADHESIVES, AND FASTENERS

Key	Part Number	U/M	Description
	034552-05-000	EA	Sealant - Off White Silicone
	034552-04-000	EA	Sealant - Beige Silicone
	034552-02-000	EA	Sealant - Clear Silicone
	004348-02-000	EA	Sealant - Aluminum Silicone
	004349-01-000	EA	Sealant - Black Silicone
	004342-01-000	EA	Sealant - Weatherban 202 Tube
	004346-02-000	EA	Sealant - White Silicone
	004347-01-000	EA	Sealant - Tufflex
	002316-01-000	FT	Tape - Sealer - 3/32" x 1/8"
	024545-01-000	FT	Tape - Sealer - 1/8" x 5/8" - Black
	004350-01-000	FT	Tape - Sealer - 1/8" x 1" - Formaseal
	004352-01-000	FT	Tape - Sealer - 1/8" x 3/4" - Formaseal
	004355-01-000	FT	Tape - Sealer - 1/8" x 5/8" - Black
	004357-01-000	FT	Tape - Sealer - 1/8" x 5/8" - Adhesive
	002707-01-000	FT	Tape - Sealer - 5/16" x 1/2" - Black Foam
	002707-02-000	FT	Tape - Sealer - 5/16" x 3/4" - Black Foam
	041422-01-000	FT	Tape - Sealer - 1/4" x 1/2"
	004363-01-000	FT	Tape - Sealer - 3/16" x 1/2" - Foam
	004362-01-000	FT	Tape - Sealer - 1/8" x 5/8" - Foam
	009200-01-000	EA	Tape - Furnace - 1 1/2"
	041839-01-000	FT	Tape - Window - Latch 3/4" - Adhesive
	041839-02-000	FT	Tape - Window - Latch - 1/2" - Adhesive
	004353-01-000	FT	Tape - Gasket - 1/8" x 3/4" - White
	002825-01-000	FT	Weather Stripping - Roof Vent
	002337-01-000	EA	Adhesive - 3M - 1300 Tube
	004005-01-000	GL	Adhesive - Swifts - Green - Glue (Sidewalls)
	004012-01-000	EA	Adhesive - 3M - 4475 Tube
	004020-01-000	QT	Adhesive - ABS Cement (Plastic Fittings)
	029051-01-000	EA	Adhesive - Spray Vinyl
	042401-02-000	EA	Screw - 8 - 18 x 3/4" SDPH Off White
	042403-02-000	EA	Screw - SF/DR - 8 - 18 x 1" SDPH Off White
	005058-01-000	EA	Screw - Wood - 12 - 11 x 3" P.O.H. Zinc
	041746-01-000	FT	Extr. - Vinyl - Bubble Seal
	021241-01-000	FT	Extr. - Vinyl - White - Wingwall

**1976 WINNEBAGO
TABLE OF CONTENTS**

MW25C	A-1 - B-10
MW25CD	B-11 - C-18
MW20RG	C-19 - D-24
MW23RB	E-1 - F-8
MW23RD	F-9 - G-18
D23C	G-17 - I-6
D26CRB	I-7 - J-20
D26CRK	J-21 - L-10

**1976 MW25CD
INDEX**

Floor Plan	B-11 - B-12
Accessories Group	B-13
Bath Group	B-14 - B-15
Chassis Group	B-16
Curtain, Cushion & Pad Group	B-17 - B-18
Dinette Group	B-19
Driver's Compartment Group	B-20
Electrical Group	B-21 - B-22
Exterior Body Group	B-23 - B-24
	C-1 - C-2
Galley Group	C-3
Heating & Air Conditioning Group	C-4
Interior Finish Group	C-5 - C-6
LP Group	C-7
Lounge Group	C-7
Water & Sewage Group	C-8
Window, Vent & Exterior Door Group	C-9 - C-18

GALLEY GROUP

Key	Part Number	U/M	Description
	027671-18-000	EA	Cover - Sink - Butcher Block
	011032-01-000	EA	Sink - Stainless Steel - Double w/Bolt w/o Faucets
	011053-01-000	EA	Faucet - Swing Spout - 8" w/Aerator
	011053-01-700	EA	Aerator for Swivel Faucet Galley
	011005-01-000	EA	Strainer - Sink
	045378-01-700	EA	Countertop Asm. - Galley Cabinet - w/Cutouts - Butcher Block
	045378-01-701	EA	Cabinet Asm. - Galley w/o Countertop, Drawers, Doors or Hardware
	047017-17-700	EA	Door Asm. - Galley Cabinet - 13 1/4" x 29 1/16" - w/o Hardware
	047017-09-700	EA	Door Asm. - Galley Cabinet - 20 1/8" x 11 3/4" - w/o Hardware
	046121-01-000	EA	Cabinet Asm. - Galley Overhead w/o Doors or Hardware
	047017-24-700	EA	Door Asm. - Galley Overhead Cabinet - 9" x 15" - w/o Hardware
	045953-01-000	EA	Cabinet - Beverage w/o Doors or Hardware
	047018-03-700	EA	Door Asm. - Cabinet Beverage w/Screen - Left or Right
	045380-01-700	EA	Countertop Asm. - Refrigerator Cabinet - Butcher Block
	045384-01-701	EA	Cabinet Asm. - Buffet Bottom - w/o Countertop, Doors or Hardware
	045384-01-700	EA	Countertop Asm. - Buffet Bottom Cabinet - Butcher Block
	047017-02-700	EA	Door Asm. - Buffet Cabinet - 13 1/2" x 19" - w/o Hardware
	047017-14-700	EA	Door Asm. - Buffet Cabinet - 13 1/2" x 7 3/4" - w/o Hardware
	047019-01-700	EA	Drawer Asm. - Buffet Cabinet - 14 1/8" x 5 1/4" - w/o Hardware
	046114-01-000	EA	Cabinet Asm. - Galley Overhead Extension w/o Doors or Hardware
	047017-04-700	EA	Door Asm. - Galley Overhead Extension Cabinet - 12 3/4" x 63/4"
	043098-02-000	EA	Holder - Glass - Beverage
**	046955-01-000	EA	Refrigerator - Norcold - AC/DC - 2 Door
**	046954-01-000	EA	Hood - Range - Power w/Spice Cabinet - Jensen
**	047026-01-000	EA	Range - 4 Burner w/Oven - Surburban

**The illustrated parts breakdown for this item is provided on the Common Items Fiche

HEATING AND AIR CONDITIONING GROUP

Key	Part Number	U/M	Description
	048231-02-000	EA	Auto Air - 350 ARA - Kit
	051768-01-000	EA	Compressor Mounting Package - 350 C.I.D. - ARA
	051769-01-000	EA	Evaporator Package - 350 C.I.D. - ARA
	051770-01-000	EA	Compressor - A/C - 350 C.I.D. - ARA
	051771-01-000	EA	Condenser Package - 350 C.I.D. - ARA
	048231-01-000	EA	Auto Air - 350 AMC - Kit
	041443-01-000	EA	A/C - General Package - AMC
	041444-01-000	EA	A/C - Condenser Package - 350 AMC
	041445-01-000	EA	A/C - Installation Package - AMC
	041446-01-000	EA	A/C - Evaporator Package - 350 AMC
	047038-01-000	EA	A/C - Compressor Mount Package - 350 AMC
	024985-01-000	EA	Register - Heat w/Damper 9.9" x 4.8"
	031604-01-000	EA	Bonnet - Heat Register
	004352-01-000	FT	Tap - Sealer 1/8" x 3/4" Formaseal
	009198-01-000	FT	Duct - Flexible - 4"
	009200-01-000	EA	Tape - Furnace - 1 1/2"
	039505-02-000	EA	Thermostat - Wall Mount
**	041603-01-000	EA	Furnace - 23,000 BTU - Under Counter Mount - Coleman - 4225
**	041604-01-000	EA	Furnace - 28,000 BTU - Under Counter Mount - Coleman - 4230
**	049777-01-000	EA	Air Conditioner - 110 Volt - Roof Mount - 11,000 BTU - Ivory Coleman (w/o Inside Shroud)
**	049778-01-000	EA	Shroud Asm. - Ceiling - Inside - Roof Air - Cool Only - 11,000 BTU - Coleman
**	049774-01-000	EA	Air Conditioner - 110 Volt - Roof Mount - 13,500 BTU Ivory - Coleman (w/o Inside Shroud)
**	049775-01-000	EA	Shroud Asm. - Ceiling - Inside - Roof Air - Cool Only - 13,500 BTU - Coleman
**	049776-01-000	EA	Shroud Asm. - Ceiling - Inside - Roof Air - Heat and Cool Only - 13,500 BTU - Coleman

**The illustrated parts breakdown for this item is provided on the Common Items Fiche.

1976 WINNEBAGO TABLE OF CONTENTS

MW25C	A-1 - B-10
MW25CD	B-11 - C-18
MW20RG	C-19 - D-24
MW23RB	E-1 - F-8
MW23RD	F-9 - G-16
D23C	G-17 - I-6
D26CRB	I-7 - J-20
D26CRK	J-21 - L-10

1976 MW25CD INDEX

Floor Plan	B-11 - B-12
Accessories Group	B-13
Bath Group	B-14 - B-15
Chassis Group	B-16
Curtain, Cushion & Pad Group	B-17 - B-18
Dinette Group	B-19
Driver's Compartment Group	B-20
Electrical Group	B-21 - B-22
Exterior Body Group	B-23 - B-24
	C-1 - C-2
Galley Group	C-3
Heating & Air Conditioning Group	C-4
Interior Finish Group	C-5 - C-6
LP Group	C-7
Lounge Group	C-7
Water & Sewage Group	C-8
Window, Vent & Exterior Door Group	C-9 - C-18

INTERIOR FINISH GROUP

PANELING AND COUNTERTOP MATERIALS

Key	Part Number	U/M	Description
	000726-07-000	EA	Batt Strip - 709 Hickory
	047354-01-000	EA	Batt Strip - 825 Buff
	045983-01-000	SF	Paneling Buff Ceiling 48" x 96" (32 SF)
	047401-01-000	SF	Paneling Monks Cloth 48" x 96" (32 SF)
	039188-04-000	SF	Paneling 705 Hickory 48" x 96" (32SF)
	045984-01-000	SF	Plastic Laminate 48" x 96" Butcher Block (32 SF)
	045984-01-001	EA	Plastic Laminate Butcher Block 48" x 48"
	045984-01-002	EA	Plastic Laminate 1.19" x 96" Butcher Block
	045982-01-000	SF	Paneling Deer Chateau 48" x 96" (32 SF)
	045965-01-000	SF	Plastic Laminate 48" x 96" Mocha Leather (32 SF)
	045965-01-001	EA	Plastic Laminate 48" x 48" Mocha Leather
	045965-01-002	EA	Plastic Laminate 1.19" x 96" Mocha Leather

CABINETS AND CURTAIN HARDWARE

Key	Part Number	U/M	Description
	046543-01-000	EA	Drawer Pull - Rustic Early American
	052327-04-236	EA	Curtain Track - Alum. Brown 89" w/Holes
	049897-01-000	EA	Rod - Curtain - Flat Ext. 25" - 45"
	042439-01-000	EA	Bracket Curtain Rod Single
	049897-02-000	EA	Rod - Curtain - Flat Ext. 48" - 86"
	018031-42-000	EA	Track Curtain 90" - "L" Rod - Alum.
	009701-01-000	EA	Carrier Curtain "L" Rod
	009702-01-000	EA	End - Stop Curtain "L" Rod
	009151-01-000	EA	Wrap Guard 48"
	041931-01-000	EA	Kit Cabinet Door Hinge
	041838-01-000	EA	Screw 5 x 5/8 POH Antique Brass
	046541-01-000	EA	Kit Cabinet Door Latch Upper
	009047-01-000	EA	Support - Door Cabinet - Overhead
	047809-02-000	EA	Hardware Kit Dinette Table Wall Mount
	047842-01-000	EA	Hardware Kit Dinette Table Leg
	047744-01-000	EA	Kit Drawer Glide w/o Rail - Includes Hardware to Mount One (1) Drawer
	037688-01-000	FT	Rail - Drawer Guide V
	045967-01-700	EA	Kit Knob - 1 1/2" Dia. Rustic Early American
	046542-01-000	EA	Kit Cabinet Door Latch Lower
	047008-01-000	EA	Lock Asm. Right Door - Key Type Antique Brass (Gun Cabinet)
	047009-01-000	EA	Lock Asm. Left Door - Key Type Antique Brass (Gun Cabinet)
	046543-01-000	EA	Kit Drawer Pull
	047007-01-000	EA	Lock Asm. Key Type (Drawer Lock)
	048149-02-700	EA	Kit - Latch Asm. Cab Door 1.72" Stem
	009059-01-000	EA	Hinge 2" Gold (Medicine Cabinet Door)
	039524-01-000	EA	Strike - Plastic Overlay Door (Medicine Cabinet)

INTERIOR FINISH GROUP (CONTINUED)

MOLDINGS AND TRIMS

Key	Part Number	U/M	Description
	024700-04-000	EA	Cover Sidewall Roll Bar 707 Hickory
	024700-04-000	EA	Cover Sidewall Roll Bar Ivory
	034113-01-000	EA	Cover Corner Support Bar Brown
	039512-02-000	EA	Cover Hat Section 707 Hickory
	039512-06-000	EA	Cover Hat Section Ivory
	045960-01-000	SY	Carpet - Beige - Highland Plaid
	045961-01-000	EA	Tile - Wood 12" x 12" Old Brown Oak (Step Well)
	047488-01-000	EA	Cover - Corner Hat/Hat
	047489-01-000	EA	Cover - Corner - Tube - Tube
	045969-01-000	SF	Mat - Cocoon 3/4" Thick Natural Tan (Step Well)
	009779-01-000	FT	U-Channel 1 1/8" Dark Brown Plastic
	009767-01-000	FT	Walling Brown
	009812-01-000	FT	Molding Plastic Corner Outside .50 Inch
	033535-04-000	FT	Molding Asm. Shelf 709 Hickory
	047398-01-000	FT	Holding Wood 3/4" x 8" Quarter Round Hickory
	009778-01-000	FT	U-Channel 1-Inch Dark Brown
	009815-02-000	FT	T-Molding 3/4" Brown
	047033-01-000	SF	Cork 1/8" x 12" x 24" Sand Natural
	047205-02-000	EA	Mesh Grill Brass 15 1/4" x 17 1/8"
	047033-02-000	SF	Cork 1/8" x 12" x 24" - Terrazzo Natural

FABRICS AND CARPET

Key	Part Number	U/M	Description
	045958-01-000	YD	Vinyl Non-Expanded 27 Ounce
	047400-01-000	SF	Felt Green 21 Ounce Wool
	042414-03-000	FT	Trim - Accent Patchwork
	045957-01-000	YD	Fabric Upholstery Brown
	039781-01-000	YD	Fabric Drapery - Flax w/Foam Back
	045960-01-000	SY	Carpet - Beige - Highland Plaid

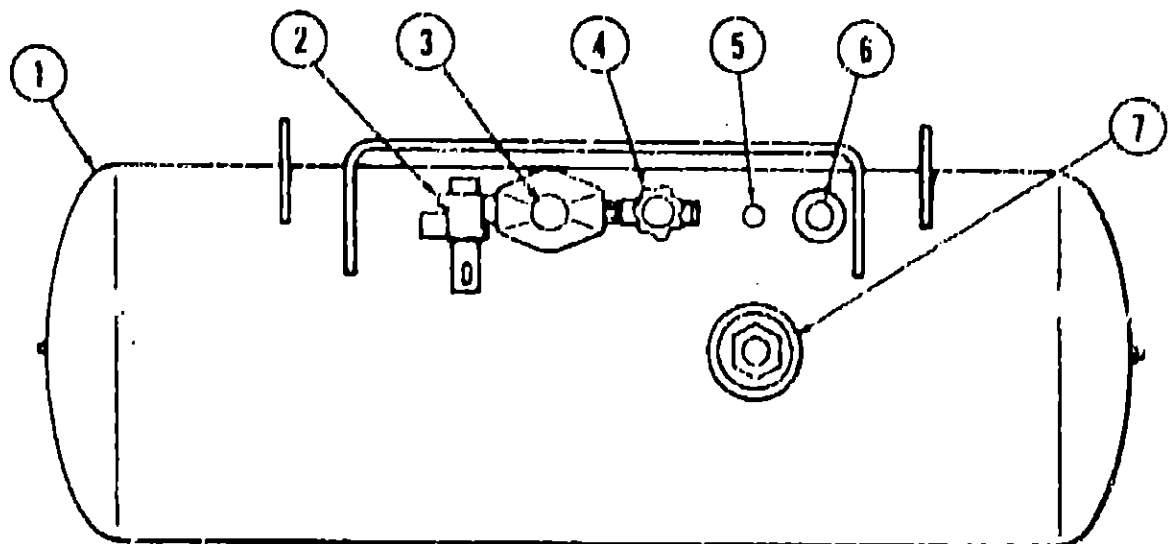
1976 WINNEBAGO TABLE OF CONTENTS

MW25C	A-1 - B-10
MW25CD	B-11 - C-18
MW20RG	C-19 - D-24
MW23RB	E-1 - F-8
MW23RD	F-9 - G-16
D23C	G-17 - I-6
D26CRB	I-7 - J-20
D26CRK	J-21 - L-10

1976 MW25CD INDEX

Floor Plan	B-11 - B-12
Accessories Group	B-13
Bath Group	B-14 - B-15
Chassis Group	B-16
Curtain, Cushion & Pad Group	B-17 - B-18
Dinette Group	B-19
Driver's Compartment Group	B-20
Electrical Group	B-21 - B-22
Exterior Body Group	B-23 - B-24
	C-1 - C-2
Galley Group	C-3
Heating & Air Conditioning Group	C-4
Interior Finish Group	C-5 - C-6
LP Group	C-7
Lounge Group	C-7
Water & Sewage Group	C-8
Window, Vent & Exterior Door Group	C-9 - C-18

LP GROUP



Key	Part Number	U/M	Description
1	040421-01-000	EA	Tank - LP - Frame Mount - 83 Pound
2	047221-01-000	EA	Detector - LP Gas Leak
3	024712-01-000	EA	Cover - LP Regulator
•	052163-01-000	EA	Regulator - Manual - LP Gas - 2 Stage
4	040421-01-703	EA	Valve - Vapor Relief
5	040421-01-700	EA	Gauge - Liquid Level - 20% LP
6	040421-01-701	EA	Valve - Filler - LP
•	040421-01-702	EA	Cap - Plastic Fill Valve
7	040421-01-707	EA	Gauge - Flat - w/Visible Dial - 83 Pound Tank
•	040421-01-706	EA	Dial - Visible Face - Float Gauge (Tank w/o Electric Transmitter)
•	040421-01-705	EA	Dial - Transmitter - O - 90 Ohm (Float Gauge)
•	045703-03-000	EA	Hose Asm. - LP - 3/8" I.D. x 14"
•	047737-02-000	EA	Support - LP Tank - 89.25"
•	047737-03-000	EA	Support - LP Tank - 30.50"
•			Not Illustrated

LOUNGE GROUP

Key	Part Number	U/M	Description
	045796-01-000	EA	Table - Pull Out
	009148-01-000	EA	Pull - Finger - 3/4" Dia. - Brass
	045795-01-000	EA	Holder - Glass - Plastic
	045983-01-000	EA	Brace - Foldout Table
	046038-01-000	EA	Cabinet - Rack - Fishing Pole
	047032-01-000	EA	Holder - Fishing Rod - Brown

WATER AND SEWAGE GROUP

Key	Part Number	U/M	Description
	040539-01-000	EA	Kit - Repair - 3/8" O.D. Plastic Tube
	040540-01-000	EA	Kit - Repair - 1/2" O.D. Plastic Tube
	040541-01-000	EA	Kit - Repair - 5/8" O.D. Plastic Tube
	039818-01-000	EA	Riser Asm. - 3/8" O.D. x 24" Tube
	039818-02-000	EA	Riser Asm. - 3/8" O.D. x 36" Tube
	039818-04-000	EA	Riser Asm. - 3/8" O.D. x 72" Tube
	041270-02-000	EA	Pump - Water - Flow 2.8 G.P.M. - PAR
	039647-02-000	EA	Filter - Water Pump - 1/2 MPT
	041819-01-000	EA	Nut and Cone - Plastic - 1/2 O.D. Tube
	043181-01-000	EA	Tank Asm. - Water w/Fittings - Plastic - 60 Gallon
	039641-01-000	EA	Tank - Water w/o Fittings - Plastic - 60 Gallon
	046524-02-000	EA	Kit - Fittings - Plastic Water Tank
	004020-01-000	QT	Adhesive - ABS Cement
	010133-01-000	EA	Adaptor - Trap - Plastic 1 1/2 H x MPT
	010153-01-000	EA	Ring - Closet - Plastic 4 F x 3 MPT
	010201-01-000	EA	Hose - Sewer 3" x 10' w/Clamp
	010209-06-000	EA	Handle - Extension - Sewer Valve - 11.25"
	010235-01-000	EA	Cap - Sewage 3"
	010236-01-000	EA	Adaptor - Hose - 3"
	011091-01-000	EA	Waste - Continuous - Double Sink - 11 7/8"
	010205-01-000	EA	Valve Sanitary - Thetford 3 x B
	010213-01-000	EA	Elbow - Plastic - Side Vent and Drain
	010234-01-000	EA	Adaptor Bayonet
	011066-01-000	EA	P - Trap - Plastic 1 1/4"
	047246-01-000	EA	Handle - Extension - Sewer Valve 43.00"
	014903-02-000	EA	Tank Asm. - Holding w/Fitting - Plastic - 35 Gallon
	014903-01-000	EA	Tank - Holding Plastic 35 Gallon Base w/o Fittings
	039933-02-000	EA	Tank Asm. - Holding w/Fittings - Plastic - 22 Gallon
	039938-01-000	EA	Tank Holding Plastic 22 Gallon Base w/o Fittings
	046524-01-000	EA	Kit - Fittings Plastic for Holding Tank
	050780-01-000	EA	Coupler - Rubber - 3" x 3"
	037845-01-000	FT	Tape - Butyl - 3/16" Bead - Black
**	051391-01-000	EA	Water Heater - w/o Outside Access Door (G6A3)
**	031952-01-000	EA	Water Heater - w/o Outside Access Door (G6A2)

**The illustrated parts breakdown for this item is provided on the Common Items Fiche.

**1976 WINNEBAGO
TABLE OF CONTENTS**

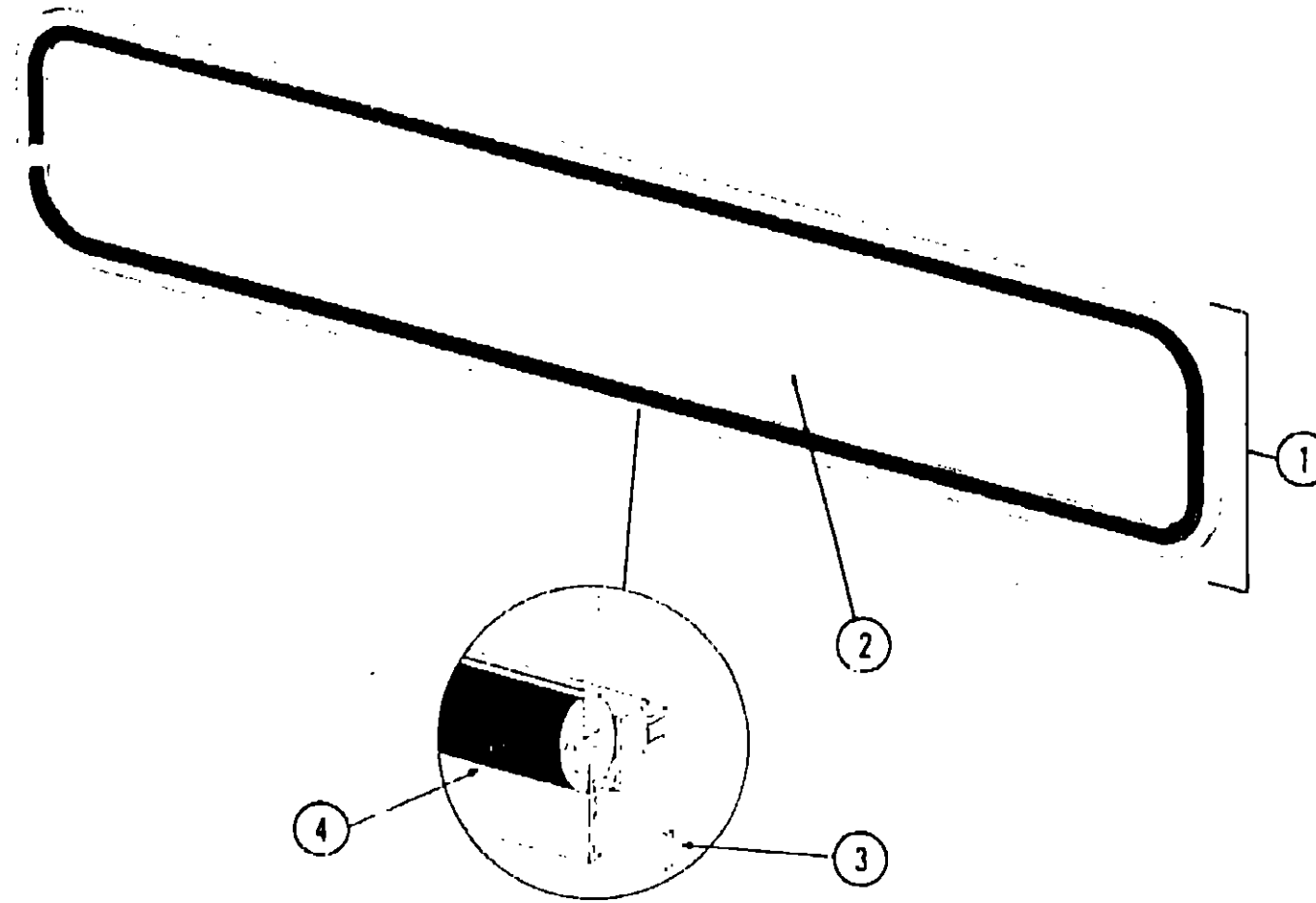
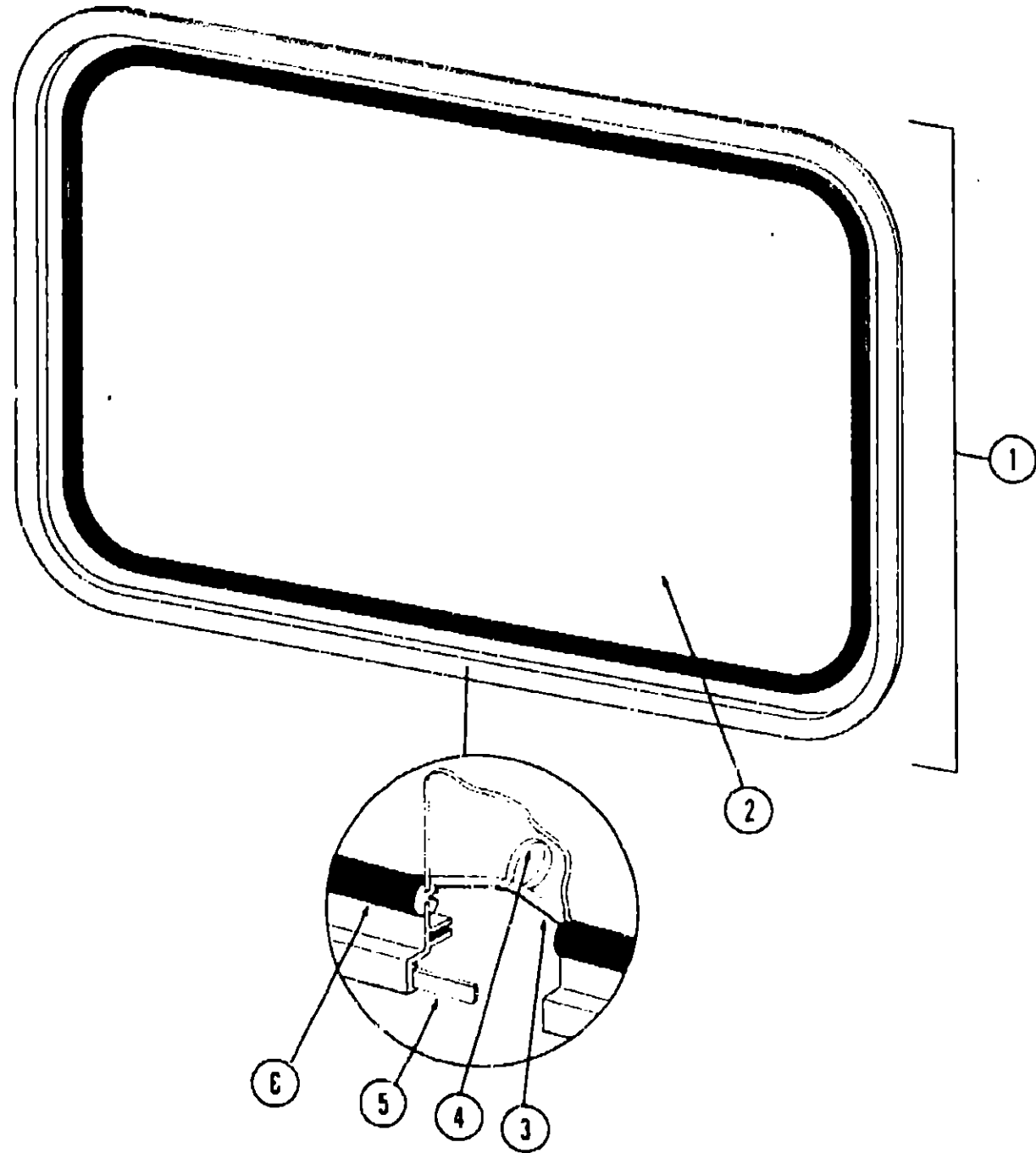
MW25C	A-1 - B-10
MW25CD	B-11 - C-18
MW20RG	C-19 - D-24
MW23RB	E-1 - F-8
MW23RD	F-9 - G-16
D23C	G-17 - I-8
D26CRB	I-7 - J-20
D26CRK	J-21 - L-10

**1976 MW25CD
INDEX**

Floor Plan	B-11 - B-12
Accessories Group	B-13
Bath Group	B-14 - B-15
Chassis Group	B-16
Curtain, Cushion & Pad Group	B-17 - B-18
Dinette Group	B-19
Driver's Compartment Group	B-20
Electrical Group	B-21 - B-22
Exterior Body Group	B-23 - B-24
	C-1 - C-2
Galley Group	C-3
Heating & Air Conditioning Group	C-4
Interior Finish Group	C-5 - C-6
LP Group	C-7
Lounge Group	C-7
Water & Sewage Group	C-8
Window, Vent & Exterior Door Group	C-9 - C-18

WINDOW, VENT AND EXTERIOR DOOR GROUP

WINDOW, VENT AND EXTERIOR DOOR GROUP (CONTINUED)



Key	Part Number	U/M	Description
1	042959-02-000	EA	Window Asm. - Rear Escape - 23" x 36" (w/o inside frame)
2	041392-01-000	EA	Glass - 1/8" x 19.61" x 33.25"
3	002285-01-000	FT	Filler - Weatherstrip - Black
4	020395-01-000	EA	Slip - Pull Ring - Escape Window
5	004363-01-000	FT	Tape - Foam - 3/16" x 1/2" - Gray
6	002282-01-000	FT	Weatherstrip - .125" - Black
.	042027-01-000	EA	Frame - Window - Inside Escape - 23" x 36" (not included in assembly)
.	006199-01-000	EA	Label - Exit - Escape Window
.			Not Illustrated

Key	Part Number	U/M	Description
1	041938-02-000	EA	Window Asm. - Front Picture - 14" x 69" (w/o inside frame)
2	002200-02-000	EA	Glass - TP - Picture Window
3	004363-01-000	FT	Tape - Sealer - 3/16" x 1/2" - Foam
4	002281-01-000	FT	Weatherstrip - Self Seal - .06" Panel x 3/16" - Black
.	037845-01-000	FT	Tape - Butyl - Window - 3/16" - Bead Black
.	041938-01-000	EA	Frame - Inside - Picture Window (not included in assembly)
.			Not Illustrated

**1978 WINNEBAGO
TABLE OF CONTENTS**

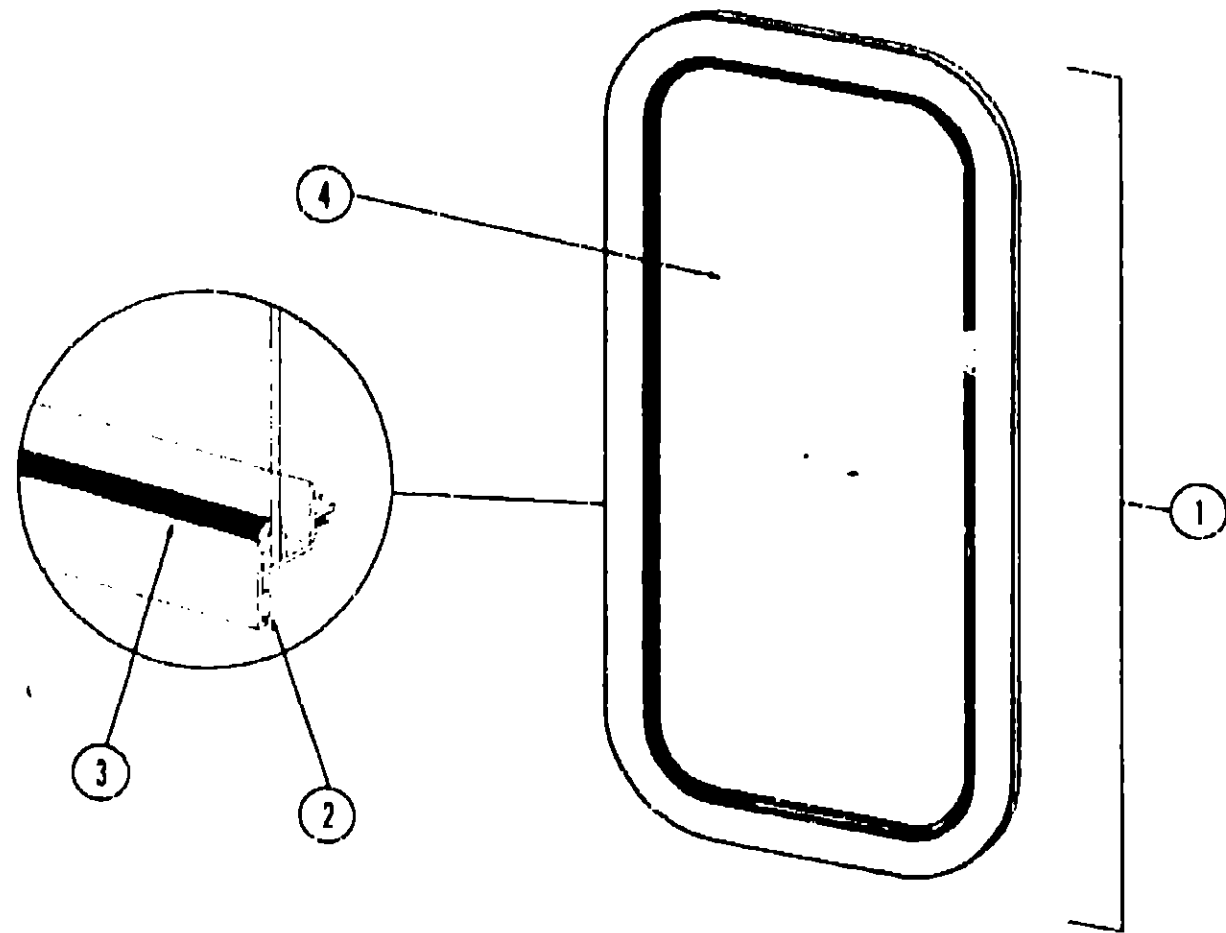
MW25C	A-1 - B-10
MW25CD	B-11 - C-18
MW20RG	C-19 - D-24
MW23RB	E-1 - F-8
MW23RD	F-9 - G-18
D23C	G-17 - I-6
D26CRB	I-7 - J-20
D26CRK	J-21 - L-10

**1976 MW25CD
INDEX**

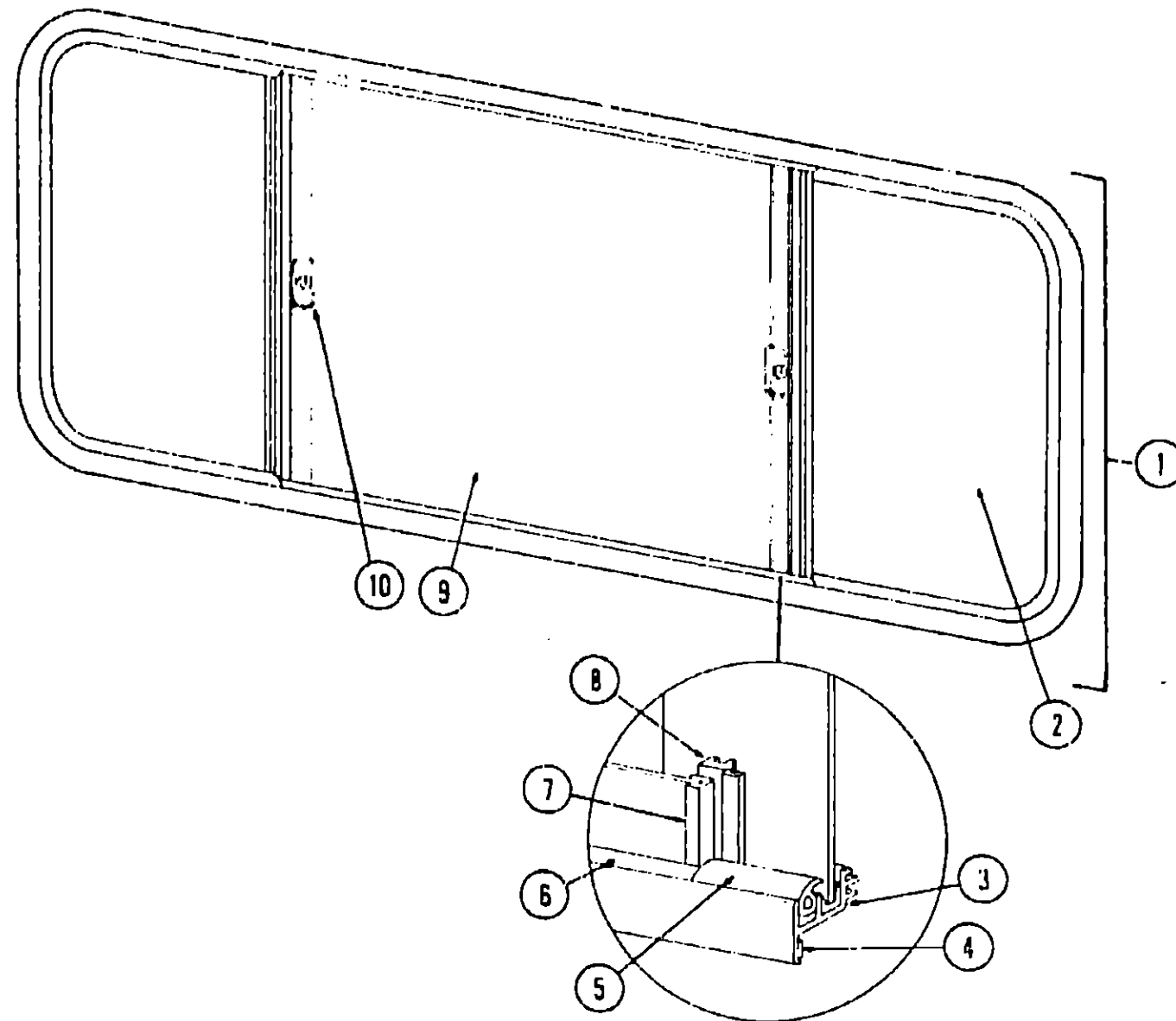
Floor Plan	B-11 - B-12
Accessories Group	B-13
Bath Group	B-14 - B-15
Chassis Group	B-16
Curtain, Cushion & Pad Group	B-17 - B-18
Dinette Group	B-19
Driver's Compartment Group	B-20
Electrical Group	B-21 - B-22
Exterior Body Group	B-23 - B-24
	C-1 - C-2
Galley Group	C-3
Heating & Air Conditioning Group	C-4
Interior Finish Group	C-5 - C-6
LP Group	C-7
Lounge Group	C-7
Water & Sewage Group	C-8
Window, Vent & Exterior Door Group	C-9 - C-18

WINDOW, VENT AND EXTERIOR DOOR GROUP (CONTINUED)

WINDOW, VENT AND EXTERIOR DOOR GROUP (CONTINUED)



Key	Part Number	U/M	Description
1	041875-05-000	EA	Window Asm. - Picture - 13" x 20" (w/o inside frame)
2	004363-01-000	FT	Tape - Foam - 3/16" x 12" - Gray
3	002309-01-000	FT	Spline - Glass - 1/8" Gray
4	002203-01-000	EA	Glass - TP - 1/8" x 12" x 19"
.	041696-09-000	EA	Frame - Window - Inside - 13" x 20" (not included in assembly)
.	Not Illustrated		



Key	Part Number	U/M	Description
1	048630-07-000	EA	Window Asm. - Double - Slider - 25" x 65" - Clear Anod. (w/o inside frame)
2	047822-01-000	EA	Glass - Sliding - 3/16" x 24" x 21.03"
3	042077-01-000	FT	Channel - Weatherstrip - Glass Run - 3/16" Glass
4	004363-01-000	FT	Tape - Foam - 3/16" x 1/2" - Gray
5	041928-01-000	FT	Seal - Window Channel - 3/16" Glass
6	050216-01-000	FT	Spline - Glass - 3/16"
7	002389-02-200	EA	Extr. - Holder - Glass Seal
8	041894-03-000	EA	Mullion - Slider Window - 25" - Clear Anod.
9	002188-02-000	EA	Glass - 3/16" x 24" x 25.5" - Stationary
10	047369-01-700	EA	Latch - Window - Plastic w/Fastener
.	042133-04-000	EA	Frame Asm. - Window - Inside (not included in assembly)
.	023713-01-000	EA	Cover - Weephole - Plastic - White
.	002298-01-000	FT	Spline - Gray - .130" Dia. (Screen)
.	002293-01-000	SF	Screen - Window - 26" - Gray
.	Not Illustrated		

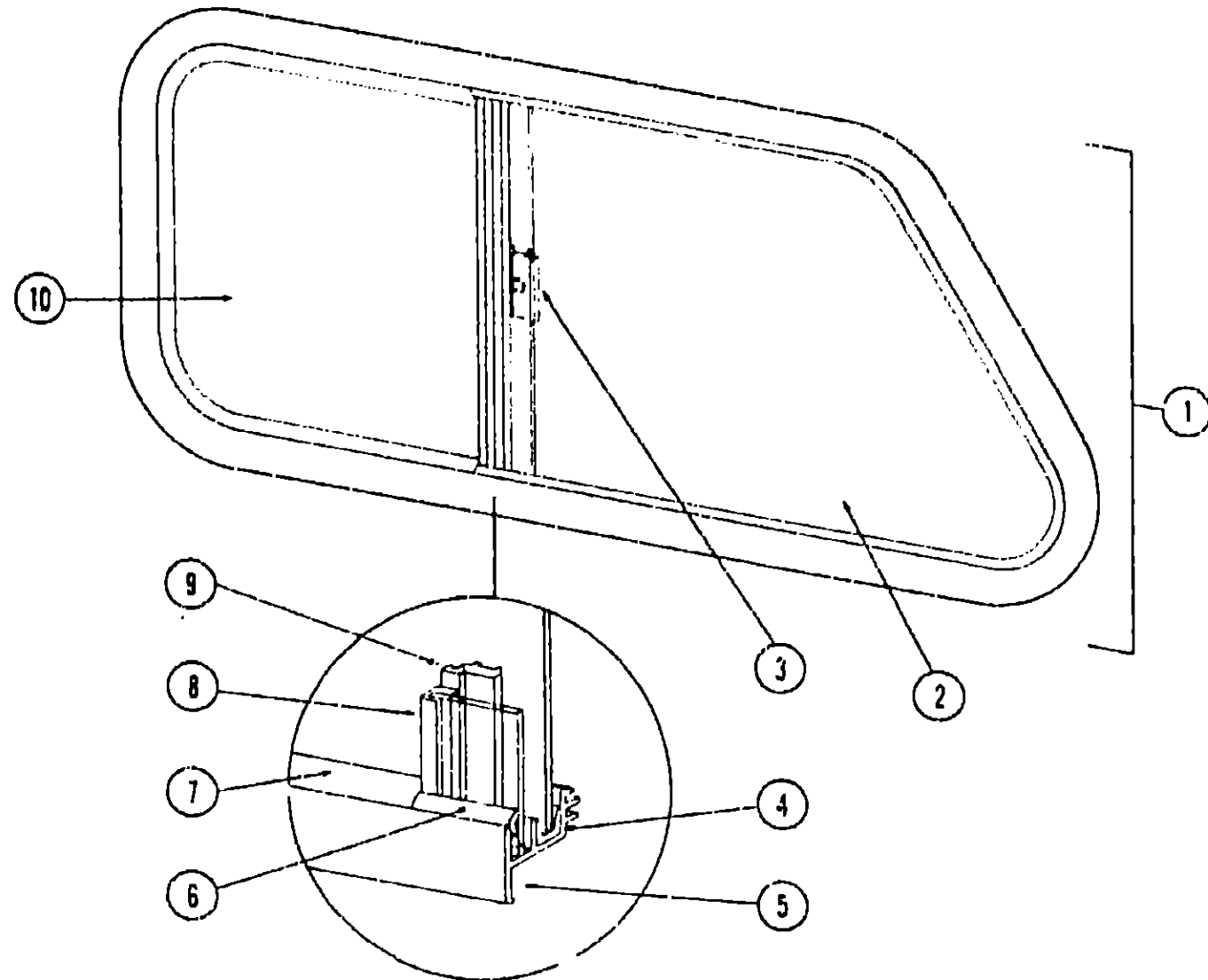
1976 WINNEBAGO
TABLE OF CONTENTS

MW25C	A-1 - B-10
MW25CD	B-11 - C-18
MW20RG	C-19 - D-24
MW23RB	E-1 - F-8
MW23RD	F-9 - G-16
D23C	G-17 - I-6
D26CRB	I-7 - J-20
D26CAK	J-21 - L-10

1976 MW25CD
INDEX

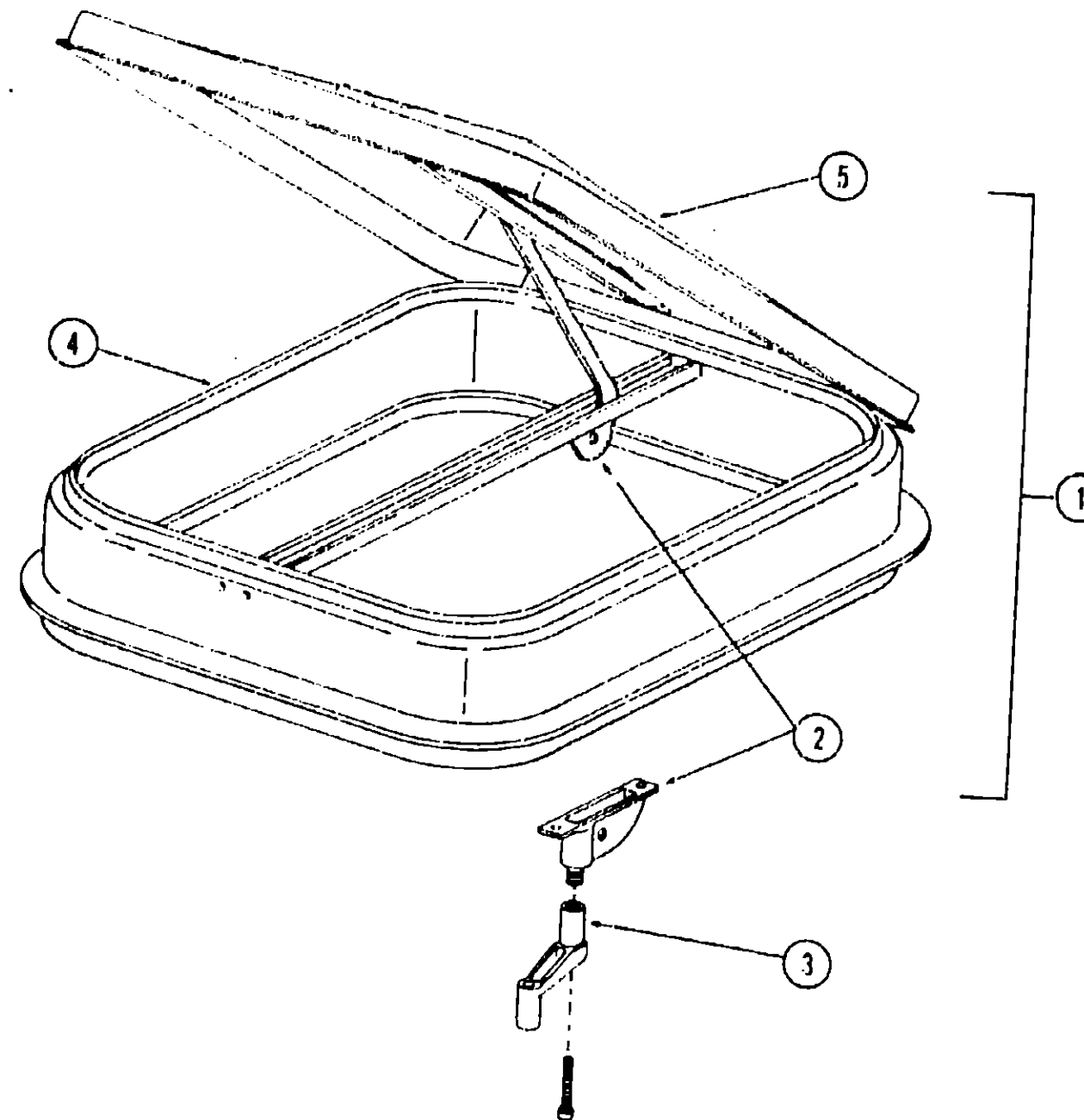
Floor Plan	B-11 - B-12
Accessories Group	B-13
Bath Group	B-14 - B-15
Chassis Group	B-16
Curtain, Cushion & Pad Group	B-17 - B-18
Dinette Group	B-19
Driver's Compartment Group	B-20
Electrical Group	B-21 - B-22
Exterior Body Group	B-23 - B-24
	C-1 - C-2
Galley Group	C-3
Heating & Air Conditioning Group	C-4
Interior Finish Group	C-5 - C-6
LP Group	C-7
Lounge Group	C-7
Water & Sewage Group	C-8
Window, Vent & Exterior Door Group	C-9 - C-18

WINDOW, VENT AND EXTERIOR DOOR GROUP (CONTINUED)



Key	Part Number	U/M	Description
1	048632-01-000	EA	Window Asm. - Bunk - Slanted Slider - Right (w/o inside frame)
	048632-02-000	EA	Window Asm. - Bunk - Slanted Slider - Left (w/o inside frame)
2	040919-01-000	EA	Glass - 1/8" x 11.98" x 19.42" - Gray - Stationary
3	047369-01-700	EA	Latch - Window - Plastic w/Fastener
4	002324-01-000	FT	Channel - Weatherstrip - Glass Run - 1/8" Glass
5	004363-01-000	FT	Tape - Foam - 3/16" x 1/2" - Gray
6	002309-01-000	FT	Spline - Glass - 1/8" - Gray
7	024096-01-000	FT	Seal - Window Channel - Gray
8	002390-02-001	EA	Holder - Glass Seal - Extr. - Anod
9	041894-10-000	EA	Mullion - 13" - Clear Anod.
10	047815-01-000	EA	Glass - 1/8" x 11.98" x 11.81" - Gray - Sliding
	040916-01-000	EA	Frame - Window - Inside - Right (not included in assembly)
	040916-02-000	EA	Frame - Window - Inside - Left (not included in assembly)
	023713-01-000	EA	Cover - Weepholde - White
	002298-01-000	FT	Spline - Gray - .130" Dia. (Screen)
	002292-01-000	SF	Screen - Window - 20" - Gray
			Not Illustrated

WINDOW, VENT AND EXTERIOR DOOR GROUP (CONTINUED)



Key	Part Number	U/M	Description
1	048835-01-000	EA	Vent Asm. - Roof - Nonpowered - w/o Screen
2	009440-01-000	EA	Gear - Arm - Roof Vent
3	009439-01-000	EA	Crank - Roof Vent
4	002825-01-000	FT	Weatherstrip - Roof Vent
5	046825-01-000	EA	Cover - Plastic - Roof Vent
	016335-01-000	EA	Screen Asm. - Nonpowered Roof Vent - Clear Anod. (not included in assembly)
	016335-03-000	EA	Screen Asm. - Nonpowered Roof Vent - Beige (not included in assembly)
			Not Illustrated

**1976 WINNEBAGO
TABLE OF CONTENTS**

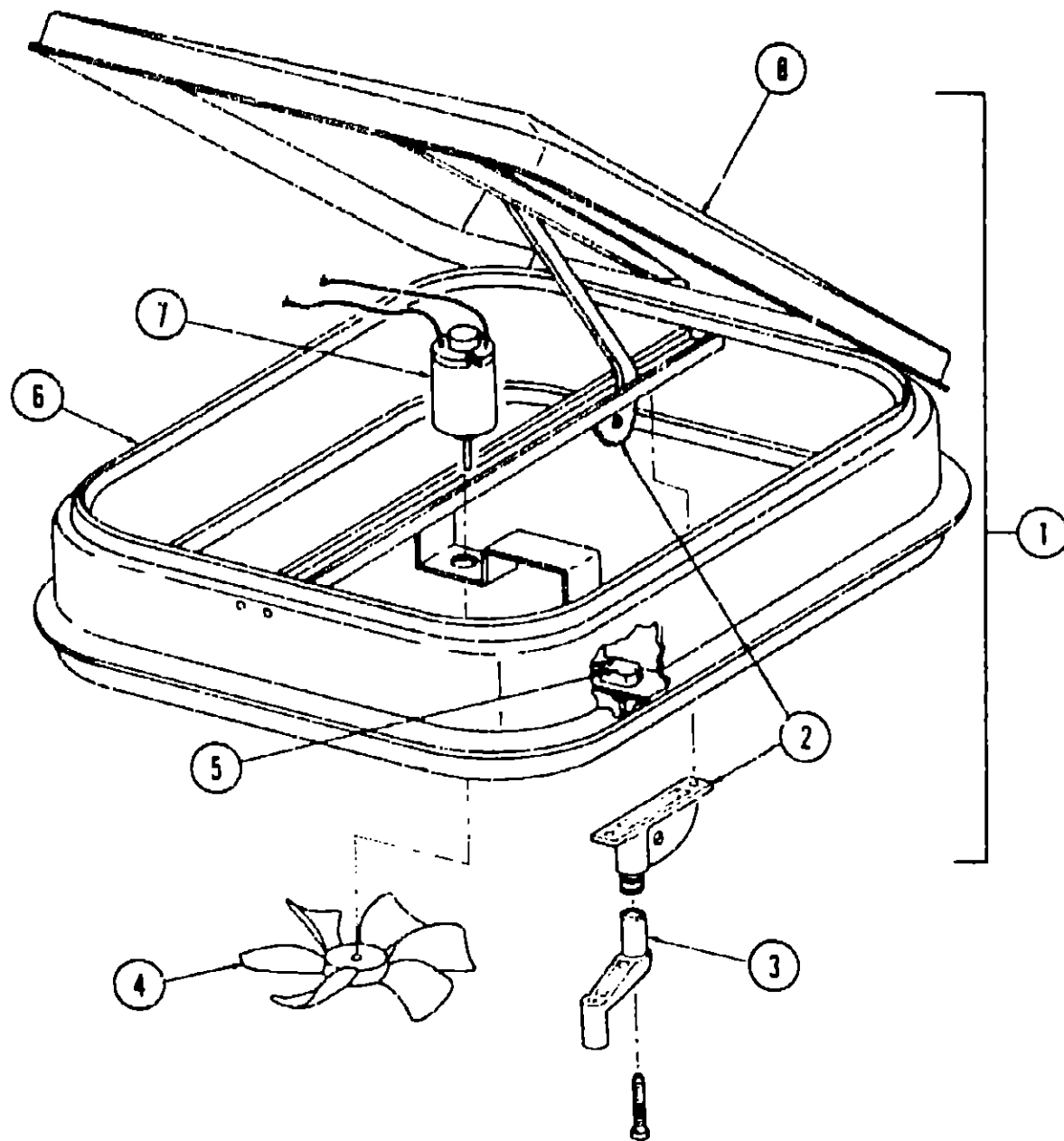
MW25C	A-1 - B-10
MW25CD	B-11 - C-18
MW20RG	C-19 - D-24
MW23RB	E-1 - F-8
MW23RD	F-9 - G-16
D23C	G-17 - I-6
D26CRB	I-7 - J-20
D26CRK	J-21 - L-10

**1976 MW25CD
INDEX**

Floor Plan	B-11 - B-12
Accessories Group	B-13
Bath Group	B-14 - B-15
Chassis Group	B-16
Curtain, Cushion & Pad Group	B-17 - B-18
Dinette Group	B-19
Driver's Compartment Group	B-20
Electrical Group	B-21 - B-22
Exterior Body Group	B-23 - B-24
	C-1 - C-2
Galley Group	C-3
Heating & Air Conditioning Group	C-4
Interior Finish Group	C-5 - C-6
LP Group	C-7
Lounge Group	C-7
Water & Sewage Group	C-8
Window, Vent & Exterior Door Group	C-9 - C-18

WINDOW, VENT AND EXTERIOR DOOR GROUP (CONTINUED)

WINDOW, VENT AND EXTERIOR DOOR GROUP (CONTINUED)



Key	Part Number	U/M	Description
1	048789-01-000	EA	Vent Asm. - Roof - Powered - w/o Screen
2	009440-01-000	EA	Gear - Arm - Roof Vent
3	009439-01-000	EA	Crank - Roof Vent
4	048649-01-000	EA	Fan - Blade - 6" Plastic
5	008195-01-000	EA	Switch - Push Button - 12 Volt
6	002825-01-000	FT	Weatherstrip - Roof Vent
7	048648-01-000	EA	Motor - 12 Volt
8	046825-01-000	EA	Cover - Plastic - Roof Vent
*	048695-01-000	EA	Screen Asm. - Powered Roof Vent - Clear Anod. (not included in assembly)
*	048695-03-000	EA	Screen Asm. - Powered Roof Vent - Beige (not included in assembly)
*	Not Illustrated		

Key	Part Number	U/M	Description
	009407-01-000	EA	Framo - Base - Refrigerator Vent (w/o Cover)
	039778-01-000	EA	Cover - Vent - Refrigerator - Plastic
	049352-02-000	EA	Vent - Stove Hood - Outside - Beige
	049352-01-000	EA	Vent - Stove Hood - Outside - Off White

ACCESS DOORS

Key	Part Number	U/M	Description
	044210-02-000	EA	Door Asm. - 6" x 10" - Beige Plastic - Power Cord w/Plastic Latch
	043942-01-000	EA	Latch - Quarter Turn - Plastic (Power Cord Door)
	037804-15-000	EA	Door Asm. - Battery - Beige - w/Twist Type Lock
	037433-07-000	EA	Door Asm. - Generator - Beige - w/Twist Type Lock
	037804-13-000	EA	Door Asm. - Luggage - Beige - w/Key Type Lock
	039884-01-000	EA	Kit - Twist Type Lock w/Clip
	047305-01-000	EA	Kit - Key Type Lock w/Clip
	016945-02-000	EA	Holder Asm. - Battery and Luggage Door (Holds door open)
	003182-02-000	EA	Door Asm. - Water Heater Access - Beige

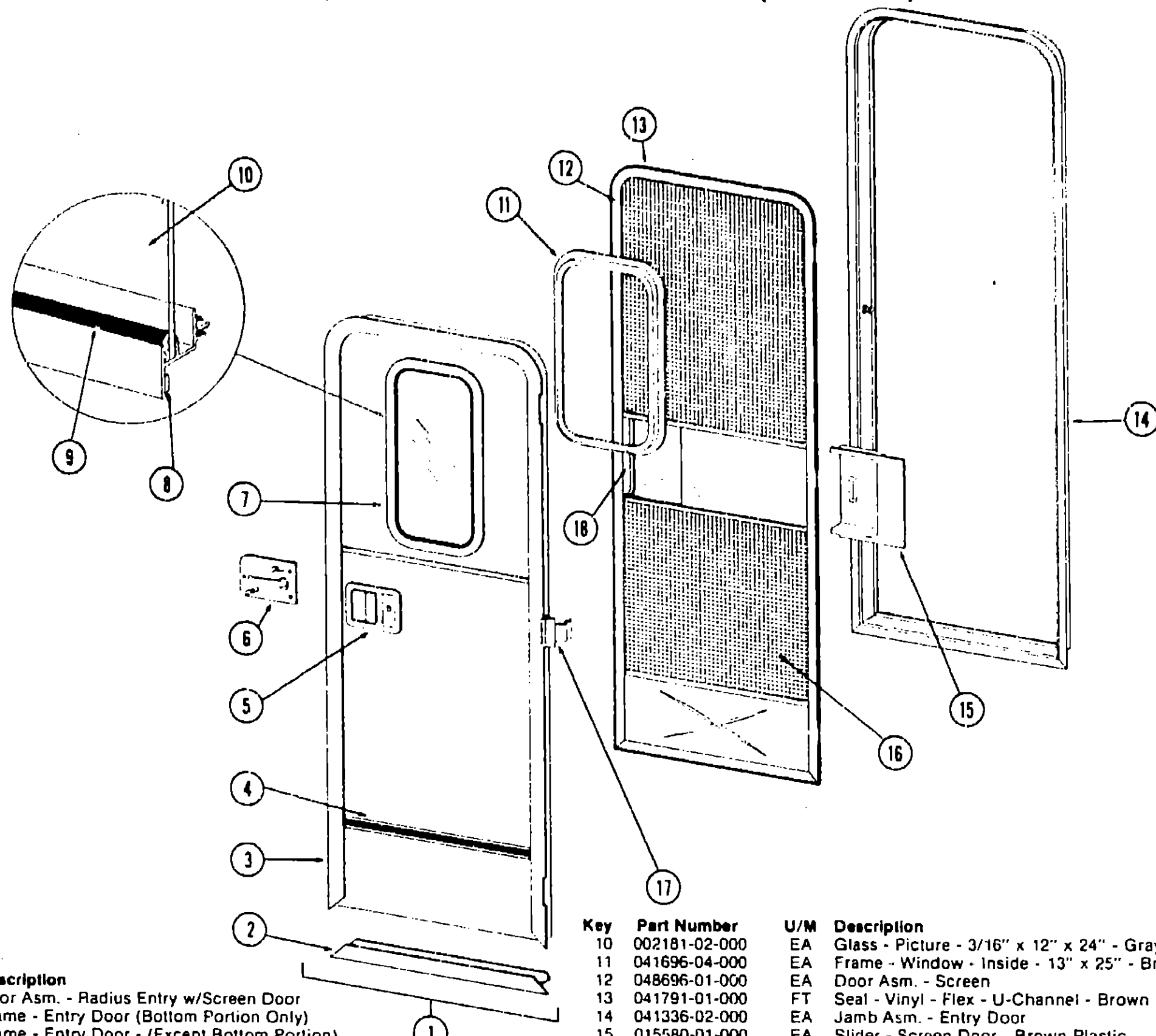
**1976 WINNEBAGO
TABLE OF CONTENTS**

MW25C	A-1 - B-70
MW25CD	B-11 - C-18
MW20RG	C-19 - D-24
MW23RB	E-1 - F-8
MW23RD	F-9 - G-16
D23C	G-17 - I-6
D26CRB	I-7 - J-20
D26CRK	J-21 - L-10

**1976 MW25CD
INDEX**

Floor Plan	B-11 - B-12
Accessories Group	B-13
Bath Group	B-14 - B-15
Chassis Group	B-16
Curtain, Cushion & Pad Group	B-17 - B-18
Dinette Group	B-19
Driver's Compartment Group	B-20
Electrical Group	B-21 - B-22
Exterior Body Group	B-23 - B-24
	C-1 - C-2
Galley Group	C-3
Heating & Air Conditioning Group	C-4
Interior Finish Group	C-5 - C-6
LP Group	C-7
Lounge Group	C-7
Water & Sewage Group	C-8
Window, Vent & Exterior Door Group	C-9 - C-18

WINDOW, VENT AND EXTERIOR DOOR GROUP (CONTINUED)



Key	Part Number	U/M	Description
1	039751-09-000	EA	Door Asm. - Radius Entry w/Screen Door
2	039737-01-000	EA	Frame - Entry Door (Bottom Portion Only)
3	039736-01-000	EA	Frame - Entry Door - (Except Bottom Portion)
4	009101-02-000	EA	Holder - Entry Door - Female (Mounts on Coach)
5	041948-01-000	EA	Kit - Radius Door - Lock - Complete - Atwood
6	039541-01-000	EA	Lock Cylinder w/Keys - Atwood
7	039539-01-000	EA	Striker - Entry Door Lock
8	004363-01-000	FT	Tape - Foam - 3/16" x 1/2" - Gray
9	002309-01-000	FT	Spline - Glass - 1/8" - Gray

Key	Part Number	U/M	Description
10	002181-02-000	EA	Glass - Picture - 3/16" x 12" x 24" - Gray
11	041696-04-000	EA	Frame - Window - Inside - 13" x 25" - Brown
12	048696-01-000	EA	Door Asm. - Screen
13	041791-01-000	FT	Seal - Vinyl - Flex - U-Channel - Brown
14	041336-02-000	EA	Jamb Asm. - Entry Door
15	015580-01-000	EA	Slider - Screen Door - Brown Plastic
16	002293-01-000	SF	Screen - Window - 26" - Gray
17	039520-01-000	EA	Hinge - Entry Door (3 used per door)
18	015581-01-000	EA	Cap - Screen Door - Brown Plastic
	049176-01-000	EA	Hedlok II - 3/4" Diameter - Screw Mount (Retains Screen Door to Entry Door)
	049797-01-000	EA	Hedlok II - 1" Diameter - Screw Mount (Retains Screen Door to Entry Door)
	018019-01-000	EA	Striker - Screen Door
	039863-01-000	EA	Catch Asm. - Single Roller w/Strike - Screen Door
	039740-01-000	FT	Seal - Jamb - Entry Door
	039800-03-000	FT	Tubing - Polybutyl - 3/8" O.D. - Jamb
			Not Illustrated

C-17

**1976 WINNEBAGO
TABLE OF CONTENTS**

MW25C	A-1 - B-10
MW25CD	B-11 - C-18
MW20RG	C-19 - D-24
MW23RB	E-1 - F-8
MW23RD	F-9 - G-16
D23C	G-17 - I-6
D26CRB	I-7 - J-20
D26CHK	J-21 - L-10

**1976 MW25CD
INDEX**

Floor Plan	B-11 - B-12
Accessories Group	B-13
Bath Group	B-14 - B-15
Chassis Group	B-16
Curtain, Cushion & Pad Group	B-17 - B-18
Dinette Group	B-19
Driver's Compartment Group	B-20
Electrical Group	B-21 - B-22
Exterior Body Group	B-23 - B-24
	C-1 - C-2
Galley Group	C-3
Heating & Air Conditioning Group	C-4
Interior Finish Group	C-5 - C-6
LP Group	C-7
Lounge Group	C-7
Water & Sewage Group	C-8
Window, Vent & Exterior Door Group	C-9 - C-18

C-18