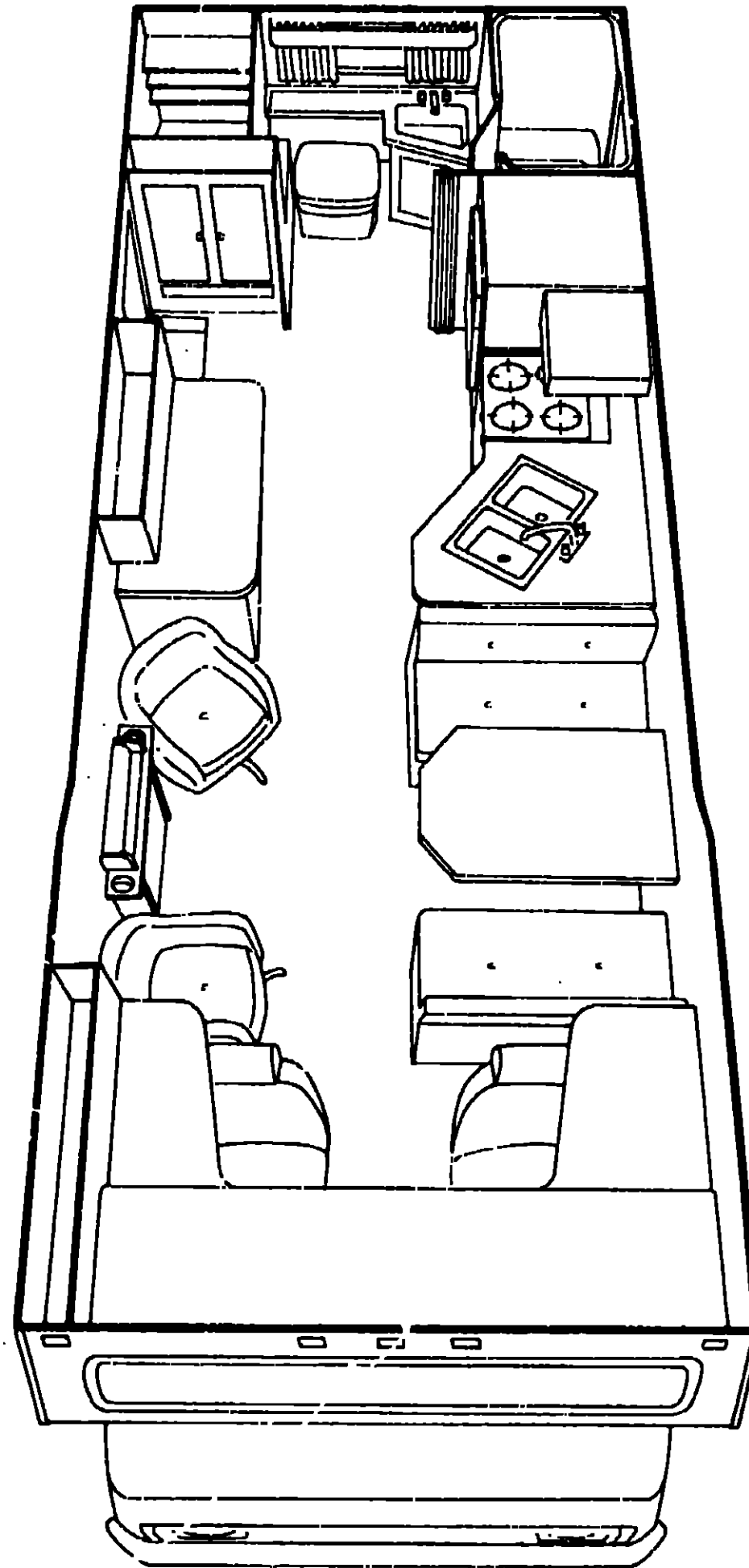


# 1976 MW25C



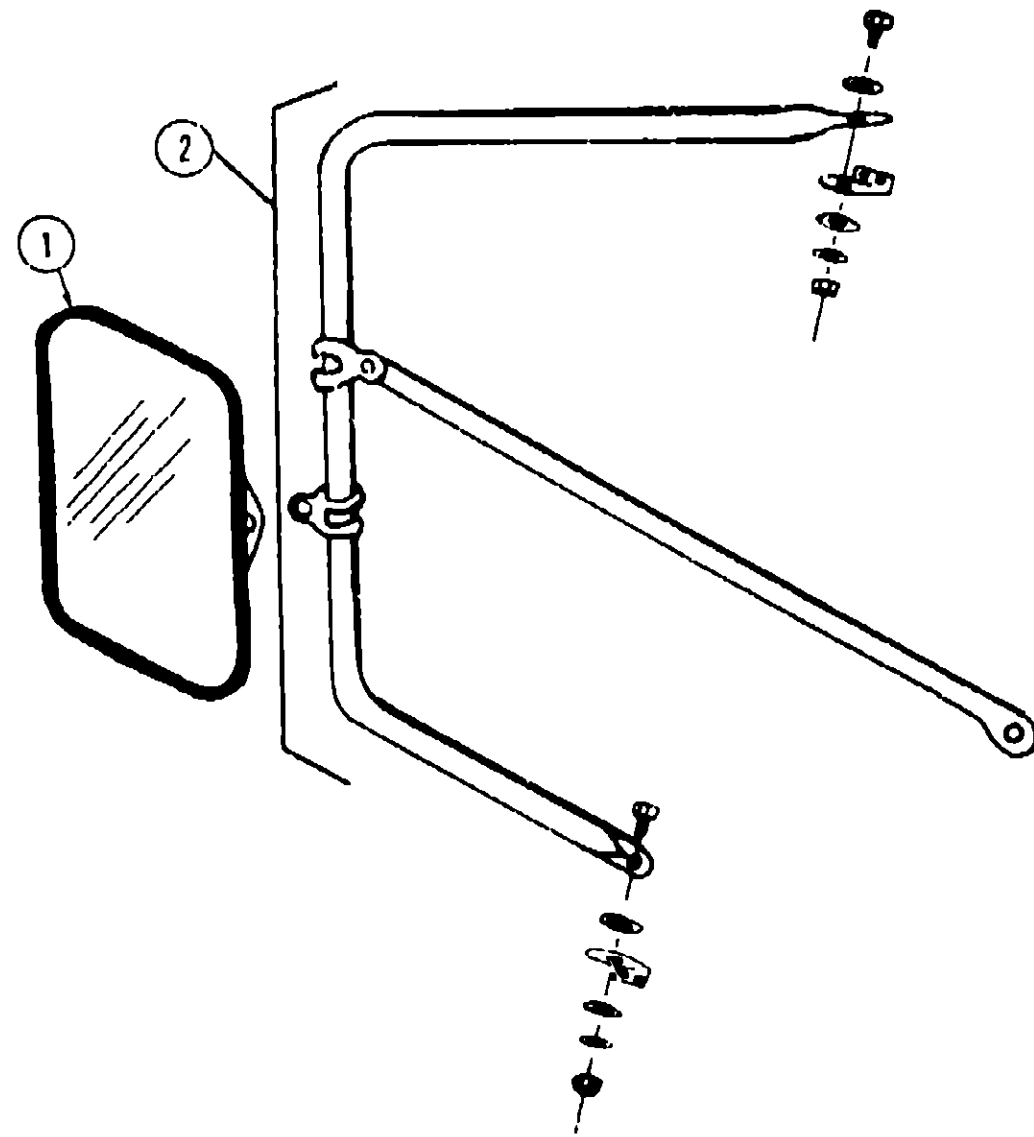
## 1976 WINNEBAGO TABLE OF CONTENTS

MW25C	A-1 - B-10
MW25CD	B-11 - C-18
MW20RG	C-19 - D-24
MW23RB	E-1 - F-8
MW23RD	F-9 - G-16
D23C	G-17 - I-6
D26CRB	I-7 - J-20
D26CRK	J-21 - L-10

## 1976 MW25C INDEX

Floor Plan	A-1 - A-2
Accessories Group	A-3 - A-4
Bath Group	A-5 - A-6
Chassis Group	A-7
Curtain, Cushion & Pad Group	A-8 - A-11
Dinette Group	A-12
Driver's Compartment Group	A-12
Electrical Group	A-13 - A-14
Exterior Body Group	A-15 - A-18
Galley Group	A-19
Heating & Air Conditioning Group	A-20
Interior Finish Group	A-21 - A-22
LP Group	A-23
Lounge Group	A-23
Water & Sewage Group	A-24
Window, Vent & Exterior Door Group	B-1 - B-10

## ACCESSORIES GROUP



Key	Part Number	U/M	Description
1	049347-01-000	EA	Mirror Head - 7 1/2" x 10 1/2" - Stainless Steel
2	049349-01-000	EA	Arm - West Coast Mirror

## ACCESSORIES GROUP (CONTINUED)

### RADIOS AND RELATED ACCESSORIES

Key	Part Number	U/M	Description
	049730-01-000	EA	Radio - AM w/Fader Switch - Clarion
	049731-01-000	EA	Radio - AM/FM w/Fader Switch - Clarion
	049732-01-000	EA	Radio AM/FM/MPX/8-Track w/Fader Switch - Clarion
	007004-01-000	EA	Antenna - Radio - Cab Mount
	039879-01-000	EA	Speaker Kit - 5 1/4" Dia. w/Black Padded Grille

### SPEED CONTROL

Key	Part Number	U/M	Description
	042713-01-000	EA	Speed Control Pkg. - 350 Chevrolet C-Body
	007255-01-700	EA	Regulator Asm.
	047841-01-701	EA	Servo Asm.
	007255-01-702	EA	Engage Switch - Clamp On
	007298-01-702	EA	Harness Asm.
	007298-01-700	EA	Transmission Cable Asm. 22"
	007255-01-704	EA	Switch Asm. - Decelerate
	024746-01-700	EA	Relay - Speed Control

### GENERATORS AND INSTALLATION KITS

Key	Part Number	U/M	Description
	007061-01-000	EA	Generator - Onan - 4000 Watt CCK - w/Mounting Bolts and Rubber Feet
	007059-01-000	EA	Generator - Onan - 2500 Watt LK - w/Mounting Bolts and Rubber Feet
	044066-01-000	EA	Generator - Onan - 4000 Watt BF - w/Mounting Bolts and Rubber Feet
	039237-01-000	EA	Kit - 2500, 4000, 5000, Onan Installation w/o Bolt Package and Rubber Feet
	007290-01-000	EA	Tailpipe - Generator Exhaust - 1.62" x 17"
	007131-01-000	EA	Hanger - Tailpipe
	024732-01-004	EA	Steel Tubing - 1.5" O.D. - 18 Gauge x 34"
	007292-01-000	EA	Muffler - Generator
	007125-07-000	EA	Clamp Asm. - Muffler - 2.50" Dia.
	007125-01-000	EA	Clamp Asm. - Muffler - 1.62" Dia.
	007125-03-000	EA	Clamp Asm. - Muffler - 1.50" Dia.
	042865-01-000	EA	Scoop - Generator - Air
	007067-01-000	SF	Insulation - Fiberglass - 1"
	045226-01-000	EA	Tray - Sliding - Generator
	007059-02-000	EA	Bolt Package
	007059-03-000	EA	Foot - Rubber - Generator Mounting
	031035-01-000	EA	Gauge - Hourmeter
	024976-01-000	EA	Switch - Generator - w/o Circuit Board
	037387-01-000	EA	Switch - Generator - w/Circuit Board
	047933-01-000	EA	Muffler - Generator - 4 1/4" x 19.6" (4000 BF)
	046953-01-000	EA	Hanger - Tailpipe

### MISCELLANEOUS ACCESSORIES

Key	Part Number	U/M	Description
	006113-01-000	EA	Jack - Hydraulic w/Handle
	041944-01-700	EA	Fire Extinguisher - w/Bracket - Dry Chemical
	031396-03-000	EA	Cover - Wheel - 16.5" Chrome
	041440-01-000	EA	Ladder Asm. - w/ Luggage Rack
	041440-02-000	EA	Ladder Only For Luggage Rack
	006053-01-000	EA	Antenna Asm. - Braund Delux - TV
	006093-01-000	EA	Jack - TV - Brown
	017516-01-000	EA	Mudflap
	034410-12-000	EA	Tire Cover - No W - 32"

## 1976 WINNEBAGO TABLE OF CONTENTS

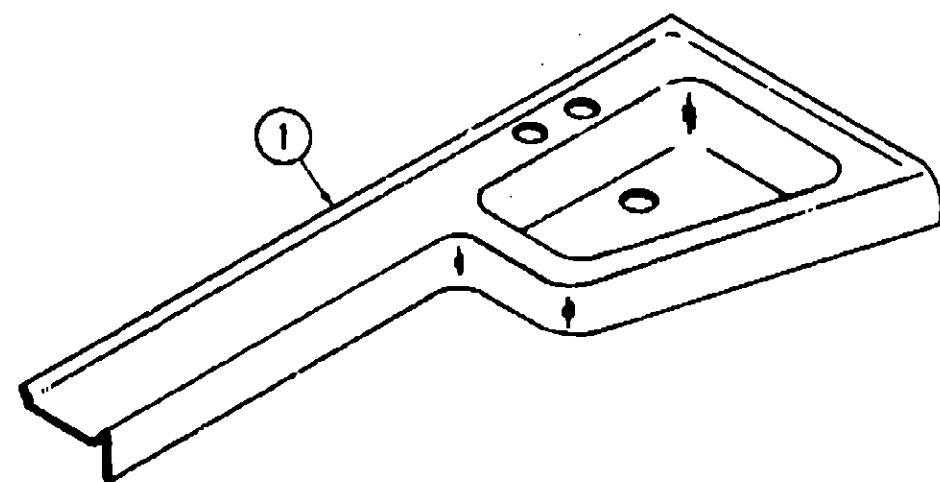
MW25C	A-1 - B-10
MW25CD	B-11 - C-18
MW20RG	C-19 - D-24
MW23RB	E-1 - F-8
MW23RD	F-9 - G-16
D23C	G-17 - I-6
D26CRB	I-7 - J-20
D26CRK	J-21 - L-10

## 1976 MW25C INDEX

Floor Plan	A-1 - A-2
Accessories Group	A-3 - A-4
Bath Group	A-5 - A-6
Chassis Group	A-7
Curtain, Cushion & Pad Group	A-8 - A-11
Dinette Group	A-12
Driver's Compartment Group	A-12
Electrical Group	A-13 - A-14
Exterior Body Group	A-15 - A-18
Galley Group	A-19
Heating & Air Conditioning Group	A-20
Interior Finish Group	A-21 - A-22
LP Group	A-23
Lounge Group	A-23
Water & Sewage Group	A-24
Window, Vent & Exterior Door Group	B-1 - B-10

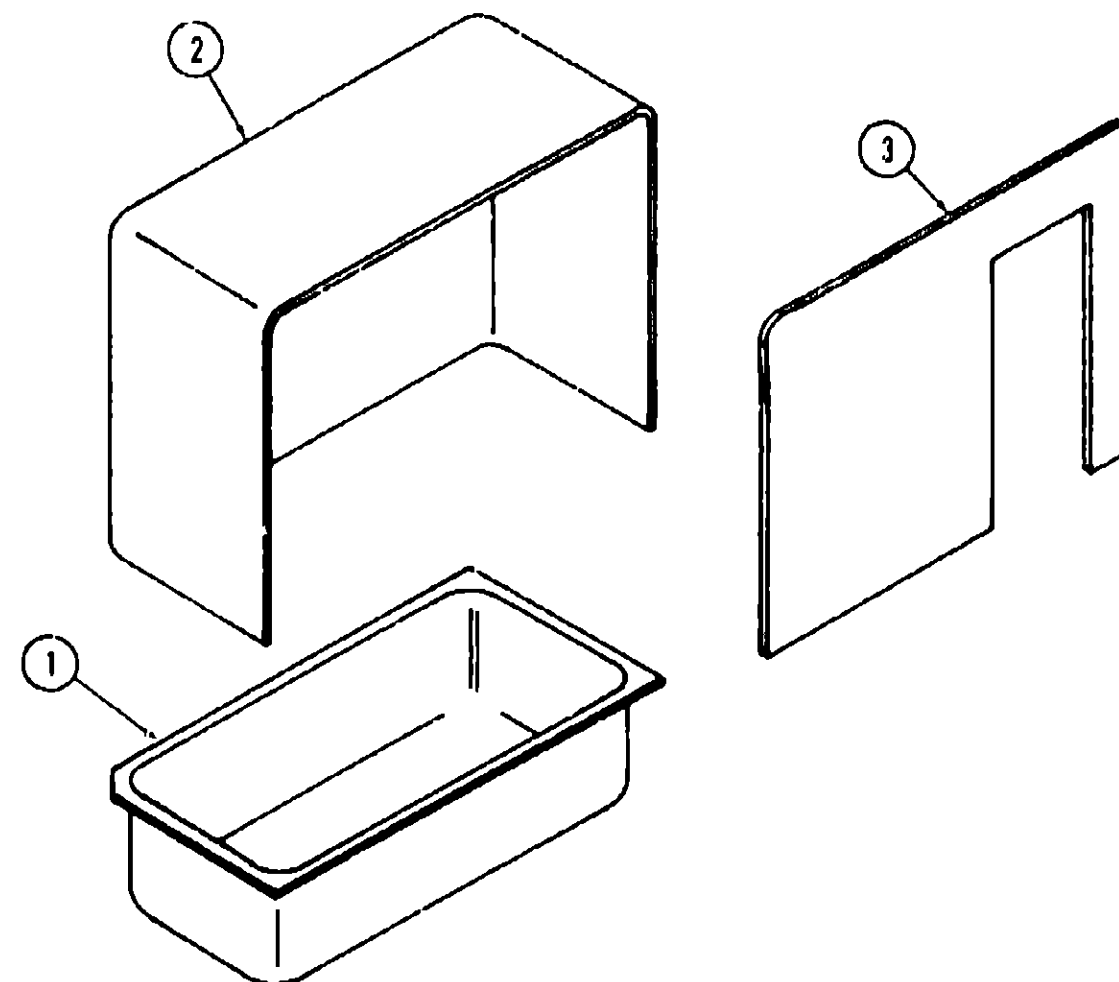
## BATH GROUP

Key	Part Number	U/M	Description
	009133-01-000	EA	Bar - Towel Rack - 12" - Plastic
	009134-01-000	EA	Holder - Tissue
	023449-01-000	EA	Support - Towel Rack - Chrome
	033580-01-000	EA	Ring - Towel - Chrome w/Plastic Ring
	042488-01-000	EA	Door - Folding - 31.2" x 77 1/8" - Walnut
	011056-01-000	EA	Faucet - Lavatory US
	011083-01-000	EA	Plug - 1 1/4" x 5" w/Chain and Stop
	009112-01-000	EA	Flange - 1" - Rod Chrome
	009151-01-000	EA	Ward Guard - 48"
	011048-01-000	EA	Shower Head - w/60" Hose
	011070-01-000	EA	Tailpiece - 1 1/4" x 6" - Brass
	011086-01-000	EA	Strainer - Shower Pan
	031558-01-000	EA	Faucet Tub and Shower
	034689-03-000	EA	Cover - Screw PPH 10 - Ivory
	050739-01-000	EA	Door Asm. - Shower
	043566-01-000	EA	Jamb - Shower Door - Bottom
	043567-01-000	EA	Jamb - Shower Door - Right
	043567-02-000	EA	Jamb - Shower Door - Left
	050470-01-000	FA	Plastic - Styrene - .090" x 15 3/8" x 51 5/8"
	041945-02-000	EA	Cabinet Asm. - Vanity w/o Door or Hardware
	045849-10-700	EA	Door Asm. - 15 3/4" x 26 1/4" - Vanity w/o Hardware
	045422-01-000	EA	Cabinet Asm. - Medicine w/o Door or Hardware
	045992-01-000	EA	Door Asm. - 37.5" x 12.5" - Medicine Cabinet w/o Hardware
	045383-01-000	EA	Cabinet Asm. - Wardrobe - Rear - w/o Door or Hardware
	045849-01-700	EA	Door Asm. - Rear Wardrobe w/o Hardware - 14 1/2" x 54"



Key	Part Number	U/M	Description
1	042175-01-000	EA	Lavatory Top - Ivory Plastic w/o Hardware

## BATH GROUP (CONTINUED)



Key	Part Number	U/M	Description
1	041826-01-000	EA	Bathtub - Bottom
2	041853-01-000	EA	Bathtub - Rear
3	041852-01-000	EA	Bathtub - Front

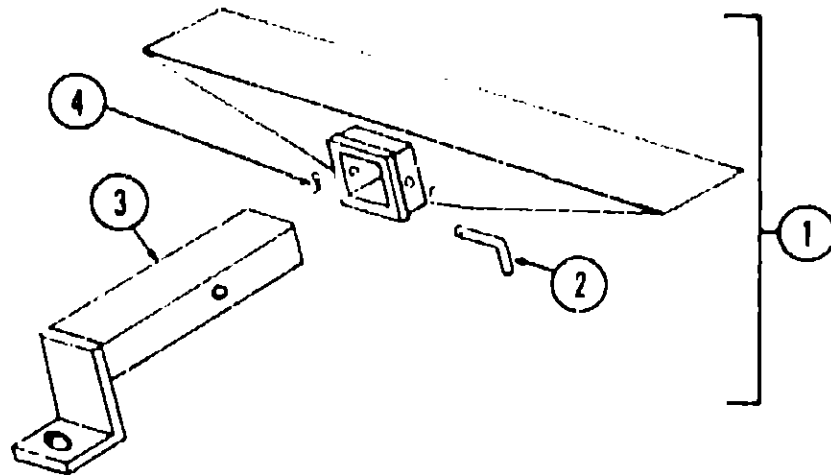
## 1976 WINNEBAGO TABLE OF CONTENTS

MW25C	A-1 - B-10
MW25CD	B-11 - C-18
MW20RG	C-19 - D-24
MW23RB	E-1 - F-8
MW23RD	F-9 - G-16
D23C	G-17 - I-6
D26CRB	I-7 - J-20
D26CRK	J-21 - L-10

## 1976 MW25C INDEX

Floor Plan	A-1 - A-2
Accessories Group	A-3 - A-4
Bath Group	A-5 - A-6
Chassis Group	A-7
Curtain, Cushion & Pad Group	A-8 - A-11
Dinette Group	A-12
Driver's Compartment Group	A-12
Electrical Group	A-13 - A-14
Exterior Body Group	A-15 - A-18
Galley Group	A-19
Heating & Air Conditioning Group	A-20
Interior Finish Group	A-21 - A-22
LP Group	A-23
Lounge Group	A-23
Water & Sewage Group	A-24
Window, Vent & Exterior Door Group	B-1 - B-10

## CHASSIS GROUP



Key	Part Number	U/M	Description
1	023695-01-700	EA	Hitch Kit - w/Drawbar
2	034512-01-000	EA	Pin - Locking - Drawbar
3	024876-01-700	EA	Drawbar - Trailer Hitch - Primed
4	034513-01-000	EA	Pin - Hitch - 3/16" Wire Spring

Key	Part Number	U/M	Description
	024652-01-700	EA	Step Asm. - Entry Door
	046742-01-000	EA	Step Asm. - Assist Front Door
	045000-03-000	EA	Shield - Heat 40.00
	048594-01-000	EA	Tray Battery Steel
	048682-01-000	EA	Rod - Battery Tie Down
	048592-01-000	EA	Hold Down Double Battery
	039615-01-000	EA	Rod - Holding Hood
	046746-01-000	EA	Support Asm. - Radiator Grille
	044763-01-000	EA	Splash Guard - Front Black Rubber
	017516-01-000	EA	Mud Flap - Black
	044163-01-000	EA	Bracket Fiberglass to Wheel Well
	044164-01-000	EA	Bracket Fiberglass to Hinge Pillar
	044371-01-000	EA	Bracket Fiberglass Front Bottom Attach
	044373-01-000	EA	Bracket Fiberglass Front Top Attach
	041723-01-000	EA	Bracket - Hood - Center Bumper
	045683-01-000	EA	Pivot - Hood
	040848-01-000	EA	Bumper - Hood
	007125-08-000	EA	Clamp Asm. Muffler 3" Dia.
	042377-01-000	EA	Tail Pipe Extension 3" O.D. 7.50" Long
	040634-02-000	EA	Carrier - Spare Tire
	046043-06-000	EA	Bracket - Asm. - Bumper
	046785-01-000	EA	Bumper - Rear Chrome 93"
	045226-01-000	EA	Tray Generator 36.25" x 37.75"
	039649-01-000	EA	Wheel Well Rear Plastic Left or Right
	021598-01-000	EA	Bumper - Center Section - Rear Chrome
	007265-01-000	EA	Bumper - Outer Section - Rear Chrome

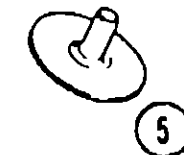
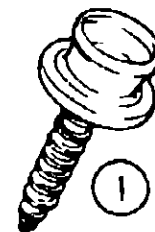
## CURTAIN, CUSHION AND PAD GROUP

### CURTAINS

Key	Part Number	U/M	Description
	039928-75-000	EA	Curtain - w/Snap - 33" x 37" - Rust
	039928-76-000	EA	Curtain - w/Snap - 33" x 37" - Gold
	039928-77-000	EA	Curtain - w/Snap - 33" x 37" - Beige
	039928-81-000	EA	Curtain - w/Snap - 25" x 22" - Rust
	039928-82-000	EA	Curtain - w/Snap - 25" x 22" - Gold
	039928-83-000	EA	Curtain - w/Snap - 25" x 22" - Beige
	039928-47-000	EA	Curtain - w/Snap - 20.5" x 21" - Rust
	039928-48-000	EA	Curtain - w/Snap - 20.5" x 21" - Gold
	039928-49-000	EA	Curtain - w/Snap - 20.5" x 21" - Beige
	043121-30-000	EA	Curtain - w/Snap Top - 27" x 45" - Right - Rust
	043121-31-000	EA	Curtain - w/Snap Top - 27" x 45" - Right - Gold
	043121-32-000	EA	Curtain - w/Snap Top - 27" x 45" - Right - Beige
	043122-30-000	EA	Curtain - w/Snap Top - 27" x 45" - Left - Rust
	043122-31-000	EA	Curtain - w/Snap Top - 27" x 45" - Left - Gold
	043122-32-000	EA	Curtain - w/Snap Top - 27" x 45" - Left - Beige
	043120-72-000	EA	Curtain - w/Snap Top - 15" x 37" - Rust
	043120-73-000	EA	Curtain - w/Snap Top - 15" x 37" - Gold
	043120-74-000	EA	Curtain - w/Snap Top - 15" x 37" - Beige
	039928-78-000	EA	Curtain - w/Snap - 17" x 54" - Rust
	039928-79-000	EA	Curtain - w/Snap - 17" x 54" - Gold
	039928-80-000	EA	Curtain - w/Snap - 17" x 54" - Beige
	033311-16-000	EA	Curtain - Blackout - 42" x 96" - Brown

### CURTAIN HARDWARE

Key	Part Number	U/M	Description
	009107-01-000	EA	Guide - Nylon Snap
	052327-04-236	EA	Track - Curtain - Brown - Alum. - 89"
	009224-01-000	EA	Rod - Curtain - Flat Extension - 28" - 48"
	009223-02-000	EA	Rod - Curtain - Flat Extension - 48" x 84"
	042439-01-000	EA	Bracket - Curtain Rod - Single
	029100-01-000	EA	Hook - Pin - Curtain
	009701-01-000	EA	Carrier - Curtain - "L" Rod
	009702-01-000	EA	End Stop - Curtain - "L" Rod
	018031-42-000	EA	Track - Curtain - "L" Rod - 90" - Alum.



Key	Part Number	U/M	Description
1	029130-01-000	EA	Socket - Snap Fastener
2	029155-01-000	EA	Cap - Snap - .156" Diameter x .17" Barrel
3	029156-01-000	EA	Socket - Snap Fastener
4	029092-01-000	EA	Stud - Nickel Finish
5	029093-01-000	EA	Eyelet - Nickel Finish

## 1976 WINNEBAGO TABLE OF CONTENTS

MW25C	A-1 - B-10
MW25CD	B-11 - C-18
MW20RG	C-19 - D-24
MW23RR	E-1 - F-8
MW23RD	F-9 - G-16
D23C	G-17 - I-6
D26CRB	I-7 - J-20
D26CRK	J-21 - L-10

## 1976 MW25C INDEX

Floor Plan	A-1 - A-2
Accessories Group	A-3 - A-4
Bath Group	A-5 - A-6
Chassis Group	A-7
Curtain, Cushion & Pad Group	A-8 - A-11
Dinette Group	A-12
Driver's Compartment Group	A-12
Electrical Group	A-13 - A-14
Exterior Body Group	A-15 - A-18
Galley Group	A-19
Heating & Air Conditioning Group	A-20
Interior Finish Group	A-21 - A-22
LP Group	A-23
Lounge Group	A-23
Water & Sewage Group	A-24
Window, Vent & Exterior Door Group	B-1 - B-10

**CURTAIN, CUSHION AND PAD GROUP (CONTINUED)**

**VALANCES AND TIE BACKS**

Key	Part Number	U/M	Description
	041909-14-000	EA	Valance - w/Header - 5.5" x 52" - Rust
	041909-45-000	EA	Valance - w/Header - 5.5" x 52" - Gold
	041909-46-000	EA	Valance - w/Header - 5.5" x 52" - Beige
	041909-47-000	EA	Valance - w/Header - 5.5" x 83" - Rust
	041909-48-000	EA	Valance - w/Header - 5.5" x 83" - Gold
	041909-49-000	EA	Valance - w/Header - 5.5" x 83" - Beige
	031843-60-000	EA	Tie Back - Curtain - 17" - Rust
	031843-61-000	EA	Tie Back - Curtain - 17" - Gold
	031843-62-000	EA	Tie Back - Curtain - 17" - Beige

**DINETTE CUSHIONS**

Key	Part Number	U/M	Description
	041910-55-000	EA	Cushion - Waterfall - Dinette Bottom - 5" x 22.5" x 38" - Rust
	041910-56-000	EA	Cushion - Waterfall - Dinette Bottom - 5" x 22.5" x 38" - Gold
	041910-57-000	EA	Cushion - Waterfall - Dinette Bottom - 5" x 22.5" x 38" - Beige
	041910-55-055	EA	Cover - Cushion - Waterfall - Dinette Bottom - 5" x 22.5" x 38" - Rust
	041910-56-056	EA	Cover - Cushion - Waterfall - Dinette Bottom - 5" x 22.5" x 38" - Gold
	041910-57-057	EA	Cover - Cushion - Waterfall - Dinette Bottom - 5" x 22.5" x 38" - Beige
	041910-58-000	EA	Cushion - Waterfall - Dinette Back - 5" x 14" x 38" - Rust
	041910-59-000	EA	Cushion - Waterfall - Dinette Back - 5" x 14" x 38" - Gold
	041910-60-000	EA	Cushion - Waterfall - Dinette Back - 5" x 14" x 38" - Beige
	041910-58-058	EA	Cover - Cushion - Waterfall - Dinette Back - 5" x 14" x 38" - Rust
	041910-59-059	EA	Cover - Cushion - Waterfall - Dinette Back - 5" x 14" x 38" - Gold
	041910-60-060	EA	Cover - Cushion - Waterfall - Dinette Back - 5" x 14" x 38" - Beige

**LOUNGE CUSHIONS**

Key	Part Number	U/M	Description
	041910-61-000	EA	Cushion - Waterfall - Gaucho - 5" x 28" x 75" - Rust
	041910-62-000	EA	Cushion - Waterfall - Gaucho - 5" x 28" x 75" - Gold
	041910-63-000	EA	Cushion - Waterfall - Gaucho - 5" x 28" x 75" - Beige
	041910-61-061	EA	Cover - Cushion - Waterfall - Gaucho - 5" x 28" x 75" - Rust
	041910-62-062	EA	Cover - Cushion - Waterfall - Gaucho - 5" x 28" x 75" - Gold
	041910-63-063	EA	Cover - Cushion - Waterfall - Gaucho - 5" x 28" x 75" - Beige
	041913-30-000	EA	Cushion - Bolster - 5" x 6" x 14" x 37" - Rust
	041913-31-000	EA	Cushion - Bolster - 5" x 6" x 14" x 37" - Gold
	041913-32-000	EA	Cushion - Bolster - 5" x 6" x 14" x 37" - Beige
	041913-30-030	EA	Cover - Cushion - Bolster - 5" x 6" x 14" x 37" - Rust
	041913-31-031	EA	Cover - Cushion - Bolster - 5" x 6" x 14" x 37" - Gold
	041913-32-032	EA	Cover - Cushion - Bolster - 5" x 6" x 14" x 37" - Beige

**CURTAIN, CUSHION AND PAD GROUP (CONTINUED)**

**SWIVEL SEATS**

Key	Part Number	U/M	Description
	042986-11-000	EA	Chair - Swivel - Lounge - Rust
	042986-12-000	EA	Chair - Swivel - Lounge - Gold
	042986-13-000	EA	Chair - Swivel - Lounge - Beige
	042987-11-000	EA	Cushion - Swivel Chair - Lounge - Rust
	042987-12-000	EA	Cushion - Swivel Chair - Lounge - Gold
	042987-13-000	EA	Cushion - Swivel Chair - Lounge - Beige
	035036-01-000	EA	Plate - Tilt and Swivel Chair - (Mounts to Bottom of Chair)
	035036-02-000	EA	Base - Tilt and Swivel Chair - w/Holes in Legs

**MATTRESSES**

Key	Part Number	U/M	Description
	046475-04-000	EA	Mattress - 4" x 27" x 80" - Rust
	046475-05-000	EA	Mattress - 4" x 27" x 80" - Gold
	046475-06-000	EA	Mattress - 4" x 27" x 80" - Beige
	046475-04-004	EA	Cover - Mattress - 4" x 27" x 80" - Rust
	046475-05-005	EA	Cover - Mattress - 4" x 27" x 80" - Gold
	046475-06-006	EA	Cover - Mattress - 4" x 27" x 80" - Beige
	047378-01-000	EA	Cushion - Mattress - 5" x 24.5" x 80" - Rust
	047378-02-000	EA	Cushion - Mattress - 5" x 24.5" x 80" - Gold
	047378-03-000	EA	Cushion - Mattress - 5" x 24.5" x 80" - Beige
	047378-01-001	EA	Cover - Cushion - Mattress - 5" x 24.5" x 80" - Rust
	047378-02-002	EA	Cover - Cushion - Mattress - 5" x 24.5" x 80" - Gold
	047378-03-003	EA	Cover - Cushion - Mattress - 5" x 24.5" x 80" - Beige

**BUCKET SEATS, ARMRESTS AND HEADRESTS**

Key	Part Number	U/M	Description
	040516-20-000	EA	Seat Asm. - Single Bucket - w/Slide - Rust
	040516-21-000	EA	Seat Asm. - Single Bucket - w/Slide - Gold
	040516-22-000	EA	Seat Asm. - Single Bucket - w/Slide - Beige
	040516-20-001	EA	Cover - Single Bucket - Bottom - Rust
	040516-21-001	EA	Cover - Single Bucket - Bottom - Gold
	040516-22-001	EA	Cover - Single Bucket - Bottom - Beige
	040516-20-002	EA	Cover - Single Bucket - Back - Rust
	040516-21-002	EA	Cover - Single Bucket - Back - Gold
	040516-22-002	EA	Cover - Single Bucket - Back - Beige
	031133-01-000	EA	Protector - Driver Seat - 6" Tan Plastic
	029134-01-000	EA	Clip - Finish - Upholstery (Bucket Seat)
	019722-01-000	EA	Foam - Headrest - Tube Type
	033906-33-000	EA	Cover - Headrest - Rust
	033906-34-000	EA	Cover - Headrest - Gold
	033906-35-000	EA	Cover - Headrest - Beige
	040494-01-000	EA	Foam - Armrest - Right
	040494-02-000	EA	Foam - Armrest - Left
	050280-01-000	EA	Cover - Armrest - Rust
	050280-02-000	EA	Cover - Armrest - Gold
	050280-03-000	EA	Cover - Armrest - Beige

**1976 WINNEBAGO  
TABLE OF CONTENTS**

MW25C	A-1 - B-10
MW25CD	B-11 - C-18
MW20RG	C-19 - D-24
MW23RB	E-1 - F-8
MW23RD	F-9 - G-16
D23C	G-17 - I-6
D26CRB	I-7 - J-20
D26CRK	J-21 - L-10

**1976 MW25C  
INDEX**

Floor Plan	A-1 - A-2
Accessories Group	A-3 - A-4
Bath Group	A-5 - A-6
Chassis Group	A-7
Curtain, Cushion & Pad Group	A-8 - A-11
Dinette Group	A-12
Driver's Compartment Group	A-12
Electrical Group	A-13 - A-14
Exterior Body Group	A-15 - A-18
Galley Group	A-19
Heating & Air Conditioning Group	A-20
Interior Finish Group	A-21 - A-22
LP Group	A-23
Lounge Group	A-23
Water & Sewage Group	A-24
Window, Vent & Exterior Decor Group	B-1 - B-10

**CURTAIN, CUSHION AND PAD GROUP (CONTINUED)**

FABRIC			
Key	Part Number	U/M	Description
	043619-01-000	YD	Fabric - Drapery - Rust
	043619-02-000	YD	Fabric - Drapery - Gold
	043619-03-000	YD	Fabric - Drapery - Beige
	046588-01-000	YD	Fabric - Upholstery - Rust
	046588-02-000	YD	Fabric - Upholstery - Gold
	046588-03-000	YD	Fabric - Upholstery - Beige
	042411-03-000	YD	Vinyl - Non-Support - 16 Gauge - Berkshire Brown
	042411-01-000	YD	Vinyl - Non-Expanded - 27 Ounce - Brown - Bostonian
	042411-02-000	YD	Vinyl - Expanded - 28 Ounce - Brown Bostonian

PADS AND TRIM			
Key	Part Number	U/M	Description
	042414-01-000	FT	Trim - Accent - Brown Bostonian
	043321-02-000	EA	Pad - "A" Pillar - Right
	043322-02-000	EA	Pad - "A" Pillar - Left
	043323-02-000	EA	Pad - Door Top - Right
	043324-02-000	EA	Pad - Door Top - Left
	043325-03-000	EA	Pad - "B" Pillar - Left
	043325-04-000	EA	Pad - "B" Pillar - Right
	043326-02-000	EA	Headliner - Cab
	043327-03-000	EA	Support - Cab/Pillar Asm. - Left
	043327-04-000	EA	Support - Cab/Pillar Asm. - Right
	044207-02-000	EA	Pad - Engine - Cover
	048360-01-000	EA	Pad - Sleeper Board - Left
	048360-02-000	EA	Pad - Sleeper Board - Right

**DINETTE GROUP**

Key	Part Number	U/M	Description
	045377-01-000	EA	Cabinet Asm. - Dinette Seat - Left
	047479-01-000	EA	Cabinet Asm. - Dinette Seat - Right w/o Door or Hardware
	045849-01-700	EA	Door Asm. - Dinette Seat - 10 3/4" x 15 1/2" - w/o Hardware
	047726-01-000	EA	Cabinet Asm. - Dinette Overhead - w/o Door or Hardware
	047155-01-700	EA	Door Asm. - Dinette Overhead - 9" x 21" - w/o Hardware
	024274-25-700	EA	Table Asm. - Dinette Butcher Block - w/o Hardware
	047809-02-000	EA	Hardware Kit - Dinette Table - Wall Mount
	047842-01-000	EA	Kit - Table Leg - Dinette
	007021-01-000	EA	Belt Asm. - Seat - 2" x 90" - Black
	041322-01-000	EA	Washer - Flat - 15/32" I.D. x 2 3/8" O.D.

DRIVER'S COMPARTMENT GROUP			
Key	Part Number	U/M	Description
	041787-01-000	EA	Clip - Speed Cable or Rod
	036414-01-000	EA	Ash Tray
	041318-01-000	EA	Clamp - Asm. - Engine Cover - Upper
	041319-01-000	EA	Catch - Engine Cover - Upper
	041320-01-000	EA	Bracket - Engine Cover/Floor
	041425-01-000	EA	Cover Engine
	048223-01-000	EA	Bracket Motor Cover
	044860-01-000	EA	Mat - Step Well - Rubber Black - Left
	044860-02-000	EA	Mat - Step Well - Rubber Black - Right
	024461-01-000	EA	Switch Battery (Stamped)
	046885-01-000	EA	Plaque - Switch Mounting
	049360-01-000	EA	Console Overhead
	007021-01-000	EA	Belt Asm. Seat 2" x 90" Black
	041322-01-000	EA	Washer - Flat 15/32" I.D. x 2 3/8" O.D. (Seat Belt)
	007222-01-000	EA	Belt Asm. - Seat - 2" x 60" - Black
	039646-09-000	EA	Extension Asm. - Sleeper Board - 75"
	002922-01-011	EA	Extr. - Rail Bunk 10' Piece
	041476-01-000	FT	Track - Slide - PVC Dark Pecan (12')
	048656-01-000	EA	Bracket - Catch - Bunk
	049182-01-000	EA	Hedlok II - 3/4" Dia. Snap In
	049797-01-000	EA	Hedlok II - 1" Dia. Screw Mount
	007221-01-000	EA	Spacer - Seat Adjuster
	007223-01-000	EA	Adjuster Asm. - Seat w/Lock
	007224-02-000	EA	Handle - Seat Adjuster 9"
	007227-01-000	EA	Adjuster - Asm. Seat w/o Lock
	049343-01-000	EA	Pedestal - Complete Swivel Seat
	040697-03-000	EA	Pad - Instrument Panel - Brown
	045205-08-000	EA	Panel - Cab Door - Right - Rust
	045205-09-000	EA	Panel - Cab Door - Right - Gold
	045205-10-000	EA	Panel - Cab Door - Right - Beige
	045206-08-000	EA	Panel - Cab Door - Left - Rust
	045206-09-000	EA	Panel - Cab Door - Left - Gold
	045206-10-000	EA	Panel - Cab Door - Left - Beige

**1976 WINNEBAGO  
TABLE OF CONTENTS**

MW25C	A-1 - B-10
MW25CD	B-11 - C-18
MW20RG	C-19 - D-24
MW23RB	E-1 - F-8
MW23RD	F-9 - G-18
D23C	G-17 - I-8
D26CRB	I-7 - J-20
D26CRK	J-21 - L-10

**1976 MW25C  
INDEX**

Floor Plan	A-1 - A-2
Accessories Group	A-3 - A-4
Bath Group	A-5 - A-6
Chassis Group	A-7
Curtain, Cushion & Pad Group	A-8 - A-11
Dinette Group	A-12
Driver's Compartment Group	A-12
Electrical Group	A-13 - A-14
Exterior Body Group	A-15 - A-18
Galley Group	A-19
Heating & Air Conditioning Group	A-20
Interior Finish Group	A-21 - A-22
LP Group	A-23
Lounge Group	A-23
Water & Sewage Group	A-24
Window, Vent & Exterior Door Group	B-1 - B-10

## ELECTRICAL GROUP

### BULBS

Key	Part Number	U/M	Description
	037935-01-000	EA	Bulb - 1157
	038010-01-000	EA	Bulb - 1143
	008103-01-000	EA	Bulb - 53
	008213-01-000	EA	Bulb - 57
	008214-01-000	EA	Bulb - 67
	008215-01-000	EA	Bulb - 1003
	008216-01-000	EA	Bulb - 1034
	008217-01-000	EA	Bulb - 1073
	008218-01-000	EA	Bulb - 1141
	008219-01-000	EA	Bulb - 656
	008220-01-000	EA	Bulb - 12V - 25W
	036196-01-000	EA	Bulb - 194
	700020-01-000	EA	Bulb - 12V - 20W - 1383

### EXTERIOR LIGHTS

Key	Part Number	U/M	Description
	031054-01-000	EA	Lamp - Tail - Left - White
	031055-01-000	EA	Lamp - Tail - Right - White
	039865-01-000	EA	Clearance Light - Round - Red
	039866-01-000	EA	Clearance Light - Round - Amber
	033748-01-000	EA	Light - Clearance - Oval - Amber
	033748-02-000	EA	Light - Clearance - Oval - Red

### INTERIOR LIGHTS

Key	Part Number	U/M	Description
	024418-01-000	EA	Lamp Asm. - Map/Gauge/Aisle
	024473-01-000	EA	Light - Aircraft - 1 Bulb - Gold
	013508-01-000	EA	Light - Dome - Ivory - 1 Bulb
	024642-01-701	EA	Lens - Dome - Light - 1 Bulb
	033509-01-000	EA	Light - Dome - Ivory - 2 Bulb
	024643-01-701	EA	Lens - Dome Light - 2 Bulb

### FUSES AND CIRCUIT BREAKERS

Key	Part Number	U/M	Description
	008233-01-000	EA	Fuse - 12 Volt - 6 Amp.
	008234-01-000	EA	Fuse - 12 Volt - 10 Amp.
	008235-01-000	EA	Fuse - 12 Volt - 15 Amp.
	008236-01-000	EA	Fuse - 12 Volt - 20 Amp.
	008248-01-000	EA	Fuse - 110 Volt - 30 Amp. - AGU
	008252-01-000	EA	Fuse - 110 Volt - 50 Amp.
	008208-01-000	EA	Circuit Breaker - 12 Volt - 40 Amp.
	008211-01-000	EA	Circuit Breaker - 12 Volt - 6 Amp.
	008268-01-000	EA	Circuit Breaker - 12 Volt - 30 Amp. w/Mount
	033573-01-000	EA	Circuit Breaker - 12 Volt - 20 Amp. w/Mount
	040051-01-000	EA	Circuit Breaker - 110 Volt - 20 Amp. - TOL

## ELECTRICAL GROUP (CONTINUED)

### WIRE, SWITCHES, AND RECEPTACLES

Key	Part Number	U/M	Description
	008024-01-000	FT	Wire - 18.5 Bonded - Orange/White/Yellow/Blue/Brown
	008025-01-000	FT	Wire - 18.5 Bonded - Orange/White/Yellow/Blue/Green
	008028-01-000	FT	Wire - 18.5 Bonded - Blue/Red/Yellow/Orange/White
	008030-01-000	FT	Wire - 18.4 Bonded
	008251-01-000	EA	Holder - Fuse - Black - Screw Type
	008277-01-000	EA	Holder - Fuse - Black - Panel Mount
	008195-01-000	EA	Switch - Push Button - 12 Volt
	006077-01-000	EA	Plaque - Compressor Switch
	008054-01-000	EA	Cord - Power - 10-3 30 Amp. - 25' - UL
	034818-04-000	EA	Holder - Receptacle - Plastic
	039338-01-000	EA	Cover Plate - Receptacle - Plastic - Brown
	039342-01-000	EA	Receptacle - Duplex Brown - T Junction
	024571-01-000	EA	Cover Plate - Receptacle - Jumbo Steel Brown
	039343-01-000	EA	Cap - End - Receptacle
	008162-01-000	EA	Switch - Double Toggle - Spade Brown
	008163-01-000	EA	Switch - Toggle Brown
	008164-01-000	EA	Cover Plate - Switch - Brown
	024924-01-000	EA	Receptacle - Power Cord
	008058-01-000	EA	Adaptor - Power Cord
	047353-01-000	EA	Cover - Receptacle - Ground Fault
	047351-01-000	EA	Receptacle - Ground Fault Interrupter - 125 Volt, Black

### MISCELLANEOUS ELECTRICAL COMPONENTS

Key	Part Number	U/M	Description
	047338-01-000	EA	Isolator - Dual Battery
	047389-01-700	EA	Battery - 12 Volt - 105 Amp. Deep Cycle - Dry
	008188-01-000	EA	Solenoid - Dual Battery - Relay
	046775-01-000	EA	Valve - Gas - Change Over
	039950-02-000	EA	Control Center - 30 Amp. w/Door - UL
	024417-01-000	EA	Panel - Control - Water/Double Sewage - Wemac
	039861-01-000	EA	Sending Unit Kit - Wemac
	024459-01-000	EA	Gauge - Voltmeter
	024462-01-000	EA	Switch - Battery Condition
	031035-01-000	EA	Gauge - Hour Meter - Generator
	024976-01-000	EA	Switch - Generator w/o Circuit Board
	024460-01-000	EA	Gauge - Vacuum

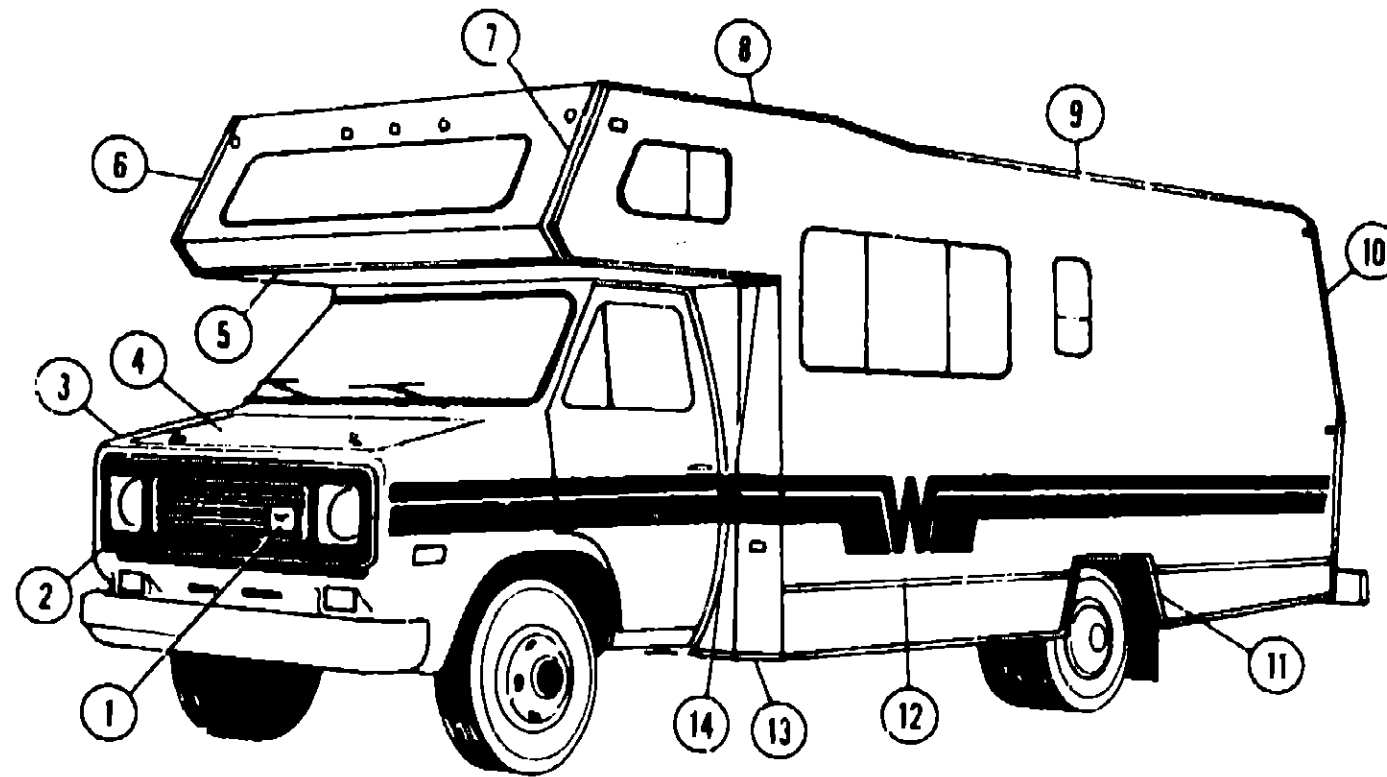
## 1976 WINNEBAGO TABLE OF CONTENTS

MW25C	A-1 - B-10
MW25CD	B-11 - C-18
MW20RG	C-19 - D-24
MW23RB	E-1 - F-8
MW23RD	F-9 - G-16
D23C	G-17 - I-6
D26CRB	I-7 - J-20
D26CRK	J-21 - L-10

## 1976 MW25C INDEX

Floor Plan	A-1 - A-2
Accessories Group	A-3 - A-4
Bath Group	A-5 - A-6
Chassis Group	A-7
Curtain, Cushion & Pad Group	A-8 - A-11
Dinette Group	A-12
Driver's Compartment Group	A-12
Electrical Group	A-13 - A-14
Exterior Body Group	A-15 - A-18
Galley Group	A-19
Heating & Air Conditioning Group	A-20
Interior Finish Group	A-21 - A-22
LP Group	A-23
Lounge Group	A-23
Water & Sewage Group	A-24
Window, Vent & Exterior Door Group	B-1 - B-10

## EXTERIOR BODY GROUP



## 1976 WINNEBAGO TABLE OF CONTENTS

MW25C	A-1 - B-10
MW25CD	B-11 - C-18
MW20RG	C-19 - D-24
MW23RB	E-1 - F-8
MW23RD	F-9 - G-16
D23C	G-17 - I-6
D26CRB	I-7 - J-20
D26CRK	J-21 - L-10

Key	Part Number	U/M	Description
1	031161-01-000	EA	Logo - Flying "W" Grille
2	045282-01-000	EA	Grille - Plastic
3	040843-01-000	EA	Front End Asm. - Fiberglass - Off White - Includes Hood w/o Front Grille
4	040845-01-000	EA	Hood Asm. - Off White
5	039644-01-000	EA	Trim - Sleeper Board - Off White
	039616-01-000	EA	Hinge - Hood (2 used per hood)
	035388-01-000	EA	Hood Pin Kit - 7/16" x 20 x 3.50" Long
	037449-01-000	EA	Well Nut - 10 - 32 x .812" Long
6	039635-02-000	EA	Trim - Contour - Sleeper Section - Right - Off White
7	039635-01-000	EA	Trim - Contour - Sleeper Section - Left - Off White
8	039634-01-000	EA	Trim - Contour - Roof - Left - Off White
	039634-02-000	EA	Trim - Contour - Roof - Right - Off White
9	034922-05-000	EA	Trim - Sidewall/Roof - Upper - Left or Right - Off White

Key	Part Number	U/M	Description
10	039633-01-000	EA	Trim - Contour - Backwall - Left - Off White
	039633-02-000	EA	Trim - Contour - Backwall - Right - Off White
11	039624-01-000	EA	Trim - Wheel Well - Rear - Left or Right
12	002444-02-003	EA	Extr. - Feature Strip - Alum. - 16' w/o Insert
	001030-03-002	EA	Insert - Feature Strip - Burnt Orange - 17'
	009731-01-000	EA	End Cap - Feature Strip
13	043442-01-000	EA	Trim - Wingwall - Bottom - Left
	043442-02-000	EA	Trim - Wingwall - Bottom - Right
14	048610-01-000	EA	Trim - Corner - Wingwall - Left
	048610-02-000	EA	Trim - Corner - Wingwall - Right
	002365-02-001	EA	Extr. - U-Channel - 1" Serrated x 18' Anod.
	039629-01-000	FT	Extr. - Vinyl - Sleeper Joint
	043915-01-000	FT	Extr. - Vinyl - "B" Pillar/Wingwall
			<b>Not Illustrated</b>

## 1976 MW25C INDEX

Flour Plan	A-1 - A-2
Accessories Group	A-3 - A-4
Bath Group	A-5 - A-6
Chassis Group	A-7
Curtain, Cushion & Pad Group	A-8 - A-11
Dinette Group	A-12
Driver's Compartment Group	A-12
Electrical Group	A-13 - A-14
Exterior Body Group	A-15 - A-18
Galley Group	A-19
Heating & Air Conditioning Group	A-20
Interior Finish Group	A-21 - A-22
LP Group	A-23
Lounge Group	A-23
Water & Sewage Group	A-24
Window, Vent & Exterior Door Group	B-1 - B-10



## EXTERIOR BODY GROUP (CONTINUED)

### EXTERIOR PAINT

Key	Part Number	U/M	Description
	041561-01-000	L	Paint - Off White - Acrylic Enamel - 1 Gallon
	041561-03-000	EA	Paint - Off White - Acrylic Enamel - 16 Oz. Aerosol
	041561-04-000	EA	Paint - Off White - Acrylic Lacquer - 1 Gallon
	041563-01-000	EA	Paint - Burnt Orange - Acrylic Enamel - 1 Gallon
	041563-03-000	EA	Paint - Burnt Orange - Acrylic Enamel - 16 Oz. Aerosol
	041565-01-000	EA	Paint - Rally Yellow - Acrylic Enamel - 1 Gallon
	041565-03-000	EA	Paint - Rally Yellow - Acrylic Enamel - 16 Oz. Aerosol

### LABELS AND DECALS

Key	Part Number	U/M	Description
	006023-01-000	EA	Label - Water Only
	006025-01-000	EA	Label - Gas
	006028-01-000	EA	Label - Drain Cap - 2" x 3"
	006031-01-000	EA	Label - Potable Water Only
	006187-01-000	EA	Label - Sewage
	006188-01-000	EA	Label - Waste Water
	006199-01-000	EA	Label - Exit - Escape Window
	031161-01-000	EA	Label - Flying "W"
	038403-01-000	EA	Decal - Logo - Winnebago 2.80" (Front or Rear)
	039288-01-000	EA	Label - Warning Aux. Loading
	006061-01-000	EA	Tag - LP Gas Only
	008092-01-000	EA	Reflector - Stick On - Rectangular - Red
	008093-01-000	EA	Reflector - Stick On - Rectangular - Amber
	039716-01-000	EA	Stencil - "Minnie Winnie" - Left or Right
	006040-01-000	EA	Tag - Gas Refueling Warning

### EXTERIOR BODY PANELS AND SHEET ALUMINUM

Key	Part Number	U/M	Description
	039579-01-000	EA	Board - Sleeper
	045801-01-000	EA	Backwall Asm.
	045800-02-000	EA	Sidewall Asm. - Right
	045799-02-000	EA	Sidewall Asm. - Left
	045802-01-000	EA	Roof Asm.
	045902-01-700	EA	Roof Section - Front - Cab Overhang to First Roof Seam
	039155-03-008	EA	Alum. - Off White - Mesa Design - .024" x 36" x 60"
	039155-03-002	EA	Alum. - Off White - Mesa Design - .024" x 36" x 300"
	039155-03-003	EA	Alum. - Off White - Mesa Design - .024" x 36" x 360"
	039155-03-007	EA	Alum. - Off White - Mesa Design - .024" x 48" x 60"
	039155-03-005	EA	Alum. - Off White - Mesa Design - .024" x 48" x 300"
	039155-03-006	EA	Alum. - Off White - Mesa Design - .024" x 48" x 360"
	039155-03-009	EA	Alum. - Off White - Mesa Design - .024" x 12" x 360"
	044487-01-001	EA	Alum. - Mill Finish - No Design (Roof) - 96" x 360"
	039155-07-010	EA	Alum. - Off White - Greyhound Design 48" x 96"
	001054-01-011	EA	Alum. - Off White - No Design - 48" x 96"

## EXTERIOR BODY GROUP (CONTINUED)

### SEALANTS, ADHESIVES, AND FASTENERS

Key	Part Number	U/M	Description
	034552-05-000	EA	Sealant - Off White Silicone
	034552-04-000	EA	Sealant - Beige Silicone
	034552-02-000	EA	Sealant - Clear Silicone
	004348-02-000	EA	Sealant - Aluminum Silicone
	004349-01-000	EA	Sealant - Black Silicone
	004342-01-000	EA	Sealant - Weatherban 202 Tube
	004346-02-000	EA	Sealant - White Silicone
	004347-01-000	EA	Sealant - Tuflex
	002318-01-000	FT	Tape - Sealer - 3/32" x 1/8"
	024545-01-000	FT	Tape - Sealer - 1/8" x 5/8" - Black
	004350-01-000	FT	Tape - Sealer - 1/8" x 1" - Formaseal
	004352-01-000	FT	Tape - Sealer - 1/8" x 3/4" - Formaseal
	004355-01-000	FT	Tape - Sealer - 1/8" x 5/8" - Black
	004357-01-000	FT	Tape - Sealer - 1/8" x 5/8" - Adhesive
	002707-01-000	FT	Tape - Soaler - 5/16" x 1/2" - Black Foam
	002707-02-000	FT	Tape - Sealer - 5/16" x 3/4" - Black Foam
	041422-01-000	FT	Tape - Sealer - 1/4" x 1/2"
	004363-01-000	FT	Tape - Sealer - 3/16" x 1/2" - Foam
	004362-01-000	FT	Tape - Sealer - 1/8" x 5/8" - Foam
	009200-01-000	EA	Tape - Furnace - 1 1/2"
	041839-01-000	FT	Tape - Window - Latch 3/4" - Adhesive
	041839-02-000	FT	Tape - Window - Latch - 1/2" - Adhesive
	004353-01-000	FT	Tape - Gasket - 1/8" x 3/4" - White
	002825-01-000	FT	Weather Stripping - Roof Vent
	002337-01-000	EA	Adhesive - 3M - 1300 Tube
	004005-01-000	GL	Adhesive - Swifts - Green - Glue (Sidewalls)
	004012-01-000	EA	Adhesive - 3M - 4475 Tube
	004020-01-000	QT	Adhesive - ABS Cement (Plastic Fittings)
	029051-01-000	EA	Adhesive - Spray Vinyl
	042401-02-000	EA	Screw - 8 - 18 x 3/4" SDPH Off White
	042403-02-000	EA	Screw - SF/DR - 8 - 18 x 1" SDPH Off White
	005058-01-000	EA	Screw - Wood - 12 - 11 x 3" P.O.H. Zinc
	041746-01-000	FT	Extr. - Vinyl - Bubble Seal
	021241-01-000	FT	Extr. - Vinyl - White - Wingwall

### MISCELLANEOUS EXTERNALLY MOUNTED PARTS

Key	Part Number	U/M	Description
	016253-06-000	EA	Fuel Fill - Recessed - Single - Off White
	015587-04-000	EA	Fuel Fill - Recessed - Double - Off White
	011124-01-000	EA	Plumbing Seal - Roof Vent - 1 1/4" White
	011129-01-000	EA	Plumbing Seal - Roof Vent - 1 1/2" White
	010230-02-000	EA	Fill - City Water - Recessed - Off White w/Screw Cap
	011020-01-000	EA	Fill - Water - Recessed - Off White
	009126-01-000	EA	Handle - Assist - Metal Exterior
	049347-01-000	EA	Mirror Head - 7 1/2" x 10 1/2" Stainless Steel w/o Bracket
	049349-01-000	EA	Arm - Mirror - Brite Finish
	009101-01-000	EA	Holder - Entry Door - Male
	009101-02-000	EA	Holder - Entry Door - Female

## 1976 WINNEBAGO TABLE OF CONTENTS

MW25C	A-1 - B-10
MW25CD	B-11 - C-18
MW20RG	C-19 - D-24
MW23RB	E-1 - F-8
MW23RD	F-9 - G-16
D23C	G-17 - I-6
D26CRB	I-7 - J-20
D26CRK	J-21 - L-10

## 1976 MW25C INDEX

Floor Plan	A-1 - A-2
Accessories Group	A-3 - A-4
Bath Group	A-5 - A-6
Chassis Group	A-7
Curtain, Cushion & Pad Group	A-8 - A-11
Dinette Group	A-12
Driver's Compartment Group	A-12
Electrical Group	A-13 - A-14
Exterior Body Group	A-15 - A-18
Galley Group	A-19
Heating & Air Conditioning Group	A-20
Interior Finish Group	A-21 - A-22
LP Group	A-23
Lounge Group	A-23
Water & Sewage Group	A-24
Window, Vent & Exterior Door Group	B-1 - B-10

## GALLEY GROUP

Key	Part Number	U/M	Description
	011053-01-000	EA	Faucet - 8" Swing Spout - w/Aerator
	011053-01-700	EA	Aerator - Swing Spout Faucet
	011032-01-000	EA	Sink - Double w/Bolts - Stainless Steel
	011085-01-000	EA	Strainer - Sink
	027671-04-000	EA	Cover - Sink - Butcher Block
	045378-01-700	EA	Countertop Asm. - Galley Cabinet - w/Cutouts - Butcher Block
	045378-01-701	EA	Cabinet Asm. - Galley w/o Countertop, Drawers, Doors or Hardware
	045849-03-700	EA	Door Asm. - Galley Cabinet - 11 3/4" x 20 1/8" - w/o Hardware
	045850-01-700	EA	Door Asm. - Galley Cabinet - 13 1/4" x 29 1/16" - w/o Hardware
	045379-01-000	EA	Cabinet Asm. - Galley Overhead - w/o Doors or Hardware
	047155-02-700	EA	Door Asm. - Galley Overhead - 9" x 15" - w/o Hardware
	045385-01-700	EA	Cabinet Asm. - Buffet Top - w/o Doors or Hardware
	045850-02-700	EA	Door Asm. - Buffet Top - 13 3/8" x 38" - w/o Hardware
	045384-01-701	EA	Cabinet Asm. - Buffet Bottom - w/o Countertop, Doors or Hardware
	045384-01-700	EA	Countertop Asm. - Buffet Bottom Cabinet - Butcher Block
	045380-01-700	EA	Countertop Asm. - Refrigerator Cabinet - Butcher Block
	045849-06-700	EA	Door Asm. - Buffet Bottom - 7 3/4" x 13 1/2" - w/o Hardware
	045849-05-700	EA	Door Asm. - Buffet Bottom - 13 1/2" x 19" - w/o Hardware
	045851-01-700	EA	Drawer Asm. - Buffet - Bottom - 5 1/4" x 14 1/8" - w/o Hardware
	049799-06-000	EA	Door Asm. - Buffet Bottom - 14 3/8" x 8" - w/o Hardware
	049799-08-000	EA	Door Asm. - Buffet Bottom - 16 1/4" x 8" - w/o Hardware
**	044195-01-000	EA	Range - Coleman - 4 Burner - Chrome
**	034545-01-000	EA	Refrigerator - Winnebago - W6EG
**	034544-01-000	EA	Refrigerator - Winnebago - W7EG
**	034542-01-000	EA	Refrigerator - Winnebago - W8EG
	024670-01-000	EA	Hood - Stove Vent - Powered
	024670-01-700	EA	Filter - Range Hood
**	003336-01-000	EA	Refrigerator - Dometic - One Door - RM66
**	003337-01-000	EA	Refrigerator - Dometic - Two Door - RM76
**	049175-01-000	EA	Refrigerator - AC/Gas - ET 150 - 1 Door Model - Sibir
**	049174-01-000	EA	Refrigerator - AC/Gas - ET 230 - 2 Door Model - Sibir

\*\*The illustrated parts breakdown for this item is provided on the Common Items Fiche.

## HEATING AND AIR CONDITIONING GROUP

Key	Part Number	U/M	Description
	048231-02-000	EA	Auto Air - 350 ARA - Kit
	051768-01-000	EA	Compressor Mounting Package - 350 C.I.D. - ARA
	051769-01-000	EA	Evaporator Package - 350 C.I.D. - ARA
	051770-01-000	EA	Compressor - A/C - 350 C.I.D. - ARA
	051771-01-000	EA	Condenser Package - 350 C.I.D. - ARA
	048231-01-000	EA	Auto Air - 350 AMC - Kit
	041443-01-000	EA	A/C - General Package - AMC
	041444-01-000	EA	A/C - Condenser Package - 350 AMC
	041445-01-000	EA	A/C - Installation Package - AMC
	041446-01-000	EA	A/C - Evaporator Package - 350 AMC
	047036-01-000	EA	A/C - Compressor Mount Package - 350 AMC
	024985-01-000	EA	Register - Heat w/Damper 9.9" x 4.8"
	031604-01-000	EA	Bonnet - Heat Register
	004352-01-000	FT	Tape - Sealer 1/8" x 3/4" Formaseal
	009198-01-000	FT	Duct - Flexible - 4"
	009200-01-000	EA	Tape - Furnace - 1 1/2"
	039505-02-000	EA	Thermostat - Wall Mount
**	041603-01-000	EA	Furnace - 23,000 BTU - Under Counter Mount - Coleman - 4225
**	041604-01-000	EA	Furnace - 28,000 BTU - Under Counter Mount - Coleman - 4230
**	049777-01-000	EA	Air Conditioner - 110 Volt - Roof Mount - 11,000 BTU - Ivory Coleman (w/o Inside Shroud)
**	049778-01-000	EA	Shroud Asm. - Ceiling - Inside - Roof Air - Cool Only - 11,000 BTU - Coleman
**	049774-01-000	EA	Air Conditioner - 110 Volt - Roof Mount - 13,500 BTU Ivory - Coleman (w/o Inside Shroud)
**	049775-01-000	EA	Shroud Asm. - Ceiling - Inside - Roof Air - Cool Only - 13,500 BTU - Coleman
**	049776-01-000	EA	Shroud Asm. - Ceiling - Inside - Roof Air - Heat and Cool Only - 13,500 BTU - Coleman

\*\*The illustrated parts breakdown for this item is provided on the Common Items Fiche.

### 1976 WINNEBAGO TABLE OF CONTENTS

MW25C	A-1 - B-10
MW25CD	B-11 - C-18
MW20RG	C-19 - D-24
MW23RB	E-1 - F-8
MW23RD	F-9 - G-16
D23C	G-17 - I-6
D26CRB	I-7 - J-20
D26CRK	J-21 - L-10

### 1976 MW25C INDEX

Floor Plan	A-1 - A-2
Accessories Group	A-3 - A-4
Bath Group	A-5 - A-6
Chassis Group	A-7
Curtain, Cushion & Pad Group	A-8 - A-11
Dinette Group	A-12
Driver's Compartment Group	A-12
Electrical Group	A-13 - A-14
Exterior Body Group	A-15 - A-18
Galley Group	A-19
Heating & Air Conditioning Group	A-20
Interior Finish Group	A-21 - A-22
LP Group	A-23
Lounge Group	A-23
Water & Sewage Group	A-24
Window, Vent & Exterior Door Group	B-1 - B-10

## INTERIOR FINISH GROUP

### PANELING AND COUNTERTOP MATERIAL

Key	Part Number	U/M	Description
	039188-01-000	SF	Paneling - 707 Hickory - 48" x 96"
	000720-01-000	SF	Veneer - White Stucco
	037682-01-000	SF	Plastic Laminate - 48" x 96" - Butcher Block
	000724-01-000	EA	Batt Strip - White Stucco - 8'

### FABRIC AND CARPET

Key	Part Number	U/M	Description
	041210-03-000	YD	Carpet - Autumn Rust - Morning Dew (Rust)
	043635-01-000	YD	Carpet - Coffee Brown - Morning Dew (Gold)
	043635-02-000	YD	Carpet - Beige - Morning Dew (Beige)
	043619-01-000	YD	Fabric - Drapery - Rust
	043619-02-000	YD	Fabric - Drapery - Gold
	043619-03-000	YD	Fabric - Drapery - Beige
	046588-01-000	YD	Fabric - Upholstery - Rust
	046588-02-000	YD	Fabric - Upholstery - Gold
	046588-03-000	YD	Fabric - Upholstery - Beige
	042411-03-000	YD	Vinyl - Non-Support - 16 Gauge - Berkshire Brown
	042411-01-000	YD	Vinyl - Non-Expanded - 27 Ounce - Brown - Bostonian
	042411-02-000	YD	Vinyl - Expanded - 28 Ounce - Brown - Bostonian

### CABINETS AND TABLE HARDWARE

Key	Part Number	U/M	Description
	047842-01-000	EA	Kit - Table Leg - Dinette
	047809-02-000	EA	Hardware Kit - Dinette Table - Wall Mount
	041917-01-000	EA	Kit - Cabinet Door Latch - Upper
	041918-01-000	EA	Kit - Cabinet Door Latch - Lower
	041931-01-000	EA	Kit - Cabinet Door Hinge
	041942-01-000	EA	Kit - Drawer Pull
	009047-01-000	EA	Door Support - Overhead Cabinets

### INTERIOR MOLDINGS AND TRIMS

Key	Part Number	U/M	Description
	009777-01-000	FT	U-Channel - 3/4" - Dark Brown - Plastic
	009778-01-000	FT	U-Channel - 1" - Dark Brown - Plastic
	009779-01-000	FT	U-Channel - 1 1/8" - Dark Brown - Plastic
	002830-01-002	EA	U-Channel - Extrusion - 17' x 5" - Alum.
	009767-01-000	FT	Welting - Brown
	009812-03-000	FT	Molding - Plastic Corner - Outside .50"
	009815-02-000	FT	T-Molding - 3/4" - Brown
	022992-01-000	FT	Molding - Reverse Cove - White
	034689-03-000	EA	Cover - Screw PPH 10 - Ivory - Bathroom
	024700-03-000	EA	Cover - Sidewall - Roll Bar - White
	024700-04-000	EA	Cover - Sidewall - Roll Bar - 707 Hickory
	034113-03-000	EA	Cover - Corner - Support Bar - Dark - Brown
	039512-01-000	EA	Cover - Hat Section - White
	039512-02-000	EA	Cover - Hat Section - 707 Hickory
	040025-01-000	EA	Cover - Corner - Hat Section/Hat Section
	040026-01-000	EA	Cover - Corner - Hat Section/Tube
	042886-01-000	EA	Cover - Corner - Plastic - Tube/Tube

## INTERIOR FINISH GROUP (CONTINUED)

### CURTAIN HARDWARE

Key	Part Number	U/M	Description
	009107-01-000	EA	Guide - Nylon Snap
	052327-04-230	EA	Track - Curtain - Brown - Alum. - 89"
	009224-01-000	EA	Rod - Curtain - Flat Extension - 28" - 48"
	009223-02-000	EA	Rod - Curtain - Flat Extension - 48" - 84"
	042439-01-000	EA	Bracket - Curtain Rod - Single
	029100-01-000	EA	Hook - Pin - Curtain
	009701-01-000	EA	Carrier - Curtain - "L" Rod
	009702-01-000	EA	End Stop - Curtain - "L" Rod
	018031-42-000	EA	Track - Curtain - "L" Rod - 90" - Alum.

### MISCELLANEOUS

Key	Part Number	U/M	Description
	040069-01-000	EA	Mat - Door - 10 1/2" x 26" - Black Rubber
	041944-01-700	EA	Fire Extinguisher - w/Bracket - Dry Chemical
	007021-01-000	EA	Belt Asm. - Seat - 2" x 90" Black
	041322-01-000	EA	Washer - Flat - 15/32" I.D. x 2 3/8" O.D.

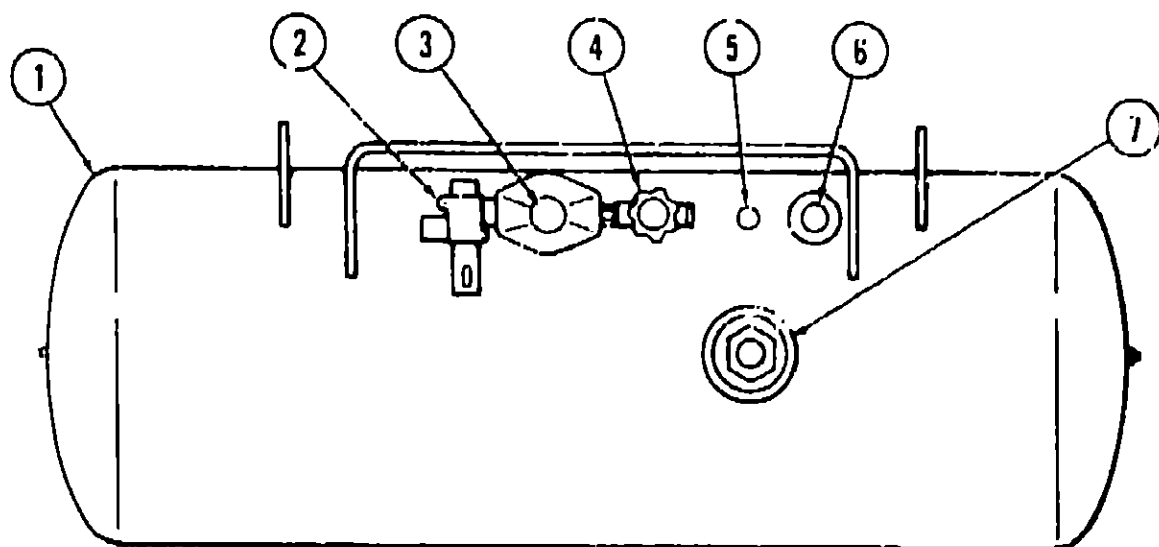
## 1976 WINNEBAGO TABLE OF CONTENTS

MW25C	A-1 - B-10
MW25CD	B-11 - C-18
MW20RG	C-19 - D-24
MW23RB	E-1 - F-8
MW23RD	F-9 - G-16
D23C	G-17 - I-6
D26CRB	I-7 - J-20
D26CRK	J-21 - L-10

## 1976 MW25C INDEX

Floor Plan	A-1 - A-2
Accessories Group	A-3 - A-4
Bath Group	A-5 - A-6
Chassis Group	A-7
Curtain, Cushion & Pad Group	A-8 - A-11
Dinette Group	A-12
Driver's Compartment Group	A-12
Electrical Group	A-13 - A-14
Exterior Body Group	A-15 - A-18
Galley Group	A-19
Heating & Air Conditioning Group	A-20
Interior Finish Group	A-21 - A-22
LP Group	A-23
Lounge Group	A-23
Water & Sewage Group	A-24
Window, Vent & Exterior Door Group	B-1 - B-10

**LP GROUP**



Key	Part Number	U/M	Description
1	040421-01-000	EA	Tank - LP - Frame Mount - 83 Pound
2	047221-01-000	EA	Detector - LP Gas Leak
3	024712-01-000	EA	Cover - LP Regulator
4	052163-01-000	EA	Regulator - Manual - LP Gas - 2 Stage
5	040421-01-703	EA	Valve - Vapor Relief
5	040421-01-700	EA	Gauge - Liquid Level - 20% LP
6	040421-01-701	EA	Valve - Filler - LP
6	040421-01-702	EA	Cap - Plastic Fill Valve
7	040421-01-707	EA	Gauge - Flat - w/Visible Dial - 83 Pound Tank
7	040421-01-706	EA	Dial - Visible Face - Float Gauge (Tank w/o Electric Transmitter)
7	040421-01-705	EA	Dial - Transmitter - 0 - 90 Ohm (Float Gauge)
7	045703-03-000	EA	Hose Asm. - LP - 3/8" I.D. x 14"
7	047737-02-000	EA	Support - LP Tank - 89.25"
7	047737-03-000	EA	Support - LP Tank - 30.50"
			<b>Not Illustrated</b>

**LOUNGE GROUP**

Key	Part Number	U/M	Description
	045386-01-000	EA	Cabinet Asm. - Gaucho w/o Doors or Hardware
	045849-08-700	EA	Door Asm. - Gaucho Cabinet - 10 5/8" x 14" - w/o Hardware
	047727-01-000	EA	Cabinet Asm. - Gaucho Overhead - w/o Doors or Hardware
	047155-01-700	EA	Door Asm. - Gaucho Overhead - 9" x 21" - w/o Hardware
	007021-01-000	EA	Belt Asm. - Seat - 2" x 90" - Black
	041322-01-000	EA	Washer Flat - 15/32" I.D. x 2 3/8" O.D.
	039582-01-000	EA	Table Asm. - Pull Out - Butcher Block
	039587-01-000	EA	Cabinet Asm. - Table Holder

**WATER AND SEWAGE GROUP**

Key	Part Number	U/M	Description
	040539-01-000	EA	Kit - Repair - 3/8" O.D. Plastic Tube
	040540-01-000	EA	Kit - Repair - 1/2" O.D. Plastic Tube
	040541-01-000	EA	Kit - Repair - 5/8" O.D. Plastic Tube
	039818-01-000	EA	Riser Asm. - 3/8" O.D. x 24" Tube
	039818-02-000	EA	Riser Asm. - 3/8" O.D. x 33" Tube
	039818-04-000	EA	Riser Asm. - 3/8" O.D. x 72" Tube
	041279-02-000	EA	Pump - Water - Flow 2.8 G.P.M. - PAR
	039647-02-000	EA	Filter - Water Pump - 1/2 MPT
	041819-01-000	EA	Nut and Cone - Plastic - 1/2 O.D. Tube
	043181-01-000	EA	Tank Asm. - Water w/Fittings - Plastic - 60 Gallon
	039641-01-000	EA	Tank - Water w/o Fittings - Plastic - 60 Gallon
	046524-02-000	EA	Kit - Fittings - Plastic Water Tank
	004020-01-000	QT	Adhesive - ABS Cement
	010133-01-000	EA	Adaptor - Trap - Plastic 1 1/2 H x MPT
	010153-01-000	EA	Ring - Closet - Plastic 4 F x 3 MPT
	010201-01-000	EA	Hose - Sewer 3" x 10' w/Clamp
	010209-06-000	EA	Handle - Extension - Sewer Valve - 11.25"
	010235-01-000	EA	Cap - Sewage 3"
	010236-01-000	EA	Adaptor - Hose - 3"
	011091-01-000	EA	Waste - Continuous - Double Sink - 11 7/8"
	010205-01-000	EA	Valve Sanitary - Thetford 3 x B
	010213-01-000	EA	Elbow - Plastic - Side Vent and Drain
	010234-01-000	EA	Adaptor Bayonet
	011066-01-000	EA	P - Trap - Plastic 1 1/4"
	047246-01-000	EA	Handle - Extension - Sewer Valve 43.00"
	014903-02-000	EA	Tank Asm. - Holding w/Fitting - Plastic - 35 Gallon
	014903-01-000	EA	Tank - Holding Plastic 35 Gallon Base w/o Fittings
	039938-02-000	EA	Tank Asm. - Holding w/Fittings - Plastic - 22 Gallon
	039938-01-000	EA	Tank Holding Plastic 22 Gallon Base w/o Fittings
	046524-01-000	EA	Kit - Fittings Plastic for Holding Tank
	050780-01-000	EA	Coupler - Rubber - 3" x 3"
	037845-01-000	FT	Tape - Butyl - 3/16" Bead - Black
**	051391-01-000	EA	Water Heater - w/o Outside Access Door (G6A3)
**	031952-01-000	EA	Water Heater - w/o Outside Access Door (G6A2)

\*\*The illustrated parts breakdown for this item is provided on the Common Items Fiche.

**1976 WINNEBAGO  
TABLE OF CONTENTS**

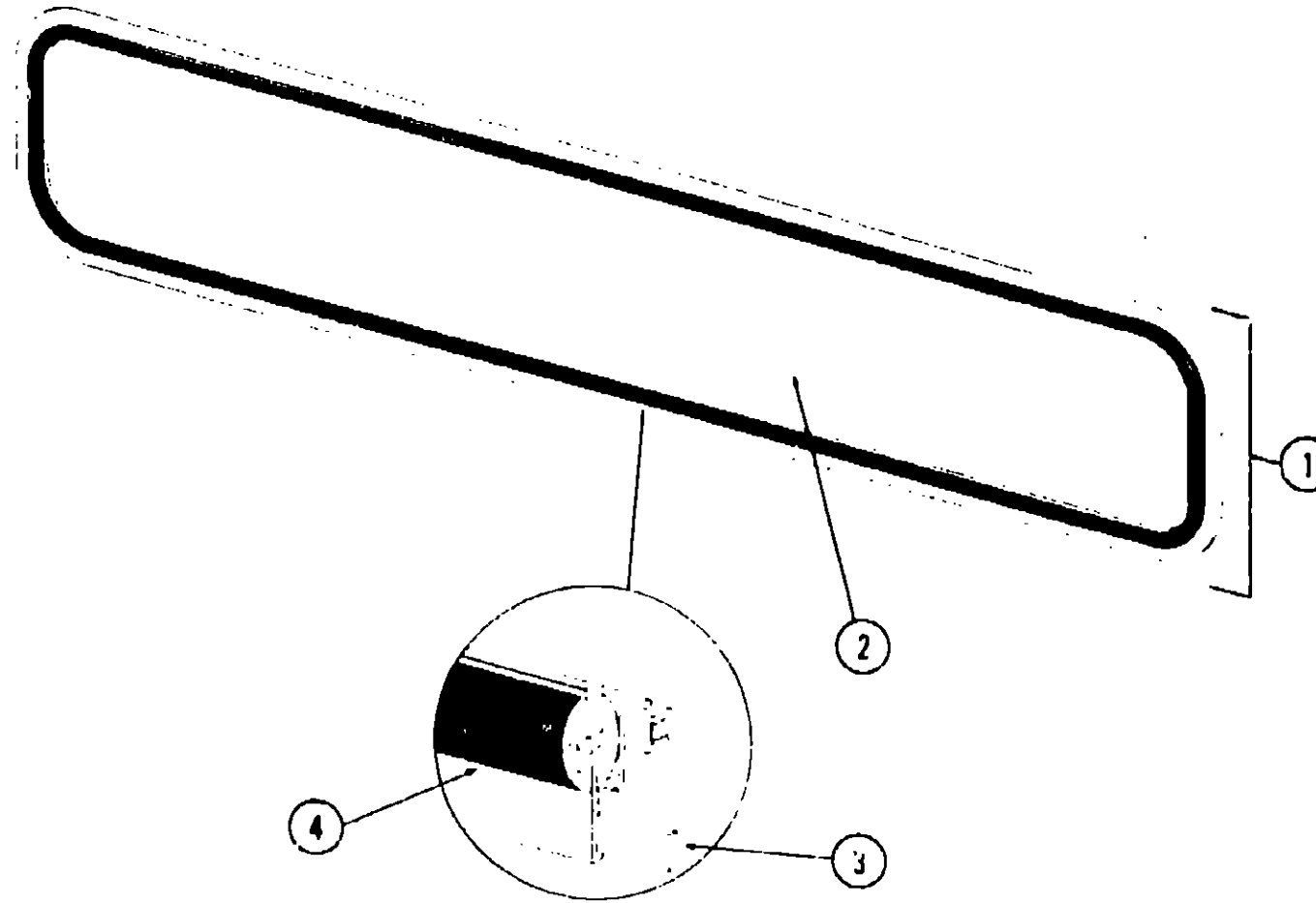
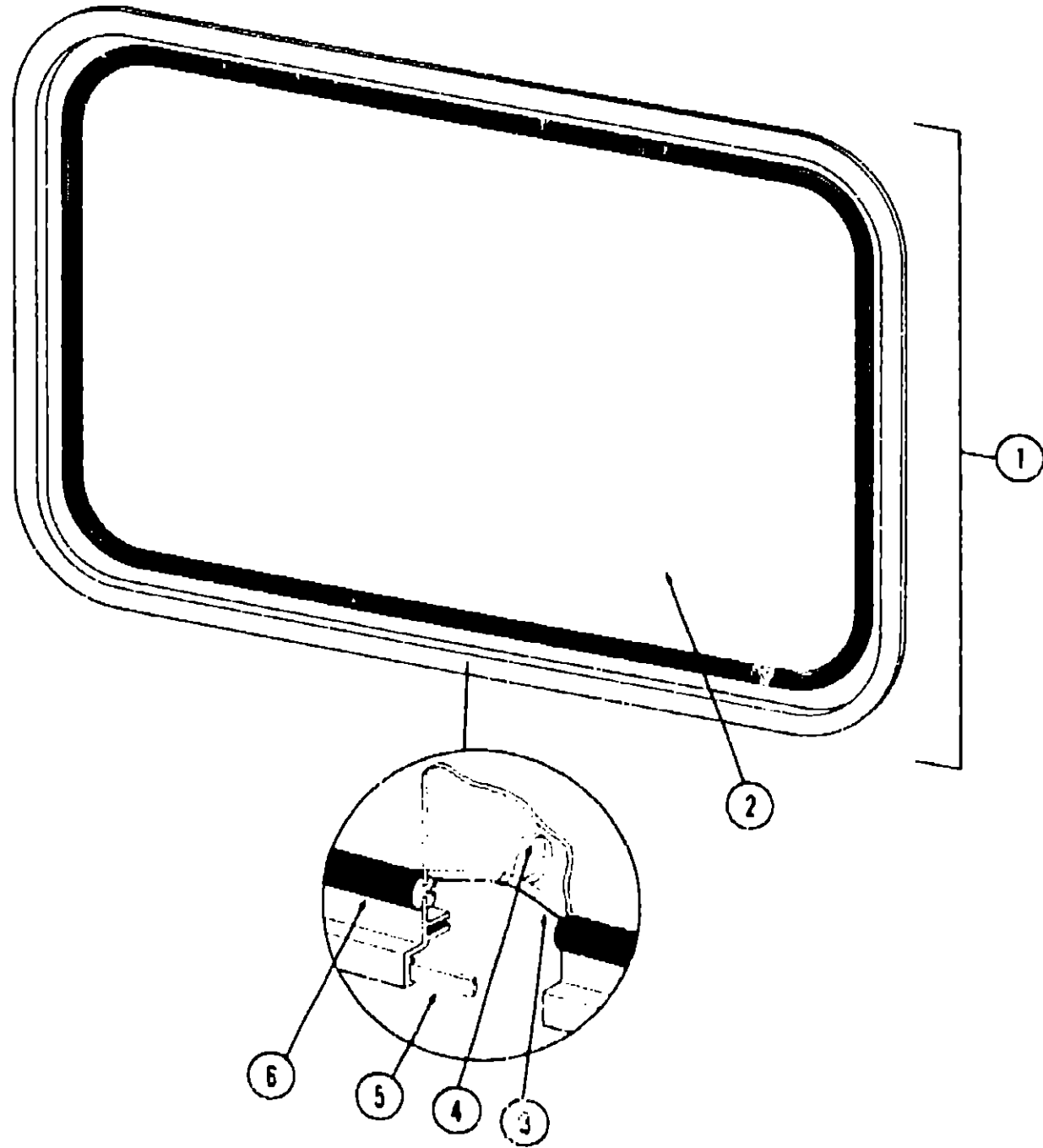
MW25C	A-1 - B-10
MW25CD	B-11 - C-18
MW20RG	C-19 - D-24
MW23RB	E-1 - F-8
MW23RD	F-9 - G-16
D23C	G-17 - I-6
D26CRB	I-7 - J-20
D26CRK	J-21 - L-10

**1976 MW25C  
INDEX**

Floor Plan	A-1 - A-2
Accessories Group	A-3 - A-4
Bath Group	A-5 - A-6
Chassis Group	A-7
Curtain, Cushion & Pad Group	A-8 - A-11
Dinette Group	A-12
Driver's Compartment Group	A-12
Electrical Group	A-13 - A-14
Exterior Body Group	A-15 - A-18
Galley Group	A-19
Heating & Air Conditioning Group	A-20
Interior Finish Group	A-21 - A-22
LP Group	A-23
Lounge Group	A-23
Water & Sewage Group	A-24
Window, Vent & Exterior Door Group	B-1 - B-10

**WINDOW, VENT AND EXTERIOR DOOR GROUP**

**WINDOW, VENT AND EXTERIOR DOOR GROUP (CONTINUED)**



**1976 WINNEBAGO  
TABLE OF CONTENTS**

MW25C  
MW25CD  
MW20RG  
MW23RB  
MW23RD  
D23C  
D26CRB  
D26CRK

A-1 - B-10  
B-11 - C-18  
C-19 - D-24  
E-1 - F-8  
F-9 - G-16  
G-17 - I-6  
I-7 - J-20  
J-21 - L-10

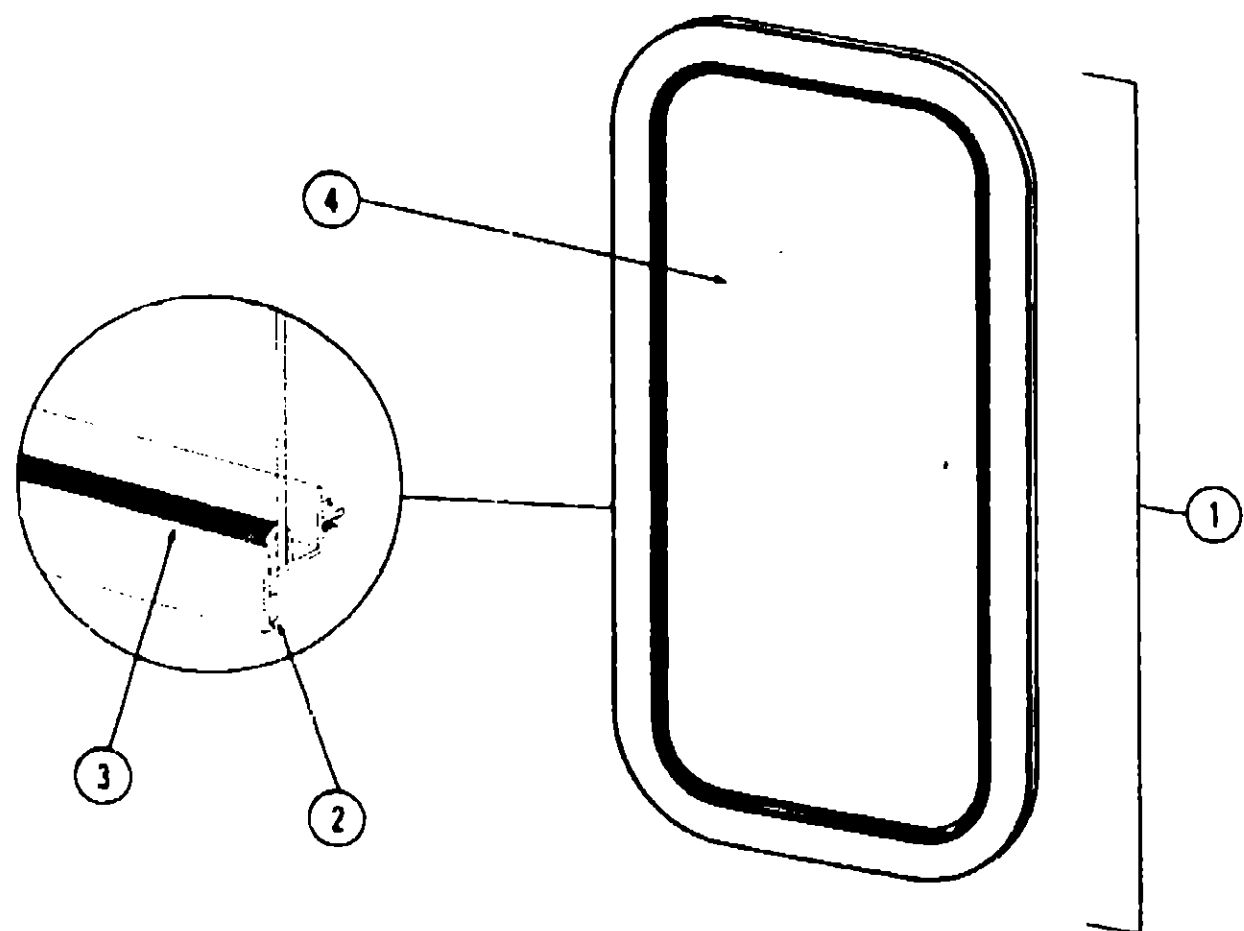
**1976 MW25C  
INDEX**

Floor Plan A-1 - A-2  
Accessories Group A-3 - A-4  
Bath Group A-5 - A-6  
Chassis Group A-7  
Curtain, Cushion & Pad Group A-8 - A-11  
Dinette Group A-12  
Driver's Compartment Group A-12  
Electrical Group A-13 - A-14  
Exterior Body Group A-15 - A-18  
Galley Group A-19  
Heating & Air Conditioning Group A-20  
Interior Finish Group A-21 - A-22  
LP Group A-23  
Lounge Group A-23  
Water & Sewage Group A-24  
Window, Vent & Exterior Door Group B-1 - B-10

Key	Part Number	U/M	Description
1	020751-03-000	EA	Window Asm. - Rear Escape - 23" x 29" - Black Anod. w/o Inside Frame
2	002174-01-000	EA	Glass - Window - 1/8" x 19.61" x 25.92"
3	002285-01-000	FT	Filler - Weatherstrip - Black
4	020395-01-000	EA	Slip Ring - Escape Window
5	004363-01-000	FT	Tape - Foam - 3/16" x 1/2" - Gray
6	002282-01-000	FT	Weatherstrip - .125" - Black
.	020749-03-000	EA	Frame - Escape Window - Inside - 23" x 29" (not included in window assembly)
.	006199-01-000	EA	Label - Exit - Escape Window
.	Not Illustrated		

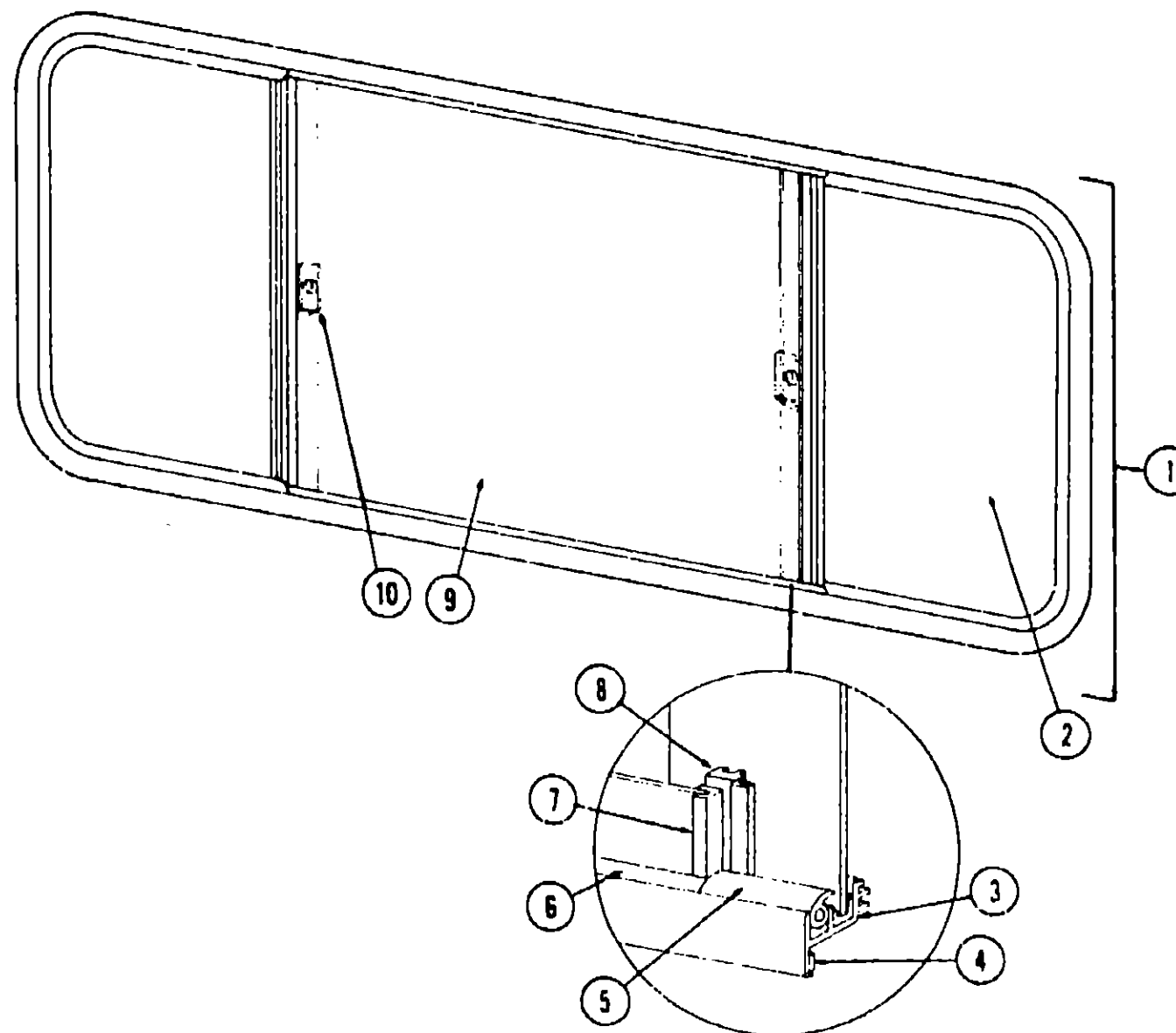
Key	Part Number	U/M	Description
1	041936-02-000	EA	Window Asm. - Front Picture - 14" x 69" (w/o inside frame)
2	002200-02-000	EA	Glass - TP - Picture Window
3	004363-01-000	FT	Tape - Sealer - 3/16" x 1/2" - Foam
4	002281-01-000	FT	Weatherstrip - Self Seal - .06" Panel x 3/16" - Black
.	037845-01-000	FT	Tape - Butyl - Window - 3/16" - Bead Black
.	041938-01-000	EA	Frame - Inside - Picture Window (not included in assembly)
.	Not Illustrated		

WINDOW, VENT AND EXTERIOR DOOR GROUP (CONTINUED)



Key	Part Number	U/M	Description
1	041875-05-000	EA	Window Asm - Picture - 13" x 20" (w/o inside frame)
2	004363-01-000	FT	Tape - Foam - 3/16" x 12" - Gray
3	002309-01-000	FT	Spline - Glass - 1/8" Gray
4	002203-01-000	EA	Glass - TP - 1/8" x 12" x 19"
.	041696-09-000	EA	Frame - Window - Inside - 13" x 20" (not included in assembly)
.	Not Illustrated		

WINDOW, VENT AND EXTERIOR DOOR GROUP (CONTINUED)



Key	Part Number	U/M	Description
1	048630-07-000	EA	Window Asm. - Double - Slider - 25" x 65" - Clear Anod. (w/o inside frame)
2	047822-01-000	EA	Glass - Sliding - 3/16" x 24" x 21.03"
3	042077-01-000	FT	Channel - Weatherstrip - Glass Run - 3/16" Glass
4	004363-01-000	FT	Tapu - Foam - 3/16" x 1/2" - Gray
5	041928-01-000	FT	Seal - Window Channel - 3/16" Glass
6	050216-01-000	FT	Spline - Glass - 3/16"
7	002389-02-200	EA	Extr. - Holder - Glass Seal
8	041894-03-000	EA	Mullion - Slider Window - 25" - Clear Anod.
9	002188-02-000	EA	Glass - 3/16" x 24" x 25.5" - Stationary
10	047369-01-700	EA	Latch - Window - Plastic w/Fasterer
.	042133-04-000	EA	Frame Asm. - Window - Inside (not included in assembly)
.	023713-01-000	EA	Cover - Weephole - Plastic - White
.	002298-01-000	FT	Spline - Gray - 1.30" Dia (Screen)
.	002293-01-000	SF	Screen - Window - 26" - Gray
.	Not Illustrated		

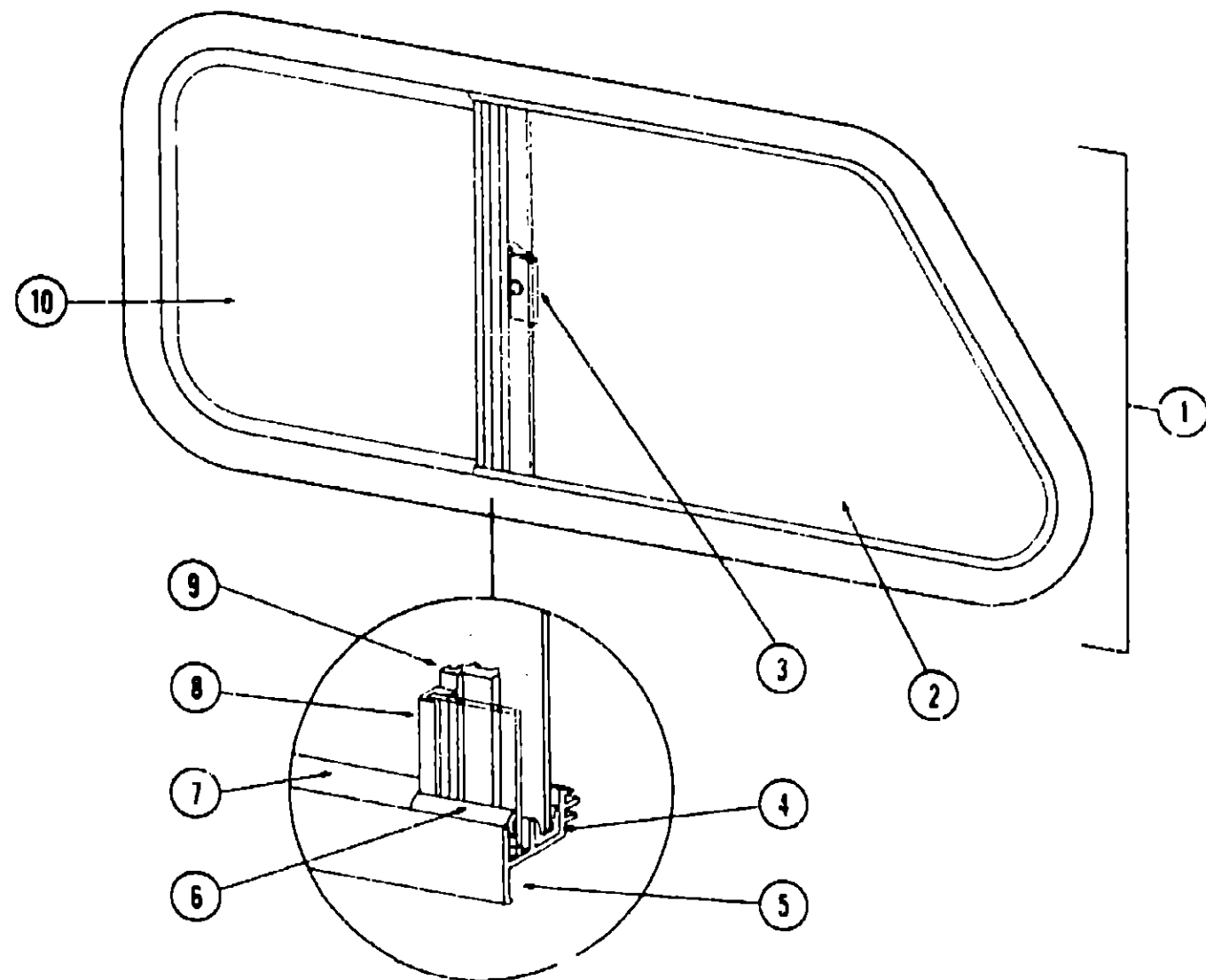
1976 WINNEBAGO  
TABLE OF CONTENTS

MW25C	A-1 - B-10
MW25CD	B-11 - C-18
MW20RG	C-19 - D-24
MW23RB	E-1 - F-8
MW23RD	F-9 - G-16
D23C	G-17 - I-6
D26CRB	I-7 - J-20
D26CRK	J-21 - L-10

1976 MW25C  
INDEX

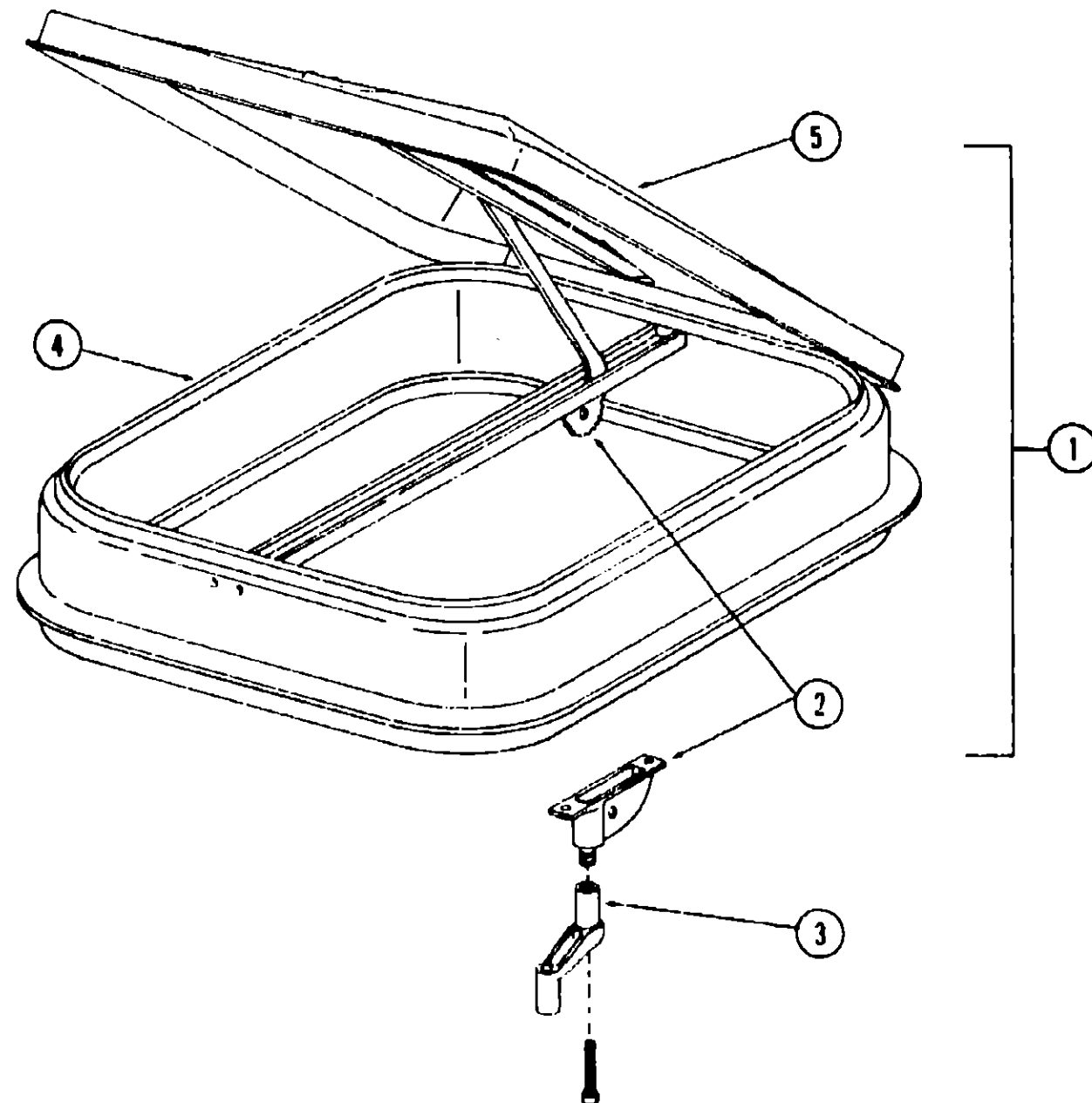
Floor Plan	A-1 - A-2
Accessories Group	A-3 - A-4
Bath Group	A-5 - A-6
Chassis Group	A-7
Curtain, Cushion & Pad Group	A-8 - A-11
Dinette Group	A-12
Driver's Compartment Group	A-12
Electrical Group	A-13 - A-14
Exterior Body Group	A-15 - A-18
Galley Group	A-19
Heating & Air Conditioning Group	A-20
Interior Finish Group	A-21 - A-22
LP Group	A-23
Lounge Group	A-23
Water & Sewage Group	A-24
Window, Vent & Exterior Door Group	B-1 - B-10

WINDOW, VENT AND EXTERIOR DOOR GROUP (CONTINUED)



Key	Part Number	U/M	Description
1	048632-01-000	EA	Window Asm. - Bunk - Slanted Slider - Right (w/o inside frame)
	048632-02-000	EA	Window Asm. - Bunk - Slanted Slider - Left (w/o inside frame)
2	040919-01-000	EA	Glass - 1/8" x 11.98" x 19.42" - Gray - Stationary
3	047369-01-700	EA	Latch - Window - Plastic w/Fastener
4	002324-01-000	FT	Channel - Weatherstrip - Glass Run - 1/8" Glass
5	004363-01-000	FT	Tape - Foam - 3/16" x 1/2" - Gray
6	002309-01-000	FT	Spline - Glass - 1/8" - Gray
7	024096-01-000	FT	Seal - Window Channel - Gray
8	002390-02-001	EA	Holder - Glass Seal - Extr. - Anod.
9	041894-10-000	EA	Mullion - 13" - Clear Anod.
10	047815-01-000	EA	Glass - 1/8" x 11.98" x 11.81" - Gray - Sliding
	040916-01-000	EA	Frame - Window - Inside - Right (not included in assembly)
	040916-02-000	EA	Frame - Window - Inside - Left (not included in assembly)
	023713-01-000	EA	Cover - Weepholde - White
	002298-01-000	FT	Spline - Gray - .130" Dia. (Screen)
	002292-01-000	SF	Screen - Window - 20" - Gray
			Not Illustrated

WINDOW, VENT AND EXTERIOR DOOR GROUP (CONTINUED)



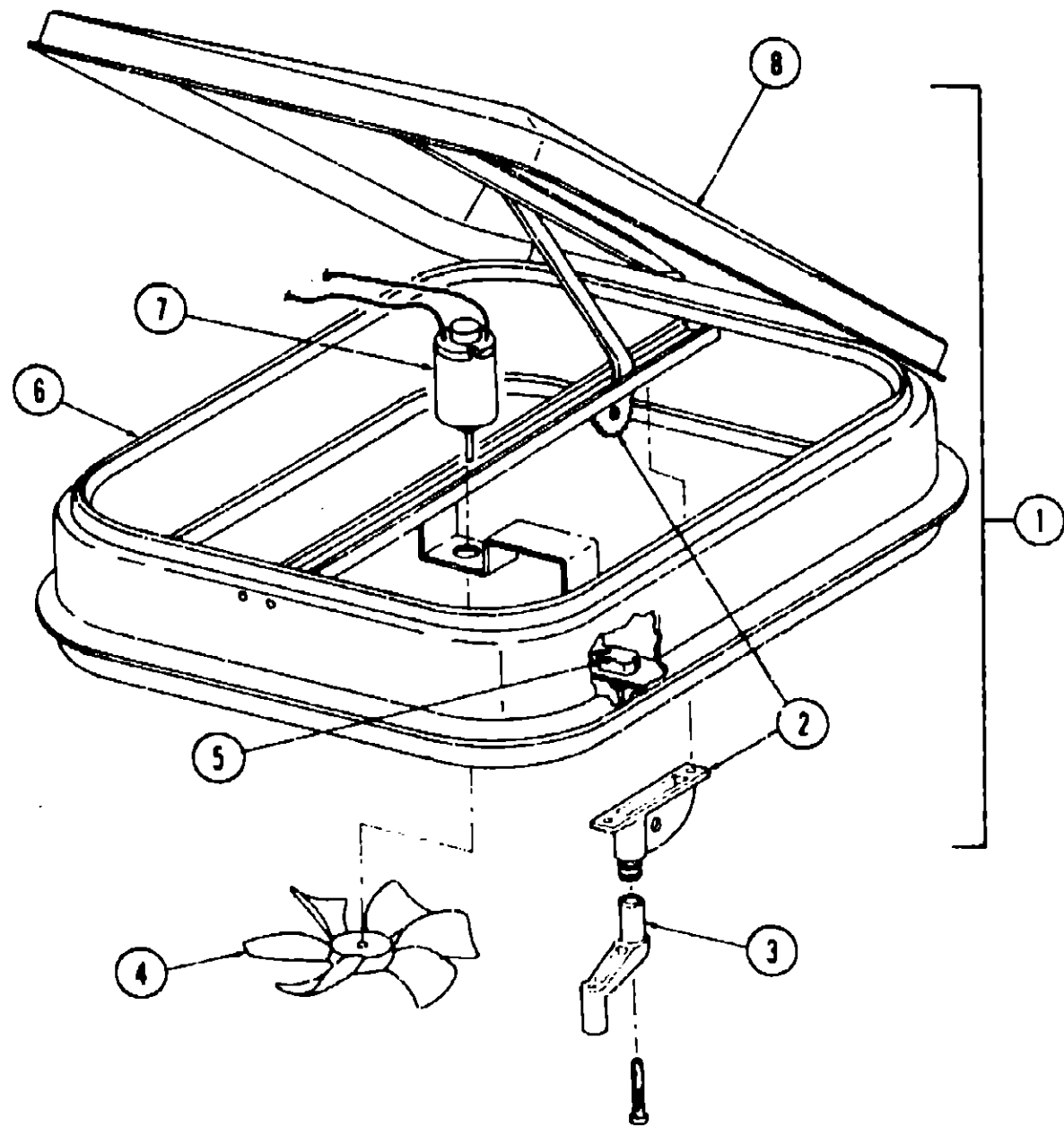
Key	Part Number	U/M	Description
1	048835-01-000	EA	Vent Asm. - Roof - Nonpowered - w/o Screen
2	009440-01-000	EA	Gear - Arm - Roof Vent
3	009439-01-000	EA	Crank - Roof Vent
4	002825-01-000	FT	Weatherstrip - Roof Vent
5	046825-01-000	EA	Cover - Plastic - Roof Vent
	016335-01-000	EA	Screen Asm. - Nonpowered Roof Vent - Clear Anod. (not included in assembly)
	016335-03-000	EA	Screen Asm. - Nonpowered Roof Vent - Beige (not included in assembly)
			Not Illustrated

1976 WINNEBAGO  
TABLE OF CONTENTS

MW25C	A-1 - B-10
MW25CD	B-11 - C-18
MW20RG	C-19 - D-24
MW23RB	E-1 - F-8
MW23RD	F-9 - G-16
D23C	G-17 - I-6
D26CRB	I-7 - J-20
D26CRK	J-21 - L-10

1976 MW25C  
INDEX

Floor Plan	A-1 - A-2
Accessories Group	A-3 - A-4
Bath Group	A-5 - A-6
Chassis Group	A-7
Curtain, Cushion & Pad Group	A-8 - A-11
Dinette Group	A-12
Driver's Compartment Group	A-12
Electrical Group	A-13 - A-14
Exterior Body Group	A-15 - A-18
Galley Group	A-19
Heating & Air Conditioning Group	A-20
Interior Finish Group	A-21 - A-22
LP Group	A-23
Lounge Group	A-23
Water & Sewage Group	A-24
Window, Vent & Exterior Door Group	B-1 - B-10



Key	Part Number	U/M	Description
1	048789-01-000	EA	Vent Asm. - Roof - Powered - w/o Screen
2	009440-01-000	EA	Gear - Arm - Roof Vent
3	009439-01-000	EA	Crank - Roof Vent
4	048649-01-000	EA	Fan - Blade - 6" Plastic
5	008195-01-000	EA	Switch - Push Button - 12 Volt
6	002825-01-000	FT	Weatherstrip - Roof Vent
7	048648-01-000	EA	Motor - 12 Volt
8	046825-01-000	EA	Cover - Plastic - Roof Vent
*	048695-01-000	EA	Screen Asm. - Powered Roof Vent - Clear Anod. (not included in assembly)
*	048695-03-000	EA	Screen Asm. - Powered Roof Vent - Beige (not included in assembly)
*	Not Illustrated		

ACCESS DOORS

Key	Part Number	U/M	Description
	044210-01-000	EA	Door Asm. - 6" x 10" - Off White Plastic - Power Cord w/Plastic Latch
	043942-01-000	EA	Latch - Quarter Turn - Plastic (Power Cord Door)
	037804-05-000	EA	Door Asm. - Battery - Off White - w/Twist Type Lock
	047187-04-000	EA	Door Asm. - Refrigerator Access - Off White - Left
	003182-03-000	EA	Door Asm. - Water Heater Access - Off White
	037804-14-000	EA	Door Asm. - Luggage - Off White
	037433-06-000	EA	Door Asm. - Generator - Off White - w/Twist Type Lock
	039884-01-000	EA	Kit - Twist Type Lock w/Clip
	047305-01-000	EA	Kit - Key Type Lock w/Clip
	016945-02-000	EA	Holder Asm. - Battery and Luggage Door (Holds Door Open)

VENTS

Key	Part Number	U/M	Description
	009407-01-000	EA	Frame - Base - Refrigerator Vent (w/o Cover)
	039778-01-000	EA	Cover - Vent - Refrigerator - Plastic
	049352-02-000	EA	Vent - Stove Hood - Outside - Beige
	049352-01-000	EA	Vent - Stove Hood - Outside - Off White

1976 WINNEBAGO  
TABLE OF CONTENTS

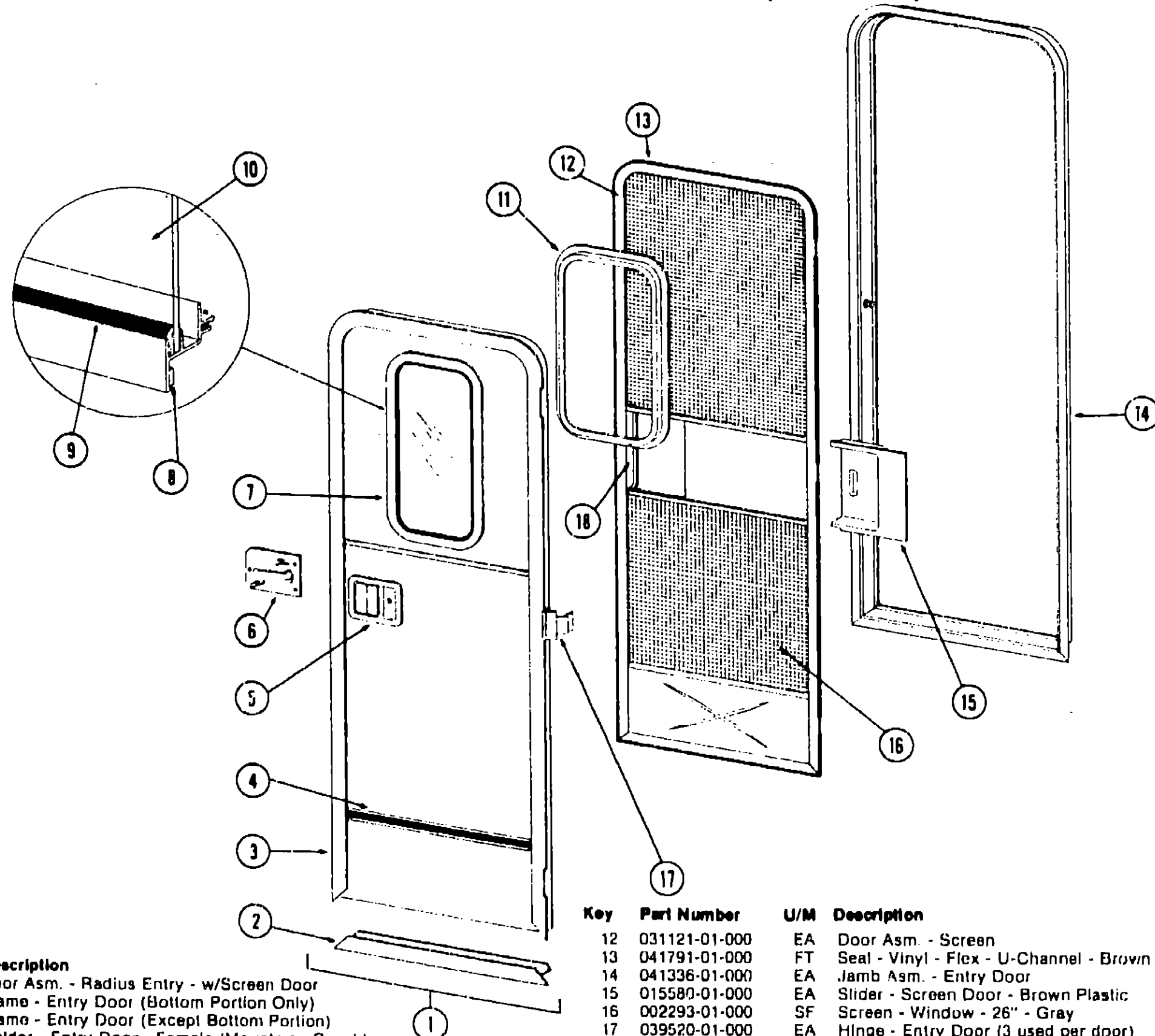
MW25C	A-1 - B-10
MW25CD	B-11 - C-18
MW20RG	C-19 - D-24
MW23RB	E-1 - F-8
MW23RD	F-9 - G-16
D23C	G-17 - I-6
D26CRB	I-7 - J-20
D26CRK	J-21 - L-10

1976 MW25C  
INDEX

Floor Plan	A-1 - A-2
Accessories Group	A-3 - A-4
Bath Group	A-5 - A-6
Chassis Group	A-7
Curtain, Cushion & Pad Group	A-8 - A-11
Dinette Group	A-12
Driver's Compartment Group	A-12
Electrical Group	A-13 - A-14
Exterior Body Group	A-15 - A-18
Galley Group	A-19
Heating & Air Conditioning Group	A-20
Interior Finish Group	A-21 - A-22
LP Group	A-23
Lounge Group	A-23
Water & Sewage Group	A-24
Window, Vent & Exterior Door Group	B-1 - B-10



# WINDOW, VENT AND EXTERIOR DOOR GROUP (CONTINUED)



Key	Part Number	U/M	Description
1	039751-05-000	EA	Door Asm. - Radius Entry - w/Screen Door
2	039737-01-000	EA	Frame - Entry Door (Bottom Portion Only)
3	039736-01-000	EA	Frame - Entry Door (Except Bottom Portion)
4	009101-02-000	EA	Holder - Entry Door - Female (Mounts on Coach)
5	009102-01-000	EA	Holder - Entry Door - 2 1/2" - Male (Mounts on Door)
6	041948-01-000	EA	Kit - Radius Door - Lock - Complete - Atwood
7	039541-01-000	EA	Lock Cylinder w/Keys - Atwood
8	039539-01-000	EA	Striker - Entry Door Lock
9	039979-01-000	EA	Plate - Lock - Interior - Including Inside Handle
10	041875-04-000	EA	Window Asm. - Picture - 13" x 25" - Clear Anod. (Inside frame not included in assembly)
11	004363-01-000	FT	Tape - Foam - 3/16" x 1/2" - Gray
12	002309-01-000	FT	Spline - Glass - 1/8" - Gray
13	002181-02-000	EA	Glass - Picture Window - 3/16" x 12" x 24" - Gray
14	041696-04-000	EA	Frame - Window - Inside - 13" x 25" - Brown

Key	Part Number	U/M	Description
12	031121-01-000	EA	Door Asm. - Screen
13	041791-01-000	FT	Seal - Vinyl - Flex - U-Channel - Brown
14	041336-01-000	EA	Jamb Asm. - Entry Door
15	015580-01-000	EA	Slider - Screen Door - Brown Plastic
16	002293-01-000	SF	Screen - Window - 26" - Gray
17	039520-01-000	EA	Hinge - Entry Door (3 used per door)
18	015581-01-000	EA	Cap - Screen Door - Brown Plastic
	049176-01-000	EA	Hedlok II - 3/4" Diameter - Screw Mount (Retains Screen Door to Entry Door)
	049797-01-000	EA	Hedlok II - 1" - Diameter - Screw Mount (Retains Screen Door to Entry Door)
	018019-01-000	EA	Striker - Screen Door
	039863-01-000	EA	Catch Asm. - Single Roller w/Strike - Screen Door
	039740-01-000	FT	Seal - Jamb - Entry Door
	039800-03-000	FT	Tubing - Polybutyl - 3/8" O.D. - Jamb
	009016-01-000	EA	Catch - Elbow - Spring Loaded - Screen Door
	051974-01-000	EA	Latch - Screen Door
			Not Illustrated

## 1976 WINNEBAGO TABLE OF CONTENTS

MW25C	A-1 - B-10
MW25CD	B-11 - C-18
MW20RG	C-19 - D-24
MW23RB	E-1 - F-8
MW23RD	F-9 - G-16
D23C	G-17 - I-6
D26CRB	I-7 - J-20
D26CRK	J-21 - L-10

## 1976 MW25C INDEX

Floor Plan	A-1 - A-2
Accessories Group	A-3 - A-4
Bath Group	A-5 - A-6
Chassis Group	A-7
Curtain, Cushion & Pad Group	A-8 - A-11
Dinnete Group	A-12
Driver's Compartment Group	A-12
Electrical Group	A-13 - A-14
Exterior Body Group	A-15 - A-18
Galley Group	A-19
Heating & Air Conditioning Group	A-20
Interior Finish Group	A-21 - A-22
LP Group	A-23
Lounge Group	A-23
Water & Sewage Group	A-24
Window, Vent & Exterior Door Group	B-1 - B-10