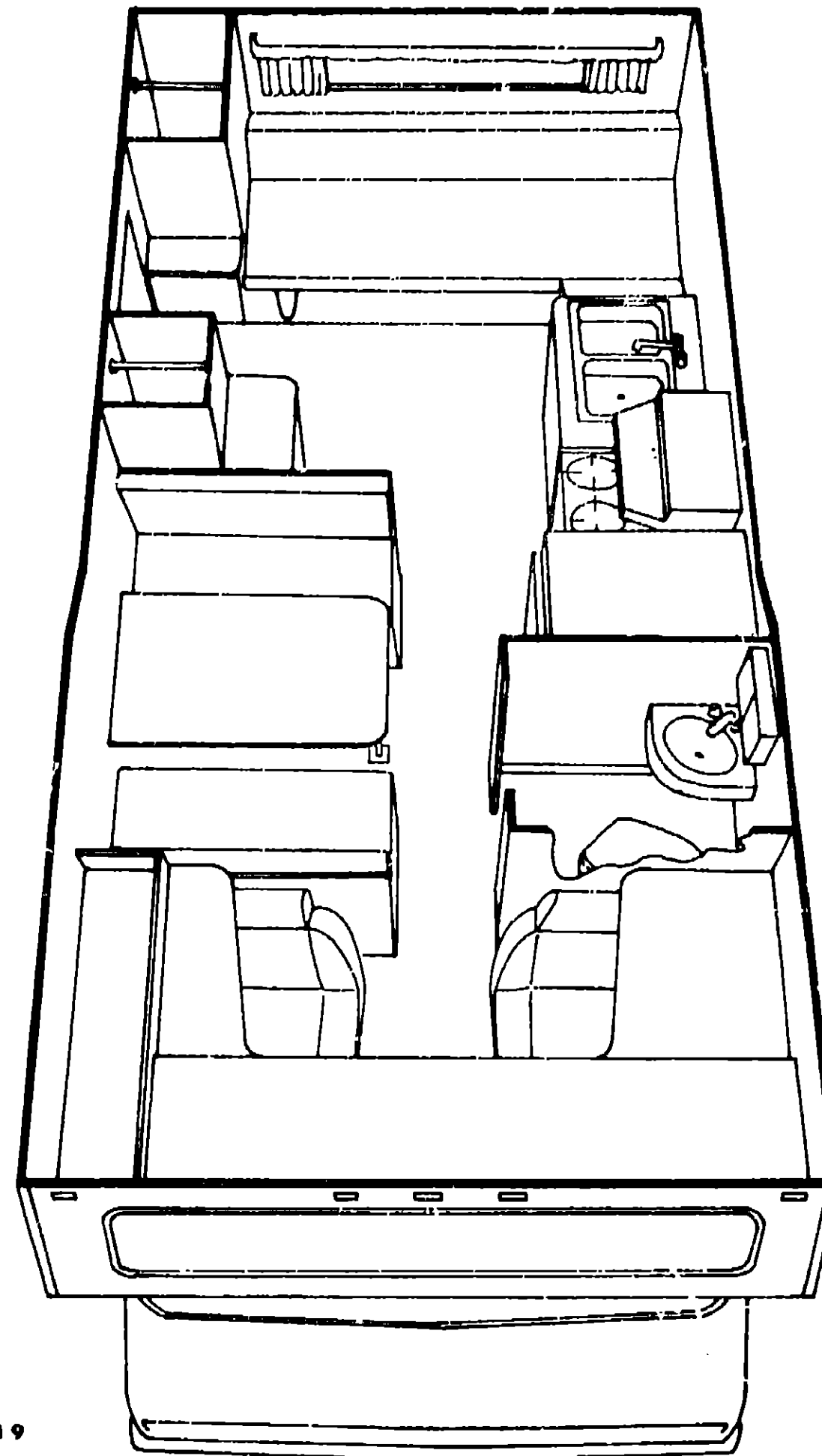


# 1976 MW20RG



## 1976 WINNEBAGO TABLE OF CONTENTS

MW25C	A-1 - B-10
MW25CD	F-11 - C-18
MW20RG	C-19 - D-24
MW23HB	E-1 - F-8
MW23RD	F-9 - G-10
D23C	G-17 - I-6
D26CRB	I-7 - J-20
D26CRK	J-21 - L-10

## 1976 MW20RG INDEX

Floor Plan	C-19 - C-20
Accessories Group	C-21 - C-22
Bath Group	C-22
Chassis Group	C-23
Curtain, Cushion & Pad Group	C-24
Dinette Group	D-1 - D-2
Driver's Compartment	D-3
Electrical Group	D-4 - D-5
Exterior Body Group	D-6 - D-9
Galley Group	D-10
Heating & Air Conditioning Group	D-11
Interior Finish Group	D-12 - D-13
LP Group	D-14
Lounge Group	D-14
Water & Sewage Group	D-15
Window, Vent & Exterior Door Group	D-16 - D-24

## ACCESSORIES GROUP

### RADIOS AND RELATED ACCESSORIES

Key	Part Number	U/M	Description
	007004-01-000	EA	Antenna - Radio - Cab Mount
	039879-01-000	EA	Kit - Radio Speaker - 5 1/4" w/Cover
	049730-01-000	EA	Radio - AM - w/Fader - Clarion
	049731-01-000	EA	Radio - AM/FM/MPX - w/Fader - Clarion
	049732-01-000	EA	Radio - AM/FM/MPX 8 Track - w/Fader - Clarion
	050044-01-000	EA	Radio - AM/FM/MPX 8 Track - w/CB - J.I.L.
	048153-01-000	EA	Antenna - C.B. Camper Style - for J.I.L. Radio
	050785-01-000	EA	Switch - Rear Volume - Control - for J.I.L. Radio
	050751-01-000	EA	Plaque - Fader Switch/Mic Mounting
	050465-01-000	EA	Bezel - Entertainment Center Number 1 - (Radio Only)
	050466-01-000	EA	Bezel - Entertainment Center Number 2 - (Radio and Clock)

### GENERATOR & INSTALLATION HARDWARE

Key	Part Number	U/M	Description
	048178-01-000	EA	Generator - 2700 Watt Onan - w/Mounting Bolts & Rubber Feet
	023772-01-000	EA	Muffler - 2700 Watt - Generator
	024976-01-000	EA	Switch - Generator - w/o Circuit Board
	024732-01-004	EA	Steel Tubing 1.5" O.D. - 18 Gauge - 34"
	051050-01-000	EA	Pipe - Exhaust - Generator 2.7 AJ
	023737-01-000	EA	Tube - Exhaust - Generator - 2.7 AJ
	007131-01-000	EA	Hanger - Tailpipe
	007067-01-000	SF	Insulation - Fiberglass 1"
	023586-01-000	EA	Scoop - Generator - Air

### 440 SPEED CONTROL

Key	Part Number	U/M	Description
	048652-01-000	EA	Speed Control Package - 440 C.I.D. - Dodge C Body
	007255-01-700	EA	Regulator Asm.
	024746-01-701	EA	Servo Asm.
	007255-01-702	EA	Engage Switch - Clamp On
	007298-01-702	EA	Harness Asm.
	007298-01-700	EA	Cable Asm. - Transmission - 42"
	007255-01-704	EA	Switch Asm. - Decelerate
	024746-01-700	EA	Relay - Speed Control

### 360 SPEED CONTROL

Key	Part Number	U/M	Description
	007298-01-700	EA	Speed Control Package - 360 C.I.D. Dodge C Body
	007255-01-700	EA	Regulator Asm.
	007298-01-701	EA	Servo Asm.
	007255-01-702	EA	Engage Switch - Clamp On
	007298-01-702	EA	Harness Asm.
	007298-01-700	EA	Cable Asm. - Transmission 22"
	007255-01-704	EA	Switch Asm. - Decelerate
	024746-01-700	EA	Relay - Speed Control

## ACCESSORIES GROUP (CONTINUED)

### MISCELLANEOUS ACCESSORIES

Key	Part Number	U/M	Description
	017510-01-000	EA	Mudflap - Black - 14" x 18" w/Holes
	006069-01-000	EA	Case - Leather Key - Motor Home
	007038-01-000	EA	Mat - Door - Black Rubber 10 1/2" x 26"
	006053-01-000	EA	Antenna - TV - Braun's Deluxe
	006093-01-000	EA	Jack - TV - Brown (Antenna)
	038686-01-000	EA	Ladder Asm. w/Luggage Rack - Round
	038686-02-000	EA	Ladder Only - For Rack and Ladder Asm.
	008113-01-000	EA	Jack - Hydraulic 5 Ton
	041944-01-700	EA	Fire Extinguisher - Dry Chemical - w/Bracket
	040466-07-000	EA	Cover - Spare Tire - No "IV" - 29"
	039779-01-000	EA	Cap - 4" Square - Rear Bumper - Rubber

## 1976 WINNEBAGO TABLE OF CONTENTS

MW25C	A-1 - J-10
MW25CD	B-11 - C-18
MW20RG	C-19 - D-24
MW23RB	E-1 - F-8
MW23RD	F-9 - G-16
D23C	G-17 - I-6
D26CRB	I-7 - J-20
D26CRK	J-21 - L-10

## BATH GROUP

Key	Part Number	U/M	Description
	043861-01-700	EA	Door Asm. - Bathroom - 18" x 67" w/o Hardware
	009150-01-000	EA	Warp Guard - Bath Door - 64"
	009124-01-000	EA	Lock - Bath Door - Push Button Brass w/Strike
	016857-03-000	EA	Lavatory - Small - Corner Sink - 11" x 15" - Ivory Plastic w/o Hardware
	009726-01-000	FT	Molding - J - .19" Alloy - Lavatory Trim
	011057-01-000	EA	Faucet - Lavatory and Shower
	011083-01-000	EA	Plug - C/O - 1 1/4" x 5" w/Chain
	037581-01-000	EA	Back Flow Preventer - Vacuum Breaker - 1/8 MPT x 1/2 MPT - Chrome
	031878-01-000	EA	Shower Head w/40" Hose
	006098-01-000	EA	Mirror - 1/8" x 9" x 16" - Beveled
	009089-01-000	EA	Clip - Mirror
	020554-03-000	EA	Shower Pan - 30" x 35" - Ivory Plastic w/o Hardware
	011068-01-000	EA	Tailpiece - Shower Pan - 1 1/4" x 3" Brass
	011086-01-000	EA	Strainer - Shower Pan
	009134-01-000	EA	Holder - Toilet Tissue
	009133-02-000	EA	Bar - Towel Rack - 18" - Plastic w/o Brackets
	023449-01-000	EA	Bracket - Towel Rack - Chrome - Left or Right
**	039341-02-000	EA	Toilet - Aqua Magic - Model SH - Thetford
**	041840-01-000	EA	Toilet - Aqua Magic III - Ivory - Thetford

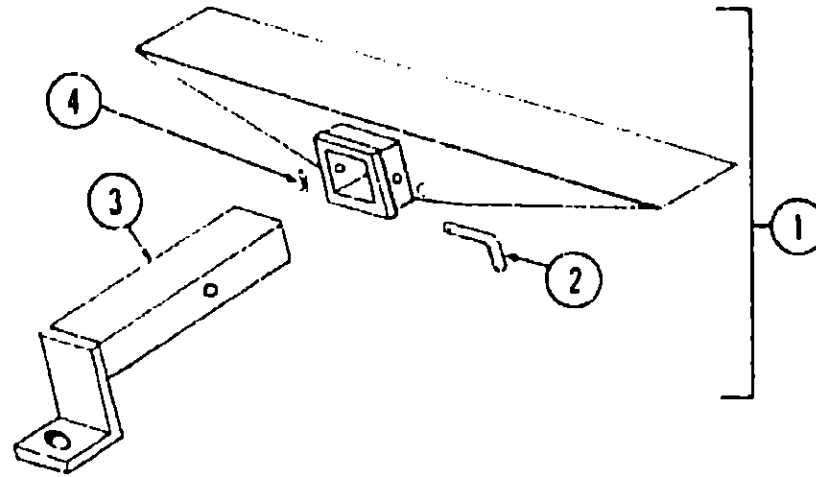
\*\* The illustrated parts breakdown for this item is provided on the Common Items Fiche.

## 1976 MW20RG INDEX

Floor Plan	C-19 - C-20
Accessories Group	C-21 - C-22
Bath Group	C-22
Chassis Group	C-23
Curtain, Cushion & Pad Group	C-24
	D-1 - D-2
Dinette Group	D-3
Driver's Compartment	D-3
Electrical Group	D-4 - D-5
Exterior Body Group	D-6 - D-9
Galley Group	D-10
Heating & Air Conditioning Group	D-11
Interior Finish Group	D-12 - D-13
LP Group	D-14
Lounge Group	D-14
Water & Sewage Group	D-15
Window, Vent & Exterior Door Group	D-16 - D-24

## CHASSIS GROUP

Key	Part Number	U/M	Description
	024852-01-700	EA	Stop Asm. - Entry Door
	042293-01-000	EA	Tray Asm. - Luggage Compartment
	041385-01-000	EA	Extension - Tailpipe - Curved - 3" O.D. x 14"
	021548-01-000	EA	Bumper Asm. - Square - 4" x 4" x 93"
	039779-01-000	EA	Cap - Rubber - Bumper End - 4" x 4"
	022150-01-000	EA	Bracket Asm. - Rear Bumper
	040974-01-000	EA	Retaining Bar - Spare Tire
	041078-01-000	EA	Wheelwell - Plastic - Left or Right Rear
	017516-01-000	EA	Mudflap - Black Rubber - 14" x 18" w/Holes



Key	Part Number	U/M	Description
1	023695-02-700	EA	Hitch Kit - Trailer w/Drawbar - Dodge MW
2	034512-01-000	EA	Pin - Locking - Drawbar
3	024876-01-700	EA	Drawbar Asm. - Primed
4	034513-01-000	EA	Pin - Hitch - 3/16" Wire Spring

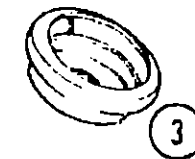
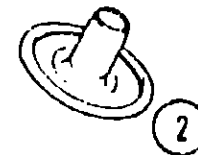
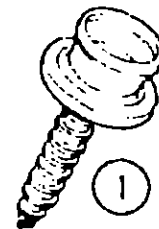
## CURTAIN, CUSHION AND PAD GROUP

### CURTAINS

Key	Part Number	U/M	Description
	043120-11-000	EA	Curtain w/Snap Top - 30" x 37" - Green (Sauterne)
	043120-12-000	EA	Curtain w/Snap Top - 30" x 37" - Gold (Mustard)
	043120-13-000	EA	Curtain w/Snap Top - 30" x 37" - Orange (Comquat)
	043121-09-000	EA	Curtain w/Snap Top - Right - 25" x 55" - Green (Sauterne)
	043121-10-000	EA	Curtain w/Snap Top - Right - 25" x 55" - Gold (Mustard)
	043121-11-000	EA	Curtain w/Snap Top - Right - 25" x 55" - Orange (Comquat)
	043122-09-000	EA	Curtain w/Snap Top - Left - 25" x 55" - Green (Sauterne)
	043122-10-000	EA	Curtain w/Snap Top - Left - 25" x 55" - Gold (Mustard)
	043122-11-000	EA	Curtain w/Snap Top - Left - 25" x 55" - Orange (Comquat)
	043120-14-000	EA	Curtain w/Snap Top - 15" x 45" - Green (Sauterne)
	043120-15-000	EA	Curtain w/Snap Top - 15" x 45" - Gold (Mustard)
	043120-16-000	EA	Curtain w/Snap Top - 15" x 45" - Orange (Comquat)
	043084-07-000	EA	Curtain w/Snap - Right - 17.5" x 5" - Green (Sauterne)
	043084-08-000	EA	Curtain w/Snap - Right - 17.5" x 5" - Gold (Mustard)
	043084-09-000	EA	Curtain w/Snap - Right - 17.5" x 5" - Orange (Comquat)
	043119-07-000	EA	Curtain w/Snap - Left - 17.5" x 55" - Green (Sauterne)
	043119-08-000	EA	Curtain w/Snap - Left - 17.5" x 55" - Gold (Mustard)
	043119-09-000	EA	Curtain w/Snap - Left - 17.5" x 55" - Orange (Comquat)
	043121-12-000	EA	Curtain w/Snap Top - Right - 25" x 45" - Green (Sauterne)
	043121-13-000	EA	Curtain w/Snap Top - Right - 25" x 45" - Gold (Mustard)
	043121-14-000	EA	Curtain w/Snap Top - Right - 25" x 45" - Orange (Comquat)
	043122-12-000	EA	Curtain w/Snap Top - Left - 25" x 45" - Green (Sauterne)
	043122-13-000	EA	Curtain w/Snap Top - Left - 25" x 45" - Gold (Mustard)
	043122-14-000	EA	Curtain w/Snap Top - Left - 25" x 45" - Orange (Comquat)
	033311-21-000	EA	Curtain - Blackout - 56" x 72" - Brown Vinyl
	043120-07-000	EA	Curtain w/Snap Top - Front Wraparound - Left or Right - Brown Vinyl

### CURTAIN HARDWARE

Key	Part Number	U/M	Description
	052327-04-236	EA	Curtain Track - Alum. - Brown - 89" w/Holes
	009107-01-000	EA	Guide - Curtain - Nylon Snap
	009223-01-000	EA	Rod - Curtain - Flat - Extends - 32" - 51"
	009223-02-000	EA	Rod - Curtain - Flat - Extends - 48" - 84"
	042439-01-000	EA	Bracket - Flat Curtain Rod - Left or Right
	018031-42-000	EA	Track - Curtain - "L" Rod - Alum. - 90"
	047171-01-000	EA	Track - Shower Curtain - Alum. - "L" Rod
	009701-01-000	EA	Carrier w/Rollers - Curtain - "L" Rod
	009702-01-000	EA	End Stop - Curtain Track - "L" Rod
	009136-01-000	EA	Pin - Shower Curtain



Key	Part Number	U/M	Description
1	029130-01-000	EA	Socket - Snap Fastener - 7 x 5/8" (Tie Back)
2	029155-01-000	EA	Cap - Snap - .156" Dia. x .17" Barrel (Tie Back)
3	029156-01-000	EA	Socket - Snap Fastener (Tie Back)
4	029092-01-000	EA	Stud - Nickel Finish (Curtain)
5	029093-01-000	EA	Eyelet - Nickel Finish (Curtain)

## 1976 WINNEBAGO TABLE OF CONTENTS

MW25C	A-1 - B-10
MW25CD	B-11 - C-18
MW20RG	C-19 - D-24
MW23RB	E-1 - F-8
MW23RD	F-9 - G-16
D23C	G-17 - I-6
D26CRB	I-7 - J-20
D26CRK	J-21 - L-10

## 1976 MW20RG INDEX

Floor Plan	C-19 - C-20
Accessories Group	C-21 - C-22
Bath Group	C-22
Chassis Group	C-23
Curtain, Cushion & Pad Group	C-24
	D-1 - D-2
Dinette Group	D-3
Driver's Compartment	D-3
Electrical Group	D-4 - D-5
Exterior Body Group	D-6 - D-9
Galley Group	D-10
Heating & Air Conditioning Group	D-11
Interior Finish Group	D-12 - D-13
LP Group	D-14
Lounge Group	D-14
Water & Sewage Group	D-15
Window, Vent & Exterior Door Group	D-16 - D-24

**CURTAIN, CUSHION AND PAD GROUP (CONTINUED)**

**VALANCES AND TIE BACKS**

Key	Part Number	U/M	Description
	041291-45-000	EA	Valance w/Header - 5.5" x 92" - Green (Sauterne)
	041291-46-000	EA	Valance w/Header - 5.5" x 92" - Gold (Mustard)
	041291-47-000	EA	Valance w/Header - 5.5" x 92" - Orange (Comquat)
	031843-23-000	EA	Tie Back Asm. - Curtain - 12" - Clear Vinyl
	031843-32-000	EA	Tie Back Asm. - Curtain - 18" - Brown Vinyl

**DINETTE CUSHIONS**

Key	Part Number	U/M	Description
	041907-28-000	EA	Cushion - Mitered - 4" x 22" x 38" - Green (Sauterne)
	041907-29-000	EA	Cushion - Mitered - 4" x 22" x 38" - Gold (Mustard)
	041907-30-000	EA	Cushion - Mitered - 4" x 22" x 38" - Orange (Comquat)
	041907-28-028	EA	Cover - Cushion - Mitered - 4" x 22" x 38" - Green (Sauterne)
	041907-29-029	EA	Cover - Cushion - Mitered - 4" x 22" x 38" - Gold (Mustard)
	041907-30-030	EA	Cover - Cushion - Mitered - 4" x 22" x 38" - Orange (Comquat)
	041907-31-000	EA	Cushion - Mitered - 4" x 15" x 38" - Green (Sauterne)
	041907-32-000	EA	Cushion - Mitered - 4" x 15" x 38" - Gold (Mustard)
	041907-33-000	EA	Cushion - Mitered - 4" x 15" x 38" - Orange (Comquat)
	041907-31-031	EA	Cover - Cushion - Mitered - 4" x 15" x 38" - Green (Sauterne)
	041907-32-032	EA	Cover - Cushion - Mitered - 4" x 15" x 38" - Gold (Mustard)
	041907-33-033	EA	Cover - Cushion - Mitered - 4" x 15" x 38" - Orange (Comquat)

**LOUNGE CUSHIONS**

Key	Part Number	U/M	Description
	041667-28-000	EA	Cushion - Mitered - 5" x 19.5" x 26" - Green (Sauterne)
	041667-29-000	EA	Cushion - Mitered - 5" x 19.5" x 26" - Gold (Mustard)
	041667-30-000	EA	Cushion - Mitered - 5" x 19.5" x 26" - Orange (Comquat)
	041667-28-028	EA	Cover - Cushion - Mitered - 5" x 19.5" x 26" - Green (Sauterne)
	041667-29-029	EA	Cover - Cushion - Mitered - 5" x 19.5" x 26" - Gold (Mustard)
	041667-30-030	EA	Cover - Cushion - Mitered - 5" x 19.5" x 26" - Orange (Comquat)
	041667-87-000	EA	Cushion - Mitered - 11" x 41" x 5" - Green (Sauterne)
	041667-88-000	EA	Cushion - Mitered - 11" x 41" x 5" - Gold (Mustard)
	041667-89-000	EA	Cushion - Mitered - 11" x 41" x 5" - Orange (Comquat)
	041667-87-087	EA	Cover - Cushion - Mitered - 11" x 41" x 5" - Green (Sauterne)
	041667-88-088	EA	Cover - Cushion - Mitered - 11" x 41" x 5" - Gold (Mustard)
	041667-89-089	EA	Cover - Cushion - Mitered - 11" x 41" x 5" - Orange (Comquat)
	041907-88-000	EA	Cushion - Mitered - 4" x 22" x 74" - Green (Sauterne)
	041907-89-000	EA	Cushion - Mitered - 4" x 22" x 74" - Gold (Mustard)
	041907-90-000	EA	Cushion - Mitered - 4" x 22" x 74" - Orange (Comquat)
	041907-88-088	EA	Cover - Cushion - Mitered - 4" x 22" x 74" - Green (Sauterne)
	041907-89-089	EA	Cover - Cushion - Mitered - 4" x 22" x 74" - Gold (Mustard)
	041907-90-090	EA	Cover - Cushion - Mitered - 4" x 22" x 74" - Orange (Comquat)
	041908-04-000	EA	Cushion - 2 Fold - Mitered - 4" x 11" x 15" x 74" - Green (Sauterne)
	041908-05-000	EA	Cushion - 2 Fold - Mitered - 4" x 11" x 15" x 74" - Gold (Mustard)
	041908-06-000	EA	Cushion - 2 Fold - Mitered - 4" x 11" x 15" x 74" - Orange (Comquat)
	041908-04-004	EA	Cover - Cushion - 2 Fold - Mitered - 4" x 11" x 15" x 74" - Green (Sauterne)
	041908-05-005	EA	Cover - Cushion - 2 Fold - Mitered - 4" x 11" x 15" x 74" - Gold (Mustard)
	041908-06-006	EA	Cover - Cushion - 2 Fold - Mitered - 4" x 11" x 15" x 74" - Orange (Comquat)

**CURTAIN, CUSHION AND PAD GROUP (CONTINUED)**

**BUNK CUSHIONS**

Key	Part Number	U/M	Description
	041667-25-000	EA	Cushion - Mitered - 5 1/2" x 25" x 81" - Green (Sauterne)
	041667-26-000	EA	Cushion - Mitered - 5 1/2" x 25" x 81" - Gold (Mustard)
	041667-27-000	EA	Cushion - Mitered - 5 1/2" x 25" x 81" - Orange (Comquat)
	041667-25-025	EA	Cover - Cushion - Mitered - 5 1/2" x 25" x 81" - Green (Sauterne)
	041667-26-026	EA	Cover - Cushion - Mitered - 5 1/2" x 25" x 81" - Gold (Mustard)
	041667-27-027	EA	Cover - Cushion - Mitered - 5 1/2" x 25" x 81" - Orange (Comquat)
	041907-37-000	EA	Cushion - Mitered - 4" x 29" x 81" - Green (Sauterne)
	041667-38-000	EA	Cushion - Mitered - 4" x 29" x 81" - Gold (Mustard)
	041667-39-000	EA	Cushion - Mitered - 4" x 29" x 81" - Orange (Comquat)
	041907-37-037	EA	Cover - Cushion - Mitered - 4" x 29" x 81" - Green (Sauterne)
	041907-38-038	EA	Cover - Cushion - Mitered - 4" x 29" x 81" - Gold (Mustard)
	041907-39-039	EA	Cover - Cushion - Mitered - 4" x 29" x 81" - Orange (Comquat)

**BUCKET SEATS, ARMRESTS AND HEADRESTS**

Key	Part Number	U/M	Description
	040517-05-000	EA	Seat Asm. - Single Bucket w/o Slides - Green (Sauterne)
	040517-06-000	EA	Seat Asm. - Single Bucket w/o Slides - Gold (Mustard)
	040517-07-000	EA	Seat Asm. - Single Bucket w/o Slides - Orange (Comquat)
	040516-05-001	EA	Cover Asm. - Single Bucket Seat Back - Green (Sauterne)
	040516-06-001	EA	Cover Asm. - Single Bucket Seat Back - Gold (Mustard)
	040516-07-001	EA	Cover Asm. - Single Bucket Seat Back - Orange (Comquat)
	040516-05-002	EA	Cover Asm. - Single Bucket - Seat Bottom - Green (Sauterne)
	040516-06-002	EA	Cover Asm. - Single Bucket Seat Bottom - Gold (Mustard)
	040516-07-002	EA	Cover Asm. - Single Bucket Seat Bottom - Orange (Comquat)
	040494-01-000	EA	Armrest Asm. - Foam w/o Cover - Right - Style #1
	040494-02-000	EA	Armrest Asm. - Foam w/o Cover - Left - Style #1
	050275-01-700	EA	Armrest Asm. - Foam w/o Cover - Right - Style #2
	050276-01-700	EA	Armrest Asm. - Foam w/o Cover - Left - Style #2
	040492-09-009	EA	Armrest Cover - Right or Left - Green (Sauterne)
	040492-10-010	EA	Armrest Cover - Right or Left - Gold (Mustard)
	040492-11-011	EA	Armrest Cover - Right or Left - Orange (Comquat)
	019722-01-000	EA	Headrest Asm. - Foam w/o Cover
	033906-15-000	EA	Headrest Cover - Green (Sauterne)
	033906-16-000	EA	Headrest Cover - Gold (Mustard)
	033906-17-000	EA	Headrest Cover - Orange (Comquat)

**NOTE**

A production change was made in the armrest. When ordering you must first determine which style is required. Measure up ten inches from the bottom of the seat frame. If you feel (through the upholstery) a collar protruding outward approximately 1/2", you should order style two. Order style one if no protrusion is noted.

**FABRICS AND PADS**

Key	Part Number	U/M	Description
	041198-01-000	YD	Fabric - Drapery - Green (Sauterne)
	041198-02-000	YD	Fabric - Drapery - Gold (Mustard)
	041198-03-000	YD	Fabric - Drapery - Orange (Comquat)
	041197-01-000	YD	Fabric - Upholstery - Green (Sauterne)
	041197-02-000	YD	Fabric - Upholstery - Gold (Mustard)
	041197-03-000	YD	Fabric - Upholstery - Orange (Comquat)
	042411-03-000	YD	Vinyl - Non-Support - 16 Gauge - Brown
	042411-01-000	YD	Vinyl - Non-Expanded - 27 Ounce - Brown
	042822-01-000	EA	Pad - Headliner - Cab - Brown Vinyl
	042414-01-000	FI	Trim - Accent - Bostonian Brown Vinyl
	046478-02-000	EA	Pad - Cab Door Overhead Panel - Brown Vinyl
	045575-01-000	EA	Stool Asm. - Vanity Base - Brown Vinyl
	045575-02-000	EA	Stool Asm. - Vanity Lid - Brown Vinyl

**1976 WINNEBAGO  
TABLE OF CONTENTS**

MW25C	A-1 - B-10
MW25CD	B-11 - C-18
MW20RG	C-19 - D-24
MW23RB	E-1 - F-8
MW23RD	F-9 - G-16
D23C	G-17 - I-6
D26CRB	I-7 - J-20
D26CRK	J-21 - L-10

**1976 MW20RG  
INDEX**

Floor Plan	C-19 - C-20
Accessories Group	C-21 - C-22
Bath Group	C-22
Chassis Group	C-23
Curtain, Cushion & Pad Group	C-24
	D-1 - D-2
Dinette Group	D-3
Driver's Compartment	D-3
Electrical Group	D-4 - D-5
Exterior Body Group	D-6 - D-9
Galley Group	D-10
Heating & Air Conditioning Group	D-11
Interior Finish Group	D-12 - D-13
LP Group	D-14
Lounge Group	D-14
Water & Sewage Group	D-15
Window, Vent & Exterior Door Group	D-16 - D-24

## DINETTE GROUP

Key	Part Number	U/M	Description
	024274-16-700	EA	Table Asm. - Dinette - w/o Hardware - Green (Sauterne)
	024274-19-700	EA	Table Asm. - Dinette - w/o Hardware - Gold (Mustard)
	024274-20-700	EA	Table Asm. - Dinette - w/o Hardware - Orange (Comquat)
	047842-01-000	EA	Kit - Table Leg Hardware
	047809-01-000	EA	Kit - Table Wall Mounting Hardware
	041691-01-000	EA	Cabinet Asm. - Hamper
	042554-05-700	EA	Door Asm. - Dinette Seat Cabinet - 14" x 11 3/4" w/o Hardware
	043172-01-000	EA	Cabinet Asm. - Dinette Seat - Rear
	043173-01-000	EA	Cabinet Asm. - Dinette Seat - Front
	043174-01-000	EA	Cabinet Asm. - Dinette Overhead w/o Doors or Hardware
	042554-10-700	EA	Door Asm. - Dinette Overhead Cabinet - 11 13/16" x 26" w/o Hardware
	007021-01-000	EA	Belt Asm. - Seat - 2" x 90" - Black
	041322-01-000	EA	Washer Flat - 15/32" I.D. x 2 3/8" O.D.

## DRIVER'S COMPARTMENT GROUP

Key	Part Number	U/M	Description
	044581-01-000	EA	Plate - Adaptor - Seat Pedestal
	007223-01-000	EA	Adjuster Asm. - Seat w/Lock
	007224-02-000	EA	Handle - Seat Adjuster - 9"
	042823-01-000	EA	Panel - Wing Wall - Inner - Right
	042823-02-000	EA	Panel - Wing Wall - Inner - Left
	042824-01-000	EA	Panel - Side - Right
	042824-02-000	EA	Panel - Side - Left
	042036-01-000	EA	Sleeper Board Asm. - Over Cab
	007155-01-000	EA	Gauge Asm. - Generator Hourmeter
	008274-01-000	EA	Switch - Generator
	007267-01-000	EA	Gauge Asm. - Voltmeter
	008226-01-000	EA	Switch - Battery Condition
	041476-01-000	FT	Track - PVC - Dark Pecan - 12' - Sleeper Board
	023812;04-000	EA	Rail - Bunk - Alum. Extr. - Dark Brown - 75"
	024461-01-000	EA	Switch - Battery

## ELECTRICAL GROUP

### BULBS

Key	Part Number	U/M	Description
	037935-01-000	EA	Bulb - 1157
	038010-01-000	EA	Bulb - 1143
	008103-01-000	EA	Bulb - 53
	008213-01-000	EA	Bulb - 57
	008214-01-000	EA	Bulb - 67
	008215-01-000	EA	Bulb - 1003
	008216-01-000	EA	Bulb - 1034
	008217-01-000	EA	Bulb - 1073
	008218-01-000	EA	Bulb - 1141
	008219-01-000	EA	Bulb - 656
	008220-01-000	EA	Bulb - 12V - 25W
	036196-01-000	EA	Bulb - 194
	700020-01-000	EA	Bulb - 12V - 20W - 1383

### EXTERIOR LIGHTS

Key	Part Number	U/M	Description
	031054-01-000	EA	Lamp - Tail - Left - White
	031055-01-000	EA	Lamp - Tail - Right - White
	039865-01-000	EA	Clearance Light - Round - Red
	039866-01-000	EA	Clearance Light - Round - Amber
	033748-01-000	EA	Light - Clearance - Oval - Amber
	033748-02-000	EA	Light - Clearance - Oval - Red

### INTERIOR LIGHTS

Key	Part Number	U/M	Description
	024418-01-000	EA	Lamp Asm. - Map/Gauge/Aisle
	024473-01-000	EA	Light - Aircraft - 1 Bulb - Gold
	033508-01-000	EA	Light - Dome - Ivory - 1 Bulb
	024642-01-701	EA	Lens - Dome - Light - 1 Bulb
	033509-01-000	EA	Light - Dome - Ivory - 2 Bulb
	024643-01-701	EA	Lens - Dome Light - 2 Bulb

### FUSES AND CIRCUIT BREAKERS

Key	Part Number	U/M	Description
	008233-01-000	EA	Fuse - 12 Volt - 6 Amp.
	008234-01-000	EA	Fuse - 12 Volt - 10 Amp.
	008235-01-000	EA	Fuse - 12 Volt - 15 Amp.
	008236-01-000	EA	Fuse - 12 Volt - 20 Amp.
	008248-01-000	EA	Fuse - 110 Volt - 30 Amp. - AGU
	008252-01-000	EA	Fuse - 110 Volt - 50 Amp.
	006208-01-000	EA	Circuit Breaker - 12 Volt - 40 Amp.
	008211-01-000	EA	Circuit Breaker - 12 Volt - 6 Amp.
	008268-01-000	EA	Circuit Breaker - 12 Volt - 30 Amp. w/Mount
	033573-01-000	EA	Circuit Breaker - 12 Volt - 20 Amp. w/Mount
	040051-01-000	EA	Circuit Breaker - 110 Volt - 20 Amp. - TQL

## 1976 WINNEBAGO TABLE OF CONTENTS

MW25C	A-1 - B-10
MW25CD	B-11 - C-18
MW20RG	C-19 - D-24
MW23RB	E-1 - F-8
MW23RD	F-9 - G-16
D23C	G-17 - I-6
D26CRB	I-7 - J-20
D26CRK	J-21 - L-10

## 1976 MW20RG INDEX

Floor Plan	C-19 - C-20
Accessories Group	C-21 - C-22
Bath Group	C-22
Chassis Group	C-23
Curtain, Cushion & Pad Group	C-24
	D-1 - D-2
Dinette Group	D-3
Driver's Compartment	D-3
Electrical Group	D-4 - D-5
Exterior Body Group	D-6 - D-9
Galley Group	D-10
Heating & Air Conditioning Group	D-11
Interior Finish Group	D-12 - D-13
LP Group	D-14
Lounge Group	D-14
Water & Sewage Group	D-15
Window, Vent & Exterior Door Group	D-16 - D-24

## ELECTRICAL GROUP (CONTINUED)

### WIRE, SWITCHES, AND RECEPTACLES

Key	Part Number	U/M	Description
	008024-01-000	FT	Wire - 18.5 Bonded - Orange/White/Yellow/Blue/Brown
	008025-01-000	FT	Wire - 18.5 Bonded - Orange/White/Yellow/Blue/Green
	008028-01-000	FT	Wire - 18.5 Bonded - Blue/Red/Yellow/Orange/White
	008030-01-000	FT	Wire - 18.4 Bonded
	008251-01-000	EA	Holder - Fuse - Black - Screw Type
	008277-01-000	EA	Holder - Fuse - Black - Panel Mount
	008195-01-000	EA	Switch - Push Button - 12 Volt
	006077-01-000	EA	Plaque - Compressor Switch
	008054-01-000	EA	Cord - Power - 10-3 30 Amp. - 25' - UL
	034818-04-000	EA	Holder - Receptacle - Plastic
	039338-01-000	EA	Cover Plate - Receptacle - Plastic - Brown
	039342-01-000	EA	Receptacle - Duplex Brown - T Junction
	024571-01-000	EA	Cover Plate - Receptacle - Jumbo Steel Brown
	039343-01-000	EA	Cap - End - Receptacle
	008162-01-000	EA	Switch - Double Toggle - Spade Brown
	008163-01-000	EA	Switch - Toggle Brown
	008164-01-000	EA	Cover Plate - Switch - Brown
	024924-01-000	EA	Receptacle - Power Cord
	008058-01-000	EA	Adaptor - Power Cord
	047353-01-000	EA	Cover - Receptacle - Ground Fault
	047351-01-000	EA	Receptacle - Ground Fault Interrupter - 125 Volt, Black

### MISCELLANEOUS ELECTRICAL COMPONENTS

Key	Part Number	U/M	Description
	047338-01-000	EA	Isolator - Dual Battery
	047389-01-700	EA	Battery - 12 Volt - 105 Amp. Deep Cycle - Dry
	008188-01-000	EA	Solenoid - Dual Battery - Relay
	046775-01-000	EA	Valve - Gas - Change Over
	039950-02-000	EA	Control Center - 30 Amp. w/Door - UL
	024417-01-000	EA	Panel - Control - Water/Double Sewage - Wemac
	039861-01-000	EA	Sending Unit Kit - Wemac
	024459-01-000	EA	Gauge - Voltmeter
	024462-01-000	EA	Switch - Battery Condition
	031035-01-000	EA	Gauge - Hour Meter - Generator
	024976-01-000	EA	Switch - Generator w/o Circuit Board
	024460-01-000	EA	Gauge - Vacuum

## EXTERIOR BODY GROUP

### EXTERIOR BODY PANELS AND SHEET ALUMINUM

Key	Part Number	U/M	Description
	043150-01-000	EA	Sidewall Asm. - Right
	043151-01-000	EA	Sidewall Asm. - Left
	043154-01-000	EA	Backwall Asm.
	043153-01-000	EA	Roof Asm.
	043153-01-700	EA	Roof Asm. - Front - Cab Overhang to First Roof Seam
	041489-01-000	EA	Wingwall Asm. - Right
	041489-02-000	EA	Wingwall Asm. - Left
	041490-01-000	EA	Sleeper Board Asm.
	039155-07-001	EA	Alum. - Off White - Greyhound Design - .024" x 48" x 300"
	039155-07-002	EA	Alum. - Off White - Greyhound Design - .024" x 48" x 120"
	039155-07-003	EA	Alum. - Off White - Greyhound Design - .024" x 48" x 60"
	039155-07-004	EA	Alum. - Off White - Greyhound Design - .024" x 24" x 300"
	039155-07-005	EA	Alum. - Off White - Greyhound Design - .024" x 24" x 120"
	039155-07-006	EA	Alum. - Off White - Greyhound Design - .024" x 24" x 60"
	039155-07-007	EA	Alum. - Off White - Greyhound Design - .024" x 12" x 300"
	039155-07-008	EA	Alum. - Off White - Greyhound Design - .024" x 12" x 120"
	039155-07-009	EA	Alum. - Off White - Greyhound Design - .024" x 12" x 60"
	044487-01-001	EA	Alum. - Mill Finish - No Design (Roof) - 96" x 360"
	039155-07-010	EA	Alum. - Off White - Greyhound Design 48" x 96"
	001054-01-001	EA	Alum. - Off White - No Design - 48" x 96"
	000868-01-000	BF	Styrofoam - 3/4" x 24" x 96"

### EXTERIOR PAINT

Key	Part Number	U/M	Description
	041561-01-000	EA	Off White - Acrylic Enamel - 1 Gallon
	041561-03-000	EA	Off White - Acrylic Enamel - 16 Ounce Aerosol
	041561-04-000	EA	Off White - Acrylic Lacquer - 1 Gallon
	041563-01-000	EA	Burnt Orange - Acrylic Enamel - 1 Gallon
	041563-03-000	EA	Burnt Orange - Acrylic Enamel - 16 Ounce Aerosol
	041565-01-000	EA	Rally Yellow - Acrylic Enamel - 1 Gallon
	041565-03-000	EA	Rally Yellow - Acrylic Enamel - 16 Ounce Aerosol
	045681-01-000	EA	High Gloss Black - Acrylic Enamel - 1 Gallon
	045681-03-000	EA	High Gloss Black - Acrylic Enamel - 16 Ounce Aerosol
	042933-03-000	EA	Dark Brown - Acrylic Enamel - 16 Ounce Aerosol

### LABELS AND DECALS

Key	Part Number	U/M	Description
	006023-01-000	EA	Label - Water Only
	006025-01-000	EA	Label - Gas
	006028-01-000	EA	Label - Drain Cap - 2" x 3"
	006031-01-000	EA	Label - Potable Water Only
	006187-01-000	EA	Label - Sewage
	006188-01-000	EA	Label - Waste Water
	006199-01-000	EA	Label - Exit - Escape Window
	031161-01-000	EA	Label - Flying "W"
	038403-01-000	EA	Decal - Logo - Winnebago 2.80" (Front or Rear)
	039289-01-000	EA	Label - Warning Aux. Loading
	039716-01-000	EA	Stencil - Minnie Winnie
	008092-01-000	EA	Reflector - Stick On - Rectangular - Red
	008093-01-000	EA	Reflector - Stick On - Rectangular - Amber

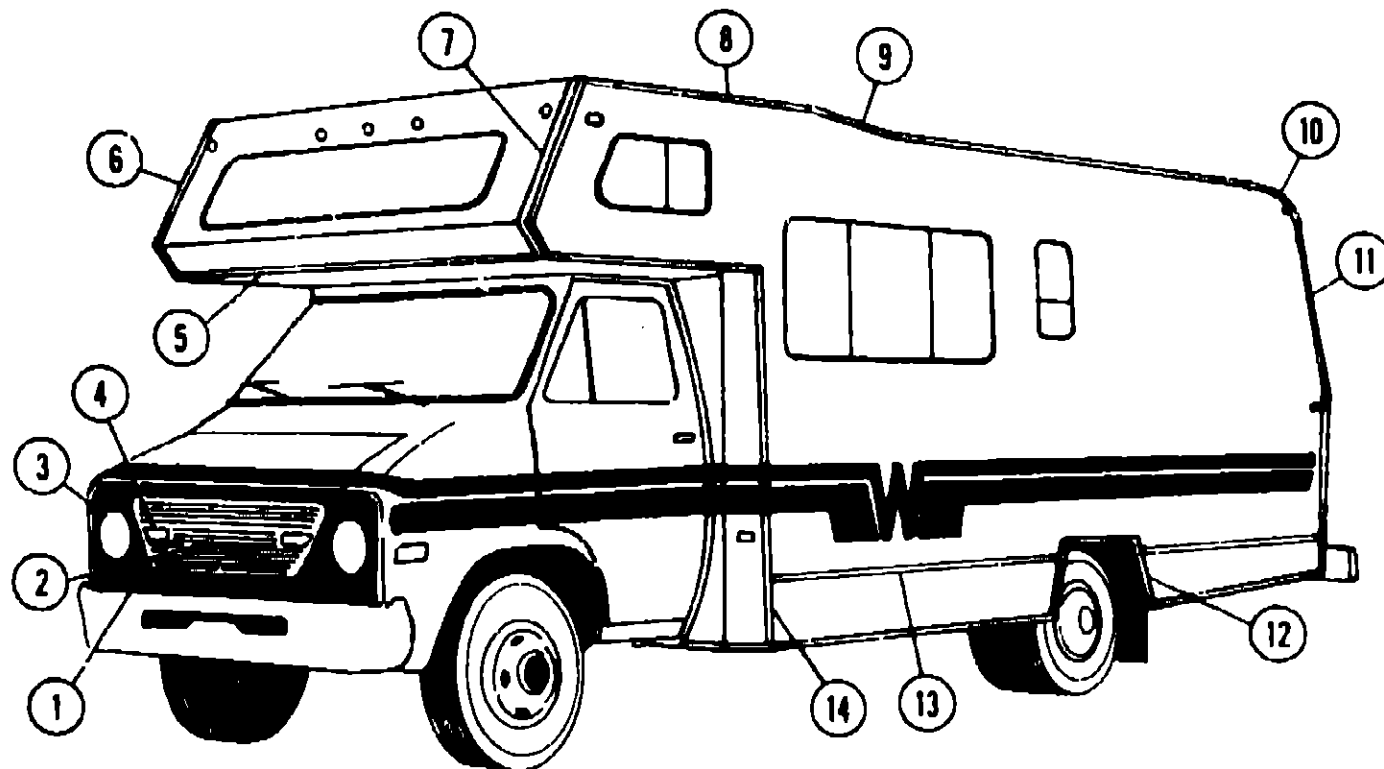
## 1976 WINNEBAGO TABLE OF CONTENTS

MW25C	A-1 - B-10
MW25CD	B-11 - C-18
MW20RG	C-19 - D-24
MW23RB	E-1 - F-8
MW23RD	F-9 - G-16
D23C	G-17 - I-6
D26CRB	I-7 - J-20
D26CRK	J-21 - L-10

## 1976 MW20RG INDEX

Floor Plan	C-19 - C-20
Accessories Group	C-21 - C-22
Bath Group	C-22
Chassis Group	C-23
Curtain, Cushion & Pad Group	C-24
	D-1 - D-2
Dinette Group	D-3
Driver's Compartment	D-3
Electrical Group	D-4 - D-5
Exterior Body Group	D-6 - D-9
Galley Group	D-10
Heating & Air Conditioning Group	D-11
Interior Finish Group	D-12 - D-13
LP Group	D-14
Lounge Group	D-14
Water & Sewage Group	D-15
Window, Vent & Exterior Door Group	D-16 - D-24

## EXTERIOR BODY GROUP (CONTINUED)



Key	Part Number	U/M	Description
1	020650-01-000	EA	Panel - Grille - Plastic
2	020651-01-000	EA	Grille Asm. - Aluminum
	024661-01-000	EA	Trim. Asm. - Grille - Outer - Complete
3	022203-01-000	EA	Bezel - Headlight - Left or Right
4	047909-01-000	EA	Light - Turn Signal - Amber - Left or Right
5	036478-03-000	EA	Trim - Sleeper Board - Front - Off White
6	042171-01-000	EA	Trim - Contour - Sleeper Section - Right - Off White
7	042171-02-000	EA	Trim - Contour - Sleeper Section - Left - Off White
8	042172-02-000	EA	Trim - Roof - Contour - Left - Off White
	042172-01-000	EA	Trim - Roof - Contour - Right - Off White
9	942170-02-000	EA	Trim - Roof Angle - Left - Off White
	042170-01-000	EA	Trim - Roof Angle - Right - Off White

Key	Part Number	U/M	Description
10	036527-06-000	EA	Trim - Contour - Left - Rear Corner
	036527-05-000	EA	Trim - Contour - Right - Rear Corner
11	034916-08-000	EA	Trim - Contour - Left Rear - Off White
	034916-07-000	EA	Trim - Contour - Right Rear - Off White
12	042141-01-000	EA	Trim - Wheel Well - Rear - Left or Right
13	002444-02-003	EA	Extrusion - Anod. - Feature Strip - 16' - w/o Insert
	001030-03-002	EA	Insert - Feature Strip - .019" x 13/16" x 17' - Burnt Orange
	009731-01-000	EA	End Cap - Feature Strip
14	036476-10-000	EA	Trim - Wingwall - Left
	036476-09-000	EA	Trim - Wingwall - Right
	006238-01-000	EA	Nameplate - Grille - "Winnebago"
			Not Illustrated

## 1976 WINNEBAGO TABLE OF CONTENTS

MW25C	A-1 - B-10
MW25CD	B-11 - C-18
MW20RG	C-19 - D-24
MW23RB	E-1 - F-8
MW23RD	F-9 - G-16
D23C	G-17 - I-6
D26CRB	I-7 - J-20
D26CRK	J-21 - L-10

## 1976 MW20RG INDEX

Floor Plan	C-19 - C-20
Accessories Group	C-21 - C-22
Bath Group	C-22
Chassis Group	C-23
Curtain, Cushion & Pad Group	C-24
	D-1 - D-2
Dinette Group	D-3
Driver's Compartment	D-3
Electrical Group	D-4 - D-5
Exterior Body Group	D-6 - D-9
Galley Group	D-10
Heating & Air Conditioning Group	D-11
Interior Finish Group	D-12 - D-13
LP Group	D-14
Lounge Group	D-14
Water & Sewage Group	D-15
Window, Vent & Exterior Door Group	D-16 - D-24

## EXTERIOR BODY GROUP (CONTINUED)

### SEALANTS, ADHESIVES, AND FASTENERS

Key	Part Number	U/M	Description
	034552-05-000	EA	Sealant - Off White Silicone
	034552-04-000	EA	Sealant - Beige Silicone
	034552-02-000	EA	Sealant - Clear Silicone
	004348-02-000	EA	Sealant - Aluminum Silicone
	004349-01-000	EA	Sealant - Black Silicone
	004342-01-000	EA	Sealant - Weatherban 202 Tube
	004346-02-000	EA	Sealant - White Silicone
	004347-01-000	EA	Sealant - Tuflex
	002316-01-000	FT	Tape - Sealer - 3/32" x 1/8"
	024545-01-000	FT	Tape - Sealer - 1/8" x 5/8" - Black
	004350-01-000	FT	Tape - Sealer - 1/8" x 1" - Formaseal
	004352-01-000	FT	Tape - Sealer - 1/8" x 3/4" - Formaseal
	004355-01-000	FT	Tape - Sealer - 1/8" x 5/8" - Black
	004357-01-000	FT	Tape - Sealer - 1/8" x 5/8" - Adhesive
	002707-02-000	FT	Tape - Sealer - 5/16" x 1/2" - Black Foam
	002707-01-000	FT	Tape - Sealer - 5/16" x 3/4" - Black Foam
	041422-01-000	FT	Tape - Sealer - 1/4" x 1/2"
	004363-01-000	FT	Tape - Sealer - 3/16" x 1/2" - Foam
	004362-01-000	FT	Tape - Sealer - 1/8" x 5/8" - Foam
	009200-01-000	EA	Tape - Furnace - 1 1/2"
	041839-01-000	FT	Tape - Window - Latch 3/4" - Adhesive
	041839-02-000	FT	Tape - Window - Latch - 1/2" - Adhesive
	004353-01-000	FT	Tape - Gasket - 1/8" x 3/4" - White
	002825-01-000	FT	Weather Stripping - Roof Vent
	002337-01-000	EA	Adhesive - 3M - 1300 Tube
	004005-01-000	GL	Adhesive - Swifts - Green - Glue (Sidewalls)
	004012-01-000	EA	Adhesive - 3M - 4475 Tube
	004020-01-000	QT	Adhesive - ABS Cement (Plastic Fittings)
	029051-01-000	EA	Adhesive - Spray Vinyl
	042401-02-000	EA	Screw - D - 18 x 3/4" SDPH Off White
	042403-02-000	EA	Screw - SF/DR - 8 - 18 x 1" SDPH Off White
	005058-01-000	EA	Screw - Wood - 12 - 11 x 3" P.O.H. Zinc
	041746-01-000	FT	Extr. - Vinyl - Bubble Seal
	021241-01-000	FT	Extr. - Vinyl - White - Wingwall

### MISCELLANEOUS EXTERNALLY MOUNTED PARTS

Key	Part Number	U/M	Description
	016253-05-000	EA	Fuel Fill - Recessed - Single - Off White
	015587-04-000	EA	Fuel Fill - Recessed - Double - Off White
	011124-01-000	EA	Plumbing Seal - Roof Vent - 1 1/4" White
	011129-01-000	EA	Plumbing Seal - Roof Vent - 1 1/2" White
	010230-02-000	EA	Fill - City Water - Recessed - Off White
	011020-01-000	EA	Fill - Water - Recessed - Off White
	009126-01-000	EA	Handle - Assist - Metal - Exterior
	049347-01-000	EA	Mirror Head - 7 1/2" x 10 1/2" Stainless Steel w/o Bracket
	049349-01-000	EA	Arm - Mirror - Brite Finish
	009101-01-000	EA	Holder - Entry Door - Male
	009101-02-000	EA	Holder - Entry Door - Female

## GALLEY GROUP

### CABINETRY

Key	Part Number	U/M	Description
	043165-01-702	EA	Cabinet Asm. - Galley - w/o Countertop, Drawers, Doors or Hardware
	043165-01-701	EA	Countertop Asm. - Galley Cabinet - Green (Sauterne)
	043165-02-701	EA	Countertop Asm. - Galley Cabinet - Gold (Mustard)
	043165-03-701	EA	Countertop Asm. - Galley Cabinet - Orange (Comquat)
	043165-01-700	EA	Galley Extension - Green (Sauterne)
	043165-02-700	EA	Galley Extension - Gold (Mustard)
	043165-03-700	EA	Galley Extension - Orange (Comquat)
	009052-01-000	EA	Bracket - Table Lift - Galley Extension
	042549-01-700	EA	Drawer Asm. - Tiltout - w/o Hardware
	042554-45-700	EA	Door Asm. - Cabinet - 14 1/8" x 9 7/16" w/o Hardware
	042554-46-700	EA	Door Asm. - Cabinet - 20 1/8" x 14 1/4" w/o Hardware
	042690-10-700	EA	Drawer Asm. - Cabinet - Notch-up - 14 1/8" x 5 1/4" x 20" w/o Hardware
	044116-01-000	EA	Drawer Asm. - Pantry w/o Hardware
	043057-01-000	EA	Slide Asm. - Pantry Roller - 18"
	042554-47-700	EA	Door Asm. - Cabinet - 22 1/4" x 16 3/4" w/o Hardware
	042690-02-700	EA	Drawer Asm. - Cabinet - Notch-up - 7 3/4" x 5 1/4" x 20" w/o Hardware
	043175-01-000	EA	Cabinet Asm. - Galley Overhead w/o Doors or Hardware
	042554-10-700	EA	Door Asm. - Galley Overhead Cabinet - 11 13/16" x 26" w/o Hardware
	042820-03-000	EA	Breadboard Asm. - 22" - Green (Sauterne)
	042820-06-000	EA	Breadboard Asm. - 22" - Gold (Mustard)
	042820-09-000	EA	Breadboard Asm. - 22" - Orange (Comquat)
	044830-01-000	EA	Sink Cover - Green (Sauterne)
	044830-02-000	EA	Sink Cover - Gold (Mustard)
	044830-03-000	EA	Sink Cover - Orange (Comquat)

### GALLEY HARDWARE AND APPLIANCES

Key	Part Number	U/M	Description
	011032-01-000	EA	Sink - Stainless Steel - Double w/Bolts
	011053-01-000	EA	Faucet - 8" Swing Spout w/Aerator
	011053-01-700	EA	Aerator - Swing Spout Faucet
	011085-01-000	EA	Strainer - Sink
	043075-01-000	EA	Slide Asm. - Pantry Roller - 18"
	003212-01-000	EA	Hood - Range - Non-Powered - Chrome - Strawsine
	024670-01-000	EA	Hood - Range - Powered - Strawsine
**	044195-01-000	EA	Range - 4 Burner - Chrome w/Small Oven - Coleman - 2224
**	049044-01-000	EA	Range - Magic Chef - 4 Burner - Chrome w/Small Oven
**	049045-01-000	EA	Range - Magic Chef - 4 Burner - Chrome w/Large Oven
**	034545-01-000	EA	Refrigerator - AC/Gas - Winnebago - W6EG
**	003336-01-000	EA	Refrigerator - AC/Gas - Insta-Matic - IM6
**	049175-01-000	EA	Refrigerator - AC/Gas - Sibir - ET150

\*\*The illustrated parts breakdown for this item is provided on the Common Items Fiche.

## 1976 WINNEBAGO TABLE OF CONTENTS

MW25C	A-1 - B-10
MW25CD	B-11 - C-18
MW20RG	C-19 - D-24
MW23RB	E-1 - F-8
MW23RD	F-9 - G-16
D23C	G-17 - I-6
D26CRB	I-7 - J-20
D26CRK	J-21 - L-10

## 1976 MW20RG INDEX

Floor Plan	C-19 - C-20
Accessories Group	C-21 - C-22
Bath Group	C-22
Chassis Group	C-23
Curtain, Cushion & Pad Group	C-24
	D-1 - D-2
Dinette Group	D-3
Driver's Compartment	D-3
Electrical Group	D-4 - D-5
Exterior Body Group	D-6 - D-9
Galley Group	D-10
Heating & Air Conditioning Group	D-11
Interior Finish Group	D-12 - D-13
LP Group	D-14
Lounge Group	D-14
Water & Sewage Group	D-15
Window, Vent & Exterior Door Group	D-16 - D-24



## HEATING AND AIR CONDITIONING GROUP

### AUTO AIR CONDITIONER

Key	Part Number	U/M	Description
	048228-01-000	EA	Kit - Auto Air - 360 C.I.D. - C Body - AMC
	007313-01-000	EA	Component Package - AMC - Contains Condenser Coil, Receiver Drier, Clutch and Hoses
	040024-01-000	EA	Evaporator Asm. - AMC
	049235-01-000	EA	Compressor - AMC
	007314-01-000	EA	Compressor Mounting Package w/o Compressor - AMC
	048228-03-000	EA	Kit - Auto Air - 360 C.I.D. - C Body - ARA
	048228-04-000	EA	Kit - Auto Air - 360 C.I.D. - C Body - ARA - California
	048229-03-000	EA	Kit - Auto Air - 440 C.I.D. - C Body - ARA
	024996-01-000	EA	Clutch - Magnetic - 6" - A/C - ARA
	051767-01-000	EA	Evaporator Asm. - ARA
	051771-01-000	EA	Condenser Asm. - ARA
	051770-01-000	EA	Compressor Asm. - ARA
	051765-01-000	EA	Compressor Mounting Package w/o Compressor - 360 - ARA
	051386-01-000	EA	Compressor Mounting Package w/o Compressor - 360 - ARA - California
	051766-01-000	EA	Compressor Mounting Package w/o Compressor - 440 - ARA

### FURNACES AND ROOF AIR CONDITIONERS

Key	Part Number	U/M	Description
	024985-01-000	EA	Register - Furnace - Heat w/Damper - 9.9" x 4.8" - Brown Plastic
	009198-01-000	FT	Duct - Flexible - 4" I.D. x 25'
	009200-01-000	EA	Tape - Furnace - 1 1/2"
	023146-01-000	EA	Clamp - Screw Type - 4"
	031604-01-000	EA	Bonnet - Heat Register
	049199-01-000	EA	Plenum Asm. - Furnace
	038505-02-000	EA	Thermostat - Furnace - Wall Mount - Coleman
**	041603-01-000	EA	Furnace - 23,000 BTU - Under Counter Mount - Coleman - 4225
**	041604-01-000	EA	Furnace - 28,000 BTU - Under Counter Mount - Coleman - 4230
**	049777-01-000	EA	Air Conditioner - 110 Volt - Roof Mount - 11,000 BTU - Ivory Coleman (w/o Inside Shroud)
**	049778-01-000	EA	Shroud Asm. - Ceiling - Inside - Roof Air - Cool Only - 11,000 BTU - Coleman
**	049774-01-000	EA	Air Conditioner - 110 Volt - Roof Mount - 13,500 BTU Ivory - Coleman (w/o Inside Shroud)
**	049775-01-000	EA	Shroud Asm. - Ceiling - Inside - Roof Air - Cool Only - 13,500 BTU - Coleman
**	049776-01-000	EA	Shroud Asm. - Ceiling - Inside - Roof Air - Heat and Cool Only - 13,500 BTU - Coleman

\*\*The illustrated parts breakdown for this item is provided on the Common Items Fiche.

## INTERIOR FINISH GROUP

### PANELING AND BATT STRIPS

Key	Part Number	U/M	Description
	039188-02-000	SF	Paneling - 709 Hickory - 48" x 96" (32SF)
	000720-02-000	SF	Veneer - White Stucco - 48" x 96" (32SF)
	000724-01-000	EA	Batt Strip - White Stucco - 8'
	000726-07-000	EA	Batt Strip - 709 Hickory - 8'
	041206-01-000	SF	Tileboard - Agate Beige - 60" x 84" (35SF)

### COUNTERTOP MATERIALS

Key	Part Number	U/M	Description
	041205-01-000	SF	Plastic Laminate - 48" x 96" - Green (Sauterne)
	041205-01-001	EA	Plastic Laminate - 48" x 48" - Green (Sauterne)
	041205-01-002	EA	Plastic Laminate - 1.19" x 96" - Green (Sauterne)
	041205-02-000	SF	Plastic Laminate - 48" x 96" - Gold (Mustard)
	041205-02-001	EA	Plastic Laminate - 48" x 48" - Gold (Mustard)
	041205-02-002	EA	Plastic Laminate - 1.19" x 96" - Gold (Mustard)
	041205-03-000	SF	Plastic Laminate - 48" x 96" - Orange (Comquat)
	041205-03-001	EA	Plastic Laminate - 48" x 48" - Orange (Comquat)
	041205-03-002	EA	Plastic Laminate - 1.19" x 96" - Orange (Comquat)

### FABRICS AND CARPET

Key	Part Number	U/M	Description
	041199-01-000	SY	Carpet - Green (Sauterne)
	041199-02-000	SY	Carpet - Gold (Mustard)
	041199-03-000	SY	Carpet - Orange (Comquat)
	041198-01-000	YD	Fabric - Drapery - Green (Sauterne)
	041198-02-000	YD	Fabric - Drapery - Gold (Mustard)
	041198-03-000	YD	Fabric - Drapery - Orange (Comquat)
	041197-01-000	YD	Fabric - Upholstery - Green (Sauterne)
	041197-02-000	YD	Fabric - Upholstery - Gold (Mustard)
	041197-03-000	YD	Fabric - Upholstery - Orange (Comquat)
	042411-03-000	YD	Vinyl - Nonsupport - 16 Gauge - Brown
	042411-01-000	YD	Vinyl - Nonexpanded - 27 Ounce - Brown

### INTERIOR MOLDINGS AND TRIM

Key	Part Number	U/M	Description
	022756-01-000	EA	Cover - Air Conditioner Wire - Plastic
	024700-03-000	EA	Cover - Sidewall Roll Bar - White
	024700-05-000	EA	Cover - Sidewall Roll Bar - 709 Hickory
	034113-01-000	EA	Cover - Corner Support Bar - Brown
	039512-01-000	EA	Cover - Hat Section - White
	039512-03-000	EA	Cover - Hat Section - 709 Hickory
	040025-01-000	EA	Cover - Corner Hat/Hat
	042886-01-000	EA	Cover - Corner Tube/Tube
	009778-01-000	FT	U-Channel - 1" Dark Brown Plastic
	009777-01-000	FT	U-Channel - 3/4" Dark Brown Plastic
	009815-02-000	FT	T Molding - 3/4" Brown
	009812-06-000	FT	Molding - Plastic - Outside Corner - 1/2"
	009767-01-000	FT	Welling - Brown
	009779-01-000	FT	U-Channel - 1 1/8" Dark Brown
	009809-03-000	FT	Molding - Plastic - Outside Corner - 1"
	009810-01-000	FT	Corner - Outside - 1" - Dark Pecan
	034394-02-000	FT	Insert - Extruded Vinyl - Belge
	034689-03-000	EA	Cover - Screw PPH 10 - Ivory - Bathroom
	042356-01-000	EA	Plug Button - Mahogany - 3/8" Dia.
	009781-01-000	FT	Corner - Outside - .62" x .62" - Dark Brown Plastic

## 1976 WINNEBAGO TABLE OF CONTENTS

MW25C	A-1 - B-10
MW25CD	B-11 - C-18
MW20RG	C-19 - D-24
MW23RB	E-1 - F-8
MW23RD	F-9 - G-16
D23C	G-17 - I-6
D26CRB	I-7 - J-20
D26CRK	J-21 - L-10

## 1976 MW20RG INDEX

Floor Plan	C-19 - C-20
Accessories Group	C-21 - C-22
Bath Group	C-22
Chassis Group	C-23
Curtain, Cushion & Pad Group	C-24
	D-1 - D-2
Dinette Group	D-3
Driver's Compartment	D-3
Electrical Group	D-4 - D-5
Exterior Body Group	D-6 - D-9
Galley Group	D-10
Heating & Air Conditioning Group	D-11
Interior Finish Group	D-12 - D-13
LP Group	D-14
Lounge Group	D-14
Water & Sewage Group	D-15
Window, Vent & Exterior Door Group	D-16 - D-24

## INTERIOR FINISH GROUP (CONTINUED)

### CURTAIN HARDWARE

Key	Part Number	U/M	Description
	052327-01-236	EA	Curtain Track - Alum. - Brown - 89" w/Holes
	009107-01-000	EA	Guide - Curtain - Nylon Snap
	009223-01-000	EA	Rod - Curtain - Flat - Extends - 32" - 51"
	009223-02-000	EA	Rod - Curtain - Flat - Extends - 48" - 84"
	042439-01-000	EA	Bracket - Flat Curtain Rod - Left or Right
	043087-01-000	EA	Track - Shower Curtain - Alum. - "L" Rod
	009701-01-000	EA	Carrier w/Rollers - Curtain - "L" Rod
	009702-01-000	EA	End Stop - Curtain Track - "L" Rod
	009136-01-000	EA	Pin - Shower Curtain
	018031-42-000	EA	Track - Curtain - "L" Rod - Alum. - 90"

### CABINETS AND TABLE HARDWARE

Key	Part Number	U/M	Description
	009065-01-000	EA	Hinge - Continuous Aluminum - 1 1/2" x 96" Plain
	009068-01-000	EA	Hinge - Continuous Steel - 1 1/2" x 72"
	009150-01-000	EA	Warp Guard - 64"
	009124-01-000	EA	Lock - Door - Push Button Brass (Bath Door)
	009112-01-000	EA	Flange - 1" - Rod - Chrome
	047744-01-000	EA	Kit - Drawer Glide
	037688-01-000	FT	Rail - Drawer Glide
	048148-01-000	EA	Drawer Pull - 5 3/8" Early American - Black
	049332-01-000	EA	Kit - Hinge Cabinet Door - Black
	049333-01-000	EA	Kit - Latch - Cabinet Door - Black
	009047-01-000	EA	Support - Door - Overhead
	005001-02-000	EA	Screw - 5 - 18 x 5/8" Phil PYR Black
	007021-01-000	EA	Belt Asm. - Seat - 2" x 90" Black
	041322-01-000	EA	Washer - Flat - 15/32" I.D. x 2 3/8" O.D. (Seat Belt)

### MISCELLANEOUS PARTS

Key	Part Number	U/M	Description
	042950-01-000	EA	Handle - Interior Assist
	041944-01-700	EA	Extinguisher - Fire - Dry Chemical w/Bracket
	007038-01-000	EA	Mat - Door - Black Rubber - 10 1/2" x 26"

## LP GROUP

Key	Part Number	U/M	Description
	008815-01-000	EA	Regulator - Automatic - LP Gas - Double Tank
	008811-01-000	EA	Hose - Asm. - LP 3/8" I.D. x 24"
	008820-01-000	EA	Hose - Asm. LP 1/4" I.D. x 16"
	045703-01-000	EA	Hose - Asm. LP 3/8" I.D. x 24"
	045703-03-000	EA	Hose - Asm. LP 3/8" I.D. x 14"
	008814-01-000	EA	Regulator - Manual LP Gas - Double Tank
	008818-01-000	EA	Tank Asm. LP 20 LB. Horizontal w/Hardware
	040046-01-000	EA	Compartment LP Horizontal Plastic
	040047-01-000	EA	Bracket - LP Bottle Hold Down
	047221-01-000	EA	Detector - LP Gas Leak
	047356-01-000	EA	Bracket - LP Leak Detector
	023263-01-000	EA	Tank Asm. - LP - 30 LB. Horizontal w/Hardware

## 1976 WINNEBAGO TABLE OF CONTENTS

MW25C	A-1 - B-10
MW25CD	B-11 - C-18
MW20RG	C-19 - D-24
MW23RB	E-1 - F-8
MW23RD	F-9 - G-16
D23C	G-17 - I-6
D26CRB	I-7 - J-20
D26CRK	J-21 - L-10

## LOUNGE GROUP

Key	Part Number	U/M	Description
	042554-59-700	EA	Door Asm. - Front Wardrobe Cabinet - 11 9/16" x 41 1/16" w/o Hardware
	042554-60-700	EA	Door Asm. - Rear Wardrobe Cabinet - 11 9/16" x 47 13/16" w/o Hardware
	043171-01-701	EA	Cabinet Asm. - Furnace w/o Countertop
	043171-01-700	EA	Countertop Asm. - Furnace Cabinet - Green (Sauterne)
	043171-02-700	EA	Countertop Asm. - Furnace Cabinet - Gold (Mustard)
	043171-03-700	EA	Countertop Asm. - Furnace Cabinet - Orange (Comquat)
	042690-01-700	EA	Drawer Asm. - Cabinet - Notch Up - 7 3/4" x 5 1/4" x 10" w/o Hardware
	043169-01-700	EA	Countertop Asm. - Generator Cabinet - Green (Sauterne)
	043169-02-700	EA	Countertop Asm. - Generator Cabinet - Gold (Mustard)
	043169-03-700	EA	Countertop Asm. - Generator Cabinet - Orange (Comquat)
	043167-01-000	EA	Cabinet Asm. - Gaucho - 39"
	042091-01-000	EA	Leg Asm. - Gaucho (2 required per gaucho)
	043176-01-000	EA	Cabinet Asm. - Rear Overhead w/o Doors or Hardware
	042554-10-700	EA	Door Asm. - Overhead Cabinet - 11 13/16" x 26" w/o Hardware

## 1976 MW20RG INDEX

Floor Plan	C-19 - C-20
Accessories Group	C-21 - C-22
Bath Group	C-22
Chassis Group	C-23
Curtain, Cushion & Pad Group	C-24
Dinette Group	D-1 - D-2
Driver's Compartment	D-3
Electrical Group	D-4 - D-5
Exterior Body Group	D-6 - D-9
Galley Group	D-10
Heating & Air Conditioning Group	D-11
Interior Finish Group	D-12 - D-13
LP Group	D-14
Lounge Group	D-14
Water & Sewage Group	D-15
Window, Vent & Exterior Door Group	D-16 - D-24

## WATER AND SEWAGE GROUP

### PLUMBING FITTINGS

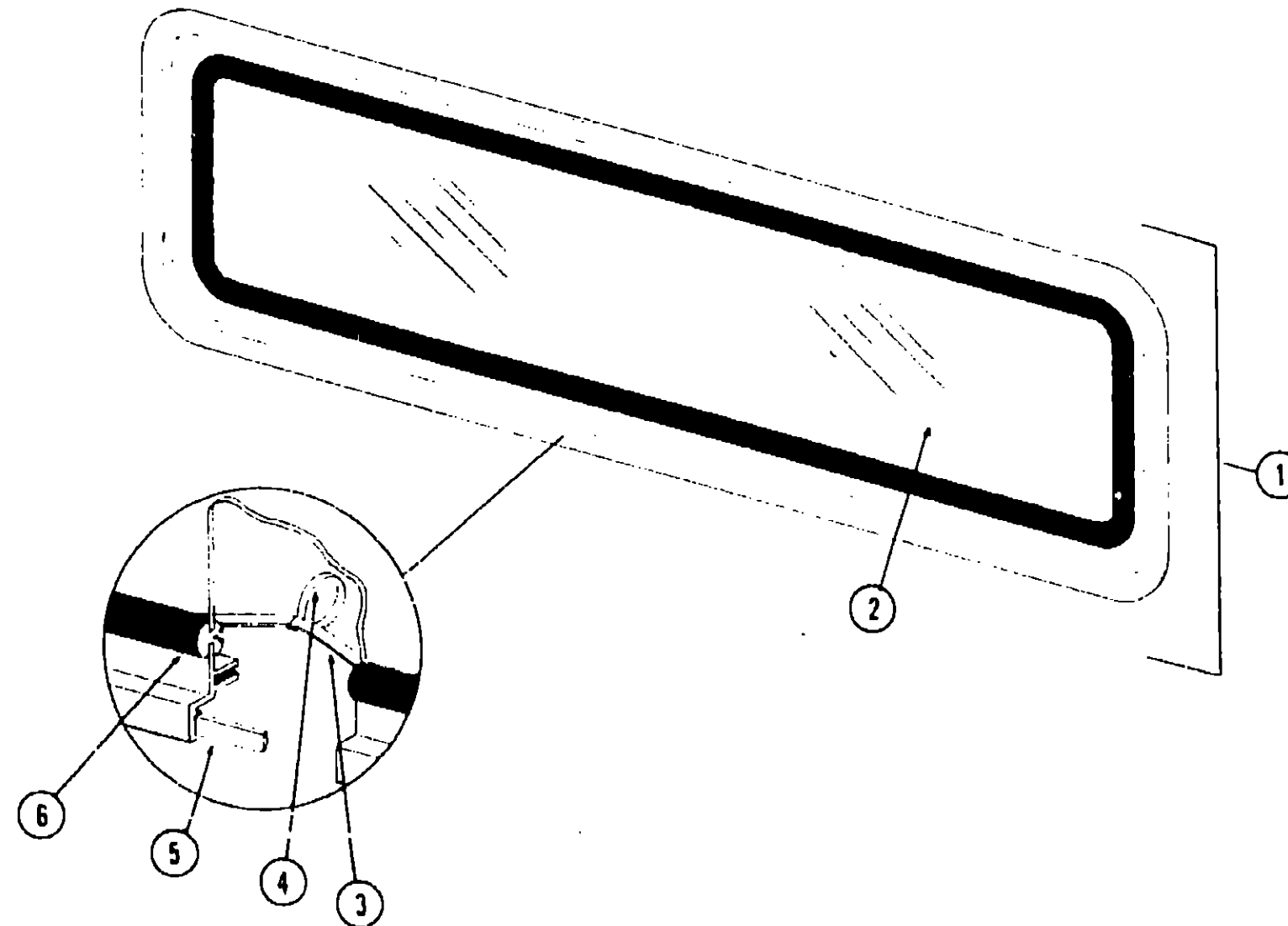
Key	Part Number	U/M	Description
	011002-01-000	EA	Air Compressor
	006060-01-000	EA	Purification System - Everpure - Water
	006060-02-000	EA	Cartridge - Replacement - Everpure
	023833-01-000	EA	Air Compressor - 12 Volt
	011024-01-000	EA	Sending Unit - Water Tank - 5 Wire
	010210-01-000	EA	Valve - Sanitary - Thetford 3HB
	010234-01-000	EA	Adapter - Bayonet
	010235-01-000	EA	Cap - Sewage - 3"
	010236-01-000	EA	Adaptor - Hose - 3"
	046524-01-000	EA	Kit - Fittings - Plastic - Holding Tanks
	011066-01-000	EA	P-Trap - Plastic - 1 1/4"
	011091-01-000	EA	Waste - Continuous Double Sink - 11 7/8"
	011005-01-000	EA	Spout - Water Fill - w/Gauge
	004020-01-000	QT	Adhesive - ABS Cement
	010201-01-000	EA	Hose - Sewer - 3" x 10' w/Clamp
	010209-02-000	EA	Handle - Extension - Sewer Valve - 9.5"
	700066-01-000	EA	Gauge - Water Fill - Exterior
	039809-01-000	EA	Valve - Stool - Plastic - 3/8" C x 1/2" FPT
	050780-01-000	EA	Coupler - Rubber - 3" x 3"
	037845-01-000	FT	Tape - Butyl - 3/16" Bead Black
	010153-01-000	EA	Ring - Closet - Plastic - 4" F x 3" MPT
	010205-01-000	EA	Valve - Sanitary - Thetford - 3XB
	022316-01-000	EA	Holder - Sanitary Valve Extension Handle
	024417-01-000	EA	Panel - Control - Water/Double Sewage - Wemac
	031146-01-000	EA	Panel - Control - Water/Single Sewage - Wemac

### HOLDING TANKS AND WATER HEATERS

Key	Part Number	U/M	Description
	011027-01-000	EA	Tank Asm. - Water - 22 Gallon - Galvanized - 14" Dia.
	043835-02-000	EA	Tank Asm. - Holding - 16 Gallon - Plastic w/Fittings
	043835-01-000	EA	Tank Asm. - Holding - 16 Gallon - Plastic w/o Fittings
	043836-03-000	EA	Tank Asm. - Holding - 24 Gallon - Plastic w/Fittings
	043836-01-000	EA	Tank Asm. - Holding - 24 Gallon - Plastic w/o Fittings
**	051391-01-000	EA	Water Heater - Atwood - G6A3
**	031952-01-000	EA	Water Heater - Atwood - G6A2

\*\* The illustrated parts breakdown for this item is provided on the Common Items Fiche.

## WINDOW, VENT AND EXTERIOR DOOR GROUP



Key	Part Number	U/M	Description
1	020754-01-000	EA	Window Asm. - Escape - 23" x 68" - Clear Anod. (w/o Inside Frame)
2	002178-01-000	EA	Glass 1/8" x 19.61" x 64.80"
3	002285-01-000	FT	Weatherstrip - Filler - Black
4	020395-01-000	EA	Slip Ring - Pull
5	004363-01-000	FT	Tape - Foam 3/16" x 1/2" - Gray
6	002282-01-000	FT	Weatherstrip - Window .125" - Black
*	020752-03-000	EA	Frame - Window Inside - Escape 23" x 68" (not included in assembly)
*	006199-01-000	EA	Label - Exit - Escape Window
*			Not Illustrated

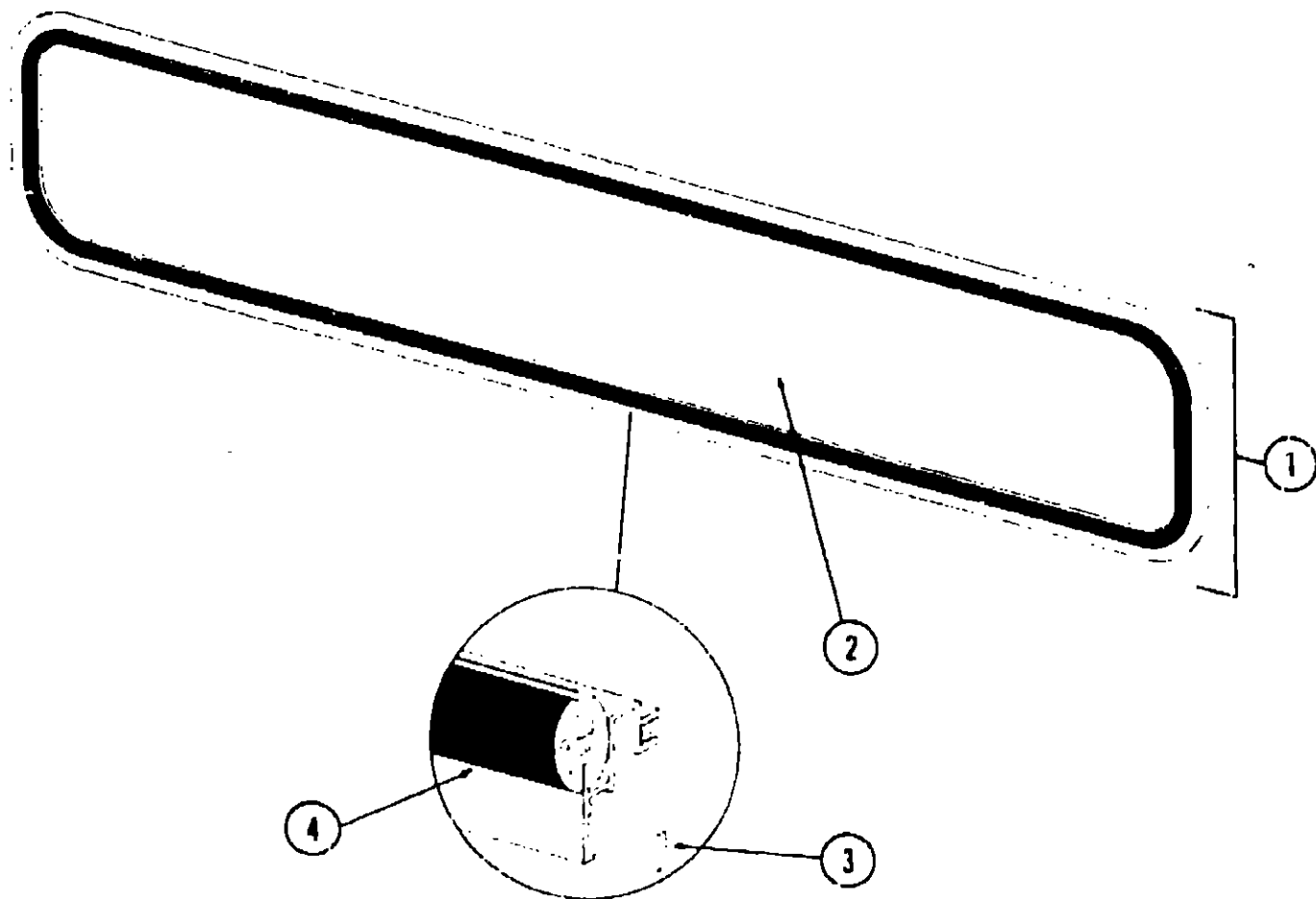
### 1976 WINNEBAGO TABLE OF CONTENTS

MW25C	A-1 - B-10
MW25CD	B-11 - C-18
MW20RG	C-19 - D-24
MW23RB	E-1 - F-8
MW23RD	F-9 - G-16
D23C	G-17 - I-6
D26CRB	I-7 - J-20
D26CRK	J-21 - L-10

### 1976 MW20RG INDEX

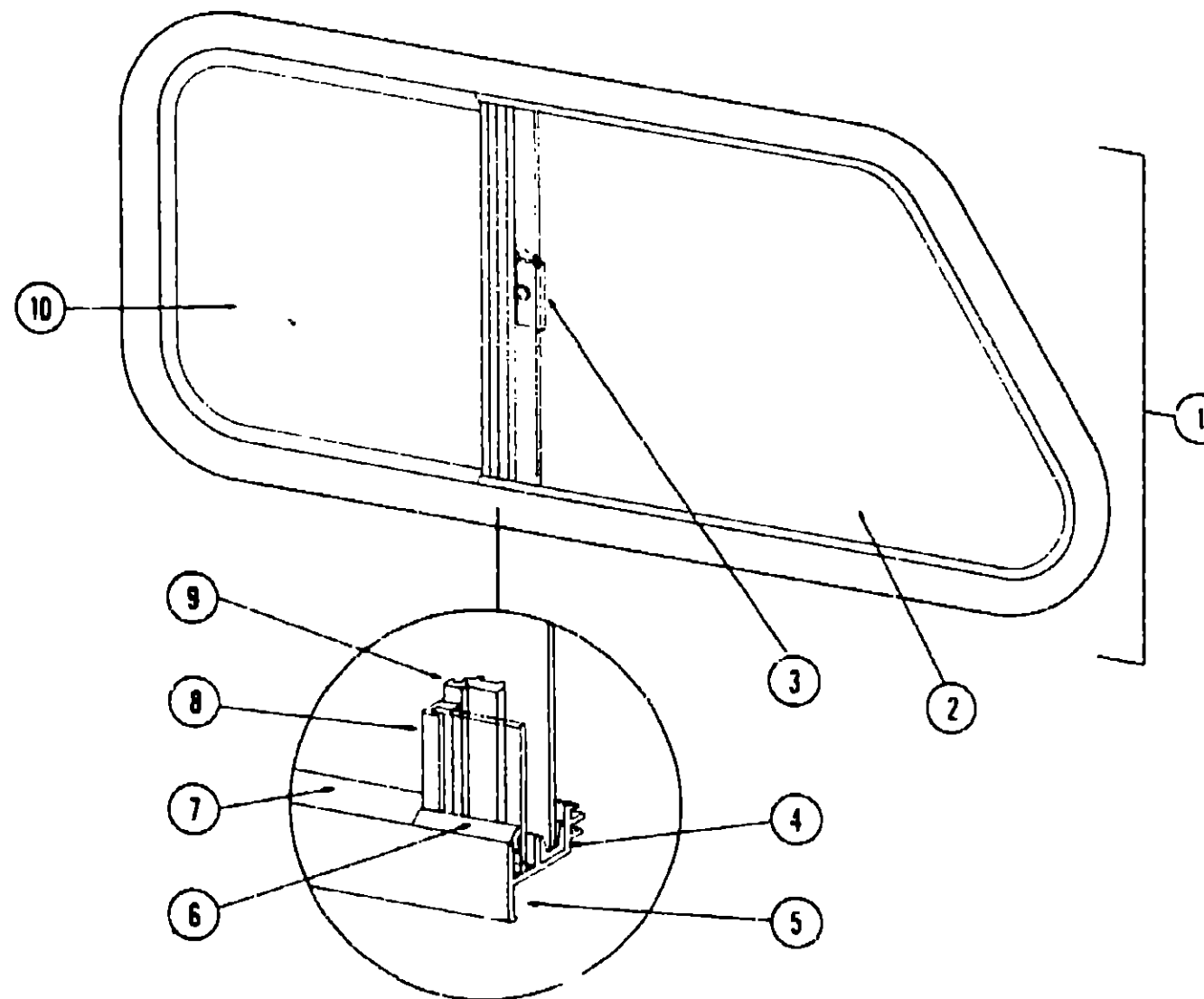
Floor Plan	C-19 - C-20
Accessories Group	C-21 - C-22
Bath Group	C-22
Chassis Group	C-23
Curtain, Cushion & Pad Group	C-24
	D-1 - D-2
Dinette Group	D-3
Driver's Compartment	D-3
Electrical Group	D-4 - D-5
Exterior Body Group	D-6 - D-9
Galley Group	D-10
Heating & Air Conditioning Group	D-11
Interior Finish Group	D-12 - D-13
LP Group	D-14
Lounge Group	D-14
Water & Sewage Group	D-15
Window, Vent & Exterior Door Group	D-16 - D-24

**WINDOW, VENT AND EXTERIOR DOOR GROUP (CONTINUED)**



Key	Part Number	U/M	Description
1	041936-02-000	EA	Window Asm. - Front Picture - 14" x 69" (w/o Inside Frame)
2	002200-02-000	EA	Glass - TP - Picture Window
3	004363-01-000	FT	Tape - Sealer - 3/16" x 1/2" Foam
4	002281-01-000	FT	Weatherstrip - Self Seal - .06" Panel x 3/16" Black
	037845-01-000	FT	Tape - Butyl - Window - 3/16" - Bead Black
	041938-01-000	EA	Frame - Inside - Picture Window (not included in assembly)
			Not Illustrated

**WINDOW, VENT AND EXTERIOR DOOR GROUP (CONTINUED)**



Key	Part Number	U/M	Description
1	048632-01-000	EA	Window Asm. - Bunk - Slanted Slider - Right (w/o Inside Frame)
	048632-02-000	EA	Window Asm. - Bunk - Slanted Slider - Left (w/o Inside Frame)
2	040919-01-000	EA	Glass - 1/8" x 11.98" x 19.42" - Gray - Stationary
3	047369-01-700	EA	Latch - Window - Plastic w/Fastener
4	002324-01-000	FT	Channel - Weatherstrip - Glass Run - 1/8" Glass
5	004363-01-000	FT	Tape - Foam - 3/16" x 1/2" - Gray
6	002309-01-000	FT	Spline - Glass - 1/8" - Gray
7	024096-01-000	FT	Seal - Window - Channel - Gray
8	002390-02-001	EA	Holder - Glass Seal - Extr. - Anod.
9	041894-10-000	EA	Mullion - 13" - Clear Anod.
10	047815-01-000	EA	Glass - 1/8" x 11.98" x 11.81" - Gray - Sliding
	040916-04-000	EA	Frame - Window - Inside - Bunk Slant - Right (not included in assembly)
	040916-03-000	EA	Frame - Window - Inside - Bunk Slant - Left (not included in assembly)
	023713-01-000	EA	Cover - Weephole - White
	002298-01-000	FT	Spline - Gray - .130" Dia. (Screen)
	002292-01-000	SF	Screen - Window - 20" - Gray
			Not Illustrated

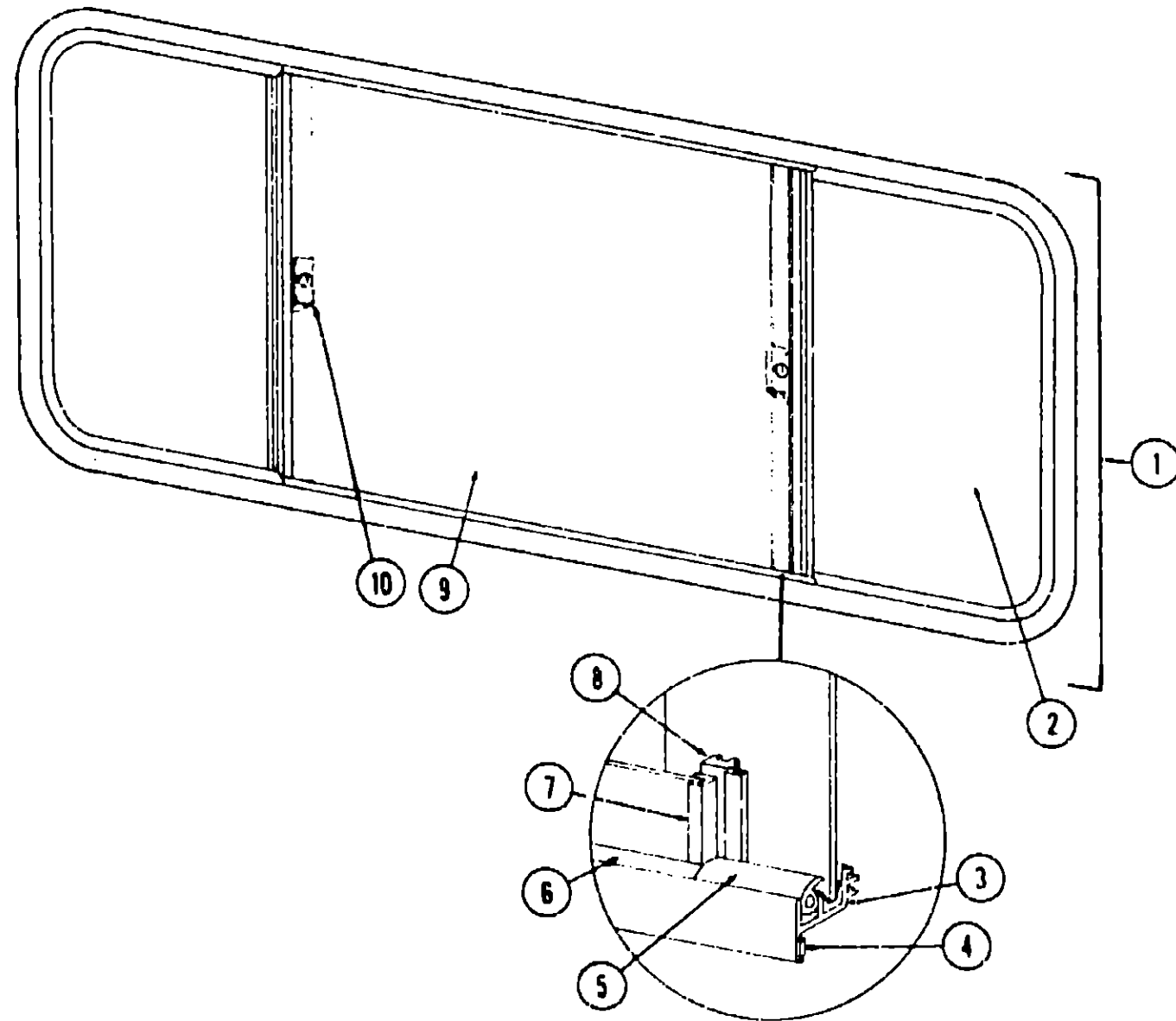
**1976 WINNEBAGO  
TABLE OF CONTENTS**

MW25C	A-1 - B-10
MW25CD	B-11 - C-13
MW20RG	C-19 - D-24
MW23RB	E-1 - F-8
MW23RD	F-9 - G-16
D23C	G-17 - I-6
D26CRB	I-7 - J-20
D26CRK	J-21 - L-10

**1976 MW20RG  
INDEX**

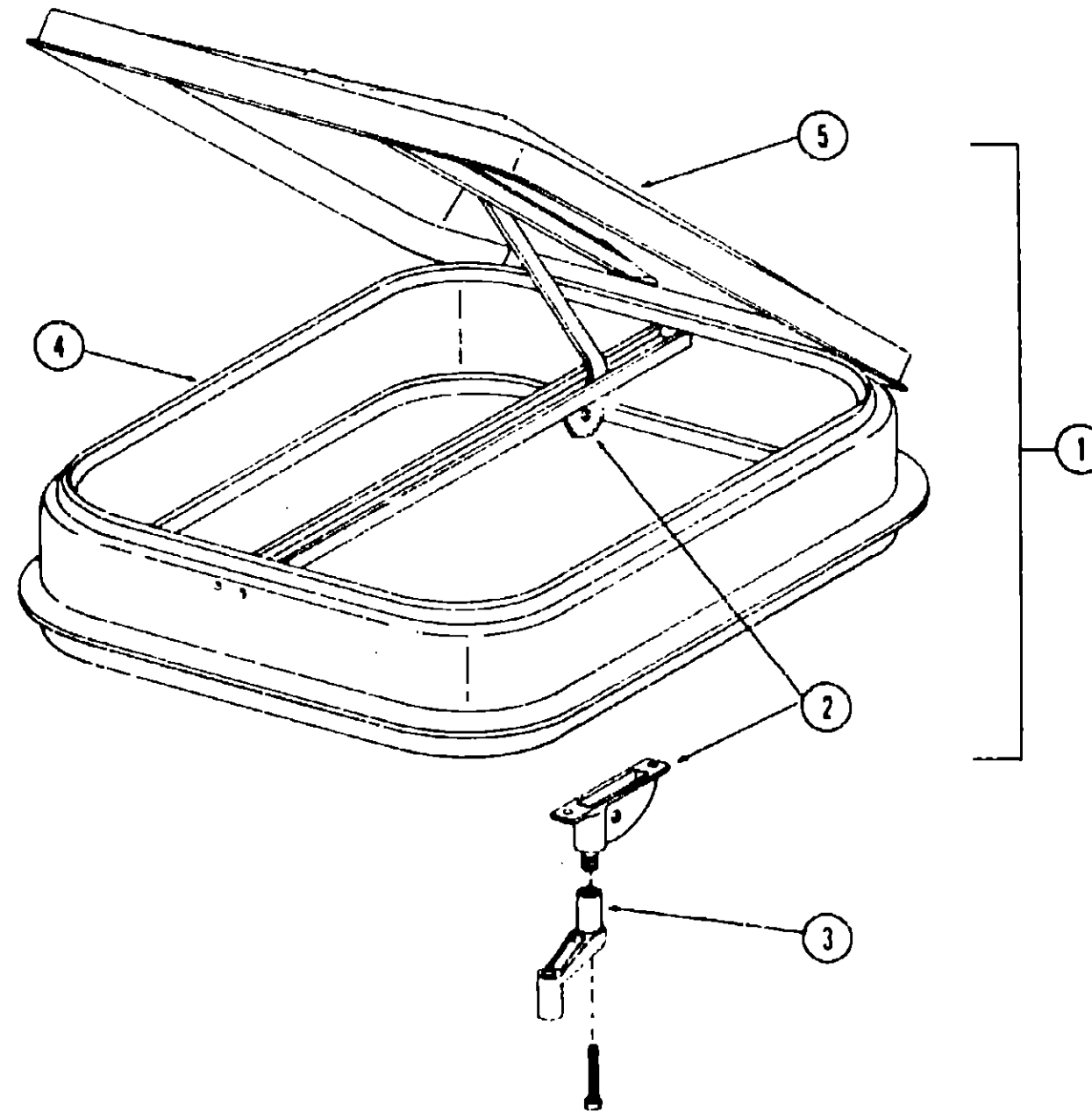
Floor Plan	C-19 - C-20
Accessories Group	C-21 - C-22
Bath Group	C-22
Chassis Group	C-23
Curtain, Cushion & Pad Group	C-24
	D-1 - D-2
Dinette Group	D-3
Driver's Compartment	D-3
Electrical Group	D-4 - D-5
Exterior Body Group	D-6 - D-9
Galley Group	D-10
Heating & Air Conditioning Group	D-11
Interior Finish Group	D-12 - D-13
LP Group	D-14
Lounge Group	D-14
Water & Sewage Group	D-15
Window, Vent & Exterior Door Group	D-16 - D-24

**WINDOW, VENT AND EXTERIOR DOOR GROUP (CONTINUED)**



Key	Part Number	U/M	Description
1	048630-03-000	EA	Window Asm. - Double Slider - 23" x 65" - Clear Anod. w/Plastic Latch (w/o Inside Frame)
2	047823-01-000	EA	Glass - 1/8" x 22" x 21.03" - Sliding (used w/Plastic Latch)
	002187-01-000	EA	Glass - 1/8" x 22" x 21.03" - Sliding (used w/Alum. Latch)
3	002324-01-000	FT	Channel - Weatherstrip - Glass Run - 1/8" Glass
4	004363-01-000	FT	Tape - Foam - 3/16" x 1/2" - Gray
5	024096-01-000	FT	Seal - Window Channel - Gray
6	002309-01-000	FT	Spline - Glass - 1/8" - Gray
7	018025-01-000	EA	Holder - Glass Seal - Clear Anod
8	041894-03-000	EA	Mullion - Slider Window - 23" - Clear Anod
9	002188-01-000	EA	Glass - 1/8" x 22" x 21.03" - Stationary
10	047369-01-700	EA	Latch - Window - Plastic w/Fastener
	023275-04-000	EA	Latch - Window - Alum.
	042133-02-000	EA	Frame - Inside - Double Slider Window - 23" x 65" (not included in assembly)
	002298-01-000	FT	Spline - Gray - .130" Dia. - (Screen)
	002293-01-000	SF	Screen - Window - 26" - Gray
	023713-01-000	EA	Cover - Weephole - Plastic - White
			Not Illustrated

**WINDOW, VENT AND EXTERIOR DOOR GROUP (CONTINUED)**



Key	Part Number	U/M	Description
1	048835-01-000	EA	Vent Asm. - Roof - Nonpowered - w/o Screen
2	009440-01-000	EA	Gear - Arm - Roof Vent
3	009439-01-000	EA	Crank - Roof Vent
4	002825-01-000	FT	Weatherstrip - Roof Vent
5	046825-01-000	EA	Cover - Plastic - Roof Vent
	016335-01-000	EA	Screen Asm. - Nonpowered Roof Vent - Clear Anod. (not included in assembly)
	016335-03-000	EA	Screen Asm. - Nonpowered Roof Vent - Beige (not included in assembly)
			Not Illustrated

**1976 WINNEBAGO  
TABLE OF CONTENTS**

MW25C	A-1 - B-10
MW25CD	B-11 - C-18
MW20RG	C-19 - D-24
MW23RB	E-1 - F-8
MW23RD	F-9 - G-16
D23C	G-17 - I-6
D26CRB	I-7 - J-20
D26CRK	J-21 - L-10

**1976 MW20RG  
INDEX**

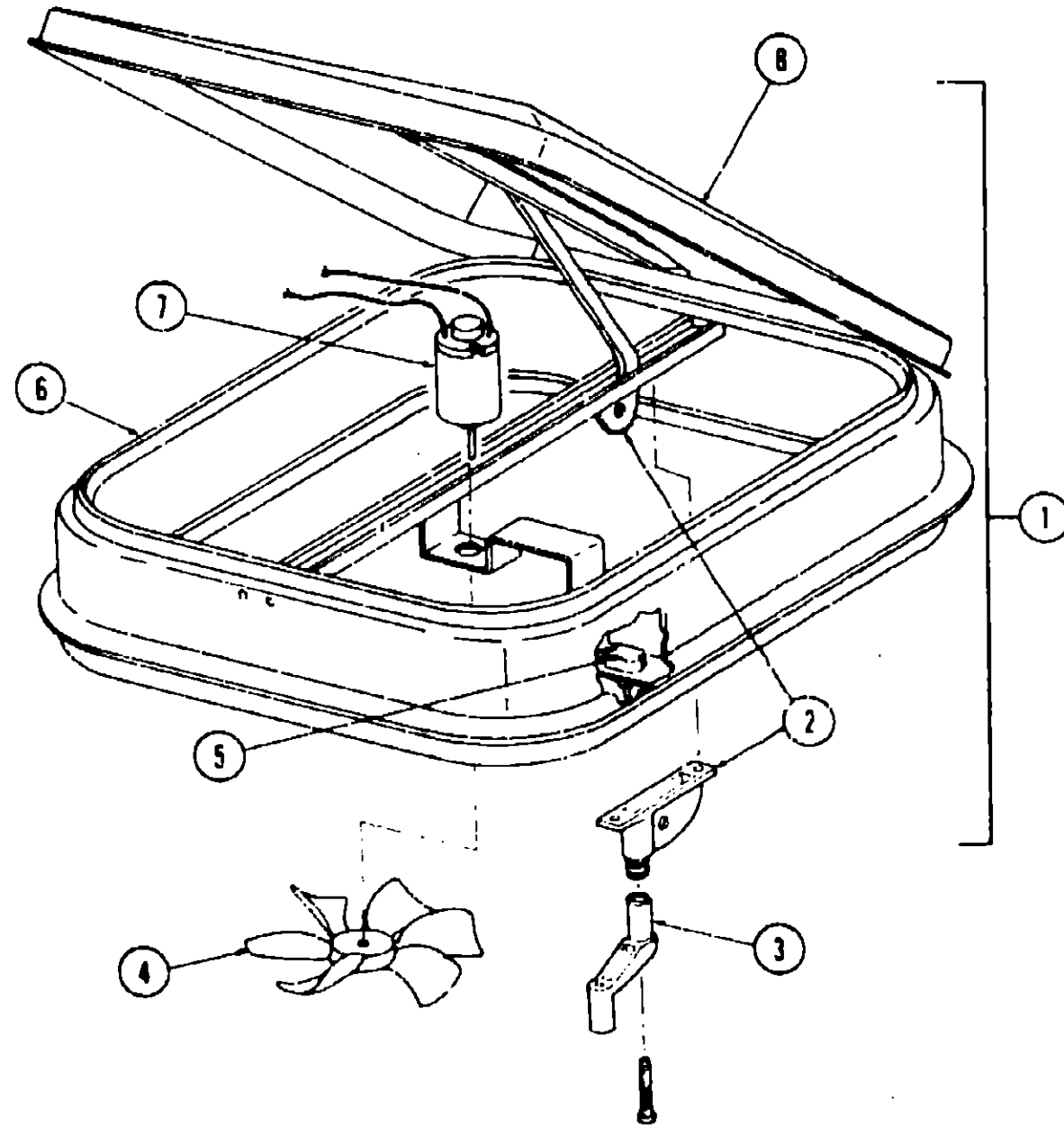
Floor Plan	C-19 - C-20
Accessories Group	C-21 - C-22
Bath Group	C-22
Chassis Group	C-23
Curtain, Cushion & Pad Group	C-24
	D-1 - D-2
Dinette Group	D-3
Driver's Compartment	D-3
Electrical Group	D-4 - D-5
Exterior Body Group	D-6 - D-9
Galley Group	D-10
Heating & Air Conditioning Group	D-11
Interior Finish Group	D-12 - D-13
LP Group	D-14
Lounge Group	D-14
Water & Sewage Group	D-15
Window, Vent & Exterior Door Group	D-16 - D-24

ACCESS DOORS

Key	Part Number	U/M	Description
	003182-03-000	EA	Door Asm. - Water Heater - Off White - G6A2
	022583-06-000	EA	Door Asm. - LP - Off White
	033333-17-000	EA	Door Asm. - Battery - Off White
	042584-01-000	EA	Door Asm. - Luggage - Off White
	044210-01-000	EA	Door Asm. - 6" x 10" - Plastic - Off White
	042585-01-000	EA	Door Asm. - Generator
	047305-01-000	EA	Lock Asm. - Key Type w/Clip
	039884-01-000	EA	Lock Asm. - Twist Type w/Clip
	016945-02-000	EA	Holder - Luggage/Battery Door
	047349-03-000	EA	Door Asm. - Refrigerator Access

VENTS

Key	Part Number	U/M	Description
	039778-01-000	EA	Cover - Plastic - Refrigerator Vent
	009407-01-000	EA	Frame - Base - Refrigerator Vent w/o Cover
	049352-01-000	EA	Vent - Stovehood - Outside - Off White (Jensen)
	003212-02-000	EA	Vent - Stovehood - Outside - Nonpower - Strawsine
	003213-03-000	EA	Vent - Stovehood - Outside w/o Damper - Off White - Strawsine



Key	Part Number	U/M	Description
1	048769-01-000	EA	Vent Asm. - Roof - Powered - w/o Screen
2	009440-01-000	EA	Gear - Arm - Roof Vent
3	009439-01-000	EA	Crank - Roof Vent
4	048649-01-000	EA	Fan - Blade - 6" Plastic
•	009442-01-000	EA	Fan - Blade - Alum.
5	008195-01-000	EA	Switch - Push Button - 12 Volt
6	002825-01-000	FT	Weatherstrip - Roof Vent
7	048648-01-000	EA	Motor - 12 Volt (Vent w/Plastic Fan)
•	009441-01-000	EA	Motor - 12 Volt (Vent w/Alum. Fan)
8	046825-01-000	EA	Cover - Plastic - Roof Vent (Vent w/Plastic Fan)
•	016336-01-000	EA	Cover - Plastic - Roof Vent (Vent w/Alum. Fan)
•	048695-01-000	EA	Screen Asm. - Powered Roof Vent - Clear Anod (Vent w/Plastic Fan) (not included in assembly)
•	016337-01-000	EA	Screen Asm. - Powered Roof Vent - Clear Anod. (Vent w/Alum. Fan) (not included w/assembly)
•	Not Illustrated		

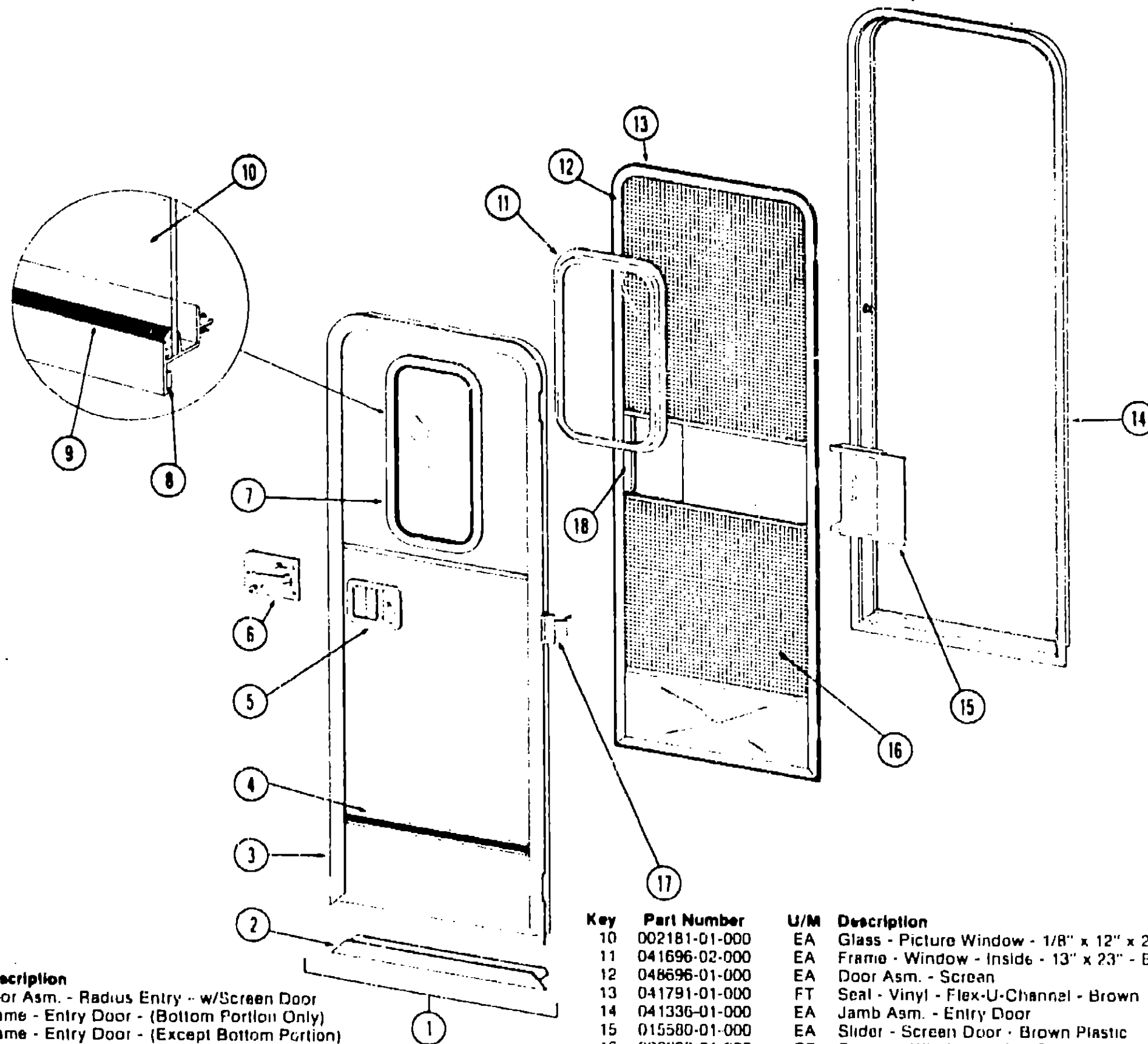
1976 WINNEBAGO  
TABLE OF CONTENTS

MW25C	A-1 - B-10
MW25CD	B-11 - C-18
MW20RG	C-19 - D-24
MW23RB	E-1 - F-8
MW23RD	F-9 - G-16
D23C	G-17 - I-6
D26CRB	I-7 - J-20
D26CRK	J-21 - L-10

1976 MW20RG  
INDEX

Floor Plan	C-19 - C-20
Accessories Group	C-21 - C-22
Bath Group	C-22
Chassis Group	C-23
Curtain, Cushion & Pad Group	C-24
	D-1 - D-2
Dinette Group	D-3
Driver's Compartment	D-3
Electrical Group	D-4 - D-5
Exterior Body Group	D-6 - D-9
Galley Group	D-10
Heating & Air Conditioning Group	D-11
Interior Finish Group	D-12 - D-13
LP Group	D-14
Lounge Group	D-14
Water & Sewage Group	D-15
Window, Vent & Exterior Door Group	D-16 - D-24

## WINDOW, VENT AND EXTERIOR DOOR GROUP (CONTINUED)



Key	Part Number	U/M	Description
1	039751-02-000	EA	Door Asm. - Radius Entry - w/Screen Door
2	039737-01-000	EA	Frame - Entry Door - (Bottom Portion Only)
3	039736-01-000	EA	Frame - Entry Door - (Except Bottom Portion)
4	009101-02-000	EA	Holder - Entry Door - Female (Mounts on Coach)
5	009102-01-000	EA	Holder - Entry Door - 2 1/2" Male (Mounts on Door)
6	041948-01-000	EA	Kill - Radius Door - Lock - Complete - Atwood
7	039541-01-000	EA	Lock Cylinder w/Keys - Atwood
8	039539-01-000	EA	Striker - Entry Door Lock
9	039979-01-000	EA	Plate - Lock - Interior - Including Inside Handle
10	041875-01-000	EA	Window Asm. - Picture - 13" x 23" - Clear Anod. (inside frame not included in assembly)
11	004363-01-000	FT	Tape - Foam - 3/16" x 1/2" Gray
12	002309-01-000	FT	Spline - Glass - 1/8" Gray

Key	Part Number	U/M	Description
13	002181-01-000	EA	Glass - Picture Window - 1/8" x 12" x 22" - Gray
14	041696-02-000	EA	Frame - Window - Inside - 13" x 23" - Brown
15	048696-01-000	EA	Door Asm. - Screen
16	041791-01-000	FT	Seal - Vinyl - Flex-U-Channel - Brown
17	041336-01-000	EA	Jamb Asm. - Entry Door
18	015580-01-000	EA	Slider - Screen Door - Brown Plastic
19	002293-01-000	SF	Screen - Window - 26" - Gray
20	039520-01-000	EA	Hinge - Entry Door (3 used per door)
21	015581-01-000	EA	Cap - Screen Door - Brown Plastic
22	049176-01-000	EA	Hedlock II - 3/4" Diameter - Screw Mount (Retains Screen Door to Entry Door)
23	049797-01-000	EA	Hedlock II - 1" Diameter - Screw Mount (Retains Screen Door to Entry Door)
24	018019-01-000	EA	Striker - Screen Door
25	039863-01-700	EA	Catch Asm. - Single Roller w/Strike - Screen Door
26	039740-01-000	FT	Seal - Jamb - Entry Door
27	039800-03-000	FT	Tubing - Polybutyl - 3/8" O.D. - Jamb
			Not illustrated

D-23

## 1976 WINNEBAGO TABLE OF CONTENTS

MW25C	A-1 - B-10
MW25CD	B-11 - C-18
MW20RG	C-19 - D-24
MW23RB	E-1 - F-8
MW23RD	F-9 - G-16
D23C	G-17 - I-6
D26CRB	I-7 - J-20
D26CRK	J-21 - L-10

## 1976 MW20RG INDEX

Floor Plan	C-19 - C-20
Accessories Group	C-21 - C-22
Bath Group	C-22
Chassis Group	C-23
Curtain, Cushion & Pad Group	C-24
	D-1 - D-2
Dinette Group	D-3
Driver's Compartment	D-3
Electrical Group	D-4 - D-5
Exterior Body Group	D-6 - D-9
Galley Group	D-10
Heating & Air Conditioning Group	D-11
Interior Finish Group	D-12 - D-13
LP Group	D-14
Lounge Group	D-14
Water & Sewage Group	D-15
Window, Vent & Exterior Door Group	D-16 - D-24

D-24